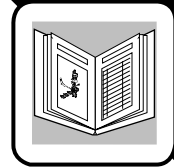


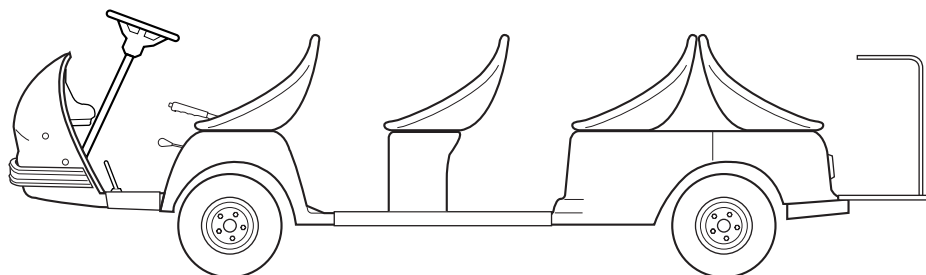
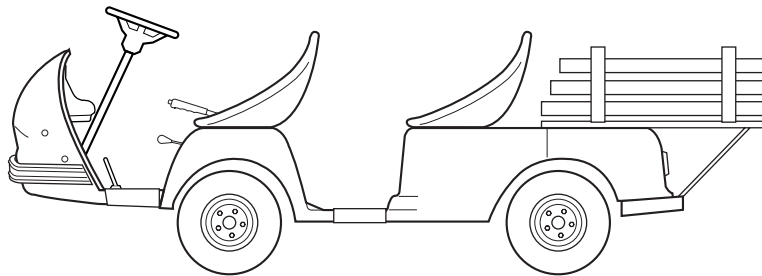
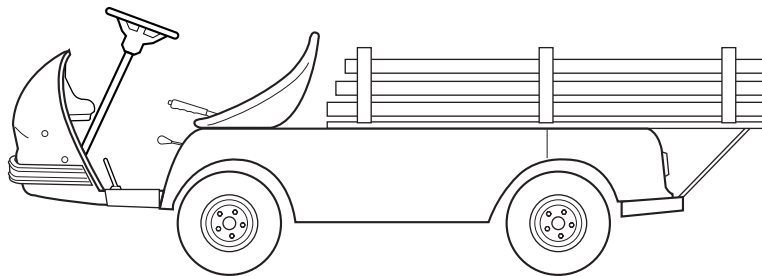
35826-G01



A Textron Company



SERVICE PARTS MANUAL



ELECTRIC POWERED CARGO AND PERSONNEL CARRIERS (950 SERIES)

STARTING MODEL YEAR: 2000

REVISED: 12/2002

SERVICE PARTS MANUAL

ELECTRIC POWERED CARGO AND PERSONNEL CARRIERS (950 SERIES)

VEHICLES

SHUTTLE 952E

SHUTTLE 954E

SHUTTLE 955E

SHUTTLE 956E

SHUTTLE 957E

E-Z-GO Division of Textron reserves the right to make design changes without obligation to make these changes on units previously sold and the information contained in this manual is subject to change without notice.

E-Z-GO Division of Textron is not liable for errors in this manual or for incidental or consequential damages that result from the use of the material in this manual.

CUSTOMER SERVICE DEPARTMENT IN USA PHONE: 1-800-241-5855 FAX: 1-800-448-8124

OUTSIDE USA PHONE: 010-1-706-798-4311, FAX: 010-1-706-771-4609

E-Z-GO DIVISION OF TEXTRON, INC., P.O.BOX 388, AUGUSTA, GEORGIA USA 30903-0388



NOTES

To obtain a copy of the limited warranty applicable to the vehicle, call or write a local distributor, E-Z-GO Branch or the E-Z-GO Warranty Department with vehicle serial number and manufacturer code.

The use of non E-Z-GO parts may void the warranty.

Overfilling of batteries may void the warranty.

BATTERY PROLONGED STORAGE

All batteries will self discharge over time. The rate of self discharge varies depending on the ambient temperature and the age and condition of the batteries.

A fully charged battery will not freeze in winter temperatures unless the temperature falls below -75° F (-60° C).

As with all electric vehicles, the batteries must be checked and recharged as required or at a minimum of 30 day intervals.

TABLE OF CONTENTS

SECTION	Page No.
HOW TO USE THE SERVICE PARTS MANUAL	v
ILLUSTRATED PARTS BREAKDOWN	vii
ACCELERATOR	A-1
BATTERY CHARGERS (ON BOARD).....	B-1
BATTERY CHARGER (PORTABLE).....	B-11
BODY	C-1
BRAKES	D-1
CARGO DECKS AND HITCHES	E-1
DIRECTION SELECTOR	F-1
36 VOLT ELECTRICAL SYSTEM	G-1
48 VOLT ELECTRICAL SYSTEM	G-21
ELECTRONIC SPEED CONTROL	H-1
FRONT SUSPENSION / BRAKES	J-1
MOTOR	K-1
REAR AXLE	L-1
REAR SUSPENSION	M-1
SEATS	N-1
STEERING	P-1
WEATHER PROTECTION	Q-1
WHEELS AND TIRES	R-1
SPECIALTY PRODUCTS	APPENDIX A-1
OPTIONS/ACCESSORIES	APPENDIX B-i
INDEX OF MAJOR COMPONENTS	INDEX-1

HOW TO USE THE SERVICE PARTS MANUAL

This manual is divided into several sections:

GENERAL INFORMATION

- TABLE OF CONTENTS
- HOW TO USE THE SERVICE PARTS MANUAL

ILLUSTRATED PARTS BREAKDOWN

- Contains illustrations and parts lists for all systems of the vehicle

APPENDIX

- Contains a listing of specialty products and options/accessories

INDEX OF MAJOR COMPONENTS

- Contains a listing of parts (excluding hardware) grouped by part number and description and indicates on which page(s) they can be found

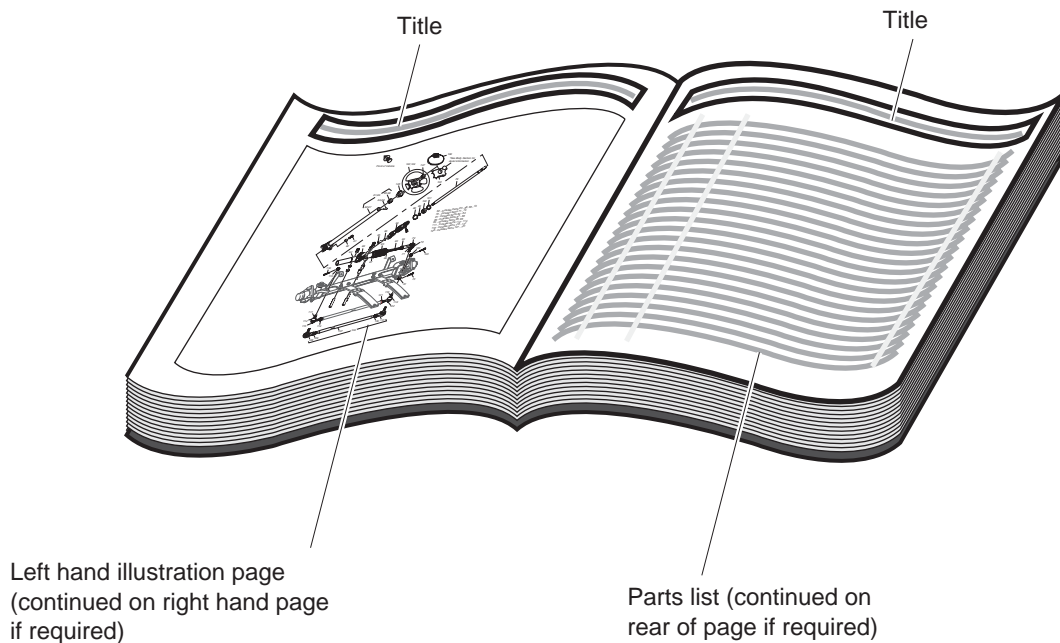
USE OF THE MANUAL

To use this manual, consult the TABLE OF CONTENTS (page iii) or the INDEX OF MAJOR COMPONENTS (located at rear of this manual) to locate the information or illustration required.

Introduction of some revisions varies due to supply of components; therefore, it is possible that various combinations of components may be found that are not directly reflected by each illustration. Consult the illustration that best suits your situation. Locate the serial number plate (see BODY located in the Illustrated Parts Breakdown section of this manual for its location) and note the complete number shown on the plate. It is important that the serial number of your vehicle and its model number be supplied to Service Parts when ordering any replacement components.

Locate the serial number plate (see BODY located in the Illustrated Parts Breakdown section of this manual for its location) and note the complete number shown on the plate.

HOW TO USE THE SERVICE PARTS MANUAL



1. WHEN THE PART NUMBER IS NOT KNOWN

- Determine the function and application of the part required. Turn to the INDEX OF MAJOR COMPONENTS and select the most appropriate component description.
- Turn to the page number indicated and locate the part description in the parts list. Read the full accompanying description for specific information regarding the part that was not shown in the index.
- From the parts list, obtain the item number assigned to it and confirm that the part selected is correct by verifying it with the pictorial representation on the illustrated page.

2. IF YOU KNOW THE PART NUMBER

- Use the INDEX OF MAJOR COMPONENTS to find the page(s) the part number appears on.
- Turn to the page number indicated and locate the part number in the parts list. Refer to the accompanying description for specific information regarding the part.
- From the parts list, obtain the item number assigned to it and confirm that the part selected is correct by verifying it with the pictorial representation on the illustrated page.

Should an asterisk (*) appear in the part number column on the parts list page, read upwards until a part number is found. The part number is the lowest assembly sold by Service Parts. The asterisk (*) indicates that the part depicted is not available for purchase.

NOTE: Descriptions are indented under the assembly that they are used on. That assembly is, in turn listed under the assembly that it is used on. This process is repeated until the highest final assembly is reached.

To facilitate the maintenance and repair of the vehicle, a Technician's Repair and Service Manual is available from the Service Parts Department.

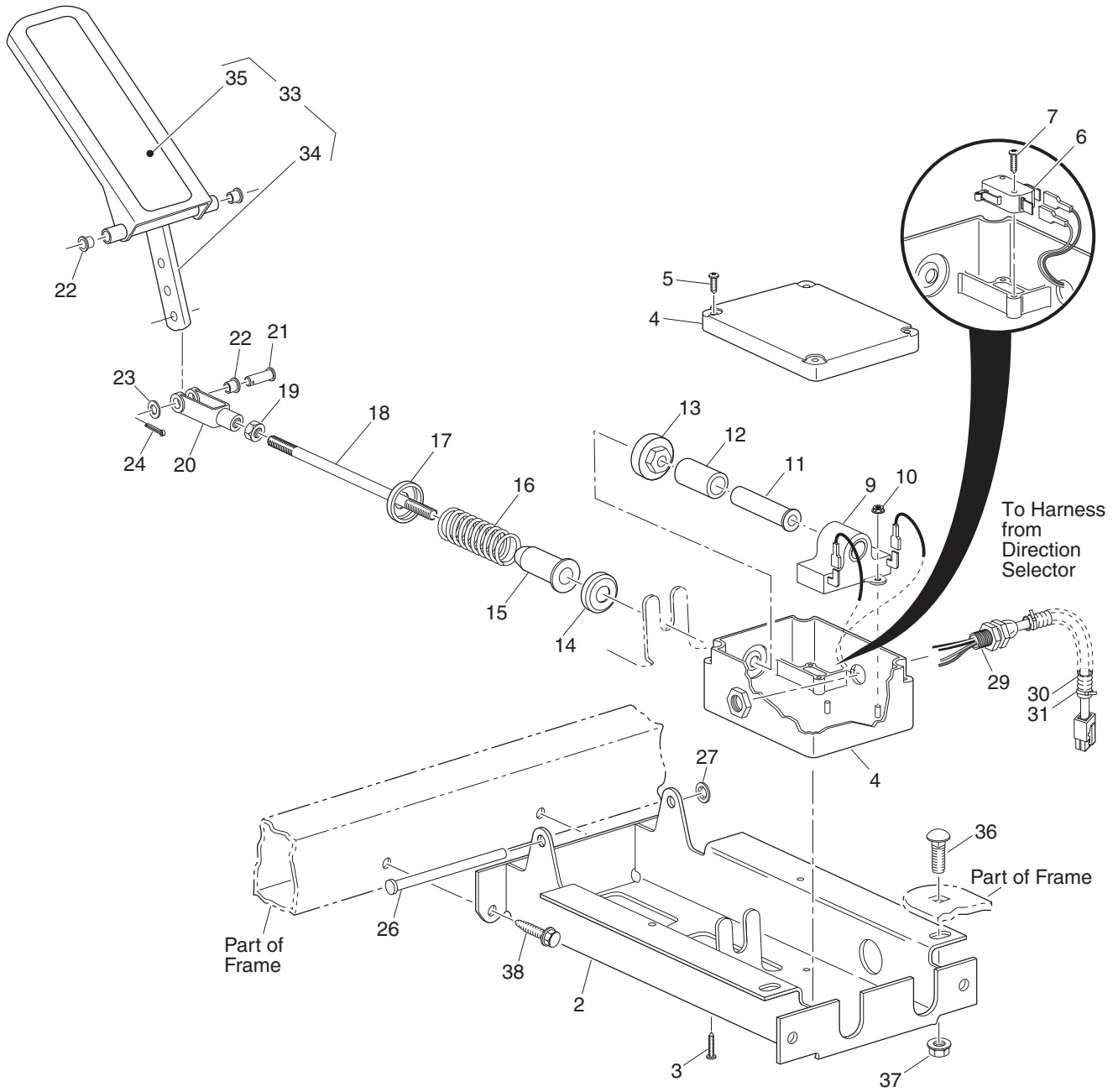
ILLUSTRATED PARTS BREAKDOWN

HOW TO USE THE SERVICE PARTS MANUAL



ACCELERATOR

1 - Includes Items 2 - 35



Ref Acl 12

ACCELERATOR

When ordering parts, please specify the model and serial number of the product.

* Indicates a component that is not available as an individual part.

G** Indicates consult Customer Service Department for additional information.

ITEM	PART NO.	1 2 3 4 5	DESCRIPTION	QTY.
1	73333-G06		PEDAL BOX ASSEMBLY (INCLUDES ITEMS 2 - 35)	1
2	70116-G01		ACCELERATOR PEDAL BRACKET.....	1
3	01052-G01		SCREW, #6 - 19 X 5/8" LG.	4
4	25853-G01		PEDAL BOX AND COVER	1
5	00684-G6		SCREW, #8 - 32 X 3/4" LG (STAINLESS STEEL).....	4
6	25861-G01		MICRO SWITCH.....	1
7	01050-G01		SCREW, #4 - 20 X 5/8" LG	2
8				
9	25854-G01		INDUCTIVE THROTTLE SENSOR	1
10	00983-G01		SELF THREADING NUT, 3/16"	2
11	28443-G01		PLUNGER.....	1
12	25857-G01		PLUNGER SLEEVE.....	1
13	28444-G01		PLUNGER CAM.....	1
14	17677-G1		SPRING RETAINER	1
15	17979-G1		ACCELERATOR ROD BUSHING	1
16	73046-G01		COMPRESSION SPRING	1
17	17677-G2		SPRING RETAINER	1
18	73332-G01		ACCELERATOR ROD	1
19	00532-G4		NUT, 5/16 - 24.....	1
20	10385-G4		CLEVIS YOKE (ADJUSTABLE).....	1
21	10386-G3		CLEVIS PIN, 5/16" X 13/16" LG	1
22	17838-G1		NYLON BUSHING	3
23	17255-G1		TEFLON WASHER, 5/16"	1
24	10387-G3		COTTER PIN, 3/32" X 3/4" LG	1
25				
26	70134-G01		PEDAL PIVOT PIN	1
27	00986-G01		PUSH NUT, 5/16".....	1
28				
29	35679-G01		WIRE HARNESS (PEDAL BOX)	1
30	17313-G1		FLEX LOOM (BULK).....	A/R

ACCELERATOR

When ordering parts, please specify the model and serial number of the product.

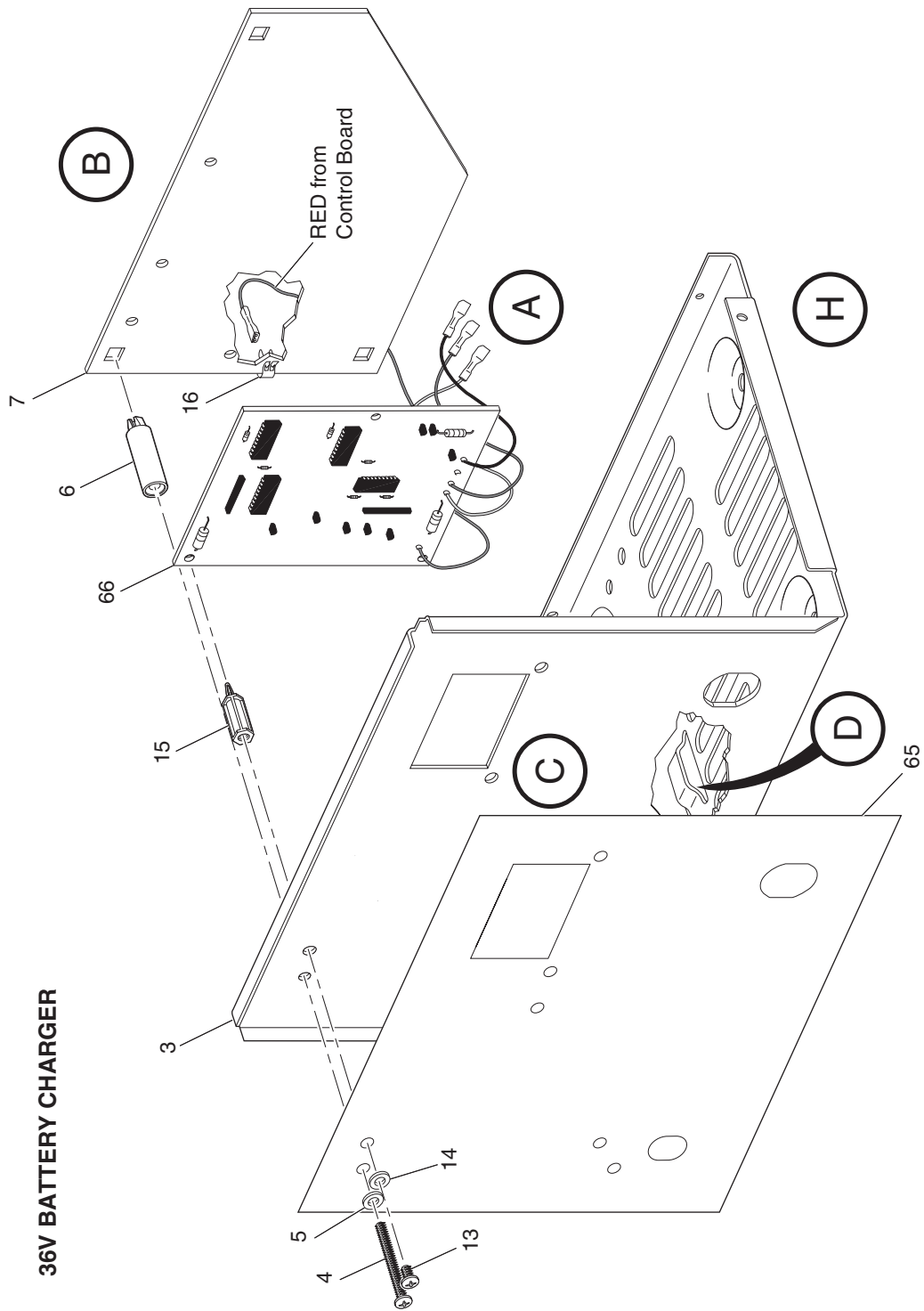
* Indicates a component that is not available as an individual part.

G** Indicates consult Customer Service Department for additional information.

ITEM	PART NO.	1 2 3 4 5	DESCRIPTION	QTY.
31	17618-G1		WIRE TIE	2
32				
33	34437-G01		ACCELERATOR PEDAL ASSEMBLY (INCLUDES ITEMS 34 - 35).....	1
34	*		ACCELERATOR PEDAL	1
35	71764-G02		PEDAL PAD.....	1
36	00827-G8		CARRIAGE BOLT, 1/4 - 20 X 1" LG (STAINLESS STEEL).....	2
37	11027-G2		LOCK NUT, 1/4 - 20	2
38	00715-G2		BOLT, 5/16 - 18 X 4/5" LG	2

BATTERY CHARGERS (ON BOARD)

36V BATTERY CHARGER



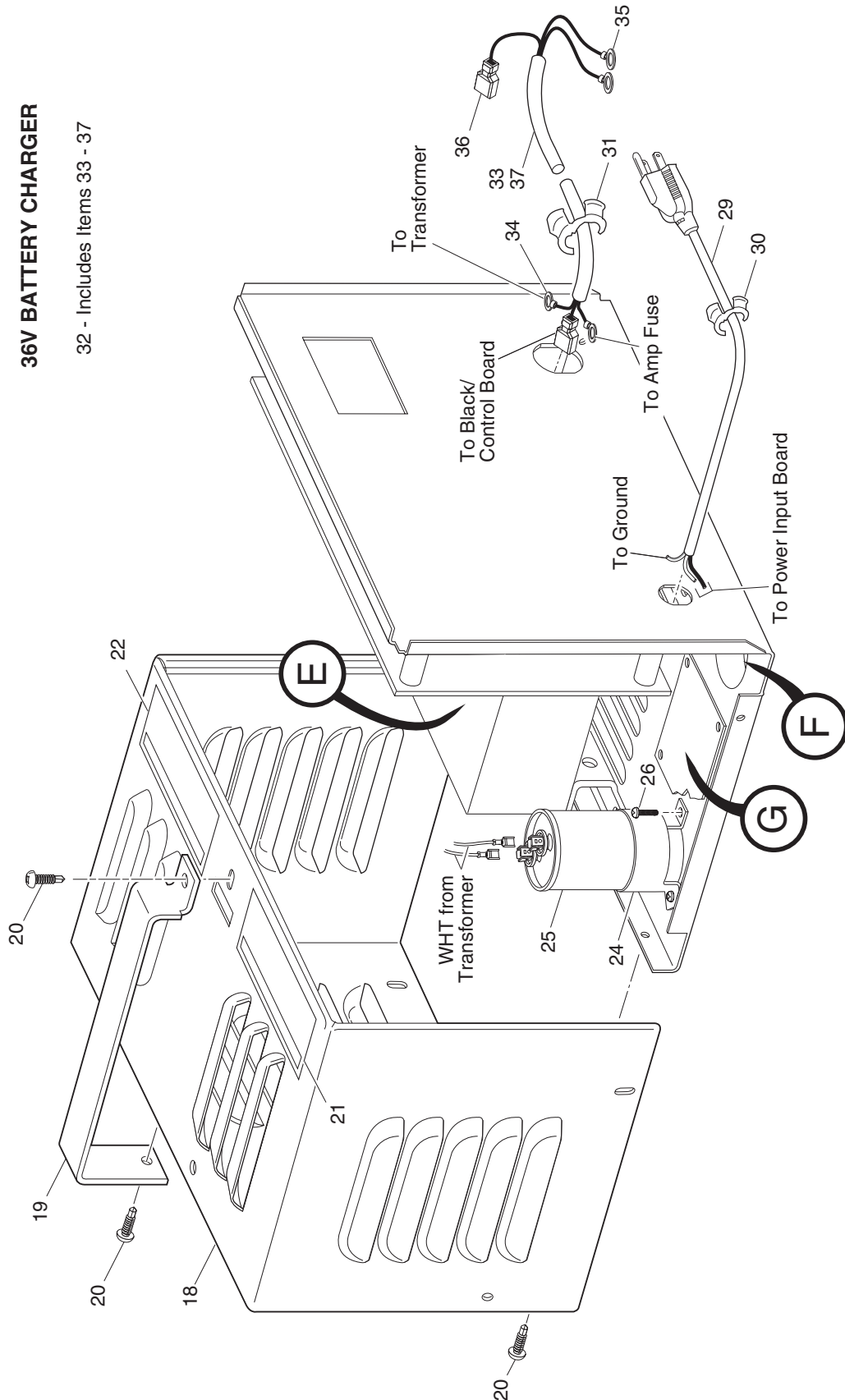
1 - Includes Items 3 - 83, 96 - 100

Ref Bco 12-1

BATTERY CHARGERS (ON BOARD)

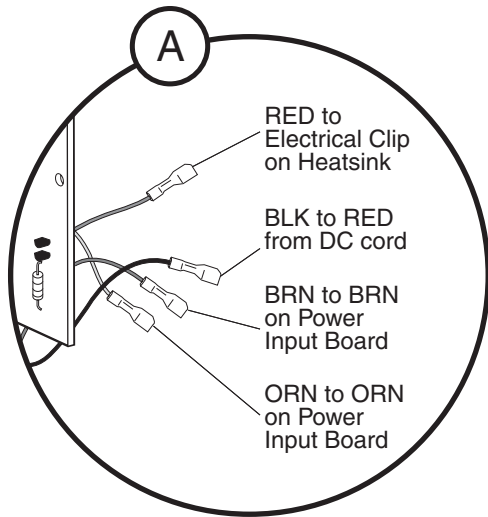
36V BATTERY CHARGER

32 - Includes Items 33 - 37

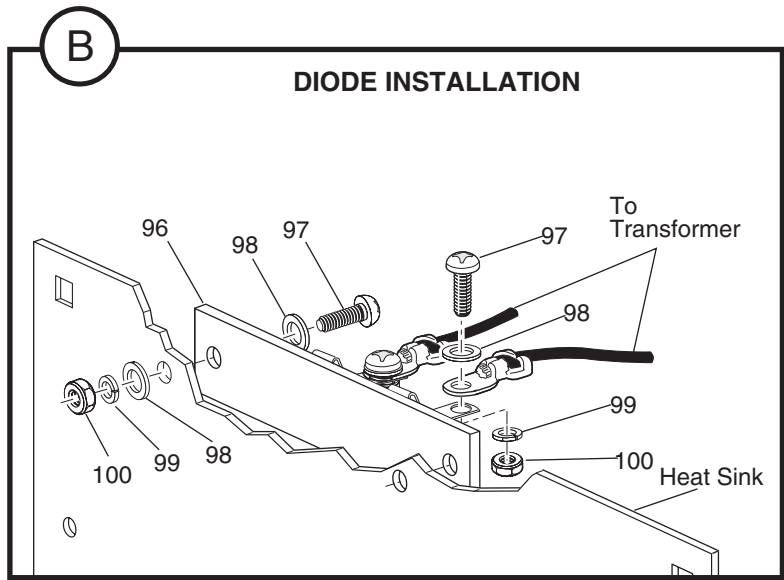


Ref Bco 12-2

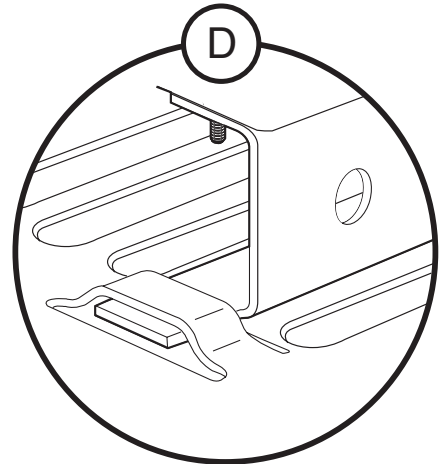
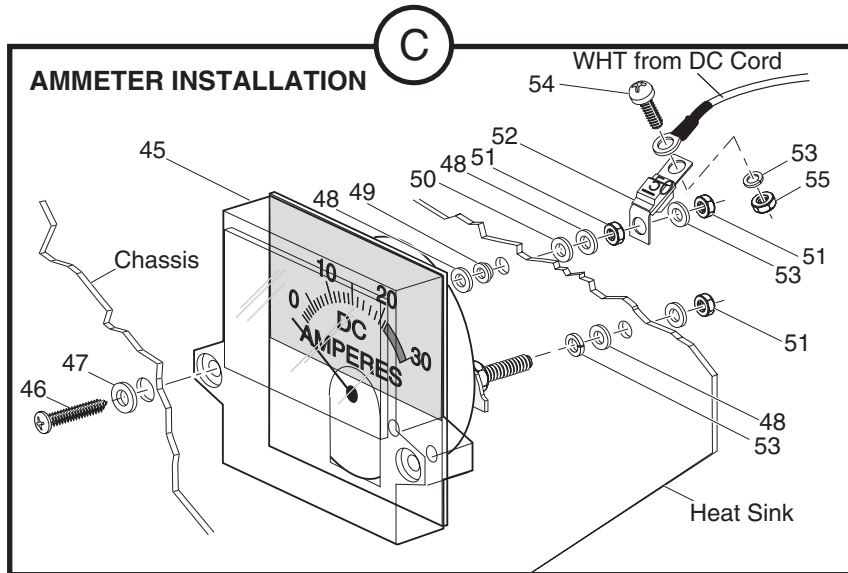
BATTERY CHARGERS (ON BOARD)



CONTROL BOARD CONNECTIONS



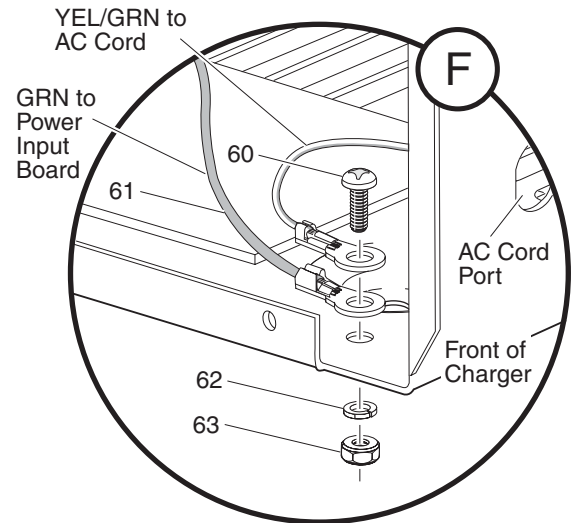
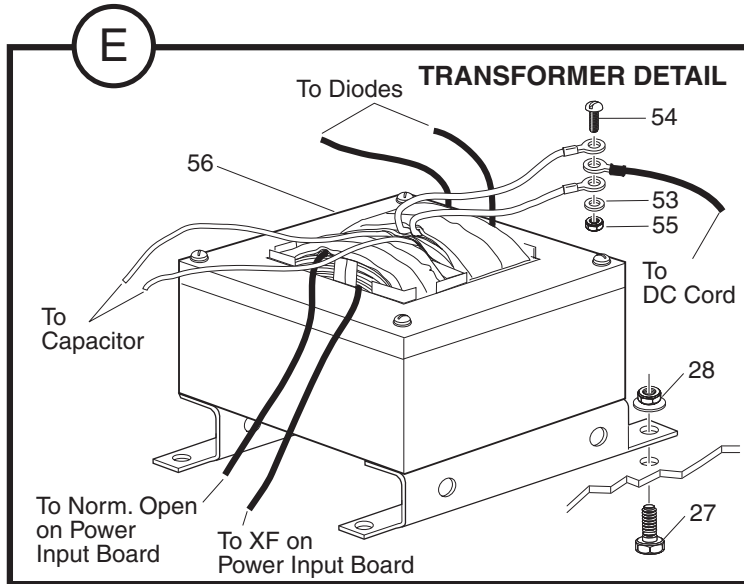
36V BATTERY CHARGER



TRANSFORMER LEG INSTALLATION

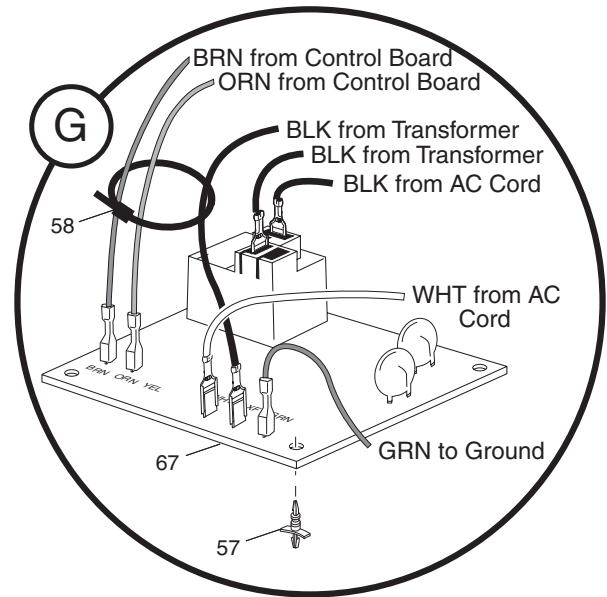
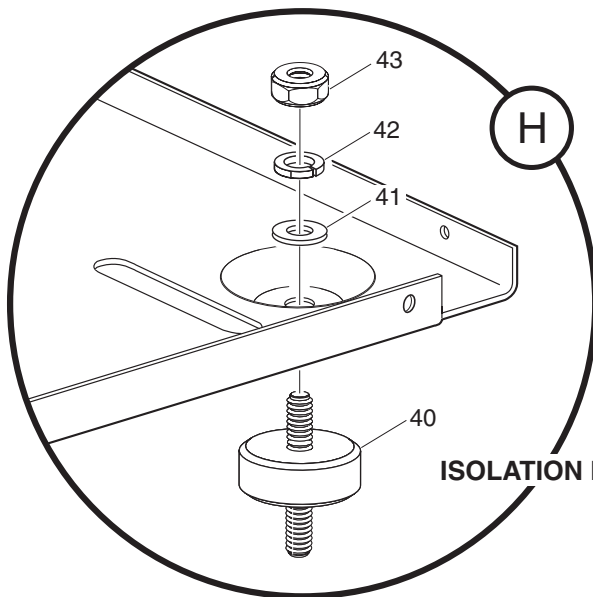
Ref Bco 12-3

BATTERY CHARGERS (ON BOARD)



GROUNDING DETAIL

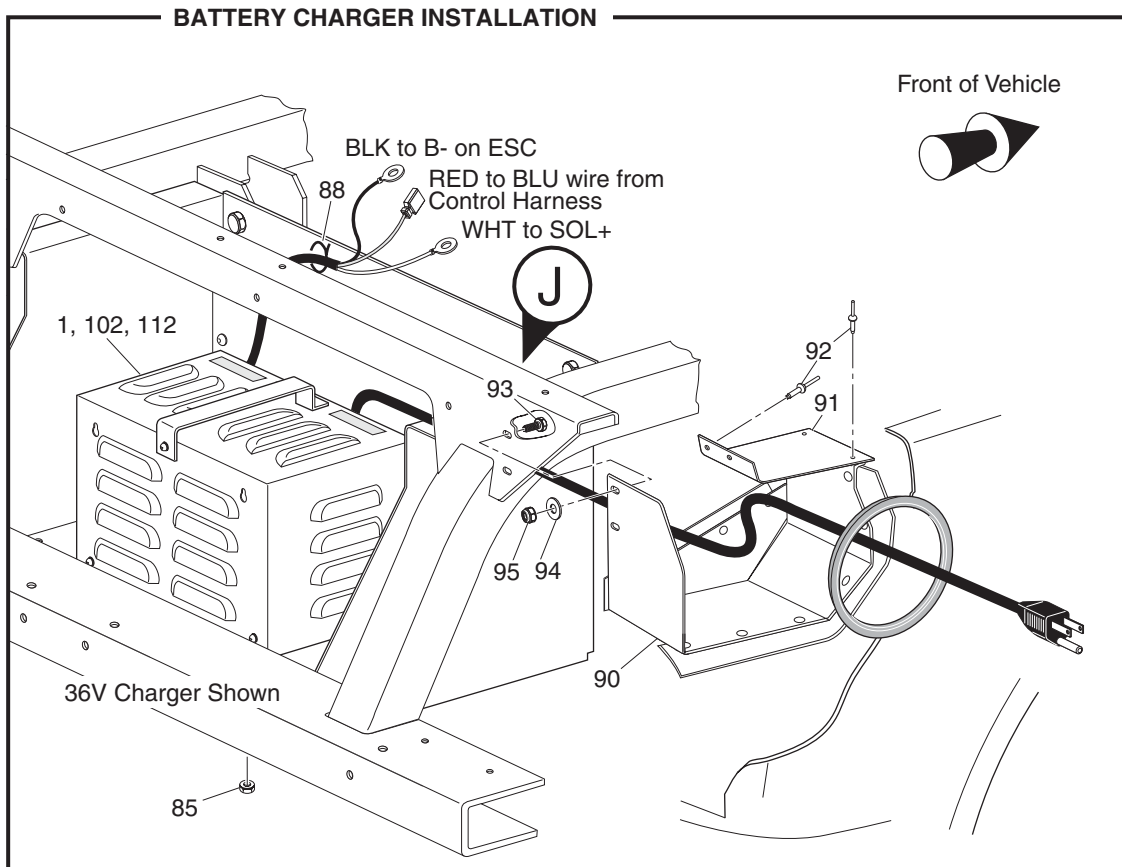
36V BATTERY CHARGER



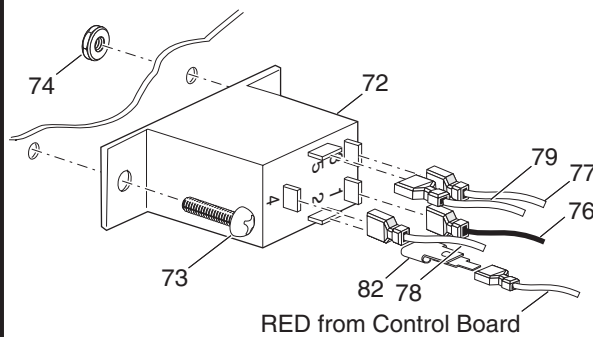
POWER INPUT BOARD INSTALLATION

Ref Bco 12-4

BATTERY CHARGERS (ON BOARD)



- Pin 1 - Wire 76 to Input Board "COM"
- Pin 2 - Tab Adapter 82, RED wire from Control Board
- Pin 3 - Wire 77 to Input Board "WHT"
- Pin 4 - Wire 78 to Heat Sink Clip
- Pin 5 - Wire 79 to DC Cord RED Wire

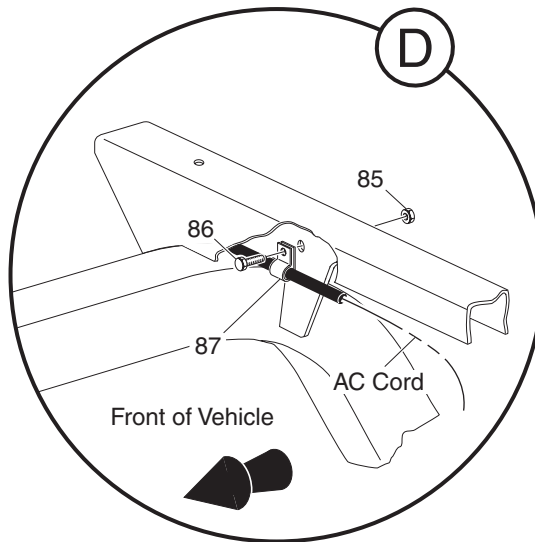
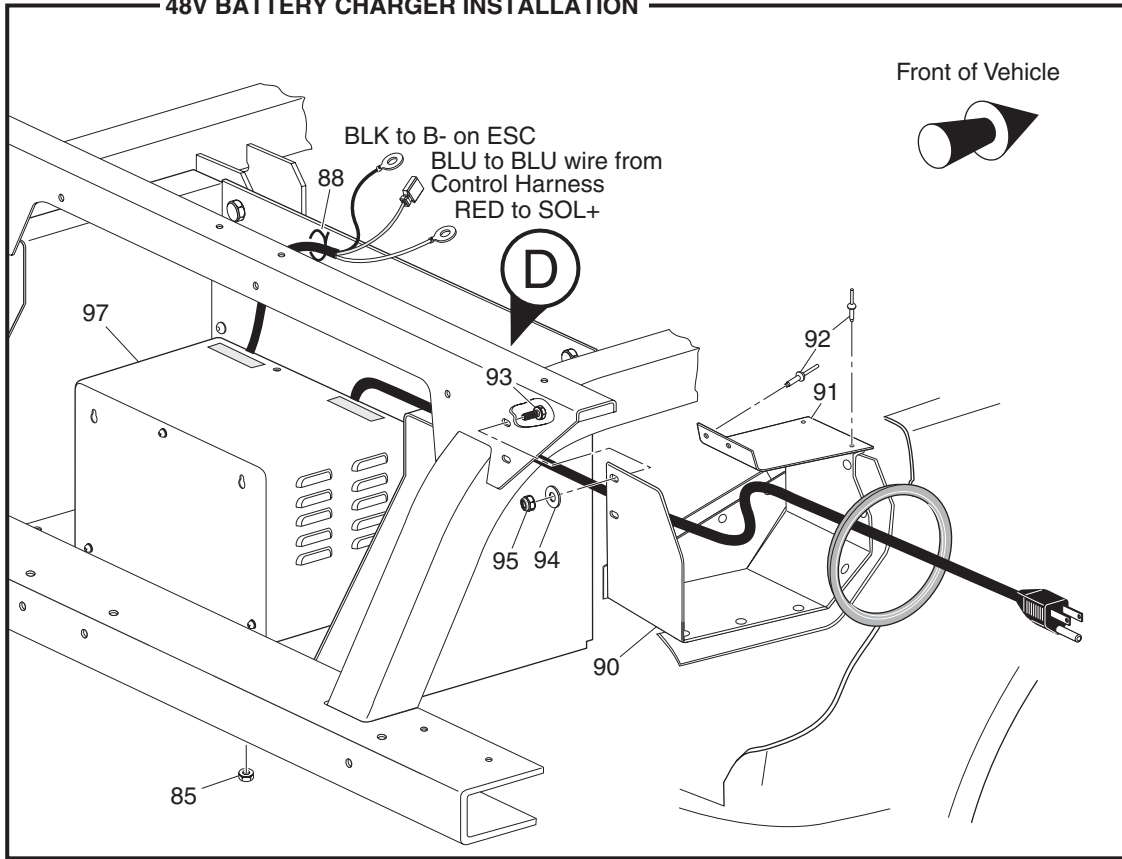


RELAY INSTALLATION

Ref Bco 12-5

BATTERY CHARGERS (ON BOARD)

48V BATTERY CHARGER INSTALLATION



Ref Bco 12-6

BATTERY CHARGERS (ON BOARD)

When ordering parts, please specify the model and serial number of the product.

* Indicates a component that is not available as an individual part.

G** Indicates consult Customer Service Department for additional information.

ITEM	PART NO.	1 2 3 4 5	DESCRIPTION	QTY.
1	28115-G03		POWERWISE™ 36V CHARGER (ON BOARD) (INCL ITEMS 3 - 83, 96 - 100)	1
2				
3	*		CHASSIS	1
4	00513-G6		SCREW, #8 - 18 X 1 3/4" LG	2
5	00559-G4		WASHER, #8	2
6	11572-G3		EXPANSION NUT	2
7	28104-G01		HEAT SINK	1
8				
9				
10				
11				
12				
13	01005-G01		SCREW, #6 - 19 X 5/16" LG	3
14	00559-G3		WASHER, #6	3
15	28111-G01		SUPPORT SPACER	3
16	28110-G01		ELECTRICAL CLIP	1
17				
18	*		COVER	1
19	28102-G01		HANDLE	1
20	00614-G4		SCREW, #8 - 18 X 1/2" LG	6
21	28136-G01		LABEL (VENTILATION)	1
22	28136-G02		LABEL (CORD CONDITION)	1
23				
24	26979-G01		CAPACITOR BRACKET	1
25	28109-G01		CAPACITOR	1
26	00969-G01		SCREW, #8 - 32 X 3/8" LG	3
27	00414-G5		BOLT, 1/4 - 20 X 5/8" LG	3
28	11027-G2		LOCK NUT, 1/4 - 20	3
29	19388-G5		AC CORD	1
30	13557-G2		STRAIN RELIEF (AC)	1

BATTERY CHARGERS (ON BOARD)

When ordering parts, please specify the model and serial number of the product.

* Indicates a component that is not available as an individual part.

G** Indicates consult Customer Service Department for additional information.

ITEM	PART NO.	1	2	3	4	5	DESCRIPTION	QTY.
31	13557-G3						STRAIN RELIEF (DC).....	1
32	73331-G05						DC CORD ASSEMBLY (INCLUDES ITEMS 33 - 37)	1
33	28108-G01						DC CORD.....	1
34	11343-G3						RING TERMINAL, 3/16"	2
35	11343-G1						RING TERMINAL, 5/16"	2
36	17064-G1						FEMALE TERMINAL.....	2
37	22476-G1						HEAT SHRINK TUBING	A/R
38								
39								
40	22009-G1						ISOLATION MOUNT.....	4
41	01110-G01						WASHER, 1/4" (STAINLESS STEEL).....	4
42	00664-G7						LOCK WASHER, 1/4" (STAINLESS STEEL).....	4
43	00532-G1						NUT, 1/4 - 20.....	4
44								
45	28105-G01						AMMETER	1
46	00984-G01						SCREW, #8 - 16 X 1/2" LG	2
47	00559-G4						WASHER, #8	2
48	01003-G01						BRASS WASHER, #10	4
49	22589-G2						SHOULDER WASHER, 1/4"	1
50	00771-G6						NYLON WASHER, 3/8".....	1
51	00528-G4						NUT, #10 - 32 (BRASS)	3
52	28106-G01						50 AMP FUSE.....	1
53	00565-G5						LOCK WASHER, #10	4
54	00378-G4						SCREW, #10 - 24 X 1/2" LG	2
55	00526-G3						NUT, #10 - 24.....	2
56	28103-G01						TRANSFORMER	1
57	27877-G01						SPACER SUPPORT	4
58	17618-G1						WIRE TIE	3
59								
60	00372-G3						SCREW, #8 - 32 X 3/8" LG	1

BATTERY CHARGERS (ON BOARD)

When ordering parts, please specify the model and serial number of the product.

* Indicates a component that is not available as an individual part.

G** Indicates consult Customer Service Department for additional information.

ITEM	PART NO.	1	2	3	4	5	DESCRIPTION	QTY.
61	25977-G32						16 GA WIRE (GREEN 4")	1
62	00565-G4						LOCK WASHER, #8	1
63	00526-G1						NUT, #8 - 32.....	1
64								
65	*						LABEL (POWERWISE™)	1
66	28566-G01						CONTROL BOARD.....	1
67	28566-G03						POWER INPUT BOARD.....	1
68								
69								
70								
71								
72	21971-G4						RELAY	1
73	00138-G4						SCREW, #6 - 32 X 1/2" LG	2
74	14390-G9						LOCK NUT, #6 - 32	2
75								
76	25977-G38						16 GA WIRE (BLACK 4") (from Relay 1 to Power Input Board "COM")	1
77	25977-G37						16 GA WIRE (WHITE 5") (from Relay 3 to Power Input Board "WHT").....	1
78	25978-G161						18 GA WIRE (BLUE 6") (from Relay 4 to Heat Sink clip).....	1
79	25978-G162						18 GA WIRE (YELLOW 6") (from Relay 5 to DC Cord "RED").....	1
80	25978-G163						18 GA WIRE (BLACK 7") (from Transformer S2/S3 to Control Module "Black")	1
81	17902-G1						TAB ADAPTER (on Power Input Board "WHT" w/ 77 & AC Cord WHT)	1
82	28305-G01						TERMINAL ADAPTER (on Relay 2 w/ Control Board RED).....	1
83	27285-G01						TERMINAL ADAPTER (on Relay "COM" w/ 76 & AC Cord BLK).....	1
84								
85	00654-G2						LOCK NUT, 1/4 - 20 (STAINLESS STEEL)	5
86	00414-G6						BOLT, 1/4 - 20 X 3/4" LG	1
87	11845-G7						INSULATED CABLE CLAMP, 1/2"	1
88	17618-G1						WIRE TIE	1
89								

BATTERY CHARGERS (ON BOARD)

When ordering parts, please specify the model and serial number of the product.

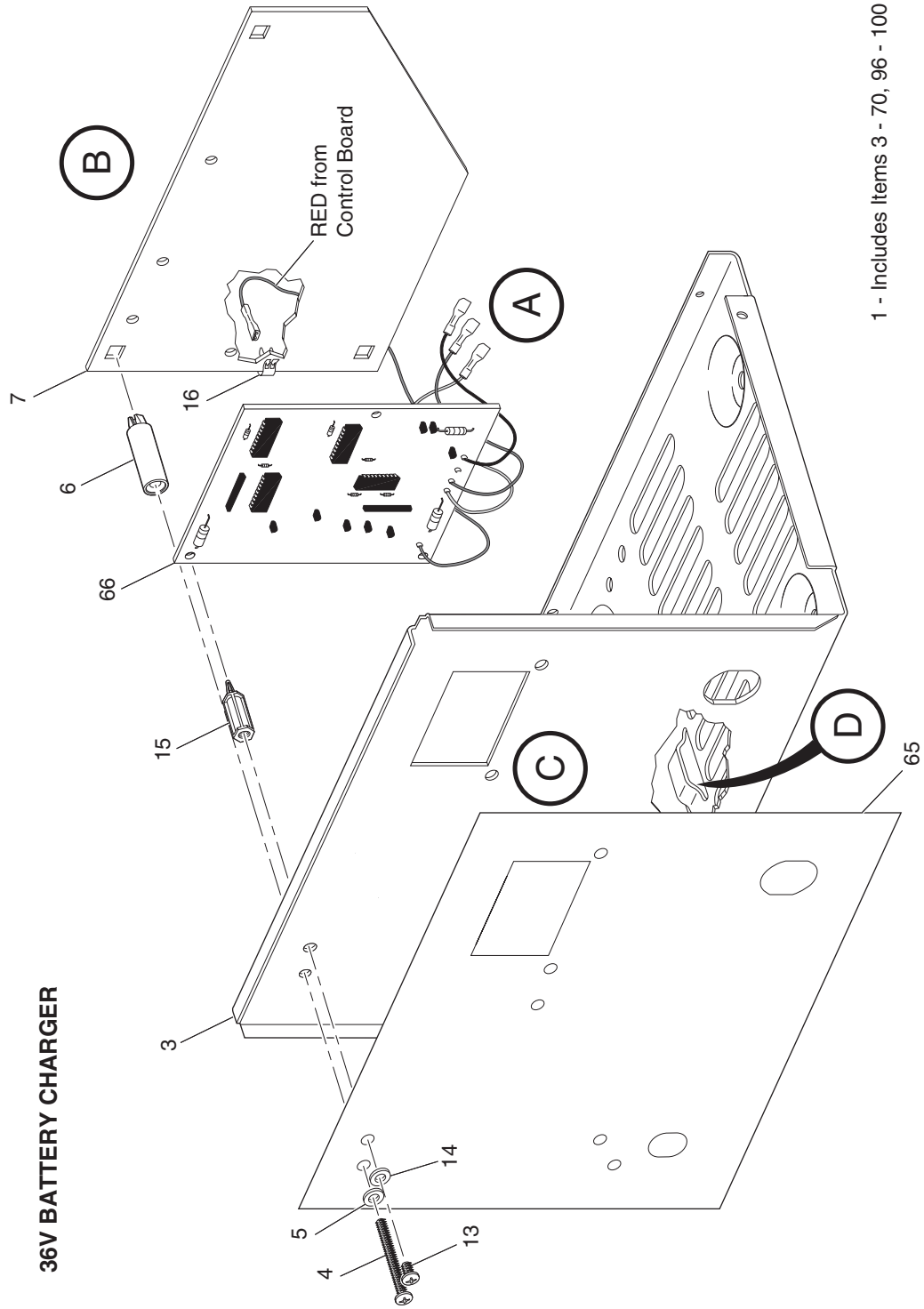
* Indicates a component that is not available as an individual part.

G** Indicates consult Customer Service Department for additional information.

ITEM	PART NO.	1	2	3	4	5	DESCRIPTION	QTY.
90	34720-G01						CORD STORAGE UNIT	1
91	34717-G01						CORD STORAGE SUPPORT	1
92	14601-G8						RIVET, 3/16" X 7/16" LG (ALUMINUM)	4
93	00414-G6						BOLT, 1/4 - 20 X 3/4" LG	2
94	01110-G01						WASHER, 1/4" (STAINLESS STEEL)	2
95	00654-G2						LOCK NUT, 1/4 - 20 (STAINLESS STEEL)	2
96	28548-G01						DIODE	1
97	00372-G4						SCREW, #8 - 32 X 1/2" LG.....	4
98	00559-G4						WASHER, #8.....	10
99	00565-G4						LOCK WASHER, #8	4
100	00526-G1						NUT, #8 - 32	4
101								
102	28435-G04						48V LESTER BATTERY CHARGER (ON BOARD)	1
103								
104	35591-G01						RETRACTABLE CORD REEL ASSEMBLY (INCLUDES ITEMS 105 - 110).....	1
105	19466-G1						RETRACTABLE CORD REEL	1
106	35590-G01						CORD REEL BRACKET	1
107	35592-G01						REAR CORD REEL BRACKET	1
108	15058-G1						RIVET, 3/16" X 7/16" LG (ALUMINUM)	16
109	35659-G01						FRAME WEATHER STRIP	1
110	35660-G01						BODY WEATHER STRIP	1
111								
112	28435-G06						48V LESTER BATTERY CHARGER CE APPROVED (ON BOARD)	1

BATTERY CHARGER (PORTABLE)

36V BATTERY CHARGER

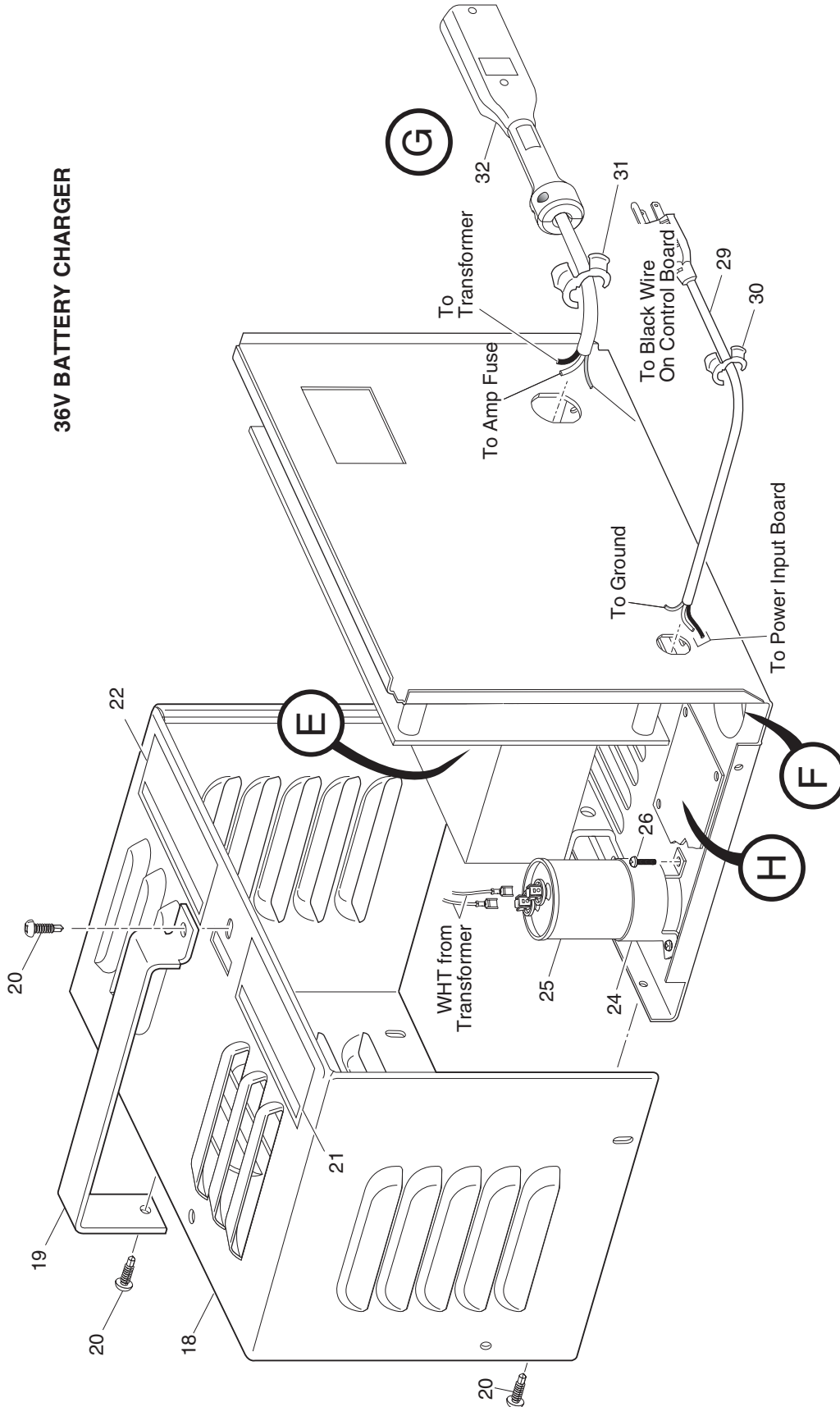


1 - Includes Items 3 - 70, 96 - 100

Ref Bcp 12-1

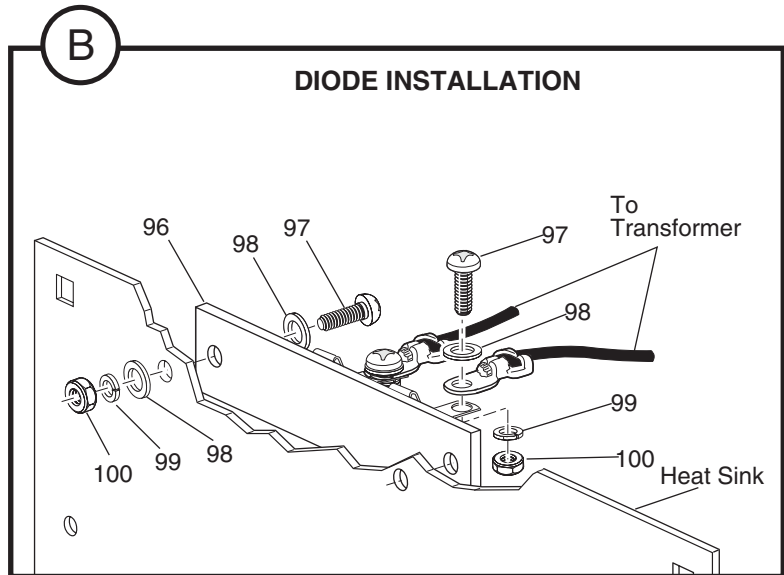
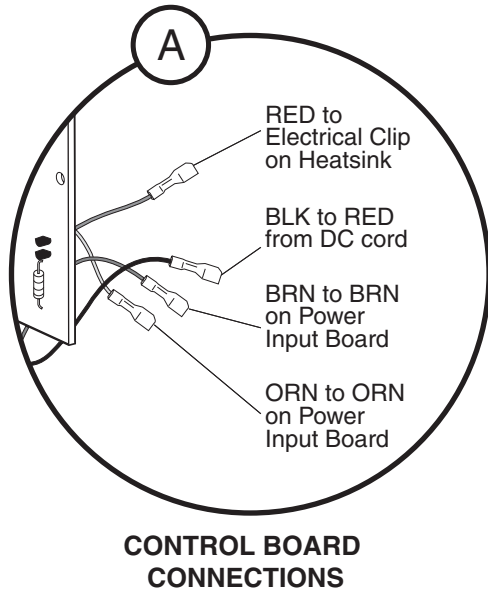
BATTERY CHARGER (PORTABLE)

36V BATTERY CHARGER

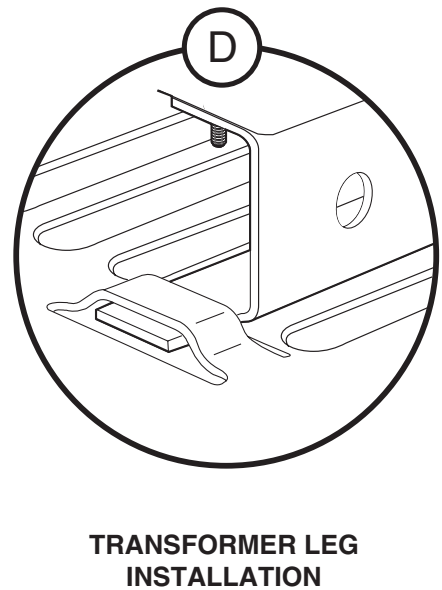
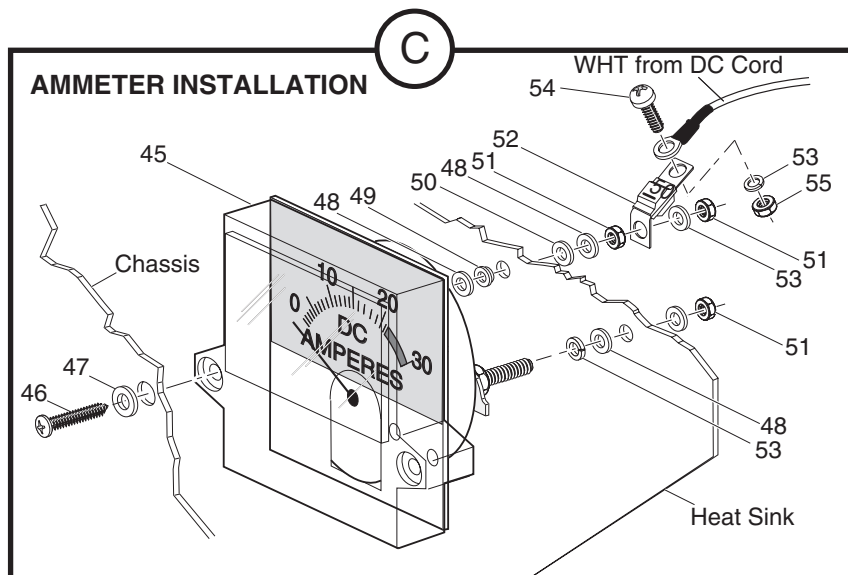


Ref Bcp 12-2

BATTERY CHARGER (PORTABLE)

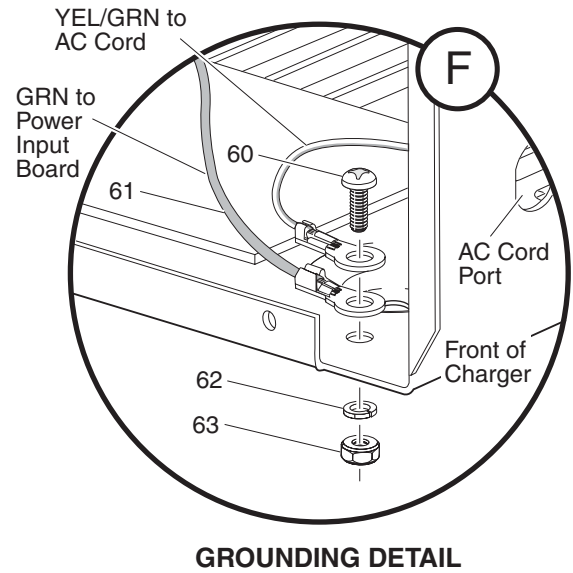
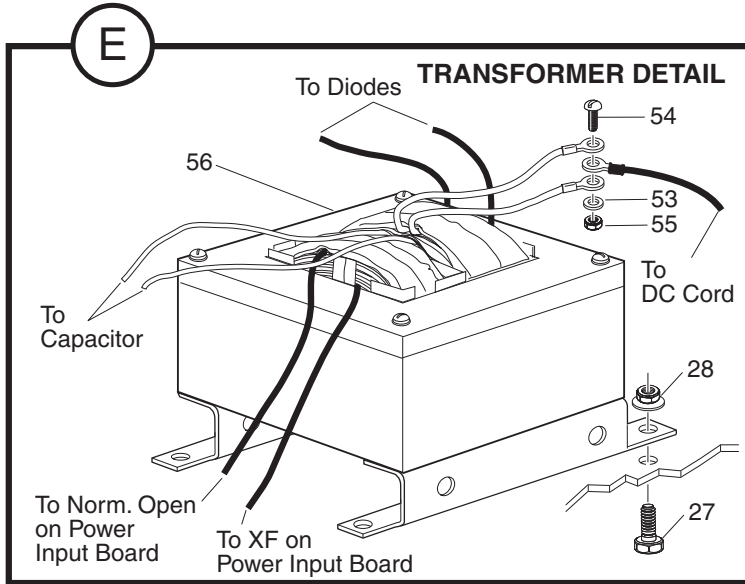


36V BATTERY CHARGER

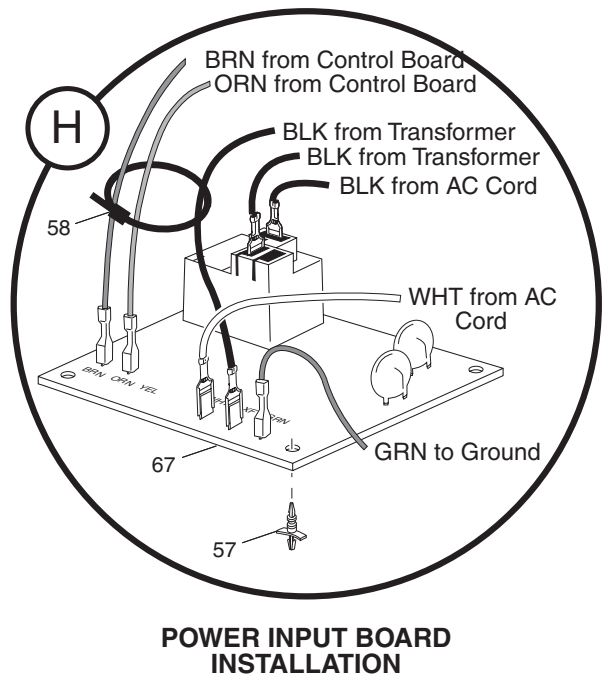
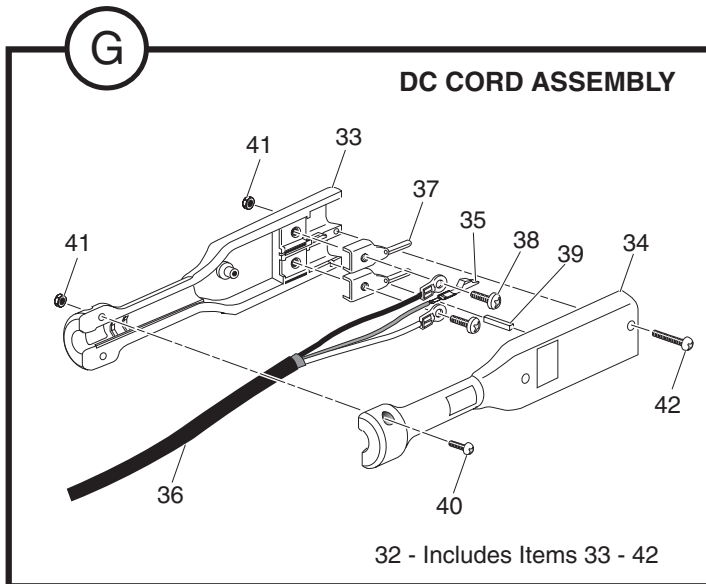


Ref Bcp 12-3

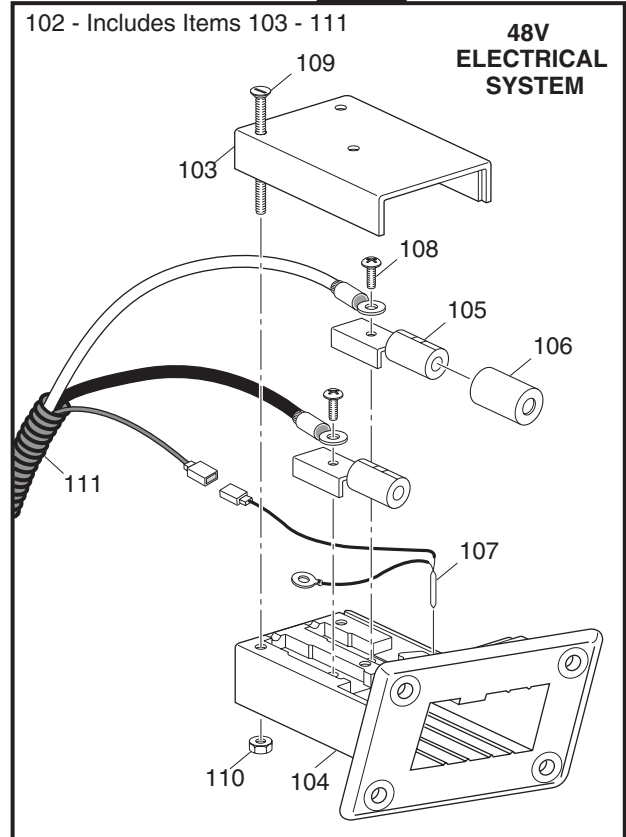
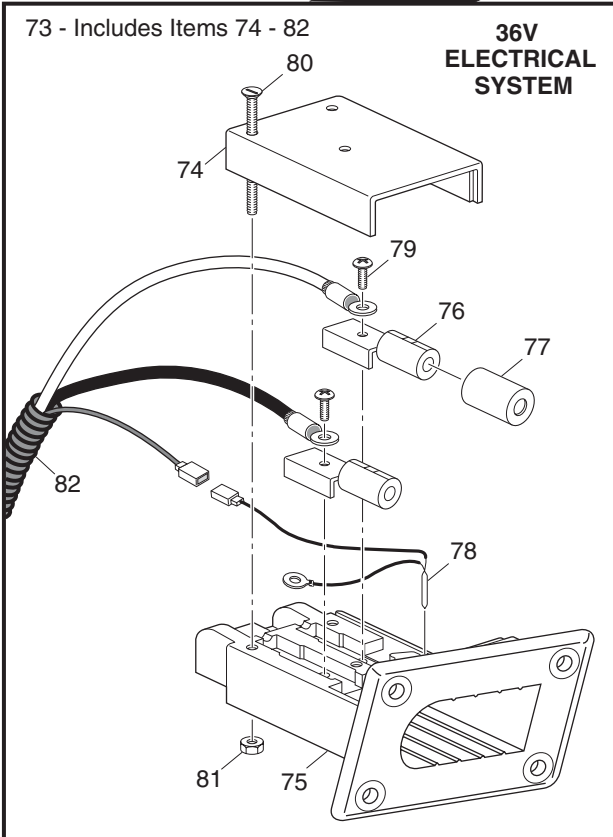
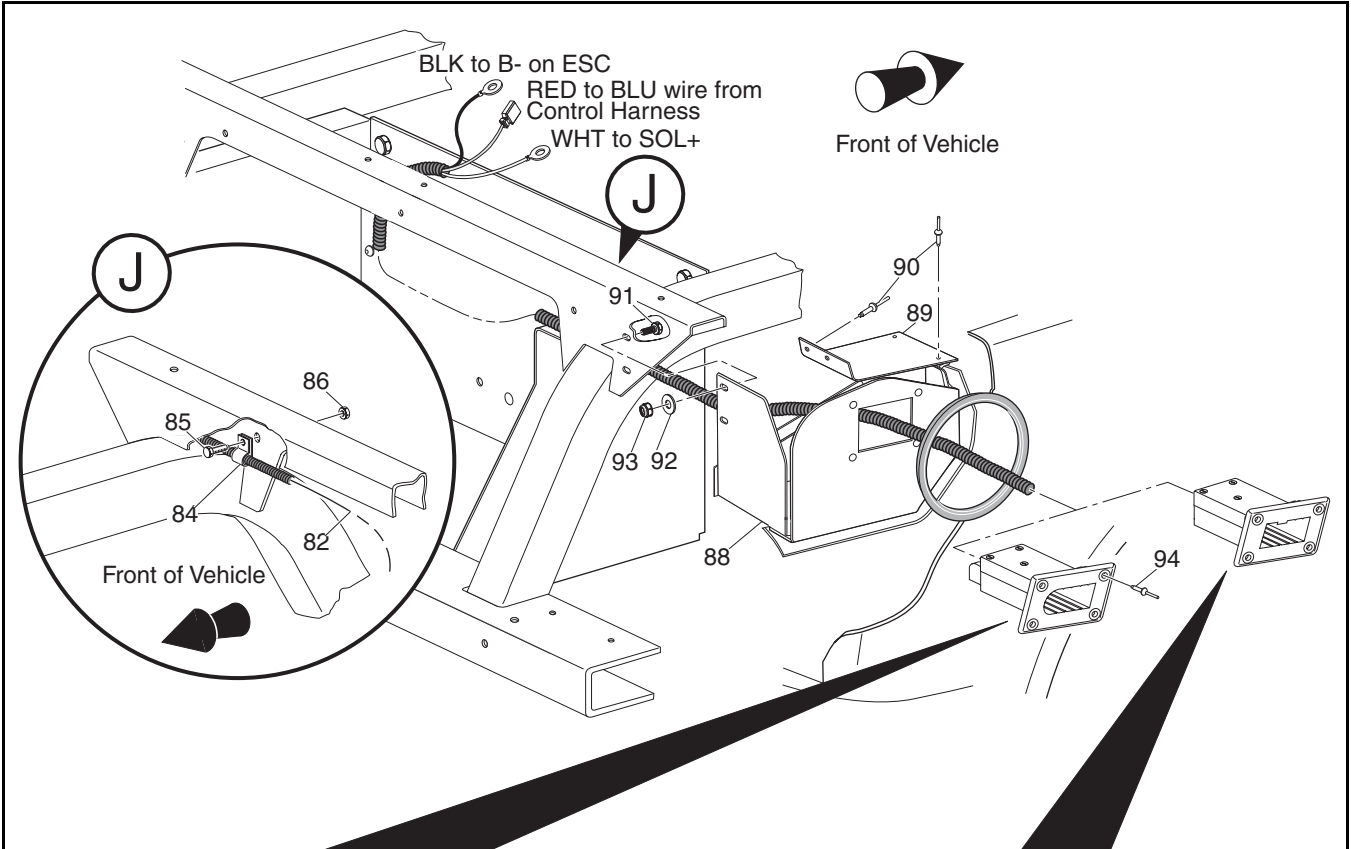
BATTERY CHARGER (PORTABLE)



36V BATTERY CHARGER

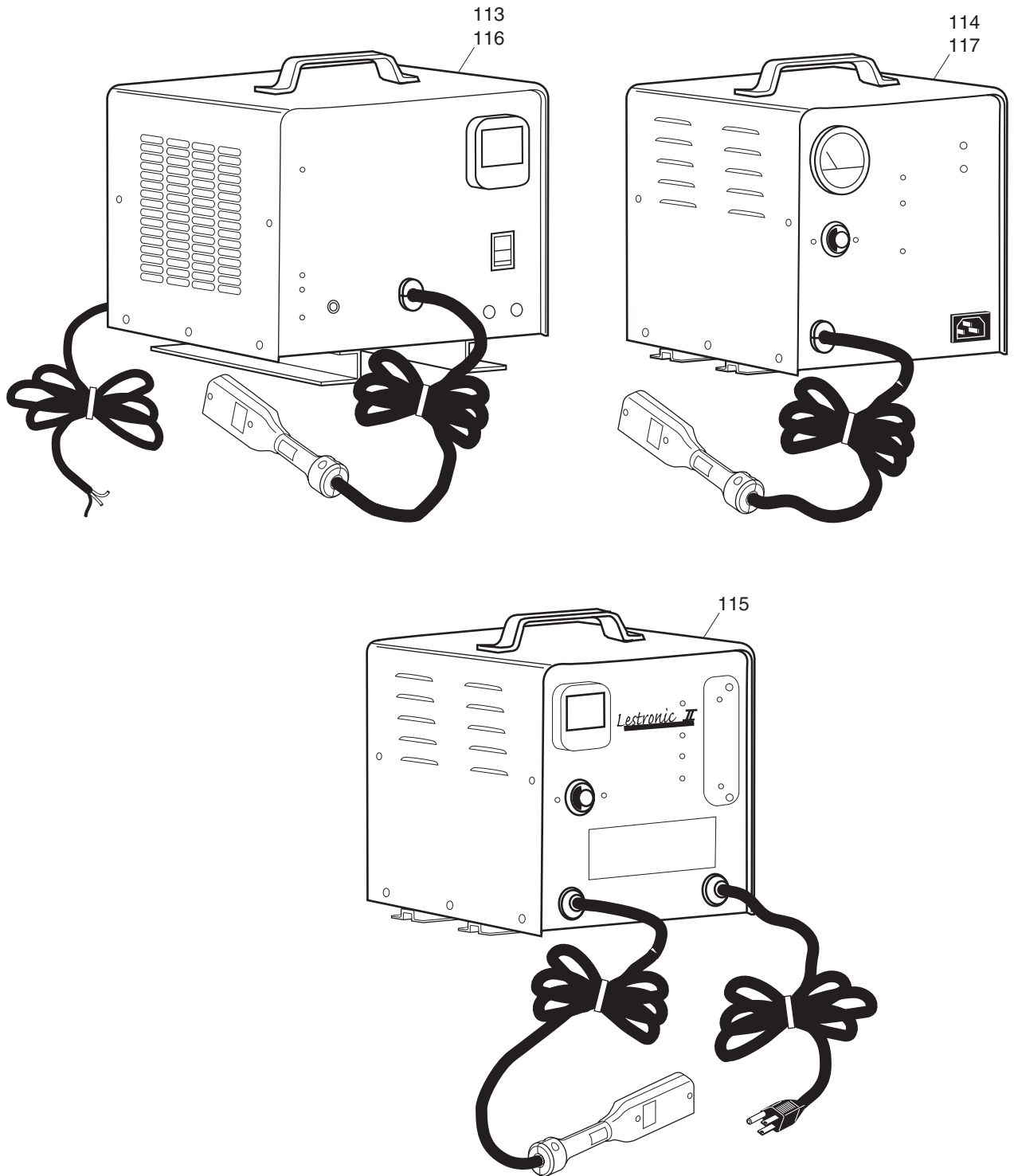


BATTERY CHARGER (PORTABLE)



Ref Bcp 12-5

BATTERY CHARGER (PORTABLE)



Ref Bcp 12-6

BATTERY CHARGER (PORTABLE)

When ordering parts, please specify the model and serial number of the product.

* Indicates a component that is not available as an individual part.

G** Indicates consult Customer Service Department for additional information.

ITEM	PART NO.	1 2 3 4 5	DESCRIPTION	QTY.
1	28115-G01		POWERWISE™ 36V CHARGER (INCLUDES ITEMS 3 - 70, 96 - 100).....	1
2				
3	*		CHASSIS	1
4	00513-G6		SCREW, #8 - 18 X 1 3/4" LG	2
5	00559-G4		WASHER, #8	2
6	11572-G3		EXPANSION NUT	2
7	28104-G01		HEAT SINK	1
8				
9				
10				
11				
12				
13	01005-G01		SCREW, #6 - 19 X 5/16" LG	3
14	00559-G3		WASHER, #6	3
15	28111-G01		SUPPORT SPACER	3
16	28110-G01		ELECTRICAL CLIP	1
17				
18	*		COVER	1
19	28102-G01		HANDLE	1
20	00614-G4		SCREW, #8 - 18 X 1/2" LG	6
21	28136-G01		LABEL (VENTILATION)	1
22	28136-G02		LABEL (CORD CONDITION).....	1
23				
24	26979-G01		CAPACITOR BRACKET	1
25	28109-G01		CAPACITOR	1
26	00969-G01		SCREW, #8 - 32 X 3/8" LG	3
27	00414-G5		BOLT, 1/4 - 20 X 5/8" LG	3
28	11027-G2		LOCK NUT, 1/4 - 20	3
29	19388-G4		AC CORD	1
30	13557-G2		STRAIN RELIEF (AC).....	1

BATTERY CHARGER (PORTABLE)

When ordering parts, please specify the model and serial number of the product.

* Indicates a component that is not available as an individual part.

G** Indicates consult Customer Service Department for additional information.

ITEM	PART NO.	1	2	3	4	5	DESCRIPTION	QTY.
31	13557-G3						STRAIN RELIEF (DC).....	1
32	28137-G01						DC CORD AND HANDLE ASSEMBLY (INCLUDES ITEMS 33 - 42)	1
33	73051-G11						PLUG (TOP HALF).....	1
34	73051-G12						PLUG (BOTTOM HALF).....	1
35	73051-G27						AUXILARY CONTACT.....	1
36	73331-G01						DC CORD.....	1
37	73051-G14						MALE PIN.....	2
38	73051-G08						BRASS SCREW, #10 - 32 X 1/2" LG	2
39	73051-G15						MAGNET	1
40	73051-G16						SCREW, #6 - 32 X 1/2" LG (STAINLESS STEEL)	2
41	73051-G10						LOCK NUT, #6 - 32	4
42	73051-G17						SCREW, #6 - 32 X 1" LG (STAINLESS STEEL)	2
43								
44								
45	28105-G01						AMMETER	1
46	00984-G01						SCREW, #8 - 16 X 1/2" LG	2
47	00559-G4						WASHER, #8	2
48	01003-G01						BRASS WASHER, #10	4
49	22589-G2						SHOULDER WASHER, 1/4"	1
50	00771-G6						NYLON WASHER, 3/8".....	1
51	00528-G4						NUT, #10 - 32 (BRASS)	3
52	28106-G01						50 AMP FUSE.....	1
53	00565-G5						LOCK WASHER, #10	4
54	00378-G4						SCREW, #10 - 24 X 1/2" LG	2
55	00526-G3						NUT, #10 - 24.....	2
56	28103-G01						TRANSFORMER	1
57	27877-G01						SPACER SUPPORT	4
58	17618-G1						WIRE TIE	2
59								
60	00372-G3						SCREW, #8 - 32 X 3/8" LG	1

BATTERY CHARGER (PORTABLE)

When ordering parts, please specify the model and serial number of the product.

* Indicates a component that is not available as an individual part.

G** Indicates consult Customer Service Department for additional information.

ITEM	PART NO.	1 2 3 4 5	DESCRIPTION	QTY.
61	25977-G32		16 GA WIRE (GREEN 4")	1
62	00565-G4		LOCK WASHER, #8	1
63	00526-G1		NUT, #8 - 32.....	1
64				
65	*		LABEL (POWERWISE™)	1
66	28566-G01		CONTROL BOARD.....	1
67	28566-G03		POWER INPUT BOARD.....	1
68				
69				
70				
71				
72				
73	73149-G01		36V CHARGER RECEPTACLE AND HARNESS ASSEMBLY (INCLUDES ITEMS 74 - 82).....	1
74	73051-G03		RECEPTACLE COVER	1
75	73051-G04		RECEPTACLE BOTTOM	1
76	73051-G05		FEMALE CONNECTOR	2
77	73051G06		INSULATOR SLEEVE.....	1
78	73051-G07		REED SWITCH.....	1
79	73051-G08		SCREW, #10 - 32 X 1/2" LG (BRASS)	2
80	73051-G09		SCREW, #6 - 32 X 1 3/4" LG (STAINLESS STEEL).....	3
81	73051-G10		LOCK NUT, #6 - 32	3
82	73147-G01		WIRE HARNESS (CHARGER).....	1
83				
84	11845-G7		INSULATED CABLE CLAMP, 1/2"	1
85	00414-G6		BOLT, 1/4 - 20 X 3/4" LG	1
86	00654-G2		LOCK NUT, 1/4 - 20 (STAINLESS STEEL)	1
87				
88	34729-G01		CORD STORAGE ASSEMBLY	1
89	34717-G01		CORD STORAGE SUPPORT	1

BATTERY CHARGER (PORTABLE)

When ordering parts, please specify the model and serial number of the product.

* Indicates a component that is not available as an individual part.

G** Indicates consult Customer Service Department for additional information.

ITEM	PART NO.	1	2	3	4	5	DESCRIPTION	QTY.
90	14601-G8						RIVET, 3/16" X 7/16" LG (ALUMINUM)	4
91	00414-G6						BOLT, 1/4 - 20 X 3/4" LG	2
92	01110-G01						WASHER, 1/4" (STAINLESS STEEL)	2
93	00654-G2						LOCK NUT, 1/4 - 20 (STAINLESS STEEL)	2
94	14601-G7						RIVET, 3/16" X 11/16" LG (ALUMINUM)	4
95								
96	28548-G01						DIODE	1
97	00372-G4						SCREW, #8 - 32 X 1/2" LG.....	4
98	00559-G4						WASHER, #8.....	10
99	00565-G4						LOCK WASHER, #8	4
100	00526-G1						NUT, #8 - 32	4
101								
102	73149-G02						48V CHARGER RECEPTACLE (BLUE) AND HARNESS ASSEMBLY (INCLUDES ITEMS 103 - 111)	1
103	73051-G21						48V RECEPTACLE COVER	1
104	73051-G22						48V RECEPTACLE BOTTOM.....	1
105	73051-G23						48V FEMALE CONNECTOR	2
106	73051-G24						48V INSULATOR SLEEVE	1
107	73051-G18						48V REED SWITCH	1
108	73051-G08						SCREW, #10 - 32 X 1/2" LG (BRASS)	2
109	73051-G09						SCREW, #6 - 32 X 1 3/4" LG (STAINLESS STEEL).....	3
110	73051-G10						LOCK NUT, #6 - 32	3
111	73147-G01						WIRE HARNESS (CHARGER).....	1
112								
113	28380-G02						36V LESTER BATTERY CHARGER WITH SWITCHABLE INPUT	1
114	28516-G01						36V LESTER BATTERY CHARGER CE APPROVED.....	1
115	28435-G03						48V LESTER BATTERY CHARGER.....	1
116	28435-G01						48V LESTER BATTERY CHARGER WITH SWITCHABLE INPUT	1
117	28435-G05						48V LESTER BATTERY CHARGER CE APPROVED.....	1

BATTERY CHARGER (PORTABLE)

When ordering parts, please specify the model and serial number of the product.

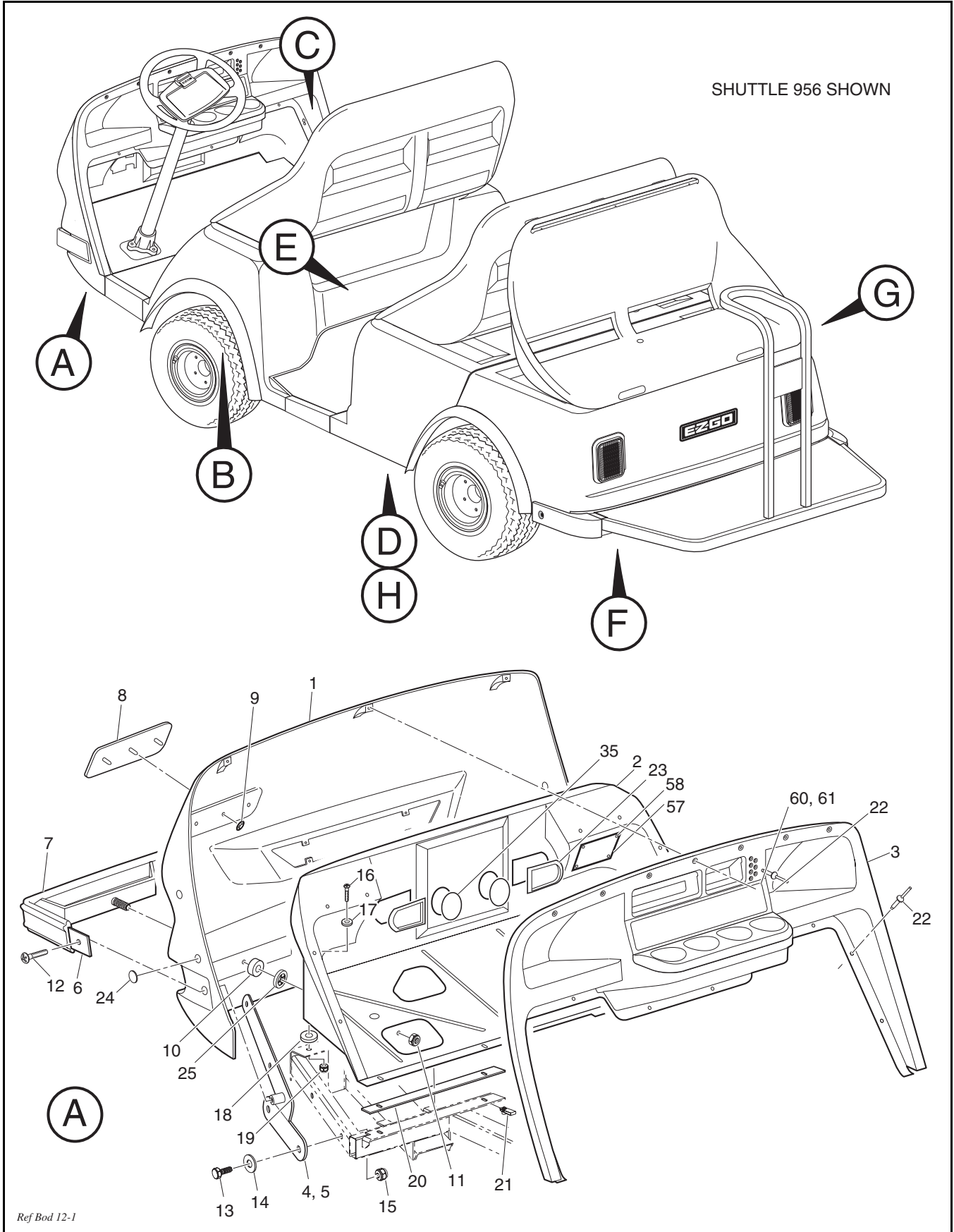
* Indicates a component that is not available as an individual part.

G** Indicates consult Customer Service Department for additional information.

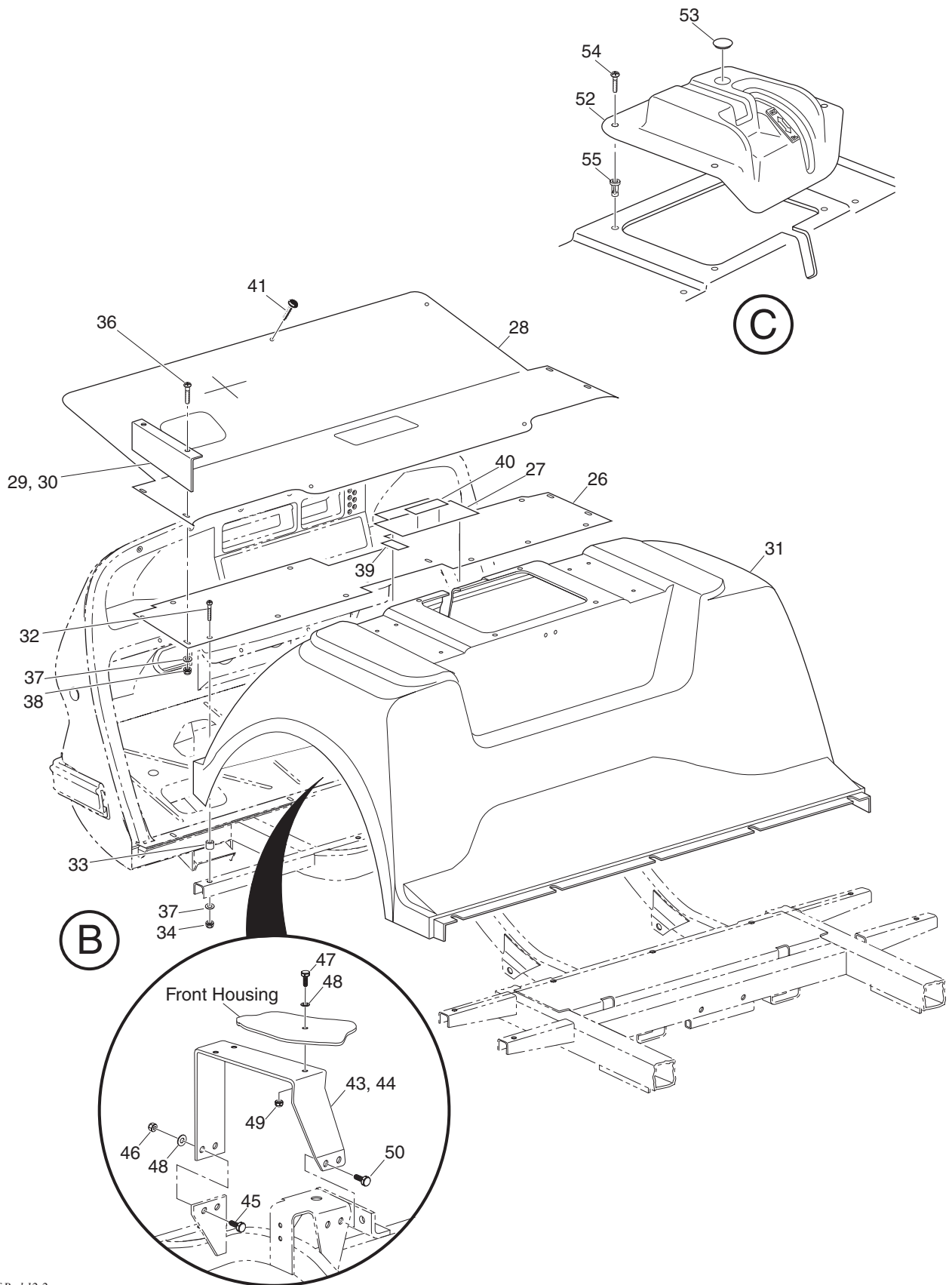
ITEM	PART NO.	1 2 3 4 5 DESCRIPTION	QTY.
		<p>For service or replacement parts, contact: Lester Electrical 625 West "A" Street Lincoln, NE 68522</p> <p>Phone: (402) 477-8988, FAX: (402) 474-1769</p> <p>Always provide the following information when requesting information or ordering replacement parts:</p> <p>Model Number: Serial Number: (stamped into housing)</p>	

BATTERY CHARGER (PORTABLE)

BODY



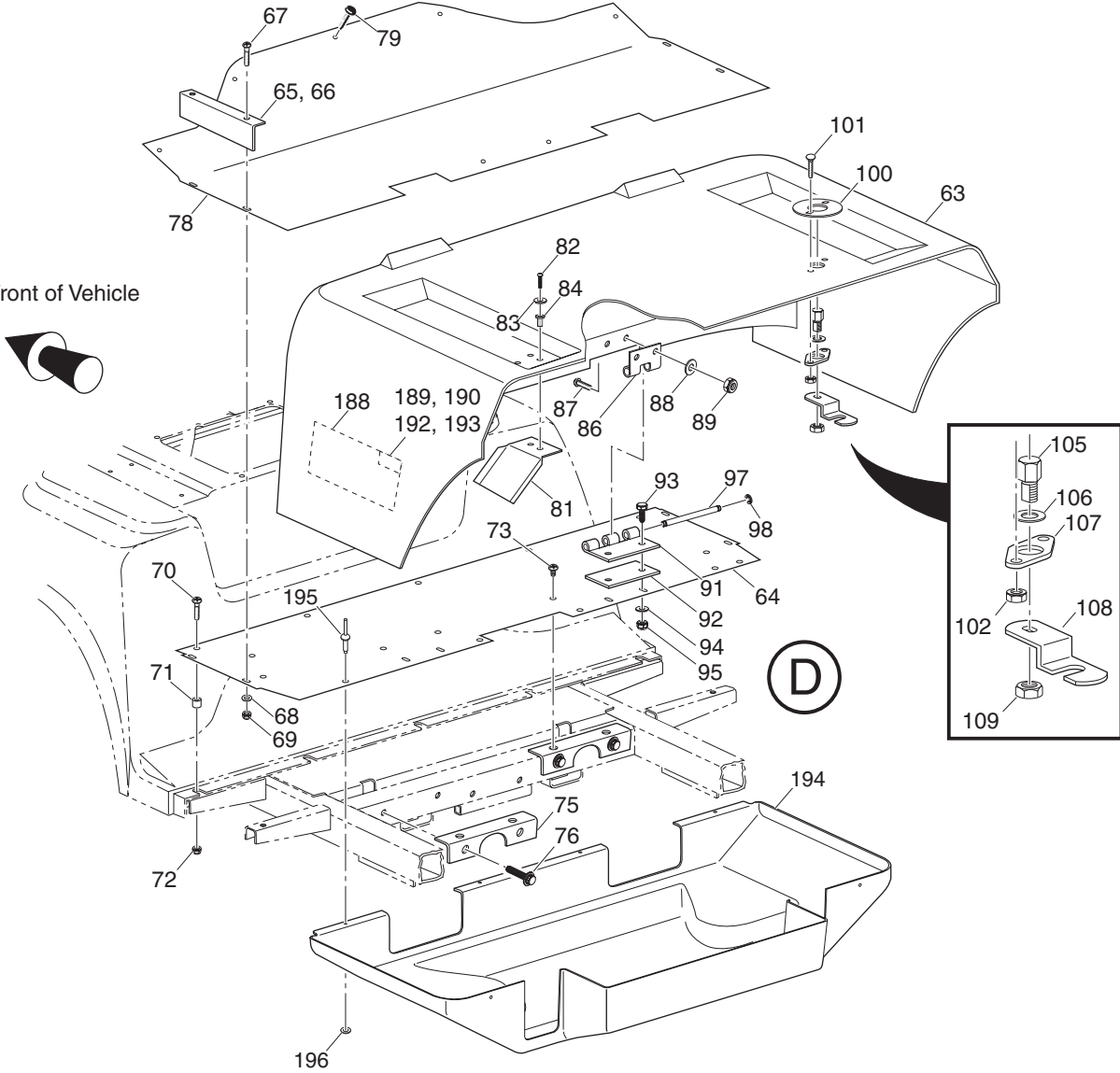
Ref Bod 12-1



Ref Bod 12-2

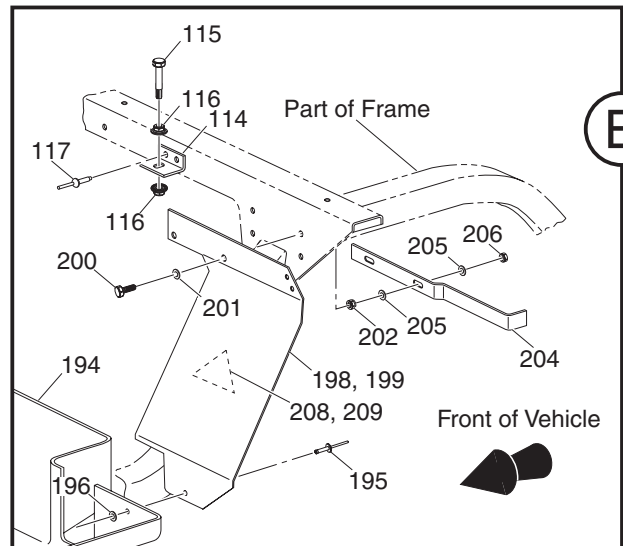
BODY

Front of Vehicle

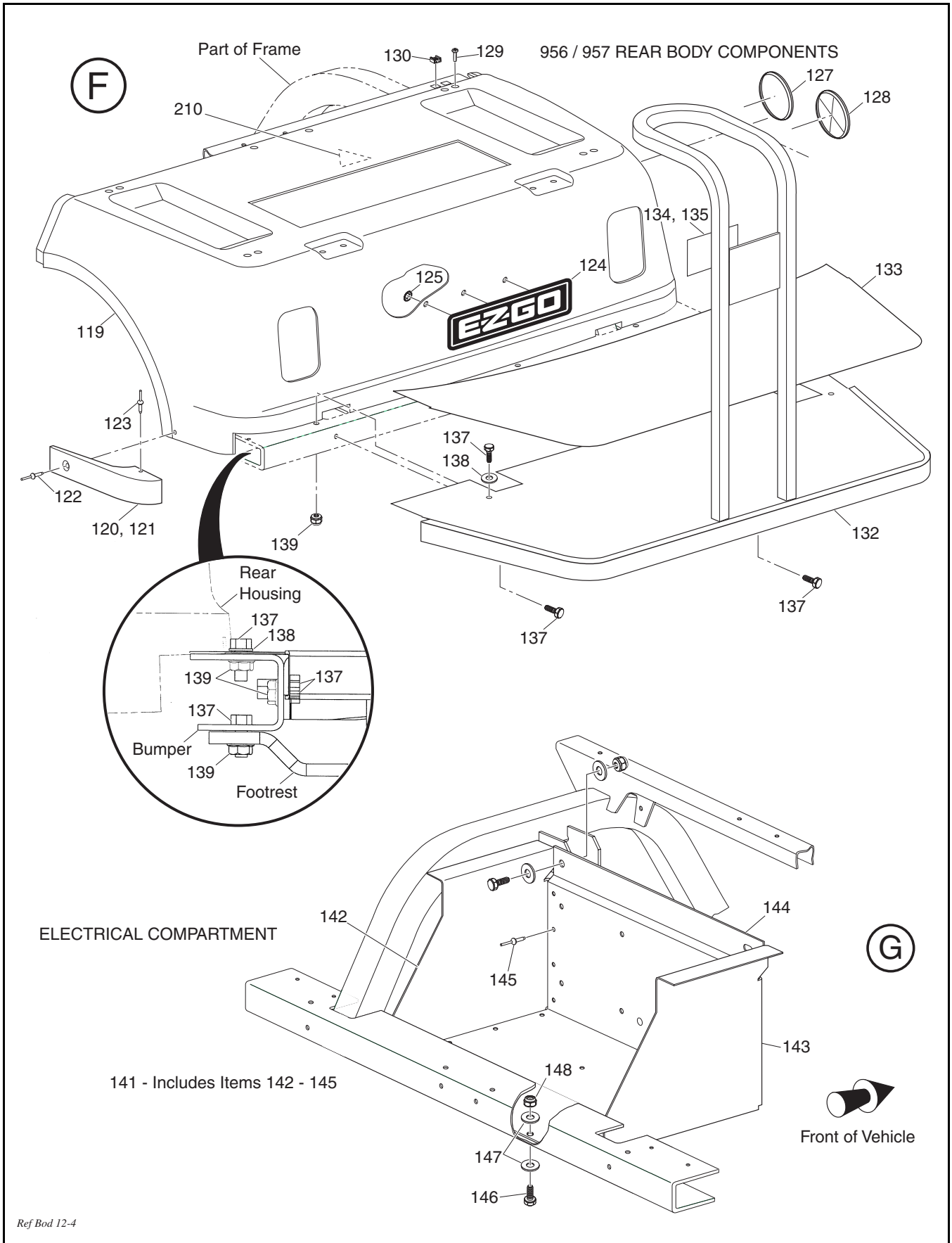


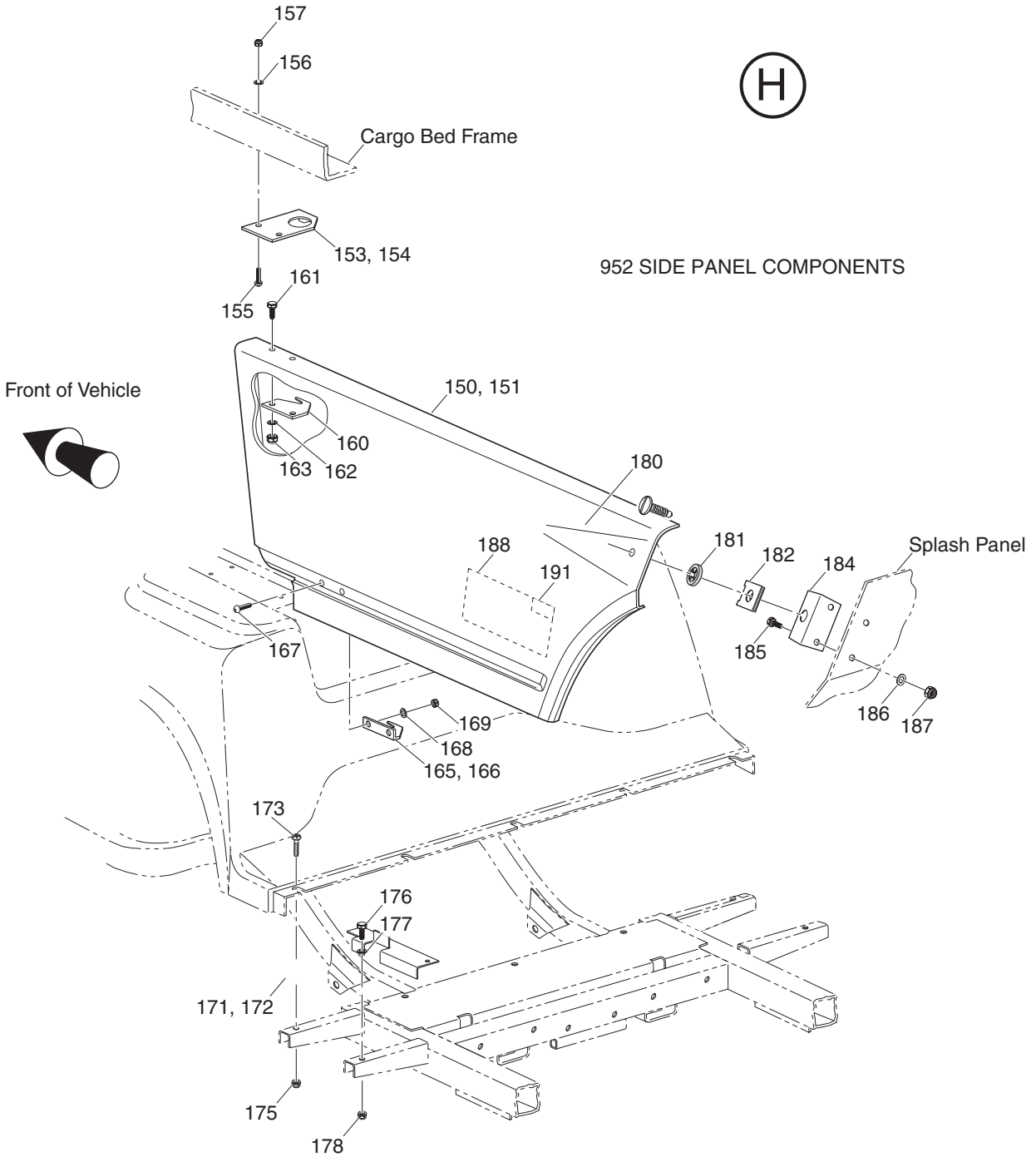
BODY COMPONENTS

104 - Includes Items 105 - 109



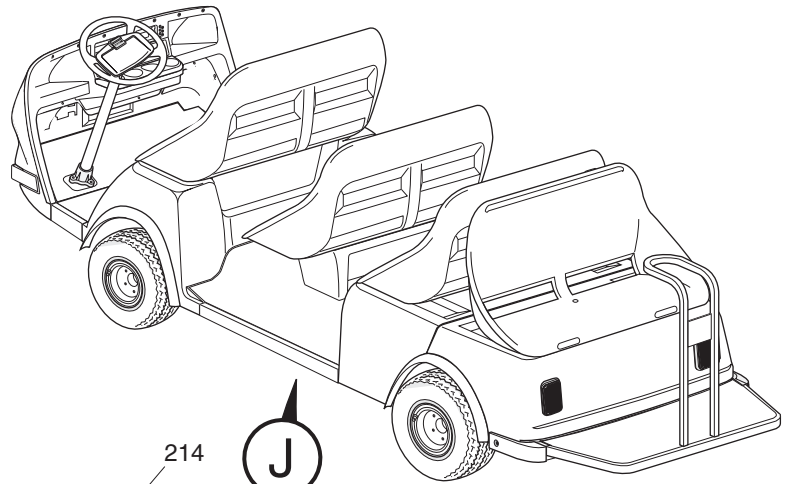
Ref Bod 12-3





Ref Bod 12-5

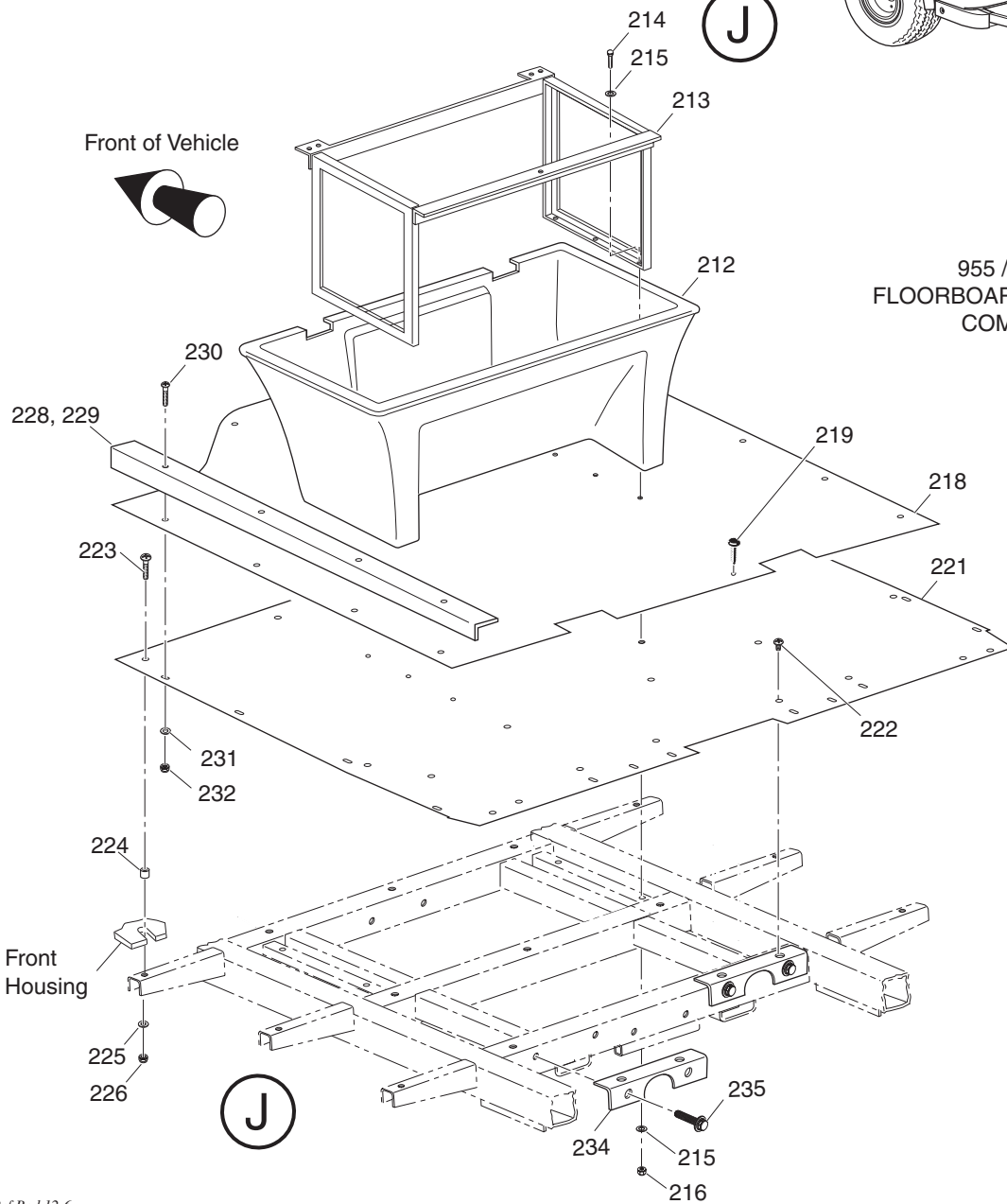
SHUTTLE 957 SHOWN



Front of Vehicle



955 / 957 REAR
FLOORBOARD AND SEAT POD
COMPONENTS



Ref Bod 12-6

BODY

When ordering parts, please specify the model and serial number of the product.

* Indicates a component that is not available as an individual part.

G** Indicates consult Customer Service Department for additional information.

ITEM	PART NO.	1 2 3 4 5	DESCRIPTION	QTY.
1	34142-G**		COWL.....	1
2	34145-G01		FRONT FLOORPAN.....	1
3	34597-G01		INSTRUMENT PANEL	1
4	35410-G01		SUPPORT PLATE (DRIVER SIDE).....	1
5	35410-G02		SUPPORT PLATE (PASSENGER SIDE)	1
6	34247-G01		BUMPER	1
7	34248-G01		RUBBER BUMPER COVER	1
8	71037-G02		NAMEPLATE (E-Z-GO).....	1
9	12064-G3		PUSH NUT, 3/16"	3
10	34758-G01		COWL SPACER	2
11	00891-G1		LOCK NUT, 3/8 - 16	2
12	00762-G8		SCREW, 5/16 - 18 X 2" LG (STAINLESS STEEL)	2
13	00438-G8		BOLT, 5/16 - 18 X 1" LG	4
14	01110-G03		WASHER, 5/16" (STAINLESS STEEL)	4
15	01109-G01		LOCK NUT, 5/16 - 18 (STAINLESS STEEL)	4
16	16705-G1		SCREW, 1/4 - 20 X 1" LG (STAINLESS STEEL)	2
17	01110-G01		WASHER, 1/4" (STAINLESS STEEL)	2
18	34176-G01		NEOPRENE WASHER.....	2
19	00654-G2		LOCK NUT, 1/4 - 20 (STAINLESS STEEL)	2
20	34134-G01		ISOLATION STRIP.....	2
21	14776-G1		'J' TYPE RETAINER.....	4
22	71055-G01		RIVET, 3/16" X 1" LG (ALUMINUM).....	11
23	34840-G01		HOLE COVER.....	2
24	34507-G01		HOLE PLUG.....	4
25	01008-G01		RETAINER	2
26	34146-G01		FRONT FLOORBOARD.....	1
27	34614-G01		ACCESS COVER.....	1
28	34607-G01		FRONT FLOORMAT	1
29	34609-G02		FRONT ROCKER PANEL (DRIVER SIDE).....	1
30	34609-G01		FRONT ROCKER PANEL (PASSENGER SIDE)	1

When ordering parts, please specify the model and serial number of the product.

* Indicates a component that is not available as an individual part.

G** Indicates consult Customer Service Department for additional information.

ITEM	PART NO.	1 2 3 4 5	DESCRIPTION	QTY.
31	34141-G**		FRONT HOUSING	1
32	16705-G9		SCREW, 1/4 - 20 X 1 1/4" LG (STAINLESS STEEL)	10
33	20275-G3		PIVOT SPACER	6
34	00654-G2		LOCK NUT, 1/4 - 20 (STAINLESS STEEL)	6
35	35643-G01		HOLE PLUG	2
36	16705-G3		SCREW, 1/4 - 20 X 3/4" LG (STAINLESS STEEL)	4
37	01110-G01		WASHER, 1/4" (STAINLESS STEEL)	10
38	00654-G2		LOCK NUT, 1/4 - 20 (STAINLESS STEEL)	4
39	27919-G02		FOAM TAPE (3/4" X 2").....	2
40	27919-G04		FOAM TAPE (3/4" X 4").....	1
41	16816-G2		RATCHET FASTENER.....	4
42				
43	35651-G02		HOUSING BRACKET (DRIVER SIDE)	1
44	35651-G01		HOUSING BRACKET (PASSENGER SIDE).....	1
45	16705-G11		SCREW, 5/16 - 18 X 7/8" LG (STAINLESS STEEL)	4
46	01109-G01		LOCK NUT, 5/16 - 18 (STAINLESS STEEL)	4
47	00438-G8		BOLT, 5/16 - 18 X 1" LG	2
48	00660-G8		WASHER, 5/16" (STAINLESS STEEL)	6
49	01109-G01		LOCK NUT, 5/16 - 18 (STAINLESS STEEL)	2
50	00438-G6		BOLT, 5/16 - 18 X 3/4" LG	4
51				
52	34596-G01		PARKING BRAKE COVER.....	1
53	20271-G8		HOLE PLUG	1
54	16705-G1		SCREW, 1/4 - 20 X 1" LG (STAINLESS STEEL)	4
55	30054-G2		MOLY JACK NUT	4
56				
57	*		SERIAL NUMBER PLATE	1
58	10570-G9		RIVET, 1/8" X 11/32" LG (ALUMINUM)	4
59				
60	33645-G01		LABEL (SAFETY).....	1

BODY

When ordering parts, please specify the model and serial number of the product.

* Indicates a component that is not available as an individual part.

G** Indicates consult Customer Service Department for additional information.

ITEM	PART NO.	1 2 3 4 5	DESCRIPTION	QTY.
61	35345-G01		LABEL (SAFETY - CE).....	1
62				
63	35682-G**		REAR HINGED HOUSING.....	1
64	34147-G01		REAR FLOORBOARD	1
65	34610-G02		REAR ROCKER PANEL (DRIVER SIDE)	1
66	34610-G01		REAR ROCKER PANEL (PASSENGER SIDE).....	1
67	16705-G3		SCREW, 1/4 - 20 X 3/4" LG (STAINLESS STEEL)	4
68	01110-G01		WASHER, 1/4" (STAINLESS STEEL)	4
69	00654-G2		LOCK NUT, 1/4 - 20 (STAINLESS STEEL)	4
70	16705-G9		SCREW, 1/4 - 20 X 1 1/4" LG (STAINLESS STEEL)	7
71	20275-G3		PIVOT SPACER	5
72	00654-G2		LOCK NUT, 1/4 - 20 (STAINLESS STEEL)	7
73	16705-G10		SCREW, 1/4 - 20 X 7/8" LG (STAINLESS STEEL)	4
74				
75	34149-G01		FLOOR SUPPORT.....	2
76	00715-G1		BOLT, 5/16 - 18 X 3/4" LG	4
77				
78	34608-G01		REAR FLOORMAT.....	1
79	16816-G2		RATCHET FASTENER, 11/16" X 7/8" LG	4
80				
81	34978-G01		DRIP SHIELD.....	1
82	00789-G1		SCREW, #10 - 24 X 1" LG.....	2
83	00660-G5		WASHER, #10 (STAINLESS STEEL)	2
84	00739-G1		RUBBER WELL NUT, #10 - 24	2
85				
86	34197-G02		HINGE	2
87	16705-G1		SCREW, 1/4 - 20 X 1" LG (STAINLESS STEEL)	4
88	01110-G01		WASHER, 1/4" (STAINLESS STEEL)	4
89	14390-G4		LOCK NUT, 1/4 - 20	4
90				

When ordering parts, please specify the model and serial number of the product.

* Indicates a component that is not available as an individual part.

G** Indicates consult Customer Service Department for additional information.

ITEM	PART NO.	1 2 3 4 5	DESCRIPTION	QTY.
91	35722-G01		HINGE	2
92	35749-G01		HINGE SPACER.....	2
93	00661-G8		BOLT, 1/4 - 20 X 1" LG (STAINLESS STEEL).....	4
94	01110-G01		WASHER, 1/4" (STAINLESS STEEL)	4
95	14390-G4		LOCK NUT, 1/4 - 20	4
96				
97	34228-G01		HINGE PIN	2
98	14117-G1		RETAINING RING, 1/4"	4
99				
100	34881-G01		LATCH PLATE	2
101	00827-G8		CARRIAGE BOLT, 1/4 - 20 X 1" LG (STAINLESS STEEL).....	4
102	14390-G4		LOCK NUT, 1/4 - 20	4
103				
104	34884-G01		LATCH ASSEMBLY (INCLUDES ITEMS 105 - 109)	2
105	34432-G01		LATCH PIN	1
106	34434-G01		WASHER, 3/8"	1
107	34431-G01		LATCH PLATE	1
108	34883-G01		LATCH	1
109	14390-G1		LOCK NUT, 3/8 - 24.....	1
110				
111				
112				
113				
114	34882-G01		LOCKDOWN SUPPORT ANGLE.....	2
115	00415-G4		BOLT, 1/4 - 20 X 1 1/2" LG	2
116	11027-G2		NUT, 1/4 - 20	4
117	14601-G5		RIVET, 3/16" X 3/8" LG (STAINLESS STEEL)	4
118				
119	34144-G**		REAR STATIONARY HOUSING	1
120	34668-G02		BUMPER CAP (DRIVER SIDE)	1

BODY

When ordering parts, please specify the model and serial number of the product.

* Indicates a component that is not available as an individual part.

G** Indicates consult Customer Service Department for additional information.

ITEM	PART NO.	1 2 3 4 5	DESCRIPTION	QTY.
121	34668-G01		BUMPER CAP (PASSENGER SIDE).....	1
122	71055-G01		RIVET, 3/16" X 1" LG (ALUMINUM).....	2
123	15058-G1		RIVET, 3/16" X 7/16" LG (ALUMINUM).....	2
124	71037-G02		NAMEPLATE (E-Z-GO).....	1
125	12064-G3		PUSH NUT, 3/16".....	3
126				
127	34295-G01		GROMMET.....	1
128	35648-G01		COVER GROMMET (ON BOARD CHARGER).....	1
129	16705-G1		SCREW, 1/4 - 20 X 1" LG (STAINLESS STEEL).....	4
130	34855-G01		SELF-RETAINING NUT.....	8
131				
132	34611-G01		FOOTREST.....	1
133	34700-G01		RUBBER FLOORMAT.....	1
134	74132-G01		LABEL (WARNING).....	1
135	74074-G01		LABEL (WARNING - EC).....	1
136				
137	00665-G2		BOLT, 3/8 - 16 X 1" LG (STAINLESS STEEL).....	8
138	00653-G1		WASHER, 3/8".....	2
139	11027-G5		NUT, 3/8 - 16.....	6
140				
141	34391-G01		ELECTRICAL COMPARTMENT (INCLUDES ITEMS 142 - 145).....	1
142	34394-G01		SIDE PANEL (DRIVER SIDE).....	1
143	34394-G02		SIDE PANEL (PASSENGER SIDE).....	1
144	34393-G01		PAN.....	1
145	14601-G5		RIVET, 3/16" X 3/8" LG (STAINLESS STEEL).....	16
146	00438-G8		BOLT, 5/16 - 18 X 1" LG.....	4
147	00559-G8		WASHER, 5/16".....	8
148	01109-G01		LOCK NUT, 5/16 - 18 (STAINLESS STEEL).....	4
149				
150	34140-G01		SIDE PANEL (DRIVER SIDE).....	1

When ordering parts, please specify the model and serial number of the product.

* Indicates a component that is not available as an individual part.

G** Indicates consult Customer Service Department for additional information.

ITEM	PART NO.	1 2 3 4 5	DESCRIPTION	QTY.
151	34140-G02		SIDE PANEL (PASSENGER SIDE).....	1
152				
153	34708-G02		UPPER CATCH (DRIVER SIDE).....	1
154	34708-G01		UPPER CATCH (PASSENGER SIDE)	1
155	16705-G3		SCREW, 1/4 - 20 X 3/4" LG (STAINLESS STEEL)	2
156	00660-G7		WASHER, 1/4" (STAINLESS STEEL)	2
157	00654-G2		LOCK NUT, 1/4 - 20 (STAINLESS STEEL)	2
158				
159				
160	34706-G01		UPPER LATCH.....	2
161	00414-G6		BOLT, 1/4 - 20 X 3/4" LG	4
162	00660-G7		WASHER, 1/4" (STAINLESS STEEL)	4
163	00654-G2		LOCK NUT, 1/4 - 20 (STAINLESS STEEL)	4
164				
165	34707-G02		LOWER LATCH (DRIVER SIDE)	1
166	34707-G01		LOWER LATCH (PASSENGER SIDE).....	1
167	16705-G3		SCREW, 1/4 - 20 X 3/4" LG (STAINLESS STEEL)	2
168	00660-G7		WASHER, 1/4" (STAINLESS STEEL)	2
169	00654-G2		LOCK NUT, 1/4 - 20 (STAINLESS STEEL)	2
170				
171	34709-G01		LOWER CATCH (DRIVER SIDE).....	1
172	34709-G02		LOWER CATCH (PASSENGER SIDE)	1
173	00415-G2		BOLT, 1/4 - 20 X 1 1/2" LG	1
174				
175	00654-G2		LOCK NUT, 1/4 - 20 (STAINLESS STEEL)	1
176	00661-G8		BOLT, 1/4 - 20 X 1" LG (STAINLESS STEEL).....	1
177	00660-G7		WASHER, 1/4" (STAINLESS STEEL)	2
178	00654-G2		LOCK NUT, 1/4 - 20 (STAINLESS STEEL)	1
179				
180	34613-G01		SPECIAL SLOTTED SCREW, 1" LG	1

BODY

When ordering parts, please specify the model and serial number of the product.

* Indicates a component that is not available as an individual part.

G** Indicates consult Customer Service Department for additional information.

ITEM	PART NO.	1 2 3 4 5	DESCRIPTION	QTY.
181	34737-G01		RETAINER	1
182	34612-G01		CLIP ON RECEPTACLE	1
183				
184	34841-G01		RETAINER BRACKET.....	1
185	00661-G8		BOLT, 1/4 - 20 X 1" LG (STAINLESS STEEL).....	2
186	00660-G7		WASHER, 1/4" (STAINLESS STEEL)	2
187	00654-G2		LOCK NUT, 1/4 - 20 (STAINLESS STEEL)	2
188	35434-G01		LABEL (SHUTTLE)	2
189	35430-G09		LABEL (IDENTIFICATION - 956)	2
190	35430-G10		LABEL (IDENTIFICATION - 954)	2
191	35430-G11		LABEL (IDENTIFICATION - 952)	2
192	35430-G16		LABEL (IDENTIFICATION - 955)	2
193	35430-G17		LABEL (IDENTIFICATION - 957)	2
194	35529-G01		BATTERY DRIP TRAY	1
195	71055-G01		RIVET, 3/16 X 1" LG (ALUMINUM)	6
196	00559-G4		WASHER, #8.....	6
197				
198	35530-G02		BATTERY SHIELD (DRIVER SIDE).....	1
199	35530-G01		BATTERY SHIELD (PASSENGER SIDE)	1
200	00933-G1		BOLT, 1/4 - 20 X 1 1/4" LG	4
201	01110-G01		WASHER, 1/4" (STAINLESS STEEL)	4
202	00654-G2		LOCK NUT, 1/4 - 20 (STAINLESS STEEL)	4
203				
204	35378-G01		BODY BRACE.....	2
205	01110-G01		WASHER, 1/4" (STAINLESS STEEL)	8
206	00654-G2		LOCK NUT, 1/4 - 20 (STAINLESS STEEL)	4
207				
208	71417-G01		LABEL (DRIVER SIDE - EXPLOSIVE GAS WARNING - CE)	1
209	71419-G01		LABEL (PASSENGER SIDE - ACID WARNING - CE).....	1
210	71415-G01		LABEL (ELECTRIC SHOCK WARNING - CE).....	1

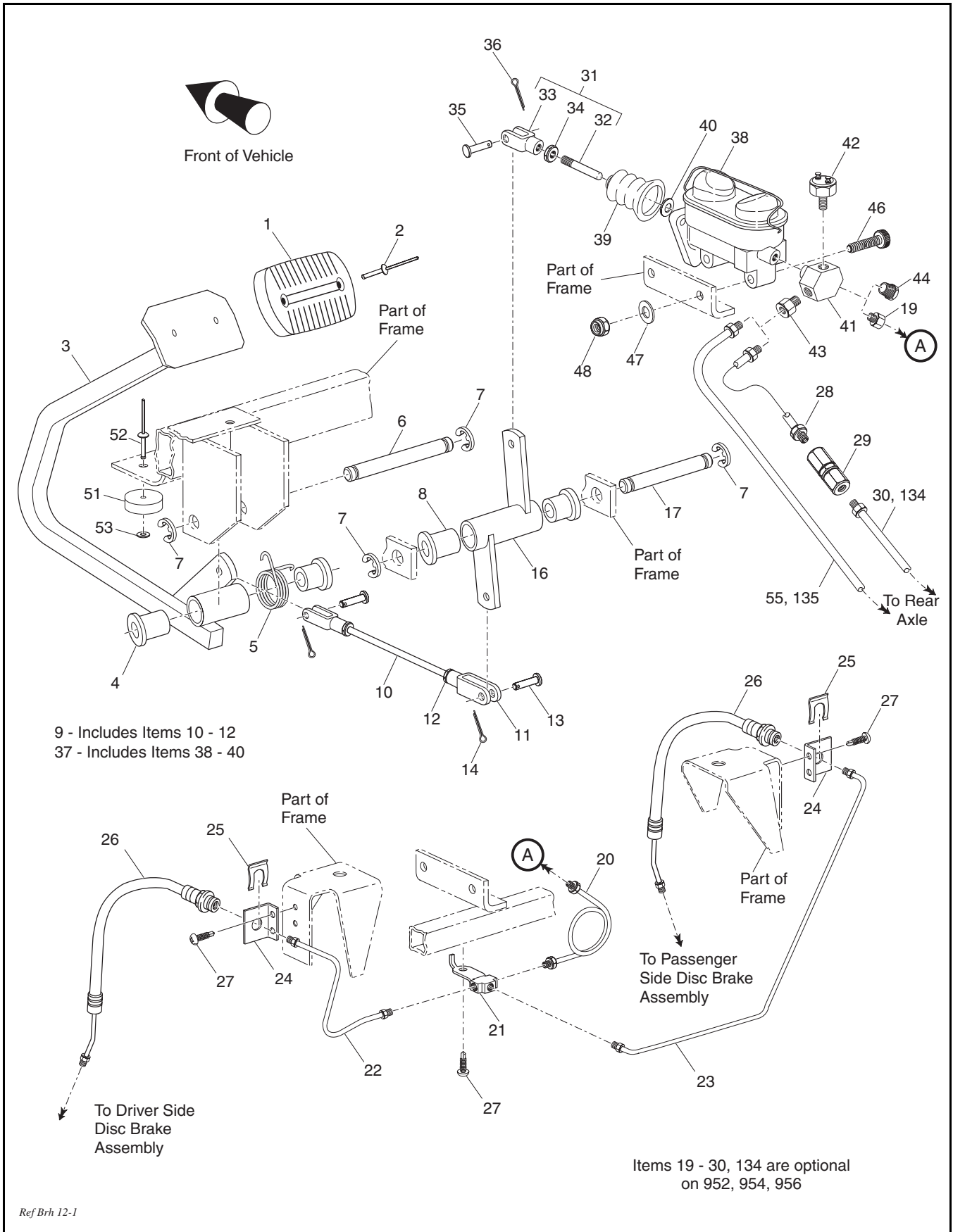
When ordering parts, please specify the model and serial number of the product.

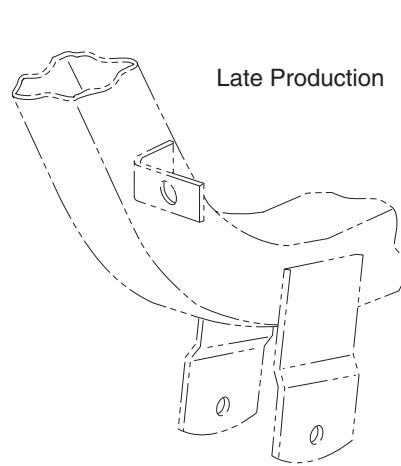
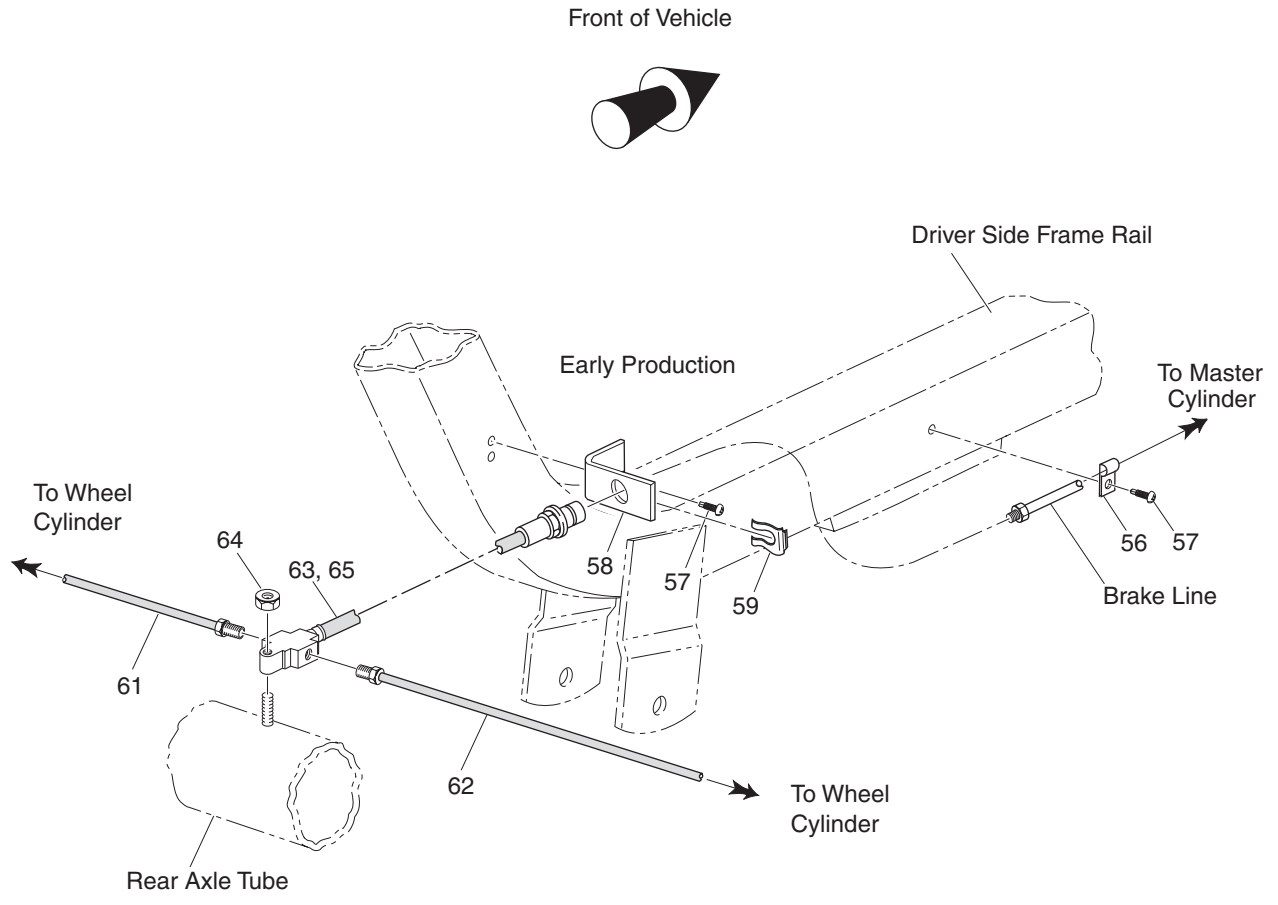
* Indicates a component that is not available as an individual part.

G** Indicates consult Customer Service Department for additional information.

ITEM	PART NO.	1 2 3 4 5	DESCRIPTION	QTY.
211				
212	35518-G**		SEAT POD HOUSING.....	1
213	35622-G01		SEAT SUPPORT.....	1
214	00415-G2		BOLT, 1/4 - 20, 1 1/4" LG.....	6
215	01110-G01		WASHER, 1/4" (STAINLESS STEEL).....	12
216	00654-G2		LOCK NUT, 1/4 - 20 (STAINLESS STEEL).....	6
217				
218	35662-G01		REAR FLOORMAT.....	1
219	16816-G2		RATCHET FASTENER, 11/16" X 7/8" LG.....	7
220				
221	35536-G01		REAR FLOORBOARD.....	1
222	16705-G10		SCREW, 1/4 - 20 X 7/8" LG (STAINLESS STEEL).....	4
223	16705-G9		SCREW, 1/4 - 20 X 1 1/4" LG (STAINLESS STEEL).....	7
224	20275-G3		PIVOT SPACER.....	5
225	01110-G01		WASHER, 1/4" (STAINLESS STEEL).....	5
226	00654-G2		LOCK NUT, 1/4 - 20 (STAINLESS STEEL).....	6
227				
228	35663-G02		REAR ROCKER PANEL (DRIVER SIDE).....	1
229	35663-G01		REAR ROCKER PANEL (PASSENGER SIDE).....	1
230	16705-G3		SCREW, 1/4 - 20 X 3/4" LG (STAINLESS STEEL).....	8
231	01110-G01		WASHER, 1/4" (STAINLESS STEEL).....	8
232	00654-G2		LOCK NUT, 1/4 - 20 (STAINLESS STEEL).....	8
233				
234	34149-G01		FLOOR SUPPORT.....	2
235	00715-G1		BOLT, 5/16 - 18 X 3/4" LG.....	4

BRAKES

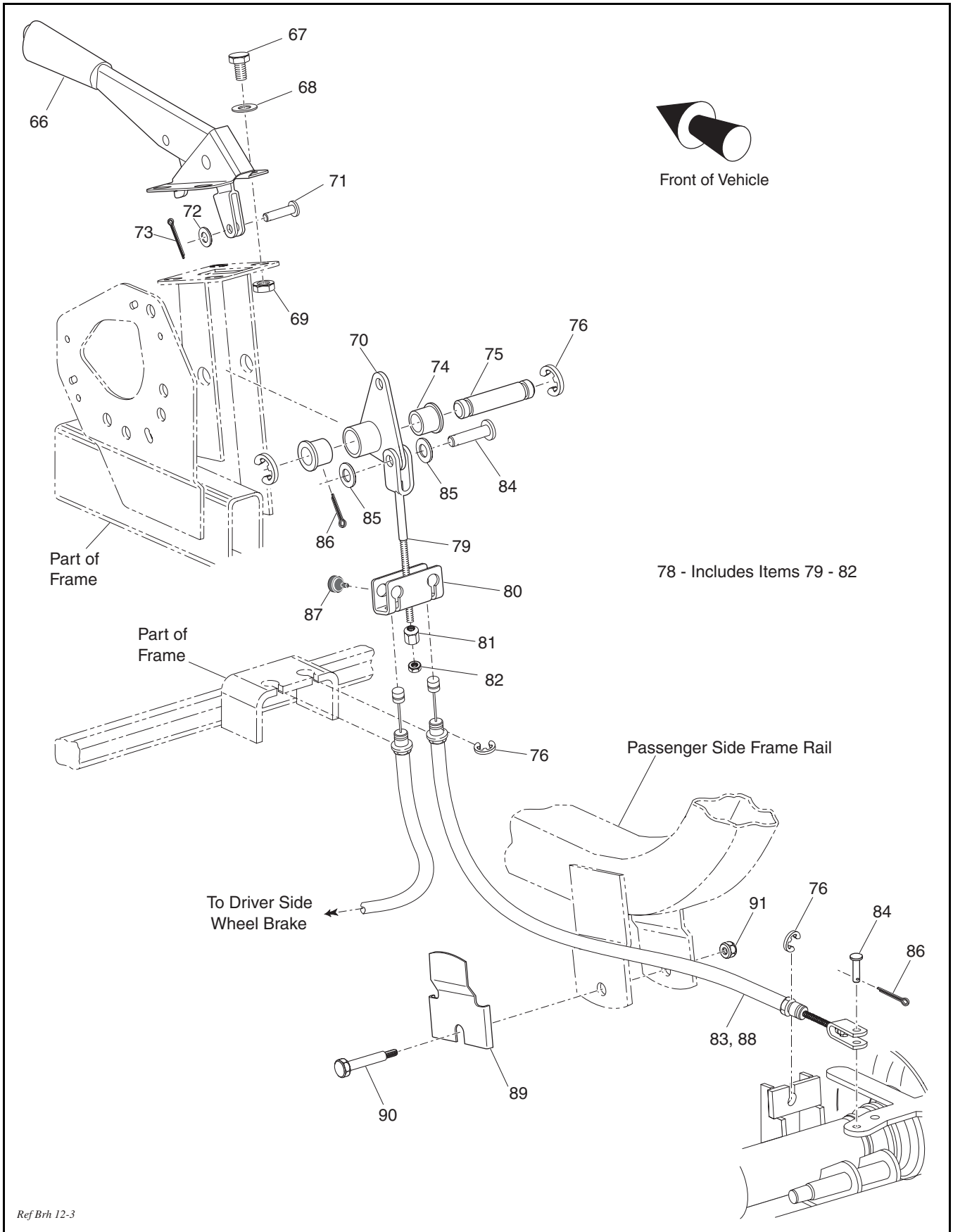




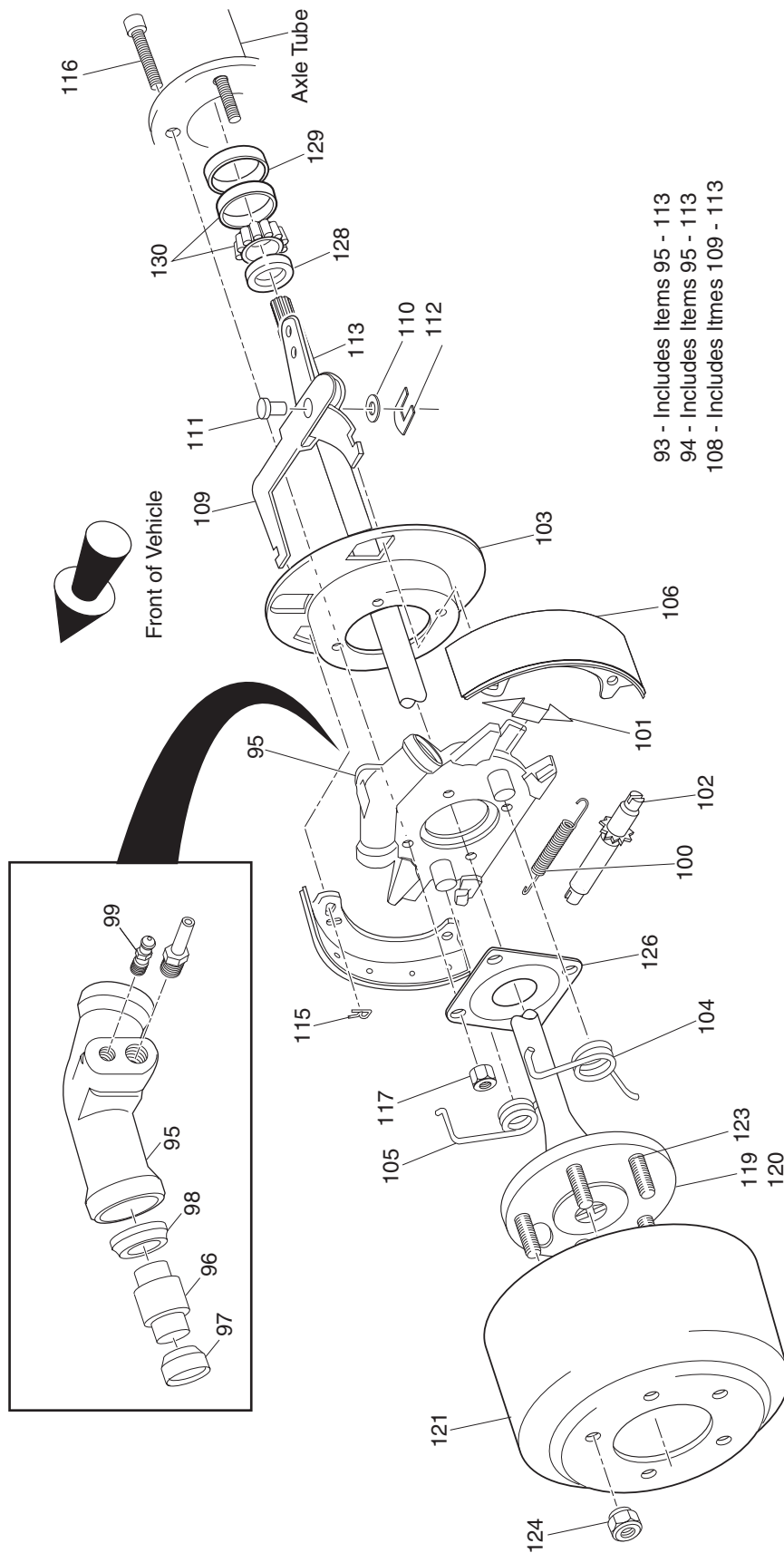
Note: Late production vehicles have Tube Fastener Bracket welded to frame

Ref Brh 12-2

BRAKES



Ref Brh 12-3



Ref Brh 12-4

BRAKES

When ordering parts, please specify the model and serial number of the product.

* Indicates a component that is not available as an individual part.

G** Indicates consult Customer Service Department for additional information.

ITEM	PART NO.	1 2 3 4 5	DESCRIPTION	QTY.
1	11039-G1		PEDAL PAD	1
2	14269-G1		RIVET, 3/16" X 1/2" LG	2
3	33227-G02		BRAKE PEDAL	1
4	70581-G02		FLANGED BUSHING	2
5	13197-G1		TORSION SPRING	1
6	34158-G02		SHAFT, 3 1/2" LG	1
7	01111-G01		RETAINING RING, 13/32" (STAINLESS STEEL)	4
8	70581-G02		FLANGED BUSHING	2
9	34124-G01		LINKAGE ROD (INCLUDES ITEMS 10 - 12)	1
10	30297-G3		THREADED ROD	1
11	10385-G4		CLEVIS YOKE (ADJUSTABLE)	2
12	00544-G4		NUT, 5/16 - 24	2
13	10386-G3		CLEVIS PIN, 5/16" X 13/16" LG	2
14	10387-G3		COTTER PIN, 3/32" X 3/4" LG	2
15				
16	34157-G01		PIVOT	1
17	34158-G01		SHAFT, 4 7/8" LG	1
18				
19	21505-G1		NIPPLE (MALE)	1
20	34984-G01		BRAKE LINE - COILED (12" COMPLETE WITH NUTS)	1
21	21103-G1		BRAKE LINE TEE	1
22	34987-G01		BRAKE LINE (11" COMPLETE WITH NUTS)	1
23	34985-G01		BRAKE LINE (19" COMPLETE WITH NUTS)	1
24	35419-G01		TUBE FASTENER BRACKET	2
25	11456-G1		CLIP	2
26	34989-G01		FLEXIBLE HYDRAULIC HOSE	2
27	00106-G6		SCREW, #12 - 24 X 3/4" LG	5
28	34986-G01		BRAKE LINE (8" COMPLETE WITH NUTS)	1
29	34988-G01		PROPORTIONING VALVE	1
30	34982-G01		BRAKE LINE (50" COMPLETE WITH NUTS) (952, 954, 956)	1

BRAKES

When ordering parts, please specify the model and serial number of the product.

* Indicates a component that is not available as an individual part.

G** Indicates consult Customer Service Department for additional information.

ITEM	PART NO.	1 2 3 4 5	DESCRIPTION	QTY.
31	30298-G2		PUSH ROD ASSEMBLY (INCLUDES ITEMS 32 - 34).....	1
32	30293-G2		PUSH ROD, 3 1/8" LG.....	1
33	21508-G1		CLEVIS YOKE.....	2
34	00544-G6		JAM NUT, 3/8 - 24.....	2
35	14443-G3		CLEVIS PIN, 5/16" X 1" LG.....	1
36	10387-G3		COTTER PIN, 3/32" X 3/4" LG.....	1
37	70643-G02		MASTER CYLINDER KIT (INCLUDES ITEMS 38 - 40).....	1
38	*		MASTER CYLINDER.....	1
39	32768-G1		MASTER CYLINDER BOOT.....	1
40	00675-G1		WASHER, 3/8" (STAINLESS STEEL).....	1
41	26469-G01		BRANCH TEE (MALE).....	1
42	21510-G1		BRAKE LIGHT SWITCH.....	1
43	33724-G01		INVERTED FLARE FITTING.....	1
44	21503-G1		PLUG (STANDARD BRAKE SYSTEM).....	1
45	22283-G1		TEFLON TAPE, 1/2" WIDE (NOT ILLUSTRATED).....	A/R
46	00428-G4		BOLT, 3/8 - 16 X 2 1/2" LG.....	2
47	00560-G1		WASHER, 3/8".....	2
48	11098-G5		LOCK NUT, 3/8 - 16.....	2
49	21504-G1		BRAKE FLUID (NOT ILLUSTRATED).....	A/R
50				
51	13728-G1		RUBBER BUMPER.....	1
52	14601-G1		RIVET, 3/16" X 13/16" LG (ALUMINUM).....	1
53	00559-G5		WASHER, #10.....	1
54				
55	21104-G12		BRAKE LINE (55" COMPLETE WITH NUTS) (952, 954, 956).....	1
56	11845-G5		INSULATED CABLE CLAMP, 3/8".....	1
57	00100-G6		SCREW, #10 - 16 X 3/4" LG.....	3
58	11332-G2		TUBE FASTENER BRACKET (EARLY PRODUCTION).....	1
59	11456-G1		CLIP.....	1
60				

BRAKES

When ordering parts, please specify the model and serial number of the product.

* Indicates a component that is not available as an individual part.

G** Indicates consult Customer Service Department for additional information.

ITEM	PART NO.	1 2 3 4 5	DESCRIPTION	QTY.
61	34702-G01		REAR BRAKE LINE	1
62	34542-G01		REAR BRAKE LINE	1
63	33534-G01		FLEXIBLE HYDRAULIC HOSE, 10 1/2" LG (952, 954, 956)	1
64	01109-G01		LOCK NUT, 5/16 - 18 (STAINLESS STEEL)	1
65	33534-G02		FLEXIBLE HYDRAULIC HOSE, 13 1/2" LG (955, 957)	1
66	34380-G01		PARKING BRAKE	1
67	00276-G6		BOLT, 5/16 - 24 X 3/4" LG	4
68	00559-G8		WASHER, 5/16"	4
69	11098-G9		LOCK NUT, 5/16 - 24	4
70	34384-G01		BELLCRANK	1
71	14443-G2		CLEVIS PIN, 5/16" X 5/8" LG	1
72	00559-G8		WASHER, 5/16"	1
73	10387-G3		COTTER PIN, 3/32" X 3/4" LG	1
74	70581-G02		FLANGED BUSHING	2
75	34158-G03		SHAFT, 2 5/8" LG	1
76	01111-G01		RETAINING RING, 13/32" (STAINLESS STEEL)	6
77				
78	34518-G01		PARKING BRAKE LINK (INCLUDES ITEMS 79 - 82).....	1
79	34389-G01		CLEVIS LINK	1
80	28082-G01		EQUALIZER BRACKET	1
81	00963-G01		SPHERICAL NUT, 5/16 - 24	1
82	00544-G4		NUT, 5/16 - 24	1
83	34034-G01		BRAKE CABLE (952, 954, 956)	2
84	10386-G3		CLEVIS PIN, 5/16" X 13/16" LG	2
85	00559-G8		WASHER, 5/16"	1
86	10387-G3		COTTER PIN, 3/32" X 3/4" LG	2
87	28083-G01		BRAKE COMPENSATOR BUMPER	2
88	35584-G01		BRAKE CABLE (955, 957)	2
89	34031-G01		CABLE RETAINER BRACKET	2
90	XXXXX-XX		SHOULDER BOLT (SEE REAR SUSPENSION SECTION FOR P/N).....	2

BRAKES

When ordering parts, please specify the model and serial number of the product.

* Indicates a component that is not available as an individual part.

G** Indicates consult Customer Service Department for additional information.

ITEM	PART NO.	1 2 3 4 5	DESCRIPTION	QTY.
91	XXXXX-XX		LOCK NUT, 3/8-16 (SEE REAR SUSPENSION SECTION FOR P/N).....	2
92				
93	33725-G01		BRAKE ASSEMBLY (DRIVER SIDE) (INCLUDES ITEMS 95 - 113)	1
94	33725-G02		BRAKE ASSEMBLY (PASSENGER SIDE) (INCLUDES ITEMS 95 - 113).....	1
95	21086-G1		TORQUE SPIDER	1
96	21087-G1		WHEEL CYLINDER PISTON.....	2
97	21088-G1		HYDRAULIC CUP.....	2
98	21089-G1		SEAL.....	2
99	21094-G1		BLEEDER VALVE	1
100	21095-G1		LOWER SPRING	1
101	21096-G1		SHOE HOLD DOWN	1
102	21097-G1		ADJUSTER.....	1
103	21908-G1		DUST SHIELD	1
104	70669-G01		SPRING (BLUE)	1
105	70670-G01		SPRING (YELLOW).....	1
106	33726-G01		BRAKE SHOE.....	2
107				
108	*		PARKING BRAKE LEVER ASSEMBLY (INCLUDES ITEMS 109 - 113)	1
109	13460-G1		CURVED LEVER.....	1
110	13463-G1		SPRING WASHER	1
111	13462-G1		CLEVIS PIN.....	1
112	13464-G1		CLEVIS PIN RETAINER.....	1
113	22604-G1		STRAIGHT LEVER	2
114				
115	13468-G1		CLIP	2
116	33662-G01		STUD, 5/16 - 24 X 1 5/8" LG	4
117	21562-G1		NUT, 5/16 - 24	4
118				
119	XXXXX-XX		AXLE SHAFT (DRIVER SIDE) (SEE REAR AXLE SECTION FOR P/N).....	1
120	XXXXX-XX		AXLE SHAFT (PASSENGER SIDE) (SEE REAR AXLE SECTION FOR P/N) ...	1

BRAKES

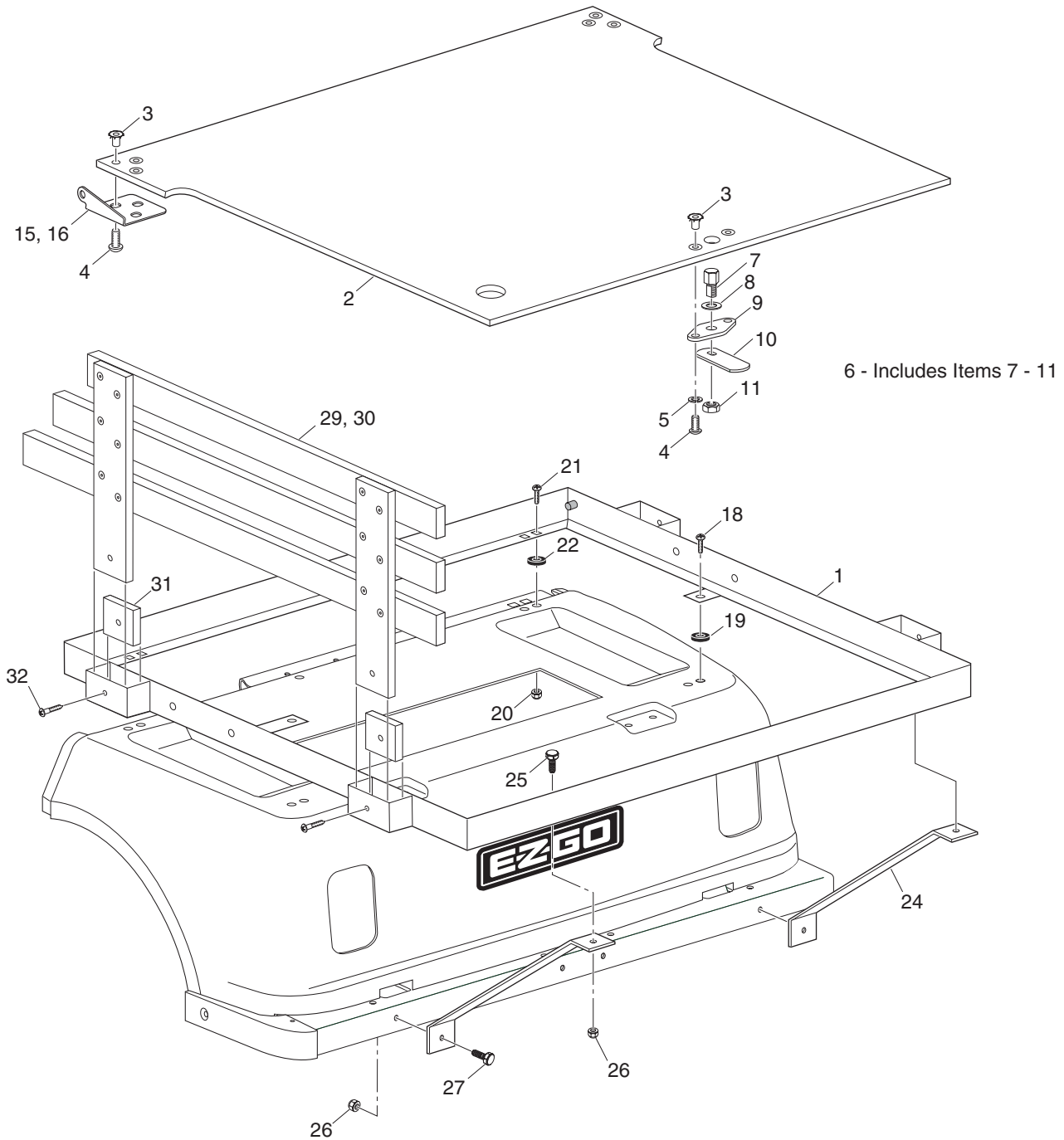
When ordering parts, please specify the model and serial number of the product.

* Indicates a component that is not available as an individual part.

G** Indicates consult Customer Service Department for additional information.

ITEM	PART NO.	1 2 3 4 5	DESCRIPTION	QTY.
121	17953-G2		BRAKE DRUM	2
122				
123	XXXXX-XX		WHEEL BOLT, 1/2 - 20 (SEE REAR AXLE SECTION FOR P/N)	5
124	XXXXX-XX		LUG NUT, 1/2 - 20 (SEE WHEELS AND TIRES SECTION FOR P/N)	5
125				
126	21559-G1		WIPER SEAL	1
127				
128	14584-G1		BEARING RETAINER RING	1
129	14585-G1		INNER OIL SEAL	1
130	13084-G1		WHEEL BEARING	1
131				
132	28066-G02		MASTER CYLINDER REPAIR KIT (NOT SHOWN).....	AR
133				
134	35608-G01		BRAKE LINE (67" COMPLETE WITH NUTS) (955, 957)	1
135	21104-G14		BRAKE LINE (82" COMPLETE WITH NUTS) (955, 957)	1

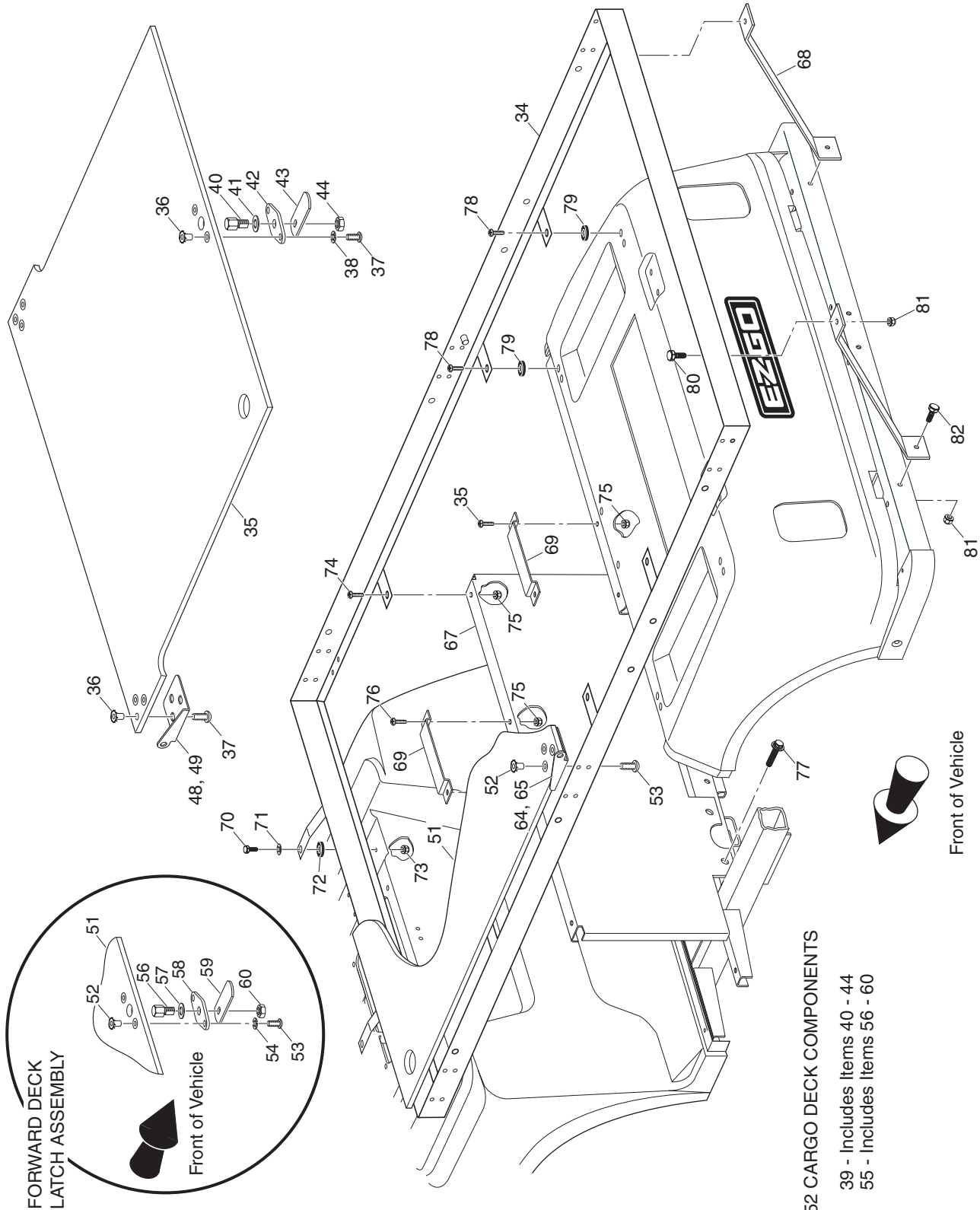
CARGO DECKS AND HITCHES



954 / 955 CARGO DECK COMPONENTS

Ref Cdk 12-1

CARGO DECKS AND HITCHES



FORWARD DECK
LATCH ASSEMBLY

Front of Vehicle

Front of Vehicle

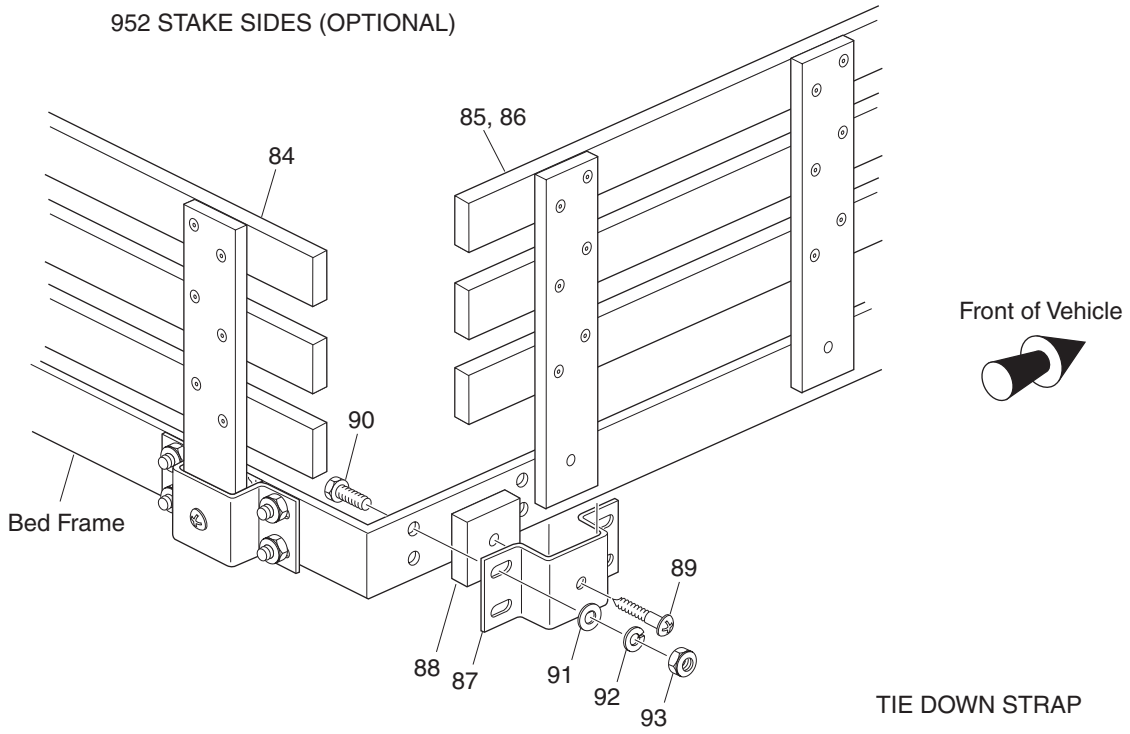
952 CARGO DECK COMPONENTS

- 39 - Includes Items 40 - 44
- 55 - Includes Items 56 - 60

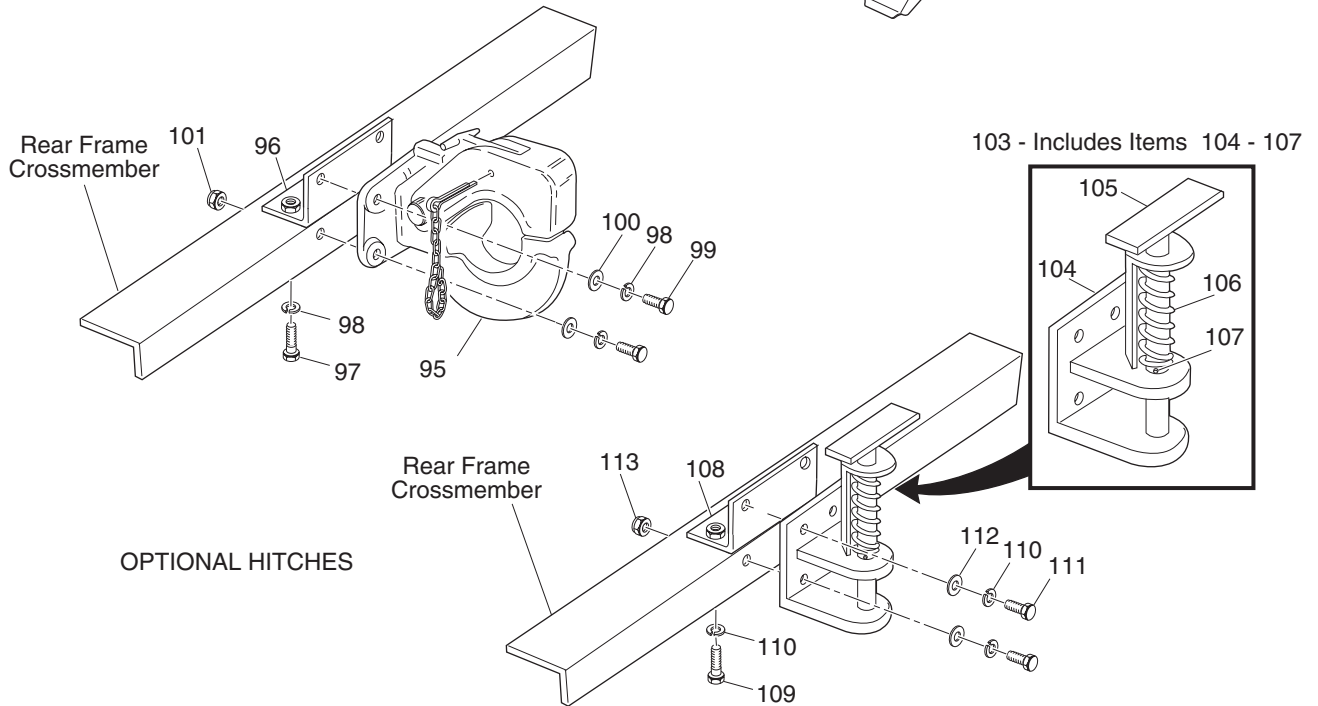
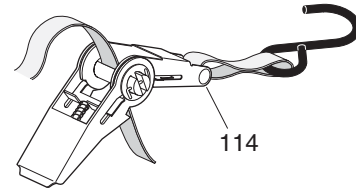
Ref Cdk 12-2

CARGO DECKS AND HITCHES

952 STAKE SIDES (OPTIONAL)



TIE DOWN STRAP



Ref Cdk 12-3

CARGO DECKS AND HITCHES

When ordering parts, please specify the model and serial number of the product.

* Indicates a component that is not available as an individual part.

G** Indicates consult Customer Service Department for additional information.

ITEM	PART NO.	1	2	3	4	5	DESCRIPTION	QTY.
1	34621-G01						BED FRAME	1
2	35621-G01						CARGO DECK (INCLUDES ITEM 3)	1
3	01048-G01						TEE NUT, 1/4 - 20	8
4	16705-G2						SCREW, 1/4 - 20 X 5/8" LG (STAINLESS STEEL)	8
5	00664-G7						LOCK WASHER, 1/4" (STAINLESS STEEL)	2
6	34430-G01						LATCH ASSEMBLY (INCLUDES ITEMS 7 - 11)	1
7	34432-G01						LATCH PIN	1
8	34434-G01						WASHER, 3/8"	1
9	34431-G01						LATCH PLATE	1
10	34433-G01						LATCH	1
11	14390-G1						LOCK NUT, 3/8 - 24	1
12								
13								
14								
15	34298-G03						HINGE (DRIVER SIDE).....	1
16	34298-G04						HINGE (PASSENGER SIDE)	1
17								
18	16705-G9						SCREW, 1/4 - 20 X 1 1/4" LG (STAINLESS STEEL)	2
19	34176-G01						RUBBER WASHER, 1" OD X 5/16" ID	2
20	14390-G4						LOCK NUT, 1/4 - 20	2
21	16705-G1						SCREW, 1/4 - 20 X 1" LG (STAINLESS STEEL)	2
22	30036-G1						RUBBER WASHER, 1 1/2" OD X 3/8" ID	2
23								
24	34711-G01						BED FRAME SUPPORT	2
25	00976-G08						SCREW, 5/16 - 18 X 1" LG (STAINLESS STEEL)	2
26	00891-G3						LOCK NUT, 5/16 - 18	4
27	00438-G8						BOLT, 5/16 - 18 X 1" LG	2
28								
29	34776-G01						STAKE SIDE (DRIVER SIDE)	1
30	34776-G02						STAKE SIDE (PASSENGER SIDE).....	1

CARGO DECKS AND HITCHES

When ordering parts, please specify the model and serial number of the product.

* Indicates a component that is not available as an individual part.

G** Indicates consult Customer Service Department for additional information.

ITEM	PART NO.	1 2 3 4 5	DESCRIPTION	QTY.
31	32802-G1		WOOD SPACER	4
32	00130-G9		SCREW, #10 - 13 X 1 1/4" LG.....	4
33				
34	34616-G01		BED FRAME	1
35	35621-G01		REAR CARGO DECK (INCLUDES ITEM 36)	1
36	01048-G01		TEE NUT, 1/4 - 20.....	8
37	16705-G2		SCREW, 1/4 - 20 X 5/8" LG (STAINLESS STEEL)	8
38	00664-G7		LOCK WASHER, 1/4" (STAINLESS STEEL)	2
39	34430-G01		LATCH ASSEMBLY (INCLUDES ITEMS 40 - 44)	1
40	34432-G01		LATCH PIN	1
41	34434-G01		WASHER, 3/8"	1
42	34431-G01		LATCH PLATE	1
43	34433-G01		LATCH	1
44	14390-G1		LOCK NUT, 3/8 - 24	1
45				
46				
47				
48	34298-G03		HINGE (DRIVER SIDE).....	1
49	34298-G04		HINGE (PASSENGER SIDE)	1
50				
51	35620-G01		FORWARD CARGO DECK (INCLUDES ITEM 52).....	1
52	01048-G01		TEE NUT, 1/4 - 20.....	8
53	16705-G2		SCREW, 1/4 - 20 X 5/8" LG (STAINLESS STEEL)	8
54	00664-G7		LOCK WASHER, 1/4" (STAINLESS STEEL)	2
55	34430-G01		LATCH ASSEMBLY (INCLUDES ITEMS 56 - 60)	1
56	34432-G01		LATCH PIN	1
57	34434-G01		WASHER, 3/8"	1
58	34431-G01		LATCH PLATE	1
59	34433-G01		LATCH	1
60	14390-G1		LOCK NUT, 3/8 - 24	1

CARGO DECKS AND HITCHES

When ordering parts, please specify the model and serial number of the product.

* Indicates a component that is not available as an individual part.

G** Indicates consult Customer Service Department for additional information.

ITEM	PART NO.	1	2	3	4	5	DESCRIPTION	QTY.
61								
62								
63								
64	34298-G03						HINGE (DRIVER SIDE).....	1
65	34298-G04						HINGE (PASSENGER SIDE).....	1
66								
67	34615-G01						BED FRAME SUPPORT	1
68	34711-G01						REAR BED FRAME SUPPORT	2
69	34435-G01						DECK SPACER	2
70	00685-G7						BOLT, 5/16 - 18 X 1 3/4" LG (STAINLESS STEEL).....	2
71	00660-G8						WASHER, 5/16" (STAINLESS STEEL)	2
72	30036-G1						RUBBER WASHER, 1 1/2" OD X 3/8" ID	2
73	00891-G3						LOCK NUT, 5/16 - 18	2
74	16705-G3						SCREW, 1/4 - 20 X 3/4" LG (STAINLESS STEEL)	2
75	14390-G4						LOCK NUT, 1/4 - 20	6
76	00414-G6						BOLT, 1/4 - 20 X 3/4" LG	4
77	00715-G1						BOLT, 5/16 - 18 X 7/8" LG	4
78	16705-G9						SCREW, 1/4 - 20 X 1 1/4" LG (STAINLESS STEEL)	4
79	34176-G01						RUBBER WASHER, 1" OD X 5/16" ID	4
80	00976-G08						SCREW, 5/16 - 18 X 1" LG (STAINLESS STEEL)	2
81	00891-G3						LOCK NUT, 5/16 - 18	4
82	00438-G8						BOLT, 5/16 - 18 X 1" LG	2
83								
84	34523-G03						STAKE SIDE, 44 1/2"	1
85	34775-G02						STAKE SIDE, (DRIVER SIDE)	1
86	34775-G01						STAKE SIDE, (PASSENGER SIDE).....	1
87	32787-G1						RAIL POCKET.....	8
88	32802-G1						WOOD SPACER	8
89	00130-G9						SCREW, #10 - 13 X 1 1/4" LG.....	8
90	00414-G6						BOLT, 1/4 - 20 X 3/4" LG	32

CARGO DECKS AND HITCHES

When ordering parts, please specify the model and serial number of the product.

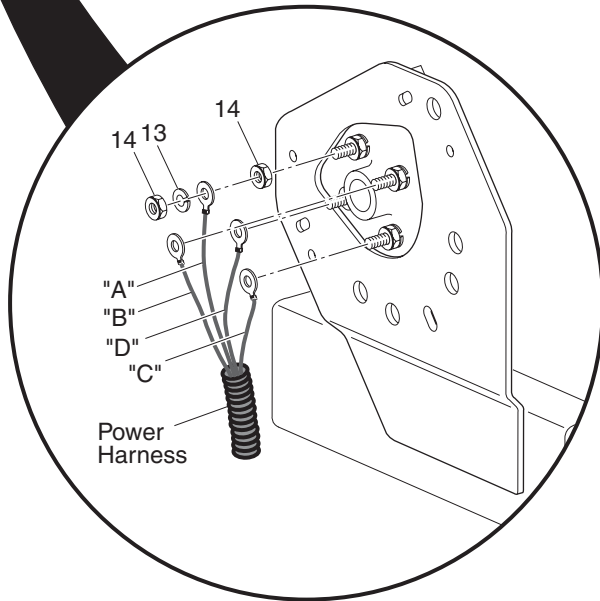
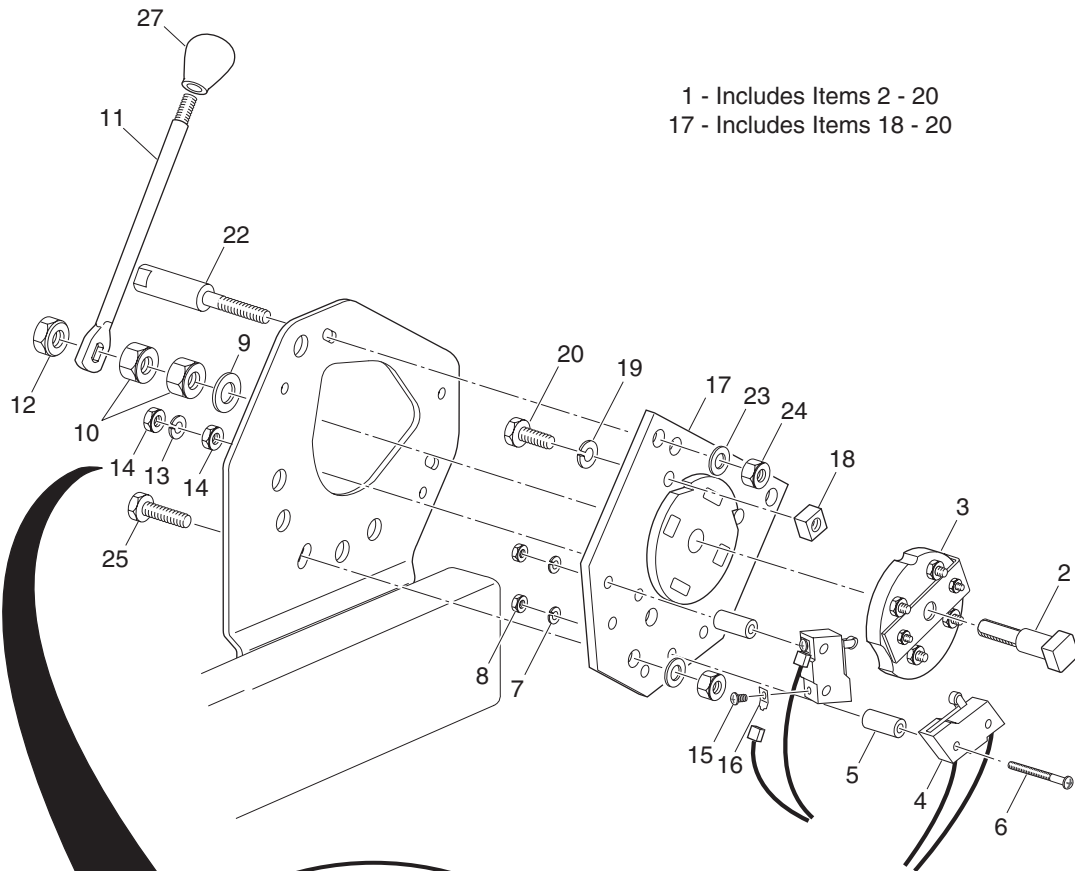
* Indicates a component that is not available as an individual part.

G** Indicates consult Customer Service Department for additional information.

ITEM	PART NO.	1 2 3 4 5	DESCRIPTION	QTY.
91	01110-G01		WASHER, 1/4" (STAINLESS STEEL)	32
92	00664-G7		LOCK WASHER, 1/4" (STAINLESS STEEL)	32
93	00532-G1		NUT, 1/4 - 20	32
94				
95	30817-G1		PINTLE HITCH.....	1
96	33805-G01		BACKING PLATE	1
97	00665-G2		BOLT, 3/8 - 16 X 1" LG (STAINLESS STEEL).....	2
98	00670-G1		LOCK WASHER, 3/8" (STAINLESS STEEL)	6
99	00665-G4		BOLT, 3/8 - 16 X 1 1/2" LG (STAINLESS STEEL).....	4
100	00653-G1		WASHER, 3/8" (STAINLESS STEEL)	4
101	11027-G5		LOCK NUT, 3/8 - 16	2
102				
103	33731-G01		'E' HITCH ASSEMBLY (INCLUDES ITEMS 104 - 107).....	1
104	33730-G01		HITCH	1
105	30838-G1		PIN.....	1
106	30843-G1		COMPRESSION SPRING	1
107	10686-G8		SLOTTED PIN, 3/16" X 1 1/2" LG.....	1
108	33805-G01		BACKING PLATE	1
109	00665-G2		BOLT, 3/8 - 16 X 1" LG (STAINLESS STEEL).....	2
110	00670-G1		LOCK WASHER, 3/8" (STAINLESS STEEL)	6
111	00665-G4		BOLT, 3/8 - 16 X 1 1/2" LG (STAINLESS STEEL).....	4
112	00653-G1		WASHER, 3/8" (STAINLESS STEEL)	4
113	11027-G5		LOCK NUT, 3/8 - 16	2
114	35462-G01		TIE DOWN STRAP (CE)	2

CARGO DECKS AND HITCHES

DIRECTION SELECTOR



Ref Dsl 12

DIRECTION SELECTOR

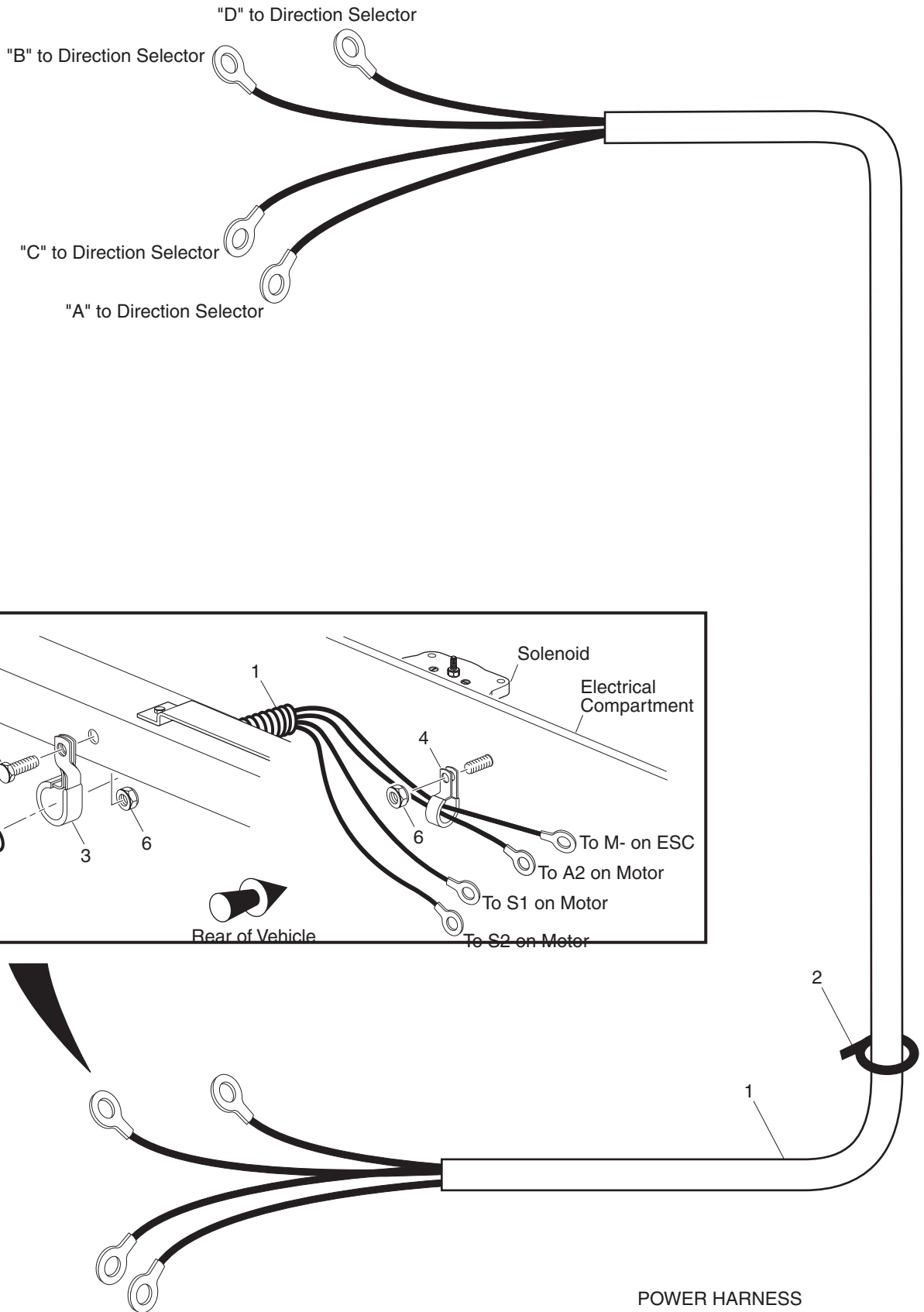
When ordering parts, please specify the model and serial number of the product.

* Indicates a component that is not available as an individual part.

G** Indicates consult Customer Service Department for additional information.

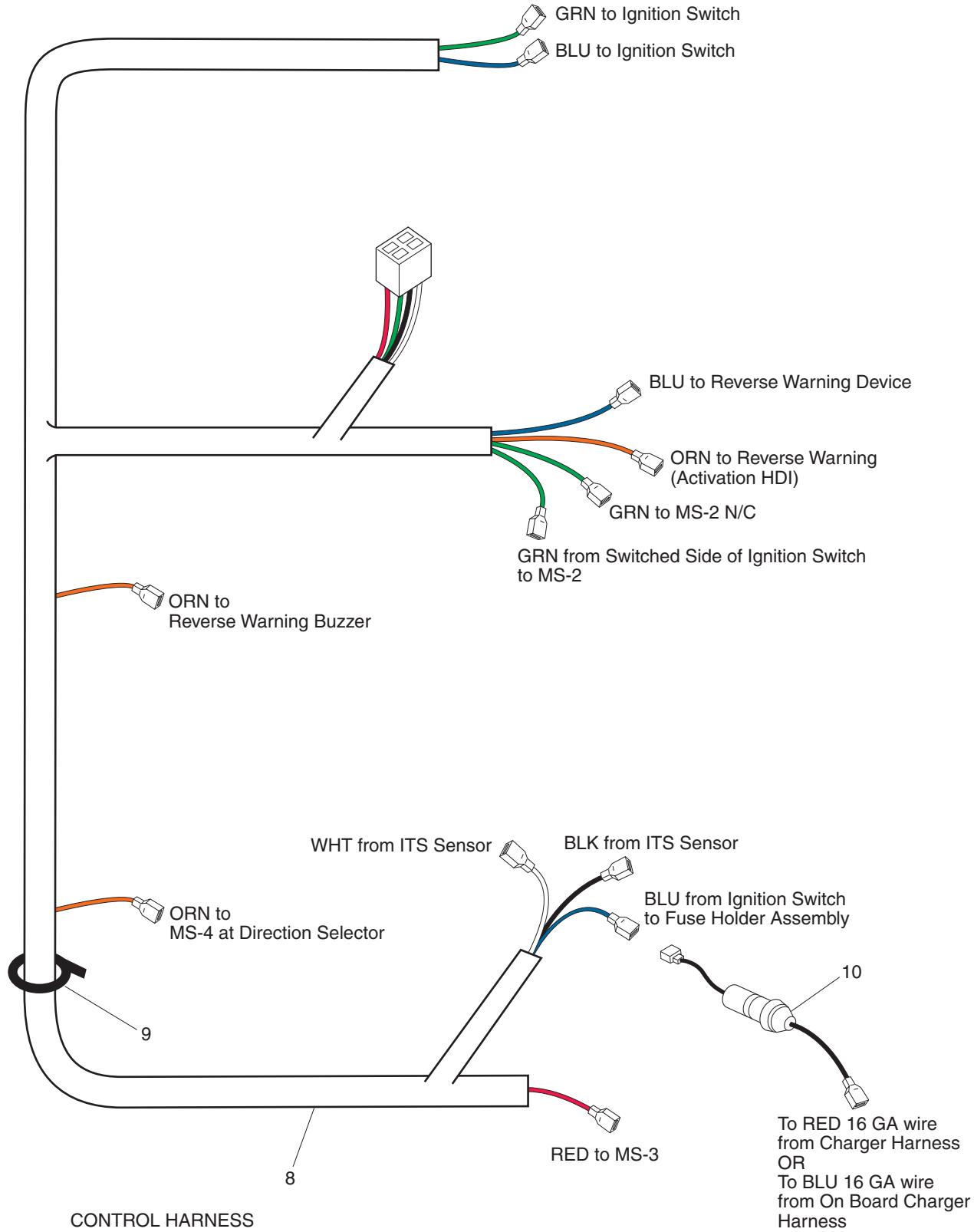
ITEM	PART NO.	1	2	3	4	5	DESCRIPTION	QTY.
1	34190-G01						DIRECTION SELECTOR ASSEMBLY (INCLUDES ITEMS 2 - 20)	1
2	34169-G01						SHAFT	1
3	12835-G1						CAM.....	1
4	10606-G4						MICRO SWITCH (HEAVY DUTY).....	2
5	12806-G1						SPACER	4
6	00139-G6						SCREW, #6 - 32 X 1 3/4" LG	4
7	00565-G3						LOCK WASHER, #6	4
8	00525-G5						NUT, #6 - 32.....	4
9	00560-G1						WASHER, 3/8"	1
10	00532-G6						NUT, 3/8 - 24.....	2
11	34168-G01						SELECTOR ARM.....	1
12	14390-G1						LOCK NUT, 3/8 - 24	1
13	00565-G8						LOCK WASHER, 5/16"	4
14	00544-G3						NUT, 5/16 - 18.....	8
15	13514-G1						SCREW #6 - 32 X 1/4" LG (BRASS)	4
16	14628-G1						FASTON TAB.....	4
17	14651-G1						CONTACT BOARD ASSEMBLY (INCLUDES ITEMS 18 - 20)	1
18	24940-G1						STOP.....	2
19	00664-G7						LOCK WASHER, 1/4" (STAINLESS STEEL)	2
20	00414-G6						BOLT, 1/4 - 20 X 3/4" LG	2
21								
22	34167-G01						STOP.....	2
23	01110-G01						WASHER, 1/4" (STAINLESS STEEL)	3
24	14390-G4						LOCK NUT, 1/4 - 20	3
25	00661-G8						BOLT, 1/4 - 20 X 1" LG (STAINLESS STEEL).....	1
26								
27	11989-G1						DIRECTION SELECTOR KNOB	1

36 VOLT ELECTRICAL SYSTEM



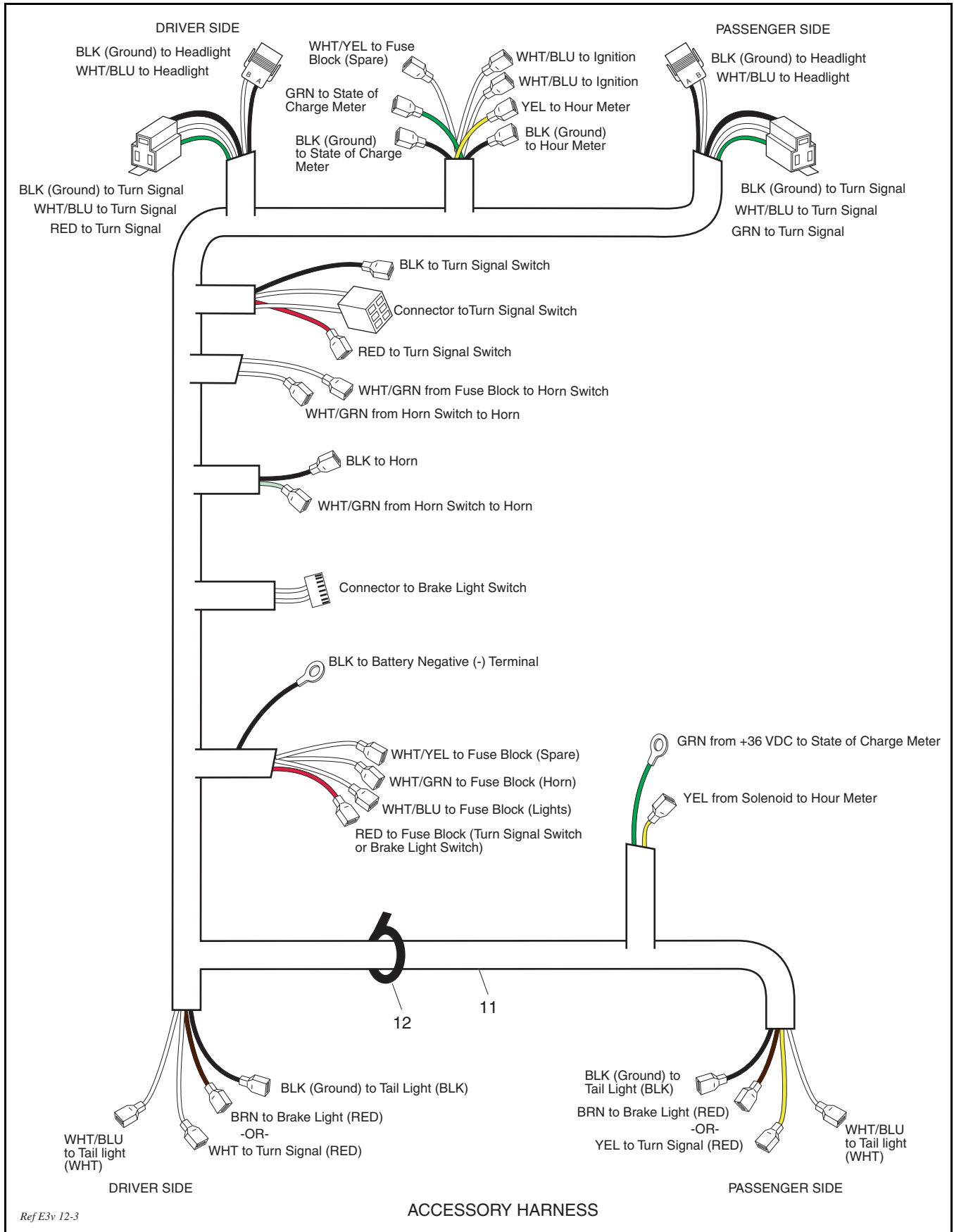
Ref E3v 12-1

36 VOLT ELECTRICAL SYSTEM

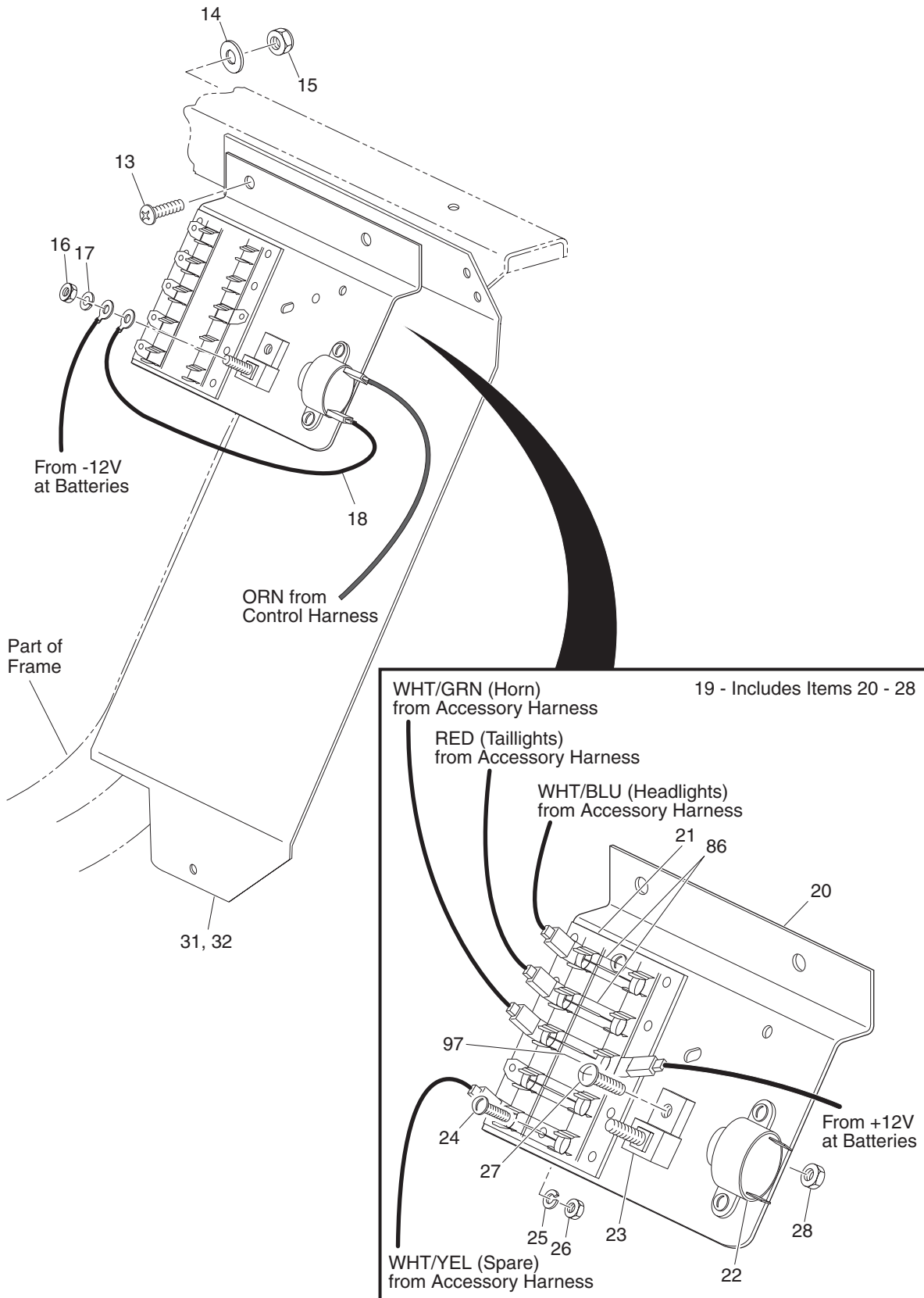


Ref E3v 12-2

36 VOLT ELECTRICAL SYSTEM



36 VOLT ELECTRICAL SYSTEM

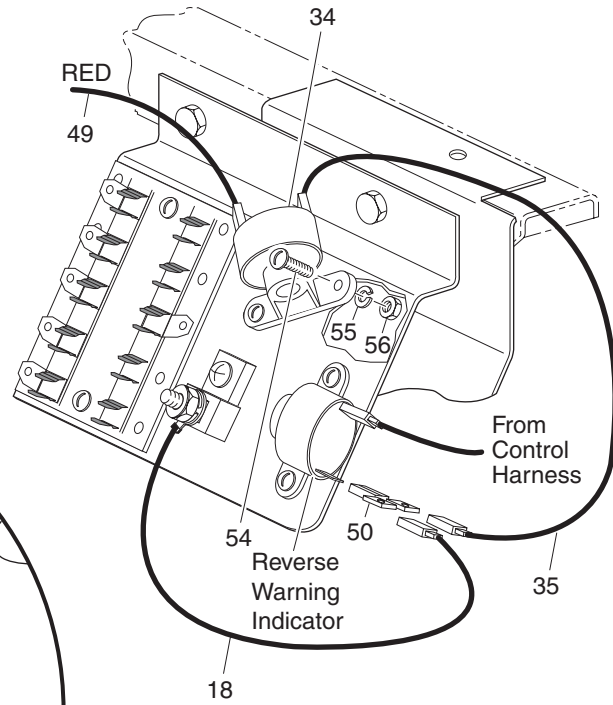
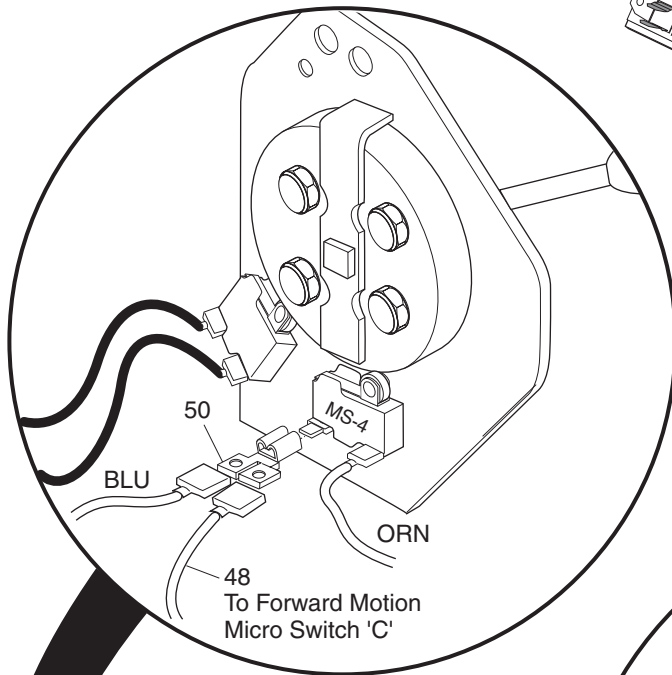


Ref E3v 12-4

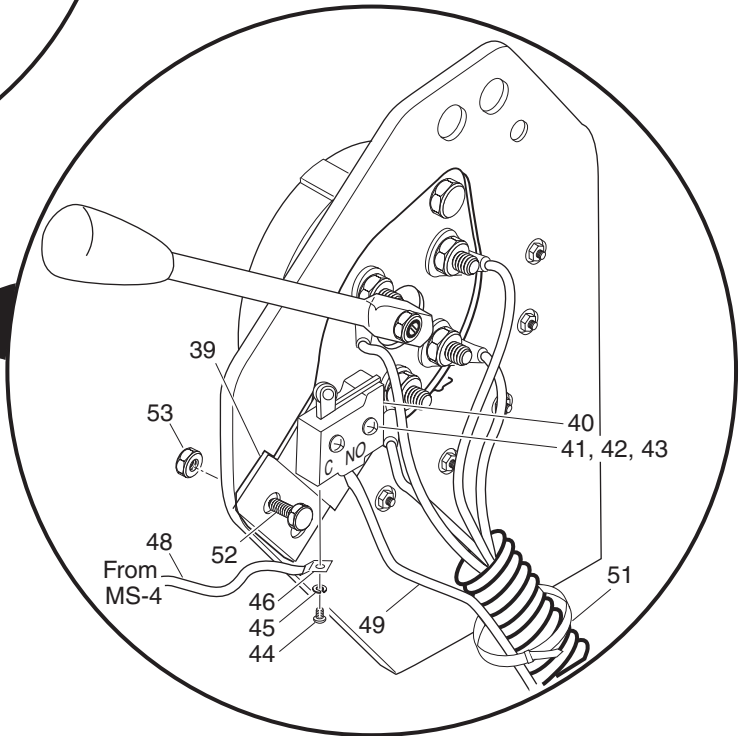
36 VOLT ELECTRICAL SYSTEM

FORWARD MOTION INDICATOR

NOTE: Items shown on this page are optional equipment

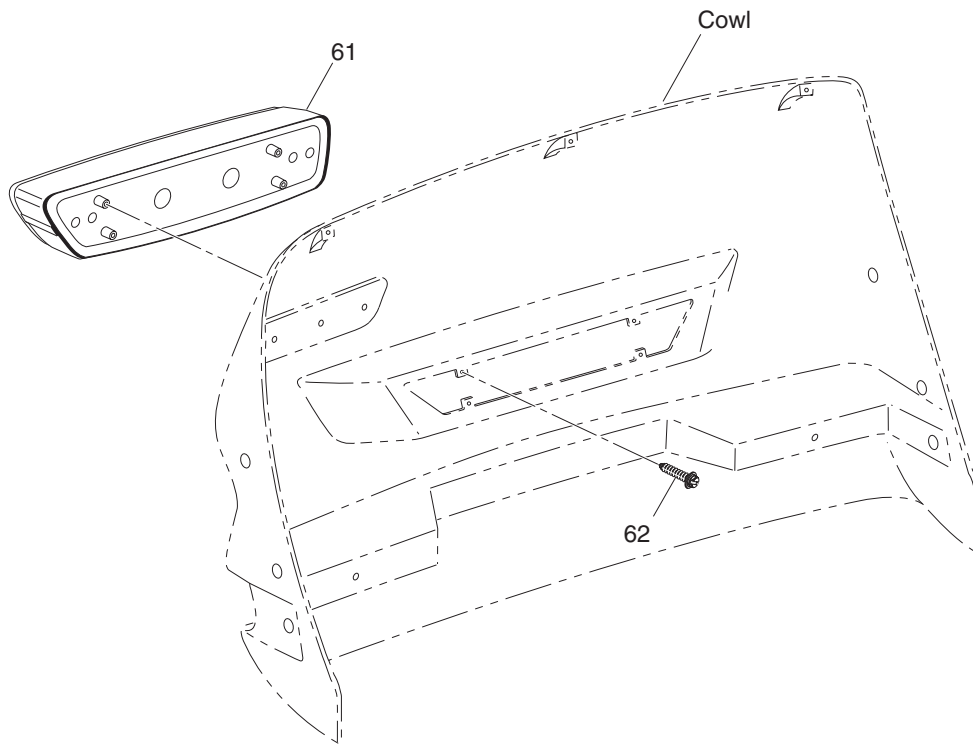
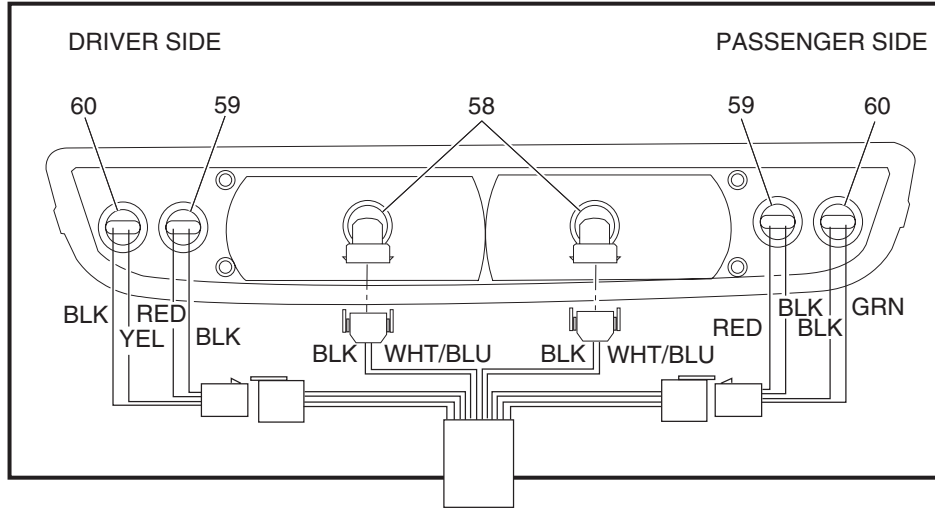


38 - Includes Items 39 - 46



Ref E3v 12-5

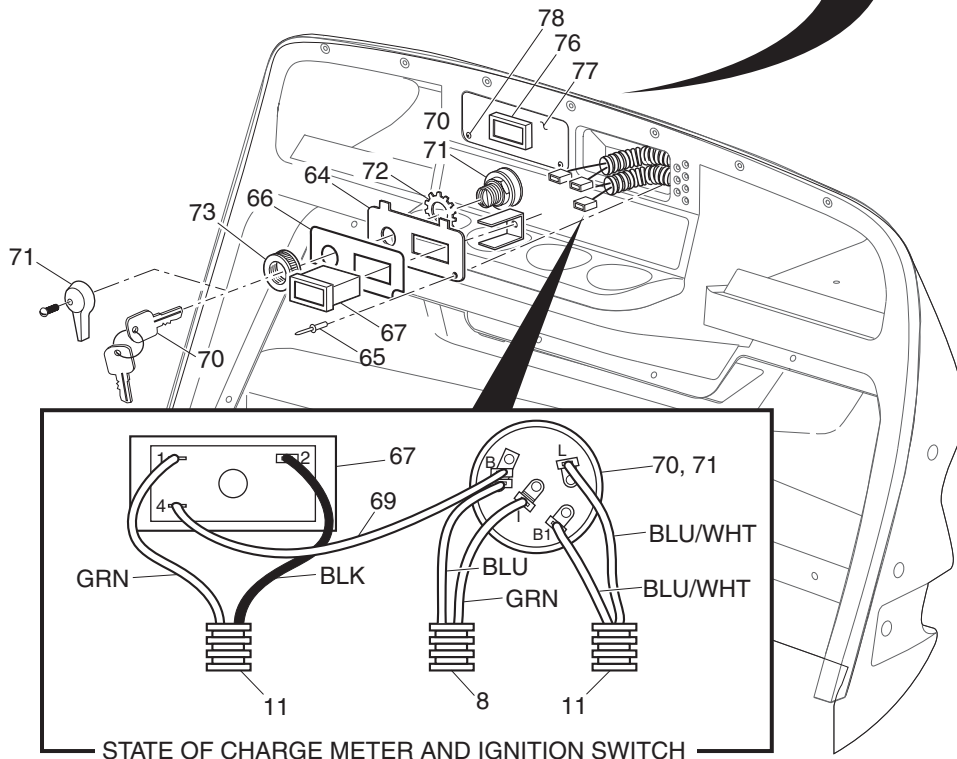
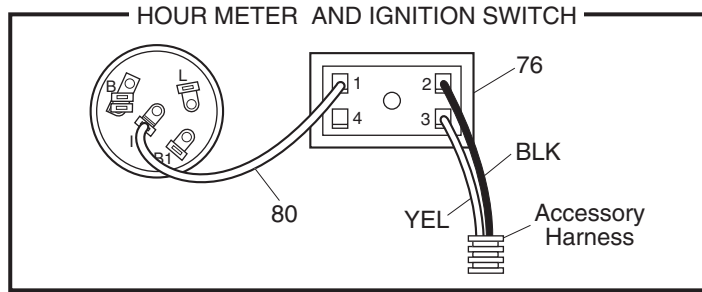
36 VOLT ELECTRICAL SYSTEM



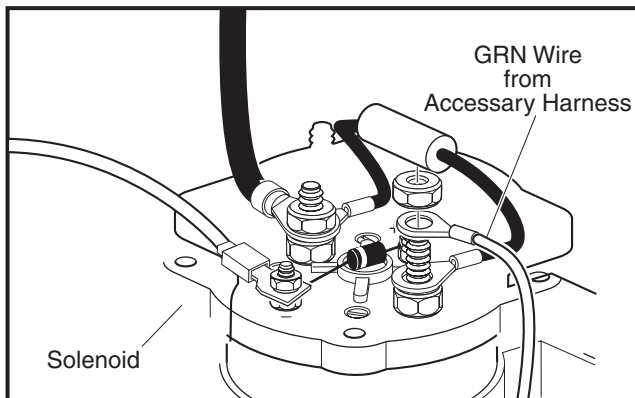
Ref E3v 12-6

36 VOLT ELECTRICAL SYSTEM

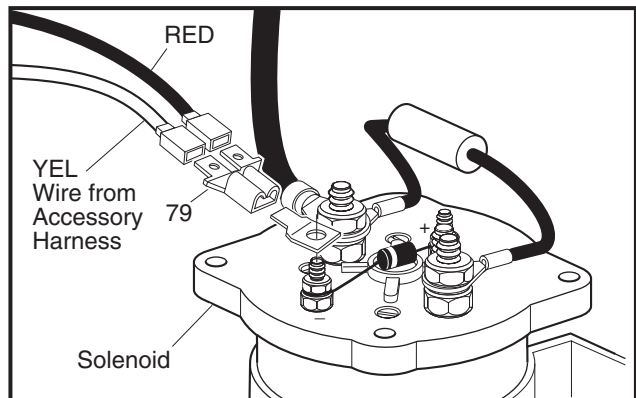
75 - Includes Items 76 - 80



STATE OF CHARGE METER SOLENOID CONNECTION



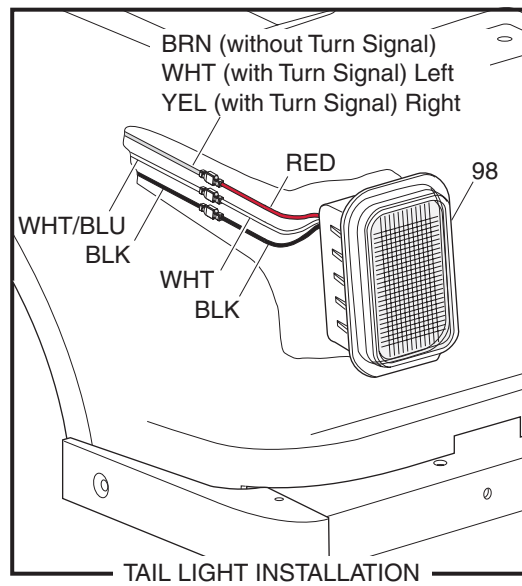
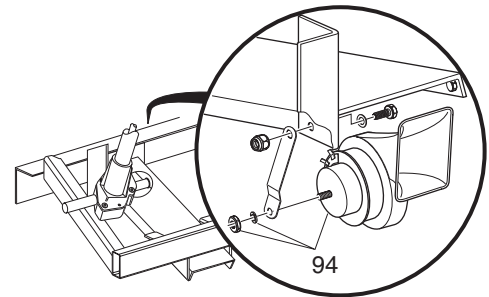
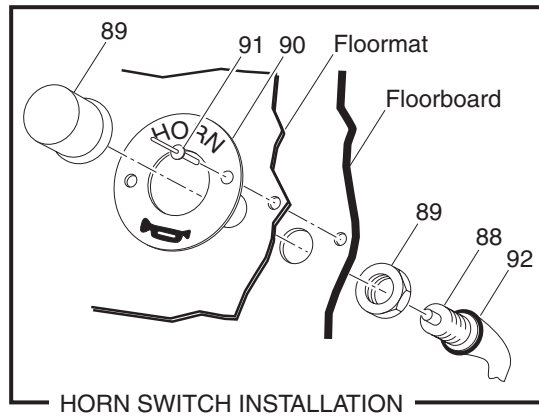
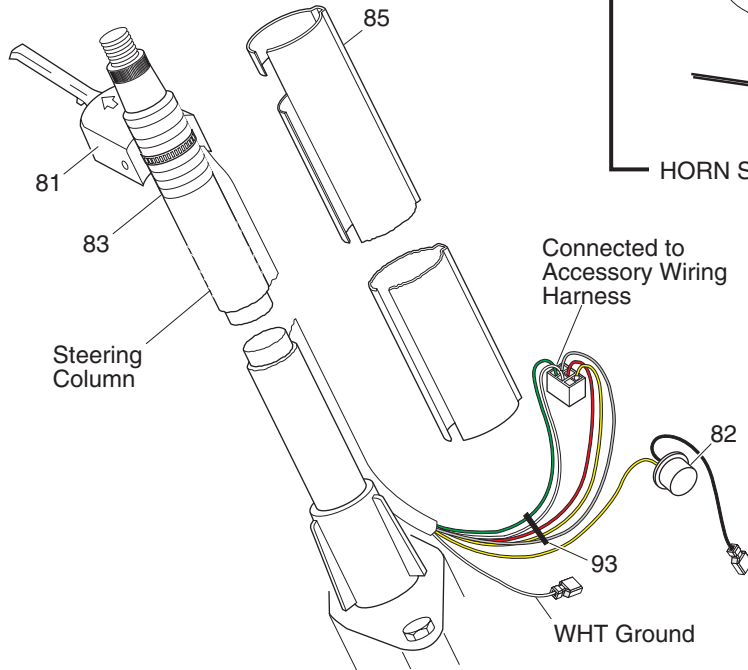
HOUR METER SOLENOID CONNECTION



Ref E3v 12-7

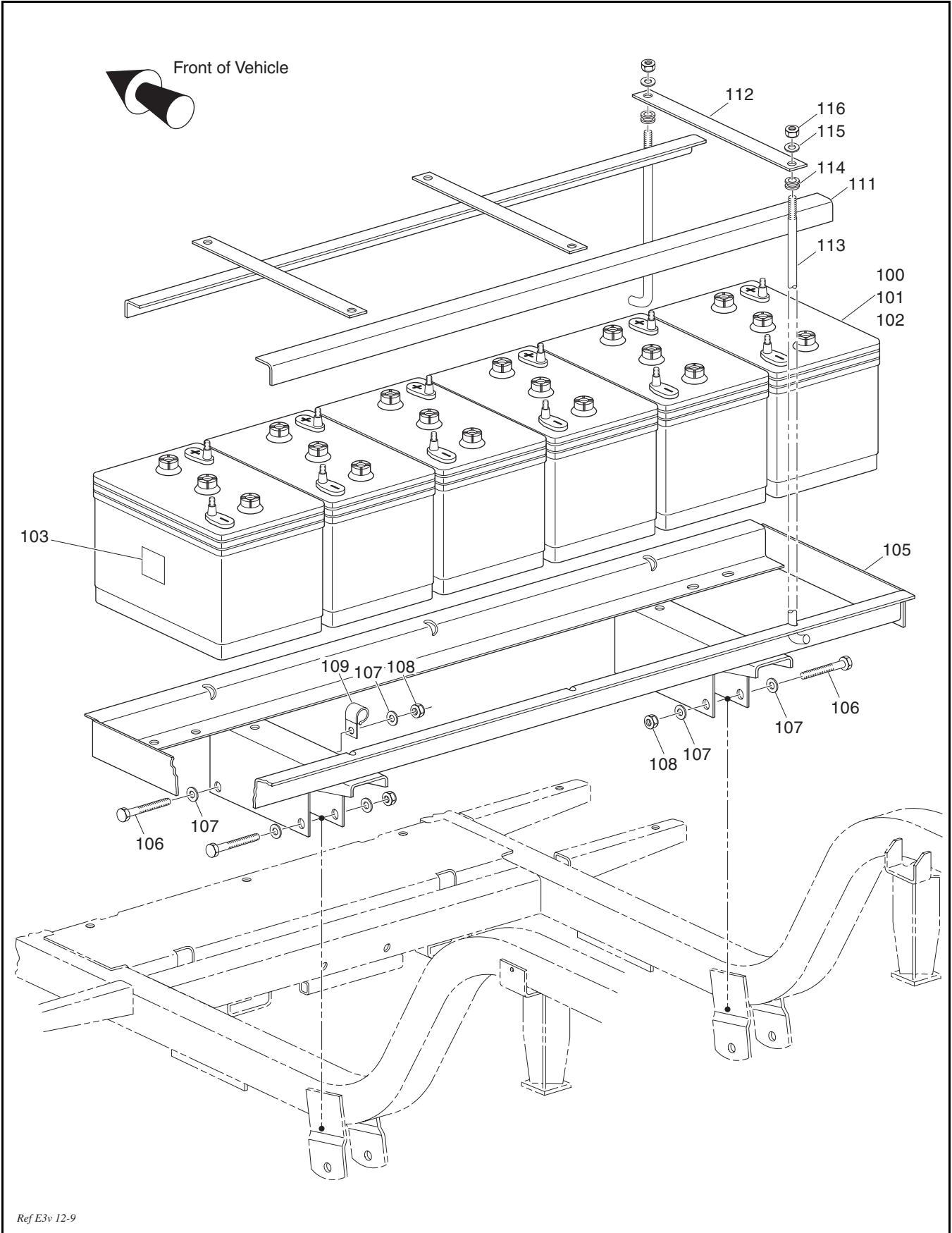
36 VOLT ELECTRICAL SYSTEM

81 - Includes Item 82
88 - Includes Item 89



Ref E3v 12-8

36 VOLT ELECTRICAL SYSTEM

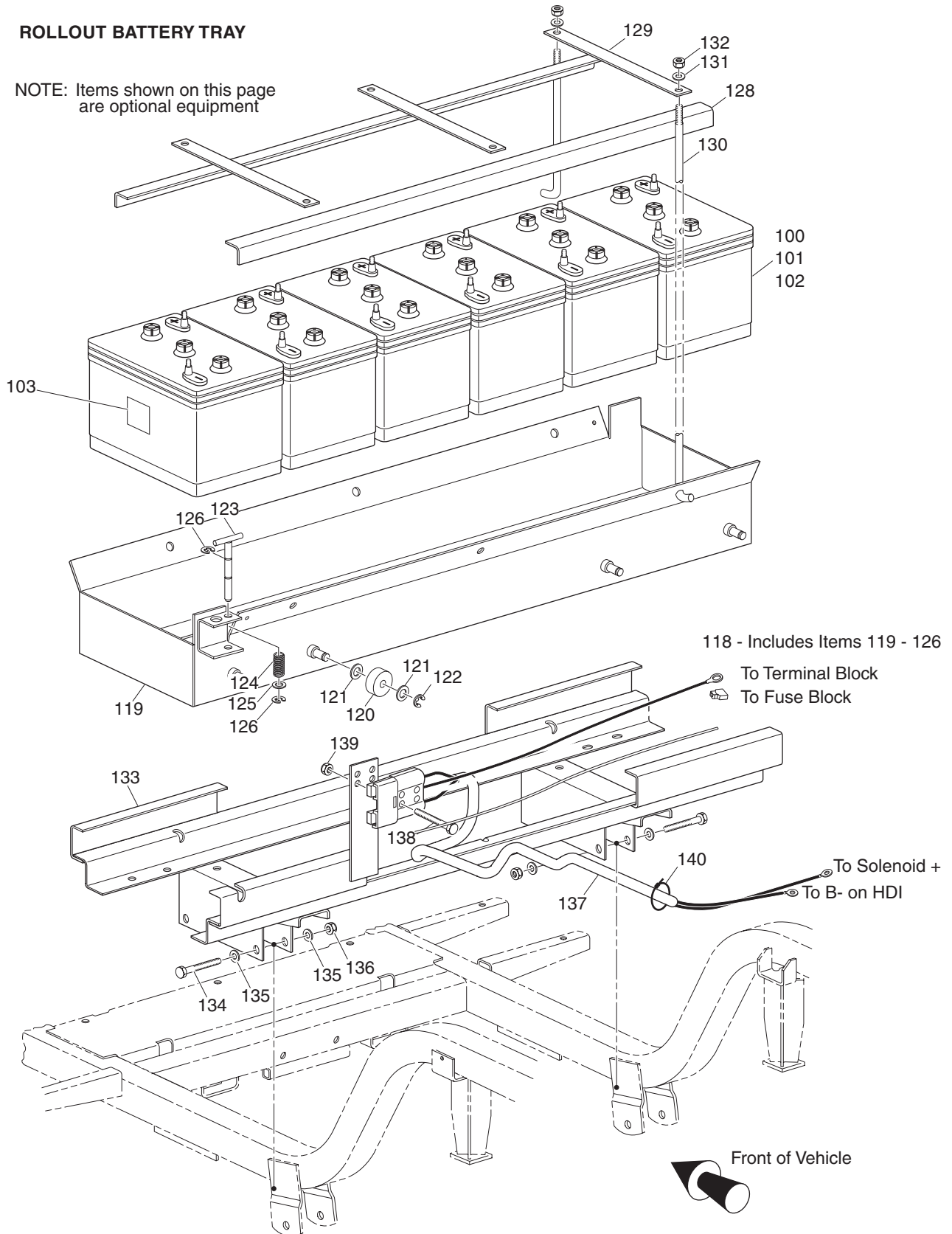


Ref E3v 12-9

36 VOLT ELECTRICAL SYSTEM

ROLLOUT BATTERY TRAY

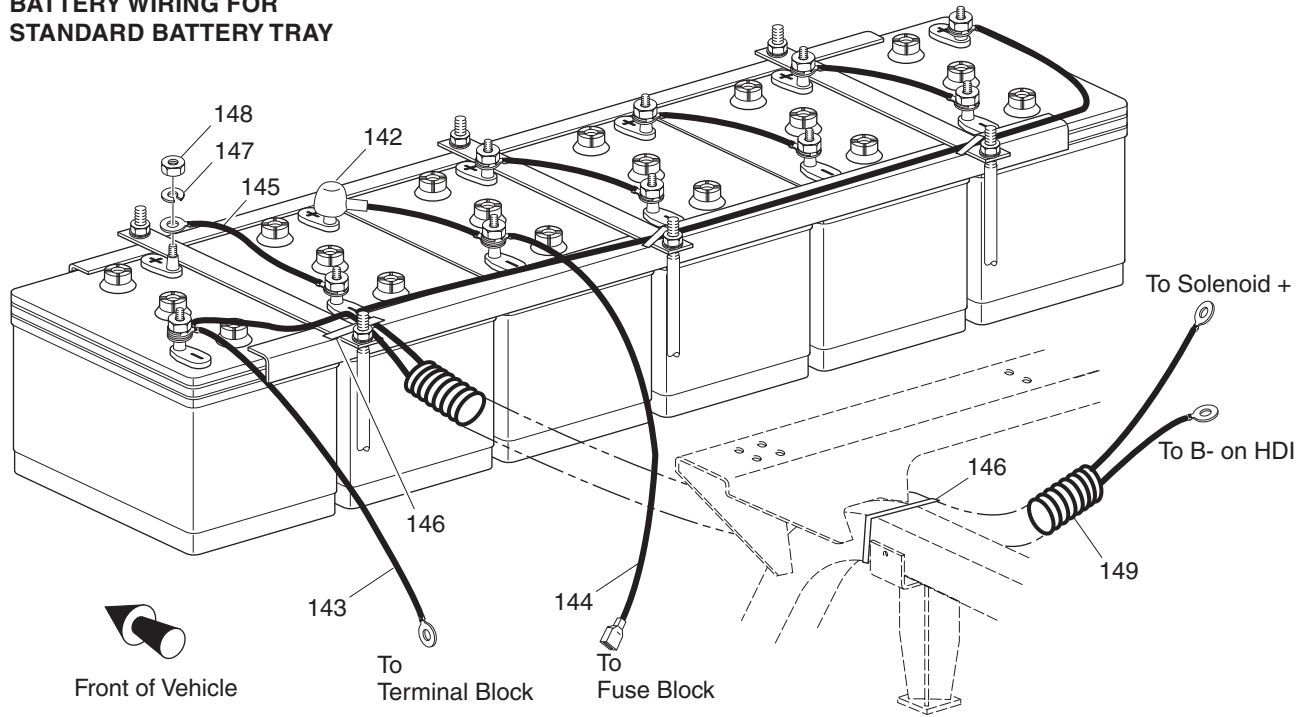
NOTE: Items shown on this page are optional equipment



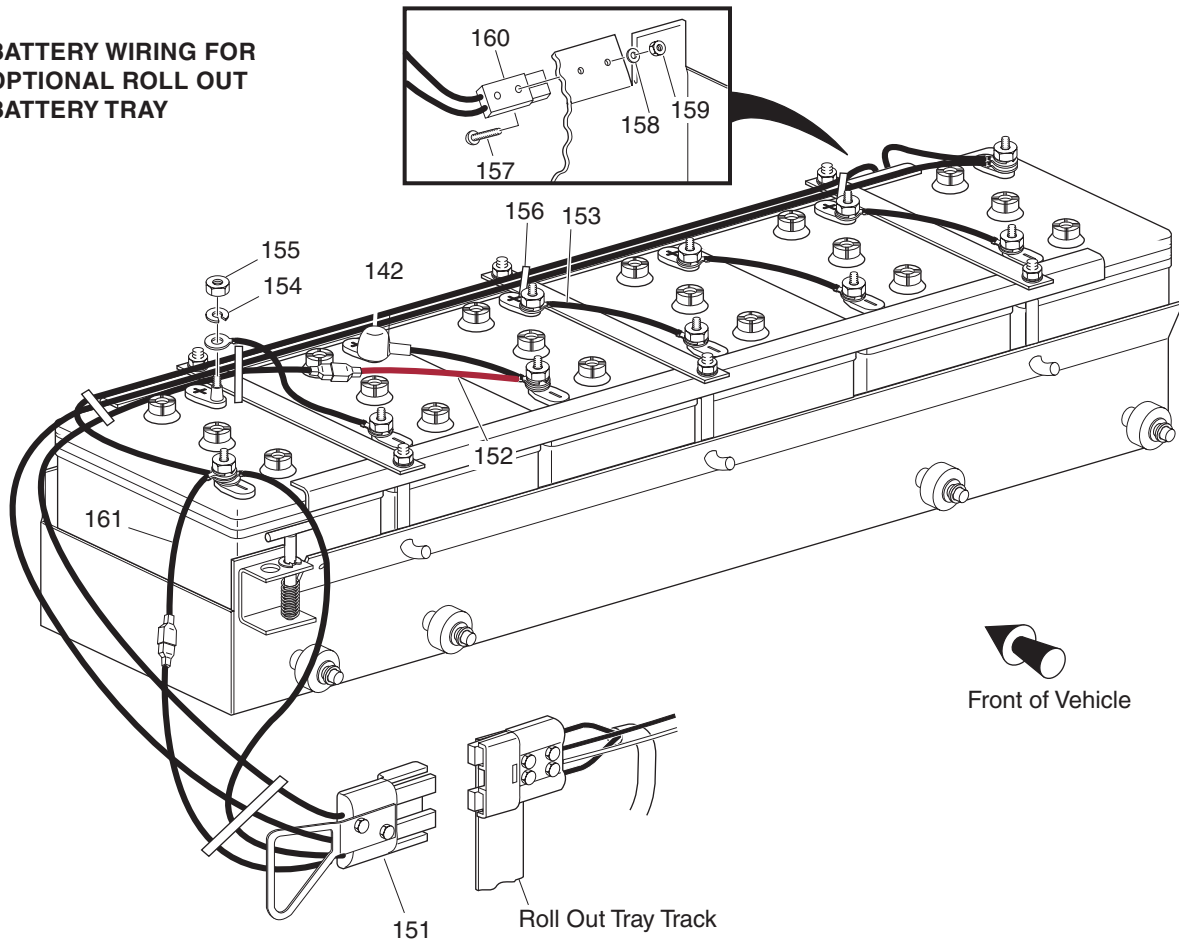
Ref E3v 12-10

36 VOLT ELECTRICAL SYSTEM

BATTERY WIRING FOR STANDARD BATTERY TRAY



BATTERY WIRING FOR OPTIONAL ROLL OUT BATTERY TRAY

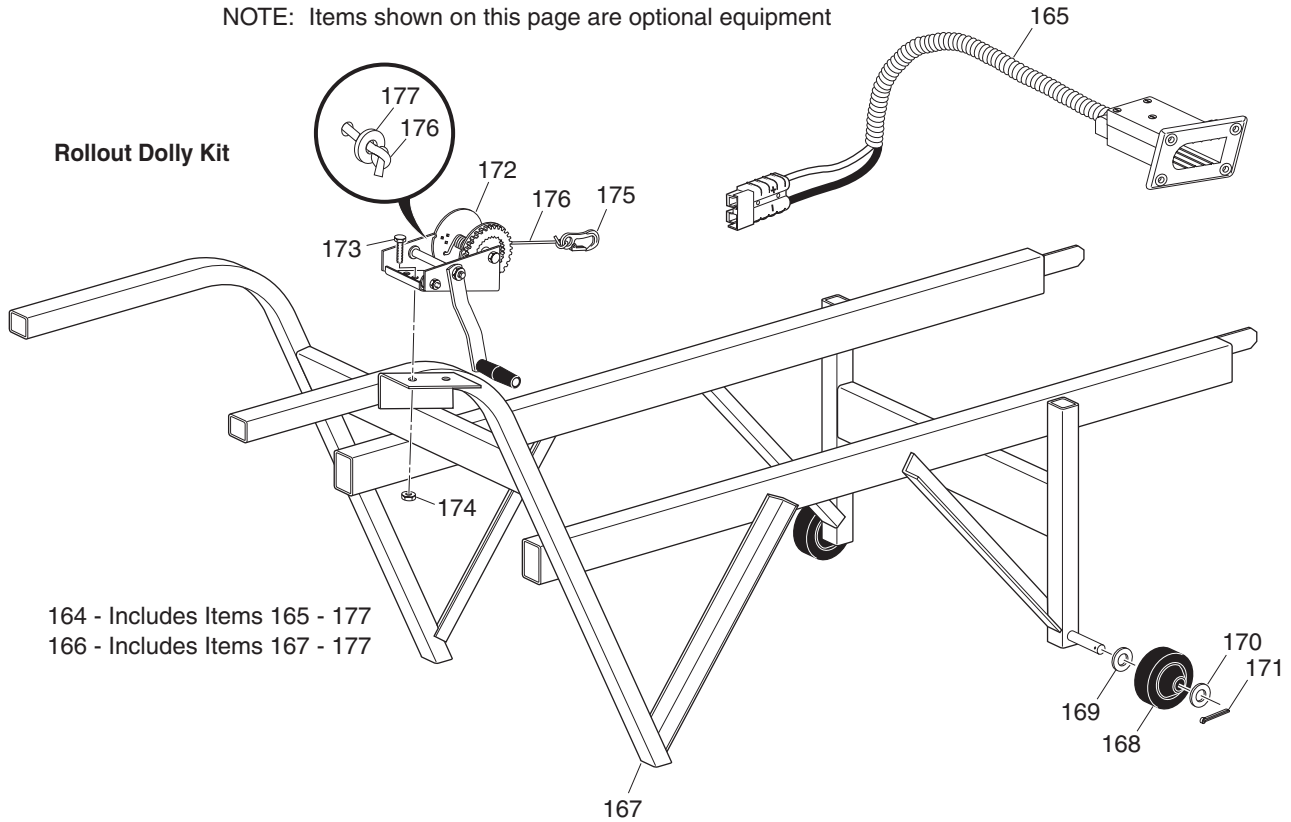


Ref E3v 12-11

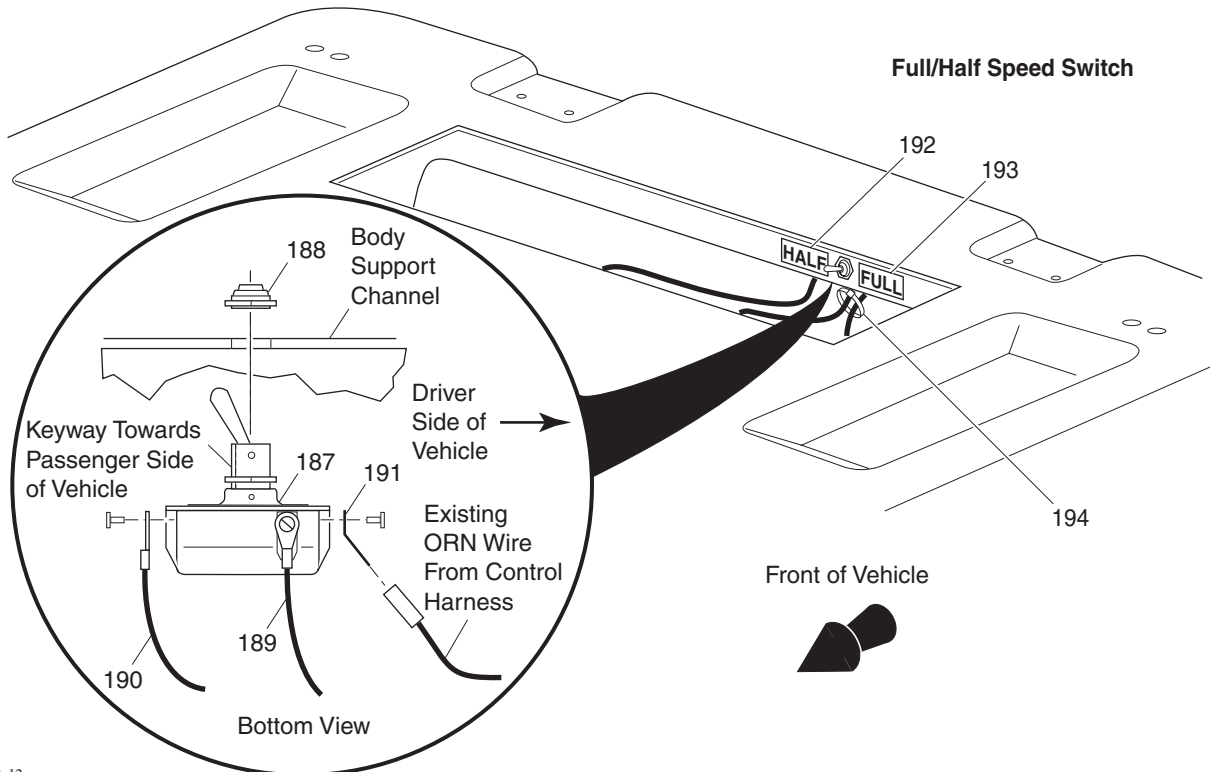
36 VOLT ELECTRICAL SYSTEM

NOTE: Items shown on this page are optional equipment

Rollout Dolly Kit



Full/Half Speed Switch



Ref E3v 12-12

36 VOLT ELECTRICAL SYSTEM

When ordering parts, please specify the model and serial number of the product.

* Indicates a component that is not available as an individual part.

G** Indicates consult Customer Service Department for additional information.

ITEM	PART NO.	1 2 3 4 5	DESCRIPTION	QTY.
1	34408-G01		WIRE HARNESS (POWER).....	1
2	23544-G1		WIRE TIE	4
3	27327-G01		CLAMP	1
4	27868-G01		CLAMP	1
5	00414-G6		BOLT, 1/4 - 20 X 3/4" LG	1
6	00654-G2		LOCK NUT, 1/4 - 20 (STAINLESS STEEL)	2
7				
8	70720-G01		WIRE HARNESS (CONTROL).....	1
9	31539-G1		WIRE TIE	10
10	22585-G4		INLINE FUSE HOLDER (CE).....	1
11	34598-G01		WIRE HARNESS (ACCESSORY).....	1
12	31539-G1		WIRE TIE	10
13	00933-G1		BOLT, 1/4 - 20 X 1 1/4" LG	4
14	01110-G01		WASHER, 1/4" (STAINLESS STEEL)	2
15	00654-G2		LOCK NUT, 1/4 - 20 (STAINLESS STEEL)	4
16	00544-G3		NUT, 5/16 - 18	1
17	00565-G8		LOCK WASHER, 5/16".....	1
18	34478-G01		18 GA WIRE (BLACK 5")	1
19	70574-G01		FUSE BLOCK ASSEMBLY (INCLUDES ITEMS 20 - 28).....	1
20	34221-G01		MOUNTING PLATE	1
21	22674-G1		FUSE BLOCK	1
22	73290-G02		CONTINUOUS TONE BUZZER	1
23	33343-G01		TERMINAL BLOCK.....	1
24	00138-G4		SCREW, #6 - 32 X 1/2" LG	4
25	00565-G3		LOCK WASHER, #6	4
26	00525-G5		NUT, #6 - 32.....	4
27	16705-G3		SCREW, 1/4 - 20 X 3/4" LG (STAINLESS STEEL).....	1
28	14390-G4		LOCK NUT, 1/4 - 20.....	1
29				
30				

36 VOLT ELECTRICAL SYSTEM

When ordering parts, please specify the model and serial number of the product.

* Indicates a component that is not available as an individual part.

G** Indicates consult Customer Service Department for additional information.

ITEM	PART NO.	1	2	3	4	5	DESCRIPTION	QTY.
31	35530-G02						BATTERY SHIELD (DRIVER SIDE).....	1
32	35530-G01						BATTERY SHIELD (PASSENGER SIDE)	1
33								
34	73290-G01						BUZZER, INTERMITTENT	1
35	25977-G89						16 GA WIRE (BLACK 8").....	1
36								
37								
38	34631-G01						SWITCH AND BRACKET ASSEMBLY (INCLUDES ITEMS 39 - 46).....	1
39	34629-G01						SWITCH BRACKET	1
40	10606-G6						MICRO SWITCH.....	1
41	00645-G1						SCREW, #6 - 32 X 1" LG	2
42	00565-G3						LOCK WASHER, #6	2
43	00525-G5						NUT, #6 - 32.....	2
44	13514-G1						SCREW, #6 - 32 X 7/32" LG (BRASS)	2
45	00567-G3						LOCK WASHER, #6	2
46	14628-G1						FASTON TAB.....	1
47								
48	33887-G17						16 GA WIRE (RED 12").....	1
49	33887-G18						16 GA WIRE (RED 80").....	1
50	17902-G1						TAB ADAPTER.....	2
51	17618-G1						WIRE TIE	5
52	00414-G5						BOLT, 1/4 - 20 X 5/8" LG	2
53	11027-G2						LOCK NUT, 1/4 - 20	2
54	00138-G4						SCREW, #6 - 32 X 1/2" LG.....	2
55	00565-G3						LOCK WASHER, #6	2
56	00525-G5						NUT, #6 - 32	2
57								
58	74004-G01						HEADLIGHT BULB, REPLACEMENT	A/R
59	74005-G01						MARKER LIGHT BULB, REPLACEMENT	A/R
60	74006-G01						TURN LIGHT BULB, REPLACEMENT	A/R

36 VOLT ELECTRICAL SYSTEM

When ordering parts, please specify the model and serial number of the product.

* Indicates a component that is not available as an individual part.

G** Indicates consult Customer Service Department for additional information.

ITEM	PART NO.	1 2 3 4 5	DESCRIPTION	QTY.
61	74001-G01		LIGHT BAR	1
62	00114-G6		SCREW, 1/4 - 14 X 3/4" LG.....	4
63				
64	73030-G02		PLATE (IGNITION WITH STATE OF CHARGE METER).....	1
65	33623-G02		DRIVE RIVET, 3/16 X 3/8" LG.....	2
66	71129-G01		LABEL (WITH LIGHTS, WITH STATE OF CHARGE METER)	1
67	33636-G01		STATE OF CHARGE METER (36V).....	1
68				
69	25978-G74		18 GA WIRE (RED 6").....	1
70	33639-G01		IGNITION SWITCH WITH LIGHTS (STANDARD)	1
71	33783-G01		KEYLESS IGNITION SWITCH (OPTIONAL)	1
72	00568-G6		LOCK WASHER, 3/4"	1
73	17137-G1		FACE NUT, 3/4 - 20.....	1
74				
75	34886-G02		HOUR METER KIT (INCLUDES ITEMS 76 - 80).....	1
76	33633-G03		HOUR METER.....	1
77	34851-G01		CONSOLE INSERT PLATE	1
78	33623-G01		RIVET, 3/16 X 3/8" LG	2
79	17902-G1		TAB ADAPTER	1
80	25978-G344		18 GA WIRE (RED/WHITE, 10")	1
81	17867-G1		TURN SIGNAL (WITH MOUNTING HARDWARE) (OPTIONAL) (INCLUDES ITEM 82)	1
82	21640-G1		TURN SIGNAL FLASHER	1
83	19344-G1		ELECTRICAL TAPE	A/R
84				
85	32675-G4		STEERING COLUMN COVER.....	1
86	18392-G1		15 AMP FUSE	2
87				
88	17318-G1		HORN SWITCH (INCLUDES ITEM 89)	1
89	17318-G2		HORN SWITCH CAP AND NUT.....	1

36 VOLT ELECTRICAL SYSTEM

When ordering parts, please specify the model and serial number of the product.

* Indicates a component that is not available as an individual part.

G** Indicates consult Customer Service Department for additional information.

ITEM	PART NO.	1	2	3	4	5	DESCRIPTION	QTY.
90	19233-G1						PLATE (HORN LABEL)	1
91	71055-G01						RIVET, 3/16" X 1" LG (ALUMINUM)	2
92	27068-G01						BOOT	1
93	31539-G1						WIRE TIE	1
94	32860-G1						HORN.....	1
95								
96								
97	18392-G1						15 AMP FUSE	1
98	32739-G2						STOP/ TAIL LIGHT	2
99								
100	25917-G09						BATTERY (6V) (E-2200 - STANDARD).....	6
101	24185-G2						BATTERY (6V) (T-145 - OPTIONAL)	6
102	16994-G2						BATTERY (6V) (A-2200 - OPTIONAL)	6
103	35493-G01						LABEL (BATTERY DISPOSAL - CE)	6
104								
105	34151-G01						BATTERY TRAY (STANDARD)	1
106	00428-G8						BOLT, 3/8 - 16 X 3" LG	4
107	00560-G1						WASHER, 3/8"	8
108	11098-G5						LOCK NUT, 3/8 - 16	4
109	34750-G01						'J' CLIP	1
110								
111	11841-G3						ANGLE	2
112	30430-G1						STRAP	3
113	30429-G6						ROD	6
114	18345-G1						GROMMET.....	6
115	00559-G8						WASHER, 5/16"	6
116	01109-G01						LOCK NUT, 5/16 - 18 (STAINLESS STEEL)	6
117								
118	34187-G01						ROLL OUT BATTERY TRAY ASSEMBLY (INCLUDES ITEMS 119 - 126)	1
119	34180-G01						ROLL OUT BATTERY TRAY	1

36 VOLT ELECTRICAL SYSTEM

When ordering parts, please specify the model and serial number of the product.

* Indicates a component that is not available as an individual part.

G** Indicates consult Customer Service Department for additional information.

ITEM	PART NO.	1 2 3 4 5	DESCRIPTION	QTY.
120	30886-G1		ROLLER.....	8
121	00560-G2		WASHER, 7/16"	16
122	34215-G01		RETAINING RING, 7/16"	8
123	34184-G01		LOCK PIN	1
124	33768-G01		COMPRESSION SPRING	1
125	00560-G1		WASHER, 3/8"	1
126	34214-G01		RETAINING RING, 3/8"	2
127				
128	11841-G3		ANGLE	2
129	30430-G1		STRAP	3
130	30429-G5		ROD	6
131	00559-G8		WASHER, 5/16"	6
132	01109-G01		LOCK NUT, 5/16 - 18 (STAINLESS STEEL)	6
133	34177-G01		ROLL OUT TRAY TRACK.....	1
134	00428-G8		BOLT, 3/8 - 16 X 3" LG	4
135	00560-G1		WASHER, 3/8"	8
136	11098-G5		LOCK NUT, 3/8 - 16	4
137	34438-G01		WIRE HARNESS (STATIONARY QUICK DISCONNECT).....	1
138	00415-G4		BOLT, 1/4 - 20 X 1 1/2" LG	4
139	00654-G2		LOCK NUT, 1/4 - 20 (STAINLESS STEEL)	4
140	17618-G1		WIRE TIE	3
141				
142	25682-G01		TERMINAL BOOT (CE).....	12
143	34217-G01		10 GA WIRE (BLACK 18 1/2")	1
144	25974-G31		10 GA WIRE (WHITE 18").....	1
145	11893-G1		6 GA WIRE (BLACK 8")	5
146	17618-G1		WIRE TIE	6
147	00565-G8		LOCK WASHER, 5/16".....	12
148	00702-G2		NUT, 5/16 - 18	12
149	34439-G01		WIRE HARNESS (BATTERY POWER)	1

36 VOLT ELECTRICAL SYSTEM

When ordering parts, please specify the model and serial number of the product.

* Indicates a component that is not available as an individual part.

G** Indicates consult Customer Service Department for additional information.

ITEM	PART NO.	1	2	3	4	5	DESCRIPTION	QTY.
150								
151	33334-G01						WIRE HARNESS (QUICK DISCONNECT)	1
152	23968-G01						10 GA WIRE (RED 6").....	1
153	11893-G1						6 GA WIRE (BLACK 8")	5
154	00565-G8						LOCK WASHER, 5/16".....	12
155	00702-G2						NUT, 5/16 - 18	12
156	17618-G1						WIRE TIE	5
157	00645-G2						SCREW, #6 - 32 X 1 1/4" LG.....	2
158	00559-G3						WASHER, #6.....	2
159	14390-G9						LOCK NUT, #6 - 32	2
160	32718-G4						BATTERY TRAY CHARGING HARNESS	1
161	21743-G1						10 GA WIRE (BLACK 4")	1
162								
163								
164	34896-G01						ROLLOUT DOLLY KIT (INCLUDES ITEMS 165 - 177).....	1
165	34879-G01						CHARGER HARNESS JUMPER.....	1
166	34474-G01						ROLLOUT DOLLY ASSEMBLY (INCLUDES ITEMS 167 - 177).....	1
167	34475-G01						ROLLOUT BATTERY TRAY DOLLY	1
168	31042-G1						WHEEL.....	2
169	00771-G2						NYLON WASHER, 1/2"	2
170	00560-G3						WASHER, 1/2".....	2
171	10387-G4						COTTER PIN, 1/8" X 1" LG	2
172	31038-G1						WINCH	1
173	00427-G4						BOLT, 3/8 - 16 X 1 1/2" LG	2
174	00532-G5						NUT, 3/8 - 16	2
175	00810-G1						SNAP HOOK	1
176	31040-G1						WINCH ROPE, 5'	1
177	00566-G1						LOCK WASHER, 3/8"	3
178								
179								

36 VOLT ELECTRICAL SYSTEM

When ordering parts, please specify the model and serial number of the product.

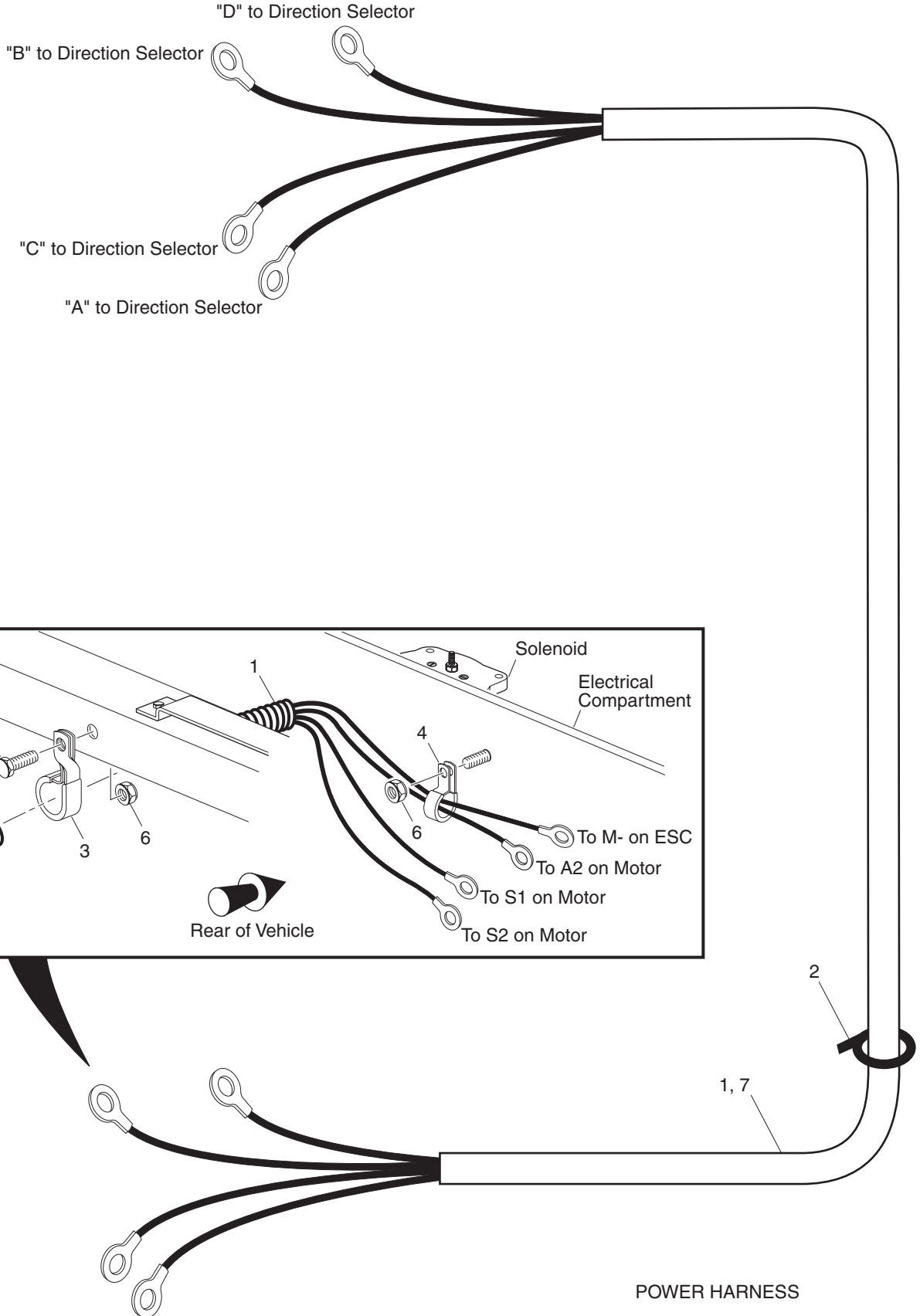
* Indicates a component that is not available as an individual part.

G** Indicates consult Customer Service Department for additional information.

ITEM	PART NO.	1 2 3 4 5	DESCRIPTION	QTY.
180	34555-G01		ROLLOUT BATTERY TRAY WITH BATTERIES KIT (T-145) (OPTIONAL) (INCLUDES ITEMS 101, 118 - 126, 128 - 132, AND 151 - 161)	A/R
181	34555-G02		ROLLOUT BATTERY TRAY WITH BATTERIES KIT (A-2200) (OPTIONAL) (INCLUDES ITEMS 102, 118 - 126, 128 - 132, AND 151 - 161)	A/R
182	34555-G03		ROLLOUT BATTERY TRAY WITH BATTERIES KIT (E-2200) (OPTIONAL) (INCLUDES ITEMS 100, 118 - 126, 128 - 132, AND 151 - 161)	A/R
183	34553-G01		ROLLOUT BATTERY TRAY WITHOUT BATTERIES KIT (OPTIONAL) (INCLUDES ITEMS 118 - 126, 128 - 132, AND 151 - 161)	A/R
184				
185				
186	35724-G02		HALF/FULL SPEED SWITCH KIT (OPTIONAL)	1
187	35723-G01		HALF/FULL SPEED SWITCH	1
188	73139-G01		SEALED NUT, 15/32 - 32	1
189	25977-G86		16 GA WIRE (ORANGE 7")	1
190	25977-G87		16 GA WIRE (ORANGE 26")	1
191	17064-G2		FASTON TAB ADAPTER	1
192	35726-G01		LABEL ('FULL')	1
193	35728-G01		LABEL ('HALF')	1
194	17618-G1		WIRE TIE	1

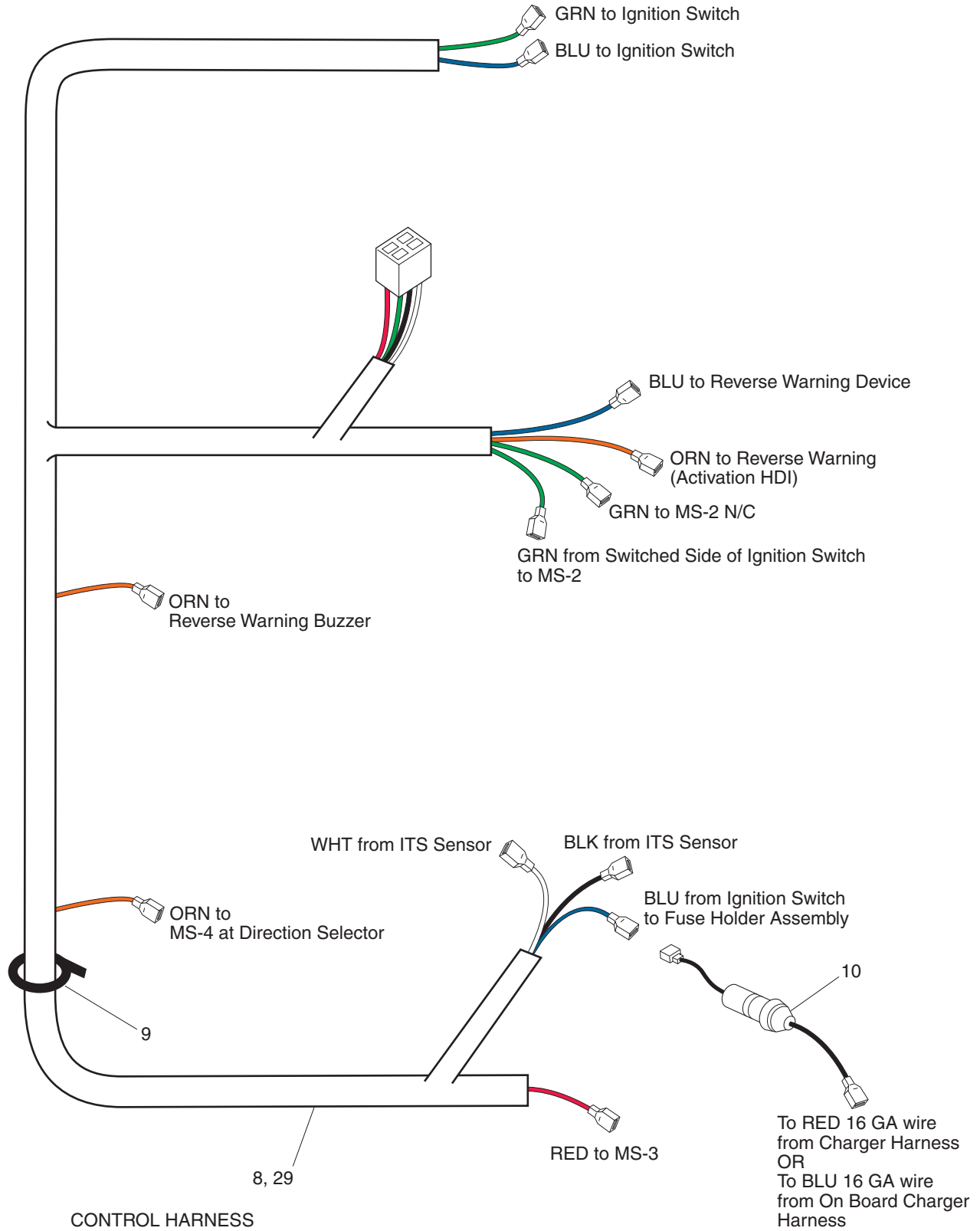
36 VOLT ELECTRICAL SYSTEM

48 VOLT ELECTRICAL SYSTEM



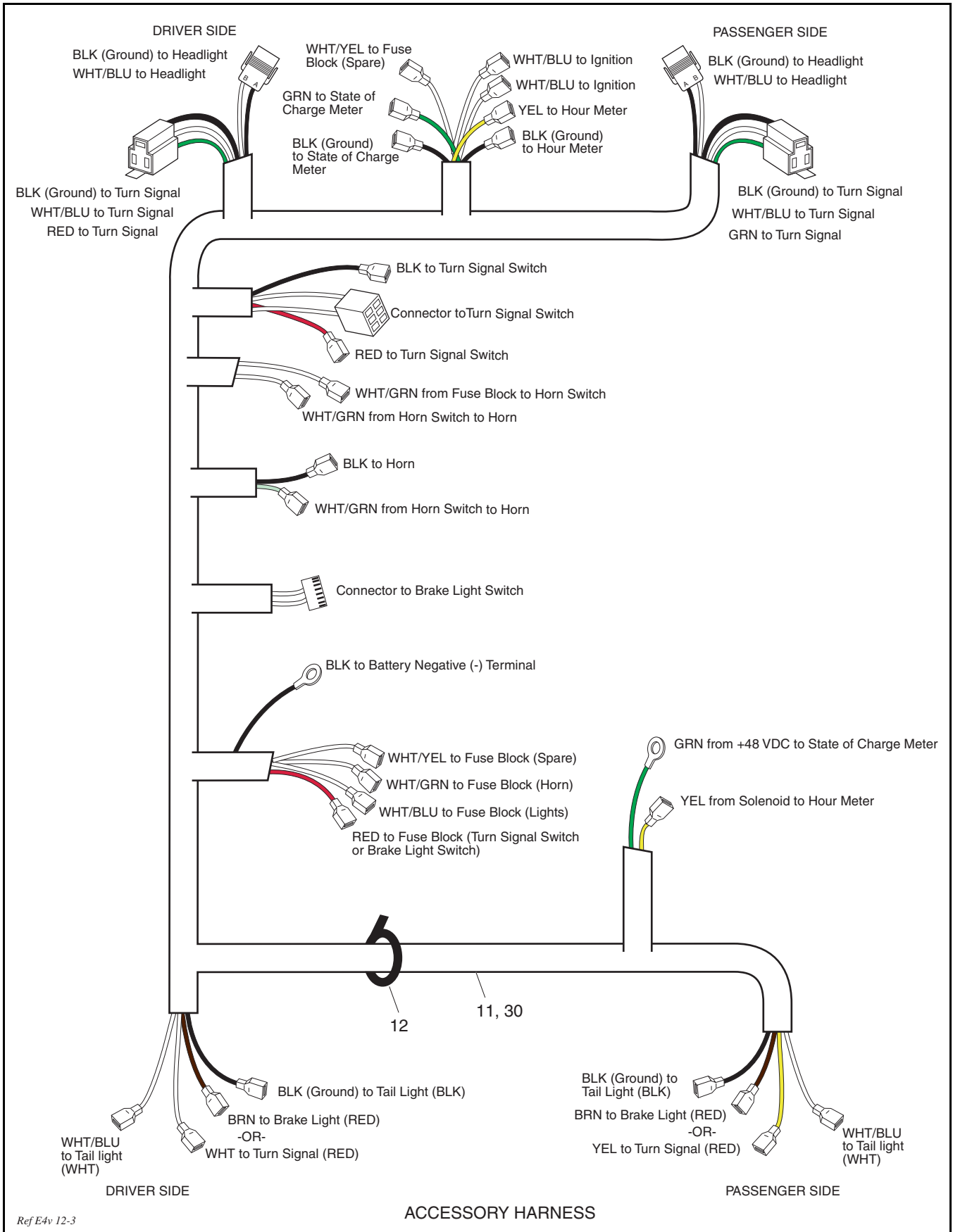
Ref E4v 12-1

48 VOLT ELECTRICAL SYSTEM

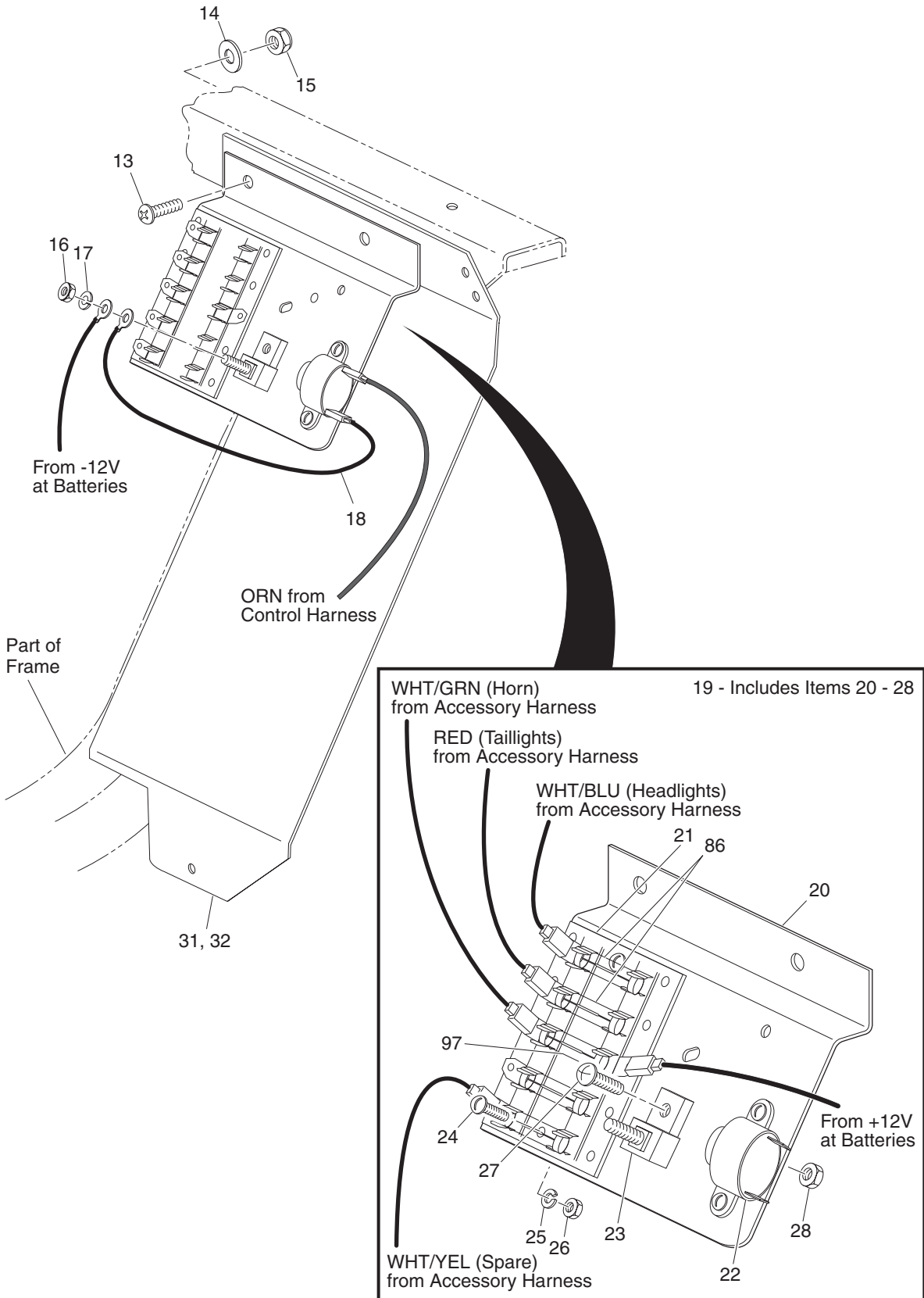


Ref E4v 12-2

48 VOLT ELECTRICAL SYSTEM



48 VOLT ELECTRICAL SYSTEM

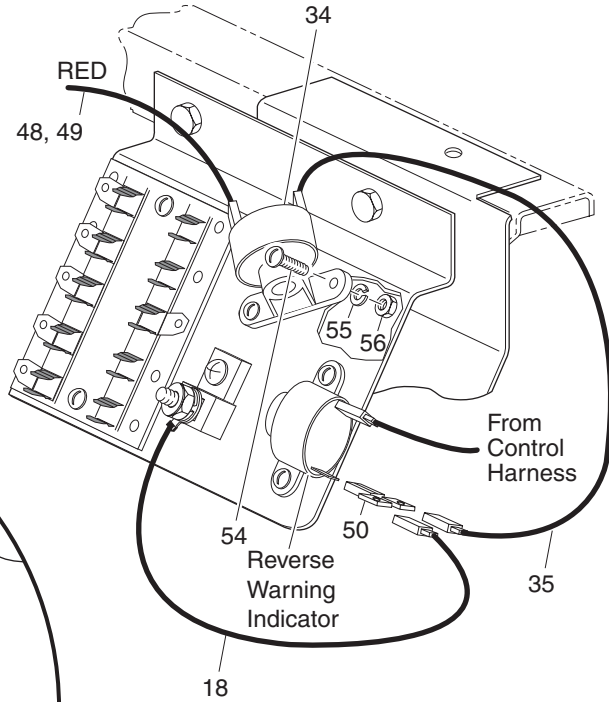
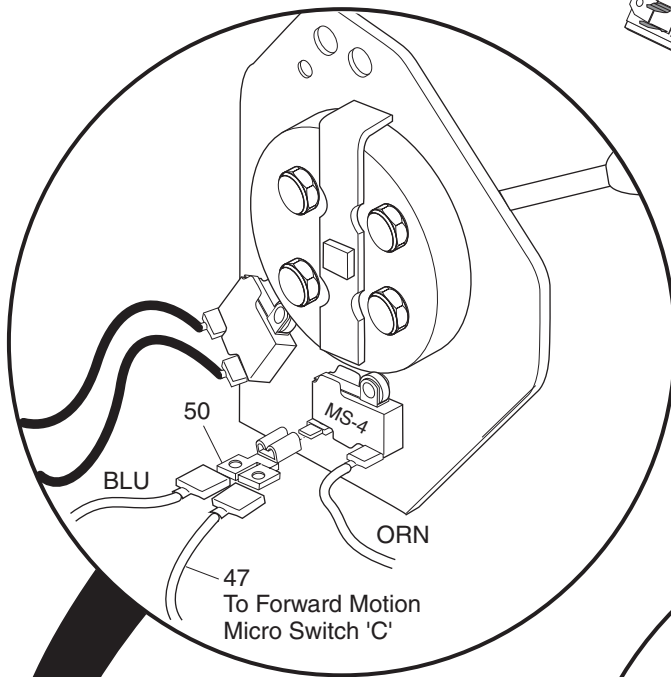


Ref E4v 12-4

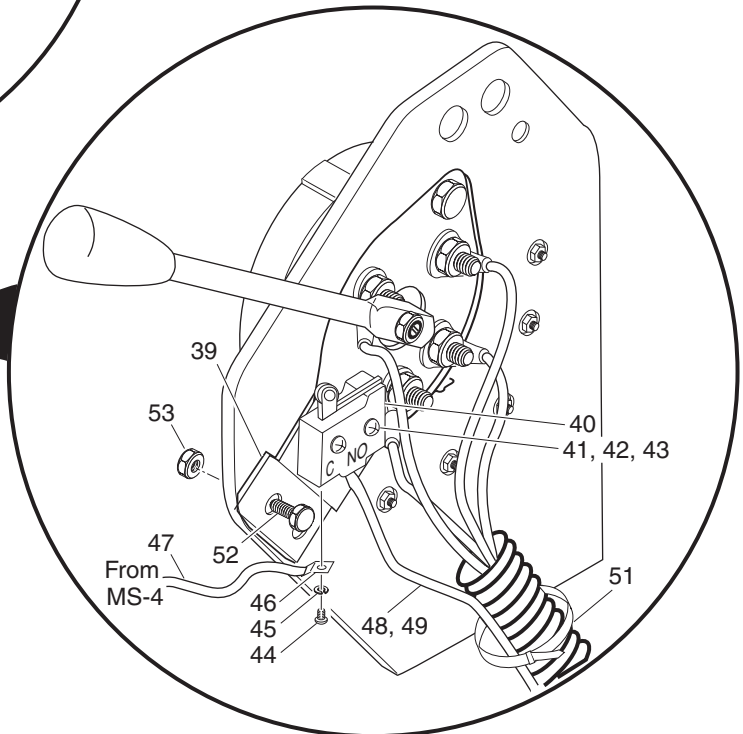
48 VOLT ELECTRICAL SYSTEM

FORWARD MOTION INDICATOR

NOTE: Items shown on this page are optional equipment

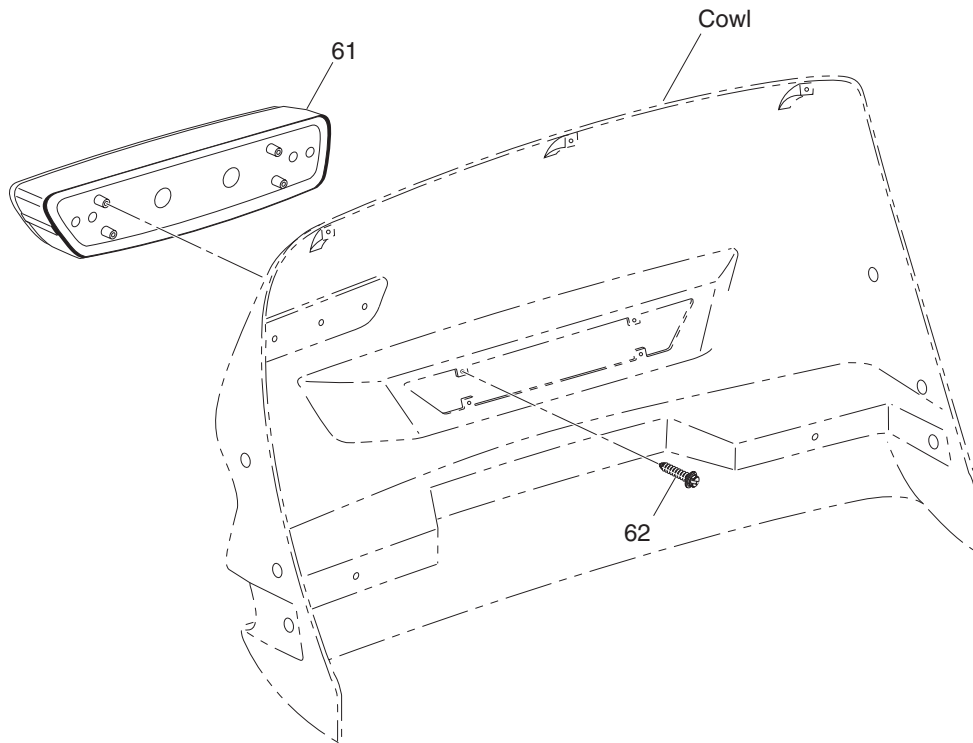
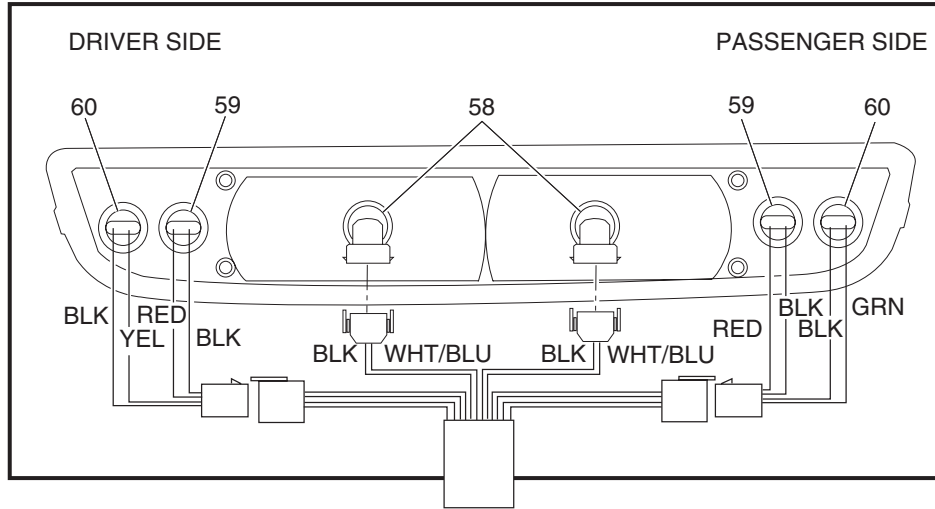


38 - Includes Items 39 - 46



Ref E4v 12-5

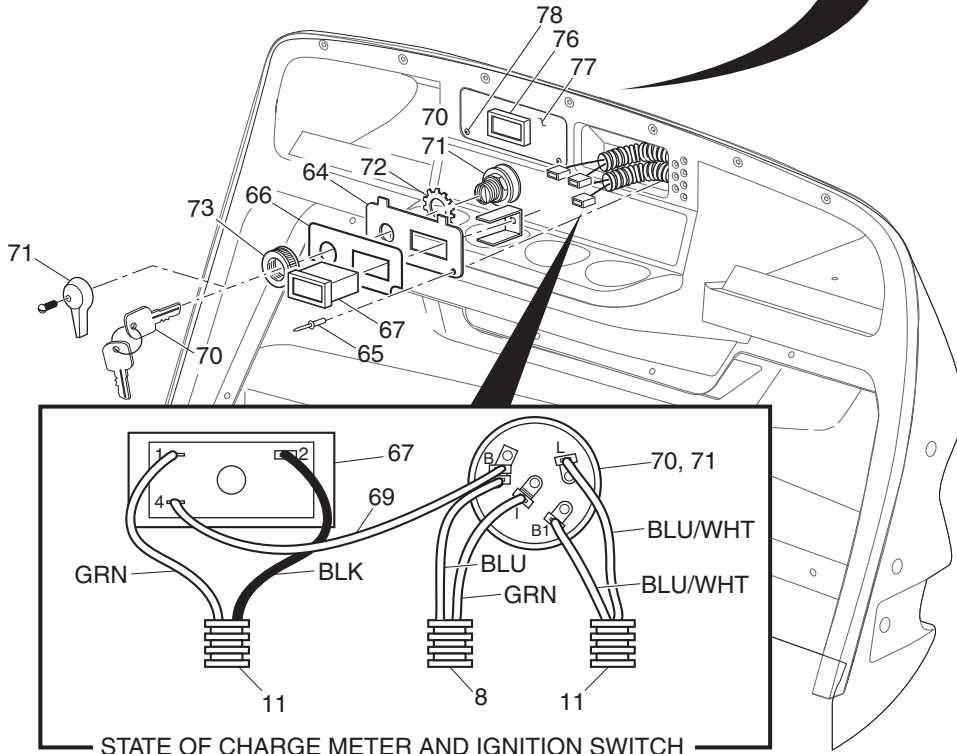
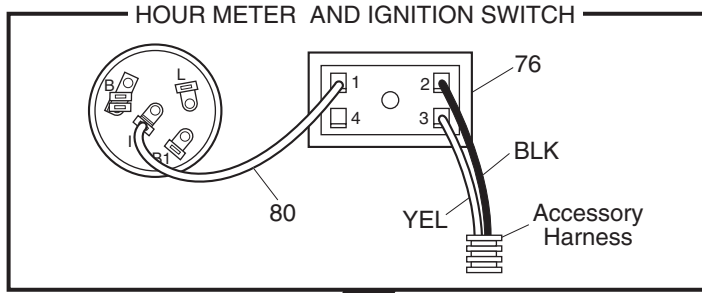
48 VOLT ELECTRICAL SYSTEM



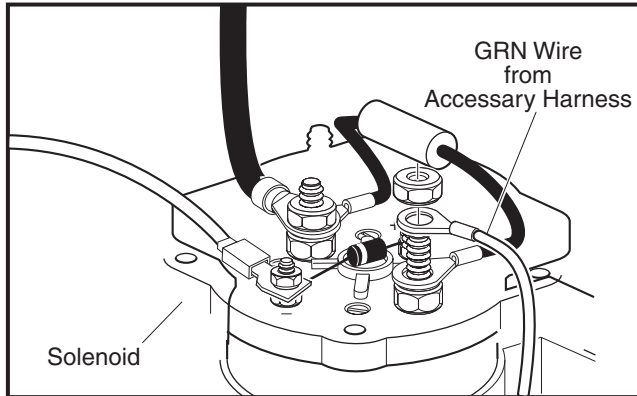
Ref E4v 12-6

48 VOLT ELECTRICAL SYSTEM

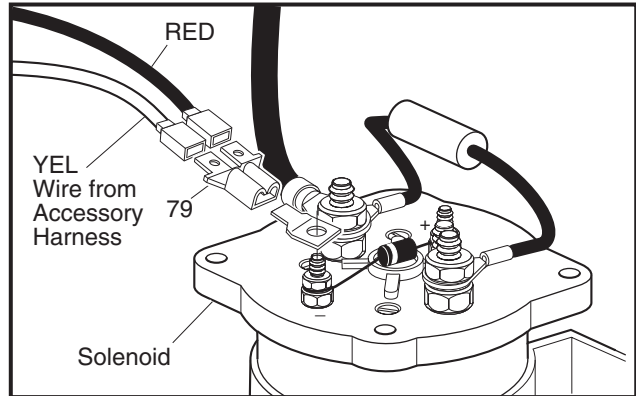
75 - Includes Items 76 - 80



STATE OF CHARGE METER SOLENOID CONNECTION



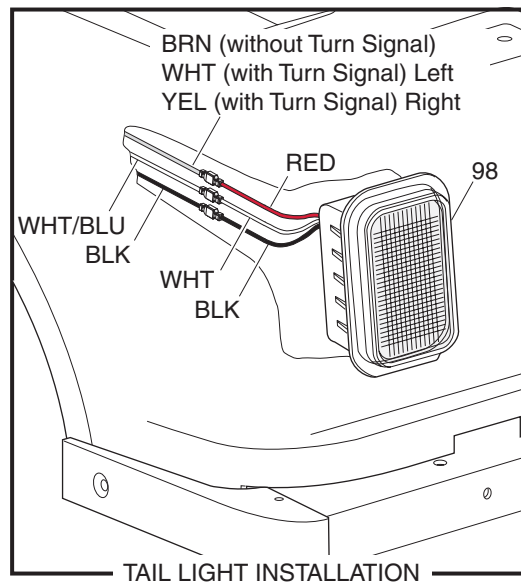
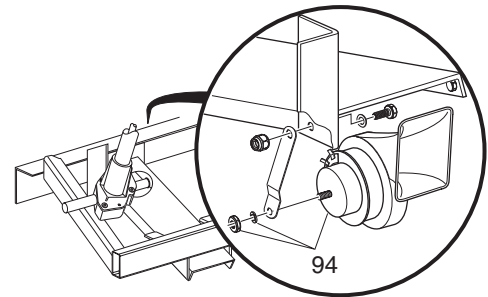
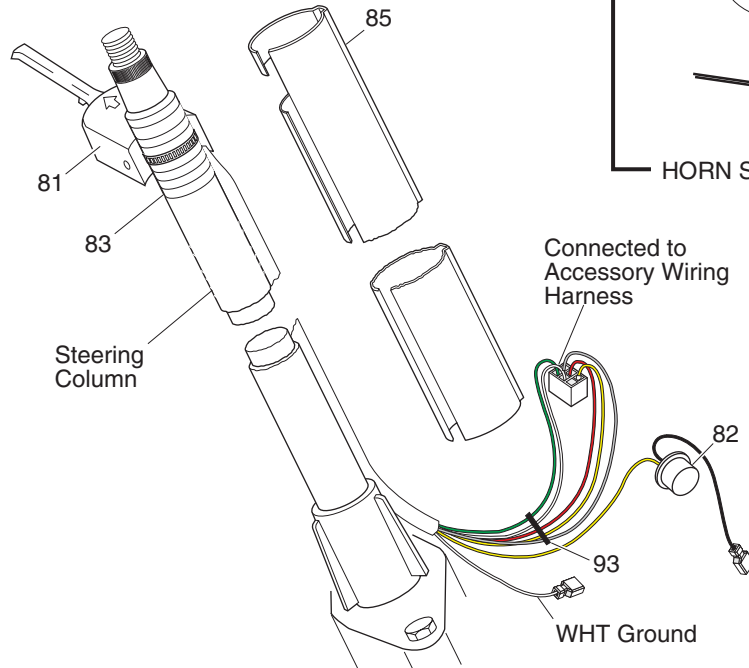
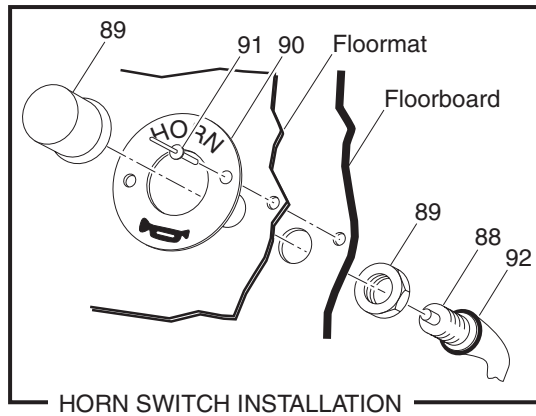
HOUR METER SOLENOID CONNECTION



Ref E4v 12-7

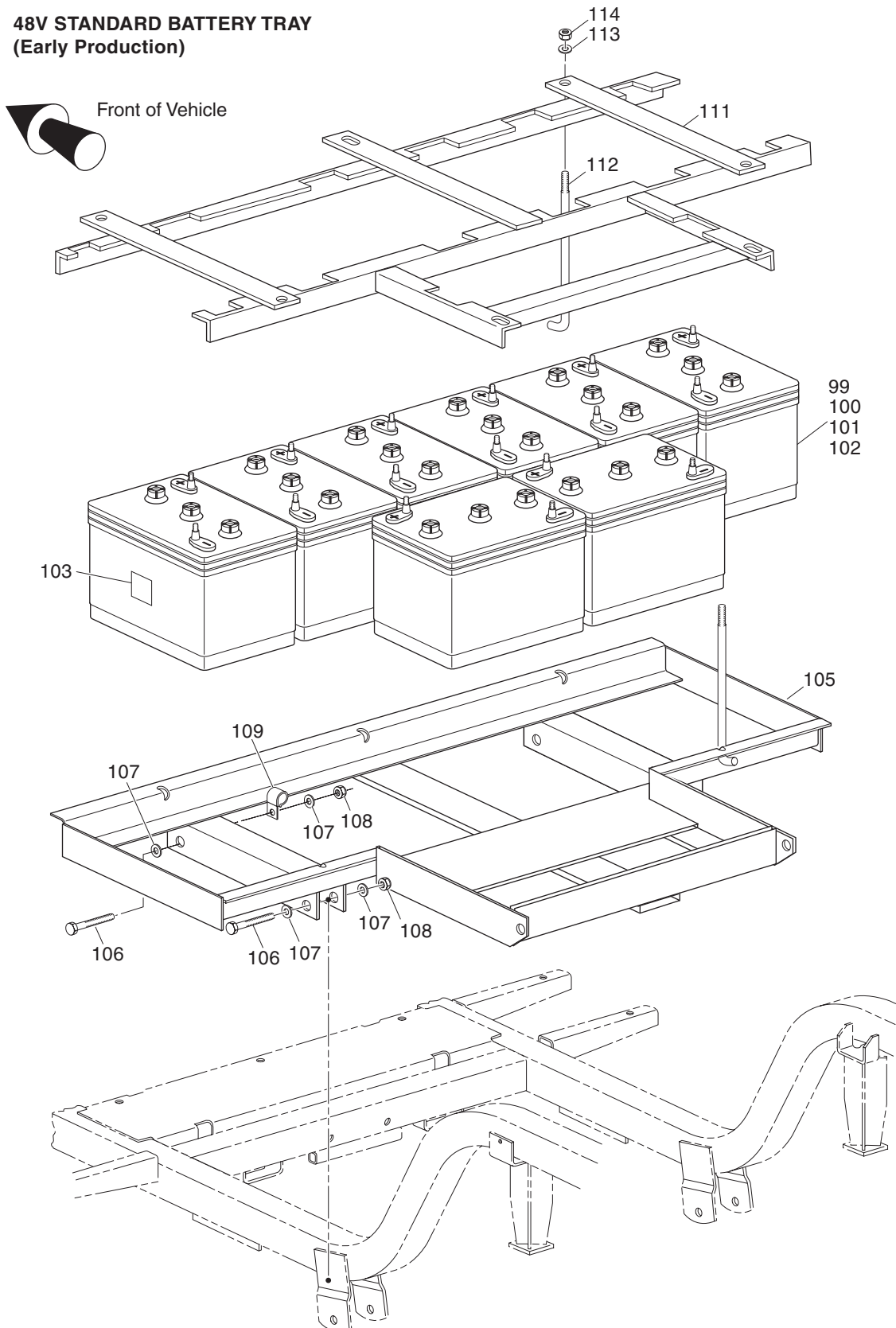
48 VOLT ELECTRICAL SYSTEM

81 - Includes Item 82
88 - Includes Item 89



48 VOLT ELECTRICAL SYSTEM

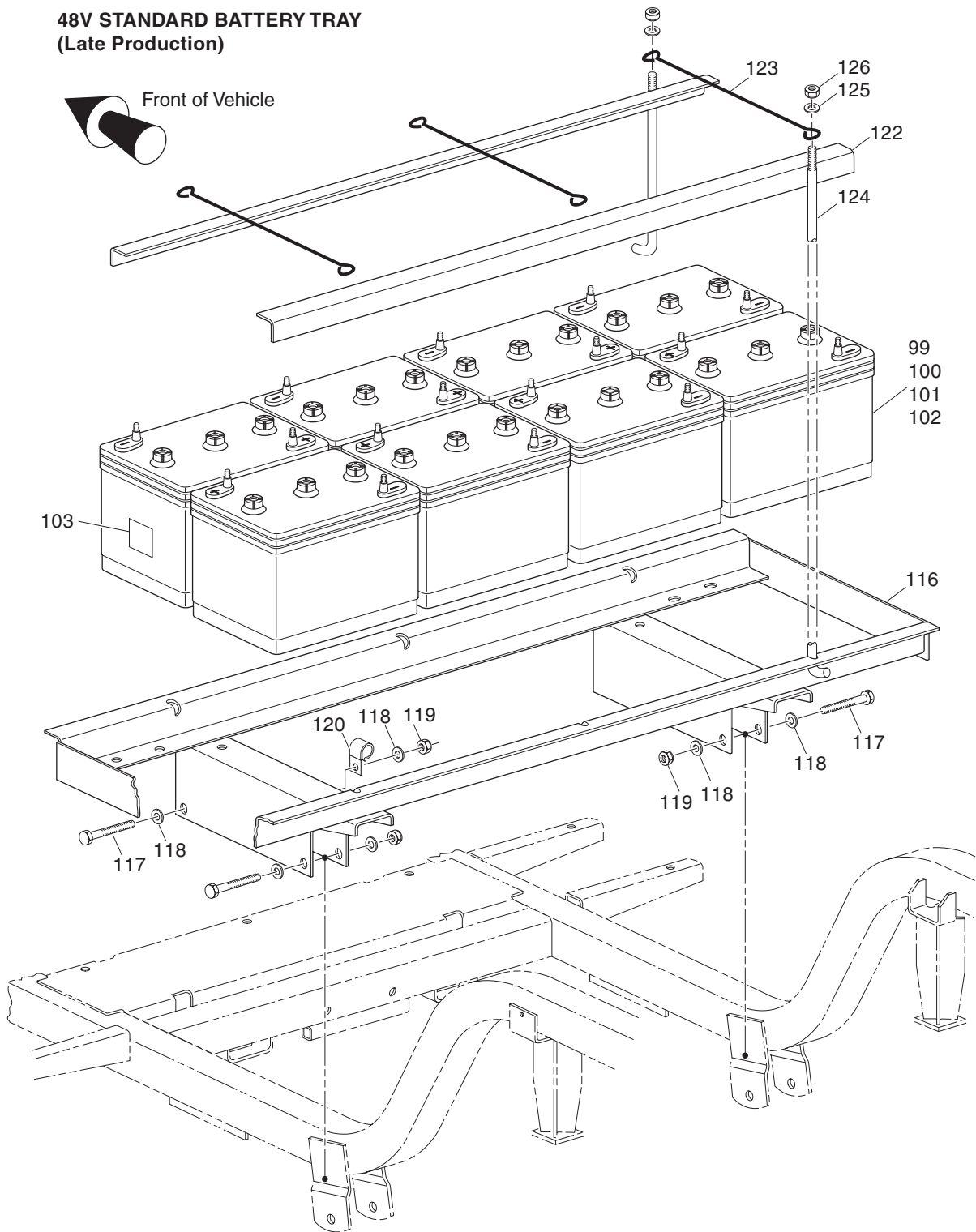
48V STANDARD BATTERY TRAY (Early Production)



Ref E4v 12-9

48 VOLT ELECTRICAL SYSTEM

48V STANDARD BATTERY TRAY (Late Production)

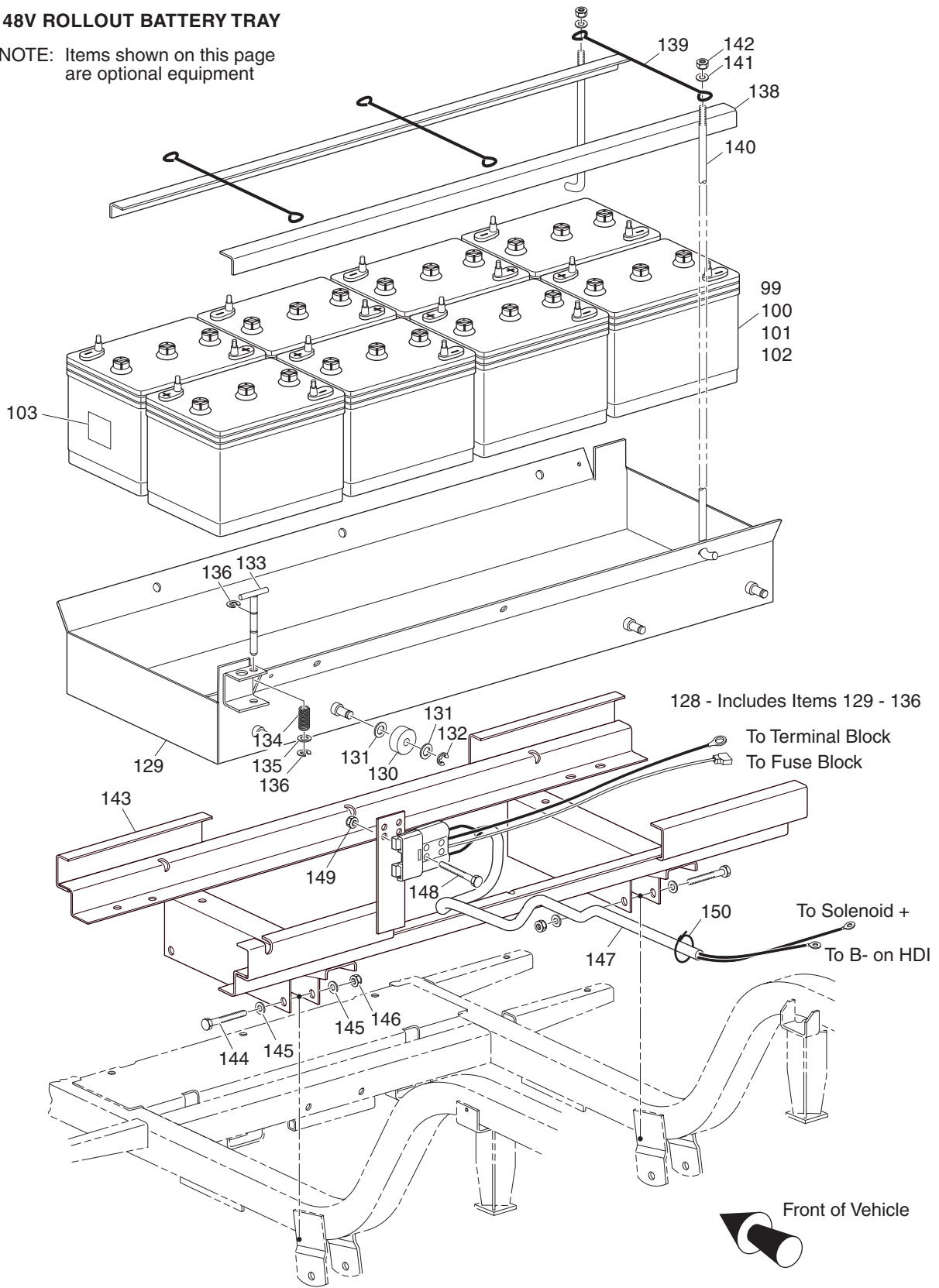


Ref E4v 12-10

48 VOLT ELECTRICAL SYSTEM

48V ROLLOUT BATTERY TRAY

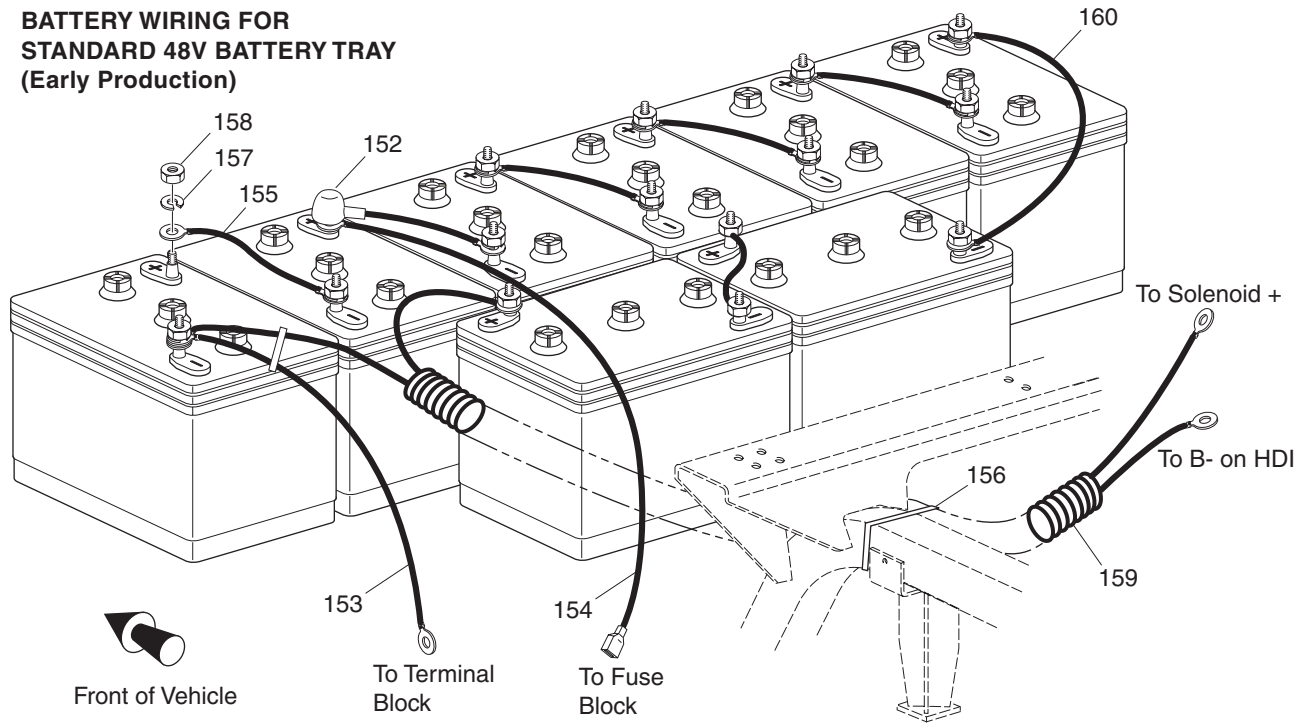
NOTE: Items shown on this page are optional equipment



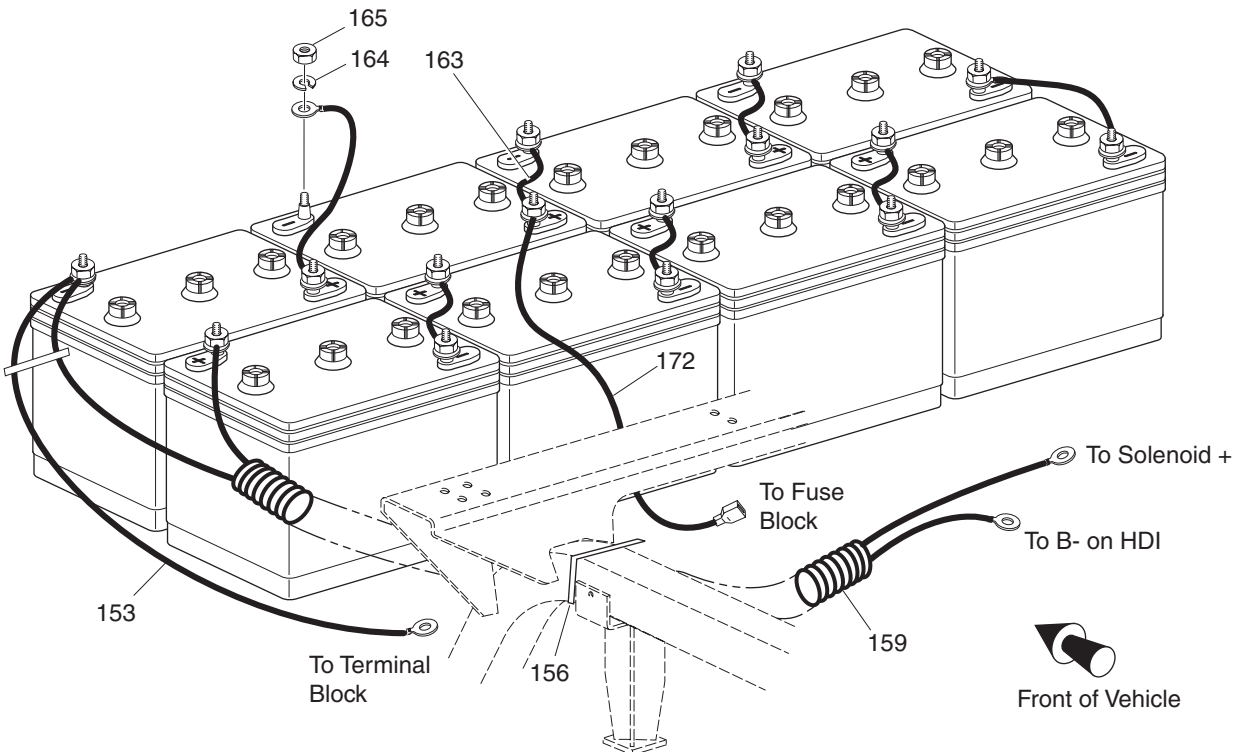
Ref EAv 12-11

48 VOLT ELECTRICAL SYSTEM

BATTERY WIRING FOR STANDARD 48V BATTERY TRAY (Early Production)



BATTERY WIRING FOR STANDARD 48V BATTERY TRAY (Late Production)

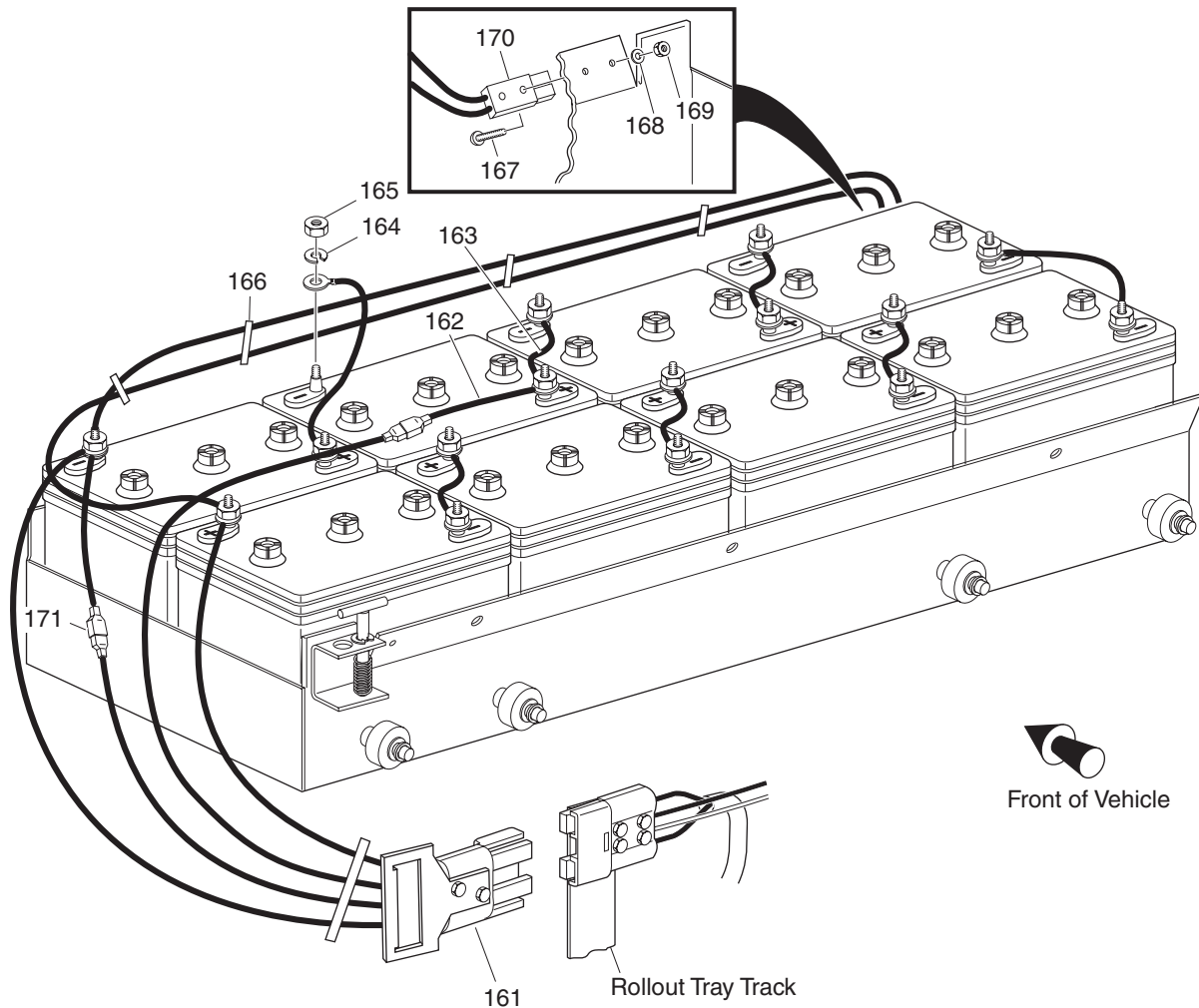


Ref E4v 12-12

48 VOLT ELECTRICAL SYSTEM

BATTERY WIRING FOR OPTIONAL 48V ROLLOUT BATTERY TRAY

- 195 - Includes Items 99, 128 - 142, 161 - 171
- 196 - Includes Items 100, 128 - 142, 161 - 171
- 197 - Includes Items 101, 128 - 142, 161 - 171
- 198 - Includes Items 102, 128 - 142, 161 - 171
- 210 - Includes Items 129 - 142, 161 - 171

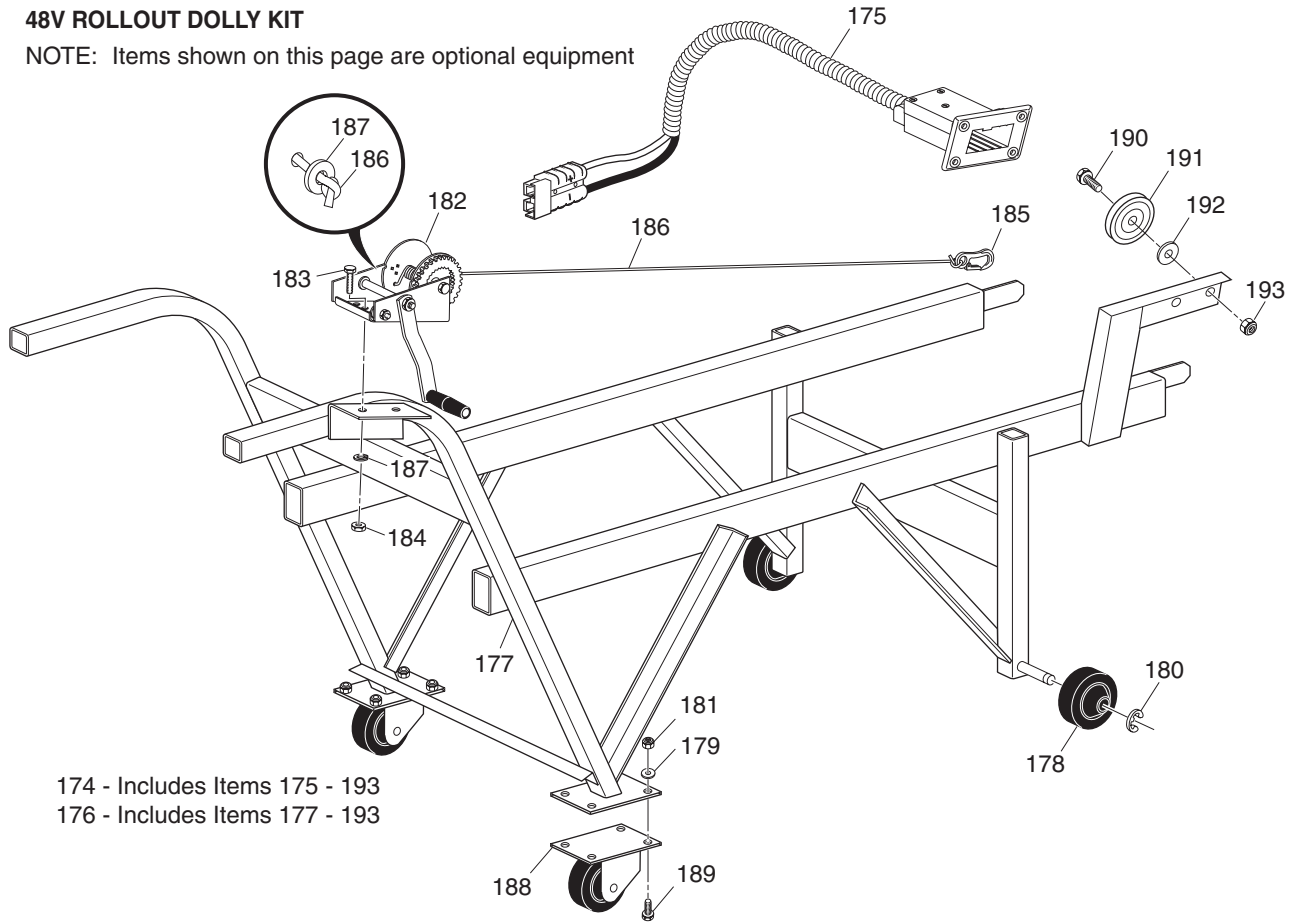


Ref E4v 12-13

48 VOLT ELECTRICAL SYSTEM

48V ROLLOUT DOLLY KIT

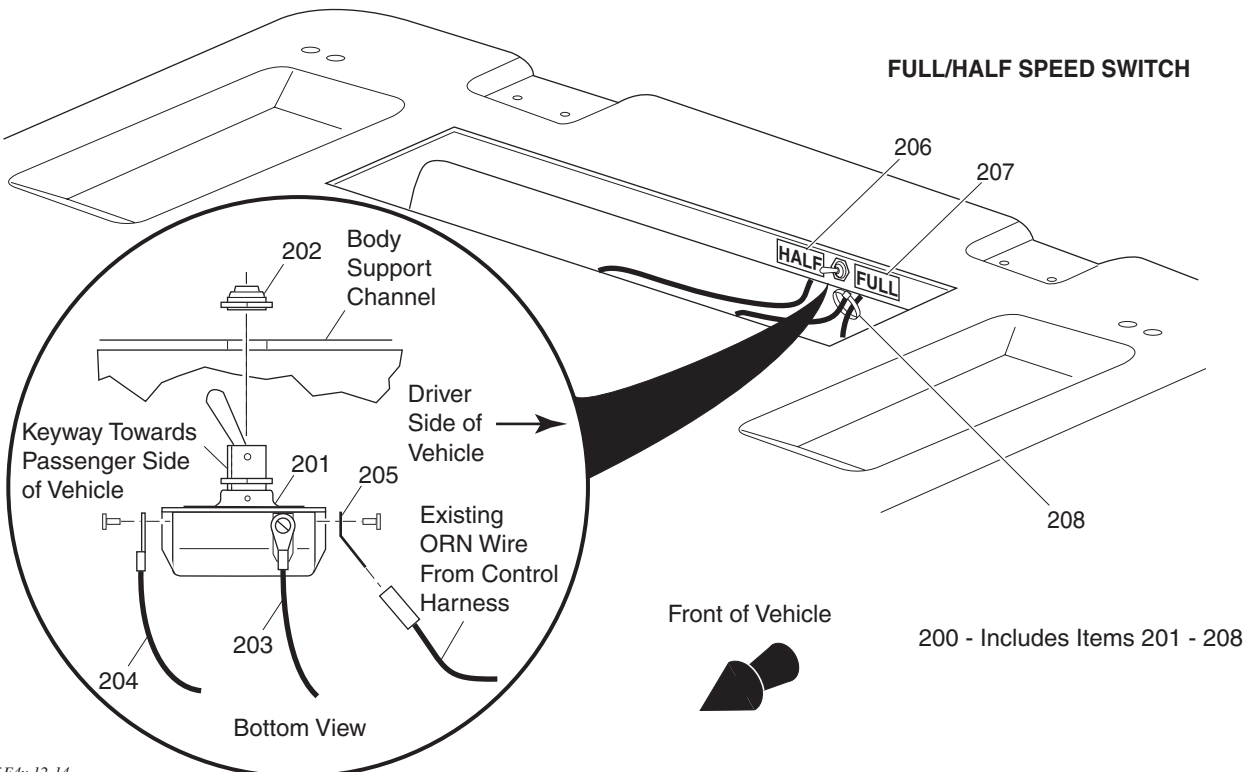
NOTE: Items shown on this page are optional equipment



174 - Includes Items 175 - 193

176 - Includes Items 177 - 193

FULL/HALF SPEED SWITCH



200 - Includes Items 201 - 208

Ref E4v 12-14

48 VOLT ELECTRICAL SYSTEM

When ordering parts, please specify the model and serial number of the product.

* Indicates a component that is not available as an individual part.

G** Indicates consult Customer Service Department for additional information.

ITEM	PART NO.	1 2 3 4 5	DESCRIPTION	QTY.
1	35524-G01		WIRE HARNESS (POWER - 955, 957)	1
2	23544-G1		WIRE TIE	6
3	27327-G01		CLAMP	1
4	27868-G01		CLAMP	1
5	00414-G6		BOLT, 1/4 - 20 X 3/4" LG	1
6	00654-G2		LOCK NUT, 1/4 - 20 (STAINLESS STEEL)	2
7	34408-G01		WIRE HARNESS (POWER - 952, 954, 956)	1
8	35526-G01		WIRE HARNESS (CONTROL - 955, 957)	1
9	31539-G1		WIRE TIE	11
10	22585-G4		INLINE FUSE HOLDER (CE)	1
11	35527-G01		WIRE HARNESS (ACCESSORY - 955, 957).....	1
12	31539-G1		WIRE TIE	10
13	00933-G1		BOLT, 1/4 - 20 X 1 1/4" LG	4
14	01110-G01		WASHER, 1/4" (STAINLESS STEEL)	2
15	00654-G2		LOCK NUT, 1/4 - 20 (STAINLESS STEEL)	4
16	00544-G3		NUT, 5/16 - 18	1
17	00565-G8		LOCK WASHER, 5/16"	1
18	34478-G01		18 GA WIRE (BLACK 5")	1
19	70574-G01		FUSE BLOCK ASSEMBLY (INCLUDES ITEMS 20 - 28).....	1
20	34221-G01		MOUNTING PLATE	1
21	22674-G1		FUSE BLOCK	1
22	73290-G02		CONTINUOUS TONE BUZZER	1
23	33343-G01		TERMINAL BLOCK.....	1
24	00138-G4		SCREW, #6 - 32 X 1/2" LG	4
25	00565-G3		LOCK WASHER, #6	4
26	00525-G5		NUT, #6 - 32.....	4
27	16705-G3		SCREW, 1/4 - 20 X 3/4" LG (STAINLESS STEEL).....	1
28	14390-G4		LOCK NUT, 1/4 - 20.....	1
29	70720-G01		WIRE HARNESS (CONTROL - 952, 954, 956)	1
30	34598-G01		WIRE HARNESS (ACCESSORY - 952, 954, 956).....	1

48 VOLT ELECTRICAL SYSTEM

When ordering parts, please specify the model and serial number of the product.

* Indicates a component that is not available as an individual part.

G** Indicates consult Customer Service Department for additional information.

ITEM	PART NO.	1	2	3	4	5	DESCRIPTION	QTY.
31	35530-G02						BATTERY SHIELD (DRIVER SIDE).....	1
32	35530-G01						BATTERY SHIELD (PASSENGER SIDE)	1
33								
34	73290-G01						BUZZER, INTERMITTENT	1
35	25977-G88						16 GA WIRE (BLACK 8").....	1
36								
37								
38	34631-G01						SWITCH AND BRACKET ASSEMBLY (INCLUDES ITEMS 39 - 46).....	1
39	34629-G01						SWITCH BRACKET	1
40	10606-G6						MICRO SWITCH.....	1
41	00645-G1						SCREW, #6 - 32 X 1" LG	2
42	00565-G3						LOCK WASHER, #6	2
43	00525-G5						NUT, #6 - 32.....	2
44	13514-G1						SCREW, #6 - 32 X 7/32" LG (BRASS)	2
45	00567-G3						LOCK WASHER, #6	2
46	14628-G1						FASTON TAB.....	1
47	33887-G17						16 GA WIRE (RED 12").....	1
48	33887-G18						16 GA WIRE (RED 80" - 952, 954, 956)	1
49	25977-G88						16 GA WIRE (RED 107" - 955, 957)	1
50	17902-G1						TAB ADAPTER.....	2
51	17618-G1						WIRE TIE	5
52	00414-G5						BOLT, 1/4 - 20 X 5/8" LG	2
53	11027-G2						LOCK NUT, 1/4 - 20	2
54	00138-G4						SCREW, #6 - 32 X 1/2" LG.....	2
55	00565-G3						LOCK WASHER, #6	2
56	00525-G5						NUT, #6 - 32	2
57								
58	74004-G01						HEADLIGHT BULB	A/R
59	74005-G01						MARKER LIGHT BULB	A/R
60	74006-G01						TURN LIGHT BULB	A/R

48 VOLT ELECTRICAL SYSTEM

When ordering parts, please specify the model and serial number of the product.

* Indicates a component that is not available as an individual part.

G** Indicates consult Customer Service Department for additional information.

ITEM	PART NO.	1 2 3 4 5	DESCRIPTION	QTY.
61	74001-G01		HEADLIGHT AND TURN SIGNAL LIGHT BAR	1
62	00114-G6		SCREW, 1/4 - 14 X 3/4" LG.....	4
63				
64	73030-G02		PLATE (IGNITION WITH STATE OF CHARGE METER).....	1
65	33623-G02		DRIVE RIVET, 3/16 X 3/8" LG.....	2
66	71129-G01		LABEL (WITH LIGHTS, WITH STATE OF CHARGE METER)	1
67	33636-G03		STATE OF CHARGE METER (48V).....	1
68				
69	25978-G74		18 GA WIRE (RED 6").....	1
70	33639-G01		IGNITION SWITCH WITH LIGHTS (STANDARD)	1
71	33783-G01		KEYLESS IGNITION SWITCH (OPTIONAL)	1
72	00568-G6		LOCK WASHER, 3/4".....	1
73	17137-G1		FACE NUT, 3/4 - 20.....	1
74				
75	34886-G02		HOUR METER KIT (INCLUDES ITEMS 76 - 80).....	1
76	33633-G03		HOUR METER.....	1
77	34851-G01		CONSOLE INSERT PLATE	1
78	33623-G01		RIVET, 3/16 X 3/8" LG	2
79	17902-G1		TAB ADAPTER	1
80	25978-G344		18 GA WIRE (RED/WHITE, 10")	1
81	17867-G1		TURN SIGNAL (WITH MOUNTING HARDWARE) (OPTIONAL) (INCLUDES ITEM 82)	1
82	21640-G1		TURN SIGNAL FLASHER	1
83	19344-G1		ELECTRICAL TAPE	A/R
84				
85	32675-G4		STEERING COLUMN COVER.....	1
86	18392-G1		15 AMP FUSE	2
87				
88	17318-G1		HORN SWITCH (INCLUDES ITEM 89)	1
89	17318-G2		HORN SWITCH CAP AND NUT.....	1

48 VOLT ELECTRICAL SYSTEM

When ordering parts, please specify the model and serial number of the product.

* Indicates a component that is not available as an individual part.

G** Indicates consult Customer Service Department for additional information.

ITEM	PART NO.	1 2 3 4 5	DESCRIPTION	QTY.
90	19233-G1		PLATE (HORN LABEL)	1
91	71055-G01		RIVET, 3/16" X 1" LG (ALUMINUM)	2
92	27068-G01		BOOT	1
93	31539-G1		WIRE TIE	1
94	32860-G1		HORN	1
95				
96				
97	18392-G1		15 AMP FUSE	1
98	32739-G2		STOP/ TAIL LIGHT	2
99	25917-G09		BATTERY (6V) (E-3600 - STANDARD)	8
100	12648-G11		BATTERY (6V) (T-105 - OPTIONAL)	8
101	24185-G2		BATTERY (6V) (T-145 - OPTIONAL)	8
102	16994-G2		BATTERY (6V) (A-2200 - OPTIONAL)	8
103	35493-G01		LABEL (BATTERY DISPOSAL - CE)	8
104				
105	34827-G01		48V STANDARD BATTERY TRAY (EARLY PRODUCTION)	1
106	00428-G8		BOLT, 3/8 - 16 X 3" LG	4
107	00560-G1		WASHER, 3/8"	8
108	11098-G5		LOCK NUT, 3/8 - 16	4
109	34750-G01		'J' CLIP	1
110				
111	34816-G01		UPPER BATTERY TRAY	1
112	30429-G1		ROD	7
113	00559-G8		WASHER, 5/16"	7
114	01109-G01		LOCK NUT, 5/16 - 18 (STAINLESS STEEL)	7
115				
116	34812-G01		48V STANDARD BATTERY TRAY (LATE PRODUCTION)	1
117	00428-G8		BOLT, 3/8 - 16 X 3" LG	4
118	00560-G1		WASHER, 3/8"	8
119	11098-G5		LOCK NUT, 3/8 - 16	4

48 VOLT ELECTRICAL SYSTEM

When ordering parts, please specify the model and serial number of the product.

* Indicates a component that is not available as an individual part.

G** Indicates consult Customer Service Department for additional information.

ITEM	PART NO.	1 2 3 4 5	DESCRIPTION	QTY.
120	34750-G01		'J' CLIP	1
121				
122	11841-G3		ANGLE	2
123	34865-G01		STRAP	3
124	30429-G1		ROD	6
125	00559-G8		WASHER, 5/16"	6
126	01109-G01		LOCK NUT, 5/16 - 18 (STAINLESS STEEL)	6
127				
128	34801-G01		48V ROLLOUT BATTERY TRAY ASSEMBLY (INCLUDES ITEMS 129 - 136)...	1
129	34802-G01		48V ROLLOUT BATTERY TRAY	1
130	30886-G1		ROLLER.....	8
131	00560-G2		WASHER, 7/16"	16
132	34215-G01		RETAINING RING, 7/16"	8
133	34184-G01		LOCK PIN	1
134	33768-G01		COMPRESSION SPRING	1
135	00560-G1		WASHER, 3/8"	1
136	34214-G01		RETAINING RING, 3/8"	2
137				
138	11841-G3		ANGLE	2
139	34865-G01		STRAP	3
140	30429-G5		ROD	6
141	00559-G8		WASHER, 5/16"	6
142	01109-G01		LOCK NUT, 5/16 - 18 (STAINLESS STEEL)	6
143	34805-G01		ROLL OUT TRAY TRACK.....	1
144	00428-G8		BOLT, 3/8 - 16 X 3" LG	4
145	00560-G1		WASHER, 3/8"	8
146	11098-G5		LOCK NUT, 3/8 - 16	4
147	34438-G01		WIRE HARNESS (STATIONARY QUICK DISCONNECT).....	1
148	00415-G4		BOLT, 1/4 - 20 X 1 1/2" LG	4
149	00654-G2		LOCK NUT, 1/4 - 20 (STAINLESS STEEL)	4

48 VOLT ELECTRICAL SYSTEM

When ordering parts, please specify the model and serial number of the product.

* Indicates a component that is not available as an individual part.

G** Indicates consult Customer Service Department for additional information.

ITEM	PART NO.	1 2 3 4 5	DESCRIPTION	QTY.
150	17618-G1		WIRE TIE	3
151				
152	25682-G01		TERMINAL COVER (CE)	16
153	25974-G37		10 GA WIRE (BLACK 24")	1
154	25974-G36		10 GA WIRE (WHITE 22").....	1
155	11893-G1		6 GA WIRE (BLACK 8")	6
156	17618-G1		WIRE TIE	6
157	00565-G8		LOCK WASHER, 5/16".....	16
158	00702-G2		NUT, 5/16 - 18	16
159	34866-G01		WIRE HARNESS (BATTERY POWER)	1
160	11885-G4		6 GA WIRE (RED 19")(EARLY PRODUCTION)	1
161	33334-G03		WIRE HARNESS (QUICK DISCONNECT)	1
162	23968-G01		10 GA WIRE (RED 6").....	1
163	11893-G1		6 GA WIRE (BLACK 8")	7
164	00565-G8		LOCK WASHER, 5/16".....	16
165	00702-G2		NUT, 5/16 - 18	16
166	17618-G1		WIRE TIE	6
167	00645-G2		SCREW, #6 - 32 X 1 1/4" LG.....	2
168	00559-G3		WASHER, #6.....	2
169	14390-G9		LOCK NUT, #6 - 32	2
170	32718-G5		48V BATTERY TRAY CHARGING HARNESS (BLUE).....	1
171	21743-G1		10 GA WIRE (BLACK 4")	1
172	25974-G36		10 GA WIRE (WHITE 22").....	1
173				
174	34896-G02		48V ROLLOUT DOLLY KIT (INCLUDES ITEMS 175 - 193)	1
175	34879-G02		48V CHARGER HARNESS JUMPER (BLUE).....	1
176	34861-G01		48V ROLLOUT DOLLY ASSEMBLY (INCLUDES ITEMS 177 - 193)	1
177	34860-G01		48V ROLLOUT BATTERY TRAY DOLLY	1
178	35703-G01		FRONT WHEEL	2
179	00559-G8		WASHER, 5/16".....	8

48 VOLT ELECTRICAL SYSTEM

When ordering parts, please specify the model and serial number of the product.

* Indicates a component that is not available as an individual part.

G** Indicates consult Customer Service Department for additional information.

ITEM	PART NO.	1	2	3	4	5	DESCRIPTION	QTY.
180	01111-G01						RETAINING RING, 13/32" (STAINLESS STEEL).....	2
181	01109-G01						LOCK NUT, 5/16 - 18 (STAINLESS STEEL)	8
182	31038-G1						WINCH	1
183	00427-G4						BOLT, 3/8 - 16 X 1 1/2" LG	2
184	00532-G5						NUT, 3/8 - 16	2
185	00810-G1						SNAP HOOK	1
186	31040-G1						WINCH ROPE, 25'	1
187	00566-G1						LOCK WASHER, 3/8"	3
188	35704-G01						REAR SWIVEL WHEEL	2
189	00438-G6						BOLT, 5/16 - 18 X 3/4" LG	8
190	00630-G6						BOLT, 1/2 - 13 X 1 3/4" LG	1
191	35667-G01						PULLEY.....	1
192	25757-G1						PILOT WASHER	1
193	00734-G4						LOCK NUT, 1/2 - 13	1
194								
195	34875-G03						ROLLOUT BATTERY TRAY WITH BATTERIES KIT (E-3600) (OPTIONAL) (INCLUDES ITEMS 99, 128 - 142, AND 161 - 171).....	A/R
196	34875-G04						ROLLOUT BATTERY TRAY WITH BATTERIES KIT (T-105) (OPTIONAL) (INCLUDES ITEMS 100, 128 - 142, AND 161 - 171).....	A/R
197	34875-G01						ROLLOUT BATTERY TRAY WITH BATTERIES KIT (T-145) (OPTIONAL) (INCLUDES ITEMS 101, 128 - 142, AND 161 - 171).....	A/R
198	34875-G02						ROLLOUT BATTERY TRAY WITH BATTERIES KIT (A-2200) (OPTIONAL) (INCLUDES ITEMS 102, 128 - 142, AND 161 - 171).....	A/R
199								
200	35724-G02						HALF/FULL SPEED SWITCH KIT (OPTIONAL)(INCLUDES ITEMS 201 - 208)	1
201	35723-G01						HALF/FULL SPEED SWITCH	1
202	73139-G01						SEALED NUT, 15/32 - 32	1
203	25977-G86						16 GA WIRE (ORANGE 7").....	1
204	25977-G87						16 GA WIRE (ORANGE 26").....	1
205	17064-G2						FEMALE TERMINAL.....	1
206	35726-G01						LABEL ('FULL').....	1

48 VOLT ELECTRICAL SYSTEM

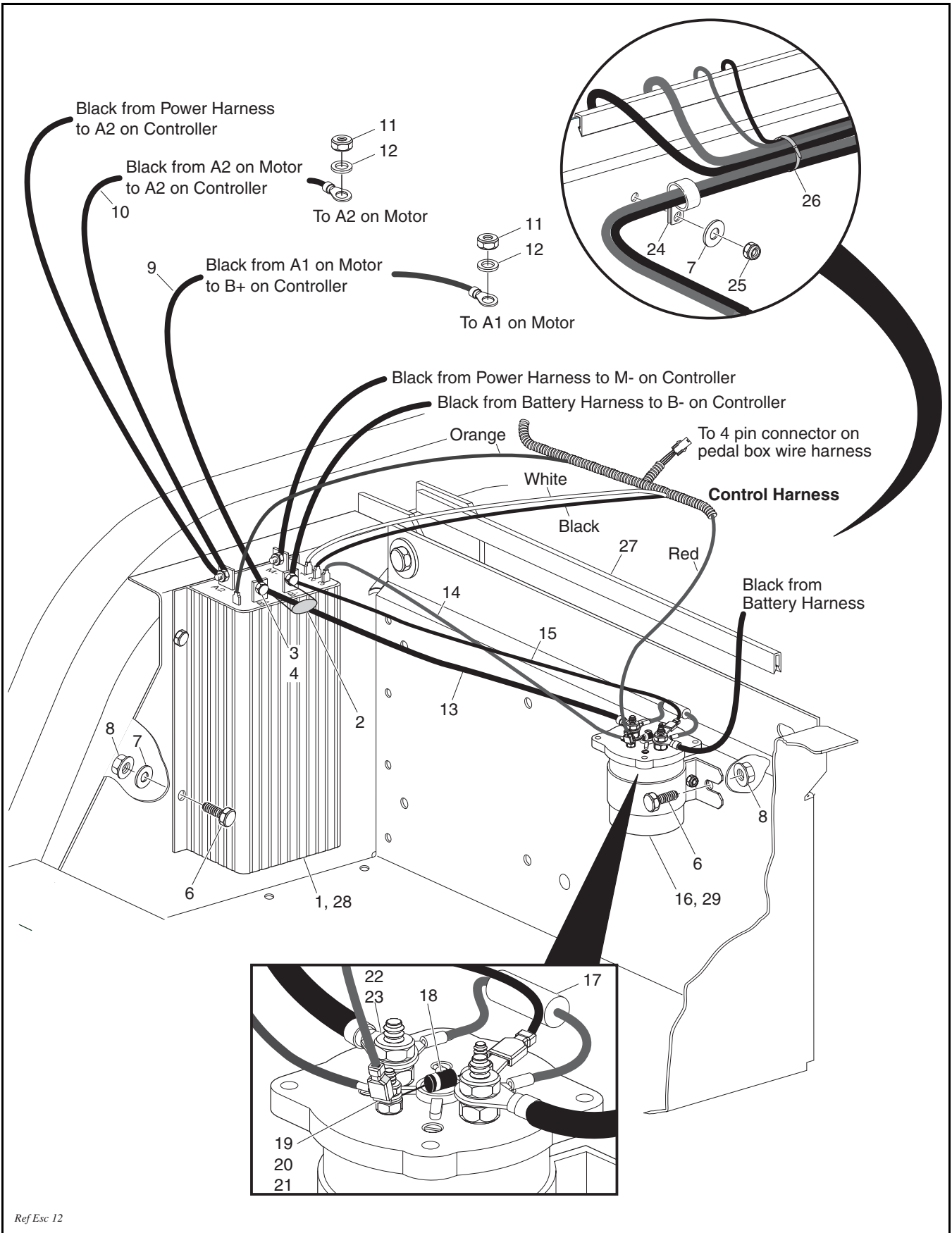
When ordering parts, please specify the model and serial number of the product.

* Indicates a component that is not available as an individual part.

G** Indicates consult Customer Service Department for additional information.

ITEM	PART NO.	1	2	3	4	5	DESCRIPTION	QTY.
207	35728-G01						LABEL ('HALF')	1
208	17618-G1						WIRE TIE	1
209								
210	34876-G01						48V ROLLOUT BATTERY TRAY WITH HOLD DOWNS AND WIRING WITHOUT BATTERIES (OPTIONAL) (INCLUDES ITEMS 129 - 142, 161 - 171)	1

ELECTRONIC SPEED CONTROL



Ref Esc 12

ELECTRONIC SPEED CONTROL

When ordering parts, please specify the model and serial number of the product.

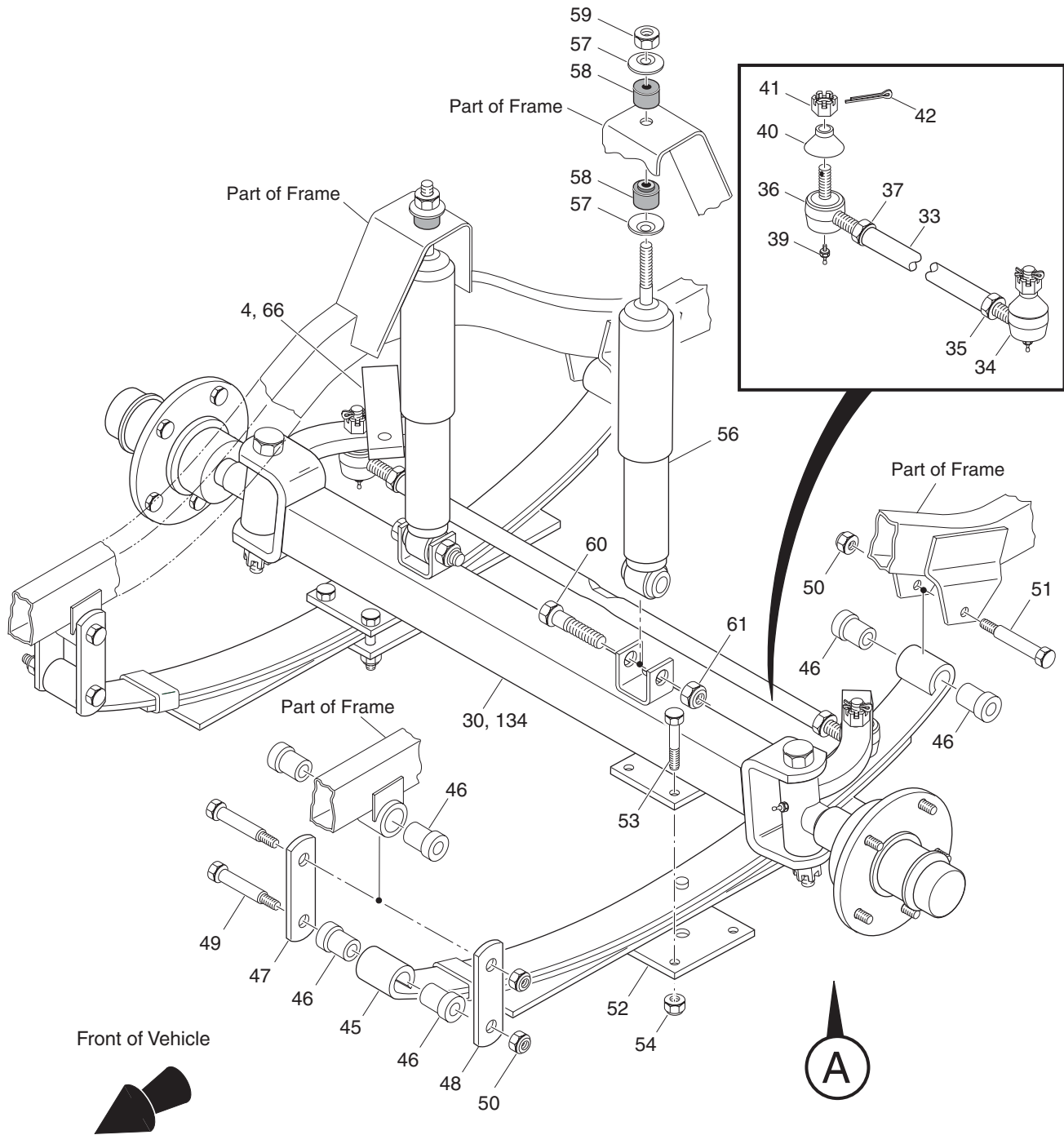
* Indicates a component that is not available as an individual part.

G** Indicates consult Customer Service Department for additional information.

ITEM	PART NO.	1	2	3	4	5	DESCRIPTION	QTY.
1	73060-G01						ELECTRONIC SPEED CONTROLLER (36V SYSTEM)	1
2	25949-G01						VARISTOR MOV	1
3	00438-G6						BOLT, 5/16 - 18 X 3/4" LG	4
4	11027-G1						NUT, 5/16 - 18	4
5								
6	00414-G6						BOLT, 1/4 - 20 X 3/4" LG	6
7	01110-G01						WASHER, 1/4" (STAINLESS STEEL)	5
8	11027-G2						LOCK NUT, 1/4 - 20	5
9	32474-G10						6 GA WIRE (BLACK 19 1/2") A1 - B+	1
10	32474-G9						6 GA WIRE (BLACK 15 1/2") A2 - A2	1
11	28418-G01						NUT, 5/16 - 18 (BRASS).....	4
12	00993-G01						LOCK WASHER, 5/16" (SILICONE BRONZE).....	4
13	32474-G8						6 GA WIRE (BLACK 15") SOL - B+	1
14	25977-G56						16 GA WIRE (RED 20") SOL - #1	1
15	33887-G81						16 GA WIRE (BLACK 15") SOL - B-	1
16	20468-G1						SOLENOID (36V SYSTEM)	1
17	21764-G1						RESISTOR	1
18	30353-G1						DIODE	1
19	00565-G5						LOCK WASHER, #10	2
20	00526-G4						NUT, #10 - 32	2
21	12914-G1						FASTON TAB	2
22	00565-G8						LOCK WASHER, 5/16"	2
23	00544-G4						JAM NUT, 5/16 - 24	2
24	11845-G6						INSULATED CABLE CLAMP, 1"	1
25	00654-G2						LOCK NUT, 1/4 - 20 (STAINLESS STEEL)	1
26	17618-G1						WIRE TIE	3
27	22281-G11						TRIM.....	1
28	73233-G01						ELECTRONIC SPEED CONTROLLER (48V SYSTEM)	1
29	73231-G01						SOLENOID (48V SYSTEM)	1

FRONT SUSPENSION / BRAKES

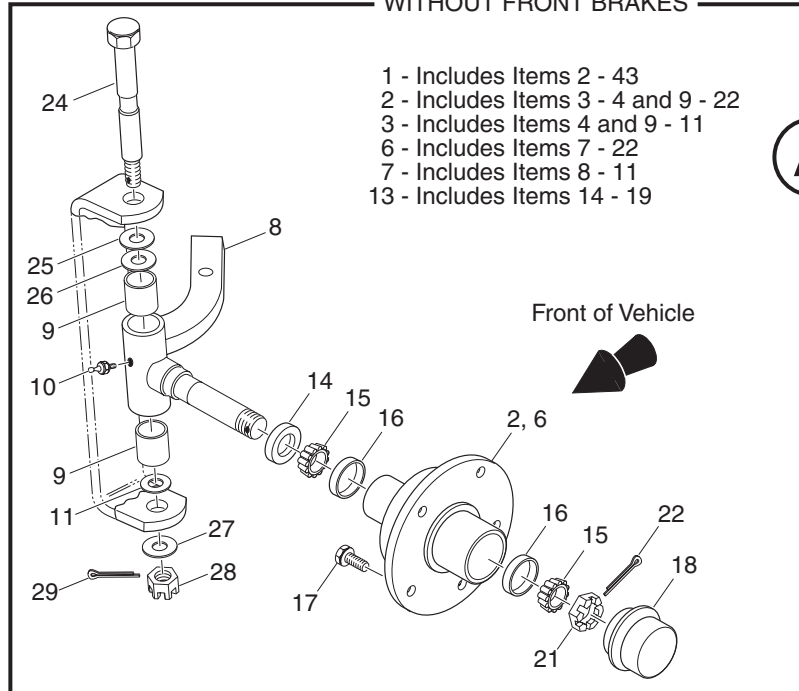
- 1 - Includes Items 2 - 43
- 3 - Includes Items 4 and 9 - 11
- 32 - Includes Items 33 - 37
- 63 - Includes Items 64 - 134 and 32 - 43
- 65 - Includes Items 66 and 74 - 76



Ref Fsp 12-1

FRONT SUSPENSION / BRAKES

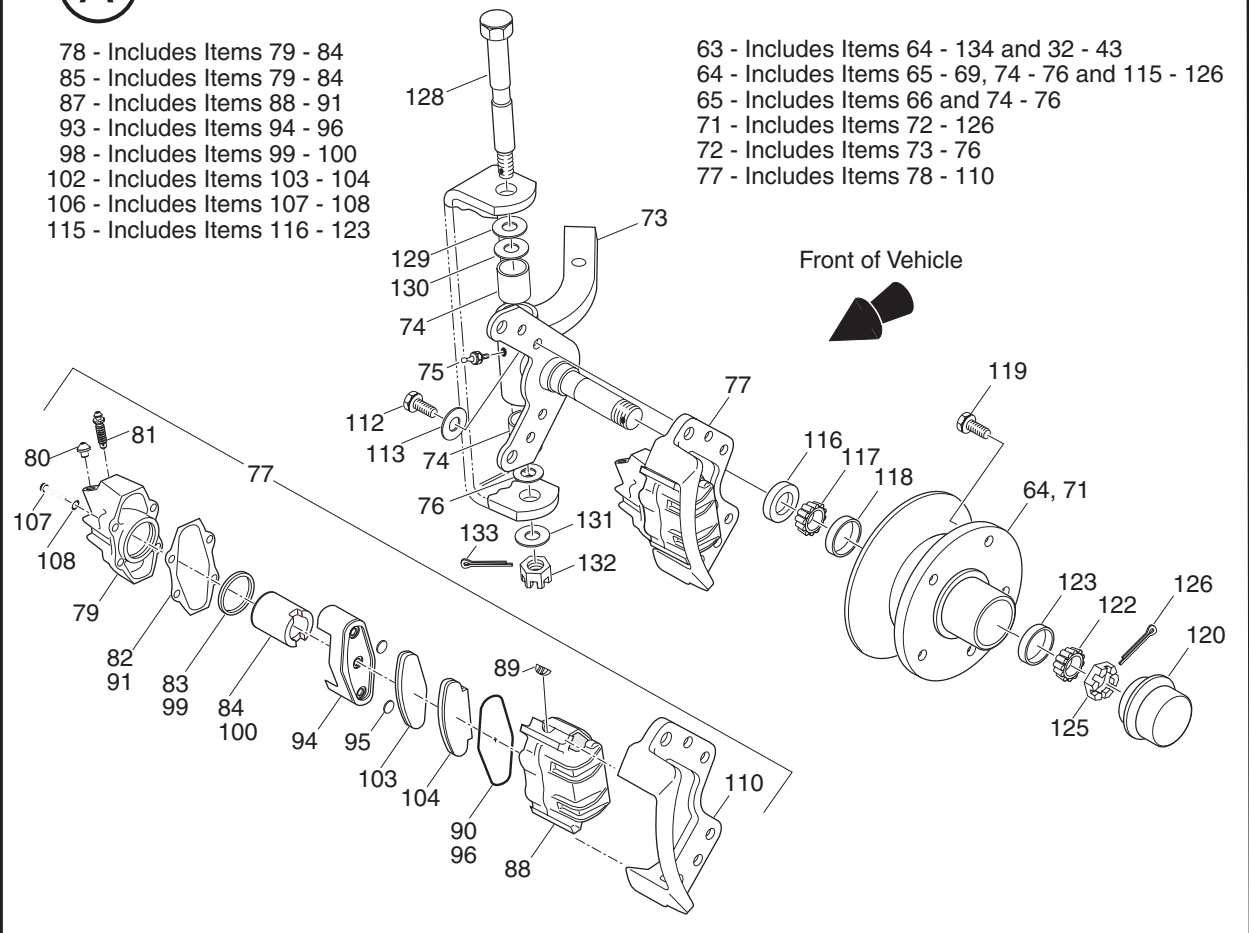
WITHOUT FRONT BRAKES



- 1 - Includes Items 2 - 43
- 2 - Includes Items 3 - 4 and 9 - 22
- 3 - Includes Items 4 and 9 - 11
- 6 - Includes Items 7 - 22
- 7 - Includes Items 8 - 11
- 13 - Includes Items 14 - 19

A

HYDRAULIC FRONT DISC BRAKES



- 78 - Includes Items 79 - 84
- 85 - Includes Items 79 - 84
- 87 - Includes Items 88 - 91
- 93 - Includes Items 94 - 96
- 98 - Includes Items 99 - 100
- 102 - Includes Items 103 - 104
- 106 - Includes Items 107 - 108
- 115 - Includes Items 116 - 123

- 63 - Includes Items 64 - 134 and 32 - 43
- 64 - Includes Items 65 - 69, 74 - 76 and 115 - 126
- 65 - Includes Items 66 and 74 - 76
- 71 - Includes Items 72 - 126
- 72 - Includes Items 73 - 76
- 77 - Includes Items 78 - 110

Ref Fsp 12-2

FRONT SUSPENSION / BRAKES

When ordering parts, please specify the model and serial number of the product.

* Indicates a component that is not available as an individual part.

G** Indicates consult Customer Service Department for additional information.

ITEM	PART NO.	1 2 3 4 5	DESCRIPTION	QTY.
1	34082-G01		FRONT AXLE ASSEMBLY (INCLUDES ITEMS 2 - 43).....	1
2	34088-G01		SPINDLE AND HUB ASSEMBLY (PASSENGER SIDE) (INCLUDES ITEMS 3 - 4 AND 9 - 22)	1
3	34089-G01		SPINDLE ASSEMBLY (PASSENGER SIDE) (INCLUDES ITEMS 4 AND 9 - 11)	1
4	34083-G01		SPINDLE (PASSENGER SIDE).....	1
5				
6	34286-G01		SPINDLE AND HUB ASSEMBLY (DRIVER SIDE) (INCLUDES ITEMS 7 - 22)	1
7	34285-G01		SPINDLE ASSEMBLY (DRIVER SIDE) (INCLUDES ITEMS 8 - 11)	1
8	34284-G01		SPINDLE (DRIVER SIDE)	1
9	16623-G1		BEARING	2
10	10389-G3		GREASE FITTING	1
11	16626-G1		OIL SEAL	1
12				
13	32783-G1		HUB ASSEMBLY (INCLUDES ITEMS 14 - 19).....	1
14	12092-G1		GREASE SEAL.....	1
15	11750-G2		ROLLER BEARING CONE	2
16	51141-G1		BEARING CUP	2
17	30143-G1		LUG BOLT, 1/2 - 20 X 1 7/32" LG	5
18	30146-G1		DUST CAP	1
19	12730-G1		WHEEL BEARING GREASE	A/R
20				
21	12093-G1		CASTELLATED NUT, 1 - 14.....	1
22	00798-G8		COTTER PIN, 5/32" X 1 3/4" LG	1
23				
24	25177-G2		KING PIN	2
25	00879-G7		WASHER, 7/8"	2
26	16982-G1		THRUST WASHER, 7/8"	2
27	00560-G5		WASHER, 5/8"	2

FRONT SUSPENSION / BRAKES

When ordering parts, please specify the model and serial number of the product.

* Indicates a component that is not available as an individual part.

G** Indicates consult Customer Service Department for additional information.

ITEM	PART NO.	1	2	3	4	5	DESCRIPTION	QTY.
28	14390-G2						LOCK NUT, 5/8 - 18	2
29	19060-G1						COTTER PIN, 1 1/4" LG	2
30	34081-G01						FRONT AXLE	1
31								
32	34084-G01						TIE ROD (INCLUDES ITEMS 33 - 37).....	1
33	70583-G08						THREADED TUBE WITH FLAT	1
34	27205-G01						TIE ROD END (LEFT HAND THREADS).....	1
35	18434-G3						JAM NUT, 9/16 - 18 (LEFT HAND THREADS).....	1
36	27205-G02						TIE ROD END (RIGHT HAND THREADS)	1
37	18434-G4						JAM NUT, 9/16 - 18 (RIGHT HAND THREADS)	1
38								
39	10389-G3						GREASE FITTING	2
40	50641-G1						RUBBER BOOT	2
41	50209-G2						CASTELLATED NUT, 7/16 - 20	2
42	10387-G2						COTTER PIN, 3/32" X 1" LG	2
43	12730-G1						WHEEL BEARING GREASE	A/R
44								
45	33670-G01						LEAF SPRING.....	2
46	20098-G1						RUBBER BUSHING	12
47	30035-G1						LEAF SPRING SHACKLE	2
48	30035-G2						LEAF SPRING SHACKLE	2
49	15727-G1						SHOULDER BOLT, 3/8 - 16 X 2 3/8" LG	4
50	13521-G4						LOCK NUT, 3/8 - 16	6
51	14158-G1						SHOULDER BOLT, 3/8 - 16 X 3 1/4" LG	2
52	34032-G02						SPRING MOUNTING PLATE	2
53	00428-G2						BOLT, 3/8 - 16 X 2 1/4" LG	8
54	11098-G5						LOCK NUT, 3/8 - 16	8
55								
56	21781-G1						SHOCK ABSORBER.....	2
57	10435-G1						SHOCK ABSORBER WASHER	4

FRONT SUSPENSION / BRAKES

When ordering parts, please specify the model and serial number of the product.

* Indicates a component that is not available as an individual part.

G** Indicates consult Customer Service Department for additional information.

ITEM	PART NO.	1 2 3 4 5	DESCRIPTION	QTY.
58	10194-G1		RUBBER BUSHING	4
59	00532-G6		NUT, 3/8 - 24	2
60	00458-G2		BOLT, 5/8 - 11 X 2 1/4" LG	2
61	14390-G7		LOCK NUT, 5/8 - 11	2
62				
63	34082-G03		FRONT AXLE ASSEMBLY WITH HYDRAULIC DISC BRAKES (INCLUDES ITEMS 64 - 134 AND 32 - 43)	1
64	34114-G02		SPINDLE AND DISC HUB ASSEMBLY (PASSENGER SIDE) (INCLUDES ITEMS 65 - 69, 74 - 76 AND 115 - 126)	1
65	34119-G01		SPINDLE ASSEMBLY (PASSENGER SIDE) (INCLUDES ITEMS 66 AND 74 - 76)	1
66	34103-G01		SPINDLE (PASSENGER SIDE)	1
67	34116-G02		DISC BRAKE ASSEMBLY (PASSENGER SIDE) (NOT SHOWN - OPPOSITE OF ITEM 77)	1
68	34118-G01		BOLT, M8 X 1.25 X 20 MM LG (NOT SHOWN - OPPOSITE OF ITEM 112)	4
69	00565-G8		WASHER, 5/16" (NOT SHOWN - OPPOSITE OF ITEM 113)	4
70				
71	34115-G02		SPINDLE AND DISC HUB ASSEMBLY (DRIVER SIDE) (INCLUDES ITEMS 72 - 126)	1
72	34119-G02		SPINDLE ASSEMBLY (DRIVER SIDE) (INCLUDES ITEMS 73 - 76)	1
73	34104-G01		SPINDLE (DRIVER SIDE)	1
74	16623-G1		BEARING	2
75	10389-G3		GREASE FITTING	1
76	16626-G1		OIL SEAL	1
77	34116-G01		DISC BRAKE ASSEMBLY (DRIVER SIDE) (INCLUDES ITEMS 78 - 110)	1
78	34110-G01		PISTON AND COVER ASSEMBLY KIT (DRIVER SIDE) (INCLUDES ITEMS 79 - 84)	1
79	*		COVER	1
80	*		SEAT INSERT	1
81	*		BLEEDER SCREW	1

FRONT SUSPENSION / BRAKES

When ordering parts, please specify the model and serial number of the product.

* Indicates a component that is not available as an individual part.

G** Indicates consult Customer Service Department for additional information.

ITEM	PART NO.	1	2	3	4	5	DESCRIPTION	QTY.
82	*						GASKET	1
83	*						PISTON SQUARE SEAL.....	1
84	*						PISTON	1
85	34110-G02						PISTON AND COVER ASSEMBLY KIT (PASSENGER SIDE) (INCLUDES ITEMS 79 - 84) (ITEMS 80 AND 81 ARE MOUNTED OPPOSITE OF THEIR MOUNTED ORIENTATION IN 34110-G01)	1
86								
87	34112-G01						DISC BRAKE HOUSING KIT (INCLUDES ITEMS 88 - 91)	1
88	*						HOUSING.....	1
89	*						RUBBER SPRING.....	2
90	*						PISTON "O" RING	1
91	*						GASKET	1
92								
93	34573-G01						DISC BRAKE PISTON AND "O" RING KIT (INCLUDES ITEMS 94 - 96)	1
94	*						PISTON	1
95	*						PISTON PLUG	2
96	*						PISTON "O" RING	1
97								
98	34572-G01						DISC BRAKE PISTON AND SEAL KIT (INCLUDES ITEMS 99 - 100)	1
99	*						PISTON SQUARE SEAL.....	1
100	*						PISTON	1
101								
102	34574-G01						DISC BRAKE PADS KIT (INCLUDES ITEMS 103 - 104)	1
103	*						BRAKE PAD (PISTON SIDE)	1
104	*						BRAKE PAD (HOUSING SIDE).....	1
105								
106	35222-G01						DISC BRAKE SCREW AND WASHER KIT (INCLUDES ITEMS 107 -108)	1
107	*						SCREW M5 X 0.8 X 25 MM LG.....	1
108	*						WASHER, #10.....	1

FRONT SUSPENSION / BRAKES

When ordering parts, please specify the model and serial number of the product.

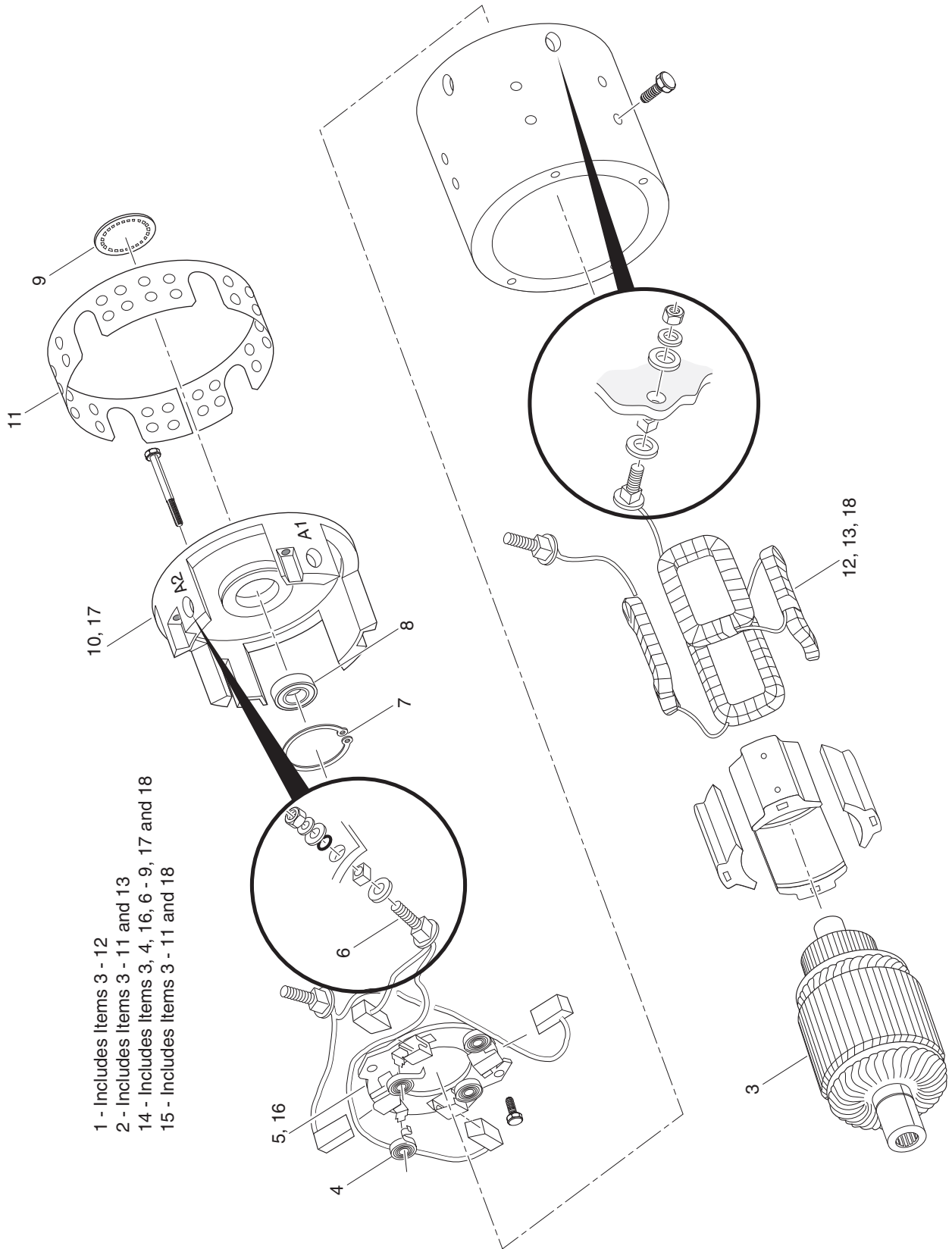
* Indicates a component that is not available as an individual part.

G** Indicates consult Customer Service Department for additional information.

ITEM	PART NO.	1	2	3	4	5	DESCRIPTION	QTY.
109								
110	34108-G01						DISC BRAKE MOUNTING BRACKET	1
111								
112	34118-G01						BOLT, M8 X 1.25 X 20 MM LG	4
113	00565-G8						LOCK WASHER, 5/16"	4
114								
115	32783-G1						HUB ASSEMBLY (INCLUDES ITEMS 116 - 123)	1
116	12092-G1						GREASE SEAL	1
117	11750-G2						ROLLER BEARING (INNER)	1
118	51141-G1						BEARING RACE (INNER)	1
119	34117-G01						WHEEL BOLT, 1/2 - 20 X 1 3/4" LG	5
120	30146-G1						DUST CAP	1
121	12730-G1						WHEEL BEARING GREASE	A/R
122	11750-G1						ROLLER BEARING (OUTER)	1
123	11752-G1						BEARING RACE (OUTER)	1
124								
125	12093-G1						CASTELLATED NUT, 17/32"	1
126	00798-G8						COTTER PIN, 5/32" X 1 3/4" LG	1
127								
128	25177-G2						KING PIN	2
129	00879-G7						WASHER, 7/8"	2
130	16982-G1						THRUST WASHER, 7/8"	2
131	00560-G5						WASHER, 5/8"	2
132	14390-G2						LOCK NUT, 5/8 - 18	2
133	19060-G1						COTTER PIN, 1 1/4" LG	2
134	34081-G01						FRONT AXLE	1

FRONT SUSPENSION / BRAKES

MOTOR



Ref Mtr 12

MOTOR

When ordering parts, please specify the model and serial number of the product.

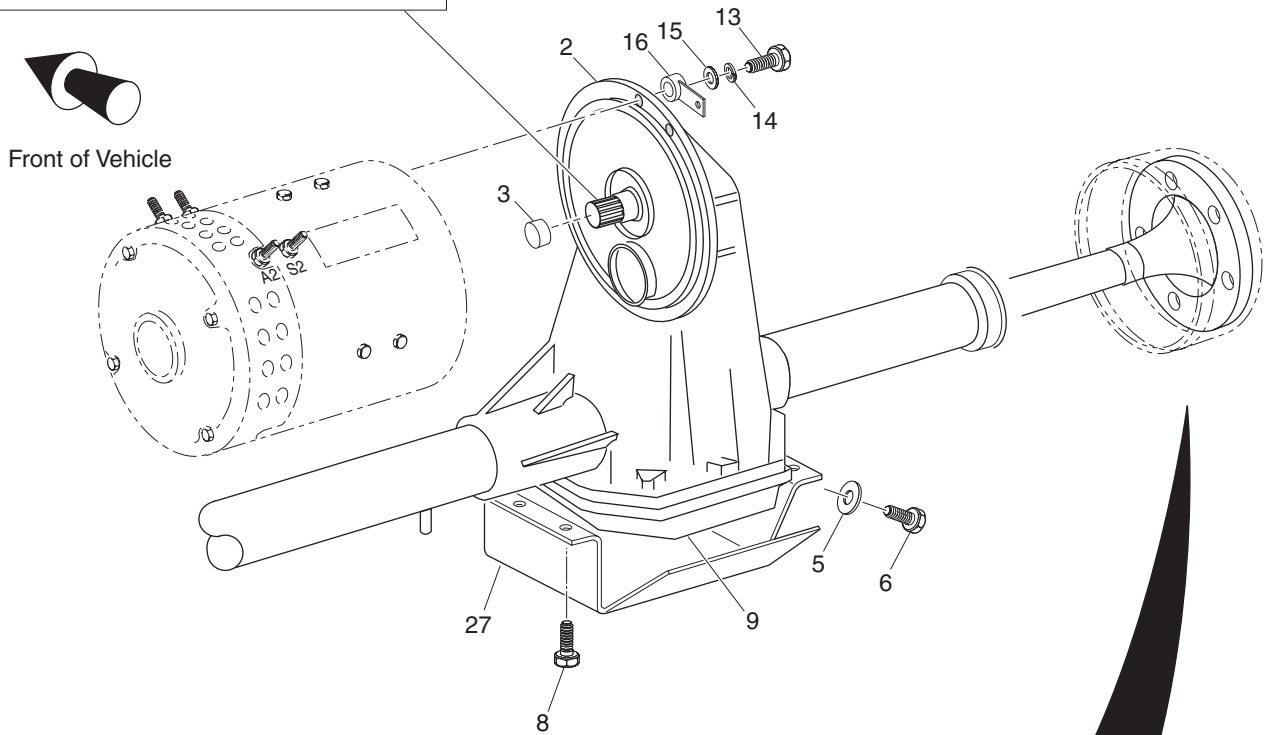
* Indicates a component that is not available as an individual part.

G** Indicates consult Customer Service Department for additional information.

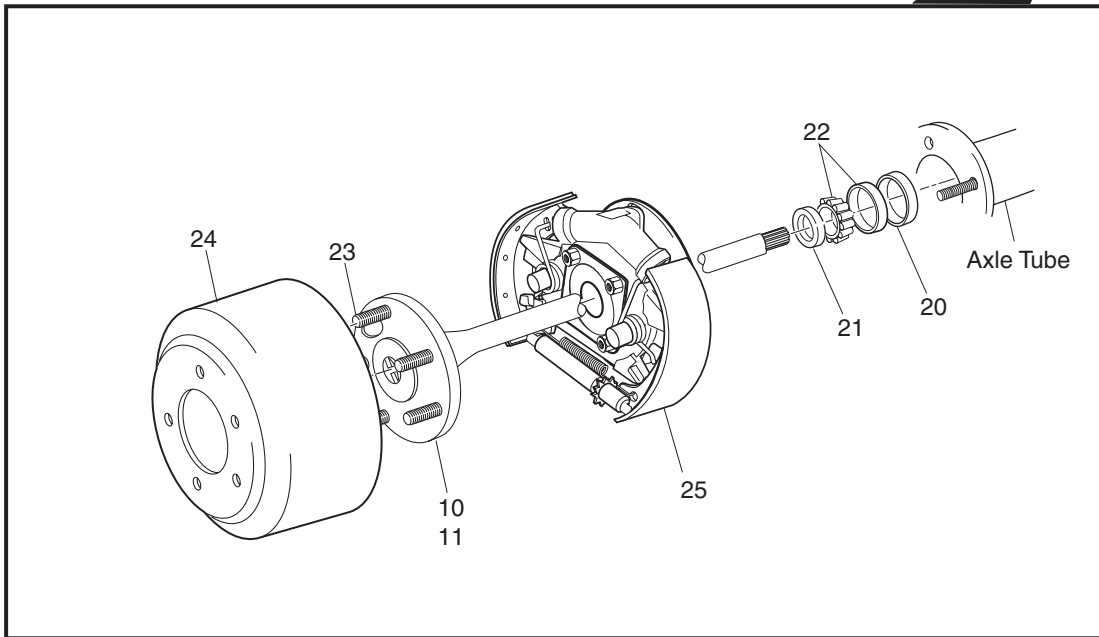
ITEM	PART NO.	1 2 3 4 5	DESCRIPTION	QTY.
1	73124-G04		MOTOR, 2 HP 36V VENTED - STANDARD (INCLUDES ITEMS 3 - 12).....	1
2	73124-G05		MOTOR, 2 1/2 HP 36V VENTED - OPTIONAL (INCLUDES ITEMS 3 - 11 AND 13)	1
3	*		ARMATURE	1
4	73120-G03		BRUSH SPRING.....	4
5	73120-G04		BRUSH PLATE AND BOX	1
6	73120-G05		BRUSH REPLACEMENT KIT (INCLUDES HARDWARE)	1
7	73120-G06		SNAP RING	1
8	73120-G07		BEARING.....	1
9	73120-G10		CAP.....	1
10	73120-G13		COMMUTATOR END HEAD.....	1
11	73120-G14		HEAD BAND.....	1
12	73120-G11		FIELD COIL KIT (INCLUDES HARDWARE) (FOR STANDARD).....	1
13	73120-G12		FIELD COIL KIT (INCLUDES HARDWARE) (FOR HIGH SPEED)	1
14	73291-G01		MOTOR, 48V STANDARD (INCLUDES ITEMS 3,4,16,6 - 9,17,18)	1
15	73291-G02		MOTOR, 48V VENTED OPTIONAL (INCLUDES ITEMS 3 - 11 and 18)	1
16	73120-G15		BRUSH PLATE AND BOX (48V STANDARD).....	1
17	73120-G08		COMMUTATOR END HEAD (48V STANDARD)	1
18	73120-G21		FIELD COIL KIT (INCLUDES HARDWARE)	1

REAR AXLE

NOTE: Apply a light coat of moly grease to male spline before assembly.
Reference item 17



1- Includes Items 2 - 11



Ref Rax 12

REAR AXLE

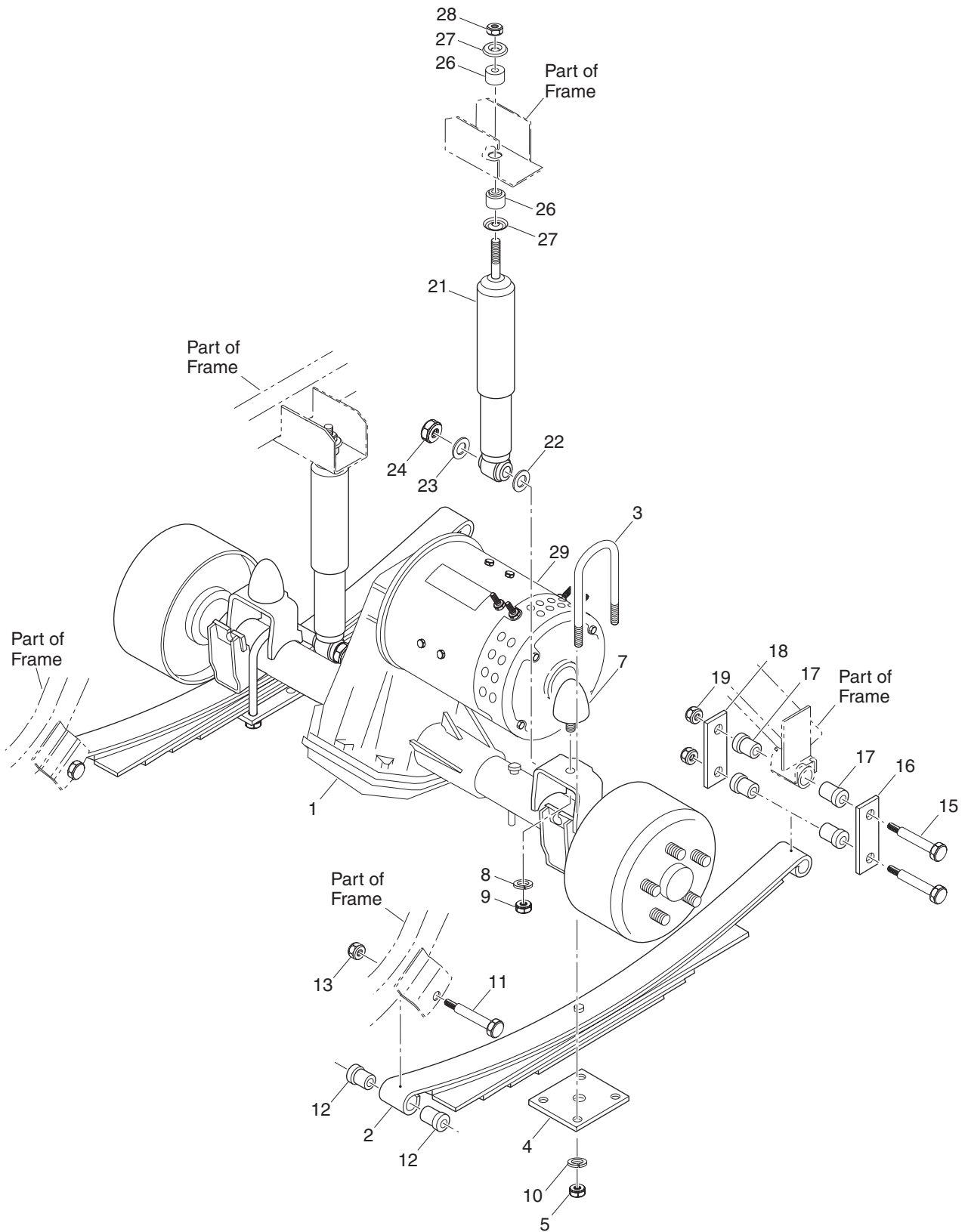
When ordering parts, please specify the model and serial number of the product.

* Indicates a component that is not available as an individual part.

G** Indicates consult Customer Service Department for additional information.

ITEM	PART NO.	1 2 3 4 5	DESCRIPTION	QTY.
1	35525-G01		REAR AXLE AND BRAKE ASSEMBLY (INCLUDES ITEMS 2 - 11).....	1
2	*		REAR AXLE.....	1
3	24261-G1		BUMPER SPLINE.....	1
4				
5	25227-G1		WASHER.....	1
6	25226-G1		FILL/CHECK PLUG.....	1
7				
8	15558-G1		BOLT, 5/16 - 18 X 3/4" LG.....	10
9	25228-G1		DIFFERENTIAL COVER.....	1
10	23589-G5		AXLE SHAFT (DRIVER SIDE).....	1
11	23589-G6		AXLE SHAFT (PASSENGER SIDE).....	1
12				
13	00797-G2		BOLT, 1/4 - 20 X 1 1/4" LG.....	3
14	00664-G7		LOCK WASHER, 1/4" (STAINLESS STEEL).....	3
15	01110-G01		WASHER, 1/4" (STAINLESS STEEL).....	3
16	27327-G01		CLAMP.....	1
17	28095-G01		MOLY LUBE, 2 OZ.....	A/R
18				
19				
20	14585-G1		INNER OIL SEAL.....	1
21	14584-G1		BEARING RETAINER RING.....	1
22	13084-G1		WHEEL BEARING ASSEMBLY.....	1
23	14590-G1		WHEEL BOLT, 1/2 - 20.....	5
24	XXXXX-XX		BRAKE DRUM (SEE BRAKES SECTION).....	1
25	XXXXX-XX		BRAKE ASSEMBLY (SEE BRAKES SECTION).....	1
26				
27	25353-G1		DIFFERENTIAL GUARD (OPTIONAL).....	1

REAR SUSPENSION



Ref Rsp 12

REAR SUSPENSION

When ordering parts, please specify the model and serial number of the product.

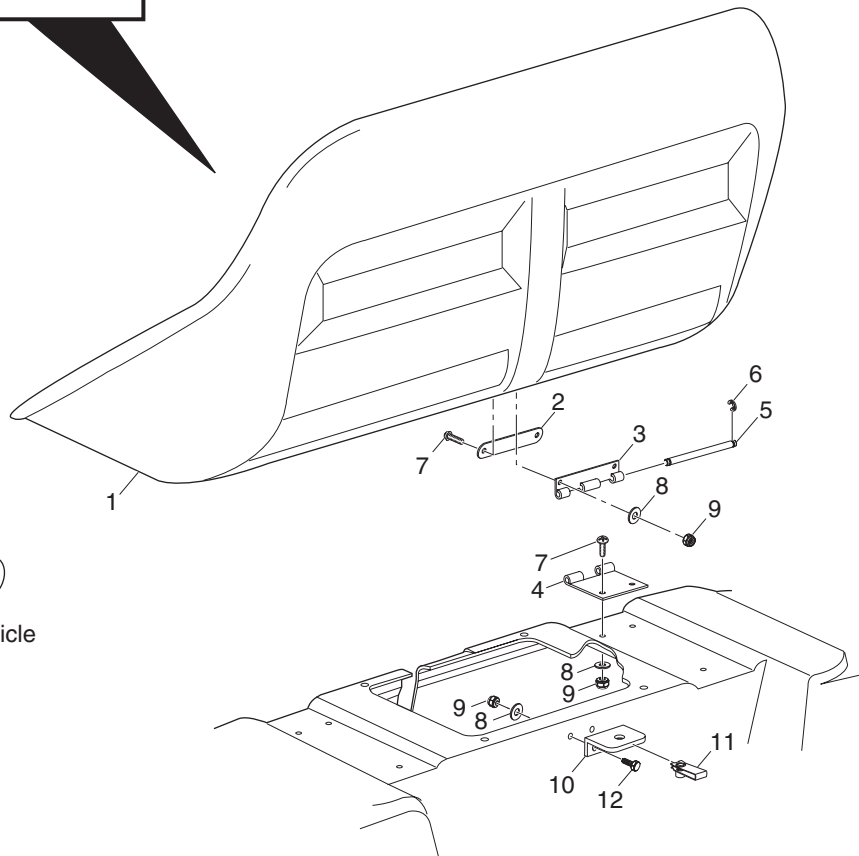
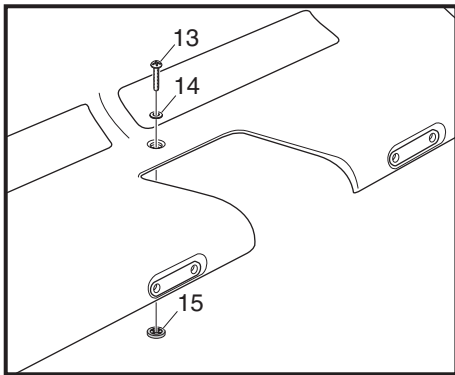
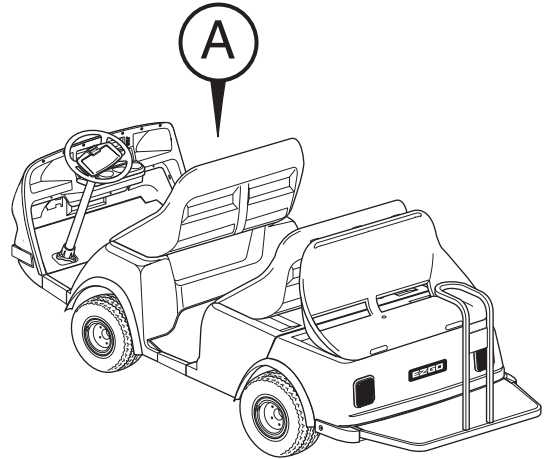
* Indicates a component that is not available as an individual part.

G** Indicates consult Customer Service Department for additional information.

ITEM	PART NO.	1 2 3 4 5	DESCRIPTION	QTY.
1	XXXXX-XX		REAR AXLE (SEE REAR AXLE SECTION FOR PART NUMBER)	1
2	34041-G01		LEAF SPRING.....	2
3	30553-G1		'U' BOLT, 3/8 - 16 X 2 1/8" X 5" LG	4
4	34010-G01		SPRING PLATE	2
5	11098-G5		LOCK NUT, 3/8 - 16	8
6				
7	70492-G01		RUBBER BUMPER	2
8	00968-G01		LOCK WASHER, 10 MM.....	2
9	00974-G01		NUT, M10 X 1.5.....	2
10	00560-G1		WASHER, 3/8"	8
11	14158-G1		SHOULDER BOLT, 3/8 - 16 X 3 1/4" LG	2
12	20098-G1		RUBBER BUSHING	4
13	13521-G4		LOCK NUT, 3/8 - 16	2
14				
15	15727-G1		SHOULDER BOLT, 3/8 - 16 X 3 1/8" LG	4
16	34135-G01		SHACKLE (OUTBOARD).....	2
17	20098-G1		RUBBER BUSHING	8
18	34135-G02		SHACKLE (INBOARD).....	2
19	13521-G4		LOCK NUT, 3/8 - 16	4
20				
21	21782-G1		SHOCK ABSORBER.....	2
22	70472-G01		SHOCK ABSORBER SPACER	2
23	00643-G3		WASHER, 1/2"	2
24	00551-G1		LOCK NUT, 1/2 - 13	2
25				
26	10194-G1		RUBBER BUSHING	4
27	10435-G1		SHOCK ABSORBER WASHER.....	4
28	00532-G6		NUT, 3/8 - 24	2
29	XXXXX-XX		MOTOR (SEE MOTOR SECTION FOR PART NUMBER).....	1

SEATS

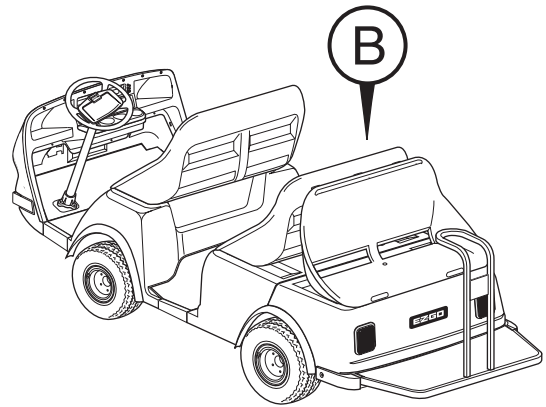
SHUTTLE 956 SHOWN



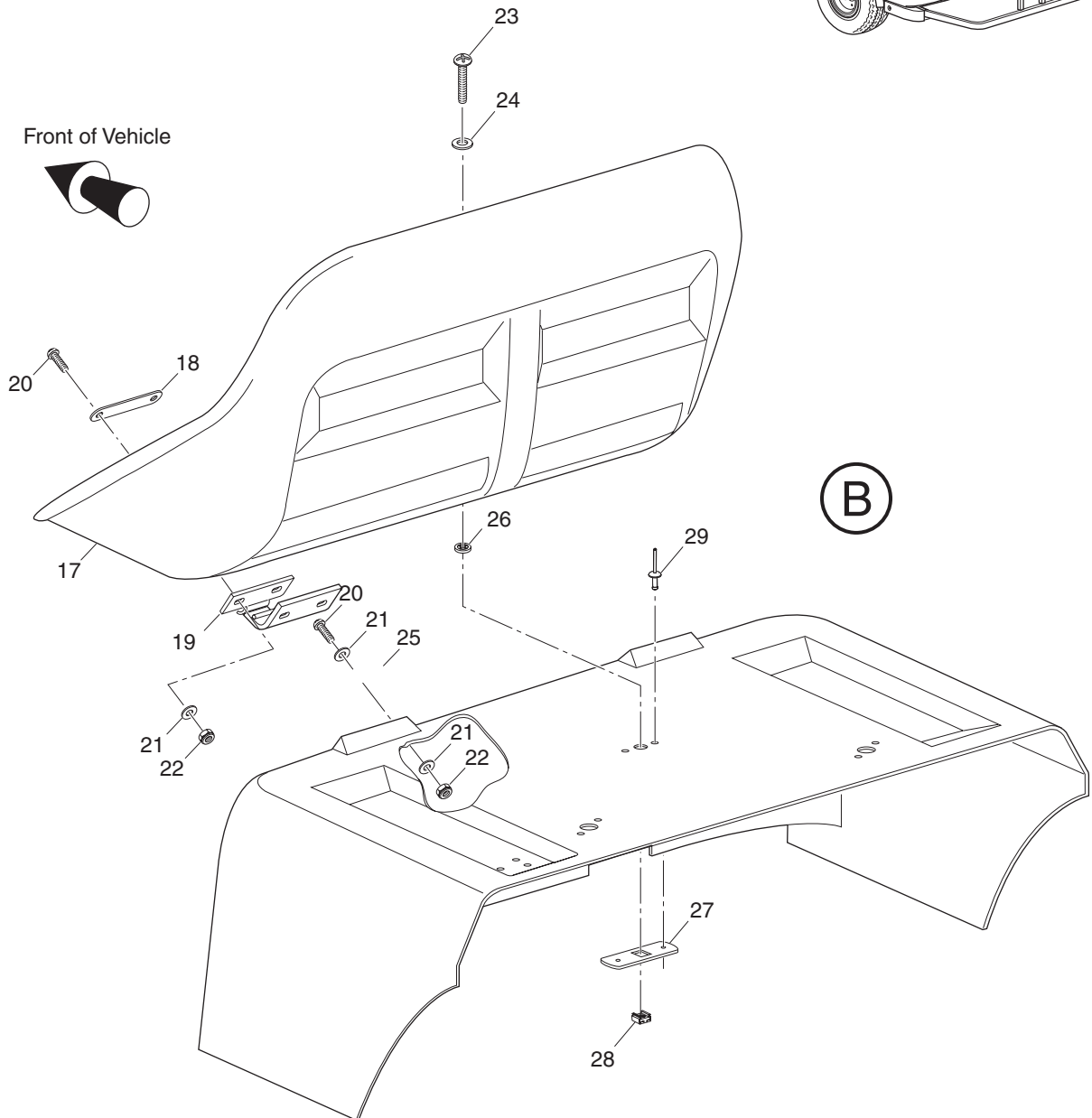
Front of Vehicle

Ref Sea 12-1

SHUTTLE 956 SHOWN



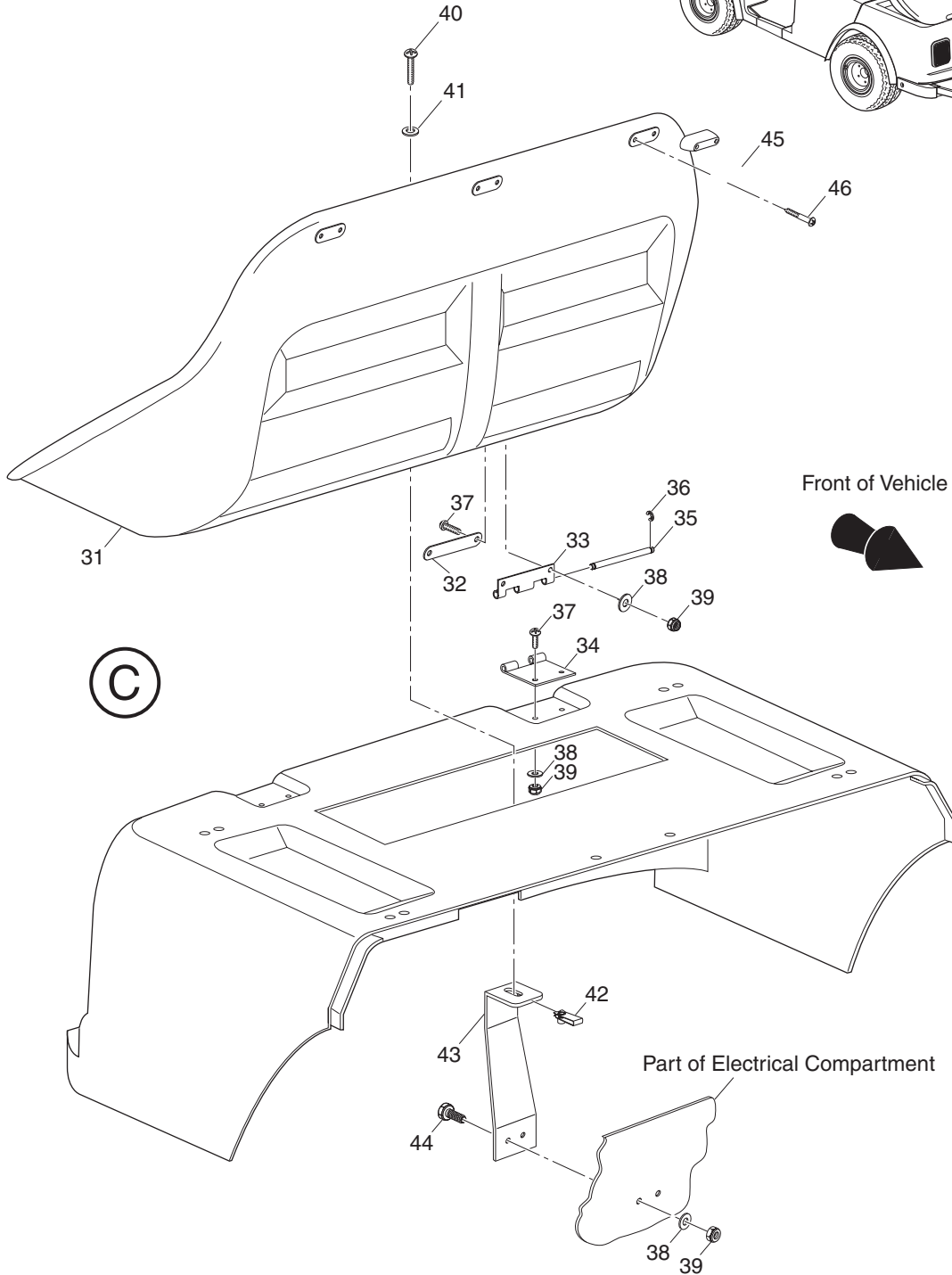
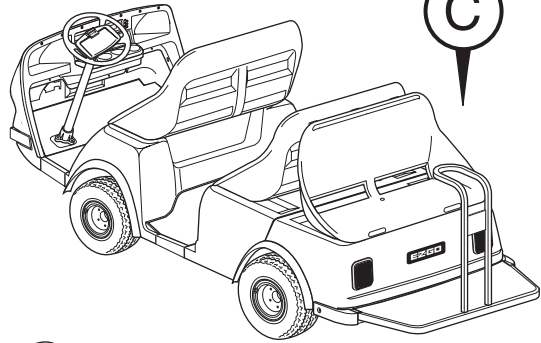
Front of Vehicle



Ref Sea 12-2

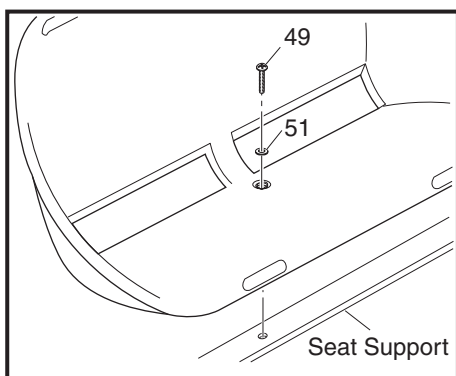
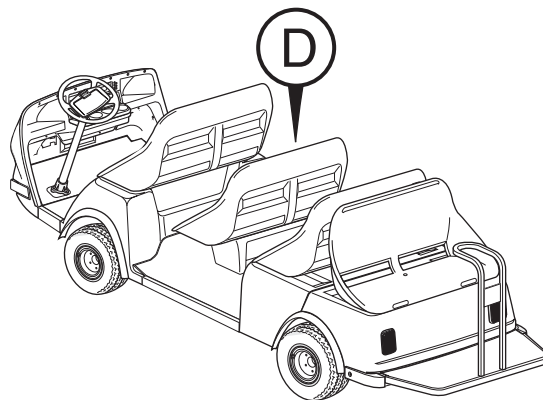
SEATS

SHUTTLE 956 SHOWN

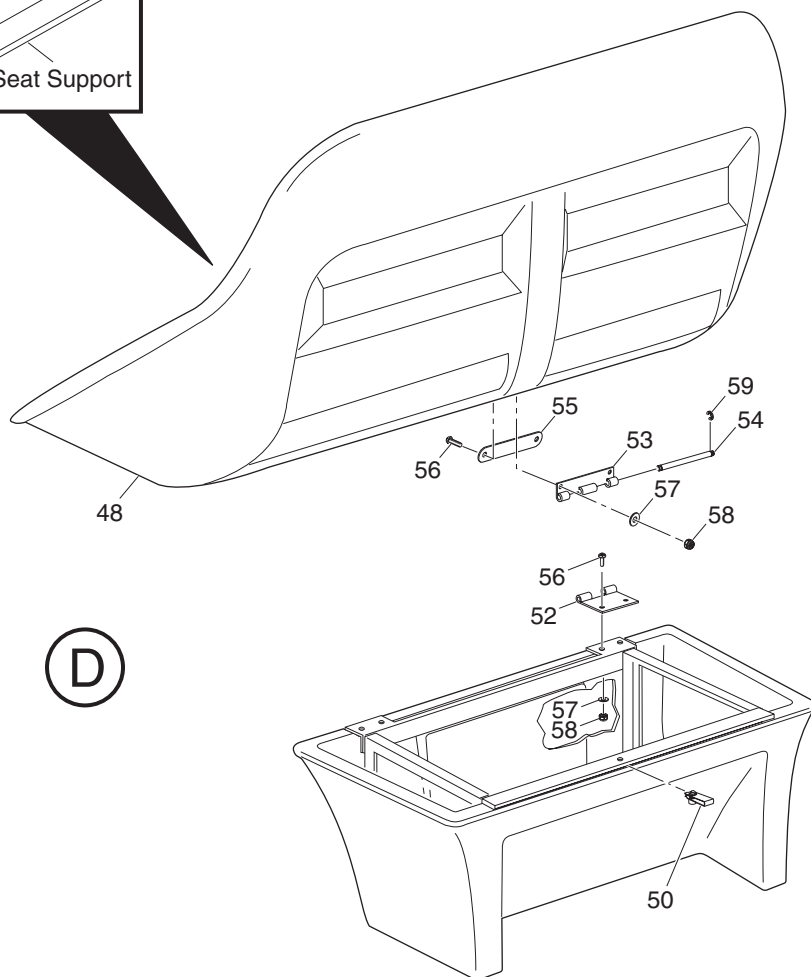


Ref Sea 12-3

SHUTTLE 957 SHOWN



Front of Vehicle



SEATS

When ordering parts, please specify the model and serial number of the product.

* Indicates a component that is not available as an individual part.

G** Indicates consult Customer Service Department for additional information.

ITEM	PART NO.	1 2 3 4 5	DESCRIPTION	QTY.
1	34098-G02		FRONT SEAT	1
2	34230-G01		BACKING PLATE	2
3	34198-G01		HINGE (SEAT HALF)	2
4	34197-G01		HINGE (HOUSING HALF).....	2
5	34228-G01		HINGE PIN	2
6	14117-G1		RETAINING RING	4
7	16705-G9		SCREW, 1/4 - 20 X 1 1/4" LG (STAINLESS STEEL)	8
8	01110-G01		WASHER, 1/4" (STAINLESS STEEL)	10
9	00654-G2		LOCK NUT, 1/4 - 20 (STAINLESS STEEL)	10
10	34710-G01		LOCKDOWN SUPPORT ANGLE.....	1
11	14776-G1		RETAINER NUT ('J' TYPE)	1
12	00661-G6		BOLT, 1/4 - 20 X 3/4" LG (STAINLESS STEEL).....	2
13	16705-G8		SCREW, 1/4 - 20 X 2" LG (STAINLESS STEEL)	1
14	01110-G01		WASHER, 1/4" (STAINLESS STEEL)	1
15	34737-G02		RETAINER	1
16				
17	34098-G01		SEAT	1
18	34230-G01		BACKING PLATE	2
19	35744-G01		HINGE (SEAT HALF)	2
20	16705-G1		SCREW, 1/4 - 20 X 1" LG (STAINLESS STEEL)	8
21	01110-G01		WASHER, 1/4" (STAINLESS STEEL)	12
22	00654-G2		LOCK NUT, 1/4 - 20 (STAINLESS STEEL)	8
23	16705-G8		SCREW, 1/4 - 20 X 2" LG (STAINLESS STEEL)	1
24	00660-G7		WASHER, 1/4" (STAINLESS STEEL)	1
25	35745-G01		HINGE (HOUSING HALF).....	2
26	34737-G02		RETAINER	1
27	35746-G01		NUT RETAINER	1
28	34855-G01		SELF RETAINING NUT, 1/4 - 20.....	1
29	10570-G11		RIVET, 3/16" X 3/4" LG (STAINLESS STEEL)	2
30				

SEATS

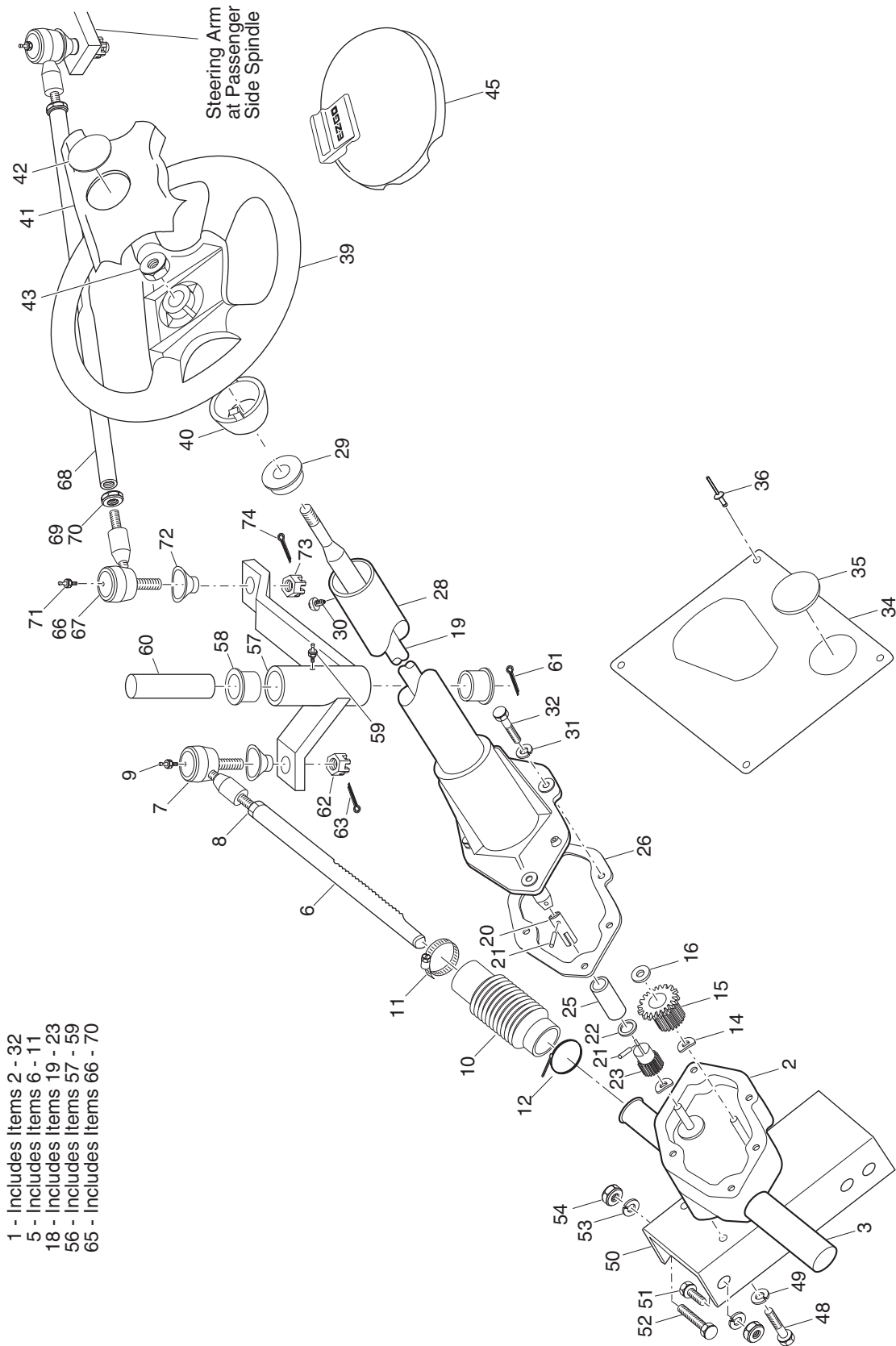
When ordering parts, please specify the model and serial number of the product.

* Indicates a component that is not available as an individual part.

G** Indicates consult Customer Service Department for additional information.

ITEM	PART NO.	1 2 3 4 5	DESCRIPTION	QTY.
31	34098-G01		SEAT	1
32	34230-G01		BACKING PLATE	2
33	34198-G01		HINGE (SEAT HALF)	2
34	34197-G01		HINGE (HOUSING HALF).....	2
35	34228-G01		HINGE PIN	2
36	14117-G1		RETAINING RING	4
37	16705-G1		SCREW, 1/4 - 20 X 1" LG (STAINLESS STEEL)	8
38	01110-G01		WASHER, 1/4" (STAINLESS STEEL)	10
39	00654-G2		LOCK NUT, 1/4 - 20 (STAINLESS STEEL)	10
40	16705-G8		SCREW, 1/4 - 20 X 2" LG (STAINLESS STEEL)	1
41	00660-G7		WASHER, 1/4" (STAINLESS STEEL)	1
42	14776-G1		RETAINER NUT ('J' TYPE).....	1
43	34240-G01		HOLD DOWN BRACKET	1
44	00661-G6		BOLT, 1/4 - 20 X 3/4" LG (STAINLESS STEEL).....	2
45	11097-G1		BUMPER PAD	3
46	00128-G8		SCREW, #5 - 20 X 1" LG.....	6
47				
48	34098-G01		SEAT	1
49	16705-G8		SCREW, 1/4 - 20 X 2" LG (STAINLESS STEEL)	1
50	14776-G1		RETAINER NUT ('J' TYPE).....	1
51	34737-G02		RETAINER	1
52	34197-G02		HINGE (HOUSING HALF).....	2
53	34198-G01		HINGE (SEAT HALF)	2
54	34228-G01		HINGE PIN	2
55	34230-G01		BACKING PLATE	2
56	16705-G1		SCREW, 1/4 - 20 X 1" LG (STAINLESS STEEL)	8
57	00660-G7		WASHER, 1/4" (STAINLESS STEEL)	9
58	00654-G2		LOCK NUT, 1/4 - 20 (STAINLESS STEEL)	10
59	14117-G1		RETAINING RING	4

STEERING



Ref Str 12

STEERING

When ordering parts, please specify the model and serial number of the product.

* Indicates a component that is not available as an individual part.

G** Indicates consult Customer Service Department for additional information.

ITEM	PART NO.	1	2	3	4	5	DESCRIPTION	QTY.
1	19152-G8						STEERING UNIT (INCLUDES ITEMS 2 - 32).....	1
2	13097-G1						HOUSING (INCLUDES ITEM 3).....	1
3	13570-G2						RACK COVER.....	1
4								
5	15407-G1						RACK AND ROD END (INCLUDES ITEMS 6 - 11).....	1
6	*						STEERING RACK.....	1
7	23278-G1						BALL JOINT AND TIE ROD END.....	1
8	00532-G8						NUT, 7/16 - 20.....	1
9	18456-G1						GREASE FITTING.....	1
10	17617-G1						BELLOWS.....	1
11	11391-G5						HOSE CLAMP, 13/16".....	1
12	17618-G1						WIRE TIE.....	1
13								
14	51294-G1						WAVE WASHER.....	2
15	23279-G1						REDUCTION GEAR.....	1
16	13059-G2						THRUST WASHER.....	1
17								
18	17163-G3						STEERING SHAFT ASSEMBLY (INCLUDES ITEMS 19 - 23).....	1
19	*						STEERING SHAFT.....	1
20	*						COUPLING.....	1
21	*						DOWEL PIN, 1/4" X 5/8" LG.....	2
22	*						THRUST WASHER.....	1
23	*						STEERING PINION.....	1
24								
25	17140-G1						SLEEVE.....	1
26	19154-G1						GASKET.....	1
27								
28	19153-G5						STEERING COLUMN.....	1
29	28569-G01						STEERING COLUMN BUSHING.....	1
30	01022-G01						SCREW, #6 - 20 X 5/16" LG.....	1

STEERING

When ordering parts, please specify the model and serial number of the product.

* Indicates a component that is not available as an individual part.

G** Indicates consult Customer Service Department for additional information.

ITEM	PART NO.	1 2 3 4 5	DESCRIPTION	QTY.
31	00565-G8		LOCK WASHER, 5/16"	4
32	00444-G8		BOLT, 5/16 - 24 X 1" LG.....	4
33				
34	34122-G01		COVER PLATE	1
35	20271-G6		HOLE PLUG.....	1
36	71055-G01		RIVET, 3/16" X 1" LG (ALUMINUM).....	4
37				
38				
39	71948-G01		STEERING WHEEL	1
40	71949-G01		HUB.....	1
41	71147-G01		COVER.....	1
42	71047-G01		DECAL	1
43	14390-G2		LOCK NUT, 5/8 - 18	1
44				
45	71950-G01		CLIPBOARD.....	1
46				
47				
48	00276-G6		BOLT, 5/16 - 24 X 3/4" LG	3
49	00565-G8		LOCK WASHER, 5/16".....	3
50	34056-G01		STEERING SUPPORT.....	1
51	00438-G7		BOLT, 5/16 - 18 X 7/8" LG	5
52	00439-G2		BOLT, 5/16 - 18 X 1 1/4" LG	1
53	00559-G8		WASHER, 5/16"	6
54	01109-G01		LOCK NUT, 5/16 - 18 (STAINLESS STEEL)	6
55				
56	34093-G01		IDLER ASSEMBLY (INCLUDES ITEMS 57 - 59).....	1
57	34094-G01		IDLER	1
58	15012-G1		FLANGED BEARING.....	2
59	10389-G3		GREASE FITTING	1
60	33264-G01		IDLER SHAFT	1

STEERING

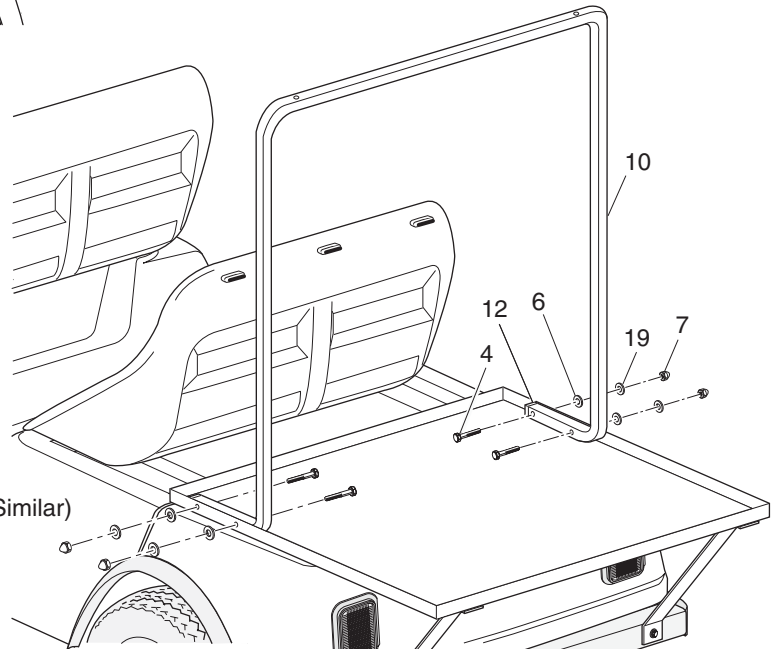
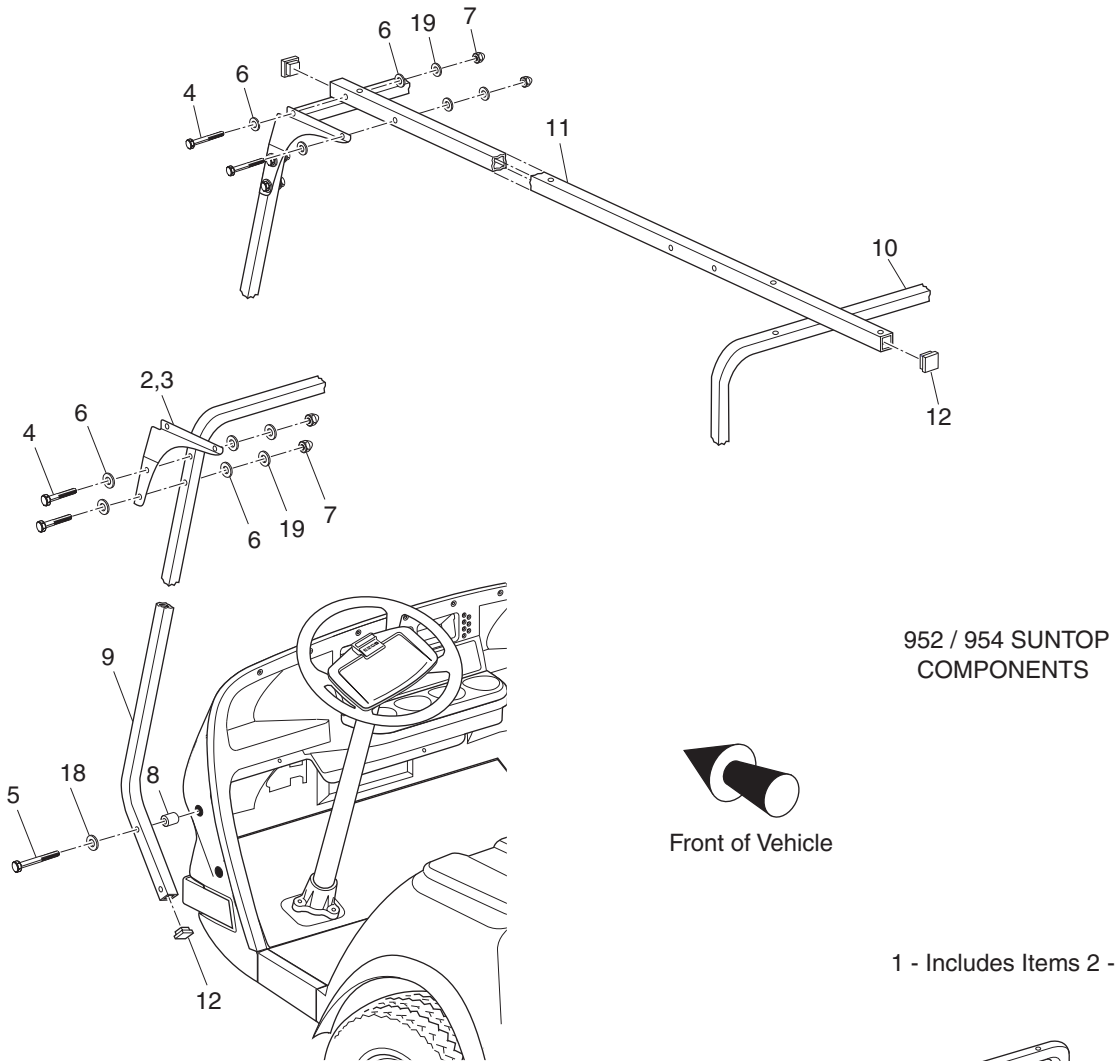
When ordering parts, please specify the model and serial number of the product.

* Indicates a component that is not available as an individual part.

G** Indicates consult Customer Service Department for additional information.

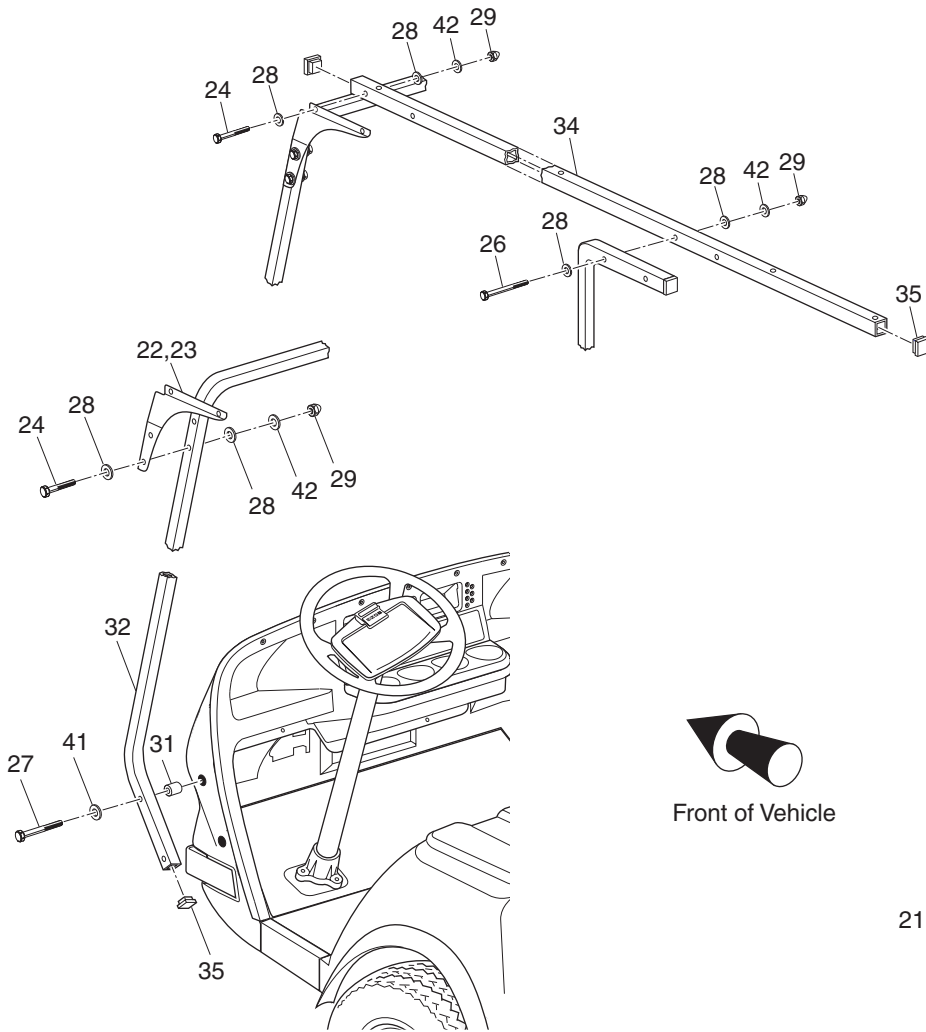
ITEM	PART NO.	1 2 3 4 5	DESCRIPTION	QTY.
61	10387-G6		COTTER PIN, 3/16" X 1 1/2" LG	1
62	50209-G1		CASTELLATED NUT, 7/16 - 20	1
63	10387-G2		COTTER PIN, 3/32" X 1" LG	1
64				
65	34084-G03		TIE ROD (INCLUDES ITEMS 66 - 70)	1
66	27205-G01		TIE ROD END (LEFT HAND THREADS)	1
67	27205-G02		TIE ROD END (RIGHT HAND THREADS)	1
68	70583-G09		THREADED TUBE WITH FLAT	1
69	18434-G3		JAM NUT, 9/16 - 18 (LEFT HAND THREADS)	1
70	18434-G4		JAM NUT, 9/16 - 18 (RIGHT HAND THREADS)	1
71	10389-G3		GREASE FITTING	2
72	50641-G1		RUBBER BOOT	2
73	50209-G2		CASTELLATED NUT, 7/16 - 20	2
74	10387-G2		COTTER PIN, 3/32" X 1" LG	2

WEATHER PROTECTION



Ref Wea 13-1

WEATHER PROTECTION

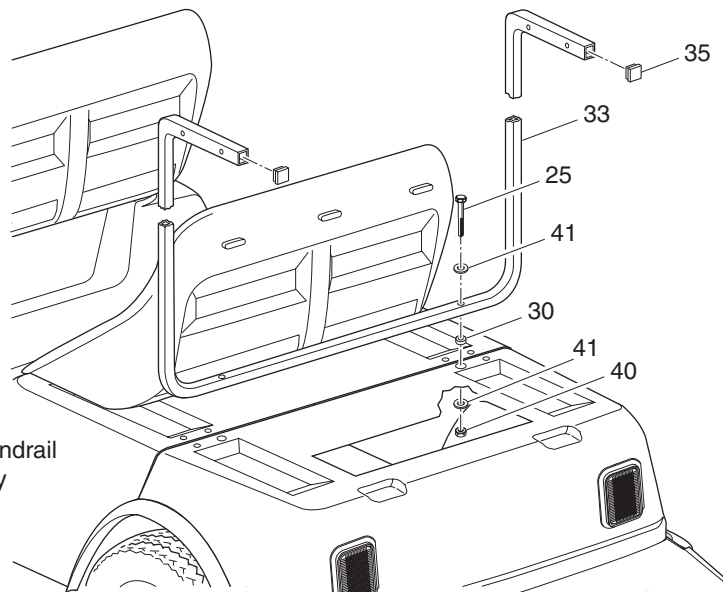


956 SUNTOP
COMPONENTS



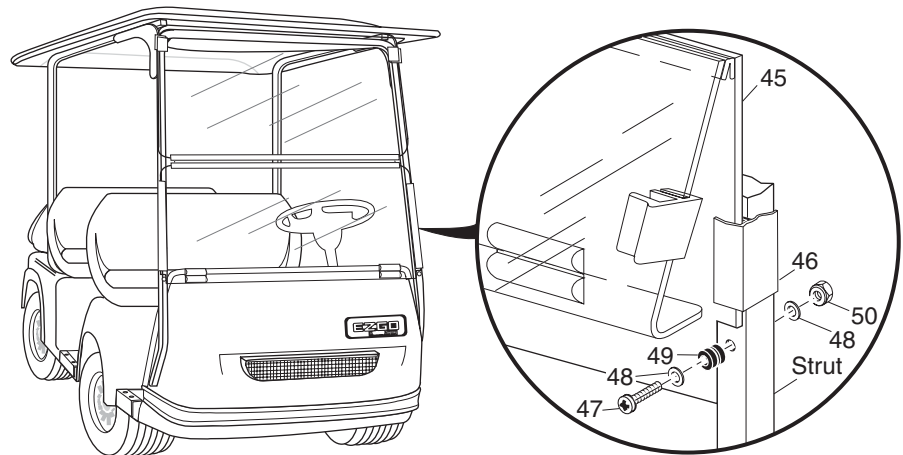
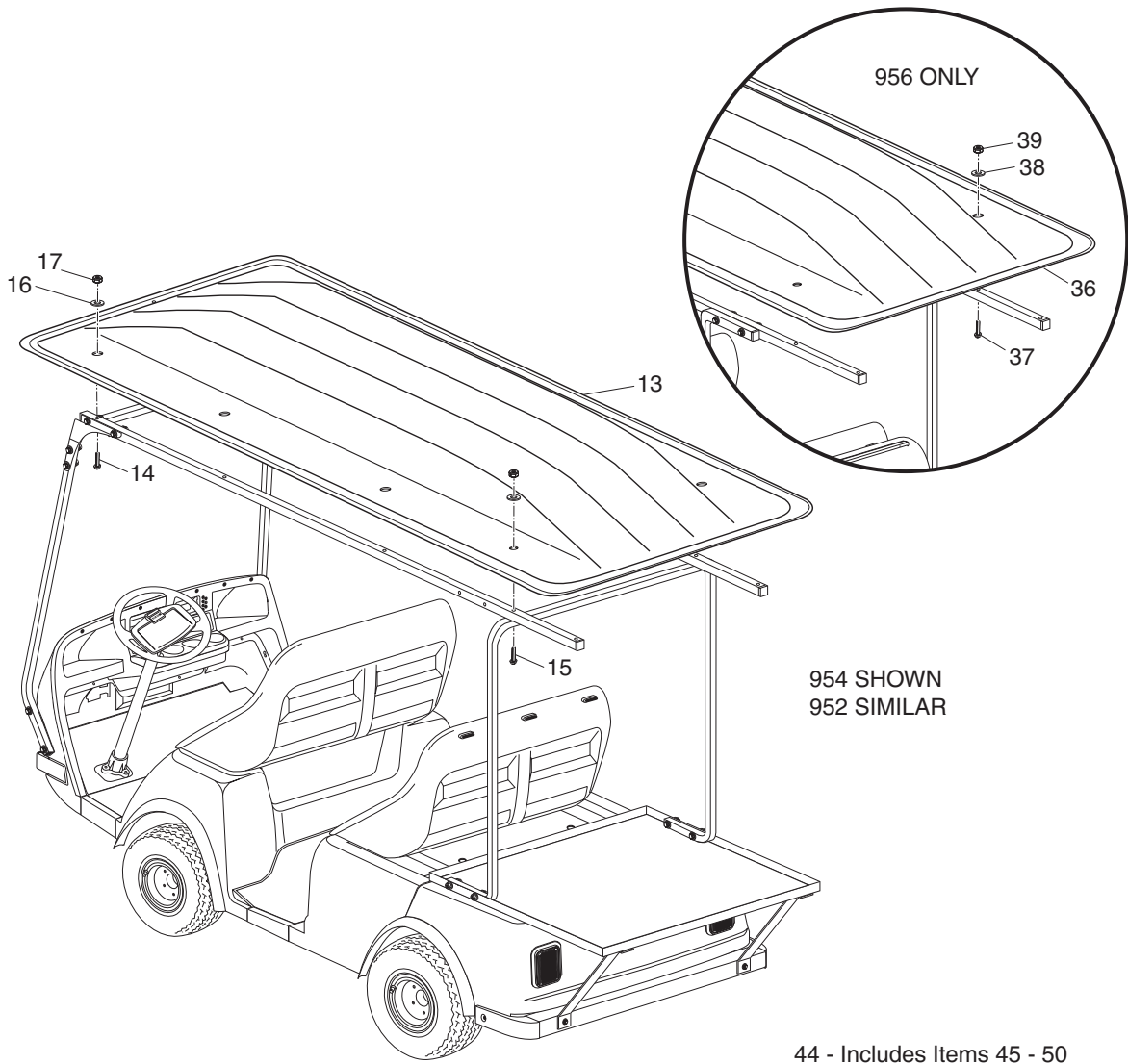
21 - Includes Items 22 - 42

NOTE:
Back Seat and Handrail
Omitted For Clarity



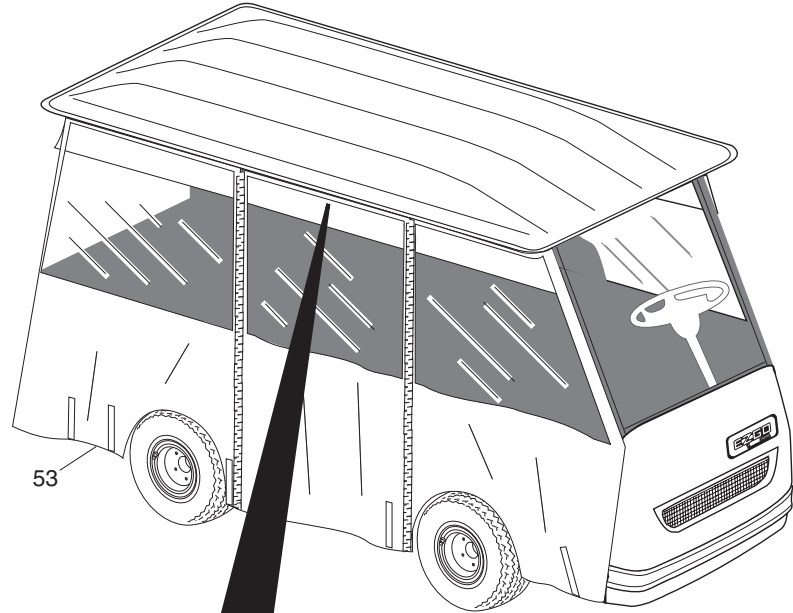
Ref Wea 13-2

WEATHER PROTECTION

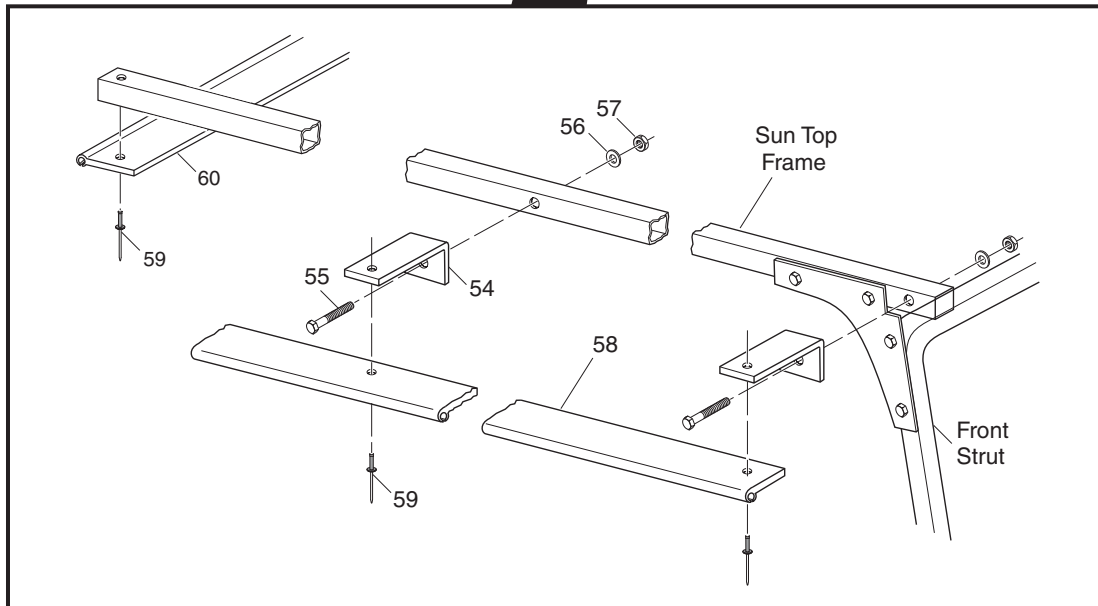


Ref Wea 13-3

52 - Includes Items 53 - 60

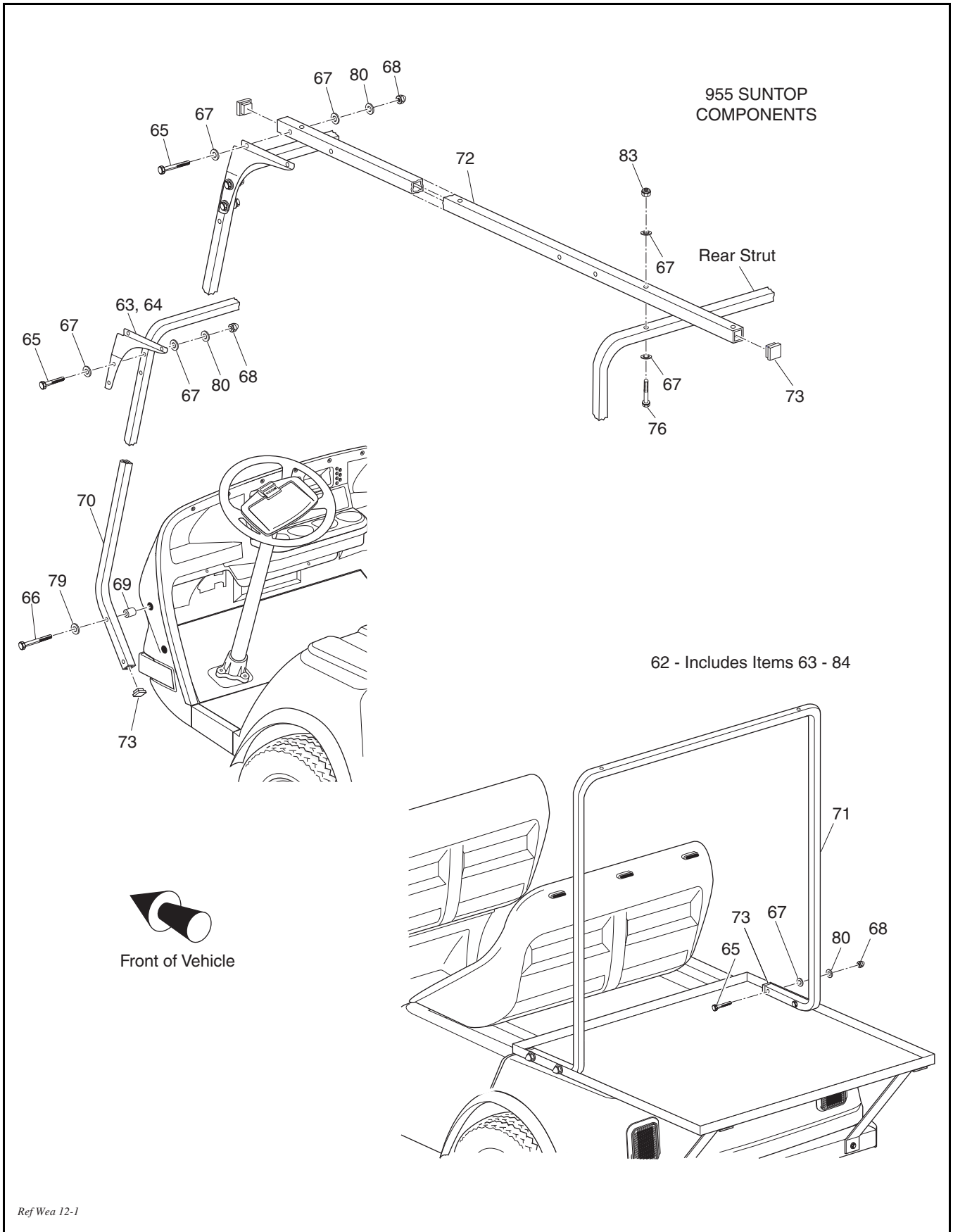


ENCLOSURE COMPONENTS

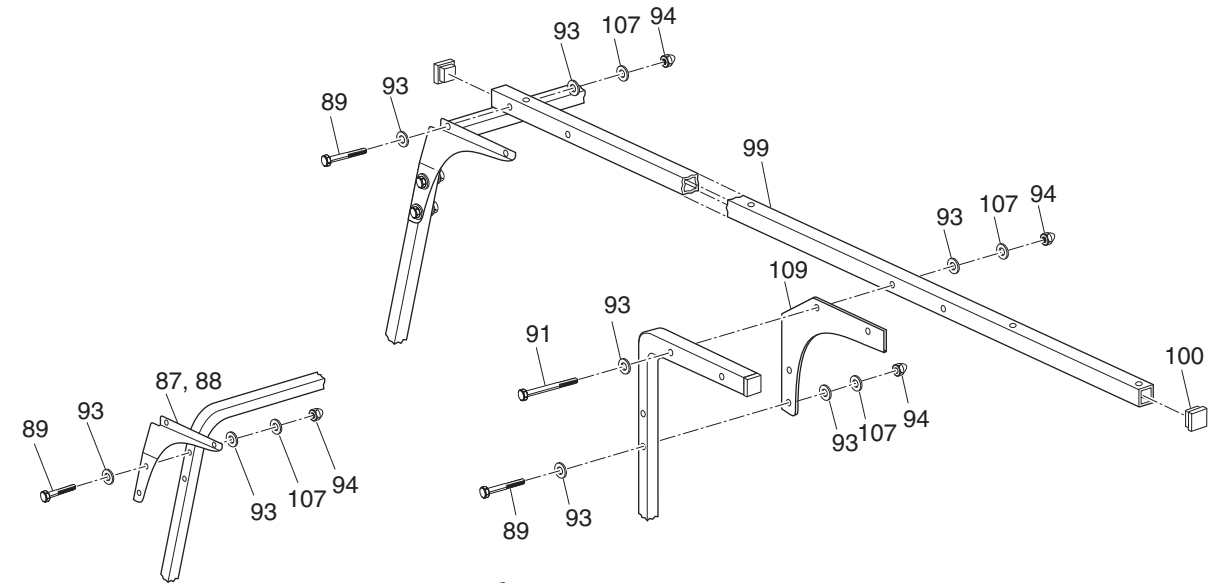


Ref Wea 13-4

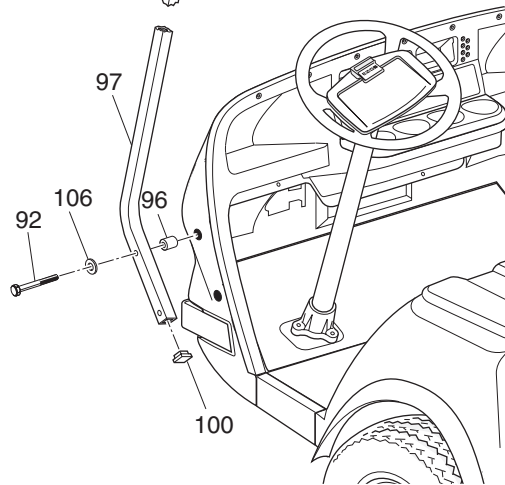
WEATHER PROTECTION



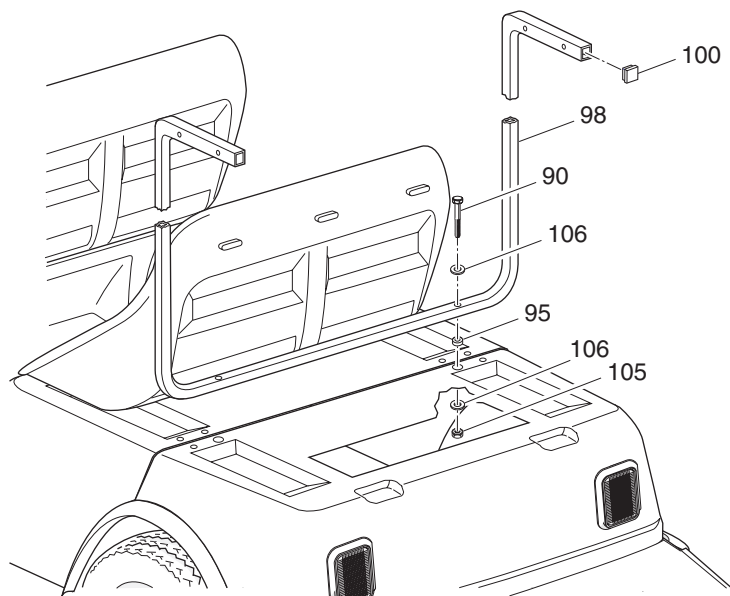
WEATHER PROTECTION



957 SUNTOP
COMPONENTS

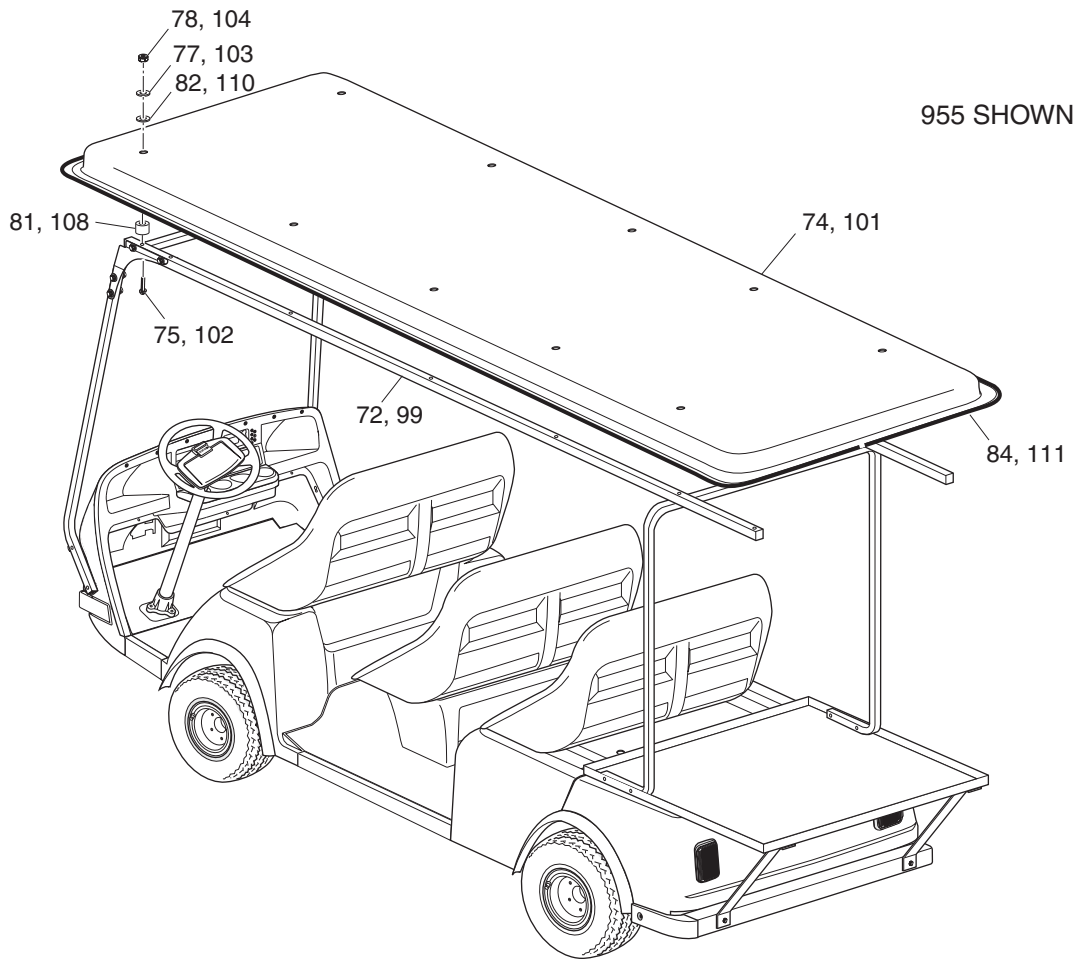


86 - Includes Items 87 - 111

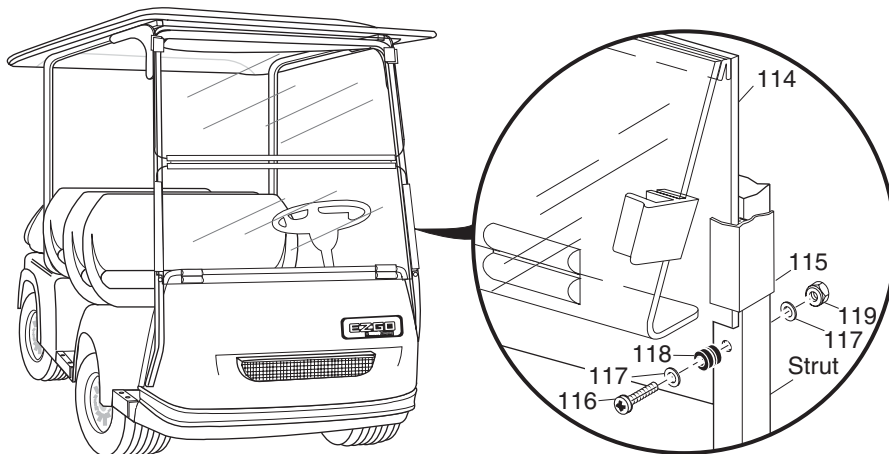


NOTE:
Back Seat and Handrail
Omitted For Clarity

WEATHER PROTECTION

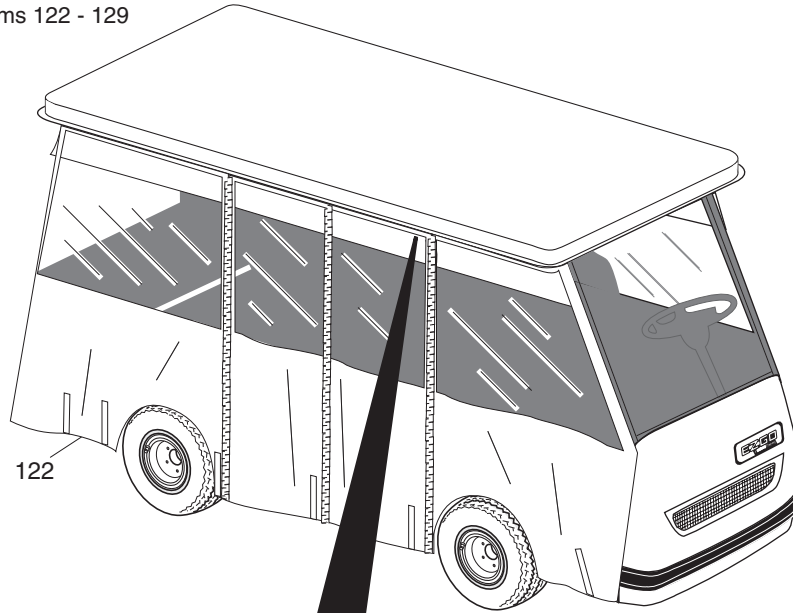


113 - Includes Items 114 - 119

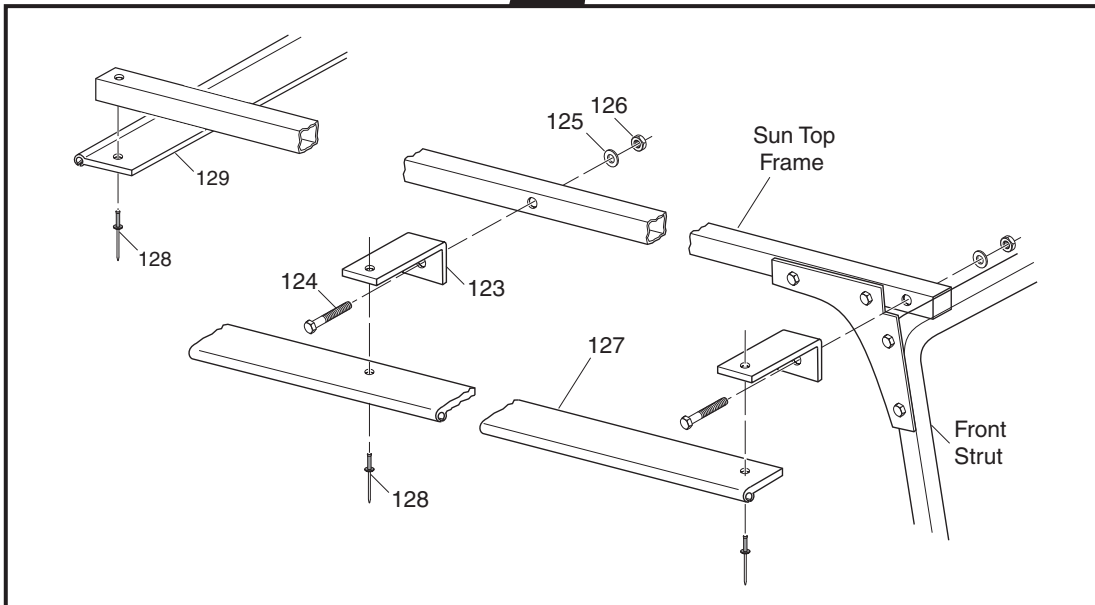


Ref Wea 12-3

121 - Includes Items 122 - 129



955 / 957 ENCLOSURE COMPONENTS



Ref Wea 12-4

WEATHER PROTECTION

When ordering parts, please specify the model and serial number of the product.

* Indicates a component that is not available as an individual part.

G** Indicates consult Customer Service Department for additional information.

ITEM	PART NO.	1 2 3 4 5	DESCRIPTION	QTY.
1	35541-G**		SUN TOP KIT (952/954) (INCLUDES ITEMS 2 - 19).....	1
2	35577-G01		STABILIZER (DRIVER SIDE)	1
3	35577-G02		STABILIZER (PASSENGER SIDE).....	1
4	01043-G04		BOLT, 5/16 - 18 X 1 3/4" LG.....	12
5	00441-G2		BOLT, 5/16 - 18 X 3 1/4" LG.....	4
6	01045-G01		WASHER, 5/16"	20
7	01046-G01		ACORN NUT, 5/16 - 18.....	12
8	34472-G01		SPACER, 1/2" X 1 7/16" LG.....	4
9	34746-G01		FRONT STRUT.....	1
10	35540-G01		REAR STRUT	1
11	35539-G01		TOP FRAME	2
12	19853-G1		END CAP, 1"	8
13	75530-G0*		SUN TOP	1
14	01044-G04		SCREW, 1/4 - 20 X 1 3/4" LG	6
15	01044-G08		SCREW, 1/4 - 20 X 2 3/4" LG	2
16	00915-G1		BONDED WASHER, 1/4".....	8
17	14390-G4		LOCK NUT, 1/4 - 20	8
18	00642-G8		WASHER, 5/16"	4
19	00905-G8		LOCK WASHER, 5/16"	12
20				
21	35543-G**		SUN TOP KIT (956) (INCLUDES ITEMS 22 - 42).....	1
22	35577-G01		STABILIZER (DRIVER SIDE)	1
23	35577-G02		STABILIZER (PASSENGER SIDE).....	1
24	01043-G04		BOLT, 5/16 - 18 X 1 3/4" LG.....	8
25	00440-G2		BOLT, 5/16 - 18 X 2 1/4" LG.....	2
26	01043-G07		BOLT, 5/16 - 18 X 2 1/2" LG.....	4
27	00441-G2		BOLT, 5/16 - 18 X 3 1/4" LG.....	4
28	01045-G01		WASHER, 5/16"	24
29	01046-G01		ACORN NUT, 5/16 - 18.....	12
30	19247-G2		SPACER, 3/8" LG	2

WEATHER PROTECTION

When ordering parts, please specify the model and serial number of the product.

* Indicates a component that is not available as an individual part.

G** Indicates consult Customer Service Department for additional information.

ITEM	PART NO.	1 2 3 4 5	DESCRIPTION	QTY.
31	34472-G01		SPACER, 1 7/16" LG	4
32	34746-G01		FRONT STRUT	1
33	35578-G01		REAR STRUT	1
34	35539-G01		TOP FRAME	2
35	19853-G1		END CAP, 1"	8
36	75530-G0*		SUN TOP	1
37	01044-G04		SCREW, 1/4 - 20 X 1 3/4" LG	8
38	00915-G1		BONDED WASHER, 1/4"	8
39	14390-G4		LOCK NUT, 1/4 - 20	8
40	01109-G01		LOCK NUT, 5/16 - 18 (STAINLESS STEEL).....	2
41	00642-G8		WASHER, 5/16"	8
42	00905-G8		LOCK WASHER, 5/16"	12
43				
44	35567-G01		SPLIT WINDSHIELD KIT (952/954/956) (INCLUDES ITEMS 45 - 50)	1
45	E950WSB3		SPLIT WINDSHIELD	1
46	EGWHC24		SASH, 14" LG	2
47	EGWHS12		SCREW, 1/4 - 20 X 2" LG	2
48	EGWHW12		WASHER, 1/4"	4
49	EGWHG13		RUBBER GROMMET	2
50	EGWHN12		LOCK NUT, 1/4 - 20	2
51				
52	35550-G03		WEATHER ENCLOSURE KIT (952/954/956) (INCLUDES ITEMS 53 - 60).....	1
53	35586-G01		WEATHER ENCLOSURE CURTAIN SET	1
54	35579-G01		SIDE SUPPORT BRACKET	8
55	00415-G4		BOLT, 1/4 - 20 X 1 1/2" LG.....	8
56	01110-G01		WASHER, 1/4" (STAINLESS STEEL).....	8
57	14390-G4		LOCK NUT, 1/4 - 20	8
58	35560-G01		SIDE EXTRUSION.....	2
59	00852-G1		RIVET, 3/16" X 7/16" LG	10
60	35561-G01		REAR EXTRUSION	1

WEATHER PROTECTION

When ordering parts, please specify the model and serial number of the product.

* Indicates a component that is not available as an individual part.

G** Indicates consult Customer Service Department for additional information.

ITEM	PART NO.	1 2 3 4 5	DESCRIPTION	QTY.
61				
62	35633-G01		SUN TOP KIT (955) (INCLUDES ITEMS 63 - 84).....	1
63	35577-G01		STABILIZER (DRIVER SIDE)	1
64	35577-G02		STABILIZER (PASSENGER SIDE).....	1
65	01043-G04		BOLT, 5/16 - 18 X 1 3/4" LG.....	12
66	00441-G2		BOLT, 5/16 - 18 X 3 1/4" LG.....	4
67	01045-G01		WASHER, 5/16"	24
68	01046-G01		ACORN NUT, 5/16 - 18.....	12
69	34472-G01		SPACER, 1/2" X 1 7/16" LG.....	4
70	34746-G01		FRONT STRUT.....	1
71	35540-G01		REAR STRUT	1
72	35632-G01		TOP FRAME	2
73	19853-G1		END CAP, 1"	8
74	35630-G01		SUN TOP, 145"	1
75	00753-G6		SCREW, 1/4 - 20 X 2 1/4" LG (STAINLESS STEEL).....	10
76	01043-G07		BOLT, 5/16 - 18 X 2 1/2" LG.....	2
77	00907-G1		WASHER, 1/4" (STAINLESS STEEL).....	10
78	14390-G4		LOCK NUT, 1/4 - 20	10
79	00642-G8		WASHER, 5/16"	4
80	00905-G8		LOCK WASHER, 5/16"	12
81	10194-G1		RUBBER BUSHING.....	10
82	34176-G01		RUBBER WASHER, 5/16" X 1"	10
83	01109-G01		LOCK NUT, 5/16 - 18 (STAINLESS STEEL).....	2
84	32805-G3		VINYL TRIM.....	1
85				
86	35633-G02		SUN TOP KIT (957) (INCLUDES ITEMS 87 - 111)	1
87	35577-G01		STABILIZER (DRIVER SIDE)	1
88	35577-G02		STABILIZER (PASSENGER SIDE).....	1
89	01043-G04		BOLT, 5/16 - 18 X 1 3/4" LG.....	12
90	00440-G2		BOLT, 5/16 - 18 X 2 1/4" LG.....	2

WEATHER PROTECTION

When ordering parts, please specify the model and serial number of the product.

* Indicates a component that is not available as an individual part.

G** Indicates consult Customer Service Department for additional information.

ITEM	PART NO.	1	2	3	4	5	DESCRIPTION	QTY.
91	01043-G07						BOLT, 5/16 - 18 X 2 1/2" LG.....	4
92	00441-G2						BOLT, 5/16 - 18 X 3 1/4" LG.....	4
93	01045-G01						WASHER, 5/16"	32
94	01046-G01						ACORN NUT, 5/16 - 18.....	16
95	19247-G2						SPACER, 3/8" LG	2
96	34472-G01						SPACER, 1/2" X 1 7/16" LG.....	4
97	34746-G01						FRONT STRUT.....	1
98	35578-G01						REAR STRUT	1
99	35632-G01						TOP FRAME	2
100	19853-G1						END CAP, 1"	8
101	35630-G01						SUN TOP, 145"	1
102	00753-G6						SCREW, 1/4 - 20 X 2 1/4" LG (STAINLESS STEEL).....	10
103	00907-G1						WASHER, 1/4" (STAINLESS STEEL).....	10
104	14390-G4						LOCK NUT, 1/4 - 20.....	10
105	01109-G01						LOCK NUT, 5/16 - 18 (STAINLESS STEEL).....	2
106	00642-G8						WASHER, 5/16"	8
107	00905-G8						LOCK WASHER, 5/16"	16
108	10194-G1						RUBBER BUSHING.....	10
109	35631-G01						REAR STABILIZER.....	2
110	34176-G01						RUBBER WASHER, 5/16" X 1"	10
111	32805-G3						VINYL TRIM.....	1
112								
113	35798-G01						SPLIT WINDSHIELD KIT (955/957) (INCLUDES ITEMS 114 - 119).....	1
114	35809-G01						SPLIT WINDSHIELD	1
115	EGWHC24						SASH, 14" LG	2
116	EGWHS12						SCREW, 1/4 - 20 X 2" LG	2
117	EGWHW12						WASHER, 1/4"	4
118	EGWHG13						RUBBER GROMMET	2
119	EGWHN12						LOCK NUT, 1/4 - 20	2
120								

WEATHER PROTECTION

When ordering parts, please specify the model and serial number of the product.

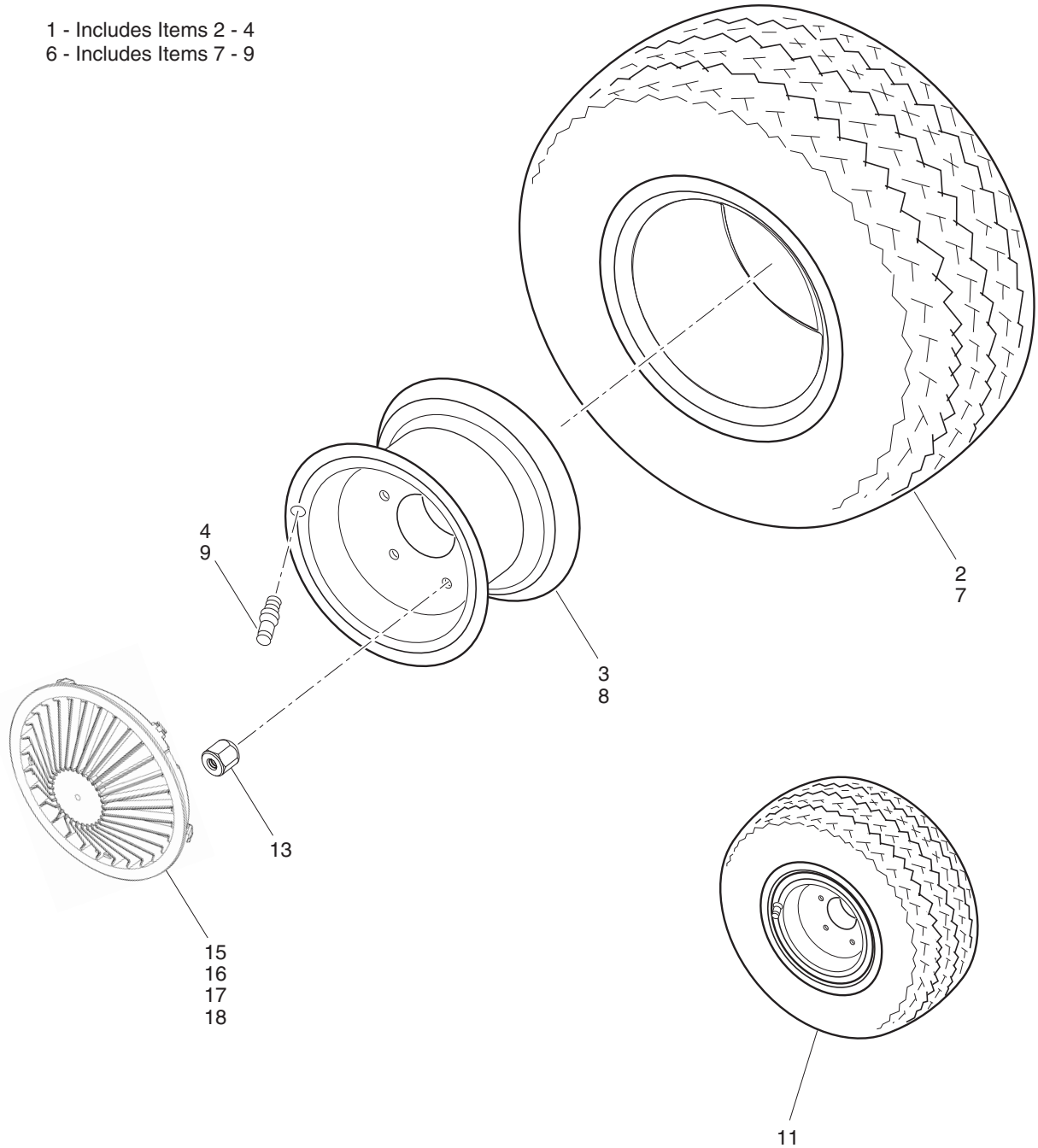
* Indicates a component that is not available as an individual part.

G** Indicates consult Customer Service Department for additional information.

ITEM	PART NO.	1 2 3 4 5	DESCRIPTION	QTY.
121	35449-G02		WEATHER ENCLOSURE KIT (955/957) (INCLUDES ITEMS 122 - 129).....	1
122	35441-G01		WEATHER ENCLOSURE CURTAIN SET	1
123	35579-G01		SIDE SUPPORT BRACKET	10
124	00415-G4		BOLT, 1/4 - 20 X 1 1/2" LG.....	10
125	01110-G01		WASHER, 1/4" (STAINLESS STEEL).....	10
126	14390-G4		LOCK NUT, 1/4 - 20.....	10
127	35442-G01		SIDE EXTRUSION.....	2
128	00852-G1		RIVET, 3/16" X 7/16" LG	12
129	35561-G01		REAR EXTRUSION	1

WHEELS AND TIRES

1 - Includes Items 2 - 4
6 - Includes Items 7 - 9



Ref Whl 13

WHEELS AND TIRES

When ordering parts, please specify the model and serial number of the product.
 * Indicates a component that is not available as an individual part.
 G** Indicates consult Customer Service Department for additional information.

ITEM	PART NO.	1	2	3	4	5	DESCRIPTION	QTY.
1	32153-G2						WHEEL AND TIRE ASSEMBLY (USA TRAIL, LRC, 5.70 - 8, STANDARD) (INCLUDES ITEMS 2 - 4).....	4
2	27784-G03						TIRE (USA TRAIL 5.70 - 8 LRC)	1
3	23385-G1						RIM (5 LUG).....	1
4	26482-G01						VALVE STEM.....	1
5								
6	32028-G2						WHEEL AND TIRE ASSEMBLY (USA TRAIL, LRC, 8.5 - 8, OPTIONAL) (INCLUDES ITEMS 7 - 9).....	4
7	27775-G02						TIRE (USA TRAIL 8.5 - 8 - 6 PLY RATED).....	1
8	10641-G2						RIM (5 LUG).....	1
9	11657-G1						VALVE STEM.....	1
10								
11	35154-G01						WHEEL AND TIRE ASSEMBLY (FOAM FILLED, LRC, 5.70 - 8, OPTIONAL) ...	4
12								
13	14723-G1						LUG NUT, 1/2 - 20.....	20
14								
15	35599-G01						SILVER SPOKE HUBCAP (OPTIONAL).....	4
16	35599-G02						GOLD SPOKE HUBCAP (OPTIONAL)	4
17	35599-G03						SILVER SPOKE HUBCAP SET (OPTIONAL).....	1
18	35599-G04						GOLD SPOKE HUBCAP SET (OPTIONAL)	1

WHEELS AND TIRES

SPECIALTY PRODUCTS

SPECIALTY PRODUCTS

SPECIAL TOOLS	PART NO.
BATTERY MAINTENANCE KIT	25587-G01
SEAL INSTALLATION TOOL (REAR AXLE SHAFT SEAL)	18739-G1
BATTERY SET DISCHARGER, 36 VOLT, 75 AMP	28251-G01
CURRENT INDICATOR	16489-G2
DIGITAL MULTI-METER	27481-G01
CRIMPING TOOL	27765-G01
SLIDE HAMMER (AXLE/HUB REMOVAL)	15947-G1
SLIDE HAMMER (AXLE REMOVAL ONLY)	18753-G1

TOUCH UP PAINT	PART NO.
PEN 3 OUNCE (89 ML) - HUNTER GREEN	28432-G02
PEN 3 OUNCE (89 ML) - CHAMPAGNE BEIGE	28432-G01
PEN 3 OUNCE (89 ML) - WHITE	28432-G05
PEN 3 OUNCE (89 ML) - INDUSTRIAL YELLOW.....	28432-G03
PEN 3 OUNCE (89 ML) - ORANGE	28432-G04
PEN 3 OUNCE (89 ML) - STEEL BLUE PEARL	28432-G**
PEN 3 OUNCE (89 ML) - CAMOUFLAGE PAINT (THREE PENS)	75831-G01
AEROSOL 12 OUNCE (360 ML) - HUNTER GREEN	28140-G09
AEROSOL 12 OUNCE (360 ML) - CHAMPAGNE BEIGE	28140-G15
AEROSOL 12 OUNCE (360 ML) - WHITE	28140-G03
AEROSOL 12 OUNCE (360 ML) - INDUSTRIAL YELLOW.....	28140-G14
AEROSOL 12 OUNCE (360 ML) - ORANGE	28140-G13
AEROSOL 12 OUNCE (360 ML) - STEEL BLUE PEARL	28140-G**

MAINTENANCE PRODUCTS	PART NO.
FORMULA 40 VINYL-COAT [®] - WHITE	28166-G01
PLEXUS [®] CLEANER, 7 OUNCE (210 ML) (FOR WINDSHIELDS)	28433-G01
PLEXUS [®] CLEANER, 13 OUNCE (380 ML) (FOR WINDSHIELDS)	28433-G02
BATTERY PROTECTOR, 14 OUNCE (410 ML) SPRAY	75500-G01
WHITE LITHIUM GREASE, 14 OUNCE (410 ML) SPRAY	75502-G01
PENETRANT/LUBRICANT, 15 OUNCE (440 ML) SPRAY	75503-G01
MULTI-PURPOSE CLEANER & DEGREASER, 14 OUNCE (410 ML) SPRAY	75504-G01
MULTI-PURPOSE HAND CLEANER, 32 OUNCE (950 ML) LIQUID	75505-G01

SPECIALTY PRODUCTS

BATTERY CLEANER, 32 OUNCE (950 ML) WITH TRIGGER SPRAYER	75506-G01
BIO-DEGRADABLE CLEANER, 32 OUNCE (950 ML) WITH TRIGGER SPRAYER.....	75507-G01
MULTI-PURPOSE VALUE PACK.....	75508-G01
• BATTERY PROTECTOR, 4 OUNCE (120 ML) SPRAY	
• PENETRANT/LUBRICANT, 4 OUNCE (120 ML) SPRAY	
• WHITE LITHIUM GREASE, 4 OUNCE (120 ML) SPRAY	
• CARBURETOR & CHOKE CLEANER, 4 OUNCE (120 ML) SPRAY	

OPTIONS/ACCESSORIES

OPTIONS/ACCESSORIES

ITEM	KIT NO.	COMMENTS
ACCESSORIES LISTING	KIT NO.	SECTION
FORWARD MOTION INDICATOR KIT	34643-G02	ELECTRICAL
'E' HITCH KIT	34781-G02	CARGO DECKS AND HITCHES
PINTLE HITCH KIT	34780-G02	CARGO DECKS AND HITCHES
HOUR METER KIT	34886-G02	ELECTRICAL
36V ROLLOUT BATTERY TRAY DOLLY	34896-G01	ELECTRICAL
48V ROLLOUT BATTERY TRAY DOLLY	34896-G02	ELECTRICAL
STAKE SIDE KIT (FOR 952 ONLY).....	34761-G01	CARGO DECKS AND HITCHES
SUN TOP KIT (WHITE 952/954)	35541-G01	WEATHER PROTECTION
SUN TOP KIT (WHITE 956)	35543-G01	WEATHER PROTECTION
SUN TOP KIT (CHAMPAGNE 952/954)	35541-G02	WEATHER PROTECTION
SUN TOP KIT (CHAMPAGNE 956).....	35543-G02	WEATHER PROTECTION
SUN TOP KIT (955).....	35633-G01	WEATHER PROTECTION
SUN TOP KIT (957).....	35633-G02	WEATHER PROTECTION
SILVER SPOKE WHEEL COVERS (SET OF 4)	35599-G03	WHEELS AND TIRES
GOLD SPOKE WHEEL COVERS (SET OF 4)	35599-G04	WHEELS AND TIRES
WEATHER ENCLOSURE CURTAIN KIT (952/954/956)...	35550-G03	WEATHER PROTECTION
WEATHER ENCLOSURE CURTAIN KIT (955/957)	35449-G02	WEATHER PROTECTION
WINDSHIELD (952/954/956).....	35567-G01	WEATHER PROTECTION
WINDSHIELD (955/957)	35798-G01	WEATHER PROTECTION

INDEX OF MAJOR COMPONENTS

INDEX OF MAJOR COMPONENTS

BY PART DESCRIPTION



A Textron Company

E-Z-GO Division of Textron, Inc.
P.O. Box 388 Augusta, Georgia 30903-0388 USA
Inside USA Phone: 1-800-241-5855, FAX: 1-800-448-8124
Outside USA Phone: 010-1-706-798-4311, FAX: 010-1-706-771-4609

Copyrighted Material
This manual may not be reproduced in whole or
in part without the express permission of
E-Z-GO Division of Textron, Inc.
Technical Communications Department