

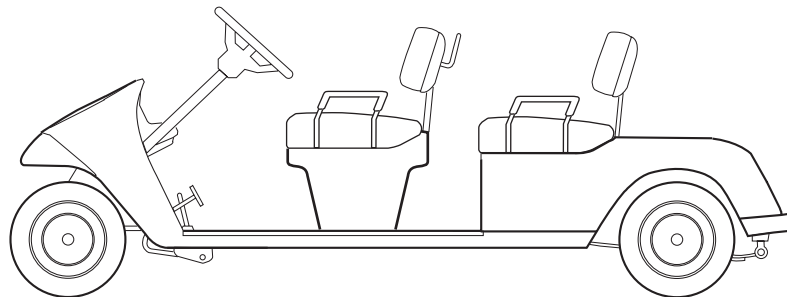
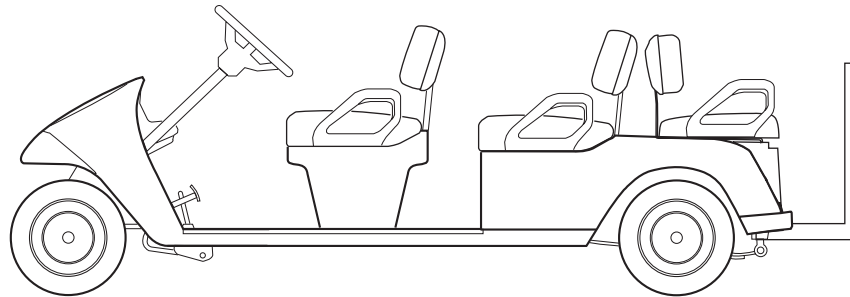
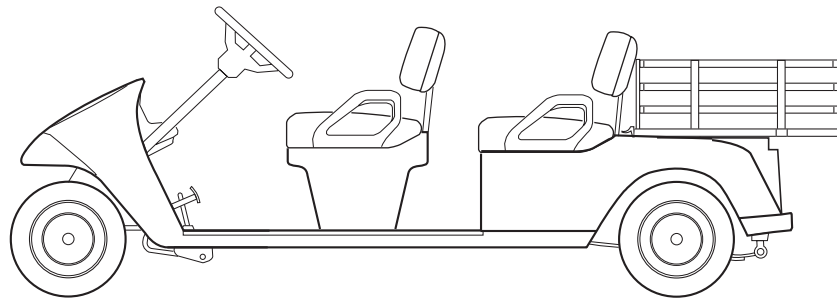
28736-G01



A Textron Company



SERVICE PARTS MANUAL



Ref Fcv 7

ELECTRIC & PRECISION DRIVE SYSTEM™ PERSONNEL CARRIERS AND 5 PASSENGER GOLF CAR

STARTING MODEL YEAR: 2002

REVISED: 12/2002

SERVICE PARTS MANUAL

ELECTRIC AND PRECISION DRIVE SYSTEM™ PERSONNEL CARRIERS AND 5 PASSENGER GOLF CAR

VEHICLES

SHUTTLE™ 4

SHUTTLE™ 6

TE5

TE5 PDS

Textron Golf, Turf & Specialty Products reserves the right to make design changes without obligation to make these changes on units previously sold and the information contained in this manual is subject to change without notice.

Textron Golf, Turf & Specialty Products is not liable for errors in this manual or for incidental or consequential damages that result from the use of the material in this manual.

CUSTOMER SERVICE DEPARTMENT IN USA PHONE: 1-800-241-5855 FAX: 1-800-448-8124

OUTSIDE USA PHONE: 010-1-706-798-4311, FAX: 010-1-706-771-4609

TEXTRON GOLF, TURF & SPECIALTY PRODUCTS, P.O.BOX 388, AUGUSTA, GEORGIA USA 30903-0388

NOTES

To obtain a copy of the limited warranty applicable to the vehicle, call or write a local distributor, authorized Branch or the Warranty Department with vehicle serial number and manufacturer code.

The use of non Original Equipment Manufacturer (OEM) parts may void the warranty.

Overfilling of batteries may void the warranty.

BATTERY PROLONGED STORAGE

All batteries will self discharge over time. The rate of self discharge varies depending on the ambient temperature and the age and condition of the batteries.

A fully charged battery will not freeze in winter temperatures unless the temperature falls below -75° F (-60° C).

As with all electric vehicles, the batteries must be checked and recharged as required or at a minimum of 30 day intervals.

TABLE OF CONTENTS

SECTION	Page No.
HOW TO USE THE SERVICE PARTS MANUAL	v
ILLUSTRATED PARTS BREAKDOWN	vii
ACCELERATOR	A-1
BATTERY CHARGER (PORTABLE)	B-1
BATTERY CHARGER (ON BOARD)	B-3
BODY	C-1
BRAKES - HYDRAULIC	D-1
DIRECTION SELECTOR	E-1
ELECTRICAL SYSTEM	F-1
ELECTRONIC SPEED CONTROL	G-1
ELECTRONIC SPEED CONTROL - PDS	G-3
FRONT SUSPENSION/STEERING	H-1
ELECTRIC MOTOR	J-1
REAR AXLE - HYDRAULIC	K-1
REAR SUSPENSION	L-1
SEATING	M-1
WEATHER PROTECTION	N-1
WHEELS AND TIRES	P-1
SPECIALTY PRODUCTS	APPENDIX A-1
OPTIONS/ACCESSORIES	APPENDIX B-1
INDEX OF MAJOR COMPONENTS	INDEX-1

TABLE OF CONTENTS

Notes: _____

HOW TO USE THE SERVICE PARTS MANUAL

This manual is divided into several sections:

GENERAL INFORMATION

- TABLE OF CONTENTS
- HOW TO USE THE SERVICE PARTS MANUAL

ILLUSTRATED PARTS BREAKDOWN

- Contains illustrations and parts lists for all systems of the vehicle

APPENDIX

- Contains a listing of specialty products and options/accessories

INDEX OF MAJOR COMPONENTS

- Contains a listing of parts (excluding hardware) grouped by part number and description and indicates on which page(s) they can be found

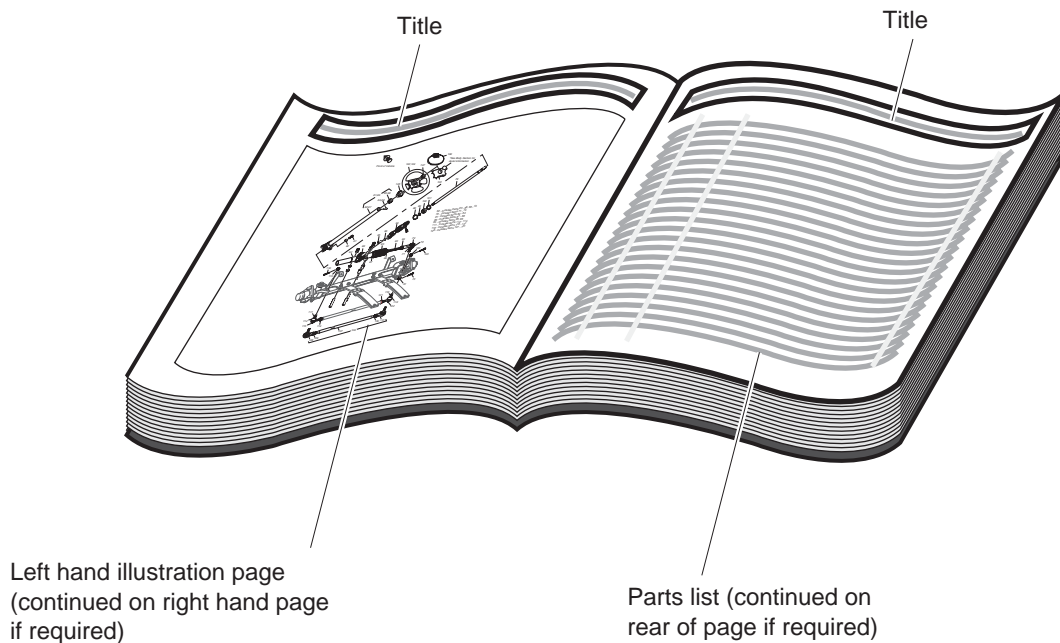
USE OF THE MANUAL

To use this manual, consult the TABLE OF CONTENTS (page iii) or the INDEX OF MAJOR COMPONENTS (located at rear of this manual) to locate the information or illustration required.

Introduction of some revisions varies due to supply of components; therefore, it is possible that various combinations of components may be found that are not directly reflected by each illustration. Consult the illustration that best suits your situation. Locate the serial number plate (see BODY located in the Illustrated Parts Breakdown section of this manual for its location) and note the complete number shown on the plate. It is important that the serial number of your vehicle and its model number be supplied to Service Parts when ordering any replacement components.

Locate the serial number plate (see BODY located in the Illustrated Parts Breakdown section of this manual for its location) and note the complete number shown on the plate.

HOW TO USE THE SERVICE PARTS MANUAL



1. WHEN THE PART NUMBER IS NOT KNOWN

- Determine the function and application of the part required. Turn to the INDEX OF MAJOR COMPONENTS and select the most appropriate component description.
- Turn to the page number indicated and locate the part description in the parts list. Read the full accompanying description for specific information regarding the part that was not shown in the index.
- From the parts list, obtain the item number assigned to it and confirm that the part selected is correct by verifying it with the pictorial representation on the illustrated page.

2. IF YOU KNOW THE PART NUMBER

- Use the INDEX OF MAJOR COMPONENTS to find the page(s) the part number appears on.
- Turn to the page number indicated and locate the part number in the parts list. Refer to the accompanying description for specific information regarding the part.
- From the parts list, obtain the item number assigned to it and confirm that the part selected is correct by verifying it with the pictorial representation on the illustrated page.

Should an asterisk (*) appear in the part number column on the parts list page, read upwards until a part number is found. The part number is the lowest assembly sold by Service Parts. The asterisk (*) indicates that the part depicted is not available for purchase.

NOTE: Descriptions are indented under the assembly that they are used on. That assembly is, in turn listed under the assembly that it is used on. This process is repeated until the highest final assembly is reached.

To facilitate the maintenance and repair of the vehicle, a Technician's Repair and Service Manual is available from the Service Parts Department.

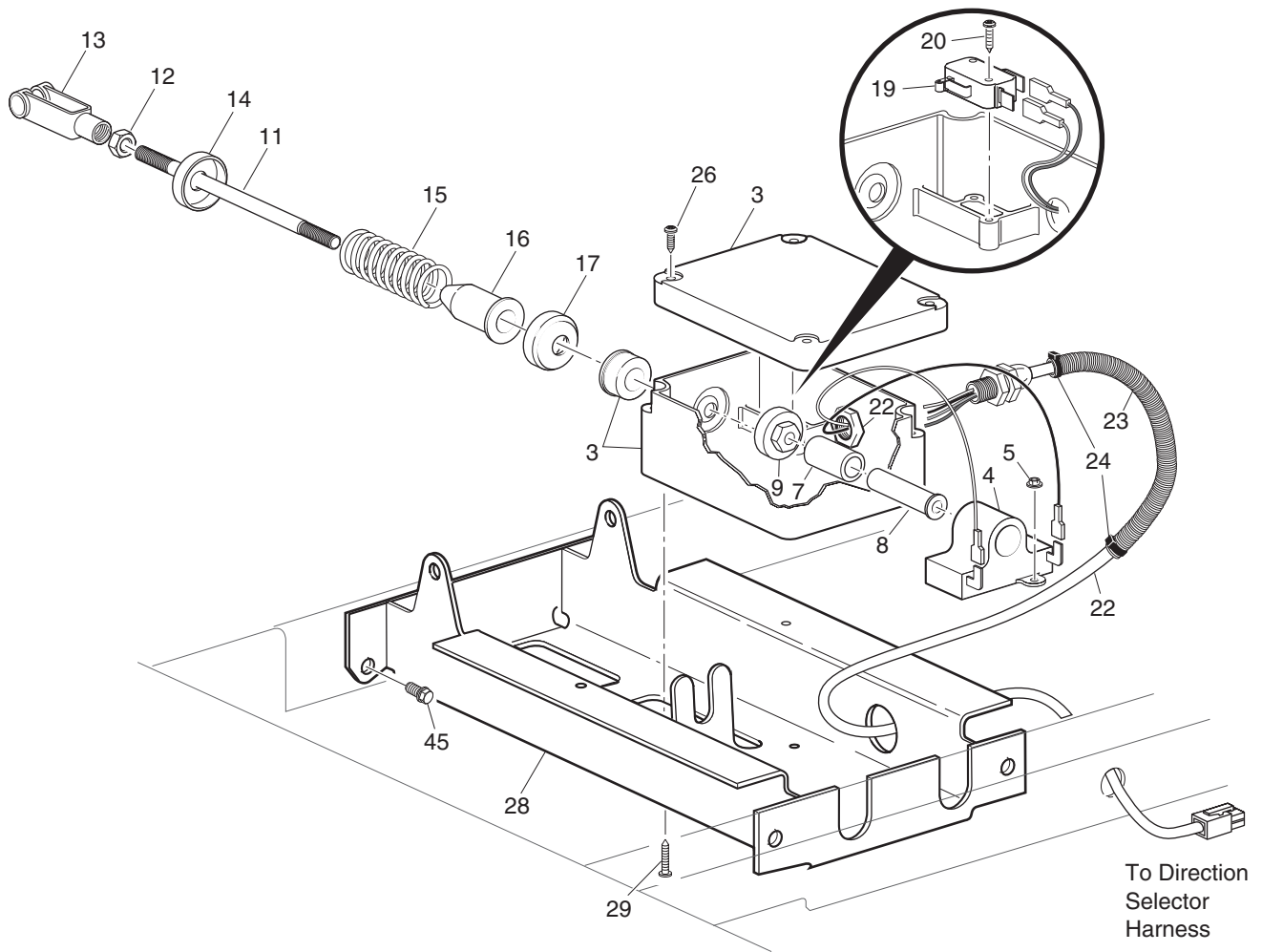
ILLUSTRATED PARTS BREAKDOWN

HOW TO USE THE SERVICE PARTS MANUAL

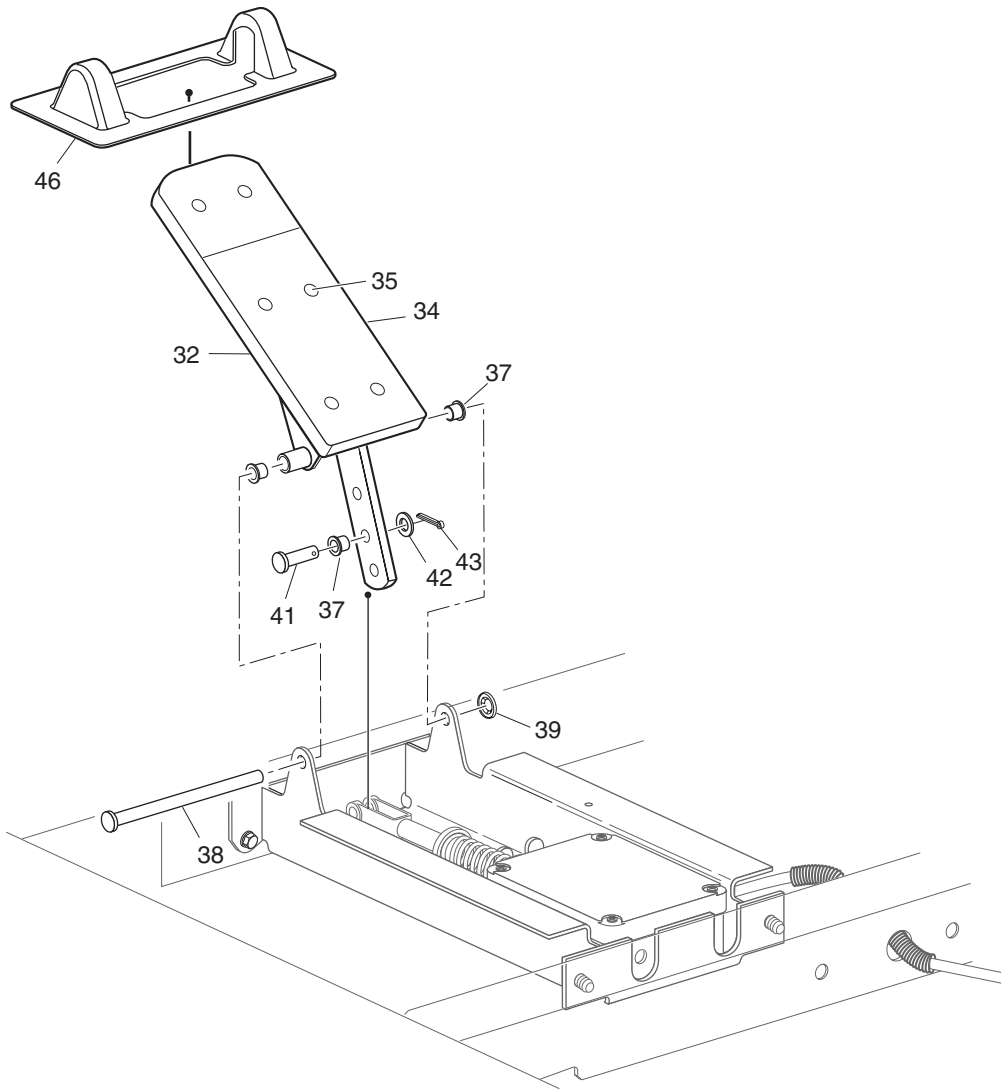


ACCELERATOR

- 1 - Includes Items 3 - 43
- 31 - Includes Items 32 - 35
- 33 - Includes Items 34, 35



Ref Acl 7-1



ACCELERATOR

When ordering parts, please specify the model and serial number of the product.

* Indicates a component that is not available as an individual part.

G** Indicates consult Customer Service Department for additional information.

ITEM	PART NO.	1 2 3 4 5	DESCRIPTION	QTY.
1	73333-G08		PEDAL BOX ASSEMBLY (INCLUDES ITEMS 3 - 19, 21, 23, 26 - 43)	1
2	73333-G07		PEDAL BOX ASSEMBLY, PDS MODEL ONLY (INCLUDES ITEMS 3 - 17, 20, 21, 24 - 43)	1
3	25853-G01		PEDAL BOX AND COVER (SEAL AND BEARING)	1
4	25854-G01		INDUCTIVE THROTTLE SENSOR	1
5	00983-G01		SELF THREADING NUT, 3/16"	2
6				
7	25857-G01		PLUNGER SLEEVE.....	1
8	28443-G01		PLUNGER.....	1
9	28444-G01		PLUNGER CAM.....	1
10				
11	73332-G01		ACCELERATOR ROD	1
12	00532-G4		LOCK NUT, 5/16 - 24	1
13	10385-G4		YOKE (ADJUSTABLE).....	1
14	17677-G2		SPRING RETAINER, 3/8"	1
15	73046-G01		COMPRESSION SPRING	1
16	17979-G1		ACCELERATOR ROD BUSHING	1
17	17677-G1		SPRING RETAINER, 1/2"	1
18				
19	25861-G01		MICRO SWITCH.....	1
20	25861-G02		MICRO SWITCH (PDS MODEL ONLY).....	1
21	01050-G01		SCREW, #4 - 20 X 5/8" LG	2
22				
23	25879-G07		WIRING HARNESS (PEDAL BOX ASSEMBLY)	1
24	25879-G06		WIRING HARNESS (PEDAL BOX ASSEMBLY) (PDS MODEL ONLY)	1
25				
26	00684-G6		SCREW, #8 - 32 X 3/4" LG	4
27				
28	70116-G01		ACCELERATOR PEDAL BRACKET.....	1
29	01051-G01		SCREW, #8 - 16 X 1/2" LG	4

ACCELERATOR

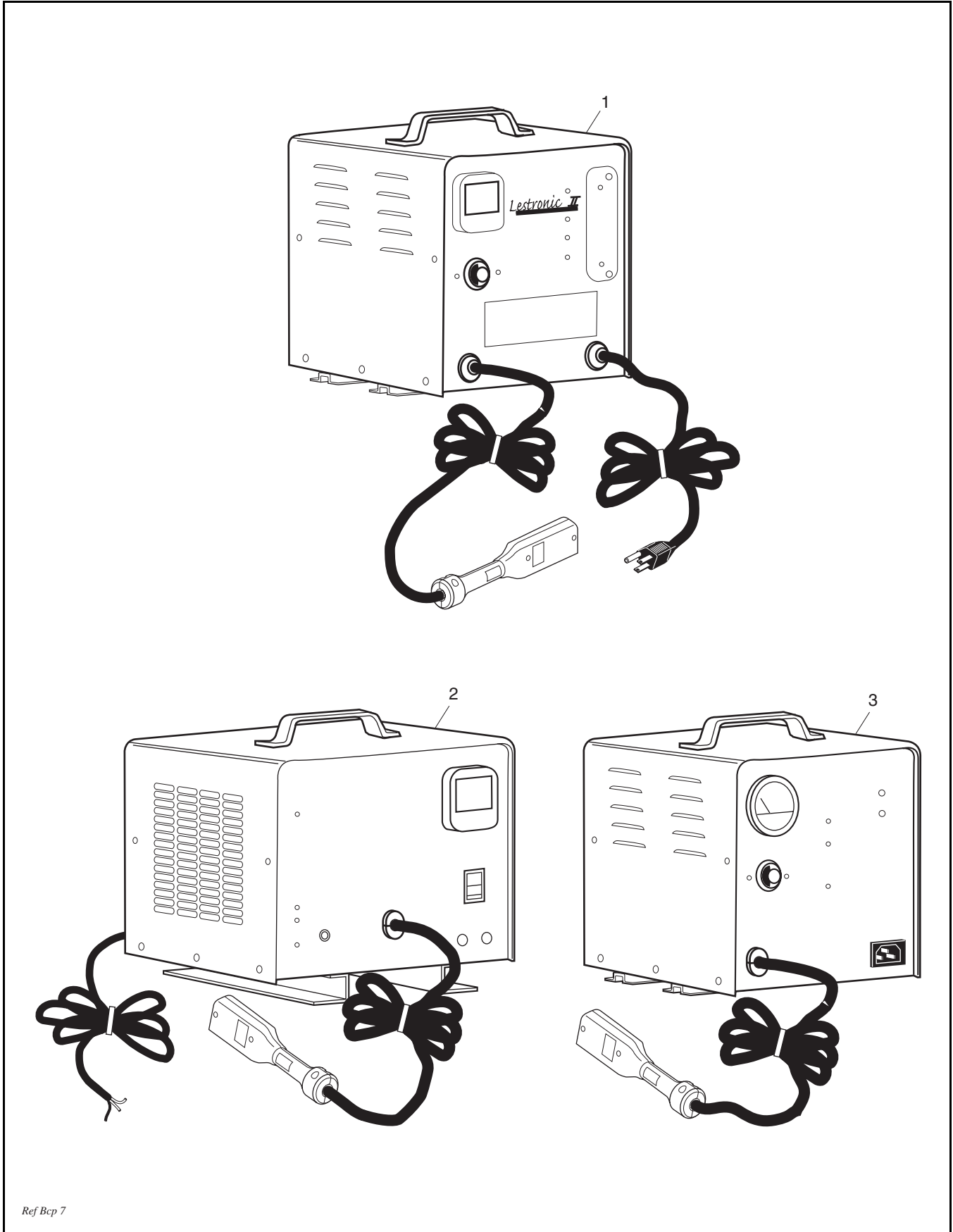
When ordering parts, please specify the model and serial number of the product.

* Indicates a component that is not available as an individual part.

G** Indicates consult Customer Service Department for additional information.

ITEM	PART NO.	1	2	3	4	5	DESCRIPTION	QTY.
30								
31	25799-G01						ACCELERATOR PEDAL ASSEMBLY (INCLUDES ITEMS 32 - 35).....	1
32	*						ACCELERATOR PEDAL	1
33	27844-G01						ACCELERATOR PEDAL PAD KIT (INCLUDES ITEMS 34, 35).....	1
34	27512-G01						ACCELERATOR PEDAL PAD	1
35	15766-G1						OVAL RIVET 3/16" X 7/16" LG	6
36								
37	17838-G1						BUSHING.....	3
38	74432-G01						PEDAL PIVOT PIN	1
39	12064-G6						PUSHNUT, 9/32" I.D.	1
40								
41	10386-G3						CLEVIS PIN, 5/16" X 13/16" LG	1
42	17255-G1						TEFLON WASHER, 5/16"	1
43	10387-G3						COTTER PIN, 3/32" X 3/4" LG	1
44								
45	00715-G2						BOLT, 5/16 - 18 X 13/16" LG.	4
46	70135-G01						PEDAL PIVOT COVER	1

BATTERY CHARGER (PORTABLE)

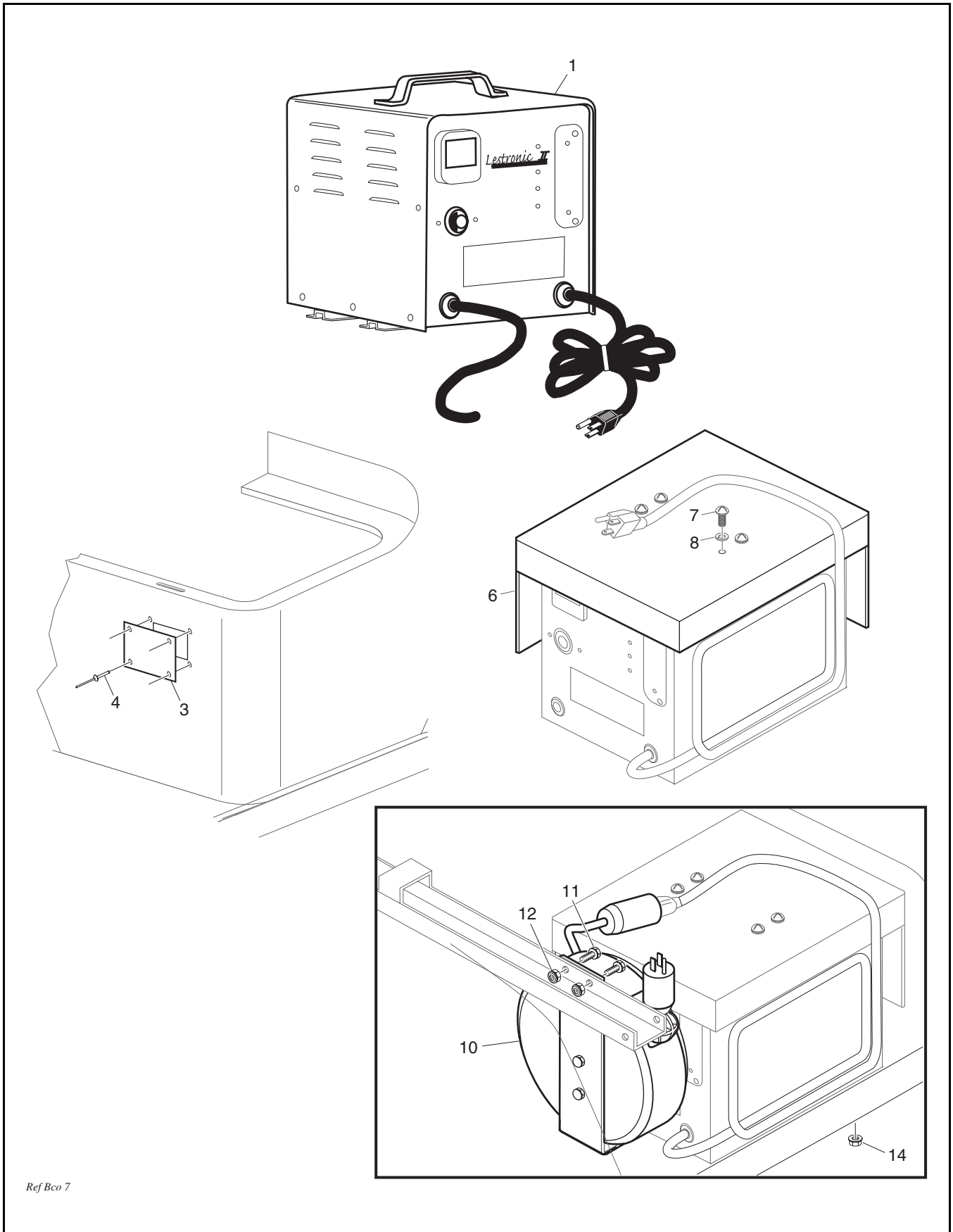


BATTERY CHARGER (PORTABLE)

THE USE OF NON U.L. PARTS WILL VOID ANY U.L. LISTING.
 When ordering parts, please specify the model and serial number of the product.
 * Indicates a component that is not available as an individual part.
 G** Indicates consult Customer Service Department for additional information.

ITEM	PART NO.	1	2	3	4	5	DESCRIPTION	QTY.
1	28435-G03						48V LESTER BATTERY CHARGER.....	1
2	28435-G01						48V LESTER BATTERY CHARGER WITH SWITCHABLE INPUT	1
3	28435-G05						48V LESTER BATTERY CHARGER CE APPROVED.....	1
<p>For service or replacement parts, contact: Lester Electrical 625 West "A" Street Lincoln, NE 68522</p> <p>Phone: (402) 477-8988, FAX: (402) 474-1769</p> <p>Always provide the following information when requesting information or ordering replacement parts:</p> <p>Model Number: Serial Number: (stamped into housing)</p>								

BATTERY CHARGER (ON BOARD)



Ref Bco 7

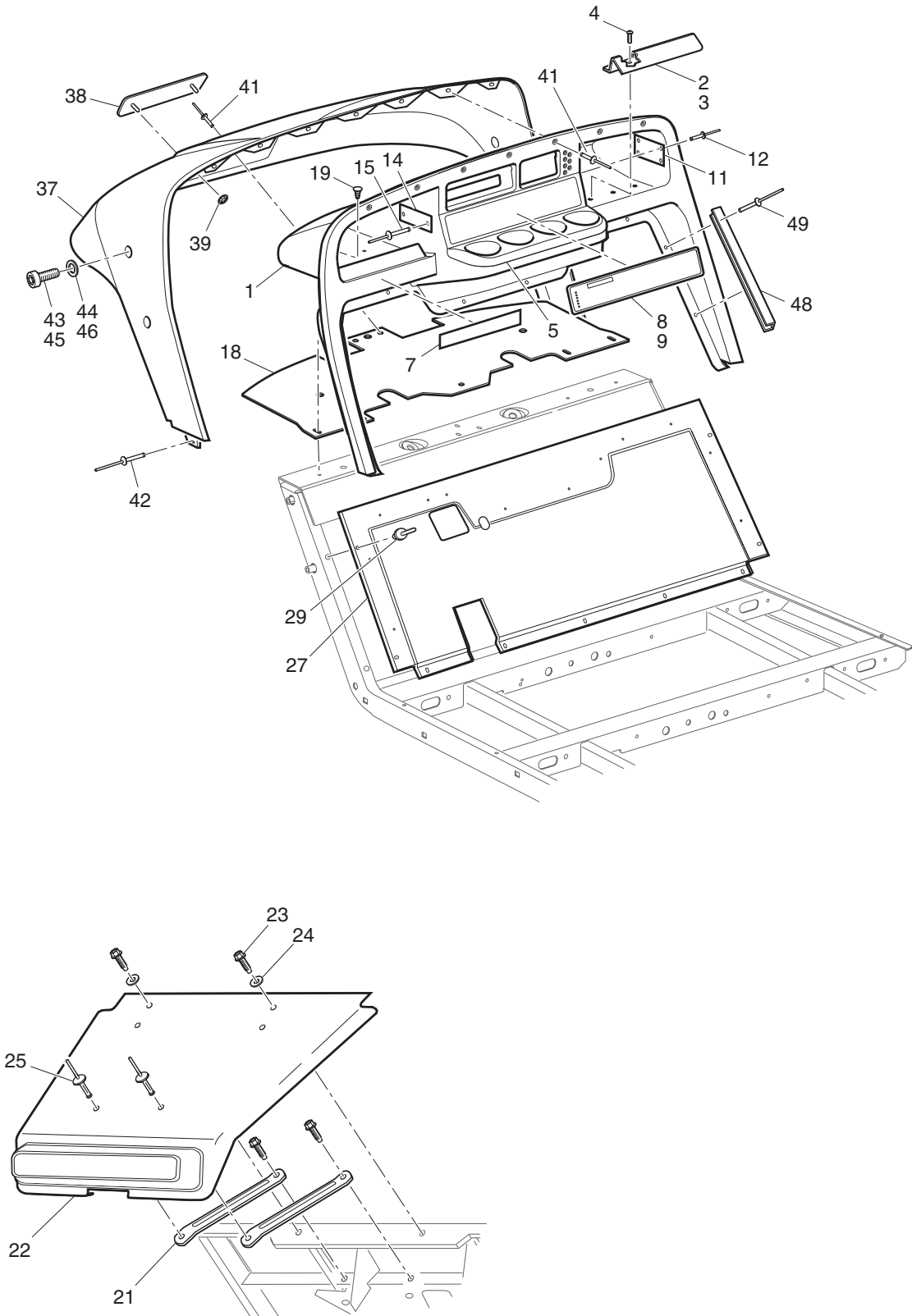
BATTERY CHARGER (ON BOARD)

THE USE OF NON U.L. PARTS WILL VOID ANY U.L. LISTING.
 When ordering parts, please specify the model and serial number of the product.
 * Indicates a component that is not available as an individual part.
 G** Indicates consult Customer Service Department for additional information.

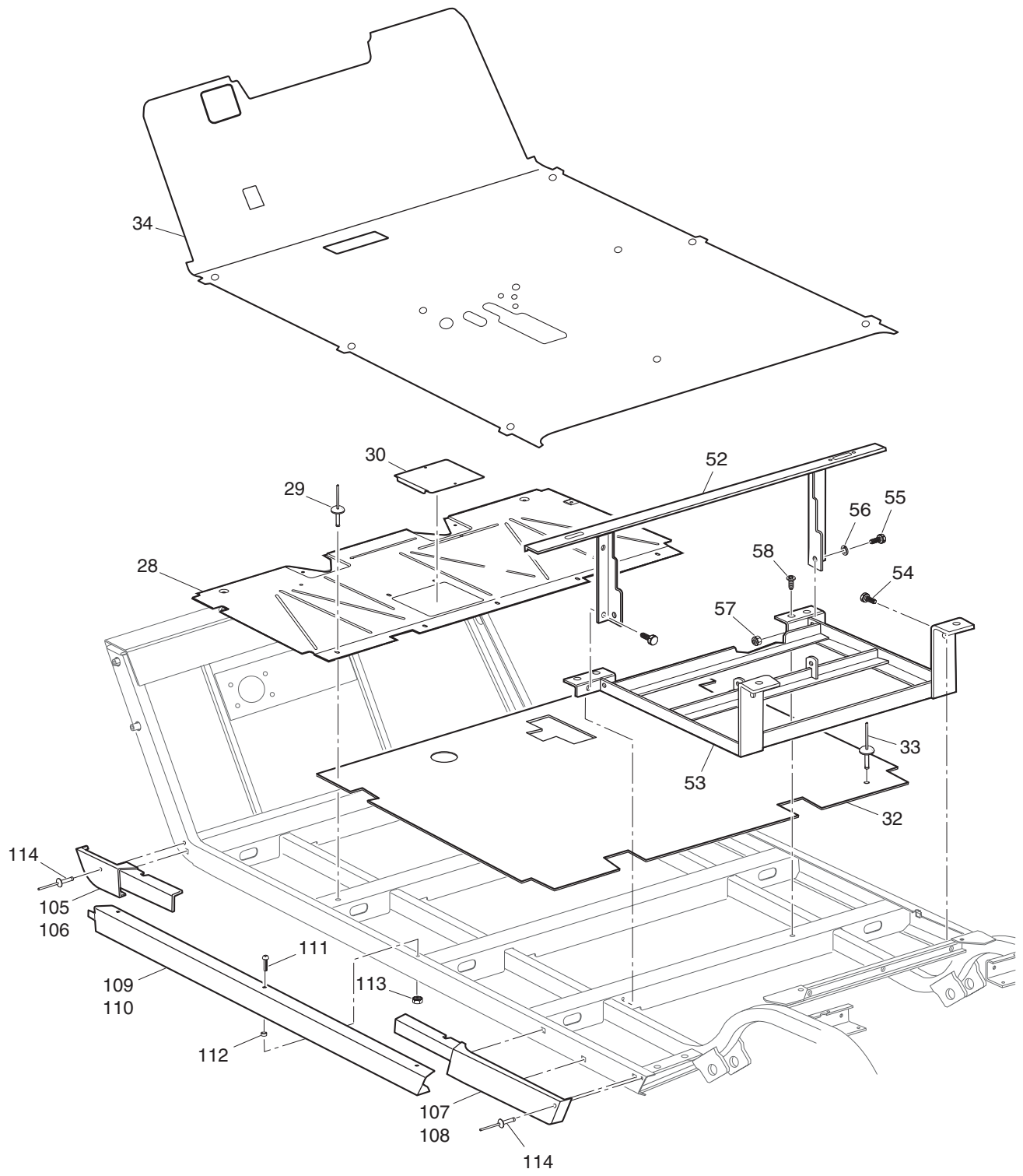
ITEM	PART NO.	1	2	3	4	5	DESCRIPTION	QTY.
1	28435-G07						48V LESTER BATTERY CHARGER.....	1
2								
3	73173-G01						CHARGER RECEPTACLE COVER PLATE.....	1
4	14601-G10						RIVET, 1/8" X 7/16" LG (ALUMINUM).....	4
5								
6	73371-G01						COVER.....	1
7	00740-G4						SCREW, #10 - 32 X 1/2" LG.....	4
8	00565-G5						LOCK WASHER, #10.....	4
9								
10	73368-G01						CORD REEL	1
11	00438-G6						BOLT, 5/16 - 18 X 3/4" LG	2
12	11027-G1						LOCK NUT, 5/16 - 18	2
13								
14	11027-G2						LOCK NUT, 1/4 - 20	4
<p>For charger service or replacement parts, contact: Lester Electrical 625 West "A" Street Lincoln, NE 68522</p> <p>Phone: (402) 477-8988, FAX: (402) 474-1769</p> <p>Always provide the following information when requesting information or ordering replacement parts:</p> <p>Model Number: Serial Number: (stamped into housing)</p>								

BODY

1 - Includes Items 2 - 5

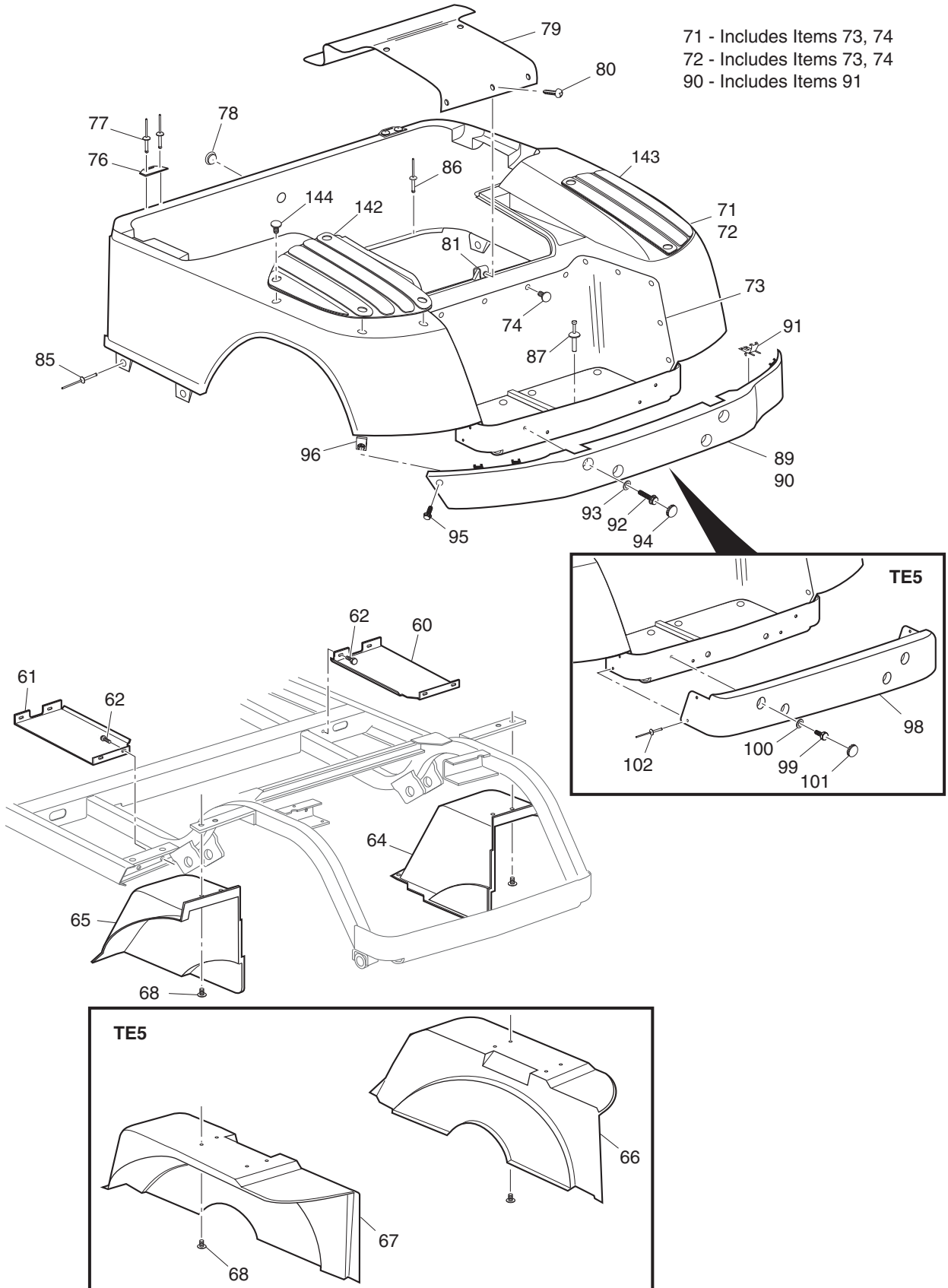


Ref Bod 7-1

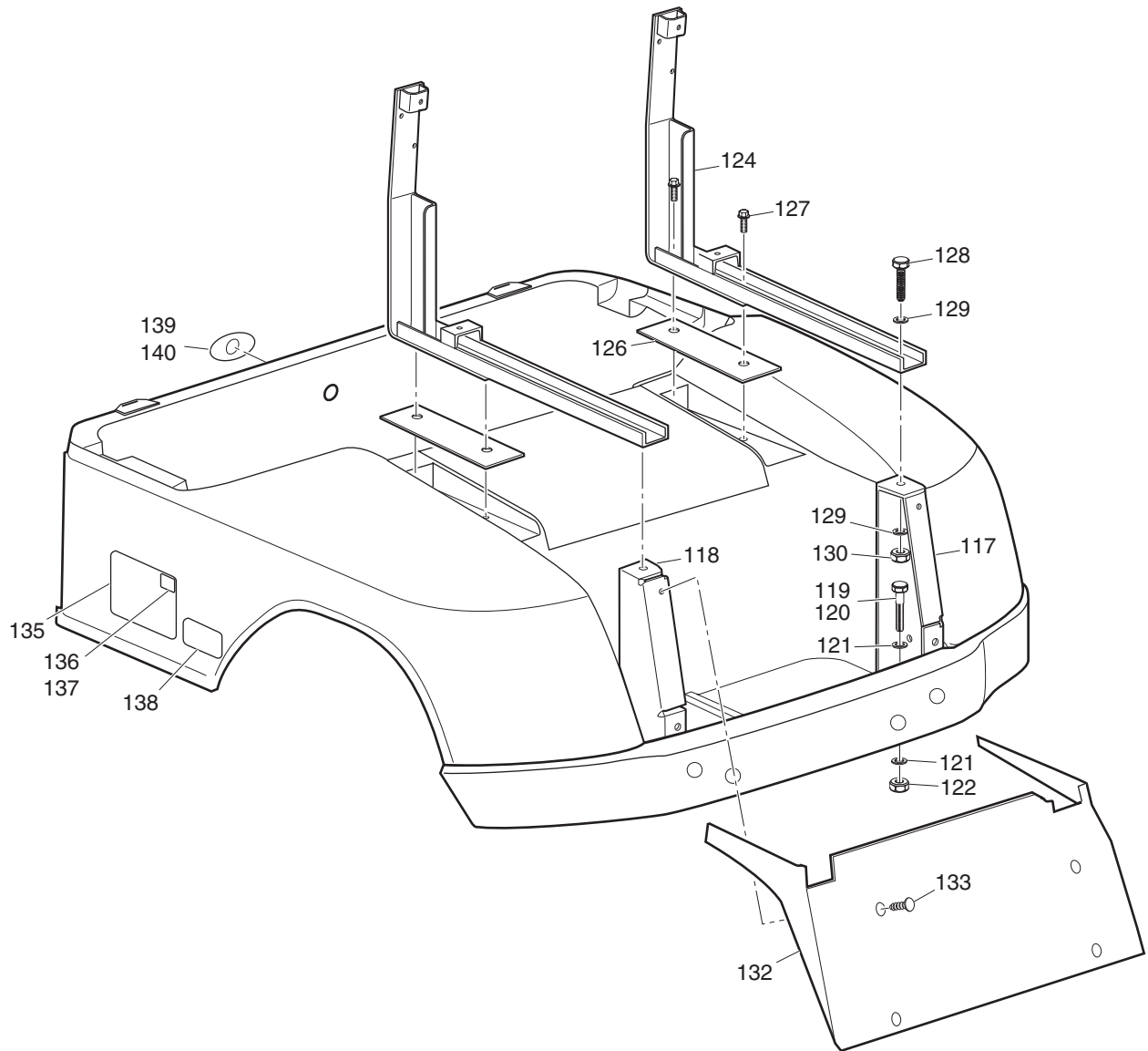


Ref Bod 7-2

BODY

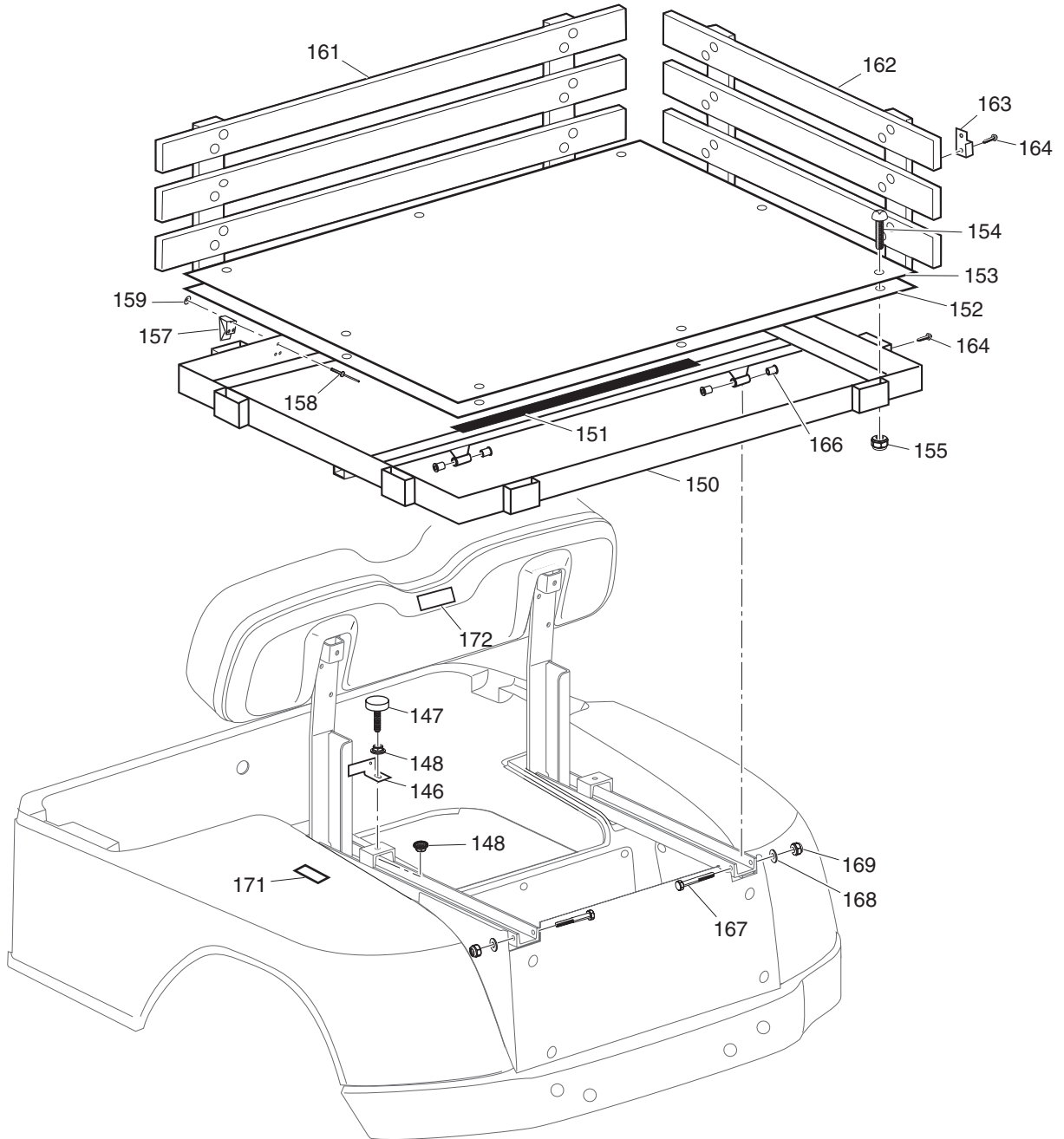


Ref Bod 7-3



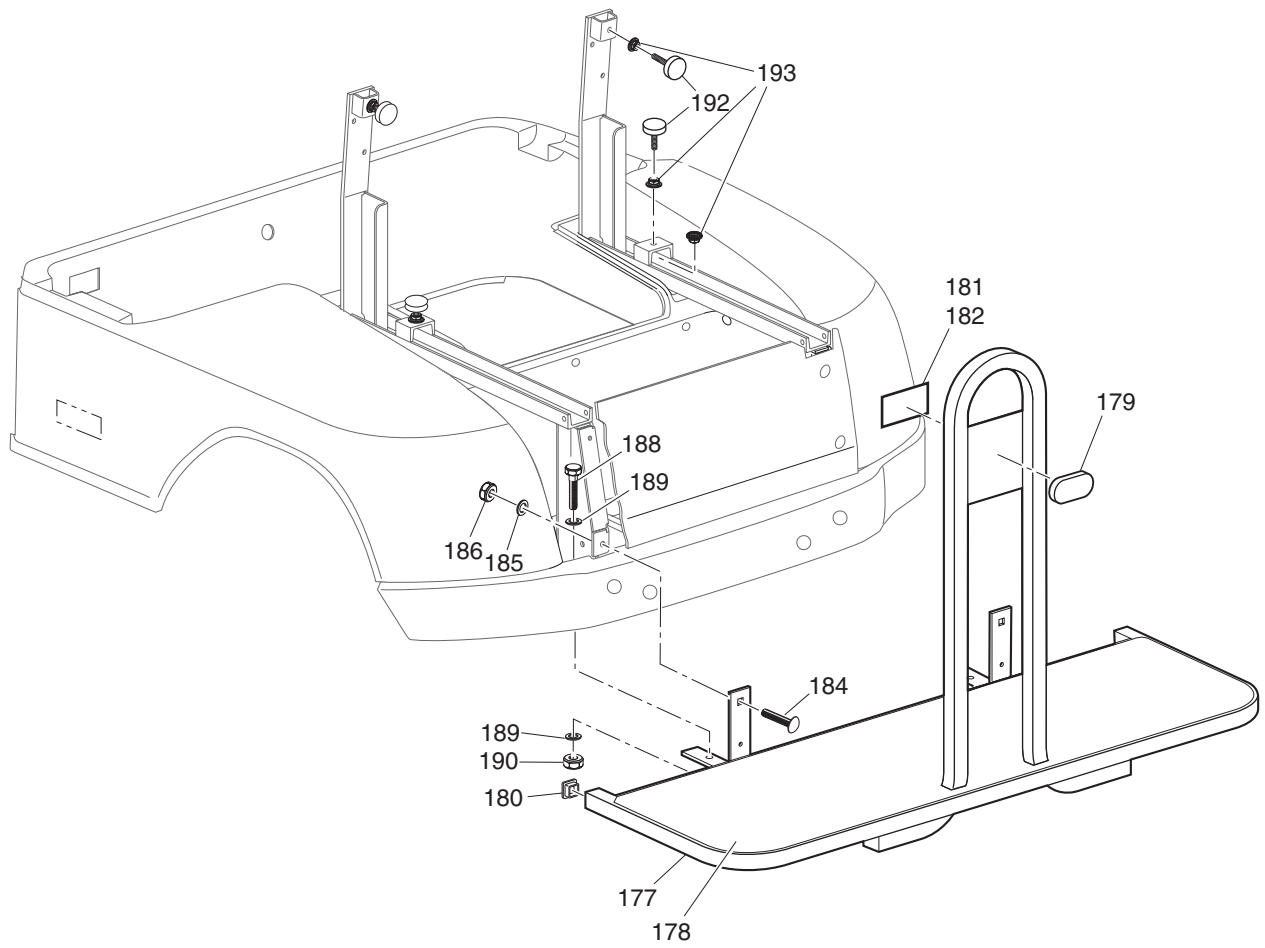
Ref Bod 7-4

BODY



Ref Bod 7-5

176 - Includes Items 177 - 179



BODY

THE USE OF NON U.L. PARTS WILL VOID ANY U.L. LISTING.

When ordering parts, please specify the model and serial number of the product.

* Indicates a component that is not available as an individual part.

G** Indicates consult Customer Service Department for additional information.

ITEM	PART NO.	1 2 3 4 5	DESCRIPTION	QTY.
1	71151-G01		INSTRUMENT PANEL ASSEMBLY (INCLUDES ITEMS 2 - 5)	1
2	71153-G01		DEFLECTOR (PASSENGER SIDE)	1
3	71154-G01		DEFLECTOR (DRIVER SIDE)	1
4	00614-G5		SCREW, #8 - 18 X 5/8" LG	6
5	71158-G01		INSTRUMENT PANEL INSERT (4 CUP HOLDER)	1
6				
7	74443-G01		LABEL (ANTI-ROLLBACK)	1
8	70878-G01		LABEL (SAFETY) (SHUTTLE)	1
9	70880-G01		LABEL (SAFETY) (TE5)	1
10				
11	*		SERIAL NUMBER PLATE	1
12	01041-G01		RIVET, 1/8" X 13/16" LG	4
13				
14	71175-G01		CAPACITY PLATE (SHUTTLE)	1
15	01041-G01		RIVET, 1/8" X 13/16" LG	2
16				
17				
18	71413-G01		SPLASH PANEL	1
19	16816-G2		RATCHET FASTENER, 1/4" X 3/4" LG	5
20				
21	70725-G01		FRONT SHIELD BRACE	2
22	27166-G02		FRONT SHIELD	1
23	01038-G01		BOLT, 1/4 - 20 X 11/16" LG	4
24	16469-G1		WASHER, 1/4"	2
25	01057-G01		RIVET, KTR, 1/4" X 3/4" LG	2
26				
27	70662-G01		UPPER FLOORPAN	1
28	70451-G01		LOWER FLOORPAN	1
29	14601-G11		RIVET, 3/16" X 9/16" LG (ALUMINUM)	16
30	70452-G01		ACCESS COVER	1

THE USE OF NON U.L. PARTS WILL VOID ANY U.L. LISTING.

When ordering parts, please specify the model and serial number of the product.

* Indicates a component that is not available as an individual part.

G** Indicates consult Customer Service Department for additional information.

ITEM	PART NO.	1 2 3 4 5	DESCRIPTION	QTY.
31				
32	70823-G01		REAR FLOORPAN	1
33	10570-G10		RIVET, 5/32" X 9/16" LG (STAINLESS STEEL)	5
34	70668-G0*		FLOORMAT	1
35				
36				
37	71051-G**		COWL.....	1
38	71037-G02		E-Z-GO NAMEPLATE (GOLD).....	1
39	12064-G3		PUSHNUT, 3/16"	2
40				
41	71055-G01		RIVET, 3/16" X 1" LG	9
42	10570-G11		RIVET, 3/16" X 3/4" LG (STAINLESS STEEL)	2
43	71056-G01		BOLT, 5/16 - 18 X 5/8" LG (WITHOUT SUN TOP).....	4
44	00570-G2		WASHER, 5/16 (WITHOUT SUN TOP).....	4
45	00438-G6		BOLT, 5/16 - 18 X 5/8" LG (WITHOUT SUN TOP).....	4
46	00571-G2		WASHER, 5/16 (WITHOUT SUN TOP).....	4
47				
48	71115-G01		VINYL TRIM	2
49	71055-G01		RIVET, 3/16" X 1" LG	10
50				
51				
52	70441-G01		SEAT FRAME.....	1
53	70046-G01		BATTERY RACK	1
54	00715-G2		BOLT, 5/16 - 18 X 13/16" LG	4
55	00438-G6		BOLT, 5/16 - 18 X 3/4" LG	2
56	00559-G8		WASHER, 5/16"	2
57	11098-G6		LOCK NUT, 5/16 - 18	2
58	70200-G01		SCREW, 3/8 - 16 X 3/4" LG.....	2
59				
60	70385-G01		SPLASH PAN (PASSENGER SIDE)	1

BODY

THE USE OF NON U.L. PARTS WILL VOID ANY U.L. LISTING.

When ordering parts, please specify the model and serial number of the product.

* Indicates a component that is not available as an individual part.

G** Indicates consult Customer Service Department for additional information.

ITEM	PART NO.	1 2 3 4 5	DESCRIPTION	QTY.
61	70385-G02		SPLASH PAN (DRIVER SIDE).....	1
62	00715-G2		BOLT, 5/16 - 18 X 13/16" LG	8
63				
64	71812-G01		FENDER LINER (PASSENGER SIDE) (SHUTTLE)	1
65	71812-G02		FENDER LINER (DRIVER SIDE) (SHUTTLE).....	1
66	71551-G05		FENDER LINER, EXTENDED (PASSENGER SIDE) (TE5).....	1
67	71552-G05		FENDER LINER, EXTENDED (DRIVER SIDE) (TE5).....	1
68	16816-G2		RATCHET FASTENER, 1/4" X 3/4" LG (SHUTTLE - QTY 4) (TE5 - QTY 8)	AR
69				
70				
71	71332-G3**		REAR BODY ASSEMBLY (WITH TAILLIGHTS) (INCLUDES ITEMS 73, 74).....	1
72	71912-G6**		REAR BODY ASSEMBLY (W/OUT TAILLIGHTS) (INCLUDES ITEMS 73, 74).....	1
73	71318-G01		BAGWELL LINER	1
74	16816-G1		RATCHET FASTENER, 1/4" X 9/16" LG	12
75				
76	71609-G01		HINGE PLATE	2
77	10570-G11		RIVET, 3/16" X 3/4" LG (STAINLESS STEEL)	4
78				
79	71316-G01		PLUG.....	1
80				
81	71320-G01		ACCESS PANEL	1
82	71002-G01		SCREW, #8 X 5/8" LG	5
83	71364-G02		'J' CLIP	1
84				
85	10570-G12		RIVET, 1/4" X 9/16" LG (ALUMINUM).....	4
86	10570-G10		RIVET, 5/32" X 9/16" LG (STAINLESS STEEL)	6
87	18436-G1		PLASTIC DRIVE RIVET, 1/4" X 9/16" LG	2
88				
89	71451-G02		REAR BUMPER (SHUTTLE 4, TE5 PDS)	1
90	71456-G01		REAR BUMPER (SHUTTLE 6) (INCLUDES ITEM 91)	1

THE USE OF NON U.L. PARTS WILL VOID ANY U.L. LISTING.
 When ordering parts, please specify the model and serial number of the product.
 * Indicates a component that is not available as an individual part.
 G** Indicates consult Customer Service Department for additional information.

ITEM	PART NO.	1 2 3 4 5	DESCRIPTION	QTY.
91	71457-G01		STAY	4
92	71398-G01		BOLT, 1/4 - 20 X 1 1/4" LG (SHUTTLE 4 - QTY 4) (SHUTTLE 6 - QTY 2)	AR
93	00559-G8		WASHER, 5/16" (SHUTTLE 4 - QTY 4) (SHUTTLE 6 - QTY 2).....	AR
94	71455-G01		BUMPER PLUG	4
95	01038-G01		BOLT, 1/4 - 20 x 11/16" LG	2
96	01042-G01		J-TYPE NUT RETAINER, 1/4 - 20.....	2
97				
98	70939-G01		REAR BUMPER (TE5)	1
99	01039-G01		BOLT, 1/4 - 20 X 5/8" LG	4
100	00559-G8		WASHER, 5/16"	4
101	71514-G01		BUMPER PLUG	4
102	14601-G17		RIVET, 3/16" X 9/16" LG (ALUMINUM)	4
103				
104				
105	71642-G01		ROCKER PANEL (FRONT, DRIVER SIDE)	1
106	71642-G02		ROCKER PANEL (FRONT, PASSENGER SIDE).....	1
107	71643-G01		ROCKER PANEL (REAR, DRIVER SIDE)	1
108	71643-G02		ROCKER PANEL (REAR, PASSENGER SIDE).....	1
109	71641-G01		SILL PLATE (PASSENGER SIDE)	1
110	71641-G02		SILL PLATE (DRIVER SIDE).....	1
111	16705-G1		SCREW, 1/4 - 20 X 1" LG (STAINLESS STEEL)	6
112	23726-G4		SPACER, 5/16"	6
113	00891-G2		LOCK NUT, 1/4 - 20	6
114	15058-G6		RIVET, 3/16" X 15/16" LG (ALUMINUM)	4
115				
116				
117	74126-G01		VERTICAL FRAME SUPPORT (PASSENGER SIDE)	1
118	74126-G02		VERTICAL FRAME SUPPORT (DRIVER SIDE).....	1
119	00427-G4		BOLT, 3/8 - 16 X 1 1/2" LG (SHUTTLE 4)	2
120	00427-G6		BOLT, 3/8 - 16 X 1 3/4" LG (SHUTTLE 6)	2

BODY

THE USE OF NON U.L. PARTS WILL VOID ANY U.L. LISTING.

When ordering parts, please specify the model and serial number of the product.

* Indicates a component that is not available as an individual part.

G** Indicates consult Customer Service Department for additional information.

ITEM	PART NO.	1 2 3 4 5	DESCRIPTION	QTY.
121	00560-G1		WASHER, 3/8"	4
122	11098-G5		LOCK NUT, 3/8 - 16	2
123				
124	74111-G01		SEAT BACK SUPPORT (SHUTTLE)	2
125				
126	70364-G01		SPACER (TE5 & SHUTTLE 6)	2
127	01006-G01		BOLT, 3/8 - 16 X 1 1/4" LG	4
128	00426-G8		BOLT, 3/8 - 16 X 1" LG	2
129	00560-G1		WASHER, 3/8"	4
130	11098-G5		LOCK NUT, 3/8 - 16	2
131				
132	74149-G01		VALANCE PANEL	1
133	16816-G2		RATCHET FASTENER, 1/4" X 3/4" LG	4
134				
135	35434-G01		LABEL (SHUTTLE)	2
136	35430-G13		LABEL (6)	2
137	35430-G14		LABEL (4)	2
138	73330-G01		LABEL (PRECISION DRIVE™ SYSTEM) (TE5).....	2
139	12109-G01		LABEL (F-R)	1
140	73317-G01		LABEL (F-R) (EC)	1
141				
142	75126-G01		FENDER SCUFFGUARD (DRIVER SIDE) (TE5)	1
143	75126-G02		FENDER SCUFFGUARD (PASSENGER SIDE) (TE5).....	1
144	16816-G2		RATCHET FASTENER, 1/4" X 3/4" LG	8
145				
146	74086-G01		HOLD DOWN BRACKET	1
147	70113-G01		ADJUSTABLE BUMPER	2
148	11027-G1		LOCK NUT, 5/16 - 18	4
149				
150	74080-G01		CARGO DECK	1

THE USE OF NON U.L. PARTS WILL VOID ANY U.L. LISTING.
 When ordering parts, please specify the model and serial number of the product.
 * Indicates a component that is not available as an individual part.
 G** Indicates consult Customer Service Department for additional information.

ITEM	PART NO.	1 2 3 4 5	DESCRIPTION	QTY.
151	23052-G1		NOISE SUPPRESSOR	1
152	74082-G01		STEEL DECK	1
153	74097-G01		CARGO BED MAT.....	1
154	16705-G3		SCREW, 1/4 - 20 X 3/4" LG (STAINLESS STEEL)	8
155	14390-G4		LOCK NUT, 1/4 - 20	8
156				
157	74089-G01		LATCH.....	1
158	10570-G10		RIVET, 5/32" X 9/16" LG (STAINLESS STEEL)	3
159	00559-G4		WASHER, #8.....	1
160				
161	34280-G02		FRONT/REAR CARGO RACK.....	2
162	34280-G01		SIDE CARGO RACK.....	2
163	74079-G01		TAILGATE RETAINER BRACKET.....	2
164	00666-G6		SCREW, #10 - 12 X 3/4" LG.....	10
165				
166	17838-G1		BUSHING	4
167	00440-G4		BOLT, 5/16 - 18 X 2 1/2" LG	2
168	00559-G8		WASHER, 5/16"	2
169	11098-G6		LOCK NUT, 5/16 - 18	2
170				
171	74099-G01		LABEL (WARNING) (BED LATCH - SHUTTLE 4).....	1
172	74095-G01		LABEL (WARNING) (LOAD BED - SHUTTLE 4)	1
173				
174				
175				
176	70361-G02		FOOT REST ASSEMBLY (INCLUDES ITEMS 177 - 179).....	1
177	70633-G01		FOOT REST	1
178	70362-G01		FLOOR MAT	1
179	74129-G01		REFLECTOR	1
180	19853-G1		END CAP	2

BODY

THE USE OF NON U.L. PARTS WILL VOID ANY U.L. LISTING.

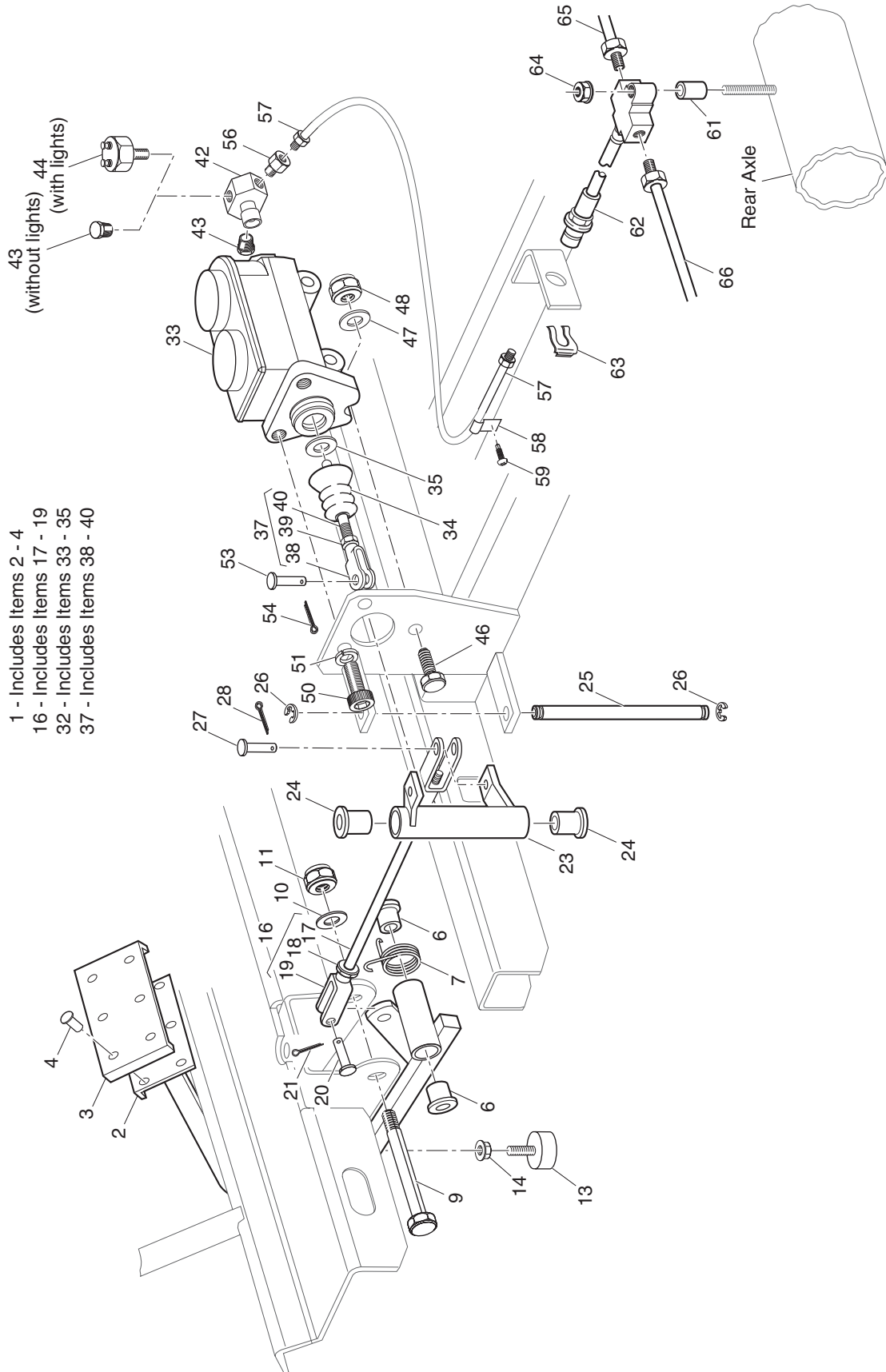
When ordering parts, please specify the model and serial number of the product.

* Indicates a component that is not available as an individual part.

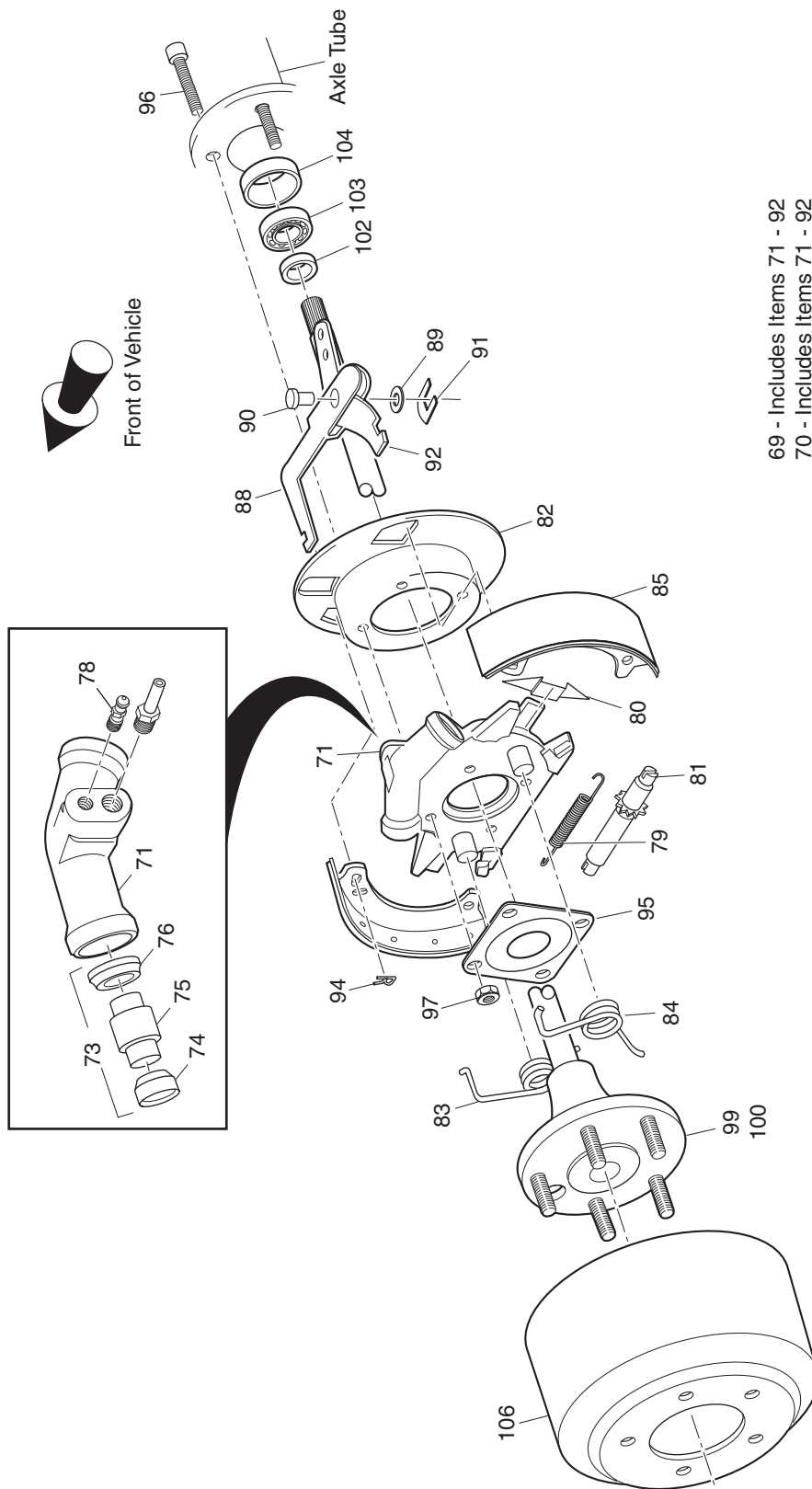
G** Indicates consult Customer Service Department for additional information.

ITEM	PART NO.	1 2 3 4 5	DESCRIPTION	QTY.
181	74132-G01		LABEL (WARNING).....	1
182	74074-G01		LABEL (WARNING) (EC)	1
183				
184	00769-G2		CARRIAGE BOLT, 3/8 - 16 X 1 1/4" LG	2
185	00560-G1		WASHER, 3/8"	2
186	11098-G5		LOCK NUT, 3/8 - 16	2
187				
188	00427-G6		BOLT, 3/8 - 16 X 1 3/4" LG	2
189	00560-G1		WASHER, 3/8"	4
190	11098-G5		LOCK NUT, 3/8 - 16	2
191				
192	70113-G01		ADJUSTABLE BUMPER	4
193	11027-G1		LOCK NUT, 5/16 - 18	6

BRAKES - HYDRAULIC



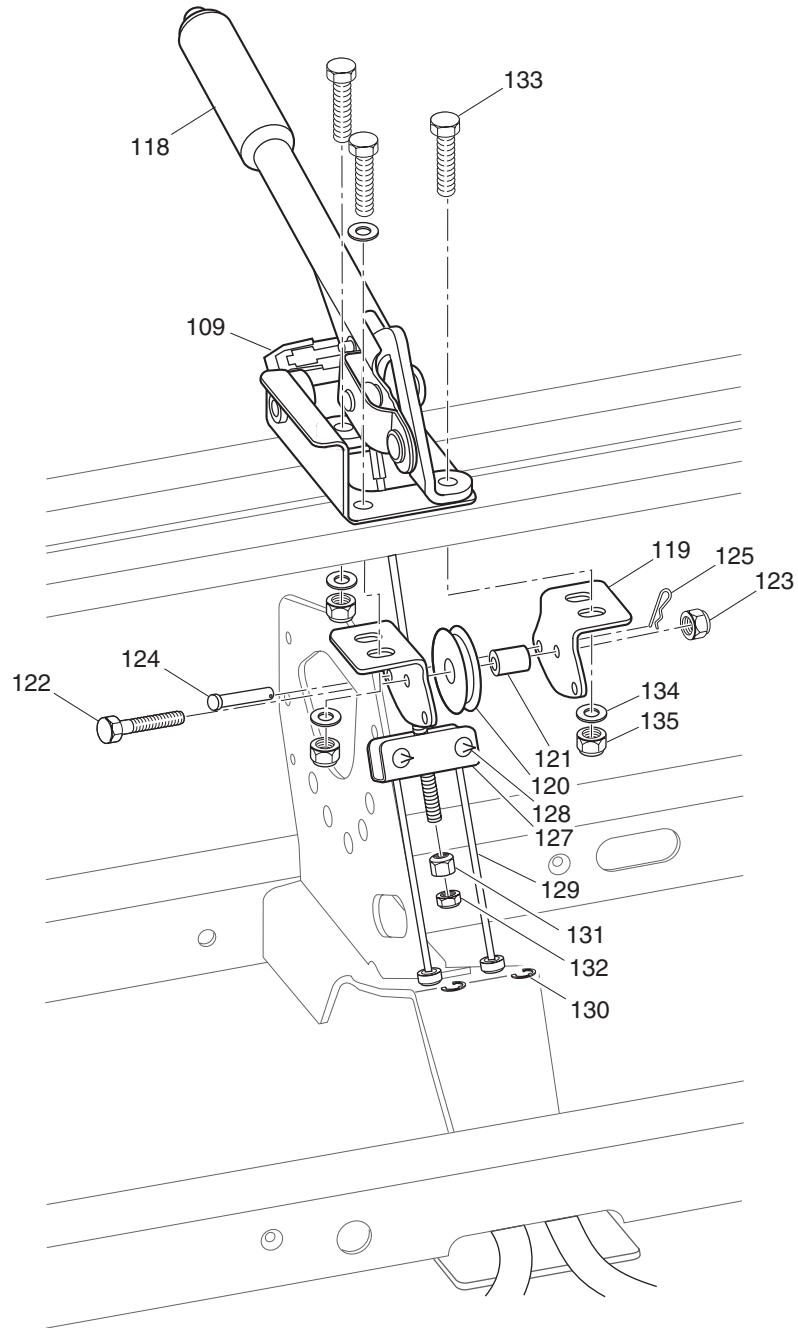
Ref Brh 7-1



- 69 - Includes Items 71 - 92
- 70 - Includes Items 71 - 92
- 73 - Includes Items 74 - 76
- 87 - Includes Items 88 - 92

BRAKES - HYDRAULIC

109 - Includes Items 110 - 116



Ref Brh 7-3

BRAKES - HYDRAULIC

THE USE OF NON U.L. PARTS WILL VOID ANY U.L. LISTING.
 When ordering parts, please specify the model and serial number of the product.
 * Indicates a component that is not available as an individual part.
 G** Indicates consult Customer Service Department for additional information.

ITEM	PART NO.	1 2 3 4 5	DESCRIPTION	QTY.
1	70886-G01		BRAKE PEDAL (INCLUDES ITEMS 2 - 4).....	1
2	70883-G01		PEDAL	1
3	70257-G01		PAD.....	1
4	16409-G1		OVAL RIVET, 1/8" X 15/32" LG.....	6
5				
6	70581-G01		FLANGED BUSHING	2
7	70676-G01		TORSION SPRING	1
8				
9	70582-G01		SHOULDER BOLT, 3/8 - 16 X 4" LG (STAINLESS STEEL).....	1
10	00643-G1		WASHER, 3/8"	1
11	11098-G5		LOCK NUT, 3/8 - 16	1
12				
13	70113-G01		ADJUSTABLE RUBBER BUMPER	1
14	11027-G1		LOCK NUT, 5/16 - 18	1
15				
16	30295-G8		LINKAGE ROD ASSEMBLY (INCLUDES ITEMS 17 - 19).....	1
17	30297-G8		THREADED ROD	1
18	10385-G4		CLEVIS YOKE ADJUSTABLE	2
19	00544-G4		JAM NUT, 5/16 - 24.....	2
20	10386-G3		CLEVIS PIN, 5/16" X 13/16" LG	1
21	10387-G3		COTTER PIN, 3/32" X 3/4" LG	1
22				
23	70415-G01		BRAKE BELLCRANK.....	1
24	70581-G01		FLANGED BUSHING	2
25	70410-G01		BELLCRANK SHAFT	1
26	12305-G1		RETAINING RING, 13/32" ID.....	2
27	10386-G3		CLEVIS PIN, 5/16" X 13/16" LG	1
28	10387-G3		COTTER PIN, 3/32" X 3/4" LG	1
29				
30				

BRAKES - HYDRAULIC

THE USE OF NON U.L. PARTS WILL VOID ANY U.L. LISTING.

When ordering parts, please specify the model and serial number of the product.

* Indicates a component that is not available as an individual part.

G** Indicates consult Customer Service Department for additional information.

ITEM	PART NO.	1 2 3 4 5	DESCRIPTION	QTY.
31	28066-G02		MASTER CYLINDER REPAIR KIT (NOT SHOWN).....	AR
32	70643-G03		MASTER CYLINDER SERVICE KIT (INCLUDES ITEMS 33 - 35)	1
33	*		MASTER CYLINDER.....	1
34	32768-G1		BOOT	1
35	00675-G1		WASHER, 3/8"	1
36				
37	30298-G2		PUSH ROD ASSEMBLY (INCLUDES ITEMS 38 - 40).....	1
38	30293-G2		PUSH ROD, 3 1/8" LG	1
39	21508-G1		CLEVIS YOKE	1
40	00544-G6		JAM NUT, 3/8 - 24.....	1
41				
42	26469-G01		TEE BRANCH (MALE)	1
43	21503-G1		PIPE PLUG	A/R
44	21510-G1		STOPLIGHT SWITCH (IF EQUIPPED WITH BRAKE LIGHTS)	1
45				
46	00427-G4		BOLT, 3/8 - 16 X 1 1/2" LG	2
47	00560-G1		WASHER, 3/8"	1
48	11098-G5		LOCK NUT, 3/8 - 16	2
49				
50	01020-G01		SCREW, 3/8 - 16 X 1" LG.....	1
51	00566-G1		LOCK WASHER, 3/8".....	1
52				
53	14443-G3		CLEVIS PIN, 5/16" X 1 " LG	1
54	10387-G3		COTTER PIN, 3/32" X 3/4" LG	1
55				
56	33724-G01		INVERTED FLARE FITTING.....	1
57	21104-G11		BRAKE LINE WITH NUTS, 60" LG	1
58	11845-G5		INSULATED CABLE CLAMP, 3/8"	1
59	00100-G6		SELF THREADING SCREW, #10 X 3/4" LG.....	1
60				

BRAKES - HYDRAULIC

THE USE OF NON U.L. PARTS WILL VOID ANY U.L. LISTING.
 When ordering parts, please specify the model and serial number of the product.
 * Indicates a component that is not available as an individual part.
 G** Indicates consult Customer Service Department for additional information.

ITEM	PART NO.	1	2	3	4	5	DESCRIPTION	QTY.
61	73266-G01						SPACER.....	1
62	33534-G01						HYDRAULIC HOSE - 10 1/2" LG.....	1
63	11456-G1						FLEX HOSE CLIP.....	1
64	11098-G6						LOCK NUT, 5/16 - 18.....	1
65	21104-G9						BRAKE LINE WITH NUTS - 30" LG.....	1
66	21104-G6						BRAKE LINE WITH NUTS - 8" LG.....	1
67								
68								
69	33725-G02						BRAKE ASSEMBLY (DRIVER SIDE) (INCLUDES ITEMS 71 - 92).....	1
70	33725-G01						BRAKE ASSEMBLY (PASSENGER SIDE) (INCLUDES ITEMS 71 - 92).....	1
71	21086-G1						TORQUE SPIDER.....	1
72								
73	70771-G01						WHEEL CYLINDER REPAIR KIT (INCLUDES ITEMS 74 - 76).....	1
74	21087-G1						WHEEL CYLINDER PISTON.....	2
75	21088-G1						HYDRAULIC CUP.....	2
76	21089-G1						SEAL.....	2
77								
78	21094-G1						BLEEDER VALVE.....	1
79	21095-G1						LOWER SPRING.....	1
80	21096-G1						SHOE HOLD DOWN.....	1
81	21097-G1						ADJUSTER.....	1
82	21908-G1						DUST SHIELD.....	1
83	70670-G01						SPRING (YELLOW).....	1
84	70669-G01						SPRING (BLUE).....	1
85	33726-G01						BRAKE SHOE.....	1
86								
87	*						PARKING BRAKE LEVER ASSEMBLY (INCLUDES ITEMS 88 - 92).....	1
88	13460-G1						CURVED LEVER.....	1
89	13463-G1						SPRING WASHER.....	1
90	13462-G1						CLEVIS PIN.....	1

BRAKES - HYDRAULIC

THE USE OF NON U.L. PARTS WILL VOID ANY U.L. LISTING.
 When ordering parts, please specify the model and serial number of the product.
 * Indicates a component that is not available as an individual part.
 G** Indicates consult Customer Service Department for additional information.

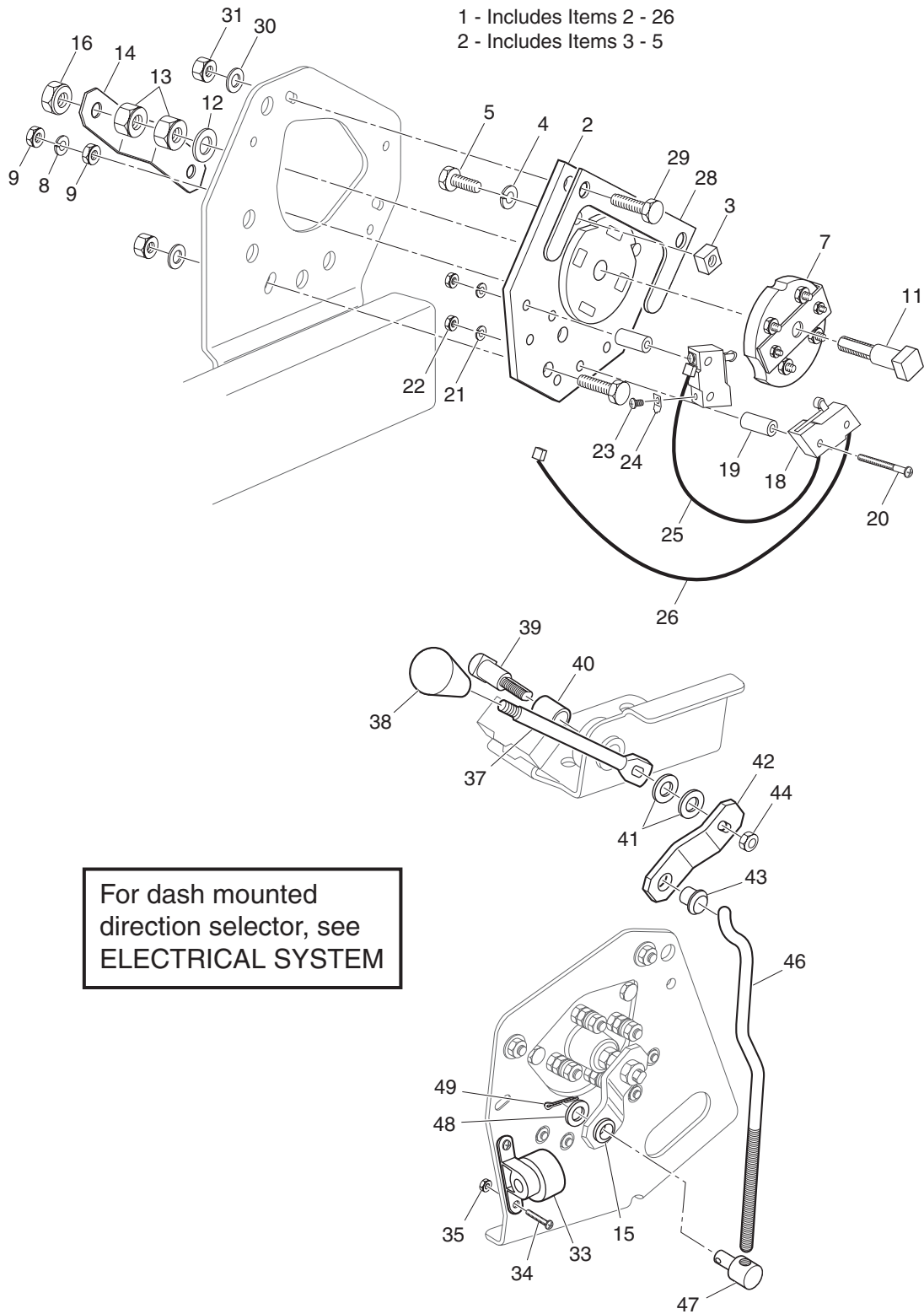
ITEM	PART NO.	1 2 3 4 5	DESCRIPTION	QTY.
91	13464-G1		CLEVIS PIN RETAINER.....	1
92	22604-G1		STRAIGHT LEVER	2
93				
94	13468-G1		CLIP	2
95	21559-G1		WIPER SEAL	1
96	33662-G01		STUD, 5/16 - 24 X 1 5/8" LG	4
97	21562-G1		NUT, 5/16 - 24	4
98				
99	XXXXX-XX		AXLE SHAFT (DRIVER SIDE) (SEE REAR AXLE SECTION FOR P/N).....	1
100	XXXXX-XX		AXLE SHAFT (PASSENGER SIDE) (SEE REAR AXLE SECTION FOR P/N) ...	1
101				
102	XXXXX-XX		BEARING RETAINER RING (SEE REAR AXLE SECTION FOR P/N)	1
103	XXXXX-XX		WHEEL BEARING (SEE REAR AXLE SECTION FOR P/N)	1
104	XXXXX-XX		INNER OIL SEAL (SEE REAR AXLE SECTION FOR P/N).....	1
105				
106	17953-G2		BRAKE DRUM	2
107				
108				
109	70866-G01		SHIFT BRACKET AND SWITCH (INCLUDES ITEMS 110 - 116)	1
110	70821-G01		BRACKET	1
111	70889-G01		LIMIT SWITCH.....	1
112	00645-G2		SCREW, #6 - 32 X 1 1/4" LG	2
113	00559-G3		WASHER, #6	2
114	00565-G3		LOCK WASHER, #6	2
115	00525-G5		NUT, #6 - 32.....	2
116	12914-G1		FASTON TAB, 9/32" X 11/32"	2
117				
118	75791-G02		BRAKE LEVER WITH CABLE	1
119	70926-G01		PULLY BRACKET	2
120	70841-G01		PULLY, 2"	1

BRAKES - HYDRAULIC

THE USE OF NON U.L. PARTS WILL VOID ANY U.L. LISTING.
 When ordering parts, please specify the model and serial number of the product.
 * Indicates a component that is not available as an individual part.
 G** Indicates consult Customer Service Department for additional information.

ITEM	PART NO.	1 2 3 4 5	DESCRIPTION	QTY.
121	23726-G9		SPACER, 3/4"	1
122	00439-G4		BOLT, 5/16 - 18 X 1 1/2" LG	1
123	11098-G6		LOCK NUT, 5/16 - 18	1
124	14443-G3		CLEVIS PIN, 5/16" X 1"	1
125	01076-G01		COTTER PIN, 1 3/16"	1
126				
127	28082-G01		BRAKE CABLE EQUALIZER	1
128	28083-G01		EQUALIZER BUMPER.....	2
129	70700-G12		BRAKE CABLE	2
130	12305-G1		RETAINING RING	2
131	00963-G1		SPHERICAL NUT, 5/16 - 24.....	1
132	11098-G9		LOCK NUT, 5/16 - 24	1
133	00427-G8		BOLT, 3/8 - 16 X 2" LG	3
134	00560-G1		WASHER, 3/8"	4
135	00891-G1		LOCK NUT, 3/8 - 16	3

DIRECTION SELECTOR



Ref Dsl 7

DIRECTION SELECTOR

THE USE OF NON U.L. PARTS WILL VOID ANY U.L. LISTING.

When ordering parts, please specify the model and serial number of the product.

* Indicates a component that is not available as an individual part.

G** Indicates consult Customer Service Department for additional information.

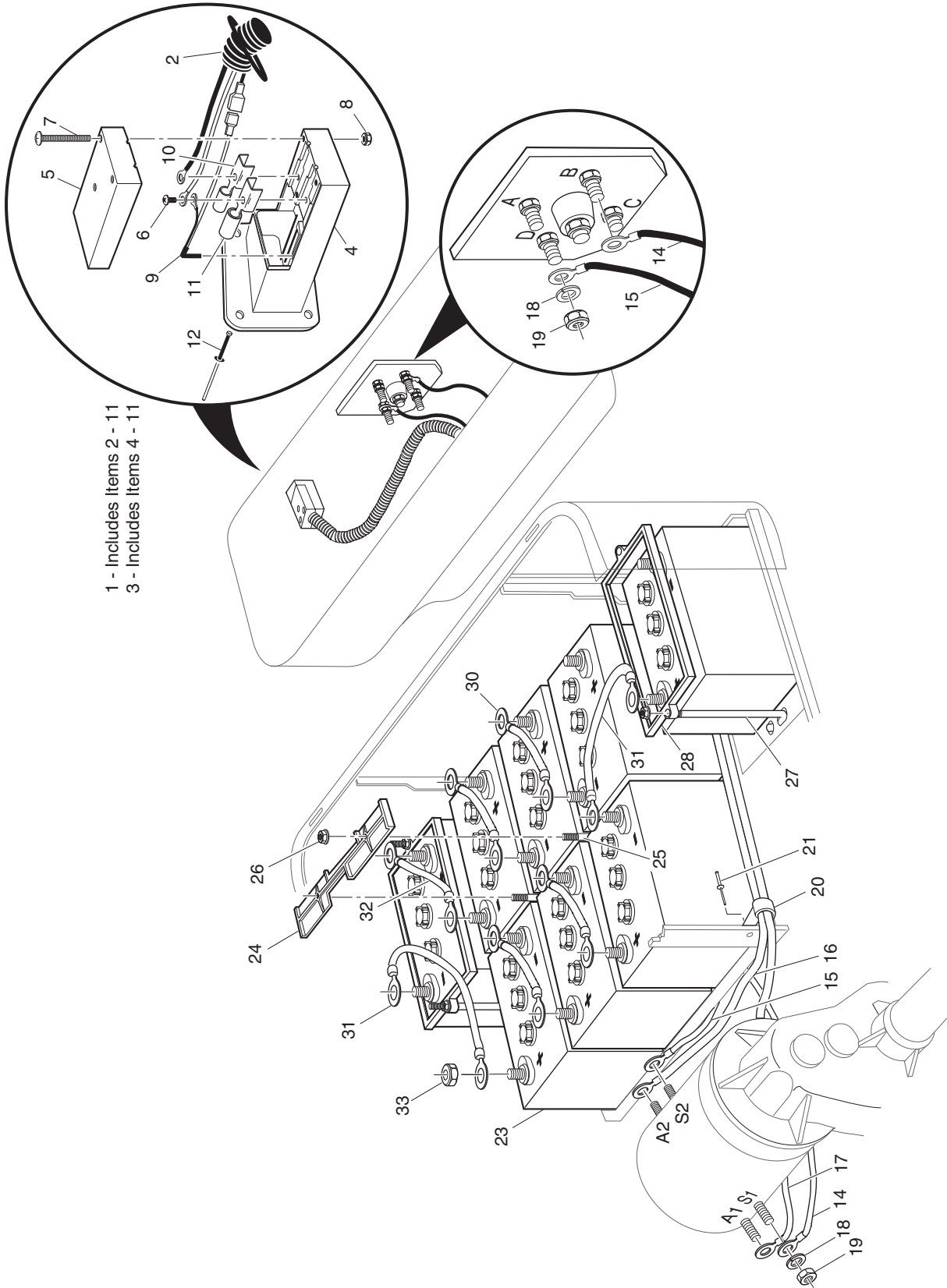
ITEM	PART NO.	1	2	3	4	5	DESCRIPTION	QTY.
1	70830-G01						DIRECTION SELECTOR ASSEMBLY (INCLUDES ITEMS 2 - 26)	1
2	14651-G1						CONTACT BOARD ASSEMBLY (INCLUDES ITEMS 3 - 5)	1
3	24940-G1						STOP	2
4	00565-G7						LOCK WASHER, 1/4"	2
5	00414-G6						BOLT, 1/4 - 20 X 3/4" LG	2
6								
7	12835-G1						CAM	1
8	00565-G8						LOCK WASHER, 5/16"	4
9	00544-G3						NUT, 5/16 - 18	8
10								
11	34169-G01						SHAFT	1
12	00560-G1						WASHER, 3/8"	1
13	00532-G6						NUT, 3/8 - 24	2
14	70817-G01						SHIFT ARM	1
15	22754-G3						BUSHING	1
16	14390-G1						LOCK NUT, 3/8 - 24	1
17								
18	10606-G2						MICRO SWITCH (HEAVY DUTY)	2
19	12806-G1						SPACER	4
20	00645-G6						SCREW, #6 - 32 X 1 3/4" LG	4
21	00565-G3						LOCK WASHER, #6	4
22	00525-G5						NUT, #6 - 32	4
23	13514-G1						SCREW #6 - 32 X 1/4" LG (BRASS)	3
24	14628-G1						FASTON TAB	4
25	25974-G19						10 GA WIRE (RED 5")	1
26	25978-G234						18 GA WIRE (RED 6")	1
27								
28	15461-G1						PLATE	1
29	00414-G8						SCREW, 1/4 - 20 X 1" LG	3
30	00559-G7						WASHER, 1/4"	4

DIRECTION SELECTOR

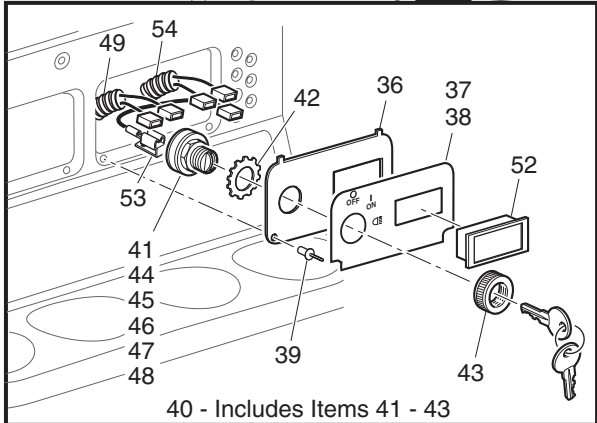
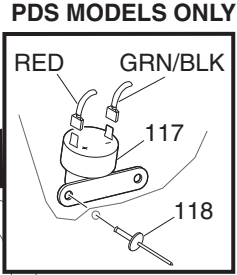
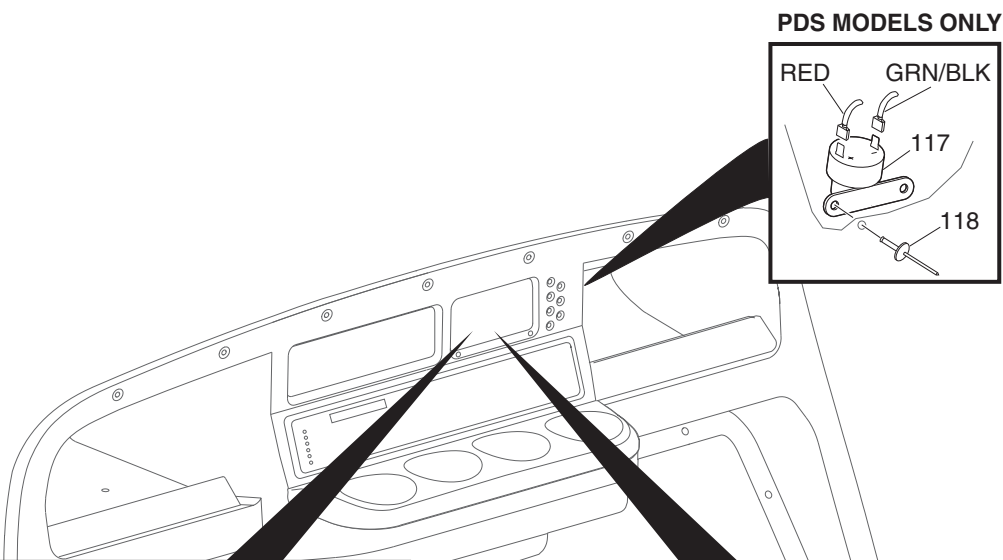
THE USE OF NON U.L. PARTS WILL VOID ANY U.L. LISTING.
 When ordering parts, please specify the model and serial number of the product.
 * Indicates a component that is not available as an individual part.
 G** Indicates consult Customer Service Department for additional information.

ITEM	PART NO.	1 2 3 4 5	DESCRIPTION	QTY.
31	14390-G4		LOCK NUT, 1/4 - 20	3
32				
33	73290-G02		REVERSE WARNING BUZZER.....	1
34	00645-G4		SCREW, #6 - 32 X 1/2" LG.....	2
35	14390-G9		LOCK NUT, #6 - 32	2
36				
37	34168-G01		SHIFTER HANDLE	1
38	11989-G1		SHIFT KNOB.....	1
39	70824-G01		SHAFT.....	1
40	25664-G2		BEARING, DU	1
41	00560-G1		WASHER, 3/8"	2
42	70825-G01		SHIFT ARM	1
43	22754-G3		BUSHING	1
44	14390-G1		LOCK NUT, 3/8 - 24	1
45				
46	70816-G01		SHIFT LINK	1
47	70815-G01		TRUNNION	1
48	00571-G2		WASHER, 5/16"	1
49	10387-G3		COTTER PIN, 3/32" X 3/4" LG	1

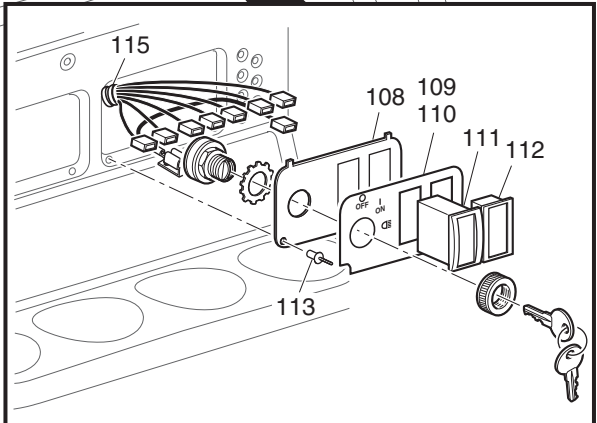
ELECTRICAL SYSTEM



Ref Ele 7-1



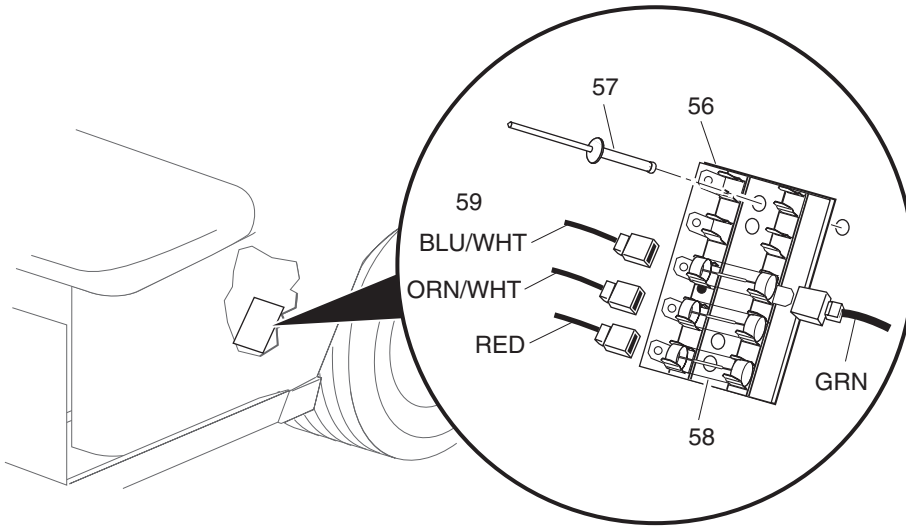
STATE OF CHARGE METER AND KEY SWITCH



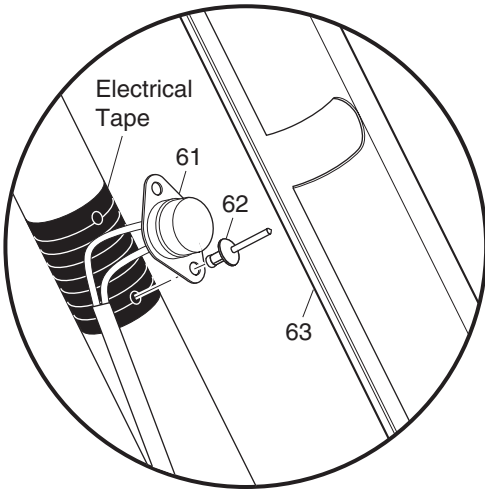
**PDS MODELS ONLY:
DASH MOUNTED DIRECTION SELECTOR,
STATE OF CHARGE METER AND KEY SWITCH**

Ref Ele 7-2

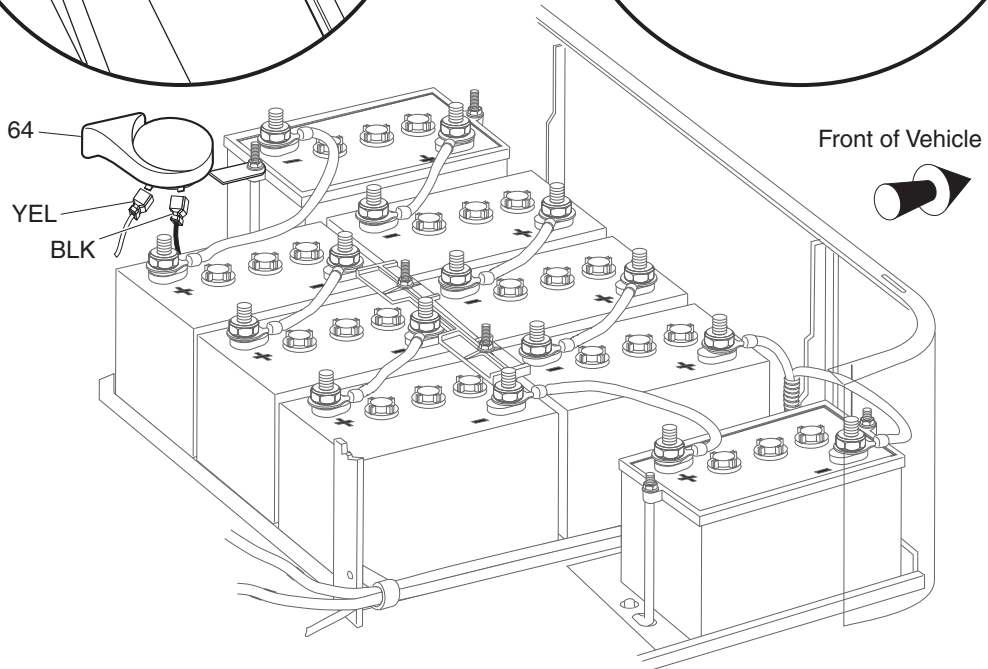
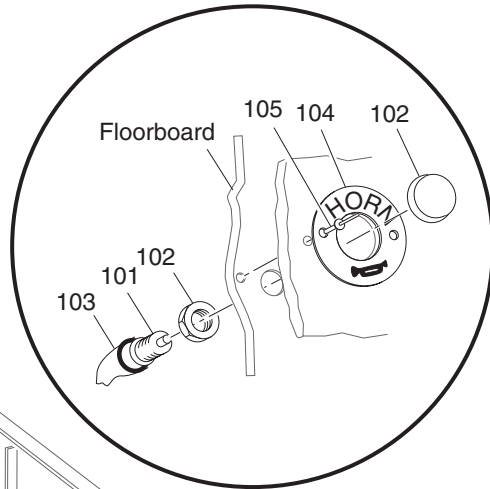
ELECTRICAL SYSTEM



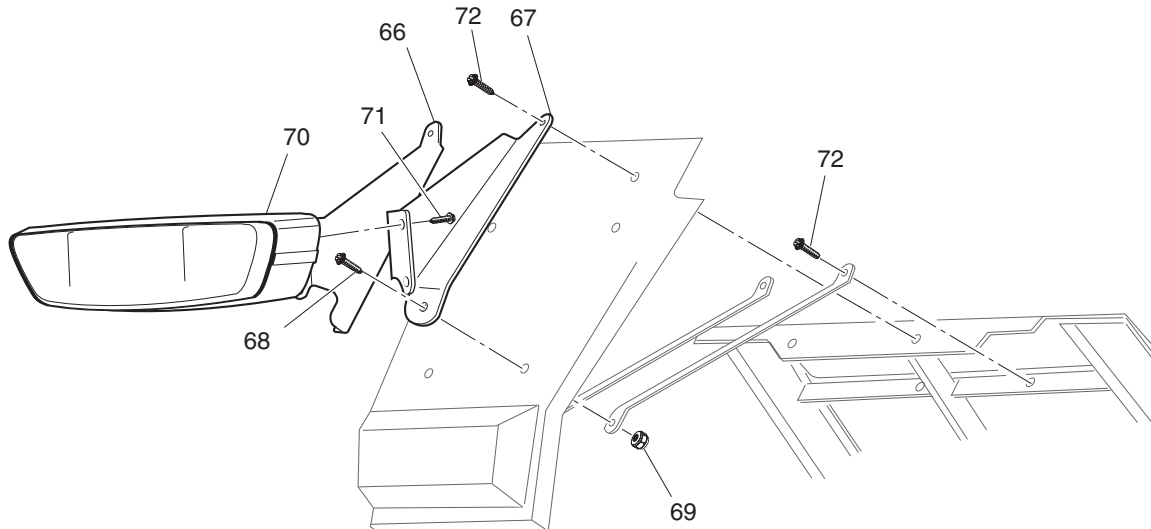
COLUMN MOUNTED HORN BUTTON



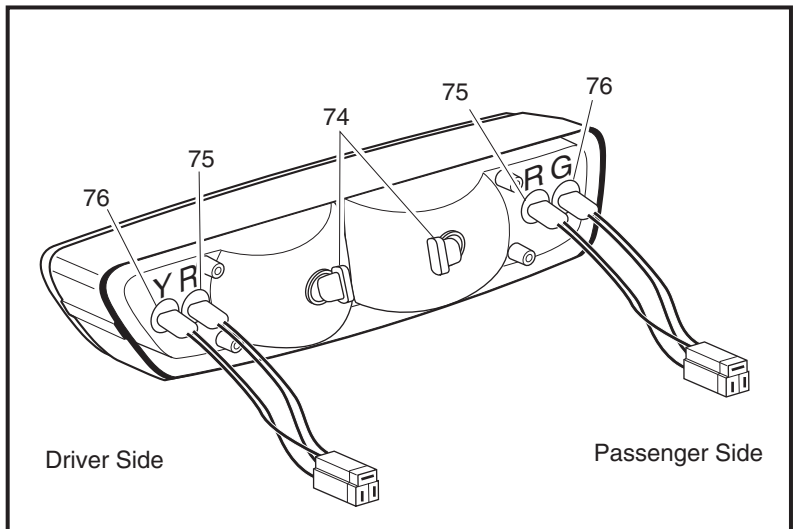
FLOOR MOUNTED HORN BUTTON



Ref Ele 7-3

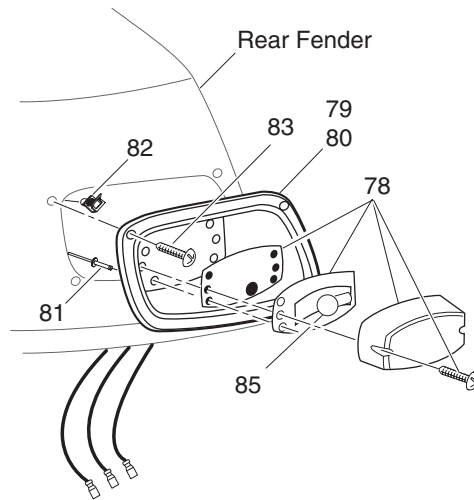


HEADLIGHT

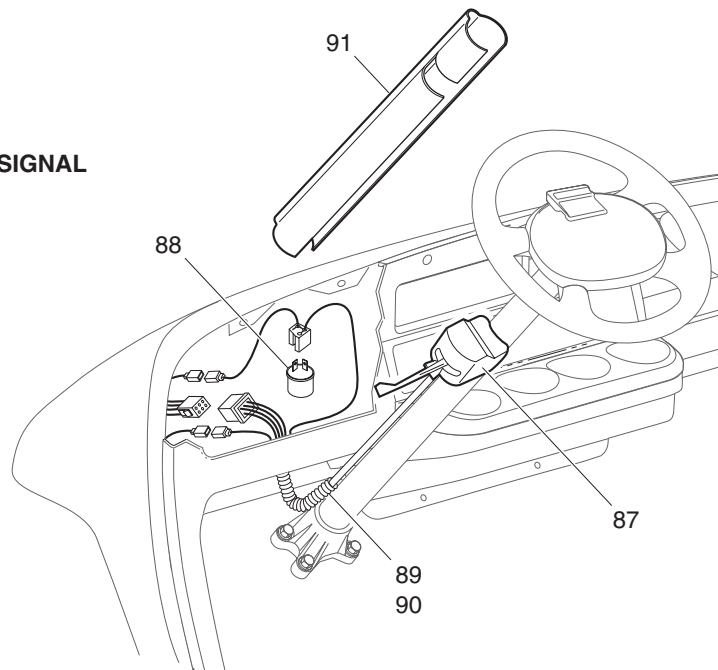


Ref Ele 7-4

ELECTRICAL SYSTEM



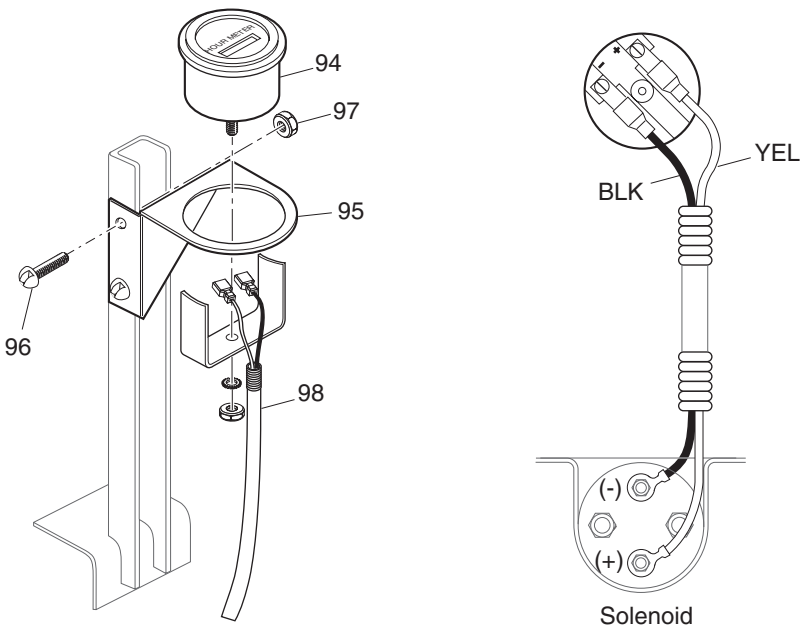
TURN SIGNAL



Ref Ele 7-5

HOUR METER

93 - Includes Items 94 - 98



Ref Ele 7-6

ELECTRICAL SYSTEM

THE USE OF NON U.L. PARTS WILL VOID ANY U.L. LISTING.

When ordering parts, please specify the model and serial number of the product.

* Indicates a component that is not available as an individual part.

G** Indicates consult Customer Service Department for additional information.

ITEM	PART NO.	1 2 3 4 5	DESCRIPTION	QTY.
1	73311-G0*		CHARGER HARNESS / RECEPTACLE (INCLUDES ITEMS 2 - 11)	1
2	73312-G0*		CHARGER HARNESS.....	1
3	73051-G30		CHARGER HARNESS RECEPTACLE (INCLUDES ITEMS 4 - 11)	1
4	73051-G22		RECEPTACLE BOTTOM	1
5	73051-G21		RECEPTACLE COVER	1
6	73051-G08		SCREW, #10 - 32 X 1/2" LG.....	2
7	73051-G09		SCREW, #6 - 32 X 1 3/4" LG.....	3
8	73051-G10		LOCK NUT, #6 - 32	3
9	73051-G28		REED SWITCH, ENCAPSULATED.....	1
10	73051-G23		FEMALE CONTACT	1
11	73051-G24		FEMALE CONTACT, INSULATED	1
12	71055-G01		RIVET, 3/16" X 1" LG	4
13				
14	25971-G08		4 GA WIRE (BLK 95") (DIRECTION SELECTOR - MOTOR: B - S1)	1
15	25971-G07		4 GA WIRE (BLK 90") (DIRECTION SELECTOR - MOTOR: D - S2)	1
16	25971-G09		4 GA WIRE (BLK 88") (ESC - MOTOR: A2 - A2)	1
17	25971-G10		4 GA WIRE (BLK 92 1/2") (ESC - MOTOR: B+ - A1)	1
18	00567-G8		LOCK WASHER, 5/16"	8
19	00532-G3		NUT, 5/16 - 18	8
20	27327-G0*		CLAMP	1
21	10570-G11		RIVET, 3/16" X 3/4" LG (STAINLESS STEEL)	1
22				
23	XXXXX-G**		6 VOLT BATTERY	8
24	70045-G01		BATTERY RETAINER	1
25	70121-G01		HOLD DOWN BOLT	2
26	11027-G1		LOCK NUT, 5/16 - 18	6
27	70386-G01		HOLD DOWN BOLT	4
28	70387-G01		BATTERY RETAINER	2
29				
30	25972-G40		6 GA WIRE (BLK 6")	4

ELECTRICAL SYSTEM

THE USE OF NON U.L. PARTS WILL VOID ANY U.L. LISTING.
 When ordering parts, please specify the model and serial number of the product.
 * Indicates a component that is not available as an individual part.
 G** Indicates consult Customer Service Department for additional information.

ITEM	PART NO.	1	2	3	4	5	DESCRIPTION	QTY.
31	23540-G1						6 GA WIRE (BLK 21")	2
32	11893-G1						6 GA WIRE (BLK 8 1/2")	1
33	00702-G2						NUT, 5/16 - 18	16
34								
35								
36	73030-G02						CONSOLE INSERT PLATE	1
37	71123-G02						LABEL, CONSOLE INSERT PLATE (WITHOUT LIGHTS)	1
38	71129-G01						LABEL, CONSOLE INSERT PLATE (WITH LIGHTS)	1
39	33623-G02						RIVET, 3/16" X 3/8" LG	2
40	17421-G1						IGNITION SWITCH KIT (INCLUDES ITEMS 41 - 43)	1
41	18602-G1						IGNITION SWITCH (WITHOUT LIGHTS, STANDARD KEY)	1
42	00568-G6						LOCK WASHER, 3/4"	1
43	17137-G1						FACE NUT	1
44	17955-G1						IGNITION SWITCH (WITHOUT LIGHTS, NON-STANDARD KEY)	1
45	18027-G1						IGNITION SWITCH (WITHOUT LIGHTS, INDIVIDUALLY KEYED)	1
46	33639-G01						IGNITION SWITCH (WITH LIGHTS, STANDARD KEY)	1
47	33639-G02						IGNITION SWITCH (WITH LIGHTS, NON-STANDARD KEY)	1
48	33639-G03						IGNITION SWITCH (WITH LIGHTS, INDIVIDUALLY KEYED)	1
49	70828-G01						WIRE HARNESS (KEY SWITCH)	1
50	17618-G1						WIRE TIE	6
51								
52	33636-G03						STATE OF CHARGE METER	1
53	25978-G74						18 GA WIRE (RED 6")	1
54	74018-G02						WIRE HARNESS (STATE OF CHARGE METER)	1
55								
56	22674-G1						FUSE BLOCK	1
57	71010-G01						RIVET, 5/32" X 3/8" LG	2
58	18392-G1						FUSE, 15 AMP	3
59	73073-G01						WIRE HARNESS (ACCESSORY)	1
60								

ELECTRICAL SYSTEM

THE USE OF NON U.L. PARTS WILL VOID ANY U.L. LISTING.

When ordering parts, please specify the model and serial number of the product.

* Indicates a component that is not available as an individual part.

G** Indicates consult Customer Service Department for additional information.

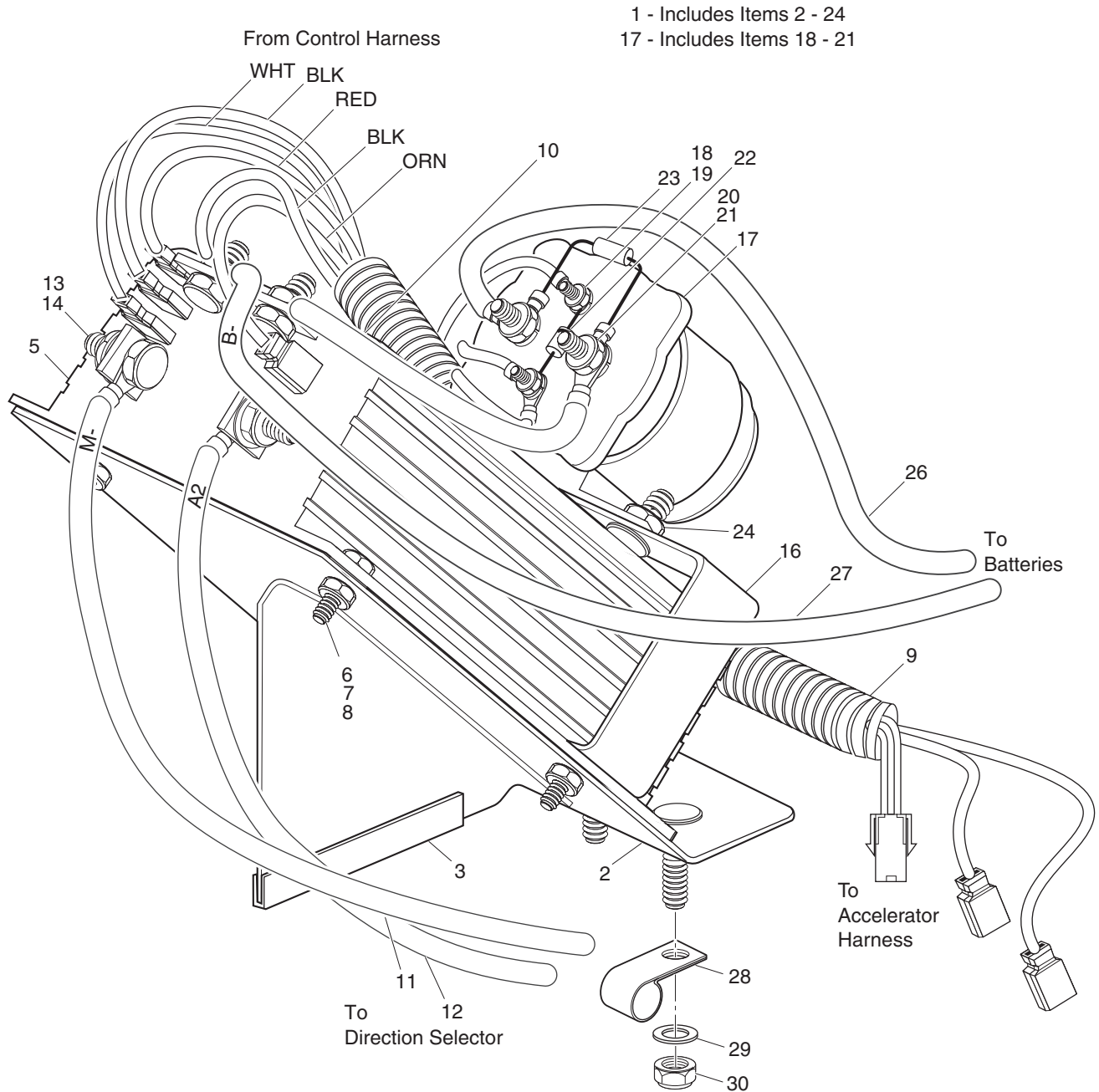
ITEM	PART NO.	1 2 3 4 5	DESCRIPTION	QTY.
61	28363-G01		HORN SWITCH.....	1
62	14601-G8		RIVET, 3/16" X 7/16" LG (ALUMINUM).....	2
63	20961-G3		STEERING COLUMN COVER.....	1
64	32860-G1		HORN.....	1
65				
66	74236-G01		HEADLIGHT MOUNT BRACKET (PASSENGER SIDE).....	1
67	74236-G02		HEADLIGHT MOUNT BRACKET (DRIVER SIDE).....	1
68	00414-G6		BOLT, 1/4 - 20 X 3/4" LG.....	2
69	11027-G2		LOCK NUT, 1/4 - 20.....	2
70	74001-G01		HEADLIGHT AND TURN SIGNAL LIGHT BAR.....	1
71	00114-G6		SCREW, 1/4 - 20 X 3/4" LG.....	4
72	XXXXX-XX		SEE BODY SECTION	
73				
74	74004-G01		HEADLIGHT BULB.....	2
75	74005-G01		MARKER LIGHT BULB.....	2
76	74006-G01		TURN SIGNAL BULB.....	2
77				
78	22260-G2		TAILLIGHT ASSEMBLY.....	2
79	74371-G01		BEZEL (DRIVER SIDE).....	1
80	74371-G02		BEZEL (PASSENGER SIDE).....	1
81	14601-G11		RIVET, 3/16" X 9/16" LG (ALUMINUM).....	4
82	71364-G02		'J' CLIP.....	8
83	71425-G01		COUNTERSUNK SCREW, #3 - 18 X 3/4" LG.....	8
84				
85	21759-G1		TAILLIGHT BULB.....	2
86				
87	17867-G1		TURN SIGNAL (WITH MOUNTING HARDWARE) (INCLUDES ITEM 88).....	1
88	21640-G1		TURN SIGNAL FLASHER.....	1
89	32307-G3		FLEX LOOM, 3/8" X 8" LG.....	1
90	17618-G1		WIRE TIE.....	2

ELECTRICAL SYSTEM

THE USE OF NON U.L. PARTS WILL VOID ANY U.L. LISTING.
 When ordering parts, please specify the model and serial number of the product.
 * Indicates a component that is not available as an individual part.
 G** Indicates consult Customer Service Department for additional information.

ITEM	PART NO.	1	2	3	4	5	DESCRIPTION	QTY.
91	20965-G3						STEERING COLUMN COVER.....	1
92								
93	75113-G06						HOUR METER KIT (INCLUDES ITEMS 94 - 98).....	1
94	21573-G1						HOUR METER ASSEMBLY.....	1
95	74019-G01						HOUR METER BRACKET.....	1
96	00150-G4						SCREW, #10 - 24 X 1/2" LG.....	2
97	11098-G7						LOCK NUT, #10 - 24.....	2
98	75117-G04						WIRE HARNESS (HOUR METER).....	1
99								
100								
101	17318-G1						HORN SWITCH.....	1
102	17318-G2						HORN SWITCH CAP AND NUT.....	1
103	27068-G01						HORN SWITCH BOOT.....	1
104	19233-G1						HORN SWITCH LABEL.....	1
105	71055-G01						RIVET, 3/16" X 1" LG.....	2
106								
107								
108	73030-G06						CONSOLE INSERT PLATE.....	1
109	74320-G01						LABEL, DIRECTION SELECTOR AND STATE OF CHARGE METER.....	1
110	74322-G01						LABEL, LIGHTS, DIRECTION SELECTOR & STATE OF CHARGE METER.....	1
111	74323-G01						DIRECTION SELECTOR SWITCH.....	1
112	33638-G05						STATE OF CHARGE METER (VERTICAL).....	1
113	33623-G02						RIVET, 3/16" X 3/8" LG.....	2
114								
115	73334-G01						HARNESS (CONTROL).....	1
116								
117	73290-G02						BUZZER.....	1
118	71045-G01						RIVET, 5/32" X 3/4" LG.....	2

ELECTRONIC SPEED CONTROL



Ref Esc 7

ELECTRONIC SPEED CONTROL

THE USE OF NON U.L. PARTS WILL VOID ANY U.L. LISTING.

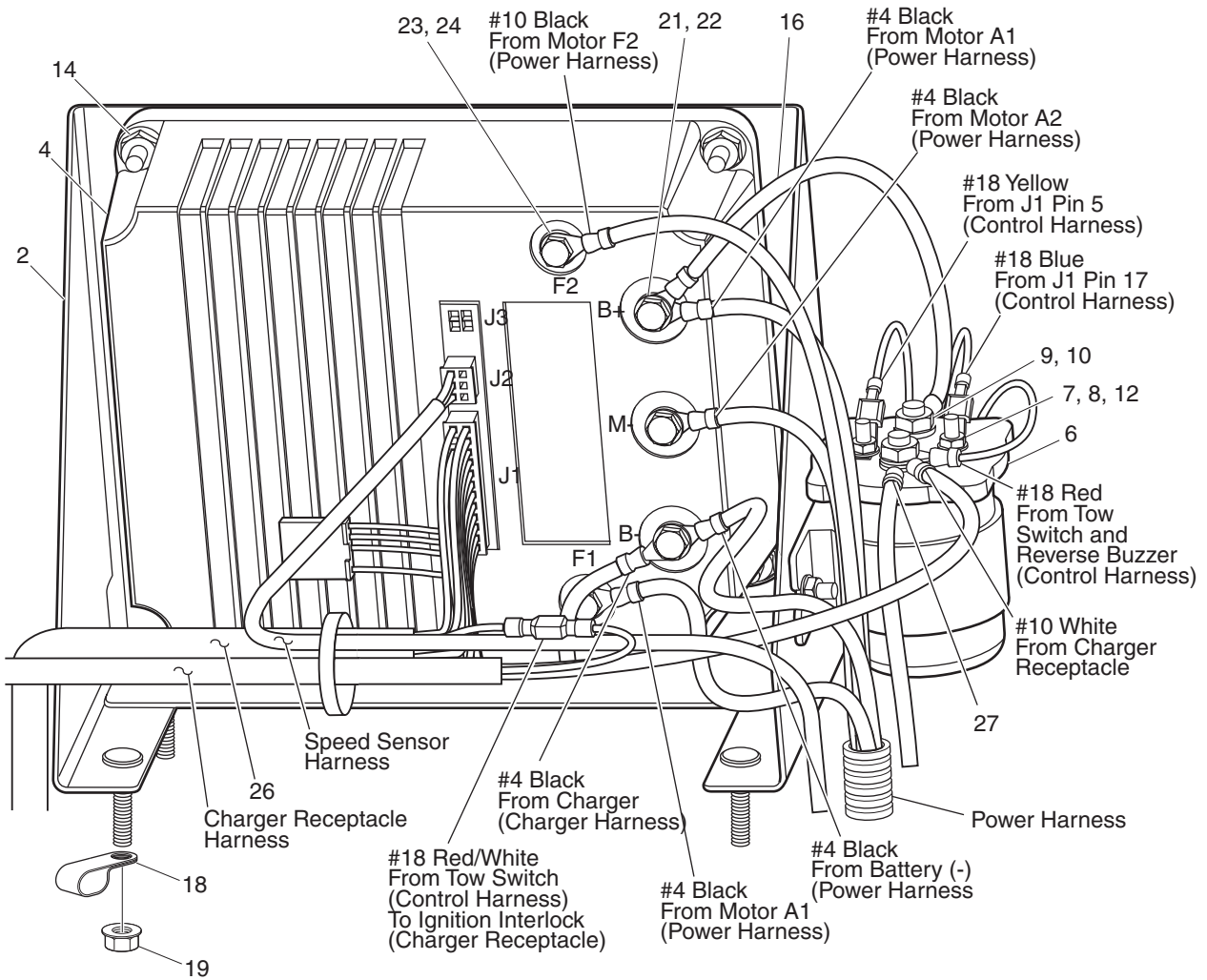
When ordering parts, please specify the model and serial number of the product.

* Indicates a component that is not available as an individual part.

G** Indicates consult Customer Service Department for additional information.

ITEM	PART NO.	1	2	3	4	5	DESCRIPTION	QTY.	
1	73068-G05							ELECTRONIC SPEED CONTROL ASSEMBLY (INCLUDES ITEMS 2 - 24).....	1
2	73225-G01							CONTROLLER MOUNT	1
3	32617-G1							TRIM	1
4									
5	73233-G01							ELECTRONIC SPEED CONTROLLER	1
6	00414-G5							BOLT, 1/4 - 20 X 5/8" LG	4
7	00559-G7							WASHER, 1/4"	4
8	11027-G2							LOCK NUT, 1/4 - 20	4
9	73071-G05							WIRE HARNESS (CONTROL)	1
10	25972-G83							6 GA WIRE (BLK 9") (CONTROLLER B+ - SOL)	1
11	25972-G80							6 GA WIRE (BLK 19") (CONTROLLER A2 - DIRECTION SELECTOR A)...	1
12	25972-G84							6 GA WIRE (BLK 26") (CONTROLLER M- - DIRECTION SELECTOR C)...	1
13	00438-G6							BOLT, 5/16 - 18 X 3/4" LG	4
14	11027-G1							FLANGED NUT, 5/16 - 18	4
15									
16	73229-G01							SOLENOID BRACKET	1
17	73231-G01							48 VOLT SOLENOID (INCLUDES ITEMS 18 - 21)	1
18	*							LOCK WASHER, #10	2
19	*							NUT, #10 - 32	2
20	*							LOCK WASHER, 5/16	2
21	*							JAM NUT, 5/16 - 24	2
22	30353-G1							DIODE	1
23	21764-G1							RESISTOR	1
24	11027-G2							LOCK NUT, 1/4 - 20	2
25									
26	25971-G06							4 GA WIRE (BLK 59 1/2") (SOL - BATTERY +)	1
27	25971-G05							4 GA WIRE (BLK 56") (CONTROLLER B- - BATTERY -)	1
28	11845-G6							INSULATED CABLE CLAMP, 1"	1
29	00559-G7							WASHER, 1/4"	3
30	14390-G4							LOCK NUT, 1/4 - 20	3

ELECTRONIC SPEED CONTROL - PDS



Code	Fault Code	Symptoms	Corrective Action
B1	HW FAILURE	Vehicle will not run	Check motor wiring, replace controller
B2	THROTTLE FAULT 1	Vehicle will not run	Check throttle wiring, throttle potentiometer, replace IFS
B3	SPEED SENSOR FAULT	Vehicle runs slowly	Check sensor wiring, potentiometer, and wiring, replace sensor if required
B4	HPD	Vehicle will not run	Check pedal box, linkage, switch and key switch, correct electrical polarity
B5	MOTOR STALL	Vehicle stopped	Check wiring
B6	LOW BATTERY VOLTAGE	Vehicle performance reduced	Charge batteries, replace bad batteries
B7	CIRCUIT OPEN	Charge performance reduced	Check for battery polarity, all terminals are correct
B8	THROTTLE OUTSTAGE	Vehicle performance reduced	Allow controller to cool
B9	Wiring Short to GND	Vehicle runs slowly	Check for electrical shorts, replace controller
B10	VDD FAULT	Vehicle will not run	Replace controller
B11	Wiring Short to VDD	Vehicle runs slowly	Replace controller
B12	MAIN RELAY	Vehicle runs slowly	Verify relayed contact, replace solenoid
B13	PROXIMITY FAULT	Vehicle will not run	Check for proximity switches, adjust to 1/2", replace controller
B14	FIELD MISSING	Stalled engine, vehicle will not run	Check wiring, replace power harness and motor if required
B15	FIELD DISCONNECT	Stalled engine or power losses, abnormal operation	Verify, replace motor if necessary, replace potentiometer
B16	CONTROLLER DRIVE FAULT	Vehicle will not run	Verify, replace motor if necessary, replace potentiometer
B17	BP FAULT	Vehicle will not run	Check M- wiring and repair, replace controller
B18	RELAY OPEN	Vehicle runs slowly	Replace controller
B19	WELDING AUX CONT	Vehicle runs slowly	Replace controller
B20	EPICOR FAILURE	Vehicle will not run	Replace controller
B21	MAIN RELAY OPEN	Vehicle will not run	Check all electrical wiring
B22	MAIN RELAY SHORT	Vehicle will not run	Check all electrical wiring
B23	MAIN CONT DMC	Vehicle will not run	Check all electrical wiring
B24	MISSING CONTACTOR	Vehicle stops	Check all electrical wiring, replace solenoid if necessary

Abbreviations: AUX (Auxiliary), CONT (Contactor, Solenoid), DMC (Did Not Close), HPD (High Pedal Disable), HW (Hardware), IFS (Inductive Throttle Sensor), M- (Connection at Controller), VDC (Volts Direct Current), VDD (Power Supply) Fault

DIAGNOSTIC FAULT CODES
 • The LED will flash a diagnostic fault code when a fault is detected
 • Some faults may only be detected by operating the vehicle with the rear of the vehicle raised and supported on safety stands
 • Always turn the 'RUN/MAINTENANCE' switch (located in the battery compartment) to the 'TOW/MAINTENANCE' position before performing any repairs or maintenance to the vehicle
 • Select 'RUN' before returning the vehicle to service

Ref Esp 7

ELECTRONIC SPEED CONTROL - PDS

THE USE OF NON U.L. PARTS WILL VOID ANY U.L. LISTING.

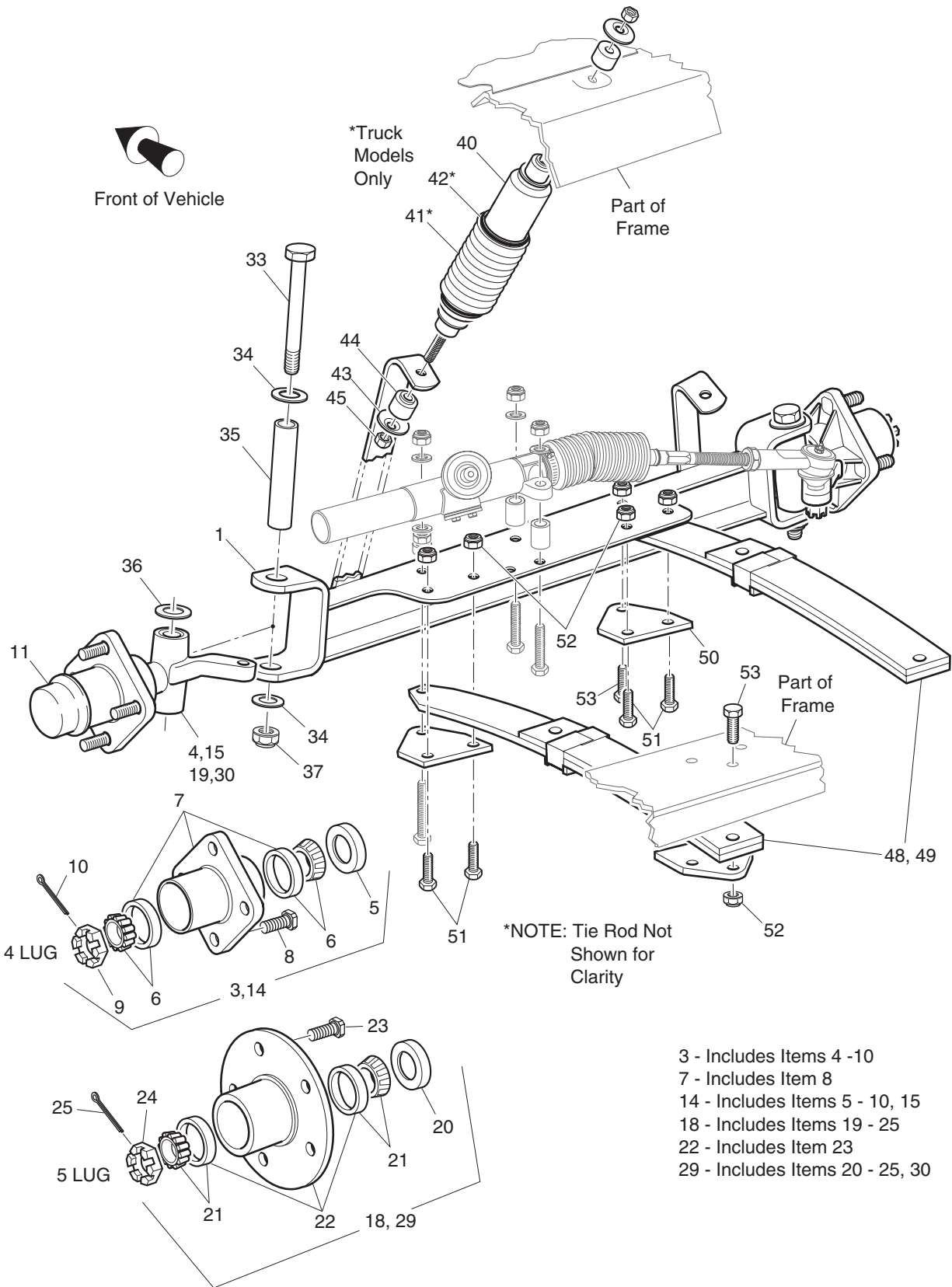
When ordering parts, please specify the model and serial number of the product.

* Indicates a component that is not available as an individual part.

G** Indicates consult Customer Service Department for additional information.

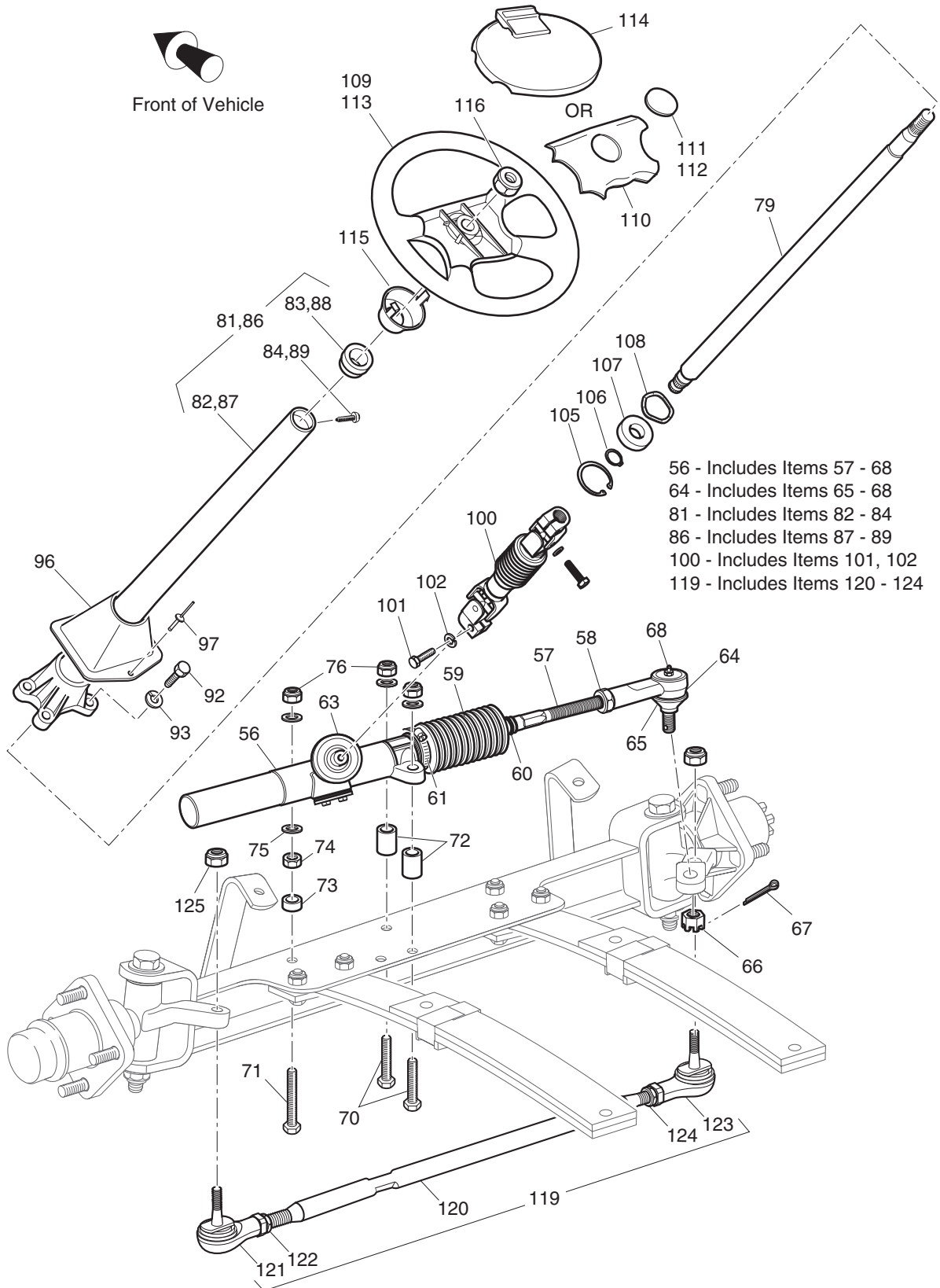
ITEM	PART NO.	1	2	3	4	5	DESCRIPTION	QTY.	
1	73348-G01	ELECTRONIC SPEED CONTROL ASSEMBLY (INCLUDES ITEMS 2 - 16).....							1
2	73351-G01	CONTROLLER MOUNT							1
3									
4	73098-G01	ELECTRONIC SPEED CONTROLLER							1
5									
6	73231-G01	48 VOLT SOLENOID (INCLUDES ITEMS 7 - 10)							1
7	*	LOCK WASHER, #10							2
8	*	NUT, #10 - 32							2
9	*	LOCK WASHER, 5/16"							2
10	*	JAM NUT, 5/16 - 24							2
11									
12	12914-G1	FASTON TAB							2
13									
14	11027-G2	LOCK NUT, 1/4 - 20							6
15									
16	25972-G83	6 GA WIRE (BLK 9")							1
17									
18	73053-G01	DOUBLE TUBE CLAMP							1
19	11027-G2	LOCK NUT, 1/4 - 20							4
20									
21	73296-G01	BOLT, 8MM X 16MM LG							3
22	00993-G01	LOCK WASHER, 5/16"							3
23	73346-G01	BOLT, 6MM X 1 X 12MM LG							2
24	00993-G02	LOCK WASHER, 1/4"							2
25									
26	73334-G01	CONTROL HARNESS							1
27	25971-G06	4 GA WIRE (BLK 59 1/2") (SOL - BATTERY +)							1
28	73347-G01	TOW-MAINTENANCE SWITCH							1
29	71045-G01	RIVET, 5/32" X 3/4" LG							2
30	73398-G01	DIAGNOSTIC LABEL (FAULT CODE)							1

FRONT SUSPENSION/STEERING



Ref Fss 1-1

FRONT SUSPENSION/STEERING



Ref Fss 1-2

FRONT SUSPENSION/STEERING

Where applicable, THE USE OF NON UL PARTS WILL VOID ANY UL LISTING.
 When ordering parts, please specify the model and serial number of the product.
 * Indicates a component that is not available as an individual part.
 G** Indicates consult Customer Service Department for additional information.

ITEM	PART NO.	1	2	3	4	5	DESCRIPTION	QTY.
1	70963-G01						FRONT AXLE	1
2								
3	70942-G01						SPINDLE AND HUB ASSEMBLY, 4 LUG (PASSENGER SIDE) (INCLUDES ITEMS 4 - 10).....	1
4	70942-G02						SPINDLE ASSEMBLY (PASSENGER SIDE).....	1
5	25146-G1						GREASE SEAL.....	1
6	50892-G1						ROLLER BEARING AND RACE ASSEMBLY	2
7	70895-G01						WHEEL HUB ASSEMBLY WITH RACES, 4 LUG (INCLUDES ITEM 8)	1
8	19862-G1						LUG BOLT, 1/2 - 20 X 1 3/16" LG.....	4
9	12093-G1						CASTELLATED NUT, 1 - 14	1
10	00798-G8						COTTER PIN, 5/32" X 1 3/4" LG	1
11	12091-G2						SPINDLE CAP.....	2
12								
13								
14	70673-G01						SPINDLE AND HUB ASSEMBLY, 4 LUG (DRIVER SIDE) (INCLUDES ITEMS 5 - 10, 15).....	1
15	70673-G02						SPINDLE ASSEMBLY (DRIVER SIDE)	1
16								
17								
18	70943-G01						SPINDLE AND HUB ASSEMBLY, 5 LUG (PASSENGER SIDE) (INCLUDES ITEMS 19 - 25).....	1
19	70942-G02						SPINDLE ASSEMBLY (PASSENGER SIDE).....	1
20	12092-G1						GREASE SEAL.....	1
21	50892-G1						ROLLER BEARING AND RACE ASSEMBLY	2
22	70772-G01						WHEEL HUB ASSEMBLY WITH RACES, 5 LUG (INCLUDES ITEM 23)	1
23	30143-G1						LUG BOLT, 1/2 - 20 X 1 7/32" LG.....	5
24	12093-G1						CASTELLATED NUT, 1 - 14	1
25	00798-G8						COTTER PIN, 5/32" X 1 3/4" LG	1
26								
27								
28								

FRONT SUSPENSION/STEERING

Where applicable, THE USE OF NON UL PARTS WILL VOID ANY UL LISTING.

When ordering parts, please specify the model and serial number of the product.

* Indicates a component that is not available as an individual part.

G** Indicates consult Customer Service Department for additional information.

ITEM	PART NO.	1	2	3	4	5	DESCRIPTION	QTY.
29	70797-G01						SPINDLE AND HUB ASSEMBLY, 5 LUG (DRIVER SIDE) (INCLUDES ITEMS 20 - 25, 30).....	1
30	70673-G02						SPINDLE ASSEMBLY (DRIVER SIDE)	1
31								
32								
33	00407-G6						BOLT, 1/2 - 13 X 6" LG	2
34	00560-G3						WASHER, 1/2"	4
35	70745-G01						KING PIN TUBE	2
36	70754-G01						THRUST WASHER, 1" (STAINLESS STEEL).....	2
37	14390-G6						LOCK NUT, 1/2 - 13	2
38								
39								
40	70928-G01						SHOCK ABSORBER.....	2
41	70509-G01						SHOCK ABSORBER BOOT	2
42	31539-G1						WIRE TIE	4
43	10435-G1						SHOCK ABSORBER WASHER	8
44	10194-G1						RUBBER BUSHING	8
45	00532-G6						NUT, 3/8 - 24	4
46								
47								
48	70990-G02						LEAF SPRING (SEE PART NUMBER ON SPRING).....	2
49	70989-G02						LEAF SPRING (HEAVY DUTY) (SEE PART NUMBER ON SPRING).....	2
50	70163-G02						SPRING PLATE	4
51	00463-G4						BOLT, 7/16 - 14 X 1 1/2" LG	4
52	00734-G1						LOCK NUT, 7/16 - 14	11
53	00463-G6						BOLT, 7/16 - 14 X 1 3/4" LG	7
54								
55								
56	70964-G01						RACK AND PINION UNIT (COMPLETE) (INCLUDES ITEMS 57 - 68)	1
57	70694-G01						RACK EXTENSION	1

FRONT SUSPENSION/STEERING

Where applicable, THE USE OF NON UL PARTS WILL VOID ANY UL LISTING.

When ordering parts, please specify the model and serial number of the product.

* Indicates a component that is not available as an individual part.

G** Indicates consult Customer Service Department for additional information.

ITEM	PART NO.	1	2	3	4	5	DESCRIPTION	QTY.
58	*						JAM NUT, 1/2 - 20.....	1
59	70961-G01						RACK BOOT.....	1
60	12416-G2						WIRE TIE.....	1
61	11391-G8						CLAMP, 1 13/16 - 2 3/8".....	1
62								
63	70638-G01						PINION SEAL.....	1
64	70695-G01						RACK BALL JOINT (INCLUDES ITEMS 65 - 68).....	1
65	50641-G1						RUBBER BOOT.....	1
66	50209-G2						CASTELLATED NUT, 7/16 - 20.....	1
67	10387-G2						COTTER PIN, 3/32" X 1" LG.....	1
68	10389-G3						GREASE FITTING, STRAIGHT.....	1
69								
70	00464-G6						BOLT, 7/16 - 14 X 2 3/4" LG.....	2
71	01068-G01						BOLT, 7/16 - 14 X 3 1/2" LG.....	1
72	70667-G02						SPACER.....	2
73	70667-G03						SPACER (SHORT).....	1
74	00532-G7						NUT, 7/16 - 14.....	1
75	00560-G2						FLAT WASHER, 7/16".....	4
76	00734-G1						LOCK NUT, 7/16 - 14.....	3
77								
78								
79	70607-G01						STEERING SHAFT.....	1
80								
81	70758-G03						STEERING COLUMN KIT (INCLUDES ITEMS 82 - 84).....	1
82	70610-G01						STEERING COLUMN.....	1
83	28569-G01						STEERING COLUMN BUSHING.....	1
84	01022-G01						SCREW, #6 - 20 X 5/16" LG.....	1
85								
86	70758-G04						STEERING COLUMN KIT (HORN) (INCLUDES ITEMS 87 - 89).....	1
87	70610-G02						STEERING COLUMN.....	1

FRONT SUSPENSION/STEERING

Where applicable, THE USE OF NON UL PARTS WILL VOID ANY UL LISTING.

When ordering parts, please specify the model and serial number of the product.

* Indicates a component that is not available as an individual part.

G** Indicates consult Customer Service Department for additional information.

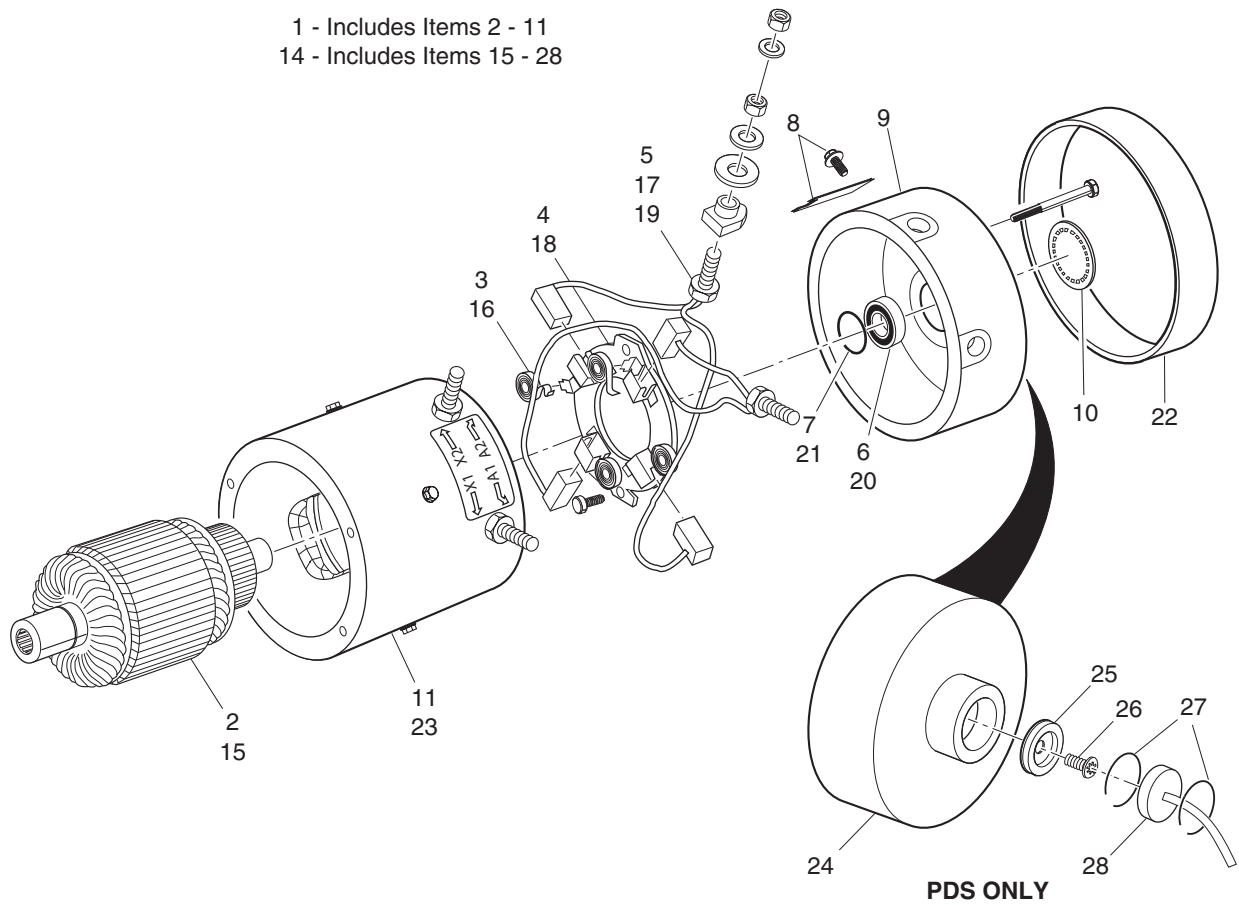
ITEM	PART NO.	1 2 3 4 5	DESCRIPTION	QTY.
88	28569-G01		STEERING COLUMN BUSHING.....	1
89	01022-G01		SCREW, #6 - 20 X 5/16" LG	1
90				
91				
92	01006-G01		BOLT, 3/8 - 16 X 1 1/4" LG	4
93	00879-G1		LOCK WASHER, 3/8"	4
94				
95				
96	70997-G01		COVER.....	1
97	71055-G01		RIVET, 3/16" X 1" LG (ALUMINUM).....	1
98				
99				
100	70580-G01		INTERMEDIATE SHAFT (INCLUDES ITEMS 101, 102).....	1
101	01055-G01		BOLT, M8 X 1.25 - 05.....	2
102	00565-G8		LOCK WASHER, 5/16"	2
103				
104				
105	70751-G01		RETAINING RING (INTERNAL).....	1
106	70888-G01		RETAINING RING (EXTERNAL).....	1
107	15112-G1		BALL BEARING	1
108	70887-G01		WAVE WASHER.....	1
109	71146-G01		STEERING WHEEL	1
110	71147-G01		STEERING WHEEL COVER	1
111	71047-G01		LABEL (E-Z-GO)	1
112	74405-G01		LABEL (CUSHMAN).....	1
113	71948-G01		STEERING WHEEL	1
114	71950-G01		CLIPBOARD.....	1
115	71949-G01		HUB COVER	1
116	14390-G2		LOCK NUT, 5/8 - 18	1
117				

FRONT SUSPENSION/STEERING

Where applicable, THE USE OF NON UL PARTS WILL VOID ANY UL LISTING.
 When ordering parts, please specify the model and serial number of the product.
 * Indicates a component that is not available as an individual part.
 G** Indicates consult Customer Service Department for additional information.

ITEM	PART NO.	1	2	3	4	5	DESCRIPTION	QTY.
118								
119	70876-G02						TIE ROD ASSEMBLY (INCLUDES ITEMS 120 - 124).....	1
120	70897-G02						THREADED ROD (24" LG).....	1
121	70902-G01						TIE ROD END (LEFT HAND THREADS)	1
122	01069-G01						JAM NUT, M12 X 1.25 - 05 (LEFT HAND THREADS).....	1
123	70902-G02						TIE ROD END (RIGHT HAND THREADS).....	1
124	01069-G02						JAM NUT, M12 X 1.25 - 05 (RIGHT HAND THREADS)	1
125	00734-G1						LOCK NUT, 7/16 - 14	2

ELECTRIC MOTOR



Ref Mtr 7

ELECTRIC MOTOR

THE USE OF NON U.L. PARTS WILL VOID ANY U.L. LISTING.

When ordering parts, please specify the model and serial number of the product.

* Indicates a component that is not available as an individual part.

G** Indicates consult Customer Service Department for additional information.

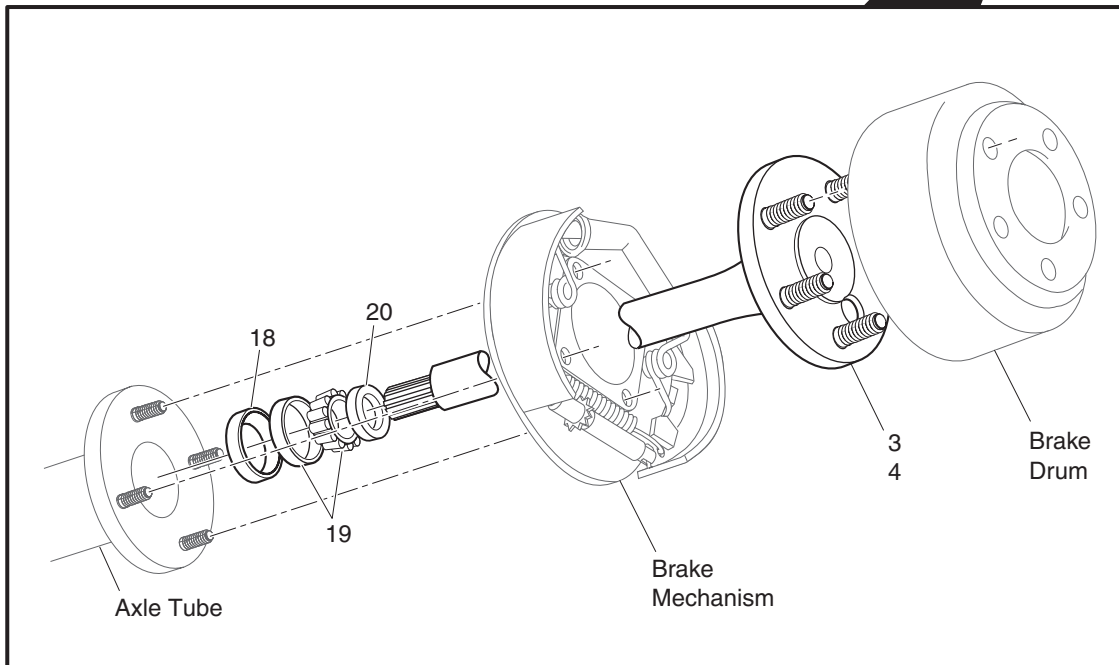
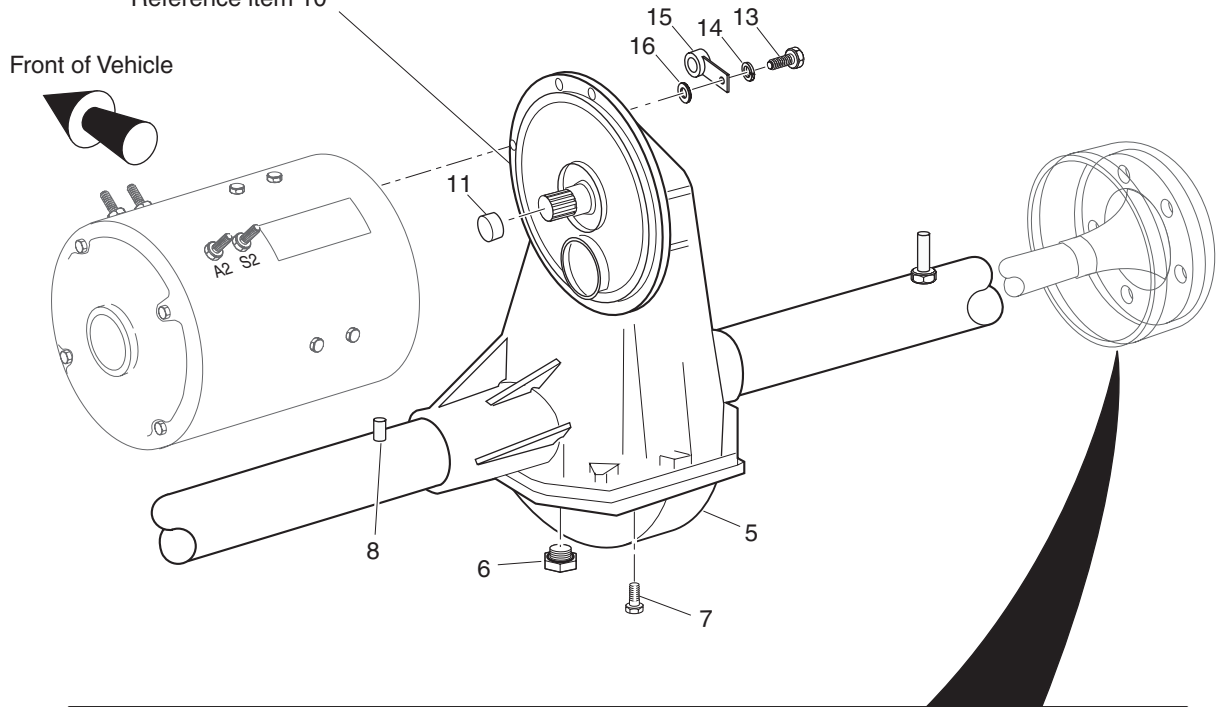
ITEM	PART NO.	1 2 3 4 5	DESCRIPTION	QTY.
1	73124-G02		MOTOR, FLEET SPEED, NON-VENTED (INCLUDES ITEMS 2 - 11)	1
2	73120-G01		ARMATURE	1
3	73120-G03		BRUSH SPRING.....	4
4	73120-G15		BRUSH PLATE AND BOX	1
5	73120-G25		BRUSH REPLACEMENT KIT (INCLUDES HARDWARE)	1
6	73120-G07		BEARING	1
7	73120-G06		SNAP RING	1
8	73120-G09		COVER PLATE AND SCREW	1
9	73120-G08		COVER COMMUTATOR END	1
10	73120-G16		CAP.....	1
11	73120-G29		FRAME AND FIELD COIL (INCLUDES HARDWARE).....	1
12				
13				
14	73291-G04		MOTOR (SEPARATELY EXCITED) (PDS) (INCLUDES ITEMS 15 - 28).....	1
15	73120-G32		ARMATURE	1
16	73120-G35		BRUSH SPRING.....	8
17	73120-G34		BRUSH	8
18	73120-G36		BRUSH BOX.....	1
19	73120-G37		BRUSH REPLACEMENT KIT (INCLUDES HARDWARE)	1
20	73120-G07		BEARING	1
21	73120-G06		SNAP RING	1
22	73120-G39		HEADBAND	1
23	73120-G33		FRAME AND FIELD COIL (INCLUDES HARDWARE).....	1
24	73120-G38		COVER COMMUTATOR END	1
25	73328-G01		MAGNET.....	1
26	01037-G02		SCREW, #10 - 32 X 1/2" LG	1
27	73277-G01		RETAINING RING.....	2
28	73327-G01		SPEED SENSOR.....	1

REAR AXLE - HYDRAULIC

NOTE: Apply a light coat of moly grease to male spline before assembly. Reference item 10

1 - Includes Items 3 - 8

2 - Includes Items 3 - 8



Ref Rax 7

REAR AXLE - HYDRAULIC

THE USE OF NON U.L. PARTS WILL VOID ANY U.L. LISTING.

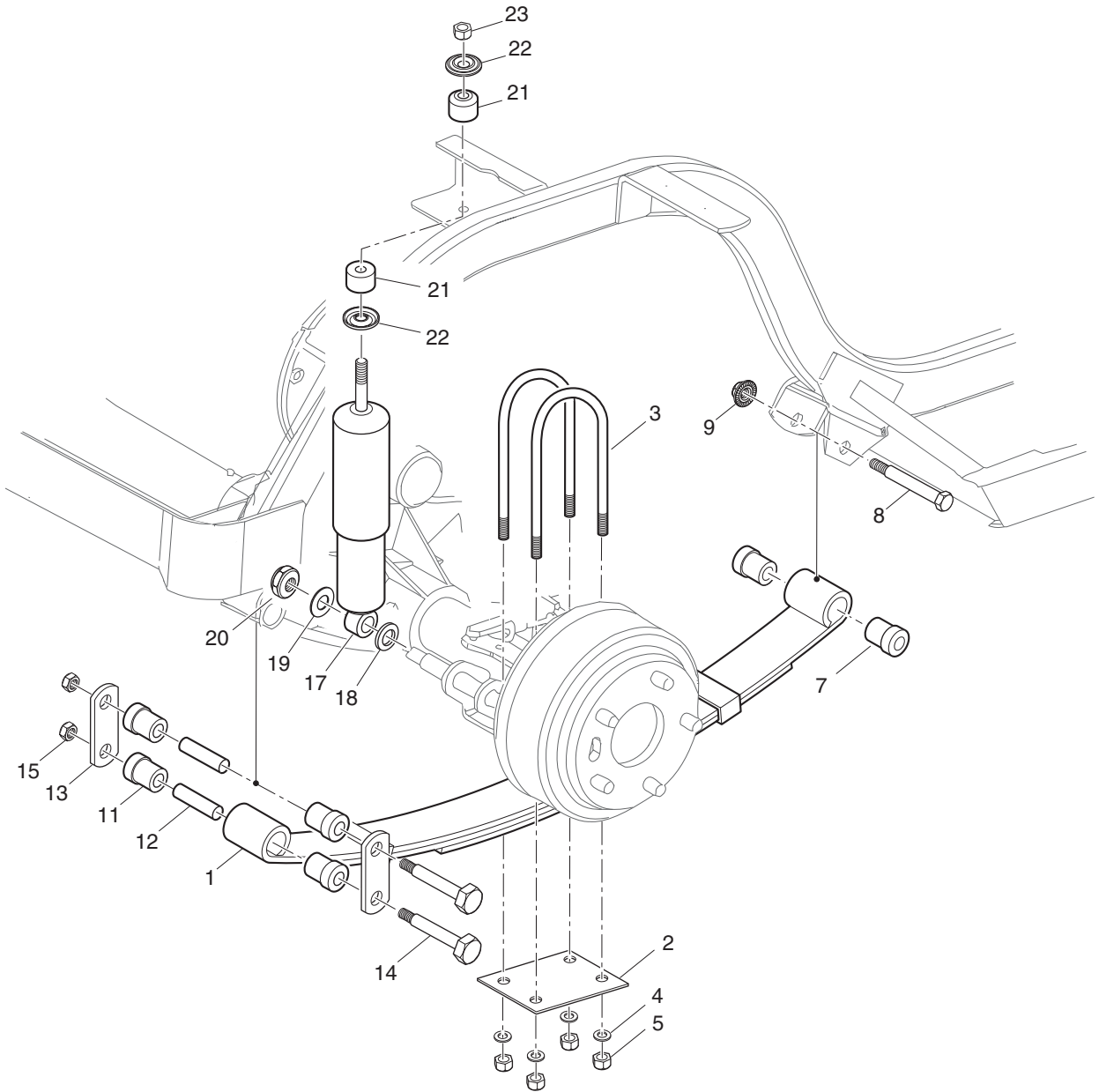
When ordering parts, please specify the model and serial number of the product.

* Indicates a component that is not available as an individual part.

G** Indicates consult Customer Service Department for additional information.

ITEM	PART NO.	1 2 3 4 5	DESCRIPTION	QTY.
1	73504-G02		REAR AXLE AND BRAKE ASSEMBLY (INCLUDES ITEMS 3 - 8).....	1
2	73504-G03		REAR AXLE AND BRAKE ASSEMBLY, PDS (INCLUDES ITEMS 3 - 8).....	1
3			AXLE SHAFT (DRIVER SIDE).....	1
4			AXLE SHAFT (PASSENGER SIDE).....	1
5	28776-G01		DIFFERENTIAL COVER.....	1
6	28610-G01		FILL/CHECK PLUG WITH O-RING.....	1
7	15558-G1		BOLT, 5/16 - 18 X 3/4" LG.....	10
8	73050-G01		VENT.....	1
9				
10	28095-G01		MOLY LUBE, 2 OZ.....	AR
11	24261-G1		BUMPER SPLINE.....	1
12				
13	00797-G2		BOLT, 1/4 - 20 X 1 1/4" LG.....	3
14	00565-G7		LOCK WASHER, 1/4".....	3
15	27327-G02		CABLE CLAMP.....	1
16	00559-G7		WASHER, 1/4".....	3
17				
18	14585-G1		INNER OIL SEAL.....	2
19	13084-G1		WHEEL BEARING ASSEMBLY.....	2
20	14584-G1		BEARING RETAINER RING.....	2

REAR SUSPENSION



Ref Rsp 7

REAR SUSPENSION

THE USE OF NON U.L. PARTS WILL VOID ANY U.L. LISTING.

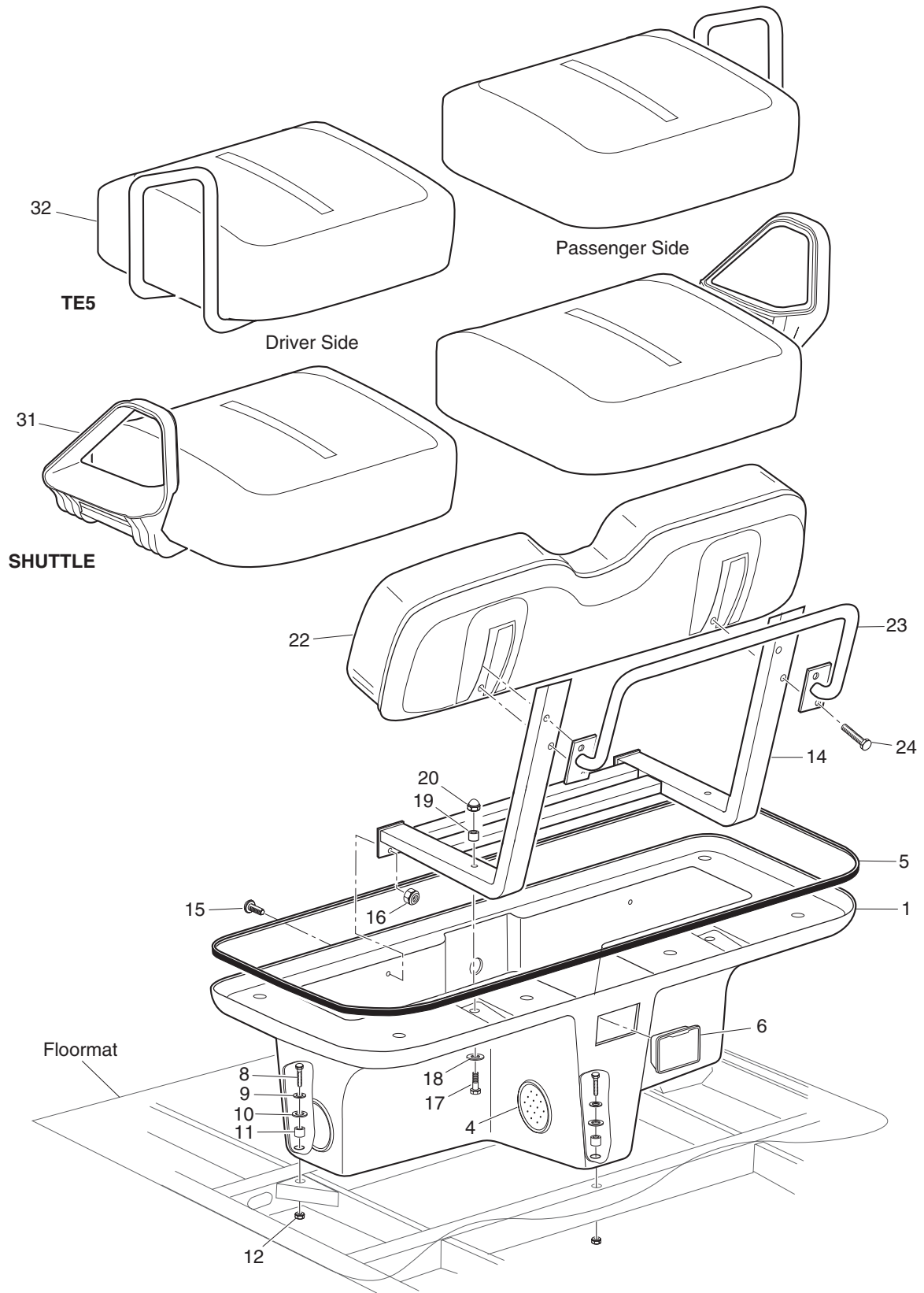
When ordering parts, please specify the model and serial number of the product.

* Indicates a component that is not available as an individual part.

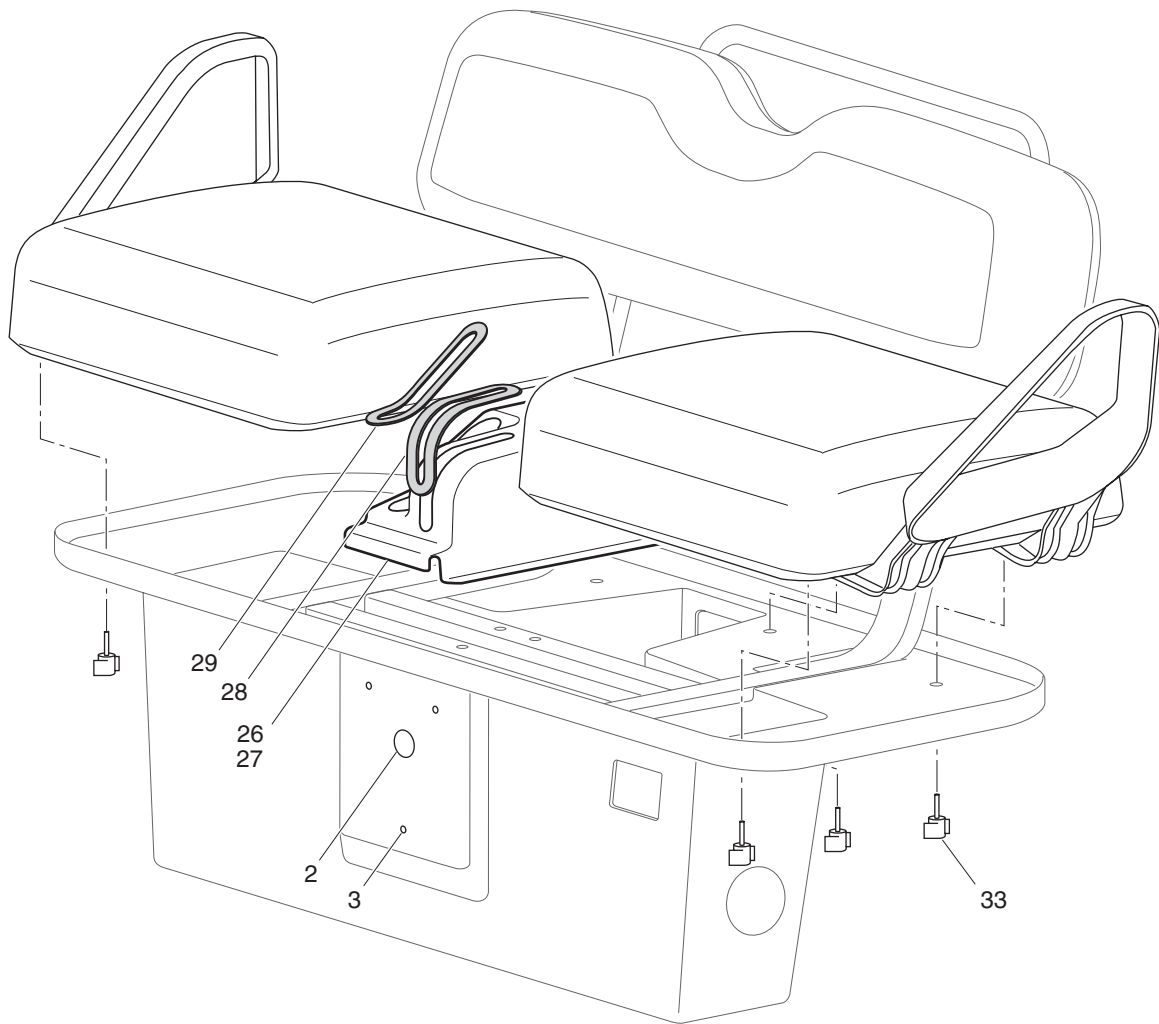
G** Indicates consult Customer Service Department for additional information.

ITEM	PART NO.	1 2 3 4 5	DESCRIPTION	QTY.
1	74207-G01		LEAF SPRING.....	2
2	73217-G01		PLATE	2
3	30553-G1		'U' BOLT, 3/8 - 16 X 2 1/8" X 5" LG	4
4	00560-G1		WASHER, 3/8"	8
5	11098-G5		LOCK NUT, 3/8 - 16	8
6				
7	70291-G01		FLANGED BUSHING	4
8	14158-G1		SHOULDER BOLT, 3/8 - 16 X 3 1/4" LG	2
9	12262-G1		LOCK NUT, 3/8 - 16	2
10				
11	70291-G01		FLANGED BUSHING	8
12	70289-G02		SPACER	4
13	70290-G01		SHACKLE PLATE	4
14	00429-G4		BOLT, 3/8 - 16 X 3 1/2" LG	4
15	11098-G5		LOCK NUT, 3/8 - 16	4
16				
17	70469-G01		SHOCK ABSORBER.....	2
18	70472-G01		SPACER, SHOCK ABSORBER	2
19	00560-G3		WASHER, 1/2"	2
20	00551-G1		LOCK NUT, 1/2 - 13	2
21	10194-G1		RUBBER BUSHING	4
22	10435-G1		WASHER, SHOCK ABSORBER	4
23	00532-G6		NUT, 3/8 - 24	2

SEATING



Ref Sea 7-1

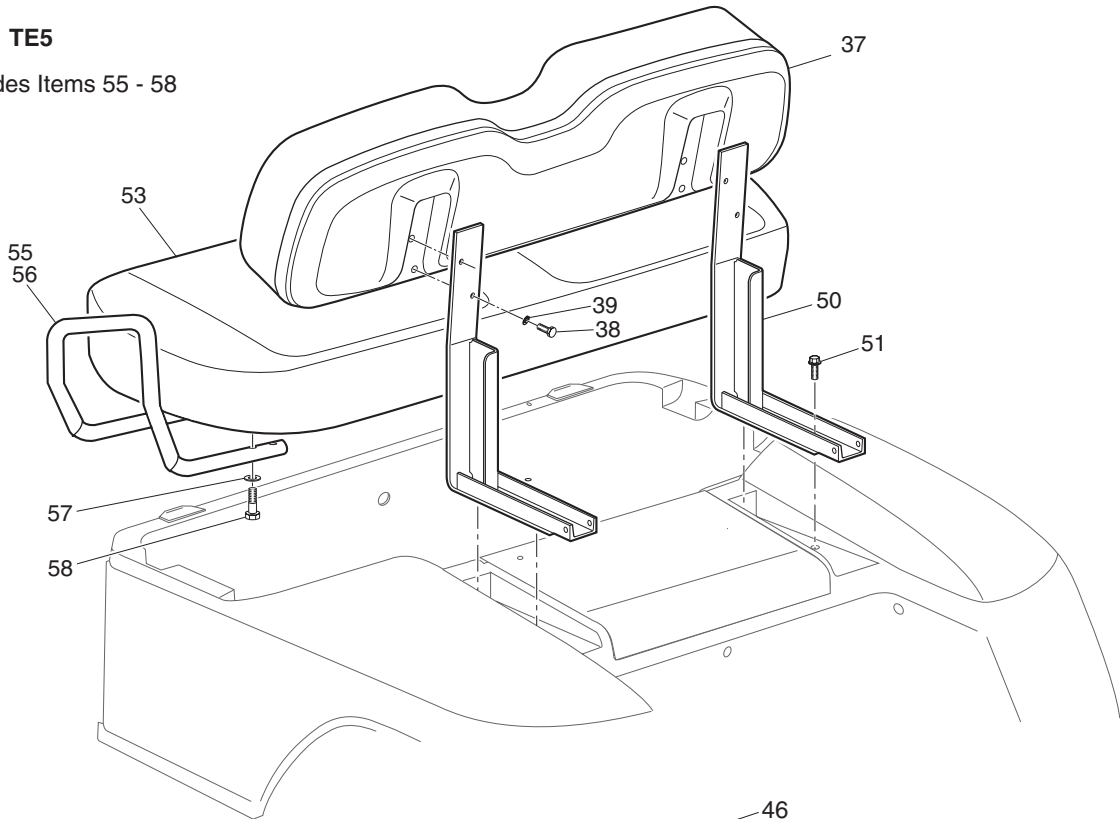


Ref Sea 7-2

SEATING

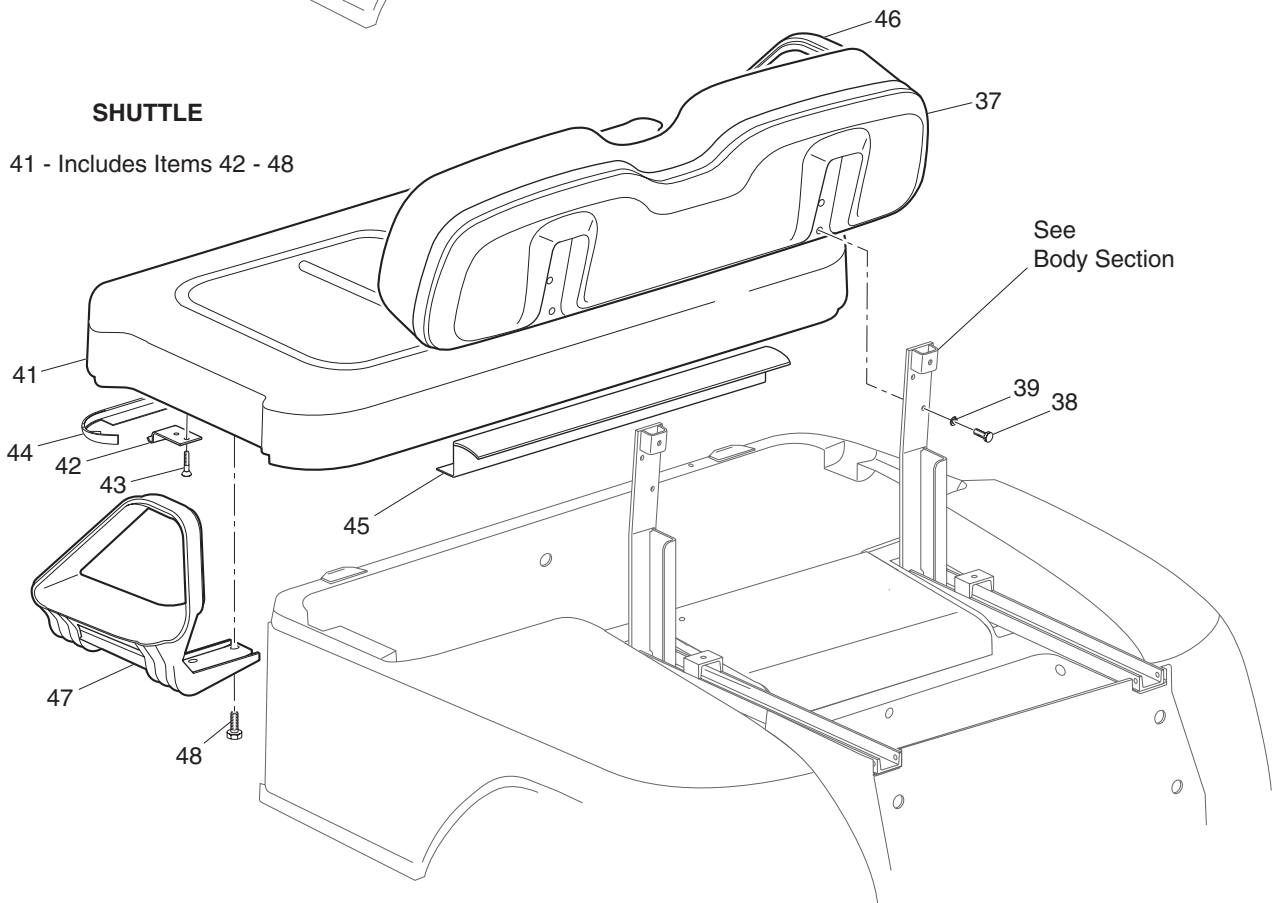
TE5

54 - Includes Items 55 - 58



SHUTTLE

41 - Includes Items 42 - 48

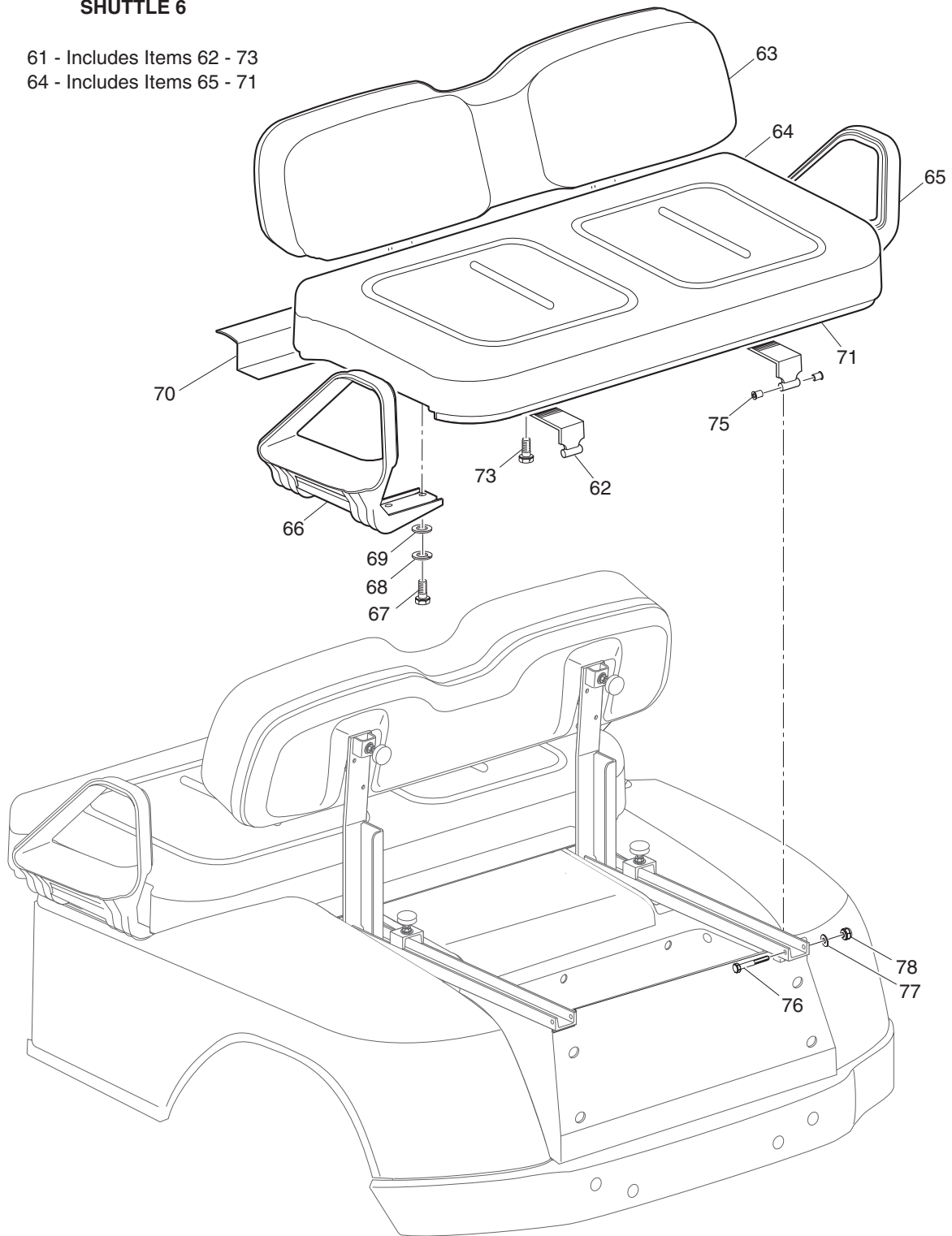


Ref Sea 7-3

SHUTTLE 6

61 - Includes Items 62 - 73

64 - Includes Items 65 - 71



SEATING

THE USE OF NON U.L. PARTS WILL VOID ANY U.L. LISTING.
 When ordering parts, please specify the model and serial number of the product.
 * Indicates a component that is not available as an individual part.
 G** Indicates consult Customer Service Department for additional information.

ITEM	PART NO.	1 2 3 4 5	DESCRIPTION	QTY.
1	70836-G00*		SEAT POD	1
2	71316-G01		PLUG, 1 1/8"	1
3	71055-G01		RIVET, 3/16" X 1" LG	3
4	71599-G01		VENT PLUG	4
5	32805-G6		TRIM, BLACK.....	1
6	27731-G01		ASHTRAY	1
7				
8	00439-G8		BOLT, 5/16 - 18 X 2" LG	3
9	00675-G1		WASHER, 1 1/4" X 3/8"	3
10	71883-G01		RUBBER WASHER, 5/8"	3
11	23726-G9		SPACER, 3/4"	3
12	11098-G6		LOCK NUT, 5/16 - 18	3
13				
14	70820-G01		SEAT BACK SUPPORT	1
15	00976-G06		SCREW, 5/16 - 18 X 3/4" LG.....	2
16	11098-G6		LOCK NUT, 5/16 - 18	2
17	00427-G8		BOLT, 3/8 - 16 X 2" LG	2
18	00675-G1		WASHER, 1 1/4" X 3/8"	2
19	23726-G4		SPACER, 5/16"	2
20	15717-G5		ACORN NUT, 3/8 - 16	2
21				
22	71751-G**		SEAT BACK ASSEMBLY	1
23	71632-G01		HAND GRIP	1
24	71204-G02		BOLT, 1/4 - 20 X 2" LG	4
25				
26	70845-G01		CONSOLE COVER (WITHOUT DIRECTION SELECTOR).....	1
27	70845-G02		CONSOLE COVER (WITH DIRECTION SELECTOR)	1
28	70846-G01		SEAL (DIRECTION SELECTOR).....	1
29	70847-G01		SEAL (BRAKE LEVER).....	1
30				

SEATING

THE USE OF NON U.L. PARTS WILL VOID ANY U.L. LISTING.

When ordering parts, please specify the model and serial number of the product.

* Indicates a component that is not available as an individual part.

G** Indicates consult Customer Service Department for additional information.

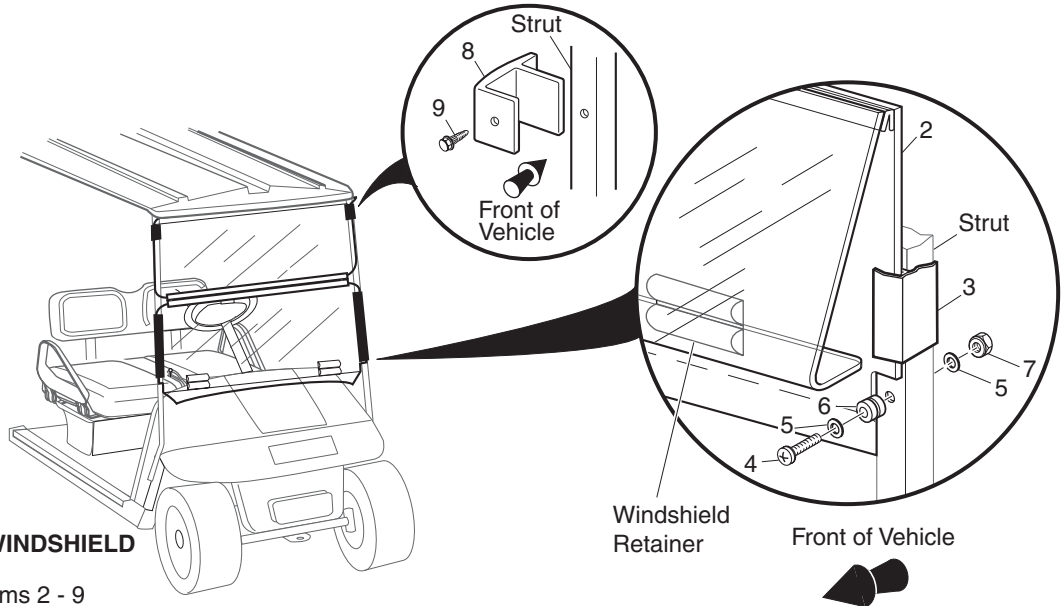
ITEM	PART NO.	1 2 3 4 5	DESCRIPTION	QTY.
31	70853-G**		SEAT BOTTOM (SHUTTLE)	2
32	70835-G**		SEAT BOTTOM (TE5)	2
33	70864-G01		'T' KNOB	6
34				
35				
36				
37	71751-G**		SEAT BACK	1
38	00414-G8		BOLT, 1/4 - 20 X 1" LG	4
39	00565-G7		LOCK WASHER, 1/4"	4
40				
41	71611-G**		SEAT BOTTOM (INCLUDES ITEMS 42 - 48) (SHUTTLE 4 & 6)	1
42	71610-G01		SEAT HINGE	2
43	00720-G08		SCREW, #12 - 14 X 1" LG	6
44	71012-G01		FRONT EDGE TRIM.....	1
45	71608-G01		BACK EDGE TRIM	1
46	71701-G01		HIP RESTRAINT (PASSENGER SIDE)	1
47	71702-G01		HIP RESTRAINT (DRIVER SIDE)	1
48	71204-G01		BOLT, 1/4 - 20 X 7/8" LG.....	8
49				
50	74137-G01		SEAT BACK SUPPORT (TE5)	2
51	01006-G01		BOLT, 3/8 - 16 X 1 1/4" LG (TE5)	4
52				
53	71651-G**		SEAT BOTTOM (TE5)	1
54	71646-G01		HAND HOLD KIT (INCLUDES ITEMS 55 - 58)	1
55	71876-G01		HIP RESTRAINT, REAR SEAT (DRIVER SIDE)	1
56	71876-G02		HIP RESTRAINT, REAR SEAT (PASSENGER SIDE).....	1
57	00559-G7		WASHER, 1/4"	8
58	00415-G2		BOLT, 1/4 - 20 X 1 1/4" LG.....	8
59				
60				

SEATING

THE USE OF NON U.L. PARTS WILL VOID ANY U.L. LISTING.
 When ordering parts, please specify the model and serial number of the product.
 * Indicates a component that is not available as an individual part.
 G** Indicates consult Customer Service Department for additional information.

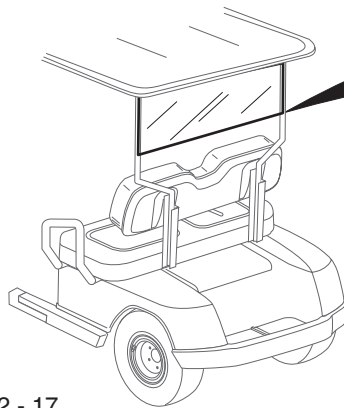
ITEM	PART NO.	1 2 3 4 5	DESCRIPTION	QTY.
61	74131-G**		SEAT ASSEMBLY (INCLUDES ITEMS 62 - 73) (SHUTTLE 6).....	1
62	74117-G01		SEAT SUPPORT BRACKET	2
63	71751-G**		SEAT BACK.....	1
64	74139-G**		SEAT BOTTOM (INCLUDES ITEMS 65 - 71).....	1
65	71701-G01		HIP RESTRAINT (PASSENGER SIDE)	1
66	71702-G01		HIP RESTRAINT (DRIVER SIDE).....	1
67	00414-G8		BOLT, 1/4 - 20 X 1" LG	8
68	00565-G7		LOCK WASHER, 1/4".....	8
69	00559-G7		WASHER, 1/4".....	8
70	71012-G01		SEAT TRIM (REAR)	1
71	74140-G01		SEAT TRIM (FRONT).....	1
72				
73	71204-G01		BOLT, 1/4 - 20 X 7/8" LG.....	12
74				
75	17838-G1		NYLON BUSHING.....	4
76	00440-G4		BOLT, 5/16 - 18 X 2 1/2" LG	2
77	00559-G8		WASHER, 5/16"	2
78	11098-G6		LOCK NUT, 5/16 - 18	2

WEATHER PROTECTION



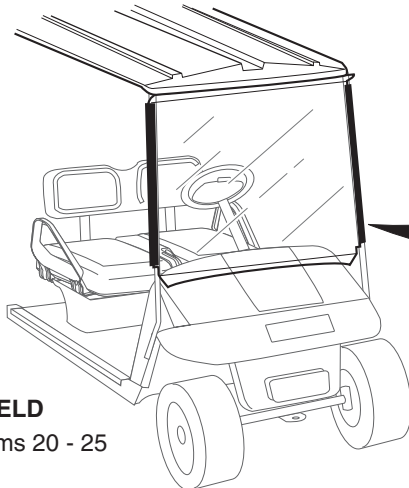
FOLD DOWN WINDSHIELD

1 - Includes Items 2 - 9



REAR WINDSHIELD

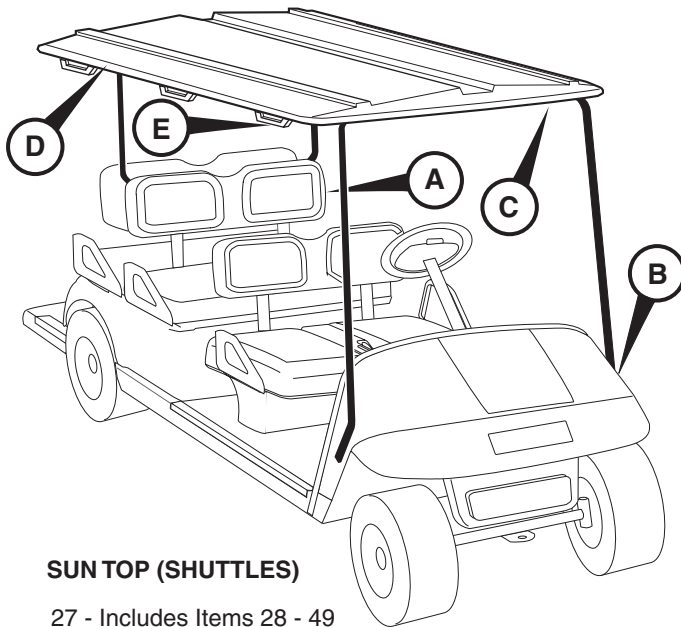
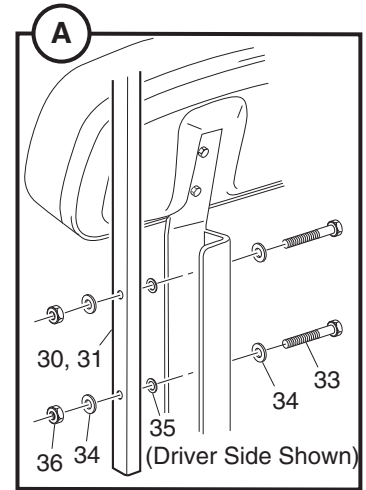
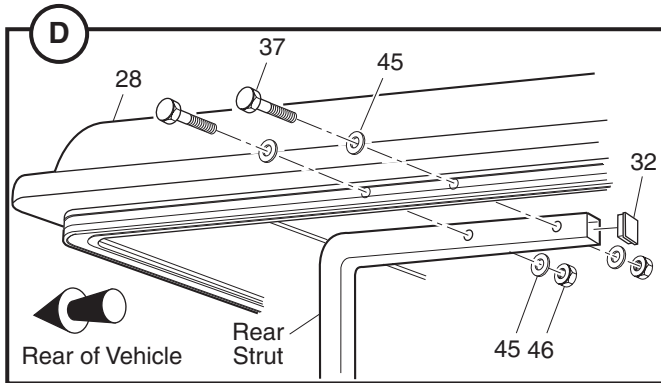
11 - Includes Items 12 - 17



FULL WINDSHIELD

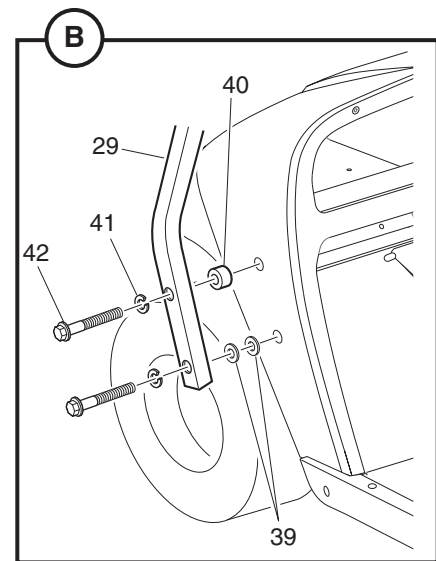
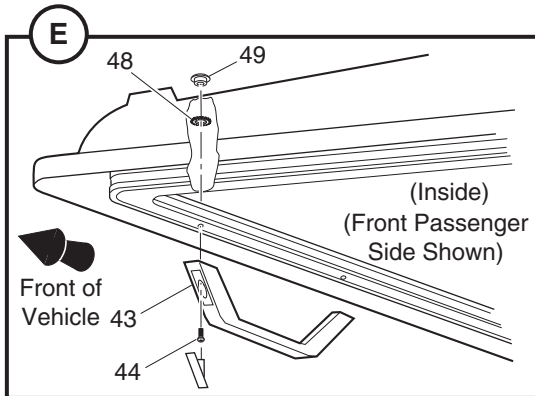
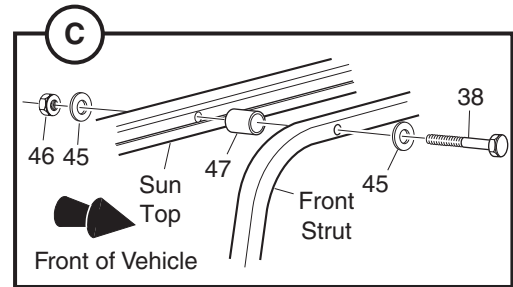
19 - Includes Items 20 - 25

Ref Wea 7-1



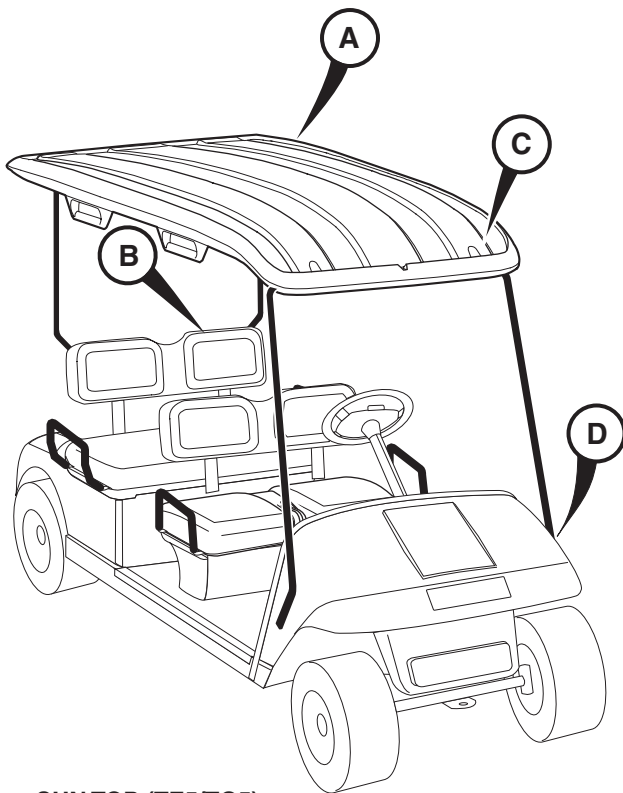
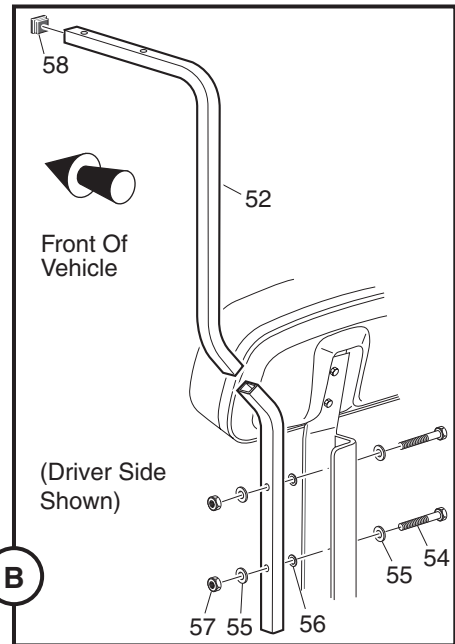
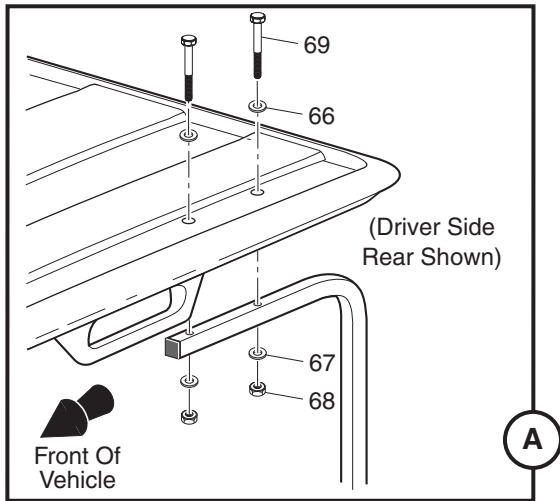
SUN TOP (SHUTTLES)

27 - Includes Items 28 - 49



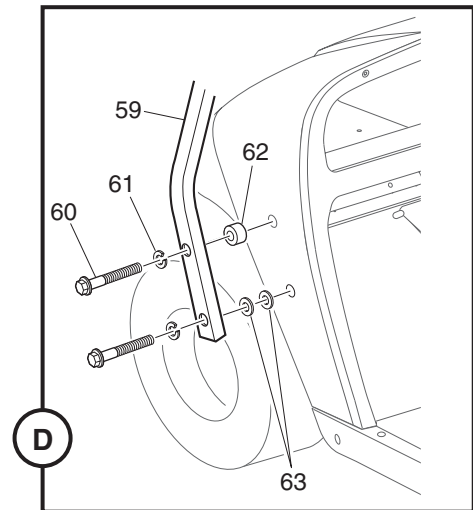
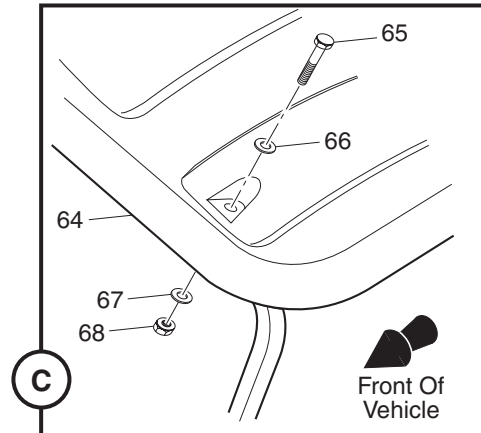
Ref Wea 7-2

WEATHER PROTECTION



SUN TOP (TE5/TG5)

51 - Includes Items 52 - 69



WEATHER PROTECTION

THE USE OF NON U.L. PARTS WILL VOID ANY U.L. LISTING.

When ordering parts, please specify the model and serial number of the product.

* Indicates a component that is not available as an individual part.

G** Indicates consult Customer Service Department for additional information.

ITEM	PART NO.	1 2 3 4 5	DESCRIPTION	QTY.
1	75534-G01		WINDSHIELD KIT, FOLD DOWN (INCLUDES ITEMS 2 - 9).....	1
2	E950WSB3		FOLD DOWN WINDSHIELD	1
3	EGWHC24		SASH, 3/4" X 14" LG	2
4	EGWHS12		SCREW, 1/4 - 20 X 1 3/4" LG (STAINLESS STEEL).....	2
5	EGWHW12		WASHER, 1/4" (STAINLESS STEEL).....	4
6	EGWHG13		RUBBER GROMMET	2
7	EGWHN12		LOCK NUT, 1/4 - 20 (STAINLESS STEEL).....	2
8	137-010		TOP GRIP.....	2
9	136-008		FASTENER	2
10				
11	75535-G01		WINDSHIELD KIT, REAR (INCLUDES ITEMS 12 - 17).....	1
12	EIRWFB3		REAR WINDSHIELD	1
13	EGWHC14		SASH, 1" X 15 9/16" LG	2
14	EGWHS14		SCREW, 1/4 - 20 X 2" LG (STAINLESS STEEL).....	2
15	EGWHW13		WASHER, 1/4" (STAINLESS STEEL).....	6
16	EGWHG13		RUBBER GROMMET	2
17	EGWHN13		LOCK NUT, 1/4 - 20 (STAINLESS STEEL).....	2
18				
19	75536-G01		WINDSHIELD KIT, FULL (INCLUDES ITEMS 20 - 25).....	1
20	EISWFB3		FULL, WINDSHIELD.....	1
21	EGWHC13		SASH, 3/4" X 22 7/16" LG	2
22	EGWHS13		SCREW, 1/4 - 20 X 1 3/4" LG (STAINLESS STEEL).....	2
23	EGWHW13		WASHER, 1/4" (STAINLESS STEEL).....	4
24	EGWHG13		RUBBER GROMMET	2
25	EGWHN13		LOCK NUT, 1/4 - 20 (STAINLESS STEEL).....	2
26				
27	75282-G0*		SUN TOP KIT (SHUTTLE) (INCLUDES ITEMS 28 - 49)	1
28	75271-G0*		SUN TOP	1
29	75045-G03		FRONT STRUT.....	1
30	75274-G01		REAR STRUT (DRIVER SIDE).....	1

WEATHER PROTECTION

THE USE OF NON U.L. PARTS WILL VOID ANY U.L. LISTING.
 When ordering parts, please specify the model and serial number of the product.
 * Indicates a component that is not available as an individual part.
 G** Indicates consult Customer Service Department for additional information.

ITEM	PART NO.	1	2	3	4	5	DESCRIPTION	QTY.
31	75274-G02						REAR STRUT (PASSENGER SIDE)	1
32	19853-G1						END CAP, 1"	2
33	00665-G5						BOLT, 3/8 - 16 X 1 3/4" LG (STAINLESS STEEL)	4
34	00679-G1						WASHER, 3/8" (STAINLESS STEEL).....	8
35	00771-G5						NYLON WASHER, 3/8".....	4
36	00891-G5						LOCK NUT, 3/8 - 16.....	4
37	00440-G4						BOLT, 5/16 - 18 X 2 1/2" LG.....	4
38	00441-G2						BOLT, 5/16 - 18 X 3 1/4" LG.....	2
39	00879-G1						WASHER, 3/8"	4
40	75048-G01						SPACER, 1/2"	2
41	00905-G8						LOCK WASHER, 5/16"	4
42	01035-G01						BOLT, 5/16 - 18 X 2 1/4" LG.....	4
43	75240-G01						HANDLE	5
44	00163-G2						SCREW, 1/4 - 20 X 1 1/4" LG	10
45	00642-G8						WASHER, 5/16"	12
46	01109-G01						LOCK NUT, 5/16 - 18 (STAINLESS STEEL).....	6
47	18716-G2						SPACER, 1"	2
48	00567-G8						LOCK WASHER, 5/16"	10
49	01010-G01						TEE NUT, 1/4 - 20.....	10
50								
51	75485-G01						SUN TOP KIT (TE5/TG5) (INCLUDES ITEMS 52 - 69)	1
52	75487-G02						REAR SUPPORT (DRIVER SIDE)	1
53	75487-G01						REAR SUPPORT (PASSENGER SIDE).....	1
54	00665-G5						BOLT, 3/8 - 16 X 1 3/4" LG (STAINLESS STEEL)	4
55	00679-G1						WASHER, 3/8" (STAINLESS STEEL).....	8
56	00771-G5						NYLON WASHER, 3/8".....	4
57	00891-G5						LOCK NUT, 3/8 - 16.....	4
58	19853-G1						END CAP, 1"	2
59	75488-G01						FRONT SUPPORT	1
60	01035-G01						BOLT, 5/16 - 18 X 2 1/4" LG.....	4

WEATHER PROTECTION

THE USE OF NON U.L. PARTS WILL VOID ANY U.L. LISTING.

When ordering parts, please specify the model and serial number of the product.

* Indicates a component that is not available as an individual part.

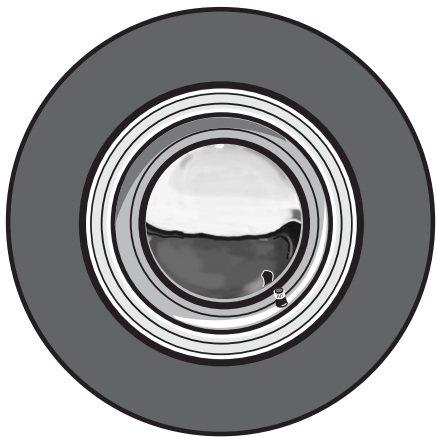
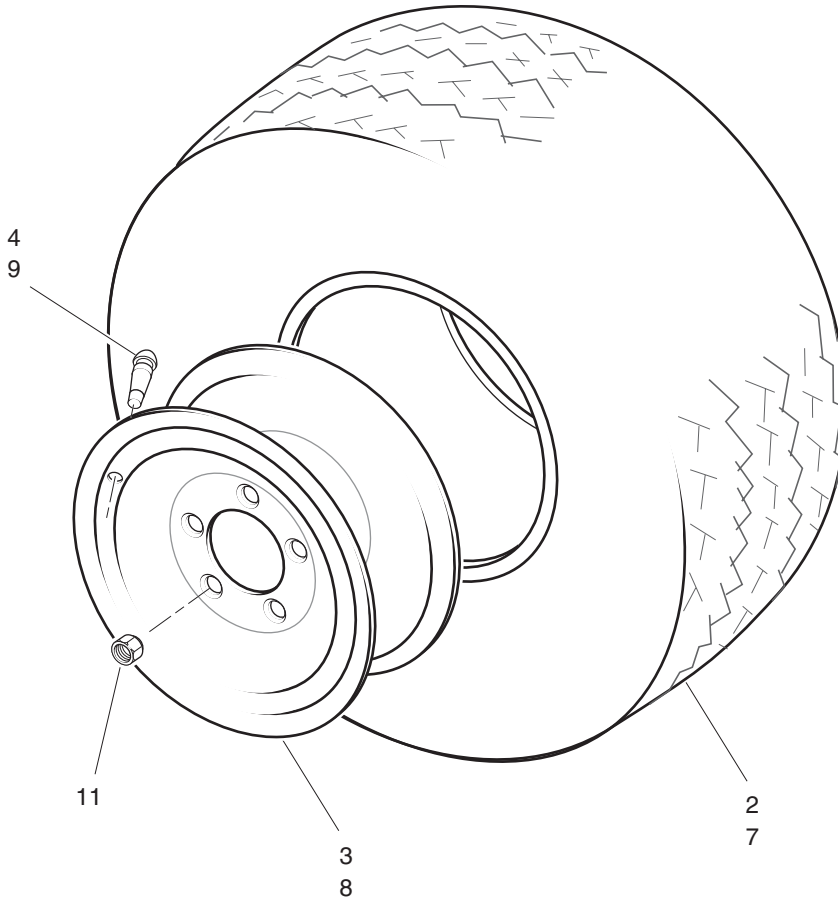
G** Indicates consult Customer Service Department for additional information.

ITEM	PART NO.	1	2	3	4	5	DESCRIPTION	QTY.
61	00905-G8						LOCK WASHER, 5/16"	4
62	75048-G01						SPACER, 1/2"	2
63	00879-G1						LOCK WASHER, 3/8"	4
64	74374-G01						SUN TOP	1
65	00685-G10						BOLT, 5/16 - 18 X 2 3/4" LG (STAINLESS STEEL)	2
66	00907-G2						WASHER, 5/16" (STAINLESS STEEL).....	6
67	00660-G8						WASHER, 5/16" (STAINLESS STEEL).....	6
68	01109-G01						LOCK NUT, 5/16 - 18 (STAINLESS STEEL).....	6
69	00685-G11						BOLT, 5/16 - 18 X 3 1/4" LG (STAINLESS STEEL)	4

WHEELS AND TIRES

1 - Includes Items 2 - 4

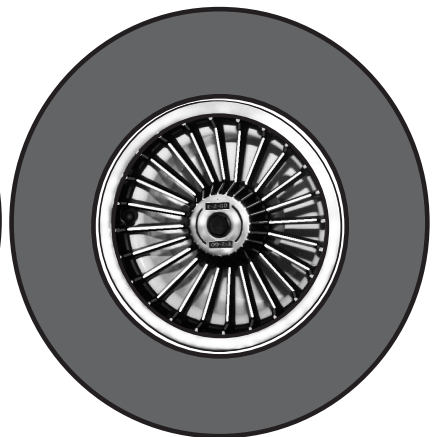
6 - Includes Items 7 - 9



6" CHROME HUBCAP
13



8" CHROME HUBCAP
14



SILVER / GOLD SPOKE HUBCAP
15, 16

Ref Whl 7

WHEELS AND TIRES

When ordering parts, please specify the model and serial number of the product.

* Indicates a component that is not available as an individual part.

G** Indicates consult Customer Service Department for additional information.

ITEM	PART NO.	1	2	3	4	5	DESCRIPTION	QTY.
1	27772-G11						TIRE AND WHEEL, 18.5 X 8.5 - 8, 4 PLY RATING (INCLUDES ITEMS 2 - 4).....	AR
2	27772-G10						18.5 X 8.5 - 8 CARLISLE TIRE (LINKS 1).....	AR
3	10641-G1						WHEEL RIM, 5 LUG	AR
4	11657-G2						VALVE STEM.....	AR
5								
6	32028-G2						TIRE AND WHEEL, 18.5 X 8.5 - 8, 6 PLY RATING (OPTIONAL) (INCLUDES ITEMS 7 - 9).....	AR
7	27775-G02						18.5 X 8.5 - 8 CARLISLE TIRE (LINKS).....	AR
8	10641-G2						WHEEL RIM, 5 LUG	AR
9	11657-G2						VALVE STEM.....	AR
10								
11	14723-G1						LUG NUT, 1/2 - 20.....	AR
12								
13	16042-G*						6" CHROME WHEEL CAP	AR
14	14913-G*						8" CHROME WHEEL COVER.....	AR
15	19241-G*						SILVER SPOKE WHEEL COVER	AR
16	19241-G*						GOLD SPOKE WHEEL COVER	AR

WHEELS AND TIRES

SPECIALTY PRODUCTS

SPECIALTY PRODUCTS

SPECIAL TOOLS	PART NO.
BATTERY MAINTENANCE KIT	25587-G01
SEAL INSTALLATION TOOL (REAR AXLE SHAFT SEAL)	18739-G1
BATTERY SET DISCHARGER, 36 VOLT, 75 AMP	28251-G01
CURRENT INDICATOR	16489-G2
DIGITAL MULTI-METER	27481-G01
CRIMPING TOOL	27765-G01
SLIDE HAMMER (AXLE/HUB REMOVAL)	15947-G1
SLIDE HAMMER (AXLE REMOVAL ONLY)	18753-G1

TOUCH UP PAINT	PART NO.
PEN 3 OUNCE (89 ML) - HUNTER GREEN	28432-G02
PEN 3 OUNCE (89 ML) - CHAMPAGNE BEIGE	28432-G01
PEN 3 OUNCE (89 ML) - WHITE	28432-G05
PEN 3 OUNCE (89 ML) - INDUSTRIAL YELLOW.....	28432-G03
PEN 3 OUNCE (89 ML) - ORANGE	28432-G04
PEN 3 OUNCE (89 ML) - STEEL BLUE PEARL	28432-G**
PEN 3 OUNCE (89 ML) - CAMOUFLAGE PAINT (THREE PENS)	75831-G01
AEROSOL 12 OUNCE (360 ML) - HUNTER GREEN	28140-G09
AEROSOL 12 OUNCE (360 ML) - CHAMPAGNE BEIGE	28140-G15
AEROSOL 12 OUNCE (360 ML) - WHITE	28140-G03
AEROSOL 12 OUNCE (360 ML) - INDUSTRIAL YELLOW.....	28140-G14
AEROSOL 12 OUNCE (360 ML) - ORANGE	28140-G13
AEROSOL 12 OUNCE (360 ML) - STEEL BLUE PEARL	28140-G**

MAINTENANCE PRODUCTS	PART NO.
FORMULA 40 VINYL-COAT® - WHITE	28166-G01
PLEXUS® CLEANER, 7 OUNCE (210 ML) (FOR WINDSHIELDS)	28433-G01
PLEXUS® CLEANER, 13 OUNCE (380 ML) (FOR WINDSHIELDS)	28433-G02
BATTERY PROTECTOR, 14 OUNCE (410 ML) SPRAY	75500-G01
WHITE LITHIUM GREASE, 14 OUNCE (410 ML) SPRAY.....	75502-G01
PENETRANT/LUBRICANT, 15 OUNCE (440 ML) SPRAY	75503-G01
MULTI-PURPOSE CLEANER & DEGREASER, 14 OUNCE (410 ML) SPRAY	75504-G01
MULTI-PURPOSE HAND CLEANER, 32 OUNCE (950 ML) LIQUID	75505-G01

SPECIALTY PRODUCTS

BATTERY CLEANER, 32 OUNCE (950 ML) WITH TRIGGER SPRAYER	75506-G01
BIO-DEGRADABLE CLEANER, 32 OUNCE (950 ML) WITH TRIGGER SPRAYER.....	75507-G01
MULTI-PURPOSE VALUE PACK.....	75508-G01
• BATTERY PROTECTOR, 4 OUNCE (120 ML) SPRAY	
• PENETRANT/LUBRICANT, 4 OUNCE (120 ML) SPRAY	
• WHITE LITHIUM GREASE, 4 OUNCE (120 ML) SPRAY	
• CARBURETOR & CHOKE CLEANER, 4 OUNCE (120 ML) SPRAY	

OPTIONS/ACCESSORIES

OPTIONS/ACCESSORIES

ITEM	KIT NO.	COMMENTS
ACCESSORIES LISTING	KIT NO.	SECTION
CHROME HUB CAP 8"	14913-G1	WHEELS AND TIRES
CHROME HUB CAP 6"	16042-G1	WHEELS AND TIRES
SILVER SPOKE WHEEL COVERS	19241-G1	WHEELS AND TIRES
GOLD SPOKE WHEEL COVERS	19241-G2	WHEELS AND TIRES
HOUR METER	75113-G06	ELECTRICAL
WINDSHIELD, FOLD DOWN (REQUIRES SUN TOP)	75534-G01	WEATHER PROTECTION
WINDSHIELD, REAR (REQUIRES SUN TOP)	75535-G01	WEATHER PROTECTION
WINDSHIELD, FLAT (REQUIRES SUN TOP)	75536-G01	WEATHER PROTECTION
 SHUTTLES		
SUN TOP, 118", WHITE (INCLUDES HANDLES)	75282-G01	WEATHER PROTECTION
SUN TOP, 118", CHAMPAGNE (INCLUDES HANDLES)	75282-G02	WEATHER PROTECTION
TURN SIGNAL	75107-G02	ELECTRICAL
ASH TRAY	75109-G02	SEATING
CONVERTIBLE CARRIER	75278-G0*	BODY
 TE5		
CENTER BASKET	75003-G02	
SUN TOP	75485-G01	WEATHER PROTECTION

INDEX OF MAJOR COMPONENTS

INDEX OF MAJOR COMPONENTS

BY PART DESCRIPTION

B

BATTERY RACK.....	C-8	BRAKE ASSEMBLY (PASSENGER SIDE)	D-6
BEARING AND RACE	H-3	BRAKE DRUM	D-7
BRAKE ASSEMBLY (DRIVER SIDE).....	D-6	BRAKE PEDAL	D-4

C

CARGO DECK.....	C-11	COWL	C-8
CHARGER HARNESS / RECEPTACLE	F-7		

D

DIRECTION SELECTOR ASSEMBLY	E-2
-----------------------------------	-----

E

ELECTRONIC SPEED CONTROL ASSEMBLY	G-2, G-4
-----------------------------------------	----------

F

FOOT REST ASSEMBLY.....	C-12	FUSE BLOCK	F-8
FRONT AXLE	H-3		

H

HAND HOLD KIT	M-6	HOUR METER KIT	F-10
HEADLIGHT AND TURN SIGNAL LIGHT BAR	F-9	HUB.....	H-3
HORN SWITCH.....	F-9		

I

IGNITION SWITCH KIT	F-8	INTERMEDIATE SHAFT	H-6
INSTRUMENT PANEL ASSEMBLY	C-7		

L

LEAF SPRING	H-4, L-2	LINKAGE ROD ASSEMBLY	D-4
LEAF SPRING (HEAVY DUTY).....	H-4		

M

MASTER CYLINDER REPAIR KIT.....	D-5
MASTER CYLINDER SERVICE KIT	D-5
MOTOR (SEPARATELY EXCITED) (PDS).....	J-2
MOTOR, FLEET SPEED, NON-VENTED	J-2

INDEX OF MAJOR COMPONENTS

P

PEDAL BOX ASSEMBLY	A-3	PINION SEAL.....	H-5
PEDAL BOX ASSEMBLY, PDS MODEL ONLY	A-3	PUSH ROD ASSEMBLY	D-5

R

RACK AND PINION UNIT.....	H-4	REAR AXLE AND BRAKE ASSEMBLY, PDS	K-2
RACK BALL JOINT.....	H-5	REAR BODY ASSEMBLY.....	C-9
RACK BOOT.....	H-5	REVERSE WARNING BUZZER	E-3
REAR AXLE AND BRAKE ASSEMBLY.....	K-2		

S

SEAT ASSEMBLY	M-7	SHOCK ABSORBER	H-4, L-2
SEAT BACK.....	M-6	SHOCK ABSORBER BOOT	H-4
SEAT BACK ASSEMBLY	M-5	SPINDLE	H-3
SEAT BOTTOM	M-6	STATE OF CHARGE METER.....	F-8
SEAT BOTTOM (SHUTTLE)	M-6	STEERING COLUMN	H-5
SEAT BOTTOM (TE5)	M-6	STEERING SHAFT	H-5
SEAT FRAME	C-8	STEERING WHEEL	H-6
SEAT POD.....	M-5	SUN TOP KIT (SHUTTLE).....	N-4
SHIFT BRACKET AND SWITCH.....	D-7	SUN TOP KIT (TE5).....	N-5

T

TAILLIGHT ASSEMBLY	F-9	TIRE AND WHEEL, 18.5 X 8.5 - 8, 6 PLY RATING.....	P-2
TIE ROD	H-7	TURN SIGNAL	F-9
TIRE AND WHEEL, 18.5 X 8.5 - 8, 4 PLY RATING	P-2		

W

WINDSHIELD KIT, FOLD DOWN.....	N-4	WINDSHIELD KIT, REAR	N-4
WINDSHIELD KIT, FULL	N-4		

BY PART NUMBER

17421-G1 IGNITION SWITCH KIT	F-8	30295-G8 LINKAGE ROD ASSEMBLY	D-4
17867-G1 TURN SIGNAL (WITH MOUNTING HARDWARE)...	F-9	30298-G2 PUSH ROD ASSEMBLY	D-5
17953-G2 BRAKE DRUM.....	D-7	32028-G2 TIRE AND WHEEL, 18.5 X 8.5 - 8, 6 PLY RATING.	P-2
22260-G2 TAILLIGHT ASSEMBLY	F-9	33636-G03 STATE OF CHARGE METER.....	F-8
22674-G1 FUSE BLOCK	F-8	33725-G01 BRAKE ASSEMBLY (PASSENGER SIDE)	D-6
27772-G11 TIRE AND WHEEL, 18.5 X 8.5 - 8, 4 PLY RATING	P-2	33725-G02 BRAKE ASSEMBLY (DRIVER SIDE)	D-6
28066-G02 MASTER CYLINDER REPAIR KIT.....	D-5	48V LESTER BATTERY CHARGER	B-2, B-4
28363-G01 HORN SWITCH	F-9	48V LESTER BATTERY CHARGER CE APPROVED	B-2
28435-G01 48V LESTER BATTERY CHARGER WITH SWITCHABLE INPUT.....	B-2	48V LESTER BATTERY CHARGER WITH SWITCHABLE INPUT	B-2
28435-G03 48V LESTER BATTERY CHARGER	B-2	70046-G01 BATTERY RACK.....	C-8
28435-G05 48V LESTER BATTERY CHARGER CE APPROVED.....	B-2	70361-G02 FOOT REST ASSEMBLY	C-12
28435-G07 48V LESTER BATTERY CHARGER	B-4	70441-G01 SEAT FRAME	C-8
		70469-G01 SHOCK ABSORBER	L-2
		70597-G02 LEAF SPRING	H-4

INDEX OF MAJOR COMPONENTS

70643-G03 MASTER CYLINDER SERVICE KIT	D-5
70664-G02 LEAF SPRING (HEAVY DUTY).....	H-4
70830-G01 DIRECTION SELECTOR ASSEMBLY	E-2
70835-G** SEAT BOTTOM (TE5)	M-6
70836-G00* SEAT POD	M-5
70853-G** SEAT BOTTOM (SHUTTLE)	M-6
70866-G01 SHIFT BRACKET AND SWITCH.....	D-7
70886-G01 BRAKE PEDAL.....	D-4
70928-G01 SHOCK ABSORBER.....	H-4
70963-G01 FRONT AXLE	H-3
70964-G01 RACK AND PINION UNIT (COMPLETE)	H-4
71051-G** COWL	C-8
71151-G01 INSTRUMENT PANEL ASSEMBLY	C-7
71332-G3** REAR BODY ASSEMBLY (WITH TAILLIGHTS) ...	C-9
71611-G** SEAT BOTTOM	M-6
71646-G01 HAND HOLD KIT	M-6
71751-G** SEAT BACK.....	M-6
71751-G** SEAT BACK ASSEMBLY	M-5
71912-G6** REAR BODY ASSEMBLY (W/OUT TAILLIGHTS)	C-9
73068-G05 ELECTRONIC SPEED CONTROL ASSEMBLY G-	2
73124-G02 MOTOR, FLEET SPEED, NON-VENTED	J-2
73290-G02 REVERSE WARNING BUZZER.....	E-3
73291-G04 MOTOR (SEPARATELY EXCITED) (PDS).....	J-2
73311-G0* CHARGER HARNESS / RECEPTACLE	F-7
73333-G07 PEDAL BOX ASSEMBLY, PDS MODEL.....	A-3
73333-G08 PEDAL BOX ASSEMBLY	A-3
73348-G01 ELECTRONIC SPEED CONTROL ASSEMBLY G-	4
73504-G02 REAR AXLE AND BRAKE ASSEMBLY	K-2
73504-G03 REAR AXLE AND BRAKE ASSEMBLY, PDS. K-2	
74001-G01 HEADLIGHT AND TURN SIGNAL LIGHT BAR F-9	
74080-G01 CARGO DECK.....	C-11
74131-G** SEAT ASSEMBLY	M-7
74207-G01 LEAF SPRING	L-2
75113-G06 HOUR METER KIT	F-10
75282-G0* SUN TOP KIT (SHUTTLE).....	N-4
75485-G01 SUN TOP KIT (TE5)	N-5
75534-G01 WINDSHIELD KIT, FOLD DOWN.....	N-4
75535-G01 WINDSHIELD KIT, REAR.....	N-4
75536-G01 WINDSHIELD KIT, FULL.....	N-4



A Textron Company

E-Z-GO Division of Textron, Inc.
P.O. Box 388 Augusta, Georgia 30903-0388 USA
Inside USA Phone: 1-800-241-5855, FAX: 1-800-448-8124
Outside USA Phone: 010-1-706-798-4311, FAX: 010-1-706-771-4609

Copyrighted Material
This manual may not be reproduced in whole or
in part without the express permission of
E-Z-GO Division of Textron, Inc.
Technical Communications Department