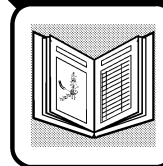
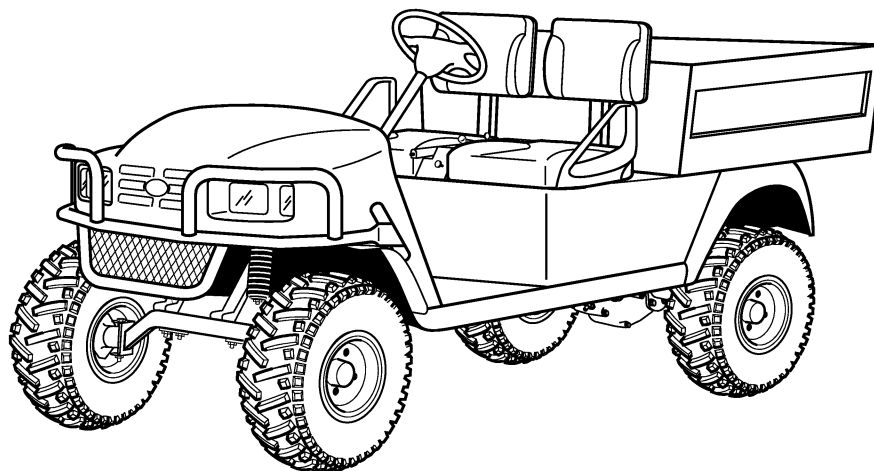


28766-G01

TEXTRON
GOLF, TURF & SPECIALTY PRODUCTS



SERVICE PARTS MANUAL



GASOLINE POWERED UTILITY VEHICLES

STARTING MODEL YEAR: 2003

REVISED 7/2002

SERVICE PARTS MANUAL

GASOLINE POWERED UTILITY VEHICLES

E-Z-GO ST 480

E-Z-GO ST 480 (CAMO)

CUSHMAN COMMANDER 4800

Textron Golf, Turf & Specialty Products reserves the right to make design changes without obligation to make these changes on units previously sold and the information contained in this manual is subject to change without notice.

Textron Golf, Turf & Specialty Products is not liable for errors in this manual or for incidental or consequential damages that result from the use of the material in this manual.

CUSTOMER SERVICE DEPARTMENT IN USA PHONE: 1-800-241-5855 FAX: 1-800-448-8124

OUTSIDE USA PHONE: 010-1-706-798-4311, FAX: 010-1-706-771-4609

TEXTRON GOLF, TURF & SPECIALTY PRODUCTS, P.O.BOX 388, AUGUSTA, GEORGIA USA 30903-0388

NOTES

To obtain a copy of the limited warranty applicable to the vehicle, call or write a local Distributor, an authorized Branch or the Warranty Department with vehicle serial number and manufacture date code.

The use of non Original Equipment Manufacturer (OEM) approved parts may void the warranty.

Tampering with or adjusting the governor to permit vehicle to operate at above factory specifications will void the vehicle warranty.

When servicing engines, all adjustments and replacement components must be per original vehicle specifications in order to maintain the United States of America Federal and State emission certification applicable at time of manufacture.

BATTERY PROLONGED STORAGE

All batteries will self discharge over time. The rate of self discharge varies depending on the ambient temperature and the age and condition of the batteries.

A fully charged battery will not freeze in winter temperatures unless the temperature falls below -75° F (-60° C).

GENERAL INDEX

SECTION	Page No.
How to use the Service Parts Manual	v
ACCELERATOR	
• Accelerator Pedal, Accelerator Box	A-1
• Choke, Governor, and Throttle Linkage	A-2
AIR CLEANER	
• Remote Air Components, Pre-Cleaner, Air Cleaner Cartridge	B-1
BODY	
• Cowl, Instrument Panel, Glove Box Door, Floor Panel, Bumper	C-1
• Floormat, Seat Wrap, Side Panels, Rocker Panels, Rear Fenders, Rear Panel	C-2
• Console Decals, Ashtray	C-3
• Hitch Receiver, Hitches	C-4
BRAKES (HYDRAULIC)	
• Brake Pedal, Pedal Pad, Linkages, Master Cylinder, Flexible Brake Hose	D-1
• Brake Lines, Wheel Cylinder, Brake Shoes, Brake Drum	D-2
BRAKES (PARK)	
• Park Brake Lever, Center Console, Decal	D-7
• Parking Brake Cables	D-8
CLUTCHES	
• Drive Clutch, Driven Clutch, Drive Belt	E-1
DIRECTION SELECTOR	
• Direction Selector, Reverse Warning Buzzer, Shifter Control Cable	F-1
• Shifter Arm, Shifter Cable Cup Washer, Compression Spring	F-2
ELECTRICAL SYSTEM	
• Battery, Control Harness, Ground Cable	G-1
• Electrical Plate Assembly, Voltage Regulator, Solenoid	G-2
• Horn, Fuse Block	G-3
• Ignition Switch/Plate, 12 Volt Power Outlet	G-4
• Headlight, Turn Signal, Taillight	G-5
• Hour Meter	G-6
ENGINE	
• Engine, Carburetor, Ignition Control Module, Spark Plugs, Oil Filter, Muffler, Exhaust Pipe	H-1
FRONT SUSPENSION	
• Front Axle, Hub and Spindle, Leaf Springs, Shock Absorber	J-1

GENERAL INDEX

FUEL SYSTEM

- Fuel Tank, Fuel Gauge Sender, Fuel Line, Fuel Cap, Fuel Filter, Fuel PumpK-1

REAR AXLE

- Differential Lock Trim Plate, Rear Axle, Differential Lock, Skid Plate L-1

REAR SUSPENSION

- Leaf Springs, Shock Absorbers M-1

SEATING

- Seat Bottom, Hip Restraint, Seat Back, Seat Back Support.....N-1

STARTER/GENERATOR

- Terminal Assembly, Brush Holder Assembly, Pulley.....P-1
- Starter/Generator Belt, Mounting Brackets P-2

STEERING

- Steering Box, Steering Shaft/Column/WheelQ-1
- Steering Box Mount, Idler, Tie RodsQ-2

TRUCKBED

- 40" BedR-1
- Electric Circuit Breaker, Toggle Switch, Actuator..... R-2
- Bed Liner, Tool BoxR-3

WEATHER PROTECTION

- Sun Top.....S-1
- Top Mounted Rear View Mirror, 3-Sided Soft Enclosure S-2
- WindshieldsS-3
- BrushguardS-4
- Brushguard Suntop, WindshieldS-5

WHEELS AND TIRES

- Tire, Wheel Rim, Valve Stems, Hubcaps T-1

WINCH

- MountingU-1
- Solenoids, Electrical WiringU-2
- Winch ComponentsU-3

SPECIALTY PRODUCTS Appendix A

ACCESSORIES Appendix B

HOW TO USE THE SERVICE PARTS MANUAL

This manual is divided into several sections:

- GENERAL INFORMATION
- ILLUSTRATED PARTS BREAKDOWN
- APPENDIX

The first section, GENERAL INFORMATION, contains the following information:

- WARRANTY INFORMATION
- GENERAL INDEX
- HOW TO USE THE SERVICE PARTS MANUAL

The second section, ILLUSTRATED PARTS BREAKDOWN, contains illustrations and parts lists for all systems of your vehicle.

The third section, APPENDIX, contains a listing of specialty products and accessories.

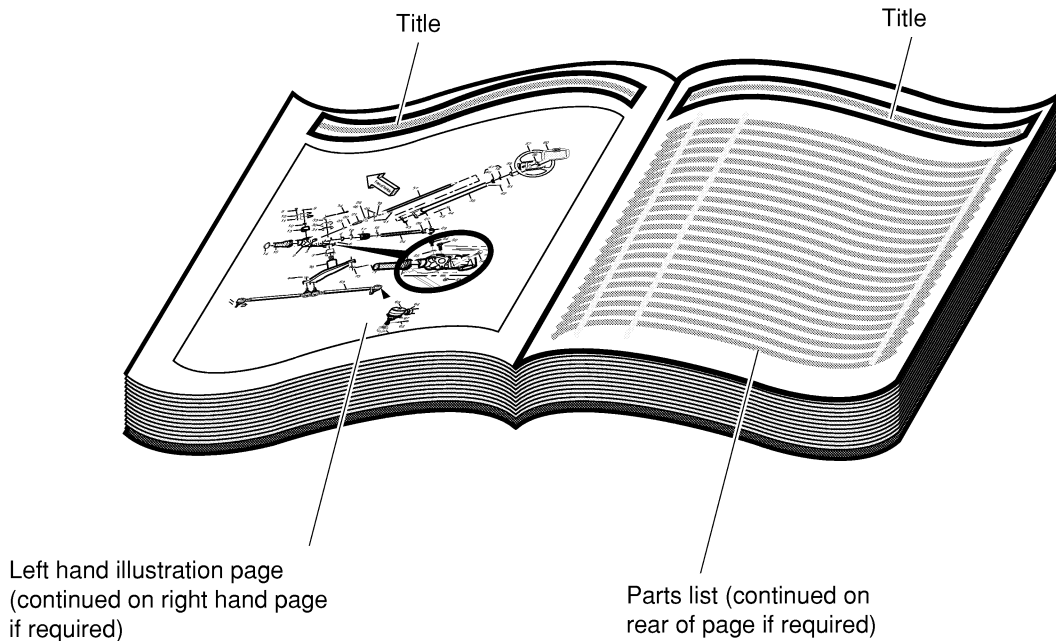
USE OF THE MANUAL

To use this manual, consult the GENERAL INDEX to locate the information or illustration required.

Introduction of some revisions varies due to supply of components; therefore, it is possible that various combinations of components may be found that are not directly reflected by each illustration. Consult the illustration that best suits your situation and then contact the Service Parts Department. It is important that the serial number of your vehicle and its model number be supplied to Service Parts when ordering any replacement components.

Locate the serial number plate (see BODY located in the Illustrated Parts Breakdown section of this manual for its location) and note the complete number shown on the plate.

HOW TO USE THE SERVICE PARTS MANUAL



1. WHEN THE PART NUMBER IS NOT KNOWN

- Determine the function and application of the part required. Turn to the General Index and select the most appropriate title.
- Turn to the page number indicated and locate the desired part on the illustration.
- From the illustration, obtain the item number assigned to the desired part. Refer to the accompanying description for specific information regarding the part.

2. IF YOU KNOW THE PART NUMBER

- Locate the part number or description in the appropriate column on the parts list page.

NOTE: It is suggested that you confirm that the part selected is correct by verifying it with the pictorial representation on the illustrated page.

Should an asterisk (*) appear in the part number column on the parts list page, read upwards until a part number is found. The part number is the lowest assembly sold by Service Parts and the asterisk (*) indicates that the part depicted is not available for purchase.

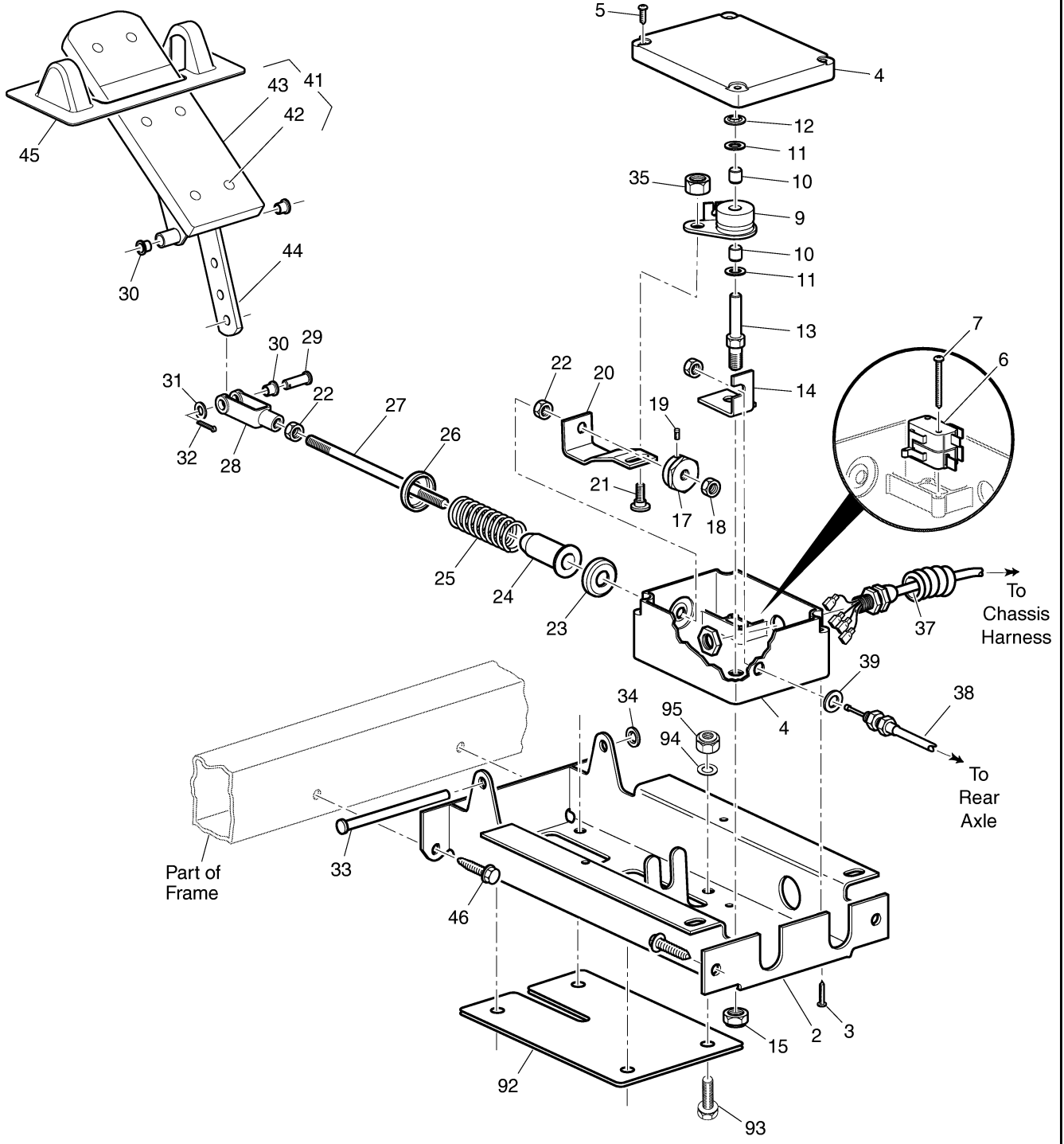
NOTE: Descriptions are indented under the assembly that they are used on. That assembly is, in turn listed under the assembly that it is used on. This process is repeated until the highest final assembly is reached.

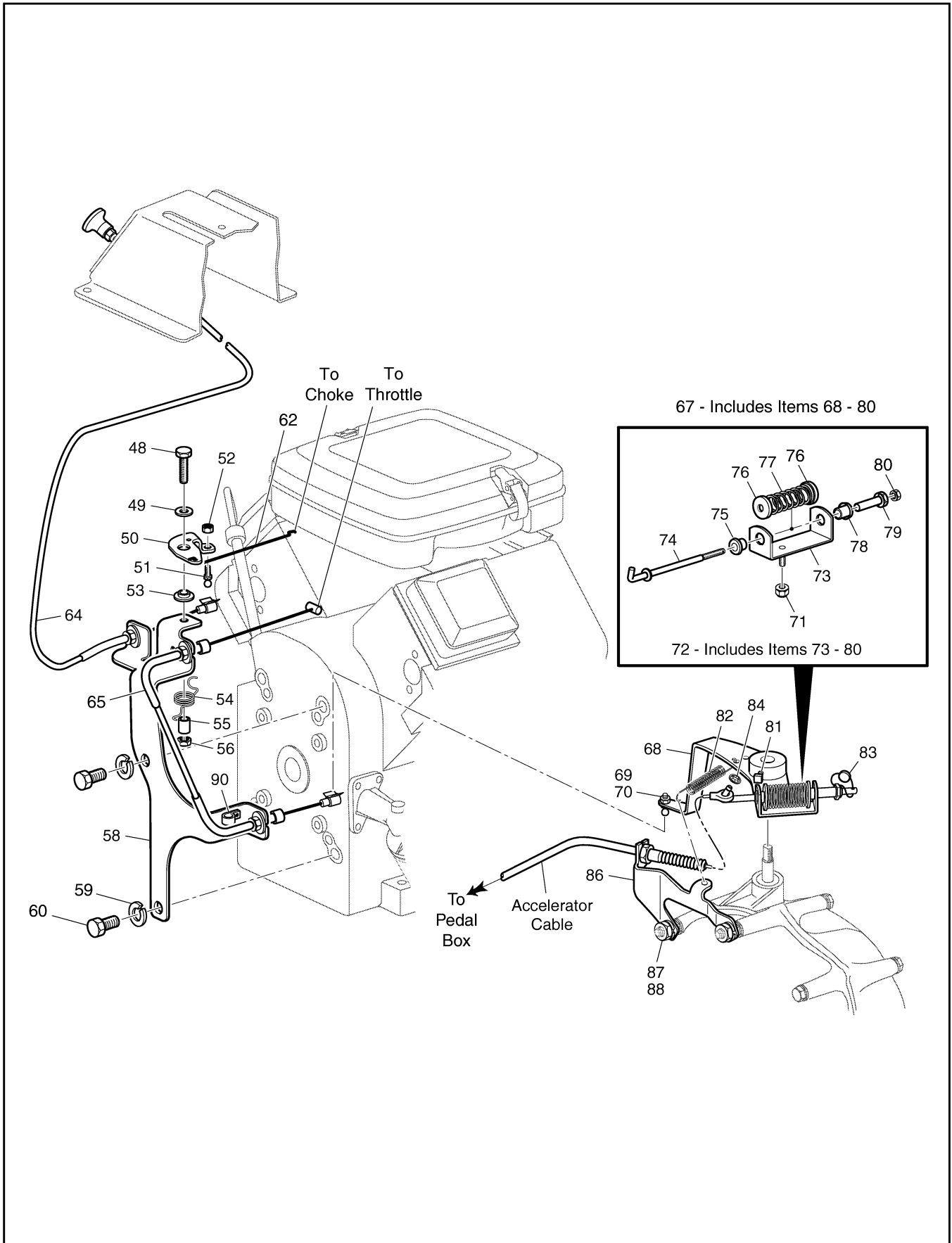
To facilitate the maintenance and repair of the vehicle, a Technician's Repair and Service Manual is available from the Service Parts Department.

ILLUSTRATED PARTS BREAKDOWN

ILLUSTRATED PARTS BREAKDOWN

1 - Includes Items 2 - 44
40 - Includes Items 41 - 44
41 - Includes Items 42, 43





When ordering parts, please specify the model and serial number of the product.
 * Indicates a component that is not available as an individual part.
 G** Indicates consult Customer Service Department for additional information.

ITEM	PART NO.	1 2 3 4 5	DESCRIPTION	QTY.
1	75765-G03		PEDAL BOX ASSEMBLY (INCLUDES ITEMS 2 - 44)	1
2	70116-G01		ACCELERATOR PEDAL BRACKET	1
3	01051-G01		SCREW, #8 - 16 X 1/2" LG.....	4
4	25853-G02		PEDAL BOX AND COVER.....	1
5	00684-G6		SCREW, #8 - 32 X 3/4" LG.....	4
6	75652-G01		MICRO SWITCH	1
7	01050-G02		SCREW, #4 - 20 X 1 1/8" LG.....	2
8				
9	72066-G01		CONTROL ARM.....	1
10	23860-G1		BEARING	2
11	24621-G1		NYLON WASHER, 5/16"	2
12	12064-G1		PUSH NUT, 5/16"	1
13	25768-G01		PIVOT ROD.....	1
14	72199-G01		PIVOT BRACKET.....	1
15	14390-G1		LOCK NUT, 3/8 - 24.....	1
16				
17	72198-G03		MICRO SWITCH CAM	1
18	00550-G4		LOCK NUT, 5/16 - 24.....	1
19	00487-G3		SETSCREW, 1/4 - 20 X 3/8" LG.....	1
20	72074-G01		CONTROL ARM LINK.....	1
21	72225-G01		SHOULDER BOLT, #10 - 24 X 11/16" LG	1
22	00532-G4		LOCK NUT, 5/16 - 24.....	2
23	17677-G1		SPRING RETAINER.....	1
24	17979-G1		ACCELERATOR ROD BUSHING	1
25	73046-G01		COMPRESSION SPRING.....	1
26	17677-G2		SPRING RETAINER.....	1
27	72072-G01		ACCELERATOR ROD.....	1
28	10385-G4		CLEVIS YOKE (ADJUSTABLE)	1
29	10386-G3		CLEVIS PIN, 5/16" X 1" LG.....	1
30	17838-G1		NYLON BUSHING.....	3

When ordering parts, please specify the model and serial number of the product.

* Indicates a component that is not available as an individual part.

G** Indicates consult Customer Service Department for additional information.

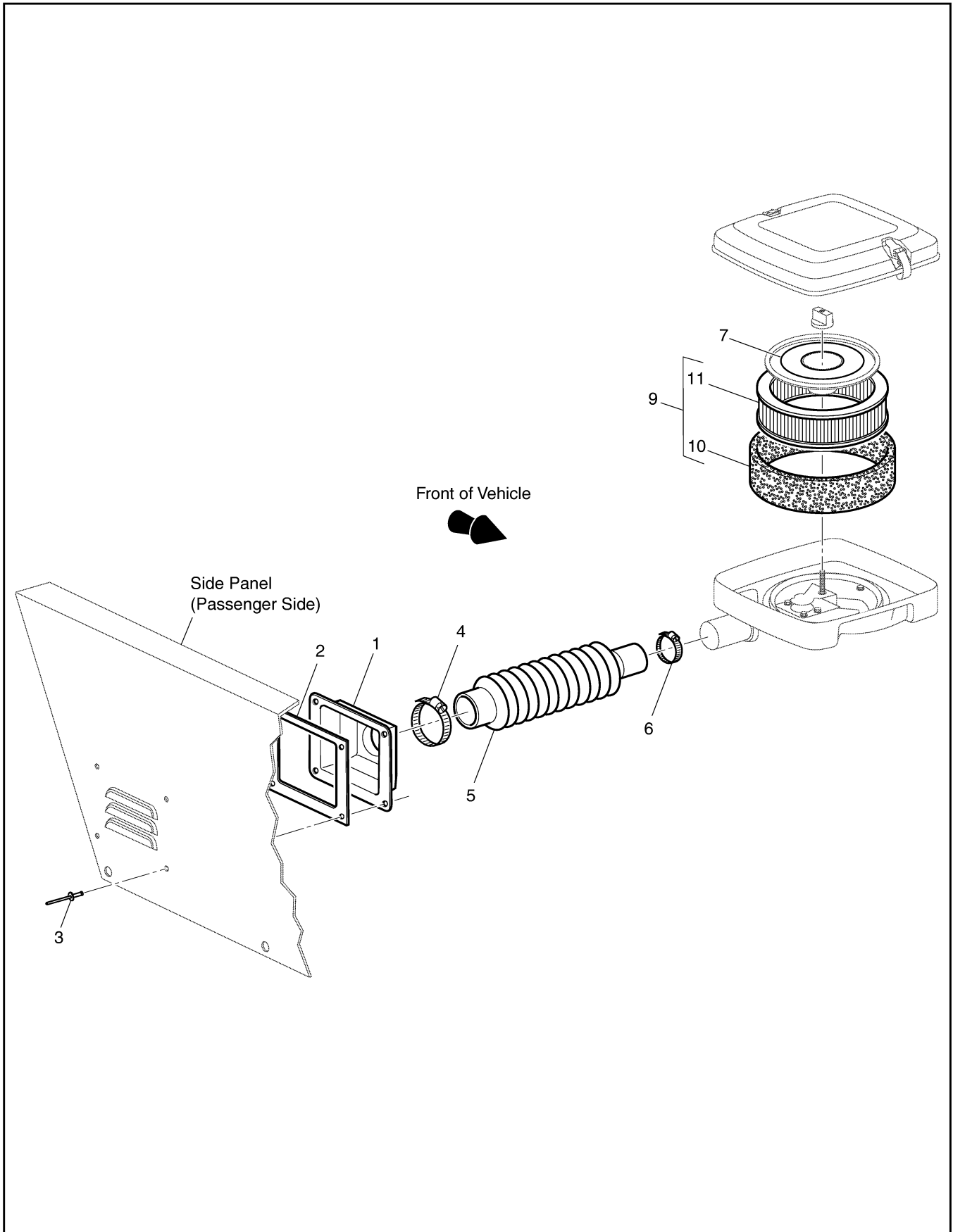
ITEM	PART NO.	1	2	3	4	5	DESCRIPTION	QTY.
31	17255-G1						TEFLON WASHER, 5/16"	1
32	10387-G3						COTTER PIN, 3/32" X 3/4" LG.....	1
33	70134-G01						PEDAL PIVOT PIN.....	1
34	00986-G01						PUSH NUT, 9/32"	1
35	14390-G10						LOCK NUT, #10 - 24.....	1
36								
37	35679-G02						WIRE HARNESS (PEDAL BOX).....	1
38	75639-G01						ACCELERATOR CABLE	1
39	00559-G8						WASHER, 5/16".....	1
40	25799-G01						ACCELERATOR PEDAL ASSEMBLY (INCLUDES ITEMS 41 - 44)	1
41	27844-G01						ACCELERATOR PEDAL PAD KIT (INCLUDES ITEMS 42 - 43)	1
42	15766-G1						OVAL RIVET, 3/16" X 3/8" LG.....	6
43	27512-G01						ACCELERATOR PEDAL PAD.....	1
44	*						ACCELERATOR PEDAL.....	1
45	70135-G01						PEDAL PIVOT COVER.....	1
46	00715-G2						BOLT, 5/16 - 18 X 13/16" LG.....	4
47								
48	00415-G2						BOLT, 1/4 - 20 X 1 1/4" LG.....	1
49	00559-G7						WASHER, 1/4"	1
50	75679-G01						CHOKE PIVOT LEVER.....	1
51	15944-G1						BALL JOINT	1
52	00734-G5						LOCK NUT, #10 - 32	1
53	75677-G01						BUSHING.....	1
54	23577-G1						TORSION SPRING	1
55	23726-G7						SPACER.....	1
56	14390-G4						LOCK NUT, 1/4 - 20	1
57								
58	75651-G01						CHOKE AND GOVERNOR CABLE BRACKET	1
59	00566-G2						LOCK WASHER, 7/16".....	2
60	00462-G7						BOLT, 7/16 - 14 X 7/8" LG.....	2

When ordering parts, please specify the model and serial number of the product.
 * Indicates a component that is not available as an individual part.
 G** Indicates consult Customer Service Department for additional information.

ITEM	PART NO.	1 2 3 4 5	DESCRIPTION	QTY.
61				
62	75650-G01		CHOKE LINK	1
63				
64	75712-G01		CHOKE CABLE.....	1
65	75675-G01		GOVERNOR CABLE.....	1
66				
67	75682-G01		GOVERNOR BELLCRANK ASSEMBLY (INCLUDES ITEMS 68 - 80)	1
68	75681-G01		GOVERNOR BELLCRANK	1
69	15944-G1		BALL JOINT	1
70	00734-G5		LOCK NUT, #10 - 32.....	1
71	14390-G4		LOCK NUT, 1/4 - 20.....	1
72	22751-G2		GOVERNOR BRACKET ASSEMBLY (INCLUDES ITEMS 73 - 80).....	1
73	22752-G1		GOVERNOR BRACKET	1
74	25274-G1		GOVERNOR ROD	1
75	22754-G1		BUSHING	1
76	25661-G01		CUP WASHER	2
77	23578-G1		COMPRESSION SPRING.....	1
78	22754-G2		BUSHING	1
79	23859-G1		GOVERNOR ADJUSTER	1
80	00526-G4		NUT, #10 - 32	1
81	00491-G4		SETSCREW, 1/4 - 20 X 1/2" LG	2
82	25738-G01		SPRING	1
83	25286-G1		SAFETY SEAL, 3/8"	1
84	12064-G3		PUSH NUT, 3/16"	1
85				
86	25653-G01		ACCELERATOR CABLE BRACKET	1
87	26826-G01		LOCK WASHER, 8 MM.....	2
88	26827-G01		NUT, M8 X 1.25 MM.....	2
89				
90	75832-G01		WIRE AND TUBE RETAINER, 3/8" CAPACITY	1

When ordering parts, please specify the model and serial number of the product.
 * Indicates a component that is not available as an individual part.
 G** Indicates consult Customer Service Department for additional information.

ITEM	PART NO.	1 2 3 4 5	DESCRIPTION	QTY.
91				
92	75546-G01		PLATE	1
93	00414-G6		BOLT, 1/4 - 20 X 3/4" LG	4
94	00559-G7		WASHER, 1/4"	4
95	00654-G2		LOCK NUT, 1/4 - 20	4



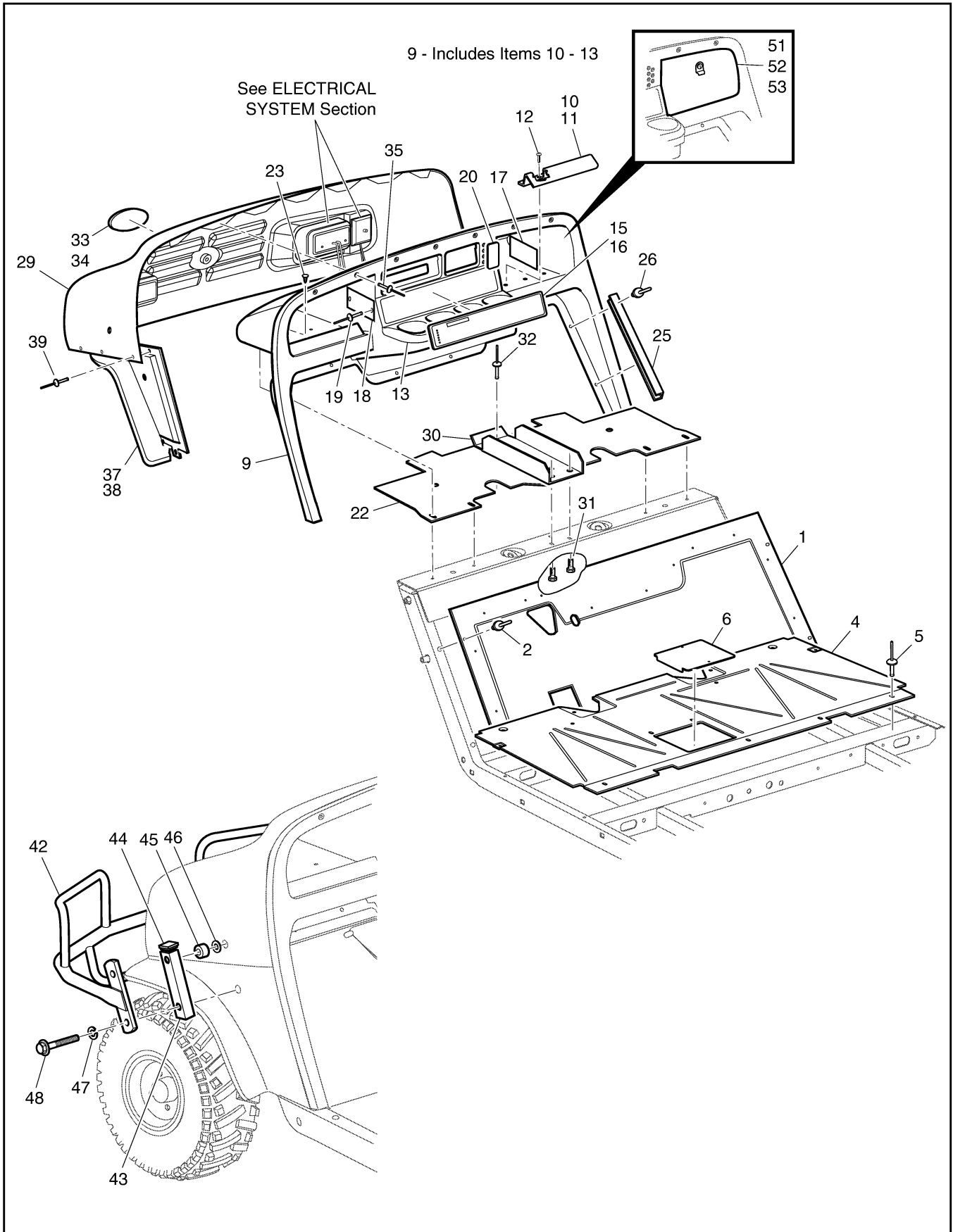
When ordering parts, please specify the model and serial number of the product.

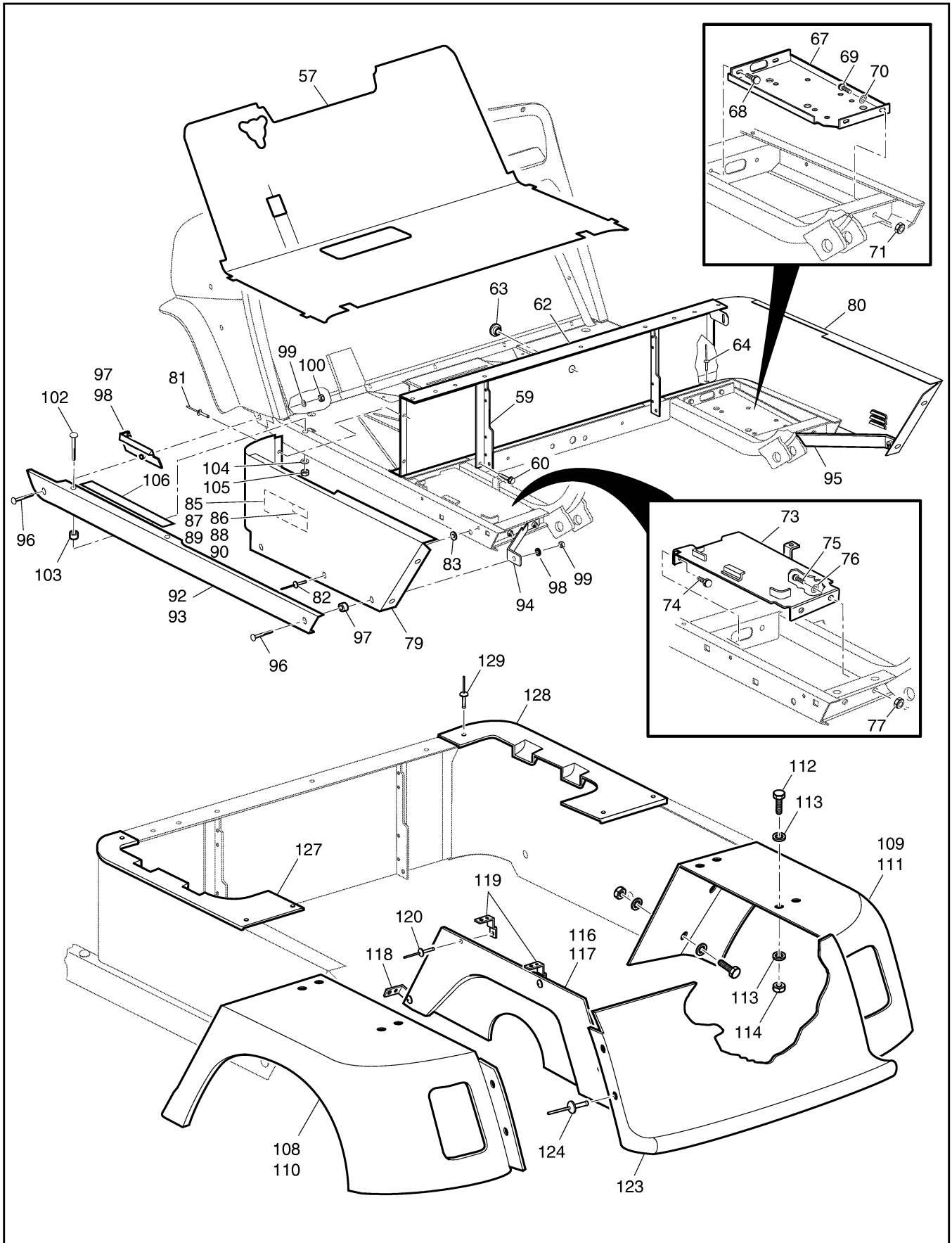
* Indicates a component that is not available as an individual part.

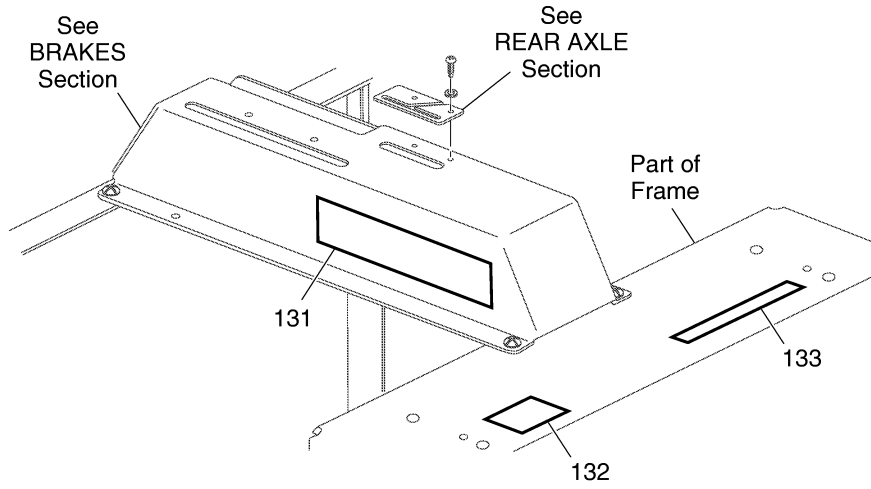
G** Indicates consult Customer Service Department for additional information.

Part numbers without the "-G" suffix are Briggs and Stratton® part numbers.

ITEM	PART NO.	1 2 3 4 5	DESCRIPTION	QTY.
1	72416-G01		INLET ADAPTER	1
2	72415-G01		GASKET	1
3	71055-G01		RIVET, 3/16" X 3/8" LG	4
4	11391-G2		CLAMP, 2"	1
5	72527-G01		HOSE	1
6	11391-G5		CLAMP, 3/4"	1
7	74485-G01		DECAL	1
8				
9	5050		PRE-CLEANER AND AIR CLEANER CARTRIDGE (INCLUDES ITEMS 10, 11)	1
10	272490		PRE-CLEANER	1
11	394018		AIR CLEANER CARTRIDGE	1

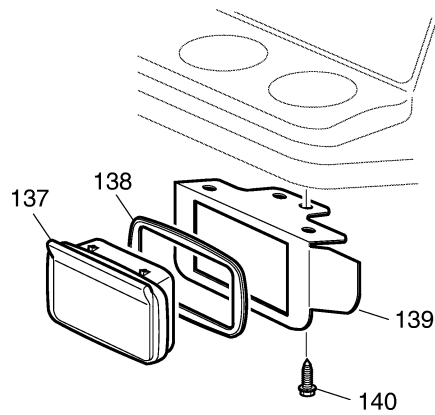






ASH TRAY

136 - Includes Items 137 - 140



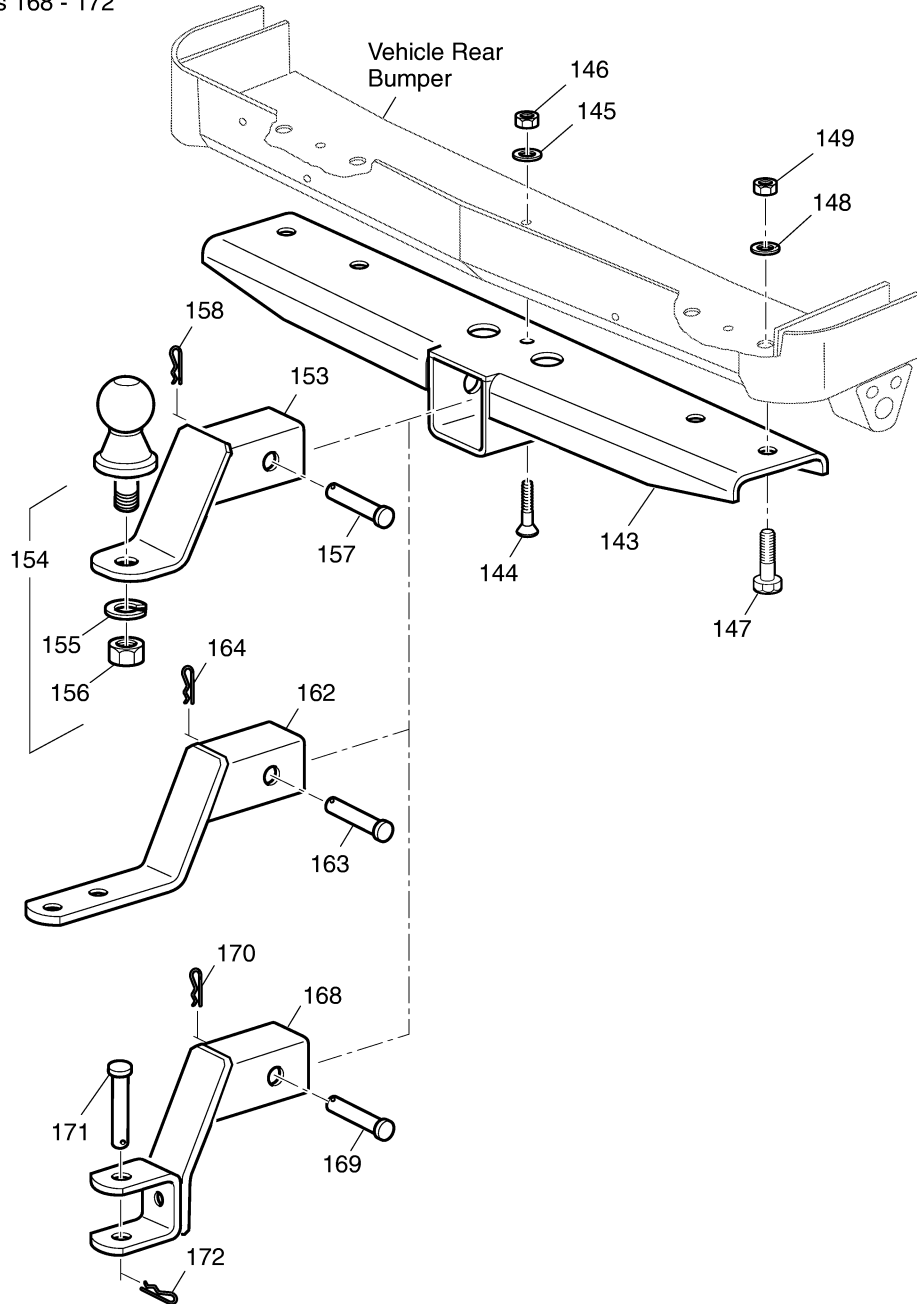
- 152 - Includes Items 153 - 158
- 161 - Includes items 162 - 164
- 167 - Includes items 168 - 172

HITCHES

Dropped Heavy Duty Hitch

Dropped Angle Hitch

Dropped Clevis Hitch



BODY**Gasoline Vehicle**

When ordering parts, please specify the model and serial number of the product.

* Indicates a component that is not available as an individual part.

G** Indicates consult Customer Service Department for additional information.

ITEM	PART NO.	1 2 3 4 5	DESCRIPTION	QTY.
1	71510-G01		UPPER FLOORPAN	1
2	14601-G11		RIVET, 3/16" X 9/16" LG	9
3				
4	70451-G01		LOWER FLOORPAN.....	1
5	14601-G11		RIVET, 3/16" X 9/16" LG	7
6	70452-G01		ACCESS COVER.....	1
7				
8				
9	71151-G03		INSTRUMENT PANEL ASSEMBLY (INCLUDES ITEMS 10 - 13)	1
10	71153-G01		DEFLECTOR (PASSENGER SIDE).....	1
11	71154-G01		DEFLECTOR (DRIVER SIDE)	1
12	00614-G5		SCREW, #8 - 18 X 5/8" LG.....	6
13	71158-G01		INSTRUMENT PANEL INSERT (FOUR CUP)	1
14				
15	35962-G01		LABEL (SAFETY).....	1
16				
17	*		SERIAL NUMBER PLATE.....	1
18	*		CAPACITY PLATE	1
19	01041-G01		RIVET, 5/32" X 3/4" LG	4
20	35968-G01		DECAL (TEE HOLDER COVER)	1
21				
22	71413-G01		SPLASH PANEL.....	1
23	16816-G2		RATCHET FASTENER, 1/4" X 3/4" LG	1
24				
25	71115-G01		VINYL TRIM	2
26	71055-G01		RIVET, 3/16" X 1" LG	10
27				
28				
29	71469-G**		COWL	1
30	71101-G01		COWL SUPPORT BRACKET	1

When ordering parts, please specify the model and serial number of the product.

* Indicates a component that is not available as an individual part.

G** Indicates consult Customer Service Department for additional information.

ITEM	PART NO.	1 2 3 4 5	DESCRIPTION	QTY.
31	71102-G02		BOLT, 1/4 - 20 X 1/2" LG.....	3
32	71055-G01		RIVET, 3/16" X 1" LG	1
33	35945-G01		NAMEPLATE (WORKHORSE) (OVAL) (ST 480).....	1
34	74401-G01		NAMEPLATE (CUSHMAN) (OVAL) (COMMANDER 4800)	1
35	71055-G01		RIVET, 3/16" X 1" LG	7
36				
37	71338-G01		FENDER FLARE (DRIVER SIDE).....	1
38	71338-G02		FENDER FLARE (PASSENGER SIDE)	1
39	71055-G01		RIVET, 3/16" X 1" LG	6
40				
41				
42	74265-G01		BUMPER.....	1
43	74037-G01		SPACER TUBE	2
44	19859-G1		END CAP, 3/4"	2
45	75048-G01		SPACER, 1/2"	2
46	00570-G2		WASHER, 5/16"	6
47	00905-G8		LOCK WASHER, 5/16".....	4
48	01035-G02		BOLT, 5/16 - 18 X 2 1/2" LG.....	4
49				
50				
51	75459-G01		GLOVE BOX DOORS (PAIR).....	1
52	75459-G02		GLOVE BOX DOOR (DRIVER SIDE)	1
53	75459-G03		GLOVE BOX DOOR (PASSENGER SIDE).....	1
54				
55				
56				
57	70048-G06		FLOORMAT.....	1
58				
59	70440-G02		SEAT FRAME.....	1
60	00715-G2		BOLT, 5/16 - 18 X 13/16" LG.....	2

When ordering parts, please specify the model and serial number of the product.

* Indicates a component that is not available as an individual part.

G** Indicates consult Customer Service Department for additional information.

ITEM	PART NO.	1 2 3 4 5	DESCRIPTION	QTY.
61				
62	75636-G**		SEAT SUPPORT PANEL	1
63	20271-G9		HOLE PLUG, 1"	1
64	10570-G10		RIVET, 5/32" X 9/16" LG	5
65				
66				
67	70244-G02		SPLASH PANEL.....	1
68	00715-G2		BOLT, 5/16 - 18 X 13/16" LG.....	2
69	00438-G8		BOLT, 5/16 - 18 X 1" LG.....	2
70	00559-G8		WASHER, 5/16"	2
71	11098-G6		LOCK NUT, 5/16 - 18	2
72				
73	70245-G01		BATTERY TRAY.....	1
74	00715-G2		BOLT, 5/16 - 18 X 13/16" LG.....	2
75	00438-G8		BOLT, 5/16 - 18 X 1" LG.....	2
76	00571-G2		WASHER, 5/16"	2
77	11098-G6		LOCK NUT, 5/16 - 18	2
78				
79	71674-G**		SIDE PANEL (DRIVER SIDE)	1
80	71674-G**		SIDE PANEL (PASSENGER SIDE)	1
81	10570-G10		RIVET, 5/32" X 9/16" LG	4
82	10570-G12		RIVET, 1/4" X 1/2" LG	4
83	16469-G1		WASHER, 1/4"	4
84				
85	35062-G01		DECAL (WORKHORSE).....	2
86	35430-G23		DECAL (ST 480)	2
87	74341-G01		DECAL (WORKHORSE), CAMO VERSION.....	2
88	74343-G03		DECAL (ST 480), CAMO VERSION	2
89	74407-G01		DECAL (COMMANDER).....	2
90	74116-G07		DECAL (4800).....	2

When ordering parts, please specify the model and serial number of the product.
 * Indicates a component that is not available as an individual part.
 G** Indicates consult Customer Service Department for additional information.

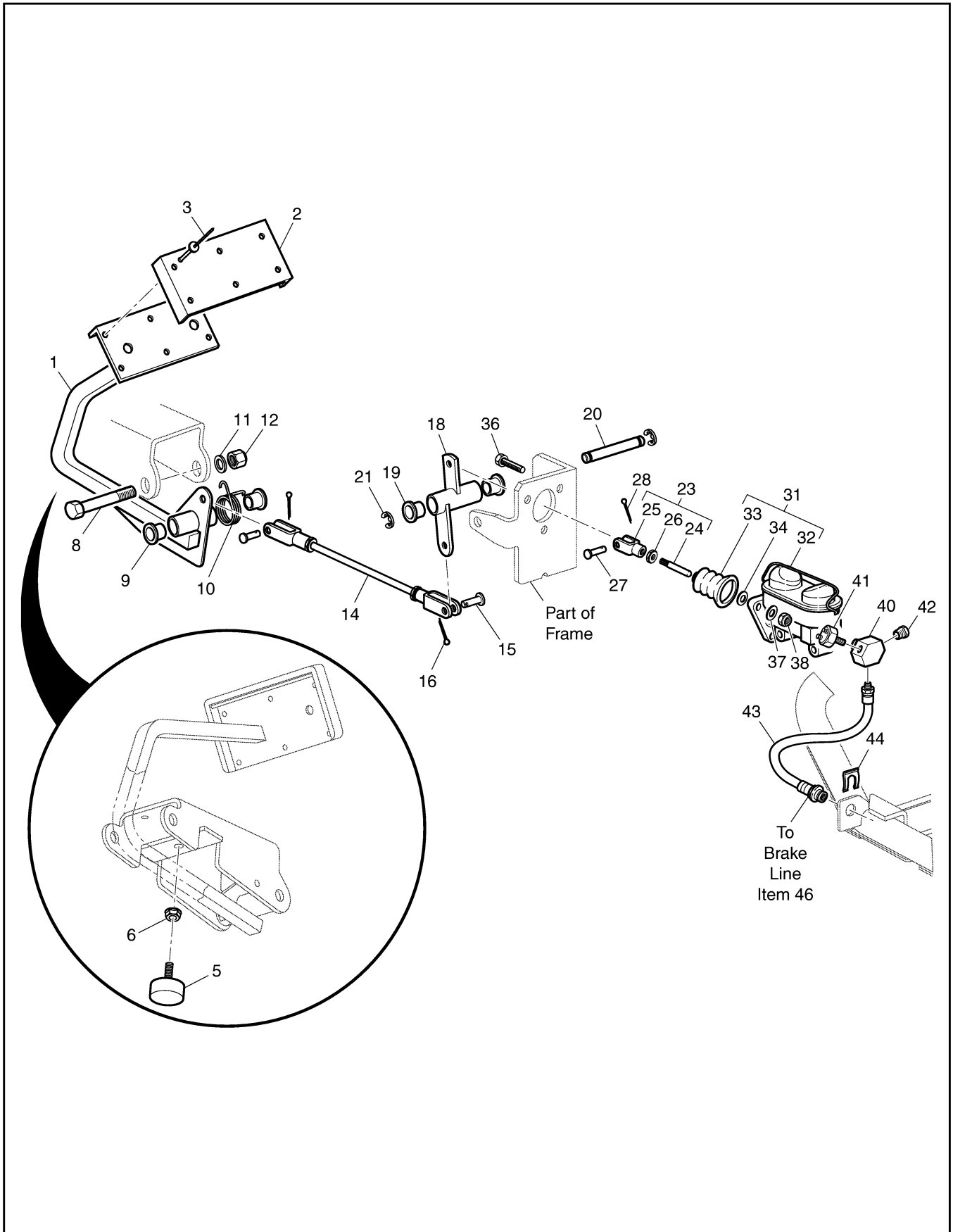
ITEM	PART NO.	1 2 3 4 5	DESCRIPTION	QTY.
91				
92	71439-G01		ROCKER PANEL (DRIVER SIDE)	1
93	71439-G02		ROCKER PANEL (PASSENGER SIDE)	1
94	71440-G01		BRACE (DRIVER SIDE).....	1
95	71440-G02		BRACE (PASSENGER SIDE)	1
96	00789-G2		SCREW, #10 - 24 X 1 1/4" LG	4
97	71424-G01		SPACER (DRIVER SIDE)	1
98	71424-G02		SPACER (PASSENGER SIDE).....	1
99	00660-G5		WASHER, #10.....	4
100	11098-G7		LOCK NUT, #10 - 24	4
101				
102	16705-G1		SCREW, 1/4 - 20 X 1" LG	4
103	23726-G2		SPACER, 1/4"	4
104	00559-G7		WASHER, 1/4"	4
105	14390-G4		LOCK NUT, 1/4 - 20	4
106	71764-G01		SILL PLATE TREAD.....	2
107				
108	74297-G01		FENDER (DRIVER SIDE)	1
109	74297-G02		FENDER (PASSENGER SIDE).....	1
110	74297-G03		FENDER WITH TAILLIGHT (DRIVER SIDE)	1
111	74297-G04		FENDER WITH TAILLIGHT (PASSENGER SIDE)	1
112	00414-G7		BOLT, 1/4 - 20 X 7/8" LG.....	12
113	00559-G7		WASHER, 1/4"	24
114	11027-G2		LOCK NUT, 1/4 - 20	12
115				
116	75661-G01		INNER FENDER (PASSENGER SIDE)	1
117	75661-G02		INNER FENDER (DRIVER SIDE)	1
118	71374-G01		BRACKET	2
119	74441-G01		BRACKET	4
120	15058-G1		RIVET, 3/16" X 7/16" LG (ALUMINUM).....	8

When ordering parts, please specify the model and serial number of the product.
 * Indicates a component that is not available as an individual part.
 G** Indicates consult Customer Service Department for additional information.

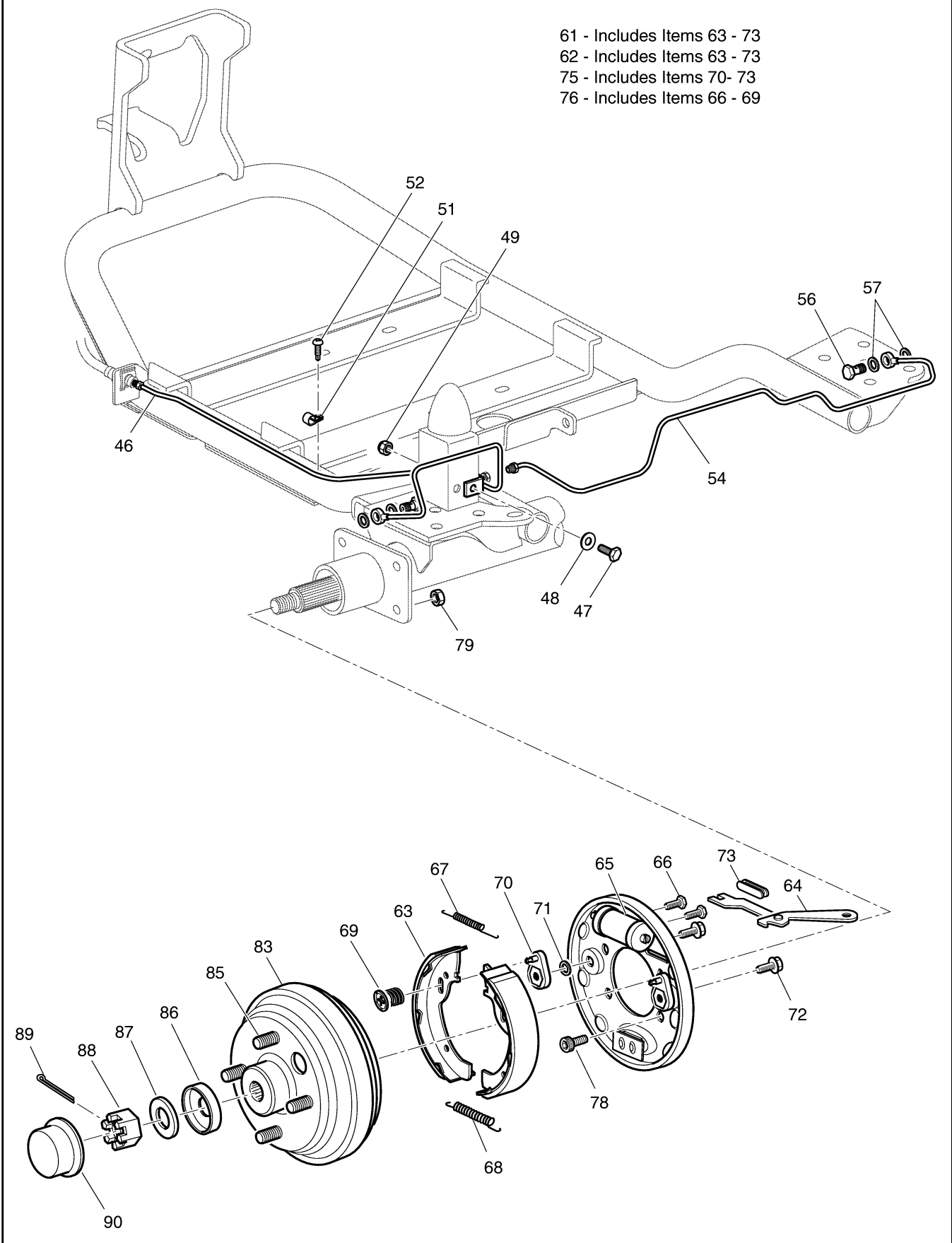
ITEM	PART NO.	1 2 3 4 5	DESCRIPTION	QTY.
121				
122				
123	71587-G01		REAR PANEL.....	1
124	71055-G01		RIVET, 3/16" X 1" LG	4
125				
126				
127	71588-G03		SEAT FILLER PANEL (DRIVER SIDE)	1
128	71588-G04		SEAT FILLER PANEL (PASSENGER SIDE).....	1
129	10570-G10		RIVET, 5/32" X 9/16" LG	6
130				
131	74093-G01		LABEL (WARNING)	2
132	75696-G01		LABEL (HOT EXHAUST)	1
133	24880-G1		LABEL (GOVERNOR WARNING)	1
134				
135				
136	75109-G02		ASH TRAY KIT (INCLUDES ITEMS 137 - 140)	1
137	27731-G01		ASH TRAY	1
138	27736-G01		GASKET	1
139	75108-G01		BRACKET.....	1
140	00100-G4		SCREW, #10 - 16 X 1/2" LG.....	4
141				
142				
143	74348-G01		HITCH RECEIVER.....	1
144	00198-G8		SCREW, 5/16 - 18 X 1" LG	1
145	00569-G2		WASHER, 5/16"	1
146	11098-G6		LOCK NUT, 5/16 - 18	1
147	00463-G4		BOLT, 7/16 - 14 X 1 1/2" LG.....	4
148	00922-G3		WASHER, 7/16"	4
149	00734-G1		LOCK NUT, 7/16 - 14	4
150				

When ordering parts, please specify the model and serial number of the product.
 * Indicates a component that is not available as an individual part.
 G** Indicates consult Customer Service Department for additional information.

ITEM	PART NO.	1 2 3 4 5	DESCRIPTION	QTY.
151				
152	74492-G10		DROPPED BALL HITCH KIT (INCLUDES ITEMS 153 - 158)	1
153	74491-G01		DROPPED BALL HITCH	1
154	31757-G1		HITCH BALL, 1 7/8" (INCLUDES ITEMS 155 - 156).....	1
155	00566-G6		LOCK WASHER, 3/4".....	1
156	00702-G11		NUT, 3/4 - 16	1
157	21317-G01		CLEVIS PIN, 5/8" X 3" LG	1
158	21683-G1		HAIRPIN, 15/32" X 2 11/16" LG	1
159				
160				
161	74492-G08		DROPPED ANGLE HITCH KIT (INCLUDES ITEMS 162 - 164).....	1
162	74489-G01		DROPPED ANGLE HITCH.....	1
163	21317-G01		CLEVIS PIN.....	1
164	21683-G01		HAIRPIN, 15/32" X 2 11/16" LG	1
165				
166				
167	74492-G12		DROPPED CLEVIS HITCH KIT (INCLUDES ITEMS 168 - 172)	1
168	74495-G01		DROPPED CLEVIS HITCH.....	1
169	21317-G01		CLEVIS PIN.....	1
170	21683-G01		HAIRPIN, 15/32" X 2 11/16" LG	1
171	14443-G7		CLEVIS PIN.....	1
172	19314-G1		HAIRPIN	1



- 61 - Includes Items 63 - 73
- 62 - Includes Items 63 - 73
- 75 - Includes Items 70- 73
- 76 - Includes Items 66 - 69



BRAKES**Gasoline Vehicle**

When ordering parts, please specify the model and serial number of the product.

* Indicates a component that is not available as an individual part.

G** Indicates consult Customer Service Department for additional information.

ITEM	PART NO.	1 2 3 4 5	DESCRIPTION	QTY.
1	75605-G01		BRAKE PEDAL	1
2	70257-G01		BRAKE PEDAL PAD	1
3	14269-G1		RIVET, 3/16" X 1/2" LG	6
4				
5	70113-G01		ADJUSTABLE BUMPER.....	1
6	11027-G1		LOCK NUT, 5/16 - 18	1
7				
8	70582-G01		SHOULDER BOLT, 3/8 - 16 X 4" LG.....	1
9	70581-G01		FLANGED BUSHING	2
10	70676-G01		TORSION SPRING	1
11	00643-G1		WASHER, 3/8"	1
12	11098-G5		LOCK NUT, 3/8 - 16	1
13				
14	34124-G02		LINKAGE ROD.....	1
15	10386-G3		CLEVIS PIN, 5/16" X 13/16" LG.....	2
16	10387-G3		COTTER PIN, 3/32" X 3/4" LG.....	2
17				
18	75607-G01		BELL CRANK.....	1
19	70581-G01		FLANGED BUSHING	2
20	70410-G02		SHAFT, 5 1/2" LG.....	1
21	12305-G1		RETAINING RING.....	2
22				
23	30298-G2		PUSH ROD ASSEMBLY (INCLUDES ITEMS 24 - 26)	1
24	30293-G2		PUSH ROD, 3 1/8" LG	1
25	21508-G1		CLEVIS YOKE.....	1
26	00544-G6		JAM NUT, 3/8 - 24	1
27	14443-G3		CLEVIS PIN, 5/16" X 1" LG.....	1
28	10387-G3		COTTER PIN, 3/32" X 3/4" LG.....	1
29				
30				

When ordering parts, please specify the model and serial number of the product.
 * Indicates a component that is not available as an individual part.
 G** Indicates consult Customer Service Department for additional information.

ITEM	PART NO.	1 2 3 4 5	DESCRIPTION	QTY.
31	70643-G02		MASTER CYLINDER KIT (INCLUDES ITEMS 32 - 34).....	1
32	*		MASTER CYLINDER	1
33	32768-G1		MASTER CYLINDER BOOT	1
34	00675-G1		WASHER, 3/8".....	1
35				
36	00427-G4		BOLT, 3/8 - 16 X 1 1/2" LG.....	3
37	00560-G1		WASHER, 3/8"	3
38	11098-G5		LOCK NUT, 3/8 - 16	3
39				
40	26469-G01		BRANCH TEE (MALE).....	1
41	21510-G1		BRAKE LIGHT SWITCH	1
42	21503-G1		PLUG	1
43	75621-G01		FLEXIBLE BRAKE HOSE	1
44	11456-G1		CLIP	1
45				
46	75644-G01		PRIMARY BRAKE LINE.....	1
47	00438-G6		BOLT, 5/16 - 18 X 3/4" LG.....	1
48	00559-G8		WASHER, 5/16"	1
49	11098-G6		LOCK NUT, 5/16 - 18	1
50				
51	11845-G5		CLAMP, 3/8".....	1
52	00106-G6		SCREW, #12 - 24 X 3/4" LG	1
53				
54	75645-G01		SECONDARY BRAKE LINE	1
55				
56	75683-G01		BANJO BOLT	2
57	75684-G01		COPPER GASKET	4
58				
59				
60				

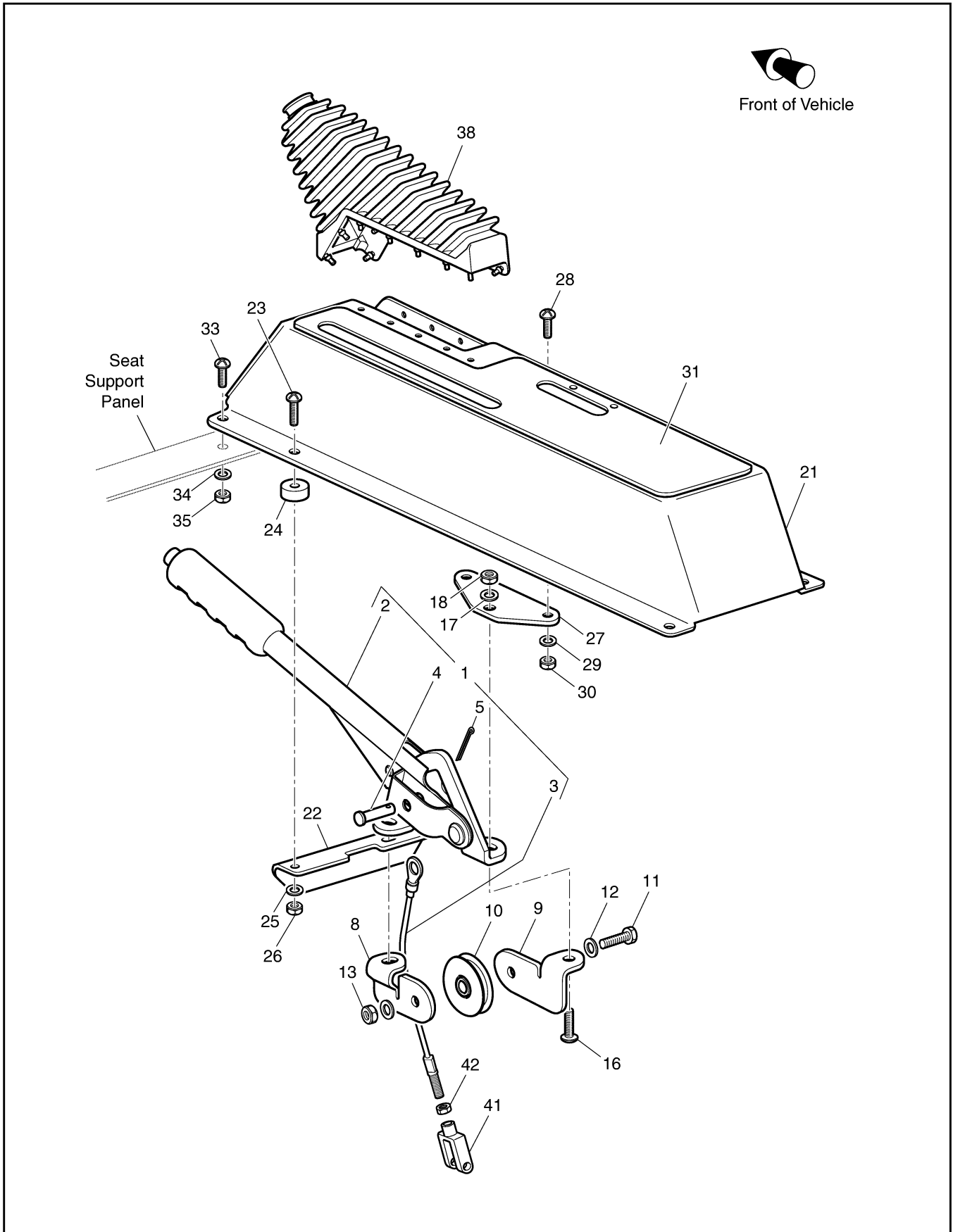
BRAKES**Gasoline Vehicle**

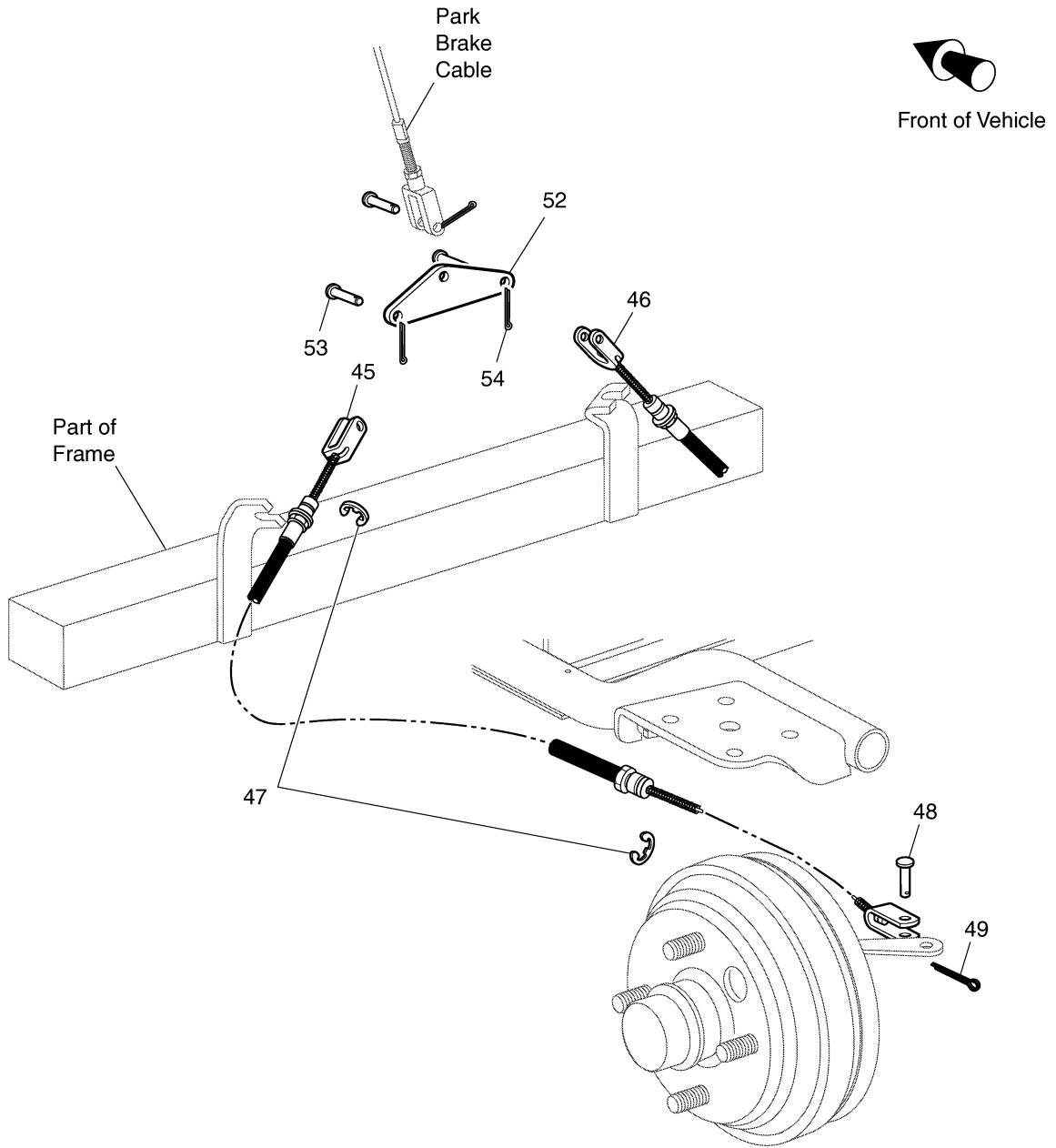
When ordering parts, please specify the model and serial number of the product.

* Indicates a component that is not available as an individual part.

G** Indicates consult Customer Service Department for additional information.

ITEM	PART NO.	1 2 3 4 5	DESCRIPTION	QTY.
61	75685-G01		BRAKE ASSEMBLY (DRIVER SIDE) (INCLUDES ITEMS 63 - 73).....	1
62	75685-G02		BRAKE ASSEMBLY (PASSENGER SIDE) (INCLUDES ITEMS 63 - 73)	1
63	75830-G01		BRAKE SHOE	2
64	75829-G**		PARK BRAKE WHEEL LEVER	1
65	75828-G01		WHEEL CYLINDER.....	1
66	*		WHEEL CYLINDER BOLT	2
67	*		UPPER RETURN SPRING	1
68	*		LOWER RETURN SPRING.....	1
69	*		CUP AND SPRING.....	2
70	*		ADJUSTER.....	2
71	*		WASHER.....	2
72	*		BOLT, 1/4 - 28 X 1/2" LG	2
73	*		DUST COVER.....	1
74				
75	75826-G01		ADJUSTER KIT (INCLUDES ITEMS 70 - 73).....	1
76	75827-G01		HARDWARE KIT (INCLUDES ITEMS 66 - 69)	1
77				
78	75701-G01		BOLT, 5/16 - 24 X 3/4" LG.....	8
79	15126-G1		LOCK NUT, 5/16 - 24	8
80				
81				
82				
83	75573-G01		BRAKE DRUM ASSEMBLY (INCLUDES ITEMS 84 - 85)	2
84	*		BRAKE DRUM.....	1
85	19862-G2		LUG BOLT, 1/2 - 20 X 1 23/32" LG.....	4
86	24939-G2		SPINDLE CAP ADAPTER.....	2
87	75586-G01		OUTER BRAKE DRUM WASHER	2
88	00518-G8		SLOTTED NUT, 3/4 - 16.....	2
89	10387-G1		COTTER PIN, 1/8" X 1 1/2" LG.....	2
90	12091-G2		SPINDLE CAP	2



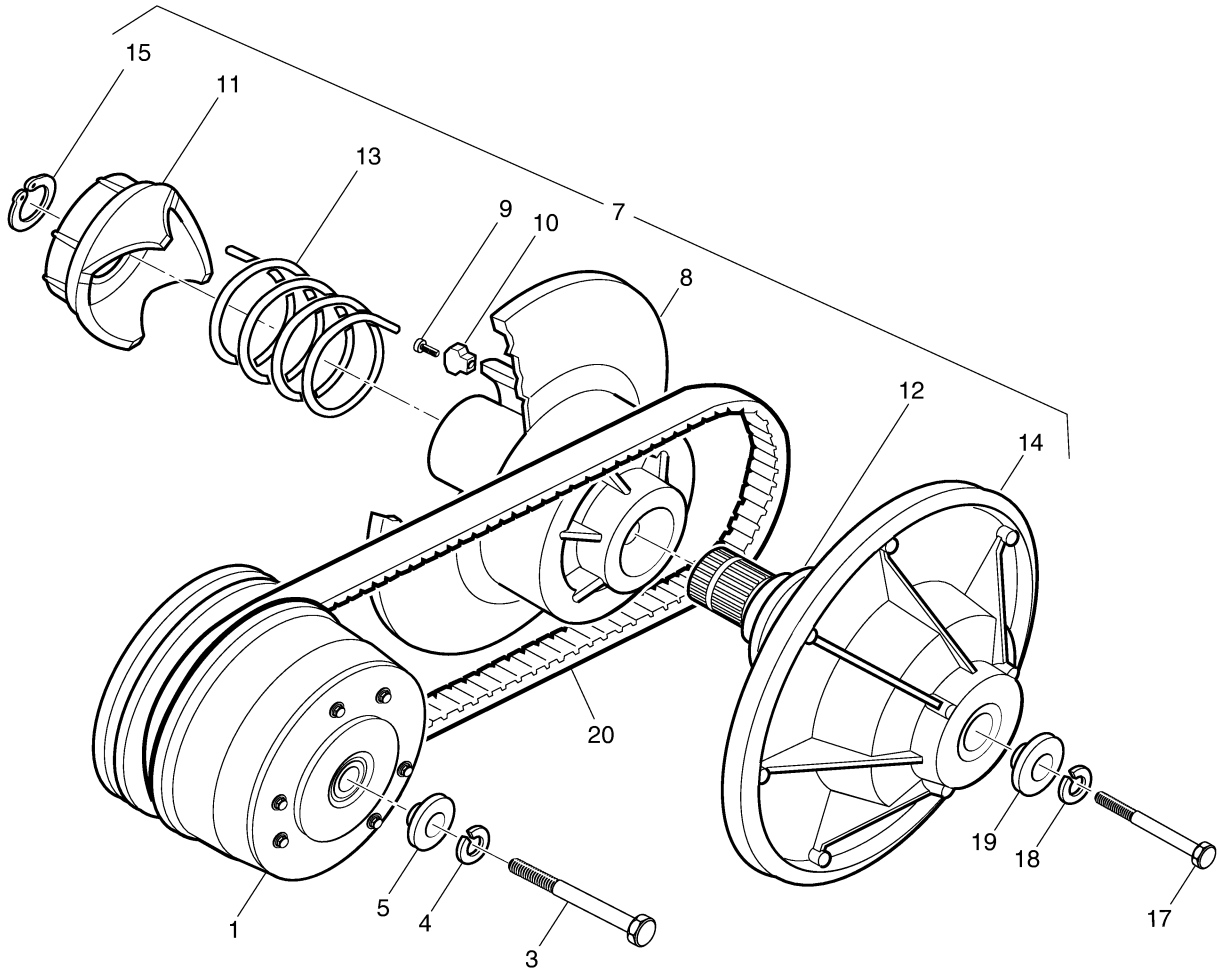


When ordering parts, please specify the model and serial number of the product.
 * Indicates a component that is not available as an individual part.
 G** Indicates consult Customer Service Department for additional information.

ITEM	PART NO.	1 2 3 4 5	DESCRIPTION	QTY.
1	75791-G01		PARKING BRAKE LEVER ASSEMBLY (INCLUDES ITEMS 2 - 5)	1
2	75790-G01		PARKING BRAKE LEVER.....	1
3	75764-G01		PARKING BRAKE CABLE.....	1
4	17651-G1		CLEVIS PIN, 3/8" X 1 1/4" LG.....	1
5	10387-G2		COTTER PIN, 3/32" X 1" LG.....	1
6				
7				
8	75769-G01		PULLEY MOUNT BRACKET (DRIVER SIDE).....	1
9	75768-G01		PULLEY MOUNT BRACKET (PASSENGER SIDE)	1
10	75789-G01		PULLEY, 2" DIA.....	1
11	00439-G4		BOLT, 5/16 - 18 X 1 1/2" LG.....	1
12	00559-G8		WASHER, 5/16"	2
13	11098-G6		LOCK NUT, 5/16 - 18	1
14				
15				
16	00976-G8		SCREW, 5/16 - 18 X 1" LG	2
17	00559-G8		WASHER, 5/16"	2
18	11098-G6		LOCK NUT, 5/16 - 18	2
19				
20				
21	75845-G01		CENTER CONSOLE.....	1
22	75594-G01		SUPPORT BRACKET.....	1
23	16705-G1		SCREW, 1/4 - 20 X 1" LG	2
24	23726-G12		SPACER.....	2
25	00559-G7		WASHER, 1/4"	2
26	14390-G4		LOCK NUT, 1/4 - 20	2
27	75773-G01		SUPPORT PLATE.....	1
28	16705-G3		SCREW, 1/4 - 20 X 3/4" LG	2
29	00559-G7		WASHER, 1/4"	2
30	14390-G4		LOCK NUT, 1/4 - 20	2

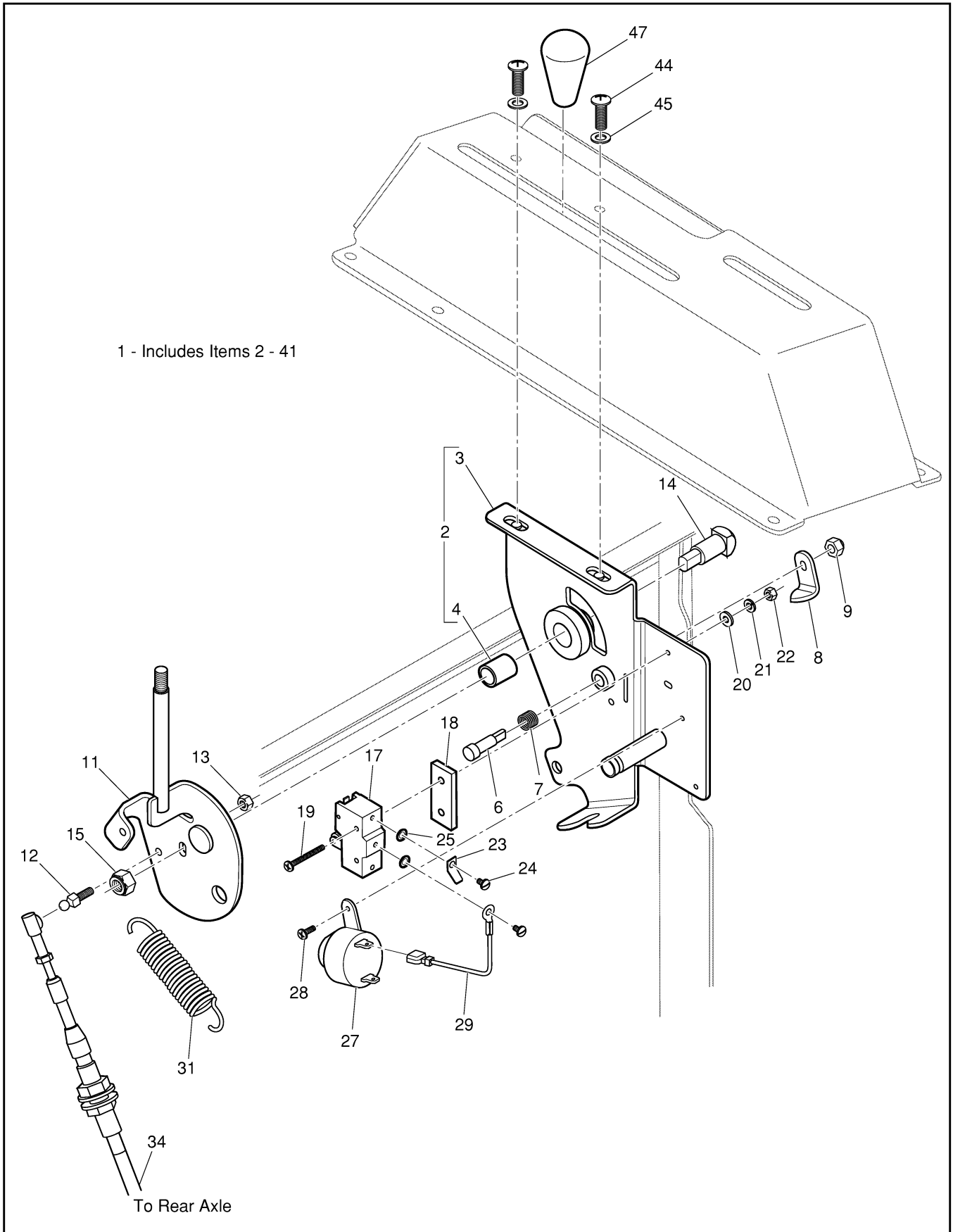
When ordering parts, please specify the model and serial number of the product.
 * Indicates a component that is not available as an individual part.
 G** Indicates consult Customer Service Department for additional information.

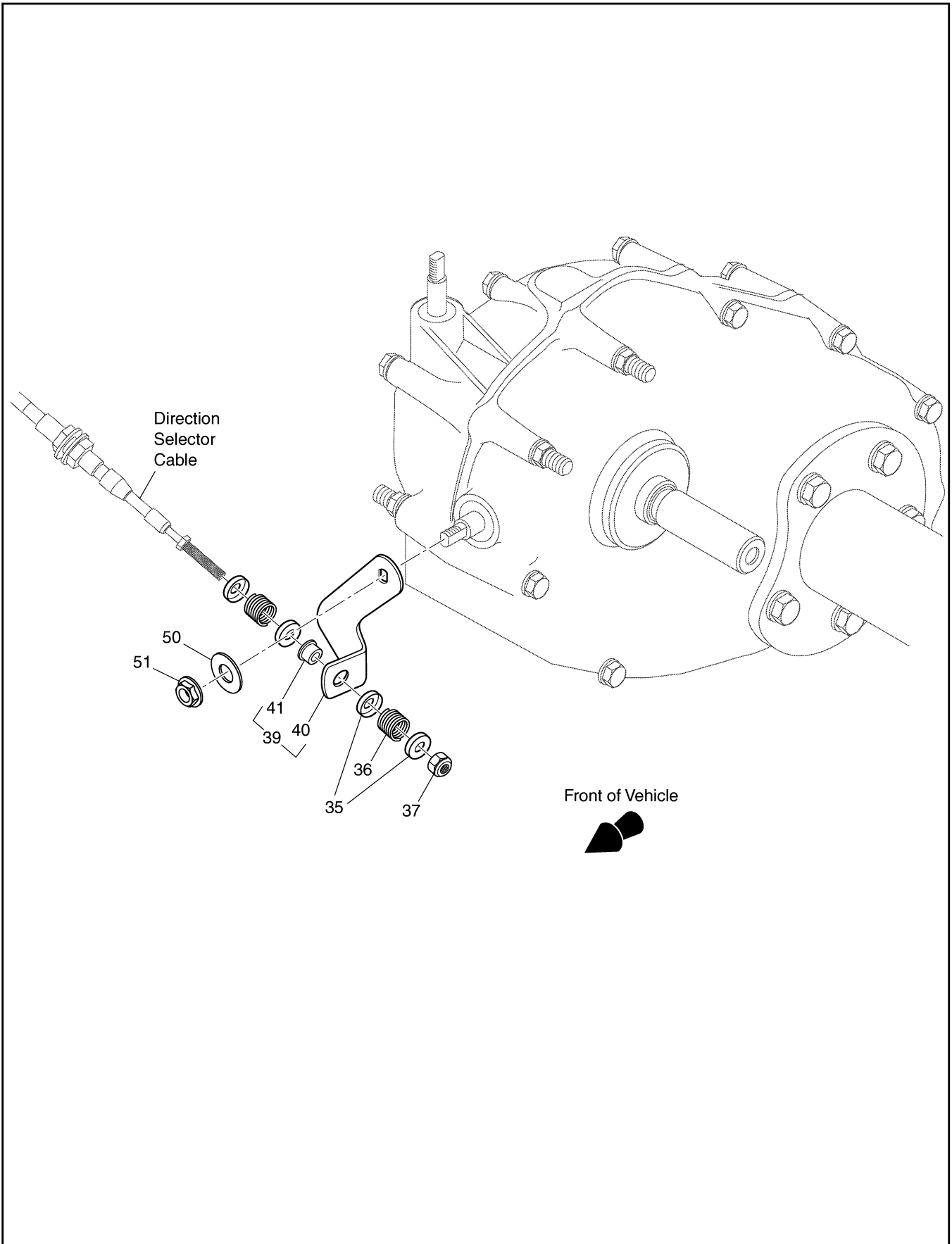
ITEM	PART NO.	1 2 3 4 5	DESCRIPTION	QTY.
31	75851-G01		DECAL (CENTER CONSOLE).....	1
32				
33	16705-G3		SCREW, 1/4 - 20 X 3/4" LG	4
34	00559-G7		WASHER, 1/4"	4
35	14390-G4		LOCK NUT, 1/4 - 20	4
36				
37				
38	75821-G01		PARKING BRAKE BOOT	1
39				
40				
41	10385-G4		CLEVIS YOKE	1
42	00544-G4		JAM NUT, 5/16 - 24	1
43				
44				
45	75595-G01		PARKING BRAKE CABLE (DRIVER SIDE)	1
46	75595-G02		PARKING BRAKE CABLE (PASSENGER SIDE)	1
47	12305-G1		RETAINING RING	4
48	10386-G3		CLEVIS PIN, 5/16" X 13/16" LG.....	2
49	10387-G3		COTTER PIN, 3/32" X 3/4" LG.....	2
50				
51				
52	75766-G01		EQUALIZER.....	1
53	10386-G3		CLEVIS PIN, 5/16" X 13/16" LG.....	3
54	10387-G3		COTTER PIN, 3/32" X 3/4" LG.....	3



When ordering parts, please specify the model and serial number of the product.
 * Indicates a component that is not available as an individual part.
 G** Indicates consult Customer Service Department for additional information.

ITEM	PART NO.	1 2 3 4 5	DESCRIPTION	QTY.
1	26952-G03		DRIVE CLUTCH	1
2				
3	00473-G9		BOLT, 7/16 - 20 X 6 1/2" LG	1
4	00566-G2		LOCK WASHER, 7/16"	1
5	25757-G1		PILOT WASHER	1
6				
7	26301-G02		DRIVEN CLUTCH ASSEMBLY (INCLUDES ITEMS 8 - 15)	1
8	*		MOVABLE SHEAVE (INCLUDES ITEMS 9 -10)	1
9	00979-G01		SCREW, #10 - 24 X 7/8" LG	3
10	26479-G01		RAMP BUTTON	3
11	*		CAM.....	1
12	24600-G1		SPACER	1
13	26304-G01		COMPRESSION SPRING	1
14	*		SHEAVE AND POST	1
15	27270-G01		HEAVY DUTY RETAINING RING.....	1
16				
17	00441-G8		BOLT, 5/16 - 18 X 4" LG.....	1
18	00565-G8		LOCK WASHER, 5/16"	4
19	25756-G1		RETAINING WASHER	1
20	75691-G01		DRIVE BELT	1





DIRECTION SELECTOR**Gasoline Vehicle**

When ordering parts, please specify the model and serial number of the product.

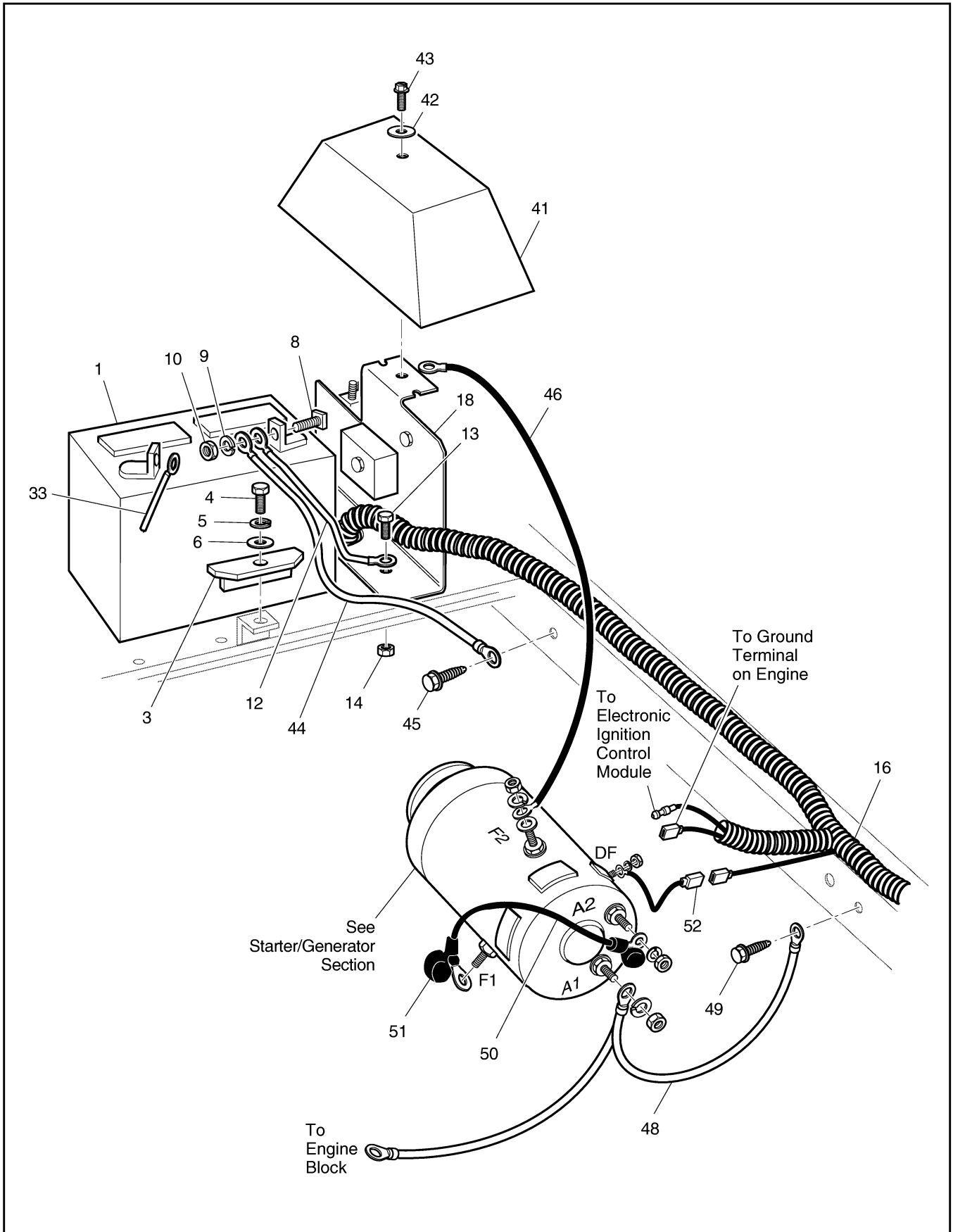
* Indicates a component that is not available as an individual part.

G** Indicates consult Customer Service Department for additional information.

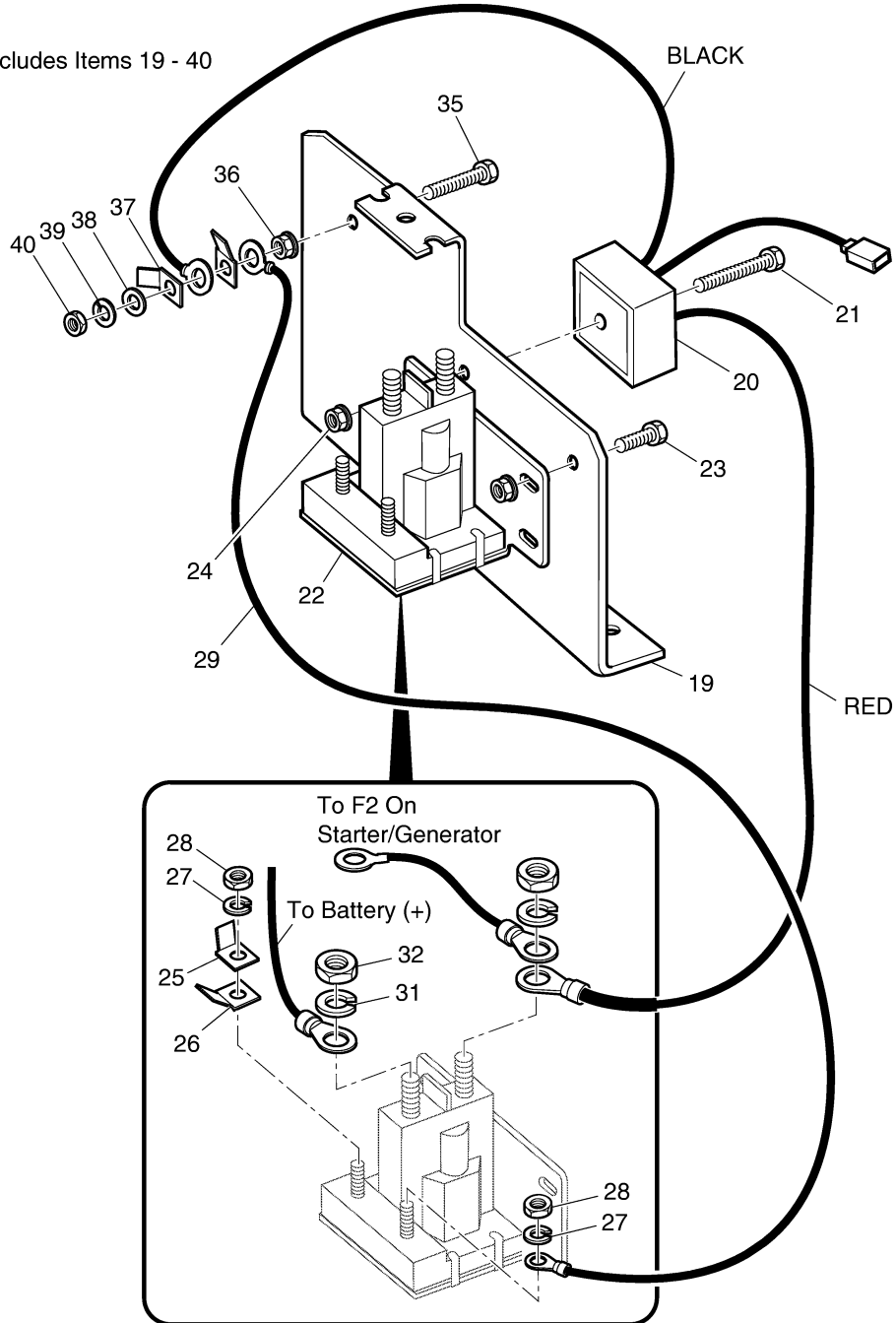
ITEM	PART NO.	1	2	3	4	5	DESCRIPTION	QTY.	
1	75939-G01	DIRECTION SELECTOR ASSEMBLY (INCLUDES ITEMS 2 - 41)							
2	28767-G01	SHIFTER BRACKET ASSEMBLY							1
3	75934-G01	SHIFTER BRACKET							1
4	25664-G2	BUSHING, 1/2" X 3/4"							1
5									
6	72724-G01	NEUTRAL LOCK PIN							1
7	72733-G01	COMPRESSION SPRING							1
8	72729-G01	NEUTRAL LOCK LEVER							1
9	00734-G2	LOCK NUT, 1/4 - 28.....							1
10									
11	75936-G01	DIRECTION SELECTOR CAM / HANDLE							1
12	72732-G01	BALL STUD, 1/4".....							1
13	00734-G5	LOCK NUT, #10 - 32.....							1
14	75937-G01	PIVOT SHAFT							1
15	14390-G01	LOCK NUT, 3/8 - 24.....							1
16									
17	10606-G1	MICRO SWITCH							1
18	27151-G01	SPACER							1
19	00645-G02	SCREW, #6 - 32 X 1 1/4" LG.....							2
20	00559-G3	WASHER, #6.....							2
21	00565-G3	LOCK WASHER, #6							2
22	005250G5	NUT, #6 - 32							2
23	14628-G1	FASTON TAB, 5/16" X 5/16".....							1
24	13514-G1	SCREW							2
25	00567-G3	LOCK WASHER, #6							2
26									
27	73290-G03	BUZZER							1
28	01063-G01	SCREW, #6 - 32 X 3/8"							2
29	25978-G234	18 GA WIRE (RED 6").....							1
30									

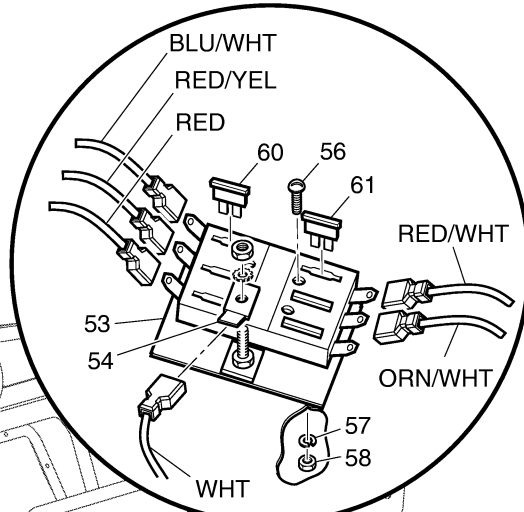
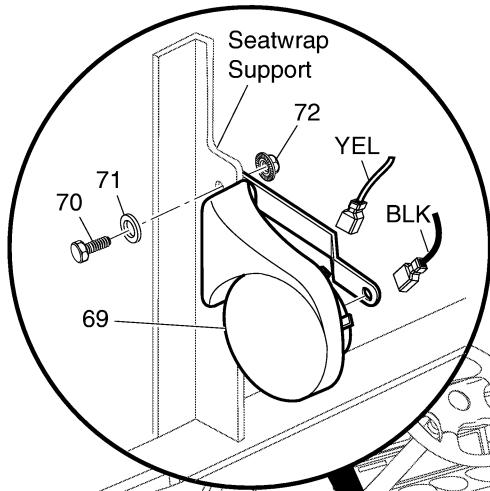
When ordering parts, please specify the model and serial number of the product.
 * Indicates a component that is not available as an individual part.
 G** Indicates consult Customer Service Department for additional information.

ITEM	PART NO.	1	2	3	4	5	DESCRIPTION	QTY.
31	28574-G01						EXTENSION SPRING.....	1
32								
33								
34	72734-G04						DIRECTION SELECTOR CABLE.....	1
35	25727-G01						CUP WASHER	4
36	72735-G01						COMPRESSION SPRING.....	2
37	00734-G5						LOCK NUT, #10 - 32.....	1
38								
39	28768-G01						SHIFTER ARM ASSEMBLY	1
40	75940-G01						SHIFTER ARM	1
41	22754-54						BUSHING.....	1
42								
43								
44	16705-G2						SCREW, 1/4 - 20 X 5/8" LG	2
45	00664-G7						LOCK WASHER, 1/4".....	2
46								
47	11989-G1						DIRECTION SELECTOR KNOB	1
48								
49								
50	00559-G8						WASHER, 5/16"	1
51	26830-G01						LOCK NUT, M8 X 1.25 MM LG	1

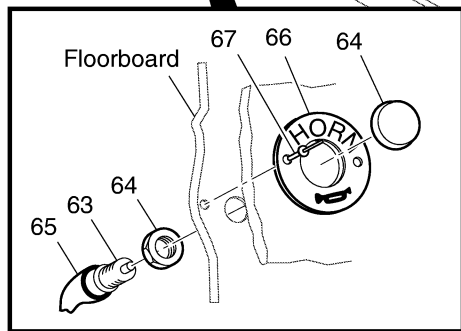


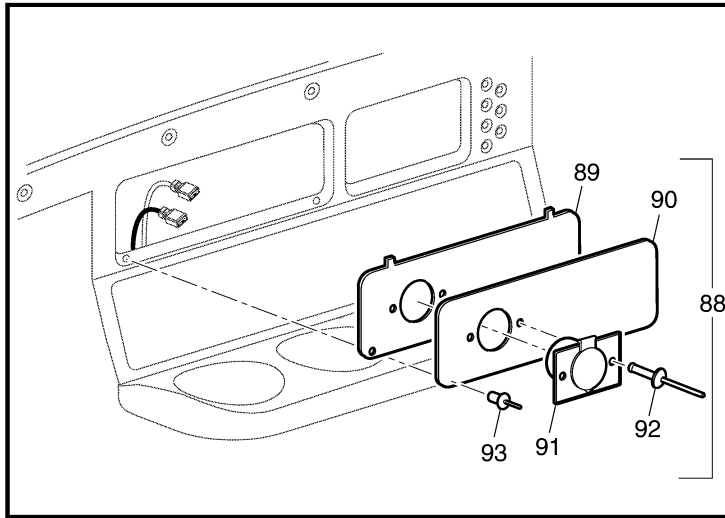
18 - Includes Items 19 - 40



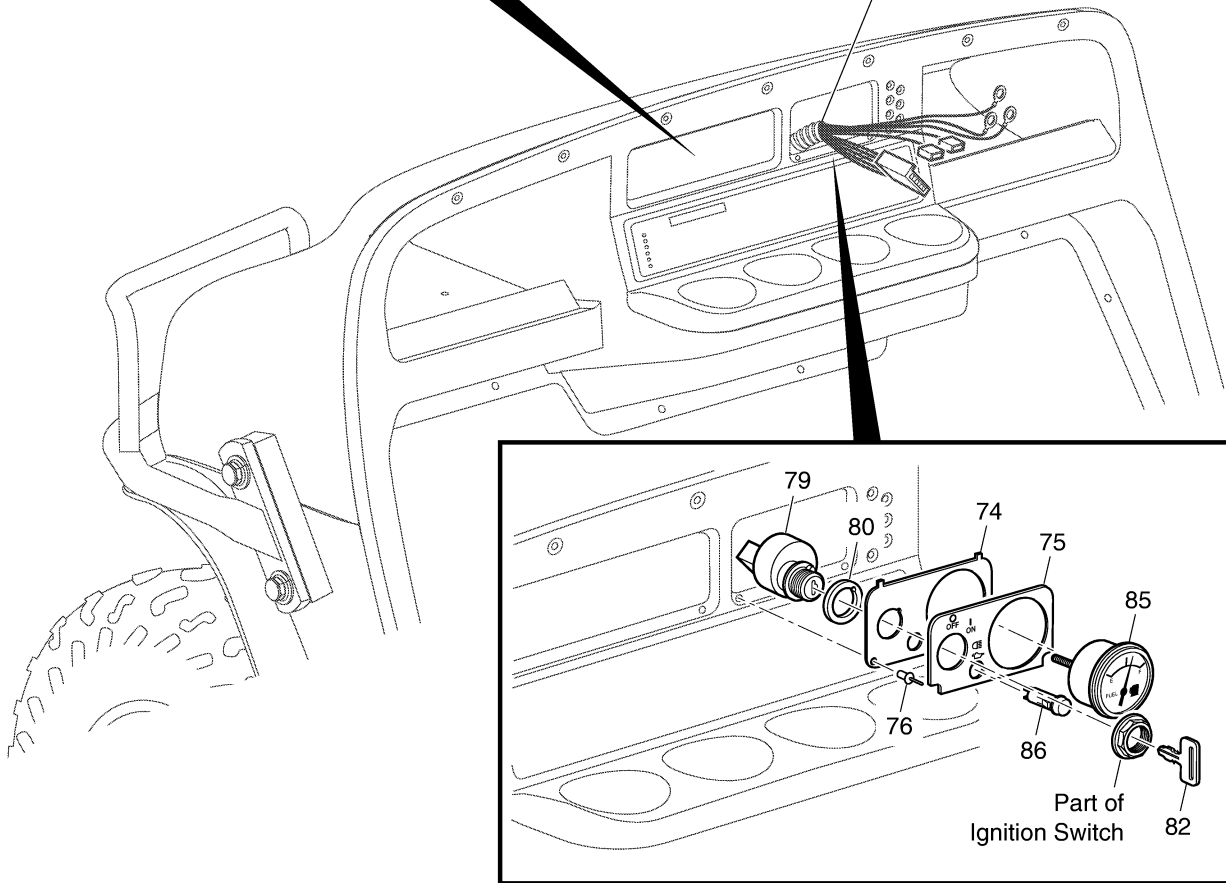


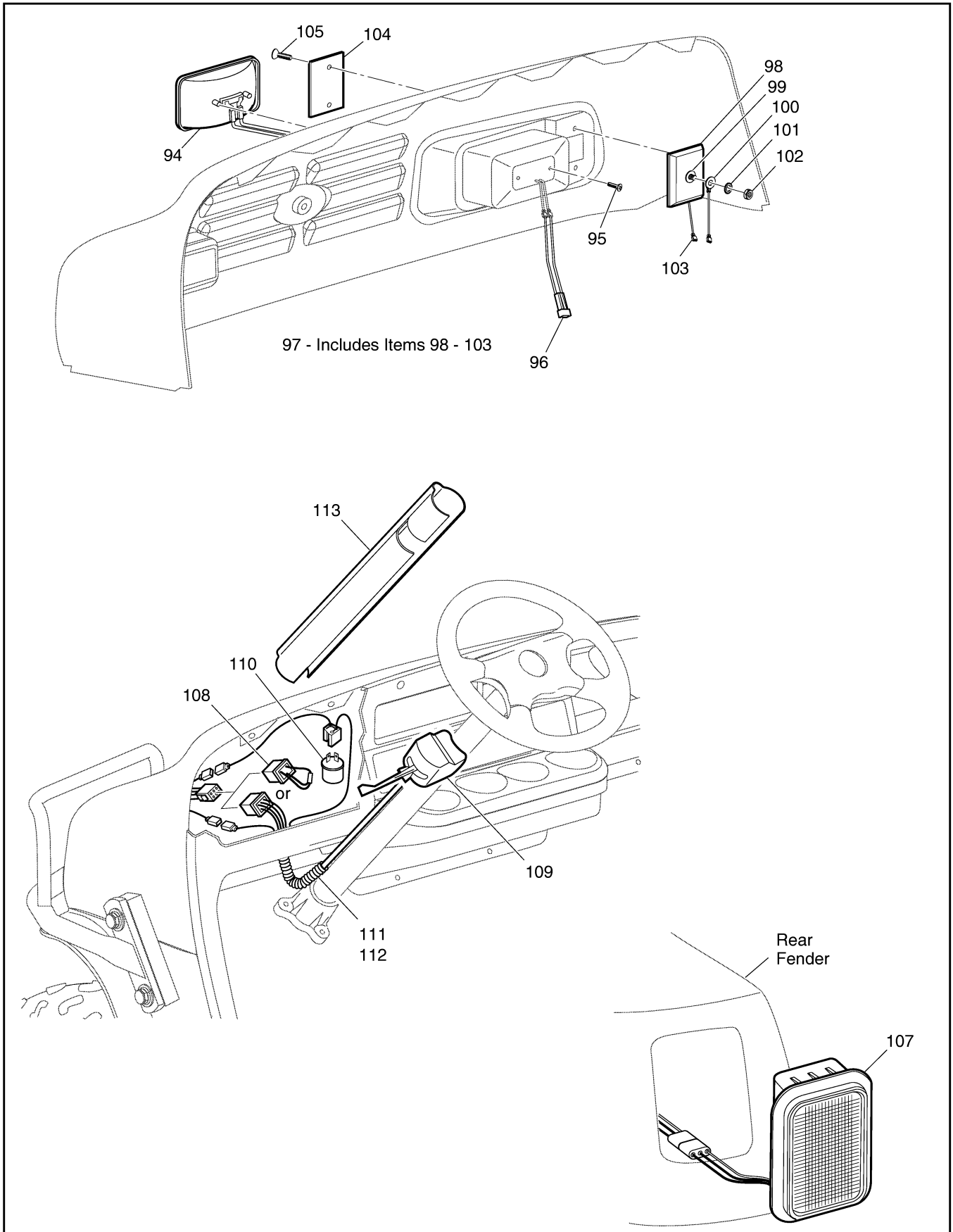
NOTE: Truck Bed and Driver Seat Not Shown For Clarity



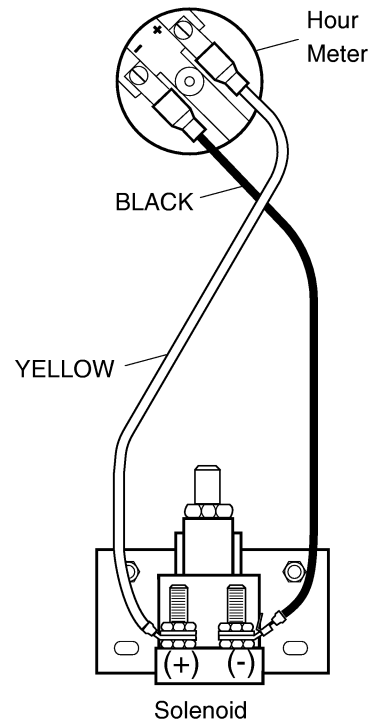
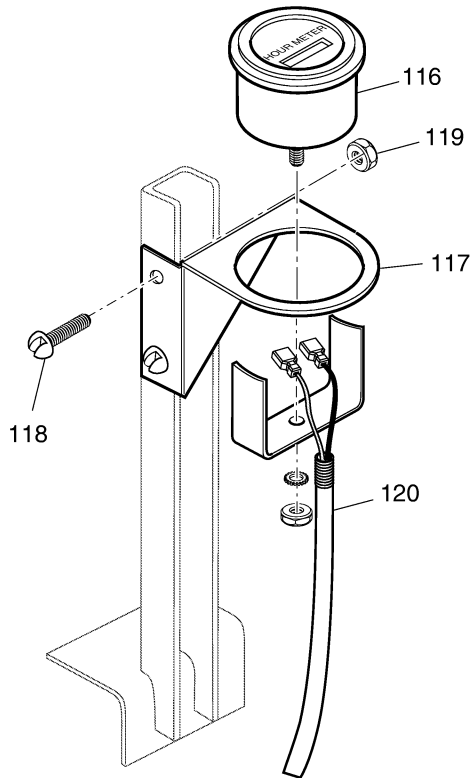


Wire Harness
(Chassis)





115 - Includes Items 116 - 120



ELECTRICAL SYSTEM**Gasoline Vehicle**

When ordering parts, please specify the model and serial number of the product.

* Indicates a component that is not available as an individual part.

G** Indicates consult Customer Service Department for additional information.

ITEM	PART NO.	1 2 3 4 5	DESCRIPTION	QTY.
1	24775-G*		BATTERY, 12V	1
2				
3	72101-G01		BATTERY HOLD DOWN.....	1
4	00438-G6		BOLT, 5/16 - 18 X 3/4" LG.....	1
5	00565-G8		LOCK WASHER, 5/16".....	1
6	00571-G2		WASHER, 5/16"	1
7				
8	00962-G1		BOLT, 5/16 - 18 X 1 1/4" LG.....	2
9	00993-G01		LOCK WASHER, 5/16" (SILICON BRONZE).....	2
10	00994-G01		NUT, 5/16 - 18 (SILICON BRONZE)	2
11				
12	28519-G01		BATTERY GROUND CABLE	1
13	00438-G6		BOLT, 5/16 - 18 X 3/4" LG.....	2
14	11027-G1		LOCK NUT, 5/16 - 18	2
15				
16	75899-G01		WIRE HARNESS (CHASSIS)	1
17				
18	75638-G01		ELECTRICAL PLATE ASSEMBLY (INCLUDES ITEMS 19 - 40)	1
19	73057-G01		BRACKET.....	1
20	27739-G01		VOLTAGE REGULATOR.....	1
21	00415-G2		BOLT, 1/4 - 20 X 1 1/4" LG	1
22	27153-G01		SOLENOID	1
23	00414-G5		BOLT, 1/4 - 20 X 5/8" LG	1
24	11027-G2		LOCK NUT, 1/4 - 20.....	2
25	73446-G01		FASTON TAB, 90°	1
26	12914-G1		FASTON TAB	1
27	00565-G5		LOCK WASHER, #10	2
28	00526-G4		NUT, #10 - 32	2
29	25978-G56		18 GA WIRE (BLACK 5 3/4") (SOL - GND).....	1
30				

When ordering parts, please specify the model and serial number of the product.

* Indicates a component that is not available as an individual part.

G** Indicates consult Customer Service Department for additional information.

ITEM	PART NO.	1	2	3	4	5	DESCRIPTION	QTY.
31	00565-G8						LOCK WASHER, 5/16".....	2
32	00544-G4						NUT, 5/16 - 24	2
33	25972-G33						6 GA WIRE (BLACK 24") (B+ - SOL)	1
34								
35	00414-G8						BOLT, 1/4 - 20 X 1" LG	1
36	11027-G2						LOCK NUT, 1/4 - 20.....	1
37	12914-G2						FASTON TAB	2
38	00650-G7						WASHER, 1/4".....	1
39	00565-G7						LOCK WASHER, 1/4".....	1
40	00532-G1						NUT, 1/4 - 20	1
41	73049-G01						COVER	1
42	16469-G1						WASHER, 1/4"	1
43	00114-G6						SCREW, 1/4 - 14 X 3/4" LG	1
44	11894-G1						6 GA WIRE (BLACK 15") (B- - GND)	1
45	00715-G2						BOLT, 5/16 - 18 X 13/16" LG.....	1
46	25972-G129						6 GA WIRE (BLACK 31") (F2 - SOL)	1
47	17618-G1						WIRE TIE	AR
48	28520-G01						GROUND CABLE	1
49	00965-G01						SCREW, 1/4 - 20 X 3/4" LG	1
50	25887-G01						6 GA WIRE (BLACK 6") (F1 - A2)	1
51	25682-G1						TERMINAL COVER	3
52	25977-G90						16 GA WIRE (GREEN 12") (DF - CHASSIS HARNESS).....	1
53	35211-G01						FUSE BLOCK	1
54	12914-G1						FASTON TAB	1
55								
56	00379-G2						SCREW, #10 - 24 X 1 1/4" LG	2
57	00559-G5						WASHER, #10.....	2
58	14390-G10						LOCK NUT, #10 - 24	2
59								
60	35212-G01						FUSE, 15 AMP	4

ELECTRICAL SYSTEM**Gasoline Vehicle**

When ordering parts, please specify the model and serial number of the product.

* Indicates a component that is not available as an individual part.

G** Indicates consult Customer Service Department for additional information.

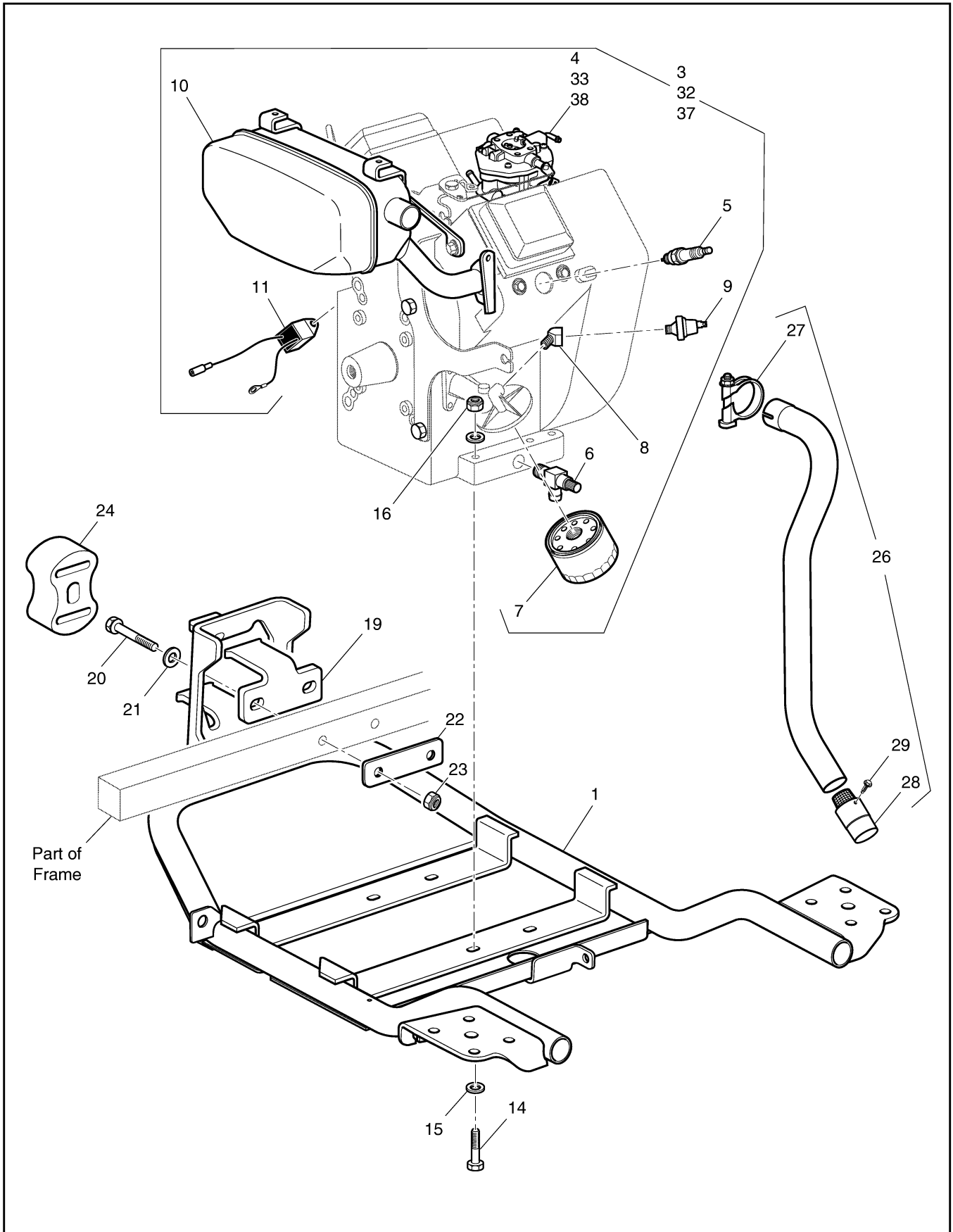
ITEM	PART NO.	1 2 3 4 5	DESCRIPTION	QTY.
61	35212-G05		FUSE, 7.5 AMP	1
62				
63	17318-G1		HORN SWITCH.....	1
64	17318-G2		HORN SWITCH CAP AND NUT	1
65	27068-G01		HORN SWITCH BOOT	1
66	19233-G1		HORN SWITCH LABEL	1
67	71055-G01		RIVET, 5/32" X 3/8" GRIP (STAINLESS STEEL)	2
68				
69	32860-G1		HORN.....	1
70	00414-G5		BOLT, 1/4 - 20 X 5/8" LG.....	1
71	00559-G8		WASHER, 5/16"	1
72	00891-G2		LOCK NUT, 1/4 - 20	1
73				
74	73030-G07		PLATE (FUEL GAUGE AND OIL LIGHT).....	1
75	75808-G01		LABEL (FUEL GAUGE AND LOW OIL WITH LIGHTS).....	1
76	33623-G02		RIVET, 3/16" X 3/8" LG	2
77				
78				
79	75809-G01		IGNITION SWITCH AND KEY (INDIVIDUALLY KEYED)	1
80	75811-G01		IGNITION SWITCH SPACER.....	1
81				
82	75818-G**		IGNITION KEY (ORDER BY 4 DIGIT NUMBER ON KEY)	1
83				
84				
85	21553-G1		FUEL GAUGE	1
86	23474-G1		INDICATOR LIGHT	1
87				
88	74444-G01		POWER OUTLET PLATE (INCLUDES ITEMS 89 - 92).....	1
89	71077-G03		CONSOLE PLATE	1
90	35966-G01		LABEL (ST 480)	1

When ordering parts, please specify the model and serial number of the product.

* Indicates a component that is not available as an individual part.

G** Indicates consult Customer Service Department for additional information.

ITEM	PART NO.	1 2 3 4 5	DESCRIPTION	QTY.
91	71078-G01		POWER OUTLET (12 VOLT)	1
92	14601-G10		RIVET, 5/32" X 7/16" LG.....	3
93	33623-G02		DRIVE RIVET, 3/16" X 3/8" LG	3
94	22523-G1		HEADLIGHT (RECTANGULAR) (INCLUDES ITEM 95)	2
95	00906-G6		SCREW, #10 - 16 X 1" LG.....	2
96	74337-G01		JUMPER WIRE (HEADLIGHT)	2
97	20570-G3		TURN SIGNAL LIGHT (INCLUDES ITEMS 98 - 103).....	2
98	20574-G3		TURN SIGNAL LIGHT.....	1
99	00660-G7		WASHER, 1/4".....	1
100	20606-G1		WIRE	1
101	00567-G7		LOCK WASHER, 1/4"	1
102	00532-G1		NUT, 1/4 - 20	1
103	18995-G1		PUSH-ON MALE TERMINAL.....	1
104	20574-G5		LENS, AMBER	1
105	00118-G5		SCREW, #6 - 18 X 5/8" LG	2
106				
107	32739-G3		TAILLIGHT (WITH SEALED CONNECTORS)	2
108	75711-G01		TAILLIGHT JUMPER PLUG (FOR VEHICLE WITHOUT TURN SIGNAL)	1
109	17867-G1		TURN SIGNAL (WITH MOUNTING HARDWARE) (INCLUDES ITEM 110)	1
110	21640-G1		TURN SIGNAL FLASHER.....	1
111	32307-G3		FLEX LOOM, 3/8" X 8" LG	1
112	17618-G1		WIRE TIE	2
113	20965-G3		STEERING COLUMN COVER.....	1
114				
115	75114-G06		HOUR METER KIT (INCLUDES ITEMS 116 - 120)	1
116	21573-G1		HOUR METER ASSEMBLY	1
117	74019-G01		HOUR METER BRACKET	1
118	00150-G4		SCREW, #10 - 24 X 1/2" LG.....	2
119	11098-G7		LOCK NUT, #10 - 24.....	2
120	75117-G01		WIRE HARNESS (HOUR METER)	1



When ordering parts, please specify the model and serial number of the product.

* Indicates a component that is not available as an individual part.

G** Indicates consult Customer Service Department for additional information.

Part numbers without the "-G" suffix are Briggs and Stratton® part numbers.

ITEM	PART NO.	1 2 3 4 5	DESCRIPTION	QTY.
1	75843-G01		SUBFRAME	1
2				
3	75643-G01		ENGINE, 480CC (INCLUDES ITEMS 4 - 11).....	1
4	808979		CARBURETOR	1
5	491055		SPARK PLUG (RC12YC)	2
6	75814-G01		OIL DRAIN VALVE	1
7	492932		OIL FILTER.....	1
8	75649-G01		45° ELBOW, 1/8 NPT X 1/8 NPT.....	1
9	690233		OIL PRESSURE SWITCH.....	1
10	691562		MUFFLER.....	1
11	809093		ELECTRONIC IGNITION CONTROL MODULE	1

For internal engine replacement parts, see an Authorized Briggs & Stratton® Dealer. To locate the nearest dealer, see the dealer locator map at the web site www.briggsandstratton.com or in the "Yellow Pages™" directory under "Engines, Gasoline", "Gasoline Engines", "Lawn Mowers" or similar category.

The following information, located on the fan housing, must be provided when requesting information or ordering replacement parts:

Model:
Type:
Code:

ENGINE**Gasoline Vehicle**

When ordering parts, please specify the model and serial number of the product.

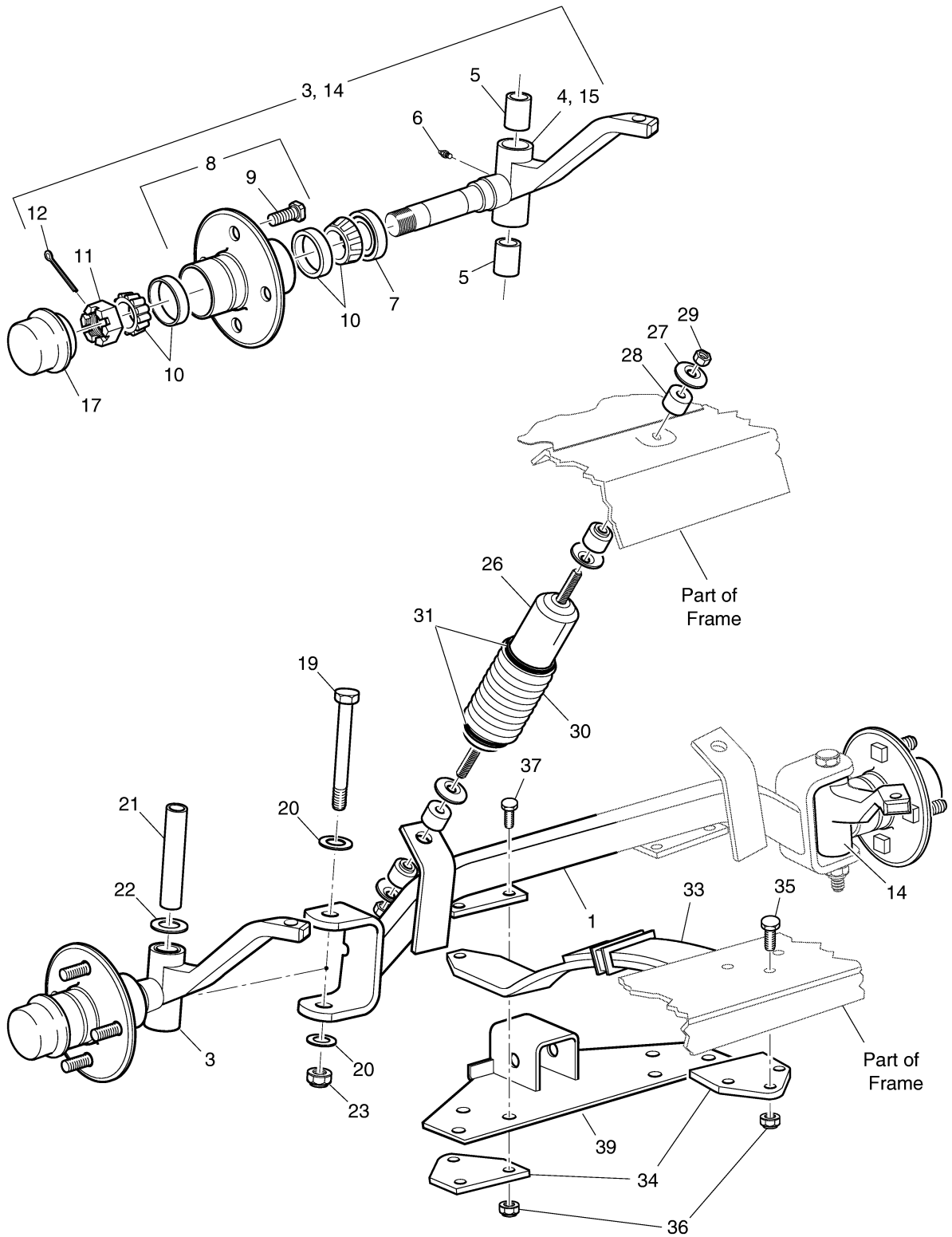
* Indicates a component that is not available as an individual part.

G** Indicates consult Customer Service Department for additional information.

Part numbers without the "-G" suffix are Briggs and Stratton® part numbers.

ITEM	PART NO.	1 2 3 4 5	DESCRIPTION	QTY.
12				
13				
14	00439-G8		BOLT, 5/16 - 18 X 2" LG.....	4
15	00559-G8		WASHER, 5/16"	8
16	11098-G6		LOCK NUT, 5/16 - 18	4
17				
18				
19	75569-G01		FRONT ENGINE MOUNTING BRACKET.....	1
20	00429-G4		BOLT, 3/8 - 16 X 3 1/2" LG.....	2
21	00560-G1		WASHER, 3/8"	2
22	75714-G01		PLATE WASHER	1
23	11098-G5		LOCK NUT, 3/8 - 16	2
24	75568-G01		ISOLATOR	1
25				
26	75745-G01		EXHAUST PIPE (INCLUDES ITEMS 27 - 29)	1
27	75745-G02		CLAMP	1
28	*		SPARK ARRESTOR.....	1
29	01022-G01		SCREW, #6 - 20 X 5/16" LG.....	1
30				
31				
32	75882-G01		ENGINE, 480CC (HIGH ALTITUDE 5,000 - 7,500 FT) (INCL ITEMS 3, 33).....	1
33	75859-G01		CARBURETOR HIGH ALTITUDE KIT (INCLUDES ITEMS 34, 35)	1
34	75865-G01		MAIN JET #86	1
35	75861-G01		LABEL (HIGH ALTITUDE - 5,000 - 7,500 FT)	1
36				
37	75882-G02		ENGINE, 480CC (HIGH ALTITUDE 7,500 - 10,000 FT) (INCL ITEMS 3, 38).....	1
38	75859-G02		CARBURETOR HIGH ALTITUDE KIT (INCLUDES ITEMS 39, 40)	1
39	75865-G02		MAIN JET #84	1
40	75863-G01		LABEL (HIGH ALTITUDE - 7,500 - 10,000 FT)	1

14 - Includes Items 5 - 12 and 15



When ordering parts, please specify the model and serial number of the product.
 * Indicates a component that is not available as an individual part.
 G** Indicates consult Customer Service Department for additional information.

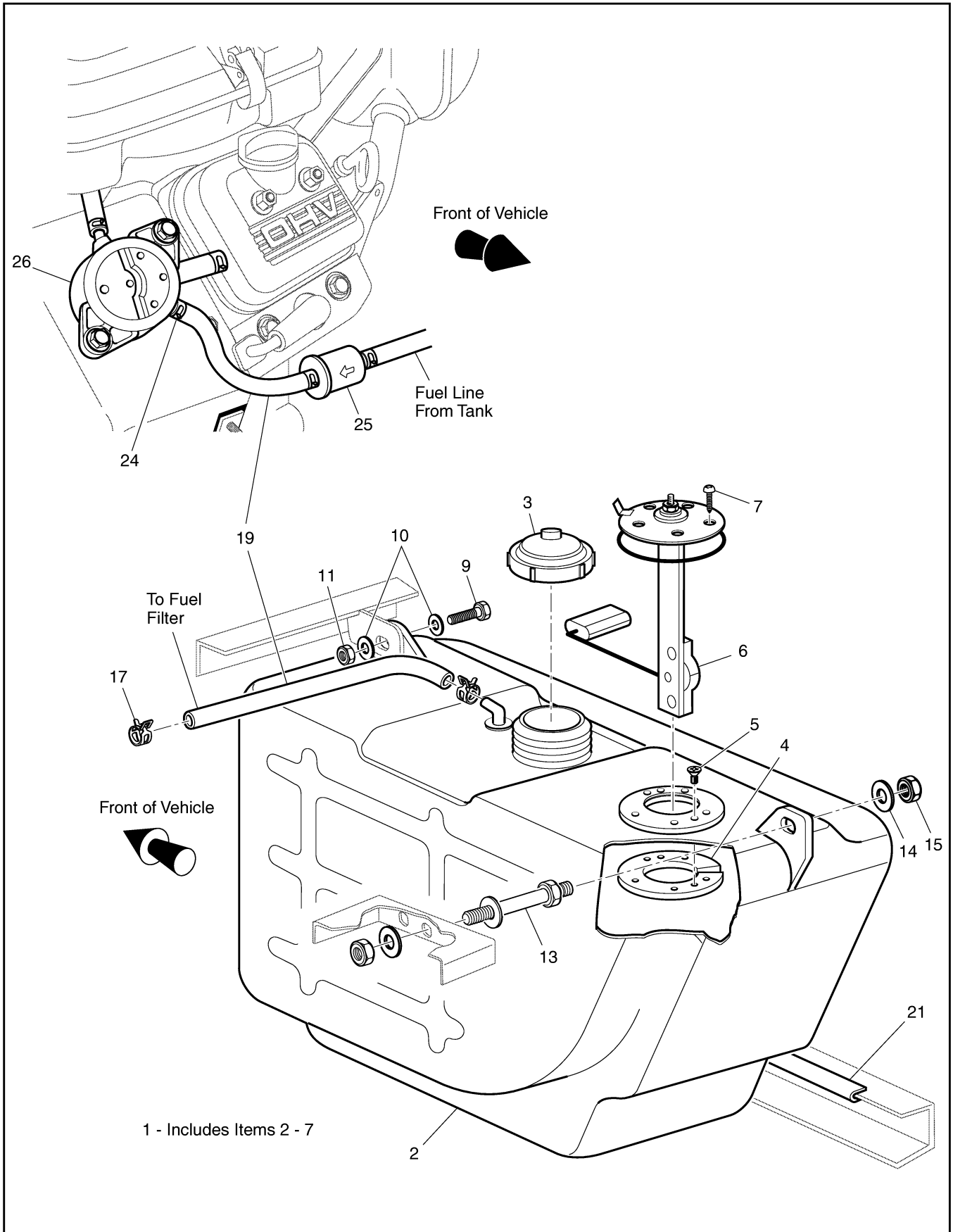
ITEM	PART NO.	1 2 3 4 5	DESCRIPTION	QTY.
1	70515-G01		FRONT AXLE.....	1
2				
3	70535-G03		SPINDLE ASSEMBLY (DRIVER SIDE) (INCLUDES ITEMS 4 - 12).....	1
4	*		SPINDLE (DRIVER SIDE)	1
5	16623-G1		BEARING.....	2
6	10389-G3		GREASE FITTING, STRAIGHT.....	1
7	25146-G1		GREASE SEAL.....	1
8	35886-G01		WHEEL HUB ASSEMBLY WITH RACES (INCLUDES ITEMS 9)	1
9	19862-G1		LUG BOLT, 1/2 - 20 X 1 7/32" LG	4
10	50892-G1		BEARING AND RACE ASSEMBLY (COMPLETE).....	2
11	12093-G1		SLOTTED NUT, 1 - 14.....	1
12	00798-G8		COTTER PIN, 5/32" X 1 3/4" LG	1
13				
14	70534-G03		SPINDLE ASSEMBLY (PASSENGER SIDE) (INCL ITEMS 5 - 12, 15)	1
15	*		SPINDLE (PASSENGER SIDE)	1
16				
17	12091-G2		SPINDLE CAP	2
18				
19	01040-G01		BOLT, 1/2 - 13 X 5" LG.....	2
20	00571-G5		WASHER, 1/2"	4
21	70328-G01		KING PIN TUBE.....	2
22	16982-G1		THRUST WASHER, 7/8"	2
23	14390-G6		LOCK NUT, 1/2 - 13	2
24				
25				
26	70630-G01		SHOCK ABSORBER	2
27	10435-G1		SHOCK ABSORBER WASHER.....	8
28	10194-G1		RUBBER BUSHING.....	8
29	00532-G6		NUT, 3/8 - 24	4
30	70509-G01		SHOCK ABSORBER BOOT	2

FRONT SUSPENSION

Gasoline Vehicle

When ordering parts, please specify the model and serial number of the product.
 * Indicates a component that is not available as an individual part.
 G** Indicates consult Customer Service Department for additional information.

ITEM	PART NO.	1 2 3 4 5	DESCRIPTION	QTY.
31	31539-G1		WIRE TIE	4
32				
33	70422-G01		LEAF SPRING (HEAVY DUTY)	2
34	70163-G02		SPRING PLATE	4
35	00463-G6		BOLT, 7/16 - 14 X 1 3/4" LG	6
36	00734-G1		LOCK NUT, 7/16 - 14	12
37	00463-G6		BOLT, 7/16 - 14 X 1 3/4" LG	6
38				
39	74255-G01		WINCH RECEIVER.....	1



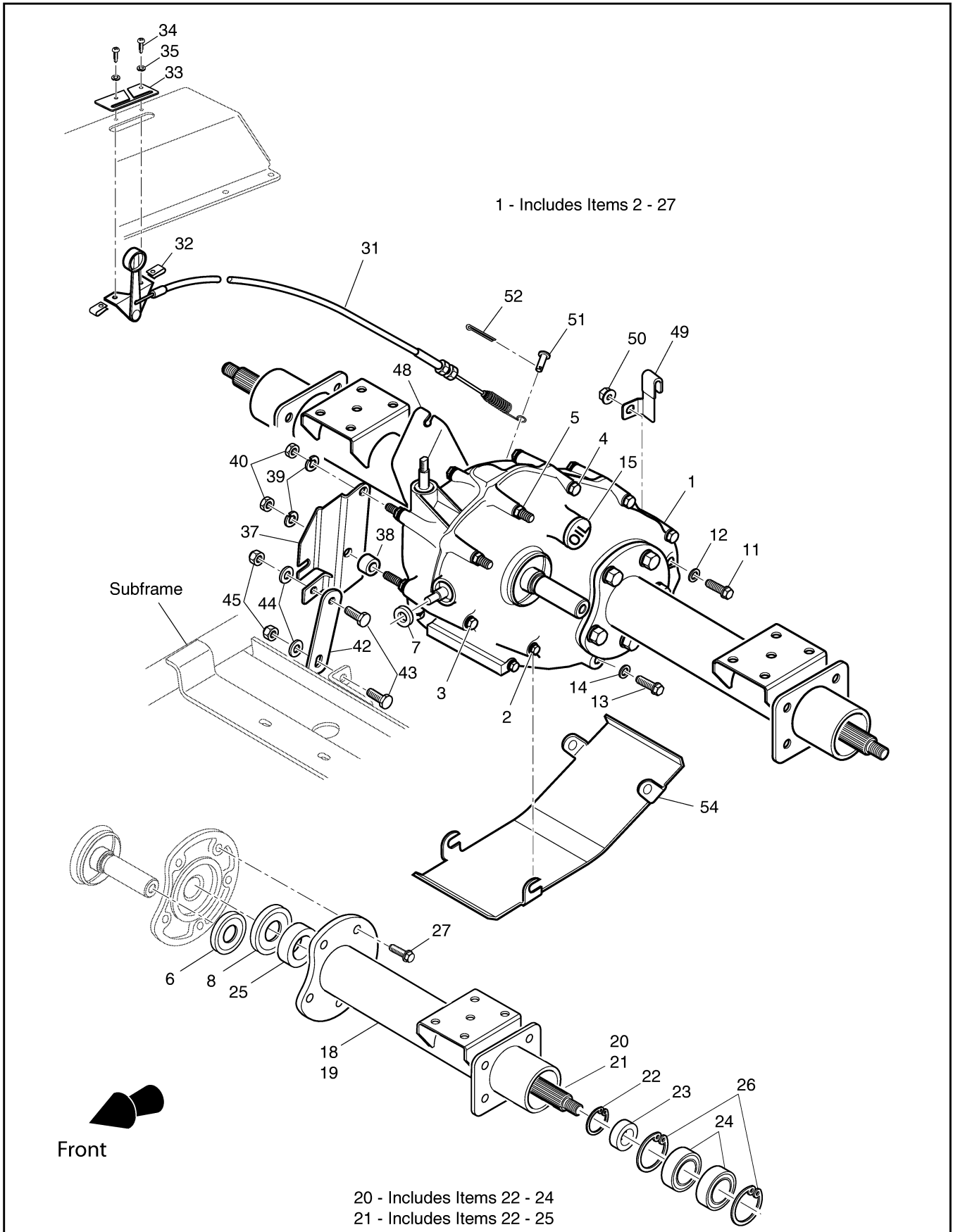
When ordering parts, please specify the model and serial number of the product.

* Indicates a component that is not available as an individual part.

G** Indicates consult Customer Service Department for additional information.

Part numbers without the "-G" suffix are Briggs and Stratton® part numbers.

ITEM	PART NO.	1 2 3 4 5	DESCRIPTION	QTY.
1	72231-G01		FUEL TANK ASSEMBLY (INCLUDES ITEMS 2 - 7).....	1
2	72092-G02		FUEL TANK.....	1
3	72282-G01		FUEL TANK CAP.....	1
4	72229-G01		FUEL LEVEL SENDER ADAPTER.....	1
5	72230-G01		SCREW, #6 - 32 X 1/2" LG.....	2
6	20048-G2		FUEL LEVEL SENDER.....	1
7	72232-G01		SCREW, #10 - 32 X 3/4".....	5
8				
9	00438-G8		BOLT, 5/16 - 18 X 1" LG.....	1
10	00559-G8		WASHER, 5/16".....	2
11	11098-G6		LOCK NUT, 5/16 - 18.....	1
12				
13	70483-G01		SPACER.....	1
14	00559-G8		WASHER, 5/16".....	2
15	11098-G6		LOCK NUT, 5/16 - 18.....	2
16				
17	18292-G1		CLAMP.....	2
18				
19	27183-G01		TUBING, 1/4" I.D. X 1/2" O.D. (BULK, 1 FT. INCREMENTS).....	AR
20				
21	22280-G1		VINYL TRIM, (BULK).....	AR
22				
23				
24	18292-G1		CLAMP.....	6
25	493629		FUEL FILTER.....	1
26	808656		FUEL PUMP.....	1



When ordering parts, please specify the model and serial number of the product.

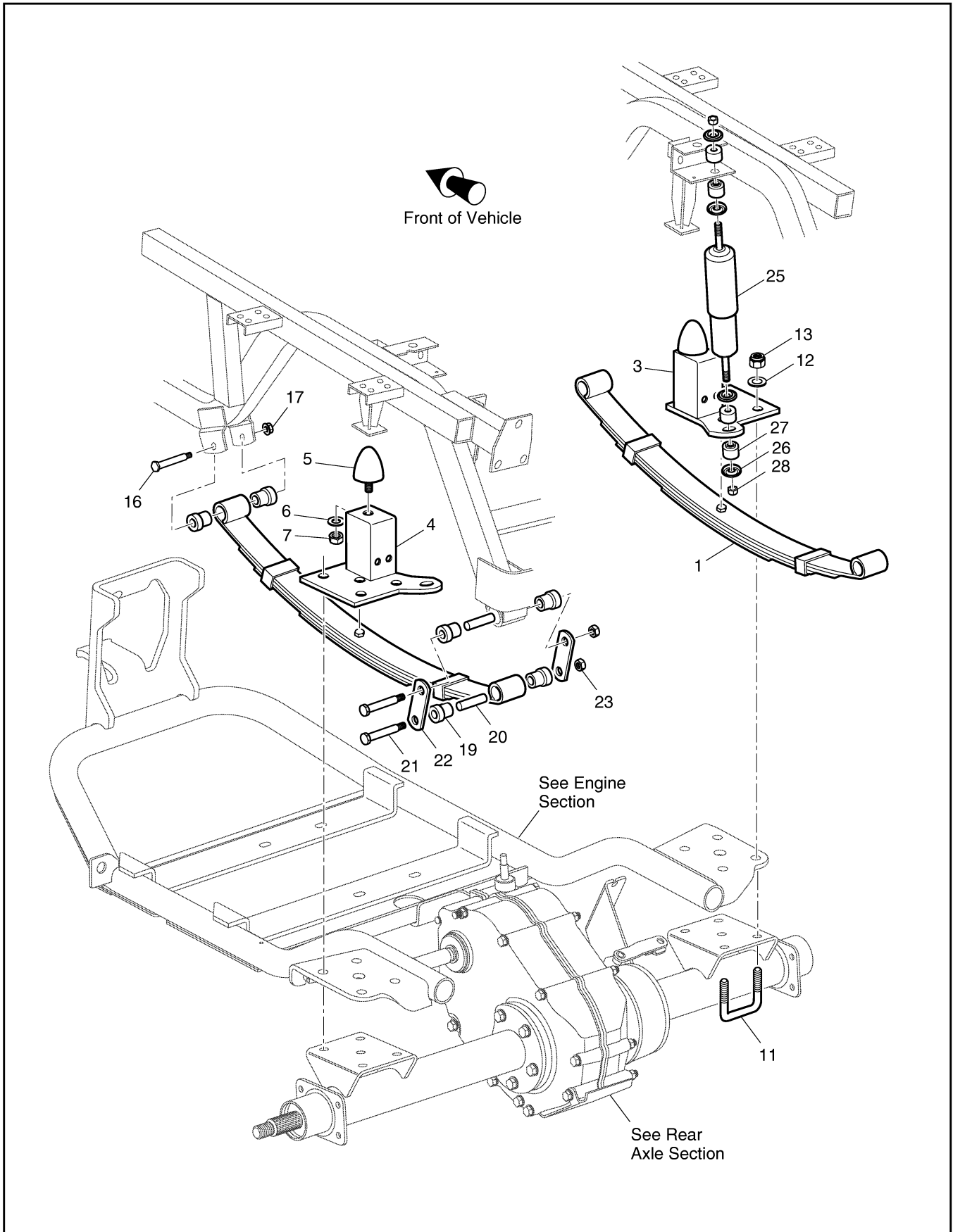
* Indicates a component that is not available as an individual part.

G** Indicates consult Customer Service Department for additional information.

ITEM	PART NO.	1 2 3 4 5	DESCRIPTION	QTY.
1	75945-G01		REAR AXLE (INCLUDES ITEMS 2 - 27	1
2	26823-G01		FLANGED BOLT, M8 X 1.25 X 100 MM LG	5
3	26824-G01		FLANGED BOLT, M8 X 1.25 X 110 MM LG	3
4	72052-G01		FLANGED BOLT, M8 X 1.25 X 130 MM LG	1
5	28724-G01		FLANGED NUT, M8 X 1.25	9
6	26761-G01		INPUT SHAFT SEAL	1
7	26762-G01		SHIFTER SHAFT SEAL	1
8	28720-G01		AXLE SHAFT SEAL	2
9				
10				
11	26768-G01		OIL CHECK PLUG	1
12	26769-G01		GASKET, 8 MM	1
13	26770-G01		OIL DRAIN PLUG	1
14	26771-G01		GASKET, 14 MM	1
15	26772-G01		OIL FILLER PLUG	1
16				
17				
18	28704-G01		AXLE TUBE (DRIVER SIDE)	1
19	28705-G01		AXLE TUBE (PASSENGER SIDE)	1
20	28701-G01		AXLE SHAFT (DRIVER SIDE) (INCLUDES ITEMS 22 - 24)	1
21	28702-G01		AXLE SHAFT (PASSENGER SIDE) (INCLUDES ITEMS 22 - 25)	1
22	28707-G01		SNAP RING, 30 MM	1
23	28708-G01		COLLAR, 30 X 20 MM	1
24	28703-G01		BALL BEARING	2
25	28719-G01		SEAL COLLAR	1
26	28706-G01		SNAP RING, 55 MM	4
27	72260-G01		FLANGED BOLT, M10 X 1.5 X 23 MM	10
28				
29				
30				

When ordering parts, please specify the model and serial number of the product.
 * Indicates a component that is not available as an individual part.
 G** Indicates consult Customer Service Department for additional information.

ITEM	PART NO.	1 2 3 4 5	DESCRIPTION	QTY.
31	75653-G01		DIFFERENTIAL LOCK CABLE (INCLUDES HARDWARE).....	1
32	71003-G03		'J' RETAINER NUT.....	2
33	75697-G01		PLATE	1
34	18464-G1		SCREW, #8 - 18 X 7/8" LG	2
35	00565-G4		LOCK WASHER, #8.....	2
36				
37	75941-G01		BRACKET	1
38	75048-G01		SPACER, 1/2"	1
39	26826-G01		LOCK WASHER, 8 MM.....	2
40	26827-G01		NUT, M8 X 1.25 MM.....	2
41				
42	75942-G01		DIFFERENTIAL LINK.....	1
43	00426-G8		BOLT, 3/8 - 16 X 1" LG.....	2
44	00560-G1		WASHER, 3/8"	2
45	11098-G5		LOCK NUT, 3/8 - 16	2
46				
47				
48	75620-G01		DIFFERENTIAL LOCK CABLE BRACKET	1
49	75813-G01		CLAMP	1
50	26830-G01		LOCK NUT, M8 X 1.25 MM	1
51	10386-G3		CLEVIS PIN, 5/16" X 13/16" LG.....	1
52	10387-G3		COTTER PIN, 3/32" X 3/4" LG.....	1
53				
54	72349-G01		DIFFERENTIAL SKID PLATE	1



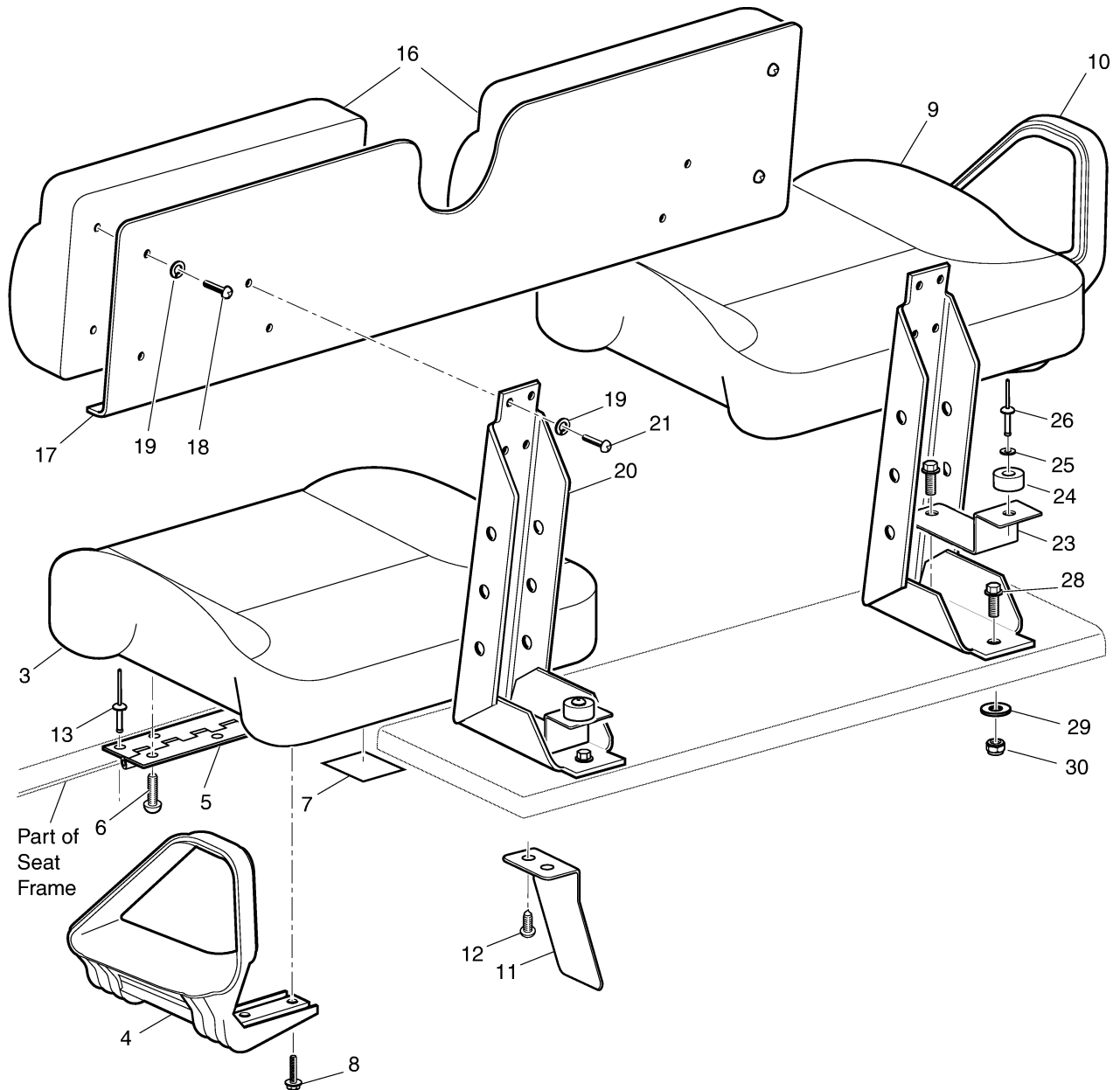
When ordering parts, please specify the model and serial number of the product.

* Indicates a component that is not available as an individual part.

G** Indicates consult Customer Service Department for additional information.

ITEM	PART NO.	1 2 3 4 5	DESCRIPTION	QTY.
1	75721-G01		HEAVY DUTY LEAF SPRING.....	2
2				
3	75565-G02		SHOCK/STOP MOUNT (PASSENGER SIDE).....	1
4	75565-G01		SHOCK/STOP MOUNT (DRIVER SIDE)	1
5	70492-G01		RUBBER BUMPER.....	2
6	00968-G01		LOCK WASHER, 10 MM.....	2
7	00974-G01		NUT, M10 X 1.5	2
8				
9				
10				
11	72618-G01		'U' BOLT, 3/8 - 16	4
12	00560-G1		WASHER, 3/8"	8
13	11098-G5		LOCK NUT, 3/8 - 16	8
14				
15				
16	14158-G1		SHOULDER BOLT, 3/8 - 16 X 3 1/4" LG.....	2
17	12262-G1		LOCK NUT, 3/8 - 16	2
18				
19	70291-G01		FLANGED BUSHING	12
20	70289-G02		SPACER.....	4
21	00429-G4		BOLT, 3/8 - 16 X 3 1/2" LG.....	4
22	70290-G01		SHACKLE PLATE	4
23	11098-G5		LOCK NUT, 3/8 - 16	4
24				
25	70324-G01		SHOCK ABSORBER	2
26	10435-G1		SHOCK ABSORBER WASHER.....	8
27	10194-G1		RUBBER BUSHING	8
28	00532-G6		NUT, 3/8 - 24	4

- 1 - Includes Items 3 - 8
- 2 - Includes Items 5 - 10
- 15 - Includes Items 16 - 21

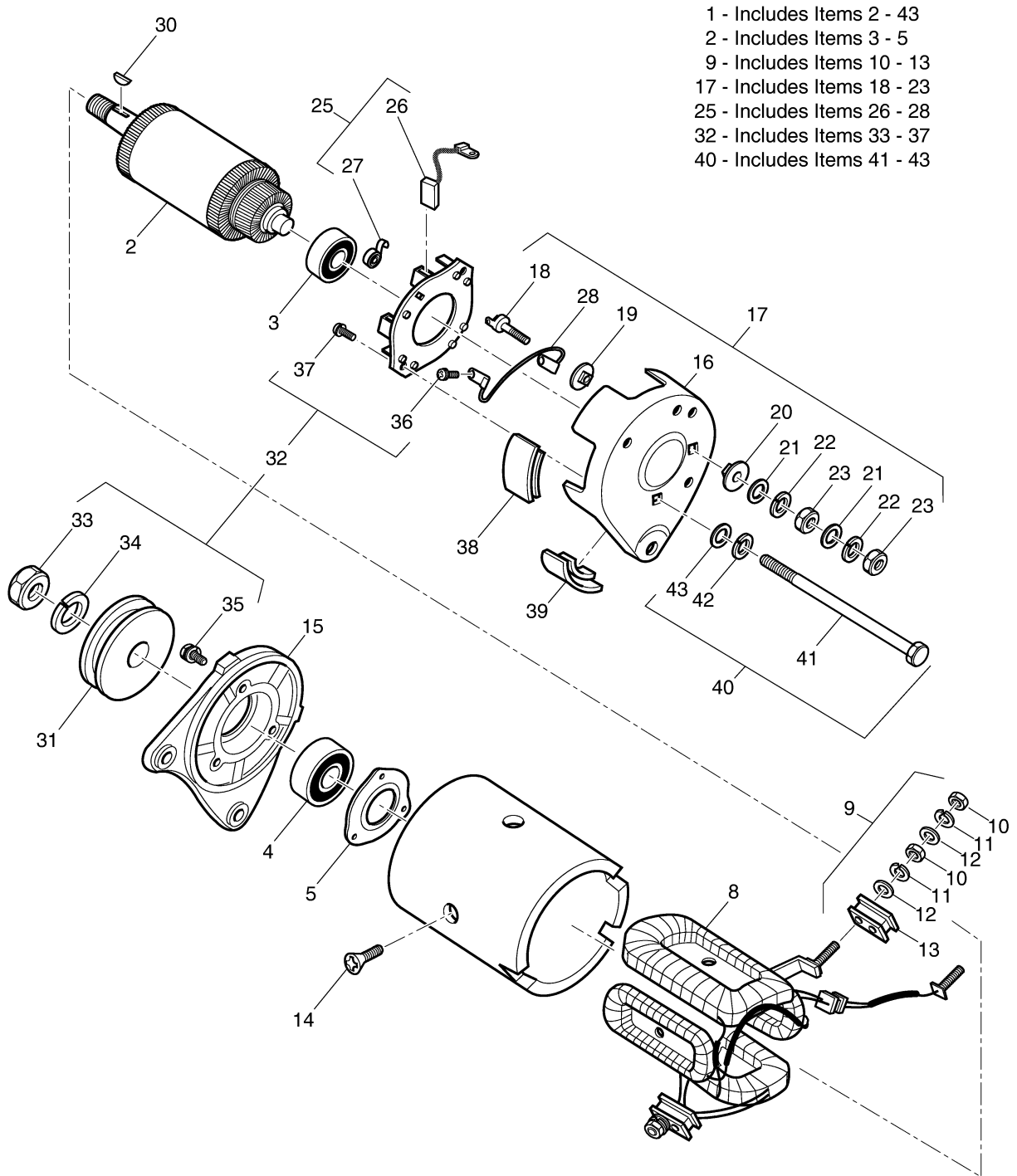


When ordering parts, please specify the model and serial number of the product.

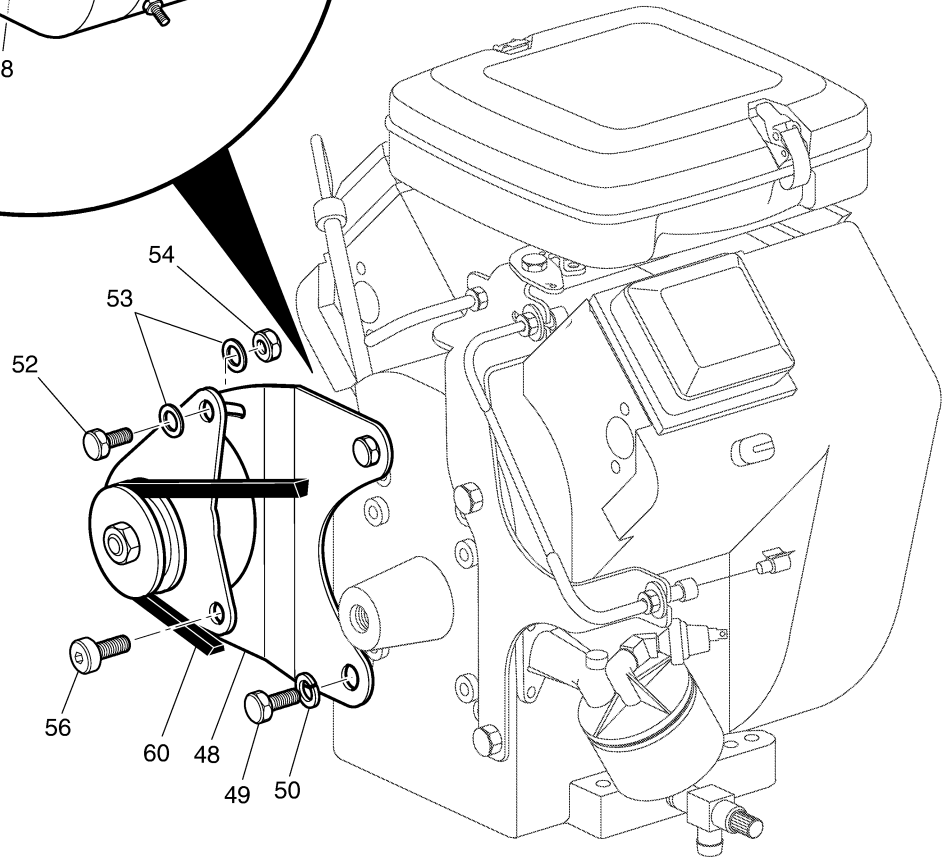
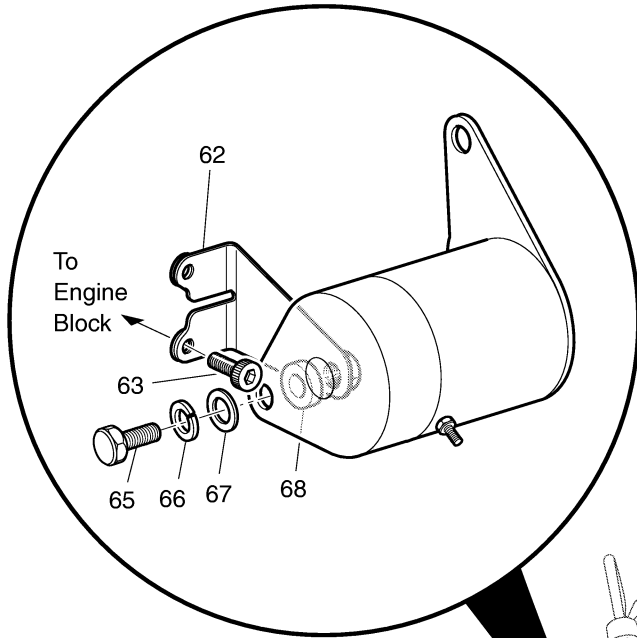
* Indicates a component that is not available as an individual part.

G** Indicates consult Customer Service Department for additional information.

ITEM	PART NO.	1 2 3 4 5	DESCRIPTION	QTY.
1	75880-G***		SEAT BOTTOM (DRIVER SIDE) (INCLUDES ITEMS 3 - 8).....	1
2	75881-G***		SEAT BOTTOM (PASSENGER SIDE) (INCLUDES ITEMS 5 - 10)	1
3	75833-G***		SEAT BOTTOM CUSHION (DRIVER SIDE)	1
4	71702-G01		HIP RESTRAINT (DRIVER SIDE).....	1
5	75847-G01		HINGE	1
6	16705-G1		SCREW, 1/4 - 20 X 1" LG.....	8
7	17074-G1		RUBBER PAD	2
8	71204-G01		BOLT, 1/4 - 20 X 7/8" LG	4
9	75884-G***		SEAT BOTTOM CUSHION (PASSENGER SIDE).....	1
10	71701-G01		HIP RESTRAINT (PASSENGER SIDE)	1
11	75848-G01		SEAT PROP	1
12	00592-G6		SCREW, #12 - 14 X 3/4" LG	2
13	10570-G11		RIVET, 3/16" X 3/4" LG (STAINLESS)	8
14				
15	75849-G***		SEAT BACK (INCLUDES ITEMS 16 - 21).....	1
16	75840-G***		SEAT BACK CUSHION.....	2
17	75841-G01		SEAT BACK PLATE	1
18	16705-G3		SCREW, 1/4 - 20 X 3/4" LG.....	4
19	00565-G7		LOCK WASHER, 1/4"	8
20	75900-G01		SEAT BACK SUPPORT	2
21	16705-G1		SCREW, 1/4 - 20 X 1" LG.....	4
22				
23	75901-G01		BRACKET	2
24	13728-G1		BUMPER.....	2
25	00559-G5		WASHER, #10.....	2
26	14601-G1		RIVET, 3/16" X 13/16" LG	2
27				
28	01006-G01		BOLT, 3/8 - 16 X 1 1/4" LG.....	4
29	00560-G1		WASHER, 3/8"	4
30	11098-G5		LOCK NUT, 3/8 - 16	4



REAR VIEW



STARTER / GENERATOR**Gasoline Vehicle**

THE USE OF NON U.L. PARTS WILL VOID ANY U.L. LISTING.

When ordering parts, please specify the model and serial number of the product.

* Indicates a component that is not available as an individual part.

G** Indicates consult Customer Service Department for additional information.

ITEM	PART NO.	1	2	3	4	5	DESCRIPTION	QTY.
1	27065-G01	STARTER / GENERATOR (INCLUDES ITEMS 2 - 43).....					1	
2	26870-G01	ARMATURE (INCLUDES ITEMS 3 - 5).....					1	
3	26871-G01	REAR BALL BEARING					1	
4	26872-G01	FRONT BALL BEARING					1	
5	26873-G01	BEARING HOLDER					1	
6								
7								
8	26875-G01	FIELD COIL					1	
9	26876-G01	INSULATING BRUSH ASSEMBLY ('F') (INCLUDES ITEMS 10 - 13).....					2	
10	*	NUT					2	
11	*	LOCK WASHER.....					2	
12	*	WASHER.....					2	
13	*	INSULATOR					1	
14	26877-G01	POLE CORE SETSCREW					4	
15	26878-G01	FRONT COVER					1	
16	27879-G01	REAR COVER.....					1	
17	26880-G01	TERMINAL ASSEMBLY ('A') (INCLUDES ITEMS 18 - 23)					2	
18	*	TERMINAL					2	
19	*	INSULATOR					2	
20	*	INSULATOR					2	
21	*	WASHER.....					4	
22	*	LOCK WASHER.....					4	
23	*	NUT					4	
24								
25	26881-G01	BRUSH HOLDER ASSEMBLY (INCLUDES ITEMS 26 - 28)					1	
26	26658-G01	BRUSH.....					4	
27	26882-G01	BRUSH SPRING					4	
28	26883-G01	BRUSH CONNECTOR.....					2	
29								
30	26884-G01	KEY					1	

THE USE OF NON U.L. PARTS WILL VOID ANY U.L. LISTING.
 When ordering parts, please specify the model and serial number of the product.
 * Indicates a component that is not available as an individual part.
 G** Indicates consult Customer Service Department for additional information.

ITEM	PART NO.	1	2	3	4	5	DESCRIPTION	QTY.
31	*						PULLEY.....	1
32	26886-G01						PULLEY HARDWARE KIT (INCLUDES ITEMS 33 - 37).....	1
33	*						NUT.....	1
34	*						LOCK WASHER.....	1
35	*						SCREW.....	3
36	*						SCREW.....	4
37	*						SCREW.....	2
38	26887-G01						BRUSH 1 COVER.....	3
39	26888-G01						BRUSH 2 COVER.....	2
40	26889-G01						BOLT AND WASHER ASSEMBLY (INCLUDES ITEMS 41 - 43).....	2
41	*						BOLT.....	2
42	*						LOCK WASHER.....	2
43	*						WASHER.....	2
44								
45								
46								
47								
48	75705-G01						FRONT STARTER BRACKET.....	1
49	00462-G7						BOLT, 7/16 - 14 X 7/8" LG.....	2
50	00566-G2						LOCK WASHER, 7/16".....	2
51								
52	00439-G2						BOLT, 5/16 - 18 X 1 1/4" LG.....	1
53	00559-G8						WASHER, 5/16".....	2
54	11098-G6						LOCK NUT, 5/16 - 18.....	1
55								
56	75792-G01						BOLT, 1/2 - 13 X 1 1/2" LG WITH THREAD LOCK.....	1
57								
58								
59								
60	75690-G1						STARTER/GENERATOR BELT.....	1

STARTER / GENERATOR**Gasoline Vehicle**

THE USE OF NON U.L. PARTS WILL VOID ANY U.L. LISTING.

When ordering parts, please specify the model and serial number of the product.

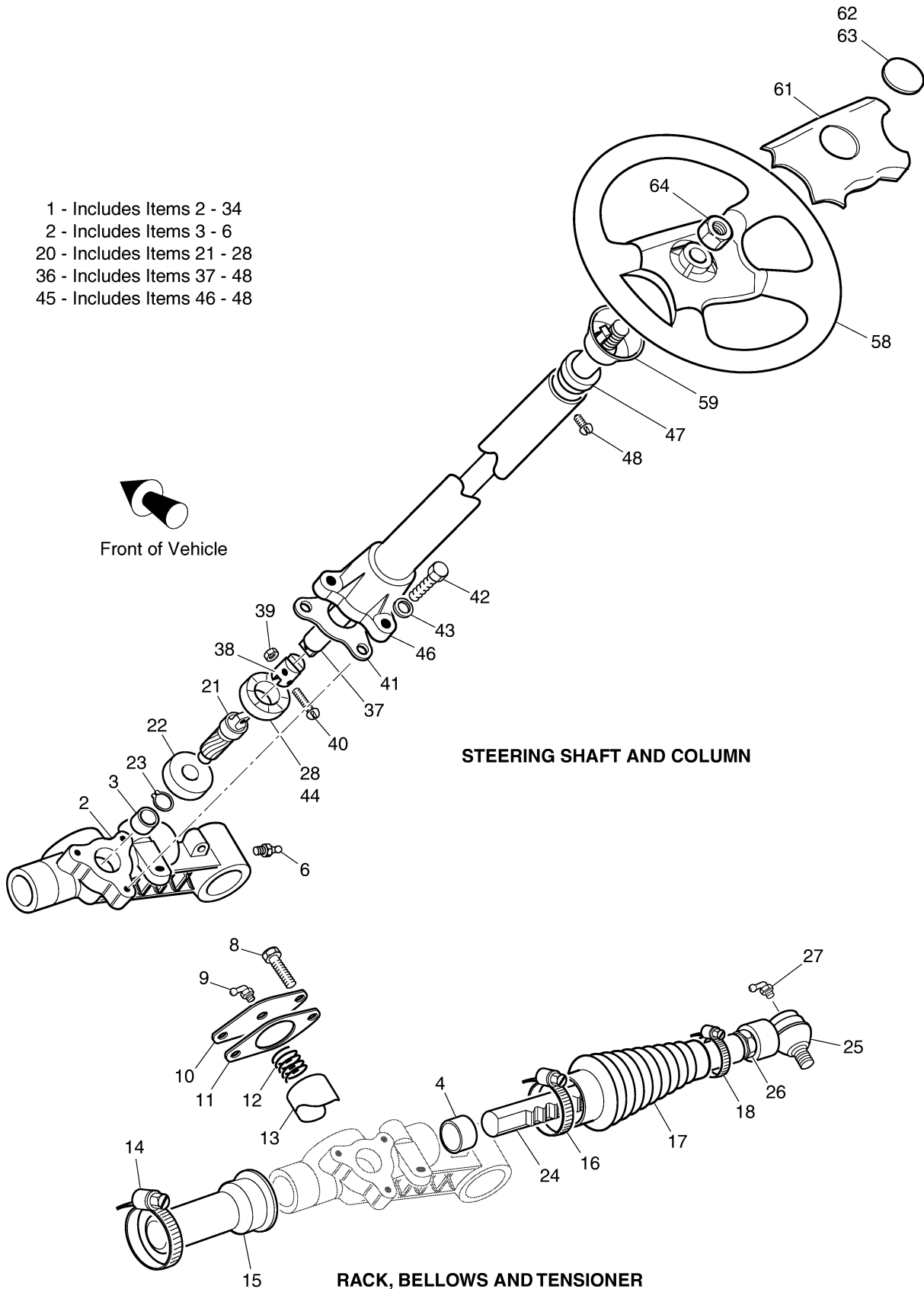
* Indicates a component that is not available as an individual part.

G** Indicates consult Customer Service Department for additional information.

ITEM	PART NO.	1 2 3 4 5	DESCRIPTION	QTY.
61				
62	75706-G01		REAR STARTER BRACKET	1
63	75746-G01		BOLT, M8 - 1.25 X 20MM	2
64				
65	00631-G2		BOLT, 1/2 - 13 X 2 1/4" LG	1
66	00566-G3		LOCK WASHER, 1/2"	1
67	00560-G3		WASHER, 1/2"	1
68	75562-G01		SPACER.....	1

- 1 - Includes Items 2 - 34
- 2 - Includes Items 3 - 6
- 20 - Includes Items 21 - 28
- 36 - Includes Items 37 - 48
- 45 - Includes Items 46 - 48

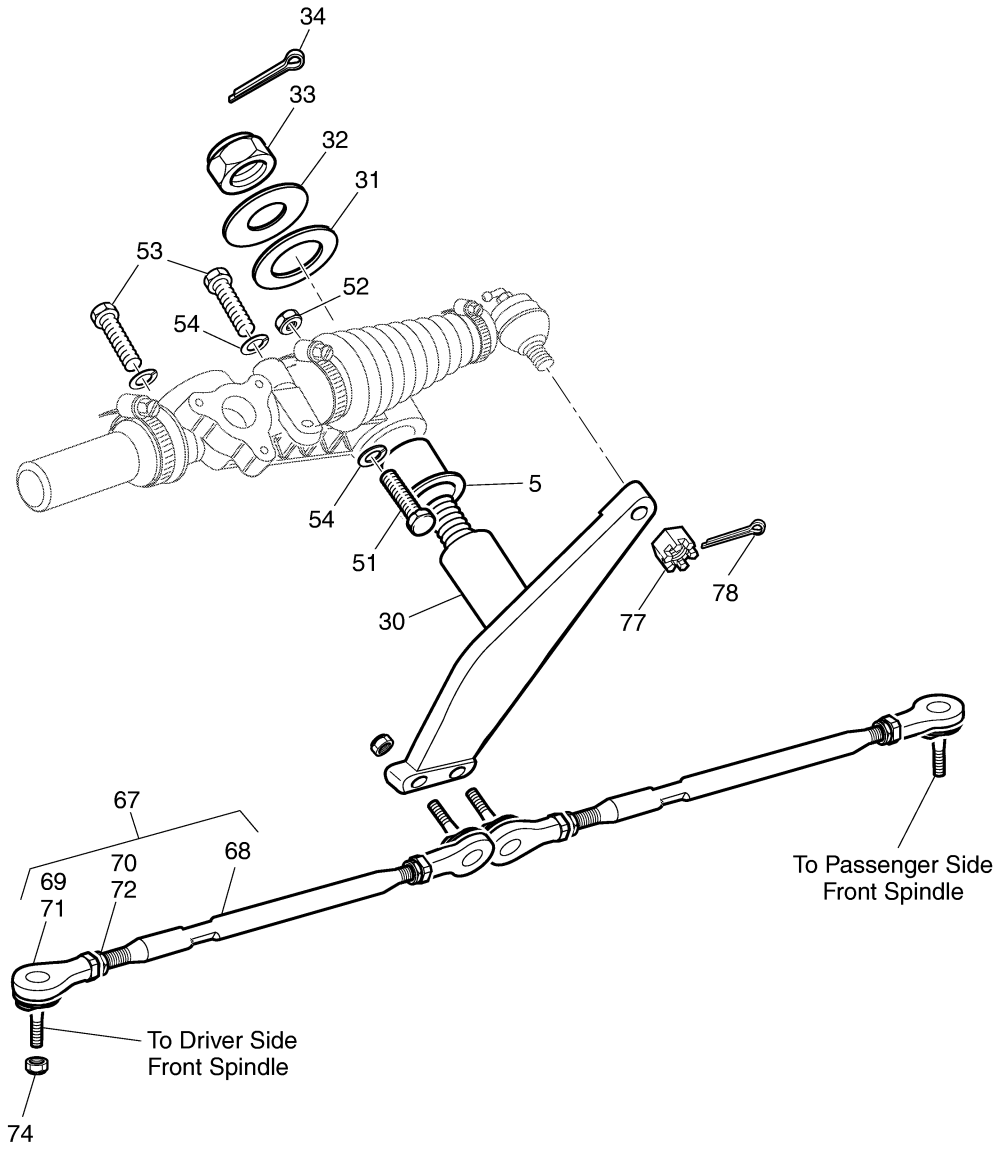
Front of Vehicle



STEERING SHAFT AND COLUMN

RACK, BELLOWS AND TENSIONER

IDLER, TIE RODS AND MOUNTING



When ordering parts, please specify the model and serial number of the product.
 * Indicates a component that is not available as an individual part.
 G** Indicates consult Customer Service Department for additional information.

ITEM	PART NO.	1	2	3	4	5	DESCRIPTION	QTY.
1	70723-G02						STEERING BOX ASSEMBLY (COMPLETE) (INCLUDES ITEMS 2 - 34)	1
2	75364-G01						STEERING HOUSING (INCLUDES ITEMS 3 - 6).....	1
3	*						SLEEVE BEARING	1
4	*						SLEEVE BEARING	1
5	*						FLANGED BEARING	1
6	10389-G3						GREASE FITTING, STRAIGHT	1
7								
8	00426-G6						BOLT, 3/8 - 16 X 3/4" LG	2
9	18456-G1						GREASE FITTING, 90°	1
10	70177-G01						RACK GUIDE COVER	1
11	70225-G01						GASKET	1
12	70178-G01						COMPRESSION SPRING	1
13	70179-G01						RACK GUIDE	1
14	11391-G1						HOSE CLAMP, 1 1/4"	1
15	70041-G01						RACK COVER.....	1
16	11391-G1						HOSE CLAMP, 1 1/4"	1
17	70183-G01						BELLOWS	1
18	11391-G5						HOSE CLAMP, 3/4"	1
19								
20	70724-G01						STEERING GEAR KIT (INCLUDES ITEMS 21 - 28).....	1
21	70717-G01						GEAR PINION.....	1
22	15112-G1						BALL BEARING	1
23	70190-G01						EXTERNAL RETAINING RING	1
24	70718-G01						STEERING RACK	1
25	70192-G01						RACK BALL END	1
26	00544-G8						NUT, 7/16 - 20	1
27	18456-G1						GREASE FITTING, 90°	1
28	70466-G01						RETAINER	1
29								
30	70184-G01						IDLER.....	1

When ordering parts, please specify the model and serial number of the product.

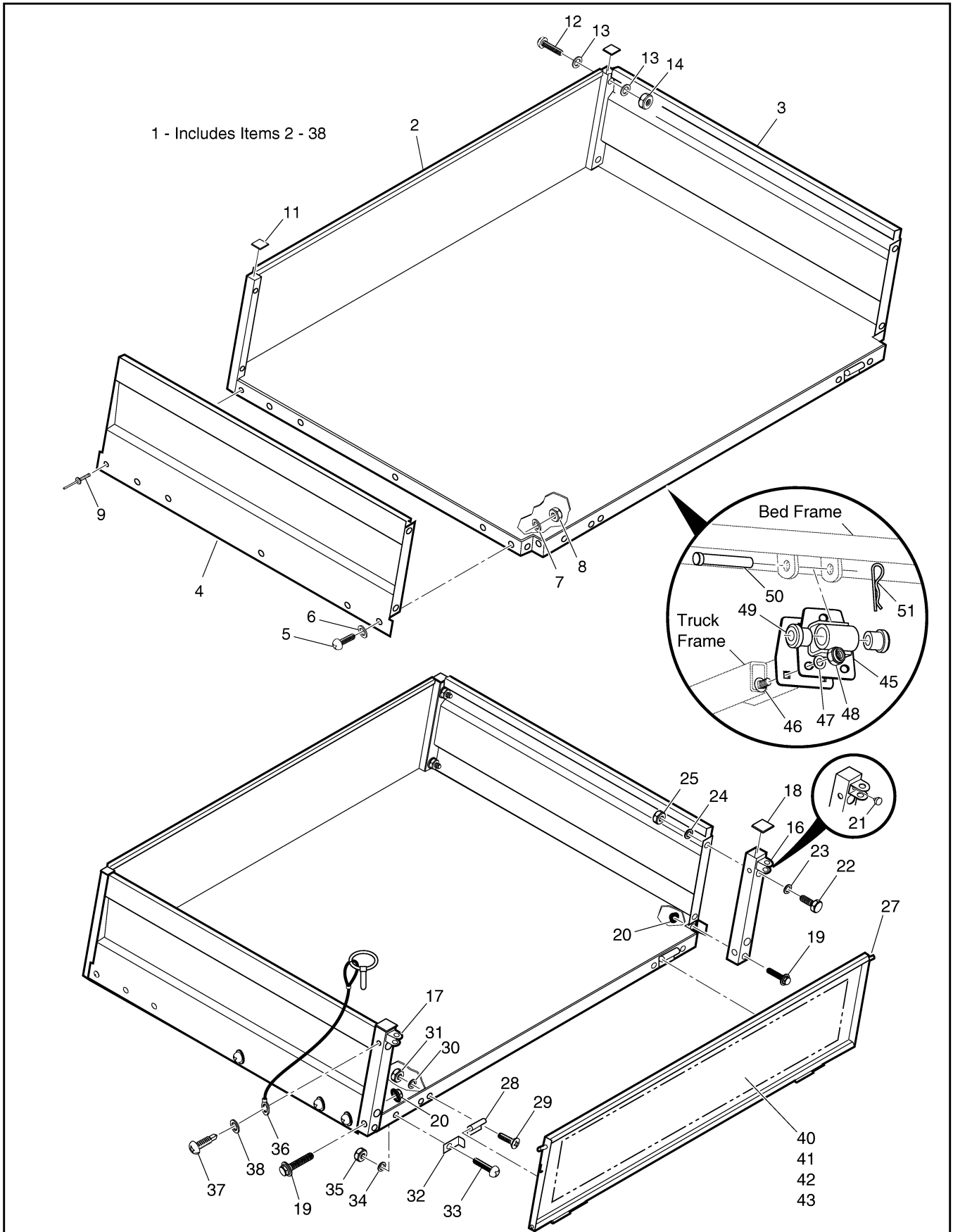
* Indicates a component that is not available as an individual part.

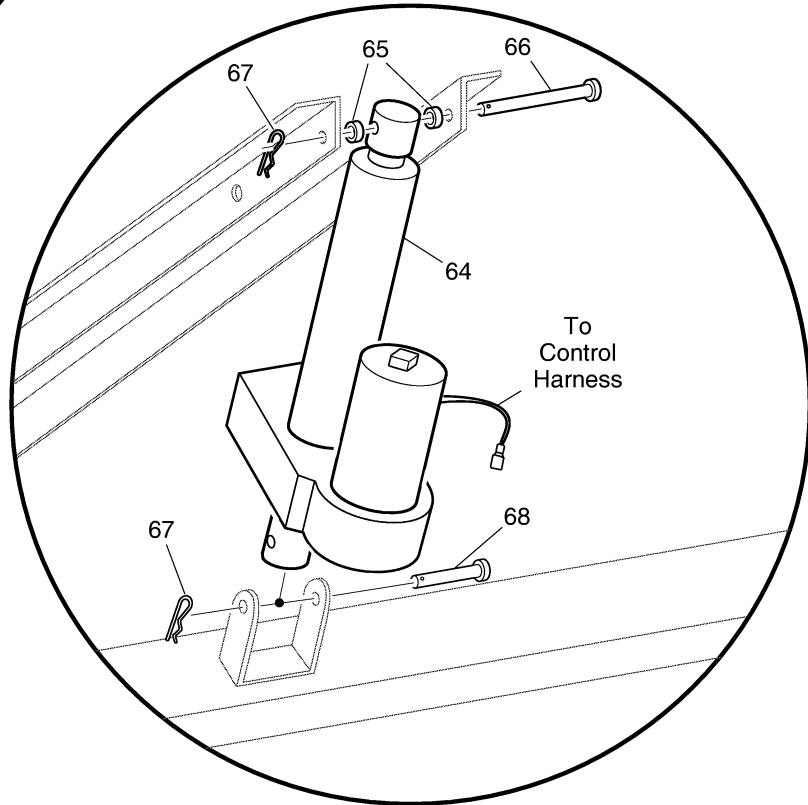
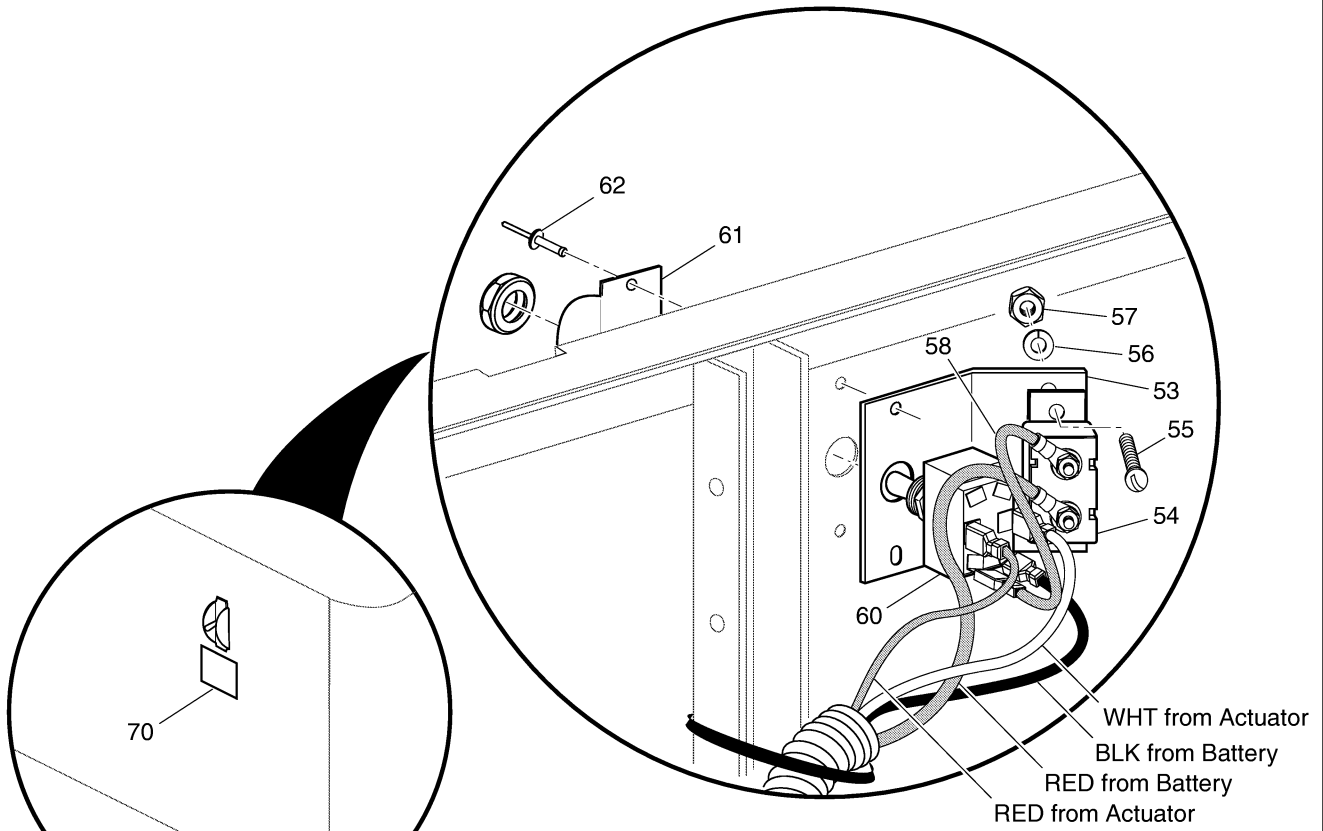
G** Indicates consult Customer Service Department for additional information.

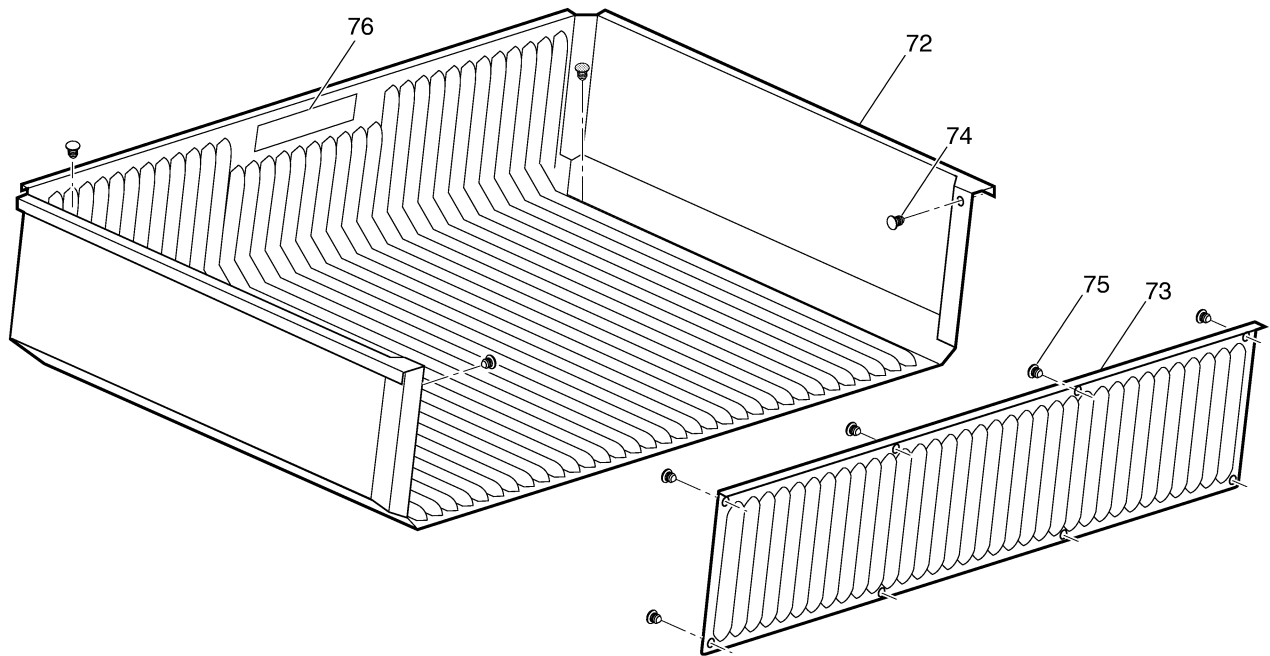
ITEM	PART NO.	1	2	3	4	5	DESCRIPTION	QTY.
31	70216-G01						THRUST WASHER, 1 1/2"	1
32	70195-G01						THRUST WASHER, 7/8"	1
33	00734-G6						LOCK NUT, 7/8 - 9.....	1
34	00798-G8						COTTER PIN, 5/32" X 1 3/4" LG	1
35								
36	70360-G01						STEERING SHAFT/COLUMN KIT (INCLUDES ITEMS 37 - 48)	1
37	14322-G6						STEERING SHAFT.....	1
38	70558-G01						COUPLING.....	1
39	00550-G1						LOCK NUT, 1/4 - 20.....	2
40	70227-G01						SCREW, 1/4 - 20 X 7/8" LG.....	2
41	70223-G01						GASKET	1
42	00876-G2						BOLT, 3/8 - 16 X 1 1/4" LG WITH PATCHLOCK	3
43	00878-G1						LOCK WASHER, 3/8".....	3
44	70466-G01						RETAINER.....	1
45	28633-G01						STEERING COLUMN KIT (INCLUDES ITEMS 46 - 48)	1
46	*						STEERING COLUMN	1
47	28569-G01						STEERING COLUMN BUSHING	1
48	01022-G01						SCREW, #6 - 20 X 5/16" LG	1
49								
50								
51	00470-G4						BOLT, 7/16 - 20 X 2 1/2" LG.....	1
52	00734-G3						LOCK NUT, 7/16 - 20	1
53	01033-G01						BOLT, 7/16 - 14 X 1 1/4" LG WITH PATCHLOCK	2
54	00566-G2						LOCK WASHER, 7/16".....	3
55								
56								
57								
58	71146-G01						STEERING WHEEL	1
59	71949-G01						HUB COVER	1
60								

When ordering parts, please specify the model and serial number of the product.
 * Indicates a component that is not available as an individual part.
 G** Indicates consult Customer Service Department for additional information.

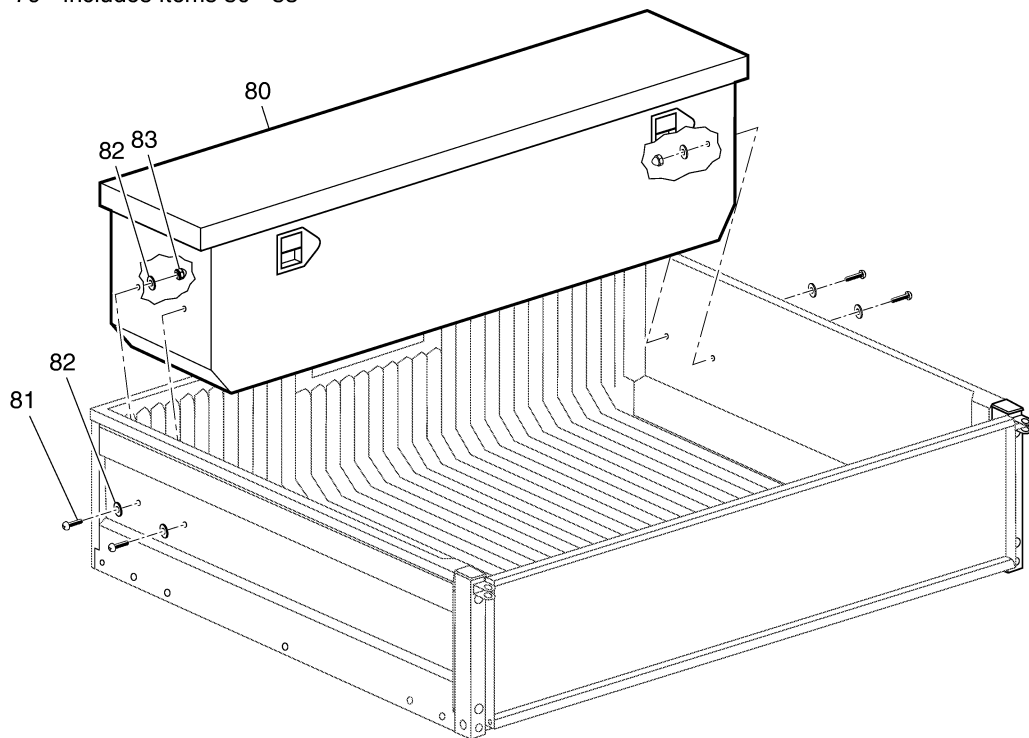
ITEM	PART NO.	1 2 3 4 5	DESCRIPTION	QTY.
61	71147-G01		COVER	1
62	71047-G01		LABEL (E-Z-GO)	1
63	74405-G01		LABEL (CUSHMAN).....	1
64	14390-G2		LOCK NUT, 5/8 - 18	1
65				
66				
67	70904-G04		TIE ROD ASSEMBLY (INCLUDES ITEMS 68 - 72).....	2
68	70855-G03		THREADED ROD (10 1/8" LG)	1
69	70902-G01		TIE ROD END (LEFT HAND THREADS)	1
70	01069-G01		JAM NUT, M12 X 1.25-05 (LEFT HAND THREADS)	1
71	70902-G02		TIE ROD END (RIGHT HAND THREADS)	1
72	01069-G02		JAM NUT, M12 X 1.25-05 (RIGHT HAND THREADS).....	1
73				
74	00734-G1		LOCK NUT, 7/16 - 14	4
75				
76				
77	50209-G2		SLOTTED NUT, 7/16 - 20.....	1
78	10387-G2		COTTER PIN, 3/32" X 1" LG.....	1







79 - Includes Items 80 - 83



When ordering parts, please specify the model and serial number of the product.

* Indicates a component that is not available as an individual part.

G** Indicates consult Customer Service Department for additional information.

ITEM	PART NO.	1	2	3	4	5	DESCRIPTION	QTY.
1	71711-G01						TRUCK BED ASSEMBLY (40") (INCLUDES ITEMS 2 - 38).....	1
2	71719-G01						BED FRAME.....	1
3	71714-G01						SIDE PANEL (PASSENGER SIDE).....	1
4	71714-G02						SIDE PANEL (DRIVER SIDE)	1
5	16705-G3						SCREW, 1/4 - 20 X 3/4" LG.....	10
6	00915-G1						BONDED WASHER, 1/4"	10
7	00559-G7						WASHER, 1/4".....	10
8	14390-G4						LOCK NUT, 1/4 - 20.....	10
9	14601-G8						RIVET, 3/8" X 7/16" LG (ALUMINUM)	2
10								
11	71717-G01						END CAP, 1".....	2
12	16705-G6						SCREW, 1/4 - 20 X 1 3/4" LG.....	4
13	00915-G1						BONDED WASHER, 1/4"	8
14	14390-G4						LOCK NUT, 1/4 - 20.....	4
15								
16	71837-G01						POST (PASSENGER SIDE).....	1
17	71837-G02						POST (DRIVER SIDE)	1
18	71718-G01						END CAP, 1 1/2".....	2
19	01074-G01						SCREW, 3/8 - 16 X 3/4" LG.....	4
20	11027-G5						LOCK NUT, 3/8 - 16.....	4
21	71838-G01						BUMPER	2
22	16705-G3						SCREW, 1/4 - 20 X 3/4" LG.....	4
23	00915-G1						BONDED WASHER, 1/4"	4
24	00559-G7						WASHER, 1/4".....	4
25	14390-G4						LOCK NUT, 1/4 - 20.....	4
26								
27	71732-G01						TAILGATE.....	1
28	27666-G01						HINGE	2
29	01002-G08						SCREW, 1/4 - 20 X 1" LG.....	4
30	00559-G7						WASHER, 1/4".....	4

When ordering parts, please specify the model and serial number of the product.

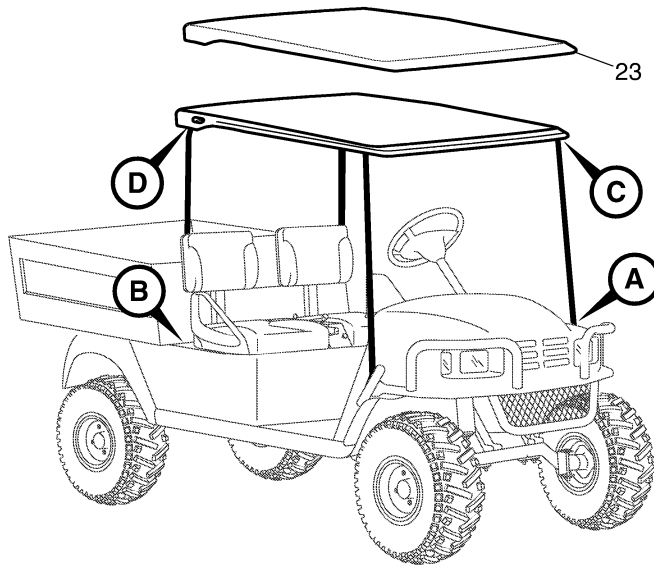
* Indicates a component that is not available as an individual part.

G** Indicates consult Customer Service Department for additional information.

ITEM	PART NO.	1 2 3 4 5	DESCRIPTION	QTY.
31	14390-G4		LOCK NUT, 1/4 - 20.....	4
32	71748-G01		TAILGATE KEEPER	1
33	16705-G3		SCREW, 1/4 - 20 X 3/4" LG.....	1
34	00559-G7		WASHER, 1/4".....	1
35	14390-G4		LOCK NUT, 1/4 - 20.....	1
36	71083-G01		TAILGATE CABLE	2
37	00106-G6		SELF-THREADING SCREW, #12 - 24 X 3/4" LG	2
38	00915-G1		BONDED WASHER, 1/4"	2
39				
40	35978-G01		LABEL (WORKHORSE).....	1
41	74341-G01		LABEL (WORKHORSE), CAMO.....	1
42	74343-G03		LABEL (ST 480), BROWN	1
43	74411-G01		LABEL (CUSHMAN).....	1
44				
45	70396-G01		BED PIVOT	2
46	00764-G2		CARRIAGE BOLT, 5/16 - 18 X 1" LG	6
47	00559-G8		WASHER, 5/16"	6
48	11098-G6		LOCK NUT, 5/16 - 18	6
49	70291-G01		FLANGED BUSHING	4
50	21682-G1		CLEVIS PIN, 1/2" X 2 7/8" LG.....	2
51	21683-G1		COTTER PIN, 15/32" X 2 11/16" LG.....	2
52				
53	74165-G01		CIRCUIT BREAKER MOUNTING BRACKET.....	1
54	21320-G3		CIRCUIT BREAKER, 30 AMP, 12V.....	1
55	00150-G4		SCREW, #10 - 24 X 1/2" LG	2
56	00565-G5		LOCK WASHER, #10.....	2
57	00526-G3		NUT, #10 - 24	2
58	25976-G14		14 GA WIRE (RED 5")	1
59				
60	27680-G01		TOGGLE SWITCH	1

When ordering parts, please specify the model and serial number of the product.
 * Indicates a component that is not available as an individual part.
 G** Indicates consult Customer Service Department for additional information.

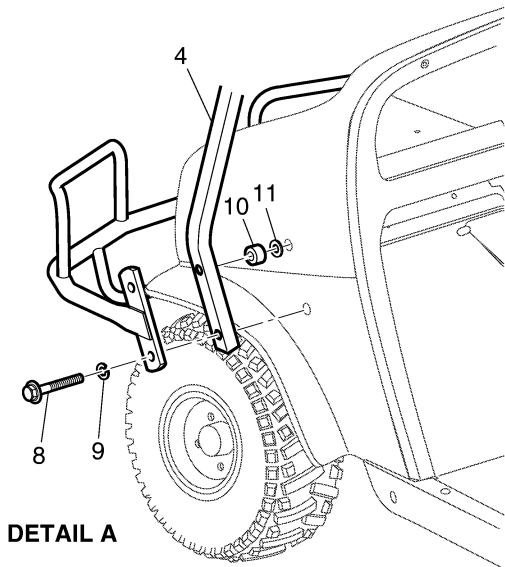
ITEM	PART NO.	1 2 3 4 5	DESCRIPTION	QTY.
61	27447-G01		TOGGLE GUARD	1
62	10570-G9		RIVET, 1/8" X 11/32" LG.....	2
63				
64	27612-G02		ELECTRIC ACTUATOR, 12V.....	1
65	27613-G01		SPACER.....	2
66	14443-G10		CLEVIS PIN, 1/2" X 3" LG.....	1
67	21683-G1		COTTER PIN, 2 11/16" LG.....	2
68	14443-G11		CLEVIS PIN, 1/2" X 1 7/8" LG.....	1
69				
70	71489-G01		LABEL (READ INSTRUCTIONS).....	1
71				
72	74234-G01		BED LINER, 40"	1
73	74235-G01		TAILGATE LINER.....	1
74	18436-G1		RIVET, 1/4" X 3/4" LG	4
75	14601-G10		RIVET, 5/32" X 7/16" LG	6
76	35980-G02		LABEL (BED CAPACITY 500 LB/226 KG)	1
77				
78				
79	75454-G02		ALUMINUM TOOLBOX KIT (INCLUDES ITEMS 80 - 83)	1
80	75493-G01		ALUMINUM TOOLBOX.....	1
81	16705-G3		SCREW, 1/4 - 20 X 3/4" LG.....	4
82	00915-G1		BONDED WASHER, 1/4"	8
83	00903-G1		ACORN NUT, 1/4 - 20	4



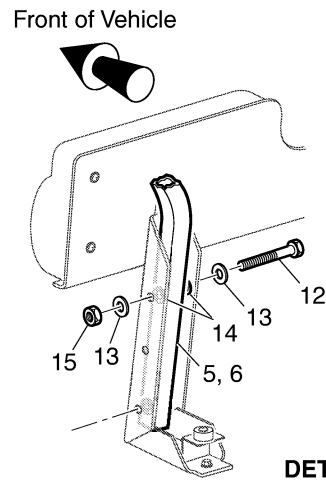
23 SUN TOP CAP (CAMO)

SUN TOP

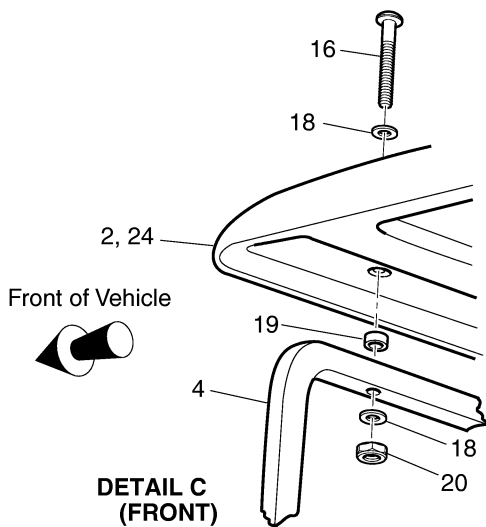
- 1 - Includes Items 2 - 21
- 3 - Includes Items 4 - 21
- 7 - Includes Items 8 - 21



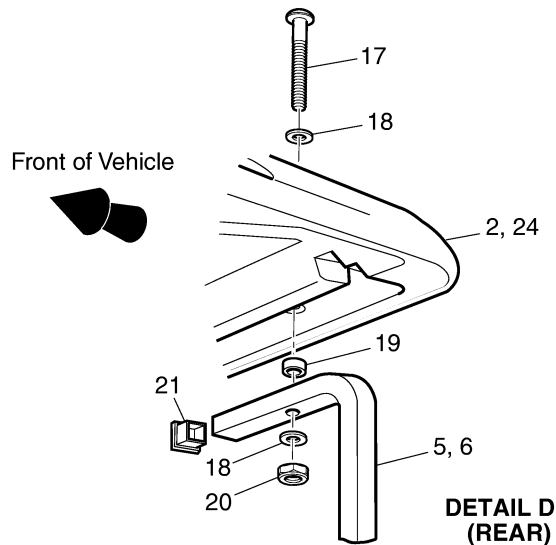
DETAIL A



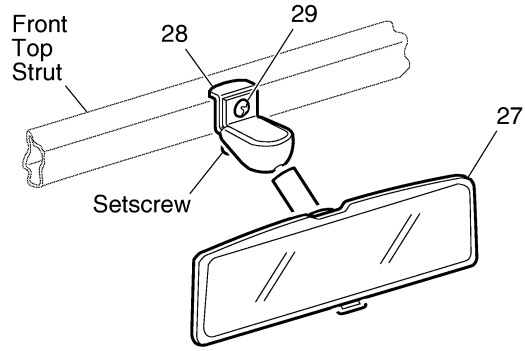
DETAIL B



DETAIL C (FRONT)

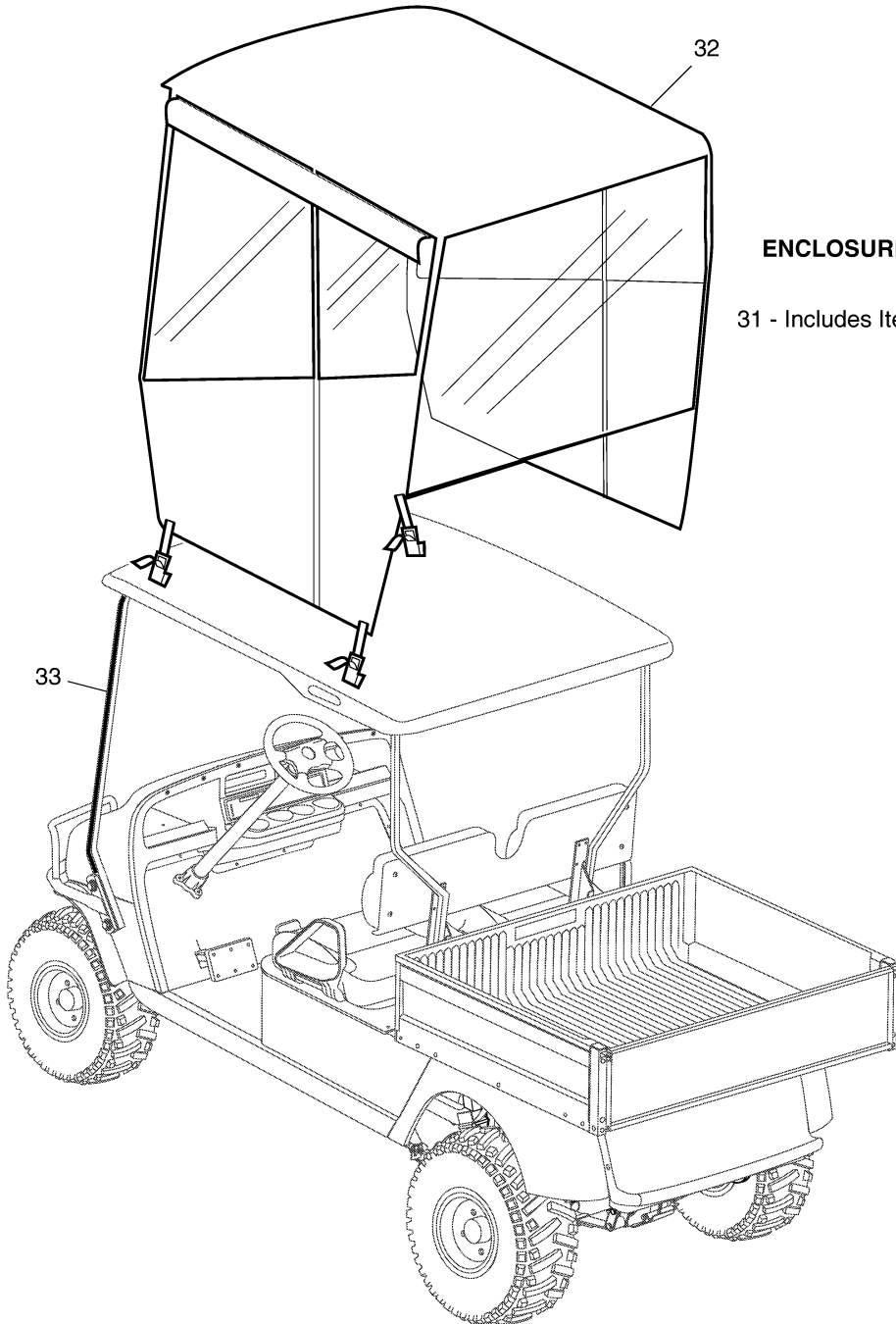


DETAIL D (REAR)



REAR VIEW MIRROR

26 - Includes Items 27 - 29



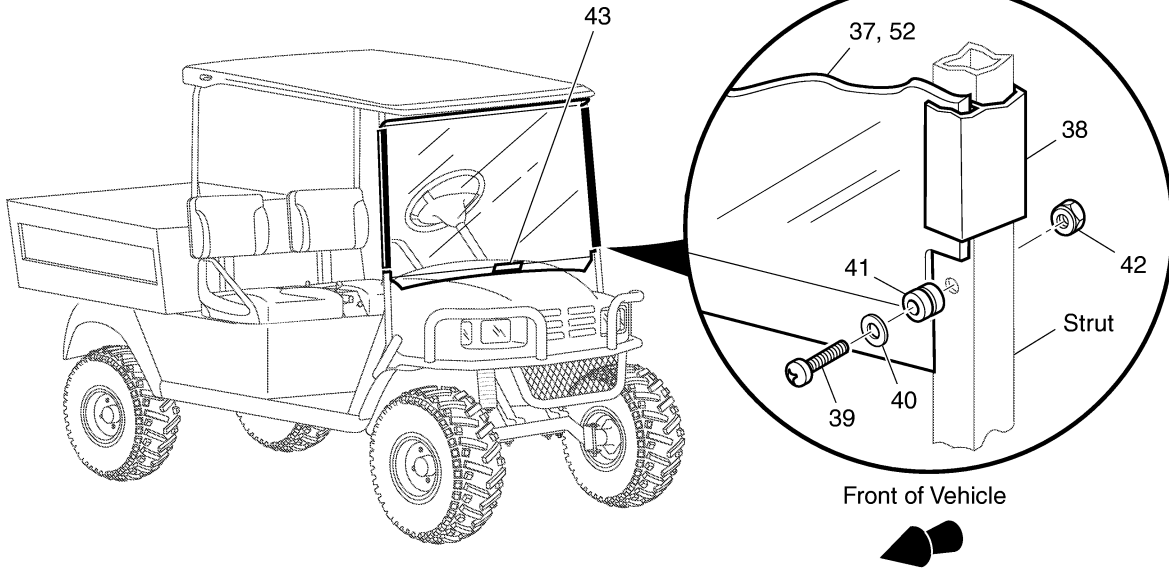
ENCLOSURE

31 - Includes Items 32, 33

WINDSHIELDS

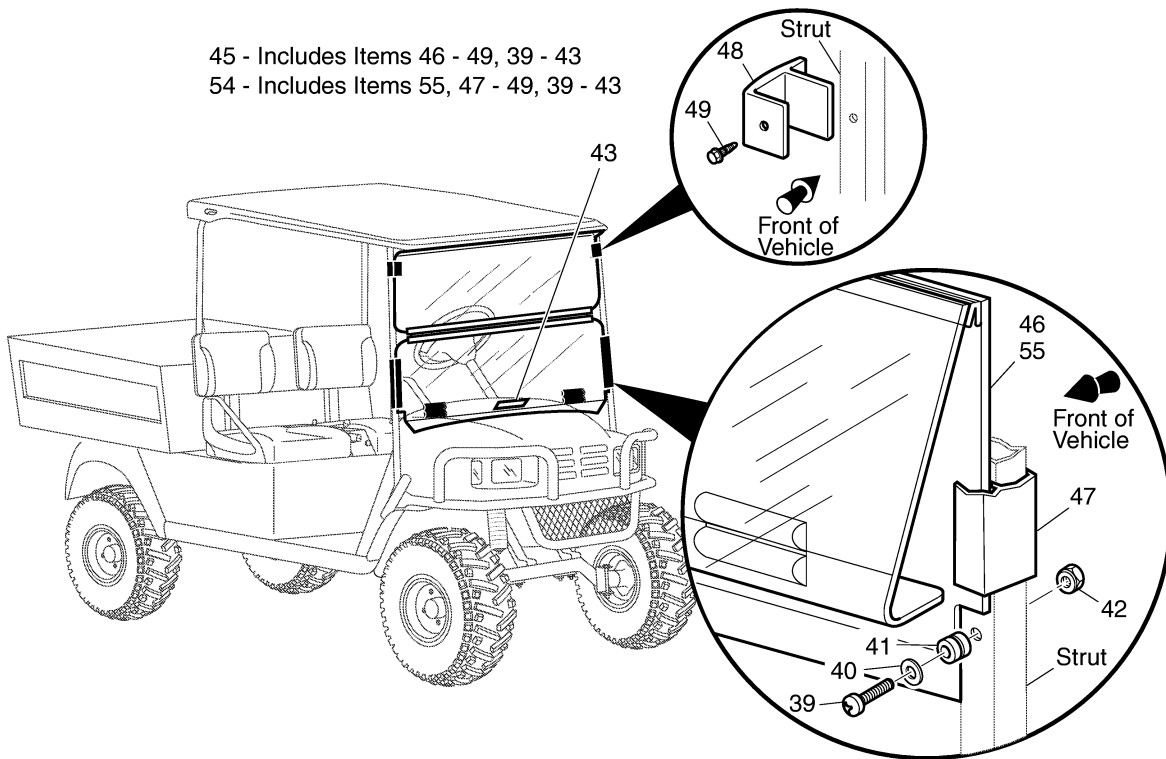
36 - Includes Items 37 - 43

51 - Includes Items 52, 38 - 43



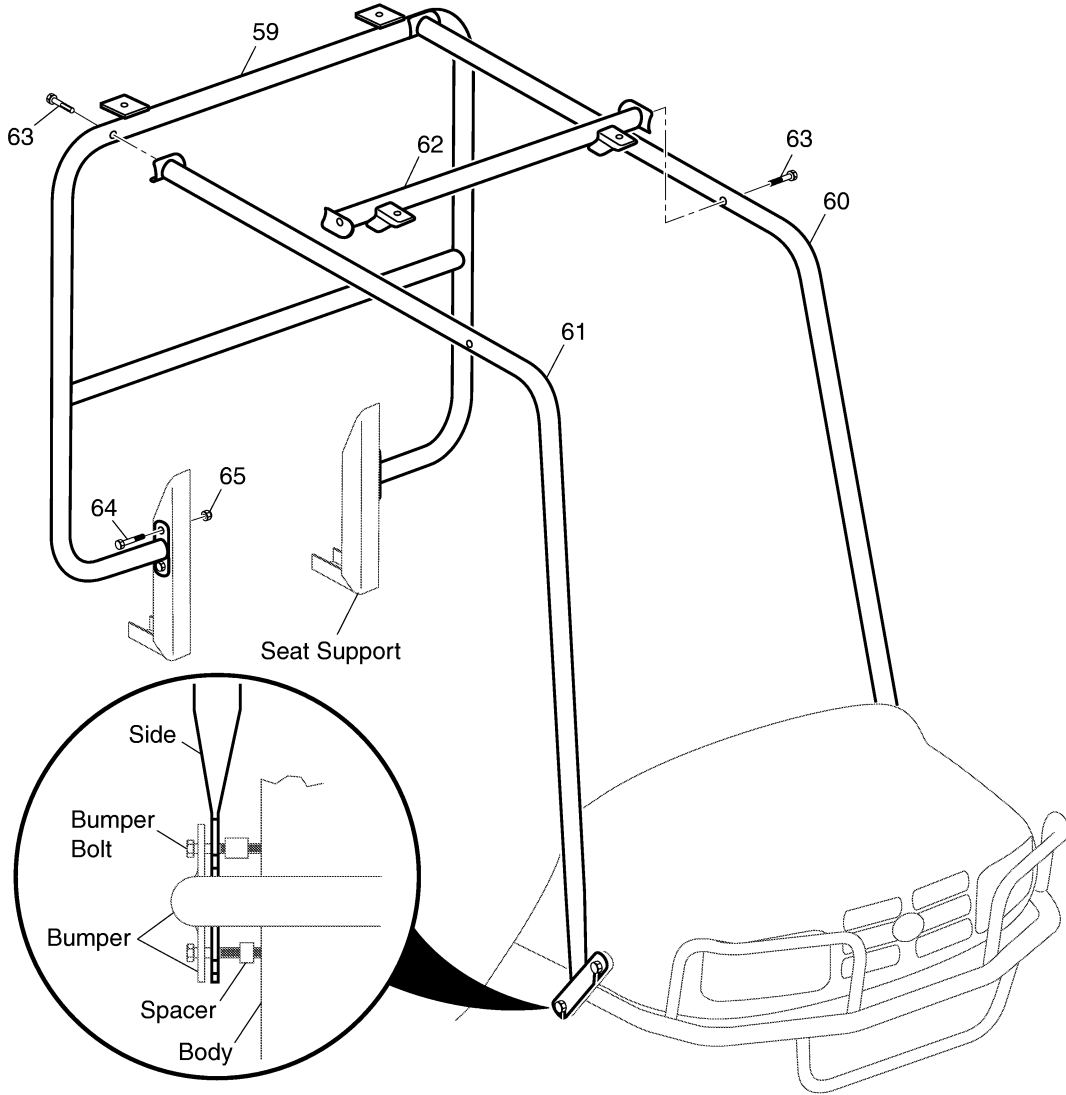
45 - Includes Items 46 - 49, 39 - 43

54 - Includes Items 55, 47 - 49, 39 - 43

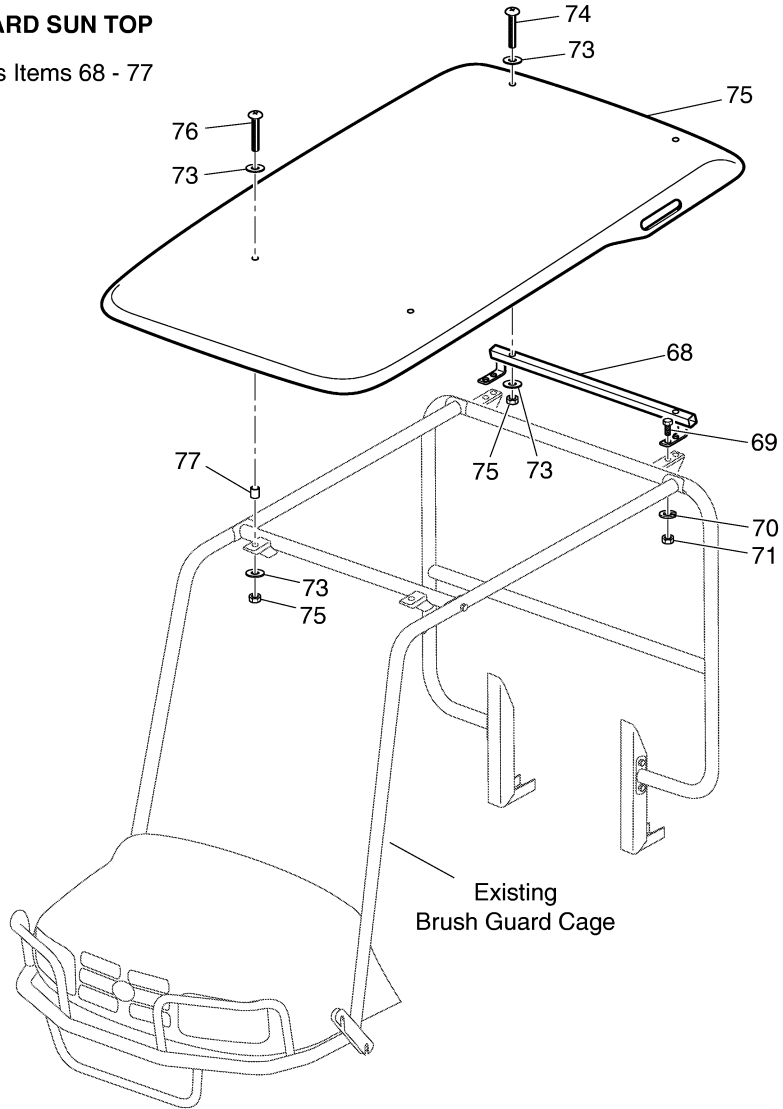


BRUSHGUARD

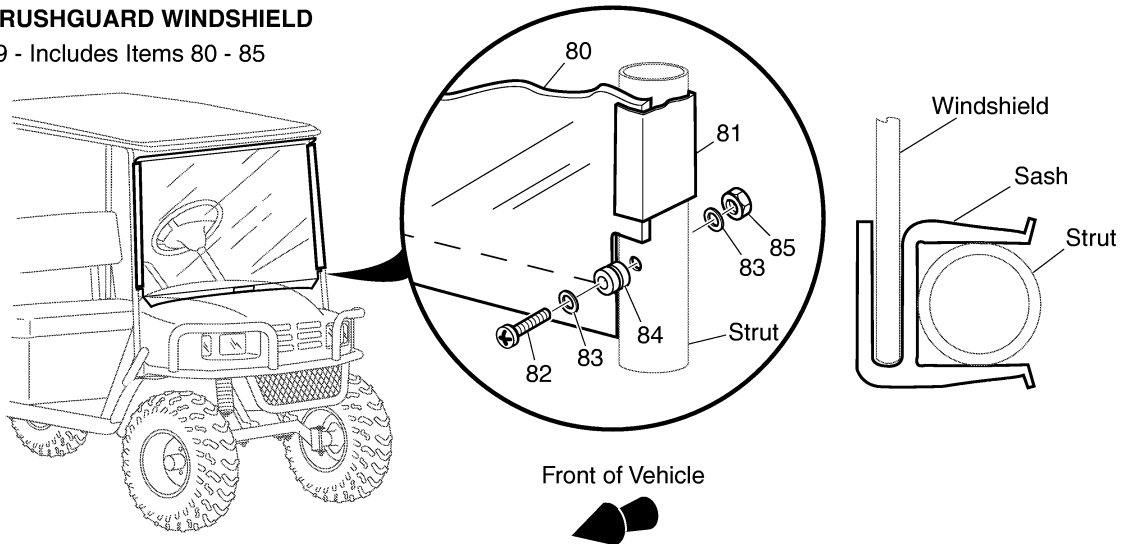
58 - Includes Items 59 - 65



BRUSHGUARD SUN TOP
67 - Includes Items 68 - 77



BRUSHGUARD WINDSHIELD
79 - Includes Items 80 - 85



When ordering parts, please specify the model and serial number of the product.

* Indicates a component that is not available as an individual part.

G** Indicates consult Customer Service Department for additional information.

ITEM	PART NO.	1 2 3 4 5	DESCRIPTION	QTY.
1	75040-G0*		SUN TOP KIT (INCLUDES ITEMS 2 -21)	1
2	27069-G0*		SUN TOP.....	1
3	75044-G04		HARDWARE KIT (INCLUDES ITEMS 4 - 21)	1
4	75045-G01		FRONT STRUT	1
5	75838-G01		REAR STRUT (DRIVER SIDE)	1
6	75838-G02		REAR STRUT (PASSENGER SIDE)	1
7	75465-G01		FASTENING HARDWARE KIT (INCLUDES ITEMS 8 - 21).....	1
8	01035-G01		BOLT, 5/16 - 18 X 2 1/4" LG.....	4
9	00905-G8		LOCK WASHER, 5/16"	4
10	75048-G01		SPACER, 1/2"	2
11	00570-G2		WASHER, 5/16"	6
12	00439-G6		BOLT, 5/16 - 18 X 1 3/4" LG.....	4
13	00571-G2		WASHER, 5/16"	8
14	17255-G1		TEFLON WASHER, 3/8" X 5/8"	8
15	11098-G6		LOCK NUT, 5/16 - 18	4
16	00753-G5		SCREW, 1/4 - 20 X 2" LG (STAINLESS STEEL)	2
17	00753-G6		SCREW, 1/4 - 20 X 2 1/4" LG (STAINLESS STEEL)	2
18	00559-G7		WASHER, 1/4"	8
19	75051-G01		PLASTIC SPACER.....	4
20	00891-G2		LOCK NUT, 1/4 - 20	4
21	19853-G1		END CAP, 1"	2
22				
23	75378-G02		SUN TOP CAP (CAMO) (OVER ITEM 1).....	1
24				
25				
26	19528G2		REAR VIEW MIRROR KIT (INCLUDES ITEMS 27 - 29)	1
27	19496-G1		REAR VIEW MIRROR.....	1
28	19502-G2		SUPPORT BRACKET	1
29	19527-G1		SELF TAPPING SCREW, #8 - 32 X 5/8" LG (STAINLESS STEEL).....	1
30				

WEATHER PROTECTION

Gasoline Vehicle

Replacement parts for the windshield may be obtained from Eagle Parts, Inc. 1811 Wilkinson Rd. Augusta, GA 30904. Telephone (706) 729-9911 or FAX (706) 729-9955

* Indicates a component that is not available as an individual part.

G** Indicates consult Customer Service Department for additional information.

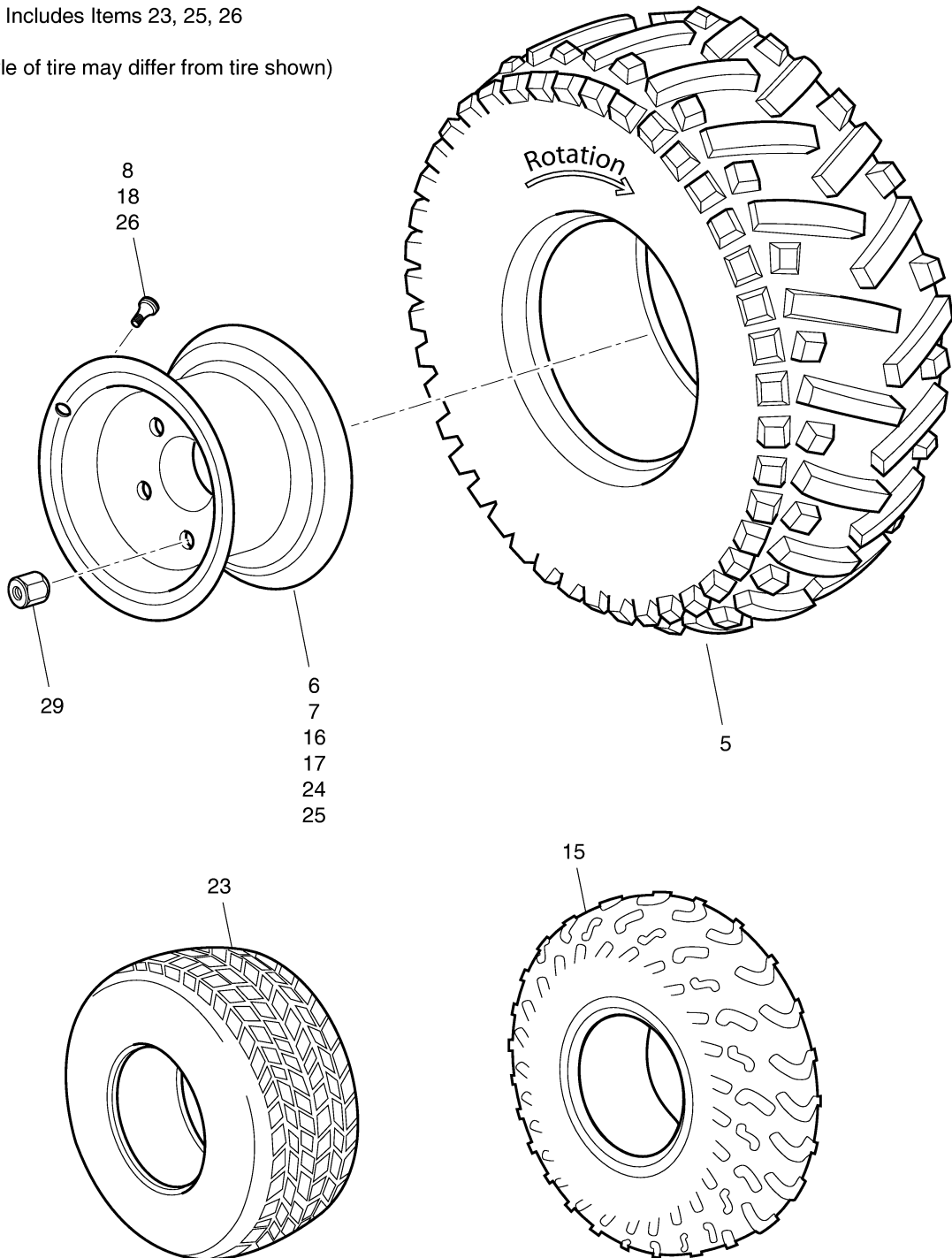
ITEM	PART NO.	1 2 3 4 5	DESCRIPTION	QTY.
31	75367-G**		3 SIDED SOFT ENCLOSURE KIT (INCLUDES ITEMS 32 - 33)	1
32	*		ENCLOSURE	1
33	*		VELCRO	AR
34				
35				
36	71966-G01		WINDSHIELD KIT (FULL) (INCLUDES ITEMS 37 - 43) (REQUIRES SUN TOP KIT)	1
37	71954-G01		WINDSHIELD (FULL) (LEXAN).....	1
38	EGWHC12		SASH, 26" LG.....	2
39	EGWHS12		SCREW, 1/4 - 20 X 1 3/4" LG (STAINLESS STEEL)	2
40	EGWHG12		WASHER, 1/4" (STAINLESS STEEL)	4
41	EGWHG13		RUBBER GROMMET	2
42	EGWHN12		LOCK NUT, 1/4 - 20 (STAINLESS STEEL)	2
43	EGWHL14		SAFETY LABEL	1
44				
45	71966-G02		WINDSHIELD KIT (FOLD DOWN) (INCLUDES ITEMS 46 - 49, 39 - 43) (REQUIRES SUN TOP KIT)	1
46	71955-G01		WINDSHIELD (FOLD DOWN) (LEXAN)	1
47	EGWHC10		SASH, 12" LG.....	2
48	137-010		TOP GRIP, 3/4" X 2"	2
49	136-008		TOP GRIP FASTENER	2
50				
51	71966-G03		WINDSHIELD KIT (FULL) (INCLUDES ITEMS 52, 38 - 43) (REQUIRES SUN TOP KIT)	1
52	71960-G01		WINDSHIELD (FULL) (ACRYLIC).....	1
53				
54	71966-G04		WINDSHIELD KIT (FOLD DOWN) (INCLUDES ITEMS 55, 47 - 49, 39 - 43) (REQUIRES SUN TOP KIT)	1
55	71961-G01		WINDSHIELD (FOLD DOWN) (ACRYLIC).....	1
56				
57				

When ordering parts, please specify the model and serial number of the product.
 * Indicates a component that is not available as an individual part.
 G** Indicates consult Customer Service Department for additional information.

ITEM	PART NO.	1 2 3 4 5	DESCRIPTION	QTY.
58	74479-G01		BRUSH GUARD KIT (INCLUDES ITEMS 59 - 65)	1
59	74465-G01		BACK.....	1
60	74459-G01		SIDE (DRIVER SIDE).....	1
61	74460-G01		SIDE (PASSENGER SIDE)	1
62	74462-G01		TOP	1
63	00428-G2		BOLT, 3/8 - 16 X 2 1/4" LG	4
64	00438-G7		BOLT, 5/16 - 18 X 7/8" LG	4
65	11098-G6		LOCK NUT, 5/16 - 18.....	4
66				
67	74496-G0*		SUN TOP KIT (WITH BRUSH GUARD) (INCLUDES ITEMS 68 - 77).....	1
68	74466-G01		MOUNTING BRACKET	1
69	00438-G5		BOLT, 5/16 - 18 X 5/8" LG	4
70	00565-G8		LOCK WASHER, 5/16".....	4
71	00532-G3		NUT, 5/16 - 18	4
72	74497-G0*		SUN TOP.....	1
73	00559-G7		WASHER, 1/4".....	8
74	00753-G6		SCREW, 1/4 - 20 X 2 1/4" LG.....	2
75	00891-G2		LOCK NUT, 1/4 - 20.....	4
76	00753-G7		SCREW, 1/4 - 20 X 2 1/2" LG.....	2
77	74469-G01		SPACER.....	2
78				
79	74542-G01		WINDSHIELD KIT (WITH BRUSH GUARD) (INCLUDES ITEMS 80 - 85) (Replacement Parts available from Eagle Parts, 706-790-6687)	1
80	110-735A		WINDSHIELD (POLYCARBONATE)	1
81	EGWHC12		SASH, 26" LG.....	2
82	110-072E		SCREW, 1/4 - 20 X 1/2" LG (STAINLESS STEEL)	2
83	EGWHG12		WASHER, 1/4" (STAINLESS STEEL)	4
84	EGWHG13		RUBBER GROMMET	2
85	EGWHN12		LOCK NUT, 1/4 - 20 (STAINLESS STEEL)	2

- 1 - Includes Items 5, 6, 8
- 2 - Includes Items 5, 6, 8
- 3 - Includes Items 5, 7, 8
- 4 - Includes Items 5, 7, 8
- 11 - Includes Items 15, 16, 18
- 12 - Includes Items 15, 16, 18
- 13 - Includes Items 15, 17, 18
- 14 - Includes Items 15, 17, 18
- 21 - Includes Items 23, 24, 26
- 22 - Includes Items 23, 25, 26

(Style of tire may differ from tire shown)



When ordering parts, please specify the model and serial number of the product.
 * Indicates a component that is not available as an individual part.
 G** Indicates consult Customer Service Department for additional information.

ITEM	PART NO.	1 2 3 4 5	DESCRIPTION	QTY.
1	28630-G06		SILVER WHEEL AND STRYKER® 1 TIRE ASSEMBLY (DRIVER SIDE) (INCLUDES ITEMS 5, 6, 8)	AR
2	28630-G07		SILVER WHEEL AND STRYKER® 1 TIRE ASSEMBLY (PASSENGER SIDE) (INCLUDES ITEMS 5, 6, 8).....	AR
3	28630-G04		BLACK WHEEL AND STRYKER® 1 TIRE ASSEMBLY (DRIVER SIDE) (INCLUDES ITEMS 5, 7, 8)	AR
4	28630-G05		BLACK WHEEL AND STRYKER® 1 TIRE ASSEMBLY (PASSENGER SIDE) (INCLUDES ITEMS 5, 7, 8).....	AR
5	28630-G01		TIRE, 22 X 9 - 10 STRYKER® 1	1
6	15172-G03		WHEEL RIM, SILVER (4 LUG).....	1
7	15172-G02		WHEEL RIM, BLACK (4 LUG).....	1
8	11657-G1		VALVE STEM	1
9				
10				
11	28513-G07		SILVER WHEEL AND WORK MATE® TIRE ASSEMBLY (DRIVER SIDE) (INCLUDES ITEMS 15, 16, 18)	AR
12	28513-G06		SILVER WHEEL AND WORK MATE® TIRE ASSEMBLY (PASSENGER SIDE) (INCLUDES ITEMS 15, 16, 18).....	AR
13	28513-G05		BLACK WHEEL AND WORK MATE® TIRE ASSEMBLY (DRIVER SIDE) (INCLUDES ITEMS 15, 17, 18)	AR
14	28513-G04		BLACK WHEEL AND WORK MATE® TIRE ASSEMBLY (PASSENGER SIDE) (INCLUDES ITEMS 15, 17, 18).....	AR
15	28513-G03		TIRE, 21 X 9 - 10 WORK MATE®	1
16	15172-G03		WHEEL RIM, SILVER (4 LUG).....	1
17	15172-G02		WHEEL RIM, BLACK (4 LUG).....	1
18	11657-G1		VALVE STEM	1
19				
20				
21	28442-G04		SILVER WHEEL AND TURF SAVER® TIRE ASSEMBLY (INCLUDES ITEMS 23, 24, 26).....	AR
22	28442-G03		BLACK WHEEL AND TURF SAVER® TIRE ASSEMBLY (ITEMS 23, 25, 26)....	AR
23	28442-G02		TIRE, 20 X 10 - 10 TURF SAVER®	1
24	15172-G03		WHEEL RIM, SILVER (4 LUG).....	1

WHEELS AND TIRES

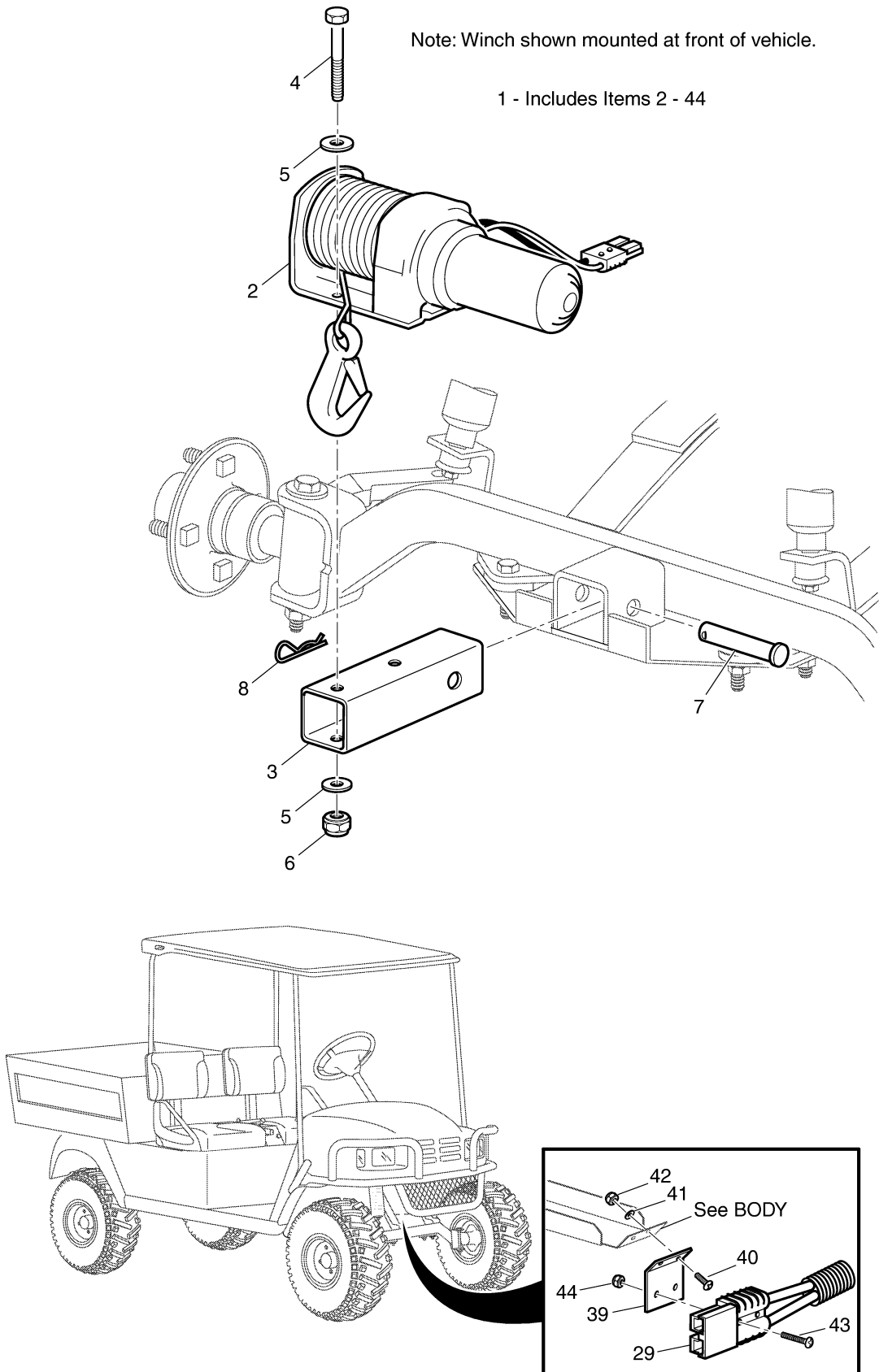
Gasoline Vehicle

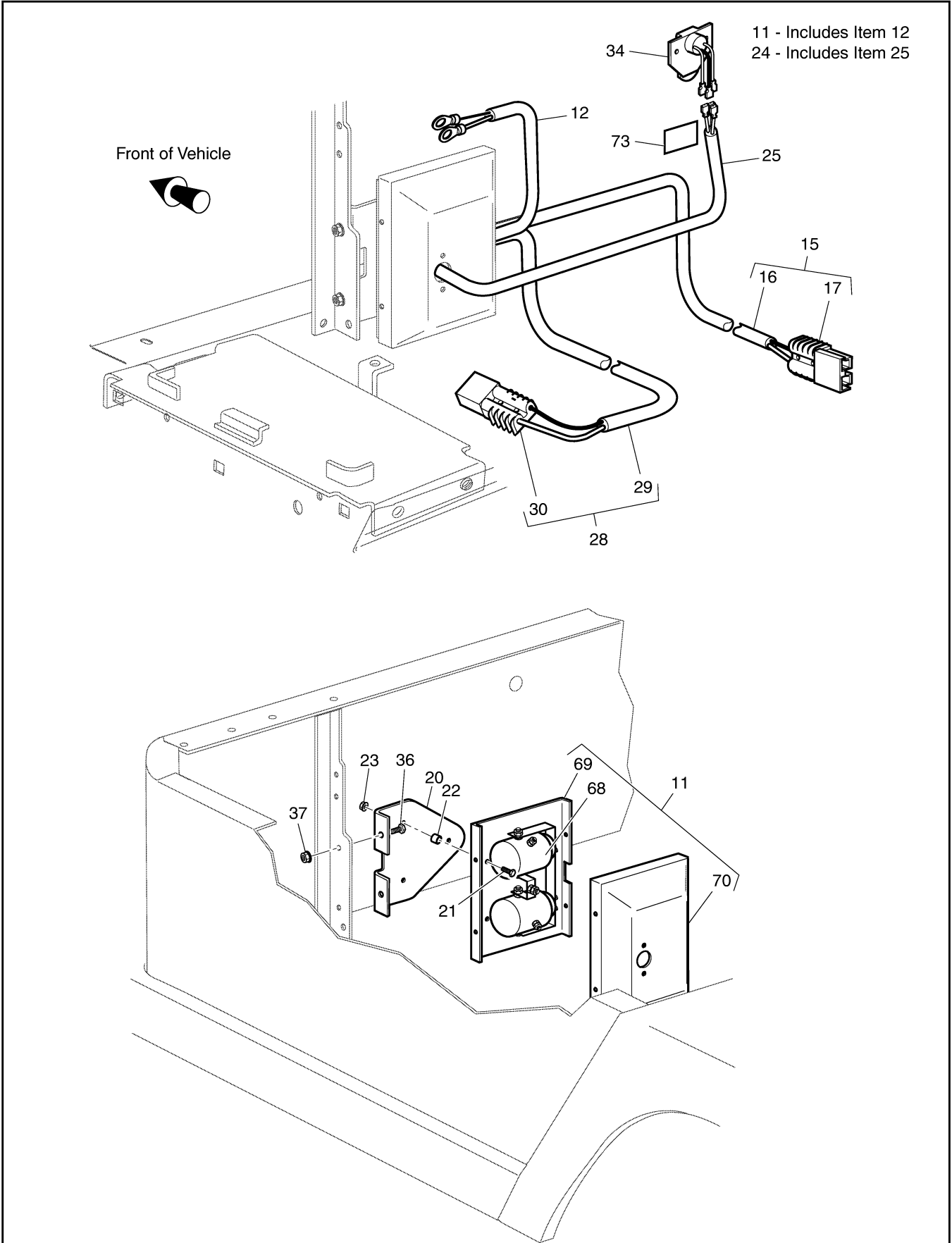
When ordering parts, please specify the model and serial number of the product.
* Indicates a component that is not available as an individual part.
G** Indicates consult Customer Service Department for additional information.

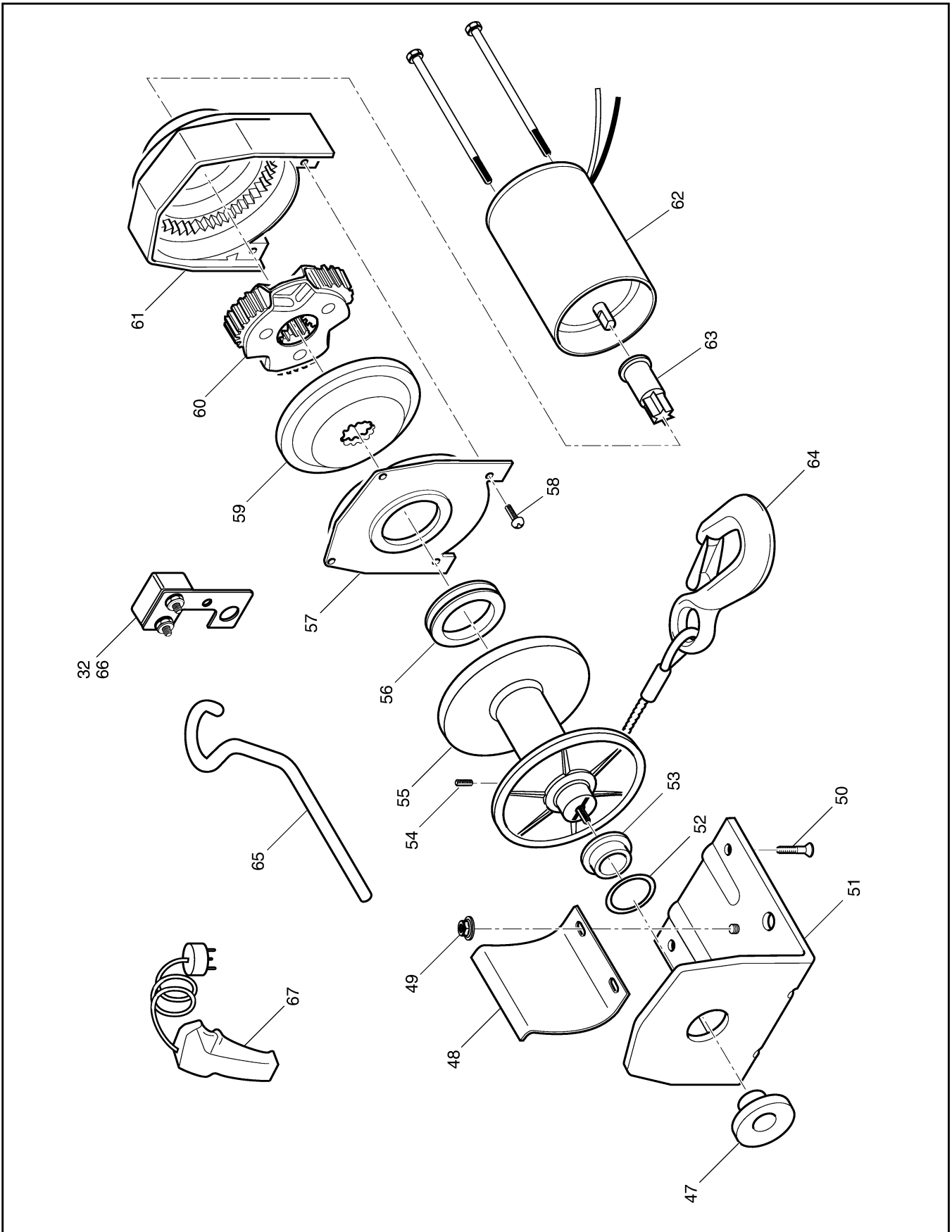
ITEM	PART NO.	1 2 3 4 5	DESCRIPTION	QTY.
25	15172-G02		WHEEL RIM, BLACK (4 LUG).....	1
26	11657-G1		VALVE STEM	1
27				
28				
29	14723-G1		LUG NUT, 1/2 - 20.....	AR

Note: Winch shown mounted at front of vehicle.

1 - Includes Items 2 - 44







When ordering parts, please specify the model and serial number of the product.

* Indicates a component that is not available as an individual part.

G** Indicates consult Customer Service Department for additional information.

ITEM	PART NO.	1 2 3 4 5	DESCRIPTION	QTY.
1	74259-G04		WINCH KIT (INCLUDES ITEMS 2 - 44)	1
2	74299-G01		WINCH ASSEMBLY, T1500	1
3	74271-G01		WINCH MOUNTING TUBE	1
4	00440-G6		BOLT, 5/16 - 18 X 2 3/4" LG	2
5	00571-G2		WASHER, 5/16"	4
6	00891-G3		LOCK NUT, 5/16 - 18	2
7	21317-G01		CLEVIS PIN, 5/8" x 3" LG	1
8	21683-G1		COTTER PIN, 15/32" x 2 11/16" LG	1
9				
10	74286-G03		REMOTE SOLENOID (INCLUDES ITEMS 11 - 32)	1
11	74256-G02		SOLENOID KIT	1
12	74326-G01		MOUNTING BRACKET	1
13	00414-G6		BOLT, 1/4 - 20 X 3/4" LG	3
14	23726-G1		SPACER, 1/4"	3
15	14390-G4		LOCK NUT, 1/4 - 20	3
16				
17	74327-G01		WIRE HARNESS (SOLENOID - BATTERY) (INCLUDES 18)	1
18	18833-G1		FLEX LOOM, 13" (BULK)	1
19				
20	74298-G01		WIRE HARNESS (SOLENOID - RECEPTACLE) (INCLUDES 21)	1
21	20436-G1		FLEX LOOM, 4" (BULK)	1
22				
23	74291-G01		WIRE HARNESS (SOLENOID - FRONT) (INCLUDES 24, 25)	1
24	18833-G1		FLEX LOOM, 84" (BULK)	1
25	73235-G01		CONNECTOR	1
26				
27	74328-G01		WIRE HARNESS (SOLENOID - REAR) (INCLUDES 28, 29)	1
28	18833-G1		FLEX LOOM, 49" (BULK)	1
29	73235-G01		CONNECTOR	1
30				

When ordering parts, please specify the model and serial number of the product.
 * Indicates a component that is not available as an individual part.
 G** Indicates consult Customer Service Department for additional information.

ITEM	PART NO.	1	2	3	4	5	DESCRIPTION	QTY.
31	74285-G01						RECEPTACLE WITH LEADS (GREEN, WHITE, BLACK)	1
32	*						CIRCUIT BREAKER WITH BRACKET	1
33								
34	71489-G01						LABEL (READ INSTRUCTIONS)	1
35								
36	00414-G5						BOLT, 1/4 - 20 X 5/8" LG	2
37	14390-G4						LOCK NUT, 1/4 - 20.....	2
38								
39	74289-G01						CONNECTOR MOUNT PLATE	1
40	00740-G4						SCREW, #10 - 32 x 1/2" LG	2
41	00559-G5						WASHER, #10.....	2
42	00921-G8						LOCK NUT, #10 - 32.....	2
43	00156-G8						SCREW, #10 - 32 X 1" LG.....	2
44	00526-G4						LOCK NUT, #10 - 32.....	2
45								
46							<p>The following items are replacement components for the winch. For service or replacement parts, contact Superwinch, Inc., Winch Drive, Putnam, CT 06260 Phone: (860) 928-7787, FAX: (860) 928-1143</p> <p>Always provide the following information when requesting information or ordering replacement parts:</p> <p>Winch Part Number: T1500 Serial Number: (found on housing) Part Number and Description</p>	
47	87-10490						KNOB ASSEMBLY, T-SERIES F/W	1
48	87-22381						TENSION PLATE	1
49	87-23149-05						NUT, HEX, FLANGED, M5 X 0.8.....	2
50	89-22291-01						SCREW, ST HEX SKY FH, M6 X 1 X 20.....	2
51	87-22394						BASEPLATE ASSEMBLY, T-SERIES.....	1
52	AS REQ'D						WASHER, .020" OR .030" THICK	A/R
53	87-10466						BUSHING, T-SERIES	1

When ordering parts, please specify the model and serial number of the product.
 * Indicates a component that is not available as an individual part.
 G** Indicates consult Customer Service Department for additional information.

ITEM	PART NO.	1	2	3	4	5	DESCRIPTION	QTY.
54	87-23309-01						SET SCREW, M5 X 0.8 X 6.....	1
55	87-22397						DRUM ASSEMBLY.....	1
56	87-10470						DRUM SUPPORT BUSHING.....	1
57	87-33257						DRUM SUPPORT PLATE.....	1
58	87-23030-10						SCREW, ST PAN HEAD, M4 X 0.7 X 10.....	4
59	87-33251						ROTATOR GEAR, T-SERIES.....	1
60	87-22380						CARRIER ASSEMBLY, T-SERIES.....	1
61	87-22396						STATIONARY GEAR HOUSING ASSEMBLY, T-SERIES.....	1
62	87-33249						MOTOR, 12 VOLT.....	1
63	87-22401						MOTOR PINION GEAR.....	1
64	1535A						WIRE ROPE AND HOOK ASSEMBLY, 5/32" X 25 FEET.....	1
65	89-32300						HANSAVER BAR.....	1
66	90-22873-03						CIRCUIT BREAKER ASSEMBLY, 12 VOLT, T-SERIES.....	1
67	90-22117						REMOTE CONTROL ASSEMBLY.....	1
68	92-20172						SOLENOID, 12 VOLT.....	2
69	90-32070						SOLENOID BACK PLATE.....	1
70	90-31079						SOLENOID COVER.....	1

SPECIALTY PRODUCTS

SPECIALTY PRODUCTS

SPECIALTY PRODUCTS

SPECIAL TOOLS	Part No.
DRIVE CLUTCH PULLER.....	19779-G2
FLYWHEEL PULLER.....	27111-G01
CAM PULLER.....	27851-G01
TACHOMETER.....	72526-G01
FEELER GAUGE.....	72525-G01
COMPRESSION TESTER	72524-G01
ENGINE REBUILD MANUAL	27615-G01
REAR AXLE REBUILD MANUAL.....	27660-G01
CURRENT INDICATOR.....	16489-G1
DIGITAL MULTI-METER.....	27481-G01
CRIMPING TOOL.....	27765-G01
SLIDE HAMMER (AXLE/HUB REMOVAL).....	15947-G1
SLIDE HAMMER (AXLE REMOVAL ONLY).....	18753-G1

PERFORMANCE PRODUCTS

BATTERY PROTECTOR, 14 OZ (410 ML) AEROSOL	75500-G01
CARBURETOR & CHOKE CLEANER, 15 OZ (440 ML) AEROSOL.....	75501-G01
WHITE LITHIUM GREASE, 14 OZ (410 ML) AEROSOL	75502-G01
PENETRANT/LUBRICANT, 15 OZ (440 ML) AEROSOL	75503-G01
MULTI-PURPOSE CLEANER & DEGREASER, 14 OZ (410 ML) AEROSOL.....	75504-G01
MULTI-PURPOSE HAND CLEANER, 32 OZ (950 ML) LIQUID.....	75505-G01
BATTERY CLEANER, 32 OZ (950 ML) W/TRIGGER SPRAYER	75506-G01
BIODEGRADABLE CLEANER, 32 OZ (950 ML) W/TRIGGER SPRAYER	75507-G01
MULTI-PURPOSE VALUE PACK	75508-G01
•BATTERY PROTECTOR, 4 OZ (120 ML) AEROSOL	
•PENETRANT/LUBRICANT, 4 OZ (120 ML) AEROSOL	
•WHITE LITHIUM GREASE, 4 OZ (120 ML) AEROSOL	
•CARBURETOR & CHOKE CLEANER, 4 OZ (120 ML) AEROSOL	

PAINT

HUNTER GREEN - TOUCH-UP PEN	28432-G02
HUNTER GREEN - 12 OZ (360 ML) AEROSOL.....	28140-G09
CAMOUFLAGE PAINT - THREE TOUCH-UP PENS	75831-G01

ENGINE OIL

4-CYCLE ENGINE OIL, 10W-30, 5 GALLON (19 LITERS).....	25730-G03
4-CYCLE ENGINE OIL, 10W-30, 12 QUART CASE	25730-G04
4-CYCLE ENGINE OIL, 10W-30, QUART (950 ML) BOTTLE	25730-G06

ACCESSORIES

ACCESSORIES

ACCESSORIES

ACCESSORY LIST	KIT NO.	LOCATION IN MANUAL
ASHTRAY KIT.....	75109-G02	See BODY
BRUSHGUARD	74479-G01	See WEATHER PROTECTION
BRUSHGUARD SUN TOP	74496-G0*	See WEATHER PROTECTION
BRUSHGUARD WINDSHIELD.....	74542-G01	See WEATHER PROTECTION
CARGO BED COVER.....	73521-G01	
CART (STEEL)	74486-G01	
CART, (POLY).....	74487-G01	
HITCH.....	74492-G0*	See BODY
GLOVE BOX DOOR	75459-G0*	See BODY
GUN HOLDER.....	74365-G01	
HOUR METER KIT	75114-G06	See ELECTRICAL SYSTEM
REAR VIEW MIRROR KIT (REQUIRES SUN TOP KIT).....	19528-G2	See WEATHER PROTECTION
SOFT ENCLOSURE (3 SIDED).....	75367-G0*	See WEATHER PROTECTION
SUN TOP KIT	75040-G0*	See WEATHER PROTECTION
SUN TOP CAP (CAMO)	75378-G02	See WEATHER PROTECTION
TURN SIGNAL.....	17867-G1	See ELECTRICAL SYSTEM
WINCH.....	74259-G04	See WINCH
WINDSHIELD KIT (REQUIRES SUN TOP KIT).....	71966-G0*	See WEATHER PROTECTION
WINDSHIELD KIT (FOLD DOWN) (REQUIRES SUN TOP KIT).....	71966-G0*	See WEATHER PROTECTION
ALUMINUM TOOLBOX	75454-G02	See TRUCK BED

TEXTRON

GOLF, TURF & SPECIALTY PRODUCTS

Textron Golf, Turf & Specialty Products
P.O. Box 388 Augusta, Georgia 30903-0388 USA
Inside USA Phone: 1-800-241-5855, FAX: 1-800-448-8124
Outside USA Phone: 010-1-706-798-4311, FAX: 010-1-706-771-4609

Copyrighted Material
This manual may not be reproduced in whole or
in part without the express permission of
E-Z-GO Division of Textron Inc.
Technical Communications Department