

1600XD4

SERVICE PARTS MANUAL

640283-B

ISSUED MAY 2014

TABLE OF CONTENTS

[ENGINE]

3C100LWU-E010	CYLINDER BLOCK GROUP.	1
3C100LWU-E020	OIL PAN GROUP.	3
3C100LW-E030	CYLINDER HEAD COVER GROUP.	4
3C100LF-E040	GEAR CASE GROUP.	5
3C100A-E050	MAIN BEARING CASE GROUP.	7
U1-U0052A	ENGINE GROUP.	8
3C100A-E080	VALVE ROCKER ARM GROUP.	9
3C093LW-E090	CYLINDER HEAD COVER GROUP.	10
3C100A-E100	CAMSHAFT GROUP.	11
3C100LWU-E110	PISTON & CRANKSHAFT GROUP.	12
3C100LWU-E120	FLYWHEEL GROUP.	13
3C100LWU-E130	NOZZLE HOLDER GROUP.	14
3C100LWU-E140	FUEL CAMSHAFT GROUP.	15
3C100A-E150	SPEED CONTROL LEVER GROUP.	17
3C100LF-E160	ENGINE STOP LEVER GROUP.	18
3C100A-E170	GOVERNOR GROUP.	20
3C100LF-E170	GROUP, GOVERNOR.	21
3C100LWU-E190	WATER HOSE GROUP.	22
3C100LF-E200	DYNAMO GROUP.	23
3C100LWU-E220	MANIFOLD GROUP.	24
3C100LFU-E245	EPA LABEL GROUP.	25
3C100LF-E250	ECU & Sensors Group.	26

[FRONT AXLE]

U1-T230A	BEVEL PINION SHAFT GROUP.	27
U1-U0550A	Front Axle Group.	28

[TRANSMISSION]

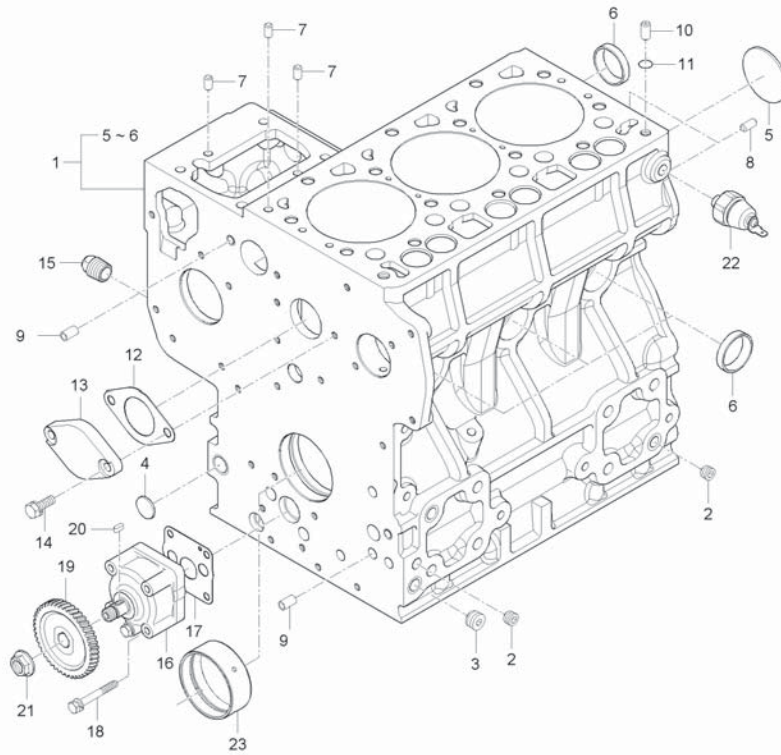
U1-T100A	TRANSMISSION CASE GROUP.	29
U1-U0100A	TRANSMISSION GROUP.	31
U1-T110A	DRIVE SHAFT GROUP.	32
U1-T120A	SHIFT SHAFT GROUP.	33
U1-T130A	SPRIAL BEVEL GEAR GROUP.	34
U1-T140A	REAR WHEEL DRIVING SHAFT GROUP.	35
U1-T150A	FRONT WHEEL DRIVE SHAFT GROUP.	36
U1-T160A	FRONT DRIVE FORK GROUP.	37
U1-T170A	SHIFT FORK GROUP.	38
U1-T180A	REAR AXLE CASE GROUP.	39
U1-T190A	REAR DIFF SYSTEM GROUP.	40
U1-T200A	REAR DIFF FORK GROUP.	42
U1-T210A	FRONT AXLE CASE GROUP.	43
U1-T220A	FRONT DIFF SYSTEM GROUP.	44
U1-U0230A	Front Axle Drive Group.	46

U1-U0235A	Rear Differential Group.	47
U1-U0240A	Rear Axle Drive Group.	48
U1-U0300A	Rear Differential Group.	49
[CHASSIS]		
U3350-G190A	Propeller Shaft Group.	50
U1-U0210A	Guard Group.	51
U1-U0250A	ENGINE MOUNTING GROUP.	52
U1-U0284A	CVT Group, DC(STD).	54
U1-U0287A	CLUTCH COVER GROUP.	55
U3350-G310A	Accelerator Pedal Group.	57
U3350-G360A	Rear Break Group.	58
U3350-G380A	PACKING BACKE GROUP.	59
U1-U0400A	Front Break Group.	60
U1-U0420A	BRAKE PEDAL GROUP.	62
U3350-G440A	LEVER GROUP.	63
U3350-G490A	RADIATOR GROUP.	67
U1-U0500A	Front Suspension Group(STD).	69
U3350-G500A	FRAME.	71
U1-U0510A	Rear Suspension Group(STD).	72
U1-U0526A	POWER STEERING GROUP.	75
U3351-G610A	HYDRAULIC SYSTEM.	78
U1-U0705A	Fuel System Group.	83
U1-U0710A	Intake System Group.	85
U3-U0720A	Exhaust System Group(STD).	86
U1-U0800A	IP GROUP(KIOTI).	87
U1-U0802A	IP Group.	89
U3350-G830A	SEAT GROUP.	90
U3350-G840A	MOLDING GROUP.	91
U1-U0910A	HOOD GROUP.	93
U1-U0922A	Deck Group(STD-BLACK).	95
U3450-G922A	HOOD GROUP.	97
U3350-G950A	ROPS.	99
U3351-G980A	LABEL GROUP.	100
U1-U1670A	PARKING LOCK BUZZER GROUP.	102
U3-U1750A	ALARM SYSTEM BACKUP, GROUP(STD).	103
U3300-GA20A	STORAGE GROUP.	104
U3300-GA50A	PARKING BRAKE BUZZER GROUP.	105
U3305-GA30A	SKID PLATE GROUP.	106
U3305-GA45A	SOFT CABIN(CLEAN-BLACK).	107
U1-U3930A	WIND SHIELD GROUP.	108
U1-U3950A	HAND THROTTLE GROUP-OPT.	109
U1-U5010A	FRONT HITCH GROUP-OPT.	110
U3-U5020A	FRONT HITCH GROUP(EEC)-OPT.	111
U1-U5030A	WINCH GROUP.	112

U1-U5050A	SPARK ARREST ASSY.	113
U1-U5080A	SUSP DUST SHIELD GROUP-OPT.	114
U1-U5680A	NUMBER PLATE GROUP.	115
U3-U5730A	HIGH MOUNT BRAKE LAMP GROUP.	116
U1-U5940A	HYDRAULIC SYSTEM GROUP (3)-OPT.	117
U1-U5950A	OIL COOLER GROUP.	118
[ELECTRICAL]		
U1-U0610A	ELECTRICAL SYSTEM 2 GROUP.	119
U1-U0631A	Battery Group(DDUSA).	120
U1-U0640A	HEAD LIGHT GROUP.	121
U3350-G710A	ELECTRICITY SYSTEM 1 GROUP.	122
U3350-G730A	ELECTRICITY SYSTEM 3 GROUP.	123
U1-U3933A	WIPER GROUP.	124
U1-U5650A	FOG LAMP GROUP.	126
U3-U5710A	BEACON LIGHT GROUP.	127
U3-U5750A	ALARM SYSTEM BACKUP, GROUP.	128
[OPTION]		
U1-U0293A	WHEEL & TIRE GROUP (USA).	129
U3353-G610A	HYDRAULIC SYSTEM.	130
U3355-G610A	HYDRAULIC SYSTEM.	133
U1-U0980A	OPTIONAL LAMP GROUP.	134
U1-U1000A	Gas Spring GROUP.	136
U1-U3290A	Wheel & Tire Group(OPT-WORK).	137
U1-U3291A	Wheel & Tire Group(OPT-Mud).	138
U1-U3292A	Wheel & Tire Group(OPT-Turf).	139
U3305-GA10B	CANOPY GROUP.	140
U3305-GA15A	CANOPY GROUP.	141
U3305-GA50A	PARKING BRAKE BUZZER GROUP.	142
U1-U3820A	HEAD REST GROUP.	143
U1-U3830A	REAR SCREEN GROUP.	144
U1-U3931A	SAFTY GLASS GROUP.	145
U1-U3932A	WIND SHIELD GROUP.	147
U1-U3980A	OPTIONAL LAMP GROUP.	148
U1-U3990A	MIRROR GROUP-OPT.	150
U1-U4000A	Gas Spring GROUP-OPT.	151
U3-U5110A	SWING DRAWBAR GROUP(EEC)-OPT.	152
U1-U5660A	WORKING LAMP GROUP(OPTION).	153
U1-U5670A	PARKING LOCK BUZZER GROUP(OPTION).	154
U1-U5920A	DECK EXTENSION GROUP(OPTION).	155
INDEX 1	156
INDEX 2	163
INDEX 3	165

3C100LWU-E010

CYLINDER BLOCK GROUP



A : 1600XD4

No.	Part Number	Description	Q'TY					I.C	Remark
			A	B	C	D	E		
1	E5763-A0013	CYLINDER BLOCK ASSY	1						
2	06311-75015	PLUG	3						T1.6*18*18
3	06311-75040	PLUG	1						
4	15321-9626-3	PLUG	6						
5	E5900-96021	PLUG	9						
6	E5900-96031	PLUG	1						
7	05012-00609	PIN, PARALLEL	4						
8	05012-00814	PIN, PARALLEL	2						DIA10*20
9	E5205-33961	TUBE PIN	2						
10	15221-3365-1	PIN, TUBE	1						
11	E5500-33702	O RING	1						
12	E5205-73911	COVER	1						
13	E5700-73922	GASKET	1						
14	01023-50618	BOLT, WASHER	2						
15	06312-10020	PLUG	1						PT1/4
16	E5700-35012	OIL PUMP ASSY	1						
17	E5700-35154	GASKET, OIL PUMP	1						
18	E5205-91021	BOLT, WASHER	4						
19	E5700-35662	GEAR, OIL PUMP DRIVE	1						

----- Old replace New

<-X-> Not interchangeable

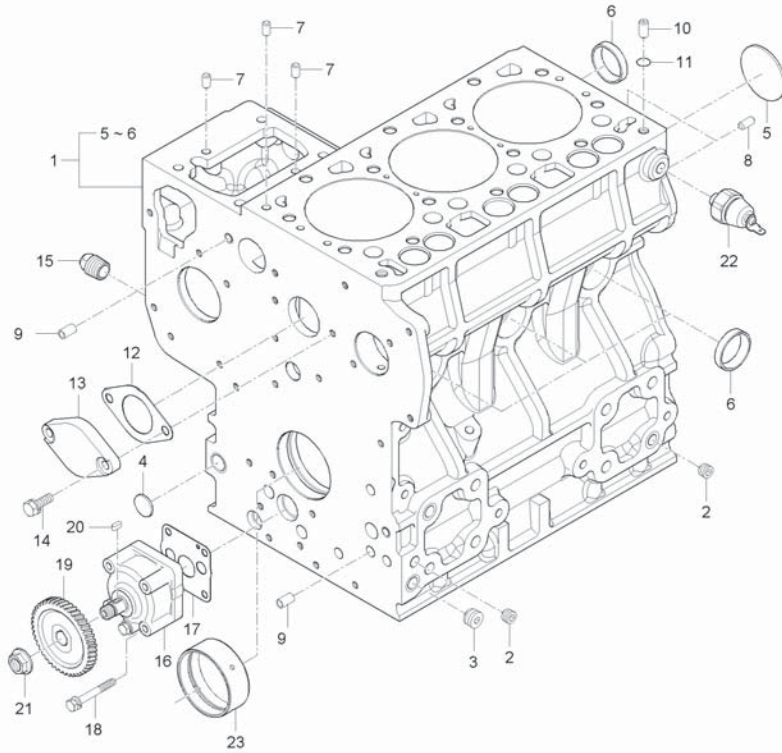
<-0-> Interchangeable with another part(s)

<---- New replace Old

<---- Interchangeable

3C100LWU-E010

CYLINDER BLOCK GROUP



A : 1600XD4

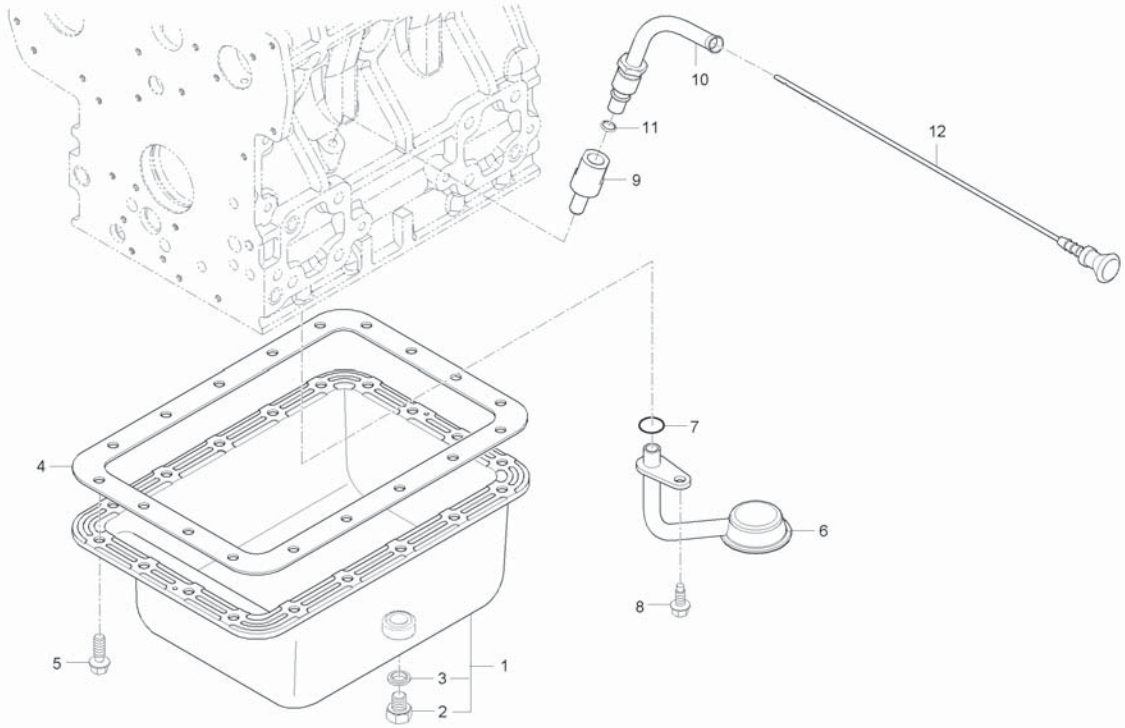
No.	Part Number	Description	Q'TY					I.C	Remark
			A	B	C	D	E		
20	05712-00408	KEY	1						5*5*12
21	E5753-35681	NUT, FLANGE	1						
22	E5500-39013	OIL SWITCH	1						
23	E5760-23471	METAL 1, CRANKSHAFT	1						

----> Old replace New
 <-X-> Not interchangeable
 <-0-> Interchangeable with another part(s)

 <---- New replace Old
 <---- Interchangeable

3C100LWU-E020

OIL PAN GROUP



A : 1600XD4

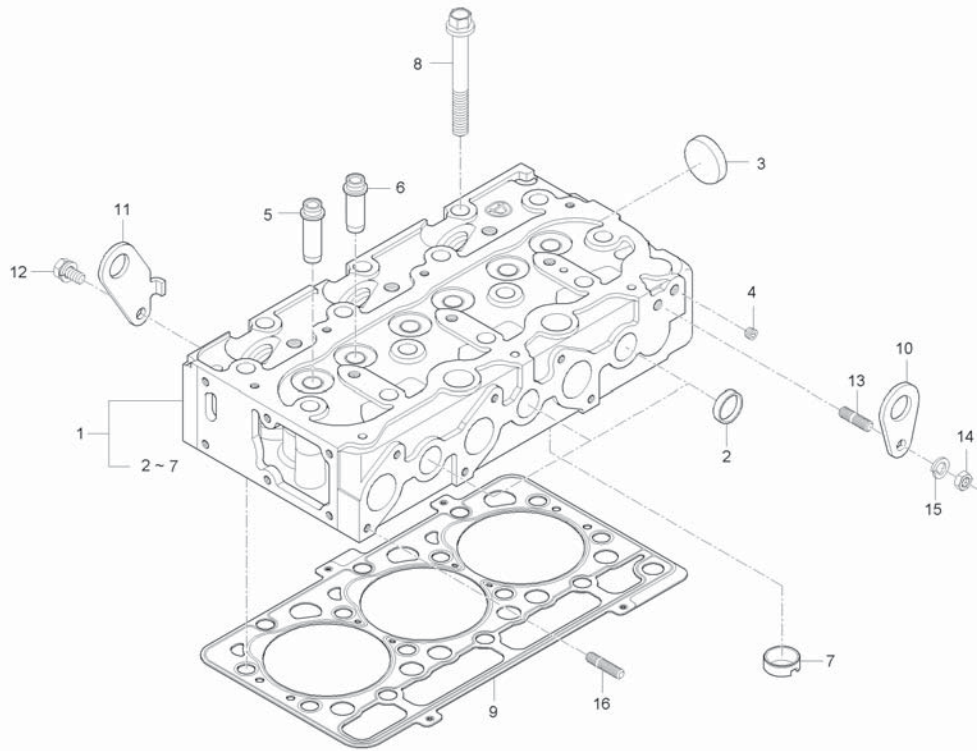
No.	Part Number	Description	Q'TY					I.C	Remark
			A	B	C	D	E		
1	E5775-A0072	ASSY FAN,OIL	1						
2	E1100-33752	PLUG, OIL DRAIN	1						
3	E6303-33661	GASKET	1						
4	E5700-01624	GASKET, OIL PAN	1						
5	E5700-91094	BOLT	18						
6	E5775-32111	FILTER 1, OIL	1						
7	04811-00140	O RING	1						
8	01654-50820	BOLT, FLANGE WITH PIN	1						
9	E5752-35692	GUIDE, OIL GAUGE	1						
10	E5752-36422	GUIDE PIPE, OIL GAUGE	1						
11	E7310-36431	PACKING	1						
12	E5752-36412	OIL GAUGE	1						

----- Old replace New
 <-X-> Not interchangeable
 <-0-> Interchangeable with another part(s)

<---- New replace Old
 <---- Interchangeable

3C100LW-E030

CYLINDER HEAD COVER GROUP



A : 1600XD4

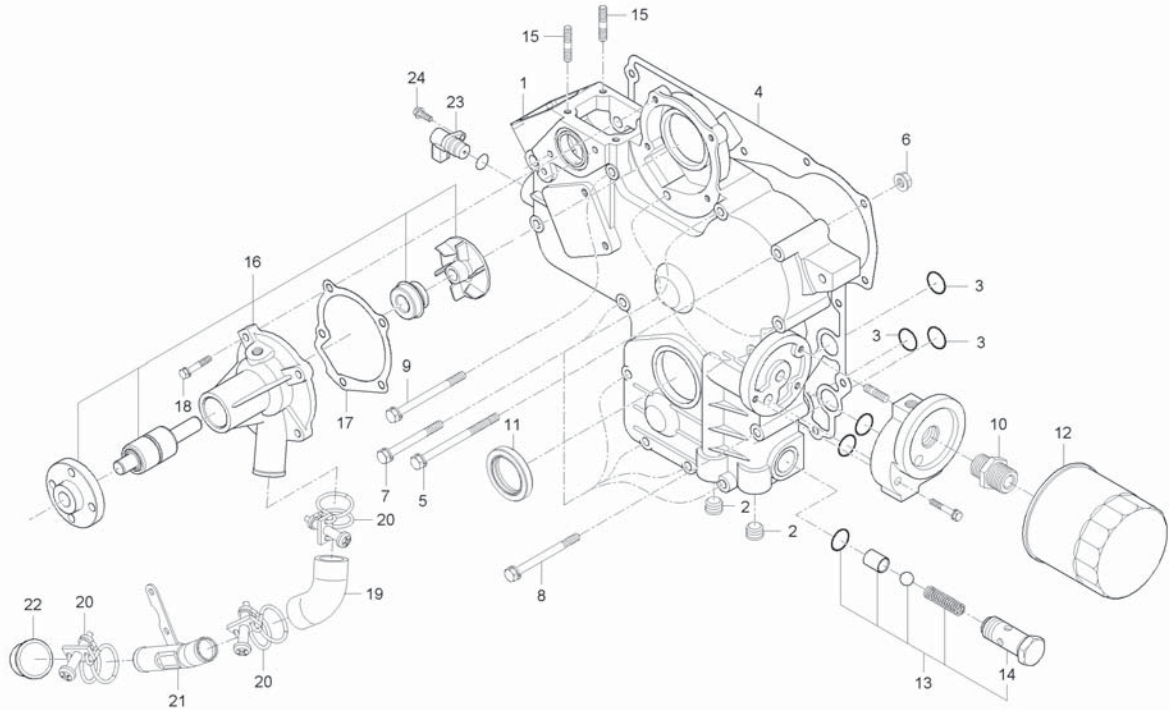
No.	Part Number	Description	Q'TY					I.C	Remark
			A	B	C	D	E		
1	E5763-A0304	TOTAL CYLINDER HEAD ASSY	1						
2	E5205-03371	CAP	5						
3	15321-9626-3	PLUG	1						
4	E5900-96021	PLUG	2						
5	E5205-13542	GUIDE, INTAKE VALVE	3						
6	E5205-13562	GUIDE, VALVE	3						
7	E5760-03141	HOT FLUG	3						
8	E5770-03451	BOLT, CYLINDER HEAD	14						
9	E5760-03314	GASKET, HEAD	1						
10	15221-0175-1	ENGINE HOOK	1						
11	E5760-01751	ENGINE HOOK	1						
12	01123-50816	BOLT, WASHER	1						M8*P1.25
13	01513-50822	STUD	1						M8*1.25
14	02156-50080	NUT	1						M8XP1.25
15	04512-50080	SPRING WASHER	1						MO8
16	01513-50620	STUD	6						

<---> Old replace New
 <-X-> Not interchangeable
 <-0-> Interchangeable with another part(s)

<---> New replace Old
 <---> Interchangeable

3C100LF-E040

GEAR CASE GROUP



A : 1600XD4

No.	Part Number	Description	Q'TY					I.C	Remark
			A	B	C	D	E		
1	E5780-04021	ASSY CASE,GEAR	1						
2	E5900-96031	PLUG	2						
3	04811-06130	O RING	3						
4	E5760-04133	GASKET, GEAR CASE	1						
5	E5752-91031	BOLT, WASHER	2						
6	02761-50060	FLANGE NUT	2						M6XP1.0
7	01023-50665	BOLT, WASHER	9						MEX10*76
8	01023-50670	BOLT, WASHER	2						MEX10*81
9	01023-50675	BOLT, WASHER	1						MEX10*86
10	E5205-32291	TUBE, CONNECTING	1						
11	09550-00008	SEAL, OIL	1						
12	E5205-32091	FILTER	1						
13	E5700-36071	RELIFE VALVE ASSY	1						
14	E5700-36911	BODY, RELIEF VALVE	1						
15	01513-50614	STUD	2						
16	E5760-73032	WATER PUMP ASSY	1						
16	E5760-73033	WATER PUMP ASSY	1						<--->
17	E5760-73432	GASKET, WATER PUMP	1						
18	01023-50625	BOLT	4						M6XP1.0

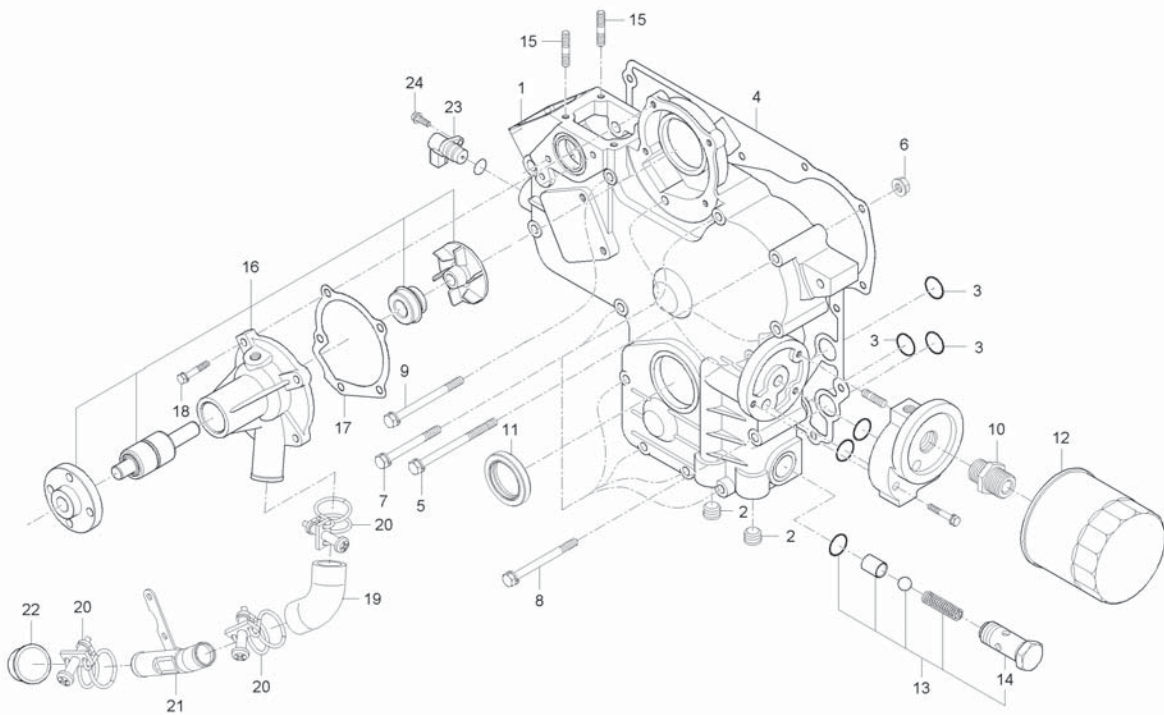
<---> Old replace New

<-X-> Not interchangeable

<-0-> Interchangeable with another part(s)

<---> New replace Old

<---> Interchangeable



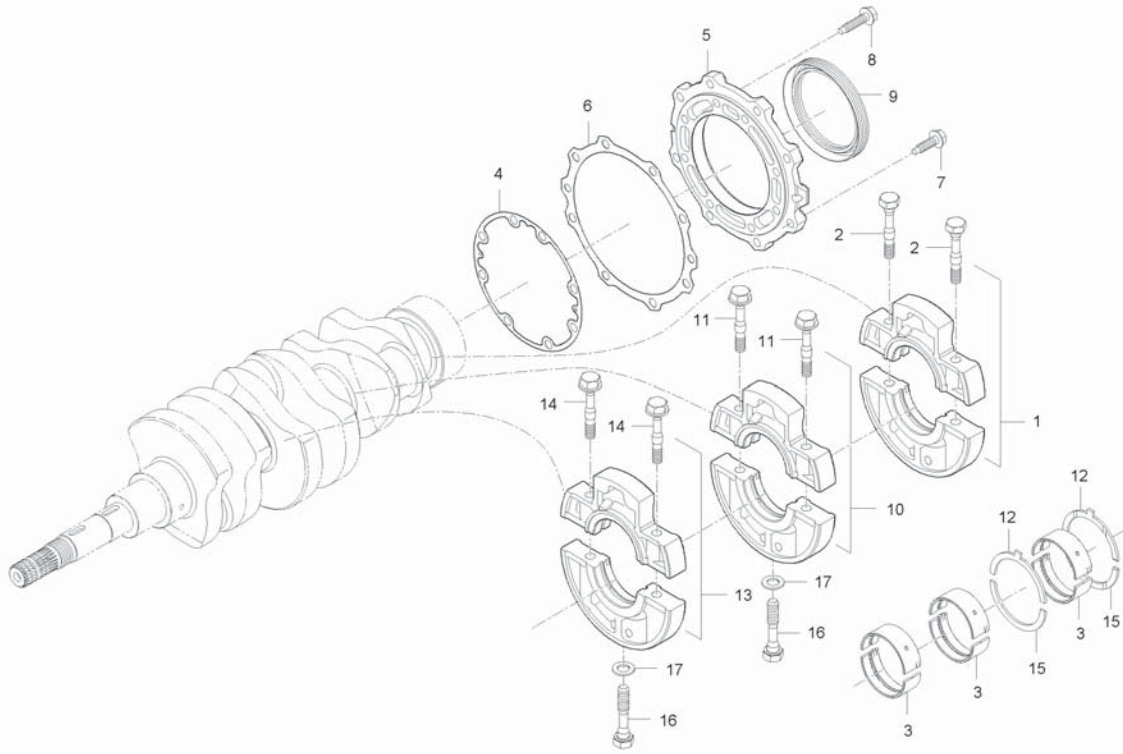
A : 1600XD4

No.	Part Number	Description	Q'TY					I.C	Remark
			A	B	C	D	E		
19	E5205-72951	HOSE 3, COOLING WATER	1						
20	E5752-18171	CLAMP, STAINLESS HOSE	3						
21	E5760-72872		1						
22	E5700-74213	COVER, WATER HOSE	1						
23	E6302-04931	SENSOR, ELECTRON PICK UP	1						
24	01754-50612	BOLT, FLANGE	1						M6*1.0

----> Old replace New
 <-X-> Not interchangeable
 <-0-> Interchangeable with another part(s)
 <---- New replace Old
 <---- Interchangeable

3C100A-E050

MAIN BEARING CASE GROUP

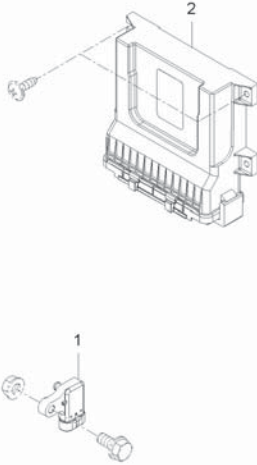


A : 1600XD4

No.	Part Number	Description	Q'TY					I.C	Remark
			A	B	C	D	E		
1	E5760-04043	BEARING CASE ASSY	1						
2	E5761-04541	BOLT 1, BEARING CASE	2						
3	E5760-23481	METAL 2, CRANKSHAFT	6						
4	E5760-04361	GASKET, BEARING CASE	1						
5	E5760-04811	COVER, BEARING CASE	1						
6	E5760-04822	GASKET, COVER	1						
7	01754-50825	FLANGE BOLT	8						M8XP1.25
8	01754-50822	BOLT, FLANGE	9						
9	E5760-04461	SEAL, OIL	1						
10	E5760-04053	MAIN BEARING CASE ASSY, 1	1						
11	E5761-04541	BOLT 1, BEARING CASE	2						
12	E5760-23531	SIDE METAL, 1	2						
13	E5760-04063	MAIN BEARING CASE ASSY, 2	1						
14	E5761-04541	BOLT 1, BEARING CASE	2						
15	E5760-23541	SIDE METAL, 2	2						
16	E5205-04561	BOLT 2, BEARING CASE	2						
17	04014-50080	WASHER, PLAIN	2						

----- Old replace New
 <-X-> Not interchangeable
 <-0-> Interchangeable with another part(s)

<---- New replace Old
 <---- Interchangeable



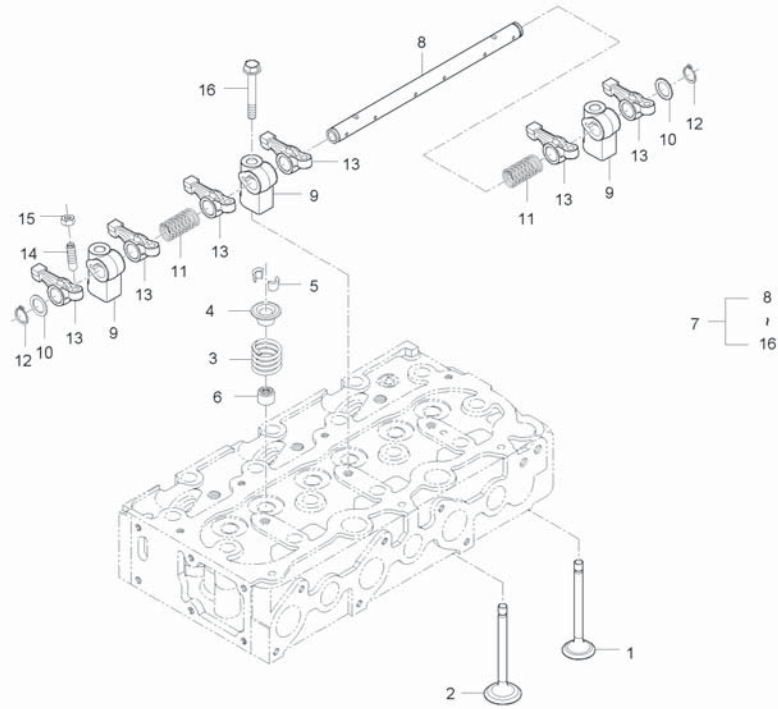
A : 1600XD4

No.	Part Number	Description	Q'TY					I.C	Remark
			A	B	C	D	E		
1	E5800-26201	SENSOR, PRESSURE	1						
2	E5800-26101	CONTROLLER	1						

----> Old replace New <---- New replace Old
<-X-> Not interchangeable <----> Interchangeable
<-0-> Interchangeable with another part(s)

3C100A-E080

VALVE ROCKER ARM GROUP



A : 1600XD4

No.	Part Number	Description	Q'TY					I.C	Remark
			A	B	C	D	E		
1	E5760-13111	VALVE, INTAKE	3						
2	E5760-13121	EXHAUST VALVE	3						
3	E5205-13241	SPRING, VALVE	6						
4	E5700-13332	RETAINER, VALVE SPRING	6						
5	E5763-13361	COLLET, VALVE SPRING	12						
6	E5205-13152	SEAL, VALVE STEM	6						
7	E5753-14001	ROCKER ARM TOTAL ASSY	1						
8	E5753-14051	ROCKER ARM SHAFT ASSY	1						
9	E5753-14351	SUPPORT, ROCKER ARM	3						
10	E5753-14431	WASHER, PLAIN	2						
11	E5753-14311	SPRING, ROCKER ARM	2						
12	04612-00130	SNAP RING	2						
13	E5753-14111	ARM, ROCKER	6						
14	E5700-14232	SCREW, ADJUSTING	6						
15	E5205-14241	NUT, ADJUSTING	6						
16	E5752-91501	BOLT, ROCKER ARM SUPPORT	3						

----- Old replace New

<-X-> Not interchangeable

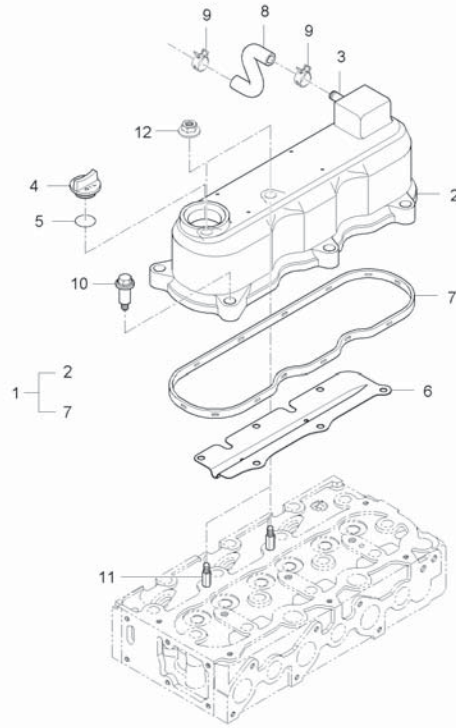
<-0-> Interchangeable with another part(s)

<---- New replace Old

<---- Interchangeable

3C093LW-E090

CYLINDER HEAD COVER GROUP



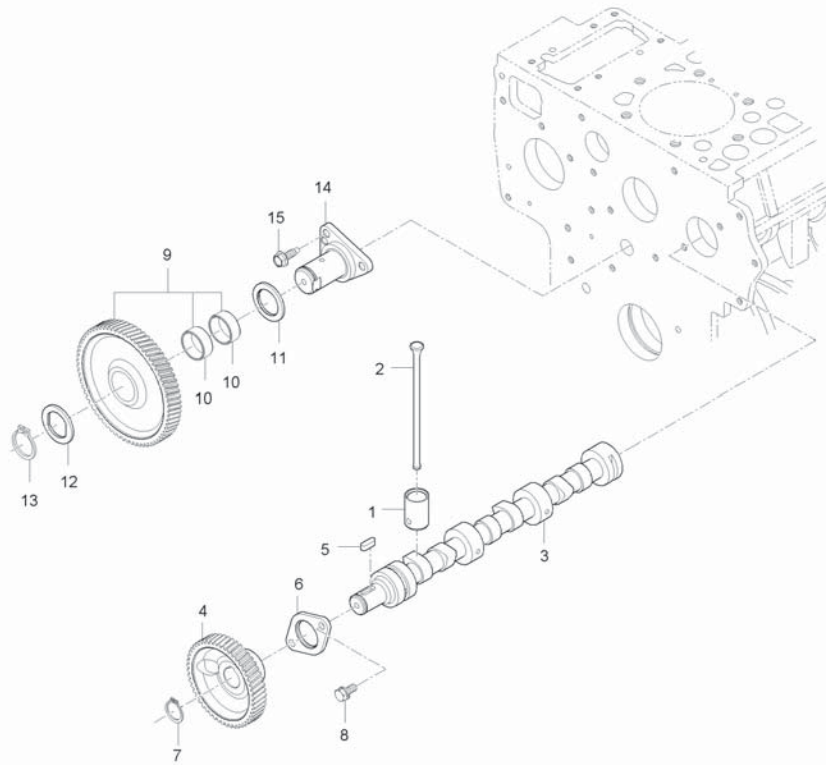
A : 1600XD4

No.	Part Number	Description	Q'TY					I.C	Remark
			A	B	C	D	E		
1	E5770-14501	CYLINDER HEAD COVER ASSY	1						
2	E5760-14511	COVER, CYLINDER HEAD	1						
3	E6510-05552	CONNECTOR, AIR BREATHER HOSE	1						
4	E5500-33142	PLUG, OIL FILLER	1						
5	04811-50300	O RING	1						G30
6	E5752-14562	PLATE, OIL PROTECTING	1						
7	E5752-14521	GASKET, CYLINDER HEAD COVER	1						
8	E6510-05511	HOSE, AIR BREATHER	1						
9	09318-88180	CLMAP, HOSE	2						
10	E6510-33661	BOLT, CYLINDER HEAD COVER	5						
11	E5500-33671	STUD, CYLINDER HEAD COVER	2						
12	E5500-35681	NUT, FLANGE	2						

<---> Old replace New
 <-X-> Not interchangeable
 <-0-> Interchangeable with another part(s)
 <---> New replace Old
 <---> Interchangeable

3C100A-E100

CAMSHAFT GROUP

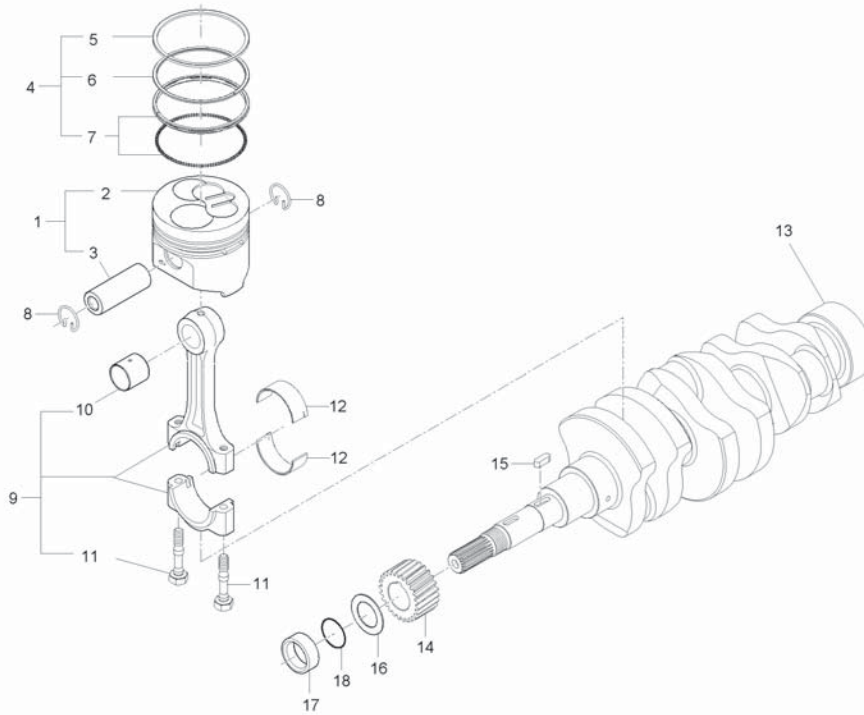


A : 1600XD4

No.	Part Number	Description	Q'TY					I.C	Remark
			A	B	C	D	E		
1	E5700-15552	TAPPET	6						
2	E5760-15111	ROD, PUSH	6						
3	E5760-16011	CAMSHAFT ASSY	1						
4	E5205-16511	GEAR, CAMSHAFT	1						
5	05712-00515	KEY	1						
6	E5205-16272	STOP, CAM SHAFT	1						
7	04612-00180	SNAP RING	1						
8	01023-50614	BOLT, WASHER	2						M6P1.0
9	E5205-24012	IDLE GEAR ASSY	1						
10	E5205-24281	BUSH, IDLE GEAR	2						
11	E5205-24361	COLLAR, 1	1						
12	E5205-24371	COLLAR, 2	1						
13	E5205-24321	RING, SNAP	1						
14	E5700-24252	SHAFT, IDLE GEAR	1						
15	01654-50618	BOLT, FLANGE WITH PIN	3						

----- Old replace New
 <-X-> Not interchangeable
 <-0-> Interchangeable with another part(s)

<---- New replace Old
 <---- Interchangeable



A : 1600XD4

No.	Part Number	Description	Q'TY					I.C	Remark
			A	B	C	D	E		
1	E5760-21011	PISTON PIN ASSY	3						
2	E5760-21111	PISTON	3						
3	E5760-21311	PIN, PISTON	3						
4	E5760-21051	PISTON RING ASSY	3						
5	E5760-21001	PISTON RING, 1	3						
6	E5700-21105	RING 2, PISTON	3						
7	E5760-21151	OIL RING ASSY	3						
8	E5205-21331	RING, SNAP	6						
9	E5760-22013	CONNECTOR ROD ASSY	3						
10	E5205-21354	BUSH, PISTON PIN	3						
11	E5760-22143	BOLT, CONNECTING ROD	6						
12	E5760-22311	METAL, CRANK PIN	6						
13	E5760-23011	CRANKSHAFT ASSY	1						
14	E5205-24112	GEAR, CRANKSHAFT	1						
15	05712-00515	KEY	1						
16	E5205-23311	SLINGER, OIL	1						
17	E5700-23252	SPACER	1						
18	04811-10220	O RING	1						

<---> Old replace New

<-X-> Not interchangeable

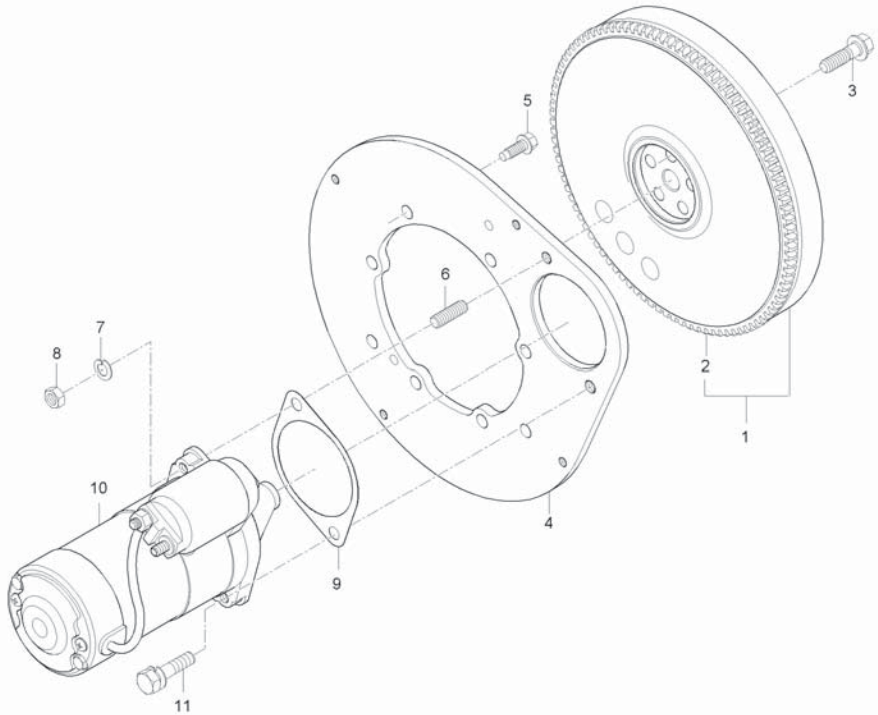
<-0-> Interchangeable with another part(s)

<---> New replace Old

<---> Interchangeable

3C100LWU-E120

FLYWHEEL GROUP



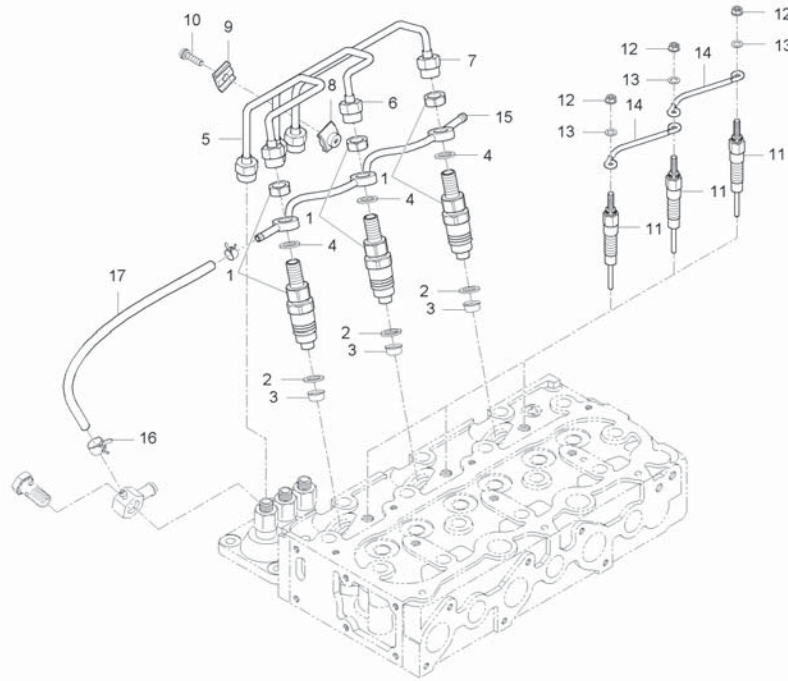
A : 1600XD4

No.	Part Number	Description	Q'TY					I.C	Remark
			A	B	C	D	E		
1	E5775-25012	FLYWHEEL ASSY	1						
2	E5250-63821	RING GEAR	1						
3	E5743-25161	BOLT, FLYWHEEL	5						
4	E5775-04621	PLATE, REAR END	1						
5	01517-51028	STUD	1						DIA10*48
6	02176-50100	NUT	1						M10X1.25
7	04512-50100	WASHER, SPRING	1						M10
8	E5752-91141	BOLT, FLANGE WITH PIN	8						
9	E5700-51162	GASKET	1						
10	E5760-63011	START MOTOR ASSY	1						
11	01133-51030	BOLT, WASHER	1						M10*1.25

----- Old replace New <----- New replace Old
 <-X-> Not interchangeable <----> Interchangeable
 <-0-> Interchangeable with another part(s)

3C100LWU-E130

NOZZLE HOLDER GROUP



A : 1600XD4

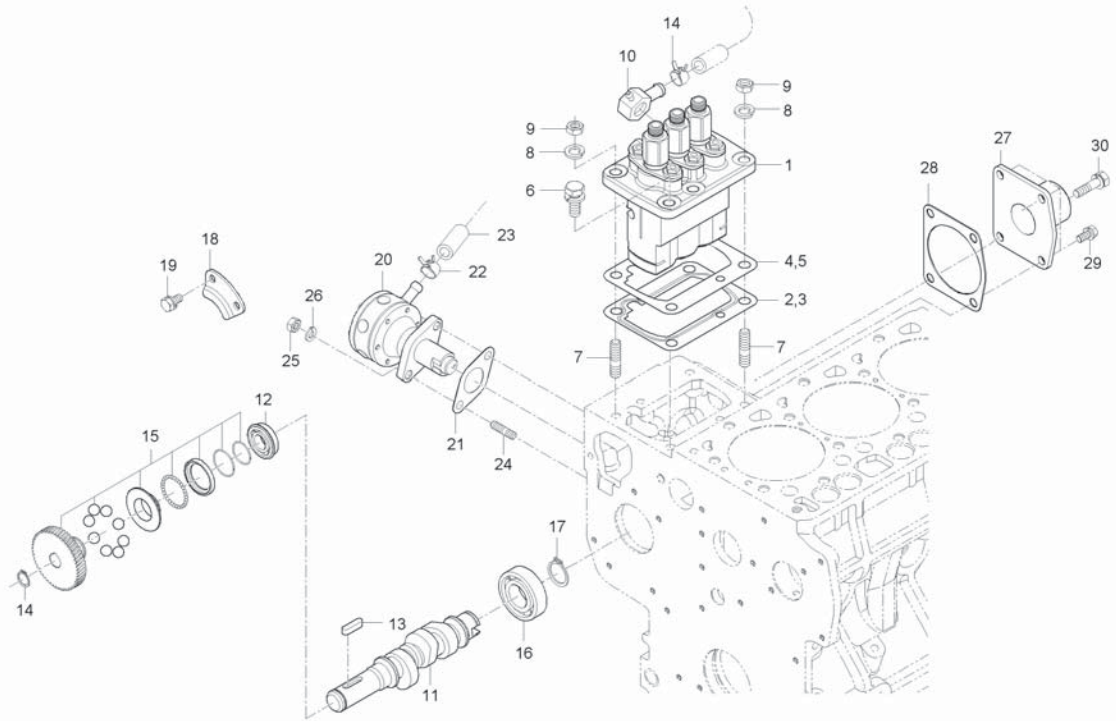
No.	Part Number	Description	Q'TY					I.C	Remark
			A	B	C	D	E		
1	E6300-53005	NOZZLE HOLDER ASSY	3						
2	E6300-53021	GASKET	3						
3	E6300-53651	SEAL, HEAT SHILD	3						
4	E6300-53621	GASKET	3						
5	E5775-53711	TUBE 1, INJECTION	1						
6	E5775-53721	TUBE 2, INJECTION	1						
7	E5775-53731	TUBE 3, INJECTION	1						
8	15121-5385-2	CLAMP 1, TUBE	2						
9	T4815-67371	HOLDER, TUBE	2						
10	03024-50520	SCREW, WASHER	2						DIA10*28
11	E5760-65511	GLOW PLUG	3						
12	02761-50040	NUT, FLANGE	3						
13	04012-50050	WASHER, PLAIN	3						
14	E5760-65562	CORD, GLOW PLUG	2						
15	E5760-42502	OVERFLOW HOSE ASSY	1						
16	09318-88080	CLMAP, HOSE	2						
17	09661-40200	HOSE, FUEL	1						

<---> Old replace New
 <-X-> Not interchangeable
 <-0-> Interchangeable with another part(s)

<---> New replace Old
 <---> Interchangeable

3C100LWU-E140

FUEL CAMSHAFT GROUP



A : 1600XD4

No.	Part Number	Description	Q'TY					I.C	Remark
			A	B	C	D	E		
1	E5700-51016	ASSY PUMP,INJECTION	1						
2	E8103-52111	SHIM,INJECTION PUMP	2						
3	E5603-52111	SHIM,INJECTION PUMP	2						
4	15321-5216-1	SHIM, INJECTION PUMP 10	1						
5	E5800-52111	SHIM 3, INJECTION PUMP	99						
6	01123-50818	BOLT, WASHER	2						M8*P1. 25
7	01513-50822	STUD	2						M8*1. 25
8	04512-50080	SPRING WASHER	2						M08
9	02156-50080	NUT	2						M8XP1. 25
10	E6500-42413	JOINT, FUEL PIPE	1						
11	E5760-16171	FUEL CAMSHAFT	1						
12	08153-06004	BALL BEARING	1						#6004
13	05712-00520	KEY, ROUND	1						
14	04612-00180	SNAP RING	1						
15	E5700-A0021	GOVERNOR SLEEVE ASSY	1						
16	08103-06004	BALL BEARING	1						#6004
17	04612-00190	SNAP RING	1						
18	E5205-16321	FUEL CAMSHAFT STOPPER	1						
19	01023-50612	BOLT, WASHER	2						M6*P1. 0

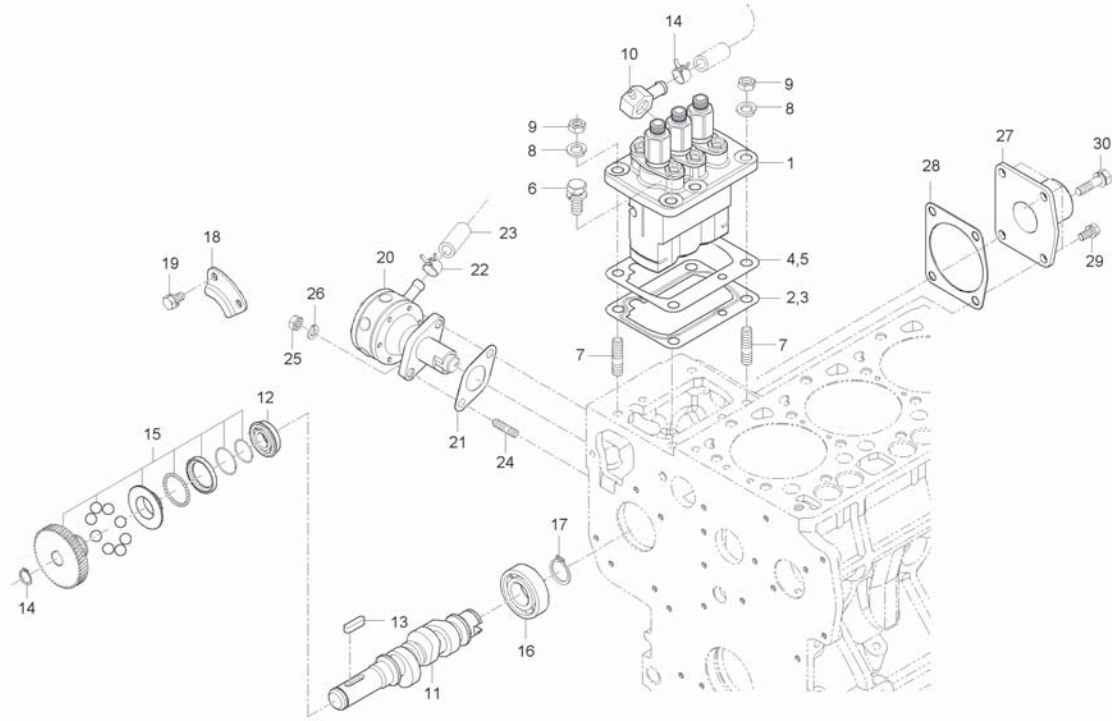
----- Old replace New

<-X-> Not interchangeable

<-0-> Interchangeable with another part(s)

<---- New replace Old

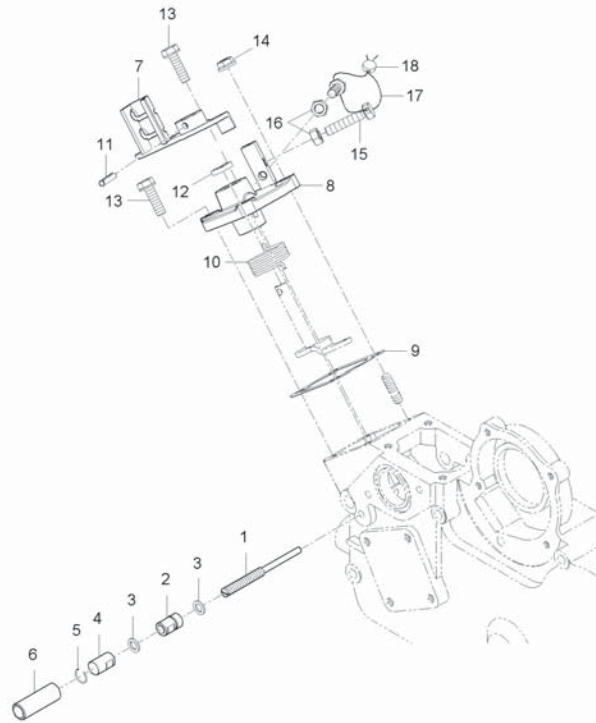
<---- Interchangeable



A : 1600XD4

No.	Part Number	Description	Q'TY					I.C	Remark
			A	B	C	D	E		
20	E5775-52031	FUEL PUMP ASSY	1						
21	E6200-52142	GASKET, FUEL PUMP	1						
22	14911-4275-1	CLIP, TUBE	2						
23	15371-4217-0	HOSE 1, FUEL	1						
24	01513-50618	STUD	2						M6*1.0
25	02056-50060	NUT	2						M6*P1.0
26	04512-50060	WASHER, SPRING	2						M6
27	E5760-16211	COVER, CAMSHAFT	1						
28	E5760-36332	GASKET, FUEL CAMSHAFT COVER	1						
29	01123-50818	BOLT, WASHER	3						M8*P1.25
30	01123-50830	BOLT, WASHER	1						M8P1.25*30

<-X-> Not interchangeable
 <-0-> Interchangeable with another part(s)
 <- - -> Old replace New
 <- - - -> New replace Old
 <- - - -> Interchangeable



A : 1600XD4

No.	Part Number	Description	Q'TY					I.C	Remark
			A	B	C	D	E		
1	E5760-54123	BOLT, FUEL ADJUSTING	1						
2	E6305-92021	NUT	1						
3	E6305-96652	GASKET	2						
4	E6305-54221	CAP NUT	1						
5	E6305-54281	SNAP RING	1						
6	E6305-54421	CAP	1						
7	E5760-57151	LEVER, SPEED CONTROL	1						
8	E5850-57112	PLATE, SPEED CONTROL	1						
9	E5850-57212	GASKET, SPEED CONTROL PLATE	1						
10	E5850-57921	SPRING	1						
11	05411-00420	PIN, SPRING	1						
12	15471-5798-1	SEAL, OIL	1						
13	01754-50620	BOLT, FLANGE	3						
14	02751-50060	FLANGE NUT	1						M6*P1.0
15	E5753-57281	SCREW, STOPPER	1						
16	02056-50060	NUT	2						M6*P1.0
17	07811-10820	WIRE	1						
18	07918-00001	LEAD, SEALING	1						

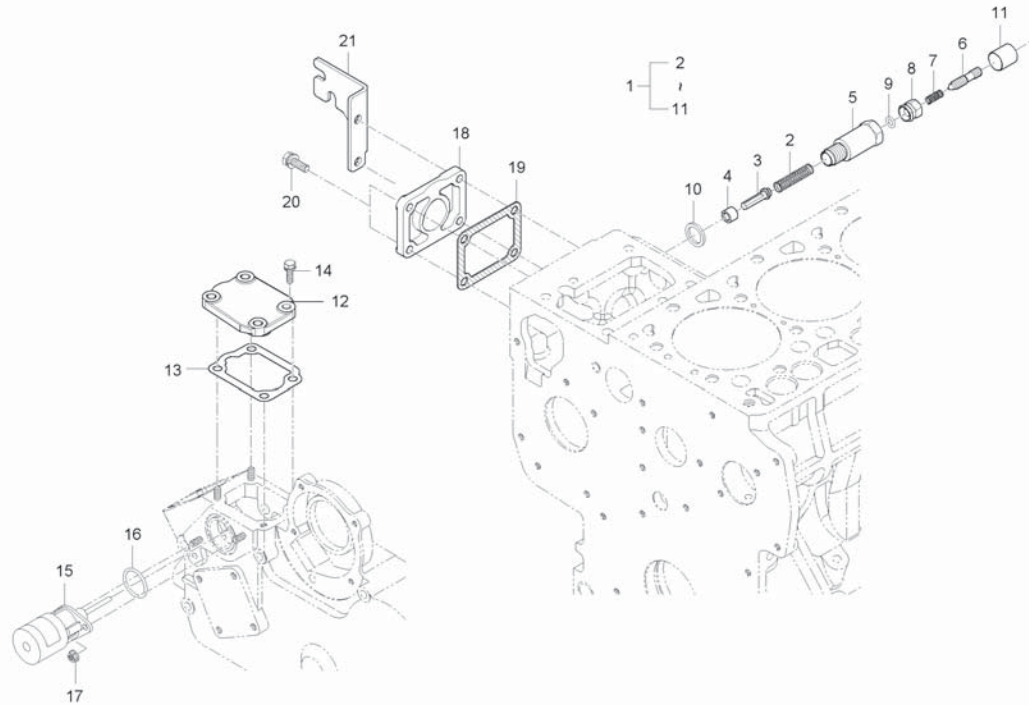
----- Old replace New

<-X-> Not interchangeable

<-0-> Interchangeable with another part(s)

<---- New replace Old

<---- Interchangeable

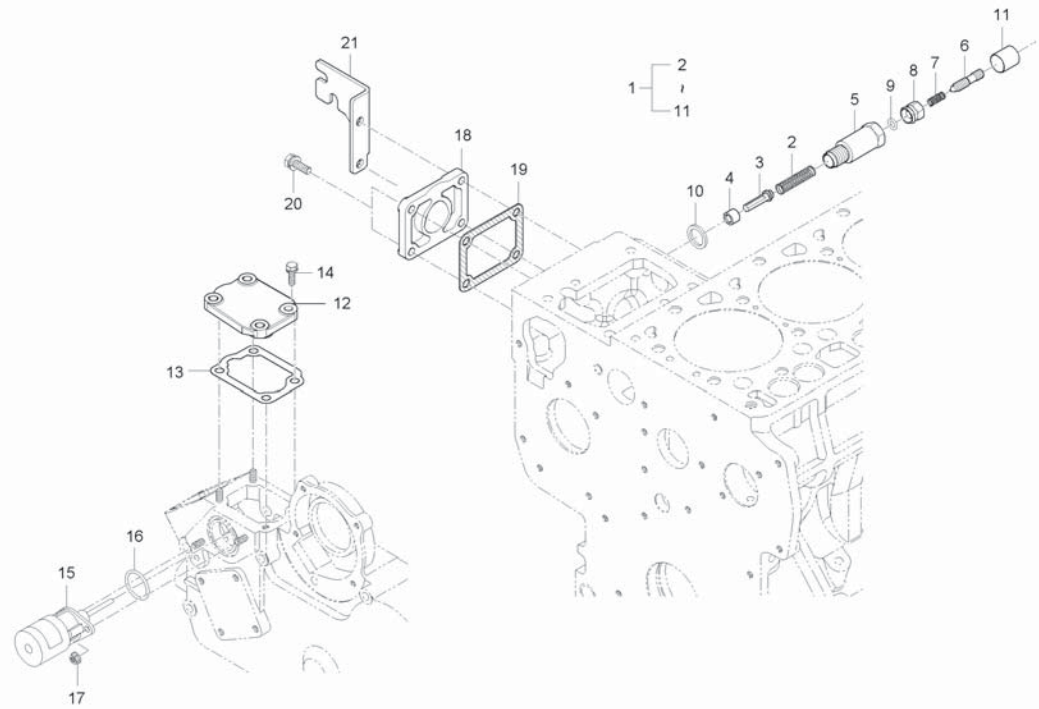


A : 1600XD4

No.	Part Number	Description	Q'TY					I.C	Remark
			A	B	C	D	E		
1	E5760-54094	IDLE APPARATUS ASS'Y	1						
2	E5760-56481	START SPRING	1						
3	E5850-54272	SHAFT, IDLE ADJUSTMENT	1						
4	E5850-54282	BUSH	1						
5	E5850-54291	ADJUSTMENT BODY, IDLE	1						
6	E5850-54252	IDEL ADJUSTING BOLT	1						
7	E5760-54263	SPRING, IDLE LIMIT	1						
8	E5850-92011	NUT	1						
9	04811-00060	O RING	1						
10	04724-00140	PACKING	1						
11	E5205-54271	CAP	1						
12	E6850-57312	COVER, ENGINE STOP LEVER	1						
13	E5850-57212	GASKET, SPEED CONTROL PLATE	1						
14	01754-50616	BOLT, FLANGE	2						M6*P1.0
15	E5800-60011	SOLENOID	1						
16	04814-05250	O RING	1						
17	02751-50060	FLANGE NUT	2						M6*P1.0
18	E5760-33111	COVER, INJECTION PUMP	1						
19	E5500-51662	GASKET	1						

<---> Old replace New
 <-X-> Not interchangeable
 <-0-> Interchangeable with another part(s)

<---> New replace Old
 <---> Interchangeable



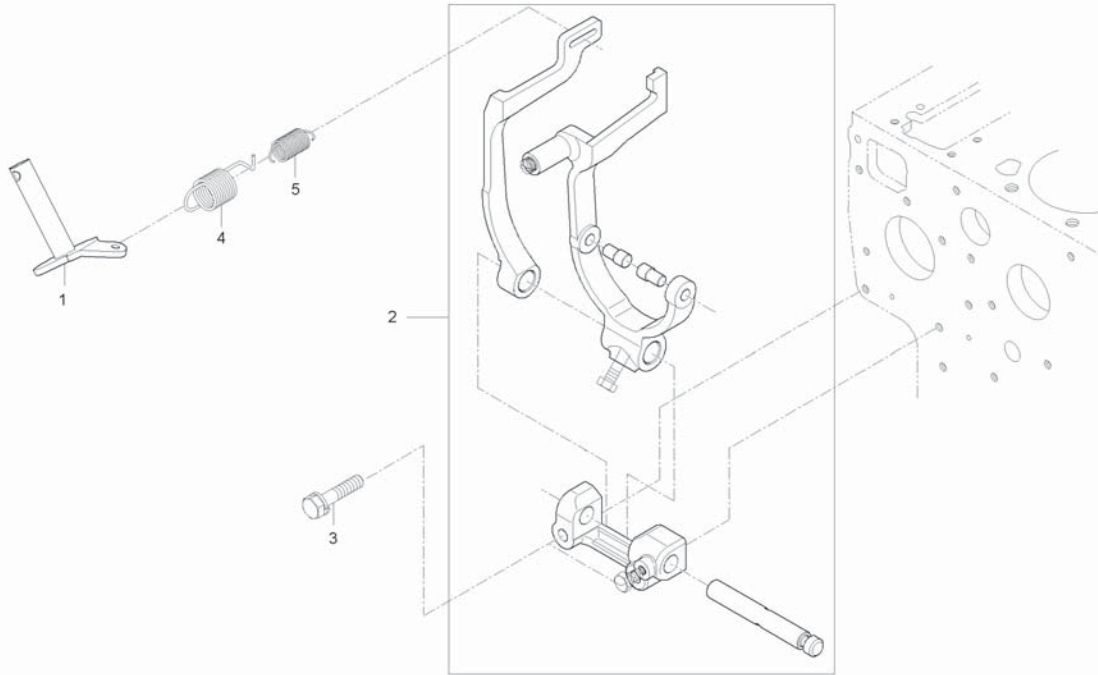
A : 1600XD4

No.	Part Number	Description	Q'TY					I.C	Remark
			A	B	C	D	E		
20	01754-50612	BOLT, FLANGE	2						M6*1.0
21	E5760-57482	BRACKET, CABLE	1						

----> Old replace New <---- New replace Old
 <-X-> Not interchangeable <---- Interchangeable
 <-0-> Interchangeable with another part(s)

3C100A-E170

GOVERNOR GROUP



A : 1600XD4

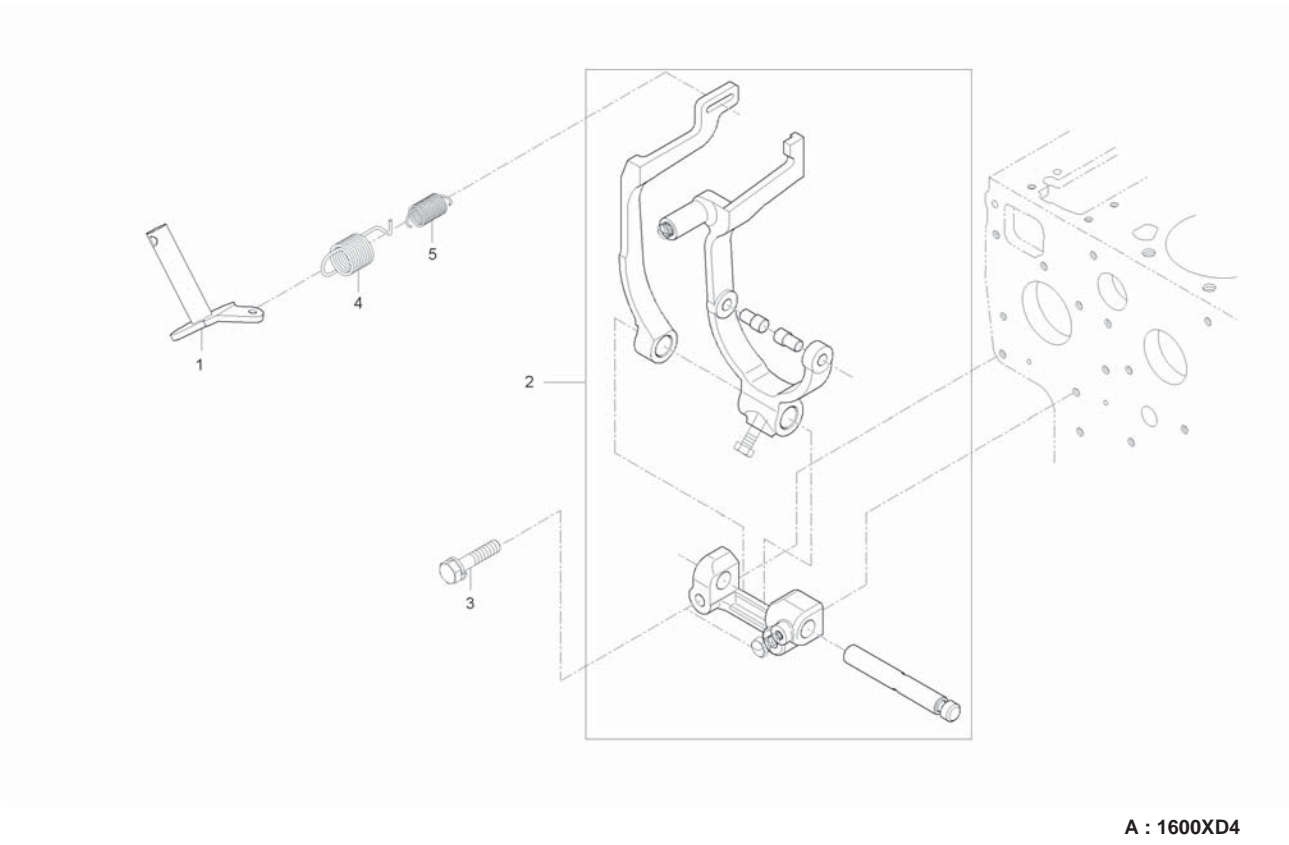
No.	Part Number	Description	Q'TY					I.C	Remark
			A	B	C	D	E		
1	E5760-56021	GOVERNOR LEVER ASSY	1						
2	E5760-56052	FORK LEVER ASSY	1						
3	01023-50628	BOLT, WASHER	2						HEX10*38
4	E5700-56413	SPRING 1, GOVERNOR	1						
5	15521-5642-1	SPRING 2, GOVERNOR	1						

<---> Old replace New
 <-X-> Not interchangeable
 <-0-> Interchangeable with another part(s)
 <--- New replace Old
 <--- Interchangeable

ENGINE

3C100LF-E170

GROUP, GOVERNOR



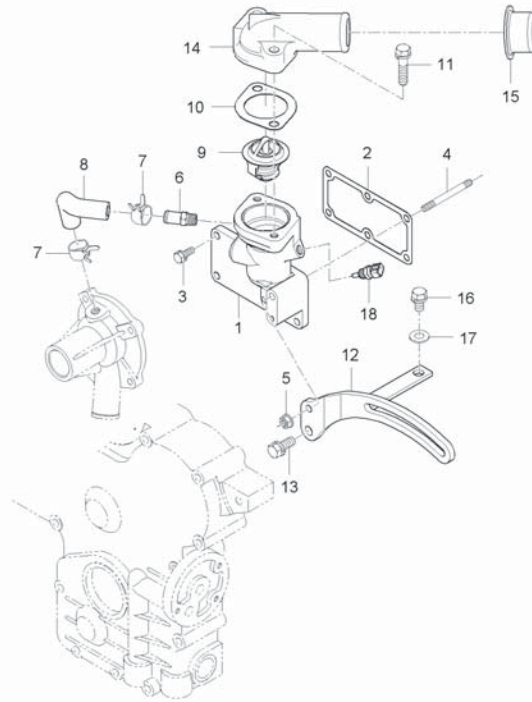
A : 1600XD4

No.	Part Number	Description	Q'TY					I.C	Remark
			A	B	C	D	E		
1	E5760-56021	GOVERNOR LEVER ASSY	1						
2	E5706-56051	ASSY LEVER	1						
3	01023-50628	BOLT, WASHER	2						HEX10*38
4	E5700-56413	SPRING 1, GOVERNOR	1						
5	15521-5642-1	SPRING 2, GOVERNOR	1						

----> Old replace New <---- New replace Old
 <-X-> Not interchangeable <----> Interchangeable
 <-0-> Interchangeable wi th another part(s)

3C100LWU-E190

WATER HOSE GROUP

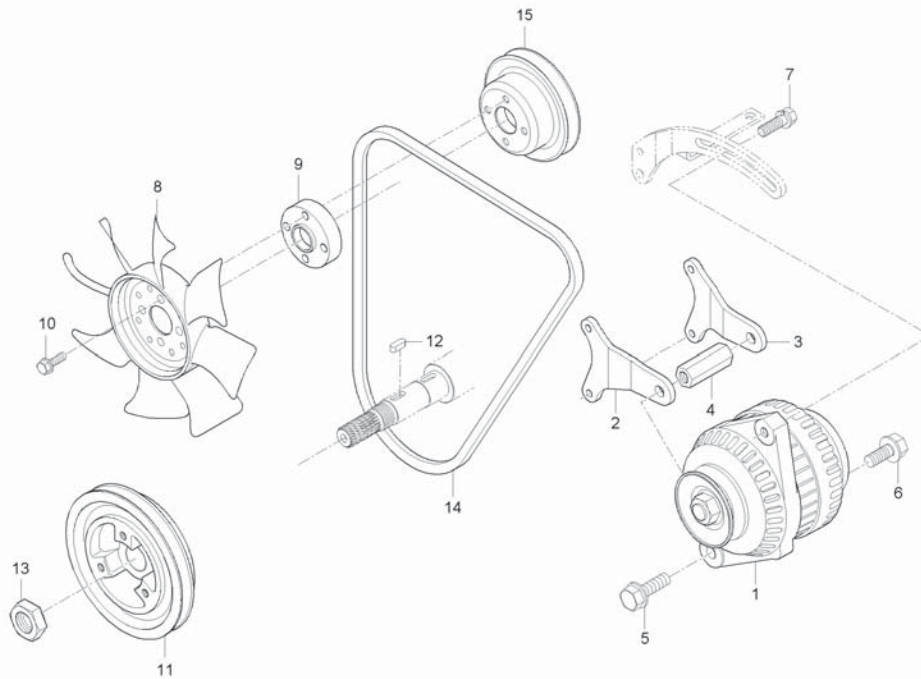


A : 1600XD4

No.	Part Number	Description	Q'TY					I.C	Remark
			A	B	C	D	E		
1	E5760-72913	PLANGE, WATER	1						
2	E5700-72922	GASKET, FLANGE	1						
3	01023-50616	BOLT, WASHER	5						M6*P1.0
4	01513-50655	STUD	1						
5	02761-50060	FLANGE NUT	1						M6XP1.0
6	E5700-73342	HOSE, COOLING WATER RETURN	1						
7	E5700-73352	HOSE, WATER PUMP	1						
8	09318-88140	CLMAP, HOSE	2						
9	E5800-73011	THERMOSTAT ASSY	1						
10	E5500-73272	GASKET	1						
11	01754-50835	BOLT, FLANGE	2						
12	E5760-64423	SUPPORT 1, ALTERNATOR	1						
13	01754-50820	FLANGE BOLT	1						M8*P1.25
14	E5775-73062	THERMOSTAT COVER ASSY	1						
15	E5500-74213	COVER, COOLINGWATERPIPE	1						
16	01123-50814	BOLT, WASHER	1						M8*P1.25
17	04013-50080	WASHER	1						M8
18	E7240-32731	TEMPERATURE SENSOR ASSY	1						

<---> Old replace New
 <-X-> Not interchangeable
 <-0-> Interchangeable with another part(s)

<---> New replace Old
 <---> Interchangeable



A : 1600XD4

No.	Part Number	Description	Q'TY					I.C	Remark
			A	B	C	D	E		
1	E6213-64012	ALTERNATOR ASSY	1						
2	E5760-64432	SUPPORT 2, ANTERNATOR	1						
3	E5760-64442	SUPPORT 3, ALTERNATOR	1						
4	E5760-64451	BUSHING	1						
5	01774-51045	BOLT, FLANGE	1						
6	01774-51035	BOLT, FLANGE	1						
7	01127-50825	BOLT	1						
8	E5775-74113	COOLING FAN	1						
9	E5752-74122	FAN COLLAR	1						
10	01754-50625	BOLT, FLANGE	4						7T
11	E5760-74282	PULLEY, FAN DRIVE	1						
12	05712-00515	KEY	1						
13	E5205-23361	NUT, CRANKSHAFT	1						
14	E5770-72531	BELT,FAN	1						
15	E5752-74251	FAN PULLEY	1						

----- Old replace New

<-X-> Not interchangeable

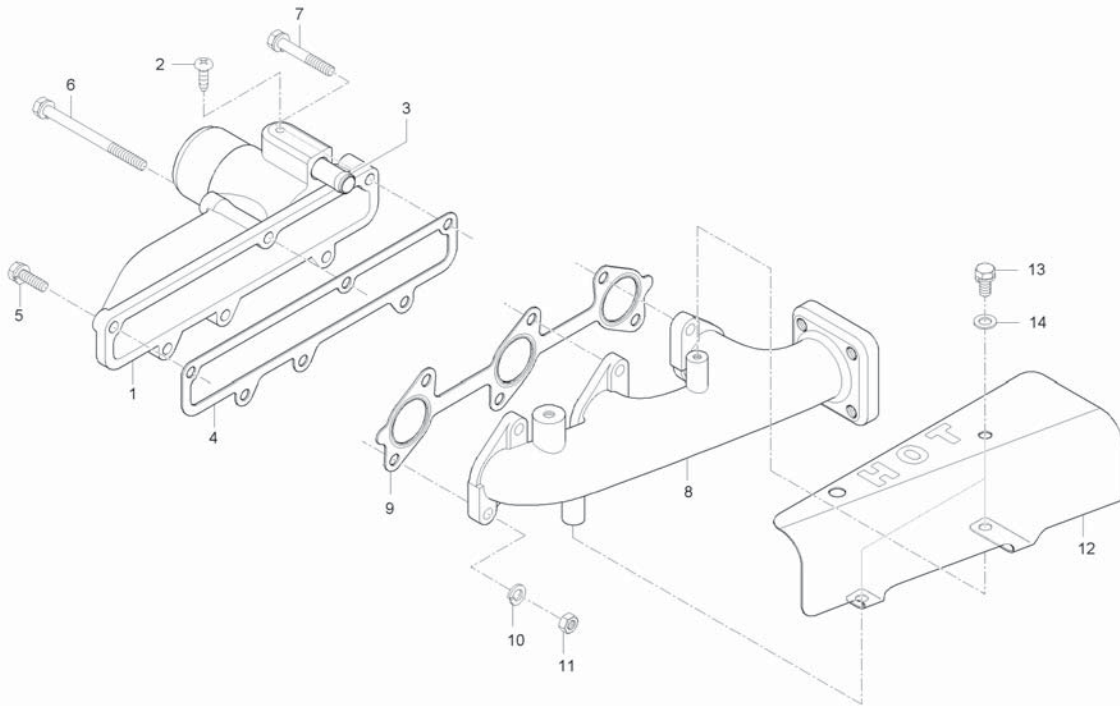
<-0-> Interchangeable with another part(s)

<---- New replace Old

<---- Interchangeable

3C100LWU-E220

MANIFOLD GROUP



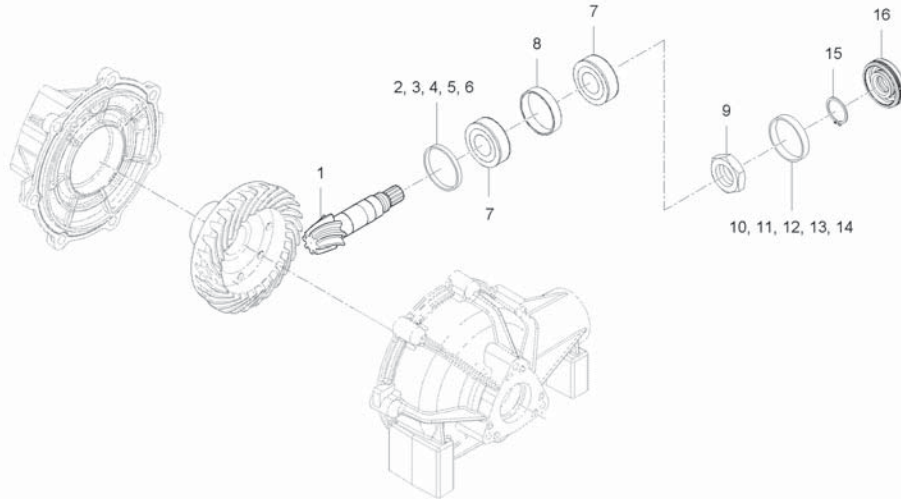
A : 1600XD4

No.	Part Number	Description	Q'TY					I.C	Remark
			A	B	C	D	E		
1	E5775-11762	MANIFOLD,INLET	1						
2	03014-50608	SCREW	1						
3	E6510-05552	CONNECTOR, AIR BREATHER HOSE	1						
4	E5770-11821	GASKET, INTAKE MANIFOLD	1						
5	01023-50620	BOLT, WASHER	4						M6*1.0
6	01023-50630	BOLT, WASHER	1						
7	01023-50660	BOLT, WASHER	1						MEX10*71
8	E5775-12311	MANIFOLD,EXHAUST	1						
9	E5700-12362	GASKET, EXHAUST MANIFOLD	1						
10	02056-50060	NUT	6						M6*P1.0
11	04512-50060	WASHER, SPRING	6						M6
12	E5775-12211	PLATE,HEAT	1						
13	01023-50610	BOLT, WASHER	3						M6*1
14	04013-50060	WASHER, PLAIN	3						M6

<---> Old replace New
 <-X-> Not interchangeable
 <-0-> Interchangeable with another part(s)
 <---> New replace Old
 <---> Interchangeable

U1-T230A

BEVEL PINION SHAFT GROUP



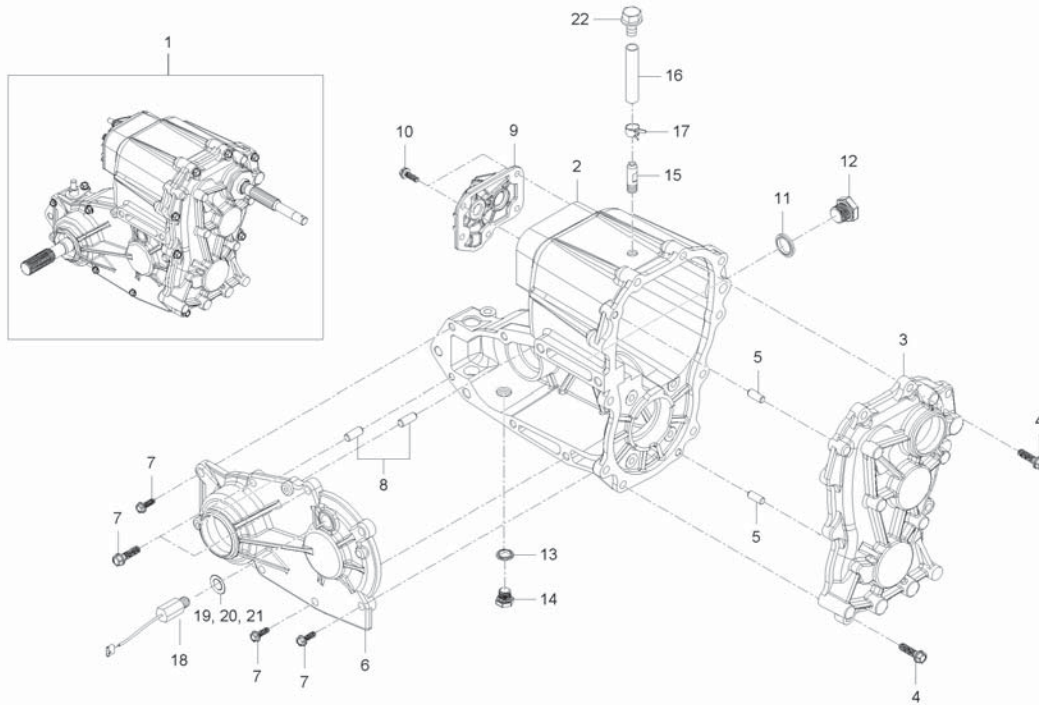
A : 1600XD4

No.	Part Number	Description	Q'TY					I.C	Remark
			A	B	C	D	E		
1	U3215-16211	BEVEL PINION SHAFT 8	1						
2	T2350-42451	COLLAR, AXLE ADJUSTING FR	1						
3	T2350-42461	COLLAR, AXLE ADJUSTING FR	1						
4	T2350-42471	COLLAR, AXLE ADJUSTING FR	1						
5	T2350-42481	COLLAR, AXLE ADJUSTING FR	1						
6	T2350-42491	COLLAR, AXLE ADJUSTING FR	1						
7	08711-30205	BEARING, TAPER ROLLER	2						#30205
8	T2350-42751	SPACER, 1 FR AXLE	1						
9	T2350-25361	NUT, 24	1						
10	T2350-42761	COLLAR 2, AXLE ADJUSTING FR	1						
11	T2350-42771	COLLAR 2, AXLE ADJUSTING FR	1						
12	T2350-42781	COLLAR 2, AXLE ADJUSTING FR	1						
13	T2350-42791	COLLAR 2, AXLE ADJUSTING FR	1						
14	T2350-42801	COLLAR 2, AXLE ADJUSTING FR	1						
15	04611-00520	SNAP RING	1						
16	38440-4424-0	SEAL, OIL	1						

<---> Old replace New <---> New replace Old
 <-X-> Not interchangeable <---> Interchangeable
 <-0-> Interchangeable with another part(s)

U1-T100A

TRANSMISSION CASE GROUP



A : 1600XD4

No.	Part Number	Description	Q'TY					I.C	Remark
			A	B	C	D	E		
1	U3215-A1001	TRANS MISSION ASSY	1						
2	U3215-11142	TRANS MISSION CASE	1						
3	U3215-11303	COVER, TRANSMISSION CASE	1						
4	01125-50830	BOLT, WASHER	8						M8*P1.25
5	05012-00818	PIN, PARALLEL	2						
6	U3215-11702	COVER, FRONT AXLE DRIVE	1						
7	01125-50830	BOLT, WASHER	8						M8*P1.25
8	05012-00818	PIN, PARALLEL	2						
9	U3215-11801	COVER, SHIFT	1						
10	01025-50620	BOLT, WASHER	5						M6*P1.0
11	04717-02000	WASHER, SEAL	1						
12	06331-35020	PLUG	1						
13	04717-01600	WASHER, SEAL	1						
14	06331-35016	PLUG	1						HEX22*25, M16*P1.5
15	U3215-16601	CONNECTOR, AIR BREATHER	1						
16	U3215-16613	HOSE, OVER FLOW	1						
17	14911-4275-1	CLIP, TUBE	1						
18	U3215-04931	PICK UP SENSOR	1						
19	T4682-43561	COLLAR 1.8T, ADJUSTING	1						

----- Old replace New

<-X-> Not interchangeable

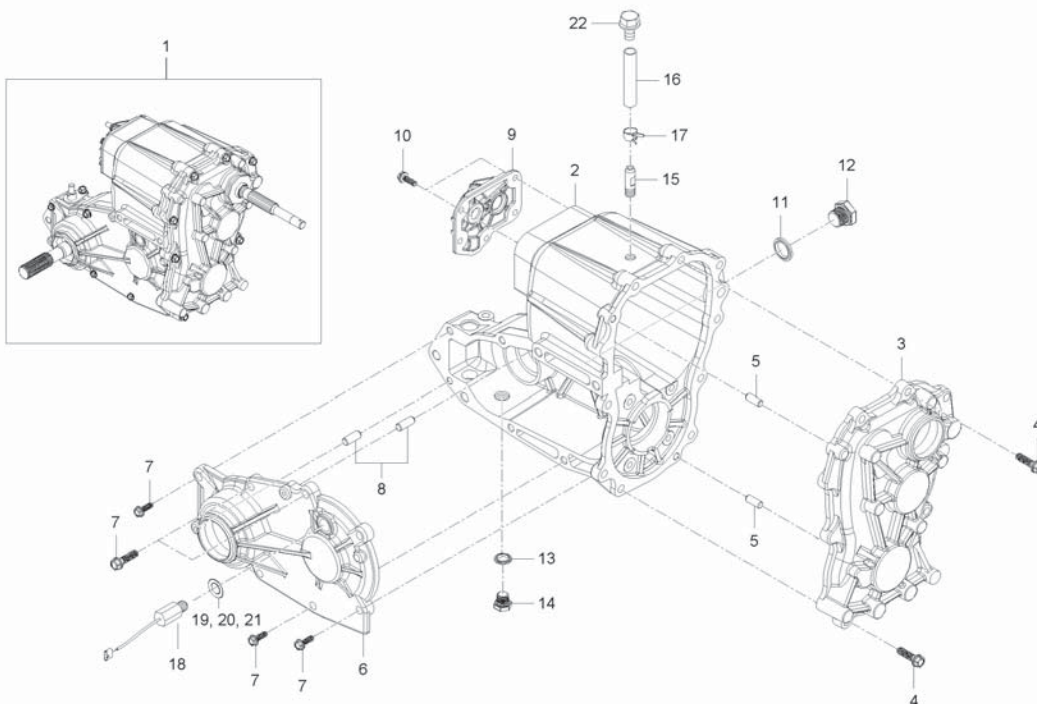
<-0-> Interchangeable with another part(s)

<---- New replace Old

<---- Interchangeable

U1-T100A

TRANSMISSION CASE GROUP

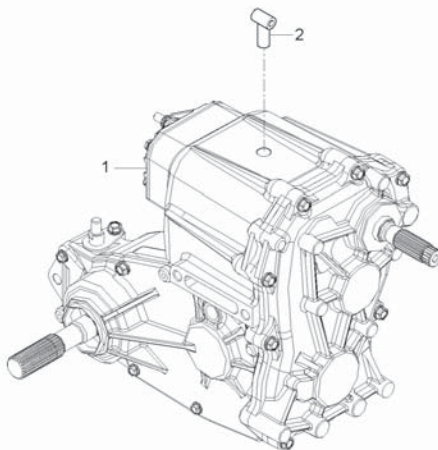


A : 1600XD4

No.	Part Number	Description	Q'TY					I.C	Remark
			A	B	C	D	E		
20	T4682-43571	COLLAR 1.0T, ADJUSTING	1						
21	T4682-43581	COLLAR 1.2T, ADJUSTING	1						
22	01155-51020	BOLT	1						

----> Old replace New
 <-X-> Not interchangeable
 <-0-> Interchangeable with another part(s)

 <-X-> New replace Old
 <-0-> Interchangeable



A : 1600XD4

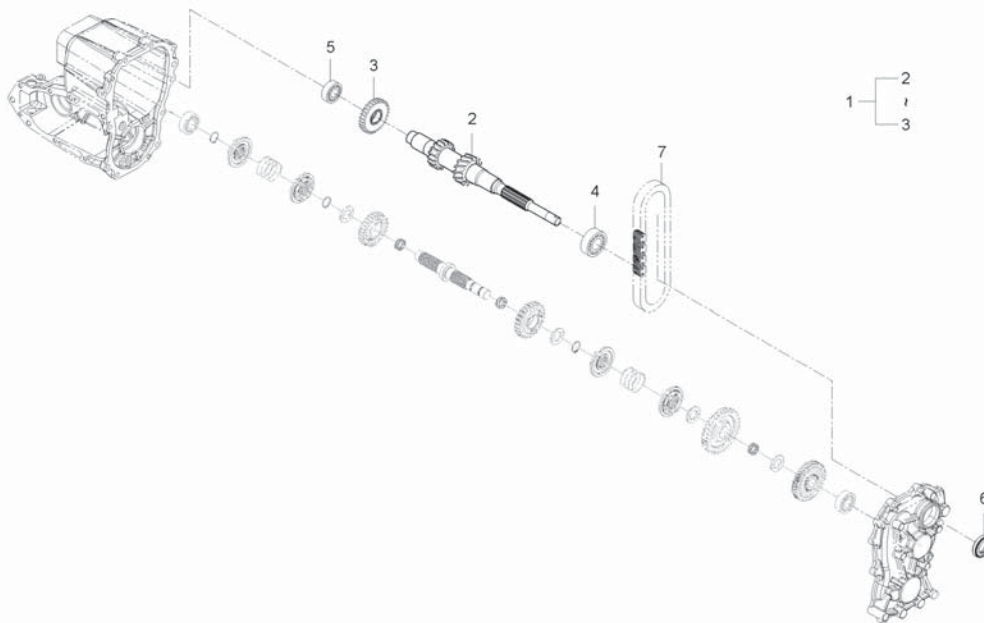
No.	Part Number	Description	Q'TY					I.C	Remark
			A	B	C	D	E		
1	U3215-A1001	TRANS MISSION ASSY	1						
2	U3215-16621	CONNECTOR, AIR BREATHER	1						

----> Old replace New
 <-X-> Not interchangeable
 <-0-> Interchangeable with another part(s)

<---- New replace Old
 <-> Interchangeable

U1-T110A

DRIVE SHAFT GROUP



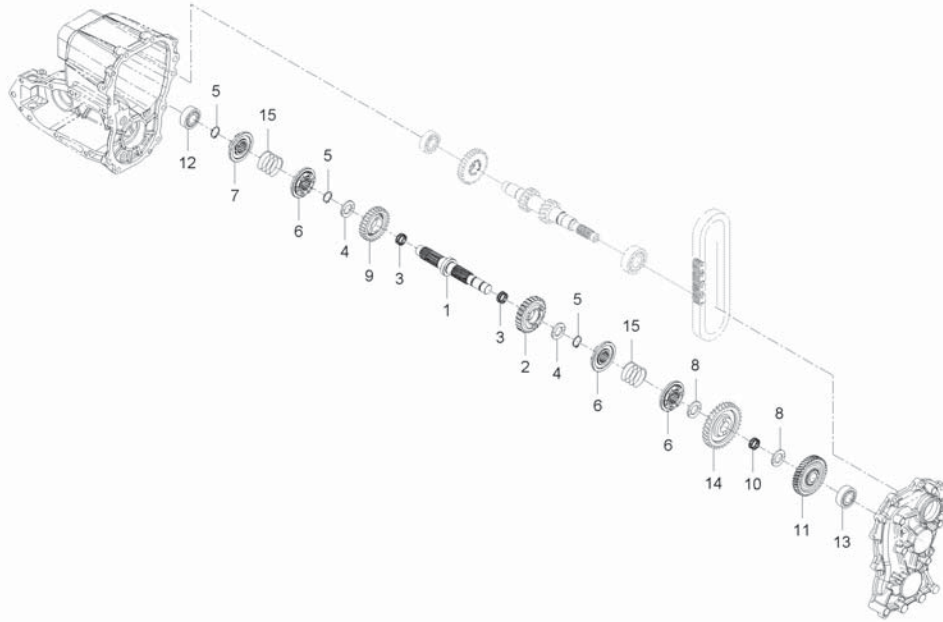
A : 1600XD4

No.	Part Number	Description	Q'TY					I.C	Remark
			A	B	C	D	E		
1	U3215-12104	SHAFT	1						
2	U3215-12114	SHAFT	1						
3	U3215-12121	GEAR 31	1						
4	08101-06205	BALL BEARING	1						DI A25
5	08101-06204	BALL BEARING	1						#6204
6	U3215-12131	OIL SEAL(25*47*10.5)	1						
7	U3215-12151	SILENT CHAIN, 36	1						

----> Old replace New
 <-X-> Not interchangeable
 <-0-> Interchangeable with another part(s)
 <- - - - New replace Old
 <- - - - Interchangeable

U1-T120A

SHIFT SHAFT GROUP



A : 1600XD4

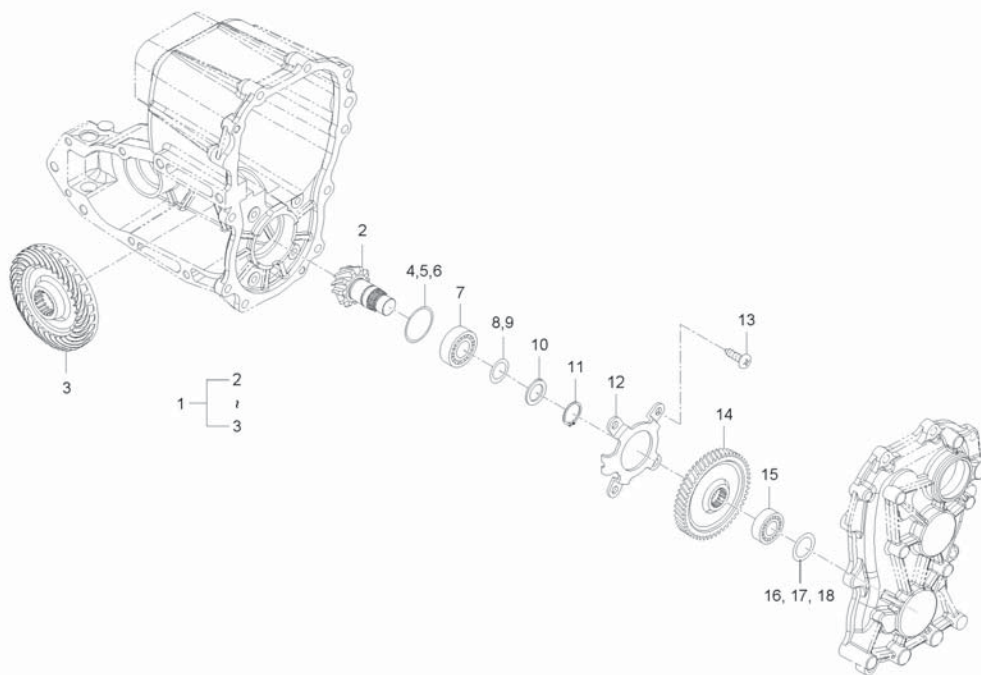
No.	Part Number	Description	Q'TY					I.C	Remark
			A	B	C	D	E		
1	U3215-12211	SHAFT	1						
2	U3215-12221	SPROCKET, 26T	1						
3	08822-52913	BEARING, NIDDLE	2						
4	U3215-12231	COLLAR, THRUST	2						
5	04612-00240	SNAP RING	3						
6	U3215-12244	CLUTCH DOG	3						
7	U3215-12263	CLUTCH DOG	1						
8	T2305-25241	COLLAR, THRUST	2						
9	U3215-12251	GEAR 30	1						
10	08822-02413	BEARING, NIDDLE	1						
11	U3215-12271	GEAR 46	1						
12	08101-06204	BALL BEARING	1						#6204
13	C7130-23471	BALL BEARING	1						
14	U3215-12291	GEAR, 34	1						
15	U3215-12313	SPRING CLUTCH	2						

----- Old replace New
 <-X-> Not interchangeable
 <-0-> Interchangeable with another part(s)

<---- New replace Old
 <---- Interchangeable

U1-T130A

SPRIAL BEVEL GEAR GROUP



A : 1600XD4

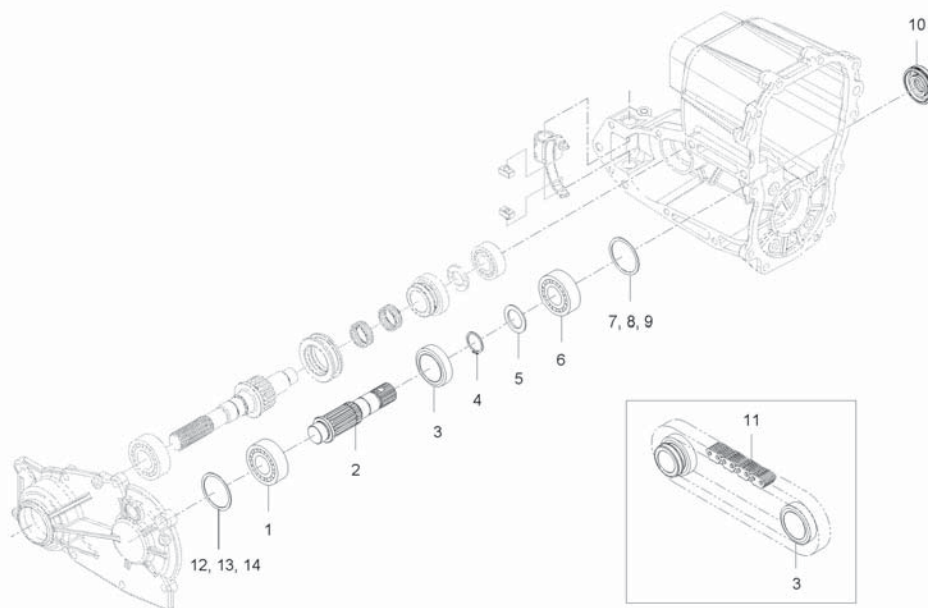
No.	Part Number	Description	Q'TY					I.C	Remark
			A	B	C	D	E		
1	U3215-12402	SPIRAL BEVEL GEAR ASSY	1						
2	U3215-12411	SHAFT, 10 BEVEL PINION	1						
3	U3215-12422	BEVEL GEAR, 31	1						
4	K5400-14571	SHIM	99						
5	K5400-14581	SHIM	99						
6	K5400-14591	SHIM	99						
7	T2610-22661	BALL BEARING	1						
8	T2185-21661	SHIM, 0.1	99						
9	T2185-21671	SHIM, 0.2	99						
10	34150-2156-1	COLLAR	1						
11	38430-2155-1	SNAP RING	1						
12	U3215-12452	WINNOW BEARING HOLDER	1						
13	U3215-12461	BOLT	4						
14	U3215-12471	GEAR 52	1						
15	08101-06204	BALL BEARING	1						#6204
16	K5400-14571	SHIM	99						
17	K5400-14581	SHIM	99						
18	K5400-14591	SHIM	99						

<---> Old replace New
 <-X-> Not interchangeable
 <-0-> Interchangeable with another part(s)

<---> New replace Old
 <---> Interchangeable

U1-T140A

REAR WHEEL DRIVING SHAFT GROUP



A : 1600XD4

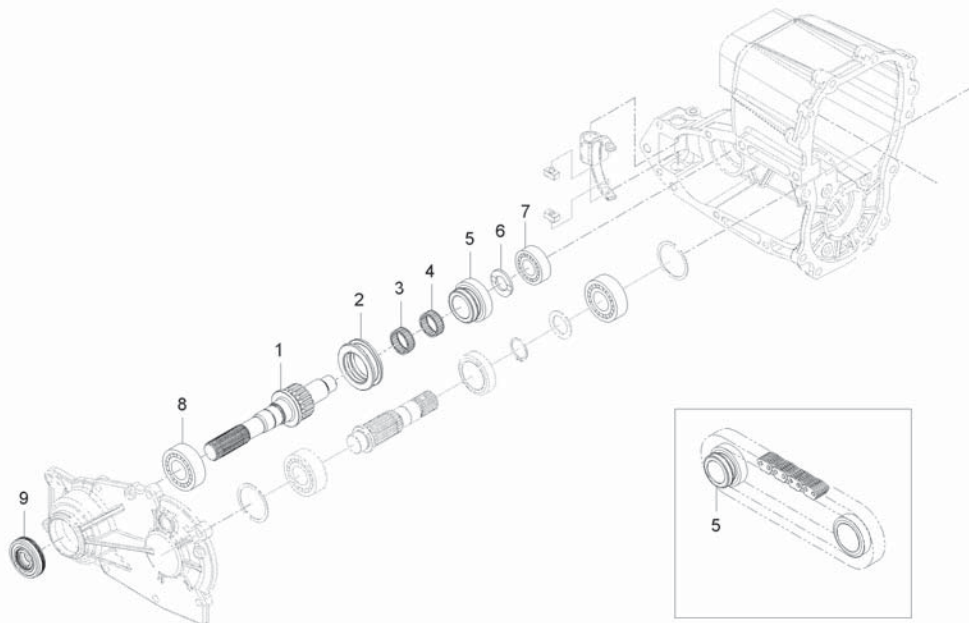
No.	Part Number	Description	Q'TY					I.C	Remark
			A	B	C	D	E		
1	08101-06205	BALL BEARING	1						DI A25
2	U3215-12511	SHAFT, REAR DRIVE	1						
3	U3215-12521	SPROCKET, 22T	1						
4	04612-00300	SNAP RING	1						
5	34150-2156-1	COLLAR	1						
6	08101-06205	BALL BEARING	1						DI A25
7	T8101-75520	SHIM, 0.1	99						
8	T8101-75530	SHIM, 0.2	99						
9	T8101-75540	SHIM, 0.5	99						
10	U3215-12531	OIL SEAL(25*47*10)	1						
11	U3215-12551	SILENT CHAIN, 50	1						
12	T8101-75520	SHIM, 0.1	99						
13	T8101-75530	SHIM, 0.2	99						
14	T8101-75540	SHIM, 0.5	99						

----- Old replace New
 <-X-> Not interchangeable
 <-0-> Interchangeable with another part(s)

 <---- New replace Old
 <---- Interchangeable

U1-T150A

FRONT WHEEL DRIVE SHAFT GROUP



A : 1600XD4

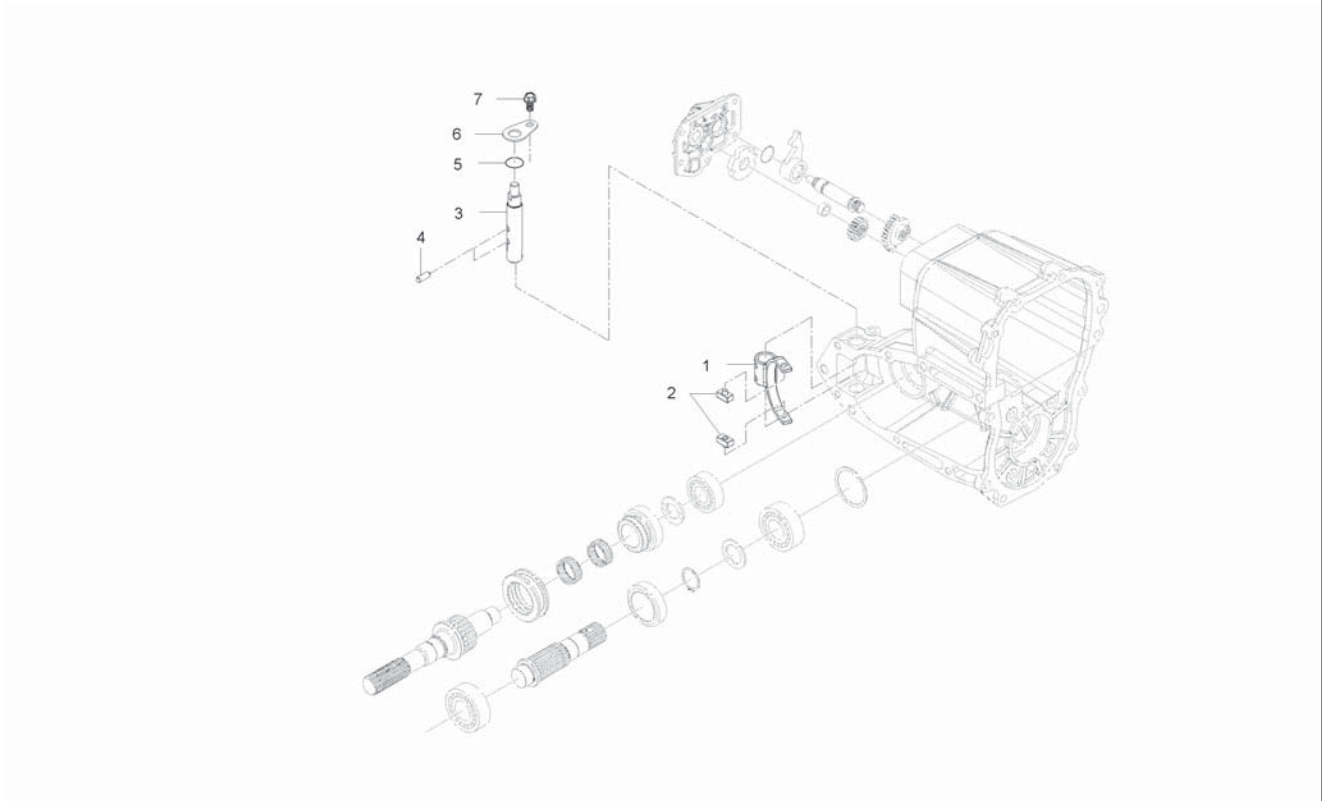
No.	Part Number	Description	Q'TY					I.C	Remark
			A	B	C	D	E		
1	U3215-12612	SHAFT, FRONT DRIVE	1						
2	U3215-12621	SHIFT, FRONT DRIVE	1						
3	08822-53013	NEEDLE BEARING	1						
4	08822-53017	NEEDLE BEARING	1						NTN, K253017
5	U3215-12651	SPROCKET, 19T	1						
6	31365-2278-1	COLLAR	1						
7	08101-06304	BALL BEARING	1						#6304
8	08101-06205	BALL BEARING	1						DI A25
9	U3215-12531	OIL SEAL(25*47*10)	1						

----> Old replace New
 <-X-> Not interchangeable
 <-0-> Interchangeable with another part(s)

 <---- New replace Old
 <---- Interchangeable

U1-T160A

FRONT DRIVE FORK GROUP



A : 1600XD4

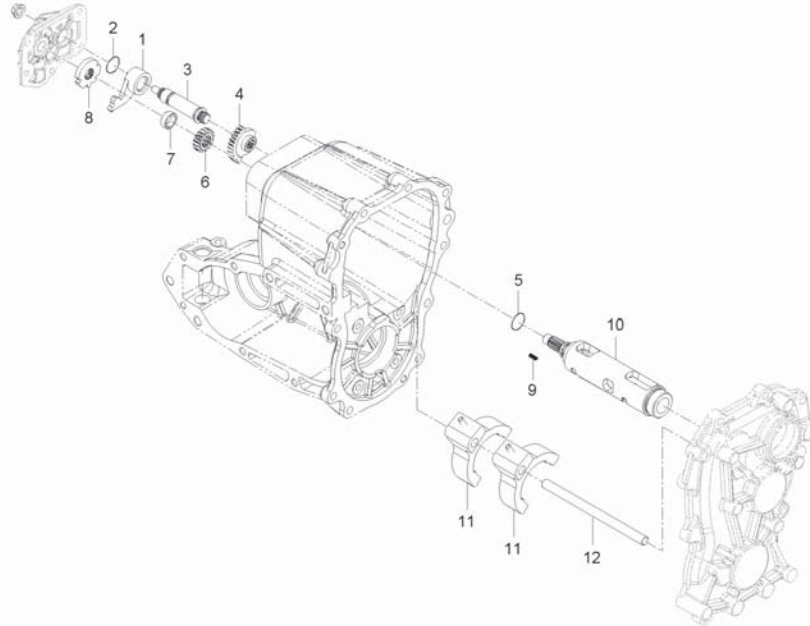
No.	Part Number	Description	Q'TY					I.C	Remark
			A	B	C	D	E		
1	U3215-12631	FORK, FRONT DRIVING LOCK	1						
2	U3215-12641	GUIDE, SHIFT	2						
3	U3215-12682	ARM, SHIFT(FRONT)	1						
4	05411-00625	PIN, SPRING	2						DI A6*25
5	04811-00180	O RING	1						P18
6	T2305-44281	PLATE, FIXED	1						
7	01123-50816	BOLT, WASHER	1						M8*P1. 25

----- Old replace New
 <-X-> Not interchangeable
 <-0-> Interchangeable with another part(s)

<-X- -> New replace Old
 <-0- -> Interchangeable

U1-T170A

SHIFT FORK GROUP



A : 1600XD4

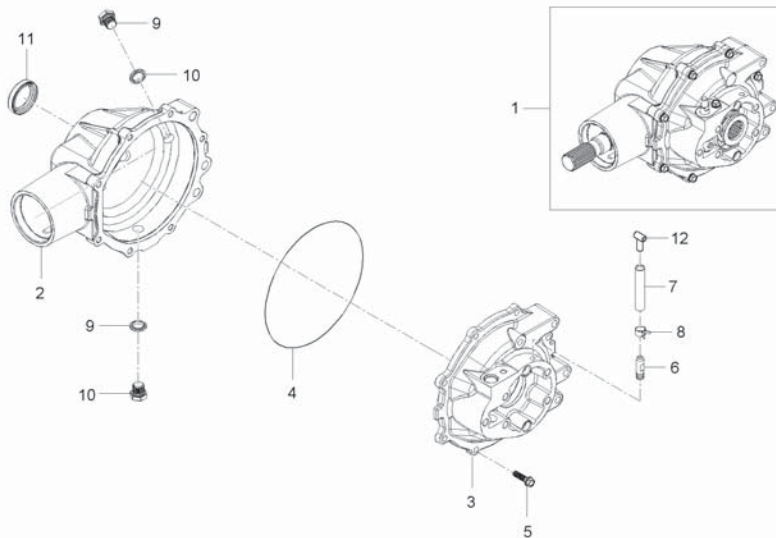
No.	Part Number	Description	Q'TY					I.C	Remark
			A	B	C	D	E		
1	U3215-17211	ARM, LOCK	1						
2	04811-00120	O RING	1						
3	U3215-17231	SHAFT	1						
4	U3215-17251	GEAR 33	1						
5	04811-00150	O RING	1						
6	U3215-17421	GEAR 16	1						
7	U3215-17431	SPACER	1						
8	U3215-17442	DISC, SHIFT	1						
9	U3215-17451	FRICTION SPRING	1						
10	U3215-18212	LEVER, GUIDE S, CHANGE	1						
11	U3215-18314	FORK	2						
12	U3215-18351	ROD, FORK	1						

----> Old replace New
<-X-> Not interchangeable
<-0-> Interchangeable with another part(s)

<-X-> New replace Old
<-0-> Interchangeable

U1-T180A

REAR AXLE CASE GROUP



A : 1600XD4

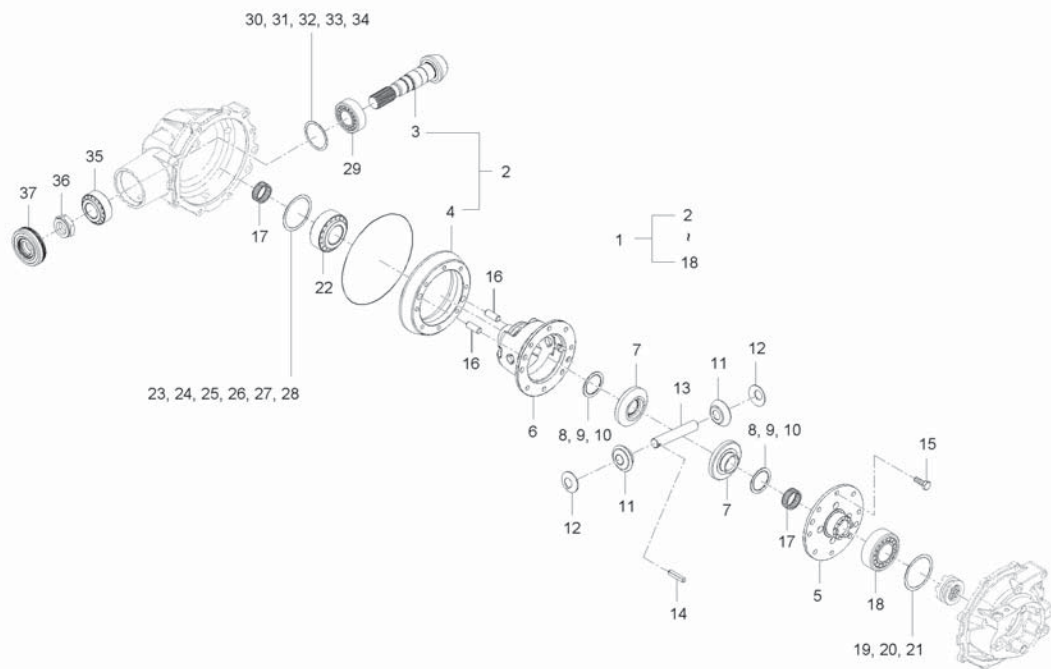
No.	Part Number	Description	Q'TY					I.C	Remark
			A	B	C	D	E		
1	U3215-A3002	REAR AXLE CASE ASS'Y	1						
2	U3215-13144	CASE, REAR AXLE	1						
3	U3215-13303	COVER, REAR AXLE CASE	1						
4	U3215-13511	O RING	1						
5	01125-50830	BOLT, WASHER	7						M8*P1.25
6	U3215-16601	CONNECTOR, AIR BREATHER	1						
7	U3215-16613	HOSE, OVER FLOW	1						
8	14911-4275-1	CLIP, TUBE	1						
9	04717-01600	WASHER, SEAL	2						
10	06331-35016	PLUG	2						HEX22*25, M16 *P1.5
11	U3215-13221	OIL SEAL(38*54*9.5)	1						
12	U3215-16621	CONNECTOR, AIR BREATHER	1						

----- Old replace New
 <-X-> Not interchangeable
 <-0-> Interchangeable with another part(s)

<---- New replace Old
 <---- Interchangeable

U1-T190A

REAR DIFF SYSTEM GROUP



A : 1600XD4

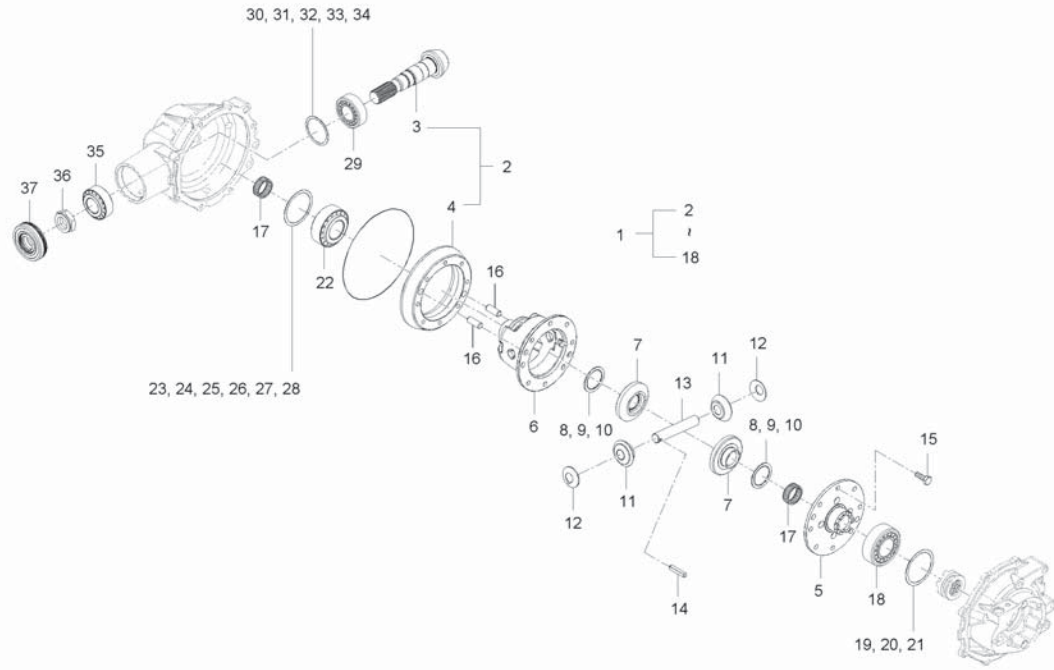
No.	Part Number	Description	Q'TY					I.C	Remark
			A	B	C	D	E		
1	U3215-14103	ASSY DIFFERENTIAL	1						
2	U3215-14111	SPIRAL BEVEL GEAR ASSY	1						
3	U3215-14211	PINION, SPIRAL BEVEL	1						
4	U3215-14311	GEAR 37, BEVEL	1						
5	U3215-14122	COVER, DIFFERENTIAL CASE	1						
6	U3215-14132	CASE, DIFFERENTIAL	1						
7	U3215-14171	GEAR, DIFF. SIDE	2						
8	38240-2647-2	WASHER, DIFF.3	99						
9	37300-2648-1	WASHER 1, DIFF	99						
10	37300-2649-1	WASHER 2, DIFF	99						
11	T2240-26354	PINION, DIFFERENTIAL	2						
12	31220-2639-2	WASHER, DIFF PINION	2						
13	U3215-14201	SHAFT, PINION	1						
14	05411-00430	PIN, SPRING	1						DIA4*30
15	37800-4387-1	BOLT	6						
16	37300-2817-2	PIN, PARALLEL	2						
17	08812-83520	BEARING, NIDDLE	2						
18	T5210-32010	BEARING, TAPE ROLLER	1						
19	T2305-26061	SHIM, 0.1	99						

<---> Old replace New
 <-X-> Not interchangeable
 <-0-> Interchangeable with another part(s)

 <---> New replace Old
 <---> Interchangeable

U1-T190A

REAR DIFF SYSTEM GROUP



A : 1600XD4

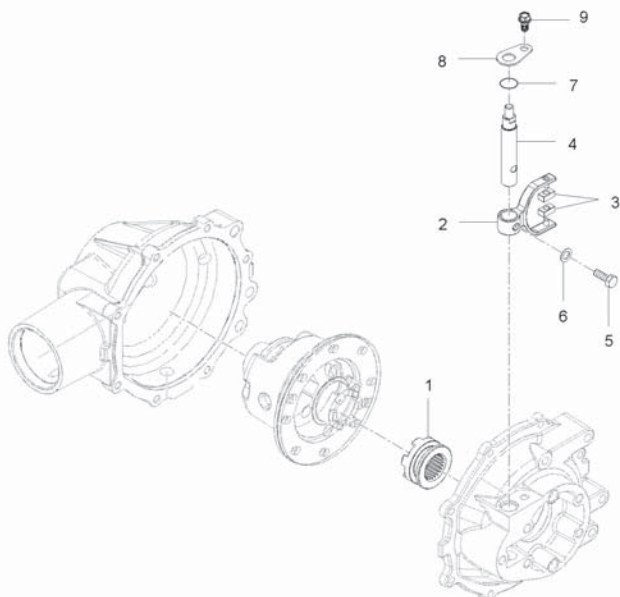
No.	Part Number	Description	Q'TY					I.C	Remark
			A	B	C	D	E		
20	T2305-26071	SHIM, 0.2	99						
21	T2305-26081	SHIM, 0.4	99						
22	T5210-32009	BEARING, TAPE ROLLER	1						
23	U3215-14601	SHIM, 0.1	99						
24	U3215-14611	SHIM 0.2	99						
25	U3215-14621	SHIM, 0.4	99						
26	U3215-14631	SHIM	99						
27	U3215-14641	SHIM	99						
28	U3215-14651	SHIM, 1.2	99						
29	38630-4329-2	BEARING, TAPER ROLLER	1						
30	T2185-43861	SHIM, 0.6	99						
31	T2185-43871	SHIM, 0.8	99						
32	T2185-43881	SHIM, 1.0	99						
33	T2185-43891	SHIM, 1.2	99						
34	T2185-43901	SHIM, 1.4	99						
35	38630-4329-2	BEARING, TAPER ROLLER	1						
36	T4810-21621	NUT, 32	1						
37	U3215-13211	OIL SEAL(30*75*12)	1						

----- Old replace New
 <-X-> Not interchangeable
 <-0-> Interchangeable with another part(s)

<---- New replace Old
 <---- Interchangeable

U1-T200A

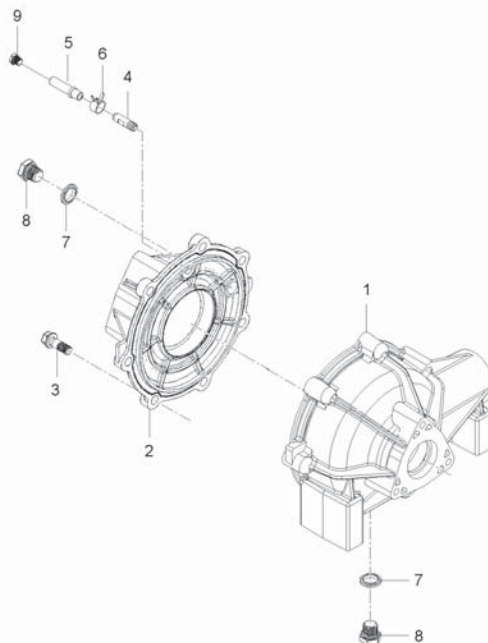
REAR DIFF FORK GROUP



A : 1600XD4

No.	Part Number	Description	Q'TY					I.C	Remark
			A	B	C	D	E		
1	U3215-14552	SHIFT, DIFF.	1						
2	U3215-14561	FORK, SHAFT	1						
3	U3215-12641	GUIDE, SHIFT	2						
4	U3215-14571	ARM, SHIFT(DIFF.)	1						
5	34220-1451-2	REAMER BOLT	1						
6	04111-50080	WASHER	1						
7	04811-00180	O RING	1						P18
8	T2305-44281	PLATE, FIXED	1						
9	01123-50816	BOLT, WASHER	1						M8*P1. 25

----> Old replace New <--- New replace Old
 <-X-> Not interchangeable <---> Interchangeable
 <-0-> Interchangeable with another part(s)



A : 1600XD4

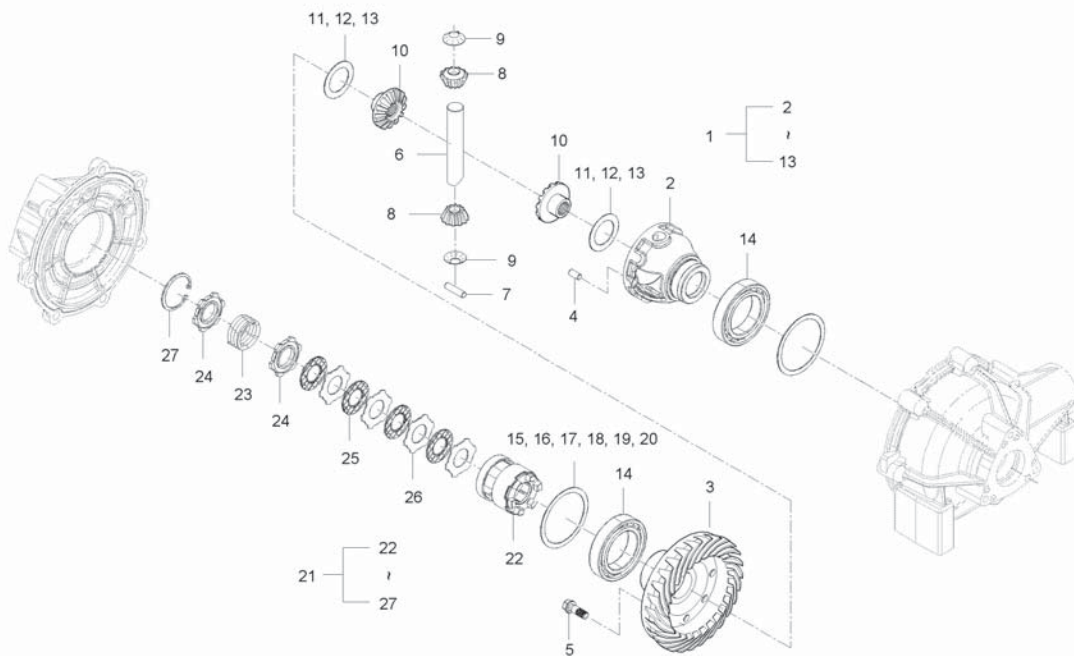
No.	Part Number	Description	Q'TY					I.C	Remark
			A	B	C	D	E		
1	U3215-15141	CASE, FRONT AXLE	1						
2	U3215-15302	COVER, FRONT CASE	1						
3	01135-51035	BOLT, WASHER	7						
4	U3215-16601	CONNECTOR, AIR BREATHER	1						
5	U3215-16613	HOSE, OVER FLOW	1						
6	14911-4275-1	CLIP, TUBE	1						
7	04717-01600	WASHER, SEAL	2						
8	06331-35016	PLUG	2						HEX22*25, M16 *P1.5
9	01155-51020	BOLT	1						

----- Old replace New
 <-X-> Not interchangeable
 <-0-> Interchangeable with another part(s)

<---- New replace Old
 <---- Interchangeable

U1-T220A

FRONT DIFF SYSTEM GROUP



A : 1600XD4

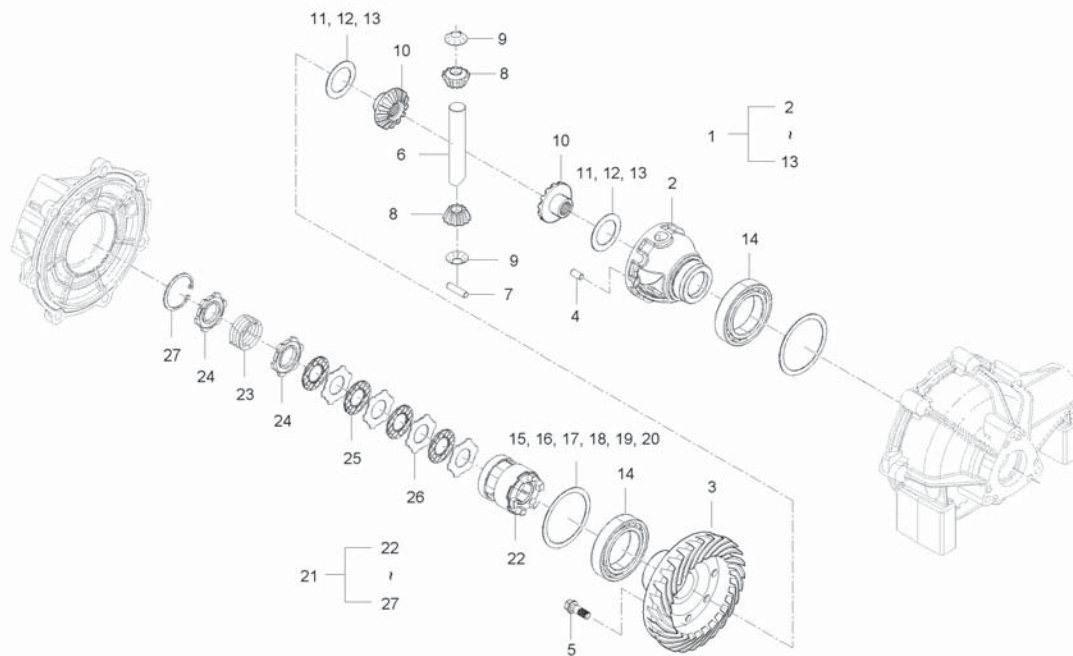
No.	Part Number	Description	Q'TY					I.C	Remark
			A	B	C	D	E		
1	U3215-16302	DIFF. GEAR CASE ASSY, FR	1						
2	T4620-43122	CASE, DIFFERENTIAL FR	1						
3	U3215-16311	GEAR, 34BEVEL	1						
4	T4520-43181	PIN, PARALLEL	1						
5	U3215-16161	BOLT, UBS	6						
6	T4520-43111	SHAFT, DIFFERENTIAL PINION	1						
7	T4520-43171	PIN, PARALLEL	1						
8	T4682-43132	PINION, DIFFERENTIAL	2						
9	T4520-43151	WASHER, DIFF PINION	2						
10	U3215-16141	GEAR, DIFF. SIDE	2						
11	T4520-43071	SHIM, 0.8	2						
12	T4520-43081	SHIM, 0.1	2						
13	T4520-43091	SHIM, 1.2	2						
14	T4520-42421	BALL BEARING	2						
15	T4520-43011	SHIM, 0.1	2						
16	T4520-43021	SHIM, 0.2	2						
17	T4520-43031	SHIM, 0.4	2						
18	T4520-43041	SHIM, 0.8	2						
19	T4520-43051	SHIM, 0.1	2						

<---> Old replace New
 <-X-> Not interchangeable
 <-0-> Interchangeable with another part(s)

<---> New replace Old
 <---> Interchangeable

U1-T220A

FRONT DIFF SYSTEM GROUP



A : 1600XD4

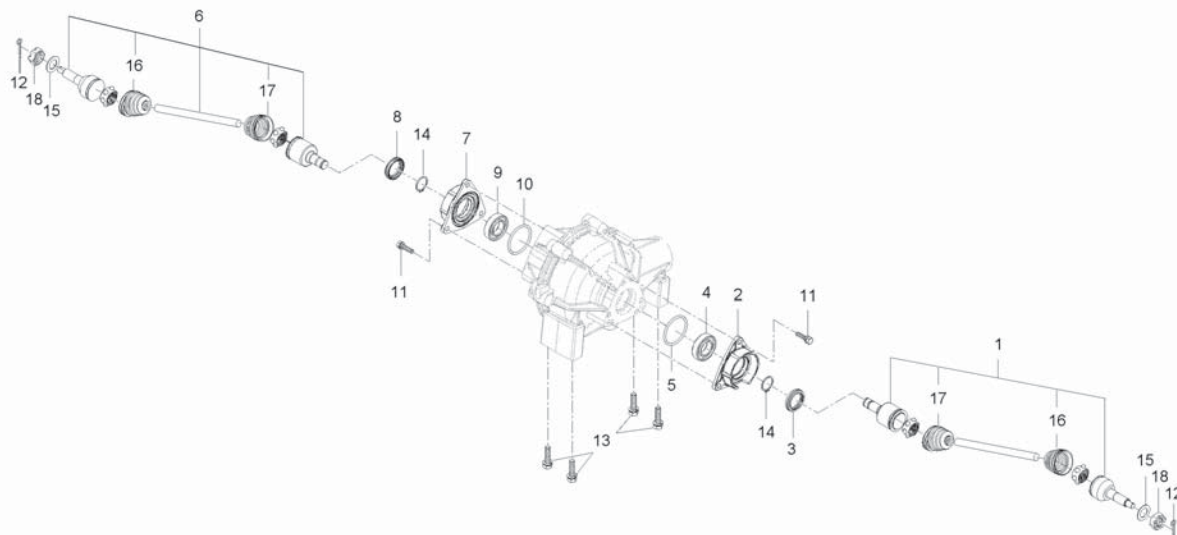
No.	Part Number	Description	Q'TY					I.C	Remark
			A	B	C	D	E		
20	T4520-43061	SHIM, 1.2	2						
21	U3215-16501	CLUTCH, LSD ASSY	1						
22	U3215-16511	BODY, CLUTCH	1						
23	U3215-16521	SPRING CLUTCH	1						
24	U3215-16531	SHEET, SPRING(T3.5)	2						
25	U3215-16541	DISK, CLUTCH	4						
26	U3215-16551	PLATE, CLUTCH 1.5T	4						
27	04611-00450	SNAP RING	1						

----- Old replace New
 <-X-> Not interchangeable
 <-0-> Interchangeable with another part(s)

<---- New replace Old
 <---- Interchangeable

U1-U0230A

Front Axle Drive Group



A : 1600XD4

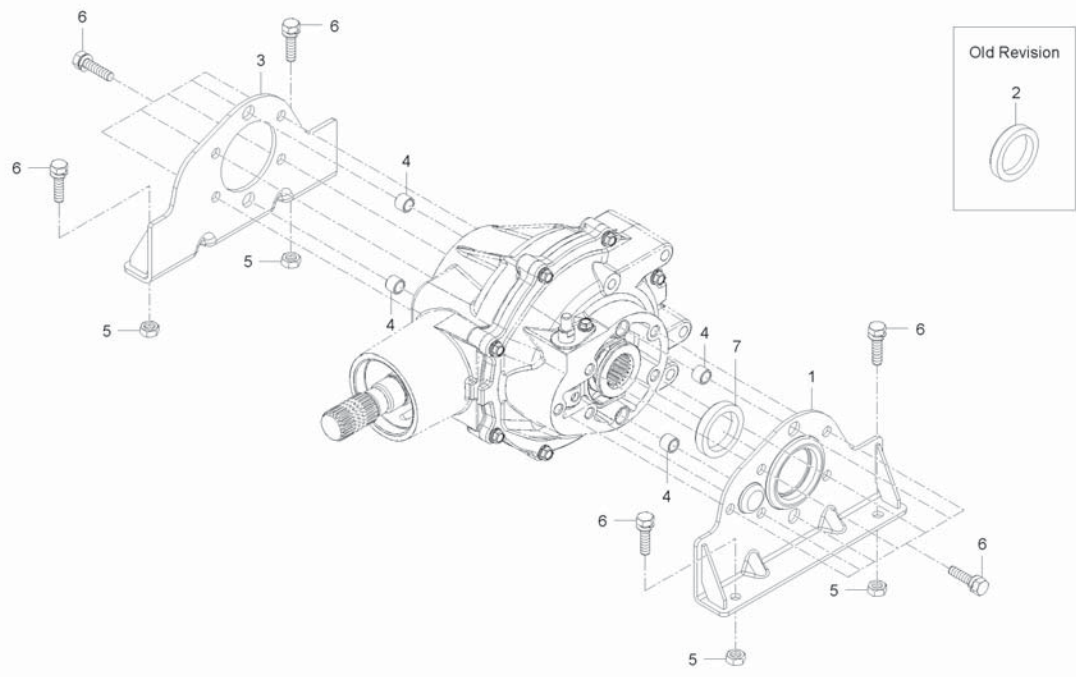
No.	Part Number	Description	Q'TY					I.C	Remark
			A	B	C	D	E		
1	U3215-19001	Front Drive Shaft_LH	1						
2	U3210-19041	HOLDER,BEARING	2						
3	U3215-16411	OIL SEAL(30*40*8)	2						
4	08101-06005	BALL BEARING	2						#6005
5	04811-50600	O RING	2						
6	U3215-19061	Front Drive Shaft_RH	1						
7	U3210-19041	HOLDER,BEARING	1						
8	U3215-16411	OIL SEAL(30*40*8)	1						
9	08101-06005	BALL BEARING	1						#6005
10	04811-50600	O RING	1						
11	01125-50820	BOLT, WASHER	6						M8*P1.25
12	05511-50435	PIN, SPLIT	2						DIA4
13	01135-51025	BOLT	4						M8*1.25
14	04612-00250	SNAP RING	2						
15	04013-50180	WASHER, PLAIN	2						M18
16	U3210-19071	BOOT REPAIR KIT-FRT I/B (W/ GREASE)	2						
17	U3210-19081	BOOT REPAIR KIT-FRT I/B (W/ GREASE)	2						
18	U3210-19021	NUT, CASTLE	2						

<---> Old replace New
 <-X-> Not interchangeable
 <-0-> Interchangeable with another part(s)

<---> New replace Old
 <---> Interchangeable

U1-U0235A

Rear Differential Group



A : 1600XD4

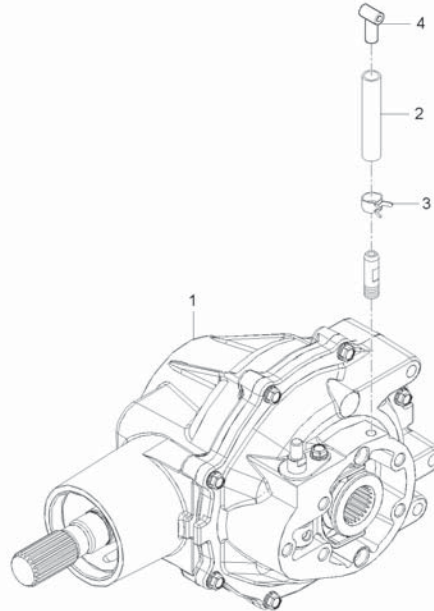
No.	Part Number	Description	Q'TY					I.C	Remark
			A	B	C	D	E		
1	U3210-19211	Bracket Assy - Rear Diff. LH	1						
2	U3215-13221	OIL SEAL(38*54*9.5)	1						
3	U3210-19271	Bracket Assy - Rear Diff., RH	1						
4	U3210-19291	BUSHING, CENTERING	4						
5	02771-50100	FLANGE NUT	4						M10*1.25
6	01135-51025	BOLT	17						M8*1.25
7	U3215-13221	OIL SEAL(38*54*9.5)	1						

----- Old replace New
 <-X-> Not interchangeable
 <-0-> Interchangeable with another part(s)

<---- New replace Old
 <---- Interchangeable

U1-U0300A

Rear Differential Group



A : 1600XD4

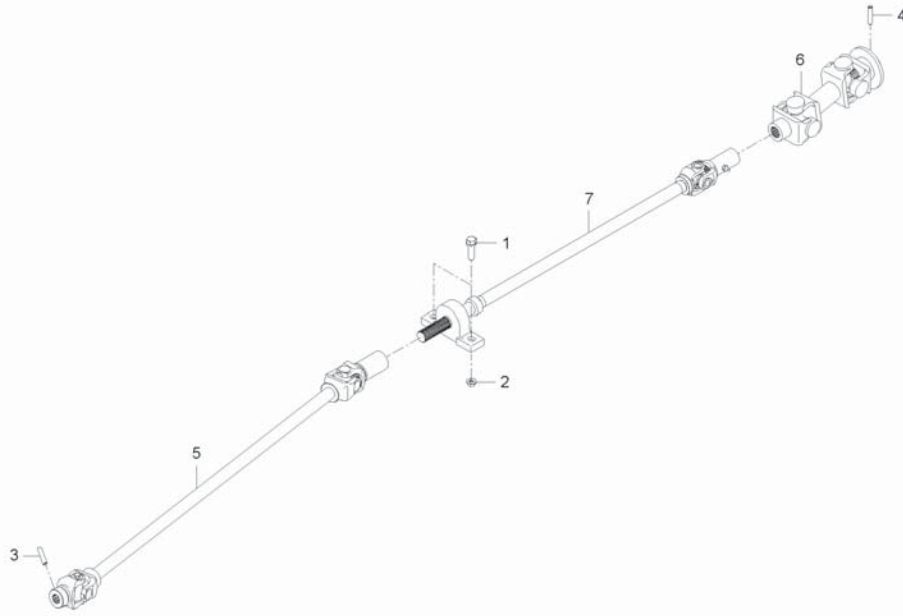
No.	Part Number	Description	Q'TY					I.C	Remark
			A	B	C	D	E		
1	U3215-A3001	REAR AXLE CASE GROUP	1						
2	U3215-16613	HOSE, OVER FLOW	1						
3	14911-4275-1	CLIP, TUBE	1						
4	U3215-16621	CONNECTOR, AIR BREATHER	1						

----> Old replace New
<-X-> Not interchangeable
<-0-> Interchangeable with another part(s)

<---- New replace Old
<---> Interchangeable

U3350-G190A

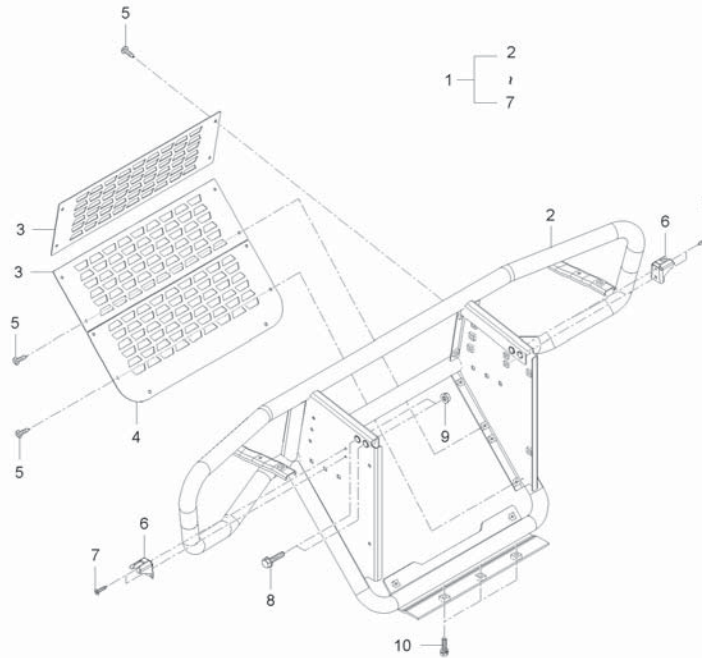
Propeller Shaft Group



A : 1600XD4

No.	Part Number	Description	Q'TY					I.C	Remark
			A	B	C	D	E		
1	01133-51240	BOLT, WASHER	2						
2	02771-50120	FLANGE NUT	2						M12XP1.25
3	05411-00640	PIN, SPRING	1						
4	05411-00840	PIN, SPRING	1						DI A8*40
5	U3210-19612	P/Shaft Assy - Front	1						
6	U3210-19681	P/Shaft Assy - Rear	1						
7	U3350-19001	P/Shaft Assy - Front	1						

----> Old replace New <---- New replace Old
<-X-> Not interchangeable <----> Interchangeable
<-0-> Interchangeable with another part(s)

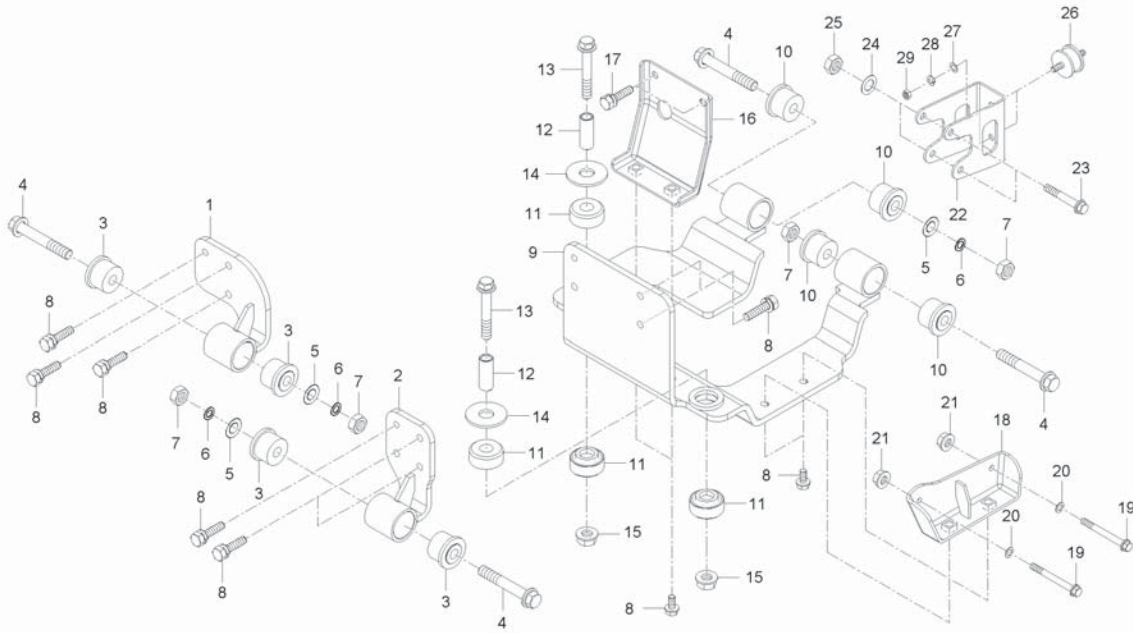


A : 1600XD4

No.	Part Number	Description	Q'TY					I.C	Remark
			A	B	C	D	E		
1	U3210-36102	GUARD ASSY	1						
2	U3210-36111	Guard Front Assy	1						
3	U3210-36311	Plate Front Mesh Upper	2						
4	U3210-36351	Plate Front Mesh Lower	1						
5	03054-50516B	BOLT	14						
6	U3215-26051	HOOD LOCKING CLIP	2						
7	03054-50412B	BOLT	4						
8	01774-51045	BOLT, FLANGE	4						
9	02783-50100	FLANGE NUT	4						M10XP1.25
10	01125-50820	BOLT, WASHER	3						M8*P1.25

----- Old replace New
 <-X-> Not interchangeable
 <-0-> Interchangeable with another part(s)

<---- New replace Old
 <---- Interchangeable

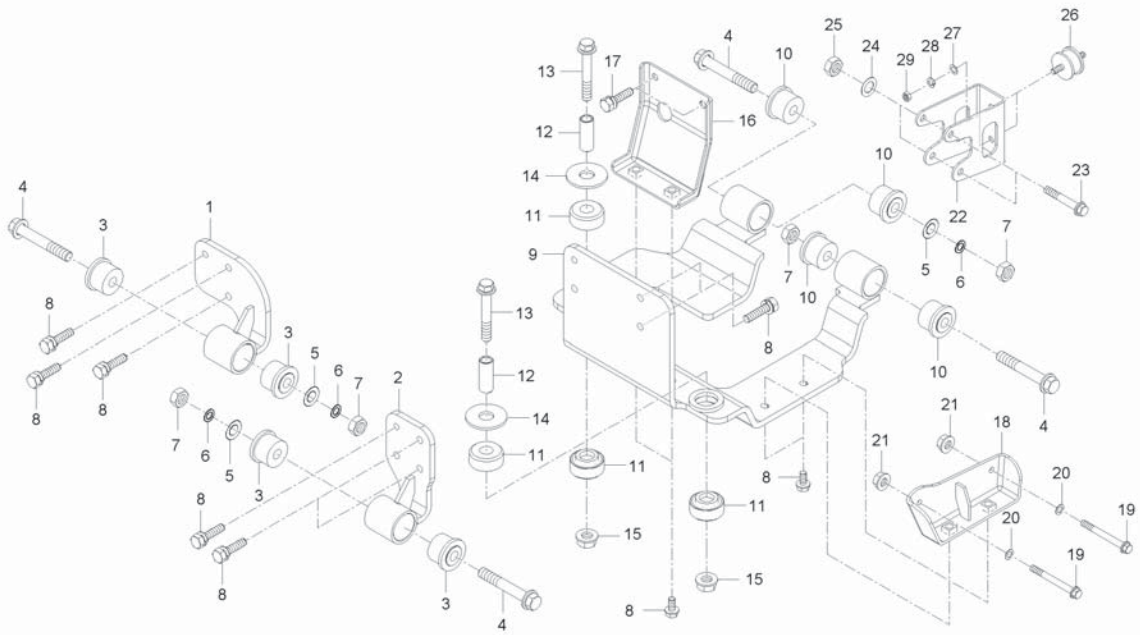


A : 1600XD4

No.	Part Number	Description	Q'TY					I.C	Remark
			A	B	C	D	E		
1	U3210-35611	Bracket Assy-Engine Mounting, Front	1						
2	U3210-35642	ENGINE MOUNTING FRONT(LH)	1						
3	U3210-35661	Damper-Roll Mounting	4						
4	U3210-35681	REAMER BOLT, FLANGE	4						
5	04013-50120	WASHER, PLAIN	4						M12
6	04512-50120	WASHER, SPRING	4						M12
7	02174-50120	NUT	4						M12*P1. 25
8	01135-51030	BOLT, WASHER	15						M10*1. 25
9	U3210-35711	Bracket Assy-Engine Mounting, Rear	1						
10	U3210-35661	Damper-Roll Mounting	4						
11	U3210-35731	Damper Assy- Engine Mounting	4						
12	U3210-35751	BUSHING	2						
13	01133-51275	BOLT	2						M12*1. 25
14	U3210-35771	WASHER	2						
15	02783-50120	FLANGE NUT	2						
16	U3210-35791	Bracket assy- TM Mounting, Front	1						
17	01135-51020	BOLT, WASHER	2						M10*1. 25
18	U3210-35811	Bracket - TM Mounting, Side	1						
19	01125-50875	BOLT	2						M8

----> Old replace New
 <-X-> Not interchangeable
 <-0-> Interchangeable with another part(s)
 <---- New replace Old
 <---- Interchangeable

ENGINE MOUNTING GROUP



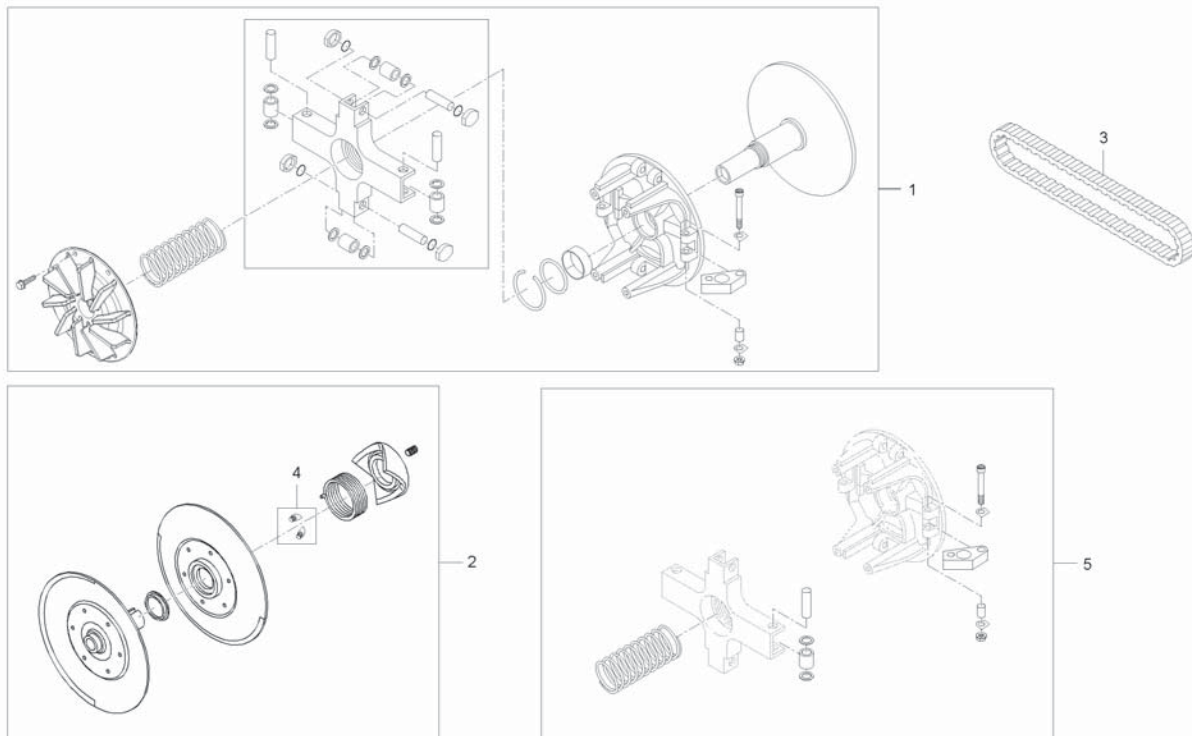
A : 1600XD4

No.	Part Number	Description	Q'TY					I.C	Remark
			A	B	C	D	E		
20	04013-50080	WASHER	2						M8
21	02763-50080	FLANGE NUT	2						M8XP1.25
22	U3210-35851	Bracket - TM Mounting, Rear	1						
23	01133-51075	BOLT, WASHER	2						
24	04013-50100	WASHER, PLAIN	2						M10
25	02118-50100	NUT	2						M10*P1.25
26	44366-8221-2	RUBBER, DUSTPROOF	2						
27	04013-50080	WASHER	4						M8
28	04512-50080	SPRING WASHER	4						M08
29	02156-50080	NUT	4						M8XP1.25

----- Old replace New <----- New replace Old
 <-X-> Not interchangeable <----- Interchangeable
 <-0-> Interchangeable with another part(s)

U1-U0284A

CVT Group, DC(STD)



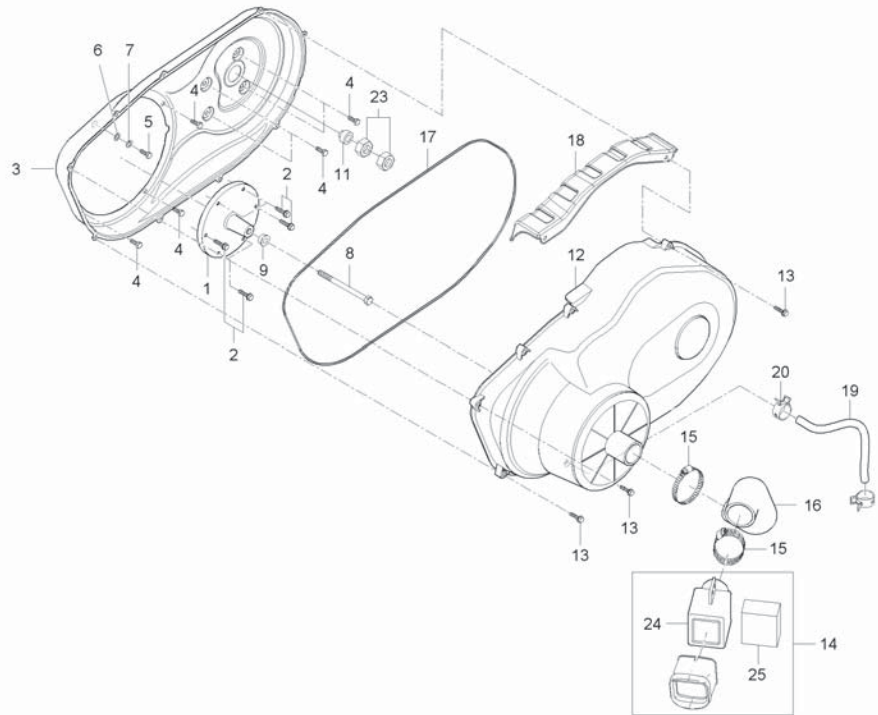
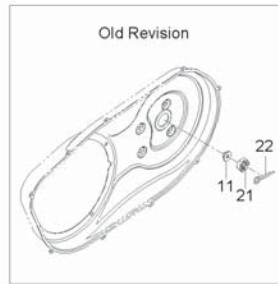
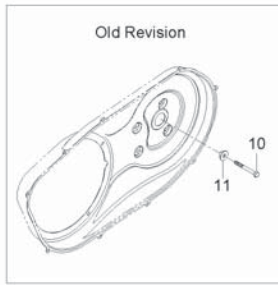
A : 1600XD4

No.	Part Number	Description	Q'TY					I.C	Remark
			A	B	C	D	E		
1	U3210-29011	Pulley Ass' y drive	1						
2	U3210-29021	Pulley Ass' y driven	1						
2	U3210-29022	Pulley Ass' y driven	1					<---	
3	U3210-29141	BELT, CVT	1						
4	U3210-29071	Wiper Seal	3						
5	U3210-29062	Driving Pully, repair kit	1						

----> Old replace New
 <-X-> Not interchangeable
 <-0-> Interchangeable with another part(s)
 <---- New replace Old
 <---- Interchangeable

U1-U0287A

CLUTCH COVER GROUP



A : 1600XD4

No.	Part Number	Description	Q'TY					I.C	Remark
			A	B	C	D	E		
1	U3215-29801	ADAPTOR, CVT DRIVE	1						
2	01754-50825	FLANGE BOLT	6						M8XP1.25
3	U3215-29104	Clutch Cover Assy - Inner	1						
4	01754-50812	BOLT, FLANGE	7						M8*P1.25
5	01153-50812	BOLT	1						
6	04013-50080	WASHER	1						M8
7	04512-50080	SPRING WASHER	1						M08
8	U3215-29901	BOLT, CVT DRIVE	1						
9	U3215-29931	PLUG	1						
10	U3210-29911	BOLT	1						
11	U3210-29953	WASHER	1						
12	U3214-29302	OUTER	1						
13	01754-50625	BOLT, FLANGE	9						7T
14	U3215-29722	BOX ASS'Y - AIR BAFFELING	1						
15	09318-89063	CLMAP, HOSE	2						철사64#
16	U3215-29621	HOSE, CVT IN	1						
17	U3215-29352	GASKET, CVT COVER	1						
18	U3215-29352	GASKET, CVT COVER	1						
19	U3214-29351	HOSE	1						

----- Old replace New

<-X-> Not interchangeable

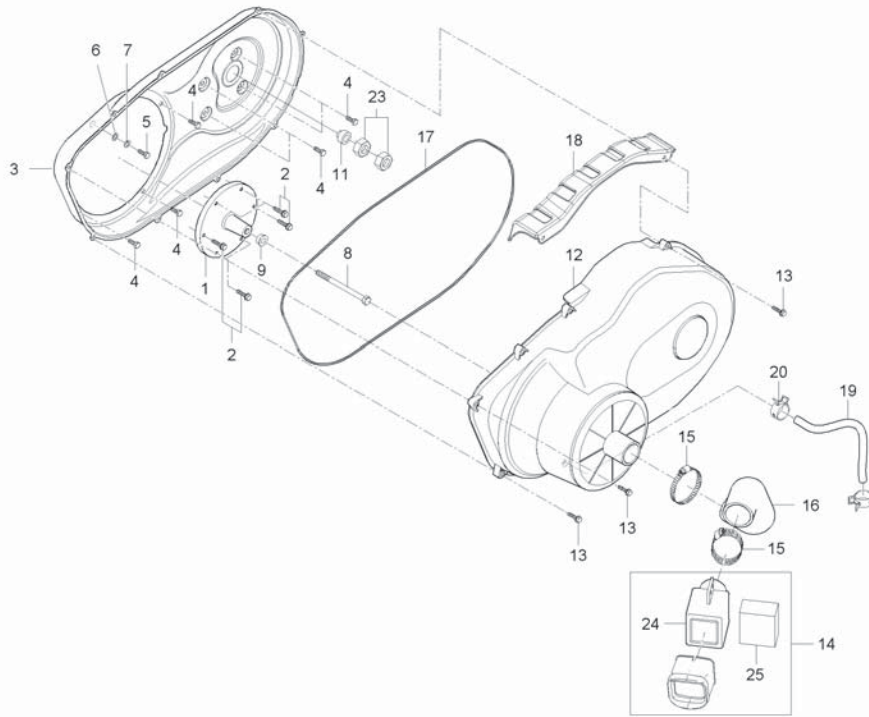
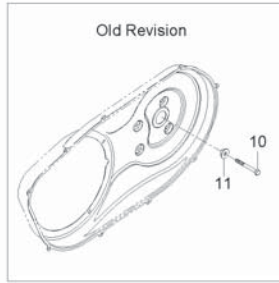
<-0-> Interchangeable with another part(s)

<---- New replace Old

<---- Interchangeable

U1-U0287A

CLUTCH COVER GROUP



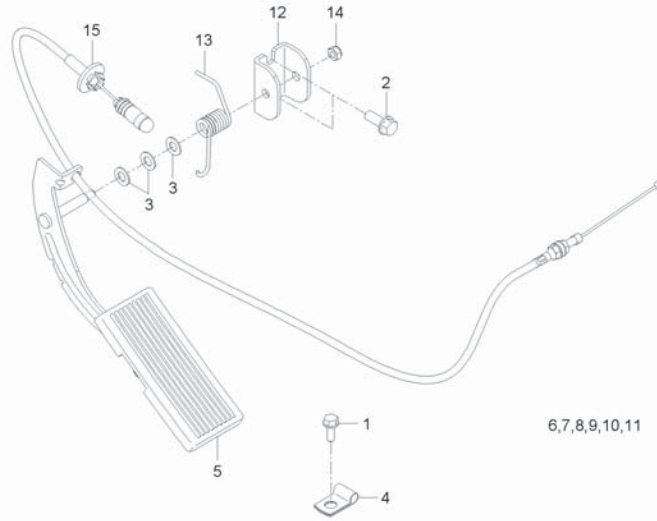
A : 1600XD4

No.	Part Number	Description	Q'TY					I.C	Remark
			A	B	C	D	E		
20	14911-4275-1	CLIP, TUBE	1						
21	02376-50140	NUT, SLOTIED	1						M14*1.5
22	05511-50325	PIN, SPLIT	1						
23	02176-50120	NUT	2						M12*1.25
24	U3215-29751	BOX-AIR BAFFELING	1						
25	U3215-29772	FILTER - CVT	1						

----> Old replace New
 <-X-> Not interchangeable
 <-0-> Interchangeable with another part(s)
 <---- New replace Old
 <---- Interchangeable

U3350-G310A

Accelerator Pedal Group



A : 1600XD4

No.	Part Number	Description	Q'TY					I.C	Remark
			A	B	C	D	E		
1	01754-50616	BOLT, FLANGE	1						M6*P1.0
2	01754-50820	FLANGE BOLT	2						M8*P1.25
3	04012-50080	WASHER	3						DIA18*T1.2
4	U3210-64551	CLAMP	1						
5	U3210-64803	Pedal Assy-Accel.	1						
6	04012-50080	WASHER	2						DIA18*T1.2
7	05122-50845	JOINT PIN	1						
8	05525-50800	PIN, SNAP	1						
9	U3210-64813	Arm Assy - Accel Pedal	1						
10	U3210-64851	Foot - Accel Pedal	1						
11	U3210-64871	Spring - Accel Pedal	1						
12	U3210-64911	Brkt - Accel Pedal Mtg.	1						
13	U3210-64921	Spring-Accelerator	1						
14	U3215-96201	LOCK NUT	1						
15	U3350-31101	CABLE ASSY, PEDAL ACCELERATOR	1						

----- Old replace New

<-X-> Not interchangeable

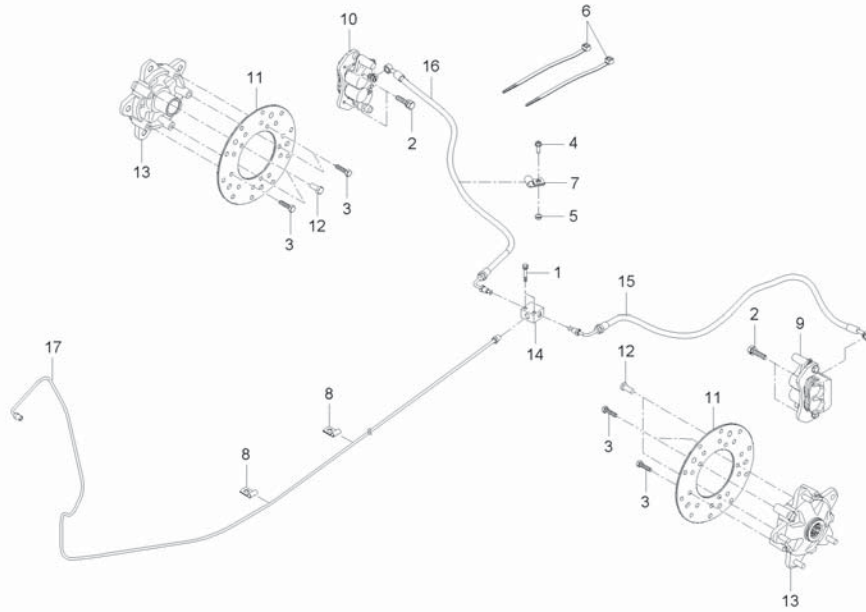
<-0-> Interchangeable with another part(s)

<---- New replace Old

<---- Interchangeable

U3350-G360A

Rear Break Group



A : 1600XD4

No.	Part Number	Description	Q'TY					I.C	Remark
			A	B	C	D	E		
1	01023-50635	BOLT, WASHER	2						M6*P1.0
2	01125-50825	BOLT, WASHER	4						M8*1.25
3	01153-50822	BOLT	6						M8XP1.25
4	01754-50616	BOLT, FLANGE	2						M6*P1.0
5	02761-50060	FLANGE NUT	1						M6XP1.0
6	T2198-82551	BAND,CORD	3						
7	U3210-64371	CLAMP	2						
8	U3210-64551	CLAMP	2						
9	U3215-40001	CALIPER ASSY, LH	1						
10	U3215-40101	CALIPER ASSY, RH	1						
11	U3215-41202	DISC, BRAKE FRT	2						
12	U3215-42021	REAMER BOLT, HUB & DISC MTG.(M8X1.2	4						
13	U3215-45107	Hub Assy-RR	2						
14	U3215-46201	FITTING TEE	1						
15	U3215-46301	TUBE, RR BRAKE,LH	1						
16	U3215-46402	Tube-RR Brake,RH	1						
17	U3350-36101	PIPE, REAR BRAKE	1						

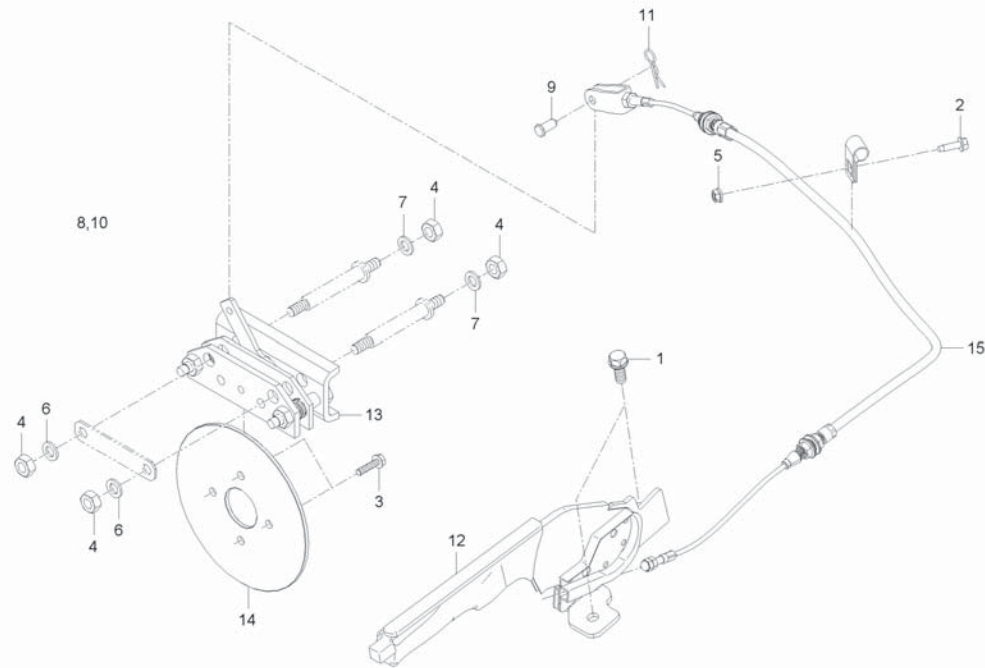
----> Old replace New

<-X-> Not interchangeable

<-0-> Interchangeable with another part(s)

<---- New replace Old

<---- Interchangeable



A : 1600XD4

No.	Part Number	Description	Q'TY					I.C	Remark
			A	B	C	D	E		
1	01135-51025	BOLT	4						M8*1.25
2	01754-50616	BOLT, FLANGE	1						M6*P1.0
3	01754-50816	BOLT, FLANGE	8						M8*P1.25
4	02118-50100	NUT	8						M10*P1.25
5	02751-50060	FLANGE NUT	2						M6*P1.0
6	02761-50060	FLANGE NUT	1						M6XP1.0
7	04011-50100	WASHER, PLAIN	9						M10
8	05122-50818	JOINT PIN	2						
9	05525-50800	PIN, SNAP	2						
10	T4815-65511	ASSY,PACKING BRAKE	1						
11	U3350-38101	Cable Assy-Parking	1						
12	U3400-38021	CALIPER ASSY, PARK BRAKE	1						
13	U3400-38051	DISK,PACKING BRAKE	1						
14	U3400-38071	BOLT, GUIDE	2						
15	U3400-38091	MOUNTING PLATE	1						

----- Old replace New

<-X-> Not interchangeable

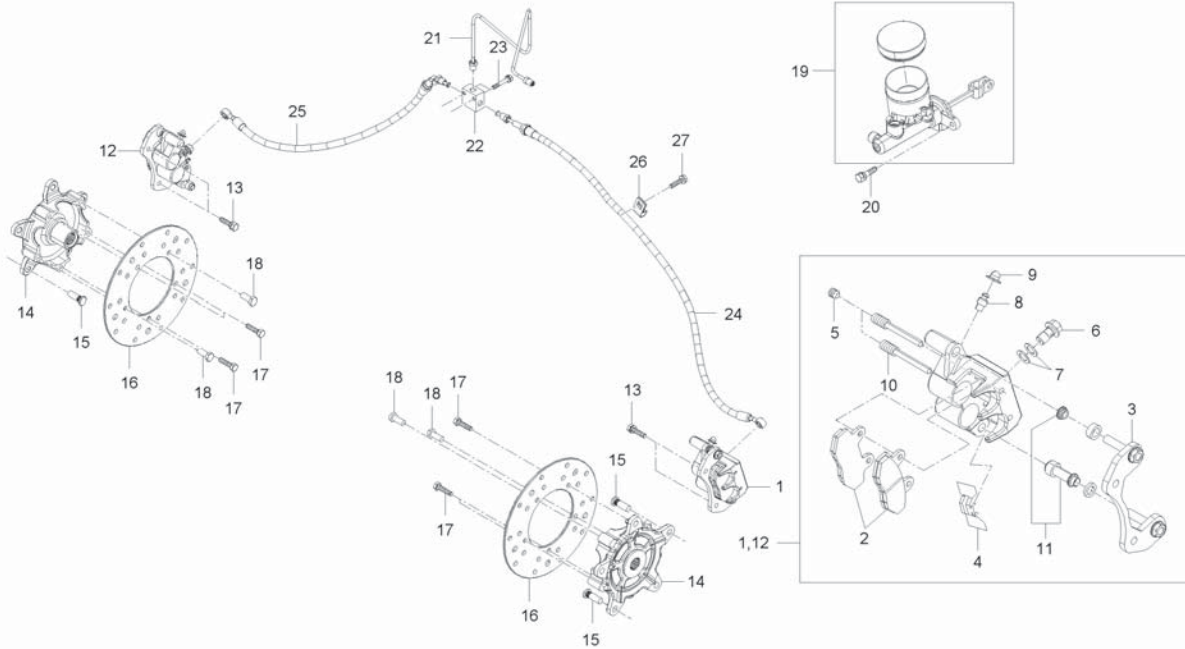
<-0-> Interchangeable with another part(s)

<---- New replace Old

<---- Interchangeable

U1-U0400A

Front Break Group



A : 1600XD4

No.	Part Number	Description	Q'TY					I.C	Remark
			A	B	C	D	E		
1	U3215-40001	CALIPER ASSY, LH	1						
2	U3215-40011	PAD,BRAKE(4 PCS)	1						
3	U3215-40001002	CARRIER ASSY DIFF	1						
4	U3215-40001003	SPRING PAD	1						
5	U3215-40001004	BOLT	2						
6	U3215-40001005	BOLT, UNION	1						
7	U3215-40001006	WASHER	2						
8	U3215-40001007	BREATHER	1						
9	U3215-40001008	CAP, BLEEDER	1						
10	U3215-40001009	BOLT, HOLDER	2						
11	U3215-40001010	RUBBER KIT	1						
12	U3215-40101	CALIPER ASSY, RH	1						
13	01125-50825	BOLT, WASHER	4						M8*1.25
14	U3215-41106	HUB ASSY, FR	2						
15	U3215-41121	BOLT(M10x1.25), HUB	5						
16	U3215-41202	DISC, BRAKE FRT	2						
17	01153-50822	BOLT	6						M8XP1.25
18	U3215-42021	REAMER BOLT, HUB & DISC MTG.(M8X1.2	4						
19	U3215-42001	MASTER CYLINDER ASSY	1						

----> Old replace New

<-X-> Not interchangeable

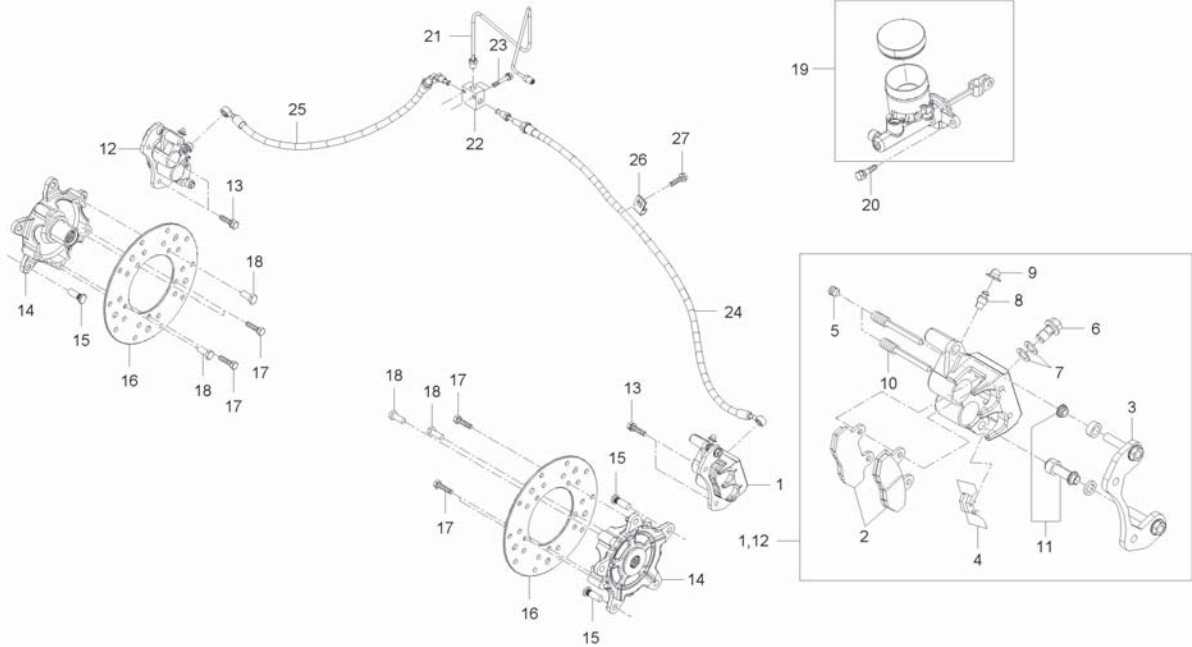
<-0-> Interchangeable with another part(s)

<---- New replace Old

<---- Interchangeable

U1-U0400A

Front Break Group



A : 1600XD4

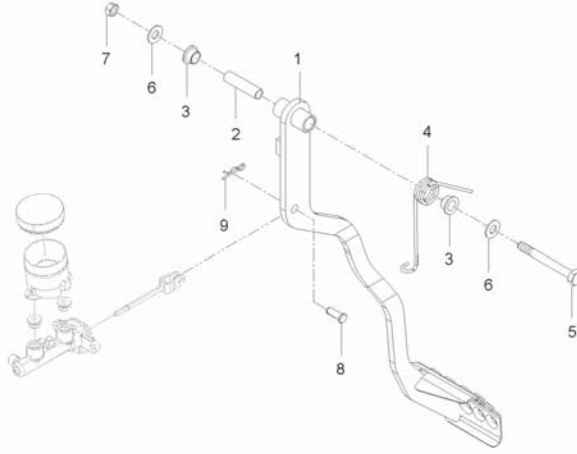
No.	Part Number	Description	Q'TY					I.C	Remark
			A	B	C	D	E		
20	01125-50825	BOLT, WASHER	2						M8*1.25
21	U3215-43101	PIPE, FRT BRAKE ASSY	1						
22	U3215-46201	FITTING TEE	1						
23	01025-50635	BOLT	2						
24	U3215-43301	TUBE, FRT BRAKE,LH	1						
25	U3215-43401	TUBE, FRT BRAKE,RH	1						
26	U3210-64371	CLAMP	1						
27	01754-50616	BOLT, FLANGE	1						M6*P1.0

----- Old replace New
 <-X-> Not interchangeable
 <-0-> Interchangeable with another part(s)

<---- New replace Old
 <---- Interchangeable

U1-U0420A

BRAKE PEDAL GROUP



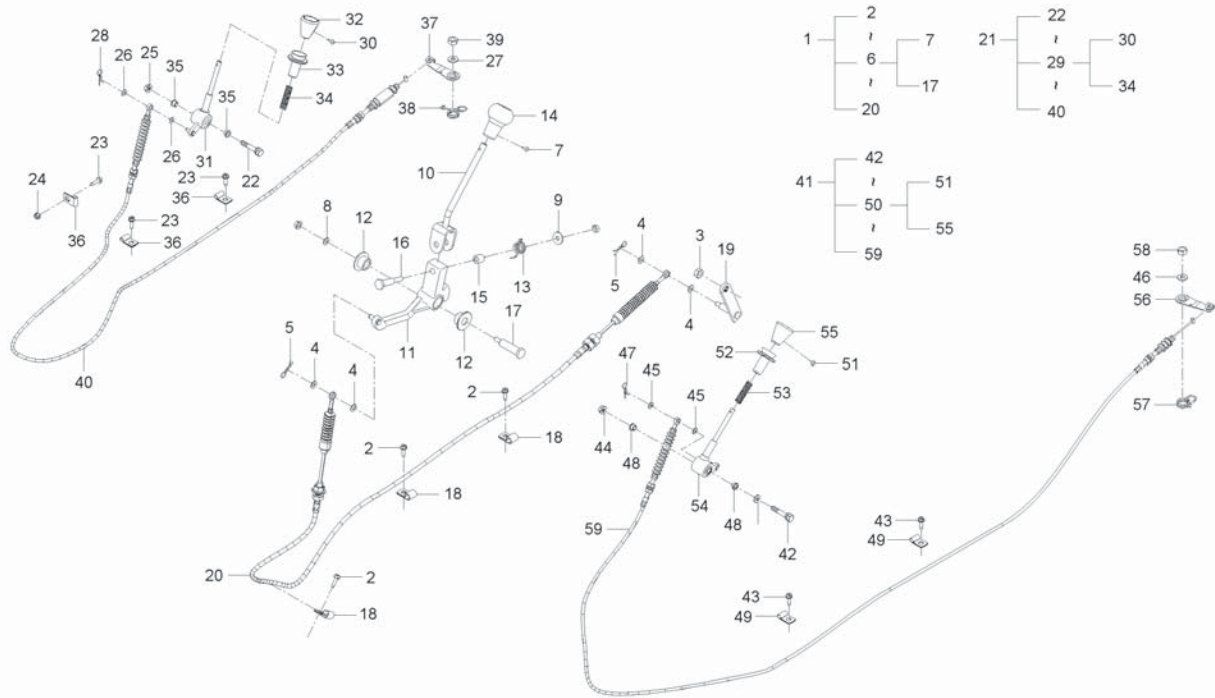
A : 1600XD4

No.	Part Number	Description	Q'TY					I.C	Remark
			A	B	C	D	E		
1	U3215-47101	Pedal Assy-Brake	1						
2	U3215-47121	TUBE, BRAKE PEDAL BUSH	1						
3	U3215-47131	BUSH, BRAKE PEDAL PIVOT	2						
4	U3215-42041	SPRING, BRAKE PEDAL	1						
5	01173-51075	BOLT	1						M10*P1.25
6	04013-50100	WASHER, PLAIN	2						M10
7	41182-5151-1	U-NUT	1						
8	05122-51022	JOINT PIN	1						
9	52300-3413-1	CIR CLIP	1						

<---> Old replace New
 <-X-> Not interchangeable
 <-0-> Interchangeable with another part(s)
 <---> New replace Old
 <---> Interchangeable

U3350-G440A

LEVER GROUP



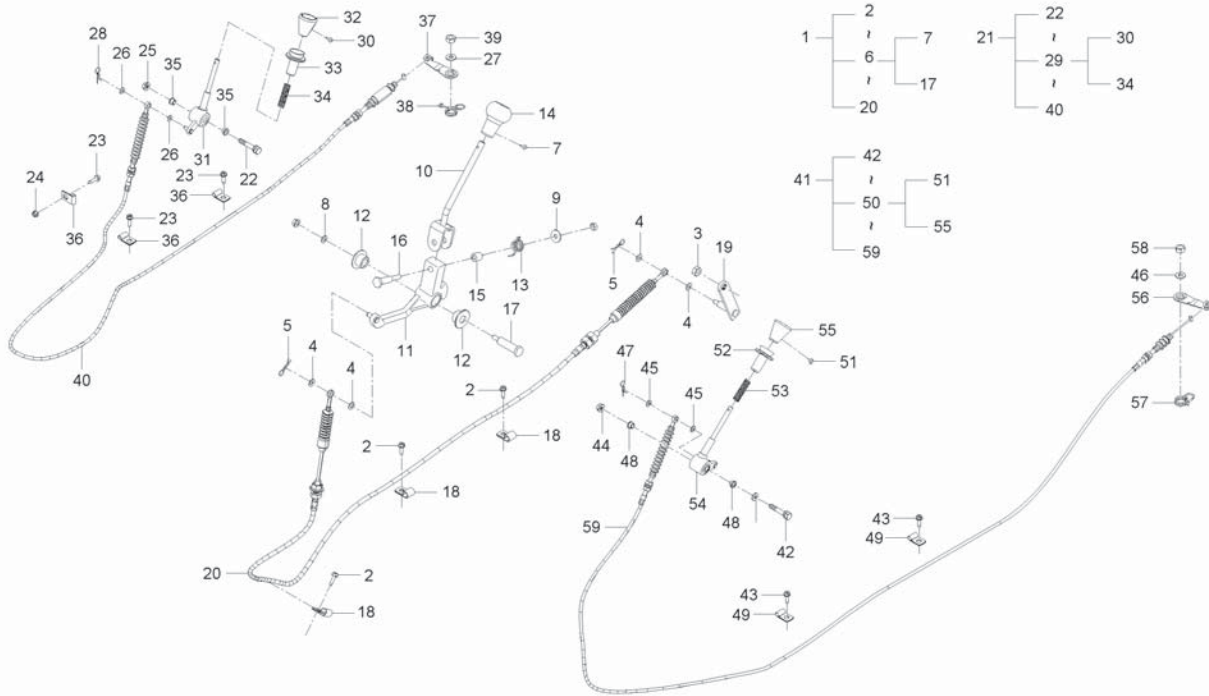
A : 1600XD4

No.	Part Number	Description	Q'TY					I.C	Remark
			A	B	C	D	E		
1	U3350-44101	Selector Complete Gear	1						
2	01754-50616	BOLT, FLANGE	3						M6*P1.0
3	02783-50100	FLANGE NUT	1						M10XP1.25
4	04012-50080	WASHER	4						DIA18*T1.2
5	05525-50800	PIN, SNAP	2						
6	U3210-64113	Selector Ass'y -Gear	1						
7	03054-50516	SCREW	1						
8	04012-50080	WASHER	1						DIA18*T1.2
9	04015-50080	WASHER, PLAIN	1						T2.6
10	U3210-64132	Lever Assy-Selector, Gear	1						
11	U3210-64171	Arm Assy-Select	1						
12	U3210-64191	Bushing-Shift Lever	2						
13	U3210-64221	Spring-Shift Lever Return	1						
14	U3210-64261	Knob-Selector, Gear	1						
15	U3210-64281	Spacer-Select	1						
16	U3210-64311	Bolt-Select Bracket	1						
17	U3210-64331	Bolt-Shift Bracket	1						
18	U3210-64371	CLAMP	3						
19	U3210-64391	Shift Lever Assy-Gear Selector	1						

----- Old replace New
 <-X-> Not interchangeable
 <-0-> Interchangeable with another part(s)
 <---- New replace Old
 <---- Interchangeable

U3350-G440A

LEVER GROUP



A : 1600XD4

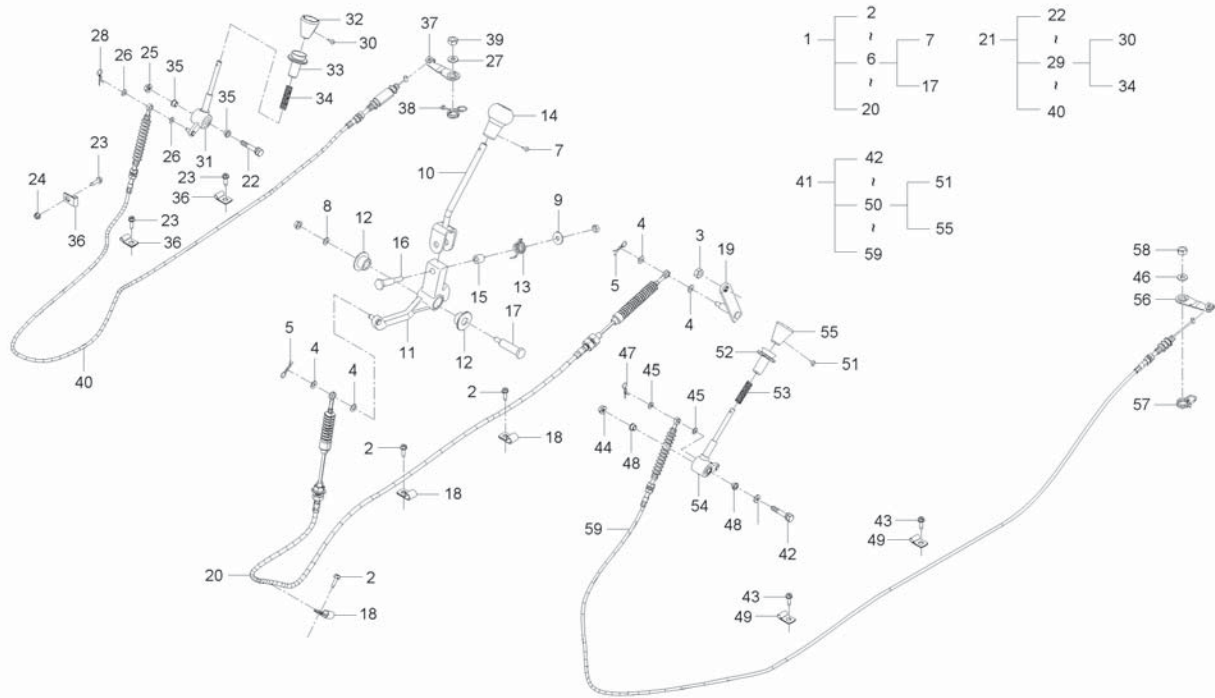
No.	Part Number	Description	Q'TY					I.C	Remark
			A	B	C	D	E		
20	U3350-44111	Cable Assy -Gear Selector	1						
21	U3350-44301	Selector Complete 4WD	1						
22	01153-50855	BOLT	1						HEX12. M8P1. 25
23	01754-50616	BOLT, FLANGE	2						M6*P1. 0
24	02761-50060	FLANGE NUT	1						M6XP1. 0
25	02763-50080	FLANGE NUT	1						M8XP1. 25
26	04013-50060	WASHER, PLAIN	2						M6
27	04014-50100	WASHER, PLAIN	1						M10
28	05525-50600	PIN, SNAP	1						DI A1. 2
29	U3210-64411	Shifter Ass'y-4WD	1						
30	03054-50512	SCREW	1						M5*0. 8
31	U3210-64431	LEVER, 4WD	1						
32	U3210-64461	Knob-Shifter	1						
33	U3210-64481	Pipe-Lock, Lever	1						
34	U3210-64491	Spring-Rod	1						
35	U3210-64511	BUSHING	2						
36	U3210-64551	CLAMP	3						
37	U3210-64571	LEVER, 4WD	1						
38	U3210-64591	SPRING	1						

<---> Old replace New
 <-X-> Not interchangeable
 <-0-> Interchangeable with another part(s)

<---> New replace Old
 <---> Interchangeable

U3350-G440A

LEVER GROUP



A : 1600XD4

No.	Part Number	Description	Q'TY					I.C	Remark
			A	B	C	D	E		
39	U3215-50801	NUT, LOCK	1						
40	U3350-44311	Cable Assy -4WD	1						
41	U3350-44501	Selector Complete Diff	1						
42	01153-50855	BOLT	1						HEX12. M8P1.25
43	01754-50616	BOLT, FLANGE	2						M6*P1.0
44	02763-50080	FLANGE NUT	1						M8XP1.25
45	04013-50060	WASHER, PLAIN	2						M6
46	04014-50100	WASHER, PLAIN	1						M10
47	05525-50600	PIN, SNAP	1						DIA1.2
48	U3210-64511	BUSHING	2						
49	U3210-64551	CLAMP	2						
50	U3210-64612	Shifter Ass'y- Diff. Lock	1						
51	03054-50512	SCREW	1						M5*0.8
52	U3210-64481	Pipe-Lock, Lever	1						
53	U3210-64491	Spring-Rod	1						
54	U3210-64631	LEVER, DIFF.	1						
55	U3210-64662	Diff. Lock-Knob Assy	1						
56	U3210-64711	LEVER, DIFF.	1						
57	U3210-64731	SPRING	1						

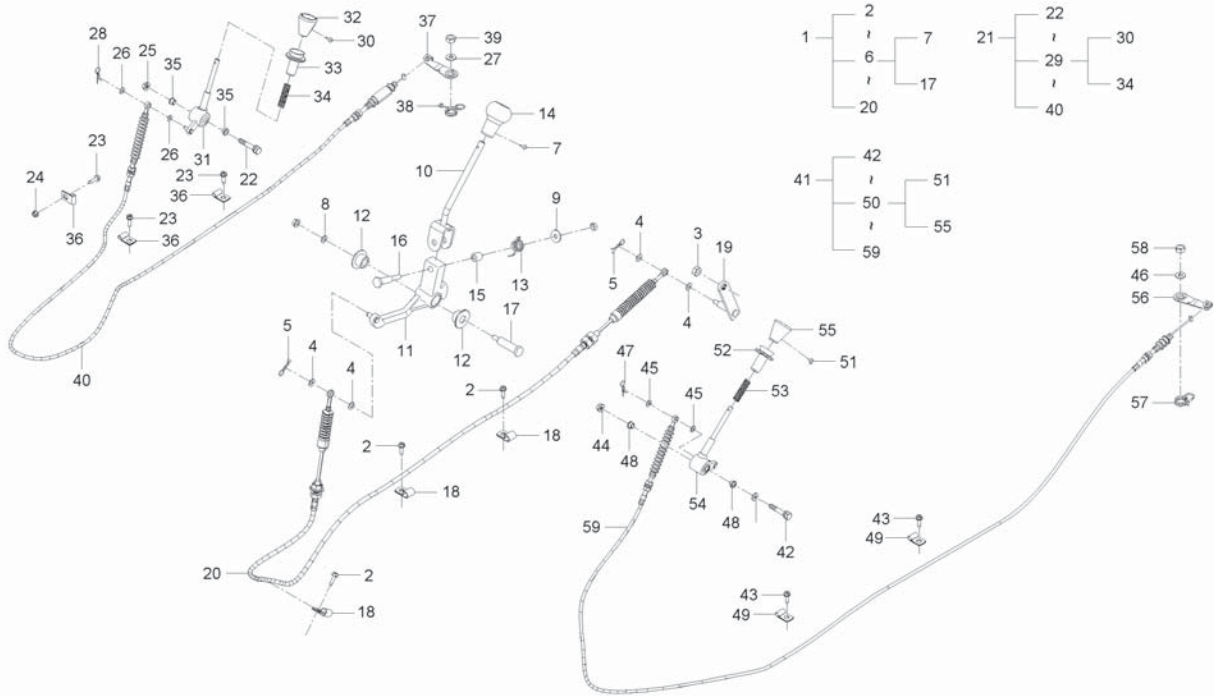
----- Old replace New

<-X-> Not interchangeable

<-0-> Interchangeable with another part(s)

<---- New replace Old

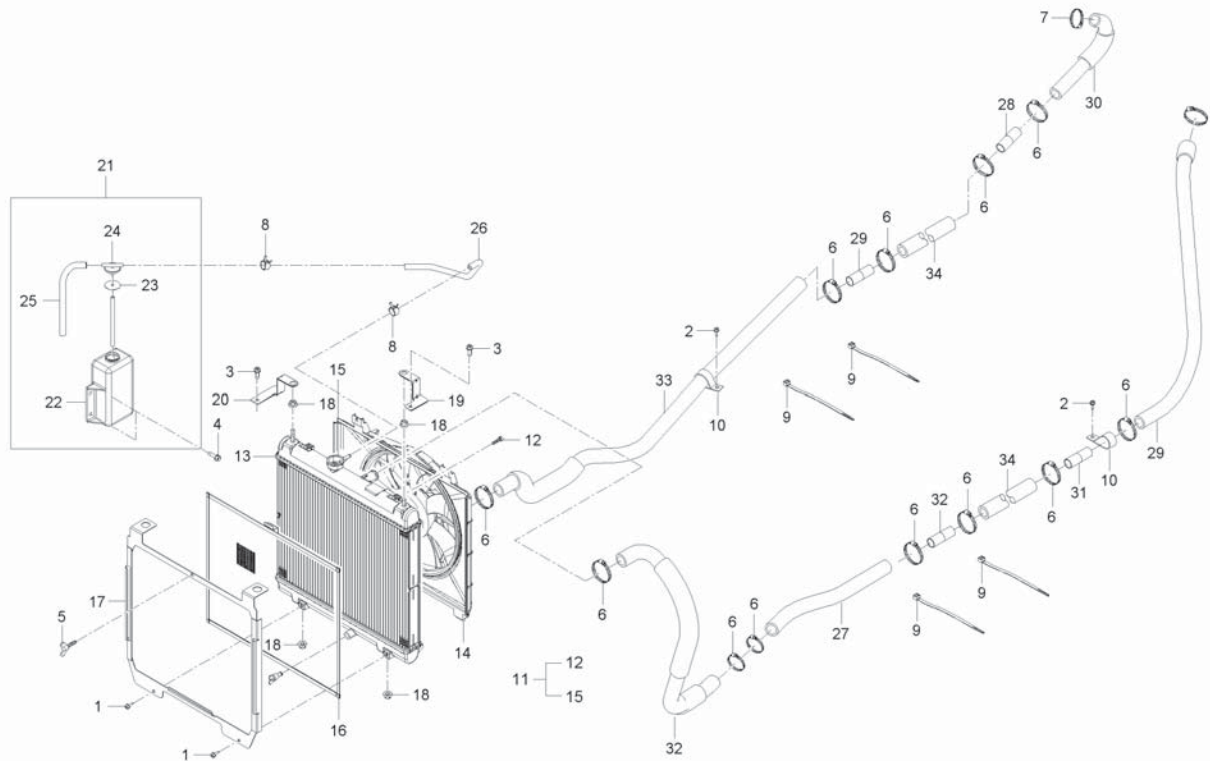
<---- Interchangeable



A : 1600XD4

No.	Part Number	Description	Q'TY					I.C	Remark
			A	B	C	D	E		
58	U3215-50801	NUT, LOCK	1						
59	U3350-44511	Cable Assy -Diff. Lock	1						

----> Old replace New
 <-X-> Not interchangeable
 <-0-> Interchangeable with another part(s)
 <---- New replace Old
 <---- Interchangeable



A : 1600XD4

No.	Part Number	Description	Q'TY					I.C	Remark
			A	B	C	D	E		
1	01205-50612	BOLT, WASHER	2						
2	01754-50612	BOLT, FLANGE	4						M6*1.0
3	01754-50816	BOLT, FLANGE	2						M8*P1.25
4	01754-50820	FLANGE BOLT	2						M8*P1.25
5	01811-50610	BOLT, WING	1						
6	09318-87040	CLMAP, HOSE	13						
7	09318-87051	HOSE CLAMP	1						
8	14911-4275-1	CLIP, TUBE	2						
9	T2198-82551	BAND,CORD	4						
10	T4686-50963	HOSE CLAMP	4						
11	U3215-77101	RADIATOR ASSY	1						
12	AA0000191	BOLT	2						
13	U3215-77201	RADIATOR	1						
14	U3215-77401	FAN SHIROUD MOTER ASSY	1						
15	U3215-77501	Radiator Cap	1						
16	U3215-77302	Net-Radiator	1						
17	U3215-77351	Bracket Assy-Net, Radiator	1						
18	U3215-77701	BUSHING, RADIATOR	4						
19	U3215-77901	BRACKET, UPPER MOUNTING, LH	1						

----> Old replace New

<-X-> Not interchangeable

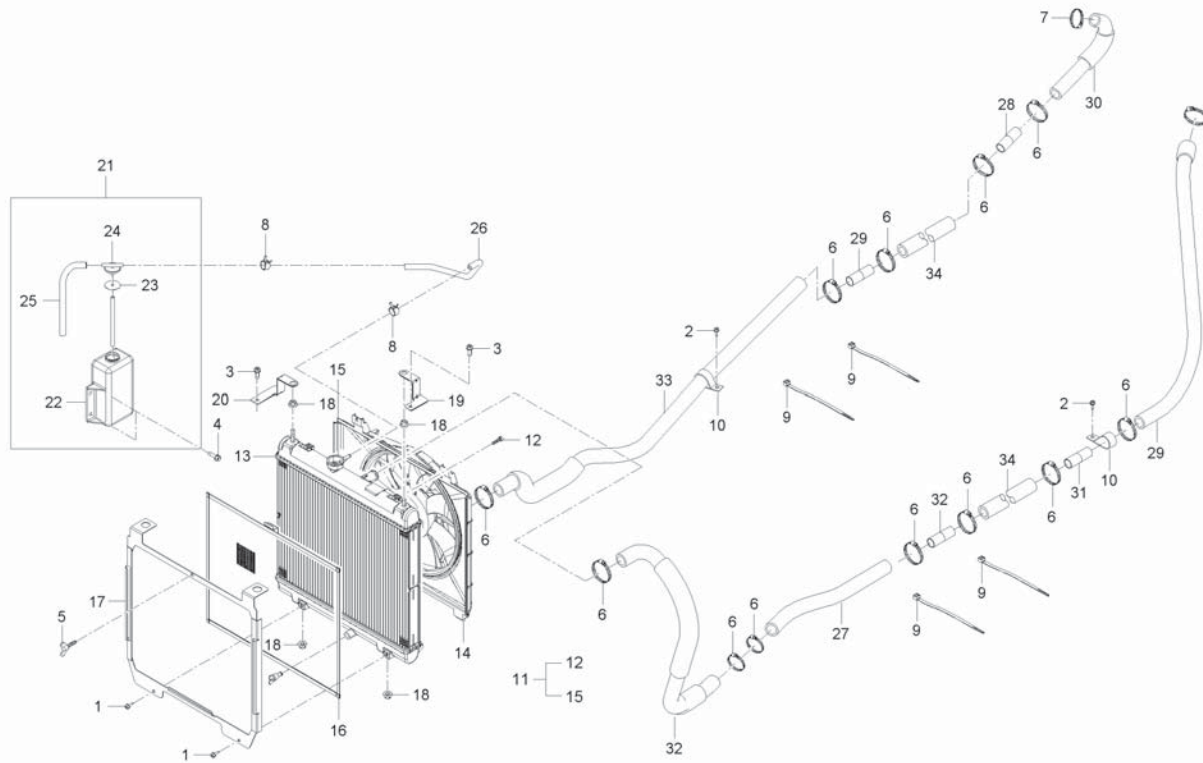
<-0-> Interchangeable with another part(s)

<---- New replace Old

<---- Interchangeable

U3350-G490A

RADIATOR GROUP



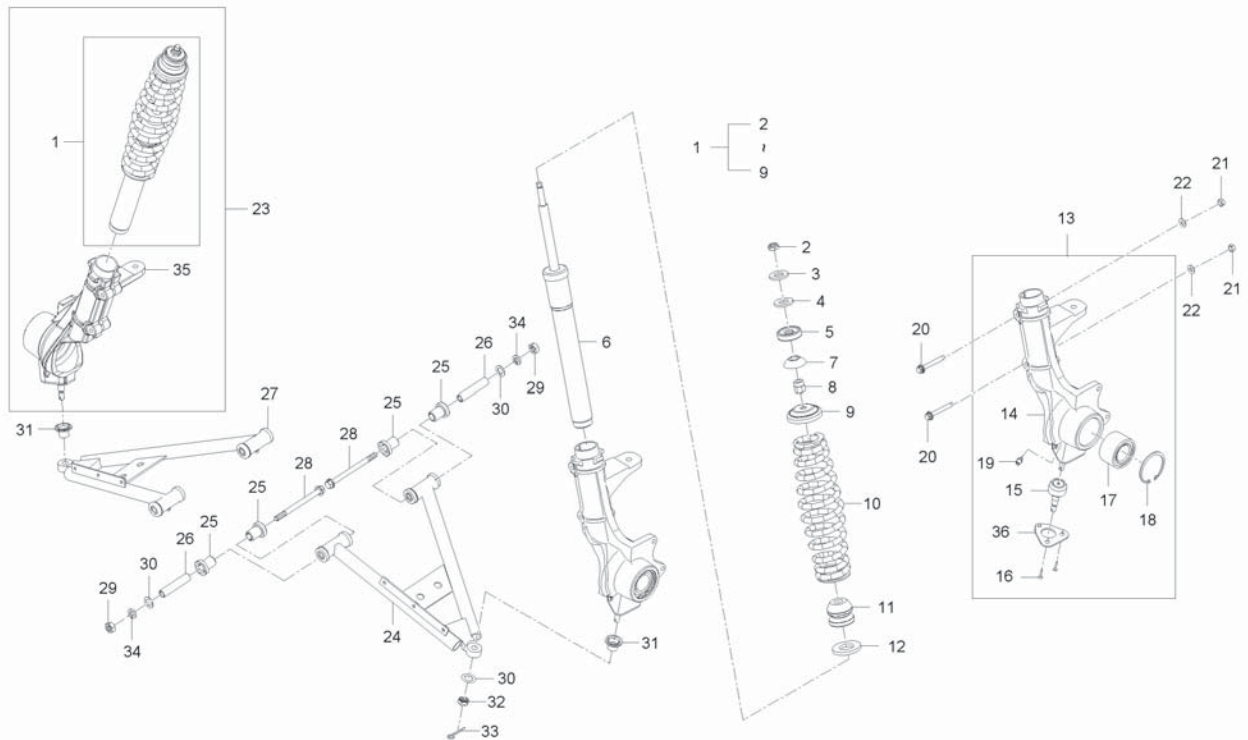
A : 1600XD4

No.	Part Number	Description	Q'TY					I.C	Remark
			A	B	C	D	E		
20	U3215-77921	BRACKET, UPPER MOUNTING, RH	1						
21	U3215-77954	RESERVOIR ASSY	1						
22	T2350-13612	TANK, WATER	1						
23	15532-7243-2	PACKING	1						
24	15531-7242-2	CAP	1						
25	T2350-13602006	HOSE	1						
26	U3215-78001	HOSE, OVERFLOW	1						
27	U3215-78151	HOSE, INLET CTR	1						
28	U3215-78202	Connector - Cooling Hose	2						
29	U3215-78301	HOSE, INLET REAR	1						
30	U3215-78501	OUTLET REAR HOSE ASSY	1						
31	U3215-78601	Connector A - Cooling Hose	2						
32	U3215-78801	INLET, FRONT HOSE ASSY	1						
33	U3215-79001	OUTLET FRONT HOSE ASSY	1						
34	U3350-49101	HOSE	2						

<---> Old replace New
 <-X-> Not interchangeable
 <-0-> Interchangeable with another part(s)
 <---> New replace Old
 <---> Interchangeable

U1-U0500A

Front Suspension Group(STD)



A : 1600XD4

No.	Part Number	Description	Q'TY					I.C	Remark
			A	B	C	D	E		
1	U3215-50011	STRUT ASSY, FRT	1						
2	U3215-50171	NUT, STRUT TOP MTG	1						
3	U3215-50111	WASHER	1						
4	U3215-50121	SPACER, RUBBER	1						
5	U3215-50131	BALL, UPR STRUT UPR MTG	1						
6	U3215-50101	SHK/ABS ASSY, FR	1						
7	U3215-50141	BALL, LWR STRUT UPR MTG	1						
8	U3215-50151	COLLAR	1						
9	U3215-50211	SPRG SEAT, UPR FR	1						
10	U3215-50201	FRICITION SPRING	1						
11	U3215-50401	BUMP STOPPER	1						
12	U3215-50221	SPRG SEAT, LWR FR	1						
13	U3215-50308	Kunckle Assy-FR-LH	1						
14	U3215-50316	Knuckle-LH	1						
15	U3215-50322	BOLL JOINT ASSY, FR LWR	1						
16	03016-50620	BOLT	3						M6XP1.0
17	U3215-50331	HUB BEARING, FR	1						
18	04611-00650	SNAP RING	1						
19	06613-10675	GREASE NIPPLE	1						M6XP0.75

----- Old replace New

<-X-> Not interchangeable

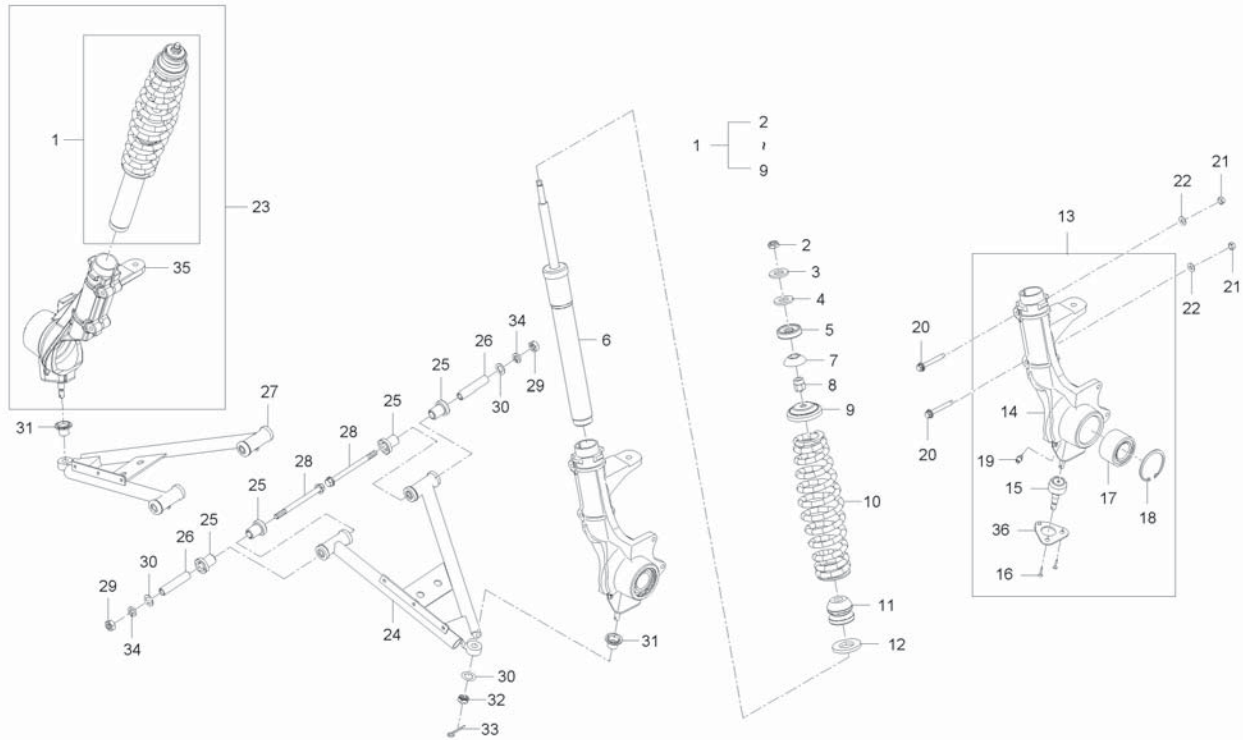
<-0-> Interchangeable with another part(s)

<---- New replace Old

<---- Interchangeable

U1-U0500A

Front Suspension Group(STD)



A : 1600XD4

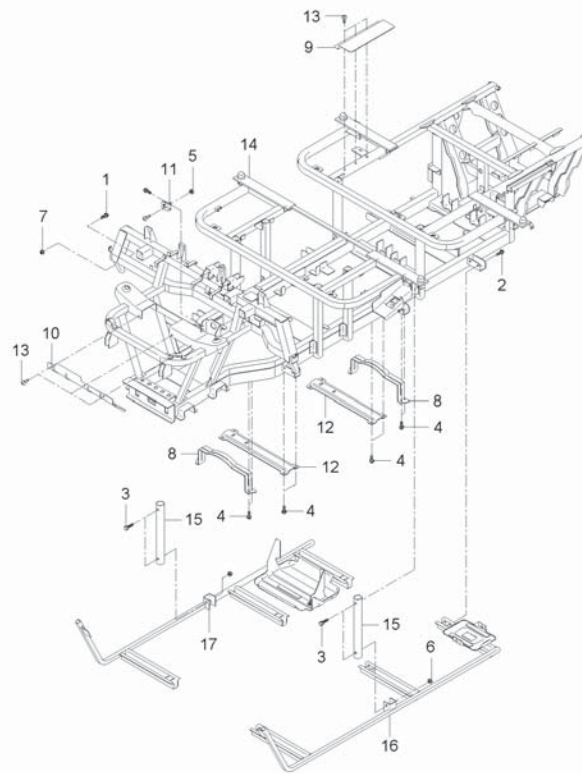
No.	Part Number	Description	Q'TY					I.C	Remark
			A	B	C	D	E		
20	01125-50860	BOLT, WASHER	2						
21	02156-50080	NUT	2						M8XP1.25
22	04013-50080	WASHER	2						M8
23	U3215-51008	Strut Assy-FR-RH-Complete	1						
24	U3210-52105	Arm-Lwr-FR-LH	1						
25	U3215-52201	BUSHING, ARM	4						
26	U3215-52301	BUSH	2						
27	U3210-52505	Arm Assy-LWR-FR-RH	1						
28	U3210-50511	BOLT	4						
29	02176-50100	NUT	4						M10X1.25
30	04013-50100	WASHER, PLAIN	6						M10
31	U3215-50551	BOOT, BALL JOINT	2						
32	02376-50100	NUT, CASTLE	2						
33	05511-50318	PIN, SPLIT	2						
34	04512-50100	WASHER, SPRING	4						M10
35	U3215-51316	Knuckle-RH	1						
36	U3215-50502	BRACKET, B/JOINT	1						

<---> Old replace New
 <-X-> Not interchangeable
 <-0-> Interchangeable with another part(s)

<---> New replace Old
 <---> Interchangeable

U3350-G500A

FRAME

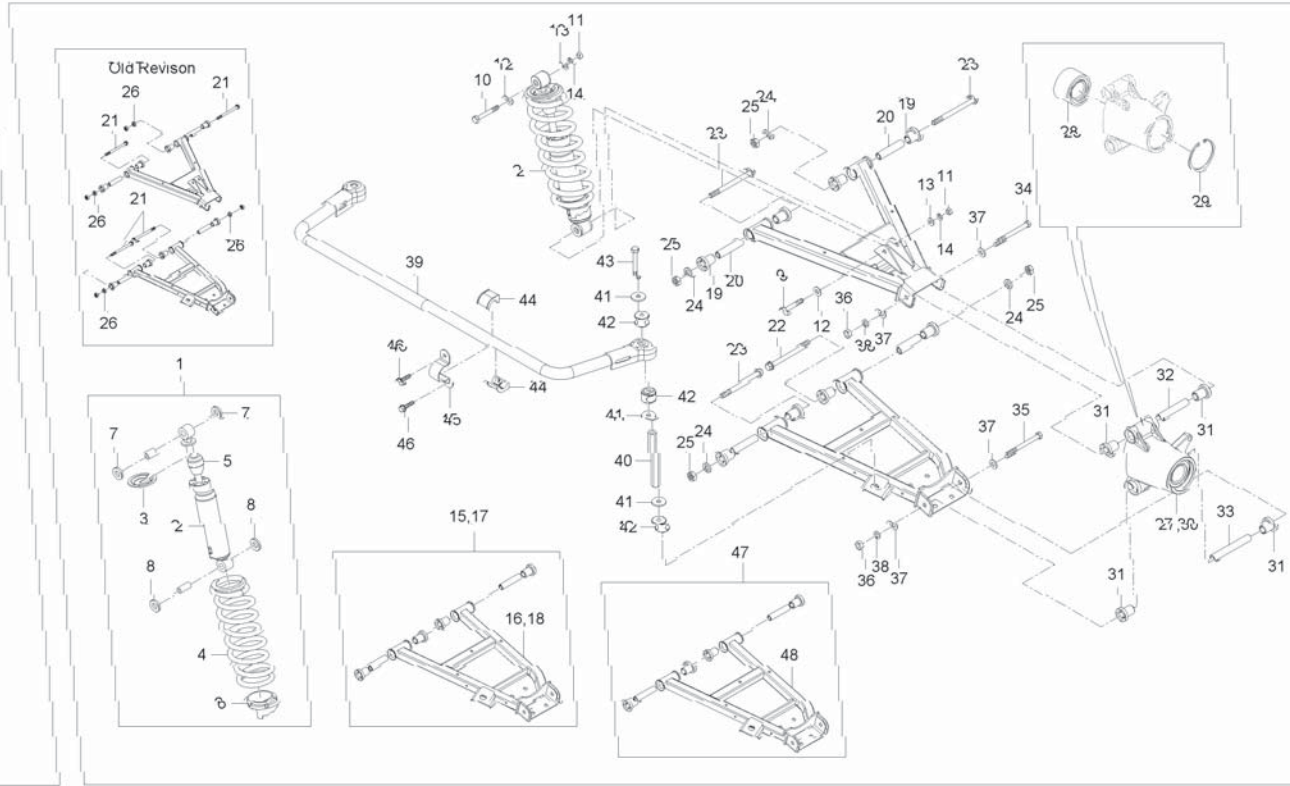


A : 1600XD4

No.	Part Number	Description	Q'TY					I.C	Remark
			A	B	C	D	E		
1	01125-50818	BOLT, WASHER	4					M8P1.25	
2	01125-50860	BOLT, WASHER	12						
3	01125-50870	BOLT	4						
4	01774-51020	BOLT, FLANGE	16					M10P1.25	
5	02761-50060	FLANGE NUT	1					M6XP1.0	
6	02763-50080	FLANGE NUT	4					M8XP1.25	
7	02763-50080B	FLANGE NUT	4						
8	U3210-21641	Main Floor Support	2						
9	U3210-27101	COVER, COOLING FAN	1						
10	U3210-27522	HEAT-PROTECTOR BRKT	1						
11	U3210-27601	Stay Rod BRKT	1						
12	U3210-27902	Member No.1 Lower Middle Assy	2						
13	U3215-81552	Screw (Black)	9						
14	U3350-50004	FRAME	1						
15	U3350-50111	FRAME, CONN-VERTICAL	2						
16	U3350-56002	Support Floor Frame Assy LH	1						
17	U3350-57002	Support Floor Frame Assy RH	1						

----> Old replace New
 <-X-> Not interchangeable
 <-0-> Interchangeable with another part(s)

<---- New replace Old
 <---- Interchangeable



A : 1600XD4

No.	Part Number	Description	Q'TY					I.C	Remark
			A	B	C	D	E		
1	U3215-53003	Strut Assy-RR	2						
2	U3215-53102	STRUT ASSY, RR	2						
3	U3215-53203	SPRG SEAT-UPR-RR	2						
4	U3215-53301	FRICTION SPRING	2						
5	U3215-53401	BUMP, STOPPER	2						
6	U3215-53501	SPRG SEAT, LWR FR	2						
7	U3215-53601	BUSHING, RR SHK ABS	2						
8	U3215-53701	BUSHING, LWR_RR SHK/ABS	2						
9	U3215-56651	REAMER BOLT, SUS LWR, REAR (M8)	2						
10	U3215-56631	REAMER BOLT, SUS UPR, REAR (M8)	2						
11	02156-50080	NUT	4						M8XP1.25
12	04013-50100	WASHER, PLAIN	4						M10
13	04013-50080	WASHER	4						M8
14	04512-50080	SPRING WASHER	4						M08
15	U3210-55005	Arm Assy 1-Lwr-RR-LH	1						
16	U3210-55105	Arm Assy-Lwr-RR-LH	1						
17	U3210-55505	Arm Assy 1-Lwr-RR-RH	1						
18	U3210-55605	Arm Assy-Lwr-RR-RH	1						
19	U3215-52202	BUSHING, ARM	4						

----> Old replace New

<-X-> Not interchangeable

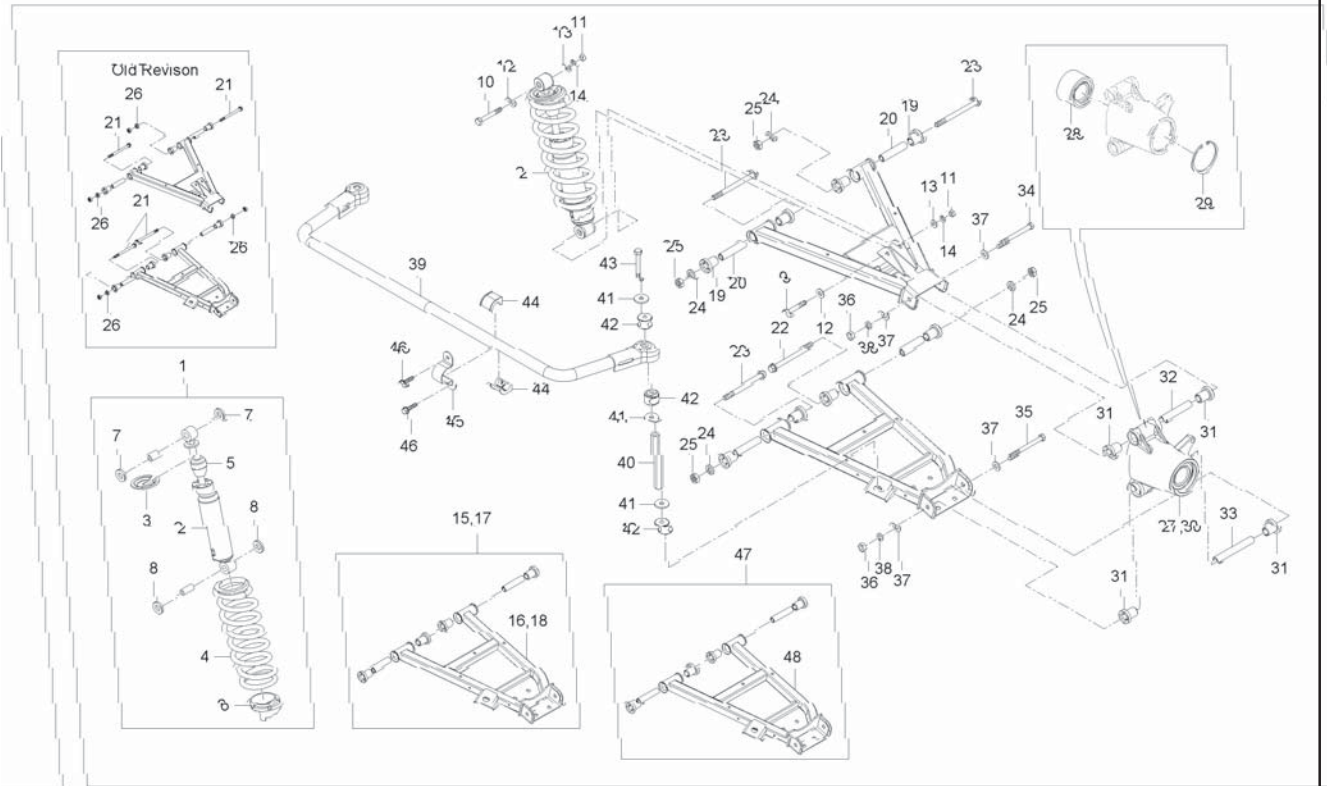
<-0-> Interchangeable with another part(s)

<---- New replace Old

<---- Interchangeable

U1-U0510A

Rear Suspension Group(STD)



A : 1600XD4

No.	Part Number	Description	Q'TY					I.C	Remark
			A	B	C	D	E		
20	U3215-52301	BUSH	2						
21	U3210-50511	BOLT	8						
22	U3215-10031	BOLT	2						
23	U3210-50511	BOLT	6						
24	04512-50100	WASHER, SPRING	8						M10
25	02176-50100	NUT	8						M10X1.25
26	04013-50100	WASHER, PLAIN	8						M10
27	U3215-56005	CARRIER ASSY RR LH	1						
28	U3215-56201	HUB BEARING, RR	1						
29	04611-00750	SNAP RING	1						
30	U3215-56505	CARRIER ASSY RR RH	1						
31	U3215-52202	BUSHING, ARM	4						
32	U3215-56301	TUBE, CARRIER UPR	1						
33	U3215-56401	TUBE, CARRIER LOW	1						
34	U3215-56681	BOLT, UPR ARM MTG TO CARRIER(M10X11	2						
35	U3215-56672	BOLT, LWR ARM MTG TO CARRIER(M10X13	2						
36	02176-50100	NUT	6						M10X1.25
37	04013-50100	WASHER, PLAIN	8						M10
38	04512-50100	WASHER, SPRING	4						M10

----- Old replace New

<-X-> Not interchangeable

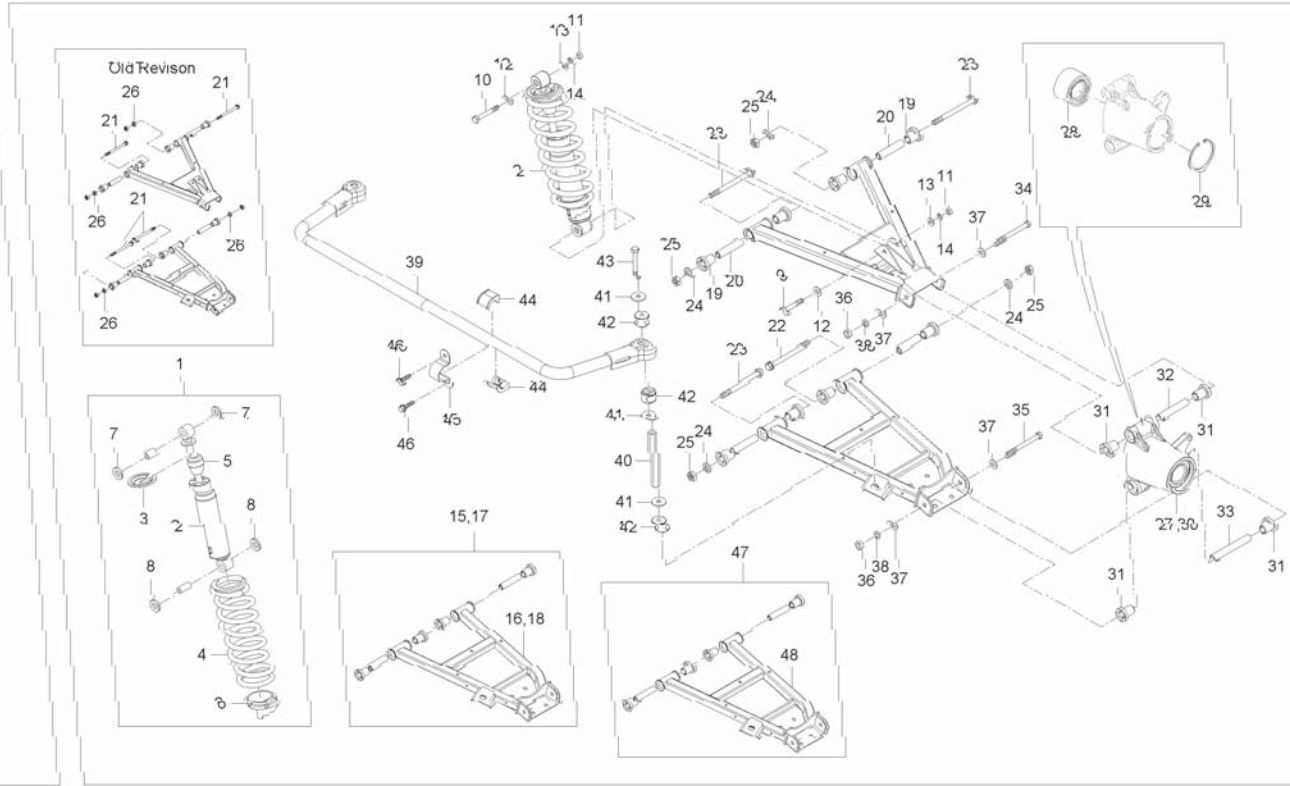
<-0-> Interchangeable with another part(s)

<---- New replace Old

<---- Interchangeable

U1-U0510A

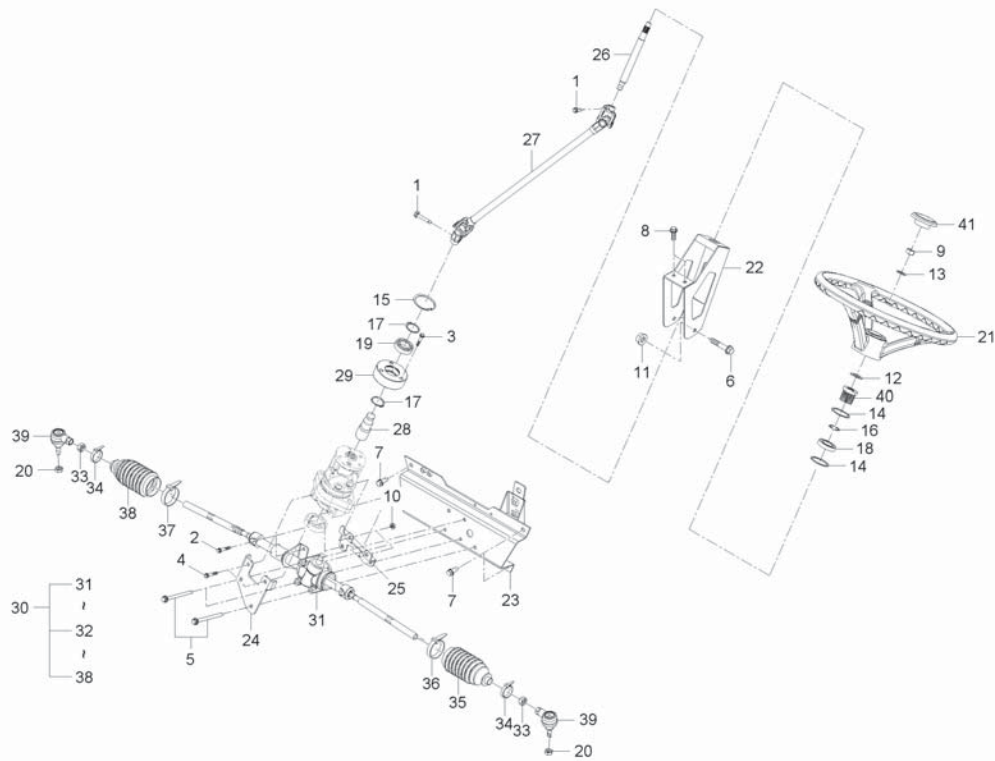
Rear Suspension Group(STD)



A : 1600XD4

No.	Part Number	Description	Q'TY					I.C	Remark
			A	B	C	D	E		
39	U3215-57103	BAR-STABILIZER	1						
40	U3215-57231	STAB BAR LINK	2						
41	U3215-57211	WASHER, STAB BAR	8						
42	U3215-57221	BUSH, STAB BAR	8						
43	01176-51070	BOLT	4						M10*1.25
44	U3215-57301	BUSHING, STAB BAR MTG.	4						
45	U3215-57401	CLAMP, STAB BAR MTG.	2						
46	01125-50820	BOLT, WASHER	4						M8*P1.25
47	U3210-54002	Arm Assy1-UPR-RR	1						
48	U3210-54102	Arm Assy-Upr-RR	2						

<---> Old replace New
 <-X-> Not interchangeable
 <-O-> Interchangeable with another part(s)
 <---> New replace Old
 <---> Interchangeable



A : 1600XD4

No.	Part Number	Description	Q'TY					I.C	Remark
			A	B	C	D	E		
1	01123-50825	BOLT, WASHER	2						M8*P1. 25
2	01125-50820	BOLT, WASHER	4						M8*P1. 25
3	01125-50840	BOLT, WASHER	3						
4	01125-50865	BOLT, WASHER	2						M8 X P1. 25
5	01125-50895	BOLT	3						
6	01125-51035	BOLT	2						
7	01135-51020	BOLT, WASHER	4						M10*1. 25
8	01754-50820	FLANGE BOLT	2						M8*P1. 25
9	02176-50120	NUT	1						M12*1. 25
10	02763-50080	FLANGE NUT	2						M8XP1. 25
11	02783-50100	FLANGE NUT	2						M10XP1. 25
12	04013-50160	WASHER, PLAIN	1						M16
13	04512-50120	WASHER, SPRING	1						M12
14	04611-00320	SNAP RING	2						
15	04611-00400	RING, STOPPER	1						
16	04612-00150	SNAP RING	1						
17	04612-00170	SNAP RING	2						
18	08141-06002	BALL BEARING	1						#6002DD
19	08141-06203	BALL BEARING	1						6203DD

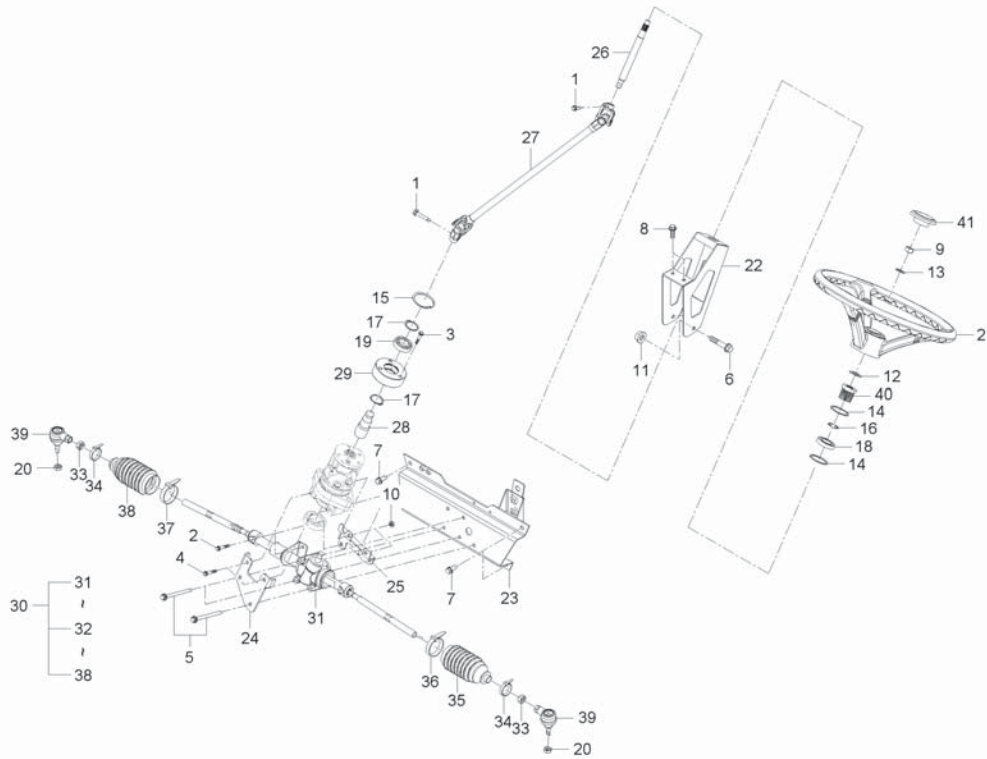
----- Old replace New

<-X-> Not interchangeable

<-0-> Interchangeable with another part(s)

<---- New replace Old

<---- Interchangeable



A : 1600XD4

No.	Part Number	Description	Q'TY					I.C	Remark
			A	B	C	D	E		
20	41182-5151-1	U-NUT	2						
21	T2555-55461	STEERING WHEEL	1						
22	U3210-26202	STEERING COVER ASSY	1						
23	U3210-59123	Brkt - Steering Unit	1						
24	U3210-59152	STEERING BRKT,FRONT	1						
25	U3210-59183	BRACKET REAR,LOWER	1						
26	U3210-59413	A8 FEMALE HALF SHAFT C/W PTO YOKE	1						
27	U3210-59421	JOINT	1						
28	U3210-59431	STEERING SHAFT	1						
29	U3210-59442	Bearing Holder	1						
30	U3215-58005	GEAR BOX ASSY, STEERING	1						
31	U3215-58101	STEERING GEAR BOX	1						
32	U3215-58202	End Assy-Tie Rod	2						
33	U3215-58301	NUT	2						
34	U3215-58401	CLIP, A	2						
35	U3215-58501	BOOT LH	1						
36	U3215-58602	CLIP, B	1						
37	U3215-58702	CLIP, C	1						
38	U3215-58801	BOOT RH	1						

<---> Old replace New

<-X-> Not interchangeable

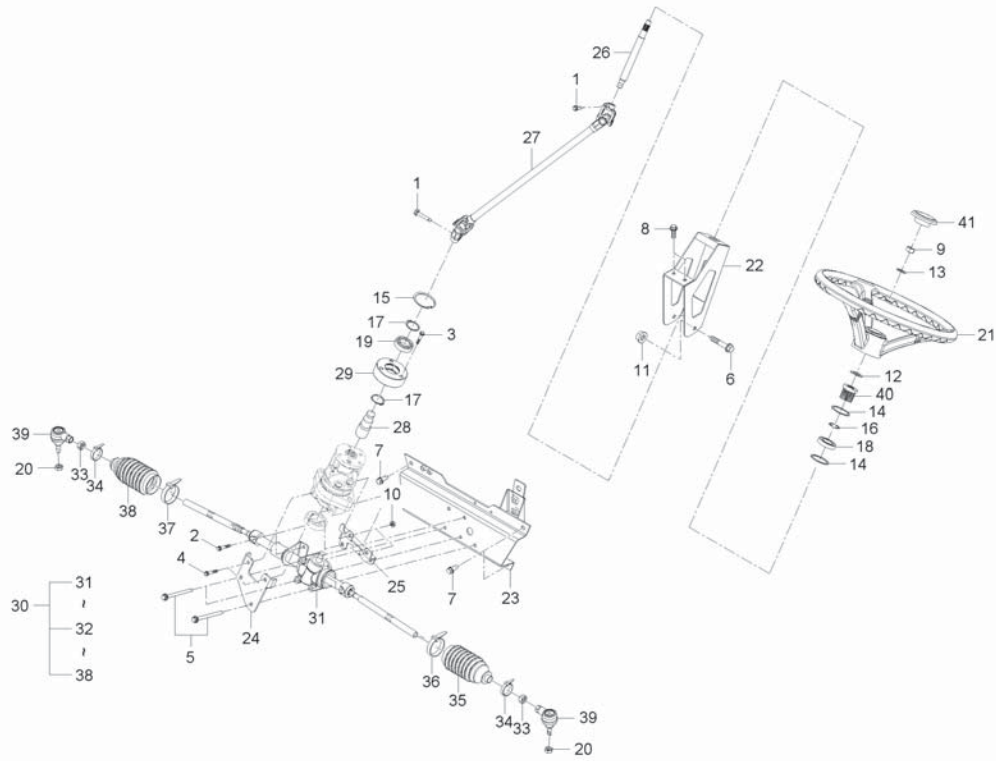
<-0-> Interchangeable with another part(s)

<---> New replace Old

<---> Interchangeable

U1-U0526A

POWER STEERING GROUP

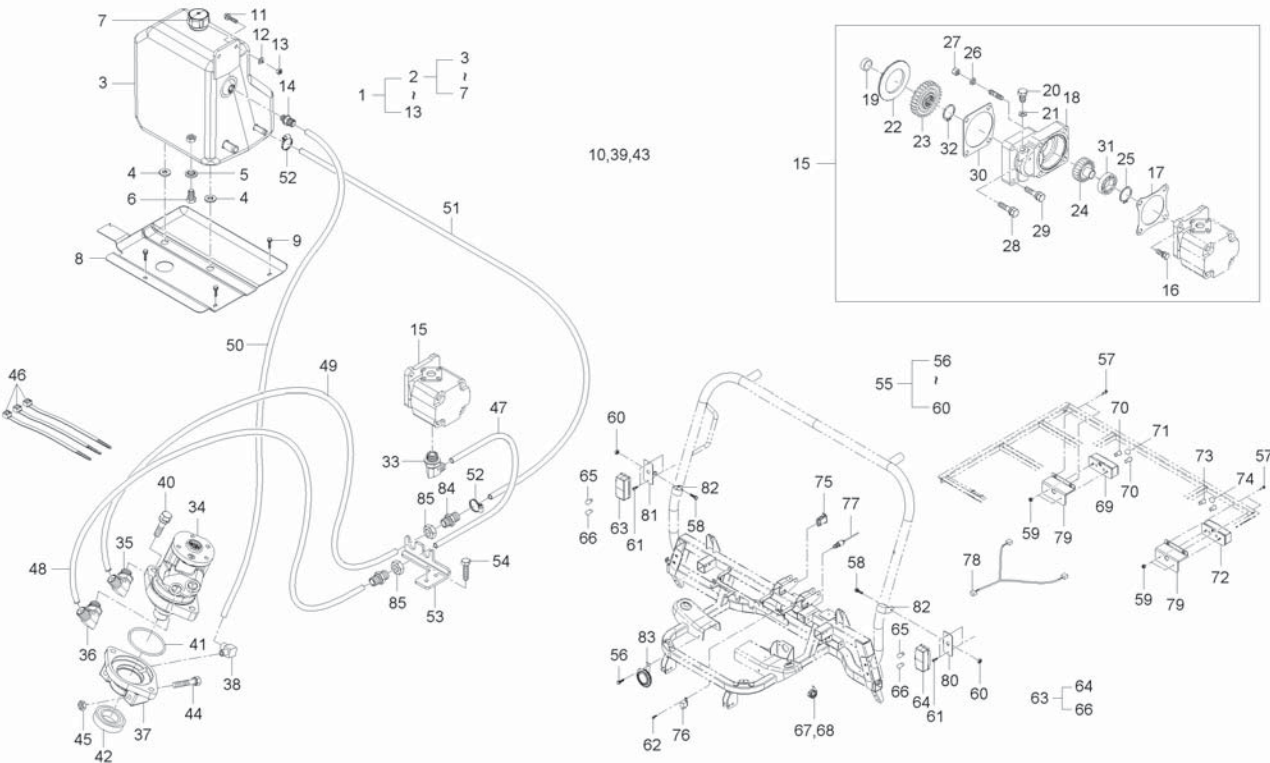


A : 1600XD4

No.	Part Number	Description	Q'TY					I.C	Remark
			A	B	C	D	E		
39	U3215-58252	TIE ROD END ASSY	2						
40	U3215-59031	CUSHION, RUBBER	1						
41	U3235-55461	CAP,HANDLE	1						

----- Old replace New
 <-X-> Not interchangeable
 <-0-> Interchangeable with another part(s)

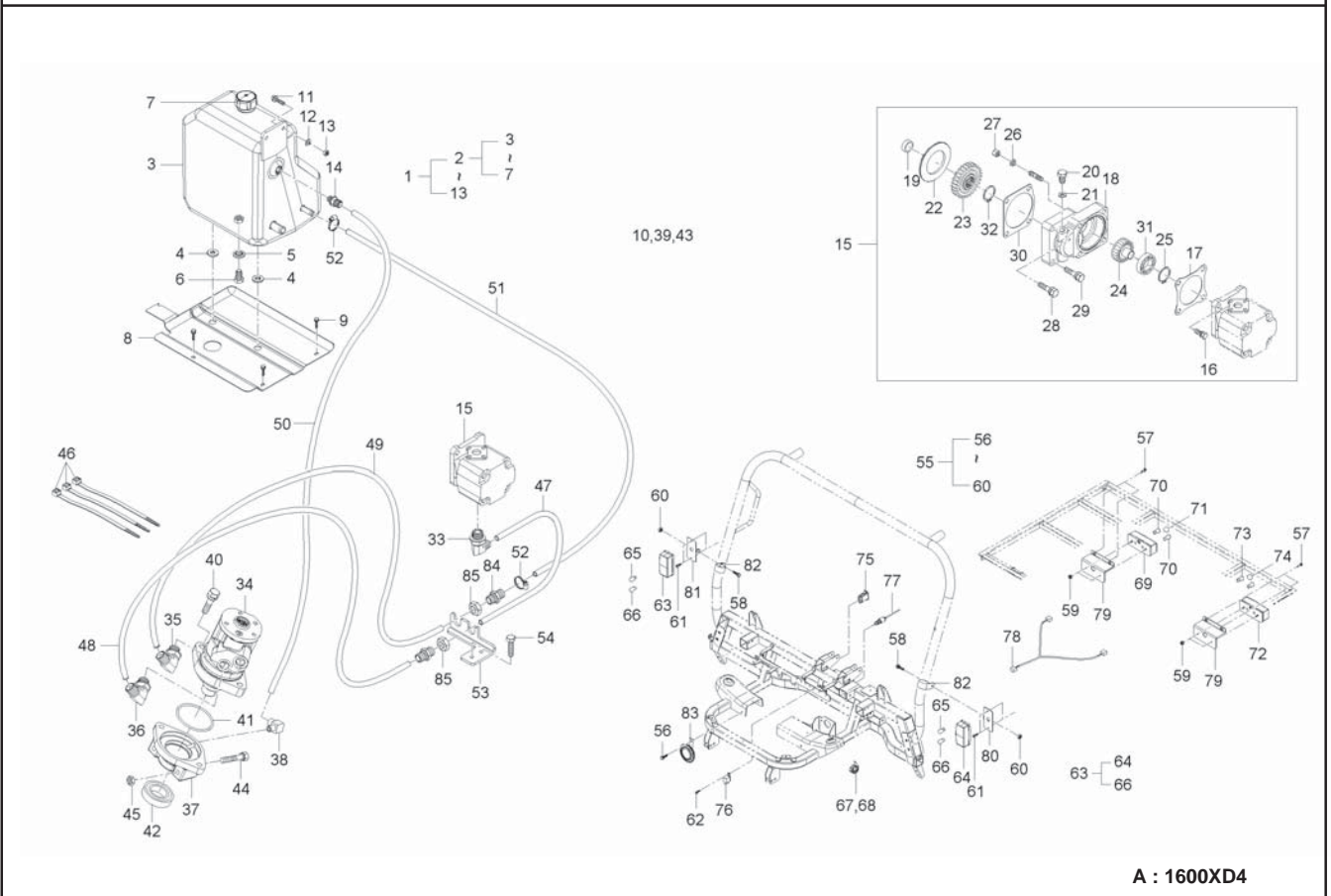
<---- New replace Old
 <---- Interchangeable



A : 1600XD4

No.	Part Number	Description	Q'TY					I.C	Remark
			A	B	C	D	E		
1	U3215-31155	Oil Tank Assy - Hyd.	1						
2	U3215-30003	Tank Complete - Hyd.	1						
3	U3215-31003	Tank Assy - Hyd.	1						
4	U3215-77701	BUSHING, RADIATOR	2						
5	04717-01200	WASHER, SEAL	1						
6	06331-45012	PLUG	1						
7	U3215-31141	TANK CAP ASSY	1						
8	U3215-31052	BRACKET HYD. TANK	1						
9	01025-50618	BOLT	3						M6*P1.0
10	U3215-96511	SCREW, TAPPING	1						
11	01125-50825	BOLT, WASHER	2						M8*1.25
12	04012-50080	WASHER	2						DIA18*T1.2
13	02054-50080	NUT	2						M8*P1.25
14	U3210-34041	CONNECTOR	1						
15	U3215-33301	HYDRAULIC PUMP ASSY	1						
16	01123-50822	BOLT	2						M8XP1.25
17	T2380-87132	GASKET	1						
18	T2368-76001	HOLDER, HYD. PUMP	1						
19	T2350-76041	SPACER, GEAR PUMP	1						

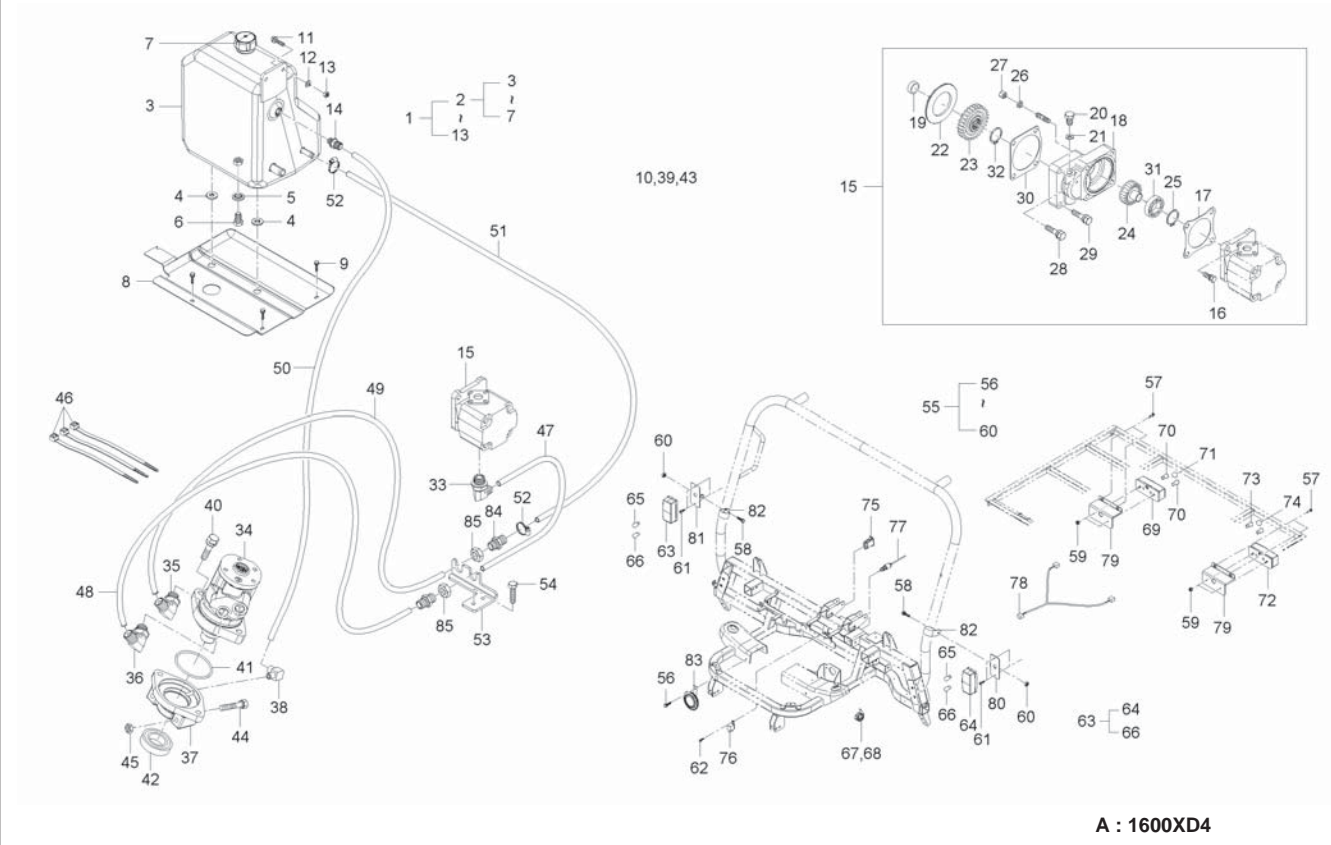
<---> Old replace New
 <-X-> Not interchangeable
 <-0-> Interchangeable with another part(s)
 <---> New replace Old
 <---> Interchangeable



No.	Part Number	Description	Q'TY					I.C	Remark
			A	B	C	D	E		
20	06331-35010	PLUG	2						M6*P1.0
21	04714-00100	PACKING	2						
22	E5205-36481	BUSH	1						
23	T2350-76021	GEAR, 29 PUMP	1						
24	T2350-76031	SHAFT, GEAR 18 GEAR PUMP	1						
25	04612-00190	SNAP RING	1						
26	04512-50080	SPRING WASHER	1						M08
27	02156-50080	NUT	1						M8XP1.25
28	01123-50822	BOLT	1						M8XP1.25
29	01123-50835	BOLT, WASHER	2						M8X1.25
30	E5760-36332	GASKET, FUEL CAMSHAFT COVER	1						
31	08241-05204	BALL BEARING	1						
32	04612-00200	RING, SNAP	1						DIA20
33	T4850-45161	ELBOW	1						
34	U3210-34011	TORQUE GENERATOR	1						
35	U3210-34061	ELBOW	1						
36	T4850-45161	ELBOW	1						
37	U3210-34021	CASE,MIDDLE	1						
38	U3210-34031	ELBOW	1						

----- Old replace New
 <-X-> Not interchangeable
 <-0-> Interchangeable with another part(s)

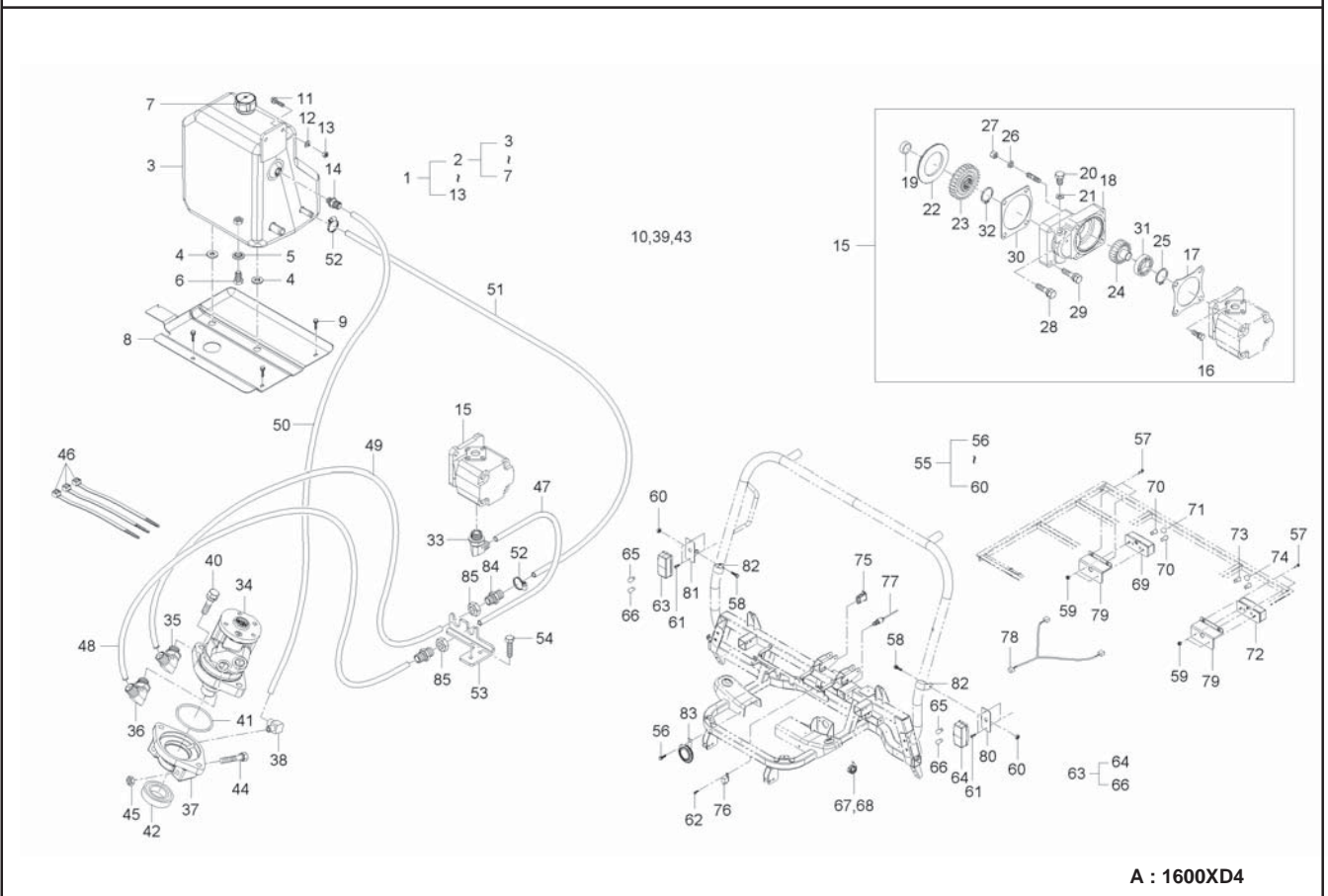
<---- New replace Old
 <---- Interchangeable



A : 1600XD4

No.	Part Number	Description	Q'TY					I.C	Remark
			A	B	C	D	E		
39	04810-00140	O RING	1						1B, P14
40	01125-51035	BOLT	2						
41	04811-10800	O RING	1						
42	09500-35528	SEAL, OIL	1						TC35*52*8
43	04811-00140	O RING	2						
44	01025-50618	BOLT	2						M6*P1.0
45	02176-50100	NUT	1						M10X1.25
46	T2198-82561	BAND,CORD	5						
47	U3210-34111	HOSE P,HYD	1						
48	U3350-61101	HOSE P1,HYD	1						
49	U3350-61201	HOSE C1,HYD	1						
50	U3350-61301	HOSE ASS'Y T	1						
51	U3210-34161	HOSE, RETURN	1						
52	52200-2523-1	BAND, HOSE	2						
53	U3210-34072	BRACKET, HOSE	1						
54	01123-50835	BOLT, WASHER	2						M8X1.25
55	U1-U0980A	OPTIONAL LAMP GROUP	1						
56	01754-50616B	FLANGE BOLT	1						
57	01754-50625B	FLANGE BOLT	4						

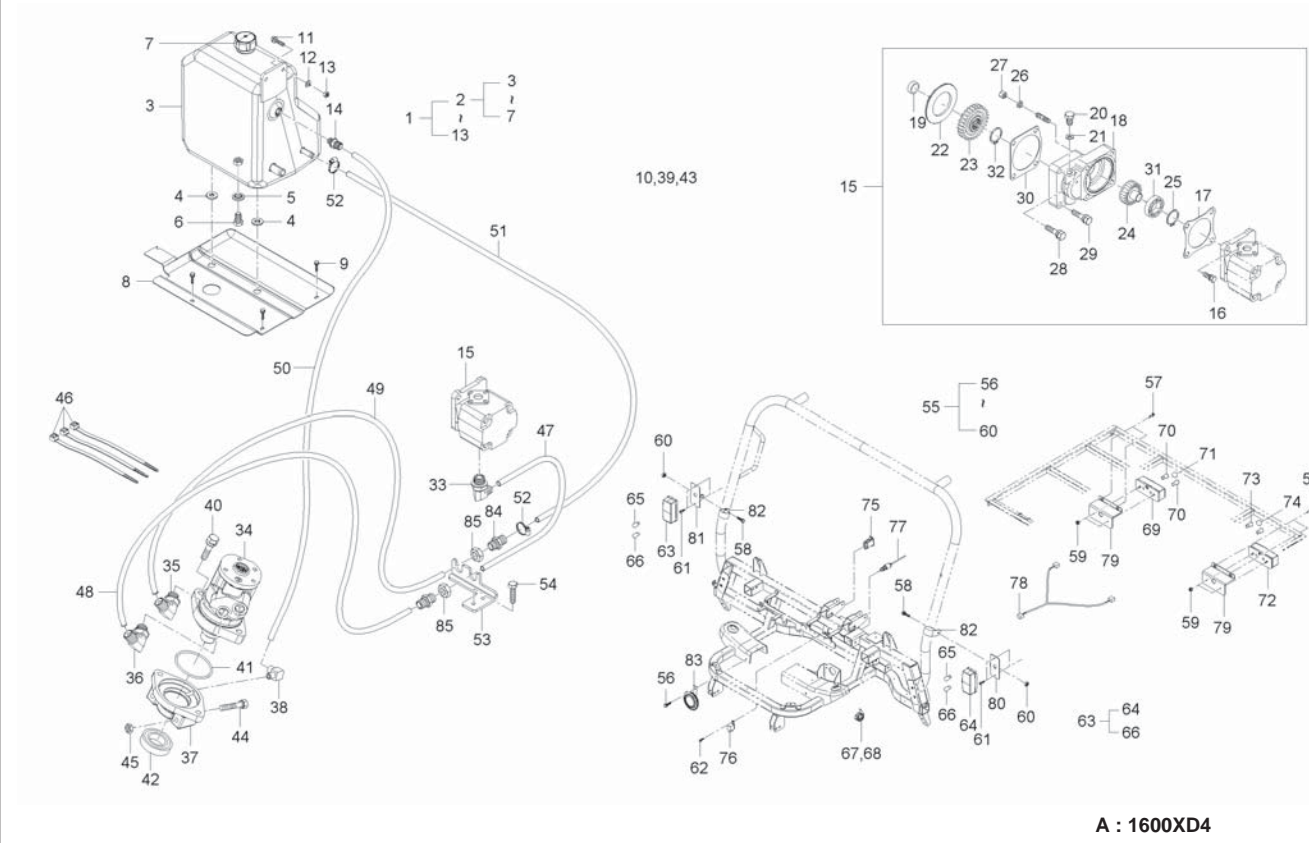
<---> Old replace New
 <-X-> Not interchangeable
 <-0-> Interchangeable with another part(s)
 <---> New replace Old
 <---> Interchangeable



No.	Part Number	Description	Q'TY					I.C	Remark
			A	B	C	D	E		
58	01754-50816B	FLANGE BOLT	2						
59	02761-50040B	FLANGE NUT	4						
60	02763-50080B	FLANGE NUT	2						
61	03054-50412B	BOLT	4						
62	03054-50516B	BOLT	1						
63	T2185-69071	COMBI LIGHT ASSY, FR	2						
64	T2611-69061	LAMP, HAZARD	2						
65	T2611-79011	BULB, 12VXP21W	2						
66	T2611-79041	BULB, 12VXC5W	2						
67	T2185-82561	BAND,CORD	2						
68	T2198-82551	BAND,CORD	7						
69	T2611-75882	REAR LAMP ASSY, RH	1						
70	T2611-79011	BULB, 12VXP21W	2						
71	T2611-79021	BULB,LIGHT(27W)	1						
72	T2611-75892	REAR LAMP ASSY, LH	1						
73	T2611-79011	BULB, 12VXP21W	2						
74	T2611-79021	BULB,LIGHT(27W)	1						
75	T4025-68351	SWITCH, EMERGENCY LAMP	1						
76	T4121-31053	FLASHER UNIT, SENSOR	1						

----- Old replace New
 <-X-> Not interchangeable
 <-0-> Interchangeable with another part(s)

<---- New replace Old
 <---- Interchangeable

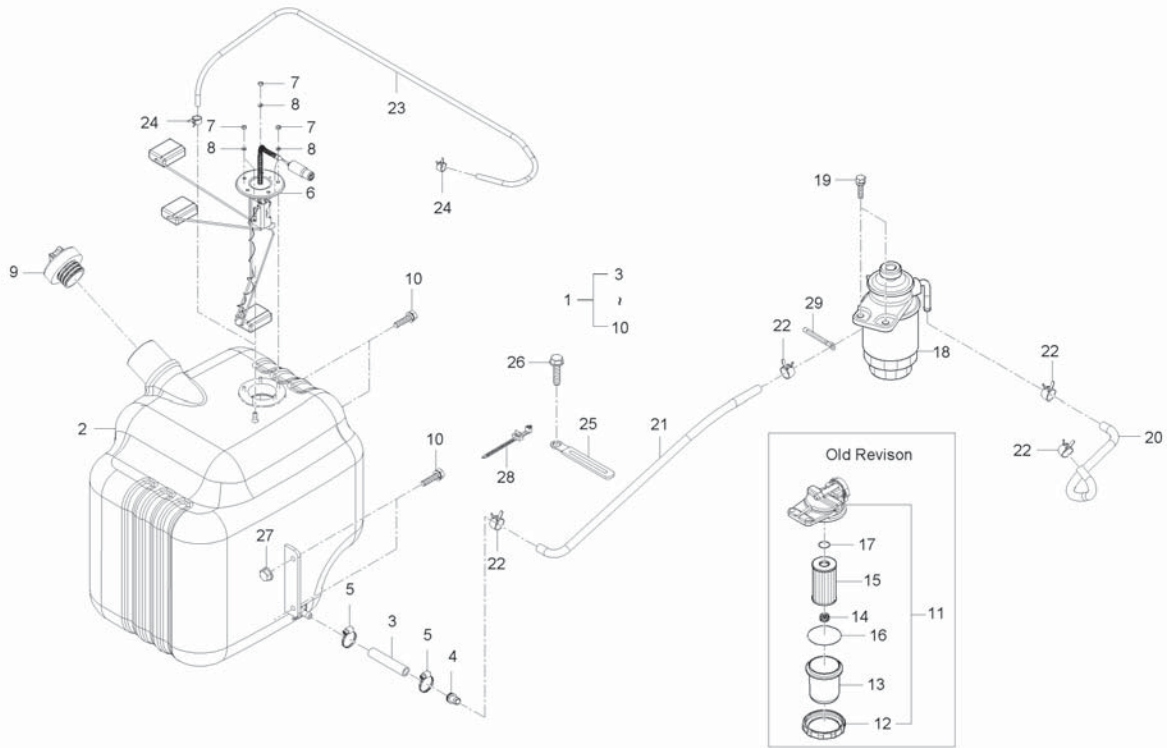


No.	Part Number	Description	Q'TY					I.C	Remark
			A	B	C	D	E		
77	T4520-41821	ASSY SWITCH,STOP	1						
78	U3210-60841	W/Harness-Rear Lamp	1						
79	U3215-60171	COMBI LAMP BRACKET, RR	2						
80	U3215-60341	BRACKET, LH	1						
81	U3215-60351	BRACKET, RH	1						
82	U3215-97111	CLAMP	2						
83	T4144-75952	ASSY HORN	1						
84	U3210-34051	CONNECTOR	1						
85	T4931-48011	NUT	2						

----- Old replace New
 <-X-> Not interchangeable
 <-0-> Interchangeable with another part(s)
 <---- New replace Old
 <---- Interchangeable

U1-U0705A

Fuel System Group



A : 1600XD4

No.	Part Number	Description	Q'TY					I.C	Remark
			A	B	C	D	E		
1	U3215-71011	Fuel Tank Complete	1						
2	U3215-71101	FUEL TANK ASSY	1						
3	U3210-71171	HOSE	1						
4	U3210-71181	Reducer	1						
5	09318-89035	HOSE CLAMP	2						
6	U3215-69922	UNIT, FUEL	1						
7	02054-50040	NUT	5						M4*P0.7
8	04512-50040	WASHER, SPRING	5						M4
9	U3210-71192	ASS'Y, FUEL CAP	1						
10	01754-50820	FLANGE BOLT	4						M8*P1.25
11	T4125-35012	FUEL FILTER ASSY	1						
12	84612-4315-1	NUT	1						
13	T4240-43134	POT, FILTER	1						
14	84612-4393-1	ARM, PIT	1						
15	84612-4316-1	ELEMENT FUEL FILTER	1						
16	04811-00650	O RING	1						
17	04811-10290	O RING	1						
18	T4682-25732	FUEL FILTER ASSY	1						
19	01125-50825	BOLT, WASHER	2						M8*1.25

----- Old replace New

<-X-> Not interchangeable

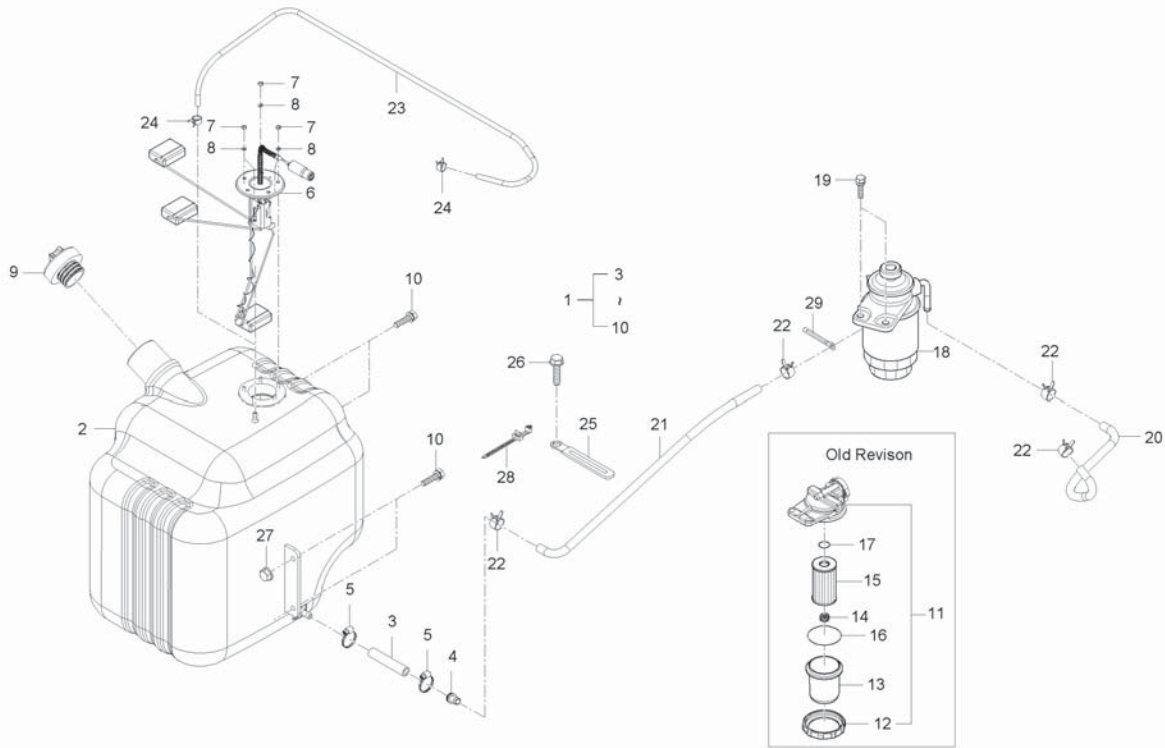
<-0-> Interchangeable with another part(s)

<---- New replace Old

<---- Interchangeable

U1-U0705A

Fuel System Group



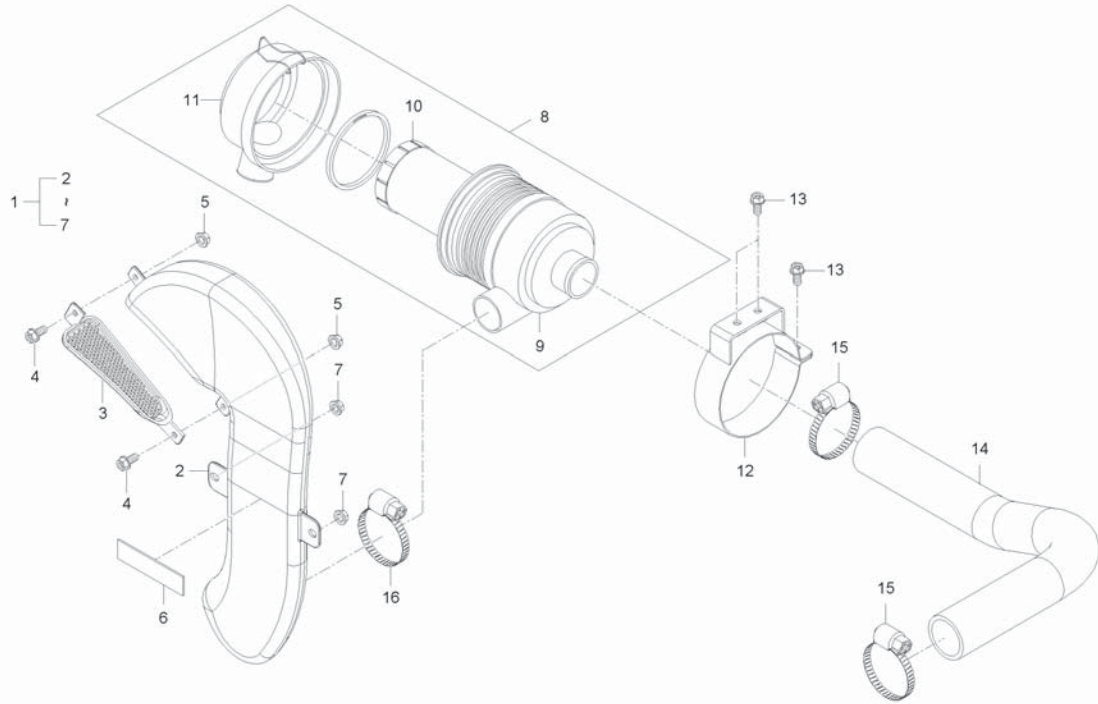
A : 1600XD4

No.	Part Number	Description	Q'TY					I.C	Remark
			A	B	C	D	E		
20	U3215-71381	HOSE, FUEL	1						
21	U3215-71392	HOSE, FILTER TO PUMP	1						
22	14911-4275-1	CLIP, TUBE	4						
23	U3215-71331	HOSE, FUEL RETURN	1						
24	09318-88080	CLMAP, HOSE	2						
25	34150-2939-1	CLAMP, WIRE	1						
26	01754-50612	BOLT, FLANGE	1						M6*1.0
27	02763-50080	FLANGE NUT	4						M8XP1.25
28	T2198-82551	BAND,CORD	1						
29	37150-3447-1	CLAMP,CORD	1						

----> Old replace New
 <-X-> Not interchangeable
 <-0-> Interchangeable with another part(s)
 <---- New replace Old
 <---- Interchangeable

U1-U0710A

Intake System Group

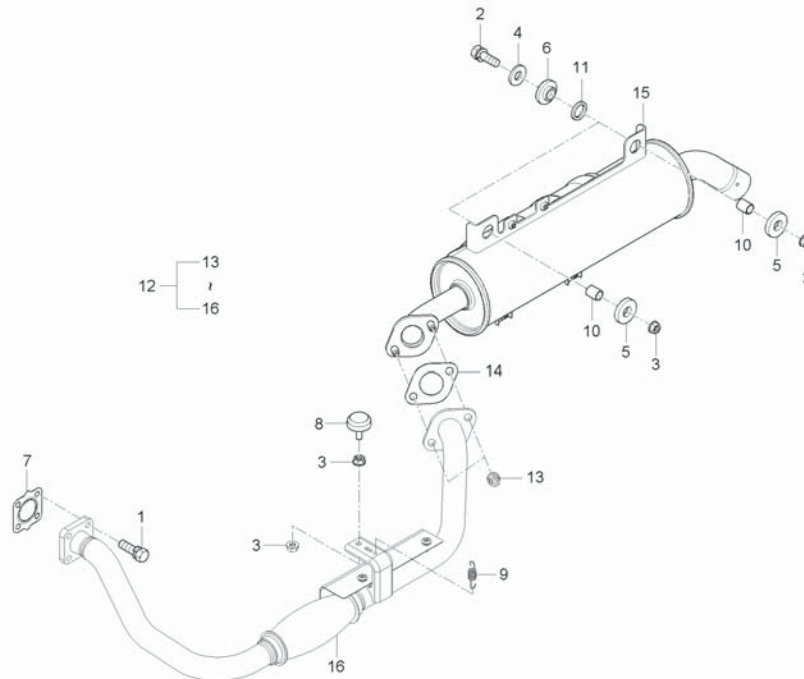


A : 1600XD4

No.	Part Number	Description	Q'TY					I.C	Remark
			A	B	C	D	E		
1	U3215-72611	DUCT ASSY-AIR INTAKE	1						
2	U3215-72622	DUCT, AIR INTAKE	1						
3	U3215-72641	COVER, DUCT	1						
4	U3215-81552	Screw (Black)	2						
5	02761-50060B	FLANGE NUT	2						
6	U3215-72781	INSULATION-DUCT,FRAME	1						
7	02763-50080	FLANGE NUT	2						M8XP1.25
8	T2350-11612	AIR CLEANER ASSY	1						
9	T2350-11631	BODY, AIR CLEANER	1						
10	T2350-11641	ELEMENT ASSY	1						
11	T2350-11651	COVER, AIR CLEANER	1						
12	U3210-73321	Band Assy - Air Cleaner	1						
13	01754-50816	BOLT, FLANGE	3						M8*P1.25
14	U3215-73391	ELBOW HOSE	1						
15	09318-89058	HOSE CLAMP	2						
16	09318-87051	HOSE CLAMP	1						

----- Old replace New
 <-X-> Not interchangeable
 <-0-> Interchangeable with another part(s)

<---- New replace Old
 <---- Interchangeable



A : 1600XD4

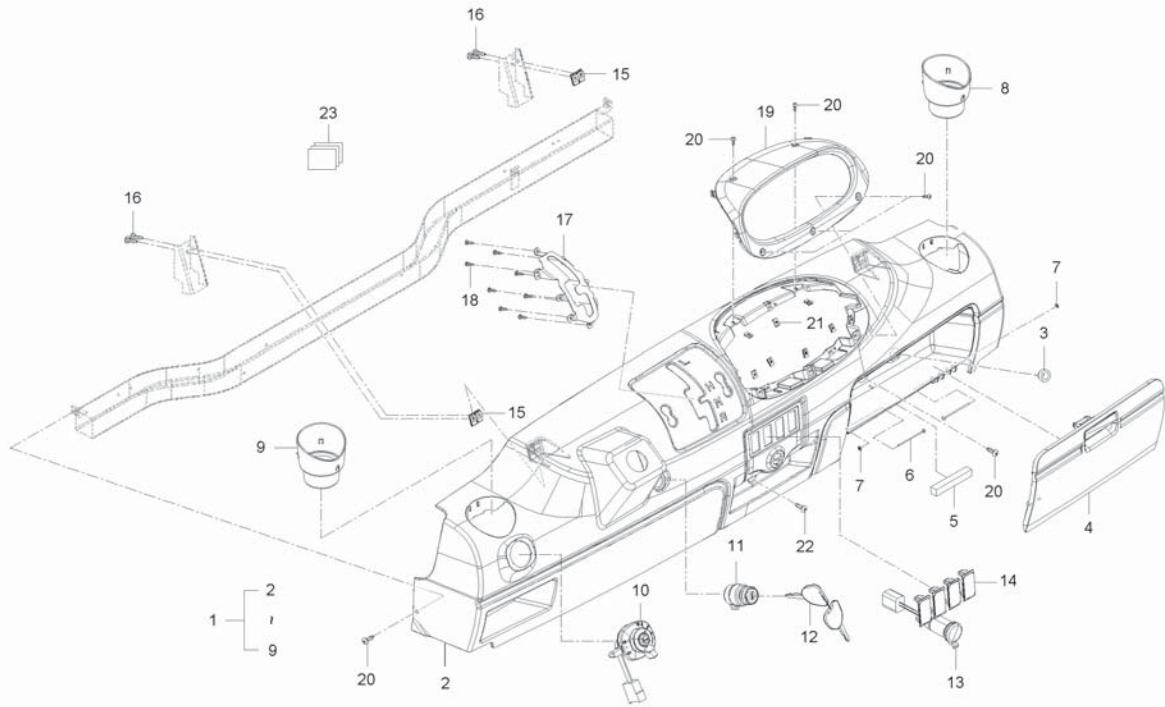
No.	Part Number	Description	Q'TY					I.C	Remark
			A	B	C	D	E		
1	01125-50830	BOLT, WASHER	4						M8*P1.25
2	01123-50845	BOLT, WASHER	2						M8*P1.25
3	02763-50080	FLANGE NUT	4						M8XP1.25
4	04015-50080	WASHER, PLAIN	2						T2.6
5	U3215-75301	WASHER, RUBBER	2						
6	U3215-75401	DAMPENER, VIBRATION	2						
7	U3215-75471	GASKET, EXH, MANIFOLD	1						
8	U3215-75681	DAMPER ASSY, TORSION	1						
9	U3215-76051	SPRING, MOUNTING	1						
10	U3215-76951	BUSH	2						
11	U3215-76971	WASHER	2						
12	U3230-75953	EXHAUST ASSY	1						
13	U3215-76701	NUT, CENTER PIPE	2						
14	U3215-75921	GASKET	1						
15	U3215-75982	Pipe Assy Rear	1						
16	U3230-75962	PIPE ASS'Y FRT	1						

<---> Old replace New
 <-X-> Not interchangeable
 <-0-> Interchangeable with another part(s)

<---> New replace Old
 <---> Interchangeable

U1-U0800A

IP GROUP(KIOTI)



A : 1600XD4

No.	Part Number	Description	Q'TY					I.C	Remark
			A	B	C	D	E		
1	U3215-81005	IP Assy	1						
2	U3215-81102	MAIN INSTRUMENT PANEL	1						
3	U3215-91521	GROMMET RUBBER MOUNT	1						
4	U3215-81303	GLOVE BOX COVER ASSY	1						
5	U3215-86161	STOPPER.SPONGE	1						
6	U3215-81361	PIN	2						
7	U3215-81371	STOPPER, HINGE PIN	2						
8	U3215-81402	CUP HOLDER.LH	1						
9	U3215-86182	CUP HOLDER.RH	1						
10	T2368-69024	ASS'Y COMBINATION SWITCH	1						
11	T4520-75176	SWITCH, STARTER	1						
12	T4625-75191	KEY	1						
13	T4935-92502	SOKET	1						
14	T4025-68301	COVER	4						
15	38245-2925-3	NUT,SPRING	4						
16	U3215-81552	Screw (Black)	8						
17	U3215-86141	BRKT, LEVER,GEAR SHIFT	1						
18	U3215-96402	SCREW	8						
19	U3215-81601	METER CLUSTER BEZEL	1						

----- Old replace New

<-X-> Not interchangeable

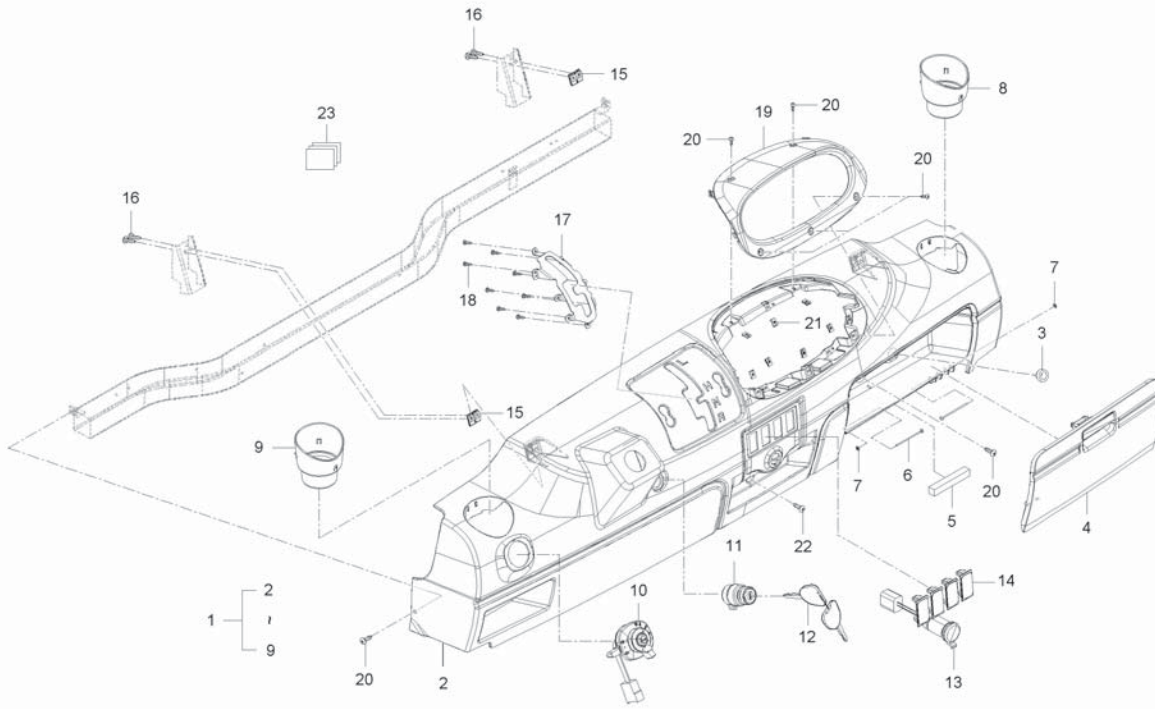
<-0-> Interchangeable with another part(s)

<---- New replace Old

<---- Interchangeable

U1-U0800A

IP GROUP(KIOTI)



A : 1600XD4

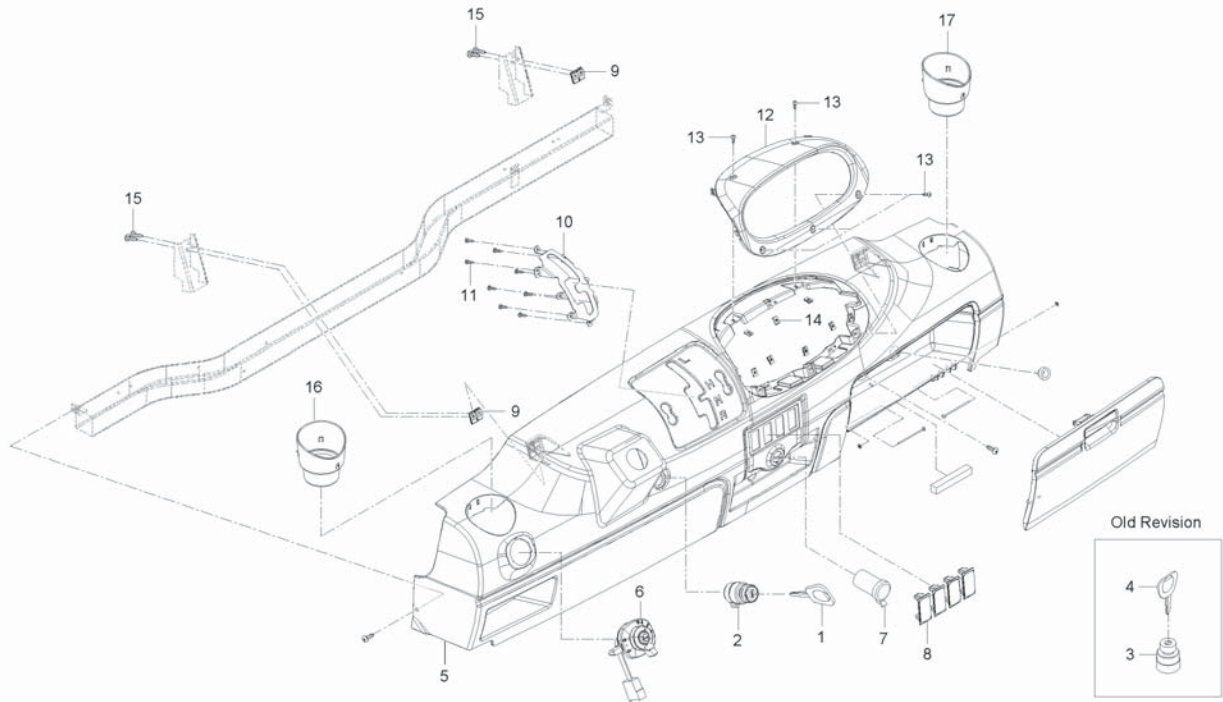
No.	Part Number	Description	Q'TY					I.C	Remark
			A	B	C	D	E		
20	U3215-96502	Screw_Meter Cluster(Tapping, Black)	5						
21	U3215-96151	NUT, SPRING	8						
22	U3215-81552	Screw (Black)	1						
23	U3215-81151	LABEL	1						

----> Old replace New
 <-X-> Not interchangeable
 <-0-> Interchangeable with another part(s)

<---- New replace Old
 <---- Interchangeable

U1-U0802A

IP Group



A : 1600XD4

No.	Part Number	Description	Q'TY					I.C	Remark
			A	B	C	D	E		
1	T2616-75191	KEY	1						
2	T4520-75176	SWITCH, STARTER	1						
3	T5515-75172	ASSY SWITCH,STARTER	1						
4	T5517-75192	KEY	1						
5	U3215-81005	IP Assy	1						
6	T2368-69024	ASSY COMBINATION SWITCH	1						
7	T4935-92502	SOKET	1						
8	T4025-68301	COVER	4						
9	38245-2925-3	NUT,SPRING	4						
10	U3215-86141	BRKT, LEVER,GEAR SHIFT	1						
11	U3215-96402	SCREW	8						
12	U3215-81601	METER CLUSTER BEZEL	1						
13	U3215-96502	Screw_Meter Cluster(Tapping, Black)	5						
14	U3215-96151	NUT, SPRING	8						
15	U3215-81552	Screw (Black)	8						
16	U3215-81402	CUP HOLDER.LH	1						
17	U3215-86182	CUP HOLDER.RH	1						

----- Old replace New

<-X-> Not interchangeable

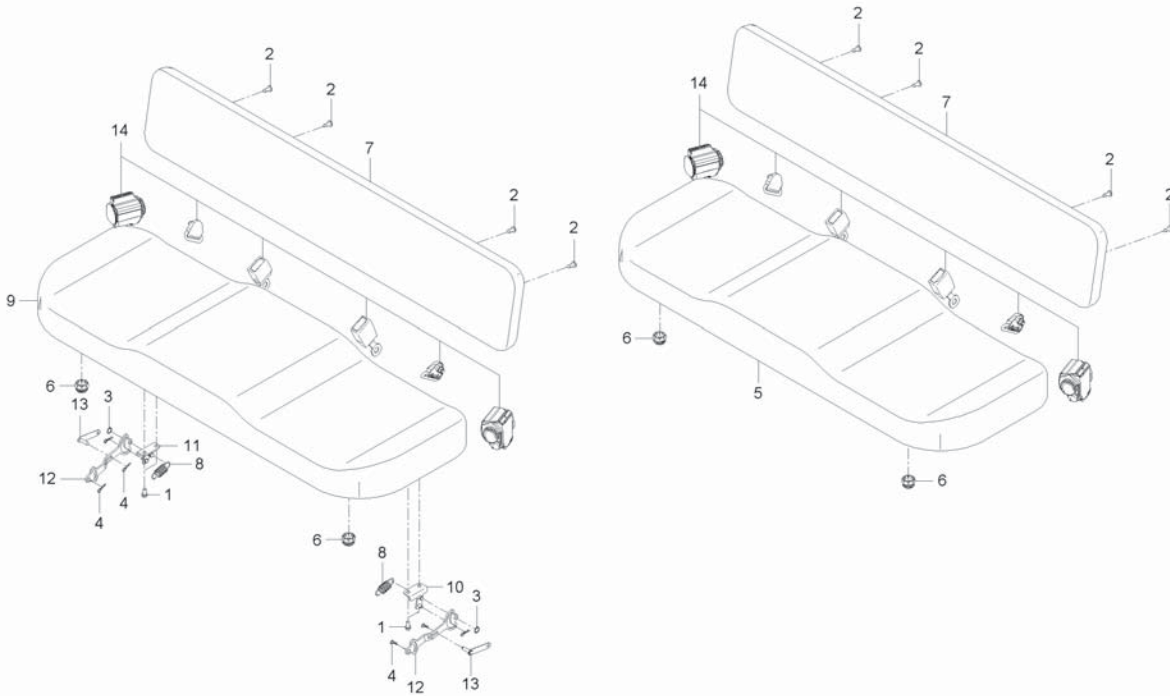
<-0-> Interchangeable with another part(s)

<----- New replace Old

<----- Interchangeable

U3350-G830A

SEAT GROUP

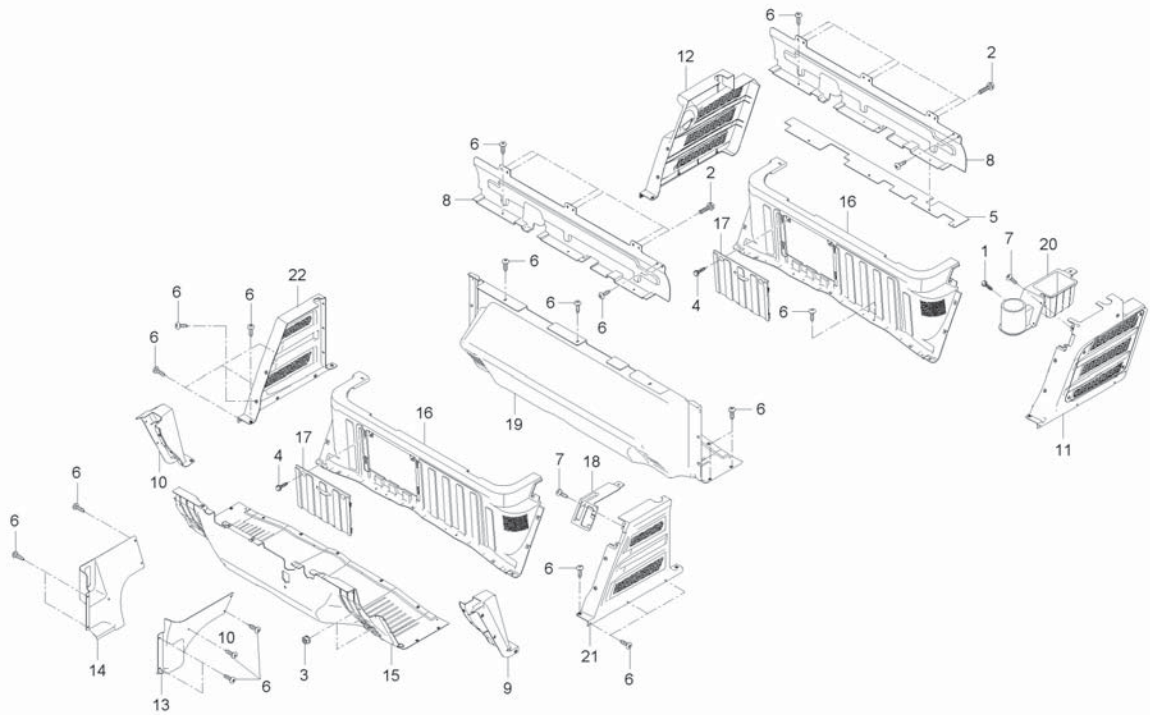


A : 1600XD4

No.	Part Number	Description	Q'TY					I.C	Remark
			A	B	C	D	E		
1	01123-50818	BOLT, WASHER	4						M8*P1.25
2	01754-50816B	FLANGE BOLT	8						
3	04612-50080	RING, SNAP	2						D1A08
4	05515-50600	PIN, SNAP	6						
5	U3215-83002	SEAT CUSHION ASSY	1						
6	U3215-83701	SEAT RUBBER MOUNT	4						
7	U3215-84002	SEAT BACK ASSY	2						
8	U3350-10011	SPRING	2						
9	U3350-83001	Seat Cushion Ass'y	1						
10	U3350-83201	BRACKET	1						
11	U3350-83251	BRACKET	1						
12	U3350-83311	BRACKET	2						
13	U3350-83331	BRACKET	2						
14	U3350-83701		2						

<---> Old replace New
 <-X-> Not interchangeable
 <-0-> Interchangeable with another part(s)

<---> New replace Old
 <---> Interchangeable



A : 1600XD4

No.	Part Number	Description	Q'TY					I.C	Remark
			A	B	C	D	E		
1	01053-50620	BOLT	1						M6*P1.0
2	01754-50816	BOLT, FLANGE	12						M8*P1.25
3	02761-50060B	FLANGE NUT	6						
4	53415-4128-1	BOLT	4						
5	U3210-27662	SEAT BACK PLATE	1						
6	U3215-81552	Screw (Black)	79						
7	U3215-81561	SCREW	6						
8	U3215-83653	Cover - Seat Back, RR	2						
9	U3215-92101	FENDER FRONT LH	1						
10	U3215-92201	FENDER FRONT RH	1						
11	U3215-92352	FENDER	1						
12	U3215-92402	FENDER MIDDLE OUTER RH	1						
13	U3215-92701	PANEL WHEEL WELL LH	1						
14	U3215-92801	PANEL WHEEL WELL RH	1						
15	U3215-93001	MAIN FLOOR ASSY FR	1						
16	U3215-93051	MAIN FLOOR ASSY RR	2						
17	U3215-93402	OIL CHECK COVER ASS'Y	2						
18	U3215-93511	COVAR, PARKING LEVER	1						
19	U3350-84101	FLOOR PANEL	1						

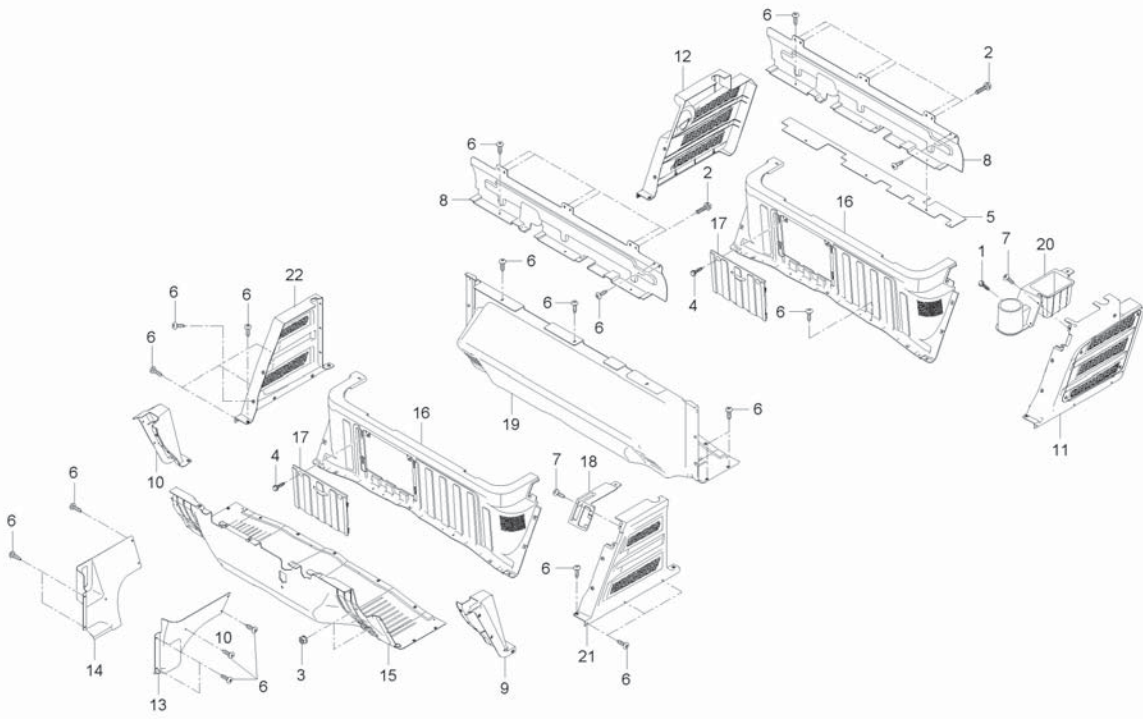
----- Old replace New
 <-X-> Not interchangeable
 <-0-> Interchangeable with another part(s)

<- - - - - New replace Old
 <- - - - - Interchangeable

CHASSIS

U3350-G840A

MOLDING GROUP



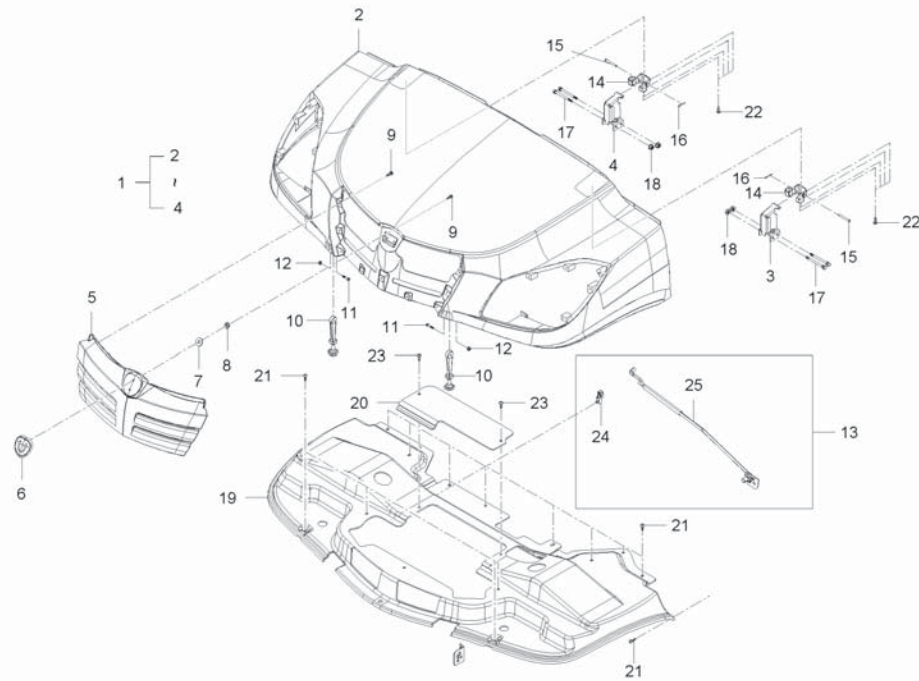
A : 1600XD4

No.	Part Number	Description	Q'TY					I.C	Remark
			A	B	C	D	E		
20	U3350-84201	Parking Lever Cover	1						
21	U3350-84301	FENDER	1						
22	U3350-84401	FENDER	1						

----> Old replace New <---- New replace Old
 <-X-> Not interchangeable <----> Interchangeable
 <-0-> Interchangeable with another part(s)

U1-U0910A

HOOD GROUP

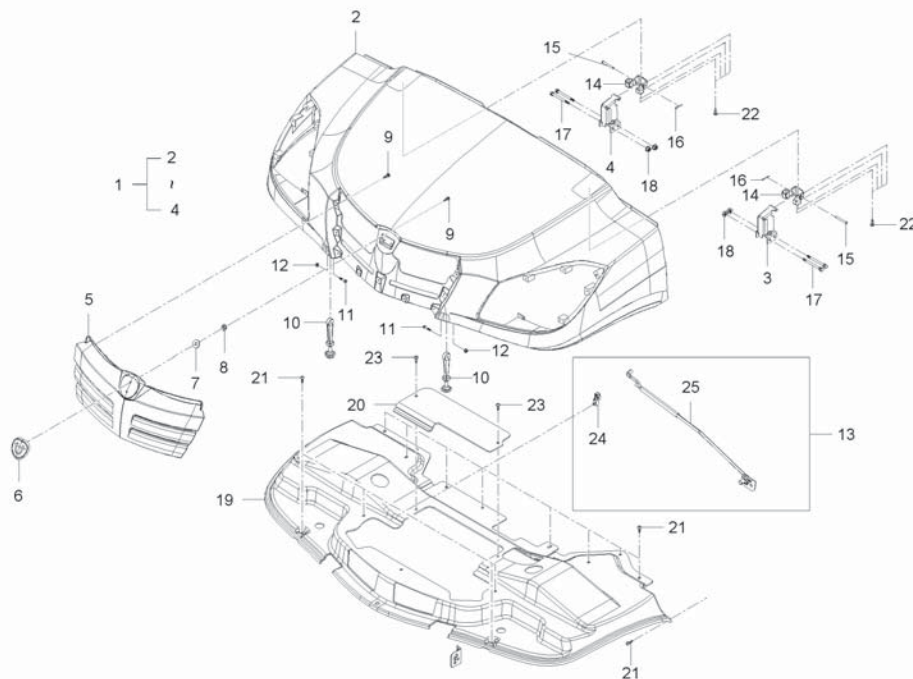


A : 1600XD4

No.	Part Number	Description	Q'TY					I.C	Remark
			A	B	C	D	E		
1	U3215-91003	Hood Assy(ORANGE)	1						
2	U3215-91102	HOOD	1						
3	U3215-91202	Hood Hinge LH Assy	1						
4	U3215-91902	Hood Hinge RH Assy	1						
5	U3215-91401	GRILL ASSY	1						
6	T2185-51462	EMBLEM	1						
7	82KC-0641	PLATE,RUBBER	2						
8	T4620-50701	MOUNTING PLATE	2						
9	38240-1883-1	SCREW	11						
10	U3215-91301	STRAP,HOOD LATCH	2						
11	01754-50625	BOLT, FLANGE	2						7T
12	02761-50060	FLANGE NUT	2						M6XP1.0
13	U3215-96361	ASSY SUPPORT	1						
14	U3215-91852	HOOD HINGE BRKT	2						
15	05122-50650	JOINT PIN	2						
16	05511-50210	PIN, SPLIT	2						
17	01125-50870	BOLT	4						
18	02763-50080	FLANGE NUT	4						M8XP1.25
19	U3215-91512	HOOD LINER	1						

----- Old replace New
 <-X-> Not interchangeable
 <-0-> Interchangeable with another part(s)

<- - - - - New replace Old
 <- - - - - Interchangeable



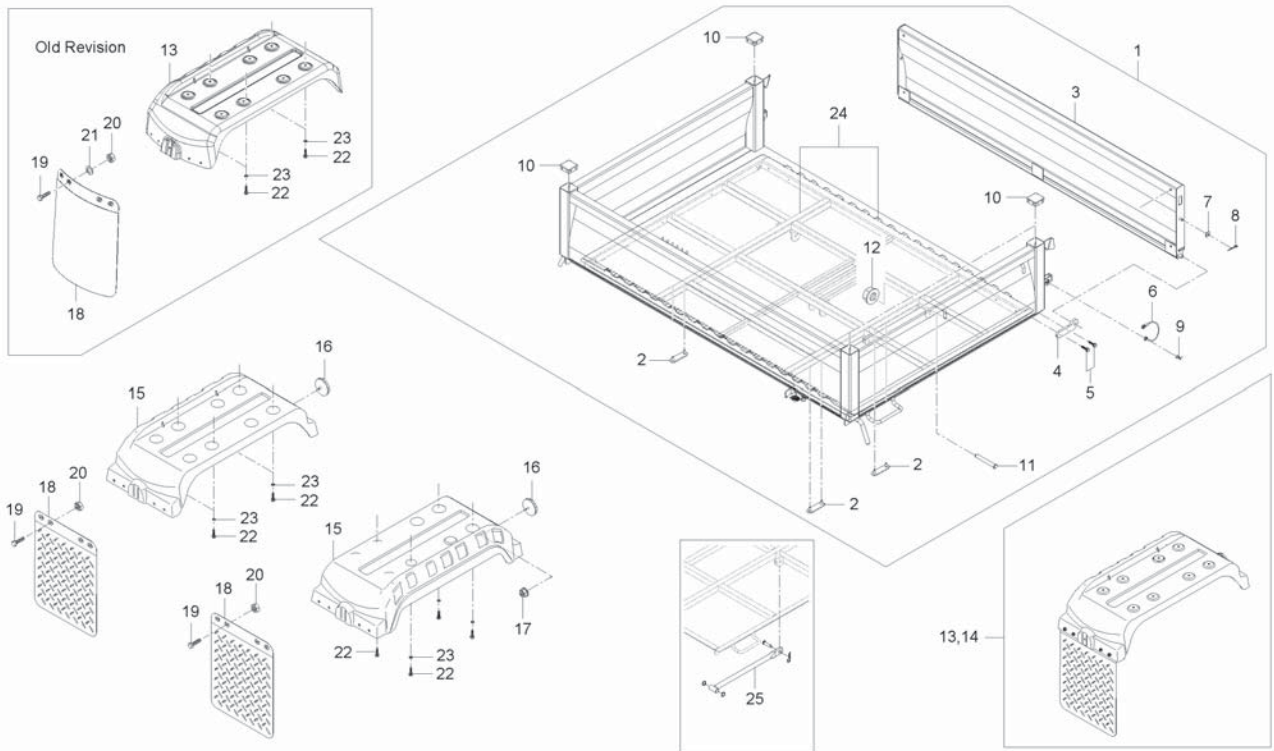
A : 1600XD4

No.	Part Number	Description	Q'TY					I.C	Remark
			A	B	C	D	E		
20	U3215-91351	COVER, HOOD LINER	1						
21	U3215-81552	Screw (Black)	7						
22	01754-50616B	FLANGE BOLT	6						
23	U3215-81552	Screw (Black)	5						
24	U3215-91371	GRIP	1						
25	U3215-91381	ROD	1						

----> Old replace New
 <-X-> Not interchangeable
 <-0-> Interchangeable with another part(s)
 <- - - - - New replace Old
 <- - - - - Interchangeable

U1-U0922A

Deck Group(STD-BLACK)



A : 1600XD4

No.	Part Number	Description	Q'TY					I.C	Remark
			A	B	C	D	E		
1	U3219-9800B	Deck Assy(BLACK)	1						
2	U3210-99251	Deck Under Bumper	4						
3	U3219-99304	Tailgate Assy(BLACK)	1						
4	U3219-99721	BRACKET	2						
5	01123-50825	BOLT, WASHER	4						M8*P1.25
6	U3210-99733	STOP ROPE	2						
7	U3210-99751	REAMER BOLT WASHER	2						
8	05511-50218	PIN, SPLIT	2						DIA2*18
9	05525-50800	PIN, SNAP	2						
10	U3210-99793	DECK POLE COVER	4						
11	U3210-99831	REAMER BOLT, FLANGE	2						
12	U3210-99851	U-NUT	2						
13	U3210-99904	Fender Rear Assy(RH)	1						
14	U3210-99974	Fender Rear Assy(LH)	1						
15	U3210-99913	Fender Rear	1						
16	T4144-85721	ASS'Y REFLECTOR	1						
17	02761-50050	FLANGE NUT	1						M5XPO. 8
18	U3210-99952	FENDER	1						
19	01754-50616B	FLANGE BOLT	4						

----- Old replace New

<-X-> Not interchangeable

<-0-> Interchangeable with another part(s)

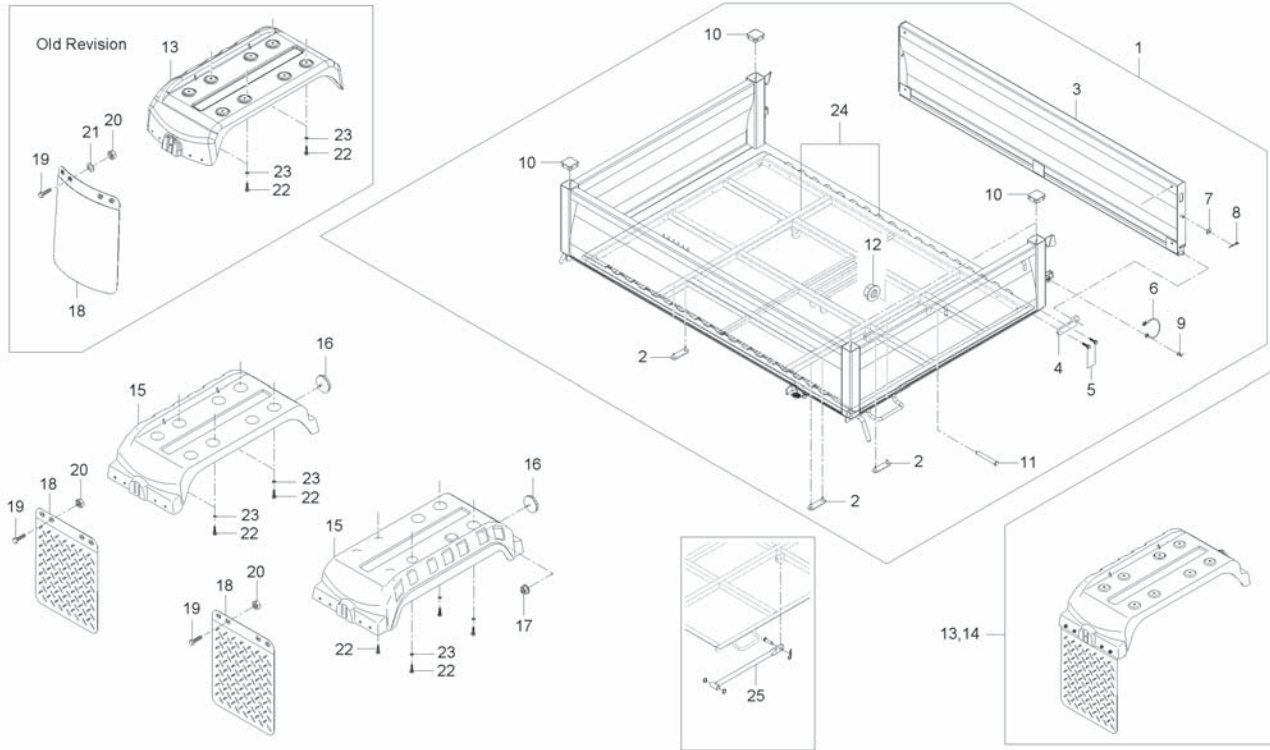
<---- New replace Old

<---- Interchangeable

CHASSIS

U1-U0922A

Deck Group(STD-BLACK)



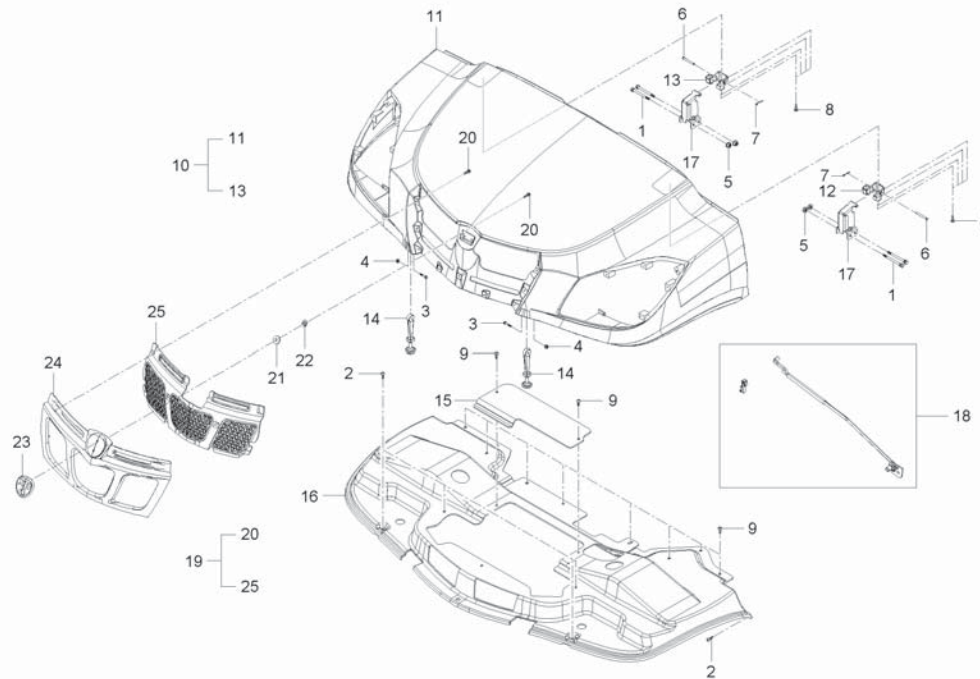
A : 1600XD4

No.	Part Number	Description	Q'TY					I.C	Remark
			A	B	C	D	E		
20	02761-50060B	FLANGE NUT	4						
21	04013-50060B	WASHER	2						
22	01754-50616B	FLANGE BOLT	8						
23	04811-00120	O RING	2						
24	U3210-98452	PANEL	1						
25	U3219-98802	Deck Stay Rod Assy(BLACK)	1						

----> Old replace New
 <-X-> Not interchangeable
 <-O-> Interchangeable with another part(s)
 <---- New replace Old
 <---- Interchangeable

U3450-G922A

HOOD GROUP



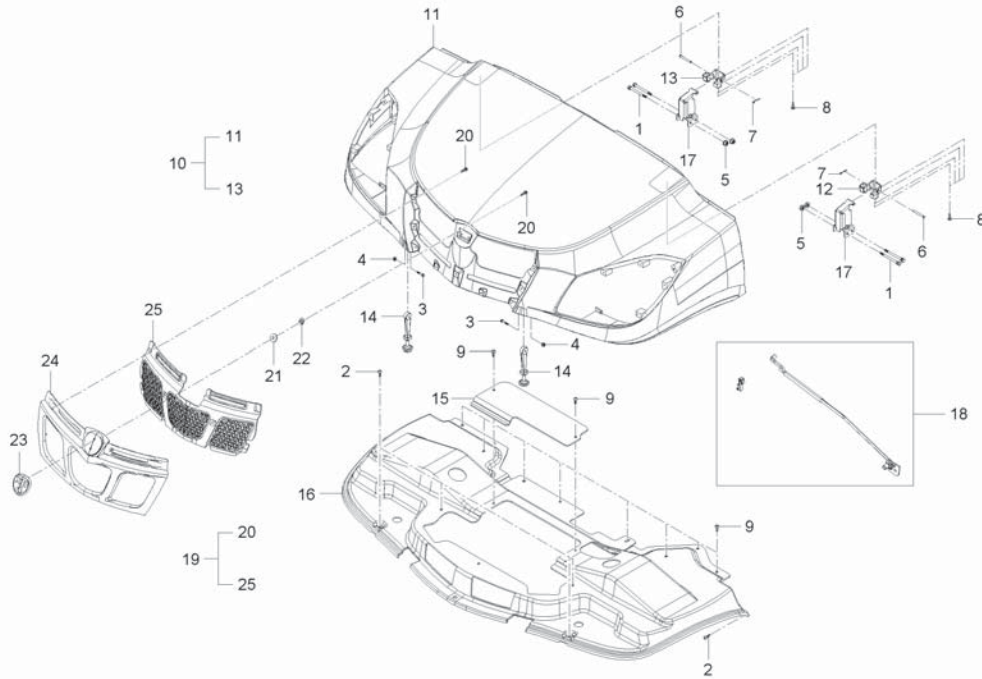
A : 1600XD4

No.	Part Number	Description	Q'TY					I.C	Remark
			A	B	C	D	E		
1	01125-50870	BOLT	4						
2	01754-50616B	FLANGE BOLT	6						
3	01754-50625	BOLT, FLANGE	2						7T
4	02761-50060	FLANGE NUT	2						M6XP1.0
5	02763-50080	FLANGE NUT	4						M8XP1.25
6	05122-50650	JOINT PIN	2						
7	05511-50210	PIN, SPLIT	2						
8	38240-1883-1	SCREW	11						
9	U3215-81552	Screw (Black)	12						
10	U3215-91042	ASSY HOOD	1						
11	U3215-91122	HOOD	1						
12	U3215-91202	Hood Hinge LH Assy	1						
13	U3215-91902	Hood Hinge RH Assy	1						
14	U3215-91301	STRAP,HOOD LATCH	2						
15	U3215-91351	COVER, HOOD LINER	1						
16	U3215-91512	HOOD LINER	1						
17	U3215-91852	HOOD HINGE BRKT	2						
18	U3215-96361	ASSY SUPPORT	1						
19	U3351-92201	GRILL ASSY	1						

----- Old replace New
 <-X-> Not interchangeable
 <-0-> Interchangeable with another part(s)
 <---- New replace Old
 <---- Interchangeable

U3450-G922A

HOOD GROUP

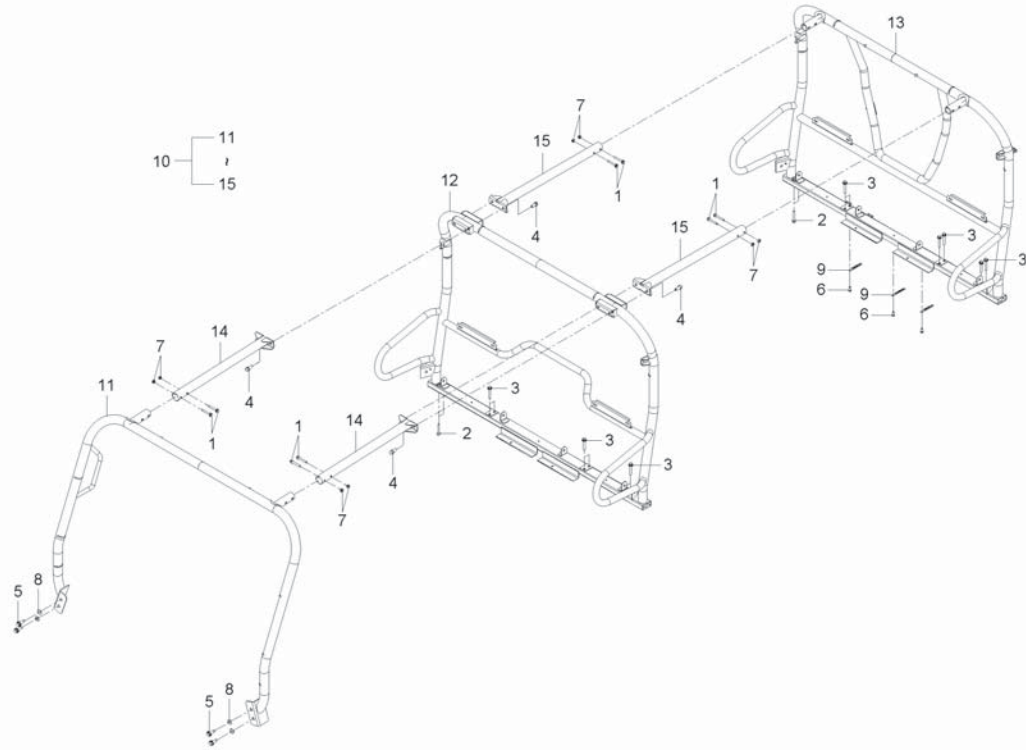


A : 1600XD4

No.	Part Number	Description	Q'TY					I.C	Remark
			A	B	C	D	E		
20	38240-1883-1	SCREW	11						
21	82KC-0641	PLATE,RUBBER	2						
22	T4620-50701	MOUNTING PLATE	2						
23	U3351-92211	EMBLEM	1						
24	U3400-92111	GRILL	1						
25	U3400-92131	MESH, GRILL	1						

----> Old replace New
 <-X-> Not interchangeable
 <-0-> Interchangeable with another part(s)

<---- New replace Old
 <----> Interchangeable



A : 1600XD4

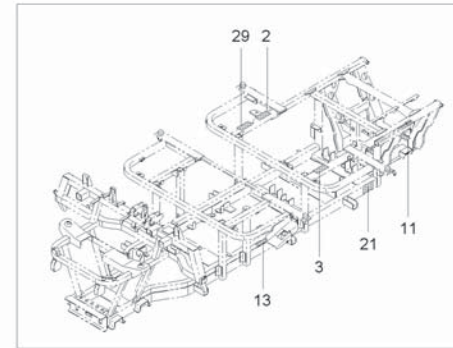
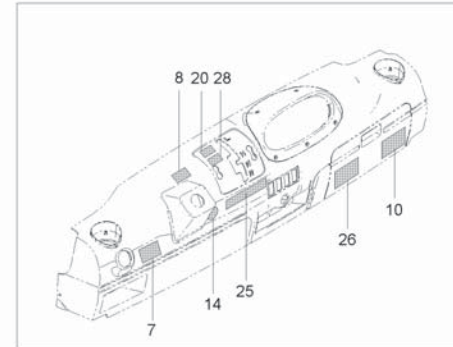
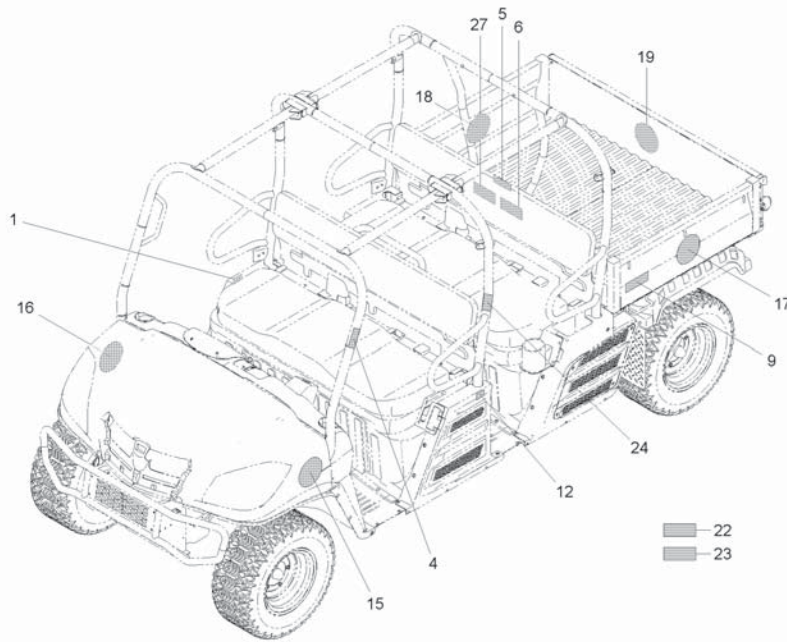
No.	Part Number	Description	Q'TY					I.C	Remark
			A	B	C	D	E		
1	01125-50855B	BOLT	8						
2	01125-50860B	BOLT	4						
3	01125-51060B	BOLT	12						
4	01133-51230B	BOLT	8						
5	01135-51230B	BOLT	4						
6	01754-50610	FLANGE BOLT	3						M6XP1.0
7	02763-50080B	FLANGE NUT	8						
8	04013-50120B	WASHER	4						
9	34150-2939-1	CLAMP, WIRE	3						
10	U3350-95002	ROPS ASSY	1						
11	U3210-36514	FRAME FRONT ASSY	1						
12	U3350-95302	ROPS	1						
13	U3350-95502	ROPS	1						
14	U3350-95902	FRAME	2						
15	U3350-95952	FRAME CONN-RR, ASS'Y	2						

<---> Old replace New
 <-X-> Not interchangeable
 <-0-> Interchangeable with another part(s)

 <---> New replace Old
 <---> Interchangeable

U3351-G980A

LABEL GROUP



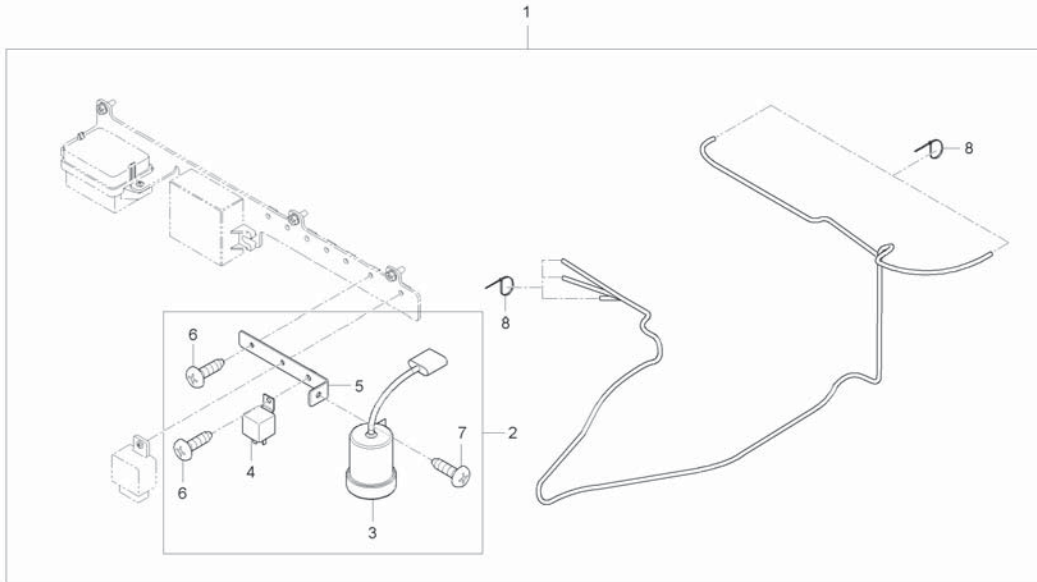
A : 1600XD4

No.	Part Number	Description	Q'TY					I.C	Remark
			A	B	C	D	E		
1	U3215-85641	LABEL WARNING, FUEL	1						
2	U3215-85651	LABEL WARNING, FAN	2						
3	U3215-85661	LABEL WARNING, EXHAUST	3						
4	U3215-85171	LABEL, SEAT BELT	2						
5	U3215-85671	LABEL DANGER, MACHINE RUNAWAY	1						
6	U3215-85191	LABEL, DECK BED WARNING	1						
7	U3215-85611	LABEL, HOOD CAUTION	1						
8	U3215-85601	LABEL, GEAR SHIFT CAUTION	1						
9	U3215-85621	LABEL, SAFETY WARINING	2						
10	U3215-85681	LABEL CAUTION, SAFE OPERATION	1						
11	U3215-85631	LABEL, REAR HITCH WARNING	1						
12	U3215-85691	LABEL WARNING, LATCH	2						
13	U3215-85701	LABEL WARNING, BATTERY CABLE	1						
14	U3215-85501	LABEL, KEY SWITCH	1						
15	U3215-85721	LABEL WARNING, DIFFERENTIAL	1						
16	U3215-85141	LABEL, CAUTION	1						
17	U3215-85151	TAG, EMISSIONS INFORMATION	1						
18	U3214-85162	LABEL, ROPS NOTICE(ENG)	1						
19	U3215-85562	LABEL WARNING, UNDER THE AGE OF 16	1						

<---> Old replace New
 <-X-> Not interchangeable
 <-0-> Interchangeable with another part(s)

<---> New replace Old
 <---> Interchangeable

PARKING LOCK BUZZER GROUP

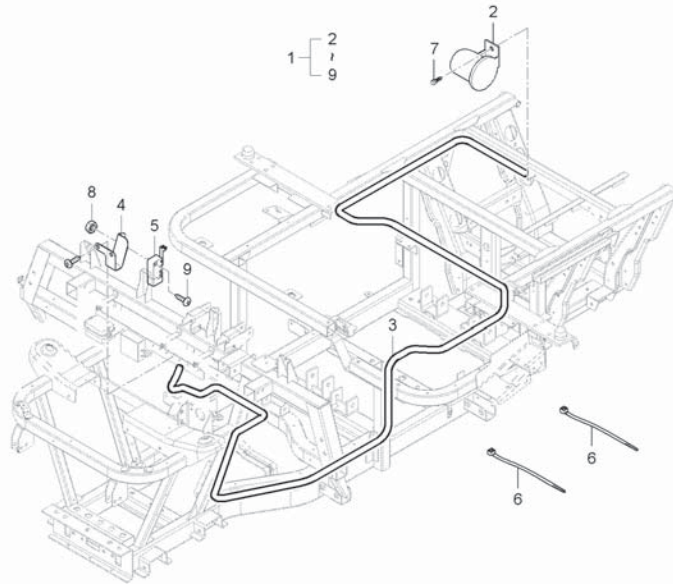


A : 1600XD4

No.	Part Number	Description	Q'TY					I.C	Remark
			A	B	C	D	E		
1	U3210-69142	PARKING BUZZER ASSY	1						
2	U3215-69151	ASS'Y WIRE HARNESS BUZZER	1						
3	U3210-47211	BUZZER	1						
4	T4180-69961	RELAY(5P)	1						
5	U3210-69161	PARKING BUZZER BRKT ASSY	1						
6	U3215-81552	Screw (Black)	2						
7	03054-50516B	BOLT	1						
8	T2185-82561	BAND,CORD	5						

----> Old replace New
 <-X-> Not interchangeable
 <-0-> Interchangeable with another part(s)

<---- New replace Old
 <---- Interchangeable

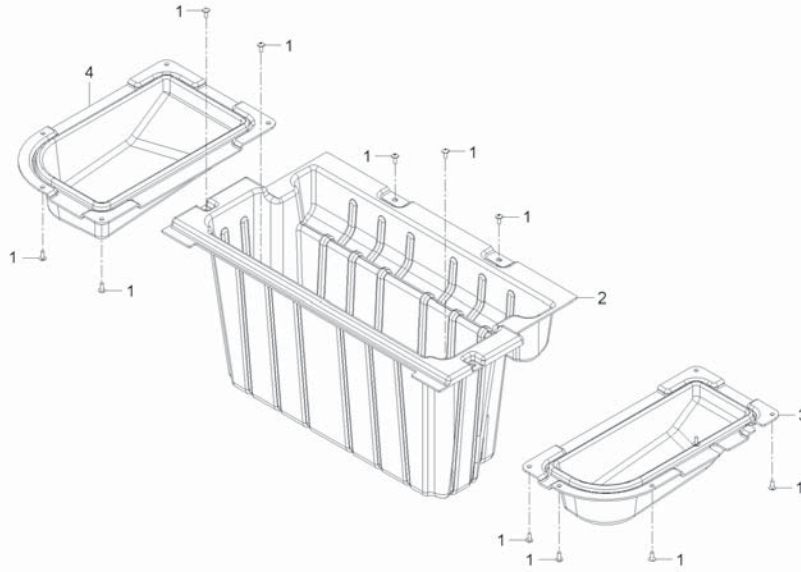


A : 1600XD4

No.	Part Number	Description	Q'TY					I.C	Remark
			A	B	C	D	E		
1	U3230-69801	BACKUP ALARM SYSTEM KIT	1						
2	U3215-69811		1						
3	U3215-69821	ASS'Y WIRE HARNESS BUZZER	1						
4	U3230-69831	BRACKET, BACKUP ALARM SYSTEM	1						
5	T4810-69251	MICRO SWITCH	1						
6	T2198-82561	BAND,CORD	5						
7	01027-50616	BOLT, WASHER	1						
8	02054-50030	NUT	2						
9	03054-50316	SCREW	2						

----- Old replace New
 <-X-> Not interchangeable
 <-0-> Interchangeable with another part(s)

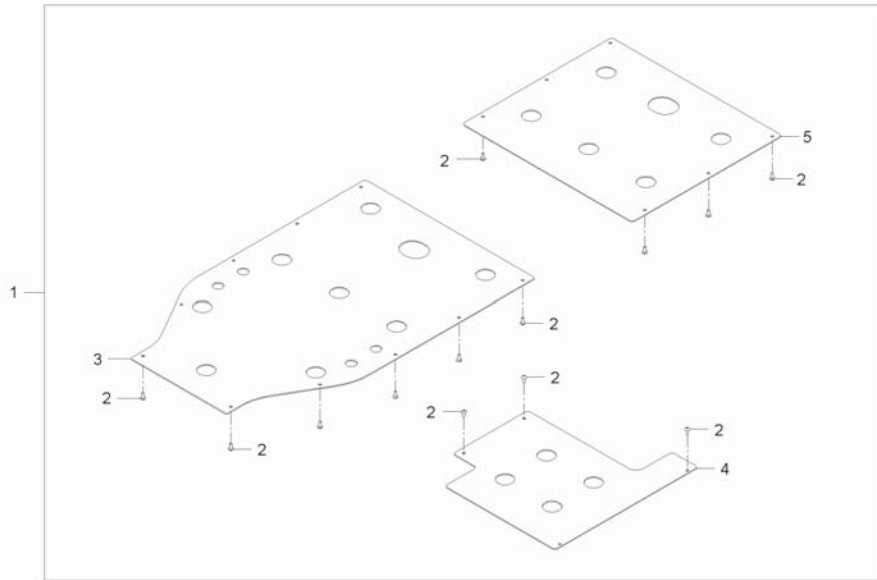
<---- New replace Old
 <---- Interchangeable



A : 1600XD4

No.	Part Number	Description	Q'TY					I.C	Remark
			A	B	C	D	E		
1	U3215-81552	Screw (Black)	16						
2	U3300-A2011	STORAGE	1						
3	U3300-A2031	STORAGE	1						
4	U3300-A2051	STORAGE	1						

----- Old replace New <----- New replace Old
 <-X-> Not interchangeable <----- Interchangeable
 <-0-> Interchangeable with another part(s)



A : 1600XD4

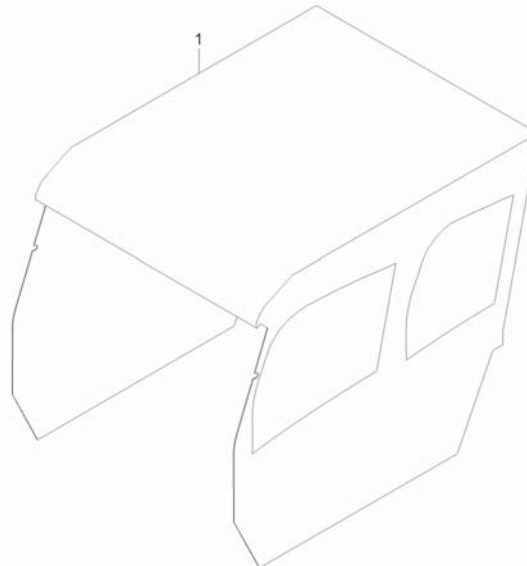
No.	Part Number	Description	Q'TY					I.C	Remark
			A	B	C	D	E		
1	U3305-A3003	ASS'Y PLATE SKID(LH)	1						
2	U3215-81552	Screw (Black)	20						
3	U3215-92901	SKID PLATE	1						
4	U3215-93101	FLOOR REAR LH	1						
5	U3300-A3011	REAR FLOOR-SKID PLATE	1						

----> Old replace New
 <-X-> Not interchangeable
 <-0-> Interchangeable with another part(s)

<---- New replace Old
 <----> Interchangeable

U3305-GA45A

SOFT CABIN(CLEAN-BLACK)



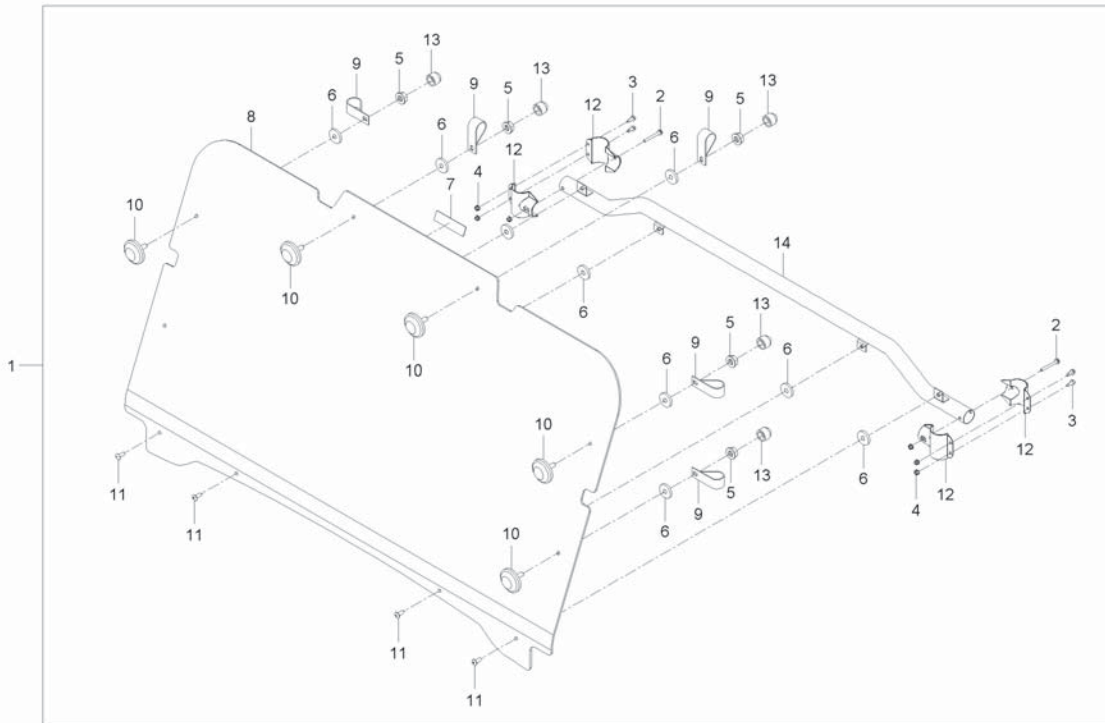
A : 1600XD4

No.	Part Number	Description	Q'TY					I.C	Remark
			A	B	C	D	E		
1	U3300-A4501	SOFT CABIN(CLEAN-BLACK)	1						

----> Old replace New <---- New replace Old
<-X-> Not interchangeable <---- Interchangeable
<-0-> Interchangeable with another part(s)

U1-U3930A

WIND SHIELD GROUP



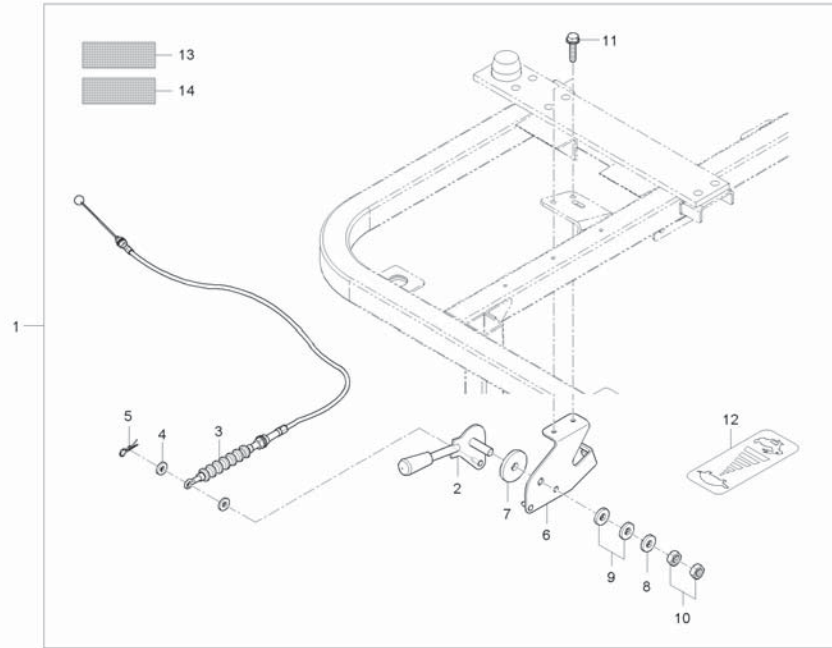
A : 1600XD4

No.	Part Number	Description	Q'TY					I.C	Remark
			A	B	C	D	E		
1	U3215-97005	ASSY, WIND SHIELD	1						
2	01025-50655B	BOLT	2						
3	01754-50612B	FLANGE BOLT	4						
4	02761-50060B	FLANGE NUT	6						
5	02763-50080B	FLANGE NUT	6						
6	T2610-80691	CUSHION	10						
7	U3215-72781	INSULATION-DUCT,FRAME	1						
8	U3215-97103	WIND SHIELD GLASS	1						
9	U3215-97111	CLAMP	6						
10	U3215-97151	BOLT, CAP	6						
11	U3215-97161	SCREW	4						
12	U3215-97671	HEAD REST BAR CONNECT 2	4						
13	T4815-93211	NUT	6						
14	U3215-97122	WIND SHIELD CONNECT	1						

<---> Old replace New
 <-X-> Not interchangeable
 <-0-> Interchangeable with another part(s)

<---> New replace Old
 <---> Interchangeable

HAND THROTTLE GROUP-OPT

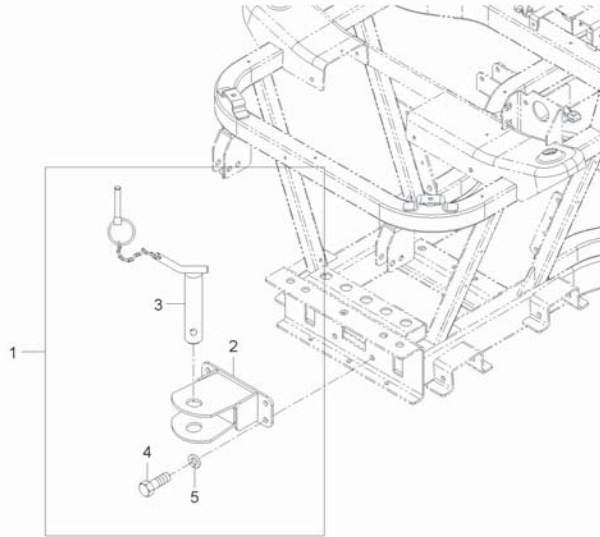


A : 1600XD4

No.	Part Number	Description	Q'TY					I.C	Remark
			A	B	C	D	E		
1	U3219-74402	ACCEL ASSY	1						
2	U3210-74551	Lever Assy - Hand Accelerator	1						
3	U3215-74501	CABLE, HAND ACCEL	1						
4	04013-50060B	WASHER	2						
5	05525-50600	PIN, SNAP	1						DIA1. 2
6	U3210-74591	Bracket ,Hand Accel Lever Assy	1						
7	T2670-60091	LINING,BRAKE	1						
8	04013-50120B	WASHER	1						
9	T4835-17241	SPRING	2						
10	02176-50120B	NUT	2						
11	01754-50616B	FLANGE BOLT	2						
12	U3215-85211	LABEL, SPEED CONTROL	1						
13	U3210-85591	LABEL	1						
14	U3214-85591	LABEL	1						

----- Old replace New
 <-X-> Not interchangeable
 <-0-> Interchangeable with another part(s)
 <---- New replace Old
 <---- Interchangeable

FRONT HITCH GROUP(EEC)-OPT



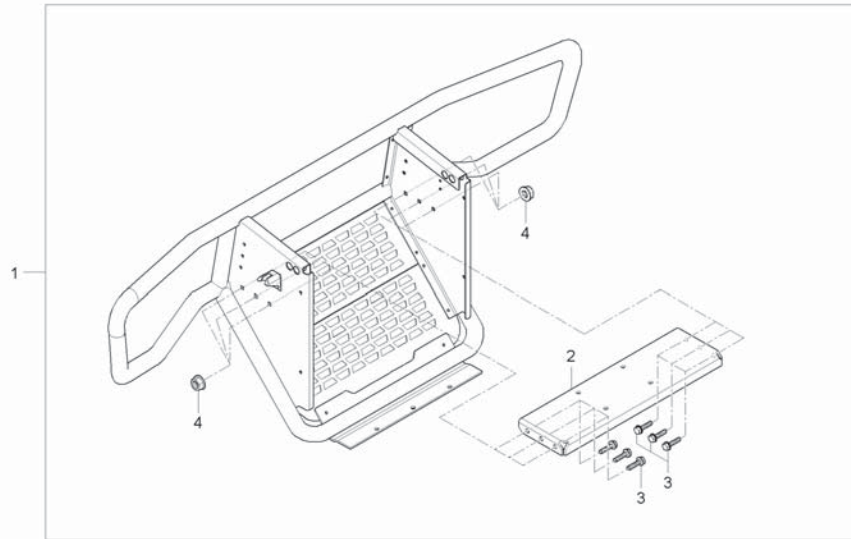
A : 1600XD4

No.	Part Number	Description	Q'TY					I.C	Remark
			A	B	C	D	E		
1	U3230-97201	FRONT HITCH KIT	1						
2	U3230-97211	ASSY, FRONT HITCH	1						
3	T2611-50041	PIN,CONNECT	1						
4	01176-51245	BOLT	4						
5	04512-50120	WASHER, SPRING	4						M12

----- Old replace New
 <-X-> Not interchangeable
 <-0-> Interchangeable with another part(s)
 <---- New replace Old
 <---- Interchangeable

U1-U5030A

WINCH GROUP



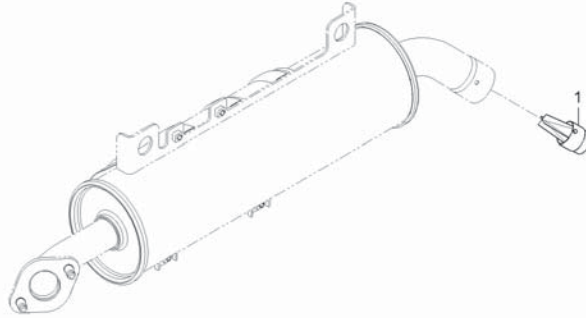
A : 1600XD4

No.	Part Number	Description	Q'TY					I.C	Remark
			A	B	C	D	E		
1	U3215-97551	WINCH ASSY	1						
2	U3215-97561	BRKT, WINCH MT'G	1						
3	01754-50825	FLANGE BOLT	6						M8XP1.25
4	02763-50080	FLANGE NUT	6						M8XP1.25

----> Old replace New
 <-X-> Not interchangeable
 <-0-> Interchangeable with another part(s)
 <---- New replace Old
 <---- Interchangeable

U1-U5050A

SPARK ARREST ASSY

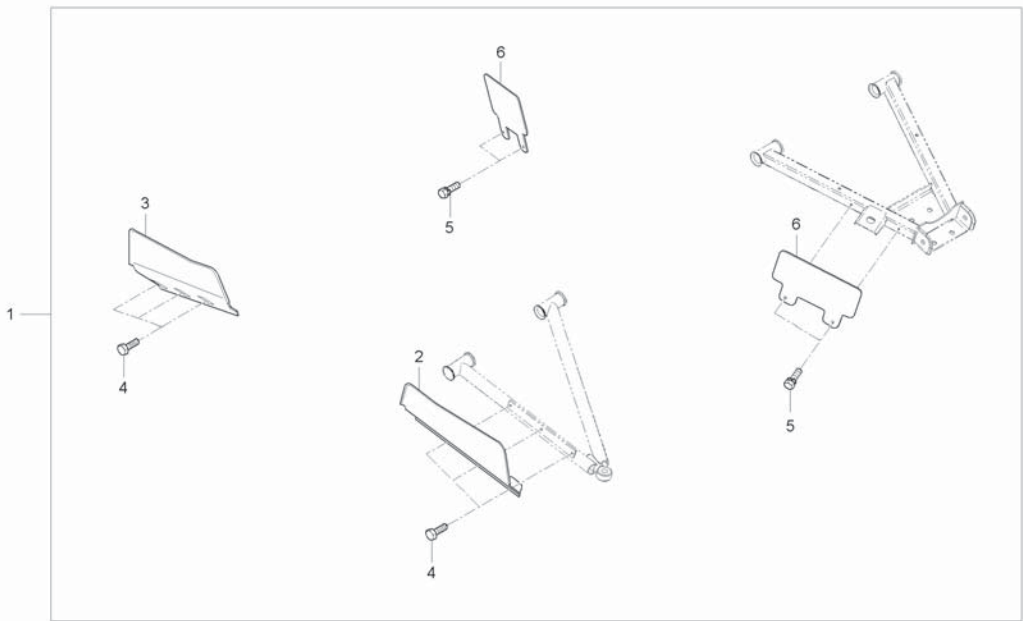


A : 1600XD4

No.	Part Number	Description	Q'TY					I.C	Remark
			A	B	C	D	E		
1	U3215-76121	SCREEN SPARK ARREST	1						

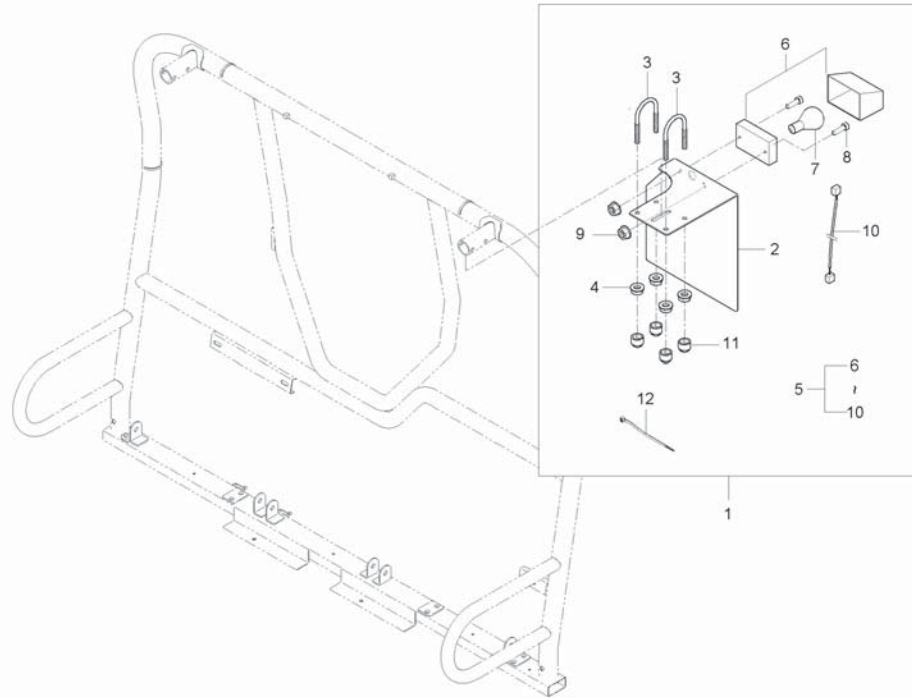
----- Old replace New
 <-X-> Not interchangeable
 <-0-> Interchangeable with another part(s)

<---- New replace Old
 <---> Interchangeable

SUSP DUST SHIELD GROUP-OPT**A : 1600XD4**

No.	Part Number	Description	Q'TY					I.C	Remark
			A	B	C	D	E		
1	U3215-52353	ASSY, DUST SHIELD	1						
2	U3215-52401	DUST SHIELD, FR LH	1						
3	U3215-52701	DUST SHIELD, FR RH	1						
4	01025-50618	BOLT	6						M6*P1.0
5	01025-50638	BOLT, WASHER	4						M6*1.0
6	U3215-55201	DUST SHIELD, RR	2						

----> Old replace New
<-X-> Not interchangeable
<-0-> Interchangeable with another part(s)
<---- New replace Old
<---- Interchangeable



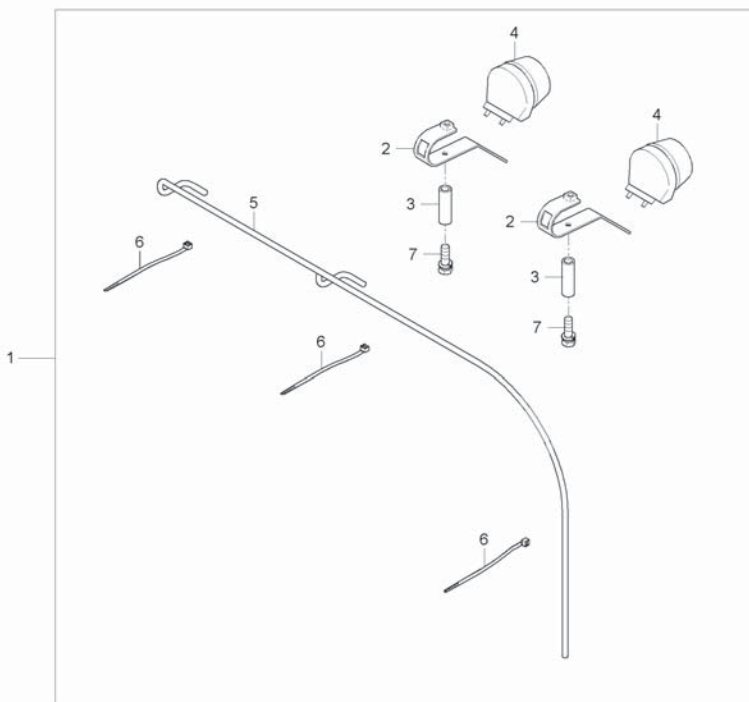
A : 1600XD4

No.	Part Number	Description	Q'TY					I.C	Remark
			A	B	C	D	E		
1	U3210-91152	ASSY, NUMBER PLATE	1						
2	U3210-91162	NUMBER BOARD SUPPORT PLATE	1						
3	U3215-97782	Bolt - U Type (M8)	2						
4	02763-50080B	FLANGE NUT	4						
5	T2611-75712	LICENSE PLATE LAMP ASSY	1						
6	T2611-75721	LAMP, LICENSE PLATE	1						
7	T2611-79021	BULB,LIGHT(27W)	1						
8	03024-50414B	BOLT,SCREW	2						
9	02761-50040B	FLANGE NUT	2						
10	U3215-60191	WIRE HARNESS,PLATE LAMP	1						
11	T4815-93211	NUT	4						
12	T2185-82561	BAND,CORD	5						

----- Old replace New
 <-X-> Not interchangeable
 <-0-> Interchangeable with another part(s)

<---- New replace Old
 <---- Interchangeable

HIGH MOUNT BRAKE LAMP GROUP

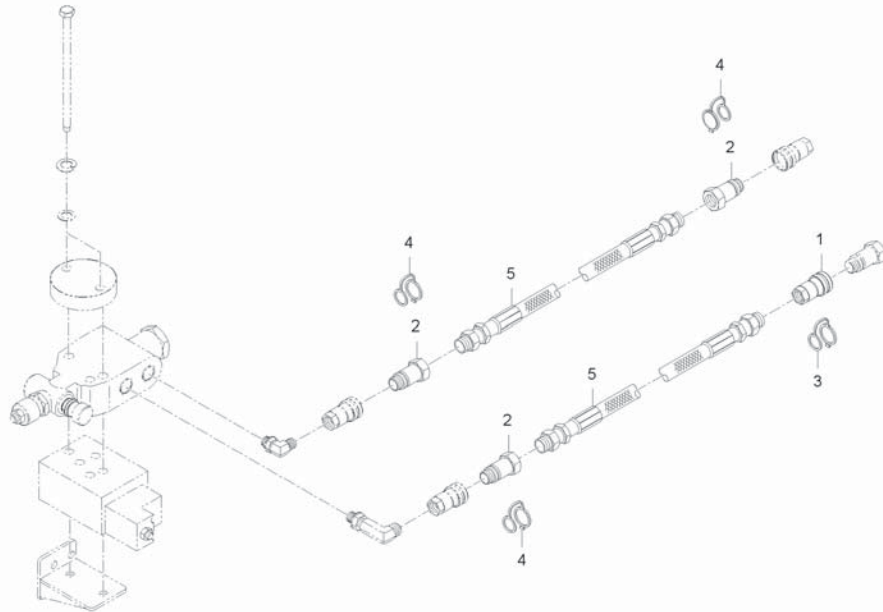


A : 1600XD4

No.	Part Number	Description	Q'TY					I.C	Remark
			A	B	C	D	E		
1	U3230-69701	BRAKE LAMP KIT	1						
2	U3215-60362	WORKING LAMP CONN BRKT ASSY	2						
3	U3215-60401	BUSH	2						
4	U3215-69711	BRAKE LAMP	1						
5	U3215-69731	ASSY WIRE HARNESS, BRAKE LAMP	1						
6	T2198-82561	BAND,CORD	7						
7	01125-50865	BOLT, WASHER	2						M8 X P1.25

----> Old replace New
 <-X-> Not interchangeable
 <-0-> Interchangeable with another part(s)

<---- New replace Old
 <---- Interchangeable

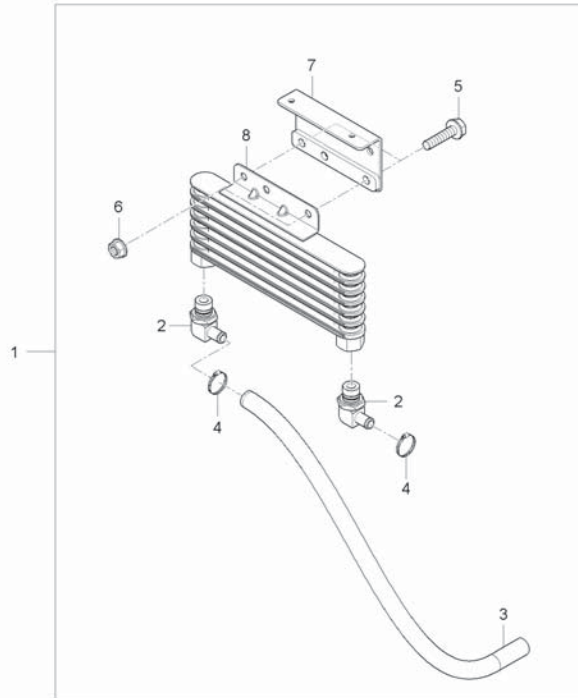


A : 1600XD4

No.	Part Number	Description	Q'TY					I.C	Remark
			A	B	C	D	E		
1	U3215-33901	COUPLER	1						
2	U3215-33911	COUPLER, PLUG ASSY	3						
3	U3215-33921	CAP	1						
4	U3215-33931	PLUG CAP	3						
5	U3215-33951	HOSE, HYD	1						

----> Old replace New
 <-X-> Not interchangeable
 <-0-> Interchangeable with another part(s)

<---- New replace Old
 <---> Interchangeable



A : 1600XD4

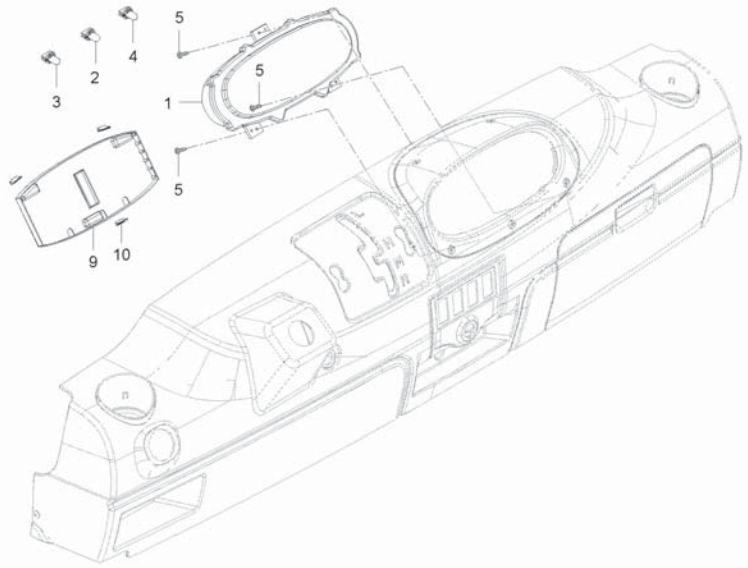
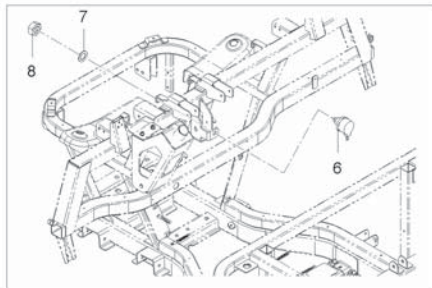
No.	Part Number	Description	Q'TY					I.C	Remark
			A	B	C	D	E		
1	U3215-33501	OIL COOLER COMPLETE	1						
2	T4876-45162	ELBOW	2						
3	U3215-33511	HYD. HOSE T	1						
4	52200-2523-1	BAND, HOSE	3						
5	01123-50822	BOLT	2						M8XP1. 25
6	02763-50080	FLANGE NUT	2						M8XP1. 25
7	U3215-51111	BRKT ASSY, REWORK	1						
8	U3215-51131	COLLAR	1						

----> Old replace New
 <-X-> Not interchangeable
 <-0-> Interchangeable with another part(s)

 <---- New replace Old
 <---- Interchangeable

U1-U0610A

ELECTRICAL SYSTEM 2 GROUP



A : 1600XD4

No.	Part Number	Description	Q'TY					I.C	Remark
			A	B	C	D	E		
1	U3215-60311	CLUSTER ASSY, W/ SPEEDOMETER	1						
2	U3215-60311001	BULB, 12V 3W	4						
3	U3215-60311002	BULB, 14V 3W	1						
4	U3215-60311003	BULB, 14V 1.4W	10						
5	U3215-96502	Screw_Meter Cluster(Tapping, Black)	3						
6	T4682-69401	SAFE SWITCH ASSY	1						
7	04013-50160	WASHER, PLAIN	1						M16
8	02052-50160	NUT	1						
9	U3215-60321	COVER	1						
10	U3215-60511	CLAMP	3						

----> Old replace New

<-X-> Not interchangeable

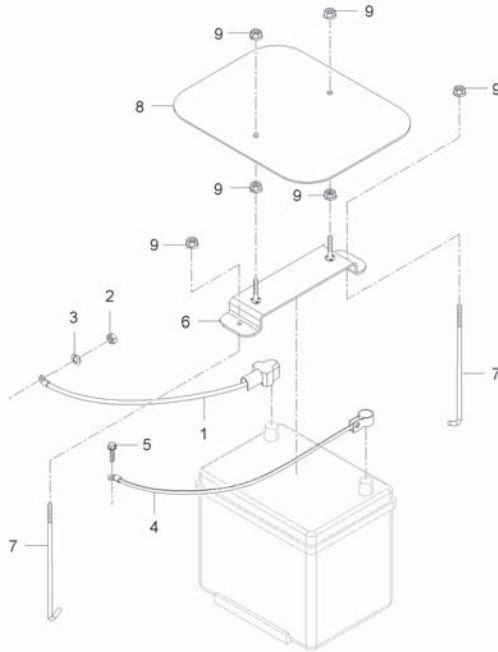
<-0-> Interchangeable with another part(s)

<---- New replace Old

<---- Interchangeable

U1-U0631A

Battery Group(DDUSA)



A : 1600XD4

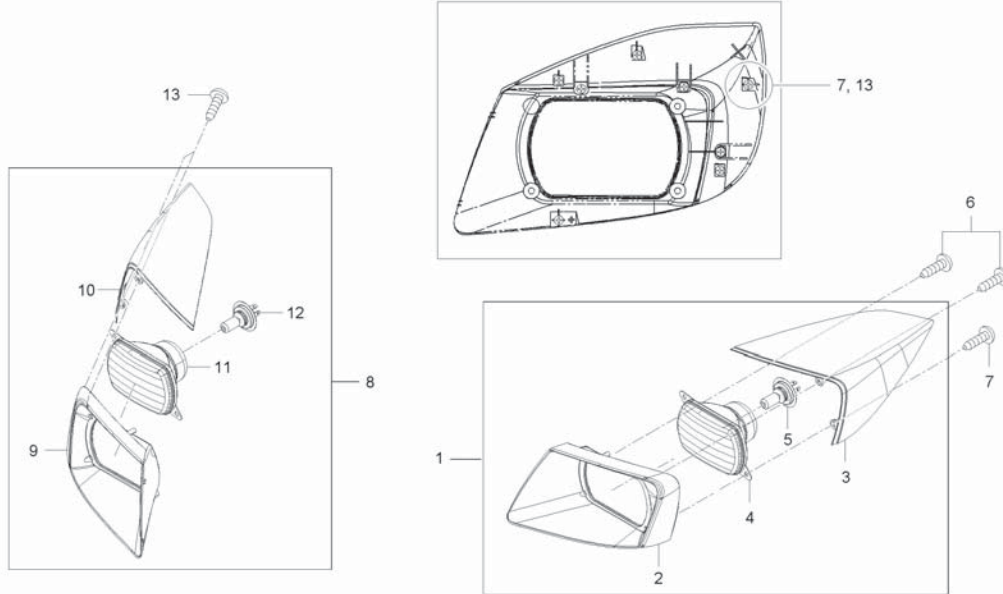
No.	Part Number	Description	Q'TY					I.C	Remark
			A	B	C	D	E		
1	U3215-60091	WIRE HARNESS 3	1						
2	02156-50080	NUT	1						M8XP1.25
3	04512-50080	SPRING WASHER	1						M08
4	U3215-60081	WIRE HARNESS, GROUND	1						
5	01754-50616	BOLT, FLANGE	1						M6*P1.0
6	U3215-60201	BATTERY CLAMP ASSY	1						
7	U3215-60212	BATTERY PIN	2						
8	U3215-60522	BATTERY COVER	1						
9	02761-50060	FLANGE NUT	6						M6XP1.0

<---> Old replace New
 <-X-> Not interchangeable
 <-0-> Interchangeable with another part(s)

<--- New replace Old
 <--- Interchangeable

U1-U0640A

HEAD LIGHT GROUP

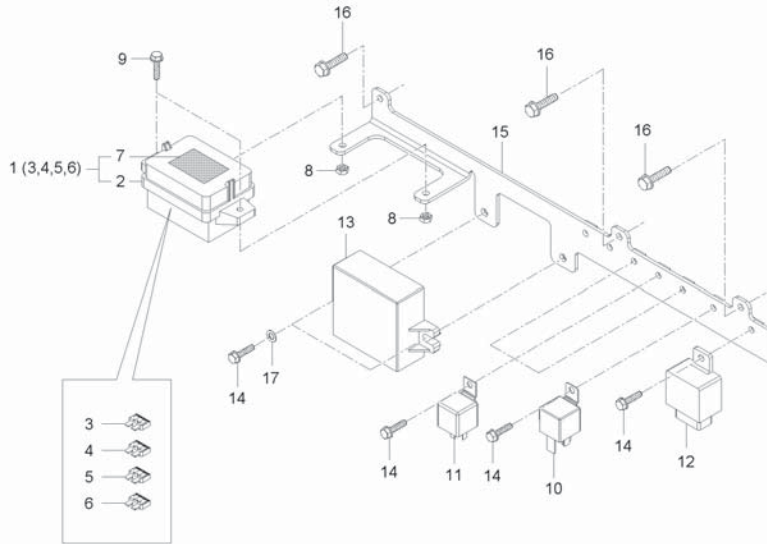


A : 1600XD4

No.	Part Number	Description	Q'TY					I.C	Remark
			A	B	C	D	E		
1	U3215-60102	Head Light ASSY (Left)	1						
2	U3215-60122	Bezel - Head Light Front (Left)	1						
3	U3215-60421	BEZEL, HEAD LIGHT REAR (LEFT)	1						
4	T2350-69551	HEADLIGHT	1						
5	T2350-69571	BULB, 12VX55X60W	2						
6	U3215-96521	SCREW, TAPPING	3						
7	U3215-96521	SCREW, TAPPING	4						
8	U3215-60112	Head Light ASSY (Right)	1						
9	U3215-60132	Bezel - Head Light Front (Right)	1						
10	U3215-60431	BEZEL, HEAD LIGHT REAR (RIGHT)	1						
11	T2350-69551	HEADLIGHT	1						
12	T2350-69571	BULB, 12VX55X60W	2						
13	U3215-96521	SCREW, TAPPING	3						

----- Old replace New
 <-X-> Not interchangeable
 <-0-> Interchangeable with another part(s)

<---- New replace Old
 <---- Interchangeable

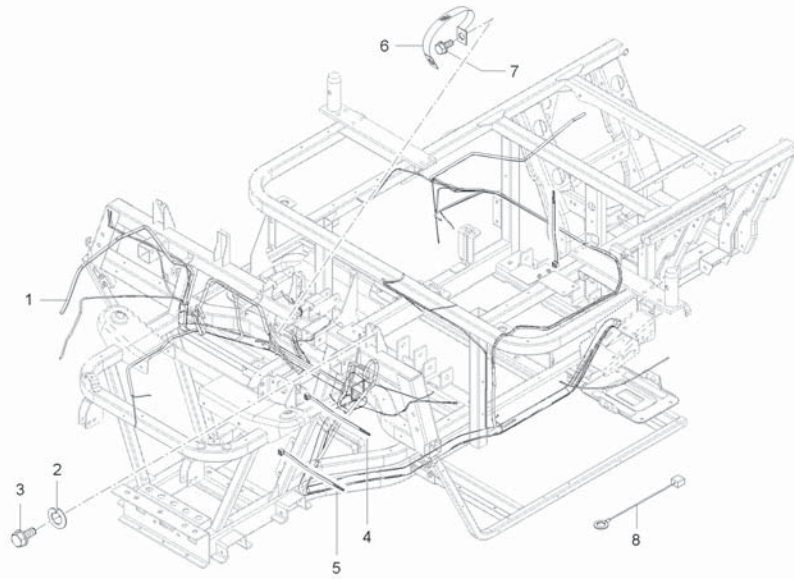


A : 1600XD4

No.	Part Number	Description	Q'TY					I.C	Remark
			A	B	C	D	E		
1	U3350-69101	ASSY FUSE BOX	1						
2	52300-4166-4	COVER	1						
3	T2185-33651	FUSE, 5A	3						
4	T4260-33631	FUSE, 10A	3						
5	35820-7556-1	FUSE, 15A	3						
6	36919-5665-1	FUSE, 20A	5						
7	U3350-69201	LABEL,FUSE BOX	1						
8	02761-50060	FLANGE NUT	2						M6*P1.0
9	01754-50616	BOLT, FLANGE	2						M6*P1.0
10	T4180-69951	RELAY(4P)	1						
11	T4180-69961	RELAY(5P)	3						
12	T4351-43101	ACCESSORY RELAY ASSY	1						
13	U3215-69872	DISPLAY UNIT	1						
14	03054-50516B	BOLT	7						
15	U3215-60161	RELAY BRACKET ASSY	1						
16	01754-50616	BOLT, FLANGE	3						M6*P1.0
17	04013-50050	WASHER, PLAIN	2						

<---> Old replace New
 <-X-> Not interchangeable
 <-0-> Interchangeable with another part(s)

<---> New replace Old
 <---> Interchangeable



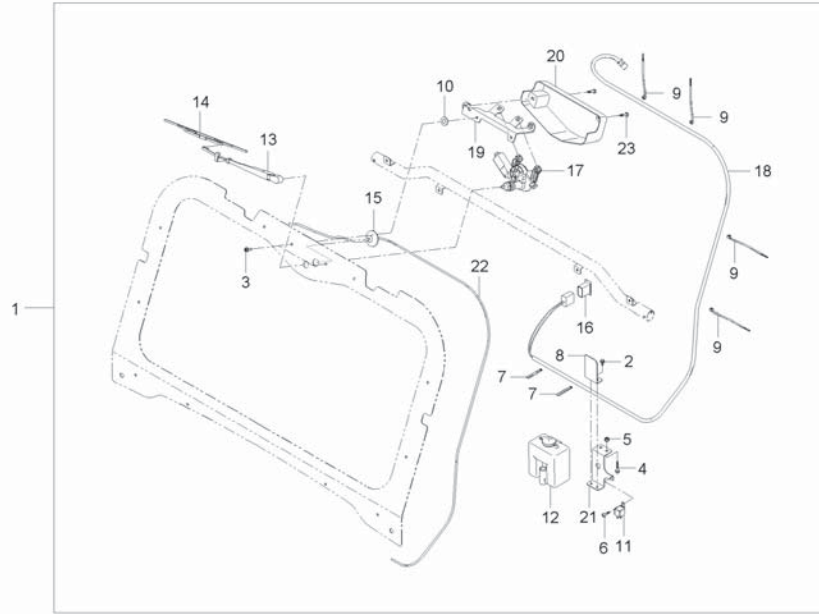
A : 1600XD4

No.	Part Number	Description	Q'TY					I.C	Remark
			A	B	C	D	E		
1	U3350-73002	ASSY WIRE HARNESS MAIN	1						
2	04512-50050	WASHER, SPRING	1						M5
3	01754-50616	BOLT, FLANGE	3						M6*P1.0
4	T2185-82561	BAND,CORD	14						
5	T2198-82571	BAND	20						
6	55511-2118-3	CALBLE, GROUNDING	1						
7	01774-51020	BOLT, FLANGE	1						M10P1.25
8	T4620-69472	WIRE HARNESS 3	1						

----> Old replace New <---- New replace Old
 <-X-> Not interchangeable <----> Interchangeable
 <-0-> Interchangeable with another part(s)

U1-U3933A

WIPER GROUP

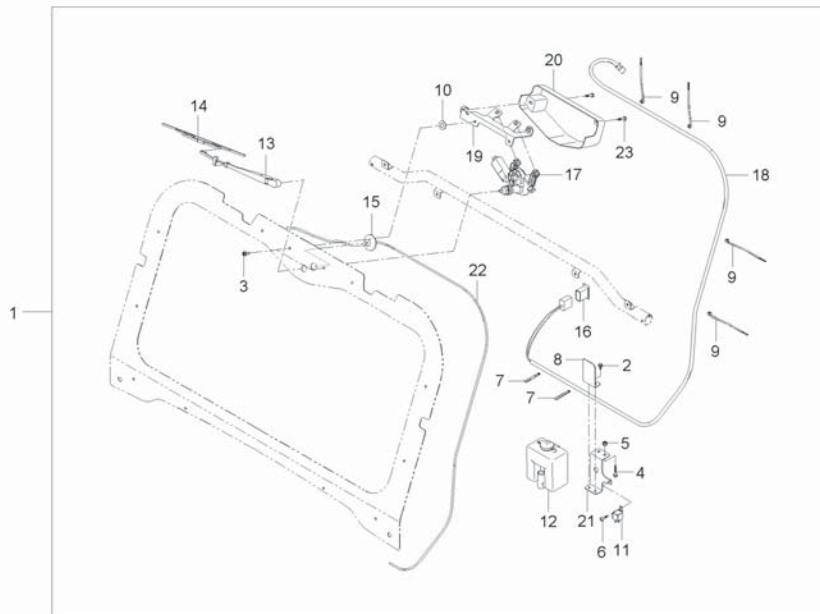


A : 1600XD4

No.	Part Number	Description	Q'TY					I.C	Remark
			A	B	C	D	E		
1	U3210-97341	WIPER ASSY	1						
2	01754-50616	BOLT, FLANGE	2						M6*P1.0
3	01754-50816B	FLANGE BOLT	2						
4	01754-50865B	FLANGE BOLT	2						
5	02751-50080	FLANGE NUT	2						M8X1.25
6	03054-50516	SCREW	1						
7	34150-2939-1	CLAMP, WIRE	2						
8	C7280-89211	BRACKET	1						
9	T2185-82561	BAND,CORD	7						
10	T2610-80691	CUSHION	2						
11	T4180-69961	RELAY(5P)	1						
12	T4340-87181	ASSY TANK	1						
13	T4815-82421	ARM, WIPER	1						
14	T4815-85431	BLADE	1						
15	T4920-70471	GROMMET(ROOF)	1						
16	T4935-54232	SWITCH, WIPER, FR	1						
17	T5270-69913	ASS'Y CONT-MULTI	1						
18	U3210-69201	ASS'Y WIRE HARNESS WIPER	1						
19	U3210-97221	BRACKET ASSY,FRONT WIPER MOTOR	1						

----> Old replace New
 <-X-> Not interchangeable
 <-0-> Interchangeable with another part(s)

 <---- New replace Old
 <---- Interchangeable



A : 1600XD4

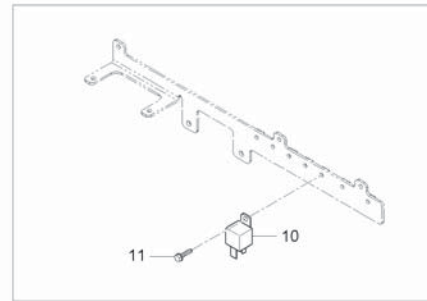
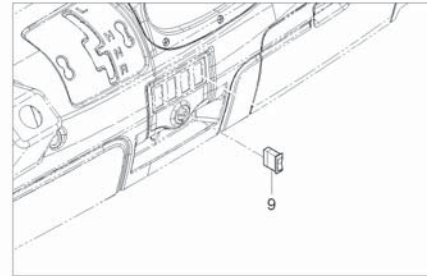
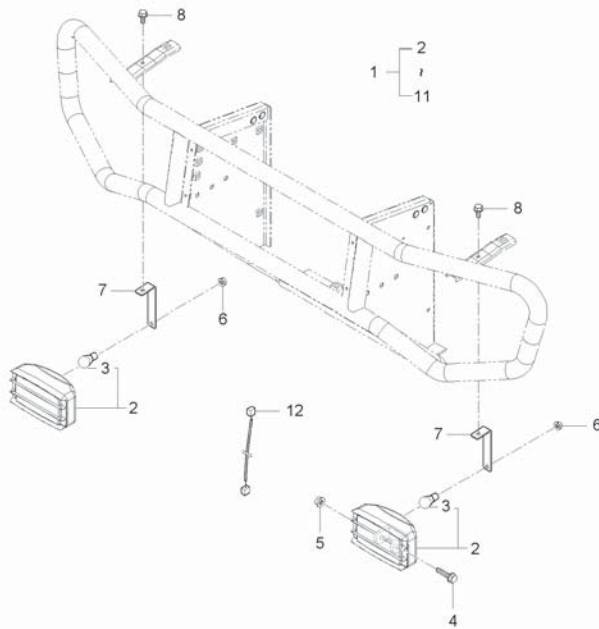
No.	Part Number	Description	Q'TY					I.C	Remark
			A	B	C	D	E		
20	U3210-97251	COVER,FRONT WIPER MOTOR	1						
21	U3210-97261	BRACKET ASSY,WASHER LIQUID TANK	1						
22	U3210-97481	HOSE, WIPER	1						
23	U3215-97161	SCREW	2						

----- Old replace New
 <-X-> Not interchangeable
 <-0-> Interchangeable with another part(s)

<---- New replace Old
 <---- Interchangeable

U1-U5650A

FOG LAMP GROUP



A : 1600XD4

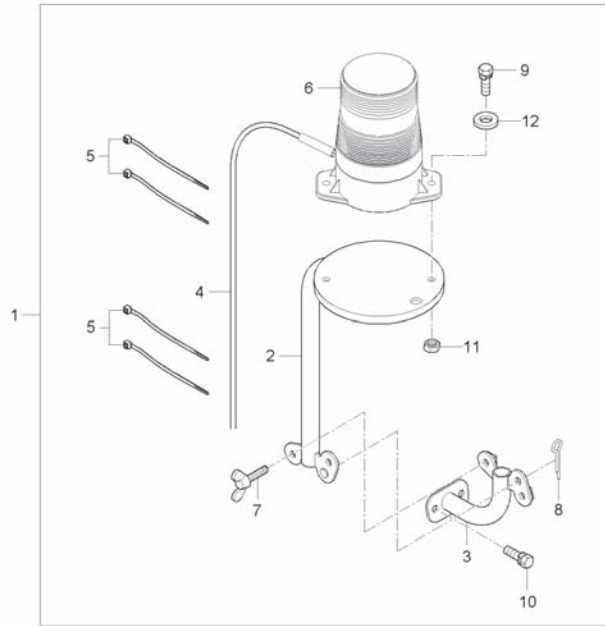
No.	Part Number	Description	Q'TY					I.C	Remark
			A	B	C	D	E		
1	U3215-60254	ASSY, FOG LAMP	1						
2	P7170-68212	HEADLIGHT ASSY	2						
3	T4620-69251	BULB, HALOGEN 12VX35W	1						
4	01053-50655	BOLT	1						
5	02014-50060	NUT	1						M6*P1.0
6	02763-50080B	FLANGE NUT	2						
7	U3215-60181	FOG LAMP BRACKET	2						
8	01754-50614B	BOLT,FLANGE	2						
9	U3215-60071	FOG LAMP SWITCH	1						
10	T4351-43101	ACCESSORY RELAY ASSY	1						
11	03054-50516B	BOLT	1						
12	U3215-60411	ASS'Y WIRE HARNESS SWITCH	1						

<---> Old replace New
 <-X-> Not interchangeable
 <-0-> Interchangeable with another part(s)

<---> New replace Old
 <---> Interchangeable

U3-U5710A

BEACON LIGHT GROUP

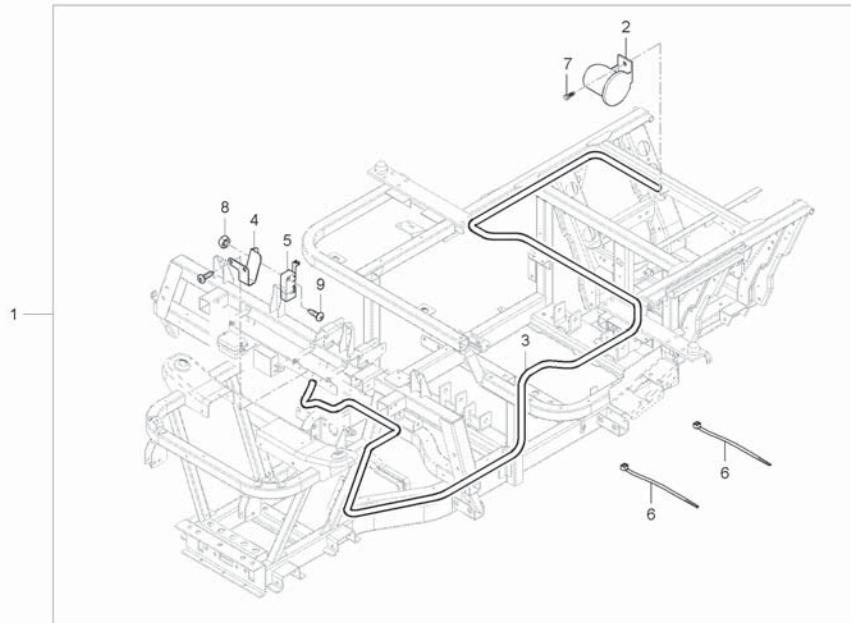


A : 1600XD4

No.	Part Number	Description	Q'TY					I.C	Remark
			A	B	C	D	E		
1	U3230-63601	BEACON ASS'Y	1						
2	U3230-63611	BEACON BRACKET SUB ASS'Y 1	1						
3	U3230-63661	BEACON BRACKET SUB ASS'Y 2	1						
4	U3215-69611	LAMP CONNECTION WIRE HARNESS ASS'Y	1						
5	T2198-82561	BAND,CORD	7						
6	T5210-68552	WARINING LIGHT	1						
7	01811-50615	BOLT, WING	1						
8	05511-51612	PIN, SPLIT	1						
9	01023-50616	BOLT, WASHER	2						M6*P1.0
10	01025-50612	BOLT, WASHER	2						M6P1.0
11	02056-50060	NUT	2						M6*P1.0
12	04013-50060	WASHER, PLAIN	2						M6

----- Old replace New
 <-X-> Not interchangeable
 <-0-> Interchangeable with another part(s)

<---- New replace Old
 <---- Interchangeable



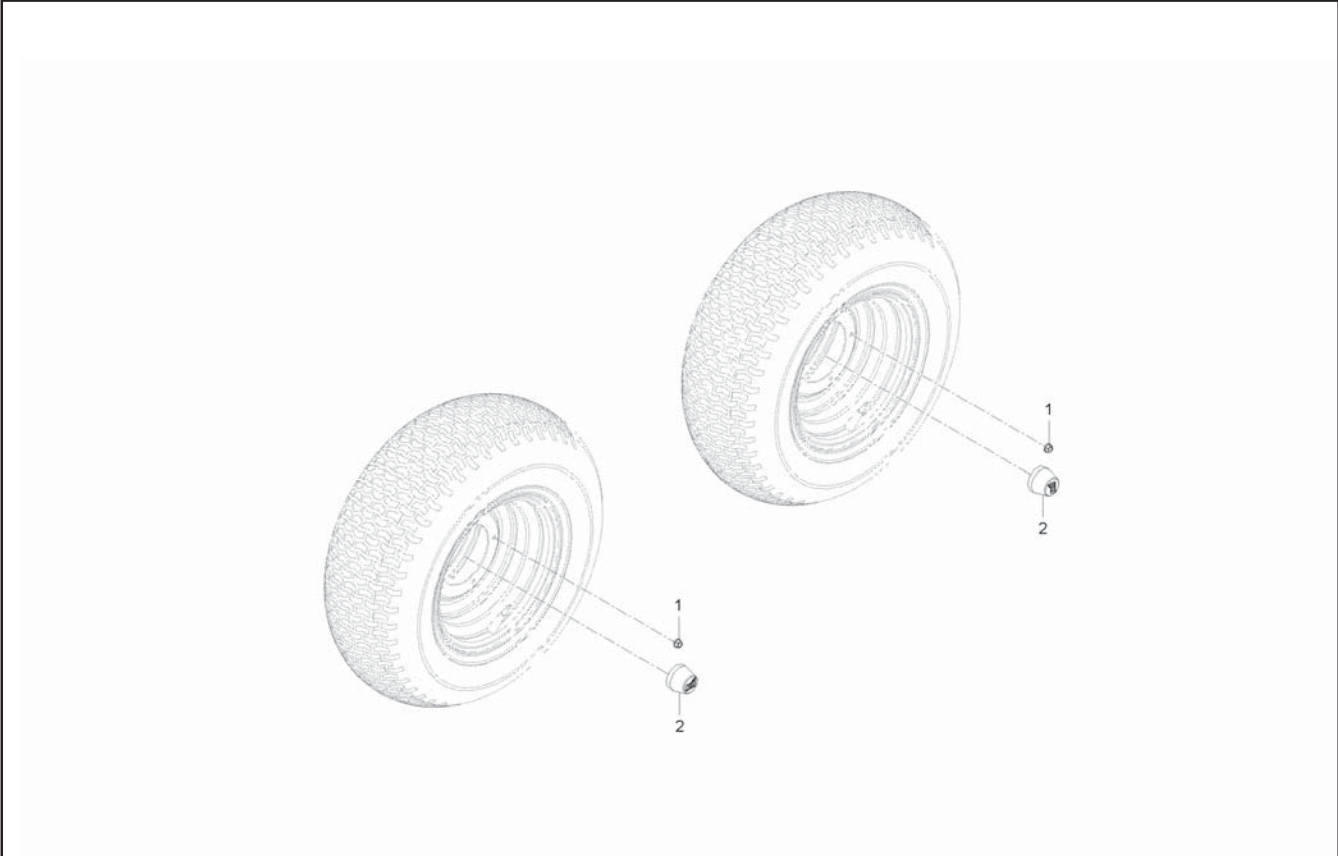
A : 1600XD4

No.	Part Number	Description	Q'TY					I.C	Remark
			A	B	C	D	E		
1	U3230-69801	BACKUP ALARM SYSTEM KIT	1						
2	U3215-69811		1						
3	U3215-69821	ASS'Y WIRE HARNESS BUZZER	1						
4	U3230-69831	BRACKET, BACKUP ALARM SYSTEM	1						
5	T4810-69251	MICRO SWITCH	1						
6	T2198-82561	BAND,CORD	5						
7	01027-50616	BOLT, WASHER	1						
8	02054-50030	NUT	2						
9	03054-50316	SCREW	2						

----> Old replace New
 <-X-> Not interchangeable
 <-0-> Interchangeable with another part(s)

<---- New replace Old
 <---- Interchangeable

WHEEL & TIRE GROUP (USA)



A : 1600XD4

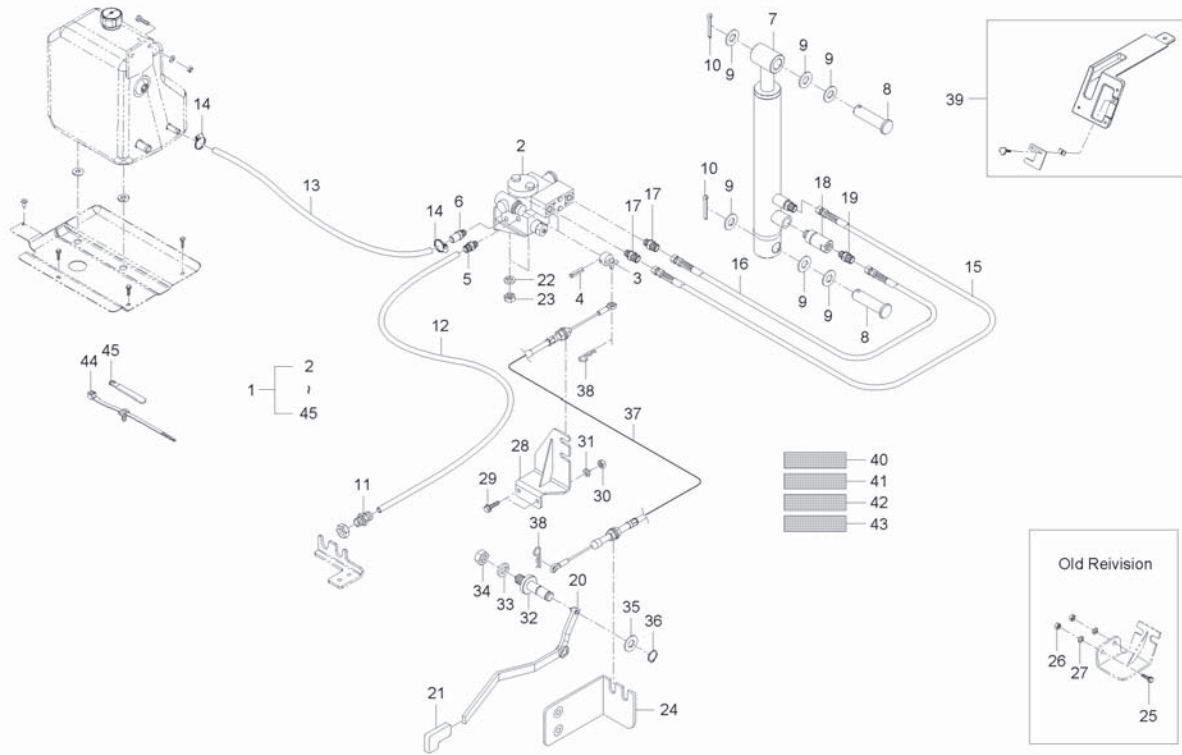
No.	Part Number	Description	Q'TY					I.C	Remark
			A	B	C	D	E		
1	U3215-50801	NUT, LOCK	20						
2	U3210-63341	Cap-Wheel	4						

<----> Old replace New
 <-X-> Not interchangeable
 <-0-> Interchangeable with another part(s)

<---- New replace Old
 <----> Interchangeable

U3353-G610A

HYDRAULIC SYSTEM



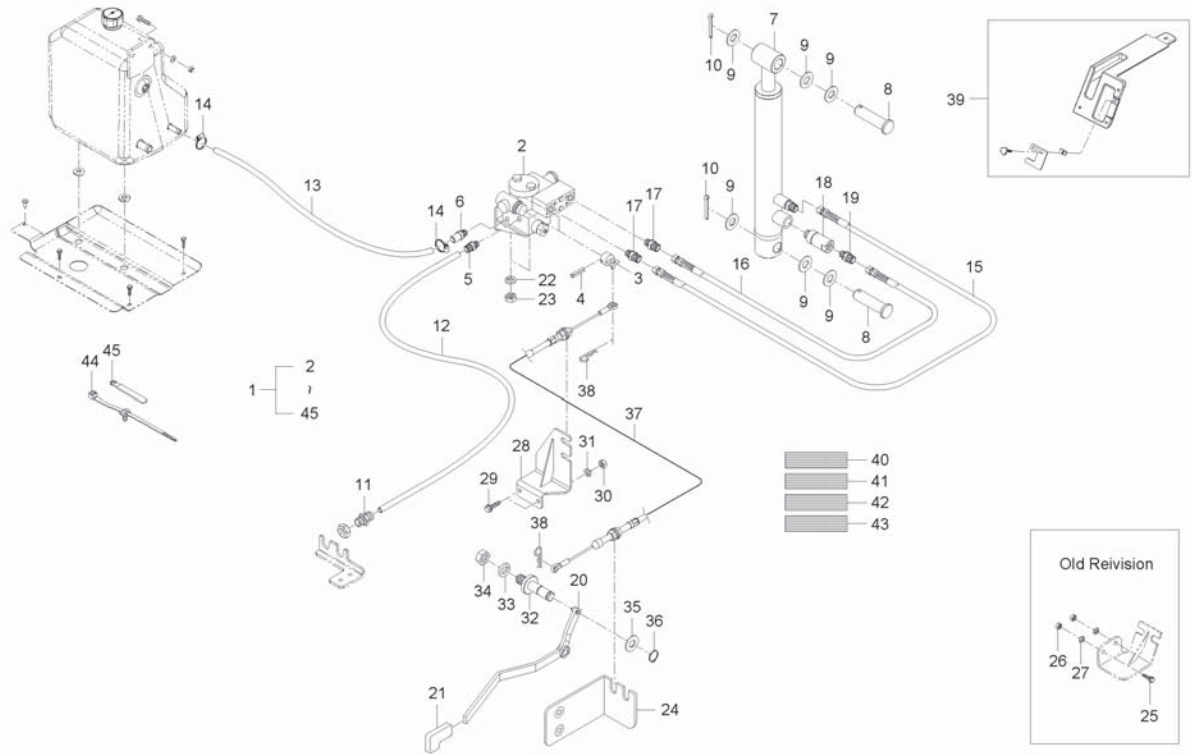
A : 1600XD4

No.	Part Number	Description	Q'TY					I.C	Remark
			A	B	C	D	E		
1	U3353-34001	ASSY, HYD KIT(1)	1						
2	U3210-34212	HYD VALVE ASS'Y B	1						
3	U3215-32252	Adaptor - Control Valve	1						
4	05411-00630	PIN, SPRING	1						DI A6*30
5	T4810-46971	TUBE, CONNECTING	1						
6	T4715-47071	CONNECTOR	1						
7	U3215-32201	CYLINDER, HYD	1						
8	U3215-32972	Pin, Joint	2						
9	04013-50200	WASHER, PLAIN	6						
10	05515-51600	PIN, SNAP	2						
11	T5210-37531	CONNECTOR	1						
12	U3210-34151	HOSE C2, HYD	1						
13	U3215-31501	HYD HOSE T, CONT. VALVE	1						
14	52200-2523-1	BAND, HOSE	2						
15	U3215-31803	Hyd Hose A, Cylinder	1						
16	U3215-31902	HYD HOSE B, CYLINDER	1						
17	T4810-46962	CONNECTOR	2						
18	U3215-32001	ORIFICE	1						
19	T4620-66161	TUBE, CONNECTING	1						

<---> Old replace New
 <-X-> Not interchangeable
 <-0-> Interchangeable with another part(s)
 <---> New replace Old
 <---> Interchangeable

U3353-G610A

HYDRAULIC SYSTEM



A : 1600XD4

No.	Part Number	Description	Q'TY					I.C	Remark
			A	B	C	D	E		
20	U3350-61601	LEVER1	1						
21	T4260-24462	GRIP	1						
22	04512-50100	WASHER, SPRING	2						M10
23	02176-50100	NUT	2						M10X1. 25
24	U3350-61501	BRACKET	1						
25	01754-50820	FLANGE BOLT	2						M8*P1. 25
26	02156-50080	NUT	2						M8XP1. 25
27	04512-50080	SPRING WASHER	2						M08
28	U3215-32802	Bracket Assy - Control Valve Cable	1						
29	01754-50820	FLANGE BOLT	2						M8*P1. 25
30	02156-50080	NUT	2						M8XP1. 25
31	04512-50080	SPRING WASHER	2						M08
32	U3215-32902	Shaft Lever MTG. HYD.(PIN)	1						
33	04512-50120	WASHER, SPRING	1						M12
34	02174-50120	NUT	1						M12*P1. 25
35	04013-50160	WASHER, PLAIN	1						M16
36	04612-00160	SNAP RING	1						
37	U3350-61401	Cable Assy - Hyd	1						
38	05525-50800	PIN, SNAP	2						

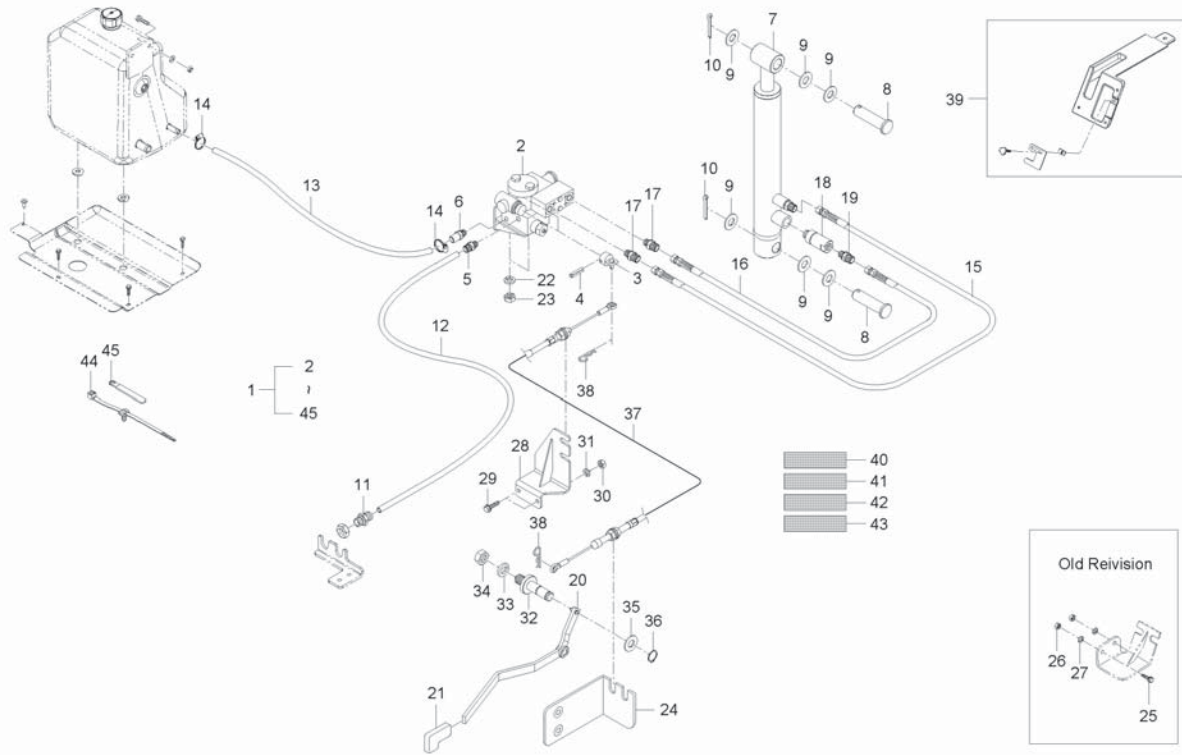
----- Old replace New

<-X-> Not interchangeable

<-0-> Interchangeable with another part(s)

<---- New replace Old

<---- Interchangeable



A : 1600XD4

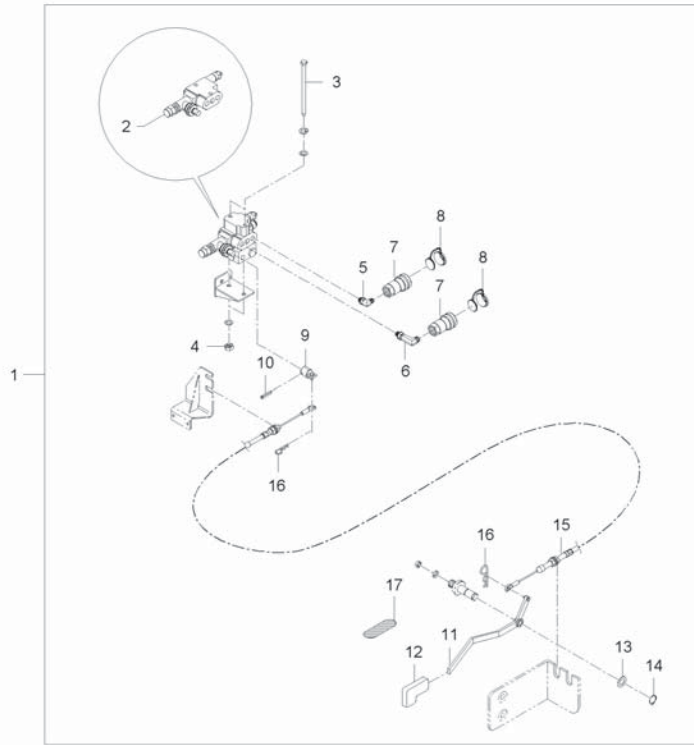
No.	Part Number	Description	Q'TY					I.C	Remark
			A	B	C	D	E		
39	U3215-93501	Lever Cover Assy	1						
40	U3215-85491	LABEL, DOUBLE ACTING LEVER(ENG)	1						
41	U3215-85711	LABEL WARNING, HYD LEVER LOCK	1						
42	U3210-85491	LABEL, DOUBLE ACTING LEVER(KOR)	1						
43	U3215-85321	LABEL DIFF, LOCK	1						
44	T2198-82551	BAND, CORD	1						
45	34150-2939-1	CLAMP, WIRE	1						

----- Old replace New
 <-X- > Not interchangeable
 <-0- > Interchangeable with another part(s)

<---- New replace Old
 <---- Interchangeable

U3355-G610A

HYDRAULIC SYSTEM

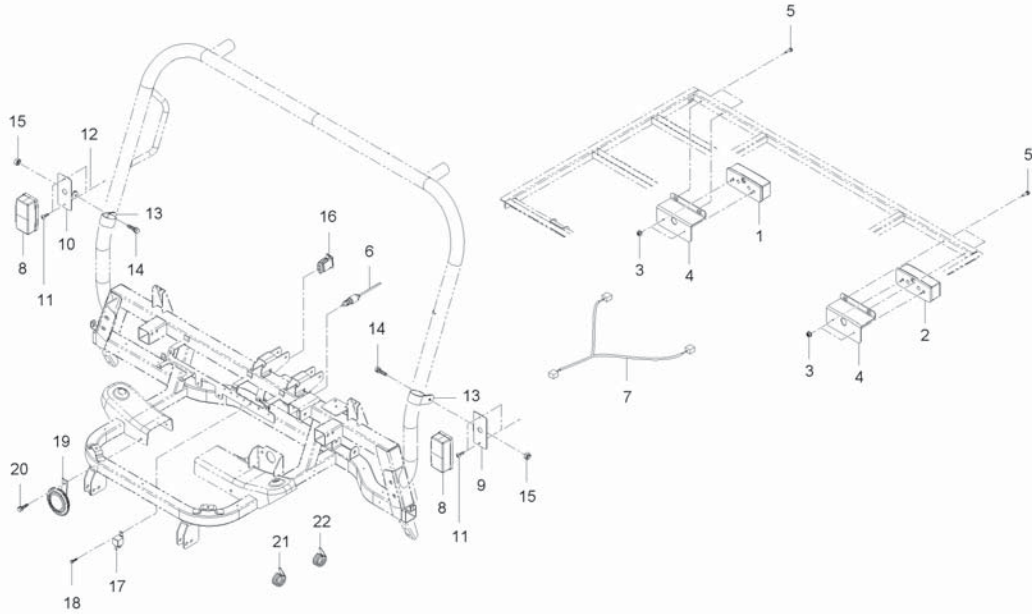


A : 1600XD4

No.	Part Number	Description	Q'TY					I.C	Remark
			A	B	C	D	E		
1	U3355-34001	ASSY, HYD KIT(2)-BULK PACKING	1						
2	U3215-32432	DU-Sectional Valve	1						
3	U3215-32271	BOLT	2						
4	41182-5151-1	U-NUT	2						
5	U3215-33701	CONNECTOR B	1						
6	U3215-33801	CONNECTOR C	1						
7	U3215-33902	COUPLER	2						
8	U3215-33921	CAP	2						
9	U3215-32252	Adaptor - Control Valve	1						
10	05411-00630	PIN, SPRING	1						DI A6*30
11	U3350-61701	LEVER2	1						
12	T4260-24462	GRIP	1						
13	04013-50160	WASHER, PLAIN	1						M16
14	04612-00160	SNAP RING	1						
15	U3350-61401	Cable Assy - Hyd	1						
16	05525-50800	PIN, SNAP	2						
17	U3210-85481	LABEL	1						

<----> Old replace New
 <-X-> Not interchangeable
 <-0-> Interchangeable with another part(s)

<----> New replace Old
 <----> Interchangeable



A : 1600XD4

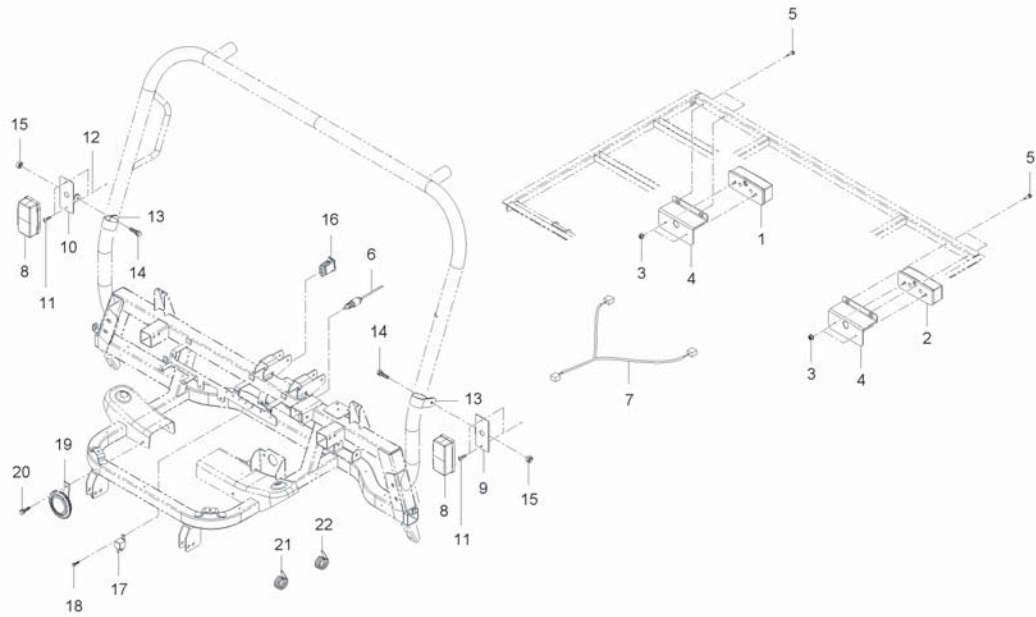
No.	Part Number	Description	Q'TY					I.C	Remark
			A	B	C	D	E		
1	T2611-75882	REAR LAMP ASSY, RH	1						
2	T2611-75892	REAR LAMP ASSY, LH	1						
3	02761-50040B	FLANGE NUT	4						
4	U3215-60171	COMBI LAMP BRACKET, RR	2						
5	01754-50625B	FLANGE BOLT	4						
6	T4520-41821	ASSY SWITCH,STOP	1						
7	U3210-60841	W/Harness-Rear Lamp	1						
8	T2185-69071	COMBI LIGHT ASSY, FR	2						
9	U3215-60341	BRACKET, LH	1						
10	U3215-60351	BRACKET, RH	1						
11	03054-50412B	BOLT	4						
12	02761-50040B	FLANGE NUT	4						
13	U3215-97111	CLAMP	2						
14	01754-50816B	FLANGE BOLT	2						
15	02763-50080B	FLANGE NUT	2						
16	T4025-68351	SWITCH, EMERGENCY LAMP	1						
17	T4121-31053	FLASHER UNIT, SENSOR	1						
18	T4144-75952	ASSY HORN	1						
19	01754-50616B	FLANGE BOLT	1						

----> Old replace New
 <-X-> Not interchangeable
 <-0-> Interchangeable with another part(s)

<---- New replace Old
 <---- Interchangeable

U1-U0980A

OPTIONAL LAMP GROUP



A : 1600XD4

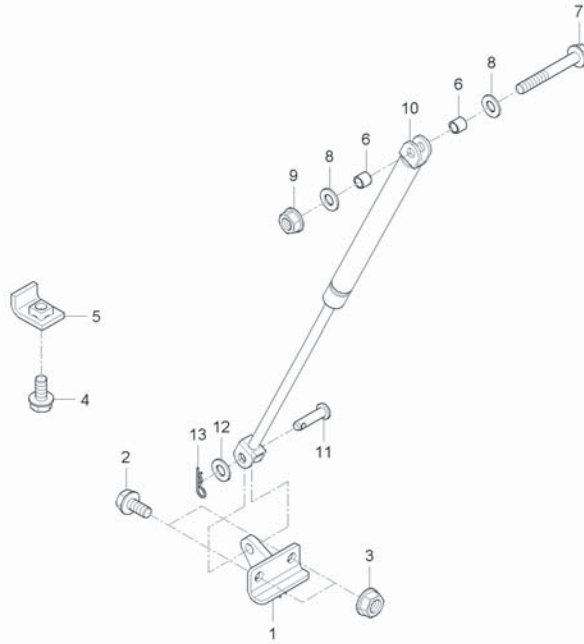
No.	Part Number	Description	Q'TY					I.C	Remark
			A	B	C	D	E		
20	T2185-82561	BAND,CORD	2						
21	03054-50516B	BOLT	1						
22	T2198-82551	BAND,CORD	7						

----- Old replace New
 <-X-> Not interchangeable
 <-0-> Interchangeable with another part(s)

<---- New replace Old
 <---> Interchangeable

U1-U1000A

Gas Spring GROUP



A : 1600XD4

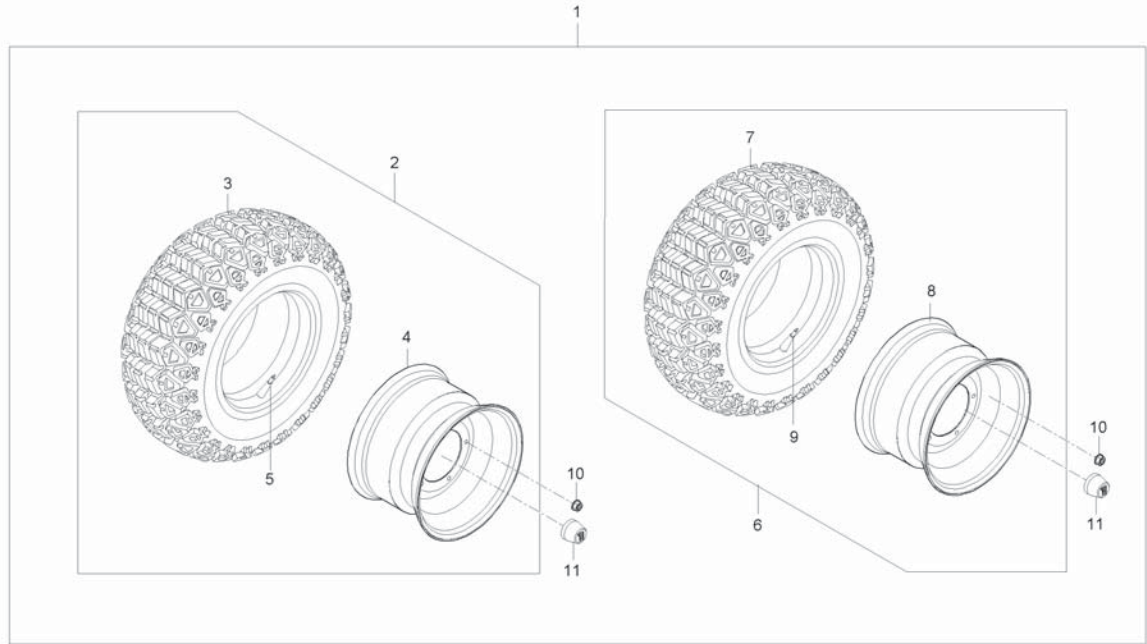
No.	Part Number	Description	Q'TY					I.C	Remark
			A	B	C	D	E		
1	U3215-51421	BRKT, Gas Spring	1						
2	01774-51020	BOLT, FLANGE	2						M10P1.25
3	02771-50100	FLANGE NUT	2						M10*1.25
4	U3215-51431	BRACKET, STOPPER	1						
5	01754-50816	BOLT, FLANGE	1						M8*P1.25
6	U3215-51441	Collar, Gas Spring	2						
7	01173-51080	BOLT	1						M10*P1.25*80
8	04015-50100	WASHER, PLAIN	2						
9	02783-50100	FLANGE NUT	1						M10XP1.25
10	U3215-51411	GAS SPRING	1						
11	05122-51025	JOINT PIN	1						DIA10*25
12	04013-50100	WASHER, PLAIN	1						M10
13	05525-51000	PIN, SNAP	1						

<----> Old replace New
 <-X-> Not interchangeable
 <-0-> Interchangeable with another part(s)

<---- New replace Old
 <---- Interchangeable

U1-U3290A

Wheel & Tire Group(OPT-WORK)



A : 1600XD4

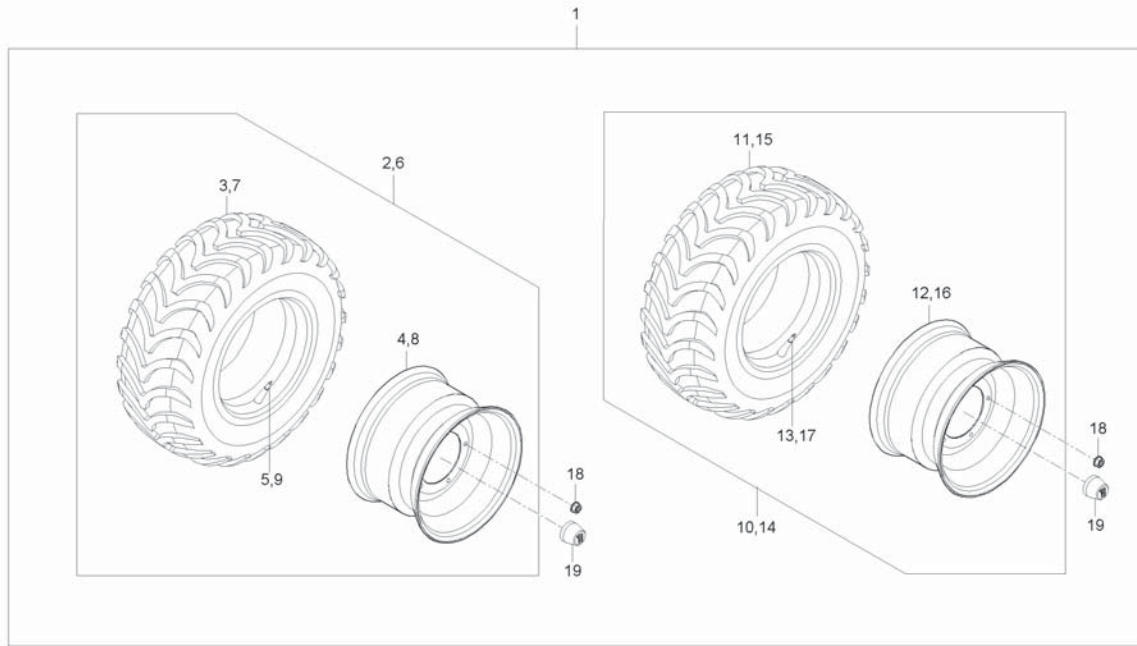
No.	Part Number	Description	Q'TY					I.C	Remark
			A	B	C	D	E		
1	U3210-63102	ASSY, WHEEL&TIRE(WORK)	1						
1	U3210-63104	ASSY, WHEEL&TIRE(WORK)	1					<---	
2	U3210-63151	Wheel & Tire-FRT	4						
3	U3210-63321	Tire-FRT (25X10 R12)	1						
3	U3210-63391	TIRE(25X10R12)	1					<---	
4	U3210-63121	Wheel-FRT	1						
4	U3210-63122	Wheel-FRT	1					<---	
5	U3210-63161	DIVIDER.CMP,FROW	1						
6	U3210-63171	Wheel & Tire-RR	2						
7	U3210-63331	Tire-RR (25X11X R12)	1						
8	U3210-63221	Wheel-RR	1						
9	U3215-50801	NUT, LOCK	20						
10	04013-50100B	WASHER	20						
11	U3210-63342	Cap-Wheel	4						

----- Old replace New
 <-X-> Not interchangeable
 <-0-> Interchangeable with another part(s)

<---- New replace Old
 <---- Interchangeable

U1-U3291A

Wheel & Tire Group(OPT-Mud)



A : 1600XD4

No.	Part Number	Description	Q'TY					I.C	Remark
			A	B	C	D	E		
1	U3210-63203	ASS'Y, WHEEL&TIRE(MUD)	1						
2	U3210-63251	Wheel & Tire Front - RH	2						
3	U3210-63111	Tire, FRT (25X10 R12)	1						
4	U3210-63121	Wheel-FRT	1						
5	U3210-63161	DIVIDER.CMP,FROW	1						
6	U3210-63241	Wheel & Tire Front - LH	2						
7	U3210-63111	Tire, FRT (25X10 R12)	1						
8	U3210-63121	Wheel-FRT	1						
9	U3210-63161	DIVIDER.CMP,FROW	1						
10	U3210-63271	Wheel & Tire Rear - RH	1						
11	U3210-63211	Tire, RR (25X11 R12)	1						
12	U3210-63221	Wheel-RR	1						
13	U3210-63161	DIVIDER.CMP,FROW	1						
14	U3210-63261	Wheel & Tire Rear - LH	1						
15	U3210-63211	Tire, RR (25X11 R12)	1						
16	U3210-63221	Wheel-RR	1						
17	U3210-63161	DIVIDER.CMP,FROW	1						
18	U3215-50801	NUT, LOCK	20						
19	U3210-63342	Cap-Wheel	4						

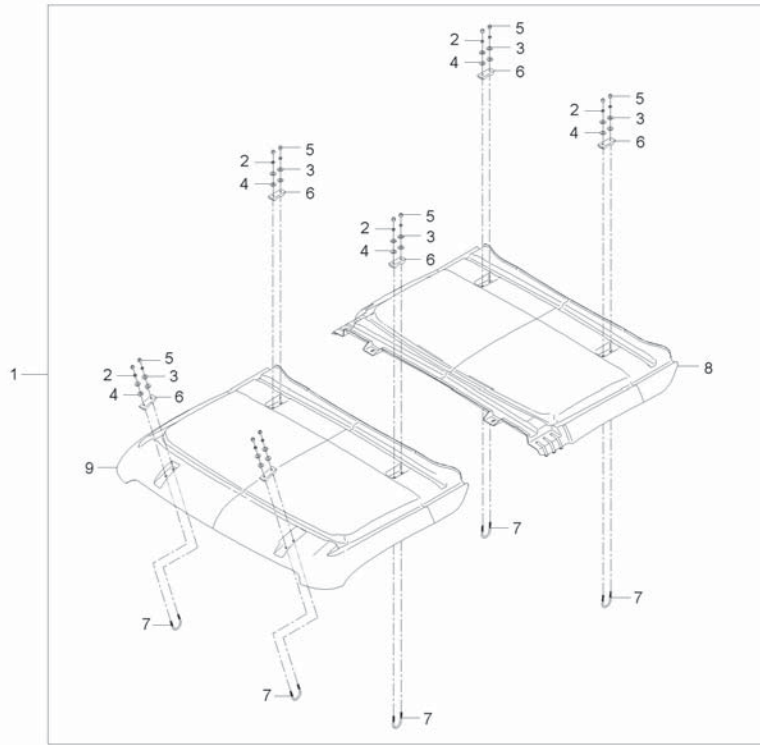
----> Old replace New

<-X-> Not interchangeable

<-0-> Interchangeable with another part(s)

<---- New replace Old

<---- Interchangeable



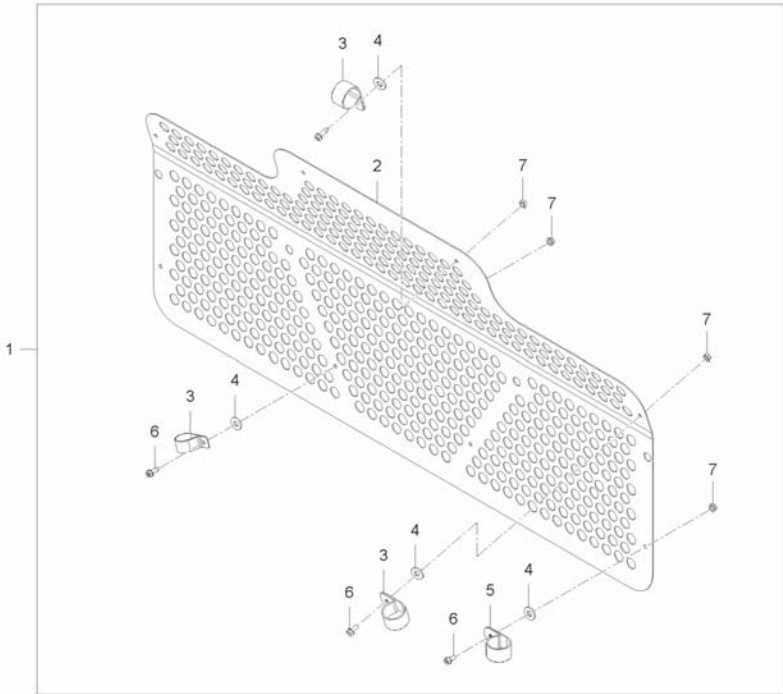
A : 1600XD4

No.	Part Number	Description	Q'TY					I.C	Remark
			A	B	C	D	E		
1	U3305-A1002	ASSY, Canopy	1						
2	02056-50080B	NUT	12						
3	04015-50080B	WASHER	12						
4	T4520-87402	PACKING, 1	12						
5	T4815-93211	NUT	12						
6	U3215-97721	CANOPY BUMPER	6						
7	U3215-97793	Bolt - U Type (M8)	6						
8	U3300-A1012	CANOPY	1						
9	U3300-A1032	CANOPY	1						

<---> Old replace New
 <-X-> Not interchangeable
 <-0-> Interchangeable with another part(s)
 <---> New replace Old
 <---> Interchangeable

U1-U3830A

REAR SCREEN GROUP

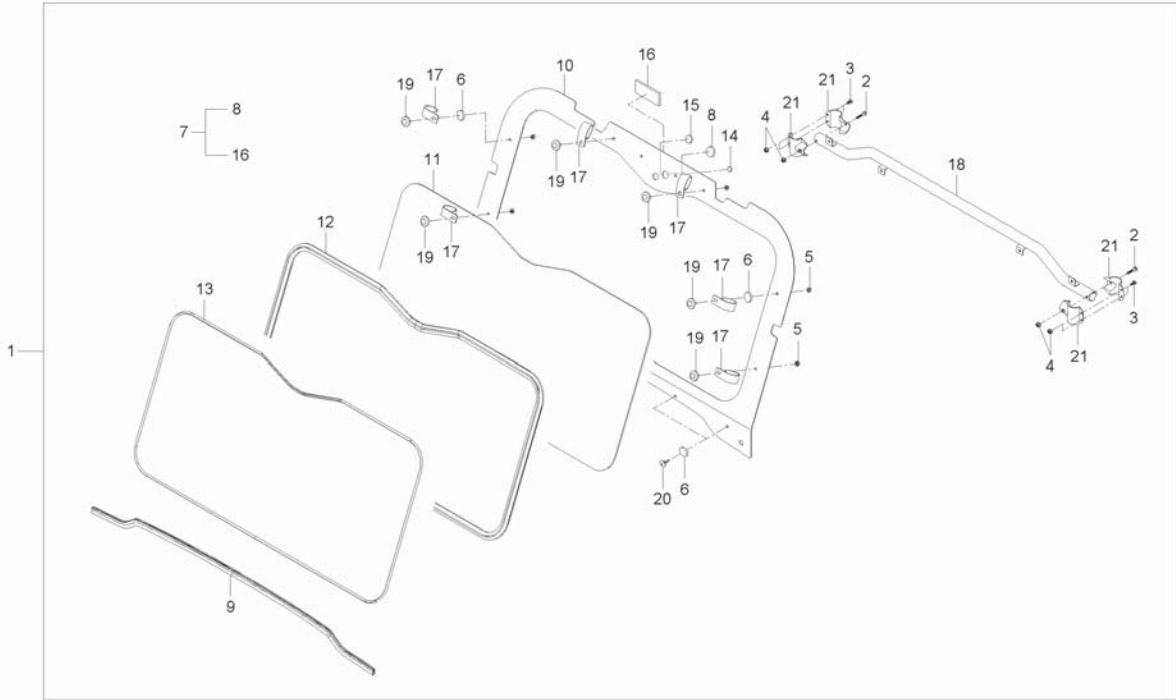


A : 1600XD4

No.	Part Number	Description	Q'TY					I.C	Remark
			A	B	C	D	E		
1	U3215-97916	ASSY, REAR SCREEN	1						
2	U3215-97926	MESH, GRILL	1						
3	U3215-97111	CLAMP	6						
4	T4520-87402	PACKING, 1	2						
5	T4686-50963	HOSE CLAMP	2						
6	01754-50816B	FLANGE BOLT	8						
7	02763-50080B	FLANGE NUT	8						

----> Old replace New
 <-X-> Not interchangeable
 <-0-> Interchangeable with another part(s)

<---- New replace Old
 <---- Interchangeable



A : 1600XD4

No.	Part Number	Description	Q'TY					I.C	Remark
			A	B	C	D	E		
1	U3210-97302	SAFTY GLASS ASSY	1						
2	01025-50655B	BOLT	2						
3	01754-50612B	FLANGE BOLT	4						
4	02761-50060B	FLANGE NUT	6						
5	02763-50080B	FLANGE NUT	6						
6	T2610-80691	CUSHION	10						
7	U3210-97403	ASSY, WIND SHIELD	1						
8	T2395-84411	GROMMET	1						
9	U3210-50381	WEATHERSTRIP,FRONT LOW	1						
10	U3210-97422	PANEL,WIND SHIELD	1						
11	U3210-97431	WIND SHIELD GLASS	1						
12	U3210-97441	WEATHERSTRIP,WIND SHIELD	1						
13	U3210-97451	STOPPER,WEATHERSTRIP	1						
14	U3210-97461	GROMMET	2						
15	U3210-97471	GROMMET	1						
16	U3215-72781	INSULATION-DUCT,FRAME	1						
17	U3215-97111	CLAMP	6						
18	U3215-97122	WIND SHIELD CONNECT	1						
19	U3215-97151	BOLT, CAP	6						

----- Old replace New

<-X-> Not interchangeable

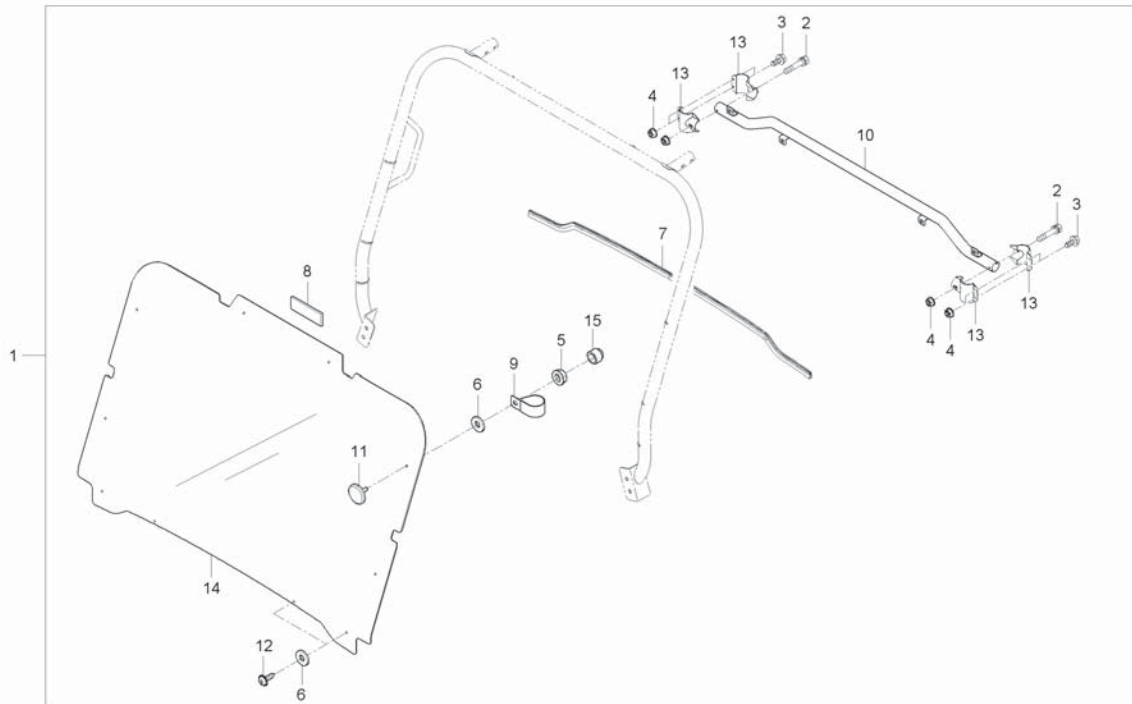
<-0-> Interchangeable with another part(s)

<---- New replace Old

<---- Interchangeable

U1-U3932A

WIND SHIELD GROUP



A : 1600XD4

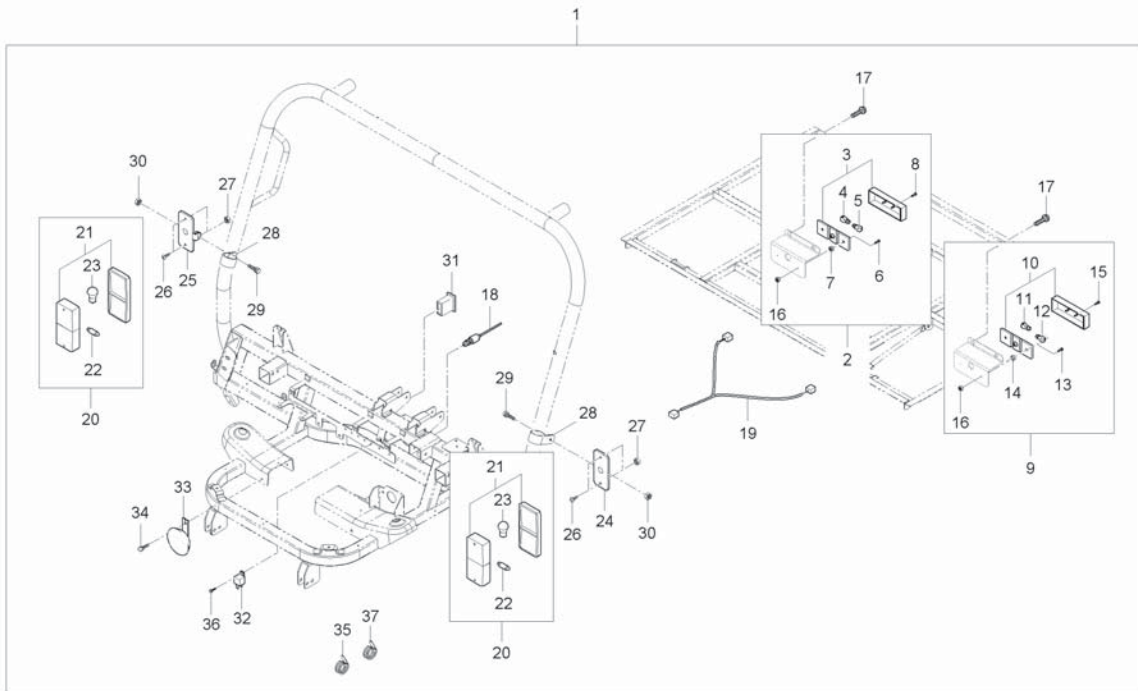
No.	Part Number	Description	Q'TY					I.C	Remark
			A	B	C	D	E		
1	U3217-97002	ASSY, WIND SHIELD	1						
2	01025-50655B	BOLT	2						
3	01754-50612B	FLANGE BOLT	4						
4	02761-50060B	FLANGE NUT	6						
5	02763-50080B	FLANGE NUT	6						
6	T2610-80691	CUSHION	10						
7	U3210-50381	WEATHERSTRIP,FRONT LOW	1						
8	U3215-72781	INSULATION-DUCT,FRAME	1						
9	U3215-97111	CLAMP	6						
10	U3215-97122	WIND SHIELD CONNECT	1						
11	U3215-97151	BOLT, CAP	6						
12	U3215-97161	SCREW	4						
13	U3215-97671	HEAD REST BAR CONNECT 2	4						
14	U3217-97102	WIND SHIELD GLASS	1						
15	T4815-93211	NUT	6						

----- Old replace New
 <-X-> Not interchangeable
 <-0-> Interchangeable with another part(s)

<- - - - New replace Old
 <- - - - Interchangeable

U1-U3980A

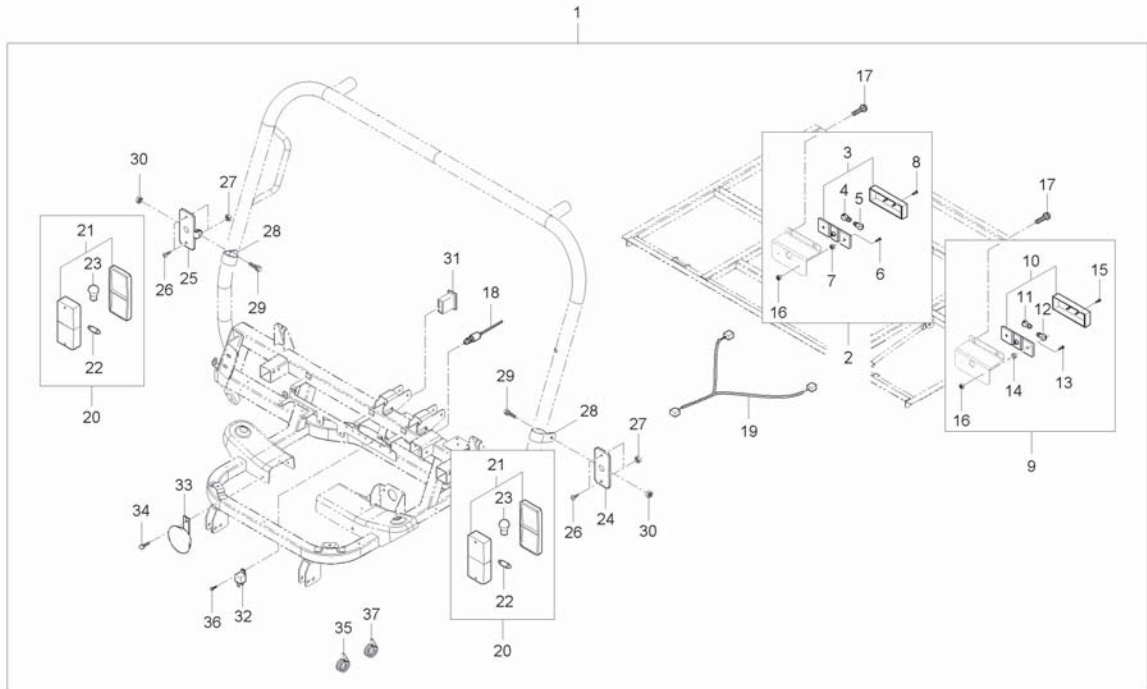
OPTIONAL LAMP GROUP



A : 1600XD4

No.	Part Number	Description	Q'TY					I.C	Remark
			A	B	C	D	E		
1	U3210-61105	ASSY, SAFETY LAMP	1						
2	T2611-75882	REAR LAMP ASSY, RH	1						
3	T2611-75782	LAMP, REAR TAIL RH	1						
4	T2611-79021	BULB,LIGHT(27W)	1						
5	T2611-79011	BULB, 12VXP21W	2						
6	03024-50420	SCREW, WASHER	2						
7	02052-50040	NUT	2						
8	03054-50416	SCREW	2						M4*0.7
9	T2611-75892	REAR LAMP ASSY, LH	1						
10	T2611-75792	LAMP, REAR TAIL LH	1						
11	T2611-79021	BULB,LIGHT(27W)	1						
12	T2611-79011	BULB, 12VXP21W	2						
13	03024-50420	SCREW, WASHER	2						
14	02052-50040	NUT	2						
15	03054-50416	SCREW	2						M4*0.7
16	02761-50040B	FLANGE NUT	4						
17	01754-50625B	FLANGE BOLT	4						
18	T4520-41821	ASSY SWITCH,STOP	1						
19	U3210-60841	W/Harness-Rear Lamp	1						

----> Old replace New
 <-X-> Not interchangeable
 <-0-> Interchangeable with another part(s)
 <---- New replace Old
 <---- Interchangeable



A : 1600XD4

No.	Part Number	Description	Q'TY					I.C	Remark
			A	B	C	D	E		
20	T2185-69071	COMBI LIGHT ASSY, FR	2						
21	T2611-69061	LAMP, HAZARD	2						
22	T2611-79011	BULB, 12VXP21W	2						
23	T2611-79041	BULB, 12VXC5W	2						
24	U3215-60341	BRACKET, LH	1						
25	U3215-60351	BRACKET, RH	1						
26	03054-50412B	BOLT	4						
27	02761-50040B	FLANGE NUT	4						
28	U3215-97111	CLAMP	2						
29	01754-50816B	FLANGE BOLT	2						
30	02763-50080B	FLANGE NUT	2						
31	T4025-68351	SWITCH, EMERGENCY LAMP	1						
32	T4121-31053	FLASHER UNIT, SENSOR	1						
33	T4144-75952	ASSY HORN	1						
34	01754-50616B	FLANGE BOLT	1						
35	T2185-82561	BAND,CORD	2						
36	03054-50516B	BOLT	1						
37	T2198-82551	BAND,CORD	7						

----- Old replace New

<-X-> Not interchangeable

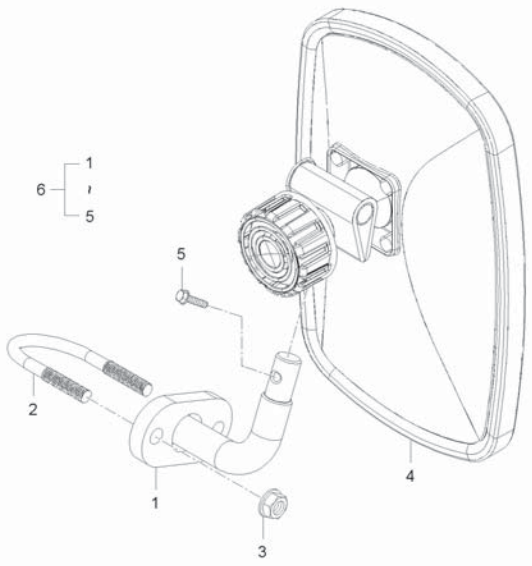
<-0-> Interchangeable with another part(s)

<----- New replace Old

<----- Interchangeable

U1-U3990A

MIRROR GROUP-OPT

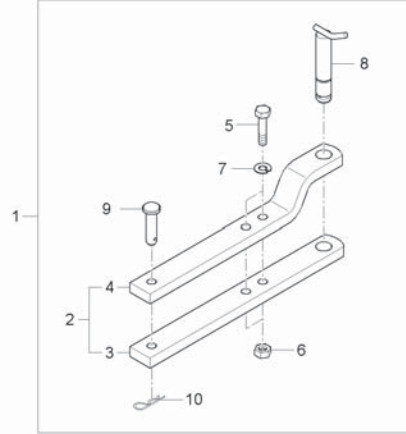


A : 1600XD4

No.	Part Number	Description	Q'TY					I.C	Remark
			A	B	C	D	E		
1	U3215-97803	ASSY, Mirror	1						
2	01754-50625B	FLANGE BOLT	2						
3	02763-50080B	FLANGE NUT	4						
4	U3215-97782	Bolt - U Type (M8)	2						
5	U3215-97821	STAY, BACK MIRROR	2						
6	U3215-97831	MIRROR, ENG	2						

----> Old replace New
 <-X-> Not interchangeable
 <-0-> Interchangeable with another part(s)

<---- New replace Old
 <----> Interchangeable

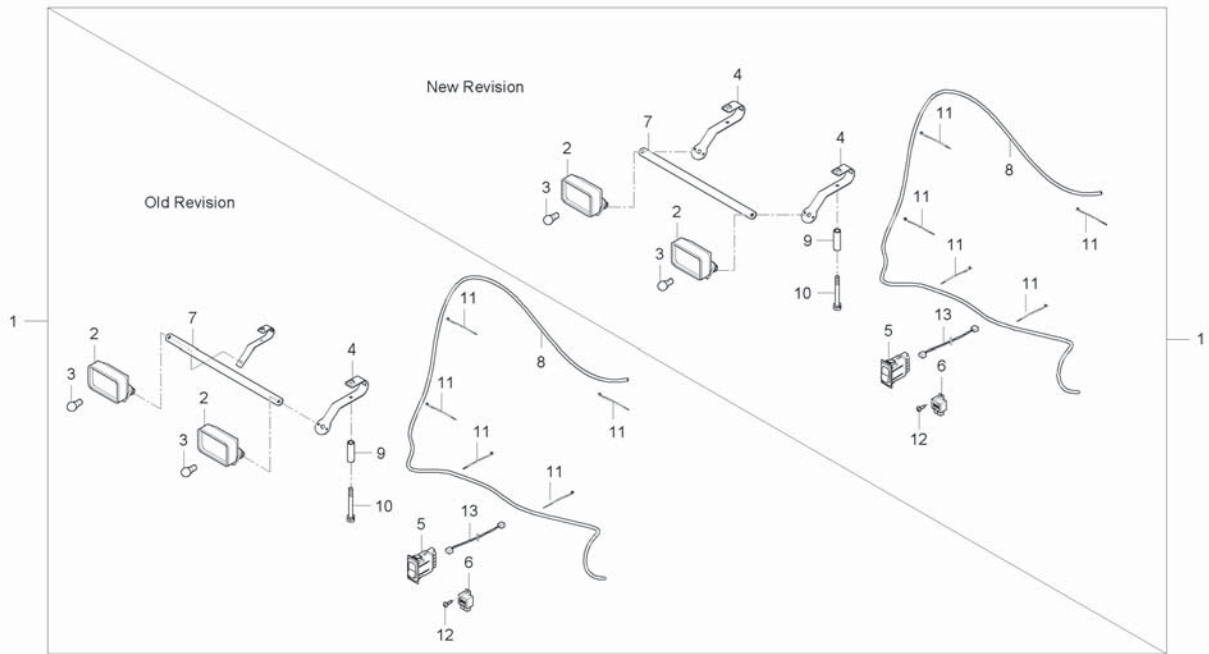


A : 1600XD4

No.	Part Number	Description	Q'TY					I.C	Remark
			A	B	C	D	E		
1	U3230-97303	SWING-DRAW-BAR KIT	1						
2	U3230-97313	SWING-DRAW-BAR ASSY	1						
3	U3230-97321	DRAW-BAR	1						
4	U3230-97333	BRACKET	1						
5	01176-51675	BOLT	2						M16*75*9T
6	02076-50160	NUT	2						
7	04512-50160	WASHER, SPRING	2						M16
8	T2611-29852	PIN, CONNECTING	1						
9	05122-51880	JOINT PIN	1						
10	05515-51600	PIN, SNAP	1						

<---> Old replace New
 <-X-> Not interchangeable
 <-0-> Interchangeable with another part(s)

<---> New replace Old
 <---> Interchangeable



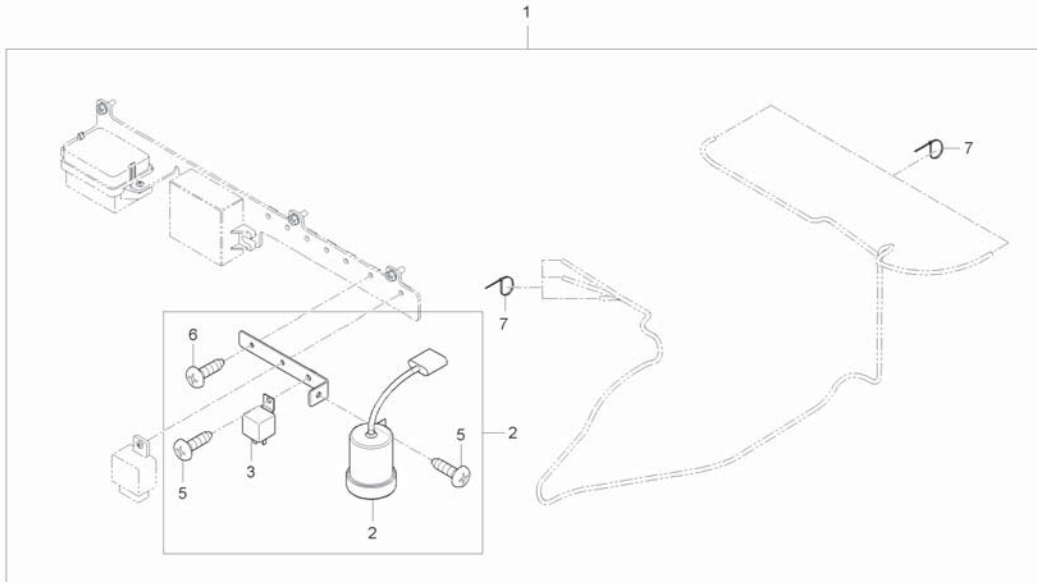
A : 1600XD4

No.	Part Number	Description	Q'TY					I.C	Remark
			A	B	C	D	E		
1	U3215-60304	WORKING LAMP KIT	1						
2	T4930-69802	WORKING LIGHT ASSY, FR	2						
3	T4620-69251	BULB, HALOGEN 12VX35W	1						
4	U3215-60362	WORKING LAMP CONN BRKT ASSY	2						
5	T4935-54221	SWITCH WORKING LAMP	1						
6	T4351-43101	ACCESSORY RELAY ASSY	1						
7	U3215-60381	GUADE, WORK LAMP BRACKET	1						
8	U3215-60391	ASSY WIRE HARNESS WORKING LAMP	1						
9	U3215-60401	BUSH	2						
10	01123-50865	BOLT, WASHER	2						
11	T2198-82561	BAND,CORD	7						
12	03054-50516	SCREW	1						
13	U3215-60411	ASS'Y WIRE HARNESS SWITCH	1						

----- Old replace New
 <-X-> Not interchangeable
 <-0-> Interchangeable with another part(s)

<-X-> New replace Old
 <-0-> Interchangeable

PARKING LOCK BUZZER GROUP(OPTION)



A : 1600XD4

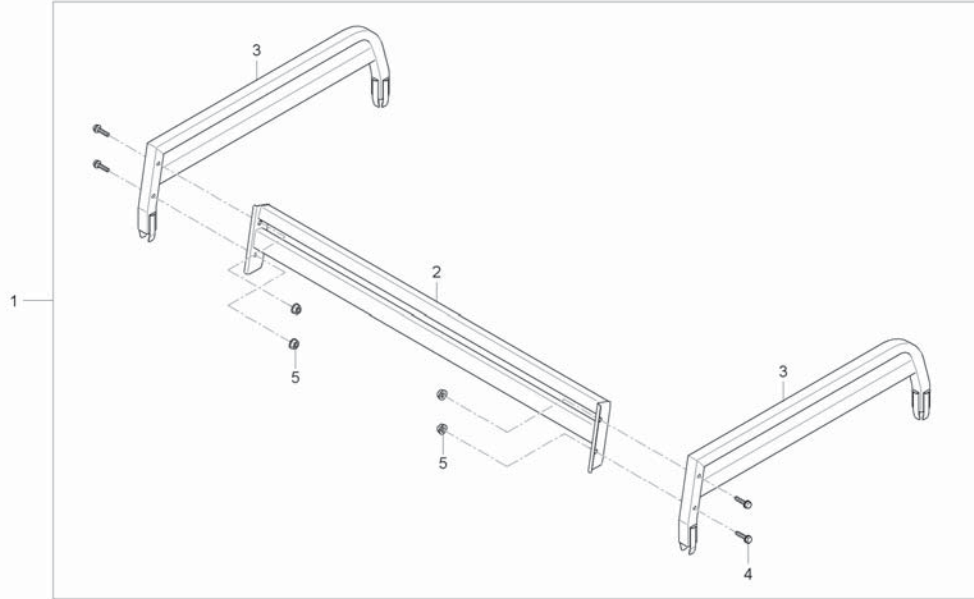
No.	Part Number	Description	Q'TY					I.C	Remark
			A	B	C	D	E		
1	U3210-96164	PARKING BRAKE BUZZER KIT	1						
2	U3210-69144	PARKING BUZZER ASSY	1						
3	T4180-69961	RELAY(5P)	1						
4	U3215-81552	Screw (Black)	2						
5	03054-50516B	BOLT	3						
6	T2185-82561	BAND,CORD	5						

----- Old replace New
 <-X-> Not interchangeable
 <-0-> Interchangeable with another part(s)

 <---- New replace Old
 <---- Interchangeable

U1-U5920A

DECK EXTENSION GROUP(OPTION)



A : 1600XD4

No.	Part Number	Description	Q'TY					I.C	Remark
			A	B	C	D	E		
1	U3210-98901	DECK EXTENSION BAR ASSY	1						
2	U3210-98851	FRONT EXTENSION BAR ASSY	1						
3	U3210-98931	DECK SIDE EXTENSION BAR ASSY	2						
4	01774-51260	BOLT, FLANGE	4						
5	02783-50120	FLANGE NUT	4						

----> Old replace New <---- New replace Old
 <-X-> Not interchangeable <---- Interchangeable
 <-0-> Interchangeable with another part(s)

INDEX 1

PART NO.	PAGE	PART NO.	PAGE	PART NO.	PAGE	PART NO.	PAGE	PART NO.	PAGE
01023-50610	24	01125-50860B	99	01754-50616	58	02052-50160	119	02761-50060B	147
01023-50612	15	01125-50865	75	01754-50616	59	02054-50030	103	02763-50080	53
01023-50614	11	01125-50865	116	01754-50616	61	02054-50030	128	02763-50080	65
01023-50616	22	01125-50870	71	01754-50616	65	02054-50040	83	02763-50080	71
01023-50616	127	01125-50870	93	01754-50616	120	02054-50080	78	02763-50080	75
01023-50618	1	01125-50870	97	01754-50616	122	02056-50060	16	02763-50080	84
01023-50620	24	01125-50875	52	01754-50616	123	02056-50060	17	02763-50080	85
01023-50625	5	01125-50895	75	01754-50616	124	02056-50060	24	02763-50080	86
01023-50628	20	01125-51035	75	01754-50616B	80	02056-50060	127	02763-50080	93
01023-50628	21	01125-51035	80	01754-50616B	94	02056-50080B	140	02763-50080	97
01023-50630	24	01125-51060B	99	01754-50616B	96	02056-50080B	141	02763-50080	112
01023-50635	58	01127-50825	23	01754-50616B	97	02076-50160	152	02763-50080	118
01023-50660	24	01133-51030	13	01754-50616B	109	02118-50100	53	02763-50080B	71
01023-50665	5	01133-51075	53	01754-50616B	134	02118-50100	59	02763-50080B	81
01023-50670	5	01133-51230B	99	01754-50616B	149	02156-50080	4	02763-50080B	99
01023-50675	5	01133-51240	50	01754-50620	17	02156-50080	15	02763-50080B	108
01025-50612	127	01133-51275	52	01754-50625	23	02156-50080	53	02763-50080B	115
01025-50618	80	01135-51020	52	01754-50625	55	02156-50080	70	02763-50080B	126
01025-50618	114	01135-51020	75	01754-50625	93	02156-50080	72	02763-50080B	134
01025-50620	29	01135-51025	46	01754-50625	97	02156-50080	79	02763-50080B	144
01025-50635	61	01135-51025	47	01754-50625B	80	02156-50080	120	02763-50080B	145
01025-50638	114	01135-51025	59	01754-50625B	134	02156-50080	131	02763-50080B	147
01025-50655B	108	01135-51025B	110	01754-50625B	148	02174-50120	52	02763-50080B	149
01025-50655B	143	01135-51030	52	01754-50625B	150	02174-50120	131	02763-50080B	150
01025-50655B	145	01135-51035	43	01754-50812	55	02176-50100	13	02771-50100	47
01025-50655B	147	01135-51230B	99	01754-50816	59	02176-50100	70	02771-50100	136
01027-50616	103	01153-50812	55	01754-50816	67	02176-50100	73	02771-50100	151
01027-50616	128	01153-50822	58	01754-50816	85	02176-50100	80	02771-50120	50
01053-50620	91	01153-50822	60	01754-50816	91	02176-50100	131	02783-50100	51
01053-50655	126	01153-50855	65	01754-50816	136	02176-50120	56	02783-50100	63
01123-50814	22	01155-51020	30	01754-50816B	81	02176-50120	75	02783-50100	75
01123-50816	4	01155-51020	43	01754-50816B	90	02176-50120B	109	02783-50100	136
01123-50816	37	01173-51075	62	01754-50816B	124	02376-50100	70	02783-50100	151
01123-50816	42	01173-51080	136	01754-50816B	134	02376-50140	56	02783-50120	52
01123-50818	16	01173-51080	151	01754-50816B	144	02751-50060	17	02783-50120	155
01123-50818	90	01176-51070	74	01754-50816B	149	02751-50060	18	03014-50608	24
01123-50822	79	01176-51245	111	01754-50820	22	02751-50060	59	03016-50620	69
01123-50822	118	01176-51675	152	01754-50820	57	02751-50080	124	03024-50414B	115
01123-50825	75	01205-50612	67	01754-50820	67	02761-50040	14	03024-50420	148
01123-50825	95	01513-50614	5	01754-50820	75	02761-50040B	81	03024-50520	14
01123-50830	16	01513-50618	16	01754-50820	83	02761-50040B	115	03054-50316	103
01123-50835	80	01513-50620	4	01754-50820	131	02761-50040B	134	03054-50316	128
01123-50845	86	01513-50655	22	01754-50822	7	02761-50040B	149	03054-50412B	51
01123-50865	153	01513-50822	4	01754-50825	7	02761-50050	95	03054-50412B	81
01125-50818	71	01513-50822	15	01754-50825	55	02761-50060	5	03054-50412B	134
01125-50820	46	01517-51028	13	01754-50825	112	02761-50060	22	03054-50412B	149
01125-50820	51	01654-50618	11	01754-50835	22	02761-50060	58	03054-50416	148
01125-50820	74	01654-50820	3	01754-50865B	124	02761-50060	59	03054-50512	65
01125-50820	75	01754-50610	99	01774-51020	71	02761-50060	64	03054-50516	63
01125-50825	58	01754-50612	6	01774-51020	123	02761-50060	71	03054-50516	124
01125-50825	60	01754-50612	19	01774-51020	136	02761-50060	93	03054-50516	153
01125-50825	78	01754-50612	67	01774-51020	151	02761-50060	97	03054-50516B	51
01125-50825	83	01754-50612	84	01774-51035	23	02761-50060	120	03054-50516B	81
01125-50830	29	01754-50612B	108	01774-51045	23	02761-50060	122	03054-50516B	102
01125-50830	39	01754-50612B	143	01774-51045	51	02761-50060B	85	03054-50516B	105
01125-50830	86	01754-50612B	145	01774-51260	155	02761-50060B	91	03054-50516B	122
01125-50840	75	01754-50612B	147	01811-50610	67	02761-50060B	96	03054-50516B	126
01125-50855B	99	01754-50614B	126	01811-50615	127	02761-50060B	108	03054-50516B	135
01125-50860	70	01754-50616	18	02014-50060	126	02761-50060B	143	03054-50516B	142
01125-50860	71	01754-50616	57	02052-50040	148	02761-50060B	145	03054-50516B	149

PART NO.	PAGE	PART NO.	PAGE	PART NO.	PAGE	PART NO.	PAGE	PART NO.	PAGE
03054-50516B	154	04512-50120	111	05411-00625	37	08822-53013	36	41182-5151-1	62
04011-50100	59	04512-50120	131	05411-00630	130	08822-53017	36	41182-5151-1	76
04012-50050	14	04512-50160	152	05411-00630	133	09318-87040	67	41182-5151-1	133
04012-50080	57	04611-00320	75	05411-00640	50	09318-87051	67	44366-8221-2	53
04012-50080	63	04611-00400	75	05411-00840	50	09318-87051	85	52200-2523-1	80
04012-50080	78	04611-00450	45	05511-50210	93	09318-88080	14	52200-2523-1	118
04013-50050	122	04611-00520	27	05511-50210	97	09318-88080	84	52200-2523-1	130
04013-50060	24	04611-00650	69	05511-50218	95	09318-88140	22	52300-3413-1	62
04013-50060	65	04611-00750	73	05511-50318	70	09318-88180	10	52300-4166-4	122
04013-50060	127	04612-00130	9	05511-50325	56	09318-89035	83	53415-4128-1	91
04013-50060B	96	04612-00150	75	05511-50435	46	09318-89058	85	55511-2118-3	123
04013-50060B	109	04612-00160	131	05511-50435	48	09318-89063	55	82KC-0641	93
04013-50080	22	04612-00160	133	05511-51612	127	09500-35528	80	82KC-0641	98
04013-50080	53	04612-00170	75	05515-50600	90	09550-00008	5	84612-4315-1	83
04013-50080	55	04612-00180	11	05515-51600	130	09661-40200	14	84612-4316-1	83
04013-50080	70	04612-00180	15	05515-51600	152	14911-4275-1	16	84612-4393-1	83
04013-50080	72	04612-00190	15	05525-50600	65	14911-4275-1	28	AA0000191	67
04013-50100	53	04612-00190	79	05525-50600	109	14911-4275-1	29	C7130-23471	33
04013-50100	62	04612-00200	79	05525-50800	57	14911-4275-1	39	C7280-89211	124
04013-50100	70	04612-00240	33	05525-50800	59	14911-4275-1	43	E1100-33752	3
04013-50100	73	04612-00250	46	05525-50800	63	14911-4275-1	49	E5205-03371	4
04013-50100	136	04612-00300	35	05525-50800	95	14911-4275-1	56	E5205-04561	7
04013-50100	151	04612-50080	90	05525-50800	131	14911-4275-1	67	E5205-13152	9
04013-50100B	137	04714-00100	79	05525-50800	133	14911-4275-1	84	E5205-13241	9
04013-50120	52	04717-01200	78	05525-51000	136	15121-5385-2	14	E5205-13542	4
04013-50120B	99	04717-01600	29	05525-51000	151	15221-0175-1	4	E5205-13562	4
04013-50120B	109	04717-01600	39	05712-00408	2	15221-3365-1	1	E5205-14241	9
04013-50160	75	04717-01600	43	05712-00515	11	15321-5216-1	15	E5205-16272	11
04013-50160	119	04717-02000	29	05712-00515	12	15321-9626-3	1	E5205-16321	15
04013-50160	131	04724-00140	18	05712-00515	23	15321-9626-3	4	E5205-16511	11
04013-50160	133	04810-00140	80	05712-00520	15	15371-4217-0	16	E5205-21331	12
04013-50180	46	04811-00060	18	06311-75015	1	15471-5798-1	17	E5205-21354	12
04013-50200	130	04811-00120	38	06311-75040	1	15521-5642-1	20	E5205-23311	12
04014-50080	7	04811-00120	96	06312-10020	1	15521-5642-1	21	E5205-23361	23
04014-50100	65	04811-00140	3	06331-35010	79	15531-7242-2	68	E5205-24012	11
04015-50080	63	04811-00140	80	06331-35016	29	15532-7243-2	68	E5205-24112	12
04015-50080	86	04811-00150	38	06331-35016	39	31220-2639-2	40	E5205-24281	11
04015-50080B	140	04811-00180	37	06331-35016	43	31365-2278-1	36	E5205-24321	11
04015-50080B	141	04811-00180	42	06331-35020	29	34150-2156-1	34	E5205-24361	11
04015-50100	136	04811-00650	83	06331-45012	78	34150-2156-1	35	E5205-24371	11
04015-50100	151	04811-06130	5	06613-10675	69	34150-2939-1	84	E5205-32091	5
04111-50080	42	04811-10220	12	07811-10820	17	34150-2939-1	99	E5205-32291	5
04512-50040	83	04811-10290	83	07918-00001	17	34150-2939-1	124	E5205-33961	1
04512-50050	123	04811-10800	80	08101-06005	46	34150-2939-1	132	E5205-36481	79
04512-50060	16	04811-50300	10	08101-06204	32	34220-1451-2	42	E5205-54271	18
04512-50060	24	04811-50600	46	08101-06204	33	35820-7556-1	122	E5205-72951	6
04512-50080	4	04814-05250	18	08101-06204	34	36919-5665-1	122	E5205-73911	1
04512-50080	15	05012-00609	1	08101-06205	32	37150-3447-1	84	E5205-91021	1
04512-50080	53	05012-00814	1	08101-06205	35	37300-2648-1	40	E5250-63821	13
04512-50080	55	05012-00818	29	08101-06205	36	37300-2649-1	40	E5500-33142	10
04512-50080	72	05122-50650	93	08101-06304	36	37300-2817-2	40	E5500-33671	10
04512-50080	79	05122-50650	97	08103-06004	15	37800-4387-1	40	E5500-33702	1
04512-50080	120	05122-50818	59	08141-06002	75	38240-1883-1	93	E5500-35681	10
04512-50080	131	05122-50845	57	08141-06203	75	38240-1883-1	97	E5500-39013	2
04512-50100	13	05122-51022	62	08153-06004	15	38240-2647-2	40	E5500-51662	18
04512-50100	70	05122-51025	136	08241-05204	79	38245-2925-3	87	E5500-73272	22
04512-50100	73	05122-51025	151	08711-30205	27	38245-2925-3	89	E5500-74213	22
04512-50100	131	05122-51880	152	08812-83520	40	38430-2155-1	34	E5603-52111	15
04512-50120	52	05411-00420	17	08822-02413	33	38440-4424-0	27	E5700-01624	3
04512-50120	75	05411-00430	40	08822-52913	33	38630-4329-2	41	E5700-12362	24

PART NO.	PAGE	PART NO.	PAGE	PART NO.	PAGE	PART NO.	PAGE	PART NO.	PAGE
E5700-13332	9	E5760-16211	16	E5775-74113	23	T2185-69071	134	T2395-84411	145
E5700-14232	9	E5760-21001	12	E5775-A0072	3	T2185-69071	149	T2555-55461	76
E5700-15552	11	E5760-21011	12	E5780-04021	5	T2185-82561	81	T2610-22661	34
E5700-21105	12	E5760-21051	12	E5780-99502	25	T2185-82561	102	T2610-80691	108
E5700-23252	12	E5760-21111	12	E5800-26101	8	T2185-82561	105	T2610-80691	124
E5700-24252	11	E5760-21151	12	E5800-26101	26	T2185-82561	115	T2610-80691	145
E5700-35012	1	E5760-21311	12	E5800-26201	8	T2185-82561	123	T2610-80691	147
E5700-35154	1	E5760-22013	12	E5800-26201	26	T2185-82561	124	T2611-29852	152
E5700-35662	1	E5760-22143	12	E5800-52111	15	T2185-82561	135	T2611-50041	111
E5700-36071	5	E5760-22311	12	E5800-60011	18	T2185-82561	142	T2611-69061	81
E5700-36911	5	E5760-23011	12	E5800-73011	22	T2185-82561	149	T2611-69061	149
E5700-51016	15	E5760-23471	2	E5850-54252	18	T2185-82561	154	T2611-75712	115
E5700-51162	13	E5760-23481	7	E5850-54272	18	T2198-82551	58	T2611-75721	115
E5700-56413	20	E5760-23531	7	E5850-54282	18	T2198-82551	67	T2611-75782	148
E5700-56413	21	E5760-23541	7	E5850-54291	18	T2198-82551	81	T2611-75792	148
E5700-72922	22	E5760-33111	18	E5850-57112	17	T2198-82551	84	T2611-75882	81
E5700-73342	22	E5760-36332	16	E5850-57212	17	T2198-82551	132	T2611-75882	134
E5700-73352	22	E5760-36332	79	E5850-57212	18	T2198-82551	135	T2611-75882	148
E5700-73922	1	E5760-42502	14	E5850-57921	17	T2198-82551	149	T2611-75892	81
E5700-74213	6	E5760-54094	18	E5850-92011	18	T2198-82561	80	T2611-75892	134
E5700-91094	3	E5760-54123	17	E5900-96021	1	T2198-82561	103	T2611-75892	148
E5700-A0021	15	E5760-54263	18	E5900-96021	4	T2198-82561	116	T2611-79011	81
E5706-56051	21	E5760-56021	20	E5900-96031	1	T2198-82561	127	T2611-79011	149
E5743-25161	13	E5760-56021	21	E5900-96031	5	T2198-82561	128	T2611-79021	81
E5752-14521	10	E5760-56052	20	E6200-52142	16	T2198-82561	153	T2611-79021	115
E5752-14562	10	E5760-56481	18	E6213-64012	23	T2198-82571	123	T2611-79021	148
E5752-18171	6	E5760-57151	17	E6300-53005	14	T2240-26354	40	T2611-79041	81
E5752-35692	3	E5760-57482	19	E6300-53021	14	T2305-25241	33	T2611-79041	149
E5752-36412	3	E5760-63011	13	E6300-53621	14	T2305-26061	40	T2616-75191	89
E5752-36422	3	E5760-64423	22	E6300-53651	14	T2305-26071	41	T2670-60091	109
E5752-74122	23	E5760-64432	23	E6302-04931	6	T2305-26081	41	T4025-68301	87
E5752-74251	23	E5760-64442	23	E6303-33661	3	T2305-44281	37	T4025-68301	89
E5752-91031	5	E5760-64451	23	E6305-54221	17	T2305-44281	42	T4025-68351	81
E5752-91141	13	E5760-65511	14	E6305-54281	17	T2350-11612	85	T4025-68351	134
E5752-91501	9	E5760-65562	14	E6305-54421	17	T2350-11631	85	T4025-68351	149
E5753-14001	9	E5760-72872	6	E6305-92021	17	T2350-11641	85	T4121-31053	81
E5753-14051	9	E5760-72913	22	E6305-96652	17	T2350-11651	85	T4121-31053	134
E5753-14111	9	E5760-73032	5	E6500-42413	15	T2350-13602006	68	T4121-31053	149
E5753-14311	9	E5760-73033	5	E6510-05511	10	T2350-13612	68	T4125-35012	83
E5753-14351	9	E5760-73432	5	E6510-05552	10	T2350-25361	27	T4144-75952	82
E5753-14431	9	E5760-74282	23	E6510-05552	24	T2350-42451	27	T4144-75952	134
E5753-35681	2	E5761-04541	7	E6510-33661	10	T2350-42461	27	T4144-75952	149
E5753-57281	17	E5763-13361	9	E6850-57312	18	T2350-42471	27	T4144-85721	95
E5760-01751	4	E5763-A0013	1	E7240-32731	22	T2350-42481	27	T4180-69951	122
E5760-03141	4	E5763-A0304	4	E7310-36431	3	T2350-42491	27	T4180-69961	102
E5760-03314	4	E5770-03451	4	E8103-52111	15	T2350-42751	27	T4180-69961	105
E5760-04043	7	E5770-11821	24	K5400-14571	34	T2350-42761	27	T4180-69961	122
E5760-04053	7	E5770-14501	10	K5400-14581	34	T2350-42771	27	T4180-69961	124
E5760-04063	7	E5770-72531	23	K5400-14591	34	T2350-42781	27	T4180-69961	142
E5760-04133	5	E5775-04621	13	P7170-68212	126	T2350-42791	27	T4180-69961	154
E5760-04361	7	E5775-11762	24	T2185-21661	34	T2350-42801	27	T4240-43134	83
E5760-04461	7	E5775-12211	24	T2185-21671	34	T2350-69551	121	T4260-24462	131
E5760-04811	7	E5775-12311	24	T2185-33651	122	T2350-69571	121	T4260-24462	133
E5760-04822	7	E5775-25012	13	T2185-43861	41	T2350-76021	79	T4260-33631	122
E5760-13111	9	E5775-32111	3	T2185-43871	41	T2350-76031	79	T4340-87181	124
E5760-13121	9	E5775-52031	16	T2185-43881	41	T2350-76041	78	T4351-43101	122
E5760-14511	10	E5775-53711	14	T2185-43891	41	T2368-69024	87	T4351-43101	126
E5760-15111	11	E5775-53721	14	T2185-43901	41	T2368-69024	89	T4351-43101	153
E5760-16011	11	E5775-53731	14	T2185-51462	93	T2368-76001	78	T4520-41821	82
E5760-16171	15	E5775-73062	22	T2185-69071	81	T2380-87132	78	T4520-41821	134

PART NO.	PAGE	PART NO.	PAGE	PART NO.	PAGE	PART NO.	PAGE	PART NO.	PAGE
T4520-41821	148	T4935-92502	89	U3210-35791	52	U3210-63342	138	U3210-97302	145
T4520-42421	44	T5210-32009	41	U3210-35811	52	U3210-63342	139	U3210-97341	124
T4520-43011	44	T5210-32010	40	U3210-35851	53	U3210-63391	137	U3210-97403	145
T4520-43021	44	T5210-37531	130	U3210-36102	51	U3210-63411	139	U3210-97422	145
T4520-43031	44	T5210-68552	127	U3210-36111	51	U3210-64113	63	U3210-97431	145
T4520-43041	44	T5270-69913	124	U3210-36311	51	U3210-64132	63	U3210-97441	145
T4520-43051	44	T5315-53671	101	U3210-36351	51	U3210-64171	63	U3210-97451	145
T4520-43061	45	T5515-75172	89	U3210-36514	99	U3210-64191	63	U3210-97461	145
T4520-43071	44	T5517-75192	89	U3210-47211	102	U3210-64221	63	U3210-97471	145
T4520-43081	44	T8101-75520	35	U3210-47211	105	U3210-64261	63	U3210-97481	125
T4520-43091	44	T8101-75530	35	U3210-47211	142	U3210-64281	63	U3210-97511	110
T4520-43111	44	T8101-75540	35	U3210-50381	145	U3210-64311	63	U3210-97601	143
T4520-43151	44	U1-U0980A	80	U3210-50381	147	U3210-64331	63	U3210-97661	143
T4520-43171	44	U3210-19021	46	U3210-50511	70	U3210-64371	58	U3210-98452	96
T4520-43181	44	U3210-19041	46	U3210-50511	73	U3210-64371	61	U3210-98851	155
T4520-75176	87	U3210-19071	46	U3210-52105	70	U3210-64371	63	U3210-98901	155
T4520-75176	89	U3210-19081	46	U3210-52505	70	U3210-64391	63	U3210-98931	155
T4520-87402	140	U3210-19211	47	U3210-54002	74	U3210-64411	64	U3210-99251	95
T4520-87402	141	U3210-19271	47	U3210-54102	74	U3210-64431	64	U3210-99733	95
T4520-87402	144	U3210-19291	47	U3210-55005	72	U3210-64461	64	U3210-99751	95
T4620-43122	44	U3210-19421	48	U3210-55105	72	U3210-64481	65	U3210-99793	95
T4620-50701	93	U3210-19461	48	U3210-55505	72	U3210-64491	65	U3210-99831	95
T4620-50701	98	U3210-19471	48	U3210-55605	72	U3210-64511	65	U3210-99851	95
T4620-66161	130	U3210-19481	48	U3210-59123	76	U3210-64551	57	U3210-99904	95
T4620-69251	126	U3210-19612	50	U3210-59152	76	U3210-64551	58	U3210-99913	95
T4620-69251	153	U3210-19681	50	U3210-59183	76	U3210-64551	65	U3210-99952	95
T4620-69472	123	U3210-21641	71	U3210-59413	76	U3210-64571	64	U3210-99974	95
T4625-75191	87	U3210-26202	76	U3210-59421	76	U3210-64591	64	U3214-29302	55
T4682-25732	83	U3210-27101	71	U3210-59431	76	U3210-64612	65	U3214-29351	55
T4682-43132	44	U3210-27522	71	U3210-59442	76	U3210-64631	65	U3214-85162	100
T4682-43561	29	U3210-27601	71	U3210-60841	82	U3210-64662	65	U3214-85591	109
T4682-43571	30	U3210-27662	91	U3210-60841	134	U3210-64711	65	U3215-04931	29
T4682-43581	30	U3210-27902	71	U3210-60841	148	U3210-64731	65	U3215-10031	73
T4682-69401	119	U3210-29011	54	U3210-61105	148	U3210-64803	57	U3215-11142	29
T4686-50963	67	U3210-29021	54	U3210-63102	137	U3210-64813	57	U3215-11303	29
T4686-50963	144	U3210-29022	54	U3210-63104	137	U3210-64851	57	U3215-11702	29
T4715-47071	130	U3210-29062	54	U3210-63111	138	U3210-64871	57	U3215-11801	29
T4810-21621	41	U3210-29071	54	U3210-63121	137	U3210-64911	57	U3215-12104	32
T4810-46962	130	U3210-29141	54	U3210-63121	138	U3210-64921	57	U3215-12114	32
T4810-46971	130	U3210-29911	55	U3210-63121	139	U3210-69142	102	U3215-12121	32
T4810-69251	103	U3210-29953	55	U3210-63122	137	U3210-69144	154	U3215-12131	32
T4810-69251	128	U3210-34011	79	U3210-63151	137	U3210-69161	102	U3215-12151	32
T4815-65511	59	U3210-34021	79	U3210-63161	137	U3210-69161	105	U3215-12211	33
T4815-67371	14	U3210-34031	79	U3210-63161	138	U3210-69161	142	U3215-12221	33
T4815-82421	124	U3210-34041	78	U3210-63161	139	U3210-69201	124	U3215-12231	33
T4815-85431	124	U3210-34051	82	U3210-63171	137	U3210-71171	83	U3215-12244	33
T4815-93211	108	U3210-34061	79	U3210-63203	138	U3210-71181	83	U3215-12251	33
T4815-93211	115	U3210-34072	80	U3210-63211	138	U3210-71192	83	U3215-12263	33
T4815-93211	140	U3210-34111	80	U3210-63221	137	U3210-73321	85	U3215-12271	33
T4815-93211	141	U3210-34151	130	U3210-63221	138	U3210-74551	109	U3215-12291	33
T4815-93211	147	U3210-34161	80	U3210-63241	138	U3210-74591	109	U3215-12313	33
T4835-17241	109	U3210-34212	130	U3210-63251	138	U3210-85481	133	U3215-12402	34
T4850-45161	79	U3210-35611	52	U3210-63261	138	U3210-85491	132	U3215-12411	34
T4876-45162	118	U3210-35642	52	U3210-63271	138	U3210-85591	109	U3215-12422	34
T4920-70471	124	U3210-35661	52	U3210-63281	139	U3210-91152	115	U3215-12452	34
T4930-69802	153	U3210-35681	52	U3210-63303	139	U3210-91162	115	U3215-12461	34
T4931-48011	82	U3210-35711	52	U3210-63321	137	U3210-96164	154	U3215-12471	34
T4935-54221	153	U3210-35731	52	U3210-63331	137	U3210-97221	124	U3215-12511	35
T4935-54232	124	U3210-35751	52	U3210-63341	129	U3210-97251	125	U3215-12521	35
T4935-92502	87	U3210-35771	52	U3210-63342	137	U3210-97261	125	U3215-12531	35

PART NO.	PAGE	PART NO.	PAGE	PART NO.	PAGE	PART NO.	PAGE	PART NO.	PAGE
U3215-12531	36	U3215-17251	38	U3215-40001009	60	U3215-52301	70	U3215-60321	119
U3215-12551	35	U3215-17421	38	U3215-40001010	60	U3215-52301	73	U3215-60341	82
U3215-12612	36	U3215-17431	38	U3215-40011	60	U3215-52353	114	U3215-60341	134
U3215-12621	36	U3215-17442	38	U3215-40101	58	U3215-52401	114	U3215-60341	149
U3215-12631	37	U3215-17451	38	U3215-40101	60	U3215-52701	114	U3215-60351	82
U3215-12641	37	U3215-18212	38	U3215-41106	60	U3215-53003	72	U3215-60351	134
U3215-12641	42	U3215-18314	38	U3215-41121	60	U3215-53102	72	U3215-60351	149
U3215-12651	36	U3215-18351	38	U3215-41202	58	U3215-53203	72	U3215-60362	116
U3215-12682	37	U3215-19001	46	U3215-41202	60	U3215-53301	72	U3215-60362	153
U3215-13144	39	U3215-19061	46	U3215-42001	60	U3215-53401	72	U3215-60381	153
U3215-13211	41	U3215-19411	48	U3215-42021	58	U3215-53501	72	U3215-60391	153
U3215-13221	39	U3215-19441	48	U3215-42021	60	U3215-53601	72	U3215-60401	116
U3215-13221	47	U3215-26051	51	U3215-42041	62	U3215-53701	72	U3215-60401	153
U3215-13303	39	U3215-29104	55	U3215-43101	61	U3215-55201	114	U3215-60411	126
U3215-13511	39	U3215-29352	55	U3215-43301	61	U3215-56005	73	U3215-60411	153
U3215-14103	40	U3215-29621	55	U3215-43401	61	U3215-56201	73	U3215-60421	121
U3215-14111	40	U3215-29722	55	U3215-45107	58	U3215-56301	73	U3215-60431	121
U3215-14122	40	U3215-29751	56	U3215-46201	58	U3215-56401	73	U3215-60511	119
U3215-14132	40	U3215-29772	56	U3215-46201	61	U3215-56505	73	U3215-60522	120
U3215-14171	40	U3215-29801	55	U3215-46301	58	U3215-56631	72	U3215-69151	102
U3215-14201	40	U3215-29901	55	U3215-46402	58	U3215-56651	72	U3215-69611	127
U3215-14211	40	U3215-29931	55	U3215-47101	62	U3215-56672	73	U3215-69711	116
U3215-14311	40	U3215-30003	78	U3215-47121	62	U3215-56681	73	U3215-69731	116
U3215-14552	42	U3215-31003	78	U3215-47131	62	U3215-57103	74	U3215-69811	103
U3215-14561	42	U3215-31052	78	U3215-50011	69	U3215-57211	74	U3215-69811	128
U3215-14571	42	U3215-31141	78	U3215-50101	69	U3215-57221	74	U3215-69821	103
U3215-14601	41	U3215-31155	78	U3215-50111	69	U3215-57231	74	U3215-69821	128
U3215-14611	41	U3215-31501	130	U3215-50121	69	U3215-57301	74	U3215-69872	122
U3215-14621	41	U3215-31803	130	U3215-50131	69	U3215-57401	74	U3215-69922	83
U3215-14631	41	U3215-31902	130	U3215-50141	69	U3215-58005	76	U3215-71011	83
U3215-14641	41	U3215-32001	130	U3215-50151	69	U3215-58101	76	U3215-71101	83
U3215-14651	41	U3215-32201	130	U3215-50171	69	U3215-58202	76	U3215-71331	84
U3215-15141	43	U3215-32252	130	U3215-50201	69	U3215-58252	77	U3215-71381	84
U3215-15302	43	U3215-32252	133	U3215-50211	69	U3215-58301	76	U3215-71392	84
U3215-16141	44	U3215-32271	133	U3215-50221	69	U3215-58401	76	U3215-72611	85
U3215-16161	44	U3215-32432	133	U3215-50308	69	U3215-58501	76	U3215-72622	85
U3215-16211	27	U3215-32802	131	U3215-50316	69	U3215-58602	76	U3215-72641	85
U3215-16302	44	U3215-32902	131	U3215-50322	69	U3215-58702	76	U3215-72781	85
U3215-16311	44	U3215-32972	130	U3215-50331	69	U3215-58801	76	U3215-72781	108
U3215-16411	46	U3215-33301	78	U3215-50401	69	U3215-59031	77	U3215-72781	145
U3215-16501	45	U3215-33501	118	U3215-50502	70	U3215-60071	126	U3215-72781	147
U3215-16511	45	U3215-33511	118	U3215-50551	70	U3215-60081	120	U3215-73391	85
U3215-16521	45	U3215-33701	133	U3215-50801	65	U3215-60091	120	U3215-74501	109
U3215-16531	45	U3215-33801	133	U3215-50801	129	U3215-60102	121	U3215-75301	86
U3215-16541	45	U3215-33901	117	U3215-50801	137	U3215-60112	121	U3215-75401	86
U3215-16551	45	U3215-33902	133	U3215-50801	138	U3215-60122	121	U3215-75471	86
U3215-16601	29	U3215-33911	117	U3215-50801	139	U3215-60132	121	U3215-75681	86
U3215-16601	39	U3215-33921	117	U3215-51008	70	U3215-60161	122	U3215-75921	86
U3215-16601	43	U3215-33921	133	U3215-51111	118	U3215-60171	82	U3215-75982	86
U3215-16613	28	U3215-33931	117	U3215-51131	118	U3215-60171	134	U3215-76051	86
U3215-16613	29	U3215-33951	117	U3215-51316	70	U3215-60181	126	U3215-76121	113
U3215-16613	39	U3215-40001	58	U3215-51411	136	U3215-60191	115	U3215-76701	86
U3215-16613	43	U3215-40001	60	U3215-51411	151	U3215-60201	120	U3215-76951	86
U3215-16613	49	U3215-40001002	60	U3215-51421	136	U3215-60212	120	U3215-76971	86
U3215-16621	28	U3215-40001003	60	U3215-51421	151	U3215-60254	126	U3215-77101	67
U3215-16621	31	U3215-40001004	60	U3215-51431	136	U3215-60304	153	U3215-77201	67
U3215-16621	39	U3215-40001005	60	U3215-51441	136	U3215-60311	119	U3215-77302	67
U3215-16621	49	U3215-40001006	60	U3215-51441	151	U3215-60311001	119	U3215-77351	67
U3215-17211	38	U3215-40001007	60	U3215-52201	70	U3215-60311002	119	U3215-77401	67
U3215-17231	38	U3215-40001008	60	U3215-52202	73	U3215-60311003	119	U3215-77501	67

PART NO.	PAGE	PART NO.	PAGE	PART NO.	PAGE	PART NO.	PAGE	PART NO.	PAGE
U3215-77701	67	U3215-85671	100	U3215-97111	108	U3230-97303	152	U3351-92201	97
U3215-77701	78	U3215-85681	100	U3215-97111	134	U3230-97313	152	U3351-92211	98
U3215-77901	67	U3215-85691	100	U3215-97111	144	U3230-97321	152	U3353-34001	130
U3215-77921	68	U3215-85701	100	U3215-97111	145	U3230-97333	152	U3355-34001	133
U3215-77954	68	U3215-85711	132	U3215-97111	147	U3235-55461	77	U3400-38021	59
U3215-78001	68	U3215-85721	100	U3215-97111	149	U3300-A1012	140	U3400-38051	59
U3215-78151	68	U3215-85861	101	U3215-97122	108	U3300-A1012	141	U3400-38071	59
U3215-78202	68	U3215-86141	87	U3215-97122	145	U3300-A1032	140	U3400-38091	59
U3215-78301	68	U3215-86141	89	U3215-97122	147	U3300-A1032	141	U3400-92111	98
U3215-78501	68	U3215-86161	87	U3215-97151	108	U3300-A2011	104	U3400-92131	98
U3215-78601	68	U3215-86182	87	U3215-97151	145	U3300-A2031	104		
U3215-78801	68	U3215-86182	89	U3215-97151	147	U3300-A2051	104		
U3215-79001	68	U3215-91003	93	U3215-97161	108	U3300-A3011	106		
U3215-81005	87	U3215-91042	97	U3215-97161	125	U3300-A4501	107		
U3215-81005	89	U3215-91102	93	U3215-97161	146	U3305-A3003	106		
U3215-81102	87	U3215-91122	97	U3215-97161	147	U3305-A1002	140		
U3215-81151	88	U3215-91202	93	U3215-97551	112	U3305-A1501	141		
U3215-81303	87	U3215-91202	97	U3215-97561	112	U3305-A5001	142		
U3215-81361	87	U3215-91301	93	U3215-97642	143	U3350-10011	90		
U3215-81371	87	U3215-91301	97	U3215-97671	108	U3350-19001	50		
U3215-81402	87	U3215-91351	94	U3215-97671	143	U3350-31101	57		
U3215-81402	89	U3215-91351	97	U3215-97671	146	U3350-36101	58		
U3215-81552	71	U3215-91371	94	U3215-97671	147	U3350-38101	59		
U3215-81552	85	U3215-91381	94	U3215-97681	143	U3350-44101	63		
U3215-81552	88	U3215-91401	93	U3215-97691	143	U3350-44111	64		
U3215-81552	89	U3215-91512	93	U3215-97721	140	U3350-44301	64		
U3215-81552	91	U3215-91512	97	U3215-97721	141	U3350-44311	65		
U3215-81552	94	U3215-91521	87	U3215-97782	115	U3350-44501	65		
U3215-81552	97	U3215-91852	93	U3215-97782	150	U3350-44511	66		
U3215-81552	102	U3215-91852	97	U3215-97793	140	U3350-49101	68		
U3215-81552	104	U3215-91902	93	U3215-97793	141	U3350-50004	71		
U3215-81552	105	U3215-91902	97	U3215-97803	150	U3350-50111	71		
U3215-81552	106	U3215-92101	91	U3215-97821	150	U3350-56002	71		
U3215-81552	142	U3215-92201	91	U3215-97831	150	U3350-57002	71		
U3215-81552	154	U3215-92352	91	U3215-97916	144	U3350-61101	80		
U3215-81561	91	U3215-92402	91	U3215-97926	144	U3350-61201	80		
U3215-81601	87	U3215-92701	91	U3215-A1001	29	U3350-61301	80		
U3215-81601	89	U3215-92801	91	U3215-A1001	31	U3350-61401	131		
U3215-83002	90	U3215-92901	106	U3215-A3001	49	U3350-61401	133		
U3215-83653	91	U3215-93001	91	U3215-A3002	39	U3350-61501	131		
U3215-83701	90	U3215-93051	91	U3215-A5001	28	U3350-61601	131		
U3215-84002	90	U3215-93101	106	U3217-97002	147	U3350-61701	133		
U3215-85141	100	U3215-93402	91	U3217-97102	147	U3350-69101	122		
U3215-85151	100	U3215-93501	132	U3219-74402	109	U3350-69201	122		
U3215-85171	100	U3215-93511	91	U3219-9800B	95	U3350-73002	123		
U3215-85181	101	U3215-96151	88	U3219-98802	96	U3350-83001	90		
U3215-85191	100	U3215-96151	89	U3219-99304	95	U3350-83201	90		
U3215-85201	101	U3215-96201	57	U3219-99721	95	U3350-83251	90		
U3215-85211	109	U3215-96361	93	U3230-63601	127	U3350-83311	90		
U3215-85321	132	U3215-96361	97	U3230-63611	127	U3350-83331	90		
U3215-85491	132	U3215-96402	87	U3230-63661	127	U3350-83701	90		
U3215-85501	100	U3215-96402	89	U3230-69701	116	U3350-84101	91		
U3215-85562	100	U3215-96502	88	U3230-69801	103	U3350-84201	92		
U3215-85601	100	U3215-96502	89	U3230-69801	128	U3350-84301	92		
U3215-85611	100	U3215-96502	119	U3230-69831	103	U3350-84401	92		
U3215-85621	100	U3215-96511	78	U3230-69831	128	U3350-95002	99		
U3215-85631	100	U3215-96521	121	U3230-75953	86	U3350-95302	99		
U3215-85641	100	U3215-97005	108	U3230-75962	86	U3350-95502	99		
U3215-85651	100	U3215-97103	108	U3230-97201	111	U3350-95902	99		
U3215-85661	100	U3215-97111	82	U3230-97211	111	U3350-95952	99		

INDEX 2

PARTS GROUP	GROUP NO.	PAGE	PARTS GROUP	GROUP NO.	PAGE
Accelerator Pedal Group	U3350-G310A	57	IP Group	U1-U0802A	89
ALARM SYSTEM BACKUP, GROUP	U3-U5750A	128	IP GROUP(KIOTI)	U1-U0800A	87
ALARM SYSTEM BACKUP, GROUP(STD)	U3-U1750A	103	LABEL GROUP	U3351-G980A	100
Battery Group(DDUSA)	U1-U0631A	120	LEVER GROUP	U3350-G440A	63
BEACON LIGHT GROUP	U3-U5710A	127	MAIN BEARING CASE GROUP	3C100A-E050	7
BEVEL PINION SHAFT GROUP	U1-T230A	27	MANIFOLD GROUP	3C100LWU-E220	24
BRAKE PEDAL GROUP	U1-U0420A	62	MIRROR GROUP-OPT	U1-U3990A	150
CAMSHAFT GROUP	3C100A-E100	11	MOLDING GROUP	U3350-G840A	91
CANOPY GROUP	U3305-GA10B	140	NOZZLE HOLDER GROUP	3C100LWU-E130	14
CANOPY GROUP	U3305-GA15A	141	NUMBER PLATE GROUP	U1-U5680A	115
CLUTCH COVER GROUP	U1-U0287A	55	OIL COOLER GROUP	U1-U5950A	118
CVT Group, DC(STD)	U1-U0284A	54	OIL PAN GROUP	3C100LWU-E020	3
CYLINDER BLOCK GROUP	3C100LWU-E010	1	OPTIONAL LAMP GROUP	U1-U0980A	134
CYLINDER HEAD COVER GROUP	3C093LW-E090	10	OPTIONAL LAMP GROUP	U1-U3980A	148
CYLINDER HEAD COVER GROUP	3C100LW-E030	4	PACKING BACKE GROUP	U3350-G380A	59
DECK EXTENSION GROUP(OPTION)	U1-U5920A	155	PARKING BRAKE BUZZER GROUP	U3300-GA50A	105
Deck Group(STD-BLACK)	U1-U0922A	95	PARKING BRAKE BUZZER GROUP	U3305-GA50A	142
DRIVE SHAFT GROUP	U1-T110A	32	PARKING LOCK BUZZER GROUP	U1-U1670A	102
DYNAMO GROUP	3C100LF-E200	23	PARKING LOCK BUZZER GROUP(OPTION)	U1-U5670A	154
ECU & Sensors Group	3C100LF-E250	26	PISTON & CRANKSHAFT GROUP	3C100LWU-E110	12
ELECTRICAL SYSTEM 2 GROUP	U1-U0610A	119	POWER STEERING GROUP	U1-U0526A	75
ELECTRICITY SYSTEM 1 GROUP	U3350-G710A	122	Propeller Shaft Group	U3350-G190A	50
ELECTRICITY SYSTEM 3 GROUP	U3350-G730A	123	RADIATOR GROUP	U3350-G490A	67
ENGINE GROUP	U1-U0052A	8	REAR AXLE CASE GROUP	U1-T180A	39
ENGINE MOUNTING GROUP	U1-U0250A	52	Rear Axle Drive Group	U1-U0240A	48
ENGINE STOP LEVER GROUP	3C100LF-E160	18	Rear Break Group	U3350-G360A	58
EPA LABEL GROUP	3C100LFU-E245	25	REAR DIFF FORK GROUP	U1-T200A	42
Exhaust System Group(STD)	U3-U0720A	86	REAR DIFF SYSTEM GROUP	U1-T190A	40
FLYWHEEL GROUP	3C100LWU-E120	13	Rear Differential Group	U1-U0235A	47
FOG LAMP GROUP	U1-U5650A	126	Rear Differential Group	U1-U0300A	49
FRAME	U3350-G500A	71	REAR SCREEN GROUP	U1-U3830A	144
FRONT AXLE CASE GROUP	U1-T210A	43	Rear Suspension Group(STD)	U1-U0510A	72
Front Axle Drive Group	U1-U0230A	46	REAR WHEEL DRIVING SHAFT GROUP	U1-T140A	35
Front Axle Group	U1-U0550A	28	ROPS	U3350-G950A	99
Front Break Group	U1-U0400A	60	SAFTY GLASS GROUP	U1-U3931A	145
FRONT DIFF SYSTEM GROUP	U1-T220A	44	SEAT GROUP	U3350-G830A	90
FRONT DRIVE FORK GROUP	U1-T160A	37	SHIFT FORK GROUP	U1-T170A	38
FRONT HITCH GROUP(EEC)-OPT	U3-U5020A	111	SHIFT SHAFT GROUP	U1-T120A	33
FRONT HITCH GROUP-OPT	U1-U5010A	110	SKID PLATE GROUP	U3305-GA30A	106
Front Suspension Group(STD)	U1-U0500A	69	SOFT CABIN(CLEAN-BLACK)	U3305-GA45A	107
FRONT WHEEL DRIVE SHAFT GROUP	U1-T150A	36	SPARK ARREST ASSY	U1-U5050A	113
FUEL CAMSHAFT GROUP	3C100LWU-E140	15	SPEED CONTROL LEVER GROUP	3C100A-E150	17
Fuel System Group	U1-U0705A	83	SPRIAL BEVEL GEAR GROUP	U1-T130A	34
Gas Spring GROUP	U1-U1000A	136	STORAGE GROUP	U3300-GA20A	104
Gas Spring GROUP-OPT	U1-U4000A	151	SUSP DUST SHIELD GROUP-OPT	U1-U5080A	114
GEAR CASE GROUP	3C100LF-E040	5	SWING DRAWBAR GROUP(EEC)-OPT	U3-U5110A	152
GOVERNOR GROUP	3C100A-E170	20	TRANSMISSION CASE GROUP	U1-T100A	29
GROUP,GOVERNOR	3C100LF-E170	21	TRANSMISSION GROUP	U1-U0100A	31
Guard Group	U1-U0210A	51	VALVE ROCKER ARM GROUP	3C100A-E080	9
HAND THROTTLE GROUP-OPT	U1-U3950A	109	WATER HOSE GROUP	3C100LWU-E190	22
HEAD LIGHT GROUP	U1-U0640A	121	WHEEL & TIRE GROUP (USA)	U1-U0293A	129
HEAD REST GROUP	U1-U3820A	143	Wheel & Tire Group(OPT-Mud)	U1-U3291A	138
HIGH MOUNT BRAKE LAMP GROUP	U3-U5730A	116	Wheel & Tire Group(OPT-Turf)	U1-U3292A	139
HOOD GROUP	U1-U0910A	93	Wheel & Tire Group(OPT-WORK)	U1-U3290A	137
HOOD GROUP	U3450-G922A	97	WINCH GROUP	U1-U5030A	112
HYDRAULIC SYSTEM	U3351-G610A	78	WIND SHIELD GROUP	U1-U3930A	108
HYDRAULIC SYSTEM	U3353-G610A	130	WIND SHIELD GROUP	U1-U3932A	147
HYDRAULIC SYSTEM	U3355-G610A	133	WIPER GROUP	U1-U3933A	124
HYDRAULIC SYSTEM GROUP (3)-OPT	U1-U5940A	117	WORKING LAMP GROUP(OPTION)	U1-U5660A	153
Intake System Group	U1-U0710A	85			

INDEX 3

PARTS GROUP	GROUP NO.	PAGE	PARTS GROUP	GROUP NO.	PAGE
<CHASSIS>			CYLINDER HEAD COVER GROUP	3C093LW-E090	10
Accelerator Pedal Group	U3350-G310A	57	CYLINDER HEAD COVER GROUP	3C100LW-E030	4
ALARM SYSTEM BACKUP, GROUP(STD)	U3-U1750A	103	DYNAMO GROUP	3C100LF-E200	23
BRAKE PEDAL GROUP	U1-U0420A	62	ECU & Sensors Group	3C100LF-E250	26
CLUTCH COVER GROUP	U1-U0287A	55	ENGINE GROUP	U1-U0052A	8
CVT Group, DC(STD)	U1-U0284A	54	ENGINE STOP LEVER GROUP	3C100LF-E160	18
Deck Group(STD-BLACK)	U1-U0922A	95	EPA LABEL GROUP	3C100LFU-E245	25
ENGINE MOUNTING GROUP	U1-U0250A	52	FLYWHEEL GROUP	3C100LWU-E120	13
Exhaust System Group(STD)	U3-U0720A	86	FUEL CAMSHAFT GROUP	3C100LWU-E140	15
FRAME	U3350-G500A	71	GEAR CASE GROUP	3C100LF-E040	5
Front Break Group	U1-U0400A	60	GOVERNOR GROUP	3C100A-E170	20
FRONT HITCH GROUP(EEC)-OPT	U3-U5020A	111	GROUP,GOVERNOR	3C100LF-E170	21
FRONT HITCH GROUP-OPT	U1-U5010A	110	MAIN BEARING CASE GROUP	3C100A-E050	7
Front Suspension Group(STD)	U1-U0500A	69	MANIFOLD GROUP	3C100LWU-E220	24
Fuel System Group	U1-U0705A	83	NOZZLE HOLDER GROUP	3C100LWU-E130	14
Guard Group	U1-U0210A	51	OIL PAN GROUP	3C100LWU-E020	3
HAND THROTTLE GROUP-OPT	U1-U3950A	109	PISTON & CRANKSHAFT GROUP	3C100LWU-E110	12
HIGH MOUNT BRAKE LAMP GROUP	U3-U5730A	116	SPEED CONTROL LEVER GROUP	3C100A-E150	17
HOOD GROUP	U1-U0910A	93	VALVE ROCKER ARM GROUP	3C100A-E080	9
HOOD GROUP	U3450-G922A	97	WATER HOSE GROUP	3C100LWU-E190	22
HYDRAULIC SYSTEM	U3351-G610A	78	<FRONT AXLE>		
HYDRAULIC SYSTEM GROUP (3)-OPT	U1-U5940A	117	BEVEL PINION SHAFT GROUP	U1-T230A	27
Intake System Group	U1-U0710A	85	Front Axle Group	U1-U0550A	28
IP Group	U1-U0802A	89	<OPTION>		
IP GROUP(KIOTI)	U1-U0800A	87	CANOPY GROUP	U3305-GA10B	140
LABEL GROUP	U3351-G980A	100	CANOPY GROUP	U3305-GA15A	141
LEVER GROUP	U3350-G440A	63	DECK EXTENSION GROUP(OPTION)	U1-U5920A	155
MOLDING GROUP	U3350-G840A	91	Gas Spring GROUP	U1-U1000A	136
NUMBER PLATE GROUP	U1-U5680A	115	Gas Spring GROUP-OPT	U1-U4000A	151
OIL COOLER GROUP	U1-U5950A	118	HEAD REST GROUP	U1-U3820A	143
PACKING BACKE GROUP	U3350-G380A	59	HYDRAULIC SYSTEM	U3353-G610A	130
PARKING BRAKE BUZZER GROUP	U3300-GA50A	105	HYDRAULIC SYSTEM	U3355-G610A	133
PARKING LOCK BUZZER GROUP	U1-U1670A	102	MIRROR GROUP-OPT	U1-U3990A	150
POWER STEERING GROUP	U1-U0526A	75	OPTIONAL LAMP GROUP	U1-U0980A	134
Propeller Shaft Group	U3350-G190A	50	OPTIONAL LAMP GROUP	U1-U3980A	148
RADIATOR GROUP	U3350-G490A	67	PARKING BRAKE BUZZER GROUP	U3305-GA50A	142
Rear Break Group	U3350-G360A	58	PARKING LOCK BUZZER GROUP(OPTION)	U1-U5670A	154
Rear Suspension Group(STD)	U1-U0510A	72	REAR SCREEN GROUP	U1-U3830A	144
ROPS	U3350-G950A	99	SAFTY GLASS GROUP	U1-U3931A	145
SEAT GROUP	U3350-G830A	90	SWING DRAWBAR GROUP(EEC)-OPT	U3-U5110A	152
SKID PLATE GROUP	U3305-GA30A	106	WHEEL & TIRE GROUP (USA)	U1-U0293A	129
SOFT CABIN(CLEAN-BLACK)	U3305-GA45A	107	Wheel & Tire Group(OPT-Mud)	U1-U3291A	138
SPARK ARREST ASSY	U1-U5050A	113	Wheel & Tire Group(OPT-Turf)	U1-U3292A	139
STORAGE GROUP	U3300-GA20A	104	Wheel & Tire Group(OPT-WORK)	U1-U3290A	137
SUSP DUST SHIELD GROUP-OPT	U1-U5080A	114	WIND SHIELD GROUP	U1-U3932A	147
WINCH GROUP	U1-U5030A	112	WORKING LAMP GROUP(OPTION)	U1-U5660A	153
WIND SHIELD GROUP	U1-U3930A	108	<TRANSMISSION>		
<ELECTRICAL>			DRIVE SHAFT GROUP	U1-T110A	32
ALARM SYSTEM BACKUP, GROUP	U3-U5750A	128	FRONT AXLE CASE GROUP	U1-T210A	43
Battery Group(DDUSA)	U1-U0631A	120	Front Axle Drive Group	U1-U0230A	46
BEACON LIGHT GROUP	U3-U5710A	127	FRONT DIFF SYSTEM GROUP	U1-T220A	44
ELECTRICAL SYSTEM 2 GROUP	U1-U0610A	119	FRONT DRIVE FORK GROUP	U1-T160A	37
ELECTRICITY SYSTEM 1 GROUP	U3350-G710A	122	FRONT WHEEL DRIVE SHAFT GROUP	U1-T150A	36
ELECTRICITY SYSTEM 3 GROUP	U3350-G730A	123	REAR AXLE CASE GROUP	U1-T180A	39
FOG LAMP GROUP	U1-U5650A	126	Rear Axle Drive Group	U1-U0240A	48
HEAD LIGHT GROUP	U1-U0640A	121	REAR DIFF FORK GROUP	U1-T200A	42
WIPER GROUP	U1-U3933A	124	REAR DIFF SYSTEM GROUP	U1-T190A	40
<ENGINE>			Rear Differential Group	U1-U0235A	47
CAMSHAFT GROUP	3C100A-E100	11	Rear Differential Group	U1-U0300A	49
CYLINDER BLOCK GROUP	3C100LWU-E010	1	REAR WHEEL DRIVING SHAFT GROUP	U1-T140A	35

4X4

1451 Marvin Griffin Road, Augusta, GA 30906
(800) 241-5855 | Fax (706) 796-4540 | www.ezgo.com
e-mail: ezgo@textron.com | ©2011 E-Z-GO Division of Textron Inc.