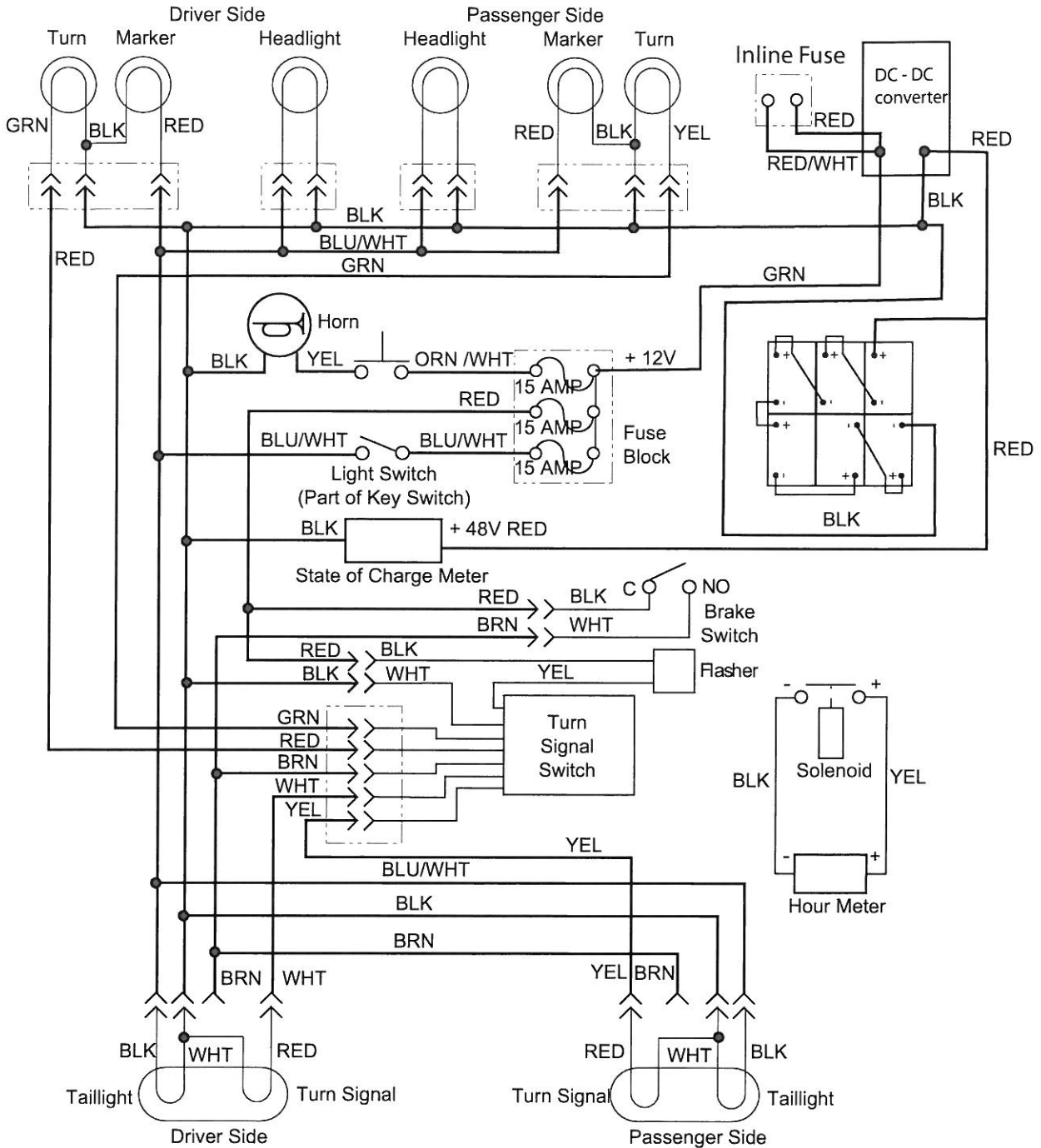


ELECTRICAL SYSTEM

Read all of Section B and this section before attempting any procedure. Pay particular attention to all Notices, Cautions, Dangers and Warnings.



For vehicles without turn signals, remove WHT wire from left rear turn signal
remove YEL wire from right rear turn signal connect BRN wire to RED

- Indicates butt connection within wiring harness

Fig. 2 Accessory Wiring Diagram

