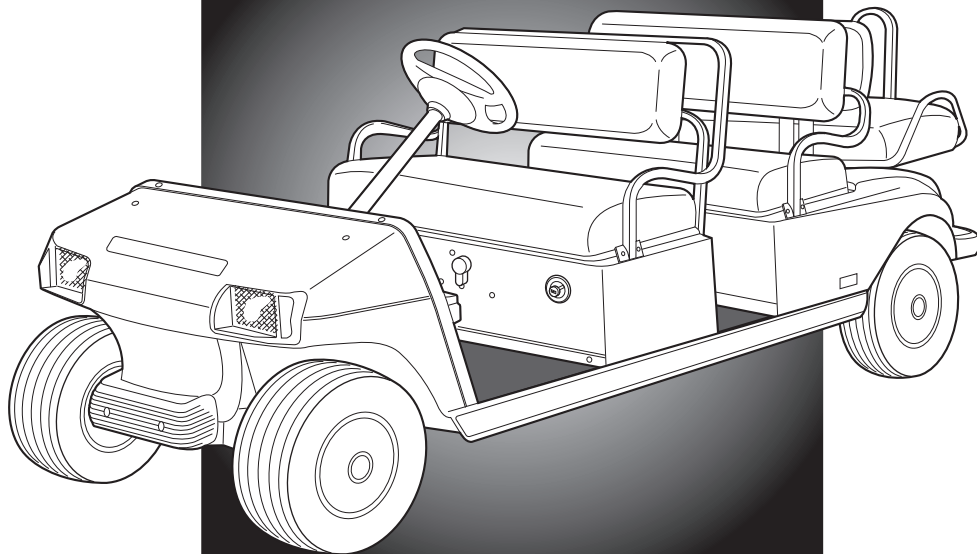


Club Car

®

1998 ILLUSTRATED PARTS LIST



**TOURALL, RESORT VILLAGER,
TRANS-PORTER/TRANS-SENDER**

MANUAL NUMBER 101968303
EDITION CODE 1297B1203A

USING THE ILLUSTRATED PARTS LIST

WARNING

- THIS MANUAL IS TO BE USED ONLY FOR IDENTIFICATION AND ORDERING OF SERVICE PARTS. BE SURE TO READ AND USE THE MAINTENANCE AND SERVICE MANUAL BEFORE ATTEMPTING ANY VEHICLE REPAIRS.

This manual covers all 1998 Transportation vehicles.

The manual is divided into 16 sections. Sections 1 through 6 pertain to both gasoline and electric vehicles, sections 7 through 12 pertain to gasoline vehicles only, and sections 13 through 16 pertain to electric vehicles only. Note that there are two or three tags on the outside edge of each page. The first tag contains the section number of which that page is a part. The other tag (or tags) contains either the letter G or E, signifying that the page pertains to either the gasoline or electric vehicle only, or to both the gasoline and electric vehicles.

Use the Table of Contents to find the sections and pages that contain the parts and assemblies you seek. The Table of Contents lists section titles and numbers, and under them, the individual page titles and numbers to be found in that section. Unless a page title specifies a particular vehicle(s), the page applies to all Transportation vehicles.

Typically, there is a two-page spread for each individual page title in the Table of Contents (however, some titles require several spreads). On the left-hand page is an illustration showing the parts in their relative positions; the parts are each tagged with an item number in a balloon. The right-hand page is the parts list page, and gives the page title at the top, then the item numbers (corresponding to the numbers on the illustration), part descriptions, and quantity of parts used. Some item numbers have more than one part number because several models and/or configurations of a component are represented together on one spread.

Note that a part description may be indented. This indentation corresponds to a parts assembly level indicated by the numbers 1, 2, 3, and 4 at the top left corner of the parts description area of the parts list page. A part that is indented to *level 2* is a component of the *level 1* part (assembly) that it is listed under. A *level 3* part is a component of the *level 2* part that it is listed under, and a *level 4* part is a component of the *level 3* part preceding it. In each case, the part quantity given for a level 2, 3, or 4 part is the quantity used per next higher level assembly of which it is a component. A part that is not indented is a *level 1* part. This means that the quantity given is the quantity used per the portion of the vehicle illustrated on that particular spread.



P. O. Box 204658
Augusta, Georgia 30917-4658 USA
Telephone 706-863-3000
Service Parts Fax 706-855-7413

© 1997, CLUB CAR, INC.
All rights reserved.

This manual effective August 18, 1997

CONTENTS

MAINTENANCE AND SERVICE TOOLS

SECTION

1

MAINTENANCE AND SERVICE TOOLS 1-3 - 1-5

BODY AND TRIM

SECTION

2

FRONT BODY 2-3
REAR BODY AND FENDER—TOURALL 2-5
FRONT SEAT BOTTOM AND ARMRESTS—TOURALL 2-7
SEAT BACKS, REAR SEAT BOTTOM AND SUPPORT STRUCTURE—TOURALL 2-9
REAR FOOTREST AND HANDRAILS—TOURALL 2-11
CENTER BODY AND TRIM—RESORT VILLAGER 2-13
REAR BODY AND FENDER—RESORT VILLAGER 2-15
SEATS AND SUPPORT STRUCTURES—RESORT VILLAGER 2-17
FIRST SEAT AND SUPPORT STRUCTURE—TRANS-PORTER/TRANS-SENDER 2-19
SECOND SEAT AND SUPPORT STRUCTURE—TRANS-PORTER/TRANS-SENDER 2-21
THIRD SEAT AND COMPONENTS—TRANS-SENDER 2-23
REAR FOOTREST AND HANDRAILS—TRANS-SENDER 2-25
REAR COVER—TRANS-PORTER/TRANS-SENDER 2-27
REAR CARGO BED—TRANS-PORTER 2-29

WHEELS AND TIRES

SECTION

3

WHEELS AND TIRES 3-3

SAFETY DECALS

SECTION

4

SAFETY DECALS—TOURALL 4-3 - 4-5
SAFETY DECALS—RESORT VILLAGER 4-7 - 4-9
SAFETY DECALS—TRANS-PORTER/TRANS-SENDER 4-11 - 4-15

BRAKES, PEDAL, AND CABLE ASSEMBLIES

SECTION

5

REAR BRAKE ASSEMBLY, SELF-ADJUSTING—TOURALL 5-3
REAR BRAKE ASSEMBLY, MANUALLY ADJUSTED—RESORT VILLAGER,
TRANS-PORTER/TRANS-SENDER 5-5
BRAKE PEDAL AND CABLE ASSEMBLY—TOURALL 5-7
BRAKE PEDAL AND CABLE ASSEMBLY—RESORT VILLAGER, TRANS-PORTER/TRANS-SENDER 5-9
FRONT BRAKE ASSEMBLY—RESORT VILLAGER, TRANS-PORTER/TRANS-SENDER 5-11
ACCELERATOR PEDAL ASSEMBLY—ELECTRIC TOURALL AND ALL GASOLINE VEHICLES 5-13
ACCELERATOR PEDAL ASSEMBLY—ELECTRIC RESORT VILLAGER, TRANS-PORTER/TRANS-SENDER 5-15

STEERING, FRONT AND REAR SUSPENSION

SECTION

6

STEERING COLUMN 6-3
STEERING GEAR ASSEMBLY 6-5
FRONT SUSPENSION, UPPER—TOURALL 6-7
FRONT SUSPENSION, LOWER—TOURALL 6-9

CONTENTS

STEERING, FRONT AND REAR SUSPENSION, CONTINUED:

FRONT SUSPENSION, UPPER— RESORT VILLAGER, TRANS-PORTER/TRANS-SENDER	6-11
FRONT SUSPENSION, LOWER—RESORT VILLAGER, TRANS-PORTER/TRANS-SENDER	6-13
REAR SUSPENSION	6-15
STABILIZER BAR, GASOLINE VEHICLE—RESORT VILLAGER, TRANS-PORTER/TRANS-SENDER	6-17

ELECTRICAL SYSTEM—GASOLINE VEHICLE

SECTION

7

FORWARD AND REVERSE SHIFTER ASSEMBLY—GASOLINE VEHICLE	7-3
WIRING—GASOLINE TOURALL	7-5
ELECTRICAL COMPONENT BOX, FE 290—TOURALL	7-7
ELECTRICAL COMPONENTS, FRONT BODY—GASOLINE TOURALL	7-9
WIRING—GASOLINE RESORT VILLAGER, TRANS-PORTER/TRANS-SENDER	7-11
ELECTRICAL COMPONENT BOX, FE 350—RESORT VILLAGER, TRANS-PORTER/TRANS-SENDER	7-13
ELECTRICAL COMPONENTS, FRONT BODY—RESORT VILLAGER, TRANS-PORTER/TRANS-SENDER	7-15
SWITCHES AND GAUGES—GASOLINE RESORT VILLAGER, TRANS-PORTER/TRANS-SENDER	7-17
ELECTRICAL COMPONENTS, REAR BODY—GASOLINE RESORT VILLAGER	7-19
ELECTRICAL COMPONENTS, REAR BODY—GASOLINE TRANS-PORTER/TRANS-SENDER	7-21
STARTER/GENERATOR ASSEMBLY	7-23
STARTER/GENERATOR MOUNTING	7-25
BATTERY—GASOLINE VEHICLE	7-27

ENGINE

SECTION

8

FE 290 ENGINE—TOURALL	8-3 - 8-13
FE 350 ENGINE—RESORT VILLAGER, TRANS-PORTER/TRANS-SENDER	8-14 - 8-25
ENGINE MOUNTING	8-27

FUEL, INTAKE, AND GOVERNOR SYSTEMS

SECTION

9

FUEL SYSTEM	9-3
CARBURETOR ASSEMBLY, FE 290—TOURALL	9-5
CARBURETOR ASSEMBLY, FE 350—RESORT VILLAGER, TRANS-PORTER/TRANS-SENDER	9-7
CARBURETOR INSTALLATION	9-9
GOVERNOR AND ACCELERATOR CABLES	9-11
INTAKE DUCT, CHOKE, AND AIR BOX ASSEMBLY—TOURALL	9-13
INTAKE DUCT, CHOKE, AND AIR BOX ASSEMBLY—RESORT VILLAGER, TRANS-PORTER/TRANS-SENDER	9-15

EXHAUST SYSTEM

SECTION

10

EXHAUST SYSTEM, FE 290—TOURALL	10-3
EXHAUST SYSTEM, FE 350—RESORT VILLAGER, TRANS-PORTER/TRANS-SENDER	10-5

TORQUE CONVERTER

SECTION

11

DRIVE CLUTCH	11-3
DRIVEN CLUTCH	11-5

CONTENTS

UNITIZED TRANSAXLE—GASOLINE VEHICLE

SECTION

12

UNITIZED TRANSAXLE—GASOLINE VEHICLE 12-3 - 12-7

ELECTRICAL SYSTEM—ELECTRIC VEHICLE

SECTION

13

FORWARD AND REVERSE SWITCH—POWERDRIVE ELECTRIC VEHICLE 13-3

MULTI-STEP POTENTIOMETER—TOURALL POWERDRIVE ELECTRIC VEHICLE 13-5

WIRING—TOURALL POWERDRIVE ELECTRIC VEHICLE 13-7

ELECTRICAL COMPONENTS, FRONT BODY—TOURALL POWERDRIVE ELECTRIC VEHICLE 13-9

BATTERIES, CHARGER RECEPTACLE—TOURALL POWERDRIVE ELECTRIC VEHICLE 13-11

COMPUTER, CONTROLLER, AND SOLENOID—TOURALL POWERDRIVE ELECTRIC VEHICLE 13-13

CONTINUOUSLY VARIABLE POTENTIOMETER—RESORT VILLAGER,
TRANS-PORTER/TRANS-SENDER 13-15

WIRING—RESORT VILLAGER POWERDRIVE ELECTRIC VEHICLE 13-17

ELECTRICAL COMPONENTS, FRONT BODY—RESORT VILLAGER, TRANS-PORTER/TRANS-SENDER 13-19

SWITCHES AND GAUGES—RESORT VILLAGER, TRANS-PORTER/TRANS-SENDER 13-21

COMPUTER, CONTROLLER, AND SOLENOID—RESORT VILLAGER POWERDRIVE VEHICLE 13-23

ELECTRICAL COMPONENTS, CENTER BODY—RESORT VILLAGER POWERDRIVE VEHICLE 13-25

ELECTRICAL COMPONENTS, REAR BODY—RESORT VILLAGER POWERDRIVE VEHICLE 13-27

WIRING—TRANS-PORTER/TRANS-SENDER ELECTRIC VEHICLES 13-29

ELECTRICAL COMPONENTS, CENTER BODY—TRANS-PORTER/TRANS-SENDER
ELECTRIC VEHICLES 13-31 - 13-33

ELECTRICAL COMPONENTS, REAR BODY—TRANS-PORTER/TRANS-SENDER
ELECTRIC VEHICLES 13-35

BATTERY CHARGER

SECTION

14

POWERDRIVE BATTERY CHARGER, DOMESTIC—TOURALL AND RESORT VILLAGER 14-3

POWERDRIVE BATTERY CHARGER, EXPORT—TOURALL AND RESORT VILLAGER 14-5

POWERDRIVE BATTERY CHARGER, EUROPEAN—TOURALL AND RESORT VILLAGER 14-7

ON-BOARD POWERDRIVE BATTERY CHARGER, DOMESTIC—TRANS-PORTER/TRANS-SENDER 14-9

ON-BOARD POWERDRIVE BATTERY CHARGER, EXPORT—TRANS-PORTER/TRANS-SENDER 14-11

ELECTRIC MOTOR

SECTION

15

MOTOR—POWERDRIVE ELECTRIC VEHICLE 15-3

TRANSAXLE—ELECTRIC VEHICLE

SECTION

16

TRANSAXLE, TYPE G—POWERDRIVE ELECTRIC VEHICLE 16-3

TRANSAXLE, TYPE K—POWERDRIVE ELECTRIC VEHICLE 16-5

1
G
E

MAINTENANCE AND SERVICE TOOLS

1

G

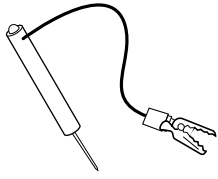
E

MAINTENANCE AND SERVICE TOOLS

ITEM	PART NO.	DESCRIPTION	QTY GAS	QTY ELEC
		<p style="margin: 0;">1 2 3 4</p> <p style="margin: 0;">The following tool list includes all tools available from Club Car for maintenance and service procedures for gasoline and/or electric vehicles, both past and present models. Be sure to carefully examine the tool list for applicability to your vehicle before ordering.</p>		
1	101871001	Accelerator Pedal Adjustment Tool	1	1
2	101813202	Adhesive, Guide Ring, 3-Gram Tube	1	1
3	101831901	Battery Discharge Machine, 36/48 Volt		1
4	1014305	Battery Terminal Protector Spray	1	1
5	1011767	Battery Thermometer		1
6	1016417	Bearing and Oil Seal Remover Assembly	1	1
7	1016416	Bearing Driver Set	1	1
8	1012811	Bearing Puller	1	1
9	1012812	Bearing Puller Wedge Attachment	1	1
10	1013582	Brake Adjustment Tool (used only on vehicles with manually adjusted mechanical brakes)	1	1
	102249901	Brake Pedal Adjustment Tool Kit (used for the Carryall Electric Industrial Truck only) (includes items 11 and 12)		1
11	****	Brake Pedal Adjustment Tool		1
12	****	Brake Pedal Tension Tool		1
13	101887101	Calibration Test Module		1
14	101808401	Cam Installation Tool	1	
	1014510	Clutch Tool Kit (includes items 15 - 21)	1	
15	1014498	Clutch Alignment Tool (for pre-unitized transaxle vehicles built prior to 1997 model year)	1	
16	1014496	Drive Clutch Puller	1	
17	1014497	Drive Clutch Hub Puller	1	
18	1014508	Driven Clutch Cam Puller	1	
19	1014507	Driven Clutch Puller Plug	1	
20	1015524	Drive Clutch Holder Tool Assembly	1	
21	101809101	Press Weldment	1	
22	101831801	Communication Display Module		1
23	101641002	Compression Gauge and Adapter	1	
		<p style="margin: 10px 0;">Please refer to the maintenance and service manual for proper tool application.</p> <p style="margin: 10px 0;">**** Special order item available upon request</p>		



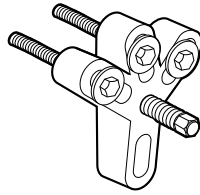
1
G
E



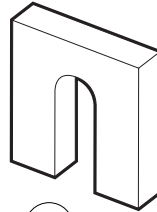
24



25



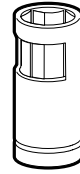
26



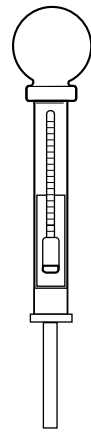
27



28



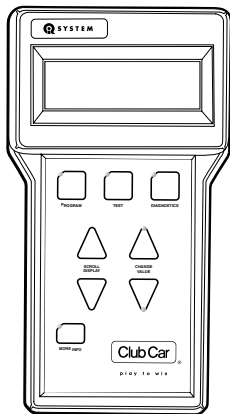
29



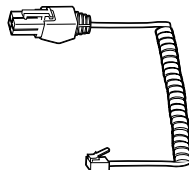
30



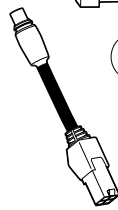
31



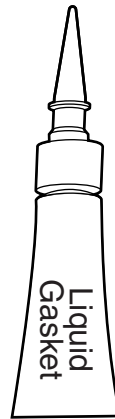
32



33



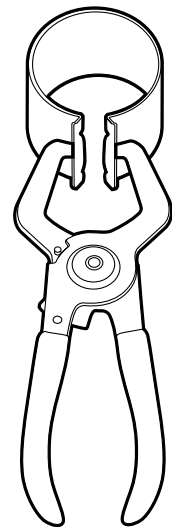
34



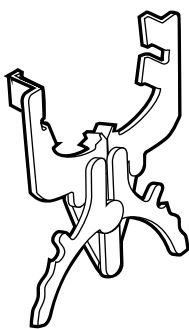
35



36



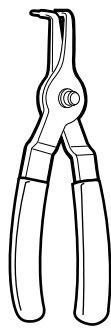
37



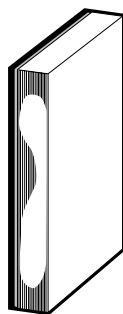
38



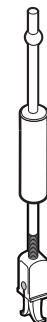
39



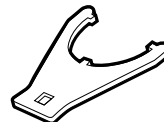
40



41



42



43



44



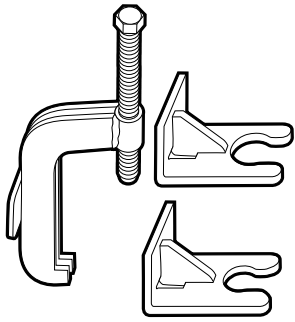
45

MAINTENANCE AND SERVICE TOOLS, CONTINUED

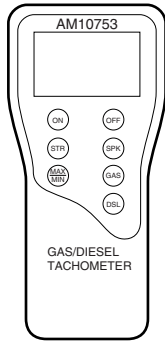
ITEM	PART NO.	DESCRIPTION	QTY GAS	QTY ELEC
		1 2 3 4		
24	1011273	Continuity Tester	1	1
25	1012151	Dry Moly Lubricant	1	1
26	1016627	Flywheel Puller Kit	1	
27	1016418	Gear Yoke	1	1
28	101933101	Governor Shaft Installation Tool	1	
29	102169401	Hydraulic Brake Adjuster (for vehicles equipped with hydraulic brakes)	1	
30	1011478	Hydrometer	1	1
31	1013593	Internal Retaining Ring Pliers	1	1
32	102248801	IQ Display Module (IQDM) Kit (for IQ System vehicles only)		1
		(includes items 33 and 34)		
33	102241501	Cable, IQDM		1
34	102251501	Adaptor, Cable		1
35	101928701	Liquid Gasket (transaxle case)	1	1
36	102243402	Moly-Te on Lubricant (4-oz. (113-gram) tube)		1
37	1016414	Piston Ring Compressor Kit (FE290, FE350 and FE400 engines)	1	
38	1016415	Piston Ring Pliers	1	
39	1012549	Retaining Ring Pliers, 45° External	1	1
40	1012560	Retaining Ring Pliers, 90° Internal	1	1
41	101823101	Safety First Card (50 per pack)	1	1
42	1012809	Seal Puller	1	1
43	102330901	Spanner Wrench (for coil over shock front suspension vehicles only)	1	1
44	1014264	Steering Column Bearing Press Tool	1	1
45	1014259	Steering Column Retaining Ring Tool	1	1
		Please refer to the maintenance and service manual for proper tool application.		

1
G
E

1
G
E



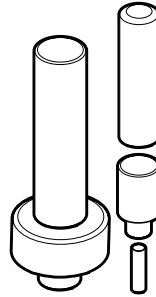
46



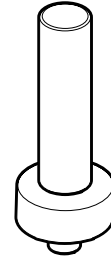
47



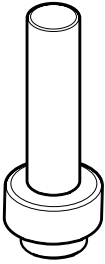
48



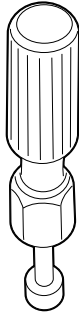
49



50



51



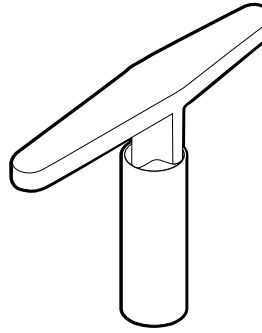
52



53



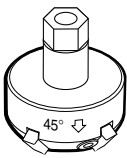
54



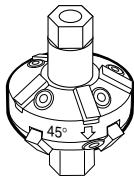
55



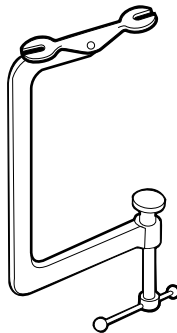
56



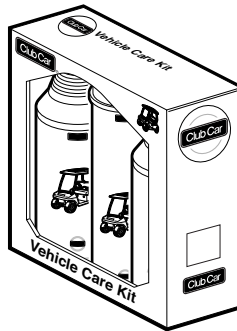
57



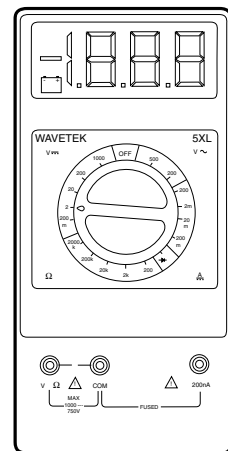
58



59



60



61

MAINTENANCE AND SERVICE TOOLS, CONTINUED

ITEM	PART NO.	DESCRIPTION	QTY GAS	QTY ELEC
		1 2 3 4		
46	102061201	Steering Wheel Puller Tool	1	1
47	AM10753	Tachometer	1	
48	101972001	Paint, Touch-Up – Beige	1	1
48	101972002	Paint, Touch-Up – White	1	1
48	101972003	Paint, Touch-Up – Red	1	1
48	101972004	Paint, Touch-Up – Gray	1	1
48	101972005	Paint, Touch-Up – Dark Gray	1	1
48	101972006	Paint, Touch-Up – Royal Blue (Pacific Blue)	1	1
48	101972007	Paint, Touch-Up – Black	1	1
48	101972009	Paint, Touch-Up – Dark Green	1	1
48	101972011	Paint, Touch-Up – Classic Blue (Navy)	1	1
48	101972012	Paint, Touch-Up – Burgundy	1	1
49	1014115	Transmission Tool Kit	1	
50	1014161	Transaxle Pinion Seal Tool	1	
51	1014162	Transaxle Axle Seal Tool	1	
52	1016413	Valve Clearance Adjuster Screw Holder (for FE290 engines only)	1	
53	101641201	Valve Guide Reamer	1	
54	101641202	Arbor	1	
55	1016551	Valve Seat Cutter T-Wrench	1	
56	1016552	Valve Seat Cutter Guide	1	
57	1016553	Valve Seat Cutter, 45° (32 mm diameter) (for FE290 engines only)	1	
58	1016554	Valve Seat Cutter, 45°/30° (35 mm diameter)	1	
59	101641101	Valve Spring Compressor	1	
60	AM10021	Vehicle Care Kit	1	1
61	1011480	Volt Ohm Meter	1	1
62	101611003	Tune-Up Kit, All OHV (includes air filter, spark plug, oil filter, fuel filters) (not shown)	1	
		Please refer to the maintenance and service manual for proper tool application.		

1
G
E

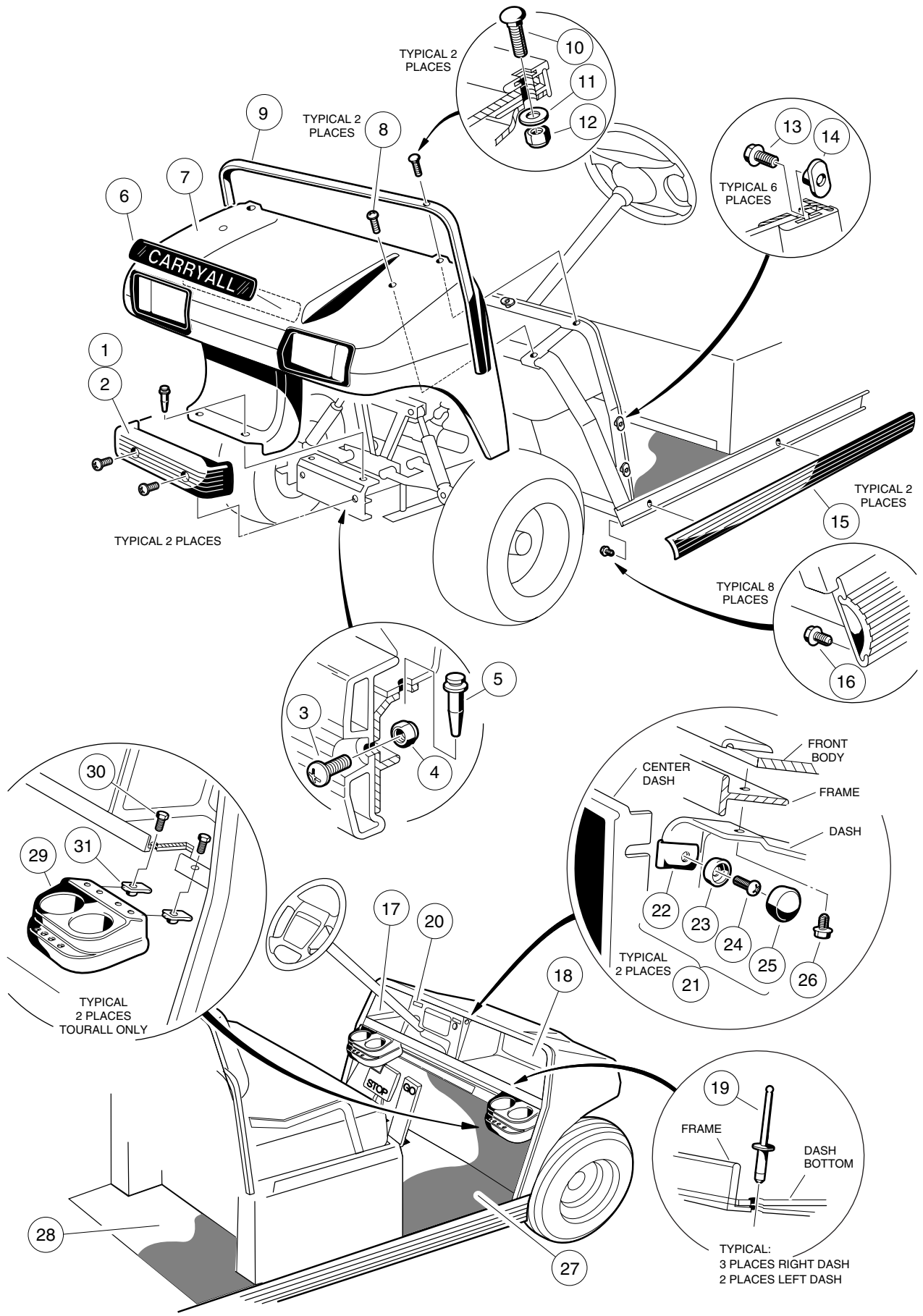
1
G
E

BODY AND TRIM

2

G

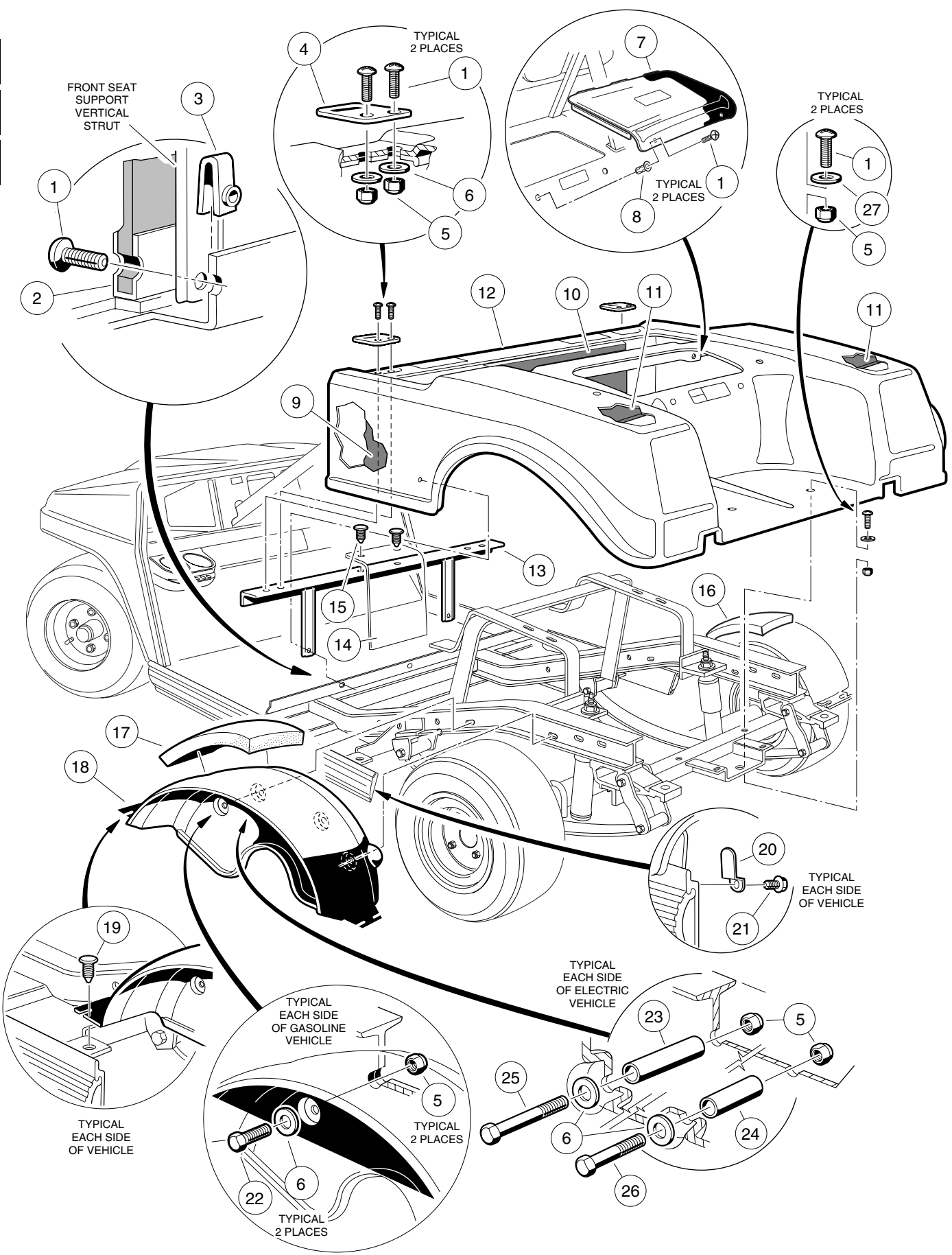
E



FRONT BODY

2
G
E

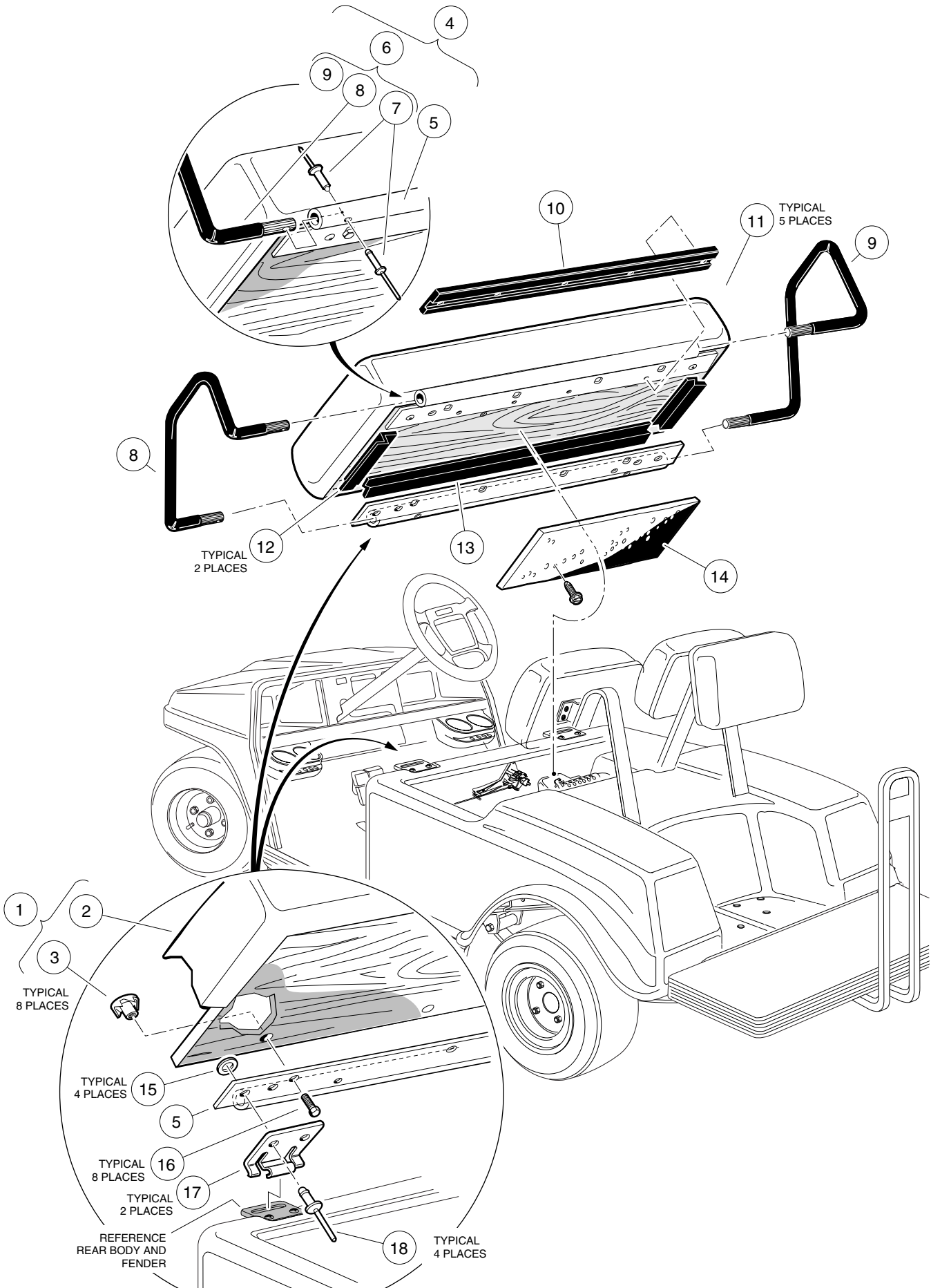
ITEM	PART NO.	DESCRIPTION	QTY GAS	QTY ELEC
		1 2 3 4		
1	1017080	KIT, FRONT BUMPER (INCLUDES ITEMS 2 - 5)	1	1
2	1016868	BUMPER, FRONT	1	1
3	0007251	SCREW, PHILLIPS TRUSS HEAD, 5/16 - 18 x 1	2	2
4	0007473	NUT, NYLON LOCK, 5/16 - 18	2	2
5	1016967	RIVET, BLIND PUSH TYPE	2	2
6	1016702-01	NAMEPLATE, CLUB CAR (SILVER)	1	1
6	1014198	NAMEPLATE, CLUB CAR (GOLD) (RESORT VILLAGER ONLY)	1	1
6	1019784-01	NAMEPLATE, CARRYALL (SILVER)	1	1
7	1016925-04	BODY, FRONT - GRAY (TOURALL ONLY)	1	1
7	1016939-01	BODY, FRONT WITH HEADLIGHT OPENING (BEIGE)	1	1
7	1016939-02	BODY, FRONT WITH HEADLIGHT OPENING (WHITE)	1	1
7	1016939-04	BODY, FRONT WITH HEADLIGHT OPENING (GRAY)	1	1
7	1016939-06	BODY, FRONT WITH HEADLIGHT OPENING (RED)	1	1
7	1016939-08	BODY, FRONT WITH HEADLIGHT OPENING (DARK BLUE)	1	1
7	1016939-09	BODY, FRONT WITH HEADLIGHT OPENING (DARK GREEN)	1	1
8	0007251	SCREW, PHILLIPS TRUSS HEAD, 5/16 - 18 x 1	2	2
9	1011014	TRIM, FRONT BODY	1	1
10	1010435	BOLT, CARRIAGE, 5/16 - 18 x 1	2	2
11	0001241	WASHER, FLAT, 5/16	2	2
12	0007473	NUT, NYLON LOCK, 5/16 - 18	2	2
13	1011017	SCREW, FLANGE LOCK, 8 - 32 x 3/8	6	6
14	1011394	NUT, SLAB BASE "T" (PACKAGE OF 4 PIECES)	1	1
15	1013475-01	TRIM, SIDE BUMPER GUARD (TOURALL ONLY)	2	2
15	1013475-03	TRIM, SIDE BUMPER GUARD (RESORT VILLAGER, TRANS-PORTER/TRANS-SENDER)	2	2
16	1012047	SCREW, SELF-TAPPING, #8 - 32 x 3/8	8	8
17	1013344	COMPONENT, LEFT DASH (BLACK)	1	1
18	1013343	COMPONENT, RIGHT DASH (BLACK)	1	1
19	0007973	RIVET, ALUMINUM POP, 3/16	5	5
20	1016604-04	PANEL, CENTER DASH	1	1
21	1014645	KIT, SNAP WASHER (BLACK) (INCLUDES ITEMS 22 - 26)	1	1
22	N/A	NUT, SPEED, #10 - 32	1	1
23	N/A	WASHER, CUP, #10	1	1
24	N/A	SCREW, SHEET METAL, #10 x 3/4	1	1
25	N/A	COVER, SCREW HEAD	1	1
26	1011017	SCREW, FLANGE LOCK	2	2
27	1015032	MAT, FLOOR, FRONT	1	1
28	1017289	MAT, FLOOR, REAR (RESORT VILLAGER ONLY)	1	1
28	1016718	MAT, FLOOR, REAR (TRANS-PORTER/TRANS-SENDER ONLY)	1	1
29	1017083-01	KIT, DRINK HOLDER (INCLUDES ITEMS 30 AND 31) (TOURALL ONLY)	2	2
30	0007847	BOLT, HEX HEAD, 1/4 - 20 x 3/4	2	2
31	1016952	U-NUT, 1/4 - 20	2	2



REAR BODY AND FENDER— TOURALL

ITEM	PART NO.	DESCRIPTION	QTY GAS	QTY ELEC
		1 2 3 4		
1	0008251	SCREW, PHILLIPS HEAD, 1/4 - 20 x 1	10	10
2	1019041-01	PLATE, BODY KICK	1	1
3	1016952	NUT, "U", 1/4 - 20	2	2
4	1012412	PLATE, BODY HINGE	2	2
5	0008233	NUT, NYLON LOCK, 1/4 - 20	10	10
6	0000332	WASHER, FLAT, 1/4	8	8
7	1015829-02	ASSEMBLY, ACCESS DOOR - BLACK (GASOLINE VEHICLE ONLY)	1	
7	1013032	DOOR, ACCESS - BLACK (ELECTRIC VEHICLE ONLY)		1
8	1015525	NUT, BLIND, 1/4 - 20	2	2
9	1018236-01	INSULATION, SOUND, DRIVER SIDE BODY	1	
10	1016963	INSULATION, SOUND, FRONT	1	
11	1015420	INSULATION, SOUND, BODY LEFT / RIGHT FENDER	2	
12	1016926-04	BODY - GRAY (GASOLINE VEHICLE ONLY)	1	
12	1016933-04	BODY - GRAY (ELECTRIC VEHICLE ONLY)		1
13	1017141	SUPPORT, FRONT BODY	1	1
14	1018962-01	KIT, FORWARD AND REVERSE SWITCH COVER (INCLUDES 2 OF ITEM 15)	1	1
15	1010434	BARREL, PLASTIC	2	2
16	1015422	INSULATION, SOUND, PASSENGER SIDE FENDER - SHORT	1	
17	1015421	INSULATION, SOUND, DRIVER SIDE FENDER - LONG	1	
18	1017936	FENDER, INNER	2	2
19	1010434	BARREL, PLASTIC	4	4
20	1017748	CLIP, BODY KEEPER	2	2
21	1012047	SCREW, SELF-TAPPING, #8 - 32 x 3/8	2	2
22	0000304	SCREW, HEX HEAD CAP, 1/4 - 20 x 1	4	
23	1017814	SPACER, 1 7/8		2
24	1017815	SPACER, 1/2		2
25	1012159	BOLT, HEX HEAD, 1/4 - 20 x 2 3/4		2
26	0007479	BOLT, HEX HEAD, 1/4 - 20 x 1 1/4		2
27	1014306	WASHER, FLAT, TYPE B, 1/4	2	2

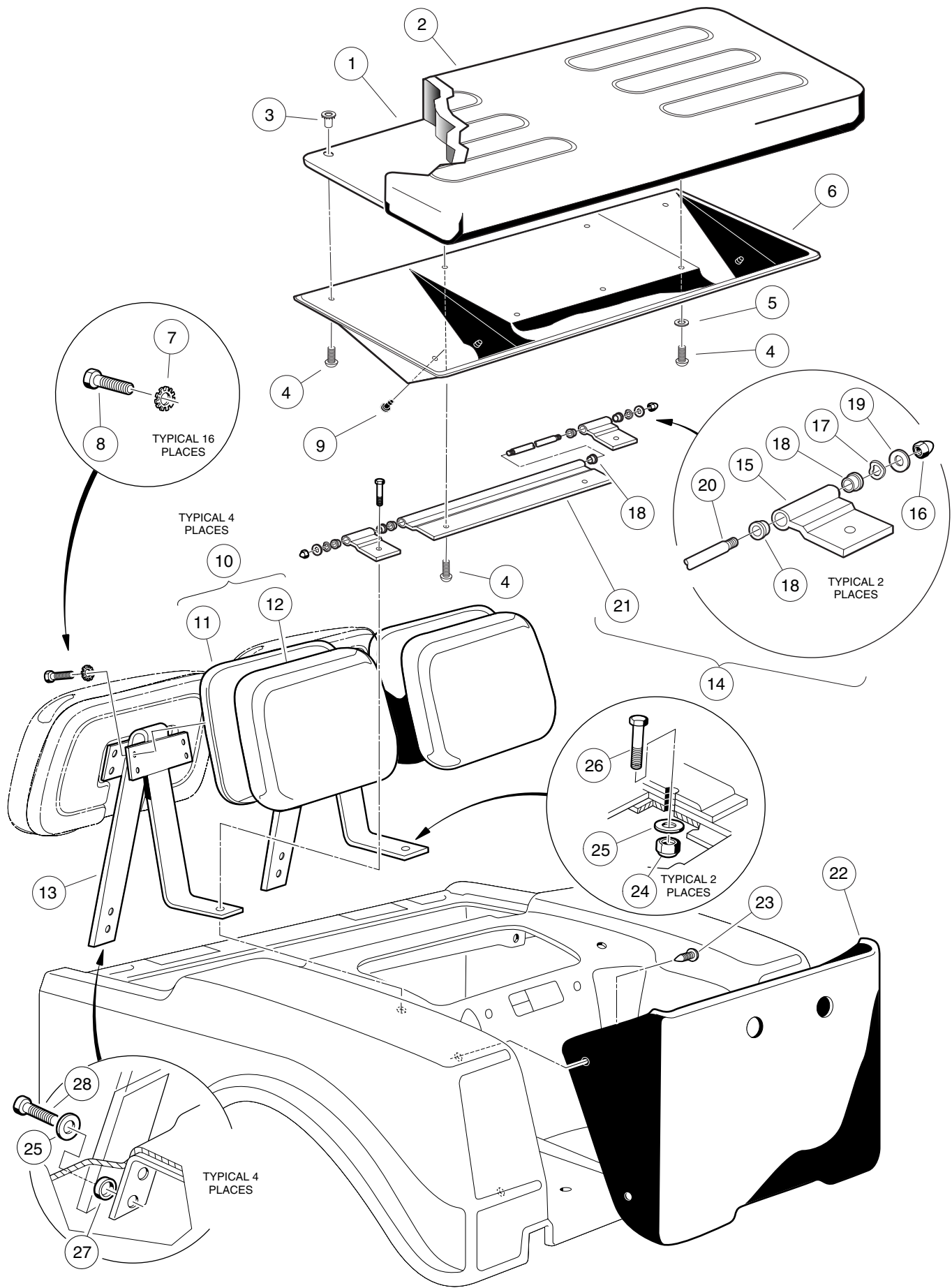
2
G
E



FRONT SEAT BOTTOM AND ARMRESTS— TOURALL

ITEM	PART NO.	DESCRIPTION	QTY GAS	QTY ELEC
		1 2 3 4		
1	1015648-05	ASSEMBLY, SEAT BOTTOM - WHITE (INCLUDES ITEMS 2 AND 3)	1	1
1	1015648-07	ASSEMBLY, SEAT BOTTOM - GRAY (INCLUDES ITEMS 2 AND 3)	1	1
1	1015648-08	ASSEMBLY, SEAT BOTTOM - BLACK (INCLUDES ITEMS 2 AND 3)	1	1
2	1015627-02	COVER, VINYL SEAT BOTTOM - WHITE	1	1
2	1015627-04	COVER, VINYL SEAT BOTTOM - BLACK	1	1
2	1015627-10	COVER, VINYL SEAT BOTTOM - GRAY	1	1
3	1010543	INSERT, WOOD	8	8
4	1015670	ASSEMBLY, SEAT BOTTOM AND ARMREST (INCLUDES ITEMS 5 - 9)	1	1
5	1015625	BRACKET, SEAT SUPPORT	2	2
6	1019511-01	KIT, ARMREST (INCLUDES ITEMS 7 - 9)	1	1
7	1018809-01	RIVET, MATING, 3/16	8	8
8	N/A	ASSEMBLY, ARMREST, DRIVER SIDE	1	1
9	N/A	ASSEMBLY, ARMREST, PASSENGER SIDE	1	1
10	1012597	BUMPER, SEAT	1	1
11	1017384	SCREW, WASHER HEAD TAP, #12	5	5
12	1012656	GASKET, SEAT, SHORT (GASOLINE VEHICLE ONLY)	2	
13	1012657	GASKET, SEAT, LONG (GASOLINE VEHICLE ONLY)	1	
14	1017283	INSULATION, SOUND (GASOLINE VEHICLE ONLY)	1	
15	1018817-01	WASHER, FLAT, STAINLESS STEEL, #8	4	4
16	1019543-01	SCREW, HEX HEAD CAP (WITH ADHESIVE PATCH), 1/4 - 20 x 3/4	8	8
17	1011652	PLATE, SEAT HINGE, STAINLESS STEEL	2	2
18	1018809-01	RIVET, POP, STAINLESS STEEL, 3/16	4	4

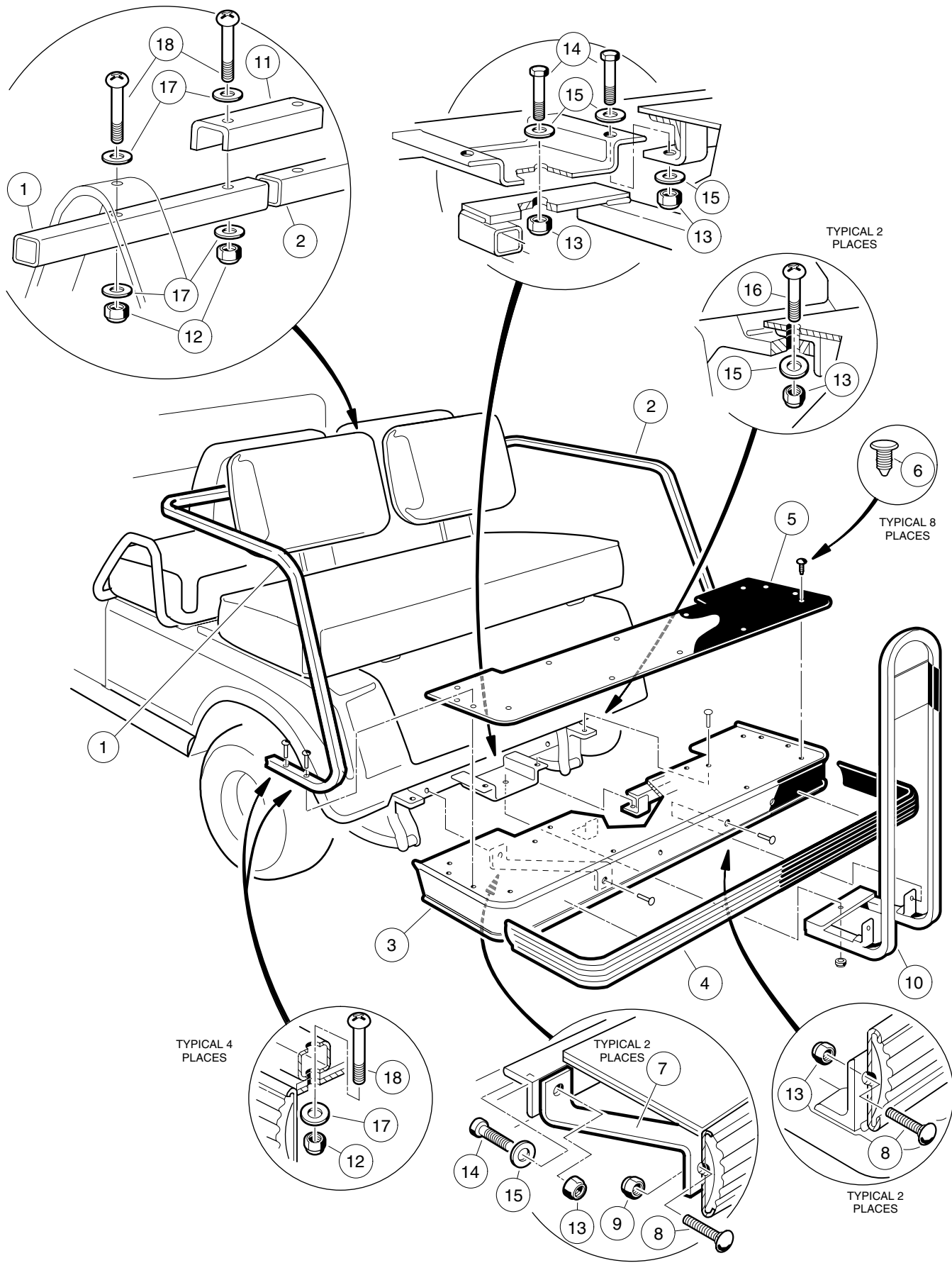
2
G
E



SEAT BACKS, REAR SEAT BOTTOM AND SUPPORT STRUCTURE—TOURALL

ITEM	PART NO.	DESCRIPTION	QTY GAS	QTY ELEC
		1 2 3 4		
1	1015648-05	ASSEMBLY, SEAT BOTTOM - WHITE (INCLUDES ITEMS 2 AND 3)	1	1
1	1015648-07	ASSEMBLY, SEAT BOTTOM - GRAY (INCLUDES ITEMS 2 AND 3)	1	1
1	1015648-08	ASSEMBLY, SEAT BOTTOM - BLACK (INCLUDES ITEMS 2 AND 3)	1	1
2	1015627-02	COVER, VINYL SEAT BOTTOM - WHITE	1	1
2	1015627-04	COVER, VINYL SEAT BOTTOM - BLACK	1	1
2	1015627-10	COVER, VINYL SEAT BOTTOM - GRAY	1	1
3	1010543	INSERT, WOOD	7	7
4	0008251	SCREW, PHILLIPS TRUSS HEAD, 1/4 - 20 x 1	7	7
5	1011578	WASHER, FLAT, 5/16	3	3
6	1011210	SUPPORT, SEAT	1	1
7	1019462-01	WASHER, LOCK, EXTERNAL TOOTH, 1/4	8	8
8	0007847	SCREW, HEX HEAD, 1/4 - 20 x 3/4	8	8
9	1011389	BUMPER, RUBBER (PACKAGE OF 5)	1	1
10	1015652-02	ASSEMBLY, SEAT BACK, THIN - WHITE (INCLUDES ITEMS 11 AND 12)	4	4
10	1015652-05	ASSEMBLY, SEAT BACK, THIN - BLACK (INCLUDES ITEMS 11 AND 12)	4	4
10	1015652-06	ASSEMBLY, SEAT BACK, THIN - GRAY (INCLUDES ITEMS 11 AND 12)	4	4
11	1013335	CAP, SEAT BACK - BLACK	1	1
12	1015626-02	COVER, VINYL SEAT BACK - WHITE	1	1
12	1015626-04	COVER, VINYL SEAT BACK - BLACK	1	1
12	1015626-05	COVER, VINYL SEAT BACK - GRAY	1	1
13	1011182	SUPPORT, SEAT BACK	2	2
14	1011219	ASSEMBLY, HINGE (INCLUDES ITEMS 15 - 21)	1	1
15	1011221	HINGE - SHORT	2	2
16	1015091	NUT, CENTERLOCK CAP, 1/4 - 20 x 1/4	2	2
17	1010695	WASHER, CURVED SPRING, 1/4	2	2
18	0008028	BUSHING, NYLON	6	6
19	0000332	WASHER, FLAT, 1/4	2	2
20	1011222	PIN, HINGE - LONG	1	1
21	1011220	HINGE - LONG	1	1
22	1011348	PANEL, REAR	1	1
23	1010434	BARREL, PLASTIC	4	4
24	0007473	NUT, NYLON LOCK, 5/16 - 18	2	2
25	0001241	WASHER, FLAT, 5/16	6	6
26	1010577	BOLT, HEX HEAD, 5/16 - 18 x 1 1/2	2	2
27	1017774	SPACER, BODY	4	4
28	1019104-01	SCREW, THREAD-FORMING, 5/16 - 18 x 1 1/4	4	4

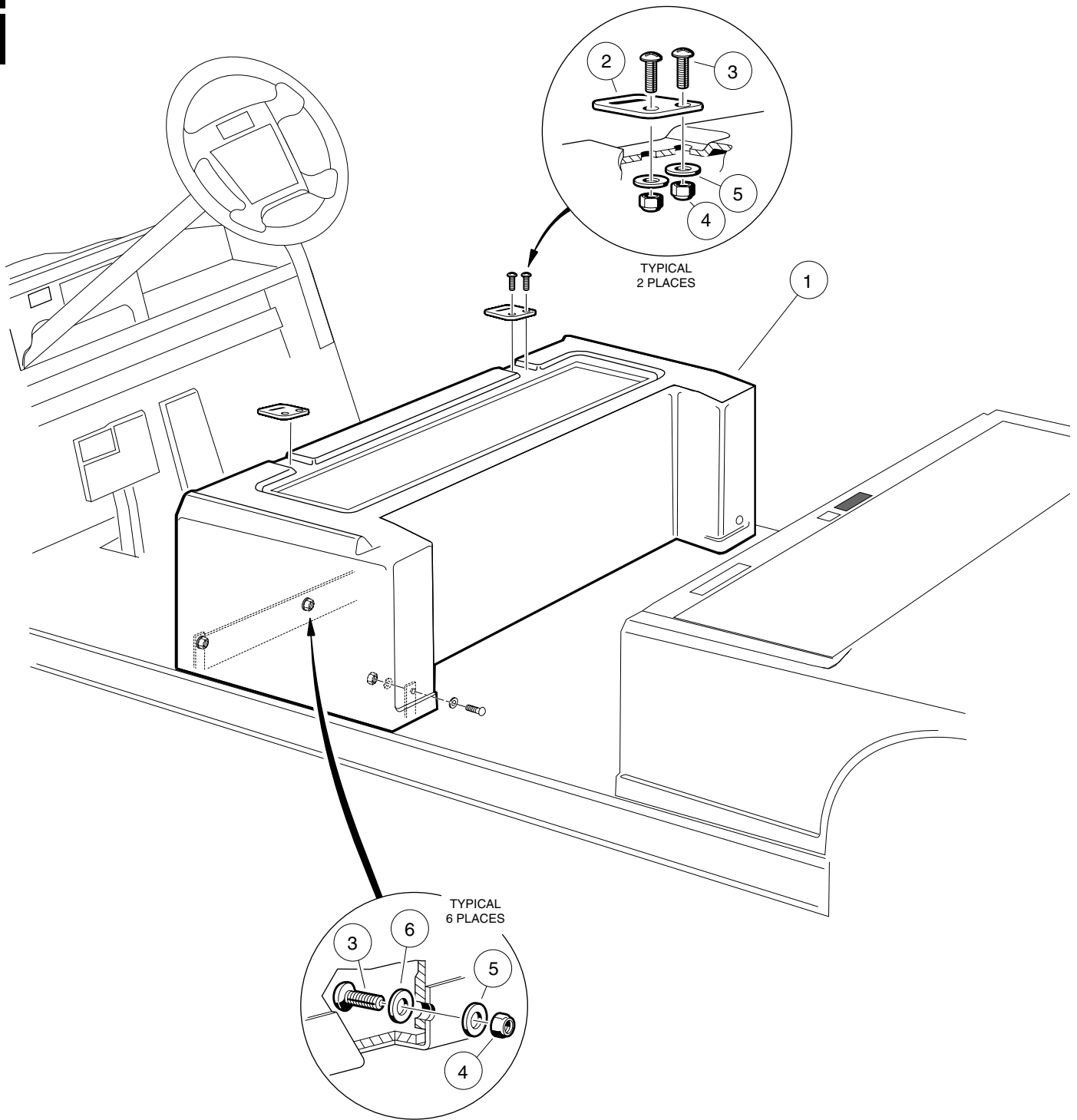
2
G
E



REAR FOOTREST AND HANDRAILS—TOURALL

ITEM	PART NO.	DESCRIPTION	QTY GAS	QTY ELEC
		1 2 3 4		
1	1018412-02	ARMREST, REAR SEAT, DRIVER SIDE	1	1
2	1018412-01	ARMREST, REAR SEAT, PASSENGER SIDE	1	1
3	1018411-01	ASSEMBLY, REAR FOOTREST (INCLUDES ITEMS 4 - 9)	1	1
4	1013475-05	GUARD, BUMPER	1	1
5	1018409-01	MAT, FOOTREST	1	1
6	1010434	FASTENER, PLASTIC BARREL	8	8
7	1016668	BAR, CONNECTING	2	2
8	1010435	BOLT, CARRIAGE, 5/16 - 18 x 1	4	4
9	0007473	NUT, NYLON LOCK, 5/16 - 18	2	2
10	1016842	HANDRAIL, REAR SEAT	1	1
11	1018413-01	BRACKET, ARMREST	1	1
12	0008233	NUT, NYLON LOCK, 1/4 - 20	8	8
13	0007473	NUT, NYLON LOCK, 5/16 - 18	9	9
14	0001218	SCREW, HEX HEAD CAP, 5/16 - 18 x 1 1/4	5	5
15	0001241	WASHER, FLAT, 5/16	9	9
16	0007818	SCREW, TRUSS HEAD, 5/16 - 18 x 1 1/2	2	2
17	0000332	WASHER, FLAT, 1/4	8	8
18	1011988	SCREW, PHILLIPS TRUSS HEAD, 1/4 - 20 x 2	8	8

2
G
E



CENTER BODY AND TRIM—RESORT VILLAGER

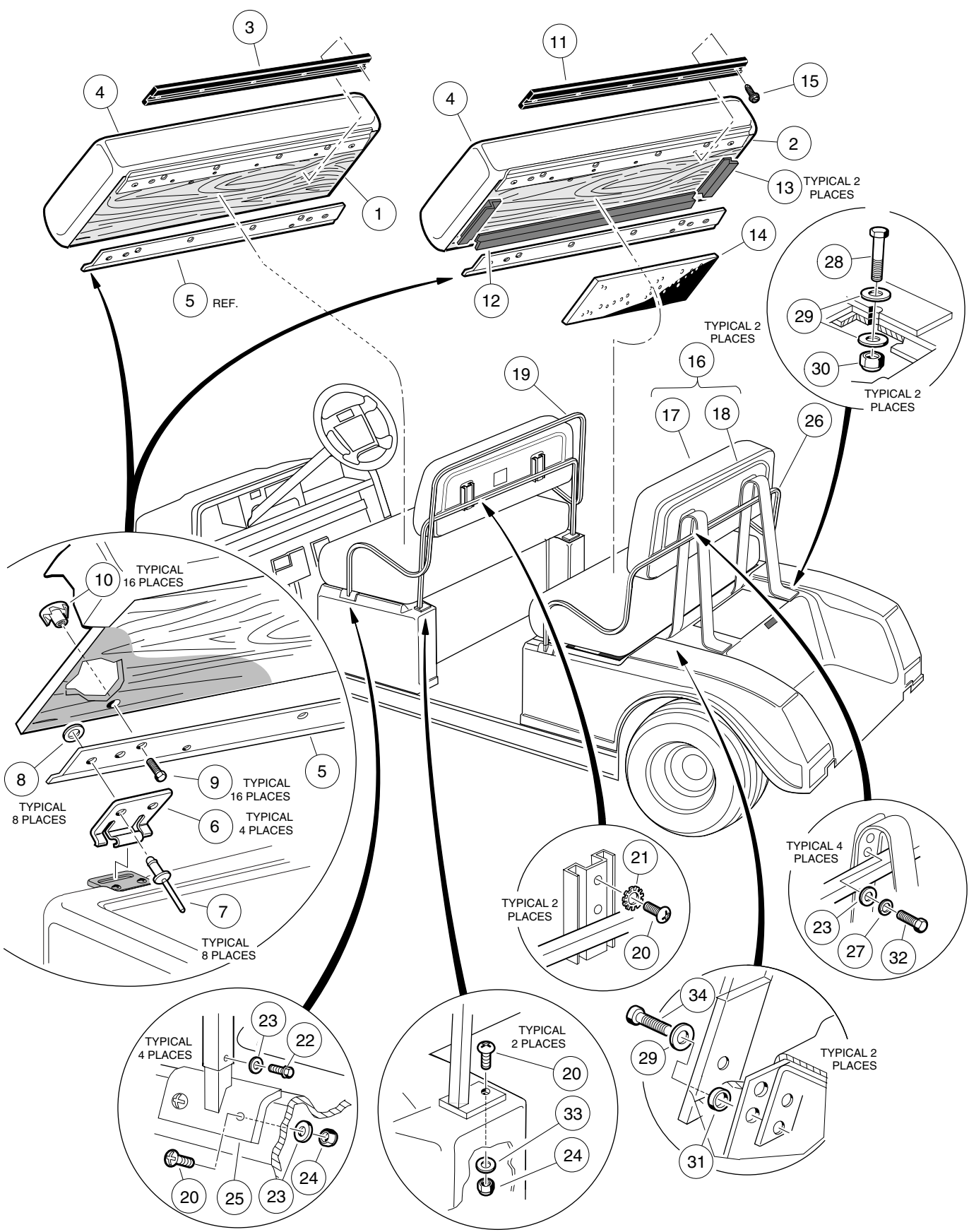
ITEM	PART NO.	DESCRIPTION	QTY GAS	QTY ELEC
		1 2 3 4		
1	1017316-01	BODY, CENTER - BEIGE	1	1
1	1017316-02	BODY, CENTER - WHITE	1	1
1	1017316-04	BODY, CENTER - GRAY	1	1
1	1017316-06	BODY, CENTER - RED	1	1
1	1017316-08	BODY, CENTER - DARK BLUE	1	1
1	1017316-09	BODY, CENTER - DARK GREEN	1	1
2	1012412	PLATE, SEAT HINGE	2	2
3	0008251	SCREW, PHILLIPS TRUSS HEAD, 1/4 - 20 x 1	10	10
4	0008233	NUT, NYLON LOCK, 1/4 - 20	10	10
5	0000332	WASHER, FLAT, 1/4	10	10
6	1012581	WASHER, NYLON CUP, 1/4	6	6

2
G
E

REAR BODY AND FENDER—RESORT VILLAGER

ITEM	PART NO.	DESCRIPTION	QTY GAS	QTY ELEC
		1 2 3 4		
1	0008251	SCREW, PHILLIPS TRUSS HEAD, 1/4 - 20 x 1	10	10
2	1019041-01	PLATE, BODY KICK	1	1
3	1016952	U-NUT, 1/4 - 20	2	2
4	1012412	PLATE, BODY HINGE	2	2
5	0000332	WASHER, FLAT, 1/4	8	8
6	0008233	NUT, NYLON LOCK, 1/4 - 20	10	10
7	1015829-02	ASSEMBLY, ACCESS DOOR - BLACK (GASOLINE VEHICLE ONLY)	1	
7	1013032	DOOR, ACCESS - BLACK (ELECTRIC VEHICLE ONLY)		1
8	1015525	NUT, BLIND, 1/4 - 20	2	2
9	1010434	BARREL, PLASTIC	10	10
10	1014392	MAT, BAG REST	2	2
11	1015420	INSULATION, SOUND, BODY LEFT/RIGHT FENDER (GASOLINE VEHICLE ONLY)	2	
12	1016963	INSULATION, SOUND, FRONT (GASOLINE VEHICLE ONLY)	1	
13	1017113	INSULATION, SOUND, LEFT SIDE BODY (GASOLINE VEHICLE ONLY)	1	
14	1015422	INSULATION, SOUND, RIGHT SIDE FENDER - SHORT (GASOLINE VEHICLE ONLY)	1	
15	1015421	INSULATION, SOUND, LEFT SIDE FENDER - LONG (GASOLINE VEHICLE ONLY)	1	
16	1017287-01	BODY - BEIGE	1	1
16	1017287-02	BODY - WHITE	1	1
16	1017287-04	BODY - GRAY	1	1
16	1017287-06	BODY - RED	1	1
16	1017287-08	BODY - DARK BLUE	1	1
16	1017287-09	BODY - DARK GREEN	1	1
17	1017141	SUPPORT, FRONT BODY	1	1
18	1018069-01	SHIELD, HEAT (GASOLINE VEHICLE ONLY)	1	
19	1017936	FENDER, INNER	2	2
20	0007847	SCREW, HEX WASHER HEAD, 1/4 - 20 x 3/4	4	4
21	1013357	RIVET, POP (ELECTRIC VEHICLE ONLY)		2
22	1018370-01	INSULATOR, BATTERY (ELECTRIC VEHICLE ONLY)		1
23	1017748	CLIP, BODY KEEPER	2	2
24	1012047	SCREW, SELF-TAPPING, #8 - 32 x 3/8	2	2
25	1014306	WASHER, FLAT, TYPE B, 1/4	2	2

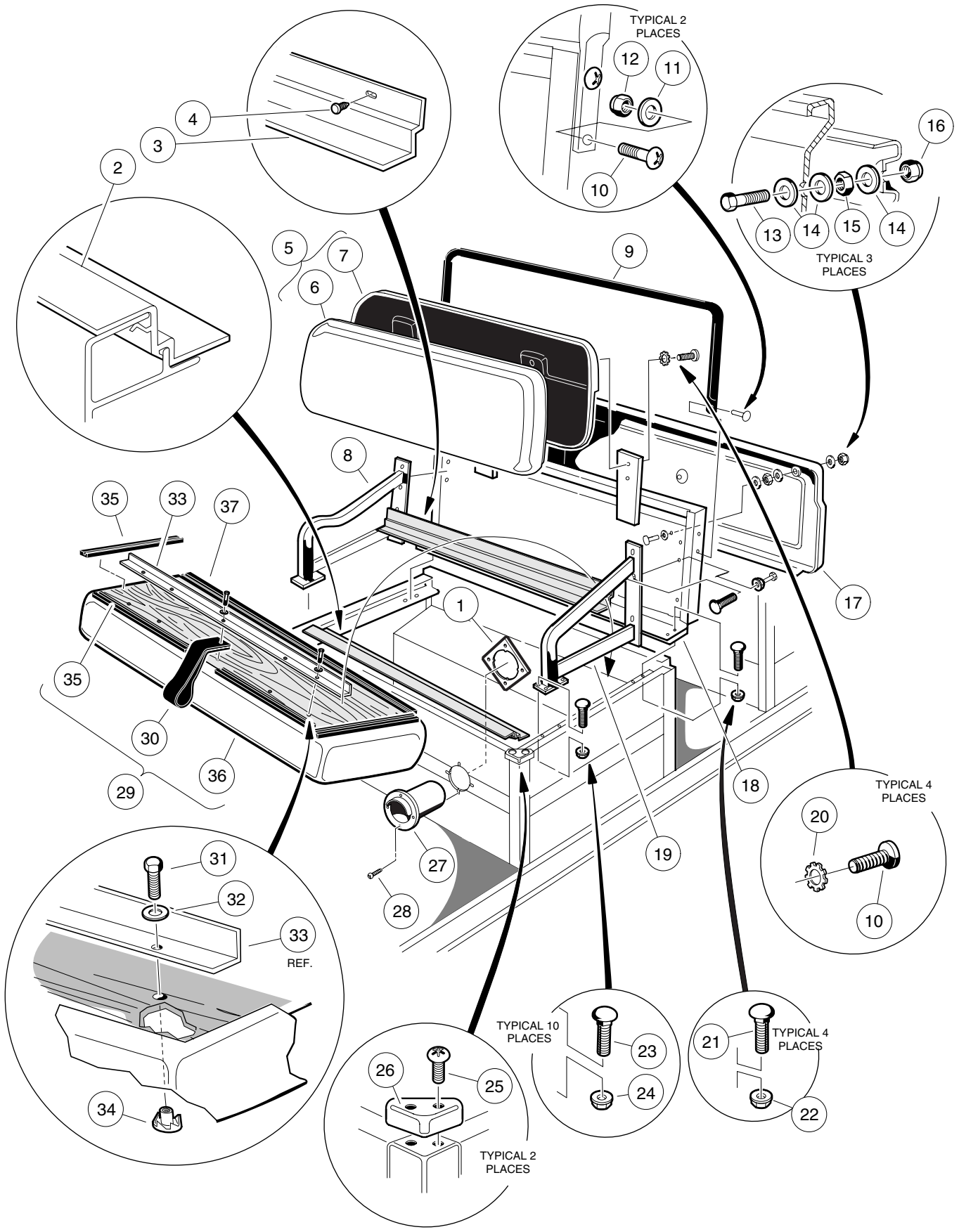
2
G
E



SEATS AND SUPPORT STRUCTURES— RESORT VILLAGER

ITEM	PART NO.	DESCRIPTION	QTY GAS	QTY ELEC
		1 2 3 4		
1	1017282-01	ASSEMBLY, FIRST SEAT BOTTOM - WHITE (INCLUDES ITEMS 3 - 10)	1	1
1	1017282-03	ASSEMBLY, FIRST SEAT BOTTOM - BUFF (INCLUDES ITEMS 3 - 10)	1	1
1	1017282-10	ASSEMBLY, FIRST SEAT BOTTOM - BLACK (INCLUDES ITEMS 3 - 10)	1	1
1	1017282-13	ASSEMBLY, FIRST SEAT BOTTOM - GRAY (INCLUDES ITEMS 3 - 10)	1	1
2	1017282-02	ASSEMBLY, SECOND SEAT BOTTOM - WHITE (INCLUDES ITEMS 4 - 15)	1	1
2	1017282-04	ASSEMBLY, SECOND SEAT BOTTOM - BUFF (INCLUDES ITEMS 4 - 15)	1	1
2	1017282-11	ASSEMBLY, SECOND SEAT BOTTOM - BLACK (INCLUDES ITEMS 4 - 15)	1	1
2	1017282-14	ASSEMBLY, SECOND SEAT BOTTOM - GRAY (INCLUDES ITEMS 4 - 15)	1	1
3	1013312	BUMPER, SEAT - LONG (FIRST SEAT ONLY)	1	1
4	1015627-01	COVER, VINYL SEAT BOTTOM - BUFF	1	1
4	1015627-02	COVER, VINYL SEAT BOTTOM - WHITE	1	1
4	1015627-04	COVER, VINYL SEAT BOTTOM - BLACK	1	1
4	1015627-10	COVER, VINYL SEAT BOTTOM - GRAY	1	1
5	1017695	BRACKET, SEAT SUPPORT	2	2
6	1011652	PLATE, SEAT HINGE	2	2
7	1018809-01	RIVET, POP, STAINLESS STEEL, 3/16	4	4
8	1018817-01	WASHER, FLAT, STAINLESS STEEL, #8	4	4
9	1019543-01	SCREW, HEX HEAD CAP (WITH ADHESIVE PATCH), 1/4 - 20 x 3/4	8	8
10	1010543	INSERT, WOOD	8	8
11	1012597	BUMPER, SEAT (SECOND SEAT ONLY)	1	1
12	1012657	GASKET, SEAT - LONG (SECOND SEAT ONLY)	1	1
13	1012656	GASKET, SEAT - SHORT (SECOND SEAT ONLY)	2	2
14	1017283	INSULATION, SOUND (SECOND SEAT ONLY)	1	1
15	1017384	SCREW, WASHER HEAD TAP, #12 (SECOND SEAT ONLY)	5	5
16	1016777-01	ASSEMBLY, SEAT BACK - WHITE (INCLUDES ITEMS 17 AND 18)	2	2
16	1016777-02	ASSEMBLY, SEAT BACK - BLACK (INCLUDES ITEMS 17 AND 18)	2	2
16	1016777-03	ASSEMBLY, SEAT BACK - BUFF (INCLUDES ITEMS 17 AND 18)	2	2
16	1016777-05	ASSEMBLY, SEAT BACK - GRAY (INCLUDES ITEMS 17 AND 18)	2	2
17	1016755-01	COVER, VINYL SEAT BACK - BUFF	2	2
17	1016755-02	COVER, VINYL SEAT BACK - WHITE	2	2
17	1016755-04	COVER, VINYL SEAT BACK - BLACK	2	2
17	1016755-06	COVER, VINYL SEAT BACK - GRAY	2	2
18	1016751	CAP, SEAT BACK - BLACK	2	2
19	1017259	WELDMENT, FRONT ARMREST	1	1
20	1015902	SCREW, PHILLIPS TRUSS HEAD, 1/4 - 20 x 1 1/4	14	14
21	1019462-01	WASHER, EXTERNAL TOOTH LOCK, 1/4	4	4
22	1012285	SCREW, THREAD ROLLING, 1/4 - 20 x 5/8	4	4
23	0000332	WASHER, FLAT, 1/4	16	16
24	0008233	NUT, NYLON LOCK, 1/4 - 20	10	10
25	1017310	WELDMENT, ARMREST MOUNTING	4	4
26	1017992-01	WELDMENT, REAR ARMREST	1	1
27	0000451	WASHER, LOCK, 1/4	4	4
28	0001218	SCREW, HEX HEAD CAP, 5/16 - 18 x 1 1/4	2	2
29	0001241	WASHER, FLAT, 5/16	8	8
30	0007473	NUT, NYLON LOCK, 5/16 - 18	2	2
31	1017774	SPACER, BODY	4	4
32	1019543-01	SCREW, HEX HEAD CAP, 1/4 - 20 x 3/4	4	4
33	1014306	WASHER, FLAT, TYPE B, 1/4	2	2
34	1019104-01	SCREW, THREAD-FORMING, 5/16 - 18 x 1 1/4	4	4

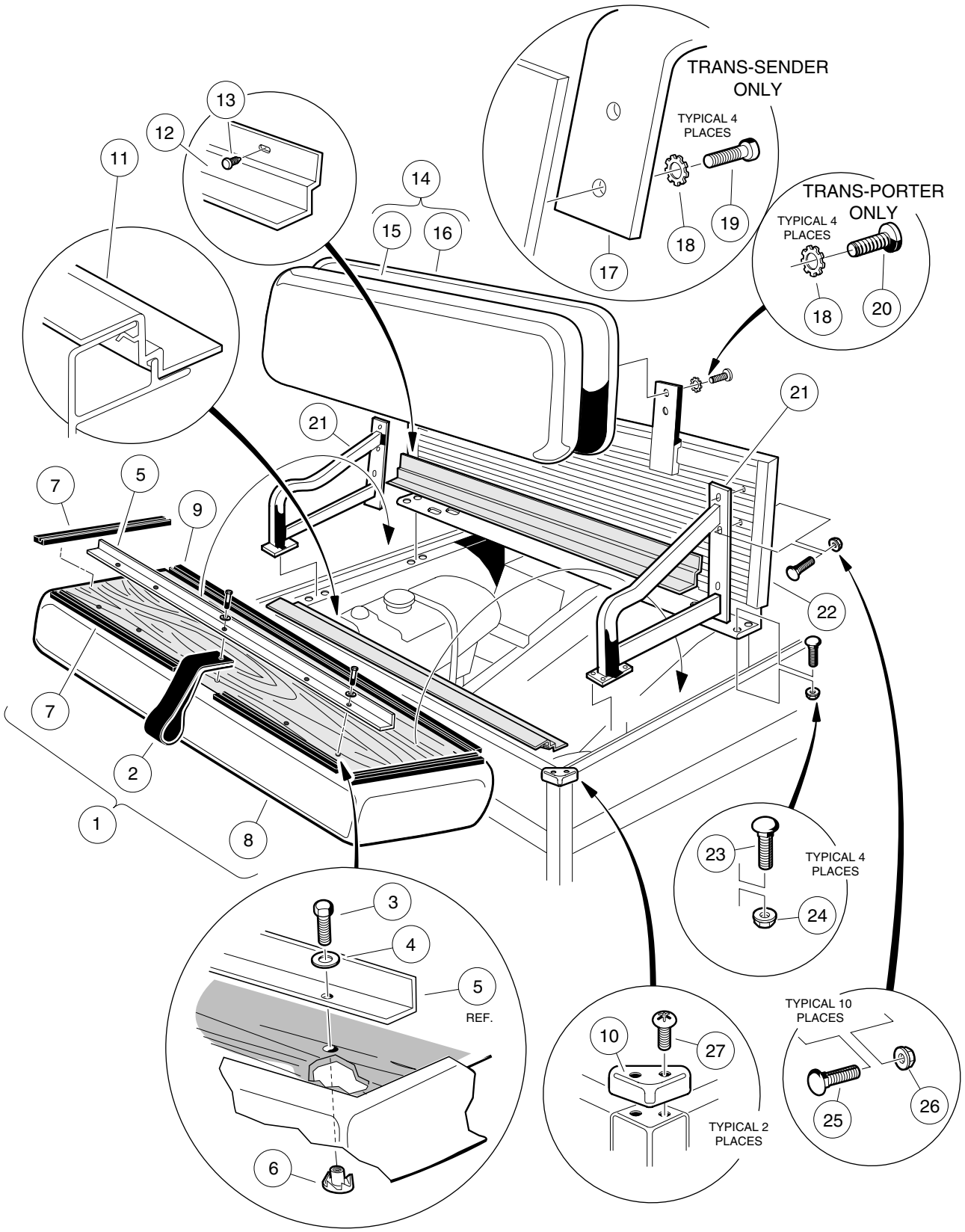
2
G
E



FIRST SEAT AND SUPPORT STRUCTURE— TRANS-PORTER/TRANS-SENDER

ITEM	PART NO.	DESCRIPTION	QTY GAS	QTY ELEC
		1 2 3 4		
1	1018010-01	PLATE, RECEPTACLE BACKING (ELECTRIC VEHICLE ONLY)		1
2	1019640-01	TRIM, SEAT BOTTOM, FRONT	1	1
3	1019639-01	TRIM, SEAT BOTTOM, REAR	1	1
4	1010434	BARREL, PLASTIC	5	5
5	1016777-01	ASSEMBLY, SEAT BACK - WHITE (INCLUDES ITEMS 6 AND 7)	1	1
5	1016777-02	ASSEMBLY, SEAT BACK - BLACK (INCLUDES ITEMS 6 AND 7)	1	1
5	1016777-05	ASSEMBLY, SEAT BACK - GREY (INCLUDES ITEMS 6 AND 7)	1	1
6	1016755-02	COVER, VINYL SEAT BACK - WHITE	1	1
6	1016755-04	COVER, VINYL SEAT BACK - BLACK	1	1
6	1016755-06	COVER, VINYL SEAT BACK - GREY	1	1
7	1016751	CAP, SEAT BACK	1	1
8	1018885-01	ASSEMBLY, PASSENGER ARMREST	1	1
9	1016670	HANDRAIL	1	1
10	0008248	SCREW, PHILLIPS TRUSS HEAD, 1/4 - 20 x 3/4	8	8
11	0000332	WASHER, FLAT, 1/4	9	9
12	0008233	NUT, NYLON LOCK, 1/4 - 20	4	4
13	1010934	BOLT, HEX HEAD CAP, 5/16 - 18 x 1	7	7
14	0001241	WASHER, FLAT, 5/16	9	9
15	0001242	NUT, HEX, 5/16 - 18	3	3
16	0007473	NUT, NYLON LOCK, 5/16 - 18	7	7
17	1016970	COVER, SEAT BACK SUPPORT	1	1
18	1016723	ASSEMBLY, SEAT SUPPORT PANEL	1	1
19	1018885-02	ARMREST, DRIVER	1	1
20	1019462-01	WASHER, EXTERNAL TOOTH LOCK, 1/4	4	4
21	1019633-01	BOLT, CARRIAGE, 5/16 - 18 x 3/4	4	4
22	1019634-01	NUT, FLANGE, 5/16 - 18	4	4
23	1019586-01	BOLT, CARRIAGE, 1/4 - 20 x 3/4	10	10
24	1018356-01	NUT, FLANGE, 1/4 - 20	10	10
25	1014321	SCREW, TORX TRUSS HEAD, #10 - 24 x 3/8	4	4
26	1014387	CAP, CORNER	2	2
27	1016673	HOUSING, CORD (ELECTRIC VEHICLE ONLY)		1
28	0008796	SCREW, PHILLIPS HEAD, #7 - 19 x 3/4 (ELECTRIC VEHICLE ONLY)		4
29	1015645-02	ASSEMBLY, SEAT BOTTOM - WHITE (INCLUDES ITEMS 30 - 37)	1	1
29	1015645-03	ASSEMBLY, SEAT BOTTOM - BLACK (INCLUDES ITEMS 30 - 37)	1	1
29	1015645-05	ASSEMBLY, SEAT BOTTOM - GREY (INCLUDES ITEMS 30 - 37)	1	1
30	1013309	STRAP, SEAT BOTTOM	1	1
31	1019543-01	SCREW, HEX HEAD CAP (WITH ADHESIVE PATCH), 1/4 - 20 x 3/4	5	5
32	0000332	WASHER, FLAT, 1/4	9	9
33	1018943-03	STIFFENER, SEAT	1	1
34	1010543	INSERT, WOOD	5	5
35	1013311	BUMPER, SEAT, SHORT	4	4
36	1015627-02	COVER, VINYL SEAT BOTTOM - WHITE	1	1
36	1015627-04	COVER, VINYL SEAT BOTTOM - BLACK	1	1
36	1015627-10	COVER, VINYL SEAT BOTTOM - GRAY	1	1
37	1013312	BUMPER, SEAT, LONG	1	1

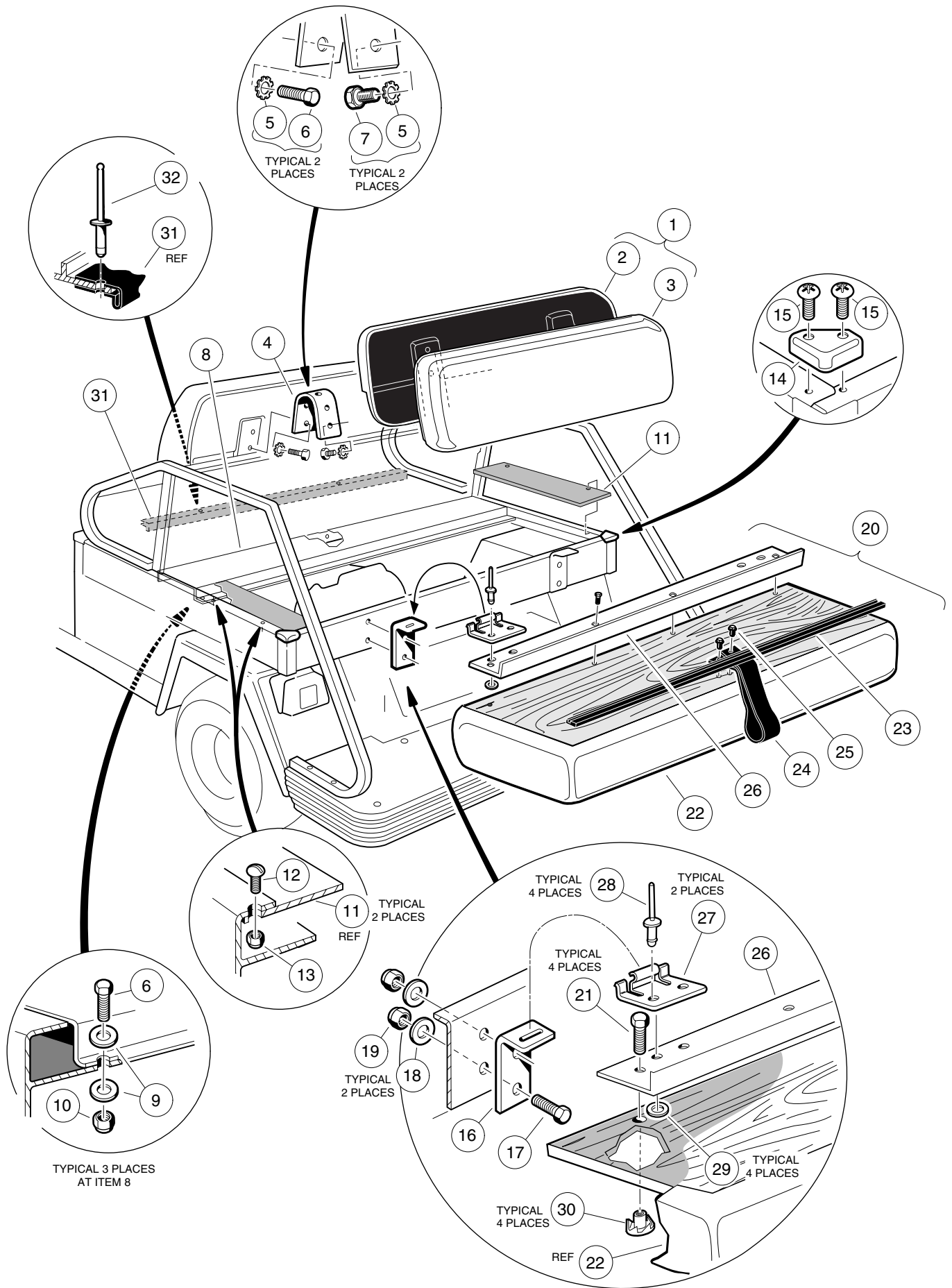
2
G
E



SECOND SEAT AND SUPPORT STRUCTURE— TRANS-PORTER/TRANS-SENDER

ITEM	PART NO.	DESCRIPTION	QTY GAS	QTY ELEC
		1 2 3 4		
1	1015645-02	ASSEMBLY, SEAT BOTTOM - WHITE (INCLUDES ITEMS 2 - 9)	1	1
1	1015645-03	ASSEMBLY, SEAT BOTTOM - BLACK (INCLUDES ITEMS 2 - 9)	1	1
1	1015645-05	ASSEMBLY, SEAT BOTTOM - GREY (INCLUDES ITEMS 2 - 9)	1	1
2	1013309	STRAP, SEAT BOTTOM	1	1
3	1019543-01	SCREW, HEX HEAD CAP (WITH ADHESIVE PATCH), 1/4 - 20 x 3/4	5	5
4	0000332	WASHER, FLAT, 1/4	5	5
5	1018943-03	STIFFENER, SEAT	1	1
6	1010543	INSERT, WOOD	5	5
7	1013311	BUMPER, SEAT, SHORT	4	4
8	1015627-02	COVER, VINYL SEAT BOTTOM - WHITE	1	1
8	1015627-04	COVER, VINYL SEAT BOTTOM - BLACK	1	1
8	1015627-10	COVER, VINYL SEAT BOTTOM - GREY	1	1
9	1013312	BUMPER, SEAT, LONG	1	1
10	1014387	CAP, CORNER	2	2
11	1019640-01	TRIM, SEAT BOTTOM, FRONT	1	1
12	1019639-01	TRIM, SEAT BOTTOM, REAR	1	1
13	1010434	BARREL, PLASTIC	5	5
14	1016777-01	ASSEMBLY, SEAT BACK - WHITE (INCLUDES ITEMS 15 AND 16)	1	1
14	1016777-02	ASSEMBLY, SEAT BACK - BLACK (INCLUDES ITEMS 15 AND 16)	1	1
14	1016777-05	ASSEMBLY, SEAT BACK - GREY (INCLUDES ITEMS 15 AND 16)	1	1
15	1016755-02	COVER, VINYL SEAT BACK - WHITE	1	1
15	1016755-04	COVER, VINYL SEAT BACK - BLACK	1	1
15	1016755-06	COVER, VINYL SEAT BACK - GREY	1	1
16	1016751	CAP, SEAT BACK	1	1
17	1016839	MOUNT, SEAT BACK BRACKET (TRANS-SENDER ONLY)	2	2
18	1019462-01	WASHER, EXTERNAL TOOTH LOCK, 1/4	4	4
19	0007479	SCREW, HEX HEAD CAP, 1/4 - 20 x 1 1/4 (TRANS-SENDER ONLY)	4	4
20	0008248	SCREW, PHILLIPS TRUSS HEAD, 1/4 - 20 x 3/4 (TRANS-PORTER ONLY)	4	4
21	1018885-01	ASSEMBLY, ARMREST, PASSENGER (TRANS-PORTER ONLY)	2	2
22	1016723	ASSEMBLY, SEAT SUPPORT PANEL	1	1
23	1019633-01	BOLT, CARRIAGE, 5/16 - 18 x 3/4	4	4
24	1019634-01	NUT, FLANGE, 5/16 - 18	4	4
25	1019586-01	BOLT, CARRIAGE, 1/4 - 20 x 3/4 (TRANS-PORTER ONLY)	10	10
26	1018356-01	NUT, FLANGE, 1/4 - 20 (TRANS-PORTER ONLY)	10	10
27	1014321	SCREW, TORX TRUSS HEAD, #10 - 24 x 3/8	4	4

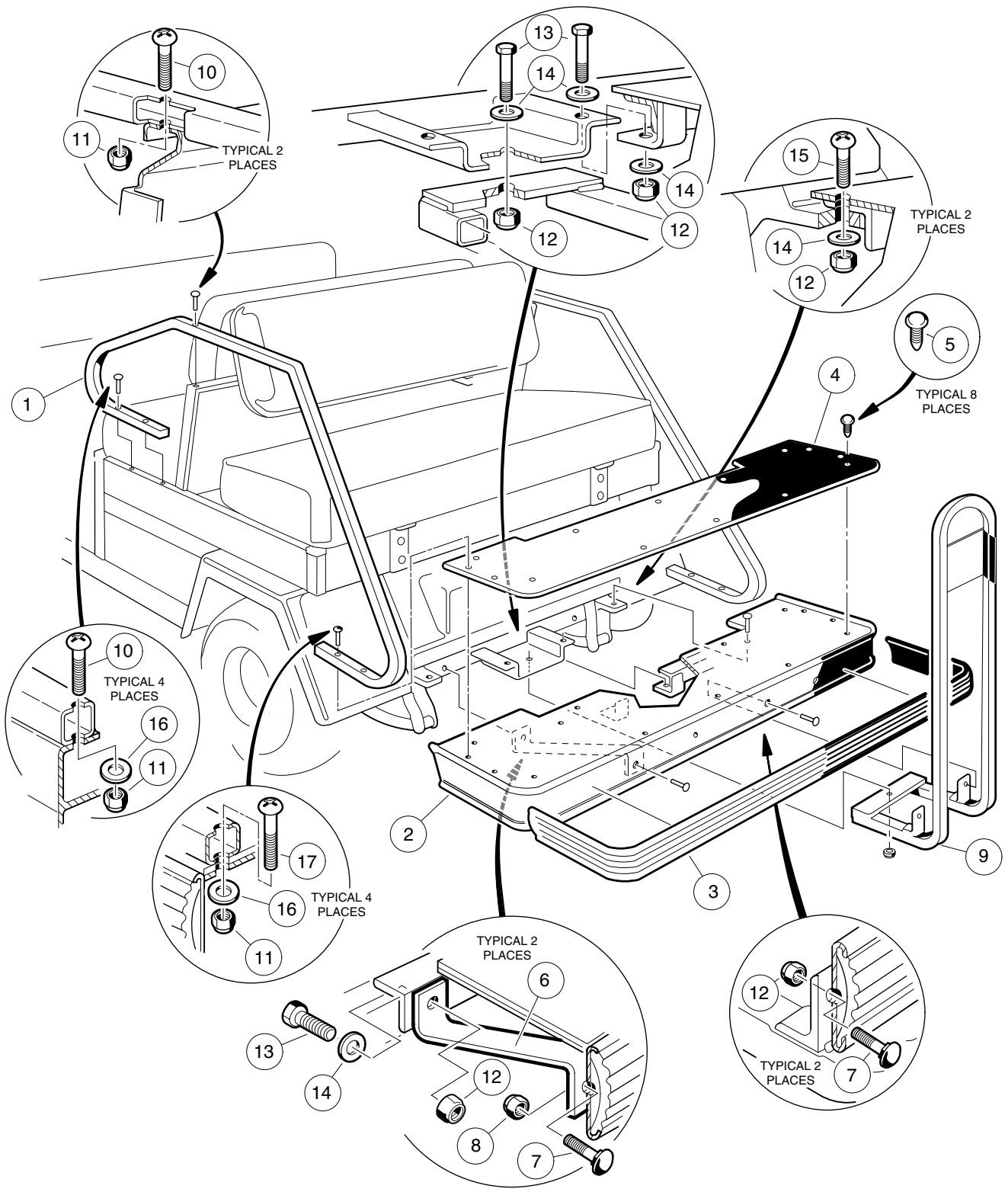
2
G
E



THIRD SEAT AND COMPONENTS— TRANS-SENDER

ITEM	PART NO.	DESCRIPTION	QTY GAS	QTY ELEC
		1 2 3 4		
1	1016777-01	ASSEMBLY, SEAT BACK - WHITE (INCLUDES ITEMS 2 AND 3)	1	1
1	1016777-02	ASSEMBLY, SEAT BACK - BLACK (INCLUDES ITEMS 2 AND 3)	1	1
1	1016777-05	ASSEMBLY, SEAT BACK - GREY (INCLUDES ITEMS 2 AND 3)	1	1
2	1016751	CAP, SEAT BACK	1	1
3	1016755-02	COVER, VINYL SEAT BACK - WHITE	1	1
3	1016755-04	COVER, VINYL SEAT BACK - BLACK	1	1
3	1016755-05	COVER, VINYL SEAT BACK - GREY	1	1
4	1016839	BRACKET, SEAT BACK MOUNTING	2	2
5	1019462-01	WASHER, EXTERNAL TOOTH LOCK, 1/4	8	8
6	0007847	SCREW, HEX HEAD CAP, 1/4 - 20 x 3/4	7	7
7	0007479	SCREW, HEX HEAD CAP, 1/4 - 20 x 1 1/4	4	4
8	1016816	SUPPORT, REAR SEAT	1	1
9	0000332	WASHER, FLAT, 1/4	6	6
10	0008233	NUT, NYLON LOCK, 1/4 - 20	3	3
11	1016930	PANEL, REAR SEAT FRAME	2	2
12	1013169	SCREW, ROUND HEAD SLOTTED MACHINE, #10 - 32 x 1/2	4	4
13	1013061	NUT, NYLON LOCK, #10 - 32	4	4
14	1014387	CAP, CORNER	2	2
15	1014321	SCREW, TORX TRUSS HEAD, #10 - 24 x 3/8	4	4
16	1016819	HINGE, SEAT	2	2
17	0008861	SCREW, HEX HEAD CAP, 3/8 - 16 x 1 3/4	4	4
18	1011990	WASHER, FLAT, 3/8	4	4
19	0008754	NUT, NYLON LOCK, 3/8 - 16	4	4
20	1016841-02	ASSEMBLY, SEAT BOTTOM, WHITE (INCLUDES ITEMS 21 - 30)	1	1
20	1016841-03	ASSEMBLY, SEAT BOTTOM, BLACK (INCLUDES ITEMS 21 - 30)	1	1
20	1016841-05	ASSEMBLY, SEAT BOTTOM, GREY (INCLUDES ITEMS 21 - 30)	1	1
21	1019543-01	SCREW, HEX HEAD CAP (WITH ADHESIVE PATCH), 1/4 - 20 x 3/4	4	4
22	1015627-02	COVER, VINYL SEAT BOTTOM - WHITE	1	1
22	1015627-04	COVER, VINYL SEAT BOTTOM - BLACK	1	1
22	1015627-10	COVER, VINYL SEAT BOTTOM - GREY	1	1
23	1013312	BUMPER, LONG SEAT	1	1
24	1013309	STRAP, SEAT BOTTOM	1	1
25	1010545	SCREW, HEX WASHER HEAD, 1/4 - 14 x 3/4	2	2
26	1016824	ANGLE, SEAT HINGE	1	1
27	1011652	PLATE, SEAT HINGE	2	2
28	1018809-01	RIVET, POP, STAINLESS STEEL, 3/16	4	4
29	1018817-01	WASHER, FLAT, STAINLESS STEEL, #8	4	4
30	1010543	INSERT, WOOD	4	4
31	1018370-01	INSULATOR, BATTERY (ELECTRIC VEHICLE ONLY)		1
32	1013357	RIVET, POP (ELECTRIC VEHICLE ONLY)		2

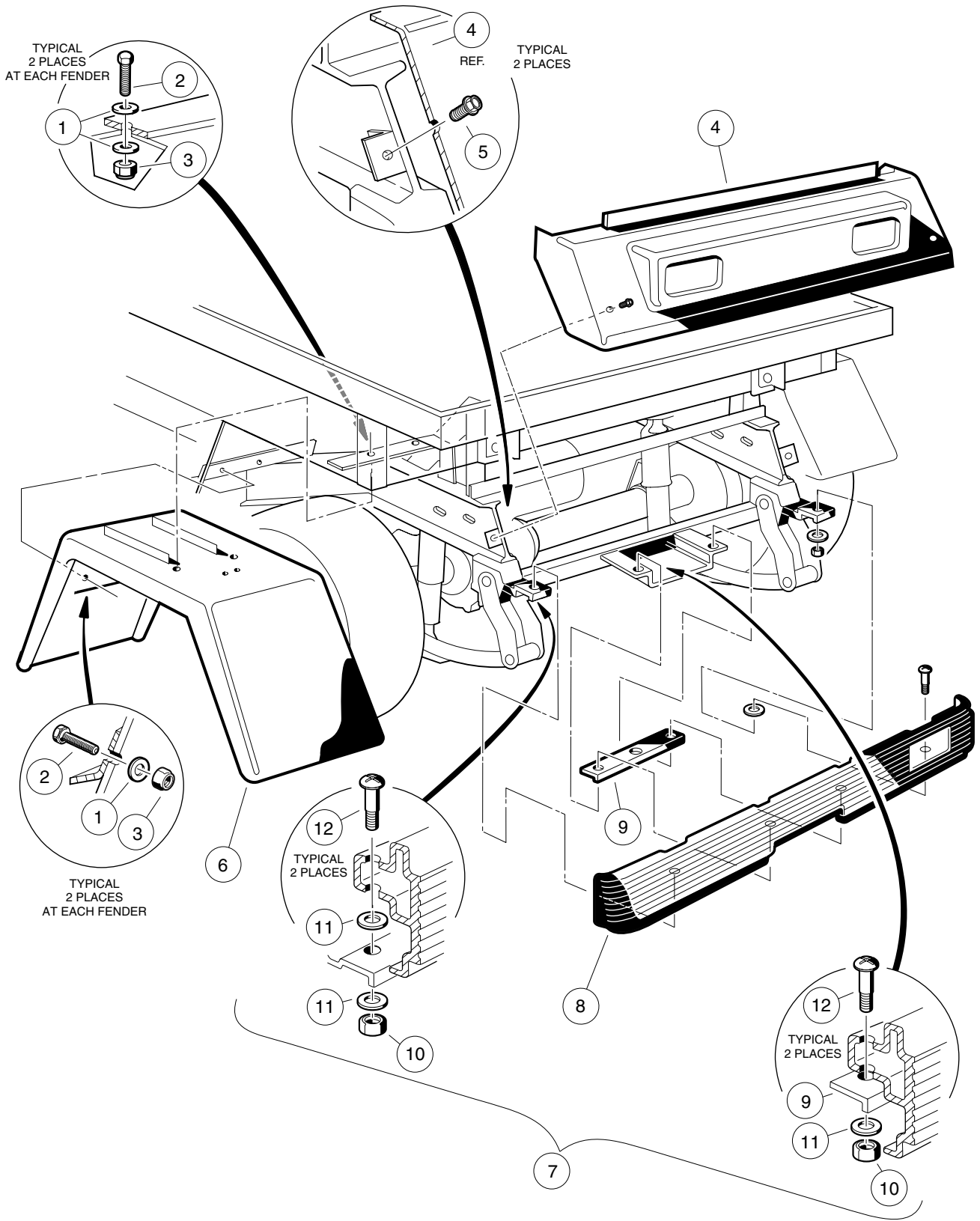
2
G
E



REAR FOOTREST AND HANDRAILS— TRANS-SENDER

ITEM	PART NO.	DESCRIPTION	QTY GAS	QTY ELEC
		1 2 3 4		
1	1018463-01	ARMREST, REAR SEAT	2	2
2	1016843	ASSEMBLY, REAR FOOTREST (INCLUDES ITEMS 3 - 8)	1	1
3	1013475-05	GUARD, BUMPER	1	1
4	1016838	MAT, FOOTREST	1	1
5	1010434	FASTENER, PLASTIC BARREL	8	8
6	1016668	BAR, CONNECTING	2	2
7	1010435	BOLT, CARRIAGE, 5/16 - 18 x 1	4	4
8	0007473	NUT, NYLON LOCK, 5/16 - 18	2	2
9	1016842	HANDRAIL, REAR SEAT	1	1
10	0008418	SCREW, PHILLIPS TRUSS HEAD, 1/4 - 20 x 1 1/2	6	6
11	0008233	NUT, NYLON LOCK, 1/4 - 20	10	10
12	0007473	NUT, NYLON LOCK, 5/16 - 18	9	9
13	0001218	SCREW, HEX HEAD CAP, 5/16 - 18 x 1 1/4	5	5
14	0001241	WASHER, FLAT, 5/16	9	9
15	0007410	SCREW, PHILLIPS TRUSS HEAD, 5/16 - 18 x 1 1/4	2	2
16	0000332	WASHER, FLAT, 1/4	8	8
17	1011988	SCREW, PHILLIPS TRUSS HEAD, 1/4 - 20 x 2	4	4

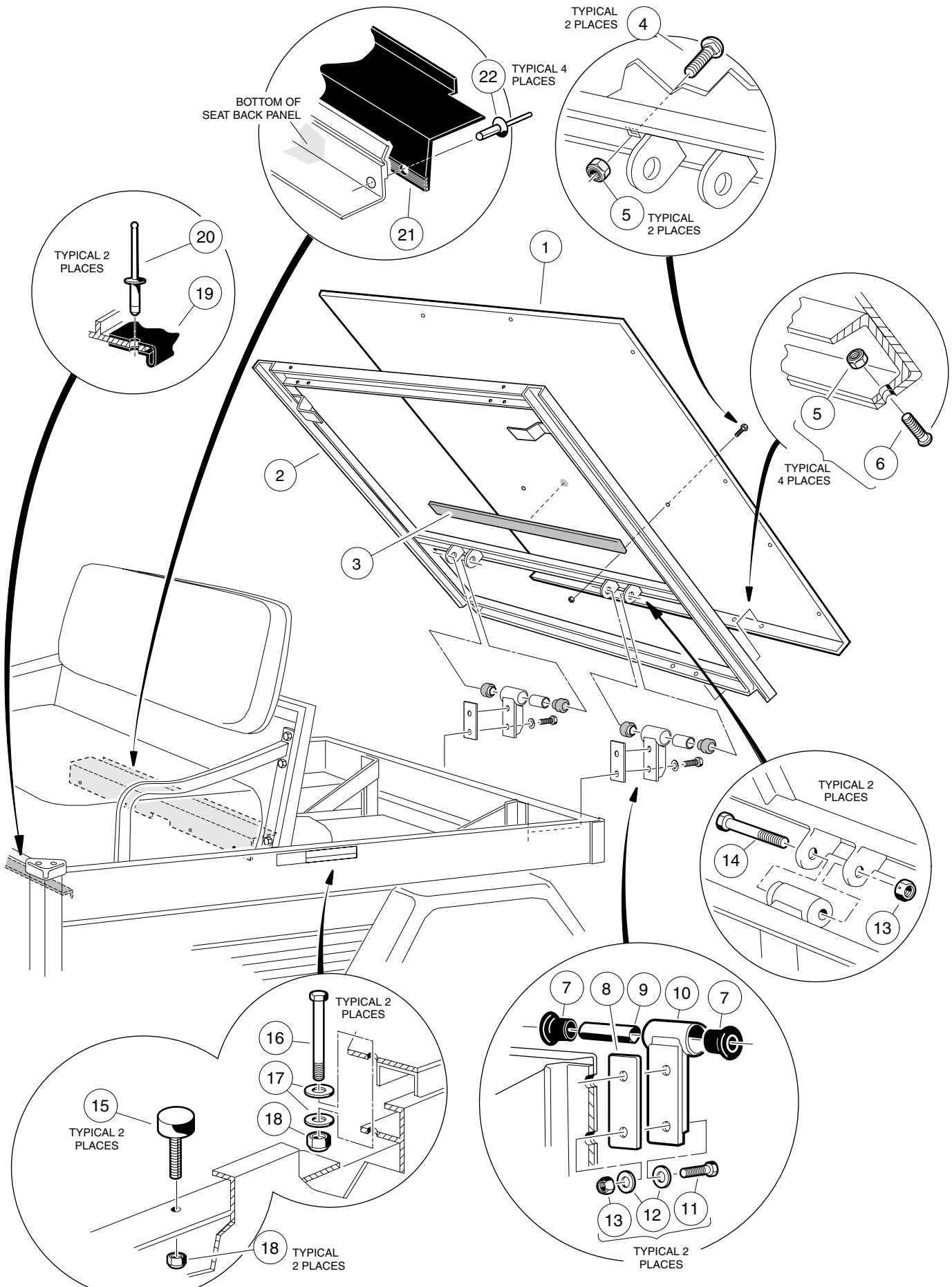
2
G
E



REAR COVER— TRANS-PORTER/TRANS-SENDER

ITEM	PART NO.	DESCRIPTION	QTY GAS	QTY ELEC
		1 2 3 4		
1	1014306	WASHER, FLAT, 1/4	12	12
2	0000304	SCREW, HEX HEAD CAP, 1/4 - 20 x 1	8	8
3	0008233	NUT, NYLON LOCK, 1/4 - 20	8	8
4	1015530	TAILSKIRT	1	1
5	1012285	SCREW, THREAD-ROLLING, 1/4 - 20 x 5/8	2	2
6	1016679	FENDER, REAR	2	2
7	1017079	KIT, REAR BUMPER (INCLUDES ITEMS 8 - 12) (TRANS-PORTER ONLY)	1	1
8	1016379	BUMPER, REAR	1	1
9	1016875	PLATE, MOUNTING, LONG	1	1
10	0007473	NUT, NYLON LOCK, 5/16 - 18	4	4
11	1011697	WASHER, FLAT, 5/16	6	6
12	1016876	BOLT, PHILLIPS TRUSS HEAD SHOULDER, 3/8 - 18 x 2	4	4

2
G
E



REAR CARGO BED—TRANS-PORTER

ITEM	PART NO.	DESCRIPTION	QTY GAS	QTY ELEC
		1 2 3 4		
1	1016724	ASSEMBLY, TILT BED (INCLUDES ITEMS 2 - 6)	1	1
2	N/A	WELDMENT, TILT BED	1	1
3	1014471	INSULATION	A/R	A/R
4	1010435	BOLT, CARRIAGE, 5/16 - 18 x 1	2	2
5	0007473	NUT, NYLON LOCK, 5/16 - 18	6	6
6	1015399	SCREW, TORX TRUSS HEAD, 5/16 - 18 x 3/4	4	4
7	1015583	BUSHING, URETHANE	4	4
8	1015507	SHIM, TILT BED PIVOT	A/R	A/R
9	1012303	BUSHING, STEEL	2	2
10	1015356	WELDMENT, TILT BED HINGE	2	2
11	0000705	SCREW, HEX HEAD CAP, 3/8 - 16 x 1 1/4	4	4
12	1011990	WASHER, FLAT, 3/8	8	8
13	0008754	NUT, NYLON LOCK, 3/8 - 16	6	6
14	0008755	SCREW, HEX HEAD CAP, 3/8 - 16 x 3 3/8	2	2
15	1010878	BUMPER, RUBBER	2	2
16	1013872	SCREW, HEX HEAD CAP, 1/4 - 20 x 4	2	2
17	0000332	WASHER, FLAT, 1/4	4	4
18	0008233	NUT, NYLON LOCK, 1/4 - 20	3	3
19	1018370-01	INSULATOR, BATTERY (ELECTRIC VEHICLE ONLY)		1
20	1013357	RIVET, ALUMINUM POP, 5/32 (ELECTRIC VEHICLE ONLY)		2
21	1017976	SEAL, BED	1	1
22	0007532	RIVET, POP, 3/16	4	4

2
G
E

2

G

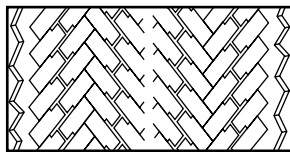
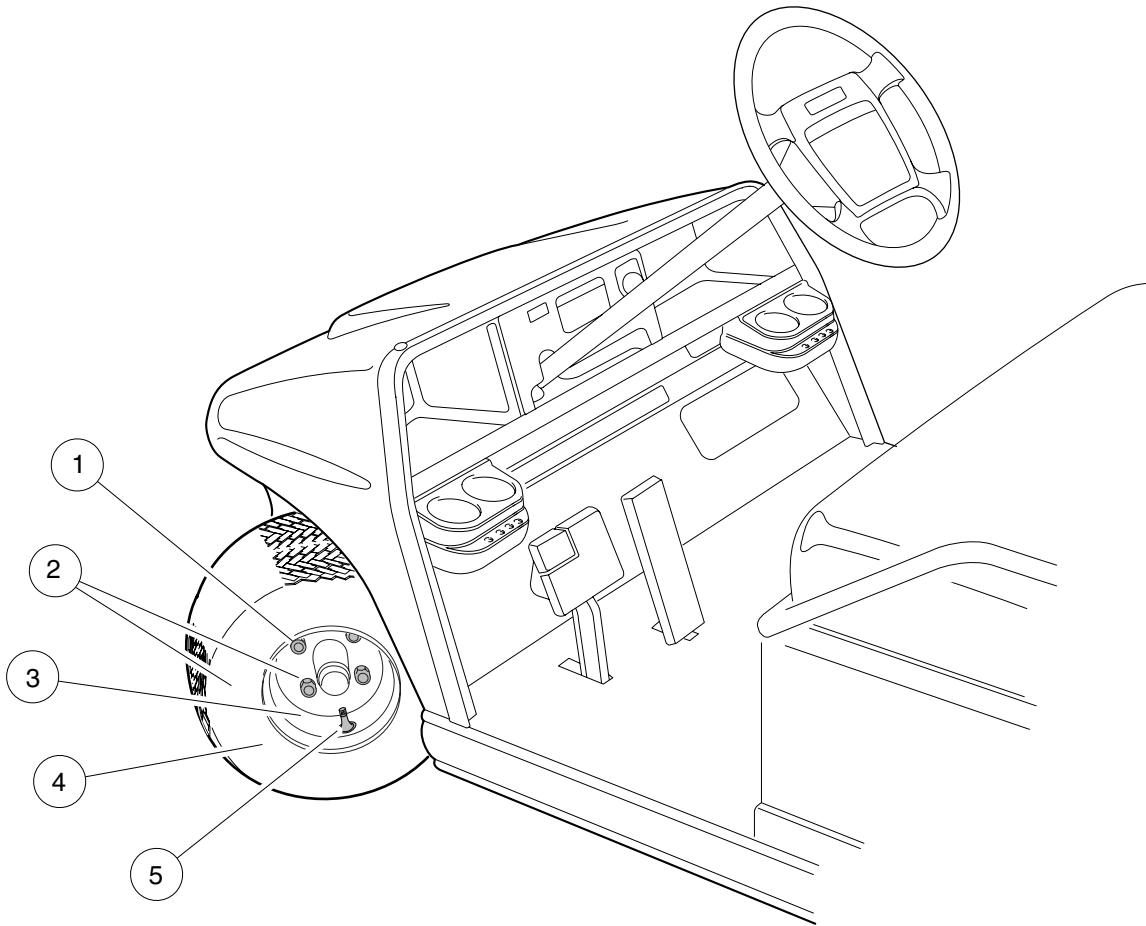
E

WHEELS AND TIRES

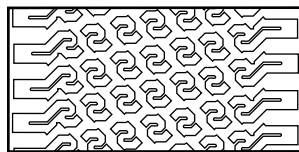
3

G

E



PREMIUM
TREAD



EXTRA
TRACTION

WHEELS AND TIRES

ITEM	PART NO.	DESCRIPTION	QTY GAS	QTY ELEC
		1 2 3 4		
1	1010984	NUT, LUG	16	16
2	1016514-02	ASSEMBLY, WHITE WHEEL AND TIRE, PREMIUM TREAD, 4-PLY (18 x 8.5 - 8) (TOURALL ONLY)	2	2
2	1015705-06	ASSEMBLY, BEIGE WHEEL AND TIRE, PREMIUM TREAD, 6-PLY (18 x 8.5 - 8) (RESORT VILLAGER ONLY)	2	2
2	1015705-07	ASSEMBLY, BEIGE WHEEL AND TIRE, EXTRA TRACTION, 6-PLY (18 x 8.5 - 8) (RESORT VILLAGER ONLY)	2	2
2	1015705-09	ASSEMBLY, BEIGE WHEEL AND TIRE, EXTRA TRACTION, 6-PLY (18 x 6.5 - 8) (RESORT VILLAGER ONLY)	2	2
2	1016514-06	ASSEMBLY, WHITE WHEEL AND TIRE, PREMIUM TREAD, 6-PLY (18 x 8.5 - 8).....	2	2
2	1016514-07	ASSEMBLY, WHITE WHEEL AND TIRE, EXTRA TRACTION, 6-PLY (18 x 8.5 - 8) ...	2	2
2	1016514-09	ASSEMBLY, WHITE WHEEL AND TIRE, PREMIUM TREAD (18.5 x 6.5 - 8)	2	2
3	1015707	WHEEL RIM, BEIGE (8 INCHES WIDE)	4	4
3	1014771	WHEEL RIM, WHITE (8 INCHES WIDE)	4	4
4	1015672-02	TIRE, UNMOUNTED, PREMIUM TREAD, 4-PLY (18 x 8.5 - 8) (TOURALL ONLY) ...	2	2
4	1017370-02	TIRE, UNMOUNTED, PREMIUM TREAD, 6-PLY (18 x 8.5 - 8)	2	2
4	1017693-02	TIRE, UNMOUNTED, EXTRA TRACTION, 6-PLY (18 x 8.5 - 8)	2	2
4	1018849-01	TIRE, UNMOUNTED, PREMIUM TREAD, 6-PLY (18 x 6.5 - 8)	2	2
5	0007310	STEM, VALVE	4	4

3
G
E

3
G
E

SAFETY DECALS

4

G

E

**OPERATING
INSTRUCTIONS
DECAL**

OPERATING INSTRUCTIONS

- Read Owner's Manual and safety warnings located on dash panel prior to driving.
 - Study and understand controls.
 - Make sure wheels are turned in desired direction.
- Turn key to "ON" position and be sure nothing is in your path.
- While vehicle is stopped, select direction by placing shift lever or switch in desired position:
F – Forward N – Neutral R – Reverse (Buzzer will sound)
- Vehicle will start moving when accelerator pedal is depressed.
- Slowly depress accelerator pedal to increase speed. Park brake will release when accelerator pedal is depressed.
- To stop, release accelerator pedal and depress brake pedal.
- After stopping, firmly depress park brake until it locks.
 - Place forward and reverse switch in neutral position.
 - Turn key "OFF" and remove key when not in use.

CCI 1016216-01

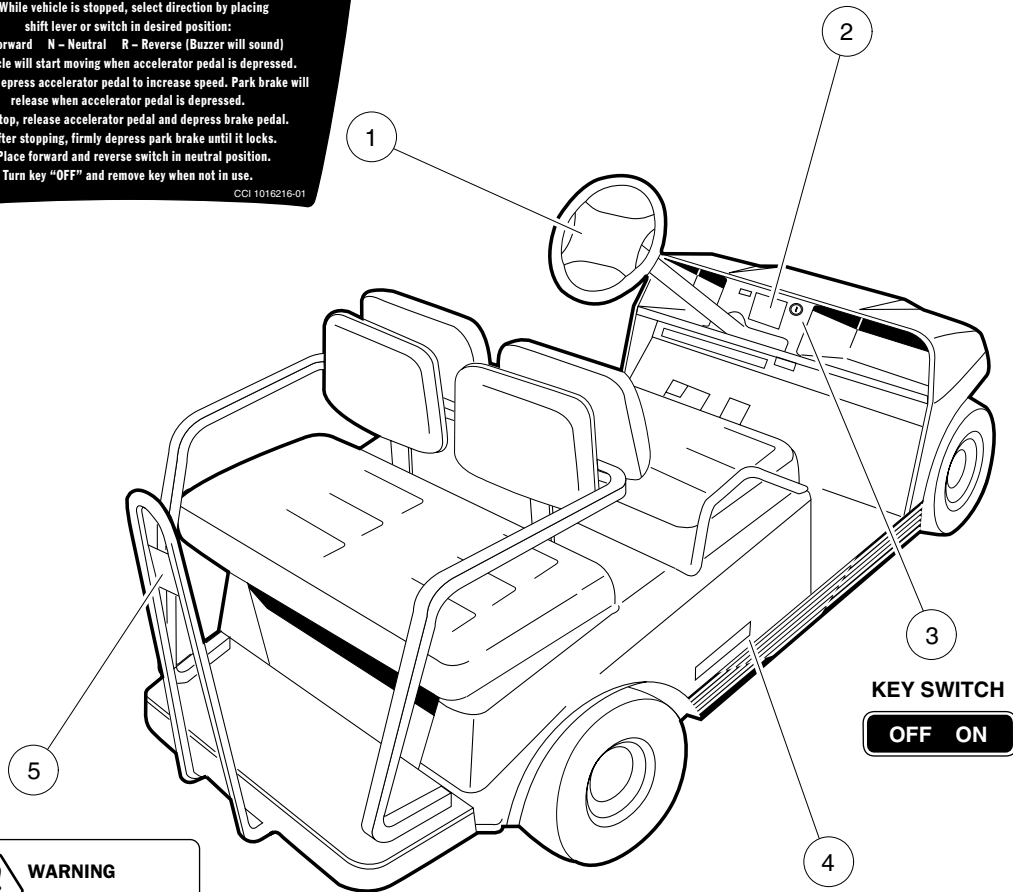
**DRIVER/PASSENGER
WARNING DECAL**

⚠ WARNING

READ AND FOLLOW THESE WARNINGS AND THE OPERATING INSTRUCTIONS BEFORE USING VEHICLE. FAILURE TO DO SO CAN CAUSE SEVERE INJURY OR DEATH.

- Operation from driver side by authorized persons only and only in designated areas - not on public roads.
- **DO NOT** start vehicle until all occupants (two (2) per seat maximum) are seated.
- Remain seated with entire body inside vehicle and hold on to seat handle or handrail at all times.
- Drive slowly in turns and straight up and down slopes.
- Never stand in front of or behind vehicle.
- **DO NOT** operate while under the influence of alcohol or drugs.
- **DO NOT** leave children unattended on vehicle at any time.

CCI 1019606-01



⚠ WARNING

Failure to follow these instructions can cause severe injury or death.

- Remain seated with entire body inside vehicle and hold on to seat handle or handrail at all times.
- No more than two persons per seat.
- Do not leave children unattended on vehicle at anytime.
- Never stand in front of or behind vehicle.

CCI 1017057-01

**INGERSOLL-RAND
DECAL**

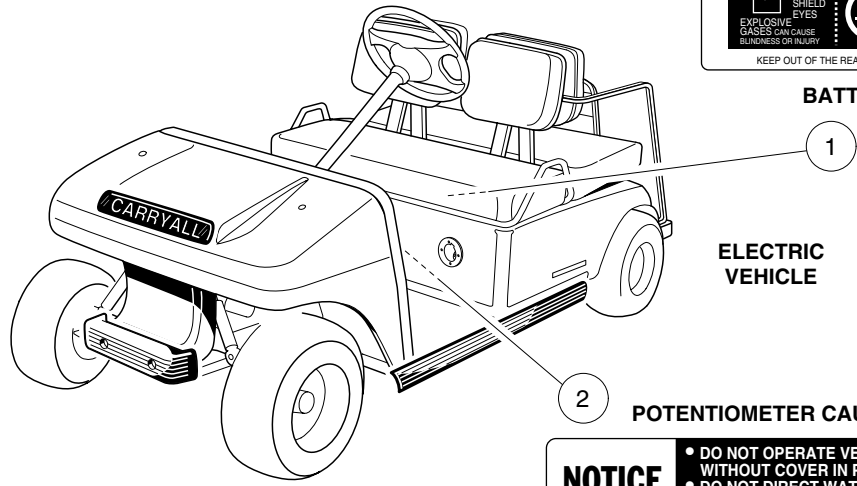
SAFETY DECALS— TOURALL

ITEM	PART NO.	DESCRIPTION	QTY GAS	QTY ELEC
		1 2 3 4		
1	1016216-01	DECAL, OPERATING INSTRUCTIONS	1	1
2	1019606-01	DECAL, DRIVER/PASSENGER WARNING	1	1
3	1018251-01	DECAL, KEY SWITCH	1	1
4	1019219-01	DECAL, INGERSOLL-RAND	2	2
5	1017057-01	DECAL, PASSENGER WARNING	1	1

4
G
E



BATTERY DANGER DECAL



ELECTRIC VEHICLE

POTENTIOMETER CAUTION DECAL



(ON WIPER SWITCH COVER INSIDE BATTERY COMPARTMENT)

HOT MANIFOLD AND MUFFLER DECAL



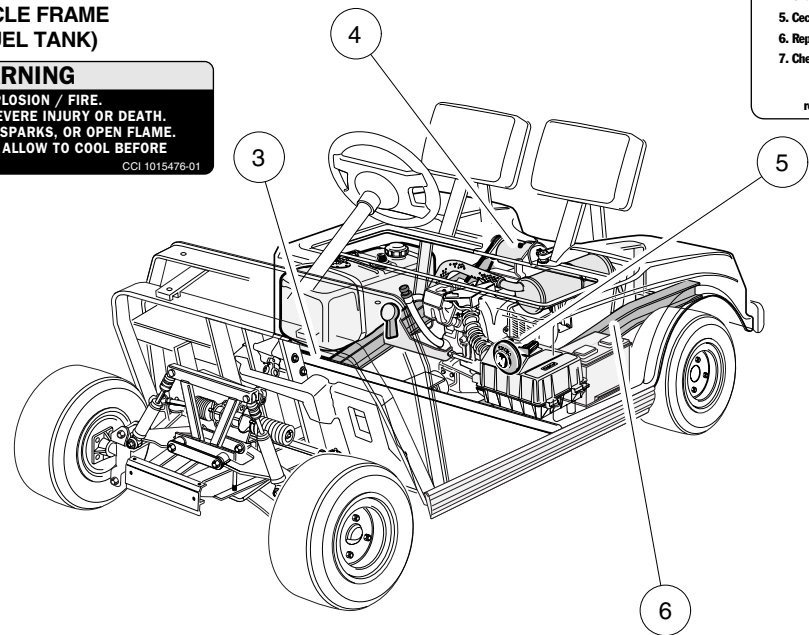
(ON STARTER/GENERATOR AND ENGINE)

PERIODIC SERVICE SCHEDULE DECAL (ON INTAKE BOX)

Periodic Service Schedule	
Service	Regular Interval
1. Check Engine Oil Level	Monthly
2. Change Engine Oil and Filter	First 100 Hours * Then One Year or 200 hours.
3. Check and Clean Air Filter Element [†]	One Year Under Normal Use Six Months Under Dusty Conditions
4. Change Air Filter [†]	* Two Years or 300 Hours
5. Check Tire Pressure	Monthly (See Manual)
6. Replace Fuel Filters	* Two Years or 300 Hours
7. Check/Fill Transaxle	* One Year or 150 Hours

* Whichever comes first
[†] For easy access to air filter housing, remove the intake hose from the front of the housing.

GASOLINE WARNING DECAL (ON VEHICLE FRAME NEAR FUEL TANK)



GASOLINE VEHICLE

FRAME GROUND WARNING DECAL



SAFETY DECALS— TOURALL, CONTINUED

ITEM	PART NO.	DESCRIPTION	QTY GAS	QTY ELEC
		1 2 3 4		
1	1013677	DECAL, BATTERY DANGER/POISON		1
2	1016109-01	DECAL, POTENTIOMETER CAUTION		1
3	1015476-01	DECAL, GASOLINE DANGER	1	
4	1019605-01	DECAL, HOT MANIFOLD AND MUFFLER	2	
5	1019443-01	DECAL, PERIODIC SERVICE SCHEDULE	1	
6	1019152-01	DECAL, FRAME GROUND WARNING	1	

4
G
E

**OPERATING INSTRUCTIONS
GASOLINE VEHICLE**

OPERATING INSTRUCTIONS

- Read Owner's Manual and safety warnings located on dash panel prior to driving.
- Study and understand controls.
- To start engine:
 - Place shift lever in "N" - Neutral position.
 - Depress brake pedal.
 - Turn key switch to "START" position and release.
- To operate vehicle:
 - Make sure wheels are turned in desired direction.
 - Be sure nothing is in your path.
 - While vehicle is stopped, select vehicle direction by placing shift lever or switch in desired position.
 - F - Forward N - Neutral R - Reverse (Buzzer will sound)
 - Park brake will release when accelerator pedal is pushed.
 - Slowly push accelerator pedal to increase speed.
 - Accelerator pedal must be released to shift vehicle to neutral.
- To stop vehicle:
 - Release accelerator pedal and push brake pedal.
 - After stopping, firmly push park brake until it locks.
 - Turn key to "OFF" position, remove key and place shift lever in straight up neutral position when not in use.

CCI 1016932-01

**OPERATING INSTRUCTIONS
ELECTRIC VEHICLE**

OPERATING INSTRUCTIONS

- Read Owner's Manual and safety warnings located on dash panel prior to driving.
- Study and understand controls.
- Make sure wheels are turned in desired direction.
- Turn key to "ON" position and be sure nothing is in your path.
- While vehicle is stopped, select direction by placing shift lever or switch in desired position:
 - F - Forward N - Neutral R - Reverse (Buzzer will sound)
- Vehicle will start moving when accelerator pedal is depressed.
- Slowly depress accelerator pedal to increase speed. Park brake will release when accelerator pedal is depressed.
- To stop, release accelerator pedal and depress brake pedal.
- After stopping, firmly depress park brake until it locks.
- Place forward and reverse switch in neutral position. Turn key "OFF" and remove key when not in use.

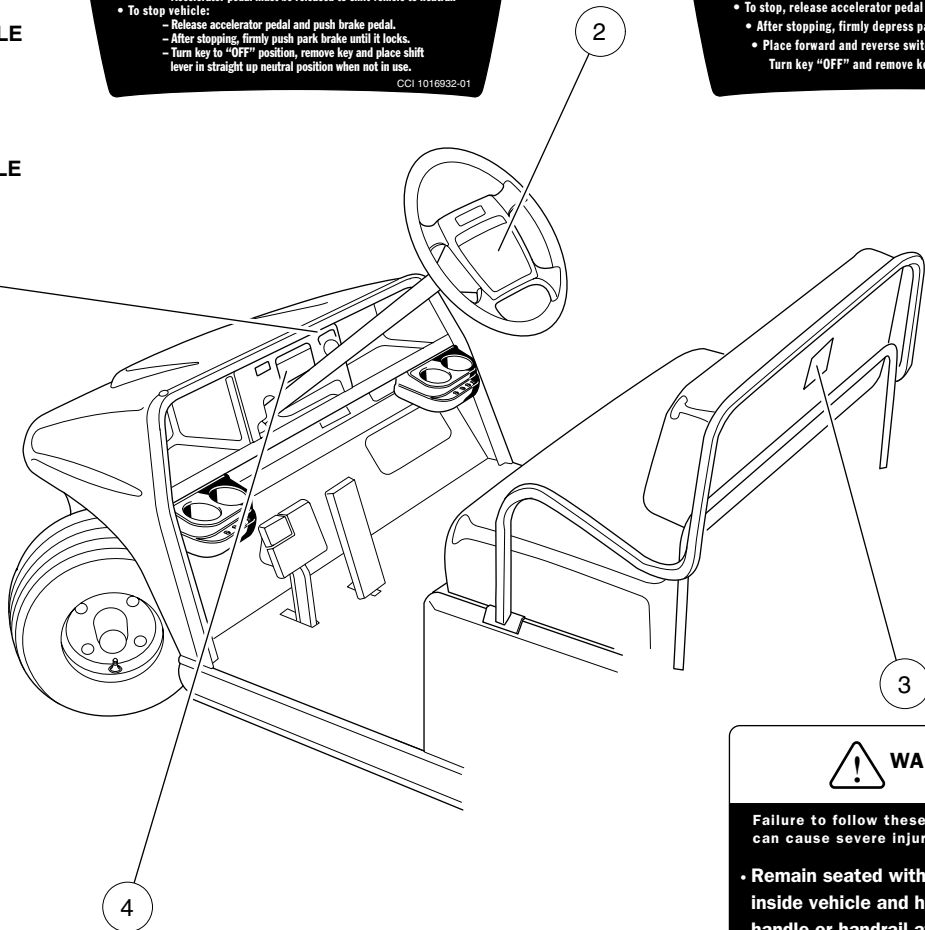
CCI 1016216-01

**KEY SWITCH
GASOLINE VEHICLE**

OFF ON START

**KEY SWITCH
ELECTRIC VEHICLE**

OFF ON



WARNING

READ AND FOLLOW THESE WARNINGS AND THE OPERATING INSTRUCTIONS BEFORE USING VEHICLE. FAILURE TO DO SO CAN CAUSE SEVERE INJURY OR DEATH.

- Operation from driver side by authorized persons only and only in designated areas - not on public roads.
- DO NOT start vehicle until all occupants (two (2) per seat maximum) are seated.
- Remain seated with entire body inside vehicle and hold on to seat handle or handrail at all times.
- Drive slowly in turns and straight up and down slopes.
- Never stand in front of or behind vehicle.
- DO NOT operate while under the influence of alcohol or drugs.
- DO NOT leave children unattended on vehicle at any time.

CCI 1019606-01

**DRIVER/PASSENGER
WARNING DECAL**

WARNING

Failure to follow these instructions can cause severe injury or death.

- Remain seated with entire body inside vehicle and hold on to seat handle or handrail at all times.
- No more than two persons per seat.
- Do not leave children unattended on vehicle at anytime.
- Never stand in front of or behind vehicle.

CCI 1017057-01

**PASSENGER
WARNING DECAL**

SAFETY DECALS— RESORT VILLAGER

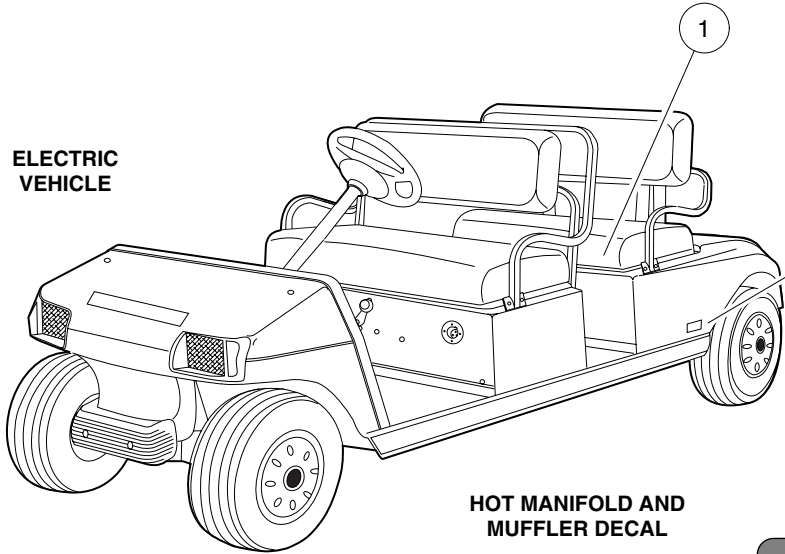
ITEM	PART NO.	DESCRIPTION	QTY GAS	QTY ELEC
		1 2 3 4		
1	1018251-02	DECAL, KEY SWITCH (GASOLINE VEHICLE)	1	
1	1018251-01	DECAL, KEY SWITCH (ELECTRIC VEHICLE)		1
2	1016932-01	DECAL, OPERATING INSTRUCTIONS (GASOLINE VEHICLE)	1	
2	1016216-01	DECAL, OPERATING INSTRUCTIONS (ELECTRIC VEHICLE)		1
3	1017057-01	DECAL, PASSENGER WARNING	1	1
4	1019606-01	DECAL, DRIVER/PASSENGER WARNING	1	1

4
G
E

**DANGER DECAL
(ON BODY UNDER SEAT)**



**ELECTRIC
VEHICLE**



**INGERSOLL-RAND
DECAL**

**PERIODIC SERVICE
SCHEDULE DECAL
(ON AIR INTAKE BOX)**

Periodic Service Schedule	
Service	Regular Interval
1. Check Engine Oil Level	Monthly
2. Change Engine Oil and Filter	First 100 Hours - * Then One Year or 200 hours.
3. Check and Clean Air Filter Element†	One Year Under Normal Use Six Months Under Dusty Conditions
4. Change Air Filter†	* Two Years or 300 Hours
5. Check Tire Pressure	Monthly (See Manual)
6. Replace Fuel Filters	* Two Years or 300 Hours
7. Check/Fill Transaxle	* One Year or 150 Hours
* Whichever comes first	
† For easy access to air filter housing, remove the intake hose from the front of the housing.	

**HOT MANIFOLD AND
MUFFLER DECAL**

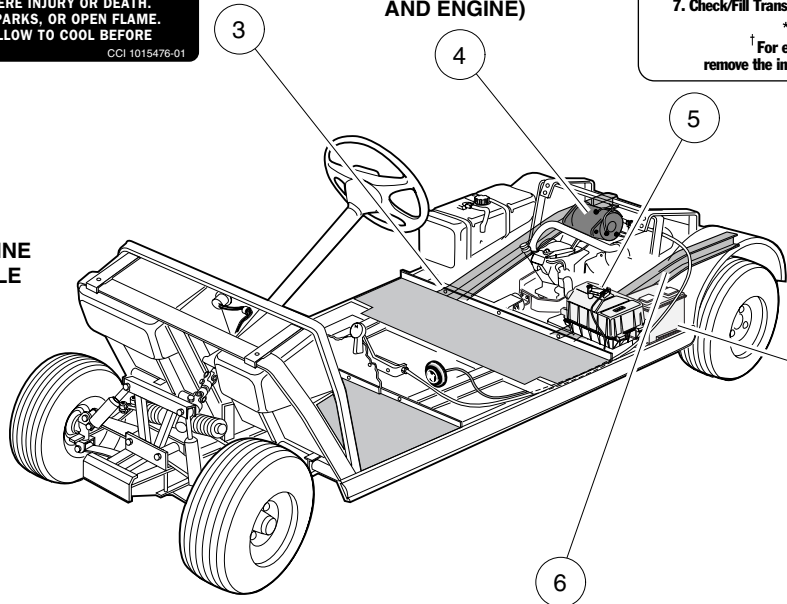


**(ON
STARTER/GENERATOR
AND ENGINE)**

**GASOLINE WARNING DECAL
(ON FRAME
NEAR FUEL TANK)**

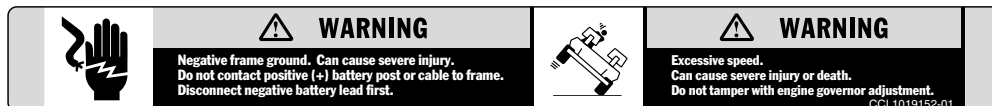


**GASOLINE
VEHICLE**



**INGERSOLL-RAND
DECAL (ON BODY
PANEL)**

FRAME GROUND WARNING DECAL



SAFETY DECALS— RESORT VILLAGER, CONTINUED

ITEM	PART NO.	DESCRIPTION	QTY GAS	QTY ELEC
		1 2 3 4		
1	1013677	DECAL, BATTERY DANGER/POISON		1
2	1019219-01	DECAL, INGERSOLL-RAND	2	2
3	1015476-01	DECAL, GASOLINE DANGER	1	
4	1019605-01	DECAL, HOT MANIFOLD AND MUFFLER	2	
5	1019443-01	DECAL, PERIODIC SERVICE SCHEDULE	1	
6	1019152-01	DECAL, FRAME GROUND WARNING	1	

4
G
E

**OPERATING INSTRUCTIONS
GASOLINE VEHICLE**

OPERATING INSTRUCTIONS

- Read Owner's Manual and safety warnings located on dash panel prior to driving.
- Study and understand controls.
- To start engine:
 - Place shift lever in "N" - Neutral position.
 - Depress brake pedal.
 - Turn key switch to "START" position and release.
- To operate vehicle:
 - Make sure wheels are turned in desired direction.
 - Be sure nothing is in your path.
 - While vehicle is stopped, select vehicle direction by placing shift lever or switch in desired position.
 - F - Forward N - Neutral R - Reverse (Buzzer will sound)
 - Park brake will release when accelerator pedal is pushed.
 - Slowly push accelerator pedal to increase speed.
 - Accelerator pedal must be released to shift vehicle to neutral.
- To stop vehicle:
 - Release accelerator pedal and push brake pedal.
 - After stopping, firmly push park brake until it locks.
 - Turn key to "OFF" position, remove key and place shift lever in straight up neutral position when not in use.

CCI 1016932-01

**KEY SWITCH
GASOLINE VEHICLE**



**KEY SWITCH
ELECTRIC VEHICLE**



**OPERATING INSTRUCTIONS
ELECTRIC VEHICLE**

OPERATING INSTRUCTIONS

- Read Owner's Manual and safety warnings located on dash panel prior to driving.
- Study and understand controls.
- Make sure wheels are turned in desired direction.
- Turn key to "ON" position and be sure nothing is in your path.
- While vehicle is stopped, select direction by placing shift lever or switch in desired position:
 - F - Forward N - Neutral R - Reverse (Buzzer will sound)
- Vehicle will start moving when accelerator pedal is depressed.
- Slowly depress accelerator pedal to increase speed. Park brake will release when accelerator pedal is depressed.
- To stop, release accelerator pedal and depress brake pedal.
- After stopping, firmly depress park brake until it locks.
- Place forward and reverse switch in neutral position. Turn key "OFF" and remove key when not in use.

CCI 1016216-01

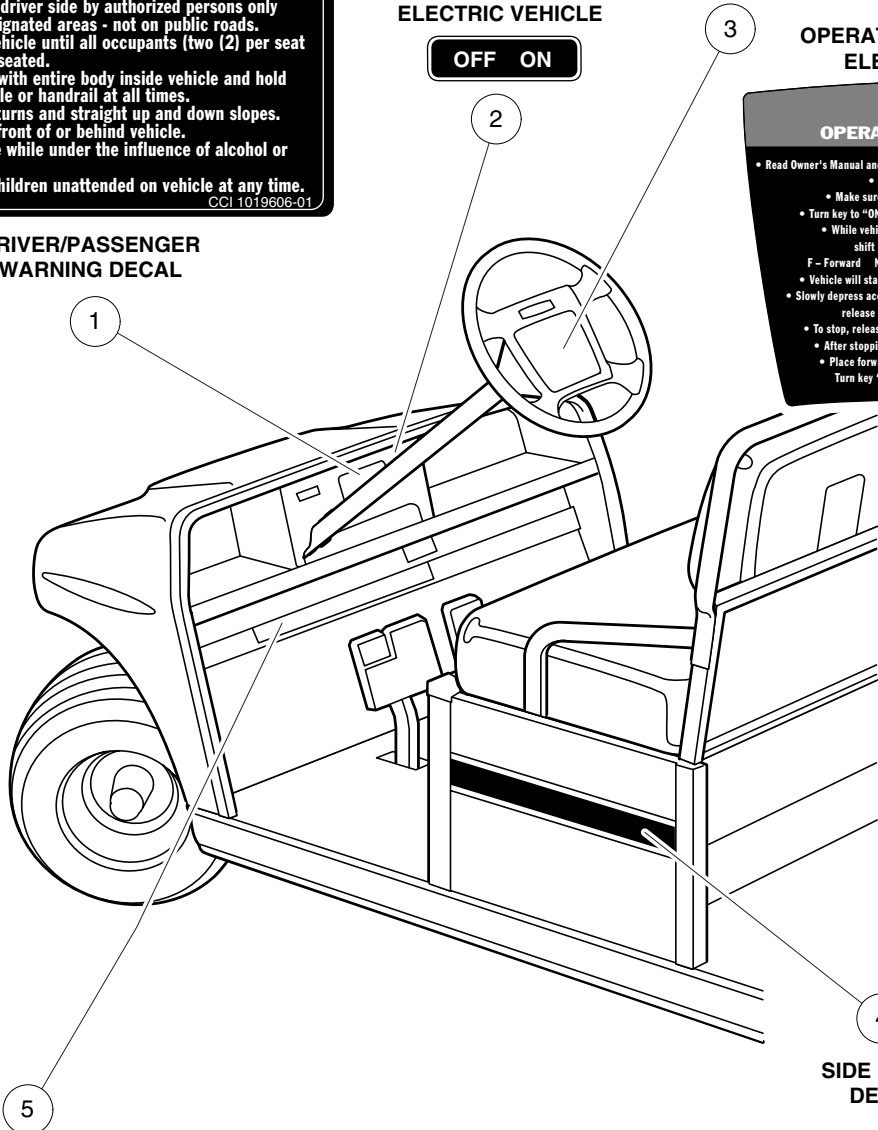
WARNING

READ AND FOLLOW THESE WARNINGS AND THE OPERATING INSTRUCTIONS BEFORE USING VEHICLE. FAILURE TO DO SO CAN CAUSE SEVERE INJURY OR DEATH.

- Operation from driver side by authorized persons only and only in designated areas - not on public roads.
- DO NOT start vehicle until all occupants (two (2) per seat maximum) are seated.
- Remain seated with entire body inside vehicle and hold on to seat handle or handrail at all times.
- Drive slowly in turns and straight up and down slopes.
- Never stand in front of or behind vehicle.
- DO NOT operate while under the influence of alcohol or drugs.
- DO NOT leave children unattended on vehicle at any time.

CCI 1019606-01

**DRIVER/PASSENGER
WARNING DECAL**



**SIDE FRONT
DECAL**

VEHICLE LOADING DECAL

<p>VEHICLE LOADING</p> <p>Read Owner's Manual and warnings on dash.</p>	<ul style="list-style-type: none"> • Vehicle rated capacity - 1500 lbs. on level surface only. Weight to include passengers, cargo bed load, and gross trailer weight. See Owner's Manual. • Maximum cargo load - 1000 lbs. Weight to include cargo bed load (500 lbs. MAX) and gross trailer weight. • Maximum trailer hitch tongue weight - 150 lbs. 	<ul style="list-style-type: none"> • Cargo should be evenly spread over the floor of the cargo bed as far forward as possible and secured. • For vehicle stability, when fully loaded, drive slowly and avoid stopping on or backing down steep hills. • Avoid top heavy loads. See Owner's Manual. • When driving on uneven terrain or down steep hills, reduce speed and load. <p>CCI 1019600-01</p>
--	---	--

SAFETY DECALS— TRANS-PORTER/TRANS-SENDER

ITEM	PART NO.	DESCRIPTION	QTY GAS	QTY ELEC
		1 2 3 4		
1	1019606-01	DECAL, DRIVER/PASSENGER WARNING	1	1
2	1018251-02	DECAL, KEY SWITCH (GASOLINE VEHICLE ONLY)	1	
2	1018251-01	DECAL, KEY SWITCH (ELECTRIC VEHICLE ONLY)		1
3	1016932-01	DECAL, OPERATING INSTRUCTIONS (GASOLINE VEHICLE ONLY)	1	
3	1016216-01	DECAL, OPERATING INSTRUCTIONS (ELECTRIC VEHICLE ONLY)		1
4	1016757	DECAL, SIDE FRONT	2	2
5	1019600-01	DECAL, VEHICLE LOADING	1	1

4
G
E

**BATTERY DANGER DECAL
(ON FRAME)**



**ELECTRICAL COMPONENT
COVER CAUTION DECAL**

NOTICE
Do not operate vehicle without this cover properly installed.
See vehicle Maintenance and Service Manual before servicing.
CCI 1019315-01

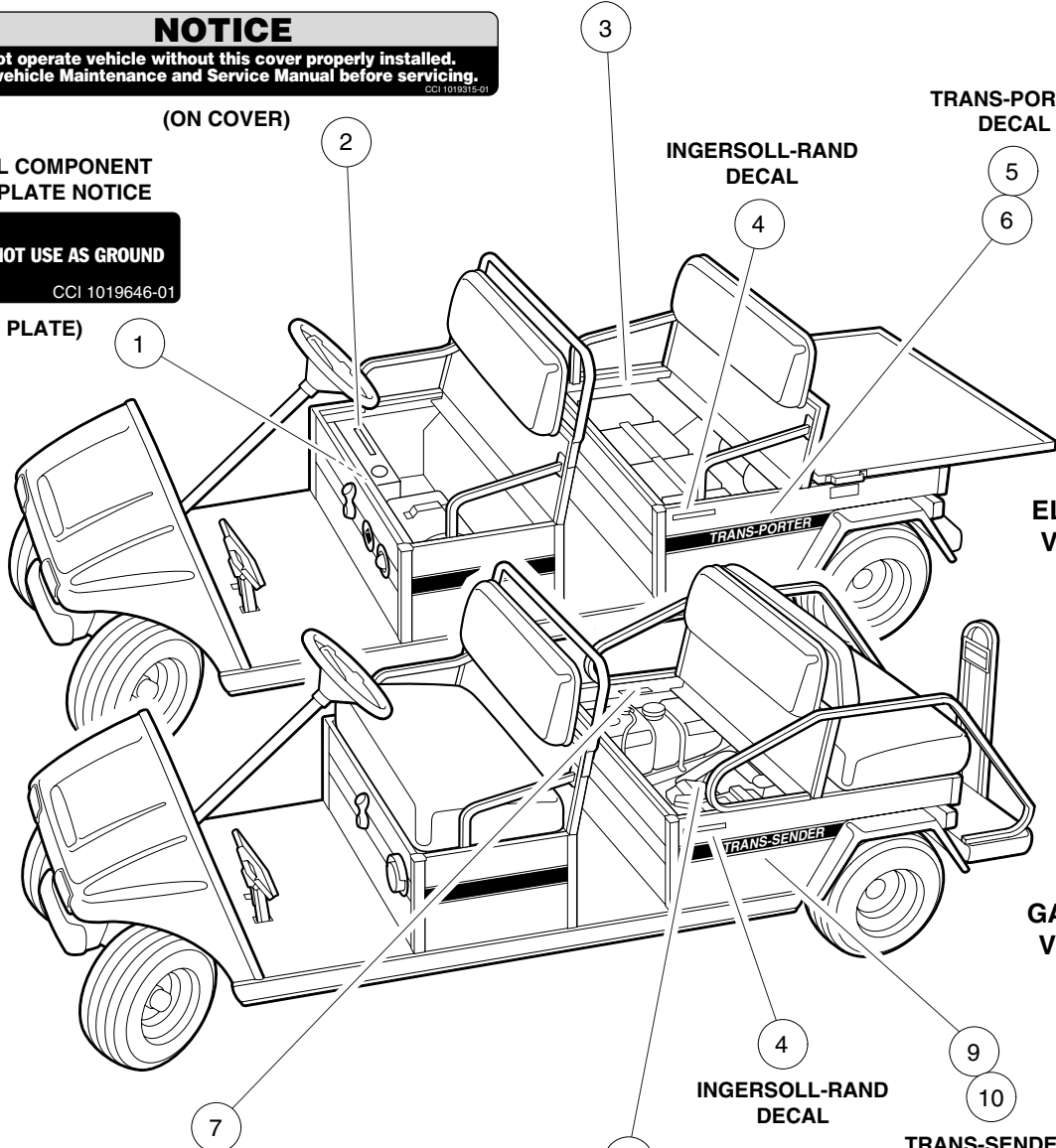
(ON COVER)

**ELECTRICAL COMPONENT
MOUNTING PLATE NOTICE**

NOTICE DO NOT USE AS GROUND

CCI 1019646-01

(ON PLATE)



**TRANSPORTER
DECAL**

**INGERSOLL-RAND
DECAL**

**ELECTRIC
VEHICLE**

**GASOLINE
VEHICLE**

GASOLINE WARNING DECAL



(ON FRAME
NEAR FUEL TANK)

**HOT MANIFOLD AND
MUFFLER DECAL**



(ON
STARTER/GENERATOR
AND ENGINE)

SAFETY DECALS— TRANS-PORTER/TRANS-SENDER, CONTINUED

ITEM	PART NO.	DESCRIPTION	QTY GAS	QTY ELEC
		1 2 3 4		
1	1019646-01	DECAL, NO GROUND		1
2	1019315-01	DECAL, ELECTRIC COVER CAUTION		1
3	1013677	DECAL, BATTERY DANGER/POISON		1
4	1019219-01	DECAL, INGERSOLL-RAND	2	2
5	1016725-01	DECAL, TRANS-PORTER (PASSENGER SIDE).....	1	1
6	1016725-02	DECAL, TRANS-PORTER (DRIVER SIDE)	1	1
7	1015476-01	DECAL, GASOLINE DANGER	1	
8	1019605-01	DECAL, HOT MANIFOLD AND MUFFLER WARNING	1	
9	1016726-01	DECAL, TRANS-SENDER (PASSENGER SIDE).....	1	1
10	1016726-02	DECAL, TRANS-SENDER (DRIVER SIDE)	1	1

4
G
E

**PASSENGER
WARNING DECAL
(FACES SEAT)**

WARNING

Failure to follow these instructions can cause severe injury or death.

- Remain seated with entire body inside vehicle and hold on to seat handle or handrail at all times.
- No more than two persons per seat.
- Do not leave children unattended on vehicle at anytime.
- Never stand in front of or behind vehicle.

CCI 1017057-01

**BED BOLT
WARNING DECAL**

WARNING

Bed can tip up unexpectedly. Can cause severe injury. Bed hold down bolts must be fastened.

CCI 1017078-01

**BED LOAD
WARNING DECAL**

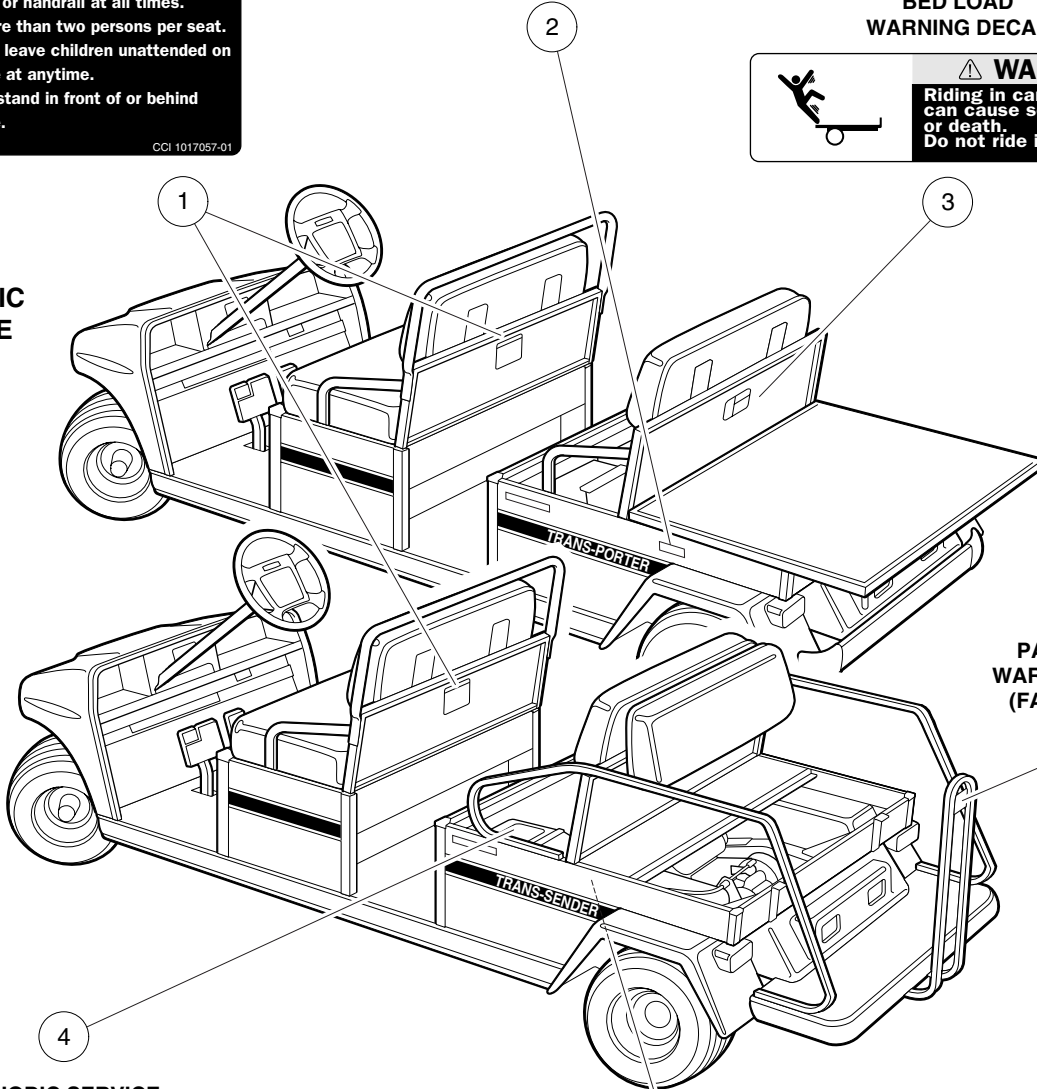
WARNING

Riding in cargo bed can cause severe injury or death. Do not ride in cargo bed.

CCI 1015539-01

**ELECTRIC
VEHICLE**

**GASOLINE
VEHICLE**



**PASSENGER
WARNING DECAL
(FACES SEAT)**

**PERIODIC SERVICE
SCHEDULE DECAL**

Service	Regular Interval
1. Check Engine Oil Level	Monthly
2. Change Engine Oil and Filter	First 100 Hours -* Then One Year or 200 hours.
3. Check and Clean Air Filter Element†	One Year Under Normal Use Six Months Under Dusty Conditions
4. Change Air Filter†	* Two Years or 300 Hours
5. Check Tire Pressure	Monthly (See Manual)
6. Replace Fuel Filters	* Two Years or 300 Hours
7. Check/Fill Transaxle	* One Year or 150 Hours

* Whichever comes first
† For easy access to air filter housing, remove the intake hose from the front of the housing.

(ON INTAKE BOX)

FRAME GROUND WARNING DECAL

WARNING

Negative frame ground. Can cause severe injury. Do not contact positive (+) battery post or cable to frame. Disconnect negative battery lead first.

WARNING

Excessive speed. Can cause severe injury or death. Do not tamper with engine governor adjustment.

CCI 1019152-01

SAFETY DECALS— TRANS-PORTER/TRANS-SENDER, CONTINUED

ITEM	PART NO.	DESCRIPTION	QTY GAS	QTY ELEC
		1 2 3 4		
1	1017057-01	DECAL, PASSENGER WARNING (QUANTITY 1 FOR TRANS-PORTER)	2	2
2	1017078-01	DECAL, BED BOLT WARNING (TRANS-PORTER ONLY)	1	1
3	1015539-01	DECAL, BED LOAD WARNING (TRANS-PORTER ONLY)	1	1
4	1019443-01	DECAL, PERIODIC SERVICE SCHEDULE	1	
5	1019152-01	DECAL, NEGATIVE FRAME GROUND WARNING	1	

4
G
E

4
G
E

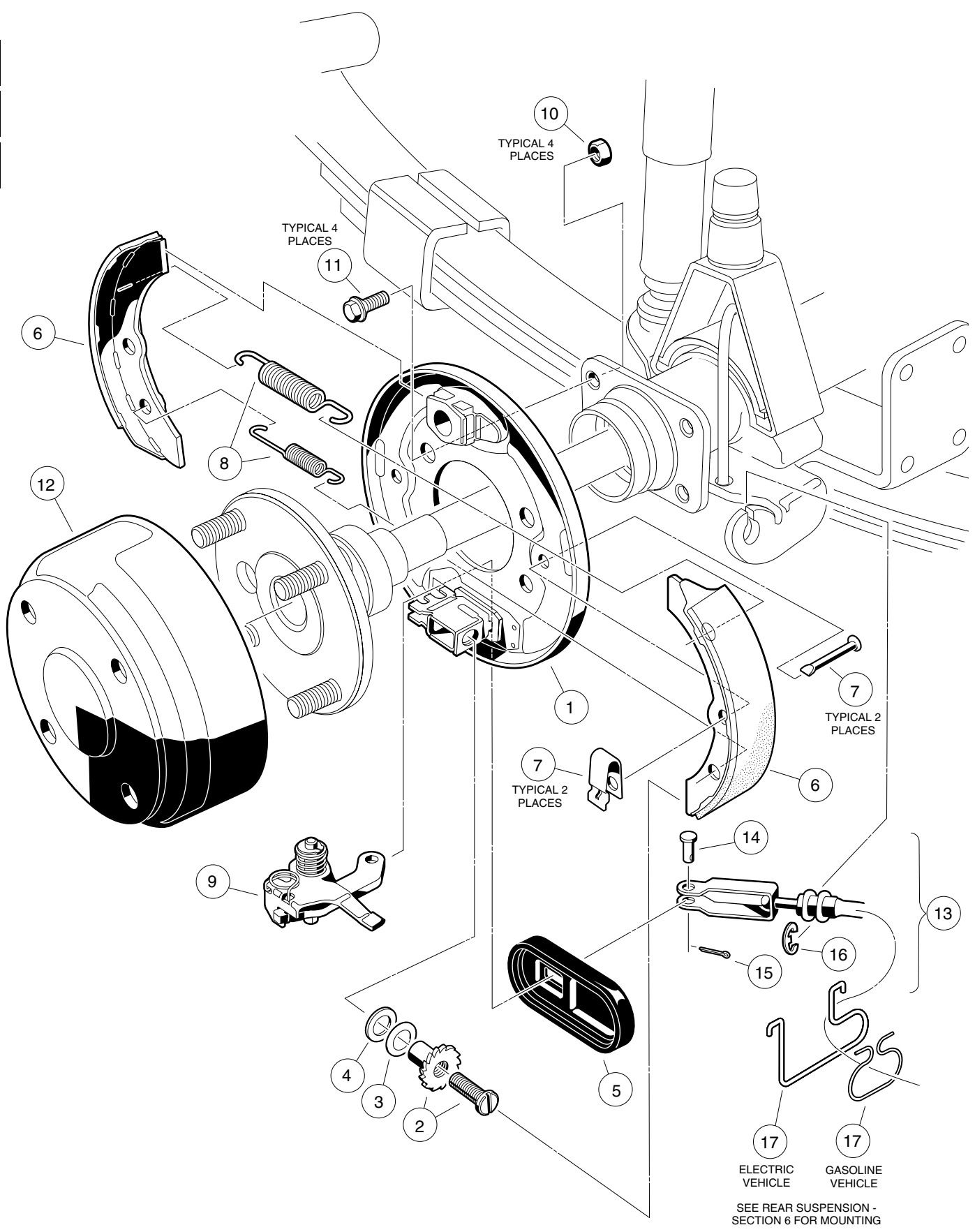
BRAKES, PEDAL, AND CABLE ASSEMBLIES

5

G

E

**5
G
E**

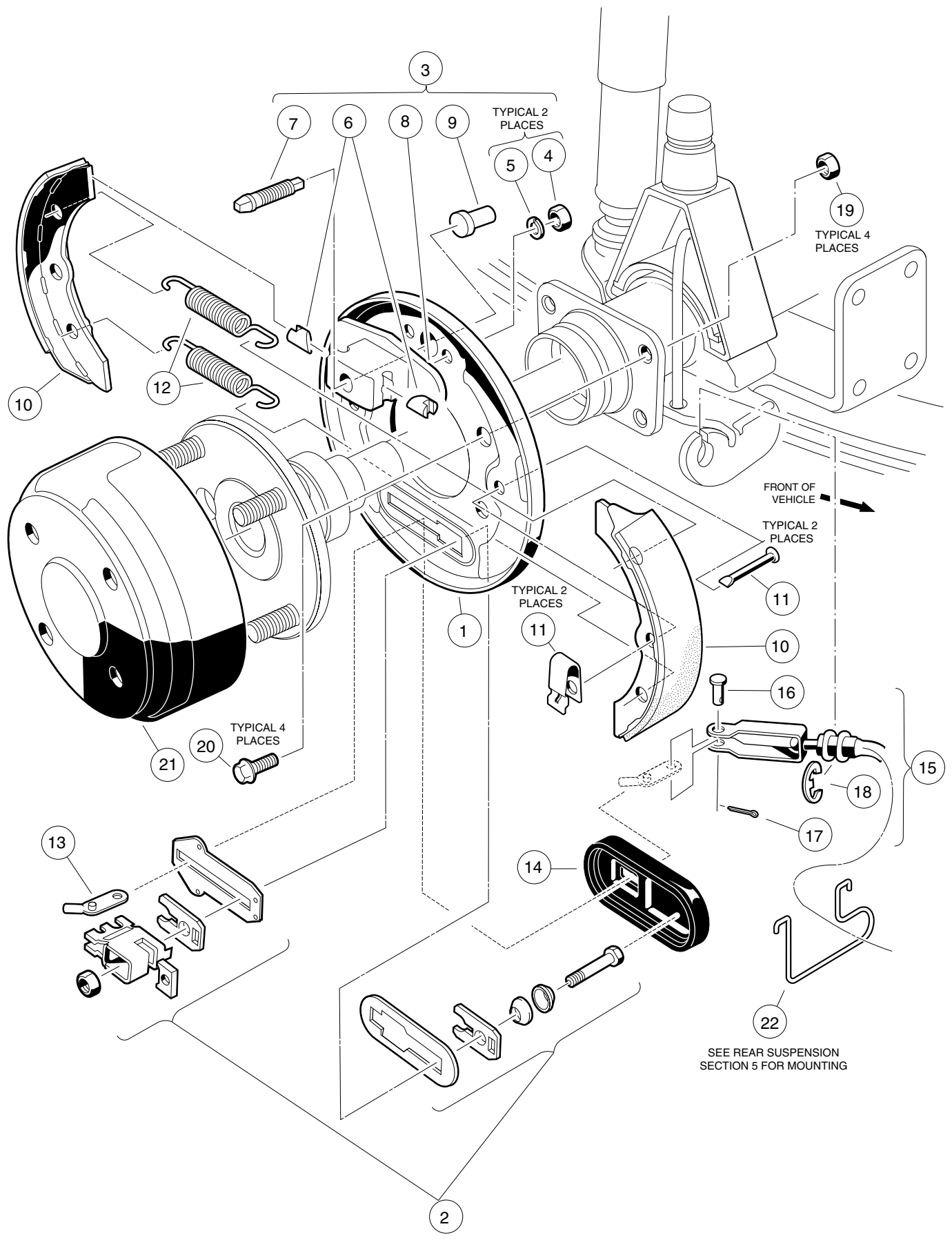


REAR BRAKE ASSEMBLY, SELF-ADJUSTING— TOURALL

ITEM	PART NO.	DESCRIPTION	QTY GAS	QTY ELEC
		1 2 3 4		
	1018233-01	CLUSTER, PASSENGER SIDE BRAKE (INCLUDES ITEMS 1 - 9)	1	1
	1018233-02	CLUSTER, DRIVER SIDE BRAKE (INCLUDES ITEMS 1 - 9)	1	1
1	1018240-01	ASSEMBLY, BACKING PLATE, PASSENGER SIDE (INCLUDES ITEMS 2, 3 AND 4)	1	1
1	1018240-02	ASSEMBLY, BACKING PLATE, DRIVER SIDE (INCLUDES ITEMS 2, 3 AND 4) ..	1	1
2	1018165-01	MECHANISM, ADJUSTING, PASSENGER SIDE	1	1
2	1018165-02	MECHANISM, ADJUSTING, DRIVER SIDE	1	1
3	1018239-01	WASHER	1	1
4	1018238-01	WASHER, PLATE	1	1
5	1010850	COVER, DUST	1	1
6	1018232-01	PACKAGE, BRAKE SHOE (FOUR PIECES)	1	1
7	1011466	KIT, SHOE RETAINER (FOUR PIECES)	1	1
8	1018163-01	PACKAGE, BRAKE SPRING (FOUR PIECES)	1	1
9	1018155-01	ASSEMBLY, LEVER, PASSENGER SIDE	1	1
9	1018155-02	ASSEMBLY, LEVER, DRIVER SIDE	1	1
10	1013924	NUT, HEX HEAD LOCK, GRADE 8, 5/16 - 24	8	8
11	1014153	BOLT, BRAKE CLUSTER MOUNTING, GRADE 8, 5/16 - 24 x 7/8	8	8
12	1017911-01	DRUM, BRAKE	2	2
13	1011403	KIT, BRAKE CABLE (INCLUDES ITEMS 14, 15 AND 16)	2	2
14	1010829	PIN, CLEVIS, 5/16	2	2
15	0001035	PIN, COTTER, 3/32 x 1	2	2
16	1011779	E-CLIP, 1/2	2	2
17	1019008-01	HANGER, BRAKE CABLE (GASOLINE VEHICLE ONLY)	2	
17	1013207	HANGER, BRAKE CABLE (ELECTRIC VEHICLE ONLY)		2

5
G
E

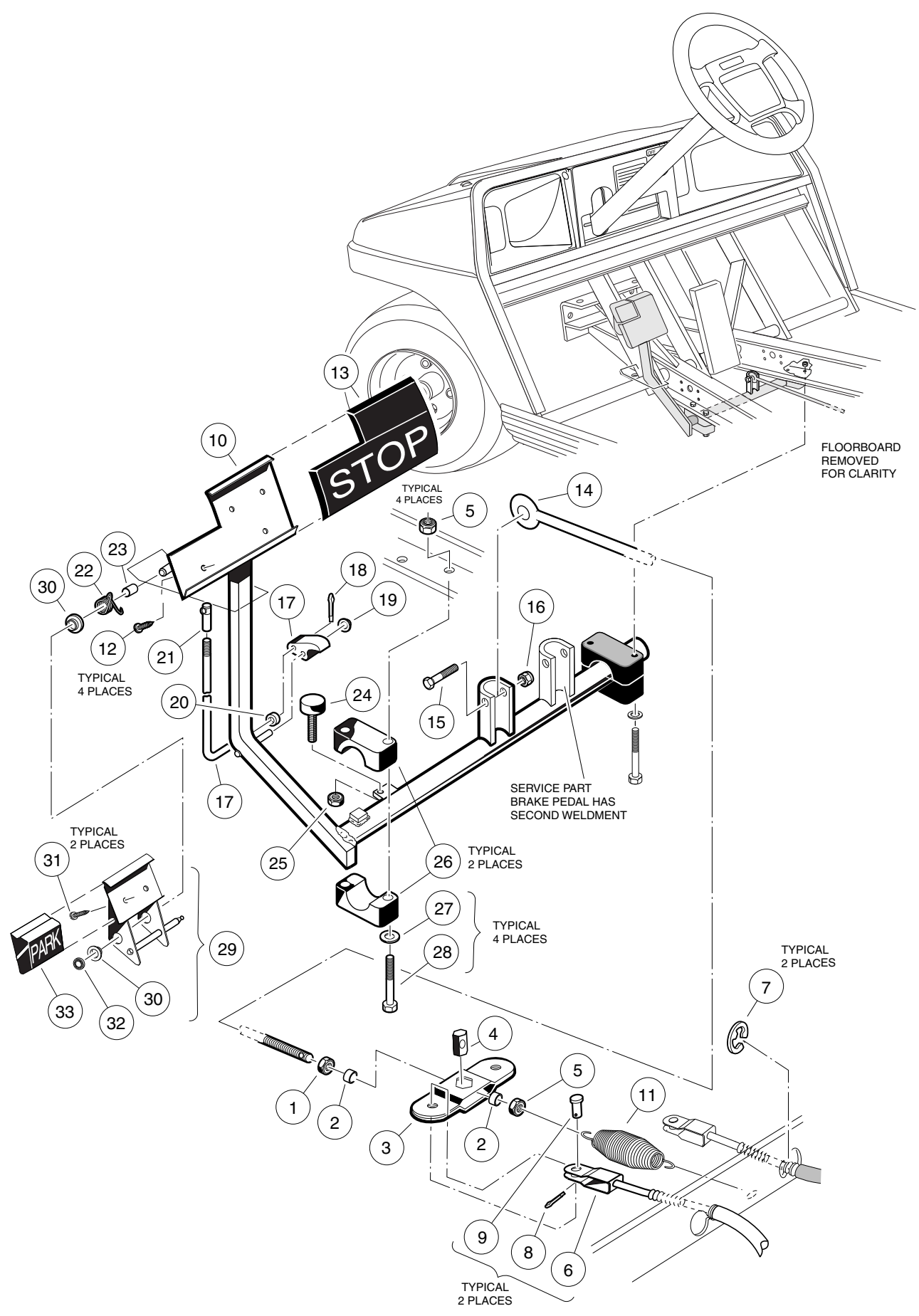
5
G
E



REAR BRAKE ASSEMBLY, MANUALLY ADJUSTED— RESORT VILLAGER, TRANS-PORTER/TRANS-SENDER

ITEM	PART NO.	DESCRIPTION	QTY GAS	QTY ELEC
		1 2 3 4		
	1016573	CLUSTER, PASSENGER SIDE BRAKE, WITHOUT BRAKE DRUM (INCLUDES ITEMS 1 - 14)	1	1
	1016557	CLUSTER, DRIVER SIDE BRAKE, WITHOUT BRAKE DRUM (INCLUDES ITEMS 1 - 14)	1	1
1	1011494	PLATE, BACKING, DRIVER SIDE	1	1
1	1011154	PLATE, BACKING, PASSENGER SIDE	1	1
2	1011465	KIT, BRAKE ACTUATOR	1	1
3	1011467	KIT, ANCHOR BODY (INCLUDES ITEMS 4 - 9)	1	1
4	1011114	NUT, M6 x 1	2	2
5	0000451	WASHER, LOCK, 1/4	2	2
6	N/A	PISTON, ANCHOR	2	2
7	N/A	BOLT, ADJUSTMENT	1	1
8	N/A	BODY, ANCHOR	1	1
9	1011303	CAP, ADJUSTMENT BOLT	1	1
10	1011463-02	PACKAGE, BRAKE SHOE (FOUR PIECES)	1	1
11	1011466	KIT, SHOE RETAINER (FOUR PIECES)	1	1
12	1011464	PACKAGE, BRAKE SPRING (FOUR PIECES)	1	1
13	N/A	ARM, BRAKE LEVER	1	1
14	1010850	COVER, DUST	1	1
15	1011403	KIT, BRAKE CABLE (INCLUDES ITEMS 16, 17 AND 18)	2	2
16	1010829	PIN, CLEVIS, 5/16	2	2
17	0001035	PIN, COTTER, 3/32 x 1	2	2
18	1011779	E-CLIP, 1/2	2	2
19	1013924	NUT, CONE LOCK, GRADE 8, 5/16 - 24	8	8
20	1014153	BOLT, BRAKE CLUSTER MOUNTING	8	8
21	1017911-01	DRUM, BRAKE	2	2
22	1013207	HANGER, BRAKE CABLE	2	2

5
G
E



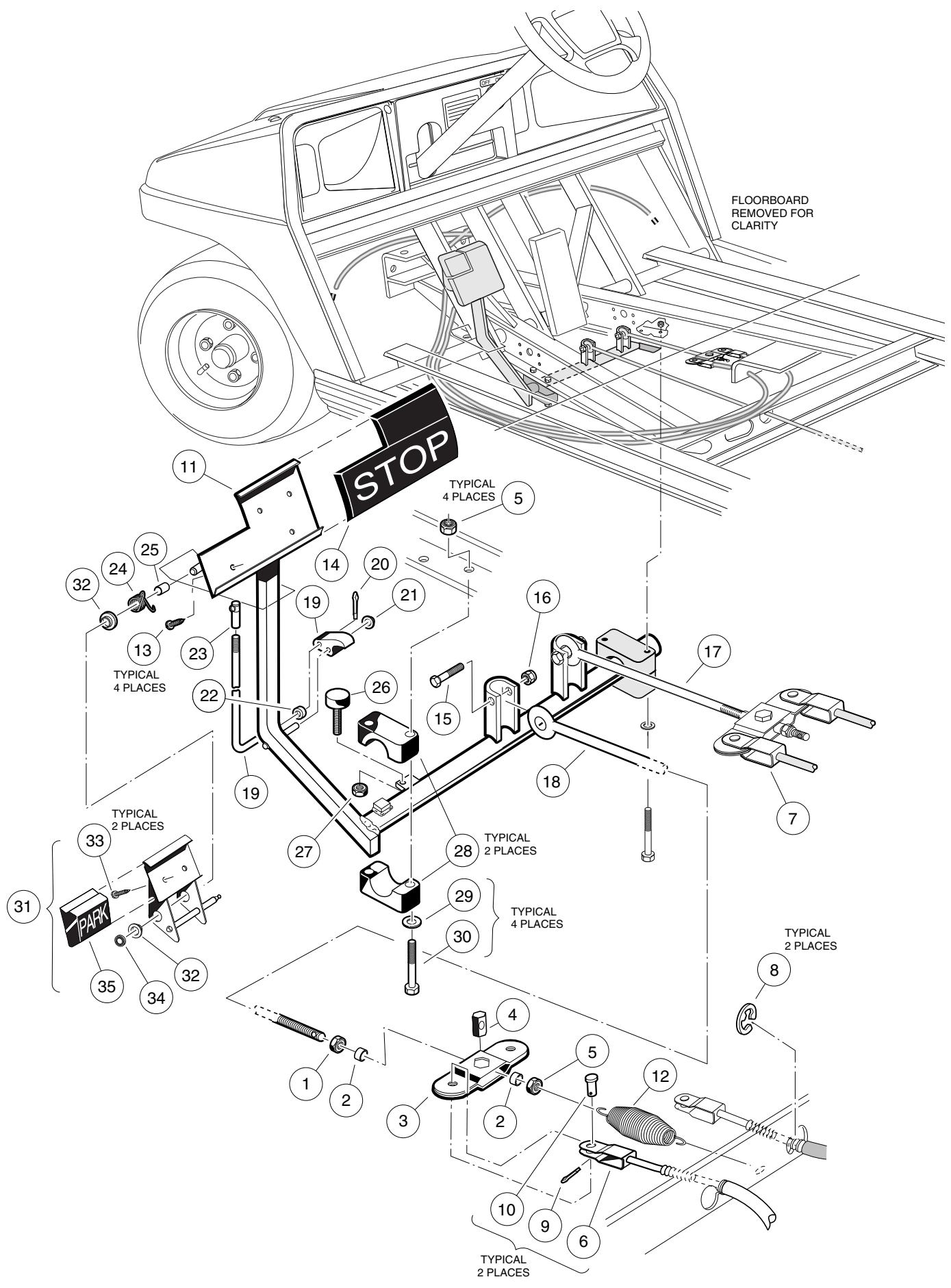
BRAKE PEDAL AND CABLE ASSEMBLY— TOURALL

**5
G
E**

ITEM	PART NO.	DESCRIPTION	QTY GAS	QTY ELEC
		1 2 3 4		
1	0001242	NUT, HEX, 5/16 - 18	1	1
2	1018653-01	SPACER, EQUALIZER	2	2
3	1017211	KIT, EQUALIZER AND PIVOT LIMITER (INCLUDES ITEM 4)	1	1
4	N/A	PIN, EQUALIZER PIVOT	1	1
5	0007473	NUT, NYLON LOCK, 5/16 - 18	5	5
6	1011403	KIT, BRAKE CABLE (INCLUDES ITEMS 7 - 9)	2	2
7	1011779	E-CLIP, 1/2	2	2
8	0001035	PIN, COTTER, 3/32 x 1	2	2
9	1010829	PIN, CLEVIS, 5/16	2	2
10	1019540-01	KIT, BRAKE PEDAL (INCLUDES ITEMS 11 - 16, 19 AND 32)	1	1
11	1013531	SPRING, BRAKE RETURN	1	1
12	0007716	SCREW, SLOTTED HEX WASHER HEAD, #10 - 16 x 1/2	4	4
13	1013869	PAD, BRAKE PEDAL	1	1
14	1019531-01	ROD, EQUALIZER	1	1
15	1019530-01	BOLT, HEX HEAD SHOULDER, 3/8 x 1	1	1
16	0007473	NUT, NYLON LOCK, 5/16 - 18	1	1
	1011877-02	KIT, PARK BRAKE LATCH (INCLUDES ITEMS 17 - 21 AND ITEM 25 ON PAGE 5-13)	1	1
17	N/A	ROD AND PAWL	1	1
18	1017029	PIN, COTTER, 7/64 x 1/2	1	1
19	1010877	NUT, PUSH, 5/16	1	1
20	1010805	SLEEVE, PARK BRAKE ROD	1	1
21	1010932	JOINT, BALL, 1/4 - 28	1	1
22	1010933	SPRING, PARK BRAKE TORSION	1	1
23	1010927	SPACER, PARK BRAKE	1	1
24	1010878	BUMPER, RUBBER	1	1
25	0001028	NUT, HEX, 1/4 - 20	1	1
26	1011402	PACKAGE, BRAKE MOUNTING BLOCK (CONTAINS UPPER AND LOWER FOR LEFT AND RIGHT SIDES) *	1	1
27	0001241	WASHER, FLAT, 5/16	4	4
28	1010921	SCREW, HEX HEAD CAP, 5/16 - 18 x 2 1/2	4	4
29	1011418	KIT, PARK BRAKE PEDAL (INCLUDES ITEMS 30 - 33)	1	1
30	0001032	BUSHING, NYLON	2	2
31	0007716	SCREW, SLOTTED HEX WASHER HEAD, #10 - 16 x 1/2	2	2
32	1013876	NUT, PUSH, 3/8	1	1
33	1013870	PAD, PARK BRAKE	1	1
		*NOTE: REPLACEMENT FOR ITEM 26 HAS CHANGED MATERIAL.		

5
G
E

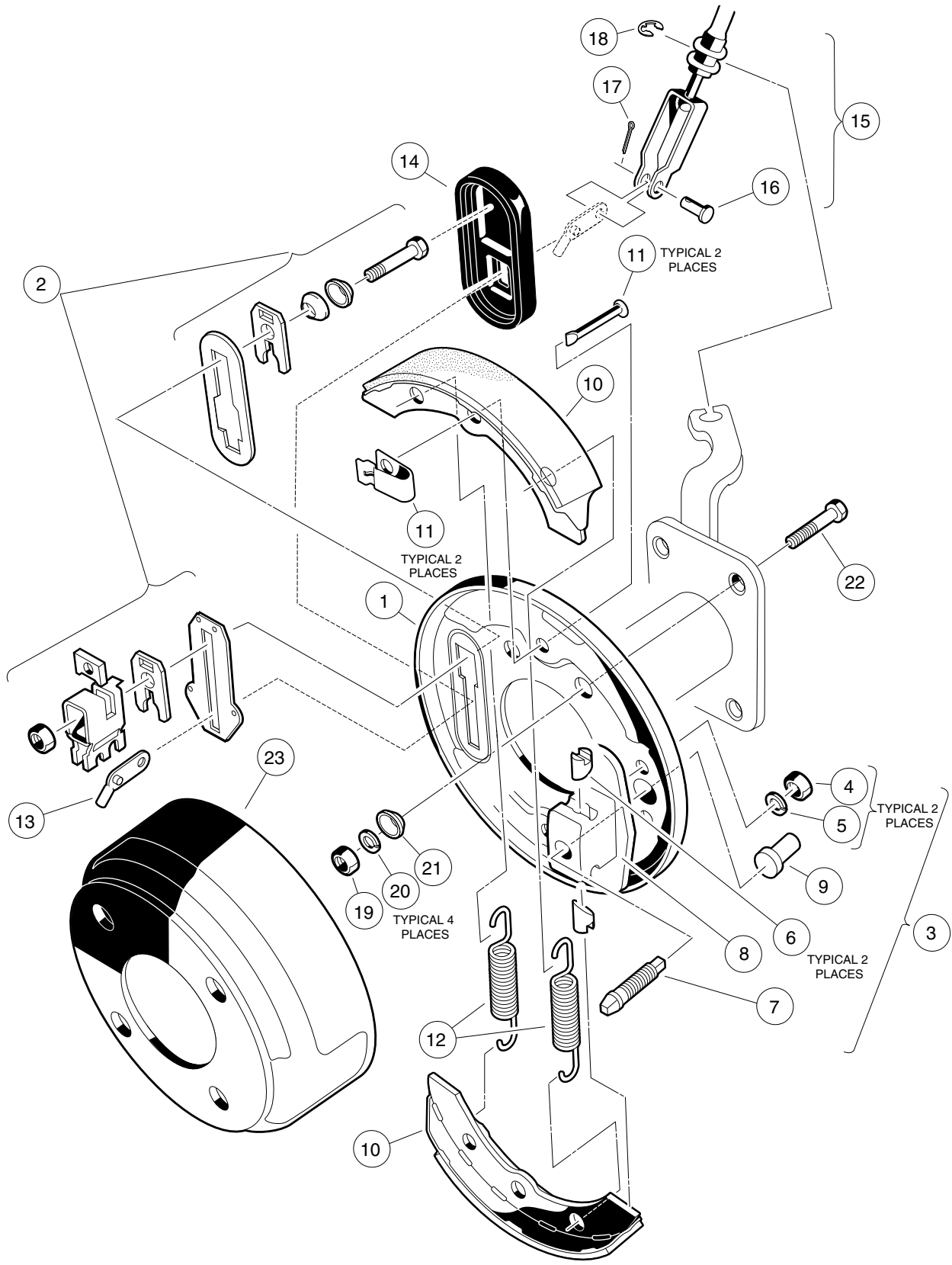
FLOORBOARD
REMOVED FOR
CLARITY



BRAKE PEDAL AND CABLE ASSEMBLY— RESORT VILLAGER, TRANS-PORTER/TRANS-SENDER

ITEM	PART NO.	DESCRIPTION	QTY GAS	QTY ELEC
		1 2 3 4		
1	0001242	NUT, HEX, 5/16 - 18	2	2
2	1018653-01	SPACER, EQUALIZER	4	4
3	1017211	KIT, EQUALIZER AND PIVOT LIMITER (INCLUDES ITEM 4)	2	2
4	N/A	PIN, EQUALIZER PIVOT	1	1
5	0007473	NUT, NYLON LOCK, 5/16 - 18	6	6
6	1011403	KIT, BRAKE CABLE, REAR (INCLUDES ITEMS 8 - 10)	2	2
7	1018746-01	KIT, BRAKE CABLE, FRONT (INCLUDES ITEMS 8 - 10)	2	2
8	1011779	E-CLIP, 1/2	2	2
9	0001035	PIN, COTTER, 3/32 x 1	2	2
10	1010829	PIN, CLEVIS, 5/16	2	2
11	1019540-01	KIT, BRAKE PEDAL (INCLUDES ITEMS 12 - 17, 21 AND 34)	1	1
12	1013531	SPRING, BRAKE RETURN	1	1
13	0007716	SCREW, SLOTTED HEX WASHER HEAD, #10 - 16 x 1/2	4	4
14	1013869	PAD, BRAKE PEDAL	1	1
15	1019530-01	BOLT, HEX HEAD SHOULDER, 3/8 x 1	2	2
16	0007473	NUT, NYLON LOCK, 5/16 - 18	2	2
17	1019531-06	ROD, EQUALIZER, FRONT	1	1
18	1019531-03	ROD, EQUALIZER, REAR	1	1
	1011877-02	KIT, PARK BRAKE LATCH (INCLUDES ITEMS 19 - 23 AND ITEM 25 ON PAGE 5-13 OR ITEM 25 ON PAGE 5-15)	1	1
19	N/A	ROD AND PAWL	1	1
20	1017029	PIN, COTTER, 7/64 x 1/2	1	1
21	1010877	NUT, PUSH, 5/16	1	1
22	1010805	SLEEVE, PARK BRAKE ROD	1	1
23	1010932	JOINT, BALL, 1/4 - 28	1	1
24	1010933	SPRING, PARK BRAKE TORSION	1	1
25	1010927	SPACER, PARK BRAKE	1	1
26	1010878	BUMPER, RUBBER	1	1
27	0001028	NUT, HEX, 1/4 - 20	1	1
28	1011402	PACKAGE, BRAKE MOUNTING BLOCK (CONTAINS UPPER AND LOWER FOR LEFT AND RIGHT SIDES) *	1	1
29	0001241	WASHER, FLAT, 5/16	4	4
30	1010921	SCREW, HEX HEAD CAP, 5/16 - 18 x 2 1/2	4	4
31	1011418	KIT, PARK BRAKE PEDAL (INCLUDES ITEMS 32 - 35)	1	1
32	0001032	BUSHING, NYLON	2	2
33	0007716	SCREW, SLOTTED HEX WASHER HEAD, #10 - 16 x 1/2	2	2
34	1013876	NUT, PUSH, 3/8	1	1
35	1013870	PAD, PARK BRAKE	1	1
		*NOTE: REPLACEMENT FOR ITEM 28 HAS CHANGED MATERIAL .		

5
G
E

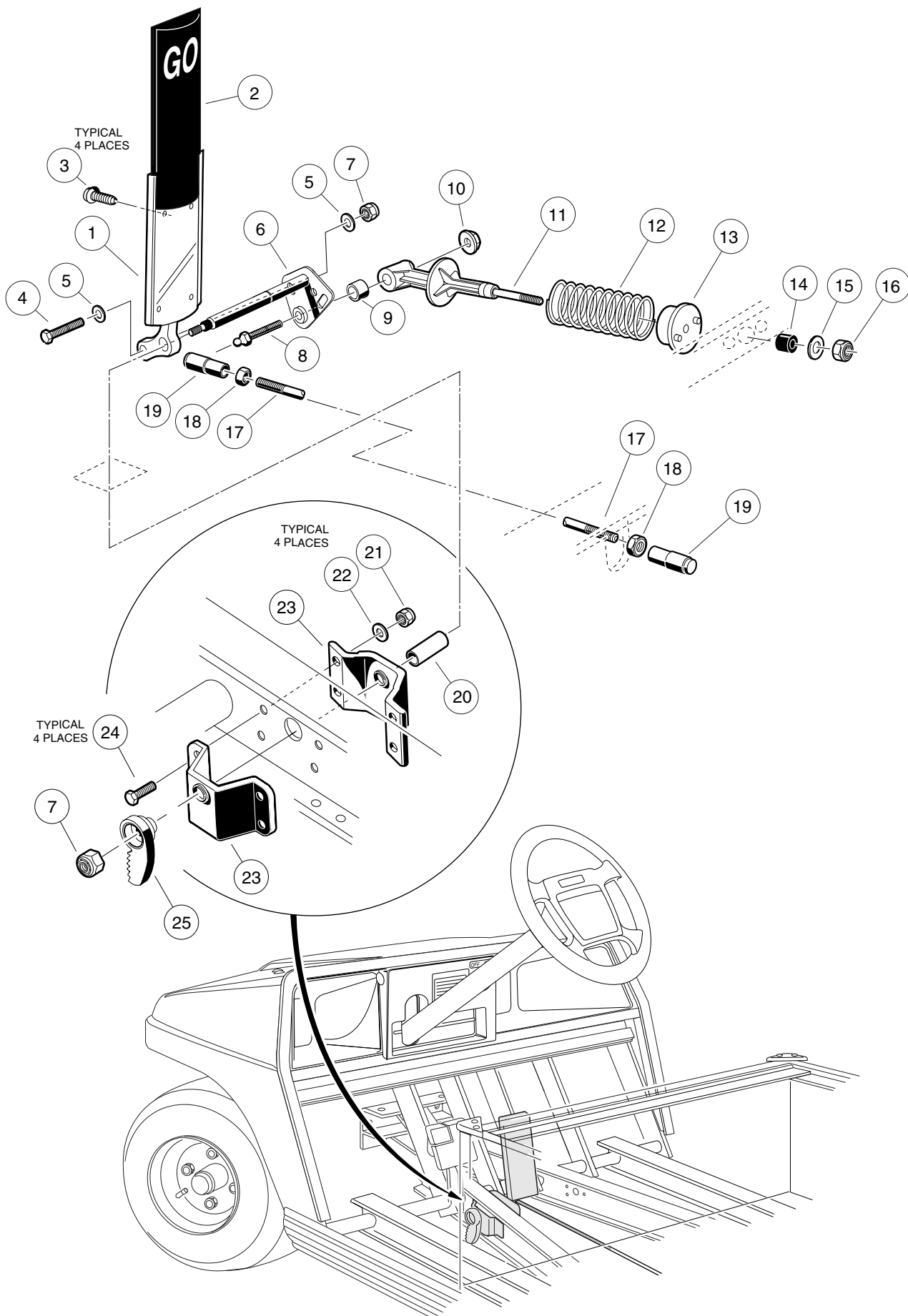


FRONT BRAKE ASSEMBLY— RESORT VILLAGER, TRANS-PORTER/TRANS-SENDER

ITEM	PART NO.	DESCRIPTION	QTY GAS	QTY ELEC
		1 2 3 4		
	1016573	CLUSTER, PASSENGER SIDE BRAKE, WITHOUT BRAKE DRUM (INCLUDES ITEMS 1 - 14)	1	1
	1016557	CLUSTER, DRIVER SIDE BRAKE, WITHOUT BRAKE DRUM (INCLUDES ITEMS 1 - 14)	1	1
1	1011154	PLATE, BACKING, PASSENGER SIDE	1	1
1	1011494	PLATE, BACKING, DRIVER SIDE	1	1
2	1011465	KIT, BRAKE ACTUATOR	1	1
3	1011467	KIT, ANCHOR BODY (INCLUDES ITEMS 4 - 9)	1	1
4	1011114	NUT, M6 x 1	2	2
5	0000451	WASHER, LOCK, 1/4	2	2
6	N/A	PISTON, ANCHOR	2	2
7	N/A	BOLT, ADJUSTMENT	1	1
8	N/A	BODY, ANCHOR	1	1
9	1011303	CAP, ADJUSTMENT BOLT	1	1
10	1011463-02	PACKAGE, BRAKE SHOE (FOUR PIECES)	1	1
11	1011466	KIT, SHOE RETAINER (FOUR PIECES)	1	1
12	1011464	PACKAGE, BRAKE SPRING (FOUR PIECES)	1	1
13	N/A	ARM, BRAKE LEVER	1	1
14	1010850	COVER, DUST	1	1
15	1018746-01	KIT, BRAKE CABLE, FRONT (INCLUDES ITEMS 16, 17 AND 18)	2	2
16	1010829	PIN, CLEVIS, 5/16	2	2
17	0001035	PIN, COTTER, 3/32 x 1	2	2
18	1011779	E-CLIP, 1/2	2	2
19	1018727-01	NUT, HEX, 5/16 - 24	8	8
20	0007174	WASHER, LOCK, 5/16	8	8
21	1018690-01	WASHER, CONE, 5/16	8	8
22	1017232	BOLT, HEX HEAD, 5/16 - 24 x 1	8	8
23	1011137	DRUM, BRAKE	2	2

5
G
E

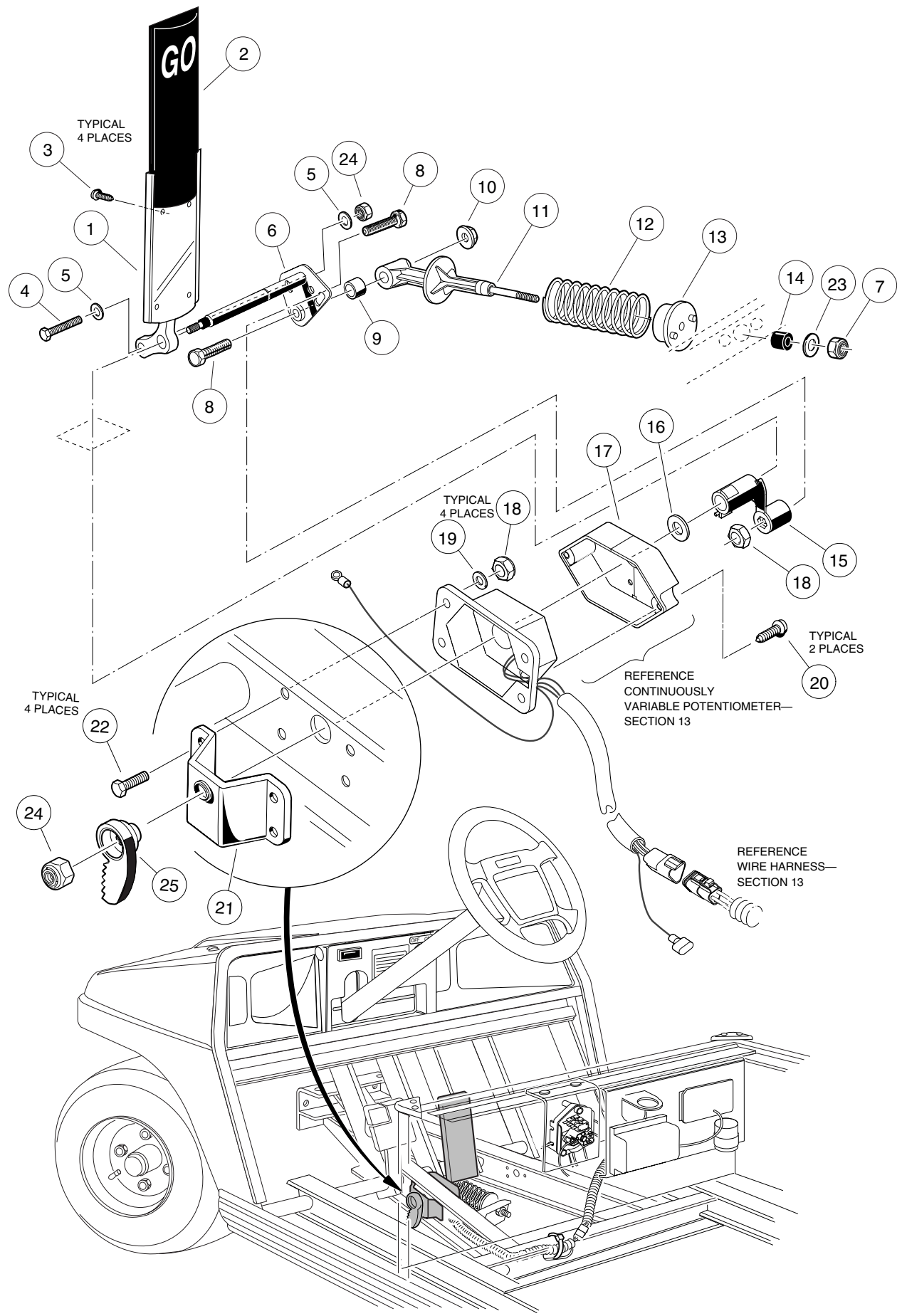
5
G
E



ACCELERATOR PEDAL ASSEMBLY— ELECTRIC TOURALL AND ALL GASOLINE VEHICLES

ITEM	PART NO.	DESCRIPTION	QTY GAS	QTY ELEC
		1 2 3 4		
1	1017696	SUB-ASSEMBLY, ACCELERATOR PEDAL (INCLUDES ITEMS 2 AND 3)	1	1
2	1013871	PAD, ACCELERATOR PEDAL	1	1
3	0007716	SCREW, SLOTTED HEX WASHER HEAD, #10 - 16 x 1/2	4	4
4	0001624	SCREW, HEX CAP, 3/8 - 16 x 1 1/2	1	1
5	0000334	WASHER, FLAT, 3/8	2	2
6	1017325	ASSEMBLY, ACCELERATOR PIVOT ROD	1	1
7	0008754	NUT, NYLON LOCK, 3/8 - 16	2	2
8	1018188-01	STUD, BALL	1	1
9	1017424	BEARING, PIVOT SUPPORT	1	1
10	1019669-01	NUT, FLANGE, 1/4 - 28	1	1
11	1018174-01	RETAINER, SPRING	1	1
12	1017962-01	SPRING, RETURN	1	1
13	1017378	CUP, SPRING	1	1
14	1017380	BUMPER, RETURN SPRING	1	1
15	0001241	WASHER, FLAT, 5/16	1	1
16	0007473	NUT, NYLON LOCK, 5/16 - 18	1	1
17	1018719-01	ASSEMBLY, ACCELERATOR ROD (ELECTRIC TOURALL ONLY) (INCLUDES ITEMS 18 AND 19)		1
17	1019124-01	ASSEMBLY, ACCELERATOR ROD (GASOLINE TOURALL ONLY) (INCLUDES ITEMS 18 AND 19)	1	
17	1016747-02	ASSEMBLY, ACCELERATOR ROD (GASOLINE RESORT VILLAGER, TRANS-PORTER/TRANS-SENDER ONLY) (INCLUDES ITEMS 18 AND 19)	1	
18	1011084	NUT, UNF HEX JAM, 1/4 - 28	2	2
19	1011734	JOINT, SPRING-LOADED BALL	2	2
20	1011700	SPACER	1	1
21	0008233	NUT, NYLON LOCK, 1/4 - 20	4	4
22	1014007	WASHER, FLAT, TYPE B, 1/4	4	4
23	1011694	SUPPORT, ACCELERATOR PIVOT ROD	2	2
24	1018619-01	SCREW, HEX CAP, 1/4 - 20 x 1 1/8	4	4
	1011877-02	KIT, PARK BRAKE (INCLUDES ITEM 25 AND ITEMS 17 - 21 ON PAGE 5-7 OR ITEMS 19 - 23 ON PAGE 5-9)	1	1
25	N/A	RATCHET, PARK BRAKE	1	1

5
G
E



ACCELERATOR PEDAL ASSEMBLY—ELECTRIC RESORT VILLAGER, TRANS-PORTER/TRANS-SENDER

ITEM	PART NO.	DESCRIPTION	QTY GAS	QTY ELEC
		1 2 3 4		
1	1017696	SUB-ASSEMBLY, ACCELERATOR PEDAL (INCLUDES ITEMS 2 AND 3)		1
2	1013871	PAD, ACCELERATOR PEDAL		1
3	0007716	SCREW, SLOTTED HEX WASHER HEAD, #10 - 16 x 1/2		4
4	0001624	SCREW, HEX CAP, 3/8 - 16 x 1 1/2		1
5	0000334	WASHER, FLAT, 3/8		2
6	1017325	ASSEMBLY, ACCELERATOR PIVOT ROD		1
7	0007473	NUT, NYLON LOCK, 5/16 - 18		1
8	1018620-01	SCREW, HEX HEAD CAP, 1/4 - 20 x 1 3/8		2
9	1017424	BEARING, PIVOT SUPPORT		1
10	1015661	NUT, FLANGE LOCK, 1/4 - 20		1
11	1018174-01	RETAINER, SPRING		1
12	1017962-01	SPRING, RETURN		1
13	1017378	CUP, SPRING		1
14	1017380	BUMPER, RETURN SPRING		1
15	1017400	LEVER, ACTUATOR		1
16	1018042-01	WASHER, PLASTIC, 1/2		1
17	1017743	COVER, ACCELERATOR		1
18	0008233	NUT, NYLON LOCK, 1/4 - 20		5
19	1014007	WASHER, FLAT, TYPE B, 1/4		4
20	1018043-01	SCREW, HI-LO HEX HEAD, #8 - 18 x 1/2		2
21	1011694	SUPPORT, ACCELERATOR PIVOT ROD		1
22	1018619-01	SCREW, HEX CAP, 1/4 - 20 x 1 1/8		4
23	0001241	WASHER, FLAT, 5/16		1
24	0008754	NUT, NYLON LOCK, 3/8 x 16		2
	1011877-02	KIT, PARK BRAKE (INCLUDES ITEM 25 AND ITEMS 19 - 23 ON PAGE 5-9)		1
25	N/A	RATCHET, PARK BRAKE		1

5
G
E

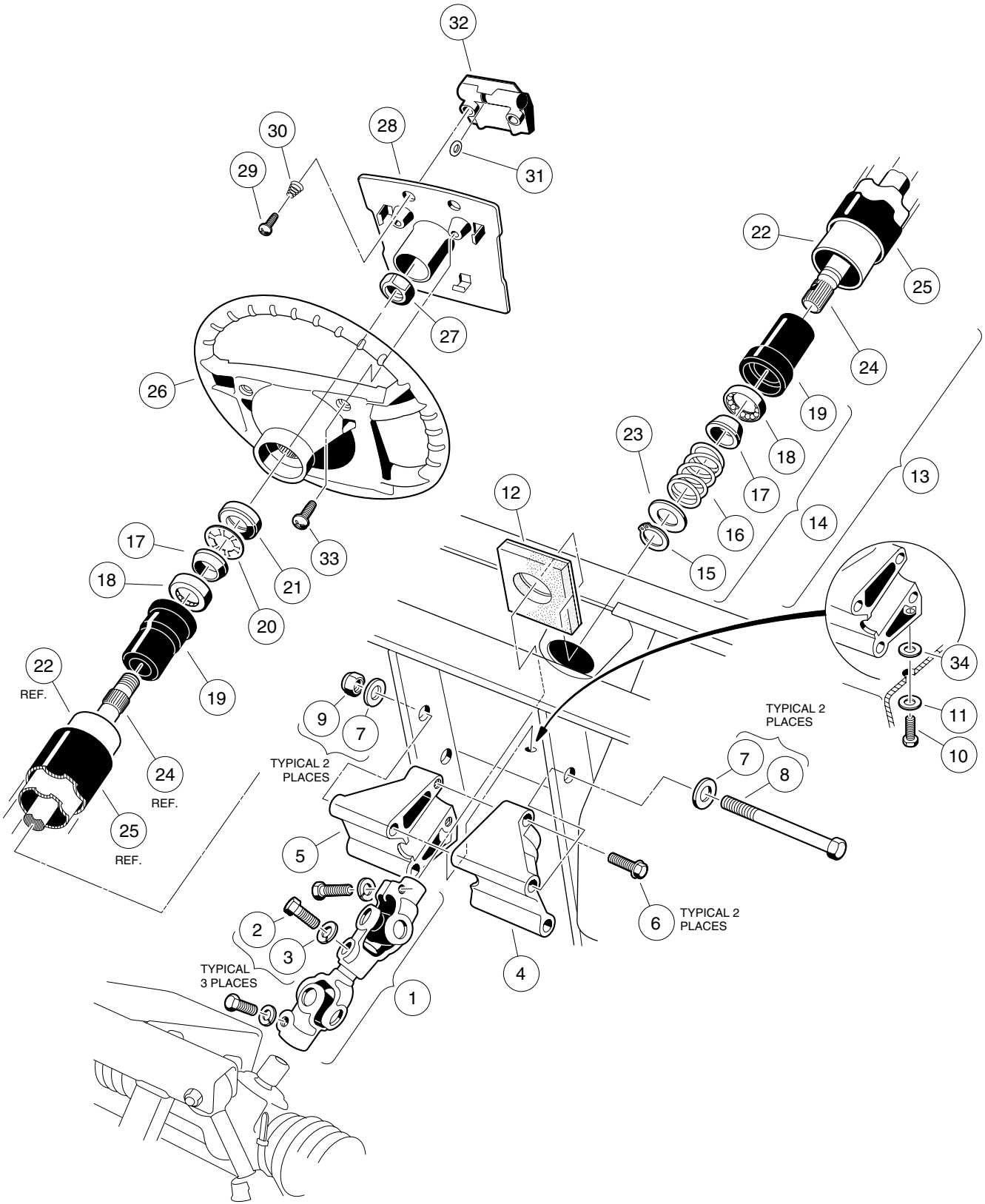
5
G
E

STEERING, FRONT AND REAR SUSPENSION

6

G

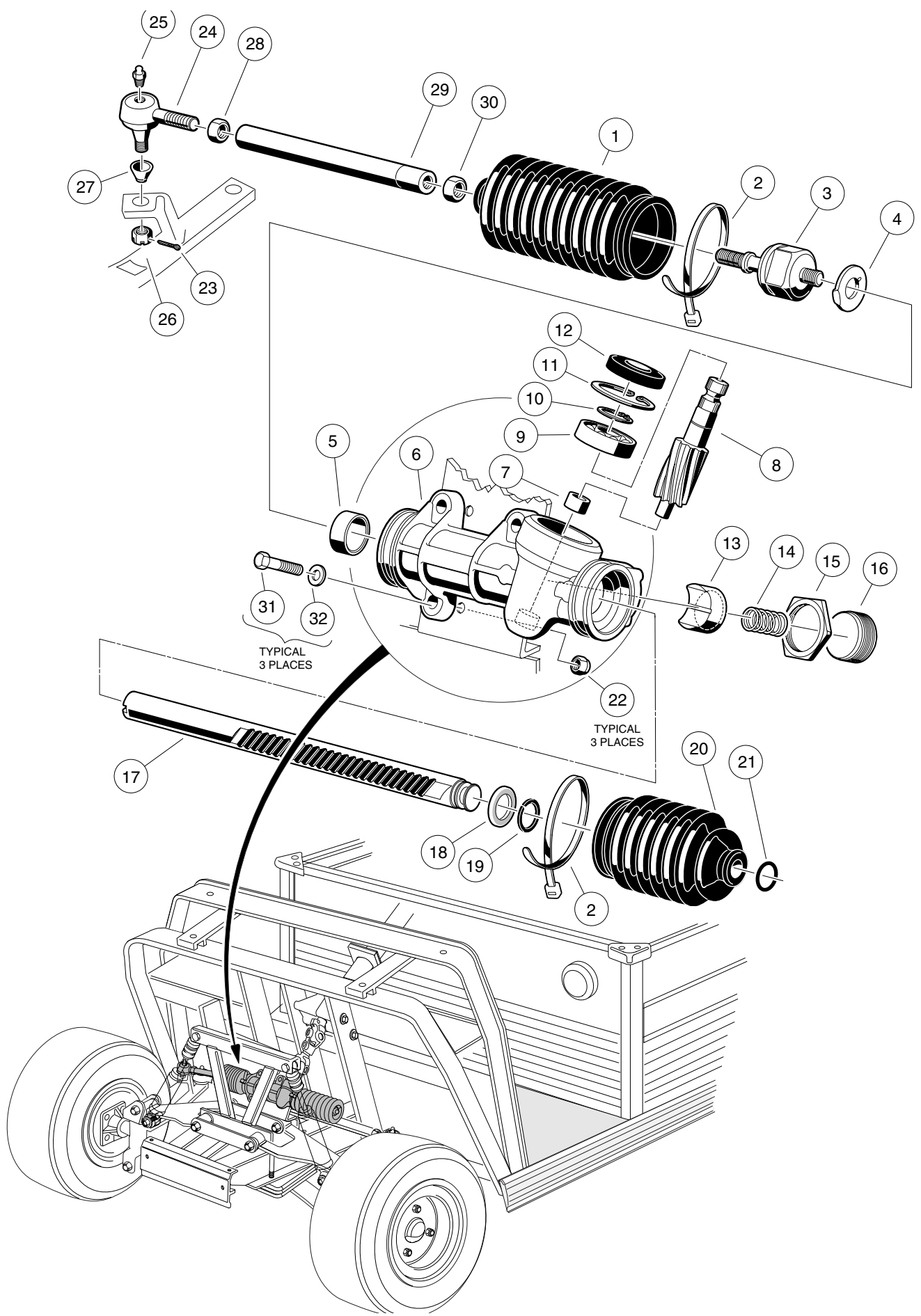
E



STEERING COLUMN

ITEM	PART NO.	DESCRIPTION	QTY GAS	QTY ELEC
		1 2 3 4		
1	1013861	JOINT, COMPOUND STEERING (INCLUDES ITEMS 2 AND 3)	1	1
2	1017226	SCREW, HEX HEAD CAP, M8 x 1.25 x 30MM	3	3
3	0007174	WASHER, LOCK, 5/16	3	3
4	1016185	MOUNT, STEERING COLUMN, DRIVER SIDE	1	1
5	1016184	MOUNT, STEERING COLUMN, PASSENGER SIDE	1	1
6	1016269	SCREW, HEX WASHER HEAD THREAD-FORMING, 5/16 - 18 x 2	2	2
7	0000334	WASHER, FLAT, 3/8	4	4
8	1016183	SCREW, HEX HEAD CAP, 3/8 - 16 x 7	2	2
9	0008754	NUT, NYLON LOCK, 3/8 - 16	2	2
10	1014288	SCREW, HEX WASHER HEAD THREAD-FORMING, 5/16 - 18 x 3/4	1	1
11	1011697	WASHER, FLAT, 5/16	1	1
12	1012499	BOOT, STEERING COLUMN	1	1
13	1016181	ASSEMBLY, STEERING COLUMN (TOURALL AND TRANS-PORTER/TRANS-SENDER) (INCLUDES ITEMS 14 - 24)	1	1
13	1017313	ASSEMBLY, STEERING COLUMN (RESORT VILLAGER ONLY) (INCLUDES ITEMS 14 - 24)	1	1
14	1014216	KIT, STEERING COLUMN REBUILD (INCLUDES ITEMS 15 - 21)	A/R	A/R
15	1012605	RING, RETAINING	1	1
16	1014217	SPRING, COMPRESSION	1	1
17	1014125	WEDGE	2	2
18	1014213	ASSEMBLY, BEARING	2	2
19	1014126	SEAT, BEARING	2	2
20	1014214	RING, RETAINING	1	1
21	1014211	SEAL, BEARING	1	1
22	1016622	COLUMN, ALUMINUM STEERING (TOURALL AND TRANS-PORTER/TRANS-SENDER)	1	1
22	1017314	COLUMN, ALUMINUM STEERING (RESORT VILLAGER ONLY)	1	1
23	1012604	WASHER, STEEL, 5/8	1	1
24	1015545	SHAFT, STEERING COLUMN (TOURALL AND TRANS-PORTER/TRANS-SENDER)	1	1
24	1017315	SHAFT, STEERING COLUMN (RESORT VILLAGER ONLY)	1	1
25	1016263	COVER, STEERING COLUMN	1	1
26	1016156	WHEEL, STEERING	1	1
27	1017273	NUT, NYLON LOCK, 5/8 - 18	1	1
28	1016219	ASSEMBLY, SCORECARD PLATE (INCLUDES ITEMS 29 - 32)	1	1
29	1012565	SCREW, ROUND HEAD, #12 - 14 x 1	2	2
30	1012566	SPRING, TAPERED COMPRESSION	2	2
31	1016214	GRIP, PENCIL	2	2
32	1016154	CLIP, SCORE CARD	1	1
33	1016663	SCREW, TYPE A PHILLIPS, #12 - 11 x 5/8	2	2
34	1011578	WASHER, TYPE B FLAT, 5/16 (RESORT VILLAGER ONLY)	1	1

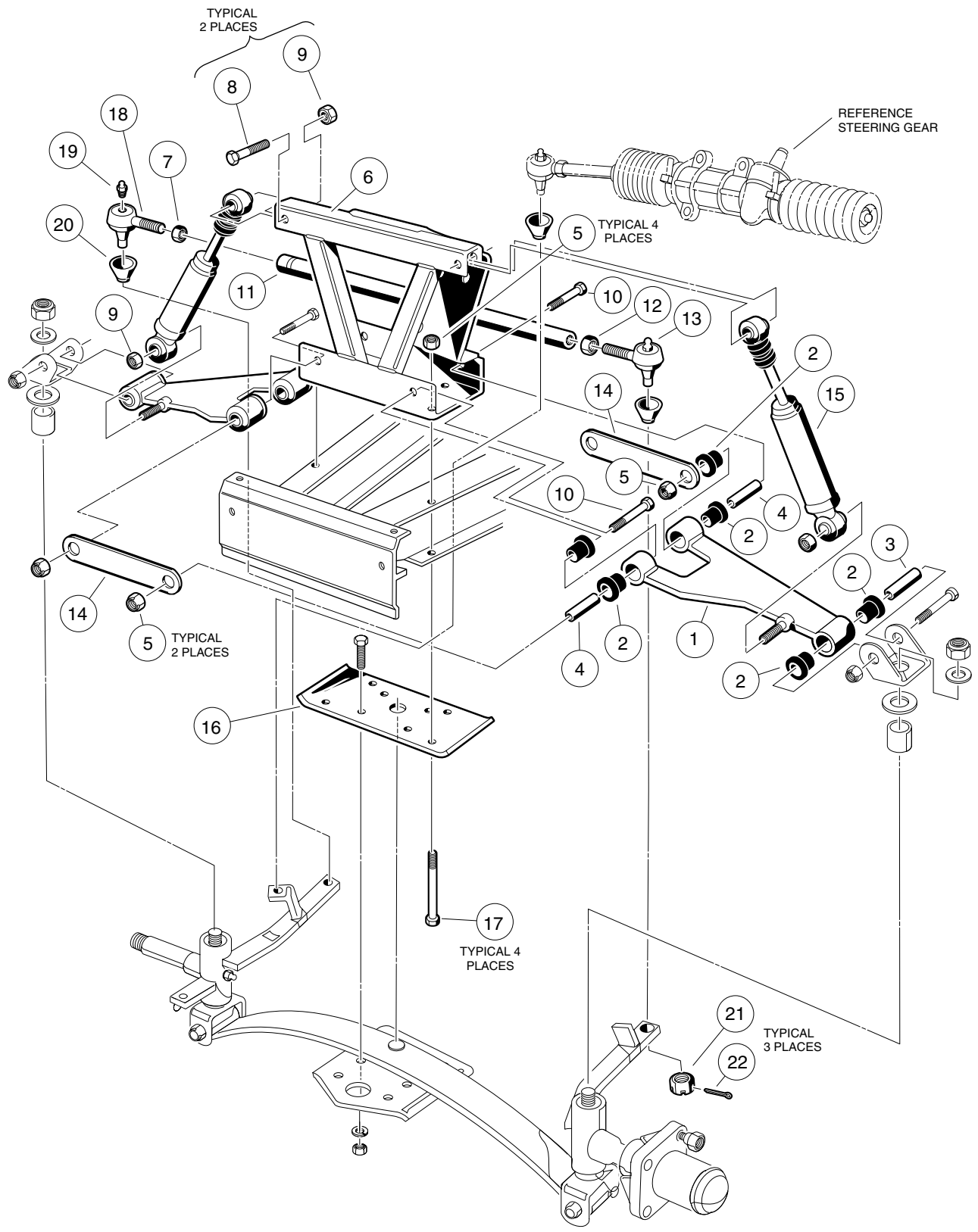
6
G
E



STEERING GEAR ASSEMBLY

ITEM	PART NO.	DESCRIPTION	QTY GAS	QTY ELEC
		1 2 3 4		
	1018783-02	ASSEMBLY, STEERING GEAR BOX (INCLUDES ITEMS 1 - 21)	1	1
1	1013035	SEAL, DUST, PASSENGER SIDE	1	1
2	0008990	WRAP, TIE	2	2
3	1018802-01	ASSEMBLY, INNER BALL JOINT	1	1
4	1018803-01	WASHER, TAB	2	2
5	N/A	BUSHING, RACK	1	1
6	N/A	BOX, STEERING GEAR	1	1
7	N/A	BEARING, LOWER PINION	1	1
8	N/A	PINION, STEERING	1	1
9	1018794-01	BEARING, UPPER PINION	1	1
10	1018799-01	RING, C-TYPE STOP	1	1
11	1013051	RING, SNAP	1	1
12	1013052	SEAL, DUST, STEERING PINION	1	1
13	1018797-01	GUIDE, STEERING RACK	1	1
14	1018798-01	SPRING, YOKE	1	1
15	1013044	NUT, LOCK, RACK SCREW	1	1
16	N/A	SCREW, RACK GUIDE	1	1
17	N/A	RACK, STEERING	1	1
18	1018795-01	WASHER, STOP	2	2
19	1018796-01	RING, C-TYPE STOP	1	1
20	1018800-01	SEAL, DUST, DRIVER SIDE	1	1
21	1018801-01	RING, RETAINING	1	1
22	1010138	NUT, DIMPLED LOCK, 3/8 - 16	3	3
23	0001035	PIN, COTTER, 3/32 x 1	1	1
24	0007540	BALL JOINT, LEFT HAND THREAD (INCLUDES ITEMS 25, 26 AND 27)	1	1
25	1015597	FITTING, THREAD FORMING GREASE, 1/4 - 28	1	1
26	0007602	NUT, HEX SLOTTED, 3/8 - 24	1	1
27	1011930	BOOT, DUST.....	1	1
28	0007555	NUT, HEX, LEFT HAND THREAD, 1/2 - 20	1	1
29	1012467	LINK, RACK AND PINION DRAG	1	1
30	1013042	NUT, HEX, M12 x 1.75	1	1
31	0001624	BOLT, HEX HEAD, 3/8 - 16 x 1 1/2	3	3
32	0000334	WASHER, FLAT, 3/8	3	3

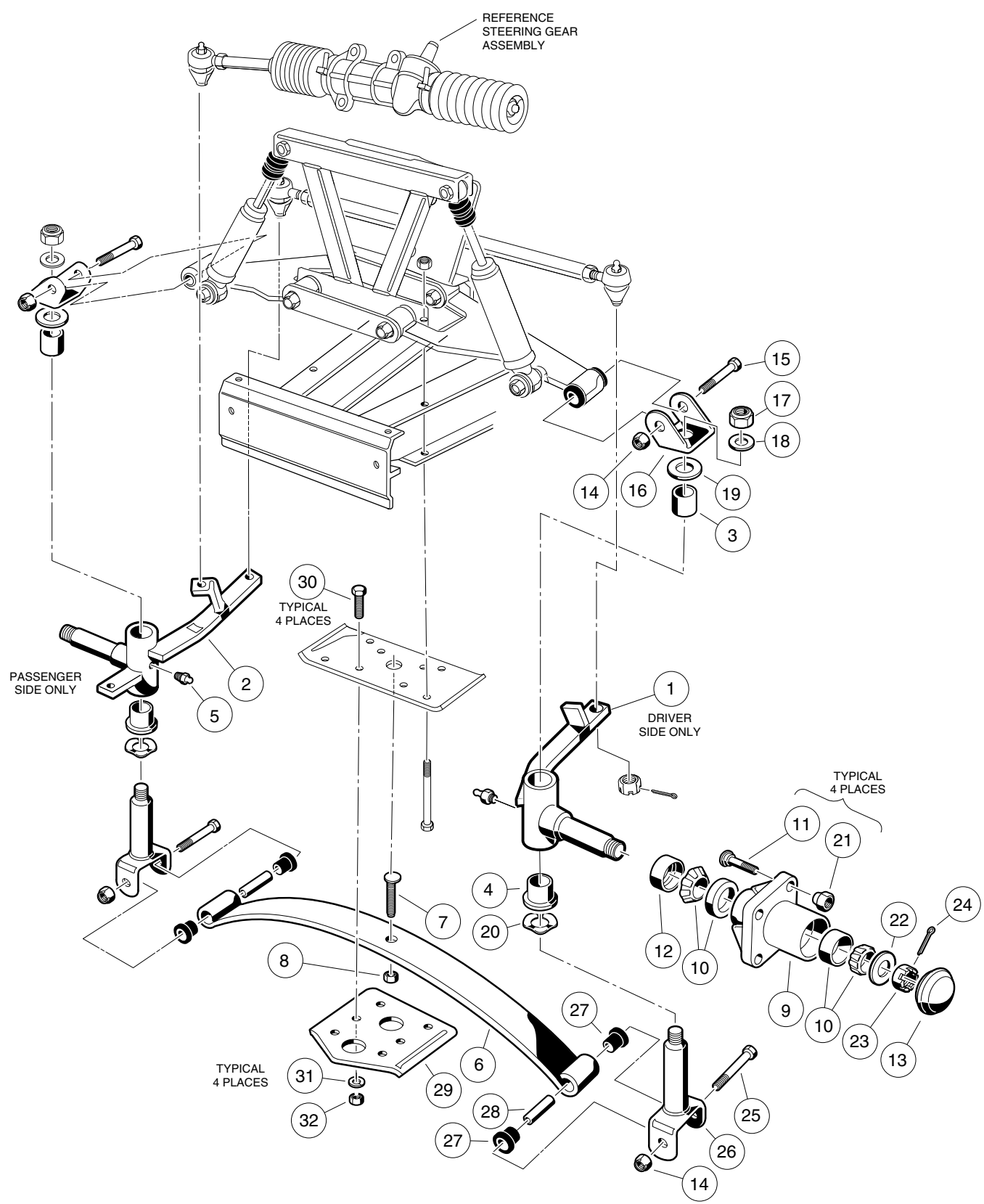
6
G
E



FRONT SUSPENSION, UPPER— TOURALL

ITEM	PART NO.	DESCRIPTION	QTY GAS	QTY ELEC
		1 2 3 4		
1	1016353	ASSEMBLY, DELTA A-PLATE (INCLUDES ITEMS 2, 3 AND 4)	2	2
2	1016346	BUSHING, URETHANE	6	6
3	1016350	SLEEVE, DELTA OUTER	1	1
4	1016349	SLEEVE, DELTA INNER	2	2
5	0008754	NUT, NYLON LOCK, 3/8 - 16	8	8
6	1016385	ASSEMBLY, DELTA SHOCK AND GEAR SUPPORT	1	1
7	0001308	NUT, HEX, 1/2 - 20	1	1
8	0001624	BOLT, HEX HEAD, 3/8 - 16 x 1 1/2	2	2
9	1010138	NUT, DIMPLED LOCK, 3/8 - 16	4	4
10	0002402	SCREW, HEX CAP, 3/8 - 16 x 2 1/4	4	4
11	1010219	ROD, TIE	1	1
12	0007555	NUT, HEX, LEFT HAND THREAD, 1/2 - 20	1	1
13	0007540	BALL JOINT, LEFT HAND THREAD (INCLUDES ITEMS 19, 20 AND 21)	1	1
14	1017266	STRAP, A-PLATE	2	2
15	1014235	SHOCK ABSORBER, FRONT	2	2
16	1010124	PLATE, SPRING MOUNTING	1	1
17	1010200	BOLT, HEX HEAD, 3/8 - 16 x 4 1/4	4	4
18	0007539	BALL JOINT, RIGHT HAND THREAD (INCLUDES ITEMS 19, 20 AND 21)	1	1
19	1015597	FITTING, THREAD FORMING GREASE, 1/4 - 28	1	1
20	1011930	SEAL, DUST	1	1
21	0007602	NUT, SLOTTED HEX, 3/8 - 24	1	1
22	0001035	PIN, COTTER, 3/32 x 1	3	3

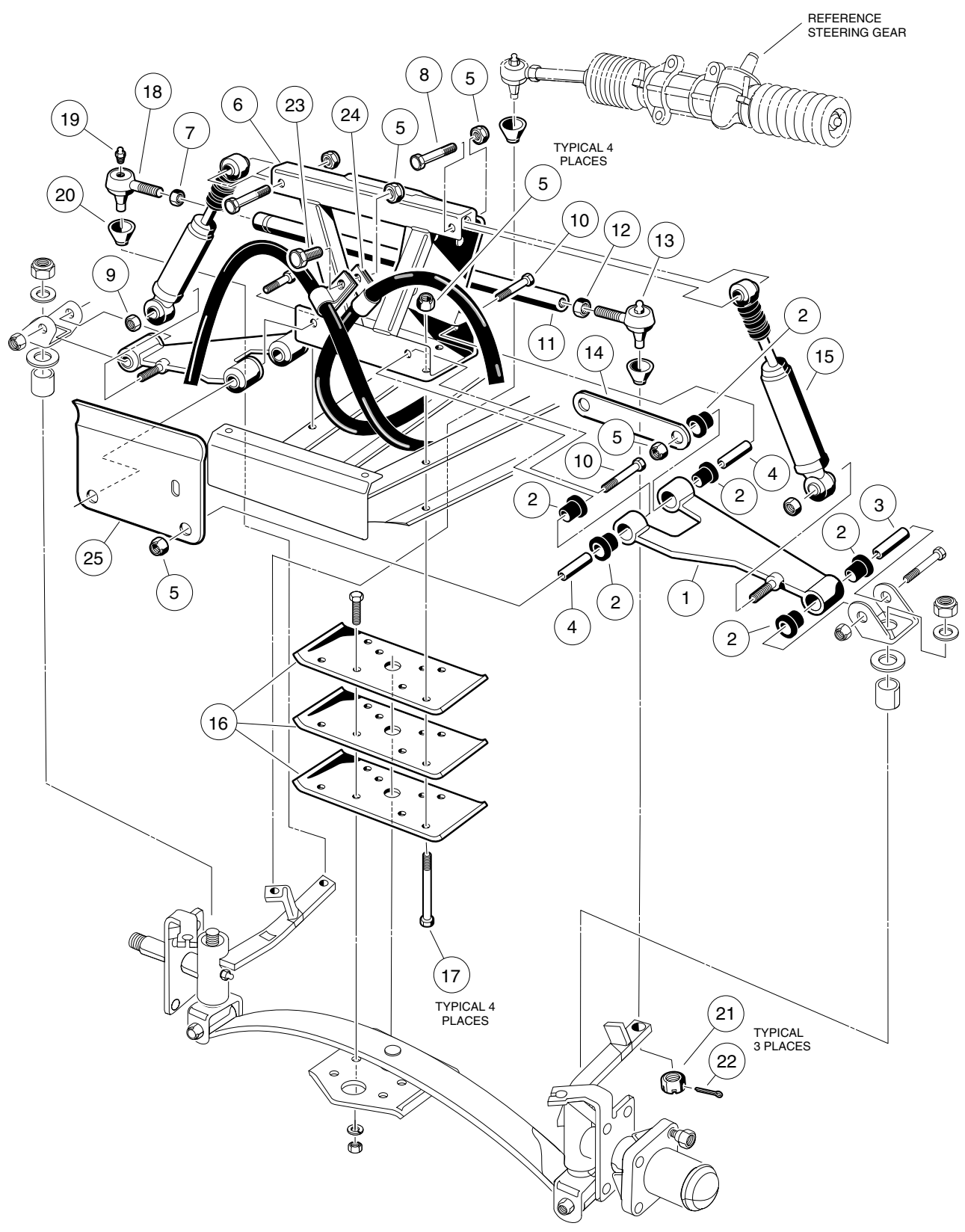
6
G
E



FRONT SUSPENSION, LOWER— TOURALL

ITEM	PART NO.	DESCRIPTION	QTY GAS	QTY ELEC
		1 2 3 4		
1	1010348	ASSEMBLY, SPINDLE, DRIVER SIDE (INCLUDES ITEMS 3, 4 AND 5)	1	1
2	1010347	ASSEMBLY, SPINDLE, PASSENGER SIDE (INCLUDES ITEMS 3, 4 AND 5)	1	1
3	0008067	BUSHING, BRONZE SPINDLE	1	1
4	0007048	BUSHING, BRONZE	1	1
5	1015597	FITTING, GREASE, 1/4 - 28	1	1
6	1012030	SPRING, TAPERED LEAF	1	1
7	0008745	ECCENTRIC	1	1
8	0000706	NUT, HEX, 3/8 - 16	1	1
9	1011892	KIT, HUB ASSEMBLY (INCLUDES ITEMS 10 - 13)	2	2
10	1011393	PACKAGE, HUB BEARING	2	2
11	1011304	STUD, LUG, 1/2 - 20	4	4
12	1013135	SEAL, DOUBLE LIP	1	1
13	1011887	COVER, DUST	1	1
14	0008754	NUT, NYLON LOCK, 3/8 - 16	4	4
15	1016387	SCREW, HEX HEAD CAP, 3/8 - 16 x 2 3/4	2	2
16	1016384	CLEVIS, UPPER DELTA	2	2
17	1019031-01	NUT, NYLON LOCK, 1/2 - 20	2	2
18	1010028	WASHER, FLAT, 1/2	2	2
19	1010150	BEARING, THRUST	2	2
20	1016389	WASHER, KINGPIN WAVE	2	2
21	1010984	NUT, LUG	8	8
22	1010005	WASHER, FLAT, 3/4	2	2
23	0007840	NUT, HEX SLOTTED, 3/4 - 16	2	2
24	0007910	PIN, COTTER, 5/32 x 1	2	2
25	0008755	SCREW, HEX HEAD CAP, 3/8 - 16 x 3 3/8	2	2
26	1016386	KINGPIN	2	2
27	1015583	BUSHING, URETHANE	4	4
28	1012303	BUSHING, STEEL	2	2
29	1014276	PLATE, FRONT SPRING RETAINER	1	1
30	0001624	SCREW, HEX HEAD CAP, 3/8 - 16 x 1 1/2	4	4
31	0000357	WASHER, LOCK, 3/8	4	4
32	0000706	NUT, HEX, 3/8 - 16	4	4

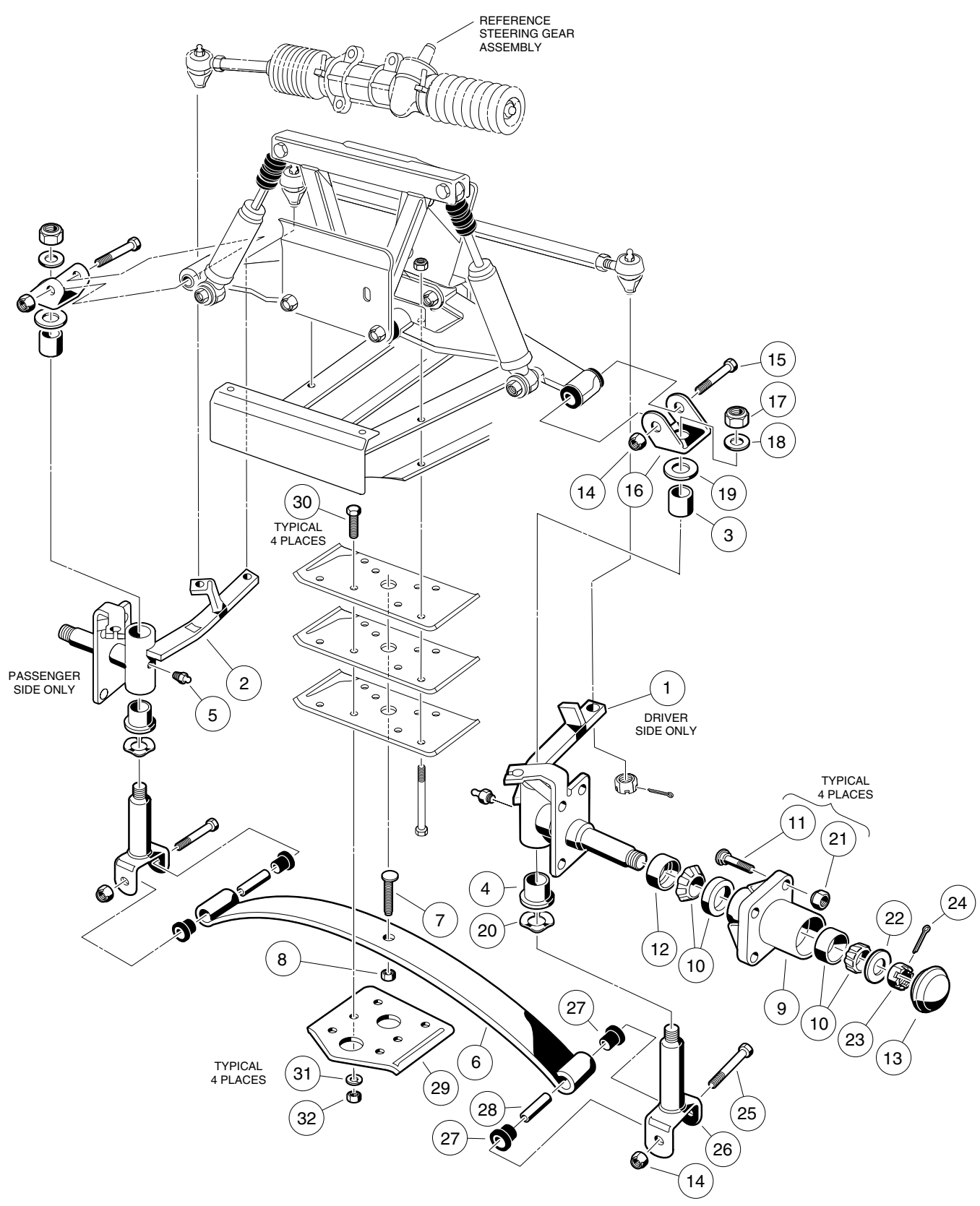
6
G
E



FRONT SUSPENSION, UPPER— RESORT VILLAGER, TRANS-PORTER/TRANS-SENDER

ITEM	PART NO.	DESCRIPTION	QTY GAS	QTY ELEC
		1 2 3 4		
1	1016353	ASSEMBLY, DELTA A-PLATE (INCLUDES ITEMS 2, 3 AND 4)	2	2
2	1016346	BUSHING, URETHANE	6	6
3	1016350	SLEEVE, DELTA OUTER	1	1
4	1016349	SLEEVE, DELTA INNER	2	2
5	0008754	NUT, NYLON LOCK, 3/8 - 16	11	11
6	1016385	ASSEMBLY, DELTA SHOCK AND GEAR SUPPORT	1	1
7	0001308	NUT, HEX, 1/2 - 20	1	1
8	0008861	BOLT, HEX HEAD, 3/8 - 16 x 2 3/4	2	2
9	1010138	NUT, DIMPLED LOCK, 3/8 - 16	2	2
10	0002402	BOLT, HEX HEAD, 3/8 - 16 x 2 1/4	4	4
11	1010219	ROD, TIE	1	1
12	0007555	NUT, HEX, LEFT HAND THREAD, 1/2 - 20	1	1
13	0007540	BALL JOINT, LEFT HAND THREAD (INCLUDES ITEMS 19, 20 AND 21)	1	1
14	1017266	STRAP, A-PLATE	1	1
15	1018706-01	SHOCK ABSORBER, FRONT	2	2
16	1010124	PLATE, SPRING MOUNTING	3	3
17	1018705-01	BOLT, HEX HEAD, 3/8 - 16 x 4 3/4	4	4
18	0007539	BALL JOINT, RIGHT HAND THREAD (INCLUDES ITEMS 19, 20 AND 21)	1	1
19	1015597	FITTING, THREAD FORMING GREASE, 1/4 - 28	1	1
20	1011930	SEAL, DUST	1	1
21	0007602	NUT, SLOTTED HEX, 3/8 - 24	1	1
22	0001035	PIN, COTTER, 3/32 x 1	3	3
23	0000320	BOLT, HEX HEAD, 3/8 - 16 x 1	1	1
24	1019353-01	CLAMP, BRAKE CABLE (PART OF BRAKE CABLE ASSEMBLY)	2	2
25	1019550-01	BRACKET, BRAKE CABLE GUIDE	1	1

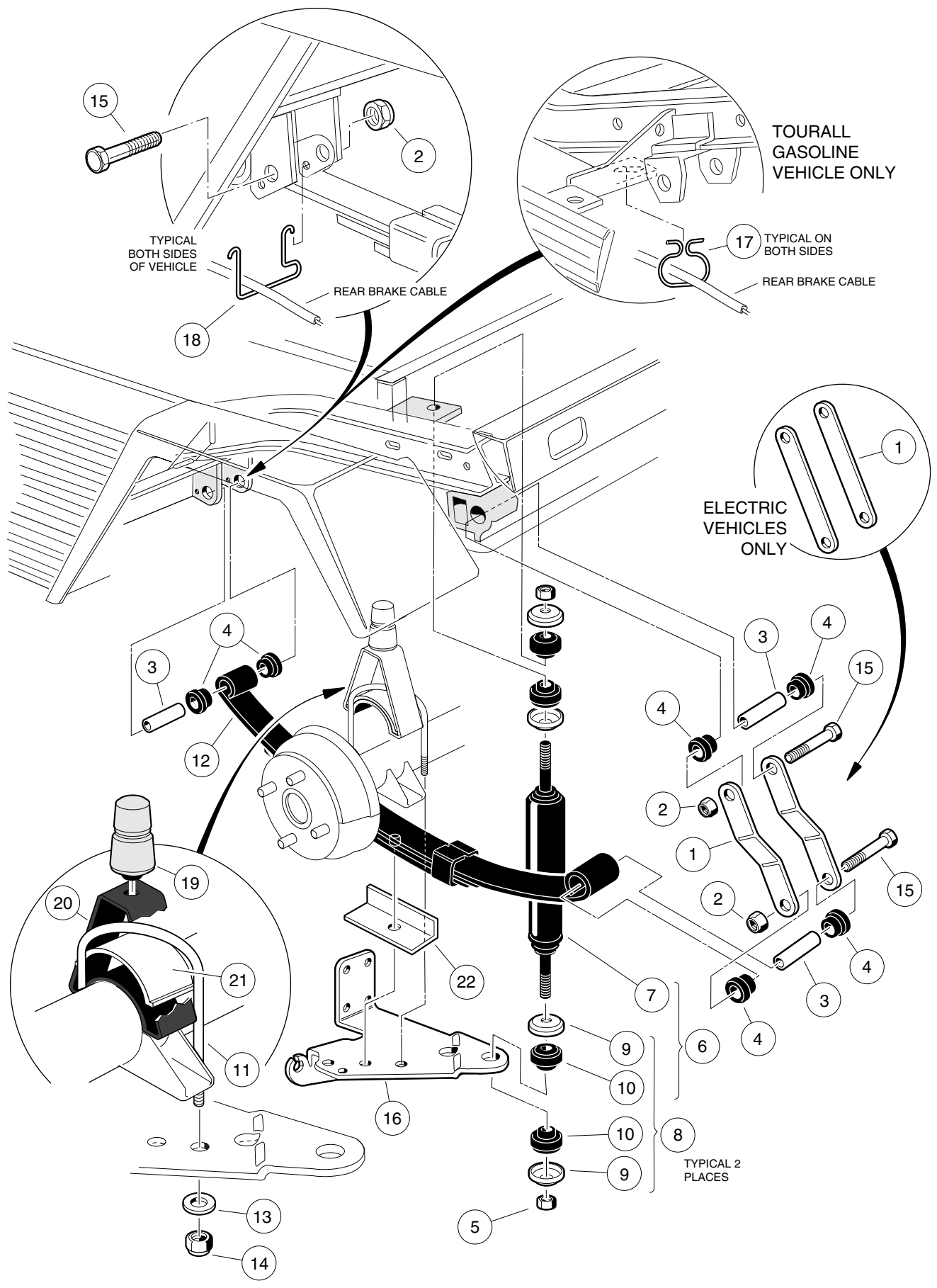
6
G
E



FRONT SUSPENSION, LOWER— RESORT VILLAGER, TRANS-PORTER/TRANS-SENDER

ITEM	PART NO.	DESCRIPTION	QTY GAS	QTY ELEC
		1 2 3 4		
1	1018769-01	ASSEMBLY, SPINDLE, DRIVER SIDE (INCLUDES ITEMS 3, 4 AND 5)	1	1
2	1018770-01	ASSEMBLY, SPINDLE, PASSENGER SIDE (INCLUDES ITEMS 3, 4 AND 5)	1	1
3	0008067	BUSHING, BRONZE SPINDLE	1	1
4	0007048	BUSHING, BRONZE	1	1
5	1015597	FITTING, GREASE, 1/4 - 28	1	1
6	1012030	SPRING, TAPERED LEAF	1	1
7	0008745	ASSEMBLY, ECCENTRIC	1	1
8	0000706	NUT, HEX, 3/8 - 16	1	1
9	1011892	KIT, HUB ASSEMBLY (INCLUDES ITEMS 10 - 13)	2	2
10	1011393	PACKAGE, HUB BEARING	2	2
11	1011304	STUD, LUG, 1/2 - 20	4	4
12	1013135	SEAL, DOUBLE LIP	1	1
13	1011887	COVER, DUST	1	1
14	0008754	NUT, NYLON LOCK, 3/8 - 16	4	4
15	1016387	SCREW, HEX HEAD CAP, 3/8 - 16 x 2 3/4	2	2
16	1016384	CLEVIS, UPPER DELTA	2	2
17	1019031-01	NUT, NYLON LOCK, 1/2 - 20	2	2
18	1010028	WASHER, FLAT, 1/2	2	2
19	1010150	BEARING, THRUST	2	2
20	1016389	WASHER, KINGPIN WAVE	2	2
21	1010984	NUT, LUG	8	8
22	1010005	WASHER, FLAT, 3/4	2	2
23	0007840	NUT, HEX SLOTTED, 3/4 - 16	2	2
24	0007910	PIN, COTTER, 5/32 x 1	2	2
25	0008755	SCREW, HEX HEAD CAP, 3/8 - 16 x 3 3/8	2	2
26	1016386	KINGPIN	2	2
27	1015583	BUSHING, URETHANE	4	4
28	1012303	BUSHING, STEEL	2	2
29	1014276	PLATE, FRONT SPRING RETAINER	1	1
30	1010177	SCREW, HEX HEAD CAP, 3/8 - 16 x 2	4	4
31	0000357	WASHER, LOCK, 3/8	4	4
32	0000706	NUT, HEX, 3/8 - 16	4	4

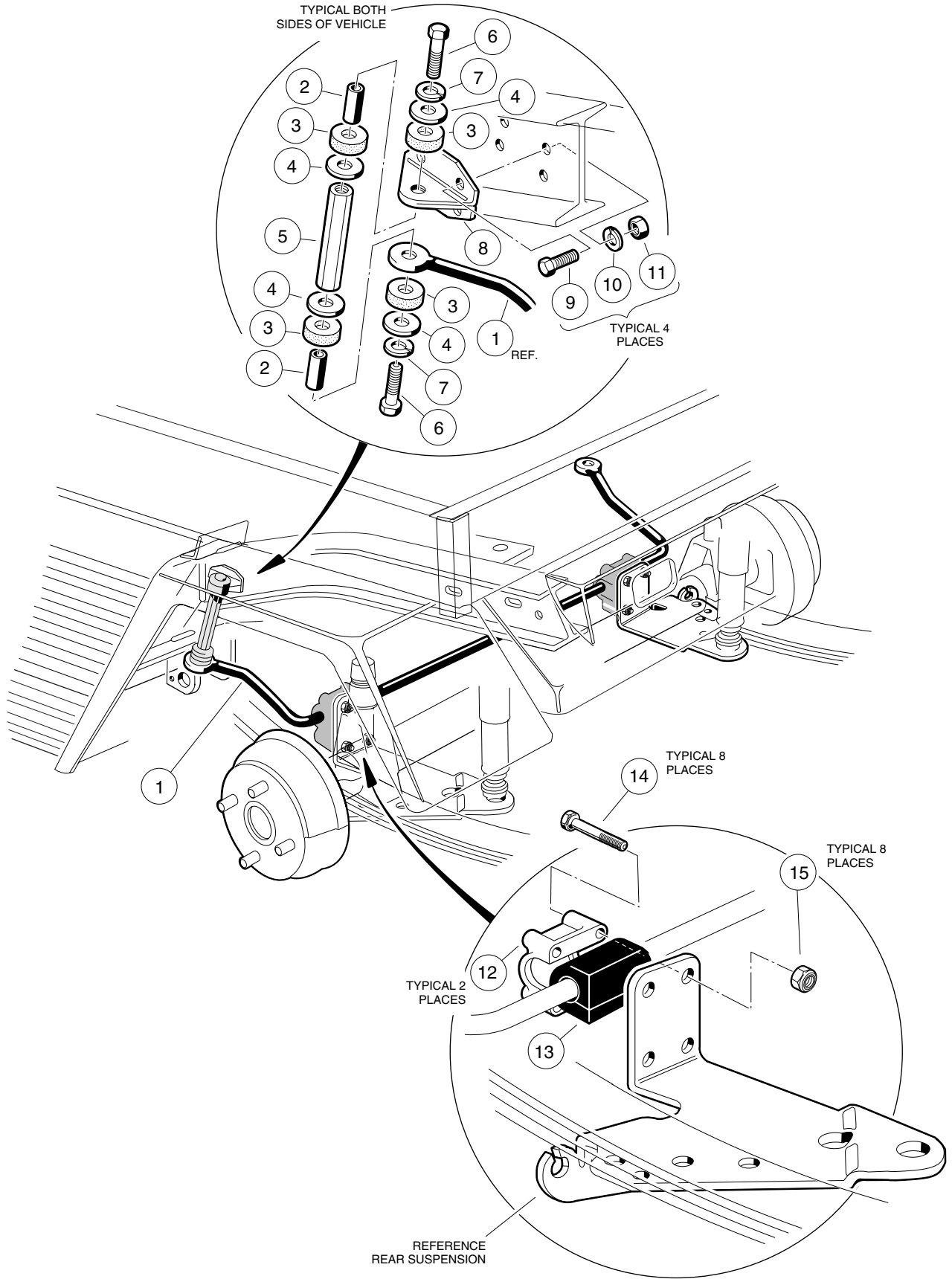
6
G
E



REAR SUSPENSION

ITEM	PART NO.	DESCRIPTION	QTY GAS	QTY ELEC
		1 2 3 4		
1	0007569	SHACKLE, REAR SPRING (ELECTRIC VEHICLE)		4
1	1012304	SHACKLE, REAR SPRING (GASOLINE VEHICLE)	4	
2	0008754	NUT, NYLON LOCK, 3/8 - 16	6	6
3	1012303	BUSHING, STEEL	4	4
4	1015583	BUSHING, URETHANE	12	12
5	1010145	NUT, UNF HEX, 3/8 - 24	4	4
6	1013164	KIT, SHOCK ABSORBER (INCLUDES ITEMS 7, 9 AND 10)	1	1
7	1014236	SHOCK ABSORBER, REAR	2	2
8	1011415	KIT, SHOCK ABSORBER CUSHION (INCLUDES ITEMS 9 AND 10)	4	4
9	N/A	RETAINER, SHOCK ABSORBER CUSHION	8	8
10	N/A	CUSHION, SHOCK ABSORBER	8	8
11	1014902	U-BOLT	2	2
12	1014675	SPRING, REAR LEAF	2	2
13	1014557	WASHER, FLAT, 7/16	4	4
14	1014555	NUT, NYLON LOCK, 7/16 - 24	4	4
15	0008755	SCREW, HEX HEAD CAP, 3/8 - 16 x 3 3/8	6	6
16	1019265-01	PAD, SPRING, DRIVER SIDE	1	1
16	1019294-01	PAD, SPRING, PASSENGER SIDE	1	1
17	1019008-01	HANGER, BRAKE CABLE (GASOLINE TOURALL ONLY)	2	
18	1013207	HANGER, BRAKE CABLE (ALL OTHER VEHICLES)	2	2
19	1017235	BUMPER, JOUNCE	2	2
20	1014546-02	MOUNT, BUMPER (GASOLINE VEHICLE ONLY)	2	
20	1014549-02	MOUNT, BUMPER (ELECTRIC VEHICLE ONLY)		2
21	1014901	SPACER, OVERLOAD BUMPER	2	2
22	1014573	RETAINER, SPRING	2	2

6
G
E



STABILIZER BAR, GASOLINE VEHICLE— RESORT VILLAGER, TRANS-PORTER/TRANS-SENDER

ITEM	PART NO.	DESCRIPTION	QTY GAS	QTY ELEC
		1 2 3 4		
1	1015760	BAR, STABILIZER, 3/4 DIAMETER	1	1
2	1015457	SPACER	4	4
3	1015453	MOUNT, COMPRESSION	8	8
4	0000808	WASHER, FLAT, 3/8	8	8
5	1016814	LINK, STABILIZER BAR	2	2
6	0008861	SCREW, HEX HEAD CAP, 3/8 - 16 x 1 3/4	4	4
7	0000357	WASHER, LOCK, 3/8	4	4
8	1016813	BRACKET, STABILIZER BAR MOUNTING	2	2
9	0007173	SCREW, HEX HEAD CAP, 5/16 - 18 x 3/4	8	8
10	0007174	WASHER, LOCK, 5/16	8	8
11	0001242	NUT, HEX, 5/16 - 18	8	8
12	1015614	SUPPORT, STABILIZER BAR BUSHING	2	2
13	1015613	BUSHING, STABILIZER BAR	2	2
14	0007311	SCREW, HEX HEAD CAP, 1/4 - 20 x 2	8	8
15	0008233	NUT, NYLON LOCK, 1/4 - 20	8	8

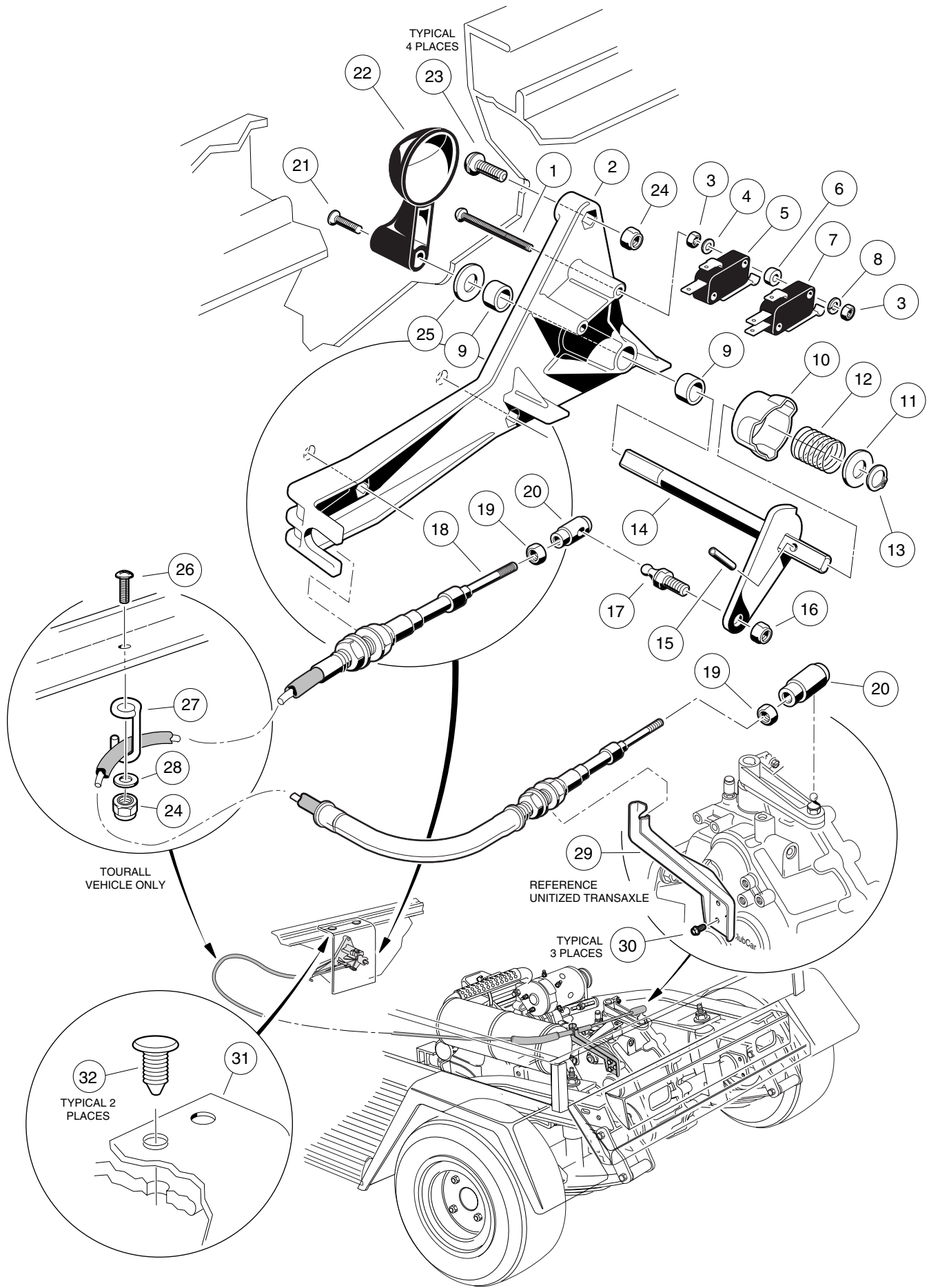
6
G
E

6
G
E

ELECTRICAL SYSTEM— GASOLINE VEHICLE

7

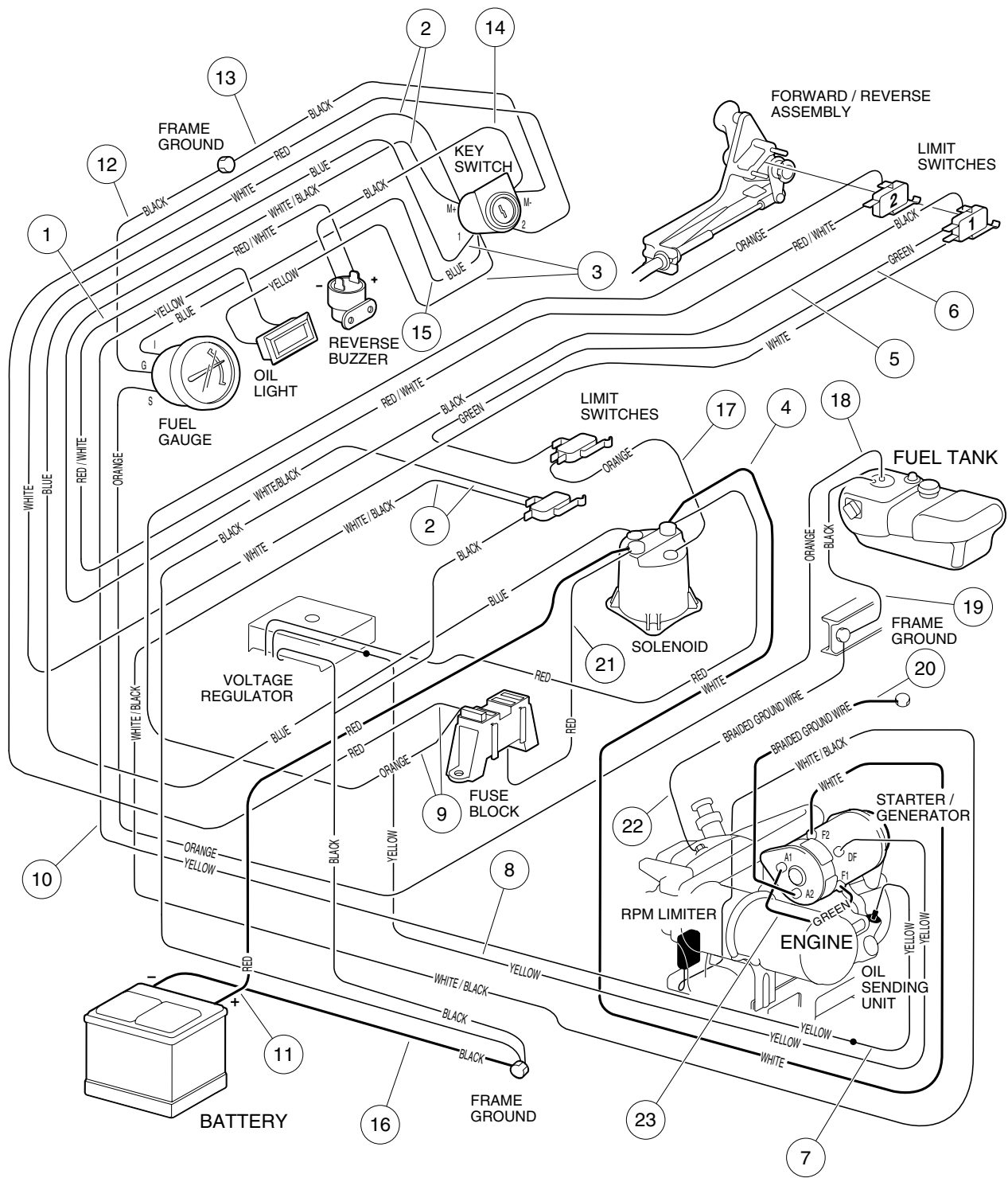
G



FORWARD AND REVERSE SHIFTER ASSEMBLY— GASOLINE VEHICLE

ITEM	PART NO.	DESCRIPTION	QTY
		1 2 3 4	
	1016947	ASSEMBLY, FORWARD AND REVERSE SHIFTER (INCLUDES ITEMS 1 - 17)	1
1	1012594	SCREW, MACHINE, #4 - 40 x 1 1/2	2
2	1016342	BASE, FORWARD AND REVERSE SHIFTER	1
3	0008057	NUT, HEX HEAD, #4 - 40	4
4	1012431	WASHER, FLAT, #4	2
5	1014808	SWITCH, LIMIT	1
6	1014727	WASHER, NYLON FLAT, #4	2
7	1014807	SWITCH, LIMIT	1
8	0008058	WASHER, LOCK, #4	2
9	1014145	BUSHING, BRONZE	2
10	1014089	KIT, NEUTRAL LOCK-OUT CAM (INCLUDES ITEM 11)	1
11	1014065	WASHER, FLAT	1
12	1013590	SPRING, FORWARD AND REVERSE CAM	1
13	1013589	RING, RETAINING	1
14	1013587	WELDMENT, FORWARD AND REVERSE BELL CRANK	1
15	1013591	PIN, ROLL, 1/8	1
16	0008717	NUT, NYLON LOCK, 1/4 - 28	1
17	1010954	STUD, BALL, 1/4 - 28 x 1/4	1
18	1019515-01	CABLE, TRANSMISSION (INCLUDES ITEMS 19 AND 20) (TOURALL ONLY)	1
18	1016727-01	CABLE, TRANSMISSION (INCLUDES ITEMS 19 AND 20) (RESORT VILLAGER TRANS-PORTER/TRANS-SENDER)	1
19	0007893	NUT, HEX, #10 - 32	2
20	1012333	JOINT, BALL	2
21	1013198	SCREW, PHILLIPS OVAL COUNTERSUNK MACHINE, #8 - 32 x 5/8	1
22	1012987	HANDLE, FORWARD AND REVERSE SWITCH	1
23	0008248	SCREW, PHILLIPS TRUSS HEAD, 1/4 - 20 x 3/4	4
24	0008233	NUT, NYLON LOCK, 1/4 - 20	5
25	1014065	WASHER, FLAT, 3/8	1
26	0008251	SCREW, PHILLIPS HEAD, 1/4 - 20 x 1 (TOURALL ONLY)	1
27	1018558-01	RETAINER, CABLE (TOURALL ONLY)	1
28	0000332	WASHER, FLAT, 1/4 (TOURALL ONLY)	1
29	1019226-01	BRACKET, TRANSMISSION CABLE SUPPORT	1
30	1012285	SCREW, THREAD ROLLING, 1/4 - 20 x 5/8	3
31	1018962-01	KIT, FORWARD AND REVERSE SWITCH COVER (INCLUDES ITEM 32) (TOURALL ONLY)	1
32	1010434	BARREL, PLASTIC	2

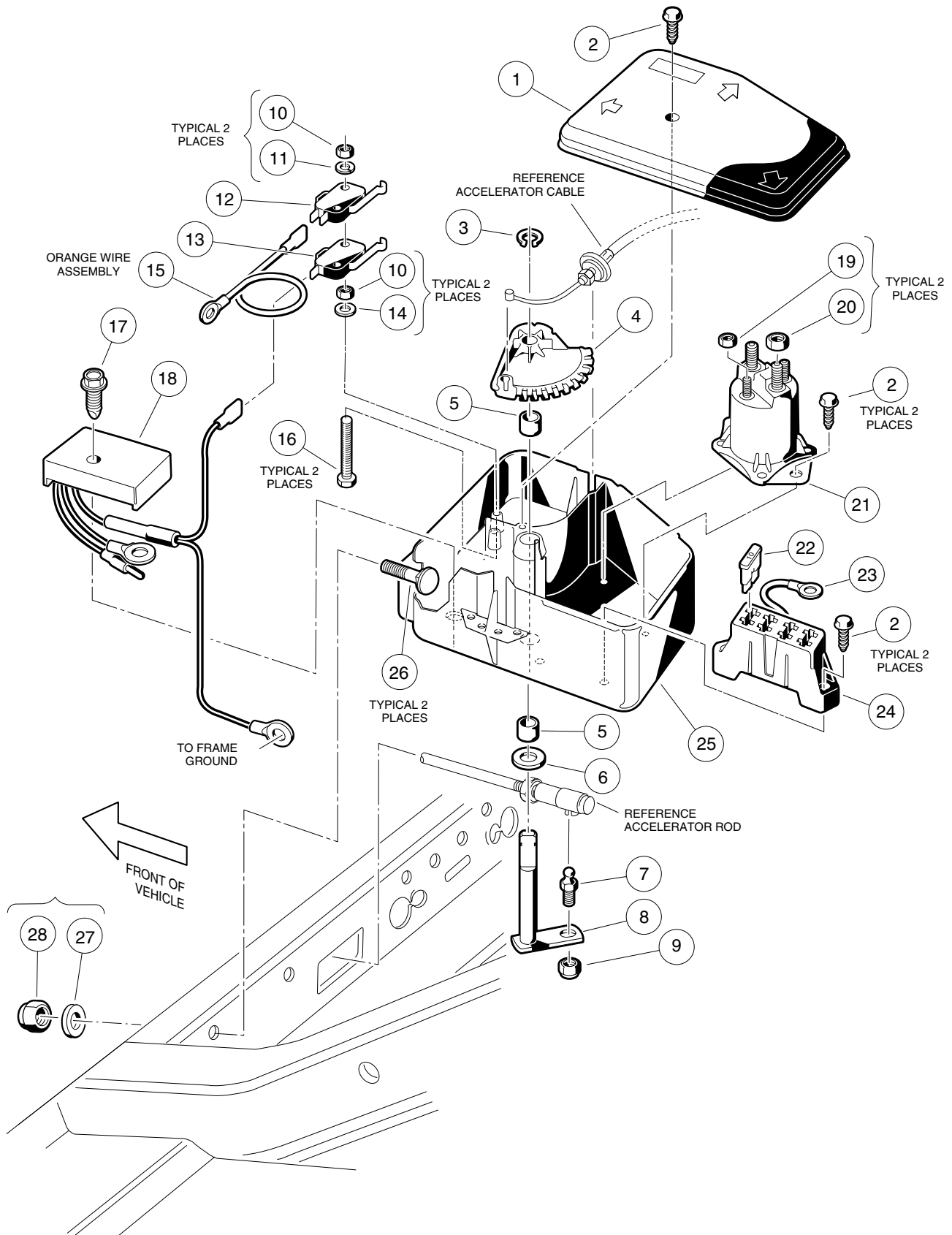




WIRING—GASOLINE TOURALL

ITEM	PART NO.	DESCRIPTION	QTY
		1 2 3 4	
	1018893-02	WIRE HARNESS ASSEMBLY (INCLUDES ITEMS 1 - 10)	1
1	N/A	WIRE ASSEMBLY, #18 RED/WHITE	1
2	N/A	WIRE ASSEMBLY, #18 WHITE, #18 WHITE/BLACK	1
3	N/A	WIRE ASSEMBLY, #18 YELLOW, #16 BLUE	1
4	1015769	WIRE ASSEMBLY, #6 WHITE	1
5	N/A	WIRE ASSEMBLY, #18 BLACK	1
6	N/A	WIRE ASSEMBLY, #18 GREEN	1
7	N/A	WIRE ASSEMBLY, #18 YELLOW	1
8	N/A	WIRE ASSEMBLY, #16 YELLOW	1
9	N/A	WIRE ASSEMBLY, #16 RED, #16 ORANGE	1
10	N/A	WIRE ASSEMBLY, #18 YELLOW	1
11	1014119	WIRE ASSEMBLY, #6 RED	1
12	N/A	WIRE ASSEMBLY, #18 BLACK	1
13	N/A	WIRE ASSEMBLY, #18 BLACK	1
14	N/A	WIRE ASSEMBLY, #18 BLACK (PART OF REVERSE BUZZER KIT)	1
15	N/A	WIRE ASSEMBLY, #18 BLUE	1
16	1012382	WIRE ASSEMBLY, #6 BLACK	1
17	N/A	WIRE ASSEMBLY, #18 ORANGE (PART OF ELECTRICAL COMPONENT BOX)	1
18	N/A	WIRE ASSEMBLY, #18 ORANGE	1
19	N/A	WIRE ASSEMBLY, #18 BLACK	1
20	1015920	WIRE ASSEMBLY, #6 BRAIDED GROUND	1
21	1015737	WIRE ASSEMBLY, #10 RED (PART OF ELECTRICAL COMPONENT BOX)	1
22	1015332	WIRE ASSEMBLY, #10 BRAIDED GROUND	1
23	1018373-01	WIRE ASSEMBLY, #6 GREEN	1





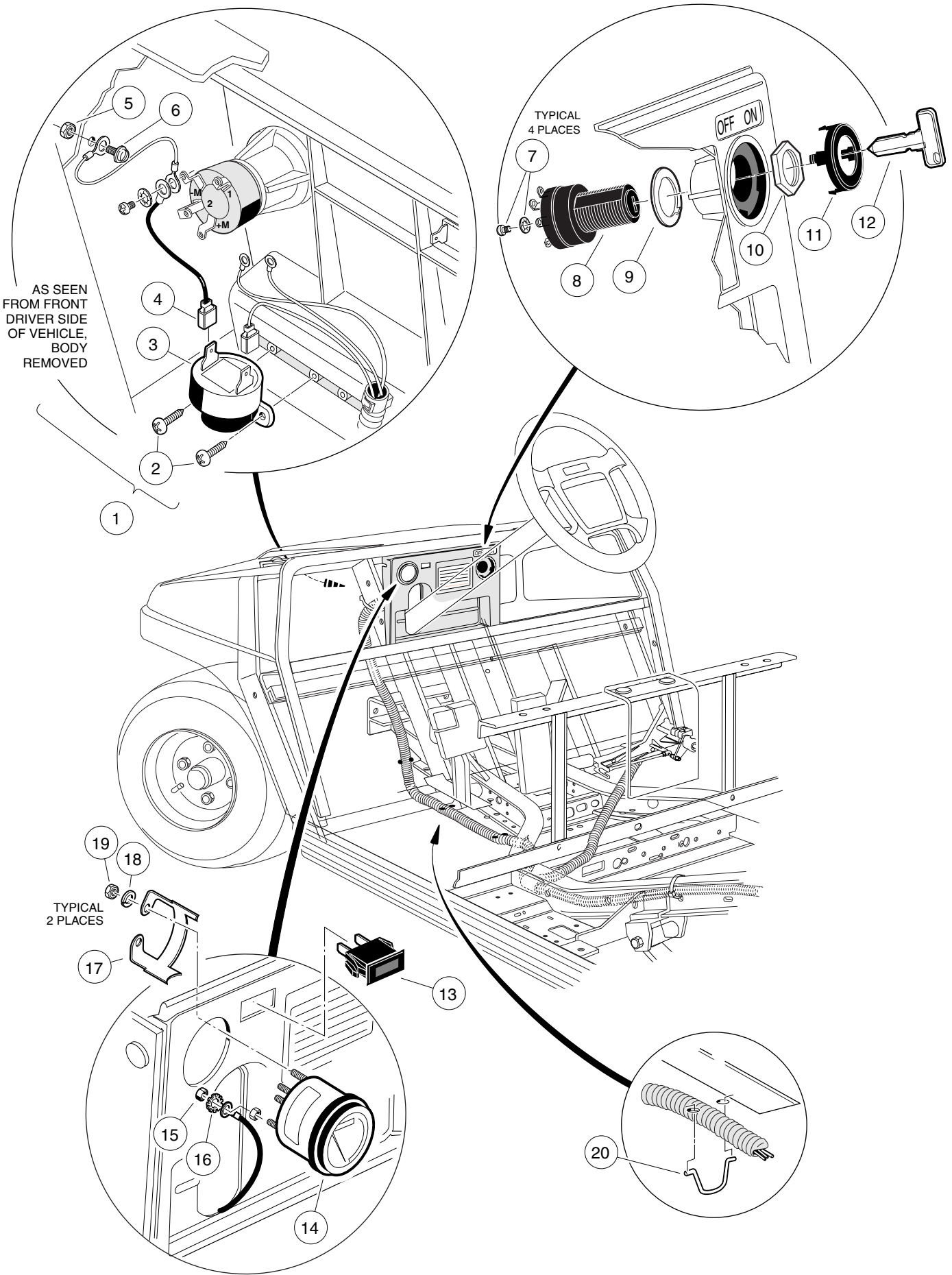
ELECTRICAL COMPONENT BOX, FE 290—TOURALL

7

G

ITEM	PART NO.	DESCRIPTION	QTY
		1 2 3 4	
	1018276-01	BOX, ELECTRICAL COMPONENT, COMPLETE (INCLUDES ITEMS 1 - 25 AND 1018893-02 - SEE PAGE 7-5) (TOURALL ONLY)	1
1	1015372	COVER, ELECTRICAL COMPONENT BOX	1
2	1015752	SCREW, HI-LO, #12 - 16 x 5/8	5
3	1013589	RING, RETAINING	1
4	1015373	CAM, ELECTRICAL BOX	1
5	1014145	BUSHING, BRONZE	2
6	1014065	WASHER, FLAT	1
7	1010954	STUD, BALL, 1/4 - 28	1
8	1018213-01	ASSEMBLY, BELL CRANK SHAFT	1
9	0008717	NUT, NYLON LOCK, 1/4 - 28	1
10	0008057	NUT, HEX, #4 - 40	4
11	0008058	WASHER, LOCK, #4	2
12	1014807	SWITCH, LIMIT	1
13	1014808	SWITCH, LIMIT	1
14	1012431	WASHER, FLAT, #4	2
15	N/A	WIRE ASSEMBLY, #16 ORANGE	1
16	1015878	SCREW, HEX HEAD MACHINE, #4 - 40 x 1 5/8	2
17	1018561-02	SCREW, HEX WASHER HEAD HI-LO, 1/4 - 15 x 1 1/2	1
18	1015777	ASSEMBLY, VOLTAGE REGULATOR	1
19	0007893	NUT, HEX, #10 - 32	2
20	0001242	NUT, HEX, 5/16 - 18	2
21	1013609	SOLENOID, 12 VOLT	1
22	1012295	FUSE, 10 AMP	1
23	1015737	WIRE ASSEMBLY, #10 RED	1
24	1015741	BLOCK, FUSE	1
25	1015371	BOX, ELECTRICAL COMPONENT	1
26	1015405	BOLT, CARRIAGE, 5/16 - 18 x 2	2
27	0001241	WASHER, FLAT, 5/16	2
28	0007473	NUT, NYLON LOCK, 5/16 - 18	2

7
G



ELECTRICAL COMPONENTS, FRONT BODY— GASOLINE TOURALL

ITEM	PART NO.	DESCRIPTION	QTY
		1 2 3 4	
1	1016859	KIT, REVERSE BUZZER (INCLUDES ITEMS 2, 3 AND 4)	1
2	1016849	SCREW, PAN HEAD HILO, #4 - 24 x 5/16	2
3	1016851	BUZZER, REVERSE	1
4	N/A	WIRE ASSEMBLY, #18 BLACK	1
5	1011229	NUT, K LOCK, #6 - 32	1
6	1015720	BOLT, HEX WASHER HEAD, # 6 - 32 x 1/2	1
7	1018306-01	ASSEMBLY, SCREW AND WASHER	4
8	1018263-01	SWITCH, KEY	1
9	1018511-01	WASHER	1
10	1018307-01	NUT, KEY SWITCH	1
11	1018345-02	CAP, KEY SWITCH	1
12	1012505	KEY (PAIR)	1
13	1016630	LIGHT, OIL WARNING	1
14	1015103	GAUGE, FUEL (INCLUDES ITEMS 15 AND 16)	1
15	N/A	NUT, BRASS	6
16	N/A	WASHER, EXTERNAL TOOTH LOCK	3
17	1015104	BRACKET, FUEL GAUGE	1
18	1011610	WASHER, LOCK, #8	2
19	1011571	NUT, HEX, #8 - 32	2
20	1019009-01	RETAINER, HARNESS	3

7
G

7

G

**WIRING DIAGRAM 7-10
GOES HERE**

WIRING—GASOLINE RESORT VILLAGER, TRANS-PORTER/TRANS-SENDER

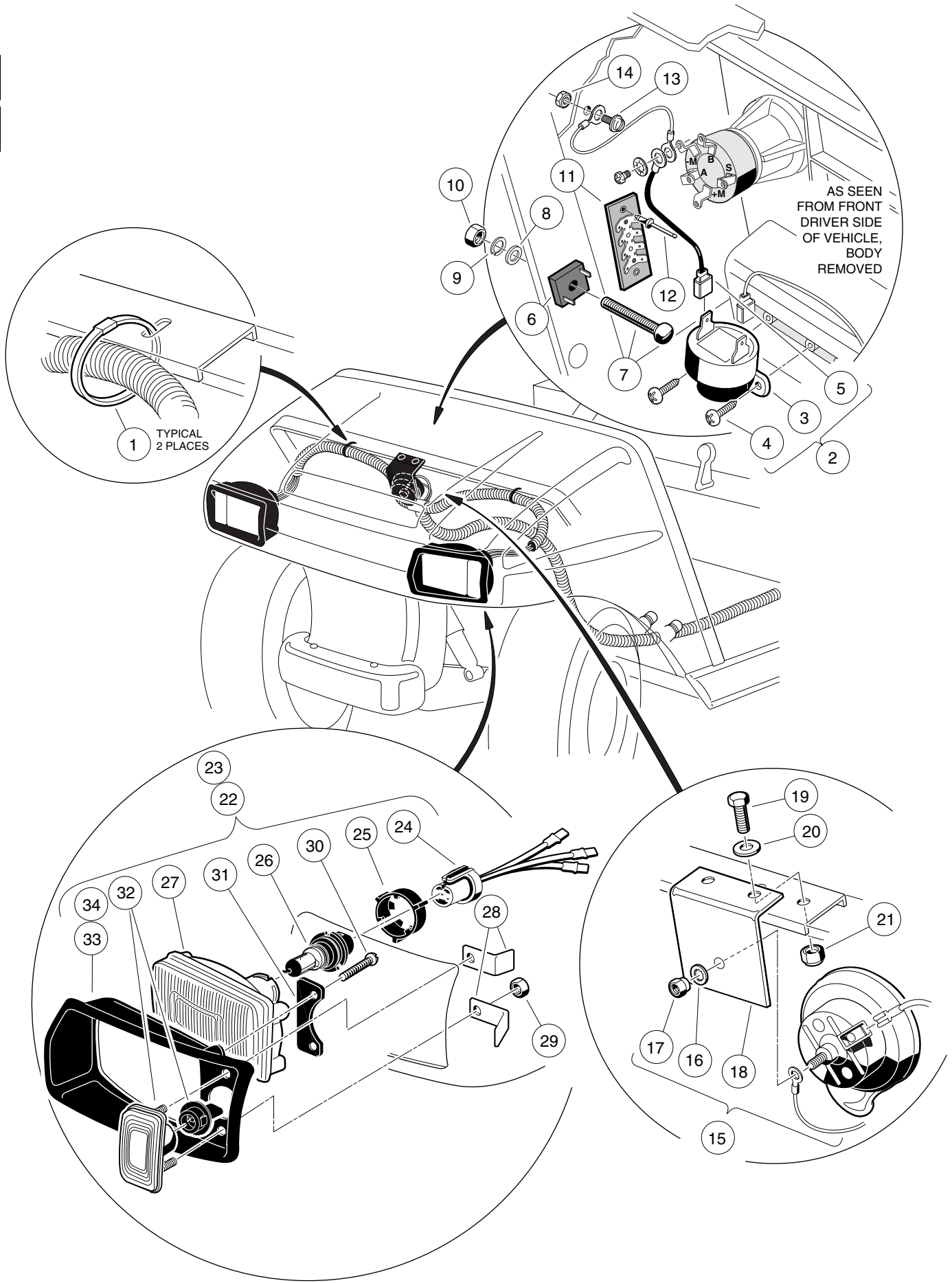
ITEM	PART NO.	DESCRIPTION	QTY
		1 2 3 4	
	1019695-02	HARNESS, WIRE (INCLUDES ITEMS 1 - 29)	1
1	N/A	WIRE ASSEMBLY, #16 WHITE	1
2	N/A	WIRE ASSEMBLY, #18 BLUE	1
3	N/A	WIRE ASSEMBLY, #18 YELLOW	1
4	N/A	WIRE ASSEMBLY, #18 BLUE	1
5	N/A	WIRE ASSEMBLY, #16 BLACK	1
6	N/A	WIRE ASSEMBLY, #16 BLACK	1
7	N/A	WIRE ASSEMBLY, #14 BLACK, #18 BLACK	1
8	N/A	WIRE ASSEMBLY, #18 RED	1
9	N/A	WIRE ASSEMBLY, #18 BROWN	1
10	N/A	WIRE ASSEMBLY, #14 YELLOW	1
11	N/A	WIRE ASSEMBLY, #18 BROWN	1
12	N/A	WIRE ASSEMBLY, #18 GREEN AND #18 YELLOW	1
13	N/A	WIRE ASSEMBLY, #16 RED AND #16 ORANGE	1
14	N/A	WIRE ASSEMBLY, #18 RED/WHITE	1
15	N/A	WIRE ASSEMBLY, #18 ORANGE	1
16	N/A	WIRE ASSEMBLY, #16 YELLOW	1
17	1016380	WIRE ASSEMBLY, # 6 BLACK	1
18	1015769	WIRE ASSEMBLY, # 6 WHITE	1
19	N/A	WIRE ASSEMBLY, #18 YELLOW	1
20	N/A	WIRE ASSEMBLY, #18 WHITE/BLACK	1
21	N/A	WIRE ASSEMBLY, #18 GREEN/WHITE AND #18 BLUE	1
22	N/A	WIRE ASSEMBLY, #18 YELLOW	1
23	N/A	WIRE ASSEMBLY, #18 WHITE	1
24	N/A	WIRE ASSEMBLY, #16 ORANGE/WHITE	1
25	N/A	WIRE ASSEMBLY, #16 BROWN	1
26	N/A	WIRE ASSEMBLY, #18 RED	1
27	N/A	WIRE ASSEMBLY, #16 RED/WHITE	1
28	N/A	WIRE ASSEMBLY, #16 ORANGE	1
29	N/A	WIRE ASSEMBLY, #16 ORANGE/WHITE	1
30	1014119	WIRE ASSEMBLY, #6 RED	1
31	N/A	WIRE ASSEMBLY, #18 BLACK	1
32	N/A	WIRE ASSEMBLY, #18 BLACK	1
33	N/A	WIRE ASSEMBLY, #18 BLACK (PART OF REVERSE BUZZER KIT)	2
34	N/A	WIRE ASSEMBLY, #18 BLUE	1
35	N/A	WIRE ASSEMBLY, #18 ORANGE (PART OF ELECTRICAL COMPONENT BOX)	1
36	N/A	WIRE ASSEMBLY, #18 BLACK	1
37	1015332	WIRE ASSEMBLY, #10 BRAIDED GROUND WIRE	1
38	1015737	WIRE ASSEMBLY, #10 RED (PART OF ELECTRICAL COMPONENT BOX)	1
39	1018373-01	WIRE ASSEMBLY, #6 GREEN	1
40	1012382	WIRE ASSEMBLY, #6 BLACK	1

7
G

ELECTRICAL COMPONENT BOX, FE 350— RESORT VILLAGER, TRANS-PORTER/TRANS-SENDER

7
G

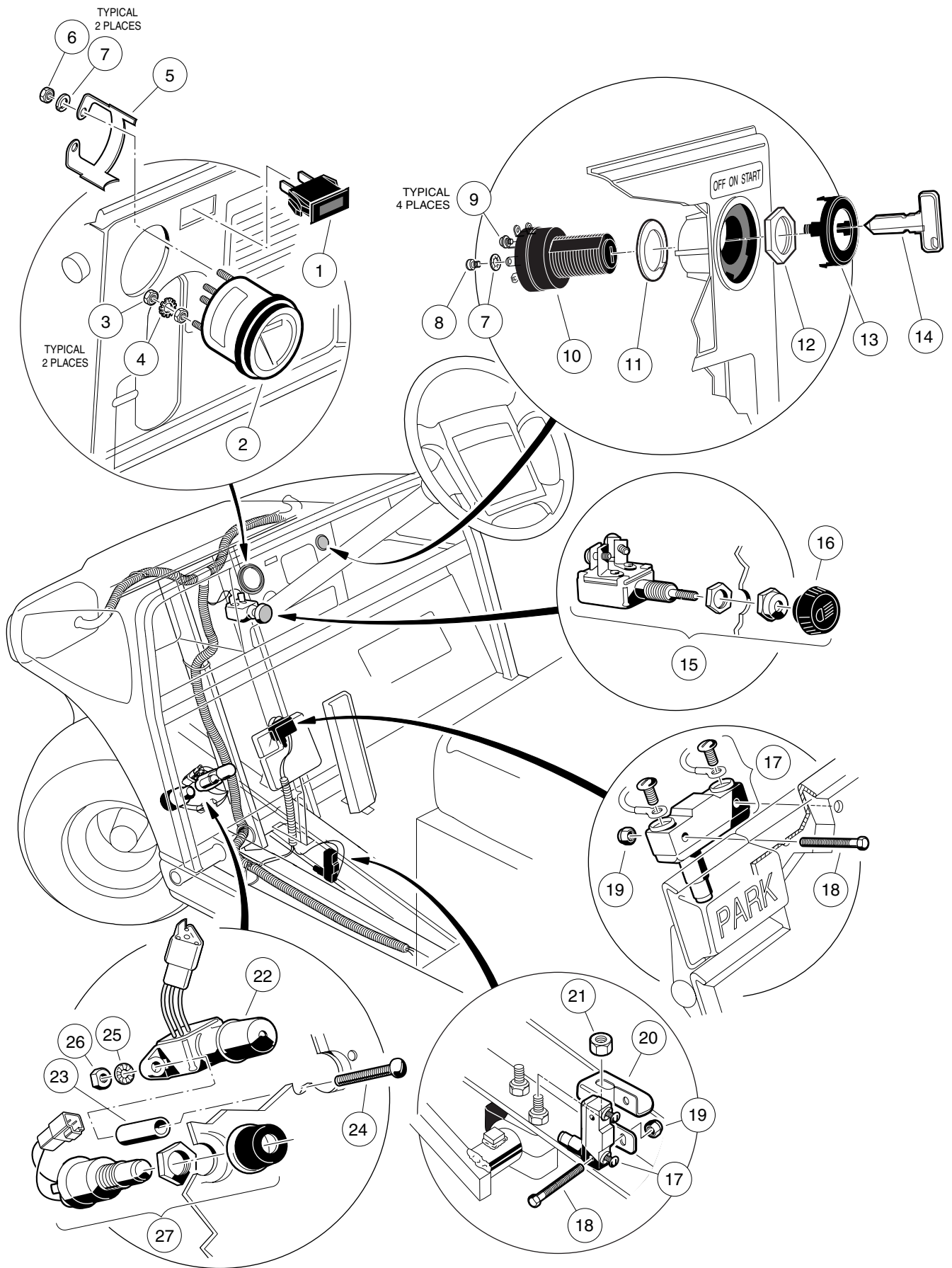
ITEM	PART NO.	DESCRIPTION	QTY
		1 2 3 4	
	1018277-02	BOX, ELECTRICAL COMPONENT, COMPLETE (INCLUDES ITEMS 1 - 31 AND WIRE HARNESS 1019695-02 - SEE PAGE 7-11)	1
1	1017239	RELAY	1
2	0008450	SCREW, HEX HEAD MACHINE, #10 - 24 x 1/2	1
3	0000183	WASHER, FLAT, #10	1
4	1017243	BRACKET, RELAY MOUNTING	1
5	0001016	WASHER, LOCK, #10	1
6	0001017	NUT, HEX, #10 - 24	1
7	1015372	COVER, ELECTRICAL COMPONENT BOX	1
8	1015752	SCREW, HI-LO, #12 - 16 x 5/8	5
9	0001242	NUT, HEX, 5/16 - 18	2
10	0007893	NUT, HEX, #10 - 32	2
11	1014948	ASSEMBLY, DIODE	1
12	N/A	WIRE ASSEMBLY, #18 ORANGE	1
13	1013609	SOLENOID	1
14	1014807	SWITCH, LIMIT	1
15	1013589	RING, RETAINING	1
16	1015373	CAM, ELECTRICAL BOX	1
17	1014145	BUSHING, BRONZE	2
18	1014065	WASHER, FLAT	1
19	1015345	ASSEMBLY, BELL CRANK SHAFT	1
20	1010954	STUD, BALL, 1/4 - 28	1
21	0008717	NUT, NYLON LOCK, 1/4 - 28	1
22	1016997	BOX, ELECTRICAL COMPONENT	1
23	1012295	FUSE, 10 AMP	1
24	1015737	WIRE ASSEMBLY, #10 RED	1
25	1015741	BLOCK, FUSE	1
26	1015405	BOLT, CARRIAGE, 5/16 - 18 x 2	1
27	1017238	REGULATOR, VOLTAGE	1
28	1015878	SCREW, HEX HEAD MACHINE, #4 - 40 x 1 5/8	2
29	1012431	WASHER, FLAT, #4	2
30	0008057	NUT, HEX, #4 - 40	4
31	0008058	WASHER, LOCK, #4	2
32	1016423	FUSE, 20 AMP	3
33	1018561-02	SCREW, HEX WASHER HEAD HI-LO, 1/4 - 15 x 1 1/2	1
34	0001241	WASHER, FLAT, 5/16	2
35	0007473	NUT, NYLON LOCK, 5/16 - 18	2



ELECTRICAL COMPONENTS, FRONT BODY— RESORT VILLAGER, TRANS-PORTER/TRANS-SENDER

ITEM	PART NO.	DESCRIPTION	QTY
		1 2 3 4	
1	0008639	WRAP, TIE	4
2	1016859	KIT, REVERSE BUZZER (INCLUDES ITEMS 3, 4 AND 5)	1
3	1016851	BUZZER, REVERSE	1
4	1016849	SCREW, PAN HEAD HILO, #4 - 24 x 5/16	2
5	N/A	WIRE ASSEMBLY, #18 BLACK	1
6	1017721	LIMITER, VOLTAGE (FOR GASOLINE VEHICLE LIGHTING INSTALLATION)	1
7	1010909	SCREW, MACHINE, #10 - 32 x 1 1/4	1
8	0000183	WASHER, FLAT, #10	1
9	0001016	WASHER, LOCK, #10	1
10	0007893	NUT, HEX, #10 - 32	1
11	1016356	BLOCK, TERMINAL	1
12	1013357	RIVET, ALUMINUM POP, 5/32	2
13	1015720	BOLT, HEX WASHER HEAD, #6 - 32 x 1/2	1
14	1011229	NUT, "K" LOCK, #6 - 32	1
15	0004029	ASSEMBLY, HORN (INCLUDES ITEMS 16, 17 AND 18)	1
16	0007820	WASHER, INTERNAL TOOTH, 5/16	1
17	1019551-01	NUT, M6 x 1.25	1
18	1011825	BRACKET, HORN	1
19	0000304	BOLT, HEX HEAD, 1/4 - 20 x 1	2
20	0000332	WASHER, FLAT, 1/4	2
21	0008233	NUT, NYLON LOCK, 1/4 - 20	2
22	1016897-01	ASSEMBLY, HEADLIGHT, DRIVER SIDE (INCLUDES ITEMS 24 - 33)	1
23	1016897-02	ASSEMBLY, HEADLIGHT, PASSENGER SIDE (INCLUDES ITEMS 24 - 32 AND 34)	1
24	1017066	HARNESS, HEADLIGHT WIRE	1
25	1017059	LOCK, BULB COLLAR	1
26	1017060	BULB, HALOGEN	1
27	1017061	LENS, HEADLIGHT	1
28	1017064	BRACKET, MOUNTING	2
29	0007893	NUT, HEX, #10 - 32	2
30	1013461	SCREW, HI-LO, #10 - 16 x 7/16	2
31	1017065	RETAINER, HEADLIGHT	1
32	1017062	ASSEMBLY, TURN SIGNAL LENS	1
33	1016880	BEZEL, HEADLIGHT, DRIVER SIDE	1
34	1016879	BEZEL, HEADLIGHT, PASSENGER SIDE	1

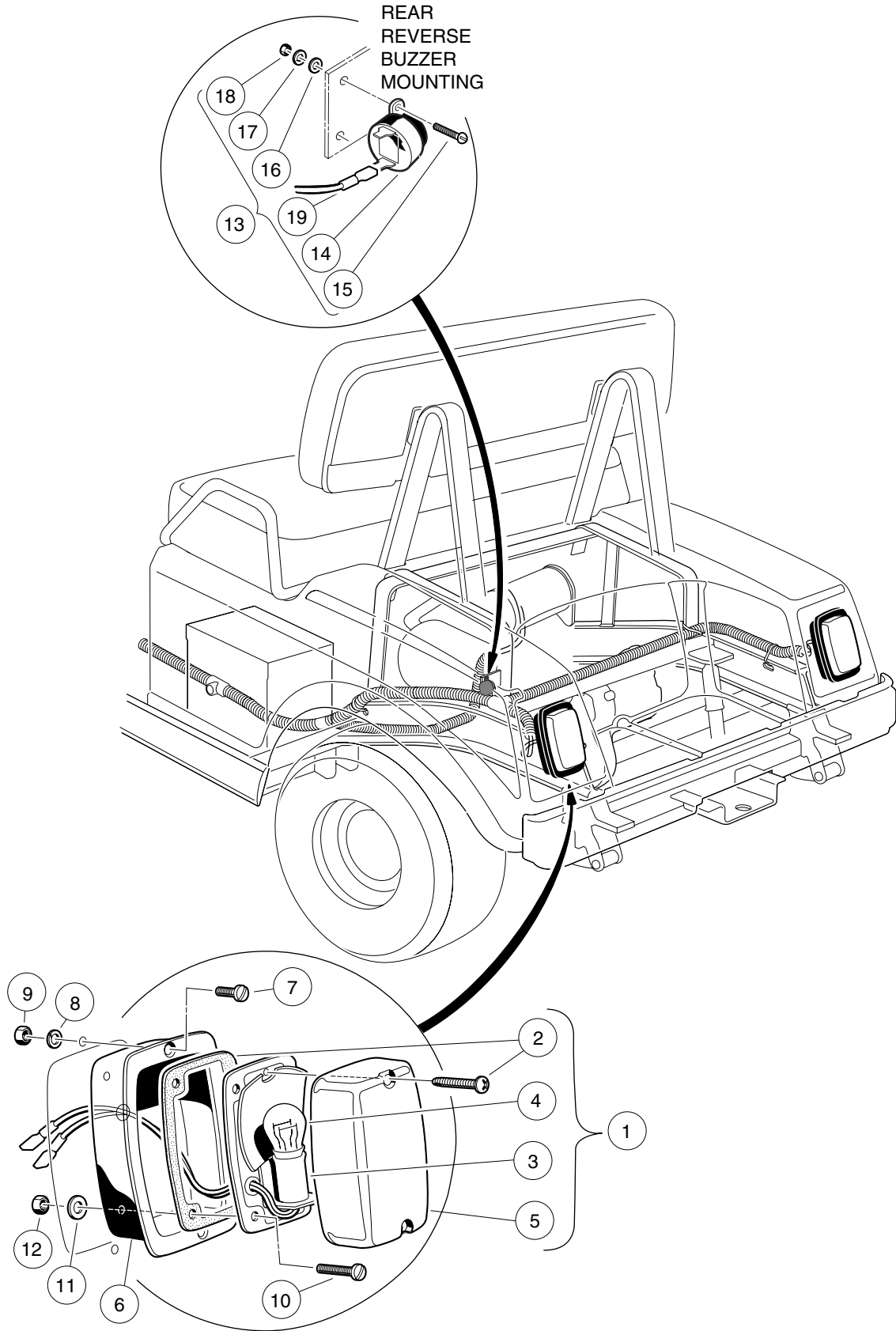
7
G



SWITCHES AND GAUGES—GASOLINE RESORT VILLAGER, TRANS-PORTER/TRANS-SENDER

ITEM	PART NO.	DESCRIPTION	QTY
		1 2 3 4	
1	1016630	LIGHT, OIL WARNING	1
2	1015103	GAUGE, FUEL (INCLUDES ITEMS 3 AND 4)	1
3	N/A	NUT, BRASS	6
4	N/A	WASHER, EXTERNAL TOOTH LOCK	3
5	1015104	BRACKET, FUEL GAUGE	1
6	1011571	NUT, HEX, #8 - 32	2
7	1011610	WASHER, LOCK, #8	3
8	1016092	SCREW, PAN HEAD MACHINE, #8 - 32 x 7/16	1
9	1018306-01	ASSEMBLY, SCREW AND WASHER	4
10	1018264-01	SWITCH, KEY	1
11	1018511-01	WASHER	1
12	1018307-01	NUT, KEY SWITCH	1
13	1018345-02	CAP, KEY SWITCH	1
14	1012505	KEY (PAIR)	1
15	0004034	SWITCH, LIGHT (INCLUDES ITEM 16)	1
16	1013857	KNOB, LIGHT SWITCH	1
17	1011439	SWITCH, LIMIT	2
18	1011557	SCREW, HEX HEAD MACHINE, #6 - 32 x 1	4
19	1019322-01	NUT, NYLON LOCK, #6 - 32	4
20	1019571-01	BRACKET, BRAKE LIGHT SWITCH	1
21	1011280	NUT, LOCK, 5/16 - 18	1
22	1019698-01	SWITCH, DIMMER	1
23	1018713-01	STAND-OFF, DIMMER SWITCH	2
24	1018712-01	SCREW, MACHINE, #10 - 32 x 1	2
25	0008049	WASHER, INTERNAL TOOTH LOCK, #10	2
26	0007893	NUT, HEX, #10 - 32	2
27	1019697-01	BUTTON, HORN	1

7
G



ELECTRICAL COMPONENTS, REAR BODY— GASOLINE RESORT VILLAGER

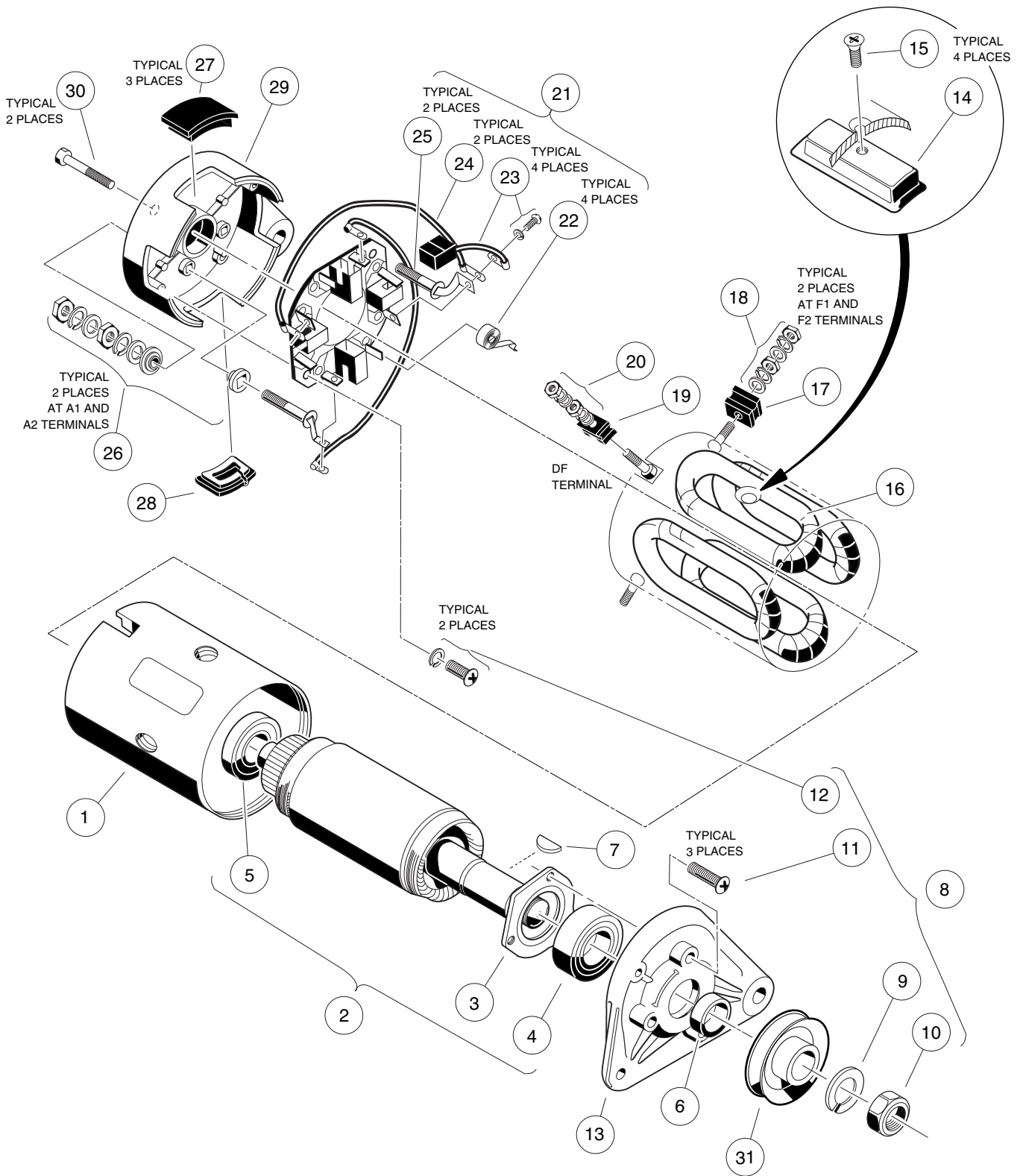
ITEM	PART NO.	DESCRIPTION	QTY
		1 2 3 4	
1	1017035	ASSEMBLY, TAILLIGHT (INCLUDES ITEMS 2 - 5)	2
2	1017699	KIT, HARDWARE	1
3	N/A	BASE, TAILLIGHT	1
4	1011582	BULB	1
5	1011843	LENS	1
6	1011497	BEZEL, TAILLIGHT	2
7	1011498	SCREW, MACHINE, #8 - 32 x 1/2	4
8	1011610	WASHER, LOCK, #8	4
9	1011571	NUT, HEX, #8 - 32	4
10	1011557	SCREW, MACHINE, #6 - 32 x 1	4
11	0007591	WASHER, FLAT, #6	4
12	1011558	NUT, HEX, #6	6
13	1016859	KIT, REVERSE BUZZER (INCLUDES ITEMS 14 - 19)	1
14	1016851	BUZZER, REVERSE	1
15	0008056	SCREW, ROUND HEAD, #4 - 40 x 3/4	2
16	1012431	WASHER, FLAT, #4	2
17	0008058	WASHER, LOCK, #4	2
18	0008057	NUT, HEX, #4 - 40	2
19	N/A	WIRE ASSEMBLY, #18 BLACK	1

7
G

ELECTRICAL COMPONENTS, REAR BODY— GASOLINE TRANS-PORTER/TRANS-SENDER

ITEM	PART NO.	DESCRIPTION	QTY
		1 2 3 4	
1	1016717	ASSEMBLY, TAILLIGHT (INCLUDES ITEMS 2 - 6)	2
2	N/A	HOUSING, TAILLIGHT	1
3	1011582	BULB	1
4	N/A	GASKET	1
5	N/A	LENS	1
6	N/A	SCREW, LENS	2
7	1015752	SCREW, HEX WASHER HEAD, #12 - 16 x 1/2	4
8	1016859	KIT, REVERSE BUZZER (INCLUDES ITEMS 9 - 15)	1
9	1016851	BUZZER, REVERSE	1
10	1016849	SCREW, PAN HEAD HILO, #4 - 24 x 5/16	2
11	N/A	WIRE ASSEMBLY, #18 BLACK	1
12	1015720	SCREW, HEX WASHER HEAD, #6 - 32 x 1/2	1
13	0007591	WASHER, FLAT	1
14	1011622	WASHER, LOCK, #6	1
15	1011558	NUT, HEX, #6 - 32	1

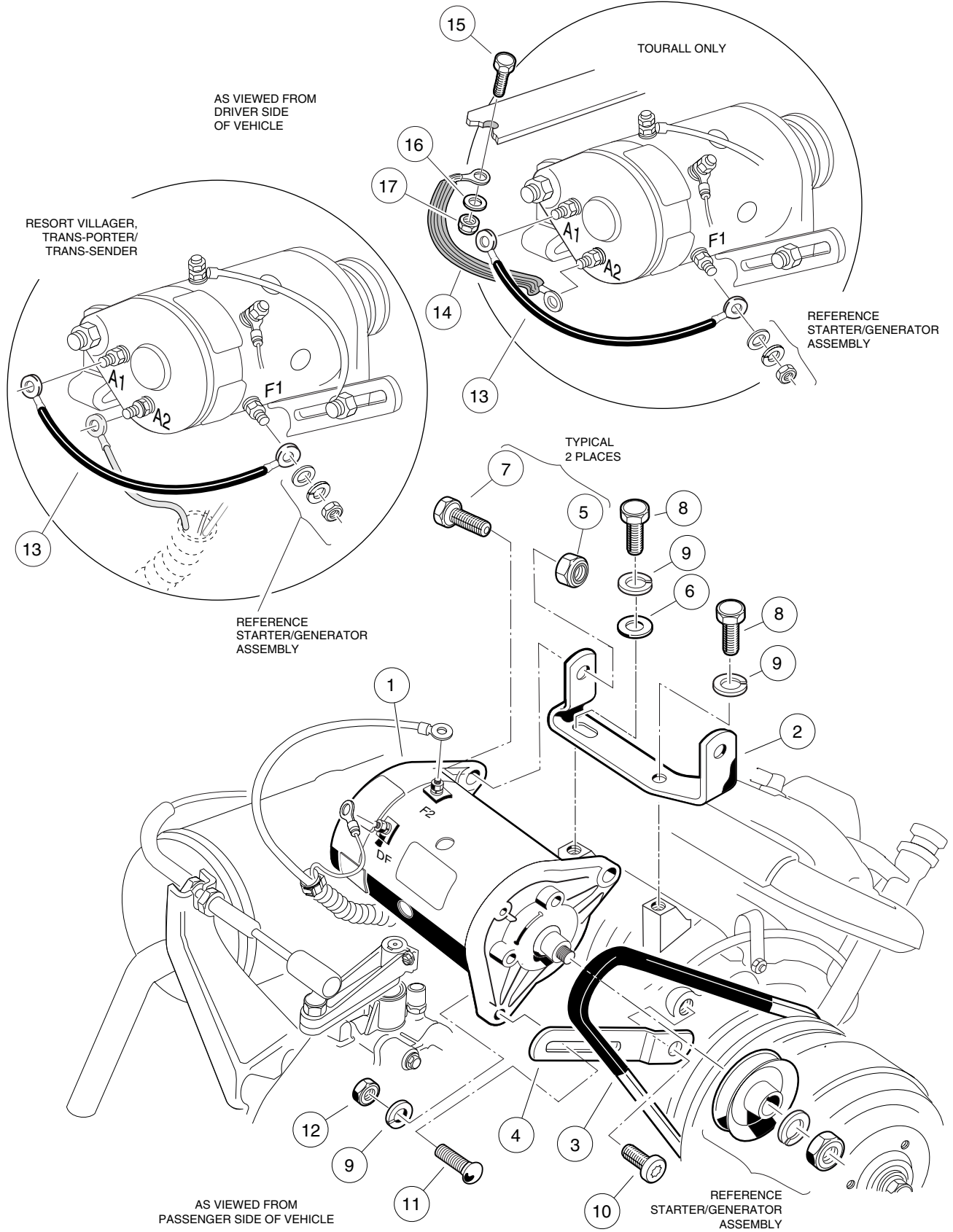
7
G



STARTER/GENERATOR ASSEMBLY

ITEM	PART NO.	DESCRIPTION	QTY
		1 2 3 4	
	1018337-01	STARTER/GENERATOR (CLOCKWISE ROTATION) (INCLUDES ITEMS 1 - 30)	1
1	1018752-01	HOUSING, FIELD COIL	1
2	1018751-01	ASSEMBLY, ARMATURE (INCLUDES ITEMS 3 -6)	1
3	1018750-01	RETAINER, BEARING	1
4	1013001	BALL BEARING, OUTPUT SHAFT	1
5	1013005	COMMUTATOR, BALL BEARING	1
6	1019399-01	SPACER, 5/16	1
7	1013003	KEY, WOODRUFF	1
8	1018765-01	KIT, PULLEY NUT AND SCREW (INCLUDES ITEMS 9 - 12)	1
9	N/A	WASHER, LOCK, M14	1
10	N/A	NUT, HEX, M14 x 2	1
11	N/A	SCREW, CROSS - RECESSED, M5 x .8 x 18MM	3
12	1018965-01	SCREW, CROSS - RECESSED, M5 x .8 x 16MM (WITH LOCK WASHER)	2
13	1018749-01	END BELL, OUTPUT SHAFT	1
14	1018753-01	SET, POLE (SET OF 4)	1
15	1018754-01	SCREW, POLE PIECE (SET OF 4)	1
16	1018755-01	ASSEMBLY, FIELD COIL	1
17	1018756-01	SET, F INSULATOR	2
18	1018776-01	PACKAGE, TERMINAL HARDWARE (F1 AND F2)	2
19	1018757-01	SET, DF INSULATOR	1
20	1018777-01	PACKAGE, TERMINAL HARDWARE (DF)	1
21	1013011-02	HOLDER, BRUSH (INCLUDES ITEMS 22 - 25)	1
22	1018781-01	SPRING, BRUSH	4
23	1018693-02	PACKAGE, BRUSH (INCLUDES 4 BRUSHES, 4 SCREWS, 4 WASHERS)	1
24	1018762-02	ASSEMBLY, BRUSH CONNECTOR	2
25	1018758-02	A CONNECTOR (SET OF 2)	1
26	1018760-01	PACKAGE, TERMINAL HARDWARE (A1 AND A2)	2
27	1018763-01	COVER, BRUSH INSPECTION PORT (SET OF 4) (INCLUDES ITEM 28)	1
28	1017653	COVER, BRUSH INSPECTION PORT, WITH DRAIN	1
29	1018764-02	END BELL, COMMUTATOR	1
30	1018790-01	BOLT, CLAMP, M6 x 1 x 180MM	2
31	1014289	PULLEY (SILVER COLOR)	1



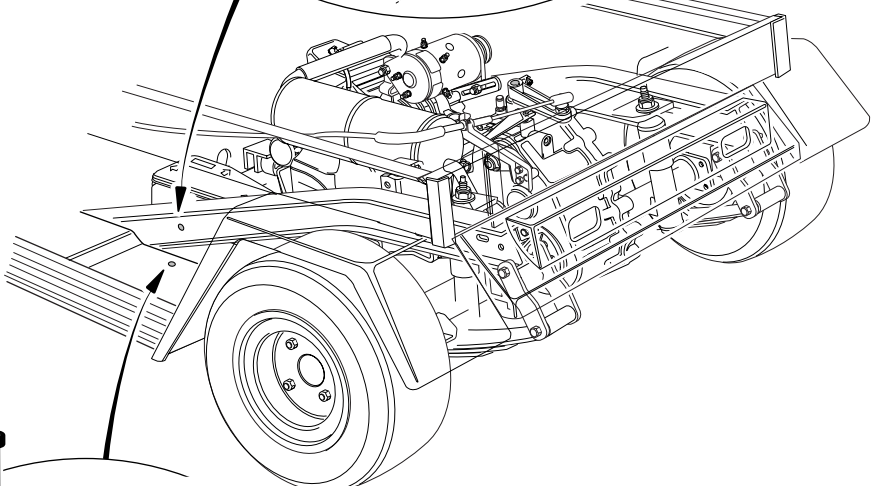
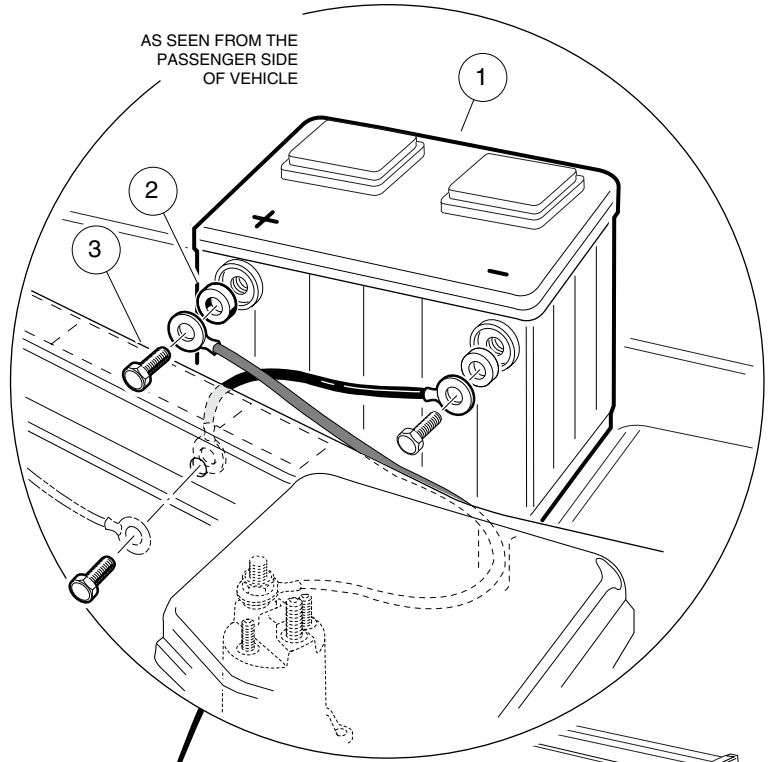


STARTER/GENERATOR MOUNTING

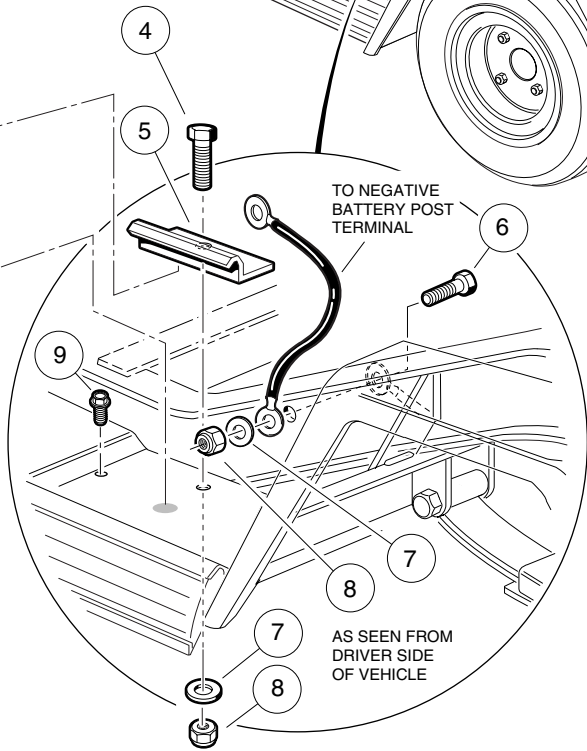
ITEM	PART NO.	DESCRIPTION	QTY
		1 2 3 4	
1	1018337-01	STARTER/GENERATOR	1
2	1015240-01	BRACKET, MOUNTING, FE 290 (TOURALL ONLY).....	1
2	1015240-02	BRACKET, MOUNTING, FE 350 (RESORT VILLAGER, TRANS-PORTER/TRANS-SENDER)	1
3	1019167-01	BELT	1
4	1016883	BRACKET, ADJUSTING	1
5	0008754	NUT, NYLON LOCK, 3/8 - 16	2
6	1015075	WASHER, FLAT, 5/16	1
7	0000705	BOLT, HEX HEAD, 3/8 - 16 x 1 1/4	2
8	1019035-01	SCREW, HEX HEAD CAP, M8 x 1.25 x 24MM	2
9	0007174	WASHER, LOCK, 5/16	3
10	1016074	SCREW, TORX HEAD, M8 x 1.25 x 18MM	1
11	1015932	BOLT, CARRIAGE, 5/16 - 18 x 1	1
12	0001242	NUT, HEX, 5/16 - 18	1
13	1018373-01	WIRE ASSEMBLY, #6 GREEN	1
14	1015920	WIRE ASSEMBLY, #6 BRAIDED GROUND (TOURALL ONLY)	1
15	0007173	SCREW, HEX HEAD CAP, 5/16 - 18 x 3/4 (TOURALL ONLY)	1
16	0001241	WASHER, FLAT, 5/16 (TOURALL ONLY)	1
17	0007473	NUT, NYLON LOCK, 5/16 - 18 (TOURALL ONLY)	1



AS SEEN FROM THE PASSENGER SIDE OF VEHICLE



TO NEGATIVE BATTERY POST TERMINAL



AS SEEN FROM DRIVER SIDE OF VEHICLE

BATTERY—GASOLINE VEHICLE

ITEM	PART NO.	DESCRIPTION	QTY
		1 2 3 4	
1	1012328	BATTERY, 12 VOLT	1
2	1014374	SPACER, BATTERY TERMINAL BOLT	2
3	1014375	SCREW, HEX HEAD CAP, STAINLESS STEEL, 3/8 - 16 x 1/2	2
4	1010934	BOLT, HEX HEAD, 5/16 - 18 x 1	1
5	1018980-01	CLAMP, BATTERY	1
6	0007173	SCREW, HEX CAP, 5/16 - 18 x 3/4	1
7	0001241	WASHER, FLAT, 5/16	2
8	0007473	NUT, NYLON LOCK, 5/16 - 18	2
9	1014288	SCREW, THREAD-FORMING, 5/16 - 16 x 3/4	1

7
G

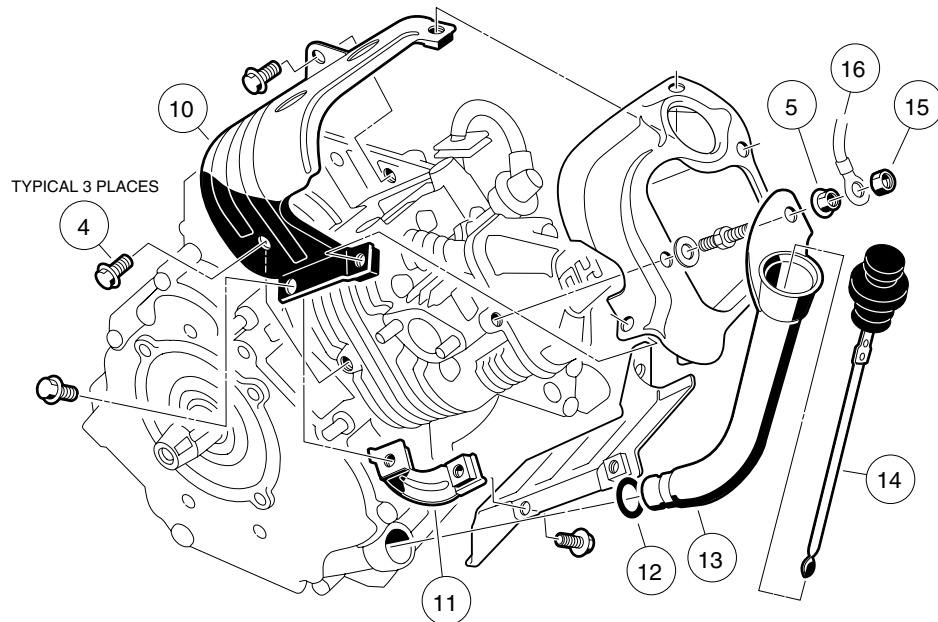
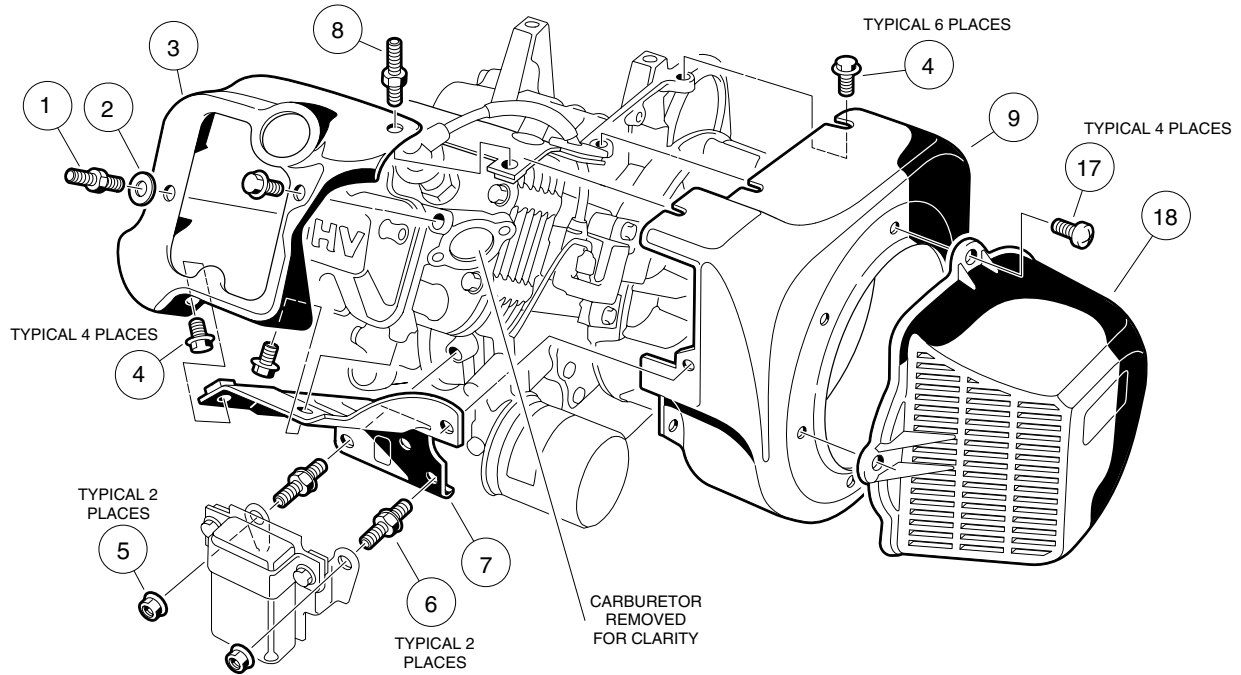
7

G

ENGINE

8

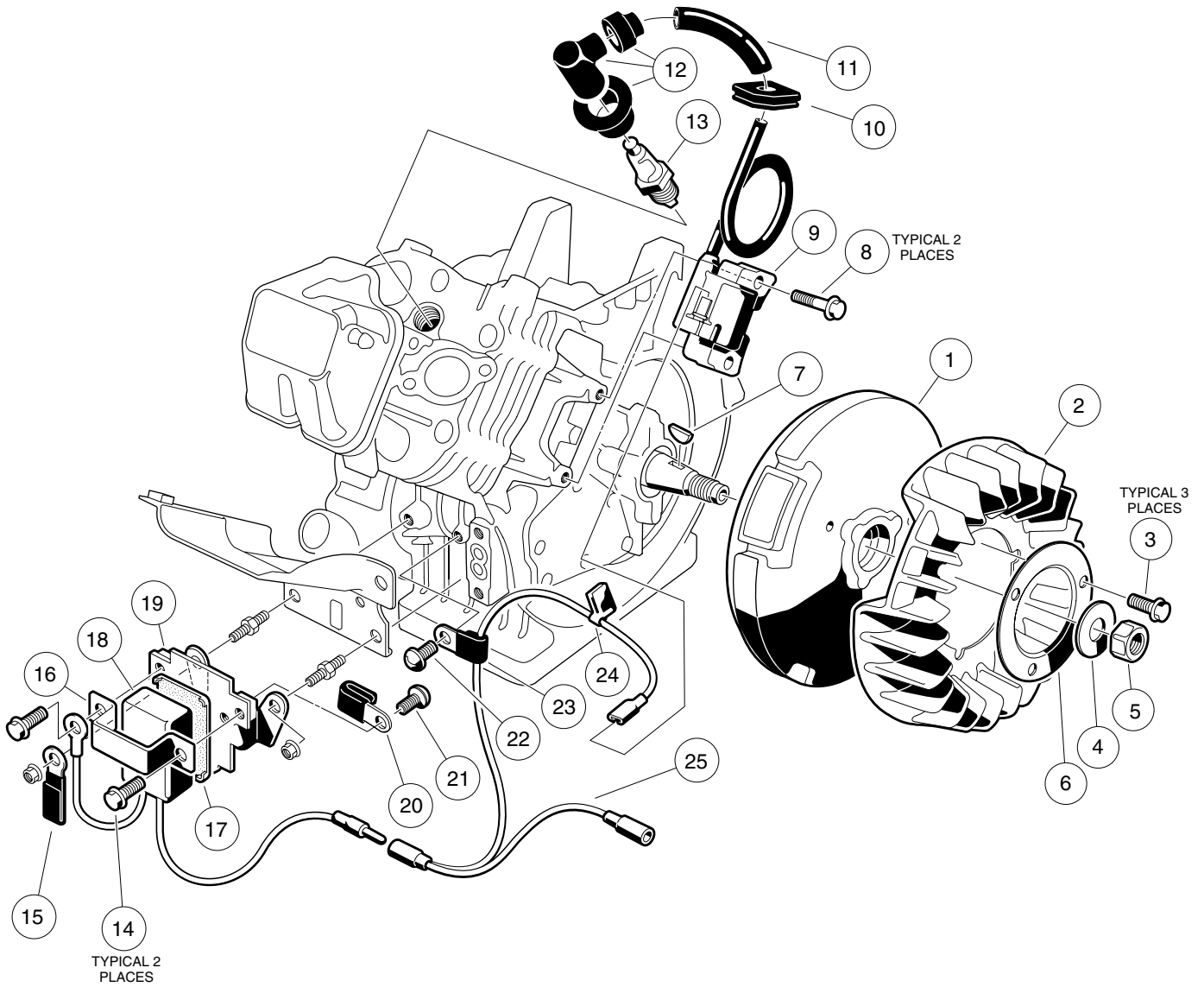
G



FE 290 ENGINE— TOURALL

8
G

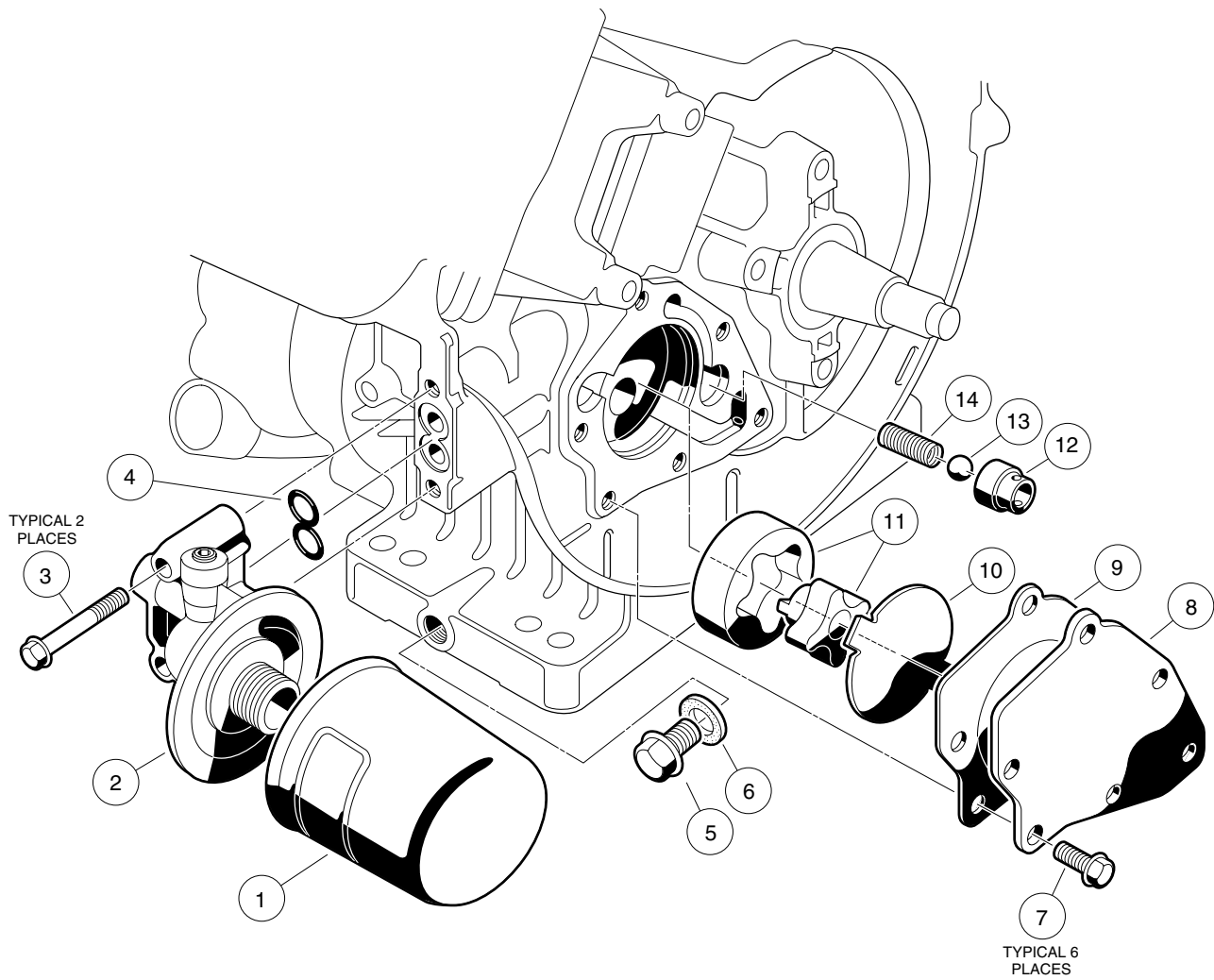
ITEM	PART NO.	DESCRIPTION	QTY
		1 2 3 4	
	1019539-01	FE 290 OHV GASOLINE ENGINE (CLOCKWISE ROTATION) WITH CARBURETOR (DOES NOT INCLUDE ITEMS 15 THROUGH 18)	1
1	1016507	BOLT, 2-ENDED, M6 x 1 x 29MM	1
2	1016512	WASHER, FLAT, 6MM	1
3	1016524	SHROUD, ENGINE, FE 290	1
4	1016456	BOLT, FLANGED, M6 x 1 x 12MM	15
5	1016547	NUT, FLANGE, M6 x 1	3
6	1019097-01	BOLT, 2-ENDED, M6 x 1 x 27MM	1
7	1016526	SHROUD, ENGINE, FE 290 (LOWER)	1
8	1017221	BOLT, 2-ENDED, M6 x 1 x 46MM	1
9	1019156-01	HOUSING, FAN	1
10	1016525	SHROUD, ENGINE, FE 290 (UPPER)	1
11	1016443	BRACKET	1
12	1016539	O-RING	1
13	1016536	TUBE, OIL FILLER, FE 290	1
14	1016531	DIPSTICK	1
15	1011114	NUT, M6 x1	1
16	1015332	WIRE ASSEMBLY, #10 BRAIDED GROUND	1
17	1015969	SCREW, PAN HEAD, M6 x 1 x 14MM	4
18	1015649	SHROUD, FAN	1



FE 290 ENGINE— TOURALL

ITEM	PART NO.	DESCRIPTION	QTY
		1 2 3 4	
1	1019157-01	FLYWHEEL	1
2	1019158-01	FAN, FLYWHEEL, GREY	1
3	1017448	SCREW, FLANGED HEX HEAD, M6 x 1 x 10MM	3
4	1016548	WASHER, FLAT, 16MM	1
5	1016505	NUT, HEX, M16 x 2	1
6	1017455	PLATE, FLYWHEEL FAN	1
7	1016562	KEY	1
8	1016455	BOLT, FLANGED, M5 x .8 x 25MM	2
9	1019092-01	COIL, IGNITION (WITH INTERNAL IGNITER)	1
10	1016578	GROMMET	1
11	1016588	TUBE, 7MM x 70MM	1
12	1016493	ASSEMBLY, PLUG CAP	1
13	AM10724	SPARK PLUG - OHV	1
14	1016456	BOLT, FLANGED, M6 x 1 x 12MM	2
15	1012981	CLAMP	1
16	1016579	MOUNT, RPM LIMITER	1
17	1016586	DAMPER, RPM LIMITER	1
18	1019094-01	LIMITER, RPM - OHV	1
19	1016445	BRACKET, RPM LIMITER	1
20	1019095-01	CLAMP	1
21	1016497	SCREW, CROSS PAN HEAD, M5 x .8 x 8MM	1
22	1016544	SCREW, CROSS PAN HEAD SELF-TAPPING, M5 x .8 x 12MM	1
23	1016561	CLAMP	1
24	1016587	CLAMP	1
25	1019093-01	WIRE, LEAD	1

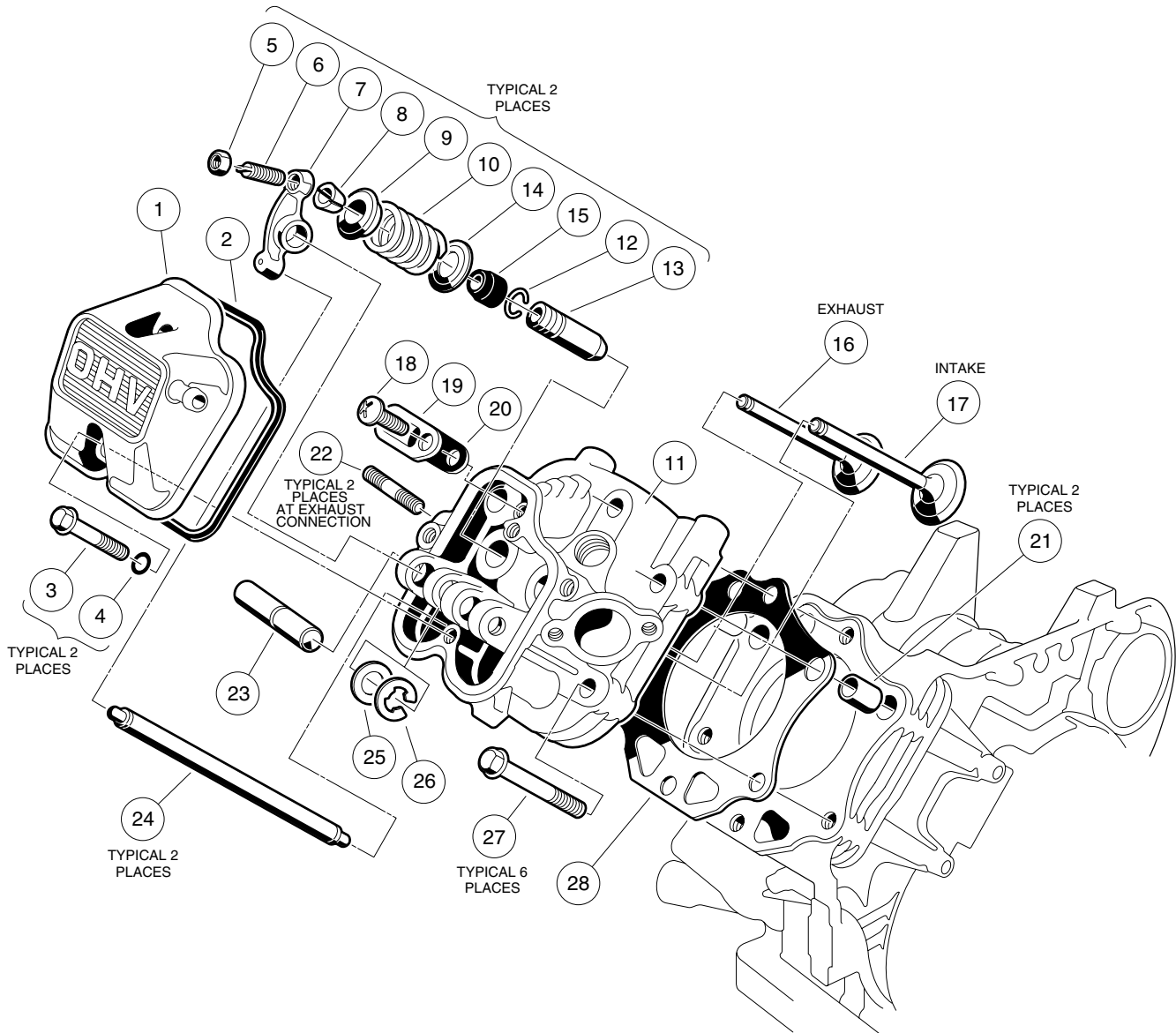
8
G



FE 290 ENGINE— TOURALL

ITEM	PART NO.	DESCRIPTION	QTY
		1 2 3 4	
1	1016467	ASSEMBLY, OIL FILTER, OHV	1
2	1016502	BRACKET, OIL FILTER	1
3	1016457	BOLT, FLANGED HEX HEAD, M6 x 1 x 40MM	2
4	1016570	O-RING, OIL FILTER MOUNT	1
5	1016576	PLUG, DRAIN, FE 290	1
6	1016432	GASKET, DRAIN PLUG	1
7	1017456	SCREW, FLANGED HEX HEAD, M6 x 1 x 12MM	6
8	1016484	COVER, PUMP	1
9	1016435	GASKET, OIL PUMP	1
10	1016473	PLATE, OIL PUMP	1
11	1016482-03	PUMP, OIL, AND ROTOR	1
12	1016429	SEAT, VALVE	1
13	1016537	BALL, STEEL, PRESSURE RELIEF	1
14	1016581	SPRING	1

8
G

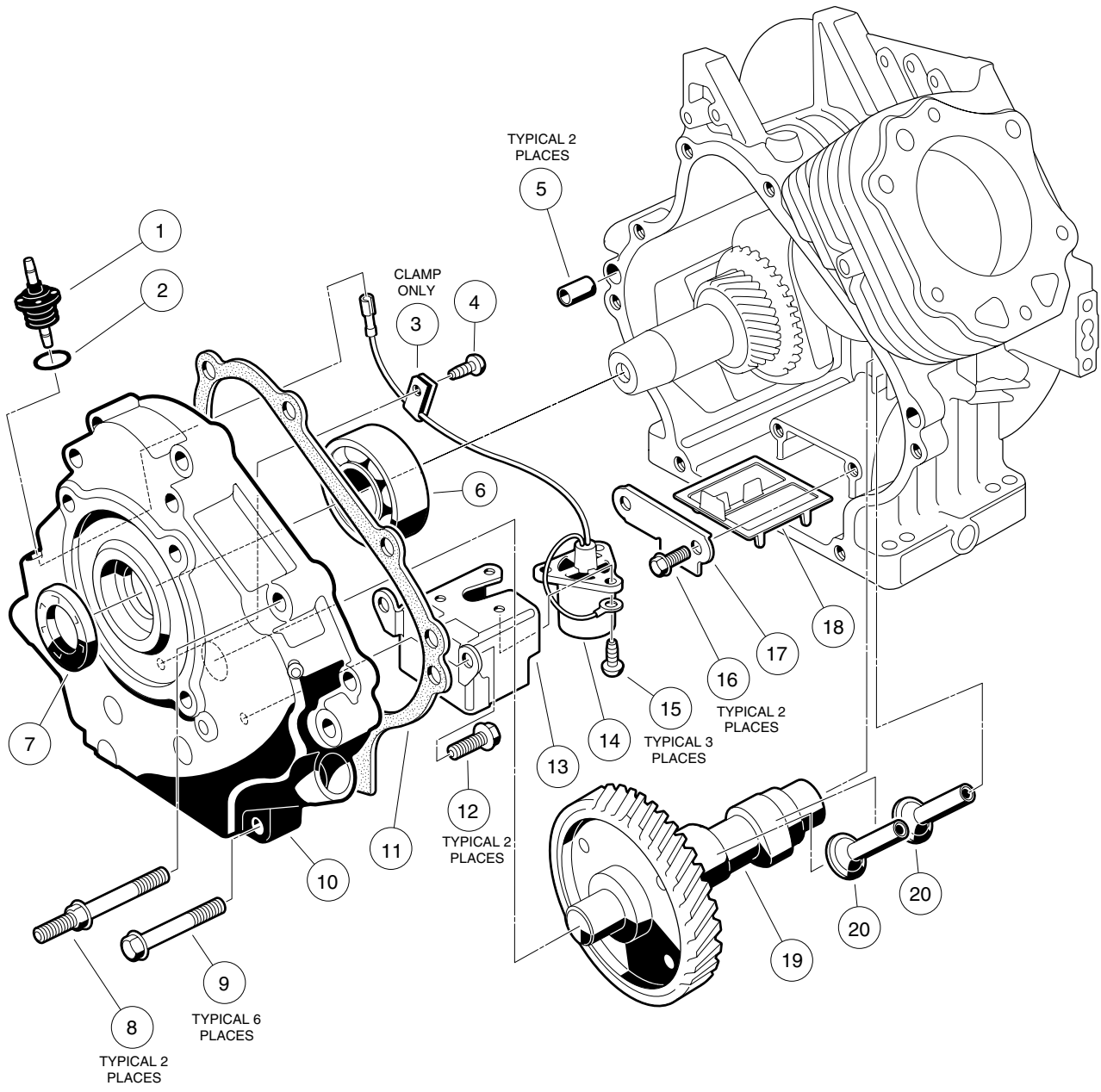


FE 290 ENGINE— TOURALL

8
G

ITEM	PART NO.	DESCRIPTION	QTY
		1 2 3 4	
1	1016442	CASE, ROCKER	1
2	1016436	GASKET, ROCKER CASE	1
3	1016583	BOLT, FLANGED, M6 x 1 x 35MM	2
4	1016569	O-RING	2
5	1016545	NUT, HEX, M5 x .8	2
6	1016542	SCREW, STUD, M5 x .8	2
7	1016451	ARM, ROCKER	2
8	1016450	COLLET	2
9	1016449	RETAINER, VALVE SPRING	2
10	1016523	SPRING, ENGINE VALVE	2
11	1016431	ASSEMBLY, CYLINDER HEAD, OHV (INCLUDES ITEMS 12 AND 13)	1
12	1016560	RING, SNAP	2
13	1016519	GUIDE, VALVE	2
14	1016479	SEAT, SPRING	2
15	1016566	SEAL, VALVE	2
16	1016448	VALVE, EXHAUST	1
17	1016447	VALVE, INTAKE	1
18	1016544	SCREW, CROSS PAN HEAD SELF-TAPPING, M5 x .8 x 12MM	1
19	1016474	PLATE	1
20	1016483	VALVE	1
21	1016563	PIN	2
22	1016489	BOLT, STUD, M8 x 1.25 x 29MM	2
23	1016452	SHAFT, ROCKER	1
24	1016471	ROD, PUSH	2
25	1016549	WASHER, FLAT, M12	1
26	1016517	CIRCLIP, TYPE E	1
27	1016458	BOLT, FLANGED, M8 x 1.25 x 45MM	6
28	1016430	GASKET, HEAD	1

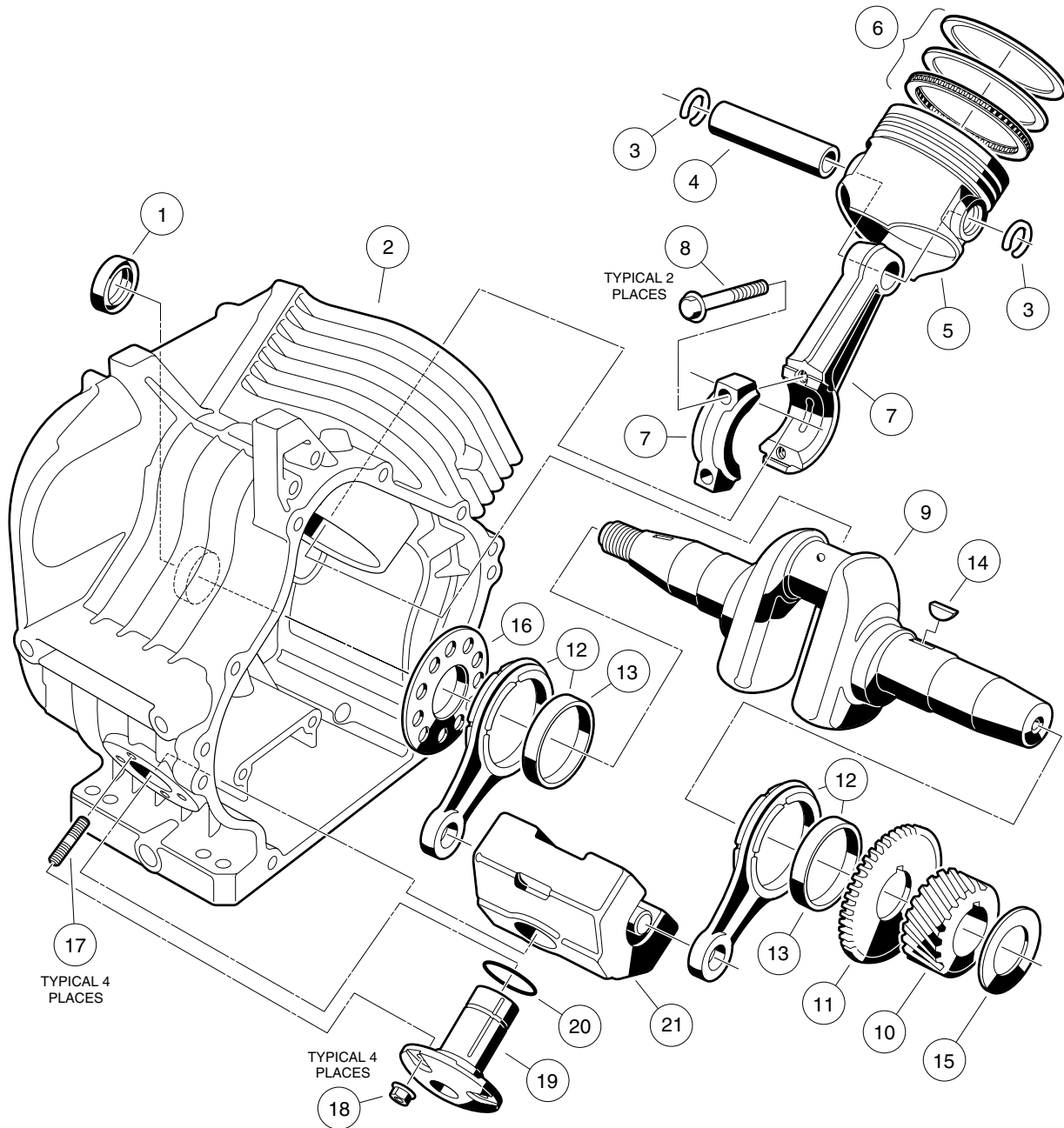
FE 290 ENGINE



FE 290 ENGINE— TOURALL

ITEM	PART NO.	DESCRIPTION	QTY
		1 2 3 4	
1	1016535	CONNECTOR, CORD	1
2	1016538	O-RING	1
3	1016506	CLAMP	1
4	1016544	SCREW, CROSS PAN HEAD SELF-TAPPING, M5 x .8 x 12MM	1
5	1016564	PIN	2
6	1016565	BEARING, BALL	1
7	1016567	SEAL, CRANKSHAFT	1
8	1016584	BOLT, 2-ENDED, M8 x 1.25 x 69MM	2
9	1016458	BOLT, FLANGED, M8 x 1.25 x 45MM	6
10	1016520	COVER, CRANKCASE	1
11	1016446	GASKET, CRANKCASE COVER	1
12	1016456	BOLT, FLANGED, M6 x 1 x 12MM	2
13	1016510	BRACKET, OIL LEVEL SWITCH	1
14	1016494	SENSOR, OIL LEVEL	1
15	1016496	SCREW, CROSS PAN HEAD, M4 x .7 x 8MM	3
16	1016454	BOLT, FLANGED, M5 x .8 x 8MM	2
17	1016472	PLATE, OIL FILTER SCREEN	1
18	1016521	SCREEN, OIL FILTER	1
19	1019154-01	CAMSHAFT, COMPLETE	1
20	1016453	TAPPET	2

8
G

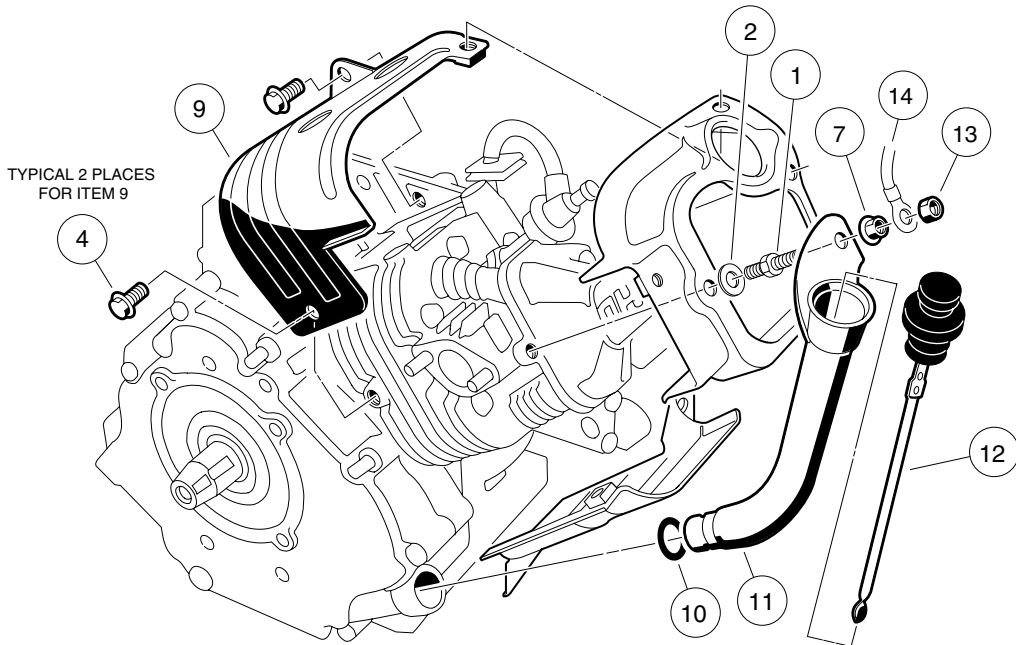
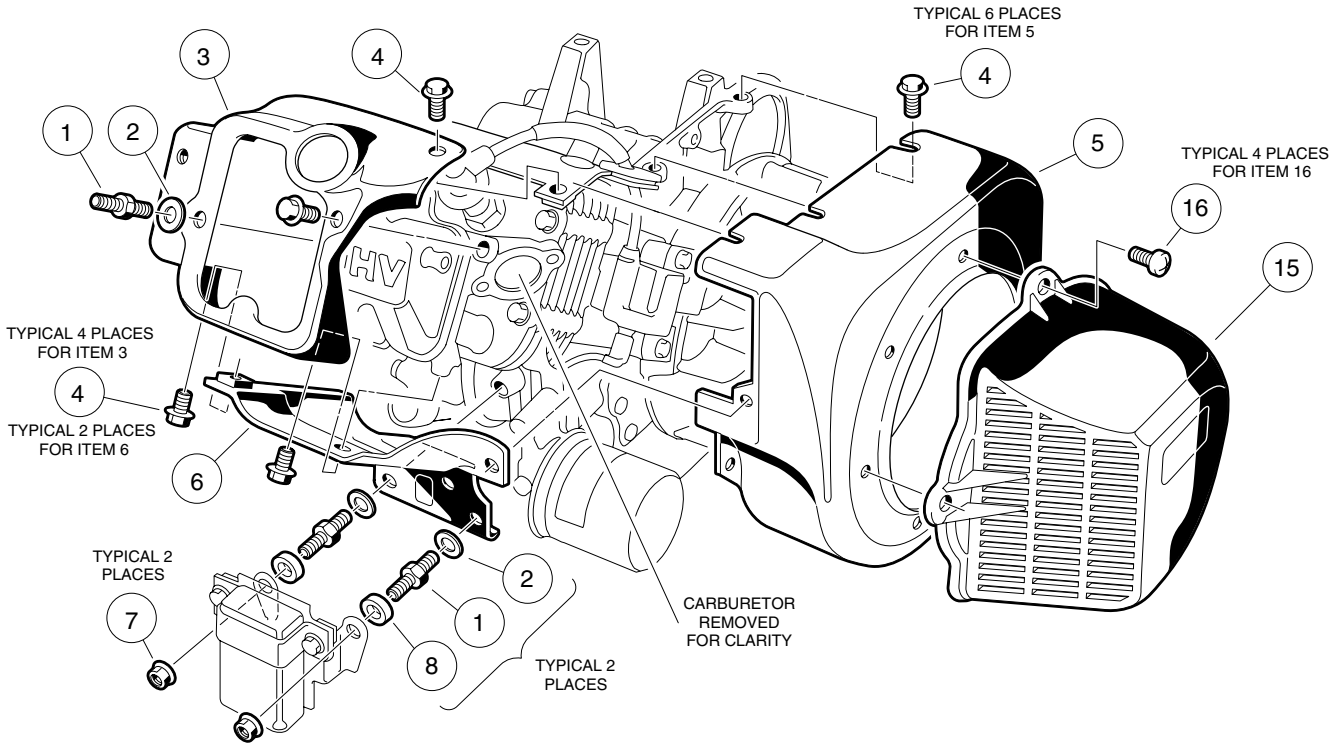


FE 290 ENGINE— TOURALL

8
G

ITEM	PART NO.	DESCRIPTION	QTY
		1 2 3 4	
1	1016568	SEAL, OIL	1
2	1019155-01	CRANKCASE, COMPLETE, OHV	1
3	1016558	RING, SNAP	2
4	1016460	PIN, PISTON	1
5	1016459-01	PISTON, STANDARD	1
5	1016459-02	PISTON, .25MM OVERSIZED	1
5	1016459-03	PISTON, .50MM OVERSIZED	1
6	1016461-01	RING SET, PISTON, STANDARD	1
6	1016461-02	RING SET, PISTON, .25MM OVERSIZED	1
6	1016461-03	RING SET, PISTON, .50MM OVERSIZED	1
7	1016475-01	ASSEMBLY, CONNECTING ROD, STANDARD (INCLUDES 2 EACH OF ITEM 8)	1
7	1016475-02	ASSEMBLY, CONNECTING ROD, .50MM UNDERSIZED (INCLUDES 2 EACH OF ITEM 8)	1
8	1016509	BOLT, HEX HEAD, M7 x 1 x 36MM	2
9	1019223-01	CRANKSHAFT, OHV (INCLUDES ITEMS 10, 11 AND 12)	1
10	1016533	GEAR, HELICAL	1
11	1016532	GEAR, SPUR	1
12	1016516	ASSEMBLY, CONNECTING ROD (INCLUDES ITEM 13)	2
13	1016580	BEARING, PLAIN	2
14	1016562	KEY	1
15	1016550-01	SHIM, CRANKSHAFT, 1.13MM THICK	A/R
15	1016550-02	SHIM, CRANKSHAFT, 1.18MM THICK	A/R
15	1016550-03	SHIM, CRANKSHAFT, 1.23MM THICK	A/R
15	1016550-04	SHIM, CRANKSHAFT, 1.28MM THICK	A/R
15	1016550-05	SHIM, CRANKSHAFT, 1.33MM THICK	A/R
15	1016550-06	SHIM, CRANKSHAFT, 1.38MM THICK	A/R
15	1016550-07	SHIM, CRANKSHAFT, 1.43MM THICK	A/R
15	1016550-08	SHIM, CRANKSHAFT, 1.48MM THICK	A/R
15	1016550-09	SHIM, CRANKSHAFT, 1.53MM THICK	A/R
16	1016559	SPACER	1
17	1016541	BOLT, STUD, M6 x 1 x 22MM	4
18	1016547	NUT, FLANGED, M6 x 1	4
19	1016470	SHAFT, GUIDE COUNTERBALANCE	1
20	1016571	O-RING	1
21	1016469	WEIGHT, COUNTERBALANCE	1

FE 350 ENGINE



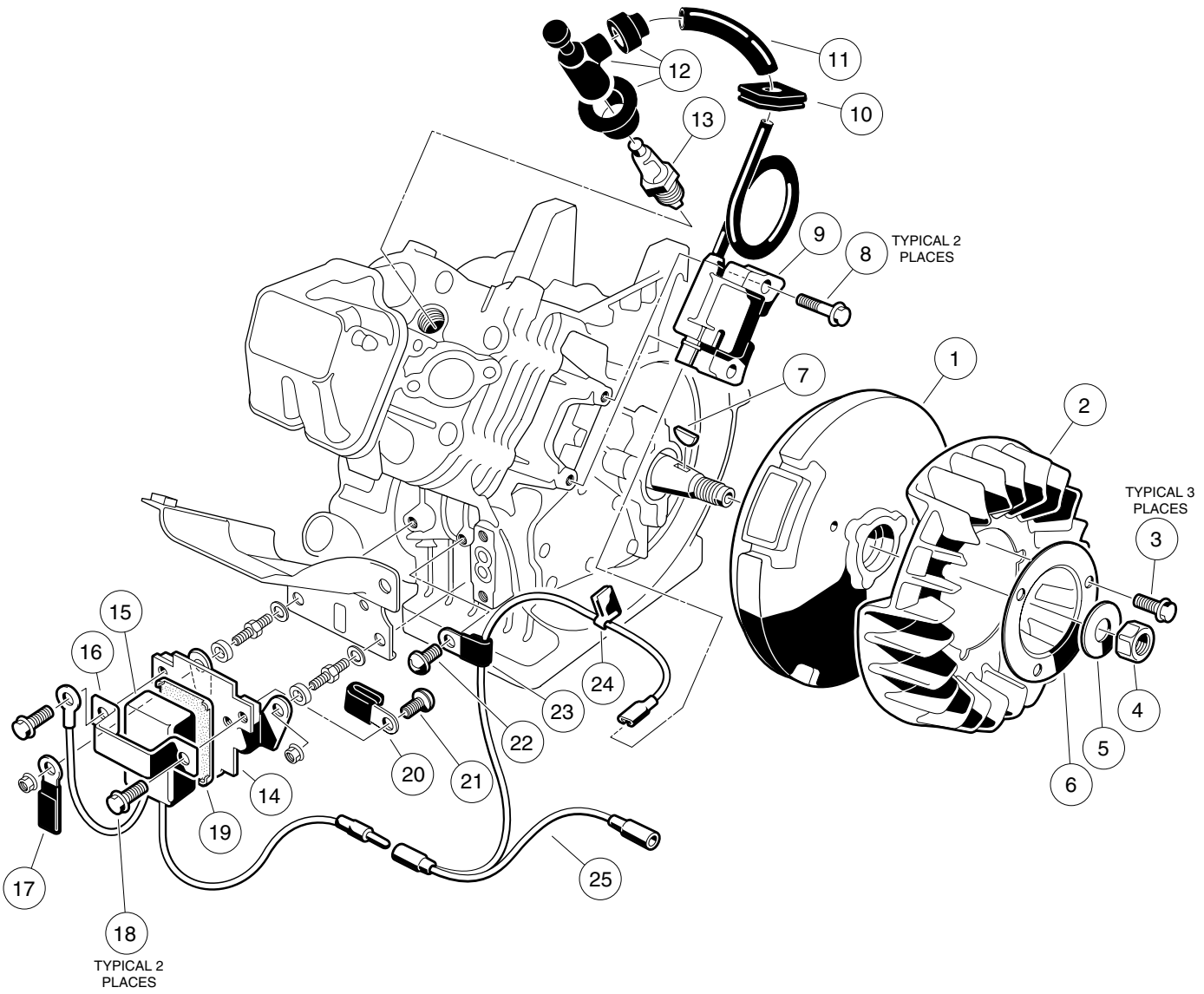
FE 350 ENGINE—

RESORT VILLAGER, TRANS-PORTER/TRANS-SENDER

ITEM	PART NO.	DESCRIPTION	QTY
		1 2 3 4	
	1019538-01	FE 350 OHV GASOLINE ENGINE, COMPLETE (CLOCKWISE ROTATION) WITH CARBURETOR (WITH COMPRESSION RELEASE) (DOES NOT INCLUDE ITEMS 13 - 16)	1
1	1016507	BOLT, 2-ENDED, M6 x 1 x 29MM	3
2	1016512	WASHER, FLAT, 6 MM	3
3	1017474	SHROUD, CYLINDER HEAD	1
4	1016456	BOLT, FLANGED, M6 x 1 x 12MM	14
5	1019161-01	HOUSING, FAN	1
6	1017476	SHROUD, LOWER CYLINDER	1
7	1016547	NUT, FLANGE, M6 x 1	3
8	1017500	SPACER	2
9	1017475	SHROUD, UPPER CYLINDER	1
10	1016539	O-RING	1
11	1017486	TUBE, OIL FILLER	1
12	1016531	DIPSTICK	1
13	1011114	NUT, M6 x 1	1
14	1015332	WIRE ASSEMBLY, #10 BLACK	1
15	1015649	SHROUD, FAN	1
16	1015969	SCREW, PAN HEAD, M6 x 1 x 14 MM	4



FE 350 ENGINE



FE 350 ENGINE—

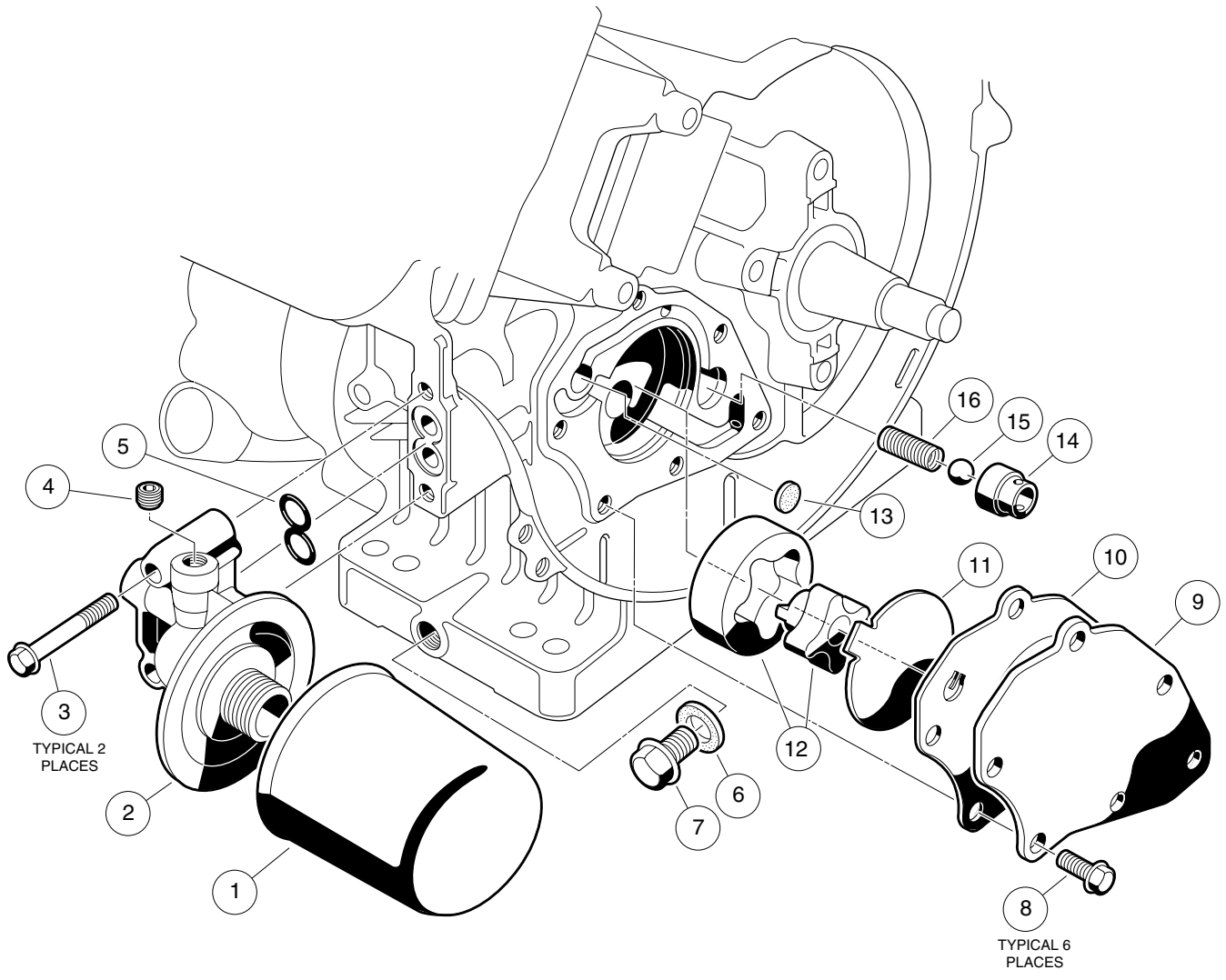
RESORT VILLAGER, TRANS-PORTER/TRANS-SENDER

ITEM	PART NO.	DESCRIPTION	QTY
		1 2 3 4	
1	1019162-01	FLYWHEEL	1
2	1019163-01	FAN, FLYWHEEL—GREY	1
3	1017448	SCREW, FLANGED HEX HEAD, M6 x 1 x 10MM	3
4	1017467	NUT, HEX, 18MM FINE	1
5	1017490	WASHER, FLAT, 18MM	1
6	1017455	PLATE, FLYWHEEL FAN	1
7	1016562	KEY	1
8	1016455	SCREW, HEX HEAD FLANGED, M5 x 0.8 x 25MM	2
9	1019092-01	COIL, IGNITION (WITH INTERNAL IGNITER)	1
10	1016578	GROMMET	1
11	1016588	TUBE, 7MM I.D. x 10MM O.D. x 70MM	1
12	1017463	ASSEMBLY, PLUG CAP	1
13	1018811-01	PLUG, SPARK (AUTOLITE)	1
13	AM10724	PLUG, SPARK (NGK)	1
14	1016445	BRACKET, RPM LIMITER	1
15	1019094-01	LIMITER, RPM	1
16	1016579	BAND, RPM LIMITER MOUNT	1
17	1012981	CLAMP	1
18	1016456	SCREW, FLANGED HEX HEAD, M6 x 1 x 12MM	2
19	1016586	DAMPER	1
20	1019095-01	CLAMP	1
21	1016497	SCREW, CROSS PAN HEAD, M5 x .08 x 8MM	1
22	1016544	SCREW, CROSS PAN HEAD SELF-TAPPING, M5 x 12MM	1
23	1016561	CLAMP	1
24	1016587	CLAMP	1
25	1019093-01	WIRE, LEAD	1

8

G

FE 350 ENGINE



FE 350 ENGINE—

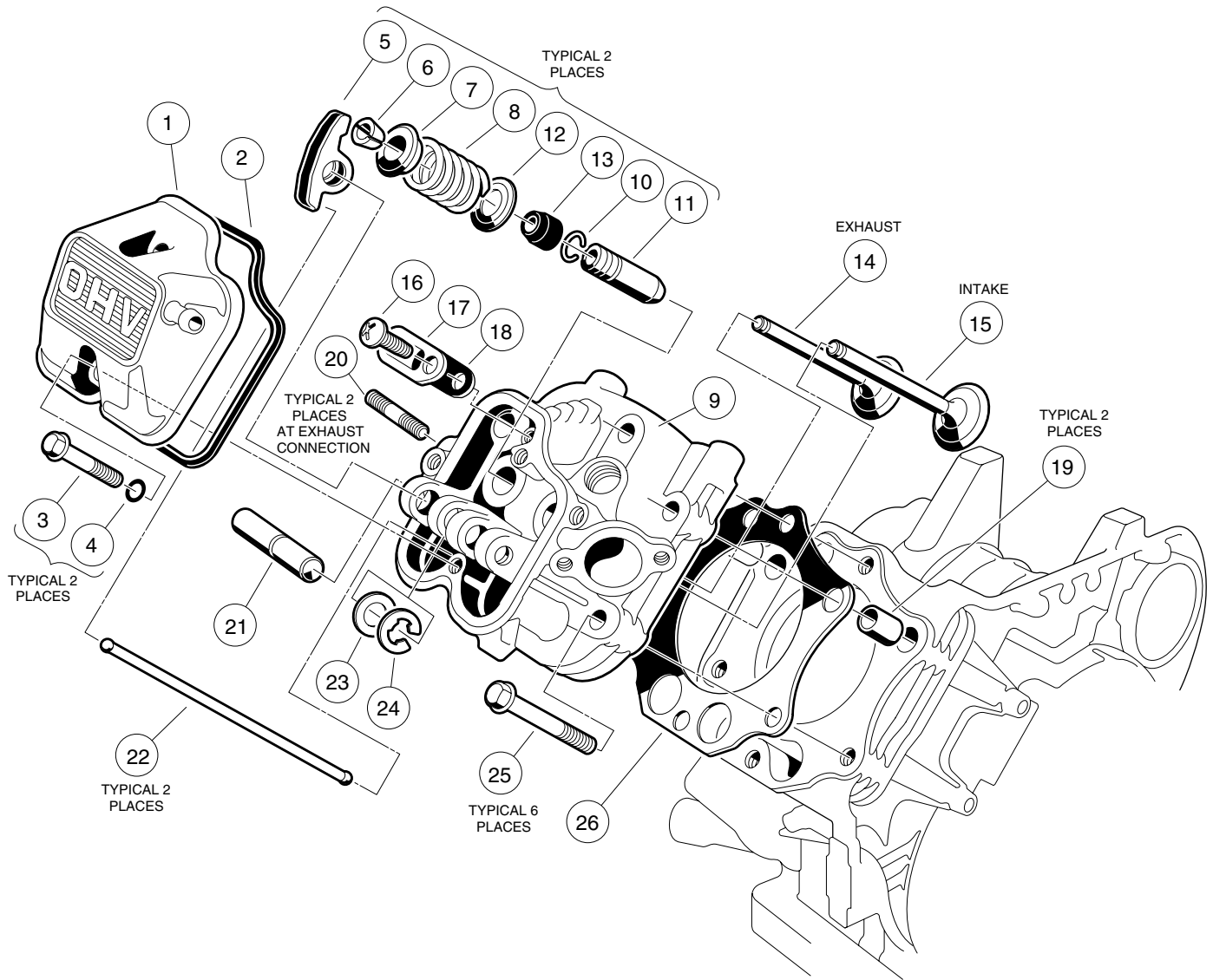
RESORT VILLAGER, TRANS-PORTER/TRANS-SENDER

ITEM	PART NO.	DESCRIPTION	QTY
		1 2 3 4	
1	1016467	OIL FILTER	1
2	1016502	BRACKET, OIL FILTER	1
3	1016457	BOLT, FLANGED HEX HEAD, M6 x 1 x 40MM	2
4	1017507	PLUG	1
5	1016570	O-RING	1
6	1016432	GASKET, DRAIN PLUG	1
7	1016576	PLUG, DRAIN	1
8	1017456	SCREW, FLANGED HEX HEAD, M6 x 1 x 12MM	6
9	1017460	COVER, PUMP	1
10	1017442	GASKET, OIL PUMP	1
11	1016473	PLATE, OIL PUMP	1
12	1016482-03	PUMP, OIL, AND ROTOR	1
13	1017458	FILTER	1
14	1016429	SEAT, VALVE	1
15	1016537	BALL, STEEL, PRESSURE RELIEF	1
16	1016581	SPRING	1

8

G

FE 350 ENGINE



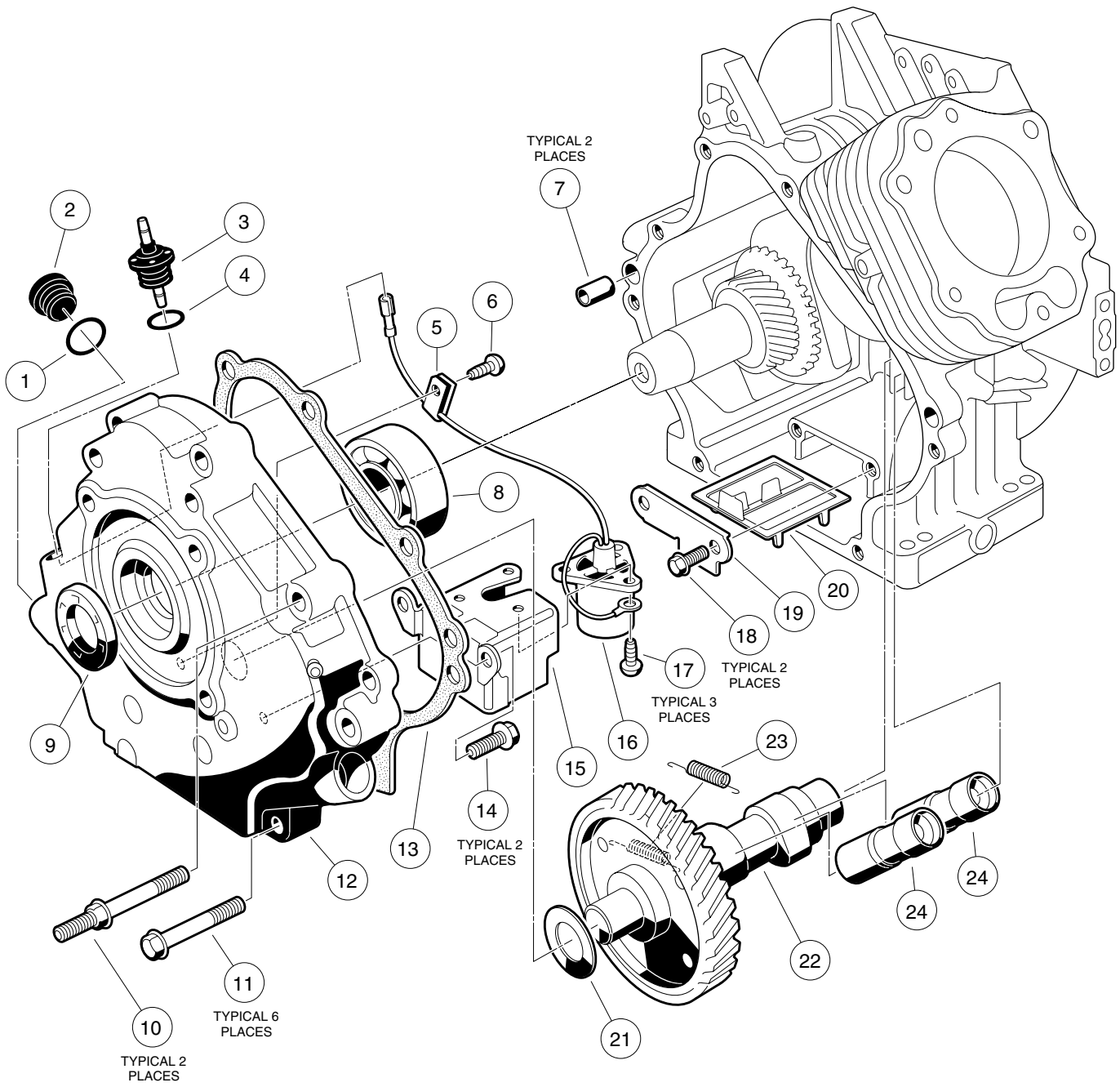
FE 350 ENGINE—

RESORT VILLAGER, TRANS-PORTER/TRANS-SENDER

ITEM	PART NO.	DESCRIPTION	QTY
		1 2 3 4	
1	1016442	CASE, ROCKER	1
2	1016436	GASKET, ROCKER CASE	1
3	1016583	BOLT, FLANGED, M6 x 1 x 35MM	2
4	1016569	O-RING	2
5	1017446	ARM, ROCKER	2
6	1016450	COLLET	4
7	1016449	RETAINER, VALVE SPRING	2
8	1017473	SPRING, ENGINE VALVE	2
9	1017435	ASSEMBLY, CYLINDER HEAD, FE 350 (INCLUDES ITEMS 10 AND 11)	1
10	1016560	RING, SNAP	2
11	1016519	GUIDE, VALVE	2
12	1016479	SEAT, SPRING	2
13	1016566	SEAL, VALVE	2
14	1017445	VALVE, EXHAUST	1
15	1017444	VALVE, INTAKE	1
16	1016544	SCREW, CROSS PAN HEAD SELF-TAPPING, M5 x .8 x 12MM	1
17	1016474	PLATE	1
18	1016483	VALVE	1
19	1016563	PIN	2
20	1016489	BOLT, STUD, M8 x 1.25 x 29MM	2
21	1016452	SHAFT, ROCKER	1
22	1017454	ROD, PUSH	2
23	1016549	WASHER, FLAT, M12	1
24	1016517	CIRCLIP, TYPE E	1
25	1016458	BOLT, FLANGED, M8 x 1.25 x 45MM	6
26	1017434	GASKET, HEAD	1

8
G

FE 350 ENGINE



FE 350 ENGINE—

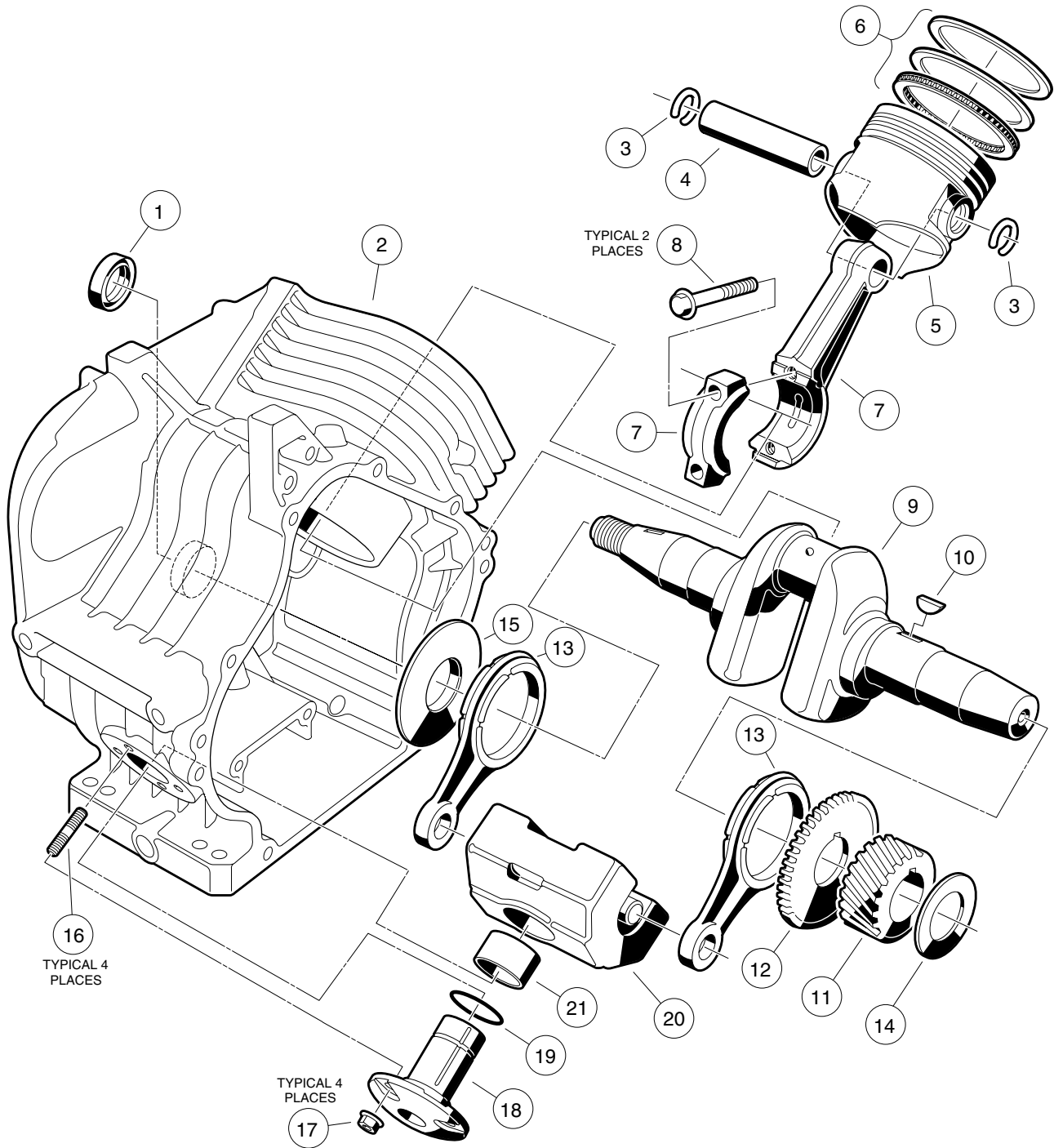
RESORT VILLAGER, TRANS-PORTER/TRANS-SENDER

8

G

ITEM	PART NO.	DESCRIPTION	QTY
		1 2 3 4	
1	1016538	O-RING	1
2	1017508	PLUG	1
3	1016535	CONNECTOR, OIL SENDING UNIT	1
4	1016538	O-RING	1
5	1016506	CLAMP	1
6	1016544	SCREW, CROSS PAN HEAD SELF-TAPPING, M5 x .8 x 12MM	1
7	1016564	PIN	2
8	1017487	BEARING, CRANKSHAFT	1
9	1017504	SEAL, CRANKSHAFT	1
10	1016584	BOLT, 2-ENDED FLANGED, M8 x 1.25 x 69MM	2
11	1017514	BOLT, FLANGED, M8 x 1.25 x 45MM	6
12	1017472	COVER, CRANKCASE	1
13	1017443	GASKET, CRANKCASE COVER	1
14	1017513	BOLT, FLANGED, M6 x 1 x 12MM	2
15	1016510	BRACKET, OIL LEVEL SWITCH	1
16	1016494	SENSOR, OIL LEVEL	1
17	1016496	SCREW, CROSS PAN HEAD, M4 x .7 x 8MM	3
18	1016454	BOLT, FLANGED, M5 x .8 x 8MM	2
19	1016472	PLATE, OIL FILTER SCREEN	1
20	1016521	SCREEN, OIL FILTER	1
21	1017518-01	SHIM, 0.3MM THICK	A/R
21	1017518-02	SHIM, 0.4MM THICK	A/R
21	1017518-03	SHIM, 0.5MM THICK	A/R
22	1019159-01	CAMSHAFT (WITH AUTOMATIC COMPRESSION RELEASE) (FOR ENGINES WITH SERIAL NUMBERS LOWER THAN 094171) (INCLUDES ITEM 23)	1
22	102271601	CAMSHAFT (WITH AUTOMATIC COMPRESSION RELEASE) (FOR ENGINES WITH SERIAL NUMBERS 094171 AND GREATER) (INCLUDES ITEM 23)	1
23	1017511	SPRING	1
24	1017447	LIFTER, HYDRAULIC	2

FE 350 ENGINE

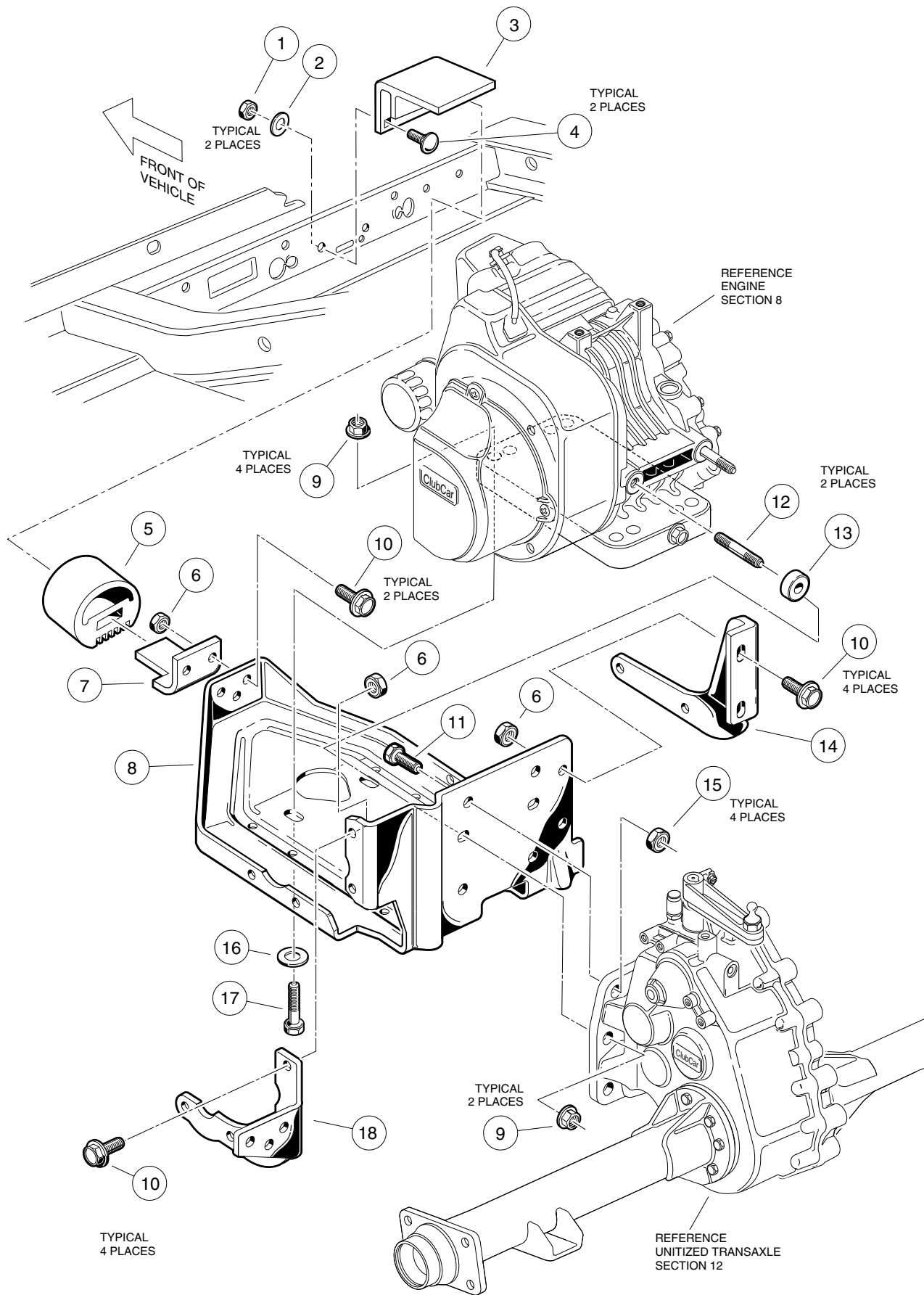


FE 350 ENGINE—

RESORT VILLAGER, TRANS-PORTER/TRANS-SENDER

ITEM	PART NO.	DESCRIPTION	QTY
		1 2 3 4	
1	1017503	SEAL, OIL	1
2	1019160-01	CRANKCASE, COMPLETE, FE 350 (CLOCKWISE ROTATION)	1
3	1017502	RING, SNAP	2
4	1017450	PIN, PISTON	1
5	1017449-01	PISTON, STANDARD.....	1
5	1017449-02	PISTON, .50MM OVERSIZED	1
6	1017451-01	RING SET, PISTON, STANDARD	1
6	1017451-02	RING SET, PISTON, .50MM OVERSIZED	1
7	1017457-01	ASSEMBLY, CONNECTING ROD, STANDARD (INCLUDES 2 EACH OF ITEM 8)	1
7	1017457-02	ASSEMBLY, CONNECTING ROD, .50MM UNDERSIZED) (INCLUDES 2 EACH OF ITEM 8)	1
8	1017512	BOLT, HEX HEAD, M7 x 1 x 36MM	2
9	1019223-02	CRANKSHAFT, FE350 (LEFT-HAND THREADS) (FOR ENGINES WITH SERIAL NUMBERS LOWER THAN 094171) (INCLUDES ITEMS 10 - 12 AND ONE EACH OF ITEM 13)	1
9	1024309-01	CRANKSHAFT, FE350 (LEFT-HAND THREADS) (FOR ENGINES WITH SERIAL NUMBERS 094171 AND GREATER) (INCLUDES ITEMS 10 - 12 AND ONE EACH OF ITEM 13)	1
10	1016562	KEY	1
11	N/A	GEAR, HELICAL	1
12	N/A	GEAR, SPUR	1
13	1017471	ROD	2
14	1017733-01	SHIM, CRANKSHAFT, 1.18MM THICK	A/R
14	1017733-02	SHIM, CRANKSHAFT, 1.25MM THICK	A/R
14	1017733-03	SHIM, CRANKSHAFT, 1.32MM THICK	A/R
14	1017733-04	SHIM, CRANKSHAFT, 1.39MM THICK	A/R
14	1017733-05	SHIM, CRANKSHAFT, 1.46MM THICK	A/R
14	1017733-06	SHIM, CRANKSHAFT, 1.53MM THICK	A/R
14	1017733-07	SHIM, CRANKSHAFT, 1.60MM THICK	A/R
14	1017733-08	SHIM, CRANKSHAFT, 1.67MM THICK	A/R
14	1017733-09	SHIM, CRANKSHAFT, 1.74MM THICK	A/R
14	1017733-10	SHIM, CRANKSHAFT, 1.11MM THICK	A/R
14	1017733-11	SHIM, CRANKSHAFT, 1.81MM THICK	A/R
15	1017502	SPACER	1
16	1016541	BOLT, STUD, M6 x 1 x 22MM	4
17	1016547	NUT, FLANGED, M6 x 1	4
18	1016470	SHAFT, GUIDE COUNTERBALANCE	1
19	1016571	O-RING	1
20	1017453	WEIGHT, COUNTERBALANCE (INCLUDES ITEM 21)	1
21	1017510	BEARING	1





ENGINE MOUNTING

8

G

ITEM	PART NO.	DESCRIPTION	QTY
		1 2 3 4	
1	0007473	NUT, NYLON LOCK, 5/16 - 18 (TOURALL ONLY)	2
2	0001241	WASHER, FLAT, 5/16 - 18 (TOURALL ONLY)	2
3	1018646-01	RETAINER, SNUBBER (TOURALL ONLY)	1
4	0007818	BOLT, CARRIAGE, 5/16 - 18 x 1 1/2 (TOURALL ONLY)	2
5	1012164	SNUBBER	1
6	1013924	NUT, HEX LOCK, 5/16 - 24, UNF	10
7	1018346-01	BRACKET, SNUBBER	1
8	1018271-01	PLATE, MOUNTING	1
9	1018330-01	NUT, FLANGE, M8 x 1.25	6
10	1018848-01	SCREW, HEX WASHER, 5/16 -24 x 7/8	10
11	1018333-01	SCREW, HEX HEAD CAP, M10 x 1.25 x 30MM	4
12	1018332-01	STUD, M8 x 1.25 x 60MM (TOURALL ONLY)	2
12	1018331-01	STUD, M8 x 1.25 x 50MM (RESORT VILLAGER, TRANS-PORTER/TRANS-SENDER)	2
13	1018321-01	SPACER (TOURALL ONLY)	2
13	1011697	WASHER, FLAT, 5/16 (RESORT VILLAGER, TRANS-PORTER/TRANS-SENDER)	2
14	1018326-01	STIFFENER, DRIVE CLUTCH SIDE	1
15	1018329-01	NUT, FLANGE, M10 x 1.25	4
16	1012571	WASHER, HEAVY FLAT, 5/16	4
17	1018559-01	SCREW, HEX HEAD CAP, M8 x 1.25 x 43MM	4
18	1018327-01	STIFFENER, FLYWHEEL SIDE	1

8

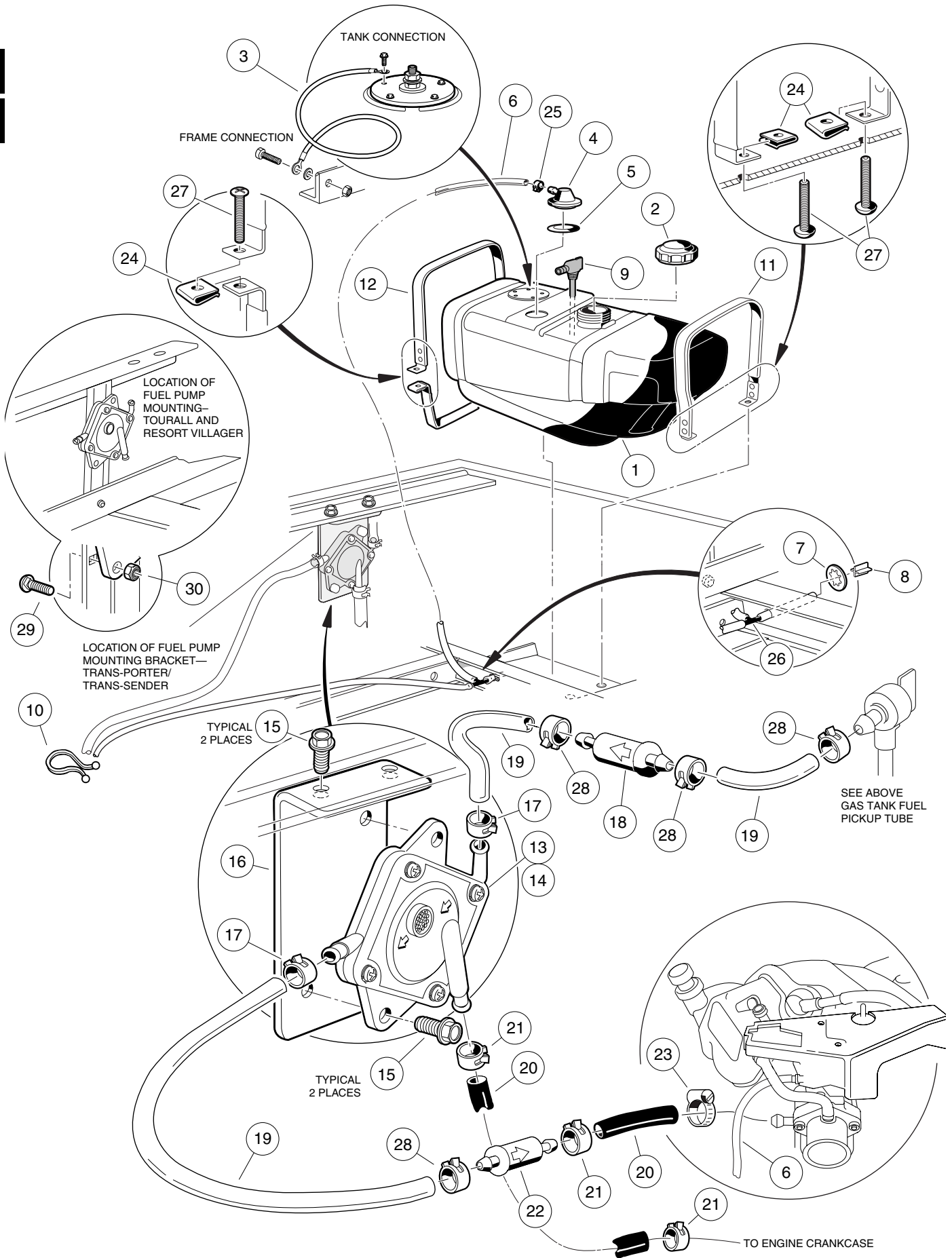
FE 290 ENGINE

G

FUEL, INTAKE, AND GOVERNOR SYSTEMS

9

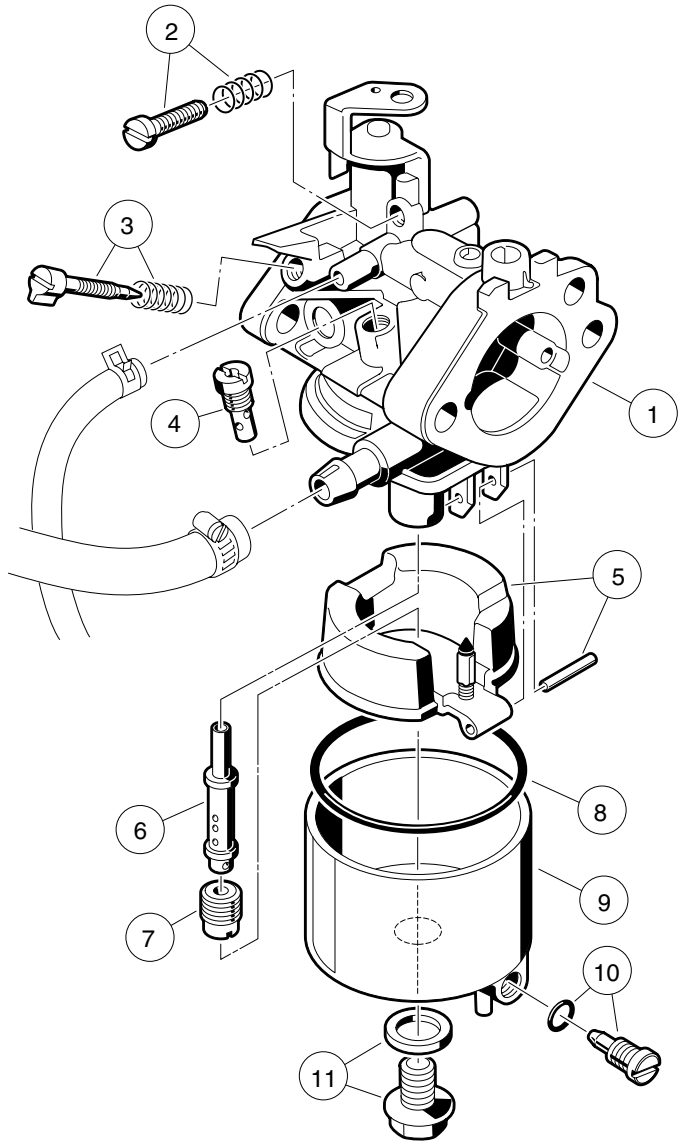
G



FUEL SYSTEM

9
G

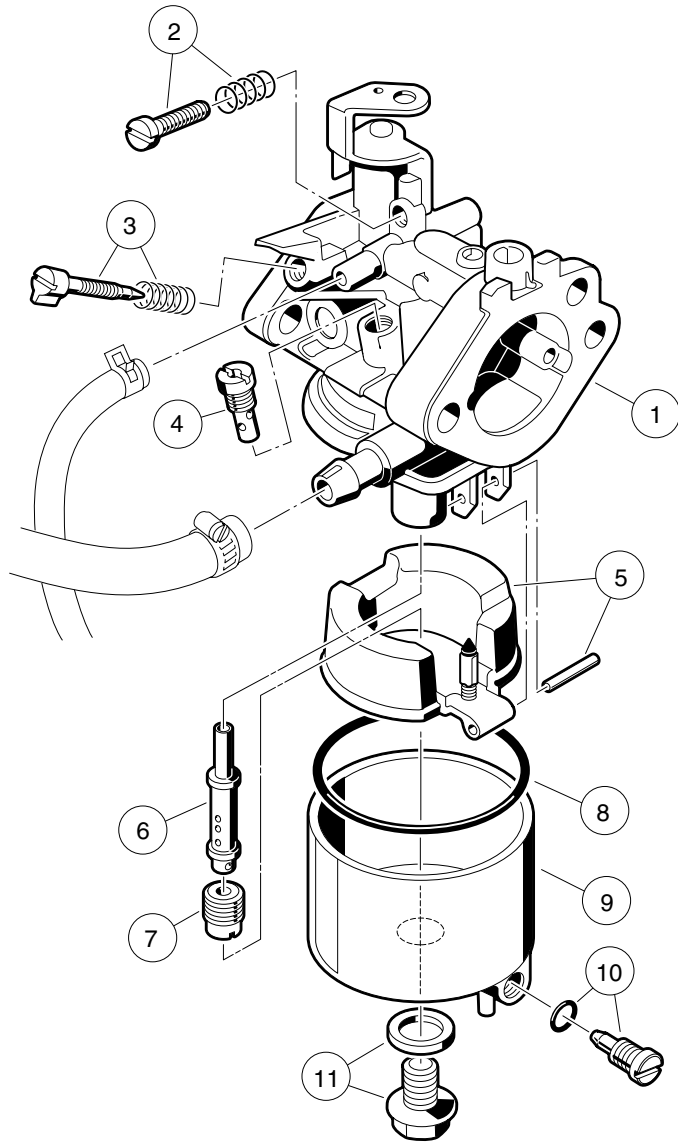
ITEM	PART NO.	DESCRIPTION	QTY
		1 2 3 4	
1	1016004	KIT, FUEL TANK, WITH SENDING UNIT (INCLUDES ITEMS 2 - 9)	1
2	1015188	CAP, FUEL TANK, NONVENTED	1
3	N/A	WIRE ASSEMBLY, #16 BLACK	1
4	1015143	ASSEMBLY, FUEL TANK VENT	1
5	1015139	GROMMET, INSULATION	1
6	1015137	LINE, BULK VENT	A/R
7	1016059	CLIP, STUD	1
8	1018244-01	BARB, VENT	1
9	1018969-01	VALVE, FUEL PICKUP TUBE WITH SHUT-OFF	1
10	1019877-01	CLAMP, WIRE.....	1
11	1014928	ASSEMBLY, REAR FUEL STRAP	1
12	1019553-01	ASSEMBLY, FRONT FUEL STRAP	1
13	1014523	PUMP, FUEL IMPULSE.....	1
14	1014524	KIT, REBUILD, FUEL IMPULSE PUMP.....	1
15	1012285	SCREW, THREAD-ROLLING, 1/4 - 20 x 5/8	4
16	1019295-01	BRACKET, FUEL PUMP MOUNTING	1
17	1013134-01	CLAMP, HOSE (BLACK)	2
18	1013684	FILTER , PRIMARY FUEL (WHITE)	1
19	1012293	LINE, BULK FUEL (YELLOW)	A/R
20	1013692	LINE, BULK FUEL (BLACK)	A/R
21	1012649	CLAMP, HOSE (RED)	3
22	1014522	FILTER, SECONDARY FUEL (BLUE)	1
23	1013687	CLAMP, HOSE, 3/8	1
24	1014116	NUT, U-TYPE SPEED, 1/4 - 20	3
25	1013746	CLAMP, HOSE (GREY)	1
26	1019556-01	T-FITTING	1
27	1011988	SCREW, PHILLIPS TRUSS HEAD, 1/4 - 20 x 2	3
28	1013134-02	CLAMP, HOSE (GREEN)	4
29	1017203	BOLT, CARRIAGE, 1/4-20 X 1	2
30	8233	NUT, NYLON LOCK, 1/4-20	2



CARBURETOR ASSEMBLY, FE 290— TOURALL

ITEM	PART NO.	DESCRIPTION	QTY
		1 2 3 4	
1	1019056-01	ASSEMBLY, CARBURETOR (INCLUDES ITEMS 2 - 11)	1
2	1016501	ASSEMBLY, IDLE SCREW	1
3	N/A	ASSEMBLY, PILOT AIR SCREW	1
4	1019731-01	JET, PILOT, #40	1
5	1016486	ASSEMBLY, FLOAT	1
6	1019732-01	NOZZLE, MAIN	1
		STANDARD JETTING:	
7	1016425-82	JET, MAIN, 0 - 3,000 FEET	A/R
7	1016425-80	JET, MAIN, 3,000 - 5,000 FEET	A/R
7	1016425-78	JET, MAIN, 5,000 - 8,000 FEET	A/R
7	1016425-75	JET, MAIN, 8,000 - 10,000 FEET	A/R
7	1016425-72	JET, MAIN, 10,000 FEET AND ABOVE	A/R
8	1016437	GASKET, FLOAT CHAMBER	1
9	1017461	ASSEMBLY, FLOAT CHAMBER (INCLUDES ITEM 10)	1
10	1016499	ASSEMBLY, SCREW	1
11	1016585	ASSEMBLY, BOLT	1

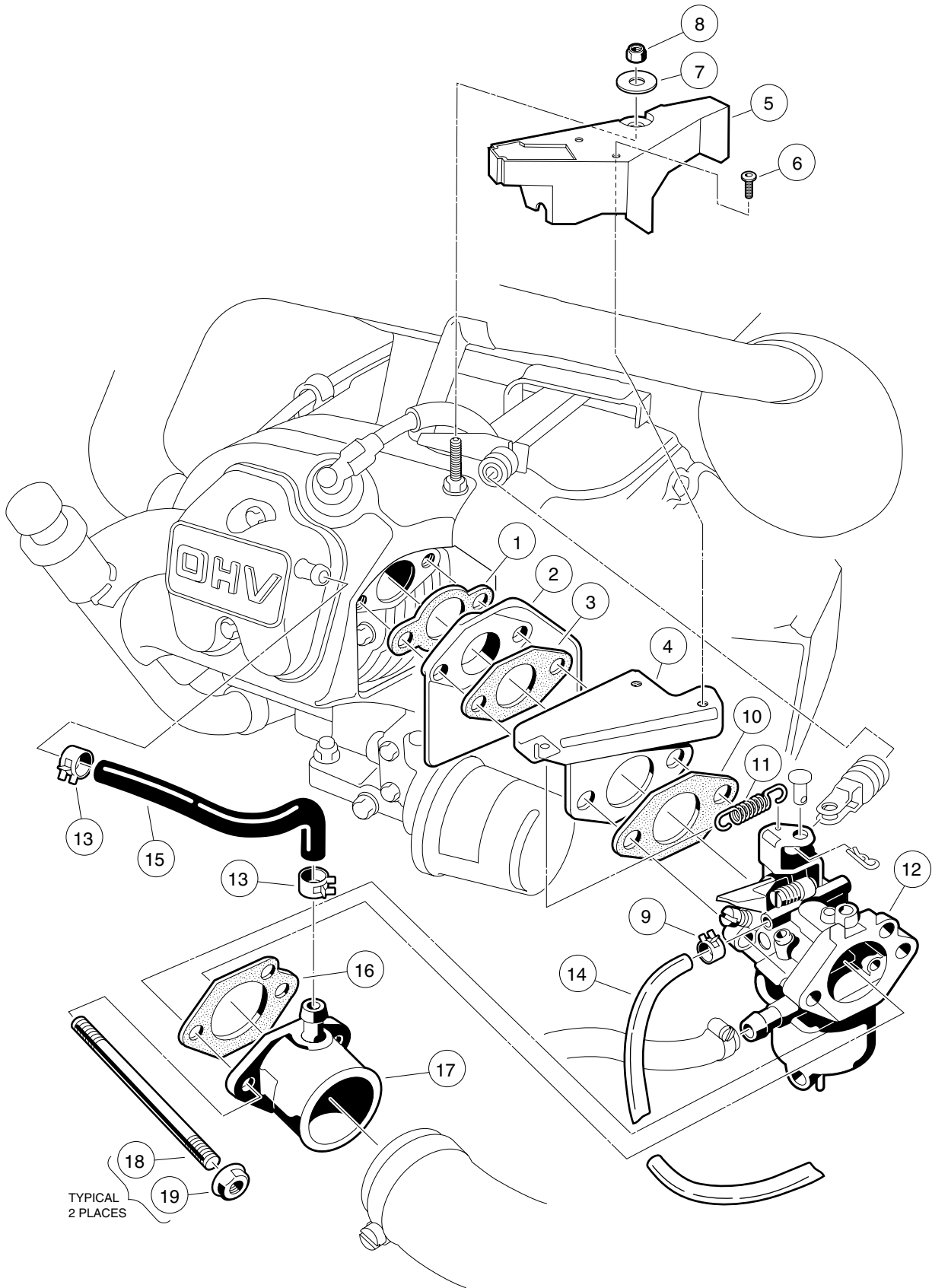
9
G



CARBURETOR ASSEMBLY, FE 350— RESORT VILLAGER, TRANS-PORTER/TRANS-SENDER

ITEM	PART NO.	DESCRIPTION	QTY
		1 2 3 4	
1	1019059-01	ASSEMBLY, CARBURETOR (INCLUDES ITEMS 2 - 11)	1
2	1016501	ASSEMBLY, IDLE SCREW	1
3	N/A	ASSEMBLY, PILOT AIR SCREW	1
4	1019731-01	JET, PILOT, #40	1
5	1016486	ASSEMBLY, FLOAT	1
6	1019733-01	NOZZLE, MAIN	1
		STANDARD JETTING:	
7	1016425-85	JET, MAIN, 0 - 3,000 FEET	A/R
7	1016425-82	JET, MAIN, 3,000 - 5,000 FEET	A/R
7	1016425-80	JET, MAIN, 5,000 - 8,000 FEET	A/R
7	1016425-78	JET, MAIN, 8,000 - 10,000 FEET	A/R
7	1016425-75	JET, MAIN, 10,000 FEET AND ABOVE	A/R
8	1016437	GASKET, FLOAT CHAMBER	1
9	1017461	ASSEMBLY, FLOAT CHAMBER (INCLUDES ITEM 10)	1
10	1016499	ASSEMBLY, SCREW	1
11	1016585	ASSEMBLY, BOLT	1

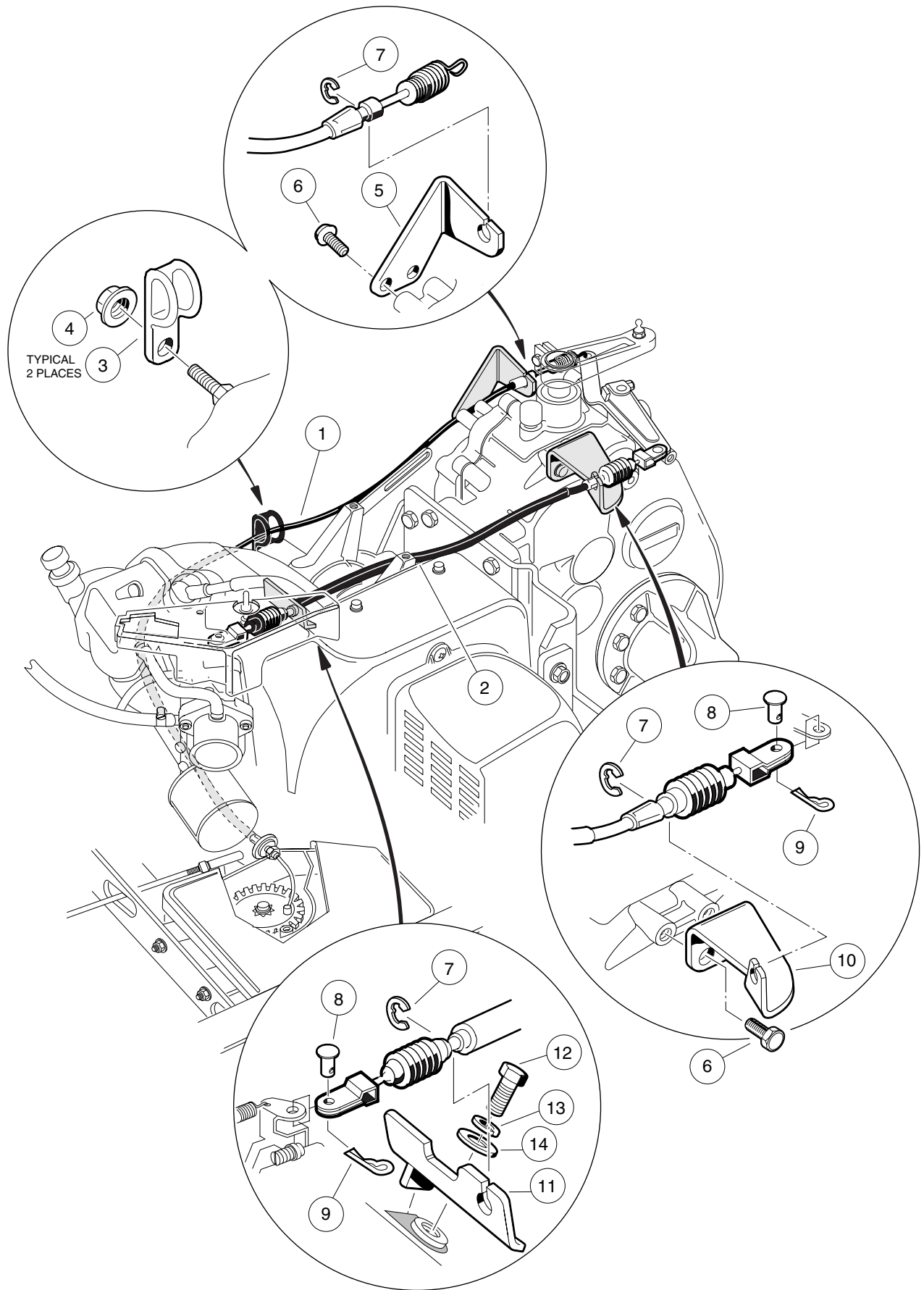
9
G



CARBURETOR INSTALLATION

ITEM	PART NO.	DESCRIPTION	QTY
		1 2 3 4	
1	1016440	GASKET, INSULATOR	1
2	1016481-02	INSULATOR, CARBURETOR	1
3	1016439	GASKET, CARBURETOR INSULATOR TO THROTTLE BRACKET (TOURALL ONLY)	1
3	1019734-01	GASKET, CARBURETOR INSULATOR TO THROTTLE BRACKET (RESORT VILLAGER, TRANS-PORTER/TRANS-SENDER)	1
4	1016444	BRACKET, THROTTLE	1
5	1018202-01	GUARD, GOVERNOR (TOURALL ONLY)	1
6	1016103	SCREW, PAN/TORX HEAD SELF-TAPPING, #6 - 32 x 1/4 (TOURALL ONLY)	2
7	1011697	WASHER, FLAT, 5/16 (TOURALL ONLY)	1
8	1018876-01	NUT, NYLON LOCK, M6 x 1 (TOURALL ONLY)	1
9	1013746	CLAMP, HOSE	1
10	1016441	GASKET, THROTTLE BRACKET TO CARBURETOR	1
11	1016582	SPRING, THROTTLE RETURN	1
12	1019056-01	ASSEMBLY, CARBURETOR (TOURALL ONLY)	1
12	1019059-01	ASSEMBLY, CARBURETOR (RESORT VILLAGER, TRANS-PORTER/TRANS-SENDER)	1
13	1017466	CLAMP, HOSE	2
14	1015137	LINE, BULK VENT	A/R
15	1016572	TUBE, CRANKCASE VENT	1
16	1016438	GASKET, CARBURETOR TO INTAKE MANIFOLD	1
17	1016480	PIPE, INTAKE	1
18	1016490-02	SCREW, 2-ENDED STUD, M6 x 1 x 90MM	2
19	1016547	NUT, FLANGED, M6 x 1	2

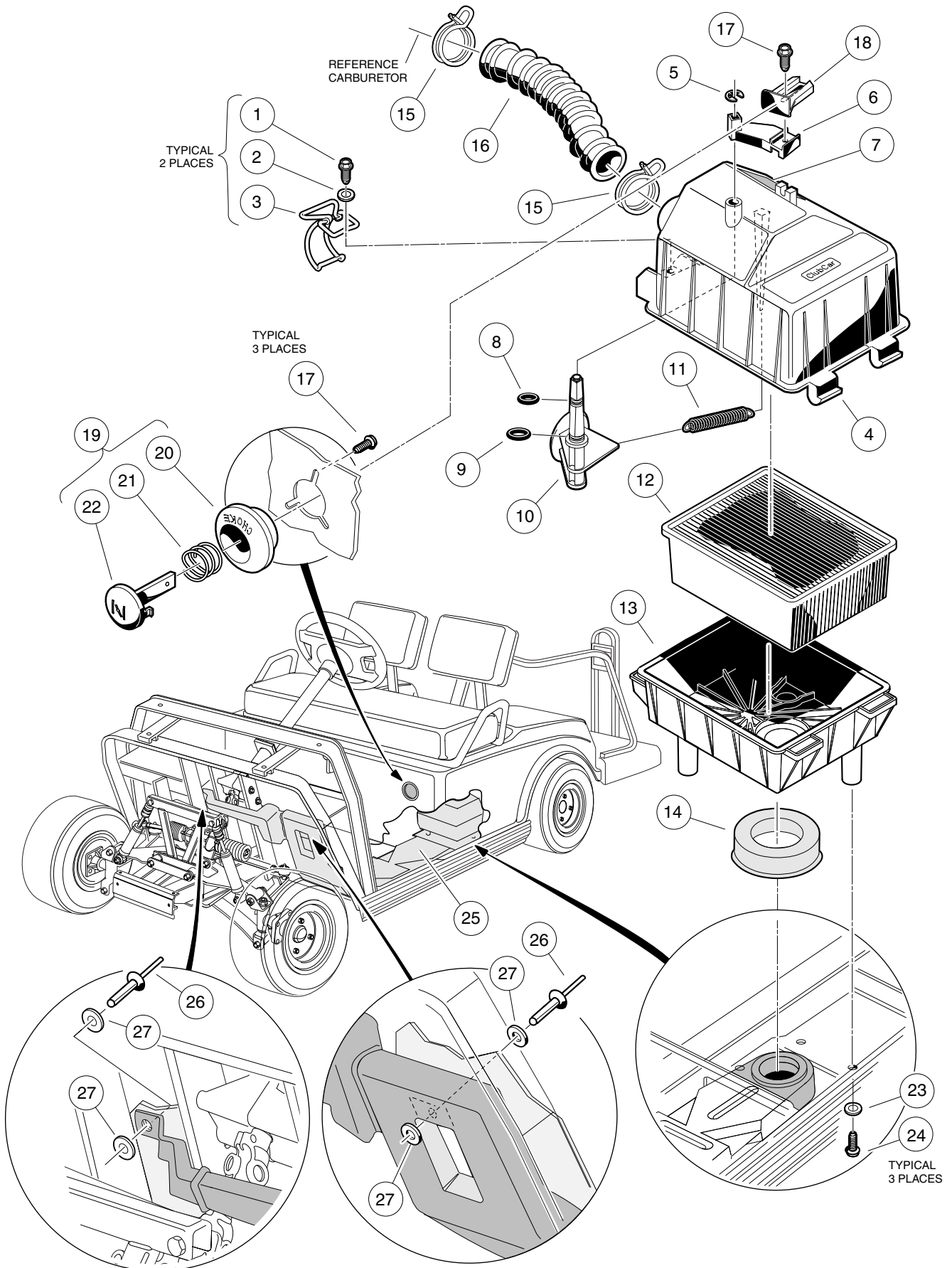




GOVERNOR AND ACCELERATOR CABLES

9
G

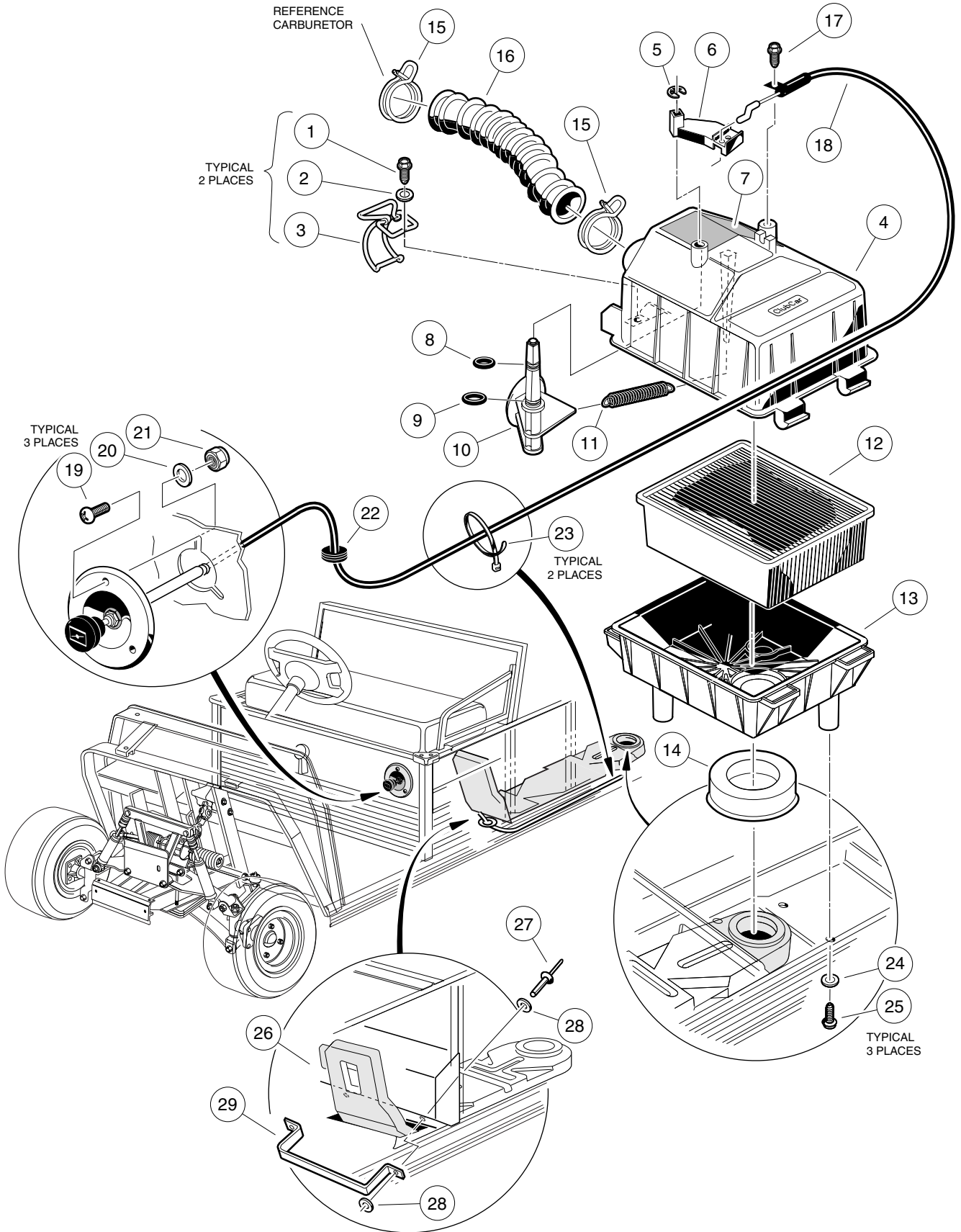
ITEM	PART NO.	DESCRIPTION	QTY
		1 2 3 4	
1	1018325-01	CABLE, ACCELERATOR*	1
2	1018324-01	CABLE, GOVERNOR (TOURALL)*	1
2	1018324-02	CABLE, GOVERNOR (RESORT VILLAGER, TRANS-PORTER/TRANS-SENDER)*	1
3	1013700	CLAMP, CABLE RETAINING	2
4	1016546	NUT, FLANGED HEX, M8 x 1.25	2
5	1018323-01	BRACKET, ACCELERATOR SUPPORT	1
6	1012285	SCREW, THREAD ROLLING, 1/4 - 20 x 5/8	4
7	1016202	E-RING	3
8	1015408	PIN, GOVERNOR CABLE CLEVIS	2
9	1014413	PIN, HAIR SPRING COTTER, 1/8 I.D. x 5/8	2
10	1018322-01	BRACKET, SUPPORT	1
11	1015845	BRACKET, GOVERNOR CABLE ENGINE	1
12	1019035-01	SCREW, HEX HEAD CAP, M8 x 1.25 x 24 MM	1
13	0007174	WASHER, LOCK, 5/16	1
14	1011697	WASHER, FLAT, 5/16	1
		* ITEMS 1 AND 2 ARE NO LONGER AVAILABLE. WHEN ORDERING REPLACEMENT PARTS FOR THESE ITEMS, ORDER THE FOLLOWING CONVERSION KITS:	
15	102437801	KIT, ACCELERATOR CABLE	1
16	102437901	KIT, GOVERNOR CABLE	1



INTAKE DUCT, CHOKE, AND AIR BOX ASSEMBLY— TOURALL

ITEM	PART NO.	DESCRIPTION	QTY
		1 2 3 4	
	1018215-01	ASSEMBLY, AIR BOX (INCLUDES ITEMS 1 - 14)	1
1	1018043-01	SCREW, HI-LO HEX HEAD, #8 - 1/2	2
2	1018817-01	WASHER, STAINLESS STEEL, #8	2
3	1019257-01	LATCH, WIRE	2
4	1019728-01	ASSEMBLY, AIR BOX TOP (INCLUDES ITEMS 5 - 11)	1
5	1018130-01	E-CLIP	1
6	1019176-01	LEVER, CHOKE	1
7	1019443-01	DECAL, SERVICE	1
8	N/A	O-RING, 5/16 (RED)	1
9	N/A	O-RING, 3/8 (GREEN)	1
10	N/A	VALVE, CHOKE	1
11	1018123-01	SPRING, RETURN	1
12	1015426	FILTER, AIR	1
13	1018119-01	BOTTOM, AIR BOX	1
14	1019215-01	SEAL, INTAKE	1
15	1019713-01	CLAMP, HOSE (AIR INTAKE)	2
16	1018371-01	HOSE, INTAKE	1
17	1018503-01	SCREW, HI-LO, #12 x 1/2	4
18	1019177-01	POSITIONER, CHOKE	1
19	1018057-01	ASSEMBLY, CHOKE BUTTON (INCLUDES ITEMS 20, 21 AND 22)	1
20	1018115-01	GUIDE, CHOKE LEVER	1
21	1018562-01	SPRING, COMPRESSION	1
22	1018114-01	LEVER, CHOKE	1
23	0000332	WASHER, FLAT, 1/4	3
24	1015752	SCREW, HI-LO, #12 - 16 x 5/8	3
25	1019581-01	ASSEMBLY, AIR DUCT	1
26	0001606	RIVET, POP, 3/16	2
27	0000183	WASHER, FLAT, #10	4
	1019710-01	AIR DUCT REPAIR KIT (NOT SHOWN)	A/R

9
G



INTAKE DUCT, CHOKE, AND AIR BOX ASSEMBLY— RESORT VILLAGER, TRANS-PORTER/TRANS-SENDER

ITEM	PART NO.	DESCRIPTION	QTY
		1 2 3 4	
	1018215-01	ASSEMBLY, AIR BOX (INCLUDES ITEMS 1 - 14)	1
1	1018043-01	SCREW, HI-LO HEX HEAD, #8 - 1/2	2
2	1018817-01	WASHER, STAINLESS STEEL, #8	2
3	1019257-01	LATCH, WIRE	2
4	1019728-01	ASSEMBLY, AIR BOX TOP (INCLUDES ITEMS 5 - 11)	1
5	1018130-01	E-CLIP	1
6	1019176-01	LEVER, CHOKE	1
7	1019443-01	DECAL, SERVICE	1
8	N/A	O-RING, 5/16 (RED)	1
9	N/A	O-RING, 3/8 (GREEN)	1
10	N/A	VALVE, CHOKE	1
11	1018123-01	SPRING, RETURN	1
12	1015426	FILTER, AIR	1
13	1018119-01	BOTTOM, AIR BOX	1
14	1019215-01	SEAL, INTAKE	1
15	1019713-01	CLAMP, HOSE (AIR INTAKE)	2
16	1018371-01	HOSE, INTAKE	1
17	1018043-01	SCREW, HEX HEAD HI-LO, #8 x 1/2	1
18	1019268-02	CABLE, CHOKE	1
19	0001631	SCREW, PAN HEAD, 10 - 24 x 3/4	3
20	0000183	WASHER, #10	3
21	1012438	NUT, NYLON LOCK, #10 - 24	3
22	1015139	GROMMET	1
23	0008168	TIE, WIRE	2
24	0000332	WASHER, FLAT, 1/4	3
25	1015752	SCREW, HI-LO, #12 - 16 x 5/8	3
26	1018113-01	DUCT, AIR	1
27	0007973	RIVET, POP, 3/16 x .19 (TRANS-PORTER/TRANS-SENDER)	2
27	0001606	RIVET, POP, 3/16 x .44 (RESORT VILLAGER)	2
28	0000183	WASHER, FLAT, #10	4
29	1018257-01	BRACKET, RETAINING	1
	1019710-01	AIR DUCT REPAIR KIT (NOT SHOWN)	A/R

9
G

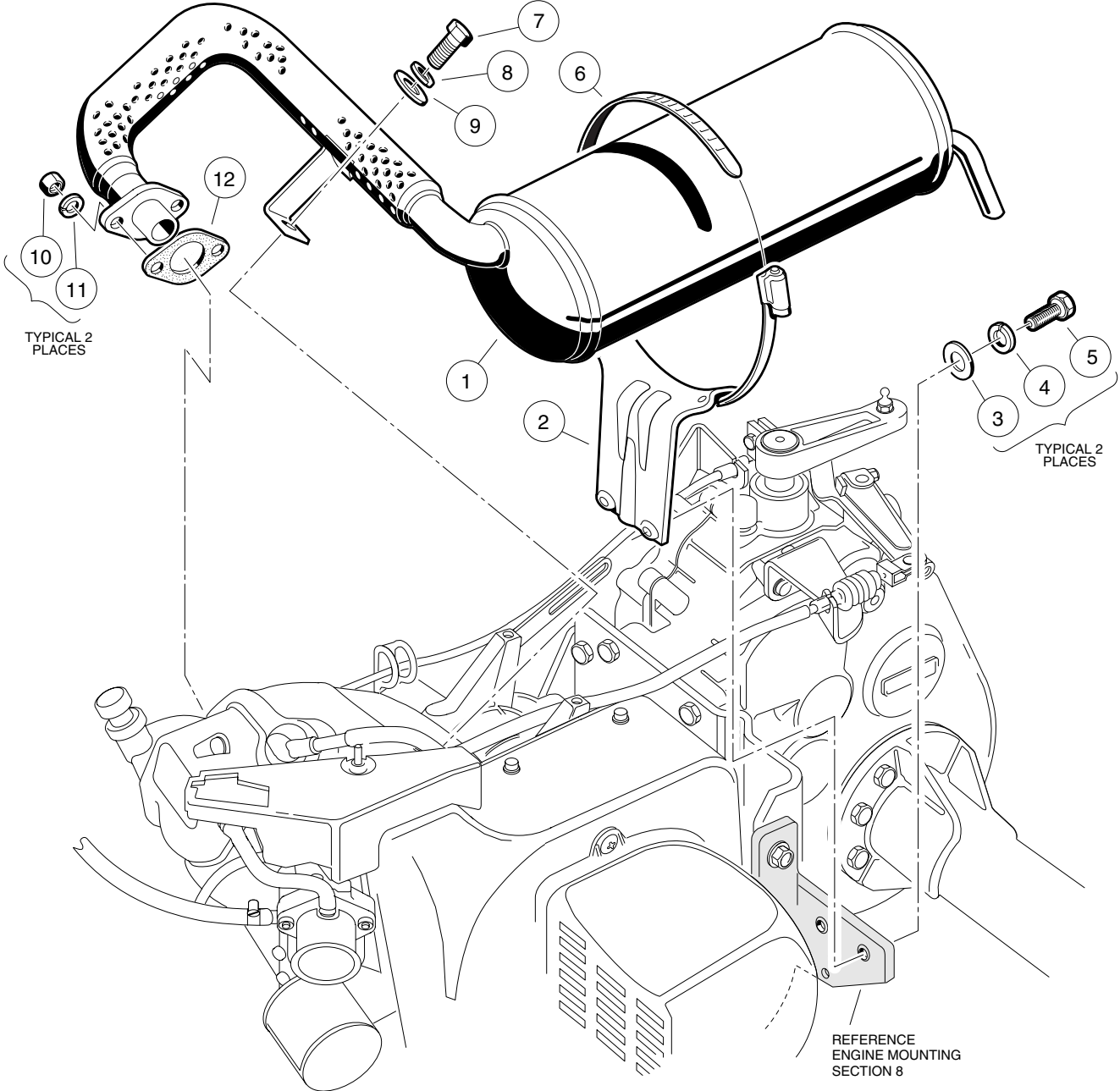
9

G

EXHAUST SYSTEM

10

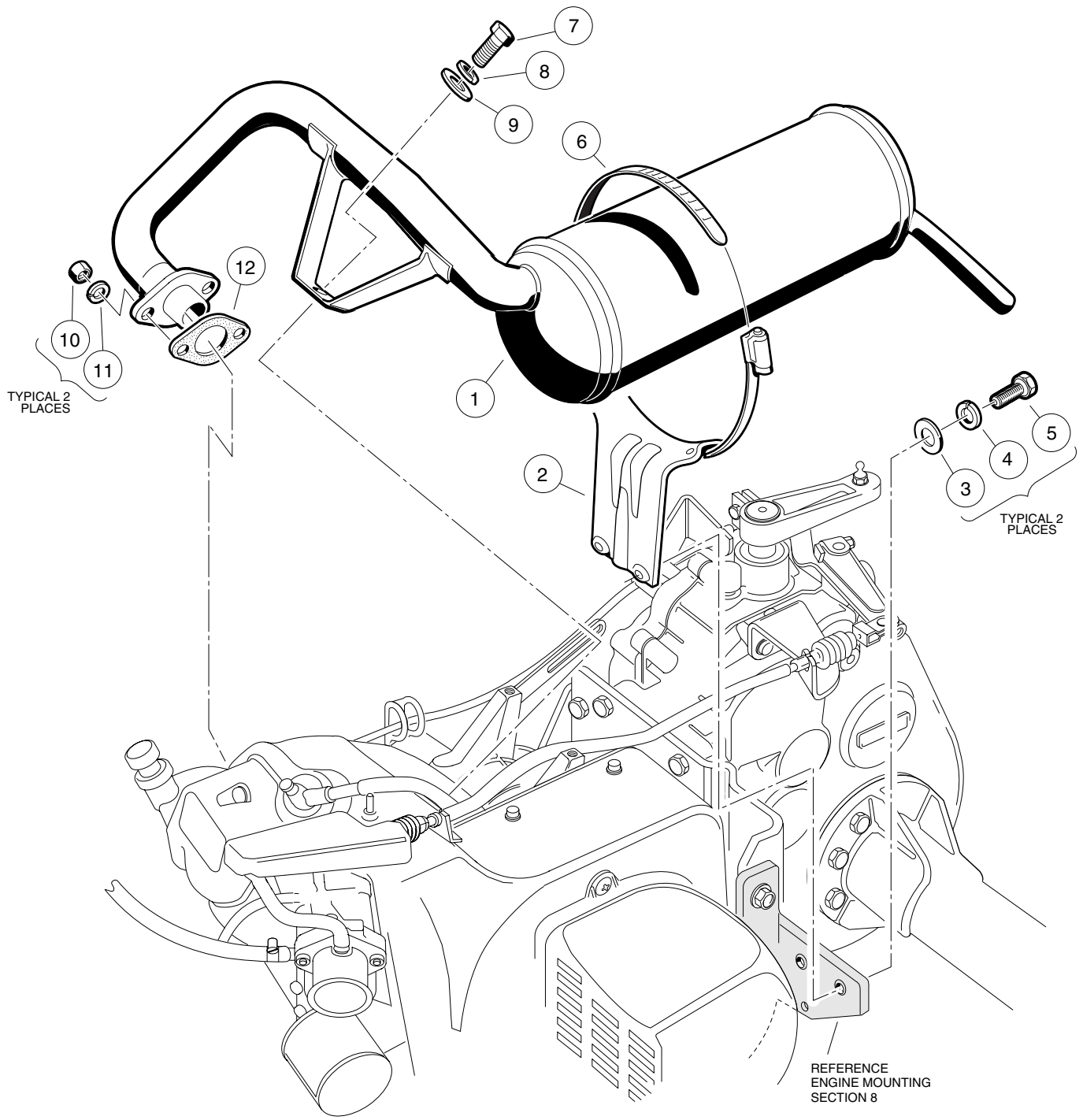
G



EXHAUST SYSTEM, FE 290— TOURALL

ITEM	PART NO.	DESCRIPTION	QTY
		1 2 3 4	
1	1018593-01	SYSTEM, EXHAUST	1
2	1015814	BRACKET, MUFFLER MOUNTING	1
3	0000332	WASHER, FLAT, 1/4	2
4	0000451	WASHER, LOCK, 1/4	2
5	0007847	SCREW, HEX HEAD, 1/4 - 20 x 3/4	2
6	1017689	CLAMP, MUFFLER	1
7	1019035-01	SCREW, HEX HEAD CAP, M8 x 1.25 x 24MM	1
8	0007174	WASHER, LOCK, 5/16	1
9	1015075	WASHER, FLAT, 5/16	1
10	1012528	NUT, HEX, M8 x 1.25	2
11	1013734	WASHER, LOCK, 8MM	2
12	1015330	GASKET, EXHAUST	1

10
G



EXHAUST SYSTEM, FE 350— RESORT VILLAGER, TRANS-SENDER/TRANS-PORTER

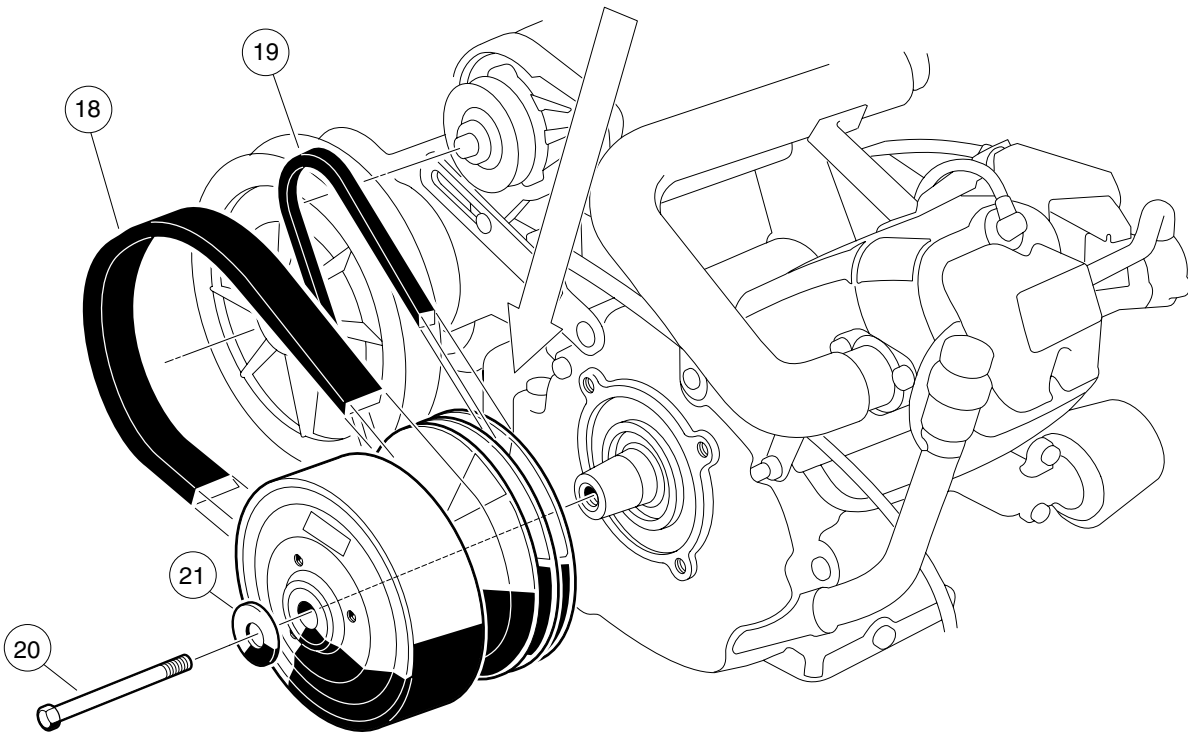
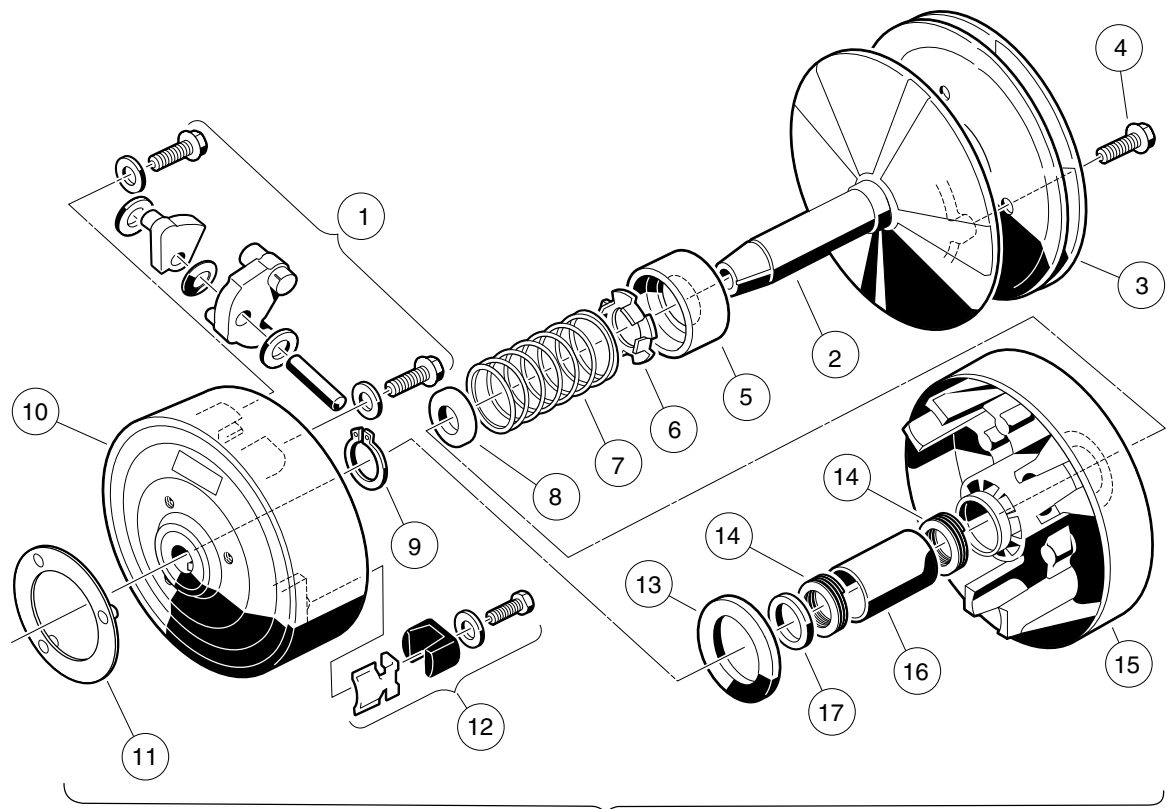
ITEM	PART NO.	DESCRIPTION	QTY
		1 2 3 4	
1	1018594-01	SYSTEM, EXHAUST	1
2	1015814	BRACKET, MUFFLER MOUNTING	1
3	0000332	WASHER, FLAT, 1/4	2
4	0000451	WASHER, LOCK, 1/4	2
5	0007847	SCREW, HEX HEAD, 1/4 - 20 x 3/4	2
6	1017689	CLAMP, MUFFLER	1
7	1019035-01	SCREW, HEX HEAD CAP, M8 x 1.25 x 24MM	1
8	0007174	WASHER, LOCK, 5/16	1
9	1015075	WASHER, FLAT, 5/16	1
10	1012528	NUT, HEX, M8 x 1.25	2
11	1013734	WASHER, LOCK, 8MM	2
12	1016904	GASKET, EXHAUST	1

10
G

TORQUE CONVERTER

11

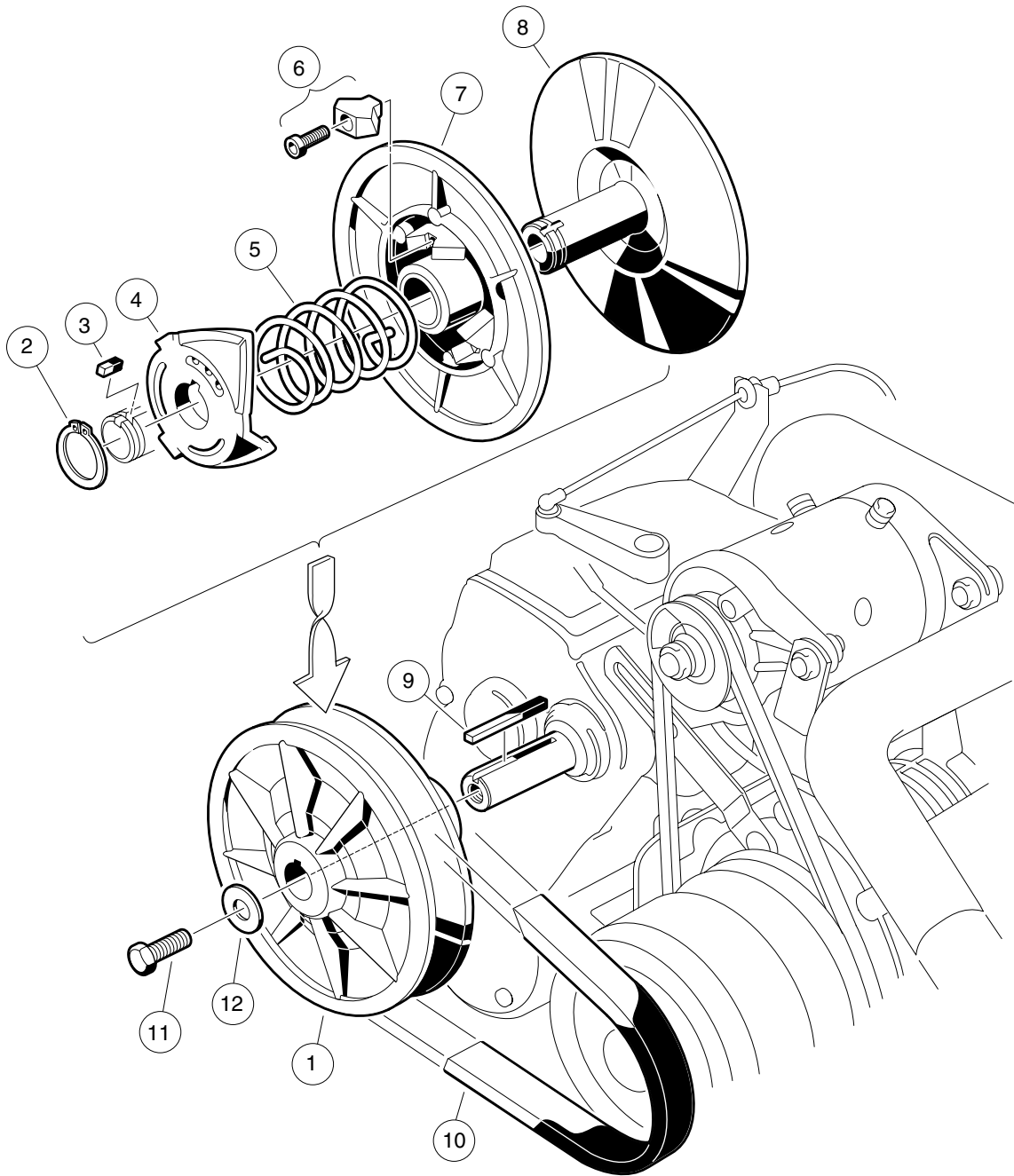
G



DRIVE CLUTCH

11
G

ITEM	PART NO.	DESCRIPTION	QTY
		1 2 3 4	
	1018339-02	ASSEMBLY, DRIVE CLUTCH (TOURALL ONLY) (INCLUDES ITEMS 1 - 17)	1
	1018339-04	ASSEMBLY, DRIVE CLUTCH (RESORT VILLAGER, TRANS-PORTER/TRANS-SENDER) (INCLUDES ITEMS 1 - 17)	1
1	1016801	KIT, DRIVE CLUTCH WEIGHT	1
2	1019298-01	ASSEMBLY, FIXED FACE (TOURALL ONLY) (INCLUDES ITEMS 3 AND 4)	1
2	1017383-01	ASSEMBLY, FIXED FACE (RESORT VILLAGER, TRANS-PORTER/TRANS-SENDER) (INCLUDES ITEMS 3 AND 4)	1
3	N/A	PULLEY	1
4	N/A	SCREW, WASHER HEAD HEX MACHINE	3
5	1014049	BEARING, IDLER	1
6	1014050	SPRING, RETAINER	1
7	1014051	SPRING, DRIVE CLUTCH—BLACK (TOURALL ONLY)	1
7	1016901	SPRING, DRIVE CLUTCH—DARK GREEN (RESORT VILLAGER, TRANS-PORTER/TRANS-SENDER)	1
8	1016289	SPACER, FIXED FACE SHAFT	1
9	1014057	RING, RETAINING	1
10	1014059	ASSEMBLY, DRIVE HUB	1
11	1019256-01	PLUG, DRIVE CLUTCH	1
12	1014453	KIT, DRIVE CLUTCH BUTTON	1
13	1014058	WASHER, THRUST	1
14	1014056	RING, SPIRAL BACK-UP	2
15	1014052	ASSEMBLY, MOVEABLE FACE (INCLUDES ITEMS 16 AND 17)	1
16	N/A	BUSHING	1
17	1014055	RETAINER	1
18	1016203	BELT, DRIVE (TOURALL ONLY)	1
18	1017188	BELT, DRIVE (RESORT VILLAGER, TRANS-PORTER/TRANS-SENDER)	1
19	1019167-01	BELT, STARTER/GENERATOR	1
20	1019165-01	SCREW, HEX HEAD CAP (LEFT HAND THREADS), 3/8 - 24 x 5 1/2	1
21	1017328	WASHER, MOUNTING—GREEN	1



DRIVEN CLUTCH

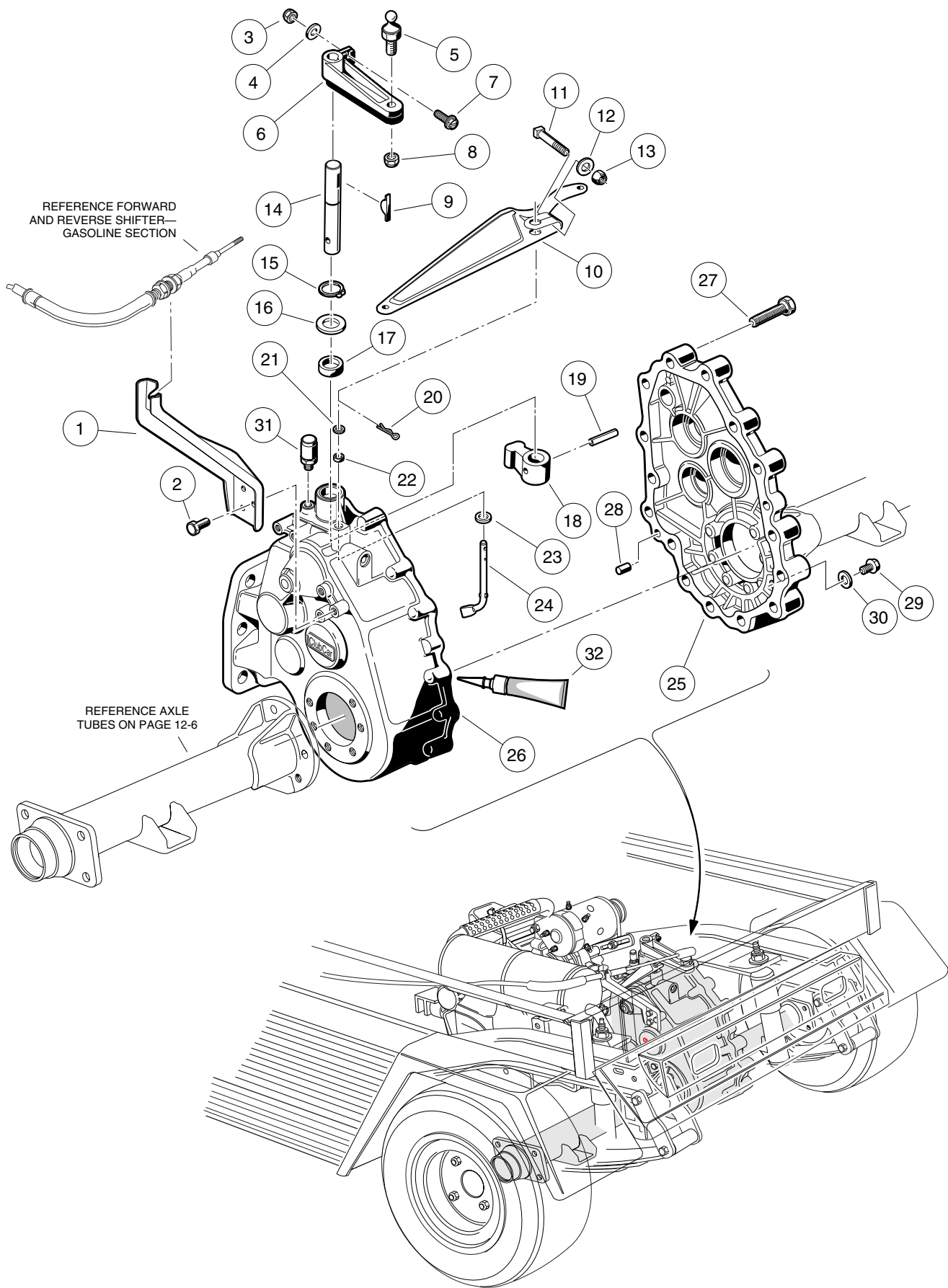
ITEM	PART NO.	DESCRIPTION	QTY
		1 2 3 4	
1	1018340-01	ASSEMBLY, DRIVEN CLUTCH (INCLUDES ITEMS 2 - 8)	1
2	1014080	RING, RETAINING	1
3	1014078	KEY	1
4	1017686	CAM	1
5	1018362-01	SPRING—GREEN	1
6	1014454	KIT, BUTTON (INCLUDES 3 BUTTONS AND 3 SCREWS)	1
7	1014072	ASSEMBLY, MOVEABLE FACE, WITH BUSHING	1
8	1014070	ASSEMBLY, FIXED FACE	1
9	1018334-01	KEY, SQUARE TRANSMISSION	1
10	1016203	BELT, DRIVE (TOURALL ONLY)	1
10	1017188	BELT, DRIVE (RESORT VILLAGER, TRANS-PORTER/TRANS-SENDER)	1
11	0007173	SCREW, HEX HEAD CAP, 5/16 - 18 x 3/4	1
12	1017327	WASHER, MOUNTING—YELLOW	1

11
G

UNITIZED TRANSAXLE— GASOLINE VEHICLE

12

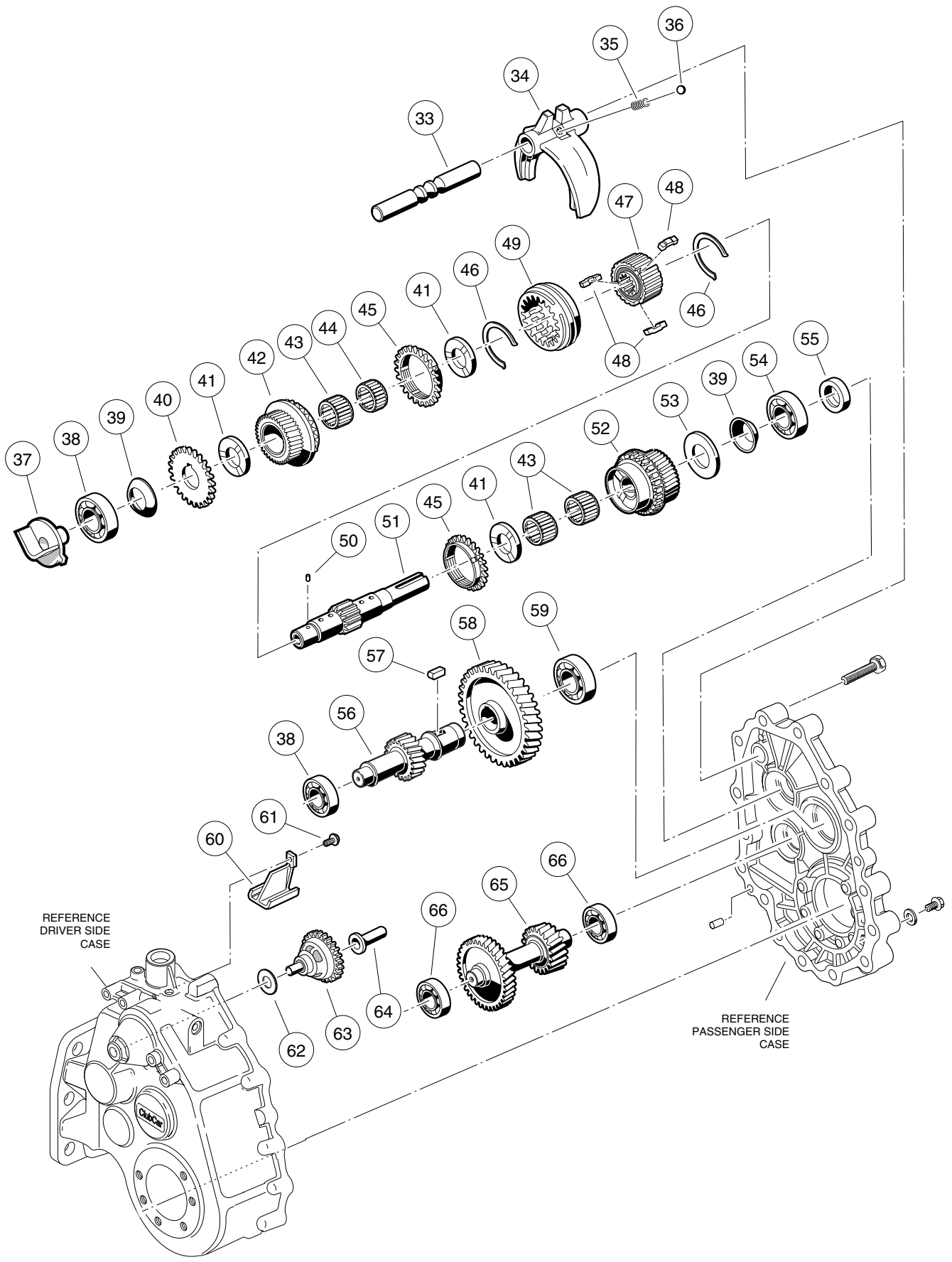
G



UNITIZED TRANSAXLE—GASOLINE VEHICLE

12
G

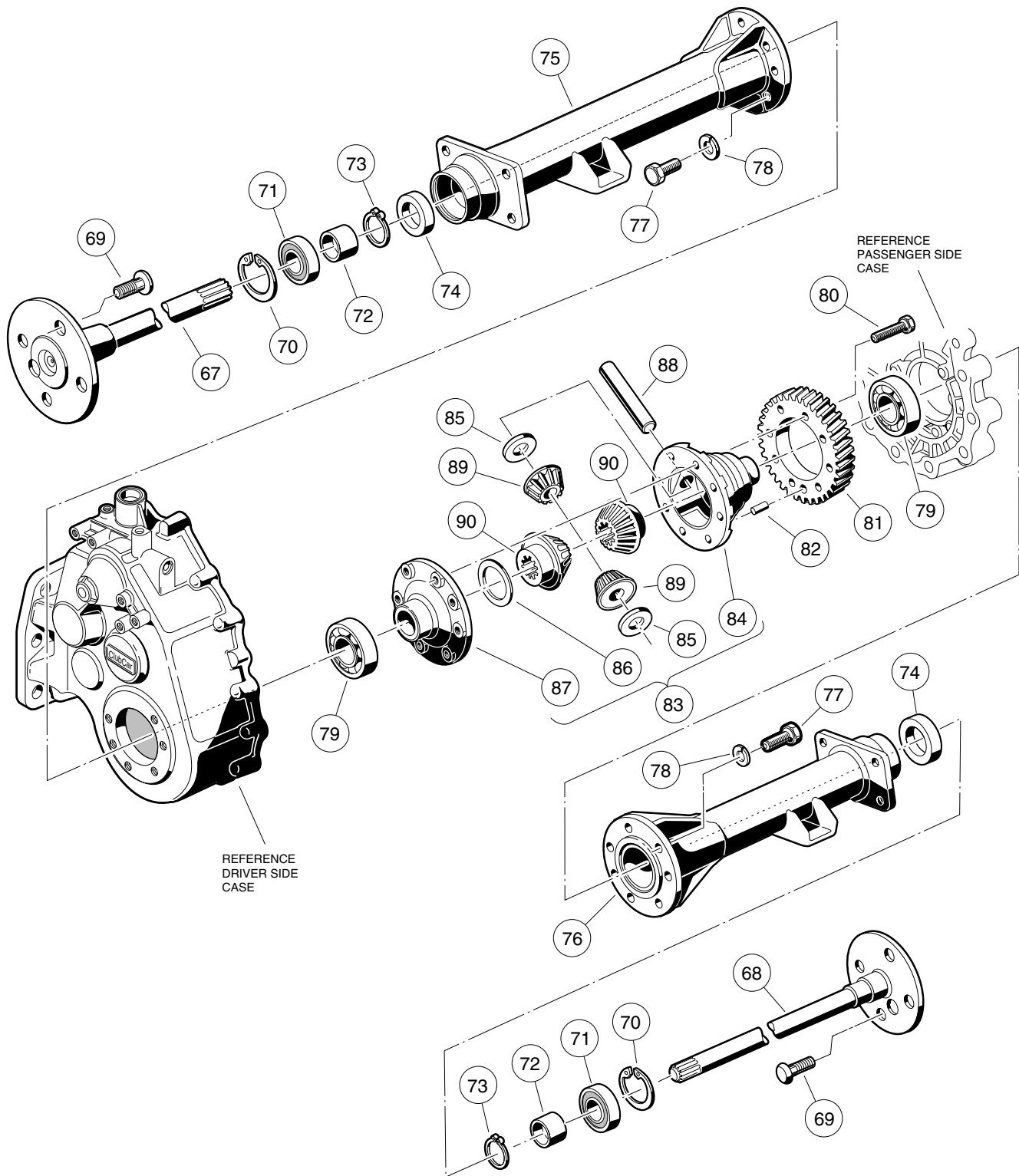
ITEM	PART NO.	DESCRIPTION	QTY
		1 2 3 4	
1	1019226-01	BRACKET, TRANSMISSION CABLE SUPPORT	1
2	1012285	SCREW, THREAD ROLLING, 1/4 - 20 x 5/8	3
3	1013061	NUT, NYLON LOCK, #10 - 32	1
4	0000183	WASHER, FLAT, #10	1
5	1010954	STUD, BALL, 1/4 - 28 x 9/16	1
6	1016341	LEVER, TRANSMISSION SHIFTER	1
7	1017082	SCREW, HEX WASHER HEAD, #10 - 32 x 3/4	1
8	0008717	NUT, NYLON LOCK, 1/4 - 28	1
9	1017231	KEY, WOODRUFF	1
10	1018348-01	ARM, GOVERNOR LEVER	1
11	1018861-01	SCREW, SQUARE HEAD, 1/4 - 20 x 1	1
12	1014007	WASHER, FLAT, TYPE B, 1/4	1
13	0008233	NUT, NYLON LOCK, 1/4 - 20	1
	1018336-01	UNITIZED TRANSAXLE (INCLUDES ITEMS 14 - 90)	1
14	1018902-01	SHAFT, SHIFTER	1
15	1019273-01	RING, SNAP	1
16	1018929-01	WASHER, FLAT	1
17	1019272-01	SEAL, OIL	1
18	1018901-01	LEVER, SHIFTER	1
19	1012752	PIN, ROLL	1
20	1019286-01	PIN, HAIR SPRING COTTER	1
21	1016513	WASHER, FLAT	1
22	1019271-01	SEAL, OIL	1
23	1018938-01	WASHER	1
24	1018913-01	ARM, PIVOT	1
25	1018906-01	GEAR CASE (PASSENGER SIDE)	1
26	1018905-01	GEAR CASE (DRIVER SIDE)	1
27	1019269-01	BOLT, FLANGED, M8 x 1.25 x 40MM	15
28	1012896	PIN, DOWEL	2
29	1013759	PLUG, DRAIN (INCLUDES ITEM 30)	2
30	1016432	GASKET	1
31	1012711	BREATHER	1
32	1019287-01	GASKET, LIQUID, 8.8 OZ. (250 GRAMS)	A/R



UNITIZED TRANSAXLE—GASOLINE VEHICLE

ITEM	PART NO.	DESCRIPTION	QTY
		1 2 3 4	
33	1018920-01	ROD, SHIFT	1
34	1018900-01	FORK, SHIFT	1
35	1012748	SPRING	1
36	1012747	BALL, STEEL	1
37	1018894-01	GUIDE	1
38	AM10080	BEARING, BALL	4
39	1016338	WASHER, SPRING	2
40	1018924-01	GEAR, SPUR	1
41	1018922-01	PLATE, THRUST	3
42	1019809-01	GEAR ASSEMBLY, 28 TOOTH, INPUT (16°).....	1
43	1019276-01	BEARING, NEEDLE	3
44	1019275-01	BEARING, NEEDLE	1
45	1019810-01	RING, SYNCHRONIZER (16°).....	2
46	1012741	SPRING, SYNCHRONIZER	2
47	1019280-01	HUB, SYNCHRONIZER CLUTCH	1
48	1012740	INSERT, SYNCHRONIZER	3
49	1019279-01	SLEEVE, SYNCHRONIZER	1
50	1019277-01	PIN, DOWEL	1
51	1018899-01	SHAFT, INPUT	1
52	1019808-01	GEAR ASSEMBLY, 25 TOOTH, INPUT (16°)	1
53	1016337	WASHER, THRUST	1
54	AM10081	BEARING, BALL	1
55	1012714	SEAL, OIL, INPUT SHAFT	1
56	1018926-01	GEAR, 17 TOOTH	1
57	1018932-01	KEY	1
58	1018925-01	GEAR, 61 TOOTH	1
59	1019281-01	BEARING, BALL	1
60	1018895-01	GUIDE, OIL FLOW.....	1
61	1019282-01	SCREW, M8 x 1.25 x 10 MM	1
62	1018939-01	WASHER	1
63	1018923-01	GOVERNOR ASSEMBLY	1
64	1018916-01	SLEEVE	1
65	1018919-01	GEAR, CLUSTER IDLER	1
66	0007335	BEARING, BALL	2

12
G



UNITIZED TRANSAXLE—GASOLINE VEHICLE

ITEM	PART NO.	DESCRIPTION	QTY
		1 2 3 4	
67	1018915-01	AXLE ASSEMBLY, DRIVER SIDE (INCLUDES ITEMS 69 - 73)	1
68	1018914-01	AXLE ASSEMBLY, PASSENGER SIDE (INCLUDES ITEMS 69 - 73)	1
69	1013787	STUD, LUG	4
70	1013792	RING, RETAINING	1
71	1011291	BEARING, OUTER AXLE TUBE	1
72	1014207	BUSHING, 25 MM I. D.	1
73	1016672	RING, RETAINING	1
74	1013794	SEAL, OIL	2
75	1018910-01	ASSEMBLY, AXLE TUBE, DRIVER SIDE	1
76	1018909-01	ASSEMBLY, AXLE TUBE, PASSENGER SIDE	1
77	1013790	BOLT, M10 x 1.5 x 30MM	14
78	1013791	WASHER, LOCK, M10	14
79	0007330	BEARING, INNER AXLE TUBE	2
80	1019283-01	BOLT, M8 x 1.25 x 37MM	8
81	1018927-01	GEAR, OUTPUT	1
82	1014193	PIN, DOWEL	1
83	1019105-01	KIT, DIFFERENTIAL GEAR CASE (INCLUDES ITEMS 84 - 87)	1
84	1013768	CASE, GEAR CARRIER	1
85	1013774	PLATE, THRUST (IDLER GEAR)	2
86	1013773	PLATE, THRUST (DIFFERENTIAL GEAR)	1
87	1013769	COVER, GEAR CASE	1
88	1013772	PIN, DIFFERENTIAL	1
89	1013770	GEAR, DIFFERENTIAL IDLER	2
90	1013771	GEAR, DIFFERENTIAL	2

12

G

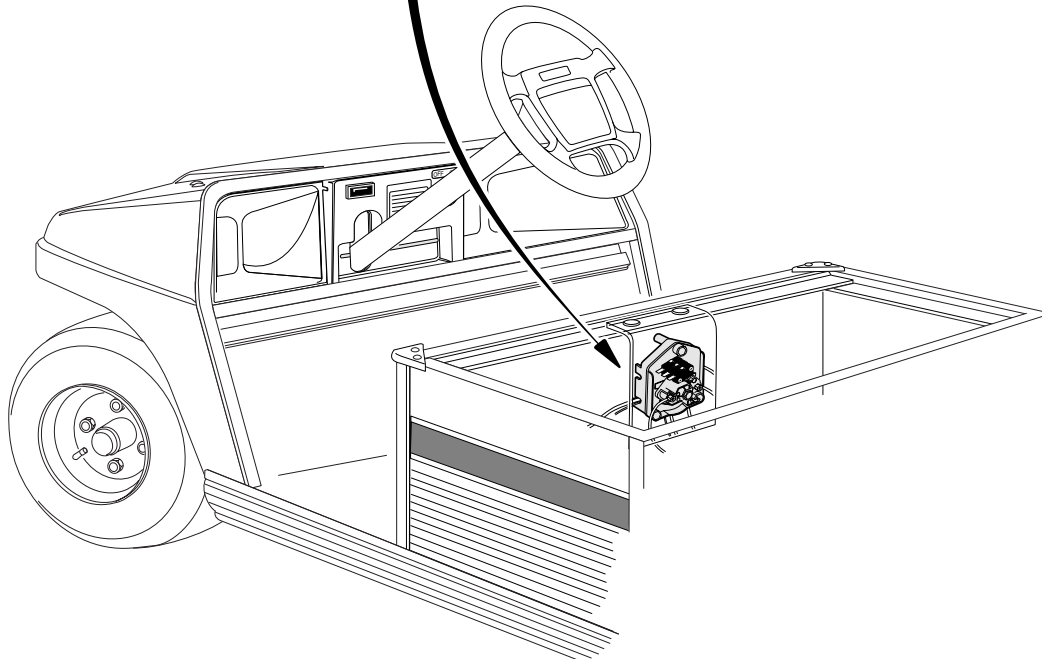
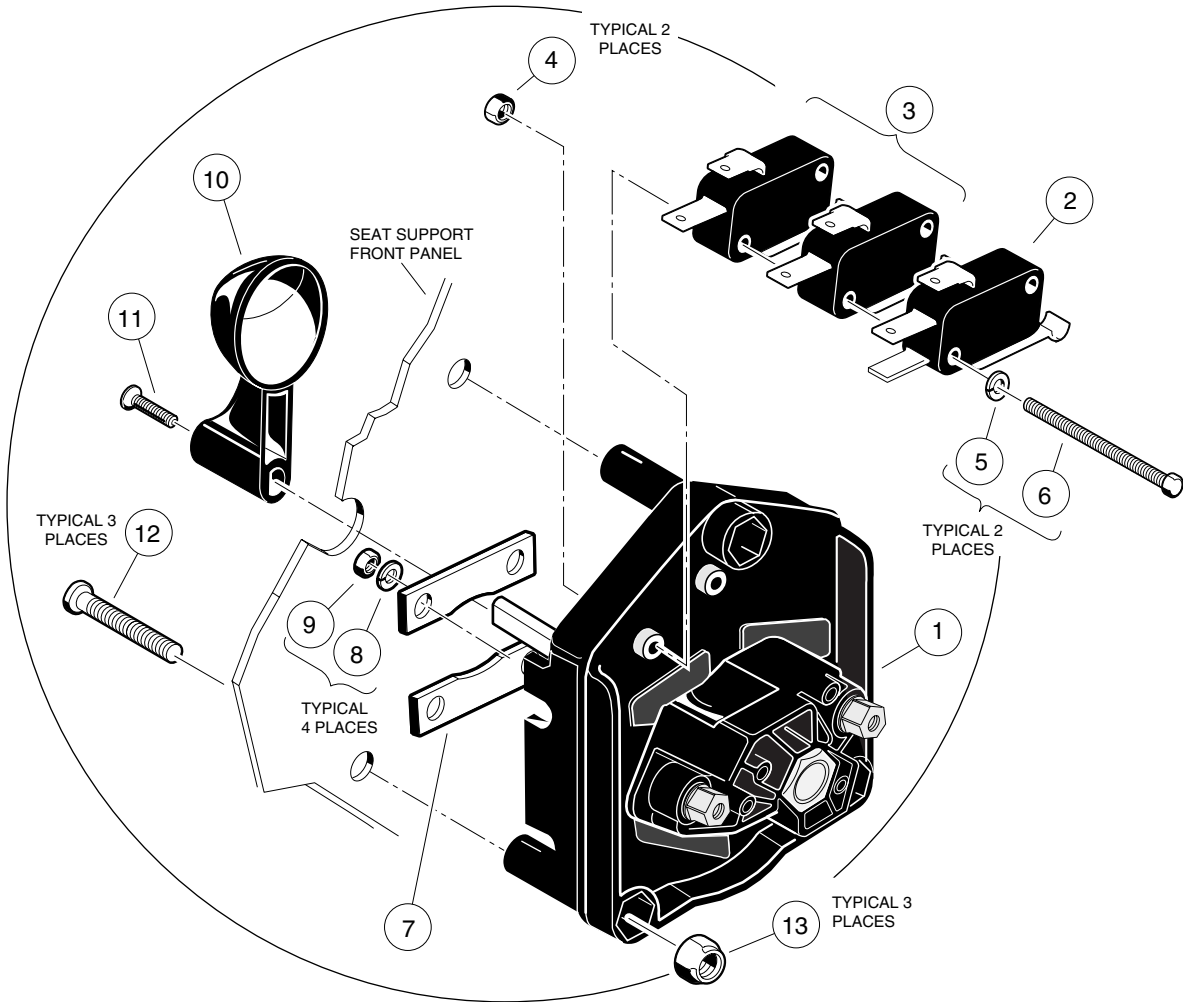
12

G

ELECTRICAL SYSTEM— ELECTRIC VEHICLE

13

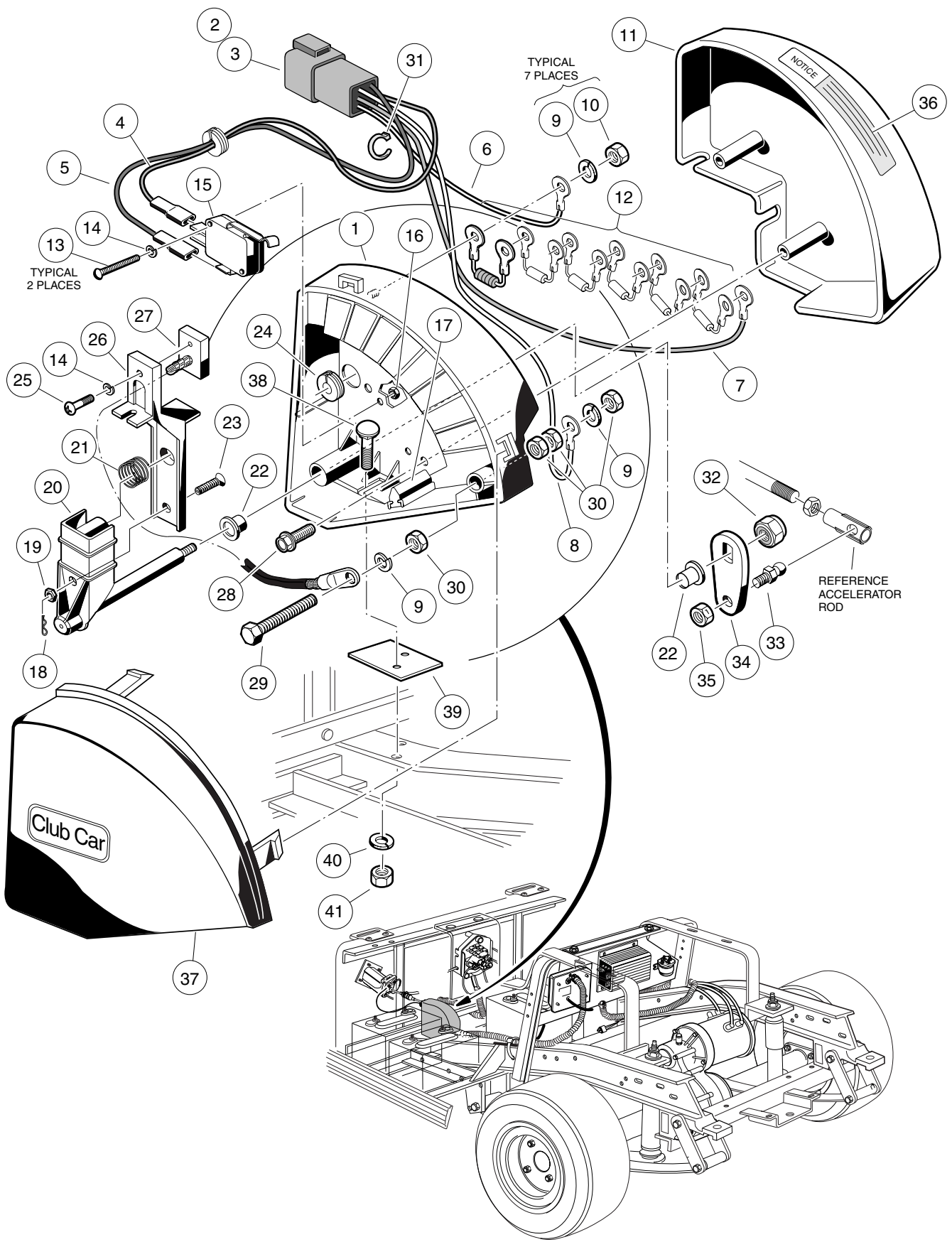
E



FORWARD AND REVERSE SWITCH— POWERDRIVE ELECTRIC VEHICLE

ITEM	PART NO.	DESCRIPTION	QTY
		1 2 3 4	
1	1017530-05	ASSEMBLY, FORWARD AND REVERSE SWITCH (INCLUDES ITEMS 2 - 9)	1
2	1014807	SWITCH, LIMIT	1
3	1014808	SWITCH, LIMIT	2
4	0008057	NUT, HEX, #4 - 40	2
5	0008058	WASHER, LOCK, #4	2
6	1014871	SCREW, HEX WASHER HEAD, #4 - 40 x 2	2
7	1017799	BAR, BUS	2
8	0000451	WASHER, LOCK, 1/4	4
9	0001028	NUT, HEX, 1/4 - 20	4
10	1012987	HANDLE, FORWARD AND REVERSE SWITCH	1
11	1013198	SCREW, PHILLIPS HEAD MACHINE, #8 - 32 x 5/8	1
12	1016845	SCREW, PHILLIPS TRUSS HEAD, 1/4 - 20 x 2 1/8	3
13	0008233	NUT, NYLON LOCK, 1/4 - 20	3

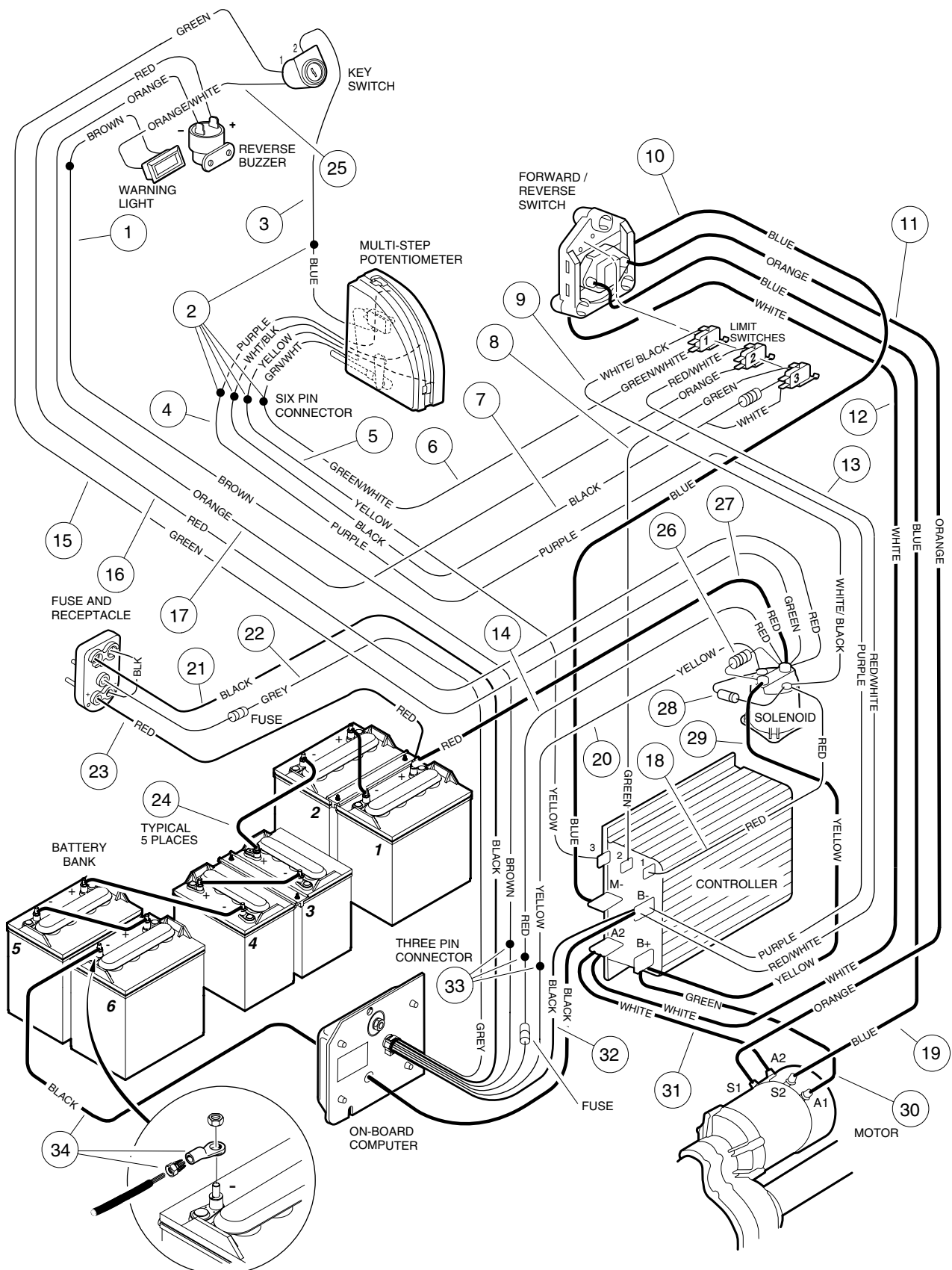
13
E



MULTI-STEP POTENTIOMETER— TOURALL POWERDRIVE ELECTRIC VEHICLE

ITEM	PART NO.	DESCRIPTION	QTY
		1 2 3 4	
	1019320-03	ASSEMBLY, WIPER SWITCH (INCLUDES ITEMS 1 - 37)	1
1	1014999	ASSEMBLY, WIPER SWITCH CASE, 6 SPEED	1
2	1019580-02	ASSEMBLY, 5-WIRE AND RECEPTACLE (INCLUDES ITEMS 3 - 8)	1
3	1019326-01	KIT, 6-PIN RECEPTACLE	1
4	N/A	WIRE ASSEMBLY, #18 GREEN/WHITE	1
5	N/A	WIRE ASSEMBLY, #18 BLUE	1
6	N/A	WIRE ASSEMBLY, #18 BLACK/WHITE	1
7	N/A	WIRE ASSEMBLY, #18 PURPLE.....	1
8	N/A	WIRE ASSEMBLY, #18 YELLOW.....	1
9	0000451	WASHER, LOCK, 1/4	17
10	0001014	NUT, BRASS HEX, 1/4 - 20	15
11	1019469-01	PROTECTOR, WIPER SWITCH RESISTOR	1
12	1019711-01	KIT, RESISTOR ASSEMBLY	1
13	0008056	SCREW, ROUND HEAD MACHINE, #4 - 40 x 3/4	2
14	0008058	WASHER, LOCK, #4	3
15	1014807	SWITCH, LIMIT.....	1
16	0008057	NUT, HEX, #4 - 40	2
17	1014414	BUMPER, WIPER SWITCH	1
18	1014413	PIN, HAIR SPRING COTTER	1
19	0007893	NUT, HEX, #10 - 32	1
20	1014017	CARRIER, WIPER SWITCH ARM	1
21	1013998	SPRING, WIPER SWITCH BRUSH	1
22	1012903	BEARING, BRONZE	2
23	1014000	STUD, WIPER SWITCH ADJUSTING	1
24	1014010	GROMMET, SPLIT	1
25	1014019	SCREW, SELF-TAPPING, #4 - 40 x 3/8	1
26	1013887	ARM, SPEED SWITCH	1
27	1013860	ASSEMBLY, SWITCH BRUSH	1
28	1013461	SCREW, HEX HEAD HI-LO, #10 - 16 x 1/2	2
29	1014189	SCREW, HEX HEAD CAP, 1/4 - 20 x 2	1
30	1014253	NUT, BRASS HEX JAM, 1/4 - 20	3
31	0008990	WRAP, TIE	1
32	0007473	NUT, NYLON LOCK, 5/16 - 18	1
33	1012353	STUD, SHORT BALL, 1/4 - 28	1
34	1014003	CRANK, BELL	1
35	0008449	NUT, DIMPLED LOCK, 1/4 - 28	1
36	1016109-01	DECAL, WIPER SWITCH WARNING	1
37	1013886	COVER, WIPER SWITCH	1
38	1014109	BOLT, CARRIAGE, #10 - 24 x 1	2
39	1019492-01	SHIM, WIPER SWITCH	1
40	1016175	WASHER, LOCK, #10	2
41	0001017	NUT, HEX, #10 - 24	2

13
E



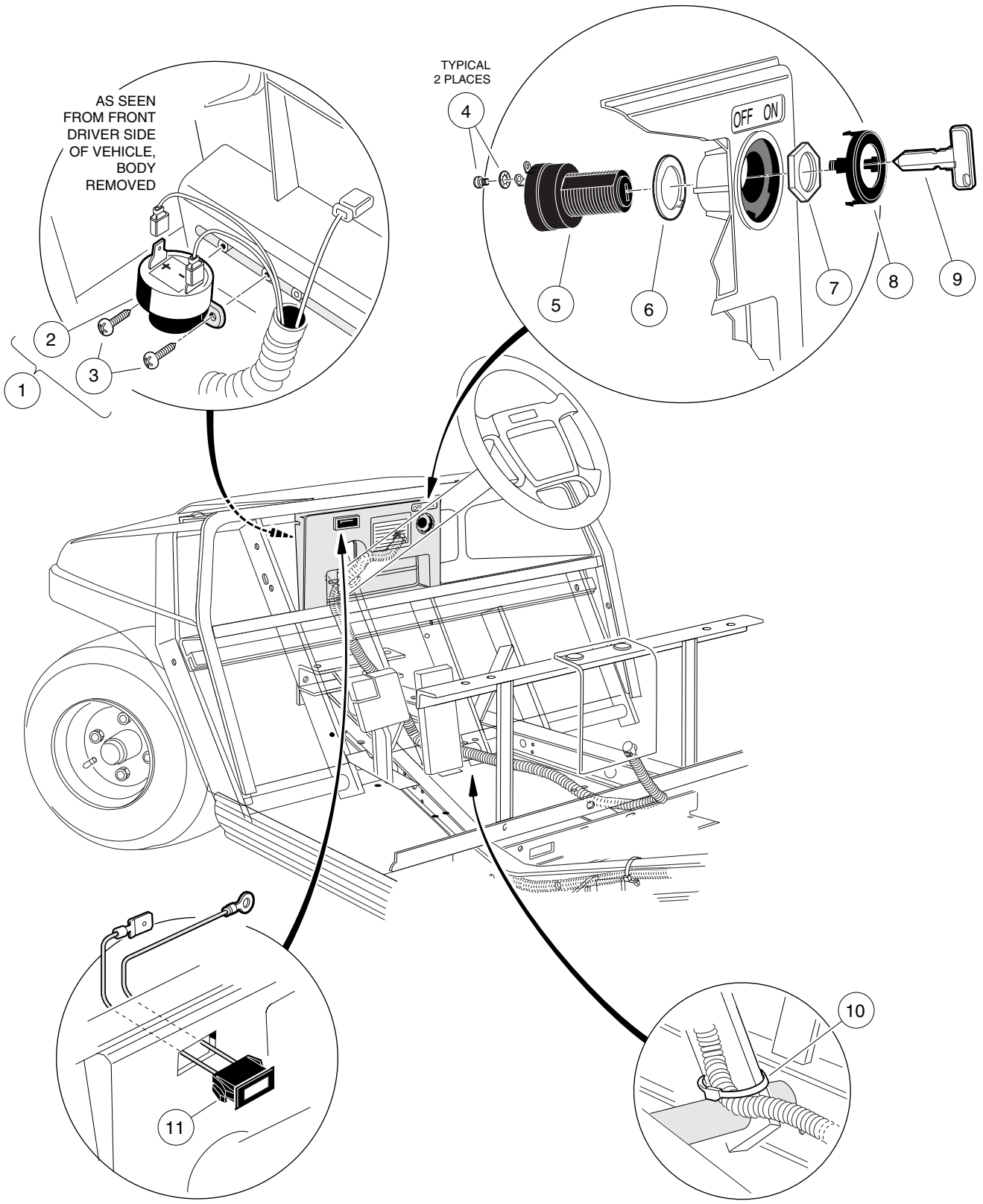
WIRING—

TOURALL POWERDRIVE ELECTRIC VEHICLE

ITEM	PART NO.	DESCRIPTION	QTY
		1 2 3 4	
	1019110-02	WIRE HARNESS (INCLUDES ITEMS 1 - 20)	1
1	N/A	WIRE ASSEMBLY, #18 BROWN	1
2	1019327-01	KIT, 6-PIN PLUG ASSEMBLY	1
3	N/A	WIRE ASSEMBLY, #18 BLUE	1
4	N/A	WIRE ASSEMBLY, #18 PURPLE	1
5	N/A	WIRE ASSEMBLY, #18 YELLOW	1
6	N/A	WIRE ASSEMBLY, #18 GREEN/WHITE	1
7	N/A	WIRE ASSEMBLY, #18 BLACK (INCLUDES RESISTOR AND #18 WHITE WIRE)	1
8	N/A	WIRE ASSEMBLY, #18 GREEN	1
9	N/A	WIRE ASSEMBLY, #18 WHITE/BLACK	1
10	1019014-01	WIRE ASSEMBLY, #6 BLUE	1
11	1019012-01	WIRE ASSEMBLY, #6 ORANGE	1
12	1019111-01	WIRE ASSEMBLY, #6 WHITE	1
13	N/A	WIRE ASSEMBLY, #18 RED/WHITE	1
14	N/A	WIRE ASSEMBLY, #18 RED	1
15	N/A	WIRE ASSEMBLY, #18 GREEN	1
16	N/A	WIRE ASSEMBLY, #18 RED	1
17	N/A	WIRE ASSEMBLY, #18 ORANGE	1
18	N/A	WIRE ASSEMBLY, #18 RED	1
19	1019013-01	WIRE ASSEMBLY, #6 BLUE	1
20	N/A	WIRE ASSEMBLY, #18 YELLOW	1
21	N/A	WIRE ASSEMBLY, #10 BLACK (PART OF ON-BOARD COMPUTER ASSEMBLY)	1
22	N/A	WIRE ASSEMBLY, #18 GREY (PART OF ON-BOARD COMPUTER ASSEMBLY)	1
23	N/A	WIRE ASSEMBLY, #10 RED (PART OF FUSE AND RECEPTACLE ASSEMBLY)	1
24	1017957-01	WIRE ASSEMBLY, #6 BLACK	5
25	N/A	WIRE ASSEMBLY, #18 ORANGE/WHITE (PART OF BATTERY LIGHT)	1
26	1014947	ASSEMBLY, RESISTOR	1
27	1019028-01	WIRE ASSEMBLY, #6 RED	1
28	1014948	ASSEMBLY, DIODE	1
29	1019030-01	WIRE ASSEMBLY, #6 YELLOW	1
30	1019029-01	WIRE ASSEMBLY, #6 GREEN	1
31	1014856	WIRE ASSEMBLY, #6 WHITE	1
32	N/A	WIRE ASSEMBLY, #10 BLACK (PART OF ON-BOARD COMPUTER ASSEMBLY)	1
33	1019201-01	KIT, 3-PIN PLUG ASSEMBLY	1
34	1018278-01	KIT, WIRE AND TERMINAL, #6 BLACK	1

13

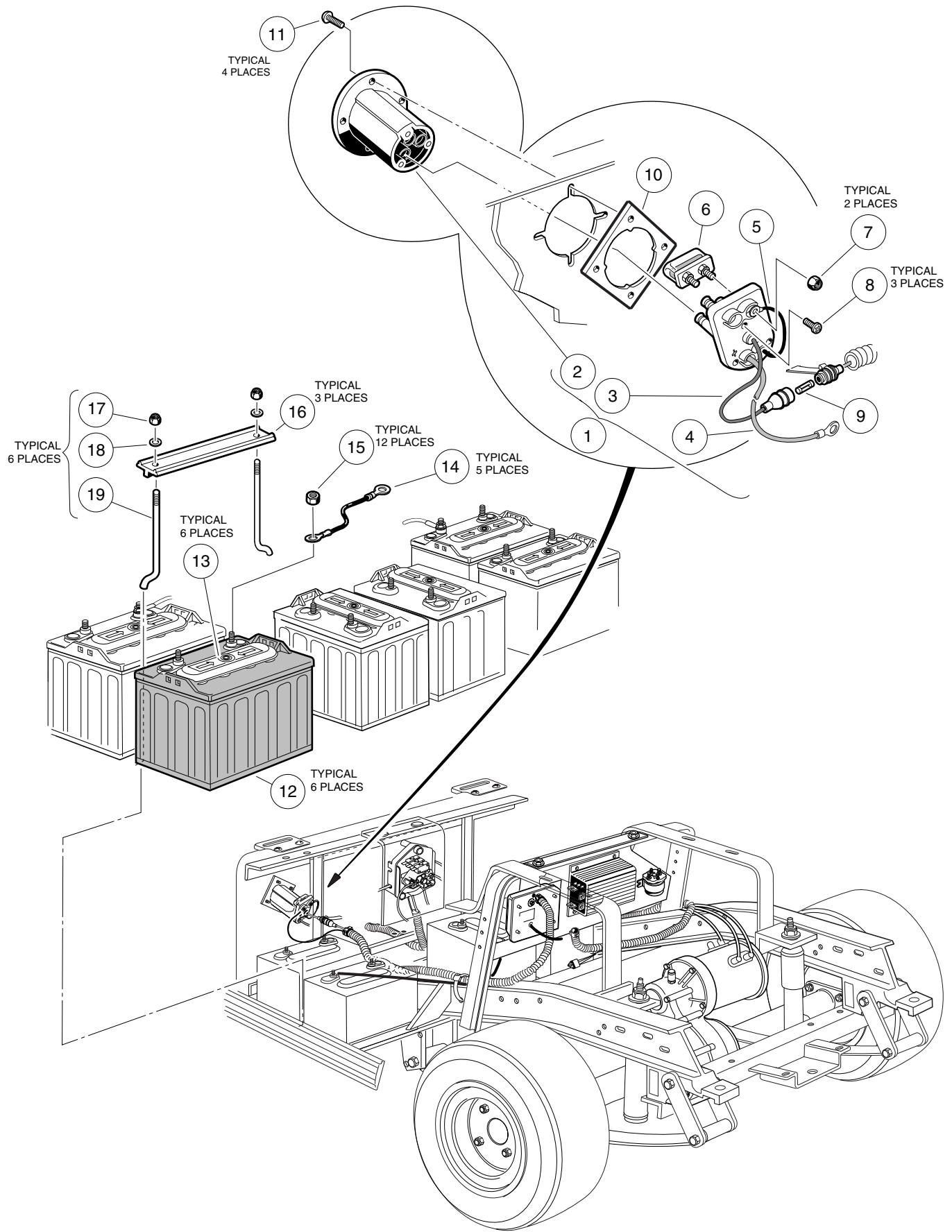
E



ELECTRICAL COMPONENTS, FRONT BODY— TOURALL POWERDRIVE ELECTRIC VEHICLE

ITEM	PART NO.	DESCRIPTION	QTY
		1 2 3 4	
1	1016859	KIT, REVERSE BUZZER (INCLUDES ITEMS 2 AND 3)	1
2	1016851	BUZZER, REVERSE	1
3	1016849	SCREW, PAN HEAD HI-LO, #4 - 24 x 5/16	2
4	1018306-01	ASSEMBLY, SCREW AND WASHER	2
5	1018262-01	SWITCH, KEY	1
6	1018511-01	WASHER	1
7	1018307-01	NUT, KEY SWITCH	1
8	1018345-02	CAP, KEY SWITCH (BLACK)	1
9	1012505	KEY (PAIR)	1
10	0008990	TIE, WIRE	2
11	1019355-01	LIGHT, BATTERY WARNING (AMBER)	1

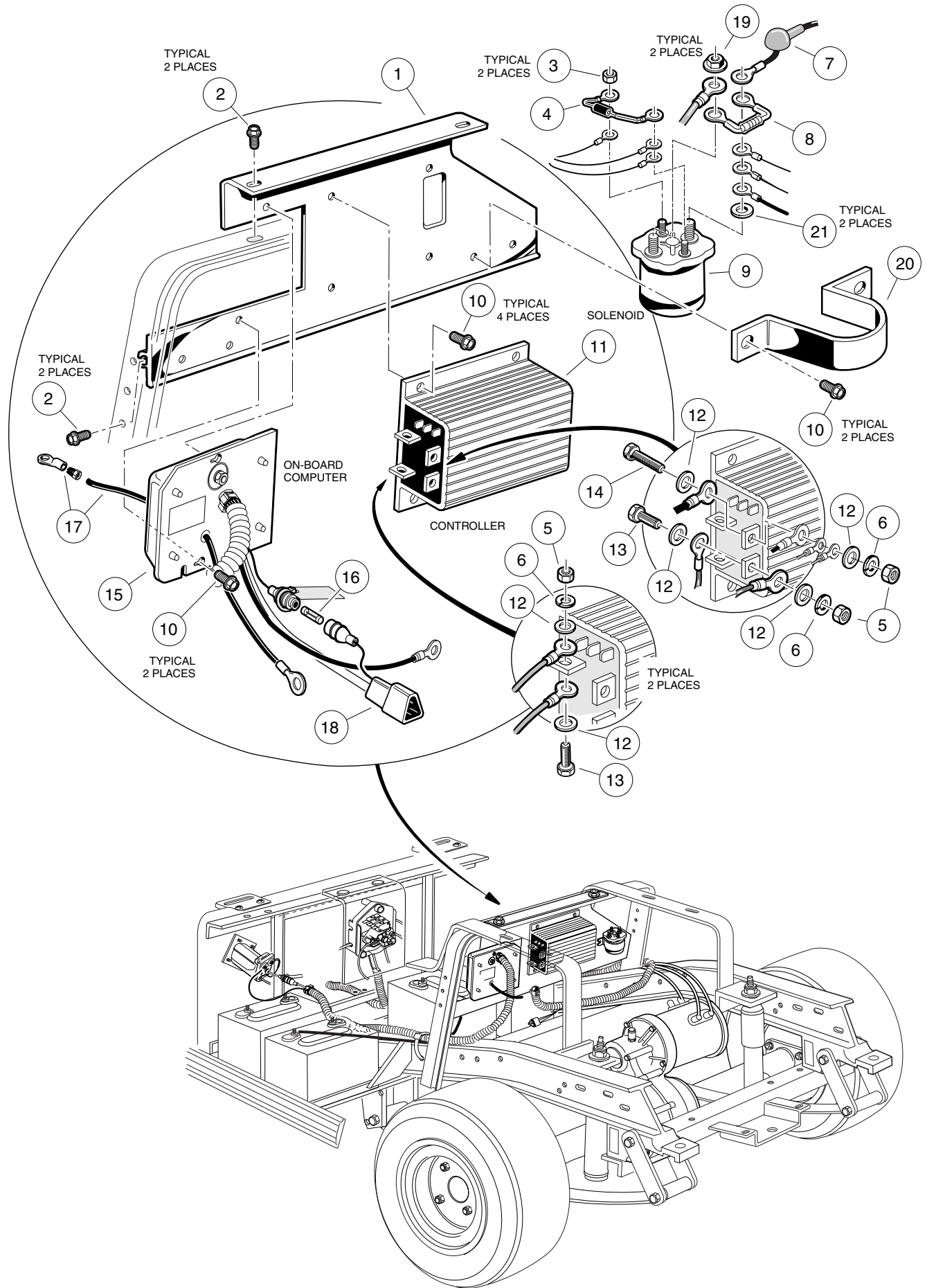
13
E



BATTERIES, CHARGER RECEPTACLE— TOURALL POWERDRIVE ELECTRIC VEHICLE

ITEM	PART NO.	DESCRIPTION	QTY
		1 2 3 4	
1	1018021-01	KIT, FUSE AND RECEPTACLE (INCLUDES ITEMS 2 - 9)	1
2	1017965-01	BEZEL, RECEPTACLE	1
3	N/A	WIRE ASSEMBLY, SENSE LEAD, GRAY	1
4	N/A	WIRE ASSEMBLY, #10 RED	1
5	N/A	WIRE ASSEMBLY, #10 BLACK	1
6	1017968-01	ASSEMBLY, FUSE, 48 VOLT (INCLUDES ITEM 7)	1
7	1013061	NUT, NYLON LOCK, #10	2
8	1017705	SCREW, PHILLIPS PAN HEAD, #8 TYPE AB	3
9	1018949-01	FUSE, 3/8 AMP	1
10	1018010-01	PLATE, RECEPTACLE BACKING	1
11	1018320-01	SCREW, PHILLIPS PAN HEAD, #7 - 18 x 3/4	4
12	1017977-01	BATTERY, 8 VOLT POWERDRIVE	6
12	1017977-02	BATTERY, 8 VOLT POWERDRIVE, DRY	6
13	1017978-01	CAP, BATTERY, 4 PORT GANG	6
14	1017957-01	WIRE ASSEMBLY, #6 BLACK	5
15	1014304	NUT, HEX, STAINLESS STEEL, 5/16 - 18	12
16	1018030-01	HOLD-DOWN, BATTERY	3
17	1015072	NUT, NYLON LOCK, STAINLESS STEEL, 5/16 - 18	6
18	1011578	WASHER, FLAT, TYPE B WIDE, 5/16	6
19	1013683	J-BOLT	6

13
E

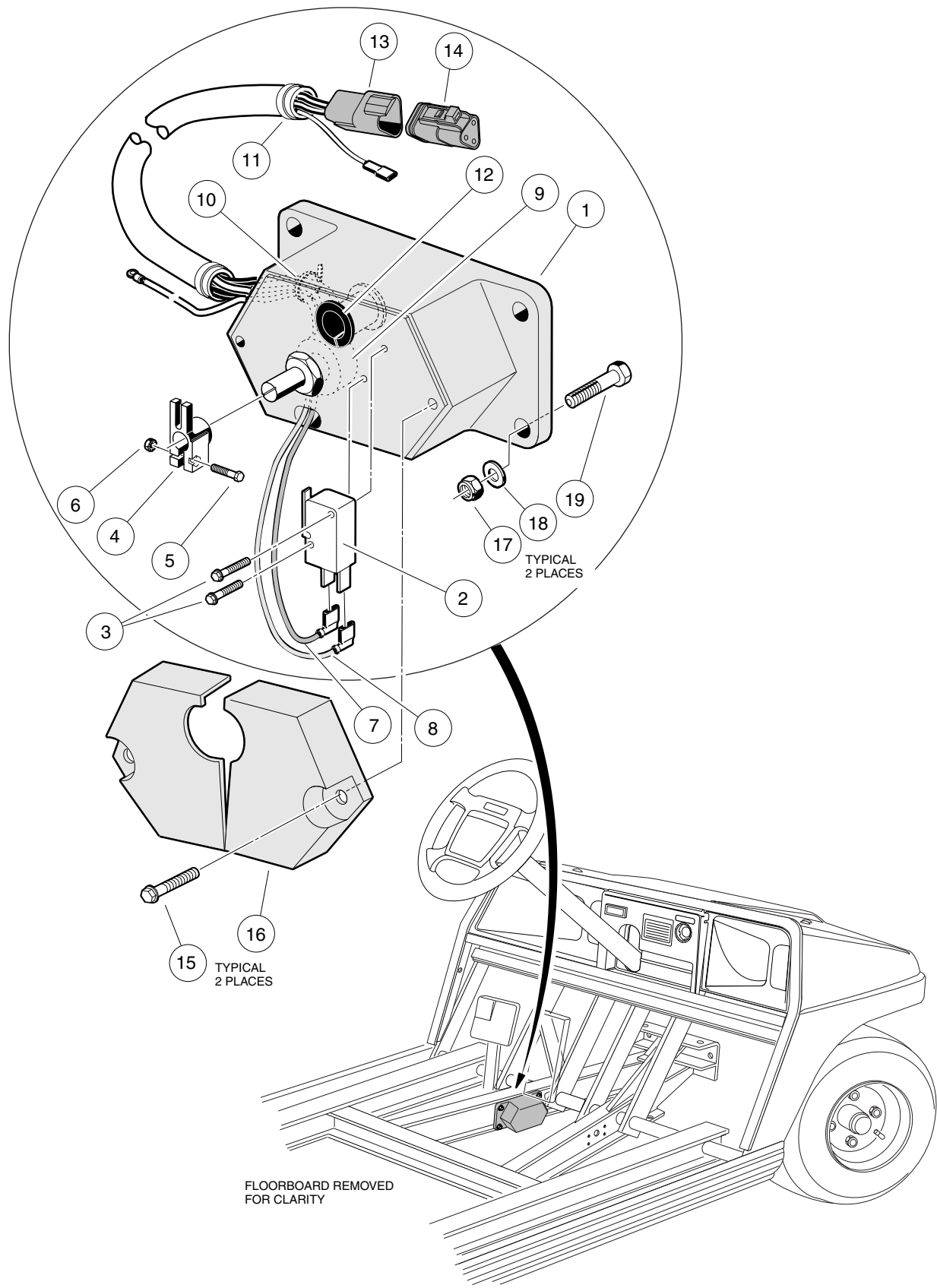


COMPUTER, CONTROLLER, AND SOLENOID— TOURALL POWERDRIVE ELECTRIC VEHICLE

ITEM	PART NO.	DESCRIPTION	QTY
		1 2 3 4	
1	1019652-01	PLATE, COMPONENT MOUNTING	1
2	1014288	SCREW, THREAD-FORMING, 5/16 - 18 x 3/4	4
3	0007893	NUT, HEX, #10 - 32	2
4	1014948	ASSEMBLY, DIODE	1
5	0001242	NUT, HEX, 5/16 - 18	5
6	0007174	WASHER, LOCK, 5/16	5
7	1019026-01	BOOT, WIRE	1
8	1014947	ASSEMBLY, RESISTOR	1
9	1018836-01	SOLENOID, 48 VOLT	1
10	1012285	SCREW, THREAD-ROLLING, 1/4 - 20 x 5/8	8
11	1018402-03	CONTROLLER, 48 VOLT (300 AMP)	1
12	0001241	WASHER, FLAT, 5/16	6
13	0007173	BOLT, HEX HEAD, 5/16 - 18 x 3/4	3
14	0001218	BOLT, HEX HEAD, 5/16 - 18 x 1 1/4	1
15	1019099-01	COMPUTER, ON-BOARD (INCLUDES ITEMS 16, 17 AND 18)	1
16	1018949-01	FUSE, 3/8 AMP	2
17	1018278-01	KIT, WIRE AND TERMINAL, #6 BLACK	1
18	1019423-01	KIT, 3-PIN RECEPTACLE	1
19	1017237	NUT, FLANGE, 5/16 - 24	2
20	1019579-01	BRACKET, MOUNTING	1
21	1019344-01	WASHER, FLAT, 5/16	2

13
E

13
E



FLOORBOARD REMOVED FOR CLARITY

CONTINUOUSLY VARIABLE POTENTIOMETER— RESORT VILLAGER, TRANS-PORTER/TRANS-SENDER

ITEM	PART NO.	DESCRIPTION	QTY
		1 2 3 4	
	1017392-01	ASSEMBLY, POTENTIOMETER HOUSING WITH GREY PLUG (INCLUDES ITEMS 1 - 13)	1
1	N/A	HOUSING, POTENTIOMETER	1
2	1017830	SWITCH, LIMIT	1
3	1018226-01	SCREW, HEX HEAD, #4 - 24	2
4	1018090-01	LEVER, POTENTIOMETER	1
5	1017853	SCREW, HEX HEAD, #6 - 32 x 3/4	1
6	1011229	NUT, LOCK, "K", #6 - 32	1
7	N/A	WIRE ASSEMBLY, #18 BLUE	1
8	N/A	WIRE ASSEMBLY, #18 GREEN/WHITE	1
9	N/A	POTENTIOMETER	1
10	0008990	WRAP, TIE	3
11	N/A	CONDUIT, ELECTRICAL	1
12	1017424	BEARING, PIVOT SUPPORT	1
13	1018951-01	RECEPTACLE, 3-PIN	1
14	1019201-01	KIT, 3-PIN PLUG	1
15	1018043-01	SCREW, HI-LO HEX HEAD, #8 - 18 x 1/2	2
16	1017743	COVER, ACCELERATOR	1
17	0008233	NUT, NYLON LOCK, 1/4 - 20	4
18	0000332	WASHER, FLAT, 1/4	4
19	1018619-01	SCREW, HEX HEAD CAP, 1/4 - 20 x 1 1/8	4

13

E

13

E

WIRING—

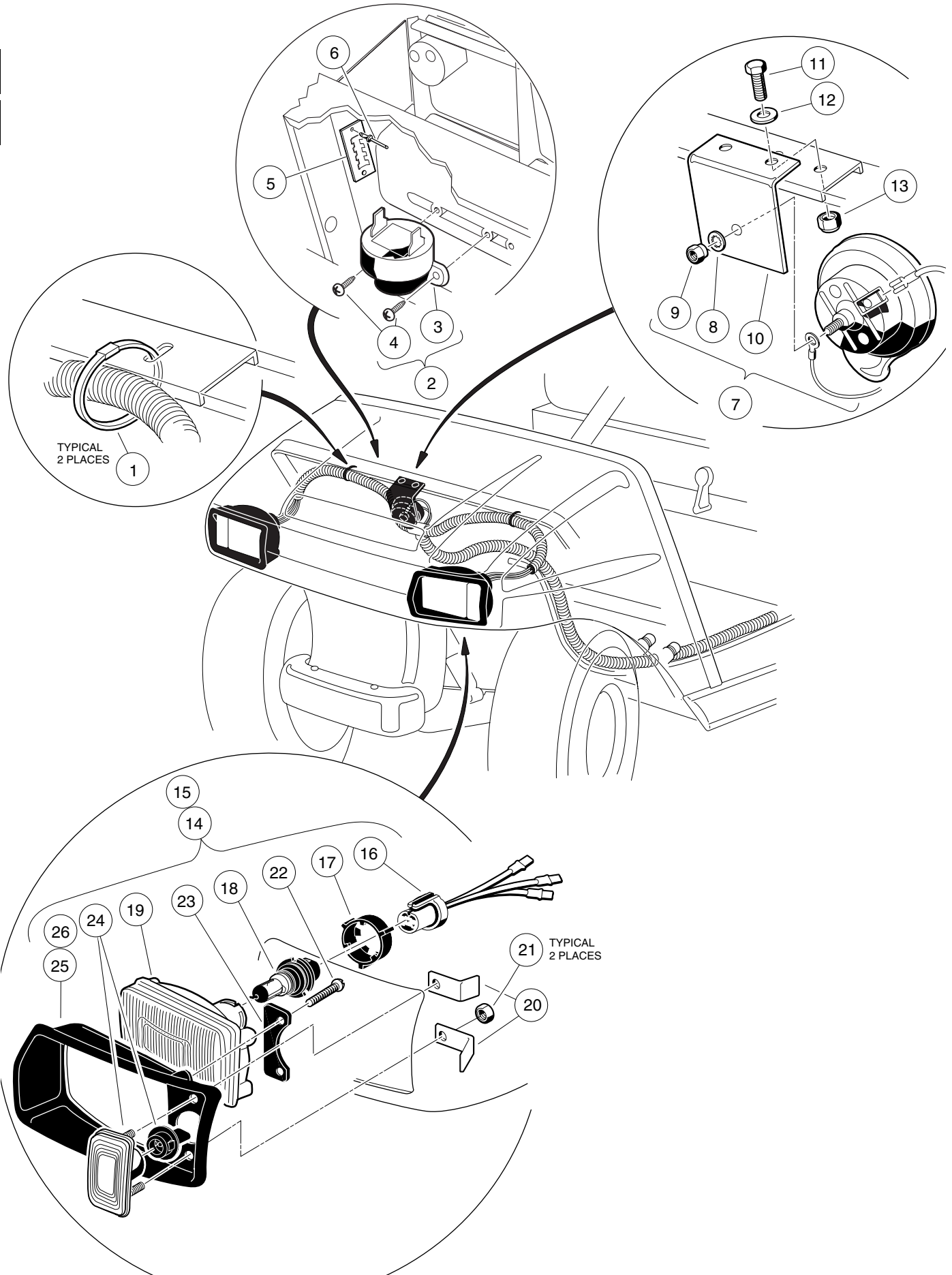
RESORT VILLAGER POWERDRIVE ELECTRIC VEHICLE

ITEM	PART NO.	DESCRIPTION	QTY
		1 2 3 4	
	1019693-01	WIRE HARNESS, LIGHTING (CONTAINS ITEMS 1 - 22)	1
1	N/A	WIRE ASSEMBLY, #16 BLACK	1
2	N/A	WIRE ASSEMBLY, #16 BLACK	1
3	N/A	WIRE ASSEMBLY, #14 BLACK	1
4	N/A	WIRE ASSEMBLY, #16 WHITE	1
5	N/A	WIRE ASSEMBLY, #18 BLUE	1
6	N/A	WIRE ASSEMBLY, #16 BROWN	1
7	N/A	WIRE ASSEMBLY, #16 ORANGE/WHITE	1
8	N/A	WIRE ASSEMBLY, #16 ORANGE	1
9	N/A	WIRE ASSEMBLY, #18 BLACK	1
10	N/A	WIRE ASSEMBLY, #16 BROWN	1
11	N/A	WIRE ASSEMBLY, #18 RED	1
12	N/A	WIRE ASSEMBLY, #16 RED/WHITE	1
13	N/A	WIRE ASSEMBLY, #16 ORANGE/WHITE	1
14	N/A	WIRE ASSEMBLY, #16 GREEN/WHITE	1
15	N/A	WIRE ASSEMBLY, #14 YELLOW	1
16	1016698	WIRE ASSEMBLY, #10 RED	1
17	N/A	WIRE ASSEMBLY, #18 YELLOW	1
18	N/A	WIRE ASSEMBLY, #18 WHITE	1
19	N/A	WIRE ASSEMBLY, #18 RED	1
20	N/A	WIRE ASSEMBLY, #18 ORANGE	1
21	N/A	WIRE ASSEMBLY, #16 BLACK	1
22	N/A	WIRE ASSEMBLY, #16 BLACK	2
	1019116-01	WIRE HARNESS, POWER (INCLUDES ITEMS 23 - 32)	1
23	N/A	WIRE ASSEMBLY, #18 GREEN	1
24	1018651-06	ASSEMBLY, 3-WIRE PLUG (INCLUDES #18 PURPLE, #18 YELLOW AND ITEM 25)	1
25	N/A	WIRE ASSEMBLY, #18 BLACK (INCLUDES RESISTOR AND #18 WHITE WIRE)	1
26	N/A	WIRE ASSEMBLY, #18 ORANGE	1
27	N/A	WIRE ASSEMBLY, #18 WHITE/BLACK	1
28	N/A	WIRE ASSEMBLY, #18 RED	1
29	N/A	WIRE ASSEMBLY, #18 GREEN	1
30	N/A	WIRE ASSEMBLY, #18 RED/WHITE	1
31	1019308-01	ASSEMBLY, 3-PIN PLUG (INCLUDES #18 BROWN, #18 YELLOW AND #18 RED)	1
32	N/A	WIRE ASSEMBLY, #18 GREEN/WHITE	1
	1019101-02	WIRE HARNESS, POWER (INCLUDES ITEMS 33 - 39)	1
33	1019099-03	COMPUTER, ON-BOARD (SEE PAGE 12-25) (INCLUDES ITEM 34)	1
34	1018278-02	KIT, WIRE AND TERMINAL, #6 BLACK	1
35	1019045-02	WIRE ASSEMBLY, #6 RED	1
36	1019089-02	WIRE ASSEMBLY, #6 WHITE	1
37	1019044-02	WIRE ASSEMBLY, #6 GREEN	1
38	1019046-02	WIRE ASSEMBLY, #6 BLUE	1
39	1019047-02	WIRE ASSEMBLY, #6 ORANGE	1
40	N/A	WIRE ASSEMBLY, #10 RED (PART OF FUSE AND RECEPTACLE ASSEMBLY)	1
41	N/A	WIRE ASSEMBLY, #10 BLACK (PART OF ON-BOARD COMPUTER ASSEMBLY)	1
42	N/A	WIRE ASSEMBLY, #18 GREY (PART OF ON-BOARD COMPUTER ASSEMBLY)	1
43	N/A	WIRE ASSEMBLY, #18 RED	1
44	N/A	WIRE ASSEMBLY, #18 BLUE (PART OF POTENTIOMETER ASSEMBLY)	1
45	N/A	WIRE ASSEMBLY, #18 ORANGE/WHITE	1
46	N/A	WIRE ASSEMBLY, #18 RED	1
47	N/A	WIRE ASSEMBLY, #10 BLACK (PART OF VOLTAGE LIMITER ASSEMBLY)	1
48	1019088-01	WIRE ASSEMBLY, #6 BLUE	1
49	1016729	WIRE ASSEMBLY, #6 WHITE	1
50	N/A	WIRE ASSEMBLY, #10 BLACK (PART OF ON-BOARD COMPUTER ASSEMBLY)	1
51	1016732	WIRE ASSEMBLY, #6 YELLOW	1
52	1014948	ASSEMBLY, DIODE	1
53	1014947	ASSEMBLY, RESISTOR	1
54	1017957-01	WIRE ASSEMBLY, #6 BLACK	5

13

E

13
E

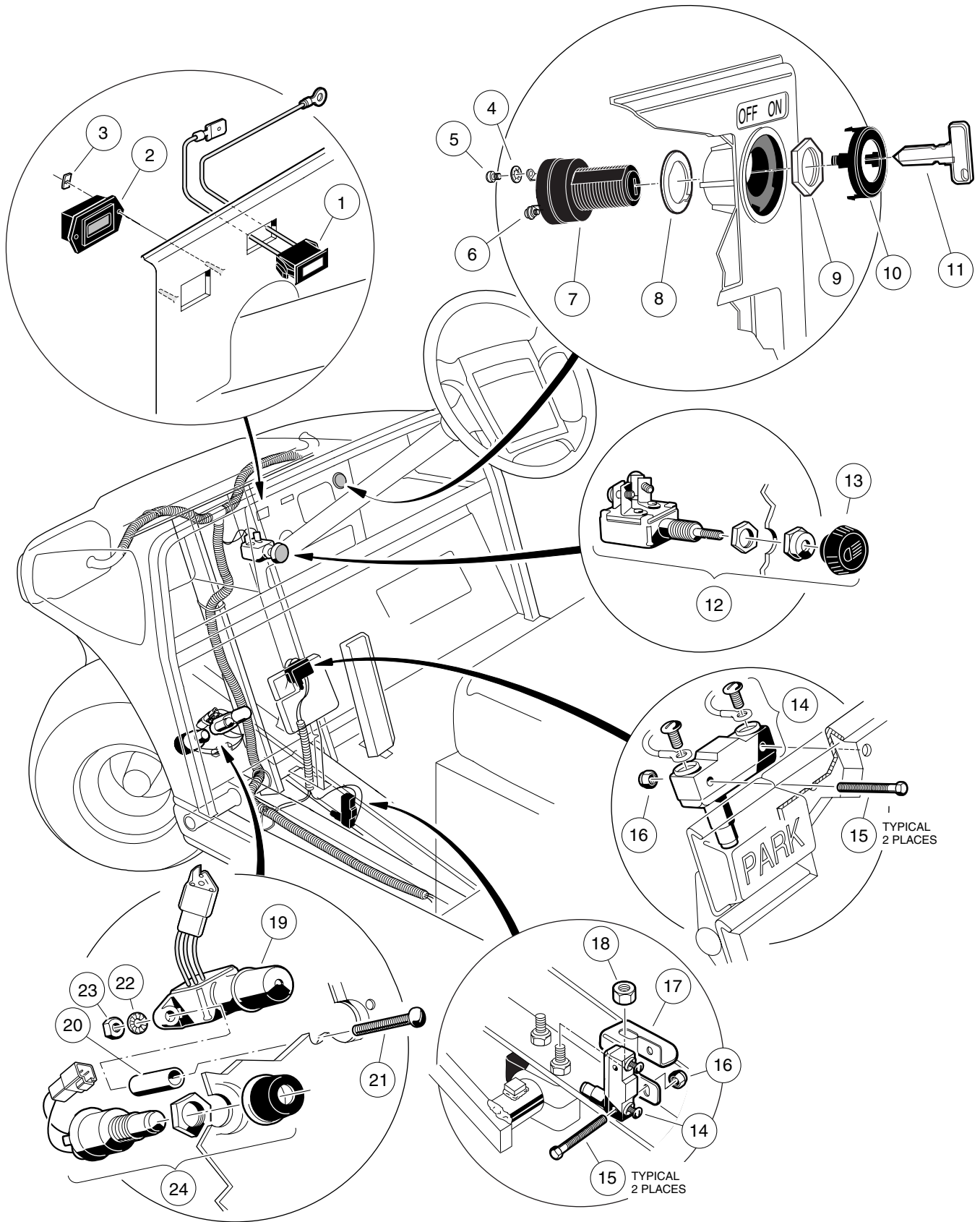


ELECTRICAL COMPONENTS, FRONT BODY— RESORT VILLAGER, TRANS-PORTER/TRANS-SENDER

ITEM	PART NO.	DESCRIPTION	QTY
		1 2 3 4	
1	0008639	WRAP, TIE	2
2	1016859	KIT, REVERSE BUZZER (INCLUDES ITEMS 3 AND 4)	1
3	1016851	BUZZER, REVERSE	1
4	1016849	SCREW, PAN HEAD HI-LO, #4 - 24 x 5/16	2
5	1016356	BLOCK, TERMINAL	1
6	1013357	RIVET, ALUMINUM POP, 5/32	2
7	0004029	ASSEMBLY, HORN (INCLUDES ITEMS 8, 9 AND 10)	1
8	0007820	WASHER, INTERNAL TOOTH, 5/16	1
9	1019551-01	NUT, M6 x 1 1/4	1
10	1011825	BRACKET, HORN	1
11	0000304	BOLT, HEX HEAD, 1/4 - 20 x 1	2
12	0000332	WASHER, FLAT, 1/4	2
13	0008233	NUT, NYLON LOCK, 1/4 - 20	2
14	1016897-01	ASSEMBLY, HEADLIGHT, DRIVER SIDE (INCLUDES ITEMS 16 - 25)	1
15	1016897-02	ASSEMBLY, HEADLIGHT, PASSENGER SIDE (INCLUDES ITEMS 16 - 24 AND 26)	1
16	1017066	HARNES, HEADLIGHT WIRE	1
17	1017059	LOCK, BULB COLLAR	1
18	1017060	BULB, HALOGEN	1
19	1017061	LENS, HEADLIGHT	1
20	1017064	BRACKET, MOUNTING	2
21	0007893	NUT, HEX, #10 - 32	2
22	1013461	SCREW, HI-LO, #10 - 16	2
23	1017065	RETAINER, HEADLIGHT	1
24	1017062	ASSEMBLY, TURN SIGNAL LENS	1
25	1016880	BEZEL, HEADLIGHT, DRIVER SIDE	1
26	1016879	BEZEL, HEADLIGHT, PASSENGER SIDE	1

13

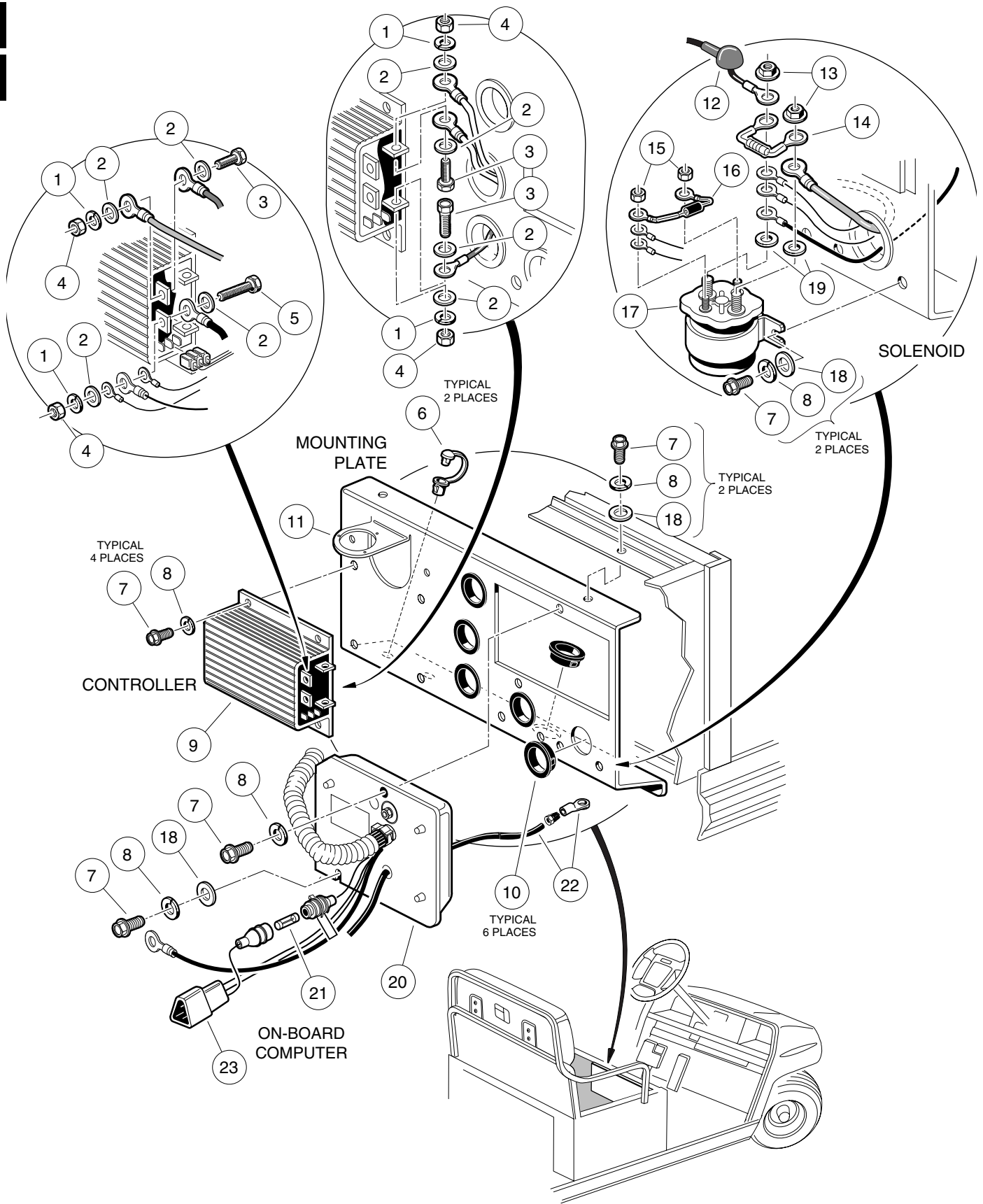
E



SWITCHES AND GAUGES— RESORT VILLAGER, TRANS-PORTER/TRANS-SENDER

ITEM	PART NO.	DESCRIPTION	QTY
		1 2 3 4	
1	1019355-01	LIGHT, BATTERY WARNING (AMBER)	1
2	1018142-01	INDICATOR, BATTERY	1
3	1018147-01	RETAINER, PUSH ON	2
4	1011610	WASHER, LOCK, #8	1
5	1016092	SCREW, PAN HEAD MACHINE, #8 - 32 x 7/16	1
6	1018306-01	ASSEMBLY, SCREW AND WASHER	1
7	1018262-01	SWITCH, KEY	1
8	1018511-01	WASHER	1
9	1018307-01	NUT, KEY SWITCH	1
10	1018345-02	CAP, KEY SWITCH	1
11	1012505	KEY (PAIR)	1
12	0004034	SWITCH, LIGHT (INCLUDES ITEM 13)	1
13	1013857	KNOB, LIGHT SWITCH	1
14	1011439	SWITCH, LIMIT	2
15	1011557	SCREW, HEX HEAD MACHINE, #6 - 32 x 1	4
16	1019322-01	NUT, NYLON LOCK, #6 - 32	4
17	1019571-01	BRACKET, BRAKE LIGHT SWITCH	1
18	1011280	NUT, LOCK, 5/16 - 18	1
19	1019698-01	SWITCH, DIMMER	1
20	1018713-01	STAND-OFF, DIMMER SWITCH	2
21	1018712-01	SCREW, MACHINE, #10 - 32 x 1	2
22	0008049	WASHER, INTERNAL TOOTH LOCK, #10	2
23	0007893	NUT, HEX, #10 - 32	2
24	1019697-01	BUTTON, HORN	1

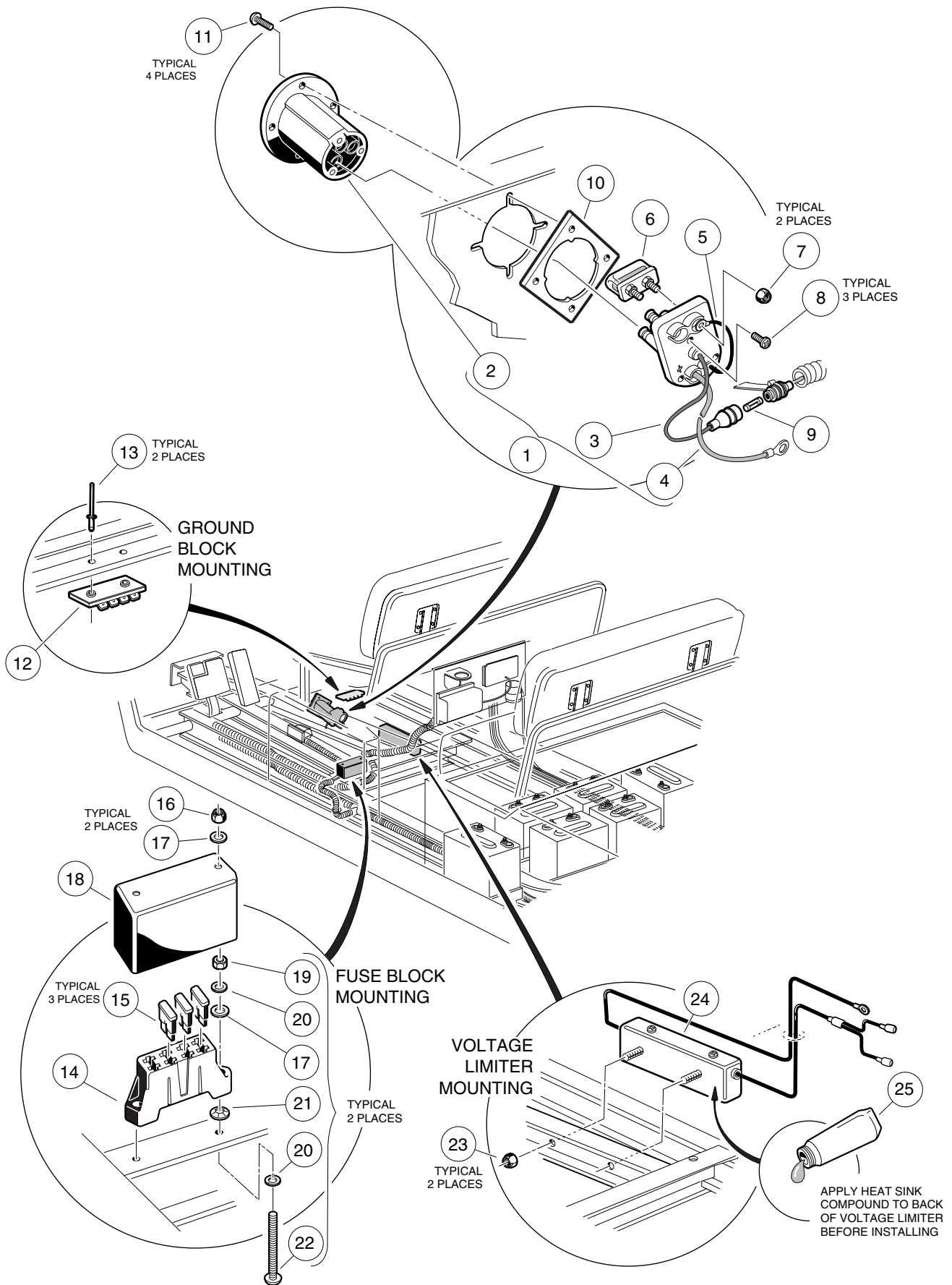
13
E



COMPUTER, CONTROLLER, AND SOLENOID— RESORT VILLAGER POWERDRIVE ELECTRIC VEHICLE

ITEM	PART NO.	DESCRIPTION	QTY
		1 2 3 4	
1	0007174	WASHER, LOCK, 5/16	4
2	0001241	WASHER, FLAT, 5/16	8
3	0007173	BOLT, HEX HEAD, 5/16 - 18 x 3/4	3
4	0001242	NUT, HEX, 5/16 - 18	4
5	0001218	BOLT, HEX HEAD, 5/16 - 18 x 1 1/4	1
6	1019183-01	CLAMP, WIRE	2
7	1012285	SCREW, HEX HEAD THREAD ROLLING, 1/4 - 20 x 5/8	10
8	0000451	WASHER, LOCK, 1/4	10
9	1018402-03	CONTROLLER, 48 VOLT (300 AMP)	1
10	1019243-01	BUSHING, SNAP	6
11	1019117-01	PLATE, MOUNTING	1
12	1019026-01	BOOT, WIRE	1
13	1017237	NUT, FLANGE, 5/16 - 24	2
14	1014947	ASSEMBLY, RESISTOR	1
15	0007893	NUT, HEX, #10 - 32	2
16	1014948	ASSEMBLY, DIODE	1
17	1018836-01	SOLENOID, 48 VOLT	1
18	0000332	WASHER, FLAT, 1/4	5
19	1019344-01	WASHER, FLAT, 5/16	2
20	1019099-03	COMPUTER, ON-BOARD (INCLUDES ITEMS 21, 22 AND 23)	1
21	1018949-01	FUSE ASSEMBLY, 3/8 AMP	1
22	1018278-02	KIT, WIRE AND TERMINAL, #6 BLACK	1
23	1019423-01	KIT, 3-PIN RECEPTACLE	1

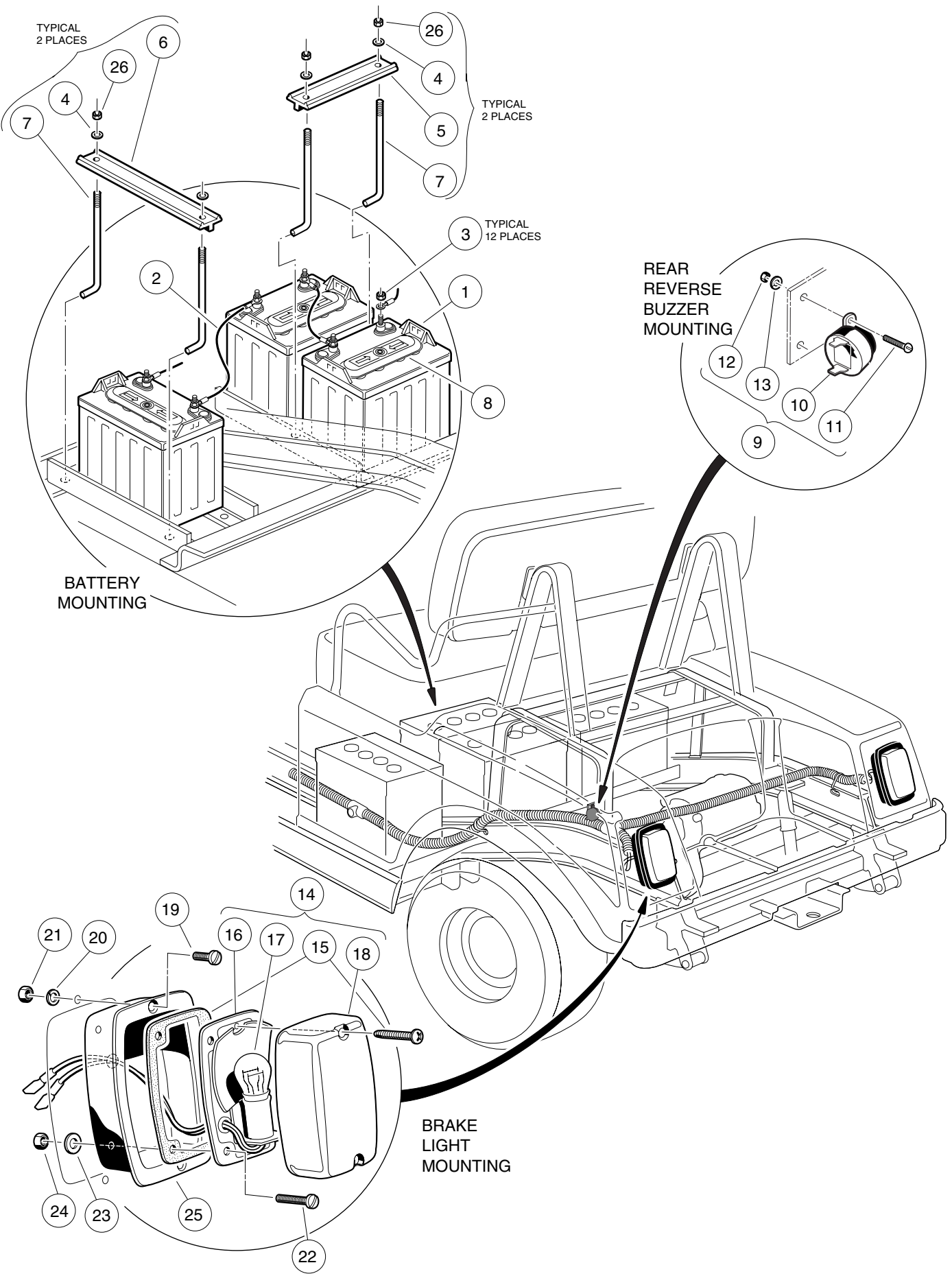
13
E



ELECTRICAL COMPONENTS, CENTER BODY— RESORT VILLAGER POWERDRIVE ELECTRIC VEHICLE

ITEM	PART NO.	DESCRIPTION	QTY
		1 2 3 4	
1	1018021-01	KIT, FUSE AND RECEPTACLE (INCLUDES ITEMS 2 - 9)	1
2	1017965-01	BEZEL, RECEPTACLE	1
3	N/A	WIRE ASSEMBLY, SENSE LEAD, GRAY	1
4	N/A	WIRE ASSEMBLY, #10 RED	1
5	N/A	WIRE ASSEMBLY, #10 BLACK	1
6	1017968-01	ASSEMBLY, FUSE, 48 VOLT (INCLUDES ITEM 7)	1
7	1013061	NUT, NYLON LOCK, #10	2
8	1017705	SCREW, PHILLIPS PAN HEAD, #8 TYPE AB	3
9	1018949-01	FUSE, 3/8 AMP	1
10	1018010-01	PLATE, RECEPTACLE BACKING	1
11	1018320-01	SCREW, PHILLIPS PAN HEAD, #7 - 18 x 3/4	4
12	1016356	BLOCK, TERMINAL	1
13	1013357	RIVET, ALUMINUM POP, 5/32 x 1/4	2
14	1015741	BLOCK, FUSE	1
15	1016423	FUSE, 20 AMP	3
16	1012438	NUT, NYLON LOCK, #10 - 24	2
17	0000183	WASHER, FLAT, #10	4
18	1016363	COVER, FUSE BLOCK	1
19	0001017	NUT, HEX, #10 - 24	2
20	0001016	WASHER, LOCK, #10	4
21	1016631	NUT, PUSH	2
22	1016366	SCREW, ROUND HEAD, #10 - 24 x 3	2
23	0008233	NUT, NYLON LOCK, 1/4 - 20	2
24	1018108-01	LIMITER, VOLTAGE (INCLUDES ITEM 25)	1
25	1018367-02	COMPOUND, HEAT SINK	A/R

13
E



ELECTRICAL COMPONENTS, REAR BODY— RESORT VILLAGER POWERDRIVE ELECTRIC VEHICLE

ITEM	PART NO.	DESCRIPTION	QTY
		1 2 3 4	
1	1017977-01	BATTERY, 8-VOLT POWERDRIVE	6
1	1017977-02	BATTERY, 8-VOLT POWERDRIVE, DRY	6
2	1017957-01	WIRE ASSEMBLY, #6 BLACK	5
3	1014304	NUT, HEX, STAINLESS STEEL, 5/16 - 18	12
4	1011578	WASHER, FLAT, TYPE B WIDE, 5/16	8
5	1018030-01	HOLD-DOWN, BATTERY, SHORT	2
6	1018030-02	HOLD-DOWN, BATTERY, LONG	2
7	1016682-01	ROD, BATTERY HOLD-DOWN	8
8	1017978-01	CAP, BATTERY, 4 PORT GANG	6
9	1016859	KIT, REVERSE BUZZER (INCLUDES ITEMS 10 - 13)	1
10	1016851	BUZZER, REVERSE	1
11	0008056	SCREW, MACHINE, #4 - 40 x 3/4	2
12	0008057	NUT, HEX, #4 - 40	2
13	0008058	WASHER, LOCK, #4	2
14	1017035	ASSEMBLY, TAILLIGHT (INCLUDES ITEMS 15 - 18)	2
15	1017699	KIT, HARDWARE	1
16	N/A	BASE, TAILLIGHT	1
17	1011582	BULB	1
18	1011843	LENS	1
19	1011498	SCREW, MACHINE, #8 - 32 x 1/2	4
20	1011610	WASHER, LOCK, #8	4
21	1011571	NUT, HEX, #8 - 32	4
22	1011557	SCREW, MACHINE, #6 - 32 x 1	4
23	0007591	WASHER, FLAT, #6	4
24	1011558	NUT, HEX, #6	6
25	1011497	BEZEL, TAILLIGHT	2
26	1015072	NUT, NYLON LOCK, STAINLESS STEEL, 5/16 - 18	8

13

E

13

E

WIRING—

TRANS-PORTER/TRANS-SENDER ELECTRIC VEHICLES

ITEM	PART NO.	DESCRIPTION	QTY
		1 2 3 4	
	1019693-01	WIRE HARNESS, LIGHTING (CONTAINS ITEMS 1 - 21)	1
1	N/A	WIRE ASSEMBLY, #16 BLACK	1
2	N/A	WIRE ASSEMBLY, #16 BLACK	1
3	N/A	WIRE ASSEMBLY, #14 BLACK	1
4	N/A	WIRE ASSEMBLY, #16 WHITE	1
5	N/A	WIRE ASSEMBLY, #18 BLUE	1
6	N/A	WIRE ASSEMBLY, #16 BROWN	1
7	N/A	WIRE ASSEMBLY, #16 ORANGE/WHITE	1
8	N/A	WIRE ASSEMBLY, #16 ORANGE	1
9	N/A	WIRE ASSEMBLY, #18 BLACK	1
10	N/A	WIRE ASSEMBLY, #16 BROWN	1
11	N/A	WIRE ASSEMBLY, #18 RED	1
12	N/A	WIRE ASSEMBLY, #16 RED/WHITE	1
13	N/A	WIRE ASSEMBLY, #16 ORANGE/WHITE	1
14	N/A	WIRE ASSEMBLY, #16 GREEN/WHITE	1
15	N/A	WIRE ASSEMBLY, #14 YELLOW	1
16	1016698	WIRE ASSEMBLY, #10 RED	1
17	N/A	WIRE ASSEMBLY, #18 YELLOW	1
18	N/A	WIRE ASSEMBLY, #18 WHITE	1
19	N/A	WIRE ASSEMBLY, #18 RED	1
20	N/A	WIRE ASSEMBLY, #18 ORANGE	1
21	N/A	WIRE ASSEMBLY, #16 BLACK	1
	1019116-01	WIRE HARNESS, POWER (INCLUDES ITEMS 22 - 31)	1
22	N/A	WIRE ASSEMBLY, #18 GREEN	1
23	1018651-06	ASSEMBLY, 3-WIRE PLUG (INCLUDES #18 PURPLE, #18 YELLOW AND ITEM 24)	1
24	N/A	WIRE ASSEMBLY, #18 BLACK (INCLUDES RESISTOR AND #18 WHITE WIRE)	1
25	N/A	WIRE ASSEMBLY, #18 ORANGE	1
26	N/A	WIRE ASSEMBLY, #18 WHITE/BLACK	1
27	N/A	WIRE ASSEMBLY, #18 RED	1
28	N/A	WIRE ASSEMBLY, #18 GREEN	1
29	N/A	WIRE ASSEMBLY, #18 RED/WHITE	1
30	1019308-01	ASSEMBLY, 3-PIN PLUG (INCLUDES #18 BROWN, #18 YELLOW, AND #18 RED)	1
31	N/A	WIRE ASSEMBLY, #18 GREEN/WHITE	1
	1019101-02	WIRE HARNESS, POWER (INCLUDES ITEMS 32 - 38)	1
32	1019099-03	COMPUTER, ON-BOARD (SEE PAGE 12-30) (INCLUDES ITEM 33)	1
33	1018278-02	KIT, WIRE AND TERMINAL, #6 BLACK	1
34	1019045-02	WIRE ASSEMBLY, #6 RED	1
35	1019089-02	WIRE ASSEMBLY, #6 WHITE	1
36	1019044-02	WIRE ASSEMBLY, #6 GREEN	1
37	1019046-02	WIRE ASSEMBLY, #6 BLUE	1
38	1019047-02	WIRE ASSEMBLY, #6 ORANGE	1
39	1018291-01	DC CORD, #10 BLUE, #10 RED, #10 BLACK (PART OF CHARGER)	1
40	1014947	ASSEMBLY, RESISTOR	1
41	1017957-01	WIRE ASSEMBLY, #6 BLACK	5
42	N/A	WIRE ASSEMBLY, #10 BLACK (PART OF ON-BOARD COMPUTER ASSEMBLY)	1
43	N/A	WIRE ASSEMBLY, #18 GREY (PART OF ON-BOARD COMPUTER ASSEMBLY)	1
44	N/A	WIRE ASSEMBLY, #18 RED	1
45	N/A	WIRE ASSEMBLY, #18 BLUE (PART OF POTENTIOMETER ASSEMBLY)	1
46	N/A	WIRE ASSEMBLY, #18 ORANGE/WHITE	1
47	N/A	WIRE ASSEMBLY, #18 RED	1
48	N/A	WIRE ASSEMBLY, #10 BLACK (PART OF VOLTAGE LIMITER ASSEMBLY)	1
49	1019088-01	WIRE ASSEMBLY, #6 BLUE	1
50	1016729	WIRE ASSEMBLY, #6 WHITE	1
51	N/A	WIRE ASSEMBLY, #10 BLACK (PART OF ON-BOARD COMPUTER ASSEMBLY)	1
52	1016732	WIRE ASSEMBLY, #6 YELLOW	1
53	1014948	ASSEMBLY, DIODE	1

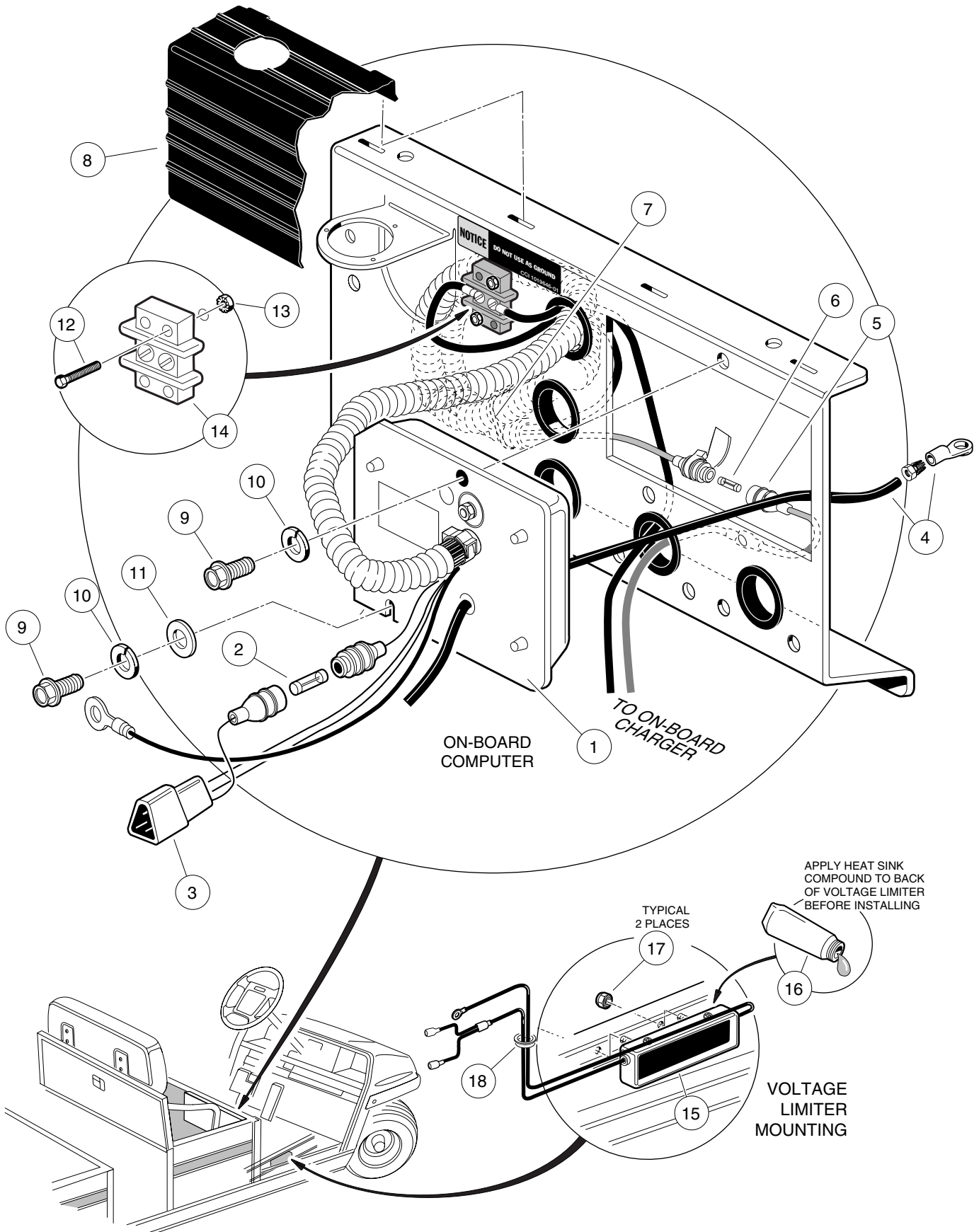
13
E

ELECTRICAL COMPONENTS, CENTER BODY— TRANS-PORTER/TRANS-SENDER ELECTRIC VEHICLES

ITEM	PART NO.	DESCRIPTION	QTY
		1 2 3 4	
1	0007174	WASHER, LOCK, 5/16	4
2	0001241	WASHER, FLAT, 5/16	8
3	0007173	BOLT, HEX HEAD, 5/16 - 18 x 3/4	3
4	0001242	NUT, HEX, 5/16 - 18	4
5	0001218	BOLT, HEX HEAD, 5/16 - 18 x 1 1/4	1
6	1019183-01	CLAMP, WIRE	2
7	1012285	SCREW, HEX HEAD THREAD ROLLING, 1/4 - 20 x 5/8	8
8	0000451	WASHER, LOCK, 1/4	8
9	1018402-03	CONTROLLER, 48 VOLT (300 AMP)	1
10	1019243-01	BUSHING, SNAP	6
11	1019117-01	PLATE, MOUNTING	1
12	1019026-01	BOOT, WIRE	1
13	1017237	NUT, FLANGE, 5/16 - 24	2
14	1014947	ASSEMBLY, RESISTOR	1
15	0007893	NUT, HEX, #10 - 32	2
16	1014948	ASSEMBLY, DIODE	1
17	1018836-01	SOLENOID, 48 VOLT	1
18	0000332	WASHER, FLAT, 1/4	4
19	1019344-01	WASHER, FLAT, 5/16	2
20	1016356	BLOCK, TERMINAL	1
21	1013357	RIVET, ALUMINUM POP, 5/32 x 1/4	2
22	1015741	BLOCK, FUSE	1
23	1016423	FUSE, 20 AMP	3
24	1012438	NUT, NYLON LOCK, #10 - 24	2
25	0000183	WASHER, FLAT, #10	4
26	1016363	COVER, FUSE BLOCK	1
27	0001017	NUT, HEX, #10 - 24	2
28	0001016	WASHER, LOCK, #10	4
29	1016631	NUT, PUSH	2
30	1016366	SCREW, ROUND HEAD, #10 - 24 x 3	2

13
E

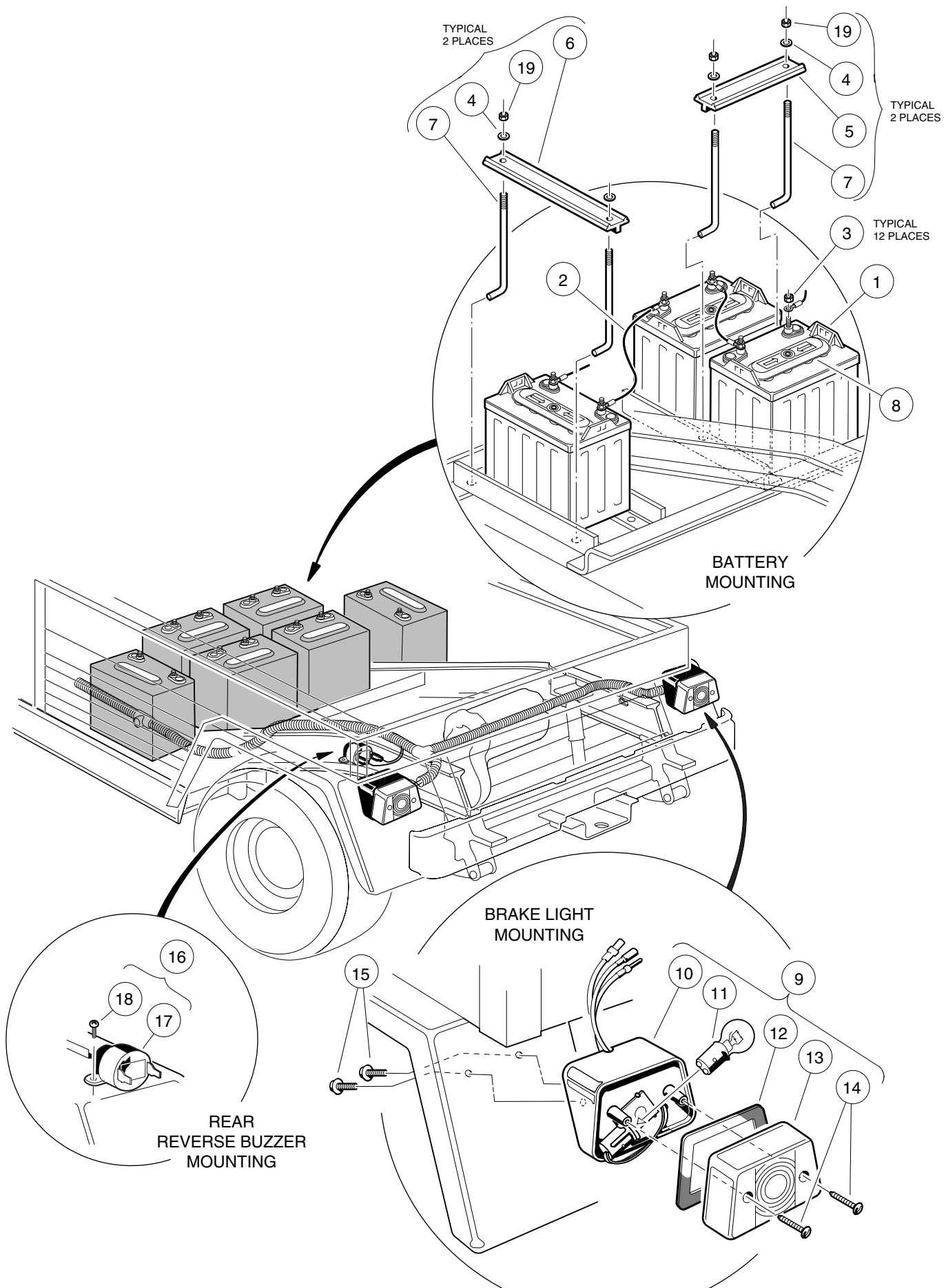
13
E



ELECTRICAL COMPONENTS, CENTER BODY, CONTINUED— TRANS-PORTER/TRANS-SENDER ELECTRIC VEHICLES

ITEM	PART NO.	DESCRIPTION	QTY
		1 2 3 4	
1	1019099-03	COMPUTER, ON-BOARD (INCLUDES ITEMS 2 - 4)	1
2	1018949-01	FUSE, 3/8 AMP	1
3	1019423-01	CONNECTOR, 3-PIN	1
4	1018278-02	KIT, WIRE AND TERMINAL, #6 BLACK	1
5	1019575-01	ADAPTER, TWO-WAY (INCLUDES ITEM 6).....	1
6	1018949-01	FUSE, 3/8 AMP	1
7	0008990	TIE, WIRE	1
8	1019316-01	ASSEMBLY, COMPONENT COVER	1
9	1012285	SCREW, HEX HEAD THREAD-ROLLING, 1/4 - 20 x 5/8	2
10	0000451	WASHER, LOCK, 1/4	2
11	0000332	WASHER, FLAT, 1/4	1
12	1017853	SCREW, HEX HEAD MACHINE, #6 - 32 x 3/4	2
13	1011229	NUT, K LOCK, #6 - 32	2
14	1019668-01	BLOCK, TERMINAL	1
15	1018108-01	LIMITER, VOLTAGE (INCLUDES ITEM 16)	1
16	1018367-02	COMPOUND, HEAT SINK	A/R
17	0008233	NUT, NYLON LOCK, 1/4 - 20	2
18	1018024-01	GROMMET, 5/8	1

13
E



ELECTRICAL COMPONENTS, REAR BODY— TRANS-PORTER/TRANS-SENDER ELECTRIC VEHICLES

ITEM	PART NO.	DESCRIPTION	QTY
		1 2 3 4	
1	1017977-01	BATTERY, 8-VOLT POWERDRIVE	6
1	1017977-02	BATTERY, 8-VOLT POWERDRIVE, DRY	6
2	1017957-01	WIRE ASSEMBLY, #6 BLACK	5
3	1014304	NUT, HEX, STAINLESS STEEL, 5/16 -18	12
4	1011578	WASHER, FLAT, TYPE B WIDE, 5/16	8
5	1018030-01	HOLD-DOWN, BATTERY, SHORT	2
6	1018030-02	HOLD-DOWN, BATTERY, LONG	2
7	1016682-01	ROD, BATTERY HOLD-DOWN	8
8	1017978-01	CAP, BATTERY, 4 PORT GANG	6
9	1016717	ASSEMBLY, TAILLIGHT (INCLUDES ITEMS 10 - 14)	2
10	N/A	HOUSING, TAILLIGHT	1
11	1011582	BULB	1
12	N/A	GASKET	1
13	N/A	LENS	1
14	N/A	SCREW, LENS	2
15	1015752	SCREW, HI-LO, #12 - 16 x 5/8	4
16	1016859	KIT, REVERSE BUZZER (INCLUDES ITEMS 17 AND 18)	1
17	1016851	BUZZER, REVERSE	1
18	1016849	SCREW, PAN HEAD HI-LO, #4 - 24 x 5/16	2
19	1015072	NUT, NYLON LOCK, STAINLESS STEEL, 5/16 - 18	8

13
E

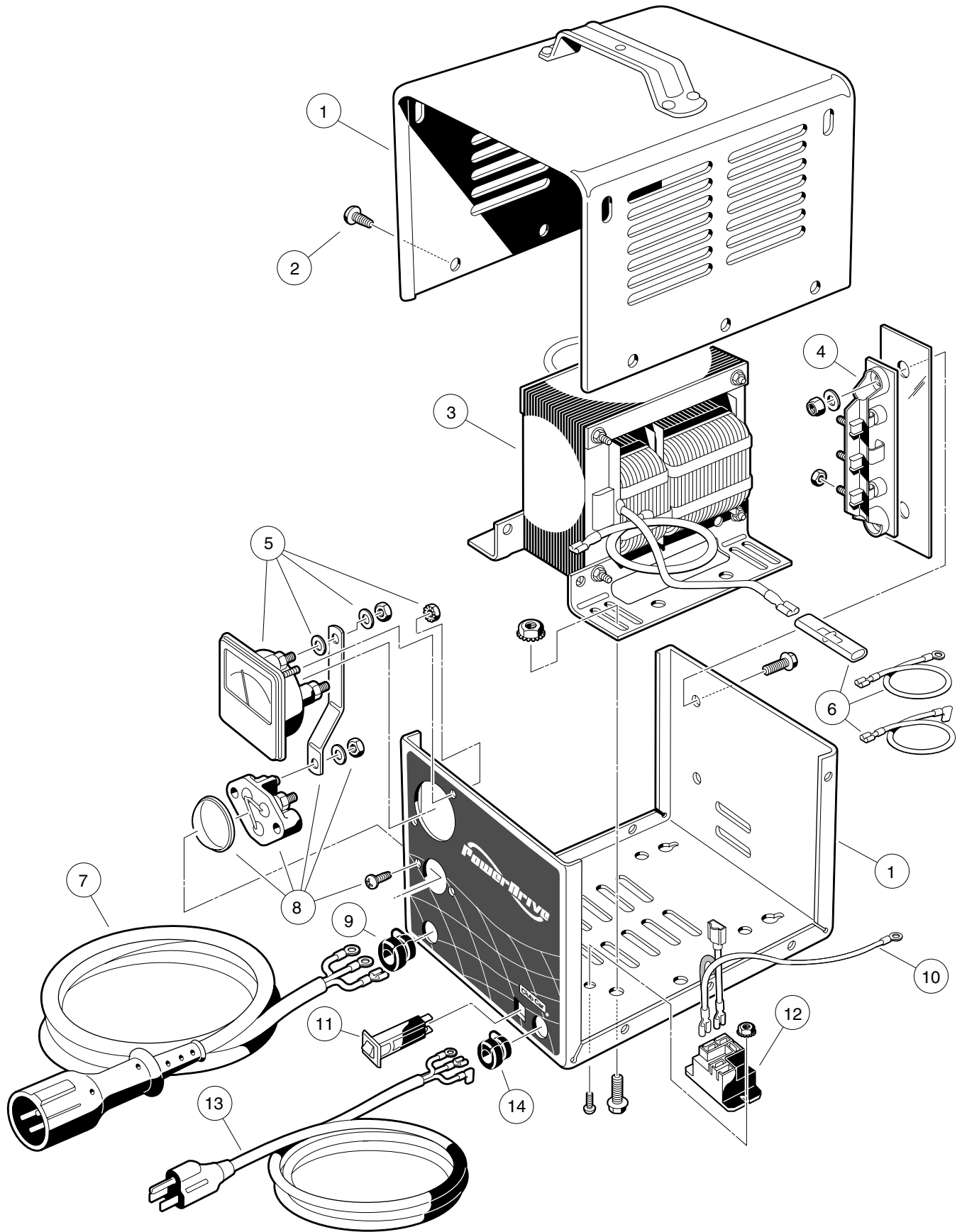
13

E

BATTERY CHARGER

14

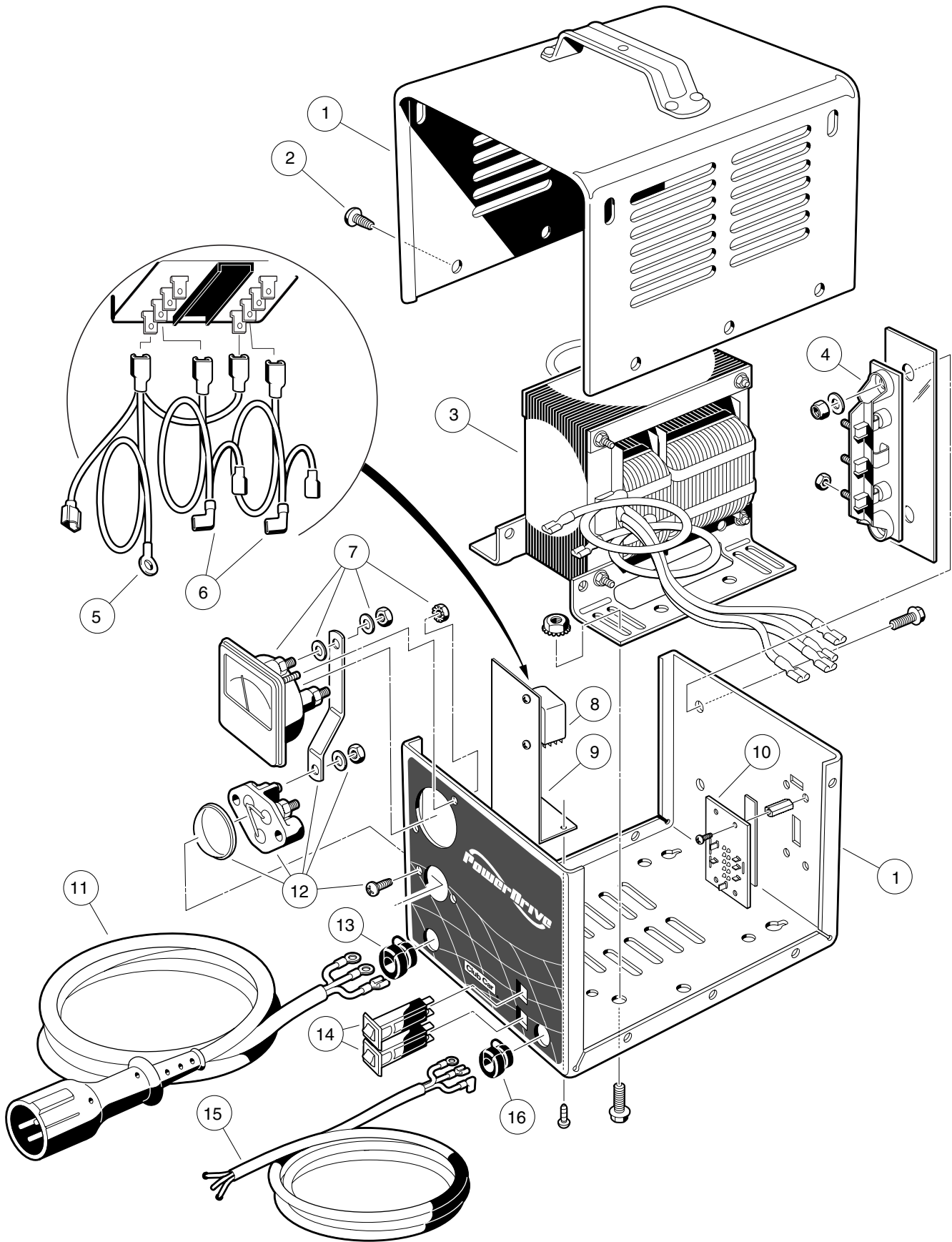
E



POWERDRIVE BATTERY CHARGER, DOMESTIC—TOURALL AND RESORT VILLAGER

14
E

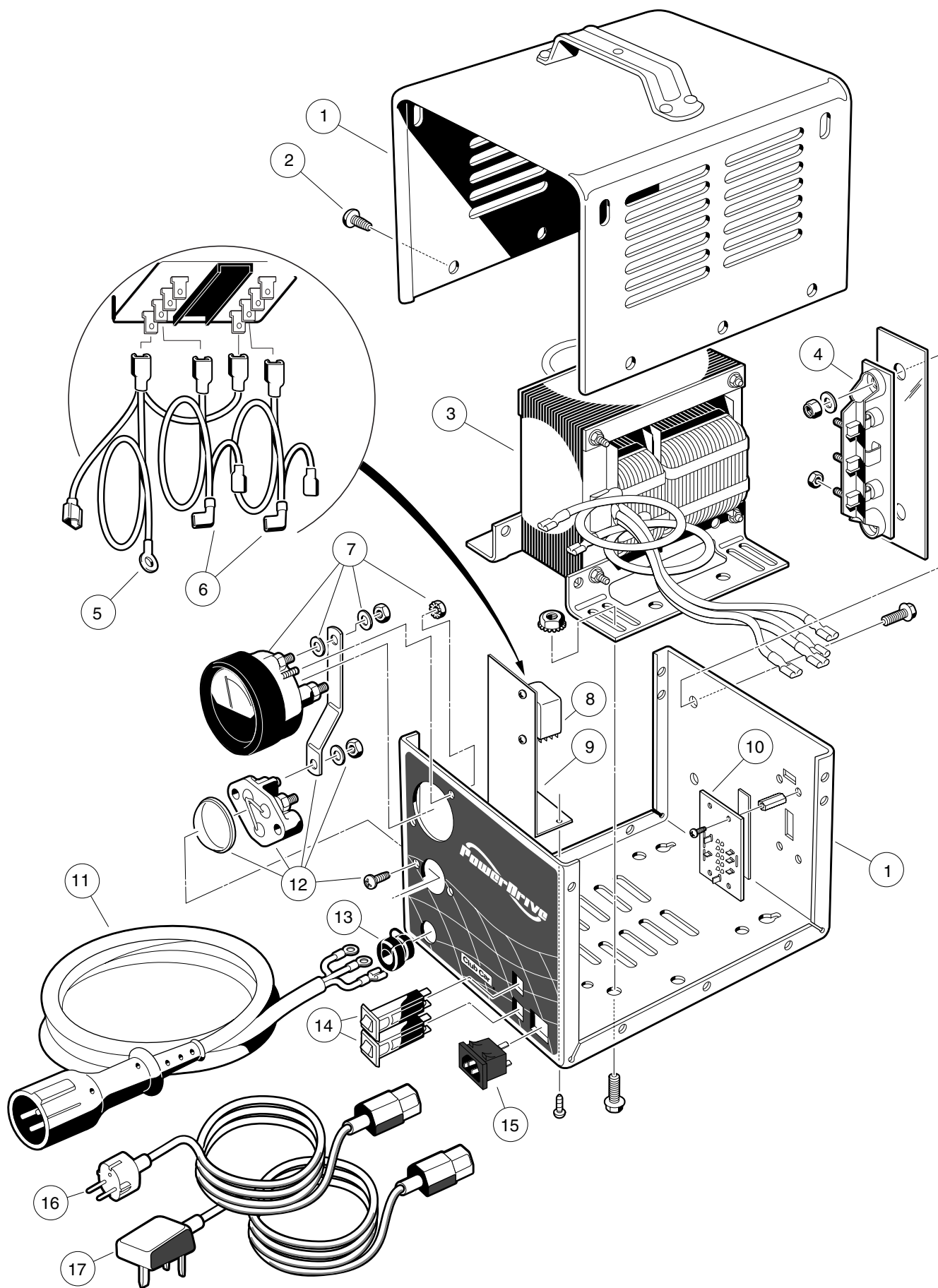
ITEM	PART NO.	DESCRIPTION	QTY
		1 2 3 4	
	1018022-01	CHARGER, BATTERY, POWERDRIVE, DOMESTIC 120VAC 48VDC 60 HZ (MODEL NUMBER 17930-11) (INCLUDES ITEMS 1 - 14) 103 IN. DC CORD WITH MALE 3-PIN PLUG, 12 AWG 74 IN. AC CORD WITH MALE GROUNDED PLUG	1
	1018022-02	CHARGER, BATTERY, POWERDRIVE 120VAC 48VDC 60 HZ (MODEL NUMBER 17930-18) (INCLUDES ITEMS 1 - 14) 144 IN. DC CORD WITH MALE 3-PIN PLUG, 12 AWG 108 IN. AC CORD WITH MALE GROUNDED PLUG	1
	1018022-03	CHARGER, BATTERY, POWERDRIVE 120VAC 48VDC 60 HZ (MODEL NUMBER 17930-19) (INCLUDES ITEMS 1 - 14) 240 IN. DC CORD WITH MALE 3-PIN PLUG, 12 AWG 108 IN. AC CORD WITH MALE GROUNDED PLUG	1
1	1018283-01	ASSEMBLY, CASE (INCLUDES ITEM 2)	1
2	0007577	SCREW, PAN HEAD, SELF-TAPPING, #10 - 16 x 1/2	10
3	1018197-01	ASSEMBLY, TRANSFORMER	1
4	1015914	ASSEMBLY, HEATSINK, WITH DIODES (INCLUDES MOUNTING HARDWARE)	1
5	1018285-01	AMMETER (INCLUDES MOUNTING HARDWARE)	1
6	1018311-01	KIT, WIRE ASSEMBLY	1
7	1018289-01	CORDSET, DC, 113 INCHES LONG WITH MALE 3-PIN PLUG, 12 AWG	1
7	1018289-02	CORDSET, DC, 154 INCHES LONG WITH MALE 3-PIN PLUG, 12 AWG	1
7	1018289-03	CORDSET, DC, 250 INCHES LONG WITH MALE 3-PIN PLUG, 12 AWG	1
8	1012101	ASSEMBLY, FUSE (INCLUDES MOUNTING HARDWARE)	1
9	1012098	BUSHING, STRAIN RELIEF, DC CORD, 12 AWG	1
10	1019144-01	ASSEMBLY, VOLTAGE SUPPRESSOR	1
11	1018287-01	BREAKER, CIRCUIT, 15 AMP	1
12	1018286-01	RELAY, POWER, 48 VDC	1
13	1018288-01	CORDSET, AC, 80 INCHES LONG	1
13	1018288-02	CORDSET, AC, 116 INCHES LONG	1
14	1015917	BUSHING, STRAIN RELIEF, AC CORD	1



POWERDRIVE BATTERY CHARGER, EXPORT—TOURALL AND RESORT VILLAGER

14
E

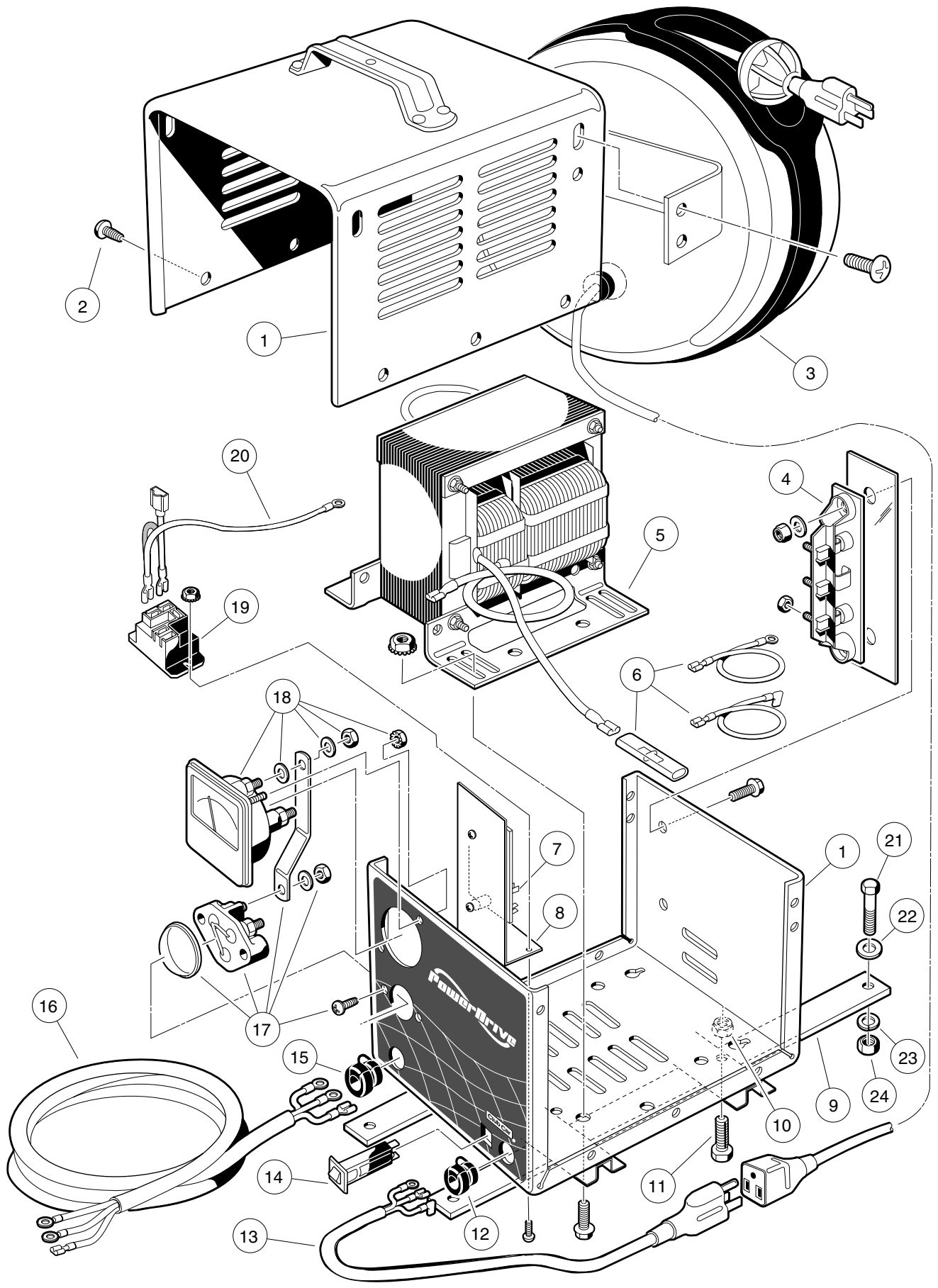
ITEM	PART NO.	DESCRIPTION	QTY
		1 2 3 4	
	1018315-03	CHARGER, BATTERY, POWERDRIVE, EXPORT WITH 4-POSITION SWITCH 100 - 200 - 220 - 240 VAC, 48 VDC 50/60 HZ (MODEL NUMBER 18780-11) (INCLUDES ITEMS 1 - 16) 103 IN. DC CORD WITH MALE 3-PIN PLUG, 12 AWG 74 IN. AC CORD WITH NO PLUG	1
	1018315-04	CHARGER, BATTERY, POWERDRIVE EXPORT WITH 4-POSITION SWITCH 100 - 200 - 220 - 240 VAC, 48 VDC 50/60 HZ (MODEL NUMBER 18780-18) (INCLUDES ITEMS 1 - 16) 144 IN. DC CORD WITH MALE 3-PIN PLUG, 12 AWG 108 IN. AC CORD WITH NO PLUG	1
1	1018381-01	ASSEMBLY, CASE (INCLUDES ITEM 2)	1
2	0007577	SCREW, PAN HEAD, SELF-TAPPING, #10 - 16 x 1/2	10
3	1018382-01	ASSEMBLY, TRANSFORMER	1
4	1015914	ASSEMBLY, HEATSINK, WITH DIODES (INCLUDES MOUNTING HARDWARE)	1
5	1019144-01	ASSEMBLY, VOLTAGE SUPPRESSOR	1
6	1018385-01	KIT, WIRE ASSEMBLY	1
7	1018285-01	AMMETER (INCLUDES HARDWARE)	1
8	1018383-01	RELAY, POWER, 48 VDC (INCLUDES MOUNTING HARDWARE)	1
9	1018387-01	BRACKET, POWER RELAY MOUNTING	1
10	1018386-01	SWITCH, 4-POSITION, SLIDE	1
11	1018289-01	CORDSET, DC, 113 INCHES LONG WITH MALE 3-PIN PLUG, 12 AWG	1
11	1018289-02	CORDSET, DC, 154 INCHES LONG WITH MALE 3-PIN PLUG, 12 AWG	1
11	1018289-03	CORDSET, DC, 250 INCHES LONG WITH MALE 3-PIN PLUG, 12 AWG	1
12	1012101	ASSEMBLY, FUSE (INCLUDES HARDWARE)	1
13	1012098	BUSHING, STRAIN RELIEF, DC CORD, 12 AWG	1
14	1018384-01	BREAKER, CIRCUIT, 10 AMP	2
15	1018317-01	CORDSET, AC, 80 INCHES LONG, WITH LEADS (NO PLUG)	1
15	1018317-02	CORDSET, AC, 116 INCHES LONG, WITH LEADS (NO PLUG)	1
16	1015917	BUSHING, STRAIN RELIEF, AC CORD	1



POWERDRIVE BATTERY CHARGER, EUROPEAN—TOURALL AND RESORT VILLAGER

14
E

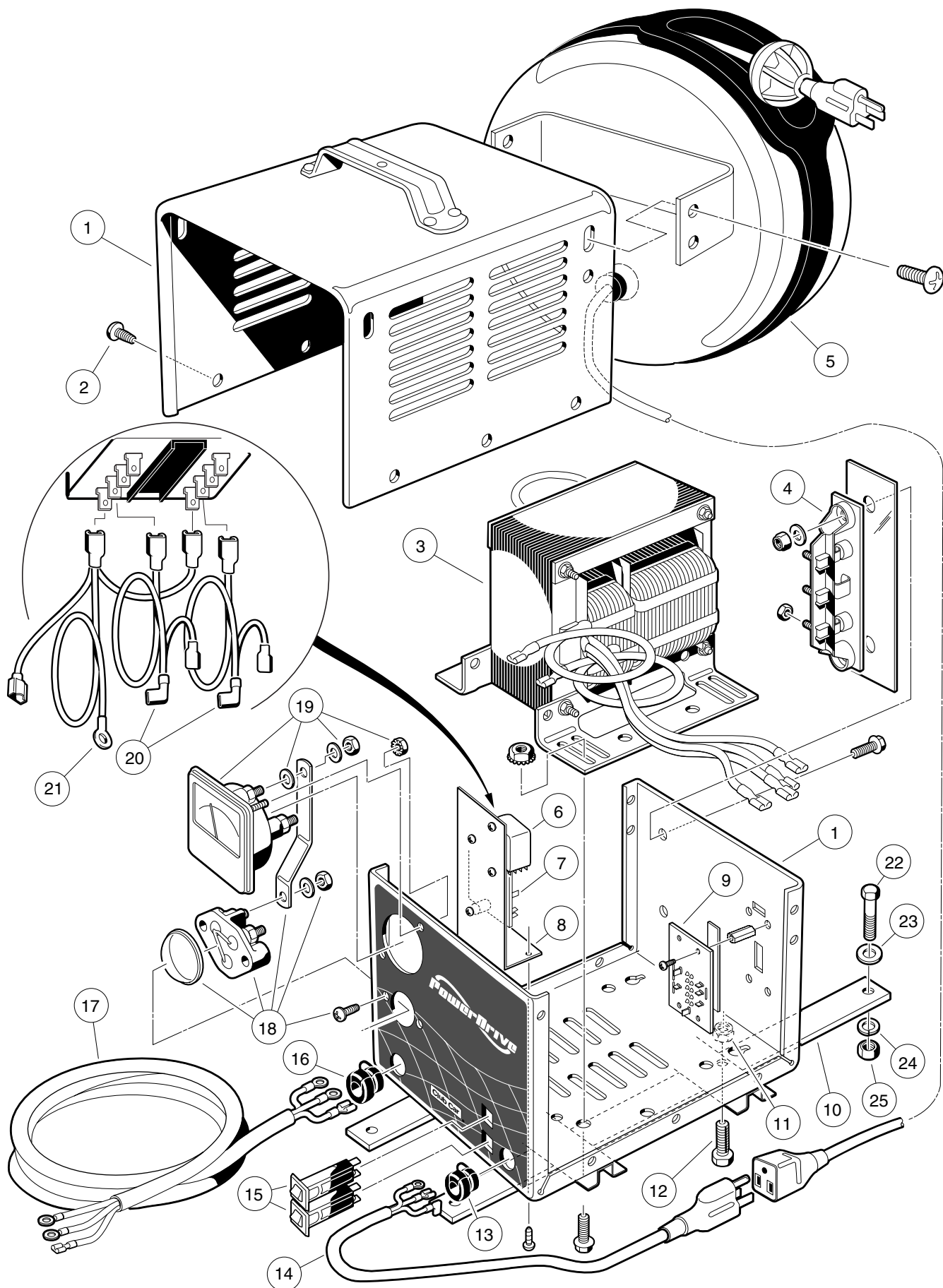
ITEM	PART NO.	DESCRIPTION	QTY
		1 2 3 4	
	1019562-01	CHARGER, BATTERY, POWERDRIVE, EUROPEAN WITH 4-POSITION SWITCH 100 - 200 - 220 - 240 VAC, 48 VDC 50/60 HZ (MODEL NUMBER 20300) (INCLUDES ITEMS 1 - 15) 103" DC CORD WITH MALE 3-PIN PLUG, 12 AWG	1
	1019562-02	CHARGER, BATTERY, POWERDRIVE EUROPEAN WITH 4-POSITION SWITCH 100 - 200 - 220 - 240 VAC, 48 VDC 50/60 HZ (MODEL NUMBER 20310) (INCLUDES ITEMS 1 - 15) 144" DC CORD WITH MALE 3-PIN PLUG, 12 AWG	1
1	1018381-01	ASSEMBLY, CASE (INCLUDES ITEM 2)	1
2	0007577	SCREW, PAN HEAD, SELF-TAPPING, #10 - 16 x 1/2	10
3	1018382-01	ASSEMBLY, TRANSFORMER	1
4	1015914	ASSEMBLY, HEATSINK, WITH DIODES (INCLUDES MOUNTING HARDWARE)	1
5	1019144-01	ASSEMBLY, VOLTAGE SUPPRESSOR	1
6	1018385-01	KIT, WIRE ASSEMBLY	1
7	1019766-01	AMMETER (INCLUDES HARDWARE)	1
8	1019875-01	RELAY, POWER, 48 VDC (INCLUDES MOUNTING HARDWARE)	1
9	1018387-01	BRACKET, POWER RELAY MOUNTING	1
10	1018386-01	SWITCH, 4-POSITION, SLIDE	1
11	1018289-01	CORDSET, DC, 103" LONG WITH MALE 3-PIN PLUG, 12 AWG	1
11	1018289-02	CORDSET, DC, 144" LONG WITH MALE 3-PIN PLUG, 12 AWG	1
11	1018289-03	CORDSET, DC, 250" LONG WITH MALE 3-PIN PLUG, 12 AWG	1
12	1012101	ASSEMBLY, FUSE (INCLUDES HARDWARE)	1
13	1012098	BUSHING, STRAIN RELIEF, DC CORD, 12 AWG	1
14	1018384-01	BREAKER, CIRCUIT, 10 AMP	2
15	1019735-01	RECEPTACLE, AC CORD	1
16	1019583-01	CORDSET, AC, CONTINENTAL EUROPE, 96" LONG (WITH MALE 2-PIN PLUG)	1
17	1019582-01	CORDSET, AC, U.K., 96" LONG (WITH MALE 3-PIN PLUG)	1



ON-BOARD POWERDRIVE BATTERY CHARGER, DOMESTIC—TRANS-PORTER/TRANS-SENDER

ITEM	PART NO.	DESCRIPTION	QTY
		1 2 3 4	
	1018143-01	ASSEMBLY, POWERDRIVE BATTERY CHARGER WITH REEL, ON-BOARD 120VAC 48VDC 60 HZ (INCLUDES ITEMS 1 - 20)	1
1	1018161-01	ASSEMBLY, CASE (INCLUDES ITEM 2)	1
2	0007577	SCREW, PAN HEAD, SELF-TAPPING, #10 - 16 x 1/2	12
3	1017187	ASSEMBLY, RETRACTABLE CORD REEL	1
4	1015914	ASSEMBLY, HEATSINK, WITH DIODES (INCLUDES HARDWARE)	1
5	1018197-01	ASSEMBLY, TRANSFORMER	1
6	1018417-01	KIT, WIRE ASSEMBLY	1
7	1018419-01	BOARD, CONTROL	1
8	1018387-01	BRACKET, RELAY AND RESET BOARD MOUNTING	1
9	1011707	BRACKET, MOUNTING	2
10	0008233	NUT, LOCK, 1/4 - 20	4
11	0007847	BOLT, HEX HEAD, 1/4 - 20 x 3/4	4
12	1015917	BUSHING, STRAIN RELIEF, AC CORD	1
13	1018290-01	CORDSET, AC, 24 INCHES WITH GROUNDED PLUG	1
14	1018287-01	BREAKER, CIRCUIT, 15 AMP	1
15	1012098	BUSHING, STRAIN RELIEF, DC CORD, 12 AWG	1
16	1018291-01	CORDSET, DC, 90 INCHES LONG WITH LEADS, 12 AWG	1
17	1012101	ASSEMBLY, FUSE (INCLUDES HARDWARE)	1
18	1018285-01	AMMETER (INCLUDES HARDWARE)	1
19	1018286-01	RELAY, POWER, 48 VDC	1
20	1019144-01	ASSEMBLY, VOLTAGE SUPPRESSOR	1
21	0007479	BOLT, HEX HEAD, 1/4 - 20 x 1 1/4	4
22	1014306	WASHER, FLAT, 1/4	4
23	0000451	WASHER, LOCK, 1/4	4
24	0001028	NUT, HEX, 1/4 - 20	4

14
E



ON-BOARD POWERDRIVE BATTERY CHARGER, EXPORT—TRANS-PORTER/TRANS-SENDER

ITEM	PART NO.	DESCRIPTION	QTY
		1 2 3 4	
	1018143-02	ASSEMBLY, POWERDRIVE BATTERY CHARGER AND REEL, ON-BOARD WITH 4-POSITION SWITCH, 100 - 200 - 220 - 240 VAC, 48 VDC 50/60 HZ (INCLUDES ITEMS 1 - 21)	1
1	1018416-01	ASSEMBLY, CASE (INCLUDES ITEM 2)	1
2	0007577	SCREW, PAN HEAD, SELF-TAPPING, #10 - 16 x 1/2	12
3	1018382-01	ASSEMBLY, TRANSFORMER	1
4	1015914	ASSEMBLY, HEATSINK, WITH DIODES (INCLUDES MOUNTING HARDWARE)	1
5	1017187	ASSEMBLY, RETRACTABLE CORD REEL	1
6	1018383-01	RELAY, POWER (INCLUDES MOUNTING HARDWARE)	1
7	1018419-01	BOARD, CONTROL	1
8	1018387-01	BRACKET, MOUNTING, RELAY AND RESET BOARD	1
9	1018386-01	SWITCH, 4-POSITION, SLIDE	1
10	1011707	BRACKET, MOUNTING	2
11	0008233	NUT, LOCK, 1/4 - 20	4
12	0007847	BOLT, HEX HEAD, 1/4 - 20 x 3/4	4
13	1015917	BUSHING, STRAIN RELIEF, AC CORD	1
14	1018290-01	CORDSET, AC, 3 x 1.5MM x 24 INCHES LONG, WITH GROUNDED PLUG	1
15	1018384-01	BREAKER, CIRCUIT, 10-AMP	2
16	1012098	BUSHING, STRAIN RELIEF, DC CORD, 12 AWG	1
17	1018291-01	CORDSET, DC, 90.5 INCHES LONG WITH LEADS, 12 AWG	1
18	1012101	ASSEMBLY, FUSE (INCLUDES HARDWARE).....	1
19	1018285-01	AMMETER (INCLUDES HARDWARE)	1
20	1018418-01	KIT, WIRE ASSEMBLY	1
21	1019144-01	ASSEMBLY, VOLTAGE SUPPRESSOR	1
22	0007479	BOLT, HEX HEAD, 1/4 - 20 x 1 1/4	4
23	1014306	WASHER, FLAT, 1/4	4
24	0000451	WASHER, LOCK, 1/4	4
25	0001028	NUT, HEX, 1/4 - 20	4

14
E

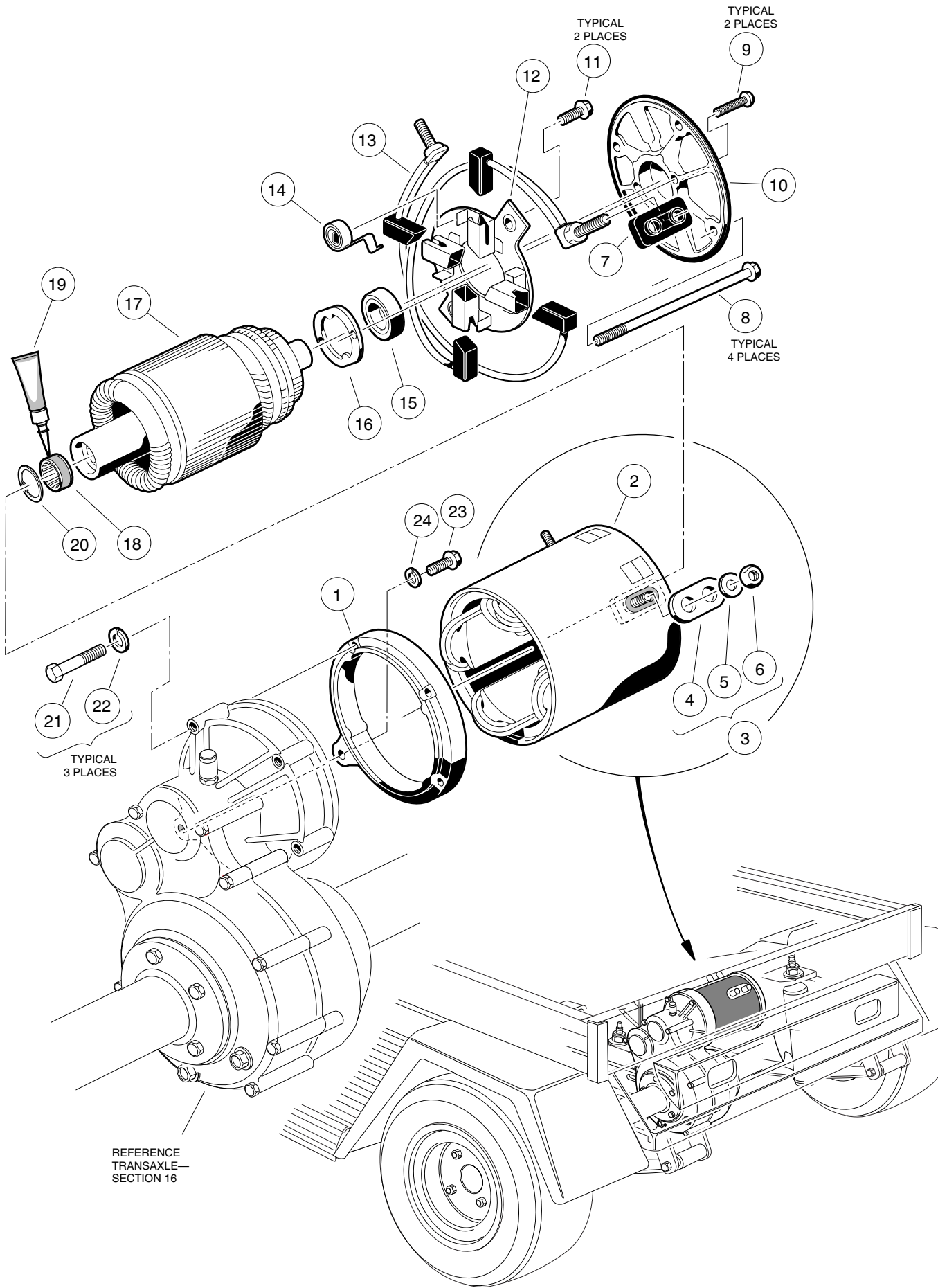
14

E

ELECTRIC MOTOR

15

E



MOTOR—POWERDRIVE ELECTRIC VEHICLE

15

E

ITEM	PART NO.	DESCRIPTION	QTY
		1 2 3 4	
	1018133-01	ASSEMBLY, 48 VOLT MOTOR, 3.10 HP (INCLUDES ITEMS 1 - 20)	1
1	1017944	SHIELD, END	1
2	1017958	ASSEMBLY, STATOR SHELL AND WINDING	1
3	1017947	PACKAGE, HARDWARE (INCLUDES ITEMS 4 - 7)	1
4	N/A	BUSHING, INSULATOR	2
5	N/A	WASHER, FLAT, 5/16	4
6	N/A	NUT, HEX, 5/16 - 18	4
7	N/A	BUSHING, INSULATOR	2
8	1017961	SCREW, CLAMP, UNF, #10 - 32 x 8 5/8	4
9	1017953	SCREW, BEARING RETAINER, #8 - 32 x 7/8	2
10	1017951	SHIELD, END	1
11	1017949	SCREW, BRUSH HOLDER, #6 - 32 x 1/2	2
12	1017948	RIGGING, BRUSH	1
13	1017946	PACKAGE, BRUSH (2 PIECES)	1
14	1011411	PACKAGE, BRUSH SPRING (4 PIECES)	1
15	1011290	BEARING, BALL	1
16	1017950	RETAINER, BEARING	1
17	N/A	ARMATURE	1
18	1017891-01	RING, GUIDE	1
19	1018132-02	ADHESIVE, GUIDE RING, 3 GRAM TUBE	A/R
20	1018228-01	RING, INTERNAL RETAINING	1
21	1014201	BOLT, HEX HEAD, 1/4 - 20 x 2 1/4	3
22	0000451	WASHER, LOCK, 1/4	3
23	1010934	BOLT, HEX HEAD, 5/16 - 18 x 1	1
24	0007174	WASHER, LOCK, 5/16	1

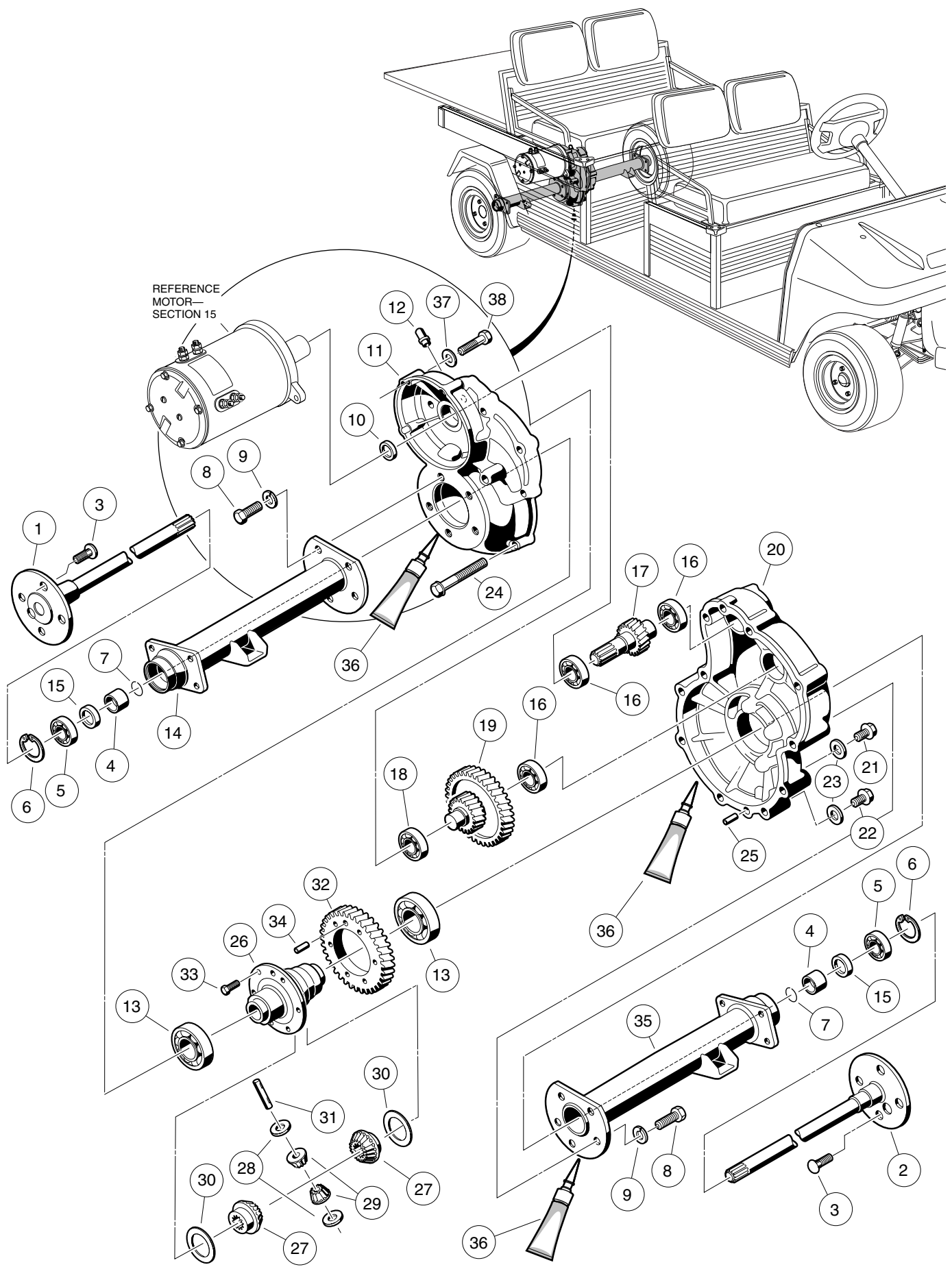
15

E

TRANSAXLE— ELECTRIC VEHICLE

16

E

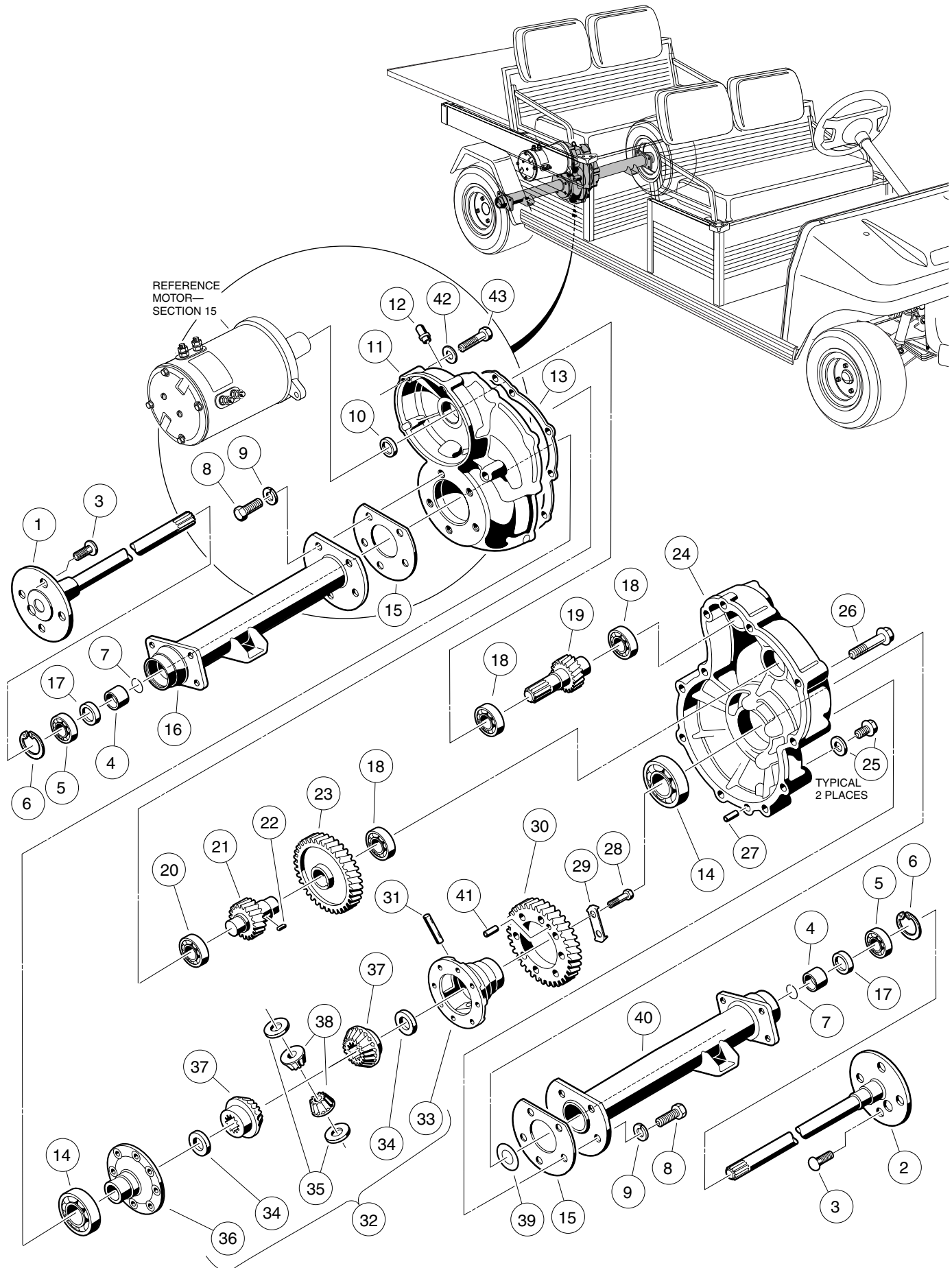


TRANSAXLE, TYPE G— POWERDRIVE ELECTRIC VEHICLE

16

E

ITEM	PART NO.	DESCRIPTION	QTY
		1 2 3 4	
	1018960-01	TRANSAXLE, TYPE G (INCLUDES ITEMS 1 - 36)	1
1	1018958-01	AXLE ASSEMBLY, PASSENGER SIDE (INCLUDES ITEMS 3 - 7)	1
2	1018959-01	AXLE ASSEMBLY, DRIVER SIDE (INCLUDES ITEMS 3 - 7)	1
3	1019222-01	STUD, LUG	8
4	1019723-01	SLEEVE	1
5	1011291	BEARING, OUTER AXLE TUBE	2
6	1018971-01	RING, RETAINING	2
7	1019754-01	RING, RETAINING	2
8	1019760-01	BOLT, M10 x 1.5 x 35MM	10
9	1018979-01	WASHER, LOCK, 20MM	10
10	1019235-01	SEAL, OIL, INPUT SHAFT	1
11	1018955-01	GEAR CASE, PASSENGER SIDE	1
12	1018972-01	BREATHER	1
13	0007330	BEARING, DIFFERENTIAL	2
14	1018956-01	ASSEMBLY, AXLE TUBE, PASSENGER SIDE	1
15	1013794	SEAL, OIL, AXLE SHAFT	2
16	0007335	BEARING, INPUT GEAR.....	3
17	1019237-01	SHAFT, INPUT	1
18	0007336	BEARING, INTERMEDIATE GEAR	1
19	1019069-01	ASSEMBLY, INTERMEDIATE GEAR	1
20	1018954-01	GEAR CASE, DRIVER SIDE	1
21	1019722-01	PLUG, FILL	1
22	1019721-01	PLUG, MAGNETIC	1
23	1019232-01	GASKET, PLUG	2
24	1018970-01	BOLT, M8 x 1.25 x 60MM	11
25	1018976-01	PIN, DOWEL	2
26	1019236-01	HOUSING, DIFFERENTIAL	1
27	1019239-01	GEAR, DIFFERENTIAL	2
28	1019036-01	PLATE, THRUST (IDLER GEAR)	2
29	1019230-01	GEAR, DIFFERENTIAL IDLER	2
30	1019037-01	PLATE, THRUST	2
31	1019221-01	PIN, DIFFERENTIAL	1
32	1019062-01	GEAR, OUTPUT	1
33	1018974-01	BOLT, M10 x 1.5 x 25MM	4
34	1019724-01	PIN, DOWEL	1
35	1018957-01	ASSEMBLY, AXLE TUBE, DRIVER SIDE	1
36	1019287-01	GASKET, LIQUID, 8.8 OZ. (250 GRAM)	A/R
37	0000451	WASHER, LOCK, 1/4	3
38	1014201	BOLT, HEX HEAD, 1/4 - 20 x 2 1/4	3
<p>NOTE: TRANSAXLE TYPE IS IDENTIFIED BY ORIENTATION OF GEAR CASE BOLTS. THE TYPE G TRANSAXLE HAS GEAR CASE BOLT HEADS FACING TOWARD THE PASSENGER SIDE OF THE VEHICLE.</p>			



TRANSAXLE, TYPE K— POWERDRIVE ELECTRIC VEHICLE

16
E

ITEM	PART NO.	DESCRIPTION	QTY
		1 2 3 4	
	N/A	TRANSAXLE, TYPE K (INCLUDES ITEMS 1 - 41)	1
1	1013785	AXLE ASSEMBLY, PASSENGER SIDE (INCLUDES ITEMS 3 - 7)	1
2	1013786	AXLE ASSEMBLY, DRIVER SIDE (INCLUDES ITEMS 3 - 7)	1
3	1013787	STUD, LUG	8
4	1014207	BUSHING, 25 MM I. D.	1
5	1011291	BEARING, OUTER AXLE TUBE	2
6	1013792	CIRCLIP, TYPE C	2
7	1016672	RING, RETAINING	2
8	1013790	BOLT, M10 x 1.5 x 30MM	10
9	1013791	WASHER, LOCK, 13/32	10
10	1013775	SEAL, INPUT SHAFT OIL	1
11	1013756	GEAR CASE, PASSENGER SIDE	1
12	1012711	BREATHER	1
13	1013758	GASKET, CASE	1
14	0007330	BEARING, INNER AXLE TUBE	2
15	1013789	GASKET, AXLE TUBE	2
16	1017704	ASSEMBLY, AXLE TUBE, PASSENGER SIDE	1
17	1013794	SEAL, AXLE SHAFT OIL	2
18	0007335	BEARING, INPUT GEAR	3
19	1013764	SHAFT, INPUT	1
20	0007336	BEARING, INTERMEDIATE GEAR	1
21	1013766	GEAR, INTERMEDIATE, SMALL	1
22	1013780	KEY, SUNK	1
23	1013765	GEAR, INTERMEDIATE, LARGE	1
24	1013757	GEAR CASE, DRIVER SIDE	1
25	1013759	PLUG, FILL, WITH GASKET	2
26	1013763	BOLT, M6 x 1 x 50MM	10
27	1012710	PIN, DOWEL	2
28	1013779	BOLT, M8 x 1.25 x 37MM	8
29	1013782	PLATE, LOCK	4
30	1013767	GEAR, OUTPUT	1
31	1013772	PIN, DIFFERENTIAL	1
32	1019105-01	KIT, DIFFERENTIAL GEAR CASE (INCLUDES ITEMS 33 - 36)	1
33	1013768	GEAR CASE, DIFFERENTIAL (DRIVER SIDE)	1
34	1013773	PLATE, THRUST (DIFFERENTIAL GEAR)	2
35	1013774	PLATE, THRUST (IDLER GEAR)	2
36	1013769	GEAR CASE, DIFFERENTIAL (PASSENGER SIDE).....	1
37	1013771	GEAR, DIFFERENTIAL	2
38	1013770	GEAR, DIFFERENTIAL IDLER	2
39	1013781	SHIM	1
40	1017703	ASSEMBLY, AXLE TUBE, DRIVER SIDE	1
41	1014193	PIN, DOWEL	1
42	1014201	BOLT, HEX HEAD, 1/4 - 20 x 2 1/4	3
43	0000451	WASHER, LOCK, 1/4	3
NOTE: TRANSAXLE TYPE IS IDENTIFIED BY ORIENTATION OF GEAR CASE BOLTS. THE TYPE K TRANSAXLE HAS GEAR CASE BOLT HEADS FACING TOWARD THE DRIVER SIDE OF THE VEHICLE.			

16

E



Transportation and Utility Vehicles

Club Car Inc.

P.O. Box 204658

Augusta, GA 30917-4658