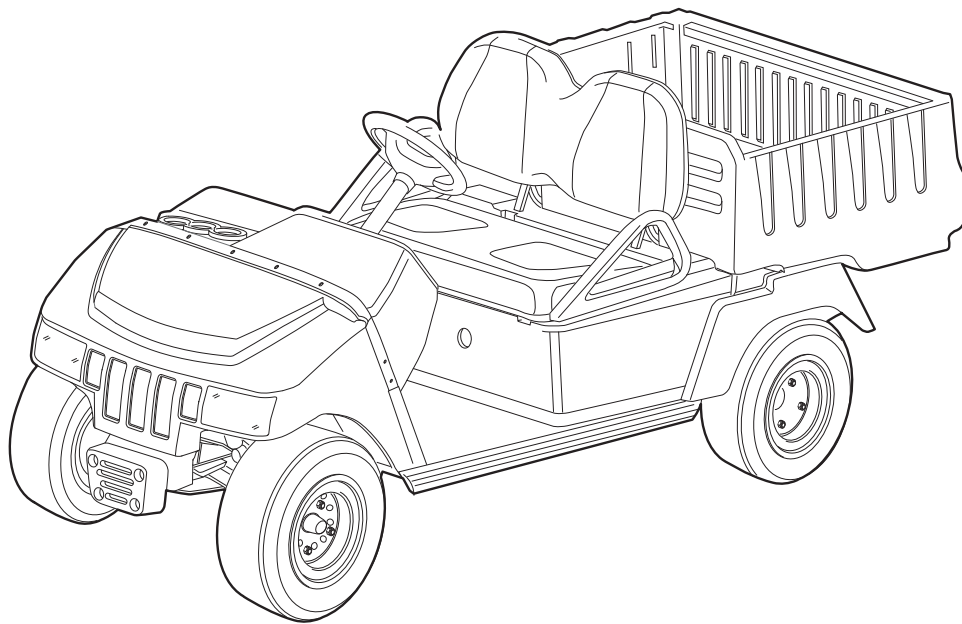




# 2015 Carryall 100 and 100CE Illustrated Parts List



**Gasoline and Electric Vehicles**

Manual Number 105157118  
Edition Code B



# USING THE ILLUSTRATED PARTS LIST

---

## **⚠ WARNING**

- **This manual is to be used only for identification and ordering of service parts. Be sure to read and use the maintenance and service manual before attempting any vehicle repairs.**

This manual is divided into several sections. Note that there are flags on the outside edge of each page. The first flag contains the section number of which that page is a part. The other flags contain the letters G or E, signifying that the page pertains to either the gasoline vehicle, the electric vehicle, or both.

Use the Table of Contents to find the sections and pages that contain the parts and assemblies you seek. The Table of Contents lists section numbers, and under them, the individual page titles and numbers to be found in that section. The index can be used to find specific parts and assemblies. The index is divided into numerical and alphabetical listings with the page numbers in italic text.

There is a two-page spread for each individual page title in the Table of Contents. On the left-hand page is an illustration showing the parts in their relative positions; the parts are each tagged with an item number in a balloon. The right-hand page is the parts list page, and gives the page title at the top, then the item numbers (corresponding to the numbers on the illustration), part descriptions, and quantity of parts used.

Note that a part description may be indented. This indentation corresponds to a parts assembly level indicated by the numbers 1, 2, 3, and 4 at the top left corner of the parts description area of the parts list page. A part that is indented to *level 2* is a component of the *level 1* part (assembly) that it is listed under. A *level 3* part is a component of the *level 2* part that it is listed under, and a *level 4* part is a component of the *level 3* part preceding it. In each case, the part quantity given for a level 2, 3, or 4 part is *the quantity used per next higher level assembly of which it is a component*. A part that is not indented is a *level 1* part. This means that the quantity given is the quantity used per the portion of the vehicle illustrated on that particular spread.

## **HOW TO ORDER PARTS**

Replacement parts and accessories can be obtained from our network of authorized dealers and distributors. You can obtain the name and phone number of your closest authorized Club Car dealer or distributor by visiting our web site at [www.clubcar.com](http://www.clubcar.com) and clicking on the "Distributor Search" link or by calling our toll-free Service Parts and Technical Assistance hotline at (800) 872-2246 or (706) 863-3000, extension 3887.



**P. O. Box 204658**  
**Augusta, Georgia 30917-4658 USA**  
**Telephone 706-863-3000**  
**Service Parts Fax 706-855-7413**  
**[www.clubcar.com](http://www.clubcar.com)**

**NOTE:** *This illustrated parts list represents the most current information at the time of publication. Club Car, Inc. is continually working to further improve its vehicles and other products. These improvements may affect the parts used to service the vehicle. Any modification and/or significant change in specifications will be forwarded to all Club Car and Carryall distributors/dealers and will, when applicable, appear in future editions of this illustrated parts list.*

*Club Car, Inc. reserves the right to change specifications and designs at any time without notice and without the obligation of making changes to units previously sold.*

Copyright © 2014 Club Car, Inc.  
*Club Car* and *ArmorFlex*  
are registered trademarks of Club Car, Inc.  
This manual effective August 1, 2014.

*2015 Carryall 100 and 100CE Gasoline and Electric Vehicles*

# CONTENTS

---

## SECTION 1 – BODY AND TRIM

---

Front Body .....	1-3
Canopy Support System .....	1-5
Access Panel and Heat Shield .....	1-7
Bumper – Gasoline Vehicles .....	1-9
Bumper – Electric Vehicles .....	1-11
Brush Guard .....	1-13
Dash Box .....	1-15
Glove Box .....	1-17
Side Trim .....	1-19
Nerf Bar .....	1-21
Rear Body and Fender – Gasoline Vehicle .....	1-23
Rear Body and Fender – Electric Vehicle .....	1-25
Front Seat Bottom and Armrests .....	1-27
Seat Back .....	1-29
Cargo Bed .....	1-31
Bed Hinge .....	1-33

---

## SECTION 2 – WHEELS AND TIRES

---

Wheels and Tires .....	2-3
Hubcap .....	2-5

---

## SECTION 3 – LOGO AND DECALS

---

Logo Decals .....	3-3
Safety Decals – Gasoline Vehicles .....	3-5
Safety Decals – Gasoline Vehicles, Continued .....	3-7
Safety Decals – Gasoline Vehicles, Continued .....	3-9
Safety Decals – Electric Vehicles .....	3-11
Safety Decals – Electric Vehicles, Continued .....	3-13

---

## SECTION 4 – LIGHTS, CONTROLS, AND INDICATORS

---

Headlights .....	4-3
Lighting System Components – Gasoline Vehicles .....	4-5
Lighting System Components – Electric Vehicles .....	4-7
Turn Signal Kit – Gasoline and Electric Vehicles .....	4-9
Reverse Buzzer .....	4-11
Instrument Panel – Gasoline Vehicle .....	4-13
Instrument Panel – Electric Vehicle .....	4-15

# CONTENTS

---

Battery Condition Indicator – Electric Vehicles .....	4-17
DC Converter – IQ System Electric Vehicle .....	4-19
Voltage Limiter – Gasoline Vehicle .....	4-21
Strobe Light, Post-Mounted – Gasoline Vehicles .....	4-23
Strobe Light, Post-Mounted – Electric Vehicles .....	4-25
Strobe Light, Canopy-Mounted .....	4-27
Horn .....	4-29
Hour Meter – IQ System and IQ Plus Electric Vehicles .....	4-31
Taillights .....	4-33

## SECTION 5 – BRAKE SYSTEM

---

Brake Pedal Assembly .....	5-3
Accelerator Pedal Assembly – Electric Vehicles with MCOR .....	5-5
Accelerator Pedal Assembly – Gasoline Vehicles .....	5-7
Accelerator Rod – Gasoline Vehicles .....	5-9
Rear Brake Assembly, Self-Adjusting – Vehicle with 2-Wheel Brakes .....	5-11
Brake Cables and Equalizer .....	5-13

## SECTION 6 – STEERING AND SUSPENSIONS

---

Steering Wheel .....	6-3
Steering Column .....	6-5
Steering Gear Assembly .....	6-7
Front Suspension, Lower – Vehicles with Two-Wheel Brakes .....	6-9
Front Suspension, Upper .....	6-11
Front Spindles and Hubs .....	6-13
Rear Suspension .....	6-15

## SECTION 7 – ELECTRICAL SYSTEM – GASOLINE VEHICLES

---

Wiring, Fuses, and Diodes, Pedal-Start – EFI, CA100 .....	7-3
Wiring, Fuses, and Diodes, Key-Start – EFI, CA100-CE .....	7-5
Starter/Generator (Model 114-04-4006), Key-Start – EFI .....	7-7
Starter/Generator (Model 114-05-4001) , Pedal-Start – EFI .....	7-9
Starter/Generator Mounting, EX40 – To Early-2016 Model Year .....	7-11
Electrical Component Box, Key-Start – EX40 .....	7-13
Electrical Component Box, Pedal-Start – EX40 .....	7-15
Forward/Reverse Shifter Switches, Key-Start – EFI, CA100CE .....	7-17
Forward/Reverse Shifter Switches, Pedal-Start – EFI, CA100 .....	7-19
Charging Diode, Key-Start – EFI .....	7-21
Top-Post Battery – Gasoline Utility Vehicles .....	7-23

# CONTENTS

---

## SECTION 8 – ENGINE (SUBARU EX40)

---

Tune-Up Parts – Subaru EX40 .....	8-3
Engine and Engine Mounting, Utility – EX40 .....	8-5
Fan and Shroud – EX40 .....	8-7
Air Deflector – EX40 .....	8-9
Ignition Components and Flywheel – EX40 .....	8-11
Sensors – EX40 .....	8-13
Cylinder Head – EX40 .....	8-15
Valvetrain and Timing Chain – EX40 .....	8-17
Crankcase – EX40 .....	8-19
Crankshaft and Piston – EX40 .....	8-21

---

## SECTION 9 – FUEL SYSTEM – EFI

---

Fuel System with Sending Unit, Top Fill – EFI .....	9-3
Carbon Canister – EFI, Carryall 100 .....	9-5
Throttle Body and ECU – EFI .....	9-7
Throttle Body Mounting – EFI .....	9-9
Governor and Accelerator Cables – EFI .....	9-11
Air Filter System and Intake Hose – EFI .....	9-13

---

## SECTION 10 – EXHAUST SYSTEM – EX40 ENGINE

---

Exhaust System – Utility .....	10-3
--------------------------------	------

---

## SECTION 11 – DRIVE BELT AND CLUTCHES – EX40

---

Drive Belt – Key-Start Vehicles with EFI .....	11-3
Drive Belt – Pedal-Start Vehicles with EFI .....	11-5
Drive Clutch – Key-Start Vehicles .....	11-7
Drive Clutch – Pedal-Start Vehicles with EFI .....	11-9
Driven Clutch (Standard Speed) – Key Start and Pedal Start .....	11-11

---

## SECTION 12 – TRANSAXLE (FUJI ED65)

---

Forward/Reverse Shifter – EFI .....	12-3
Shifter Cable .....	12-5
Shift Lever and Bracket – Pedal-Start Engines .....	12-7
Shift Lever and Bracket – Key-Start Engines .....	12-9
Governor Arm and Brackets – Utility Vehicles .....	12-11
Transaxle (ED65), Limited Slip – Page 1 of 3 .....	12-13
Transaxle (ED65), Open – Page 1 of 3 .....	12-15

# CONTENTS

---

Transaxle (ED65), Limited Slip and Open – Page 2 of 3 .....	12-17
Transaxle (ED65), Limited Slip – Page 3 of 3 .....	12-19
Transaxle (ED65), Open – Page 3 of 3 .....	12-21
Hub, Rear .....	12-23
Differential Guard, ED65 – Gasoline Vehicle .....	12-25

## SECTION 13 – ELECTRICAL SYSTEM – ELECTRIC VEHICLES

---

Forward/Reverse Switch, Tow/Run Switch .....	13-3
Motor Controller Output Regulator (MCOR) .....	13-5
Wiring – Electric Vehicle .....	13-7
Battery Charger Receptacle .....	13-9
Computer, Controller, and Solenoid .....	13-11
Batteries 8-Volt, Heavy Duty .....	13-13
Single Point Watering System (SPWS) .....	13-15
Hand Pump and Deionizer (Battery-Powered Quality Light) .....	13-17

## SECTION 14 – ELECTRIC MOTOR

---

Motor (Model EJ8-4001A) – Electric Vehicle .....	14-3
--	------

## SECTION 15 – TRANSAXLE – ELECTRIC VEHICLES

---

Transaxle – Electric Vehicles .....	15-3
Differential Guard – Electric Vehicles .....	15-5

## SECTION 16 – BATTERY CHARGERS

---

PowerDrive 3 Battery Charger (Model 26580), Domestic .....	16-3
PowerDrive 2 Battery Charger (Model 22110), Domestic .....	16-5
PowerDrive Battery Charger (Model 17930), Domestic .....	16-7
PowerDrive Battery Charger (Model 18780), Export .....	16-9
PowerDrive Battery Charger (Model 20310), European .....	16-11
IQ Plus Battery Charger (Models 25730-11,-18,-19), Domestic .....	16-13
IQ Plus Battery Charger (Models 25880-11 and -18), International .....	16-15
Onboard IQ Plus Battery Charger (Model 25260-50), Domestic .....	16-17
Onboard IQ Plus Battery Charger (Model 25660-50), International .....	16-19
Onboard IQ Plus Charger and Cord Reel Mounting .....	16-21

## SECTION 17 – MAINTENANCE AND SERVICE TOOLS

---

Maintenance and Service Tools .....	17-3
Maintenance and Service Tools, Continued .....	17-5



# CONTENTS

---

Maintenance and Service Tools, Continued .....	17-7
Maintenance and Service Tools, Continued .....	17-9
Maintenance and Service Tools, Continued .....	17-11

## SECTION i – INDEX

---



# BODY AND TRIM

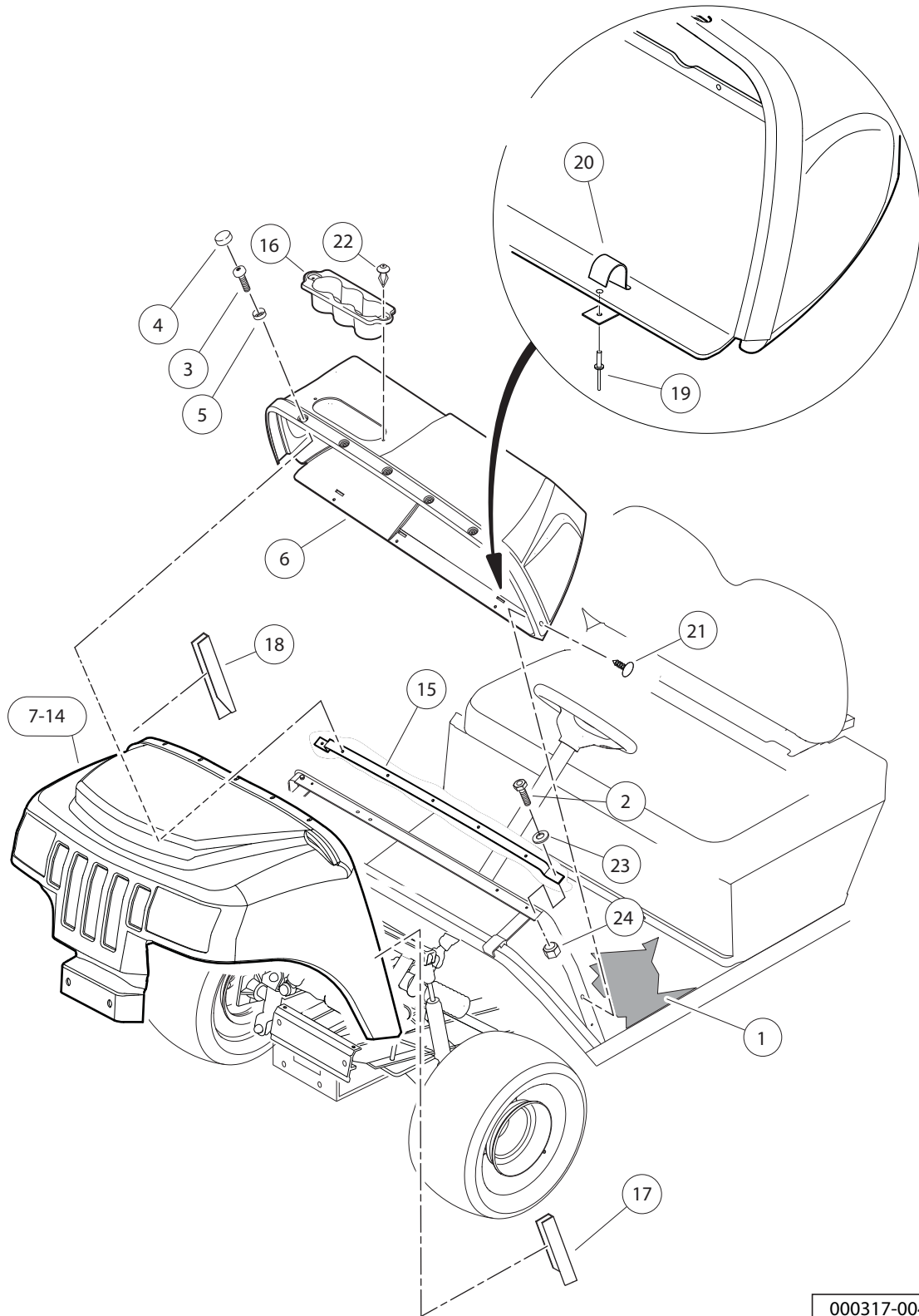
---

1

G

E

**1**  
**G**  
**E**



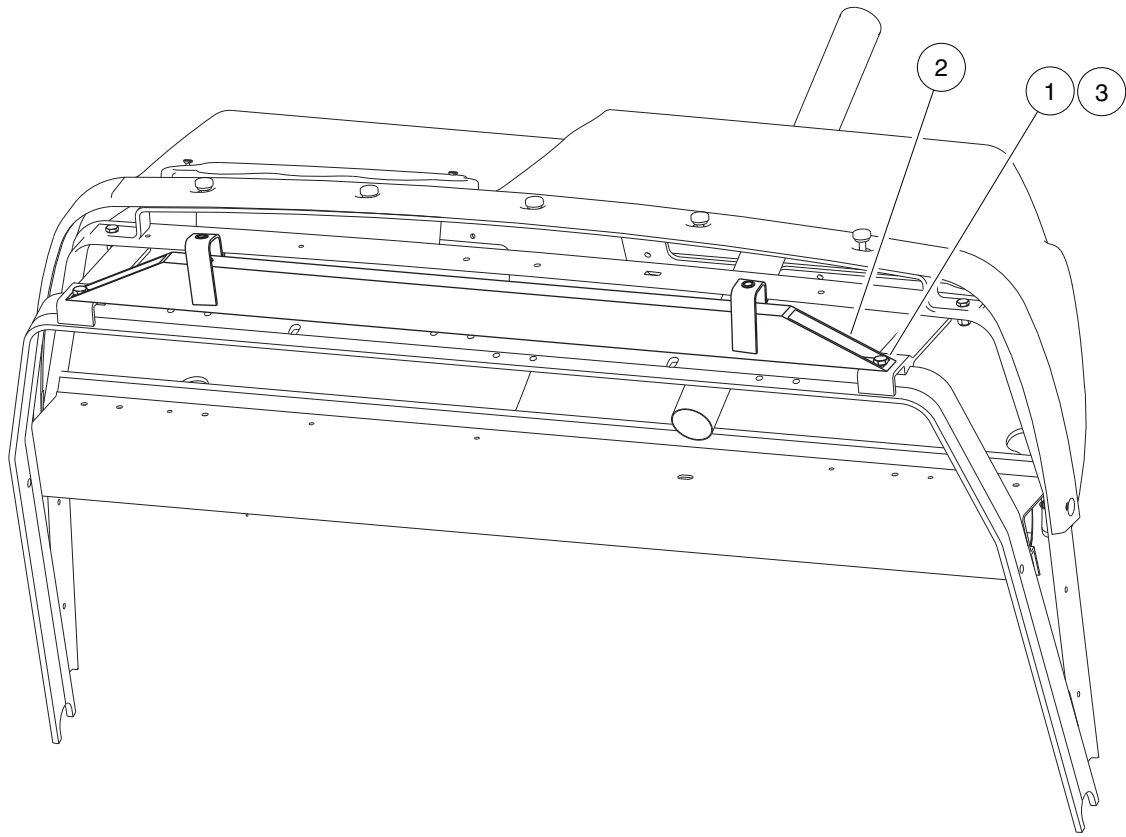
000317-004

# FRONT BODY

ITEM	PART NO.	DESCRIPTION	QTY
		<b>1 2 3 4</b>	
1	101503202	Floormat .....	1
2	101954301	Screw, 1/4-20 X 0.75 Hex-Head Cap .....	2
3	102025801	Screw, 1/4-20 X .75 Torx Pn Hd .....	5
4	102045001	Cap, 1/4" Plastic Screw Head .....	5
5	102048401	Washer, 1/4 Id Scalloped Plast .....	5
6	102766701	Dash .....	1
7	102778501	Cowl, Red .....	1
8	102778502	Cowl, Green .....	1
9	102778503	Cowl, Camouflage (Husqvarna) .....	1
10	102778504	Cowl, Classic Blue .....	1
11	102778505	Cowl, XRT- Black .....	1
12	102778507	Cowl, XRT- Camo Hard Wood HD (Standard camo for XRT850) .....	1
13	N/A	Cowl, XRT- Camo Max4 HD .....	1
14	102778509	Cowl, XRT- Silver .....	1
15	102778601	Support, Upper Cowl .....	1
16	102796701	Object Holder .....	1
17	102822001	Cowl Cover, Driver-Side .....	1
18	102822002	Cowl Cover, Passenger-Side .....	1
19	102828701	Rivet .....	10
20	102857401	Clip, Dash .....	3
21	102914301	Push Pin, Black .....	2
22	102967901	Rivet, Removable, Tuflok 1/4" .....	2
23	332	Washer, 1/4 Type A Narrow Flat .....	2
24	8233	Locknut, 1/4-20, Nylon Insert .....	2

**1**  
**G**  
**E**

**1**  
**G**  
**E**

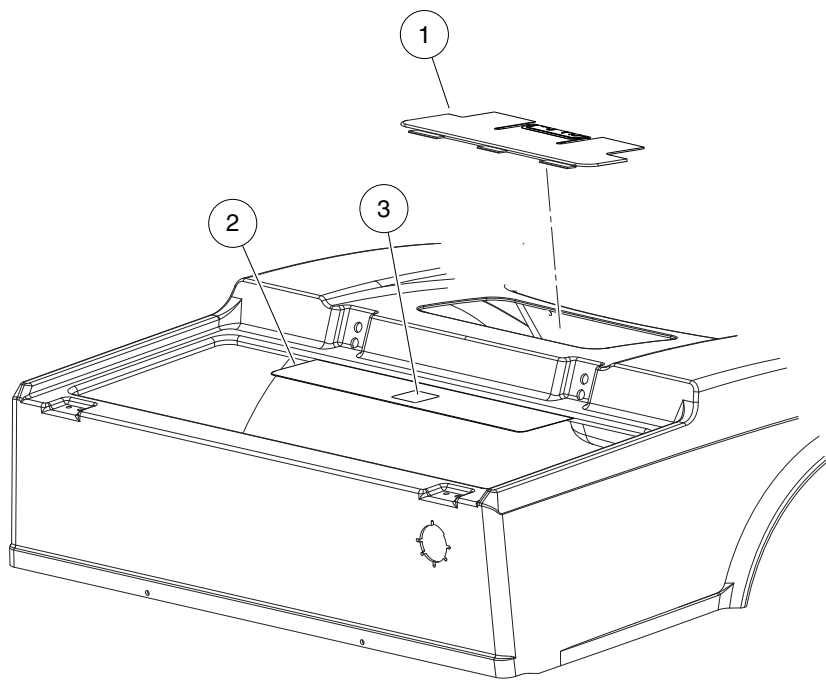


000582-001

# CANOPY SUPPORT SYSTEM

ITEM	PART NO.	DESCRIPTION	QTY
1	102242101	1 2 3 4 Screw, 5/16-18 X 3/4 Hex-Head with Patch .....	2
2	103313301	Asm, Brace, Canopy, Tube, Xrt .....	1
3	1241	Washer, 5/16 Type A Flat .....	1

1  
G  
E



000819-002

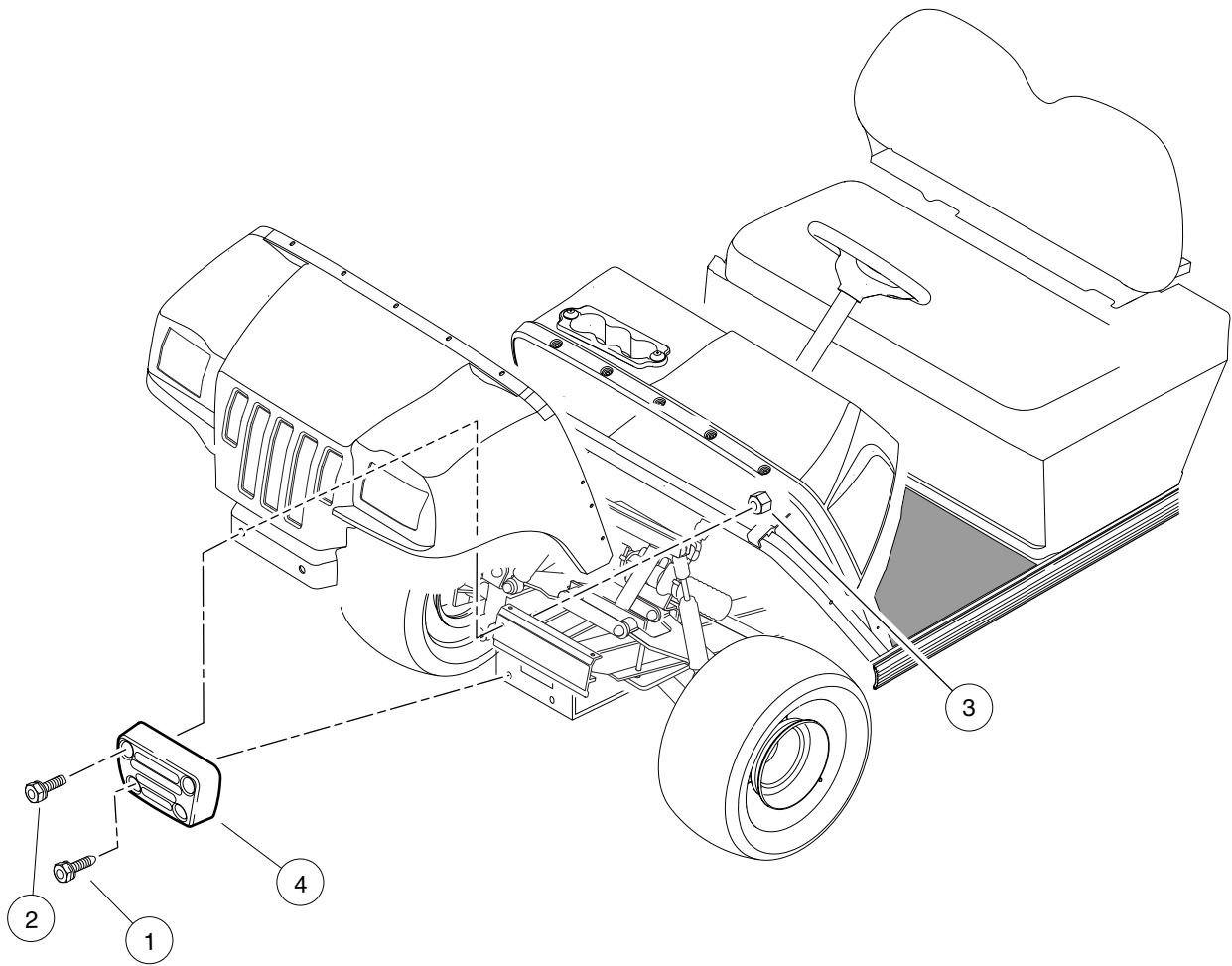


# ACCESS PANEL AND HEAT SHIELD

ITEM	PART NO.	DESCRIPTION	QTY
1	101303202	1 2 3 4 Access Panel - Black, Cut .....	1
2	101806901	Shield, Heat .....	1
3	101960501	Decal, Rotating Parts/Hot Manifold .....	1

**1**  
**G**  
**E**

**1**  
**G**  
**E**



000357-002

# BUMPER – GASOLINE VEHICLES

ITEM	PART NO.	DESCRIPTION	QTY
		1 2 3 4	
1	102289002	Screw, M8 X 1.25 X 30 Tri, Blk .....	2
2	102298240	Bolt, Flange Head, M8-1.25 X 40 .....	2
3	102618601	Lock Nut, Flange, M8 X 1.25 Nylon .....	2
4	102830501	Bumper, Cast .....	1

**1**

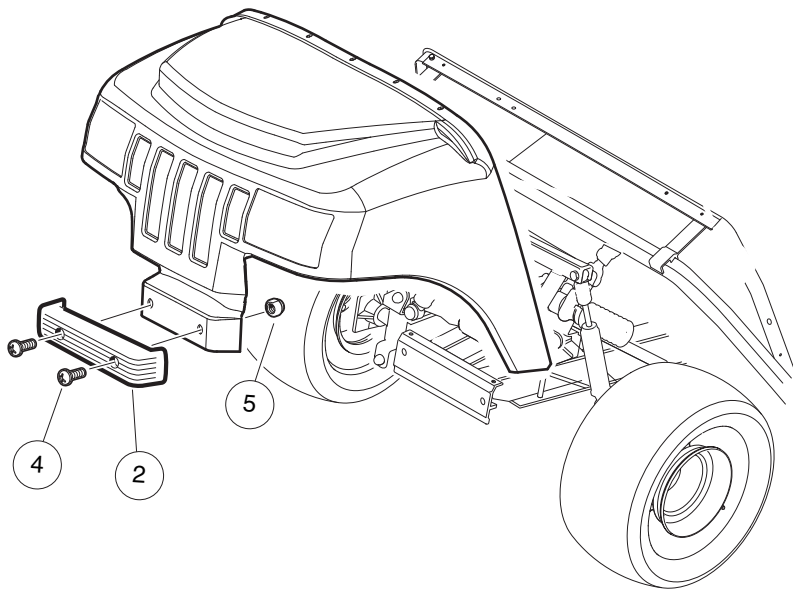
**G**

**E**

1

G

E

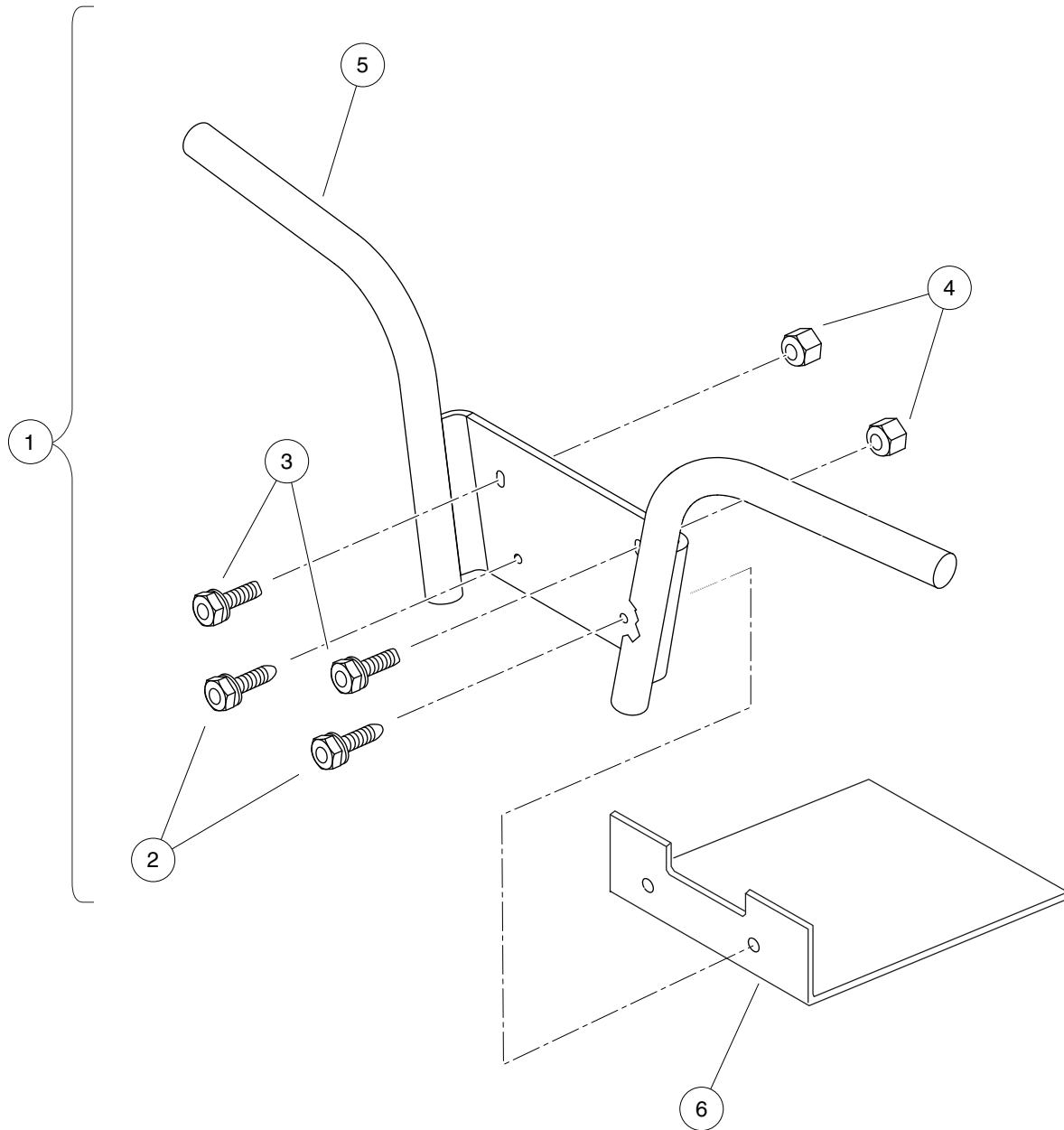


000357-005

# BUMPER – ELECTRIC VEHICLES

ITEM	PART NO.	DESCRIPTION	QTY
		1 2 3 4	
1	1017080	Kit, Front Bumper (includes items 2 through 5) .....	1
2	1016868	Front Bumper .....	1
3	1016967	Blind Rivet, Push Type .....	2
4	7251	Screw, 5/16-18 x 1.0 Truss-Head .....	2
5	7473	Locknut, 5/16-18 Nylon Insert .....	2
<p style="margin-left: 40px;">Note: Item 3 is not used in this application.</p>			



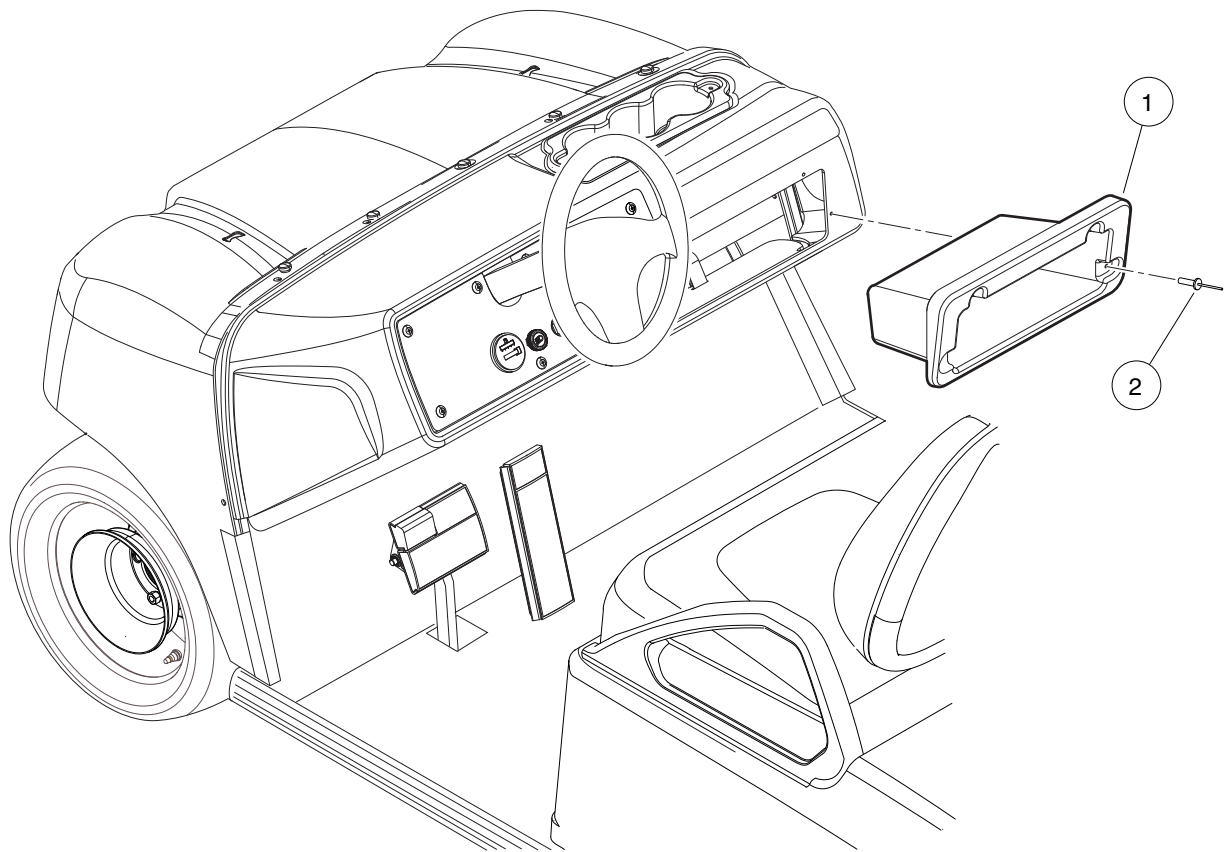


000356-003

# BRUSH GUARD

ITEM	PART NO.	DESCRIPTION	QTY
		<b>1 2 3 4</b>	
1	102852401	Kit, Brush Guard (includes items 2 through 6) .....	1
2	102289002	Screw, M8 X 1.25 X 30 Tri, Blk .....	2
3	102298240	Bolt, Flange Head, M8-1.25 X 40 .....	2
4	102618601	Lock Nut, Flange, M8 X 1.25 Nylon .....	2
5	102830201	Guard, Brush .....	1
6	102830401	Support, Brush Guard .....	1

**1**  
**G**  
**E**



000358-001

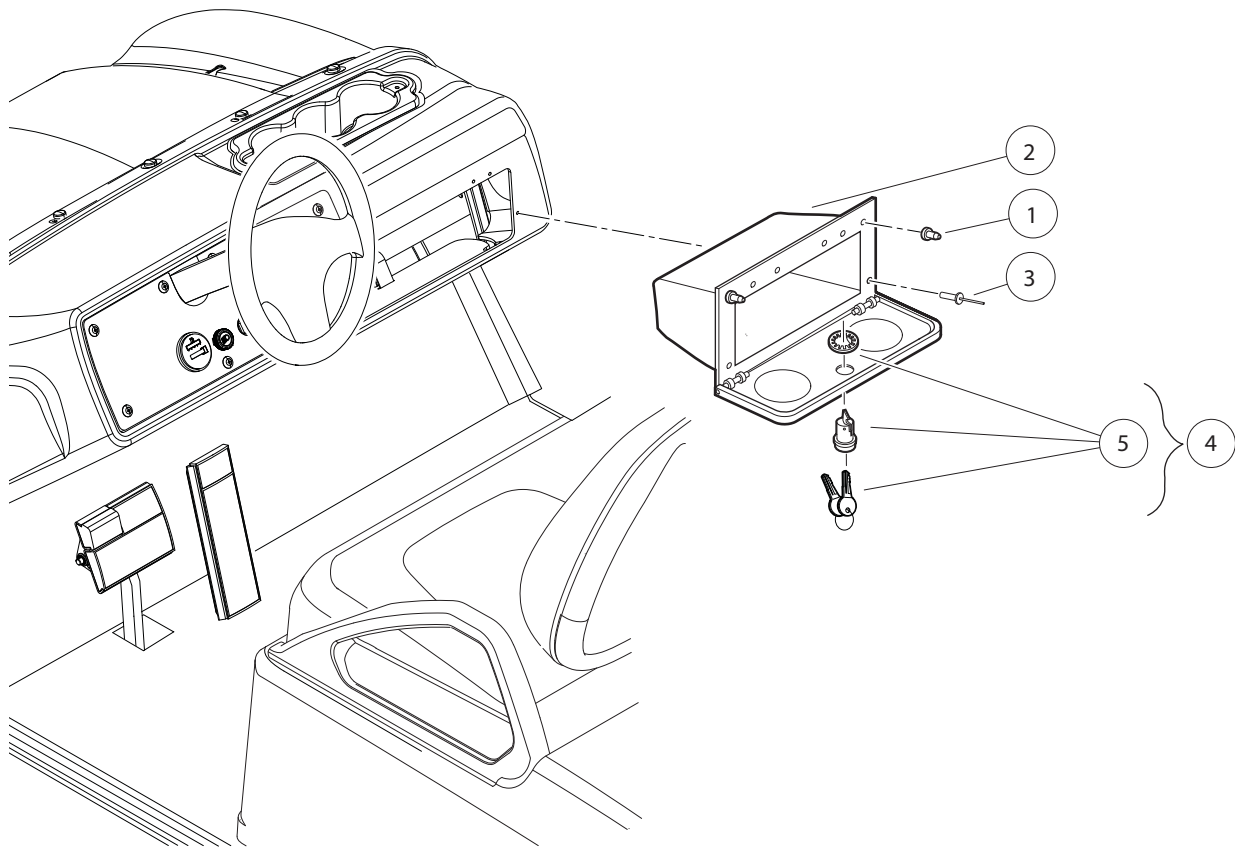


# DASH BOX

ITEM	PART NO.	DESCRIPTION	QTY
1	102810301	1 2 3 4 Box, Dash .....	1
2	103344501	Rivet, 5/32" Dia., Black .....	4

**1**  
**G**  
**E**

**1**  
**G**  
**E**



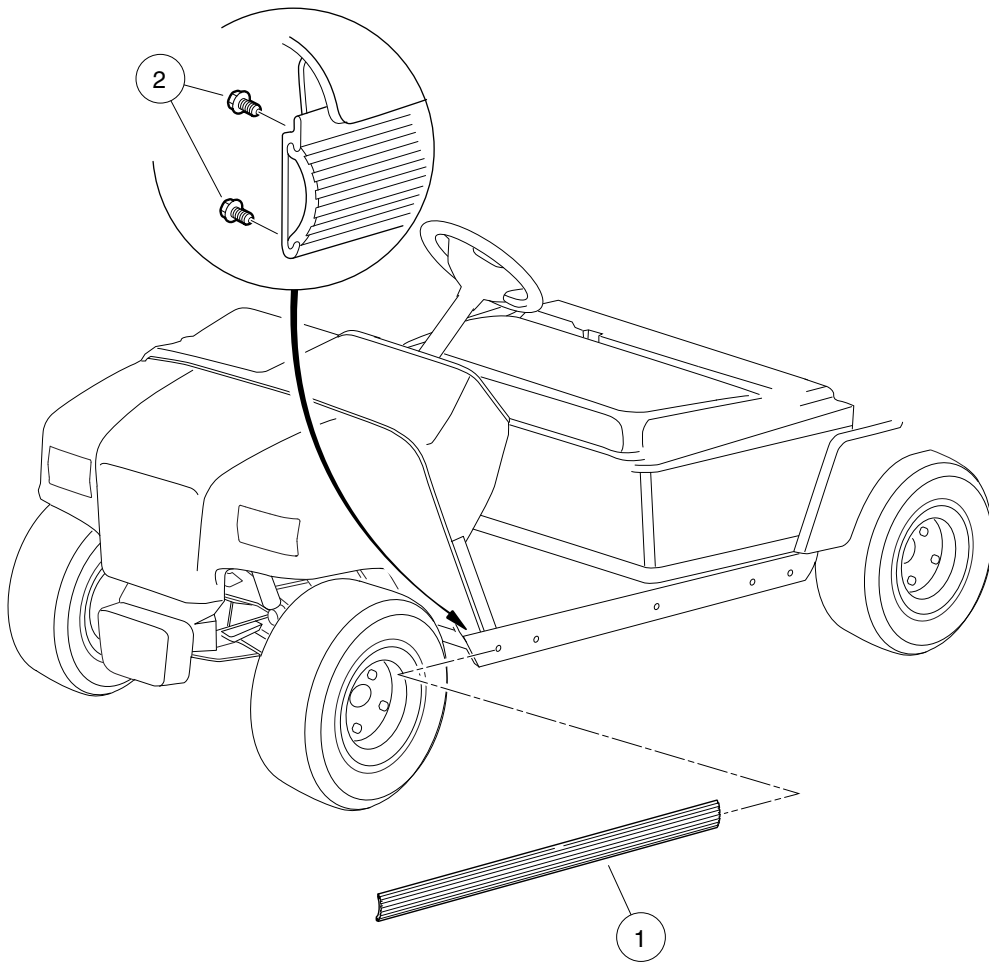
000359-002

# GLOVE BOX

ITEM	PART NO.	DESCRIPTION	QTY
		<b>1 2 3 4</b>	
1	1010436	Bumper, Rubber .....	2
2	102796501	Glove Box .....	1
3	102828701	Rivet .....	6
4	102959401	Glove Box Lock / Key Kit (includes item 5) .....	1
5	N/A	Asm, Glove Box Lock / Key .....	1

**1**  
**G**  
**E**

**1**  
**G**  
**E**

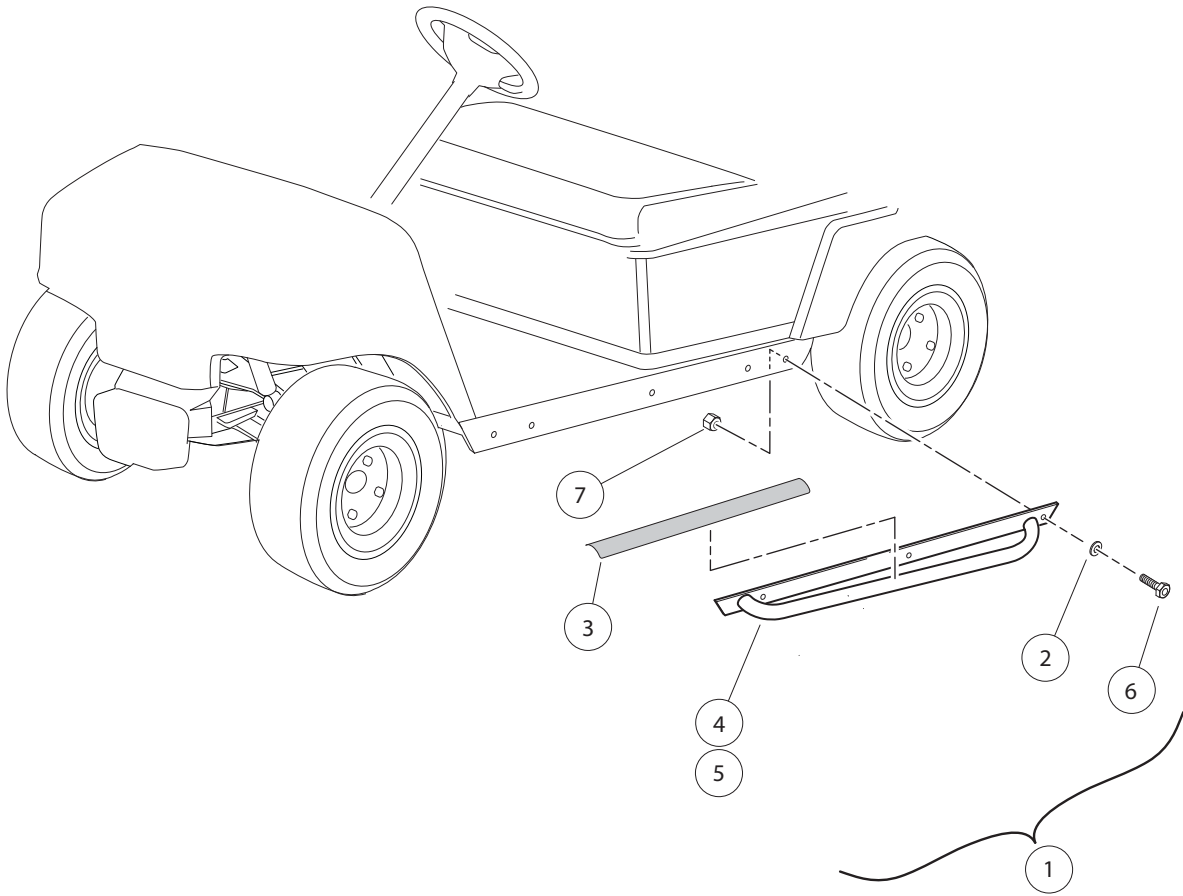


000361-002

# SIDE TRIM

ITEM	PART NO.	DESCRIPTION	QTY
1	1013983	1 2 3 4 Bumper, Side Trim .....	2
2	102310701	Screw, #8-18 x 0.375, Hex-Head Washer .....	8

**1**  
**G**  
**E**



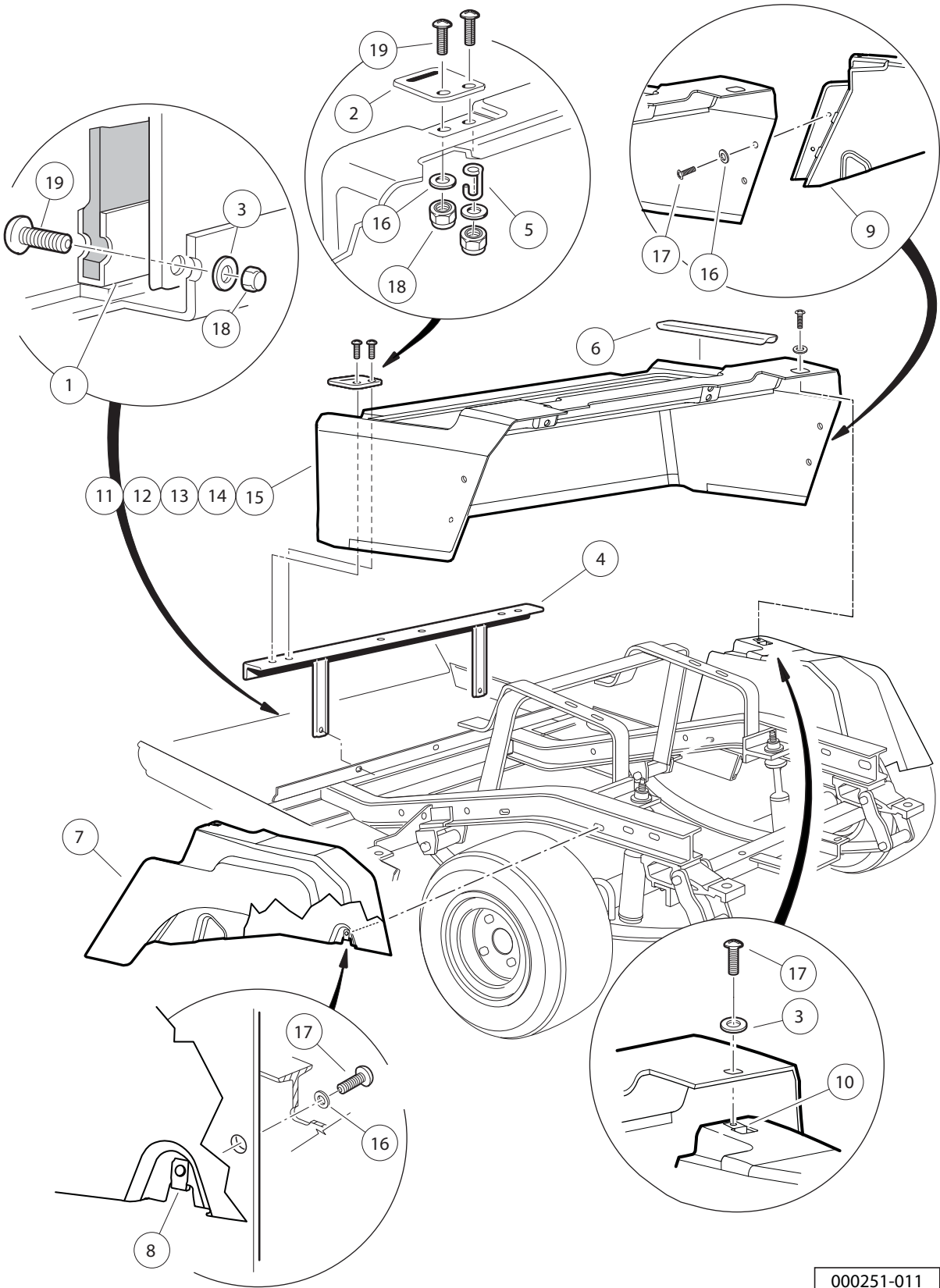
000360-004

# NERF BAR

ITEM	PART NO.	DESCRIPTION	QTY
		<b>1 2 3 4</b>	
1	102829802	Kit, Nerf Bar (black) (includes items 2 through 7) .....	1
2	1011990	Washer, 3/8 Flat .....	6
3	102355102	Tape, Non-skid .....	2
4	102829703	Nerf Bar Assy, Driver .....	1
5	102829704	Nerf Bar Assy, Passenger .....	1
6	320	Screw, 3/8-16 X 1.00 Hex-Head Cap .....	6
7	8754	Locknut, 3/8-16 Hex .....	6

**1**  
**G**  
**E**

**1**  
**G**  
**E**



000251-011

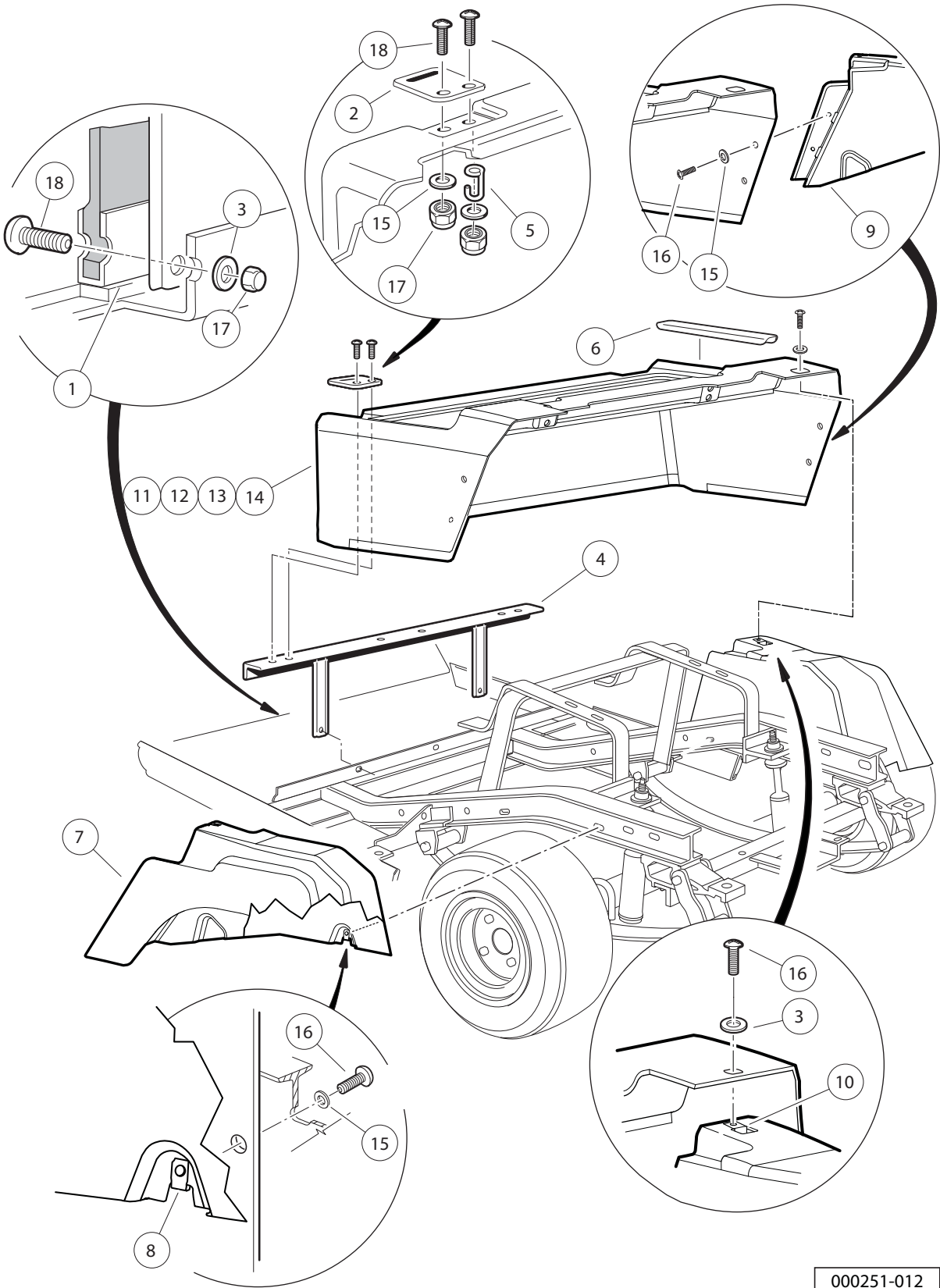


## REAR BODY AND FENDER – GASOLINE VEHICLE

ITEM	PART NO.	DESCRIPTION	QTY
		1 2 3 4	
1	1010993	Body Kick Plate .....	1
2	1012412	Body, Hinge Plate .....	2
3	1014306	Washer, 1/4" Type B Flat .....	8
4	1017141	Body Support Weldment .....	1
5	101855801	Cable Retainer .....	1
6	102221201	Wear Pad .....	2
7	102777601	Fender, Driver Side (includes item 8) .....	1
8	1016952	U-Nut, 1/4-20 .....	4
9	102777602	Fender, Passenger Side (includes item 10) .....	1
10	1016952	U-Nut, 1/4-20 .....	4
11	102796801	Body, Rear, Gas, Red .....	1
12	102796802	Body, Rear, Gas, Orange .....	1
13	102796803	Body, Rear, Gas, Green .....	1
14	102796804	Body, Rear, Gas, Classic Blue .....	1
15	102796805	Body, Rear, Gas, Olive Green .....	1
16	332	Washer, 1/4 Type A Narrow Flat .....	6
17	7847	Screw, 1/4-20 X 0.75 Hex-Head Cap .....	8
18	8233	Locknut, 1/4-20, Nylon Insert .....	6
19	8251	Screw, 1/4-20 X 1.0 Truss-Head Machine .....	6

1  
G  
E

**1**  
**G**  
**E**



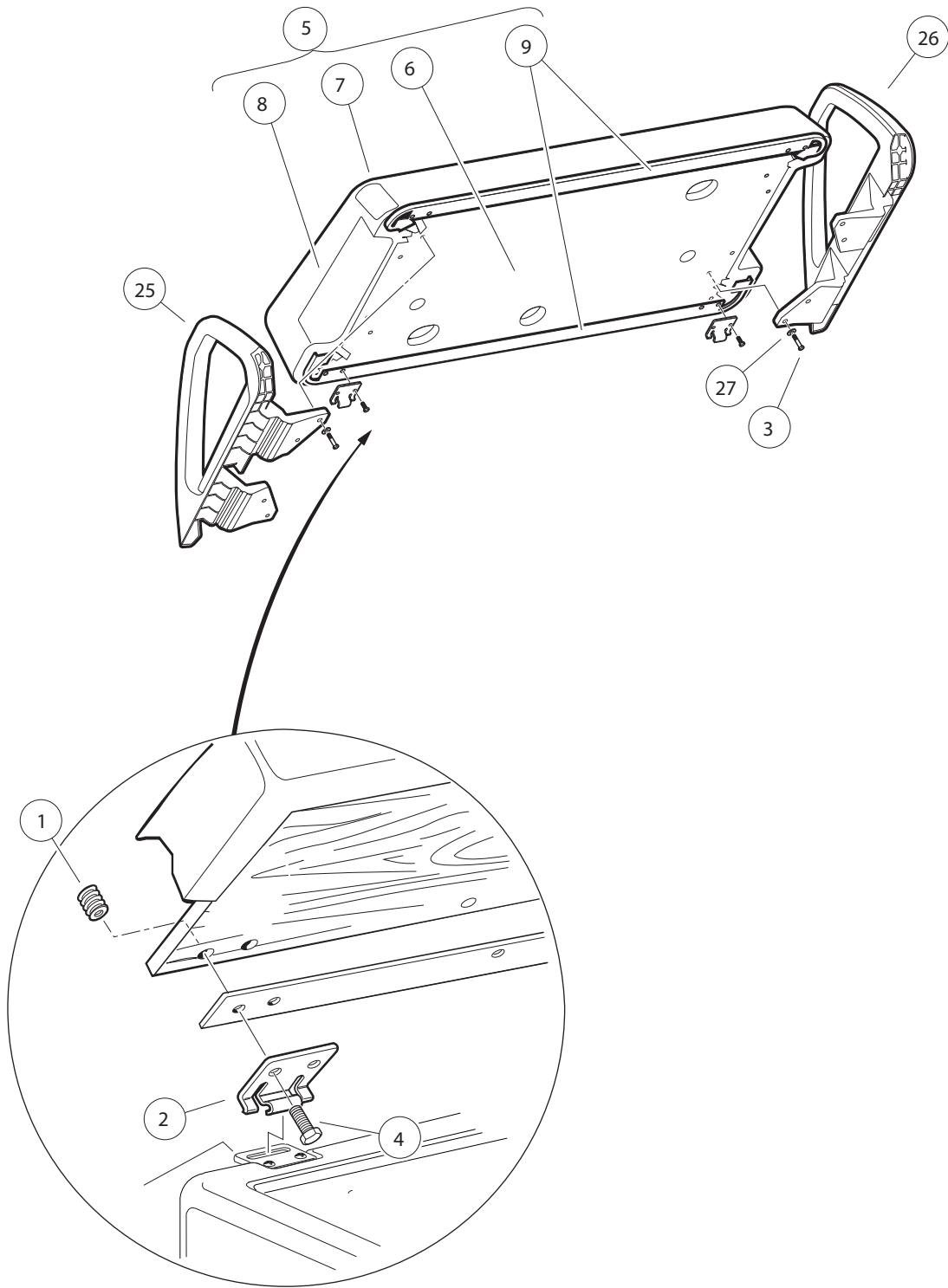
000251-012

## REAR BODY AND FENDER – ELECTRIC VEHICLE

ITEM	PART NO.	DESCRIPTION	QTY
		1 2 3 4	
1	1010993	Body Kick Plate .....	1
2	1012412	Body, Hinge Plate .....	2
3	1014306	Washer, 1/4" Type B Flat .....	8
4	1017141	Body Support Weldment .....	1
5	101855801	Cable Retainer .....	1
6	102221201	Wear Pad .....	2
7	102777601	Fender, Driver Side (includes item 8) .....	1
8	1016952	U-Nut, 1/4-20 .....	4
9	102777602	Fender, Passenger Side (includes item 10) .....	1
10	1016952	U-Nut, 1/4-20 .....	4
11	102818301	Body, Rear, Electric, Red .....	1
12	102818302	Body, Rear, Electric, Orange .....	1
13	102818303	Body, Rear, Electric, Green .....	1
14	102818305	Body, Rear, Electric, Olive Green .....	1
15	332	Washer, 1/4 Type A Narrow Flat .....	6
16	7847	Screw, 1/4-20 X 0.75 Hex-Head Cap .....	8
17	8233	Locknut, 1/4-20, Nylon Insert .....	6
18	8251	Screw, 1/4-20 X 1.0 Truss-Head Machine .....	6

**1**  
**G**  
**E**

**1**  
**G**  
**E**



000364-008

## FRONT SEAT BOTTOM AND ARMRESTS

ITEM	PART NO.	DESCRIPTION	QTY	
		<b>1 2 3 4</b>		<b>1</b>
1	1010543	Insert - Wood .....	4	<b>G</b>
2	1011652	Hinge Plate .....	2	<b>E</b>
3	1016916	Screw, 1/4-20 X 1.50 Hex-Head Cap .....	8	
4	101954301	Screw, 1/4-20 X 0.75 Hex-Head Cap .....	4	
5	102174201	Seat Bottom Assembly, Buff (includes items 6 through 9) .....	1	
6	N/A	Plywood Assy .....	1	
7	101998211	Vinyl Cover Seat Btm - Buffsvc .....	1	
8	N/A	Foam, Seat .....	1	
9	101998501	Gasket, Seat .....	2	
10	102174202	Seat Bottom Assembly, White (includes items 11 through 14) .....	1	
11	N/A	Plywood Assy .....	1	
12	101998212	Vinyl Cover, Seat Bottom, White .....	1	
13	N/A	Foam, Seat .....	1	
14	101998501	Gasket, Seat .....	2	
15	102174204	Seat Bottom Assembly, Black (includes items 16 through 19) .....	1	
16	N/A	Plywood Assy .....	1	
17	101998214	Vinyl Cover, Seat Bottom, Black .....	1	
18	N/A	Foam, Seat .....	1	
19	101998501	Gasket, Seat .....	2	
20	102174205	Seat Bottom Assembly, Gray (includes items 21 through 24) .....	1	
21	N/A	Plywood Assy .....	1	
22	101998215	Vinyl Cover, Seat Bottom, Gray .....	1	
23	N/A	Foam, Seat .....	1	
24	101998501	Gasket, Seat .....	2	
25	103246701	Hip Restraint, Drvr Side .....	1	
26	103246801	Hip Restraint, Pass Side .....	1	
27	332	Washer, 1/4 Type A Narrow Flat .....	8	
		<p>Note: Sub-components contained in items 10, 15, and 20 are the same as those shown for item 5, except for the vinyl seat covers.</p>		

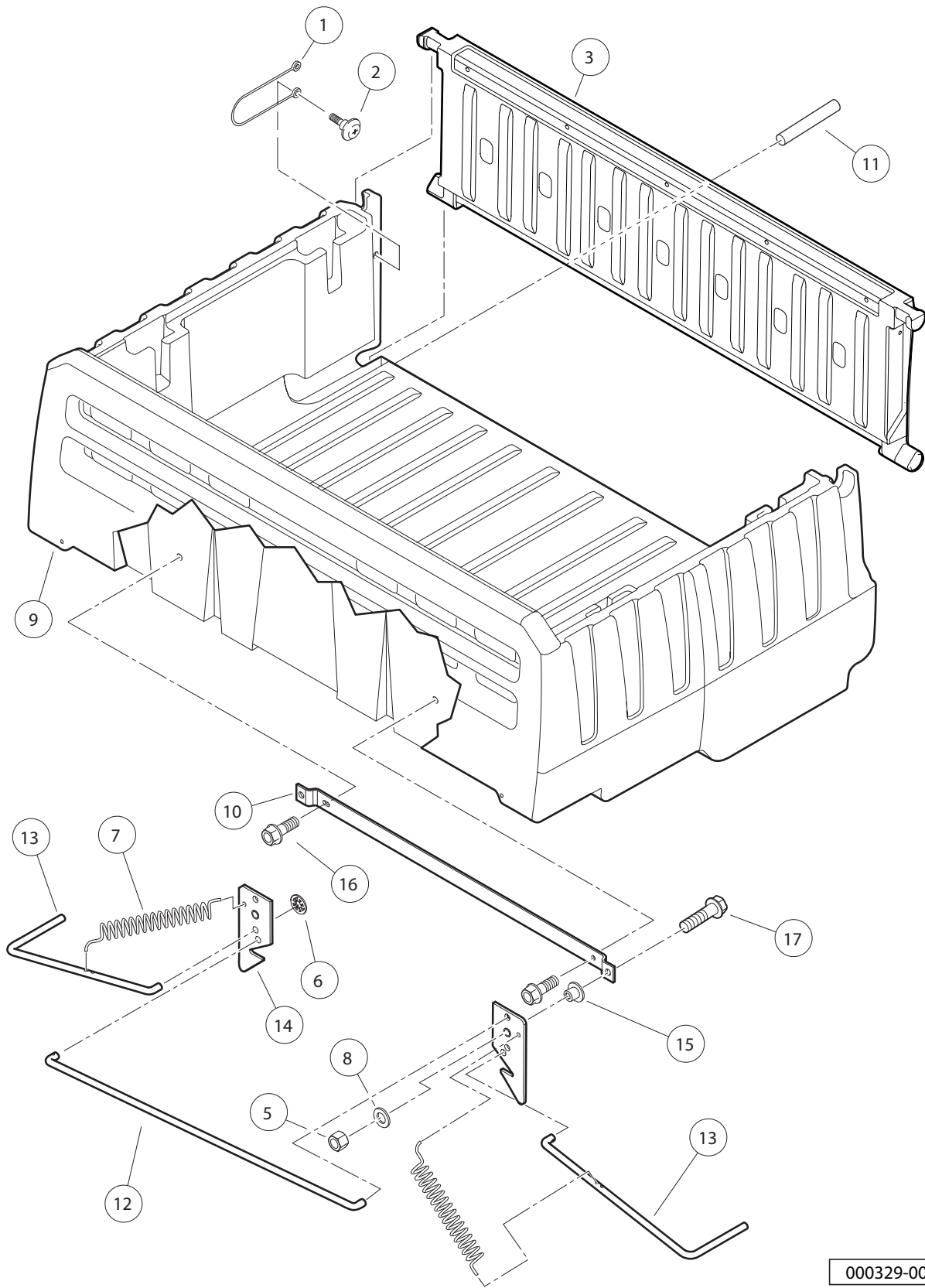


# SEAT BACK

ITEM	PART NO.	DESCRIPTION	QTY
		<b>1 2 3 4</b>	
1	1011931	Washer, 1/4 Flat .....	12
2	1017774	Body Spacer .....	4
3	101910401	Screw, 5/16-18 X 1.25 Thrd Frm .....	4
4	102296530	Screw - M6 X 1.0 X 30 Sems .....	2
5	102503221	Service Backrest Asm, Beige .....	1
6	102503222	Service Backrest Asm, White .....	1
7	102503224	Service Backrest Asm, Gray .....	1
8	102544201	Screw, M6 Hex .....	2
9	102581201	Plug, Square - 25.4 mm .....	2
10	102796101	Weldment, Bed Support .....	1
11	102816201	Seat Support, Cross Brace .....	1
12	102913101	Seat Support W/striker, Drv (includes items 13 through 16) .....	1
13	102796301	Seat Support, Driver-Side .....	1
14	102840301	Striker Plate .....	1
15	7847	Screw, 1/4-20 X 0.75 Hex-Head Cap .....	2
16	8233	Locknut, 1/4-20, Nylon Insert .....	2
17	102913102	Support, Seat, Right (passenger) (includes items 18 through 21) .....	1
18	102796302	Seat Support, Passenger-Side .....	1
19	102840301	Striker Plate .....	1
20	7847	Screw, 1/4-20 X 0.75 Hex-Head Cap .....	2
21	8233	Locknut, 1/4-20, Nylon Insert .....	2
22	1241	Washer, 5/16 Type A Flat .....	4
23	7311	Screw, 1/4-20 X 2.00 Hex-Head Cap .....	6
24	8233	Locknut, 1/4-20, Nylon Insert .....	6

**1**  
**G**  
**E**

**1**  
**G**  
**E**



000329-002



# CARGO BED

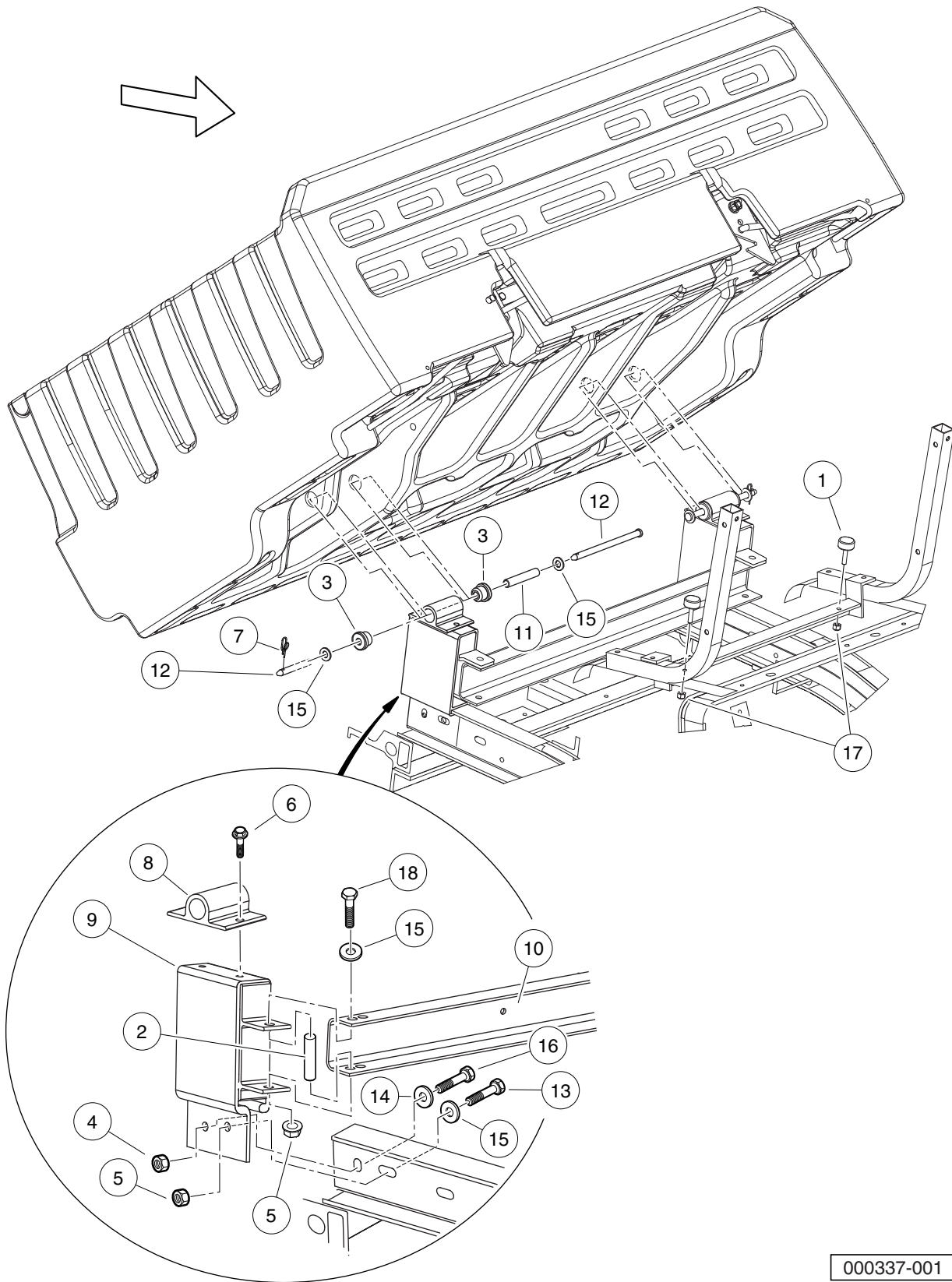
ITEM	PART NO.	DESCRIPTION	QTY
		<b>1 2 3 4</b>	
1	102779001	Lanyard, Tailgate .....	2
2	102779401	Bolt Lanyard .....	2
3	102779501	Tailgate .....	1
4	103189901	Bed Assembly (includes items 5 through 17) .....	1
5	1010138	Locknut, 3/8-16 Dimpled .....	2
6	1013876	Pushnut, 3/8 .....	4
7	1015391	Extension, Spring Latch .....	2
8	N/A	Washer, 3/8 Flat Type A .....	2
9	N/A	Bed .....	1
10	102778901	Support, Latch Link .....	1
11	N/A	Pin, Support .....	2
12	102779201	Rod, Long Link .....	1
13	102779301	Rod, Bed Lift, Short Bent .....	2
14	102779601	Catch, Tilt Bed .....	2
15	102830701	Bearing, Bronze, 1/2x9/32 .....	2
16	304	Screw, 1/4-20 X 1.0 Hex-Head Cap .....	2
17	320	Screw, 3/8-16 X 1.00 Hex-Head Cap .....	1
18	103317501	Kit, Plastic Bed Box Latch (includes items 19 through 21) .....	1
19	1010545	Screw, Hex Washer Head 1/4-14 X .75 .....	2
20	1011578	Washer, 5/16 Type B Flat .....	2
21	103293501	Spring, Tilt Latch 3.4 Lb/in .....	2

1

G

E

**1**  
**G**  
**E**



000337-001

# BED HINGE

ITEM	PART NO.	DESCRIPTION	QTY
		<b>1 2 3 4</b>	
1	1010878	Bumper, Rubber .....	2
2	1012303	Bushing, Steel .....	2
3	1015583	Bushing, Urethane .....	4
4	101835601	Locknut, 1/4-20 Hex Whiz .....	2
5	102065901	Locknut, 3/8-16 Flanged Dimple .....	4
6	102289001	Screw, M8X1.25X30, Hex .....	4
7	102289301	Rue Ring - 1/2" .....	2
8	102797201	Hinge, Roto Bed .....	2
9	102820301	Support, Hinge .....	2
10	102820501	Stiffener, Bed Support .....	1
11	102821101	Bushing, Steel .....	2
12	102823201	Pin, Clevis, 3/8 .....	2
13	320	Screw, 3/8-16 X 1.00 Hex-Head Cap .....	2
14	332	Washer, 1/4 Type A Narrow Flat .....	2
15	334	Washer, 3/8, Type A, Flat .....	8
16	7847	Screw, 1/4-20 X 0.75 Hex-Head Cap .....	2
17	8233	Locknut, 1/4-20, Nylon Insert .....	2
18	8755	Screw, 3/8-16 X 3.375 Hex Cap .....	2

**1**  
**G**  
**E**

**1**

**G**

**E**

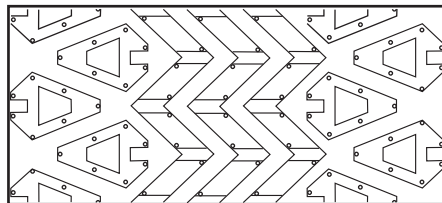
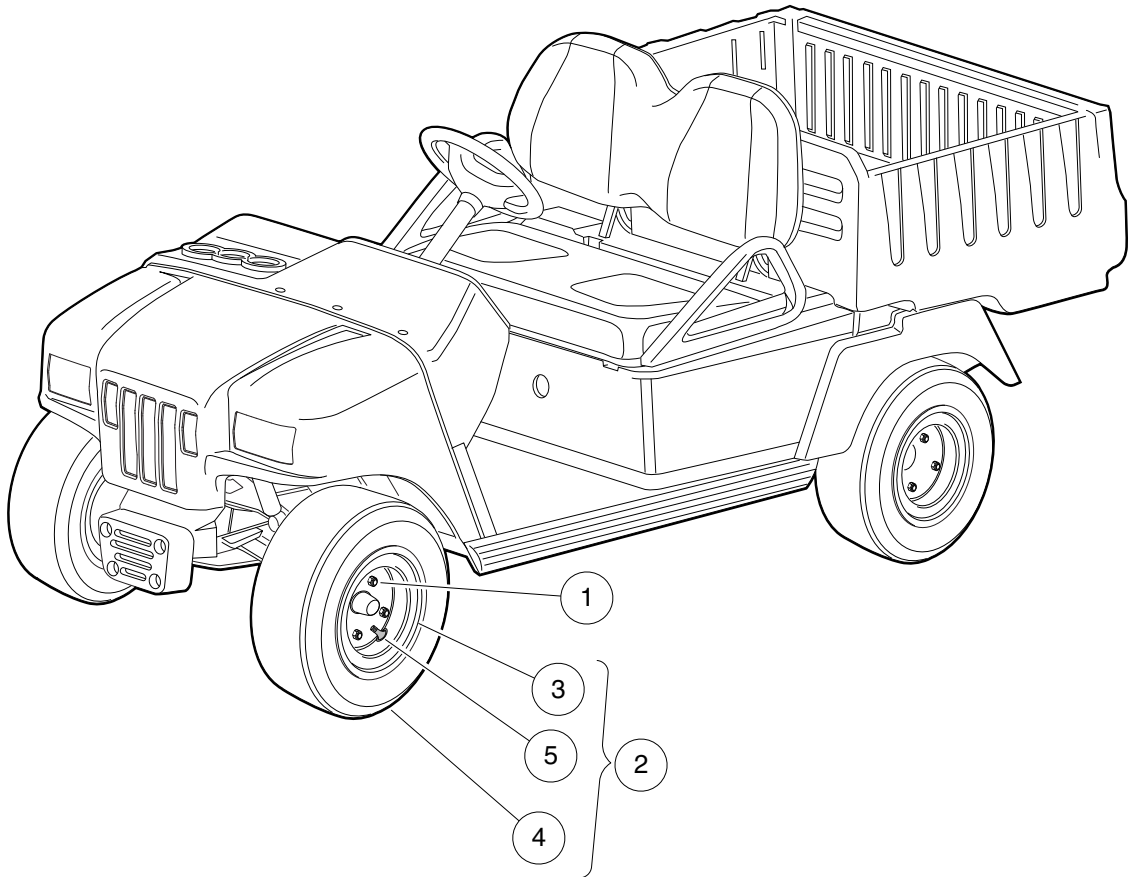
# WHEELS AND TIRES

---

2

G

E



000224-002

# WHEELS AND TIRES

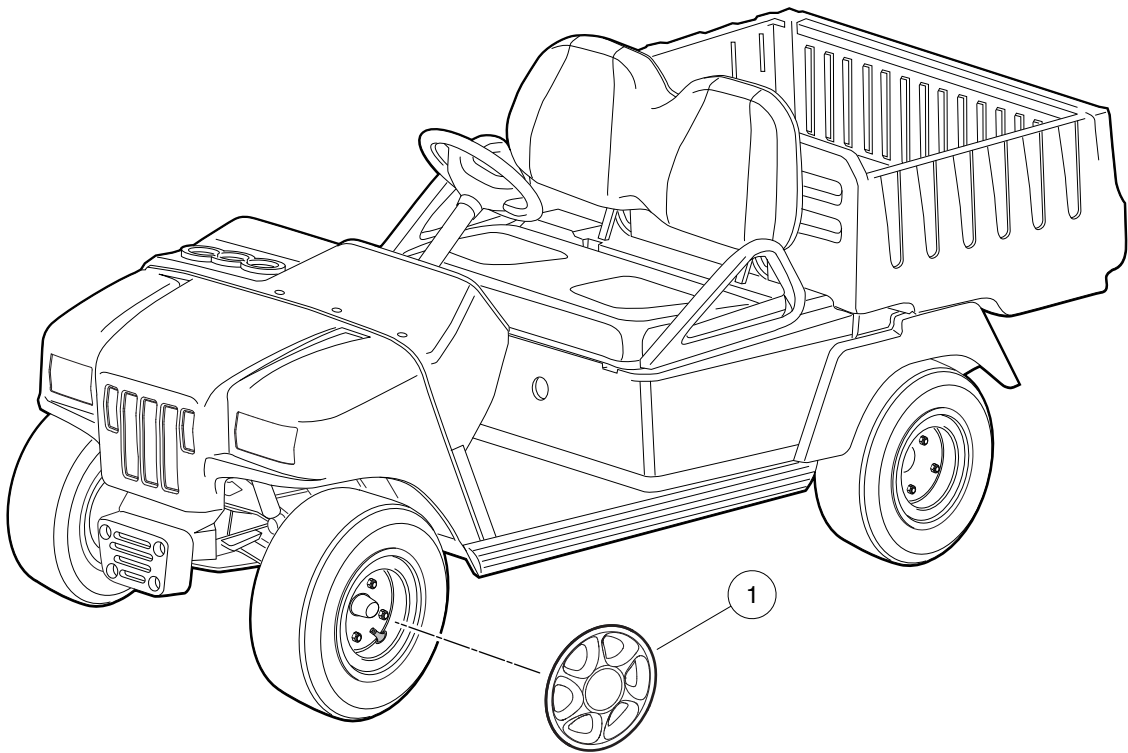
ITEM	PART NO.	DESCRIPTION	QTY
		1 2 3 4	
1	1010984	.500-20 Unf Lug Nut .....	16
2	102819101	Tire Assembly, All Trail II (includes items 3 through 5) .....	4
3	102815801	Wheel Rim, Gray .....	1
4	102815901	Tire, Unmounted, All Trail II .....	1
5	7310	Valve Stem, Black Plastic .....	1

2  
G  
E

2

G

E



000318-002



# HUBCAP

ITEM	PART NO.	DESCRIPTION	QTY
1	102861401	1 2 3 4 Wheel Cover, Chrome Elite .....	4

**2**  
**G**  
**E**

**2**

**G**

**E**

# LOGO AND DECALS

---

3

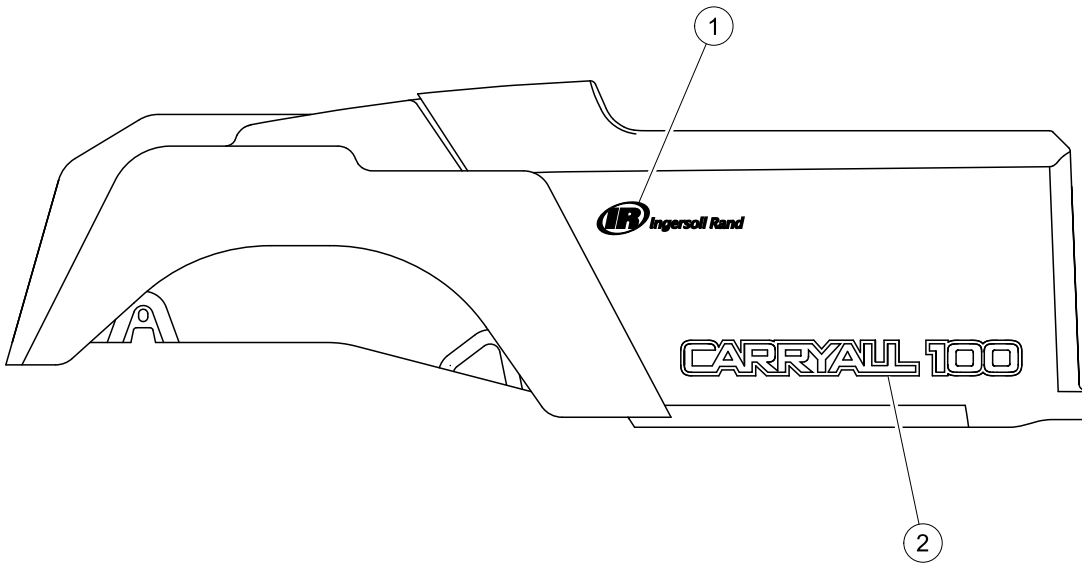
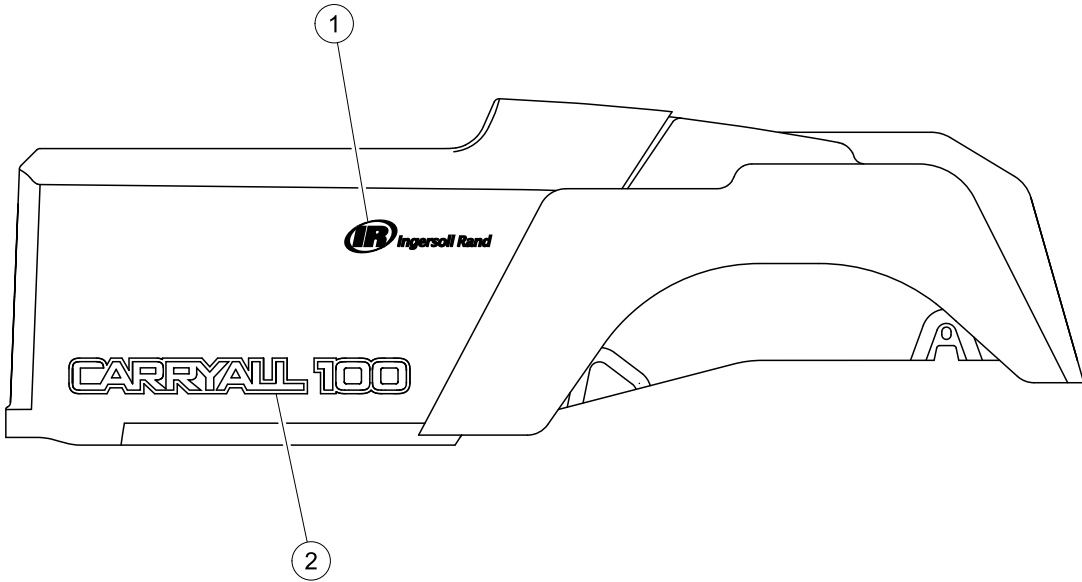
G

E

3

G

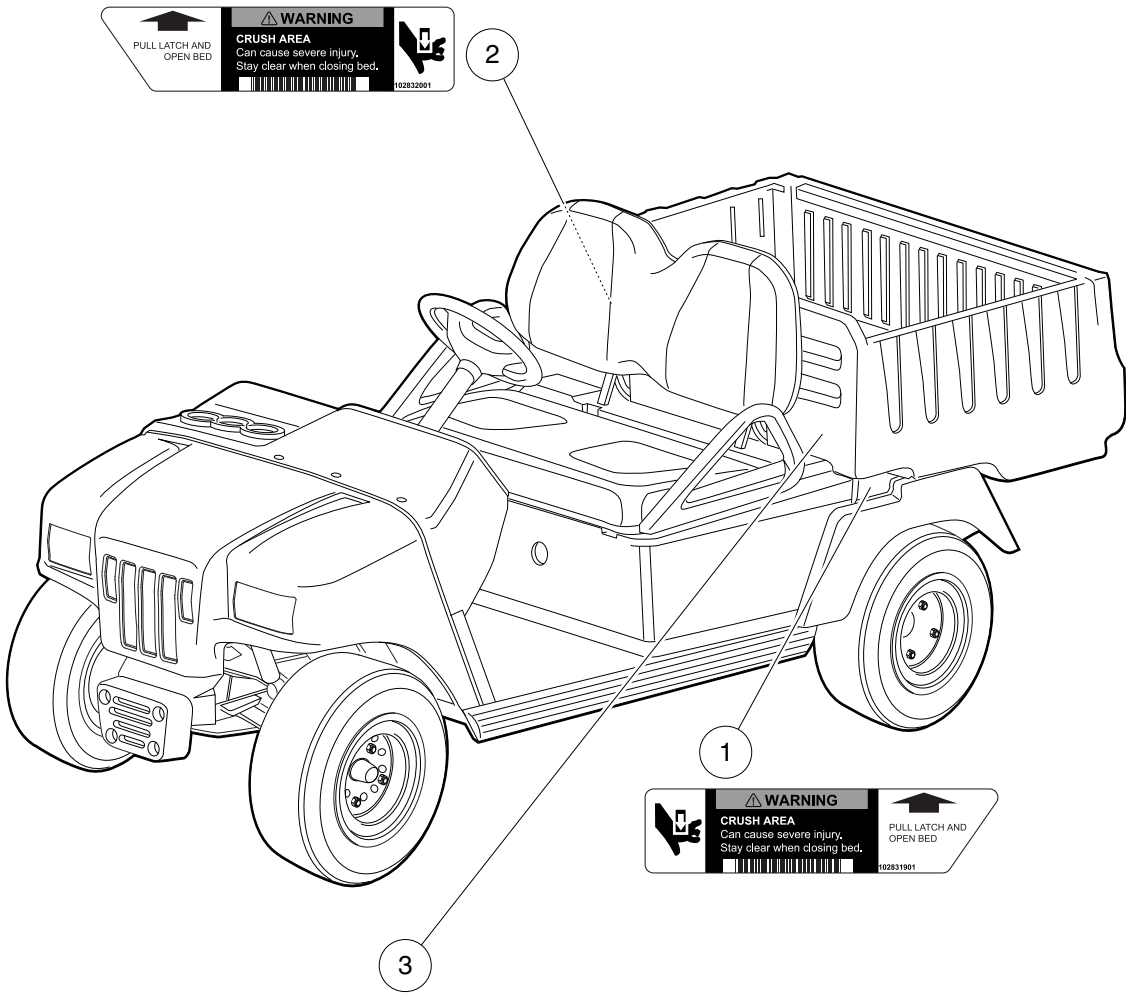
E



# LOGO DECALS

ITEM	PART NO.	DESCRIPTION	QTY
1	103234303	1 2 3 4 Decal, Badge, Ir Black .....	2
2	105199601	Decal,†carryall†100 .....	2





PULL LATCH AND OPEN BED

**WARNING**  
**CRUSH AREA**  
Can cause severe injury.  
Stay clear when closing bed.

102832001

**WARNING**  
**CRUSH AREA**  
Can cause severe injury.  
Stay clear when closing bed.

102831901

PULL LATCH AND OPEN BED

**NOTICE**

• THE OWNER/OPERATOR should maintain, lubricate, adjust, and operate the vehicle as detailed in the vehicle owners manual.

CC1 102832001

000225-002

## SAFETY DECALS – GASOLINE VEHICLES

ITEM	PART NO.	DESCRIPTION	QTY
		1 2 3 4	
1	102831901	Decal, Crush Warning, Driver-Side .....	1
2	102832001	Decal, Crush Warning, Passenger-Side .....	1
3	102833301	Decal, Maintenance .....	1

3  
G  
E

**WARNING**

- GASOLINE EXPLOSION / FIRE.
- CAN CAUSE SEVERE INJURY OR DEATH.
- NO SMOKING, SPARKS, OR OPEN FLAME.
- STOP ENGINE, ALLOW TO COOL BEFORE REFUELING.
- TURN FUEL VALVE ( ) ON DURING OPERATION.
- ( ) OFF DURING STORAGE OR TRANSPORT.

CC1 1015476-01

**WARNING**

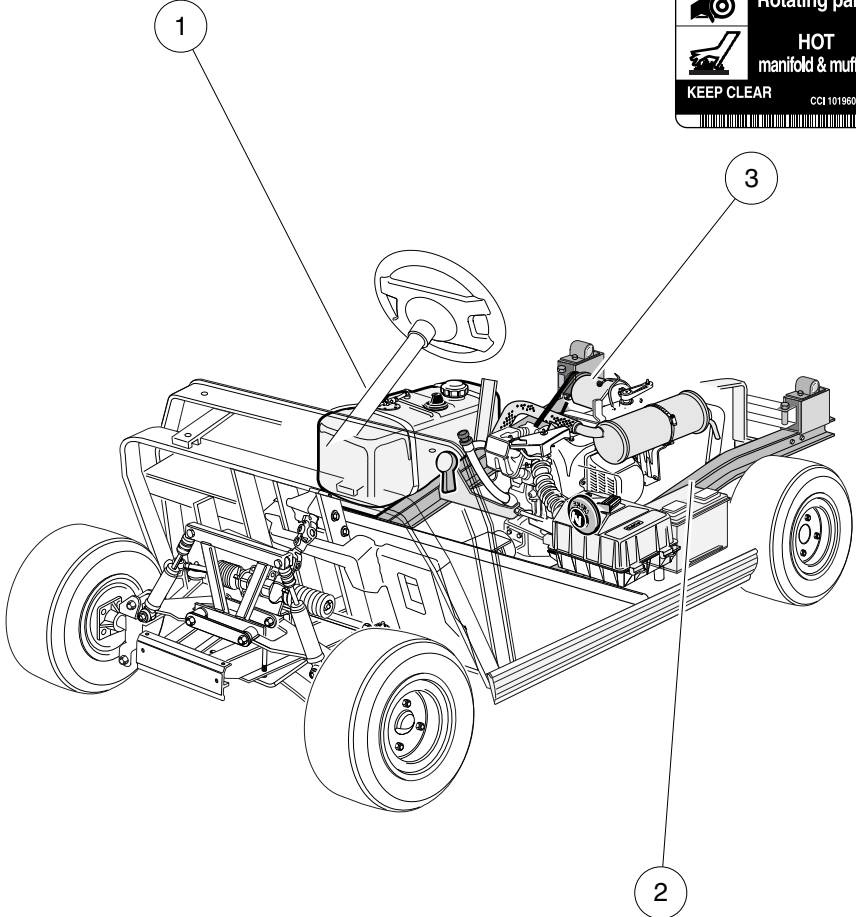
**CAN CAUSE SEVERE INJURY**

**Rotating parts**

**HOT manifold & muffler**

**KEEP CLEAR**

CC1 101966501



	<p><b>WARNING</b></p> <p>Negative frame ground. Can cause severe injury. Do not contact positive (+) battery post or cable to frame. Disconnect negative battery lead first.</p>		<p><b>WARNING</b></p> <p>Excessive speed. Can cause severe injury or death. Do not tamper with engine governor adjustment.</p> <p><small>CC1 1019152-01</small></p>
--	--	--	---

000226-001



## SAFETY DECALS – GASOLINE VEHICLES, CONTINUED

ITEM	PART NO.	DESCRIPTION	QTY
		1 2 3 4	
1	101547601	Decal, Gasoline Explosion/Fire Warning .....	1
2	101915201	Decal, Frame Ground and Governor Warning .....	1
3	101960501	Decal, Rotating Parts/Hot Manifold .....	1

**3**  
**G**  
**E**

**3**  
**G**  
**E**

**OPERATING INSTRUCTIONS**

- Read owner's manual and dash-mounted safety warnings prior to driving.
- Study and understand controls.

**TO START ENGINE**

- Place shift lever in "N" – Neutral position.
- Press brake pedal.
- Turn key switch to "START" position and release.

**TO OPERATE VEHICLE**

- Turn wheels to desired direction and ensure path is clear.
- Engine must be at idle before moving shift lever.
- While vehicle is stopped, and engine is at idle, place Forward/Reverse switch in desired position:  
F – Forward N – Neutral R – Reverse (Buzzer will sound)
- Park brake will release and vehicle will start moving when accelerator pedal is pressed.
- Slowly press accelerator pedal to increase speed.
- To stop, release accelerator pedal and push brake pedal.

**BEFORE LEAVING**

- Press park brake pedal until it locks and holds vehicle.
- Place Forward/Reverse switch in NEUTRAL position.
- Turn key to "OFF" position and remove key when not in use.

102825601

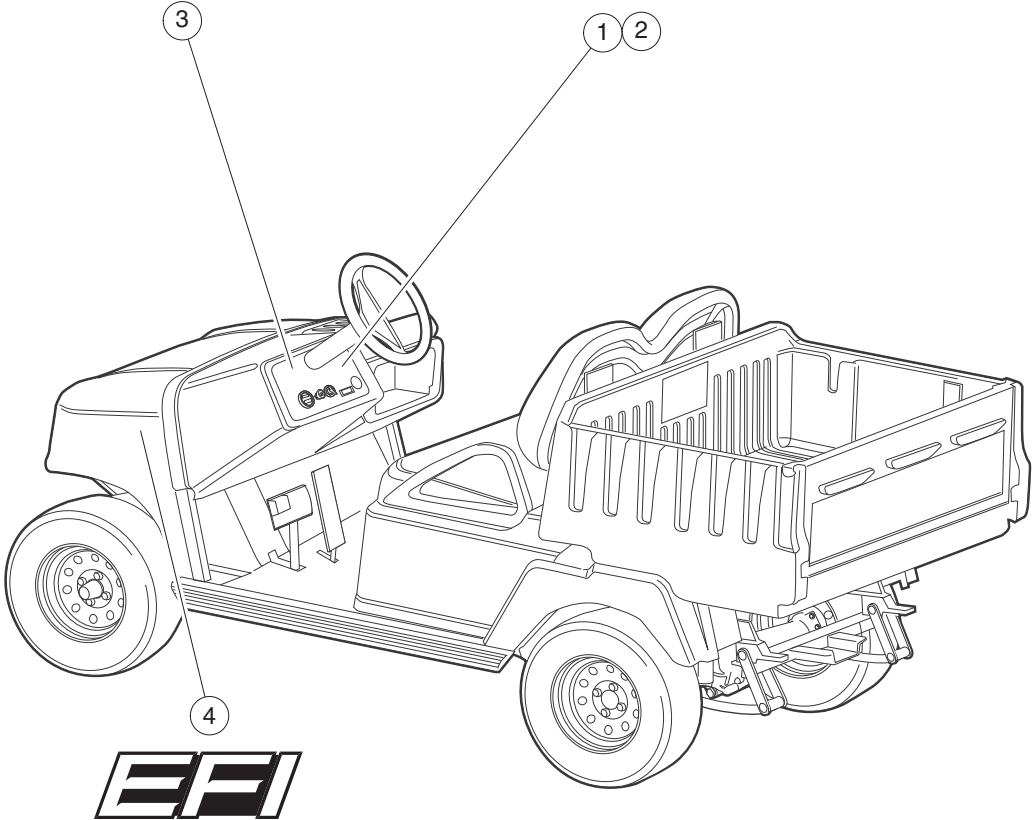
**WARNING**

**ROLLOVER OR FALLING OFF MAY CAUSE SERIOUS INJURY OR DEATH**

- Before using vehicle, read operating instructions.
- Do not start vehicle until all occupants are seated.
- Operate from driver side only and not on public roads.
- Drive slowly in turns and straight up and down slopes.
- Never operate under the influence of alcohol or drugs.
- Use brakes to reduce speed when coasting downhill.
- Remain seated while moving.
- Hold on to seat handle while moving.
- Two (2) persons per seat maximum.
- Never stand in front of or behind vehicle.
- Do not leave children unattended on vehicle.
- Keep entire body inside vehicle while moving.

OFF ON START

102825401



## SAFETY DECALS – GASOLINE VEHICLES, CONTINUED

ITEM	PART NO.	DESCRIPTION	QTY
		1 2 3 4	
1	102825401	Decal, Warning, Instrument Panel .....	1
2	102825402	Decal, Warning, Instrument Panel .....	1
3	102825601	Decal, Operating Instructions, Instrument Panel .....	1
4	105153301	Decal, Efi, Italic, Lh .....	1
5	105153302	Decal, Efi, Italic, Rh .....	1
		<p>Note: Item 2 is for use on vehicles equipped with a 12-volt accessory outlet. Item 5 is not illustrated. It is exact opposite of item 4.</p>	

3  
G  
E

**NOTICE**  
Do not operate vehicle without this cover properly installed.  
Do not direct water stream in this area; will cause damage to components.  
CCI 101931501

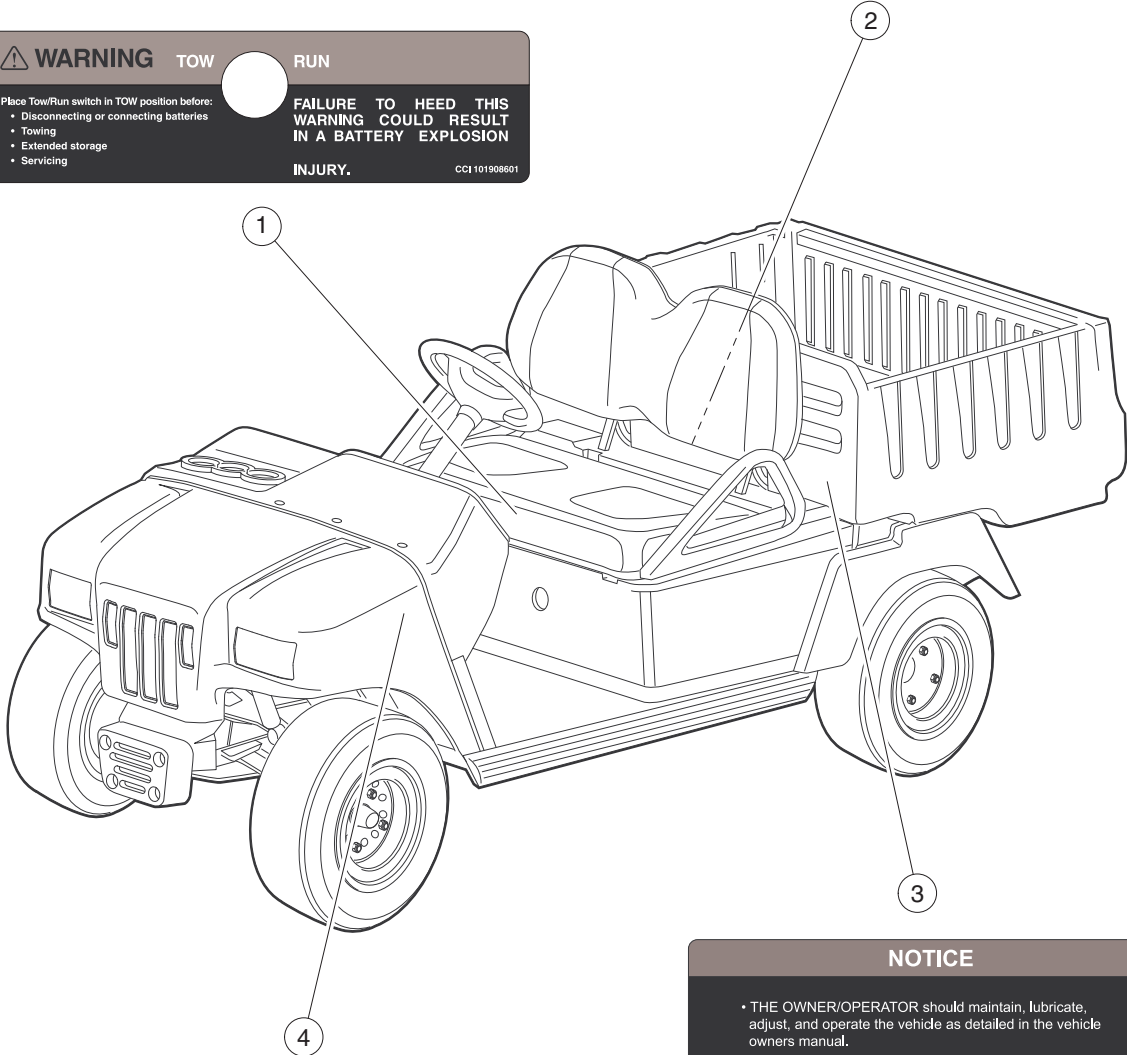
**WARNING** TOW RUN

Place Tow/Run switch in TOW position before:

- Disconnecting or connecting batteries
- Towing
- Extended storage
- Servicing

**FAILURE TO HEED THIS WARNING COULD RESULT IN A BATTERY EXPLOSION INJURY.**

CCI 101908601



**NOTICE**

- THE OWNER/OPERATOR should maintain, lubricate, adjust, and operate the vehicle as detailed in the vehicle owners manual.

CCI 102833301



## SAFETY DECALS – ELECTRIC VEHICLES

ITEM	PART NO.	DESCRIPTION	QTY
		1 2 3 4	
1	101908601	Decal, Tow/Run Switch Warning .....	1
2	101931501	Decal, Component Cover .....	1
3	102833301	Decal, Maintenance .....	1
4	105153201	Decal, Zero Emission Vhcle, Lh .....	1
5	105153202	Decal, Zero Emission Vhcle, Rh .....	1
		Note: Item 5 is not illustrated. It is exact opposite of item 4.	

**3**  
**G**  
**E**

**OPERATING INSTRUCTIONS**

- Read owner's manual and dash-mounted safety warnings prior to driving.
- Study and understand controls.

**TO OPERATE**

- Turn wheels to desired direction and ensure path is clear.
- Turn key to ON position.
- While stopped, place Forward/Reverse switch in desired position:  
F = Forward N = Neutral R = Reverse (Buzzer will sound)
- Park brake will release and vehicle will start moving when accelerator pedal is pressed.
- Slowly press accelerator pedal to increase speed.
- To stop, release accelerator pedal and press brake pedal.

**BEFORE LEAVING**

- Press park brake pedal until it locks and holds vehicle.
- Place Forward/Reverse switch in NEUTRAL position.
- Turn key to "OFF" position and remove key when not in use.

**MOTOR BRAKING**

- Electric motor braking provides speed regulation functions.
- For parked vehicle, beeping alarm indicates vehicle roll away.
- In operation, beeping alarm indicates reduction in motor braking.
- Apply brakes to further reduce vehicle speed as required.
- System is activated only when tow switch is in the RUN position.
- When towing this vehicle, tow switch must be in the TOW position.

102825701

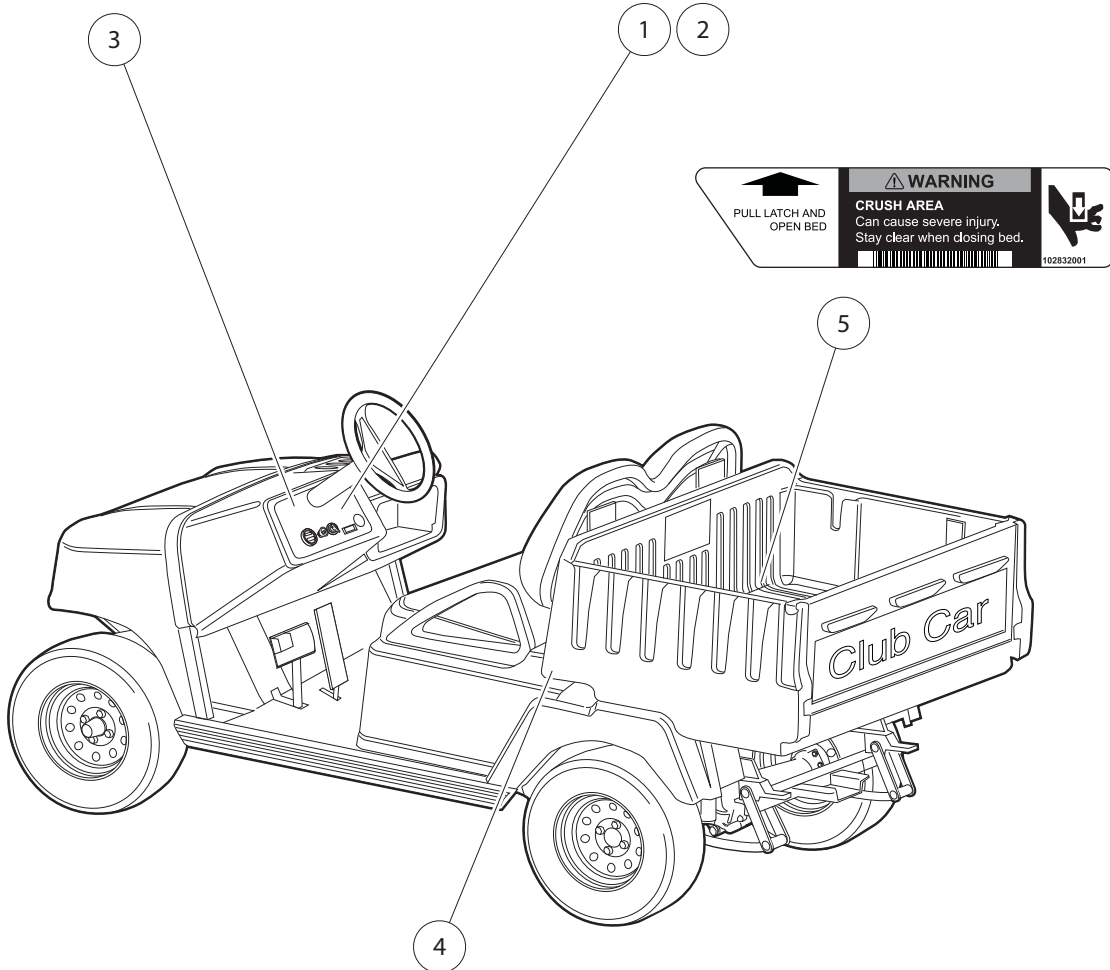
**WARNING**

**ROLLOVER OR FALLING OFF MAY CAUSE SERIOUS INJURY OR DEATH**

- Before using vehicle, read operating instructions.
- Do not start vehicle until all occupants are seated.
- Operate from driver side only and not on public roads.
- Drive slowly in turns and straight up and down slopes.
- Never operate under the influence of alcohol or drugs.
- Use brakes to reduce speed when coasting downhill.
- Remain seated while moving.
- Hold on to seat handle while moving.
- Two (2) persons per seat maximum.
- Never stand in front of or behind vehicle.
- Do not leave children unattended on vehicle.
- Keep entire body inside vehicle while moving.

OFF ON

102825501



**WARNING**

PULL LATCH AND OPEN BED

**CRUSH AREA**  
Can cause severe injury. Stay clear when closing bed.

102832001

**WARNING**

**CRUSH AREA**  
Can cause severe injury. Stay clear when closing bed.

PULL LATCH AND OPEN BED

102831901

000229-003

## SAFETY DECALS – ELECTRIC VEHICLES, CONTINUED

ITEM	PART NO.	DESCRIPTION	QTY
		1 2 3 4	
1	102825501	Decal, Warning, Instrument Panel .....	1
2	102825502	Decal, Warning, Instrument Panel .....	1
3	102825701	Decal, Operating Instructions, Instrument Panel .....	1
4	102831901	Decal, Crush Warning, Driver-Side .....	1
5	102832001	Decal, Crush Warning, Passenger-Side .....	1
		<p>Note: Item 2 is for use on vehicles equipped with a 12-volt accessory outlet.</p>	

3  
G  
E

**3**

**G**

**E**



# LIGHTS, CONTROLS, AND INDICATORS

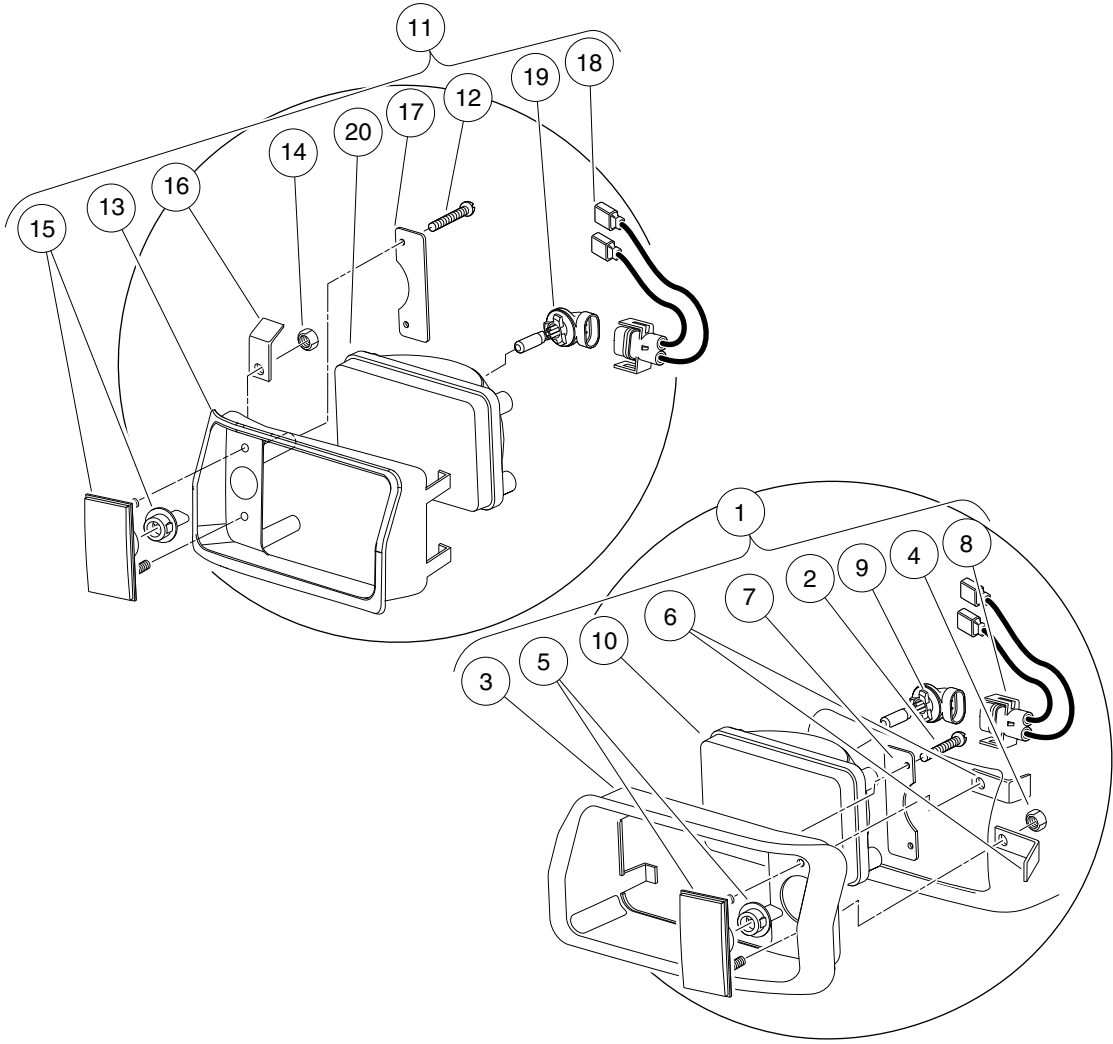
---

4

G

E

**4**  
**G**  
**E**



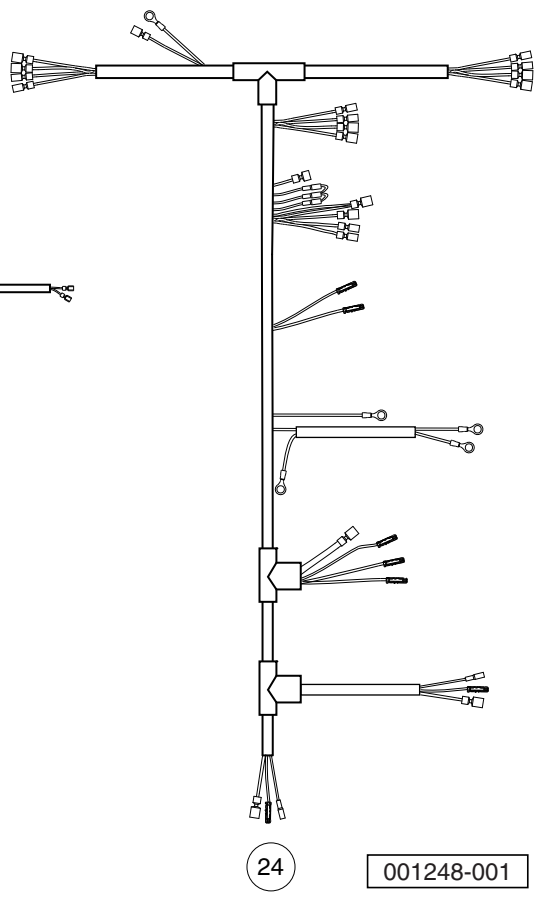
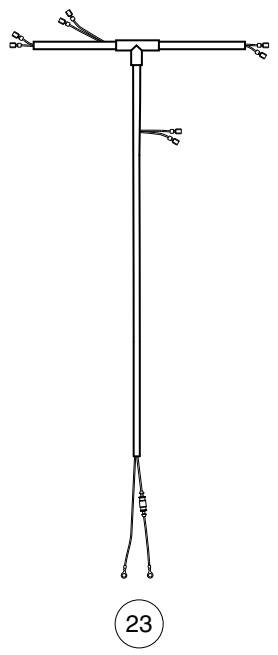
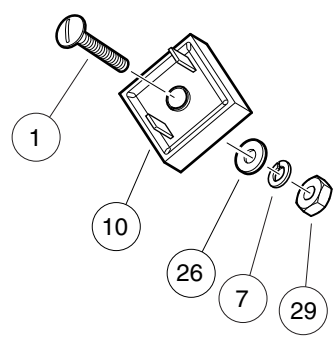
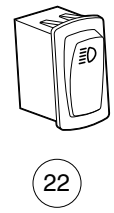
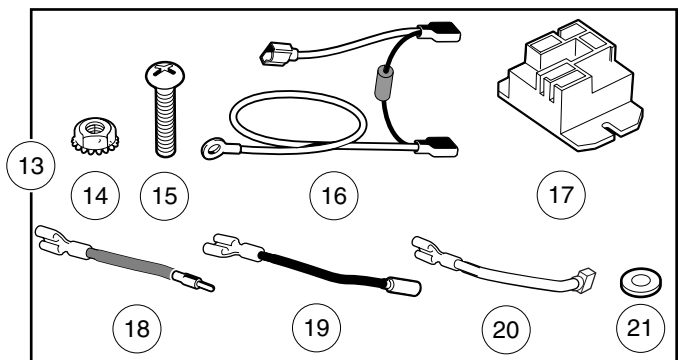
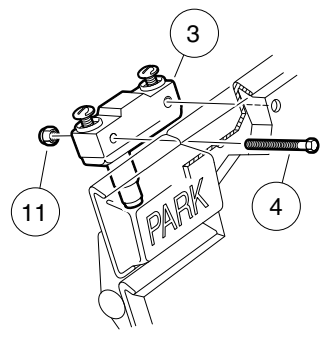
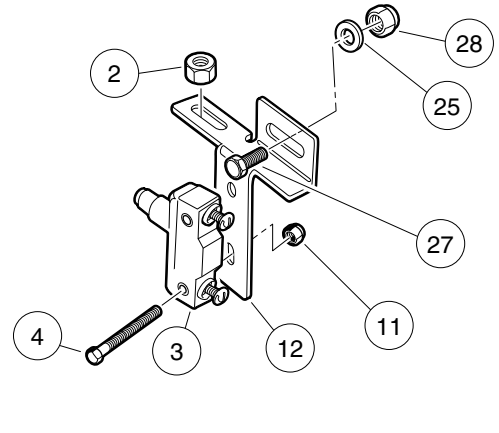
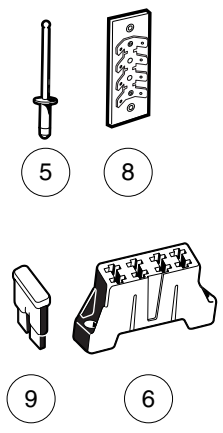
000073-001

# HEADLIGHTS

ITEM	PART NO.	DESCRIPTION	QTY
		<b>1 2 3 4</b>	
1	101988001	Headlight Assembly, Driver-Side Single Beam (includes items 2 through 10) .....	1
2	1013461	Screw, #10-16 Hex-Head Hi-Lo .....	2
3	1016880	Headlight Bezel, Left .....	1
4	1017	Nut, #10-24 Stainless-Steel Hex Machine .....	2
5	1017062	Turn Signal Lens Assy .....	1
6	1017064	Mounting Bracket .....	2
7	1017065	Retainer, Headlight .....	1
8	101987901	Connector, Harness Assembly, Headlight .....	1
9	101988101	Bulb, Headlight .....	1
10	101988201	Lens, Headlight .....	1
11	101988002	Headlight Assy, Passenger-Side Single Beam (includes items 12 through 20) .....	1
12	1013461	Screw, #10-16 Hex-Head Hi-Lo .....	2
13	1016879	Headlight Bezel, Right .....	1
14	1017	Nut, #10-24 Stainless-Steel Hex Machine .....	2
15	1017062	Turn Signal Lens Assy .....	1
16	1017064	Mounting Bracket .....	2
17	1017065	Retainer, Headlight .....	1
18	101987901	Connector, Harness Assembly, Headlight .....	1
19	101988101	Bulb, Headlight .....	1
20	101988201	Lens, Headlight .....	1

**4**  
**G**  
**E**

**4**  
**G**  
**E**



001248-001

# LIGHTING SYSTEM COMPONENTS – GASOLINE VEHICLES

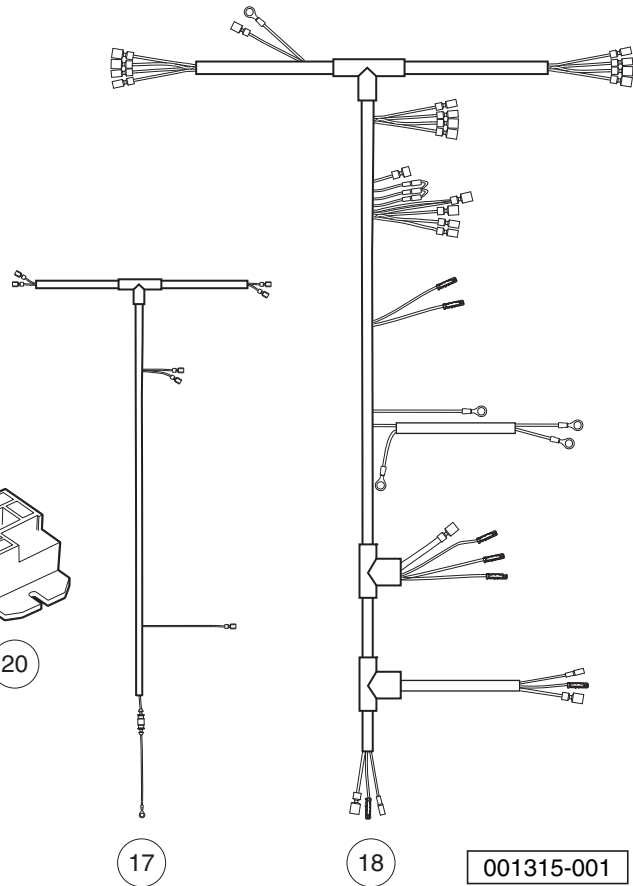
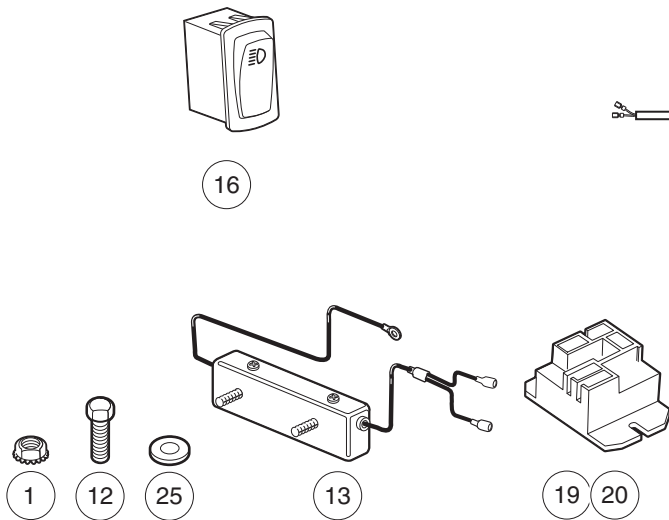
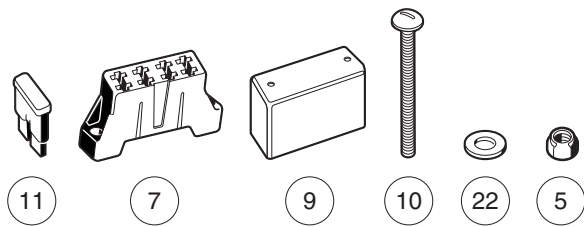
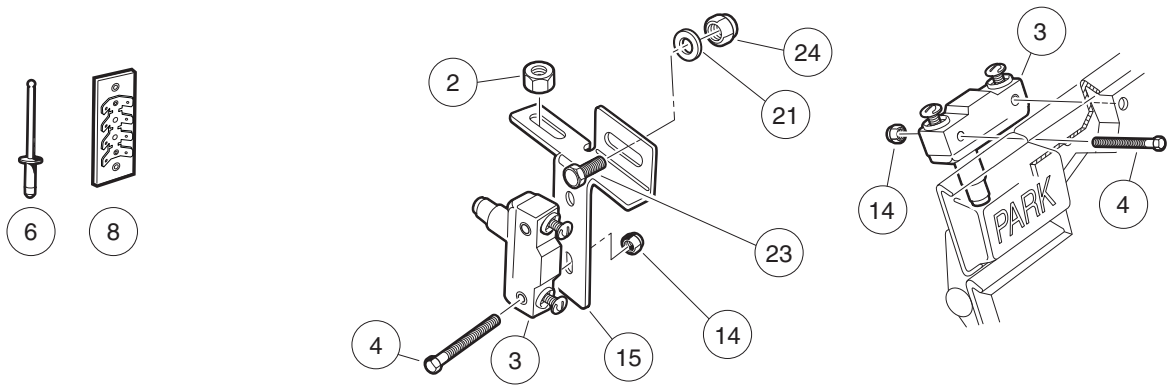
ITEM	PART NO.	DESCRIPTION	QTY
		1 2 3 4	
1	1010909	Screw, #10-32 X 1.25 Rd Hd Mch .....	1
2	1011280	Locknut, 5/16-18 .....	1
3	1011439	Switch, Limit .....	2
4	1011557	Screw, #6-32 X 1.00 Hex-Head Machine .....	4
5	1013357	Rivet, 5/32 Aluminum Pop .....	2
6	1015741	Fuse Block .....	1
7	1016	Lockwasher, #10 Split .....	1
8	1016356	Terminal Block with Insulator .....	1
9	1016423	Fuse, 20-Amp .....	3
10	1017721	Limiter, Voltage .....	1
11	101932201	Locknut, #6-32 Nylon .....	4
12	101957101	Bracket, Brake Light Switch .....	1
13	102198701	Brake Relay Kit - 12v (includes items 14 through 21) .....	1
14	1011229	Locknut, #6-32 Whiz .....	2
15	1017853	Screw, #6-32 X 0.75 Hex-Head Machine .....	2
16	101914401	Assembly, Voltage Suppressor .....	1
17	102199001	Relay, 12-Volt .....	1
18	102199201	Wire Asm #18 Brown .....	1
19	102199301	Wire Asm #18 Black .....	1
20	102199401	Wire Asm #18 Black .....	1
21	7591	Washer, #6, Flat .....	2
22	102869401	Switch, Rocker, Light .....	1
23	103255601	Wire Harness, Headlights-Only, CA, Gas .....	1
24	103256901	Wire Harness, Lighting, CA2 .....	1
25	1241	Washer, 5/16 Type A Flat .....	1
26	183	Washer, #10, Type A, Flat .....	1
27	7173	Screw, 5/16-18 X 0.75, Hex-Head Cap .....	1
28	7473	Locknut, 5/16-18 Nylon Insert .....	1
29	7893	Nut, #10-32 Hex .....	1
Note: Use item 23 for headlights only. NOTE 2: Use item 24 for headlights and taillights. NOTE 3: Items 23 and 24 are used in many different models.			

4

G

E

**4**  
**G**  
**E**



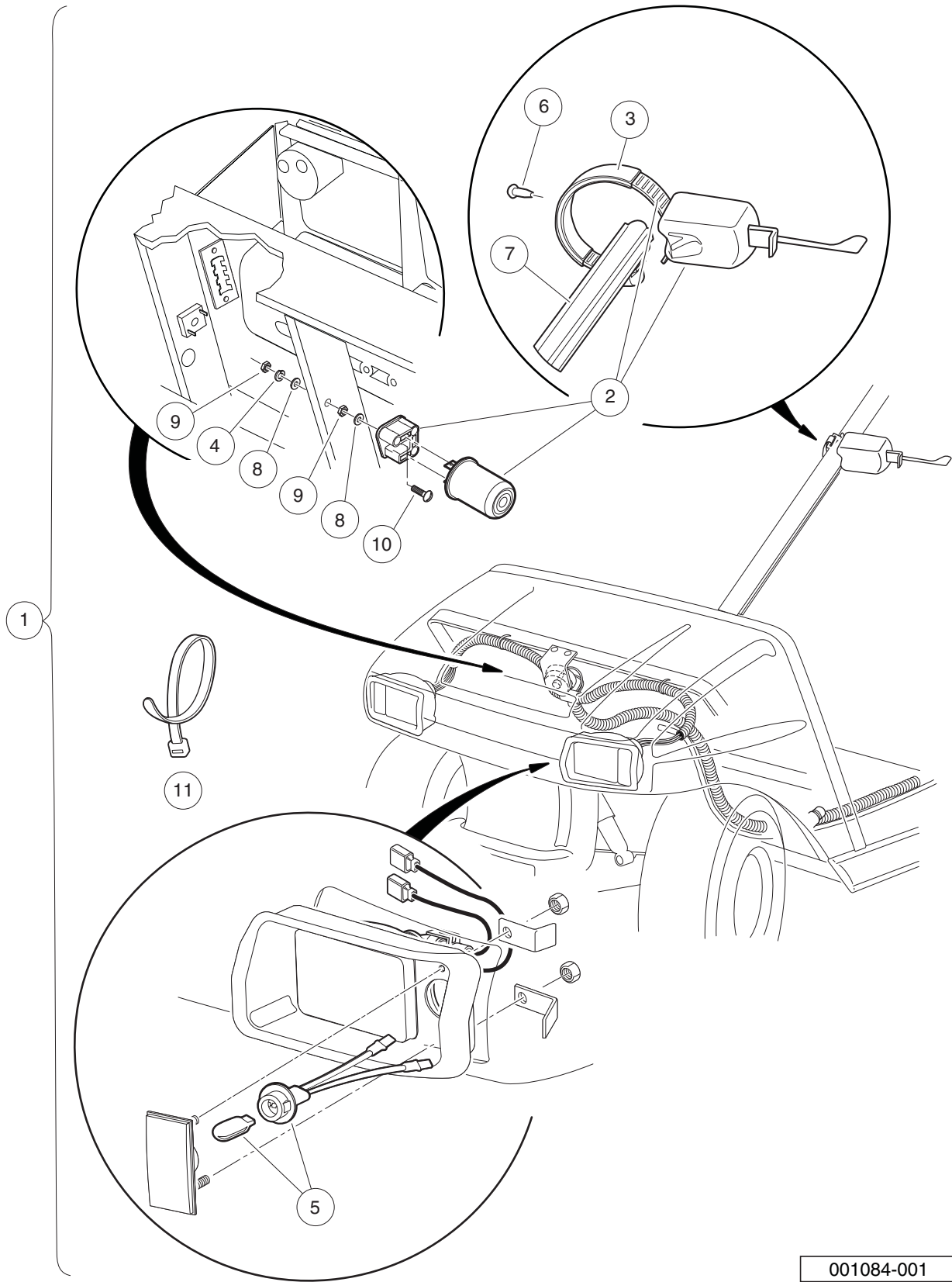
001315-001

# LIGHTING SYSTEM COMPONENTS – ELECTRIC VEHICLES

ITEM	PART NO.	DESCRIPTION	QTY
		1 2 3 4	
1	1011229	Locknut, #6-32 Whiz .....	2
2	1011280	Locknut, 5/16-18 .....	1
3	1011439	Switch, Limit .....	2
4	1011557	Screw, #6-32 X 1.00 Hex-Head Machine .....	4
5	1012438	Locknut, #10-24 Nylon Insert .....	2
6	1013357	Rivet, 5/32 Aluminum Pop .....	2
7	1015741	Fuse Block .....	1
8	1016356	Terminal Block with Insulator .....	1
9	1016363	Fuse Block Cover .....	1
10	1016366	Screw, #10-24 X 3.0 Pan-Head Machine .....	2
11	1016423	Fuse, 20-Amp .....	3
12	1017853	Screw, #6-32 X 0.75 Hex-Head Machine .....	2
13	101810501	Limiter, Voltage .....	1
14	101932201	Locknut, #6-32 Nylon .....	4
15	101957101	Bracket, Brake Light Switch .....	1
16	102869401	Switch, Rocker, Light .....	1
17	103255701	Wire Harness, Headlights-Only, CA, Electric .....	1
18	103257001	Wire Harness, Lighting .....	1
19	103414901	Kit, Relay, 48v 30a W/instr (includes item 20) .....	1
20	103397901	Relay, Spst No, 48v 30a, Pmt .....	1
21	1241	Washer, 5/16 Type A Flat .....	1
22	183	Washer, #10, Type A, Flat .....	4
23	7173	Screw, 5/16-18 X 0.75, Hex-Head Cap .....	1
24	7473	Locknut, 5/16-18 Nylon Insert .....	1
25	7591	Washer, #6, Flat .....	2
<p>Note: Use item 17 for headlights only. NOTE 2: Use item 18 for headlights and taillights. NOTE 3: Items 17 and 18 are used in many different models.</p>			

4  
G  
E

**4**  
**G**  
**E**



001084-001



# TURN SIGNAL KIT – GASOLINE AND ELECTRIC VEHICLES

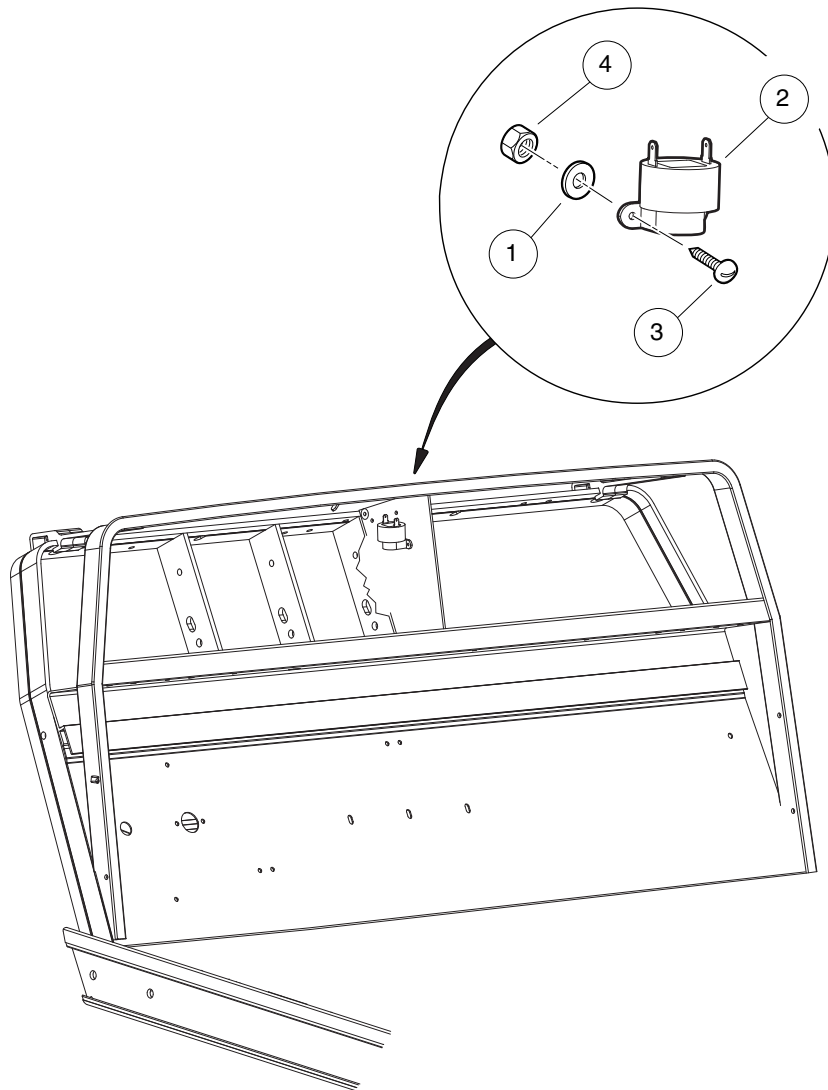
ITEM	PART NO.	DESCRIPTION	QTY
		<b>1 2 3 4</b>	
1	101707402	Turn Signal Conversion Kit (includes items 2 through 11) .....	1
2	1011590	Switch Sub-assy, Turn Signal .....	1
3	N/A	Strap, Extrusion .....	1
4	1016	Lockwasher, #10 Split .....	1
5	1017075	Socket & Lamp Assembly .....	2
6	1017724	Rivet, Plastic .....	1
7	102529201	Wire Cover, Steering Column .....	1
8	183	Washer, #10, Type A, Flat .....	2
9	7893	Nut, #10-32 Hex .....	2
10	8104	Screw, #10-32 X .75 Rd Hd Mach .....	1
11	8990	Tie Wrap, 8" Nylon .....	1

**4**  
**G**  
**E**

4

G

E



000363-001

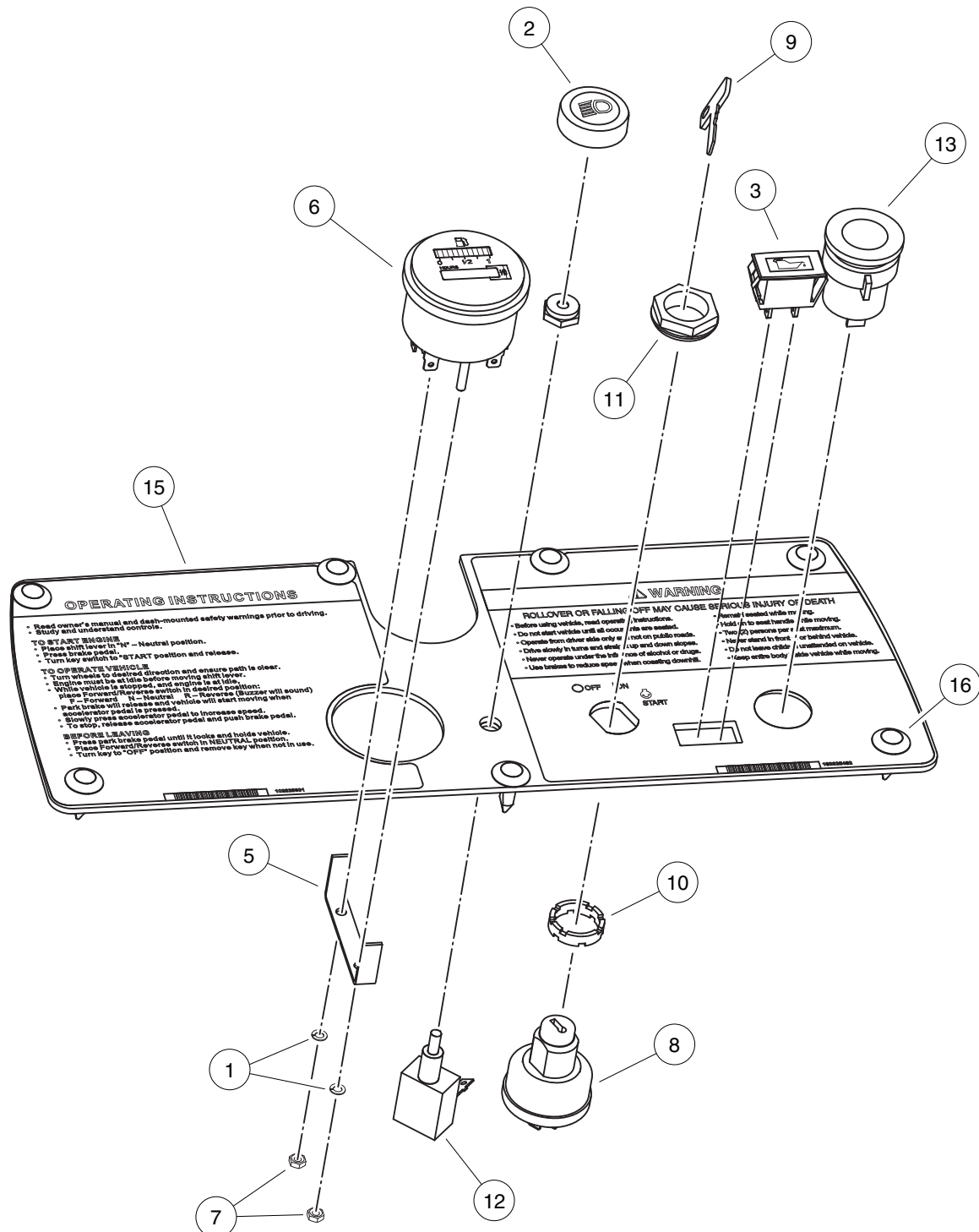
# REVERSE BUZZER

ITEM	PART NO.	DESCRIPTION	QTY
		1 2 3 4	
1	1012431	Washer, #4 Flat .....	1
2	1016851	Buzzer, Reverse (9-48 VDC) .....	1
3	8056	Screw, #4-40 X 0.75 Round-Head Machine .....	1
4	8057	Nut, #4-40 Hex Machine .....	1

**4**

**G**

**E**

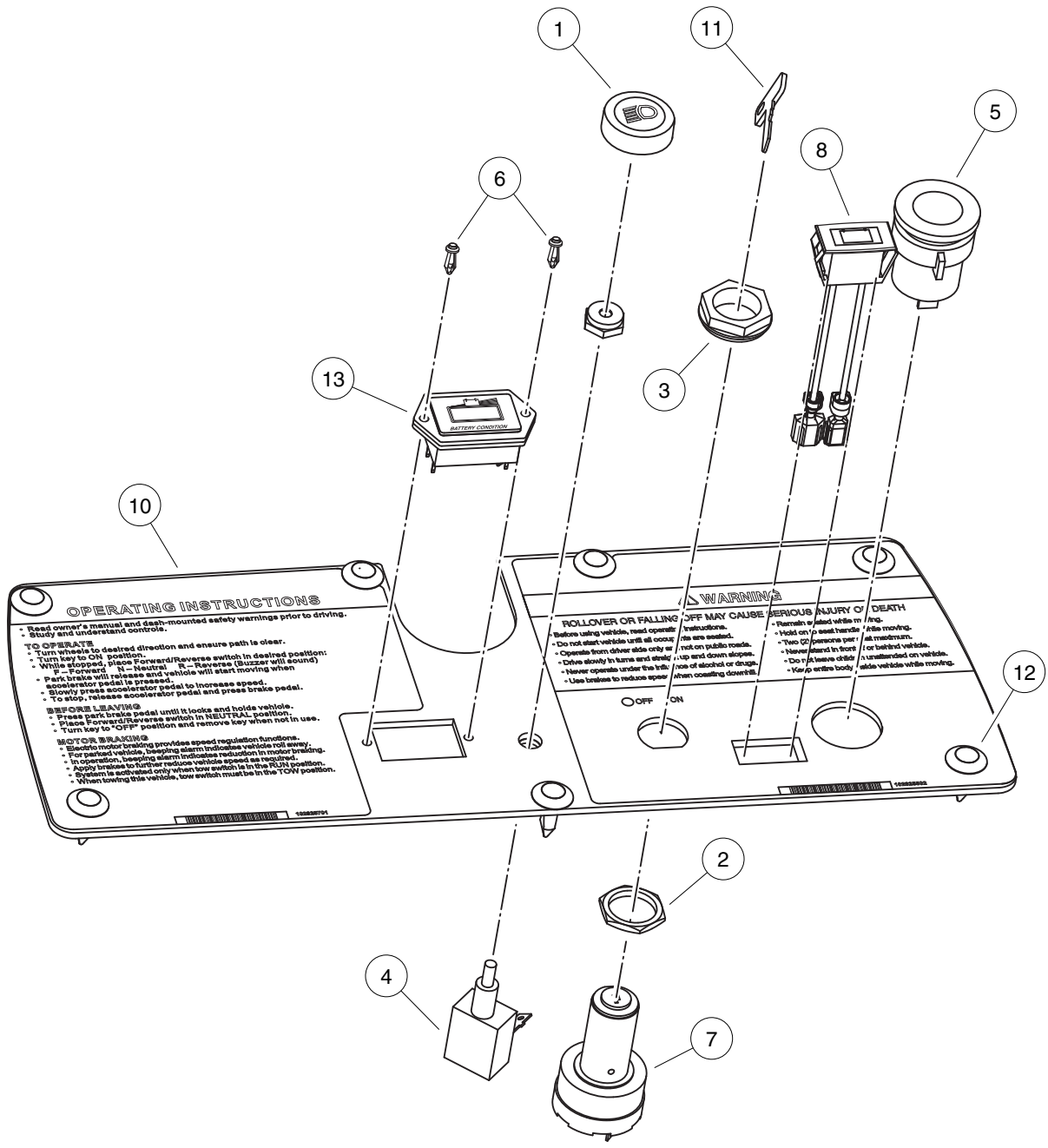


000232-001

## INSTRUMENT PANEL – GASOLINE VEHICLE

ITEM	PART NO.	DESCRIPTION	QTY
		1 2 3 4	
1	1012986	Lockwasher, M4 .....	2
2	1013857	Knob, Light Switch .....	1
3	1016630	Light, Oil .....	1
4	101990703	Gauge, Fuel/Hour, with Bracket (includes items 5 and 6) .....	1
5	102025901	Bracket, Fuel Gauge/Hour Meter .....	1
6	N/A	Gauge, Fuel/Hour .....	1
7	101991101	Nut, M4-0.7 .....	2
8	102044702	Key Switch 12v Key Start .....	1
9	102044801	Key Set .....	1
10	102051601	Spacer, Keyswitch .....	1
11	102051701	Nut, Key Switch .....	1
12	102051901	Switch, Light .....	1
13	102198001	Receptacle, Accessory .....	1
14	102804501	Panel, Instrument .....	1
15	102804502	Panel, Instrument (with 12-Volt Accessory Outlet Cutout) .....	1
16	102967901	Rivet, Removable, Tuflok 1/4" .....	7

**4**  
**G**  
**E**



000231-001

## INSTRUMENT PANEL – ELECTRIC VEHICLE

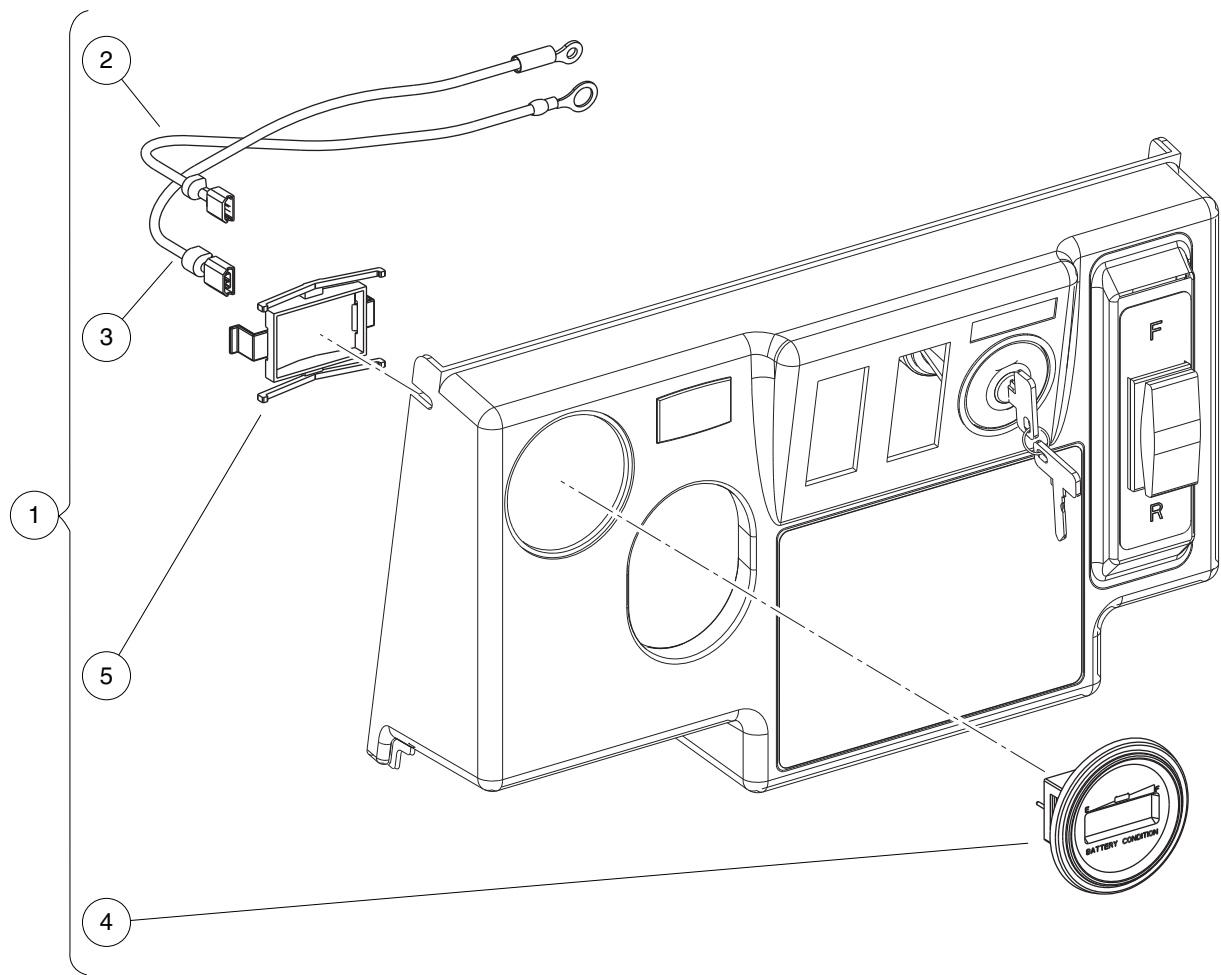
ITEM	PART NO.	DESCRIPTION	QTY
		1 2 3 4	
1	1013857	Knob, Light Switch .....	1
2	101830701	Nut, Key Switch .....	1
3	102051701	Nut, Key Switch .....	1
4	102051901	Switch, Light .....	1
5	102198001	Receptacle, Accessory .....	1
6	102499001	Rivet, Micro Tuflok .....	2
7	102508601	Key Switch, Electric .....	1
8	102508701	Light, Battery .....	1
9	102804503	Panel, Instrument .....	1
10	102804504	Panel, Instrument (With 12-Volt Accessory Outlet Cutout) * .....	1
11	102830801	Set, Key .....	1
12	102967901	Rivet, Removable, Tuflok 1/4" .....	7
13	103200701	Battery Condition Indicator - 48V .....	1
<p>Note: Items marked with an asterisk (*) are to be used only on vehicles equipped with a 12-volt accessory outlet. This item to be used only in vehicles equipped with accessory outlets.</p>			

4

G

E

**4**  
**G**  
**E**



000817-002



# BATTERY CONDITION INDICATOR – ELECTRIC VEHICLES

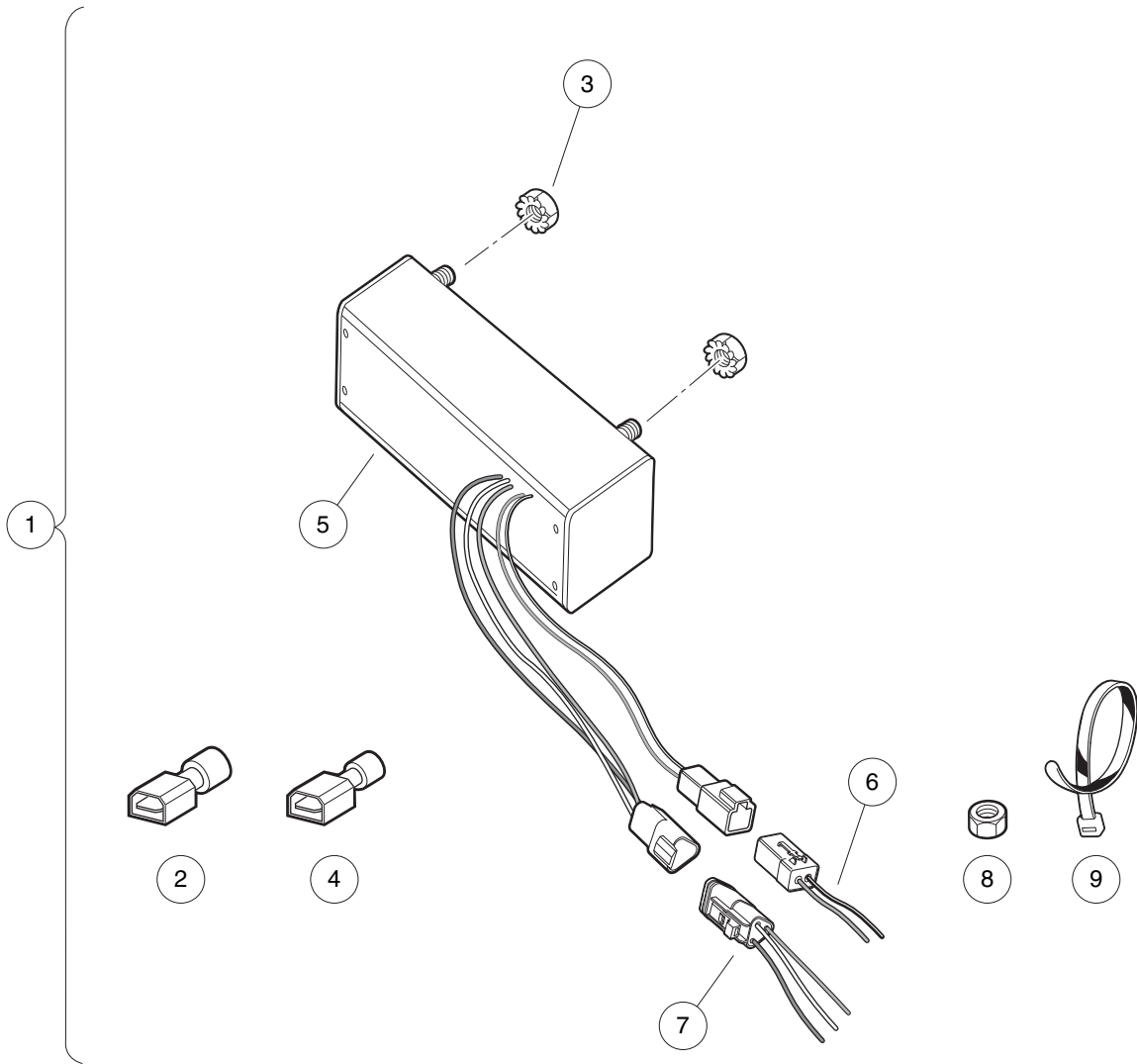
ITEM	PART NO.	DESCRIPTION	QTY
		1 2 3 4	
1	103257603	Kit, Gauge, Battery Condition Indicator (includes items 2 through 4) .....	1
2	103257701	Wire Asm, #18 Black, 2565mm .....	1
3	103257801	Wire Asm, #16 Red, 330mm .....	1
4	103354401	Gauge, Battery Cond Ind, Rnd (includes item 5) .....	1
5	103348202	Clip, Bci, Round .....	1

4

G

E

**4**  
**G**  
**E**



001271-001

## DC CONVERTER – IQ SYSTEM ELECTRIC VEHICLE

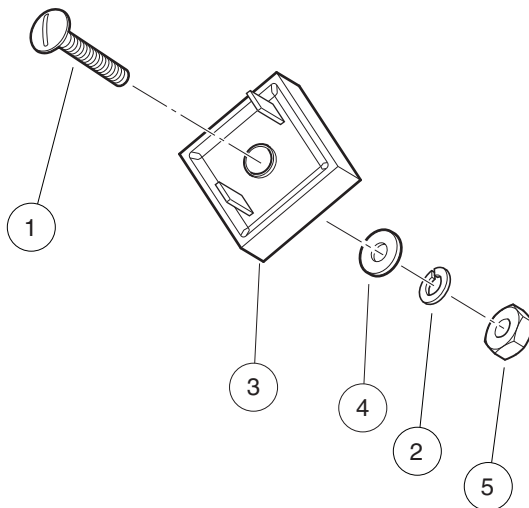
ITEM	PART NO.	DESCRIPTION	QTY
		<b>1 2 3 4</b>	
1	102357501	Kit, DC/DC Converter (includes items 2 through 9) .....	1
2	1016365	Terminal, 1/4" Male Quick Disconnect .....	1
3	101835601	Locknut, 1/4-20 Hex Whiz .....	2
4	N/A	Terminal, 1/4" Male Quick Disconnect .....	1
5	102352201	Converter , Dc -non Isolated .....	1
6	102354901	Harness, Dc Converter - 12v .....	1
7	102355001	Harness, Dc Converter - 48v .....	1
8	1242	Nut, 5/16-18 Hex .....	1
9	8990	Tie Wrap, 8" Nylon .....	4

4  
G  
E

4

G

E



001091-001

## VOLTAGE LIMITER – GASOLINE VEHICLE

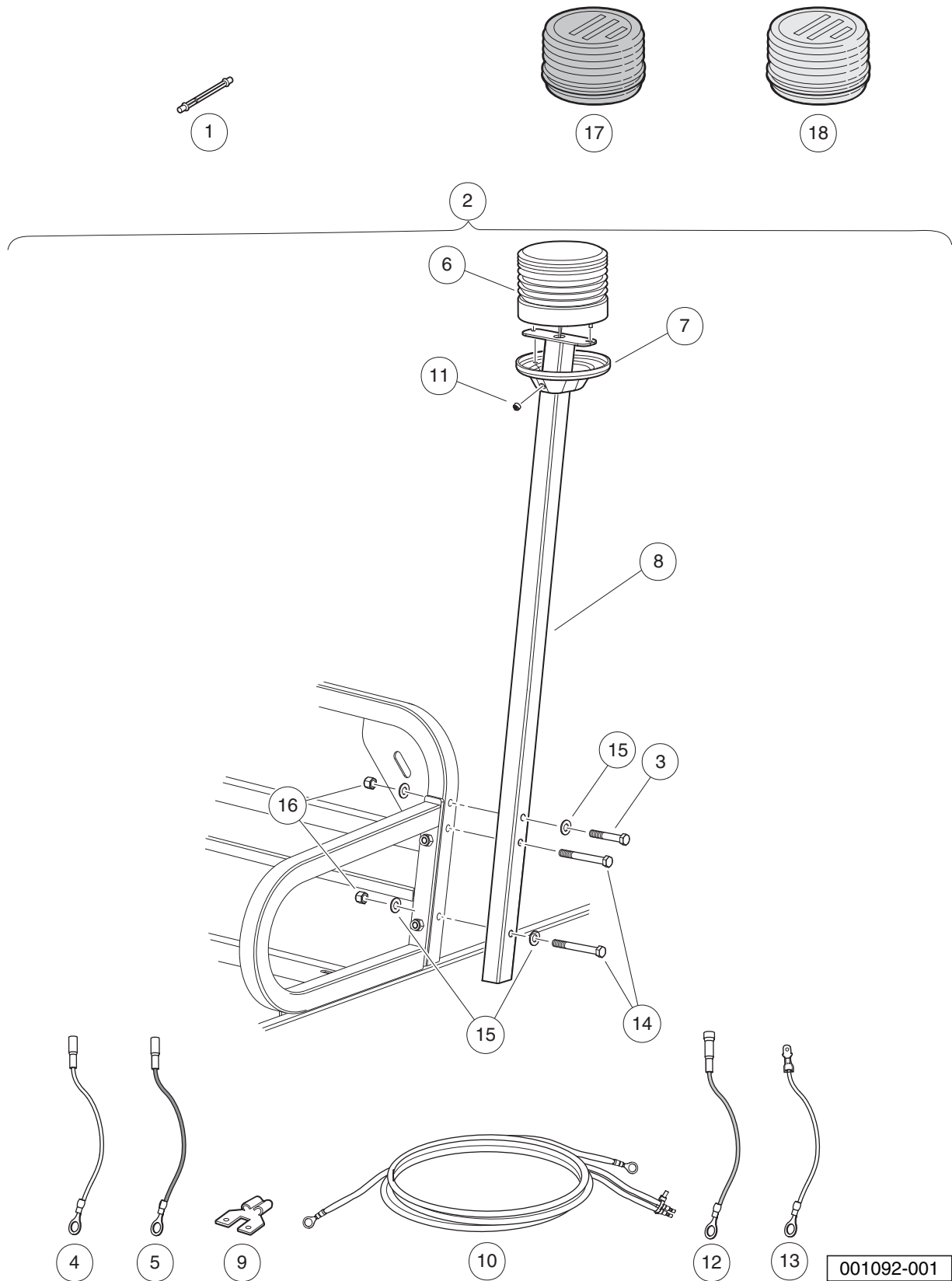
ITEM	PART NO.	DESCRIPTION	QTY
		1 2 3 4	
1	1010909	Screw, #10-32 X 1.25 Rd Hd Mch .....	1
2	1016	Lockwasher, #10 Split .....	1
3	1017721	Limitter, Voltage .....	1
4	183	Washer, #10, Type A, Flat .....	1
5	7893	Nut, #10-32 Hex .....	1

4

G

E

**4**  
**G**  
**E**

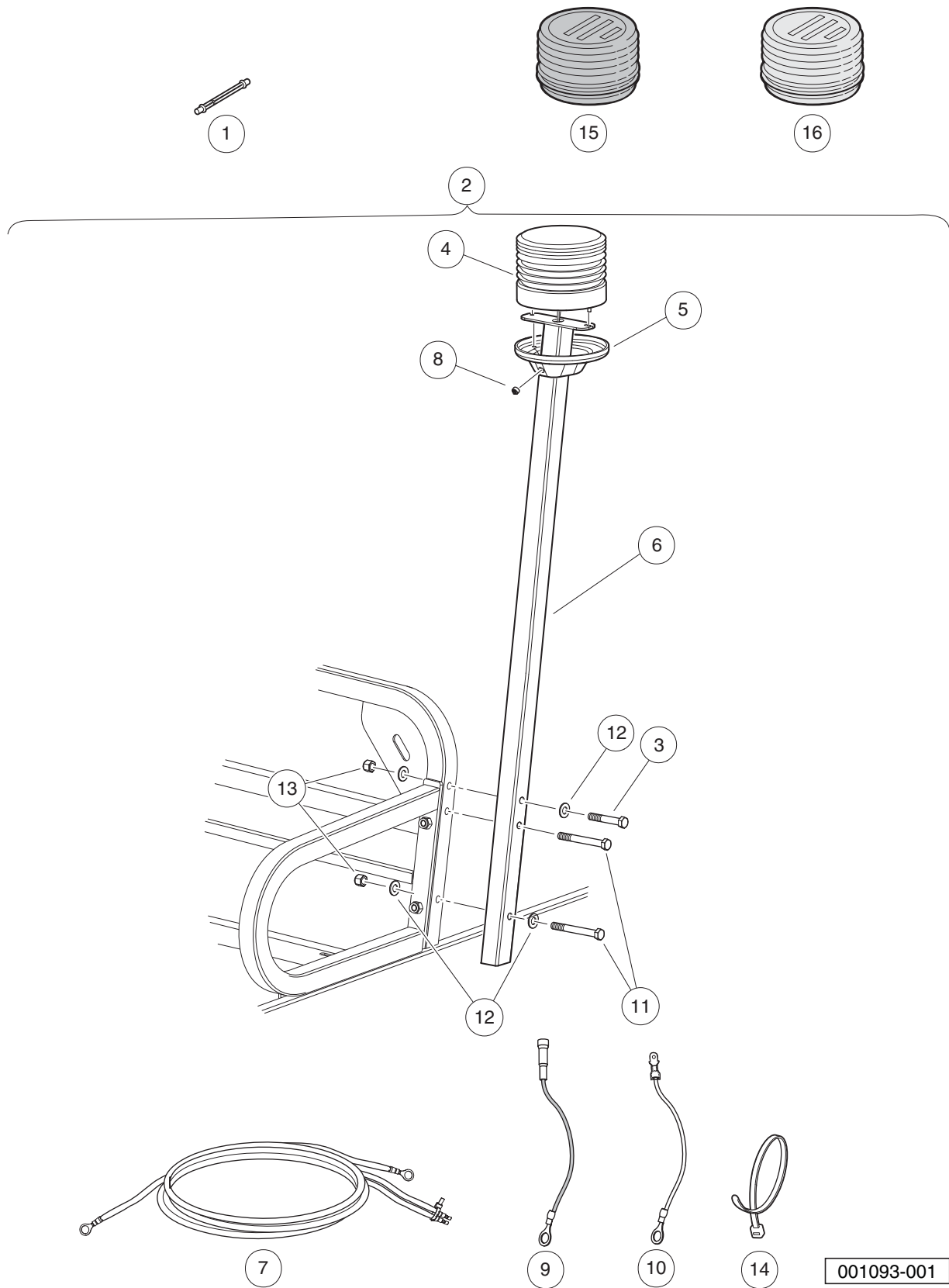


# STROBE LIGHT, POST-MOUNTED – GASOLINE VEHICLES

ITEM	PART NO.	DESCRIPTION	QTY
		1 2 3 4	
1	1015526	Bulb, Replacement, for Strobe Light .....	1
2	1015765	Safety Strobe Lht Post Mnt Gas (includes items 3 through 16) .....	1
3	1013509	Screw, 1/4-20 X 1.75 Hx Hd Cap .....	2
4	1015153	Wire Assembly #16 Yellow .....	1
5	1015154	Wire Assembly Blue Ca #16 .....	1
6	1015156	Light Assembly, Strobe .....	1
7	1015157	Cover Plate Switch - Pole Ca .....	1
8	1015160	Pole Weldment Carryall .....	1
9	1015162	3/16 Tab Adapter Non-insul .....	1
10	1015172	Wire Harness Assy, Strobe Lght .....	1
11	1015187	Switch Assembly .....	1
12	1016837	Wire Assembly Red #18 .....	1
13	1016929	Wire Assembly Black #16 .....	1
14	324	Screw, 1/4-20 X 2.50 Hx Hd Cap .....	2
15	332	Washer, 1/4 Type A Narrow Flat .....	4
16	8233	Locknut, 1/4-20, Nylon Insert .....	2
17	AM1243701	Lens, Blue, for Strobe Light .....	1
18	AM1243801	Lens, Red, for Strobe Light .....	1

4  
G  
E

**4**  
**G**  
**E**



001093-001

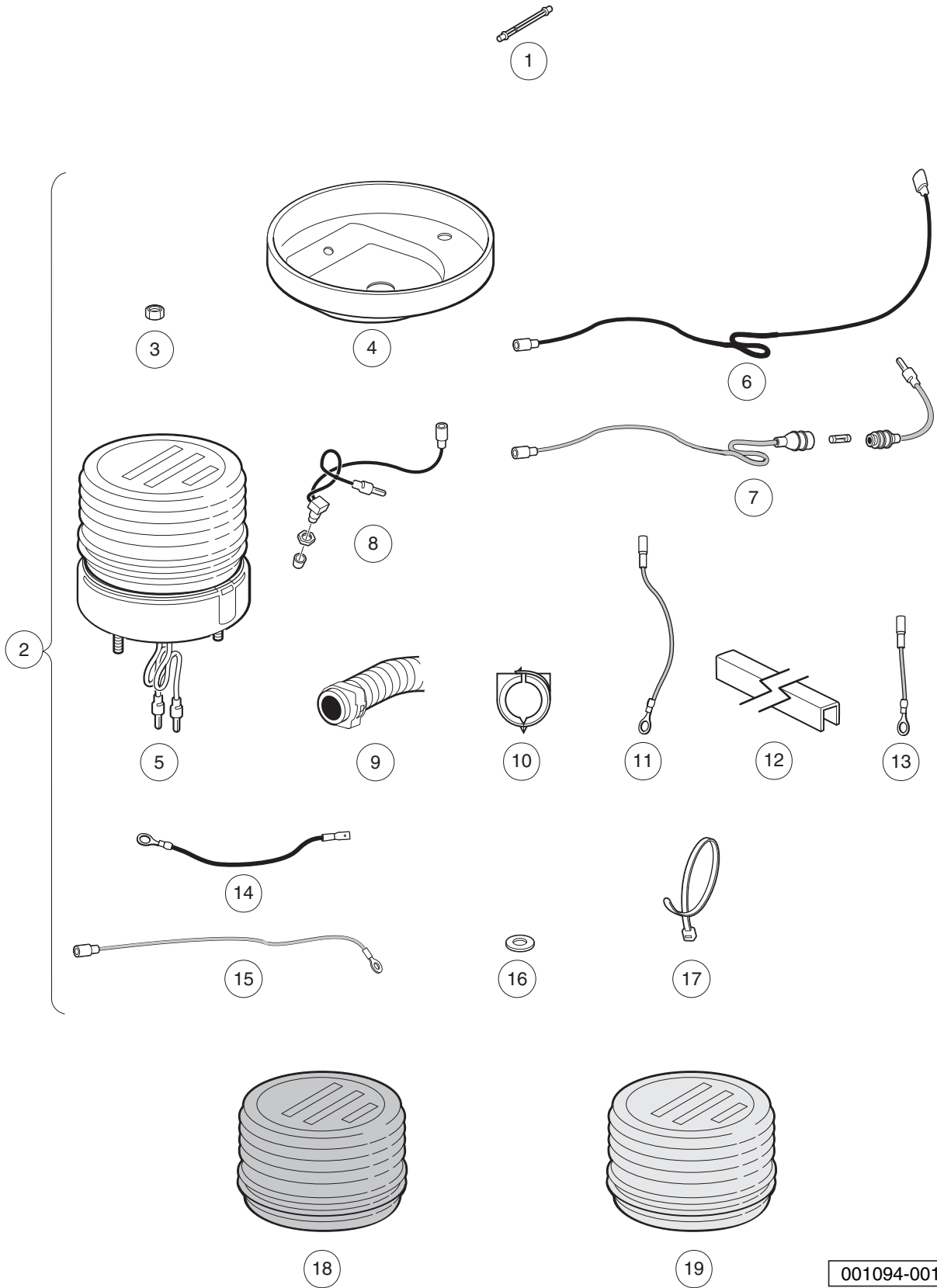


## STROBE LIGHT, POST-MOUNTED – ELECTRIC VEHICLES

ITEM	PART NO.	DESCRIPTION	QTY
		1 2 3 4	
1	1015526	Bulb, Replacement, for Strobe Light .....	1
2	101814601	Safety Strobe Lht & Post Mt El (includes items 3 through 14) .....	1
3	1013509	Screw, 1/4-20 X 1.75 Hx Hd Cap .....	2
4	1015156	Light Assembly, Strobe .....	1
5	1015157	Cover Plate Switch - Pole Ca .....	1
6	1015160	Pole Weldment Carryall .....	1
7	1015172	Wire Harness Assy, Strobe Lght .....	1
8	1015187	Switch Assembly .....	1
9	1016837	Wire Assembly Red #18 .....	1
10	1016929	Wire Assembly Black #16 .....	1
11	324	Screw, 1/4-20 X 2.50 Hx Hd Cap .....	2
12	332	Washer, 1/4 Type A Narrow Flat .....	4
13	8233	Locknut, 1/4-20, Nylon Insert .....	2
14	8990	Tie Wrap, 8" Nylon .....	4
15	AM1243701	Lens, Blue, for Strobe Light .....	1
16	AM1243801	Lens, Red, for Strobe Light .....	1

**4**  
**G**  
**E**

**4**  
**G**  
**E**



001094-001

# STROBE LIGHT, CANOPY-MOUNTED

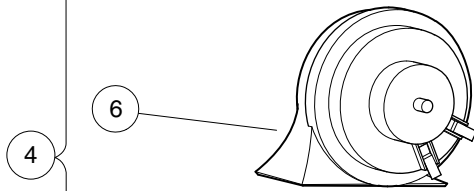
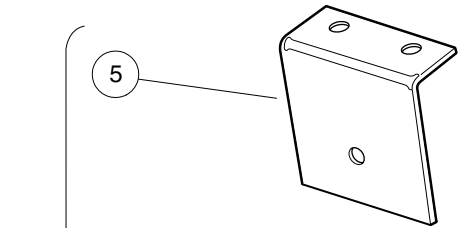
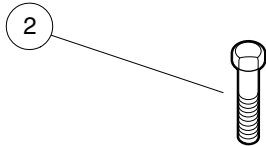
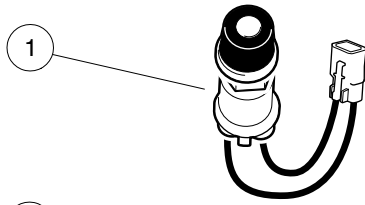
ITEM	PART NO.	DESCRIPTION	QTY
		<b>1 2 3 4</b>	
1	1015526	Bulb, Replacement, for Strobe Light .....	1
2	AM1243501	Kit, Roof Mounted Strobe Fd (includes items 3 through 17) .....	A/R
3	1012438	Locknut, #10-24 Nylon Insert .....	2
4	1015010	Cover Plate Switch .....	1
5	1015156	Light Assembly, Strobe .....	1
6	1015167	#16 Black Wire Asm .....	1
7	1015170	Wire Assembly #16 .....	1
8	1015187	Switch Assembly .....	1
9	1015768	Split Convolute Elec Conduit .....	11
10	1015770	Outlet Ring - .5 Diameter .....	5
11	1016230	Wire Asm #16 Red .....	1
12	1016267	Snap On Conduit Vert. ....	1
13	1016287	Wire Asm #16 Red .....	1
14	1016929	Wire Assembly Black #16 .....	1
15	101821601	#18 Red Wire Assembly .....	1
16	183	Washer, #10, Type A, Flat .....	2
17	8639	Tie Wrap, 11" Nylon .....	8
18	AM1243701	Lens, Blue, for Strobe Light .....	A/R
19	AM1243801	Lens, Red, for Strobe Light .....	A/R

**4**  
**G**  
**E**

4

G

E



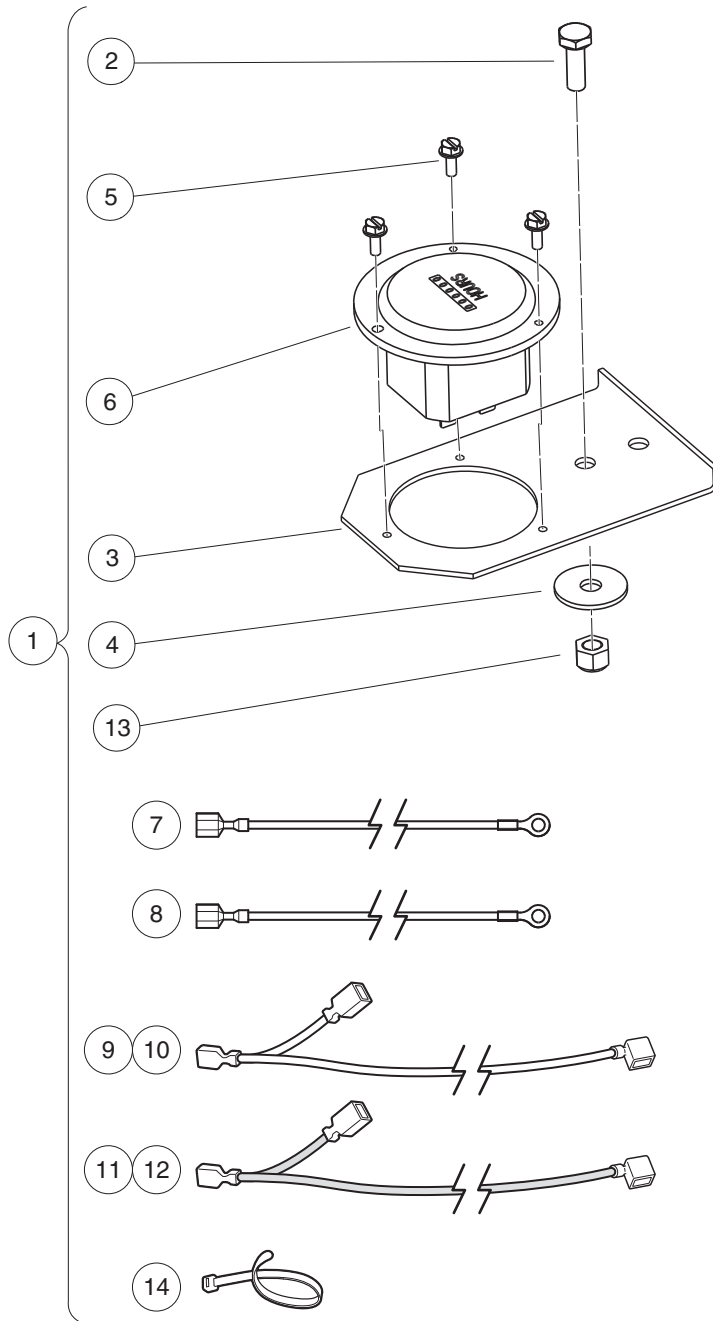
001095-001

# HORN

ITEM	PART NO.	DESCRIPTION	QTY
		<b>1 2 3 4</b>	
1	101969701	Horn Button and Wire Assembly .....	1
2	304	Screw, 1/4-20 X 1.0 Hex-Head Cap .....	2
3	332	Washer, 1/4 Type A Narrow Flat .....	2
4	4029	Horn (includes items 5 through 9) .....	1
5	1011825	Horn Bracket .....	1
6	1014530	Horn, 12-VDC .....	1
7	101955101	Nut, M6 Hex .....	1
8	7820	Washer, 5/16 Internal-Tooth .....	1
9	8294	5/16 Ring Term. ....	1
10	8233	Locknut, 1/4-20, Nylon Insert .....	2

**4**  
**G**  
**E**

**4**  
**G**  
**E**



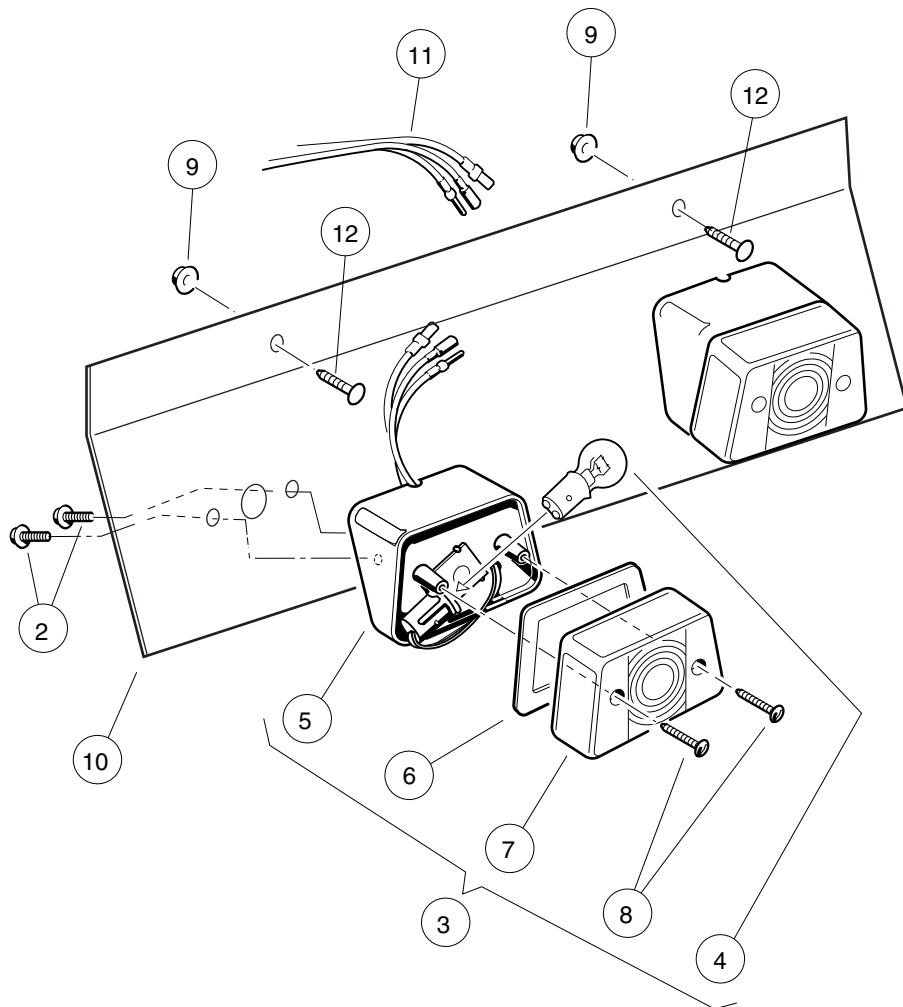
001096-001

# HOUR METER – IQ SYSTEM AND IQ PLUS ELECTRIC VEHICLES

ITEM	PART NO.	DESCRIPTION	QTY
		1 2 3 4	
1	1013579	Kit, Hour Meter (includes items 2 through 14) .....	1
2	1012285	Screw, 1/4 X 0.625 Hex-Head .....	1
3	1013547	Hour Meter Bracket .....	1
4	1014306	Washer, 1/4" Type B Flat .....	1
5	1014540	Screw, #6-32 X 3/8 Taptite .....	3
6	N/A	Hour Meter .....	1
7	101881501	Wire Assembly Black #18 .....	1
8	101881601	Wire Assembly Red #18 .....	1
9	101997802	Wire Assembly #18 Yellow .....	1
10	101997803	Wire Asm #18 Yellow 31" .....	1
11	101997902	Wire Assembly #18 Red .....	1
12	101997903	Wire Asm # 18 Red 31" .....	1
13	8233	Locknut, 1/4-20, Nylon Insert .....	1
14	8990	Tie Wrap, 8" Nylon .....	1
		<p>Note: The kit includes components that apply to multiple vehicles. The installation instructions will specify which components are required for a specific model. After installation, discard components not used.</p>	

4  
G  
E

**4**  
**G**  
**E**



000348-009



# TAILLIGHTS

ITEM	PART NO.	DESCRIPTION	QTY
		<b>1 2 3 4</b>	
1	102852501	Kit, Tail Lights (includes items 2 through 12) .....	1
2	1015752	Screw, #12-16 X 0.625, Hi-Lo .....	4
3	1016717	Light Assembly, Stop/Taillight (includes items 4 through 8) .....	2
4	1011582	Taillight Bulb .....	1
5	N/A	Housing, Taillight .....	1
6	N/A	Gasket, Taillight .....	1
7	N/A	Lens, Taillight .....	1
8	N/A	Screw, Taillight Lens .....	2
9	101835601	Locknut, 1/4-20 Hex Whiz .....	2
10	102909901	Support, Tail Light .....	1
11	102911601	Asm, Wire Harness .....	1
12	7847	Screw, 1/4-20 X 0.75 Hex-Head Cap .....	2
<p>Note: Taillights are optional for Carryall 242 and XRT 800 vehicles.</p>			

**4**  
**G**  
**E**

**4**

**G**

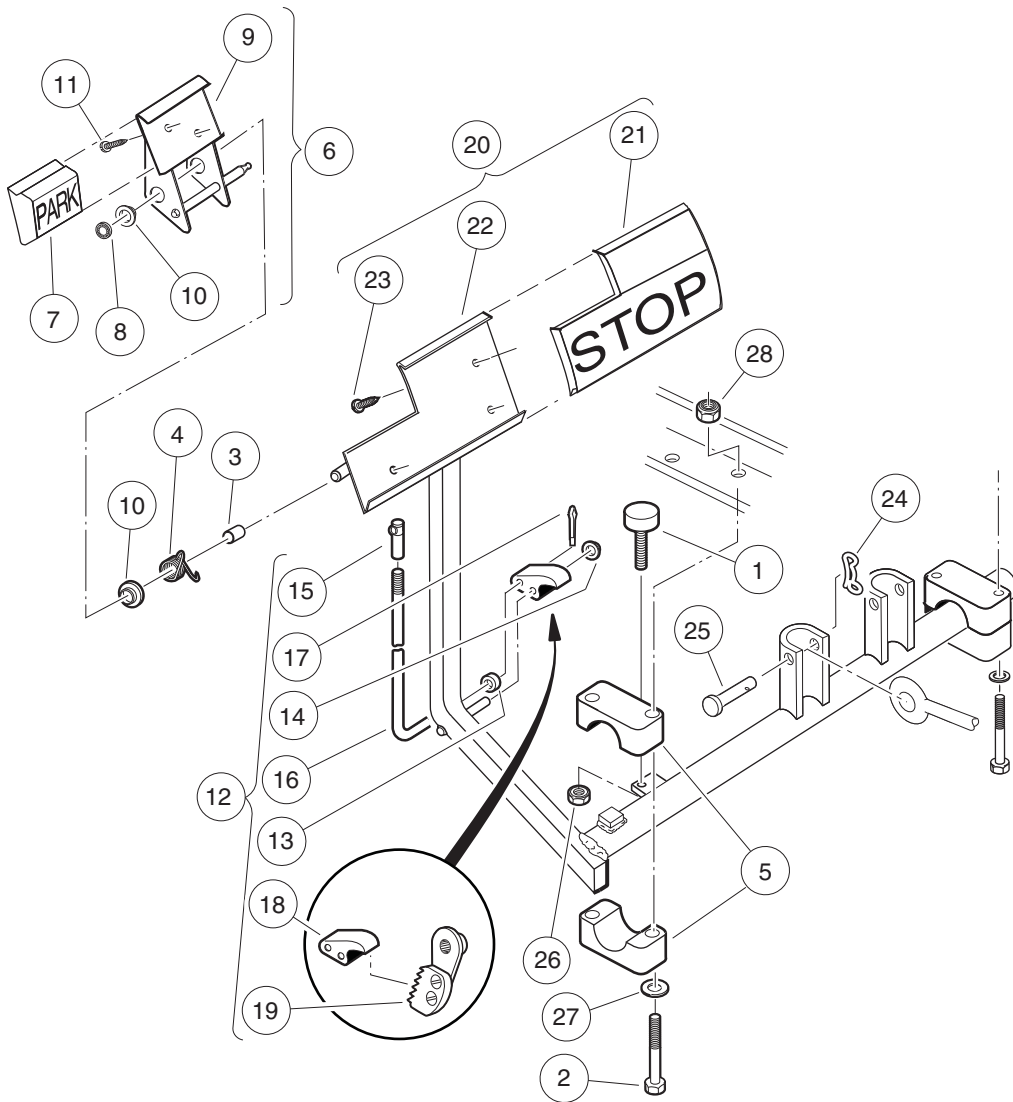
**E**

# BRAKE SYSTEM

---

**5**  
**G**  
**E**

**5**  
**G**  
**E**

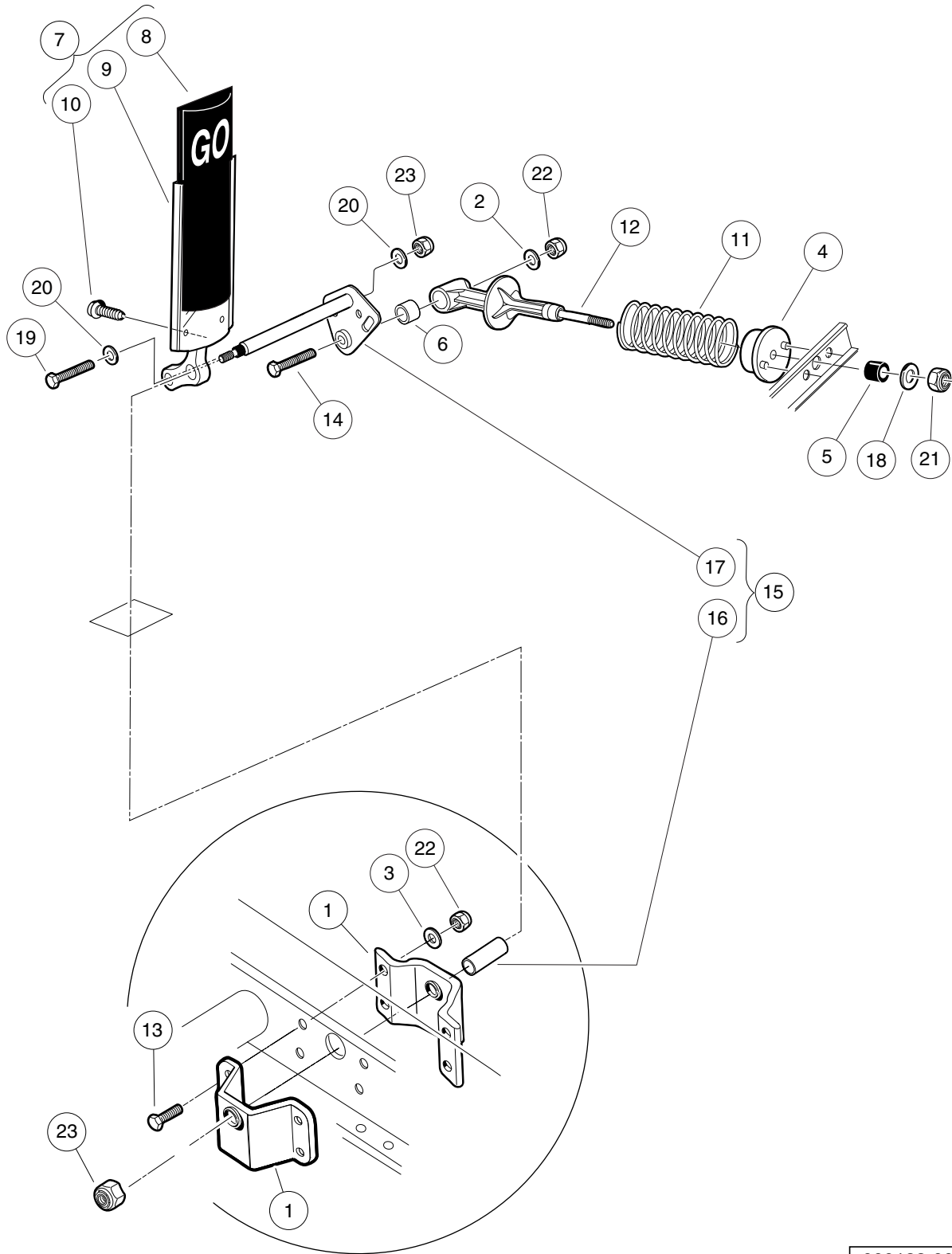


000187-001

## BRAKE PEDAL ASSEMBLY

ITEM	PART NO.	DESCRIPTION	QTY	
		<b>1 2 3 4</b>		<b>5</b>
1	1010878	Bumper, Rubber .....	1	<b>G</b>
2	1010921	Screw, 5/16-18 X 2.50 Hex Cap .....	4	<b>E</b>
3	1010927	Hill Brake Spacer .....	1	
4	1010933	Spring, Hill Brake Torsion .....	1	
5	1011402	Package, Brake Mounting Block .....	1	
6	1011418	Kit, Hill Brake Pedal (includes items 7 through 11) .....	1	
7	1013870	Pad, Hill Brake .....	1	
8	1013876	Pushnut, 3/8 .....	1	
9	N/A	Hill Brake Weld Assembly .....	1	
10	1032	Bushing, Nylon .....	2	
11	7716	Screw, #10-16 Type AB, Sheet Metal .....	2	
12	101187702	Kit, Hill Brake Latch (includes items 13 through 19) .....	1	
13	1010805	Sleeve, Hill Brake Rod .....	1	
14	1010877	Pushnut, 3/8 .....	1	
15	1010932	Ball Joint, 1/4-28 .....	1	
16	N/A	Rod, Hill Brake .....	1	
17	1017029	Pin, Cotter, 7/64 x 1/2 Stainless-Steel .....	1	
18	N/A	Pawl, Hill Brake .....	1	
19	101918501	Ratchet Assembly .....	1	
20	101878201	Brake Pedal Kit (includes items 21 through 23) .....	1	
21	1013869	Pad, Brake Pedal .....	1	
22	N/A	Weldment, Brake Pedal, 2wr Std .....	1	
23	7716	Screw, #10-16 Type AB, Sheet Metal .....	3	
24	102323101	Pin, Bow Tie Locking .....	1	
25	102323201	Pin, 3/8 X 1-5/16 Clevis .....	1	
26	1028	Nut, 1/4-20 Hex .....	1	
27	1241	Washer, 5/16 Type A Flat .....	4	
28	7473	Locknut, 5/16-18 Nylon Insert .....	4	

**5**  
**G**  
**E**



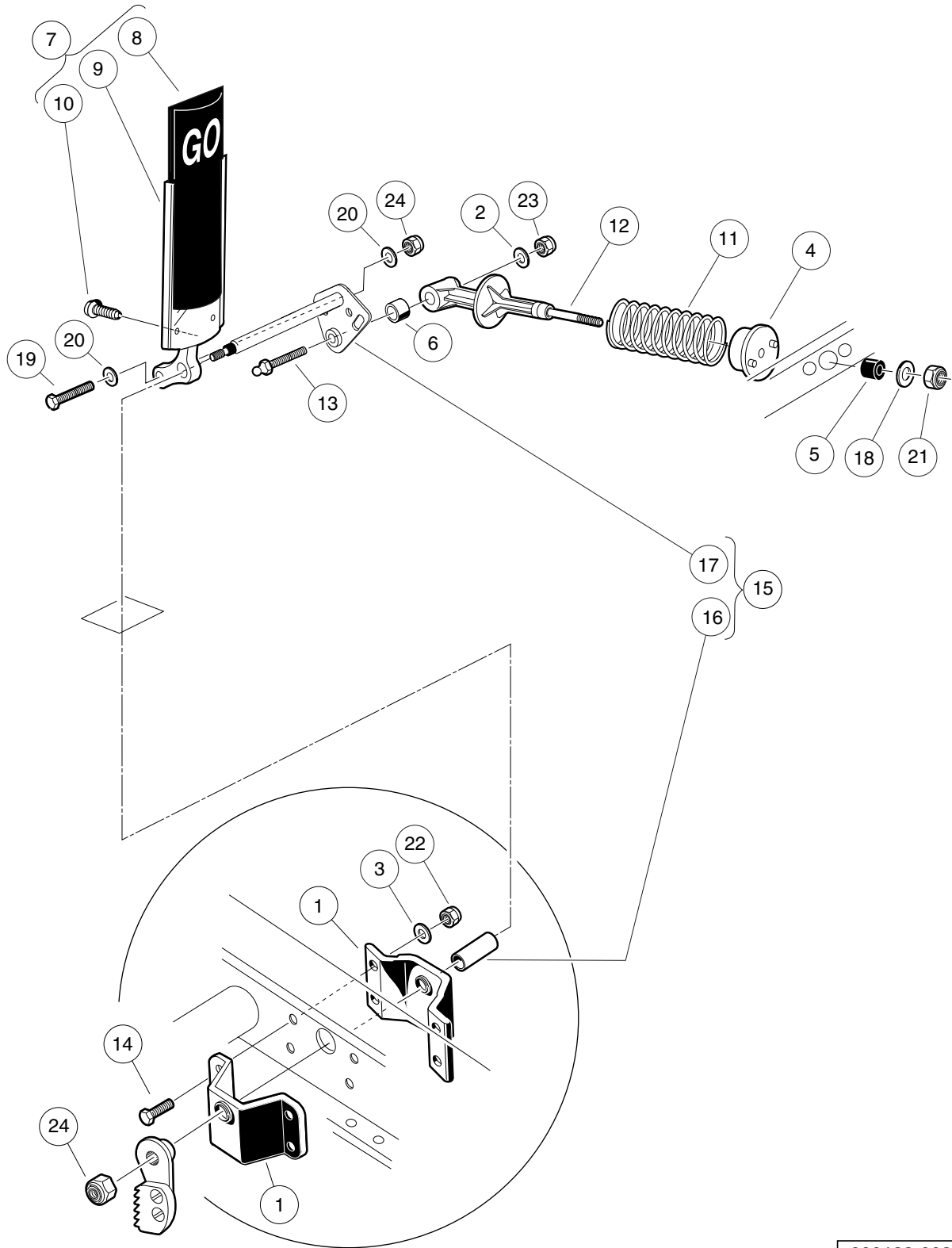
000188-007

# ACCELERATOR PEDAL ASSEMBLY – ELECTRIC VEHICLES WITH MCOR

ITEM	PART NO.	DESCRIPTION	QTY
		1 2 3 4	
1	1011694	Accelerator Bracket and Bearing Assembly .....	2
2	1011931	Washer, 1/4 Flat .....	1
3	1014007	Washer, 1/4, Flat .....	4
4	1017378	Cup, Spring .....	1
5	1017380	Bumper, Spring Return .....	1
6	1017424	Bearing, Pivot Support .....	1
7	1017696	Sub Asm, Accelerator Pedal (includes items 8 through 10) .....	1
8	1013871	Pad, Accelerator Pedal .....	1
9	N/A	Accelerator Pedal Weldment .....	1
10	7716	Screw, #10-16 Type AB, Sheet Metal .....	4
11	101796201	Spring, Accelerator Return .....	1
12	101817401	Retainer, Spring .....	1
13	101861901	Screw, 1/4-20 X 1.125 Hex Cap .....	4
14	101862001	Screw, 1/4-20 X 1.500 Flange .....	1
15	102026001	Kit, Accelerator Pivot Rod Assembly (includes items 16 and 17) .....	1
16	101919801	Spacer, Accelerator .....	1
17	102158901	Pivot Rod Weldment .....	1
18	1241	Washer, 5/16 Type A Flat .....	1
19	1624	Screw, 3/8-16 X 1.50, Hex-Head Cap .....	1
20	334	Washer, 3/8, Type A, Flat .....	2
21	7473	Locknut, 5/16-18 Nylon Insert .....	1
22	8233	Locknut, 1/4-20, Nylon Insert .....	5
23	8754	Locknut, 3/8-16 Hex .....	2

5  
G  
E

**5**  
**G**  
**E**



000188-008

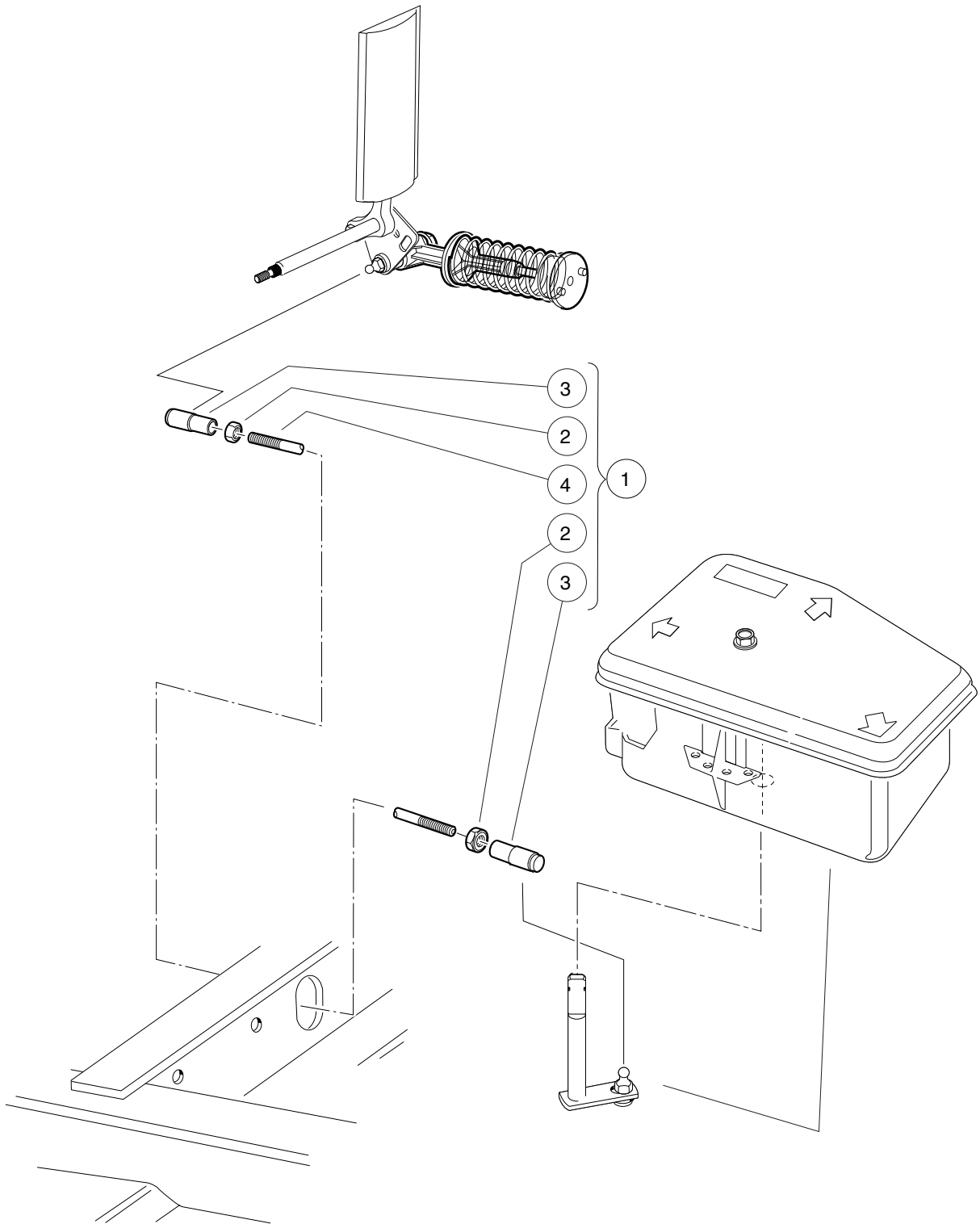


# ACCELERATOR PEDAL ASSEMBLY – GASOLINE VEHICLES

ITEM	PART NO.	DESCRIPTION	QTY
		1 2 3 4	
1	1011694	Accelerator Bracket and Bearing Assembly .....	2
2	1011931	Washer, 1/4 Flat .....	1
3	1014007	Washer, 1/4, Flat .....	4
4	1017378	Cup, Spring .....	1
5	1017380	Bumper, Spring Return .....	1
6	1017424	Bearing, Pivot Support .....	1
7	1017696	Sub Asm, Accelerator Pedal (includes items 8 through 10) .....	1
8	1013871	Pad, Accelerator Pedal .....	1
9	N/A	Accelerator Pedal Weldment .....	1
10	7716	Screw, #10-16 Type AB, Sheet Metal .....	4
11	101796201	Spring, Accelerator Return .....	1
12	101817401	Retainer, Spring .....	1
13	101818801	Stud, 1/4-28 X 1.35 Ball .....	1
14	101861901	Screw, 1/4-20 X 1.125 Hex Cap .....	4
15	102026001	Kit, Accelerator Pivot Rod Assembly (includes items 16 and 17) .....	1
16	101919801	Spacer, Accelerator .....	1
17	102158901	Pivot Rod Weldment .....	1
18	1241	Washer, 5/16 Type A Flat .....	1
19	1624	Screw, 3/8-16 X 1.50, Hex-Head Cap .....	1
20	334	Washer, 3/8, Type A, Flat .....	2
21	7473	Locknut, 5/16-18 Nylon Insert .....	1
22	8233	Locknut, 1/4-20, Nylon Insert .....	4
23	8717	Locknut, Nylon Insert, 1/4-28 .....	1
24	8754	Locknut, 3/8-16 Hex .....	2

5  
G  
E

**5**  
**G**  
**E**



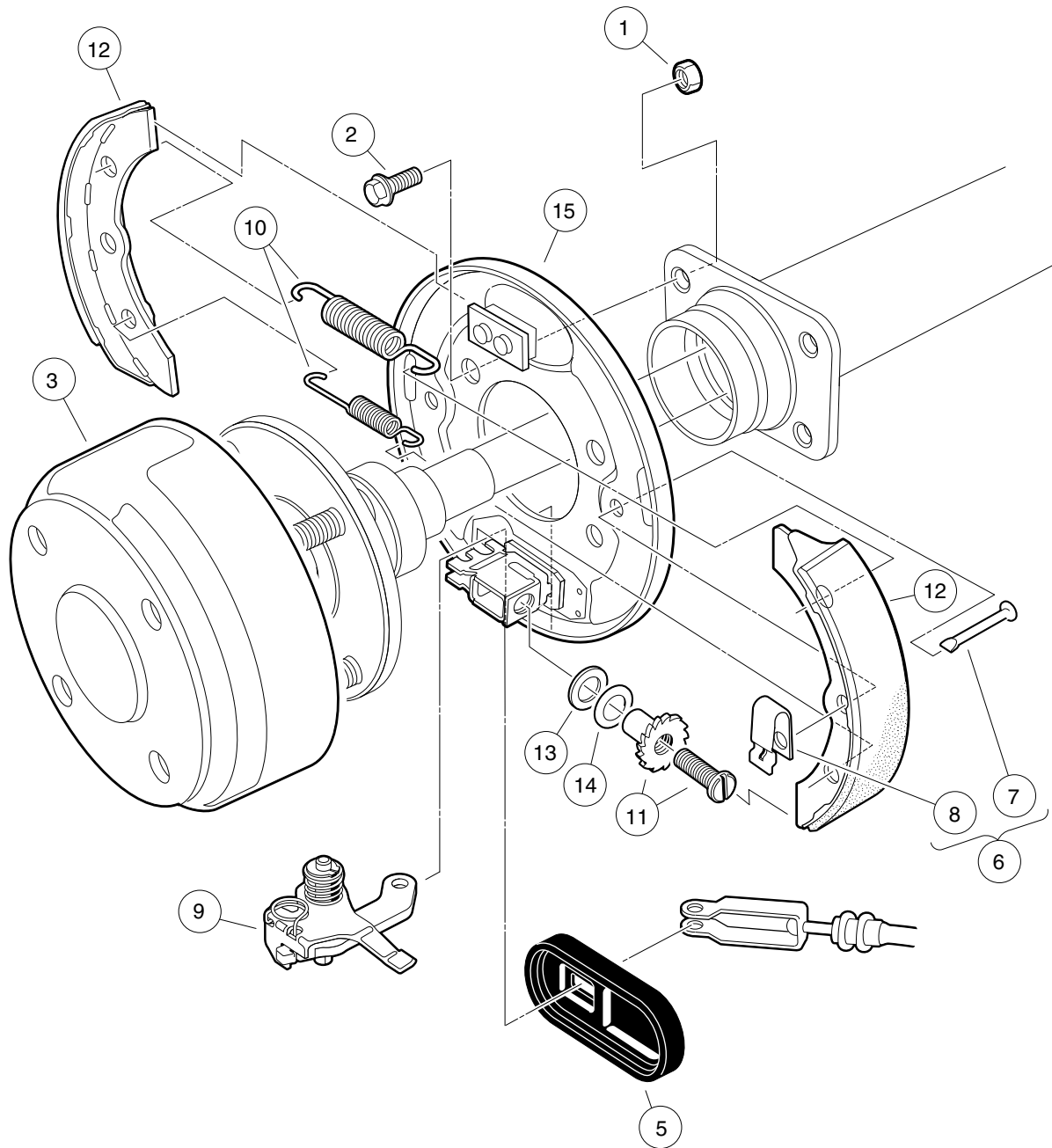
000362-001

## ACCELERATOR ROD – GASOLINE VEHICLES

ITEM	PART NO.	DESCRIPTION	QTY
		1 2 3 4	
1	101912401	Rod, Accelerator (includes items 2 through 4) .....	1
2	1011084	Nut, 1/4-28 Hex Jam .....	2
3	1011734	Joint, Ball .....	2
4	N/A	Accelerator Rod .....	1

5  
G  
E

**5**  
**G**  
**E**



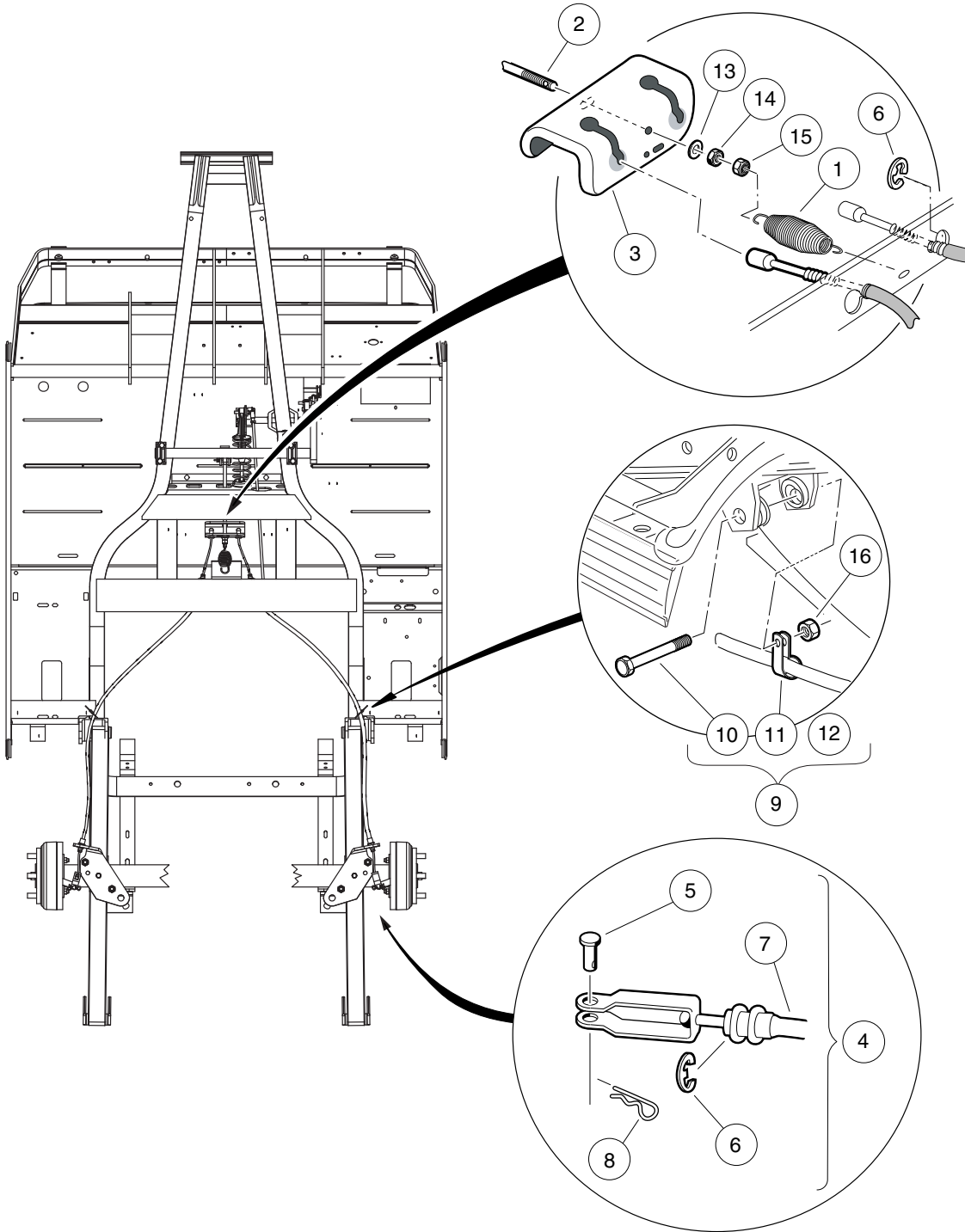
000186-002

# REAR BRAKE ASSEMBLY, SELF-ADJUSTING – VEHICLE WITH 2-WHEEL BRAKES

ITEM	PART NO.	DESCRIPTION	QTY
		<b>1 2 3 4</b>	
1	1013924	Nut, 5/16-24, Hex Head Cone .....	8
2	1014153	Bolt, Brake Cluster Mounting .....	8
3	101791101	Drum without Center Hole, Brake .....	2
4	101823301	Cluster Assembly, Right (Passenger) Brake (includes items 5 through 15) .....	1
5	1010850	Dust Cover .....	1
6	1011466	Kit, Shoe Retainer (includes items 7 and 8) .....	1
7	N/A	Pin .....	2
8	N/A	Shoe Clamp Spring .....	2
9	101815501	Lever Assembly, Self-Adjusting Brake, Right (Passenger) .....	1
10	101816301	Package, Brake Spring, Self-Adjusting .....	1
11	101816501	Adj Mechanism, S.A. Brakes, Right (Passenger) .....	1
12	101823201	Package, Brake Shoe, Self-Adjusting .....	1
13	101823801	Plate, Washer, Brake, Self-Adjusting .....	1
14	101823901	Washer, Brake, Self-Adjusting .....	1
15	101824001	Plate Assembly, Right Brake Backing .....	1
16	101823302	Cluster Assembly, Left Brake (includes items 17 through 27) .....	1
17	1010850	Dust Cover .....	1
18	1011466	Kit, Shoe Retainer (includes items 19 and 20) .....	1
19	N/A	Pin .....	2
20	N/A	Shoe Clamp Spring .....	2
21	101815502	Lever Assembly, Self-Adjusting Brake, Left .....	1
22	101816301	Package, Brake Spring, Self-Adjusting .....	1
23	101816502	Adjusting Mechanism, Self-Adjusting Brake, Left .....	1
24	101823201	Package, Brake Shoe, Self-Adjusting .....	1
25	101823801	Plate, Washer, Brake, Self-Adjusting .....	1
26	101823901	Washer, Brake, Self-Adjusting .....	1
27	101824002	Plate Assembly, Left Brake Backing .....	1
<p>Note: Driver-side brake cluster not shown. Components have a similar appearance to passenger-side brake cluster components.</p>			

**5**  
**G**  
**E**

**5**  
**G**  
**E**



000245-002

## BRAKE CABLES AND EQUALIZER

ITEM	PART NO.	DESCRIPTION	QTY
		<b>1 2 3 4</b>	
1	1013531	Spring, Brake Return .....	1
2	101953101	Rod, Equalizer, 8.91" .....	1
3	101990801	Equalizer Bracket .....	1
4	102022101	Brake Cable Kit (includes items 5 through 8) .....	2
5	1010829	Pin, Clevis, 5/16 X 3/4 .....	1
6	1011779	E-Clip, 1/2 .....	2
7	N/A	Cable, Brake, 41" .....	1
8	102292801	Pin, Bow Tie Locking - .072 .....	1
9	103377301	Kit, Field P-clamp, Brake Line (includes items 10 through 12) .....	1
10	102066201	Screw, 3/8-16 X 3.50 Hex Cap .....	2
11	103377201	P-clamp, Brake Line .....	2
12	N/A	Instr Fd. P-clamp, Brake Line .....	1
13	1241	Washer, 5/16 Type A Flat .....	5
14	1242	Nut, 5/16-18 Hex .....	1
15	7473	Locknut, 5/16-18 Nylon Insert .....	5
16	8754	Locknut, 3/8-16 Hex .....	2

**5**  
**G**  
**E**

**5**

**G**

**E**



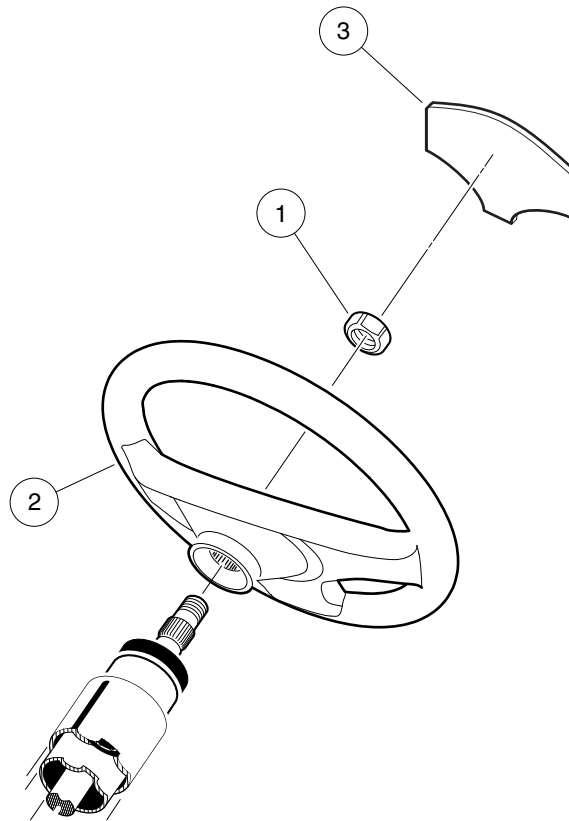
# STEERING AND SUSPENSIONS

---

6

G

E



000246-001

# STEERING WHEEL

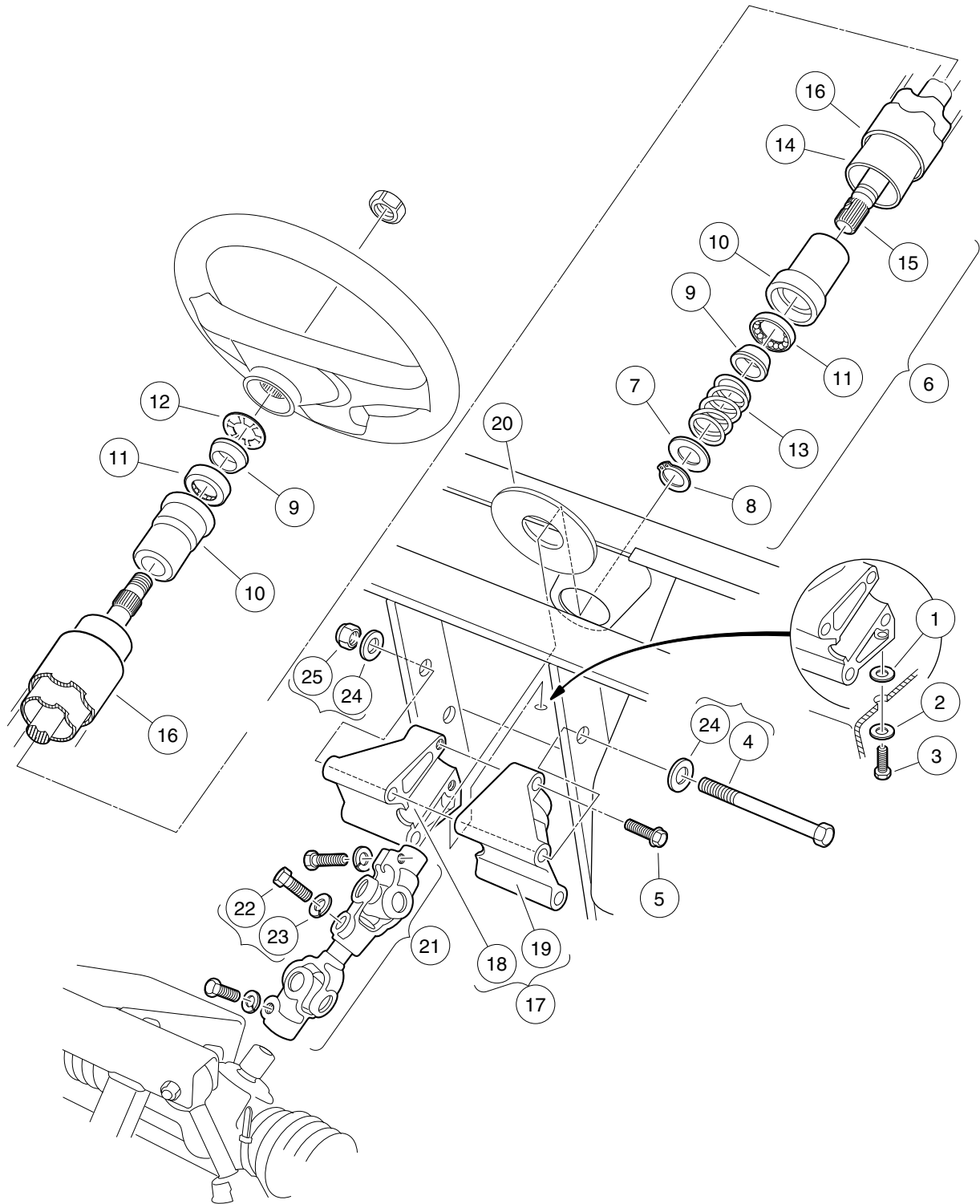
ITEM	PART NO.	DESCRIPTION	QTY
		<b>1 2 3 4</b>	
1	1017273	Nut, 5/8-18 Nylon Insert Jam .....	1
2	102796201	Steering Wheel, Spline .....	1
3	102822401	Wheel Center .....	1

**6**

**G**

**E**

**6**  
**G**  
**E**



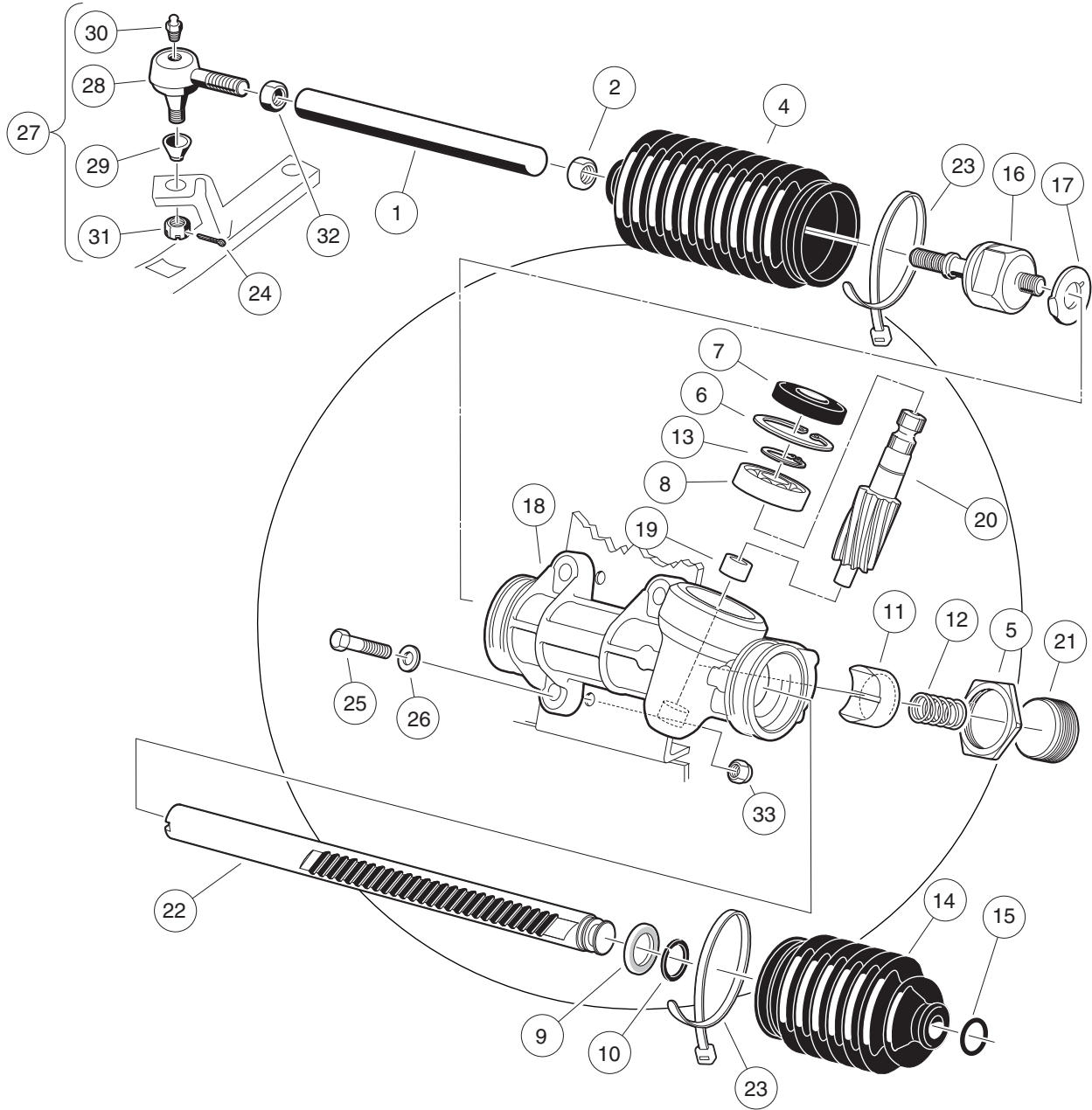
000247-001

# STEERING COLUMN

ITEM	PART NO.	DESCRIPTION	QTY
		<b>1 2 3 4</b>	
1	1011578	Washer, 5/16 Type B Flat .....	1
2	1011697	Washer, 5/16 Flat .....	1
3	1014288	Screw, 5/16-18 X 0.75, Thread-Forming .....	1
4	1016183	Screw, 3/8-16 X 7.00 Hex Cap .....	2
5	1016269	Screw, 5/16-18 Thrd Forming .....	2
6	1017313	Steering Shaft Assembly (includes items 7 through 15) .....	1
7	1012604	Washer, 0.675 ID X 1.19 OD .....	1
8	1012605	Ring, 0.579 Internal Retaining .....	1
9	1014125	Wedge, Molded .....	2
10	1014126	Seat, Plastic Bearing .....	2
11	1014213	Bearing, Ball .....	2
12	1014214	Ring, Retaining .....	1
13	1014217	Spring, Steering Shaft .....	1
14	1017314	Column, Aluminum Steering .....	1
15	1017315	Shaft Steering Column .....	1
16	1017317	Tube Cover, Steering Column .....	1
17	101984801	Kit, Steering Column Mounting Bracket (includes items 18 and 19) .....	1
18	N/A	Bracket, RH Steering Column Mount .....	1
19	N/A	Bracket, LH Steering column mount .....	1
20	102278001	Boot, Steering Column Round .....	1
21	103601601	Shaft, Intermediate Steering (includes items 22 and 23) .....	1
22	1017226	Bolt, Hex-Head, 8mm X 1.25 - 30 .....	3
23	7174	Lockwasher, 5/16 Split .....	3
24	334	Washer, 3/8, Type A, Flat .....	4
25	8754	Locknut, 3/8-16 Hex .....	2

**6**  
**G**  
**E**

**6**  
**G**  
**E**



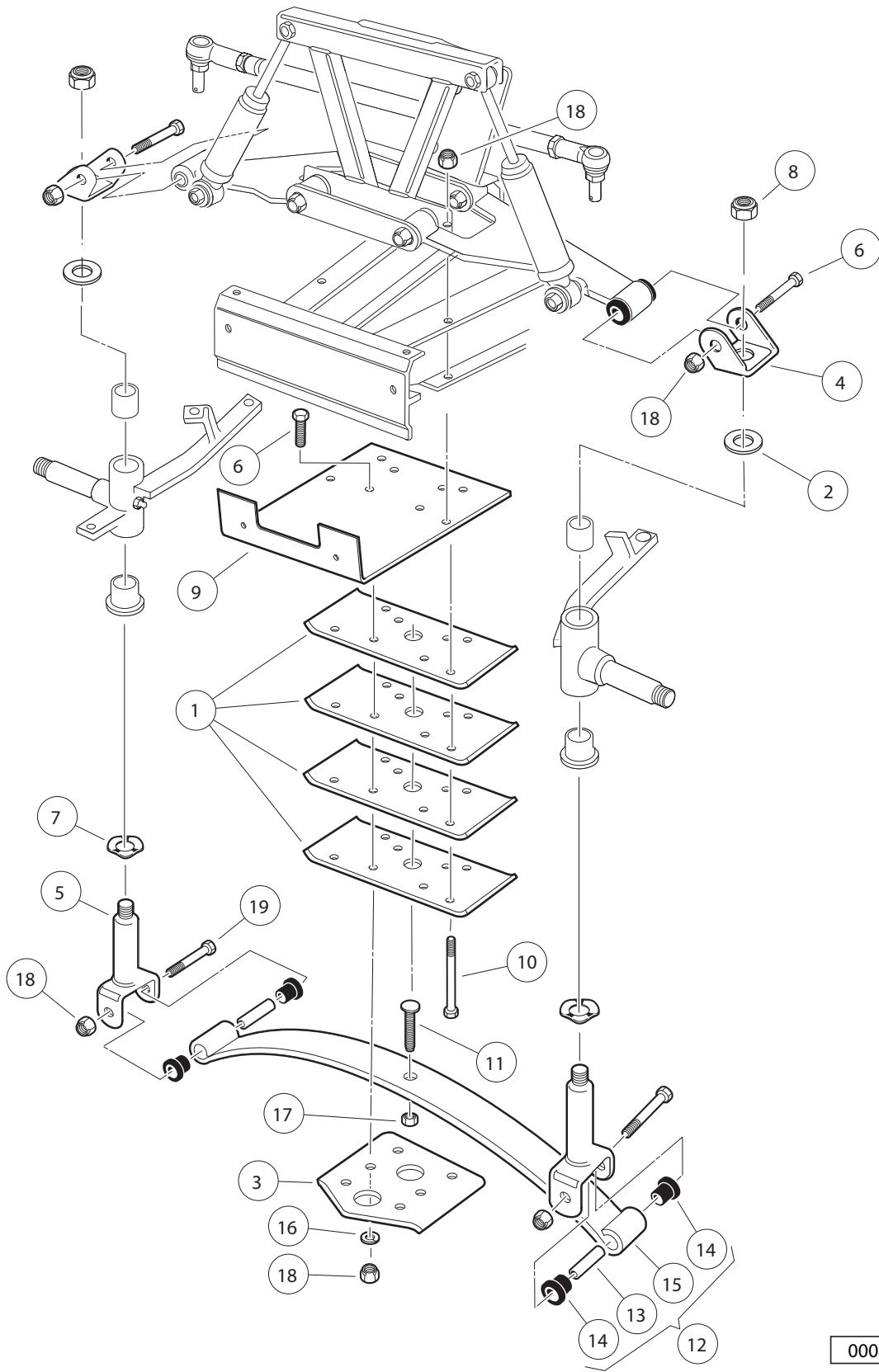
000189-003

# STEERING GEAR ASSEMBLY

ITEM	PART NO.	DESCRIPTION	QTY
		<b>1 2 3 4</b>	
1	1012467	Link, Rack and Pinion Drag .....	1
2	1013042	Nut, 12mm Hex .....	1
3	101878302	Steering Gear Assembly (without yoke) (includes items 4 through 23) .....	1
4	1013035	Bellows, Long .....	1
5	1013044	Rack Screw Locknut .....	1
6	N/A	Snap Ring .....	1
7	1013052	Seal, Steering Pinion Dust .....	1
8	101879401	Bearing, Ball .....	1
9	101879501	Stop Washer .....	1
10	101879601	Stop Ring, C-Type .....	1
11	101879701	Support Yoke .....	1
12	101879801	Rack Guide Pressure Spring .....	1
13	101879901	Ring, Stop, C-Type .....	1
14	101880001	Bellows, Short .....	1
15	101880101	Dust Seal Retaining Ring .....	1
16	101880201	Inner Ball Joint Asm .....	1
17	101880301	Washer, Tab .....	1
18	N/A	Box, Steering Gear .....	1
19	N/A	Bearing, Lower Pinion .....	1
20	N/A	Pinion, Steering .....	1
21	N/A	Screw, Rack Guide .....	1
22	N/A	Rack, Steering .....	1
23	8990	Tie Wrap, 8" Nylon .....	2
24	1035	Cotter Pin, 3/32 x 1 .....	1
25	1624	Screw, 3/8-16 X 1.50, Hex-Head Cap .....	3
26	334	Washer, 3/8, Type A, Flat .....	3
27	7540	Ball Joint, Left (includes items 28 through 31) .....	1
28	1011895	Socket, LH Vertical .....	1
29	1011930	Seal, Vertical Socket Dust .....	1
30	1015597	Fitting, 1/4-28 Thread-Forming Grease .....	1
31	7602	Nut, 3/8-24 UNF Hex .....	1
32	7555	Nut, 1/2-20 Hex, Left-Hand Thread .....	1
33	8754	Locknut, 3/8-16 Hex .....	3

**6**  
**G**  
**E**

**6**  
**G**  
**E**



000191-005

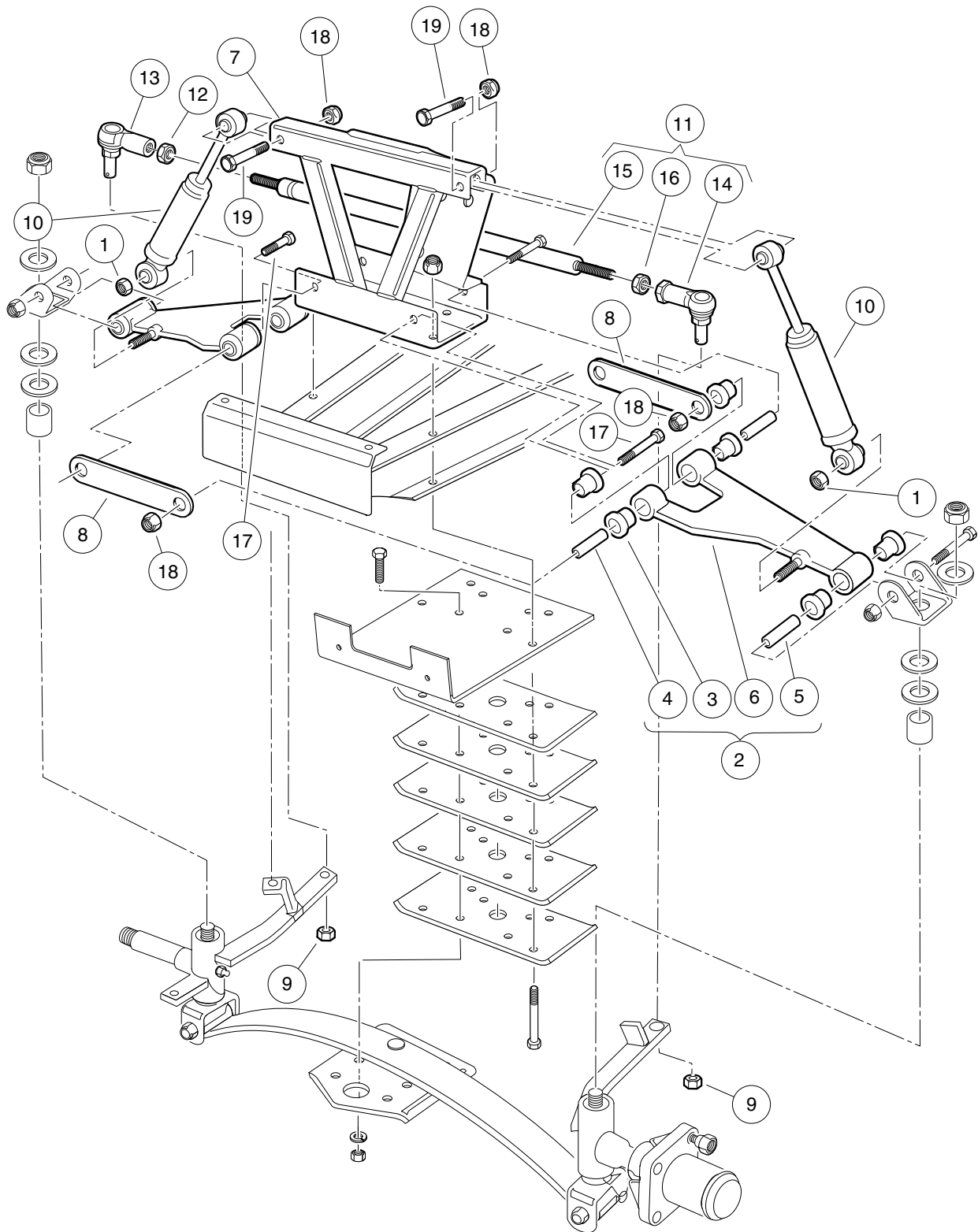


# FRONT SUSPENSION, LOWER – VEHICLES WITH TWO-WHEEL BRAKES

ITEM	PART NO.	DESCRIPTION	QTY
		<b>1 2 3 4</b>	
1	1010124	Plate, Spring Mount .....	4
2	1010150	Bearing, Thrust .....	2
3	1014276	Plate, Front Spring Retainer .....	1
4	1016384	Clevis, Delta Upper .....	2
5	1016386	King Pin Assembly .....	2
6	1016387	Screw, 3/8-16 X 2.75 Hx Hd Cap .....	6
7	1016389	Washer, 1.125 Od Wave .....	2
8	101903101	Locknut, 1/2-20 Nylon Insert .....	2
9	102830401	Support, Brush Guard .....	1
10	102913601	Screw, 3/8-16 X 5.50 Hx Hd Cap .....	4
11	103507001	Eccentric Bolt Common .....	1
12	103628701	Spring Asm, Front, 1 Leaf (includes items 13 through 15) .....	1
13	1012303	Bushing, Steel .....	2
14	101558302	Bushing, Urethane, Soft .....	4
15	103502601	Spring, Front, 1 Leaf .....	1
16	357	Lockwasher, 3/8 Split .....	4
17	706	Nut, Hex 3/8-16 .....	1
18	8754	Locknut, 3/8-16 Hex .....	8
19	8755	Screw, 3/8-16 X 3.375 Hex Cap .....	2

**6**  
**G**  
**E**

**6**  
**G**  
**E**



000190-002

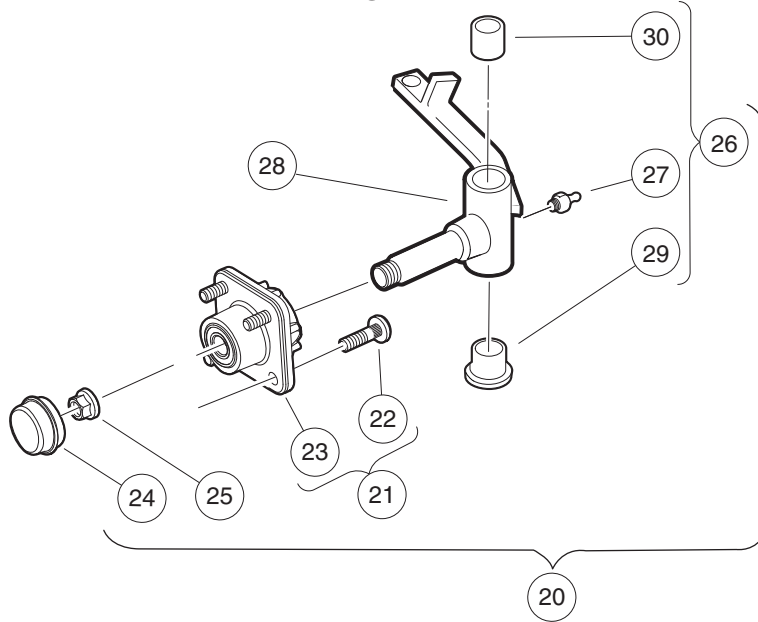
## FRONT SUSPENSION, UPPER

ITEM	PART NO.	DESCRIPTION	QTY
		<b>1 2 3 4</b>	
1	1010138	Locknut, 3/8-16 Dimpled .....	2
2	1016353	Sub-Assembly, Delta A-Plate (includes items 3 through 6) .....	2
3	1016346	Bushing, Urethane .....	6
4	1016349	Sleeve, Delta Inner .....	2
5	1016350	Sleeve, Delta Outer .....	1
6	1016351	Delta A-Plate .....	1
7	1016385	Delta Shock and Gear Support Assembly .....	1
8	1017266	A-Plate Strap .....	2
9	102289201	Nut - Hex Locking, M12 X 1.25 .....	3
10	103351001	Shock Absorber, Front, Common .....	2
11	103653601	Asm, Tie Rod (includes items 12 through 16) .....	1
12	1013042	Nut, 12mm Hex .....	1
13	102022601	End, Tie Rod M12 X 1.25 Rh .....	1
14	102022602	End, Tie Rod, M12 X 1.25, Lh .....	1
15	103354701	Rod, Tie, Male Thd .....	1
16	103653501	Nut, Jam, M12-1.25, Lh .....	1
17	2402	Screw, 3/8-16 X 2.25 Hx Hd Cap .....	4
18	8754	Locknut, 3/8-16 Hex .....	13
19	8861	Bolt, 3/8-16 X 1.75 Hex .....	2

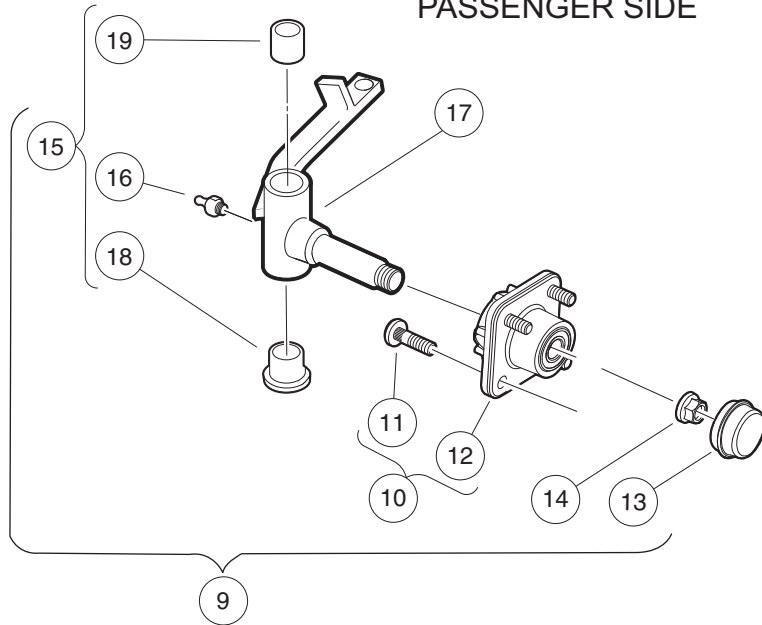
**6**  
**G**  
**E**

**6**  
**G**  
**E**

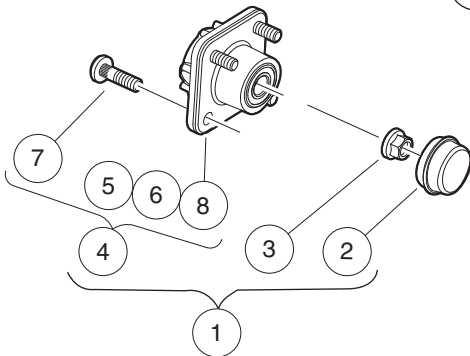
**DRIVER SIDE**



**PASSENGER SIDE**



**REPLACEMENT HUB FOR DRIVER OR PASSENGER SIDE**



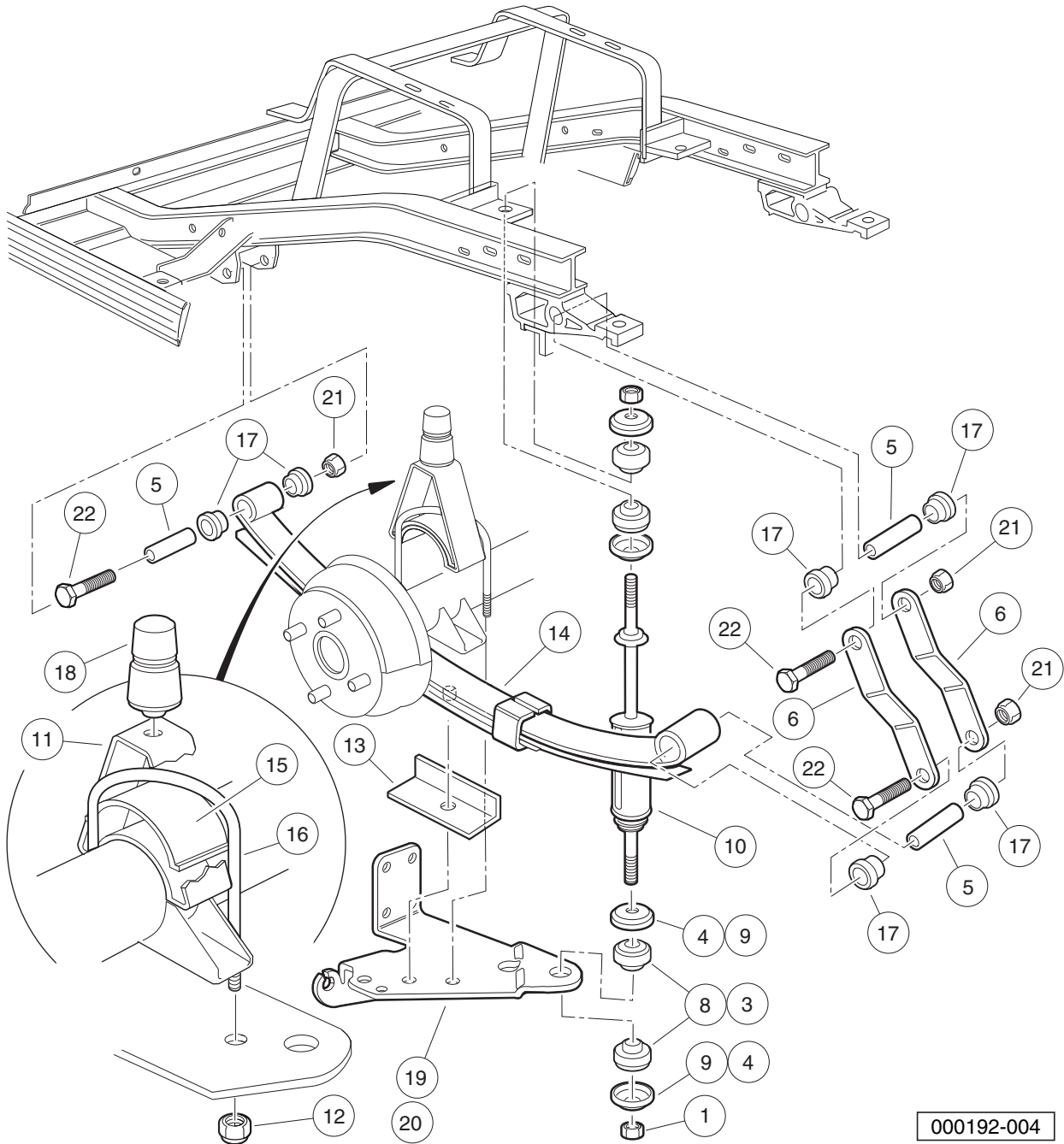
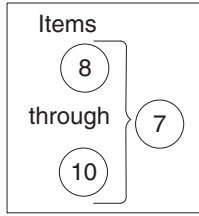
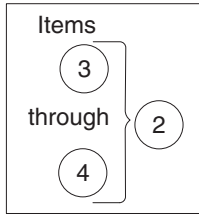
000301-008

# FRONT SPINDLES AND HUBS

ITEM	PART NO.	DESCRIPTION	QTY
		<b>1 2 3 4</b>	
1	102357701	Replacement Kit, Front Hub (includes items 2 through 4) .....	1
2	102353201	Cap, Front Hub .....	1
3	102353301	Hex Nut, Locking Flange, M14x2 .....	1
4	N/A	Asm, Front Hub, Bb, Long Stud (includes items 5 through 8) .....	1
5	N/A	Bearing, Ball, 6204 .....	2
6	N/A	Spacer, Bearing, Front Hub, Pm .....	1
7	103477901	Lug Stud, 1/2-20 Unf, 4037 .....	4
8	N/A	Front Hub, Ball Brg, Long Stud .....	1
9	N/A	Asm, Hub And Spindle, Left-Hand Ext (includes items 10 through 15) .....	1
10	N/A	Front Hub Assembly, Ball Bearing (includes items 11 and 12) .....	1
11	102353401	Lug Stud, 1/2-20 UNF, 4037 Stl .....	4
12	N/A	Hub, Front .....	1
13	102353201	Cap, Front Hub .....	1
14	102353301	Hex Nut, Locking Flange, M14x2 .....	1
15	102354204	Asm, Spindle, LH, Ext (includes items 16 through 19) .....	1
16	1015597	Fitting, 1/4-28 Thread-Forming Grease .....	1
17	N/A	Subasm, Spindle, LH, Ext .....	1
18	7048	Bushing, Flanged Bronze .....	1
19	8067	Bushing, Bronze Spindle .....	1
20	N/A	Asm, Hub And Spindle, Right-Hand Ext (includes items 21 through 26) .....	1
21	N/A	Front Hub Assembly, Ball Bearing (includes items 22 and 23) .....	1
22	102353401	Lug Stud, 1/2-20 UNF, 4037 Stl .....	4
23	N/A	Hub, Front .....	1
24	102353201	Cap, Front Hub .....	1
25	102353301	Hex Nut, Locking Flange, M14x2 .....	1
26	102354104	Asm, Spindle, RH, Ext (includes items 27 through 30) .....	1
27	1015597	Fitting, 1/4-28 Thread-Forming Grease .....	1
28	N/A	Subasm, Spindle, RH, Ext .....	1
29	7048	Bushing, Flanged Bronze .....	1
30	8067	Bushing, Bronze Spindle .....	1

**6**  
**G**  
**E**

**6**  
**G**  
**E**



000192-004

# REAR SUSPENSION

ITEM	PART NO.	DESCRIPTION	QTY
		1 2 3 4	
1	1010145	Nut, 3/8-24 Hex .....	4
2	1011415	Kit, Shock Absorber Cushion (includes items 3 and 4) .....	4
3	N/A	Cushion, Shock Absorber .....	2
4	N/A	Retainer, Shock Absorber Cushion .....	2
5	1012303	Bushing, Steel .....	6
6	1012304	Shackle, Rear Spring .....	4
7	1013164	Shock Absorber Kit (includes items 8 through 10) .....	1
8	N/A	Cushion, Shock Absorber .....	8
9	N/A	Retainer, Shock Absorber Cushion .....	8
10	102588501	Shock Absorber, Rear .....	2
11	101454902	Bumper Mount, Angled .....	2
12	1014555	Locknut, 7/16-14 Nylon Hex .....	4
13	1014573	Spring Retainer .....	2
14	1014675	Rear Leaf Spring .....	2
15	1014901	Spacer, Overload Bumper .....	2
16	1014902	U-Bolt .....	2
17	1015583	Bushing, Urethane .....	12
18	1017235	Bumper, Jounce .....	2
19	101926501	Bracket, Left-Hand .....	1
20	101929401	Bracket, Right .....	1
21	8754	Locknut, 3/8-16 Hex .....	6
22	8755	Screw, 3/8-16 X 3.375 Hex Cap .....	6

6  
G  
E

**6**

**G**

**E**



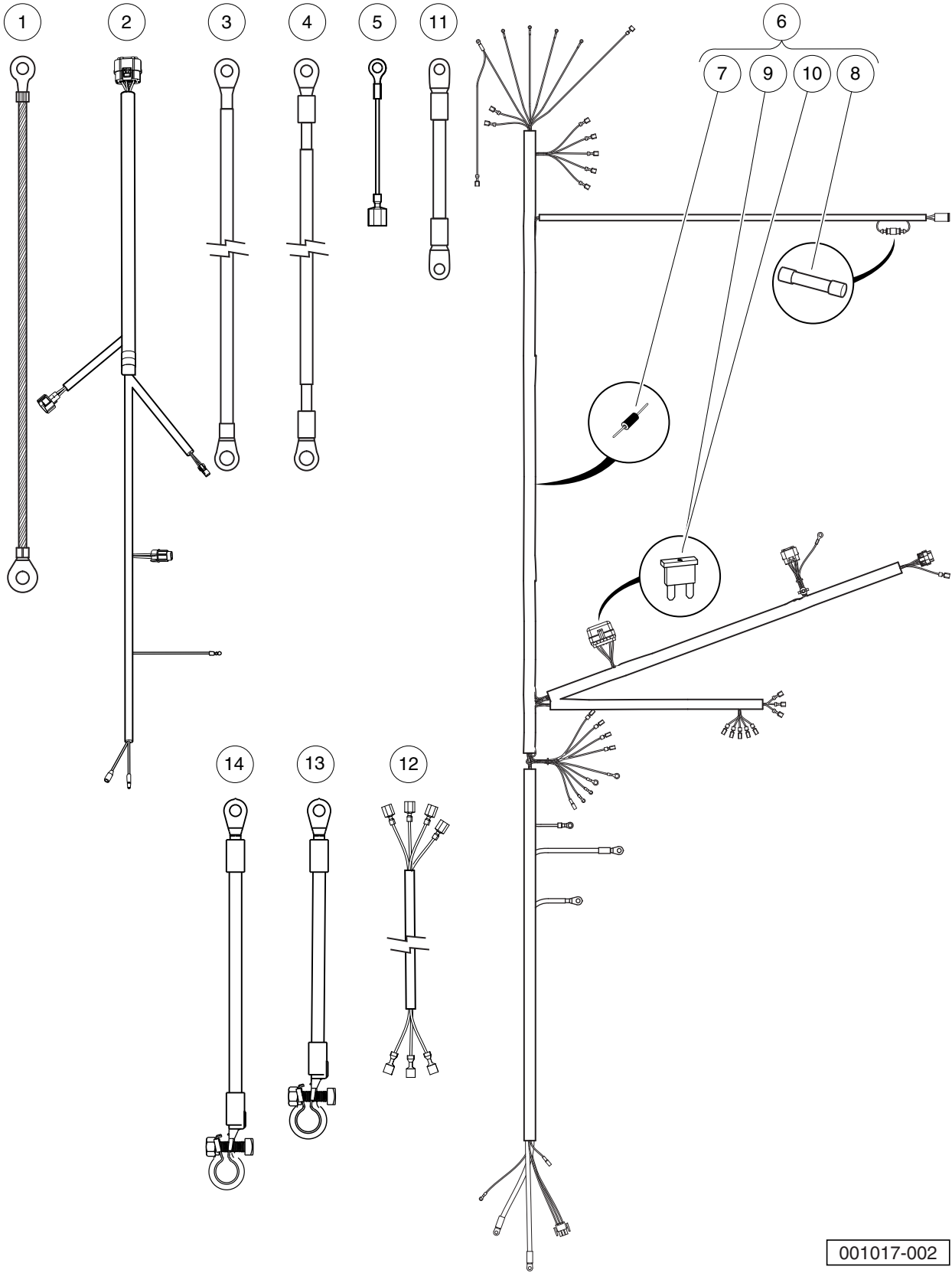
# **ELECTRICAL SYSTEM – GASOLINE VEHICLES**

---

**7**

**G**

**7**  
**G**



001017-002

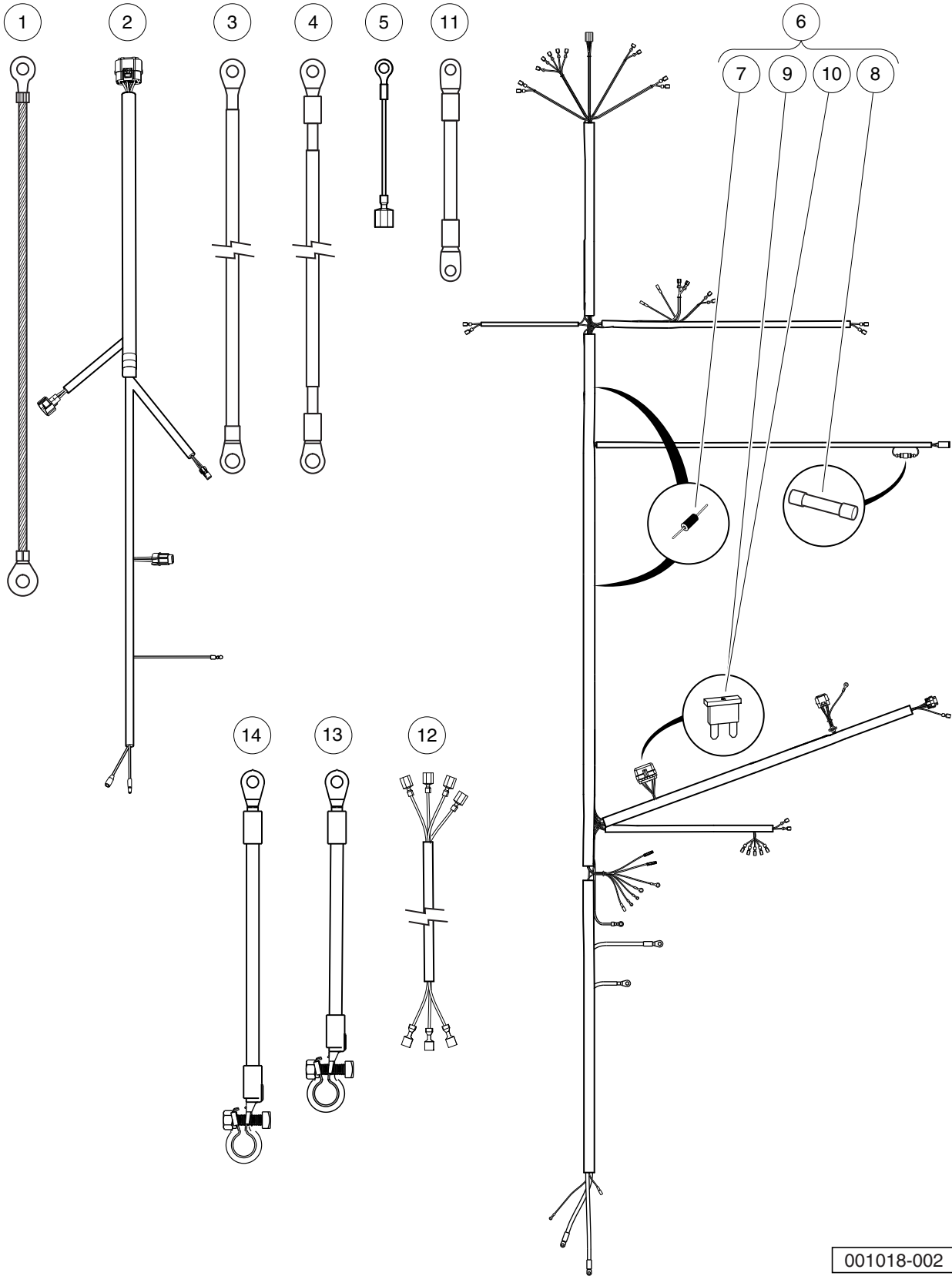
# WIRING, FUSES, AND DIODES, PEDAL-START – EFI, CA100

ITEM	PART NO.	DESCRIPTION	QTY
		1 2 3 4	
1	1015332	Wire, Ground, #10, Uninsulated .....	1
2	105008101	Harness, Wire, ECU/Engine .....	1
3	105135901	Wire, Battery (side-post), B-, Gas .....	1
4	105136001	Wire, Battery (side-post), B+, Gas .....	1
5	105143301	Wire, Ground, Fuel Tank .....	1
6	105151001	Harness, Main, Util, Ps (includes items 7 through 10) .....	1
7	1014789	Diode, General Purpose, 3.0-Amp .....	1
8	103924801	Fuse, Glass, 2-Amp .....	1
9	105081501	Fuse, ATM, 5-Amp .....	1
10	105081601	Fuse, ATM, 10-Amp .....	1
11	105161701	Wire, 4-Ga, Green, Starter/Generator .....	1
12	105245701	Jumper, Run/maint, Sw .....	1
13	105256701	Wire Assy, 4ga, Battery, (top-post) B-, Gas .....	1
14	105256801	Wire Assy, 4ga, Battery, (top-post) B+, Gas .....	1
Note: For ECU, see Throttle Body in Fuel System section.			

7

G

**7**  
**G**



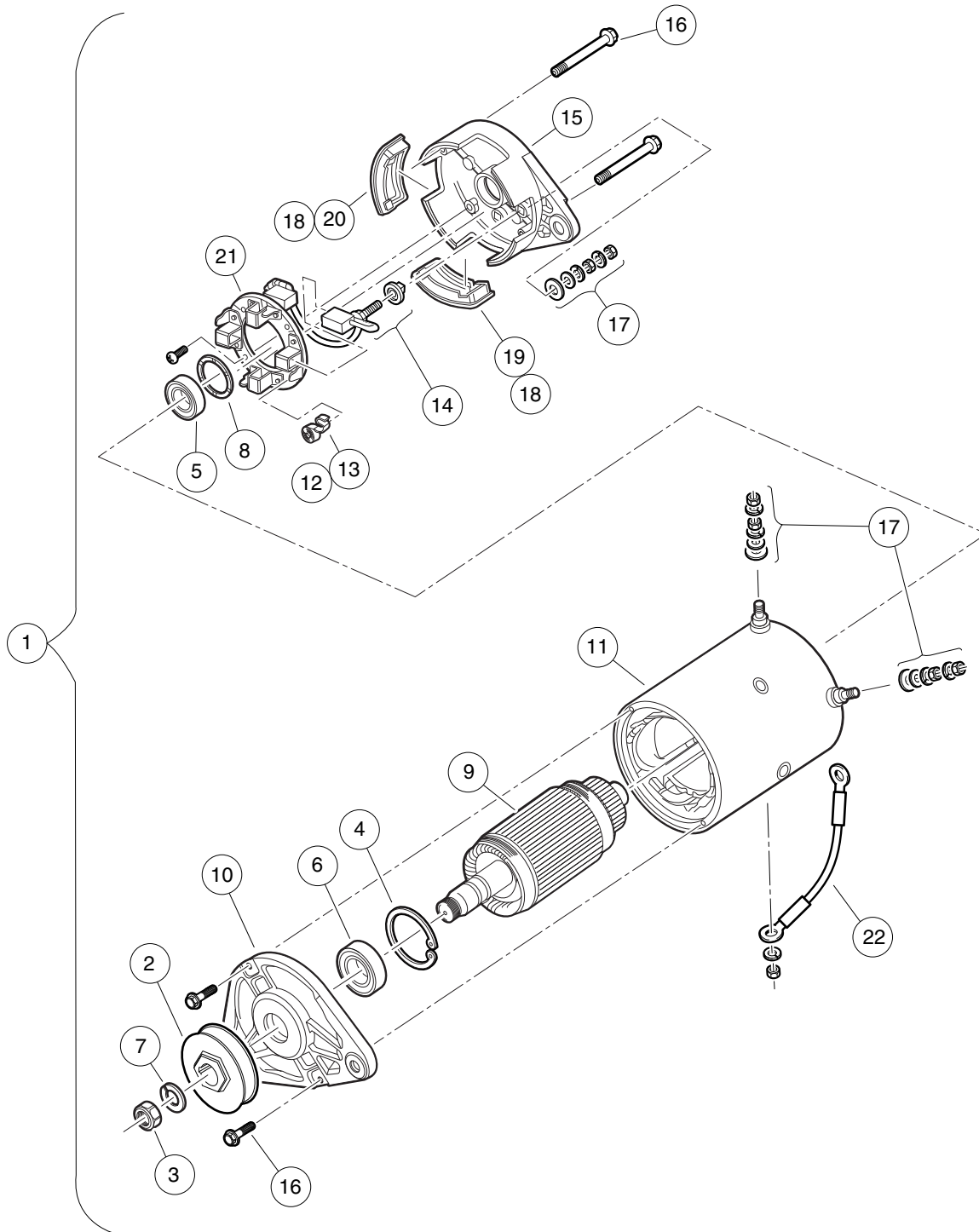
001018-002

# WIRING, FUSES, AND DIODES, KEY-START – EFI, CA100-CE

ITEM	PART NO.	DESCRIPTION	QTY
		1 2 3 4	
1	1015332	Wire, Ground, #10, Uninsulated .....	1
2	105008101	Harness, Wire, ECU/Engine .....	1
3	105135901	Wire, Battery (side-post), B-, Gas .....	1
4	105136001	Wire, Battery (side-post), B+, Gas .....	1
5	105143301	Wire, Ground, Fuel Tank .....	1
6	105151101	Harness, Wire, Main, CA100 CE (includes items 7 through 10) .....	1
7	1014789	Diode, General Purpose, 3.0-Amp .....	2
8	103924801	Fuse, Glass, 2-Amp .....	1
9	105081501	Fuse, ATM, 5-Amp .....	1
10	105081601	Fuse, ATM, 10-Amp .....	1
11	105161701	Wire, 4-Ga, Green, Starter/Generator .....	1
12	105245701	Jumper, Run/maint, Sw .....	1
13	105256701	Wire Assy, 4ga, Battery, (top-post) B-, Gas .....	1
14	105256801	Wire Assy, 4ga, Battery, (top-post) B+, Gas .....	1
Note: For ECU, see Throttle Body in Fuel System section.			

7

G

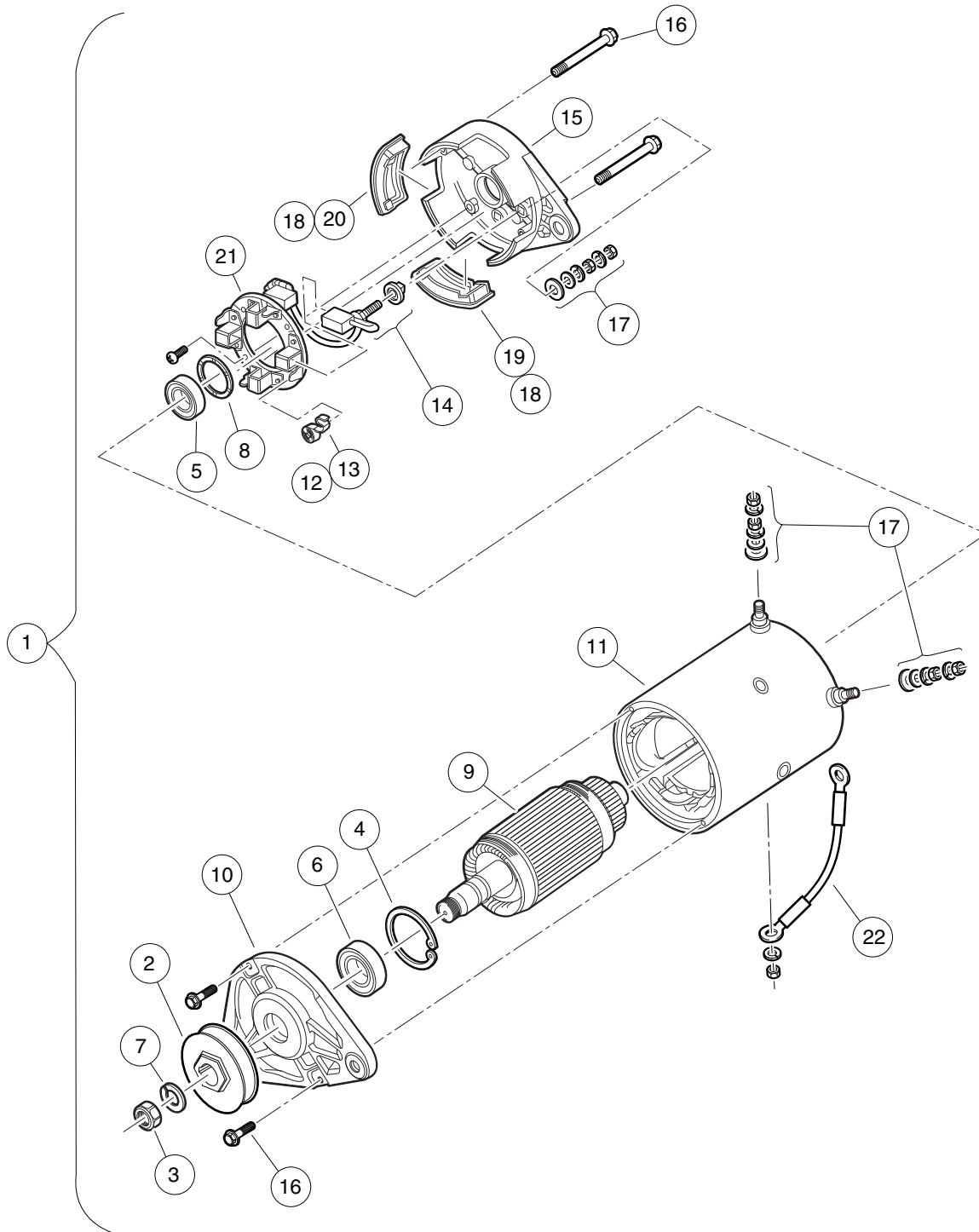


001016-001

# STARTER/GENERATOR (MODEL 114-04-4006), KEY-START – EFI

ITEM	PART NO.	DESCRIPTION	QTY
		<b>1 2 3 4</b>	
1	105190102	Starter/Generator, Bi-Rotational, Utility, Key-Start (includes items 2 through 22) .....	1
2	1014289	Pulley, Starter/Generator .....	1
3	102838701	Nut, Hex, M14x2, S/G .....	1
4	102838801	Retainer, Front, S/G .....	1
5	102838901	Bearing, Ball, Front, S-g .....	1
6	102839001	Bearing, Ball, Front, S-g .....	1
7	102839301	Washer, Lock M14x2, S-g .....	1
8	102841101	Washer, Wave, S-g .....	1
9	N/A	Asm, Armature, Starter/Generator .....	1
10	102844601	Head, Drive End, S-g .....	1
11	102844701	Asm, Frame and Field, Starter/Generator .....	1
12	103347101	Kit, Spring Brush, Starter/Generator (includes item 13) .....	1
13	N/A	Spring, Brush, S-g .....	4
14	103347301	Set, Brush Term, S-g .....	1
15	103347601	Head, Comm End, S-g .....	1
16	103347701	Set, Fastener, Ceh Deh, S-g .....	1
17	103347801	Set, Term Hardware, S/G .....	1
18	103347901	Kit, Cover, Brush Insp, Starter/Generator (includes items 19 and 20) .....	1
19	N/A	Plug, Rubber Drain, Start/Generator .....	3
20	N/A	Cover, Inspection, S-g .....	1
21	103953301	Kit, Brush And Brush Holder .....	1
22	105161701	Wire, 4-Ga, Green, Starter/Generator .....	1

**7**  
**G**



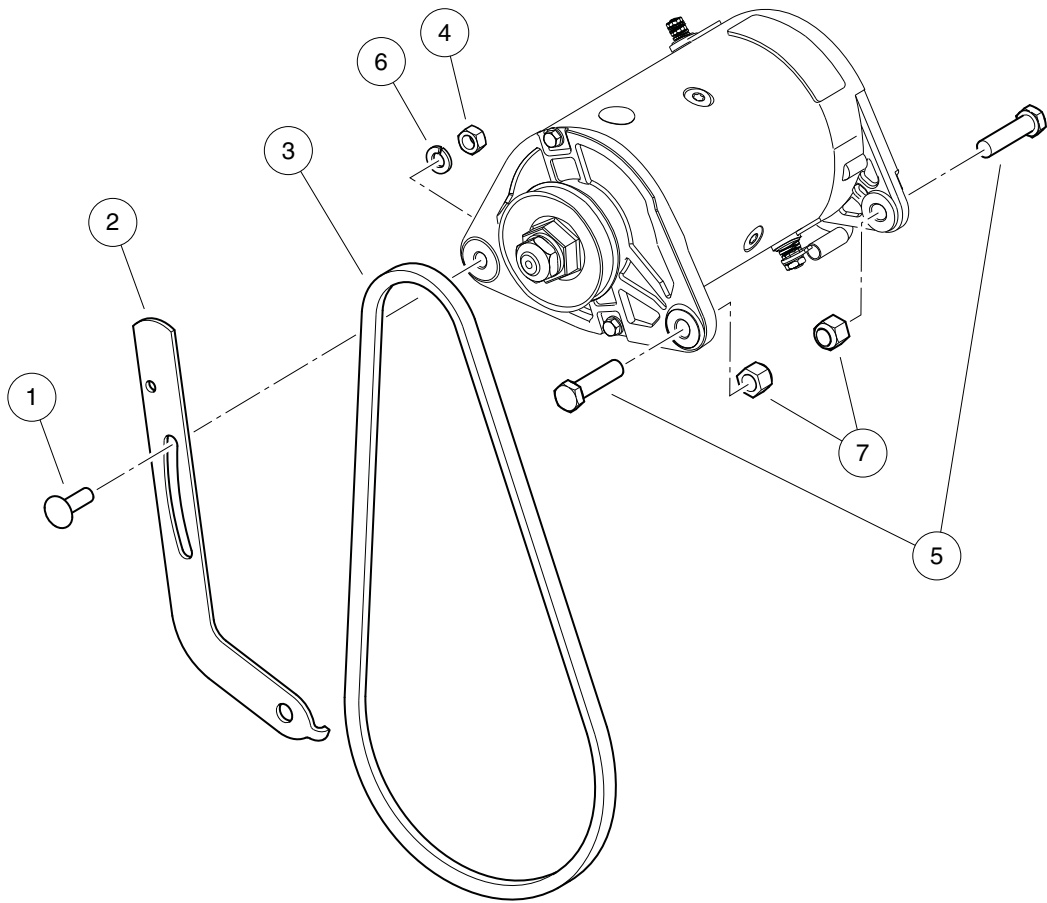
001016-001



# STARTER/GENERATOR (MODEL 114-05-4001), PEDAL-START – EFI

ITEM	PART NO.	DESCRIPTION	QTY
		<b>1 2 3 4</b>	
1	105190101	Starter/Generator, High-Torque, Utility, Pedal-Start (includes items 2 through 22) .....	1
2	1014289	Pulley, Starter/Generator .....	1
3	102838701	Nut, Hex, M14x2, S/G .....	1
4	102838801	Retainer, Front, S/G .....	1
5	102838901	Bearing, Ball, Front, S-g .....	1
6	102839001	Bearing, Ball, Front, S-g .....	1
7	102839301	Washer, Lock M14x2, S-g .....	1
8	102841101	Washer, Wave, S-g .....	1
9	N/A	Asm, Armature, Starter/Generator .....	1
10	102844601	Head, Drive End, S-g .....	1
11	102844701	Asm, Frame and Field, Starter/Generator .....	1
12	103347101	Kit, Spring Brush, Starter/Generator (includes item 13) .....	1
13	N/A	Spring, Brush, S-g .....	4
14	103347301	Set, Brush Term, S-g .....	1
15	103347601	Head, Comm End, S-g .....	1
16	103347701	Set, Fastener, Ceh Deh, S-g .....	1
17	103347801	Set, Term Hardware, S/G .....	1
18	103347901	Kit, Cover, Brush Insp, Starter/Generator (includes items 19 and 20) .....	1
19	N/A	Plug, Rubber Drain, Start/Generator .....	3
20	N/A	Cover, Inspection, S-g .....	1
21	103953301	Kit, Brush And Brush Holder .....	1
22	105161701	Wire, 4-Ga, Green, Starter/Generator .....	1

**7**  
**G**

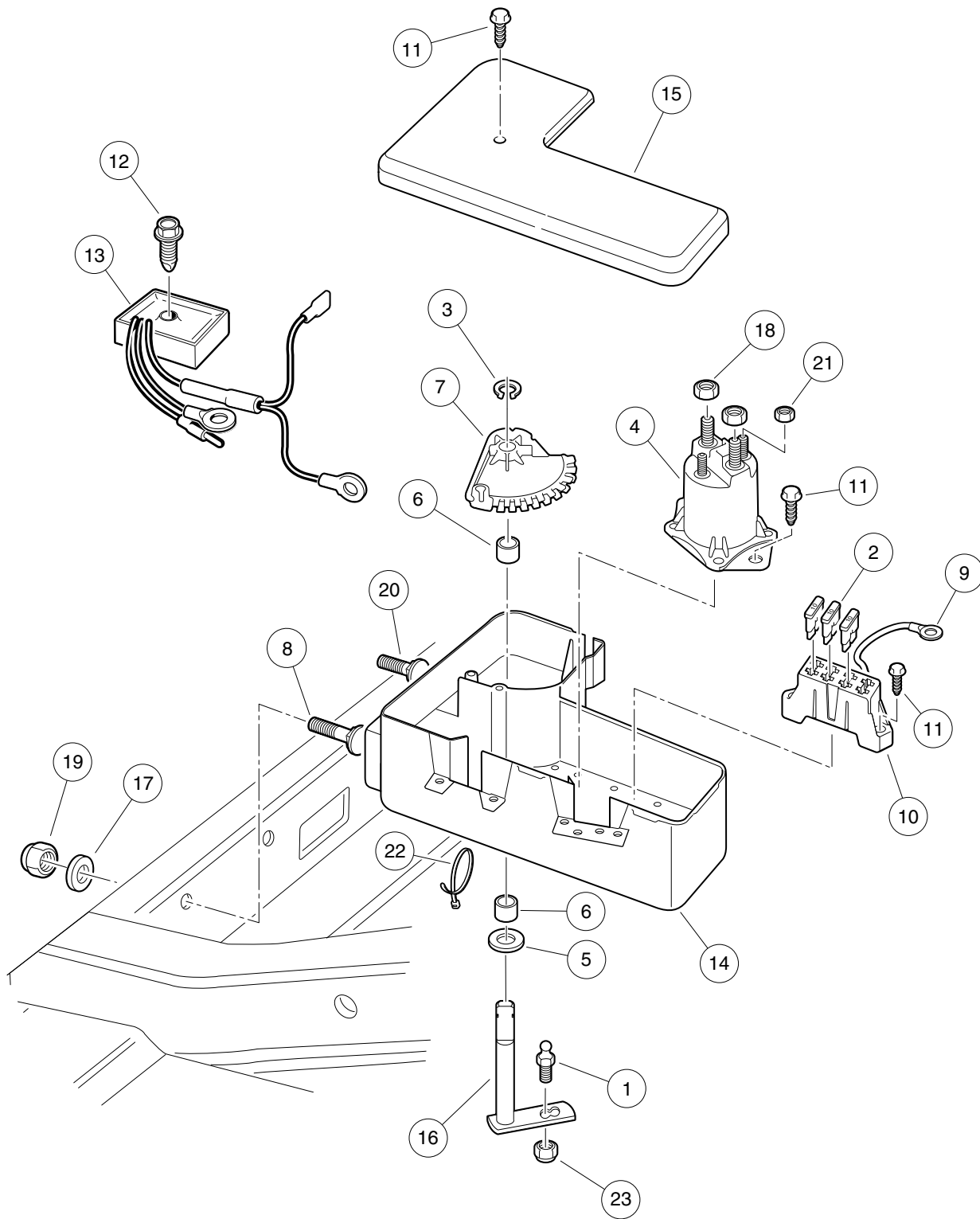


001009-001

# STARTER/GENERATOR MOUNTING, EX40 – TO EARLY-2016 MODEL YEAR

ITEM	PART NO.	DESCRIPTION	QTY
		<b>1 2 3 4</b>	
1	1015932	Bolt, Carriage, 5/16-18 .....	1
2	104005301	Bracket, Adjustable, Starter/Generator, EX40 .....	1
3	105205401	Belt, Sg, 871, Ex40 .....	1
4	1242	Nut, 5/16-18 Hex .....	1
5	1624	Screw, 3/8-16 X 1.50, Hex-Head Cap .....	2
6	7174	Lockwasher, 5/16 Split .....	1
7	8754	Locknut, 3/8-16 Hex .....	2

**7**  
**G**



001014-002

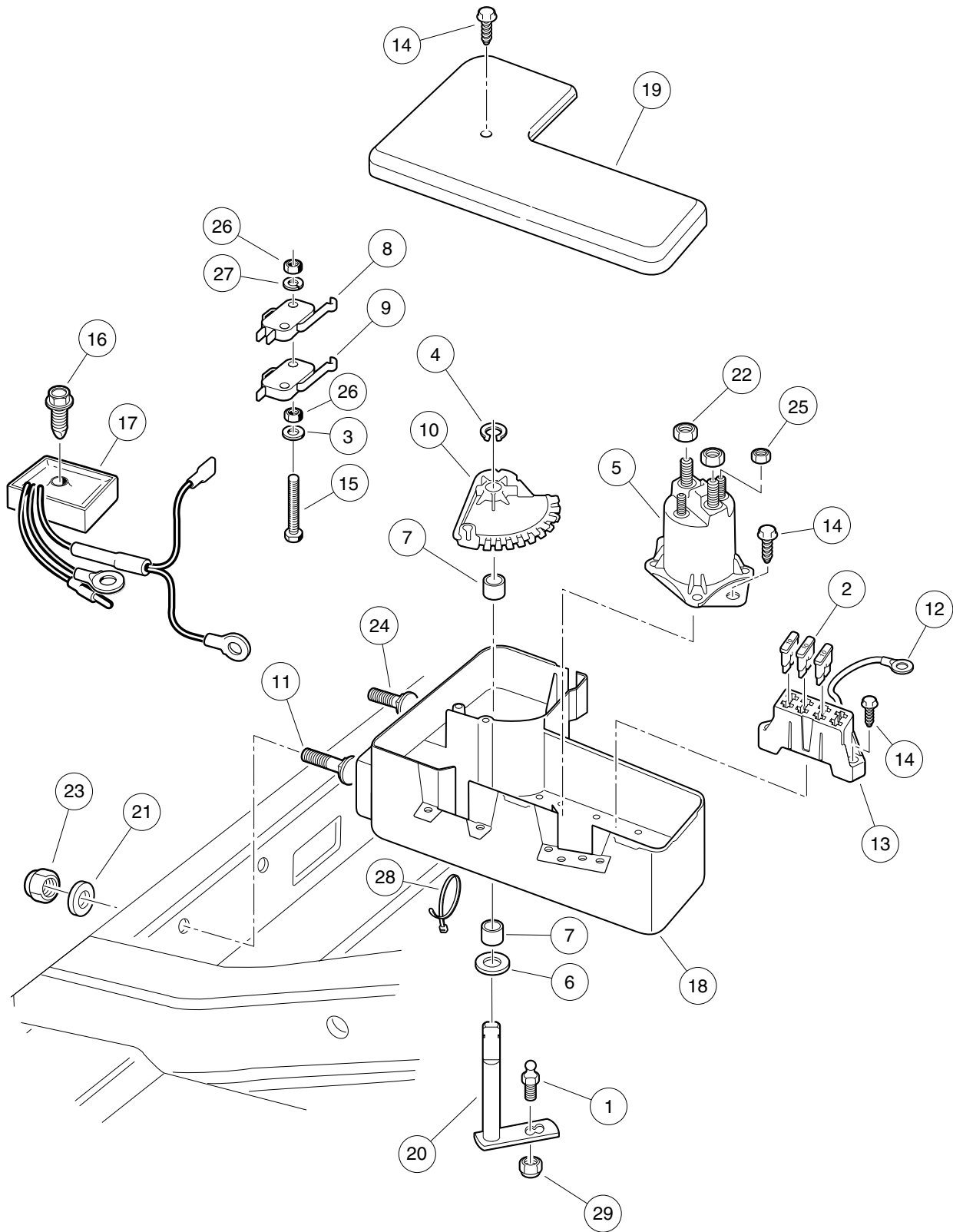
## ELECTRICAL COMPONENT BOX, KEY-START – EX40

ITEM	PART NO.	DESCRIPTION	QTY
		1 2 3 4	
1	1010954	Stud, Ball, 1/4-28 X 0.560 .....	1
2	1012295	Fuse, 10-Amp .....	3
3	1013589	Ring, Retaining, 0.338" Internal .....	1
4	1013609	Solenoid, 12-Volt .....	1
5	1014065	Washer, Flat, 0.38" ID, Delrin .....	1
6	1014145	Bushing, Secondary Weight, Split .....	2
7	1015373	Cam, Electric Box .....	1
8	1015405	Bolt, Carriage, 5/16-18 X 2.0 .....	1
9	1015737	Wire Assy, #10 Red .....	1
10	1015741	Fuse Block .....	1
11	1015752	Screw, #12-16 X 0.625, Hi-Lo .....	5
12	101856102	Screw, 1/4-15 X 1.50, Hi-lo, Hex .....	1
13	102711201	Voltage Regulator .....	1
14	105000301	Box, Component, Electrical .....	1
15	105000401	Cover, Box, Component, Elec .....	1
16	105037401	Weldment, Bellcrank, Comp Box .....	1
17	1241	Washer, 5/16 Type A Flat .....	2
18	1242	Nut, 5/16-18 Hex .....	2
19	7473	Locknut, 5/16-18 Nylon Insert .....	2
20	7818	Bolt, Carriage, 5/16-18 X 1.5 .....	1
21	7893	Nut, #10-32 Hex .....	2
22	8639	Tie Wrap, 11" Nylon .....	6
23	8717	Locknut, Nylon Insert, 1/4-28 .....	1

7

G

**7**  
**G**

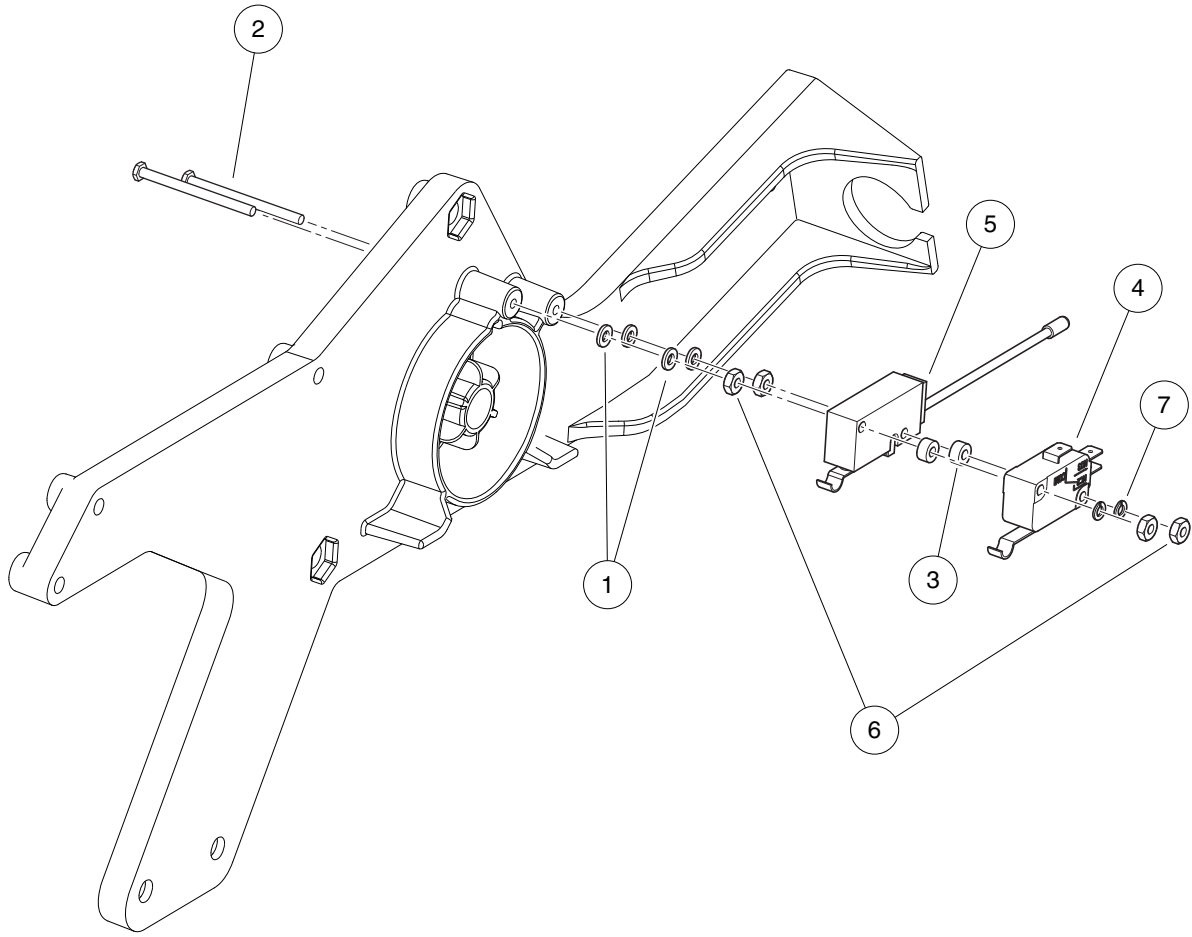


001014-001

# ELECTRICAL COMPONENT BOX, PEDAL-START – EX40

ITEM	PART NO.	DESCRIPTION	QTY
		1 2 3 4	
1	1010954	Stud, Ball, 1/4-28 X 0.560 .....	1
2	1012295	Fuse, 10-Amp .....	3
3	1012431	Washer, #4 Flat .....	2
4	1013589	Ring, Retaining, 0.338" Internal .....	1
5	1013609	Solenoid, 12-Volt .....	1
6	1014065	Washer, Flat, 0.38" ID, Delrin .....	1
7	1014145	Bushing, Secondary Weight, Split .....	2
8	1014807	Switch, Limit .....	1
9	1014808	Switch, Limit .....	1
10	1015373	Cam, Electric Box .....	1
11	1015405	Bolt, Carriage, 5/16-18 X 2.0 .....	1
12	1015737	Wire Assy, #10 Red .....	1
13	1015741	Fuse Block .....	1
14	1015752	Screw, #12-16 X 0.625, Hi-Lo .....	5
15	1015878	Screw, #4-40 Hex Head Machine .....	2
16	101856102	Screw, 1/4-15 X 1.50, Hi-lo, Hex .....	1
17	102711201	Voltage Regulator .....	1
18	105000301	Box, Component, Electrical .....	1
19	105000401	Cover, Box, Component, Elec .....	1
20	105037401	Weldment, Bellcrank, Comp Box .....	1
21	1241	Washer, 5/16 Type A Flat .....	2
22	1242	Nut, 5/16-18 Hex .....	2
23	7473	Locknut, 5/16-18 Nylon Insert .....	2
24	7818	Bolt, Carriage, 5/16-18 X 1.5 .....	1
25	7893	Nut, #10-32 Hex .....	2
26	8057	Nut, #4-40 Hex Machine .....	4
27	8058	Lockwasher, #4 Split .....	2
28	8639	Tie Wrap, 11" Nylon .....	6
29	8717	Locknut, Nylon Insert, 1/4-28 .....	1

**7**  
**G**



001013-002

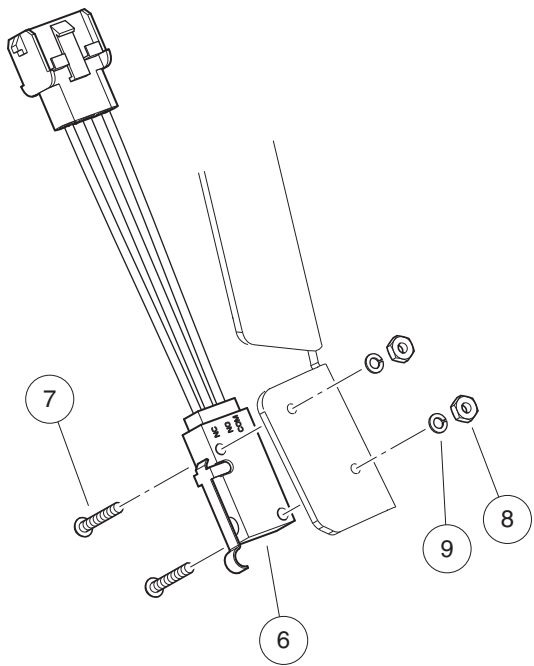
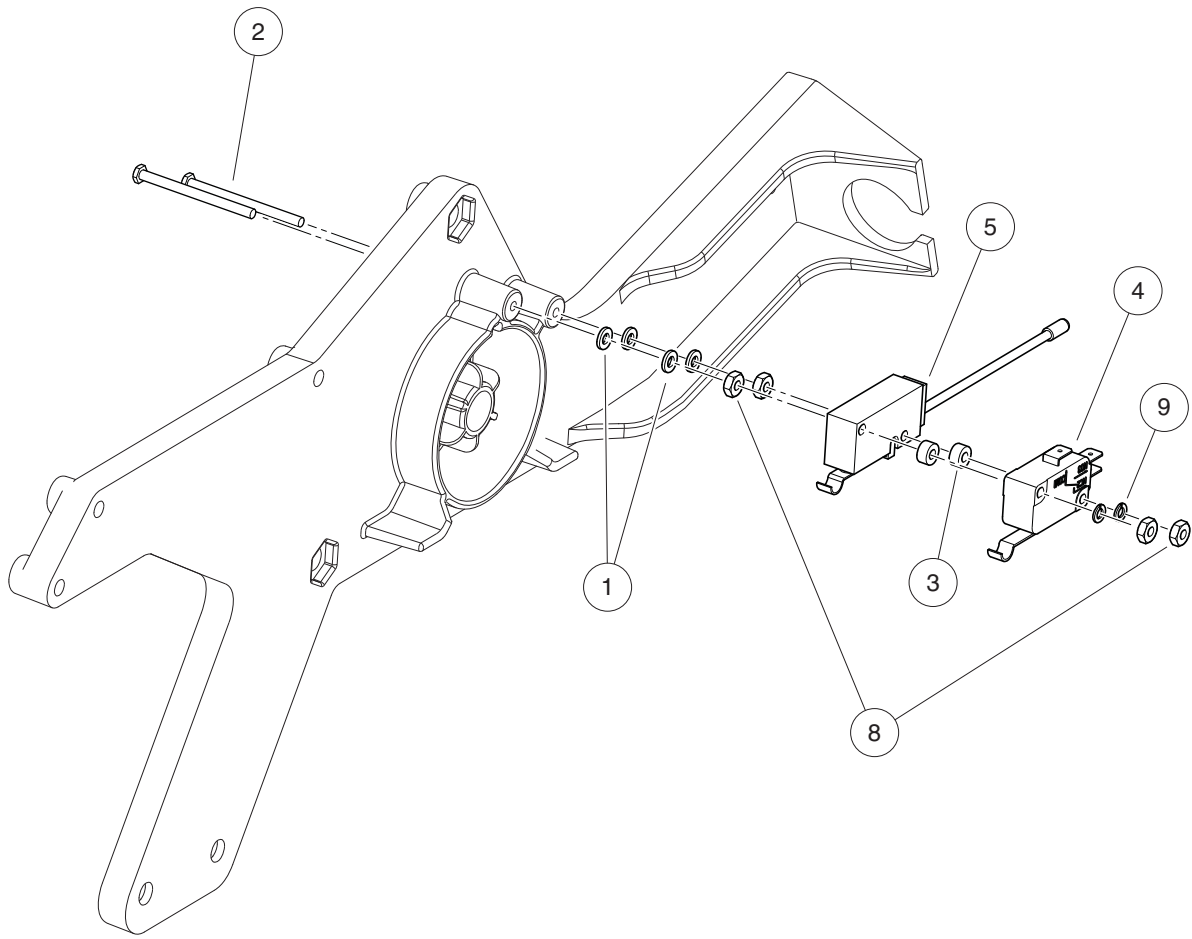


# FORWARD/REVERSE SHIFTER SWITCHES, KEY-START – EFI, CA100CE

ITEM	PART NO.	DESCRIPTION	QTY
		1 2 3 4	
1	1012431	Washer, #4 Flat .....	4
2	1012594	Screw, #4-40 Machine .....	2
3	1014727	Washer, Flat, #4, Nylon .....	2
4	1014807	Switch, Limit .....	1
5	101979101	Switch, Limit, Assembly, Sealed .....	1
6	8057	Nut, #4-40 Hex Machine .....	4
7	8058	Lockwasher, #4 Split .....	2

**7**  
**G**

**7**  
**G**

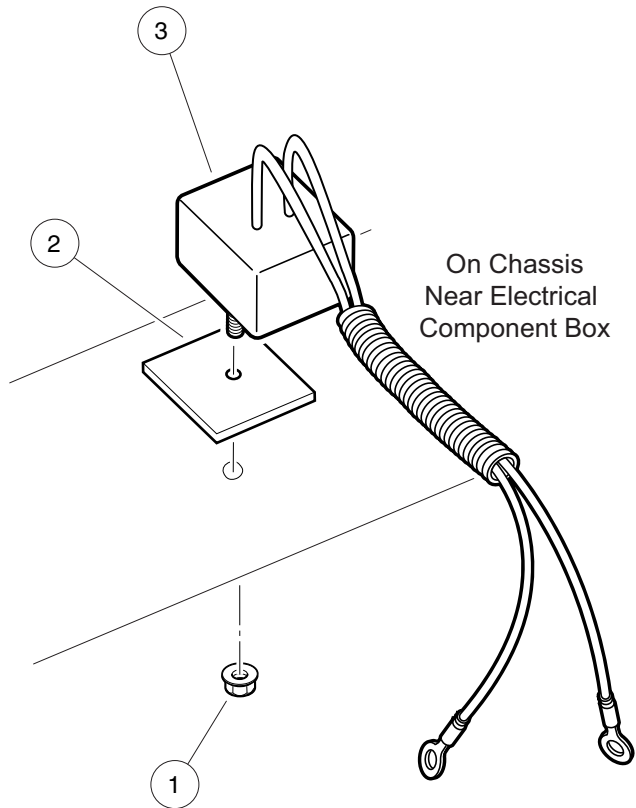


001013-001

# FORWARD/REVERSE SHIFTER SWITCHES, PEDAL-START – EFI, CA100

ITEM	PART NO.	DESCRIPTION	QTY
		1 2 3 4	
1	1012431	Washer, #4 Flat .....	4
2	1012594	Screw, #4-40 Machine .....	2
3	1014727	Washer, Flat, #4, Nylon .....	2
4	1014807	Switch, Limit .....	1
5	101979101	Switch, Limit, Assembly, Sealed .....	1
6	105102601	Switch, Limit, Sealed, with 3-Wire Lead .....	1
7	8056	Screw, #4-40 X 0.75 Round-Head Machine .....	2
8	8057	Nut, #4-40 Hex Machine .....	6
9	8058	Lockwasher, #4 Split .....	4

**7**  
**G**



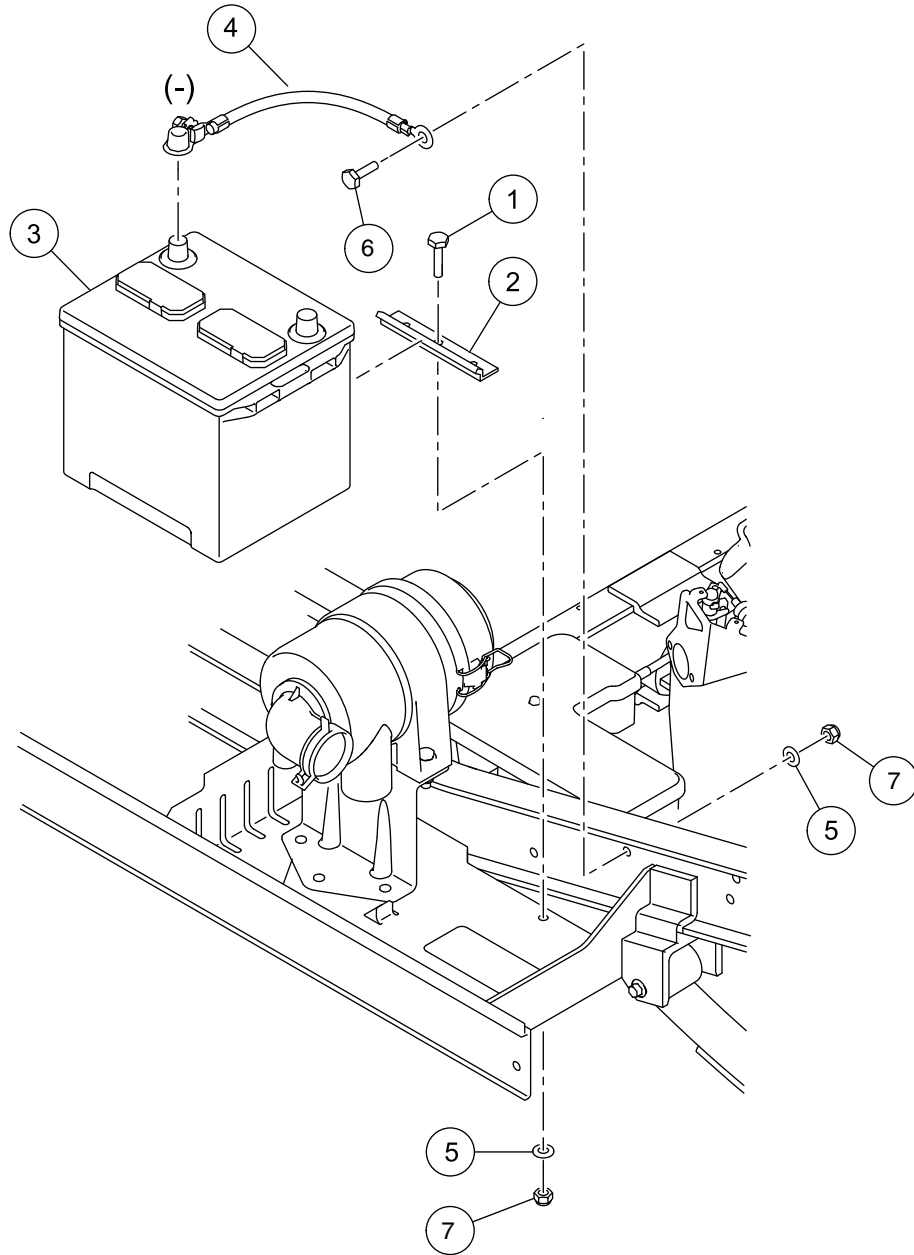
001015-001

# CHARGING DIODE, KEY-START – EFI

ITEM	PART NO.	DESCRIPTION	QTY
		1 2 3 4	
1	101963401	Locknut, 5/16-18 Hex Flange .....	1
2	102269701	Thermal Pad .....	1
3	105037201	Diode, Charging .....	1

7

G



000250-001

## TOP-POST BATTERY – GASOLINE UTILITY VEHICLES

ITEM	PART NO.	DESCRIPTION	QTY
		1 2 3 4	
1	1010934	Screw, 5/16-18 X 1.00 Hex Cap .....	1
2	101898001	Clamp, Battery .....	1
3	105237301	Battery, Start, 12v, Type 26 .....	1
4	105256701	Wire Assy, 4ga, Battery, (top-post) B-, Gas .....	1
5	1241	Washer, 5/16 Type A Flat .....	2
6	7173	Screw, 5/16-18 X 0.75, Hex-Head Cap .....	1
7	7473	Locknut, 5/16-18 Nylon Insert .....	2

7

G

7

G



# ENGINE (SUBARU EX40)

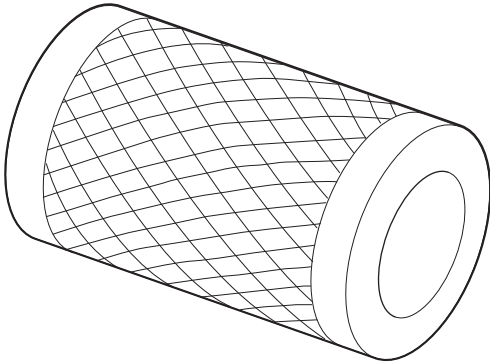
---

8

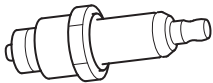
G

8

G



1



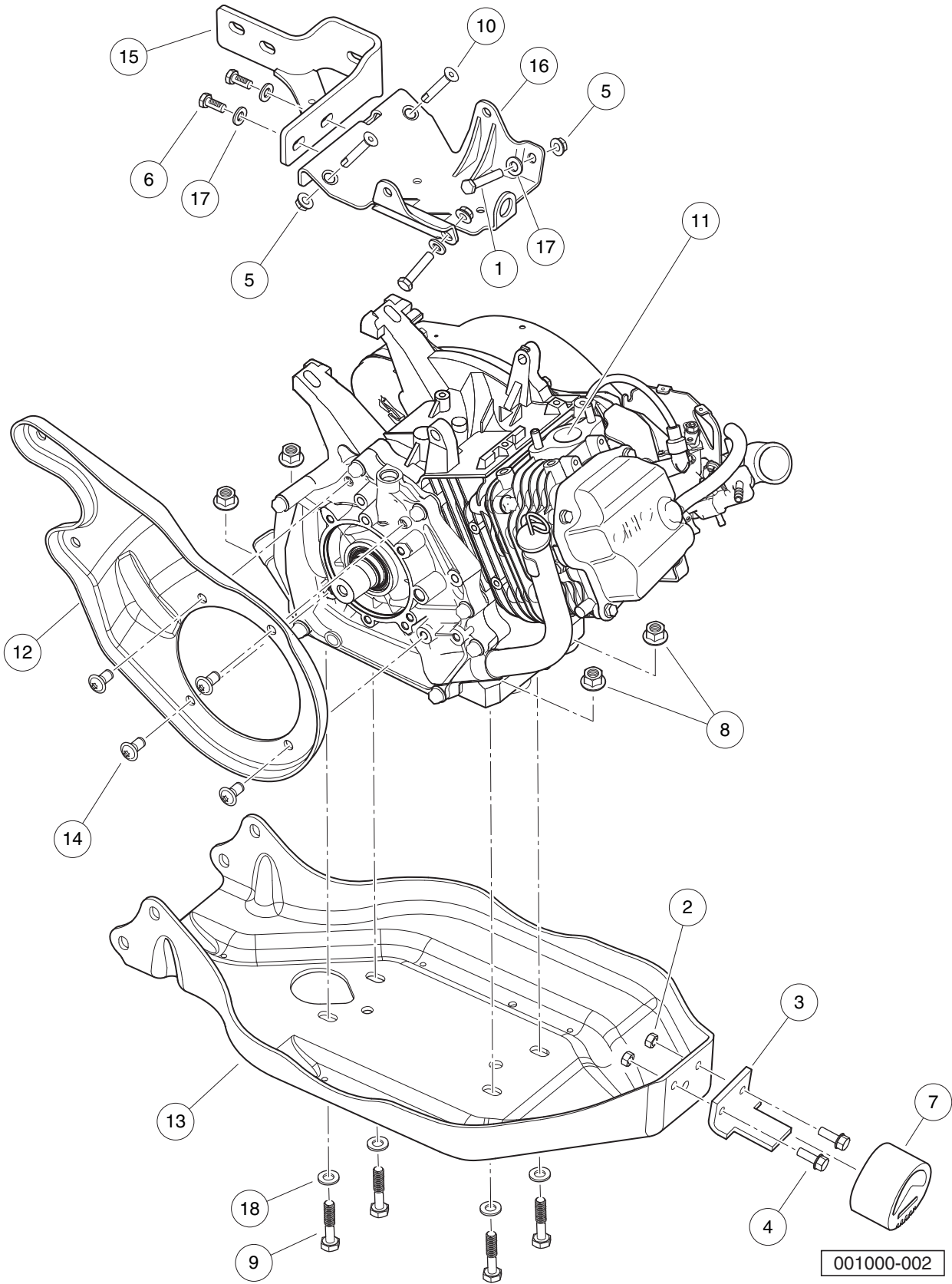
2

000992-003

## TUNE-UP PARTS – SUBARU EX40

ITEM	PART NO.	DESCRIPTION	QTY
1	102558201	1 2 3 4 Air Filter, 4 Inch .....	1
2	105017801	Spark Plug, Subaru EX40 .....	1

**8**  
**G**

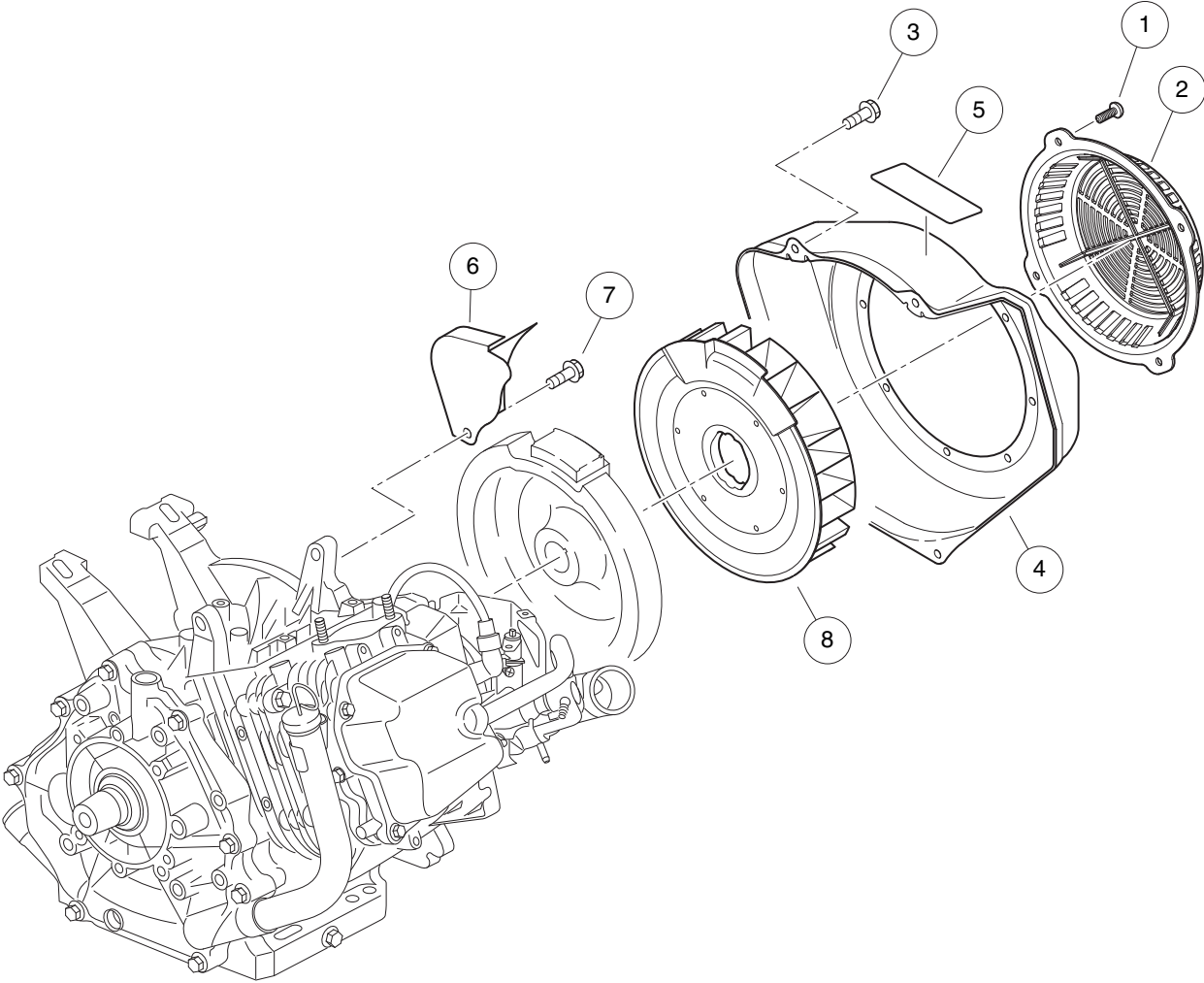


## ENGINE AND ENGINE MOUNTING, UTILITY – EX40

ITEM	PART NO.	DESCRIPTION	QTY
		1 2 3 4	
1	1010577	Bolt, Hex-Head, 5/16-18 X 1.50 .....	2
2	1013924	Nut, 5/16-24, Hex Head Cone .....	2
3	101834602	Bracket, Snubber, Tall .....	1
4	101884801	Screw, 5/16-24 X 0.875, Grade-8 .....	2
5	101963401	Locknut, 5/16-18 Hex Flange .....	4
6	102242101	Screw, 5/16-18 X 3/4 Hex-Head with Patch .....	2
7	102540301	Snubber, Inner Frame .....	1
8	102617201	Nut, Flanged, M10 X 1.5, Mechanically Deformed .....	4
9	102732401	Bolt, M10 X 45, Zn-Ni (Black) .....	4
10	103196202	5/16-18x1.75, Bolt, Loctite .....	2
11	103882801	Engine, Gas, Subaru EX40, EFI .....	1
12	103979401	Plate, Mounting, CVT, Center .....	1
13	103982201	Plate, Engine/Axle Mounting .....	1
14	103996201	Screw, 3/8-16 X .75, Btn Hd Cap .....	4
15	105134601	Bracket, Mounting, Transaxle/Exhaust, EX40 .....	1
16	105149301	Bracket, Mounting, Starter/Generator, EX40 .....	1
17	1241	Washer, 5/16 Type A Flat .....	4
18	96741046	Washer, M10, Hard .....	4

**8**

**G**



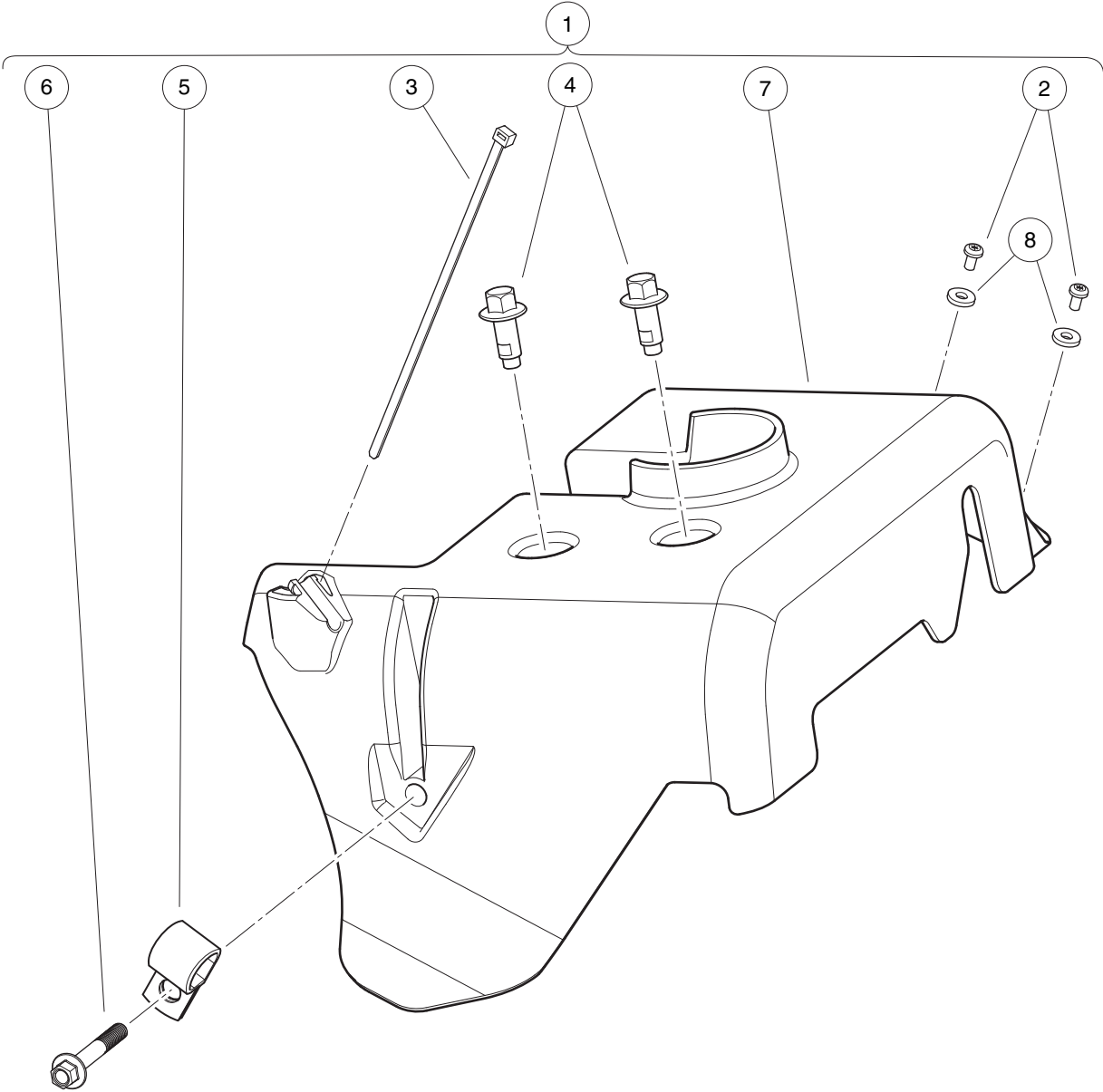
001001-001

## FAN AND SHROUD – EX40

ITEM	PART NO.	DESCRIPTION	QTY
		<b>1 2 3 4</b>	
1	1015969	Screw, M6-1.00 X 10mm, Pan Hd .....	4
2	103995901	Cover, Fan, EX40 .....	1
3	105012601	Bolt, Flange, M6x1.0x12, EX40 .....	4
4	105016701	Housing, Fan, EX40 .....	1
5	105016801	Label, Engine Warning, EX40 .....	1
6	105016901	Baffle, Crankcase, EX40 .....	1
7	105017001	Bolt, Baffle, M8x1.25x12 Ex40 .....	1
8	105017101	Fan, Cooling, EX40 .....	1

**8**  
**G**

**8**  
**G**



001002-001

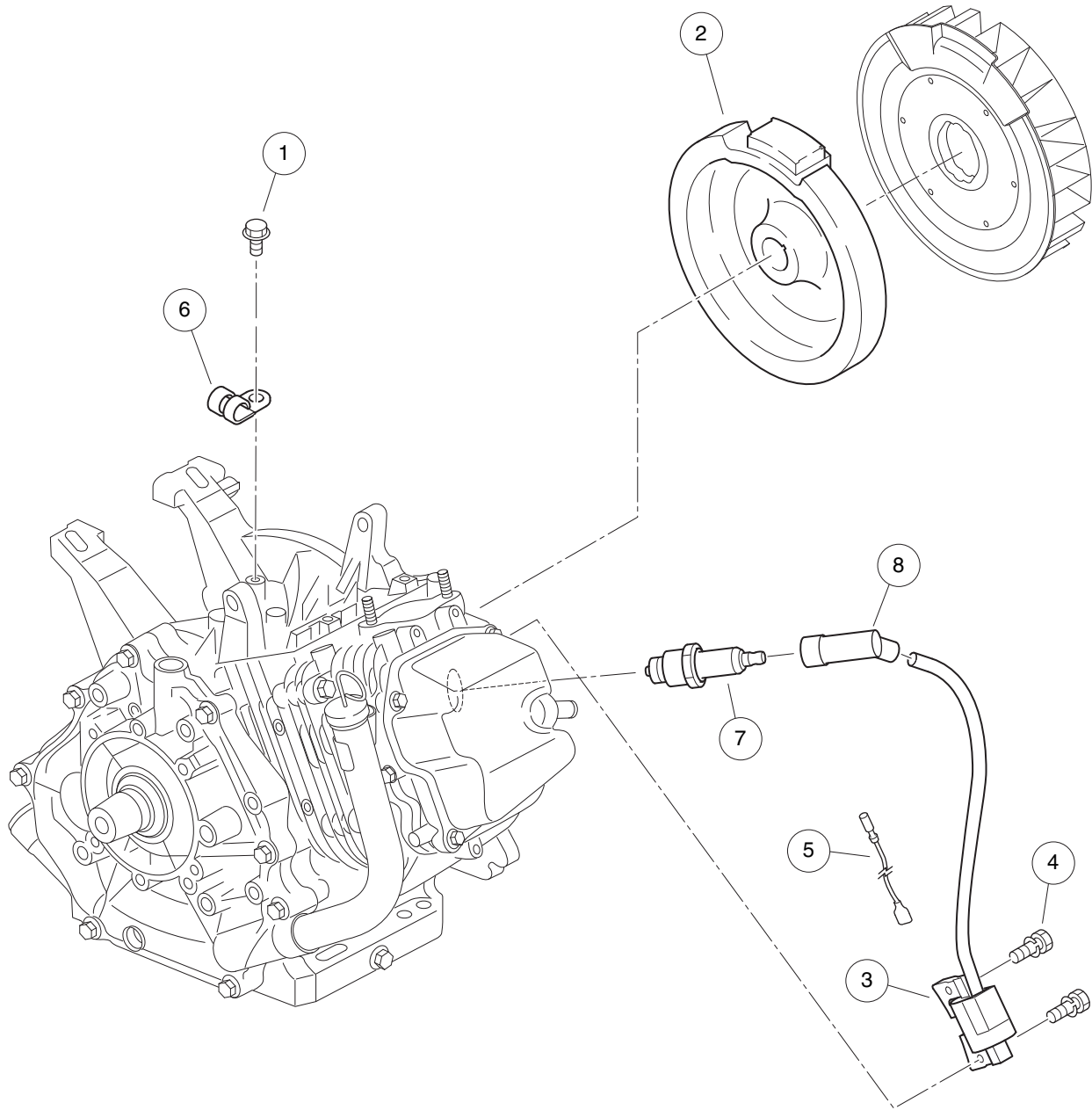


# AIR DEFLECTOR – EX40

ITEM	PART NO.	DESCRIPTION	QTY
		<b>1 2 3 4</b>	
1	105084801	Kit, Air Deflector, Subaru EX40 (includes items 2 through 8) .....	1
2	1016103	Screw, Pan Hd Tx, Taptite 6-32 .....	2
3	101824101	Tie Wrap, Black .....	1
4	102298116	Bolt, Flanged Head, M8 X 16.0 .....	2
5	102410604	P-clamp, Insulated, 0.625 Inch .....	1
6	102541402	Bolt, M6x1.0x40, Hex Flange Head, Blk-l .....	1
7	105075301	Deflector, Air, Subaru EX40 .....	1
8	7591	Washer, #6, Flat .....	2

**8**

**G**



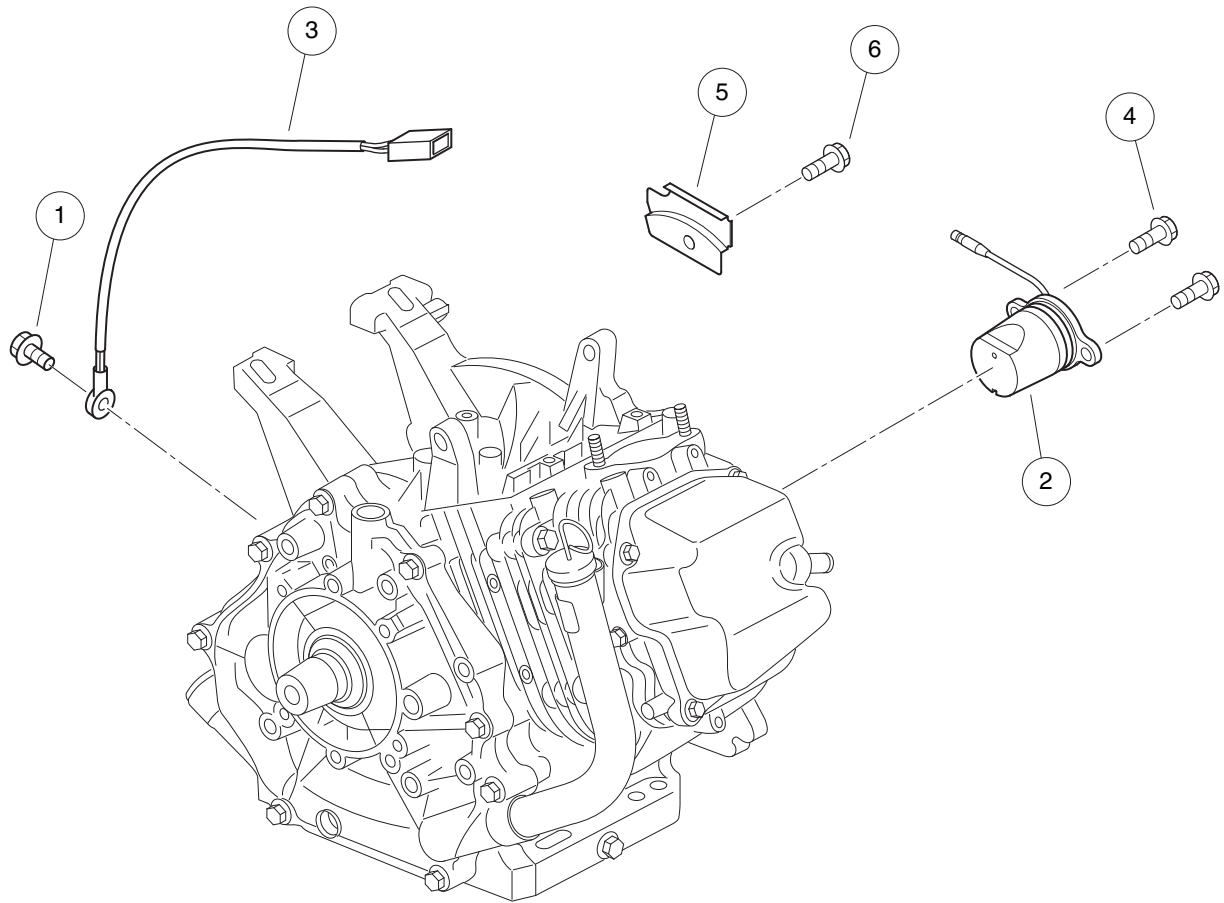
001003-001

## IGNITION COMPONENTS AND FLYWHEEL – EX40

ITEM	PART NO.	DESCRIPTION	QTY
		1 2 3 4	
1	105016001	Bolt, Flange, M6x1.0x8, EX40 .....	1
2	105017301	Flywheel, EX40 .....	1
3	105017401	Coil, Ignition, CDI, EX40 .....	1
4	105017501	Asm, Bolt-Washer, Coil, EX40 .....	2
5	105017601	Asm, Wire, Coil Control, EX40 .....	1
6	105017701	Clamp, Coil Control Wire, EX40 .....	1
7	105017801	Spark Plug, Subaru EX40 .....	1
8	105017901	Cap, Spark Plug, EX40 .....	1

**8**

**G**



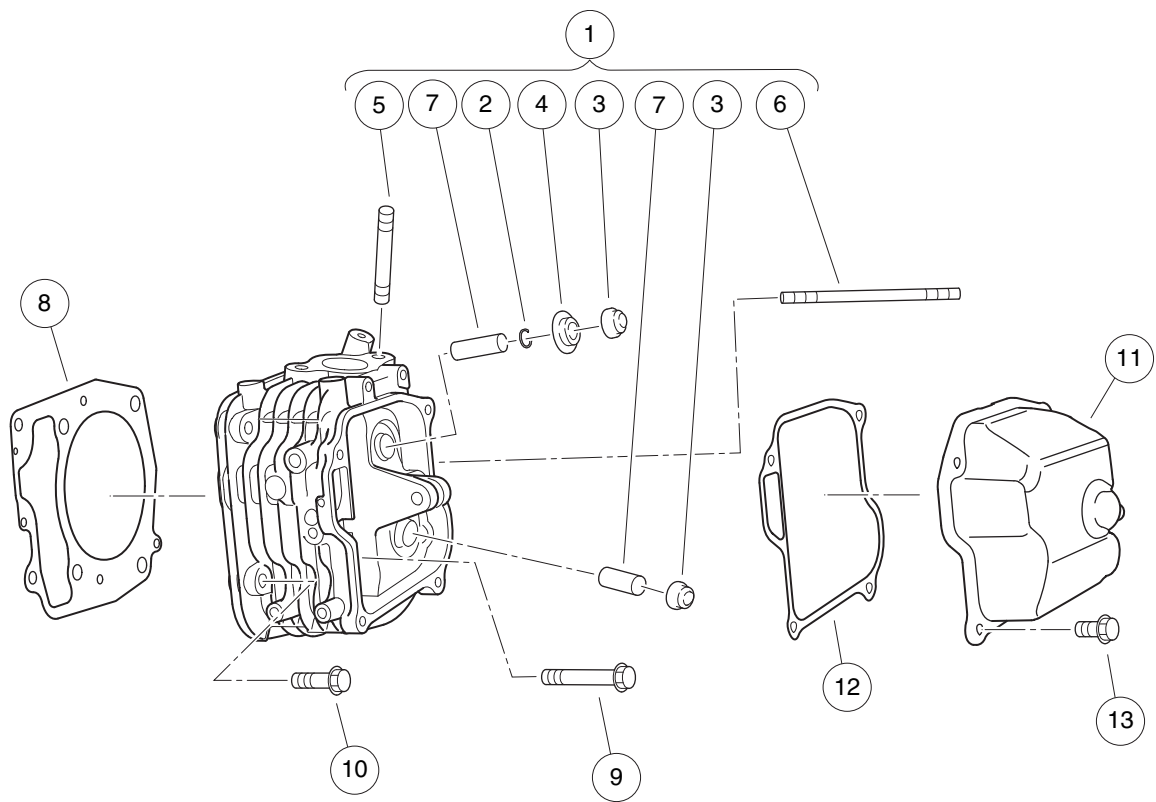
001004-001

# SENSORS – EX40

ITEM	PART NO.	DESCRIPTION	QTY
		1 2 3 4	
1	105012601	Bolt, Flange, M6x1.0x12, EX40 .....	1
2	105018001	Sensor, Oil Level, EX40 .....	1
3	105018101	Sensor, Temperature, EX40 .....	1
4	105018201	Bolt, Oil Sensor, M6x1.0x14, EX40 .....	2
5	105018301	Clamp, Oil Sensor Wire, EX40 .....	1
6	105018401	Bolt, Tap, Oil Wire Clamp, EX40 .....	1

8

G



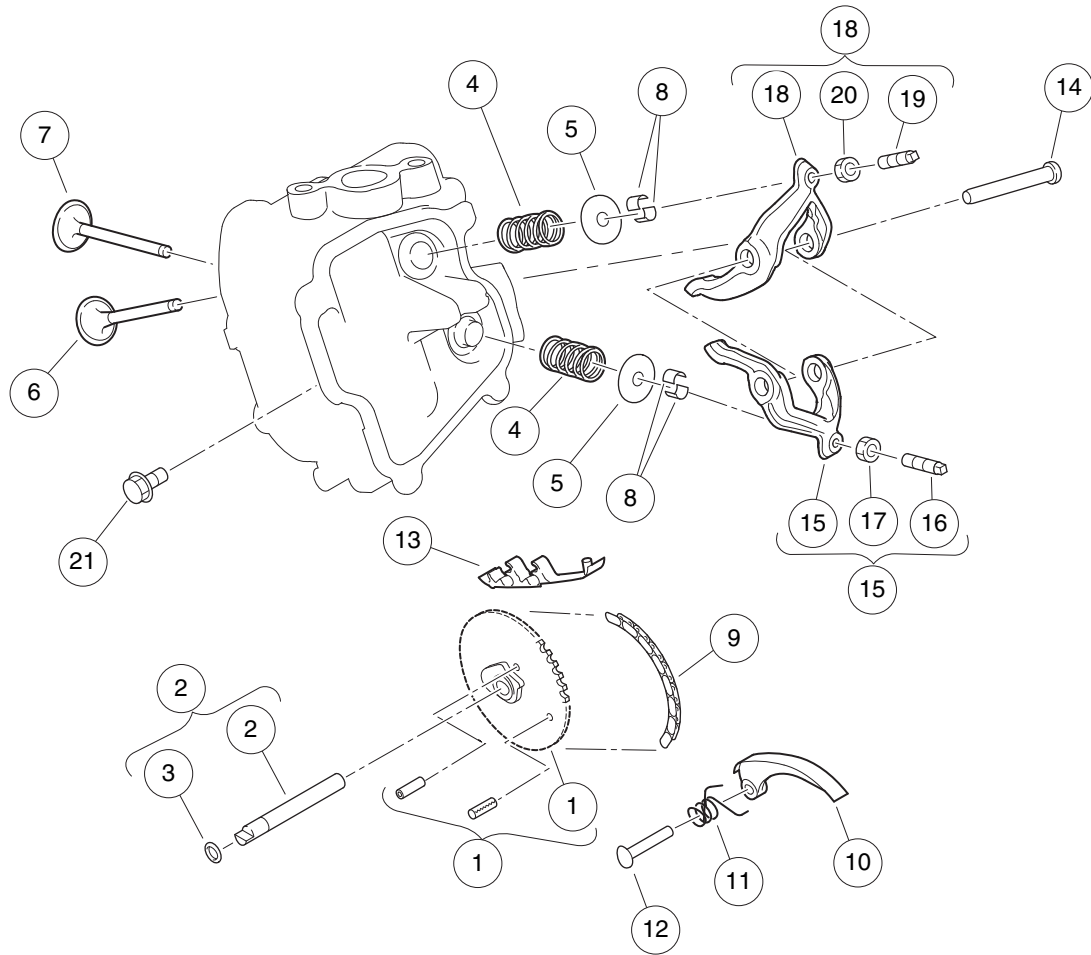
001005-001

# CYLINDER HEAD – EX40

ITEM	PART NO.	DESCRIPTION	QTY
		1 2 3 4	
1	105011901	Asm, Cylinder Head, EX40 (includes items 2 through 7) .....	1
2	105010101	Clip, Retainer Plate, EX40 .....	1
3	105010201	Seal, Valve, EX40 .....	2
4	105010301	Plate, Retainer, EX40 .....	1
5	105010801	Stud, Mounting, Exhaust, EX40 .....	2
6	105010901	Stud, Mounting, Intake, EX40 .....	2
7	105018501	Guide, Valve, EX40 .....	2
8	105012001	Gasket, Head, EX40 .....	1
9	105012101	Bolt, Head, M10x1.25x75, EX40 .....	4
10	105012201	Bolt, Head, M8x1.25x35, EX40 .....	2
11	105012301	Cover, Rocker, EX40 .....	1
12	105012401	Gasket, Rocker Cover, EX40 .....	1
13	105012601	Bolt, Flange, M6x1.0x12, EX40 .....	4

8

G



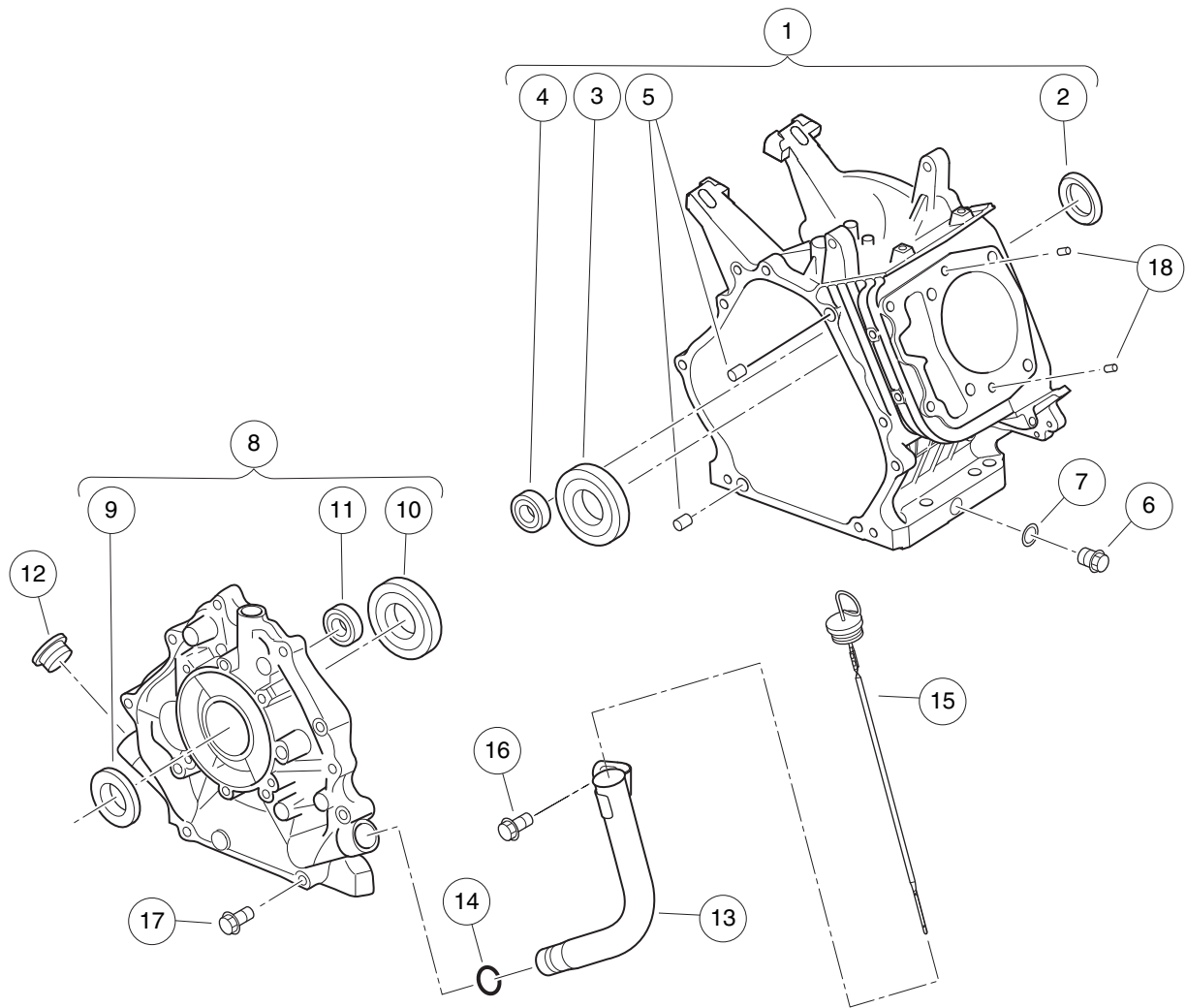
001006-001



## VALVETRAIN AND TIMING CHAIN – EX40

ITEM	PART NO.	DESCRIPTION	QTY
		1 2 3 4	
1	105014201	Asm, Cam/Chain Sprocket, EX40 .....	1
2	105014301	Asm, Camshaft and O-ring, EX40 (includes item 3) .....	1
3	105014401	O-ring, Camshaft, EX40 .....	1
4	105014501	Spring, Valve, EX40 .....	2
5	105014601	Retainer, Spring, EX40 .....	2
6	105014701	Valve, Intake, EX40 .....	1
7	105014801	Valve, Exhaust, EX40 .....	1
8	105014901	Collet, Valve, EX40 .....	4
9	105015001	Chain, Timing, EX40 .....	1
10	105015101	Tensioner, Chain, EX40 .....	1
11	105015201	Spring, Tension, EX40 .....	1
12	105015301	Pin, Tensioner, EX40 .....	1
13	105015401	Guide, Chain, EX40 .....	1
14	105015501	Shaft, Rocker, EX40 .....	1
15	105015601	Asm, Rocker Arm, Intake, EX40 (includes items 16 and 17) .....	1
16	105015801	Screw, Adjust, Valve, EX40 .....	1
17	105015901	Nut, Adjust, Valve, EX40 .....	1
18	105015701	Asm, Rocker Arm, Exhaust, EX40 (includes items 19 and 20) .....	1
19	105015801	Screw, Adjust, Valve, EX40 .....	1
20	105015901	Nut, Adjust, Valve, EX40 .....	1
21	105016001	Bolt, Flange, M6x1.0x8, EX40 .....	1

**8**  
**G**



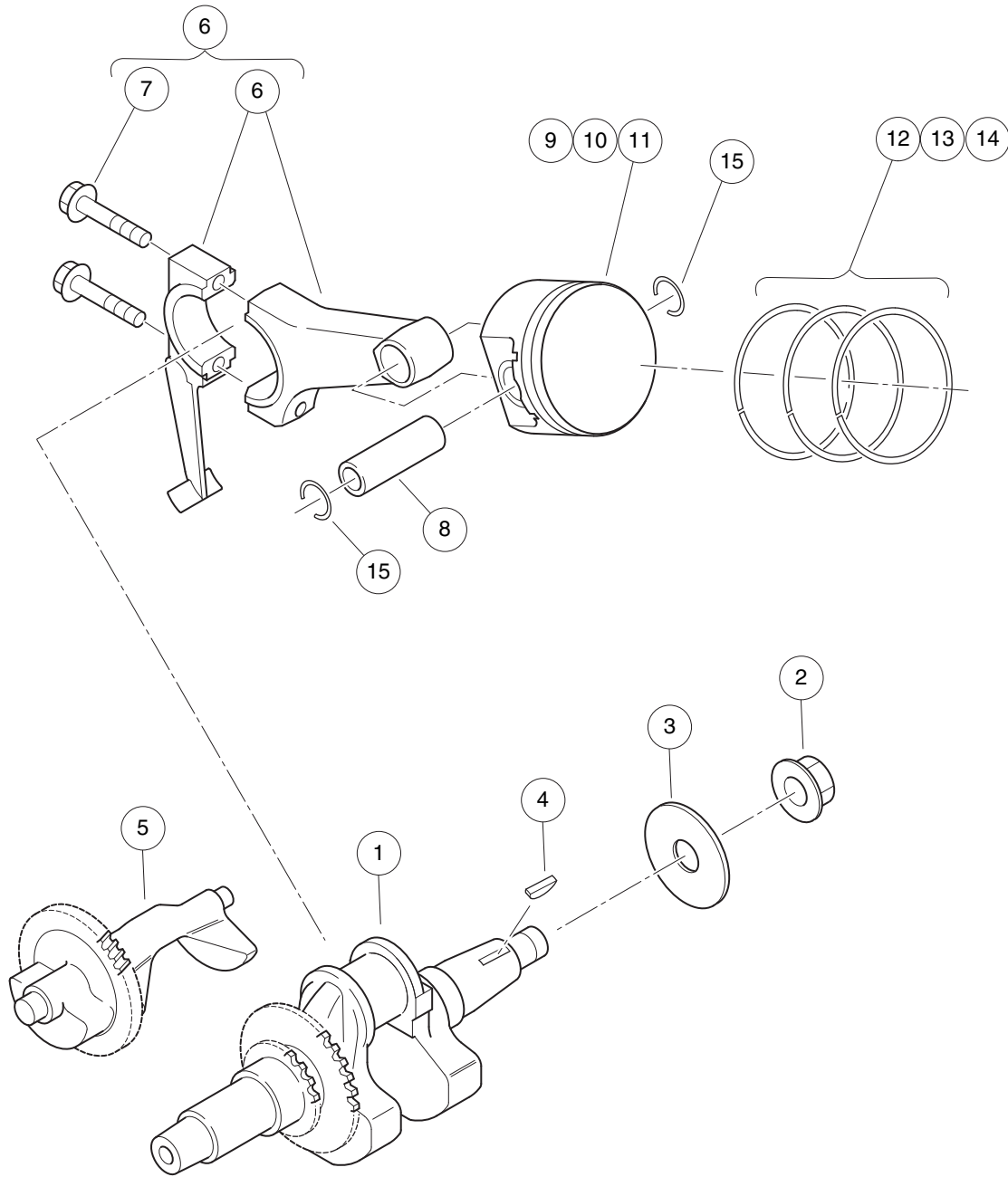
001007-001

## CRANKCASE – EX40

ITEM	PART NO.	DESCRIPTION	QTY
		1 2 3 4	
1	105010001	Crankcase, EX40 (includes items 2 through 5) .....	1
2	105010401	Seal, Oil, Crankshaft, EX40 .....	1
3	105010501	Bearing, Crankshaft, EX40 .....	1
4	105010601	Bearing, Balance Shaft, EX40 .....	1
5	105010701	Pin, Guide, Crankcase, EX40 .....	2
6	105011001	Plug, Oil Drain, EX40 .....	2
7	105011101	Gasket, Oil Drain Plug, EX40 .....	2
8	105011201	Asm, Cover, Crankcase, EX40 (includes items 9 through 11) .....	1
9	105010401	Seal, Oil, Crankshaft, EX40 .....	1
10	105010501	Bearing, Crankshaft, EX40 .....	1
11	105010601	Bearing, Balance Shaft, EX40 .....	1
12	105011301	Plug, Rubber, Crankcase, EX40 .....	1
13	105011401	Tube, Oil Filler, EX40 .....	1
14	105011501	O-ring, Oil Filler Tube, EX40 .....	1
15	105011601	Dipstick, EX40 .....	1
16	105011701	Bolt, Filler Tube, M8x1.25x12, EX40 .....	1
17	105011801	Bolt, Case Cover, M8x1.25x38, EX40 .....	8
18	105012501	Pin, Guide, Head, EX40 .....	2

**8**

**G**



001008-001

## CRANKSHAFT AND PISTON – EX40

ITEM	PART NO.	DESCRIPTION	QTY
		1 2 3 4	
1	105012701	Crankshaft, EX40 .....	1
2	105012801	Nut, Crankshaft M18x1.5 Ex40 .....	1
3	105012901	Washer, Crankshaft Ex40 .....	1
4	105013001	Key, Woodruff, Crankshaft, EX40 .....	1
5	105013101	Shaft, Balance, EX40 .....	1
6	105013201	Asm, Rod, Connecting, EX40 (includes item 7) .....	1
7	105013301	Bolt, Rod M8x1.25x40 Ex40 .....	2
8	105013401	Pin, Piston, EX40 .....	1
9	105013501	Piston, Standard, EX40 .....	1
10	105013601	Piston, 0.25 mm Oversize, EX40 .....	1
11	105013701	Piston, 0.50 mm Oversize, EX40 .....	1
12	105013801	Set, Piston Ring, Standard, EX40 .....	1
13	105013901	Set, Piston Ring, 0.25 mm Oversize, EX40 .....	1
14	105014001	Set, Piston Ring, 0.50 mm Oversize, EX40 .....	1
15	105014101	Clip, Piston Pin, EX40 .....	2

**8**

**G**

8

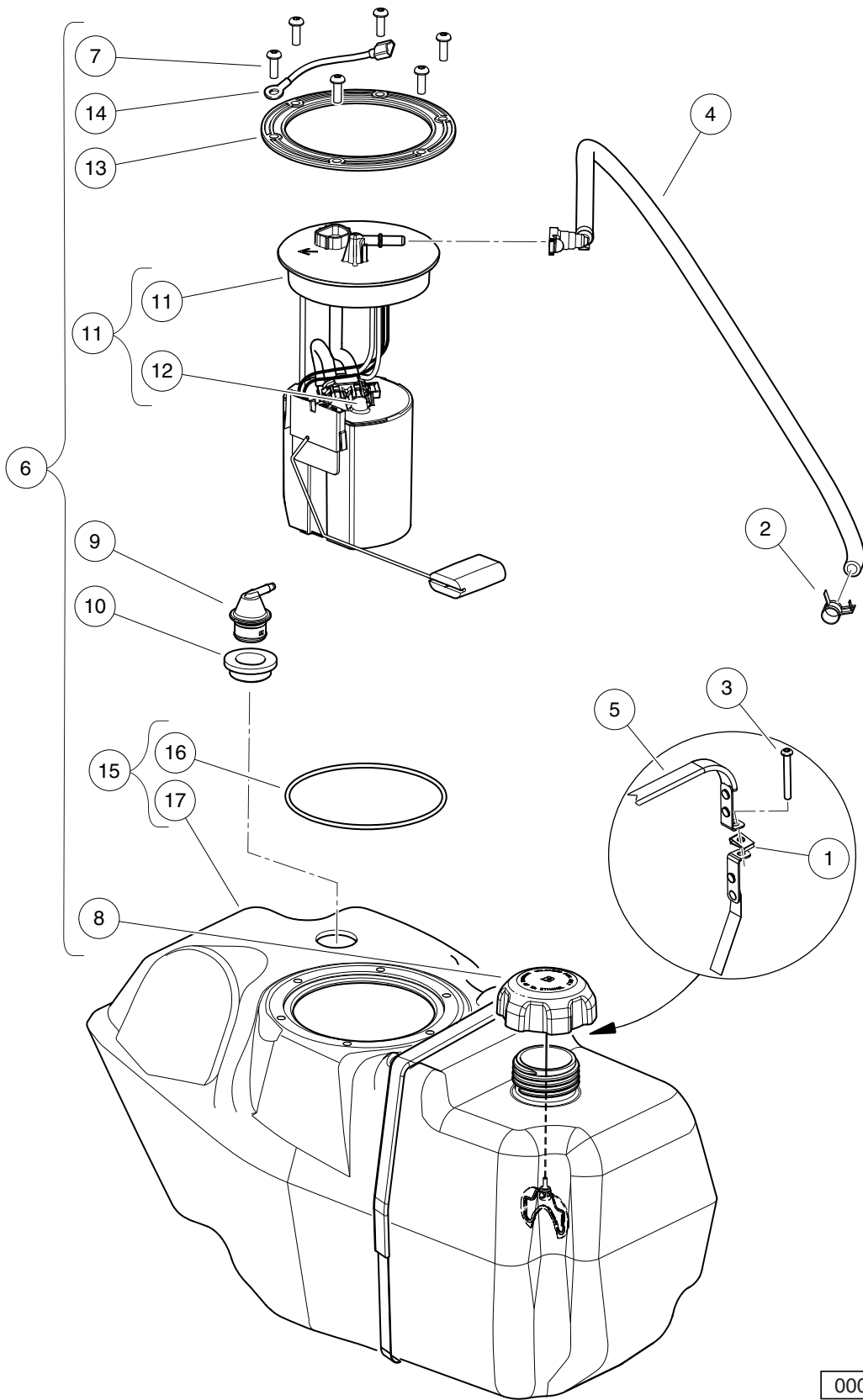
G

# FUEL SYSTEM – EFI

---

9

G



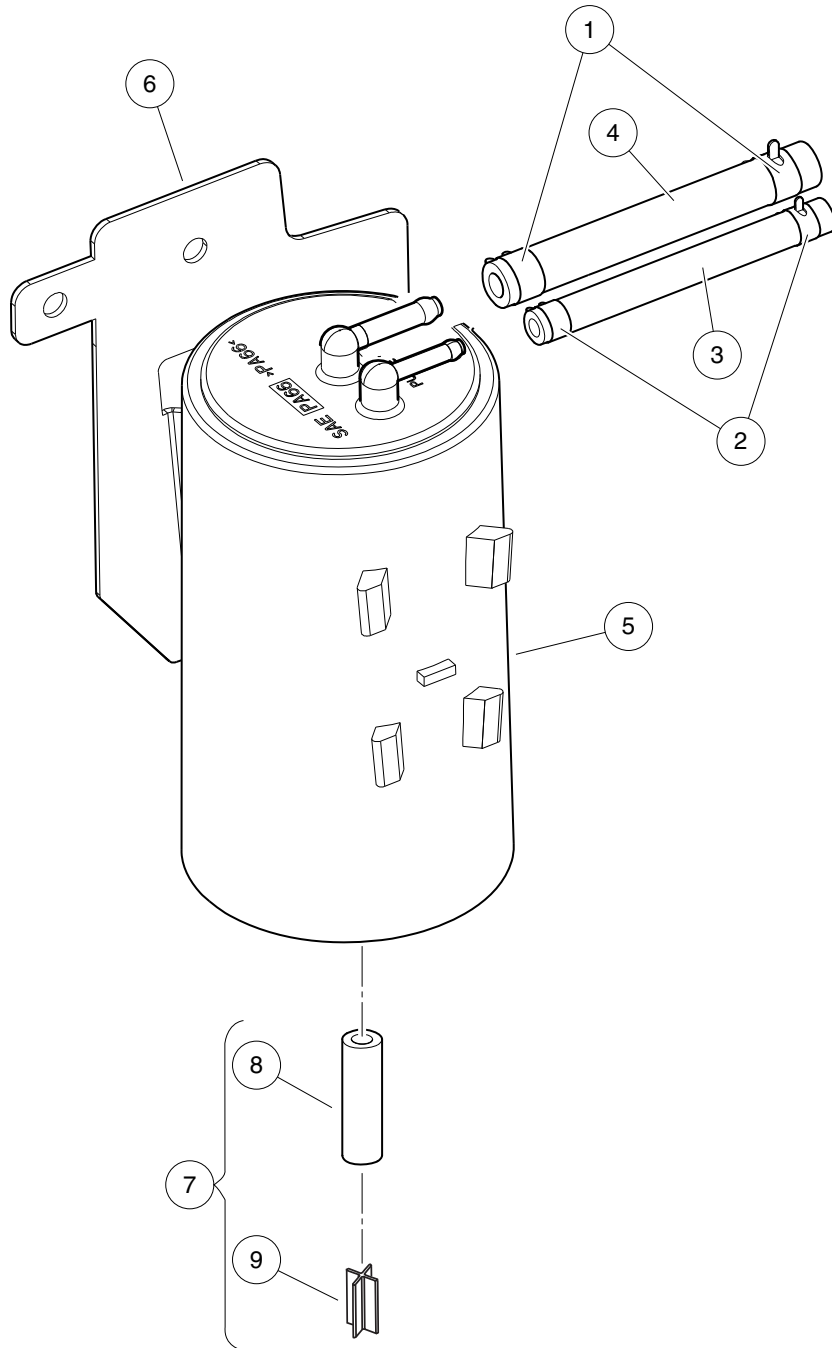
000975-002



## FUEL SYSTEM WITH SENDING UNIT, TOP FILL – EFI

ITEM	PART NO.	DESCRIPTION	QTY
		<b>1 2 3 4</b>	
1	1014116	Nut, 1/4-20 Speed .....	1
2	102411203	Clamp, Hose, Ctb 14mm Dia. ....	1
3	103306301	Screw, Bhsc, 1/4-20 X 2.0 .....	1
4	105043501	Asm, Fuel Line, Utility .....	1
5	105093601	Retention Strap, Tank .....	1
6	105215401	Asm, Tank, Fuel, Top, Complete, w/Sending Unit (includes items 7 through 10) .....	1
7	103372101	Cap, Fuel Tank, Gas, Ratchet .....	1
8	103905201	Assembly, Vent, Fuel, 1/4 Inch O.D. ....	1
9	103944301	Grommet, Fuel Tank, Vent .....	1
10	105143301	Wire, Ground, Fuel Tank .....	1

**9**  
**G**



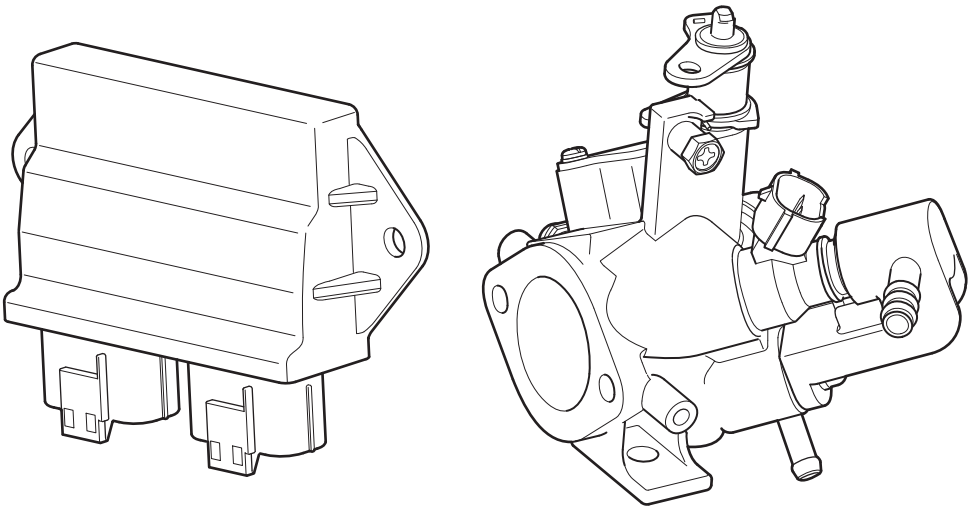
000980-005

## CARBON CANISTER – EFI, CARRYALL 100

ITEM	PART NO.	DESCRIPTION	QTY
		<b>1 2 3 4</b>	
1	1012649	Clamp, 0.460 Red Hose .....	2
2	1013746	Clamp, 0.301 ID Hose .....	2
3	1015137	Fuel Line, 3/16 (available by the foot) .....	1
4	102865101	Fuel Line, 1/4 (available by the foot) .....	1
5	103372401	Canister, Carbon .....	1
6	103452001	Brkt, Mtg, Carbon Canister .....	1
7	103756401	Asm, Vent Line, Carbon Canister (includes items 8 and 9) .....	1
8	N/A	Hose, Vent, 5/16 I.D., Bulk .....	1
9	N/A	Vent, Barb, 5/16 I.D. Hose .....	1

**9**  
**G**

1

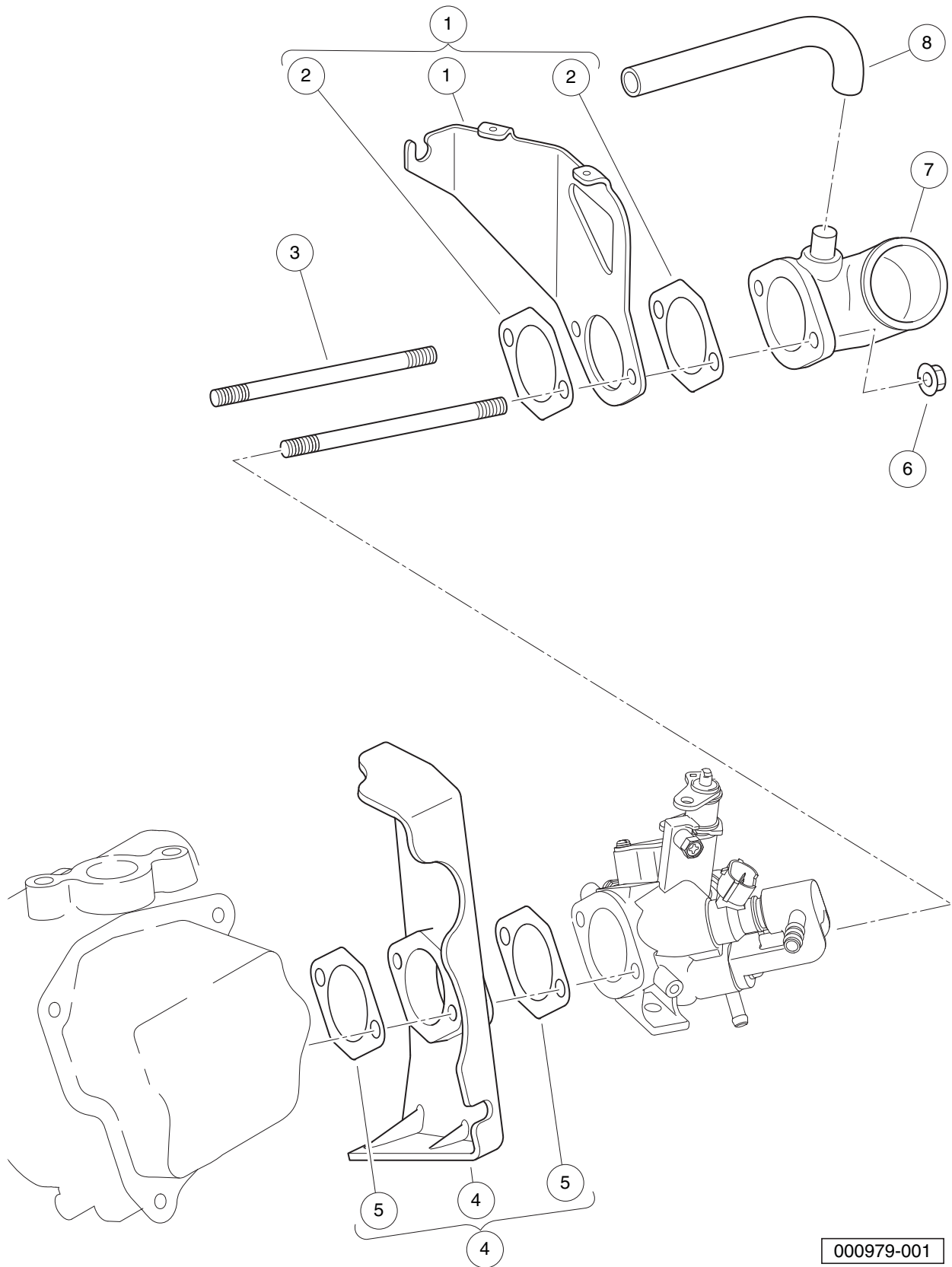


000964-001

# THROTTLE BODY AND ECU – EFI

ITEM	PART NO.	DESCRIPTION	QTY
1	105017201	1 2 3 4 Asm, Throttle Body/Fuel Injector with ECU, EX40 .....	1

**9**  
**G**



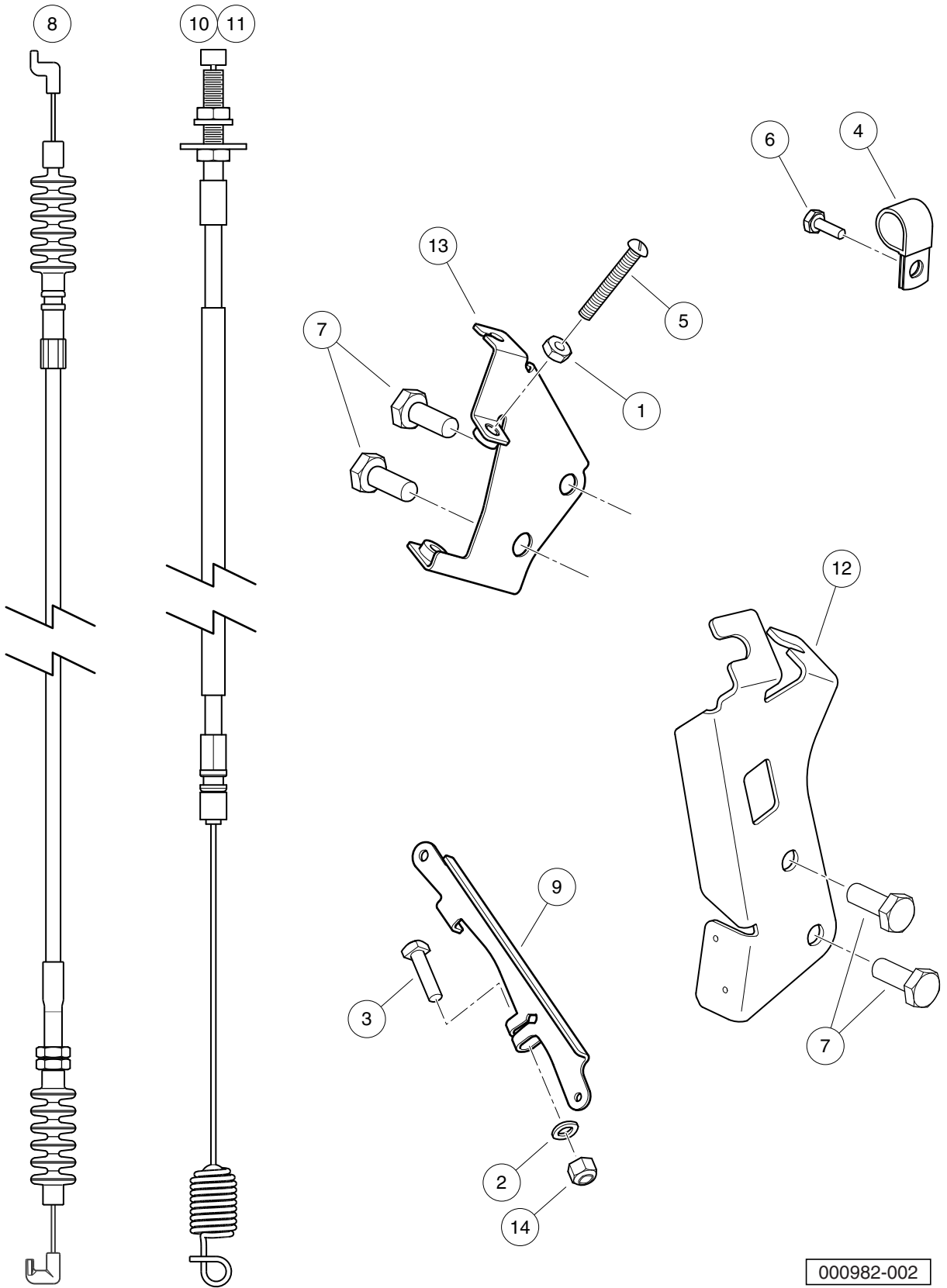
000979-001

## THROTTLE BODY MOUNTING – EFI

ITEM	PART NO.	DESCRIPTION	QTY
		<b>1 2 3 4</b>	
1	103983501	Bracket, Operation, EX40 (includes item 2) .....	1
2	105016201	Gasket, Insulator, EX40 .....	2
3	105010901	Stud, Mounting, Intake, EX40 .....	2
4	105016101	Insulator, EX40 (includes item 5) .....	1
5	105016201	Gasket, Insulator, EX40 .....	2
6	105016301	Nut, Intake Adapter, M6x1.0, EX40 .....	2
7	105016401	Adapter, Air Intake, EX40 .....	1
8	105016501	Hose, Breather, EX40 .....	1

**9**

**G**



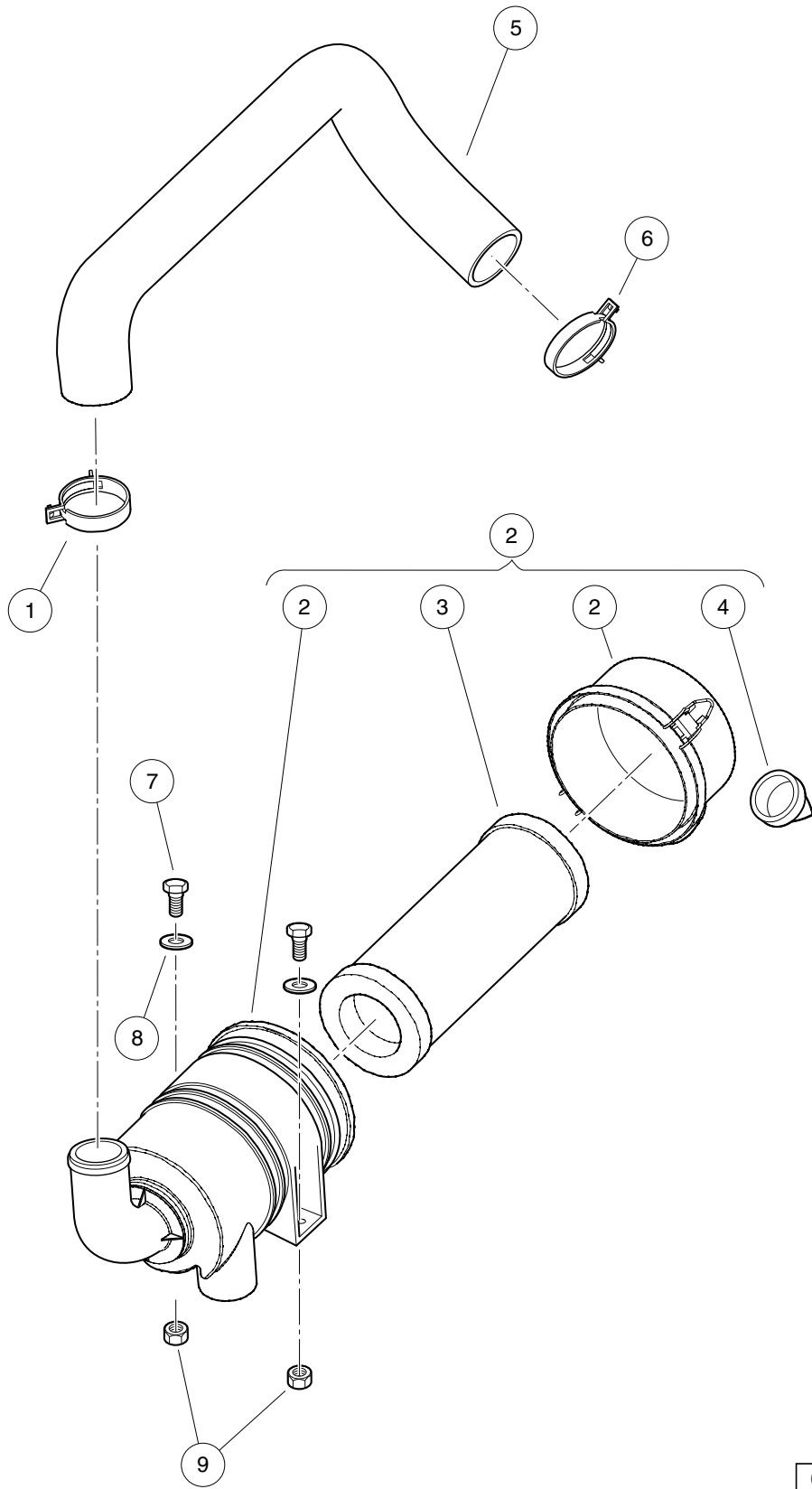
000982-002



## GOVERNOR AND ACCELERATOR CABLES – EFI

ITEM	PART NO.	DESCRIPTION	QTY
		1 2 3 4	
1	1011114	Nut, M6-1.00 Hex .....	1
2	1014007	Washer, 1/4, Flat .....	1
3	101886101	Screw, 1/4-20 X 1.00, Square-Head .....	1
4	102410604	P-clamp, Insulated, 0.625 Inch .....	1
5	102476401	Bolt, Stop, Pedal .....	1
6	102490301	Bolt, M6 X 1 X 16, Loctite .....	1
7	102498201	Bolt, M10 X 1.25 X 25, Loctite .....	4
8	103978001	Cable, Governor, EX40 .....	1
9	104023501	Arm, Governor, ED65 .....	1
10	105007402	Cable, Accelerator, Utility, Low-Speed .....	1
11	105007403	Cable, Accelerator, Utility, Std-Speed .....	1
12	105135101	Bracket, Cable, FNR/Accelerator, ED65 .....	1
13	105144401	Weldment, Governor Bracket .....	1
14	8233	Locknut, 1/4-20, Nylon Insert .....	1

9  
G



000983-001

## AIR FILTER SYSTEM AND INTAKE HOSE – EFI

ITEM	PART NO.	DESCRIPTION	QTY
		<b>1 2 3 4</b>	
1	102411209	Clamp, Hose, Ctb 55mm Dia. ....	1
2	105009101	Air Cleaner, Utility with EFI (includes items 3 and 4) ....	1
3	102558201	Air Filter, 4 Inch ....	1
4	102725501	Valve, Evacuator, Filter Air ....	1
5	105043001	Hose, Air Intake, Utility with EFI ....	1
6	105088501	Clamp, Ctb, 49mm Dia, W/clip ....	1
7	1218	Screw, 5/16-18 X 1.25 Hex-Head Cap ....	2
8	1241	Washer, 5/16 Type A Flat ....	2
9	7473	Locknut, 5/16-18 Nylon Insert ....	2

**9**  
**G**

9

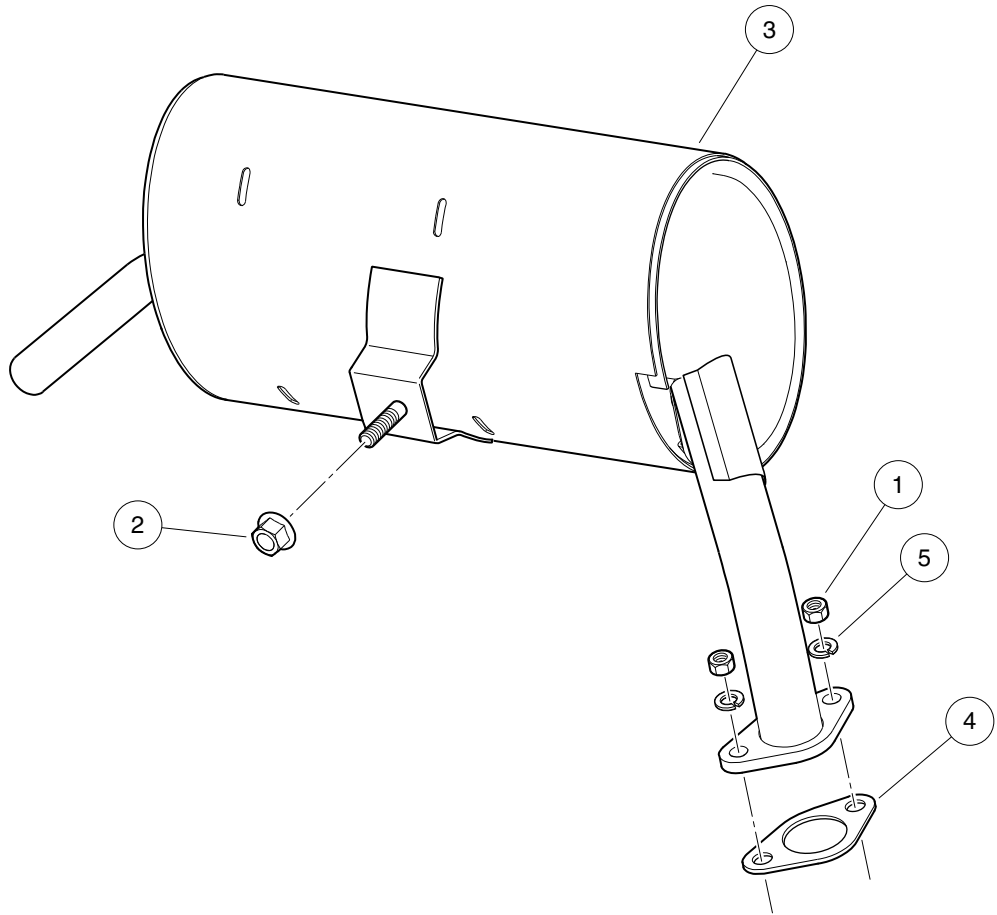
G

# EXHAUST SYSTEM – EX40 ENGINE

---

10

G



000948-001

## EXHAUST SYSTEM – UTILITY

ITEM	PART NO.	DESCRIPTION	QTY
		<b>1 2 3 4</b>	
1	1012528	Nut, M8-1.25 Hex .....	2
2	102617201	Nut, Flanged, M10 X 1.5, Mechanically Deformed .....	1
3	103980001	Exhaust System, EX40 .....	1
4	103993601	Gasket, Exhaust, EX40 .....	1
5	7174	Lockwasher, 5/16 Split .....	2

**10**  
**G**

**10**

**G**

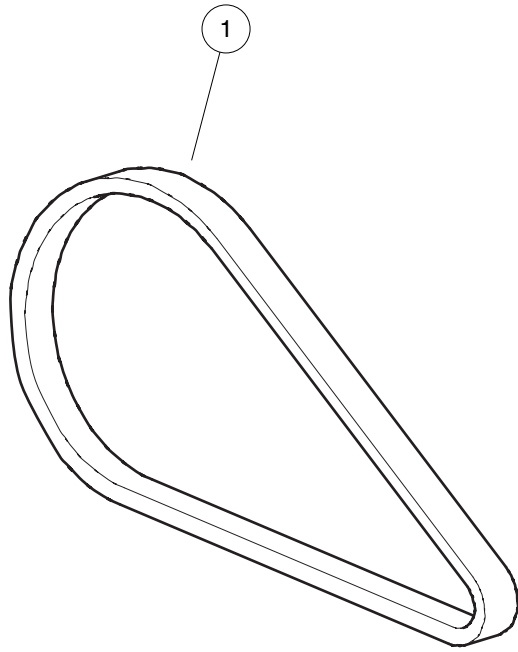


# DRIVE BELT AND CLUTCHES – EX40

---

11

G



000918-001

# DRIVE BELT – KEY-START VEHICLES WITH EFI

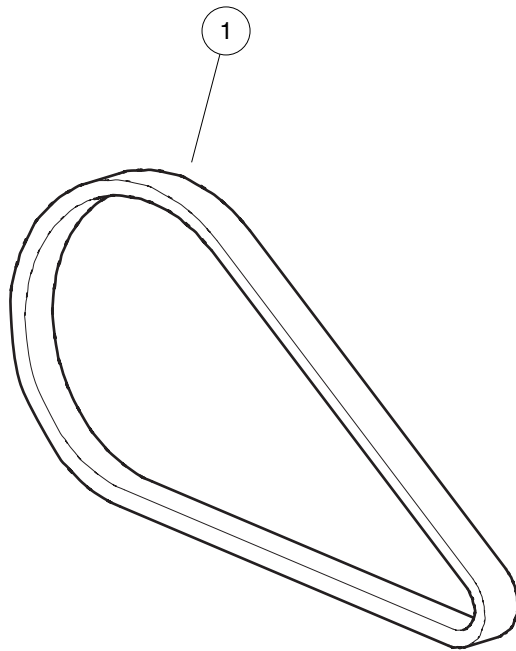
ITEM	PART NO.	DESCRIPTION	QTY
1	103974102	1 2 3 4 Belt, Drive, Key-Start .....	1

11

G

11

G



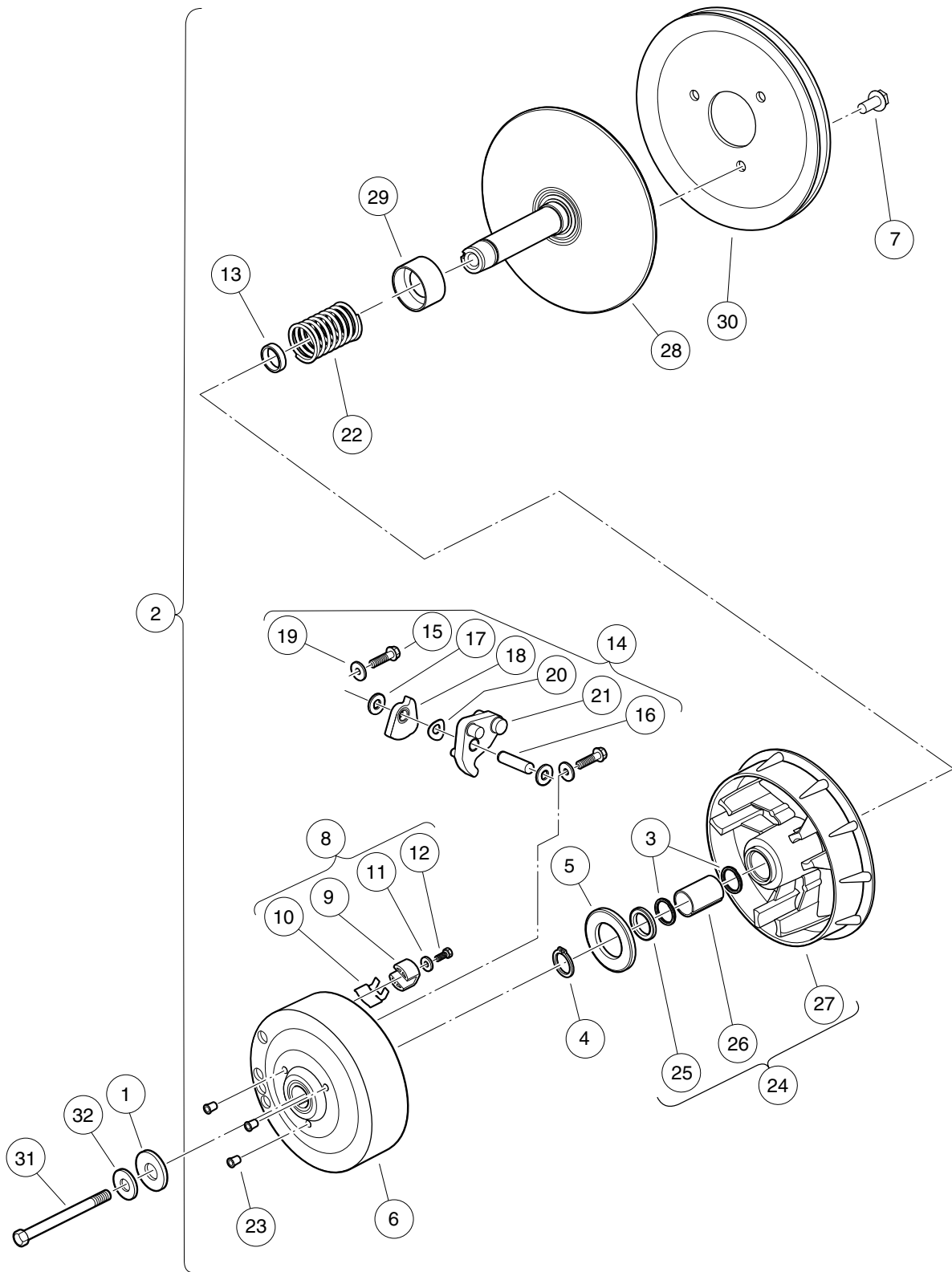
000918-001

## DRIVE BELT – PEDAL-START VEHICLES WITH EFI

ITEM	PART NO.	DESCRIPTION	QTY
1	105245801	1 2 3 4 Belt, Drive, Pedal-Start .....	1

11

G



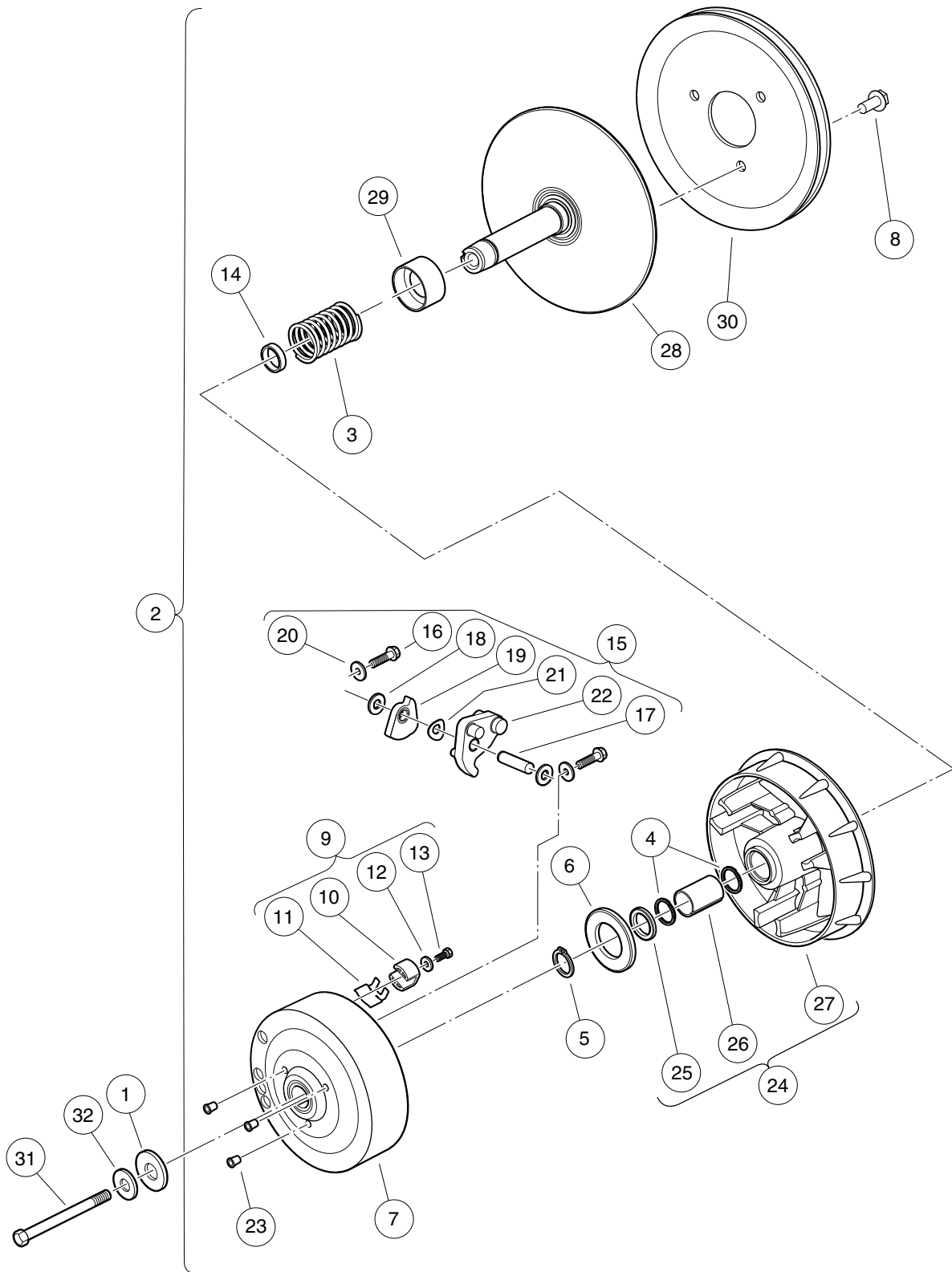
000958-002

## DRIVE CLUTCH – KEY-START VEHICLES

ITEM	PART NO.	DESCRIPTION	QTY
		<b>1 2 3 4</b>	
1	102491501	Washer, Hard, M10 .....	1
2	103973902	Clutch, Drive, Key-Start (includes items 3 through 30) .....	1
3	1014056	Ring, Spiral Backup .....	2
4	1014057	Ring, 0.810" Internal Retaining .....	1
5	1014058	Thrust Washer .....	1
6	1014059	Drive Hub Assy, Drive Clutch .....	1
7	1014288	Screw, 5/16-18 X 0.75, Thread-Forming .....	3
8	1014453	Kit, Drive Clutch Button (includes items 9 through 12) .....	1
9	1014062	Driver, Drive Clutch .....	3
10	1014287	Spring, Drive Button .....	3
11	183	Washer, #10, Type A, Flat .....	3
12	8450	Screw, #10-24 X 0.50, Hex-Head .....	3
13	1016289	Spacer, Fixed Face Shaft .....	1
14	1016801	Kit, Drive Clutch Weight (includes items 15 through 21) .....	1
15	1014063	Screw, 1/4-20 X 1.00, Hex Head .....	6
16	N/A	Pin, Dowel, 0.3752 x 1.50 .....	3
17	1014065	Washer, Flat, 0.38" ID, Delrin .....	6
18	N/A	Clutch Weight, Secondary .....	3
19	N/A	Washer .....	6
20	1016201	Washer, Wave .....	3
21	N/A	Weight, Primary .....	3
22	1016901	Spring, Drive Clutch .....	1
23	N/A	Cap Plug .....	3
24	103974201	Asm, Sheave, Moveable, Drive, Wr (includes items 25 through 27) .....	1
25	1014055	Retainer .....	1
26	N/A	Bushing, Split, Drive Clutch .....	1
27	N/A	Sheave, Moveable, Drive, Wr .....	1
28	103974401	Sheave, Fixed, Drive, Wr .....	1
29	103984601	Spacer, Idler, Drive .....	1
30	105096101	Pulley, 7.3 Inch Effective Dia .....	1
31	103976101	Screw, 3/8-24x5.75, Patch .....	1
32	334	Washer, 3/8, Type A, Flat .....	1

11

G



000958-001



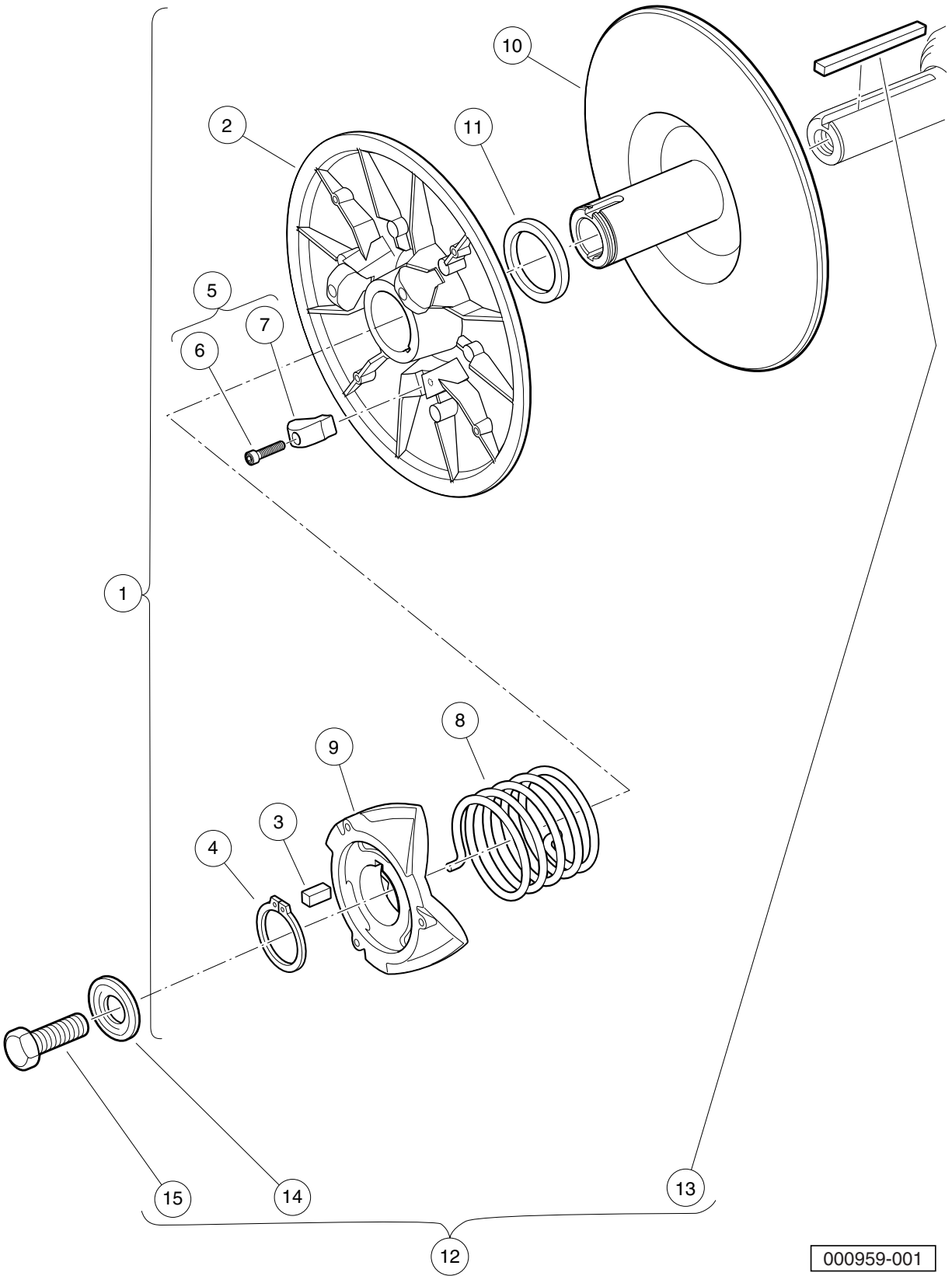
# DRIVE CLUTCH – PEDAL-START VEHICLES WITH EFI

ITEM	PART NO.	DESCRIPTION	QTY
		<b>1 2 3 4</b>	
1	102491501	Washer, Hard, M10 .....	1
2	103973901	Clutch, Drive, Pedal-Start (includes items 3 through 30) .....	1
3	1014051	Spring, Drive Clutch .....	1
4	1014056	Ring, Spiral Backup .....	2
5	1014057	Ring, 0.810" Internal Retaining .....	1
6	1014058	Thrust Washer .....	1
7	1014059	Drive Hub Assy, Drive Clutch .....	1
8	1014288	Screw, 5/16-18 X 0.75, Thread-Forming .....	3
9	1014453	Kit, Drive Clutch Button (includes items 10 through 13) .....	1
10	1014062	Driver, Drive Clutch .....	3
11	1014287	Spring, Drive Button .....	3
12	183	Washer, #10, Type A, Flat .....	3
13	8450	Screw, #10-24 X 0.50, Hex-Head .....	3
14	1016289	Spacer, Fixed Face Shaft .....	1
15	1016801	Kit, Drive Clutch Weight (includes items 16 through 22) .....	1
16	1014063	Screw, 1/4-20 X 1.00, Hex Head .....	6
17	N/A	Pin, Dowel, 0.3752 x 1.50 .....	3
18	1014065	Washer, Flat, 0.38" ID, Delrin .....	6
19	N/A	Clutch Weight, Secondary .....	3
20	N/A	Washer .....	6
21	1016201	Washer, Wave .....	3
22	N/A	Weight, Primary .....	3
23	N/A	Cap Plug .....	3
24	103974201	Asm, Sheave, Moveable, Drive, Wr (includes items 25 through 27) .....	1
25	1014055	Retainer .....	1
26	N/A	Bushing, Split, Drive Clutch .....	1
27	N/A	Sheave, Moveable, Drive, Wr .....	1
28	103974401	Sheave, Fixed, Drive, Wr .....	1
29	103984601	Spacer, Idler, Drive .....	1
30	105096101	Pulley, 7.3 Inch Effective Dia .....	1
31	103976101	Screw, 3/8-24x5.75, Patch .....	1
32	334	Washer, 3/8, Type A, Flat .....	1

11

G

**11**  
**G**



000959-001

# DRIVEN CLUTCH (STANDARD SPEED) – KEY START AND PEDAL START

ITEM	PART NO.	DESCRIPTION	QTY
		1 2 3 4	
1	103974002	Clutch, Driven, Std-Speed, Key and Pedal Start (includes items 2 through 11) .....	1
2	1014072	Movable-Face Assembly with Bushing .....	1
3	1014078	Key, Driven Clutch .....	1
4	1014080	Ring, Retaining .....	1
5	1014454	Kit, Driven Clutch Button (includes items 6 and 7) .....	1
6	1012836	Screw, #8-32 X 3/4, Socket-Head Cap .....	3
7	N/A	Button, Drive .....	3
8	1017145	Spring, Driven Clutch, 55 Degree .....	1
9	1017686	Cam, Driven Clutch .....	1
10	103975301	Sheave, Fixed, Driven, Wr .....	1
11	104025101	Washer, Acetal, Driven Clutch .....	1
12	AM10419	Kit, Clutch Repair (includes items 13 through 15) .....	1
13	101833401	Key, 3/16 Sq X 1.50" .....	1
14	102155801	Washer, Driven Clutch .....	1
15	102242101	Screw, 5/16-18 X 3/4 Hex-Head with Patch .....	1

11

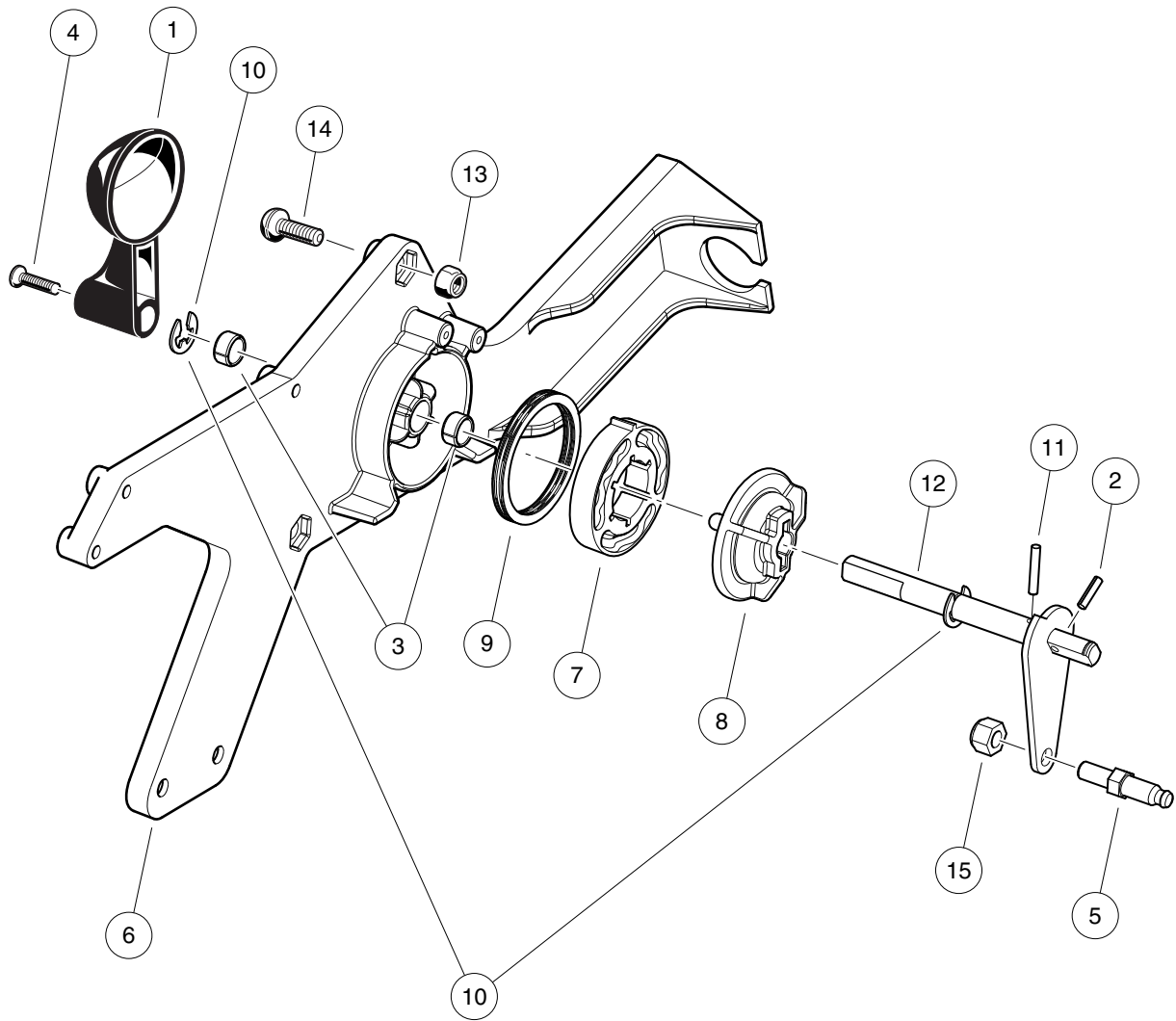
G

11

G

# TRANSAXLE (FUJI ED65)

---



001012-001

## FORWARD/REVERSE SHIFTER – EFI

ITEM	PART NO.	DESCRIPTION	QTY
		<b>1 2 3 4</b>	
1	1012987	Handle, FNR .....	1
2	1013591	Pin, Roll, 1/8 X 1/2 .....	1
3	1014145	Bushing, Secondary Weight, Split .....	2
4	1015064	Screw, #8-32 X 0.63 Machine .....	1
5	102526201	Stud, Thread, 1/4-28 .....	1
6	105037501	Housing, Gas FNR Body Shift .....	1
7	105037601	Cam, FNR Detent, 45 Degree .....	1
8	105037701	Follower, FNR Detent .....	1
9	105038501	Spring, Wave, Gas FNR Shifter .....	1
10	105039801	E-Clip, External, 8mm Groove .....	2
11	105040401	Pin, Round, 0.125 Dia x 0.625 .....	1
12	105041201	Weldment, Shaft, FNR, Dash .....	1
13	8233	Locknut, 1/4-20, Nylon Insert .....	3
14	8248	Screw, 1/4-20 X 0.75, Truss-Head Machine .....	3
15	8717	Locknut, Nylon Insert, 1/4-28 .....	1

12

G

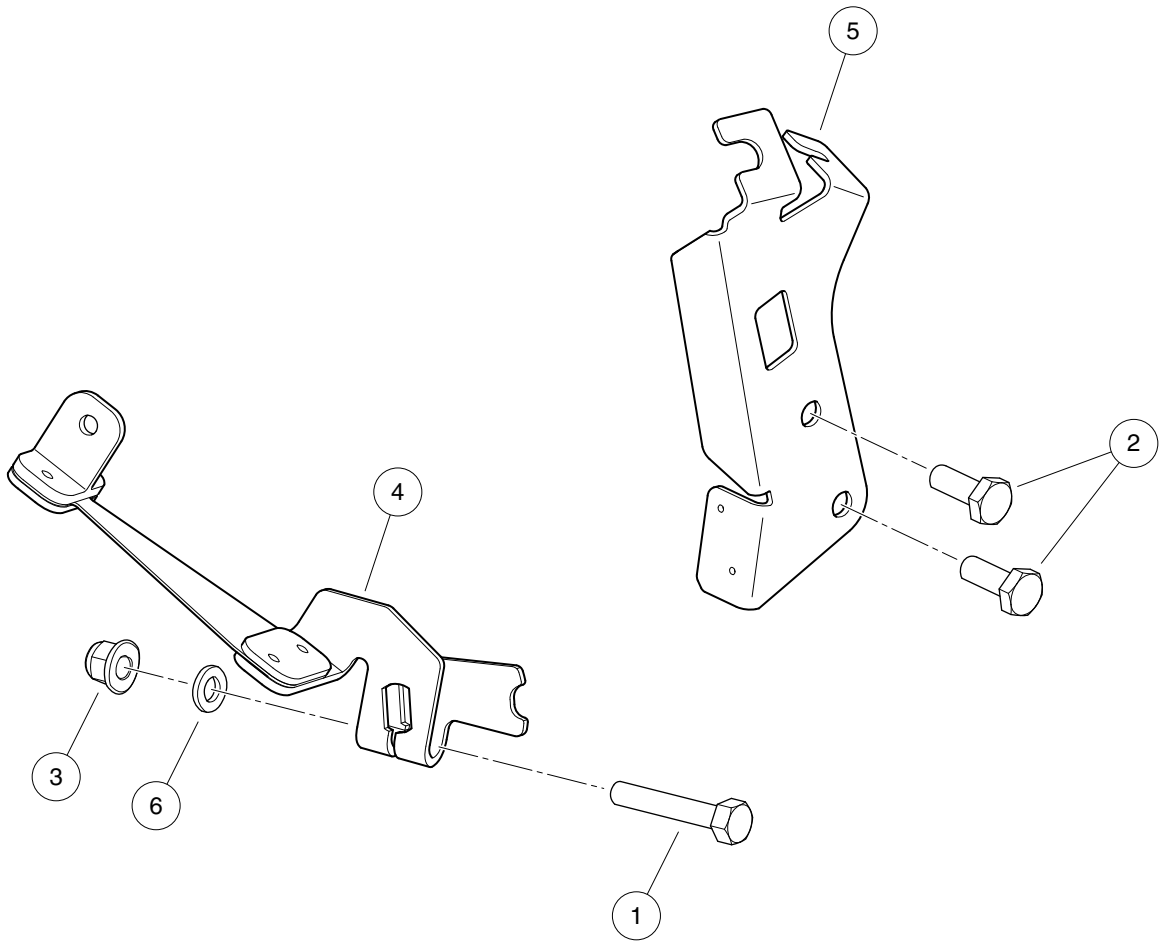




# SHIFTER CABLE

ITEM	PART NO.	DESCRIPTION	QTY
1	103886601	1 2 3 4 Clip, Bowtie .....	1
2	105038801	Cable, Shifter .....	1
3	8990	Tie Wrap, 8" Nylon .....	A/R

**12**  
**G**

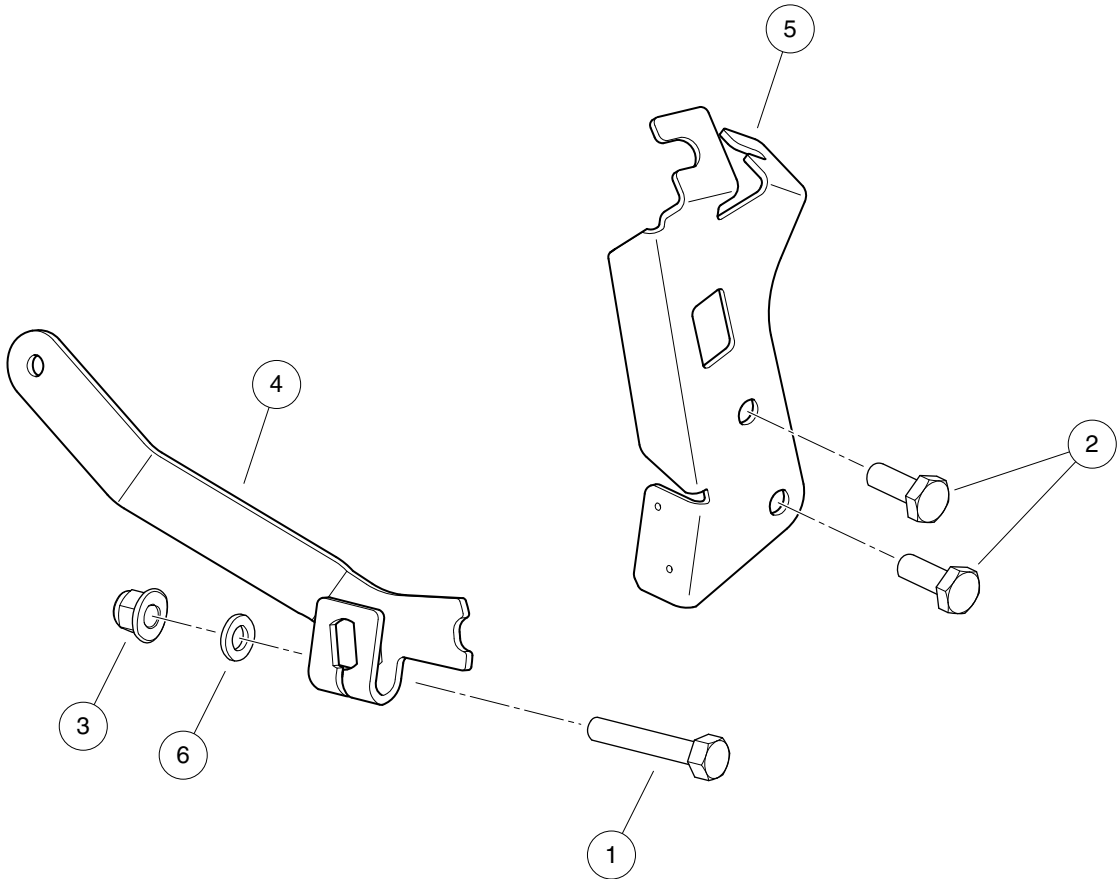


000965-001

## SHIFT LEVER AND BRACKET – PEDAL-START ENGINES

ITEM	PART NO.	DESCRIPTION	QTY
		1 2 3 4	
1	102059501	Screw, 6M-1.00 X 35mm, Hex Head .....	1
2	102498201	Bolt, M10 X 1.25 X 25, Loctite .....	2
3	102621501	Nut, Flange, M6 X 1.0, Nylon .....	1
4	105040901	Lever, Shift, Flex, Transaxle, Pedal-Start .....	1
5	105135101	Bracket, Cable, FNR/Accelerator, ED65 .....	1
6	96705199	Washer, M6 .....	1

**12**  
**G**

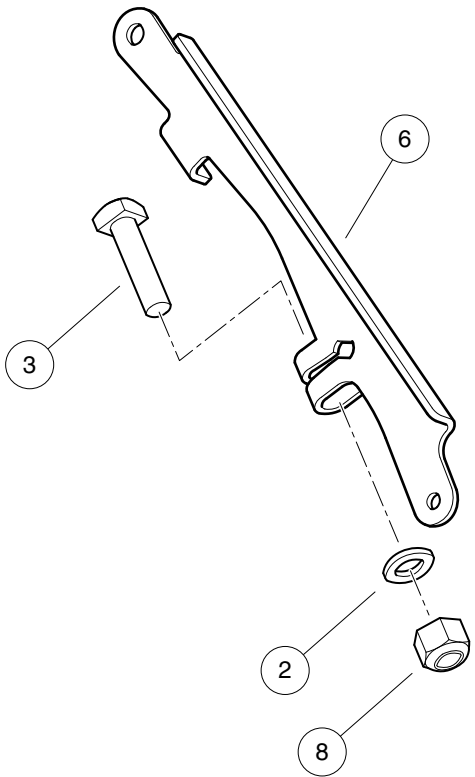
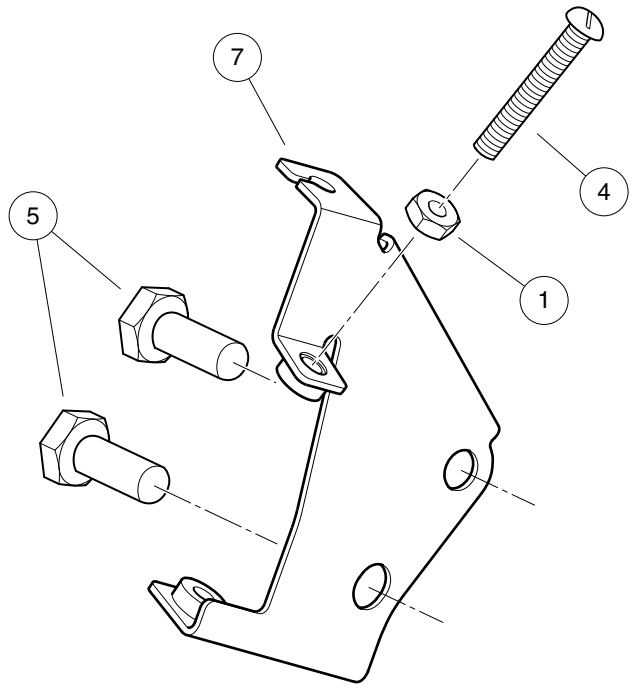


000965-002

## SHIFT LEVER AND BRACKET – KEY-START ENGINES

ITEM	PART NO.	DESCRIPTION	QTY
		1 2 3 4	
1	102059501	Screw, 6M-1.00 X 35mm, Hex Head .....	1
2	102498201	Bolt, M10 X 1.25 X 25, Loctite .....	2
3	102621501	Nut, Flange, M6 X 1.0, Nylon .....	1
4	105134901	Lever, Shift, Transaxle, Key-Start .....	1
5	105135101	Bracket, Cable, FNR/Accelerator, ED65 .....	1
6	96705199	Washer, M6 .....	1

**12**  
**G**

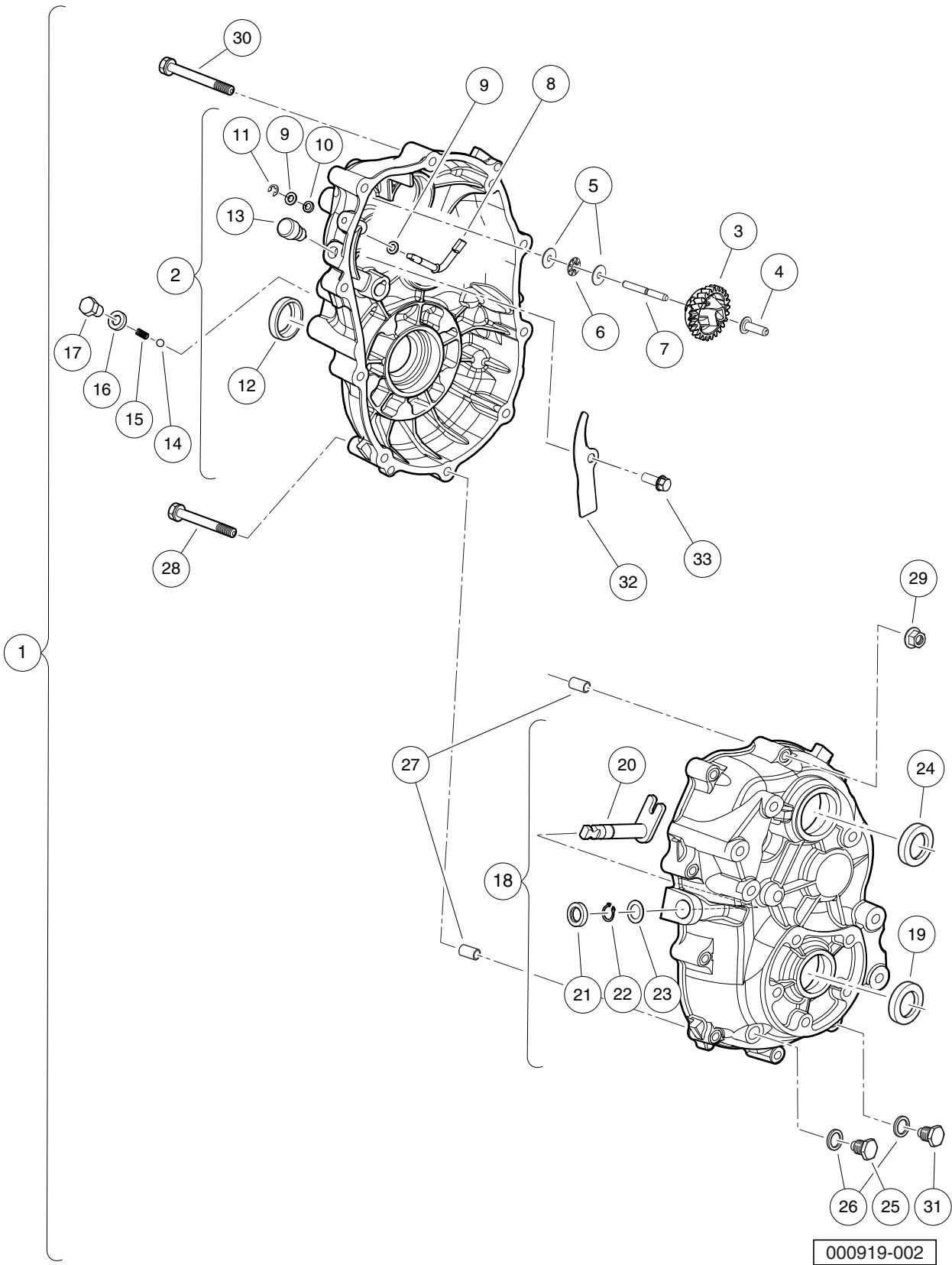


000966-002

## GOVERNOR ARM AND BRACKETS – UTILITY VEHICLES

ITEM	PART NO.	DESCRIPTION	QTY
		1 2 3 4	
1	1011114	Nut, M6-1.00 Hex .....	1
2	1014007	Washer, 1/4, Flat .....	1
3	101886101	Screw, 1/4-20 X 1.00, Square-Head .....	1
4	102476401	Bolt, Stop, Pedal .....	1
5	102498201	Bolt, M10 X 1.25 X 25, Loctite .....	2
6	104023501	Arm, Governor, ED65 .....	1
7	105144401	Weldment, Governor Bracket .....	1
8	8233	Locknut, 1/4-20, Nylon Insert .....	1

**12**  
**G**



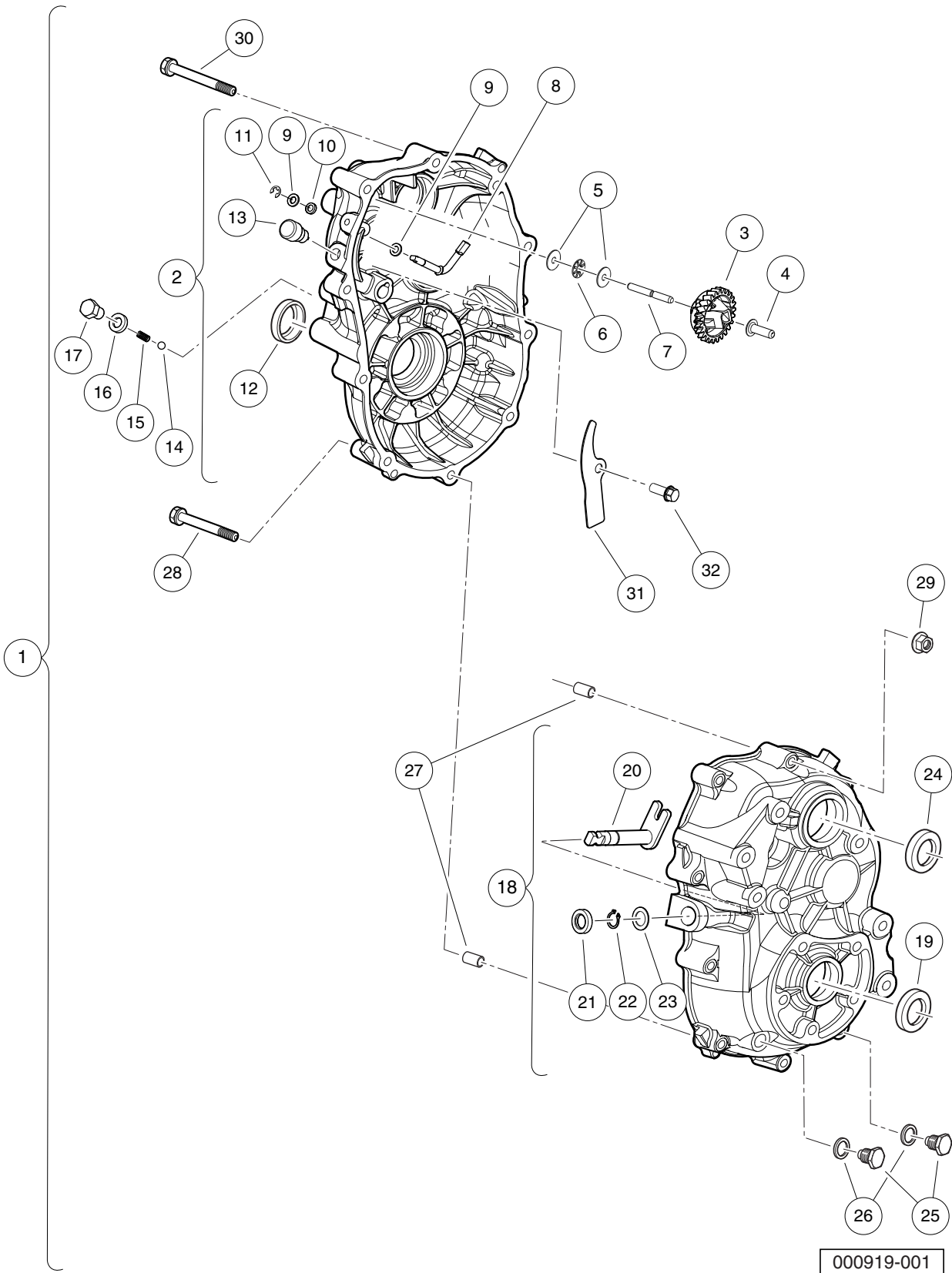


## TRANSAXLE (ED65), LIMITED SLIP – PAGE 1 OF 3

ITEM	PART NO.	DESCRIPTION	QTY
		1 2 3 4	
1	103879702	Transaxle, ED65, Limited-Slip Differential (includes items 2 through 33) .....	1
2	105025001	Case, Transaxle, Left, Complete, ED65 (includes items 3 through 13) .....	1
3	105025101	Gear, Governor, Complete, ED65 .....	1
4	105025201	Sleeve, Governor, ED65 .....	1
5	105025301	Washer, ED65 .....	2
6	105025401	Bearing, Thrust, ED65 .....	1
7	105025501	Shaft, Governor Gear, ED65 .....	1
8	105025601	Shaft, Governor, ED65 .....	1
9	105025701	Washer, 6mm, ED65 .....	2
10	105025801	Seal, Oil, 6x10x2.5, ED65 .....	1
11	105025901	Retaining Ring, E5, ED65 .....	1
12	105026001	Seal, Oil, 24x40x9, ED65 .....	1
13	105027101	Vent, Breather, ED65 .....	1
14	105026101	Ball, Steel, ED65 .....	1
15	105026201	Spring, ED65 .....	1
16	105026301	Gasket, 10, ED65 .....	1
17	105026401	Bolt, M10-1.25x12mm Lg, ED65 .....	1
18	105026501	Case, Transaxle, Right, Complete, ED65 (includes items 19 through 24) .....	1
19	105026001	Seal, Oil, 24x40x9, ED65 .....	1
20	105026601	Shaft, Select, ED65 .....	1
21	105026701	Seal, Oil, 13x22x5, ED65 .....	1
22	105026801	Snap Ring, 13mm, ED65 .....	1
23	105026901	Spacer, 13x1, ED65 .....	1
24	105027001	Seal, Oil, 25x45x7, ED65 .....	1
25	105027201	Plug, Oil Drain, ED65 .....	1
26	105027301	Gasket, 14, ED65 .....	2
27	105028301	Pin, Guide, ED65 .....	2
28	105028501	Bolt, Flange, M8-1.25x65mm, ED65 .....	1
29	105030001	Nut, Flange, M8-1.25, ED65 .....	10
30	105030701	Bolt, Flanged, M8-1.25x80mm, ED65 .....	9
31	105063501	Plug, Oil Drain, Magnetic, ED65 .....	1
32	105234801	Plate, Ed65 Splash .....	1
33	105234901	Bolt, M6-1 X 12mm Lg, Ed65 .....	1
Note: Fuji transaxle component listings span three pages. To identify your transaxle, locate the serial number decal on the axle tube.			

12

G

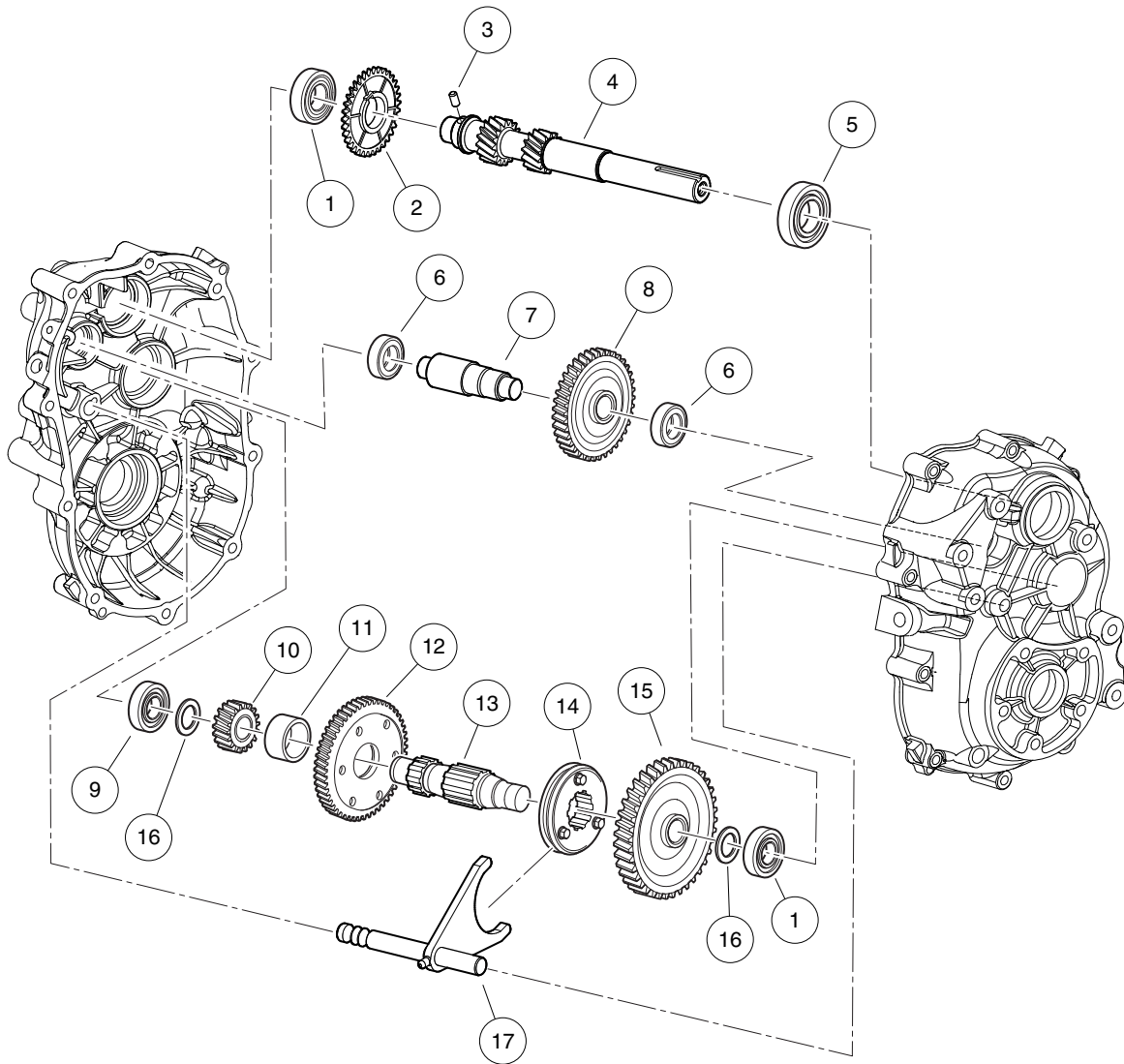


# TRANSAXLE (ED65), OPEN – PAGE 1 OF 3

ITEM	PART NO.	DESCRIPTION	QTY
		<b>1 2 3 4</b>	
1	103879701	Transaxle, ED65, Open Differential (includes items 2 through 32) .....	1
2	105025001	Case, Transaxle, Left, Complete, ED65 (includes items 3 through 13) .....	1
3	105025101	Gear, Governor, Complete, ED65 .....	1
4	105025201	Sleeve, Governor, ED65 .....	1
5	105025301	Washer, ED65 .....	2
6	105025401	Bearing, Thrust, ED65 .....	1
7	105025501	Shaft, Governor Gear, ED65 .....	1
8	105025601	Shaft, Governor, ED65 .....	1
9	105025701	Washer, 6mm, ED65 .....	2
10	105025801	Seal, Oil, 6x10x2.5, ED65 .....	1
11	105025901	Retaining Ring, E5, ED65 .....	1
12	105026001	Seal, Oil, 24x40x9, ED65 .....	1
13	105027101	Vent, Breather, ED65 .....	1
14	105026101	Ball, Steel, ED65 .....	1
15	105026201	Spring, ED65 .....	1
16	105026301	Gasket, 10, ED65 .....	1
17	105026401	Bolt, M10-1.25x12mm Lg, ED65 .....	1
18	105026501	Case, Transaxle, Right, Complete, ED65 (includes items 19 through 24) .....	1
19	105026001	Seal, Oil, 24x40x9, ED65 .....	1
20	105026601	Shaft, Select, ED65 .....	1
21	105026701	Seal, Oil, 13x22x5, ED65 .....	1
22	105026801	Snap Ring, 13mm, ED65 .....	1
23	105026901	Spacer, 13x1, ED65 .....	1
24	105027001	Seal, Oil, 25x45x7, ED65 .....	1
25	105027201	Plug, Oil Drain, ED65 .....	2
26	105027301	Gasket, 14, ED65 .....	2
27	105028301	Pin, Guide, ED65 .....	2
28	105028501	Bolt, Flange, M8-1.25x65mm, ED65 .....	1
29	105030001	Nut, Flange, M8-1.25, ED65 .....	10
30	105030701	Bolt, Flanged, M8-1.25x80mm, ED65 .....	9
31	105234801	Plate, Ed65 Splash .....	1
32	105234901	Bolt, M6-1 X 12mm Lg, Ed65 .....	1
<p>Note: Fuji transaxle component listings span three pages. To identify your transaxle, locate the serial number decal on the axle tube.</p>			

12

G



000919-003

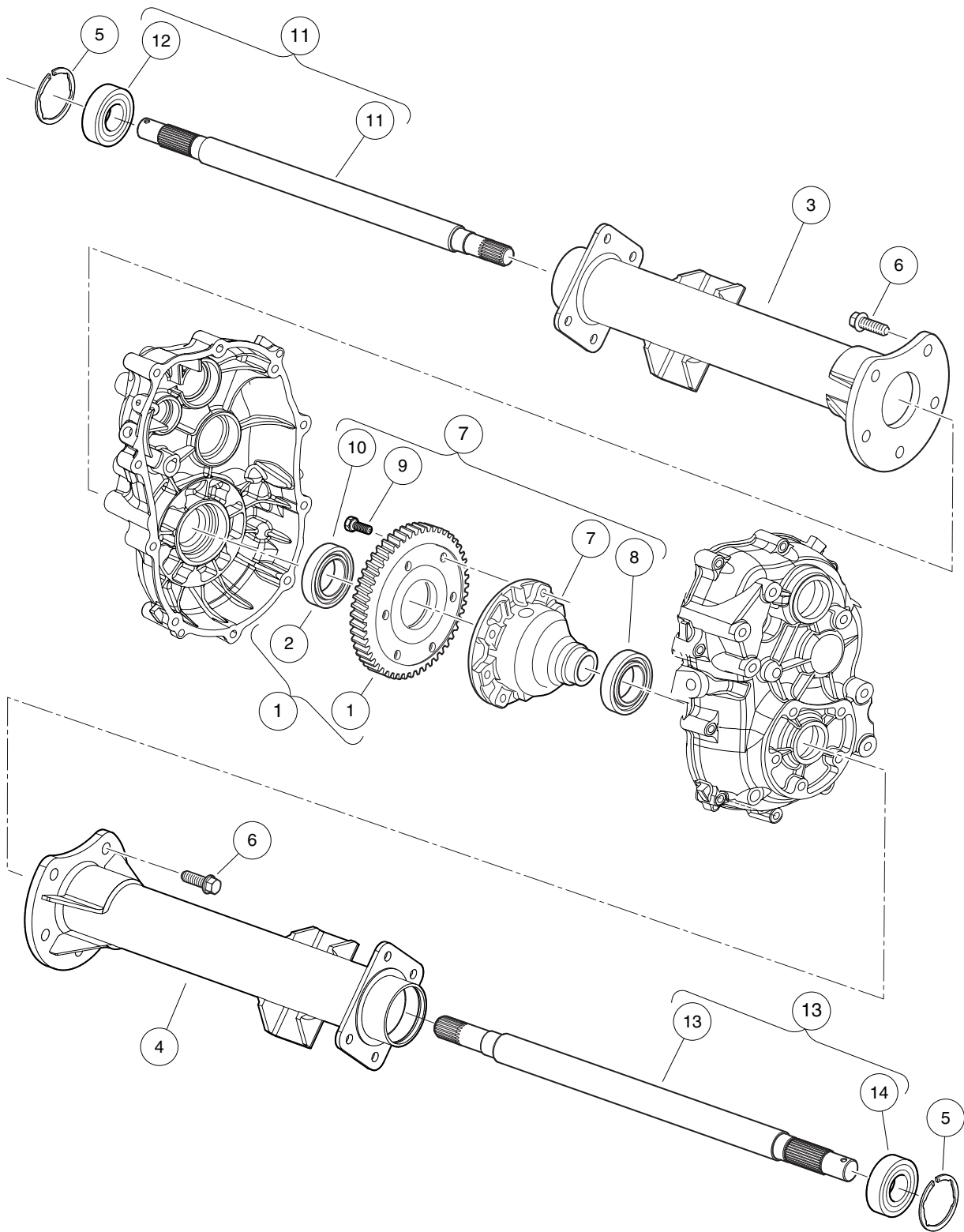
# TRANSAXLE (ED65), LIMITED SLIP AND OPEN – PAGE 2 OF 3

ITEM	PART NO.	DESCRIPTION	QTY
		1 2 3 4	
1	105027401	Bearing, Ball (6204) .....	2
2	105027501	Gear, Governor, 34 Tooth, ED65 .....	1
3	105027601	Pin, 6x12 Long, ED65 .....	1
4	105027701	Shaft, Input, ED65 .....	1
5	105027801	Bearing, Ball (6205 seal) .....	1
6	105027901	Bearing, Ball (6202) .....	2
7	105028001	Shaft, Counter, ED65 .....	1
8	105028201	Gear, 34 Tooth, ED65 .....	1
9	105028401	Bearing, Ball (6304) .....	1
10	105028601	Gear, 17 Tooth, ED65 .....	1
11	105028701	Collar, 24 x 12, ED65 .....	1
12	105028801	Gear, 52 Tooth, ED65 .....	1
13	105028901	Shaft, Center, ED65 .....	1
14	105029001	Clutch, Pin, ED65 .....	1
15	105029101	Gear, 62 Tooth, ED65 .....	1
16	105029201	Spacer, 20x2, ED65 .....	2
17	105030901	Shaft, Shift, ED65 .....	1
		<p>Note: To identify your transaxle, locate the serial number decal on the axle tube.</p>	

12

G

**12**  
**G**



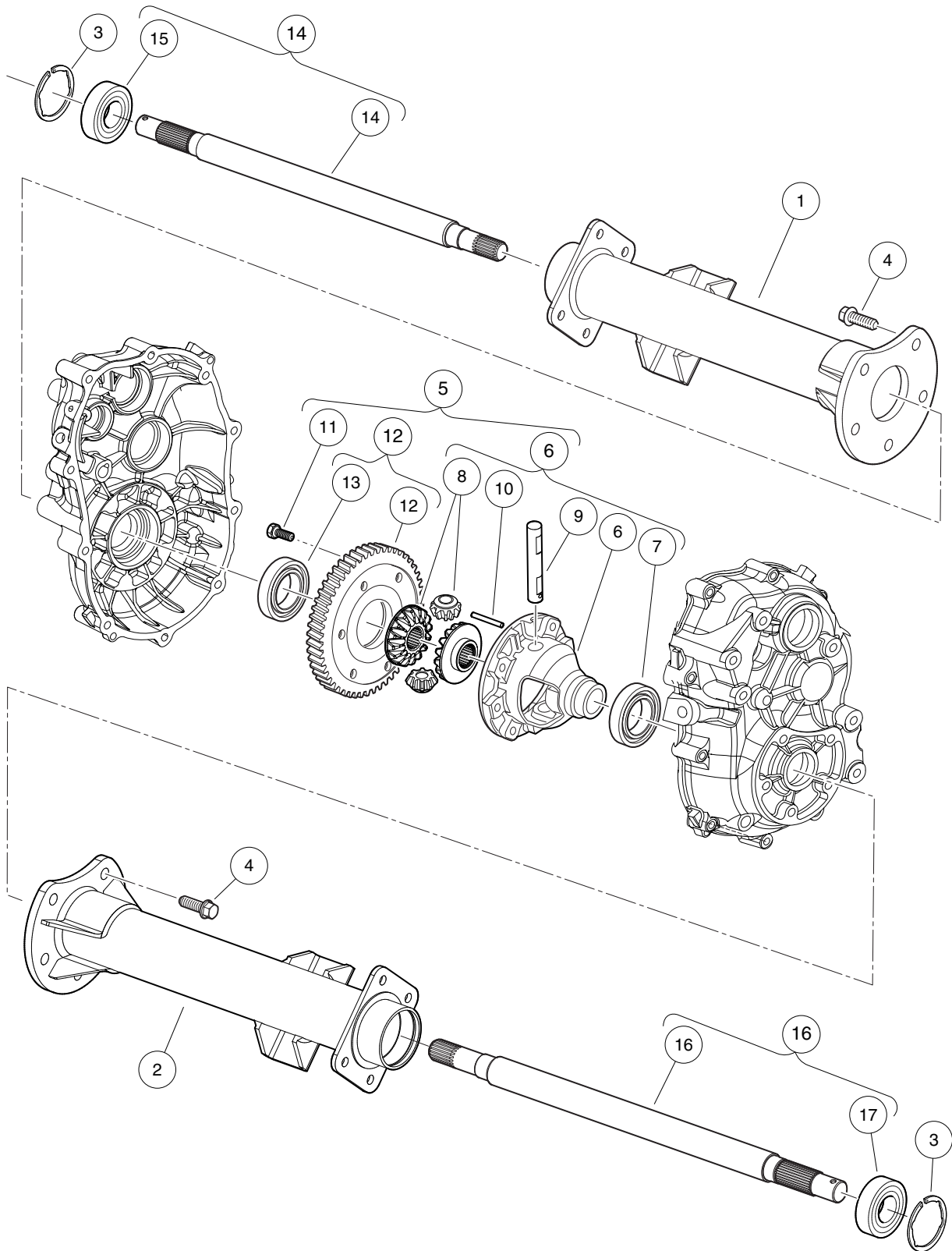
000919-005

## TRANSAXLE (ED65), LIMITED SLIP – PAGE 3 OF 3

ITEM	PART NO.	DESCRIPTION	QTY
		1 2 3 4	
1	105029901	Gear, 60 Tooth, Complete, ED65 (includes item 2) .....	1
2	105029801	Bearing, Ball (6007) .....	1
3	105030401	Axle Tube, Driver-Side, ED65 .....	1
4	105030501	Axle Tube, Passenger-Side, ED65 .....	1
5	105030601	Snap Ring, 52mm, ED65 .....	2
6	105030801	Bolt, Flange, M10-1.25x25, ED65 .....	10
7	105063601	Differential, Limited-Slip, ED65 (includes items 8 through 10) .....	1
8	105028101	Bearing, Ball (6006) .....	1
9	105029501	Bolt, M10-1.25x26mm Lg, ED65 .....	6
10	105029801	Bearing, Ball (6007) .....	1
11	105066001	Axle Shaft, Driver-Side, Complete, ED65 (includes item 12) .....	1
12	105030301	Bearing, Ball (6205DD) .....	1
13	105066101	Axle Shaft, Passenger-Side, Complete, ED65 (includes item 14) .....	1
14	105030301	Bearing, Ball (6205DD) .....	1
		Note: To identify your transaxle, locate the serial number decal on the axle tube.	

12

G



000919-004

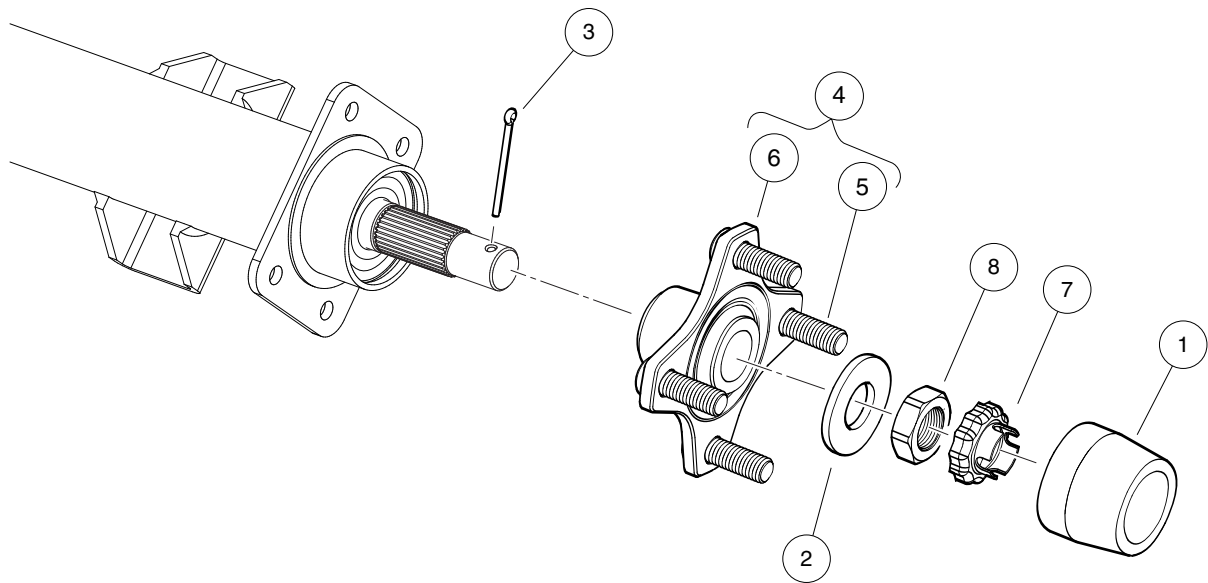


## TRANSAXLE (ED65), OPEN – PAGE 3 OF 3

ITEM	PART NO.	DESCRIPTION	QTY
		<b>1 2 3 4</b>	
1	105030401	Axle Tube, Driver-Side, ED65 .....	1
2	105030501	Axle Tube, Passenger-Side, ED65 .....	1
3	105030601	Snap Ring, 52mm, ED65 .....	2
4	105030801	Bolt, Flange, M10-1.25x25, ED65 .....	10
5	105031001	Differential, Open, ED65 (includes items 6 through 12) .....	1
6	105029301	Case, Differential, Complete, ED65 (includes items 7 through 10) .....	1
7	105028101	Bearing, Ball (6006) .....	1
8	105029401	Gear Set, Differential, ED65 .....	1
9	105029601	Shaft, Differential, ED65 .....	1
10	105029701	Pin, 4x40 Long, ED65 .....	1
11	105029501	Bolt, M10-1.25x26mm Lg, ED65 .....	6
12	105029901	Gear, 60 Tooth, Complete, ED65 (includes item 13) .....	1
13	105029801	Bearing, Ball (6007) .....	1
14	105066001	Axle Shaft, Driver-Side, Complete, ED65 (includes item 15) .....	1
15	105030301	Bearing, Ball (6205DD) .....	1
16	105066101	Axle Shaft, Passenger-Side, Complete, ED65 (includes item 17) .....	1
17	105030301	Bearing, Ball (6205DD) .....	1
<p style="margin-left: 40px;">Note: To identify your transaxle, locate the serial number decal on the axle tube.</p>			

12

G



000919-006

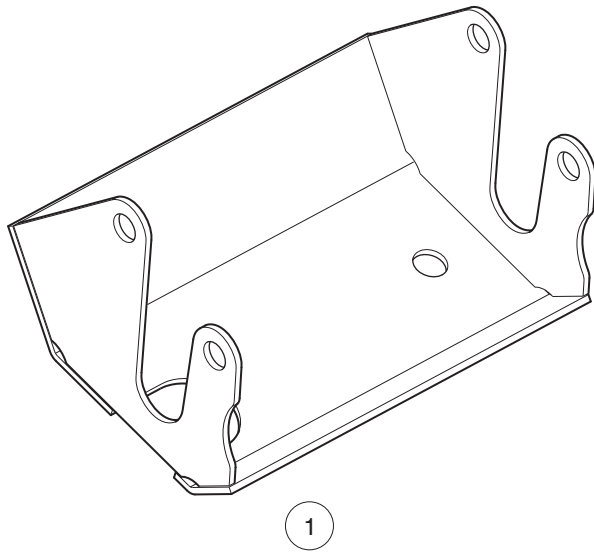
# HUB, REAR

ITEM	PART NO.	DESCRIPTION	QTY
		<b>1 2 3 4</b>	
1	102274101	Center Cap, Rubber .....	2
2	102617801	Washer, Hard, M22 .....	2
3	103989501	Pin, Cotter, 9/64 X 1.75" .....	2
4	103995001	Asm, Hub, Machined (includes items 5 and 6) .....	2
5	103951501	Lug Stud, 1/2-20 UNF, SAE J1102 .....	4
6	103979301	Hub, Machined .....	1
7	104021701	Retaining Ring, Hex Nut, M22 .....	2
8	104027101	Nut, Hex, M22x1.5, Thin .....	2

**12**  
**G**

12

G



001436-001

## DIFFERENTIAL GUARD, ED65 – GASOLINE VEHICLE

ITEM	PART NO.	DESCRIPTION	QTY
1	103989901	1 2 3 4 Weldment, Diff Guard, Ed65 .....	1

12

G

12

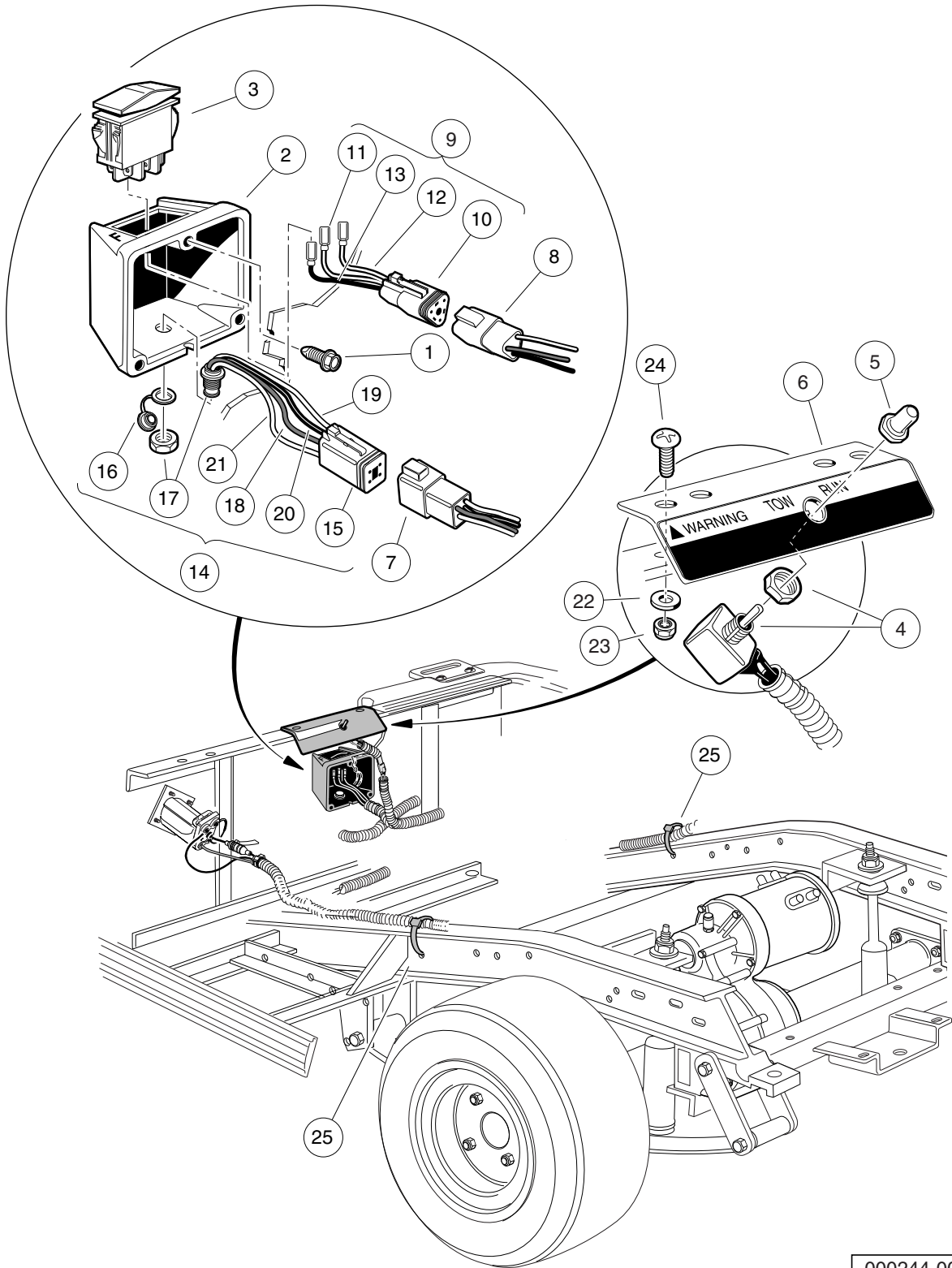
G

# ELECTRICAL SYSTEM – ELECTRIC VEHICLES

---

13

*E*



000244-001

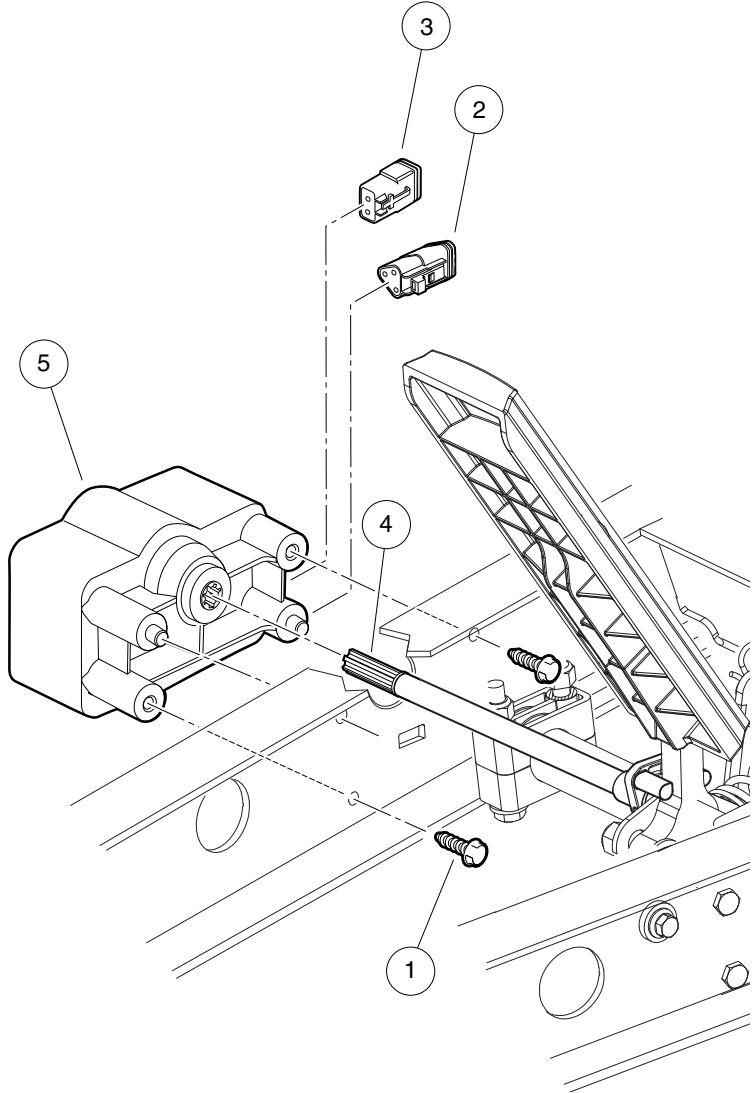


## FORWARD/REVERSE SWITCH, TOW/RUN SWITCH

ITEM	PART NO.	DESCRIPTION	QTY
		<b>1 2 3 4</b>	
1	1012285	Screw, 1/4 X 0.625 Hex-Head .....	3
2	101855002	Case, FNR Switch .....	1
3	101856002	Switch, Rocker, Single-Pole .....	1
4	101908101	Switch Assembly, Tow/Run .....	1
5	101908401	Boot, Switch .....	1
6	101922501	Bracket, Tow/Run Switch Mounting .....	1
7	101932401	Kit, 4-Pin Receptacle and Wedge Lock .....	1
8	101942301	Kit, 3-Pin Wedge Lock .....	1
9	102266601	Wire Assembly, FNR Switch (includes items 10 through 13) .....	1
10	101920101	Kit, 3-Pin Wedge Lock .....	1
11	N/A	Wire Assembly, #18 Blue .....	1
12	N/A	Wire Assembly, #18 Orange .....	1
13	N/A	Wire Assembly, #18 Brown .....	1
14	102266701	Wire Assembly, IQDM Port (includes items 15 through 21) .....	1
15	101932501	Kit, 4-Pin Wedge Lock .....	1
16	102196901	Dust Cap .....	1
17	N/A	Connector Mount, Four-Pin .....	1
18	N/A	Wire Assembly, #18 Red/Yellow .....	1
19	N/A	Wire Assembly, #18 Black/Yellow .....	1
20	N/A	Wire Assembly, #18 Blue/Yellow .....	1
21	N/A	Wire Assembly, #18 Green/Yellow .....	1
22	332	Washer, 1/4 Type A Narrow Flat .....	2
23	8233	Locknut, 1/4-20, Nylon Insert .....	2
24	8248	Screw, 1/4-20 X 0.75, Truss-Head Machine .....	2
25	8990	Tie Wrap, 8" Nylon .....	1

13

E



001070-001

# MOTOR CONTROLLER OUTPUT REGULATOR (MCOR)

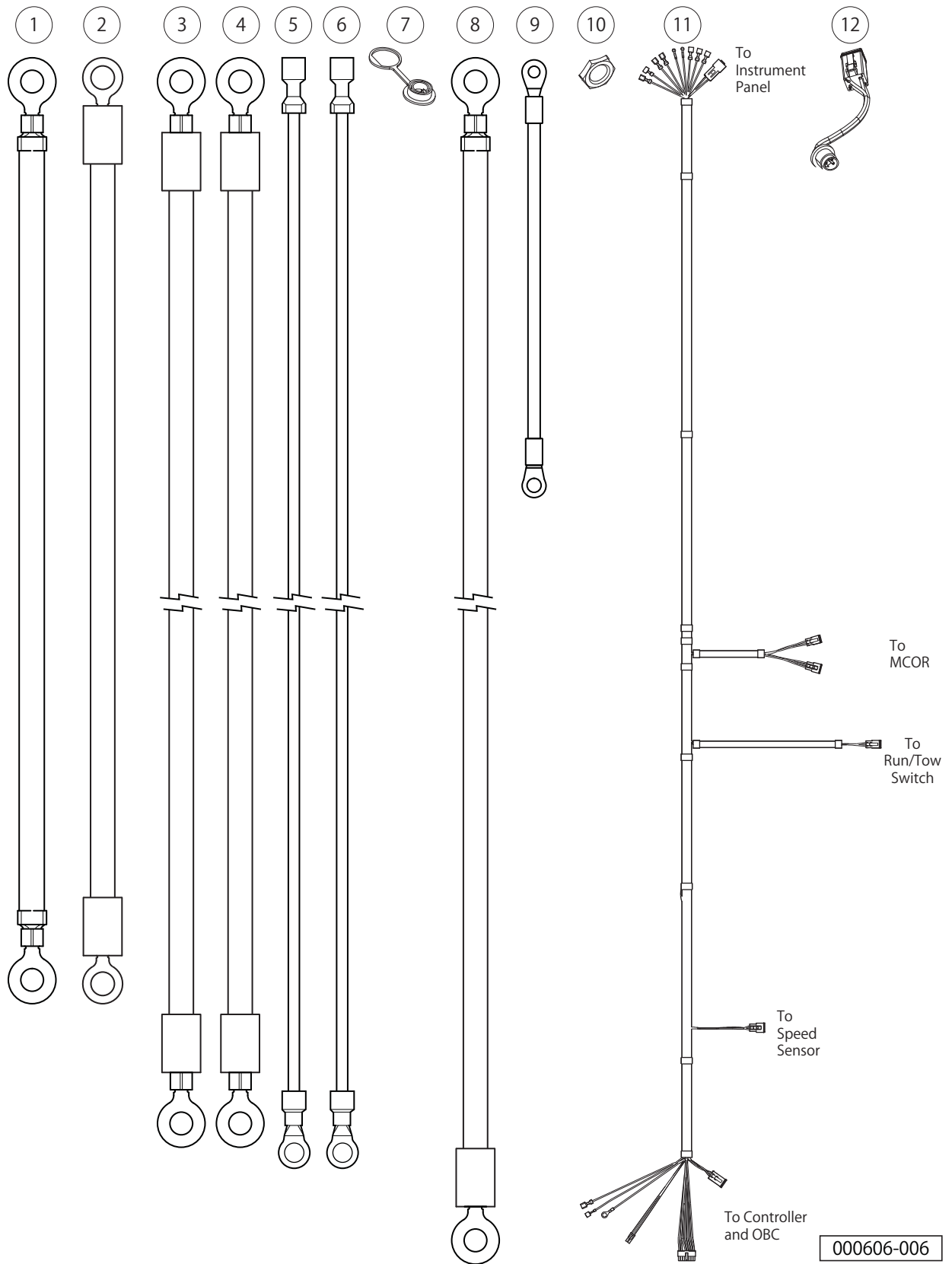
ITEM	PART NO.	DESCRIPTION	QTY
		1 2 3 4	
1	1015752	Screw, #12-16 X 0.625, Hi-Lo .....	2
2	101920101	Kit, 3-Pin Wedge Lock .....	1
3	101936801	Kit, 2-Pin Wedge Lock .....	1
4	102101001	Bar, Drive, Cast .....	1
5	102101101	MCOR .....	1

13

E

13

E



# WIRING – ELECTRIC VEHICLE

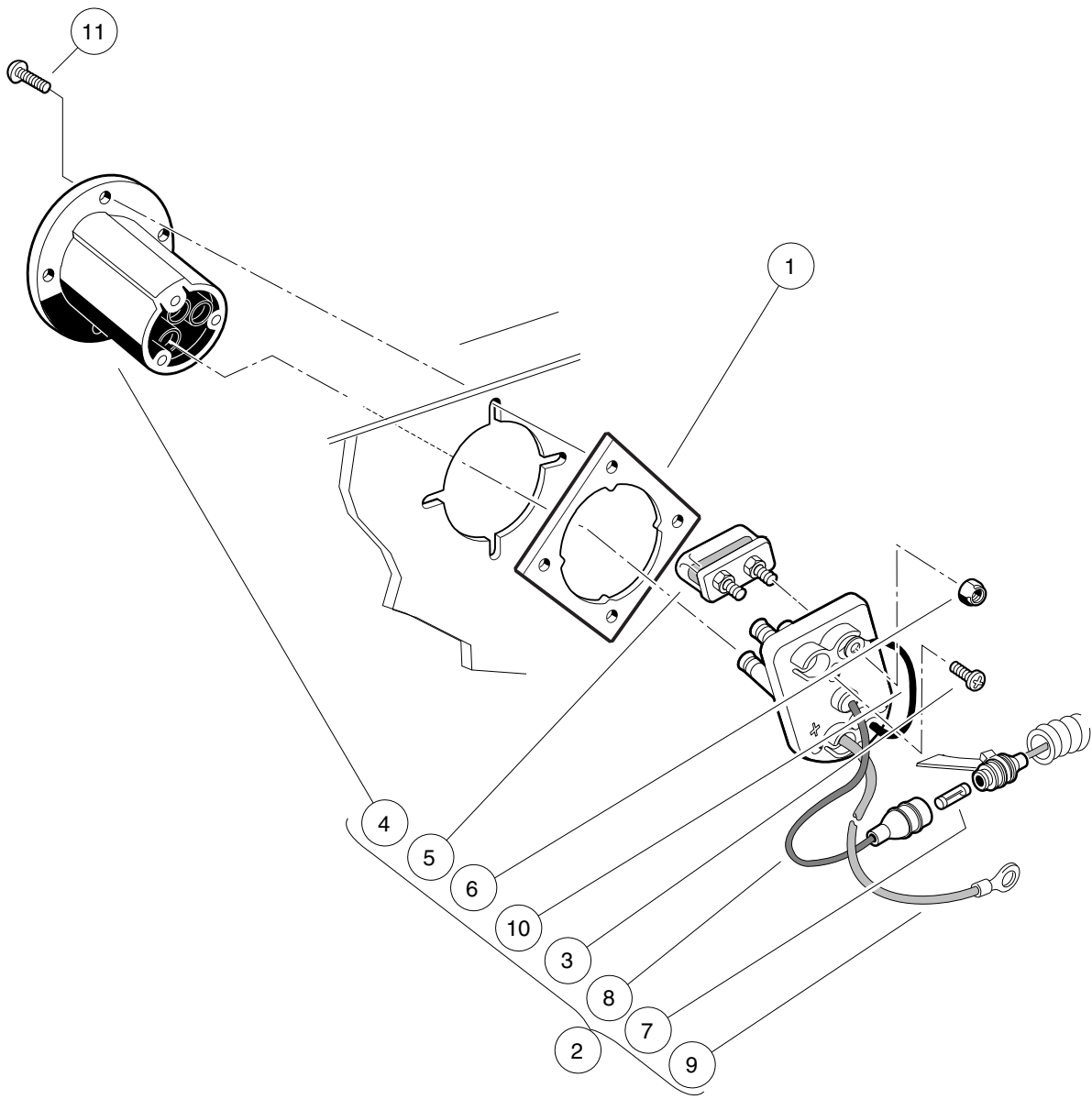
**13**

**E**

ITEM	PART NO.	DESCRIPTION	QTY
		<b>1 2 3 4</b>	
1	101795701	Asm, Wire, #6blk, 15 In .....	3
2	101903001	Wire Assembly #6 Yellow .....	1
3	101968701	Wire Assy, #6 White .....	1
4	101978001	Wire Assy, #6 Green .....	1
5	101978101	Asm, Wire, #10 Orange 5/16 .....	1
6	101978201	Asm, Wire, #10 Blue 5/16 .....	1
7	102196901	Dust Cap .....	1
8	102199601	Wire Asm, #6 Red, 37.7 .....	1
9	102263601	Wire Assy, #10 Black .....	1
10	102572401	Nut, Diagnostic Port .....	1
11	102810501	Wire Harness, Electric Vehicle .....	1
12	103218601	Harness, Diagnostic Port .....	1

13

E



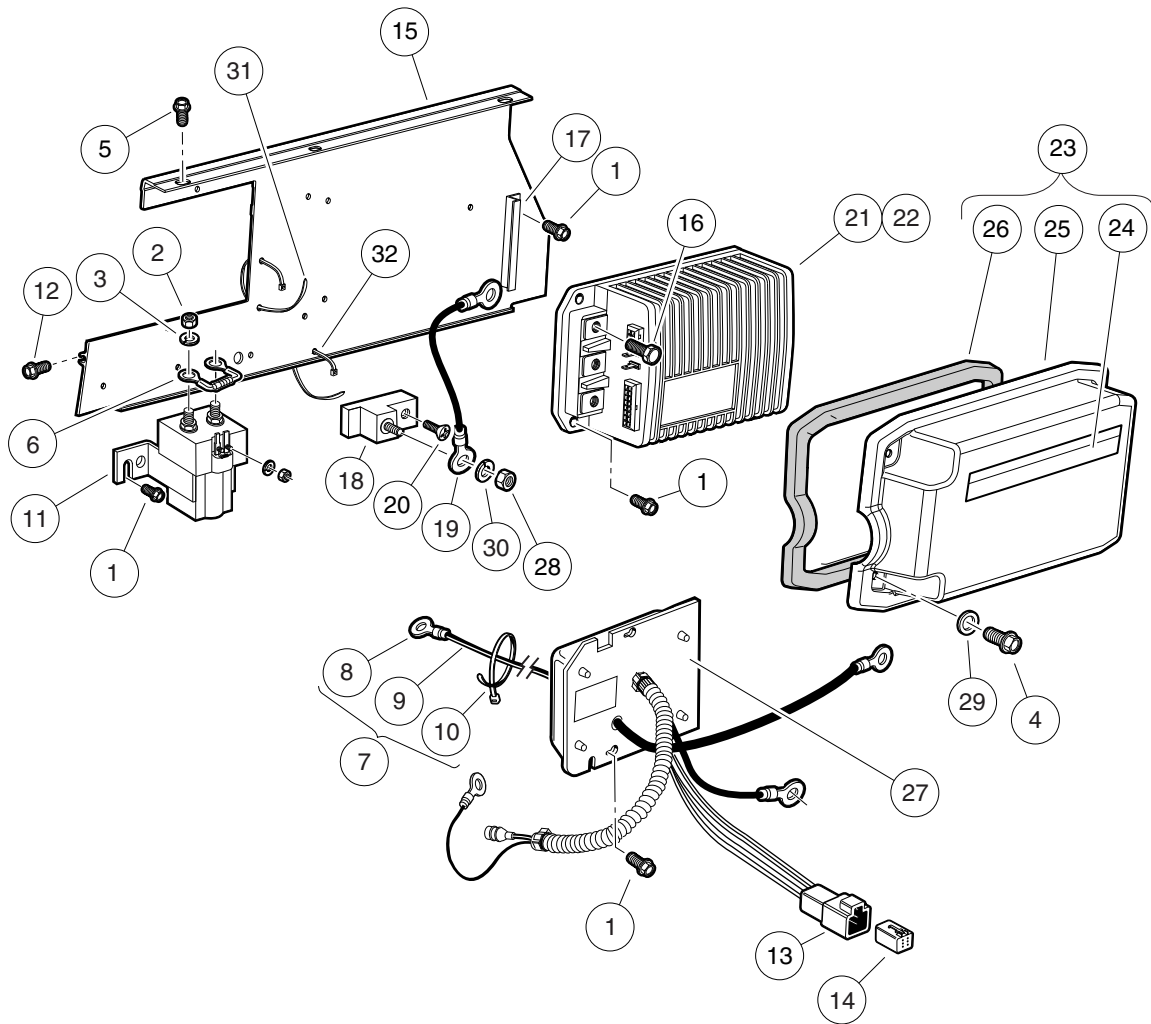
000369-001

# BATTERY CHARGER RECEPTACLE

ITEM	PART NO.	DESCRIPTION	QTY
		1 2 3 4	
1	101801001	Plate, Receptacle Backing .....	1
2	101802101	Fuse and Receptacle Assembly (includes items 3 through 10) .....	1
3	1017705	Screw, #8 X 5/8 Phillips Pan-Head Type AB .....	3
4	101796501	Receptacle .....	1
5	101796801	Fuse Assembly (includes item 6) .....	1
6	1013061	Locknut, #10-32 Nylon Insert .....	2
7	101894901	Fuse, 3/8-Amp .....	1
8	N/A	Wire Assembly, Sense Lead, Gray .....	1
9	N/A	Wire Assembly, #10 Red .....	1
10	N/A	Wire Assembly, #10 Black .....	1
11	101832001	Screw, #7-19 X 0.625 Phillips Pan-Head Tap .....	4

13

E



000607-003

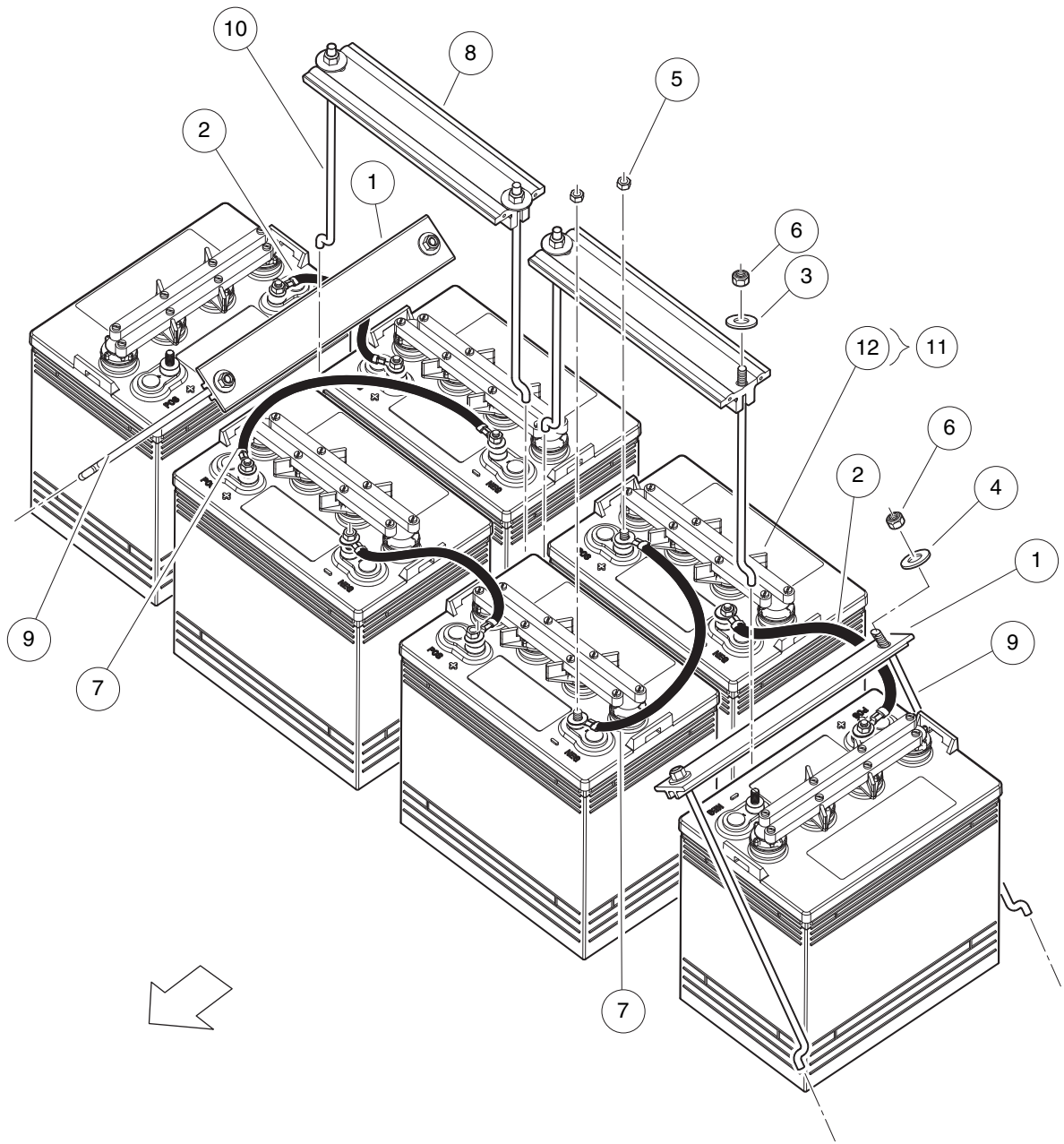


# COMPUTER, CONTROLLER, AND SOLENOID

ITEM	PART NO.	DESCRIPTION	QTY
		<b>1 2 3 4</b>	
1	1012285	Screw, 1/4 X 0.625 Hex-Head .....	14
2	1012528	Nut, M8-1.25 Hex .....	2
3	1013734	Lockwasher, 8mm Split .....	2
4	1014063	Screw, 1/4-20 X 1.00, Hex Head .....	2
5	1014288	Screw, 5/16-18 X 0.75, Thread-Forming .....	2
6	1014947	Resistor Assembly .....	1
7	101827801	Ground Wire Kit, 48-Volt (includes items 8 through 10) .....	1
8	101826801	Compression Lug .....	1
9	N/A	Wire Assembly, Black .....	1
10	8990	Tie Wrap, 8" Nylon .....	3
11	101908703	Solenoid, 48v W/ Diode .....	1
12	101910401	Screw, 5/16-18 X 1.25 Thrd Frm .....	2
13	101932601	Kit, 6-Pin Wedge Lock .....	1
14	101932701	Kit, 6-Pin Receptacle and Wedge Lock .....	1
15	101965205	Plate, Component Mounting .....	1
16	102240501	Bolt, Controller, Terminal .....	3
17	102243101	Extrusion, Cover Support .....	1
18	102259801	Terminal Block .....	1
19	102263601	Wire Assy, #10 Black .....	1
20	102263701	Screw, #10-24 X 0.75 Phillips, Thread-Forming .....	1
21	102806201	Controller, IQ, 48-volt .....	1
22	102806203	Controller, IQ, 48-volt, CE .....	1
23	103316901	Cover Asm - Controller (includes items 24 through 26) .....	1
24	101931501	Decal, Component Cover .....	1
25	103316701	Cover - Controller, Deep .....	1
26	103316801	Gasket - Controller Cover .....	1
27	103403101	Asm, Obc, Iq, V3.0 .....	1
28	1242	Nut, 5/16-18 Hex .....	1
29	332	Washer, 1/4 Type A Narrow Flat .....	2
30	7174	Lockwasher, 5/16 Split .....	1
31	8639	Tie Wrap, 11" Nylon .....	1
32	8990	Tie Wrap, 8" Nylon .....	1

**13**

**E**



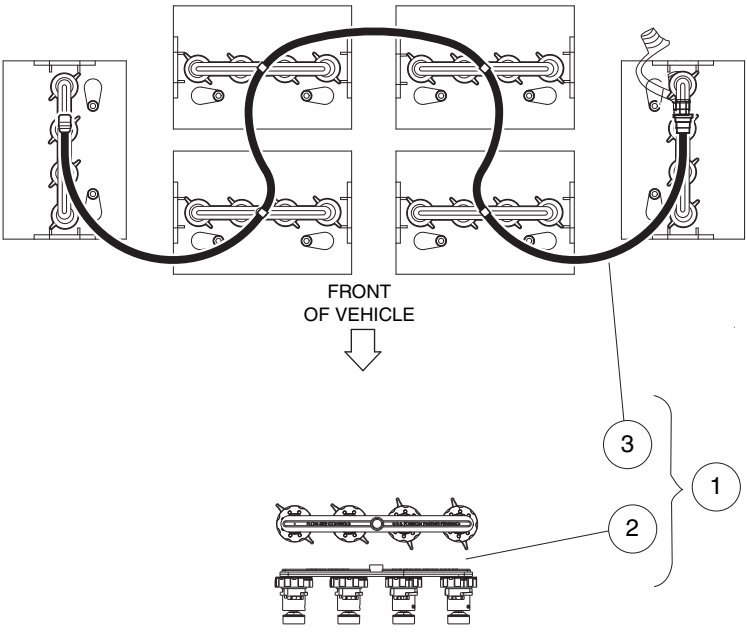
002515-002

## BATTERIES 8-VOLT, HEAVY DUTY

ITEM	PART NO.	DESCRIPTION	QTY
		1 2 3 4	
1	101090802	Hold-Down, Battery .....	2
2	1010958	Asm, Wire, #6blk 8in .....	3
3	1011578	Washer, 5/16 Type B Flat .....	4
4	1011697	Washer, 5/16 Flat .....	4
5	1014304	Nut, 5/16-18 Stainless-Steel Hex .....	12
6	1015072	Locknut, 5/16-18 Nylon Insert .....	8
7	101795701	Asm, Wire, #6blk, 15 In .....	2
8	103504301	Tee, Batt Ret Ctr Short .....	2
9	103696801	J Bolt, Batt Hold Down 12" .....	4
10	103958101	J-bolt 10.75" .....	4
11	105138301	Battery, 8-Volt, JCI GC8 Type E (includes item 12) .....	6
12	103765601	Cap, Spin, 8-Volt Battery .....	1

13

E



002526-001

# SINGLE POINT WATERING SYSTEM (SPWS)

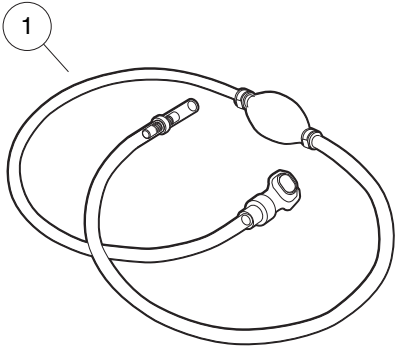
ITEM	PART NO.	DESCRIPTION	QTY
		1 2 3 4	
1	103711302	Kit, Spws, Us 8v, Ds (includes items 2 and 3) .....	1
2	103510602	Spws, Manifold Asm, 8v Non-Trojan .....	6
3	103864601	Asm, Hose, Spws, Ds 8v .....	1

13

E

**13**

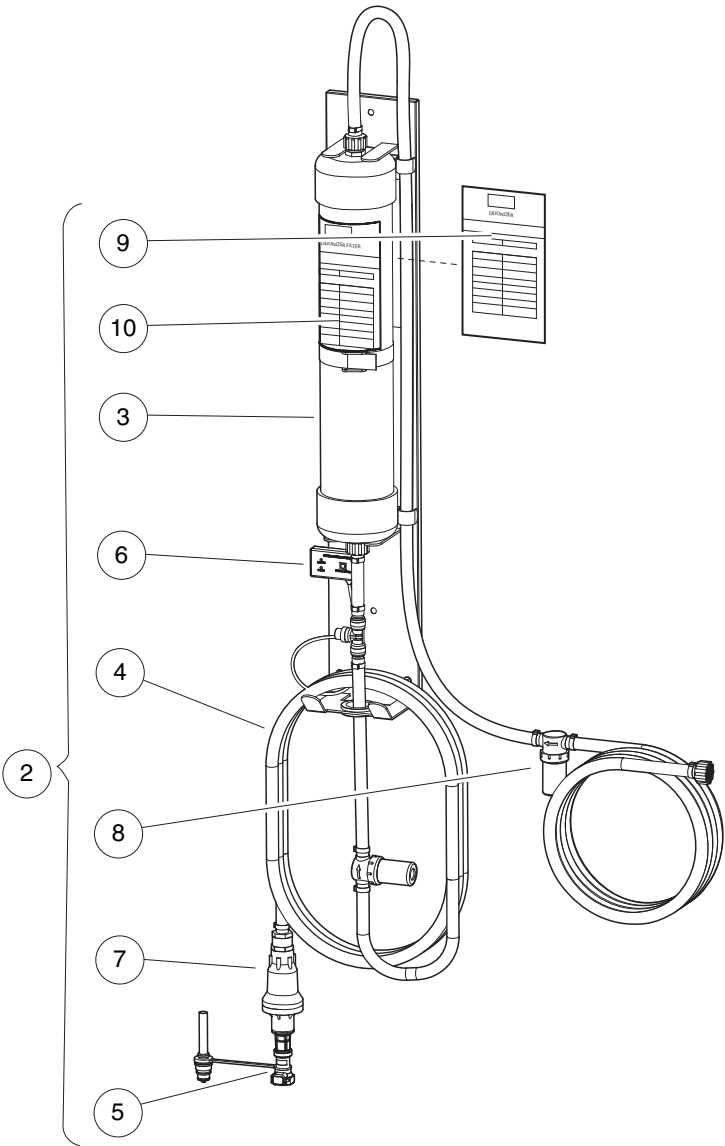
**E**



11



12



002523-003

# HAND PUMP AND DEIONIZER (BATTERY-POWERED QUALITY LIGHT)

ITEM	PART NO.	DESCRIPTION	QTY
		<b>1 2 3 4</b>	
1	104006101	Kit, Hand Pump, Spws .....	1
2	105166801	Deionizer, w/Battery-Powered Water Quality Light (includes items 3 through 10) .....	1
3	104005901	Cartridge, Deionizer .....	1
4	105166901	Hose,outlet,deionizer .....	1
5	105167001	Flow Ind, W/coupler, Deionizer .....	1
6	105167101	Light, Quality, Battery-Powered, w/T-Fitting .....	1
7	105168501	Regulator, Pressure, Deionizer .....	1
8	105168601	Strainer, In-line, Deionizer .....	1
9	AM1300001	Decal, Filter Log, Blue .....	1
10	AM1300201	Decal, Inspect Log, Yellow .....	1
11	AM1300101	Decal, Filter Log, Blue, Pack of 100 .....	A/R
12	AM1300301	Decal, Inspect Log, Yellow, Pack of 100 .....	A/R

13

E

13

*E*

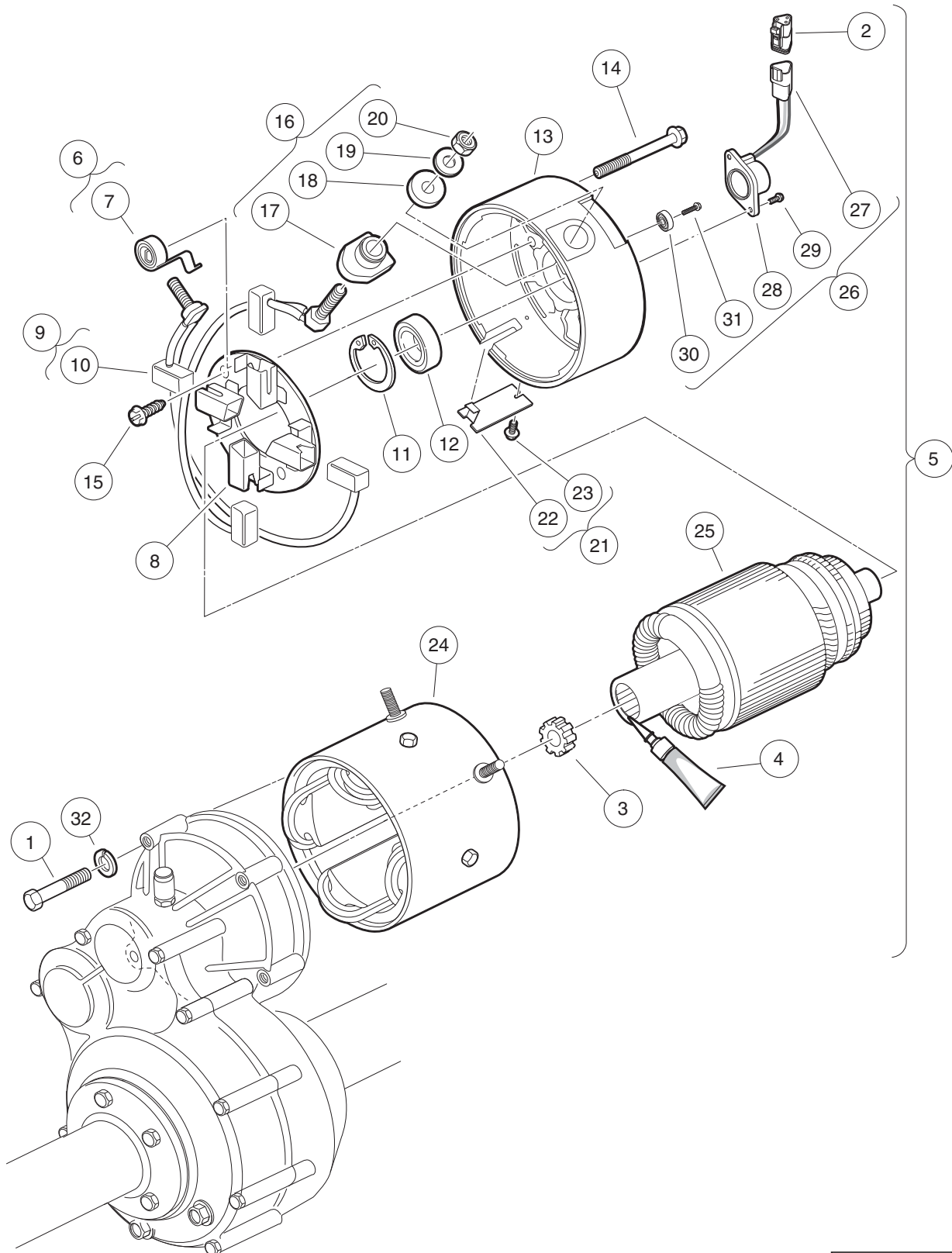


# ELECTRIC MOTOR

---

14

*E*



000185-002

## MOTOR (MODEL EJ8-4001A) – ELECTRIC VEHICLE

ITEM	PART NO.	DESCRIPTION	QTY
		<b>1 2 3 4</b>	
1	1014201	Screw, 1/4-20 X 2.25 Hex Cap .....	3
2	101920101	Kit, 3-Pin Wedge Lock .....	1
3	102235201	Bumper, Drive Unit .....	1
4	102243403	Lubricant, Moly-Teflon (Single-Use Tube) .....	1
5	103572501	IQ Electric Motor, 48-VDC 3.3 hp (includes items 6 through 26) .....	1
6	102186001	Spring Kit, Motor Brush (includes item 7) .....	1
7	N/A	Spring, Brush, S-g .....	4
8	102186101	Brush Box Assembly .....	1
9	102186201	Brush Kit, Motor (includes item 10) .....	1
10	N/A	Assembly, Brush and Terminal .....	2
11	N/A	Ring, 2.24" Internal Retaining .....	1
12	102186401	Bearing, Ball .....	1
13	102186701	End Cap, Motor .....	1
14	N/A	Screw, 1/4-20 X 2.25 Hex-Head Washer .....	2
15	102186901	Screw, #8-32 X .5 Hex-Head .....	2
16	102187101	Hardware Kit, Motor Terminal (includes items 17 through 20) .....	2
17	N/A	Bushing, Nylon .....	2
18	N/A	Washer, Nylon Flat .....	2
19	N/A	Washer, Flat, 5/16 Steel .....	2
20	N/A	Nut, Brass Hex, 5/16 - 18 .....	2
21	102187201	Plate Kit, Motor Cover (includes items 22 and 23) .....	1
22	N/A	Assembly, Cover Plate .....	1
23	N/A	Screw, #8-32 x 0.375, Taptite Thread .....	1
24	102704701	Frame and Field Assembly .....	1
25	102704801	Armature Assembly .....	1
26	102704901	Kit, Speed Sensor (includes items 27 through 31) .....	1
27	101942301	Kit, 3-Pin Wedge Lock .....	1
28	N/A	Sensor, Motor Speed, ADC .....	1
29	N/A	Screw, #8-32, Taptite Thread .....	2
30	N/A	Magnet, ADC Motor .....	1
31	N/A	Screw, 1/4-20 x 0.5 .....	1
32	451	Lockwasher, 1/4 Split .....	3
Note: The F1 and F2 terminal posts on the EJ8-4001A motor have 1/4 - 20			

14

E

**14**

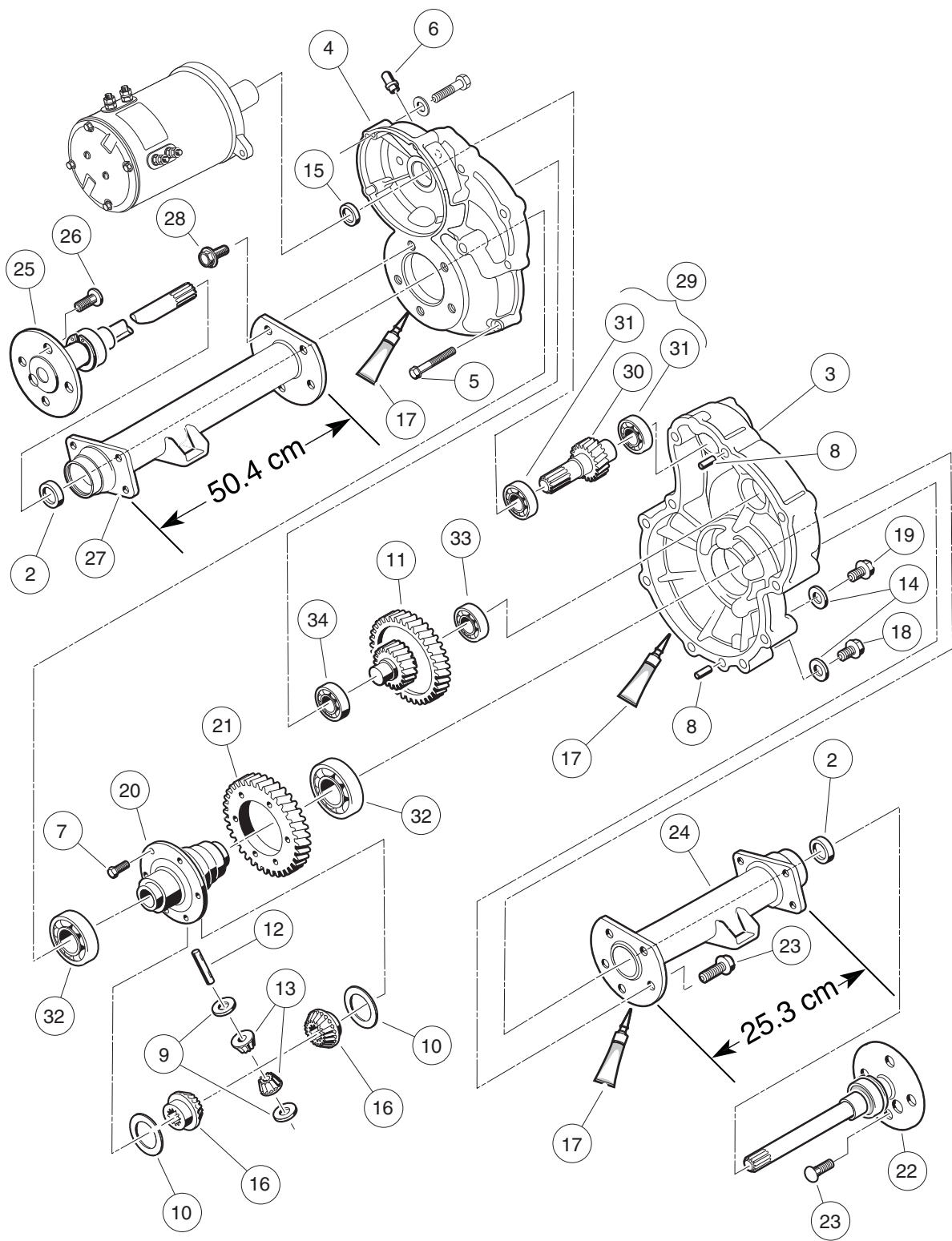
***E***

# TRANSAXLE – ELECTRIC VEHICLES

---

15

E



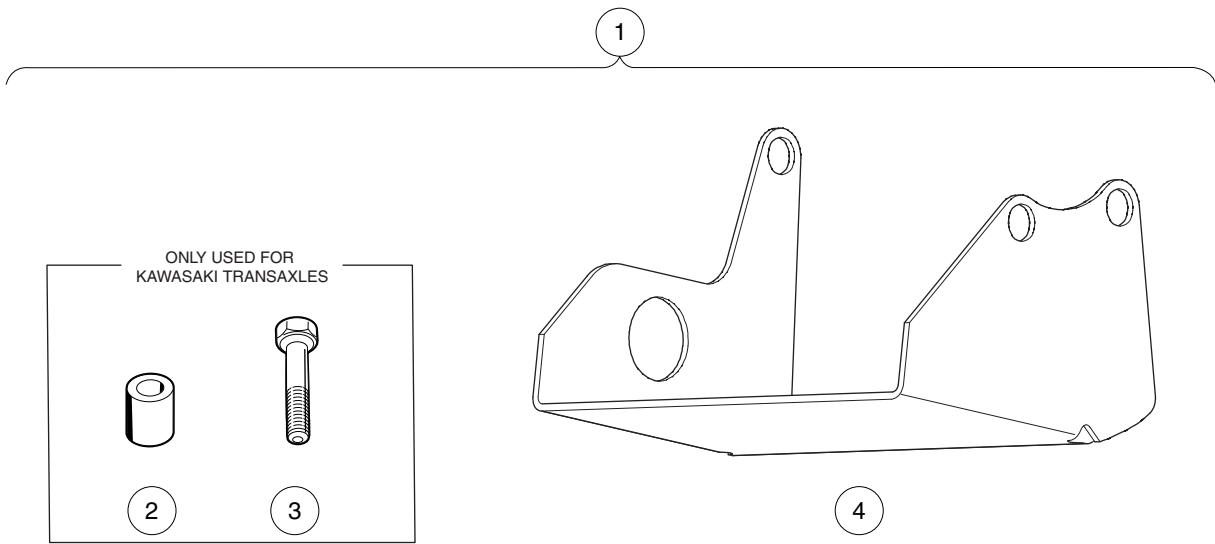
000223-005

# TRANSAXLE – ELECTRIC VEHICLES

ITEM	PART NO.	DESCRIPTION	QTY
		<b>1 2 3 4</b>	
1	102771701	Transaxle, Electric (includes items 2 through 34) .....	1
2	1013794	Axle Shaft Oil Seal .....	2
3	101895401	Gear Case, Driver-Side .....	1
4	101895501	Gear Case, Passenger-Side .....	1
5	101897001	Screw, M8-1.25 X 60mm Hex-Head .....	11
6	101897201	Breather .....	1
7	101897401	Screw, M10-1.25 X 25mm .....	6
8	101897601	Pin, 11mm OD X 8.5mm ID X 10mm .....	2
9	101903601	Washer, Thrust .....	2
10	101903701	Washer, Thrust .....	2
11	101906901	Intermediate Shaft Assembly .....	1
12	101922101	Pin, 15.99mm X 88.7mm Dowel .....	1
13	101923001	Gear, Differential Idler .....	2
14	101923201	Gasket .....	2
15	101923501	Seal, Lip .....	1
16	101923901	Gear, Differential .....	2
17	101928701	Liquid Gasket (Transaxle case) .....	1
18	101972101	Plug, M14-1.5 X 12mm Magnetic .....	1
19	101972201	Plug, M14-1.5 X 12mm Hex .....	1
20	102356601	Housing, Differential, 6 Bolt .....	6
21	102356801	Gear, Differential Output, 6-Bolt .....	6
22	102886301	Axle Assembly, Driver-Side (includes item 23) .....	1
23	101922201	Lug Stud .....	4
24	102886401	Tube, Axle, Driver-Side .....	1
25	102886501	Axle Assembly, Passenger-Side (includes item 26) .....	1
26	101922201	Lug Stud .....	4
27	102886601	Tube, Axle, Passenger-Side .....	1
28	102902801	Screw, M10 X 30 .....	10
29	103582801	Asm, E Trans Shaft/bearing (includes items 30 and 31) .....	1
30	N/A	Shaft, Input .....	1
31	7335	Bearing .....	2
32	7330	Inner Axle Tube Bearing .....	2
33	7335	Bearing .....	1
34	7336	Bearing .....	1

**15**

**E**



000365-002



## DIFFERENTIAL GUARD – ELECTRIC VEHICLES

ITEM	PART NO.	DESCRIPTION	QTY
		1 2 3 4	
1	101611402	Kit, Differential Guard, Elec Vehicles (includes items 2 through 4) .....	1
2	101914001	Spacer, Steel .....	2
3	101936101	Screw, M10-1.50 X 60mm Hex Cap .....	2
4	101978601	Guard, Differential, Electric Vehicle Transaxle .....	1

15

E

**15**

***E***

# BATTERY CHARGERS

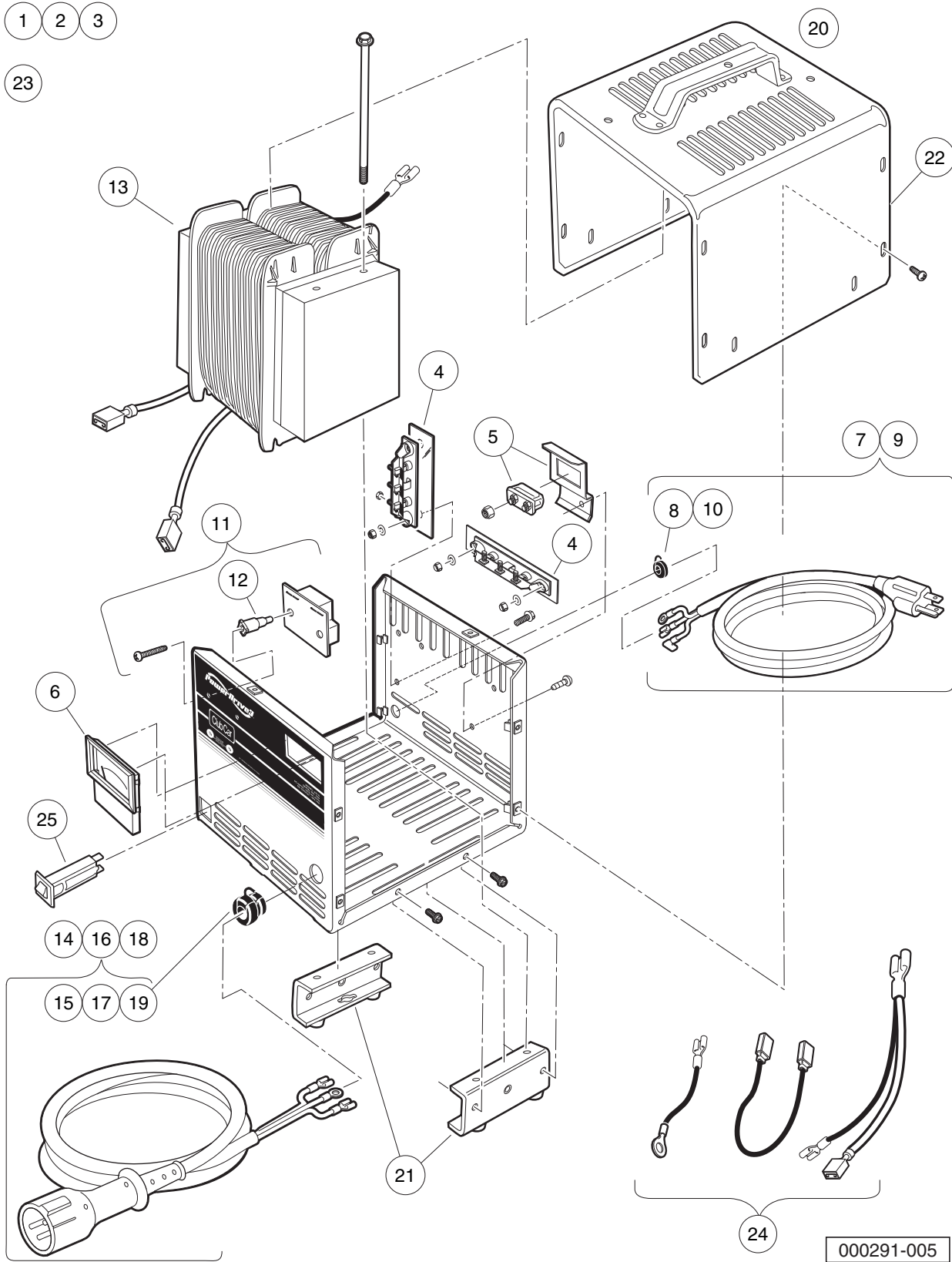
---

16

*E*

- 1
- 2
- 3

- 23



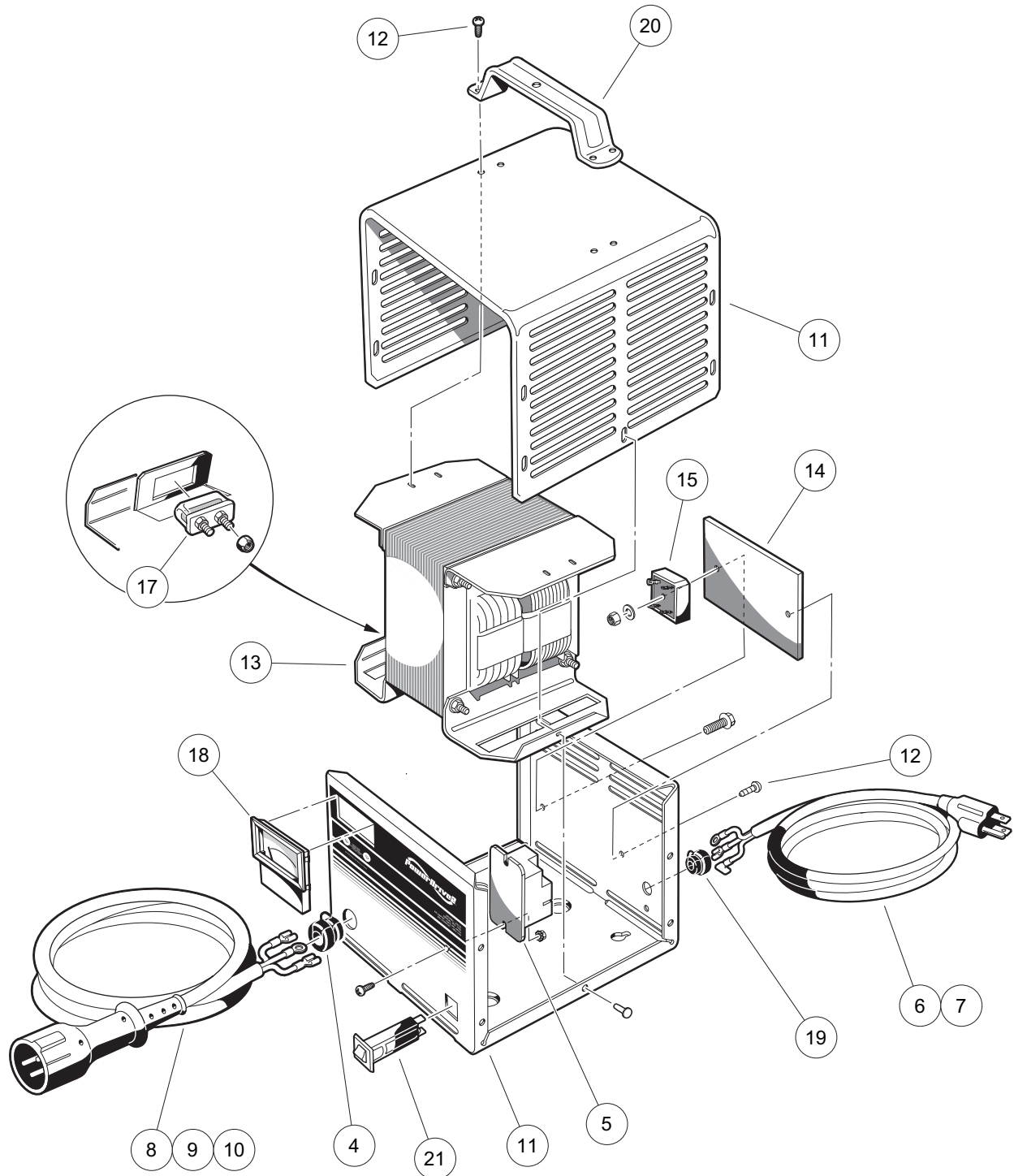
000291-005

# POWERDRIVE 3 BATTERY CHARGER (MODEL 26580), DOMESTIC

ITEM	PART NO.	DESCRIPTION	QTY
		<b>1 2 3 4</b>	
1	103499101	Charger, PowerDrive 3, 9ft DC, 6ft AC .....	1
2	103499102	Charger, PowerDrive 3, 12ft DC, 9ft AC .....	1
3	103499103	Charger, PowerDrive 3, 20ft DC, 9ft AC (includes items 4 through 25) .....	1
4	1015914	Rectifier with Heatsink Assembly .....	2
5	102273701	PD2 Fuse Asm .....	1
6	102273801	PD2 Ammeter .....	1
7	103428501	Kit, PD3 Cordset - AC 80" (includes item 8) .....	1
8	102273901	PD2 AC Cord Bushing .....	1
9	103428601	Kit, PD3 Cordset, - AC 114" (includes item 10) .....	1
10	102273901	PD2 AC Cord Bushing .....	1
11	103428701	Asm, PD3 Board Relay (includes item 12) .....	1
12	103429701	PD3 Plastic Stand-Offs .....	2
13	103428801	PD3 Transformer .....	1
14	103429001	PD3 Cordset - DC 113" (includes item 15) .....	1
15	1012098	Bushing, DC Cord .....	1
16	103429101	PD3 Cordset - DC 154" (includes item 17) .....	1
17	1012098	Bushing, DC Cord .....	1
18	103429201	PD3 Cordset - DC 205" (includes item 19) .....	1
19	1012098	Bushing, DC Cord .....	1
20	103429301	Asm, PD3 Case (includes items 21 and 22) .....	1
21	103434001	Asm, PD3 Legs .....	1
22	103439901	PD3Case Top (Includes Handle) .....	1
23	103429501	Kit, PD3 Hardware .....	1
24	103429601	Kit, PD3 Wires .....	1
25	CCX8506	Circuit Breaker, 15-Amp/120-Volt .....	1

**16**

**E**



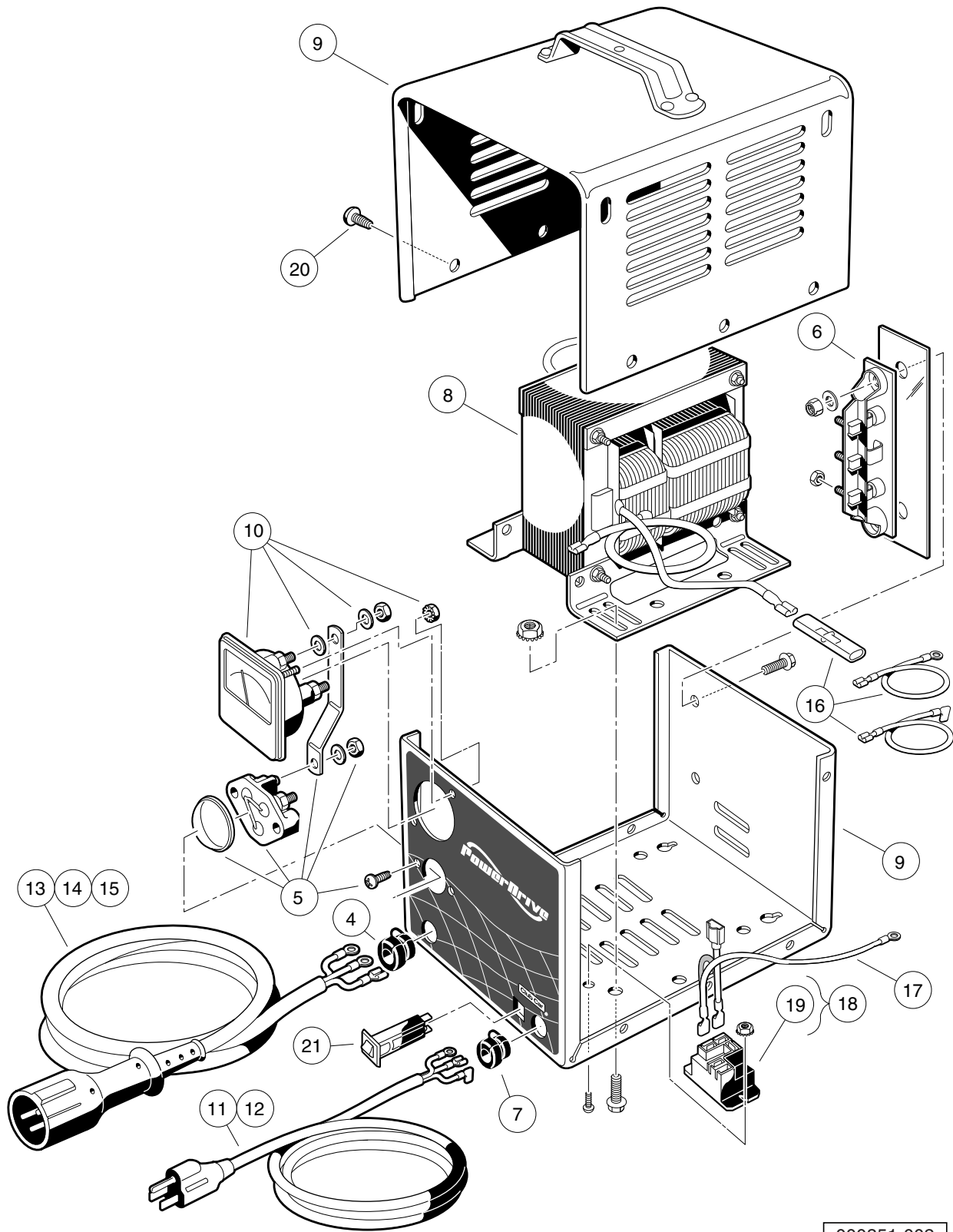
000291-004

# POWERDRIVE 2 BATTERY CHARGER (MODEL 22110), DOMESTIC

ITEM	PART NO.	DESCRIPTION	QTY
		<b>1 2 3 4</b>	
1	101802204	48-V/13-A PowerDrive 2 (9-ft. DC, 6-ft. AC) .....	1
2	101802205	48-V/13-A PowerDrive 2 (12-ft. DC, 9-ft. AC) .....	1
3	101802206	48-V/13-A PowerDrive 2 (20-ft. DC, 9-ft. AC) (includes items 4 through 21) .....	1
4	1012098	Bushing, DC Cord .....	1
5	101828601	Relay, 48-Volt .....	1
6	101828801	Cord, AC, 80-Inch (203 cm) .....	1
7	101828802	Cord, AC, 108-Inch (274 cm) .....	1
8	101828904	PD2 DC Cordset, 113-inch .....	1
9	101828905	PD2 DC Cordset, 154-inch .....	1
10	101828906	Pd2 Dc Cordset 250 Inch .....	1
11	102273201	PD2 Case (includes item 12) .....	1
12	7577	Screw, #10 X 0.50 Phillips Pan-Head .....	12
13	102273301	PD2 Transformer Asm .....	1
14	102273401	PD2 Heatsink .....	1
15	102273501	PD2 Diode Bridge w/Film .....	1
16	102273601	PD2 Wire Asm .....	1
17	102273701	PD2 Fuse Asm .....	1
18	102273801	PD2 Ammeter .....	1
19	102273901	PD2 AC Cord Bushing .....	1
20	102274001	PD2 Handle .....	1
21	CCX8506	Circuit Breaker, 15-Amp/120-Volt .....	1
<p>Note: Item 16 not shown. Level 1 Battery Charger part numbers include one AC and one DC cord. They do not include all of the level 2 cords listed.</p>			

**16**

**E**



000351-002



# POWERDRIVE BATTERY CHARGER (MODEL 17930), DOMESTIC

**16**

**E**

ITEM	PART NO.	DESCRIPTION	QTY
		<b>1 2 3 4</b>	
1	101802201	Charger, PowerDrive, 48V/17A, 9ft DC, 6ft AC Cord .....	1
2	101802202	Charger, PowerDrive, 48V/17A, 12ft DC, 9ft AC Cord .....	1
3	101802203	Charger, PowerDrive, 48V/17A, 20ft DC, 9ft AC Cord (includes items 4 through 21) .....	1
4	1012098	Bushing, DC Cord .....	1
5	1012101	Fuse Assembly .....	1
6	1015914	Rectifier with Heatsink Assembly .....	1
7	1015917	Bushing, AC Cord .....	1
8	101819701	Transformer, Battery Charger .....	1
9	101828301	Case Assembly .....	1
10	101828501	Ammeter .....	1
11	101828801	Cord, AC, 80-Inch (203 cm) .....	1
12	101828802	Cord, AC, 108-Inch (274 cm) .....	1
13	101828901	Cord, DC, 113-Inch (287 cm) .....	1
14	101828902	Cord, DC, 154-Inch (391 cm) .....	1
15	101828903	Cord, DC, 250-Inch (635 cm) .....	1
16	101831101	Wire Assembly Kit .....	1
17	101914401	Assembly, Voltage Suppressor .....	1
18	103414901	Kit, Relay, 48v 30a W/instr (includes item 19) .....	1
19	103397901	Relay, Spst No, 48v 30a, Pmt .....	1
20	7577	Screw, #10 X 0.50 Phillips Pan-Head .....	10
21	CCX8506	Circuit Breaker, 15-Amp/120-Volt .....	1
<p>Note: Level 1 Battery Charger part numbers include one AC and one DC cord. They do not include all of the level 2 cords listed.</p>			

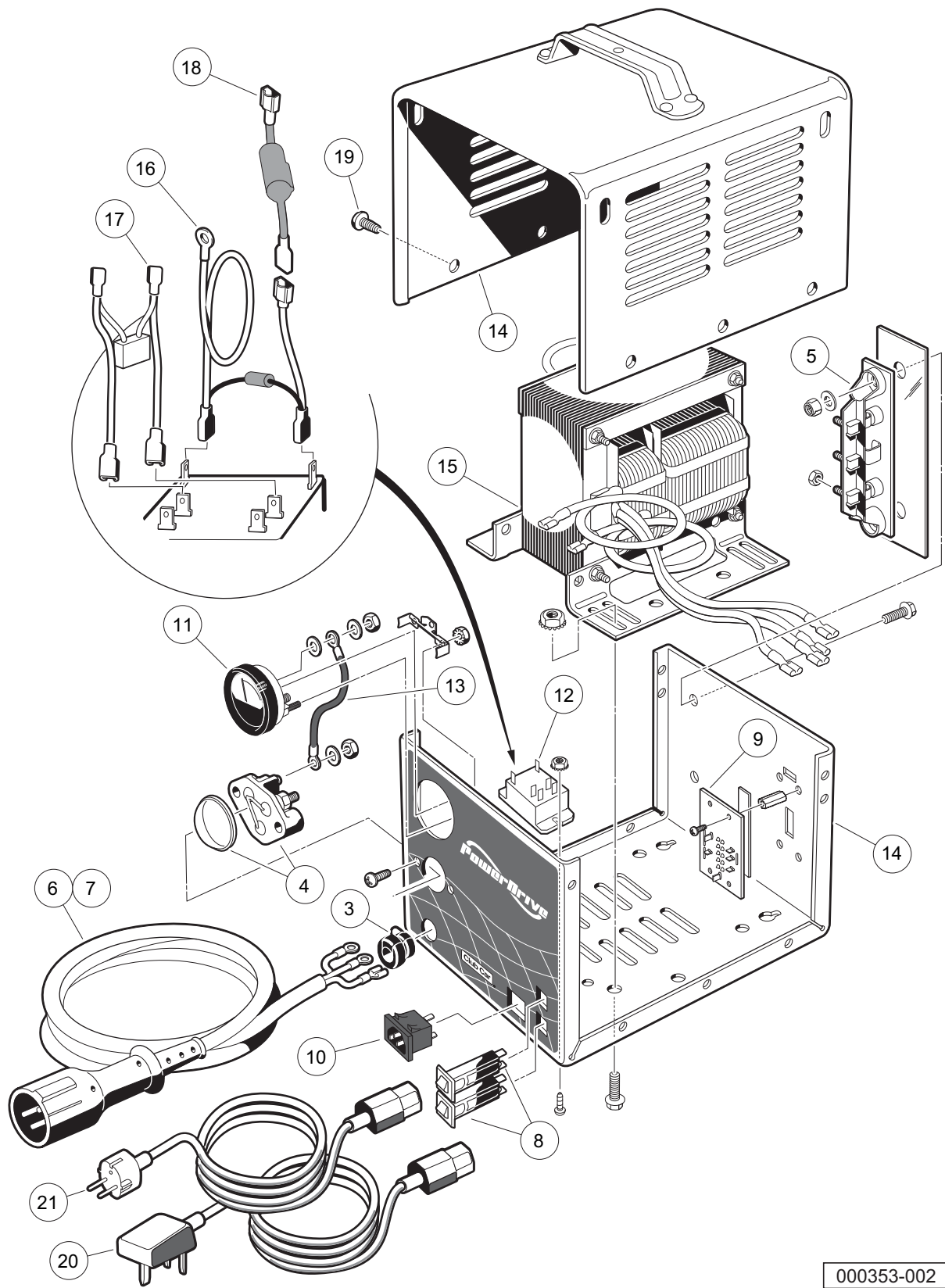


# POWERDRIVE BATTERY CHARGER (MODEL 18780), EXPORT

ITEM	PART NO.	DESCRIPTION	QTY
		1 2 3 4	
1	101831503	Battery Charger, 48-Volt DC (8.5-ft DC, 6-ft AC) .....	1
2	101831504	Battery Charger, 48-Volt DC (12-ft DC, 9-ft AC) (includes items 3 through 20) .....	1
3	1012098	Bushing, DC Cord .....	1
4	1012101	Fuse Assembly .....	1
5	1015914	Rectifier with Heatsink Assembly .....	1
6	1015917	Bushing, AC Cord .....	1
7	101828501	Ammeter .....	1
8	101828901	Cord, DC, 113-Inch (287 cm) .....	1
9	101828902	Cord, DC, 154-Inch (391 cm) .....	1
10	101831701	Cord, AC, 80-Inch (203 cm), without Plug .....	1
11	101831702	Cord, AC, 118-Inch (300 cm), without Plug .....	1
12	101838201	Transformer, Export Battery Charger .....	1
13	101838301	Relay, Export Charger .....	1
14	101838401	Circuit Breaker .....	2
15	101838501	Kit, Wire Assembly .....	1
16	101838601	Four-Position Switch .....	1
17	101838701	Mounting Bracket, Relay .....	1
18	101914401	Assembly, Voltage Suppressor .....	1
19	N/A	Case, Charger .....	1
20	7577	Screw, #10 X 0.50 Phillips Pan-Head .....	10
<p style="margin-left: 40px;">Note: Level 1 Battery Charger part numbers include one AC and one DC cord. They do not include all of the level 2 cords listed.</p>			

16

E



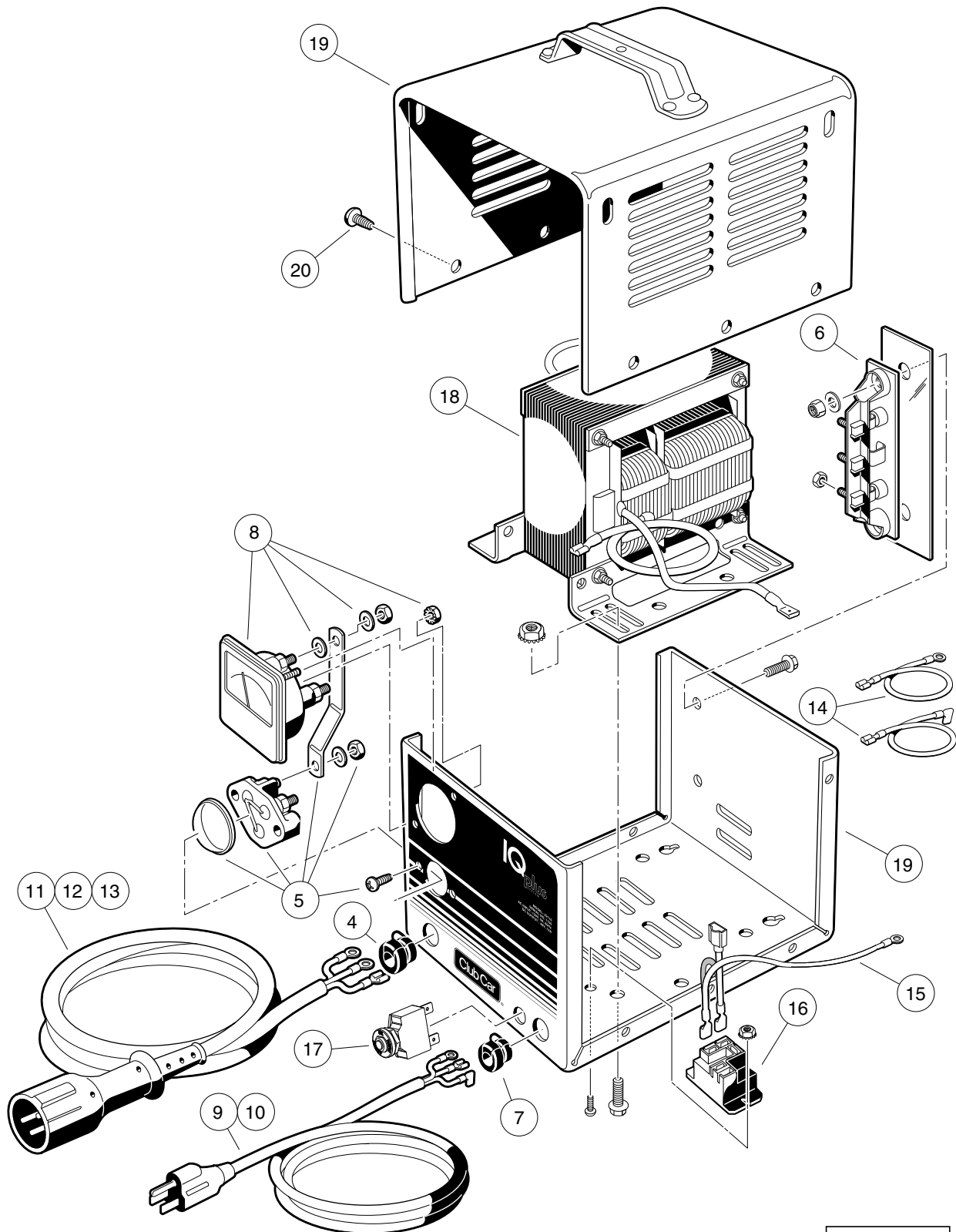
000353-002

# POWERDRIVE BATTERY CHARGER (MODEL 20310), EUROPEAN

**16**

**E**

ITEM	PART NO.	DESCRIPTION	QTY
		<b>1 2 3 4</b>	
1	101956201	Battery Charger, 48-Volt w/ 4-Position Switch (8.5-ft DC) .....	1
2	101956202	Battery Charger, 48-Volt w/ 4-Pos. Switch (12-ft DC) (includes items 3 through 19) .....	1
3	1012098	Bushing, DC Cord .....	1
4	1012101	Fuse Assembly .....	1
5	1015914	Rectifier with Heatsink Assembly .....	1
6	101828901	Cord, DC, 113-Inch (287 cm) .....	1
7	101828902	Cord, DC, 154-Inch (391 cm) .....	1
8	101838401	Circuit Breaker .....	2
9	101838601	Four-Position Switch .....	1
10	101973501	Receptacle, AC Cord .....	1
11	101976601	Ammeter with Mounting Bracket .....	1
12	101987501	Relay .....	1
13	N/A	Wire, Jumper .....	1
14	N/A	Case, Charger .....	1
15	****	Transformer, European Battery Charger .....	1
16	****	Suppressor, AC Voltage .....	1
17	****	Assembly, Wire .....	1
18	N/A	Limiter, Current .....	1
19	7577	Screw, #10 X 0.50 Phillips Pan-Head .....	10
20	101958201	Cord, UK, AC, Battery Charger .....	1
21	101958301	Cord, European AC, Battery Charger .....	1
<p>**** Special order item available upon request.</p> <p>Note: Level 1 Battery Charger part numbers include one AC and one DC cord. They do not include all of the level 2 cords listed.</p>			



000414-001

# IQ PLUS BATTERY CHARGER (MODELS 25730-11,-18,-19), DOMESTIC

ITEM	PART NO.	DESCRIPTION	QTY
		1 2 3 4	
1	102847801	Charger, IQ Plus, Domestic (9-ft. DC Cord, 6-ft. AC Cord) .....	1
2	102847802	Charger, IQ Plus, Domestic (12-ft. DC Cord, 9-ft. AC Cord) .....	1
3	102847803	Charger, IQ Plus, Domestic (20-ft. DC Cord, 9-ft. AC Cord) (includes items 4 through 20)	1
4	1012098	Bushing, DC Cord .....	1
5	1012101	Fuse Assembly .....	1
6	1015914	Rectifier with Heatsink Assembly .....	1
7	1015917	Bushing, AC Cord .....	1
8	101828501	Ammeter .....	1
9	101828801	Cord, AC, 80-Inch (203 cm) .....	1
10	101828802	Cord, AC, 108-Inch (274 cm) .....	1
11	101828901	Cord, DC, 113-Inch (287 cm) .....	1
12	101828902	Cord, DC, 154-Inch (391 cm) .....	1
13	101828903	Cord, DC, 250-Inch (635 cm) .....	1
14	101831101	Wire Assembly Kit .....	1
15	101914401	Assembly, Voltage Suppressor .....	1
16	102275401	Relay, 48-VDC .....	1
17	102838101	Circuit Breaker 250vac-50vdc .....	1
18	N/A	Transformer, Battery Charger .....	1
19	N/A	Case, Battery Charger .....	1
20	7577	Screw, #10 X 0.50 Phillips Pan-Head .....	10

16

E



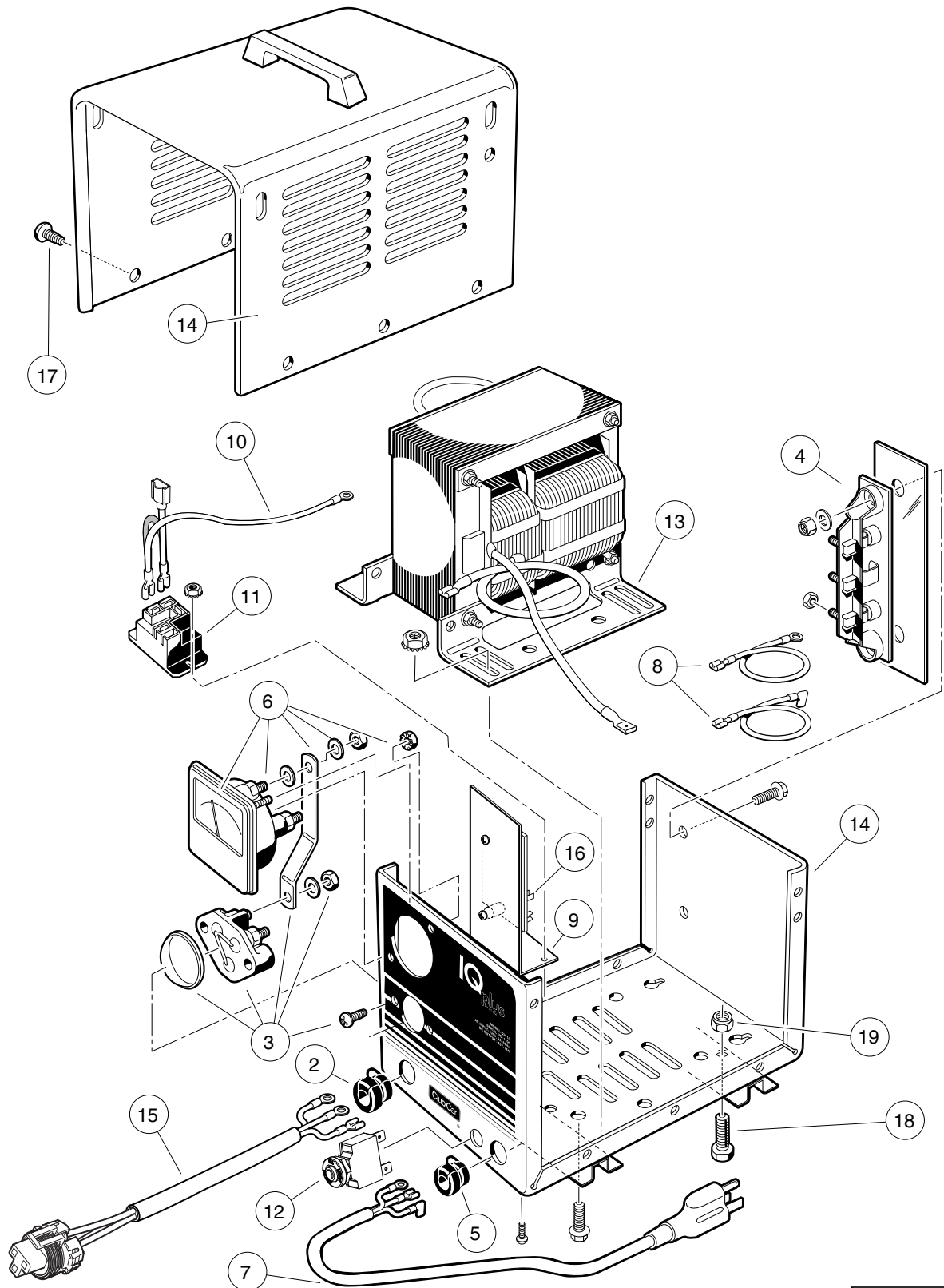


# IQ PLUS BATTERY CHARGER (MODELS 25880-11 AND -18), INTERNATIONAL

ITEM	PART NO.	DESCRIPTION	QTY
		1 2 3 4	
1	101958201	Cord, UK, AC, Battery Charger .....	1
2	101958301	Cord, European AC, Battery Charger .....	1
3	102892901	Charger, IQ Plus, International (9-ft. DC Cord) .....	1
4	102892902	Charger, IQ Plus, International (12-ft. DC Cord) (includes items 5 through 21) .....	1
5	1012098	Bushing, DC Cord .....	1
6	1012101	Fuse Assembly .....	1
7	1015914	Rectifier with Heatsink Assembly .....	1
8	101828501	Ammeter .....	1
9	101828901	Cord, DC, 113-Inch (287 cm) .....	1
10	101828902	Cord, DC, 154-Inch (391 cm) .....	1
11	101828903	Cord, DC, 250-Inch (635 cm) .....	1
12	101838401	Circuit Breaker .....	2
13	101838601	Four-Position Switch .....	1
14	101914401	Assembly, Voltage Suppressor .....	1
15	101973501	Receptacle, AC Cord .....	1
16	102275401	Relay, 48-VDC .....	1
17	N/A	Limiter, Current .....	1
18	N/A	Wire Assembly, Battery Charger .....	1
19	N/A	Transformer, Battery Charger .....	1
20	N/A	Case, Battery Charger .....	1
21	7577	Screw, #10 X 0.50 Phillips Pan-Head .....	10
22	102939501	Cord, European AC, Battery Charger .....	1

16

E



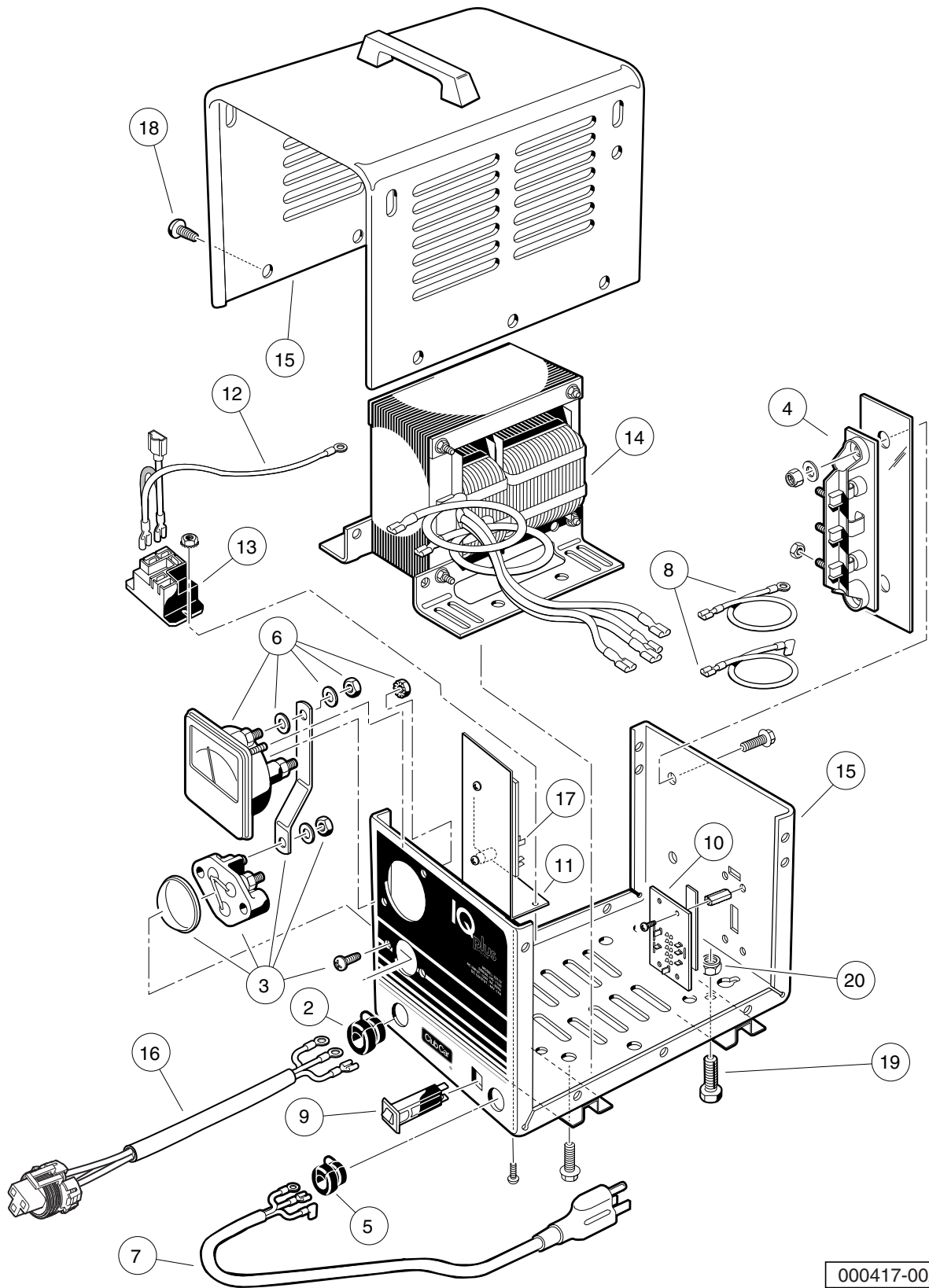
000415-002

# ONBOARD IQ PLUS BATTERY CHARGER (MODEL 25260-50), DOMESTIC

ITEM	PART NO.	DESCRIPTION	QTY
		1 2 3 4	
1	103772401	Charger, IQ Plus, Onboard, Domestic (includes items 2 through 19) .....	1
2	1012098	Bushing, DC Cord .....	1
3	1012101	Fuse Assembly .....	1
4	1015914	Rectifier with Heatsink Assembly .....	1
5	1015917	Bushing, AC Cord .....	1
6	101828501	Ammeter .....	1
7	101829001	Cord, AC, 22-Inch (56 cm) .....	1
8	101831101	Wire Assembly Kit .....	1
9	101838701	Mounting Bracket, Relay .....	1
10	101914401	Assembly, Voltage Suppressor .....	1
11	102275401	Relay, 48-VDC .....	1
12	102838101	Circuit Breaker, 20 Amp .....	1
13	N/A	Transformer, Battery Charger .....	1
14	N/A	Case, Battery Charger .....	1
15	103832001	Cord, DC, 20", Charger .....	1
16	103869401	Control Board, Potted .....	1
17	7577	Screw, #10 X 0.50 Phillips Pan-Head .....	12
18	7847	Screw, 1/4-20 X 0.75 Hex-Head Cap .....	4
19	8233	Locknut, 1/4-20, Nylon Insert .....	4
Note: DC Cord (item 15) uses the Packard 480 Connector.			

16

E



000417-002

# ONBOARD IQ PLUS BATTERY CHARGER (MODEL 25660-50), INTERNATIONAL

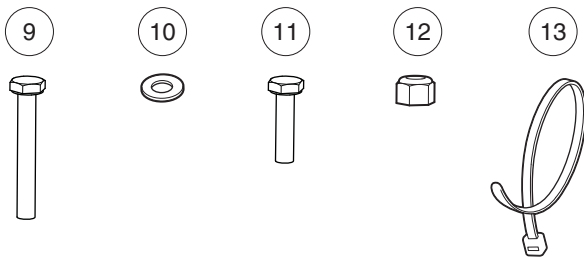
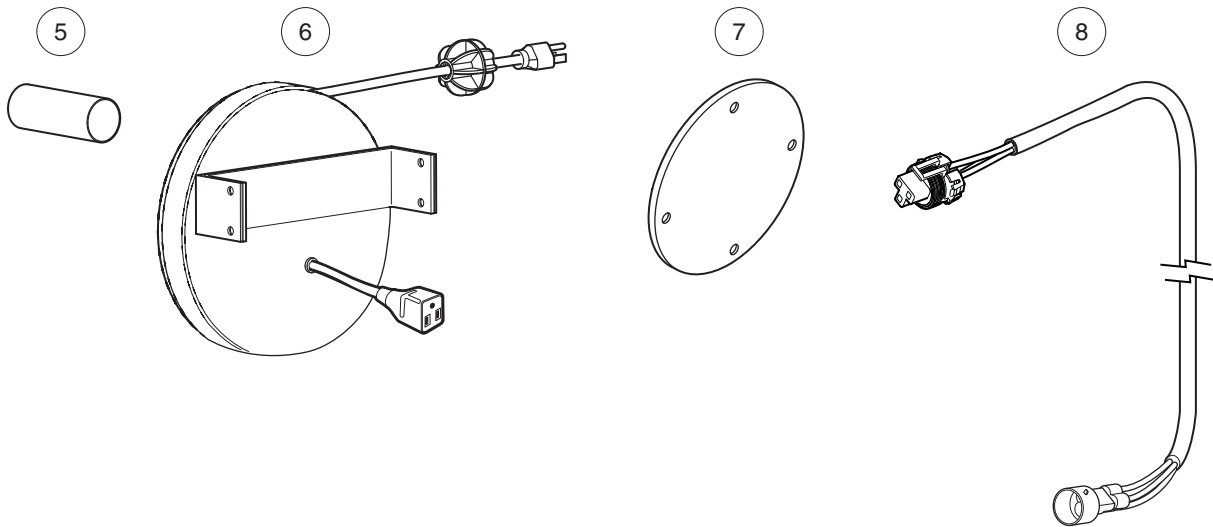
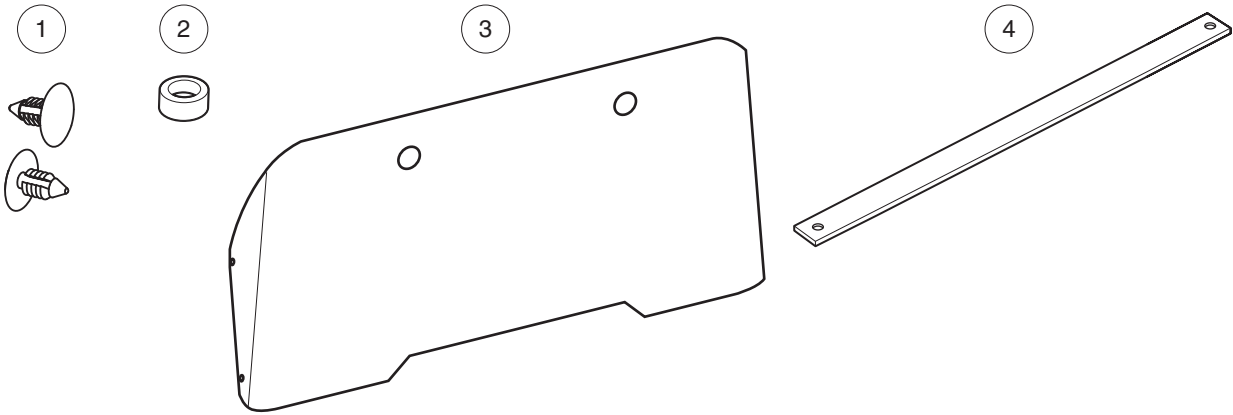
ITEM	PART NO.	DESCRIPTION	QTY
		1 2 3 4	
1	103771601	Charger, IQ Plus, Onboard, International (includes items 2 through 20) .....	1
2	1012098	Bushing, DC Cord .....	1
3	1012101	Fuse Assembly .....	1
4	1015914	Rectifier with Heatsink Assembly .....	1
5	1015917	Bushing, AC Cord .....	1
6	101828501	Ammeter .....	1
7	101829001	Cord, AC, 22-Inch (56 cm) .....	1
8	101831101	Wire Assembly Kit .....	1
9	101838401	Circuit Breaker .....	1
10	101838601	Four-Position Switch .....	1
11	101838701	Mounting Bracket, Relay .....	1
12	101914401	Assembly, Voltage Suppressor .....	1
13	102275401	Relay, 48-VDC .....	1
14	N/A	Transformer, Battery Charger .....	1
15	N/A	Case, Battery Charger .....	1
16	103832001	Cord, DC, 20", Charger .....	1
17	103869401	Control Board, Potted .....	1
18	7577	Screw, #10 X 0.50 Phillips Pan-Head .....	12
19	7847	Screw, 1/4-20 X 0.75 Hex-Head Cap .....	4
20	8233	Locknut, 1/4-20, Nylon Insert .....	4
Note: DC Cord (item 16) uses the Packard 480 Connector.			

16

E

16

E



001289-002

# ONBOARD IQ PLUS CHARGER AND CORD REEL MOUNTING

ITEM	PART NO.	DESCRIPTION	QTY
		1 2 3 4	
1	1010434	Barrel - Plastic .....	4
2	1010927	Hill Brake Spacer .....	4
3	1011348	Rear Panel 4 Passenger .....	1
4	1011707	Bracket, Mounting, Battery Charger .....	2
5	1017189	Heat Shrink Tube 1.5"x 4' .....	1
6	101965401	Reel Assy, Retractable Cord .....	1
7	103218001	Cover Plate, Receptacle .....	1
8	103772201	Harness, Ob Charg, Vill, 480 .....	1
9	1703	Screw, 1/4-20 X 1.50 Hx Hd Cap .....	4
10	332	Washer, 1/4 Type A Narrow Flat .....	4
11	7847	Screw, 1/4-20 X 0.75 Hex-Head Cap .....	4
12	8233	Locknut, 1/4-20, Nylon Insert .....	8
13	8990	Tie Wrap, 8" Nylon .....	4
Note: Charger Harness (item 8) uses the Packard 480 Connector.			

16

E

**16**

***E***



# MAINTENANCE AND SERVICE TOOLS

---

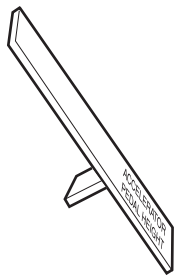
17

G

E

D

**17**  
**G**  
**E**  
**D**



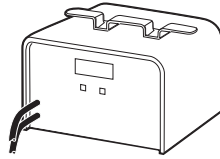
1



2



3



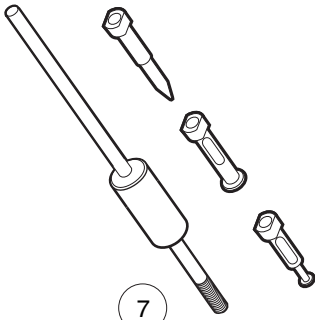
4



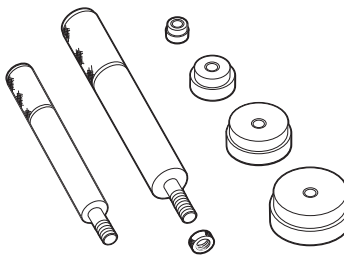
5



6



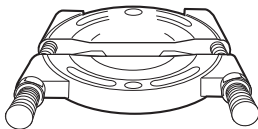
7



8



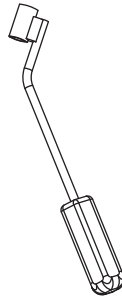
9



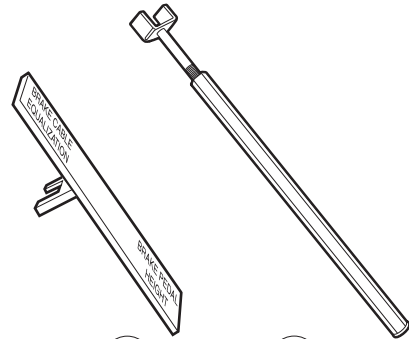
10



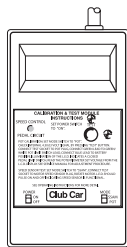
11



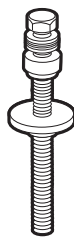
12



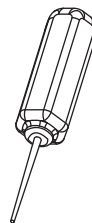
14 15  
13



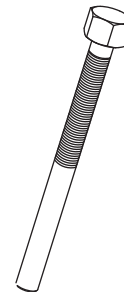
16



17



18



19

# MAINTENANCE AND SERVICE TOOLS

ITEM	PART NO.	DESCRIPTION	QTY DIESEL	QTY GAS	QTY ELEC
		<p style="text-align: center;">1 2 3 4</p> <p>The following tool list includes all tools available from Club Car for maintenance and service procedures for gasoline, electric, and/or diesel vehicles, both past and present models. Be sure to carefully examine the tool list for applicability to your vehicle before ordering.</p>			
1	101871001	Accelerator Pedal Adjustment Tool .....		1	1
2	101813202	Adhesive, Guide Ring, 3-Gram Tube .....			1
3	101641202	Arbor .....		1	
4	101831901	Battery Discharge Machine, 36/48 Volt .....			1
5	1014305	Battery Terminal Protector Spray .....	1	1	1
6	1011767	Battery Thermometer .....	1	1	1
7	1016417	Bearing and Oil Seal Remover Assembly .....	1	1	1
8	1016416	Bearing Driver Set .....	1	1	1
9	1012811	Bearing Puller .....	1	1	1
10	1012812	Bearing Puller Wedge Attachment .....	1	1	1
11	1013582	Brake Adjustment Tool (used only on vehicles with manually adjusted mechanical brakes) .....			
12	102555501	Brake Cable Release Tool .....	1	1	1
13	102249901	Brake Pedal Adjustment Tool Kit (used for the Carryall Electric Industrial Truck only) (includes items 14 and 15).....			1
14	****	Brake Pedal Adjustment Tool .....			1
15	****	Brake Pedal Tension Tool .....			1
16	101887101	Calibration Test Module .....			1
17	101808401	Cam Installation Tool .....		1	
18	102562401	Charger Bezel Tool .....			1
19	102686101	Clutch Removal Tool (for 4x4 vehicles) .....	1	1	
		<p>Please refer to the maintenance and service manual for proper tool application.</p> <p>**** Special order item available upon request</p>			

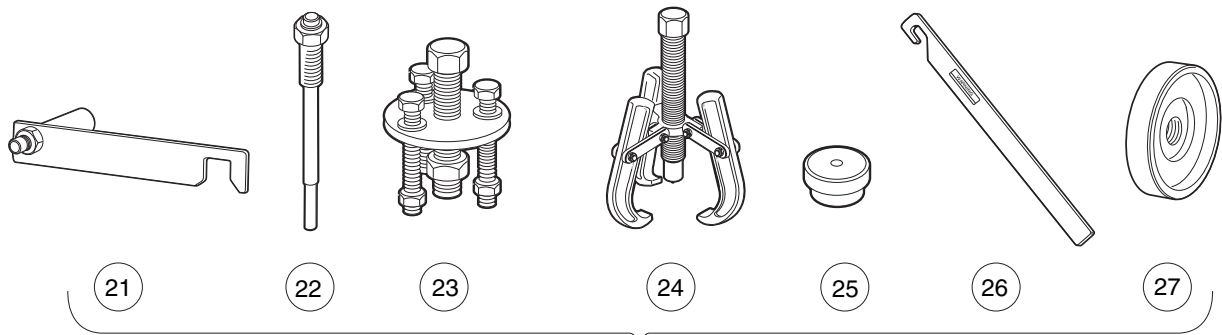
**17**

**G**

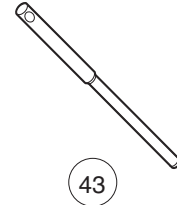
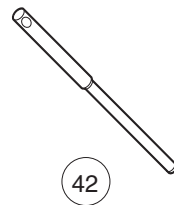
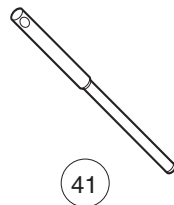
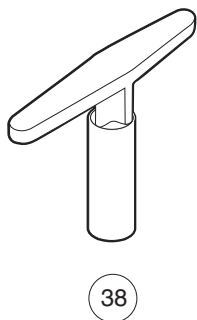
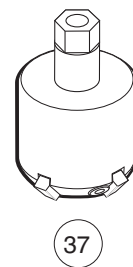
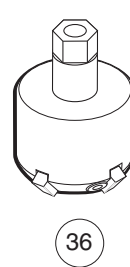
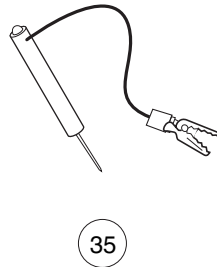
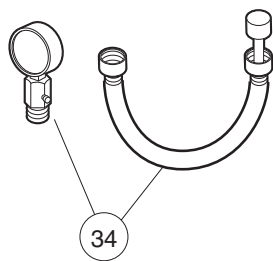
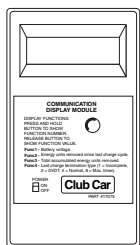
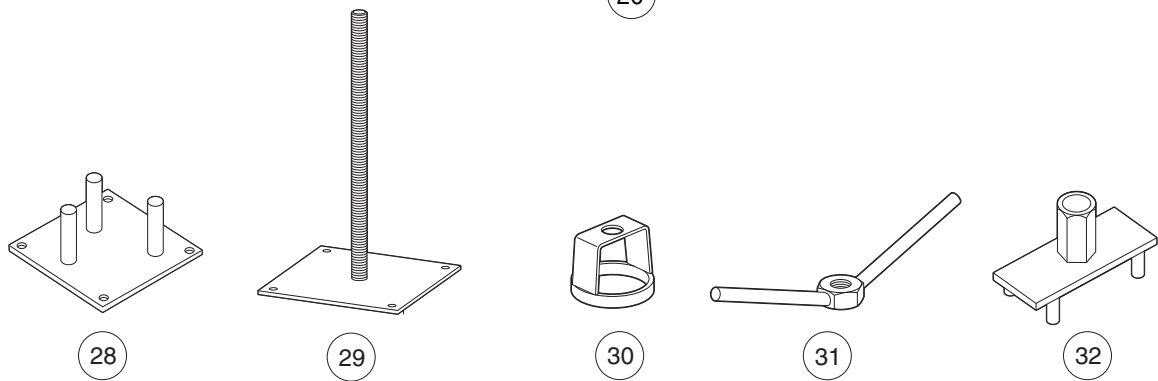
**E**

**D**

**17**  
**G**  
**E**  
**D**



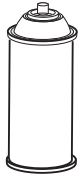
20



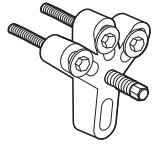
## MAINTENANCE AND SERVICE TOOLS, CONTINUED

ITEM	PART NO.	DESCRIPTION	QTY DIESEL	QTY GAS	QTY ELEC	<b>17</b>
		<b>1 2 3 4</b>				<b>G</b>
20	1014510	Clutch Tool Kit (includes items 21 - 27) .....		1		<b>E</b>
21	1014498	Clutch Alignment Tool (for pre-unitized transaxle vehicles built prior to 1997 model year) .....		1		<b>D</b>
22	1014496	Drive Clutch Puller (for Kawasaki engines only) .....		1		
23	1014497	Drive Clutch Hub Puller (for Kawasaki engines only) .....		1		
24	1014508	Driven Clutch Cam Puller (for Kawasaki engines only) .....		1		
25	1014507	Driven Clutch Puller Plug (for Kawasaki engines only) .....		1		
26	1015524	Drive Clutch Holder Tool Assembly (for Kawasaki engines only) .....		1		
27	101809101	Press Weldment (for Kawasaki engines only) .....		1		
28	102601501	Drive ClutchFixed Sheave Tool (for 4x4 vehicles) .....	1	1		
29	102603501	Driven Clutch Spring Compression Base (for use with items 30 and 31) (for 4x4 vehicles) .....	1	1		
30	102605201	Driven Clutch Spring Compression Collar (for use with items 29 and 31) (for 4x4 vehicles) .....	1	1		
31	102606101	Driven Clutch Spring Compression Nut (for use with items 29 and 30) (for 4x4 vehicles) .....	1	1		
32	102607501	Drive Clutch Spider Removal Tool (for 4x4 vehicles) .....	1	1		
33	101831801	Communication Display Module .....			1	
34	101641002	Compression Gauge and Adapter .....		1		
35	1011273	Continuity Tester .....		1	1	
36	102773801	Cutter, Valve Seat, #122 .....		1		
37	102773901	Cutter, Valve Seat #115 .....		1		
38	102774101	Wrench, T, #505.....		1		
39	102774101	Adapter, T-Wrench.....		1		
40	102675401	Cutter, Valve Seat, 60 Degree (requires item 51) (for Honda GX620 Gasoline Engines) .....		1		
41	102774201	Pilot, 6.6 MM .....		1		
42	102774301	Pilot, 6.62 MM.....		1		
43	102774401	Pilot, 6.65 MM.....		1		
		Please refer to the maintenance and service manual for proper tool application.				

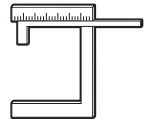
**17**  
**G**  
**E**  
**D**



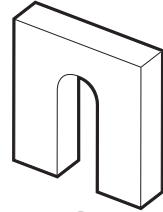
44



45



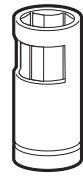
46



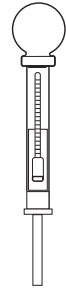
47



48



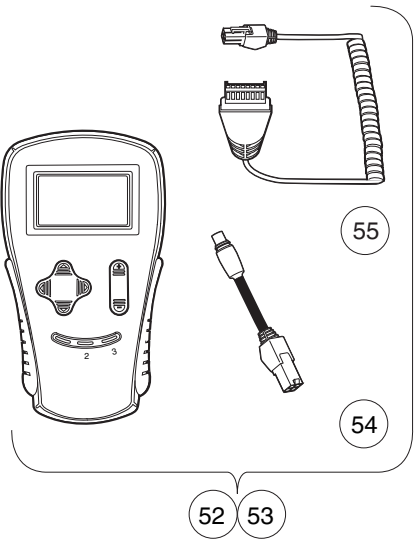
49



50



51

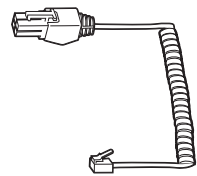


52

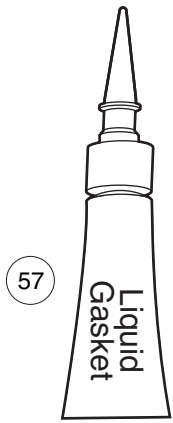
53

55

54



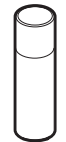
56



57

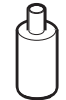


58



59

60



61

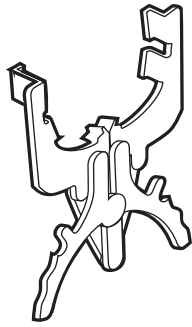
## MAINTENANCE AND SERVICE TOOLS, CONTINUED

ITEM	PART NO.	DESCRIPTION	QTY DIESEL	QTY GAS	QTY ELEC	<b>17</b>
		1 2 3 4				<b>G</b>
44	1012151	Dry Moly Lubricant .....	1	1	1	<b>E</b>
45	1016627	Flywheel Puller Kit (for Kawasaki Engines) .....		1		<b>D</b>
46	102669901	Gauge, Carburetor Float Level (for Honda GX620 Gasoline Engines) .....		1		
47	1016418	Gear Yoke .....	1	1	1	
48	101933101	Governor Shaft Installation Tool (for Kawasaki Engine Vehicles) .....		1		
49	102169401	Hydraulic Brake Adjuster (for Turf/CA 272/472, Pioneer/XRT 1200, Bobcat 2100, HUV 4213) .....			1	
50	1011478	Hydrometer .....	1	1	1	
51	1013593	Internal Retaining Ring Pliers .....	1	1	1	
52	102248803	IQ Display Module (IQDM) Kit (IQ System and IQ Plus vehicles) .....			1	
		(includes items 54 and 55)				
53	102248804	IQ Display Module (IQDM-P) Kit (IQ System and IQ Plus vehicles) .....			1	
		(includes items 54 and 55)				
54	102251501	Adaptor, Cable .....			1	
55	102241502	IQDM Series 2 Cable .....			1	
56	102241501	IQDM Series 1 Cable (replacement) .....			1	
57	101928701	Liquid Gasket (transaxle case) .....	1	1	1	
58	102243402	Moly-Teflon Lubricant (4-oz. (113-gram) tube) .....			1	
59	101997201	Paint, Touch-Up – Beige* .....		1	1	
59	101997207	Paint, Touch-Up – Black* .....		1	1	
59	101997212	Paint, Touch-Up – Burgundy* .....		1	1	
59	101997211	Paint, Touch-Up – Classic Blue (Navy)* .....		1	1	
59	101997205	Paint, Touch-Up – Dark Gray* .....	1	1	1	
59	101997209	Paint, Touch-Up – Dark Green* .....	1	1	1	
59	101997204	Paint, Touch-Up – Gray* .....	1	1	1	
59	101997203	Paint, Touch-Up – Red* .....	1	1	1	
59	101997206	Paint, Touch-Up – Royal Blue (Pacific Blue)* .....		1	1	
59	101997202	Paint, Touch-Up – White* .....	1	1	1	
60	102562301	Paint, Precedent Underbody – Gray .....		1	1	
61	102587201	Paint Pen, Touch-Up, Precedent Underbody – Black .....		1	1	
		Please refer to the maintenance and service manual for proper tool application.				
		* Item 59 is not for use on Surlyn <sup>®</sup> body material, which is used on Precedent vehicles.				

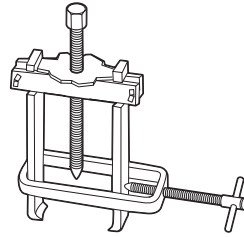
**17**  
**G**  
**E**  
**D**



62



63



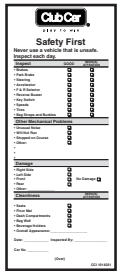
64



65



66



67



68



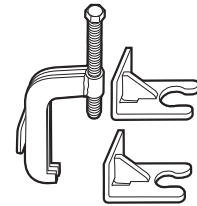
69



70



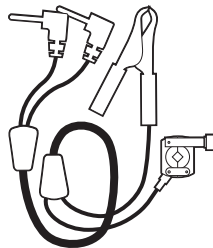
71



72



73



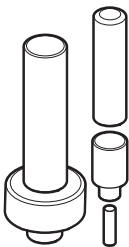
74



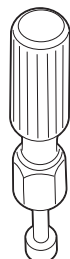
75



76



77



83



84



85



86



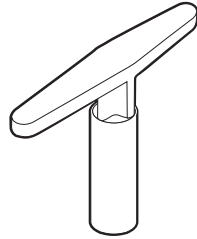
## MAINTENANCE AND SERVICE TOOLS, CONTINUED

ITEM	PART NO.	DESCRIPTION	QTY	QTY	QTY	17
			DIESEL	GAS	ELEC	
		1 2 3 4				G
62	1016414	Piston Ring Compressor Kit (FE290, FE350 and FE400 engines) .....		1		E
63	1016415	Piston Ring Pliers (for Kawasaki Engines) .....		1		D
64	102668801	Puller, Special Use (for Kubota D722 Diesel Engines) .....	1			
65	1012549	Retaining Ring Pliers, 45° External .....	1	1	1	
66	1012560	Retaining Ring Pliers, 90° Internal .....	1	1	1	
67	101823101	Safety First Card (50 per pack) .....	1	1	1	
68	1012809	Seal Puller .....	1	1	1	
69	102330901	Spanner Wrench (for coil over shock front suspension vehicles only) .....	1	1		
70	1014264	Steering Column Bearing Press Tool .....		1	1	
71	1014259	Steering Column Retaining Ring Tool .....		1	1	
72	102061201	Steering Wheel Puller Tool .....	1	1	1	
73	AM10753	Tachometer (includes gasoline engine pick up lead only) .....	1	1		
74	AM10771	Tachometer Diesel Probe (for use with item 73) .....	1			
75	1014162	Transaxle Axle Seal Tool .....		1		
76	1014161	Transaxle Pinion Seal Tool .....		1		
77	1014115	Transmission Tool Kit .....		1		
78	101611003	Tune-Up Kit, All OHV (for FE290, FE350, FE400 only) (includes air filter, spark plug, oil filter, fuel filters) (not shown) .....		1		
79	AM11804	Tune-Up Kit, Gx620 (for Honda Engines) (includes air filter, spark plug, oil filter, fuel filters) (not shown) .....		1		
80	AM11805	Tune-Up Kit, D722 (for Kubota Engines) (includes air filter, oil filter, fuel filters, water separator filter) (not shown) .....	1			
81	AM1220301	Tune-Up Kit, Precedent (for FE290/350 Engines) (includes air filter, spark plug, oil filter, fuel filters) (not shown) .....		1		
82	AM1232401	Tune-Up Kit, FH680D (for Kawasaki V-Twin Engines) (includes oil filter, fuel filter, air filter, and spark plugs) (not shown).....		1		
83	1016413	Valve Clearance Adjuster Screw Holder (for FE290 engines only) .....		1		
84	102674601	Valve Guide Driver (for Honda GX620 Gasoline Engines) .....		1		
85	101641201	Valve Guide Reamer (FE290, FE350, and FE400 only) .....		1		
86	102674401	Valve Guide Reamer, 6.6 mm (for Honda GX620 Gasoline Engines) .....		1		

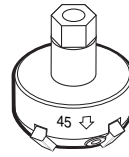
**17**  
**G**  
**E**  
**D**



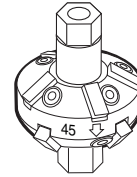
87



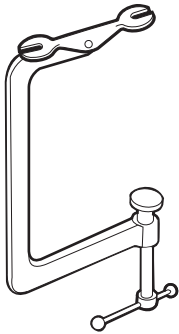
88



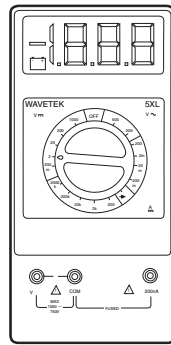
89



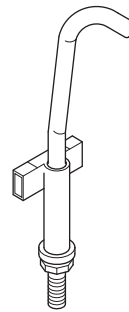
90



91



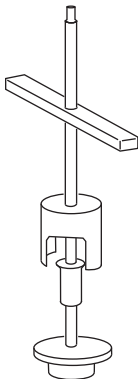
92



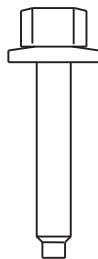
93



94



95



96

## MAINTENANCE AND SERVICE TOOLS, CONTINUED

ITEM	PART NO.	DESCRIPTION	QTY DIESEL	QTY GAS	QTY ELEC	<b>17</b>
		<b>1 2 3 4</b>				<b>G</b>
87	1016552	Valve Seat Cutter Guide .....		1		<b>E</b>
88	1016551	Valve Seat Cutter T-Wrench .....		1		<b>D</b>
89	1016553	Valve Seat Cutter, 45° (32 mm diameter) (for FE290 engines only) .....		1		
90	1016554	Valve Seat Cutter, 45°/30° (35 mm diameter) .....		1		
91	101641101	Valve Spring Compressor .....		1		
92	1011480	Volt Ohm Meter .....	1	1	1	
93	102570401	Tool, Tensioning, Starter Generator (For Precedent vehicles) .....		1		
94	103601401	Puller, Drive Clutch, XRT 950* .....		1		
95	103601701	Tool, Disassembly, Driven Clutch, XRT 950 .....		1		
96	103600501	Screw, Driven Clutch Disassembly, M6, XRT 950 .....		1		
<p>*Note: The XRT 950 Drive Clutch Puller requires the use of Screw, Driven Clutch Disassembly, CCI Part Number 103600501.</p>						



# INDEX

## Part Number and Page

AM10753	17-9	16-21	1011439	4-5, 4-7	
AM10771	17-9	7893	4-5, 4-9, 4-21, 7-13, 7-15	1011466	5-11
AM10419	11-11	8056	4-11, 7-19	1011478	17-7
AM1243501	4-27	8057	4-11, 7-15, 7-17, 7-19	1011480	17-11
AM1243701	4-23, 4-25, 4-27	8058	7-15, 7-17, 7-19	1011557	4-5, 4-7
AM1243801	4-23, 4-25, 4-27	8067	6-13	1011578	1-31, 6-5, 13-13
AM1300001	13-17	8104	4-9	1011582	4-33
AM1300101	13-17	8233	1-3, 1-23, 1-25, 1-29, 1-33, 4-23, 4-25, 4-29, 4-31, 5-5, 5-7, 9-11, 12-3, 12-11, 13-3, 16-17, 16-19, 16-21	1011590	4-9
AM1300201	13-17	8248	12-3, 13-3	1011652	1-27
AM1300301	13-17	8251	1-23, 1-25	1011694	5-5, 5-7
CCX8506	16-3, 16-5, 16-7	8294	4-29	1011697	6-5, 13-13
183	4-5, 4-7, 4-9, 4-21, 4-27, 11-7, 11-9	8450	11-7, 11-9	1011707	16-21
304	1-31, 4-29	8639	4-27, 7-13, 7-15, 13-11	1011734	5-9
320	1-21, 1-31, 1-33	8717	5-7, 7-13, 7-15, 12-3	1011767	17-3
324	4-23, 4-25	8754	1-21, 5-5, 5-7, 5-13, 6-5, 6-7, 6-9, 6-11, 6-15, 7-11	1011779	5-13
332	1-3, 1-23, 1-25, 1-27, 1-33, 4-23, 4-25, 4-29, 13-3, 13-11, 16-21	8755	1-33, 6-9, 6-15	1011825	4-29
334	1-33, 5-5, 5-7, 6-5, 6-7, 11-7, 11-9	8861	6-11	101187702	5-3
357	6-9	8990	4-9, 4-19, 4-25, 4-31, 6-7, 12-5, 13-3, 13-11, 16-21	1011895	6-7
451	14-3	1010124	6-9	1011930	6-7
706	6-9	1010138	1-31, 6-11	1011931	1-29, 5-5, 5-7
1016	4-5, 4-9, 4-21	1010145	6-15	1011990	1-21
1017	4-3	1010150	6-9	1012098	16-3, 16-5, 16-7, 16-9, 16-11, 16-13, 16-15, 16-17, 16-19
1028	5-3	1010434	16-21	1012101	16-7, 16-9, 16-11, 16-13, 16-15, 16-17, 16-19
1032	5-3	1010436	1-17	1012151	17-7
1035	6-7	1010543	1-27	1012285	4-31, 13-3, 13-11
1218	9-13	1010545	1-31	1012295	7-13, 7-15
1241	1-5, 1-29, 4-5, 4-7, 5-3, 5-5, 5-7, 5-13, 7-13, 7-15, 7-23, 8-5, 9-13	1010577	8-5	1012303	1-33, 6-9, 6-15
1242	4-19, 5-13, 7-11, 7-13, 7-15, 13-11	1010805	5-3	1012304	6-15
1624	5-5, 5-7, 6-7, 7-11	1010829	5-13	1012412	1-23, 1-25
1703	16-21	1010850	5-11	1012431	4-11, 7-15, 7-17, 7-19
2402	6-11	1010877	5-3	1012438	4-7, 4-27
4029	4-29	1010878	1-33, 5-3	1012467	6-7
7048	6-13	101090802	13-13	1012528	10-3, 13-11
7173	4-5, 4-7, 7-23	1010909	4-5, 4-21	1012549	17-9
7174	6-5, 7-11, 10-3, 13-11	1010921	5-3	1012560	17-9
7251	1-11	1010927	5-3, 16-21	1012594	7-17, 7-19
7310	2-3	1010932	5-3	1012604	6-5
7311	1-29	1010933	5-3	1012605	6-5
7330	15-3	1010934	7-23	1012649	9-5
7335	15-3	1010954	7-13, 7-15	1012809	17-9
7336	15-3	1010958	13-13	1012811	17-3
7473	1-11, 4-5, 4-7, 5-3, 5-5, 5-7, 5-13, 7-13, 7-15, 7-23, 9-13	1010984	2-3	1012812	17-3
7540	6-7	1010993	1-23, 1-25	1012836	11-11
7555	6-7	1011084	5-9	1012986	4-13
7577	16-5, 16-7, 16-9, 16-11, 16-13, 16-15, 16-17, 16-19	1011114	9-11, 12-11	1012987	12-3
7591	4-5, 4-7, 8-9	1011229	4-5, 4-7	101303202	1-7
7602	6-7	1011273	17-5	1013035	6-7
7716	5-3, 5-5, 5-7	1011280	4-5, 4-7	1013042	6-7, 6-11
7818	7-13, 7-15	1011348	16-21	1013044	6-7
7820	4-29	1011402	5-3	1013052	6-7
7847	1-23, 1-25, 1-29, 1-33, 4-33, 16-17, 16-19,	1011415	6-15	1013061	13-9
		1011418	5-3	1013164	6-15
				1013357	4-5, 4-7
				1013461	4-3

# INDEX

1013509	4-23, 4-25	1014497	17-5	101611003	17-9
1013531	5-13	1014498	17-5	101611402	15-5
1013547	4-31	1014507	17-5	1016183	6-5
1013579	4-31	1014508	17-5	1016201	11-7, 11-9
1013582	17-3	1014510	17-5	1016230	4-27
1013589	7-13, 7-15	1014530	4-29	1016267	4-27
1013591	12-3	1014540	4-31	1016269	6-5
1013593	17-7	101454902	6-15	1016287	4-27
1013609	7-13, 7-15	1014555	6-15	1016289	11-7, 11-9
1013734	13-11	1014573	6-15	1016346	6-11
1013746	9-5	1014675	6-15	1016349	6-11
1013794	15-3	1014727	7-17, 7-19	1016350	6-11
1013857	4-13, 4-15	1014789	7-3, 7-5	1016351	6-11
1013869	5-3	1014807	7-15, 7-17, 7-19	1016353	6-11
1013870	5-3	1014808	7-15	1016356	4-5, 4-7
1013871	5-5, 5-7	1014901	6-15	1016363	4-7
1013876	1-31, 5-3	1014902	6-15	1016365	4-19
1013924	5-11, 8-5	1014947	13-11	1016366	4-7
1013983	1-19	1015010	4-27	1016384	6-9
1014007	5-5, 5-7, 9-11, 12-11	101503202	1-3	1016385	6-11
1014051	11-9	1015064	12-3	1016386	6-9
1014055	11-7, 11-9	1015072	13-13	1016387	6-9
1014056	11-7, 11-9	1015137	9-5	1016389	6-9
1014057	11-7, 11-9	1015153	4-23	101641002	17-5
1014058	11-7, 11-9	1015154	4-23	101641101	17-11
1014059	11-7, 11-9	1015156	4-23, 4-25, 4-27	101641201	17-9
1014062	11-7, 11-9	1015157	4-23, 4-25	101641202	17-3
1014063	11-7, 11-9, 13-11	1015160	4-23, 4-25	1016413	17-9
1014065	7-13, 7-15, 11-7, 11-9	1015162	4-23	1016414	17-9
1014072	11-11	1015167	4-27	1016415	17-9
1014078	11-11	1015170	4-27	1016416	17-3
1014080	11-11	1015172	4-23, 4-25	1016417	17-3
1014115	17-9	1015187	4-23, 4-25, 4-27	1016418	17-7
1014116	9-3	1015332	7-3, 7-5	1016423	4-5, 4-7
1014125	6-5	1015373	7-13, 7-15	1016551	17-11
1014126	6-5	1015391	1-31	1016552	17-11
1014145	7-13, 7-15, 12-3	1015405	7-13, 7-15	1016553	17-11
1014153	5-11	101547601	3-7	1016554	17-11
1014161	17-9	1015524	17-5	1016627	17-7
1014162	17-9	1015526	4-23, 4-25, 4-27	1016630	4-13
1014201	14-3	1015583	1-33, 6-15	1016717	4-33
1014213	6-5	101558302	6-9	1016801	11-7, 11-9
1014214	6-5	1015597	6-7, 6-13	1016837	4-23, 4-25
1014217	6-5	1015737	7-13, 7-15	1016851	4-11
1014259	17-9	1015741	4-5, 4-7, 7-13, 7-15	1016868	1-11
1014264	17-9	1015752	4-33, 7-13, 7-15, 13-5	1016879	4-3
1014276	6-9	1015765	4-23	1016880	4-3
1014287	11-7, 11-9	1015768	4-27	1016901	11-7
1014288	6-5, 11-7, 11-9, 13-11	1015770	4-27	1016916	1-27
1014289	7-7, 7-9	1015878	7-15	1016929	4-23, 4-25, 4-27
1014304	13-13	1015914	16-3, 16-7, 16-9, 16-11, 16-13, 16-15, 16-17, 16-19	1016952	1-23, 1-25
1014305	17-3	1015917	16-7, 16-9, 16-13, 16-17, 16-19	1016967	1-11
1014306	1-23, 1-25, 4-31	1015932	7-11	1017029	5-3
1014453	11-7, 11-9	1015969	8-7	1017062	4-3
1014454	11-11	1016103	8-9	1017064	4-3
1014496	17-5			1017065	4-3

# INDEX

101707402	4-9	101823801	5-11	101880301	6-7
1017075	4-9	101823901	5-11	101881501	4-31
1017080	1-11	101824001	5-11	101881601	4-31
1017141	1-23, 1-25	101824002	5-11	101884801	8-5
1017145	11-11	101824101	8-9	101886101	9-11, 12-11
1017189	16-21	101826801	13-11	101887101	17-3
1017226	6-5	101827801	13-11	101894901	13-9
1017235	6-15	101828301	16-7	101895401	15-3
1017266	6-11	101828501	16-7, 16-9, 16-13, 16-15, 16-17, 16-19	101895501	15-3
1017273	6-3	101828601	16-5	101897001	15-3
1017313	6-5	101828801	16-5, 16-7, 16-13	101897201	15-3
1017314	6-5	101828802	16-5, 16-7, 16-13	101897401	15-3
1017315	6-5	101828901	16-7, 16-9, 16-11, 16-13, 16-15	101897601	15-3
1017317	6-5	101828902	16-7, 16-9, 16-11, 16-13, 16-15	101898001	7-23
1017378	5-5, 5-7	101828903	16-7, 16-13, 16-15	101903001	13-7
1017380	5-5, 5-7	101828904	16-5	101903101	6-9
1017424	5-5, 5-7	101828905	16-5	101903601	15-3
1017686	11-11	101828906	16-5	101903701	15-3
1017696	5-5, 5-7	101829001	16-17, 16-19	101906901	15-3
1017705	13-9	101830701	4-15	101908101	13-3
1017721	4-5, 4-21	101831101	16-7, 16-13, 16-17, 16-19	101908401	13-3
1017724	4-9	101831503	16-9	101908601	3-11
1017774	1-29	101831504	16-9	101908703	13-11
1017853	4-5, 4-7	101831701	16-9	101910401	1-29, 13-11
101791101	5-11	101831702	16-9	101912401	5-9
101795701	13-7, 13-13	101831801	17-5	101914001	15-5
101796201	5-5, 5-7	101831901	17-3	101914401	4-5, 16-7, 16-9, 16-13, 16-15, 16-17, 16-19
101796501	13-9	101832001	13-9	101915201	3-7
101796801	13-9	101833401	11-11	101918501	5-3
101801001	13-9	101834602	8-5	101919801	5-5, 5-7
101802101	13-9	101835601	1-33, 4-19, 4-33	101920101	13-3, 13-5, 14-3
101802201	16-7	101838201	16-9	101922101	15-3
101802202	16-7	101838301	16-9	101922201	15-3
101802203	16-7	101838401	16-9, 16-11, 16-15, 16-19	101922501	13-3
101802204	16-5	101838501	16-9	101923001	15-3
101802205	16-5	101838601	16-9, 16-11, 16-15, 16-19	101923201	15-3
101802206	16-5	101838701	16-9, 16-17, 16-19	101923501	15-3
101806901	1-7	101855002	13-3	101923901	15-3
101808401	17-3	101855801	1-23, 1-25	101926501	6-15
101809101	17-5	101856002	13-3	101928701	15-3, 17-7
101810501	4-7	101856102	7-13, 7-15	101929401	6-15
101813202	17-3	101861901	5-5, 5-7	101931501	3-11, 13-11
101814601	4-25	101862001	5-5	101932201	4-5, 4-7
101815501	5-11	101871001	17-3	101932401	13-3
101815502	5-11	101878201	5-3	101932501	13-3
101816301	5-11	101878302	6-7	101932601	13-11
101816501	5-11	101879401	6-7	101932701	13-11
101816502	5-11	101879501	6-7	101933101	17-7
101817401	5-5, 5-7	101879601	6-7	101936101	15-5
101818801	5-7	101879701	6-7	101936801	13-5
101819701	16-7	101879801	6-7	101942301	13-3, 14-3
101821601	4-27	101879901	6-7	101953101	5-13
101823101	17-9	101880001	6-7	101954301	1-3, 1-27
101823201	5-11	101880101	6-7	101955101	4-29
101823301	5-11	101880201	6-7	101956201	16-11
101823302	5-11				

# INDEX

101956202	16-11	102045001	1-3	102273601	16-5
101957101	4-5, 4-7	102048401	1-3	102273701	16-3, 16-5
101958201	16-11, 16-15	102051601	4-13	102273801	16-3, 16-5
101958301	16-11, 16-15	102051701	4-13, 4-15	102273901	16-3, 16-5
101960501	1-7, 3-7	102051901	4-13, 4-15	102274001	16-5
101963401	7-21, 8-5	102059501	12-7, 12-9	102274101	12-23
101965205	13-11	102061201	17-9	102275401	16-13, 16-15, 16-17, 16-19
101965401	16-21	102065901	1-33	102278001	6-5
101968701	13-7	102066201	5-13	102289001	1-33
101969701	4-29	102101001	13-5	102289002	1-9, 1-13
101972001	17-7	102101101	13-5	102289201	6-11
101972002	17-7	102155801	11-11	102289301	1-33
101972003	17-7	102158901	5-5, 5-7	102292801	5-13
101972004	17-7	102169401	17-7	102296530	1-29
101972005	17-7	102174201	1-27	102298116	8-9
101972006	17-7	102174202	1-27	102298240	1-9, 1-13
101972007	17-7	102174204	1-27	102310701	1-19
101972009	17-7	102174205	1-27	102323101	5-3
101972011	17-7	102186001	14-3	102323201	5-3
101972012	17-7	102186101	14-3	102330901	17-9
101972101	15-3	102186201	14-3	102352201	4-19
101972201	15-3	102186401	14-3	102353201	6-13
101973501	16-11, 16-15	102186701	14-3	102353301	6-13
101976601	16-11	102186901	14-3	102353401	6-13
101978001	13-7	102187101	14-3	102354104	6-13
101978101	13-7	102187201	14-3	102354204	6-13
101978201	13-7	102196901	13-3, 13-7	102354901	4-19
101978601	15-5	102198001	4-13, 4-15	102355001	4-19
101979101	7-17, 7-19	102198701	4-5	102355102	1-21
101984801	6-5	102199001	4-5	102356601	15-3
101987501	16-11	102199201	4-5	102356801	15-3
101987901	4-3	102199301	4-5	102357501	4-19
101988001	4-3	102199401	4-5	102357701	6-13
101988002	4-3	102199601	13-7	102410604	8-9, 9-11
101988101	4-3	102221201	1-23, 1-25	102411203	9-3
101988201	4-3	102235201	14-3	102411209	9-13
101990703	4-13	102240501	13-11	102476401	9-11, 12-11
101990801	5-13	102241501	17-7	102490301	9-11
101991101	4-13	102241502	17-7	102491501	11-7, 11-9
101997802	4-31	102242101	1-5, 8-5, 11-11	102498201	9-11, 12-7, 12-9, 12-11
101997803	4-31	102243101	13-11	102499001	4-15
101997902	4-31	102243402	17-7	102503221	1-29
101997903	4-31	102243403	14-3	102503222	1-29
101998211	1-27	102248803	17-7	102503224	1-29
101998212	1-27	102249901	17-3	102508601	4-15
101998214	1-27	102251501	17-7	102508701	4-15
101998215	1-27	102259801	13-11	102526201	12-3
101998501	1-27	102263601	13-7, 13-11	102529201	4-9
102022101	5-13	102263701	13-11	102540301	8-5
102022601	6-11	102266601	13-3	102541402	8-9
102022602	6-11	102266701	13-3	102544201	1-29
102025801	1-3	102269701	7-21	102555501	17-3
102025901	4-13	102273201	16-5	102558201	8-3, 9-13
102026001	5-5, 5-7	102273301	16-5	102562401	17-3
102044702	4-13	102273401	16-5	102570401	17-11
102044801	4-13	102273501	16-5	102572401	13-7



# INDEX

102581201	1-29	102796802	1-23	102847801	16-13
102588501	6-15	102796803	1-23	102847802	16-13
102601501	17-5	102796804	1-23	102847803	16-13
102603501	17-5	102796805	1-23	102852401	1-13
102605201	17-5	102797201	1-33	102852501	4-33
102606101	17-5	102804501	4-13	102857401	1-3
102607501	17-5	102804502	4-13	102861401	2-5
102617201	8-5, 10-3	102804503	4-15	102865101	9-5
102617801	12-23	102804504	4-15	102869401	4-5, 4-7
102618601	1-9, 1-13	102806201	13-11	102886301	15-3
102621501	12-7, 12-9	102806203	13-11	102886401	15-3
102668801	17-9	102810301	1-15	102886501	15-3
102669901	17-7	102810501	13-7	102886601	15-3
102674001	17-5	102815801	2-3	102892901	16-15
102674101	17-5	102815901	2-3	102892902	16-15
102674201	17-5	102816201	1-29	102902801	15-3
102674401	17-9	102818301	1-25	102909901	4-33
102674601	17-9	102818302	1-25	102911601	4-33
102675001	17-5	102818303	1-25	102913101	1-29
102675101	17-5	102818305	1-25	102913102	1-29
102675201	17-5	102819101	2-3	102913601	6-9
102675301	17-5	102820301	1-33	102914301	1-3
102675401	17-5	102820501	1-33	102939501	16-15
102686101	17-3	102821101	1-33	102959401	1-17
102704701	14-3	102822001	1-3	102967901	1-3, 4-13, 4-15
102704801	14-3	102822002	1-3	103189901	1-31
102704901	14-3	102822401	6-3	103196202	8-5
102711201	7-13, 7-15	102823201	1-33	103200701	4-15
102725501	9-13	102825401	3-9	103218001	16-21
102732401	8-5	102825402	3-9	103218601	13-7
102766701	1-3	102825501	3-13	103234303	3-3
102771701	15-3	102825502	3-13	103246701	1-27
102777601	1-23, 1-25	102825601	3-9	103246801	1-27
102777602	1-23, 1-25	102825701	3-13	103255601	4-5
102778501	1-3	102828701	1-3, 1-17	103255701	4-7
102778502	1-3	102829703	1-21	103256901	4-5
102778503	1-3	102829704	1-21	103257001	4-7
102778504	1-3	102829802	1-21	103257603	4-17
102778505	1-3	102830201	1-13	103257701	4-17
102778507	1-3	102830401	1-13, 6-9	103257801	4-17
102778509	1-3	102830501	1-9	103293501	1-31
102778601	1-3	102830701	1-31	103306301	9-3
102778901	1-31	102830801	4-15	103313301	1-5
102779001	1-31	102831901	3-5, 3-13	103316701	13-11
102779201	1-31	102832001	3-5, 3-13	103316801	13-11
102779301	1-31	102833301	3-5, 3-11	103316901	13-11
102779401	1-31	102838101	16-13, 16-17	103317501	1-31
102779501	1-31	102838701	7-7, 7-9	103344501	1-15
102779601	1-31	102838801	7-7, 7-9	103347101	7-7, 7-9
102796101	1-29	102838901	7-7, 7-9	103347301	7-7, 7-9
102796201	6-3	102839001	7-7, 7-9	103347601	7-7, 7-9
102796301	1-29	102839301	7-7, 7-9	103347701	7-7, 7-9
102796302	1-29	102840301	1-29	103347801	7-7, 7-9
102796501	1-17	102841101	7-7, 7-9	103347901	7-7, 7-9
102796701	1-3	102844601	7-7, 7-9	103348202	4-17
102796801	1-23	102844701	7-7, 7-9	103351001	6-11

# INDEX

103354401	4-17	103958101	13-13	105012101	8-15
103354701	6-11	103973901	11-9	105012201	8-15
103372101	9-3	103973902	11-7	105012301	8-15
103372401	9-5	103974002	11-11	105012401	8-15
103377201	5-13	103974102	11-3	105012501	8-19
103377301	5-13	103974201	11-7, 11-9	105012601	8-7, 8-13, 8-15
103397901	4-7, 16-7	103974401	11-7, 11-9	105012701	8-21
103403101	13-11	103975301	11-11	105012801	8-21
103414901	4-7, 16-7	103976101	11-7, 11-9	105012901	8-21
103428501	16-3	103978001	9-11	105013001	8-21
103428601	16-3	103979301	12-23	105013101	8-21
103428701	16-3	103979401	8-5	105013201	8-21
103428801	16-3	103980001	10-3	105013301	8-21
103429001	16-3	103982201	8-5	105013401	8-21
103429101	16-3	103983501	9-9	105013501	8-21
103429201	16-3	103984601	11-7, 11-9	105013601	8-21
103429301	16-3	103989501	12-23	105013701	8-21
103429501	16-3	103989901	12-25	105013801	8-21
103429601	16-3	103993601	10-3	105013901	8-21
103429701	16-3	103995001	12-23	105014001	8-21
103434001	16-3	103995901	8-7	105014101	8-21
103439901	16-3	103996201	8-5	105014201	8-17
103452001	9-5	104005301	7-11	105014301	8-17
103477901	6-13	104005901	13-17	105014401	8-17
103499101	16-3	104006101	13-17	105014501	8-17
103499102	16-3	104021701	12-23	105014601	8-17
103499103	16-3	104023501	9-11, 12-11	105014701	8-17
103502601	6-9	104025101	11-11	105014801	8-17
103504301	13-13	104027101	12-23	105014901	8-17
103507001	6-9	105000301	7-13, 7-15	105015001	8-17
103510602	13-15	105000401	7-13, 7-15	105015101	8-17
103572501	14-3	105007402	9-11	105015201	8-17
103582801	15-3	105007403	9-11	105015301	8-17
103601601	6-5	105008101	7-3, 7-5	105015401	8-17
103628701	6-9	105009101	9-13	105015501	8-17
103653501	6-11	105010001	8-19	105015601	8-17
103653601	6-11	105010101	8-15	105015701	8-17
103696801	13-13	105010201	8-15	105015801	8-17
103711302	13-15	105010301	8-15	105015901	8-17
103756401	9-5	105010401	8-19	105016001	8-11, 8-17
103765601	13-13	105010501	8-19	105016101	9-9
103771601	16-19	105010601	8-19	105016201	9-9
103772201	16-21	105010701	8-19	105016301	9-9
103772401	16-17	105010801	8-15	105016401	9-9
103832001	16-17, 16-19	105010901	8-15, 9-9	105016501	9-9
103864601	13-15	105011001	8-19	105016701	8-7
103869401	16-17, 16-19	105011101	8-19	105016801	8-7
103879701	12-15	105011201	8-19	105016901	8-7
103879702	12-13	105011301	8-19	105017001	8-7
103882801	8-5	105011401	8-19	105017101	8-7
103886601	12-5	105011501	8-19	105017201	9-7
103905201	9-3	105011601	8-19	105017301	8-11
103924801	7-3, 7-5	105011701	8-19	105017401	8-11
103944301	9-3	105011801	8-19	105017501	8-11
103951501	12-23	105011901	8-15	105017601	8-11
103953301	7-7, 7-9	105012001	8-15	105017701	8-11

# INDEX

105017801	8-3, 8-11	105029801	12-19, 12-21	105168501	13-17
105017901	8-11	105029901	12-19, 12-21	105168601	13-17
105018001	8-13	105030001	12-13, 12-15	105190101	7-9
105018101	8-13	105030301	12-19, 12-21	105190102	7-7
105018201	8-13	105030401	12-19, 12-21	105199601	3-3
105018301	8-13	105030501	12-19, 12-21	105205401	7-11
105018401	8-13	105030601	12-19, 12-21	105215401	9-3
105018501	8-15	105030701	12-13, 12-15	105234801	12-13, 12-15
105025001	12-13, 12-15	105030801	12-19, 12-21	105234901	12-13, 12-15
105025101	12-13, 12-15	105030901	12-17	105237301	7-23
105025201	12-13, 12-15	105031001	12-21	105245701	7-3, 7-5
105025301	12-13, 12-15	105037201	7-21	105245801	11-5
105025401	12-13, 12-15	105037401	7-13, 7-15	105256701	7-3, 7-5, 7-23
105025501	12-13, 12-15	105037501	12-3	105256801	7-3, 7-5
105025601	12-13, 12-15	105037601	12-3	96705199	12-7, 12-9
105025701	12-13, 12-15	105037701	12-3	96741046	8-5
105025801	12-13, 12-15	105038501	12-3		
105025901	12-13, 12-15	105038801	12-5	<b>A</b>	
105026001	12-13, 12-15	105039801	12-3	absorber, rear shock	6-15
105026101	12-13, 12-15	105040401	12-3	AC cord	16-3, 16-5, 16-7, 16-9, 16-11, 16-13, 16-15, 16-17, 16-19
105026201	12-13, 12-15	105040901	12-7	AC cord bushing	16-3, 16-5
105026301	12-13, 12-15	105041201	12-3	AC cord receptacle	16-11, 16-15
105026401	12-13, 12-15	105043001	9-13	accelerator bracket and bearing assembly	5-5, 5-7
105026501	12-13, 12-15	105043501	9-3	accelerator cable	9-11
105026601	12-13, 12-15	105063501	12-13	accelerator pedal	5-5, 5-7
105026701	12-13, 12-15	105063601	12-19	accelerator pedal adjustment tool	17-3
105026801	12-13, 12-15	105066001	12-19, 12-21	accelerator pivot rod	5-5, 5-7
105026901	12-13, 12-15	105066101	12-19, 12-21	accelerator return spring	5-5, 5-7
105027001	12-13, 12-15	105075301	8-9	accelerator rod	5-9
105027101	12-13, 12-15	105081501	7-3, 7-5	accessory receptacle	4-13, 4-15
105027201	12-13, 12-15	105081601	7-3, 7-5	adapter	
105027301	12-13, 12-15	105084801	8-9	air intake	9-9
105027401	12-17	105088501	9-13	cable (IQDM)	17-7
105027501	12-17	105093601	9-3	adhesive, guide ring	17-3
105027601	12-17	105096101	11-7, 11-9	adjuster	
105027701	12-17	105102601	7-19	hydraulic brake	17-7
105027801	12-17	105134601	8-5	air cleaner assembly	9-13
105027901	12-17	105134901	12-9	air deflector	8-9
105028001	12-17	105135101	9-11, 12-7, 12-9	air filter	8-3, 9-13
105028101	12-19, 12-21	105135901	7-3, 7-5	air filter evacuator	9-13
105028201	12-17	105136001	7-3, 7-5	air intake adapter	9-9
105028301	12-13, 12-15	105138301	13-13	air intake hose	9-13
105028401	12-17	105143301	7-3, 7-5, 9-3	ammeter	16-3, 16-5, 16-7, 16-9, 16-11, 16-13, 16-15, 16-17, 16-19
105028501	12-13, 12-15	105144401	9-11, 12-11	angled bumper mount	6-15
105028601	12-17	105149301	8-5	A-plate strap	6-11
105028701	12-17	105151001	7-3	A-plate, delta	6-11
105028801	12-17	105151101	7-5	arbor	17-3
105028901	12-17	105153201	3-11	arm	
105029001	12-17	105153202	3-11	governor	9-11, 12-11
105029101	12-17	105153301	3-9	armature	14-3
105029201	12-17	105153302	3-9	assembly	
105029301	12-21	105161701	7-3, 7-5, 7-7, 7-9	accelerator bracket and bearing	5-5, 5-7
105029401	12-21	105166801	13-17	accelerator pivot rod	5-5, 5-7
105029501	12-19, 12-21	105166901	13-17		
105029601	12-21	105167001	13-17		
105029701	12-21	105167101	13-17		

# INDEX

- bearing, steering shaft 6-5
  - brake lever 5-11
  - delta A-plate 6-11
  - delta shock and gear support 6-11
  - drive hub 11-7, 11-9
  - driven clutch 11-11
  - frame and field (motor) 14-3
  - fuel cap 9-3
  - headlight 4-3
  - headlight harness 4-3
  - inner ball joint 6-7
  - kingpin 6-9
  - moveable-face 11-7, 11-9, 11-11
  - ratchet 5-3
  - secondary clutch weight 11-7, 11-9
  - steering shaft 6-5
  - turn signal lens 4-3
  - axle 15-3
  - axle guard 15-5
  - axle shaft 12-19, 12-21
  - axle shaft oil seal 15-3
  - axle tube 12-19, 12-21, 15-3
- B**
- backing plate, brake 5-11
  - backrest, beige 1-29
  - backrest, gray 1-29
  - backrest, white 1-29
  - baffle
    - crankcase 8-7
  - balance shaft 8-21
  - ball bearing 7-7, 7-9, 12-17, 12-19, 12-21
  - ball joint 5-3, 5-9, 6-7
  - ball joint, left-hand thread 6-7
  - ball stud 7-13, 7-15
  - ball, bearing 6-13
  - bar, drive 13-5
  - barrel, plastic 16-21
  - battery
    - 12-volt, top-post 7-23
    - 8-volt, GC8 Type E 13-13
  - battery charger 16-3, 16-5, 16-7, 16-9, 16-11, 16-13, 16-15
  - battery charger case 16-3, 16-5, 16-7, 16-9, 16-11, 16-13, 16-15, 16-17, 16-19
  - battery charger handle 16-5
  - battery charger receptacle 13-9
  - battery charger retractable cord assembly 16-21
  - battery charger transformer 16-5, 16-7, 16-9, 16-11, 16-13, 16-15, 16-17, 16-19
  - battery charger wire assembly 16-15
  - battery charger, onboard 16-17, 16-19
  - battery clamp 7-23
  - battery condition indicator 4-17
  - battery condition indicator kit 4-17
  - battery condition indicator, 48-volt 4-15
  - battery discharge machine 17-3
  - battery hold-down 13-13
  - battery light 4-15
  - battery terminal protector spray 17-3
  - battery thermometer 17-3
  - battery, top-post, wire, 4ga, B+ 7-3, 7-5
  - battery, top-post, wire, B- 4ga, 7-3, 7-5, 7-23
  - bearing 15-3
    - balance shaft 8-19
    - ball 6-13, 7-7, 7-9, 12-17, 12-19, 12-21
    - ball (motor) 14-3
    - ball (steering pinion) 6-7
    - crankshaft 8-19
    - inner axle tube 15-3
    - lower pinion (steering) 6-7
    - pivot support 5-5, 5-7
    - steering shaft 6-5
    - thrust 6-9, 12-13, 12-15
  - bearing and oil seal remover 17-3
  - bearing driver set 17-3
  - bearing puller 17-3
  - bearing puller wedge 17-3
  - bearing seat 6-5
  - bed support 1-29
  - bed support stiffener 1-33
  - bed, cargo 1-31
  - bellows 6-7
  - belt, drive 11-3, 11-5
  - belt, starter/generator 7-11
  - bezel, headlight 4-3
  - block, brake-mounting 5-3
  - block, fuse 4-5, 4-7, 7-13, 7-15
  - block, terminal 4-5, 4-7
  - body kick plate 1-23, 1-25
  - body, front 1-3
  - body, rear 1-23, 1-25
  - bolt, U- 6-15
  - boot, steering column 6-5
  - boot, switch 13-3
  - box
    - dash 1-15
    - glove 1-17
    - steering gear 6-7
  - box lock kit, glove 1-17
  - brace, canopy 1-5
  - brace, seat support cross 1-29
  - bracket 4-13, 6-15
    - accel.cable 9-11, 12-7, 12-9
  - battery charger 16-21
  - brake light switch 4-5, 4-7
  - carbon canister 9-5
  - FNR cable 9-11, 12-7, 12-9
  - governor 9-11, 12-11
  - headlight mounting 4-3
  - horn 4-29
  - hour meter 4-31
  - mounting, starter/generator 8-5
  - mounting, transaxle/exhaust 8-5
  - relay mounting 16-9, 16-17, 16-19
  - snubber 8-5
  - starter/generator adjusting 7-11
  - steering column 6-5
  - steering column mounting 6-5
  - Tow/Run switch 13-3
  - brake adjusting mechanism 5-11
  - brake adjustment tool 17-3
  - brake backing plate 5-11
  - brake cable 5-13
  - brake cable equalizer 5-13
  - brake cable release tool 17-3
  - brake cluster 5-11
  - brake drum 5-11
  - brake lever 5-11
  - brake light switch bracket 4-5, 4-7
  - brake mounting block 5-3
  - brake pedal 5-3
  - brake pedal adjustment tool 17-3
  - brake pedal pad 5-3
  - brake pedal tension tool 17-3
  - brake relay kit, 12-volt 4-5
  - brake return spring 5-13
  - brake self-adjusting mechanism 5-11
  - brake shoe 5-11
  - brake spring 5-11
  - breaker, circuit 16-3, 16-5, 16-7, 16-9, 16-11, 16-15, 16-19
  - breather 12-13, 12-15, 15-3
  - breather hose 9-9
  - brush 14-3
  - brush box assembly 14-3
  - brush cover kit, starter/generator 7-7, 7-9
  - brush guard 1-13
  - brush guard support 1-13, 6-9
  - brush inspection port cover 7-7, 7-9
  - brush rigging 14-3
  - brush spring 7-7, 7-9, 14-3
  - brush spring set 7-7, 7-9
  - brush spring, starter/generator 7-7, 7-9
  - brush terminal, starter/generator 7-7, 7-9
  - bulb, headlight 4-3
  - bulb, strobe light 4-23, 4-25, 4-27
  - bulb, tail light 4-33
  - bumper
    - cast 1-9
    - drive unit (motor) 14-3
    - front 1-11
    - front, kit 1-11
    - jounce 6-15
    - rubber 1-17, 1-33, 5-3
    - side trim 1-19
    - spring return 5-5, 5-7

# INDEX

- bumper mount, angled 6-15
- bushing 7-13, 7-15, 11-7, 11-9, 12-3
  - AC cord 16-3, 16-5
  - bronze 6-13
  - nylon 5-3
  - spindle 6-13
  - steel 1-33, 6-9, 6-15
  - urethane 1-33, 6-9, 6-11, 6-15
- button, drive 11-11
- buzzer, reverse 4-11
- C**
- cable
  - accelerator 9-11
  - brake 5-13
  - FNR shifter 12-5
  - governor 9-11
  - IQDM 17-7
- cable retainer 1-23, 1-25
- cable, cargo bed 1-31
- calibration test module 17-3
- cam
  - driven clutch 11-11
  - electrical component box 7-13, 7-15
- cam installation tool 17-3
- cam, engine 8-17
- camshaft 8-17
- camshaft o-ring 8-17
- canister, carbon, fuel tank 9-5
- canopy brace 1-5
- cap
  - dust 13-3, 13-7
  - front hub 6-13
  - fuel, gas, ratchet 9-3
  - rubber 12-23
- carbon canister 9-5
- carburetor float level tool 17-7
- card, safety first 17-9
- cargo bed 1-31
- cargo bed hinge 1-33
- case
  - battery charger 16-3, 16-5, 16-7, 16-9, 16-11, 16-13, 16-15, 16-17, 16-19
  - FNR switch 13-3
  - gear 15-3
  - transaxle 12-13, 12-15
- cast bumper 1-9
- catch, tilt bed 1-31
- CE mark controller 13-11
- center shaft 12-17
- center, steering wheel 6-3
- chain, timing 8-17
- charger
  - wire assembly kit 16-7, 16-13, 16-17, 16-19
- charger bezel tool 17-3
- charger hardware kit 16-3
- charger receptacle 13-9
- charger wires 16-3
- charger, battery 16-13, 16-15
- charger, battery, onboard 16-17, 16-19
- charger, battery, PD2 16-5
- charger, battery, PD3 16-3
- charger, battery, PowerDrive 16-7
- charger, battery, PowerDrive European 16-11
- charger, battery, PowerDrive Export 16-9
- charging diode 7-21
- circuit breaker 16-3, 16-5, 16-7, 16-9, 16-11, 16-13, 16-15, 16-17, 16-19
- clamp
  - battery 7-23
  - hose 9-3, 9-5, 9-13
  - p- (fuel filter) 8-9, 9-11
- clevis, upper delta 6-9
- clip
  - retainer plate 8-15
- clip, piston pin 8-21
- cluster, brake 5-11
- clutch
  - pin 12-17
- clutch alignment tool 17-5
- clutch removal tool 17-3
- clutch repair kit 11-11
- clutch tool kit 17-5
- clutch weight 11-7, 11-9
- clutch, drive 11-7, 11-9
- clutch, driven 11-11
- coil, ignition 8-11
- collar 12-17
- collet 8-17
- column, steering 6-5
- communication display module 17-5
- component mounting plate 13-11
- compression gauge 17-5
- compression lug 13-11
- compressor, piston ring 17-9
- compressor, valve spring 17-11
- computer, onboard 13-11
- conduit 4-27
- connecting rod 8-21
- connector, four-pin 13-3
- continuity tester 17-5
- control board, potted 16-17, 16-19
- controller cover 13-11
- controller cover gasket 13-11
- controller, motor speed
  - IQ 13-11
- controller, motor speed (CE) 13-11
- converter, DC/DC 4-19
- cooling fan 8-7
- cord set, DC 16-3, 16-5
- cord, AC 16-3, 16-5, 16-7, 16-9, 16-11, 16-13, 16-15, 16-17, 16-19
- cord, DC 16-7, 16-9, 16-11, 16-13, 16-15, 16-17, 16-19
- cord, retractable, assembly 16-21
- counter shaft 12-17
- cover
  - brush inspection port 7-7, 7-9
  - cowl 1-3
  - crankcase 8-19
  - dust 5-11
  - fan 8-7
  - fuse block 4-7
  - steering column 6-5
- cover gasket, controller 13-11
- cover plate 14-3
- cover, controller 13-11
- cover, rocker 8-15
- cover, speed controller 13-11
- cover, steering column 4-9
- cover, valve 8-15
- cowl 1-3
- cowl cover 1-3
- cowl support 1-3
- crankcase 8-19
- crankcase baffle 8-7
- crankcase cover 8-19
- crankshaft 8-21
- cross brace, seat support 1-29
- C-type stop ring 6-7
- cup, spring 5-5, 5-7
- current limiter 16-11, 16-15
- cushion, shock absorber 6-15
- cutter, valve seat 17-5, 17-11
- cylinder head 8-15
- D**
- dash 1-3
- dash box 1-15
- DC cord 16-7, 16-9, 16-11, 16-13, 16-15, 16-17, 16-19
- DC cord set 16-3, 16-5
- DC/DC converter 4-19
- decal
  - component cover 3-11, 13-11
  - crush area 3-5, 3-13
  - crush warning 3-5, 3-13
  - driver/passenger 3-7
  - engine warning 8-7
  - filter log 13-17
  - frame ground 3-7
  - inspect log 13-17
  - instrument panel warning 3-9, 3-13
  - operating instructions 3-9, 3-13
  - owner notice 3-5, 3-11
  - rotating parts 1-7, 3-7
  - Tow/Run switch warning 3-11
- deflector

# INDEX

- air 8-9
- deionizer 13-17
  - cartridge 13-17
- delta A-plate 6-11
- delta A-plate sub-assembly 6-11
- delta shock and gear support 6-11
- diagnostic port 13-7
- diesel tachometer probe 17-9
- differential 12-21
  - limited-slip 12-19
  - open 12-21
- differential drive unit 15-3
- differential gear 15-3
- differential gear set 12-21
- differential guard 15-5
- differential housing 15-3
- differential shaft 12-21
- diode 7-3, 7-5
- diode, charging 7-21
- diode, rectifier 16-5
- dipstick 8-19
- drain plug 8-19, 12-13, 12-15
- drain plug gasket 8-19
- drain plug, rubber 7-7, 7-9
- drive bar 13-5
- drive belt 11-3, 11-5
- drive button 11-11
- drive clutch 11-7, 11-9
- drive clutch button 11-7, 11-9
- drive clutch fixed sheave tool 17-5
- drive clutch holder tool 17-5
- drive clutch hub puller 17-5
- drive clutch puller 17-5
- drive clutch spider removal tool 17-5
- drive clutch spring 11-7, 11-9
- drive clutch weight 11-7, 11-9
- drive hub 11-7, 11-9
- drive unit bumper 14-3
- drive unit guard 15-5
- driven clutch 11-11
- driven clutch button 11-11
- driven clutch cam 11-11
- driven clutch cam puller 17-5
- driven clutch puller plug 17-5
- driven clutch spring compression base tool 17-5
- driven clutch spring compression collar tool 17-5
- driven clutch spring compression nut tool 17-5
- driver, drive clutch 11-7, 11-9
- drum, brake 5-11
- dry moly lubricant 17-7
- dust cap 13-3, 13-7
- dust cover 5-11

## E

- eccentric bolt 6-9
- E-clip 5-13
- ECU 9-7
- end cap, motor 14-3
- end, tie rod 6-11
- engine
  - air cleaner 9-13
  - air deflector 8-9
  - air filter 8-3, 9-13
  - air intake hose 9-13
  - balance shaft 8-21
  - bearing, balance shaft 8-19
  - bearing, crankshaft 8-19
  - breather hose 9-9
  - cam 8-17
  - camshaft 8-17
  - camshaft O-ring 8-17
  - connecting rod 8-21
  - crankcase 8-19
  - crankcase baffle 8-7
  - crankcase cover 8-19
  - crankcase plug 8-19
  - crankshaft 8-21
  - crankshaft key 8-21
  - cylinder head 8-15
  - dipstick 8-19
  - drain plug gasket 8-19
  - ECU 9-7
  - exhaust valve 8-17
  - fan 8-7
  - fan housing 8-7
  - flywheel 8-11
  - fuel injector 9-7
  - guide pin 8-19
  - head gasket 8-15
  - ignition coil 8-11
  - insulator, throttle body 9-9
  - intake valve 8-17
  - oil drain plug 8-19
  - oil filler tube 8-19
  - oil filler tube O-ring 8-19
  - oil level sensor 8-13
  - oil seal 8-19
  - piston 8-21
  - piston pin 8-21
  - piston pin clip 8-21
  - piston ring set 8-21
  - retainer plate 8-15
  - retainer plate clip 8-15
  - rocker arm 8-17
  - rocker cover 8-15
  - rocker cover gasket 8-15
  - rocker shaft 8-17
  - spark plug 8-3, 8-11

- temperature sensor 8-13
- throttle body 9-7
- timing chain 8-17
- timing chain guide 8-17
- timing chain sprocket 8-17
- timing chain tensioner 8-17
- valve collet 8-17
- valve guide 8-15
- valve seal 8-15
- valve spring 8-17
- valve spring retainer 8-17
- warning decal 8-7
- engine warning decal 8-7
- engine, EX40 8-5
- equalizer rod 5-13
- equalizer, brake cable 5-13
- exhaust system 10-3
- exhaust valve 8-17
- extension, spring latch 1-31
- extrusion, cover support 13-11

## F

- face, moveable 11-11
- fan
  - cooling 8-7
- fan cover 8-7
- fan housing 8-7
- fender 1-23, 1-25
- field coil housing 7-7, 7-9
- filter
  - air 8-3, 9-13
- fitting, thread-forming grease 6-7, 6-13
- floor mat 1-3
- flywheel 8-11
- flywheel puller 17-7
- FNR handle 12-3
- FNR shift lever 12-7, 12-9
- FNR shifter base 12-3
- FNR shifter cable 12-5
- FNR switch case 13-3
- foam, seat 1-27
- frame and field assembly (motor) 14-3
- frame and field, starter/generator 7-7, 7-9
- front body 1-3
- front body support 1-23, 1-25
- front bumper 1-11
- front bumper kit 1-11
- front hub 6-13
- front spring retainer plate 6-9
- fuel gauge/hour meter 4-13
- fuel injector 9-7
- fuel line 9-5
- fuse 13-9, 16-7, 16-9, 16-11, 16-13, 16-15, 16-17, 16-19
  - 10-amp 7-3, 7-5, 7-13, 7-15
  - 20-amp 4-5, 4-7

# INDEX

2-amp 7-3, 7-5  
3/8-amp 13-9  
5-amp 7-3, 7-5  
charger 16-3, 16-5  
fuse block 4-5, 4-7, 7-13, 7-15  
fuse block cover 4-7

## G

gasket 12-13, 12-15  
cover, rocker 8-15  
cover, valve 8-15  
drain plug 8-19  
exhaust 10-3  
insulator 9-9  
liquid 15-3, 17-7  
plug 15-3  
seat 1-27  
taillight 4-33  
gasket, controller cover 13-11  
gasket, head 8-15  
gauge, battery condition 4-17  
gauge, compression 17-5  
gauge, fuel/hour 4-13  
gear  
17 tooth 12-17  
34 tooth 12-17  
52 tooth 12-17  
60 tooth 12-19, 12-21  
62 tooth 12-17  
differential 15-3  
differential idler 15-3  
differential output 15-3  
governor 12-13, 12-15  
governor, 34 tooth 12-17  
set, differential 12-21  
gear yoke 17-7  
gearcase 15-3  
glove box 1-17  
glove box lock 1-17  
glove box lock kit 1-17  
governor arm 9-11, 12-11  
governor cable 9-11  
governor gear shaft 12-13, 12-15  
governor shaft 12-13, 12-15  
governor shaft installation tool 17-7  
grommet 9-3  
guard, brush 1-13  
guard, differential 15-5  
guide  
valve 8-15  
valve seat cutter 17-11  
guide pin 8-19, 12-13, 12-15  
guide ring adhesive 17-3  
guide, timing chain 8-17

## H

handle, battery charger 16-5  
handle, FNR 12-3  
hardware kit, charger 16-3  
harness, headlight 4-5, 4-7  
harness, main 7-5  
harness, wire 4-19, 4-23, 4-25, 4-33, 13-7  
harness, wire, gas engine-ECU 7-3, 7-5  
harness, wire, lighting 4-7  
head gasket 8-15  
head, cylinder 8-15  
headlight 4-3  
headlight assembly 4-3  
headlight bulb 4-3  
headlight harness 4-3  
headlight retainer 4-3  
headlight wire harness 4-5, 4-7  
heat shrink tube 16-21  
heatsink 16-5  
heatsink and rectifier 16-3, 16-7, 16-9, 16-11,  
16-13, 16-15, 16-17, 16-19  
hill brake rod 5-3  
hill brake weld assembly 5-3  
hinge plate 1-23, 1-25, 1-27  
hinge support 1-33  
hinge, cargo bed 1-33  
hold-down, battery 13-13  
holder, object 1-3  
horn 4-29  
horn bracket 4-29  
horn button and wire assembly 4-29  
hose  
air intake 9-13  
engine breather 9-9  
fuel 9-5  
vent 9-5  
hour meter 4-31  
hour meter, 36-48 volt 4-31  
hour meter/fuel gauge 4-13  
housing  
2-pin 13-5  
3-pin 13-3, 13-5, 14-3  
4-pin 13-3  
6-pin 13-11  
differential 15-3  
fan 8-7  
field coil 7-7, 7-9  
hub 6-13, 12-23  
hub and spindle 6-13  
hub cap 6-13  
hub, front 6-13  
hydraulic brake adjuster 17-7  
hydrometer 17-7

## I

idler gear, differential 15-3  
ignition coil 8-11  
indicator, battery condition 4-17  
inner frame snubber 8-5  
input shaft 12-17, 15-3  
instrument panel 4-13, 4-15  
insulator 9-9  
insulator gasket 9-9  
intake valve 8-17  
intermediate shaft 15-3  
internal retaining ring pliers 17-7  
IQ display module (IQDM) 17-7

## J

joint  
ball 5-3, 5-9  
left-hand thread ball 6-7  
jounce bumper 6-15  
jumper harness, run/maint 7-3, 7-5

## K

key 4-15  
driven clutch 11-11  
square 11-11  
key (pair) 4-13  
key switch 4-13, 4-15  
key switch spacer 4-13  
key, crankshaft 8-21  
keyswitch nut 4-13, 4-15  
kick plate, body 1-23, 1-25  
kingpin 6-9  
kit  
2-pin housing 13-5  
3-pin housing 13-3, 13-5, 14-3  
4-pin housing 13-3  
6-pin housing 13-11  
accelerator pivot rod 5-5, 5-7  
battery condition indicator 4-17  
brake cable 5-13  
brake pedal 5-3  
brake pedal adjustment tool 17-3  
brake relay 4-5  
brake shoe retainer 5-11  
clutch repair 11-11  
deflector, air 8-9  
drive clutch button 11-7, 11-9  
drive clutch weight 11-7, 11-9  
driven clutch button 11-11  
front bumper 1-11  
front hub replacement 6-13  
hand pump, SPWS 13-17  
hour meter 4-31  
IQ display module (IQDM) 17-7  
motor brush 14-3

# INDEX

motor brush spring 14-3  
motor cover plate 14-3  
motor speed sensor 14-3  
motor terminal hardware 14-3  
park brake latch 5-3  
park brake pedal 5-3  
PD3 hardware 16-3  
PD3 wiring 16-3  
relay, 48V 4-7, 16-7  
shock absorber 6-15  
shock absorber cushion 6-15  
shoe retainer 5-11  
steering column mounting bracket 6-5  
strobe light 4-23, 4-25, 4-27  
tune-up 17-9  
turn signal 4-9  
wire assembly, charger 16-7, 16-13, 16-17, 16-19  
knob, light switch 4-13, 4-15

## L

lamp, strobe light 4-23, 4-25, 4-27  
lamp, turn signal and socket 4-9  
latch spring 1-31  
latch, park brake 5-3  
leaf spring 6-15  
lens, headlight 4-3  
lens, strobe light 4-23, 4-25, 4-27  
lens, taillight 4-33  
lever  
    transaxle shift 12-7, 12-9  
light  
    battery 4-15  
    oil 4-13  
    tail 4-33  
    water quality 13-17  
light switch 4-13, 4-15  
light switch knob 4-13, 4-15  
light, strobe 4-23, 4-25, 4-27  
limit switch 4-5, 4-7, 7-15, 7-17, 7-19  
limiter  
    current 16-11, 16-15  
    voltage 4-5, 4-7, 4-21  
line, fuel 9-5  
link, rack and pinion drag 6-7  
link, rod 1-31  
liquid gasket 15-3, 17-7  
lock kit, glove box 1-17  
lock, glove box 1-17  
low oil warning light 4-13  
lubricant, dry moly 17-7  
lubricant, moly-teflon 14-3, 17-7  
lug nut 2-3  
lug stud 6-13, 12-23, 15-3  
lug, compression 13-11

## M

magnet, speed sensor 14-3  
main harness 7-5  
mat, floor 1-3  
MCOR 13-5  
mechanism, brake adjusting 5-11  
meter, hour 4-31  
meter, volt ohm 17-11  
module  
    calibration test 17-3  
    communication display 17-5  
moly-teflon lubricant 17-7  
motor  
    48-volt IQ 14-3  
motor brush kit 14-3  
motor brush spring kit 14-3  
motor bumper 14-3  
motor end cap 14-3  
motor magnet, speed sensor 14-3  
motor speed controller  
    CE 13-11  
    IQ 13-11  
motor speed sensor 14-3  
motor speed sensor kit 14-3  
motor terminal hardware kit 14-3  
mounting block, brake 5-3  
moveable-face 11-7, 11-9, 11-11

## N

nerf bar 1-21  
non-skid tape 1-21  
nut, keyswitch 4-13, 4-15  
nut, lug 2-3

## O

OBC 13-11  
object holder 1-3  
oil filler tube 8-19  
oil level sensor 8-13  
oil seal 8-19, 12-13, 12-15  
oil warning light, low 4-13  
onboard battery charger 16-17, 16-19  
onboard computer 13-11  
O-ring 8-17, 8-19  
overload bumper spacer 6-15

## P

pad  
    accelerator pedal 5-5, 5-7  
    brake pedal 5-3  
    park brake 5-3  
    thermal 7-21  
    wear 1-23, 1-25  
paint, touch-up 17-7  
panel

instrument 4-13  
panel, instrument 4-13, 4-15  
panel, rear 16-21  
park brake latch 5-3  
park brake pedal 5-3  
park brake rod sleeve 5-3  
park brake spacer 5-3, 16-21  
park brake torsion spring 5-3  
pawl 5-3  
p-clamp (fuel filter) 8-9, 9-11  
pedal, accelerator 5-5, 5-7  
pedal, brake 5-3  
pedal, park brake 5-3  
pin  
    bow tie locking 5-13  
    clevis 5-13  
    differential 12-21  
    guide 8-19, 12-13, 12-15  
    input shaft 12-17  
    piston 8-21  
pinion, steering 6-7  
piston 8-21  
piston pin 8-21  
piston pin clip 8-21  
piston ring 8-21  
piston ring compressor 17-9  
piston ring pliers 17-9  
piston ring set 8-21  
pivot support bearing 5-5, 5-7  
plate  
    backing (brake) 5-11  
    body kick 1-23, 1-25  
    component mounting 13-11  
    cover 14-3  
    front spring retainer 6-9  
    hinge 1-23, 1-25, 1-27  
    mounting, CVT, center 8-5  
    mounting, engine/axle 8-5  
    receptacle backing 13-9  
    retainer 8-15  
    spring mounting 6-9  
pliers  
    internal retaining ring 17-7  
    piston ring 17-9  
    retaining ring 17-9  
plug  
    4-pin 13-3  
    6-pin 13-11  
    drain 12-13, 12-15  
    driven clutch puller 17-5  
    oil drain 8-19  
    rubber drain 7-7, 7-9  
    rubber, crankcase 8-19  
    spark 8-3, 8-11  
port, diagnostic 13-7  
press weldment 17-5



# INDEX

- protector spray, battery terminal 17-3
- puller
  - bearing 17-3
  - clutch 17-3
  - drive clutch 17-5
  - drive clutch hub 17-5
  - driven clutch cam 17-5
  - flywheel 17-7
  - seal 17-9
  - special use tool 17-9
- pulley
  - starter-generator 7-7, 7-9
  - v-belt 7-7, 7-9
- R**
- rack and pinion drag link 6-7
- rack guide pressure spring 6-7
- rack, steering 6-7
- ratchet, park brake 5-3
- reamer, valve guide 17-9
- rear body 1-23
- rear panel 16-21
- rear spring shackle 6-15
- receptacle 13-9
- receptacle backing plate 13-9
- receptacle, AC cord 16-11, 16-15
- receptacle, accessory 4-13, 4-15
- receptacle, battery charger 13-9
- rectifier diode 16-5
- rectifier with heatsink 16-3, 16-7, 16-9, 16-11, 16-13, 16-15, 16-17, 16-19
- reel assembly, retractable 16-21
- regulator, voltage 7-13, 7-15
- relay 4-7, 16-3, 16-7, 16-9, 16-11
- relay mounting bracket 16-9, 16-17, 16-19
- relay, 12-volt 4-5
- relay, 48V 4-7, 16-7
- relay, 48-volt 16-5, 16-13, 16-15, 16-17, 16-19
- relay, brake, kit, 12-volt 4-5
- remover, bearing and oil seal 17-3
- resistor assembly 13-11
- retainer
  - accelerator pedal spring 5-5, 5-7
  - brake shoe 5-11
  - cable 1-23, 1-25
  - headlight 4-3
  - shock absorber cushion 6-15
  - spring 6-15
  - valve spring 8-17
- retainer plate 8-15
- retaining ring 6-5
- retaining ring pliers 17-9
- return spring bumper 5-5, 5-7
- reverse buzzer 4-11
- rim, wheel 2-3
- ring
  - C-type stop 6-7
  - piston 8-21
  - retaining 6-5, 7-13, 7-15, 11-7, 11-9, 11-11, 12-13, 12-15, 12-23
  - snap 6-7
  - spiral backup 11-7, 11-9
- rivet, blind push 1-11
- Rivet, Removable 1-3, 4-13, 4-15
- rock guard 15-5
- rocker arm 8-17
- rocker cover 8-15
- rocker cover gasket 8-15
- rocker shaft 8-17
- rocker switch 13-3
- rocker switch (lights) 4-5, 4-7
- rod
  - accelerator 5-9
  - accelerator pivot 5-5, 5-7
  - connecting 8-21
  - equalizer 5-13
  - hill brake 5-3
  - link 1-31
- rubber bumper 1-17
- S**
- safety first card 17-9
- screw, valve clearance adjuster 17-9
- seal
  - lip 15-3
  - oil 8-19, 12-13, 12-15, 15-3
  - steering pinion dust 6-7
  - valve 8-15
  - vertical socket dust 6-7
- seal puller 17-9
- sealant 15-3
- seat back, beige 1-29
- seat back, gray 1-29
- seat back, white 1-29
- seat bottom assembly 1-27
- seat bottom cover 1-27
- seat cover, vinyl 1-27
- seat cover, white 1-27
- seat foam 1-27
- seat gasket 1-27
- seat support 1-29
- seat support cross brace 1-29
- seat, bearing 6-5
- select shaft 12-13, 12-15
- sensor
  - oil level 8-13
  - temperature 8-13
- sensor, motor speed 14-3
- shackle, rear spring 6-15
- shaft
  - axle 12-19, 12-21
  - balance 8-21
  - center 12-17
  - counter 12-17
  - differential 12-21
  - governor 12-13, 12-15
  - governor gear 12-13, 12-15
  - input 12-17, 15-3
  - intermediate 15-3
  - rocker 8-17
  - select 12-13, 12-15
  - shift 12-17
  - steering column 6-5
- shift lever 12-7, 12-9
- shift shaft 12-17
- shock absorber 6-11
- shock absorber (rear) 6-15
- shock absorber cushion 6-15
- shock absorber cushion retainer 6-15
- shoe retainer kit 5-11
- shoe, brake 5-11
- side bar 1-21
- signal, turn 4-9
- sleeve 12-13, 12-15
  - delta A-plate 6-11
  - park brake rod 5-3
- snap ring 6-7
- snubber bracket 8-5
- snubber, inner frame 8-5
- socket 6-7
- solenoid 13-11
- solenoid, 12-volt 7-13, 7-15
- spacer 12-13, 12-15, 12-17
  - accelerator pivot rod 5-5, 5-7
  - key switch 4-13
  - overload bumper 6-15
  - park brake 5-3, 16-21
- spanner wrench 17-9
- spark plug 8-3, 8-11
- speed controller
  - CE 13-11
  - IQ 13-11
- speed controller cover 13-11
- speed sensor 14-3
- speed sensor magnet 14-3
- speed sensor, motor 14-3
- spindle 6-13
- spindle and hub 6-13
- spiral backup ring 11-7, 11-9
- spray, battery terminal protector 17-3
- spring 1-31, 12-13, 12-15
  - accelerator return 5-5, 5-7
  - brake 5-11
  - brake return 5-13
  - brush 7-7, 7-9, 14-3
  - drive button 11-7, 11-9
  - drive clutch 11-7, 11-9
  - driven clutch 11-11

# INDEX

- extension 1-31
  - leaf 6-15
  - park brake torsion 5-3
  - rack guide pressure 6-7
  - steering shaft compression 6-5
  - valve 8-17
  - spring cup 5-5, 5-7
  - spring mounting plate 6-9
  - spring retainer 6-15, 8-17
  - spring, leaf 6-9
  - stand-offs, plastic 16-3
  - starter/generator 7-7, 7-9
  - starter/generator brush cover kit 7-7, 7-9
  - starter/generator brush spring 7-7, 7-9
  - starter/generator brush terminal 7-7, 7-9
  - starter/generator frame and field 7-7, 7-9
  - starter/generator pulley 7-7, 7-9
  - steel bushing 1-33, 6-9, 6-15
  - steering column 6-5
  - steering column bearing press tool 17-9
  - steering column cover 4-9
  - steering column retaining ring tool 17-9
  - steering gear box 6-7
  - steering pinion 6-7
  - steering pinion dust seal 6-7
  - steering rack 6-7
  - steering shaft assembly 6-5
  - steering shaft compression spring 6-5
  - steering wheel 6-3
  - steering wheel center 6-3
  - steering wheel puller tool 17-9
  - stem, valve 2-3
  - stiffener, bed support 1-33
  - strap, A-plate 6-11
  - strobe light 4-23, 4-25, 4-27
  - strobe light lens 4-23, 4-25, 4-27
  - stud
    - exhaust mounting engine exhaust mounting stud 8-15
    - intake mounting engine intake mounting stud 8-15, 9-9
    - lug 6-13, 12-23, 15-3
  - stud, ball 7-13, 7-15
  - support
    - bed 1-29
    - brush guard 1-13, 6-9
    - cowl 1-3
    - hinge 1-33
    - latch link 1-31
    - seat 1-29
  - support yoke (steering) 6-7
  - support, front body 1-23, 1-25
  - support, seat 1-29
  - suppressor, voltage 4-5, 16-7, 16-9, 16-11, 16-13, 16-15, 16-17, 16-19
  - switch plate cover 4-23, 4-25, 4-27
  - switch
    - four-position 16-9, 16-11, 16-15, 16-19
    - key 4-13, 4-15
    - light 4-13, 4-15
    - light rocker 4-5, 4-7
    - limit 4-5, 4-7, 7-15, 7-17, 7-19
    - rocker 13-3
    - Tow/Run 13-3
    - turn signal 4-9
  - switch assembly 4-23, 4-25, 4-27
  - switch rubber boot 13-3
- ## T
- 12-volt solenoid 7-13, 7-15
  - tachometer 17-9
  - tachometer probe, diesel 17-9
  - tail light bulb 4-33
  - taillight 4-33
  - taillight gasket 4-33
  - taillight kit 4-33
  - taillight lens 4-33
  - taligate 1-31
  - tape, non-skid 1-21
  - temperature sensor 8-13
  - tensioner, timing chain 8-17
  - terminal block 4-5, 4-7, 13-11
  - terminal, 1/4 quick-disconnect 4-19
  - tester, continuity 17-5
  - thermal pad 7-21
  - thermometer, battery 17-3
  - thread-forming grease fitting 6-7, 6-13
  - throttle body 9-7
  - thrust bearing 6-9
  - tie rod 6-11
  - tie rod end 6-11
  - tie wrap 4-9, 4-19, 4-25, 4-27, 4-31, 6-7, 7-13, 7-15, 12-5, 13-3, 13-11, 16-21
  - tilt bed catch 1-31
  - tilt latch 1-31
  - timing chain 8-17
  - timing chain guide 8-17
  - tire 2-3
  - tool
    - accelerator pedal adjustment 17-3
    - belt tensioning, starter/generator 17-11
    - brake adjustment 17-3
    - brake cable release 17-3
    - brake pedal adjustment 17-3
    - brake pedal tension 17-3
    - cam installation 17-3
    - carburetor float level 17-7
    - charger bezel 17-3
    - clutch alignment 17-5
    - cT-wrench 17-5
    - drive clutch fixed sheave 17-5
    - drive clutch holder 17-5
    - drive clutch spider removal 17-5
    - driven clutch spring compression base 17-5
    - driven clutch spring compression collar 17-5
    - driven clutch spring compression nut 17-5
    - governor shaft installation 17-7
    - puller, special use 17-9
    - steering column bearing press 17-9
    - steering column retaining ring 17-9
    - steering wheel puller 17-9
    - transaxle axle seal 17-9
    - transaxle pinion seal 17-9
    - transmission 17-9
    - valve guide driver 17-9
    - valve seat cutter 17-5
  - tool kit, clutch 17-5
  - touch-up paint 17-7
  - Tow/Run switch 13-3
  - Tow/Run switch bracket 13-3
  - transaxle (Electric Vehicle) 15-3
  - transaxle axle seal tool 17-9
  - transaxle guard 15-5
  - transaxle pinion seal tool 17-9
  - transaxle, limited-slip (Gas Vehicle) 12-13
  - transaxle, open-diff (Gas Vehicle) 12-15
  - transformer 16-3
  - transformer, battery charger 16-5, 16-7, 16-9, 16-11, 16-13, 16-15, 16-17, 16-19
  - transmission tool 17-9
  - tube
    - axle 12-19, 12-21, 15-3
    - oil filler 8-19
  - Tuflok 1-3, 4-13, 4-15
  - tune-up kit 17-9
  - turn signal 4-9
  - turn signal conversion kit 4-9
  - turn signal lens 4-3
  - turn signal socket and lamp 4-9
  - T-wrench tool 17-5
- ## U
- U-bolt 6-15
  - upper delta clevis 6-9
  - urethane bushing 1-33, 6-9, 6-11, 6-15
- ## V
- valve 9-13
    - exhaust 8-17
    - intake 8-17
  - valve clearance adjuster screw 17-9
  - valve collet 8-17
  - valve cover 8-15
  - valve cover gasket 8-15

# INDEX

valve guide 8-15  
valve guide driver tool 17-9  
valve guide reamer 17-9  
valve seal 8-15  
valve seat cutter 17-5, 17-11  
valve seat cutter guide 17-11  
valve seat cutter tool 17-5  
valve seat t-wrench 17-11  
valve spring 8-17  
valve spring compressor 17-11  
valve stem 2-3  
vent  
    fuel tank 9-3  
    transaxle 12-13, 12-15  
vent, barb 9-5  
vertical socket dust seal 6-7  
volt ohm meter 17-11  
voltage limiter 4-5, 4-7, 4-21  
voltage regulator 7-13, 7-15  
voltage suppressor 4-5, 16-7, 16-9, 16-11,  
    16-13, 16-15, 16-17, 16-19

## W

warning light, low oil 4-13  
water quality light 13-17  
wear pad 1-23, 1-25  
wedge, bearing puller 17-3  
weight  
    clutch 11-7, 11-9  
    secondary clutch 11-7, 11-9  
weldment  
    governor bracket 9-11, 12-11  
    press 17-5  
wheel cover 2-5  
wheel rim 2-3  
wheel, steering 6-3  
wire  
    green, starter/generator 7-3, 7-5, 7-7, 7-9  
    ground, fuel tank 7-3, 7-5, 9-3  
wire assembly, battery charger 16-15  
wire harness 4-19, 4-23, 4-25, 4-33, 7-3, 7-5,  
    13-7  
wire harness, headlight 4-5, 4-7  
wire harness, lighting 4-7  
wiring, charger 16-3  
wrap, tie 4-9, 4-19, 4-25, 4-27, 4-31, 6-7, 7-13,  
    7-15, 12-5, 13-3, 13-11, 16-21  
wrench, spanner 17-9

## Y

yoke, gear 17-7  
yoke, support (steering) 6-7











**Club Car, Inc.**  
P.O. Box 204658  
Augusta, GA 30917-4658  
USA

**Web** [www.clubcar.com](http://www.clubcar.com)  
**Phone** 1.706.863.3000  
1.800.ClubCar  
**Int'l** +1 706.863.3000  
**Fax** 1.706.863.5808