



# 2019 Café Express Illustrated Parts List



**Gasoline Vehicle**

Manual Number 105355003  
Edition Code B



# USING THE ILLUSTRATED PARTS LIST

---

## **⚠ WARNING**

- **This manual is to be used only for identification and ordering of service parts. Be sure to read and use the maintenance and service manual before attempting any vehicle repairs.**

The manual is divided into sections. Note that there are two flags on the outside edge of each page. The first flag contains the section number of which that page is a part of. The other flag (or flags) contains the letter E or G, signifying that the page pertains to the electric or gasoline vehicles only.

Use the Table of Contents to find the sections and pages that contain the parts and assemblies you seek. The Table of Contents lists section numbers, and under them, the individual page titles and numbers to be found in that section. The index can be used to find specific parts and assemblies. The index is divided into numerical and alphabetical listings with the page numbers in italic text.

There is a two-page spread for each individual page title in the Table of Contents. On the left-hand page is an illustration showing the parts in their relative positions; the parts are each tagged with an item number in a balloon. The right-hand page is the parts list page, and gives the page title at the top, then the item numbers (corresponding to the numbers on the illustration), part descriptions, and quantity of parts used.

Note that a part description may be indented. This indentation corresponds to a parts assembly level indicated by the numbers 1, 2, 3, and 4 at the top left corner of the parts description area of the parts list page. A part that is indented to *level 2* is a component of the *level 1* part (assembly) that it is listed under. A *level 3* part is a component of the *level 2* part that it is listed under, and a *level 4* part is a component of the *level 3* part preceding it. In each case, the part quantity given for a level 2, 3, or 4 part is *the quantity used per next higher level assembly of which it is a component*. A part that is not indented is a *level 1* part. This means that the quantity given is the quantity used per the portion of the vehicle illustrated on that particular spread.



P. O. Box 204658  
Augusta, Georgia 30917-4658 USA  
Telephone 706-863-3000  
Service Parts Fax 706-855-7413  
[www.clubcar.com](http://www.clubcar.com)

## HOW TO ORDER PARTS

Replacement parts and accessories can be obtained from our network of authorized dealers and distributors. You can obtain the name and phone number of your closest authorized Club Car dealer or distributor by visiting our web site at [www.clubcardealer.com](http://www.clubcardealer.com), by calling our toll-free Service Parts and Technical Assistance hotline at (800) 872-2246 or (706) 863-3000, extension 3887, or by scanning this Quick Response (QR) code to be taken to the Club Car dealer locator. **Refer to Figure 1.** Download a QR code reader such as RedLaser or Barcode Scanner to your cell phone or tablet.



Figure 1 Dealer Locator QR Code

## CUSTOMER SATISFACTION SURVEY

Let your voice be heard!

Please take time to participate in the Technical Publications satisfaction survey. Obtaining feedback from our customers is important to the department's continuous improvement process. The online survey takes less than five minutes and responses will help the department to examine current performance as well as identify areas for future improvement.

Our top priority is to provide timely, accurate, and user friendly manuals.

The online satisfaction survey can be found at: <http://bit.ly/1w9uFMh>



Figure 2 Survey QR Code

**NOTE:** *This illustrated parts list represents the most current information at the time of publication. Club Car, LLC is continually working to further improve its vehicles and other products. These improvements may affect the parts used to service the vehicle. Any modification and/or significant change in specifications will be forwarded to all Club Car and Carryall distributors/dealers and will, when applicable, appear in future editions of this illustrated parts list.*

*Club Car, LLC reserves the right to change specifications and designs at any time without notice and without the obligation of making changes to units previously sold.*

Copyright © 2019 Club Car, LLC.

Club Car is a registered trademark of Club Car, LLC.

This manual effective July 1, 2019.



# CONTENTS

---

## SECTION 1 – BODY AND TRIM

---

Brush Guards .....	1-3
Headlight Guard .....	1-5
Fender Guard .....	1-7
Front License Plate Holder .....	1-9
Front Body .....	1-11
Body Touch-Up Paint .....	1-13
Front Bumper, Grille, and Fenders .....	1-15
Headlight Bezels .....	1-17
Dash, Glovebox Door, and Floormat .....	1-19
Front Frame, Standard .....	1-21
Seat Bottom .....	1-23
Seat Back .....	1-25
Seat Frame and Hip-Restraint .....	1-27
Windshield, Non-Hinged .....	1-29
Interior Mirror .....	1-31
Inner Rear Fenders .....	1-33
Rear Fenders and Tail Skirt .....	1-35
Rear License Plate Holder .....	1-37
Latch and Prop Rod Track .....	1-39
Bed Latch, Hinge, and Prop Rod .....	1-41
Electric Bed Lift – Gasoline Vehicles .....	1-43
Canopy, Frame, and Struts .....	1-45
CafÉ Express Lower Cabinet .....	1-47
CafÉ Express Upper Cabinet .....	1-49

---

## SECTION 2 – WHEELS AND TIRES

---

Wheels and Tires .....	2-3
Wheel Covers .....	2-5

---

## SECTION 3 – DECALS

---

Decals – CafÉ Express .....	3-3
Decals – CafÉ Express, Continued .....	3-5
Decals – CafÉ Express, Continued .....	3-7
Badging Decals – CafÉ Express .....	3-9

---

## SECTION 4 – LIGHTS, CONTROLS, AND INDICATORS

---

Headlights .....	4-3
------------------	-----

# CONTENTS

---

Horn, Turn Signals, and Taillights – Electric and Gasoline Vehicles .....	4-5
Horn and Tail Light Kit – Electric and Gasoline Vehicles .....	4-7
Instrument Panel – Gasoline Vehicle .....	4-9
Keyswitch, Pedal-Start – Gasoline Vehicle .....	4-11
Voltage Limiter – Gasoline Vehicle .....	4-13
Reflectors .....	4-15

## **SECTION 5 – BRAKES, PEDALS, AND CABLE ASSEMBLIES**

---

Brake Pedal Assembly – Vehicles with 2-Wheel Brakes and 4-Wheel Brakes .....	5-3
Accelerator Pedal and Rod Assembly – Gasoline Vehicle .....	5-5
Pedal Close-Out Kit .....	5-7
Front Brake Assembly – Vehicles with 4-Wheel Brakes .....	5-9
Front Brake Cables and Equalizer – Gasoline Vehicle with 4-Wheel Brakes .....	5-11
Rear Brake Cables and Equalizer – Gasoline Vehicle with 4-Wheel Brakes .....	5-13
Rear Brakes, Manually-Adjusted – Gas Vehicles with 4-Wheel Brakes .....	5-15

## **SECTION 6 – STEERING, FRONT AND REAR SUSPENSION**

---

Steering Gear Assembly .....	6-3
Steering Column .....	6-5
Steering Wheel .....	6-7
Steering Wheel with Clip .....	6-9
Front Suspension, Upper, HD .....	6-11
Front Suspension, Lower, HD, 3 Leaf-1 Plate .....	6-13
Front Suspension, Upper, STD .....	6-15
Front Suspension, Lower, HD, 2 Leaf-2 Plates .....	6-17
Steering Stop .....	6-19
Front Wheel Hubs .....	6-21
Rear Suspension Components, Standard .....	6-23

## **SECTION 7 – ELECTRICAL SYSTEM – GASOLINE EFI**

---

Wiring, Fuses, and Diodes, Key and Pedal Start – EFI .....	7-3
Starter/Generator, Key and Pedal Start – EFI .....	7-5
Starter/Generator Mounting – ECH440 .....	7-7
Operation and Maintenance Switch .....	7-9
Electrical Component Box, Pedal-Start .....	7-11
Forward/Reverse Shifter Switches, Pedal-Start – EFI .....	7-13
Battery – Gasoline Utility Vehicles .....	7-15
Top-Post Battery – Gasoline Utility Vehicles .....	7-17

# CONTENTS

---

## SECTION 8 – ENGINE (KOHLER ECH440)

---

Tune-Up Parts .....	8-3
Engine and Engine Mounting .....	8-5
Engine Pan and Snubber Mounting .....	8-7
Blower Housing and Heat Shield – ECH440 .....	8-9
Ignition Components and Flywheel – ECH440 .....	8-11
Cylinder Head and Valve – ECH440 .....	8-13
Crankcase and Piston – ECH440 .....	8-15
Oil Sensor and Lubrication – ECH440 .....	8-17
Crankshaft – ECH440 .....	8-19

---

## SECTION 9 – FUEL SYSTEM – EFI

---

Fuel Tank with Pump, Side Fill – EFI .....	9-3
Carbon Canister – EFI .....	9-5
Throttle Body and Mounting .....	9-7
Governor Bracket and Cover – EFI .....	9-9
Governor and Accelerator Cables – EFI .....	9-11
Air Intake Elbow – EFI .....	9-13
Air Filter System and Intake Hose – EFI, LWB Utility/Trans .....	9-15

---

## SECTION 10 – EXHAUST SYSTEM – ECH440

---

Exhaust System .....	10-3
----------------------	------

---

## SECTION 11 – DRIVE BELT AND CLUTCHES – EFI GASOLINE VEHICLES

---

Drive Belts – EFI .....	11-3
Drive Clutch – Key-Start Vehicles .....	11-5
Drive Clutch – Pedal-Start Vehicles .....	11-7
Driven Clutch – Key Start and Pedal Start .....	11-9

---

## SECTION 12 – TRANSAXLE (FUJI ED65)

---

Forward/Reverse Shifter Assembly .....	12-3
Shifter Cable – CA500 & CA550 .....	12-5
Shift Lever and Bracket – Pedal-Start Engines .....	12-7
Shift Lever and Bracket – Key-Start Engines .....	12-9
Governor Arm and Brackets – Utility Vehicles .....	12-11
Transaxle (ED65), Limited Slip – Page 1 of 3 .....	12-13
Transaxle (ED65), Open – Page 1 of 3 .....	12-15
Transaxle (ED65), Limited Slip and Open – Page 2 of 3 .....	12-17

# CONTENTS

---

Transaxle (ED65), Limited Slip – Page 3 of 3 .....	12-19
Transaxle (ED65), Open – Page 3 of 3 .....	12-21
Hub, Rear .....	12-23
Differential Guard, ED65 – Gasoline Vehicle .....	12-25

## **SECTION 13 – MAINTENANCE AND SERVICE TOOLS**

---

Maintenance and Service Tools .....	13-3
Maintenance and Service Tools, Continued .....	13-5
Maintenance and Service Tools, Continued .....	13-7

## **SECTION i – INDEX**

---

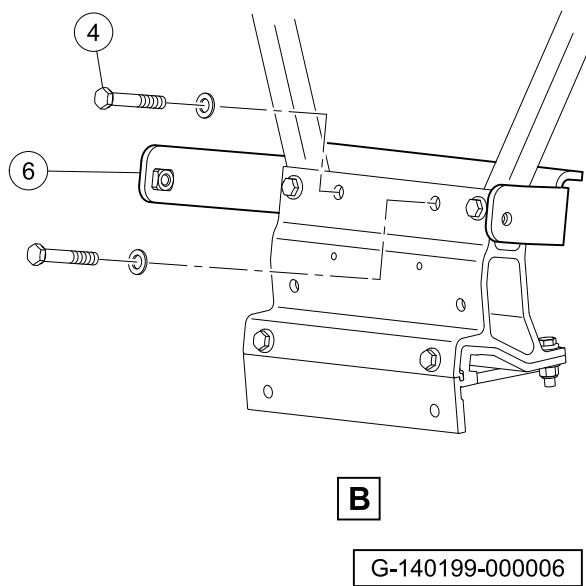
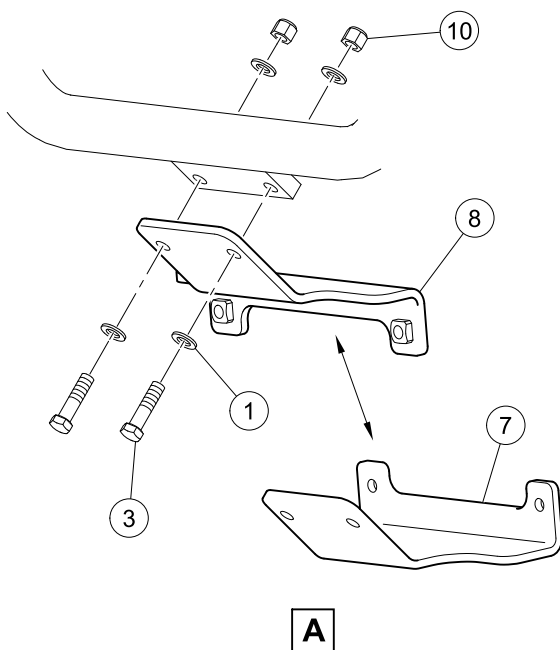
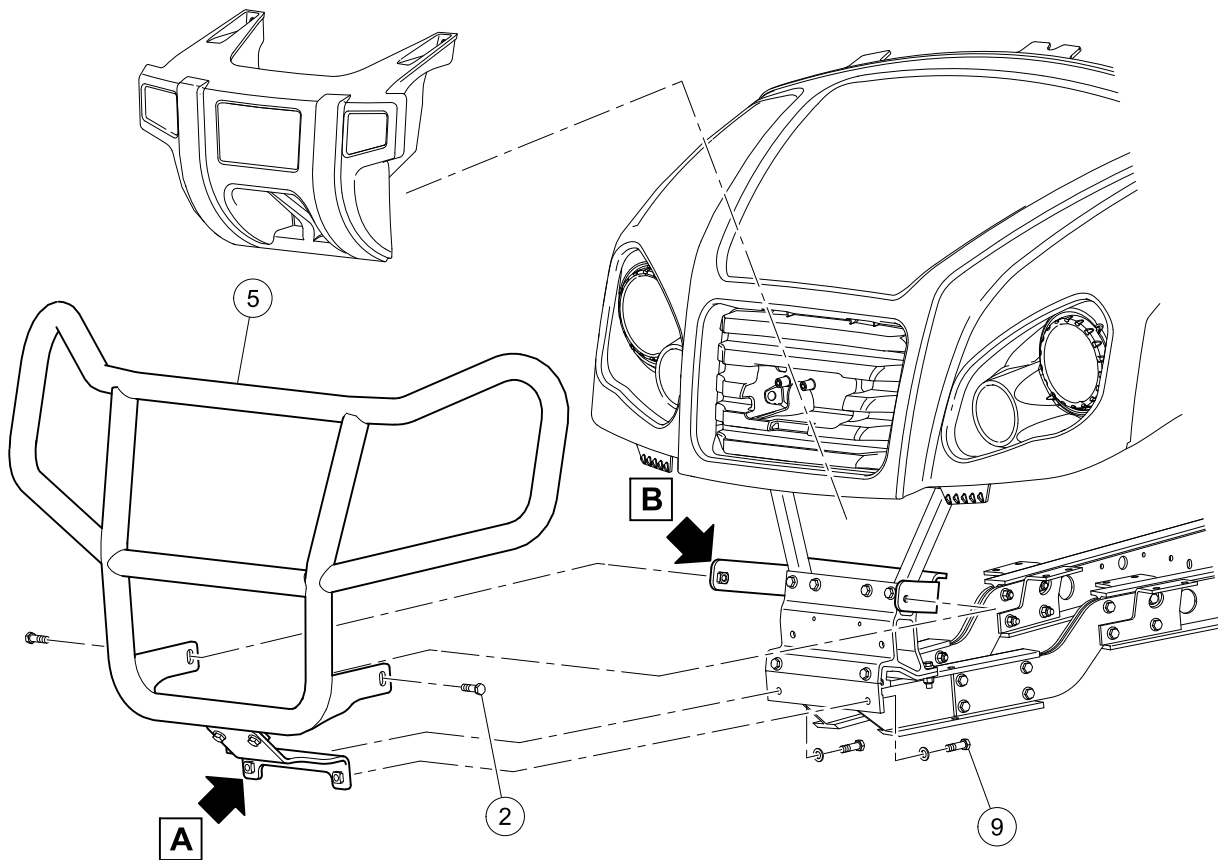
# BODY AND TRIM

---

1

G

**1**  
**G**

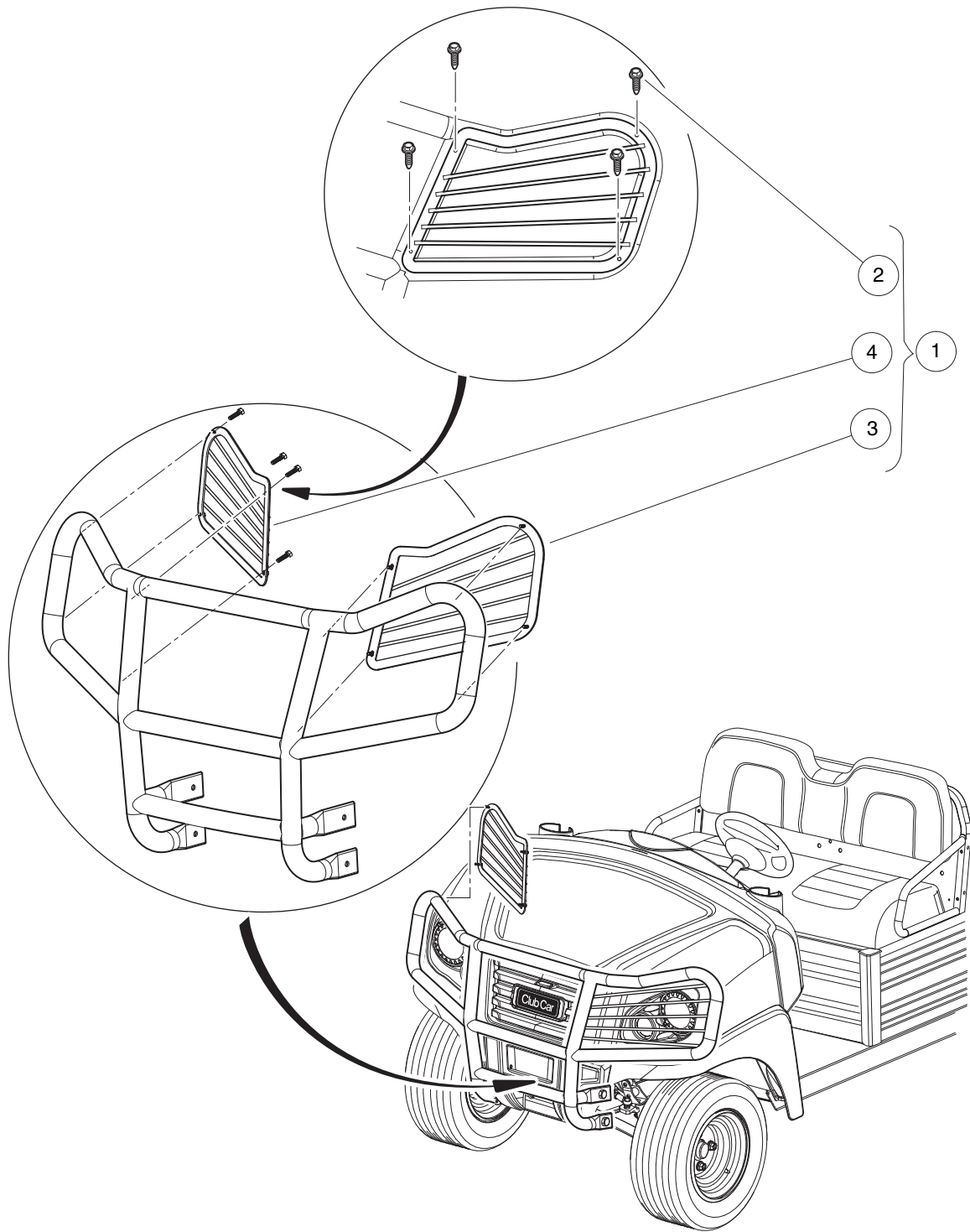


# BRUSH GUARDS

ITEM	PART NO.	DESCRIPTION	QTY
		1 2 3 4	
1	1011990	Washer, 3/8 Flat .....	8
2	105197401	Bolt, Flg, 3/8-16 X 1" Loc .....	2
3	1624	Screw, 3/8-16 X 1.50, Hex-Head Cap .....	2
4	2402	Screw, 3/8-16 X 2.25 Hx Hd Cap .....	2
5	47600627001	Weldment, Hd Bumper, Hb, Res .....	1
6	47600628001	Asm,bkt,back Spt,bg,common .....	1
7	47600629001	Asm,bkt,btm Spt,bg,non-lifted .....	1
8	47600630001	Asm,bkt,btm Spt,bg,lifted .....	1
9	705	Screw, Cap-hex Hd 3/8-16x1.25 .....	2
10	8754	Locknut, 3/8-16 Hex .....	2
<p>Note: For complete brush guard kits order kit part number 47605991002 for non-lifted vehicles or kit part number 47605991004 for lifted vehicles.</p>			

1  
G

**1**  
**G**



001300-017



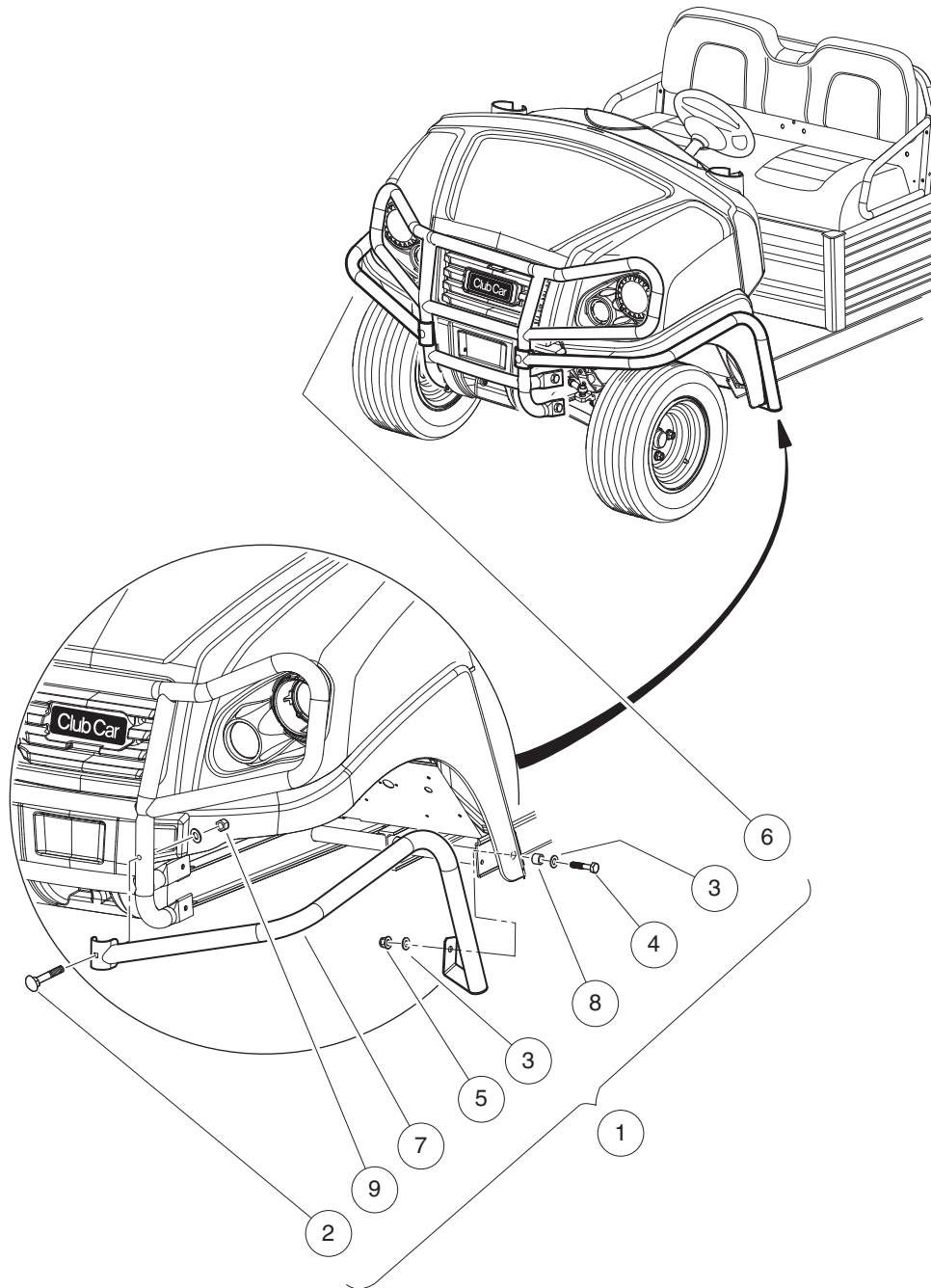
# HEADLIGHT GUARD

ITEM	PART NO.	DESCRIPTION	QTY
		<b>1 2 3 4</b>	
1	105156301	Kit, Head Light Guard, Utl Res (includes items 2 through 4) .....	1
2	102296819	Screw-M6 x 19 .....	8
3	105156701	Guard, Headlight, UTL,LH .....	1
4	105156702	Guard, Head Light, Utl, Rh .....	1

**1**

**G**

**1**  
**G**

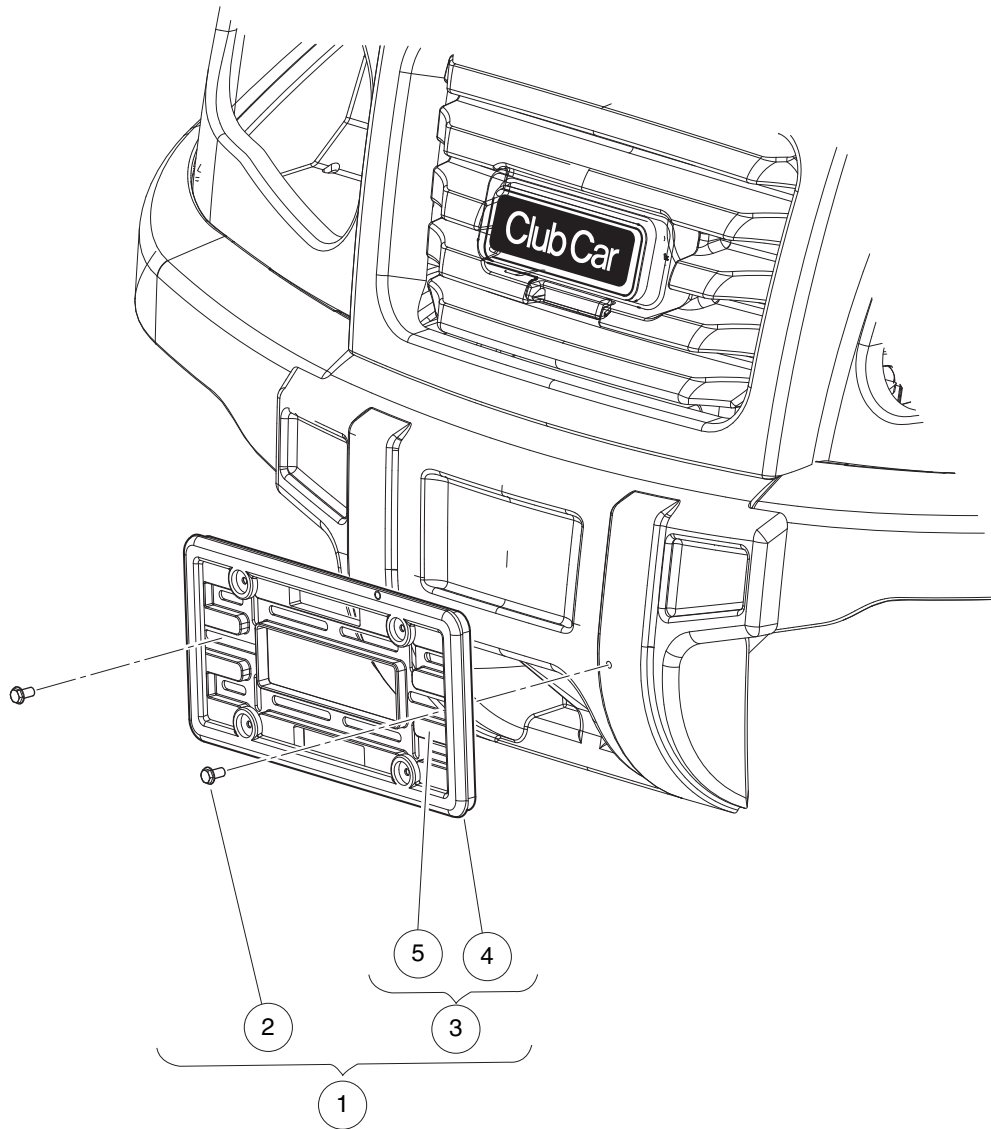


001300-002

# FENDER GUARD

ITEM	PART NO.	DESCRIPTION	QTY
		<b>1 2 3 4</b>	
1	105124001	Kit, Fender Guard, Hb Res (includes items 2 through 9) .....	1
2	101242802	Bolt, 3/8-16 X 2.25 Rd Hd Sq Bk .....	2
3	102323501	Washer, Flat, 3/8, Blk Fin .....	6
4	102621601	Bolt, M10 X 1.50 X 45 Black .....	2
5	102670701	Nut, Flange, M10 X 1.5 Nylon .....	2
6	105074501	Weldment, Fender Guard, Hb, Rh .....	1
7	105074502	Weldment, Fender Guard, Hb, Lh .....	1
8	105094001	Spacer, Canopy Support, Dash .....	2
9	8754	Locknut, 3/8-16 Hex .....	2

**1**  
**G**

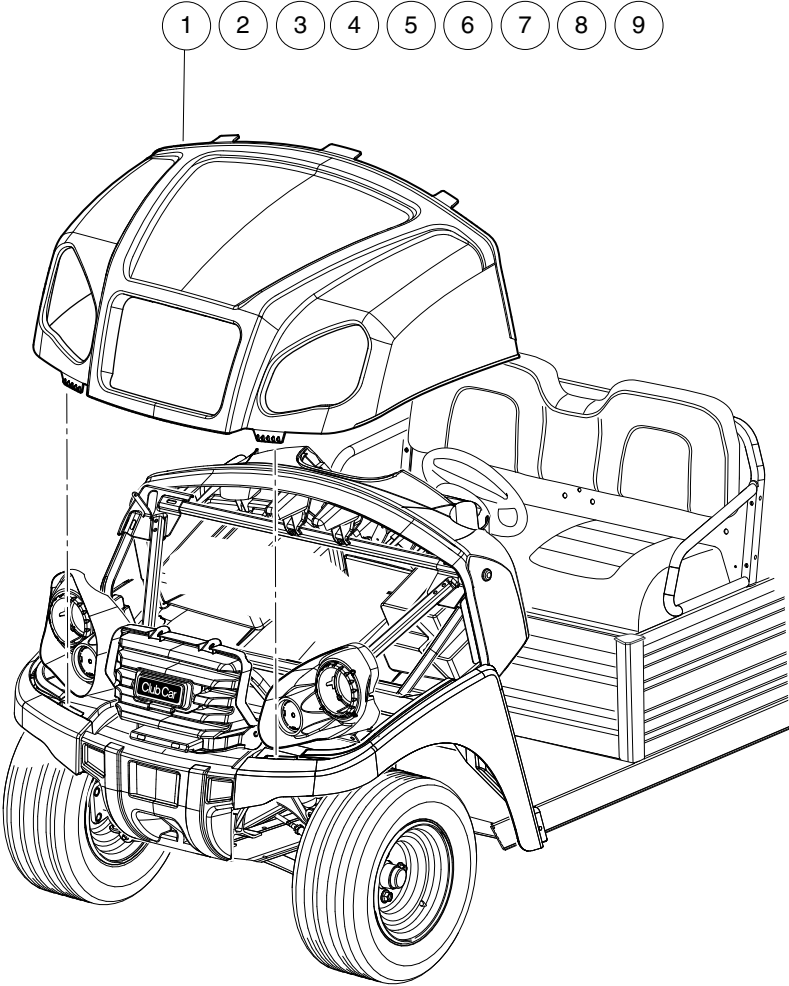


001155-001

# FRONT LICENSE PLATE HOLDER

ITEM	PART NO.	DESCRIPTION	QTY
		1 2 3 4	
1	105124901	Kit, Front, License Pl, Lsv (includes items 2 and 3) .....	1
2	101856101	Screw, 1/4-15 X .50 Hi-lo Hex .....	2
3	102311501	Front License Plate Assembly (includes items 4 and 5) .....	1
4	N/A	Frame, License Plate .....	1
5	N/A	Mount, License Plate .....	1

**1**  
**G**



001300-003

# FRONT BODY

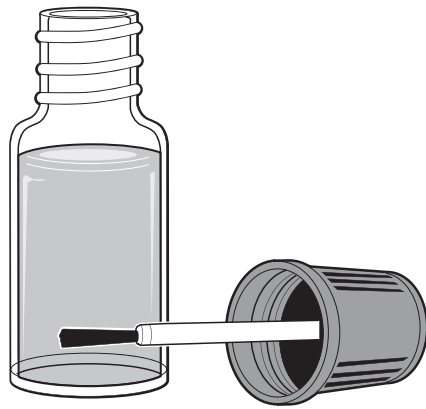
ITEM	PART NO.	DESCRIPTION	QTY
		<b>1 2 3 4</b>	
1	105034321	Cowl, Ca, Serv, Dk Green .....	1
2	105034322	Cowl, Ca, Serv, Dk Gray .....	1
3	105034323	Cowl, Ca, Serv, White .....	1
4	105034324	Cowl, Ca, Serv, Bright Blue .....	1
5	105034325	Cowl, Ca, Serv, Titn Silver .....	1
6	105034326	Cowl, Ca, Serv, Beige .....	1
7	105034327	Cowl, Ca, Serv, Red .....	1
8	105034328	Cowl, Ca, Serv, Black .....	1
9	105034329	Cowl, Ca, Serv, Classic Blue .....	1

**1**  
**G**

1

G

- 1
- 2
- 3
- 4
- 5
- 6
- 7
- 8
- 9
- 10



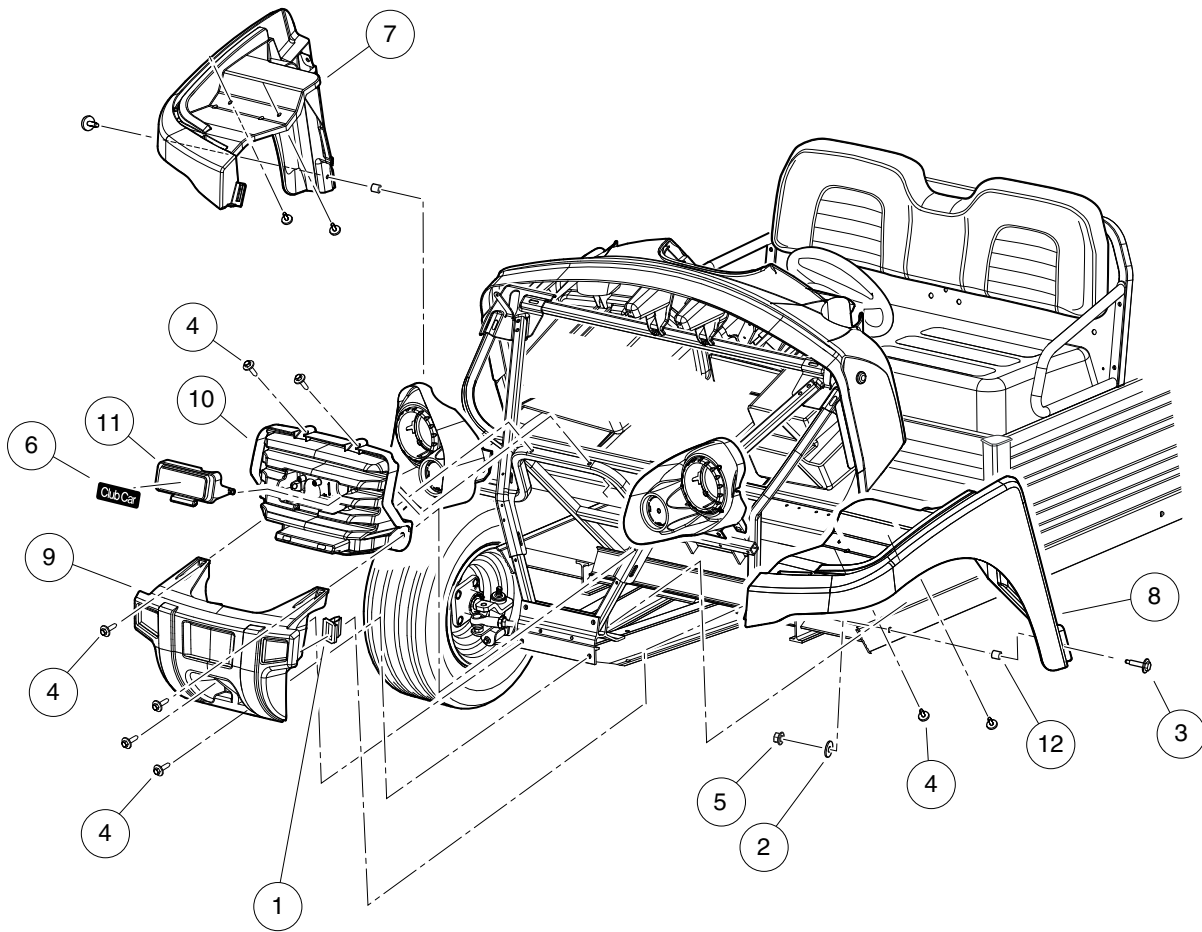
001300-020



# BODY TOUCH-UP PAINT

ITEM	PART NO.	DESCRIPTION	QTY
		<b>1 2 3 4</b>	
1	105117701	Paint, Touch-up, White .....	1
2	105117702	Paint, Touch-up, Classic Blue .....	1
3	105117703	Paint, Touch-up, Dark Green .....	1
4	105117704	Paint, Touch-up, Red .....	1
5	105117705	Paint, Touch-up, Dark Gray .....	1
6	105117706	Paint, Touch-up, Black .....	1
7	105117707	Paint, Touch-up, Tan .....	1
8	105117708	Paint, Touch-up, Bright Blue .....	1
9	105117709	Paint, Touch-up, Titn Silver .....	1
10	105117710	Paint, Touch-up, Light Gray .....	1

**1**  
**G**

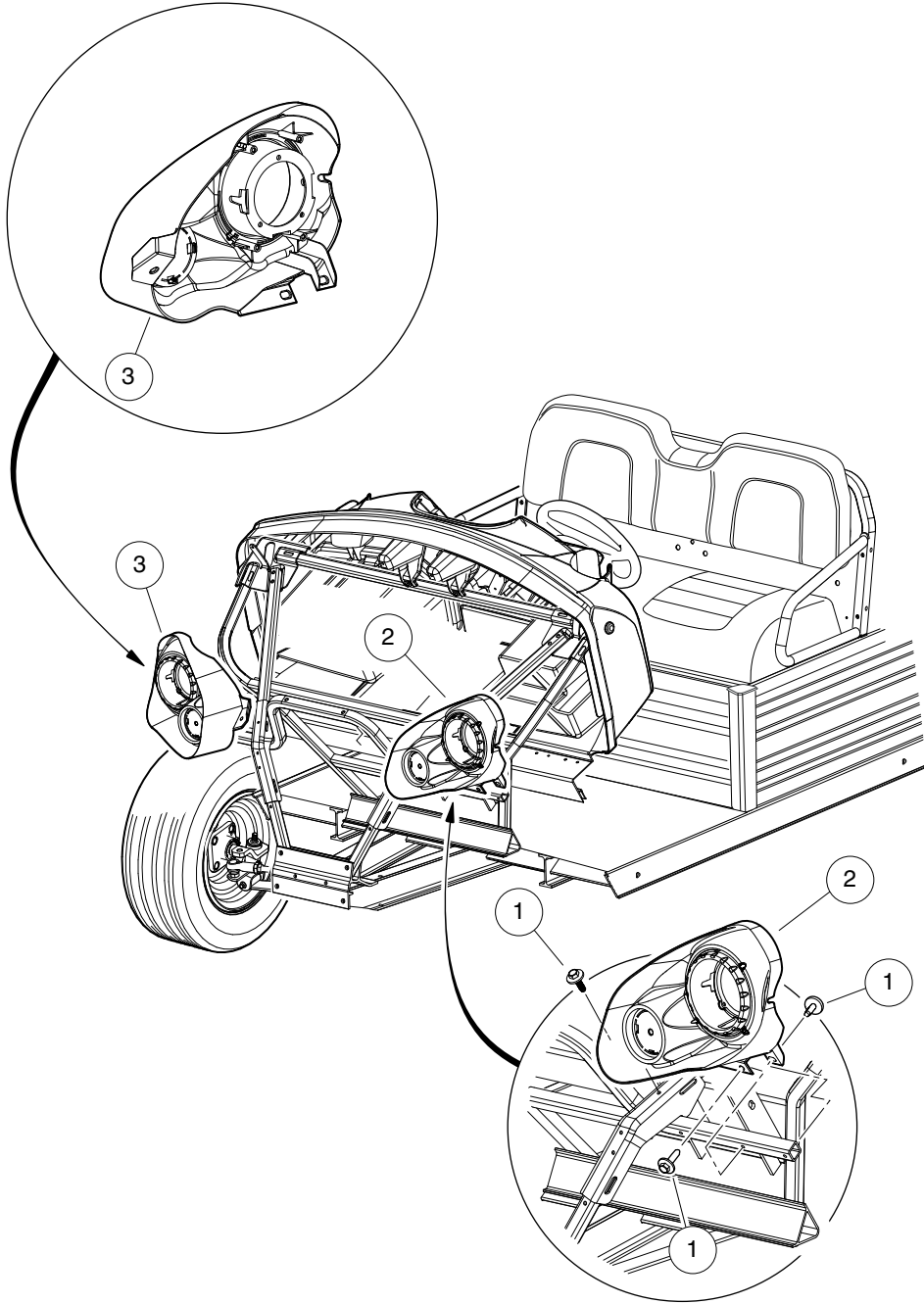


001300-004

# FRONT BUMPER, GRILLE, AND FENDERS

ITEM	PART NO.	DESCRIPTION	QTY
		<b>1 2 3 4</b>	
1	102292701	Clip-body-trim .....	2
2	102296301	Washer, M6x18x1.6 Flat .....	2
3	102296530	Screw - M6 X 1.0 X 30 Sems .....	6
4	102297125	Screw, M6-1.0x25.4, Thread-Forming, SEMS .....	8
5	102541501	Nut-m6x1.0 Fl Mtl Lock,blk .....	2
6	102883601	Decal, Nameplate, CCI, Front .....	1
7	105034401	Fender, Front, Rh, Ca .....	1
8	105034501	Fender, Front, Lh, Ca .....	1
9	105034601	Bumper, Front, Plastic, Ca .....	1
10	105034701	Grille, Ca .....	1
11	105034801	Door, Charger Port, Ca .....	1
12	105036701	Spacer, Frt Fender, Ca .....	2

**1**  
**G**



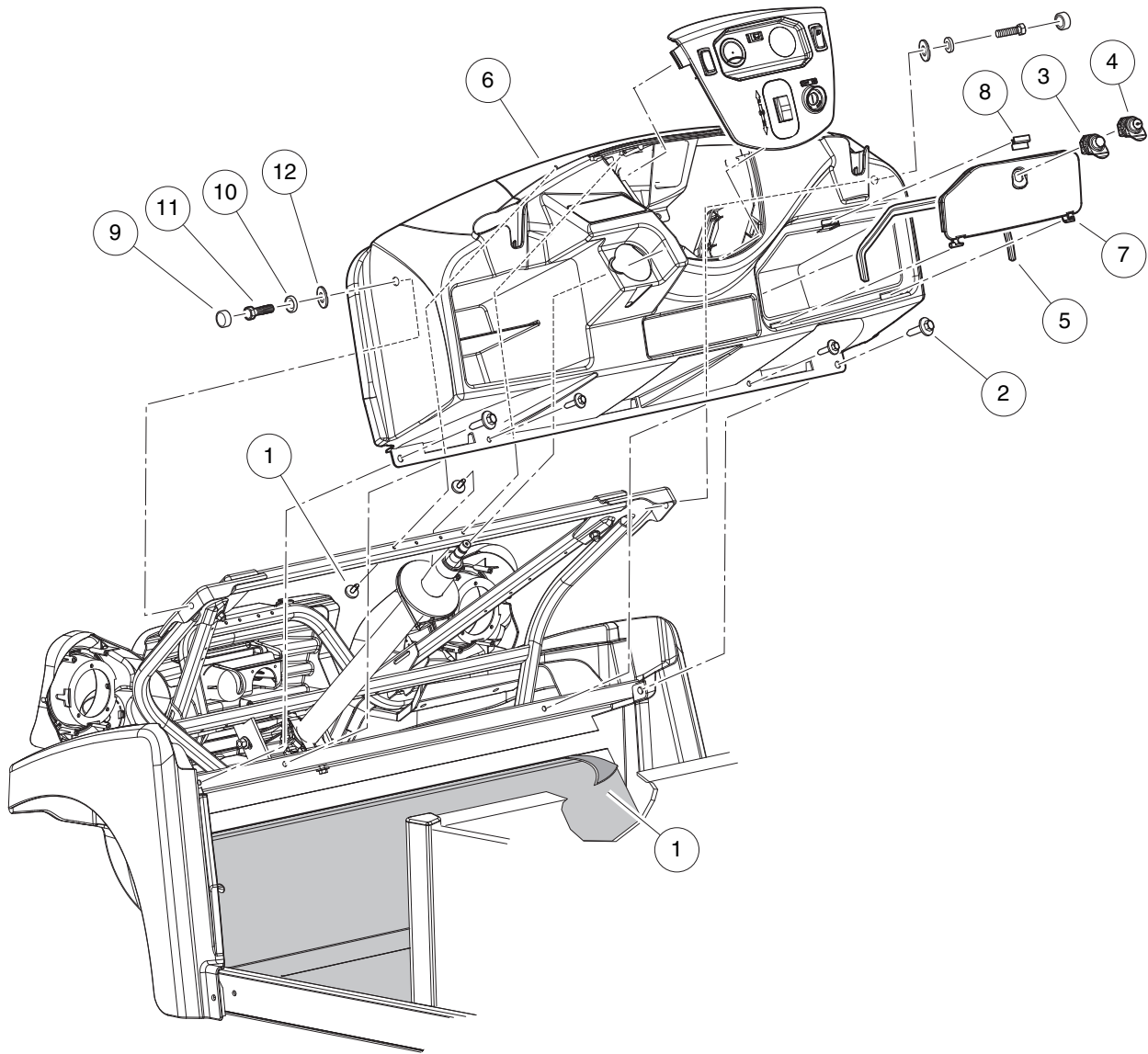
001300-005

# HEADLIGHT BEZELS

ITEM	PART NO.	DESCRIPTION	QTY
		1 2 3 4	
1	102297125	Screw, M6-1.0x25.4, Thread-Forming, SEMS .....	6
2	105034901	Bezel, Hl, Lh, Ca .....	1
3	105035001	Bezel, Hl, Rh, Ca .....	1

1

G



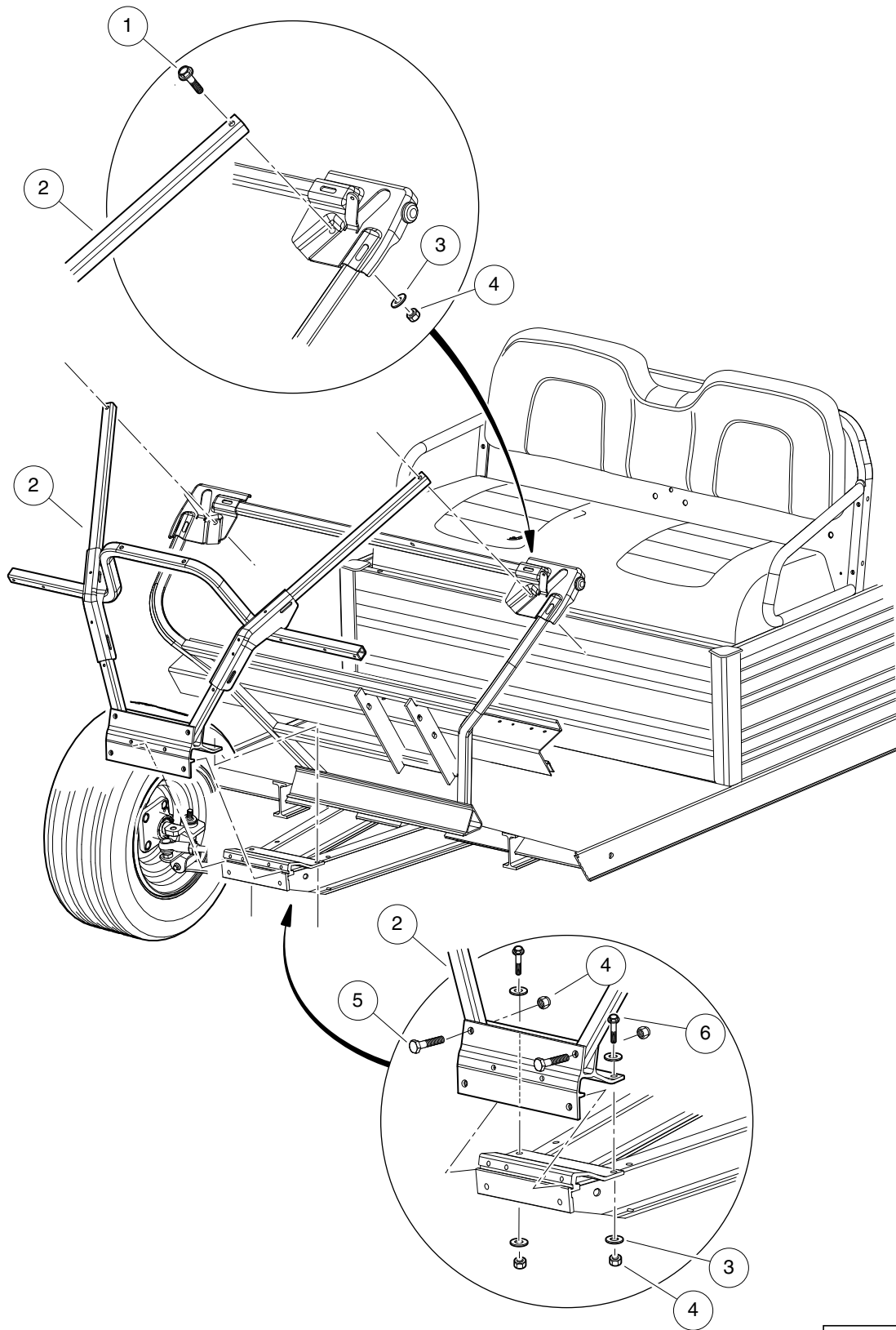
001300-006

# DASH, GLOVEBOX DOOR, AND FLOORMAT

ITEM	PART NO.	DESCRIPTION	QTY
		1 2 3 4	
1	101503202	Floormat .....	1
2	102297125	Screw, M6-1.0x25.4, Thread-Forming, SEMS .....	6
3	103182701	Latch, Push Close .....	1
4	103182702	Latch, Push Close W/ Key .....	1
5	103540203	Seal, Bulb, 13 X 27 X 579 Mm .....	1
6	105034001	Dash, Ca .....	1
7	105034201	Door, Glove Box, Ca .....	1
8	105035701	Keeper, Latch, Ca .....	1
9	105049201	Cover, Bolt, Rh Series .....	2
10	105049301	Cover, Washer, Rhw Series .....	2
11	320	Screw, 3/8-16 X 1.00 Hex-Head Cap .....	2
12	334	Washer, 3/8, Type A, Flat .....	2

**1**  
**G**

**1**  
**G**



001107-001

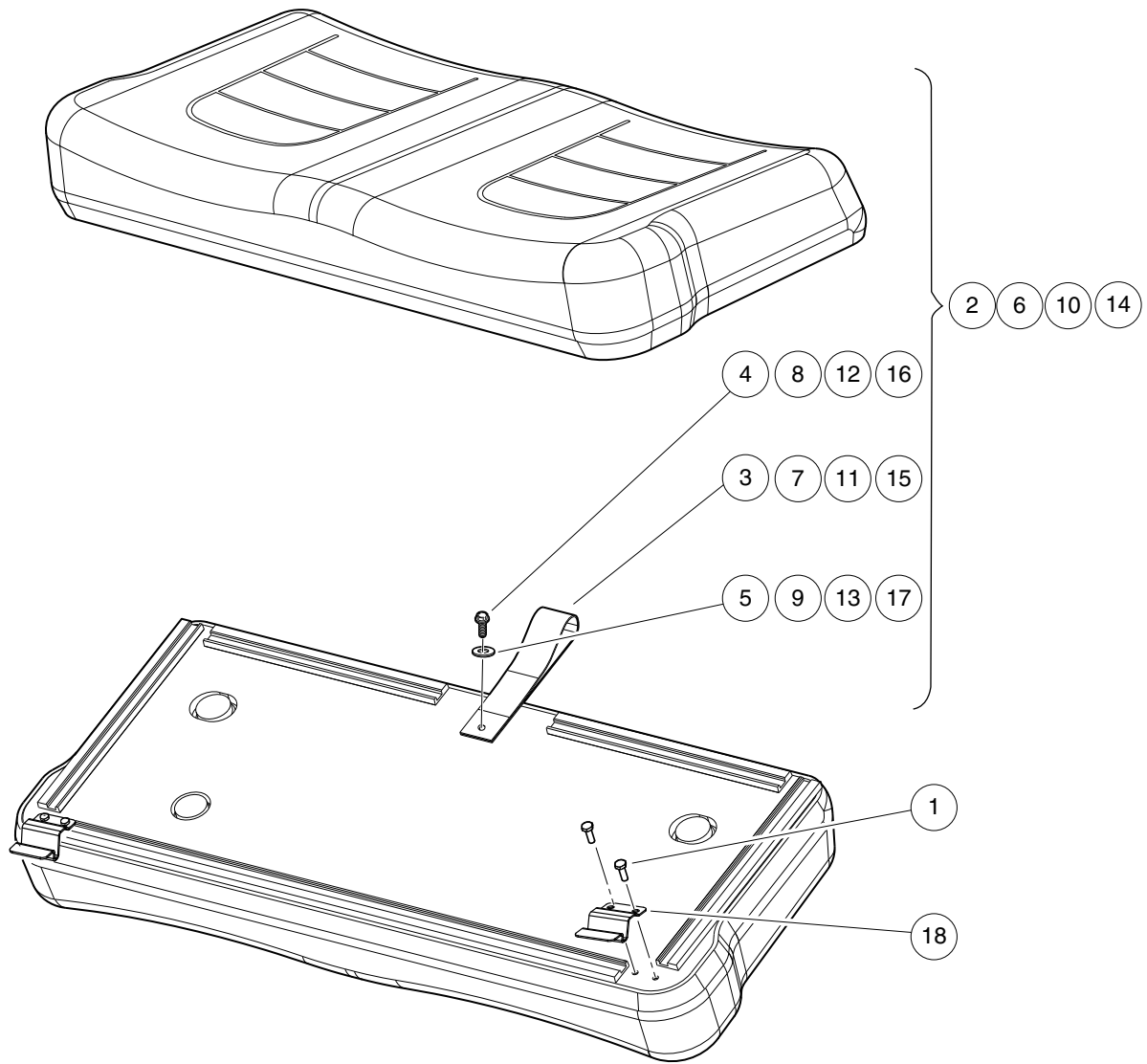


# FRONT FRAME, STANDARD

ITEM	PART NO.	DESCRIPTION	QTY
		<b>1 2 3 4</b>	
1	1011937	Bolt, 5/16-18 X 1.25 Hex Head .....	2
2	105007001	Weldment, Front, Util, Std .....	1
3	1241	Washer, 5/16 Type A Flat .....	6
4	7473	Locknut, 5/16-18 Nylon Insert .....	6
5	8935	Screw, 5/16-18 X 2.25 Hex-Head Cap .....	2
6	8963	Screw, 5/16-18 X 1.75 Hex-Head Cap .....	2

**1**  
**G**

**1**  
**G**



001300-021

# SEAT BOTTOM

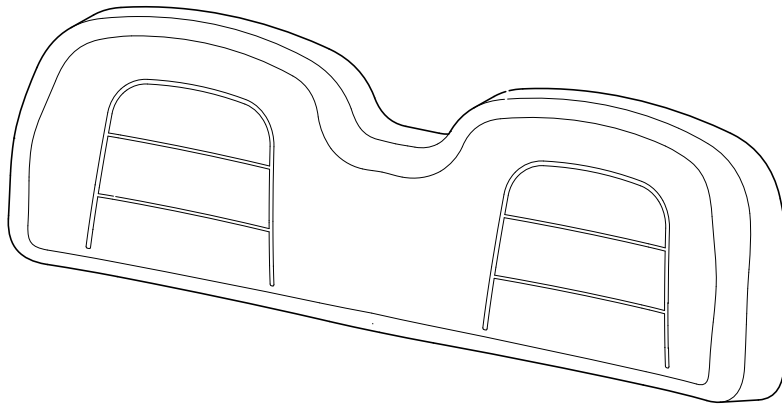
ITEM	PART NO.	DESCRIPTION	QTY
		<b>1 2 3 4</b>	
1	101954301	Screw, 1/4-20 X 0.75 Hex-Head Cap .....	4
2	105064521	Asm, Seatbottom, White, Ca, Sp (includes items 3 through 5) .....	1
3	1013309	Strap, Utility Seat .....	1
4	101954301	Screw, 1/4-20 X 0.75 Hex-Head Cap .....	1
5	332	Washer, 1/4 Type A Narrow Flat .....	1
6	105064522	Asm, Seatbottom, Black, Ca, Sp (includes items 7 through 9) .....	1
7	1013309	Strap, Utility Seat .....	1
8	101954301	Screw, 1/4-20 X 0.75 Hex-Head Cap .....	1
9	332	Washer, 1/4 Type A Narrow Flat .....	1
10	105064523	Asm, Seatbottom, Gray, Ca, Sp (includes items 11 through 13) .....	1
11	1013309	Strap, Utility Seat .....	1
12	101954301	Screw, 1/4-20 X 0.75 Hex-Head Cap .....	1
13	332	Washer, 1/4 Type A Narrow Flat .....	1
14	105064524	Asm, Seatbottom, Beige,ca, Sp (includes items 15 through 17) .....	1
15	1013309	Strap, Utility Seat .....	1
16	101954301	Screw, 1/4-20 X 0.75 Hex-Head Cap .....	1
17	332	Washer, 1/4 Type A Narrow Flat .....	1
18	105200401	Bracket,Hinge, Seat,CA .....	2

**1**  
**G**

1

G

1 2 3 4

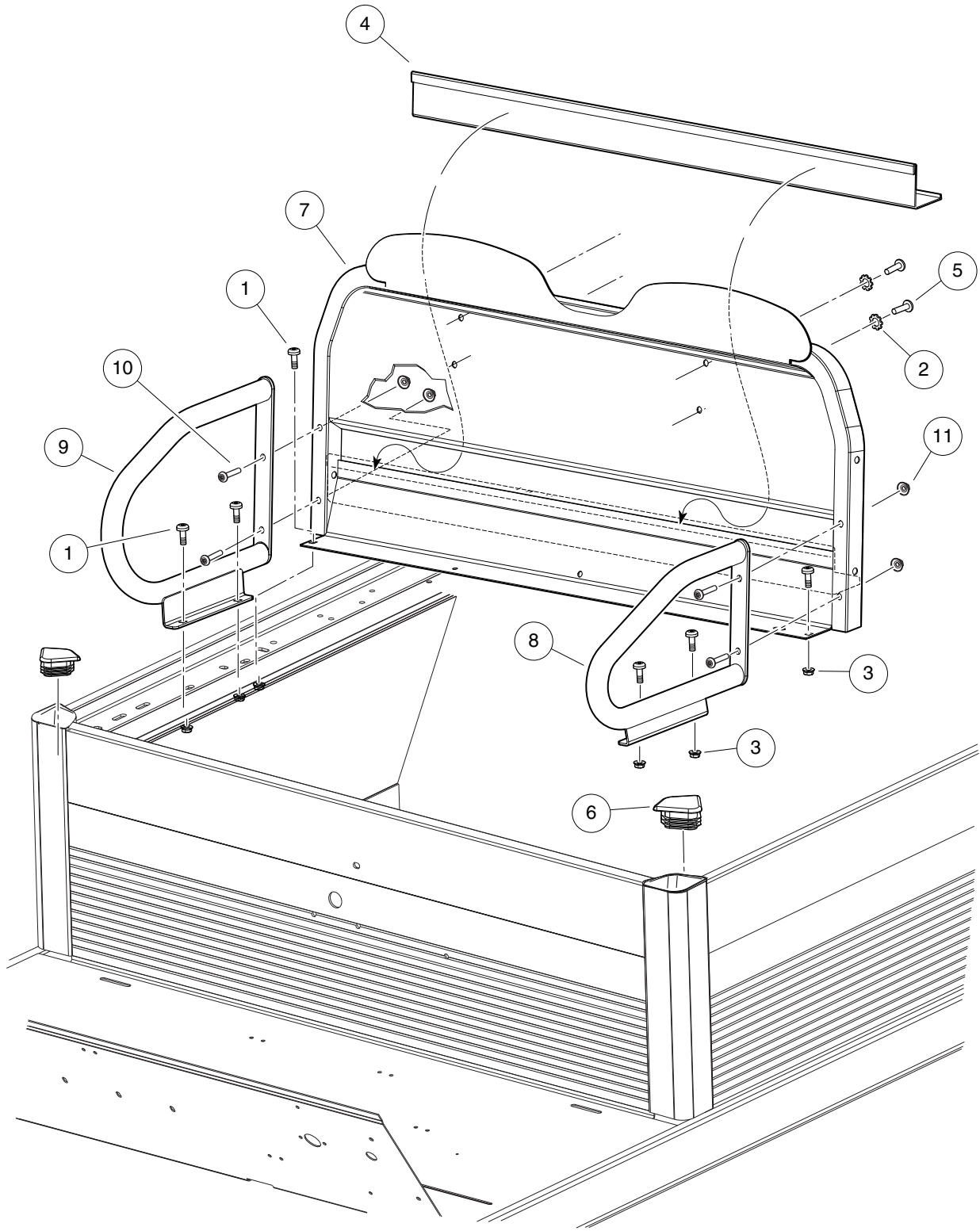


001300-022

# SEAT BACK

ITEM	PART NO.	DESCRIPTION	QTY
		<b>1 2 3 4</b>	
1	105064121	Asm, Seatback, White, Ca, Sp .....	1
2	105064122	Asm, Seatback, Black, Ca, Sp .....	1
3	105064123	Asm, Seatback, Gray, Ca, Sp .....	1
4	105064124	Asm, Seatback, Beige, Ca, Sp .....	1

**1**  
**G**

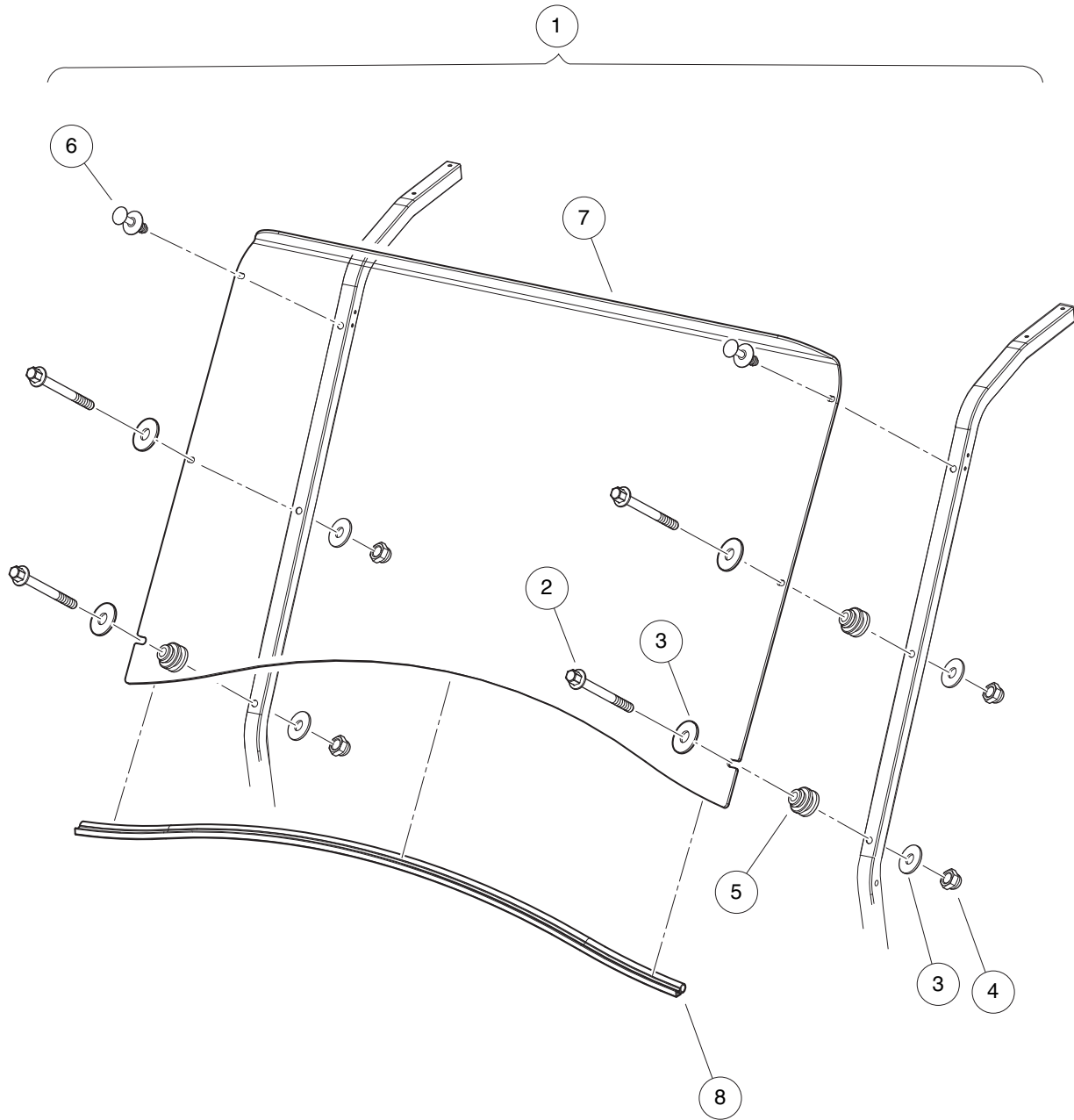


001161-003

# SEAT FRAME AND HIP-RESTRAINT

ITEM	PART NO.	DESCRIPTION	QTY
		1 2 3 4	
1	1015399	Screw, 5/16-18 X 0.88 Torx Truss-Head .....	6
2	101946201	Washer, Lock, 0.250 External-Tooth .....	4
3	101963401	Locknut, 5/16-18 Hex Flange .....	6
4	102989501	Seal, Bed, 41-Inch .....	1
5	103487501	Screw, 1/4-20 X 1.0, Black .....	4
6	105006501	Cap, Corner, Frame .....	2
7	105062401	Seatback, Weldment, Ca .....	1
8	105063001	Wldmnt, Hip Restraint, Sml, Lh .....	1
9	105063002	Wldmnt, Hip Restraint, Lrg, Rh .....	1
10	105078401	Scrw, 5/16-18 X 1.75, Tr Tx Hd .....	4
11	105194301	Nut, 5/16-18, Conical Washer .....	4

**1**  
**G**



001115-001



# WINDSHIELD, NON-HINGED

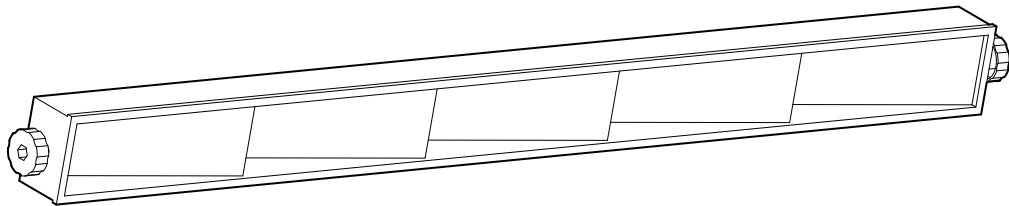
ITEM	PART NO.	DESCRIPTION	QTY
		<b>1 2 3 4</b>	
1	105109201	Kit, Windshield, Single, Hb (includes items 2 through 8) .....	1
2	102296150	Bolt - M6x1.0x50 Hex Flng Hd .....	4
3	102296301	Washer, M6x18x1.6 Flat .....	8
4	102582401	Cap Nut M6, Sp .....	4
5	102947601	Grommet, Windshield .....	4
6	105093501	Blind Rivet, Push, 3-10 Panel .....	2
7	105102301	Windshield, Single, Hb .....	1
8	105196001	seal,windshield .....	1

**1**  
**G**

1

G

1



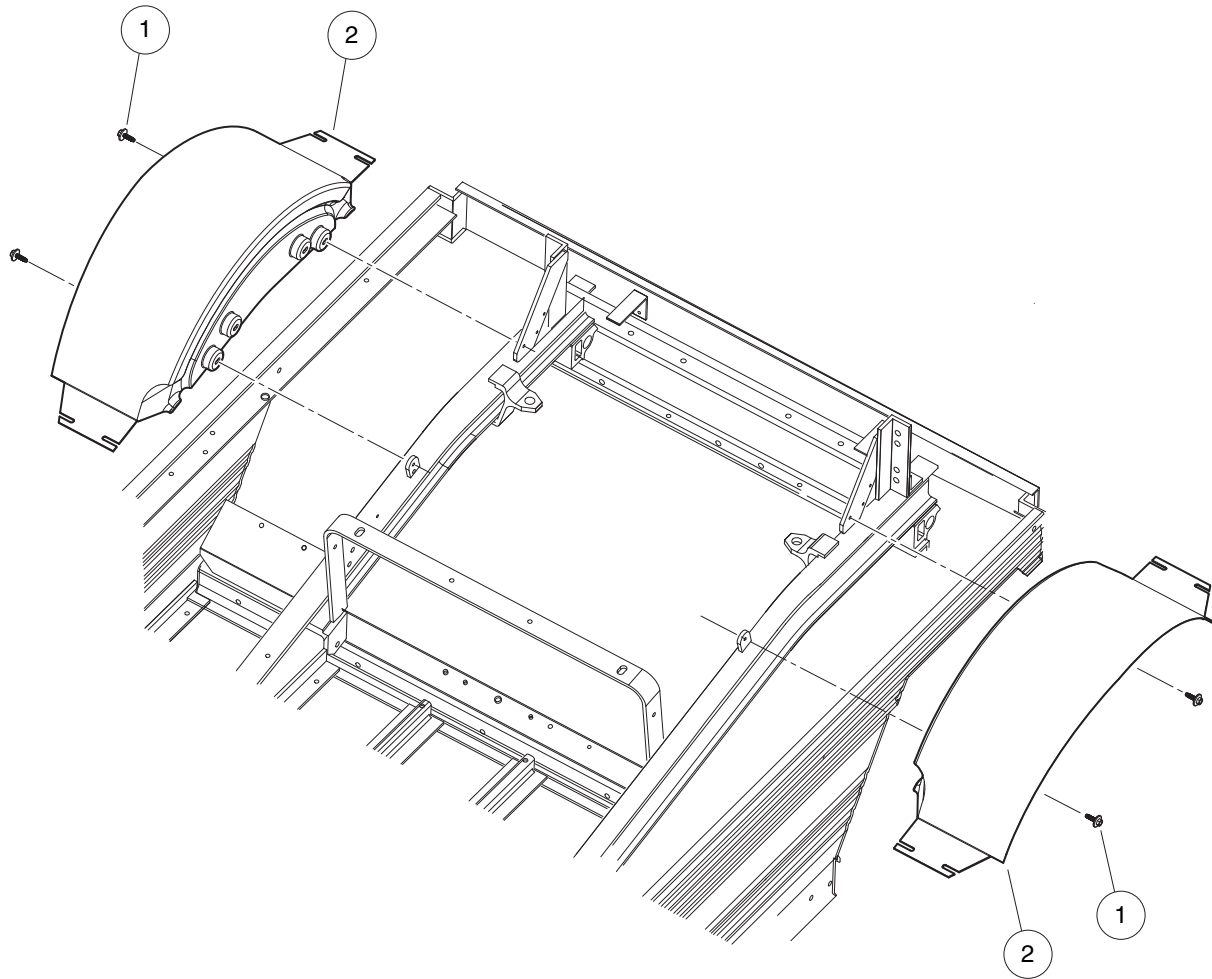
001300-024

# INTERIOR MIRROR

ITEM	PART NO.	DESCRIPTION	QTY
1	105291601	<div style="display: flex; justify-content: space-between; margin-bottom: 5px;"> <span>1</span> <span>2</span> <span>3</span> <span>4</span> </div> Kit, 5-Panel Mirror, Cafe Express .....	1

1

G

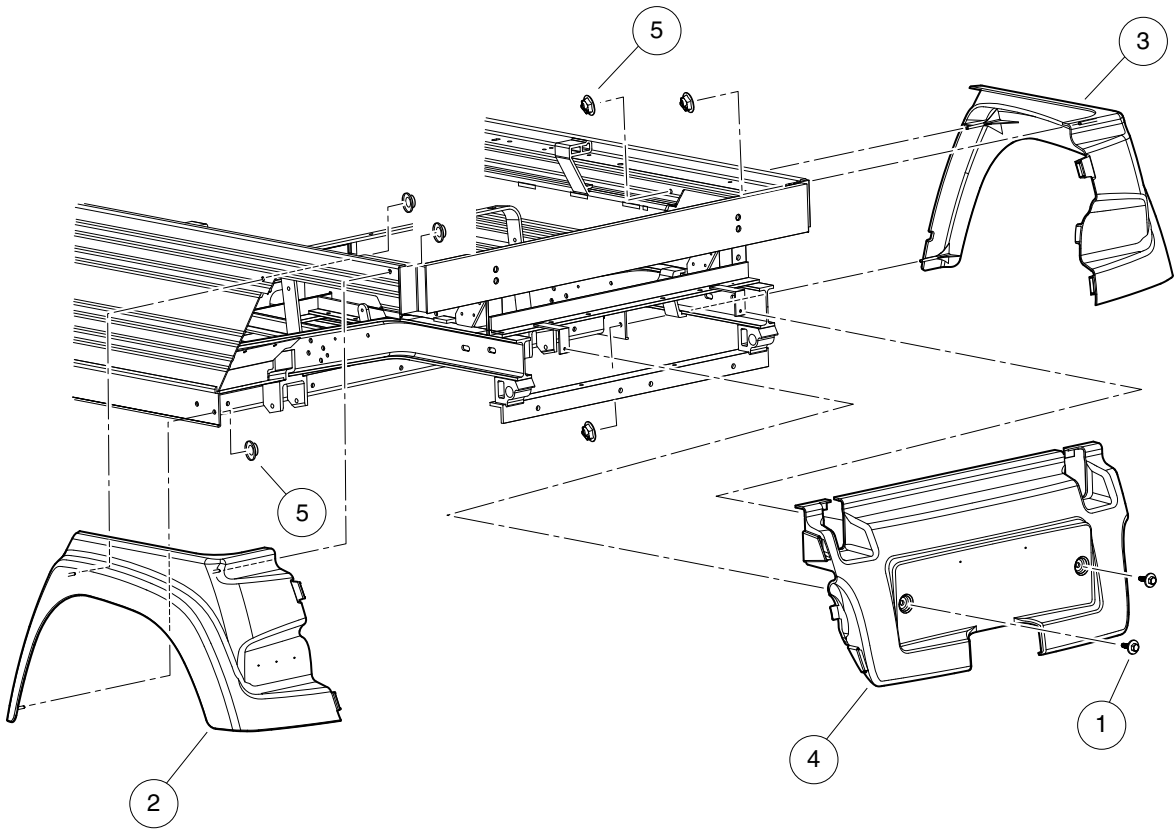


001123-001

# INNER REAR FENDERS

ITEM	PART NO.	DESCRIPTION	QTY
1	102297125	1 2 3 4 Screw, M6-1.0x25.4, Thread-Forming, SEMS .....	4
2	105035801	Fender, Inner, Ca .....	2

**1**  
**G**



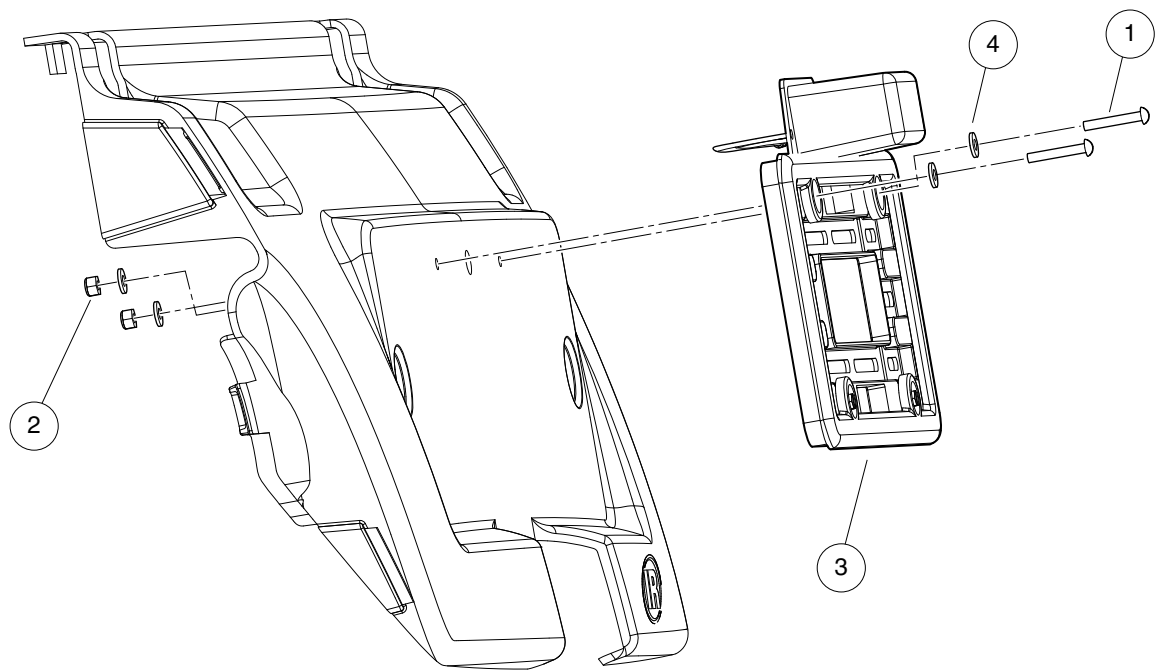
001124-001

# REAR FENDERS AND TAIL SKIRT

ITEM	PART NO.	DESCRIPTION	QTY
		1 2 3 4	
1	102297125	Screw, M6-1.0x25.4, Thread-Forming, SEMS .....	2
2	105035101	Fender, Rear, Lh, Ca .....	1
3	105035201	Fender, Rear, Rh, Ca .....	1
4	105035301	Tailskirt, Ca .....	1
5	105066401	Nut, Self Thread, 5x10x15 .....	6

**1**

**G**



001170-001



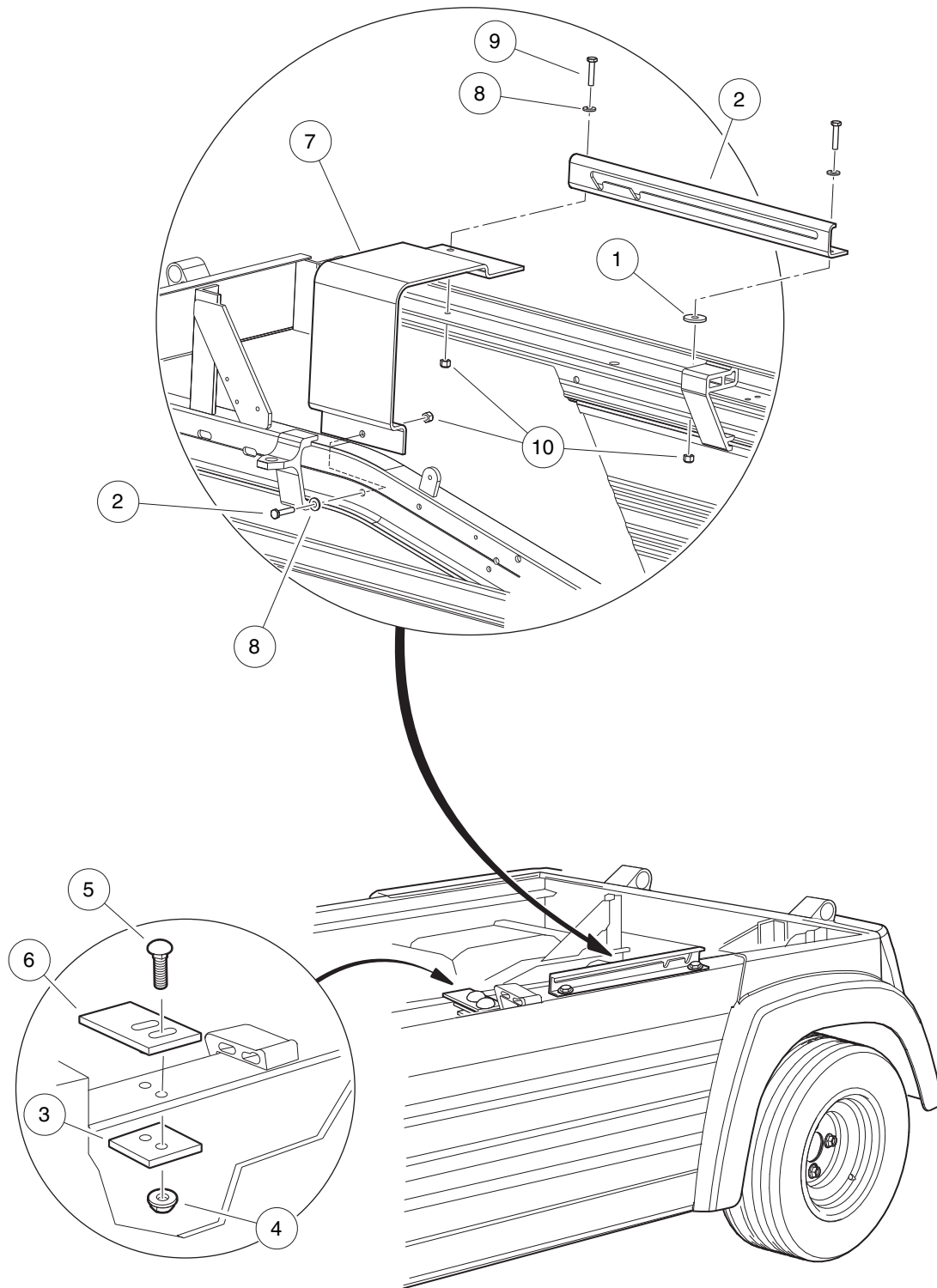
# REAR LICENSE PLATE HOLDER

ITEM	PART NO.	DESCRIPTION	QTY
		1 2 3 4	
1	1010909	Screw, #10-32 X 1.25 Rd Hd Mch .....	2
2	1013061	Locknut, #10-32 Nylon Insert .....	2
3	N/A	License Plate,ASM, Rear .....	1
4	183	Washer, #10, Type A, Flat .....	4

**1**

**G**

**1**  
**G**

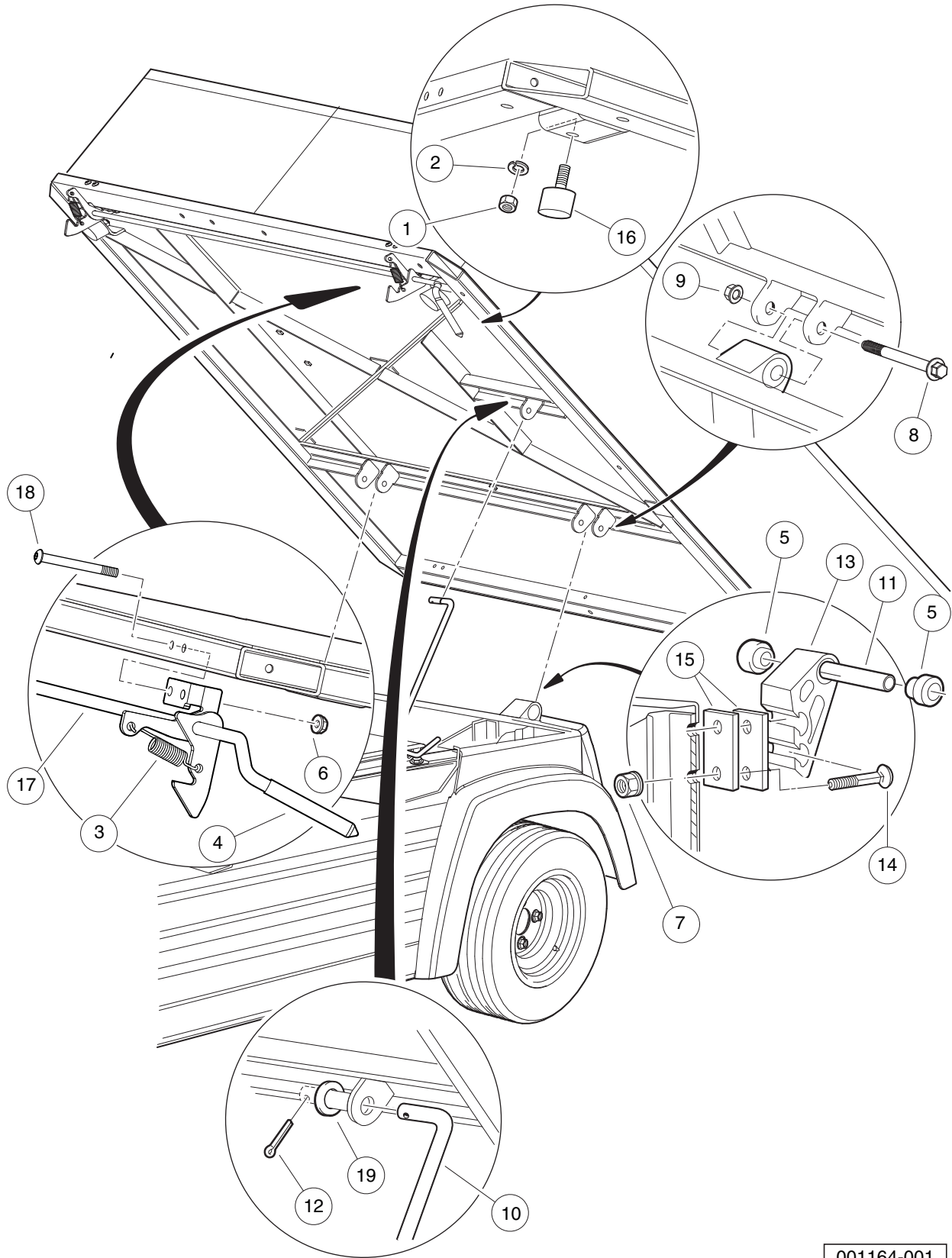


001163-001

# LATCH AND PROP ROD TRACK

ITEM	PART NO.	DESCRIPTION	QTY
		<b>1 2 3 4</b>	
1	1012571	Washer, 5/16 Extra Thick Flat .....	1
2	1015700	Track Prop Rod Ca li .....	1
3	1016060	Plate, Latch Support .....	2
4	101835601	Locknut, 1/4-20 Hex Whiz .....	4
5	101958602	Bolt, Carriage, 1/4-20 X 1.0 .....	4
6	105110801	Plate, Latch, Ca .....	2
7	105142701	Brkt, Side Support, CafÈ Exprs .....	1
8	332	Washer, 1/4 Type A Narrow Flat .....	3
9	7479	Screw, 1/4-20 X 1.25 Hex-Head Cap .....	3
10	8233	Locknut, 1/4-20, Nylon Insert .....	3

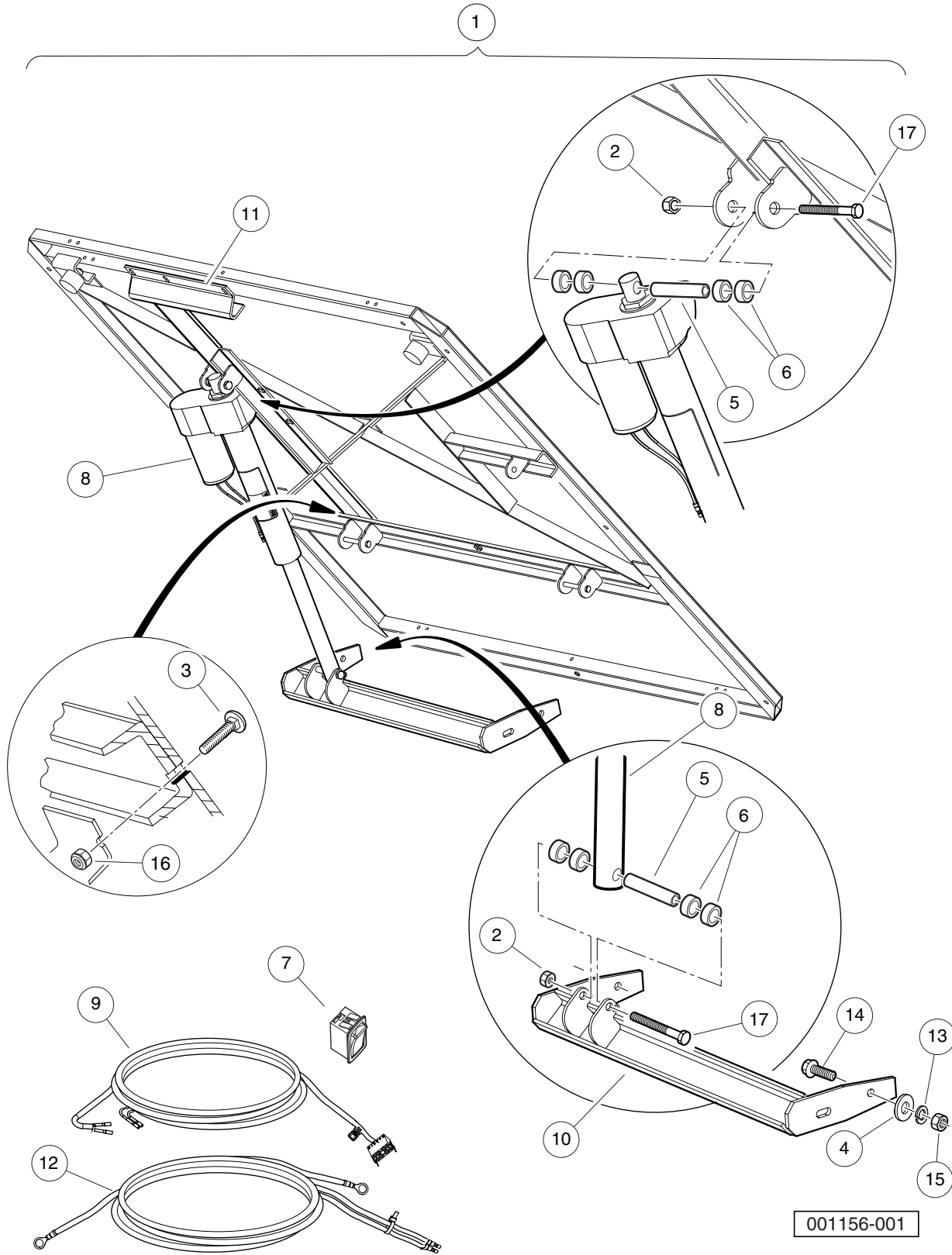
**1**  
**G**



001164-001

## BED LATCH, HINGE, AND PROP ROD

ITEM	PART NO.	DESCRIPTION	QTY	1
		1 2 3 4		G
1	1012528	Nut, M8-1.25 Hex .....	2	
2	1013734	Lockwasher, 8mm Split .....	2	
3	1015391	Extension, Spring Latch .....	2	
4	1015400	Grip, Tilt Latch Hand .....	1	
5	1015583	Bushing, Urethane .....	4	
6	1015661	Nut, Lock Hx Flanged 1/4-20 .....	4	
7	102065901	Locknut, 3/8-16 Flanged Dimple .....	4	
8	102298185	Bolt - Flange Hd, M8 X 85.0 .....	2	
9	102298401	Nut,m8,all Metal Lock .....	2	
10	102301401	Rod, Prop .....	1	
11	102506401	Sleeve - Spring Eye Mounts .....	2	
12	1035	Cotter Pin, 3/32 x 1 .....	1	
13	103538701	Bracket, Bed Hinge, Extruded .....	2	
14	103539001	3/8-16 X 1.25 Carr Blt Gr5 Zn .....	4	
15	103575801	Shim, Bed Hinge, .125 Thick .....	4	
16	105036601	Bumper, Bedfloor, Ca .....	2	
17	105169101	Weldment, Bed Latch, CA .....	1	
18	105194101	1/4-20 X 2.5, Bhcs, 6-lobe .....	4	
19	334	Washer, 3/8, Type A, Flat .....	1	



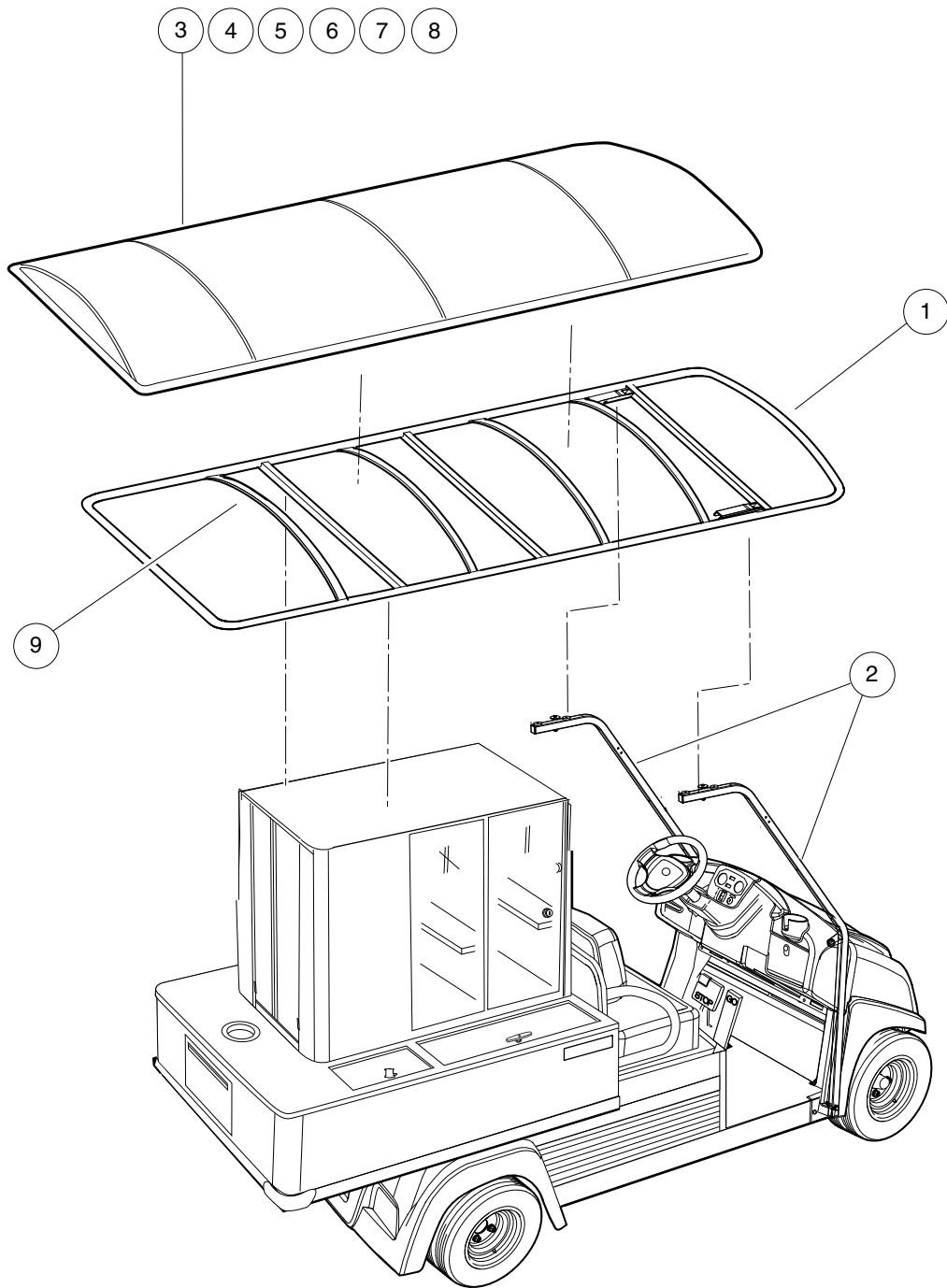
# ELECTRIC BED LIFT – GASOLINE VEHICLES

ITEM	PART NO.	DESCRIPTION	QTY
		1 2 3 4	
1	105170501	Kit, Bed Lift, Gas, Med (includes items 2 through 17) .....	1
2	1010138	Locknut, 3/8-16 Dimpled .....	2
3	101043502	Bolt, Carriage, 5/16-18x1 blk .....	1
4	1011990	Washer, 3/8 Flat .....	4
5	1016603	Bushing, Long .....	2
6	1017774	Body Spacer .....	8
7	102882501	Switch, Rocker, Bed Lift .....	1
8	103951801	Actuator, Bed Lift, Electric .....	1
9	105108901	Harness, Bed Lift, Util .....	1
10	105131001	Weldment, Mnt, Bed Lift, Ca .....	1
11	105193501	Weldment, Bed Lift, Med .....	1
12	105197601	Asm, Jumper, Bedlift, Ca500 .....	1
13	357	Lockwasher, 3/8 Split .....	4
14	705	Screw, Cap-hex Hd 3/8-16x1.25 .....	4
15	706	Nut, Hex 3/8-16 .....	4
16	7473	Locknut, 5/16-18 Nylon Insert .....	1
17	7561	Bolt, 3/8-16 X 3.00 Hex Head .....	2

**1**

**G**

**1**  
**G**



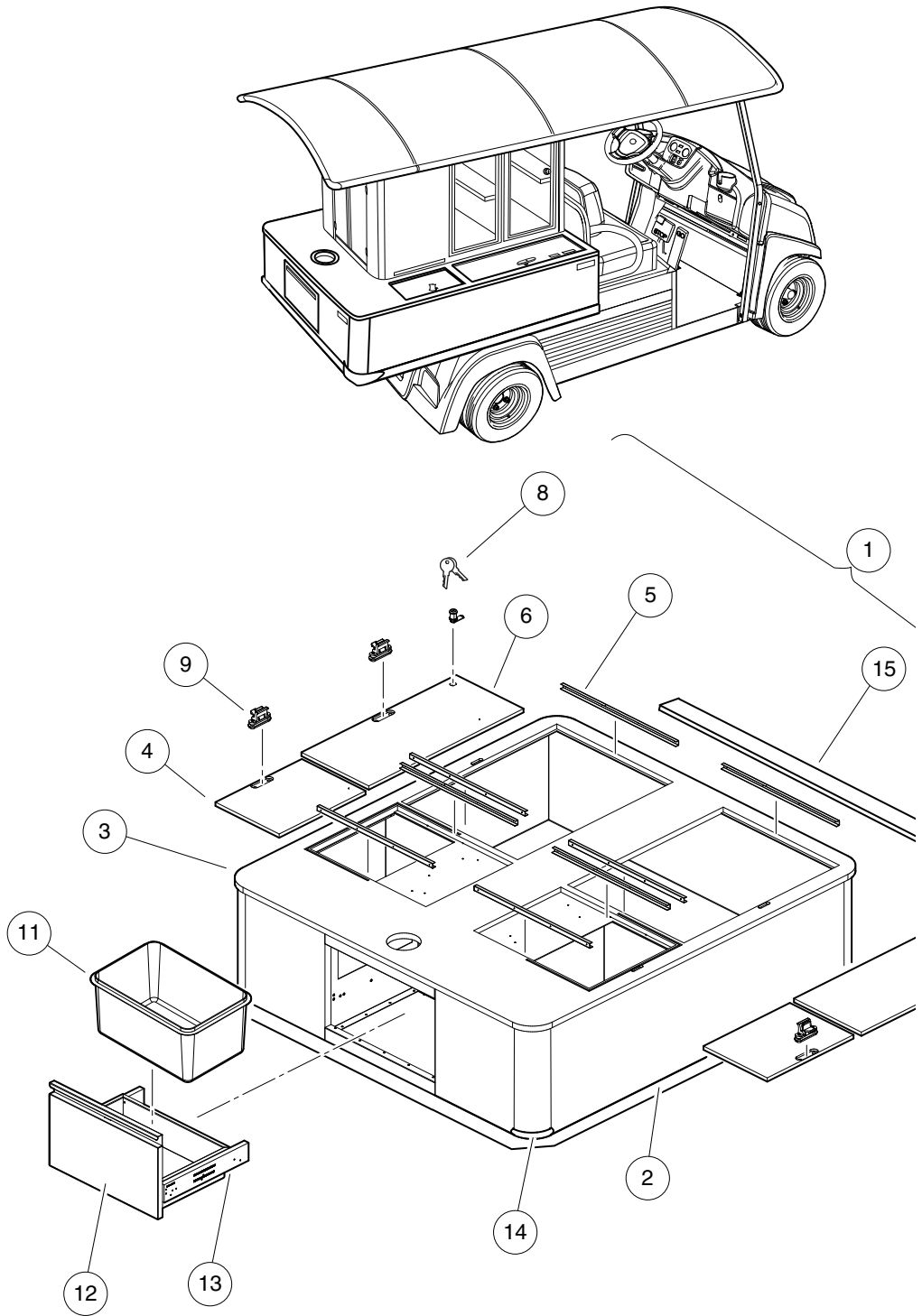
001153-001



# CANOPY, FRAME, AND STRUTS

ITEM	PART NO.	DESCRIPTION	QTY
		1 2 3 4	
1	105104001	Cafe Express Canopy Frame 500 .....	1
2	105104101	CafÈ Express Front Struts 500 .....	1
3	105104201	CafÈ Express Canopy Green .....	1
4	105104202	CafÈ Express Canopy Grn/white .....	1
5	105104203	CafÈ Express Canopy Green Tw .....	1
6	105104204	CafÈ Express Canopy Blue Tw .....	1
7	105104205	CafÈ Express Canopy Linen Tw .....	1
8	105104206	CafÈ Express Canopy Gray Tw .....	1
9	105210501	CafÈ,Canopy,Cross Supports .....	4

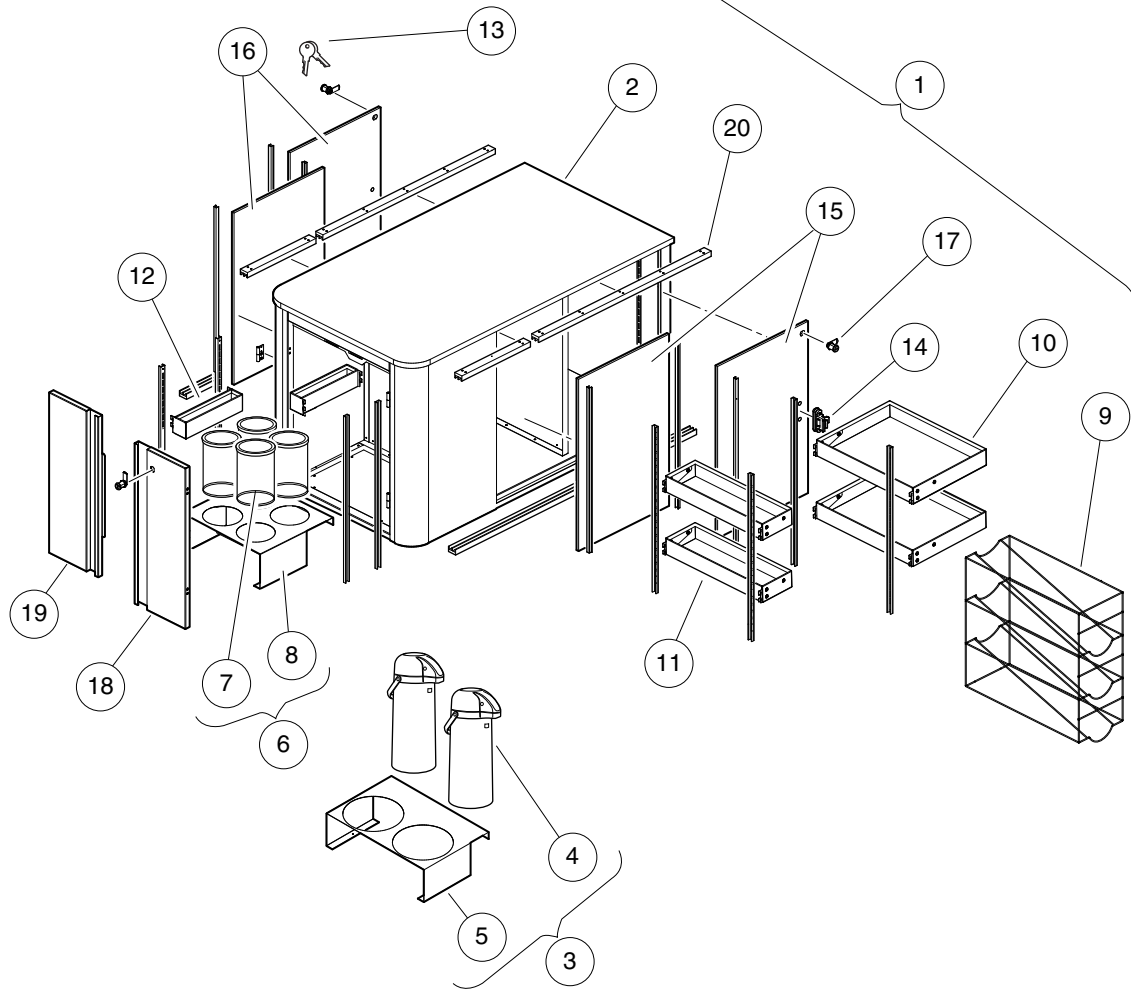
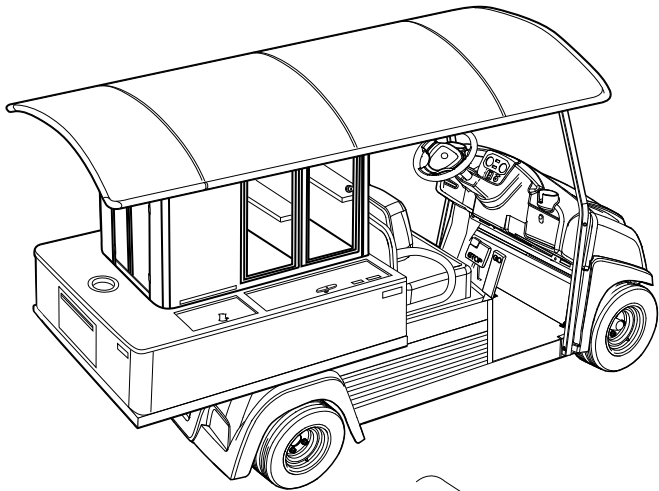
**1**  
**G**



# CAFÈ EXPRESS LOWER CABINET

ITEM	PART NO.	DESCRIPTION	QTY
		1 2 3 4	
1	N/A	CafÈ Express Base Cabinet Asm (includes items 2 through 15) .....	1
2	105102901	Frame Weld Asm Tilt Bed Mid .....	1
3	N/A	CafÈ Express Base Cabinet 500 .....	1
4	105210601	CafÈ,Clean Ice,Slide Door .....	2
5	105210701	CafÈ, Lwr Cab, Slide Door Track .....	8
6	105210801	CafÈ,Can Bin,Slide Door,RH .....	1
7	105210802	CafÈ,Can Bin,Slide Door,RH .....	1
8	105210901	Keys, Door Lock .....	1
9	105211201	Slide Door Latch .....	4
10	105211501	CafÈ,Door Lock with keys .....	2
11	105211801	CafÈ,Trash Can .....	1
12	105211901	CafÈ,Trash Drawer-no slides .....	1
13	105212001	CafÈ,Trash Drawer,Slide Kit .....	1
14	105212401	Rear Bumper Set, CafÈ Exp Base .....	1
15	105212501	Lwr Cab, Front Close Out Trim .....	1

**1**  
**G**



001159-001

# CAFÈ EXPRESS UPPER CABINET

ITEM	PART NO.	DESCRIPTION	QTY
		1 2 3 4	
1	105104901	CafÈ Express Upper Cabinet Asm (includes item 2) .....	1
2	105103801	CafÈ Express Upper Cabinet 500 (includes items 3 through 20) .....	1
3	105104301	Tray with 2ea Air Pots (includes items 4 and 5) .....	1
4	105212201	Air Pot, Hot and Cold .....	1
5	105212601	CafÈ,Tray,Air Pot .....	2
6	105104401	Tray with 4ea Crocs (includes items 7 and 8) .....	1
7	105212301	Crocs,Plastic, Service Bar .....	1
8	105212701	CafÈ,Tray, Crocs .....	4
9	105104501	Cup Holder .....	1
10	105104601	Adjustable Shelf -Large .....	2
11	105104602	Adjustable Shelf,Med .....	2
12	105104603	Adjustable Shelf,Small .....	2
13	105210901	Keys, Door Lock .....	1
14	105211201	Slide Door Latch .....	2
15	105211301	Cafe,Up Slide Door,RH Set .....	1
16	105211401	CafÈ,Up, Slide Door,LH Set .....	1
17	105211501	CafÈ,Door Lock with keys .....	3
18	105211601	CafÈ Up,Coffee Door,RH .....	1
19	105211701	CafÈ Up,Coffee Door,LH .....	1
20	105212101	CafÈ,Up,DoorTrack 4 ea .....	1

**1**

**G**

1

G

# WHEELS AND TIRES

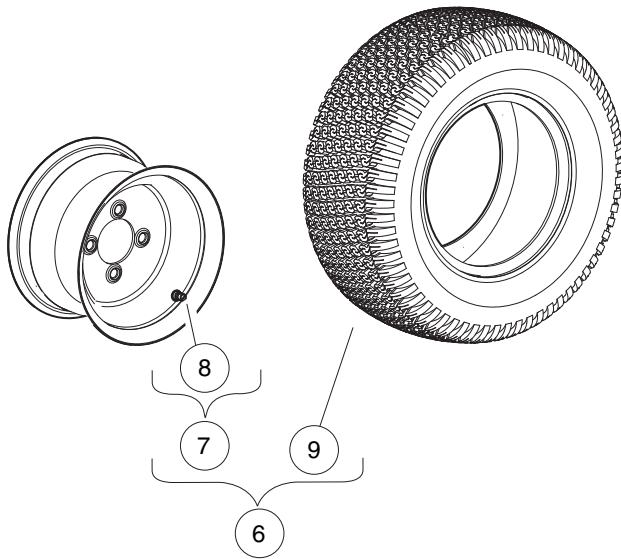
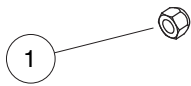
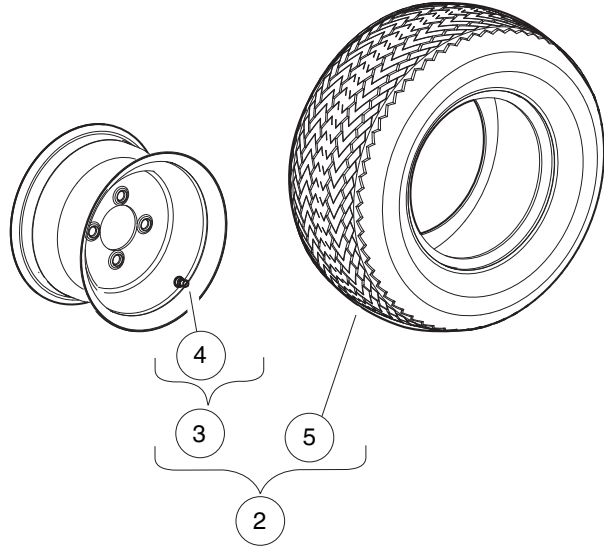
---

2

G

E

**2**  
**G**  
**E**



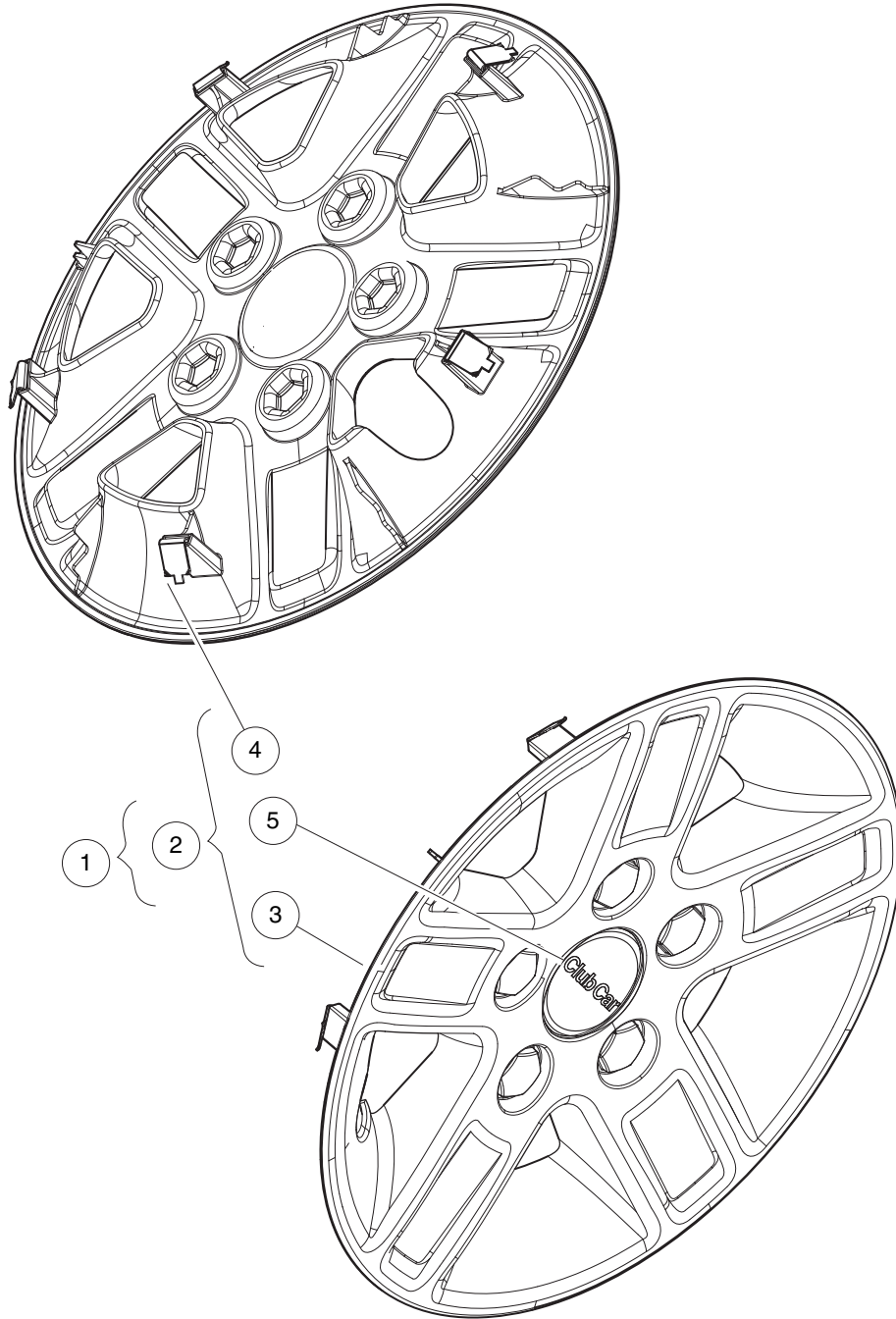
001320-001



# WHEELS AND TIRES

ITEM	PART NO.	DESCRIPTION	QTY
		<b>1 2 3 4</b>	
1	1010984	.500-20 Unf Lug Nut .....	16
2	105078809	Asm,whl,hn1,20x10-10,6pl (includes items 3 through 5) .....	4
3	105079204	Wheel, 10"x6", Gray, 0 Offset, RR, with Valve Stem (includes item 4) .....	1
4	105078901	Valve Stem, Kenda, Tr 412 .....	1
5	105079301	Tire, Hole-n-1, 20x10-10, 6pl .....	1
6	105078810	Asm,whl,st,20x10-10,6pl (includes items 7 through 9) .....	4
7	105079204	Wheel, 10"x6", Gray, 0 Offset, RR, with Valve Stem (includes item 8) .....	1
8	105078901	Valve Stem, Kenda, Tr 412 .....	1
9	105079401	Tire, Superturf, 20x10-10, 6pl .....	1

2  
G  
E



001350-002

# WHEEL COVERS

ITEM	PART NO.	DESCRIPTION	QTY
		1 2 3 4	
1	105106501	Kit, Wheel Cover, 10x6" (includes item 2) .....	1
2	105106301	Asm, Whl Cover, 5 Spoke, 10x6" (includes items 3 through 5) .....	4
3	N/A	Wheel Cover, 5 Spoke, 10x7" .....	1
4	105106101	Wheel Cover, Clip .....	5
5	105106201	Decal, Wheel Cover, Club Car .....	1

2  
G  
E

**2**

**G**

**E**

# DECALS

---

3

G

E

**⚠ WARNING**

Unintended vehicle movement may cause severe injury or death. Before using vehicle, read owner's manual and vehicle safety warnings.

Before leaving vehicle:

- Engage park brake to lock wheels.
- Place vehicle in NEUTRAL.
- Turn key to OFF and remove key.

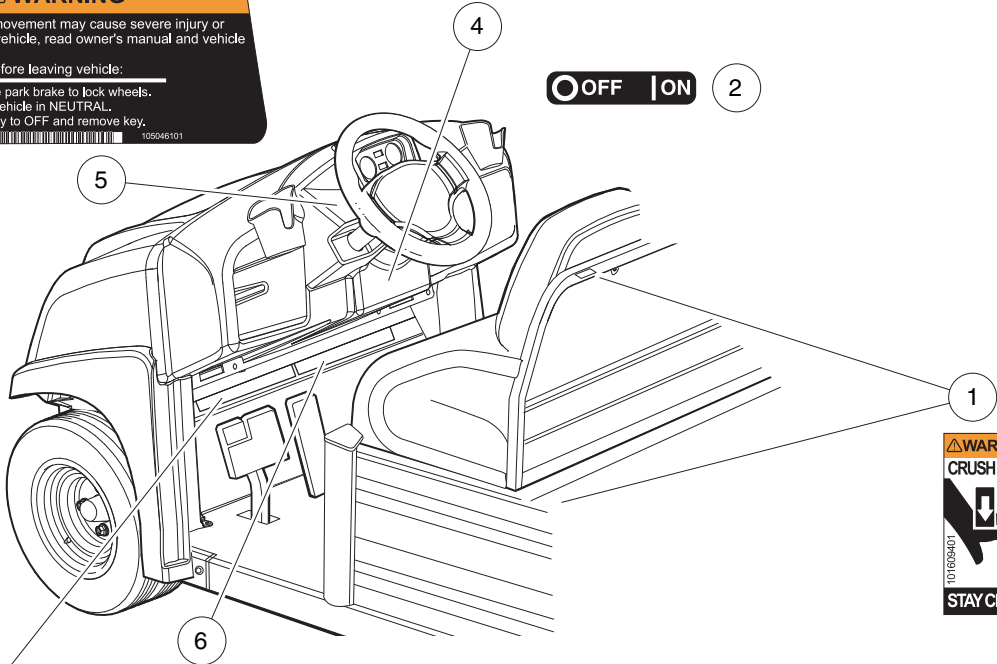
105046101

**⚠ WARNING**

**UNINTENDED MOVEMENT, ROLLOVER, OR FALLING OUT CAN CAUSE SERIOUS INJURY OR DEATH.**

- Vehicle to be operated by licensed and authorized persons only.
- Use in authorized areas only. Do not operate on public roads.
- One (1) person per bucket seat maximum.
- Two (2) persons per bench seat maximum.
- Operate from driver's seat only.
- Do not start vehicle until all occupants are fully seated.
- Drive slowly in turns and straight up and down slopes.
- Remain fully seated while moving.
- Hold on and keep entire body inside vehicle while moving.
- Never attempt jumps and avoid extreme braking in reverse.
- Do not leave children unattended in vehicle at any time.
- Children requiring a child safety seat must not ride in vehicle.
- Never operate under the influence of alcohol or drugs.

104026801



**⚠ WARNING**

**CRUSH AREA**

101609401

**STAY CLEAR**



**⚠ WARNING**

**VEHICLE ROLLOVER CAN CAUSE SERIOUS INJURY OR DEATH.**

Operate vehicle only:

- On cart paths or improved surfaces.
- With 6-ply rated, 20x10-10 tires.
- With 28 to 32 psig (193 to 221 kPa) tire pressure checked daily.
- With all compartment loads equally distributed.

105185901

**VEHICLE LOADING**

Read owner's manual, supplement, and warnings on vehicle.

- Vehicle rated capacity - 850 lbs. (385.6 kg) on level surface only. Weight to include driver, passenger, and total cargo load.
- Maximum cargo load - 450 lbs. (204.1 kg). Weight to include total cargo load in ALL storage locations.
- Avoid top heavy loads.

- Cargo should be evenly distributed in the beverage unit, as far forward as possible, and secured.
- For vehicle stability, when fully loaded, drive slowly and avoid stopping on or backing down steep hills.
- When driving on uneven terrain or down steep hills, reduce speed and load.

CCI 102278901

2904

## DECALS – CAFÈ EXPRESS

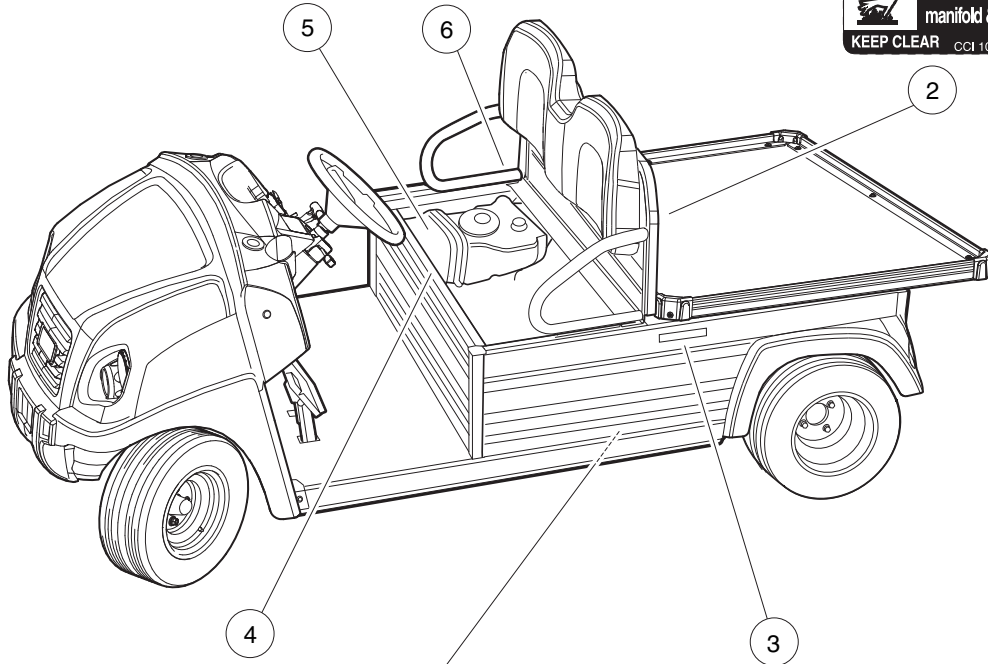
ITEM	PART NO.	DESCRIPTION	QTY
		<b>1 2 3 4</b>	
1	101609401	Decal, Crush Area Warning .....	2
2	101825101	Decal, Off/On .....	1
3	102278901	Decal, Loading -cafe Express .....	1
4	104026801	Decal, Oc, Warning, Ca .....	1
5	105046101	Decal, Op, Instructions, Ca .....	1
6	105185901	Decal, Warn Rollover CafÈ .....	1

3  
G  
E

**WARNING**  
**GASOLINE EXPLOSION / FIRE CAN CAUSE SERIOUS INJURY OR DEATH**  
 • No sparks or open flame near fuel or fuel tank.  
 • No smoking near fuel or fuel tank.  
 • Stop engine and allow to cool before refueling.  
 • Do not disconnect pressurized fuel lines.  
 105082301

**WARNING**  
**GASOLINE EXPLOSION / FIRE CAN CAUSE SERIOUS INJURY OR DEATH.**  
 • No sparks or open flame near fuel or fuel tank.  
 • No smoking near fuel or fuel tank.  
 • Stop engine and allow to cool before refueling.  
 105084701

**WARNING**  
**CAN CAUSE SEVERE INJURY**  
**Rotating parts**  
**HOT manifold & muffler**  
**KEEP CLEAR** CCI 101960501



Maintenance Operate  
**WARNING**  
**VEHICLE MOVEMENT MAY CAUSE SERIOUS INJURY**  
 When switch is in Maintenance position, chock wheels and firmly set park brake.  
 CCI 103205891

**LATCH OPEN**  
**WARNING**  
**Crush area. Can cause severe injury. Stay clear when closing bed.**  
 CCI 102459301

**WARNING**  
 Negative frame ground. Can cause severe injury. Do not contact positive (+) battery post or cable to frame. Disconnect negative battery lead first.

**WARNING**  
 Excessive speed. Can cause severe injury or death. Do not tamper with engine governor adjustment.  
 CCI 101915201

2905



## DECALS – CAFÈ EXPRESS, CONTINUED

ITEM	PART NO.	DESCRIPTION	QTY
		1 2 3 4	
1	101915201	Decal, Frame Ground and Governor Warning .....	1
2	101960501	Decal, Rotating Parts/Hot Manifold .....	1
3	102459301	Decal, Bed Crush Area Warning .....	1
4	103205501	Decal, Maintenance/Operate Switch .....	1
5	105082301	Decal, Warn, Gas Pressure .....	1
6	105084701	Decal, Warn Gas Side Fill .....	1

3  
G  
E

**IMPORTANT NOTICE**

This vehicle is designed only for the conveyance of certain nonhazardous prepackaged foods and non-dairy products. In California, those foods not permitted are defined in Health & Safety Code section 113945. If you have any question concerning whether any particular prepackaged food complies with those standards, please consult the manufacturer or supplier of those foods before conveying them with this vehicle.

SWP203101

**WARNING**

**FOOD POISONING CAN CAUSE SERIOUS ILLNESS OR DEATH.**

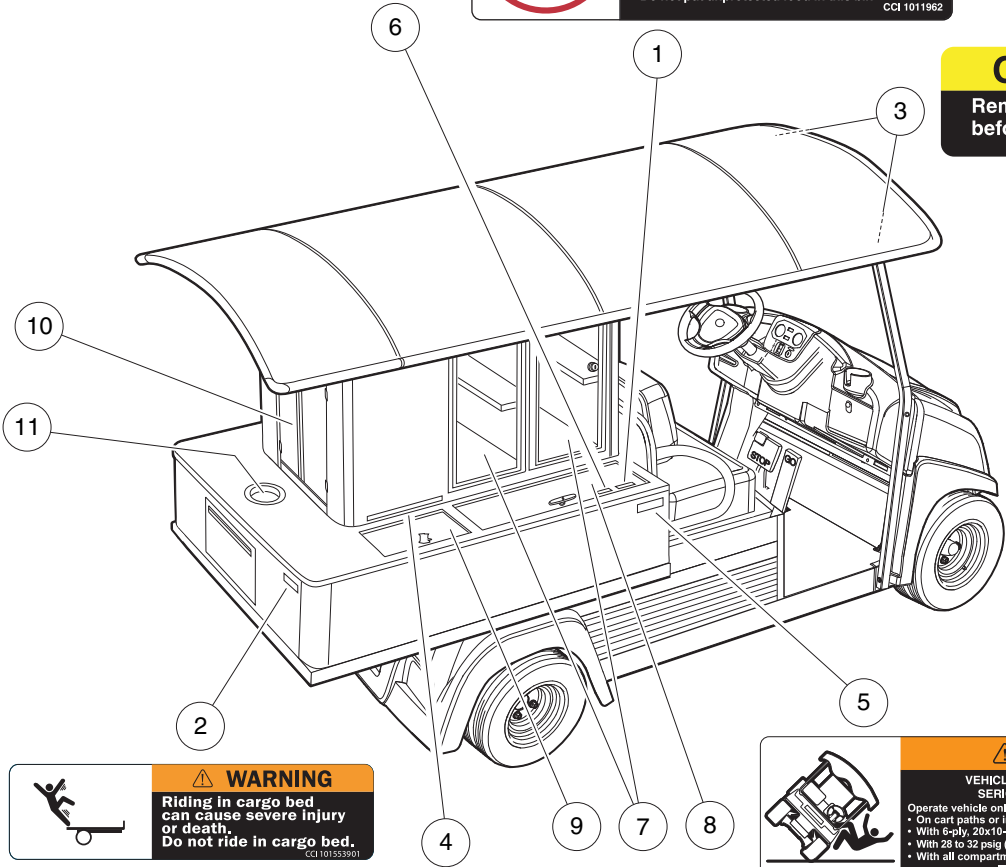
- This bin is not intended to store ice for human consumption.
- Do not put unprotected food in this bin.

CCI 1011962

**CAUTION**

**Remove canopy pins before lifting bed.**

CCI 102160601



**WARNING**

**Riding in cargo bed can cause severe injury or death. Do not ride in cargo bed.**

CCI 101253921

**WARNING**

**VEHICLE ROLLOVER CAN CAUSE SERIOUS INJURY OR DEATH.**

Operate vehicle only:

- On cart paths or improved surfaces.
- With 6-ply, 20x10-10 tires.
- With 28 to 32 psig (193 to 221 kPa) tire pressure checked daily.
- With all compartment loads equally distributed.

105185002

**CONSUMABLE ICE COMPARTMENT**

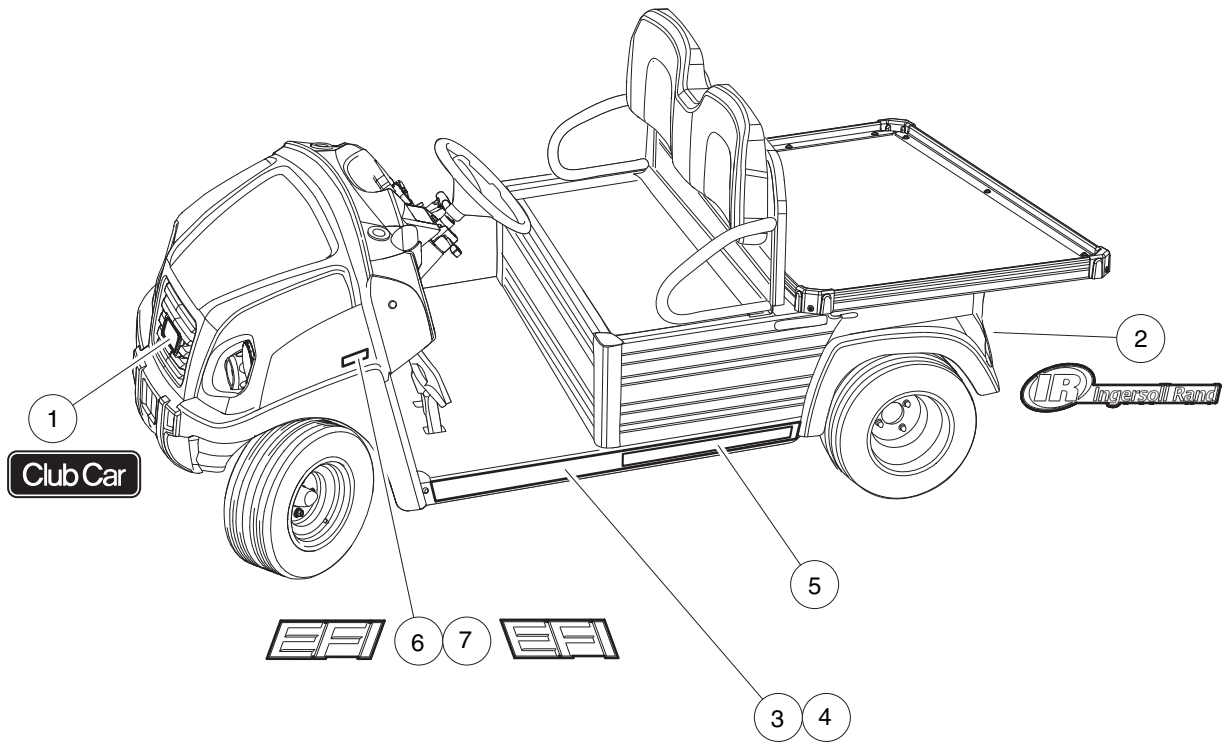
2906

## DECALS – CAFÈ EXPRESS, CONTINUED

ITEM	PART NO.	DESCRIPTION	QTY
		1 2 3 4	
1	1011962	Decal, Refreshment Center .....	2
2	101553901	Decal, Bed Load Warning .....	1
3	102160601	Pin Removal Warning Decal .....	2
4	102175901	Decal, Consumable Ice .....	2
5	105185902	Decal, Warn, Port, Ref, Ctr .....	2
6	SVP203101	Decal, Proper Use Notice, CafÈ .....	2

3  
G  
E

**3**  
**G**  
**E**



001026-001

## BADGING DECALS – CAFÈ EXPRESS

ITEM	PART NO.	DESCRIPTION	QTY
		1 2 3 4	
1	102883601	Decal, Nameplate, CCI, Front .....	1
2	103234304	Decal, Badge, Ir, Red .....	1
3	105115002	Decal, Side Stringer, Medium .....	1
4	105115005	Decal, R Side Stringer, Medium .....	1
5	105152801	Decal, Branding, Carryall .....	2
6	105153301	Decal, Efi, Italic, Lh .....	1
7	105153302	Decal, Efi, Italic, Rh .....	1

3  
G  
E

**3**

**G**

**E**

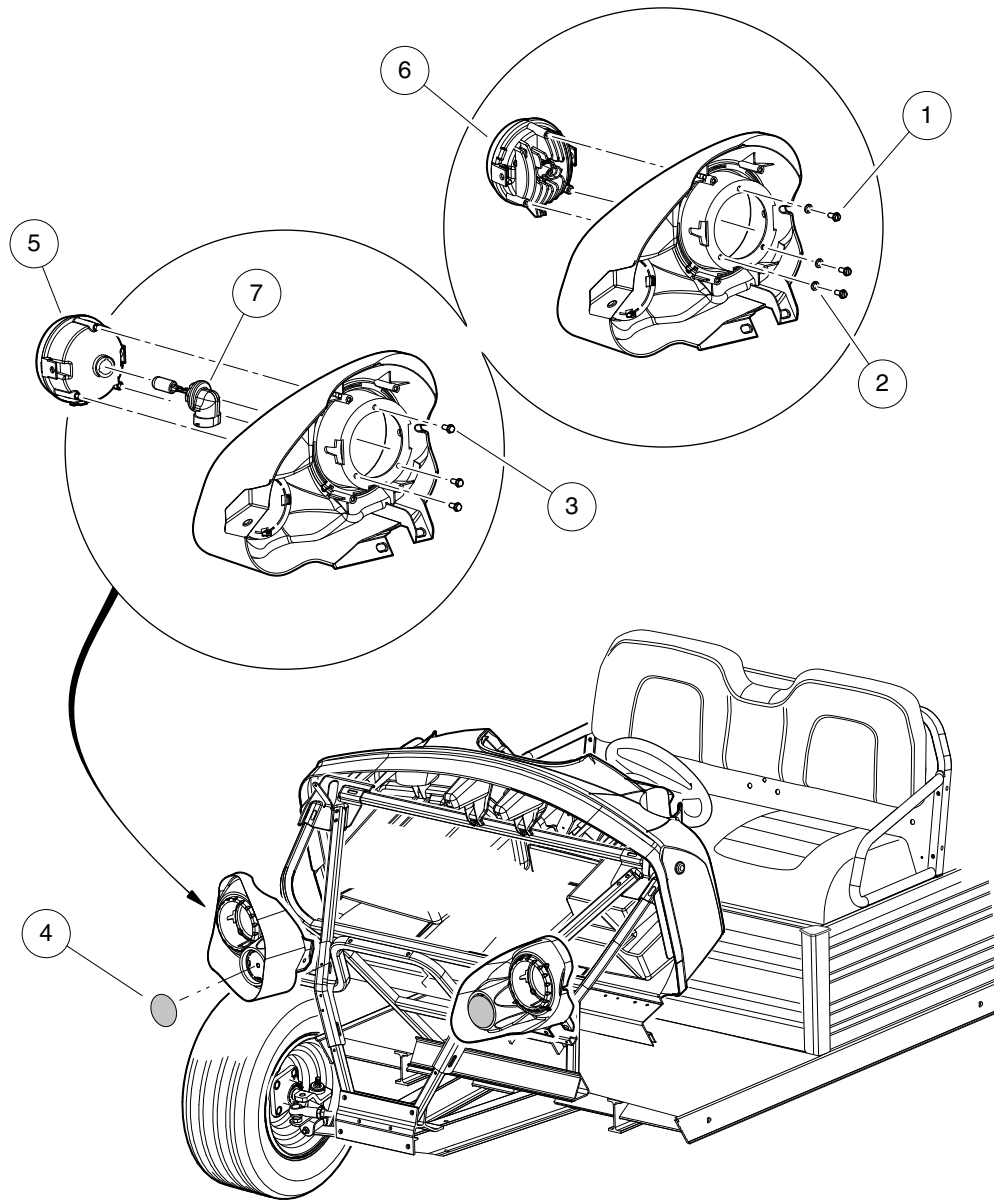
# LIGHTS, CONTROLS, AND INDICATORS

---

4

G

**4**  
**G**



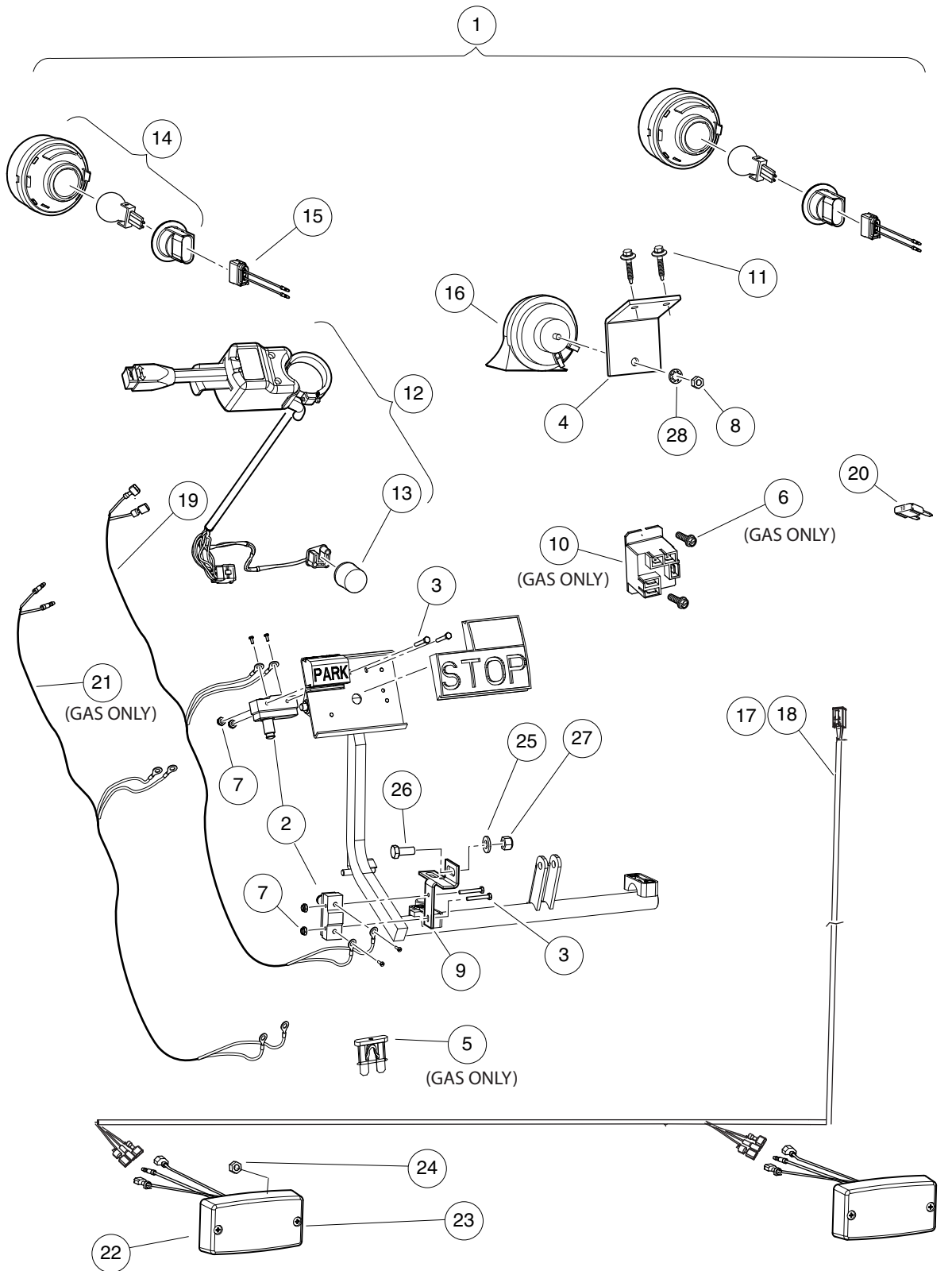
001370-001



# HEADLIGHTS

ITEM	PART NO.	DESCRIPTION	QTY
		<b>1 2 3 4</b>	
1	1011017	Screw, #8-32 X 0.375 .....	6
2	1011610	Lockwasher, #8 Split SS .....	6
3	101850301	Screw, #12-16 X 0.50 Washer-Head Hi-Lo .....	6
4	105036801	Reflector, Decal, 3.20", Amber .....	2
5	105073401	Hdlight, Round, 4.5", Utl .....	2
6	105093701	Hdlight, Round, 4.5", Led, Utl .....	2
7	105093801	Bulb, Halogen, 862 .....	2

**4**  
**G**



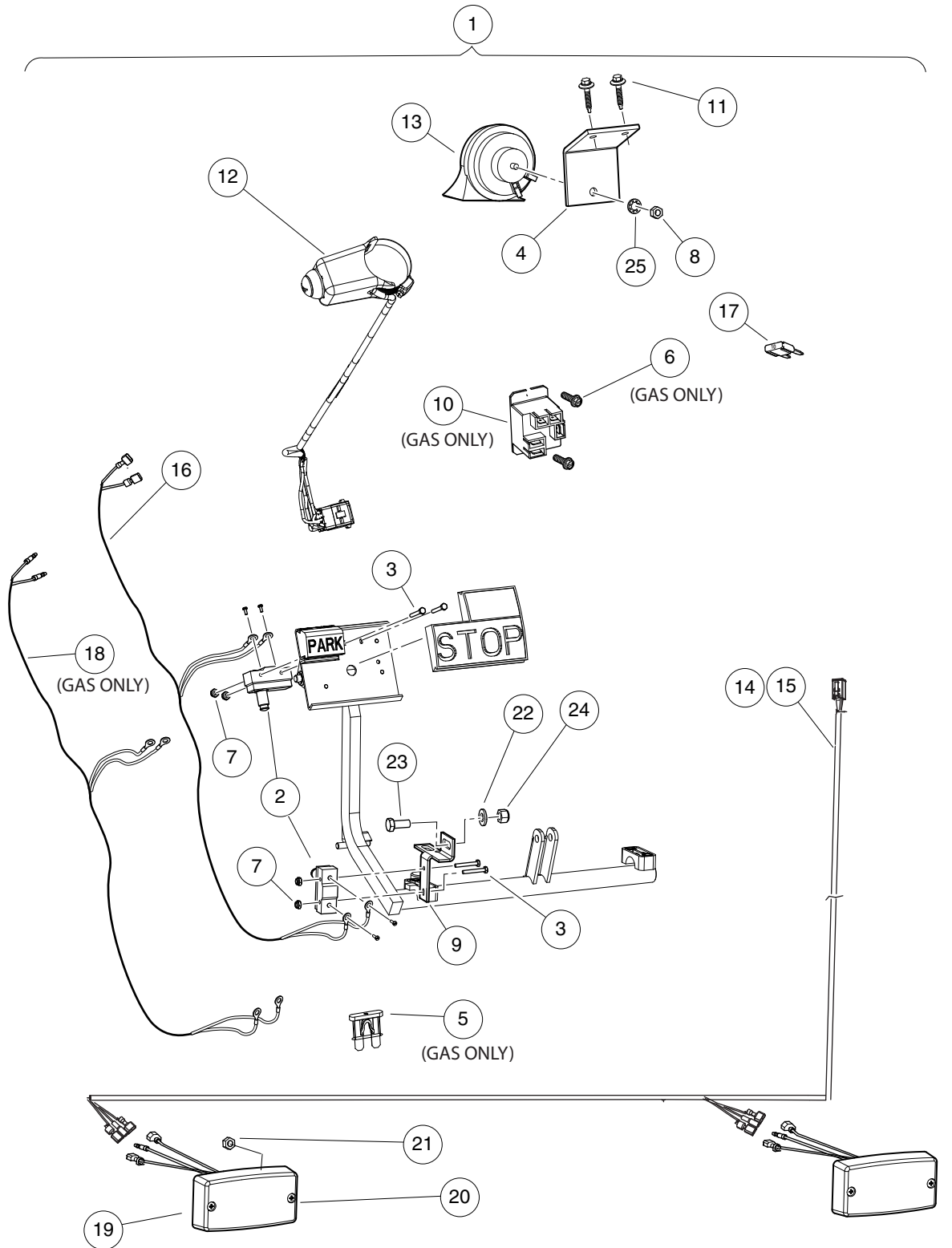
001368-002

# HORN, TURN SIGNALS, AND TAILLIGHTS – ELECTRIC AND GASOLINE VEHICLES

ITEM	PART NO.	DESCRIPTION	QTY
		1 2 3 4	
1	105122808	Kit, Horn/Tail Light/Turn (includes items 2 through 28) .....	1
2	1011439	Switch, Limit .....	2
3	1011557	Screw, #6-32 X 1.00 Hex-Head Machine .....	4
4	1011825	Horn Bracket .....	1
5	1012295	Fuse, 10-Amp .....	1
6	1016849	Screw, #4-24 X 0.33, Pan-Head, Machine .....	2
7	101932201	Locknut, #6-32 Nylon .....	4
8	101955101	Nut, M6 Hex .....	1
9	101957101	Bracket, Brake Light Switch .....	1
10	102199001	Relay, 12-Volt .....	1
11	102297125	Screw, M6-1.0x25.4, Thread-Forming, SEMS .....	2
12	102517501	Turn Signal Asm (includes item 13) .....	1
13	102546401	Flasher Unit, Prec .....	1
14	102894503	Light, Turn Sig, Round 3", Utl .....	2
15	103245001	Jumper, Turn Signal, Ca/xrt/hu .....	2
16	103484301	Horn, 12v, Gnd Isolated .....	1
17	105108201	Harness, Tail Light, Utility, Short .....	1
18	105108301	Harness, Tail Light, Utility, Long .....	1
19	105108401	Harness, Brk, Pedal Switch Utl .....	1
20	105114806	Fuse, Mini, Atm, 10 Amp .....	1
21	105135201	Jumper, Hill Brake, Switch .....	1
22	105165801	Lamp, Stop/trn/tail, Footdeck .....	2
23	105190601	Screw, #8-32 X 0.625, Clr Znc .....	4
24	105190701	Nut, Flanged, #8-32, Serrated .....	4
25	1241	Washer, 5/16 Type A Flat .....	1
26	7173	Screw, 5/16-18 X 0.75, Hex-Head Cap .....	1
27	7473	Locknut, 5/16-18 Nylon Insert .....	2
28	7820	Washer, 5/16 Internal-Tooth .....	1
Note: 1051082, Harness, Tail Light, Utility, Short, fits the following vehicles with serial prefix: MA, MB, MC, MD, ME, MF, MK, ML, MM, MP, MU.			

4

G



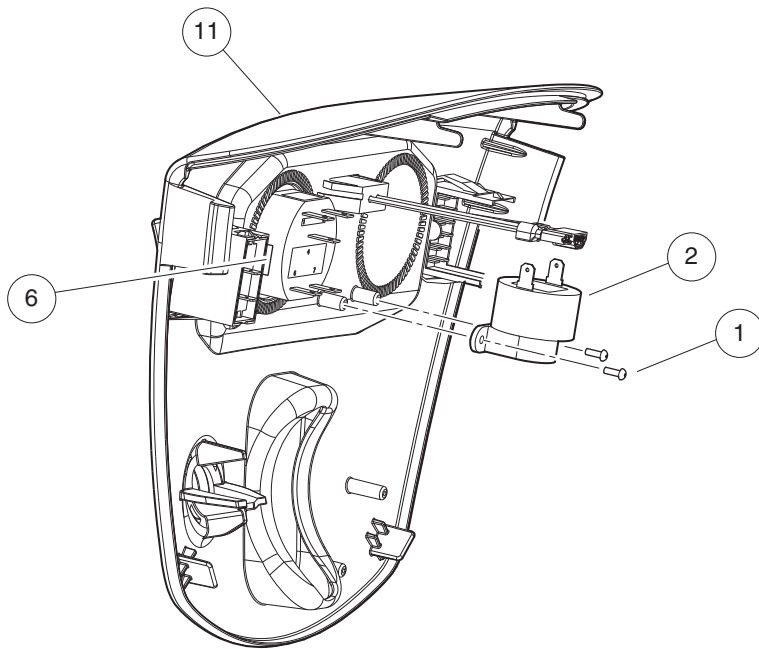
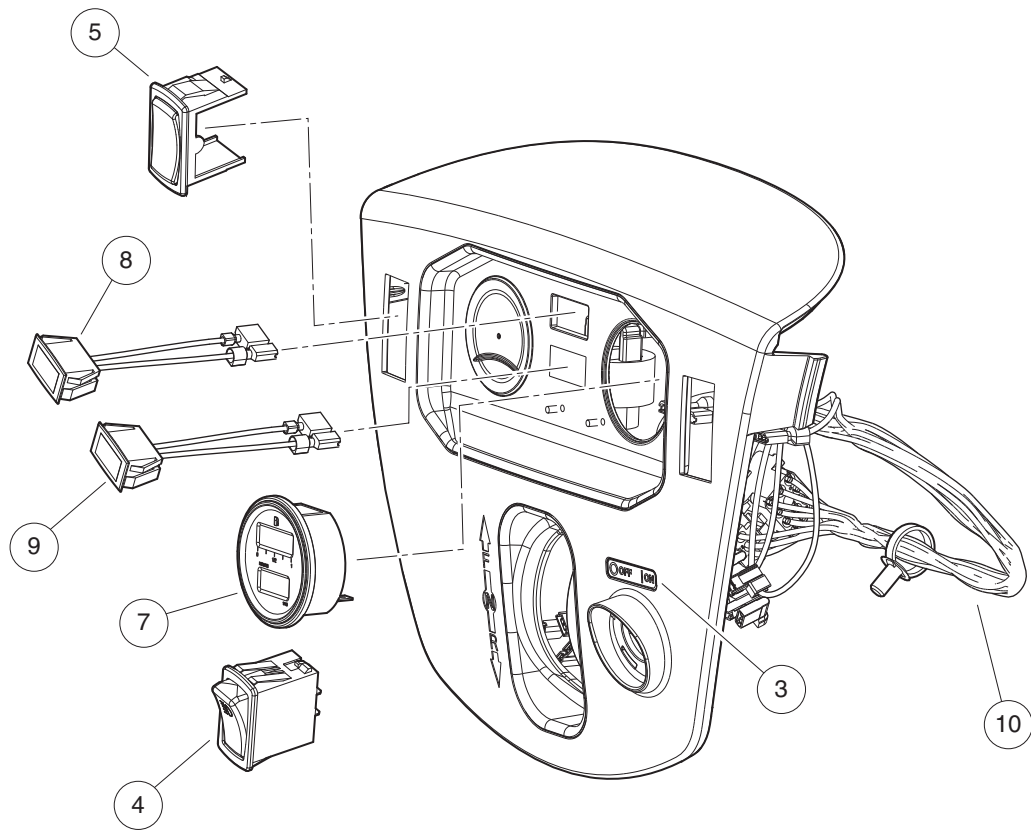
001367-002

# HORN AND TAIL LIGHT KIT – ELECTRIC AND GASOLINE VEHICLES

**4**  
**G**

ITEM	PART NO.	DESCRIPTION	QTY
		1 2 3 4	
1	105122807	Kit, Horn/Tail Light/Turn (includes items 2 through 25) .....	1
2	1011439	Switch, Limit .....	2
3	1011557	Screw, #6-32 X 1.00 Hex-Head Machine .....	4
4	1011825	Horn Bracket .....	1
5	1012295	Fuse, 10-Amp .....	1
6	1016849	Screw, #4-24 X 0.33, Pan-Head, Machine .....	2
7	101932201	Locknut, #6-32 Nylon .....	4
8	101955101	Nut, M6 Hex .....	1
9	101957101	Bracket, Brake Light Switch .....	1
10	102199001	Relay, 12-Volt .....	1
11	102297125	Screw, M6-1.0x25.4, Thread-Forming, SEMS .....	2
12	102517601	Subasm, Horn Button Harness .....	1
13	103484301	Horn, 12v, Gnd Isolated .....	1
14	105108201	Harness, Tail Light, Utility, Short .....	1
15	105108301	Harness, Tail Light, Utility, Long .....	1
16	105108401	Harness, Brk, Pedal Switch Utl .....	1
17	105114806	Fuse, Mini, Atm, 10 Amp .....	1
18	105135201	Jumper, Hill Brake, Switch .....	1
19	105165801	Lamp, Stop/trn/tail, Footdeck .....	2
20	105190601	Screw, #8-32 X 0.625, Clr Znc .....	4
21	105190701	Nut, Flanged, #8-32, Serrated .....	4
22	1241	Washer, 5/16 Type A Flat .....	1
23	7173	Screw, 5/16-18 X 0.75, Hex-Head Cap .....	1
24	7473	Locknut, 5/16-18 Nylon Insert .....	1
25	7820	Washer, 5/16 Internal-Tooth .....	1
Note: 105108201 Harness, Tail Light, Utility, Short, fits the following vehicles with serial prefix: MA, MB, MC, MD, ME, MF, MK, ML, MM, MP, MU.			

**4**  
**G**



001372-002

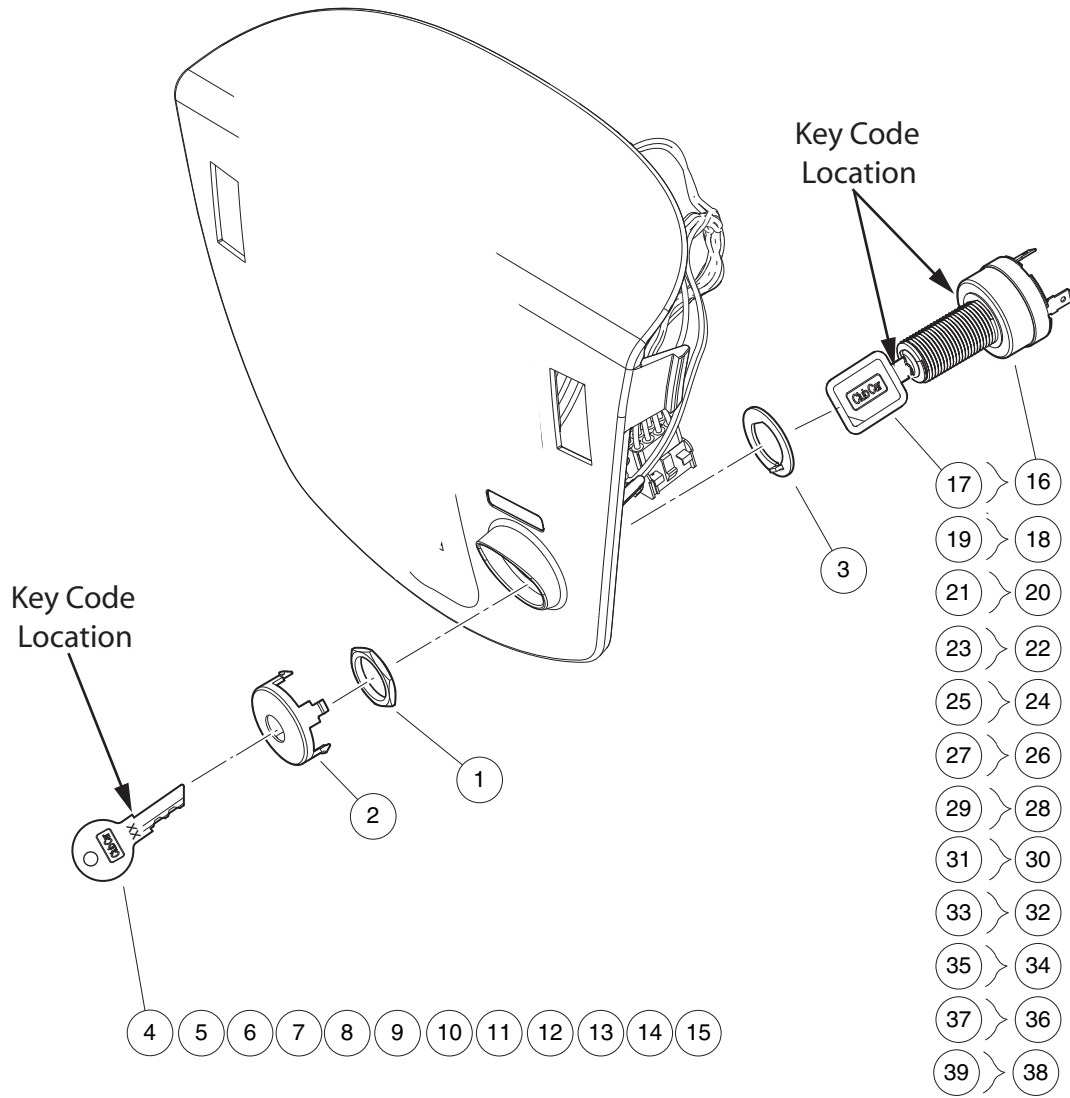
## INSTRUMENT PANEL – GASOLINE VEHICLE

ITEM	PART NO.	DESCRIPTION	QTY
		1 2 3 4	
1	1016849	Screw, #4-24 X 0.33, Pan-Head, Machine .....	2
2	1016851	Multi-Purpose Buzzer (9-48 VDC) .....	1
3	101825101	Decal, Off/On .....	1
4	102869401	Switch, Rocker, Light .....	1
5	103180101	Cover, Hole, Switch, Rocker .....	1
6	103348201	Clip, Meter, Round .....	1
7	103348602	Gauge, Fuel-hour,sep Gnd, Ds .....	1
8	105037101	Light, Oil (LED) .....	1
9	47598441001	Light, Dash, Led, Mil .....	1
10	47609057001	Harness, Ip, Gas, Ca, Com .....	1
11	47631907002	Instrument Panel, Ca, Gas, Uv .....	1

4

G

**4**  
**G**



001355-001



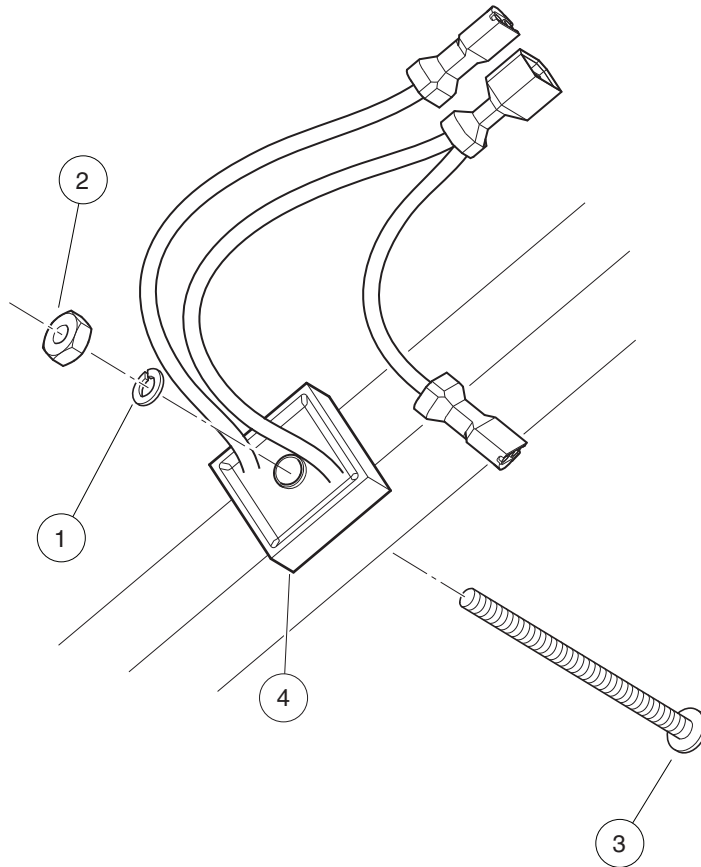
## KEYSWITCH, PEDAL-START – GASOLINE VEHICLE

ITEM	PART NO.	DESCRIPTION	QTY
		1 2 3 4	
1	101830701	Nut, Key Switch .....	1
2	101834502	Cap, Black Key Switch .....	1
3	101851101	Washer, Key Switch .....	1
4	101974701	Key, Uncommon 1a .....	1
5	101974702	Key, Uncommon 1b .....	1
6	101974703	Key, Uncommon 1c .....	1
7	101974704	Key, Uncommon 1d .....	1
8	101974705	Key, Uncommon 2a .....	1
9	101974706	Key, Uncommon 2b .....	1
10	101974707	Key, Uncommon 2c .....	1
11	101974708	Key, Uncommon 2d .....	1
12	101974709	Key, Uncommon 1e .....	1
13	101974710	Key, Uncommon 1f .....	1
14	101974711	Key, Uncommon 2e .....	1
15	101974712	Key, Uncommon 2f .....	1
16	105081801	Keysw, Uncom, 4t, Off/on 1a, G (includes item 17) .....	1
17	105068001	Key, Uncommon, Padded 1a .....	1
18	105081802	Keysw, Uncom, 4t, Off/on 1b, G (includes item 19) .....	1
19	105068002	Key, Uncommon, Padded 1b .....	1
20	105081803	Keysw, Uncom, 4t, Off/on 1c, G (includes item 21) .....	A/R
21	105068003	Key, Uncommon, Padded 1c .....	1
22	105081804	Keysw, Uncom, 4t, Off/on 1d, G (includes item 23) .....	1
23	105068004	Key, Uncommon, Padded 1d .....	1
24	105081805	Keysw, Uncom, 4t, Off/on 1e, G (includes item 25) .....	1
25	105068005	Key, Uncommon, Padded 1e .....	1
26	105081806	Keysw, Uncom, 4t, Off/on 1f, G (includes item 27) .....	1
27	105068006	Key, Uncommon, Padded 1f .....	1
28	105081807	Keysw, Uncom, 4t, Off/on 2a, G (includes item 29) .....	1
29	105068007	Key, Uncommon, Padded 2a .....	1
30	105081808	Keysw, Uncom, 4t, Off/on 2b, G (includes item 31) .....	1
31	105068008	Key, Uncommon, Padded 2b .....	1
32	105081809	Keysw, Uncom, 4t, Off/on 2c, G (includes item 33) .....	1
33	105068009	Key, Uncommon, Padded 2c .....	1
34	105081810	Keysw, Uncom, 4t, Off/on 2d, G (includes item 35) .....	1
35	105068010	Key, Uncommon, Padded 2d .....	1
36	105081811	Keysw, Uncom, 4t, Off/on 2e, G (includes item 37) .....	1
37	105068011	Key, Uncommon, Padded 2e .....	1
38	105081812	Keysw, Uncom, 4t, Off/on 2f, G (includes item 39) .....	1
39	105068012	Key, Uncommon, Padded 2f .....	1
		Note: Keyswitch 105081801, is standard for pedal-start gasoline vehicles equipped with a cab. Keyswitch 105081802, is standard for pedal-start gasoline vehicles without a cab. Keyswitches 105081803 through 105081812 allows different key code combinations for pedal-start gasoline fleet vehicles.	

4  
G

4

G



001365-003

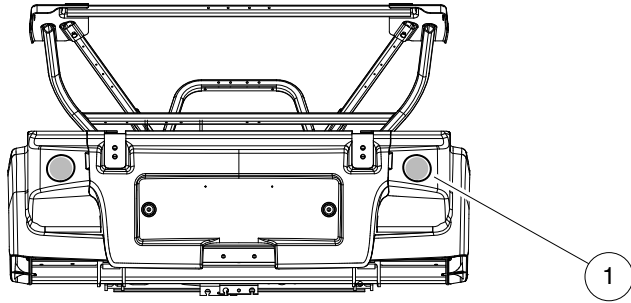
## VOLTAGE LIMITER – GASOLINE VEHICLE

ITEM	PART NO.	DESCRIPTION	QTY
		1 2 3 4	
1	1016	Lockwasher, #10 Split .....	1
2	103821301	Screw, Panhead #10-32 X 1.75 .....	1
3	47604303001	Voltage Limiter, Gas .....	1
4	7893	Nut, #10-32 Hex .....	1

4

G

**4**  
**G**



001362-001

# REFLECTORS

ITEM	PART NO.	DESCRIPTION	QTY
		<b>1 2 3 4</b>	
1	103832501	Reflector, Red, Round, Sae .....	2
2	103832601	Reflector, Yell, Rect, Sae .....	2
3	105144801	Reflector, Red, Rect, Sae .....	2

**4**  
**G**

4

G

# **BRAKES, PEDALS, AND CABLE ASSEMBLIES**

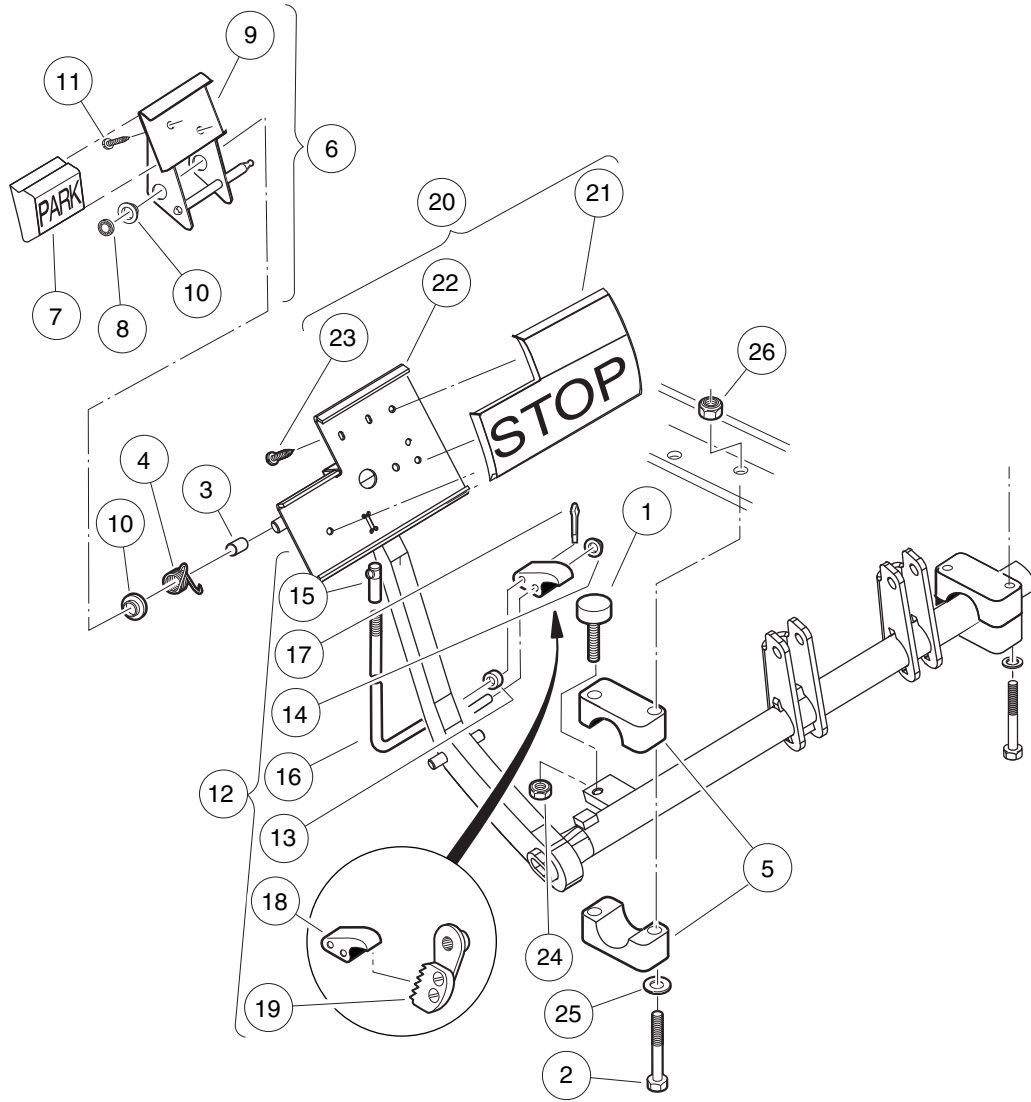
---

**5**

**G**

**E**

**5**  
**G**  
**E**



001405-002

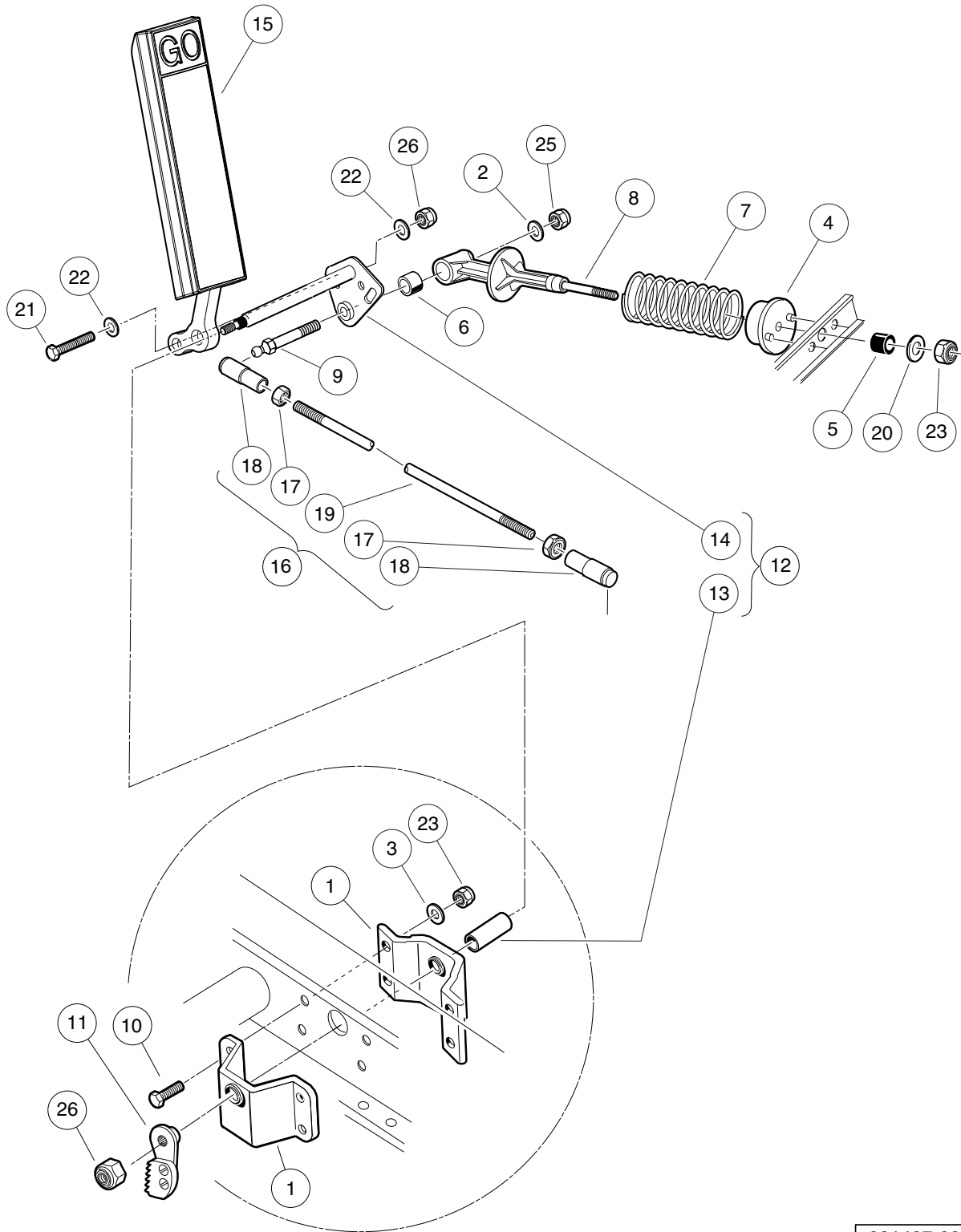


## BRAKE PEDAL ASSEMBLY – VEHICLES WITH 2-WHEEL BRAKES AND 4-WHEEL BRAKES

ITEM	PART NO.	DESCRIPTION	QTY
		<b>1 2 3 4</b>	
1	1010878	Bumper, Rubber .....	1
2	1010921	Screw, 5/16-18 X 2.50 Hex Cap .....	4
3	1010927	Hill Brake Spacer .....	1
4	1010933	Spring, Hill Brake Torsion .....	1
5	1011402	Package, Brake Mounting Block .....	1
6	1011418	Kit, Hill Brake Pedal (includes items 7 through 11) .....	1
7	1013870	Pad, Hill Brake .....	1
8	1013876	Pushnut, 3/8 .....	1
9	N/A	Hill Brake Weld Assembly .....	1
10	1032	Bushing, Nylon .....	2
11	7716	Screw, #10-16 Type AB, Sheet Metal .....	2
12	101187702	Kit, Hill Brake Latch (includes items 13 through 19) .....	1
13	1010805	Sleeve, Hill Brake Rod .....	1
14	1010877	Pushnut, 3/8 .....	1
15	1010932	Ball Joint, 1/4-28 .....	1
16	N/A	Rod, Hill Brake .....	1
17	1017029	Pin, Cotter, 7/64 x 1/2 Stainless-Steel .....	1
18	N/A	Pawl, Hill Brake .....	1
19	101918501	Ratchet Assembly .....	1
20	101878201	Brake Pedal Kit (includes items 21 through 23) .....	1
21	1013869	Pad, Brake Pedal .....	1
22	N/A	Weldment, Brake Pedal, 2wr Std .....	1
23	7716	Screw, #10-16 Type AB, Sheet Metal .....	3
24	1028	Nut, 1/4-20 Hex .....	1
25	1241	Washer, 5/16 Type A Flat .....	4
26	7473	Locknut, 5/16-18 Nylon Insert .....	4

**5**  
**G**  
**E**

**5**  
**G**  
**E**



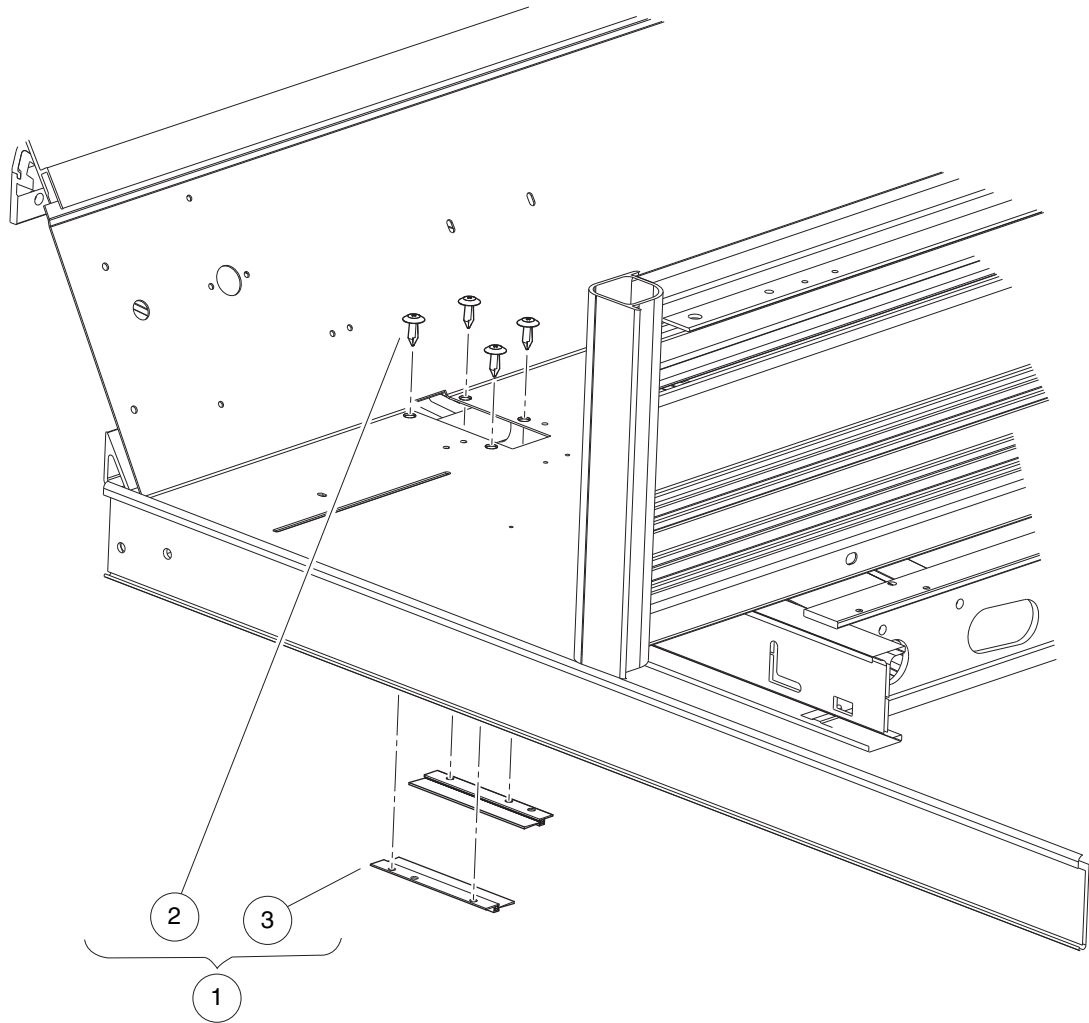
001407-001

# ACCELERATOR PEDAL AND ROD ASSEMBLY – GASOLINE VEHICLE

ITEM	PART NO.	DESCRIPTION	QTY
		<b>1 2 3 4</b>	
1	1011694	Accelerator Bracket and Bearing Assembly .....	2
2	1011931	Washer, 1/4 Flat .....	1
3	1014007	Washer, 1/4, Flat .....	4
4	1017378	Cup, Spring .....	1
5	1017380	Bumper, Spring Return .....	1
6	1017424	Bearing, Pivot Support .....	1
7	101796201	Spring, Accelerator Return .....	1
8	101817401	Retainer, Spring .....	1
9	101818801	Stud, 1/4-28 X 1.35 Ball .....	1
10	101861901	Screw, 1/4-20 X 1.125 Hex Cap .....	4
11	101918501	Ratchet Assembly .....	1
12	102026001	Kit, Accelerator Pivot Rod Assembly (includes items 13 and 14) .....	1
13	101919801	Spacer, Accelerator .....	1
14	102158901	Pivot Rod Weldment .....	1
15	103865101	Pedal, Accel, Insert .....	1
16	105100801	Asm, Accel Rod, Utility (includes items 17 through 19) .....	1
17	1011084	Nut, 1/4-28 Hex Jam .....	2
18	1011734	Joint, Ball .....	2
19	105100401	Rod, Accel, Utility, Adj .....	1
20	1241	Washer, 5/16 Type A Flat .....	1
21	1624	Screw, 3/8-16 X 1.50, Hex-Head Cap .....	1
22	334	Washer, 3/8, Type A, Flat .....	2
23	7473	Locknut, 5/16-18 Nylon Insert .....	1
24	8233	Locknut, 1/4-20, Nylon Insert .....	4
25	8717	Locknut, Nylon Insert, 1/4-28 .....	1
26	8754	Locknut, 3/8-16 Hex .....	2

**5**  
**G**  
**E**

**5**  
**G**  
**E**



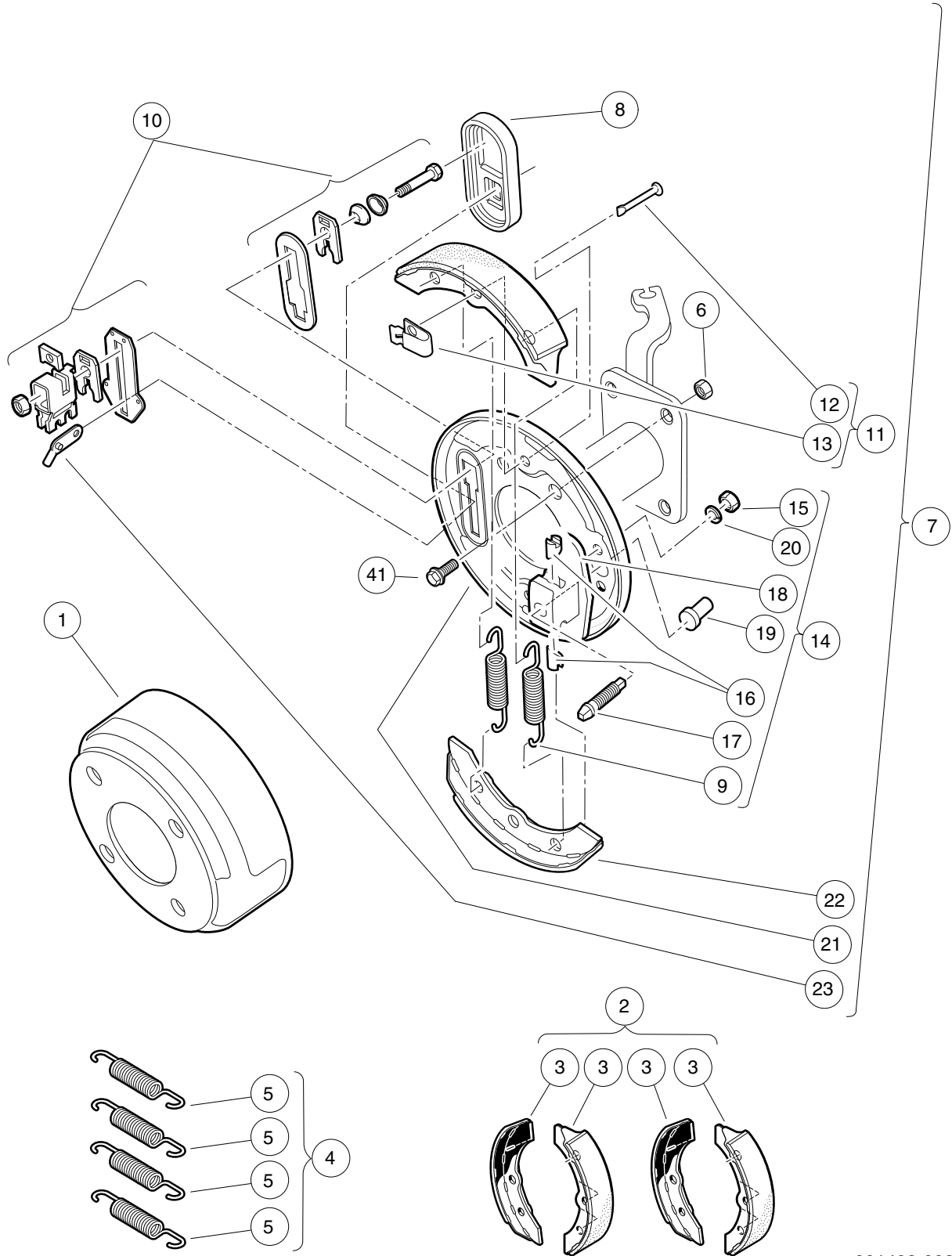
001418-001

# PEDAL CLOSE-OUT KIT

ITEM	PART NO.	DESCRIPTION	QTY
		<b>1 2 3 4</b>	
1	105149101	Kit, Close Out, Pedal, Utl (includes items 2 and 3) .....	1
2	102025701	Screw, Tuflok Panel, 1/4 .....	4
3	105149201	Asm, Brush, Pedal Close Out .....	2

5  
G  
E

**5**  
**G**  
**E**



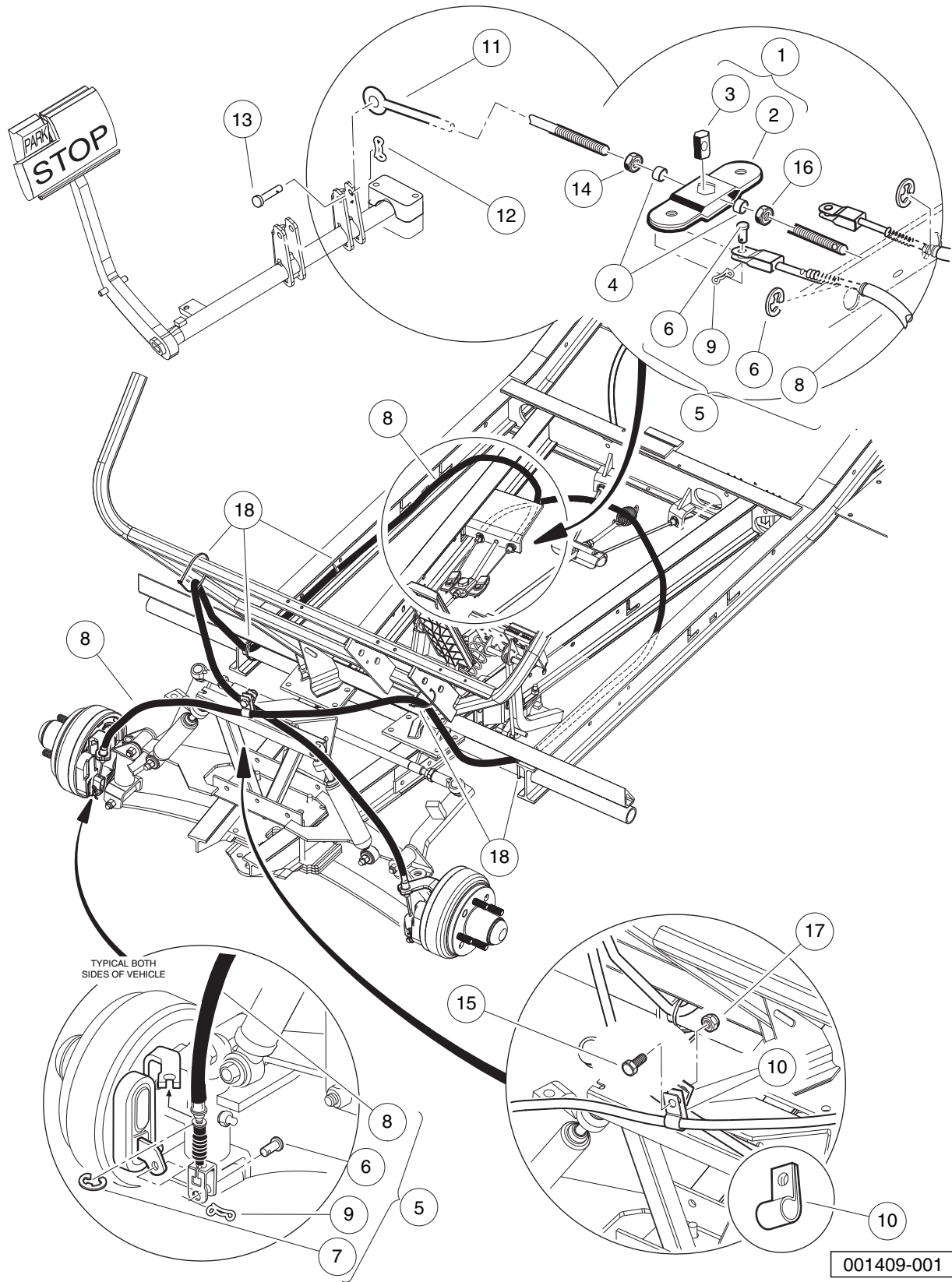
001402-002

# FRONT BRAKE ASSEMBLY – VEHICLES WITH 4-WHEEL BRAKES

ITEM	PART NO.	DESCRIPTION	QTY
		<b>1 2 3 4</b>	
1	1011137	Drum, Brake .....	2
2	101146302	Kit, Non-Asbestos Brake Shoe (includes item 3) .....	1
3	101880701	Shoe Brake Manual Adj (Available in Kit, Non-Asbestos Brake Shoe) .....	4
4	1011464	Package, Brake Spring (includes item 5) .....	1
5	1011314	Brake Spring .....	4
6	1013924	Nut, 5/16-24, Hex Head Cone .....	8
7	1016557	Cluster, Brake, Driver-Side (includes items 8 through 23) .....	1
8	1010850	Dust Cover .....	1
9	1011314	Brake Spring .....	2
10	1011465	Kit, Brake Actuator .....	1
11	1011466	Kit, Shoe Retainer (includes items 12 and 13) .....	1
12	N/A	Pin .....	2
13	N/A	Shoe Clamp Spring .....	2
14	1011467	Kit, Anchor Body (includes items 15 through 20) .....	1
15	1011114	Nut, M6-1.00 Hex .....	2
16	1011298	Anchor Piston .....	2
17	N/A	Adjustment Bolt .....	1
18	N/A	Anchor Body Component .....	1
19	1011303	Adjustment Bolt Cap .....	1
20	451	Lockwasher, 1/4 Split .....	2
21	1011494	Backing Plate, Left-Hand .....	1
22	101880701	Shoe Brake Manual Adj (Available in Kit, Non-Asbestos Brake Shoe) .....	2
23	N/A	Arm, Brake Lever .....	1
24	1016573	Cluster, Brake, Passenger-Side (includes items 25 through 40) .....	1
25	1010850	Dust Cover .....	1
26	1011154	Backing Plate, Right-Hand .....	1
27	1011314	Brake Spring .....	2
28	1011465	Kit, Brake Actuator .....	1
29	1011466	Kit, Shoe Retainer (includes items 30 and 31) .....	1
30	N/A	Pin .....	2
31	N/A	Shoe Clamp Spring .....	2
32	1011467	Kit, Anchor Body (includes items 33 through 38) .....	1
33	1011114	Nut, M6-1.00 Hex .....	2
34	1011298	Anchor Piston .....	2
35	N/A	Adjustment Bolt .....	1
36	N/A	Anchor Body Component .....	1
37	1011303	Adjustment Bolt Cap .....	1
38	451	Lockwasher, 1/4 Split .....	2
39	101880701	Shoe Brake Manual Adj (Available in Kit, Non-Asbestos Brake Shoe) .....	2
40	N/A	Arm, Brake Lever .....	1
41	47542195001	Bolt, Brake Cluster Mnt .....	8
		Note: Passenger-side brake cluster (items 25-41) not shown. Components have a similar appearance to driver-side brake cluster components.	

**5**  
**G**  
**E**

**5**  
**G**  
**E**



001409-001

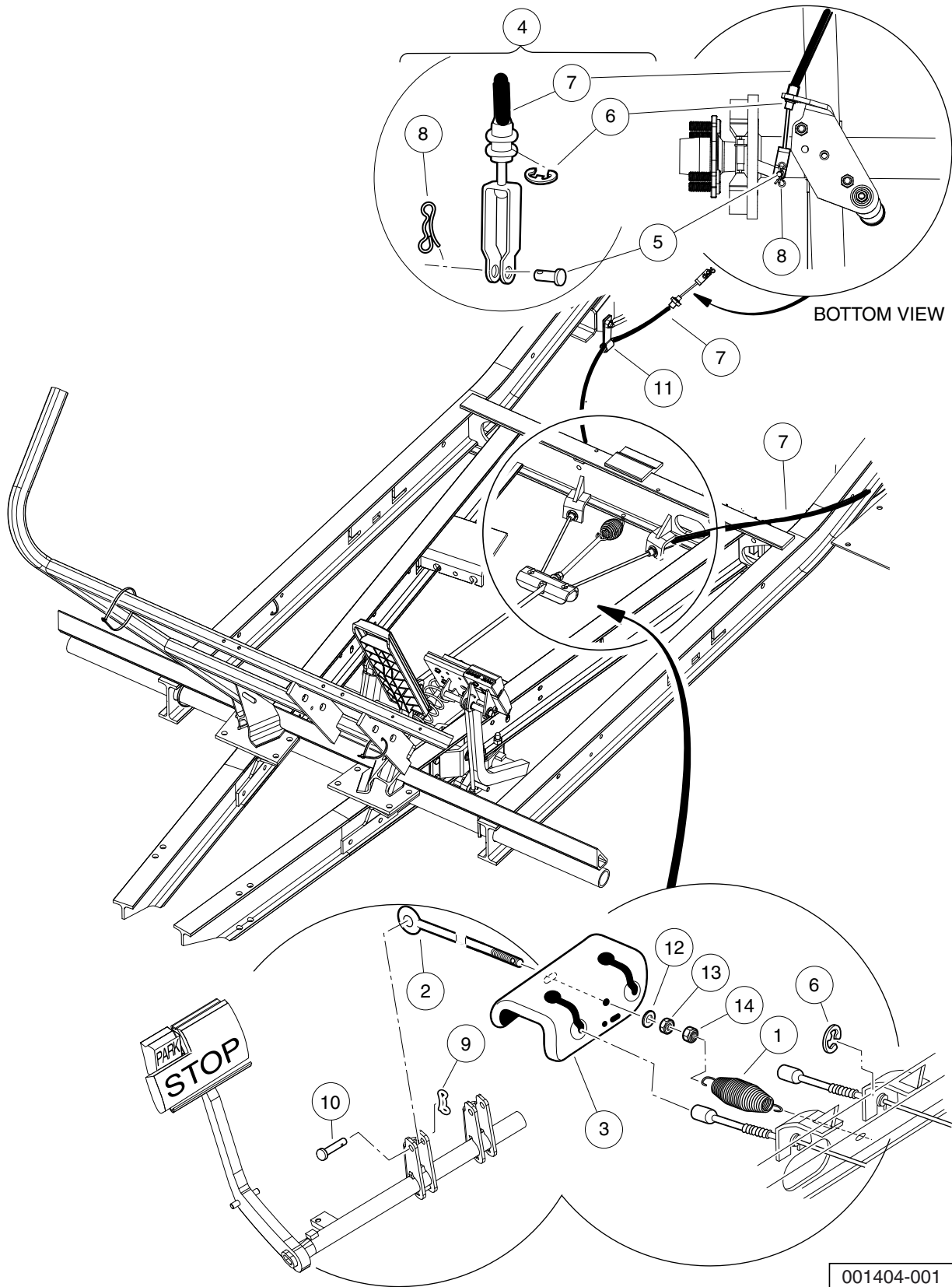


# FRONT BRAKE CABLES AND EQUALIZER – GASOLINE VEHICLE WITH 4-WHEEL BRAKES

ITEM	PART NO.	DESCRIPTION	QTY
		1 2 3 4	
1	1017211	Kit, Equalizer and Pivot Limiter (includes items 2 and 3) .....	1
2	1016319	Equalizer Weld Assembly .....	1
3	1016320	Equalizer, Pivot Limiter .....	1
4	101865301	Spacer .....	2
5	101874601	Kit, Brake Cable (includes items 6 through 9) .....	1
6	1010829	Pin, Clevis, 5/16 X 3/4 .....	4
7	1011779	E-Clip, 1/2 .....	4
8	N/A	Brake Cable .....	2
9	102292801	Pin, Bow Tie Locking - .072 .....	4
10	101935301	Clamp, Brake Cable .....	2
11	101953106	Rod, Equalizer, 9.75" .....	1
12	102323101	Pin, Bow Tie Locking .....	1
13	102323201	Pin, 3/8 X 1-5/16 Clevis .....	1
14	1242	Nut, 5/16-18 Hex .....	1
15	320	Screw, 3/8-16 X 1.00 Hex-Head Cap .....	1
16	7473	Locknut, 5/16-18 Nylon Insert .....	1
17	8754	Locknut, 3/8-16 Hex .....	1
18	8990	Tie Wrap, 8" Nylon .....	5

5  
G  
E

**5**  
**G**  
**E**

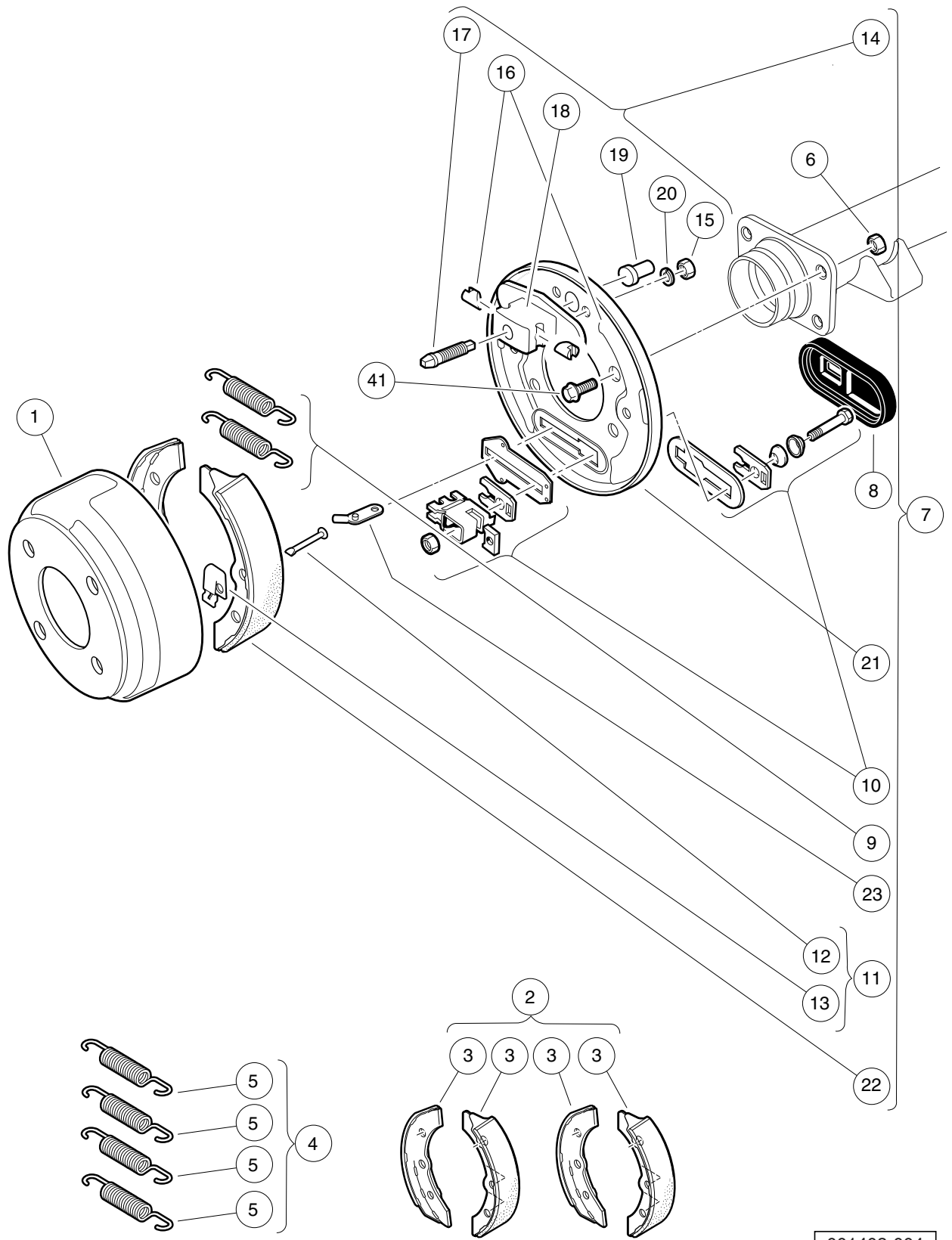


# REAR BRAKE CABLES AND EQUALIZER – GASOLINE VEHICLE WITH 4-WHEEL BRAKES

ITEM	PART NO.	DESCRIPTION	QTY
		<b>1 2 3 4</b>	
1	1013531	Spring, Brake Return .....	1
2	101953102	Rod, Equalizer, 20.91 inch .....	1
3	101990801	Equalizer Bracket .....	1
4	102166901	Kit, Brake Cable Rear (includes items 5 through 8) .....	A/R
5	1010829	Pin, Clevis, 5/16 X 3/4 .....	2
6	1011779	E-Clip, 1/2 .....	4
7	102162601	Cable, Brake .....	2
8	102292801	Pin, Bow Tie Locking - .072 .....	2
9	102323101	Pin, Bow Tie Locking .....	1
10	102323201	Pin, 3/8 X 1-5/16 Clevis .....	1
11	105143201	Clamp, Cable, Brake, Sym, 2 In .....	2
12	1241	Washer, 5/16 Type A Flat .....	5
13	1242	Nut, 5/16-18 Hex .....	1
14	7473	Locknut, 5/16-18 Nylon Insert .....	5

**5**  
**G**  
**E**

**5**  
**G**  
**E**



001403-004

# REAR BRAKES, MANUALLY-ADJUSTED – GAS VEHICLES WITH 4-WHEEL BRAKES

ITEM	PART NO.	DESCRIPTION	QTY
		1 2 3 4	
1	1011137	Drum, Brake .....	2
2	101146302	Kit, Non-Asbestos Brake Shoe (includes item 3) .....	1
3	101880701	Shoe Brake Manual Adj (Available in Kit, Non-Asbestos Brake Shoe) .....	4
4	1011464	Package, Brake Spring (includes item 5) .....	1
5	1011314	Brake Spring .....	4
6	1013924	Nut, 5/16-24, Hex Head Cone .....	8
7	1016557	Cluster, Brake, Driver-Side (includes items 8 through 23) .....	1
8	1010850	Dust Cover .....	1
9	1011314	Brake Spring .....	2
10	1011465	Kit, Brake Actuator .....	1
11	1011466	Kit, Shoe Retainer (includes items 12 and 13) .....	1
12	N/A	Pin .....	2
13	N/A	Shoe Clamp Spring .....	2
14	1011467	Kit, Anchor Body (includes items 15 through 20) .....	1
15	1011114	Nut, M6-1.00 Hex .....	2
16	1011298	Anchor Piston .....	2
17	N/A	Adjustment Bolt .....	1
18	N/A	Anchor Body Component .....	1
19	1011303	Adjustment Bolt Cap .....	1
20	451	Lockwasher, 1/4 Split .....	2
21	1011494	Backing Plate, Left-Hand .....	1
22	101880701	Shoe Brake Manual Adj (Available in Kit, Non-Asbestos Brake Shoe) .....	2
23	N/A	Arm, Brake Lever .....	1
24	1016573	Cluster, Brake, Passenger-Side (includes items 25 through 40) .....	1
25	1010850	Dust Cover .....	1
26	1011154	Backing Plate, Right-Hand .....	1
27	1011314	Brake Spring .....	2
28	1011465	Kit, Brake Actuator .....	1
29	1011466	Kit, Shoe Retainer (includes items 30 and 31) .....	1
30	N/A	Pin .....	2
31	N/A	Shoe Clamp Spring .....	2
32	1011467	Kit, Anchor Body (includes items 33 through 38) .....	1
33	1011114	Nut, M6-1.00 Hex .....	2
34	1011298	Anchor Piston .....	2
35	N/A	Adjustment Bolt .....	1
36	N/A	Anchor Body Component .....	1
37	1011303	Adjustment Bolt Cap .....	1
38	451	Lockwasher, 1/4 Split .....	2
39	101880701	Shoe Brake Manual Adj (Available in Kit, Non-Asbestos Brake Shoe) .....	2
40	N/A	Arm, Brake Lever .....	1
41	47542195001	Bolt, Brake Cluster Mnt .....	8
		Note: Passenger-side brake cluster (items 25-41) not shown. Components have a similar appearance to driver-side brake cluster components.	

5  
G  
E

**5**

**G**

**E**

# STEERING, FRONT AND REAR SUSPENSION

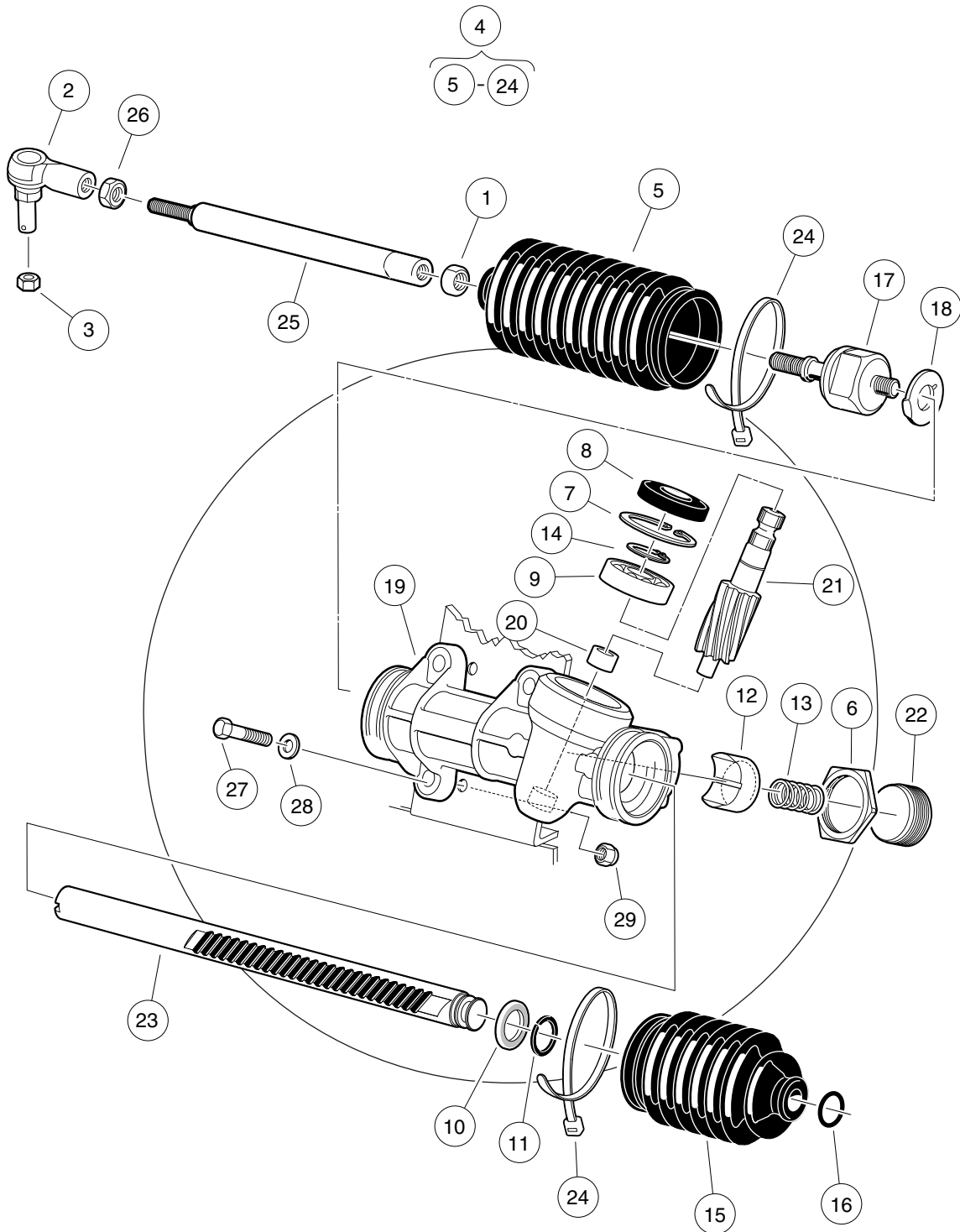
---

6

G

E

**6**  
**G**  
**E**



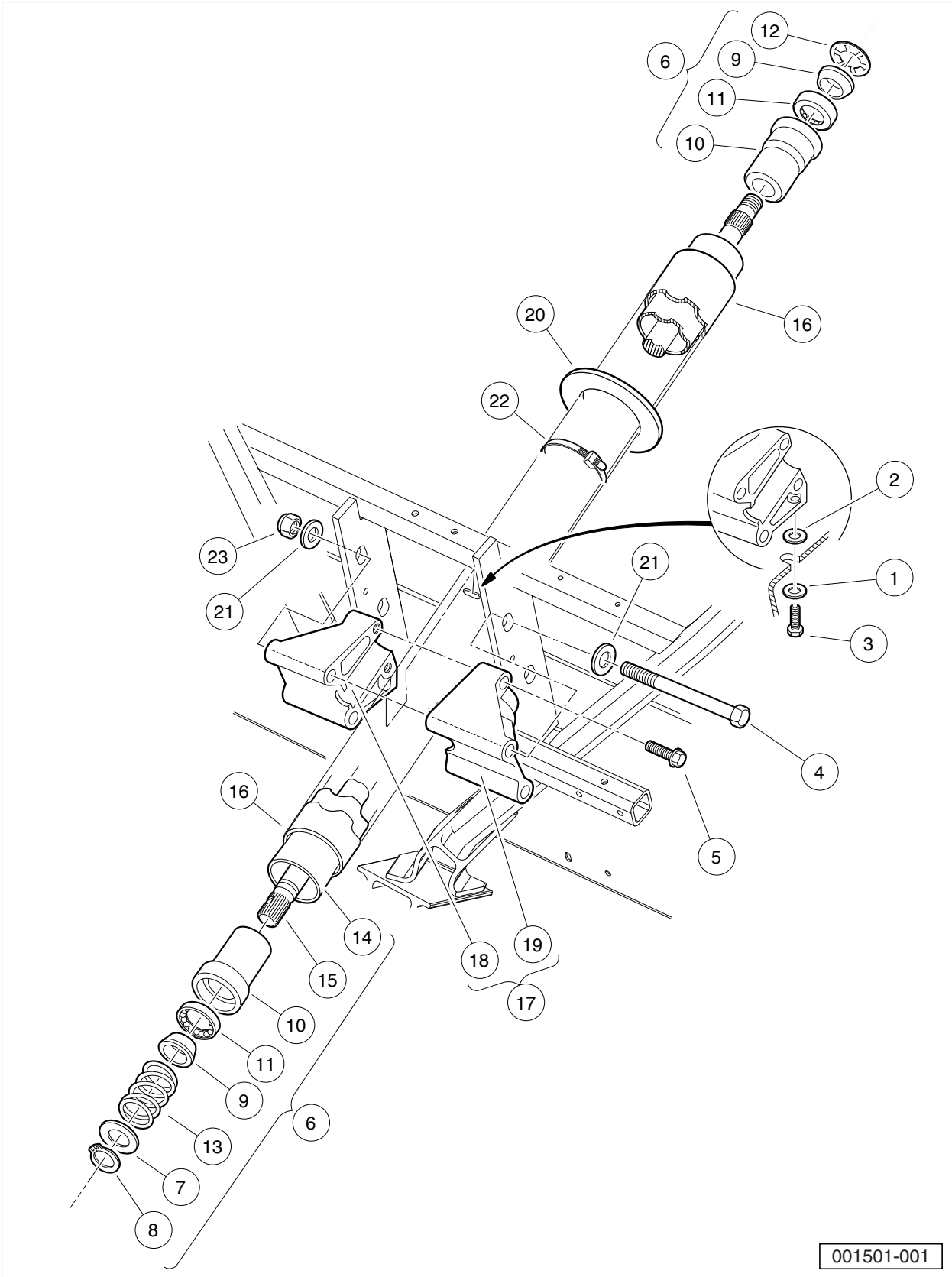
001500-002



# STEERING GEAR ASSEMBLY

ITEM	PART NO.	DESCRIPTION	QTY
		<b>1 2 3 4</b>	
1	1013042	Nut, 12mm Hex .....	1
2	102022602	End, Tie Rod, M12 X 1.25, Lh .....	1
3	102289201	Nut - Hex Locking, M12 X 1.25 .....	1
4	103601501	Asm, Steering Rack And Pinion (includes items 5 through 24) .....	1
5	1013035	Bellows, Long .....	1
6	1013044	Rack Screw Locknut .....	1
7	N/A	Snap Ring .....	1
8	1013052	Seal, Steering Pinion Dust .....	1
9	101879401	Bearing, Ball .....	1
10	101879501	Stop Washer .....	1
11	101879601	Stop Ring, C-Type .....	1
12	101879701	Support Yoke .....	1
13	101879801	Rack Guide Pressure Spring .....	1
14	101879901	Ring, Stop, C-Type .....	1
15	101880001	Bellows, Short .....	1
16	101880101	Dust Seal Retaining Ring .....	1
17	101880201	Inner Ball Joint Asm .....	1
18	101880301	Washer, Tab .....	1
19	N/A	Box, Steering Gear .....	1
20	N/A	Bearing, Lower Pinion .....	1
21	N/A	Pinion, Steering .....	1
22	N/A	Screw, Rack Guide .....	1
23	N/A	Rack, Steering .....	1
24	8990	Tie Wrap, 8" Nylon .....	2
25	103653401	Link, Drag, Male Thd .....	1
26	103653501	Nut, Jam, M12-1.25, Lh .....	1
27	1624	Screw, 3/8-16 X 1.50, Hex-Head Cap .....	3
28	334	Washer, 3/8, Type A, Flat .....	3
29	8754	Locknut, 3/8-16 Hex .....	3

**6**  
**G**  
**E**



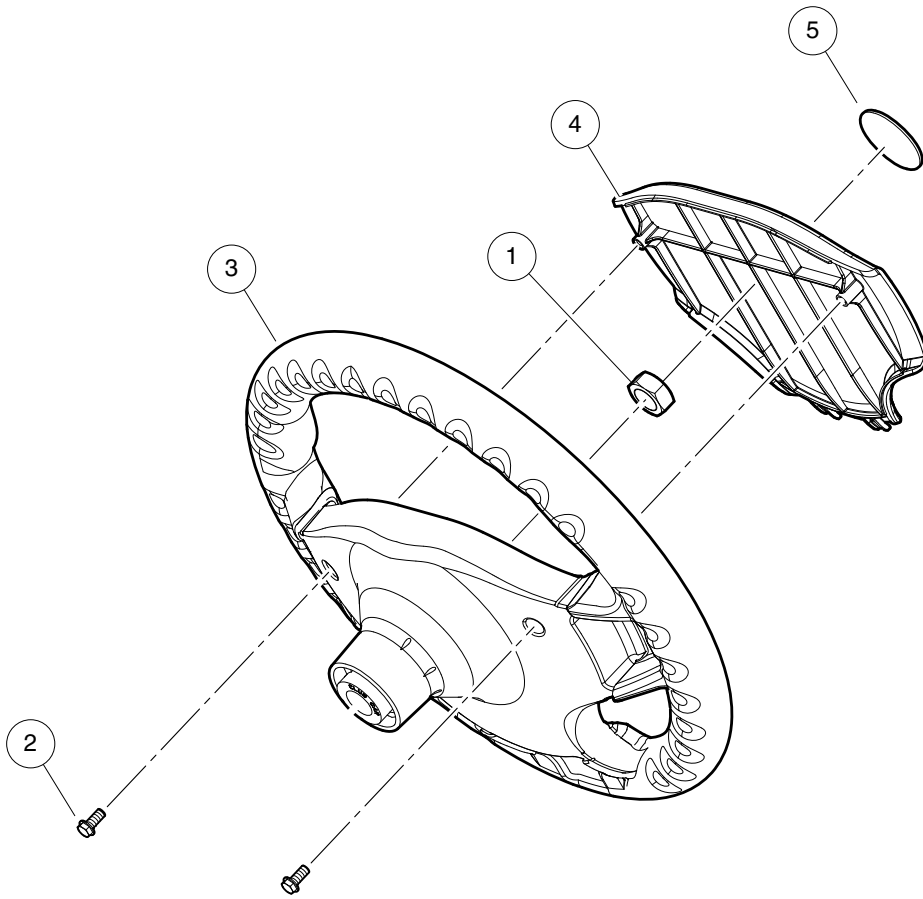
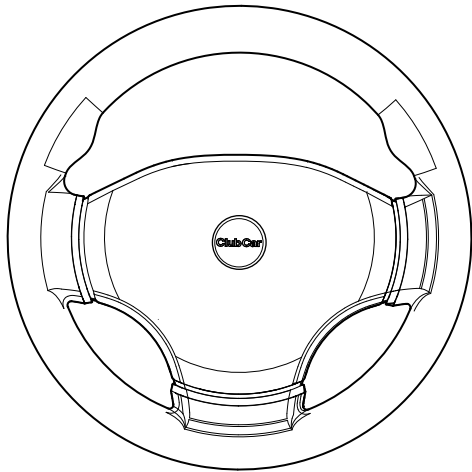
001501-001

# STEERING COLUMN

ITEM	PART NO.	DESCRIPTION	QTY
		<b>1 2 3 4</b>	
1	1011697	Washer, 5/16 Flat .....	1
2	1012571	Washer, 5/16 Extra Thick Flat .....	1
3	1014288	Screw, 5/16-18 X 0.75, Thread-Forming .....	1
4	1016183	Screw, 3/8-16 X 7.00 Hex Cap .....	2
5	1016269	Screw, 5/16-18 Thrd Forming .....	2
6	1017313	Steering Shaft Assembly (includes items 7 through 15) .....	1
7	1012604	Washer, 0.675 ID X 1.19 OD .....	1
8	1012605	Ring, 0.579 Internal Retaining .....	1
9	1014125	Wedge, Molded .....	2
10	1014126	Seat, Plastic Bearing .....	2
11	1014213	Bearing, Ball .....	2
12	1014214	Ring, Retaining .....	1
13	1014217	Spring, Steering Shaft .....	1
14	1017314	Column, Aluminum Steering .....	1
15	1017315	Shaft Steering Column .....	1
16	1017317	Tube Cover, Steering Column .....	1
17	101984801	Kit, Steering Column Mounting Bracket (includes items 18 and 19) .....	1
18	N/A	Bracket, RH Steering Column Mount .....	1
19	N/A	Bracket, LH Steering column mount .....	1
20	102278001	Boot, Steering Column Round .....	1
21	334	Washer, 3/8, Type A, Flat .....	4
22	8639	Tie Wrap, 11" Nylon .....	1
23	8754	Locknut, 3/8-16 Hex .....	2

**6**  
**G**  
**E**

**6**  
**G**  
**E**



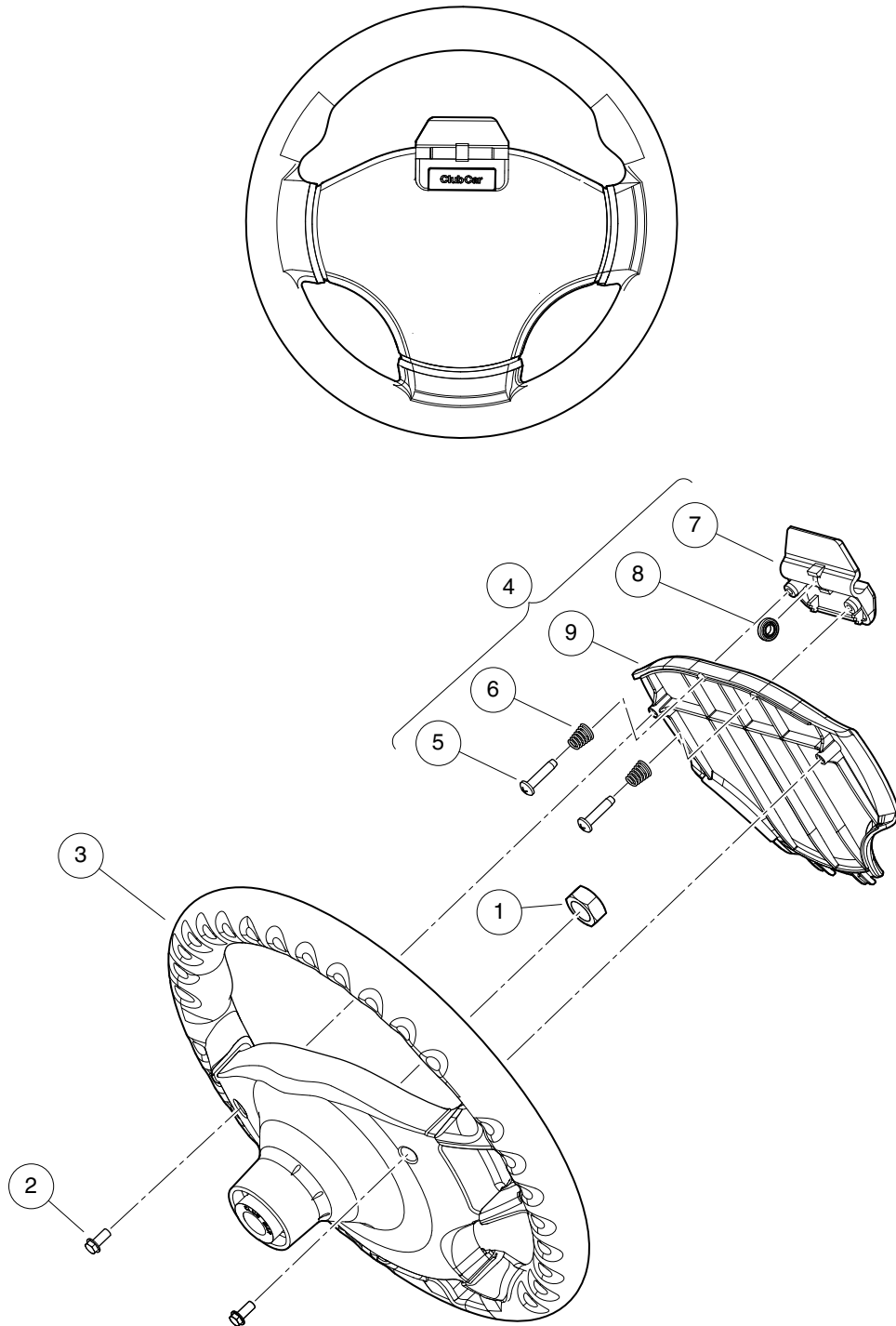
001503-001

# STEERING WHEEL

ITEM	PART NO.	DESCRIPTION	QTY
		<b>1 2 3 4</b>	
1	1017273	Nut, 5/8-18 Nylon Insert Jam .....	1
2	101850301	Screw, #12-16 X 0.50 Washer-Head Hi-Lo .....	2
3	103724504	Steering Wheel, Soft Spl .....	1
4	103724602	Cover, Steering Wheel, Generic .....	1
5	103829401	Logo, Cci, Steer Wheel .....	1

**6**  
**G**  
**E**

**6**  
**G**  
**E**



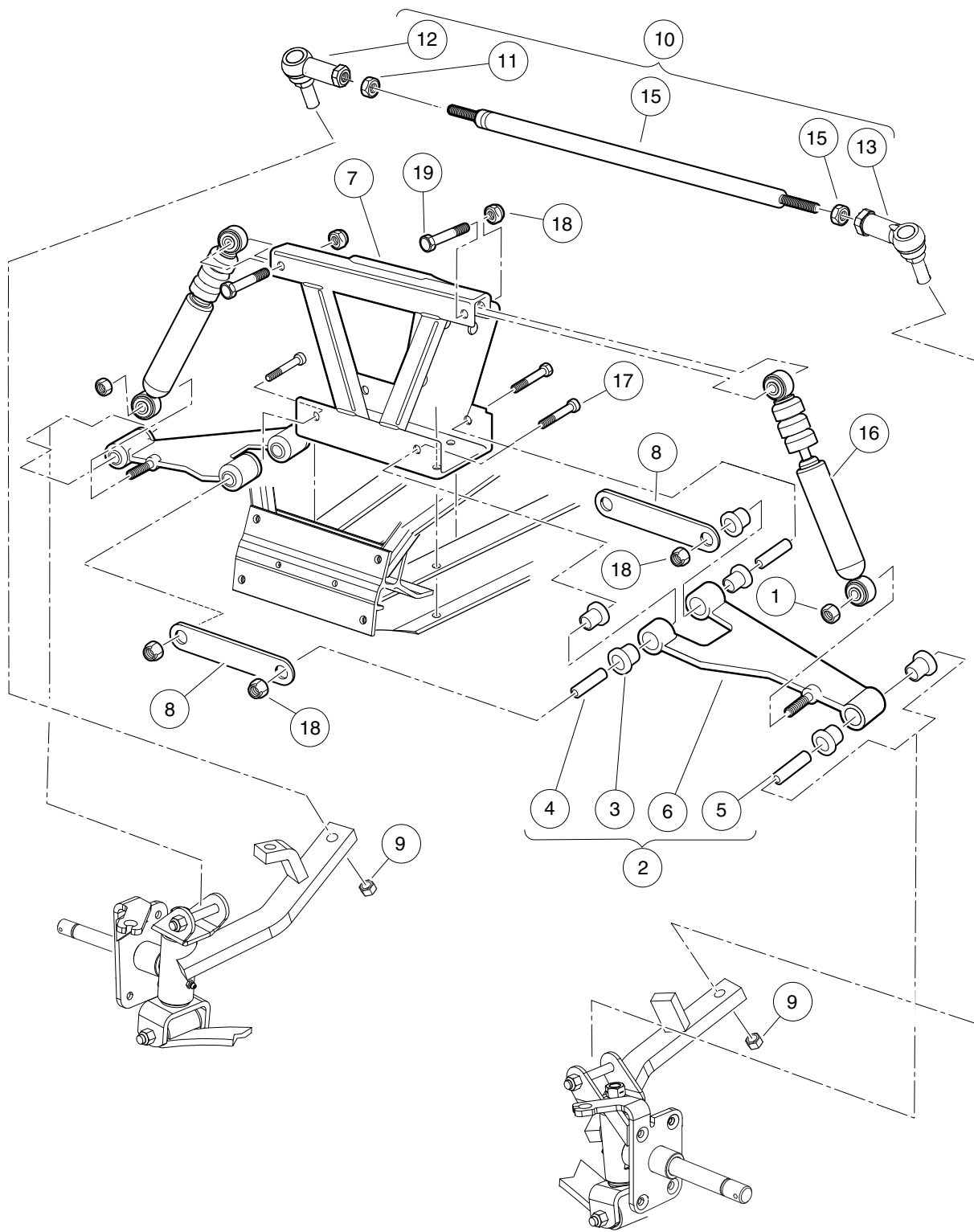
001504-001

# STEERING WHEEL WITH CLIP

ITEM	PART NO.	DESCRIPTION	QTY
		<b>1 2 3 4</b>	
1	1017273	Nut, 5/8-18 Nylon Insert Jam .....	1
2	101850301	Screw, #12-16 X 0.50 Washer-Head Hi-Lo .....	2
3	103724504	Steering Wheel, Soft Spl .....	1
4	103724901	Asm, Scorecard, Clip (includes items 5 through 9) .....	1
5	1012565	Screw, #12 Phillips Round Head .....	2
6	1012566	Tapered Compression Spring .....	2
7	1016154	Clip, Scorecard .....	1
8	1016214	Pencil Grip .....	1
9	103724601	Cover, Steering Wheel, Clip .....	1

**6**  
**G**  
**E**

**6**  
**G**  
**E**



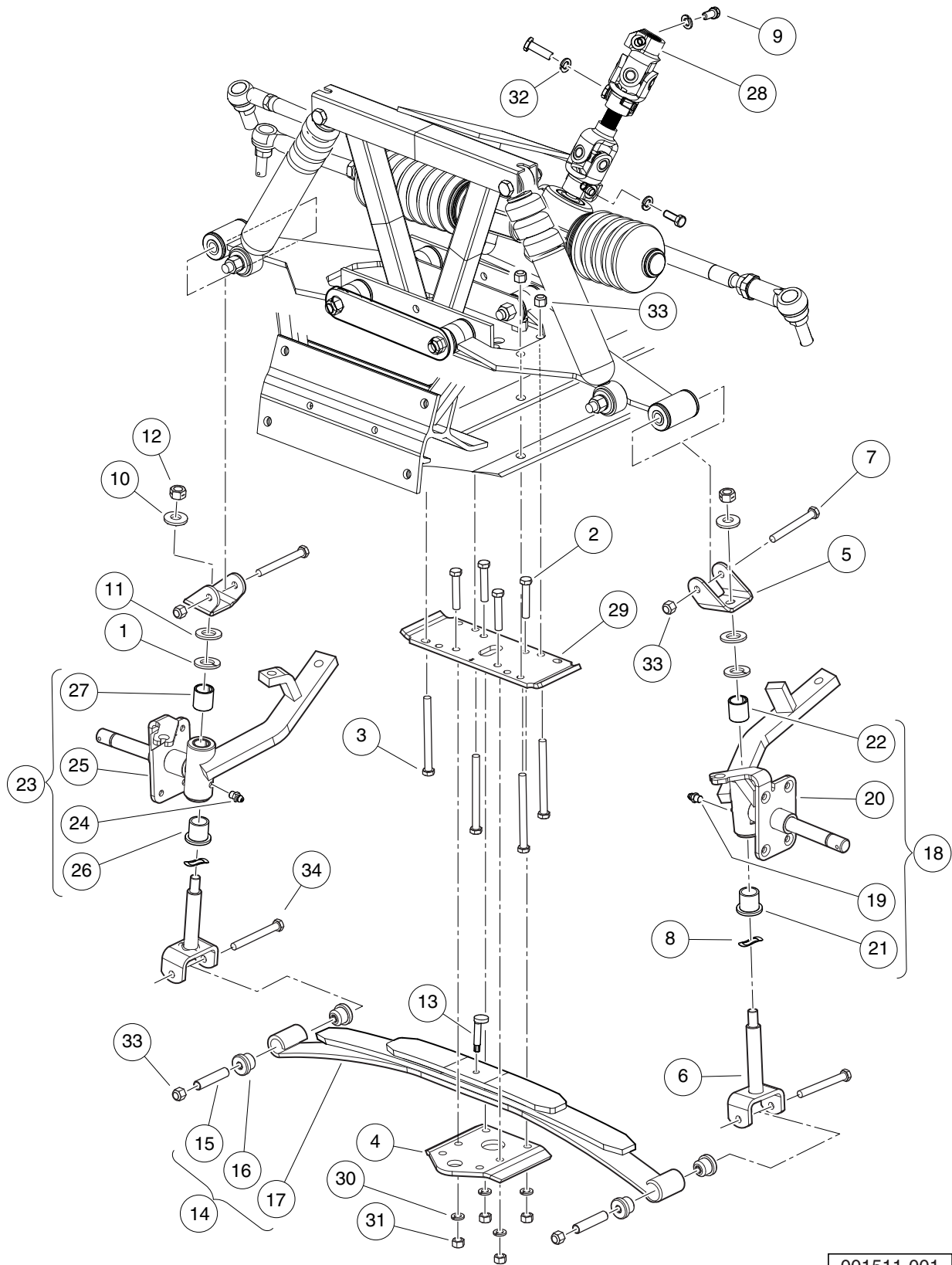
001510-001



## FRONT SUSPENSION, UPPER, HD

ITEM	PART NO.	DESCRIPTION	QTY	<b>6</b>
		<b>1 2 3 4</b>		
1	1010138	Locknut, 3/8-16 Dimpled .....	2	
2	1016353	Sub-Assembly, Delta A-Plate (includes items 3 through 6) .....	2	<b>G</b>
3	1016346	Bushing, Urethane .....	6	<b>E</b>
4	1016349	Sleeve, Delta Inner .....	2	
5	1016350	Sleeve, Delta Outer .....	1	
6	1016351	Delta A-Plate .....	1	
7	101638502	Weldment, Shock & Gear, Ca .....	1	
8	1017266	A-Plate Strap .....	2	
9	102289201	Nut - Hex Locking, M12 X 1.25 .....	2	
10	103653601	Asm, Tie Rod (includes items 11 through 15) .....	1	
11	1013042	Nut, 12mm Hex .....	1	
12	102022601	End, Tie Rod M12 X 1.25 Rh .....	1	
13	102022602	End, Tie Rod, M12 X 1.25, Lh .....	1	
14	103354701	Rod, Tie, Male Thd .....	1	
15	103653501	Nut, Jam, M12-1.25, Lh .....	1	
16	105106702	Shock Absorb, Frnt, 3 Bump Ele .....	2	
17	2402	Screw, 3/8-16 X 2.25 Hx Hd Cap .....	4	
18	8754	Locknut, 3/8-16 Hex .....	6	
19	8861	Bolt, 3/8-16 X 1.75 Hex .....	2	

**6**  
**G**  
**E**



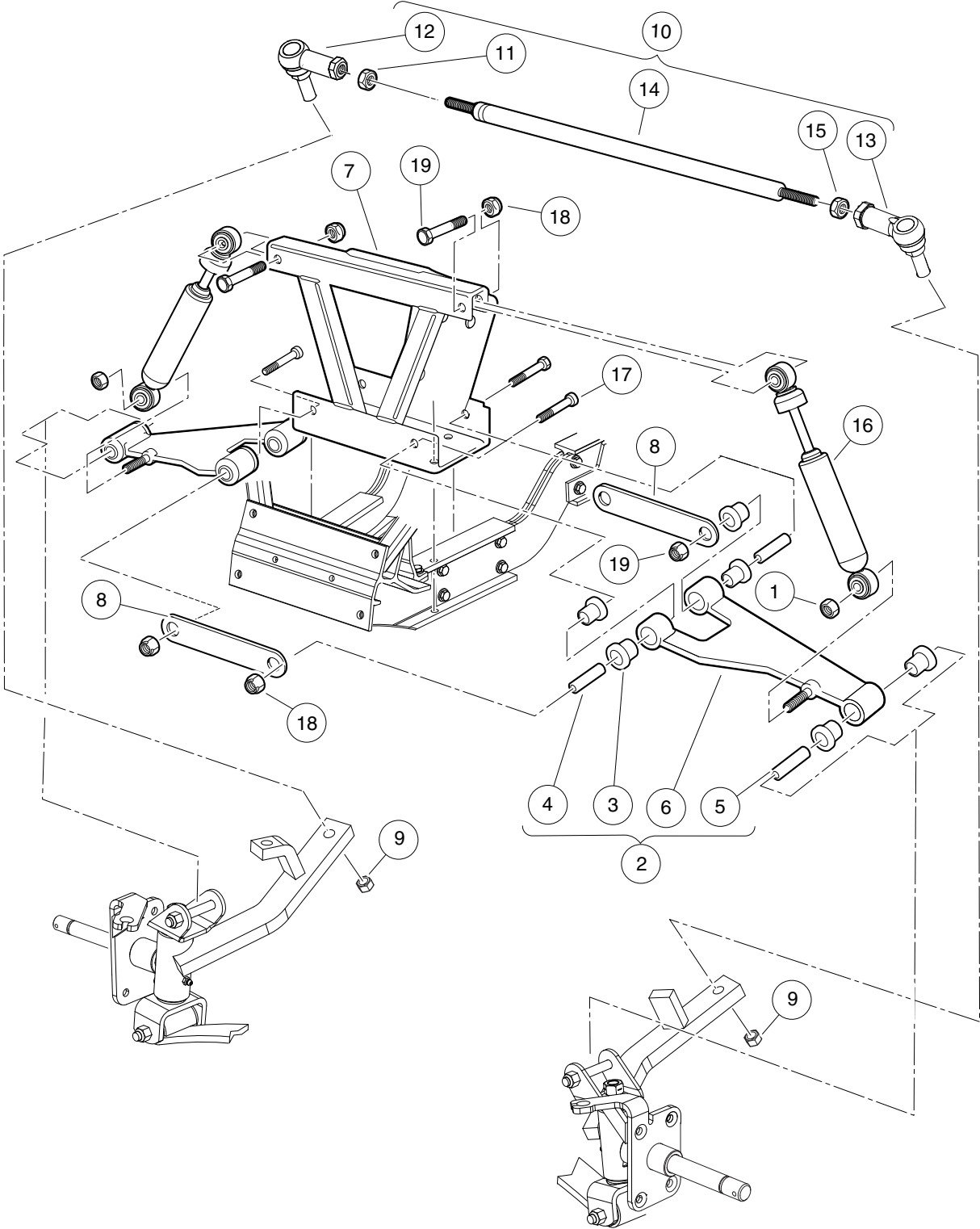
001511-001

## FRONT SUSPENSION, LOWER, HD, 3 LEAF-1 PLATE

ITEM	PART NO.	DESCRIPTION	QTY
		<b>1 2 3 4</b>	
1	1010150	Bearing, Thrust .....	2
2	1010177	Bolt, 3/8-16 X 2.00 Hex Head .....	4
3	1010200	Bolt, 3/8-16 X 4.25 Hex Head .....	4
4	1014276	Plate, Front Spring Retainer .....	1
5	1016384	Clevis, Delta Upper .....	2
6	1016386	King Pin Assembly .....	2
7	1016387	Screw, 3/8-16 X 2.75 Hx Hd Cap .....	2
8	1016389	Washer, 1.125 Od Wave .....	2
9	1017226	Bolt, Hex-Head, 8mm X 1.25 - 30 .....	3
10	102564002	Washer-1/2 Conical, Yellow .....	2
11	102684501	Washer, M12 Hard Regular .....	2
12	102766301	Nut, 1/2-20, Center Lock .....	2
13	103507001	Eccentric Bolt Common .....	1
14	103628901	Spring Asm, Front, 3 Leaf (includes items 15 through 17) .....	1
15	1012303	Bushing, Steel .....	2
16	1015583	Bushing, Urethane .....	4
17	103502801	Spring, Front, 3 Leaf .....	1
18	103717302	Asm, Spindle, Lh, 4wb, Sp (includes items 19 through 22) .....	1
19	1015597	Fitting, 1/4-28 Thread-Forming Grease .....	1
20	N/A	Subasm, Spindle, Lh, 4wb .....	1
21	7048	Bushing, Flanged Bronze .....	1
22	8067	Bushing, Bronze Spindle .....	1
23	103717402	Asm, Spindle, Rh, 4wb, Sp (includes items 24 through 27) .....	1
24	1015597	Fitting, 1/4-28 Thread-Forming Grease .....	1
25	N/A	Subasm, Spindle, Rh, 4wb .....	1
26	7048	Bushing, Flanged Bronze .....	1
27	8067	Bushing, Bronze Spindle .....	1
28	105074201	Shaft, Int, Steering, Sus Fwd .....	1
29	105083301	Plate, Spring Mount, Restyle .....	1
30	357	Lockwasher, 3/8 Split .....	4
31	706	Nut, Hex 3/8-16 .....	5
32	7174	Lockwasher, 5/16 Split .....	3
33	8754	Locknut, 3/8-16 Hex .....	8
34	8755	Screw, 3/8-16 X 3.375 Hex Cap .....	2

**6**  
**G**  
**E**

**6**  
**G**  
**E**



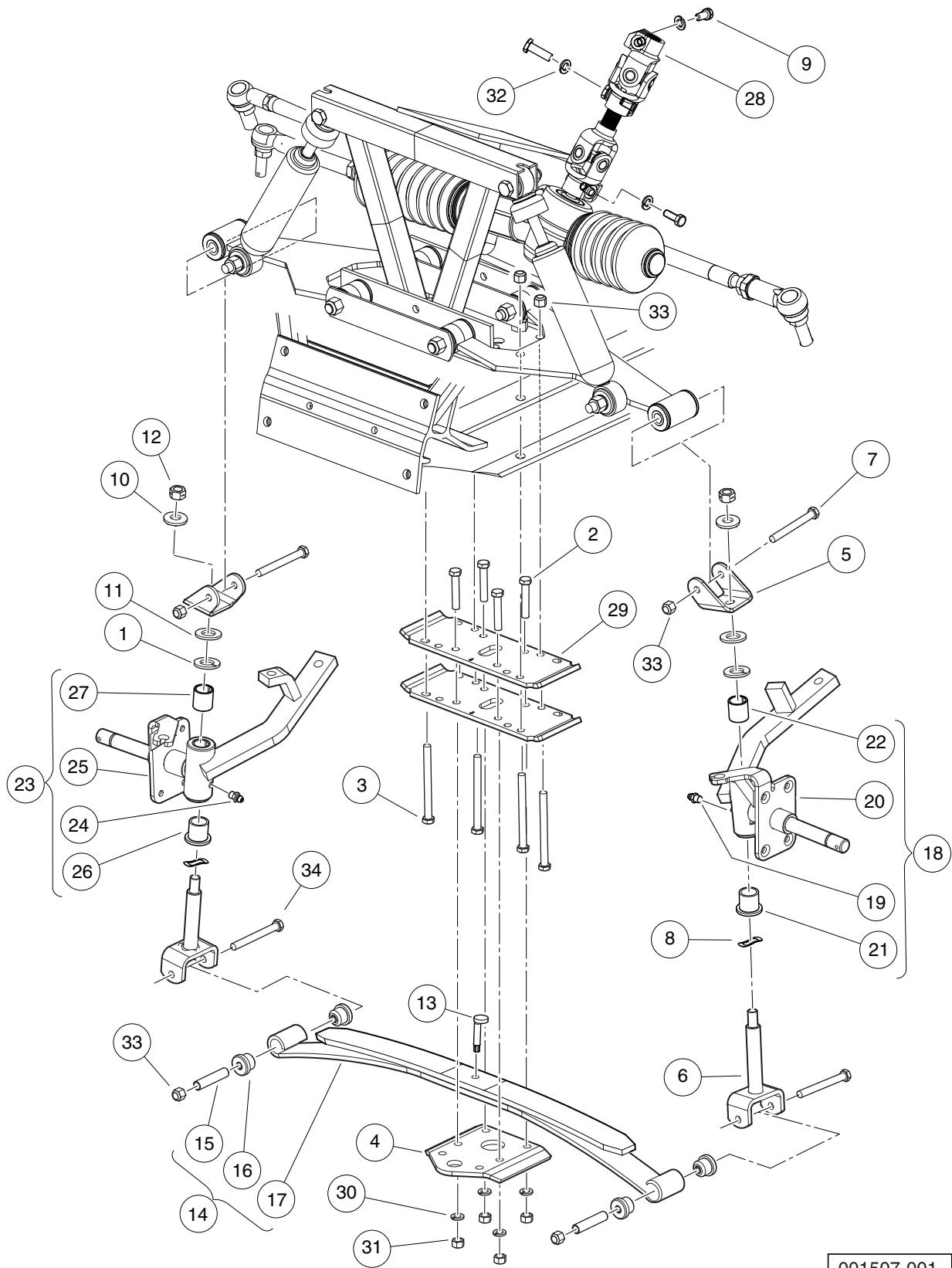
001512-001

## FRONT SUSPENSION, UPPER, STD

ITEM	PART NO.	DESCRIPTION	QTY
		<b>1 2 3 4</b>	
1	1010138	Locknut, 3/8-16 Dimpled .....	2
2	1016353	Sub-Assembly, Delta A-Plate (includes items 3 through 6) .....	2
3	1016346	Bushing, Urethane .....	6
4	1016349	Sleeve, Delta Inner .....	2
5	1016350	Sleeve, Delta Outer .....	1
6	1016351	Delta A-Plate .....	1
7	101638502	Weldment, Shock & Gear, Ca .....	1
8	1017266	A-Plate Strap .....	2
9	102289201	Nut - Hex Locking, M12 X 1.25 .....	2
10	103653601	Asm, Tie Rod (includes items 11 through 15) .....	1
11	1013042	Nut, 12mm Hex .....	1
12	102022601	End, Tie Rod M12 X 1.25 Rh .....	1
13	102022602	End, Tie Rod, M12 X 1.25, Lh .....	1
14	103354701	Rod, Tie, Male Thd .....	1
15	103653501	Nut, Jam, M12-1.25, Lh .....	1
16	105106601	Shock Absorber, Front, 1 Bumper .....	2
17	2402	Screw, 3/8-16 X 2.25 Hx Hd Cap .....	4
18	8754	Locknut, 3/8-16 Hex .....	6
19	8861	Bolt, 3/8-16 X 1.75 Hex .....	2

**6**  
**G**  
**E**

**6**  
**G**  
**E**

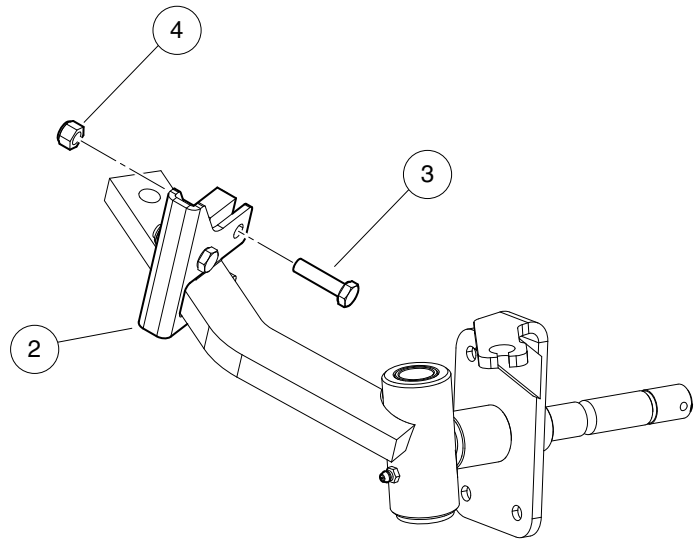


001507-001

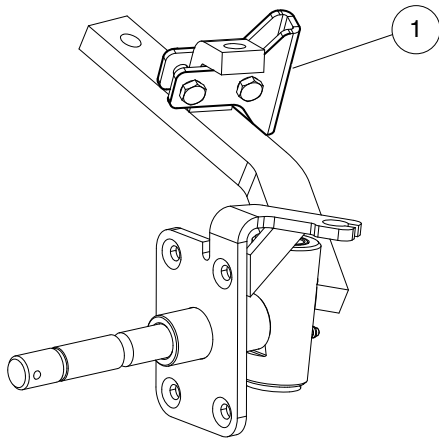
## FRONT SUSPENSION, LOWER, HD, 2 LEAF-2 PLATES

ITEM	PART NO.	DESCRIPTION	QTY
		<b>1 2 3 4</b>	
1	1010150	Bearing, Thrust .....	2
2	1010177	Bolt, 3/8-16 X 2.00 Hex Head .....	4
3	1010200	Bolt, 3/8-16 X 4.25 Hex Head .....	4
4	1014276	Plate, Front Spring Retainer .....	1
5	1016384	Clevis, Delta Upper .....	2
6	1016386	King Pin Assembly .....	2
7	1016387	Screw, 3/8-16 X 2.75 Hx Hd Cap .....	2
8	1016389	Washer, 1.125 Od Wave .....	2
9	1017226	Bolt, Hex-Head, 8mm X 1.25 - 30 .....	3
10	102564002	Washer-1/2 Conical, Yellow .....	2
11	102684501	Washer, M12 Hard Regular .....	2
12	102766301	Nut, 1/2-20, Center Lock .....	2
13	103507001	Eccentric Bolt Common .....	1
14	103628801	Spring Asm, Front, 2 Leaf (includes items 15 through 17) .....	1
15	1012303	Bushing, Steel .....	2
16	1015583	Bushing, Urethane .....	4
17	103502701	Spring, Front, 2 Leaf .....	1
18	103717302	Asm, Spindle, Lh, 4wb, Sp (includes items 19 through 22) .....	1
19	1015597	Fitting, 1/4-28 Thread-Forming Grease .....	1
20	N/A	Subasm, Spindle, Lh, 4wb .....	1
21	7048	Bushing, Flanged Bronze .....	1
22	8067	Bushing, Bronze Spindle .....	1
23	103717402	Asm, Spindle, Rh, 4wb, Sp (includes items 24 through 27) .....	1
24	1015597	Fitting, 1/4-28 Thread-Forming Grease .....	1
25	N/A	Subasm, Spindle, Rh, 4wb .....	1
26	7048	Bushing, Flanged Bronze .....	1
27	8067	Bushing, Bronze Spindle .....	1
28	105074201	Shaft, Int, Steering, Sus Fwd .....	1
29	105083301	Plate, Spring Mount, Restyle .....	2
30	357	Lockwasher, 3/8 Split .....	4
31	706	Nut, Hex 3/8-16 .....	5
32	7174	Lockwasher, 5/16 Split .....	3
33	8754	Locknut, 3/8-16 Hex .....	8
34	8755	Screw, 3/8-16 X 3.375 Hex Cap .....	2

**6**  
**G**  
**E**



**DRIVER SIDE  
SPINDLE**



**PASSENGER SIDE  
SPINDLE**



001529-001



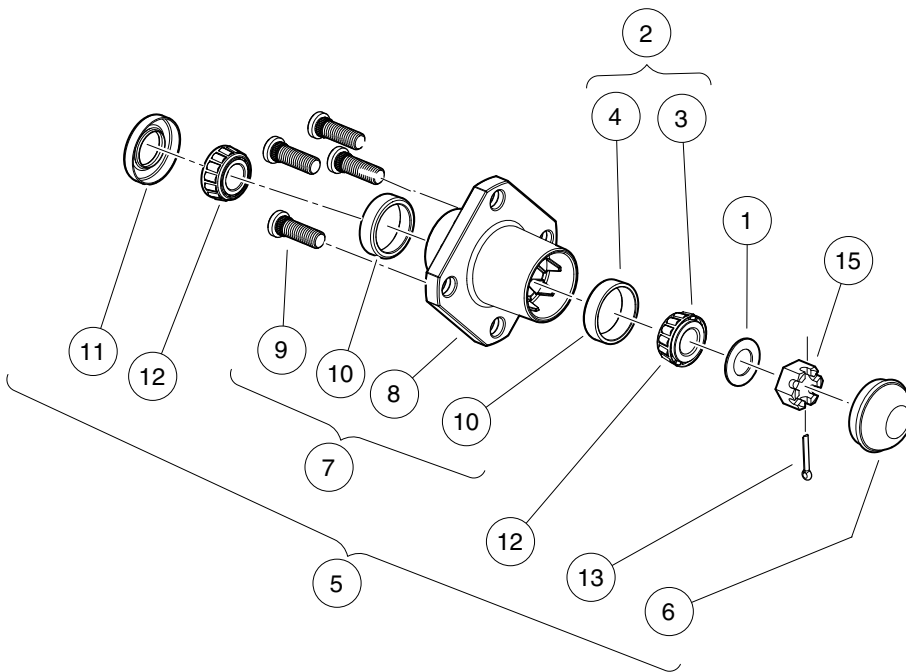
# STEERING STOP

ITEM	PART NO.	DESCRIPTION	QTY
		1 2 3 4	
1	105242801	Brkt, Steering Stop, Pass, Ca .....	1
2	105243001	Brkt, Steering Stop, Drv, Ca .....	1
3	1218	Screw, 5/16-18 X 1.25 Hex-Head Cap .....	4
4	7473	Locknut, 5/16-18 Nylon Insert .....	4
<p>Note: Steering Stops 105242801 and 105243001 are required if vehicle is equipped with the 105100601, HD Bumper Kit.</p>			

6

G

E



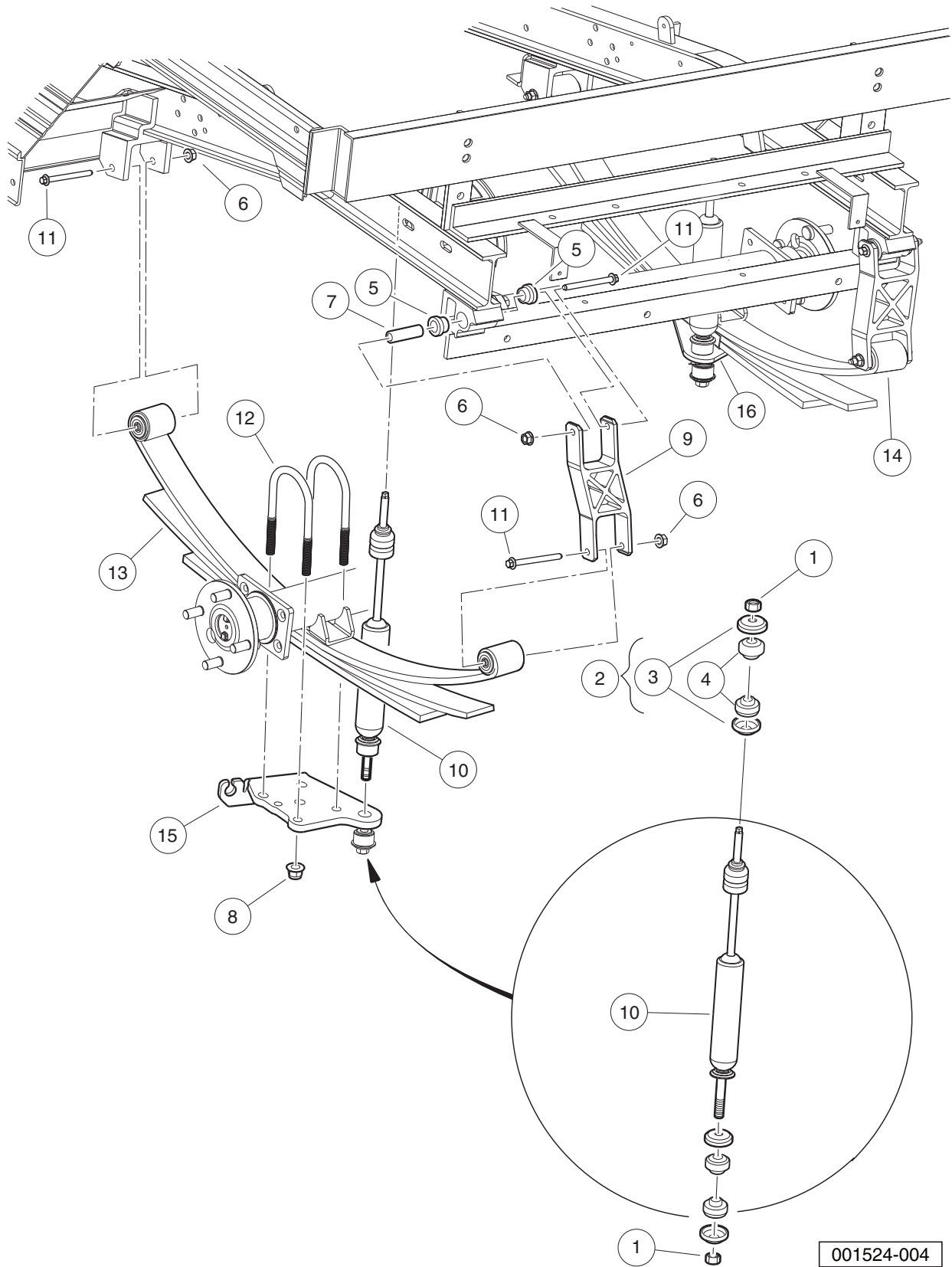
001520-002

# FRONT WHEEL HUBS

ITEM	PART NO.	DESCRIPTION	QTY
		1 2 3 4	
1	1010005	Washer, 3/4 Flat .....	2
2	1011393	Hub Bearing Package (includes items 3 and 4) .....	4
3	7274	Bearing, Front Hub Wheel .....	1
4	7308	Race, Front Hub Bearing .....	1
5	1011892	Hub Assembly (includes items 6 through 13) .....	1
6	1011887	Dust Cover .....	1
7	N/A	Hub (includes items 8 through 10) .....	1
8	N/A	Front Hub .....	1
9	103477901	Lug Stud, 1/2-20 Unf, 4037 .....	4
10	7308	Race, Front Hub Bearing .....	2
11	1013135	Seal, Double Lip .....	1
12	7274	Bearing, Front Hub Wheel .....	2
13	7910	Pin, 5/32 X 1.00 Cotter .....	1
14	1013135	Seal, Double Lip .....	2
15	7840	Nut, 3/4-16 Hex Slotted .....	2

6  
G  
E

**6**  
**G**  
**E**



001524-004

# REAR SUSPENSION COMPONENTS, STANDARD

ITEM	PART NO.	DESCRIPTION	QTY
		<b>1 2 3 4</b>	
1	1010145	Nut, 3/8-24 Hex .....	4
2	1011415	Kit, Shock Absorber Cushion (includes items 3 and 4) .....	4
3	N/A	Retainer, Shock Absorber Cushion .....	2
4	47579096001	Isolator, Shock Damper .....	2
5	101558302	Bushing, Urethane, Soft .....	4
6	102298401	Nut,m8,all Metal Lock .....	6
7	102506401	Sleeve - Spring Eye Mounts .....	2
8	102670701	Nut, Flange, M10 X 1.5 Nylon .....	8
9	105068902	Shackle, 6", Com, Machined .....	2
10	105106801	Shock Absorber,Rear, 2 Bumper .....	2
11	105188185	Bolt, M8x85mm,10.9 Grade .....	6
12	105188701	U-bolt, M10x1.5x58 .....	4
13	47585228001	Spring Asm, Std Rear Leaf, Lh .....	1
14	47585228002	Spring Asm, Std Rear Leaf, Rh .....	1
15	47599907001	Bkt, U-bolt, 3-1, Lh .....	1
16	47599907002	Bkt, U-bolt, 3-1, Rh .....	1

**6**  
**G**  
**E**

**6**

**G**

**E**

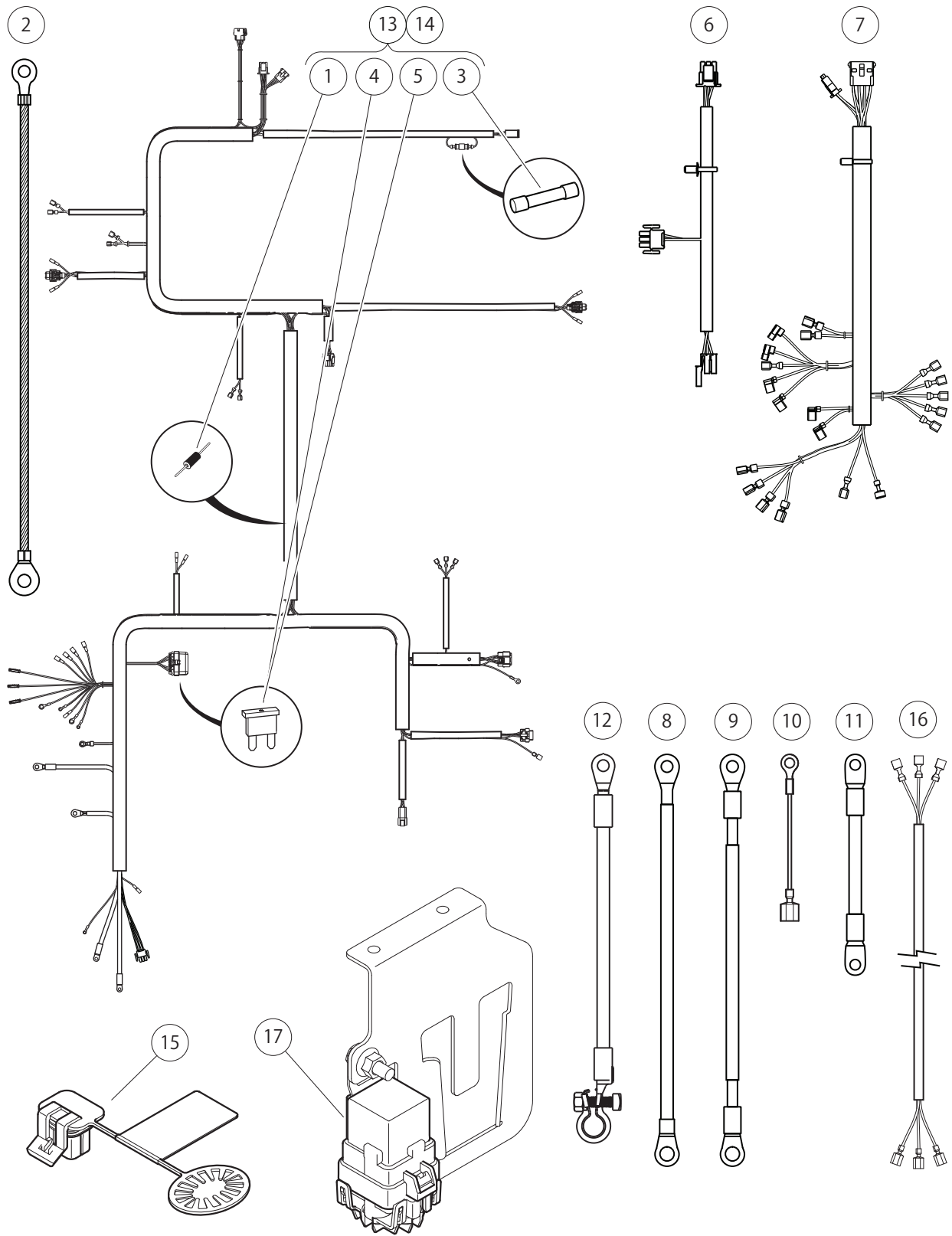
# **ELECTRICAL SYSTEM – GASOLINE EFI**

---

**7**

**G**

**7**  
**G**



000994-003



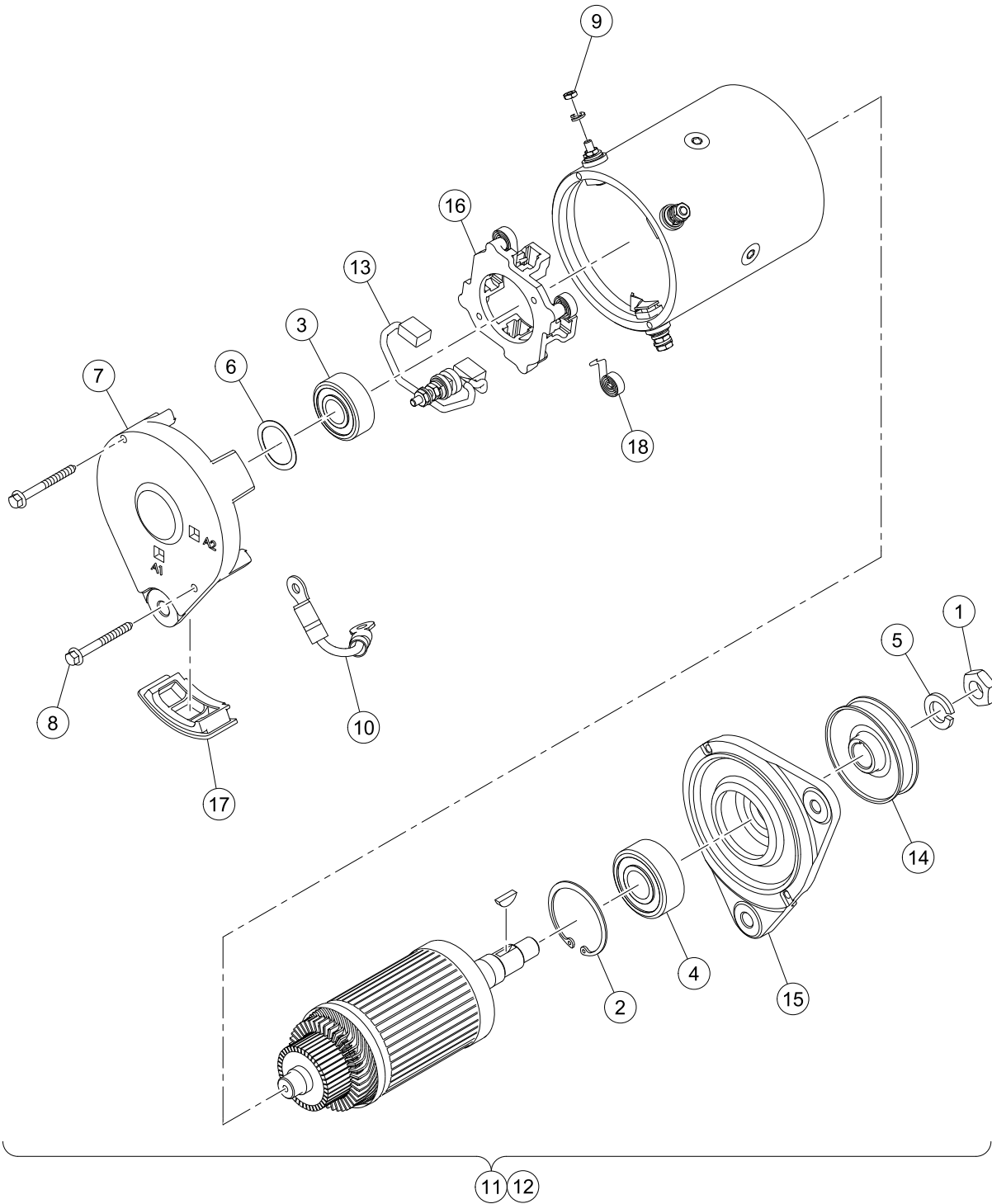
# WIRING, FUSES, AND DIODES, KEY AND PEDAL START – EFI

ITEM	PART NO.	DESCRIPTION	QTY
		1 2 3 4	
1	1014789	Diode, General Purpose, 3.0-Amp .....	2
2	1015332	Wire, Ground, #10, Uninsulated .....	1
3	103924801	Fuse, Glass, 2-Amp .....	1
4	105081501	Fuse, ATM, 5-Amp .....	1
5	105081601	Fuse, ATM, 10-Amp .....	1
6	105093301	Harness, Wire, FNR Connector, CA300-700 .....	1
7	105095101	Harness, Wire, Instr. Panel, Gas, CA300-700 .....	1
8	105135901	Wire, Battery (side-post), B-, Gas .....	1
9	105136001	Wire, Battery (side-post), B+, Gas .....	1
10	105143301	Wire, Ground, Fuel Tank .....	1
11	105161701	Wire, 4-Ga, Green, Starter/Generator .....	1
12	105256801	Wire Assy, 4ga, Battery, (top-post) B+, Gas .....	1
13	47607337001	Harness, Main, Gas, Ca500, Ks .....	1
14	47607338001	Harness, Main, Gas, Ca500, Ps .....	1
15	47611208001	Cap, Diagnostic Port .....	1
16	47616912001	Jumper, Maint Sw / Diag. Port .....	1
17	47623281001	Relay, Mini 630 Spdt,40a/30a .....	1
Note: For ECU, see Engine Ignition Components section.			

7

G

**7**  
**G**

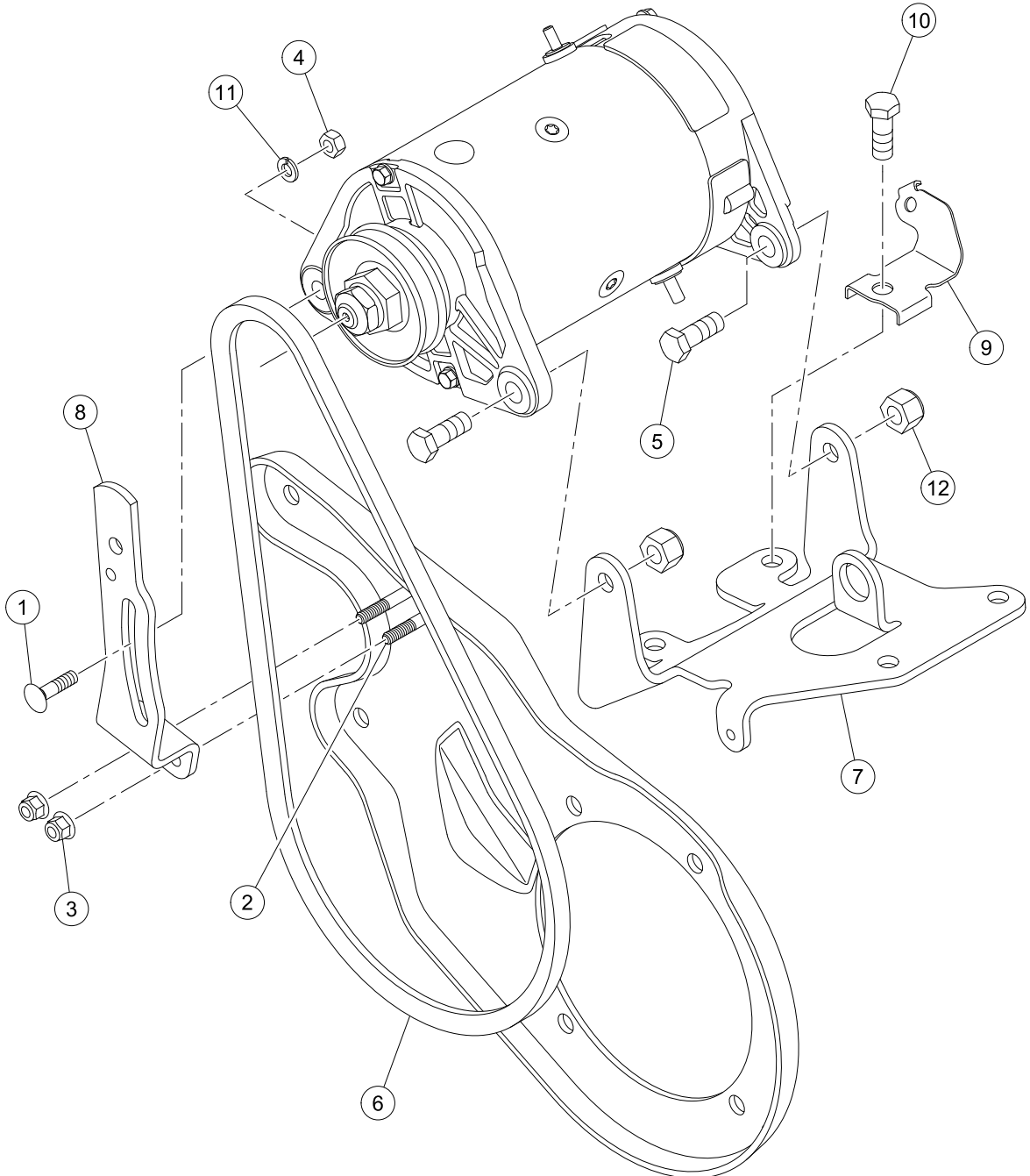


G-130199-000001

# STARTER/GENERATOR, KEY AND PEDAL START – EFI

ITEM	PART NO.	DESCRIPTION	QTY
		1 2 3 4	
1	102838701	Nut, Hex, M14x2, S/G .....	1
2	102838801	Retainer, Front, S/G .....	1
3	102838901	Bearing, Ball, Rear, S-g .....	1
4	102839001	Bearing, Ball, Front, S-g .....	1
5	102839301	Washer, Lock M14x2, S-g .....	1
6	102841101	Washer, Wave, S-g .....	1
7	103347601	Head, Comm End, S-g .....	1
8	103347701	Set, Fast, Ceh Deh, S-g .....	1
9	103347801	Set, Term Hardware, S/G .....	1
10	105161701	Wire, 4-Ga, Green, Starter/Generator .....	1
11	47559475001	Starter Generator, Ps .....	1
12	47559475002	Starter Generator, Ks .....	1
13	47583000001	Set, Brush Term, S-g .....	1
14	47583790001	Pulley, Starter-generator .....	1
15	47583791001	Head, Drive End, S-g .....	1
16	47583794001	Kit, Brush And Brush Holder .....	1
17	47584178001	Kit, Cover, Brush Insp, S-g .....	1
18	47584179001	Kit, Spring Brush, S-g .....	1

**7**  
**G**



G-130199-00002

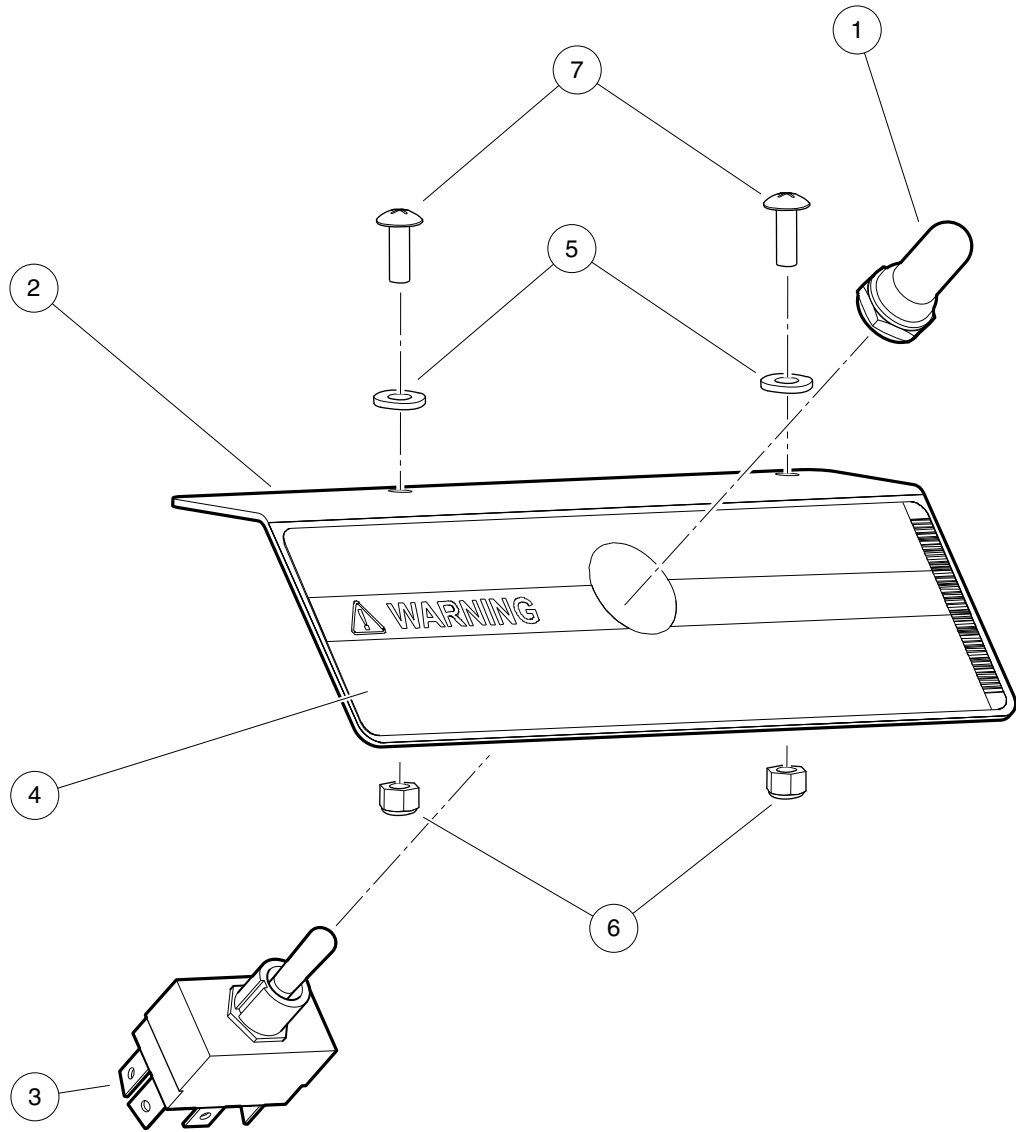
## STARTER/GENERATOR MOUNTING – ECH440

ITEM	PART NO.	DESCRIPTION	QTY
		1 2 3 4	
1	1015932	Bolt, Carriage, 5/16-18 .....	1
2	102541401	Bolt-m6x1.0x20 Hex Flhd Blk-I .....	2
3	102621501	Nut, Flange, M6 X 1.0, Nylon .....	2
4	1242	Nut, 5/16-18 Hex .....	1
5	1624	Screw, 3/8-16 X 1.50, Hex-Head Cap .....	2
6	47539338002	Belt, Sg, Ech440, #5a .....	1
7	47611868001	Bracket, Mounting, S/g .....	1
8	47611869001	Bracket, Tensioner, S/g .....	1
9	47611870001	Bracket, Mtg, Gov Cable Clip .....	1
10	47617345001	Screw, M8-1.25x20, Hex Hd Flg .....	4
11	7174	Lockwasher, 5/16 Split .....	1
12	8754	Locknut, 3/8-16 Hex .....	2

7

G

**7**  
**G**



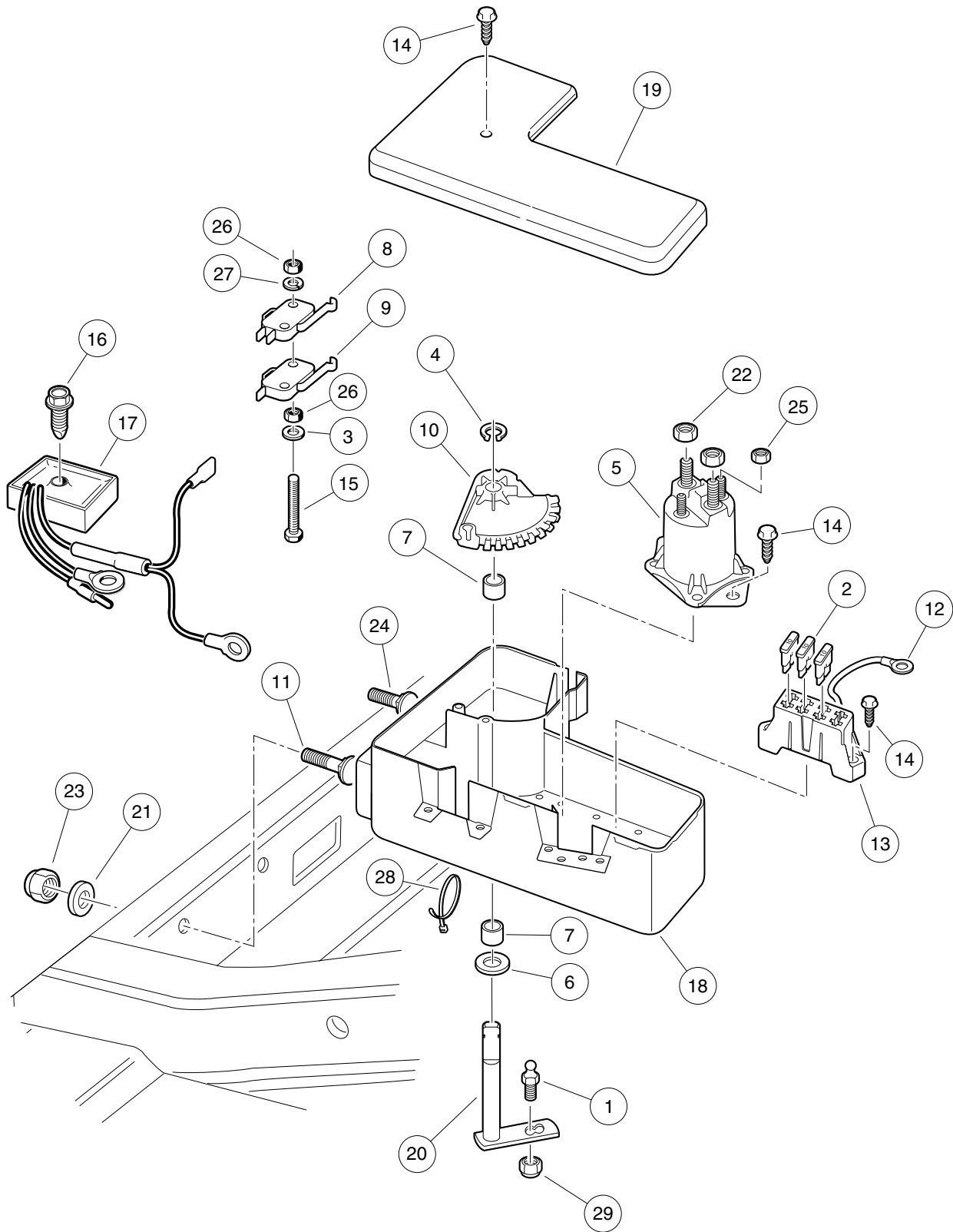
000755-003

# OPERATION AND MAINTENANCE SWITCH

ITEM	PART NO.	DESCRIPTION	QTY
		1 2 3 4	
1	101908401	Boot, Switch .....	1
2	101922501	Bracket, Tow/Run Switch Mounting .....	1
3	103198401	Switch, Toggle, SPDT .....	1
4	103205501	Decal, Maintenance/Operate Switch .....	1
5	332	Washer, 1/4 Type A Narrow Flat .....	2
6	8233	Locknut, 1/4-20, Nylon Insert .....	2
7	8248	Screw, 1/4-20 X 0.75, Truss-Head Machine .....	2

**7**  
**G**

**7**  
**G**



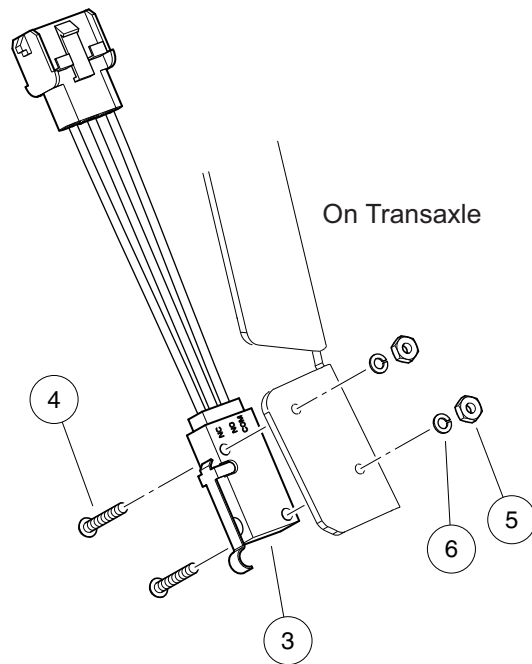
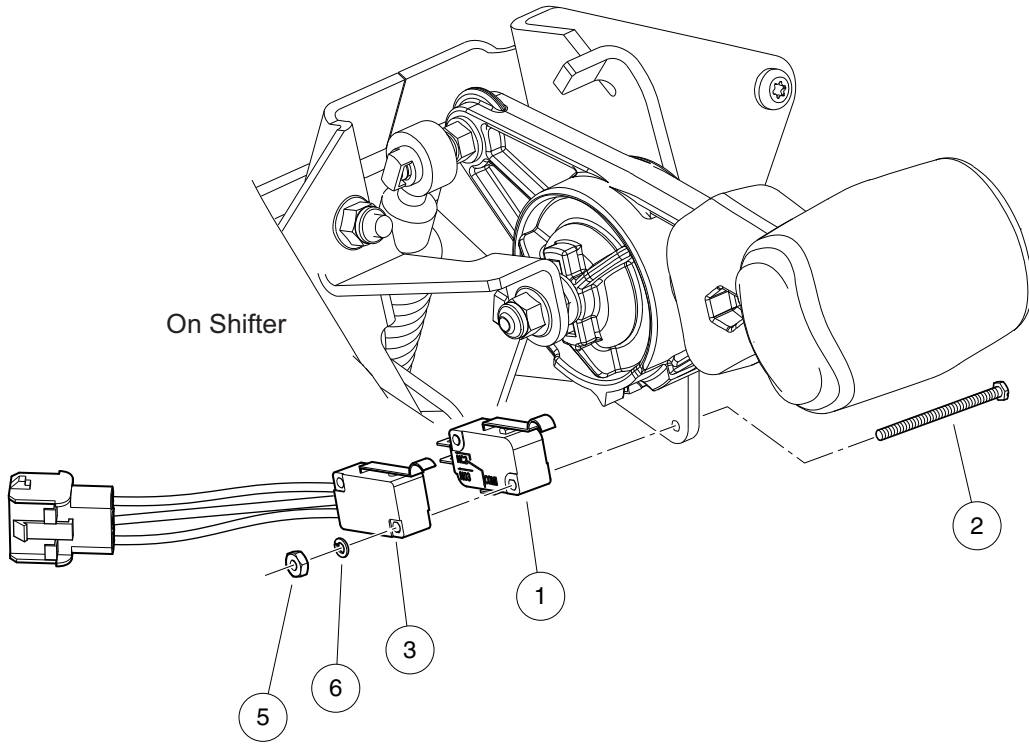
001014-001



## ELECTRICAL COMPONENT BOX, PEDAL-START

ITEM	PART NO.	DESCRIPTION	QTY
		<b>1 2 3 4</b>	
1	1010954	Stud, Ball, 1/4-28 X 0.560 .....	1
2	1012295	Fuse, 10-Amp .....	3
3	1012431	Washer, #4 Flat .....	2
4	1013589	Ring, Retaining, 0.338" Internal .....	1
5	1013609	Solenoid, 12-Volt .....	1
6	1014065	Washer, Flat, 0.38" ID, Delrin .....	1
7	1014145	Bushing, Secondary Weight, Split .....	2
8	1014807	Switch, Limit .....	1
9	1014808	Switch, Limit .....	1
10	1015373	Cam, Electric Box .....	1
11	1015405	Bolt, Carriage, 5/16-18 X 2.0 .....	1
12	1015737	Wire Assy, #10 Red .....	1
13	1015741	Fuse Block .....	1
14	1015752	Screw, #12-16 X 0.625, Hi-Lo .....	5
15	1015878	Screw, #4-40 Hex Head Machine .....	2
16	101856102	Screw, 1/4-15 X 1.50, Hi-lo, Hex .....	1
17	102711201	Voltage Regulator .....	1
18	105000301	Box, Component, Electrical .....	1
19	105000401	Cover, Box, Component, Elec .....	1
20	105037401	Weldment, Bellcrank, Comp Box .....	1
21	1241	Washer, 5/16 Type A Flat .....	2
22	1242	Nut, 5/16-18 Hex .....	2
23	7473	Locknut, 5/16-18 Nylon Insert .....	2
24	7818	Bolt, Carriage, 5/16-18 X 1.5 .....	1
25	7893	Nut, #10-32 Hex .....	2
26	8057	Nut, #4-40 Hex Machine .....	4
27	8058	Lockwasher, #4 Split .....	2
28	8639	Tie Wrap, 11" Nylon .....	6
29	8717	Locknut, Nylon Insert, 1/4-28 .....	1

**7**  
**G**



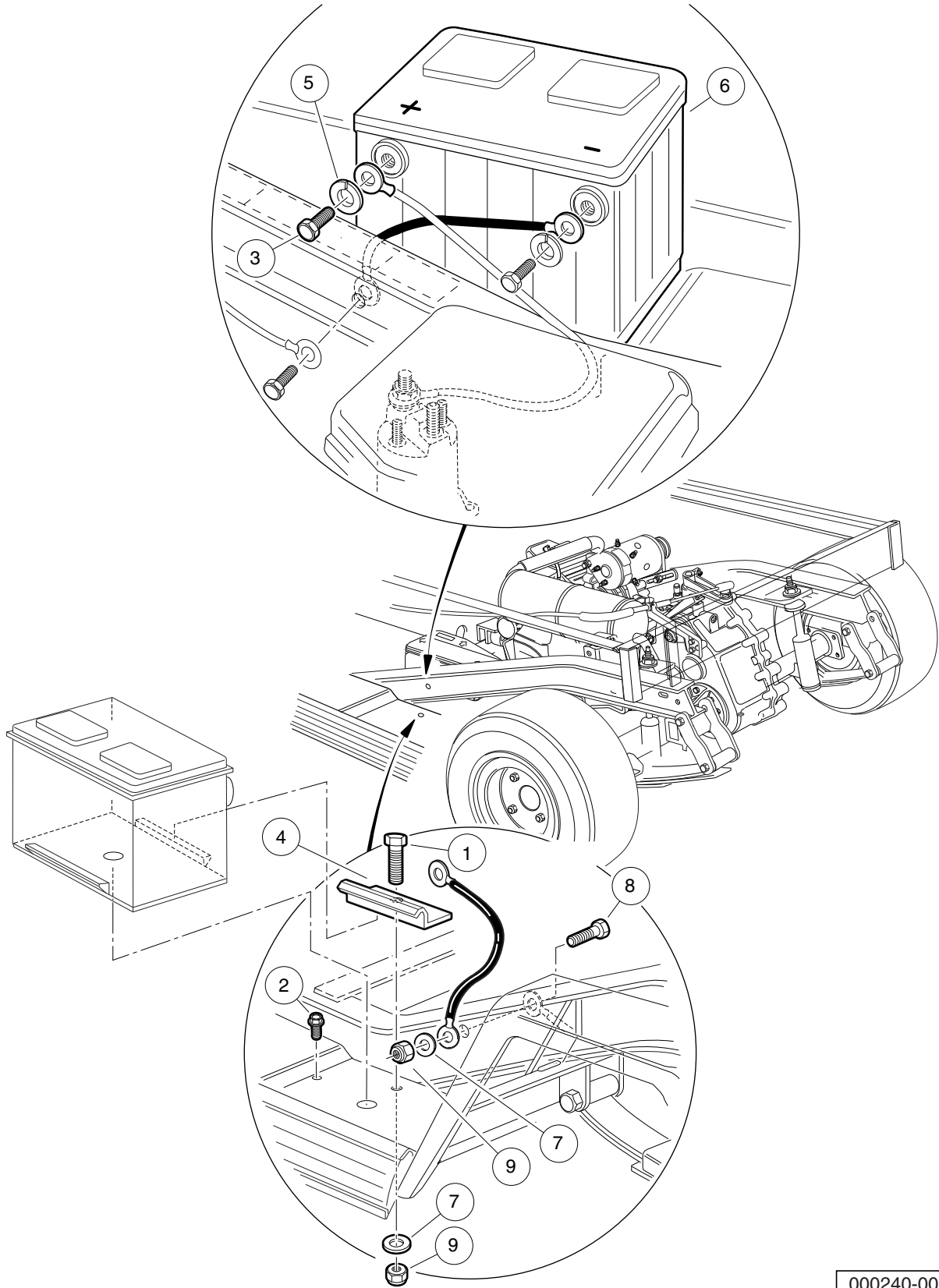
000999-001

# FORWARD/REVERSE SHIFTER SWITCHES, PEDAL-START – EFI

ITEM	PART NO.	DESCRIPTION	QTY
		<b>1 2 3 4</b>	
1	1014807	Switch, Limit .....	1
2	1015878	Screw, #4-40 Hex Head Machine .....	2
3	105102601	Switch, Limit, Sealed, with 3-Wire Lead .....	2
4	8056	Screw, #4-40 X 0.75 Round-Head Machine .....	2
5	8057	Nut, #4-40 Hex Machine .....	4
6	8058	Lockwasher, #4 Split .....	4

**7**  
**G**

**7**  
**G**



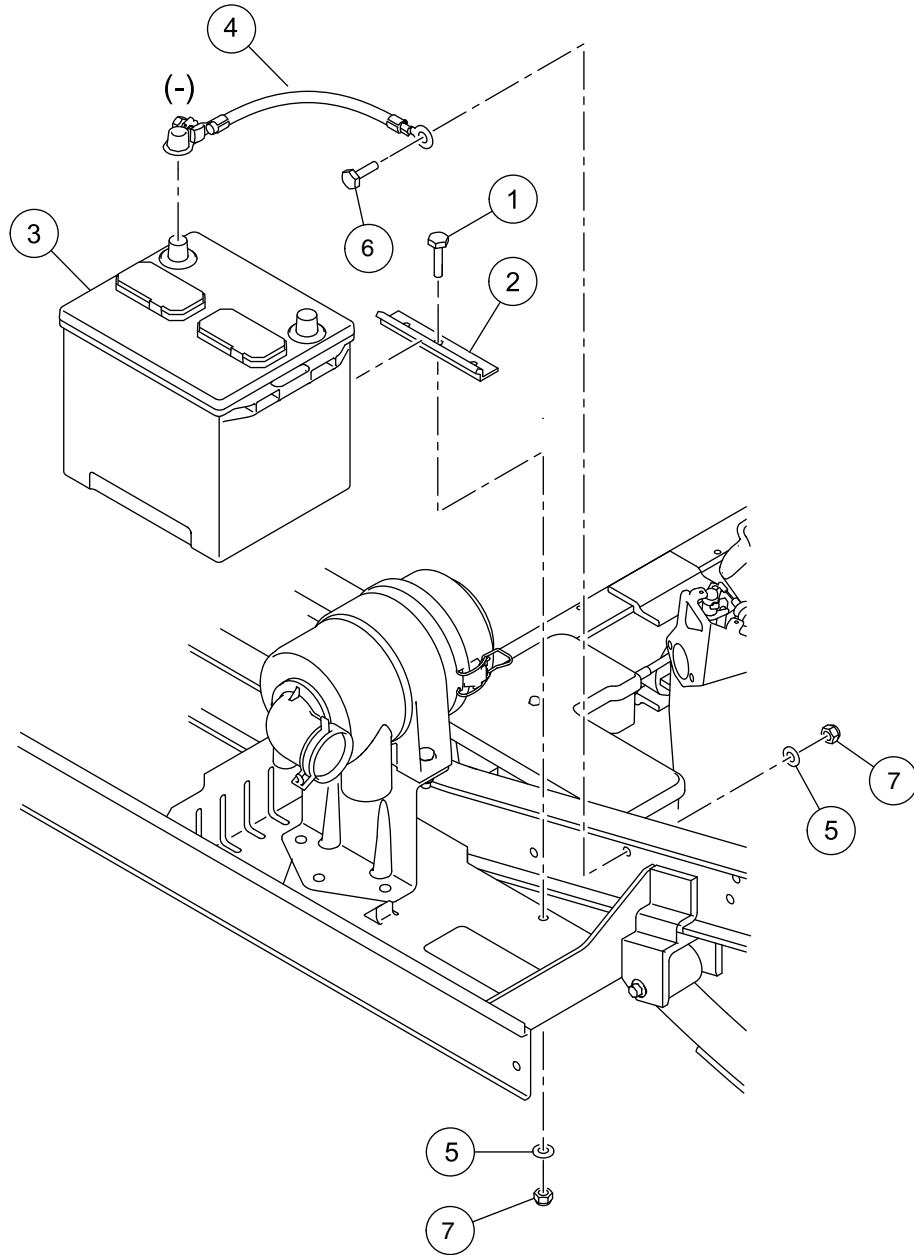
000240-001

## BATTERY – GASOLINE UTILITY VEHICLES

ITEM	PART NO.	DESCRIPTION	QTY
		1 2 3 4	
1	1010934	Screw, 5/16-18 X 1.00 Hex Cap .....	1
2	1014288	Screw, 5/16-18 X 0.75, Thread-Forming .....	1
3	1014375	Screw, 3/8-16 X 0.50, Stainless Steel, Hex-Head .....	2
4	101898001	Clamp, Battery .....	1
5	101898101	Retainer - Battery .....	1
6	102355301	Lockwasher, 3/8 Split Ss .....	2
7	103496801	Battery, Start, 12v .....	1
8	1241	Washer, 5/16 Type A Flat .....	2
9	1606	Rivet, 3/16 X .500 Alum Pop .....	2
10	7173	Screw, 5/16-18 X 0.75, Hex-Head Cap .....	1
11	7473	Locknut, 5/16-18 Nylon Insert .....	2

7

G



000250-001

## TOP-POST BATTERY – GASOLINE UTILITY VEHICLES

ITEM	PART NO.	DESCRIPTION	QTY
		1 2 3 4	
1	1010934	Screw, 5/16-18 X 1.00 Hex Cap .....	1
2	101898001	Clamp, Battery .....	1
3	105237301	Battery, Start, 12v, Type 26 .....	1
4	105256701	Wire Assy, 4ga, Battery, (top-post) B-, Gas .....	1
5	1241	Washer, 5/16 Type A Flat .....	2
6	7173	Screw, 5/16-18 X 0.75, Hex-Head Cap .....	1
7	7473	Locknut, 5/16-18 Nylon Insert .....	2

7

G

7

G



# ENGINE (KOHLER ECH440)

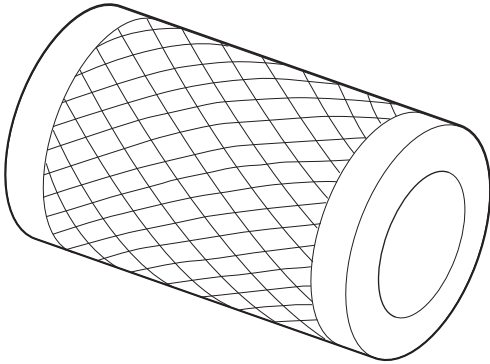
---

8

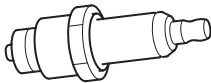
G

8

G



1



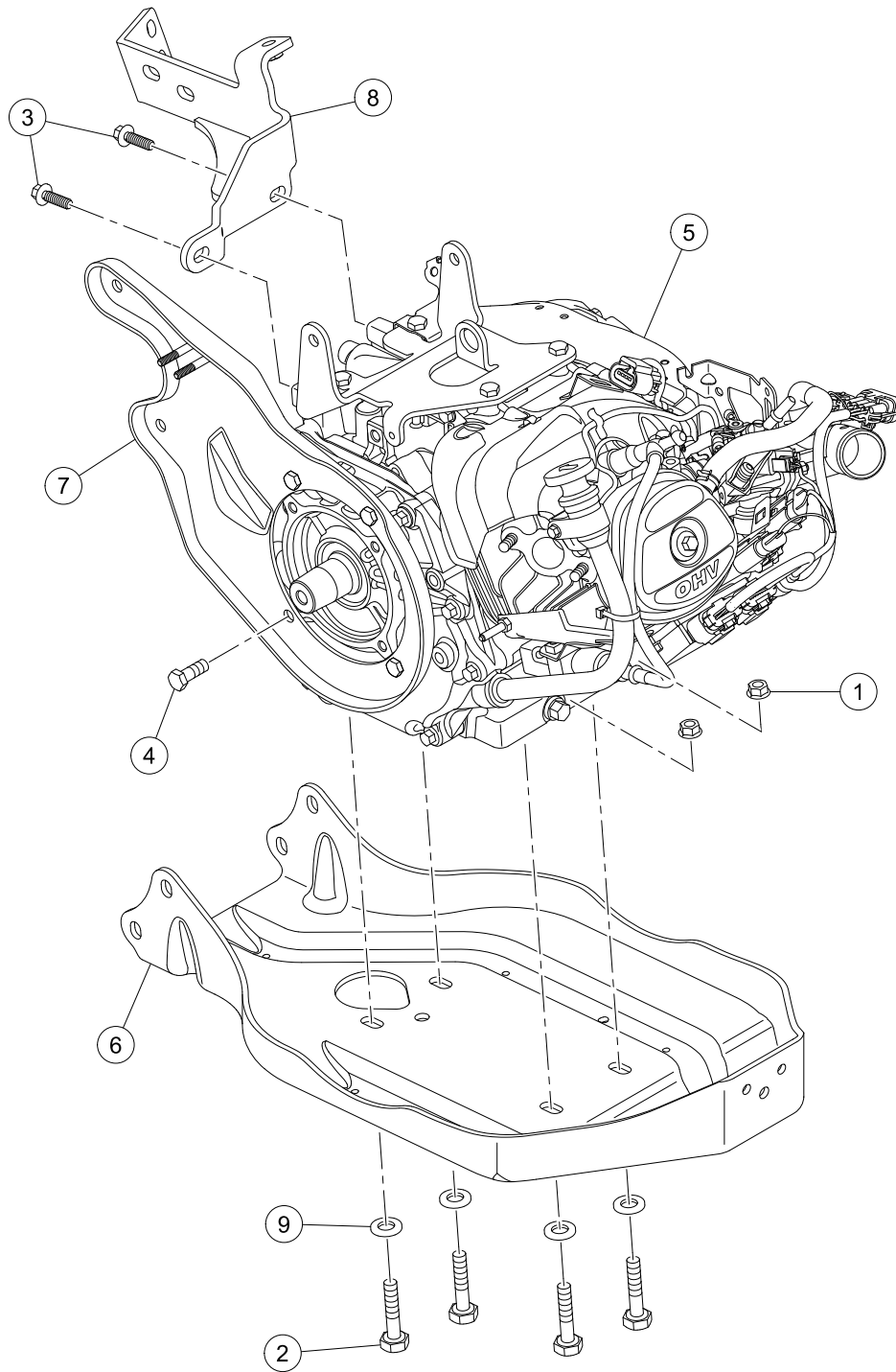
2

000992-003

# TUNE-UP PARTS

ITEM	PART NO.	DESCRIPTION	QTY
1	102558201	1 2 3 4 Air Filter, 4 Inch .....	1
2	47640281001	Plug, Spark, Kohler .....	1

**8**  
**G**



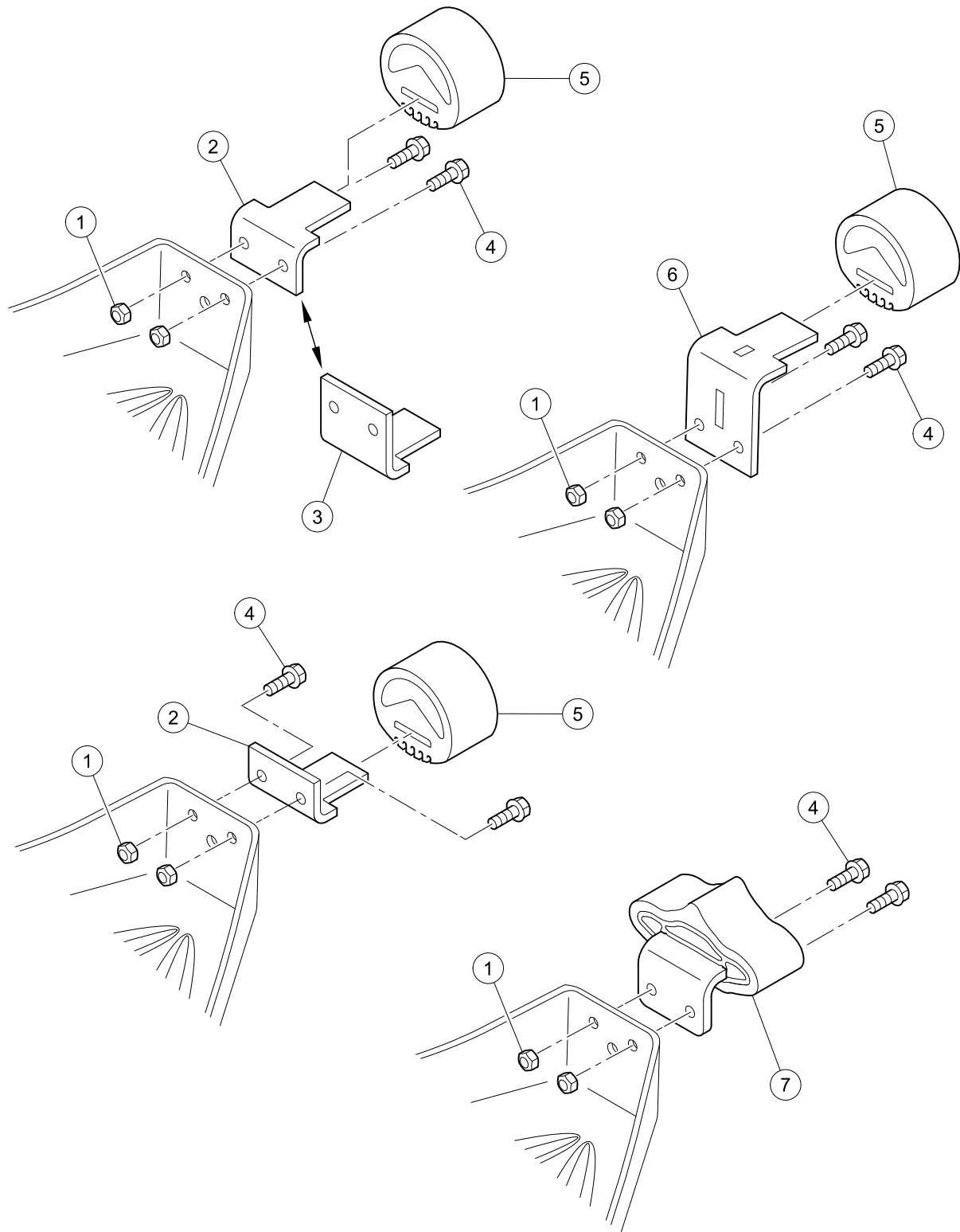
G-110199-00002

# ENGINE AND ENGINE MOUNTING

ITEM	PART NO.	DESCRIPTION	QTY
		1 2 3 4	
1	102617201	Nut, Flanged, M10 X 1.5, Mechanically Deformed .....	4
2	102732401	Bolt, M10 X 45, Zn-Ni (Black) .....	4
3	103262201	Bolt Flg Blk, M8 X 25, Loctite .....	2
4	103508101	Bolt, 3/8-16 X .75 Lock Patch .....	4
5	47598099001	Engine, Gas, Ech440 .....	1
6	47611483001	Plate, Mtg, Engine/axle, Pan .....	1
7	47611484001	Plate, Mtg, Engine/axle, Cvt .....	1
8	47611648001	Weldment, Mtg, Exhaust .....	1
9	96741046	Washer, M10, Hard .....	4

**8**

**G**



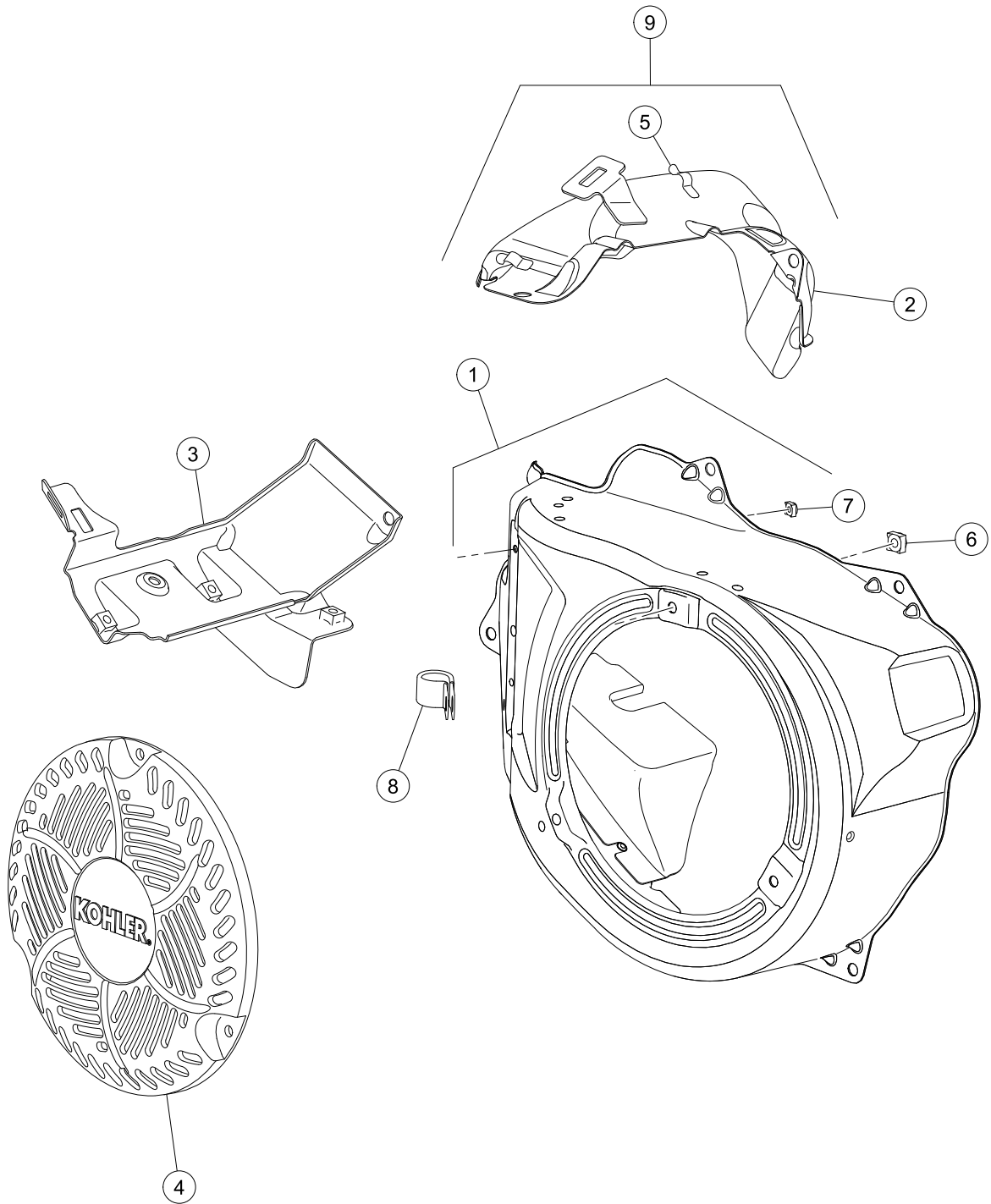
G-010299-000001

## ENGINE PAN AND SNUBBER MOUNTING

ITEM	PART NO.	DESCRIPTION	QTY
		1 2 3 4	
1	1013924	Nut, 5/16-24, Hex Head Cone .....	2
2	101834601	Bracket, Snubber .....	1
3	101834602	Bracket, Snubber, Tall .....	1
4	101884801	Screw, 5/16-24 X 0.875, Grade-8 .....	2
5	102540301	Snubber, Inner Frame .....	1
6	47564890001	Bracket, Snubber, Csmr, Lifted .....	1
7	47587701001	Asm, Dual Snubber (includes items 8 and 9) .....	1
8	47583795001	Bracket, Dual Snubber .....	1
9	47584184001	Snubber, Dual .....	1
<p style="margin-left: 40px;">Note: Items 8 and 9 are not illustrated.</p>			

8

G



G-040899-000001

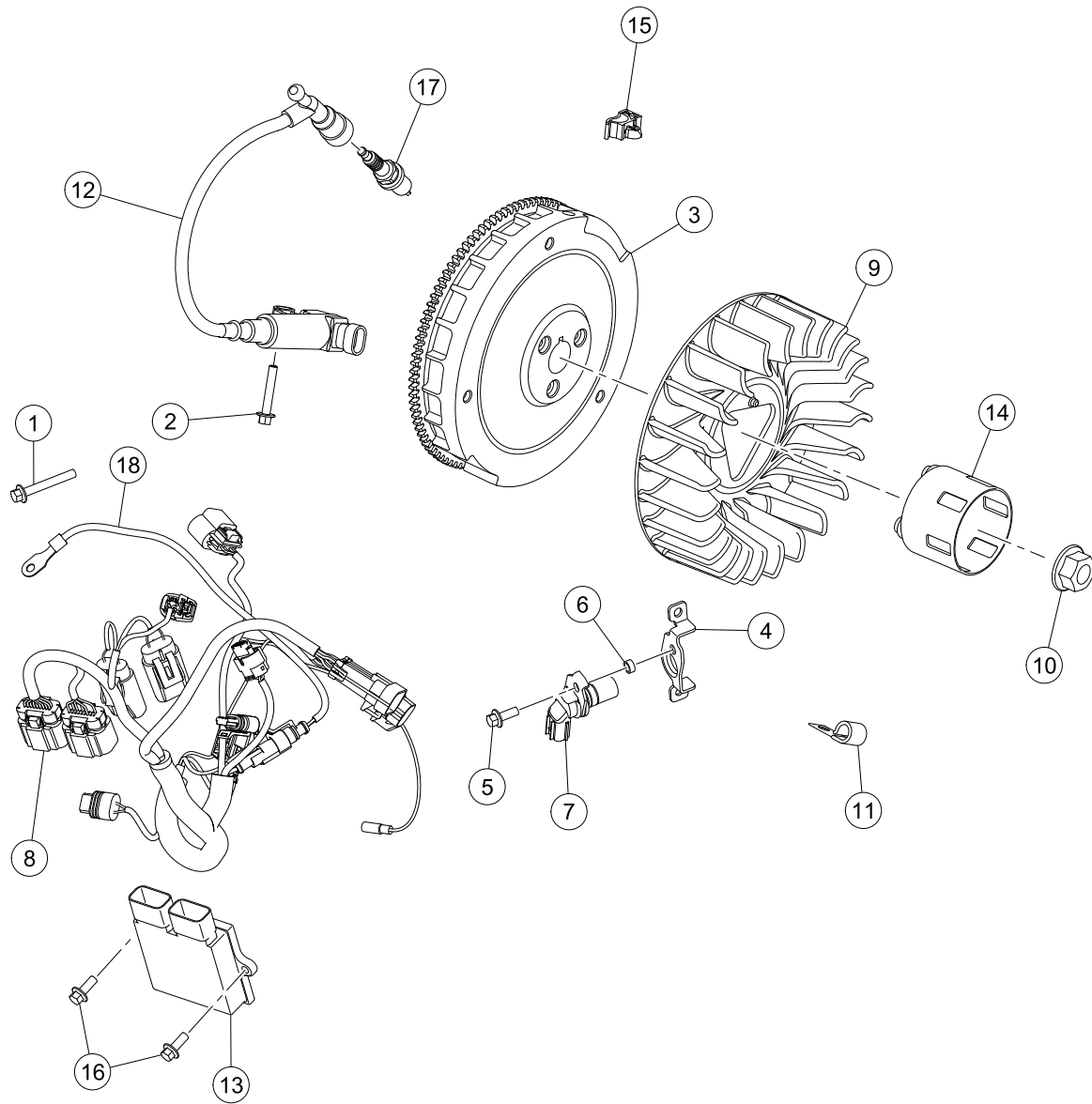


# BLOWER HOUSING AND HEAT SHIELD – ECH440

ITEM	PART NO.	DESCRIPTION	QTY
		1 2 3 4	
1	47629844001	Kit, Blower Housing, Kohler .....	1
2	47629845001	Shield, Upper Heater, Kohler .....	1
3	47629846001	Shield Assembly, Cylinder, Koh .....	1
4	47629847001	Screen, Blower Housing, Kohler .....	1
5	47629848001	Clip, Wire, Kohler .....	2
6	47629851001	Nut, Blower Housing (cky), Koh .....	1
7	47629853001	Nut, Blower Housing (cky), Koh .....	1
8	47629855001	Clamp, Insulator, Kohler .....	1
9	47629856001	Assembly, Heat Shield, Kohler .....	1

8

G



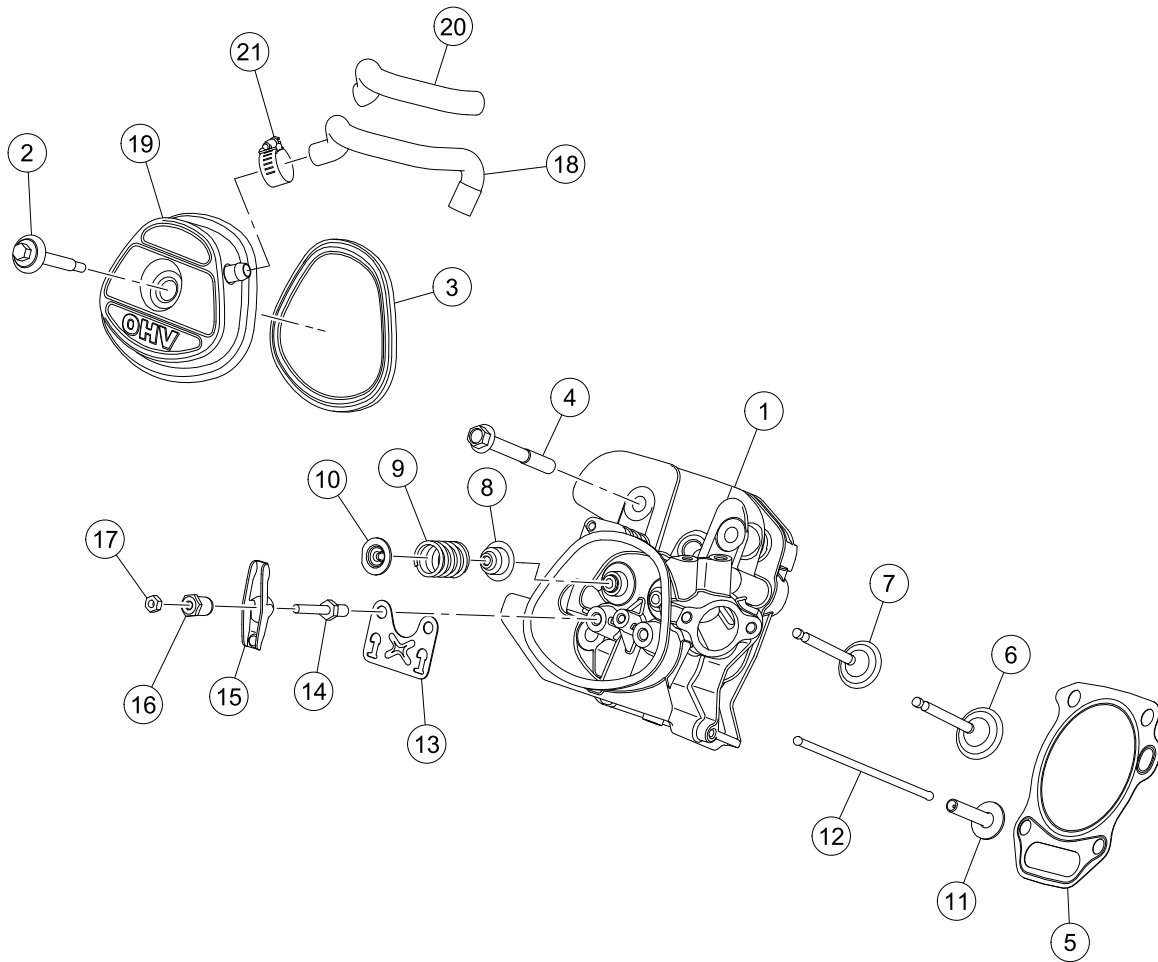
G-040799-000001

# IGNITION COMPONENTS AND FLYWHEEL – ECH440

ITEM	PART NO.	DESCRIPTION	QTY
		1 2 3 4	
1	47629702001	Screw, Hex Flange (m6), Kohler .....	3
2	47629702001	Screw, Hex Flange (m6), Kohler .....	1
3	47629826001	Flywheel Assy, Electric Start .....	1
4	47629828001	Bracket, Crank Sensor, Kohler .....	1
5	47629831001	Screw, Hex Flange, Kohler .....	1
6	47629832001	Spacer, Kohler .....	1
7	47629833001	Sensor, Speed, Kohler .....	1
8	47629834001	Harness, Wiring Assy, Kohler .....	1
9	47629835001	Fan, Flywheel, Kohler .....	1
10	47629836001	Nut, Flywheel, Kohler .....	1
11	47629837001	Clip, Cable, Kohler .....	1
12	47629838001	Coil, Ignition-efi, Kohler .....	1
13	47629839001	Module, Ecu, Kohler .....	1
14	47629841001	Cup, Starter Drive, Kohler .....	1
15	47629843001	Clip, Wiring Harness, Kohler .....	1
16	47640021001	Screw, M6x16, Kohler .....	2
17	47640281001	Plug, Spark, Kohler .....	1
18	47650647001	Sensor, Temperature .....	1

**8**

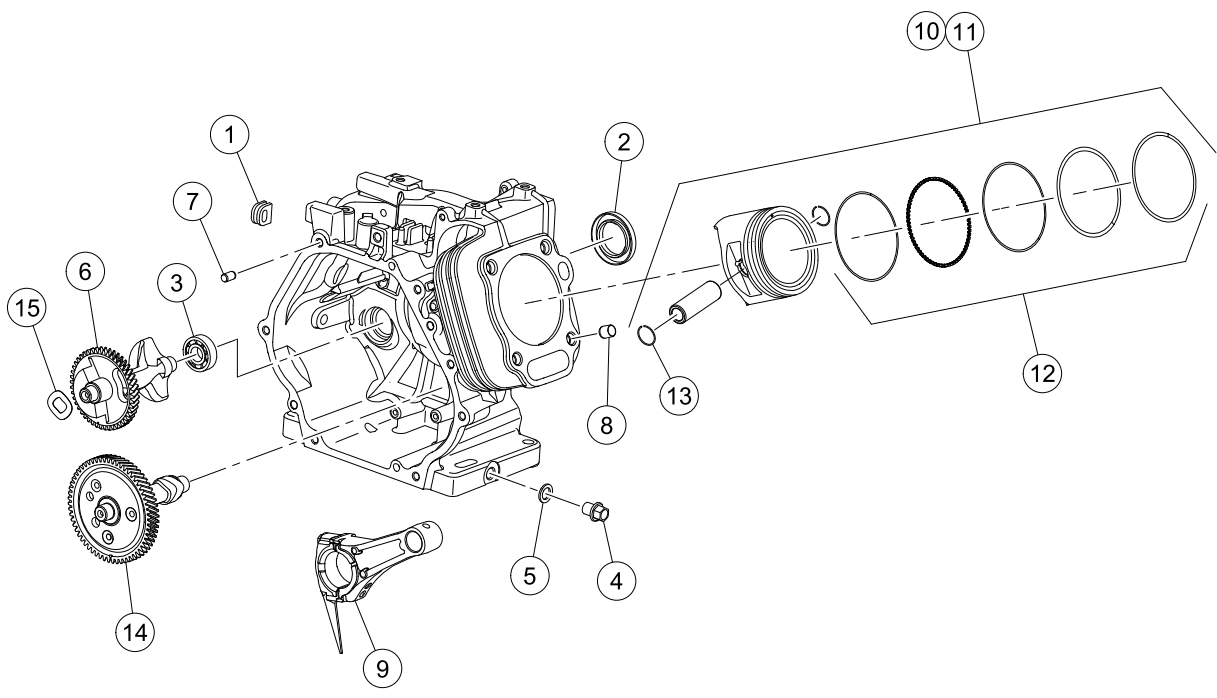
**G**



G-040599-000001

## CYLINDER HEAD AND VALVE – ECH440

ITEM	PART NO.	DESCRIPTION	QTY	8
		1 2 3 4		G
1	47629711001	Assembly, Cylinder Head, Kohle .....	1	
2	47629714001	Screw, Valve Cover Seal Assy, .....	1	
3	47629716001	Gasket, Valve Cover, Kohler .....	1	
4	47629717001	Screw, Hex Flange Cylinder Hea .....	4	
5	47629718001	Kit, Head Gasket, Kohler .....	1	
6	47629719001	Valve, Intake, Kohler .....	1	
7	47629720001	Valve, Exhaust, Kohler .....	1	
8	47629722001	Seal, Valve Stem, Kohler .....	2	
9	47629723001	Spring, Valve, Kohler .....	2	
10	47629724001	Retainer, Valve Spring, Kohler .....	2	
11	47629725001	Lifter, Valve, Kohler .....	2	
12	47629726001	Rod, Push, Kohler .....	2	
13	47629727001	Plate, Pushrod Guide, Kohler .....	1	
14	47629728001	Stud, Rocker, Kohler .....	2	
15	47629729001	Arm, Rocker, Kohler .....	2	
16	47629730001	Pivot, Rocker Arm, Kohler .....	2	
17	47629768001	Nut, Hex Jam, Kohler .....	2	
18	47629822001	Hose, Breather, Kohler .....	1	
19	47629823001	Valve Cover Assembly, Kohler .....	1	
20	47629824001	Sleeve, Anti Abrasion, Kohler .....	1	
21	47629825001	Clamp, Hose, Kohler .....	1	



G-040399-000001

## CRANKCASE AND PISTON – ECH440

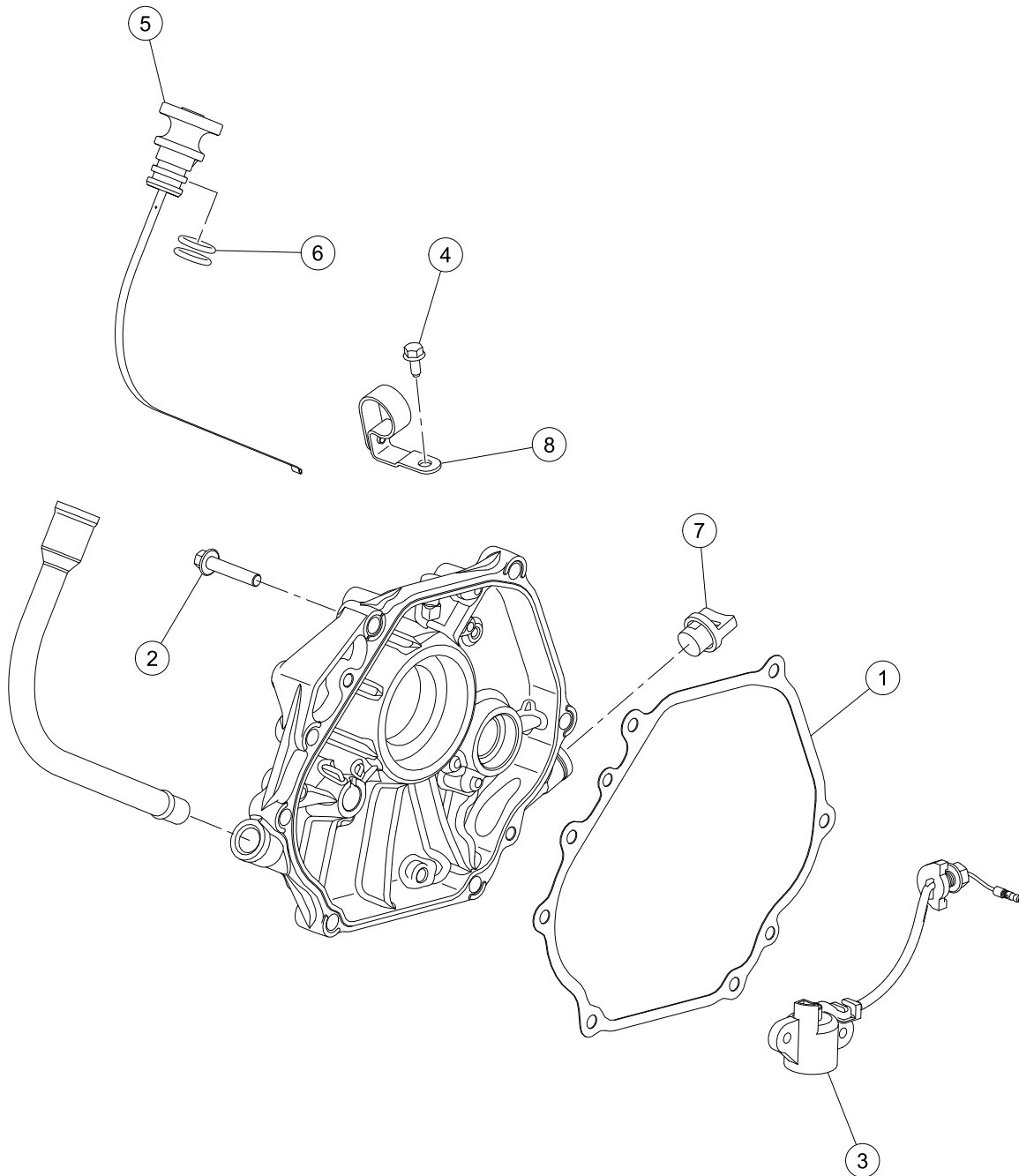
ITEM	PART NO.	DESCRIPTION	QTY
		1 2 3 4	
1	47629677001	Grommet, Crankcase,kohler .....	1
2	47629680001	Seal, Crankcase, Kohler .....	2
3	47629682001	Bearing, Balancing Shaft, Kohl .....	2
4	47629685001	Kit, Drain Plug, Kohler .....	2
5	47629686001	Washer, Drain Plug, Kohler .....	2
6	47629687001	Shaft, Balance, Kohler .....	1
7	47629688001	Pin, Dowel, Kohler .....	2
8	47629689001	Pin, Dowel Cylinder Head, Kohl .....	2
9	47629690001	Rod, Connecting Assembly,kohle .....	1
10	47629691001	Kit, Piston Wing Set (std), Ko .....	1
11	47629693001	Kit, Piston (0.25 O.s.), Kohle .....	1
12	47629694001	Ring Set, Kohler .....	2
13	47629696001	Retainer, Piston, Kohler .....	2
14	47629697001	Camshaft Assembly, Kohler .....	1
15	47629698001	Spring, Wave, Kohler .....	1

**8**

**G**

8

G



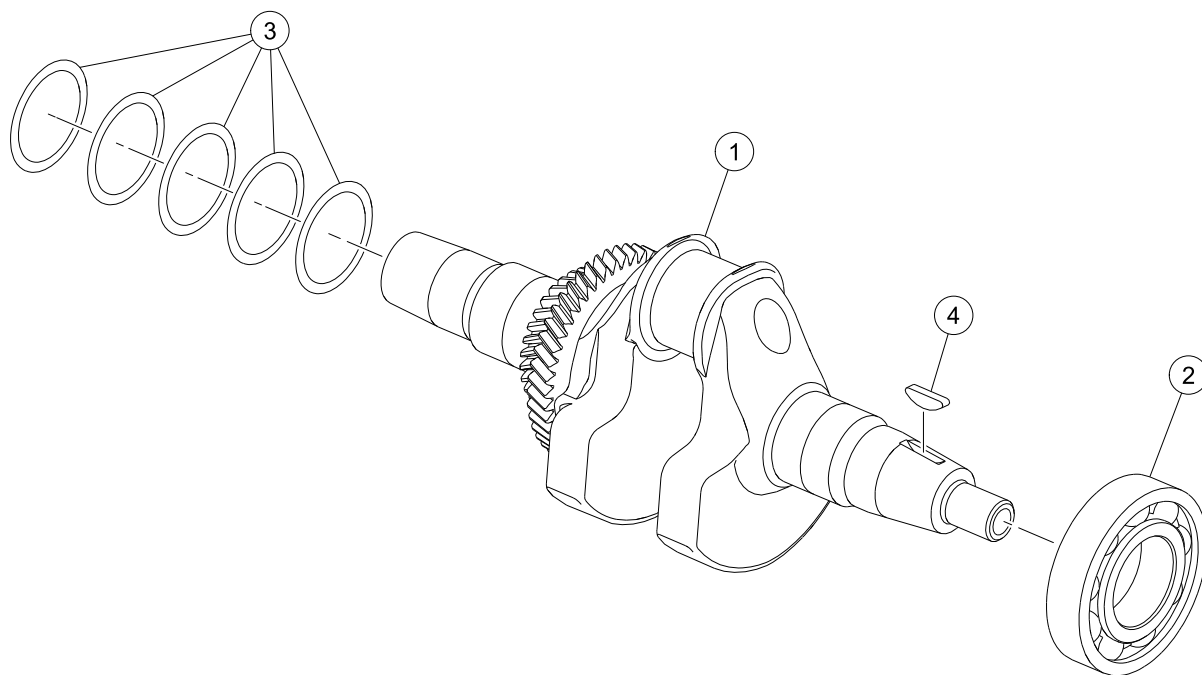
G-040699-000001



## OIL SENSOR AND LUBRICATION – ECH440

ITEM	PART NO.	DESCRIPTION	QTY
		<b>1 2 3 4</b>	
1	47629699001	Gasket, Closure Plate, Kohler .....	1
2	47629700001	Screw, Closure Plate, Kohler .....	7
3	47629701001	Switch, Oil Sensor Assembly, K .....	1
4	47629702001	Screw, Hex Flange (m6), Kohler .....	18
5	47629703001	Dipstick, Assembly, Kohler .....	1
6	47629705001	O-ring, Dipstick Cap, Kohler .....	2
7	47629707001	Cap Assy, Oil Fill, Kohler .....	1
8	47629709001	Bracket, Dipstick Tub, Kohler .....	1

**8**  
**G**



G-040299-000001

# CRANKSHAFT – ECH440

ITEM	PART NO.	DESCRIPTION	QTY
		1 2 3 4	
1	47629583001	Crankshaft Assembly, Kohler .....	1
2	47629585001	Bearing, Crankshaft, Kohler .....	2
3	47629588001	Kit, Shims, Kohler .....	5
4	47629589001	Key, Flywheel, Kohler .....	1

8

G

8

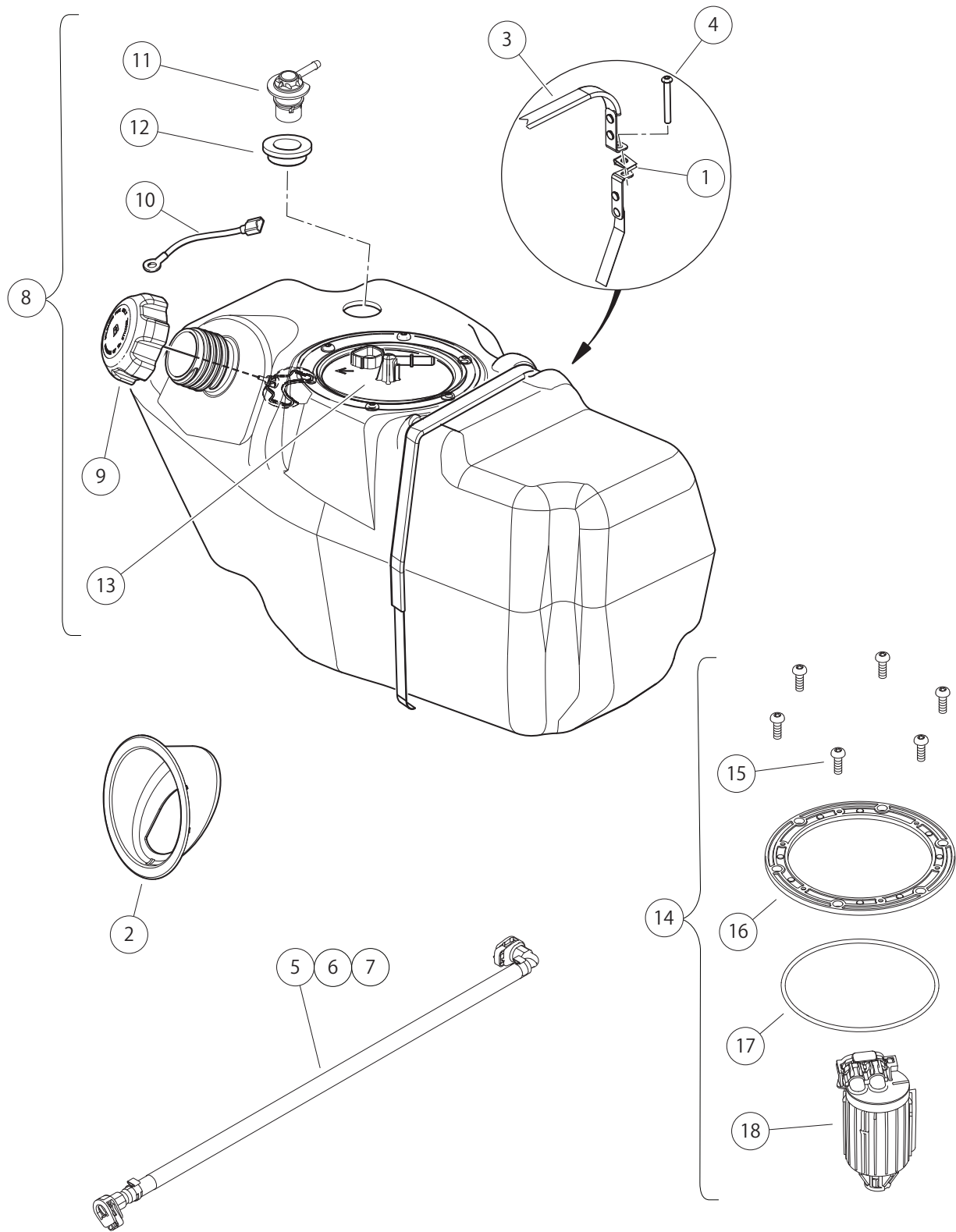
G

# FUEL SYSTEM – EFI

---

9

G



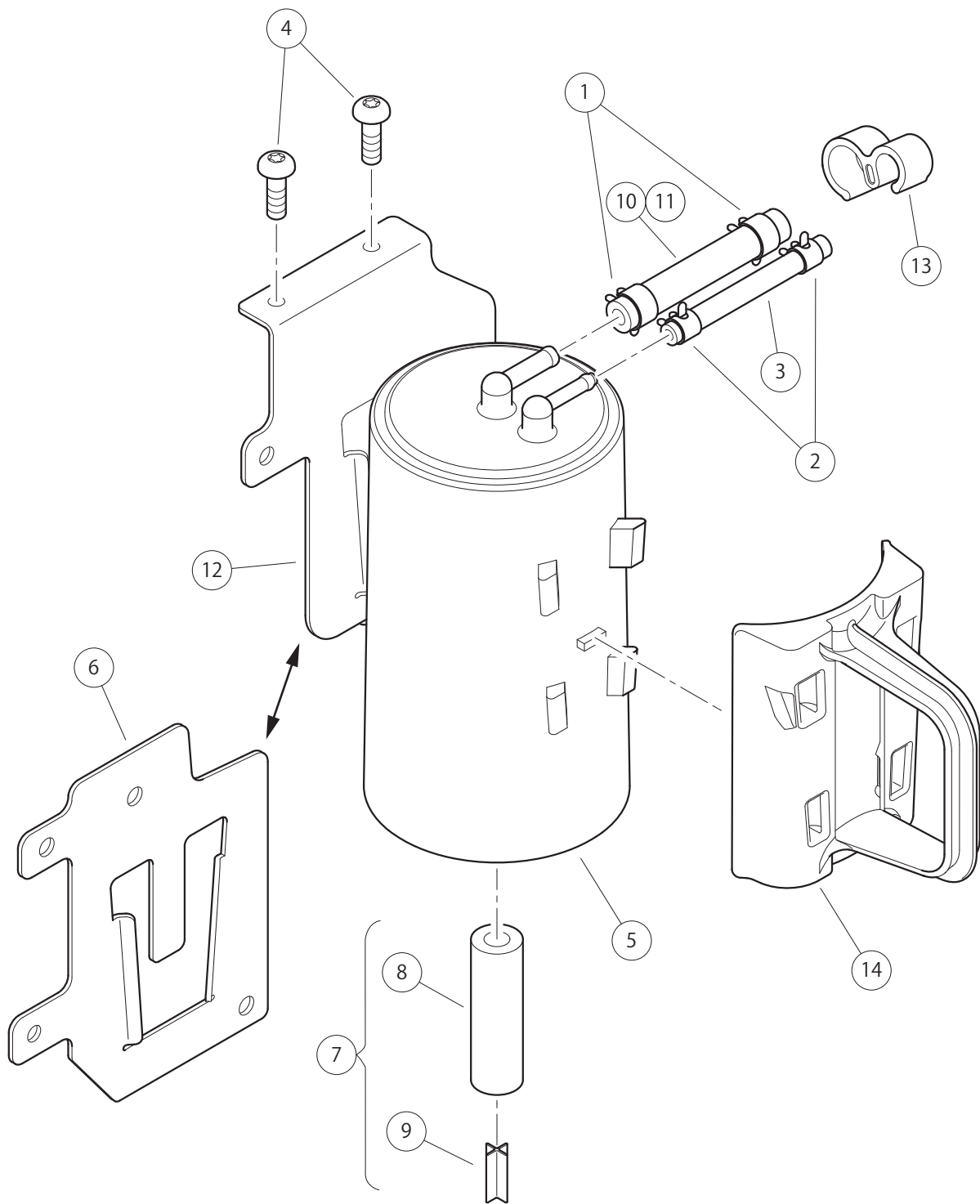
000977-008

## FUEL TANK WITH PUMP, SIDE FILL – EFI

ITEM	PART NO.	DESCRIPTION	QTY
		<b>1 2 3 4</b>	
1	1014116	Nut, 1/4-20 Speed .....	1
2	102977901	Bezel, Fuel Fill, 5.0 Dia .....	1
3	105093601	Retention Strap, Tank .....	1
4	105194101	1/4-20 X 2.5, Bhcs, 6-lobe .....	1
5	47606233001	Asm, Fuel Line, Util .....	1
6	47606233002	Asm, Fuel Line, Util .....	1
7	47606233004	Asm, Fuel Line, Uff, Hb, Lwb .....	1
8	47664037001	Asm, Tank, Fuel, Side, Su (includes items 9 through 14) .....	1
9	103372101	Cap, Fuel Tank, Gas, Ratchet .....	1
10	105143301	Wire, Ground, Fuel Tank .....	1
11	47611876001	Vent Rov, Fuel Tank, Precedent .....	1
12	47611877001	Grommet, Fuel Tank, Vent .....	1
13	N/A	Fuel Pump Module Su 50psi .....	1
14	47623339001	Kit, Fuel Filter, 50 Psi (includes items 15 through 18) .....	1
15	102025801	Screw, 1/4-20 X .75 Torx Pn Hd .....	6
16	105043801	Fuel Module, Hold Down Ring .....	1
17	105043901	O-Ring, Fuel Module .....	1
18	N/A	Fuel Filter, 50psi .....	1
<p style="text-align: center;">Note: Item 5 applies to short wheel base vehicles only. Item 6 applies to medium wheel base vehicles only. Item 7 applies to long wheel base vehicles only.</p>			

9

G



000980-014

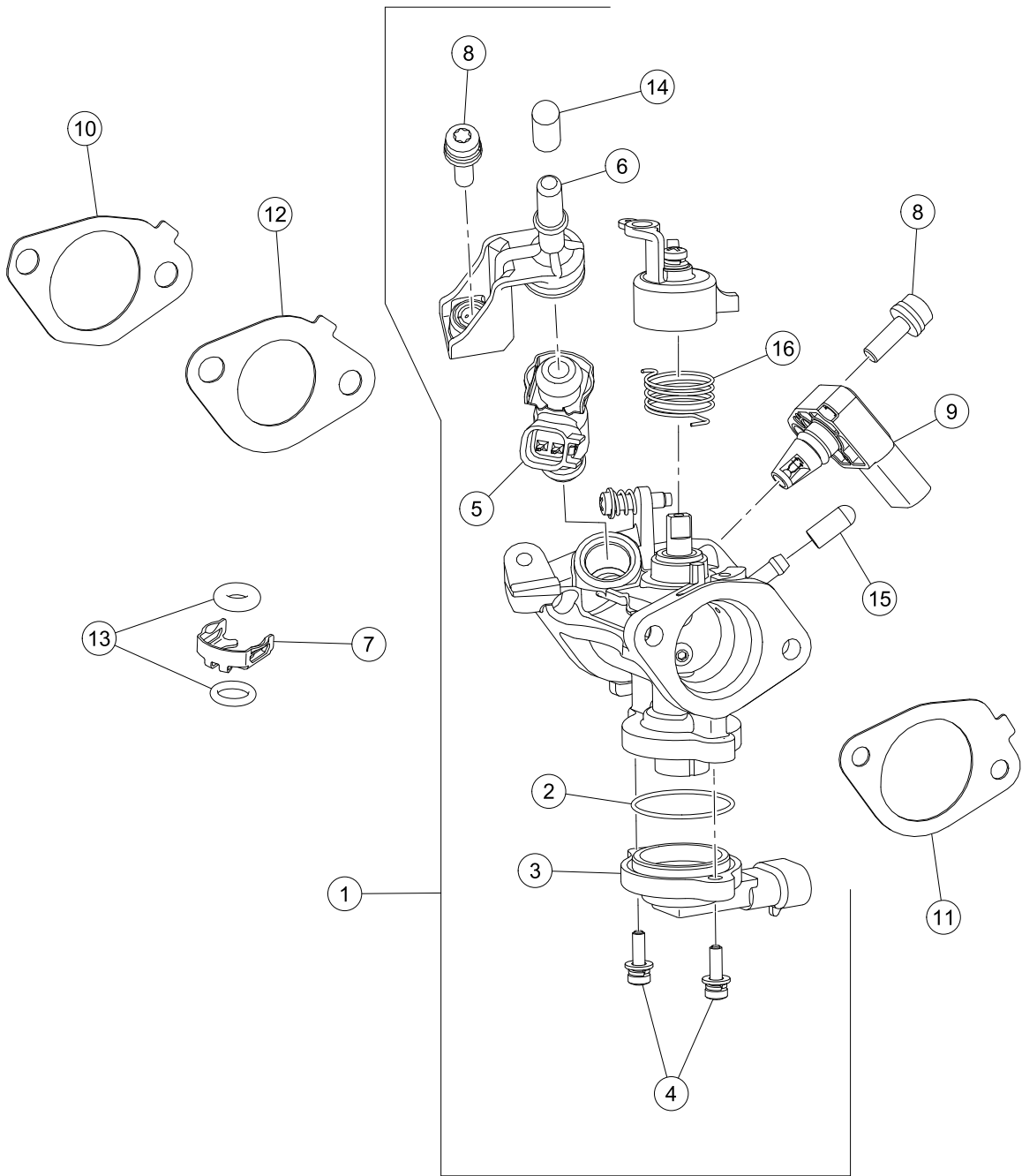


## CARBON CANISTER – EFI

ITEM	PART NO.	DESCRIPTION	QTY
		<b>1 2 3 4</b>	
1	1012649	Clamp, 0.460 Red Hose .....	2
2	1013746	Clamp, 0.301 ID Hose .....	2
3	101587714	Hose, Fuel, Vent, 34" Long .....	1
4	102025801	Screw, 1/4-20 X .75 Torx Pn Hd .....	2
5	103372401	Canister, Carbon .....	1
6	103452001	Brkt, Mtg, Carbon Canister .....	1
7	103756401	Asm, Vent Line, Carbon Canister (includes items 8 and 9) .....	1
8	N/A	Hose, Vent, 5/16 I.D., Bulk .....	1
9	N/A	Vent, Barb, 5/16 I.D. Hose .....	1
10	103896604	Hose, Vent, 1/4 Id, 17 In (SWB and Utility) .....	1
11	103896605	Hose, Vent, 1/4 Id, 23.5 In .....	1
12	47606257001	Brkt, Mtg, Carbon Canister .....	1
13	47619701001	Clip, Purge Line, Util .....	2
14	47637087001	Bracket, fuel line routing .....	1
<p>Note: Items 6 and 14 apply to short wheel base vehicles only. Item 12 applies to utility and long wheel base vehicles only.</p>			

9

G



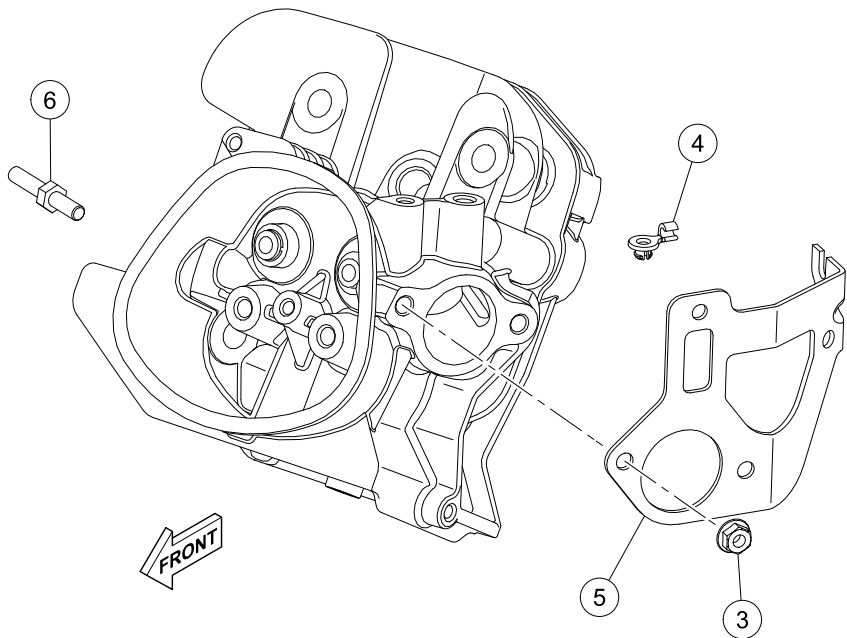
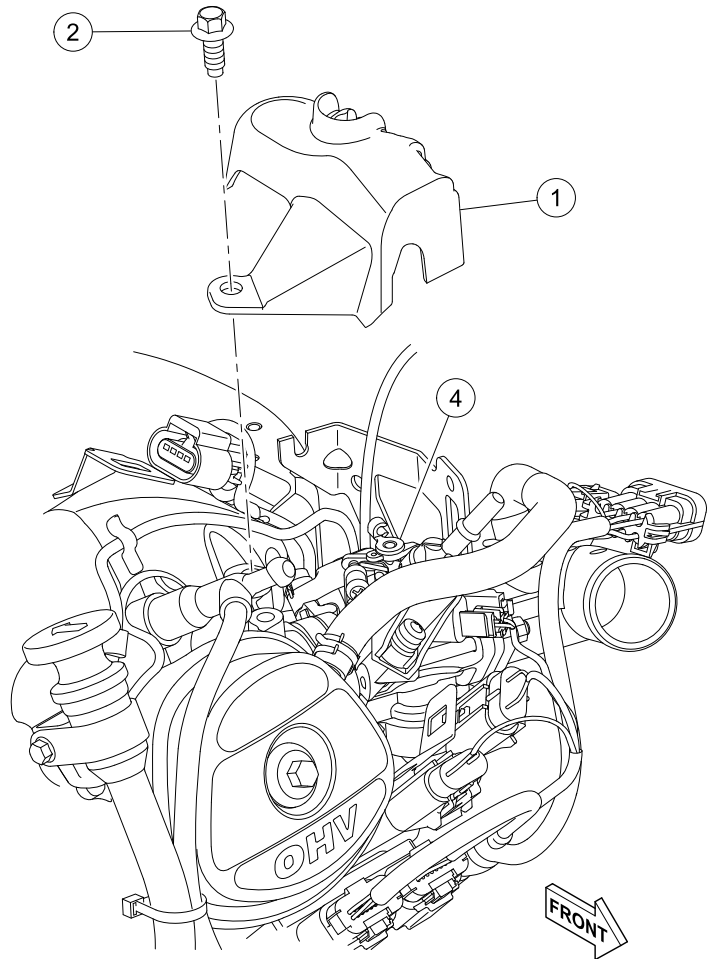
G-100199-000001

# THROTTLE BODY AND MOUNTING

ITEM	PART NO.	DESCRIPTION	QTY
		1 2 3 4	
1	47629857001	Throttle Body, Assembly, Kohle .....	1
2	47629858001	O-ring, Kohler .....	1
3	47629859001	Kit, Tps, Kohler .....	1
4	47629860001	Screw, Hexalobular, M4 X 0.7 X .....	2
5	47629861001	Injector, Fuel, Kohler .....	1
6	47629862001	Cap, Fuel Inector, Kohler .....	1
7	47629864001	Clip, Retainer, Kohler .....	1
8	47629865001	Screw, Hexalobular, M6 X 1 Sem .....	2
9	47629866001	Sensor, T-map, Kohler .....	1
10	47629867001	Kit, Gasket Intake, Kohler .....	1
11	47629868001	Gasket, Throttle Body, Kohler .....	1
12	47629869001	Gasket, Insulator To T-body, K .....	1
13	47629870001	Kit, Fuel Injector O-ring, Koh .....	1
14	47629871001	Cap, Masking, Kohler .....	1
15	47629872001	Cap, Masking, Kohler .....	1
16	47629874001	Spring, Return, Kohler .....	1

9

G

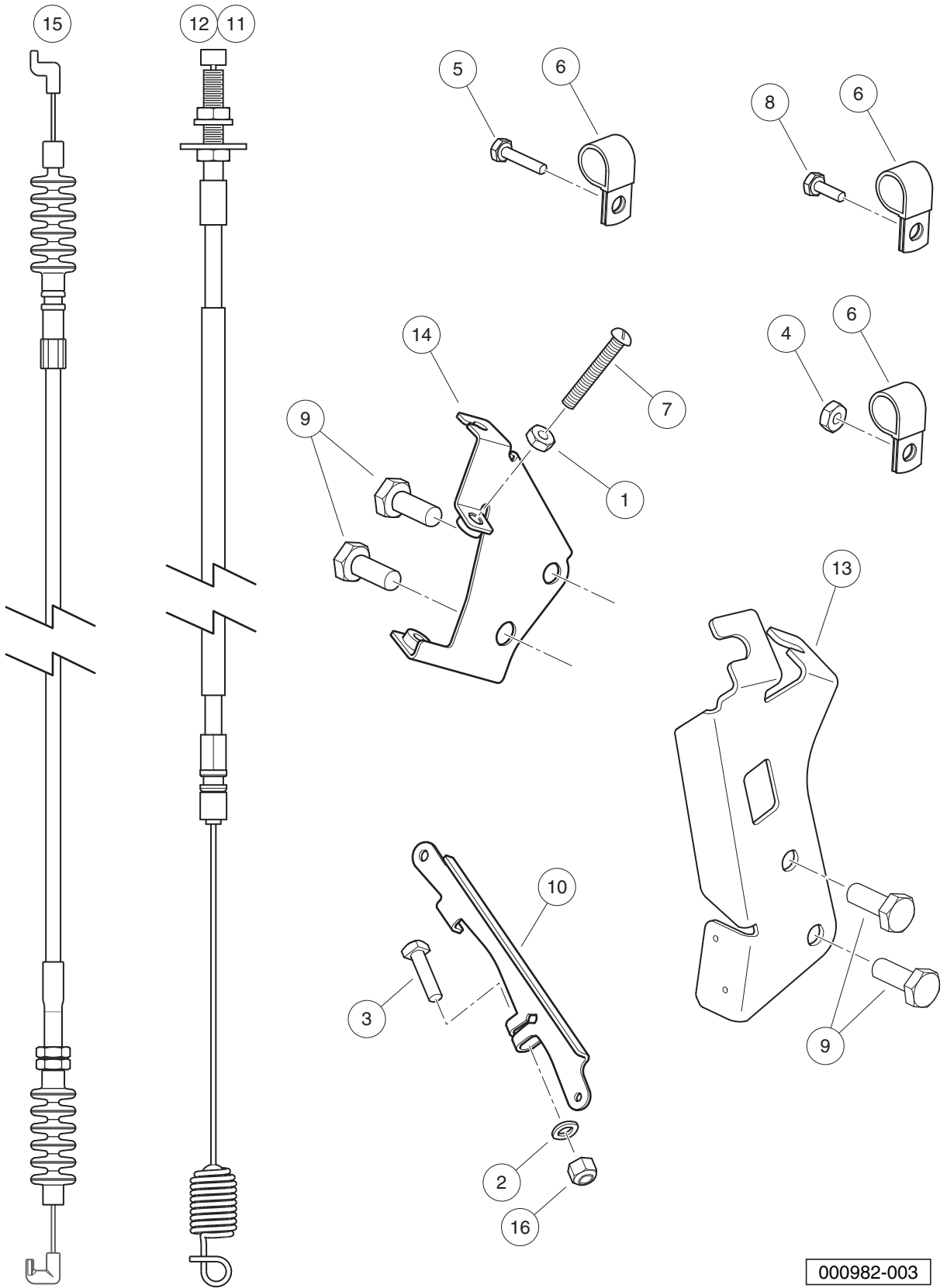


G-040999-000002

# GOVERNOR BRACKET AND COVER – EFI

ITEM	PART NO.	DESCRIPTION	QTY
		1 2 3 4	
1	47612352001	Cover, Governor, Ech 440 .....	1
2	47617158001	M8-1.25 X 16 Lg, Pan Hd, Torx .....	2
3	47629875001	Nut, Hex Flange Lock (m6), Koh .....	2
4	47629876001	Bushing, Linkage Retainer, Koh .....	1
5	47629877001	Bracket, Governor, Kohler .....	1
6	47629878001	Stud, Ground, Kohler .....	1

**9**  
**G**

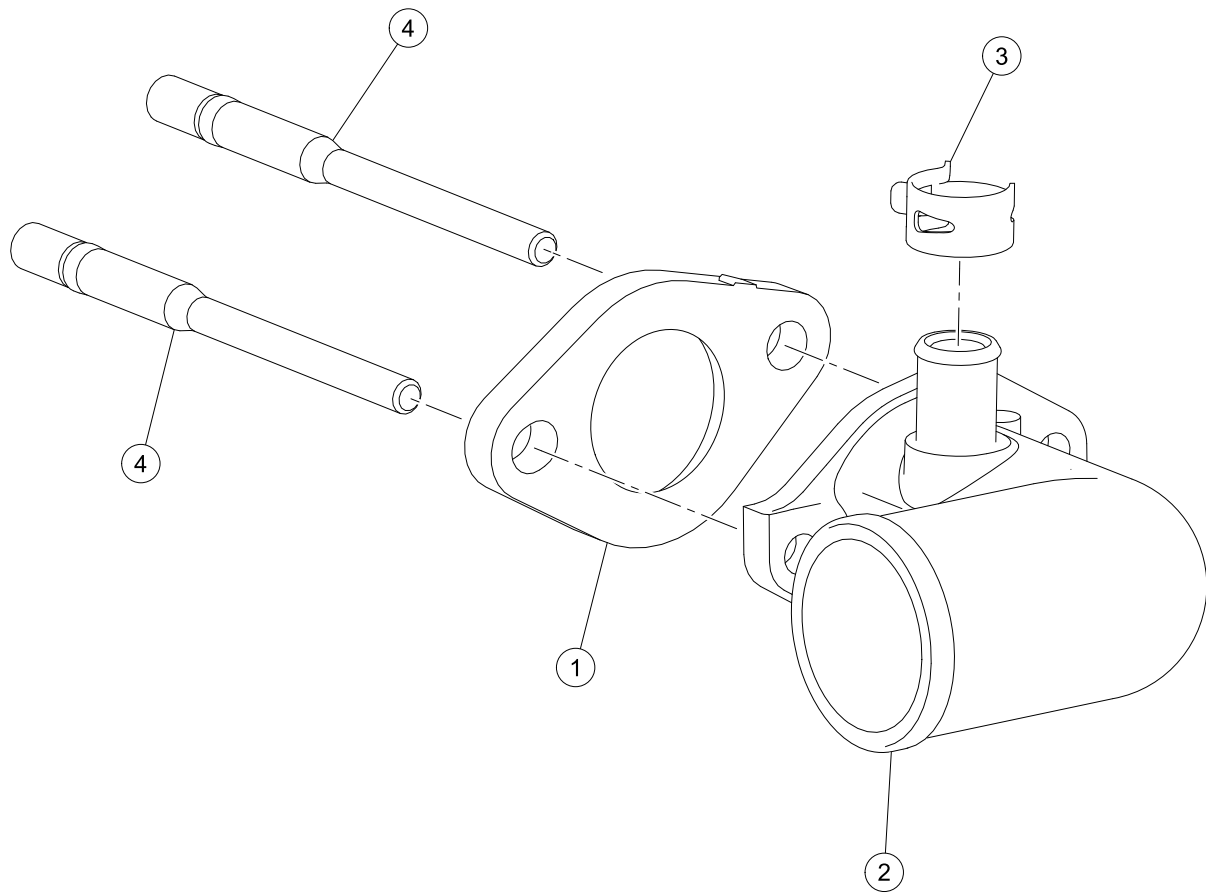


000982-003

## GOVERNOR AND ACCELERATOR CABLES – EFI

ITEM	PART NO.	DESCRIPTION	QTY
		1 2 3 4	
1	1011114	Nut, M6-1.00 Hex .....	2
2	1014007	Washer, 1/4, Flat .....	1
3	101886101	Screw, 1/4-20 X 1.00, Square-Head .....	1
4	101887601	Locknut, M6-1.00 Nylon Insert .....	1
5	102296716	Screw, M6 X 16 Tt Hx Fl Hd .....	1
6	102410604	P-clamp, Insulated, 0.625 Inch .....	3
7	102476401	Bolt, Stop, Pedal .....	1
8	102490301	Bolt, M6 X 1 X 16, Loctite .....	1
9	102498201	Bolt, M10 X 1.25 X 25, Loctite .....	2
10	104023501	Arm, Governor, ED65 .....	1
11	105007402	Cable, Accelerator, Utility, Low-Speed .....	1
12	105007403	Cable, Accelerator, Utility, Std-Speed .....	1
13	105135101	Bracket, Cable, FNR/Accelerator, ED65 .....	1
14	105144401	Weldment, Governor Bracket .....	1
15	47601355001	Cable, Governor, Z Fit 90 Fit .....	1
16	8233	Locknut, 1/4-20, Nylon Insert .....	1

9  
G



G-040999-000003



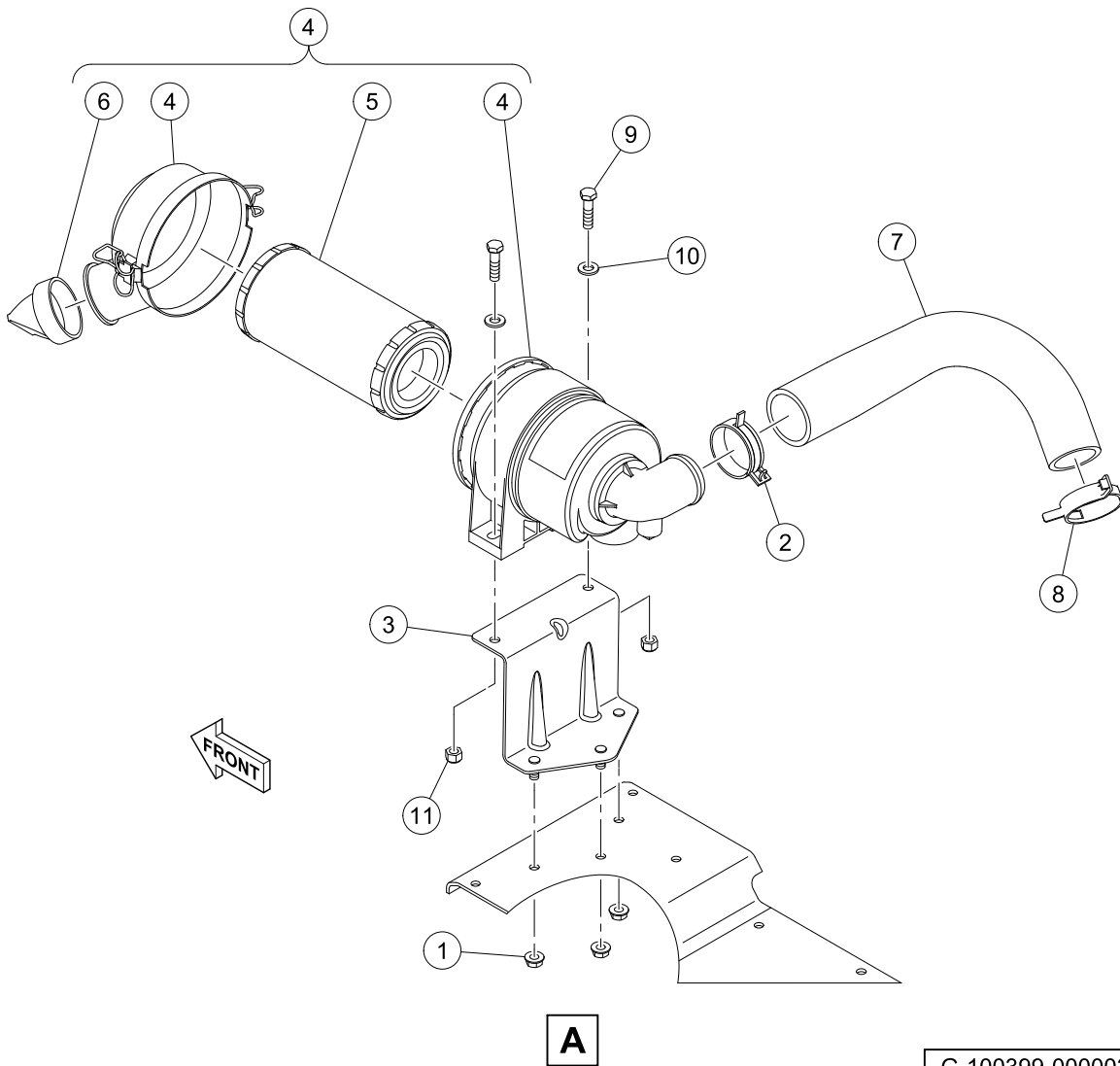
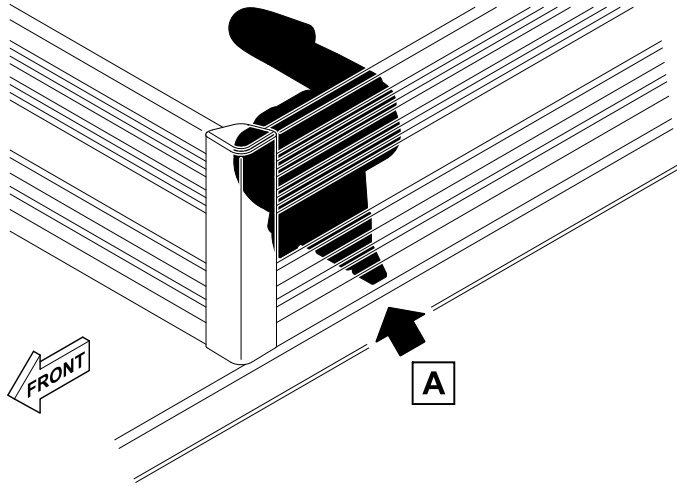
# AIR INTAKE ELBOW – EFI

ITEM	PART NO.	DESCRIPTION	QTY
		1 2 3 4	
1	47629879001	Insulator Throttle Body, Kohler .....	1
2	47629880001	Elbow, Air Inlet, Kohler .....	1
3	47629881001	Clamp, Breather Hose, Kohler .....	1
4	47629882001	Stud, Intake, Kohler .....	2

9

G

9  
G



G-100399-000003

# AIR FILTER SYSTEM AND INTAKE HOSE – EFI, LWB UTILITY/ TRANS

ITEM	PART NO.	DESCRIPTION	QTY
		<b>1 2 3 4</b>	
1	101963401	Locknut, 5/16-18 Hex Flange .....	3
2	102411209	Clamp, Hose, Ctb 55mm Dia. ....	1
3	105003401	Asm, Bracket, Mtg, Air Cleaner .....	1
4	105009101	Air Cleaner, Utility with EFI (includes items 5 and 6) .....	1
5	102558201	Air Filter, 4 Inch .....	1
6	102725501	Valve, Evacuator, Filter Air .....	1
7	105009401	Hose, Air Intake, LWB Utility with EFI .....	1
8	105088501	Clamp, Ctb, 49mm Dia, W/clip .....	1
9	1218	Screw, 5/16-18 X 1.25 Hex-Head Cap .....	2
10	1241	Washer, 5/16 Type A Flat .....	2
11	7473	Locknut, 5/16-18 Nylon Insert .....	2

**9**  
**G**

9

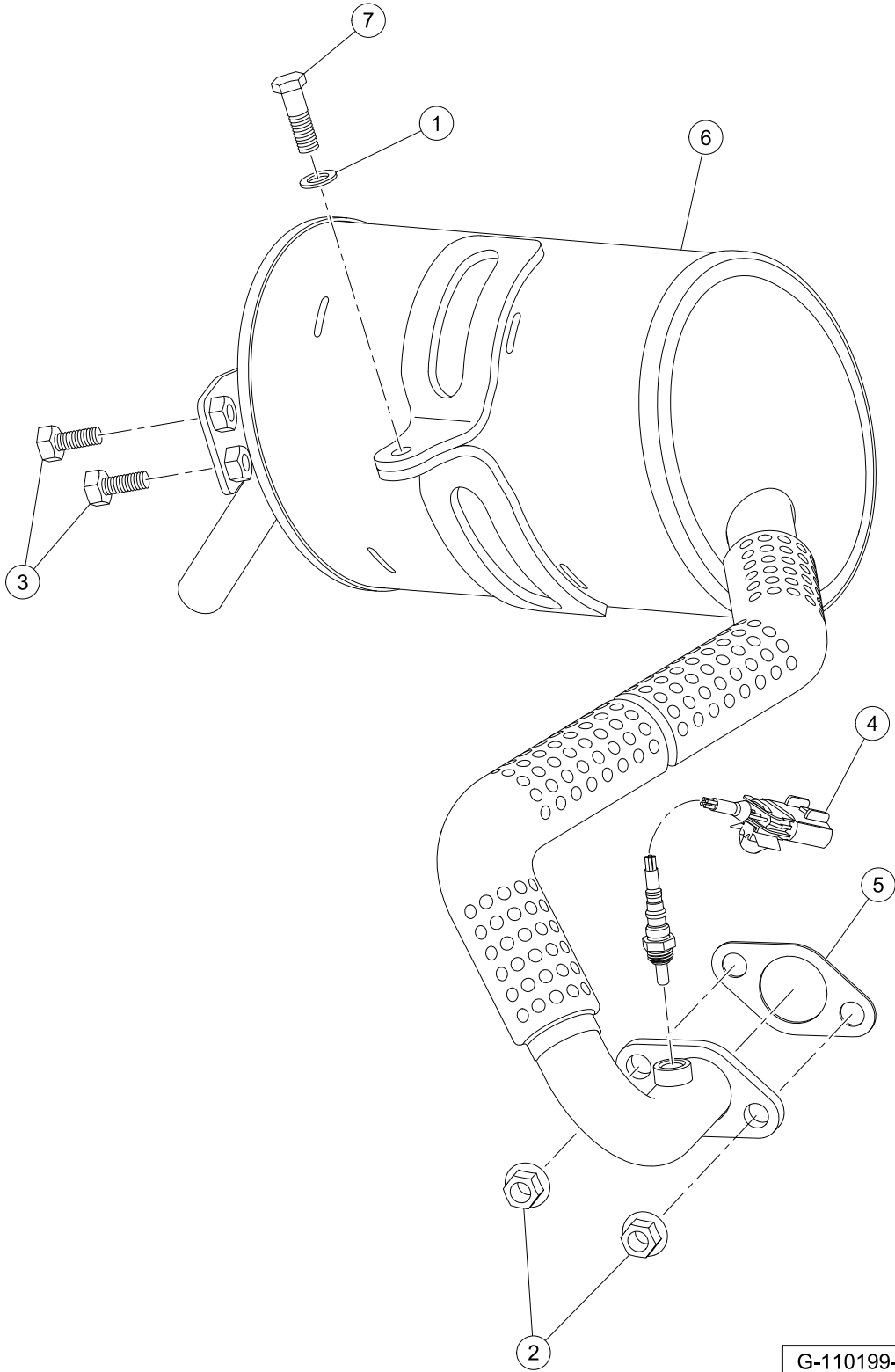
G

# EXHAUST SYSTEM – ECH440

---

10

G



G-110199-000001

# EXHAUST SYSTEM

ITEM	PART NO.	DESCRIPTION	QTY
		<b>1 2 3 4</b>	
1	1011697	Washer, 5/16 Flat .....	1
2	102298401	Nut, M8, All Metal Lock .....	2
3	102922701	Bolt, Flanged Head, M8x1.25x20 Lock Patch .....	2
4	47611209001	Asm, Sensor, Oxygen, Heated .....	1
5	47611210001	Gasket, Exhaust, Grpht, Ech440 .....	1
6	47613047002	Exhaust, Ech440, Utility .....	1
7	96705587	Bolt, M8 X 1.25 X 30 .....	1

10

G

**10**

**G**

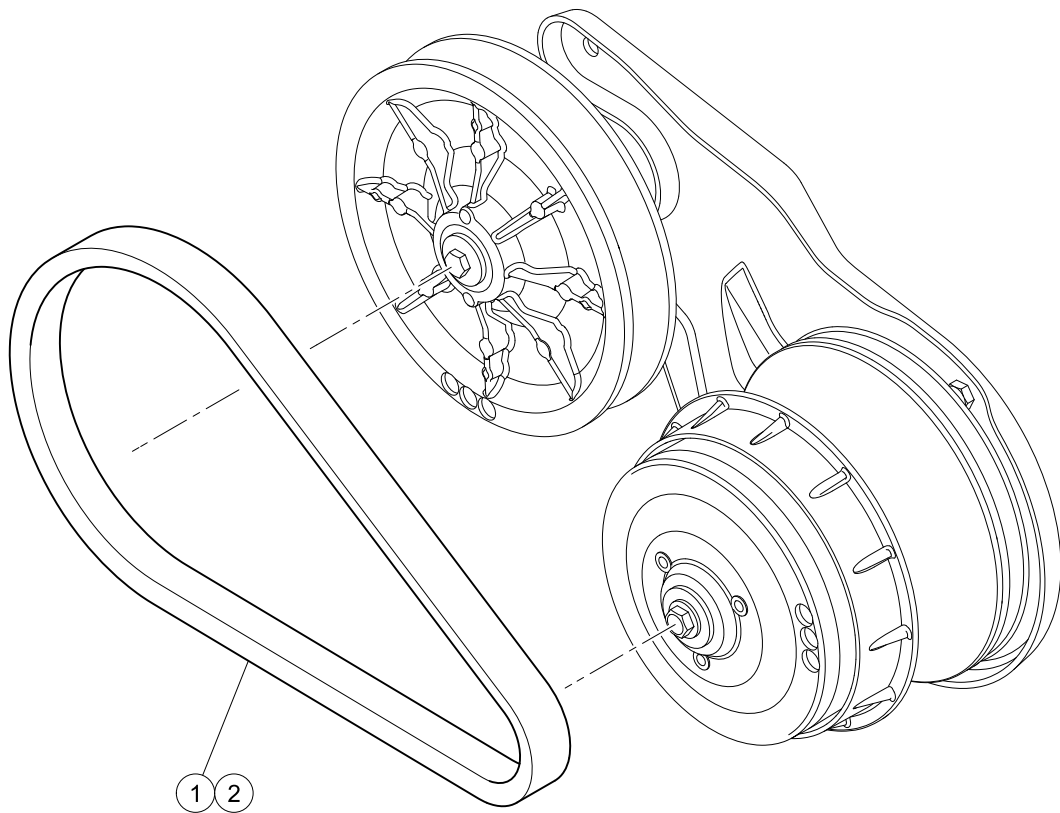


# DRIVE BELT AND CLUTCHES – EFI GASOLINE VEHICLES

---

11

G

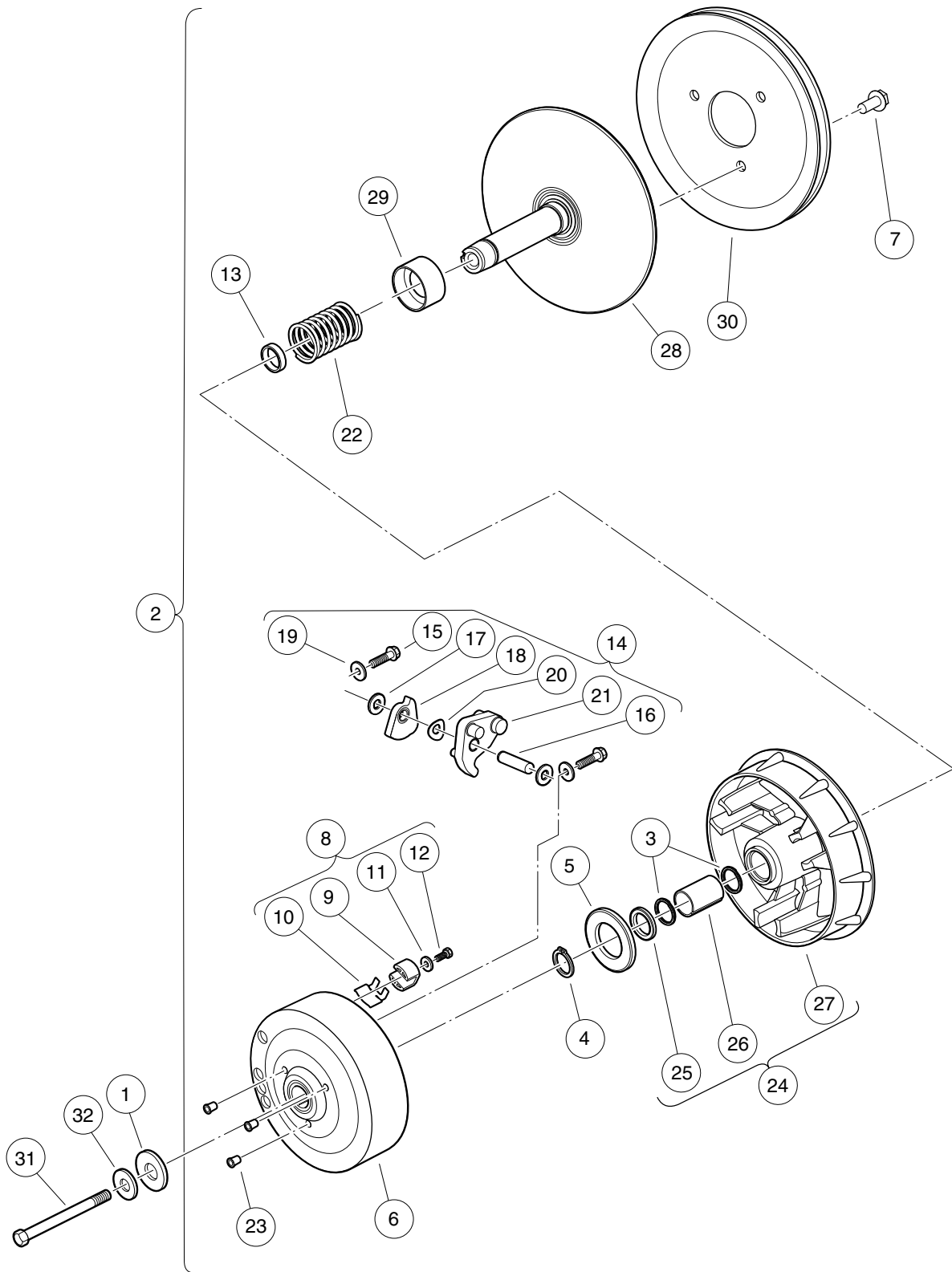


G-060099-000001

# DRIVE BELTS – EFI

ITEM	PART NO.	DESCRIPTION	QTY
1	103974102	1 2 3 4 Belt, Drive, Key-Start .....	1
2	105245801	Belt, Drive, Pedal-Start .....	1

**11**  
**G**



000958-002

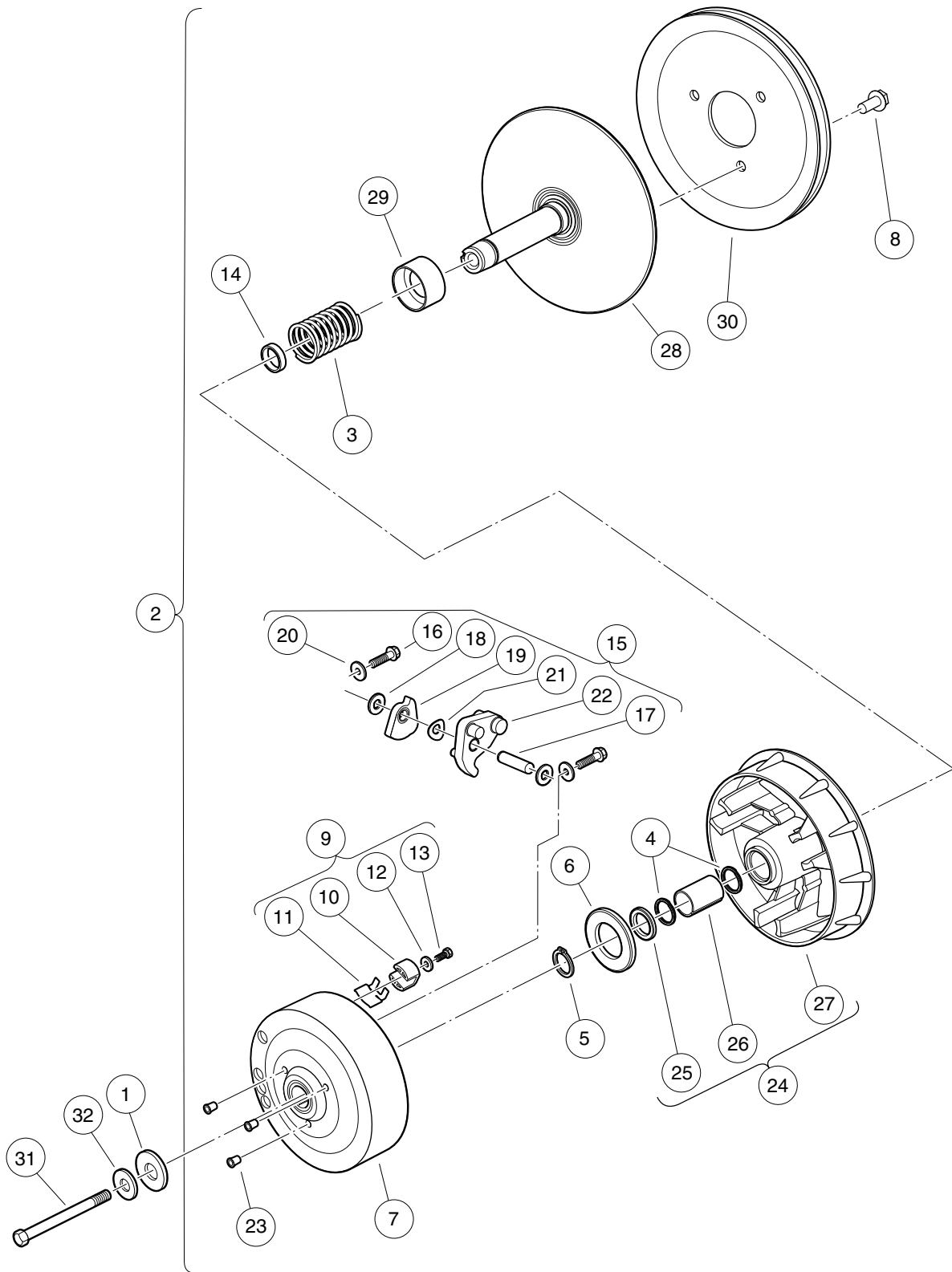
## DRIVE CLUTCH – KEY-START VEHICLES

ITEM	PART NO.	DESCRIPTION	QTY
		<b>1 2 3 4</b>	
1	102491501	Washer, Hard, M10 .....	1
2	103973902	Clutch, Drive, Key-Start (includes items 3 through 30) .....	1
3	1014056	Ring, Spiral Backup .....	2
4	1014057	Ring, 0.810" Internal Retaining .....	1
5	1014058	Thrust Washer .....	1
6	1014059	Drive Hub Assy, Drive Clutch .....	1
7	1014288	Screw, 5/16-18 X 0.75, Thread-Forming .....	3
8	1014453	Kit, Drive Clutch Button (includes items 9 through 12) .....	1
9	1014062	Driver, Drive Clutch .....	3
10	1014287	Spring, Drive Button .....	3
11	183	Washer, #10, Type A, Flat .....	3
12	8450	Screw, #10-24 X 0.50, Hex-Head .....	3
13	1016289	Spacer, Fixed Face Shaft .....	1
14	1016801	Kit, Drive Clutch Weight (includes items 15 through 21) .....	1
15	1014063	Screw, 1/4-20 X 1.00, Hex Head .....	6
16	N/A	Pin, Dowel, 0.3752 x 1.50 .....	3
17	1014065	Washer, Flat, 0.38" ID, Delrin .....	6
18	N/A	Clutch Weight, Secondary .....	3
19	N/A	Washer .....	6
20	1016201	Washer, Wave .....	3
21	N/A	Weight, Primary .....	3
22	1016901	Spring, Drive Clutch .....	1
23	N/A	Cap Plug .....	3
24	103974201	Asm, Sheave, Moveable, Drive, Wr (includes items 25 through 27) .....	1
25	1014055	Retainer .....	1
26	N/A	Bushing, Split, Drive Clutch .....	1
27	N/A	Sheave, Moveable, Drive, Wr .....	1
28	103974401	Sheave, Fixed, Drive, Wr .....	1
29	103984601	Spacer, Idler, Drive .....	1
30	105096101	Pulley, 7.3 Inch Effective Dia .....	1
31	103976101	Screw, 3/8-24x5.75, Patch .....	1
32	334	Washer, 3/8, Type A, Flat .....	1

11

G

**11**  
**G**

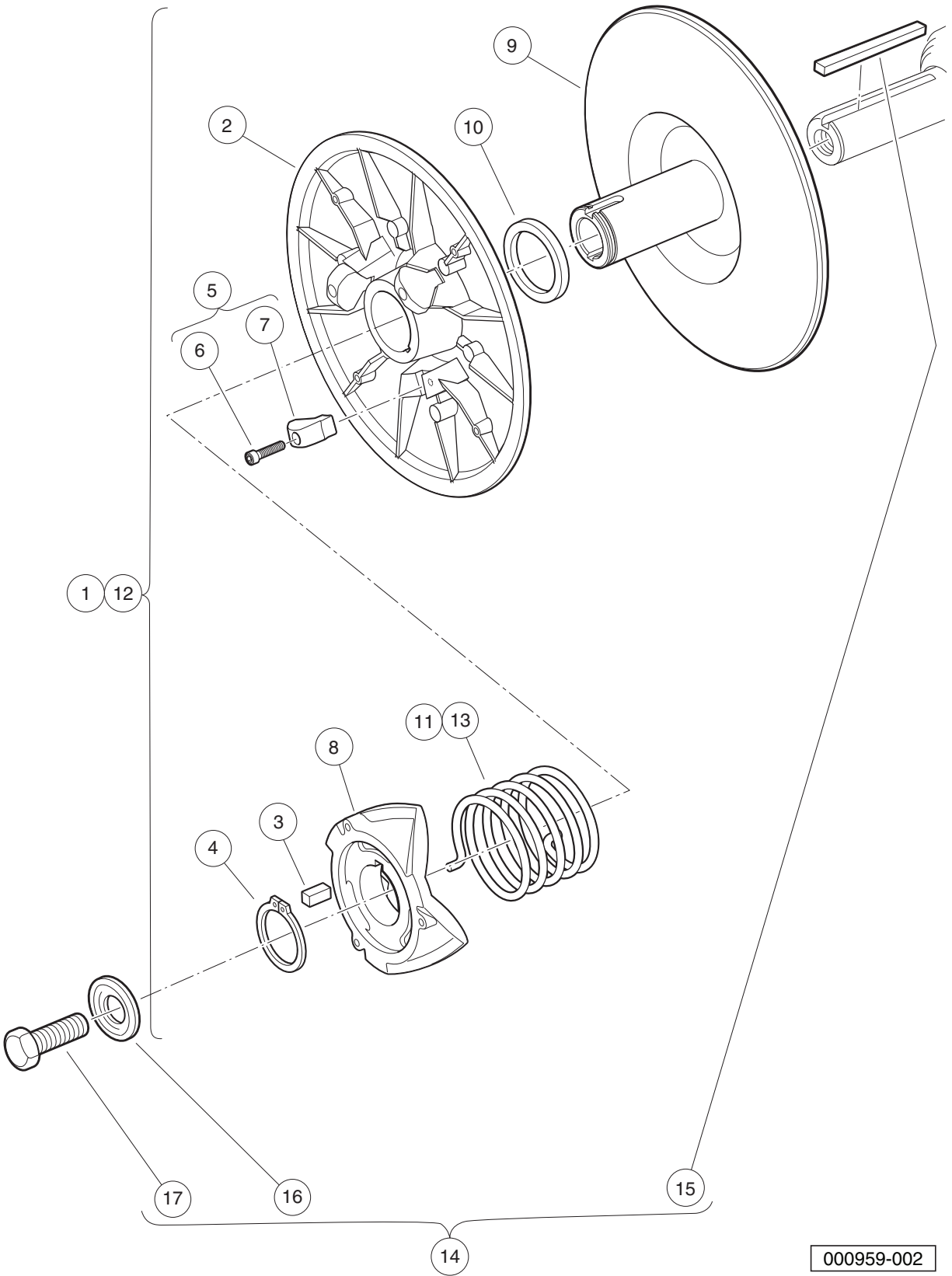


000958-001

## DRIVE CLUTCH – PEDAL-START VEHICLES

ITEM	PART NO.	DESCRIPTION	QTY
		<b>1 2 3 4</b>	
1	102491501	Washer, Hard, M10 .....	1
2	103973901	Clutch, Drive, Pedal-Start (includes items 3 through 30) .....	1
3	1014051	Spring, Drive Clutch .....	1
4	1014056	Ring, Spiral Backup .....	2
5	1014057	Ring, 0.810" Internal Retaining .....	1
6	1014058	Thrust Washer .....	1
7	1014059	Drive Hub Assy, Drive Clutch .....	1
8	1014288	Screw, 5/16-18 X 0.75, Thread-Forming .....	3
9	1014453	Kit, Drive Clutch Button (includes items 10 through 13) .....	1
10	1014062	Driver, Drive Clutch .....	3
11	1014287	Spring, Drive Button .....	3
12	183	Washer, #10, Type A, Flat .....	3
13	8450	Screw, #10-24 X 0.50, Hex-Head .....	3
14	1016289	Spacer, Fixed Face Shaft .....	1
15	1016801	Kit, Drive Clutch Weight (includes items 16 through 22) .....	1
16	1014063	Screw, 1/4-20 X 1.00, Hex Head .....	6
17	N/A	Pin, Dowel, 0.3752 x 1.50 .....	3
18	1014065	Washer, Flat, 0.38" ID, Delrin .....	6
19	N/A	Clutch Weight, Secondary .....	3
20	N/A	Washer .....	6
21	1016201	Washer, Wave .....	3
22	N/A	Weight, Primary .....	3
23	N/A	Cap Plug .....	3
24	103974201	Asm, Sheave, Moveable, Drive, Wr (includes items 25 through 27) .....	1
25	1014055	Retainer .....	1
26	N/A	Bushing, Split, Drive Clutch .....	1
27	N/A	Sheave, Moveable, Drive, Wr .....	1
28	103974401	Sheave, Fixed, Drive, Wr .....	1
29	103984601	Spacer, Idler, Drive .....	1
30	105096101	Pulley, 7.3 Inch Effective Dia .....	1
31	103976101	Screw, 3/8-24x5.75, Patch .....	1
32	334	Washer, 3/8, Type A, Flat .....	1

**11**  
**G**



000959-002



## DRIVEN CLUTCH – KEY START AND PEDAL START

ITEM	PART NO.	DESCRIPTION	QTY
		1 2 3 4	
1	47601767001	Asm, Clutch, Driven, Ccw, Blk (includes items 2 through 11) .....	1
2	1014072	Movable-Face Assembly with Bushing .....	1
3	1014078	Key, Driven Clutch .....	1
4	1014080	Ring, Retaining .....	1
5	1014454	Kit, Driven Clutch Button (includes items 6 and 7) .....	1
6	1012836	Screw, #8-32 X 3/4, Socket-Head Cap .....	3
7	N/A	Button, Drive .....	3
8	1017686	Cam, Driven Clutch .....	1
9	103975301	Sheave, Fixed, Driven, Wr .....	1
10	104025101	Washer, Acetal, Driven Clutch .....	1
11	47600218001	Spring, Drvn Clutch, Ccw, Blk .....	1
12	47601767002	Asm, Clutch, Driven, Ccw, Red .....	1
13	47601832001	Spring, Drvn Clutch, Ccw, Red .....	1
14	AM10419	Kit, Clutch Repair (includes items 15 through 17) .....	1
15	101833401	Key, 3/16 Sq X 1.50" .....	1
16	102155801	Washer, Driven Clutch .....	1
17	102242101	Screw, 5/16-18 X 3/4 Hex-Head with Patch .....	1
Note: Item 11 is only applicable to item 1. Item 13 is only applicable to item 12. All other details apply to both driven clutch assemblies.			

11

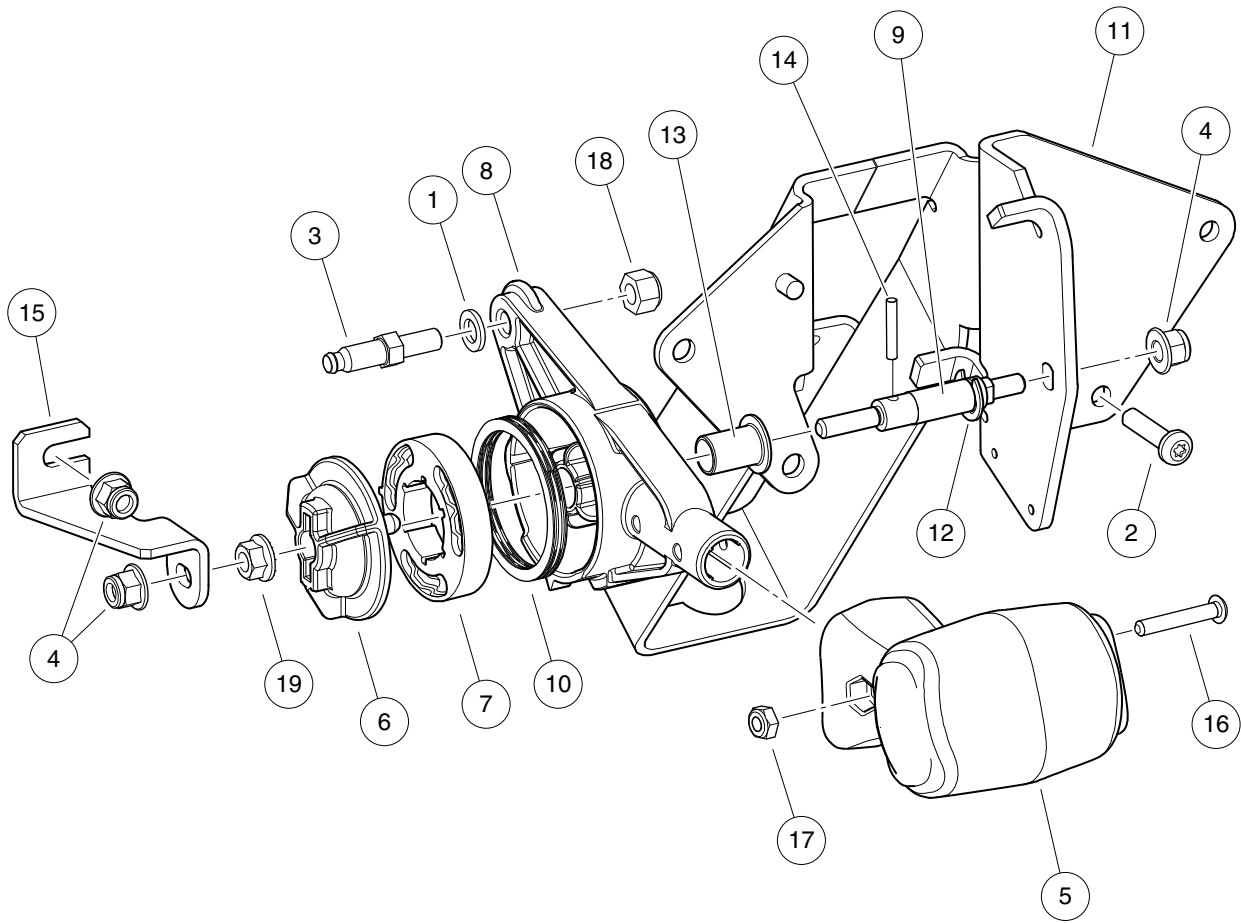
G

11

G

# TRANSAXLE (FUJI ED65)

---



000987-001

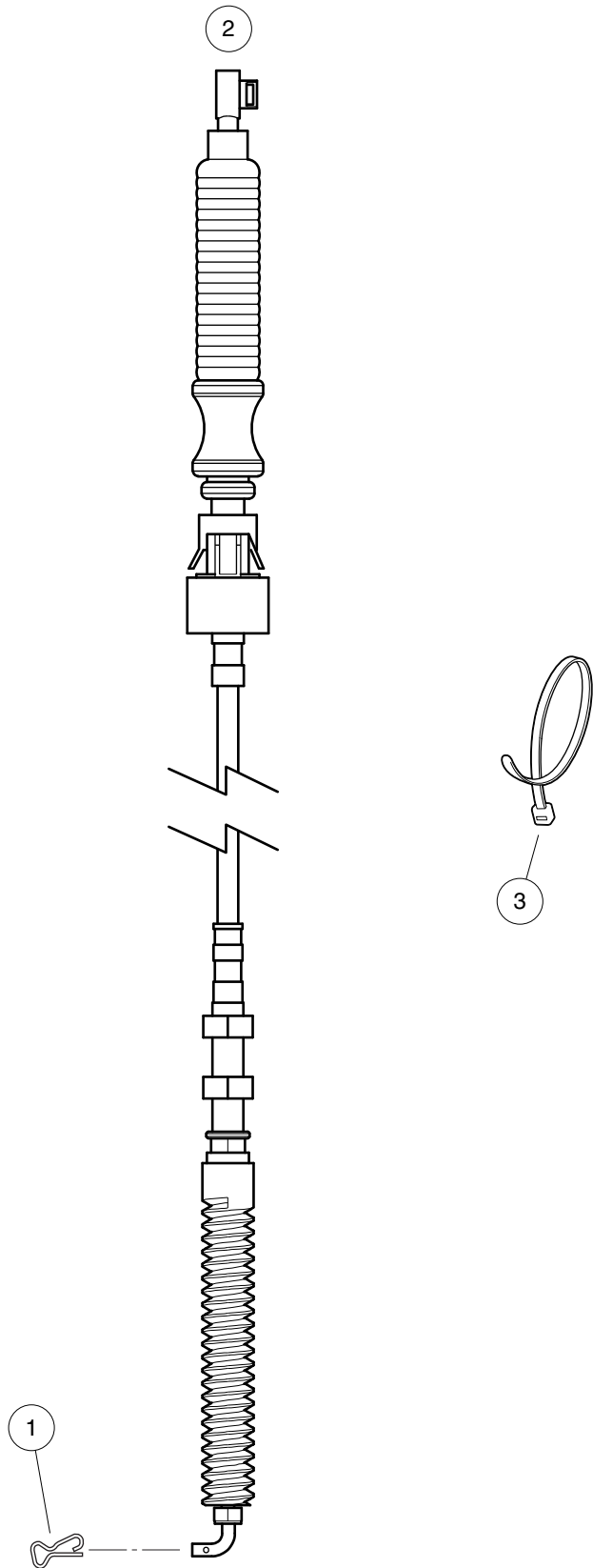
## FORWARD/REVERSE SHIFTER ASSEMBLY

ITEM	PART NO.	DESCRIPTION	QTY
		1 2 3 4	
1	1014007	Washer, 1/4, Flat .....	1
2	102296020	Screw, Torx Pan Hd Pt, M6 X 20 .....	4
3	102526201	Stud, Thread, 1/4-28 .....	1
4	102621501	Nut, Flange, M6 X 1.0, Nylon .....	3
5	105036301	Shifter, Soft, Gas, CA300-700 .....	1
6	105037701	Follower, FNR Detent .....	1
7	105038001	Cam, FNR Detent, Alternate .....	1
8	105038101	Housing, FNR, Gas, CA300-700 .....	1
9	105038201	Shaft, FNR, Dash .....	1
10	105038501	Spring, Wave, Gas FNR Shifter .....	1
11	105039401	Bracket, Shifter, Dash Mount .....	1
12	105039801	E-Clip, External, 8mm Groove .....	1
13	105039901	Bushing, Dash Shifter, Gas .....	1
14	105040401	Pin, Round, 0.125 Dia x 0.625 .....	1
15	105040501	Bracket, Shifter, Brace, Dash .....	1
16	105083701	Bolt, 10-24 X 1.25", But Head .....	1
17	105083801	Nut, Nylon Lock, #10-24, Blk .....	1
18	8717	Locknut, Nylon Insert, 1/4-28 .....	1
19	96704176	Nut, Flanged, M6 X 1, Serrated .....	1

**12**

**G**

12  
G



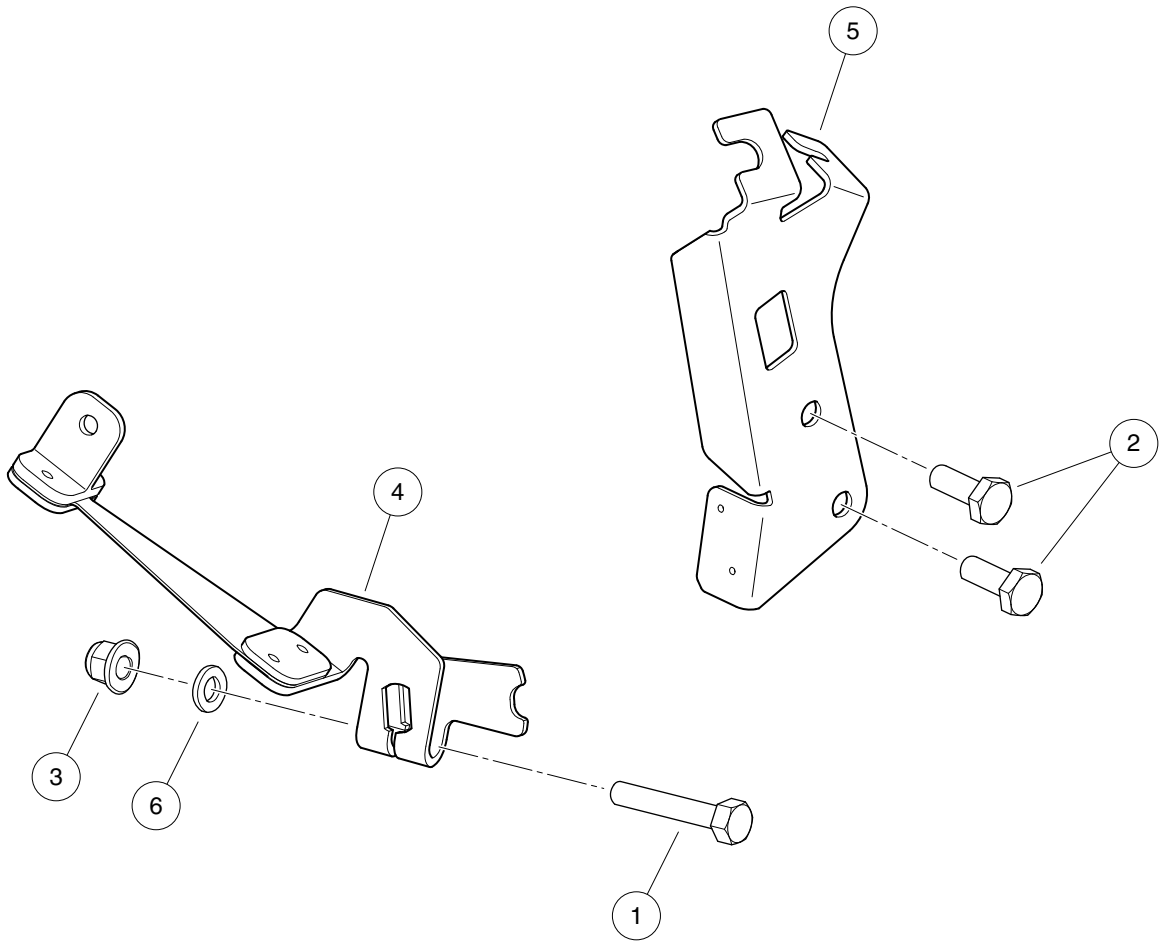
000988-001

## SHIFTER CABLE – CA500 & CA550

ITEM	PART NO.	DESCRIPTION	QTY
		1 2 3 4	
1	103886601	Clip, Bowtie .....	1
2	105038803	Cable, Shifter, CA500/550/CafÉ Express .....	1
3	8990	Tie Wrap, 8" Nylon .....	A/R

12

G



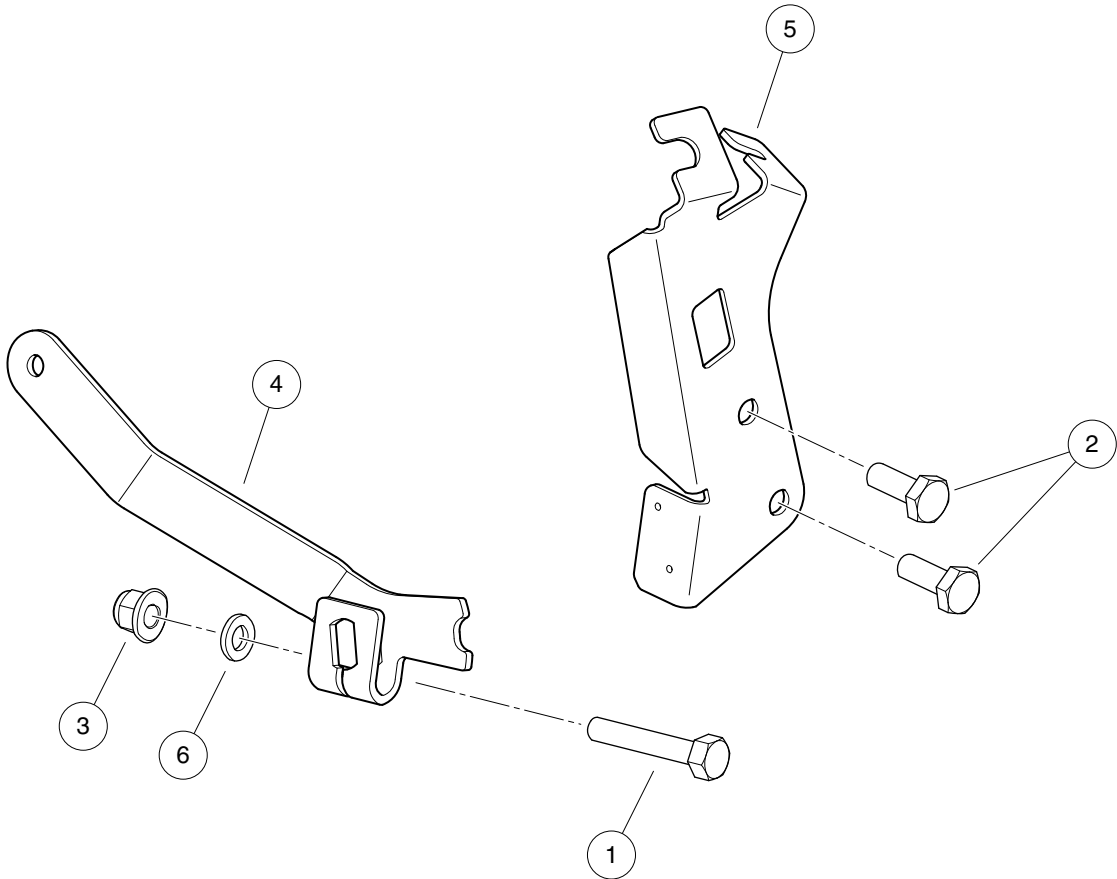
000965-001



## SHIFT LEVER AND BRACKET – PEDAL-START ENGINES

ITEM	PART NO.	DESCRIPTION	QTY
		1 2 3 4	
1	102059501	Screw, 6M-1.00 X 35mm, Hex Head .....	1
2	102498201	Bolt, M10 X 1.25 X 25, Loctite .....	2
3	102621501	Nut, Flange, M6 X 1.0, Nylon .....	1
4	105040901	Lever, Shift, Flex, Transaxle, Pedal-Start .....	1
5	105135101	Bracket, Cable, FNR/Accelerator, ED65 .....	1
6	96705199	Washer, M6 .....	1

**12**  
**G**



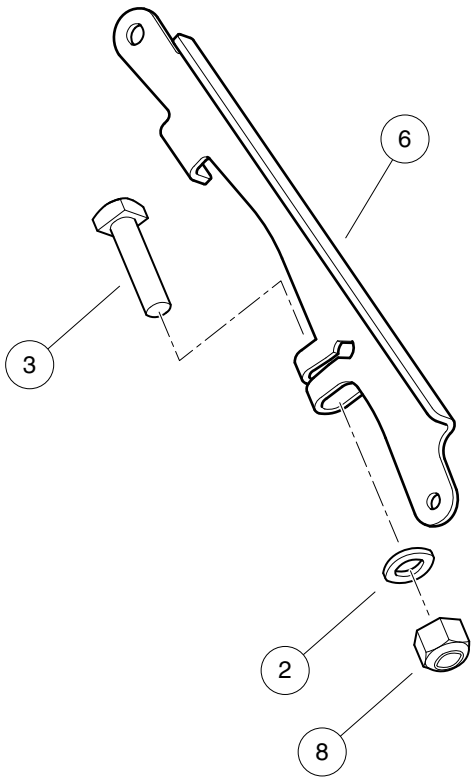
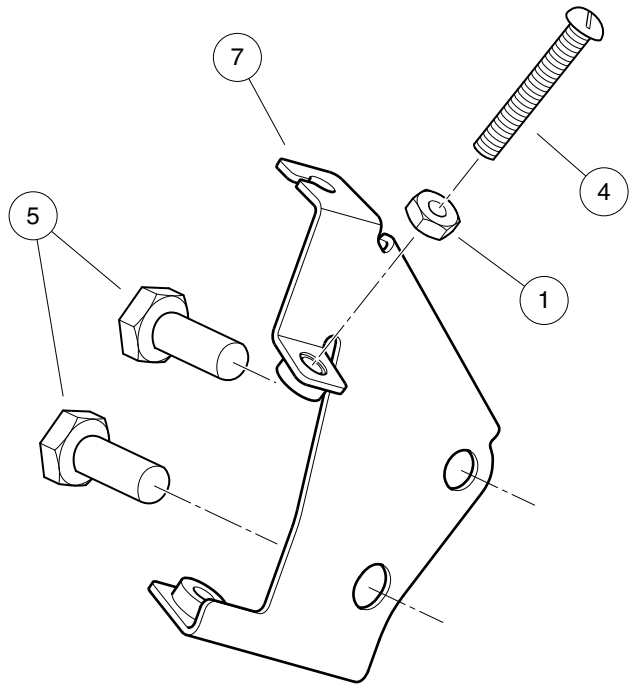
000965-002

## SHIFT LEVER AND BRACKET – KEY-START ENGINES

ITEM	PART NO.	DESCRIPTION	QTY
		1 2 3 4	
1	102059501	Screw, 6M-1.00 X 35mm, Hex Head .....	1
2	102498201	Bolt, M10 X 1.25 X 25, Loctite .....	2
3	102621501	Nut, Flange, M6 X 1.0, Nylon .....	1
4	105134901	Lever, Shift, Transaxle, Key-Start .....	1
5	105135101	Bracket, Cable, FNR/Accelerator, ED65 .....	1
6	96705199	Washer, M6 .....	1

12

G



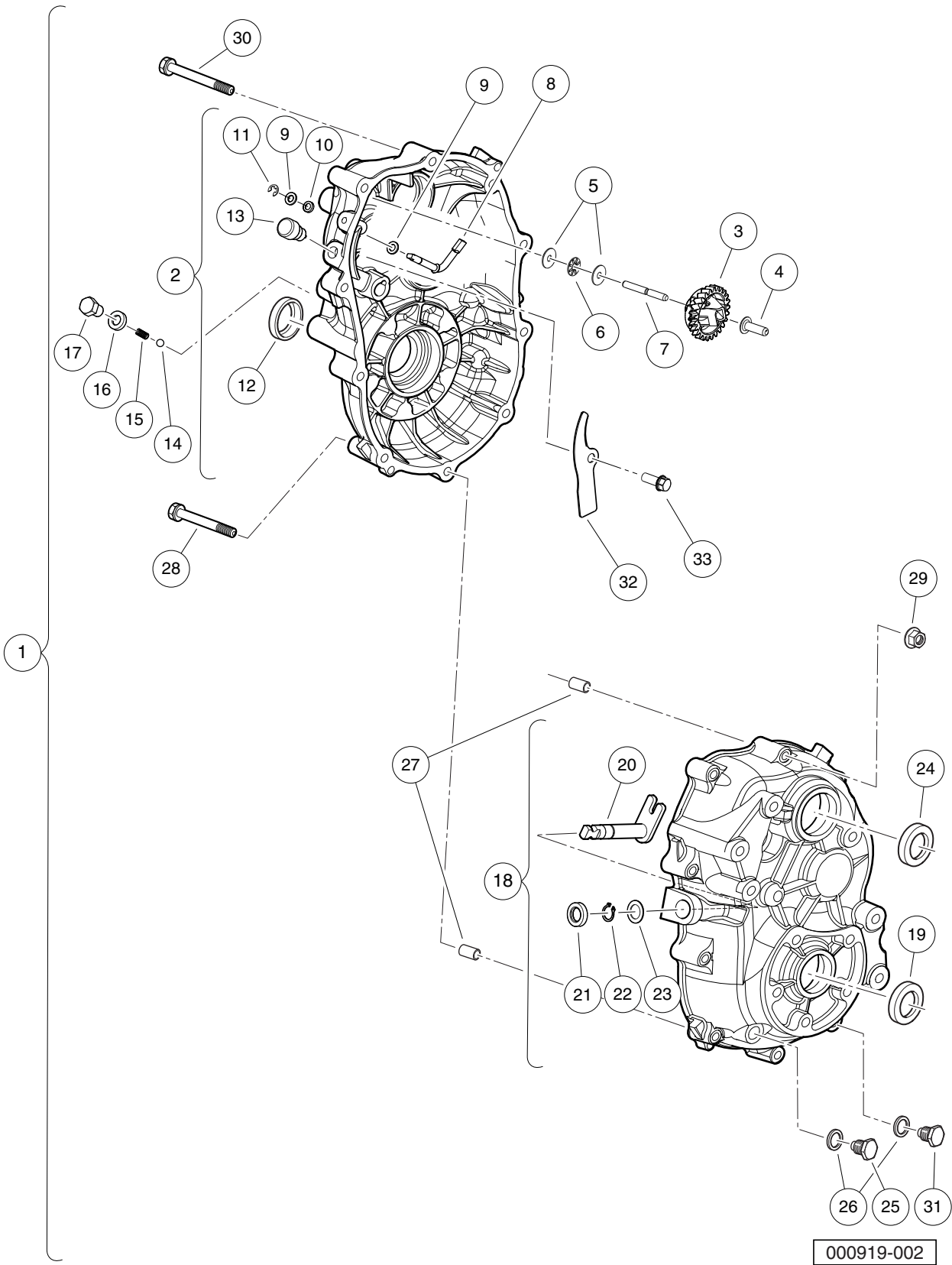
000966-002

## GOVERNOR ARM AND BRACKETS – UTILITY VEHICLES

ITEM	PART NO.	DESCRIPTION	QTY
		1 2 3 4	
1	1011114	Nut, M6-1.00 Hex .....	1
2	1014007	Washer, 1/4, Flat .....	1
3	101886101	Screw, 1/4-20 X 1.00, Square-Head .....	1
4	102476401	Bolt, Stop, Pedal .....	1
5	102498201	Bolt, M10 X 1.25 X 25, Loctite .....	2
6	104023501	Arm, Governor, ED65 .....	1
7	105144401	Weldment, Governor Bracket .....	1
8	8233	Locknut, 1/4-20, Nylon Insert .....	1

12

G

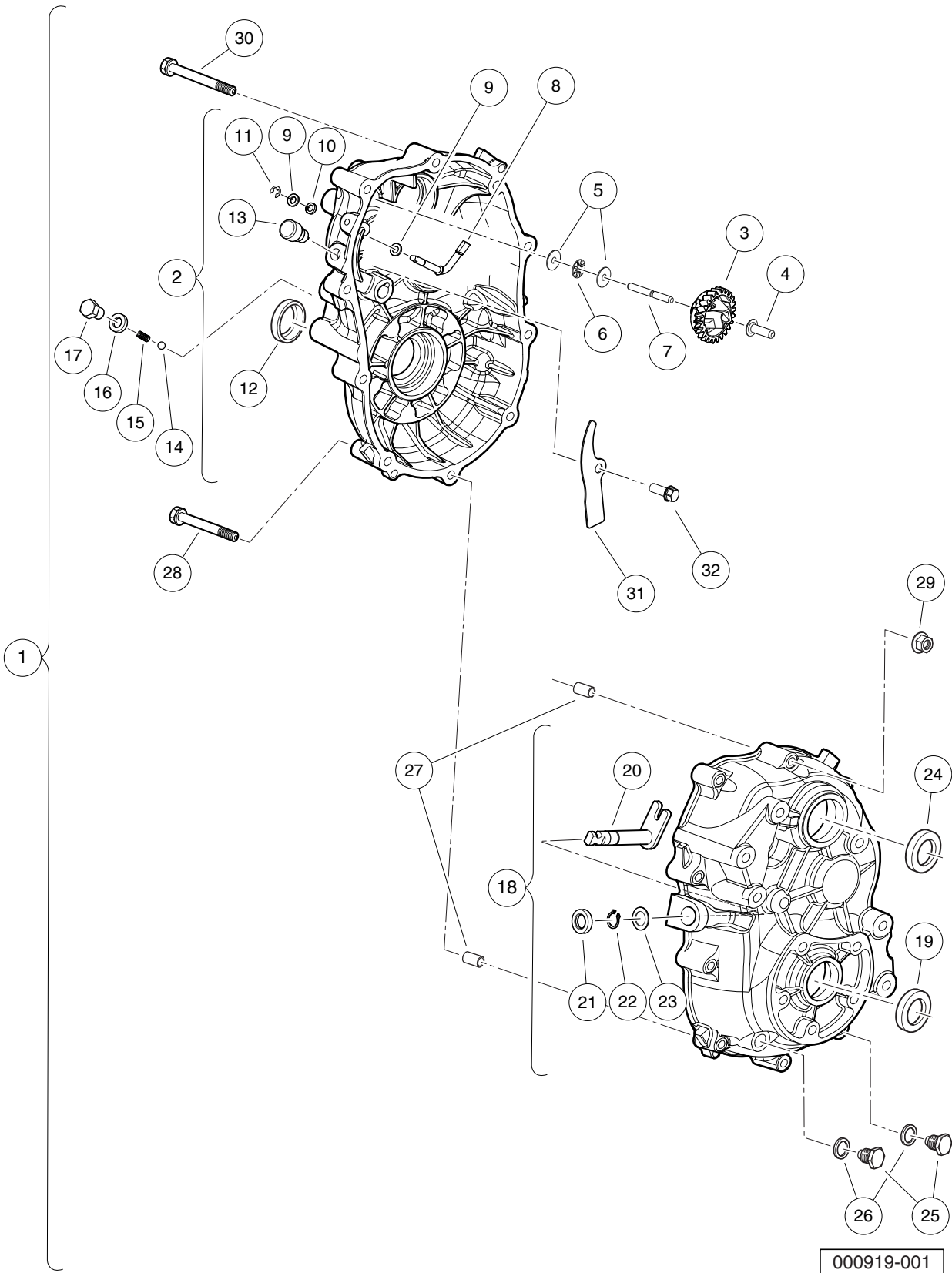


## TRANSAXLE (ED65), LIMITED SLIP – PAGE 1 OF 3

ITEM	PART NO.	DESCRIPTION	QTY
		1 2 3 4	
1	103879702	Transaxle, ED65, Limited-Slip Differential (includes items 2 through 33) .....	1
2	105025001	Case, Transaxle, Left, Complete, ED65 (includes items 3 through 13) .....	1
3	105025101	Gear, Governor, Complete, ED65 .....	1
4	105025201	Sleeve, Governor, ED65 .....	1
5	105025301	Washer, ED65 .....	2
6	105025401	Bearing, Thrust, ED65 .....	1
7	105025501	Shaft, Governor Gear, ED65 .....	1
8	105025601	Shaft, Governor, ED65 .....	1
9	105025701	Washer, 6mm, ED65 .....	2
10	105025801	Seal, Oil, 6x10x2.5, ED65 .....	1
11	105025901	Retaining Ring, E5, ED65 .....	1
12	105026001	Seal, Oil, 24x40x9, ED65 .....	1
13	105027101	Vent, Breather, ED65 .....	1
14	105026101	Ball, Steel, ED65 .....	1
15	105026201	Spring, ED65 .....	1
16	105026301	Gasket, 10, ED65 .....	1
17	105026401	Bolt, M10-1.25x12mm Lg, ED65 .....	1
18	105026501	Case, Transaxle, Right, Complete, ED65 (includes items 19 through 24) .....	1
19	105026001	Seal, Oil, 24x40x9, ED65 .....	1
20	105026601	Shaft, Select, ED65 .....	1
21	105026701	Seal, Oil, 13x22x5, ED65 .....	1
22	105026801	Snap Ring, 13mm, ED65 .....	1
23	105026901	Spacer, 13x1, ED65 .....	1
24	105027001	Seal, Oil, 25x45x7, ED65 .....	1
25	105027201	Plug, Oil Drain, ED65 .....	1
26	105027301	Gasket, 14, ED65 .....	2
27	105028301	Pin, Guide, ED65 .....	2
28	105028501	Bolt, Flange, M8-1.25x65mm, ED65 .....	1
29	105030001	Nut, Flange, M8-1.25, ED65 .....	10
30	105030701	Bolt, Flanged, M8-1.25x80mm, ED65 .....	9
31	105063501	Plug, Oil Drain, Magnetic, ED65 .....	1
32	105234801	Plate, Ed65 Splash .....	1
33	105234901	Bolt, M6-1 X 12mm Lg, Ed65 .....	1
		Note: Fuji transaxle component listings span three pages. To identify your transaxle, locate the serial number decal on the axle tube.	

12

G



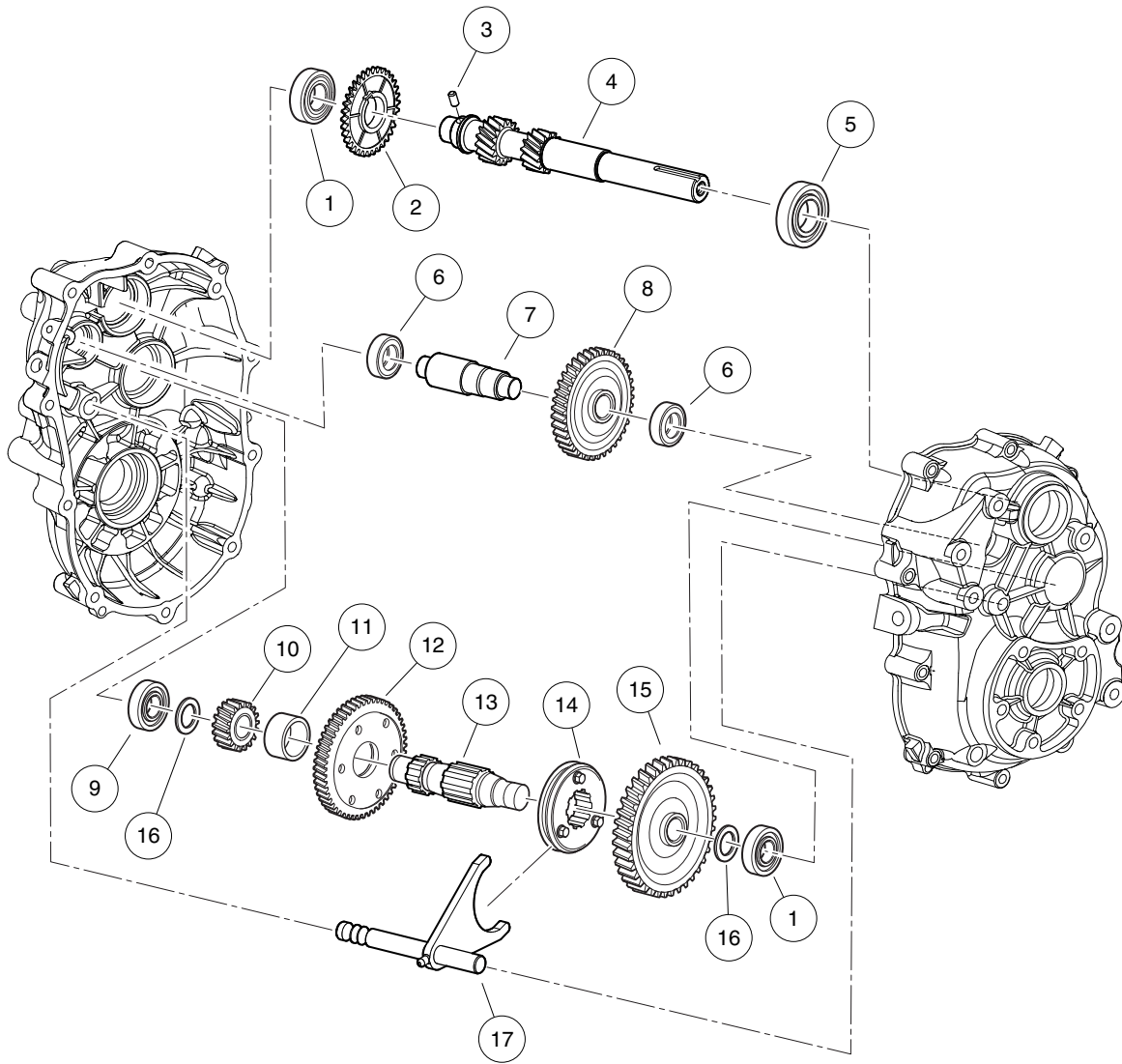


# TRANSAXLE (ED65), OPEN – PAGE 1 OF 3

ITEM	PART NO.	DESCRIPTION	QTY
		1 2 3 4	
1	103879701	Transaxle, ED65, Open Differential (includes items 2 through 32) .....	1
2	105025001	Case, Transaxle, Left, Complete, ED65 (includes items 3 through 13) .....	1
3	105025101	Gear, Governor, Complete, ED65 .....	1
4	105025201	Sleeve, Governor, ED65 .....	1
5	105025301	Washer, ED65 .....	2
6	105025401	Bearing, Thrust, ED65 .....	1
7	105025501	Shaft, Governor Gear, ED65 .....	1
8	105025601	Shaft, Governor, ED65 .....	1
9	105025701	Washer, 6mm, ED65 .....	2
10	105025801	Seal, Oil, 6x10x2.5, ED65 .....	1
11	105025901	Retaining Ring, E5, ED65 .....	1
12	105026001	Seal, Oil, 24x40x9, ED65 .....	1
13	105027101	Vent, Breather, ED65 .....	1
14	105026101	Ball, Steel, ED65 .....	1
15	105026201	Spring, ED65 .....	1
16	105026301	Gasket, 10, ED65 .....	1
17	105026401	Bolt, M10-1.25x12mm Lg, ED65 .....	1
18	105026501	Case, Transaxle, Right, Complete, ED65 (includes items 19 through 24) .....	1
19	105026001	Seal, Oil, 24x40x9, ED65 .....	1
20	105026601	Shaft, Select, ED65 .....	1
21	105026701	Seal, Oil, 13x22x5, ED65 .....	1
22	105026801	Snap Ring, 13mm, ED65 .....	1
23	105026901	Spacer, 13x1, ED65 .....	1
24	105027001	Seal, Oil, 25x45x7, ED65 .....	1
25	105027201	Plug, Oil Drain, ED65 .....	2
26	105027301	Gasket, 14, ED65 .....	2
27	105028301	Pin, Guide, ED65 .....	2
28	105028501	Bolt, Flange, M8-1.25x65mm, ED65 .....	1
29	105030001	Nut, Flange, M8-1.25, ED65 .....	10
30	105030701	Bolt, Flanged, M8-1.25x80mm, ED65 .....	9
31	105234801	Plate, Ed65 Splash .....	1
32	105234901	Bolt, M6-1 X 12mm Lg, Ed65 .....	1
Note: Fuji transaxle component listings span three pages. To identify your transaxle, locate the serial number decal on the axle tube.			

12

G



000919-003

# TRANSAXLE (ED65), LIMITED SLIP AND OPEN – PAGE 2 OF 3

ITEM	PART NO.	DESCRIPTION	QTY
		1 2 3 4	
1	105027401	Bearing, Ball (6204) .....	2
2	105027501	Gear, Governor, 34 Tooth, ED65 .....	1
3	105027601	Pin, 6x12 Long, ED65 .....	1
4	105027701	Shaft, Input, ED65 .....	1
5	105027801	Bearing, Ball (6205 seal) .....	1
6	105027901	Bearing, Ball (6202) .....	2
7	105028001	Shaft, Counter, ED65 .....	1
8	105028201	Gear, 34 Tooth, ED65 .....	1
9	105028401	Bearing, Ball (6304) .....	1
10	105028601	Gear, 17 Tooth, ED65 .....	1
11	105028701	Collar, 24 x 12, ED65 .....	1
12	105028801	Gear, 52 Tooth, ED65 .....	1
13	105028901	Shaft, Center, ED65 .....	1
14	105029001	Clutch, Pin, ED65 .....	1
15	105029101	Gear, 62 Tooth, ED65 .....	1
16	105029201	Spacer, 20x2, ED65 .....	2
17	105030901	Shaft, Shift, ED65 .....	1
		<p>Note: To identify your transaxle, locate the serial number decal on the axle tube.</p>	

12

G

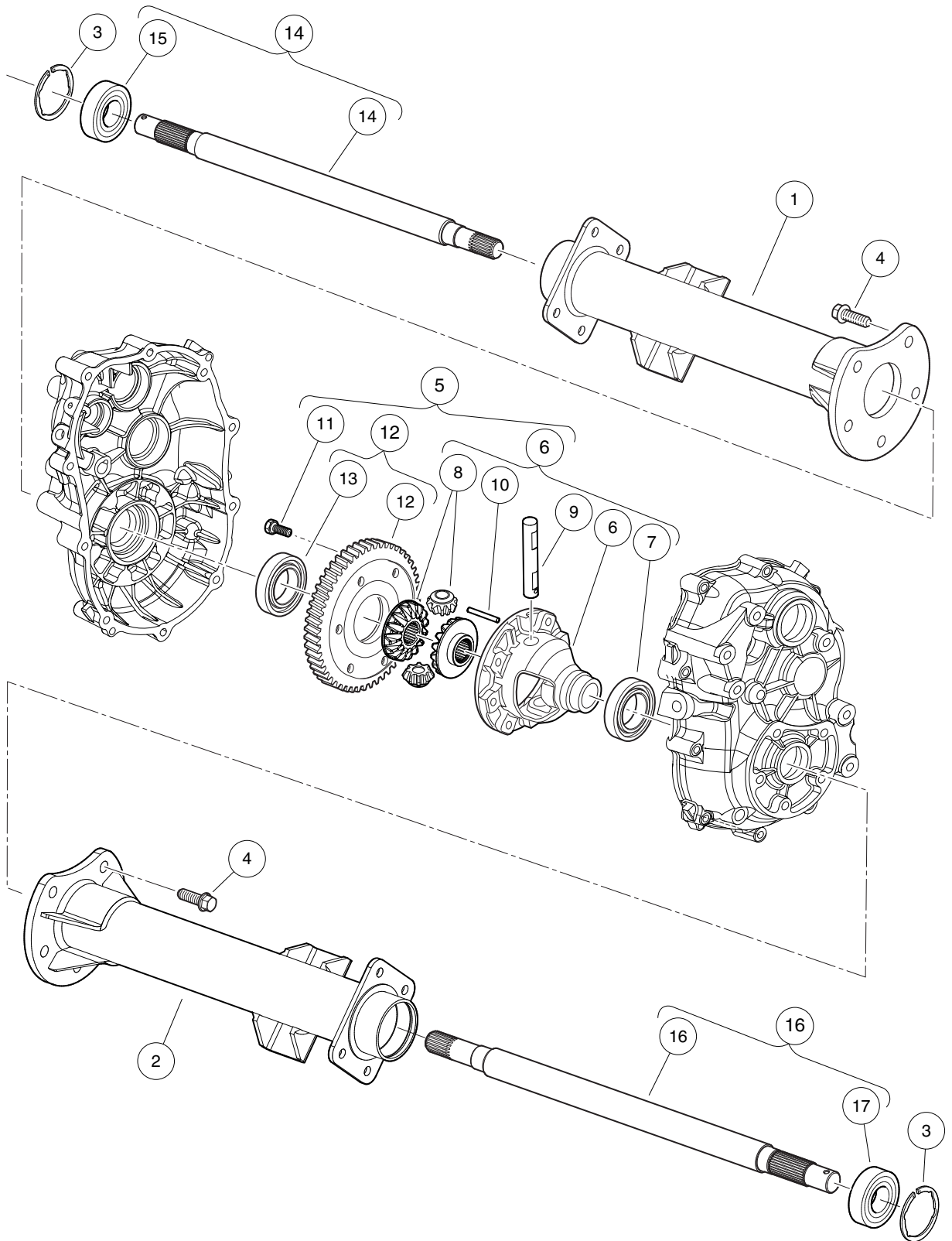


## TRANSAXLE (ED65), LIMITED SLIP – PAGE 3 OF 3

ITEM	PART NO.	DESCRIPTION	QTY
		1 2 3 4	
1	105029901	Gear, 60 Tooth, Complete, ED65 (includes item 2) .....	1
2	105029801	Bearing, Ball (6007) .....	1
3	105030401	Axle Tube, Driver-Side, ED65 .....	1
4	105030501	Axle Tube, Passenger-Side, ED65 .....	1
5	105030601	Snap Ring, 52mm, ED65 .....	2
6	105030801	Bolt, Flange, M10-1.25x25, ED65 .....	10
7	105063601	Differential, Limited-Slip, ED65 (includes items 8 through 10) .....	1
8	105028101	Bearing, Ball (6006) .....	1
9	105029501	Bolt, M10-1.25x26mm Lg, ED65 .....	6
10	105029801	Bearing, Ball (6007) .....	1
11	105066001	Axle Shaft, Driver-Side, Complete, ED65 (includes item 12) .....	1
12	105030301	Bearing, Ball (6205DD) .....	1
13	105066101	Axle Shaft, Passenger-Side, Complete, ED65 (includes item 14) .....	1
14	105030301	Bearing, Ball (6205DD) .....	1
		Note: To identify your transaxle, locate the serial number decal on the axle tube.	

12

G



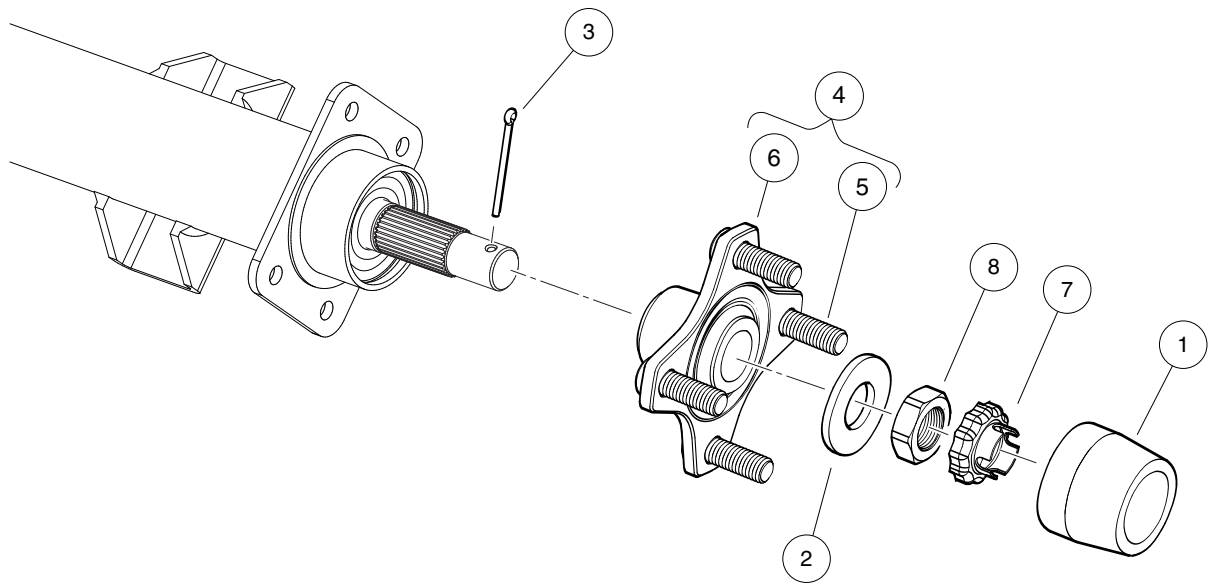
000919-004

## TRANSAXLE (ED65), OPEN – PAGE 3 OF 3

ITEM	PART NO.	DESCRIPTION	QTY
		<b>1 2 3 4</b>	
1	105030401	Axle Tube, Driver-Side, ED65 .....	1
2	105030501	Axle Tube, Passenger-Side, ED65 .....	1
3	105030601	Snap Ring, 52mm, ED65 .....	2
4	105030801	Bolt, Flange, M10-1.25x25, ED65 .....	10
5	105031001	Differential, Open, ED65 (includes items 6 through 12) .....	1
6	105029301	Case, Differential, Complete, ED65 (includes items 7 through 10) .....	1
7	105028101	Bearing, Ball (6006) .....	1
8	105029401	Gear Set, Differential, ED65 .....	1
9	105029601	Shaft, Differential, ED65 .....	1
10	105029701	Pin, 4x40 Long, ED65 .....	1
11	105029501	Bolt, M10-1.25x26mm Lg, ED65 .....	6
12	105029901	Gear, 60 Tooth, Complete, ED65 (includes item 13) .....	1
13	105029801	Bearing, Ball (6007) .....	1
14	105066001	Axle Shaft, Driver-Side, Complete, ED65 (includes item 15) .....	1
15	105030301	Bearing, Ball (6205DD) .....	1
16	105066101	Axle Shaft, Passenger-Side, Complete, ED65 (includes item 17) .....	1
17	105030301	Bearing, Ball (6205DD) .....	1
<p style="margin-left: 40px;">Note: To identify your transaxle, locate the serial number decal on the axle tube.</p>			

12

G



000919-006



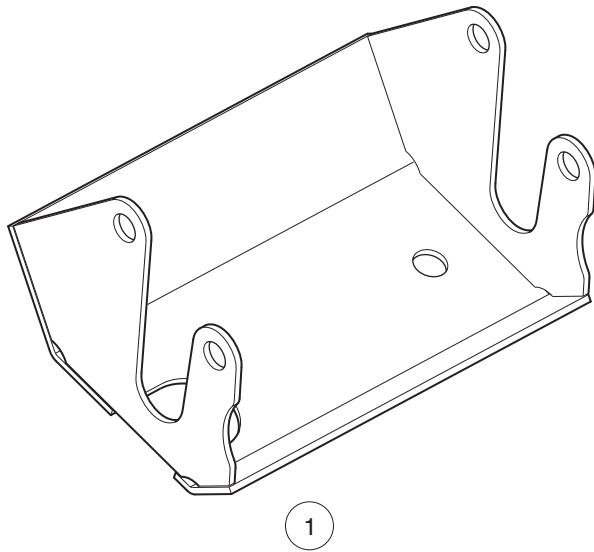
# HUB, REAR

ITEM	PART NO.	DESCRIPTION	QTY
		<b>1 2 3 4</b>	
1	102274101	Center Cap, Rubber .....	2
2	102617801	Washer, Hard, M22 .....	2
3	103989501	Pin, Cotter, 9/64 X 1.75" .....	2
4	103995001	Asm, Hub, Machined (includes items 5 and 6) .....	2
5	103951501	Lug Stud, 1/2-20 UNF, SAE J1102 .....	4
6	103979301	Hub, Machined .....	1
7	104021701	Retaining Ring, Hex Nut, M22 .....	2
8	104027101	Nut, Hex, M22x1.5, Thin .....	2

**12**  
**G**

12

G



001436-001

## DIFFERENTIAL GUARD, ED65 – GASOLINE VEHICLE

ITEM	PART NO.	DESCRIPTION	QTY
1	103989901	<div style="display: flex; justify-content: space-between; margin-bottom: 5px;"> <span>1</span> <span>2</span> <span>3</span> <span>4</span> </div> Weldment, Diff Guard, Ed65 .....	1

12

G

12

G

# MAINTENANCE AND SERVICE TOOLS

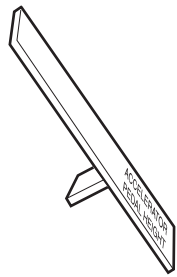
---

13

G

E

**13**  
**G**  
**E**



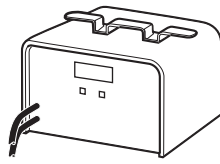
1



2



3



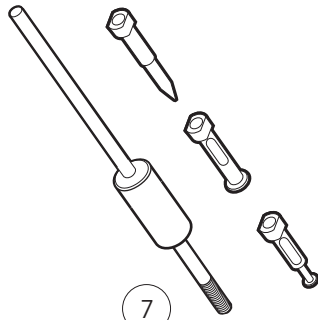
4



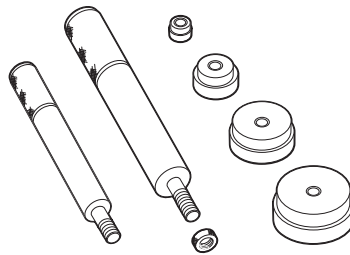
5



6



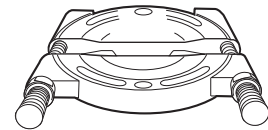
7



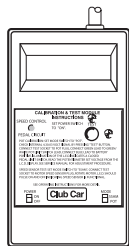
8



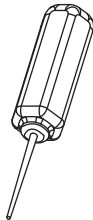
9



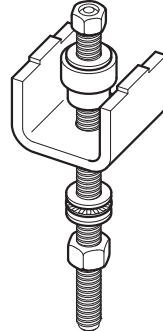
10



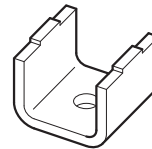
11



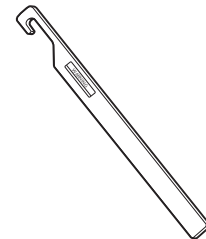
12



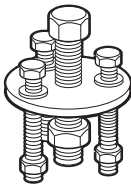
13



14



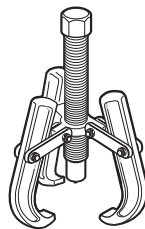
15



16



17



18



19

001060-003

# MAINTENANCE AND SERVICE TOOLS

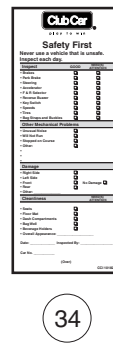
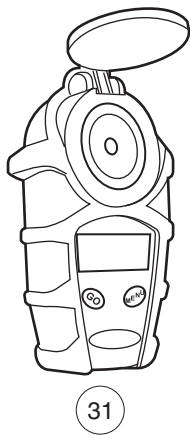
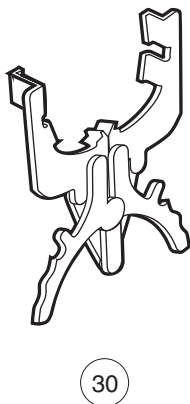
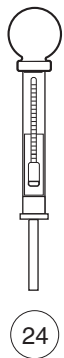
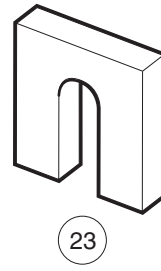
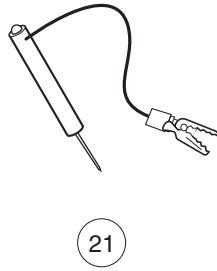
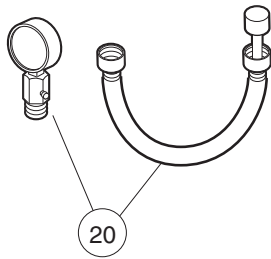
ITEM	PART NO.	DESCRIPTION	QTY GAS	QTY ELEC
		<p><b>1 2 3 4</b></p> <p>The following tool list includes all tools available from Club Car for maintenance and service procedures for gasoline and electric golf and utility vehicles. Be sure to carefully examine the tool list for applicability to your vehicle before ordering.</p>		
1	101871001	Accelerator Pedal Adjustment Tool (Utility Vehicles).....	1	1
2	101813202	Adhesive, Guide Ring, 3-Gram Tube .....		1
3	101641202	Arbor .....	1	
4	101831901	Battery Discharge Machine, 36/48 Volt .....		1
5	1014305	Battery Terminal Protector Spray .....	1	1
6	1011767	Battery Thermometer .....	1	1
7	1016417	Bearing and Oil Seal Remover Assembly .....	1	1
8	1016416	Bearing Driver Set .....	1	1
9	1012811	Bearing Puller .....	1	1
10	1012812	Bearing Puller Wedge Attachment .....	1	1
11	101887101	Calibration Test Module .....		1
12	102562401	Charger Bezel Tool .....		1
		Clutch Tools (items 13 - 19) .....	1	
13	47568549001	Driven Clutch Tool .....	1	
14	47568246001	Plate, Cam Press (supplied with item 13).....	1	
15	105072501	Drive Clutch Holder Tool Assembly .....	1	
16	1014497	Drive Clutch Hub Puller .....	1	
17	1014496	Drive Clutch Puller .....	1	
18	1014508	Driven Clutch Cam Puller .....	1	
19	1014507	Driven Clutch Puller Plug .....	1	
		<p>Please refer to the maintenance and service manual for proper tool application.</p>		

**13**

**G**

**E**

**13**  
**G**  
**E**



001061-003



## MAINTENANCE AND SERVICE TOOLS, CONTINUED

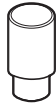
ITEM	PART NO.	DESCRIPTION	QTY GAS	QTY ELEC
		<b>1 2 3 4</b>		
20	101641002	Compression Gauge and Adapter .....	1	
21	1011273	Continuity Tester .....	1	1
22	1012151	Dry Moly Lubricant .....	1	1
23	1016418	Gear Yoke .....	1	1
24	1011478	Hydrometer .....	1	1
25	1013593	Internal Retaining Ring Pliers .....	1	1
26	101928701	Liquid Gasket (transaxle case) .....	1	1
27	102243402	Moly-Teflon Lubricant (4-oz. (113-gram) tube) .....		1
28	102587201	Paint Pen, Touch-Up, Underbody ,Black .....	1	1
29	1016414	Piston Ring Compressor Kit .....	1	
30	1016415	Piston Ring Pliers .....	1	
31	AM1285701	Refractometer .....	1	1
32	1012549	Retaining Ring Pliers, 45 External .....	1	1
33	1012560	Retaining Ring Pliers, 90 Internal .....	1	1
34	101823101	Safety First Card (50 per pack) .....	1	1
35	1012809	Seal Puller .....	1	1
		Please refer to the maintenance and service manual for proper tool application.		

**13**  
**G**  
**E**

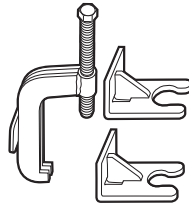
**13**  
**G**  
**E**



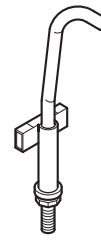
36



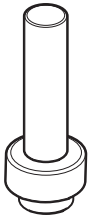
37



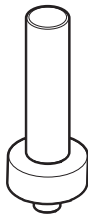
38



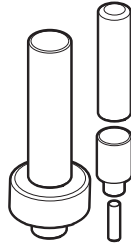
39



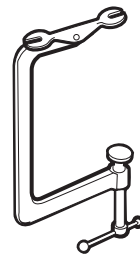
40



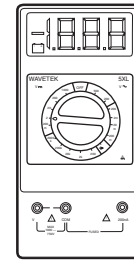
41



42



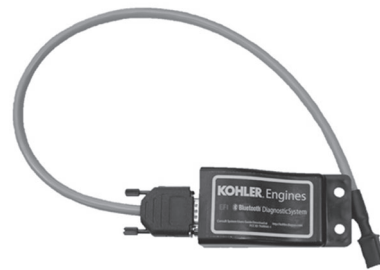
43



44



45



46



47

001062-002

## MAINTENANCE AND SERVICE TOOLS, CONTINUED

ITEM	PART NO.	DESCRIPTION	QTY GAS	QTY ELEC	
		1 2 3 4			13
36	1014264	Steering Column Bearing Press Tool .....	1	1	G
37	1014259	Steering Column Retaining Ring Tool .....	1	1	E
38	102061201	Steering Wheel Puller Tool .....	1	1	
39	102570401	Tool, Tensioning, Starter Generator .....	1		
40	1014162	Transaxle Axle Seal Tool .....		1	
41	1014161	Transaxle Pinion Seal Tool .....		1	
42	1014115	Transmission Tool Kit .....		1	
43	101641101	Valve Spring Compressor .....	1		
44	1011480	Volt Ohm Meter .....	1	1	
45	47631025001	Kit, EFI Diagnostics .....	1		
46	47631026001	Kit, Bluetooth EFI Diagnostics .....	1		
47	47631075001	Kit, EFI Tool .....	1		
		Please refer to the maintenance and service manual for proper tool application.			



# INDEX

## Part Number and Page

AM10419	11-9	1010150	6-13, 6-17	1012303	6-13, 6-17
SVP203101	3-7	1010177	6-13, 6-17	101242802	1-7
183	1-37, 11-5, 11-7	1010200	6-13, 6-17	1012431	7-11
320	1-19, 5-11	101043502	1-43	1012528	1-41
332	1-23, 1-39, 7-9	1010805	5-3	1012549	13-5
334	1-19, 1-41, 5-5, 6-3, 6-5, 11-5, 11-7	1010829	5-11, 5-13	1012560	13-5
357	1-43, 6-13, 6-17	1010850	5-9, 5-15	1012565	6-9
451	5-9, 5-15	1010877	5-3	1012566	6-9
705	1-3, 1-43	1010878	5-3	1012571	1-39, 6-5
706	1-43, 6-13, 6-17	1010909	1-37	1012604	6-5
1016	4-13	1010921	5-3	1012605	6-5
1028	5-3	1010927	5-3	1012649	9-5
1032	5-3	1010932	5-3	1012809	13-5
1035	1-41	1010933	5-3	1012811	13-3
1218	6-19, 9-15	1010934	7-15, 7-17	1012812	13-3
1241	1-21, 4-5, 4-7, 5-3, 5-5, 5-13, 7-11, 7-15, 7-17, 9-15	1010954	7-11	1012836	11-9
1242	5-11, 5-13, 7-7, 7-11	1010984	2-3	1013035	6-3
1606	7-15	1011017	4-3	1013042	6-3, 6-11, 6-15
1624	1-3, 5-5, 6-3, 7-7	1011084	5-5	1013044	6-3
2402	1-3, 6-11, 6-15	1011114	5-9, 5-15, 9-11, 12-11	1013052	6-3
7048	6-13, 6-17	1011137	5-9, 5-15	1013061	1-37
7173	4-5, 4-7, 7-15, 7-17	1011154	5-9, 5-15	1013135	6-21
7174	6-13, 6-17, 7-7	1011273	13-5	1013309	1-23
7274	6-21	1011298	5-9, 5-15	1013531	5-13
7308	6-21	1011303	5-9, 5-15	1013589	7-11
7473	1-21, 1-43, 4-5, 4-7, 5-3, 5-5, 5-11, 5-13, 6-19, 7-11, 7-15, 7-17, 9-15	1011314	5-9, 5-15	1013593	13-5
7479	1-39	1011393	6-21	1013609	7-11
7561	1-43	1011402	5-3	1013734	1-41
7716	5-3	1011415	6-23	1013746	9-5
7818	7-11	1011418	5-3	1013869	5-3
7820	4-5, 4-7	1011439	4-5, 4-7	1013870	5-3
7840	6-21	101146302	5-9, 5-15	1013876	5-3
7893	4-13, 7-11	1011464	5-9, 5-15	1013924	5-9, 5-15, 8-7
7910	6-21	1011465	5-9, 5-15	1014007	5-5, 9-11, 12-3, 12-11
8056	7-13	1011466	5-9, 5-15	1014051	11-7
8057	7-11, 7-13	1011467	5-9, 5-15	1014055	11-5, 11-7
8058	7-11, 7-13	1011478	13-5	1014056	11-5, 11-7
8067	6-13, 6-17	1011480	13-7	1014057	11-5, 11-7
8233	1-39, 5-5, 7-9, 9-11, 12-11	1011494	5-9, 5-15	1014058	11-5, 11-7
8248	7-9	1011557	4-5, 4-7	1014059	11-5, 11-7
8450	11-5, 11-7	1011610	4-3	1014062	11-5, 11-7
8639	6-5, 7-11	1011694	5-5	1014063	11-5, 11-7
8717	5-5, 7-11, 12-3	1011697	6-5, 10-3	1014065	7-11, 11-5, 11-7
8754	1-3, 1-7, 5-5, 5-11, 6-3, 6-5, 6-11, 6-13, 6-15, 6-17, 7-7	1011734	5-5	1014072	11-9
8755	6-13, 6-17	1011767	13-3	1014078	11-9
8861	6-11, 6-15	1011779	5-11, 5-13	1014080	11-9
8935	1-21	1011825	4-5, 4-7	1014115	13-7
8963	1-21	101187702	5-3	1014116	9-3
8990	5-11, 6-3, 12-5	1011887	6-21	1014125	6-5
1010005	6-21	1011892	6-21	1014126	6-5
1010138	1-43, 6-11, 6-15	1011931	5-5	1014145	7-11
1010145	6-23	1011937	1-21	1014161	13-7
		1011962	3-7	1014162	13-7
		1011990	1-3, 1-43	1014213	6-5
		1012151	13-5	1014214	6-5
		1012295	4-5, 4-7, 7-11	1014217	6-5

# INDEX

1014259	13-7	101641002	13-5	101879801	6-3
1014264	13-7	101641101	13-7	101879901	6-3
1014276	6-13, 6-17	101641202	13-3	101880001	6-3
1014287	11-5, 11-7	1016414	13-5	101880101	6-3
1014288	6-5, 7-15, 11-5, 11-7	1016415	13-5	101880201	6-3
1014305	13-3	1016416	13-3	101880301	6-3
1014375	7-15	1016417	13-3	101880701	5-9, 5-15
1014453	11-5, 11-7	1016418	13-5	101884801	8-7
1014454	11-9	1016557	5-9, 5-15	101886101	9-11, 12-11
1014496	13-3	1016573	5-9, 5-15	101887101	13-3
1014497	13-3	1016603	1-43	101887601	9-11
1014507	13-3	1016801	11-5, 11-7	101898001	7-15, 7-17
1014508	13-3	1016849	4-5, 4-7, 4-9	101898101	7-15
1014789	7-3	1016851	4-9	101908401	7-9
1014807	7-11, 7-13	1016901	11-5	101915201	3-5
1014808	7-11	1017029	5-3	101918501	5-3, 5-5
101503202	1-19	1017211	5-11	101919801	5-5
1015332	7-3	1017226	6-13, 6-17	101922501	7-9
1015373	7-11	1017266	6-11, 6-15	101928701	13-5
1015391	1-41	1017273	6-7, 6-9	101932201	4-5, 4-7
1015399	1-27	1017313	6-5	101935301	5-11
1015400	1-41	1017314	6-5	101946201	1-27
1015405	7-11	1017315	6-5	101953102	5-13
1015524	13-3	1017317	6-5	101953106	5-11
101553901	3-7	1017378	5-5	101954301	1-23
1015583	1-41, 6-13, 6-17	1017380	5-5	101955101	4-5, 4-7
101558302	6-23	1017424	5-5	101957101	4-5, 4-7
1015597	6-13, 6-17	1017686	11-9	101958602	1-39
1015661	1-41	1017774	1-43	101960501	3-5
1015700	1-39	101796201	5-5	101963401	1-27, 9-15
1015737	7-11	101808401	13-3	101974701	4-11
1015741	7-11	101813202	13-3	101974702	4-11
1015752	7-11	101817401	5-5	101974703	4-11
101587714	9-5	101818801	5-5	101974704	4-11
1015878	7-11, 7-13	101823101	13-5	101974705	4-11
1015932	7-7	101825101	3-3, 4-9	101974706	4-11
1016060	1-39	101830701	4-11	101974707	4-11
101609401	3-3	101831901	13-3	101974708	4-11
1016154	6-9	101833401	11-9	101974709	4-11
1016183	6-5	101834502	4-11	101974710	4-11
1016201	11-5, 11-7	101834601	8-7	101974711	4-11
1016214	6-9	101834602	8-7	101974712	4-11
1016269	6-5	101835601	1-39	101984801	6-5
1016289	11-5, 11-7	101850301	4-3, 6-7, 6-9	101990801	5-13
1016319	5-11	101851101	4-11	102022601	6-11, 6-15
1016320	5-11	101856101	1-9	102022602	6-3, 6-11, 6-15
1016346	6-11, 6-15	101856102	7-11	102025701	5-7
1016349	6-11, 6-15	101861901	5-5	102025801	9-3, 9-5
1016350	6-11, 6-15	101865301	5-11	102026001	5-5
1016351	6-11, 6-15	101871001	13-3	102059501	12-7, 12-9
1016353	6-11, 6-15	101874601	5-11	102061201	13-7
1016384	6-13, 6-17	101878201	5-3	102065901	1-41
101638502	6-11, 6-15	101879401	6-3	102155801	11-9
1016386	6-13, 6-17	101879501	6-3	102158901	5-5
1016387	6-13, 6-17	101879601	6-3	102160601	3-7
1016389	6-13, 6-17	101879701	6-3	102162601	5-13

# INDEX

102166901	5-13	102766301	6-13, 6-17	103756401	9-5
102175901	3-7	102838701	7-5	103821301	4-13
102199001	4-5, 4-7	102838801	7-5	103829401	6-7
102242101	11-9	102838901	7-5	103832501	4-15
102243402	13-5	102839001	7-5	103832601	4-15
102274101	12-23	102839301	7-5	103865101	5-5
102278001	6-5	102841101	7-5	103879701	12-15
102278901	3-3	102869401	4-9	103879702	12-13
102289201	6-3, 6-11, 6-15	102882501	1-43	103886601	12-5
102292701	1-15	102883601	1-15, 3-9	103896604	9-5
102292801	5-11, 5-13	102894503	4-5	103896605	9-5
102296020	12-3	102922701	10-3	103924801	7-3
102296150	1-29	102947601	1-29	103951501	12-23
102296301	1-15, 1-29	102977901	9-3	103951801	1-43
102296530	1-15	102989501	1-27	103973901	11-7
102296716	9-11	103180101	4-9	103973902	11-5
102296819	1-5	103182701	1-19	103974102	11-3
102297125	1-15, 1-17, 1-19, 1-33, 1-35, 4-5, 4-7	103182702	1-19	103974201	11-5, 11-7
102298185	1-41	103198401	7-9	103974401	11-5, 11-7
102298401	1-41, 6-23, 10-3	103205501	3-5, 7-9	103975301	11-9
102301401	1-41	103234304	3-9	103976101	11-5, 11-7
102311501	1-9	103245001	4-5	103979301	12-23
102323101	5-11, 5-13	103262201	8-5	103984601	11-5, 11-7
102323201	5-11, 5-13	103347601	7-5	103989501	12-23
102323501	1-7	103347701	7-5	103989901	12-25
102355301	7-15	103347801	7-5	103995001	12-23
102410604	9-11	103348201	4-9	104021701	12-23
102411209	9-15	103348602	4-9	104023501	9-11, 12-11
102459301	3-5	103354701	6-11, 6-15	104025101	11-9
102476401	9-11, 12-11	103372101	9-3	104026801	3-3
102490301	9-11	103372401	9-5	104027101	12-23
102491501	11-5, 11-7	103452001	9-5	105000301	7-11
102498201	9-11, 12-7, 12-9, 12-11	103477901	6-21	105000401	7-11
102506401	1-41, 6-23	103484301	4-5, 4-7	105003401	9-15
102517501	4-5	103487501	1-27	105006501	1-27
102517601	4-7	103496801	7-15	105007001	1-21
102526201	12-3	103502701	6-17	105007402	9-11
102540301	8-7	103502801	6-13	105007403	9-11
102541401	7-7	103507001	6-13, 6-17	105009101	9-15
102541501	1-15	103508101	8-5	105009401	9-15
102546401	4-5	103538701	1-41	105025001	12-13, 12-15
102558201	8-3, 9-15	103539001	1-41	105025101	12-13, 12-15
102562401	13-3	103540203	1-19	105025201	12-13, 12-15
102564002	6-13, 6-17	103575801	1-41	105025301	12-13, 12-15
102570401	13-7	103601501	6-3	105025401	12-13, 12-15
102582401	1-29	103628801	6-17	105025501	12-13, 12-15
102587201	13-5	103628901	6-13	105025601	12-13, 12-15
102617201	8-5	103653401	6-3	105025701	12-13, 12-15
102617801	12-23	103653501	6-3, 6-11, 6-15	105025801	12-13, 12-15
102621501	7-7, 12-3, 12-7, 12-9	103653601	6-11, 6-15	105025901	12-13, 12-15
102621601	1-7	103717302	6-13, 6-17	105026001	12-13, 12-15
102670701	1-7, 6-23	103717402	6-13, 6-17	105026101	12-13, 12-15
102684501	6-13, 6-17	103724504	6-7, 6-9	105026201	12-13, 12-15
102711201	7-11	103724601	6-9	105026301	12-13, 12-15
102725501	9-15	103724602	6-7	105026401	12-13, 12-15
102732401	8-5	103724901	6-9	105026501	12-13, 12-15

# INDEX

105026601	12-13, 12-15	105034601	1-15	105068008	4-11
105026701	12-13, 12-15	105034701	1-15	105068009	4-11
105026801	12-13, 12-15	105034801	1-15	105068010	4-11
105026901	12-13, 12-15	105034901	1-17	105068011	4-11
105027001	12-13, 12-15	105035001	1-17	105068012	4-11
105027101	12-13, 12-15	105035101	1-35	105068902	6-23
105027201	12-13, 12-15	105035201	1-35	105073401	4-3
105027301	12-13, 12-15	105035301	1-35	105074201	6-13, 6-17
105027401	12-17	105035701	1-19	105074501	1-7
105027501	12-17	105035801	1-33	105074502	1-7
105027601	12-17	105036301	12-3	105078401	1-27
105027701	12-17	105036601	1-41	105078809	2-3
105027801	12-17	105036701	1-15	105078810	2-3
105027901	12-17	105036801	4-3	105078901	2-3
105028001	12-17	105037101	4-9	105079204	2-3
105028101	12-19, 12-21	105037401	7-11	105079301	2-3
105028201	12-17	105037701	12-3	105079401	2-3
105028301	12-13, 12-15	105038001	12-3	105081501	7-3
105028401	12-17	105038101	12-3	105081601	7-3
105028501	12-13, 12-15	105038201	12-3	105081801	4-11
105028601	12-17	105038501	12-3	105081802	4-11
105028701	12-17	105038803	12-5	105081803	4-11
105028801	12-17	105039401	12-3	105081804	4-11
105028901	12-17	105039801	12-3	105081805	4-11
105029001	12-17	105039901	12-3	105081806	4-11
105029101	12-17	105040401	12-3	105081807	4-11
105029201	12-17	105040501	12-3	105081808	4-11
105029301	12-21	105040901	12-7	105081809	4-11
105029401	12-21	105043801	9-3	105081810	4-11
105029501	12-19, 12-21	105043901	9-3	105081811	4-11
105029601	12-21	105046101	3-3	105081812	4-11
105029701	12-21	105049201	1-19	105082301	3-5
105029801	12-19, 12-21	105049301	1-19	105083301	6-13, 6-17
105029901	12-19, 12-21	105062401	1-27	105083701	12-3
105030001	12-13, 12-15	105063001	1-27	105083801	12-3
105030301	12-19, 12-21	105063002	1-27	105084701	3-5
105030401	12-19, 12-21	105063501	12-13	105088501	9-15
105030501	12-19, 12-21	105063601	12-19	105093301	7-3
105030601	12-19, 12-21	105064121	1-25	105093501	1-29
105030701	12-13, 12-15	105064122	1-25	105093601	9-3
105030801	12-19, 12-21	105064123	1-25	105093701	4-3
105030901	12-17	105064124	1-25	105093801	4-3
105031001	12-21	105064521	1-23	105094001	1-7
105034001	1-19	105064522	1-23	105095101	7-3
105034201	1-19	105064523	1-23	105096101	11-5, 11-7
105034321	1-11	105064524	1-23	105100401	5-5
105034322	1-11	105066001	12-19, 12-21	105100801	5-5
105034323	1-11	105066101	12-19, 12-21	105102301	1-29
105034324	1-11	105066401	1-35	105102601	7-13
105034325	1-11	105068001	4-11	105102901	1-47
105034326	1-11	105068002	4-11	105103801	1-49
105034327	1-11	105068003	4-11	105104001	1-45
105034328	1-11	105068004	4-11	105104101	1-45
105034329	1-11	105068005	4-11	105104201	1-45
105034401	1-15	105068006	4-11	105104202	1-45
105034501	1-15	105068007	4-11	105104203	1-45



# INDEX

105104204	1-45	105156301	1-5	47579096001	6-23
105104205	1-45	105156701	1-5	47583000001	7-5
105104206	1-45	105156702	1-5	47583790001	7-5
105104301	1-49	105161701	7-3, 7-5	47583791001	7-5
105104401	1-49	105165801	4-5, 4-7	47583794001	7-5
105104501	1-49	105169101	1-41	47583795001	8-7
105104601	1-49	105170501	1-43	47584178001	7-5
105104602	1-49	105185901	3-3	47584179001	7-5
105104603	1-49	105185902	3-7	47584184001	8-7
105104901	1-49	105188185	6-23	47585228001	6-23
105106101	2-5	105188701	6-23	47585228002	6-23
105106201	2-5	105190601	4-5, 4-7	47587701001	8-7
105106301	2-5	105190701	4-5, 4-7	47598099001	8-5
105106501	2-5	105193501	1-43	47598441001	4-9
105106601	6-15	105194101	1-41, 9-3	47599907001	6-23
105106702	6-11	105194301	1-27	47599907002	6-23
105106801	6-23	105196001	1-29	47600218001	11-9
105108201	4-5, 4-7	105197401	1-3	47600627001	1-3
105108301	4-5, 4-7	105197601	1-43	47600628001	1-3
105108401	4-5, 4-7	105200401	1-23	47600629001	1-3
105108901	1-43	105210501	1-45	47600630001	1-3
105109201	1-29	105210601	1-47	47601355001	9-11
105110801	1-39	105210701	1-47	47601767001	11-9
105114806	4-5, 4-7	105210801	1-47	47601767002	11-9
105115002	3-9	105210802	1-47	47601832001	11-9
105115005	3-9	105210901	1-47, 1-49	47604303001	4-13
105117701	1-13	105211201	1-47, 1-49	47606233001	9-3
105117702	1-13	105211301	1-49	47606233002	9-3
105117703	1-13	105211401	1-49	47606233004	9-3
105117704	1-13	105211501	1-47, 1-49	47606257001	9-5
105117705	1-13	105211601	1-49	47607337001	7-3
105117706	1-13	105211701	1-49	47607338001	7-3
105117707	1-13	105211801	1-47	47609057001	4-9
105117708	1-13	105211901	1-47	47611208001	7-3
105117709	1-13	105212001	1-47	47611209001	10-3
105117710	1-13	105212101	1-49	47611210001	10-3
105122807	4-7	105212201	1-49	47611483001	8-5
105122808	4-5	105212301	1-49	47611484001	8-5
105124001	1-7	105212401	1-47	47611648001	8-5
105124901	1-9	105212501	1-47	47611868001	7-7
105131001	1-43	105212601	1-49	47611869001	7-7
105134901	12-9	105212701	1-49	47611870001	7-7
105135101	9-11, 12-7, 12-9	105234801	12-13, 12-15	47611876001	9-3
105135201	4-5, 4-7	105234901	12-13, 12-15	47611877001	9-3
105135901	7-3	105237301	7-17	47612352001	9-9
105136001	7-3	105242801	6-19	47613047002	10-3
105142701	1-39	105243001	6-19	47616912001	7-3
105143201	5-13	105245801	11-3	47617158001	9-9
105143301	7-3, 9-3	105256701	7-17	47617345001	7-7
105144401	9-11, 12-11	105256801	7-3	47619701001	9-5
105144801	4-15	105291601	1-31	47623281001	7-3
105149101	5-7	47539338002	7-7	47623339001	9-3
105149201	5-7	47542195001	5-9, 5-15	47629583001	8-19
105152801	3-9	47559475001	7-5	47629585001	8-19
105153301	3-9	47559475002	7-5	47629588001	8-19
105153302	3-9	47564890001	8-7	47629589001	8-19

# INDEX

- 47629677001 8-15  
47629680001 8-15  
47629682001 8-15  
47629685001 8-15  
47629686001 8-15  
47629687001 8-15  
47629688001 8-15  
47629689001 8-15  
47629690001 8-15  
47629691001 8-15  
47629693001 8-15  
47629694001 8-15  
47629696001 8-15  
47629697001 8-15  
47629698001 8-15  
47629699001 8-17  
47629700001 8-17  
47629701001 8-17  
47629702001 8-11, 8-17  
47629703001 8-17  
47629705001 8-17  
47629707001 8-17  
47629709001 8-17  
47629711001 8-13  
47629714001 8-13  
47629716001 8-13  
47629717001 8-13  
47629718001 8-13  
47629719001 8-13  
47629720001 8-13  
47629722001 8-13  
47629723001 8-13  
47629724001 8-13  
47629725001 8-13  
47629726001 8-13  
47629727001 8-13  
47629728001 8-13  
47629729001 8-13  
47629730001 8-13  
47629768001 8-13  
47629822001 8-13  
47629823001 8-13  
47629824001 8-13  
47629825001 8-13  
47629826001 8-11  
47629828001 8-11  
47629831001 8-11  
47629832001 8-11  
47629833001 8-11  
47629834001 8-11  
47629835001 8-11  
47629836001 8-11  
47629837001 8-11  
47629838001 8-11  
47629839001 8-11  
47629841001 8-11  
47629843001 8-11  
47629844001 8-9  
47629845001 8-9  
47629846001 8-9  
47629847001 8-9  
47629848001 8-9  
47629851001 8-9  
47629853001 8-9  
47629855001 8-9  
47629856001 8-9  
47629857001 9-7  
47629858001 9-7  
47629859001 9-7  
47629860001 9-7  
47629861001 9-7  
47629862001 9-7  
47629864001 9-7  
47629865001 9-7  
47629866001 9-7  
47629867001 9-7  
47629868001 9-7  
47629869001 9-7  
47629870001 9-7  
47629871001 9-7  
47629872001 9-7  
47629874001 9-7  
47629875001 9-9  
47629876001 9-9  
47629877001 9-9  
47629878001 9-9  
47629879001 9-13  
47629880001 9-13  
47629881001 9-13  
47629882001 9-13  
47631907002 4-9  
47637087001 9-5  
47640021001 8-11  
47640281001 8-3, 8-11  
47650647001 8-11  
47664037001 9-3  
96704176 12-3  
96705199 12-7, 12-9  
96705587 10-3  
96741046 8-5
- A**
- accelerator bracket and bearing assembly 5-5  
accelerator cable 9-11  
accelerator pedal adjustment tool 13-3  
accelerator pivot rod 5-5  
accelerator return spring 5-5  
adhesive, guide ring 13-3  
air cleaner assembly 9-15  
air filter 8-3, 9-15  
air filter evacuator 9-15  
air intake hose 9-15
- air pot 1-49  
AM1285701 13-5  
anchor body 5-9, 5-15  
anchor body kit 5-9, 5-15  
anchor, piston 5-9, 5-15  
A-plate strap 6-11, 6-15  
A-plate, delta 6-11, 6-15  
arbor 13-3  
arm  
    governor 9-11, 12-11  
assembly  
    accelerator bracket and bearing 5-5  
    accelerator pivot rod 5-5  
    bearing, steering shaft 6-5  
    delta A-plate 6-11, 6-15  
    drive hub 11-5, 11-7  
    fuel cap 9-3  
    inner ball joint 6-3  
    kingpin 6-13, 6-17  
    moveable-face 11-5, 11-7, 11-9  
    ratchet 5-3, 5-5  
    secondary clutch weight 11-5, 11-7  
    steering shaft 6-5  
axle shaft 12-19, 12-21  
axle tube 12-19, 12-21
- B**
- backing plate, brake 5-9, 5-15  
ball bearing 7-5, 12-17, 12-19, 12-21  
ball joint 5-3, 5-5  
ball stud 7-11  
base cabinet 1-47  
battery  
    12-volt, side-post 7-15  
    12-volt, top-post 7-17  
battery clamp 7-15, 7-17  
battery discharge machine 13-3  
battery retainer 7-15  
battery terminal protector spray 13-3  
battery thermometer 13-3  
battery, top-post, wire, 4ga, B+ 7-3  
battery, top-post, wire, B- 4ga, 7-17  
bearing  
    ball 7-5, 12-17, 12-19, 12-21  
    ball (steering pinion) 6-3  
    front wheel hub 6-21  
    hub 6-21  
    lower pinion (steering) 6-3  
    pivot support 5-5  
    steering shaft 6-5  
    thrust 6-13, 6-17, 12-13, 12-15  
bearing and oil seal remover 13-3  
bearing driver set 13-3  
bearing puller 13-3  
bearing puller wedge 13-3  
bearing seat 6-5

# INDEX

- bed frame 1-47
- bed latch weldment 1-41
- bed lift actuator 1-43
- bed lift harness 1-43
- bed lift kit 1-43
- bed lift weldment 1-43
- bed seal 1-27
- bellows 6-3
- belt, drive 11-3
- block, brake-mounting 5-3
- block, fuse 7-11
- body, anchor 5-9, 5-15
- boot, steering column 6-5
- boot, switch 7-9
- box
  - steering gear 6-3
- bracket
  - accel.cable 9-11, 12-7, 12-9
  - brake light switch 4-5, 4-7
  - carbon canister 9-5
  - FNR cable 9-11, 12-7, 12-9
  - governor 9-11, 12-11
  - horn 4-5, 4-7
  - shifter 12-3
  - snubber 8-7
  - steering column 6-5
  - steering column mounting 6-5
  - Tow/Run switch 7-9
- bracket, hinge, bed 1-41
- brake actuator kit 5-9, 5-15
- brake backing plate 5-9, 5-15
- brake cable 5-11, 5-13
- brake cable equalizer 5-11, 5-13
- brake cluster 5-9, 5-15
- brake drum 5-9, 5-15
- brake lever arm 5-9, 5-15
- brake light switch bracket 4-5, 4-7
- brake mounting block 5-3
- brake pedal 5-3
- brake pedal pad 5-3
- brake return spring 5-13
- brake shoe 5-9, 5-15
- brake spring 5-9, 5-15
- breather 12-13, 12-15
- Brkt, Steering Stop, Drv, CA, LSV 6-19
- bulb, halogen 4-3
- bumper
  - rubber 5-3
  - spring return 5-5
- bumper, bedfloor 1-41
- bushing 1-43, 7-11, 11-5, 11-7, 12-3
  - bronze 6-13, 6-17
  - nylon 5-3
  - spindle 6-13, 6-17
  - steel 6-13, 6-17
  - urethane 1-41, 6-11, 6-13, 6-15, 6-17, 6-23
- button, drive 11-9
- buzzer, reverse 4-9
- C**
- cable
  - accelerator 9-11
  - brake 5-11, 5-13
  - FNR shifter 12-5
- calibration test module 13-3
- cam
  - driven clutch 11-9
  - electrical component box 7-11
- canister, carbon, fuel tank 9-5
- canopy cross support 1-45
- canopy frame 1-45
- canopy front struts 1-45
- canopy, blue 1-45
- canopy, gray 1-45
- canopy, green 1-45
- canopy, green/white 1-45
- canopy, linen 1-45
- cap
  - fuel, gas, ratchet 9-3
  - key switch 4-11
  - rubber 12-23
- carbon canister 9-5
- card, safety first 13-5
- case
  - transaxle 12-13, 12-15
- center shaft 12-17
- charger bezel tool 13-3
- clamp
  - battery 7-15, 7-17
  - hose 9-5, 9-15
  - p- (fuel filter) 9-11
- clevis, upper delta 6-13, 6-17
- clip
  - body trim 1-15
  - meter 4-9
  - wheel cover 2-5
- clip, score card 6-9
- close out trim 1-47
- cluster, brake 5-9, 5-15
- clutch
  - pin 12-17
- clutch cam installation tool 13-3
- clutch repair kit 11-9
- clutch tool kit 13-3
- clutch weight 11-5, 11-7
- clutch, drive 11-5, 11-7
- collar 12-17
- column, steering 6-5
- compression gauge 13-5
- compressor, piston ring 13-5
- compressor, valve spring 13-7
- continuity tester 13-5
- counter shaft 12-17
- cover
  - dust 5-9, 5-15, 6-21
  - rocker switch hole 4-9
  - steering column 6-5
- cowl 1-11
- crocs 1-49
- C-type stop ring 6-3
- cup holder 1-49
- cup, spring 5-5
- cushion, shock absorber 6-23
- D**
- dash 1-19
- decal
  - bed load warning 3-7
  - consumable ice 3-7
  - crush area warning 3-3, 3-5
  - frame ground 3-5
  - maintenance/operate switch 3-5, 7-9
  - nameplate 1-15, 3-9
  - on/off 3-3, 4-9
  - pin removal warning 3-7
  - refreshment center 3-7
  - rotating parts 3-5
  - vehicle loading 3-3
  - wheel cover 2-5
- delta A-plate 6-11, 6-15
- delta A-plate sub-assembly 6-11, 6-15
- differential 12-21
  - limited-slip 12-19
  - open 12-21
- differential gear set 12-21
- differential shaft 12-21
- diode 7-3
- door keys 1-47, 1-49
- door latch 1-47, 1-49
- door lock 1-47, 1-49
- door, slide 1-49
- door, charger port 1-15
- door, glove box 1-19
- drain plug 12-13, 12-15
- drawer slider kit 1-47
- drive belt 11-3
- drive button 11-9
- drive clutch 11-5, 11-7
- drive clutch button 11-5, 11-7
- drive clutch holder tool 13-3
- drive clutch hub puller 13-3
- drive clutch puller 13-3
- drive clutch spring 11-5, 11-7
- drive clutch weight 11-5, 11-7
- drive hub 11-5, 11-7
- driven clutch button 11-9
- driven clutch cam 11-9
- driven clutch cam puller 13-3

# INDEX

driven clutch puller plug 13-3  
driver, drive clutch 11-5, 11-7  
drum, brake 5-9, 5-15  
dry moly lubricant 13-5  
dual snubber 8-7  
dust cover 5-9, 5-15, 6-21

## E

eccentric bolt 6-13, 6-17  
E-clip 5-11, 5-13  
end, tie rod 6-11, 6-15  
engine  
    air cleaner 9-15  
    air filter 8-3, 9-15  
    air intake hose 9-15  
equalizer pivot 5-11  
equalizer rod 5-11, 5-13  
equalizer, brake cable 5-11, 5-13  
extension, spring latch 1-41

## F

face, moveable 11-9  
fender, front, lh 1-15  
fender, front, rh 1-15  
fender, inner 1-33  
fender, rear 1-35  
filter  
    air 8-3, 9-15  
fitting, thread-forming grease 6-13, 6-17  
flasher, turn signal, 12-volt 4-5  
floor mat 1-19  
fnr shaft 12-3  
FNR shift lever 12-7, 12-9  
FNR shifter base 12-3  
FNR shifter cable 12-5  
frame  
    corner cap 1-27  
frame weldment, front 1-21  
front spring retainer plate 6-13, 6-17  
Fuel Module, Hold-Down Ring 9-3  
fuse  
    10-amp 4-5, 4-7, 7-3, 7-11  
    2-amp 7-3  
    5-amp 7-3  
fuse block 7-11  
fuse, mini, 10A 4-5, 4-7

## G

gasket 12-13, 12-15  
    liquid 13-5  
gauge, compression 13-5  
gear  
    17 tooth 12-17  
    34 tooth 12-17  
    52 tooth 12-17

60 tooth 12-19, 12-21  
62 tooth 12-17  
governor 12-13, 12-15  
governor, 34 tooth 12-17  
    set, differential 12-21  
gear yoke 13-5  
governor arm 9-11, 12-11  
governor gear shaft 12-13, 12-15  
governor shaft 12-13, 12-15  
grill 1-15  
grip, pencil 6-9  
grip, tilt latch hand 1-41  
guide pin 12-13, 12-15  
guide ring adhesive 13-3

## H

handle, FNR 12-3  
harness, wire 4-7  
harness, wire, gas FNR connector 7-3  
harness, wire, gas instr. panel 7-3  
harness, brake pedal switch 4-5, 4-7  
harness, taillight 4-5, 4-7  
headlight 4-3  
headlight bezel, lh 1-17  
headlight bezel, rh 1-17  
headlight guard kit 1-5  
headlight, led 4-3  
hill brake rod 5-3  
hill brake weld assembly 5-3  
hip restraint 1-27  
holder, license plate 1-9  
horn bracket 4-5, 4-7  
hose  
    air intake 9-15  
    vent 9-5  
hub 6-21, 12-23  
hub bearing 6-21  
hydrometer 13-5

## I

inner frame snubber 8-7  
input shaft 12-17  
internal retaining ring pliers 13-5  
isolator, shock damper 6-23

## J

joint  
    ball 5-3, 5-5

## K

key  
    driven clutch 11-9  
    square 11-9  
key switch cap 4-11  
key switch, uncommon 4-11

kingpin 6-13, 6-17

## kit

    accelerator pivot rod 5-5  
    anchor body 5-9, 5-15  
    brake actuator 5-9, 5-15  
    brake cable 5-11  
    brake pedal 5-3  
    brake shoe 5-9, 5-15  
    brake shoe retainer 5-9, 5-15  
    clutch repair 11-9  
    drive clutch button 11-5, 11-7  
    drive clutch weight 11-5, 11-7  
    driven clutch button 11-9  
    equalizer, brake 5-11  
    park brake latch 5-3  
    park brake pedal 5-3  
    shock absorber cushion 6-23  
    shoe retainer 5-9, 5-15  
    steering column mounting bracket 6-5  
Kit, Horn/Tail Light/Turn 4-7

## L

lamp, stop, turn, tail 4-5, 4-7  
latch 1-19  
latch plate 1-39  
latch, park brake 5-3  
lever  
    transaxle shift 12-7, 12-9  
license frame kit 1-9  
license plate 1-9  
license plate holder 1-9  
light  
    oil 4-9  
limit switch 4-5, 4-7, 7-11, 7-13  
liquid gasket 13-5  
low oil warning light 4-9  
lubricant, dry moly 13-5  
lubricant, moly-teflon 13-5  
lug nut 2-3  
lug stud 12-23

## M

mat, floor 1-19  
meter clip 4-9  
meter, volt ohm 13-7  
module  
    calibration test 13-3  
moly-teflon lubricant 13-5  
mounting block, brake 5-3  
moveable-face 11-5, 11-7, 11-9

## N

nameplate decal 1-15, 3-9  
nut, lug 2-3

# INDEX

## O

oil seal 12-13, 12-15  
oil warning light, low 4-9  
O-Ring, Fuel Module 9-3

## P

pad  
brake pedal 5-3  
park brake 5-3  
paint, underbody (black) 13-5  
paint, touch-up 1-13  
park brake latch 5-3  
park brake pedal 5-3  
park brake rod sleeve 5-3  
park brake spacer 5-3  
park brake torsion spring 5-3  
pawl 5-3  
p-clamp (fuel filter) 9-11  
pedal, brake 5-3  
pedal, park brake 5-3  
pencil grip 6-9  
pin  
bow tie locking 5-11, 5-13  
clevis 5-11, 5-13  
differential 12-21  
guide 12-13, 12-15  
input shaft 12-17  
pinion, steering 6-3  
piston anchor 5-9, 5-15  
piston ring compressor 13-5  
piston ring pliers 13-5  
pivot support bearing 5-5  
plate  
front spring retainer 6-13, 6-17  
license 1-9  
pliers  
internal retaining ring 13-5  
piston ring 13-5  
retaining ring 13-5  
plug  
drain 12-13, 12-15  
driven clutch puller 13-3  
prop rod 1-41  
prop rod bracket side support 1-39  
prop rod track 1-39  
protector spray, battery terminal 13-3  
puller  
bearing 13-3  
drive clutch 13-3  
drive clutch hub 13-3  
driven clutch cam 13-3  
seal 13-5

## R

race, front hub bearing 6-21

rack guide pressure spring 6-3  
rack, steering 6-3  
ratchet, park brake 5-3, 5-5  
rear bumper, Café 1-47  
reflector, yellow 4-15  
reflector, amber 4-3  
reflector, red 4-15  
reflector, red, rectangle 4-15  
refractometer 13-5  
regulator, voltage 7-11  
relay, 12-volt 4-5, 4-7  
remover, bearing and oil seal 13-3  
retainer  
accelerator pedal spring 5-5  
battery 7-15  
brake shoe 5-9, 5-15  
shock absorber cushion 6-23  
retaining ring 6-5  
retaining ring pliers 13-5  
return spring bumper 5-5  
reverse buzzer 4-9  
ring  
C-type stop 6-3  
retaining 6-5, 7-11, 11-5, 11-7, 11-9, 12-13, 12-15, 12-23  
snap 6-3  
spiral backup 11-5, 11-7  
rocker switch 1-43  
rocker switch (lights) 4-9  
rod  
accelerator pivot 5-5  
equalizer 5-11, 5-13  
hill brake 5-3  
prop 1-41

## S

safety first card 13-5  
score card clip 6-9  
score card plate 6-9  
seal  
oil 12-13, 12-15  
steering pinion dust 6-3  
seal puller 13-5  
seal, bed 1-27  
seat bottom 1-23  
seat strap 1-23  
seat, bearing 6-5  
seatback 1-25  
seatback weldment 1-27  
select shaft 12-13, 12-15  
Sensor, Temperature 8-11  
service bar 1-49  
shaft  
axle 12-19, 12-21  
center 12-17  
counter 12-17  
differential 12-21  
governor 12-13, 12-15  
governor gear 12-13, 12-15  
input 12-17  
select 12-13, 12-15  
shift 12-17  
steering column 6-5  
shelf, adjustable 1-49  
shift lever 12-7, 12-9  
shift shaft 12-3, 12-17  
shifter bracket 12-3  
shifter handle 12-3  
shifter, base 12-3  
shifter, FNR 12-3  
shock absorber 6-23  
shock absorber cushion 6-23  
shock absorber cushion retainer 6-23  
shock damper isolator 6-23  
shoe retainer kit 5-9, 5-15  
shoe, brake 5-9, 5-15  
sleeve 1-41, 6-23, 12-13, 12-15  
delta A-plate 6-11, 6-15  
park brake rod 5-3  
slide door 1-47  
snap ring 6-3  
snubber bracket 8-7  
snubber, dual 8-7  
snubber, inner frame 8-7  
solenoid, 12-volt 7-11  
spacer 12-13, 12-15, 12-17  
accelerator pivot rod 5-5  
park brake 5-3  
spindle assembly 6-13, 6-17  
spiral backup ring 11-5, 11-7  
spray, battery terminal protector 13-3  
spring 12-13, 12-15  
accelerator return 5-5  
brake 5-9, 5-15  
brake return 5-13  
compression 6-9  
drive button 11-5, 11-7  
drive clutch 11-5, 11-7  
extension 1-41  
park brake torsion 5-3  
rack guide pressure 6-3  
steering shaft compression 6-5  
spring cup 5-5  
spring mounting plate 6-13, 6-17  
steel bushing 6-13, 6-17  
steering column 6-5  
steering column bearing press tool 13-7  
steering column retaining ring tool 13-7  
steering gear box 6-3  
steering pinion 6-3  
steering pinion dust seal 6-3  
steering rack 6-3

# INDEX

steering shaft 6-13, 6-17  
steering shaft assembly 6-5  
steering shaft compression spring 6-5  
steering wheel puller tool 13-7  
strap, A-plate 6-11, 6-15  
strap, seat 1-23  
stud  
lug 12-23  
stud, ball 7-11  
support yoke (steering) 6-3  
switch

key, uncommon 4-11  
light rocker 4-9  
limit 4-5, 4-7, 7-11, 7-13  
rocker 1-43  
turn signal 4-5  
switch rubber boot 7-9  
switch, toggle 7-9

## T

12-volt solenoid 7-11  
tailskirt 1-35  
tester, continuity 13-5  
thermometer, battery 13-3  
thread-forming grease fitting 6-13, 6-17  
thrust bearing 6-13, 6-17  
tie rod 6-11, 6-15  
tie rod end 6-11, 6-15  
tie wrap 5-11, 6-3, 6-5, 7-11, 12-5  
tilt latch hand grip 1-41  
tire 2-3  
toggle switch 7-9  
tool  
accelerator pedal adjustment 13-3  
belt tensioning, starter/generator 13-7  
charger bezel 13-3  
clutch cam installation 13-3  
drive clutch holder 13-3  
steering column bearing press 13-7  
steering column retaining ring 13-7  
steering wheel puller 13-7  
transaxle axle seal 13-7  
transaxle pinion seal 13-7  
transmission 13-7  
tool kit, clutch 13-3  
touch-up paint 13-5  
Tow/Run switch bracket 7-9  
track, door 1-49  
track, prop rod 1-39  
transaxle axle seal tool 13-7  
transaxle pinion seal tool 13-7  
transaxle, limited-slip (Gas Vehicle) 12-13  
transaxle, open-diff (Gas Vehicle) 12-15  
transmission tool 13-7  
trash can 1-47  
tube

axle 12-19, 12-21  
turn signal switch 4-5

## U

U-bolt 6-23  
upper cabinet 1-49  
upper delta clevis 6-13, 6-17  
urethane bushing 1-41, 6-11, 6-13, 6-15, 6-17, 6-23

## V

valve 9-15  
valve spring compressor 13-7  
valve stem 2-3  
vent  
transaxle 12-13, 12-15  
vent, barb 9-5  
volt ohm meter 13-7  
voltage regulator 7-11

## W

warning light, low oil 4-9  
wedge, bearing puller 13-3  
weight  
clutch 11-5, 11-7  
secondary clutch 11-5, 11-7  
weldment  
governor bracket 9-11, 12-11  
wheel 2-3  
wheel cover 2-5  
windshield kit, non-hinged 1-29  
windshield, non-hinged 1-29  
wire  
green, starter/generator 7-3, 7-5  
ground, fuel tank 7-3, 9-3  
wire harness 4-7, 7-3  
wrap, tie 5-11, 6-3, 6-5, 7-11, 12-5

## Y

yoke, gear 13-5  
yoke, support (steering) 6-3





**Club Car, Inc.**  
P.O. Box 204658  
Augusta, GA 30917-4658  
USA

**Web** [www.clubcar.com](http://www.clubcar.com)  
**Phone** 1.706.863.3000  
1.800.ClubCar  
**Int'l** +1 706.863.3000  
**Fax** 1.706.863.5808