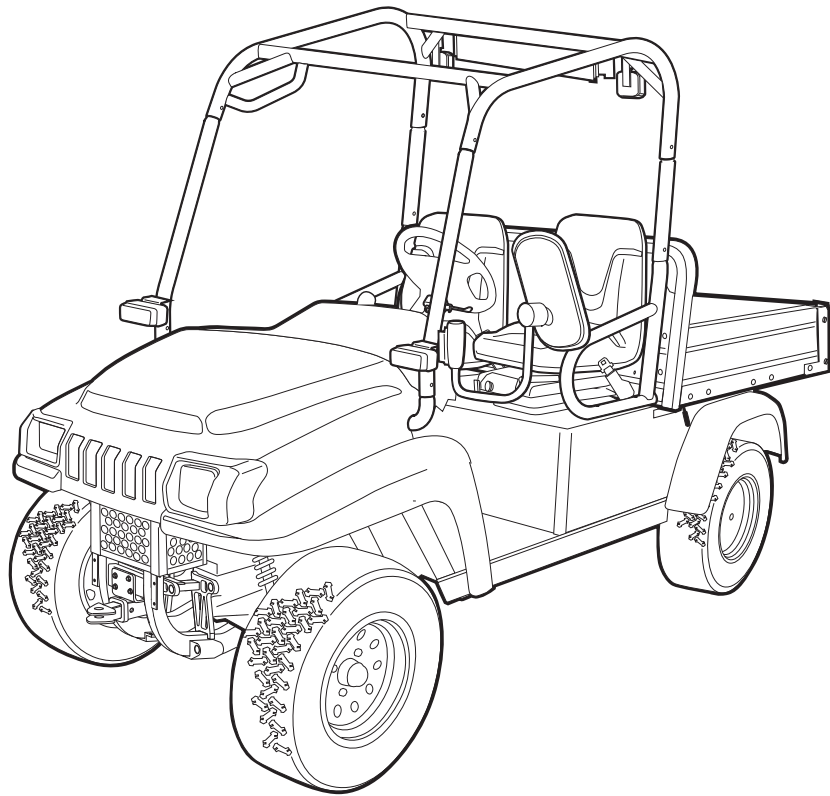




**2005-2006
Carryall 294
Homologated Vehicles
Illustrated Parts List**



Manual Number 102680311
Edition Code 1107J0112H

USING THE ILLUSTRATED PARTS LIST

⚠ WARNING

- **This manual is to be used only for identification and ordering of service parts. Be sure to read and use the maintenance and service manual before attempting any vehicle repairs.**

This manual covers 2005-2006 Carryall 294 Homologated vehicles.

Use the Table of Contents to find the sections and pages that contain the parts and assemblies you seek. The Table of Contents lists section numbers, and under them, the individual page titles and numbers to be found in that section. The index can be used to find specific parts and assemblies. The index is divided into numerical and alphabetical listings with the page numbers in italic text.

There is a two-page spread for each individual page title in the Table of Contents. On the left-hand page is an illustration showing the parts in their relative positions; the parts are each tagged with an item number in a balloon. The right-hand page is the parts list page, and gives the page title at the top, then the item numbers (corresponding to the numbers on the illustration), part descriptions, and quantity of parts used.

Note that a part description may be indented. This indentation corresponds to a parts assembly level indicated by the numbers 1, 2, 3, and 4 at the top left corner of the parts description area of the parts list page. A part that is indented to *level 2* is a component of the *level 1* part (assembly) that it is listed under. A *level 3* part is a component of the *level 2* part that it is listed under, and a *level 4* part is a component of the *level 3* part preceding it. In each case, the part quantity given for a level 2, 3, or 4 part *is the quantity used per next higher level assembly of which it is a component*. A part that is not indented is a *level 1* part. This means that the quantity given is the quantity used per the portion of the vehicle illustrated on that particular spread.

HOW TO ORDER PARTS

Replacement parts and accessories can be obtained from our network of authorized dealers and distributors. You can obtain the name and phone number of your closest authorized Club Car dealer or distributor by visiting our web site at www.clubcar.com and clicking on the "*Distributor Search*" link or by calling our toll-free Service Parts and Technical Assistance hotline at (800) 872-2246 or (706) 863-3000, extension 3887.



**P. O. Box 204658
Augusta, Georgia 30917-4658 USA
Telephone 706-863-3000
Service Parts Fax 706-855-7413
www.clubcar.com**

NOTE: *This illustrated parts list represents the most current information at the time of publication. Club Car, Inc. is continually working to further improve its vehicles and other products. These improvements may affect the parts used to service the vehicle. Any modification and/or significant change in specifications will be forwarded to all Club Car and Carryall distributors/dealers and will, when applicable, appear in future editions of this illustrated parts list.*

Club Car, Inc. reserves the right to change specifications and designs at any time without notice and without the obligation of making changes to units previously sold.

Copyright © 2007 Club Car, Inc.
Club Car is a registered trademark of Club Car, Inc.
This manual effective November 29, 2004.

CONTENTS

SECTION 1 – BODY AND TRIM

Front and Rear Hitches	1-3
Exterior Mirrors	1-5
Front Body Trim, Diesel Vehicles	1-7
Front Body Components	1-9
Seat – Drivers Side	1-11
Seat – Passengers Side	1-13
ROPS	1-15
Latch Plate and Prop Rod	1-17
Tilt Bed, Hinge, and Latch	1-19
Electric Bed Lift	1-21
Cargo Box	1-23
Rear Body Trim	1-25

SECTION 2 – WHEELS AND TIRES

Wheels and Tires	2-3
------------------------	-----

SECTION 3 – DECALS

Safety Decals, Diesel Vehicles	3-3
Safety Decals, Diesel Vehicles, Continued	3-5
Badging Decals, Carryall 294 Vehicles	3-7

SECTION 4 – PEDAL GROUP

Accelerator Pedal Assembly	4-3
Brake Pedal Assembly	4-5
Park Brake Pedal Assembly	4-7
Park Brake Pedal Assembly with Bellcrank System	4-9

SECTION 5 – BRAKE SYSTEMS

Front Brake Assembly	5-3
Rear Brake Assembly	5-5
Master Cylinder	5-7
Hydraulic Brake Lines and Clips	5-9
Park Brake Assembly with Pulley System	5-11
Park Brake Assembly with Bellcrank System	5-13

CONTENTS

SECTION 6 – STEERING AND SUSPENSION

Steering Column	6-3
Steering Gear Assembly	6-5
Front Suspension – A-Arms	6-7
Front Suspension (Standard)	6-9
Front Suspension (High-Capacity Option)	6-11
Rear Suspension (Standard)	6-13
Rear Suspension (High-Capacity Option)	6-15

SECTION 7 – ELECTRICAL SYSTEM

Wiring – Diesel Vehicles	7-5
Lighting	7-9
Lighting, Continued	7-11
Headlights	7-13
Electrical Component Box, Diesel Vehicles	7-15
Electrical Components, Instrument Panel, Diesel Vehicles	7-17
Battery – Diesel Vehicles	7-19

SECTION 8 – DIESEL ENGINE (OPEN BREATHER)

Kubota D722 Diesel Engine Mounting	8-3
Crankcase	8-5
Oil Pan	8-7
Cylinder Head	8-9
Gear Case	8-11
Head Cover	8-13
Dipstick and Guide	8-15
Oil Pump	8-17
Main Bearing Case	8-19
Camshaft and Idle Gear	8-21
Piston and Crankshaft	8-23
Flywheel	8-25
Shaft	8-27
Idle Apparatus	8-29
Stop Solenoid	8-31
Alternator (Diesel Vehicles)	8-33
Injection Pump	8-35
Speed Control Plate	8-37
Nozzle Holders and Glow Plugs	8-39

CONTENTS

Governor Components	8-41
Starter	8-43
Valves and Rocker Arms	8-45
Diesel Inlet Manifold	8-47
Exhaust Manifold	8-49
Gasket Kits	8-51
Piston Kit	8-53

SECTION 9 – FUEL, INTAKE, AND GOVERNOR SYSTEM

Fuel System – Diesel Vehicles	9-3
Fuel Tank – Diesel Vehicles	9-5
Accelerator Cable, Diesel Vehicles	9-7
Intake Duct and Air Box Assembly – Diesel Vehicles	9-9

SECTION 10 – EXHAUST SYSTEM

Exhaust System, Diesel Vehicles	10-3
---------------------------------------	------

SECTION 11 – CLUTCHES

Clutch Cover (Standard)	11-3
Clutch Cover (Sealed)	11-5
Drive Belt	11-7
Drive Clutch – Diesel Vehicles	11-9
Driven Clutch	11-11

SECTION 12 – DRIVETRAIN COMPONENTS

Front Differential Mounting and Half Shafts	12-3
Front Differential (Output Components)	12-5
Front Differential (Input Components)	12-7
Prop Shafts	12-9
Forward/Reverse Shifter Assembly	12-11
Transmission	12-13
Transmission, Continued	12-15
Transmission Shift Shaft and Bell CrankTransmission Shift Shaft and Bell Crank (Style A)	12-17
Transmission Shift Shaft and Bell Crank (Style B)	12-19
Transmission, Continued	12-21
Transmission Cable	12-23
Rear Differential	12-25
Rear Differential, Continued	12-27

CONTENTS

SECTION 13 – RADIATOR AND COOLANT SYSTEM (DIESEL VEHICLES)

Radiator	13-3
Coolant Expansion Tank	13-5
Coolant Pipes and Hoses	13-7
Water Flange and Thermostat	13-9
Water Pump	13-11
Block Coolant Pipe	13-13

SECTION 14 – MAINTENANCE AND SERVICE TOOLS

Maintenance and Service Tools	14-3
Maintenance and Service Tools, Continued	14-5
Maintenance and Service Tools, Continued	14-7
Maintenance and Service Tools, Continued	14-9
Maintenance and Service Tools, Continued	14-11

SECTION i – INDEX

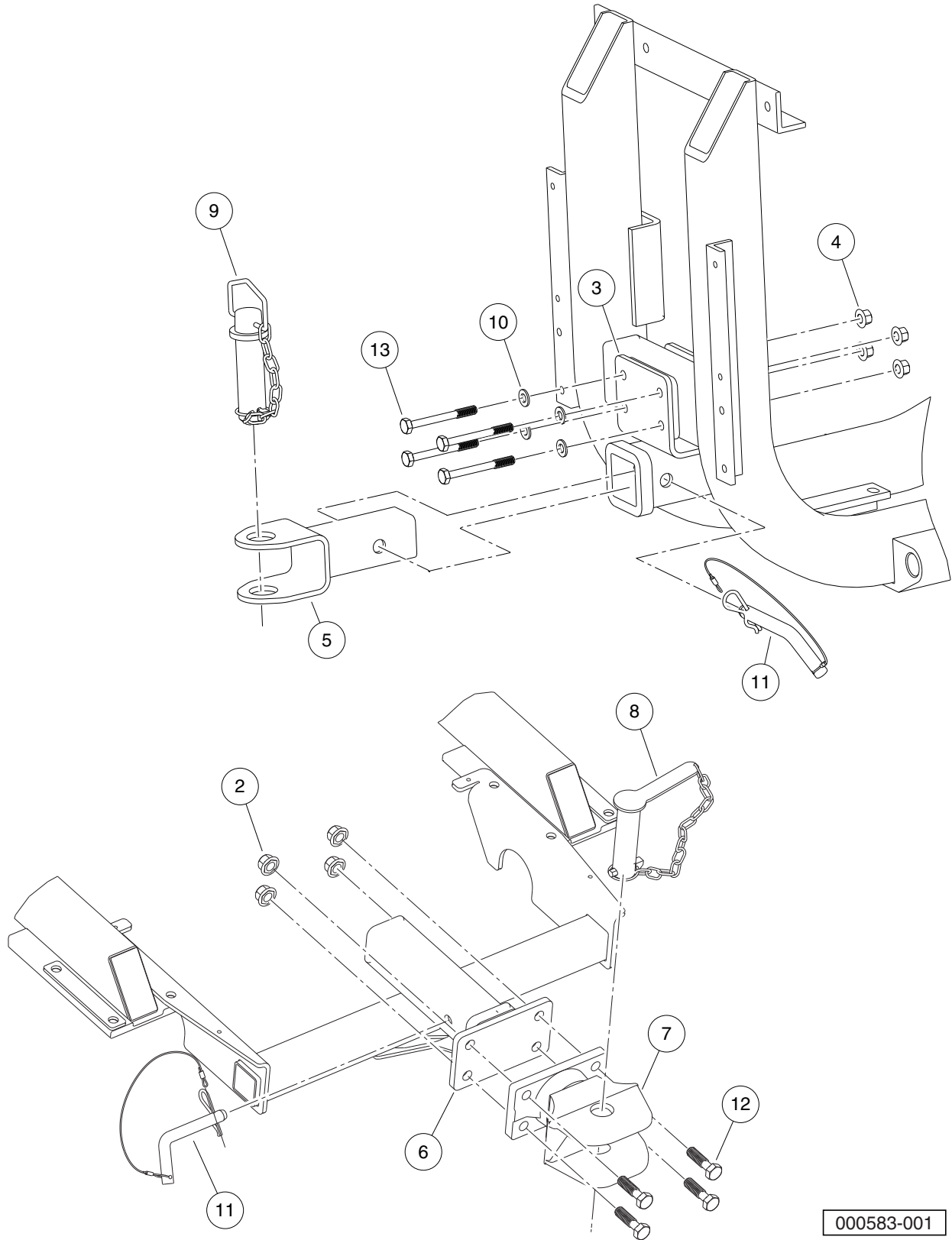
BODY AND TRIM

1

D

1

D



000583-001

FRONT AND REAR HITCHES

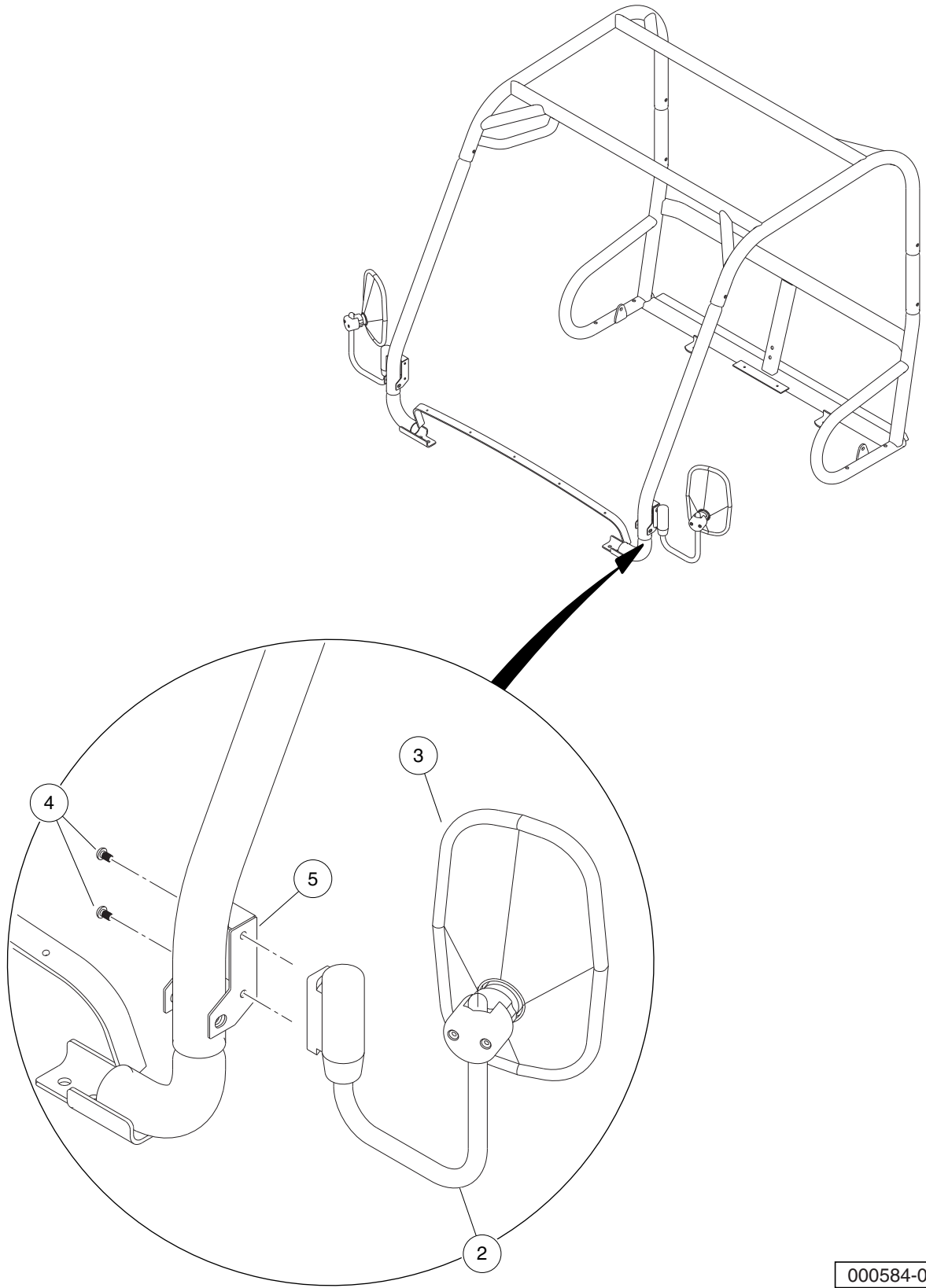
ITEM	PART NO.	DESCRIPTION	QTY
		1 2 3 4	
1	N/A	Instl, Hitches - Euro (includes items 2 through 13)	1
2	102353301	Hex Nut, Locking Flange, M14x2	4
3	102445901	Receiver, Weld Assy	1
4	102617201	Nut Flg M10 X 1.5 Mech Def	4
5	102619401	Coupling, Front Recovery	1
6	102624701	Adapter, Towing Hitch	1
7	102708201	Hitch, Towing, Clevis Type	1
8	102708501	Pin, Hitch, Towing	1
9	102708601	Pin, Hitch, Recovery	1
10	102718101	Washer, Hard, M10, Zn-Ni/Blk	4
11	102718301	Pin, Receiver, 5/8 X 3"	2
12	102720401	Bolt, M14 X 2 X 50	4
13	102853801	Bolt, M10 X 90, Zn-ni/black	4

1

D

1

D



000584-001

EXTERIOR MIRRORS

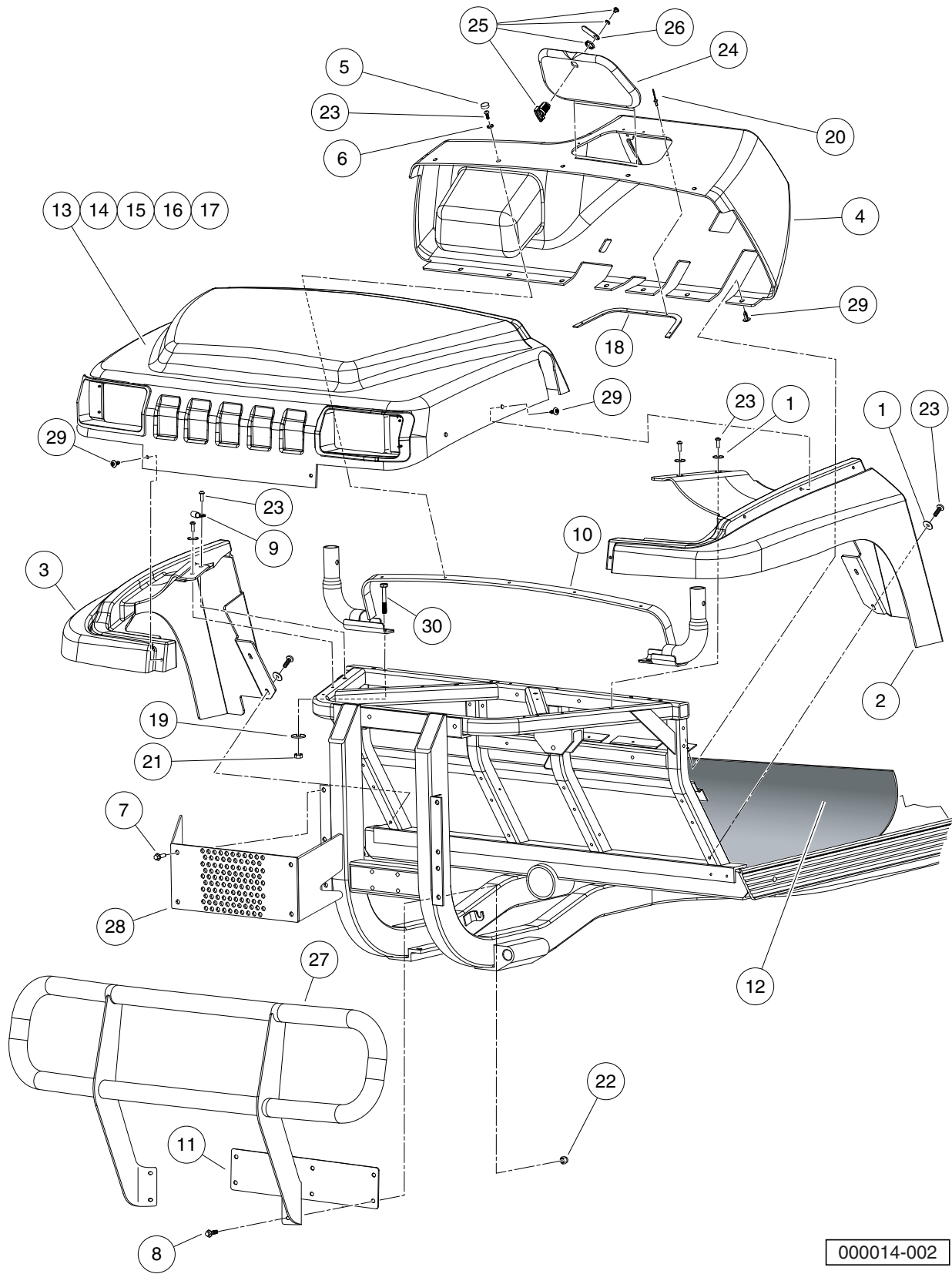
ITEM	PART NO.	DESCRIPTION	QTY
		1 2 3 4	
1	103184001	Kit, Mirror, Exterior (includes items 2 through 6)	1
2	N/A	Mirror Arm, Exterior	2
3	N/A	Mirror Lens, Exterior	2
4	N/A	Bhcs, M6 X 1 X 10 - Loctite	4
5	103177101	Bracket, Mount, Mirror	1
6	N/A	Instruction, Kit, Mirror, Exterior (Not Shown)	1

1

D

1

D



000014-002

FRONT BODY TRIM, DIESEL VEHICLES

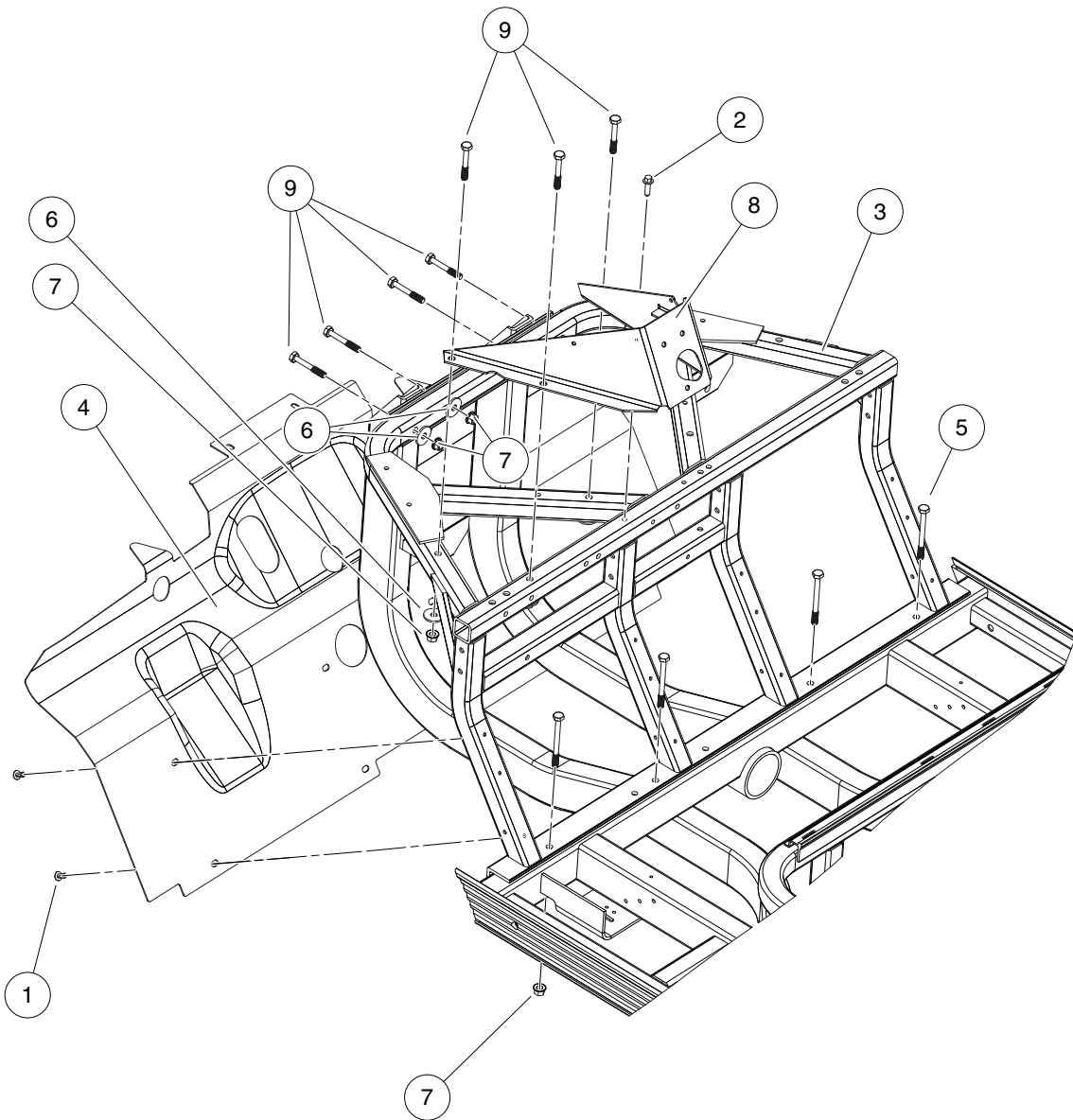
ITEM	PART NO.	DESCRIPTION	QTY
		1 2 3 4	
1	1014306	Washer, 1/4" Type B Flat	7
2	102021502	Fender, Left Front	1
3	102021602	Fender, Right Front	1
4	102021802	Dashboard with Access Hole	1
5	102045001	Cap, 1/4" Plastic Screw Head	5
6	102048401	Washer, 1/4 Id Scalloped Plast	5
7	102289002	Screw, M8 X 1.25 X 30 Tri, Blk	4
8	102298130	Bolt, Flange Head, M8 X 30.0	4
9	102410603	P-Clamp, Insulated .312 In	1
10	102418501	Weldment, Support, ROPS	1
11	N/A	Plate, Brush Mount	1
12	102432001	Mat, Floor	1
13	102459710	Cowl, Machined, Dark Green	1
14	102459714	Cowl, Machined, Dark Gray	1
15	102459715	Cowl, Machined, Red	1
16	102459716	Cowl, Machined, White	1
17	102459718	Cowl, Machined, Camo	1
18	102477301	Support, Access Panel, Dash	1
19	102491501	Washer Hard,m10	4
20	102492801	Rivet, .125" Dia, .311" Panel	5
21	102617201	Nut Flg M10 X 1.5 Mech Def	4
22	102618601	Lock Nut, Flg M8 X 1.25 Nylon	4
23	102628601	Screw, 1/4-20 X 1.0 Pn Hd Torx	13
24	102760501	Panel, Access, Dash	1
25	102760701	Cam Lock Body	1
26	102760801	Latch, Cam, Access Panel	1
27	102778001	Asm, Brush Guard	1
28	102831601	Guard, Radiator	1
29	102967901	Rivet, Removable, Tuflok 1/4"	15
30	8248	Screw, 1/4-20 X 0.75 Truss-Head Machine	4

1

D

1

D



000017-001

FRONT BODY COMPONENTS

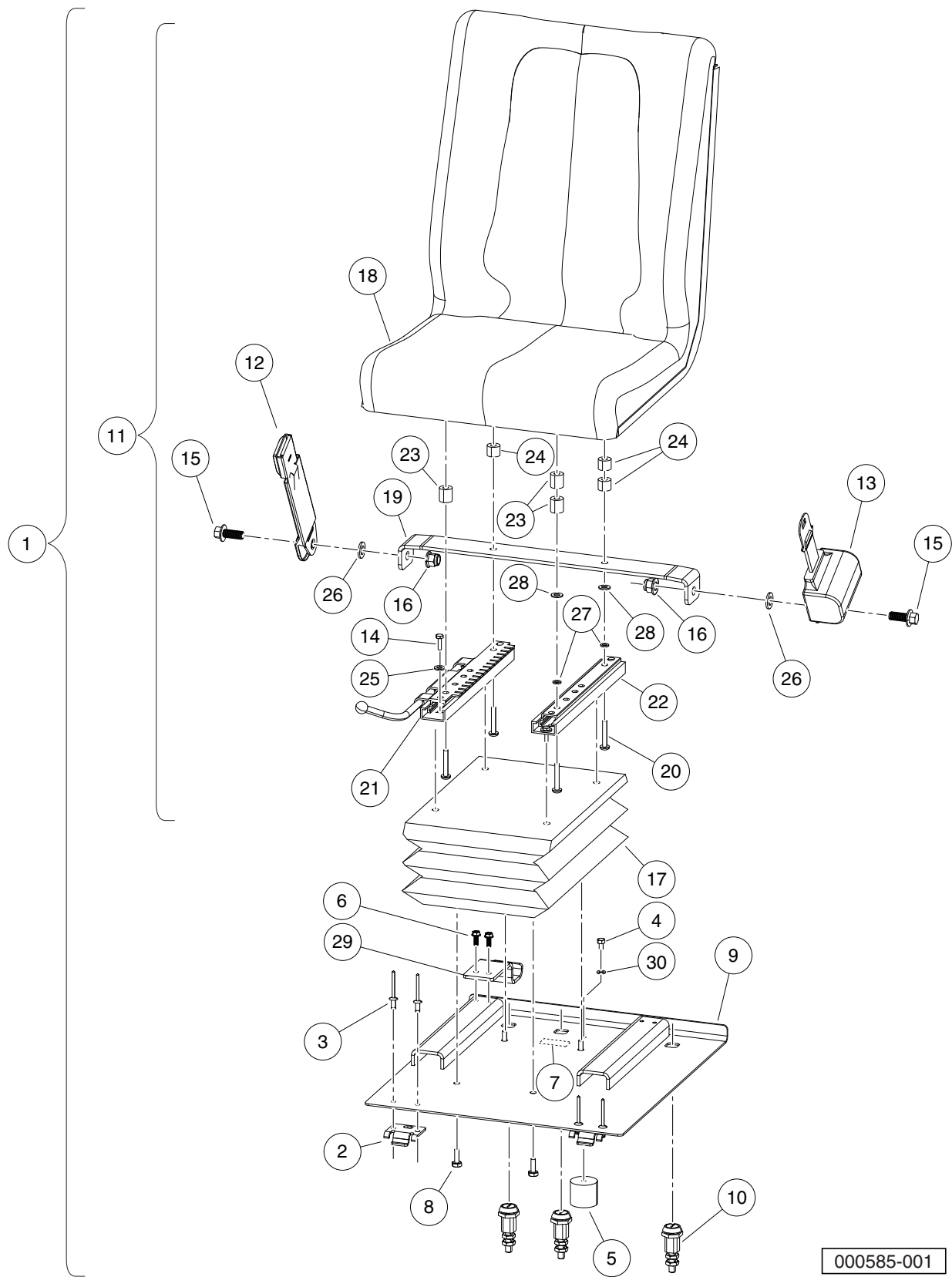
ITEM	PART NO.	DESCRIPTION	QTY
		1 2 3 4	
1	1016967	Blind Rivet, Push Type	8
2	102289001	Screw, M8X1.25X30, Hex	1
3	102373401	Weldment, Dash, Front	1
4	102437201	Guard, Splash	1
5	102491301	Bolt, M10x1.50x100 (Black)	4
6	102491501	Washer Hard,m10	7
7	102617201	Nut Flg M10 X 1.5 Mech Def	11
8	****	Bracket, Support, Steering	1
9	96715552	Bolt, M10 X 1.50 X 65	7
		**** Special order item available upon request.	

1

D

1

D



000585-001

SEAT – DRIVERS SIDE

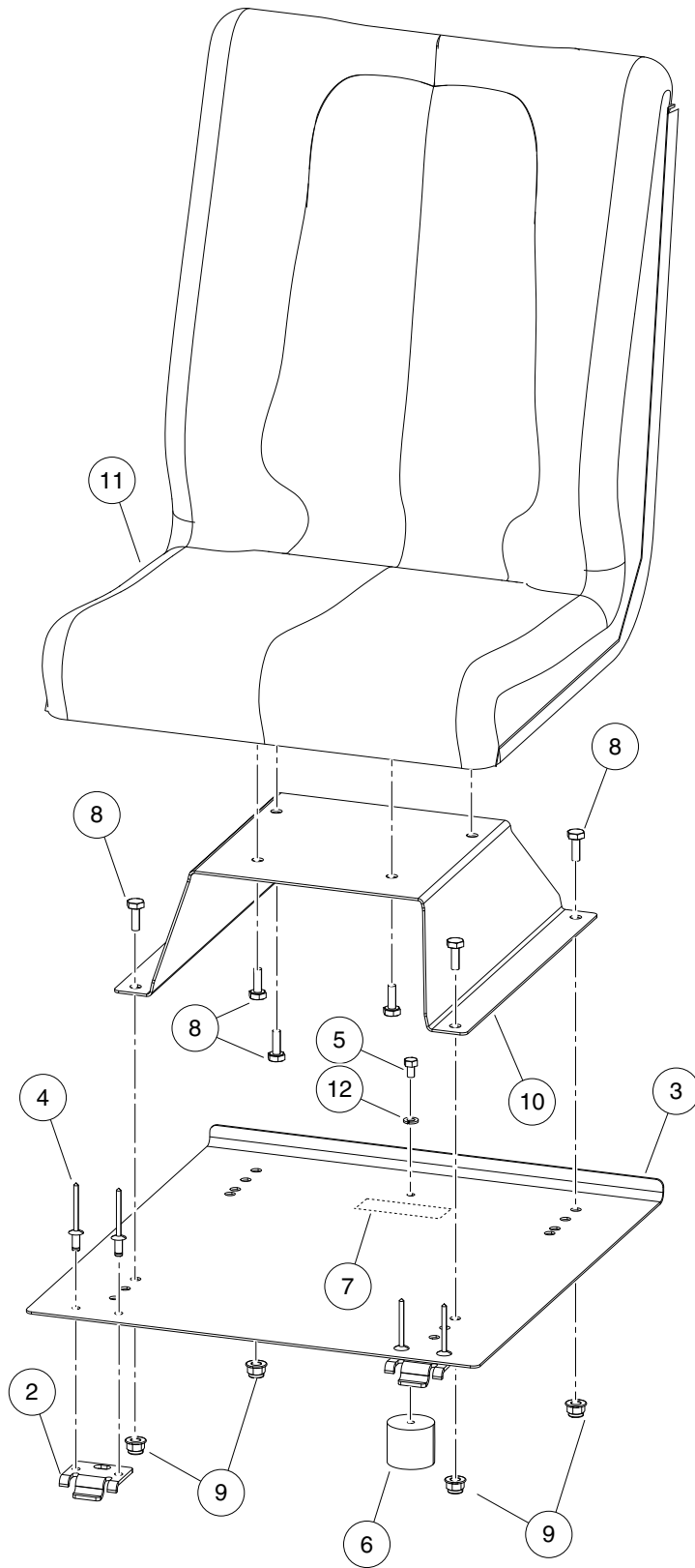
ITEM	PART NO.	DESCRIPTION	QTY
		1 2 3 4	
1	N/A	Asm, Seat, Suspension - D/s (includes items 2 through 30)	1
2	1011652	Hinge Plate	2
3	102047001	Rivet, 1/4 X .438 Blind	4
4	102059401	Screw, 6m-1.00 X 10mm Hex Head	1
5	102061101	Seat Holder Cup	1
6	102296716	Screw, M6 X 16 Tt Hx Fl Hd	2
7	102458901	Decal, Hot Surface Warning	1
8	102498101	Bolt, M8 X 1.25 X 20	4
9	102738301	Weldment, Susp Seat - Euro	1
10	102738501	Latch, Compression, Flat Hd	3
11	N/A	Asm, Sub, Euro Susp Seat (includes items 12 through 28)	1
12	102447601	Buckle, Seat Belt with Sleeve	1
13	102447602	Retractor, Seat Belt	1
14	102490301	Bolt, M6 X 1 X 16 Loctite	4
15	102490801	Bolt, Flange Head, M12x 1.75x 30 with Loctite	2
16	102620501	Nut Flg, M12x1.75, Nylon Gr 10	2
17	102707301	Suspension, Seat	1
18	102707401	Seat, Pan - Euro	1
19	102712001	Brkt, Seat Belt, Susp Seat	1
20	102738401	Bhcs, M8 X 1.25 X 40 - Loctite	4
21	102865301	Rail, Adjustable	1
22	102865401	Rail, Slave	1
23	102865501	Bushing, 20mm	3
24	102865601	Bushing, 15mm	3
25	332	Washer, 1/4 Type A Narrow Flat	4
26	96701412	Washer, M12 Hard	2
27	96705199	Washer, M6	2
28	96741038	Washer, M8 Hard	2
29	102776801	Plate, Bent Seat Restrain	1
30	451	Lockwasher, 1/4 Split	1

1

D

1

D



000585-002

SEAT – PASSENGERS SIDE

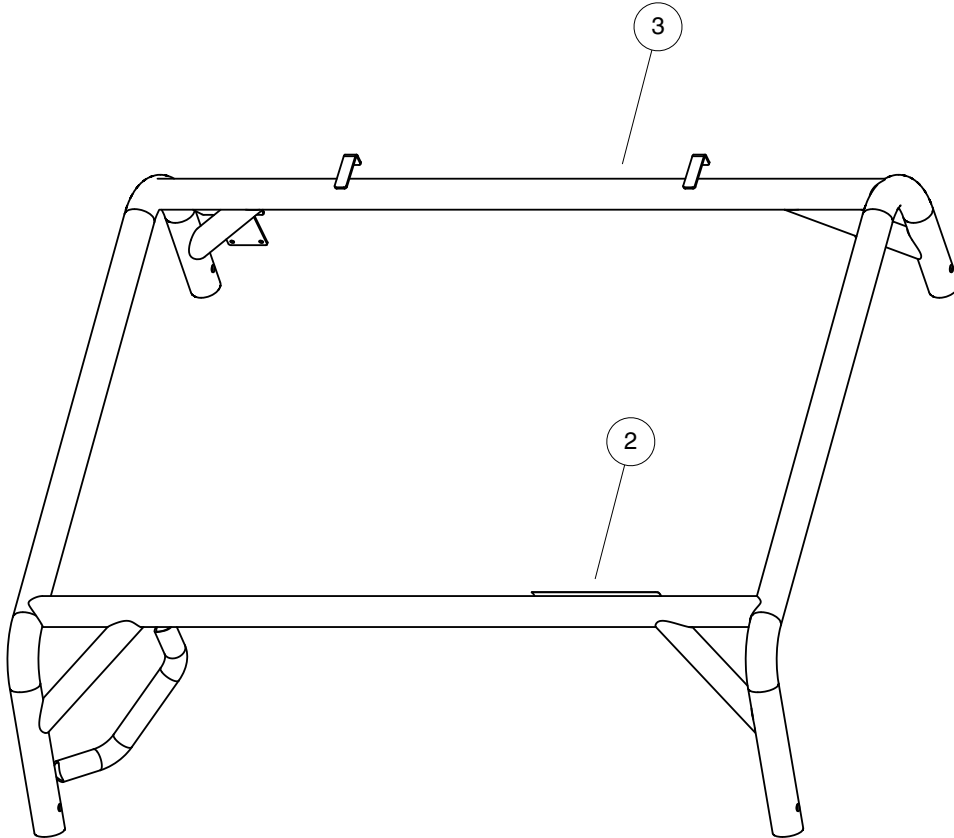
ITEM	PART NO.	DESCRIPTION	QTY
		1 2 3 4	
1	N/A	Asm, Seat, Static - P/s (includes items 2 through 12)	1
2	1011652	Hinge Plate	2
3	102023703	Pan, Seat, Passenger	1
4	102047001	Rivet, 1/4 X .438 Blind	4
5	102059401	Screw, 6m-1.00 X 10mm Hex Head	1
6	102061101	Seat Holder Cup	1
7	102458901	Decal, Hot Surface Warning	1
8	102498101	Bolt, M8 X 1.25 X 20	8
9	102618601	Lock Nut, Flg M8 X 1.25 Nylon	4
10	102620901	Riser, Passenger Seat	1
11	102707401	Seat, Pan - Euro	1
12	451	Lockwasher, 1/4 Split	1

1

D

1

D



000794-001

ROPS

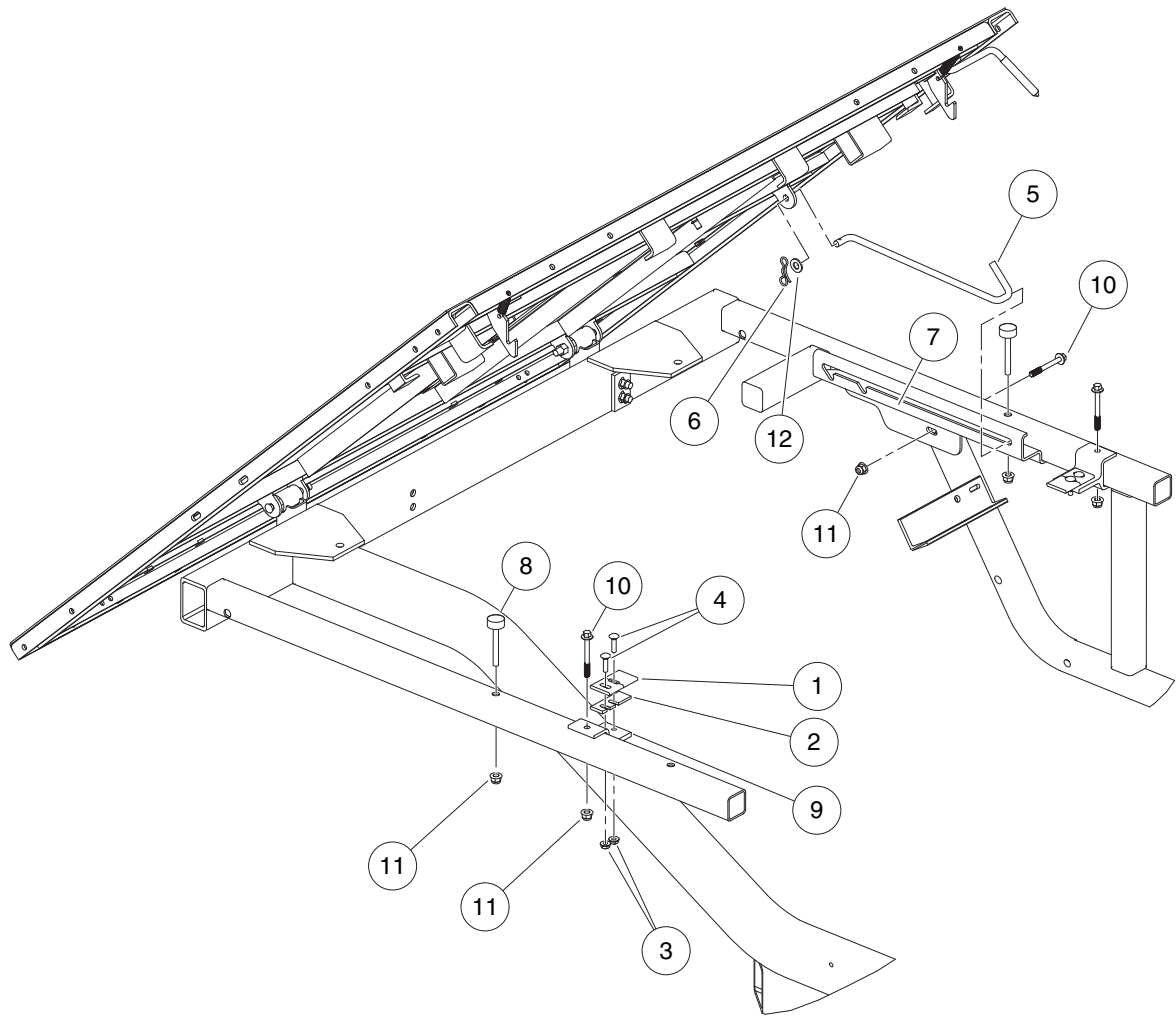
ITEM	PART NO.	DESCRIPTION	QTY
1	102715201	1 2 3 4 Top, Rops, Homologation (includes items 2 and 3)	1
2	102459401	Decal, Young Driver Warning	1
3	N/A	ROPS, Homologated	1

1

D

1

D



000036-001

LATCH PLATE AND PROP ROD

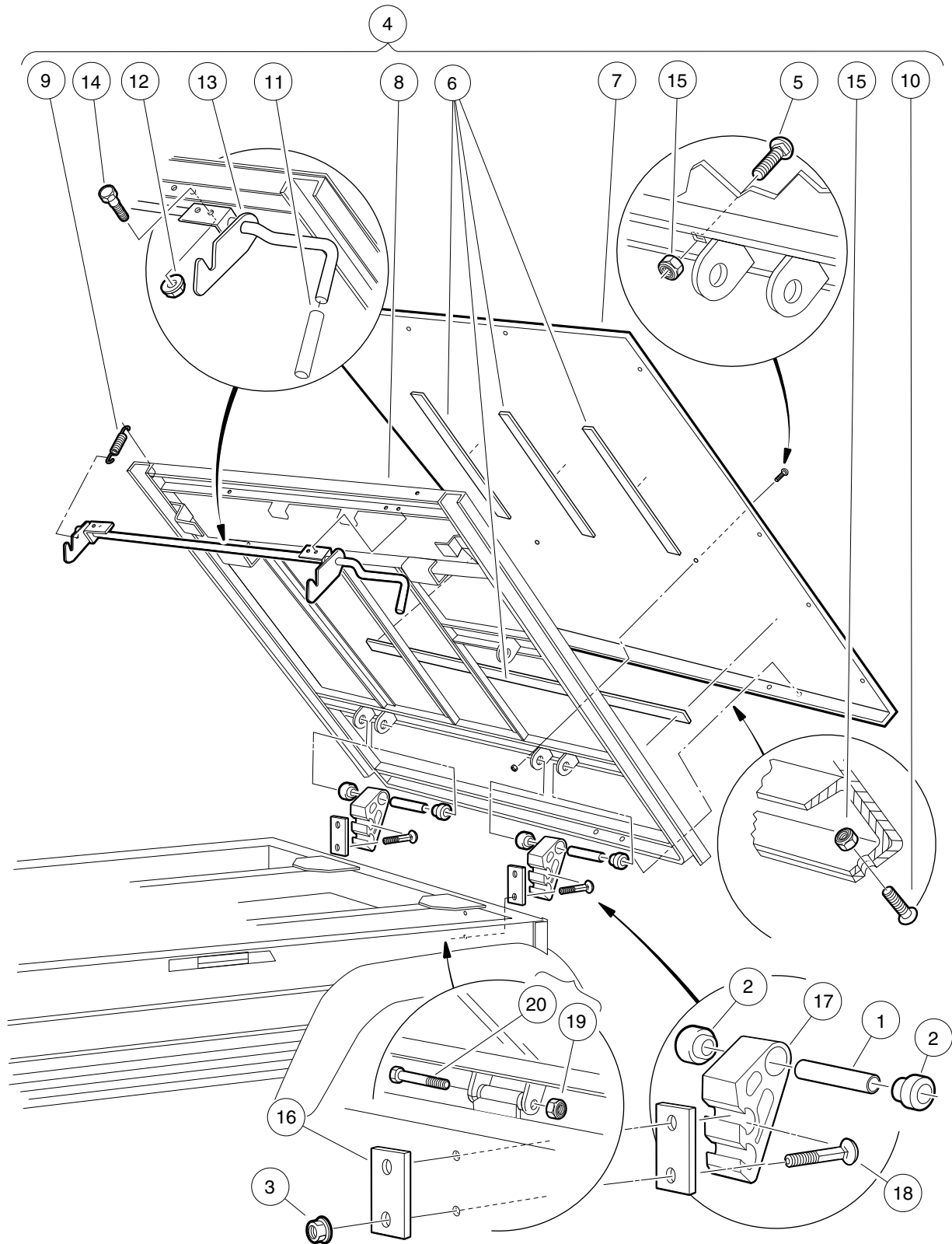
ITEM	PART NO.	DESCRIPTION	QTY
		1 2 3 4	
1	1015277	Latch Plate, Tilt Bed	2
2	1016078	Latch Plate Shim	1
3	101835601	Locknut, 1/4-20 Hex Whiz	4
4	101958602	Bolt, Carriage, 1/4-20 X 1.0	4
5	102301401	Rod, Prop	1
6	102323101	Pin, Bow Tie Locking	1
7	102418101	Track, Prop Rod	1
8	102426601	Bumper, Bed, Mtg, Front	2
9	102493801	Bracket, Latch, Bed	2
10	102618301	Bolt Flanged Head, M8 X 1.25 X 65	3
11	102618601	Lock Nut, Flg M8 X 1.25 Nylon	5
12	334	Washer, 3/8 Type A Flat	1

1

D

1

D



000037-001

TILT BED, HINGE, AND LATCH

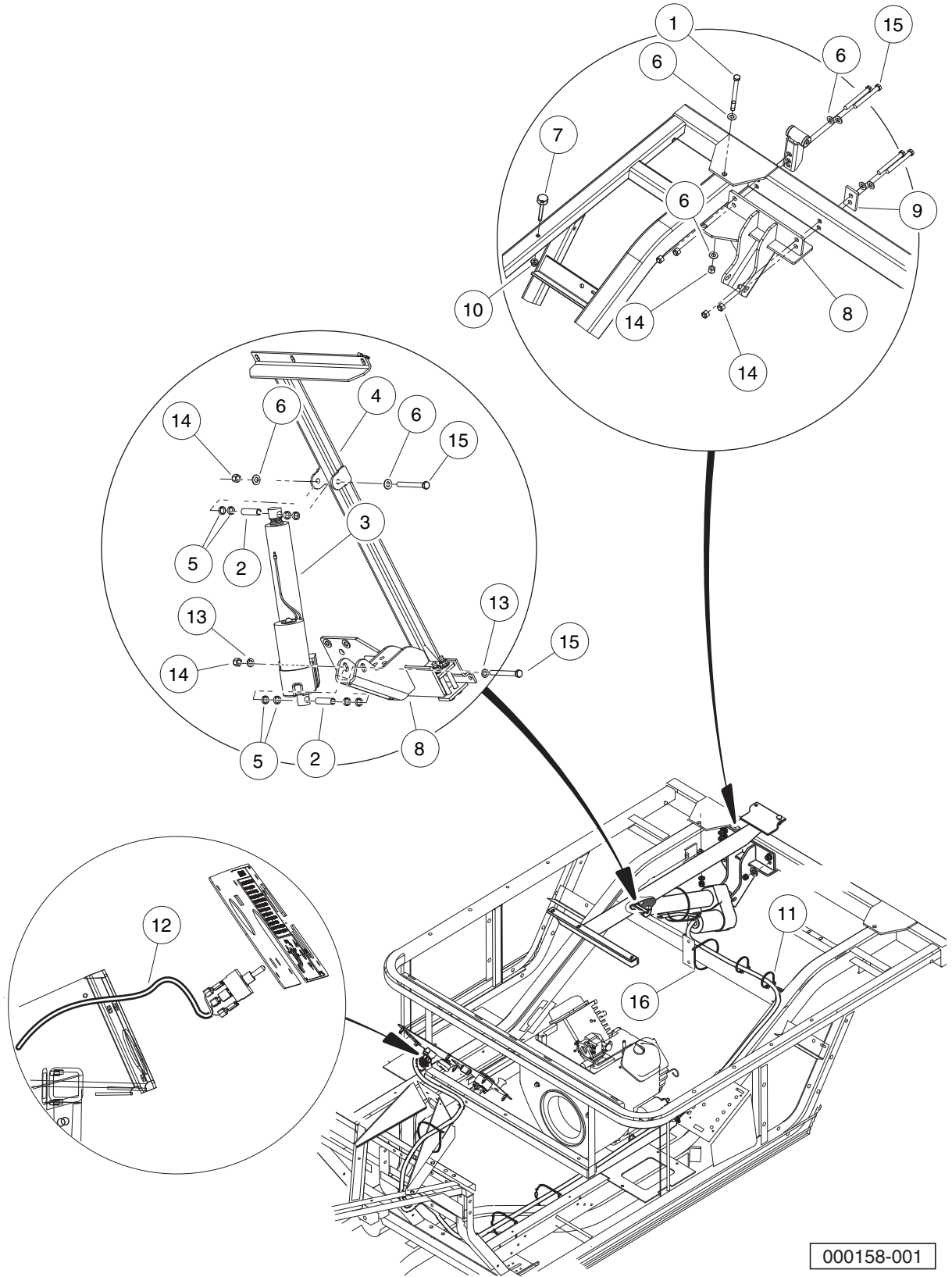
ITEM	PART NO.	DESCRIPTION	QTY
		1 2 3 4	
1	1012303	Bushing, Steel	2
2	1015583	Bushing, Urethane	2
3	102065901	Locknut, 3/8-16 Flanged Dimple	4
4	102171503	Tilt Bed Assembly (includes items 5 through 15)	1
5	1010435	Bolt, Carriage, 5/16-18 X 1.00	4
6	1014471	Tape, Vinyl Foam 1/8" x 3/4" *	1
7	1015258	Plate, Floor Bed	1
8	N/A	Frame Assembly	1
9	N/A	Extension, Spring Latch	2
10	1015399	Screw, 5/16-18 X 0.88 Torx Truss-Head	4
11	1015400	Grip, Tilt Latch Hand	1
12	101835601	Locknut, 1/4-20 Hex Whiz	4
13	102426901	Ltch Weld Asm Tlt Bd	1
14	403	Screw, 1/4-20 X 0.625 Hex-Head Cap	4
15	7473	Locknut, 5/16-18 Nylon Insert	8
16	102614101	Plate, Back	2
17	103538701	Extra, Bracket, Hinge, Bed	2
18	103538901	3/8-16 X 3.5 Carr Blt Gr5 Zn	4
19	8754	Locknut, 3/8-16 Hex	2
20	8755	Screw, 3/8-16 X 3.375 Hex Cap	2
		* Note: Item not shown.	

1

D

1

D



000158-001

ELECTRIC BED LIFT

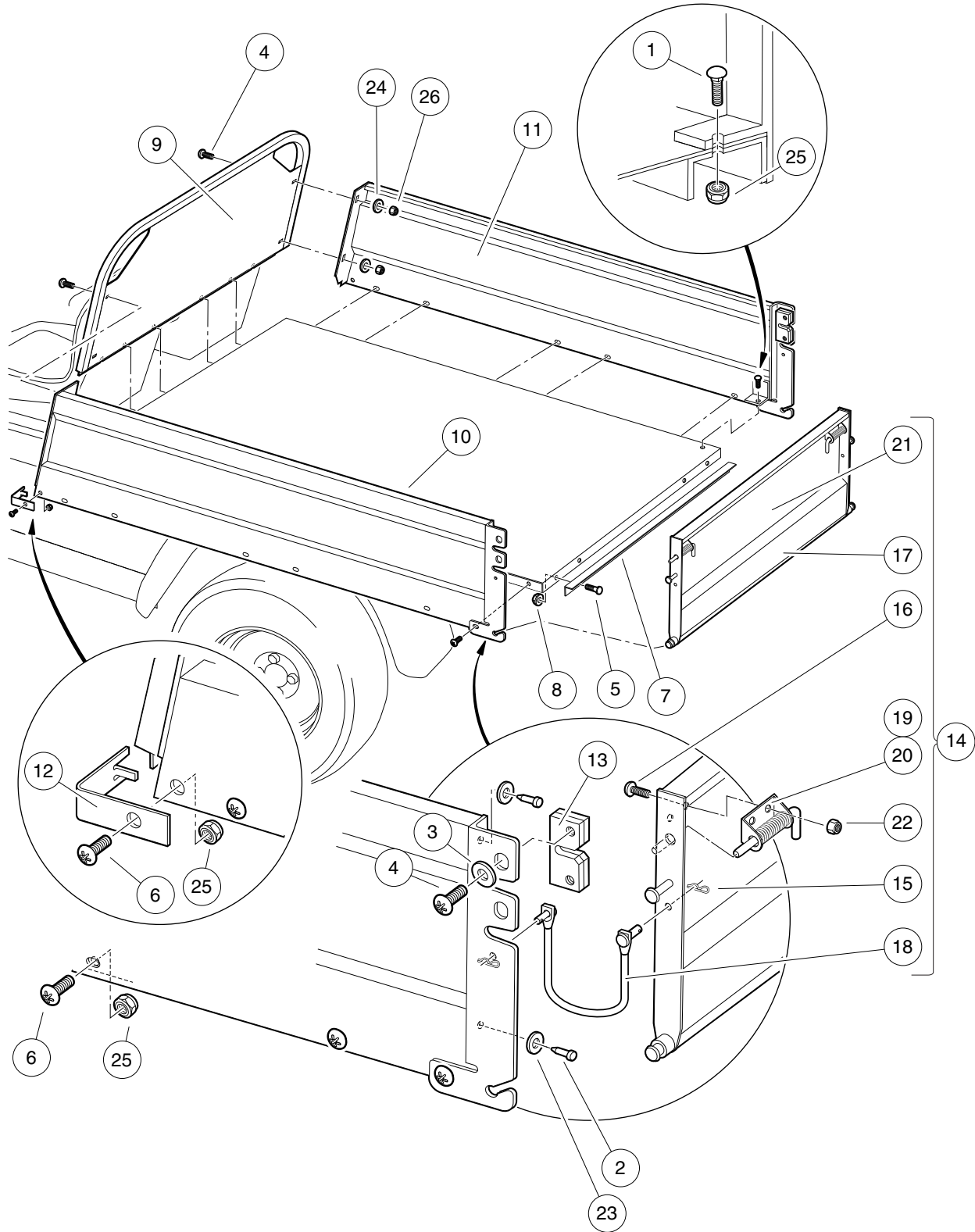
ITEM	PART NO.	DESCRIPTION	QTY
		1 2 3 4	
1	1010200	Bolt, 3/8-16 X 4.25 Hex Head	1
2	1016603	Bushing Long	2
3	1017162	Actuator Assembly, Electric	1
4	1017167	Actuator Adapter	1
5	1017774	Body Spacer	8
6	102066001	Washer, 3/8 Type B Hard Flat	8
7	102426601	Bumper, Bed, Mtg, Front	2
8	102465701	Weldment, Bracket, Actuator	1
9	102614101	Plate, Back	1
10	102618601	Lock Nut, Flg M8 X 1.25 Nylon	2
11	102629001	Tie Wrap, 8.00" With Mount	2
12	102673901	Wire Harness, Electric Lift	1
13	357	Lockwasher, 3/8 Split	2
14	8754	Locknut, 3/8-16 Hex	9
15	8755	Screw, 3/8-16 X 3.375 Hex Cap	6
16	8990	Tie Wrap, 8" Nylon	5

1

D

1

D



000038-003

CARGO BOX

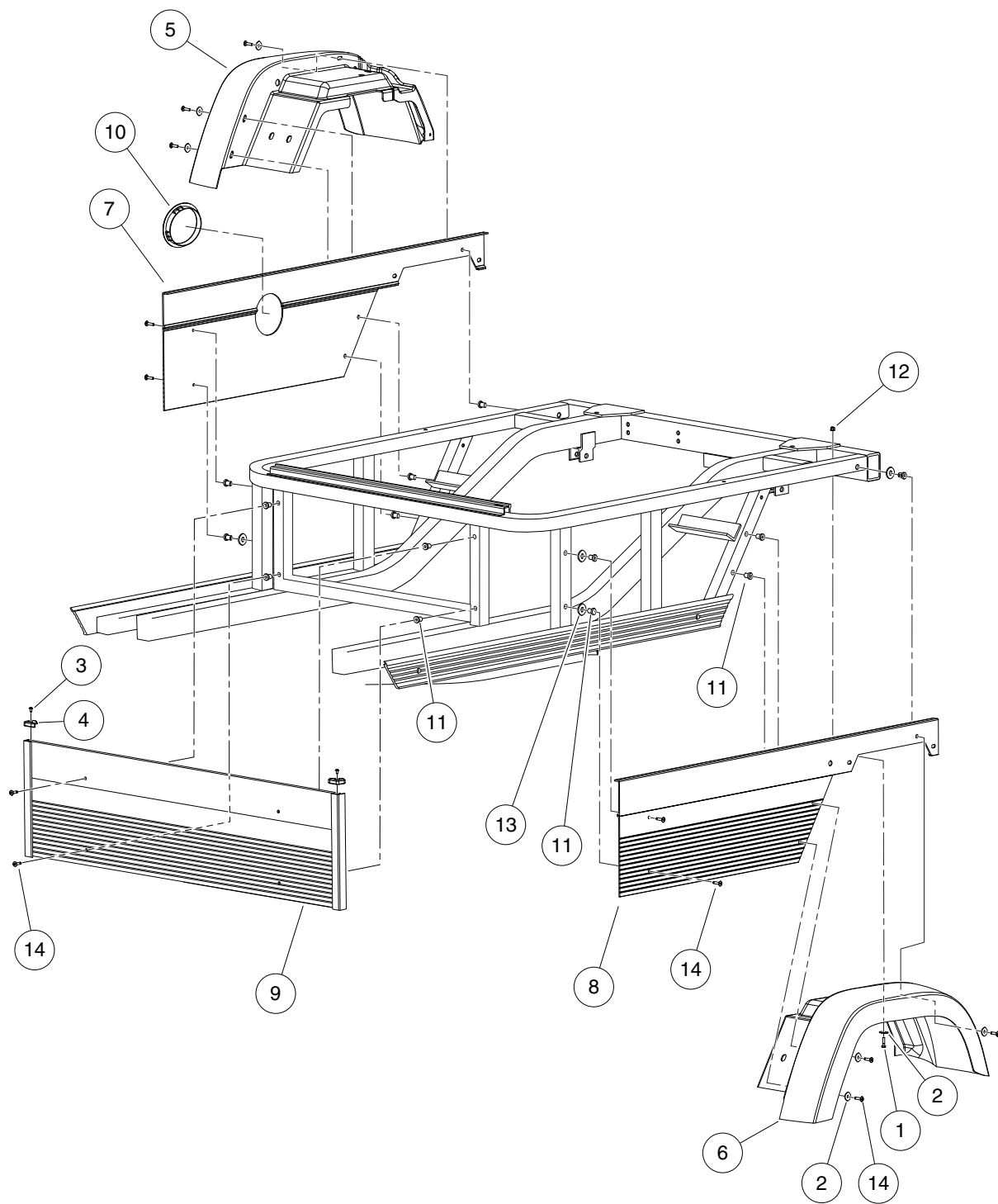
ITEM	PART NO.	DESCRIPTION	QTY
		1 2 3 4	
1	1010435	Bolt, Carriage, 5/16-18 X 1.00	13
2	1010436	Bumper, Rubber	4
3	1014306	Washer, 1/4" Type B Flat	4
4	1014415	Screw, 1/4-20 X 0.75 Torx Truss-Head	8
5	1014537	Stud, Self-Clinching Flush Head	4
6	1015399	Screw, 5/16-18 X 0.88 Torx Truss-Head	18
7	101894304	Box Bed Tailgate Angle	1
8	101963401	Locknut, 5/16-18 Hex Flange	4
9	102221301	Front Panel Weldment	1
10	102221401	Left Panel Weldment	1
11	102221501	Right Panel Weldment	1
12	102221701	Front Corner Cap	2
13	102222001	Slam Latch	2
14	102229902	Asm, Bobcat Tailgate (includes items 15 through 22)	1
15	1013366	Hair Pin Clip	4
16	1014415	Screw, 1/4-20 X 0.75 Torx Truss-Head	4
17	N/A	Tailgate, Weldment	1
18	102221801	Tether Assembly	2
19	102222101	Spring Latch Left	1
20	102222201	Spring Latch Right	1
21	102339001	Decal, Tailgate, Bobcat	1
22	8233	Locknut, 1/4-20 Nylon Insert	4
23	102239901	Washer, Rubber, 3/8	4
24	332	Washer, 1/4 Type A Narrow Flat	4
25	7473	Locknut, 5/16-18 Nylon Insert	31
26	8233	Locknut, 1/4-20 Nylon Insert	4

1

D

1

D



000027-001

REAR BODY TRIM

ITEM	PART NO.	DESCRIPTION	QTY
		1 2 3 4	
1	1012769	Screw, M6-1.00 X 25mm Hex Cap	2
2	1014306	Washer, 1/4" Type B Flat	8
3	1014321	Screw, #10 Truss-Head Torx	2
4	101438702	Corner Cap AWD	2
5	102251602	Fender, Right Rear	1
6	102251702	Fender, Left Rear	1
7	102454001	Assembly, Panel (Passenger Side)	1
8	102454101	Assembly, Panel (Driver Side)	1
9	102454201	Panel, Front	1
10	102466201	Bezel, Fuel Fill	1
11	102491701	Well Nut 1/4-20	14
12	102621501	Nut Flg, M6 X 1.0 Nylon	2
13	102684501	Washer, M12 Hard Regular	2
14	8251	Screw, 1/4-20 X 1.0 Truss-Head Machine	14

1

D

1

D

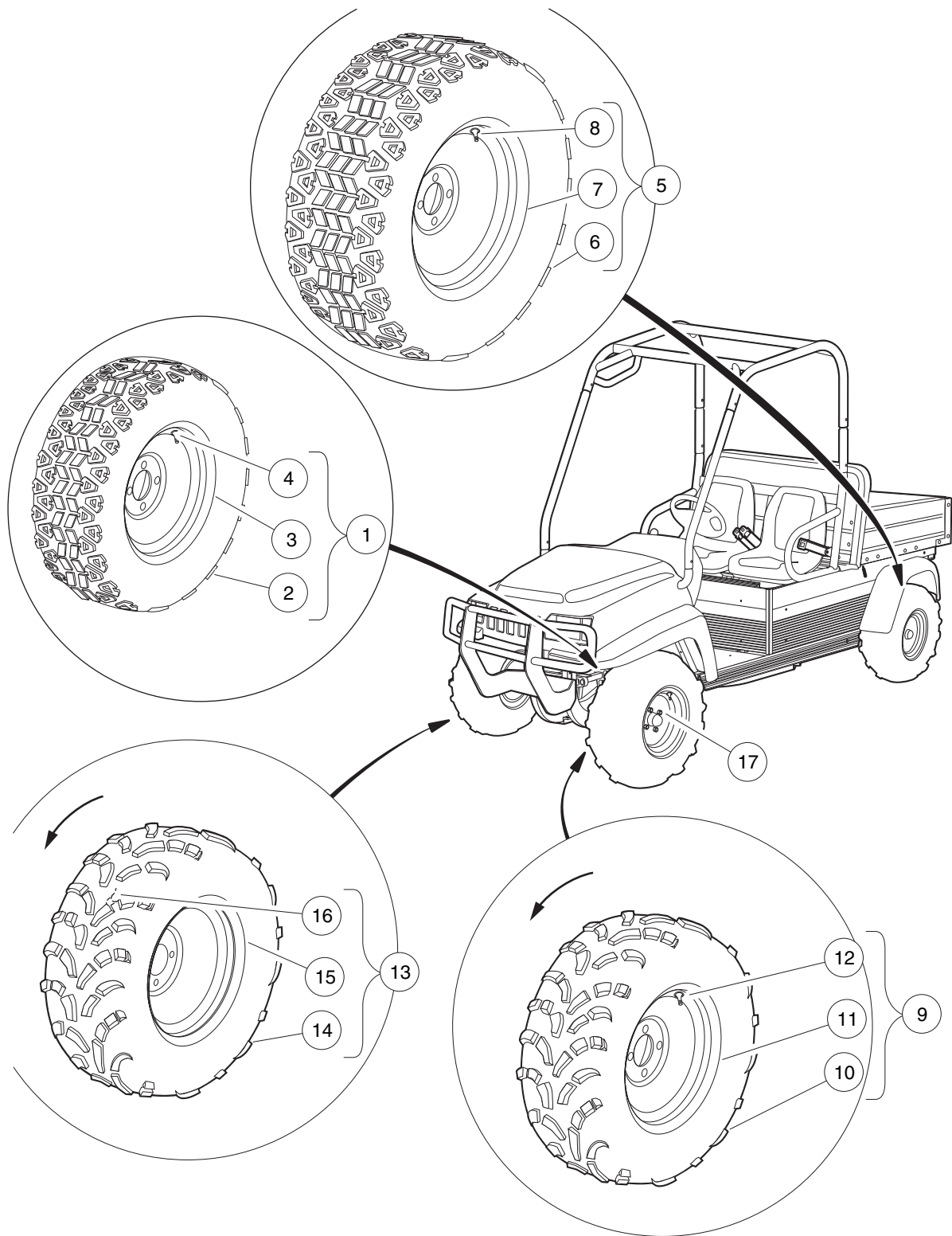
WHEELS AND TIRES

2

D

2

D



000009-001

WHEELS AND TIRES

ITEM	PART NO.	DESCRIPTION	QTY
		1 2 3 4	
1	102021410	Orange Tire Asm HDAT 8in (includes items 2 through 4)	2
2	102021305	HDAT Tire, 8"	1
3	102374802	Wheel, Indus Spider, Orange	1
4	7310	Valve Stem	1
5	102021411	Orange Tire Asm HDAT 10.5in (includes items 6 through 8)	2
6	102021302	Tire, HDAT	1
7	102374802	Wheel, Indus Spider, Orange	1
8	7310	Valve Stem	1
9	102021412	Orange Tire Asm AT489 Left-Hand (includes items 10 through 12)	2
10	102021306	Tire, AT489	1
11	102374802	Wheel, Indus Spider, Orange	1
12	7310	Valve Stem	1
13	102021413	Orange Tire Asm AT489 Right-Hand (includes items 14 through 16)	2
14	102021306	Tire, AT489	1
15	102374802	Wheel, Indus Spider, Orange	1
16	7310	Valve Stem	1
17	102736901	Nut, Lug, 1/2-20 SAE J2283	16

2

D

2

D

DECALS

3

D

UNDER 16

WARNING

YOUNG DRIVERS INCREASE CHANCE OF DEATH

- Young drivers may not be able to control vehicle.
- No drivers younger than 16 years old.
- Do not leave children unattended on vehicle.

CCI 10268901

Club Car, Inc
Augusta, Georgia, USA

Roll-over Protective Structure (ROPS)
ROPS per ISO 3471, SAE J1040,
AS 2294.1, and CSA B552.2

Certified for vehicle models:
Carryall 294, XRT 1500, and Bobcat 2200
Max, unladen vehicle mass: 1543 lb (700 kg)

WARNING

- Do not modify or remove Roll-over Protective Structure (ROPS).
- Replace ROPS if damaged. Do not attempt repair.
- Use seat belts during operation. Do not jump from vehicle.
- Keep away from drop-offs, steep slopes, and unstable surfaces.

CCI 102621191

WARNING

ROLLOVER OR FALLING OFF MAY CAUSE DEATH

- Read owner's manual and operating instructions.
- Fasten seat belts and remain seated while moving.
- Children requiring a child safety seat must not ride on vehicle. Comply with state and local laws pertaining to child safety.
- Drive slowly in turns and straight up and down slopes.
- Do not start vehicle until all occupants are seated.
- Front seats: One (1) person per seat maximum.
- Operate vehicle from driver side only.
- Keep entire body inside vehicle while moving.
- Do not operate while under the influence of alcohol or drugs.
- Never attempt jumps and avoid extremely hard braking in reverse.

PREHEAT OFF ON START

F N R

CCI 102740701

WARNING

Riding in cargo bed can cause severe injury or death. Do not ride in cargo bed.

CCI 1011553901

DIESEL FUEL ONLY

CCI 102458801

WARNING

Rotating Parts

CCI 10223901

CCI 102688901

WARNING

CRUSH AREA

STAY CLEAR

CCI 101609401

NOTICE

MAXIMUM TONGUE WEIGHT - 150 lbs.

CCI 10111553

WARNING

Crush area. Can cause severe injury. Stay clear when closing bed.

CCI 10245901

VEHICLE LOADING

Read owner's manual and warnings on dash.

- Maximum gross vehicle weight: 2750 lb. (1247 kg)
- Maximum cargo load: 800 lb. (363 kg)
- Includes cargo bed load and gross trailer weight.
- Maximum cargo load is reduced by the weight of optional equipment.
- Maximum trailer hitch tongue weight: 150 lb. force (667 N).

PREVENT VEHICLE ROLL-OVER.

- Place cargo forward in the cargo bed and distribute evenly side to side. Secure load.
- On uneven or steep terrain reduce speed and load. Avoid stopping on or backing down steep hills.
- Avoid top heavy loads. See owner's manual.

CCI 102682301

HIGH-CAPACITY VEHICLE LOADING

Read owner's manual and warnings on dash.

- Maximum gross vehicle weight: 3012 lb. (1366 kg)
- Maximum cargo load: 1050 lb. (476 kg)
- Includes cargo bed load and gross trailer weight.
- Maximum cargo load is reduced by the weight of optional equipment.
- Maximum trailer hitch tongue weight: 150 lb. force (667 N).

PREVENT VEHICLE ROLL-OVER.

- Place cargo forward in the cargo bed and distribute evenly side to side. Secure load.
- On uneven or steep terrain reduce speed and load. Avoid stopping on or backing down steep hills.
- Avoid top heavy loads. See owner's manual.

CCI 102459601

000005-003

SAFETY DECALS, DIESEL VEHICLES

ITEM	PART NO.	DESCRIPTION	QTY
		1 2 3 4	
1	1011553	Decal, Trailer Hitch	1
2	101553901	Decal, Bed Load Warning	1
3	101609401	Decal, Crush Area Warning	2
4	102224001	Decal, Rotating Parts Warning	1
5	102458801	Decal, Diesel Fuel Only	1
6	102459301	Decal, Bed Crush Area Warning	1
7	102459401	Decal, Young Driver Warning	1
8	102459601	Decal, Vehicle Loading, High-Capacity	1
9	102621101	Decal, ROPS Certification/Warning	1
10	102682301	Decal, Vehicle Loading, Standard Capacity	1
11	102688901	Decal, Turn Signal Indicator	1
12	102740701	Decal, Warning, European Diesel IP	1

3

D

⚠ WARNING

DIESEL FUEL EXPLOSION / FIRE.

- Can cause severe injury or death.
- No smoking, sparks, or open flame.
- Stop engine, allow to cool before refueling.

CCI 102459201

OPERATING INSTRUCTIONS

- Read owner's manual and vehicle safety warnings. Study and understand controls.

TO START ENGINE

- Place shift lever in Neutral (N) position and press brake pedal.
- To preheat glow plugs, turn key to "PREHEAT" position and hold for 10-15 seconds.
- Turn key to "START" position and hold until engine starts.

TO OPERATE VEHICLE

- Make sure wheels are turned in desired direction and nothing is in your path.
- Engine must be at idle before moving shift lever.
- While vehicle is stopped, and the engine is at idle, select shift lever position.
 - ↑ - Forward N - Neutral ↓ - Reverse (Buzzer will sound)
- Release park brake and slowly press accelerator pedal to increase speed.
- All-wheel drive will automatically drive appropriate wheel(s) as required.

TO STOP VEHICLE

- Release accelerator pedal and push brake pedal. After stopping, firmly set park brake.
- Turn key to "OFF" position, remove key and place shift lever in neutral position when not in use.

CCI 102455101

⚠ WARNING

CAN CAUSE SEVERE INJURY

Rotating parts. KEEP CLEAR.

CCI 102460201

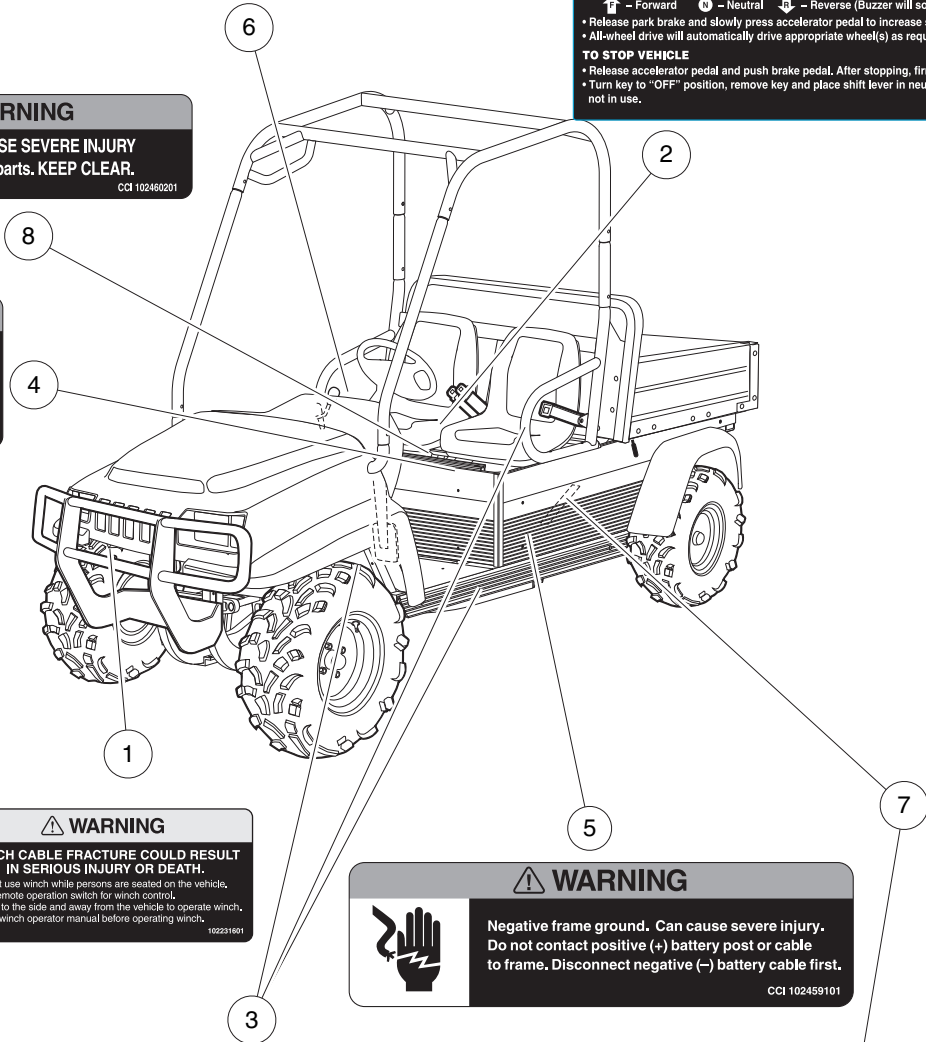
⚠ WARNING

CAN CAUSE SEVERE INJURY

HOT manifold

KEEP CLEAR

CCI 102459001



⚠ WARNING

WINCH CABLE FRACTURE COULD RESULT IN SERIOUS INJURY OR DEATH.

- Do not use winch while persons are seated on the vehicle.
- Use remote operation switch for winch control.
- Stand to the side and away from the vehicle to operate winch.
- Read winch operator manual before operating winch.

102231601

⚠ WARNING

Negative frame ground. Can cause severe injury. Do not contact positive (+) battery post or cable to frame. Disconnect negative (-) battery cable first.

CCI 102459101

⚠ WARNING

CAN CAUSE SEVERE BURNS

Hot Surface

CCI 102459901

⚠ WARNING

CAN CAUSE SEVERE INJURY

Rotating parts. KEEP CLEAR.

⚠ WARNING

CAN CAUSE SEVERE INJURY

Hot manifold and muffler. KEEP CLEAR.

CCI 102459501

000006-002

SAFETY DECALS, DIESEL VEHICLES, CONTINUED

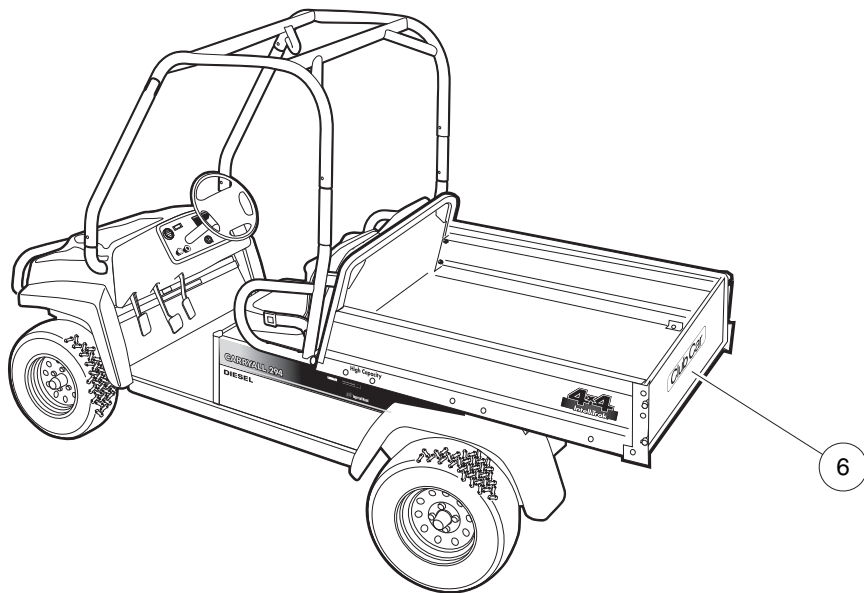
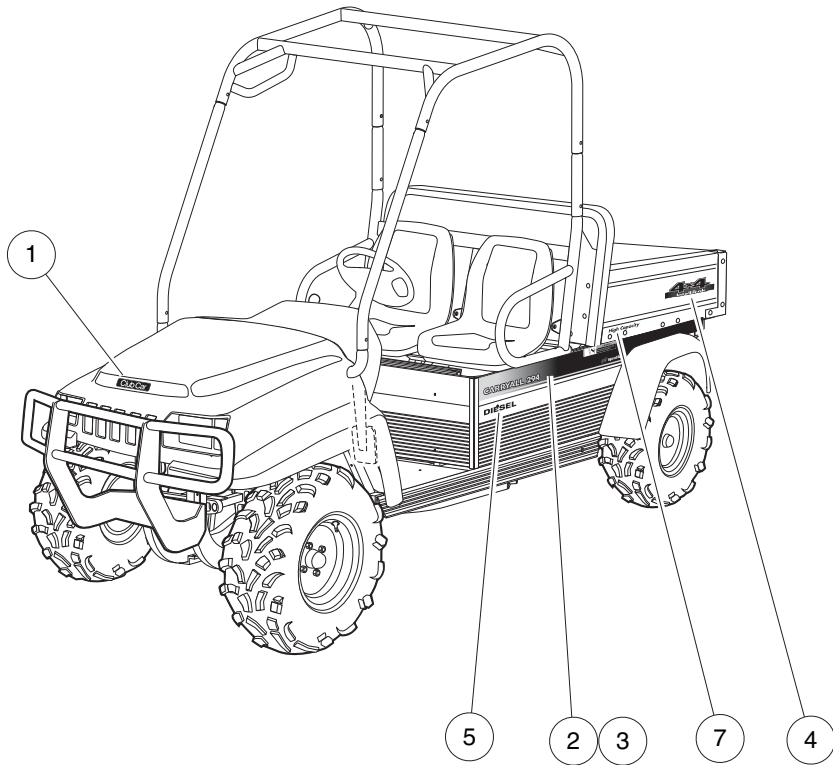
ITEM	PART NO.	DESCRIPTION	QTY
		1 2 3 4	
1	102231601	Decal, Winch Cable Fracture Warning	1
2	102455101	Decal, Operating Instructions, Diesel	1
3	102458901	Decal, Hot Surface Warning	5
4	102459001	Decal, Hot Manifold Warning	1
5	102459101	Decal, Frame Ground Warning	1
6	102459201	Decal, Diesel Explosion/Fire Warning	1
7	102459501	Decal, Rotating Parts and Hot Exhaust Warning	1
8	102460201	Decal, Rotating Parts Warning	1

3

D

3

D



000011-002

BADGING DECALS, CARRYALL 294 VEHICLES

ITEM	PART NO.	DESCRIPTION	QTY
		1 2 3 4	
1	102046501	Decal, CC Nameplate, Utility	1
2	102622901	Decal, Carryall 294 (driver-side)	1
3	102623001	Decal, Carryall 294 (passenger-side)	1
4	102623301	Decal, 4x4	2
5	102623501	Decal, Diesel	2
6	102673201	Decal, Club Car Tailgate	1
7	102673301	Decal, High-Capacity (optional accessory)	2

3

D

3

D

PEDAL GROUP

4

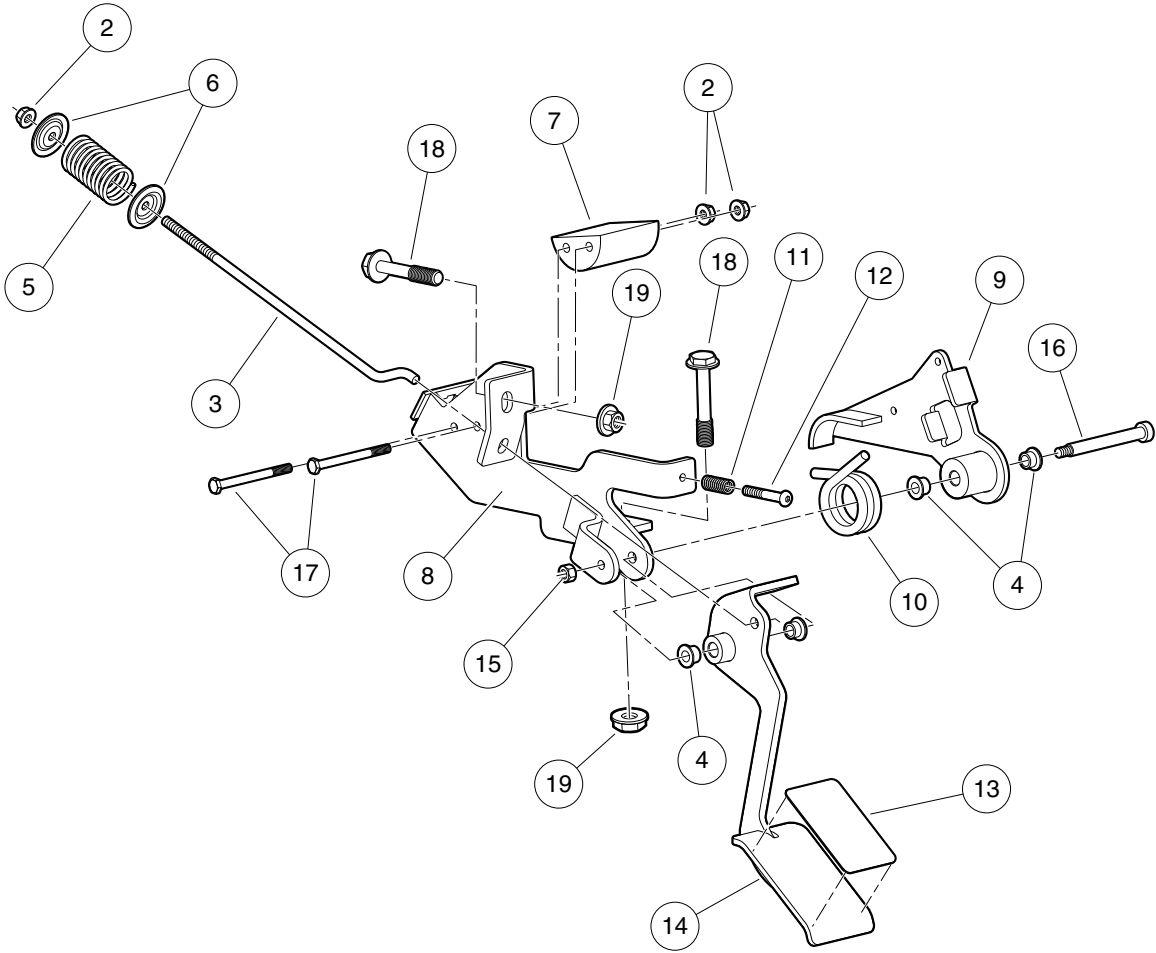
G

D

4

G

D



000026-001

ACCELERATOR PEDAL ASSEMBLY

ITEM	PART NO.	DESCRIPTION	QTY
		1 2 3 4	
1	102489901	Asm, Pedal, Accelerator (includes items 2 through 17)	1
2	102296401	Nut-m6x1.0 Flng All Mtl Lock	3
3	N/A	Pullrod, Spring, Compression	1
4	102442901	Bushing, Greaseless	4
5	102445201	Spring, Comp, Pedal, Pullrod	1
6	N/A	Washer, Retaining Spring, 7mm	2
7	N/A	Guide, Cable, Accelerator	1
8	N/A	Weldment, Bracket, Pedal	1
9	102469401	Weldment, Lever, Motion, Lost	1
10	N/A	Spring, Torsion	1
11	102476301	Spring, Stop, Pedal	1
12	102476401	Bolt, Stop, Pedal	1
13	102479301	Pad, Grip Tape, Accelerator	1
14	N/A	Weldment, Pedal, Accel	1
15	102618101	Nut M6x1 Mech Def Center	1
16	103273101	Bolt, Shoulder, M8 X 70, Hc	1
17	96706825	Bolt, M6 X 1 X 70	2
18	102618301	Bolt Flanged Head, M8 X 1.25 X 65	2
19	102618601	Lock Nut, Flg M8 X 1.25 Nylon	2

4

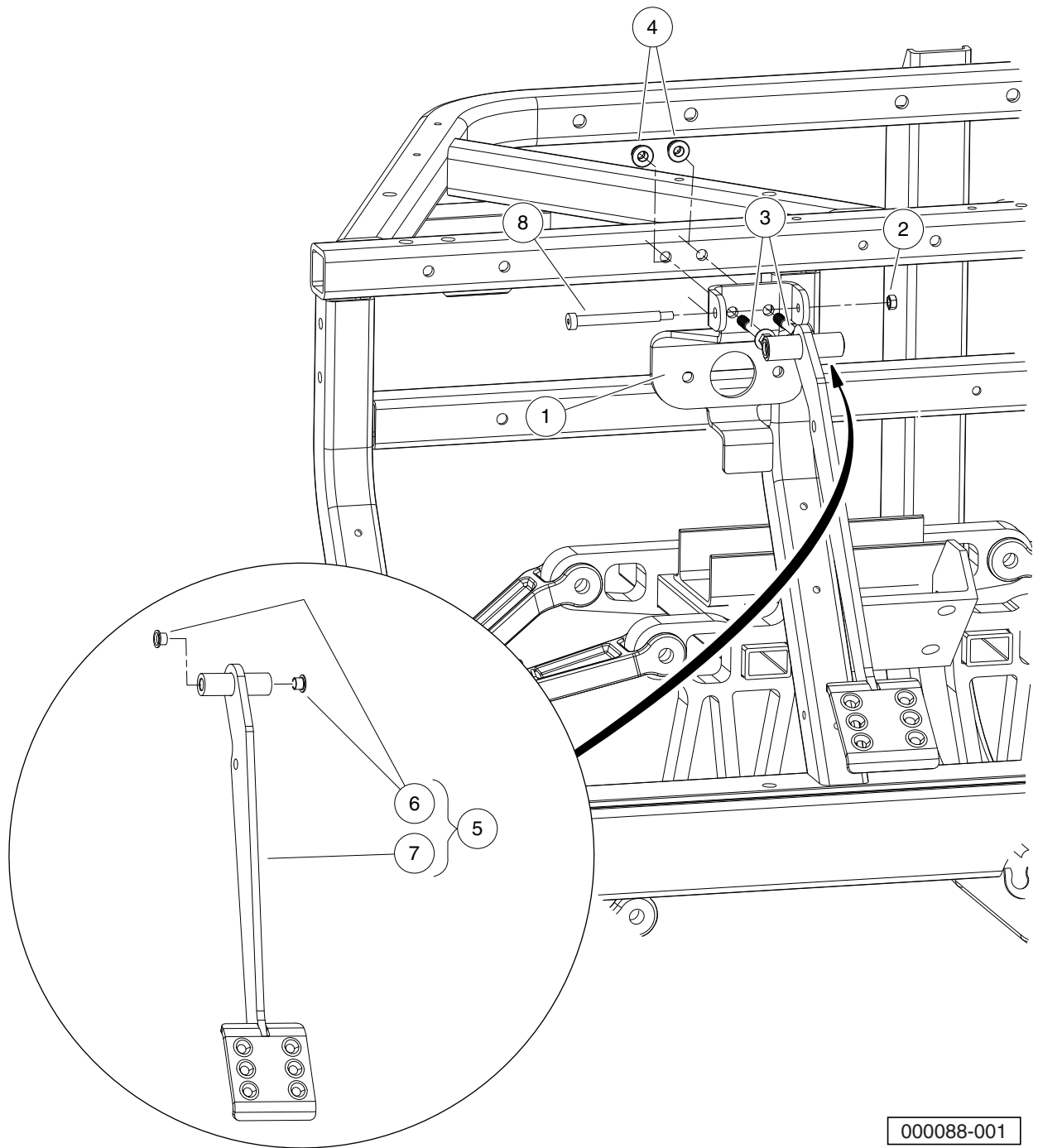
G

D

4

G

D



000088-001

BRAKE PEDAL ASSEMBLY

ITEM	PART NO.	DESCRIPTION	QTY
		1 2 3 4	
1	102380601	Bracket, Pedal, Brake	1
2	102618101	Nut M6x1 Mech Def Center	1
3	102618301	Bolt Flanged Head, M8 X 1.25 X 65	2
4	102618601	Lock Nut, Flg M8 X 1.25 Nylon	2
5	N/A	Asm, Pedal, Brake, Hung (includes items 6 and 7)	1
6	102442901	Bushing, Greaseless	2
7	102626201	Weldment, Pedal, Brake, Hung	1
8	103273101	Bolt, Shoulder, M8 X 70, Hc	1

4

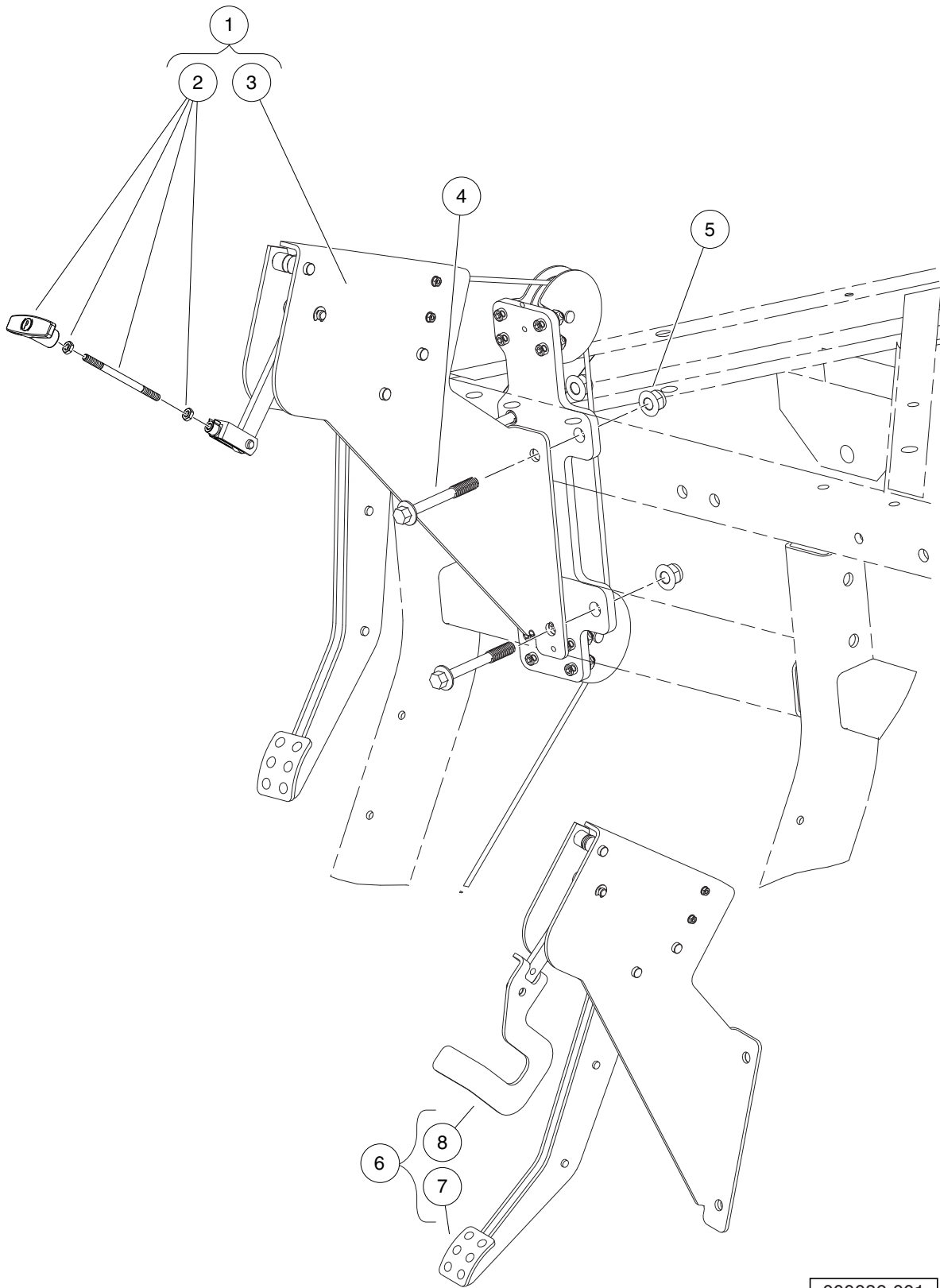
G

D

4

G

D



000086-001

PARK BRAKE PEDAL ASSEMBLY

ITEM	PART NO.	DESCRIPTION	QTY
		1 2 3 4	
1	102438101	Pedal Asm, Brake, Park (includes items 2 and 3)	1
2	102758701	Kit, Handle, Brake, Park	1
3	N/A	Pedal, Brake, Park	1
4	102618301	Bolt Flanged Head, M8 X 1.25 X 65	3
5	102618601	Lock Nut, Flg M8 X 1.25 Nylon	3
6	102892401	Asm, Pedal, Brake, Hard (includes items 7 and 8)	1
7	N/A	Pedal, Brake, Park	1
8	102896601	Handle, Release, Park Brake	1
<p style="margin-left: 40px;">Note: Item 1 has been discontinued. Use item 6 for replacement of the complete assembly.</p>			

4

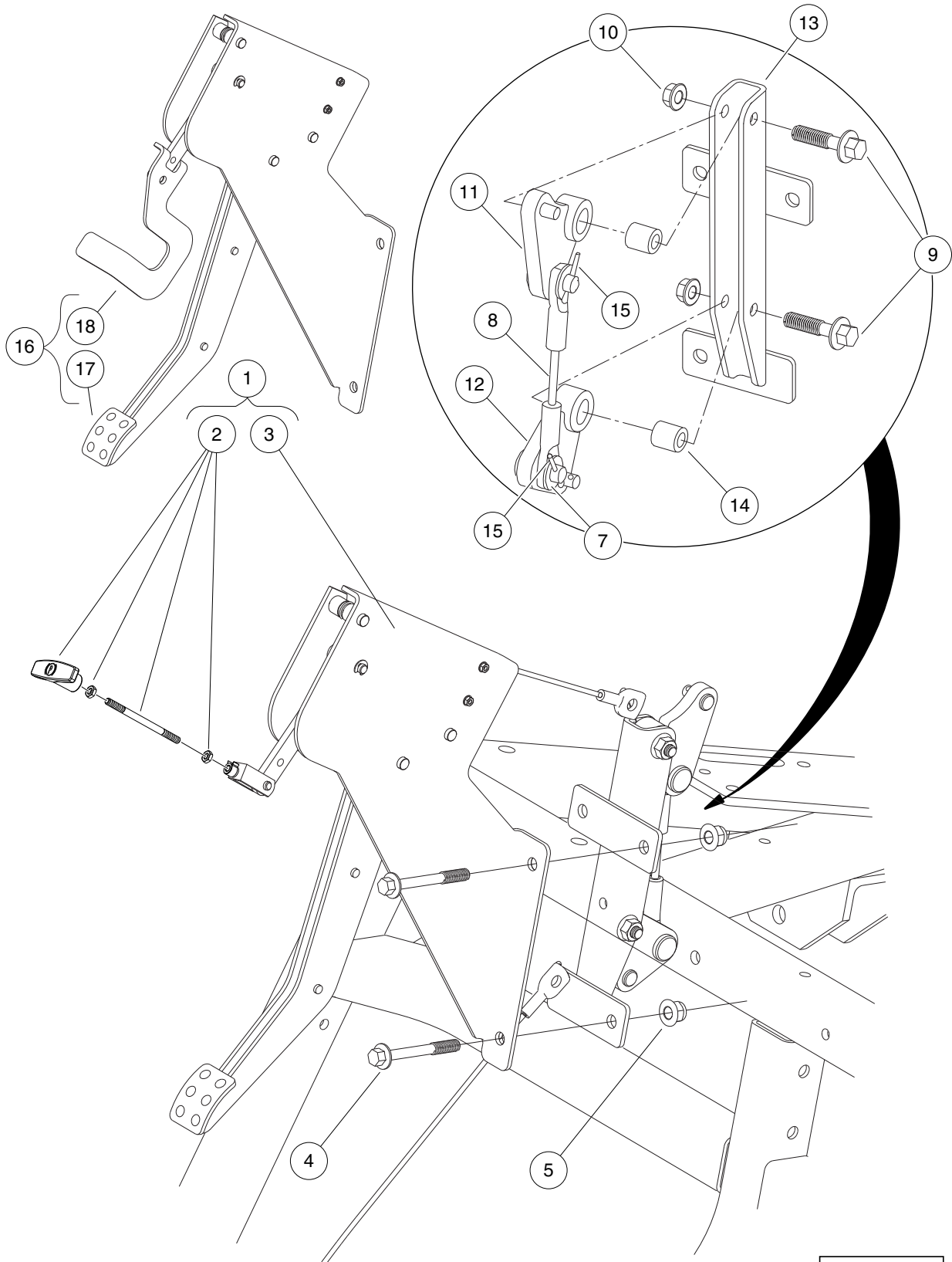
G

D

4

G

D



000086-003

PARK BRAKE PEDAL ASSEMBLY WITH BELLCRANK SYSTEM

ITEM	PART NO.	DESCRIPTION	QTY
		1 2 3 4	
1	102438101	Pedal Asm, Brake, Park (includes items 2 and 3)	1
2	102758701	Kit, Handle, Brake, Park	1
3	N/A	Pedal, Brake, Park	1
4	102618301	Bolt Flanged Head, M8 X 1.25 X 65	3
5	102618601	Lock Nut, Flg M8 X 1.25 Nylon	3
6	102751501	Asm, Sub, Bracket, Park Brake (includes items 7 through 15)	1
7	102323501	Washer, Flat, 3/8, Blk Fin	2
8	102716001	Cable, Crank, Bell	1
9	102741501	Bolt Flg, M8x1.25 X 35, Gr10.9	2
10	102741601	Nut Flg M8 X 1.25 Gr 10	2
11	102751301	Asm, Bellcrank, Upper	1
12	102751401	Asm, Bellcrank, Lower	1
13	103305001	Brkt, Bellcrank, Prk Brk, Awd	1
14	103305101	Spacer, Pivot, Park Brk, Awd	2
15	1035	Cotter Pin, 3/32 x 1	2
16	102892401	Asm, Pedal, Brake, Hard (includes items 17 and 18)	1
17	N/A	Pedal, Brake, Park	1
18	102896601	Handle, Release, Park Brake	1
Note: Item 1 has been discontinued. Use item 16 for replacement of the complete assembly.			

4

G

D

4

G

D

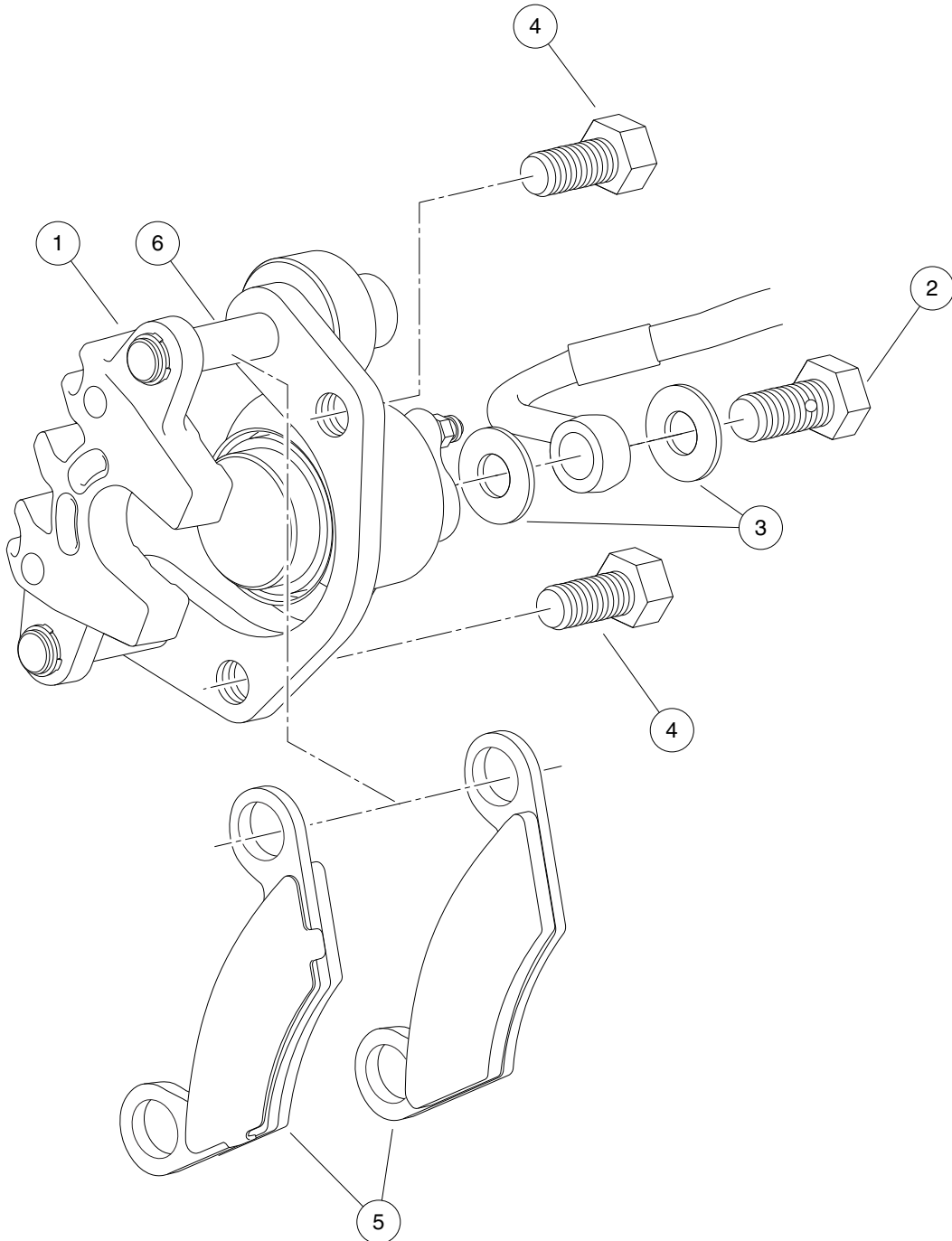
BRAKE SYSTEMS

5

D

5

D



000067-001

FRONT BRAKE ASSEMBLY

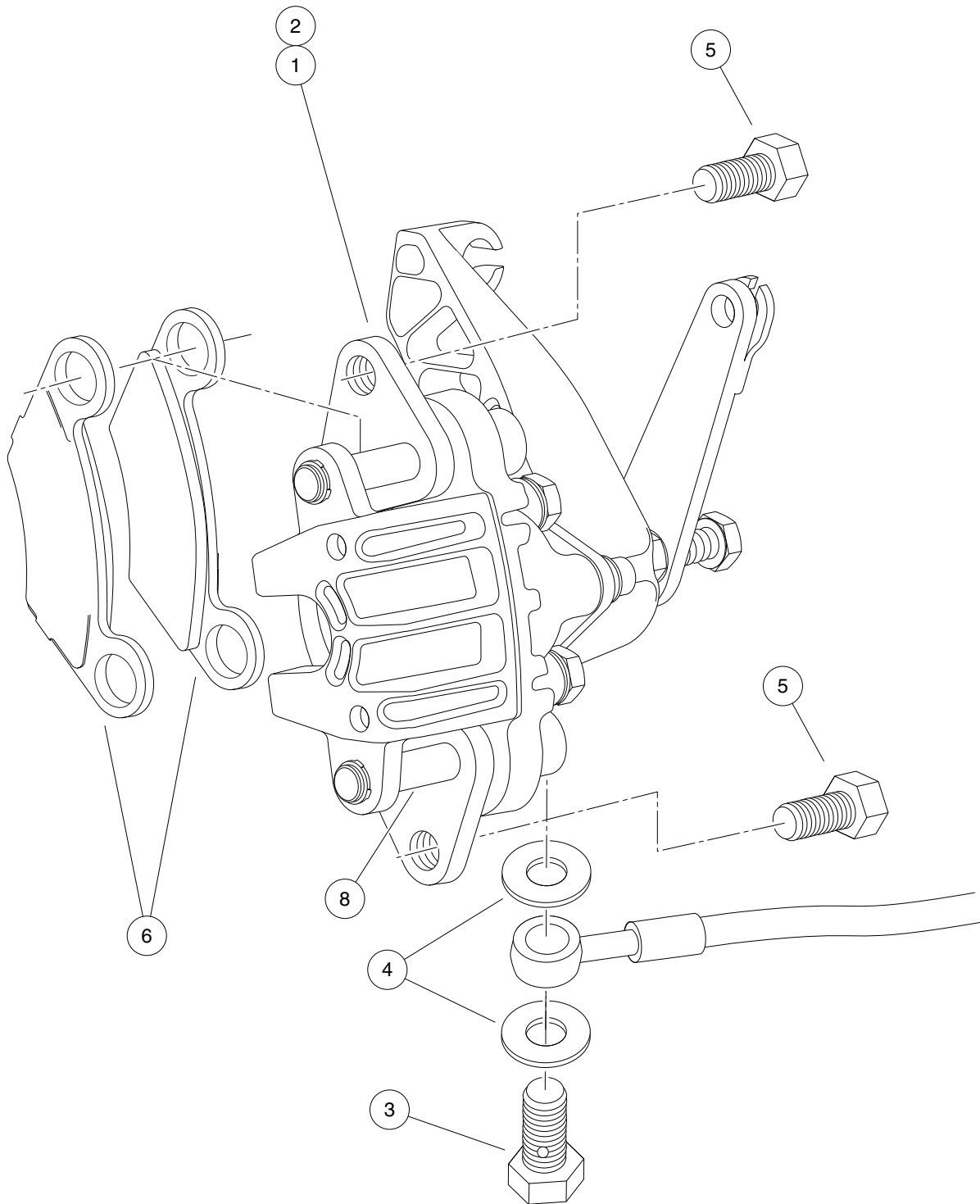
ITEM	PART NO.	DESCRIPTION	QTY
		1 2 3 4	
1	102367601	Brake Caliper, Front, with Brake Pads	2
2	102488001	Bolt, Banjo, M10x1x19	2
3	102491601	Washer, Copper, M10 Crush	4
4	102493301	Bolt Flange Head, 3/8-24x.750 with Loctite	4
5	102714001	Service Kit, Brake Pad (4 Pads)	1
6	103418801	Pin, Slide, 7/16	2

5

D

5

D



000068-001

REAR BRAKE ASSEMBLY

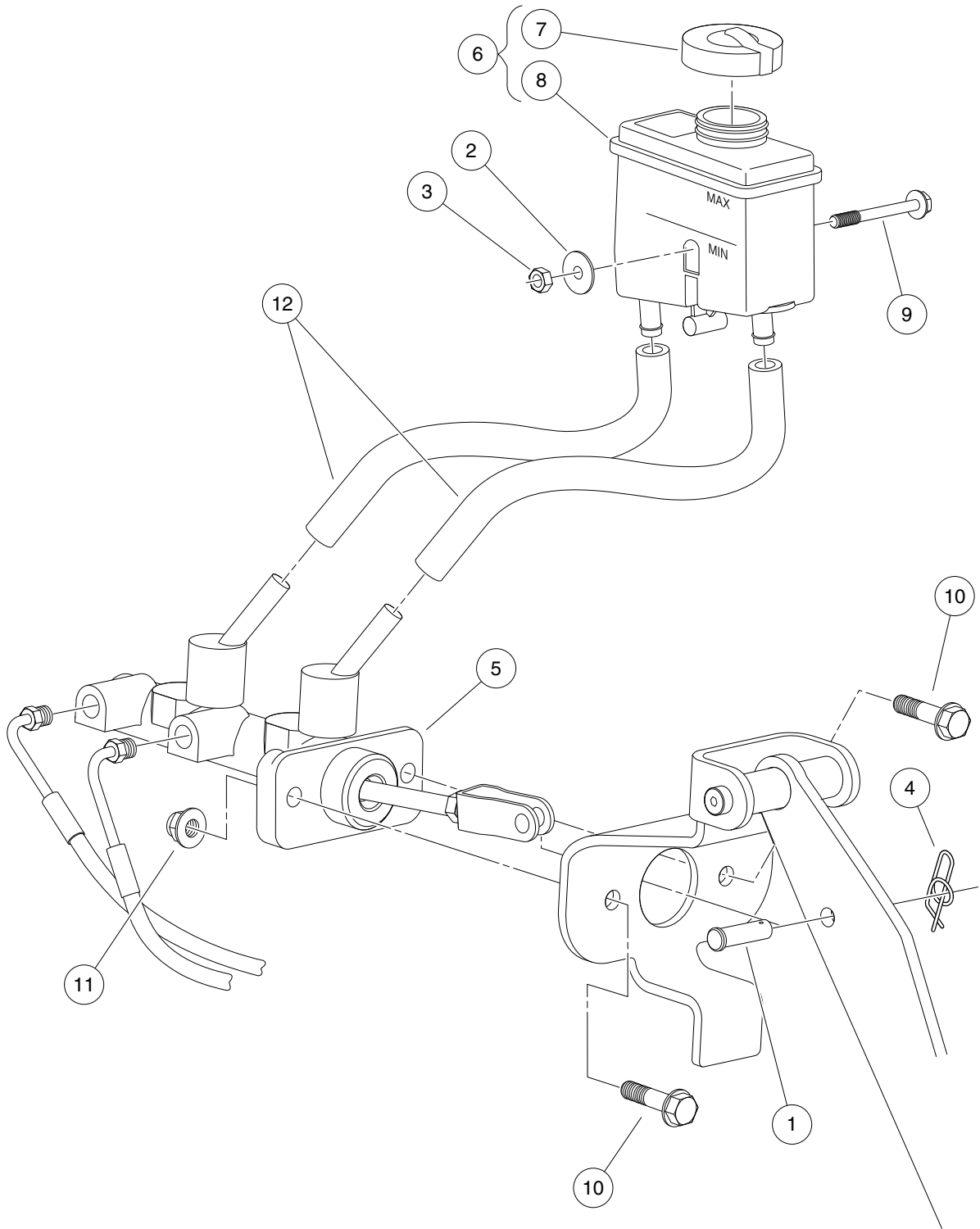
ITEM	PART NO.	DESCRIPTION	QTY
		1 2 3 4	
1	102399201	Caliper, Brake, Hydro-Mechanical, LH	1
2	102399202	Caliper, Brake, Hydro-Mechanical, RH	1
3	102488001	Bolt, Banjo, M10x1x19	2
4	102491601	Washer, Copper, M10 Crush	4
5	102493301	Bolt Flange Head, 3/8-24x.750 with Loctite	4
6	102714001	Service Kit, Brake Pad (4 Pads)	1
7	103418701	Spring, Brake Caliper, Return	1
8	103418801	Pin, Slide, 7/16	2

5

D

5

D



000069-001

MASTER CYLINDER

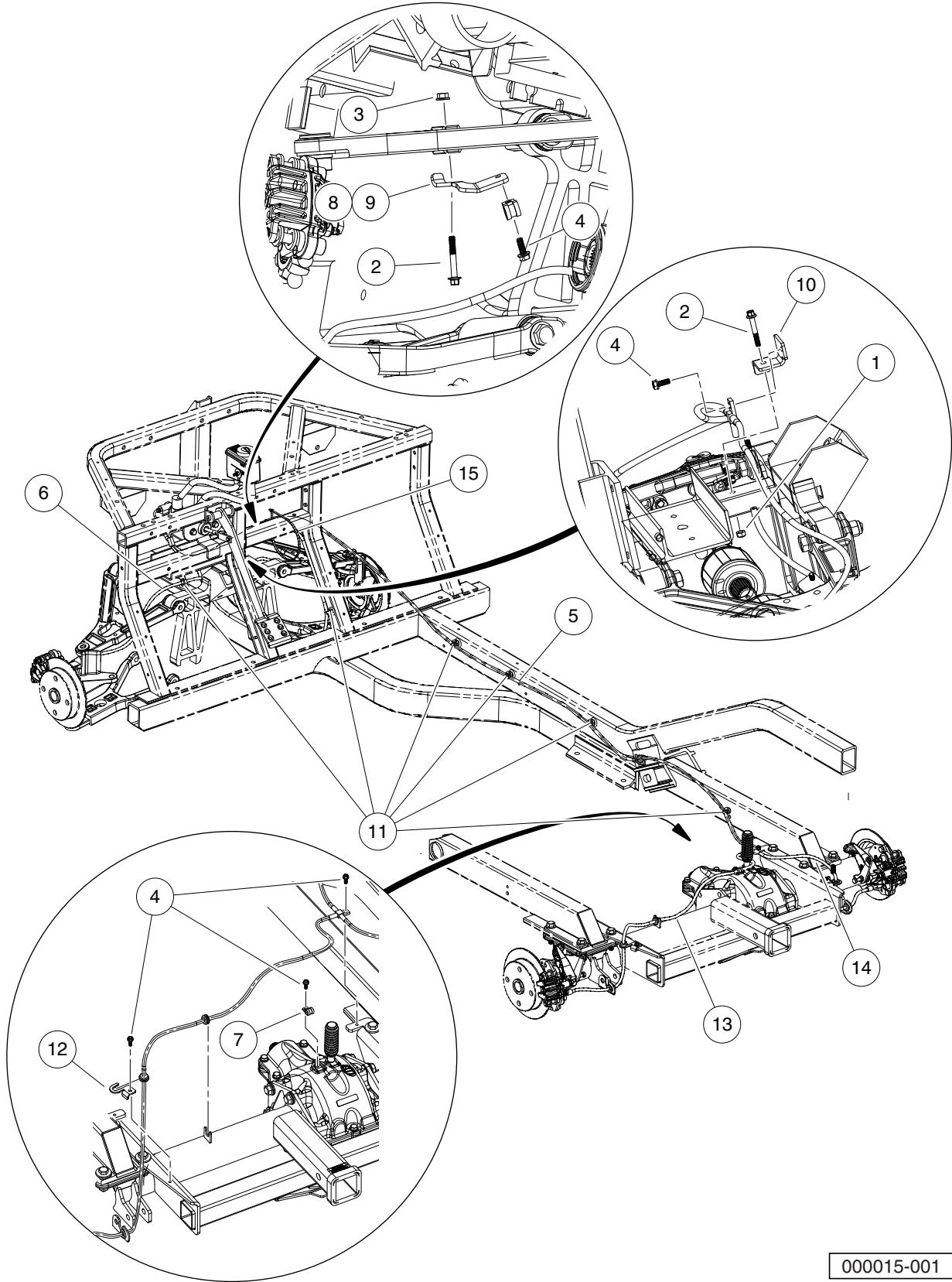
ITEM	PART NO.	DESCRIPTION	QTY
		1 2 3 4	
1	101082903	Clevis Pin, 5/16 X 1	1
2	1014306	Washer, 1/4" Type B Flat	1
3	101887601	Locknut, M6-1.00 Nylon Insert	1
4	102176901	Pin, Rue	1
5	102402801	Cylinder, Master, Tandem	1
6	102402901	Assembly, Reservoir, Remote (includes items 7 and 8)	1
7	102051401	Filler Cap Asm	1
8	N/A	Reservoir, Brake Fluid, Without Cap	1
9	102541465	Bolt, M 6 X 1.0 X 65 Hex, Flange, Head, Black	1
10	102618401	Bolt Flanged Head, M8 X 1.25 X 35	2
11	102618601	Lock Nut, Flg M8 X 1.25 Nylon	2
12	102715701	Line, Reservoir, Brake	2

5

D

5

D



000015-001

HYDRAULIC BRAKE LINES AND CLIPS

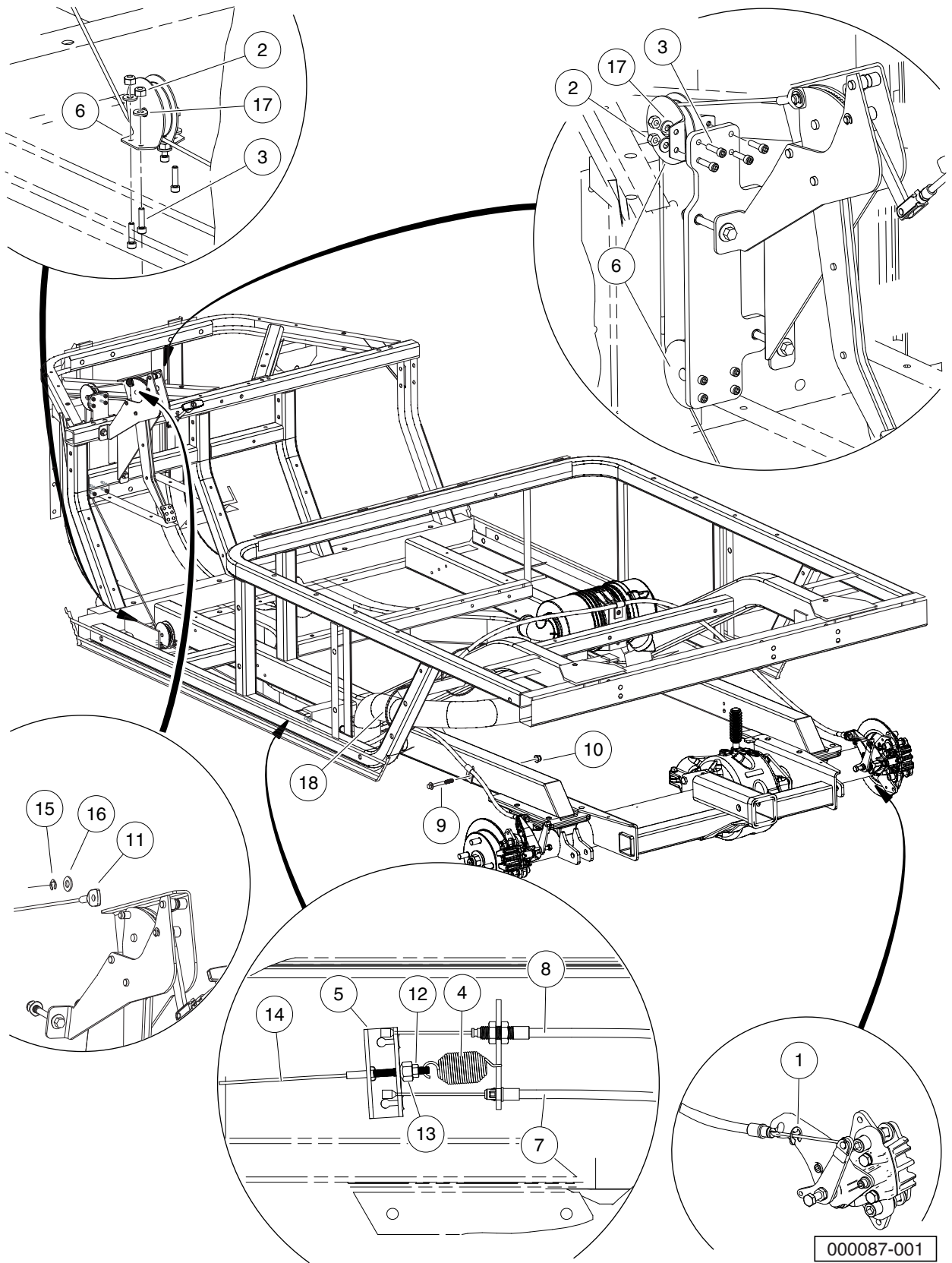
ITEM	PART NO.	DESCRIPTION	QTY
		1 2 3 4	
1	101887601	Locknut, M6-1.00 Nylon Insert	1
2	102296140	Bolt, Flanged Head, M6x1.0x40	3
3	102296401	Nut-m6x1.0 Flng All Mtl Lock	2
4	102296716	Screw, M6 X 16 Tt Hx Fl Hd	7
5	102407801	Assembly, Brake Line, Rear	1
6	102407901	Assembly, Brakeline, Front (includes item 7)	1
7	102410603	P-Clamp, Insulated .312 In	1
8	102474101	Bracket, Brake Line, Left	1
9	102474102	Bracket, Brake Line, Right	1
10	102474301	Bracket, Tee, Brakeline	1
11	102475701	Clip, Brake Line	6
12	102689001	Bracket, Line, Hydraulic	2
13	102689101	Brkt, Line, Hyd, Shk Mnt, Drv	1
14	102689102	Brkt, Line, Hyd, Shk Mnt, Pass	1
15	8639	Tie Wrap, 11" Nylon	1

5

D

5

D



000087-001

PARK BRAKE ASSEMBLY WITH PULLEY SYSTEM

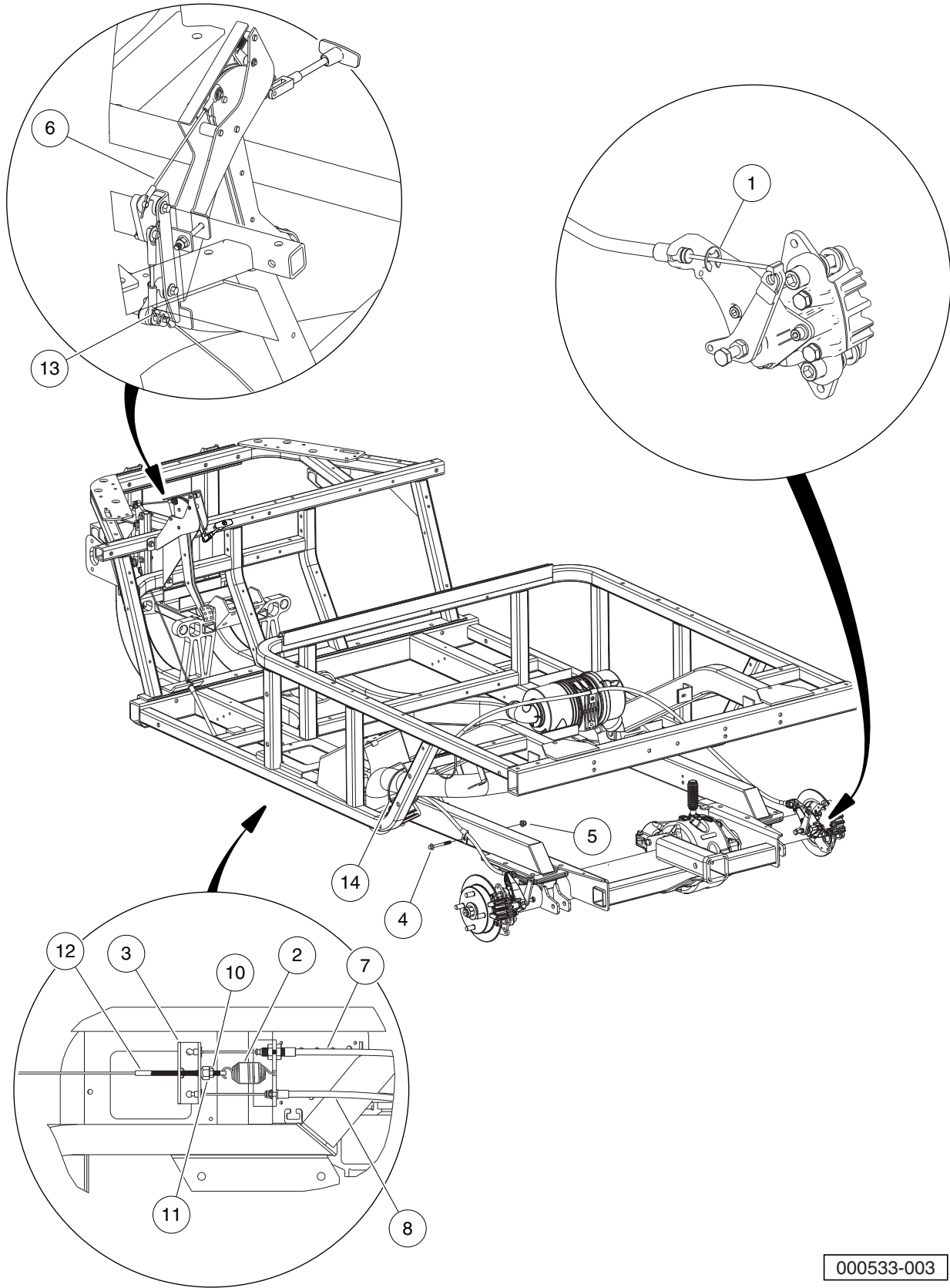
ITEM	PART NO.	DESCRIPTION	QTY
		1 2 3 4	
1	1011779	E-Clip, 1/2	2
2	1012438	Locknut, #10-24 Nylon Insert	12
3	101260202	Screw, #10-24 X 3/4 Socket-Head	12
4	1013531	Spring, Brake Return	1
5	101990802	Equalizer Bracket	1
6	102028302	Pulley, 2-Inch Flat Mount	3
7	102442701	Cable, Brake, Parking, Left	1
8	102442801	Cable, Brake, Parking, Right	1
9	102618301	Bolt Flanged Head, M8 X 1.25 X 65	1
10	102618601	Lock Nut, Flg M8 X 1.25 Nylon	1
11	102770001	Brake Cable, Park, Kit, Front (includes items 12 through 16)	1
12	1010521	Nut, 5/16-24 Hex	1
13	102052801	Nut, 5/16-24 Hex Cone	1
14	102492401	Cable, Brake, Parking, Front	1
15	102692801	Ring, Retaining, External, 9mm	1
16	1241	Washer, 5/16 Type A Flat	1
17	183	Washer, #10 Type A Flat	12
18	8639	Tie Wrap, 11" Nylon	2

5

D

5

D



000533-003

PARK BRAKE ASSEMBLY WITH BELLCRANK SYSTEM

ITEM	PART NO.	DESCRIPTION	QTY
		1 2 3 4	
1	1011779	E-Clip, 1/2	2
2	1013531	Spring, Brake Return	1
3	101990802	Equalizer Bracket	1
4	102618301	Bolt Flanged Head, M8 X 1.25 X 65	1
5	102618601	Lock Nut, Flg M8 X 1.25 Nylon	1
6	102712601	Cable, Crank, Bell, Front	1
7	102763301	Cable, Noncoated, Pbrake, Left	1
8	102763401	Cable, Noncoated, Pbrake, Right	1
9	102770301	Kit, Cable, Brake, Crank, Fr (includes items 10 through 13)	1
10	1010521	Nut, 5/16-24 Hex	1
11	102052801	Nut, 5/16-24 Hex Cone	1
12	102712701	Cable, Crank, Bell, Main	1
13	1035	Cotter Pin, 3/32 x 1	1
14	8639	Tie Wrap, 11" Nylon	2

5

D

5

D

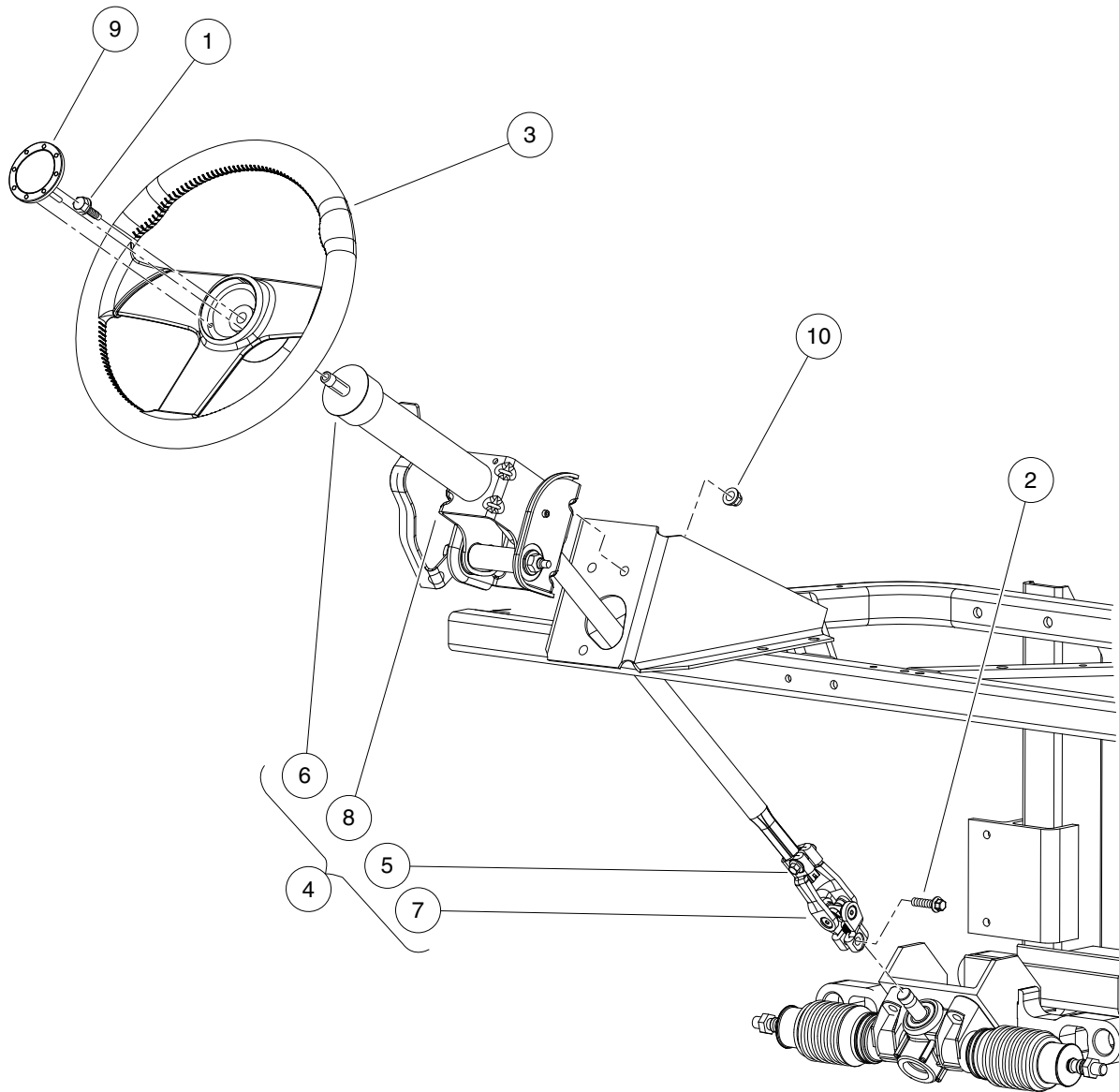
STEERING AND SUSPENSION

6

D

6

D



000070-001

STEERING COLUMN

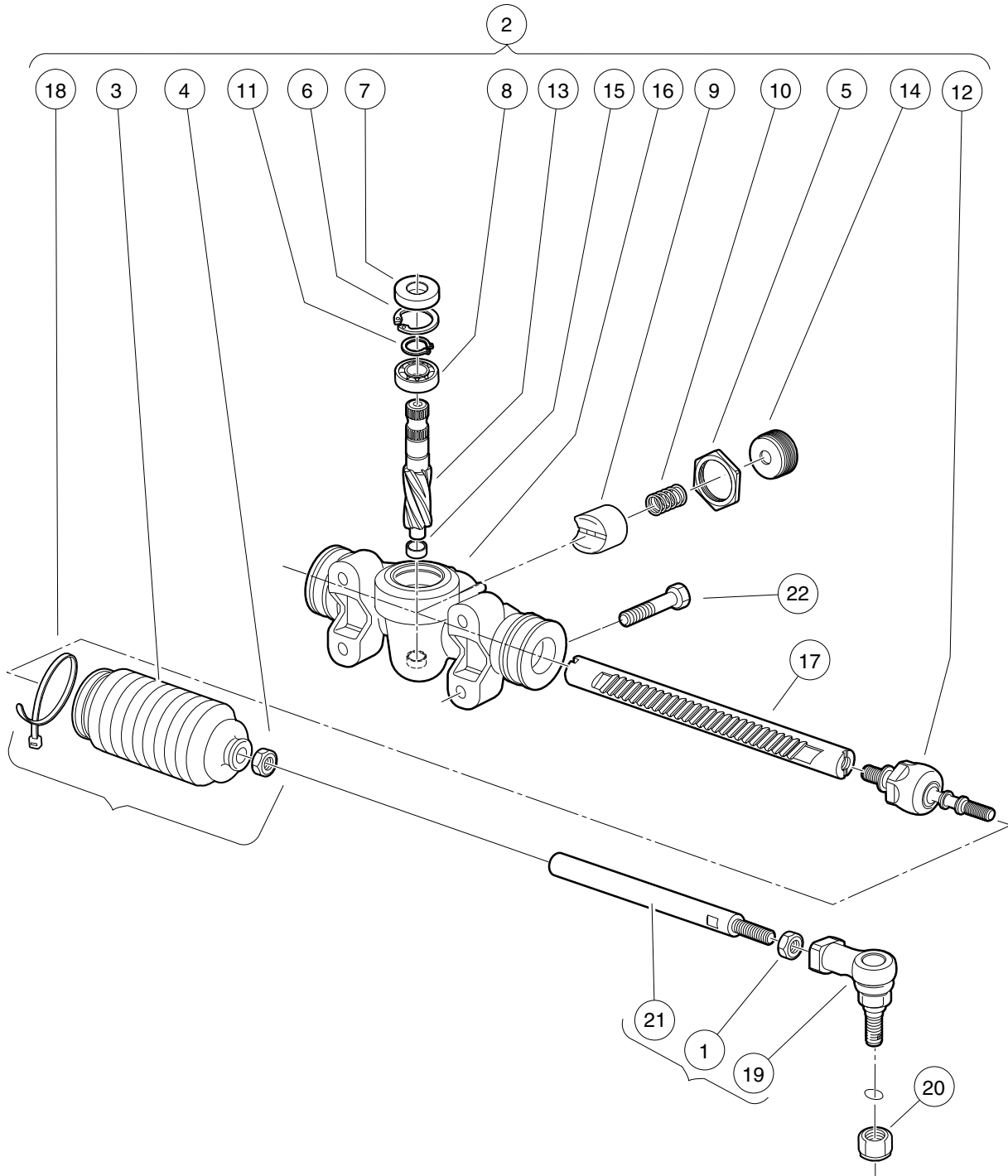
ITEM	PART NO.	DESCRIPTION	QTY
		1 2 3 4	
1	102290120	Bolt, M10 X 20 Hex Washer Hd	1
2	102298130	Bolt, Flange Head, M8 X 30.0	1
3	102363802	Steering Wheel, Viper, Hex Hub	1
4	102364201	Steering Column (includes items 5 through 8)	1
5	102298130	Bolt, Flange Head, M8 X 30.0	1
6	102571301	Shroud, Steering Column	1
7	102676801	Knuckle, Steering, Slider	1
8	N/A	Column, Steering without Knuckle and Shroud	1
9	102367101	Cap, Steering Wheel, Viper	1
10	102618601	Lock Nut, Flg M8 X 1.25 Nylon	3

6

D

6

D



000071-002

STEERING GEAR ASSEMBLY

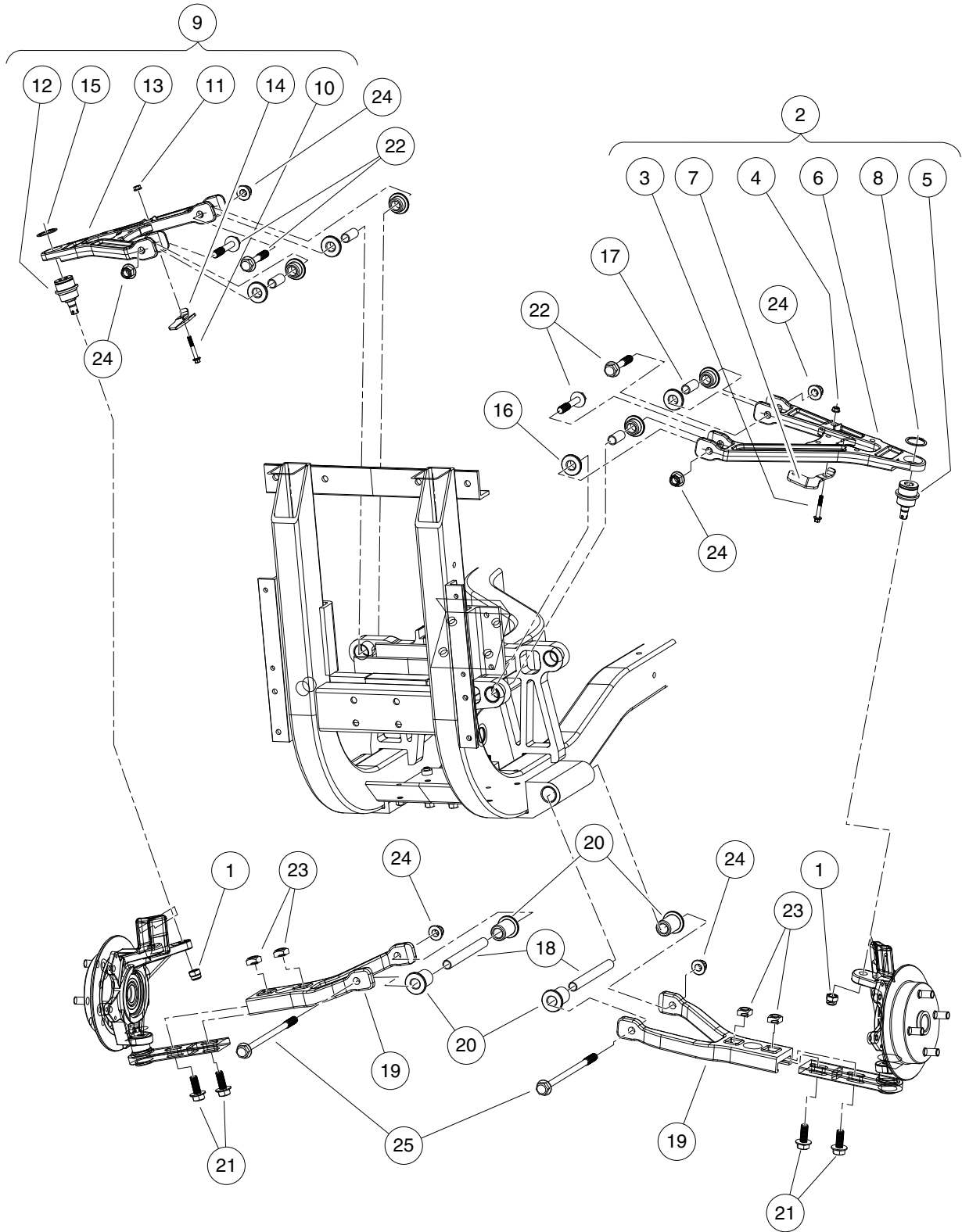
ITEM	PART NO.	DESCRIPTION	QTY
		1 2 3 4	
1	1013042	Nut, 12mm Hex	2
2	102010102	Steering Rack (includes items 3 through 18)	1
3	1013035	Bellows, Long	2
4	1013042	Nut, 12mm Hex	2
5	1013044	Rack Screw Locknut	1
6	1013051	Snap Ring	1
7	1013052	Seal, Steering Pinion Dust	1
8	101879401	Bearing, Ball	1
9	101879701	Support Yoke	1
10	101879801	Rack Guide Pressure Spring	1
11	101879901	Ring, Stop, C-Type	1
12	101880201	Inner Ball Joint Asm	2
13	N/A	Pinion, Steering	1
14	N/A	Bearing, Lower Pinion	1
15	N/A	Screw, Rack Guide	1
16	N/A	Housing, Steering Gear	1
17	N/A	Rack, Steering	1
18	8990	Tie Wrap, 8" Nylon	2
19	102022601	End, Tie Rod M12 X 1.25 Rh	2
20	102022901	Locknut, M12-1.25 Nylon	2
21	102449901	Link, Drag	2
22	102687801	Bolt, Flange Head, M10x 1.5 X 40 with Loctite	4

6

D

6

D



000074-001

FRONT SUSPENSION – A-ARMS

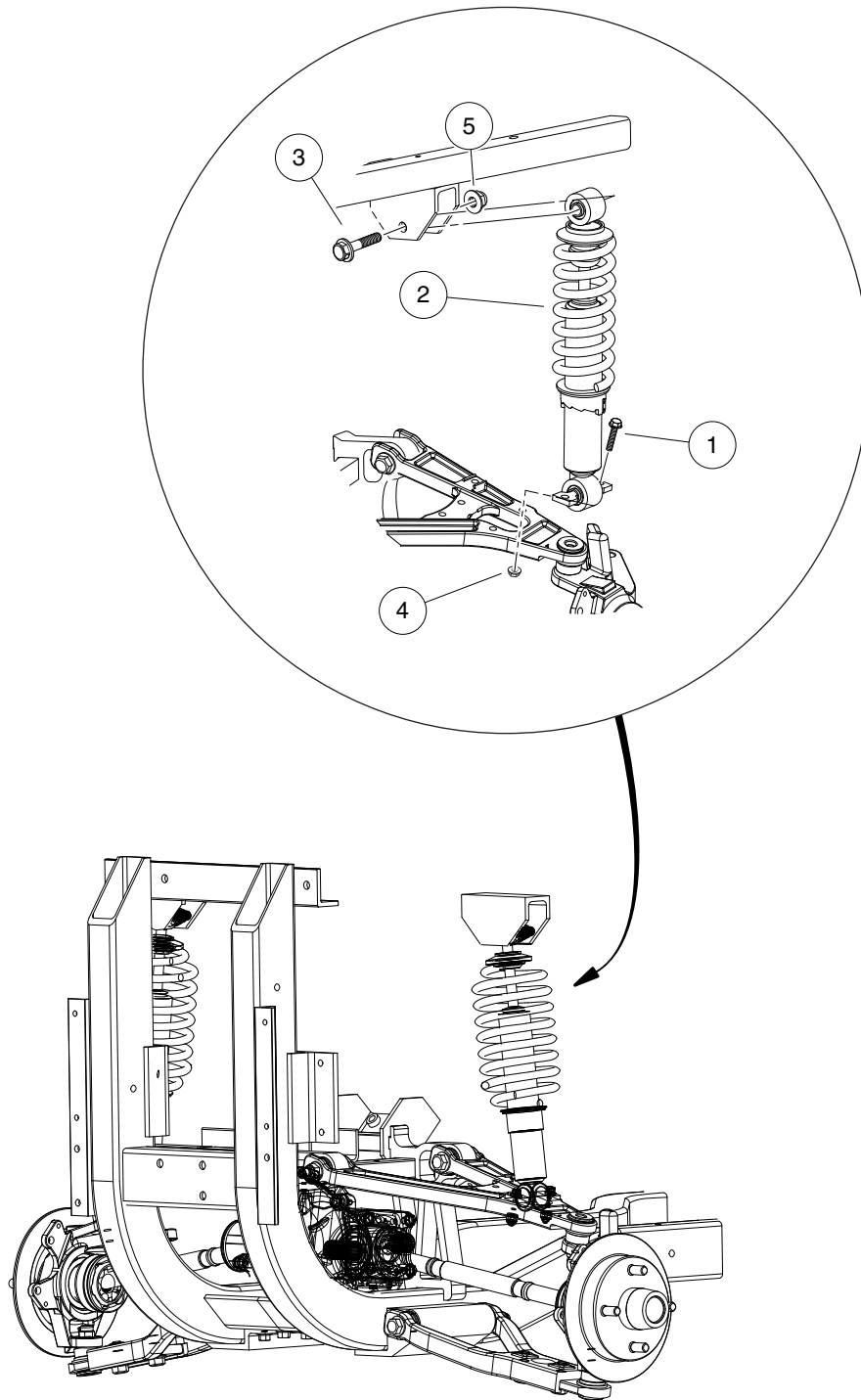
ITEM	PART NO.	DESCRIPTION	QTY
		1 2 3 4	
1	102022901	Locknut, M12-1.25 Nylon	2
2	102368501	Sub-assembly, A-Arm, Upper, LH (includes items 3 through 8)	1
3	102296140	Bolt, Flanged Head, M6x1.0x40	1
4	102296401	Nut-m6x1.0 Flng All Mtl Lock	1
5	102361901	Joint, Ball	1
6	102368801	A-Arm, Upper, Left	1
7	102474101	Bracket, Brake Line, Left	1
8	102722301	Ring, Retaining, Ext, 1-1/4"	1
9	102368502	Sub-assembly, A-Arm, Upper, RH (includes items 10 through 15)	1
10	102296140	Bolt, Flanged Head, M6x1.0x40	1
11	102296401	Nut-m6x1.0 Flng All Mtl Lock	1
12	102361901	Joint, Ball	1
13	102368802	A-Arm, Upper, Right	1
14	102474102	Bracket, Brake Line, Right	1
15	102722301	Ring, Retaining, Ext, 1-1/4"	1
16	102408401	Bushing, A-Arm	8
17	102437001	Sleeve, Upper	4
18	102437101	Sleeve, Lower	2
19	102446901	Arm, Lower	2
20	102469901	Bushing, Lower Arm	4
21	102490801	Bolt, Flange Head, M12x 1.75x 30 with Loctite	4
22	102616301	Bolt, Flange Head, M12 X 1.75 X 70	4
23	102617701	Nut, Square, M12x 1.75	4
24	102620501	Nut Flg, M12x1.75, Nylon Gr 10	6
25	103256701	Bolt Flg, M12 X 1.75 X 200 10.	2

6

D

6

D



000072-001

FRONT SUSPENSION (STANDARD)

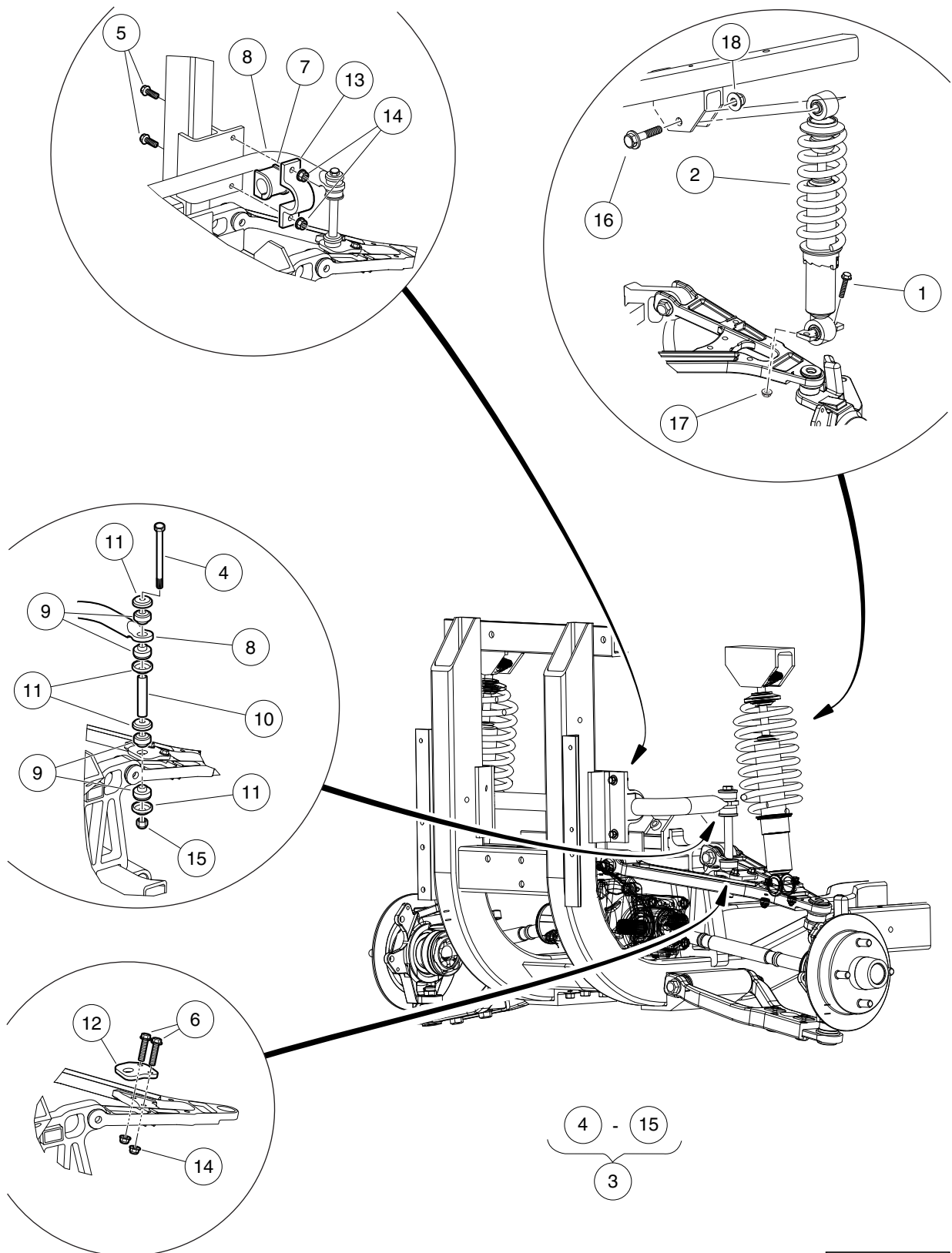
ITEM	PART NO.	DESCRIPTION	QTY
		1 2 3 4	
1	102298240	Bolt, Flange Head, M8-1.25 X 40	4
2	102394002	Shock, Coil Over, Front Hd	2
3	102616301	Bolt, Flange Head, M12 X 1.75 X 70	2
4	102618601	Lock Nut, Flg M8 X 1.25 Nylon	4
5	102620501	Nut Flg, M12x1.75, Nylon Gr 10	2

6

D

6

D



000072-002

FRONT SUSPENSION (HIGH-CAPACITY OPTION)

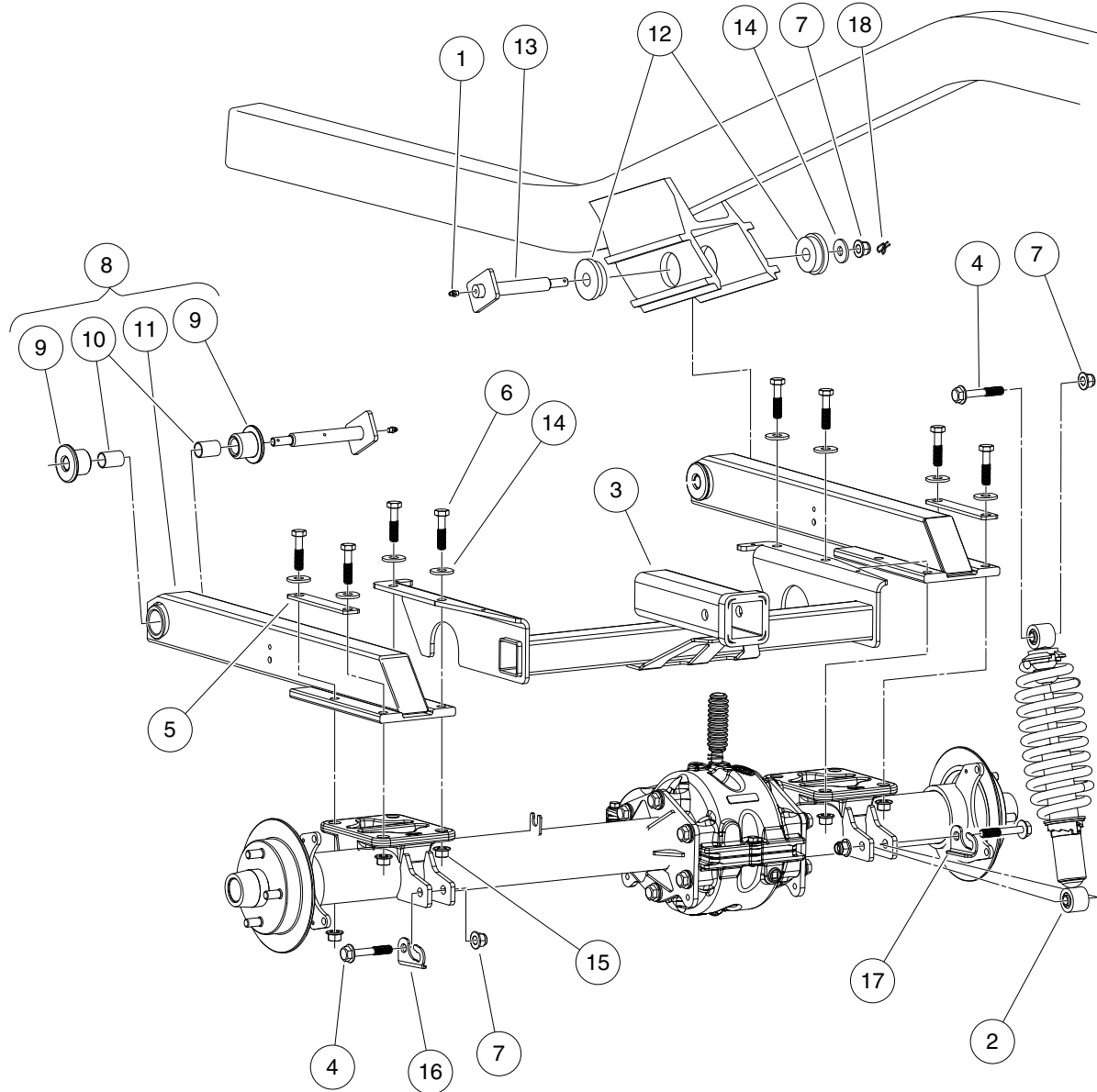
ITEM	PART NO.	DESCRIPTION	QTY
		1 2 3 4	
1	102298240	Bolt, Flange Head, M8-1.25 X 40	4
2	102394002	Shock, Coil Over, Front Hd	2
3	102468802	Kit, Anti-Sway Bar (includes items 4 through 15)	1
4	1016183	Screw, 3/8-16 X 7.00 Hex Cap	2
5	102298130	Bolt, Flange Head, M8 X 30.0	4
6	102298240	Bolt, Flange Head, M8-1.25 X 40	4
7	102446601	Bushing, Anti-Sway Bar, 1-1/8	2
8	102464601	Bar, Sway, Formed	1
9	102470101	Bushing, Link	8
10	102470501	Sleeve, Link	2
11	102470601	Washer, Cup, Bushing	8
12	102477201	Mount, Link	2
13	102495001	Bracket, Anti-Sway Bar	2
14	102618601	Lock Nut, Flg M8 X 1.25 Nylon	8
15	8754	Locknut, 3/8-16 Hex	2
16	102616301	Bolt, Flange Head, M12 X 1.75 X 70	2
17	102618601	Lock Nut, Flg M8 X 1.25 Nylon	4
18	102620501	Nut Flg, M12x1.75, Nylon Gr 10	2

6

D

6

D



000031-001

REAR SUSPENSION (STANDARD)

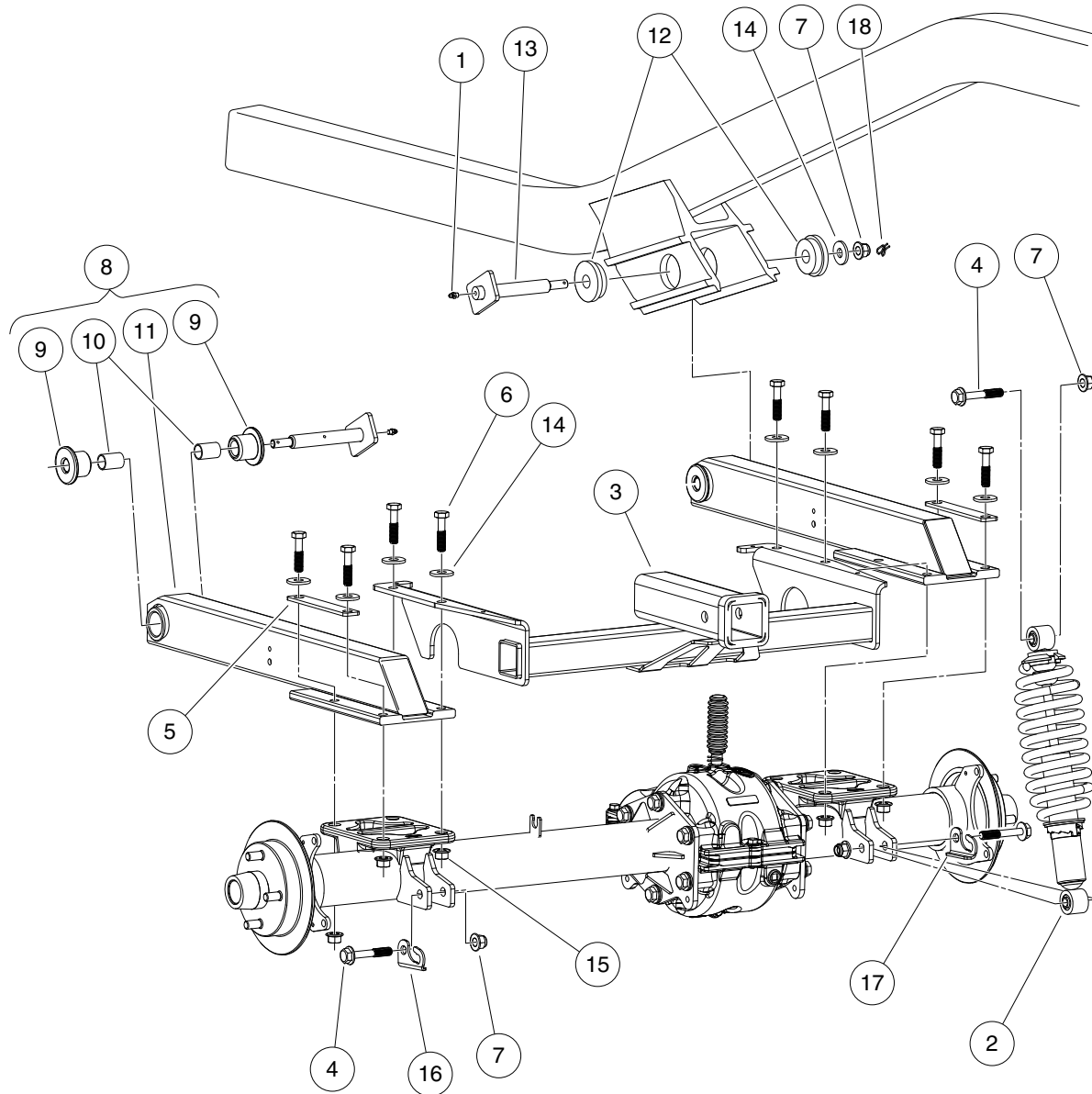
ITEM	PART NO.	DESCRIPTION	QTY
		1 2 3 4	
1	1015597	Fitting, 1/4-28 Thread-Forming Grease	2
2	102365601	Shock, Coil Over Rear	2
3	102393501	Weldment, Receiver, Rear	1
4	102616301	Bolt, Flange Head, M12 X 1.75 X 70	4
5	102619801	Washer, Strip, Swingarm	2
6	102620401	Bolt Flanged Head, M12 X 1.75 X 50	8
7	102620501	Nut Flg, M12x1.75, Nylon Gr 10	6
8	N/A	Sub Asm Swingarm (includes items 9 through 11)	2
9	102398901	Bushing, Pivot, Urethane	2
10	102477001	Bushing, Teflon	2
11	103282301	Swingarm, Rear, Awd	1
12	102682701	Insert, Flanged, H-Bracket	4
13	102682901	Pin, Swingarm, Weldment	2
14	102684501	Washer, M12 Hard Regular	10
15	102685601	Nut Flg M12 X 1.75 Cl10	8
16	102689101	Brkt, Line, Hyd, Shk Mnt, Drv	1
17	102689102	Brkt, Line, Hyd, Shk Mnt, Pass	1
18	102737101	Cotter, Rue Ring, 1/2"	2

6

D

6

D



000031-001

REAR SUSPENSION (HIGH-CAPACITY OPTION)

ITEM	PART NO.	DESCRIPTION	QTY
		1 2 3 4	
1	1015597	Fitting, 1/4-28 Thread-Forming Grease	2
2	102365602	Shock, Coil Over, Rear HD	2
3	102393501	Weldment, Receiver, Rear	1
4	102616301	Bolt, Flange Head, M12 X 1.75 X 70	4
5	102619801	Washer, Strip, Swingarm	2
6	102620401	Bolt Flanged Head, M12 X 1.75 X 50	8
7	102620501	Nut Flg, M12x1.75, Nylon Gr 10	6
8	N/A	Sub Asm Swingarm (includes items 9 through 11)	2
9	102398901	Bushing, Pivot, Urethane	2
10	102477001	Bushing, Teflon	2
11	103282301	Swingarm, Rear, Awd	1
12	102682701	Insert, Flanged, H-Bracket	4
13	102682901	Pin, Swingarm, Weldment	2
14	102684501	Washer, M12 Hard Regular	10
15	102685601	Nut Flg M12 X 1.75 Cl10	8
16	102689101	Brkt, Line, Hyd, Shk Mnt, Drv	1
17	102689102	Brkt, Line, Hyd, Shk Mnt, Pass	1
18	102737101	Cotter, Rue Ring, 1/2"	2

6

D

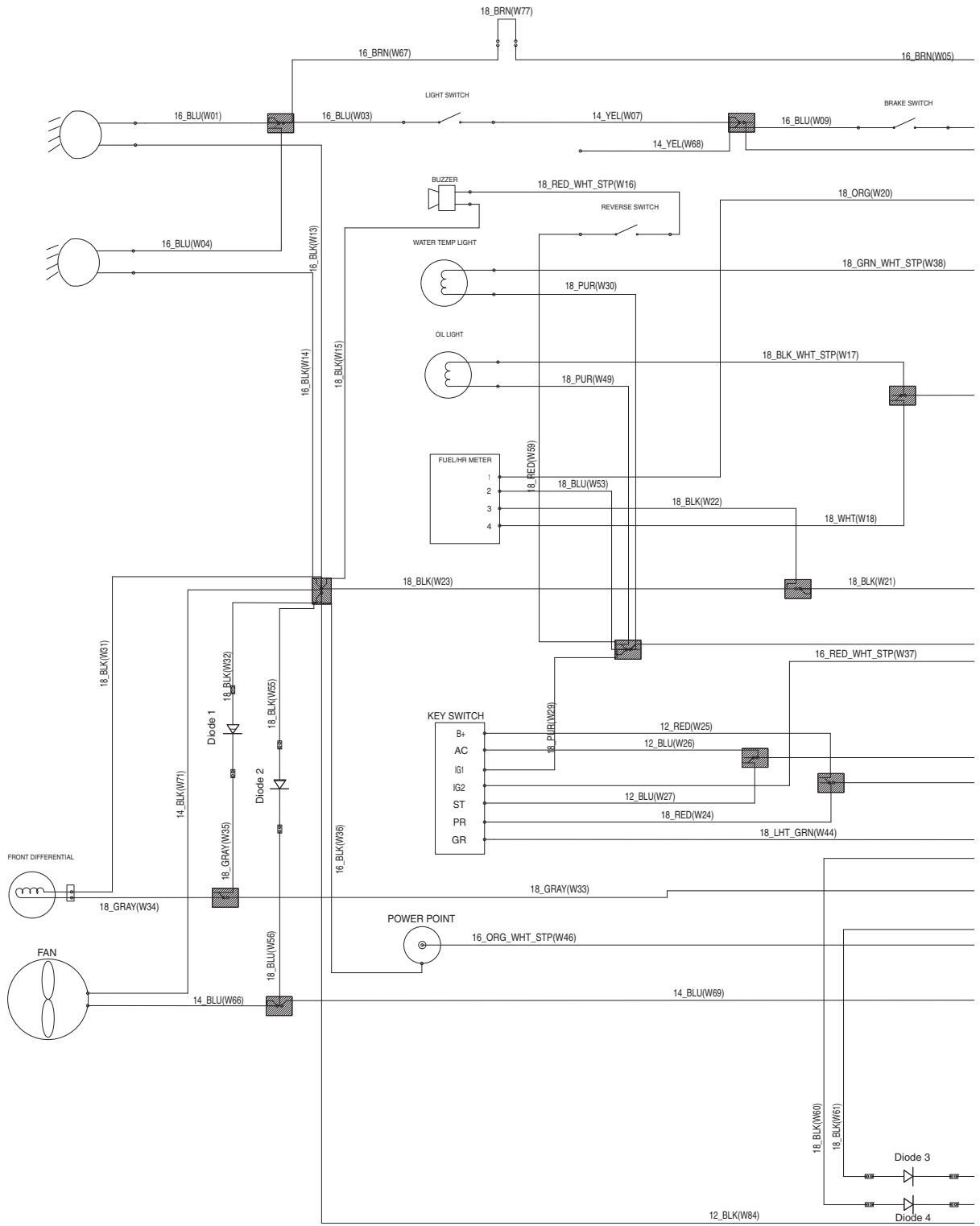
6

D

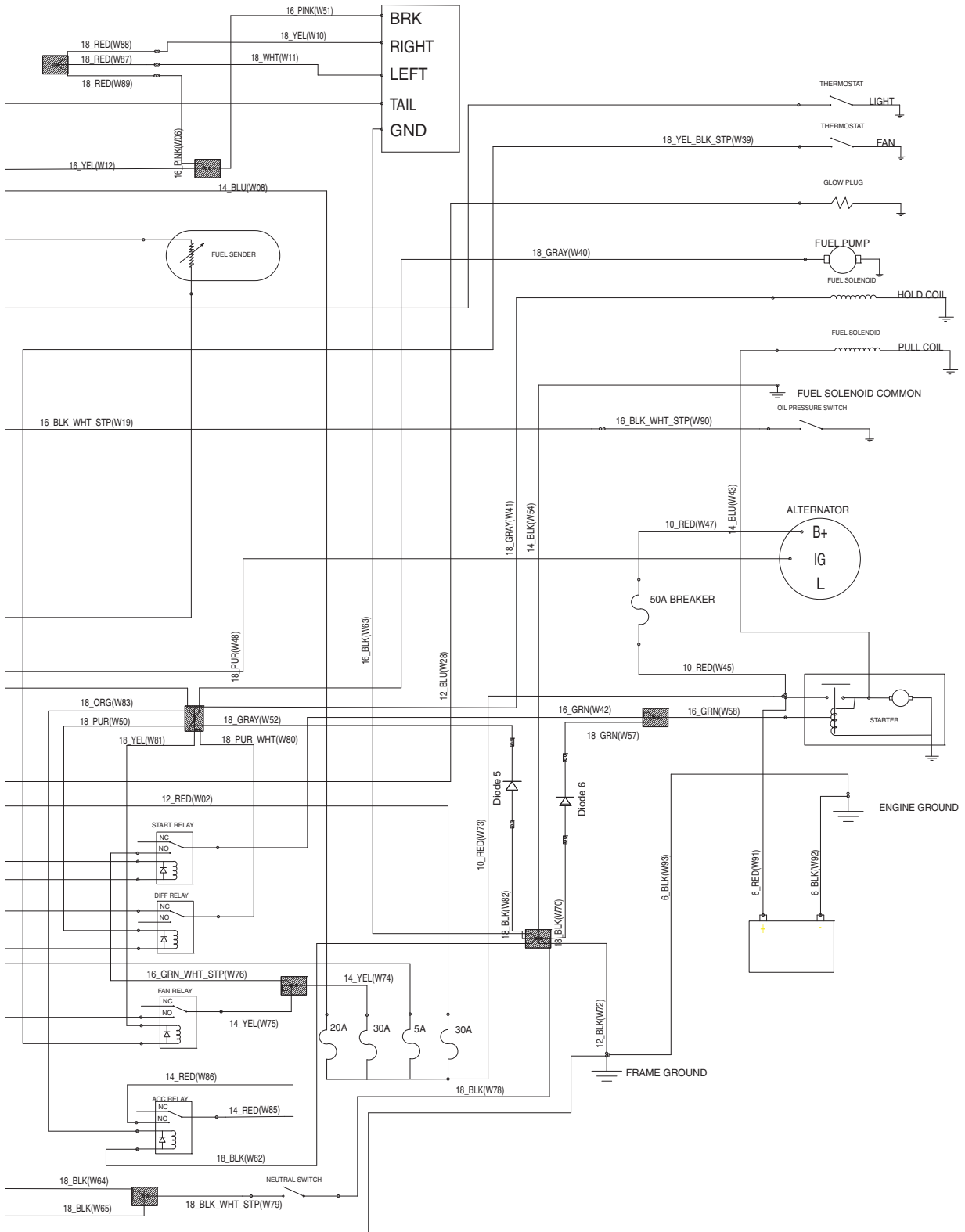
ELECTRICAL SYSTEM

7

D



000002-001



000002-001

7

D

See previous two pages for illustration.

WIRING – DIESEL VEHICLES

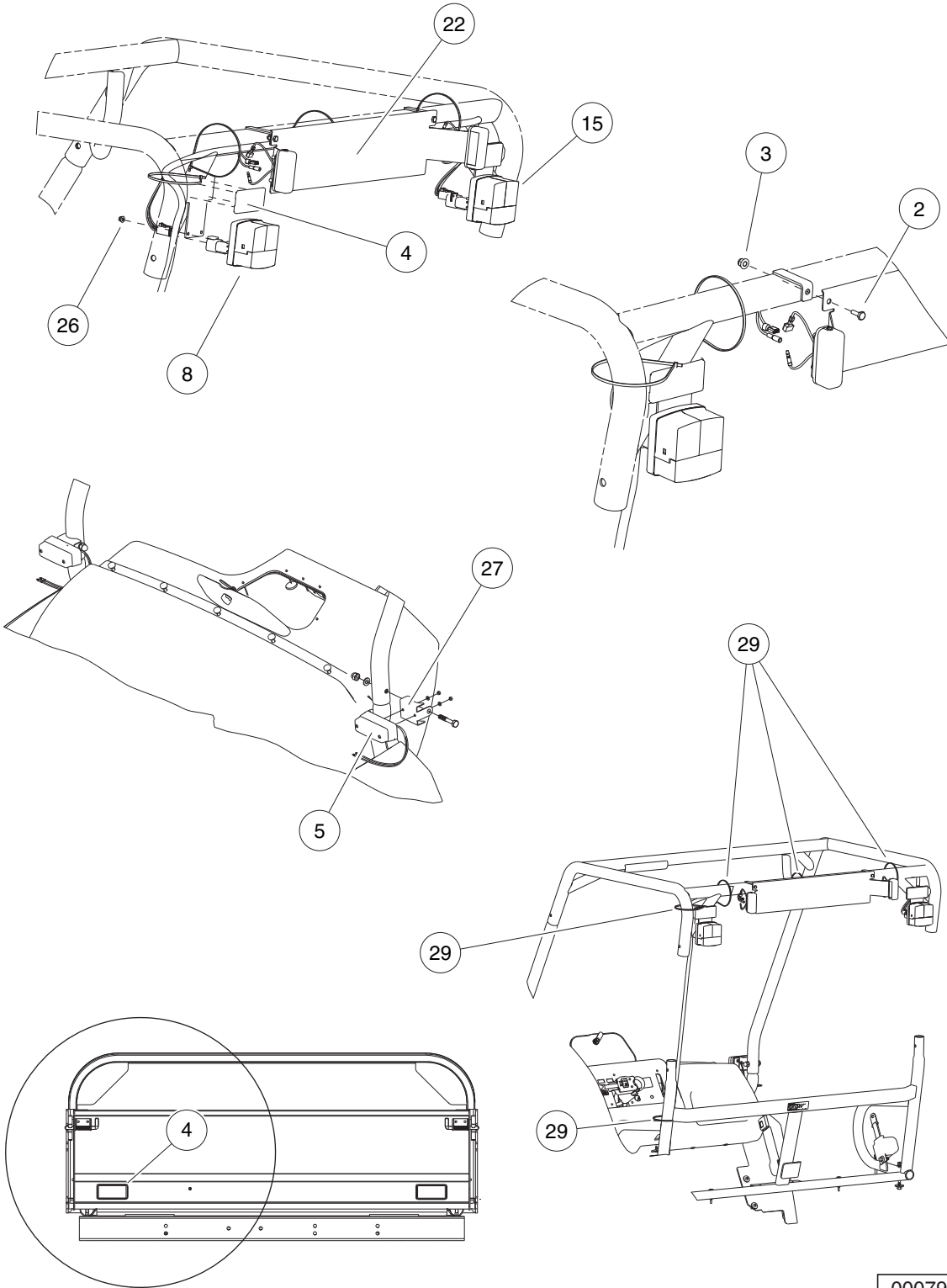
ITEM	PART NO.	DESCRIPTION	QTY
1	102444201	1 2 3 4 Wire Harness, Awd, Diesel	1

7

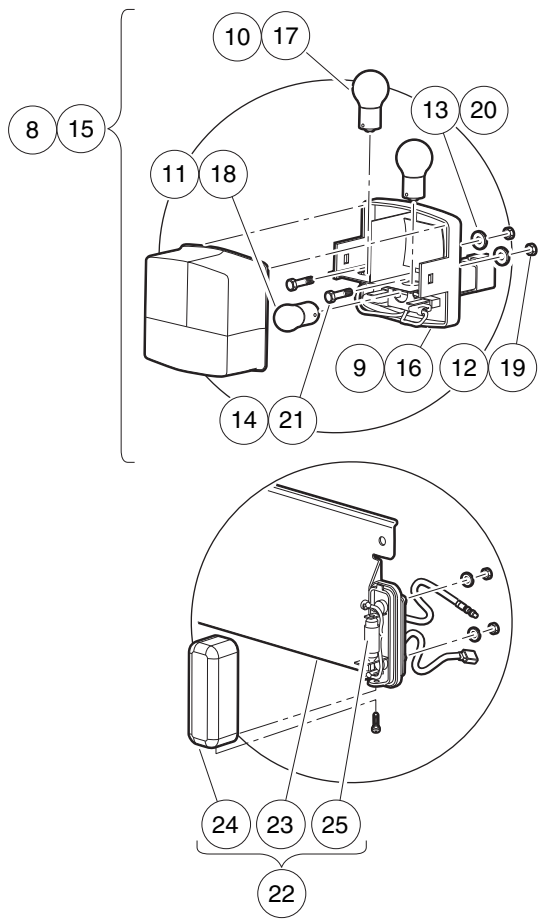
D

7

D



000795-001



000795-001

7

D

See previous two pages for illustration.

LIGHTING

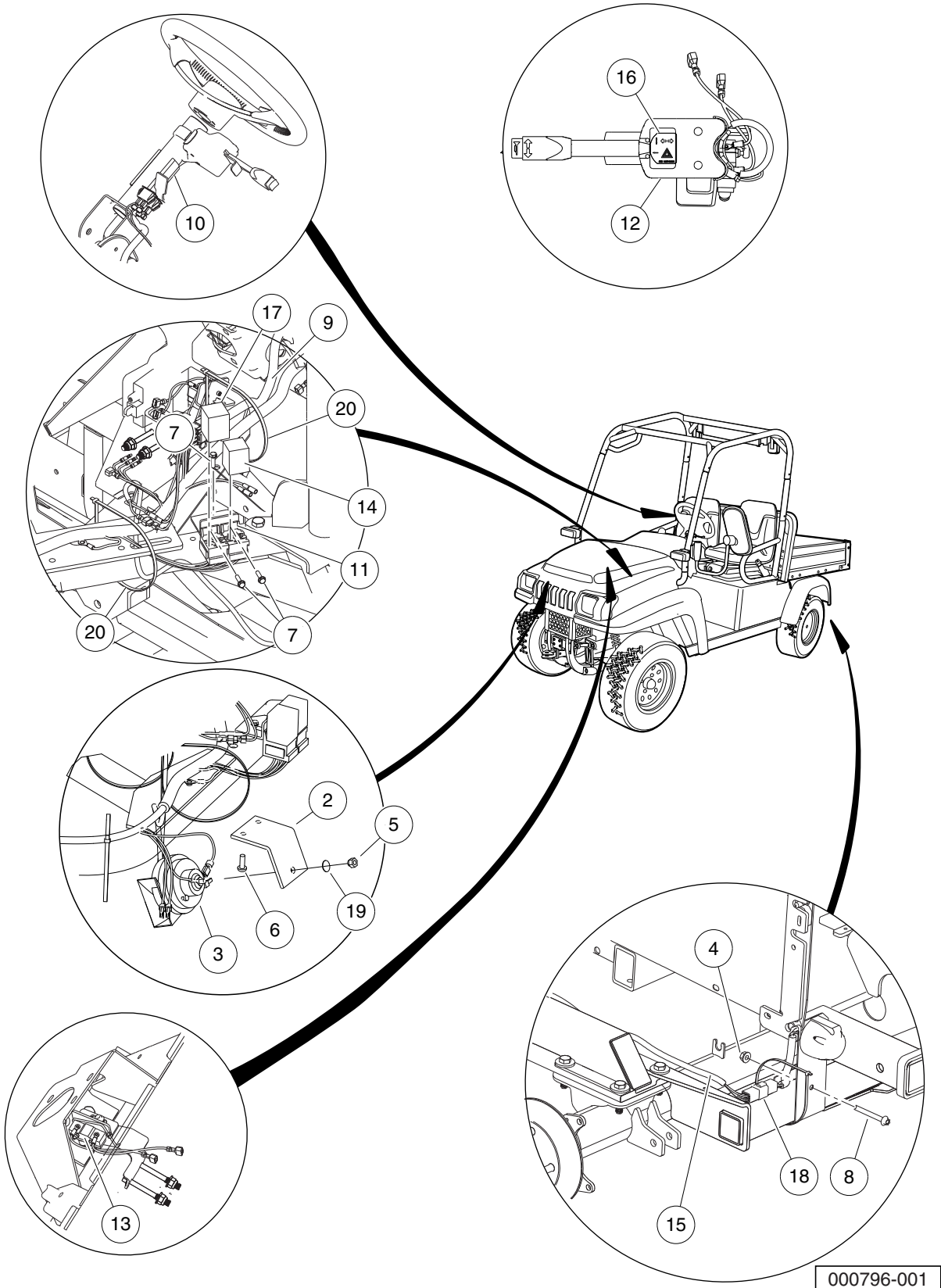
7

D

ITEM	PART NO.	DESCRIPTION	QTY
		1 2 3 4	
1	102833901	Kit, Lighting, Homologation (includes items 2 through 29)	1
2	102490301	Bolt, M6 X 1 X 16 Loctite	2
3	102621501	Nut Flg, M6 X 1.0 Nylon	2
4	102679501	Reflector, Reflex, Red	4
5	102709001	Asm, Front Flasher Lamp (includes items 6 and 7)	2
6	102707901	Lamp, Flasher	1
7	102708001	Bulb, Lamp, 12v21w	1
8	102709101	Asm, Rear Signal Lamp - D/s (includes items 9 through 14)	1
9	102487201	Lamp, Rear Signal, Left	1
10	102708001	Bulb, Lamp, 12v21w	2
11	102708101	Bulb, Lamp, 12v10w	1
12	N/A	Nut, Jam, M5 X 0.8	2
13	183	Washer, #10 Type A Flat	2
14	96705736	Bolt, M5 X .8 X 20	2
15	102709102	Asm, Rear Signal Lamp - P/s (includes items 16 through 21)	1
16	102487301	Lamp, Rear Signal, Right	1
17	102708001	Bulb, Lamp, 12v21w	2
18	102708101	Bulb, Lamp, 12v10w	1
19	N/A	Nut, Jam, M5 X 0.8	2
20	183	Washer, #10 Type A Flat	2
21	96705736	Bolt, M5 X .8 X 20	2
22	102710701	Asm, Lamp, Numberplate (includes items 23 through 25)	1
23	N/A	Plate, Mounting, 520 X 120	1
24	102708701	Lamp, Numberplate	2
25	102710401	Bulb, Lamp, 12v5w	2
26	N/A	Locknut, Flg, M5 X 0.8 Nylon	4
27	N/A	Bracket, Flasher Lamp	2
28	N/A	Instr, Kit, Homol, Rops&lights	1
29	8990	Tie Wrap, 8" Nylon	7

7

D



000796-001

LIGHTING, CONTINUED

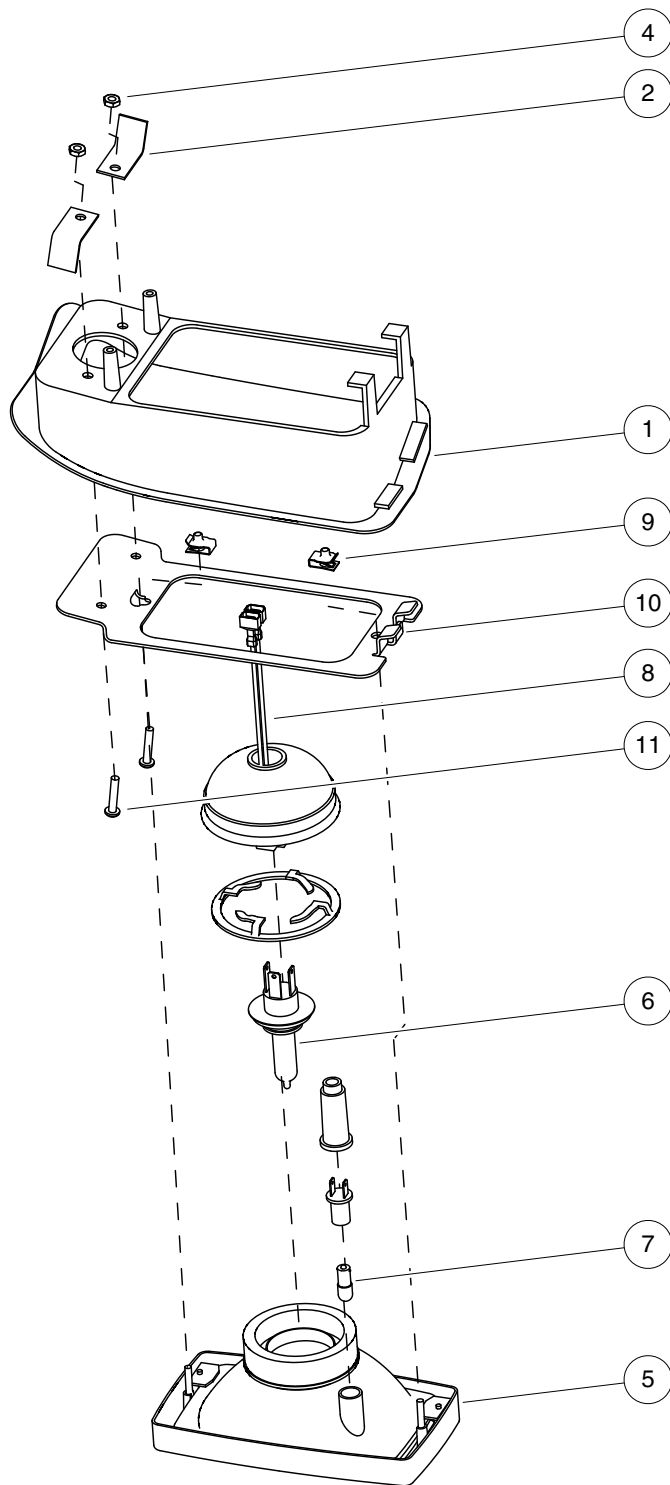
ITEM	PART NO.	DESCRIPTION	QTY
		1 2 3 4	
1	N/A	Instl, Lighting, Awd-eur (includes items 2 through 20)	1
2	1011825	Horn Bracket	1
3	1014530	Horn, 12-VDC	1
4	101833001	Nut, M8-1.25 Flanged Hex	1
5	101955101	Nut, M6 Hex	1
6	102025801	Screw, 1/4-20 X .75 Torx Pn Hd	1
7	102238001	#10-24 Taptite Screw	3
8	102298170	Bolt - Flange Hd, M8 X 70.0	1
9	102466001	Wire Harness, Lighting, AWD-European	1
10	102529202	Wire Cover-steer Column 85mm	1
11	102706701	Plate, Mount, Flasher	1
12	102710101	Asm, Switch, Turn Signal	1
13	102711901	Kit, Switch, Light, Brake	1
14	102721601	Flasher, 12v, Variable Load	1
15	102737801	Wire Harness, TI Lght, Awd-eur	1
16	102740601	Decal, Directional Switch	1
17	102742501	Flasher, 12v, Fixed Load	1
18	102807201	Asm, 7-pole Connector W/bracket	1
19	7820	Washer, 5/16 Internal-Tooth	1
20	8639	Tie Wrap, 11" Nylon	13

7

D

7

D



000793-001

HEADLIGHTS

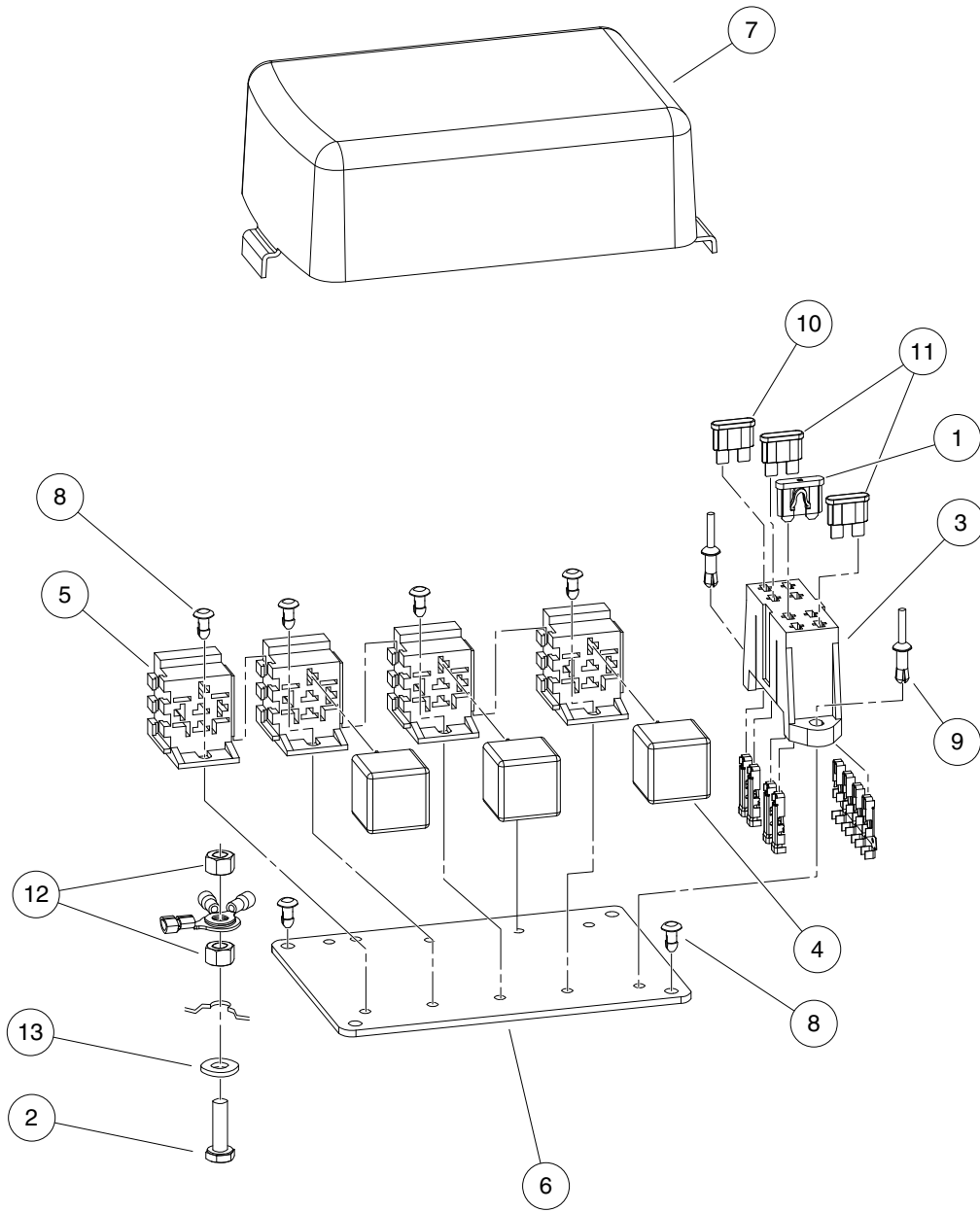
ITEM	PART NO.	DESCRIPTION	QTY
		1 2 3 4	
1	102708901	Asm, Headlamp, Euro - D/s (includes items 2 through 11)	1
2	1016880	Headlight Bezel, Left	1
3	1017064	Mounting Bracket	2
4	1022006	Nut, 10-32 Hex, Stainless	2
5	102707601	Headlamp, H4	1
6	102707701	Bulb, Headlamp, H4	1
7	102707801	Bulb, Side Lamp, 12v4w	1
8	102742701	Wire Asm, Hdlight, Euro	1
9	102763001	Palnut, U-type, M4.2	2
10	102779701	Plate, Headlight, Euro	1
11	102810401	Screw, #10-32 X 1.0 Phil Pn Hd	2
12	102708902	Asm, Headlamp, Euro - P/s (includes items 13 through 22)	1
13	1016879	Headlight Bezel, Right	1
14	1017064	Mounting Bracket	2
15	1022006	Nut, 10-32 Hex, Stainless	2
16	102707601	Headlamp, H4	1
17	102707701	Bulb, Headlamp, H4	1
18	102707801	Bulb, Side Lamp, 12v4w	1
19	102742701	Wire Asm, Hdlight, Euro	1
20	102763001	Palnut, U-type, M4.2	2
21	102779701	Plate, Headlight, Euro	1
22	102810401	Screw, #10-32 X 1.0 Phil Pn Hd	2

7

D

7

D



000076-002

ELECTRICAL COMPONENT BOX, DIESEL VEHICLES

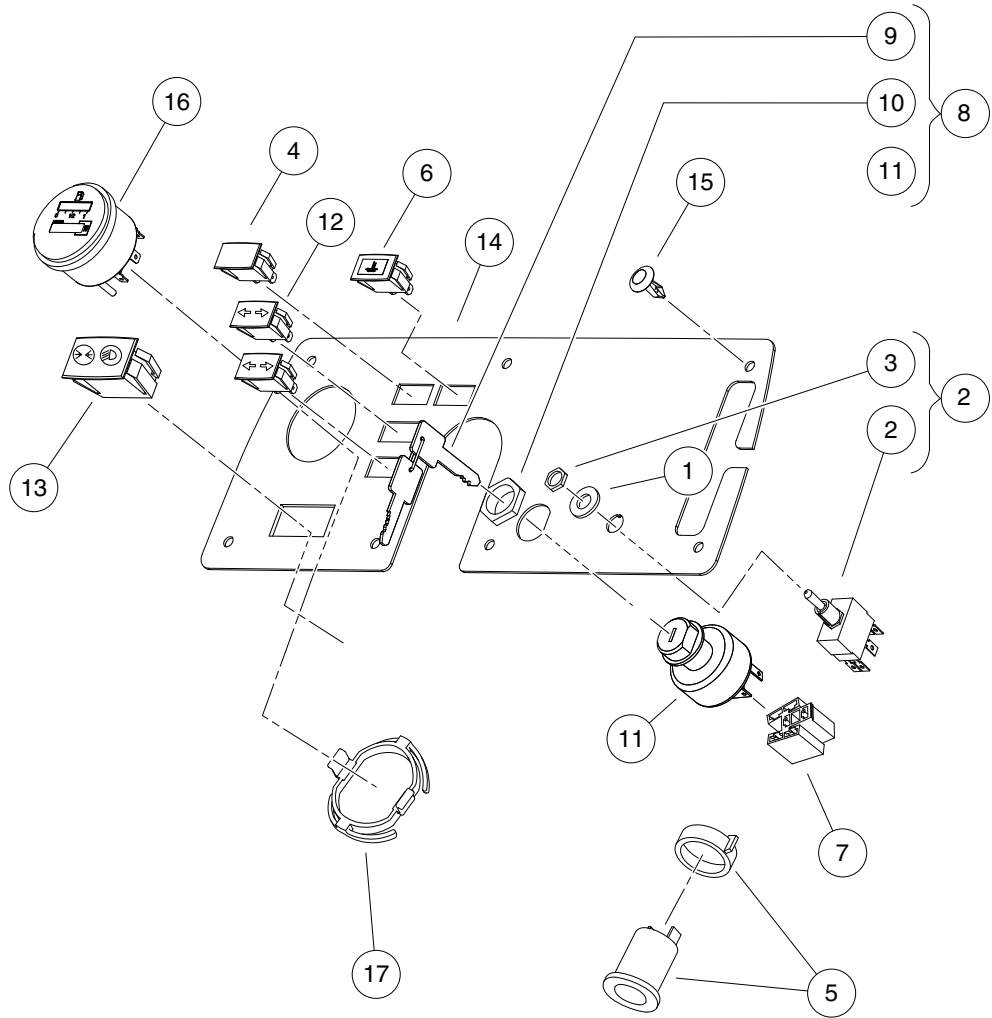
ITEM	PART NO.	DESCRIPTION	QTY
		1 2 3 4	
1	1012295	Fuse, 10-Amp	1
2	1015521	Screw, 1/4-20 X .88 Hex Hd Cap	1
3	1015741	Fuse Block	1
4	102420201	Relay, Mini ISO, SPDT	3
5	****	Connector, Relay	4
6	102420401	Plate, Electrical	1
7	102420501	Cover, Electrical	1
8	102447901	Fastener, Push-in	8
9	102448001	Rivet, Drive	2
10	102492201	Fuse, 25-Amp	1
11	102492301	Fuse, 30-Amp	2
12	1108	Locknut, 1/4-20 Dimpled	2
13	332	Washer, 1/4 Type A Narrow Flat	1
		**** Special order item available upon request.	

7

D

7

D



000080-005

ELECTRICAL COMPONENTS, INSTRUMENT PANEL, DIESEL VEHICLES

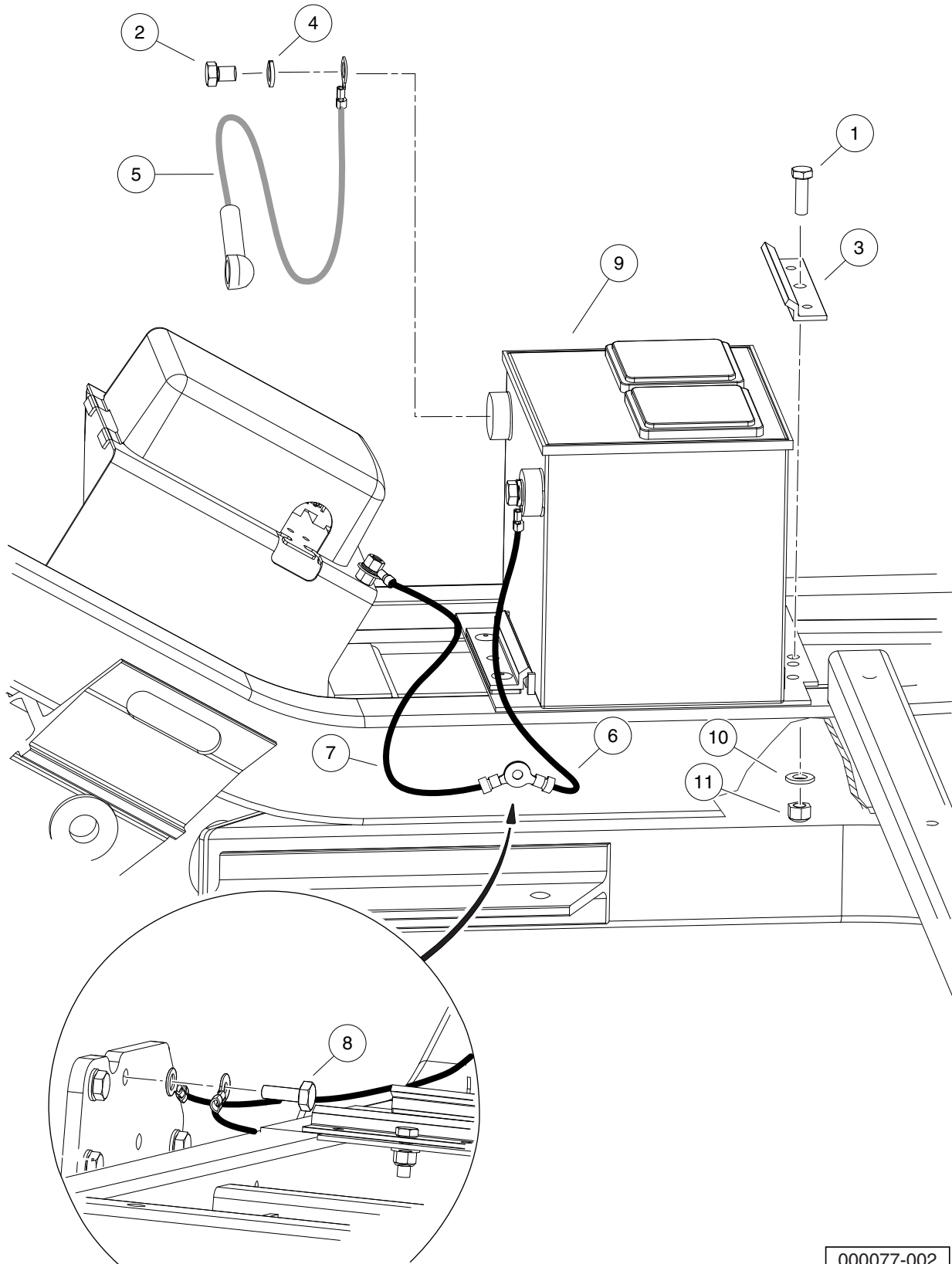
ITEM	PART NO.	DESCRIPTION	QTY
		1 2 3 4	
1	1014557	Washer, 7/16 Flat	1
2	1015636	Toggle Switch (includes item 3)	1
3	N/A	Nut, Toggle Switch	1
4	1016630	Light, Oil	1
5	102198001	Receptacle, Accessory	1
6	102375401	Light, Indicator, Coolant Temp	1
7	N/A	Connector, 6 Way, 56 Series	1
8	102457301	Switch, Key (includes items 9 through 11)	1
9	102731701	Key Set (1 pair)	1
10	N/A	Nut, Key Switch	1
11	N/A	Switch, Key without Nut	1
12	102495701	Light, Indicator, Turn Signals	2
13	102708301	Switch, Headlamp, 3 Posn	1
14	102739903	Panel, Instrument - Eur Diesel	1
15	102967901	Rivet, Removable, Tuflok 1/4"	7
16	103348101	Gauge Fuel-hour Sep Gnd	1
17	103348201	Clip, Meter, Round	1

7

D

7

D



000077-002

BATTERY – DIESEL VEHICLES

ITEM	PART NO.	DESCRIPTION	QTY
		1 2 3 4	
1	1010934	Screw, 5/16-18 X 1.00 Hex Cap	1
2	1014375	Screw, 3/8-16 X 0.50 Stainless Steel Hex-Head	2
3	101898001	Clamp, Battery	1
4	102355301	Lockwasher, #10 Split Ss	2
5	102442201	Asm, #6 Red Wire	1
6	102448401	Wire Asm, #6 Blk, Awd, 350	1
7	102448501	Wire Asm, #6 Blk, Awd, 325	1
8	102498201	Bolt, M10 X 1.25 X 25 Loctite	1
9	N/A	Battery, Start, 12v	1
10	1241	Washer, 5/16 Type A Flat	1
11	7473	Locknut, 5/16-18 Nylon Insert	1

7

D

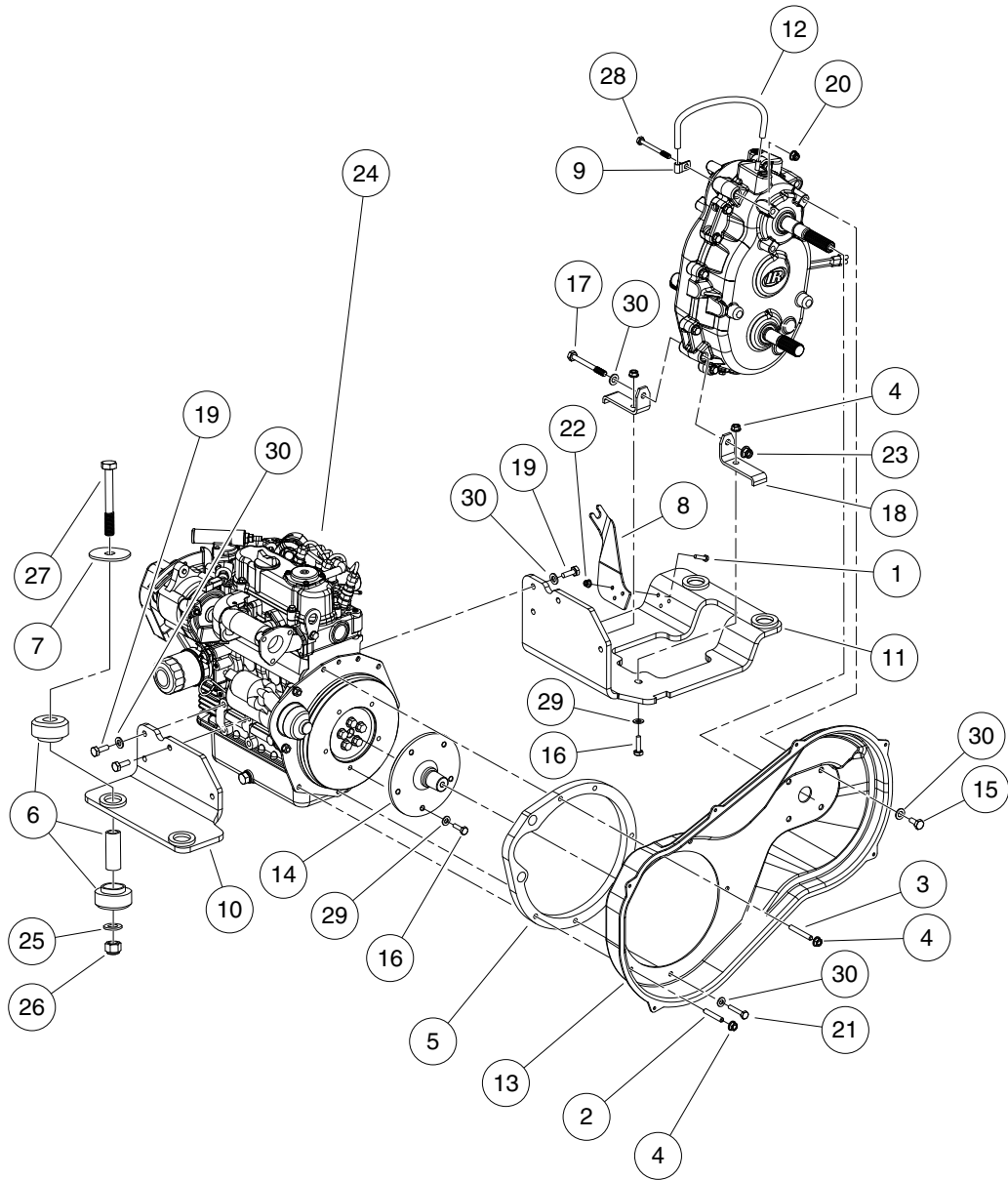
7

D

DIESEL ENGINE (OPEN BREATHER)

8

D



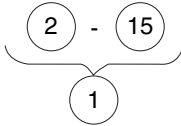
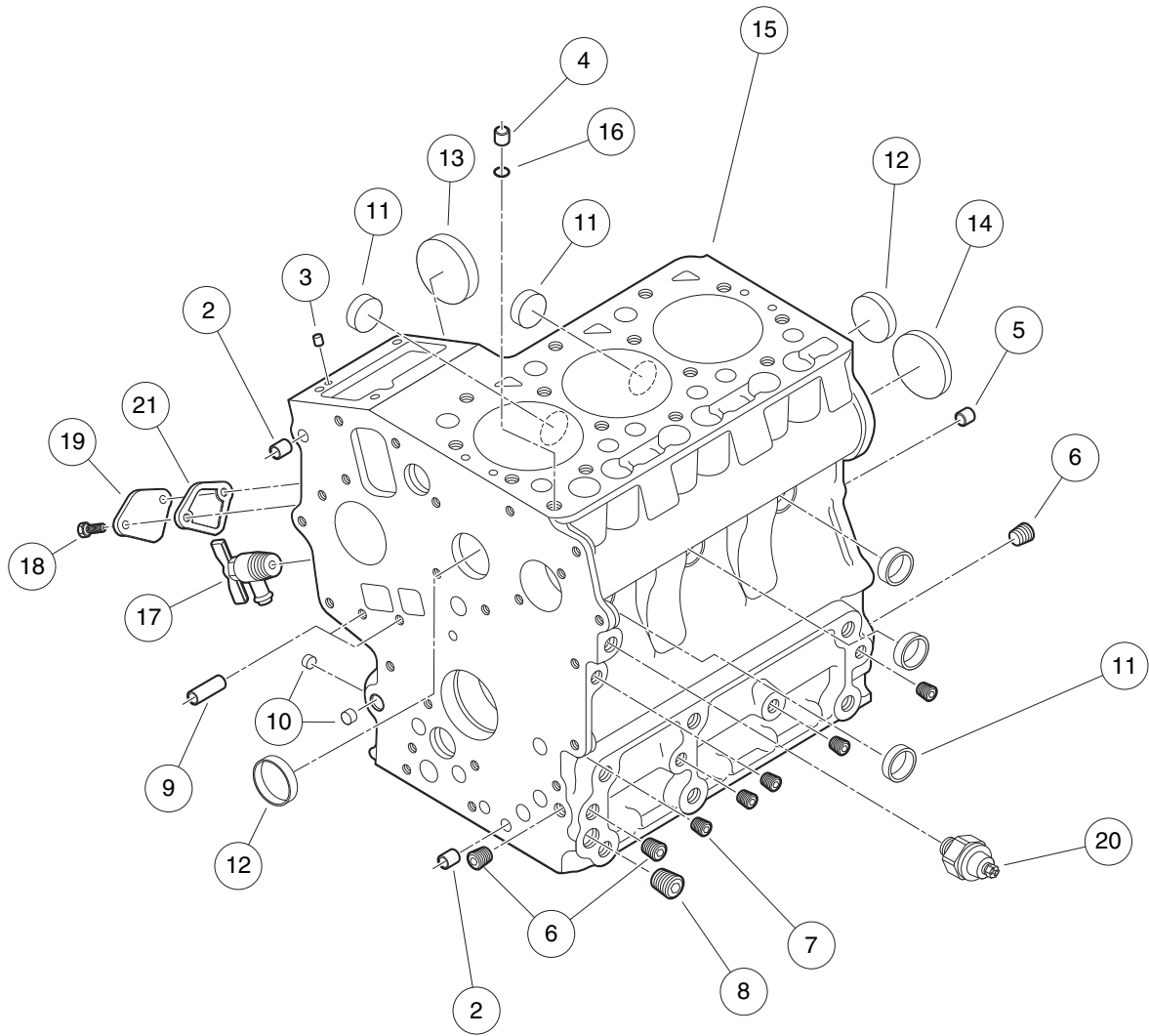
000025-002

KUBOTA D722 DIESEL ENGINE MOUNTING

ITEM	PART NO.	DESCRIPTION	QTY
		1 2 3 4	
1	1012769	Screw, M6-1.00 X 25mm Hex Cap	3
2	101833101	Stud, M8-1.25 X 50 mm Two-Ended	1
3	101833201	Stud, M8-1.25 X 60mm Two-Ended	1
4	102298401	Nut,m8,all Metal Lock	7
5	102370101	Spacer, Engine, Diesel	1
6	102370501	Isolator Ring and Bushing	4
7	102370601	Washer, Snubbing, Ring N Bush	4
8	102382401	Bracket, FNR Trans Cable	1
9	102410603	P-Clamp, Insulated .312 In	1
10	102414701	Plate, Engine Mounting, Weld, Left-Hand	1
11	102414801	Plate, Engine Mounting, Weld, Right-Hand	1
12	102462301	Hose, Vent, Transmission	1
13	102462501	Cover, CVT Inner, Diesel	1
14	102465901	Shaft, CVT Adapter	1
15	102490101	Bolt, M10 X 1.5 X 20 Loctite	4
16	102490201	Bolt, M8 X 1.25 X 25 Loctite	7
17	102490501	Bolt, M10 X 1.5 X 100 Loctite	1
18	102494401	Bracket, Transmission Mounting	2
19	102498201	Bolt, M10 X 1.25 X 25 Loctite	8
20	102618601	Lock Nut, Flg M8 X 1.25 Nylon	1
21	102621301	Bolt, M8 X 1.25 X 40 with Loctite	3
22	102621501	Nut Flg, M6 X 1.0 Nylon	3
23	102670701	Nut Flg M10 X 1.5 Nylon	1
24	102934601	Engine, Kubota, D722, with Closed Breather, 60a	1
25	96701412	Washer, M12 Hard	4
26	96704622	Locknut, M12x1.75 Nylon Insert	4
27	96704721	Bolt, M12 X 1.75 X 90	4
28	96718978	Bolt, M8 X 1.25 X 80	1
29	96741038	Washer, M8 Hard	10
30	96741046	Washer, M10 Hard	12

8

D



000039-001

CRANKCASE

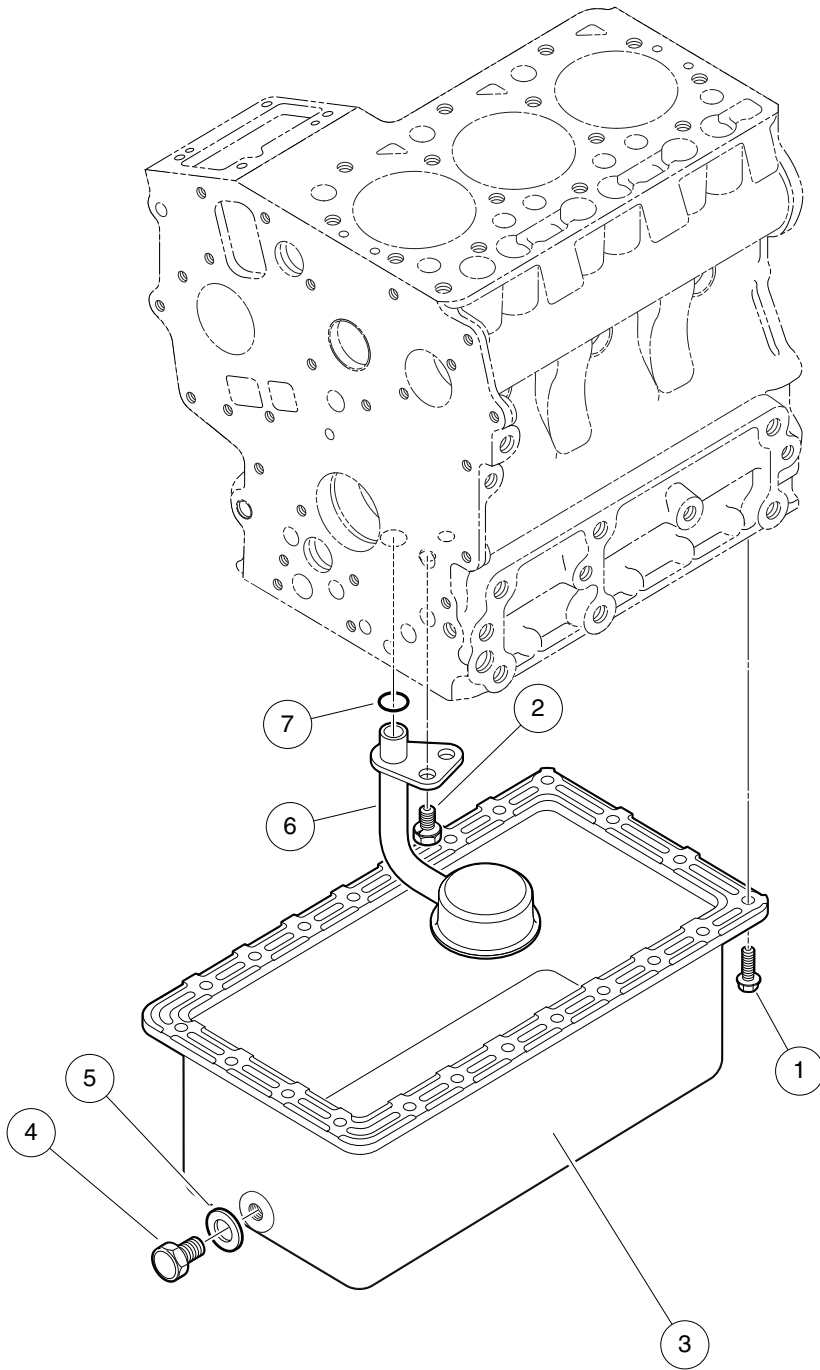
8

D

ITEM	PART NO.	DESCRIPTION	QTY
		1 2 3 4	
1	102600001	Engine Block (includes items 2 through 15)	1
2	102600101	Pin, Pipe, Dia 8 X 14	2
3	102600201	Pin, Straight, Dia 5 X 10	2
4	102600401	Pin, Pipe, Dia 7 X 14	1
5	102600601	Pin, Straight, Dia 8 X 16	2
6	102600701	Plug, 1/8"	3
7	102600801	Plug, 3/32"	5
8	102601001	Plug, 1/4"	1
9	102601301	Pin, Pipe, Dia 8 X 11	2
10	102726201	Cap, Sealing, Small	3
11	102726301	Cap, Sealing, Med	5
12	102726401	Cap, Sealing, Large	2
13	102726501	Cover, Fuel Camshaft	1
14	102726601	Plug, Expansion	1
15	N/A	Block, Engine	1
16	102600301	O Ring, 8 X 7	1
17	102601401	Cock, Drain	1
18	102631601	Bolt, M6 X 1 X 20	2
19	N/A	Plate, Engine Block	1
20	102730801	Switch, Oil Pressure	1
21	102732601	Gasket, Fuel Pump, D722	1
<p>Note: The part number for a complete engine is 102739301.</p>			

8

D



000040-001

OIL PAN

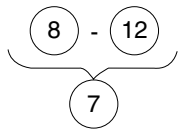
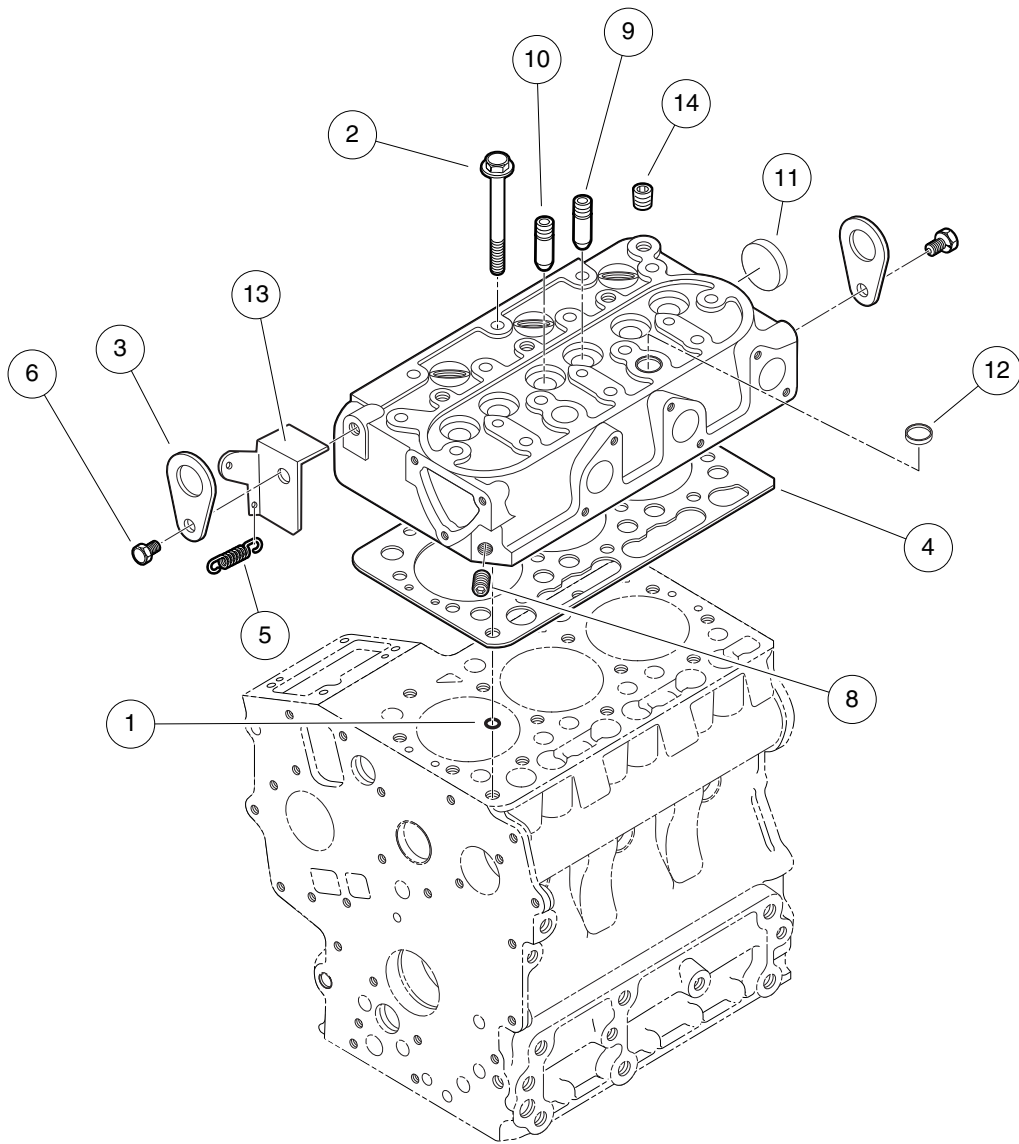
ITEM	PART NO.	DESCRIPTION	QTY
		1 2 3 4	
1	102605101	Bolt, M6 X 1 X 14	22
2	102606901	Bolt, M8 X 1.25 X 15	1
3	102607001	Oil Pan	1
4	102607201	Plug, Drain, M12 X 14	1
5	102607301	Gasket, 20 X 13	1
6	102607401	Filter, Oil, Pick Up	1
7	102654601	O Ring, 20 X 17	1

8

D

8

D



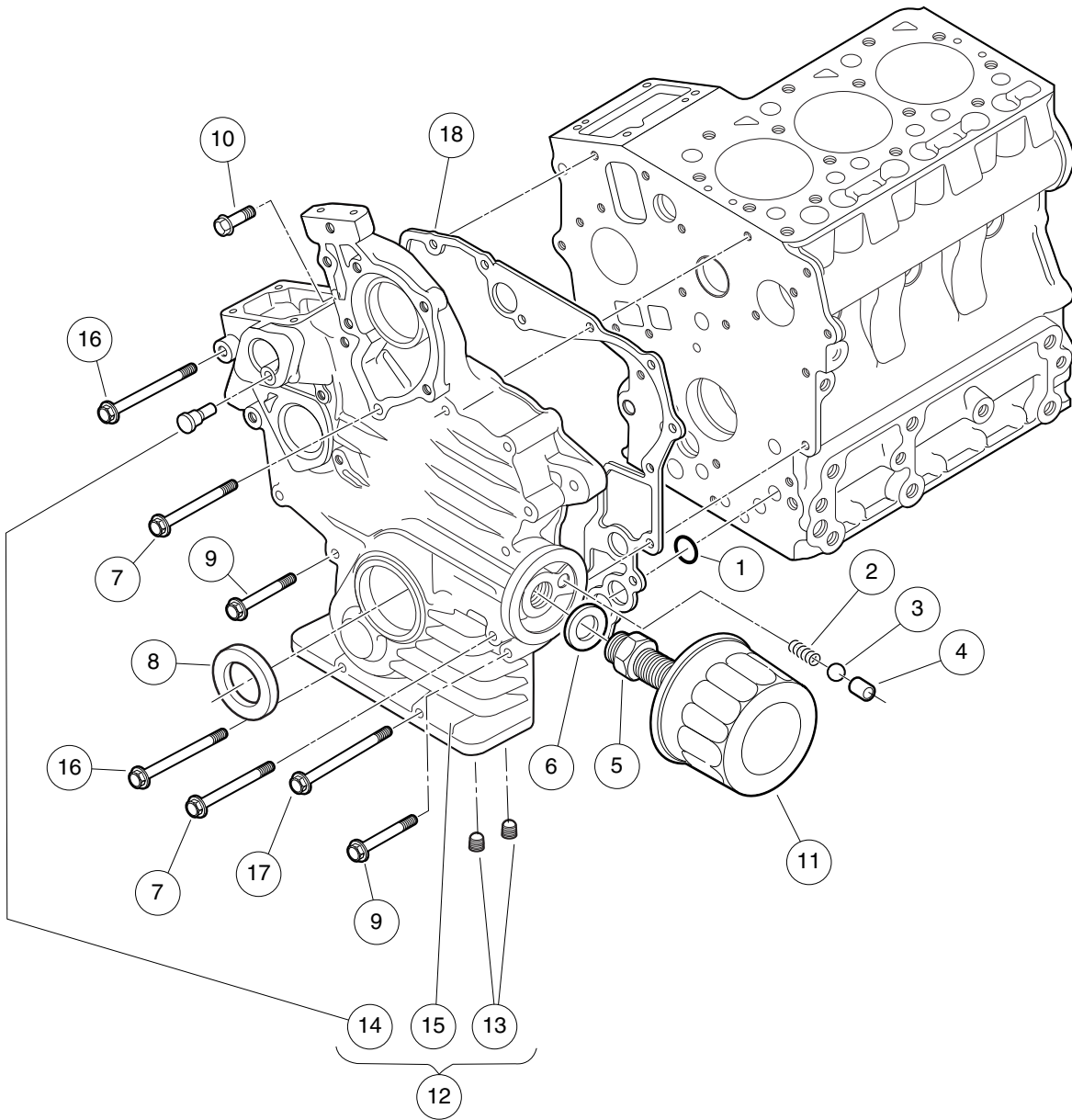
000041-001

CYLINDER HEAD

ITEM	PART NO.	DESCRIPTION	QTY
		1 2 3 4	
1	102600301	O Ring, 8 X 7	1
2	102652801	Bolt, Cylinder Head	14
3	102653901	Hook, Engine	2
4	102654101	Gasket, Cylinder Head	1
5	102701001	Spring, Start	1
6	102726701	Bolt, Engine Hook	2
7	102726801	Head, Cylinder, Complete (includes items 8 through 12)	1
8	102600801	Plug, 3/32"	1
9	102653401	Guide, Exhaust Valve	3
10	102653501	Guide, Inlet Valve	3
11	102726901	Cap, Sealing, Head	1
12	102727001	Cap, Sealing, Head, Top	2
13	102727101	Stay, Cylinder Head	1
14	102727201	Plug, Cylinder Head	1

8

D



000042-001

GEAR CASE

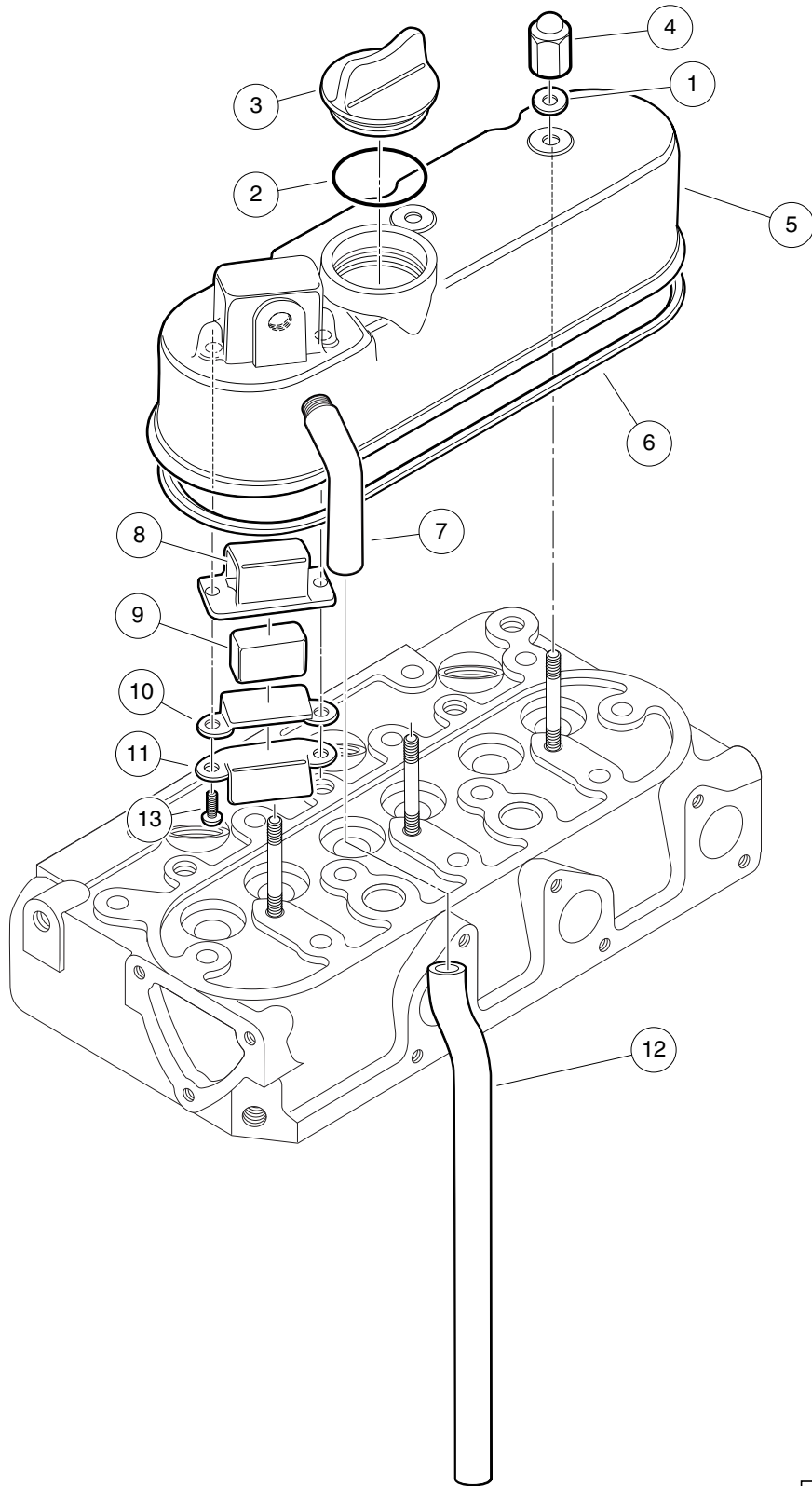
8

D

ITEM	PART NO.	DESCRIPTION	QTY
		1 2 3 4	
1	102601801	O Ring, 18 X 13	3
2	102601901	Spring, Valve	1
3	102602001	Ball, Valve	1
4	102602101	Seat, Valve	1
5	102602301	Joint, Pipe	1
6	102602401	Washer, Plain, Special	1
7	102602601	Bolt, M6 X 1 X 60	2
8	102602701	Seal, Oil	1
9	102602801	Bolt, D722, Front Case	9
10	102654301	Bolt, D722 Intake Manfld Lower	1
11	102703301	Filter, Engine Oil, D722	1
12	102727301	Case, Gear, Complete (includes items 13 through 15)	1
13	102601001	Plug, 1/4"	2
14	102601601	Pin, Start Spring	1
15	N/A	Case, Gear	1
16	102727401	Bolt, Gearcase, Top	2
17	102727501	Bolt, Gearcase, Lower	1
18	102729301	Gasket, Gearcase, D722	1

8

D



000043-001

HEAD COVER

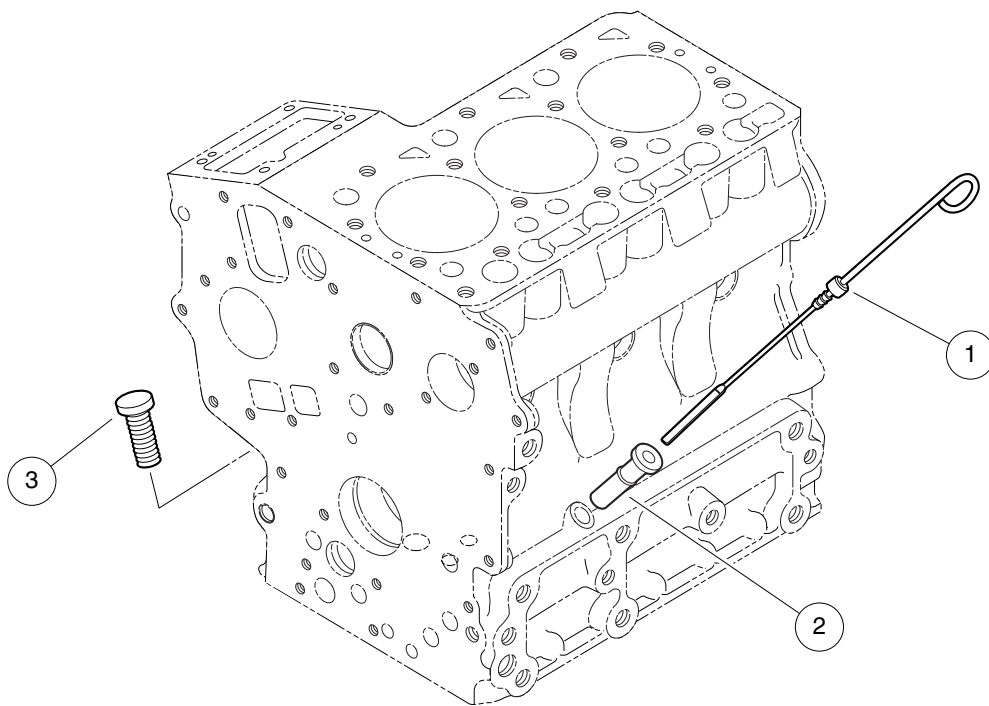
ITEM	PART NO.	DESCRIPTION	QTY
		1 2 3 4	
1	102635301	Gasket, 6 X 10	3
2	102644001	O Ring, 30 X 36	1
3	102644101	Plug, Oil Filler	1
4	102644201	Nut, Crown, M6	3
5	102644401	Cover, Cylinder Head	1
6	102644501	Gasket, Head Cover	1
7	102644601	Joint, Breather Pipe	1
8	102644701	Plate, Breather Element, Top	1
9	102644801	Element, Breather	1
10	102644901	Plate, Breather Element, Bottom	1
11	102645001	Oil Shield, Breather	1
12	102645401	Pipe, Breather	1
13	102727601	Screw, Breather	2

8

D

8

D



000044-001

DIPSTICK AND GUIDE

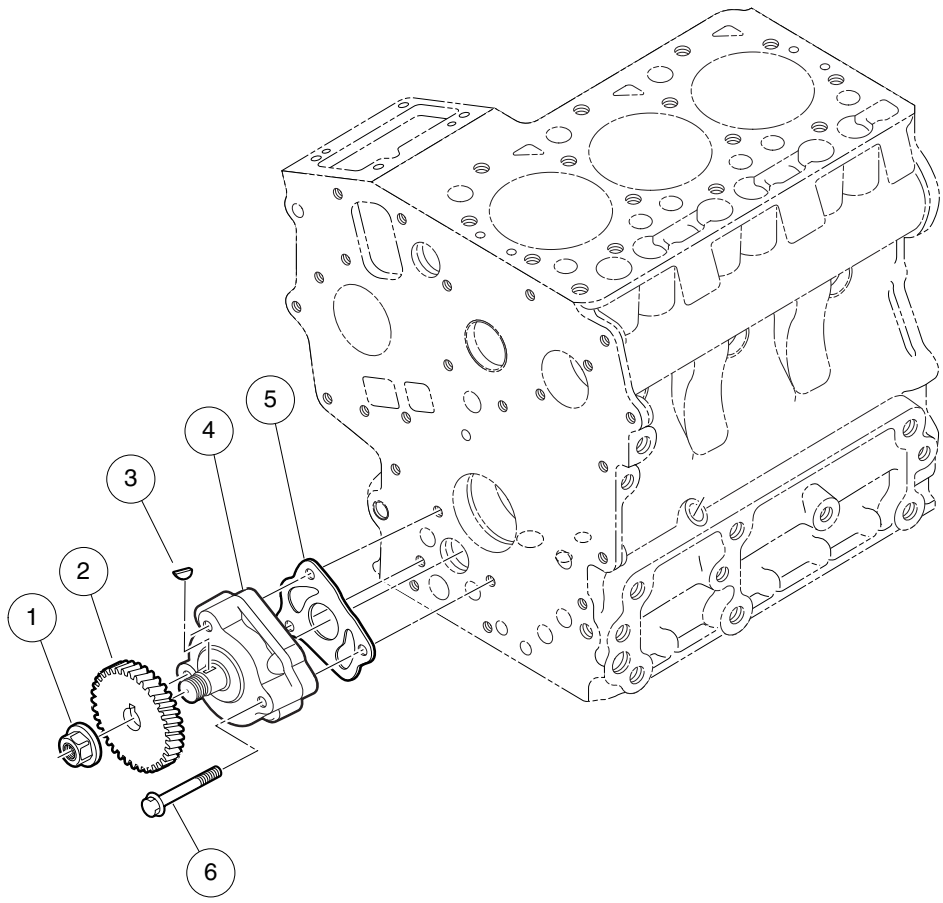
ITEM	PART NO.	DESCRIPTION	QTY
		1 2 3 4	
1	102606701	Gauge, Oil	1
2	102727701	Guide, Oil Gauge	1
3	102727801	Plug, Oil Gauge	1

8

D

8

D



000045-001

OIL PUMP

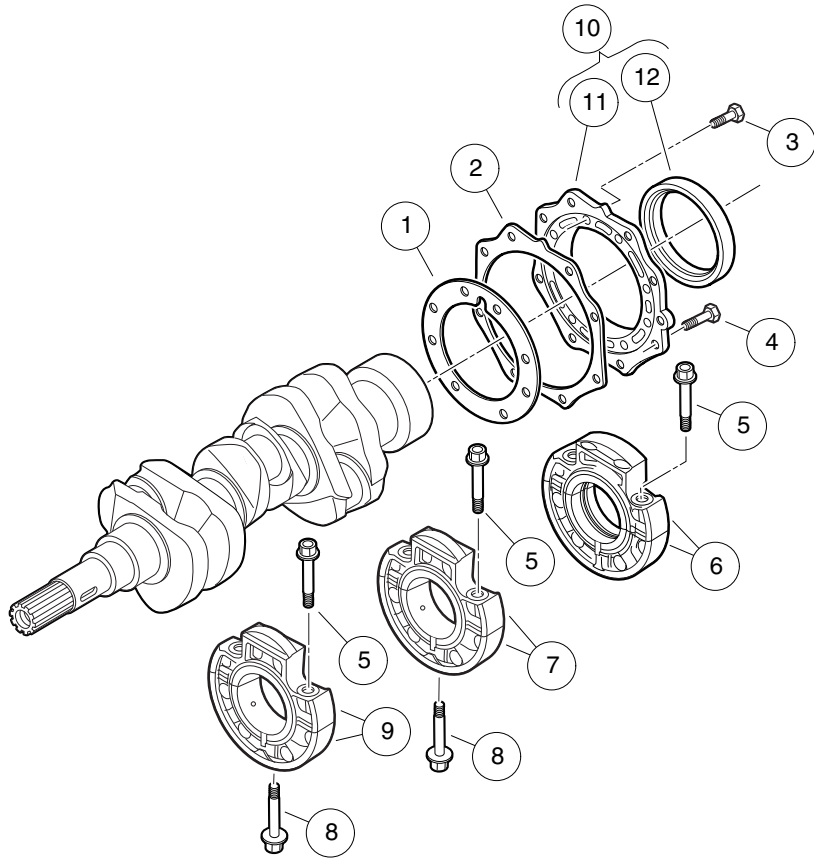
ITEM	PART NO.	DESCRIPTION	QTY
		1 2 3 4	
1	102606201	Nut, Flange, D722 Oil Pump	1
2	102606301	Gear, Oil Pump Drive	1
3	102606401	Key, Feather, 8x4	1
4	102606501	Assy, Pump, Oil	1
5	102606601	Gasket, Oil Pump	1
6	102727901	Bolt, Oil Pump	3

8

D

8

D



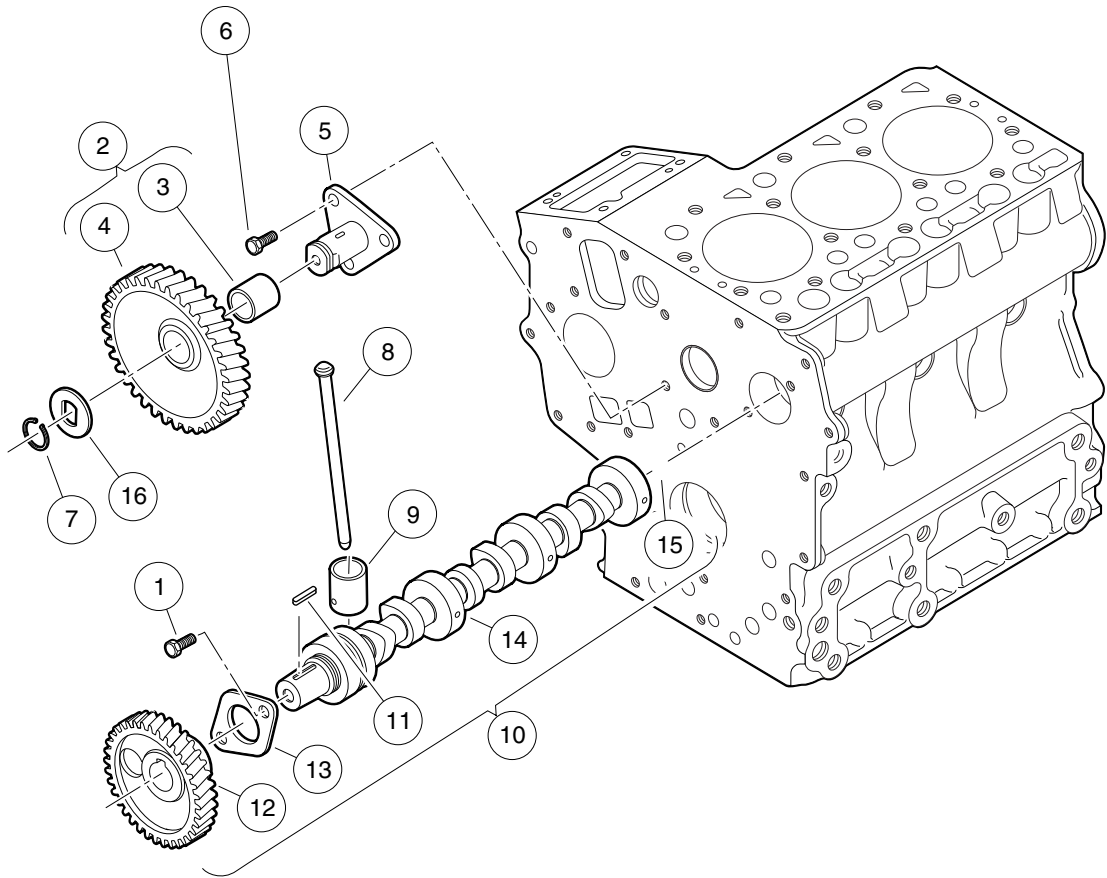
000046-001

MAIN BEARING CASE

ITEM	PART NO.	DESCRIPTION	QTY
		1 2 3 4	
1	102608201	Gasket, Bearing Case	1
2	102608301	Gasket, Cover	1
3	102608601	Bolt, M6 X 1 X 20	8
4	102608701	Bolt, M6 X 1 X 22	8
5	102608901	Bolt, Bearing Case, Top	6
6	102609101	Assy Case, Main Brg, First	1
7	102609301	Assy Case, Main Brg, Sec	1
8	102609401	Bolt, Bearing Case, Bottom	2
9	102609601	Assy Case, Main Brg, Third	1
10	102728001	Assy, Cover, Bearing Case (includes items 11 and 12)	1
11	102608401	Cover, Bearing Case	1
12	102608501	Seal, Oil	1

8

D



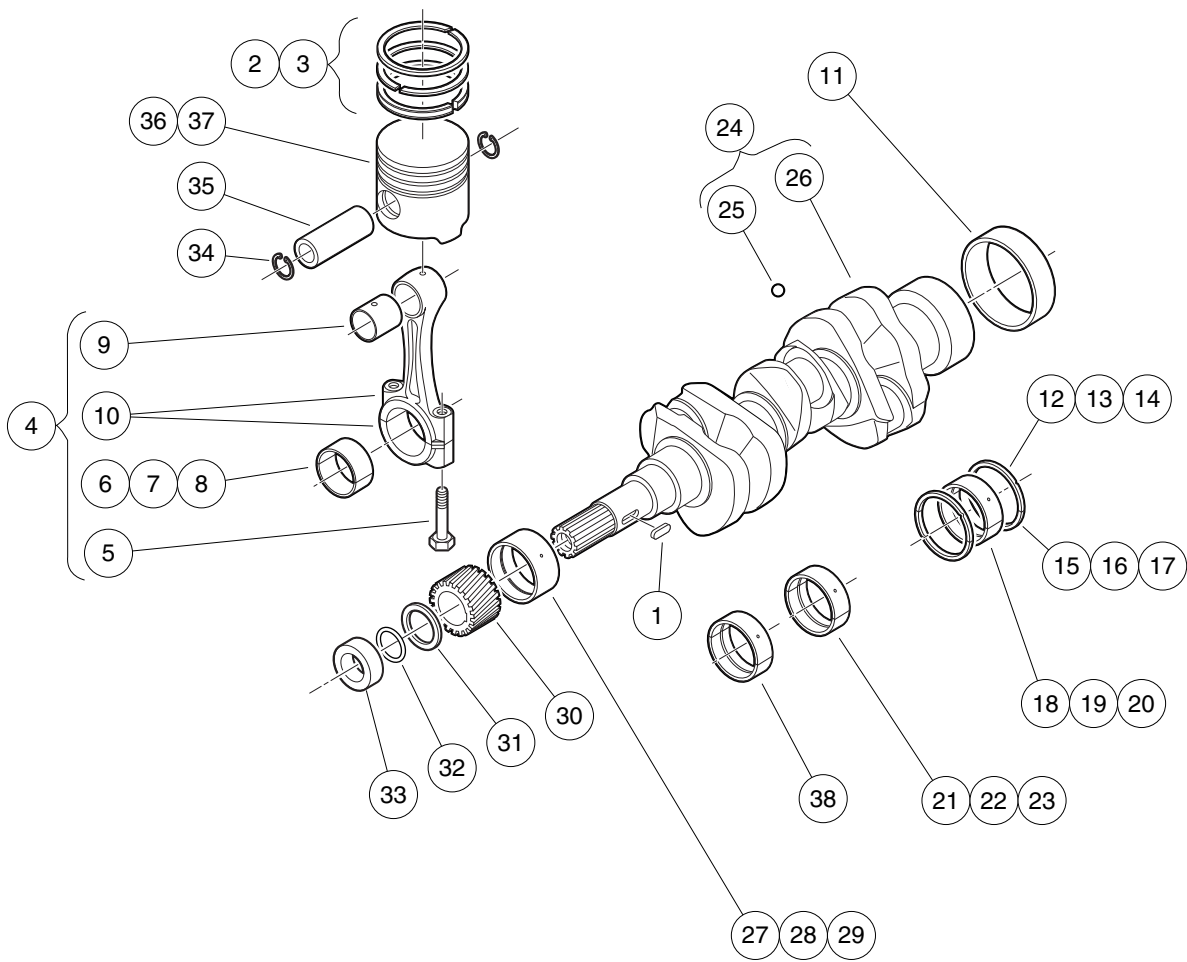
000047-002

CAMSHAFT AND IDLE GEAR

ITEM	PART NO.	DESCRIPTION	QTY
		1 2 3 4	
1	102604201	Bolt, D722, Cam End	2
2	102604901	Gear, Idle (includes items 3 and 4)	1
3	102603201	Bushing, D722 Idle Gear	1
4	N/A	Gear, Idle	1
5	102605001	Shaft, Idle Gear	1
6	102605101	Bolt, M6 X 1 X 14	3
7	102605301	Ring, Snap	1
8	102605401	Push Rod	6
9	102605501	Tappet	6
10	102605801	Assy Camshaft, Long (includes items 11 through 15)	1
11	102605601	Key, Feather, Long Camshaft	1
12	102605901	Gear, Cam	1
13	102606001	Stopper, Camshaft	1
14	N/A	Camshaft	1
15	102799401	Ball, Check	1
16	102654401	Collar, Idle Gear	1

8

D



000048-001

PISTON AND CRANKSHAFT

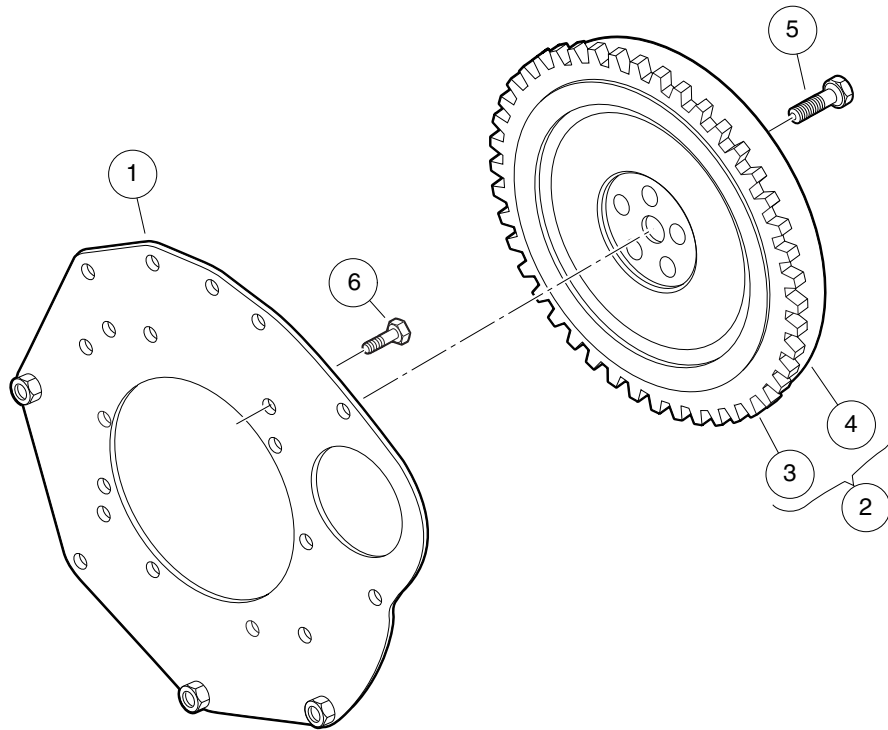
ITEM	PART NO.	DESCRIPTION	QTY
		1 2 3 4	
1	102604401	Key, Feather, Short Camshaft	1
2	102607601	Assy Piston Ring, D722 Std	3
3	102607602	Assy Piston Ring, D722 +.025	3
4	102607801	Assy, Connecting Rod (includes items 5 through 10)	3
5	102607901	Bolt, Connecting Rod	6
6	102630701	Metal, Crank, Rod, D722, Std	3
7	N/A	Metal, Crank, Rod, D722, .020	3
8	102630703	Metal, Crank, Rod, D722, .040	3
9	102732201	Bushing, Piston Pin, D722	3
10	N/A	Rod, Connecting	1
11	102608101	Sleeve, Crankshaft	1
12	102608801	Metal,crank, O Side, Std	2
13	N/A	Metal,crank, O Side, +.020	2
14	102608803	Metal,crank, O Side, +.040	2
15	102608804	Metal,crank, I Side, Std	2
16	N/A	Metal,crank, I Side, +.020	2
17	102608806	Metal,crank, I Side, +.040	2
18	102609001	Metal, Crank, Main, Rear Std	1
19	N/A	Metal, Crank, Main, Rear -.020	1
20	102609003	Metal, Crank, Main, Rear -.040	1
21	102609801	Metal, Crank, Main, Mid Std	4
22	N/A	Metal, Crank, Main, Mid +.020	2
23	102609803	Metal, Crank, Main, Mid +.040	2
24	102610001	Crankshaft (includes items 25 and 26)	1
25	102608001	Ball, Crankshaft	3
26	N/A	Crankshaft	1
27	102630001	Metal, Crank, D722, Frnt, Std	1
28	N/A	Metal, Crank, 722, Frnt, -.020	1
29	102630003	Metal, Crank, 722, Frnt, -.040	1
30	102630101	Gear, Crank	1
31	102630201	Slinger, Oil	1
32	102630301	O Ring, 23 X 26	1
33	102630401	Collar, Crankshaft	1
34	102630901	Circlip, Piston Pin	6
35	102631001	Pin, Piston	3
36	102728101	Piston, D722, Std	3
37	102728102	Piston, D722, +0.25	3
38	102728201	Metal, Crankshaft, Brg	1

8

D

8

D



000049-001

FLYWHEEL

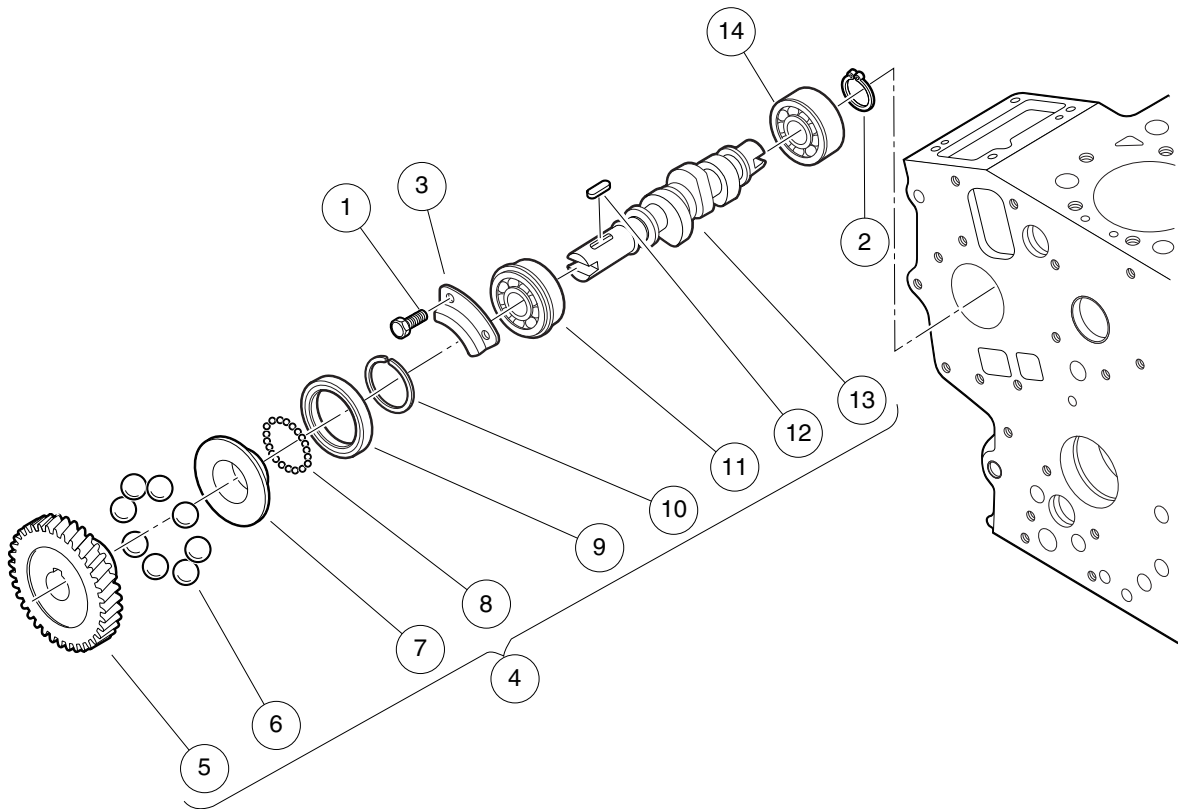
ITEM	PART NO.	DESCRIPTION	QTY
		1 2 3 4	
1	102647501	Plate, Rear End	1
2	102647801	Flywheel (includes items 3 and 4)	1
3	102647901	Gear, Ring, D722	1
4	N/A	Flywheel	1
5	102648001	Bolt, Flange Head, M10 X 1.5 X 25	5
6	102728301	Bolt, End Plate	10

8

D

8

D



000050-001

SHAFT

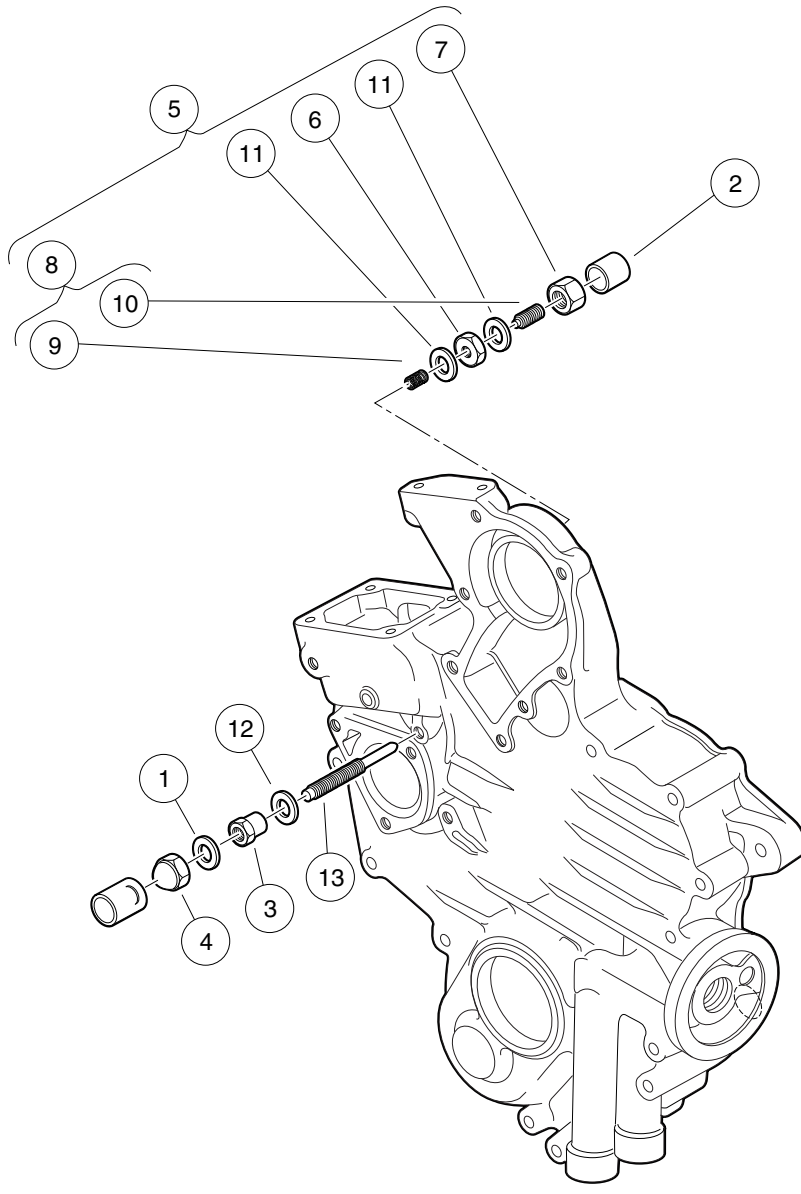
8

D

ITEM	PART NO.	DESCRIPTION	QTY
		1 2 3 4	
1	102604201	Bolt, D722, Cam End	2
2	102604701	Circlip, External	1
3	N/A	Stopper, Fuel, C/shaft	1
4	102728401	Assy, Fuel Camshaft (includes items 5 through 13)	1
5	102603601	Gear, Injection Pump	1
6	102603701	Ball, Injection Pump	8
7	102603801	Sleeve, Governor	1
8	102603901	Ball, Governor	32
9	102604001	Case, Governor Ball	1
10	102604101	Circlip	1
11	102604301	Bearing, Ball	1
12	102604401	Key, Feather, Short Camshaft	1
13	102604501	Camshaft, Fuel, Short	1
14	102728501	Bearing, Ball	1

8

D



000051-001

IDLE APPARATUS

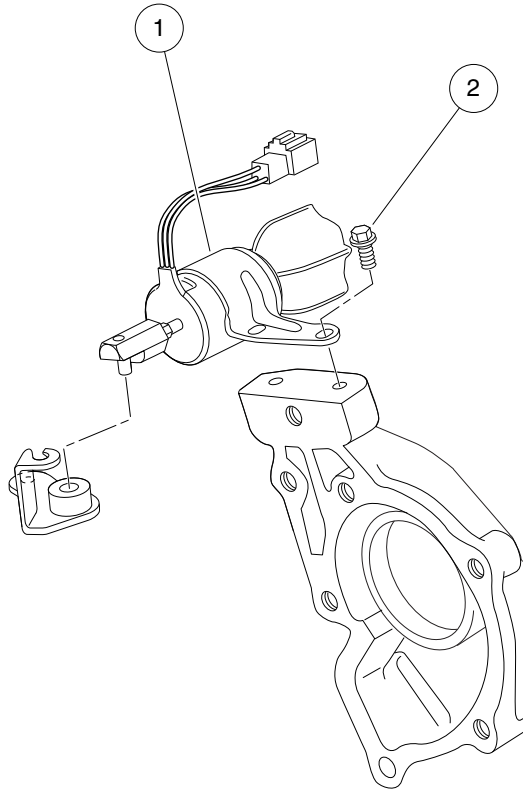
ITEM	PART NO.	DESCRIPTION	QTY
		1 2 3 4	
1	102635301	Gasket, 6 X 10	1
2	102635701	Cap, Bolt Assy	1
3	102637001	Nut, Lock, Special	1
4	102637101	Nut, Special	1
5	102728601	Assy, Idle Apparatus (includes items 6 through 11)	1
6	102635501	Nut, M8, D722 Idle App, Specl	1
7	102635801	Nut, M8, D722 Idle App	1
8	102635901	Assy, Bolt, Adjusting (includes items 9 and 10)	1
9	102728701	Spring, Idle Apparatus	1
10	N/A	Stud, Idle Adjustment	1
11	102728801	Gasket, Idle Apparatus, Rear	2
12	102728901	Gasket, Idle Apparatus, Front	1
13	102799501	Bolt, Idle Adjusting	1

8

D

8

D



000052-001

STOP SOLENOID

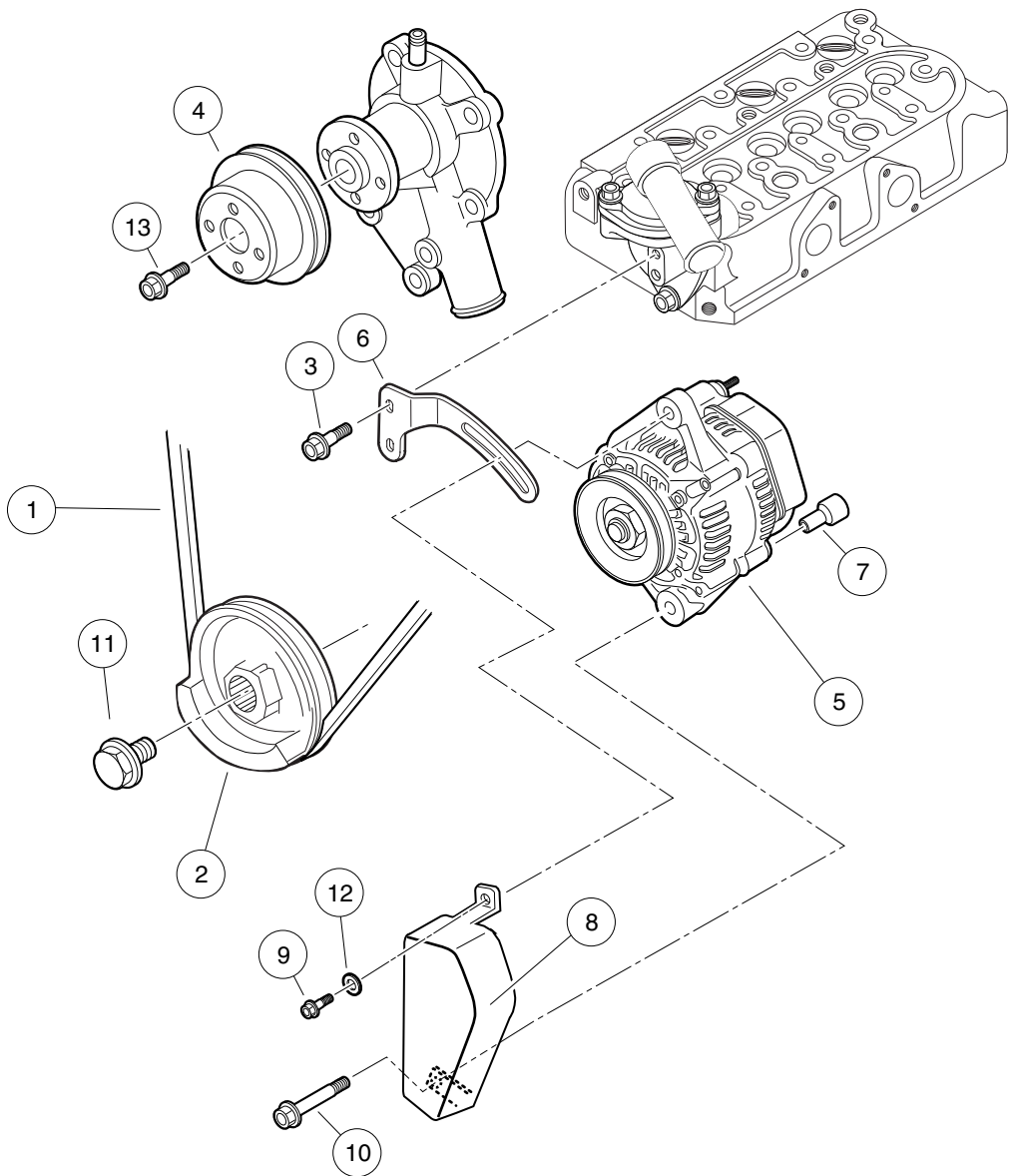
ITEM	PART NO.	DESCRIPTION	QTY
1	102729001	1 2 3 4 Solenoid, Stop, D722	1
2	102729101	Bolt, Solenoid, Stop, D722	2

8

D

8

D



000057-001

ALTERNATOR (DIESEL VEHICLES)

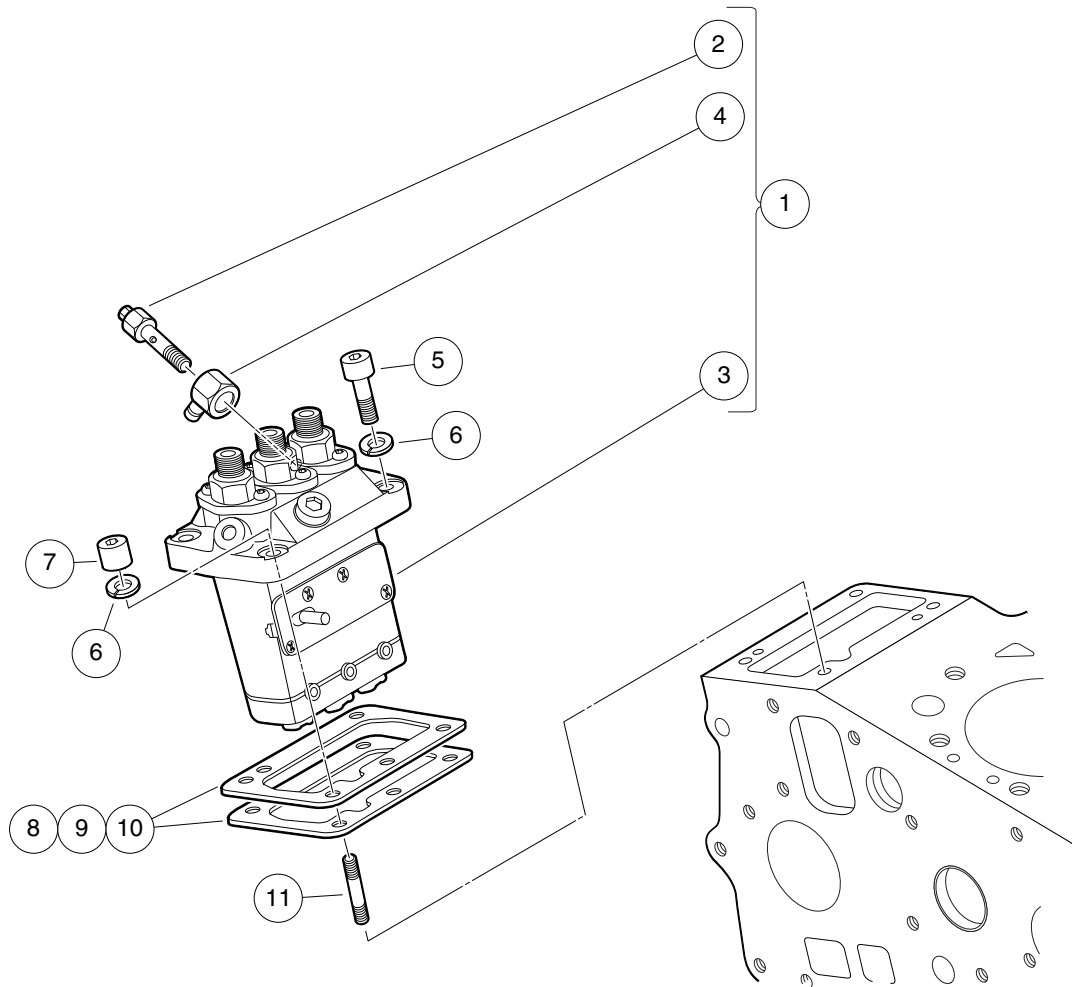
ITEM	PART NO.	DESCRIPTION	QTY
		1 2 3 4	
1	102601101	V-Belt	1
2	102630601	Pulley, Fan Drive	1
3	102631601	Bolt, M6 X 1 X 20	2
4	102701201	Pulley, Water Pump	1
5	102730001	Alternator, 40-Amp	1
6	102730101	Stay, Alternator Assy, D722	1
7	102730201	Collar, Alternator Assy, D722	1
8	102730301	Cover, Alternator Assy, D722	1
9	102730401	Bolt, Alt, D722, Adjuster	1
10	102730501	Bolt, Alt, D722, Pivot	1
11	102730601	Bolt, Alt, D722, Drive Pulley	1
12	102730701	Washer, Alt, D722	1
13	102731301	Bolt, D722, Drive Pulley	4

8

D

8

D



000053-001

INJECTION PUMP

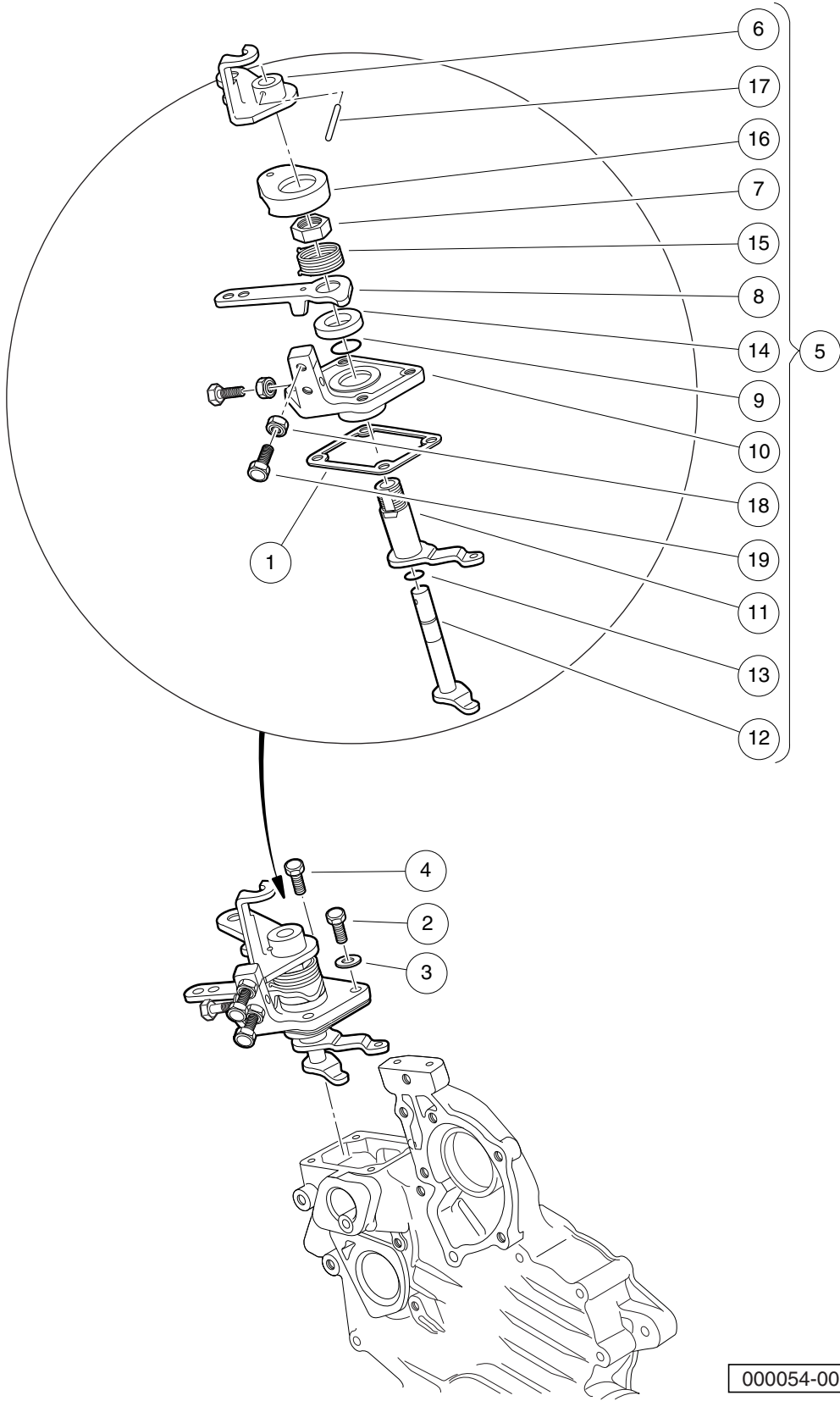
ITEM	PART NO.	DESCRIPTION	QTY
		1 2 3 4	
1	102637301	Assy Pump, Injection (includes items 2 through 4)	1
2	102637701	Screw, Hollow, D722, Inj Pump	1
3	102640401	Joint, Eye	1
4	N/A	Pump, Injection	1
5	102640501	Bolt, Hex-Head, M5 X 0.75 X	2
6	102640601	Washer, Spring, M6, D722	4
7	102640701	Nut, Special	2
8	102640901	Shim, Injection Pump, 0.20 mm	1
9	102641001	Shim, Injection Pump, 0.25 mm	1
10	102641101	Shim, Injection Pump, 0.30 mm	1
11	102641201	Stud, M5 X 25	2

8

D

8

D



000054-001

SPEED CONTROL PLATE

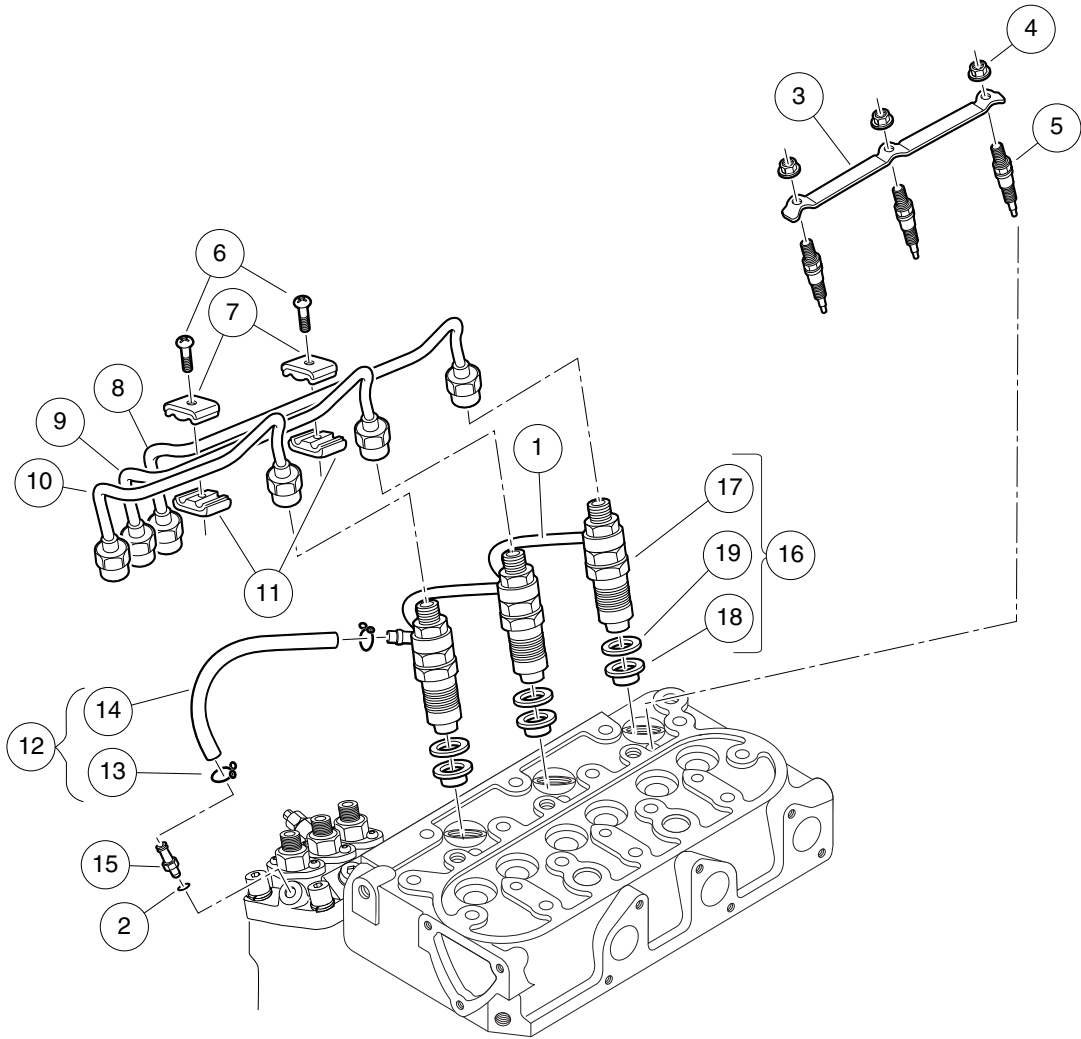
ITEM	PART NO.	DESCRIPTION	QTY
		1 2 3 4	
1	102634501	Gasket, Control Plate	1
2	102635201	Bolt, M6 X 1 X 30	2
3	102635301	Gasket, 6 X 10	2
4	102654301	Bolt, D722 Intake Manfld Lower	2
5	102701401	Assy, Governor (includes items 6 through 19)	1
6	102633701	Lever, Engine Stop	1
7	102633801	Nut, Speed Control	1
8	102633901	Lever, Speed Control	1
9	102634001	O Ring, 19 X 16	1
10	102634101	Plate, Speed Control	1
11	102634201	Lever, Governor	1
12	102634301	Shaft, Lever	1
13	102634401	O Ring, 9 X 7	1
14	102634601	Collar, Lever	1
15	102634701	Spring, Return	1
16	102729401	Cap, Speed Cntrl Plate Rtrn	1
17	102729501	Pin, Spring, Speed Plate	1
18	N/A	Nut, Speed Control	2
19	N/A	Bolt, Speed Control	2

8

D

8

D



000055-001

NOZZLE HOLDERS AND GLOW PLUGS

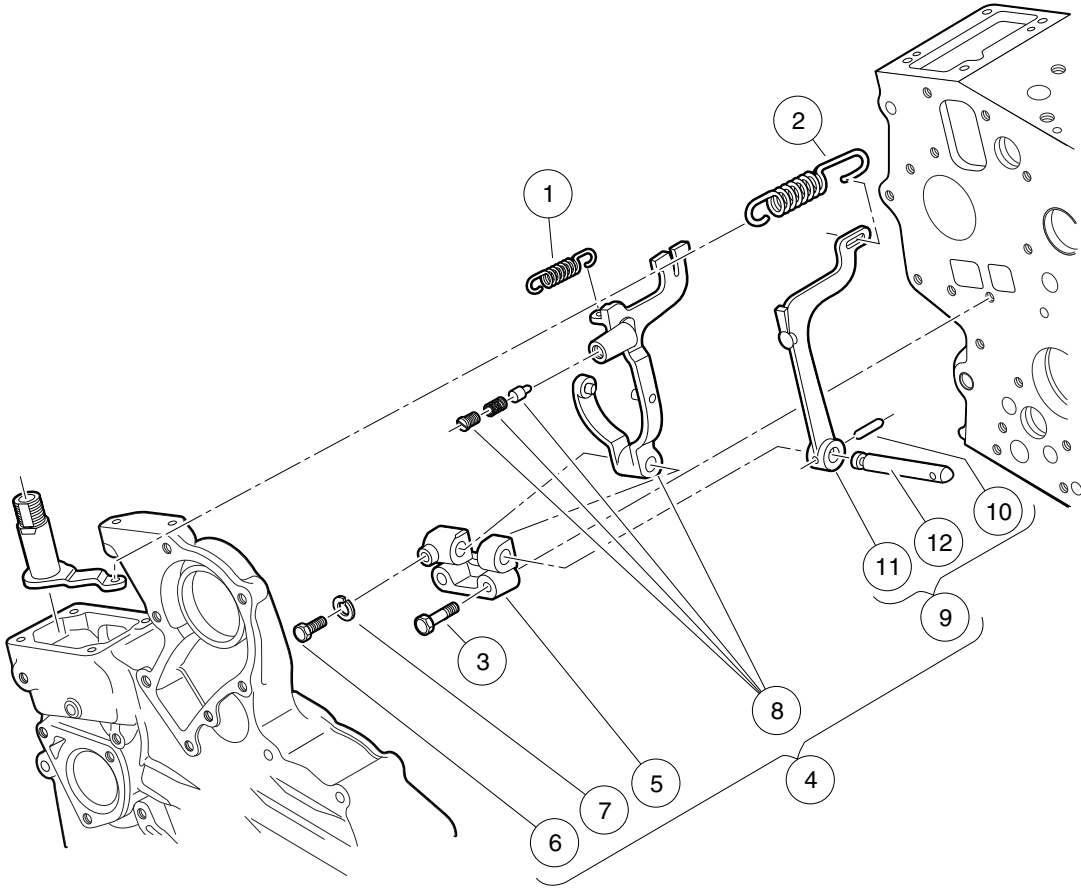
ITEM	PART NO.	DESCRIPTION	QTY
		1 2 3 4	
1	102605701	Assy Pipe, D722 Fuel Over Flow	1
2	102635301	Gasket, 6 X 10	1
3	102642401	Cord, Glow Plug	1
4	102642501	Nut, Flange,m4	3
5	102642601	Glow Plug	3
6	102642801	Screw, Washer	2
7	102642901	Clamp, Pipe, Top	2
8	102643001	Pipe, Injection, Left	1
9	102643101	Pipe, Injection, Right	1
10	102643201	Pipe, Injection, Middle	1
11	102643301	Clamp, Pipe, Bottom	2
12	102643401	Assy Pipe, Over Flow (includes items 13 and 14)	1
13	102729601	Clip, Pipe, Return	2
14	N/A	Hose, Overflow	1
15	102643701	Screw, Air Bleeder	1
16	102729701	Kit, Holder, Nozzle (includes items 17 through 19)	3
17	102641501	Assembly, Nozzle Holder	3
18	102642701	Seal, Heat	3
19	102643601	Gasket, Nozzle	3

8

D

8

D



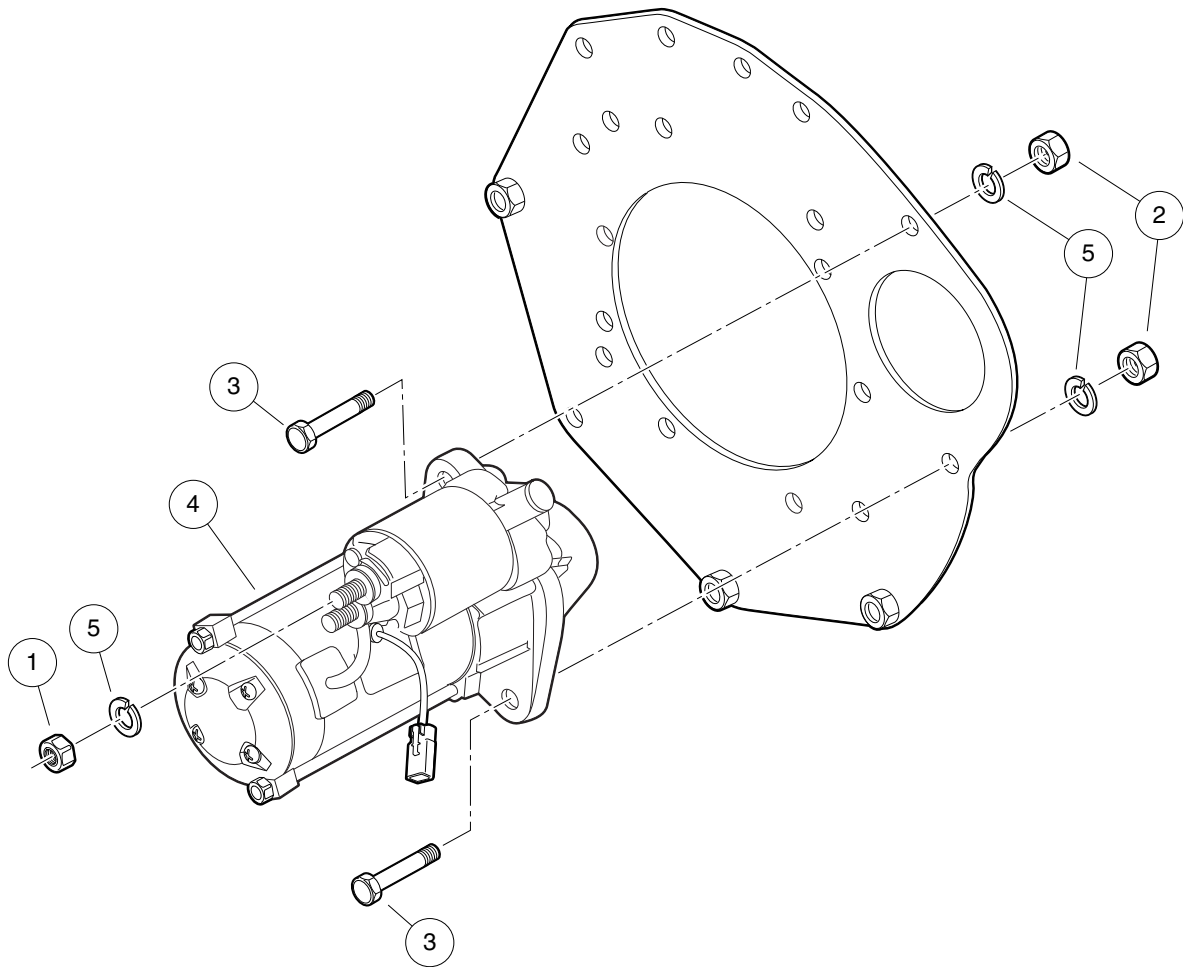
000056-001

GOVERNOR COMPONENTS

ITEM	PART NO.	DESCRIPTION	QTY
		1 2 3 4	
1	102634901	Spring, Start	1
2	102635101	Spring, Governor	1
3	102636301	Bolt, M5 X 0.75 X 25	2
4	102729801	Assembly, Governor Fork Level (includes items 5 through 9)	1
5	102636201	Holder, Fork Lever	1
6	102636401	Bolt, M5 X 0.75 X 11	1
7	102636501	Washer, Spring, M5	1
8	102701801	Lever, Fork, Middle	1
9	102729901	Assembly, Governor Fork Level, Lower (includes items 10 through 12)	1
10	102633601	Pin, Spring	1
11	102636101	Lever, Fork, End	1
12	102636601	Shaft, Fork Lever	1

8

D



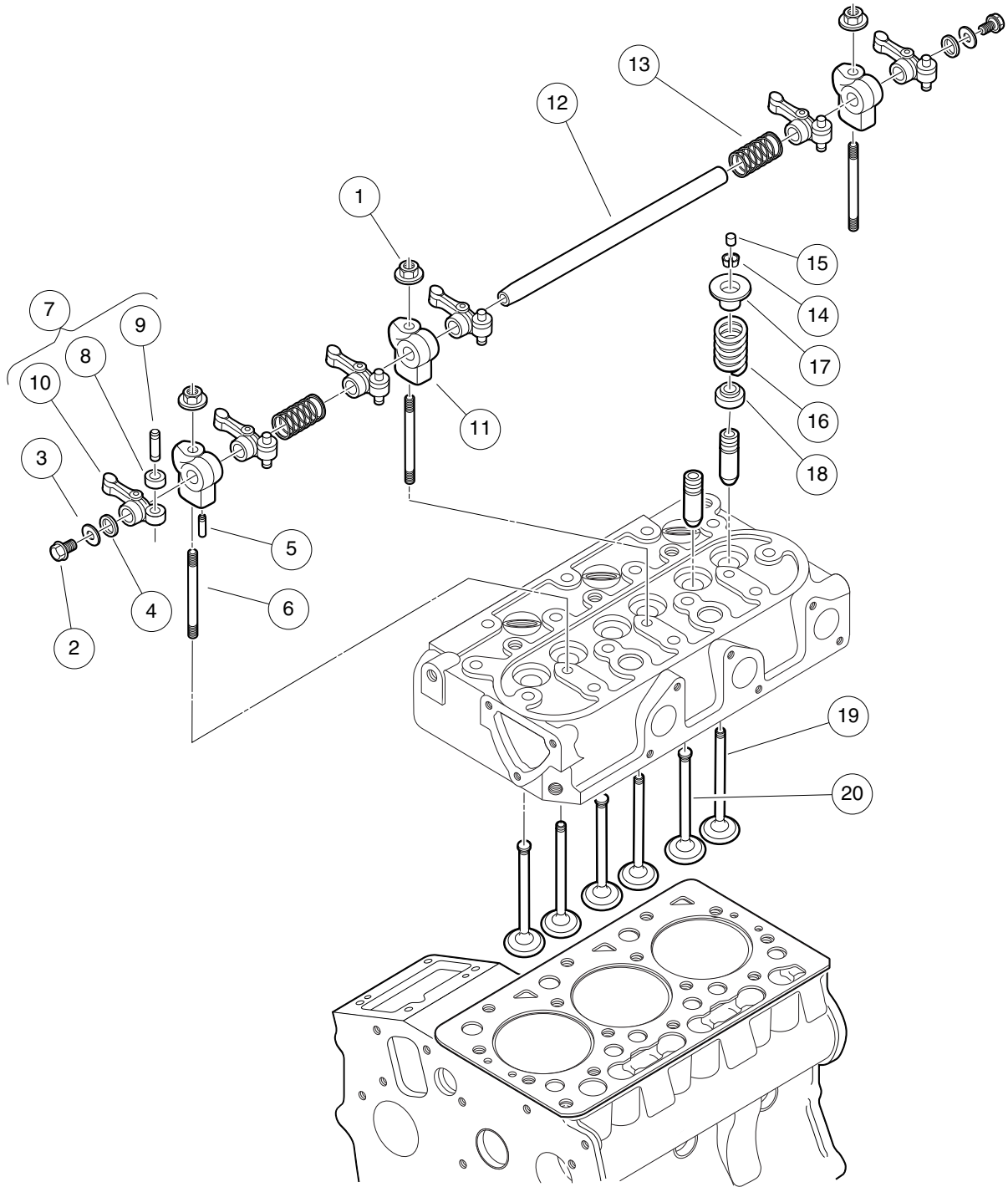
000058-001

STARTER

ITEM	PART NO.	DESCRIPTION	QTY
		1 2 3 4	
1	102645501	Nut, D722, Starter	2
2	102647701	Nut, M8, Plate	2
3	102648401	Bolt, M8 X 1.25 X 28	2
4	102648501	Motor, Starter	1
5	102732501	Washer, Spring, D722, Starter	4

8

D



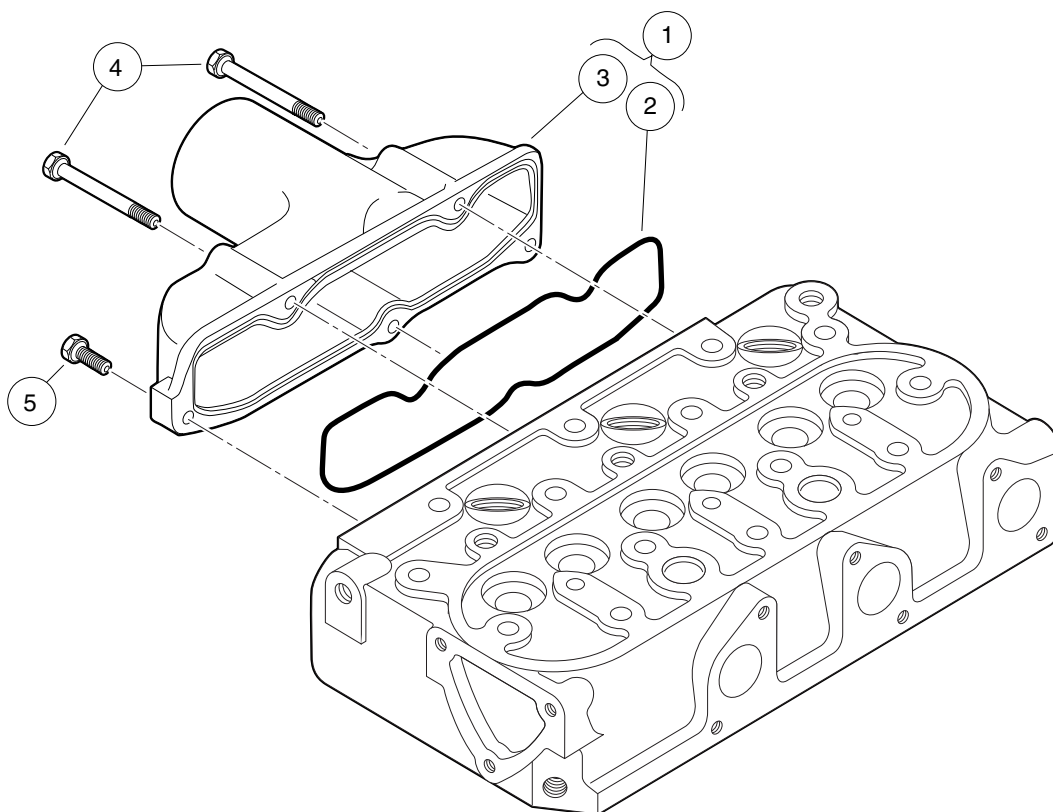
000062-001

VALVES AND ROCKER ARMS

ITEM	PART NO.	DESCRIPTION	QTY
		1 2 3 4	
1	102632001	Nut, Flange, M6	3
2	102646401	Bolt, M6 X 1 X 8	2
3	102651301	Washer, D722, Plain, Rocker	2
4	102651601	Washer, Rocker Arm	2
5	102651801	Pin, Spring, D722, Rocker	1
6	102651901	Stud, Rocker Arm	3
7	102652001	Assy Rocker Arm (includes items 8 through 10)	6
8	102651501	Nut, M6	6
9	102651701	Screw-Adjusting	6
10	N/A	Arm, Rocker	1
11	102652201	Bracket, Rocker Arm	3
12	102652601	Shaft, Rocker Arm	1
13	102652701	Spring, Rocker Arm	2
14	102652901	Collet, Valve Spring, Set	6
15	102653001	Cap, Valve, D722	6
16	102653101	Spring, Valve	6
17	102653201	Retainer, Spring	6
18	102653301	Seal, Valve Stem	6
19	102653601	Valve, Exhaust	3
20	102653701	Valve, Inlet	3

8

D



000063-001

DIESEL INLET MANIFOLD

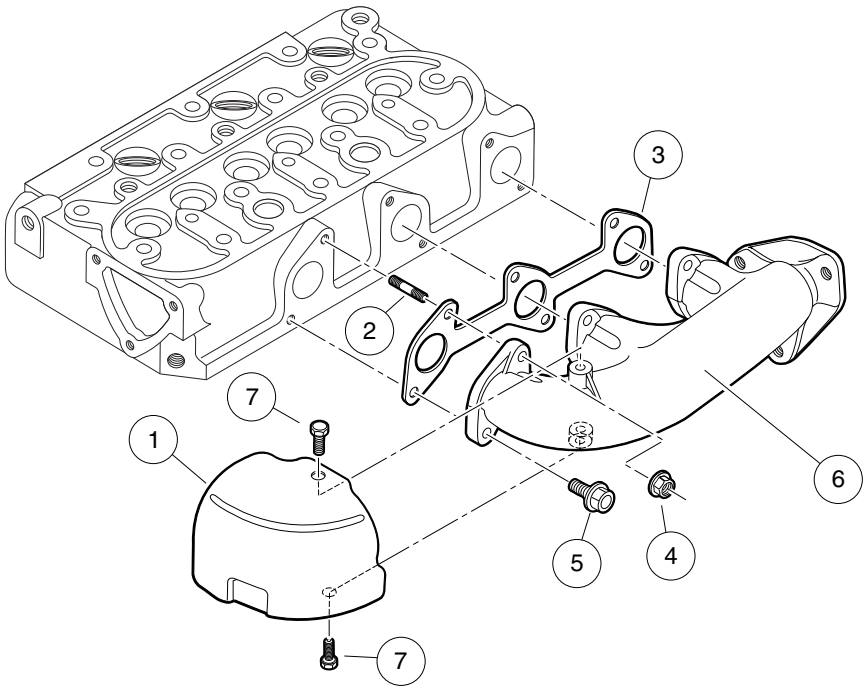
ITEM	PART NO.	DESCRIPTION	QTY
		1 2 3 4	
1	102645801	Assy Manifold, Inlet (includes items 2 and 3)	1
2	102646001	Gasket, Intake Manifold	1
3	N/A	Manifold, Inlet	1
4	102646101	Bolt, M6 X 1 X 45	3
5	102654301	Bolt, D722 Intake Manfld Lower	2

8

D

8

D



000064-001

EXHAUST MANIFOLD

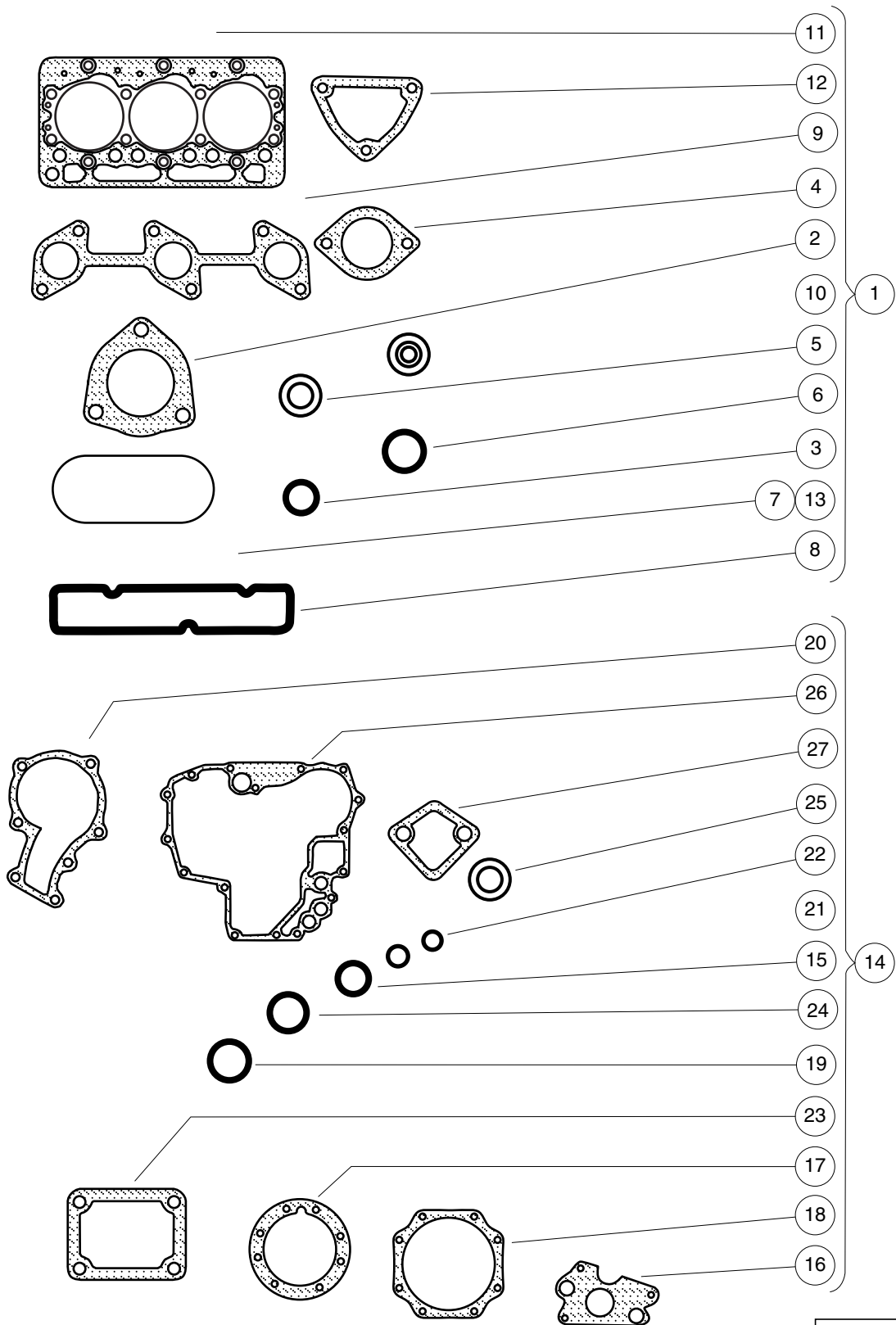
ITEM	PART NO.	DESCRIPTION	QTY
		1 2 3 4	
1	102646301	Cover, Heat Proof	1
2	102646501	Stud, M6 X 26	3
3	102646601	Gasket, Ex-manifold	1
4	102647101	Nut, Flange, M6, Ubs	3
5	102647201	Bolt, Flange Head, M6 X 1 X 16	3
6	102731501	Manifold, Exhaust, D722	1
7	102731601	Bolt, D722, Exhst Manfld Cover	2

8

D

8

D



000065-001

GASKET KITS

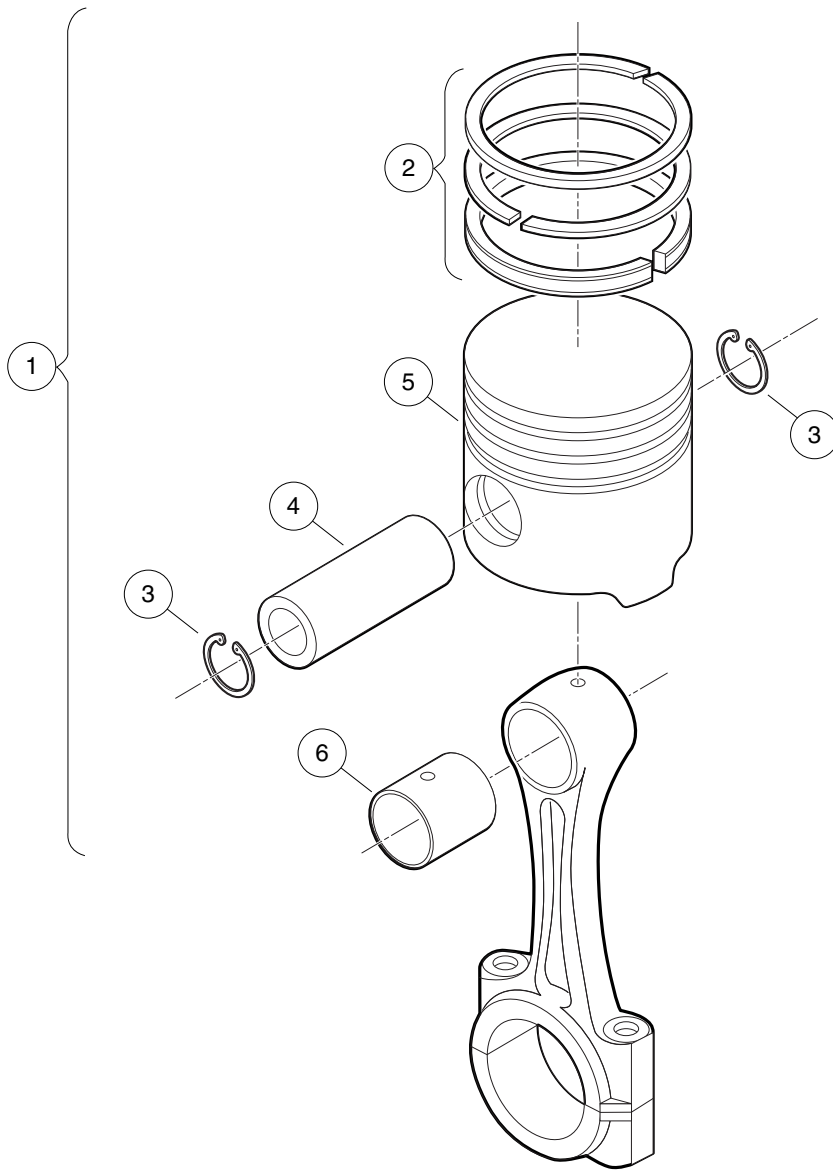
ITEM	PART NO.	DESCRIPTION	QTY
		1 2 3 4	
1	102731801	Kit, Gasket Upper, D722 (includes items 2 through 13)	1
2	102422301	Gasket, Exhaust Diesel	1
3	102600301	O Ring, 8 X 7	1
4	102633401	Gasket, Thermostat	1
5	102635301	Gasket, 6 X 10	3
6	102644001	O Ring, 30 X 36	1
7	102644501	Gasket, Head Cover	1
8	102646001	Gasket, Intake Manifold	1
9	102646601	Gasket, Ex-manifold	1
10	102653301	Seal, Valve Stem	6
11	102654101	Gasket, Cylinder Head	1
12	102654701	Gasket, Water Flange	1
13	102798501	Gasket, Cylinder Head Cover	1
14	102731901	Kit, Gasket Lower, D722 (includes items 15 through 27)	1
15	102601801	O Ring, 18 X 13	3
16	102606601	Gasket, Oil Pump	1
17	102608201	Gasket, Bearing Case	1
18	102608301	Gasket, Cover	1
19	102630301	O Ring, 23 X 26	1
20	102632701	Gasket, Water Pump, D722	1
21	102634001	O Ring, 19 X 16	1
22	102634401	O Ring, 9 X 7	1
23	102634501	Gasket, Control Plate	1
24	102654601	O Ring, 20 X 17	1
25	102728801	Gasket, Idle Apparatus, Rear	2
26	102729301	Gasket, Gearcase, D722	1
27	102732601	Gasket, Fuel Pump, D722	1

8

D

8

D



000066-001

PISTON KIT

ITEM	PART NO.	DESCRIPTION	QTY
		1 2 3 4	
1	102732001	Kit, Piston Rebuild, D722 (includes items 2 through 6)	1
2	102607601	Assy Piston Ring, D722 Std	1
3	102630901	Circlip, Piston Pin	2
4	102631001	Pin, Piston	1
5	102728101	Piston, D722, Std	1
6	102732201	Bushing, Piston Pin, D722	1

8

D

8

D

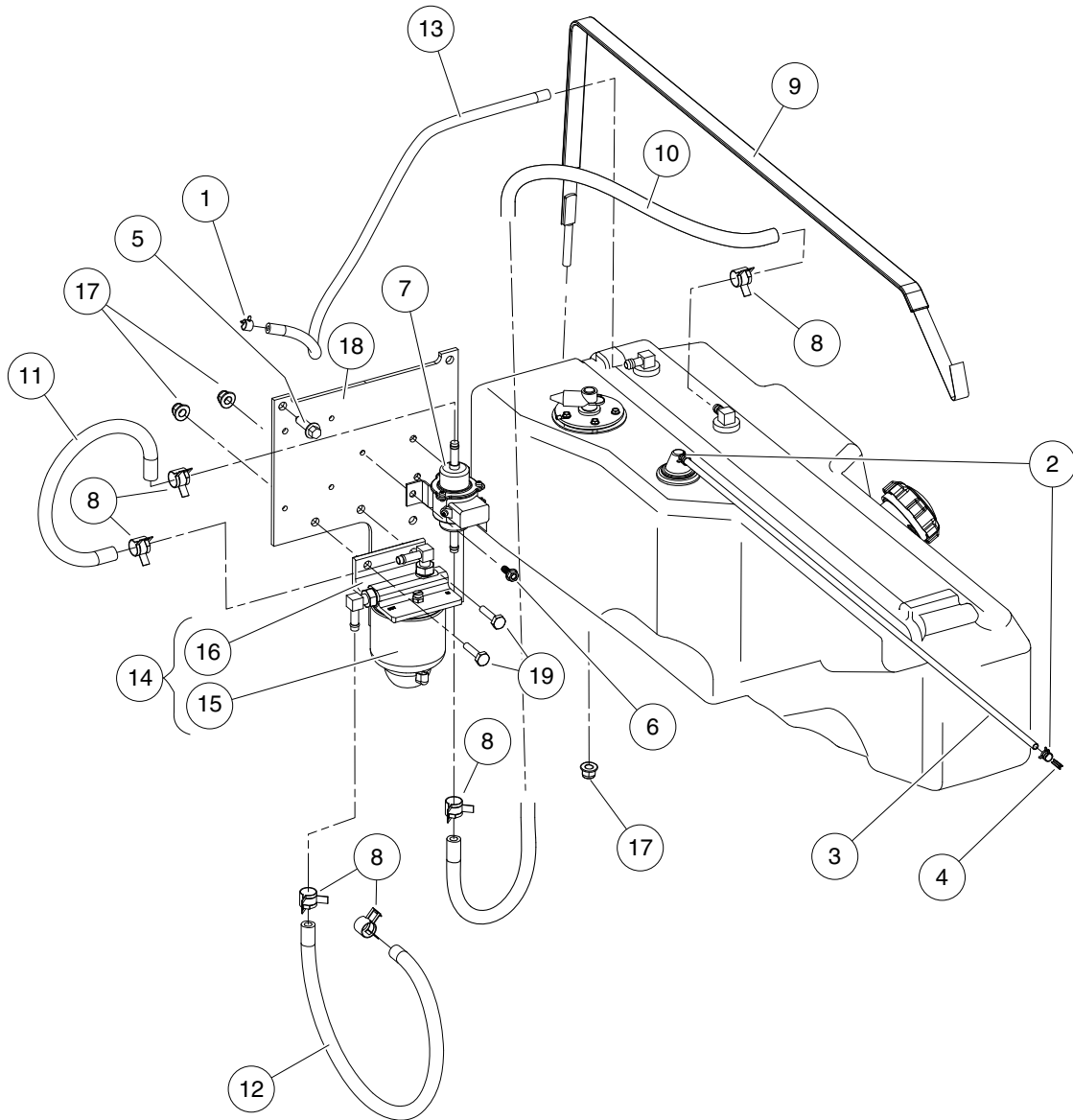
FUEL, INTAKE, AND GOVERNOR SYSTEM

9

D

9

D



000081-005

FUEL SYSTEM – DIESEL VEHICLES

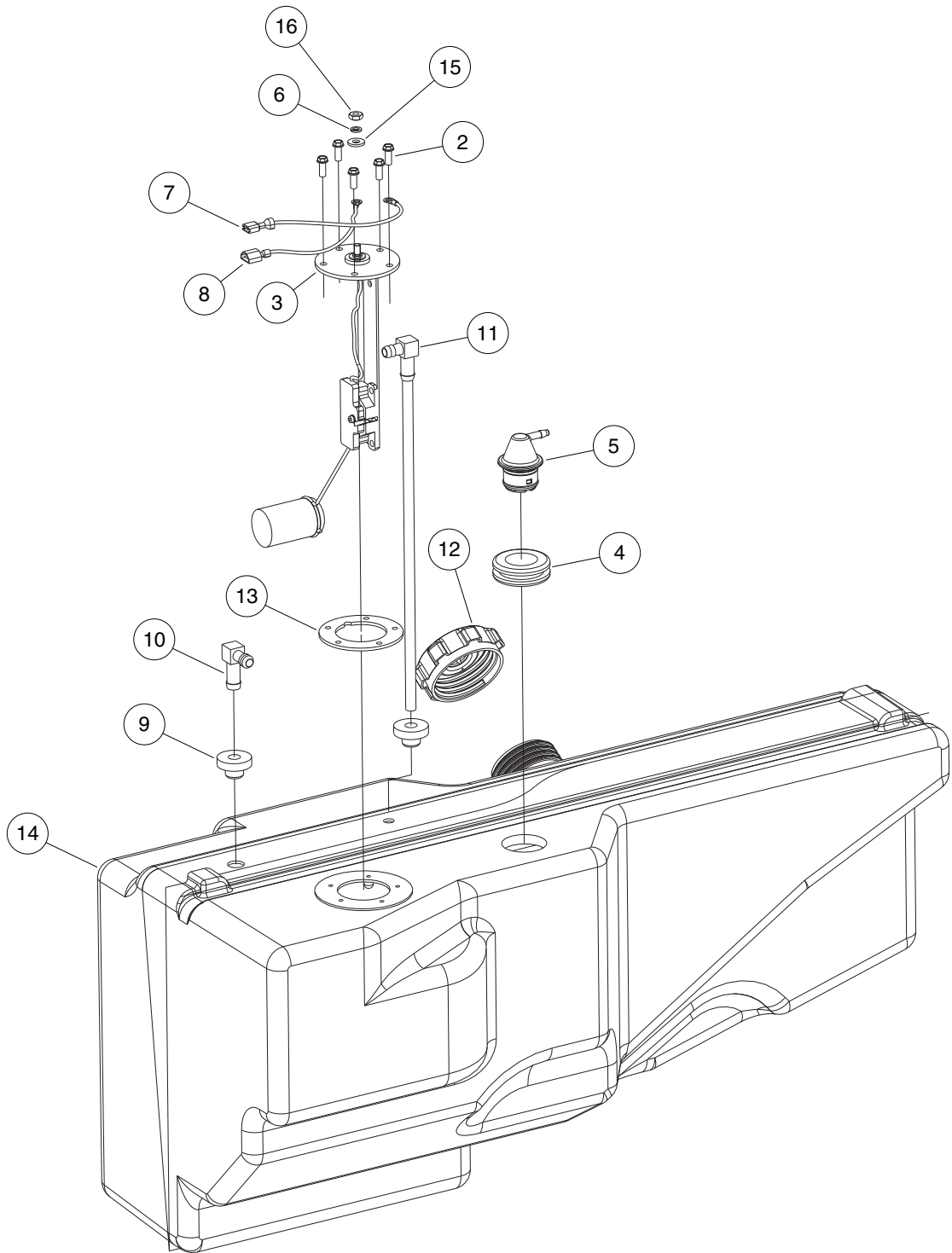
ITEM	PART NO.	DESCRIPTION	QTY
		1 2 3 4	
1	101313402	Clamp, Green Hose	1
2	1013746	Clamp, 0.301 ID Hose	2
3	101587703	Hose, Fuel, Vent, 22" Long	1
4	101824401	Vent Barb	1
5	102289001	Screw, M8X1.25X30, Hex	5
6	102296716	Screw, M6 X 16 Tt Hx Fl Hd	1
7	102410801	Pump, Diesel Fuel Electric	1
8	102411203	Clamp, Hose, Ctb 14mm	5
9	102426301	Strap, Tank, Fuel	1
10	102430001	Hose, Tank To Prefilter Diesel	1
11	102430201	Hose, Fuel Pump To Filter	1
12	102430301	Hose, Fuel Filter To Eng	1
13	102430401	Hose, Fuel Return	1
14	102434601	Filter Assy, Fuel	1
15	102434701	Filter, Fuel	1
16	102434801	Adapter, 90, 5/16 Tube	2
17	102618601	Lock Nut, Flg M8 X 1.25 Nylon	3
18	102710301	Plate, Fuel/Oil System	1
19	96705587	Bolt, M8 X 1.25 X 30	2

9

D

9

D



000082-005

FUEL TANK – DIESEL VEHICLES

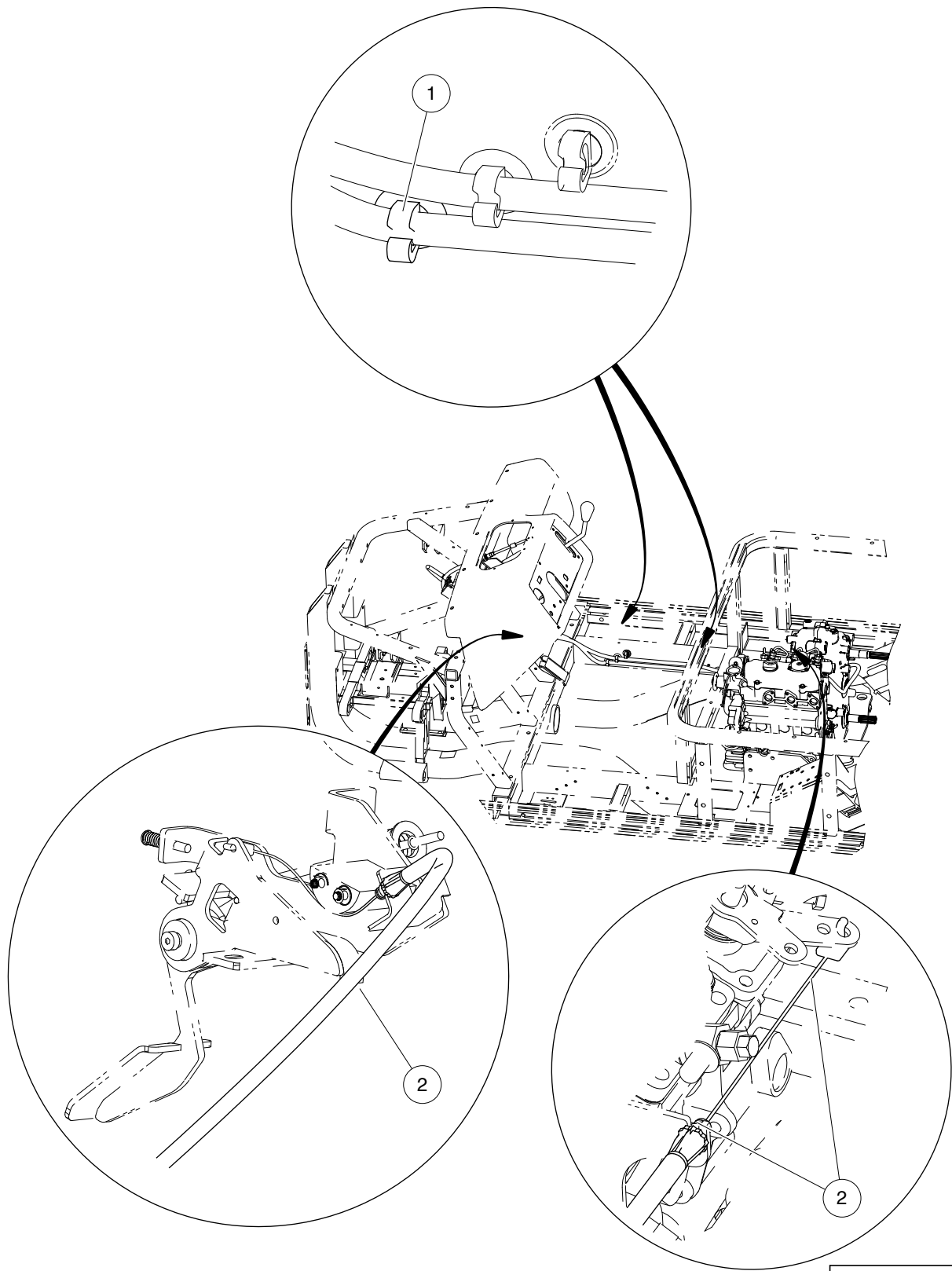
ITEM	PART NO.	DESCRIPTION	QTY
		1 2 3 4	
1	102952101	Asm, Tank, Fuel, Diesel, 4x4 (includes items 2 through 16)	1
2	1013461	Screw, #10-16 Hex-Head Hi-Lo	5
3	1013462	Sending Unit, Fuel Level *	1
4	1015139	Insulation Grommet	1
5	1015143	Vent, Fuel Tank	1
6	1016	Lockwasher, #10 Split	1
7	N/A	Wire Asm, Blk, 170mm	1
8	N/A	Wire Asm, Org, 170mm	1
9	102406701	Bushing, Line, Return	2
10	102406801	Elbow, 90 Barbed	1
11	102478501	Pickup Tube, Fuel	1
12	102494701	Cap, Fuel (Diesel)	1
13	102522001	Gasket, Rubber	1
14	N/A	Tank, Fuel, Diesel, 4x4	1
15	183	Washer, #10 Type A Flat	1
16	8797	Nut, #10-32 Brass Hex	1
		* Note: Must replace fuel sending unit gasket when servicing this component.	

9

D

9

D



000035-001

ACCELERATOR CABLE, DIESEL VEHICLES

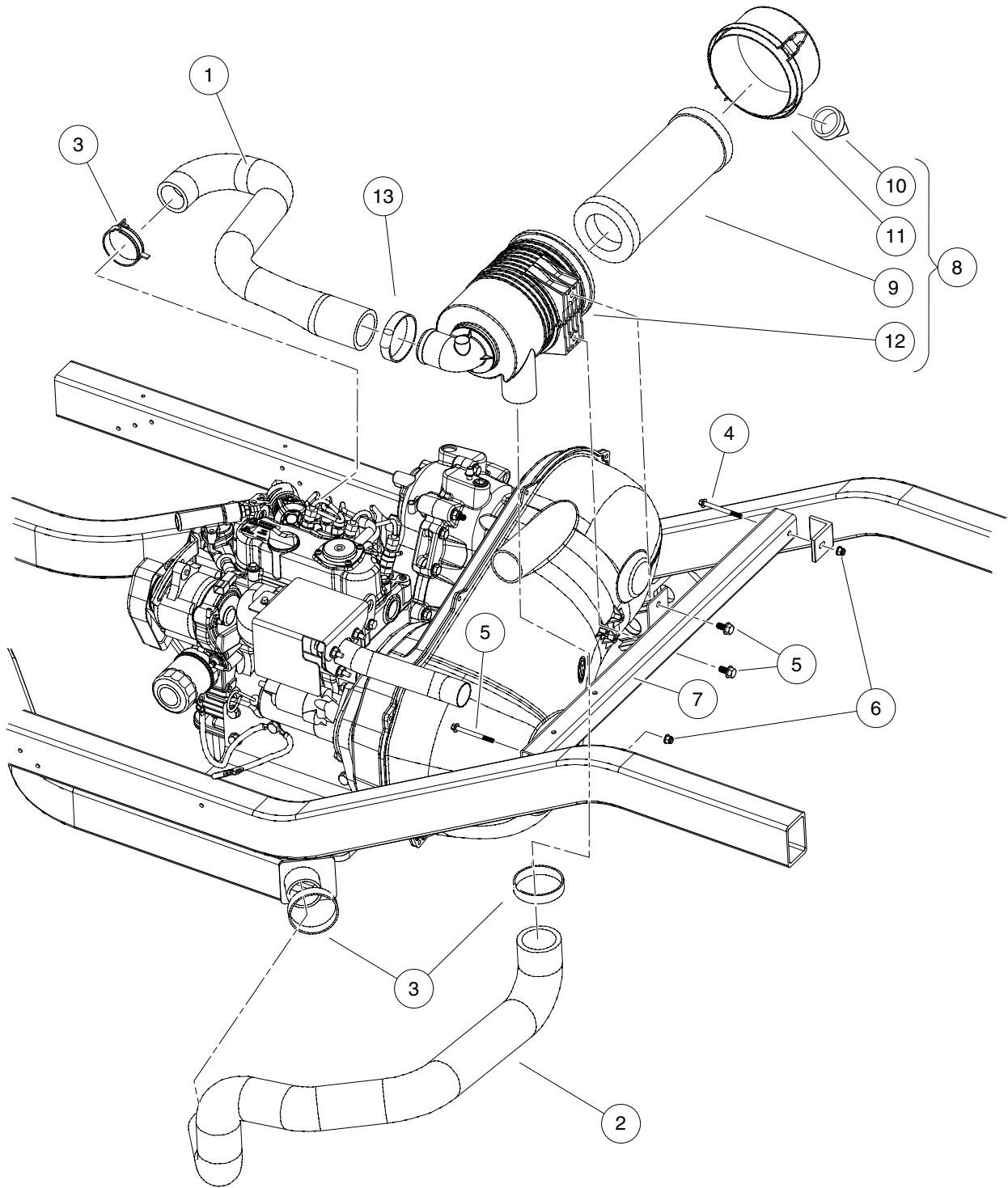
ITEM	PART NO.	DESCRIPTION	QTY
		1 2 3 4	
1	102475701	Clip, Brake Line	2
2	102498801	Cable, Accelerator, Diesel	1

9

D

9

D



000090-002

INTAKE DUCT AND AIR BOX ASSEMBLY – DIESEL VEHICLES

ITEM	PART NO.	DESCRIPTION	QTY
		1 2 3 4	
1	102379001	Hose, Intake, D722	1
2	102395601	Hose, Intake, Primary	1
3	102411209	Clamp, Hose, Ctb 55mm	3
4	102541465	Bolt, M 6 X 1.0 X 65 Hex, Flange, Head, Black	2
5	102621201	Bolt Flanged Head, M8 X1.25x 16 with Loctite	2
6	102621501	Nut Flg, M6 X 1.0 Nylon	2
7	N/A	Weldment, Support, Air Cleaner	1
8	102810701	Filter, Air, Canister, W/labe (includes items 9 through 12)	1
9	102498601	Element, Filter, Air, 5 In	1
10	102725501	Valve, Evacuator, Filter Air	1
11	102725601	Cap, Latch Lock, Filter, Air	1
12	N/A	Body, Canister, Filter, Air	1
13	103441401	Clamp, Worm Screw, Hose, 2"	1

9

D

9

D

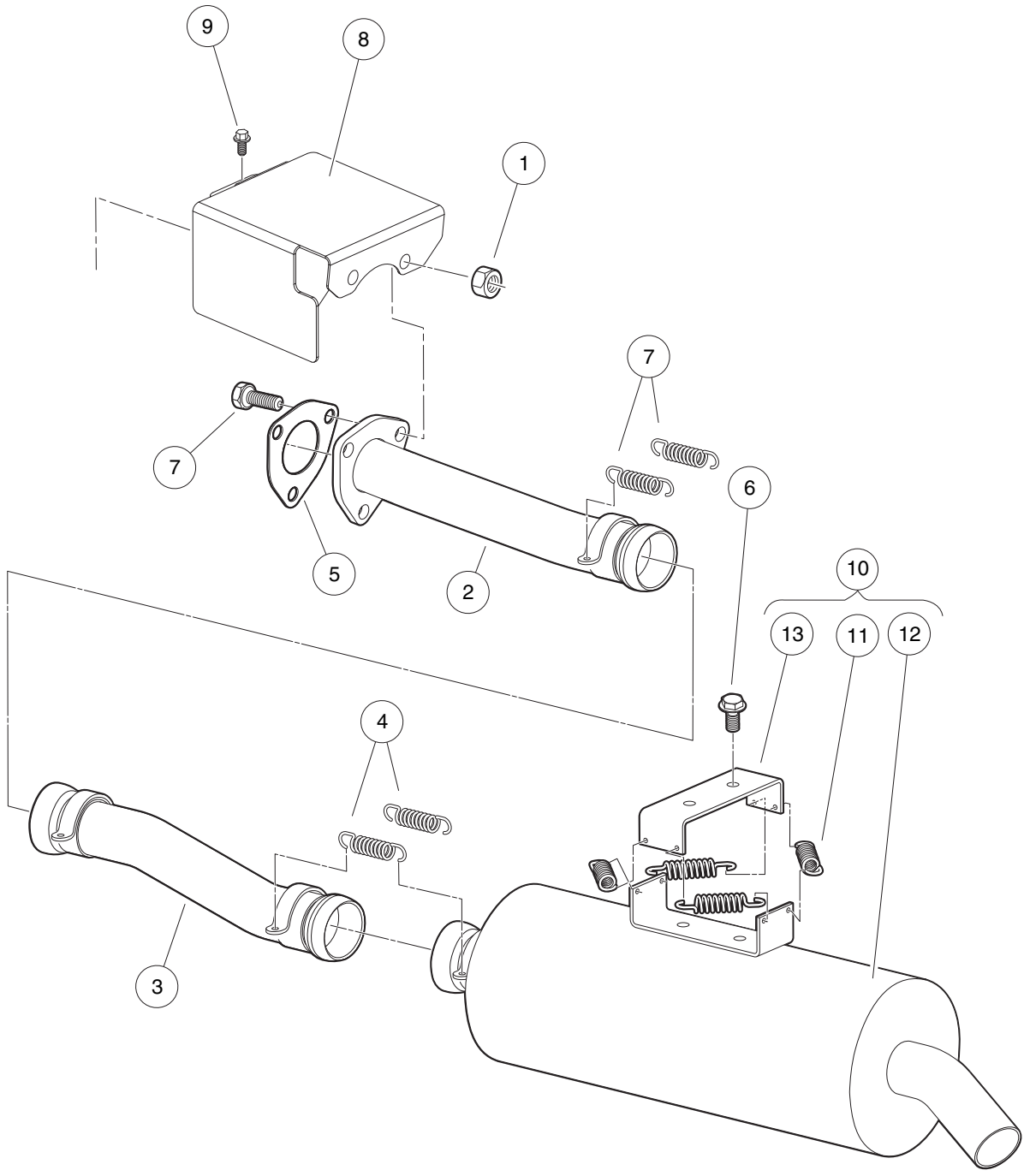
EXHAUST SYSTEM

10

D

10

D



000075-002

EXHAUST SYSTEM, DIESEL VEHICLES

ITEM	PART NO.	DESCRIPTION	QTY
		1 2 3 4	
1	102298401	Nut,m8,all Metal Lock	3
2	102409301	Pipe, Exhaust Diesel Main	1
3	102409401	Pipe, Exhaust Intermediate	1
4	102409501	Spring, Exhaust	4
5	102422301	Gasket, Exhaust Diesel	1
6	102621201	Bolt Flanged Head, M8 X1.25x 16 with Loctite	2
7	102621301	Bolt, M8 X 1.25 X 40 with Loctite	3
8	102628101	Shield, Diesel Exhaust	1
9	102731601	Bolt, D722, Exhst Manfld Cover	1
10	102812801	Asm, Muffler, AWD Homologation (includes items 11 through 13)	1
11	102409501	Spring, Exhaust	4
12	N/A	Muffler	1
13	N/A	Bracket, Muffler	1

10

D

10

D

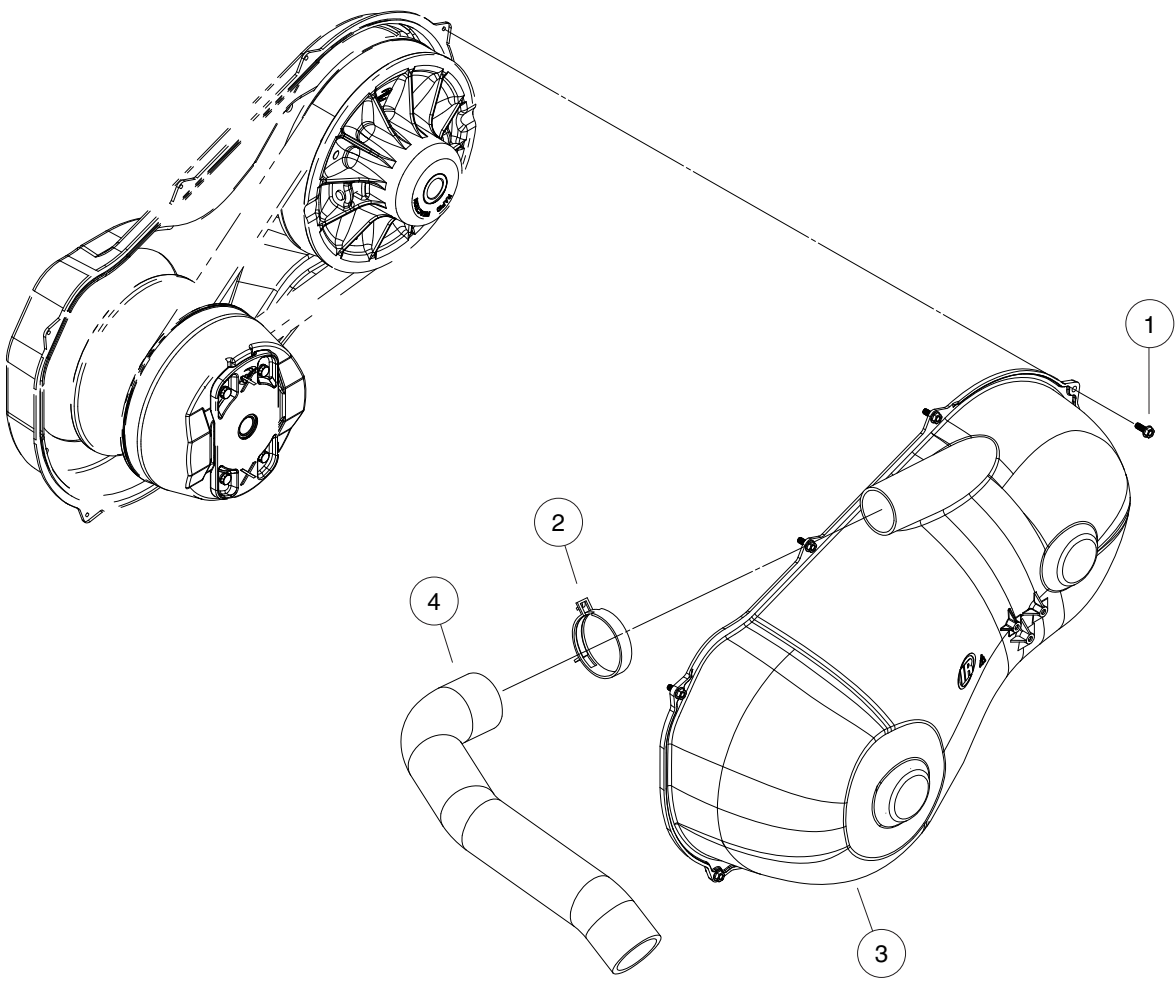
CLUTCHES

11

D

11

D



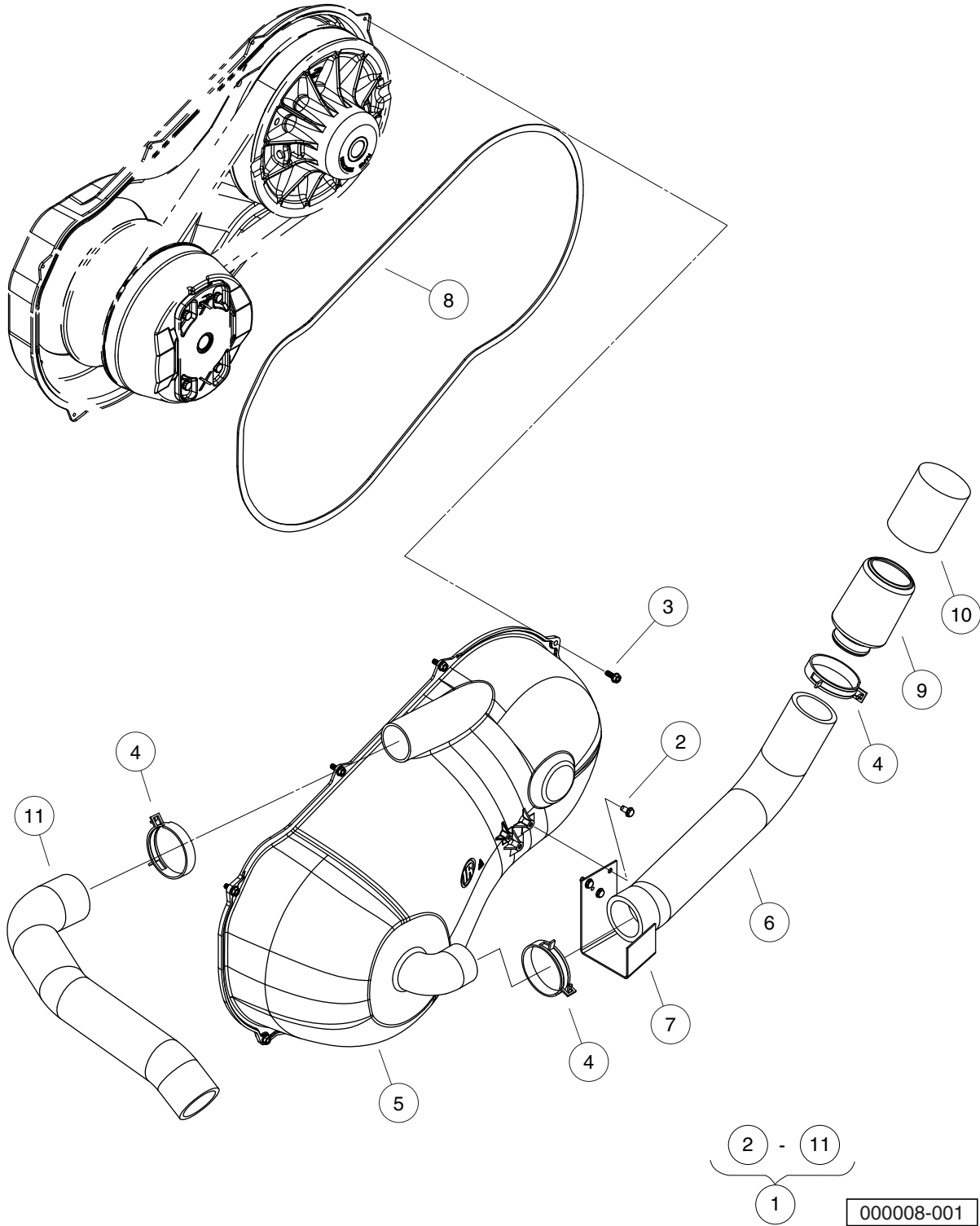
000008-002

CLUTCH COVER (STANDARD)

ITEM	PART NO.	DESCRIPTION	QTY
		1 2 3 4	
1	102296716	Screw, M6 X 16 Tt Hx Fl Hd	7
2	102411210	Clamp, Hose, Ctb 64mm	1
3	N/A	Cover, Cvt, Open	1
4	103320601	Hose, Outlet, Cvt	1

11

D



000008-001

CLUTCH COVER (SEALED)

ITEM	PART NO.	DESCRIPTION	QTY
		1 2 3 4	
1	102616003	Kit, Sealed CVT Cover (includes items 2 through 11)	1
2	101856102	Screw, 1/4-15 X 1.50 Hi-lo Hex	3
3	102296716	Screw, M6 X 16 Tt Hx Fl Hd	7
4	102411210	Clamp, Hose, Ctb 64mm	2
5	102414501	Cover, CVT Outer	1
6	102481001	Hose, Inlet, Cover, CVT	1
7	102481201	Bracket, Inlet, Cover, CVT	1
8	102481301	Gasket, Cover, CVT	1
9	102616101	Cap, Inlet, Cover, CVT	1
10	102628001	Filter, Inlet, Cover, CVT	1
11	103320601	Hose, Outlet, Cvt	1

11

D

11

D



000084-001

DRIVE BELT

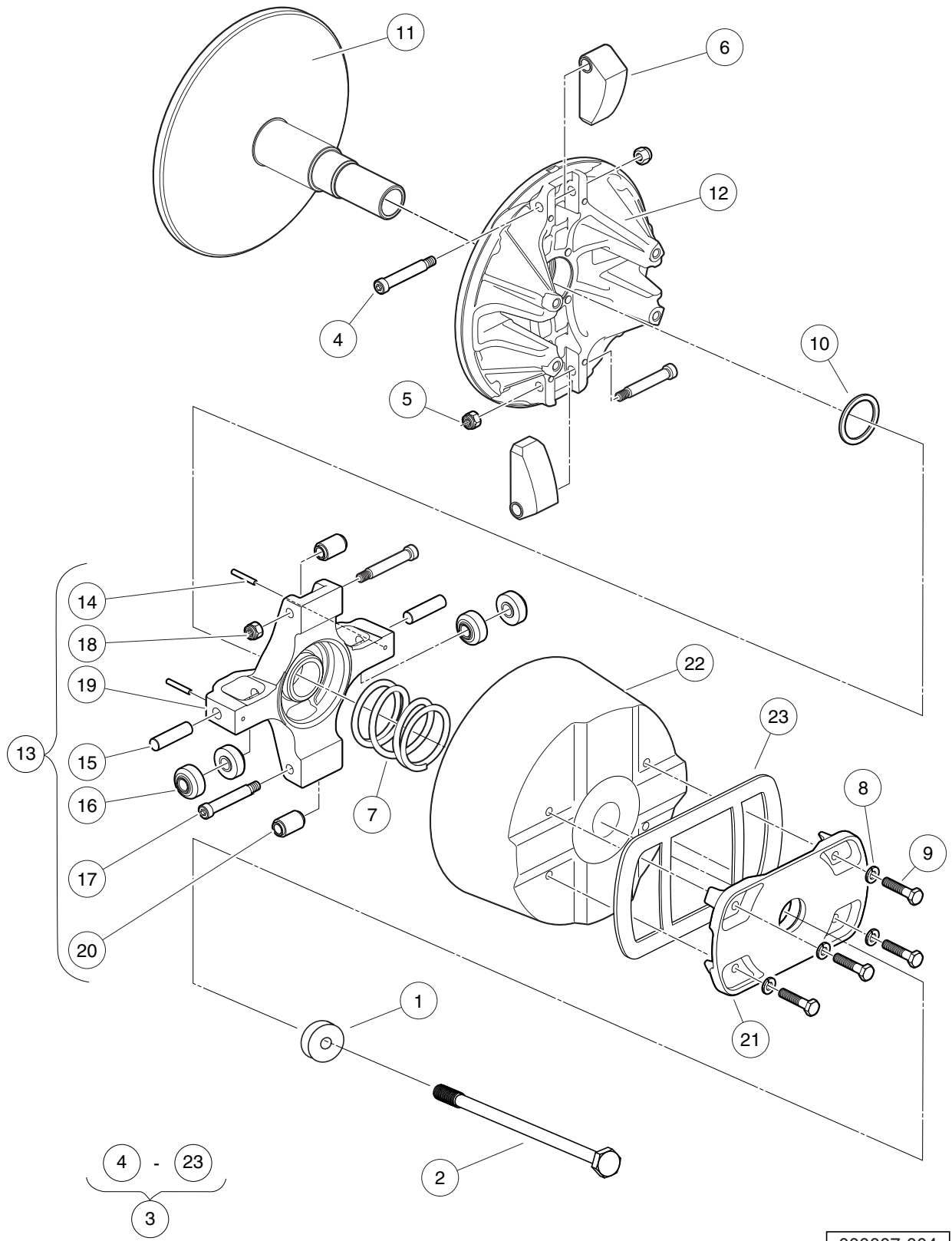
ITEM	PART NO.	DESCRIPTION	QTY
1	102374901	1 2 3 4 Belt, Drive	1

11

D

11

D



000007-004

DRIVE CLUTCH – DIESEL VEHICLES

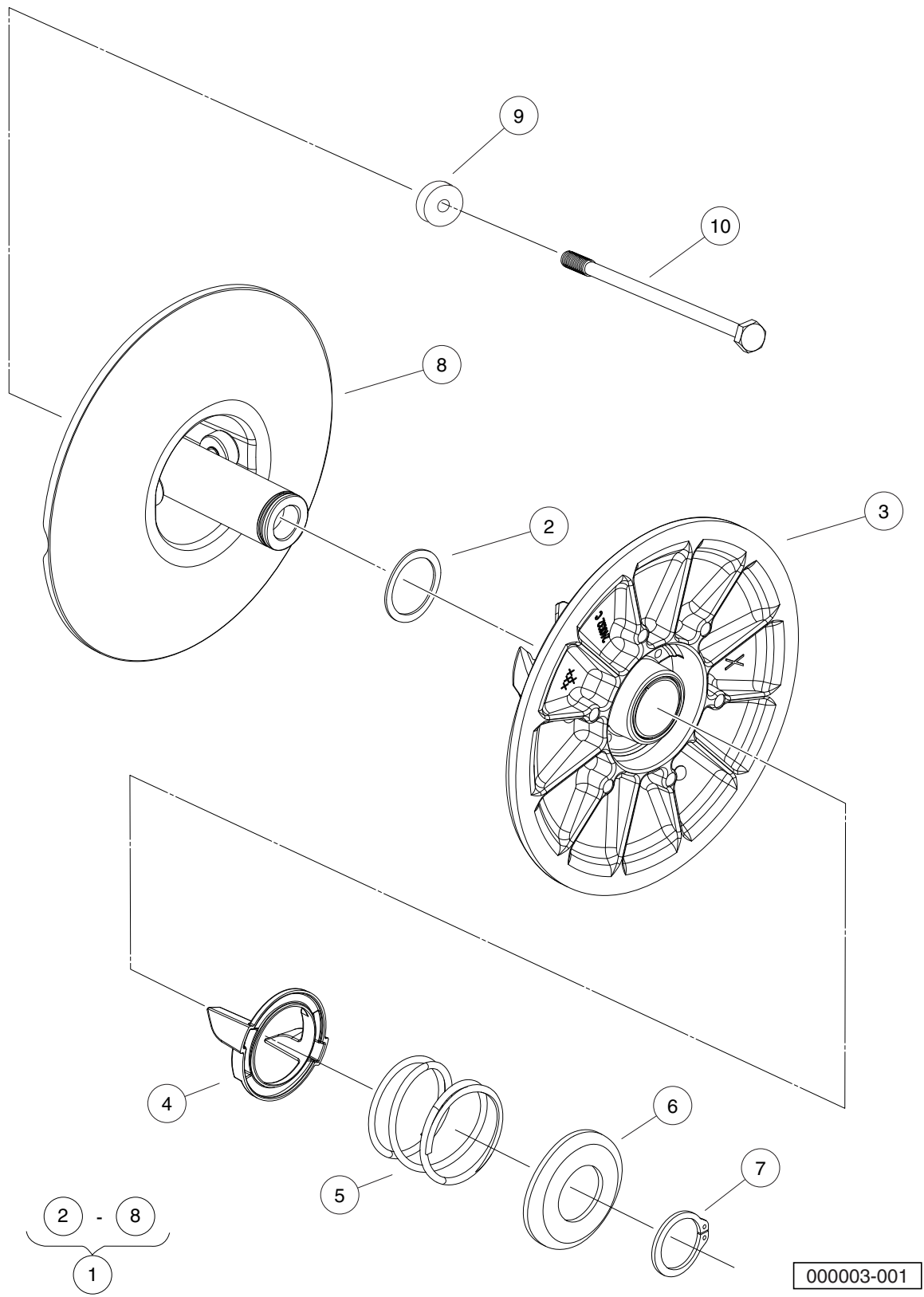
ITEM	PART NO.	DESCRIPTION	QTY
		1 2 3 4	
1	102385601	Washer, Stepped	1
2	102616501	Bolt, M10 X 1.5 X 160	1
3	103185501	Clutch, 4x4, Diesel, W/cover (includes items 4 through 23)	1
4	102690501	Screw, Shlder Hex, .312 X 1.75	2
5	102690701	Nut, Lock Hex, 1/14-20, Flexlc	2
6	102690801	Sub Assy, Wt Clutch, Diesel	2
7	102691401	Spring, Compression, Primary	1
8	102691601	Washer, Lock, H-Spring, 1/4	4
9	102691701	Screw, Cap, Hex Hd, 1/4 X 1.25	4
10	102691801	Shim, 1.63 X 1.33	1
11	N/A	Subassembly, Drive Clutch	1
12	N/A	Subassembly, Moveable, Drive Clutch	1
13	N/A	Subassembly, Spider Utility, Diesel (includes items 14 through 20)	1
14	102690201	Pin, Spring Slotted, 1.25 X 1.0	2
15	102690301	Pin, Dowel, .375 X 1.50	2
16	102690401	Roller, Torque, Diesel	4
17	102690501	Screw, Shlder Hex, .312 X 1.75	2
18	102690701	Nut, Lock Hex, 1/14-20, Flexlc	2
19	N/A	Spider, Drive Clutch	1
20	102839401	Sub Assy, Roller Weight	2
21	N/A	Cover, Drive Clutch	1
22	103185801	Cover, Clutch, 4x4	1
23	103185901	Gasket, Cover, Clutch, 4x4	1

11

D

11

D



000003-001

DRIVEN CLUTCH

ITEM	PART NO.	DESCRIPTION	QTY
		1 2 3 4	
1	102369901	CVT, Secondary (includes items 2 through 8)	1
2	102695401	Washer, Thrust, 1.53 X 1.92	1
3	N/A	Sheave, Driven Clutch	1
4	102695601	Retainer, Spring, Inner	1
5	102695701	Spring, Compression, Secondary	1
6	102695801	Retainer, Spring, Outer	1
7	102695901	Ring, Retaining, External	1
8	N/A	Driven Clutch Base Sheave	1
9	102385701	Washer, Stepped	1
10	102719301	Bolt, M10 X 1.50 X 90, Loctite	1

11

D

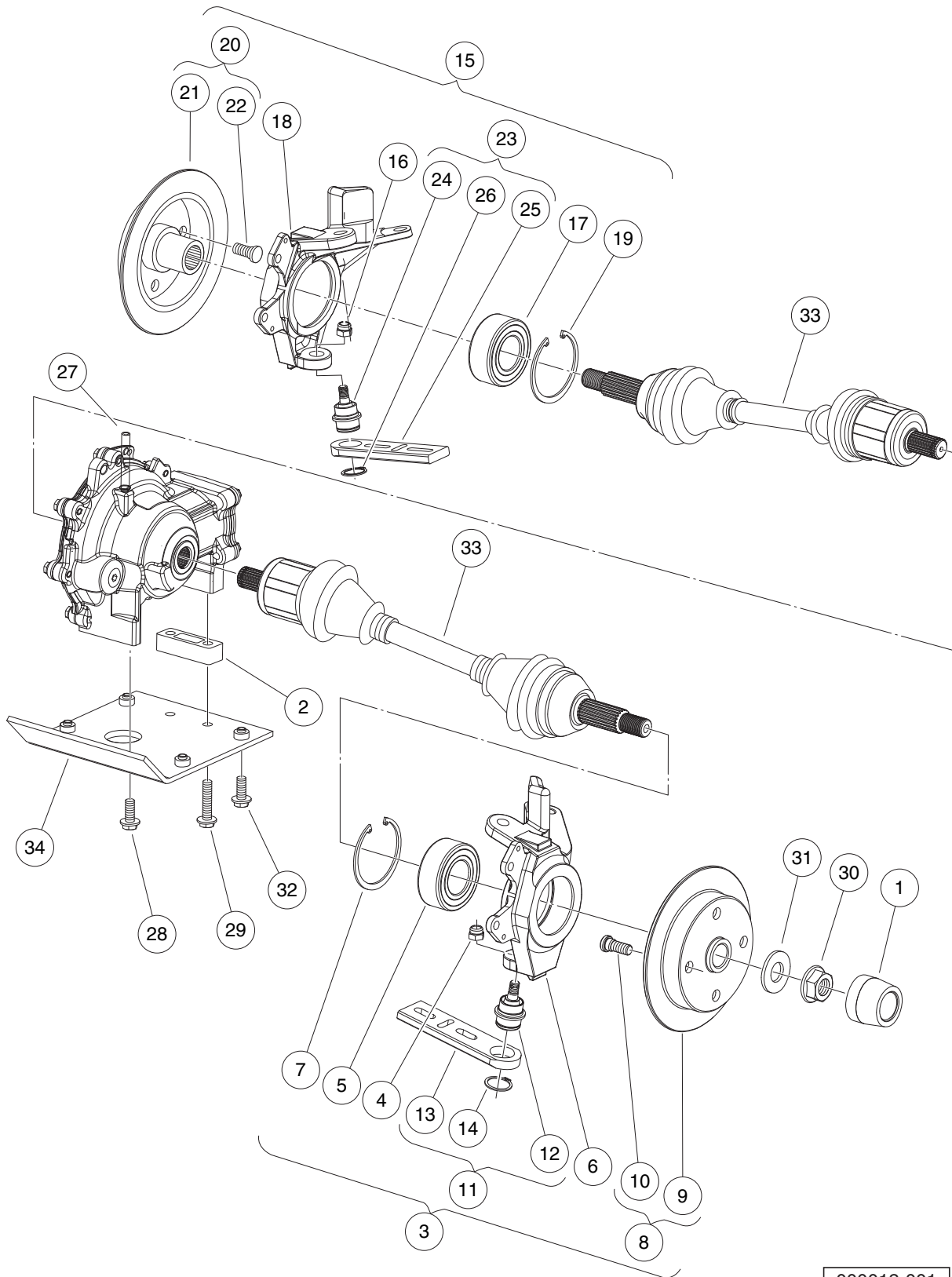
11

D

DRIVETRAIN COMPONENTS

12

D



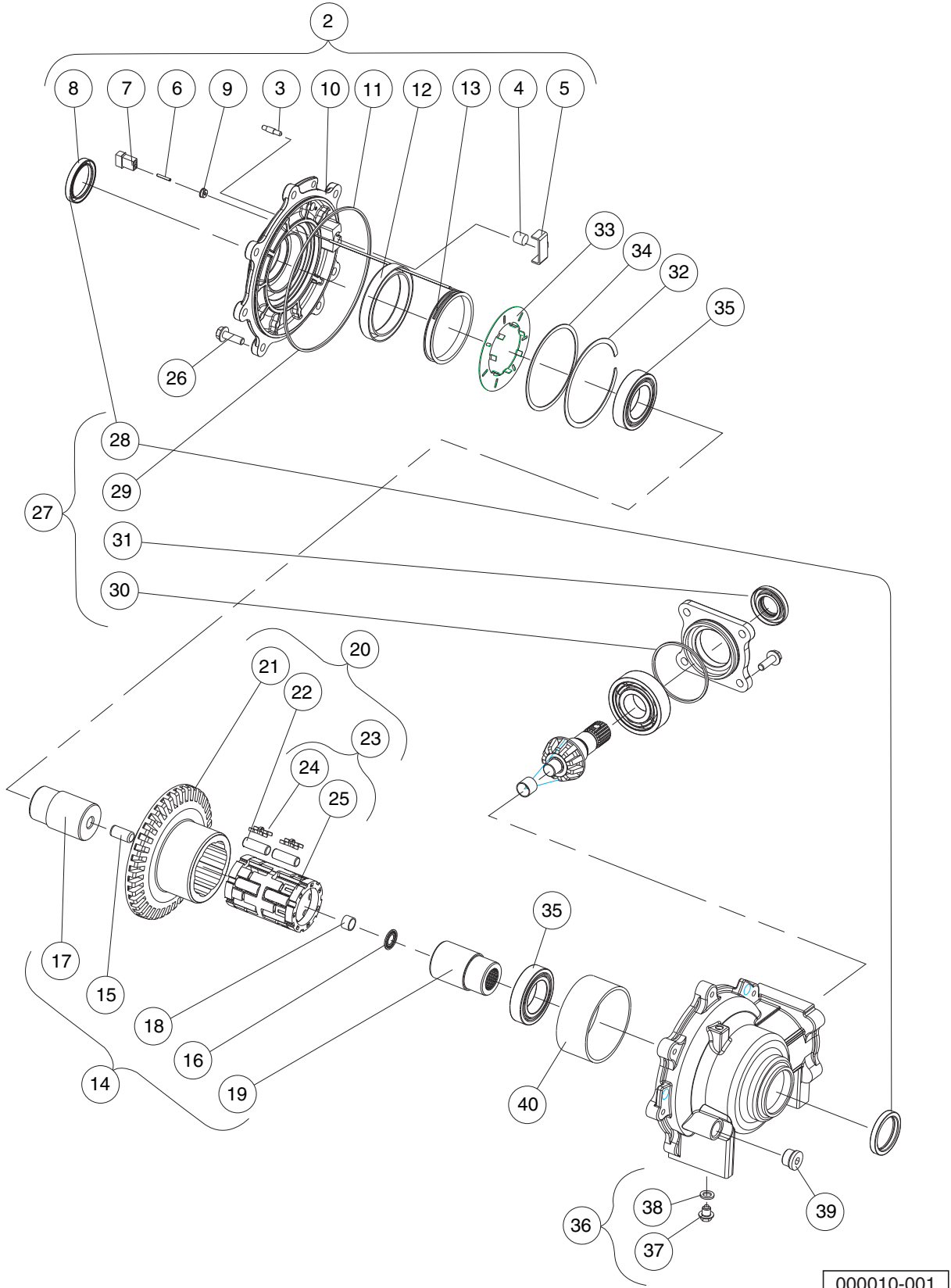
000012-001

FRONT DIFFERENTIAL MOUNTING AND HALF SHAFTS

ITEM	PART NO.	DESCRIPTION	QTY
		1 2 3 4	
1	102274101	Center Cap, Rubber	2
2	102381701	Spacer Block, Diff	1
3	102436001	Upright Sub-Assembly, LH (includes items 4 through 11)	1
4	102022901	Locknut, M12-1.25 Nylon	1
5	102368201	Bearing	1
6	102368301	Upright, Left	1
7	102374701	Internal Retaining Ring, 80mm Bore	1
8	102376601	Assy, Rotor, Brake, Front (includes items 9 and 10)	1
9	N/A	Rotor, Brake, Front	1
10	102475801	Stud, Wheel Lug	4
11	102479001	Asm, Adjuster, Slide (includes items 12 through 14)	1
12	102361901	Joint, Ball	1
13	102447001	Slide, Adjuster	1
14	102722301	Ring, Retaining, Ext, 1-1/4"	1
15	102436101	Upright Sub-Assembly, RH (includes items 16 through 23)	1
16	102022901	Locknut, M12-1.25 Nylon	1
17	102368201	Bearing	1
18	102368302	Upright, Right	1
19	102374701	Internal Retaining Ring, 80mm Bore	1
20	102376601	Assy, Rotor, Brake, Front (includes items 21 and 22)	1
21	N/A	Rotor, Brake, Front	1
22	102475801	Stud, Wheel Lug	4
23	102479001	Asm, Adjuster, Slide (includes items 24 through 26)	1
24	102361901	Joint, Ball	1
25	102447001	Slide, Adjuster	1
26	102722301	Ring, Retaining, Ext, 1-1/4"	1
27	102462401	Hose, Vent, Front Diff	1
28	102491001	Bolt Flanged Head, 3/8-16x1.0 with Loctite	2
29	102491101	Bolt Flanged Head, 3/8-16x1.500 with Loctite	2
30	102617501	Nut Flg, M22 X 1.5 Mech Def	2
31	102617801	Washer Hard, M22	2
32	102711601	Bolt, Flange Head, M10 X 1.5 X 25	4
33	102865201	Shaft, Half	2
34	103244701	Asm, Mount, Diff Plate	1

12

D



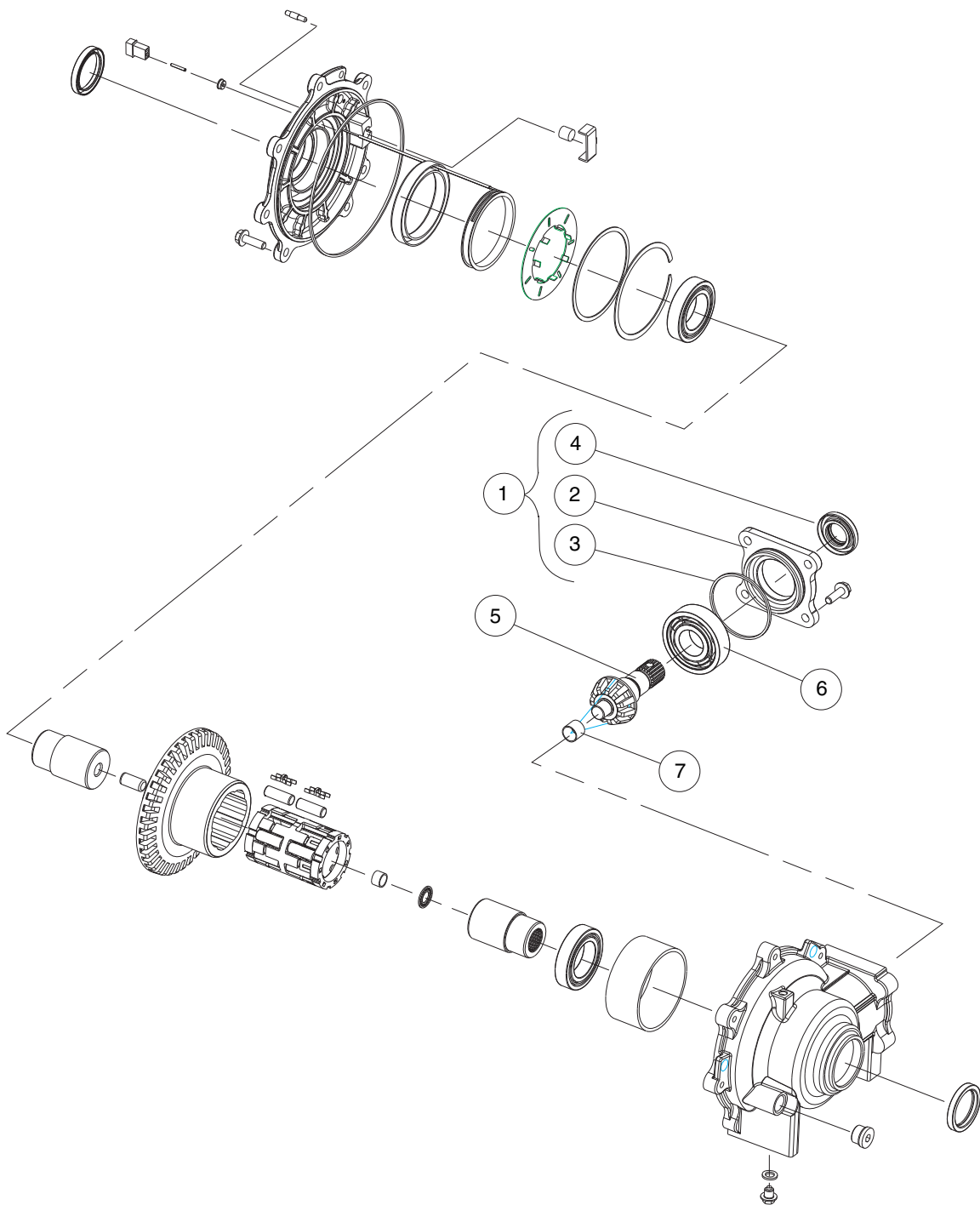
000010-001

FRONT DIFFERENTIAL (OUTPUT COMPONENTS)

ITEM	PART NO.	DESCRIPTION	QTY
		1 2 3 4	
1	102371801	Differential, Front * (includes items 2 through 40)	1
2	102438201	Kit, Assy, Output Cover Plate (includes items 3 through 13)	1
3	102439001	Set Screw, #10-24 UNC-3A with Patch	1
4	102439101	Thrust Button	1
5	102439201	Thrust Plate	1
6	N/A	Mate-N-Lock Pin	2
7	N/A	Mate-N-Lock Housing	1
8	N/A	Oil Seal	1
9	N/A	Grommet	1
10	N/A	Plate, Output Cover	1
11	N/A	O-Ring	1
12	N/A	Coil, Pocket Insert	1
13	N/A	Coil with Press-Fit Bobbin	1
14	102438301	Kit, Assy, Race Output Hub (includes items 15 through 19)	1
15	102439401	Pin, Dowel	1
16	102439501	Bearing, Needle	1
17	N/A	Race/Output Hub, Male	1
18	N/A	Bushing, PermiGlide	1
19	N/A	Race/Output Hub, Female	1
20	102438401	Kit, Assy, Clutch (includes items 21 through 23)	1
21	102439601	Clutch Hsg/Ring Gear, Machined	1
22	102439801	Kit, Roller (contains 14 rollers)	1
23	102439901	Kit, Assy, Roll Cage (includes items 24 and 25)	1
24	102439701	Kit, H-Clip Spring (contains 14 clips)	1
25	N/A	Roll Cage, Plastic	1
26	102438501	Kit, Bolt (contains 7 bolts)	1
27	102438601	Kit, Minor Repair (includes items 28 through 31)	1
28	N/A	Oil Seal	1
29	N/A	O-Ring	1
30	N/A	O-Ring	1
31	N/A	Oil Seal, Triple-Lipped	1
32	102438701	Retaining, Ring Internal	1
33	102438801	Plate, Armature	1
34	102438901	Shim, Armature, Plate	1
35	102439301	Bearing, Ball	12
36	102440101	Kit, Assy, Drain Plug (includes items 37 and 38)	1
37	N/A	Plug, Oil Drain	1
38	N/A	Washer, Nylon, 0.625 x 0.382 x 0.06	1
39	102440301	Plug, Oil Fill	1
40	N/A	Bushing, Self-Lubricating, 80 x 85 x 20	1
		* Note: This assembly also contains components listed on the following two pages.	

12

D



000010-002

FRONT DIFFERENTIAL (INPUT COMPONENTS)

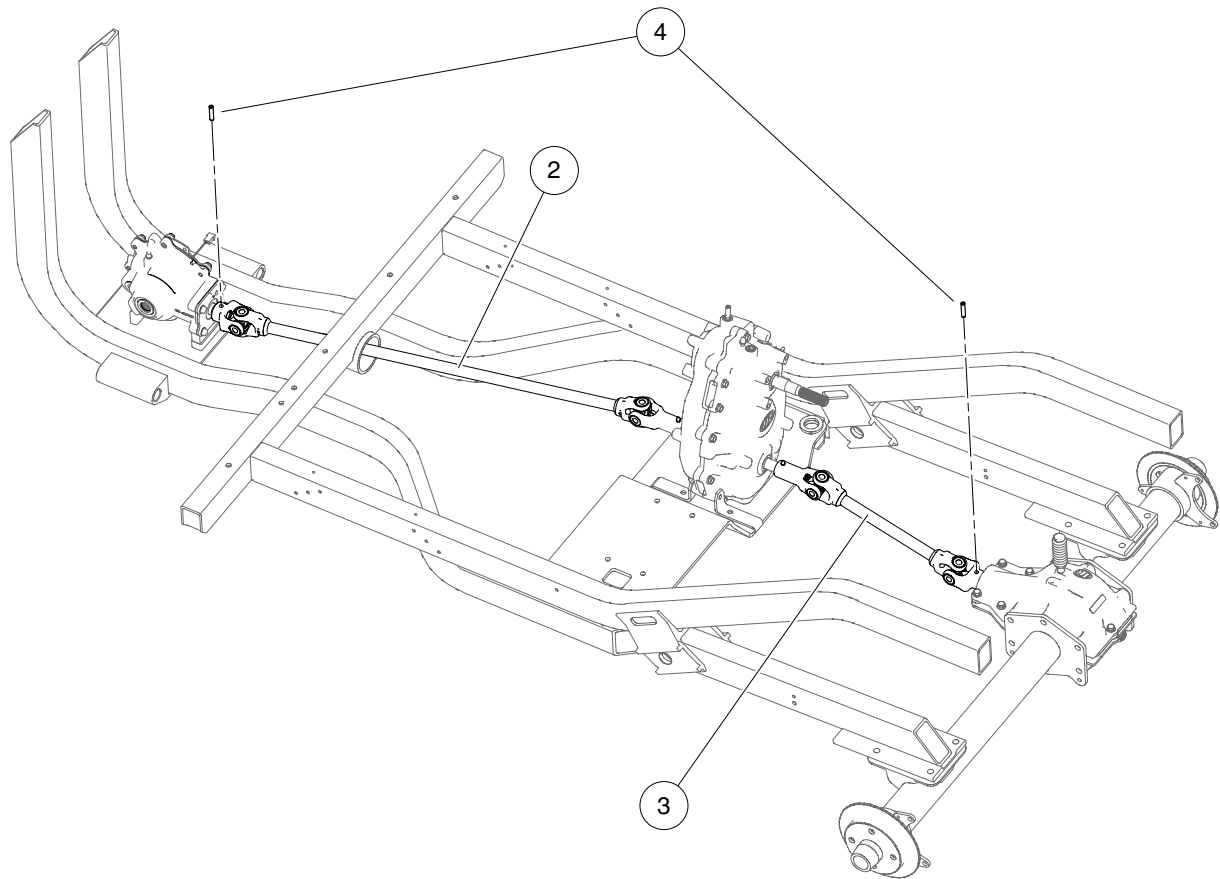
ITEM	PART NO.	DESCRIPTION	QTY
		1 2 3 4	
1	102440201	Kit, Assy, Input Cover Plate (includes items 2 through 4)	1
2	102440601	Cover, Input, Machined	1
3	N/A	O-Ring	1
4	N/A	Oil Seal, Triple-Lipped	1
5	102440401	Shaft, Pinion, Machined	1
6	102440501	Bearing, Ball	1
7	N/A	Bushing, Plain 16 Id X 15 Wide	1
<p>Note: This page contains a list of components internal to the front differential. See the previous pages for other front differential components.</p>			

12

D

12

D



000091-001

PROP SHAFTS

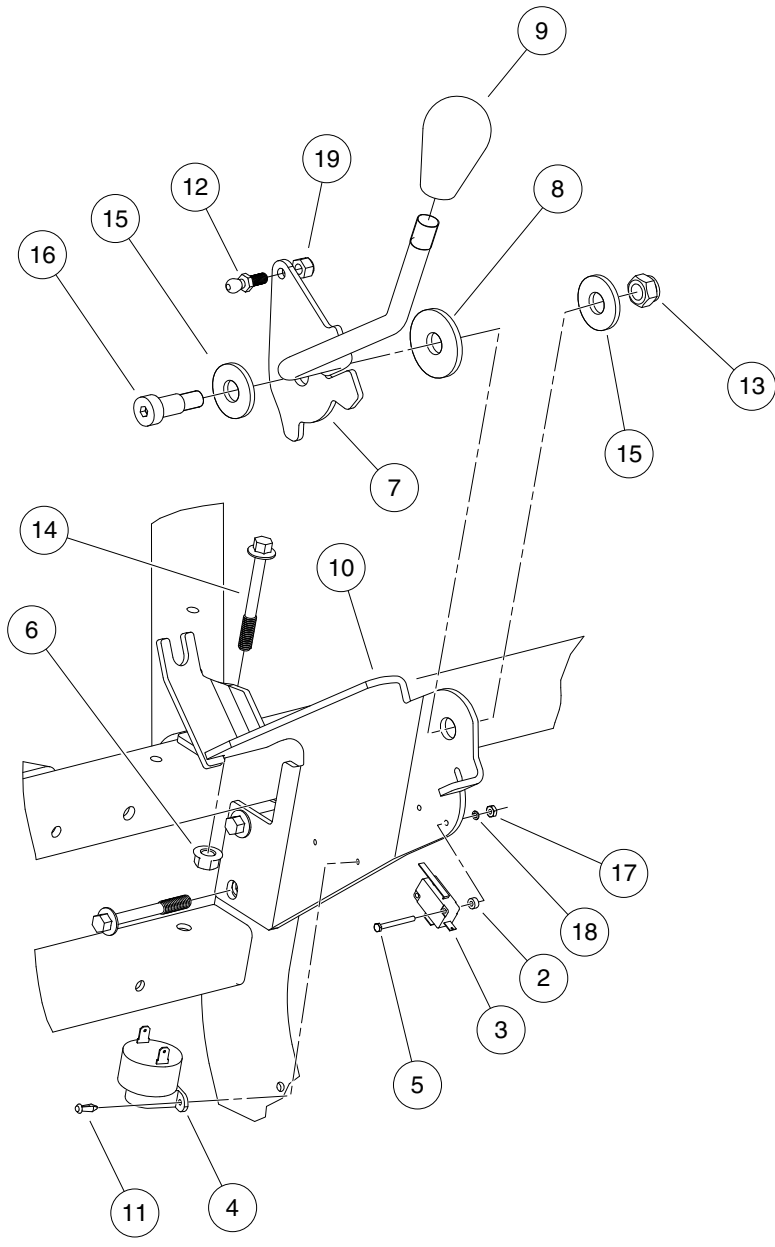
ITEM	PART NO.	DESCRIPTION	QTY
		1 2 3 4 Inst, Prop Shafts, Awd (includes items 2 through 4)	
1	N/A	Inst, Prop Shafts, Awd (includes items 2 through 4)	1
2	102371701	Prop Shaft, Front	1
3	102372101	Prop Shaft, Rear	1
4	95293643	Pin, Spring, 5/16 X 1-1/2 Hd	2

12

D

12

D



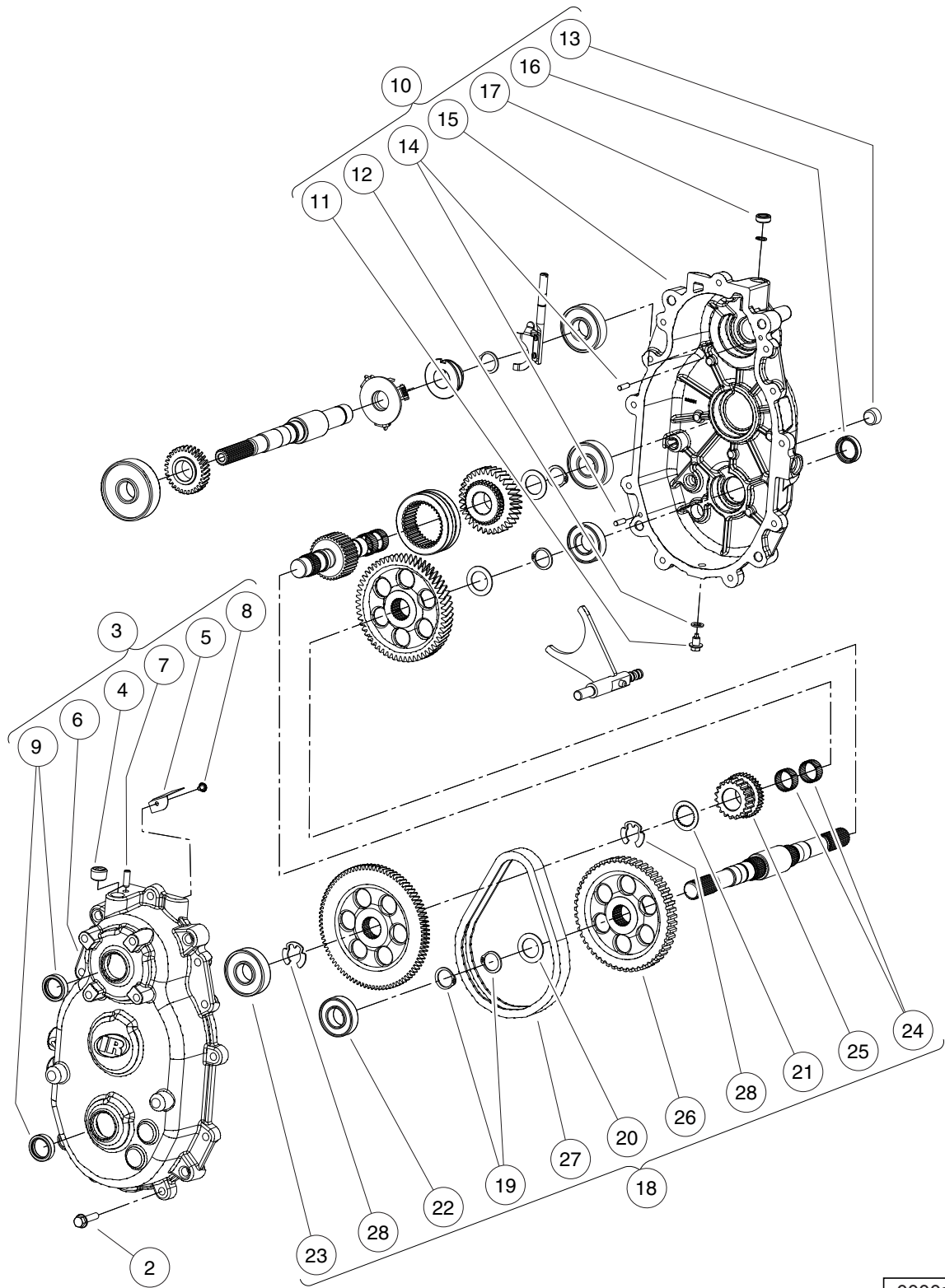
000030-001

FORWARD/REVERSE SHIFTER ASSEMBLY

ITEM	PART NO.	DESCRIPTION	QTY
		1 2 3 4	
1	102470801	Asm, FNR (includes items 2 through 19)	1
2	1014727	Washer, #4 Nylon Flat	2
3	1014808	Switch, Limit	1
4	1016851	Buzzer, Reverse (9-48 VDC)	1
5	1016896	Screw, #4-40 X 1.125 Hx Hd Mch	2
6	102298401	Nut,m8,all Metal Lock	3
7	102375801	Weldment, FNR Shifter	1
8	102375901	Bushing, Fnr	1
9	102376001	Knob, Fnr	1
10	N/A	Weldment, FNR Shifter Bracket	1
11	102499001	Rivet, Micro Tuflok	2
12	102615701	Stud, Ball, .346 Dia	1
13	102616701	Locknut, M10x1.5 Nylon Insert	1
14	102618301	Bolt Flanged Head, M8 X 1.25 X 65	3
15	102684501	Washer, M12 Hard Regular	2
16	102684601	Shoulder Bolt,m12 X 20 M10 Thd	1
17	8057	Nut, #4-40 Hex Machine	2
18	8058	Lockwasher, #4 Split	2
19	8717	Locknut, 1/4-28 Nylon Insert	1

12

D



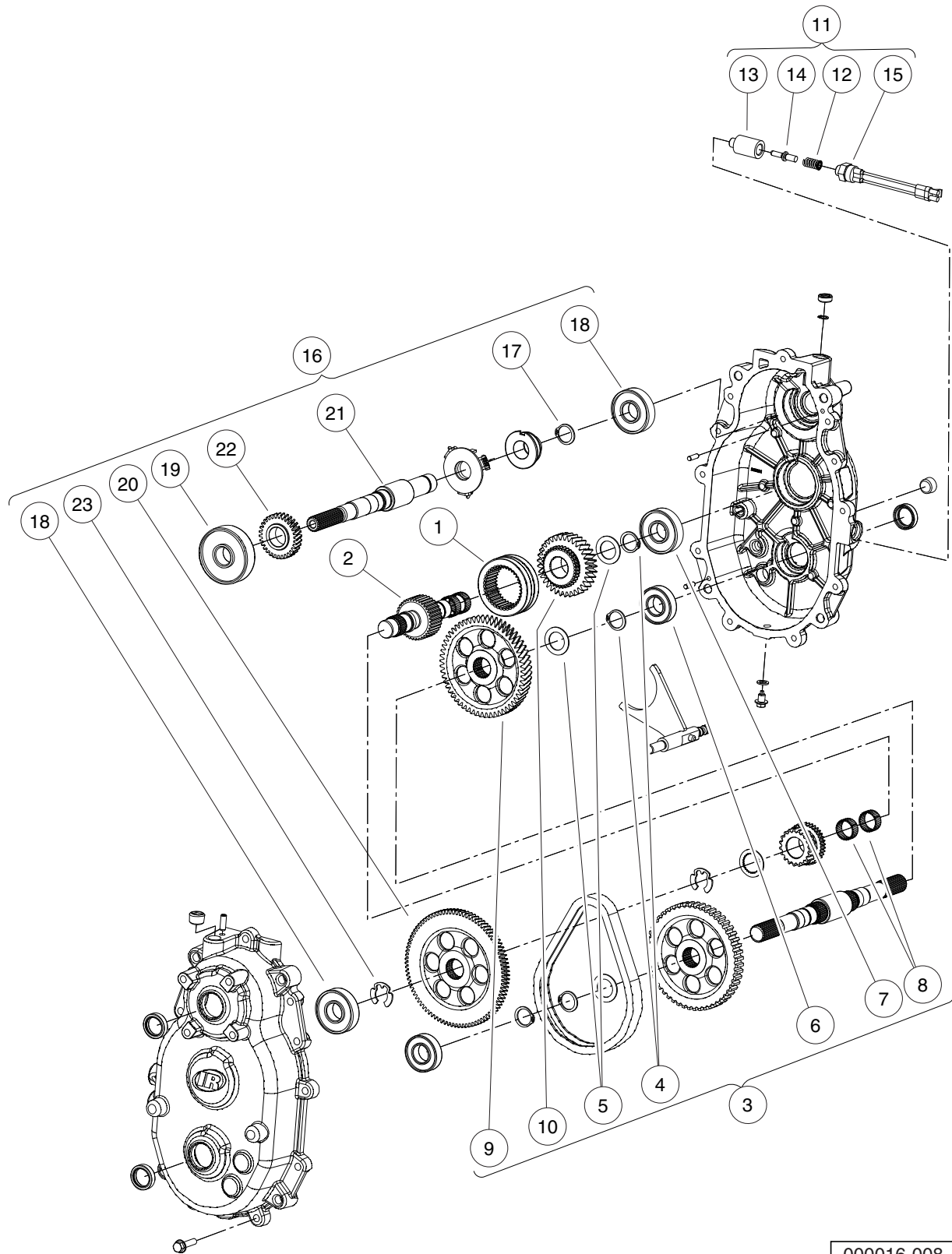
000016-001

TRANSMISSION

12

D

ITEM	PART NO.	DESCRIPTION	QTY
		1 2 3 4	
1	102369401	Transmission, Parallel Shaft * (includes items 2 through 18)	1
2	102693301	Screw,hex Flange, M8 X 35	11
3	102764201	Asm, Gear Case, Rear (includes items 4 through 9)	1
4	102694201	Plug, Square Skt, 1/12-14, Ptf	1
5	102696301	Oil, Deflector	1
6	102697401	Gearcase, Rear	1
7	102698301	Vent, Trans	1
8	102698901	Screw, Tapping # 10-24 X .375	1
9	102699401	Seal, Triple, 25 X 35 X 7.8	2
10	N/A	Asm, Gear Case, Front (includes items 11 through 17)	1
11	102693401	Plug,3/8-16, Hex Flange	1
12	102693501	Washer, .625 X .382 X .60	1
13	102694201	Plug, Square Skt, 1/12-14, Ptf	1
14	102696101	Pin, Dowel, 6 X 20	2
15	102697301	Gearcase, Front	1
16	102699401	Seal, Triple, 25 X 35 X 7.8	1
17	102721501	Seal, Dual-Lip	1
18	102765201	Kit, Reverse Gear Repair (includes items 19 through 28)	1
19	102696201	Ring, Retaining, Basic External	2
20	102696501	Washer, Thrust, 1.007 X .062	1
21	102696701	Washer, 26.231 X 39.167 X 1.57	1
22	102696801	Bearing, Ball	1
23	102696901	Bearing, Ball	1
24	102697101	Bearing, Needle	2
25	102697601	Sprocket, 19-Tooth	1
26	102697701	Sprocket, 51-Tooth	1
27	102699201	Chain, .375p, .75 Wide, 60ptch	1
28	102699701	Ring, Retaining, E-Ring	2
		 * Note: This assembly also contains components listed on the following four pages.	



000016-008

TRANSMISSION, CONTINUED

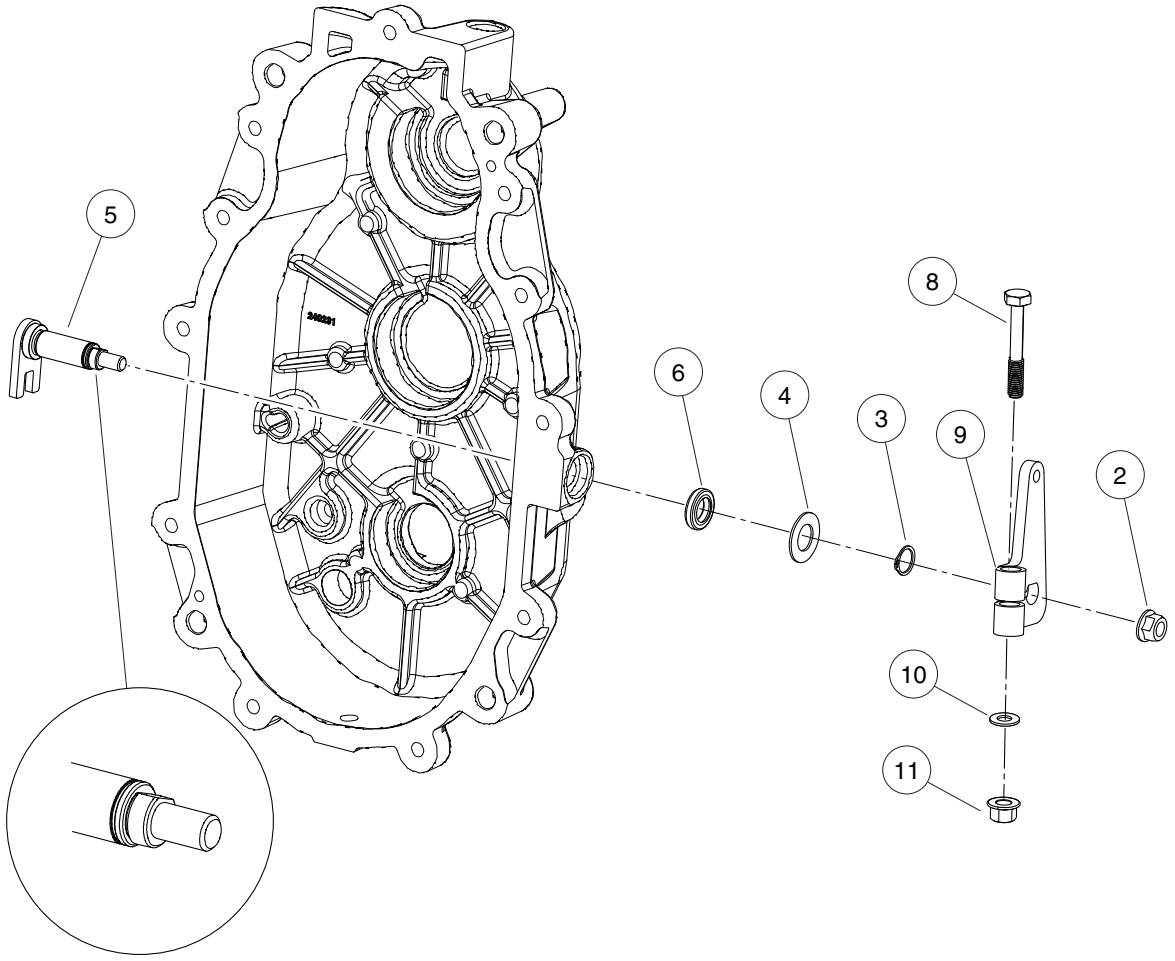
ITEM	PART NO.	DESCRIPTION	QTY
		1 2 3 4	
1	102697501	Dog, Engagement	1
2	102698701	Shaft, Intermediate	1
3	102764901	Kit, Forward Gear Repair (includes items 4 through 10)	1
4	102696201	Ring, Retaining, Basic External	2
5	102696501	Washer, Thrust, 1.007 X .062	2
6	102696801	Bearing, Ball	1
7	102696901	Bearing, Ball	1
8	102697101	Bearing, Needle	2
9	102697901	Gear, Helical 58-Tooth	1
10	102698001	Gear, Helical 34-Tooth	1
11	102765101	Kit, Neutral Switch Repair (includes items 12 through 15)	1
12	102697201	Spring, .484 X .340 X 1.076	1
13	N/A	Guide, Detent Bullet	1
14	102698601	Bullet, Detent	1
15	102699301	Switch, Indicator, Pollak	1
<p style="margin: 0;">Note: This page contains a list of components internal to the transmission. See the previous pages for other transmission components.</p>			

12

D

12

D



000016-009

TRANSMISSION SHIFT SHAFT AND BELL CRANK TRANSMISSION SHIFT SHAFT AND BELL CRANK (STYLE

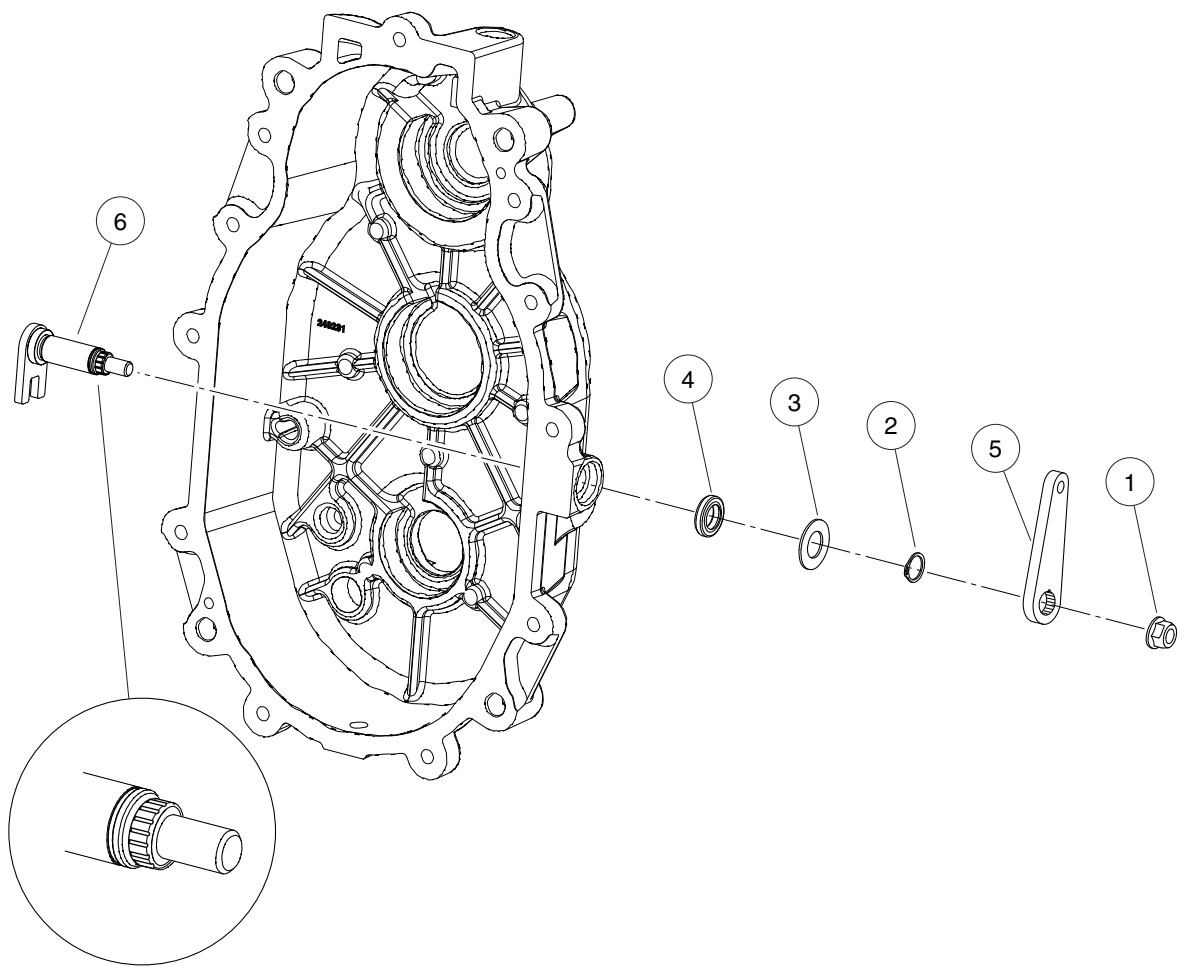
ITEM	PART NO.	DESCRIPTION	QTY
		1 2 3 4	
1	102765001	Kit, Trans Shift Shaft Repair (includes items 2 through 6)	1
2	102696001	Nut, Lock Hex, Nylon, 5/16-24	1
3	102696401	Ring, Retaining, External 9/16	1
4	102696601	Washer, Flat, .58 X 1.08 X .05	1
5	N/A	Weldment, Shift, Shaft	1
6	102699601	Seal, Dul Lip, .88 X .56 X .19	1
7	103294301	Kit, Bellcrank, D Shape, Clamp (includes items 8 through 11)	1
8	1010177	Bolt, 3/8-16 X 2.00 Hex Head	1
9	N/A	Asm, Bellcrank, D Shape, Clamp	1
10	334	Washer, 3/8 Type A Flat	1
11	8754	Locknut, 3/8-16 Hex	1

12

D

12

D



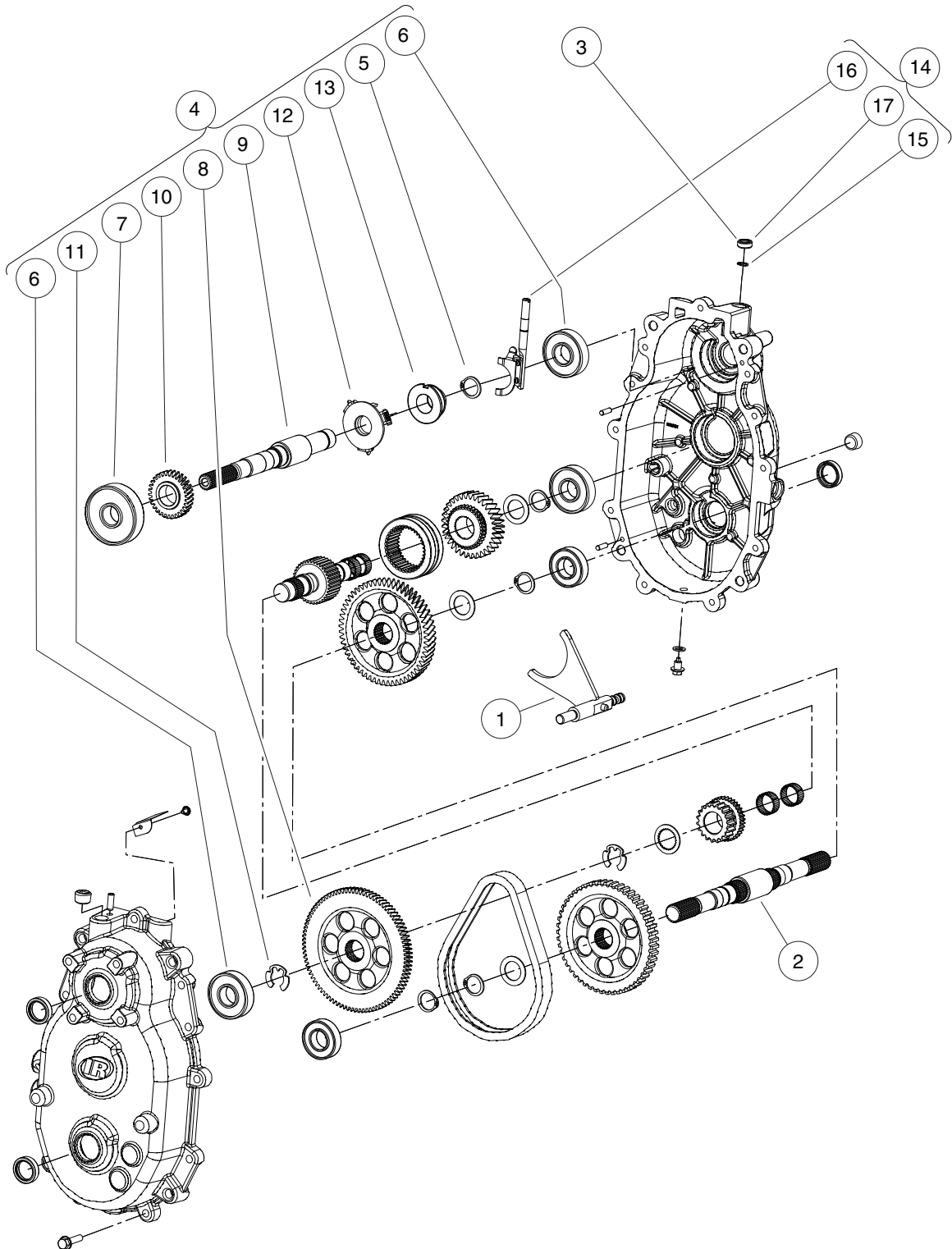
000016-010

TRANSMISSION SHIFT SHAFT AND BELL CRANK (STYLE B)

ITEM	PART NO.	DESCRIPTION	QTY
		1 2 3 4	
1	102696001	Nut, Lock Hex, Nylon, 5/16-24	1
2	102696401	Ring, Retaining, External 9/16	1
3	102696601	Washer, Flat, .58 X 1.08 X .05	1
4	102699601	Seal, Dul Lip, .88 X .56 X .19	1
5	103239501	Bellcrank, Alum	1
6	103239801	Shaft, Shift	1

12

D



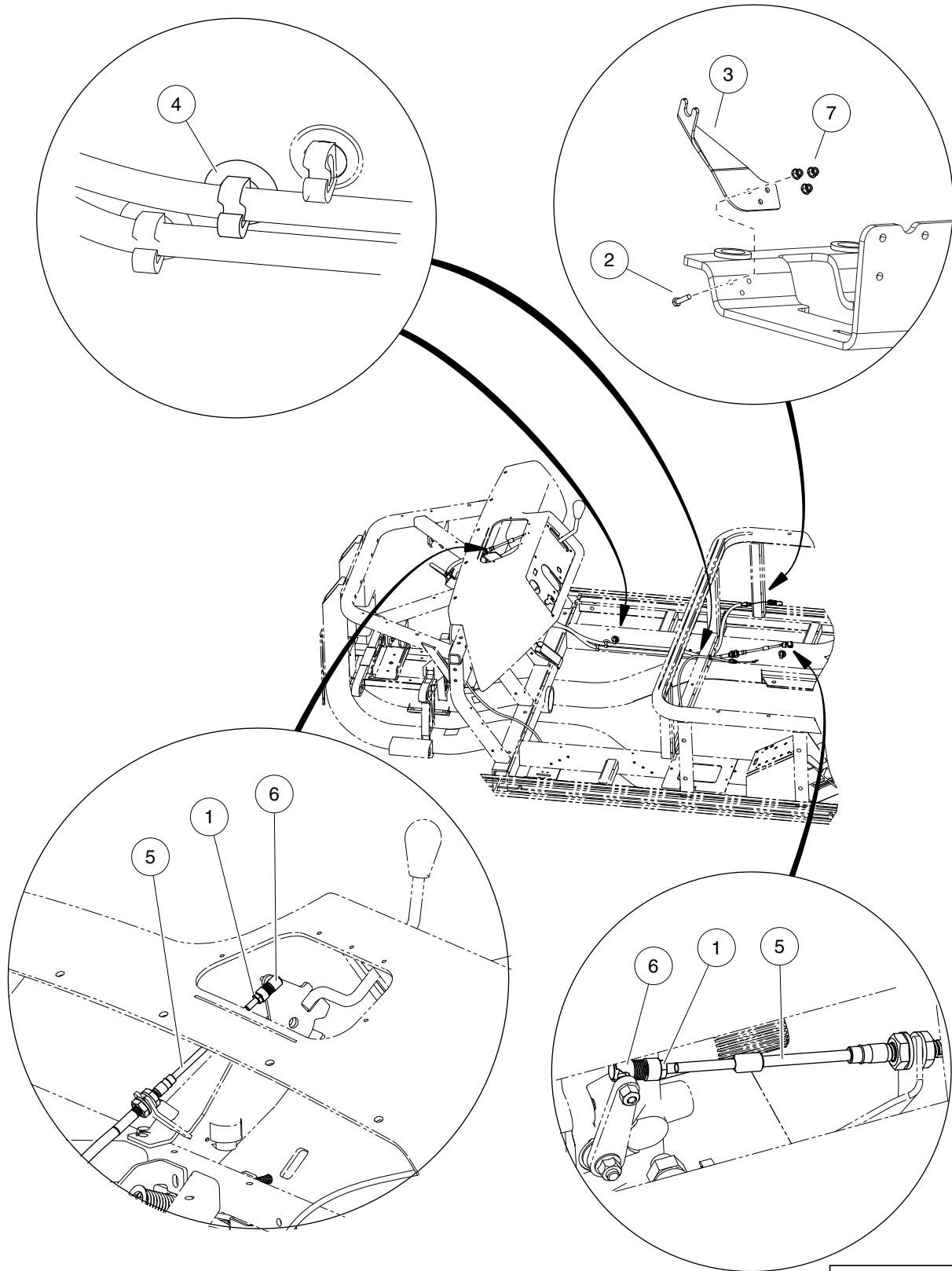
000016-003

TRANSMISSION, CONTINUED

ITEM	PART NO.	DESCRIPTION	QTY
		1 2 3 4	
1	102697801	Fork, Transmission	1
2	102698801	Shaft, Output	1
3	102699501	Plug, 19mm	1
4	102764701	Kit, Input Shaft Repair (includes items 5 through 13)	1
5	102696201	Ring, Retaining, Basic External	1
6	102696901	Bearing, Ball	2
7	102697001	Bearing, Ball	1
8	102698101	Gear, Helical 90-Tooth	1
9	102698401	Shaft, Input	1
10	102699001	Gear, Helical, 31-tooth	1
11	102699701	Ring, Retaining, E-Ring	1
12	102700201	Sub Assy, Fly Weight	1
13	102700301	Sub Assy, Governor Spool	1
14	102764801	Kit, Governor Shaft Repair (includes items 15 through 17)	2
15	102700001	Ring, Retaining	1
16	102700101	Assy, Governor Arm	1
17	102721501	Seal, Dual-Lip	1
<p>Note: This page contains a list of components internal to the transmission. See the previous pages for other transmission components.</p>			

12

D



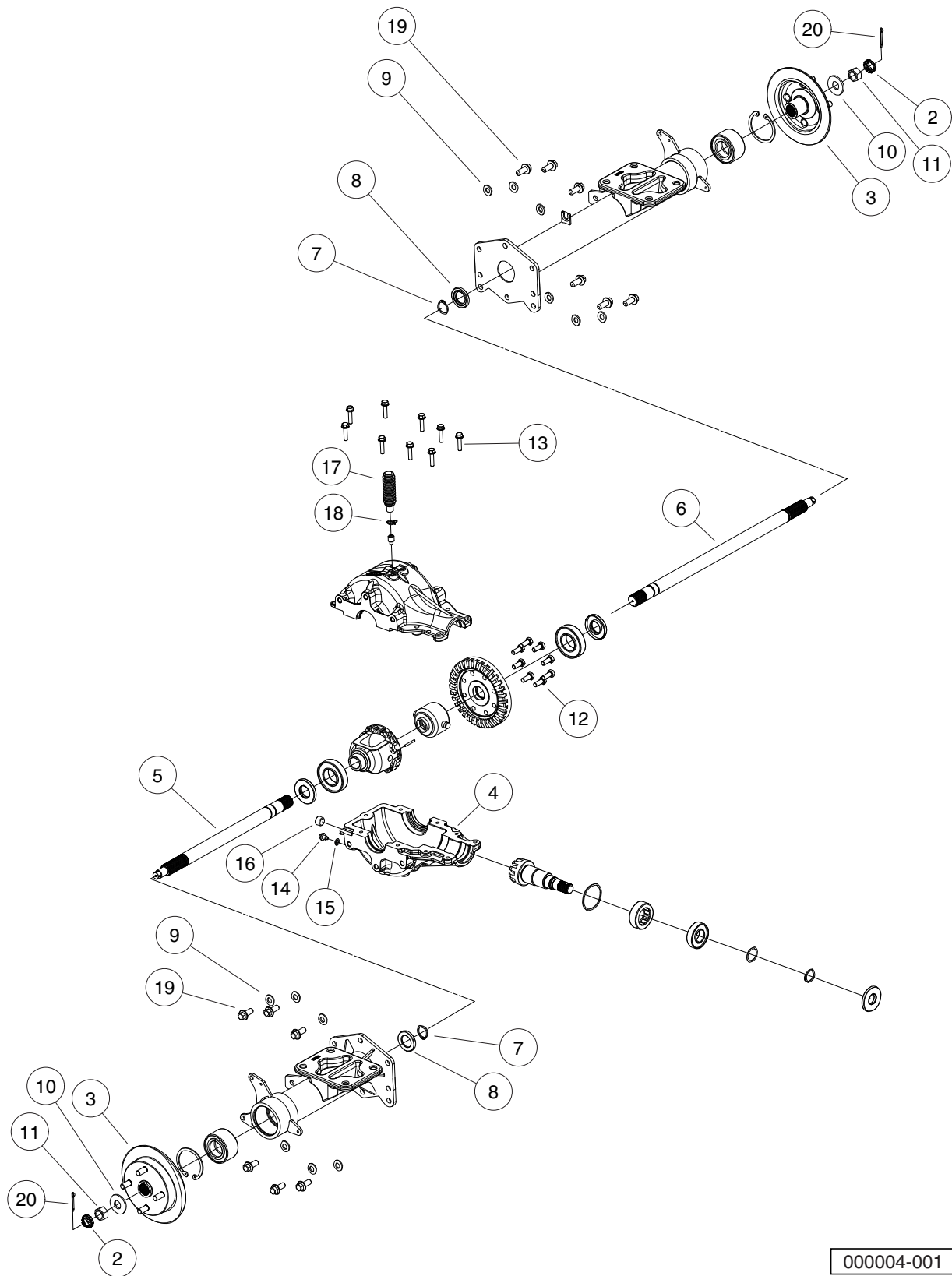
000032-001

TRANSMISSION CABLE

ITEM	PART NO.	DESCRIPTION	QTY
		1 2 3 4	
1	1011084	Nut, 1/4-28 Hex Jam	2
2	1012769	Screw, M6-1.00 X 25mm Hex Cap	3
3	102382401	Bracket, FNR Trans Cable	1
4	102475701	Clip, Brake Line	2
5	102495801	Cable, Transmission Shift	1
6	102615801	Joint, Ball, .346 Dia	2
7	102621501	Nut Flg, M6 X 1.0 Nylon	3

12

D



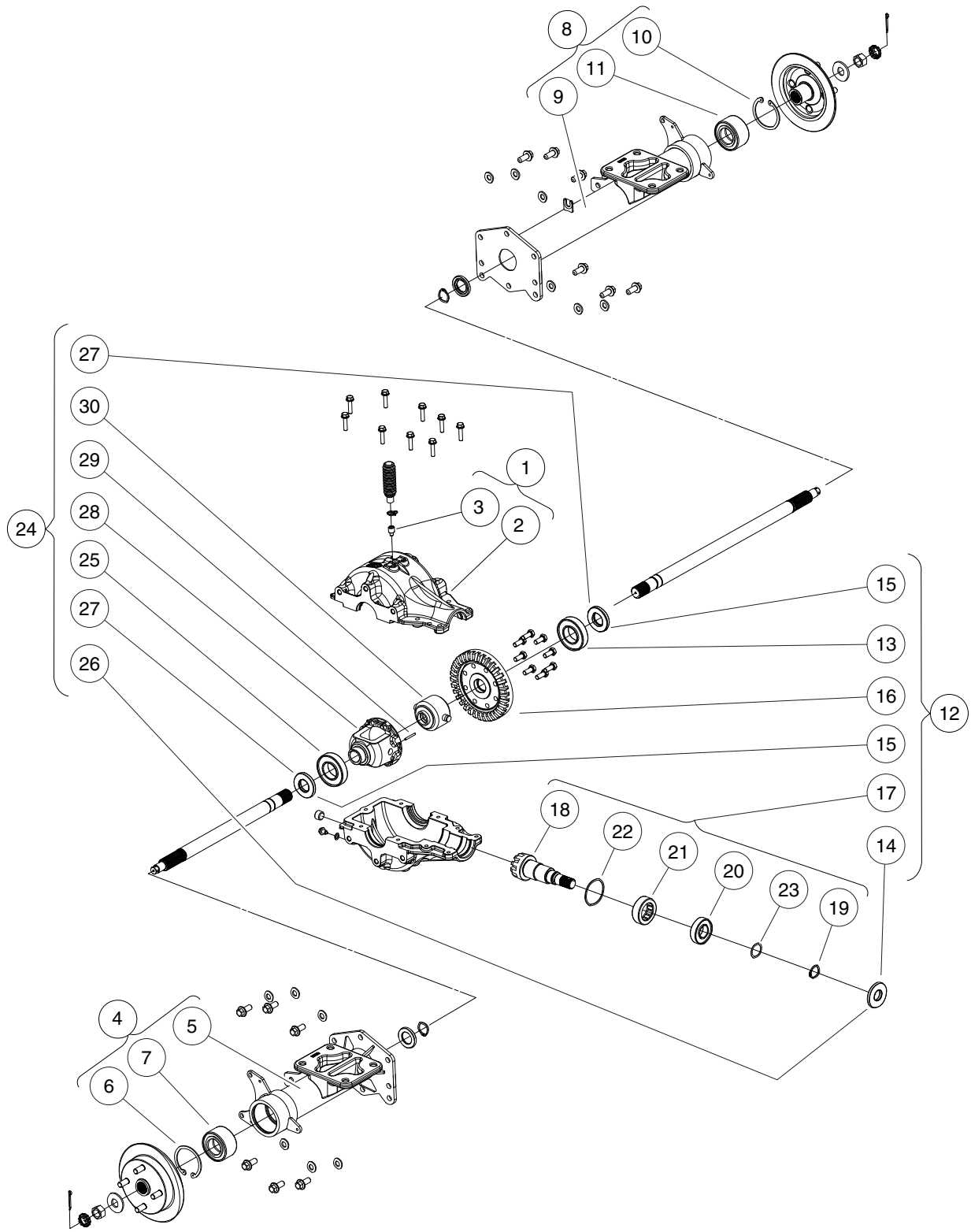
000004-001

REAR DIFFERENTIAL

ITEM	PART NO.	DESCRIPTION	QTY
		1 2 3 4	
1	102831501	Axle, Rear, Guard Mounts (Complete Assembly) (includes items 2 through 20)	1
2	102276001	Locking Cap, Nut	2
3	102376602	Assy, Rotor, Brake, Rear	2
4	102449101	Gearcase, Lower, Machined	1
5	102463501	Axle, Right-hand	1
6	102463601	Axle, Left-Hand	1
7	102463801	Ring, Retaining, Internal	2
8	102672101	Washer, counterbored 51 X 30	2
9	102672201	Washer, Belleville, 1.063 X .043	12
10	102672301	Washer, Belleville, 49 X 4	2
11	102672401	Nut, Hex, M20 X 1.5 , Modified	2
12	N/A	Screw, M10 X 25	8
13	102693301	Screw, hex Flange, M8 X 35	9
14	102693401	Plug, 3/8-16, Hex Flange	1
15	102693501	Washer, .625 X .382 X .60	1
16	102694201	Plug, Square Skt, 1/12-14, Ptf	1
17	102694301	Bellows, Vent, Upper Housing	1
18	102694401	Clamp, Hose, Dw-9.5	1
19	102694701	Screw, Hex Fl, M12 X 1.75 X 30	12
20	102694801	Pin, Cotter, 5/32 X 1.25	2

12

D



000004-002

REAR DIFFERENTIAL, CONTINUED

ITEM	PART NO.	DESCRIPTION	QTY
		1 2 3 4	
1	102765301	Asm, Gearcase, Upper (includes items 2 and 3)	1
2	102449201	Gearcase, Upper, Machined	1
3	102694001	Vent, Top, Upper Housing	1
4	102765401	Asm, Axle Tube, RH (includes items 5 through 7)	1
5	102463401	Weldment, Axle Tube Rh	1
6	102463801	Ring, Retaining, Internal	1
7	102464301	Bearing	1
8	102765501	Asm, Axle Tube, LH (includes items 9 through 11)	1
9	102463301	Weldment, Axle Tube Lh	1
10	102463801	Ring, Retaining, Internal	1
11	102464301	Bearing	1
12	102765801	Kit, Rear Axle Gear Repair (includes items 13 through 17)	1
13	102464201	Bearing, Ball	1
14	102464401	Seal, Dual-Lip 25x 62x 7tc	1
15	102464501	Seal, Dual-Lip 30x 62x 8tc	2
16	102762601	Gear, Ring, 33-Tooth	1
17	102765701	Asm, Pinion W/ Bearings (includes items 18 through 23)	1
18	102463101	Pinion, 10t Machined	1
19	102463901	Ring, Retaining, External	1
20	102464001	Bearing, Ball	1
21	102464101	Bearing, Needle, Drawn Shell	1
22	102693601	Washer, 2.625 X 2.367 X .06	1
23	102694502	Shim, 1.50 X 1.189 X .008	1
24	102961501	Asm, Differential & Carrier (includes items 25 through 30)	1
25	102464201	Bearing, Ball	1
26	102464401	Seal, Dual-Lip 25x 62x 7tc	1
27	102464501	Seal, Dual-Lip 30x 62x 8tc	2
28	102961301	Housing, Differential, Mach	1
29	102961401	Pin, Dowel, 4 X 35	1
30	102961601	Asm, Locker, Nongrease/Spacers	1

12

D

12

D

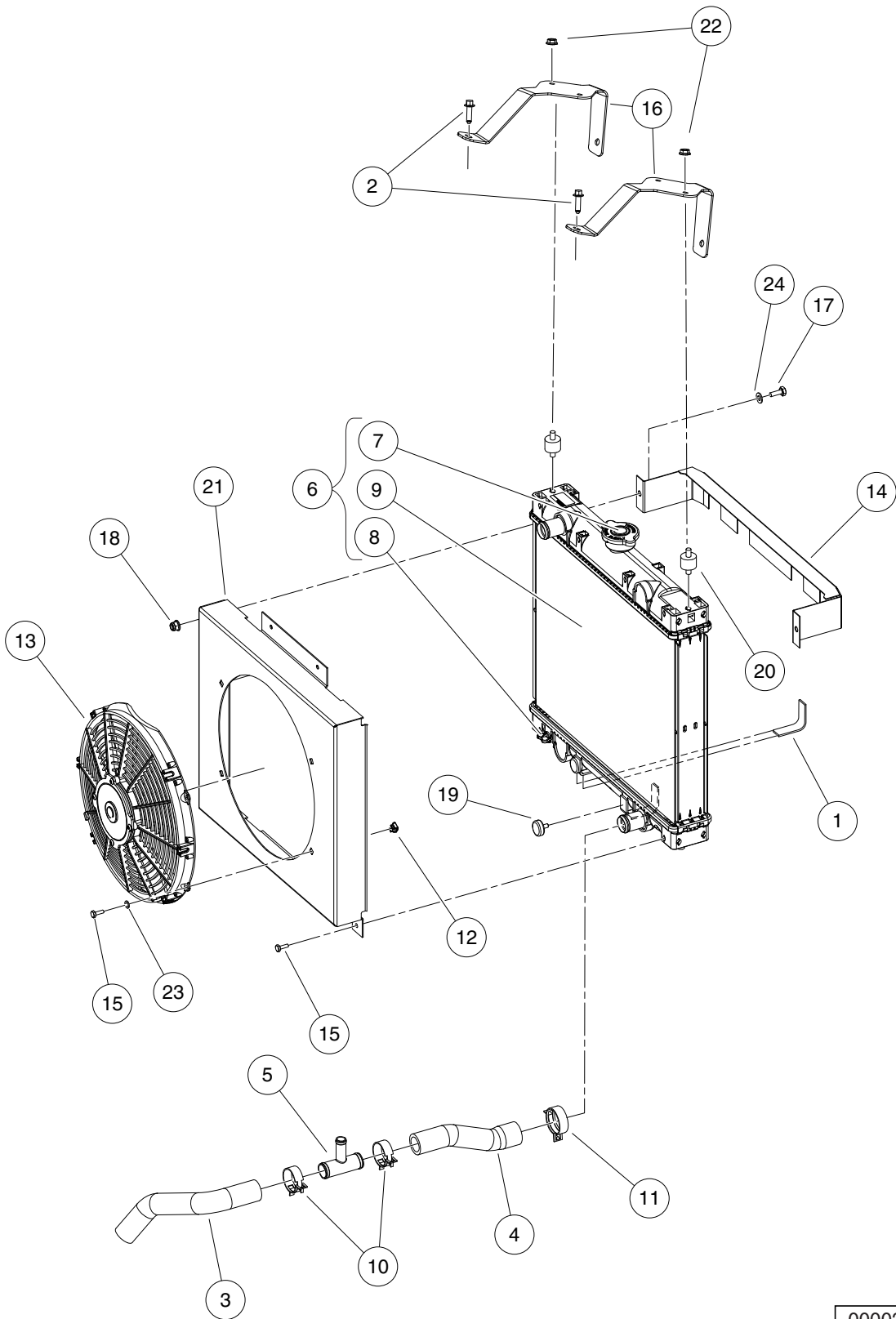
RADIATOR AND COOLANT SYSTEM (DIESEL VEHICLES)

13

D

13

D



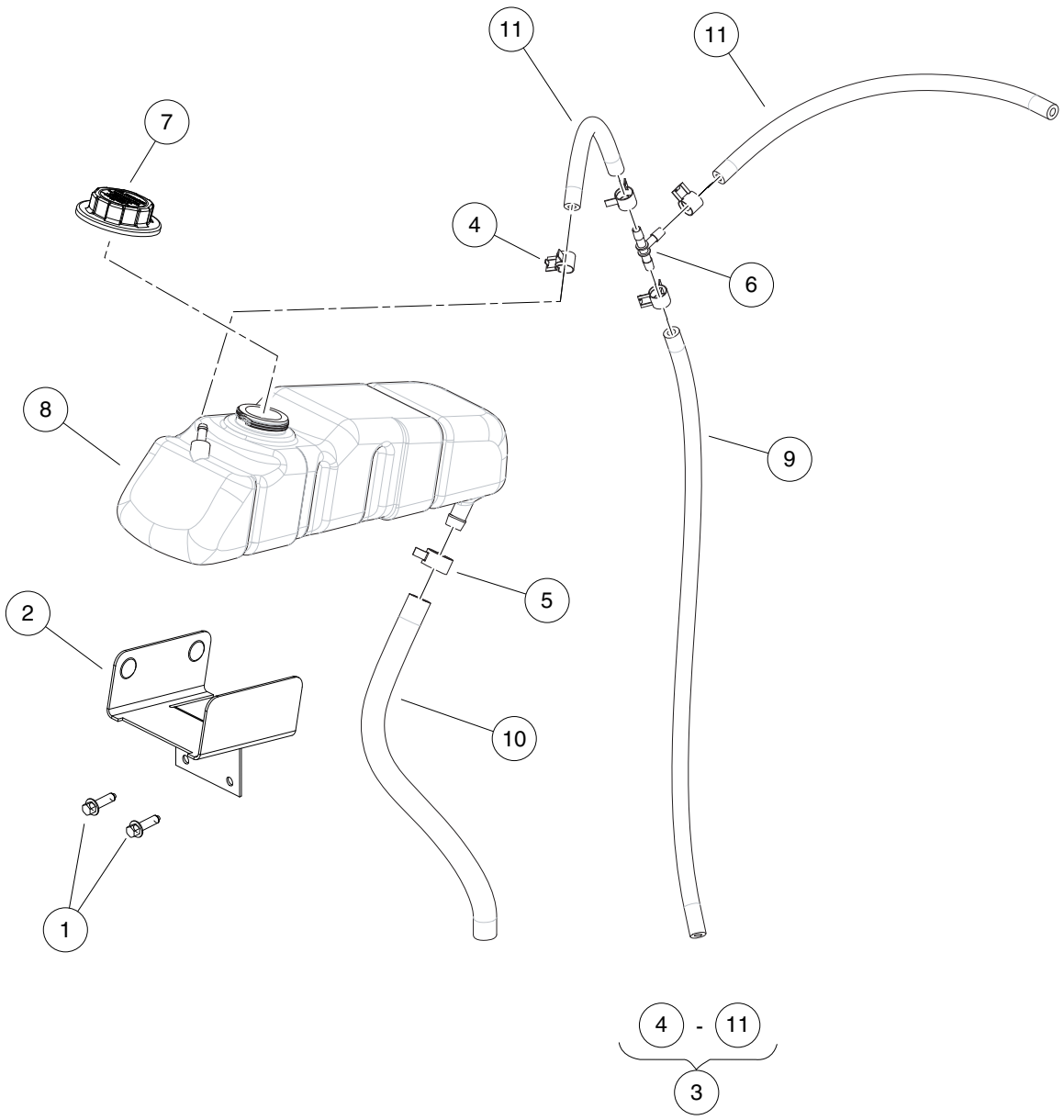
000024-001

RADIATOR

13

D

ITEM	PART NO.	DESCRIPTION	QTY
		1 2 3 4	
1	1014471	Tape, Vinyl Foam 1/8" x 3/4" *	1
2	102289001	Screw, M8X1.25X30, Hex	2
3	102377801	Hose, Coolant Lower Pipe	1
4	102377901	Hose, Coolant Lower Rad	1
5	102380301	Tee, Coolant Fill	1
6	102410301	Exchanger, Engine Coolant (includes items 7 and 8)	1
7	102737301	Cap, Radiator	1
8	102737401	Drain Cock, Radiator	1
9	102411207	Clamp, Hose, Ctb 35mm	2
10	102411208	Clamp, Hose, Ctb 38mm	1
11	102411301	Nut, Self Retaining	4
12	102436701	Fan, Cooling 12 In Elect	1
13	102452101	Guard, Radiator, Top	1
14	102490301	Bolt, M6 X 1 X 16 Loctite	8
15	102493401	Bracket, Upper Radiator Mount	2
16	102498101	Bolt, M8 X 1.25 X 20	2
17	102618601	Lock Nut, Flg M8 X 1.25 Nylon	2
18	102684401	Bumper, 13mm Stud	2
19	102685001	Isolator, Twin-Stud	2
20	102855501	Shroud, Radiator Fan	1
21	96704416	Nut Flg, M8 X 1.25 Serrated	2
22	96705199	Washer, M6	4
23	96741038	Washer, M8 Hard	2
		* Note: Item not shown.	



000078-001

COOLANT EXPANSION TANK

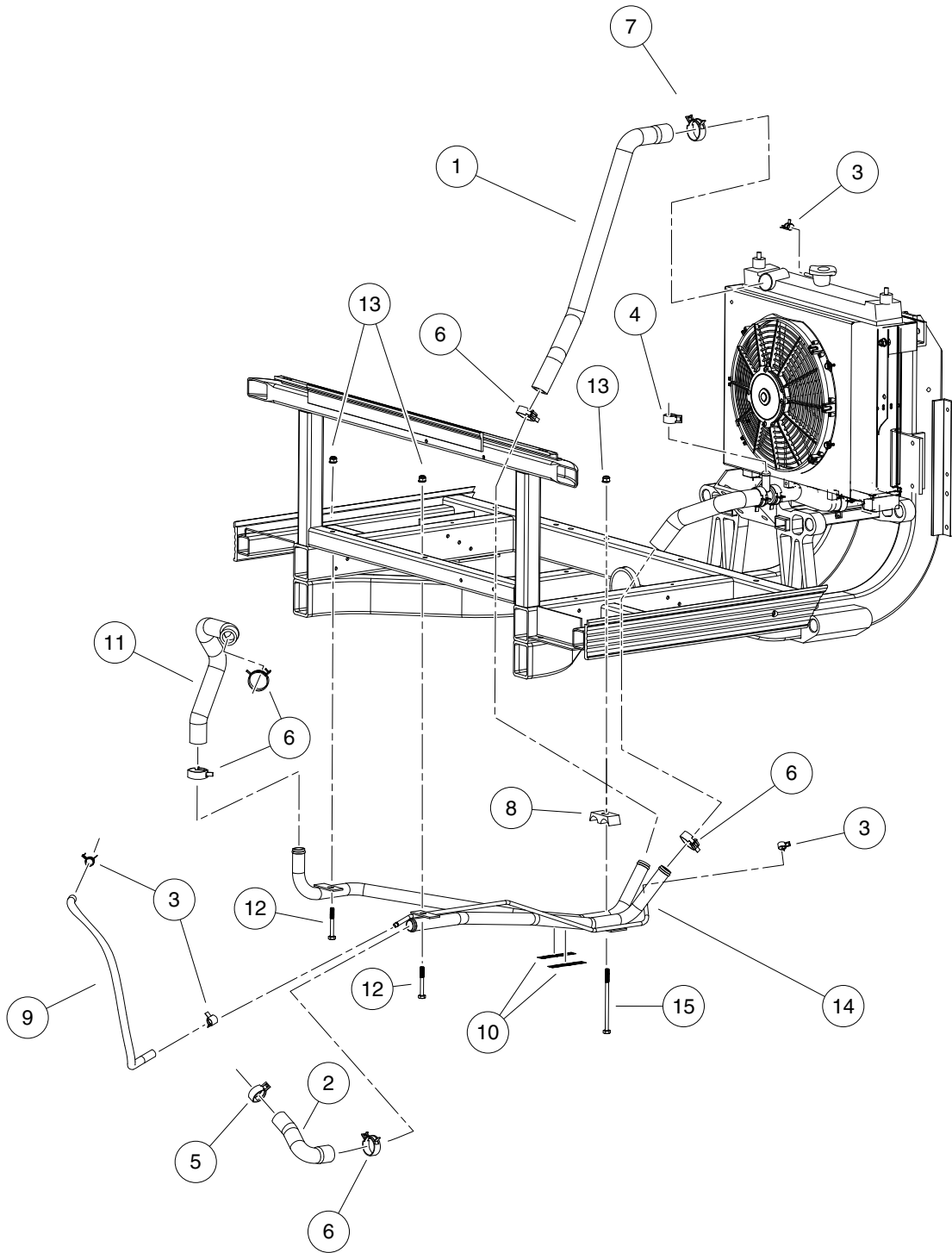
ITEM	PART NO.	DESCRIPTION	QTY
		1 2 3 4	
1	102289001	Screw, M8X1.25X30, Hex	2
2	102460801	Bracket, Coolant Bottle	1
3	N/A	Asm, Tank, Expansion (includes items 4 through 11)	1
4	102411204	Clamp, Hose, CTB 15mm	4
5	102411205	Clamp, Hose, CTB 22mm	1
6	102411701	Fitting, Tee	1
7	102427501	Cap, Radiator	1
8	102434501	Tank, Expansion	1
9	102435201	Hose, Tee To Vent Tube, Coolnt	1
10	102807601	Hose, Clnt, 5/8 Sae J20r3 Bulk	1
11	102807801	Hose, Clnt 5/16 Sae J20r3 Bulk	1

13

D

13

D



000079-001

COOLANT PIPES AND HOSES

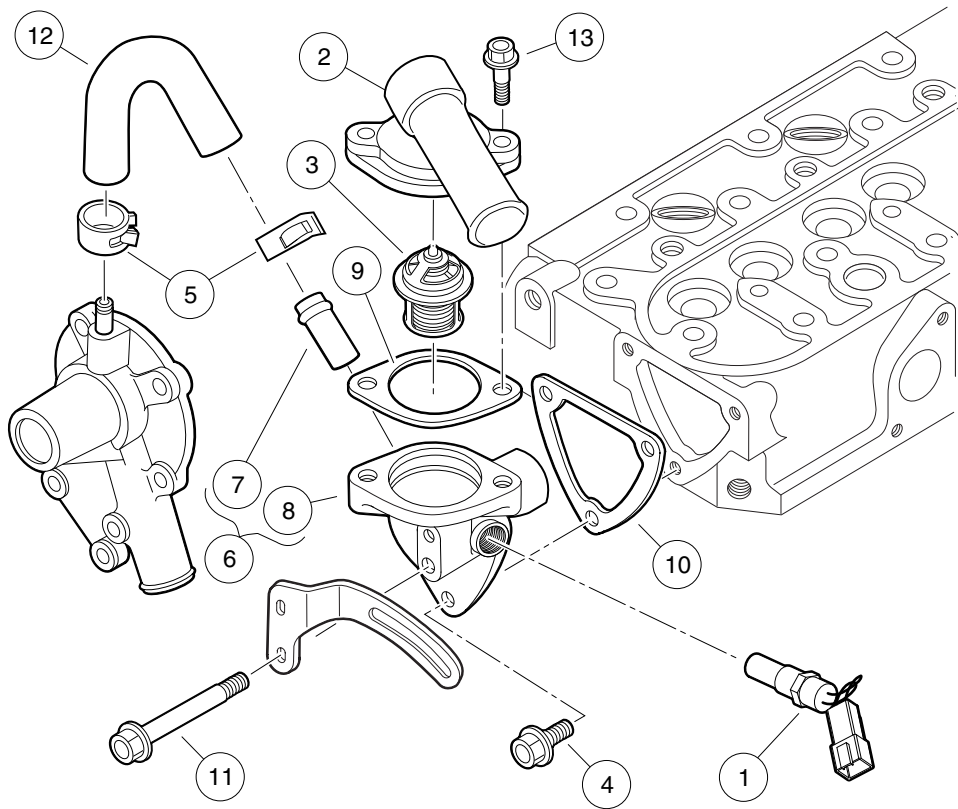
ITEM	PART NO.	DESCRIPTION	QTY
		1 2 3 4	
1	102377501	Hose, Coolant Upper Rad	1
2	102377601	Hose, Coolant Lower Eng	1
3	102411204	Clamp, Hose, CTB 15mm	4
4	102411205	Clamp, Hose, CTB 22mm	1
5	102411206	Clamp, Hose, Ctb 30mm	1
6	102411207	Clamp, Hose, Ctb 35mm	5
7	102411208	Clamp, Hose, Ctb 38mm	1
8	102427601	Clamp, Bar	1
9	102435001	Hose, Vent Tube To Eng, Coolnt	1
10	102458901	Decal, Hot Surface Warning	2
11	102480501	Hose, Coolant, Return, Engine	1
12	102618301	Bolt Flanged Head, M8 X 1.25 X 65	2
13	102618601	Lock Nut, Flg M8 X 1.25 Nylon	3
14	102628701	Weldment, Group, Coolant Pipe (includes items 15 through 19)	1
15	102377401	Pipe, Coolant Upper	1
16	102377701	Pipe, Coolant Lower	1
17	N/A	Tab, Rear Mntg, Coolant Pipe	2
18	N/A	Pipe, Vent, Coolant	1
19	N/A	Tab, Cooling Pipe Mount	1
20	96747126	Bolt, M8 X 1.25 X 130	1

13

D

13

D



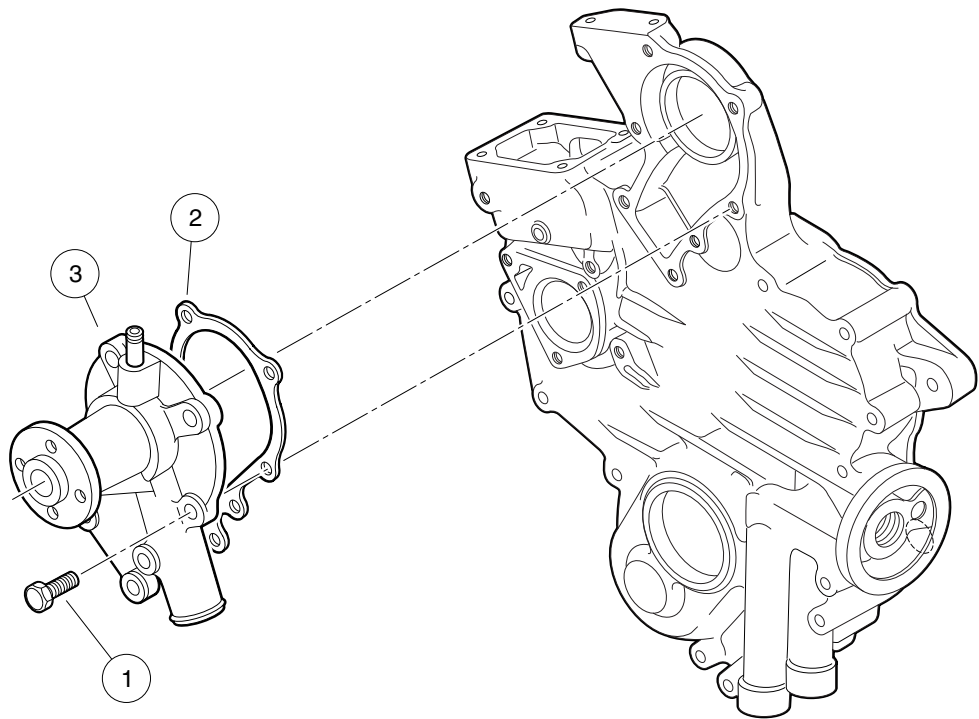
000059-001

WATER FLANGE AND THERMOSTAT

ITEM	PART NO.	DESCRIPTION	QTY
		1 2 3 4	
1	102410001	Sensor, Coolant Temp	1
2	102631301	Cover, Thermostat	1
3	102631401	Assy, Thermostat	1
4	102631601	Bolt, M6 X 1 X 20	2
5	102633001	Band, Pipe	2
6	102633201	Flange, Water (includes items 7 and 8)	1
7	102633301	Pipe, Water Return, D722	1
8	N/A	Flange, Water	1
9	102633401	Gasket, Thermostat	1
10	102654701	Gasket, Water Flange	1
11	102730901	Bolt, Alt, D722, Stay Lower	1
12	102731001	Pipe, Water Return, D722	1
13	102731101	Bolt, D722, Thermostat Cover	2

13

D



000060-001

WATER PUMP

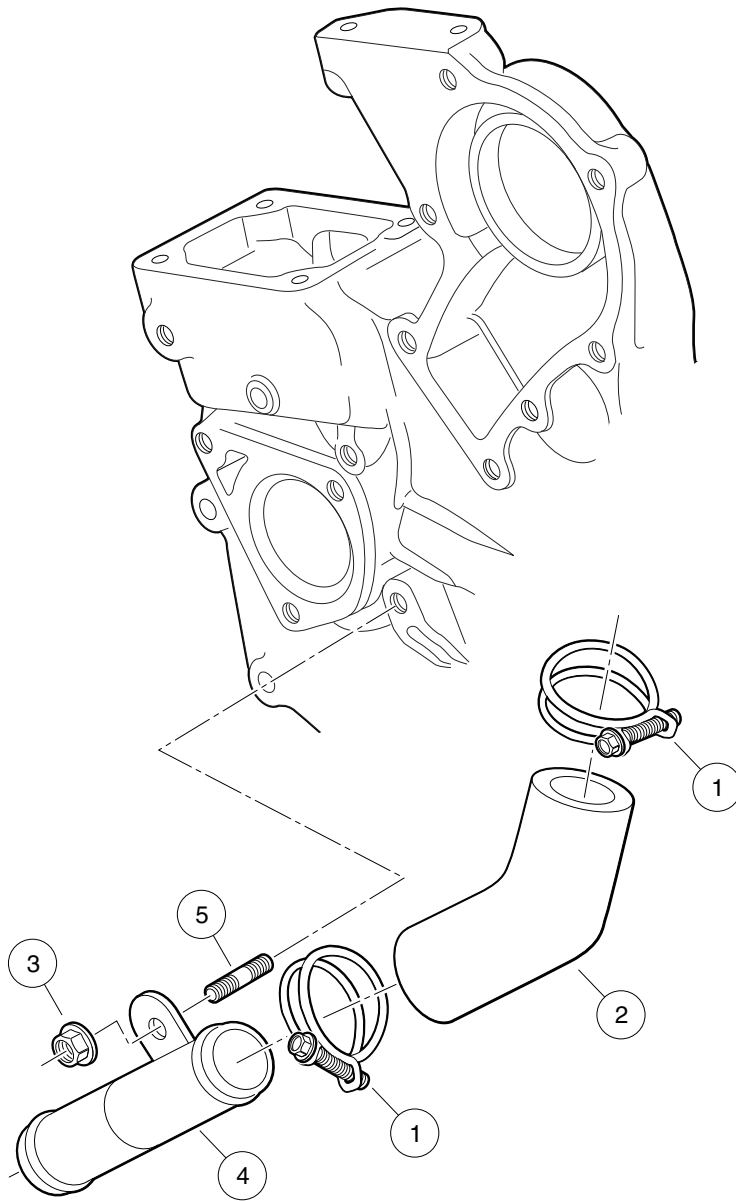
ITEM	PART NO.	DESCRIPTION	QTY
		1 2 3 4	
1	102608701	Bolt, M6 X 1 X 22	4
2	102632701	Gasket, Water Pump, D722	1
3	102731201	Water Pump Assembly	1

13

D

13

D



000061-001

BLOCK COOLANT PIPE

ITEM	PART NO.	DESCRIPTION	QTY
		1 2 3 4	
1	102631701	Band, Pipe, with Nut	2
2	102631801	Pipe, Water, Bent	1
3	102632001	Nut, Flange, M6	1
4	102632101	Pipe, Water, Bent	1
5	102632201	Stud, M6 X 15	1

13

D

13

D

MAINTENANCE AND SERVICE TOOLS

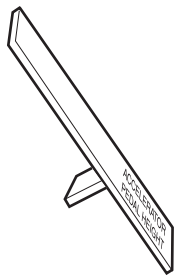
14

G

E

D

14
G
E
D



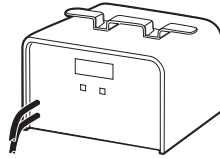
1



2



3



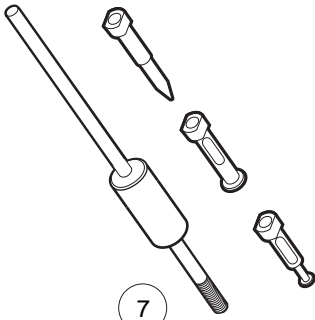
4



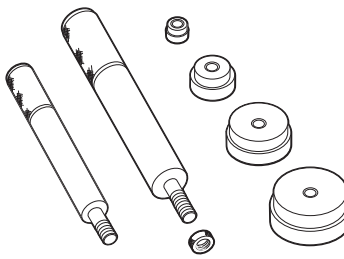
5



6



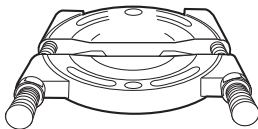
7



8



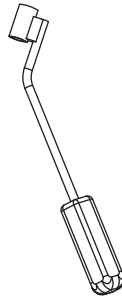
9



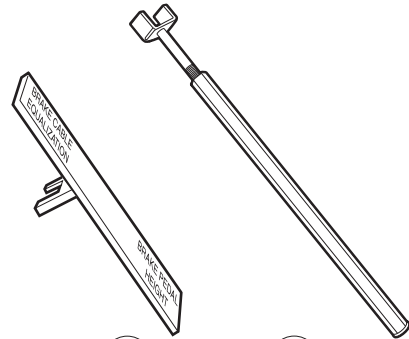
10



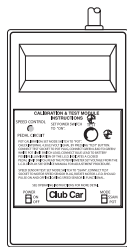
11



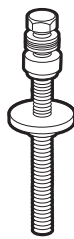
12



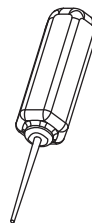
14
15
13



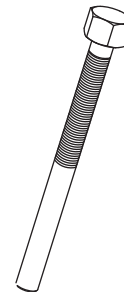
16



17



18

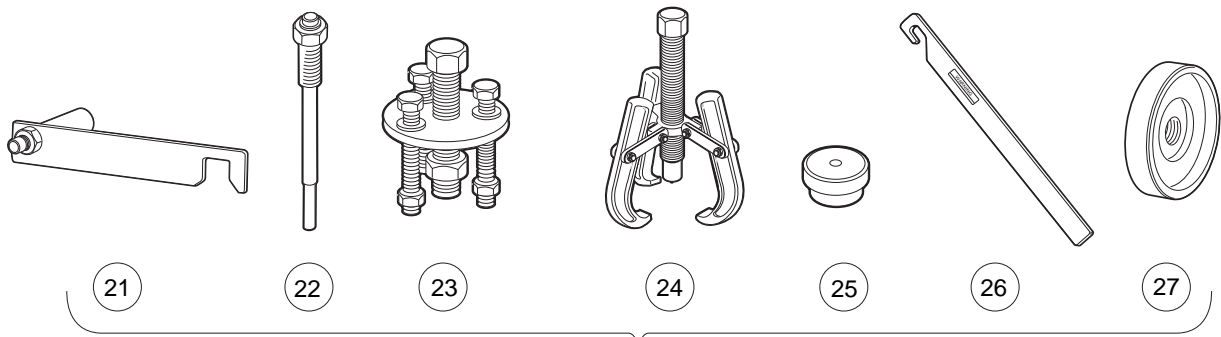


19

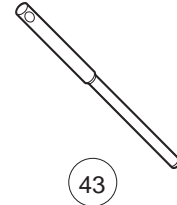
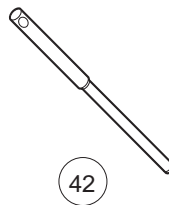
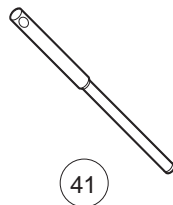
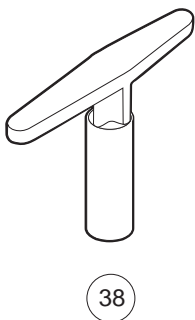
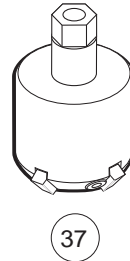
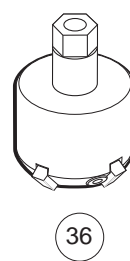
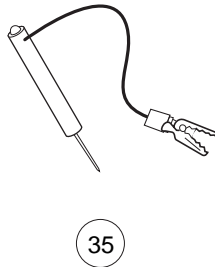
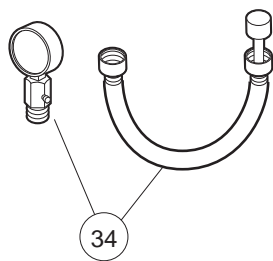
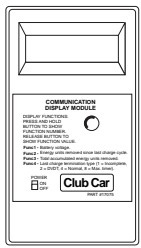
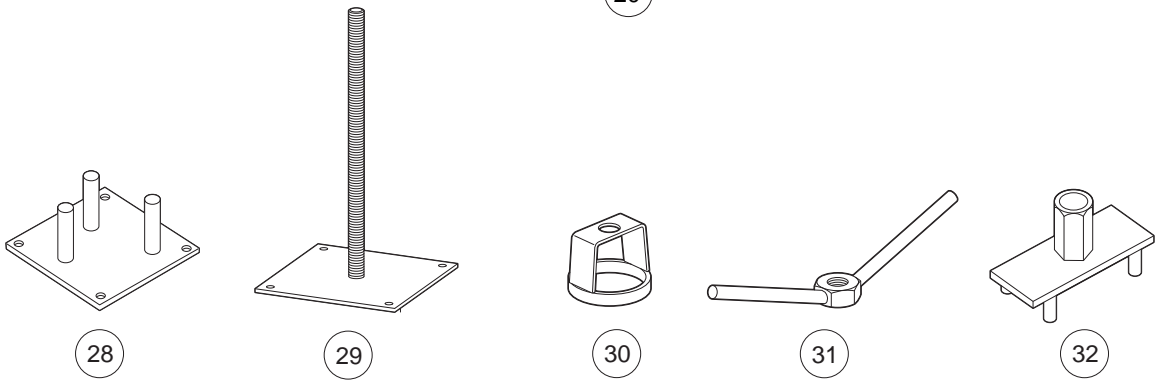
MAINTENANCE AND SERVICE TOOLS

ITEM	PART NO.	DESCRIPTION	QTY DIESEL	QTY GAS	QTY ELEC	14
		<p>1 2 3 4</p> <p>The following tool list includes all tools available from Club Car for maintenance and service procedures for gasoline, electric, and/or diesel vehicles, both past and present models. Be sure to carefully examine the tool list for applicability to your vehicle before ordering.</p>				G
						E
						D
1	101871001	Accelerator Pedal Adjustment Tool		1	1	
2	101813202	Adhesive, Guide Ring, 3-Gram Tube			1	
3	101641202	Arbor		1		
4	101831901	Battery Discharge Machine, 36/48 Volt			1	
5	1014305	Battery Terminal Protector Spray	1	1	1	
6	1011767	Battery Thermometer	1	1	1	
7	1016417	Bearing and Oil Seal Remover Assembly	1	1	1	
8	1016416	Bearing Driver Set	1	1	1	
9	1012811	Bearing Puller	1	1	1	
10	1012812	Bearing Puller Wedge Attachment	1	1	1	
11	1013582	Brake Adjustment Tool (used only on vehicles with manually adjusted mechanical brakes)		1	1	
12	102555501	Brake Cable Release Tool	1	1	1	
13	102249901	Brake Pedal Adjustment Tool Kit (used for the Carryall Electric Industrial Truck only) (includes items 14 and 15).....			1	
14	****	Brake Pedal Adjustment Tool			1	
15	****	Brake Pedal Tension Tool			1	
16	101887101	Calibration Test Module			1	
17	101808401	Cam Installation Tool		1		
18	102562401	Charger Bezel Tool			1	
19	102686101	Clutch Removal Tool (for 4x4 vehicles)	1	1		
		Please refer to the maintenance and service manual for proper tool application.				
	****	Special order item available upon request				

14
G
E
D



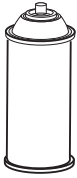
20



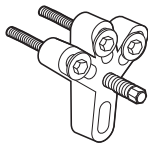
MAINTENANCE AND SERVICE TOOLS, CONTINUED

ITEM	PART NO.	DESCRIPTION	QTY	QTY	QTY	14
			DIESEL	GAS	ELEC	
		1 2 3 4				G
20	1014510	Clutch Tool Kit (includes items 21 - 27)		1		E
21	1014498	Clutch Alignment Tool (for pre-unitized transaxle vehicles built prior to 1997 model year)		1		D
22	1014496	Drive Clutch Puller (for Kawasaki engines only)		1		
23	1014497	Drive Clutch Hub Puller (for Kawasaki engines only)		1		
24	1014508	Driven Clutch Cam Puller (for Kawasaki engines only)		1		
25	1014507	Driven Clutch Puller Plug (for Kawasaki engines only)		1		
26	1015524	Drive Clutch Holder Tool Assembly (for Kawasaki engines only)		1		
27	101809101	Press Weldment (for Kawasaki engines only)		1		
28	102601501	Drive ClutchFixed Sheave Tool (for 4x4 vehicles)	1	1		
29	102603501	Driven Clutch Spring Compression Base (for use with items 30 and 31) (for 4x4 vehicles)	1	1		
30	102605201	Driven Clutch Spring Compression Collar (for use with items 29 and 31) (for 4x4 vehicles)	1	1		
31	102606101	Driven Clutch Spring Compression Nut (for use with items 29 and 30) (for 4x4 vehicles)	1	1		
32	102607501	Drive Clutch Spider Removal Tool (for 4x4 vehicles)	1	1		
33	101831801	Communication Display Module			1	
34	101641002	Compression Gauge and Adapter		1		
35	1011273	Continuity Tester		1	1	
36	102773801	Cutter, Valve Seat, #122		1		
37	102773901	Cutter, Valve Seat #115		1		
38	102774101	Wrench, T, #505.....		1		
39	102774101	Adapter, T-Wrench.....		1		
40	102675401	Cutter, Valve Seat, 60 Degree (requires item 51) (for Honda GX620 Gasoline Engines)		1		
41	102774201	Pilot, 6.6 MM		1		
42	102774301	Pilot, 6.62 MM.....		1		
43	102774401	Pilot, 6.65 MM.....		1		
		Please refer to the maintenance and service manual for proper tool application.				

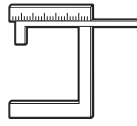
14
G
E
D



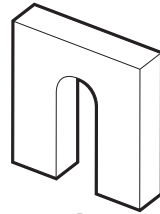
44



45



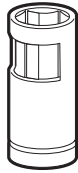
46



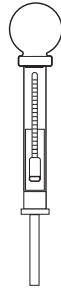
47



48



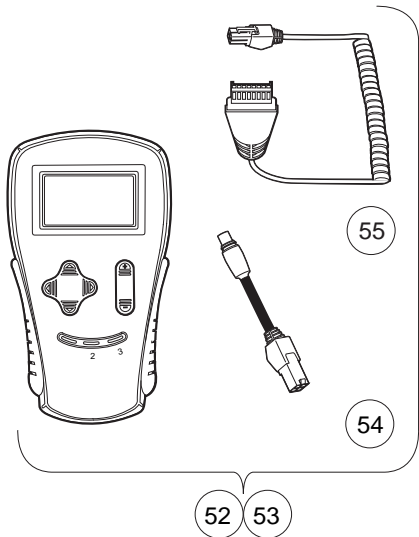
49



50



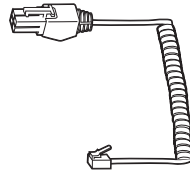
51



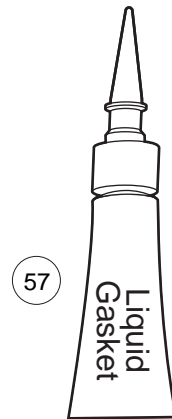
52 53

55

54



56



57



58



59 60



61

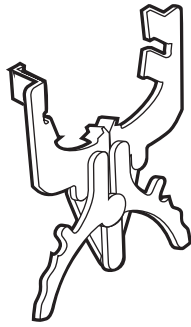
MAINTENANCE AND SERVICE TOOLS, CONTINUED

ITEM	PART NO.	DESCRIPTION	QTY DIESEL	QTY GAS	QTY ELEC	14
		1 2 3 4				G
44	1012151	Dry Moly Lubricant	1	1	1	E
45	1016627	Flywheel Puller Kit (for Kawasaki Engines)		1		D
46	102669901	Gauge, Carburetor Float Level (for Honda GX620 Gasoline Engines)		1		
47	1016418	Gear Yoke	1	1	1	
48	101933101	Governor Shaft Installation Tool (for Kawasaki Engine Vehicles)		1		
49	102169401	Hydraulic Brake Adjuster (for Turf/CA 272/472, Pioneer/XRT 1200, Bobcat 2100, HUV 4213)			1	
50	1011478	Hydrometer	1	1	1	
51	1013593	Internal Retaining Ring Pliers	1	1	1	
52	102248803	IQ Display Module (IQDM) Kit (IQ System and IQ Plus vehicles)			1	
		(includes items 54 and 55)				
53	102248804	IQ Display Module (IQDM-P) Kit (IQ System and IQ Plus vehicles)			1	
		(includes items 54 and 55)				
54	102251501	Adaptor, Cable			1	
55	102241502	IQDM Series 2 Cable			1	
56	102241501	IQDM Series 1 Cable (replacement)			1	
57	101928701	Liquid Gasket (transaxle case)	1	1	1	
58	102243402	Moly-Teflon Lubricant (4-oz. (113-gram) tube)			1	
59	101997201	Paint, Touch-Up – Beige*		1	1	
59	101997207	Paint, Touch-Up – Black*		1	1	
59	101997212	Paint, Touch-Up – Burgundy*		1	1	
59	101997211	Paint, Touch-Up – Classic Blue (Navy)*		1	1	
59	101997205	Paint, Touch-Up – Dark Gray*	1	1	1	
59	101997209	Paint, Touch-Up – Dark Green*	1	1	1	
59	101997204	Paint, Touch-Up – Gray*	1	1	1	
59	101997203	Paint, Touch-Up – Red*	1	1	1	
59	101997206	Paint, Touch-Up – Royal Blue (Pacific Blue)*		1	1	
59	101997202	Paint, Touch-Up – White*	1	1	1	
60	102562301	Paint, Precedent Underbody – Gray		1	1	
61	102587201	Paint Pen, Touch-Up, Precedent Underbody – Black		1	1	
		Please refer to the maintenance and service manual for proper tool application.				
		* Item 59 is not for use on Surlyn [®] body material, which is used on Precedent vehicles.				

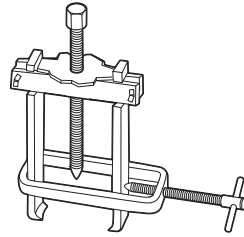
14
G
E
D



62



63



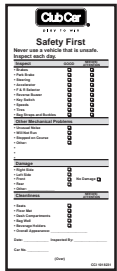
64



65



66



67



68



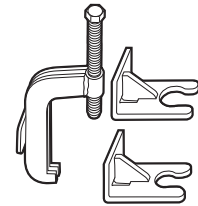
69



70



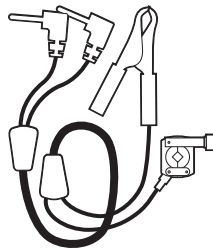
71



72



73



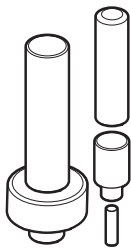
74



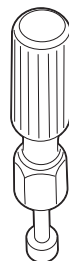
75



76



77



83



84



85



86

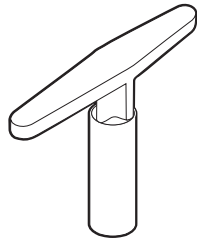
MAINTENANCE AND SERVICE TOOLS, CONTINUED

ITEM	PART NO.	DESCRIPTION	QTY	QTY	QTY	14
			DIESEL	GAS	ELEC	
		1 2 3 4				G
62	1016414	Piston Ring Compressor Kit (FE290, FE350 and FE400 engines)		1		E
63	1016415	Piston Ring Pliers (for Kawasaki Engines)		1		D
64	102668801	Puller, Special Use (for Kubota D722 Diesel Engines)	1			
65	1012549	Retaining Ring Pliers, 45° External	1	1	1	
66	1012560	Retaining Ring Pliers, 90° Internal	1	1	1	
67	101823101	Safety First Card (50 per pack)	1	1	1	
68	1012809	Seal Puller	1	1	1	
69	102330901	Spanner Wrench (for coil over shock front suspension vehicles only)	1	1		
70	1014264	Steering Column Bearing Press Tool		1	1	
71	1014259	Steering Column Retaining Ring Tool		1	1	
72	102061201	Steering Wheel Puller Tool	1	1	1	
73	AM10753	Tachometer (includes gasoline engine pick up lead only)	1	1		
74	AM10771	Tachometer Diesel Probe (for use with item 73)	1			
75	1014162	Transaxle Axle Seal Tool		1		
76	1014161	Transaxle Pinion Seal Tool		1		
77	1014115	Transmission Tool Kit		1		
78	101611003	Tune-Up Kit, All OHV (for FE290, FE350, FE400 only) (includes air filter, spark plug, oil filter, fuel filters) (not shown)		1		
79	AM11804	Tune-Up Kit, Gx620 (for Honda Engines) (includes air filter, spark plug, oil filter, fuel filters) (not shown)		1		
80	AM11805	Tune-Up Kit, D722 (for Kubota Engines) (includes air filter, oil filter, fuel filters, water separator filter) (not shown)	1			
81	AM1220301	Tune-Up Kit, Precedent (for FE290/350 Engines) (includes air filter, spark plug, oil filter, fuel filters) (not shown)		1		
82	AM1232401	Tune-Up Kit, FH680D (for Kawasaki V-Twin Engines) (includes oil filter, fuel filter, air filter, and spark plugs) (not shown)		1		
83	1016413	Valve Clearance Adjuster Screw Holder (for FE290 engines only)		1		
84	102674601	Valve Guide Driver (for Honda GX620 Gasoline Engines)		1		
85	101641201	Valve Guide Reamer (FE290, FE350, and FE400 only)		1		
86	102674401	Valve Guide Reamer, 6.6 mm (for Honda GX620 Gasoline Engines)		1		

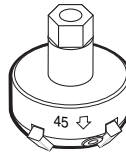
14
G
E
D



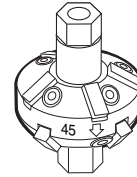
87



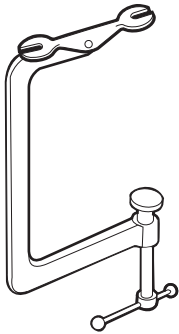
88



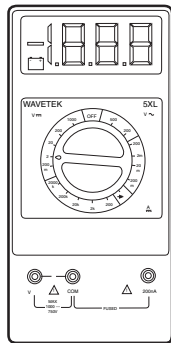
89



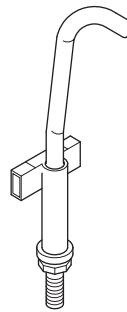
90



91



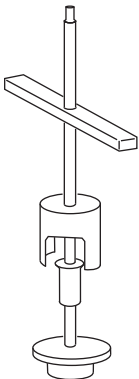
92



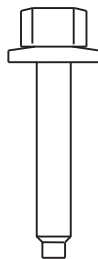
93



94



95



96

MAINTENANCE AND SERVICE TOOLS, CONTINUED

ITEM	PART NO.	DESCRIPTION	QTY DIESEL	QTY GAS	QTY ELEC	14
		1 2 3 4				G
87	1016552	Valve Seat Cutter Guide		1		E
88	1016551	Valve Seat Cutter T-Wrench		1		D
89	1016553	Valve Seat Cutter, 45° (32 mm diameter) (for FE290 engines only)		1		
90	1016554	Valve Seat Cutter, 45°/30° (35 mm diameter)		1		
91	101641101	Valve Spring Compressor		1		
92	1011480	Volt Ohm Meter	1	1	1	
93	102570401	Tool, Tensioning, Starter Generator (For Precedent vehicles)		1		
94	103601401	Puller, Drive Clutch, XRT 950*		1		
95	103601701	Tool, Disassembly, Driven Clutch, XRT 950		1		
96	103600501	Screw, Driven Clutch Disassembly, M6, XRT 950		1		
		<p>*Note: The XRT 950 Drive Clutch Puller requires the use of Screw, Driven Clutch Disassembly, CCI Part Number 103600501.</p>				

INDEX

Part Number and Page

AM10753	14-9	1013042	6-5	101641202	14-3
AM10771	14-9	1013044	6-5	1016413	14-9
183	5-11, 7-9, 9-5	1013051	6-5	1016414	14-9
332	1-11, 1-23, 7-15	1013052	6-5	1016415	14-9
334	1-17, 12-17	101313402	9-3	1016416	14-3
357	1-21	1013366	1-23	1016417	14-3
403	1-19	1013461	9-5	1016418	14-7
451	1-11, 1-13	1013462	9-5	1016551	14-11
1016	9-5	1013531	5-11, 5-13	1016552	14-11
1035	4-9, 5-13	1013582	14-3	1016553	14-11
1108	7-15	1013593	14-7	1016554	14-11
1241	5-11, 7-19	1013746	9-3	1016603	1-21
7310	2-3	1014115	14-9	1016627	14-7
7473	1-19, 1-23, 7-19	1014161	14-9	1016630	7-17
7820	7-11	1014162	14-9	1016851	12-11
8057	12-11	1014259	14-9	1016879	7-13
8058	12-11	1014264	14-9	1016880	7-13
8233	1-23	1014305	14-3	1016896	12-11
8248	1-7	1014306	1-7, 1-23, 1-25, 5-7	1016967	1-9
8251	1-25	1014321	1-25	1017064	7-13
8639	5-9, 5-11, 5-13, 7-11	1014375	7-19	1017162	1-21
8717	12-11	101438702	1-25	1017167	1-21
8754	1-19, 1-21, 6-11, 12-17	1014415	1-23	1017774	1-21
8755	1-19, 1-21	1014471	1-19, 13-3	101808401	14-3
8797	9-5	1014496	14-5	101809101	14-5
8990	1-21, 6-5, 7-9	1014497	14-5	101813202	14-3
1010177	12-17	1014498	14-5	101823101	14-9
1010200	1-21	1014507	14-5	101824401	9-3
1010435	1-19, 1-23	1014508	14-5	101831801	14-5
1010436	1-23	1014510	14-5	101831901	14-3
1010521	5-11, 5-13	1014530	7-11	101833001	7-11
101082903	5-7	1014537	1-23	101833101	8-3
1010934	7-19	1014557	7-17	101833201	8-3
1011084	12-23	1014727	12-11	101835601	1-17, 1-19
1011273	14-5	1014808	12-11	101856102	11-5
1011478	14-7	1015139	9-5	101871001	14-3
1011480	14-11	1015143	9-5	101879401	6-5
1011553	3-3	1015258	1-19	101879701	6-5
1011652	1-11, 1-13	1015277	1-17	101879801	6-5
1011767	14-3	1015399	1-19, 1-23	101879901	6-5
1011779	5-11, 5-13	1015400	1-19	101880201	6-5
1011825	7-11	1015521	7-15	101887101	14-3
1012151	14-7	1015524	14-5	101887601	5-7, 5-9
1012295	7-15	101553901	3-3	101894304	1-23
1012303	1-19	1015583	1-19	101898001	7-19
1012438	5-11	1015597	6-13, 6-15	101928701	14-7
1012549	14-9	1015636	7-17	101933101	14-7
1012560	14-9	1015741	7-15	101955101	7-11
101260202	5-11	101587703	9-3	101958602	1-17
1012769	1-25, 8-3, 12-23	1016078	1-17	101963401	1-23
1012809	14-9	101609401	3-3	101972001	14-7
1012811	14-3	101611003	14-9	101972002	14-7
1012812	14-3	1016183	6-11	101972003	14-7
1013035	6-5	101641002	14-5	101972004	14-7
		101641101	14-11	101972005	14-7
		101641201	14-9	101972006	14-7

INDEX

101972007	14-7	102251602	1-25	102377701	13-7
101972009	14-7	102251702	1-25	102377801	13-3
101972011	14-7	102274101	12-3	102377901	13-3
101972012	14-7	102276001	12-25	102379001	9-9
101990802	5-11, 5-13	102289001	1-9, 9-3, 13-3, 13-5	102380301	13-3
102010102	6-5	102289002	1-7	102380601	4-5
102021302	2-3	102290120	6-3	102381701	12-3
102021305	2-3	102296140	5-9, 6-7	102382401	8-3, 12-23
102021306	2-3	102296401	4-3, 5-9, 6-7	102385601	11-9
102021410	2-3	102296716	1-11, 5-9, 9-3, 11-3, 11-5	102385701	11-11
102021411	2-3	102298130	1-7, 6-3, 6-11	102393501	6-13, 6-15
102021412	2-3	102298170	7-11	102394002	6-9, 6-11
102021413	2-3	102298240	6-9, 6-11	102395601	9-9
102021502	1-7	102298401	8-3, 10-3, 12-11	102398901	6-13, 6-15
102021602	1-7	102301401	1-17	102399201	5-5
102021802	1-7	102323101	1-17	102399202	5-5
102022601	6-5	102323501	4-9	102402801	5-7
102022901	6-5, 6-7, 12-3	102330901	14-9	102402901	5-7
102023703	1-13	102339001	1-23	102406701	9-5
102025801	7-11	102353301	1-3	102406801	9-5
102028302	5-11	102355301	7-19	102407801	5-9
102045001	1-7	102361901	6-7, 12-3	102407901	5-9
102046501	3-7	102363802	6-3	102408401	6-7
102047001	1-11, 1-13	102364201	6-3	102409301	10-3
102048401	1-7	102365601	6-13	102409401	10-3
102051401	5-7	102365602	6-15	102409501	10-3
102052801	5-11, 5-13	102367101	6-3	102410001	13-9
102059401	1-11, 1-13	102367601	5-3	102410301	13-3
102061101	1-11, 1-13	102368201	12-3	102410603	1-7, 5-9, 8-3
102061201	14-9	102368301	12-3	102410801	9-3
102065901	1-19	102368302	12-3	102411203	9-3
102066001	1-21	102368501	6-7	102411204	13-5, 13-7
102169401	14-7	102368502	6-7	102411205	13-5, 13-7
102171503	1-19	102368801	6-7	102411206	13-7
102176901	5-7	102368802	6-7	102411207	13-3, 13-7
102198001	7-17	102369401	12-13	102411208	13-3, 13-7
1022006	7-13	102369901	11-11	102411209	9-9
102221301	1-23	102370101	8-3	102411210	11-3, 11-5
102221401	1-23	102370501	8-3	102411301	13-3
102221501	1-23	102370601	8-3	102411701	13-5
102221701	1-23	102371701	12-9	102414501	11-5
102221801	1-23	102371801	12-5	102414701	8-3
102222001	1-23	102372101	12-9	102414801	8-3
102222101	1-23	102373401	1-9	102418101	1-17
102222201	1-23	102374701	12-3	102418501	1-7
102224001	3-3	102374802	2-3	102420201	7-15
102229902	1-23	102374901	11-7	102420401	7-15
102231601	3-5	102375401	7-17	102420501	7-15
102238001	7-11	102375801	12-11	102422301	8-51, 10-3
102239901	1-23	102375901	12-11	102426301	9-3
102241501	14-7	102376001	12-11	102426601	1-17, 1-21
102241502	14-7	102376601	12-3	102426901	1-19
102243402	14-7	102376602	12-25	102427501	13-5
102248803	14-7	102377401	13-7	102427601	13-7
102249901	14-3	102377501	13-7	102430001	9-3
102251501	14-7	102377601	13-7	102430201	9-3

INDEX

102430301	9-3	102449101	12-25	102475701	5-9, 9-7, 12-23
102430401	9-3	102449201	12-27	102475801	12-3
102432001	1-7	102449901	6-5	102476301	4-3
102434501	13-5	102452101	13-3	102476401	4-3
102434601	9-3	102454001	1-25	102477001	6-13, 6-15
102434701	9-3	102454101	1-25	102477201	6-11
102434801	9-3	102454201	1-25	102477301	1-7
102435001	13-7	102455101	3-5	102478501	9-5
102435201	13-5	102457301	7-17	102479001	12-3
102436001	12-3	102458801	3-3	102479301	4-3
102436101	12-3	102458901	1-11, 1-13, 3-5, 13-7	102480501	13-7
102436701	13-3	102459001	3-5	102481001	11-5
102437001	6-7	102459101	3-5	102481201	11-5
102437101	6-7	102459201	3-5	102481301	11-5
102437201	1-9	102459301	3-3	102487201	7-9
102438101	4-7, 4-9	102459401	1-15, 3-3	102487301	7-9
102438201	12-5	102459501	3-5	102488001	5-3, 5-5
102438301	12-5	102459601	3-3	102489901	4-3
102438401	12-5	102459710	1-7	102490101	8-3
102438501	12-5	102459714	1-7	102490201	8-3
102438601	12-5	102459715	1-7	102490301	1-11, 7-9, 13-3
102438701	12-5	102459716	1-7	102490501	8-3
102438801	12-5	102459718	1-7	102490801	1-11, 6-7
102438901	12-5	102460201	3-5	102491001	12-3
102439001	12-5	102460801	13-5	102491101	12-3
102439101	12-5	102462301	8-3	102491301	1-9
102439201	12-5	102462401	12-3	102491501	1-7, 1-9
102439301	12-5	102462501	8-3	102491601	5-3, 5-5
102439401	12-5	102463101	12-27	102491701	1-25
102439501	12-5	102463301	12-27	102492201	7-15
102439601	12-5	102463401	12-27	102492301	7-15
102439701	12-5	102463501	12-25	102492401	5-11
102439801	12-5	102463601	12-25	102492801	1-7
102439901	12-5	102463801	12-25, 12-27	102493301	5-3, 5-5
102440101	12-5	102463901	12-27	102493401	13-3
102440201	12-7	102464001	12-27	102493801	1-17
102440301	12-5	102464101	12-27	102494401	8-3
102440401	12-7	102464201	12-27	102494701	9-5
102440501	12-7	102464301	12-27	102495001	6-11
102440601	12-7	102464401	12-27	102495701	7-17
102442201	7-19	102464501	12-27	102495801	12-23
102442701	5-11	102464601	6-11	102498101	1-11, 1-13, 13-3
102442801	5-11	102465701	1-21	102498201	7-19, 8-3
102442901	4-3, 4-5	102465901	8-3	102498601	9-9
102444201	7-5	102466001	7-11	102498801	9-7
102445201	4-3	102466201	1-25	102499001	12-11
102445901	1-3	102468802	6-11	102522001	9-5
102446601	6-11	102469401	4-3	102529202	7-11
102446901	6-7	102469901	6-7	102541465	5-7, 9-9
102447001	12-3	102470101	6-11	102555501	14-3
102447601	1-11	102470501	6-11	102562401	14-3
102447602	1-11	102470601	6-11	102570401	14-11
102447901	7-15	102470801	12-11	102571301	6-3
102448001	7-15	102474101	5-9, 6-7	102600001	8-5
102448401	7-19	102474102	5-9, 6-7	102600101	8-5
102448501	7-19	102474301	5-9	102600201	8-5

INDEX

102600301	8-5, 8-9, 8-51	102607401	8-7	102622901	3-7
102600401	8-5	102607501	14-5	102623001	3-7
102600601	8-5	102607601	8-23, 8-53	102623301	3-7
102600701	8-5	102607602	8-23	102623501	3-7
102600801	8-5, 8-9	102607801	8-23	102624701	1-3
102601001	8-5, 8-11	102607901	8-23	102626201	4-5
102601101	8-33	102608001	8-23	102628001	11-5
102601301	8-5	102608101	8-23	102628101	10-3
102601401	8-5	102608201	8-19, 8-51	102628601	1-7
102601501	14-5	102608301	8-19, 8-51	102628701	13-7
102601601	8-11	102608401	8-19	102629001	1-21
102601801	8-11, 8-51	102608501	8-19	102630001	8-23
102601901	8-11	102608601	8-19	102630003	8-23
102602001	8-11	102608701	8-19, 13-11	102630101	8-23
102602101	8-11	102608801	8-23	102630201	8-23
102602301	8-11	102608803	8-23	102630301	8-23, 8-51
102602401	8-11	102608804	8-23	102630401	8-23
102602601	8-11	102608806	8-23	102630601	8-33
102602701	8-11	102608901	8-19	102630701	8-23
102602801	8-11	102609001	8-23	102630703	8-23
102603201	8-21	102609003	8-23	102630901	8-23, 8-53
102603501	14-5	102609101	8-19	102631001	8-23, 8-53
102603601	8-27	102609301	8-19	102631301	13-9
102603701	8-27	102609401	8-19	102631401	13-9
102603801	8-27	102609601	8-19	102631601	8-5, 8-33, 13-9
102603901	8-27	102609801	8-23	102631701	13-13
102604001	8-27	102609803	8-23	102631801	13-13
102604101	8-27	102610001	8-23	102632001	8-45, 13-13
102604201	8-21, 8-27	102614101	1-19, 1-21	102632101	13-13
102604301	8-27	102615701	12-11	102632201	13-13
102604401	8-23, 8-27	102615801	12-23	102632701	8-51, 13-11
102604501	8-27	102616003	11-5	102633001	13-9
102604701	8-27	102616101	11-5	102633201	13-9
102604901	8-21	102616301	6-7, 6-9, 6-11, 6-13, 6-15	102633301	13-9
102605001	8-21	102616501	11-9	102633401	8-51, 13-9
102605101	8-7, 8-21	102616701	12-11	102633601	8-41
102605201	14-5	102617201	1-3, 1-7, 1-9	102633701	8-37
102605301	8-21	102617501	12-3	102633801	8-37
102605401	8-21	102617701	6-7	102633901	8-37
102605501	8-21	102617801	12-3	102634001	8-37, 8-51
102605601	8-21	102618101	4-3, 4-5	102634101	8-37
102605701	8-39	102618301	1-17, 4-3, 4-5, 4-7, 4-9, 5-11, 5-13, 12-11, 13-7	102634201	8-37
102605801	8-21	102618401	5-7	102634301	8-37
102605901	8-21	102618601	1-7, 1-13, 1-17, 1-21, 4-3, 4-5, 4-7, 4-9, 5-7, 5-11, 5-13, 6-3, 6-9, 6-11, 8-3, 9-3, 13-3, 13-7	102634401	8-37, 8-51
102606001	8-21	102619401	1-3	102634501	8-37, 8-51
102606101	14-5	102619801	6-13, 6-15	102634601	8-37
102606201	8-17	102620401	6-13, 6-15	102634701	8-37
102606301	8-17	102620501	1-11, 6-7, 6-9, 6-11, 6-13, 6-15	102634901	8-41
102606401	8-17	102620901	1-13	102635101	8-41
102606501	8-17	102621101	3-3	102635201	8-37
102606601	8-17, 8-51	102621201	9-9, 10-3	102635301	8-13, 8-29, 8-37, 8-39, 8-51
102606701	8-15	102621301	8-3, 10-3	102635501	8-29
102606901	8-7	102621501	1-25, 7-9, 8-3, 9-9, 12-23	102635701	8-29
102607001	8-7			102635801	8-29
102607201	8-7			102635901	8-29
102607301	8-7			102636101	8-41

INDEX

102636201	8-41	102648001	8-25	102684601	12-11
102636301	8-41	102648401	8-43	102685001	13-3
102636401	8-41	102648501	8-43	102685601	6-13, 6-15
102636501	8-41	102651301	8-45	102686101	14-3
102636601	8-41	102651501	8-45	102687801	6-5
102637001	8-29	102651601	8-45	102688901	3-3
102637101	8-29	102651701	8-45	102689001	5-9
102637301	8-35	102651801	8-45	102689101	5-9, 6-13, 6-15
102637701	8-35	102651901	8-45	102689102	5-9, 6-13, 6-15
102640401	8-35	102652001	8-45	102690201	11-9
102640501	8-35	102652201	8-45	102690301	11-9
102640601	8-35	102652601	8-45	102690401	11-9
102640701	8-35	102652701	8-45	102690501	11-9
102640901	8-35	102652801	8-9	102690701	11-9
102641001	8-35	102652901	8-45	102690801	11-9
102641101	8-35	102653001	8-45	102691401	11-9
102641201	8-35	102653101	8-45	102691601	11-9
102641501	8-39	102653201	8-45	102691701	11-9
102642401	8-39	102653301	8-45, 8-51	102691801	11-9
102642501	8-39	102653401	8-9	102692801	5-11
102642601	8-39	102653501	8-9	102693301	12-13, 12-25
102642701	8-39	102653601	8-45	102693401	12-13, 12-25
102642801	8-39	102653701	8-45	102693501	12-13, 12-25
102642901	8-39	102653901	8-9	102693601	12-27
102643001	8-39	102654101	8-9, 8-51	102694001	12-27
102643101	8-39	102654301	8-11, 8-37, 8-47	102694201	12-13, 12-25
102643201	8-39	102654401	8-21	102694301	12-25
102643301	8-39	102654601	8-7, 8-51	102694401	12-25
102643401	8-39	102654701	8-51, 13-9	102694502	12-27
102643601	8-39	102668801	14-9	102694701	12-25
102643701	8-39	102669901	14-7	102694801	12-25
102644001	8-13, 8-51	102670701	8-3	102695401	11-11
102644101	8-13	102672101	12-25	102695601	11-11
102644201	8-13	102672201	12-25	102695701	11-11
102644401	8-13	102672301	12-25	102695801	11-11
102644501	8-13, 8-51	102672401	12-25	102695901	11-11
102644601	8-13	102673201	3-7	102696001	12-17, 12-19
102644701	8-13	102673301	3-7	102696101	12-13
102644801	8-13	102673901	1-21	102696201	12-13, 12-15, 12-21
102644901	8-13	102674001	14-5	102696301	12-13
102645001	8-13	102674101	14-5	102696401	12-17, 12-19
102645401	8-13	102674201	14-5	102696501	12-13, 12-15
102645501	8-43	102674401	14-9	102696601	12-17, 12-19
102645801	8-47	102674601	14-9	102696701	12-13
102646001	8-47, 8-51	102675001	14-5	102696801	12-13, 12-15
102646101	8-47	102675101	14-5	102696901	12-13, 12-15, 12-21
102646301	8-49	102675201	14-5	102697001	12-21
102646401	8-45	102675301	14-5	102697101	12-13, 12-15
102646501	8-49	102675401	14-5	102697201	12-15
102646601	8-49, 8-51	102676801	6-3	102697301	12-13
102647101	8-49	102679501	7-9	102697401	12-13
102647201	8-49	102682301	3-3	102697501	12-15
102647501	8-25	102682701	6-13, 6-15	102697601	12-13
102647701	8-43	102682901	6-13, 6-15	102697701	12-13
102647801	8-25	102684401	13-3	102697801	12-21
102647901	8-25	102684501	1-25, 6-13, 6-15, 12-11	102697901	12-15

INDEX

102698001	12-15	102718101	1-3	102730901	13-9
102698101	12-21	102718301	1-3	102731001	13-9
102698301	12-13	102719301	11-11	102731101	13-9
102698401	12-21	102720401	1-3	102731201	13-11
102698601	12-15	102721501	12-13, 12-21	102731301	8-33
102698701	12-15	102721601	7-11	102731501	8-49
102698801	12-21	102722301	6-7, 12-3	102731601	8-49, 10-3
102698901	12-13	102725501	9-9	102731701	7-17
102699001	12-21	102725601	9-9	102731801	8-51
102699201	12-13	102726201	8-5	102731901	8-51
102699301	12-15	102726301	8-5	102732001	8-53
102699401	12-13	102726401	8-5	102732201	8-23, 8-53
102699501	12-21	102726501	8-5	102732501	8-43
102699601	12-17, 12-19	102726601	8-5	102732601	8-5, 8-51
102699701	12-13, 12-21	102726701	8-9	102736901	2-3
102700001	12-21	102726801	8-9	102737101	6-13, 6-15
102700101	12-21	102726901	8-9	102737301	13-3
102700201	12-21	102727001	8-9	102737401	13-3
102700301	12-21	102727101	8-9	102737801	7-11
102701001	8-9	102727201	8-9	102738301	1-11
102701201	8-33	102727301	8-11	102738401	1-11
102701401	8-37	102727401	8-11	102738501	1-11
102701801	8-41	102727501	8-11	102739903	7-17
102703301	8-11	102727601	8-13	102740601	7-11
102706701	7-11	102727701	8-15	102740701	3-3
102707301	1-11	102727801	8-15	102741501	4-9
102707401	1-11, 1-13	102727901	8-17	102741601	4-9
102707601	7-13	102728001	8-19	102742501	7-11
102707701	7-13	102728101	8-23, 8-53	102742701	7-13
102707801	7-13	102728102	8-23	102751301	4-9
102707901	7-9	102728201	8-23	102751401	4-9
102708001	7-9	102728301	8-25	102751501	4-9
102708101	7-9	102728401	8-27	102758701	4-7, 4-9
102708201	1-3	102728501	8-27	102760501	1-7
102708301	7-17	102728601	8-29	102760701	1-7
102708501	1-3	102728701	8-29	102760801	1-7
102708601	1-3	102728801	8-29, 8-51	102762601	12-27
102708701	7-9	102728901	8-29	102763001	7-13
102708901	7-13	102729001	8-31	102763301	5-13
102708902	7-13	102729101	8-31	102763401	5-13
102709001	7-9	102729301	8-11, 8-51	102764201	12-13
102709101	7-9	102729401	8-37	102764701	12-21
102709102	7-9	102729501	8-37	102764801	12-21
102710101	7-11	102729601	8-39	102764901	12-15
102710301	9-3	102729701	8-39	102765001	12-17
102710401	7-9	102729801	8-41	102765101	12-15
102710701	7-9	102729901	8-41	102765201	12-13
102711601	12-3	102730001	8-33	102765301	12-27
102711901	7-11	102730101	8-33	102765401	12-27
102712001	1-11	102730201	8-33	102765501	12-27
102712601	5-13	102730301	8-33	102765701	12-27
102712701	5-13	102730401	8-33	102765801	12-27
102714001	5-3, 5-5	102730501	8-33	102770001	5-11
102715201	1-15	102730601	8-33	102770301	5-13
102715701	5-7	102730701	8-33	102776801	1-11
102716001	4-9	102730801	8-5	102778001	1-7

INDEX

102779701 7-13
102798501 8-51
102799401 8-21
102799501 8-29
102807201 7-11
102807601 13-5
102807801 13-5
102810401 7-13
102810701 9-9
102812801 10-3
102831501 12-25
102831601 1-7
102833901 7-9
102839401 11-9
102853801 1-3
102855501 13-3
102865201 12-3
102865301 1-11
102865401 1-11
102865501 1-11
102865601 1-11
102892401 4-7, 4-9
102896601 4-7, 4-9
102934601 8-3
102952101 9-5
102961301 12-27
102961401 12-27
102961501 12-27
102961601 12-27
102967901 1-7, 7-17
103177101 1-5
103184001 1-5
103185501 11-9
103185801 11-9
103185901 11-9
103239501 12-19
103239801 12-19
103244701 12-3
103256701 6-7
103273101 4-3, 4-5
103282301 6-13, 6-15
103294301 12-17
103305001 4-9
103305101 4-9
103320601 11-3, 11-5
103348101 7-17
103348201 7-17
103418701 5-5
103418801 5-3, 5-5
103441401 9-9
103538701 1-19
103538901 1-19
95293643 12-9
96701412 1-11, 8-3
96704416 13-3
96704622 8-3

96704721 8-3
96705199 1-11, 13-3
96705587 9-3
96705736 7-9
96706825 4-3
96715552 1-9
96718978 8-3
96741038 1-11, 8-3, 13-3
96741046 8-3
96747126 13-7

A

A-arm 6-7
absorber, shock 6-9, 6-11
accelerator cable 9-7
accelerator pedal 4-3
accelerator pedal adjustment tool 14-3
accessory receptacle 7-17
actuator 1-21
adapter
 actuator 1-21
 cable (IQDM) 14-7
 tube 9-3
adapter, tow hitch 1-3
adhesive, guide ring 14-3
adjuster
 hydraulic brake 14-7
adjuster, slide 12-3
air clean support 9-9
air filter 9-9
air filter canister 9-9
air filter evacuator 9-9
alternator 8-33
arbor 14-3
arm
 A- 6-7
 governor 12-21
 lower 6-7
 rocker 8-45
arm, swing 6-13, 6-15
assembly
 accelerator pedal 4-3
 adjusting bolt 8-29
 alternator 8-33
 bearing case cover 8-19
 brake line 5-9
 brake pedal 4-5, 4-7, 4-9
 brake rotor 12-3, 12-25
 camshaft 8-21
 case, main bearing 8-19
 connecting rod 8-23
 drain cock 8-5
 filler cap 5-7
 forward/reverse 12-11
 fuel camshaft 8-27
 fuel cap 9-5

fuel filter 9-3
fuel pump 9-3
fuel tank vent 9-5
gear case 12-13, 12-27
governor 8-37
governor arm 12-21
governor fork lever 8-41
idle apparatus 8-29
inner ball joint 6-5
latch, tilt bed 1-19
manifold 8-47
muffler 12-3
nozzle holder 8-39
oil pump 8-17
overflow pipe 8-39
park brake pedal 4-7, 4-9
pinion 12-27
piston ring 8-23, 8-53
pump 8-35
reservoir, remote 5-7
rocker arm 8-45
slide adjuster 12-3
tank, coolant expansion 13-5
tether 1-23
thermostat 13-9
tilt bed 1-19
tire 2-3
water pump 13-11
wire 7-19, 9-5
assembly, sub-
 A-arm, upper 6-7
 fly weight 12-21
 front differential upright 12-3
 gear case 12-13
 governor spool 12-21
 moveable drive clutch 11-9
 spider 11-9
 stationary 11-9
 swingarm 6-13, 6-15
 weight clutch 11-9
axle 12-25
axle tube 12-27
axle, rear, guard mounts 12-25

B

ball
 check 8-21
 crankshaft 8-23
 governor 8-27
 injection pump 8-27
 valve 8-11
ball joint 6-7, 12-3, 12-23
ball stud 12-11
band, pipe 13-9, 13-13
banjo bolt 5-3, 5-5
bar clamp 13-7

INDEX

- bar, sway 6-11
- barb, vent 9-3
- battery 7-19
- battery clamp 7-19
- battery discharge machine 14-3
- battery terminal protector spray 14-3
- battery thermometer 14-3
- bearing 12-27
 - ball (steering pinion) 6-5
 - lower pinion 6-5
 - needle 12-5, 12-13, 12-15, 12-27
- bearing and oil seal remover 14-3
- bearing case cover 8-19
- bearing case, main 8-19
- bearing driver set 14-3
- bearing puller 14-3
- bearing puller wedge 14-3
- bed floor plate 1-19
- bed, tilt 1-19
- bell crank kit 5-13
- bellcrank 4-9, 12-17, 12-19
- bellows 6-5, 12-25
- belt, drive 11-7
- belt, V- 8-33
- bezel, fuel fill 1-25
- bezel, headlight 7-13
- block, differential spacer 12-3
- block, engine 8-5
- block, fuse 7-15
- bobbin, coil with press fit 12-5
- body, front 1-7
- bolt
 - adjusting 8-29
 - banjo 5-3, 5-5
- Bracket
 - Mirror Mounting 1-5
- bracket
 - actuator 1-21
 - anti-sway bar 6-11
 - bed latch 1-17
 - brake line 5-9, 6-7
 - brake pedal 4-5
 - coolant bottle 13-5
 - cover inlet 11-5
 - equalizer 5-11, 5-13
 - headlight mounting 7-13
 - horn 7-11
 - hydraulic line 5-9, 6-13, 6-15
 - muffler 10-3
 - park brake 4-9
 - radiator mount, upper 13-3
 - rocker arm 8-45
 - steering support 1-9
 - transmission cable 8-3, 12-23
 - transmission mounting 8-3
- brake adjustment tool 14-3
- brake cable 5-13
- brake cable release tool 14-3
- brake caliper 5-3, 5-5
- brake caliper return spring 5-5
- brake fluid reservoir 5-7
- brake light switch 7-11
- brake line 5-9
- brake pad service kit 5-3, 5-5
- brake pedal 4-5, 4-7, 4-9
- brake pedal adjustment tool 14-3
- brake pedal tension tool 14-3
- brake return spring 5-11, 5-13
- brake rotor 12-3, 12-25
- brake, park, cable pulley kit 5-11
- breather 8-13
- brush guard 1-7
- buckle, seatbelt 1-11
- bulb 7-9, 7-13
- bulb, headlamp 7-13
- bullet, detent 12-15
- bumper
 - bed 1-17, 1-21
 - front 1-7
 - rubber 1-23
 - stud 13-3
- bushing 1-11, 1-21
 - A-arm 6-7
 - anti-sway bar 6-11
 - arm, lower 6-7
 - flanged bronze 8-21
 - forward/reverse 12-11
 - greaseless 4-3, 4-5
 - link 6-11
 - PermiSlide 12-5
 - piston pin 8-23, 8-53
 - pivot, urethane 6-13, 6-15
 - plain 12-7
 - return line 9-5
 - self-lubricating 12-5
 - steel 1-19
 - teflon 6-13, 6-15
 - urethane 1-19
- button, thrust 12-5
- buzzer, reverse 12-11
- C**
- cable
 - accelerator 9-7
 - bell crank 4-9, 5-13
 - brake 5-13
 - IQDM 14-7
 - park brake 5-11
 - transmission 12-23
- cage, roll 12-5
- calibration test module 14-3
- caliper, brake 5-3, 5-5
- cam installation tool 14-3
- camshaft 8-21
- camshaft, fuel 8-27
- canister, air filter 9-9
- cap
 - air filter 9-9
 - bolt assembly 8-29
 - filler 5-7
 - fuel 9-5
 - inlet 11-5
 - pressure 13-5
 - radiator 13-3
 - rubber 12-3
 - sealing 8-5, 8-9
 - speed control plate 8-37
 - steering wheel 6-3
 - valve 8-45
- cap, front corner 1-23
- carburetor air vent tube 9-3
- carburetor float level tool 14-7
- card, safety first 14-9
- case
 - gear 8-11, 12-13, 12-25, 12-27
 - governor ball 8-27
 - main bearing 8-19
- case cover, bearing 8-19
- chain, transmission 12-13
- charger bezel tool 14-3
- clamp
 - bar 13-7
 - battery 7-19
 - hose 9-3
 - p- (fuel filter) 1-7, 5-9, 8-3
 - pipe 8-39
- clevis pin 5-7
- clip
 - hair pin 1-23
- clip, brake line 5-9, 9-7, 12-23
- clip, meter 7-17
- clip, return pipe 8-39
- clutch 11-11
- clutch alignment tool 14-5
- clutch cover 11-9
- clutch housing 12-5
- clutch removal tool 14-3
- clutch tool kit 14-5
- clutch, diesel 11-9
- coil
 - pocket insert 12-5
- coil with press-fit bobbin 12-5
- collar, alternator assembly 8-33
- collar, crankshaft 8-23
- collar, idle gear 8-21
- collar, lever 8-37
- collet 8-45
- column, steering 6-3

INDEX

communication display module 14-5
compression gauge 14-5
compressor, piston ring 14-9
compressor, valve spring 14-11
connecting rod 8-23
connector, relay 7-15
continuity tester 14-5
coolant exchanger 13-3
coolant expansion tank 13-5
coolant fill tee 13-3
coolant lamp sensor 13-9
coolant pipe 13-7
coolant pipe mounting tab 13-7
coolant temperature indicator light 7-17
cooling fan 13-3
cord, glow plug 8-39
corner cap 1-23
cotter, rue ring 6-13, 6-15
coupling 1-3
cover
 alternator assembly 8-33
 bearing case 8-19
 clutch 11-9
 CVT 8-3, 11-3, 11-5, 11-9
 cylinder head 8-13
 electrical 7-15
 fuel camshaft 8-5
 heat proof 8-49
 input 12-7
 thermostat 13-9
cover plate, output 12-5
cover, steering column 6-3
cowl 1-7
cowl support, ROPS 1-7
crank 8-23
crankshaft 8-23
C-type stop ring 6-5
cup holder, seat 1-11, 1-13
cutter, valve seat 14-5, 14-11
CVT 11-11
CVT cover 11-3
CVT cover kit, sealed 11-5
CVT cover kit, unsealed 11-5
cylinder head 8-9
cylinder, master 5-7

D

dash, front 1-9
dashboard 1-7
decal
 4x4 3-7
 bed load warning 3-3
 Bobcat tailgate 1-23
 Carryall 294 3-7
 Club Car 3-7
 Club Car tailgate 3-7

crush area warning 3-3
diesel 3-7
diesel fuel only 3-3
directional switch 7-11
driver/passenger 3-5
ground warning 3-5
high capacity 3-7
hot manifold warning 3-5
hot surface warning 1-11, 1-13, 3-5, 13-7
instrument panel, European 3-3
operating instructions 3-5
ROPS certification 3-3
rotating parts 3-3
rotating parts and hot manifold 3-5
rotating parts warning 3-5
trailer hitch 3-3
turn signal indicator 3-3
under 16 warning 1-15, 3-3
vehicle loading 3-3
winch cable warning 3-5
deflector oil 12-13
diesel tachometer probe 14-9
differential housing 12-27
differential, front 12-5
disc 5-11
dowel pin 12-5
drag link 6-5
drain cock 8-5
drive belt 11-7
drive clutch fixed sheave tool 14-5
drive clutch holder tool 14-5
drive clutch hub puller 14-5
drive clutch puller 14-5
drive clutch spider removal tool 14-5
drive clutch, moveable 11-9
drive shaft 12-9
driven clutch base sheave 11-11
driven clutch cam puller 14-5
driven clutch puller plug 14-5
driven clutch spring compression base tool 14-5
driven clutch spring compression collar tool 14-5
driven clutch spring compression nut tool 14-5
dry moly lubricant 14-7

E

E-clip 5-11, 5-13
elbow 9-5
end, tie rod 6-5
engine block 8-5
engine, diesel, Kubota D722 with closed breather 8-3
equalizer 5-11, 5-13
exchanger, engine coolant 13-3

exhaust valve 8-45
expansion tank, coolant 13-5
extension, spring latch 1-19

F

fan shroud 13-3
fan, cooling 13-3
fastener, push-in 7-15
fender, front 1-7
fender, rear 1-25
filler cap 5-7
filter
 air 9-9
 fuel 9-3
 inlet cover 11-5
 oil 8-7, 8-11
filter, air, canister 9-9
fitting, thread-forming grease 6-13, 6-15
flange, water 13-9
flasher, lamp 7-9
flasher, lamp, bracket 7-9
flasher, turn signal, 12-volt 7-11
floor mat 1-7
floor plate, bed 1-19
fly weight 12-21
flywheel 8-25
flywheel puller 14-7
FNR shifter bracket 8-3, 12-23
fork, transmission 12-21
forward/reverse assembly 12-11
Forward/Reverse shifter 12-11
frame, tilt bed 1-19
front body 1-7
front differential 12-5
fuel camshaft 8-27
fuel cap 9-5
fuel filter 9-3
fuel gauge sending unit 9-5
fuel injection pump 8-35
fuel pickup tube 9-5
fuel pump 9-3
fuel tank (diesel) 9-5
fuel tank strap 9-3
fuel tank vent 9-5
fuel tank, diesel 9-5
fuel-hour gauge 7-17
fuse
 10-amp 7-15
 25-amp 7-15
 30-amp 7-15
fuse block 7-15

G

gasket
 bearing case 8-19, 8-51

INDEX

clutch cover 11-9
control plate 8-37, 8-51
cover 8-19, 8-51, 11-5
cylinder head 8-9, 8-51
cylinder head cover 8-51
drain plug 8-7
exhaust 8-51, 10-3
ex-manifold 8-49, 8-51
fuel pump 8-5, 8-51
gearcase 8-11, 8-51
head cover 8-13, 8-51
head cover nut 8-13, 8-29, 8-37, 8-39, 8-51
idle apparatus 8-29, 8-51
intake manifold 8-47, 8-51
liquid 14-7
nozzle 8-39
oil pump 8-17, 8-51
sending unit 9-5
thermostat 8-51, 13-9
water flange 8-51, 13-9
water pump 8-51, 13-11
gauge, compression 14-5
gauge, fuel-hour 7-17
gauge, oil 8-15
gear
 cam 8-21
 case 8-11, 12-13, 12-25, 12-27
 crank 8-23
 helical 12-15, 12-21
 idle 8-21
 injection pump 8-27
 oil pump drive 8-17
 ring 8-25, 12-5, 12-27
gear ring engagement 12-15
gear yoke 14-7
glow plug 8-39
glow plug cord 8-39
governor 8-37
governor arm 12-21
governor fork lever 8-41
governor shaft installation tool 14-7
governor spool 12-21
grip tape, accelerator pad 4-3
grip, tilt latch hand 1-19
grommet 9-5, 12-5
guard
 radiator 13-3
 splash 1-9
guard, brush 1-7
guide
 accelerator cable 4-3
 detent bullet 12-15
 exhaust valve 8-9
 inlet valve 8-9
 oil gauge 8-15
 valve seat cutter 14-11

guide ring adhesive 14-3

H

hair pin clip 1-23
half shaft 12-3
handle, park brake 4-7, 4-9
harness, wire 7-5, 7-11
head lamp 7-13
head, cylinder 8-9
headlamp 7-13
headlight switch 7-17
heat seal 8-39
helical gear 12-15, 12-21
hinge plate 1-11, 1-13
hitch, towing 1-3
holder
 fork lever 8-41
hook, engine 8-9
horn 7-11
horn bracket 7-11
hose 13-5
 coolant 13-3, 13-7
 fuel filter 9-3
 fuel pump 9-3
 fuel return 9-3
 inlet cover 11-5
 intake 9-9
 overflow 8-39
 vent 8-3, 12-3, 13-5, 13-7
hose, outlet 11-3, 11-5
housing
 clutch 12-5
 differential 12-27
 Mate-N-Lock 12-5
 steering gear 6-5
hub 5-11
hub, race/output 12-5
hydraulic brake adjuster 14-7
hydrometer 14-7

I

idle apparatus 8-29
idle gear 8-21
indicator lamp 7-9
indicator, turn signal 7-17
injection pump gear 8-27
inlet valve 8-45
internal retaining ring pliers 14-7
IQ display module (IQDM) 14-7
isolator ring and bushing 8-3
isolator, twin stud 13-3

J

joint
 ball 6-7, 12-3, 12-23

breather pipe 8-13
eye 8-35
pipe 8-11

K

key
 feather 8-17, 8-21, 8-23, 8-27
 pair 7-17
key switch 7-17
kit
 anti-sway 6-11
 bolt 12-5
 brake pad service 5-3, 5-5
 brake pedal adjustment tool 14-3
 clutch 12-5
 cover plate, input 12-7
 cover plate, output 12-5
 drain plug 12-5
 forward gear repair 12-15
 gasket 8-51
 governor shaft repair 12-21
 H-clip spring 12-5
 input shaft repair 12-21
 IQ display module (IQDM) 14-7
 mirror 1-5
 neutral switch repair 12-15
 nozzle holder 8-39
 park brake handle 4-7, 4-9
 piston rebuild 8-53
 race output hub 12-5
 rear axle gear repair 12-27
 repair, minor 12-5
 reverse gear repair 12-13
 roll cage 12-5
 roller 12-5
 transmission shift shaft repair 12-17
 tune-up 14-9
knob, forward/reverse 12-11
knuckle, slider steering 6-3

L

lamp 7-9, 7-13
lamp, front 7-9
lamp, headlamp 7-13
lamp, number plate 7-9
lamp, numberplate 7-9
lamp, rear signal 7-9
lamp, signal 7-9
lamp, turn signal 7-9
latch plate, tilt bed 1-17
latch, access panel 1-7
latch, slam 1-23
latch, spring 1-23
latch, tilt bed 1-19
lever

INDEX

engine stop 8-37
fork 8-41
governor 8-37
lost motion 4-3
speed control 8-37
light
oil 7-17
light, coolant temperature indicator 7-17
lighting kit, homologated 7-9
limit switch 12-11
line, brake reservoir 5-7
link, drag 6-5
liquid gasket 14-7
low oil warning light 7-17
lubricant, dry moly 14-7
lubricant, moly-teflon 14-7

M

manifold 8-47
exhaust 8-49
inlet 8-47
mat, floor 1-7
Mate-N-Lock housing 12-5
Mate-N-Lock pin 12-5
meter clip 7-17
meter, volt ohm 14-11
mirror kit 1-5
mirror lens 1-5
Mirror Mounting Bracket 1-5
module
calibration test 14-3
communication display 14-5
moly-teflon lubricant 14-7
motor
starter 8-43
mount, link 6-11
moveable drive clutch 11-9
muffler 10-3, 12-3

N

nongrease/spacers locker 12-27
nozzle holder 8-39
numberplate lamp 7-9
nut, toggle switch 7-17

O

oil deflector 12-13
oil filter 8-7, 8-11
oil pan 8-7
oil pressure switch 8-5
oil pump 8-17
oil pump drive gear 8-17
oil seal 8-11, 8-19, 12-5, 12-7
oil shield, breather 8-13
oil slinger 8-23

oil warning light, low 7-17
O-ring 8-5, 8-7, 8-9, 8-11, 8-13, 8-23, 8-37, 8-51,
12-5, 12-7
overflow pipe 8-39

P

paint, touch-up 14-7
pan
oil 8-7
seat 1-13
panel
access 1-7
left 1-23
right 1-23
side 1-25
panel, front 1-23, 1-25
park brake cable 5-11
park brake pedal 4-7, 4-9
p-clamp (fuel filter) 1-7, 5-9, 8-3
pedal, accelerator 4-3
pedal, brake 4-5, 4-7, 4-9
pin, clevis 5-7
pin, dowel 12-5
pin, Mate-N-Lock 12-5
pin, piston 8-23, 8-53
pin, receiver 1-3
pin, slide, caliper slide pin 5-3, 5-5
pin, towing hitch 1-3
pinion 12-27
pinion, steering 6-5
pipe
breather 8-13
coolant 13-7
exhaust 10-3
injection 8-39
overflow 8-39
water 13-13
water return 13-9
pipe band 13-9, 13-13
pipe clamp 8-39
pipe, coolant 13-7
piston 8-23, 8-53
piston pin 8-23, 8-53
piston ring 8-23, 8-53
piston ring compressor 14-9
piston ring pliers 14-9
plate
armature 12-5
back 1-19, 1-21
breather 8-13
brush mount 1-7
cover, output 12-5
electrical 7-15
engine block 8-5
engine mounting 8-3
fuel/oil 9-3

hinge 1-11, 1-13
latch 1-17
shroud 8-25
speed control 8-37
thrust 12-5

pliers

internal retaining ring 14-7
piston ring 14-9
retaining ring 14-9

plug

cylinder head 8-9
drain 8-7
driven clutch puller 14-5
engine block 8-5, 8-9, 8-11, 12-13, 12-25
expansion 8-5
gearcase 12-13, 12-25
glow 8-39
oil drain 12-5
oil fill 12-5
oil filler 8-13
oil gauge 8-15
trailer 7-11

press weldment 14-5

prop rod 1-17
prop shaft 12-9
protector spray, battery terminal 14-3

puller

bearing 14-3
clutch 14-3
drive clutch 14-5
drive clutch hub 14-5
driven clutch cam 14-5
flywheel 14-7
seal 14-9
special use tool 14-9

pulley

fan drive 8-33
mount 5-11
water pump 8-33

pulley, brake, park, cable, kit 5-11

pullrod, compression spring 4-3

pump

fuel 9-3
fuel injection 8-35
oil 8-17
water 13-11

push rod 8-21

R

rack guide pressure spring 6-5
rack, steering 6-5
radiator cap 13-3
radiator guard 1-7, 13-3
radiator pipe 13-7
reamer, valve guide 14-9
receiver 1-3

INDEX

- receiver pin 1-3
 - receiver, rear 6-13, 6-15
 - receptacle, accessory 7-17
 - reflector 7-9
 - relay 7-15
 - relay connector 7-15
 - remover, bearing and oil seal 14-3
 - reservoir, brake fluid 5-7
 - reservoir, remote 5-7
 - retainer
 - spring (driven clutch) 11-11
 - valve spring 8-45
 - retaining ring 12-3
 - retaining ring pliers 14-9
 - retractor, seat belt 1-11
 - reverse buzzer 12-11
 - ring
 - piston 8-23, 8-53
 - snap 6-5
 - ring gear 8-25, 12-5, 12-27
 - ring, C-type stop 6-5
 - ring, retaining 12-3
 - ring, retaining, ext 6-7, 12-3
 - rivet, blind push 1-9
 - rocker arm 8-45
 - rod
 - connecting 8-23
 - crank crank rod 8-23
 - prop 1-17
 - push 8-21
 - roll cage 12-5
 - roller weight 11-9
 - roller, torque 11-9
 - ROPS certification decal 3-3
 - ROPS cowl support 1-7
 - ROPS, homologated 1-15
 - rotor, brake 12-3, 12-25
 - rubber bumper 1-23
- S**
- safety first card 14-9
 - screw, valve clearance adjuster 14-9
 - seal
 - dual lip 12-13, 12-17, 12-19, 12-21, 12-27
 - heat 8-39
 - oil 8-11, 8-19, 12-5, 12-7
 - steering pinion dust 6-5
 - triple lip 12-13
 - valve stem 8-45, 8-51
 - seal puller 14-9
 - seat 1-11, 1-13
 - valve 8-11
 - seat belt retractor 1-11
 - seat weldment 1-11
 - seat, pan 1-11, 1-13
 - seat, suspension 1-11
 - seatbelt buckle 1-11
 - sending unit, fuel gauge 9-5
 - sensor, coolant lamp 13-9
 - service kit, brake pad 5-3, 5-5
 - shaft
 - CVT adapter 8-3
 - drive 12-9
 - fork lever 8-41
 - idle gear 8-21
 - input 12-21
 - intermediate 12-15
 - lever 8-37
 - output 12-21
 - pinion 12-7
 - prop 12-9
 - rock arm 8-45
 - shift 12-19
 - shaft shift 12-17
 - shaft, half 12-3
 - sheave, drive clutch base 11-11
 - sheave, driven clutch 11-11
 - shield, exhaust 10-3
 - shift, shaft 12-17
 - shim 11-9, 12-27
 - shim, armature plate 12-5
 - shim, injection pump 8-35
 - shim, latch plate 1-17
 - shock absorber 6-9, 6-11, 6-13, 6-15
 - shroud, fan 13-3
 - signal lamp, rear 7-9
 - slam latch 1-23
 - sleeve
 - crankshaft 8-23
 - governor 8-27
 - link 6-11
 - lower suspension 6-7
 - upper suspension 6-7
 - slide pin 5-3, 5-5
 - slide, adjuster 12-3
 - slinger, oil 8-23
 - snap ring 6-5
 - solenoid, stop 8-31
 - spacer
 - engine 8-3
 - spacer block, differential 12-3
 - spanner wrench 14-9
 - spider 11-9
 - splash guard 1-9
 - spray, battery terminal protector 14-3
 - spring
 - access panel 1-7
 - brake caliper return 5-5
 - brake return 5-11, 5-13
 - compression 11-9, 11-11
 - detent bullet 12-15
 - exhaust 10-3
 - governor 8-41
 - idle apparatus 8-29
 - pedal 4-3
 - pedal stop 4-3
 - rack guide pressure 6-5
 - return 8-37
 - rocker arm 8-45
 - start 8-9, 8-41
 - torsion 4-3
 - valve 8-11, 8-45
 - spring latch 1-23
 - sprocket 12-13
 - starter motor 8-43
 - stay
 - alternator assembly 8-33
 - cylinder head 8-9
 - steel bushing 1-19
 - steering column 6-3
 - steering column bearing press tool 14-9
 - steering column cover 6-3
 - steering column retaining ring tool 14-9
 - steering gear housing 6-5
 - steering pinion dust seal 6-5
 - steering rack 6-5
 - steering wheel 6-3
 - steering wheel puller tool 14-9
 - stem, valve 2-3
 - stopper, camshaft 8-21
 - stopper, fuel camshaft 8-27
 - strap, fuel tank 9-3
 - stud 8-3, 8-35, 8-49, 13-13
 - idle adjustment 8-29
 - self-clinching 1-23
 - stud, ball 12-11
 - support yoke (steering) 6-5
 - support, access panel 1-7
 - sway bar 6-11
 - swingarm 6-13, 6-15
 - switch
 - brake light 7-11
 - headlight 7-17
 - indicator (transmission) 12-15
 - key 7-17
 - limit 12-11
 - oil pressure 8-5
 - toggle 7-17
 - turn signal 7-11
- T**
- tab, coolant pipe mounting 13-7
 - tachometer 14-9
 - tachometer probe, diesel 14-9
 - tailgate 1-23
 - tailgate angle 1-23
 - tank
 - coolant expansion 13-5

INDEX

- tank, fuel 9-5
 - tank, fuel (diesel) 9-5
 - tape, grip, accelerator pad 4-3
 - tape, vinyl foam 1-19, 13-3
 - tappet 8-21
 - tee, coolant fill 13-3
 - temperature indicator light, coolant 7-17
 - tester, continuity 14-5
 - tether 1-23
 - thermometer, battery 14-3
 - thermostat 13-9
 - thread-forming grease fitting 6-13, 6-15
 - thrust button 12-5
 - thrust plate 12-5
 - tie rod end 6-5
 - tie wrap 1-21, 5-9, 5-11, 5-13, 6-5, 7-9, 7-11
 - tilt bed 1-19
 - tilt bed frame 1-19
 - tilt latch hand grip 1-19
 - tire 2-3
 - tire assembly, AT489, orange 2-3
 - tire assembly, HDAT, orange 2-3
 - toggle switch 7-17
 - tool
 - accelerator pedal adjustment 14-3
 - belt tensioning, starter/generator 14-11
 - brake adjustment 14-3
 - brake cable release 14-3
 - brake pedal adjustment 14-3
 - brake pedal tension 14-3
 - cam installation 14-3
 - carburetor float level 14-7
 - charger bezel 14-3
 - clutch alignment 14-5
 - cT-wrench 14-5
 - drive clutch fixed sheave 14-5
 - drive clutch holder 14-5
 - drive clutch spider removal 14-5
 - driven clutch spring compression base 14-5
 - driven clutch spring compression collar 14-5
 - driven clutch spring compression nut 14-5
 - governor shaft installation 14-7
 - puller, special use 14-9
 - steering column bearing press 14-9
 - steering column retaining ring 14-9
 - steering wheel puller 14-9
 - transaxle axle seal 14-9
 - transaxle pinion seal 14-9
 - transmission 14-9
 - valve guide driver 14-9
 - valve seat cutter 14-5
 - tool kit, clutch 14-5
 - top, ROPS, homologated 1-15
 - torque converter 11-11
 - torque roller 11-9
 - touch-up paint 14-7
 - tow hitch adapter 1-3
 - towing hitch 1-3
 - towing hitch pin 1-3
 - track, prop rod 1-17
 - trailer plug 7-11
 - transaxle axle seal tool 14-9
 - transaxle housing 12-27
 - transaxle pinion seal tool 14-9
 - transmission cable 12-23
 - transmission cable bracket 8-3, 12-23
 - transmission chain 12-13
 - transmission fork 12-21
 - transmission tool 14-9
 - transmission, parallel shaft 12-13
 - tube
 - axle 12-27
 - carburetor air vent 9-3
 - fuel pickup 9-5
 - tune-up kit 14-9
 - turn signal indicator 7-17
 - turn signal lamp 7-9
 - turn signal switch 7-11
 - T-wrench tool 14-5
- U**
- upright, front differential 12-3
 - urethane bushing 1-19
- V**
- valve 9-9
 - exhaust 8-45
 - inlet 8-45
 - seat 8-11
 - valve clearance adjuster screw 14-9
 - valve guide driver tool 14-9
 - valve guide reamer 14-9
 - valve seat cutter 14-5, 14-11
 - valve seat cutter guide 14-11
 - valve seat cutter tool 14-5
 - valve seat t-wrench 14-11
 - valve spring compressor 14-11
 - valve stem 2-3
 - V-belt 8-33
 - vent barb 9-3
 - vent, housing, upper 12-27
 - vent, transmission 12-13
 - volt ohm meter 14-11
- W**
- warning light, low oil 7-17
 - water flange 13-9
 - water pump 13-11
 - wedge, bearing puller 14-3
 - weight clutch 11-9
 - weldment
 - press 14-5
 - weldment, accelerator pedal 4-3
 - weldment, accelerator pedal bracket 4-3
 - weldment, actuator bracket 1-21
 - weldment, air cleaner support 9-9
 - weldment, brake pedal 4-5
 - weldment, coolant pipe 13-7
 - weldment, cowl support, ROPS 1-7
 - weldment, dash, front 1-9
 - weldment, Forward/Reverse shifter 12-11
 - weldment, Forward/Reverse shifter bracket 12-11
 - weldment, lever, lost motion 4-3
 - weldment, receiver 6-13, 6-15
 - weldment, shaft shift 12-17
 - weldment, tilt bed frame 1-19
 - wheel 2-3
 - wheel, steering 6-3
 - wire assembly 7-19, 9-5
 - wire harness 7-5, 7-11
 - wire harness, electric lift 1-21
 - wrap, tie 1-21, 5-9, 5-11, 5-13, 6-5, 7-9, 7-11
 - wrench, spanner 14-9
- Y**
- yoke, gear 14-7
 - yoke, support (steering) 6-5



Club Car, Inc.
P.O. Box 204658
Augusta, GA 30917-4658
USA

Web www.clubcar.com
Phone 1.706.863.3000
1.800.ClubCar
Int'l +1 706.863.3000
Fax 1.706.863.5808