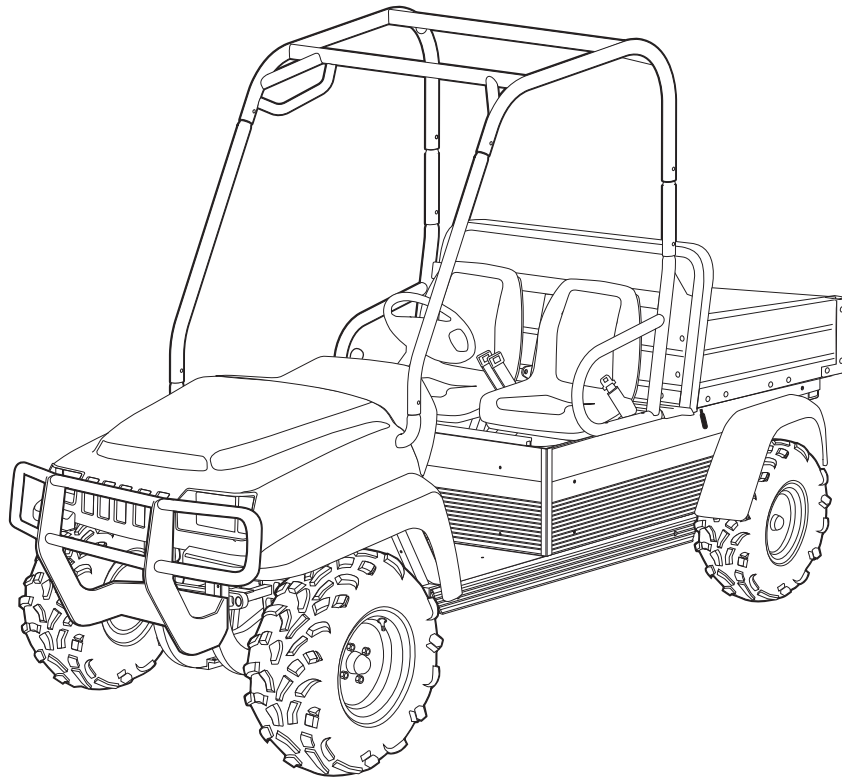




2006
XRT 1500/Carryall 294
Illustrated Parts List



Gasoline and Diesel Vehicles

Manual Number 102907608
Edition Code 0307L0112K

USING THE ILLUSTRATED PARTS LIST

⚠ WARNING

- **This manual is to be used only for identification and ordering of service parts. Be sure to read and use the maintenance and service manual before attempting any vehicle repairs.**

This manual covers all XRT 1500 and Carryall 294 vehicles.

The manual is divided into 15 sections. Sections 1 through 14 pertain to service parts for the vehicles, and Section 15 pertains to tools that are used on all Club Car products.

Use the Table of Contents to find the sections and pages that contain the parts and assemblies you seek. The Table of Contents lists section numbers, and under them, the individual page titles and numbers to be found in that section. The index can be used to find specific parts and assemblies. The index is divided into numerical and alphabetical listings with the page numbers in italic text.

There is a two-page spread for each individual page title in the Table of Contents. On the left-hand page is an illustration showing the parts in their relative positions; the parts are each tagged with an item number in a balloon. The right-hand page is the parts list page, and gives the page title at the top, then the item numbers (corresponding to the numbers on the illustration), part descriptions, and quantity of parts used.

Note that a part description may be indented. This indention corresponds to a parts assembly level indicated by the numbers 1, 2, 3, and 4 at the top left corner of the parts description area of the parts list page. A part that is indented to *level 2* is a component of the *level 1* part (assembly) that it is listed under. A *level 3* part is a component of the *level 2* part that it is listed under, and a *level 4* part is a component of the *level 3* part preceding it. In each case, the part quantity given for a level 2, 3, or 4 part *is the quantity used per next higher level assembly of which it is a component*. A part that is not indented is a *level 1* part. This means that the quantity given is the quantity used per the portion of the vehicle illustrated on that particular spread.

HOW TO ORDER PARTS

Replacement parts and accessories can be obtained from our network of authorized dealers and distributors. You can obtain the name and phone number of your closest authorized Club Car dealer or distributor by visiting our web site at www.clubcar.com and clicking on the "*Distributor Search*" link or by calling our toll-free Service Parts and Technical Assistance hotline at (800) 872-2246 or (706) 863-3000, extension 3887.



P. O. Box 204658
Augusta, Georgia 30917-4658 USA
Telephone 706-863-3000
Service Parts Fax 706-855-7413
www.clubcar.com

NOTE: *This illustrated parts list represents the most current information at the time of publication. Club Car, Inc. is continually working to further improve its vehicles and other products. These improvements may affect the parts used to service the vehicle. Any modification and/or significant change in specifications will be forwarded to all Club Car and Carryall distributors/dealers and will, when applicable, appear in future editions of this illustrated parts list.*

Club Car, Inc. reserves the right to change specifications and designs at any time without notice and without the obligation of making changes to units previously sold.

Copyright © 2007 Club Car, Inc.
Club Car is a registered trademark of Club Car, Inc.
This manual effective July 15, 2005.

CONTENTS

SECTION 1 – BODY AND TRIM

Front Body Trim, Gasoline Vehicles	1-3
Front Body Trim, Diesel Vehicles	1-5
Front Body Components	1-7
Front Seats and Cup Holder	1-9
ROPS	1-11
Tilt Bed and Hinge	1-13
Electric Bed Lift	1-15
Rear Body Trim	1-17
Cargo Box (Steel)	1-19

SECTION 2 – WHEELS AND TIRES

Wheels and Tires	2-3
------------------------	-----

SECTION 3 – DECALS

Safety Decals, Gasoline Vehicles	3-3
Safety Decals, Gasoline Vehicles, Continued	3-5
Safety Decals, Diesel Vehicles	3-7
Safety Decals, Diesel Vehicles, Continued	3-9
Badging Decals, XRT 1500 Vehicles	3-11
Badging Decals, Carryall 294 Vehicles	3-13

SECTION 4 – BRAKE SYSTEMS

Front Brake Assembly	4-3
Rear Brake Assembly	4-5
Master Cylinder	4-7
Hydraulic Brake Lines and Clips	4-9
Park Brake Assembly with Pulley System	4-11
Park Brake Assembly with Bellcrank System	4-13

SECTION 5 – PEDAL GROUP

Accelerator Pedal Assembly	5-3
Brake Pedal Assembly	5-5
Park Brake Pedal Assembly	5-7
Park Brake Pedal Assembly with Bellcrank System	5-9

CONTENTS

SECTION 6 – STEERING AND SUSPENSION

Steering Column	6-3
Steering Gear Assembly	6-5
Front Suspension – A-Arms	6-7
Front Suspension (Standard)	6-9
Front Suspension (High-Capacity Option)	6-11
Rear Suspension (Standard)	6-13
Rear Suspension (High-Capacity Option)	6-15

SECTION 7 – ELECTRICAL SYSTEM

Wiring – Gasoline Vehicles	7-5
Wiring – Gasoline Vehicles	7-9
Wiring – Diesel Vehicles	7-13
Headlights	7-15
Electrical Component Box, Gasoline Vehicles	7-17
Electrical Component Box, Diesel Vehicles	7-19
Electrical Components, Instrument Panel, Gasoline Vehicles	7-21
Electrical Components, Instrument Panel, Diesel Vehicles	7-23
Battery – Gasoline Vehicles	7-25
Battery – Diesel Vehicles	7-27

SECTION 8 – DIESEL ENGINE – CLOSED BREATHER

Kubota D722 Diesel Engine Mounting	8-3
Crankcase	8-5
Oil Pan	8-7
Cylinder Head	8-9
Gear Case	8-11
Head Cover	8-13
Dipstick and Guide	8-15
Oil Pump	8-17
Main Bearing Case	8-19
Camshaft and Idle Gear	8-21
Piston and Crankshaft	8-23
Flywheel	8-25
Shaft	8-27
Idle Apparatus	8-29
Stop Solenoid	8-31
40-Amp Alternator	8-33

CONTENTS

60-Amp Alternator	8-35
Injection Pump	8-37
Speed Control Plate	8-39
Nozzle Holders and Glow Plugs	8-41
Governor Components	8-43
Starter	8-45
Valves and Rocker Arms	8-47
Diesel Inlet Manifold	8-49
Exhaust Manifold	8-51
Gasket Kits	8-53
Piston Kit	8-55

SECTION 9 – HONDA GX620 GASOLINE ENGINE

Honda GX620 Gasoline Engine Mounting	9-3
Shrouds and Brackets	9-5
Ignition Components and Flywheel	9-7
Oil Circulation	9-9
Cylinder Head	9-11
Crankcase and Crankshaft	9-13
Oil Filter Adapter and Voltage Regulator	9-15

SECTION 10 – FUEL, INTAKE, AND GOVERNOR SYSTEM

Fuel System – Gasoline Vehicles	10-3
Fuel Tank – Gasoline Vehicles	10-5
Fuel System – Diesel Vehicles	10-7
Fuel Tank – Diesel Vehicles	10-9
Carburetor Assembly, Honda Gasoline Vehicles	10-11
Carburetor Installation – Honda Gasoline Vehicles	10-13
Governor and Accelerator Cables, Gasoline Vehicles	10-15
Choke Cable, Gasoline Vehicles	10-17
Accelerator Cable, Diesel Vehicles	10-19
Governor Cover – Gasoline Vehicles	10-21
Governor System – Gasoline Vehicles	10-23
Intake Duct and Air Box Assembly – Honda Gasoline Vehicles	10-25
Intake Duct and Air Box Assembly – Diesel Vehicles	10-27

SECTION 11 – EXHAUST SYSTEM

Exhaust System, Gasoline Vehicles	11-3
Exhaust System, Diesel Vehicles	11-5

CONTENTS

SECTION 12 – CLUTCHES

Clutch Cover (Standard)	12-3
Clutch Cover (Sealed)	12-5
Drive Belt	12-7
Drive Clutch – Gasoline Vehicles	12-9
Drive Clutch – Diesel Vehicles	12-11
Driven Clutch	12-13

SECTION 13 – DRIVETRAIN COMPONENTS

Front Differential Mounting and Half Shafts	13-3
Front Differential (Output Components)	13-5
Front Differential (Input Components)	13-7
Prop Shafts	13-9
Forward/Reverse Shifter Assembly	13-11
Transmission	13-13
Transmission, Continued	13-15
Transmission Shift Shaft and Bell Crank Transmission Shift Shaft and Bell Crank (Style A)	13-17
Transmission Shift Shaft and Bell Crank (Style B)	13-19
Transmission, Continued	13-21
Transmission Cable	13-23
Rear Differential	13-25
Rear Differential, Continued	13-27

SECTION 14 – RADIATOR AND COOLANT SYSTEM (DIESEL VEHICLES)

Radiator	14-3
Coolant Expansion Tank	14-5
Coolant Pipes and Hoses	14-7
Water Flange and Thermostat	14-9
Water Pump	14-11
Block Coolant Pipe	14-13

SECTION 15 – MAINTENANCE AND SERVICE TOOLS

Maintenance and Service Tools	15-3
Maintenance and Service Tools, Continued	15-5
Maintenance and Service Tools, Continued	15-7
Maintenance and Service Tools, Continued	15-9
Maintenance and Service Tools, Continued	15-11

SECTION i – INDEX

BODY AND TRIM

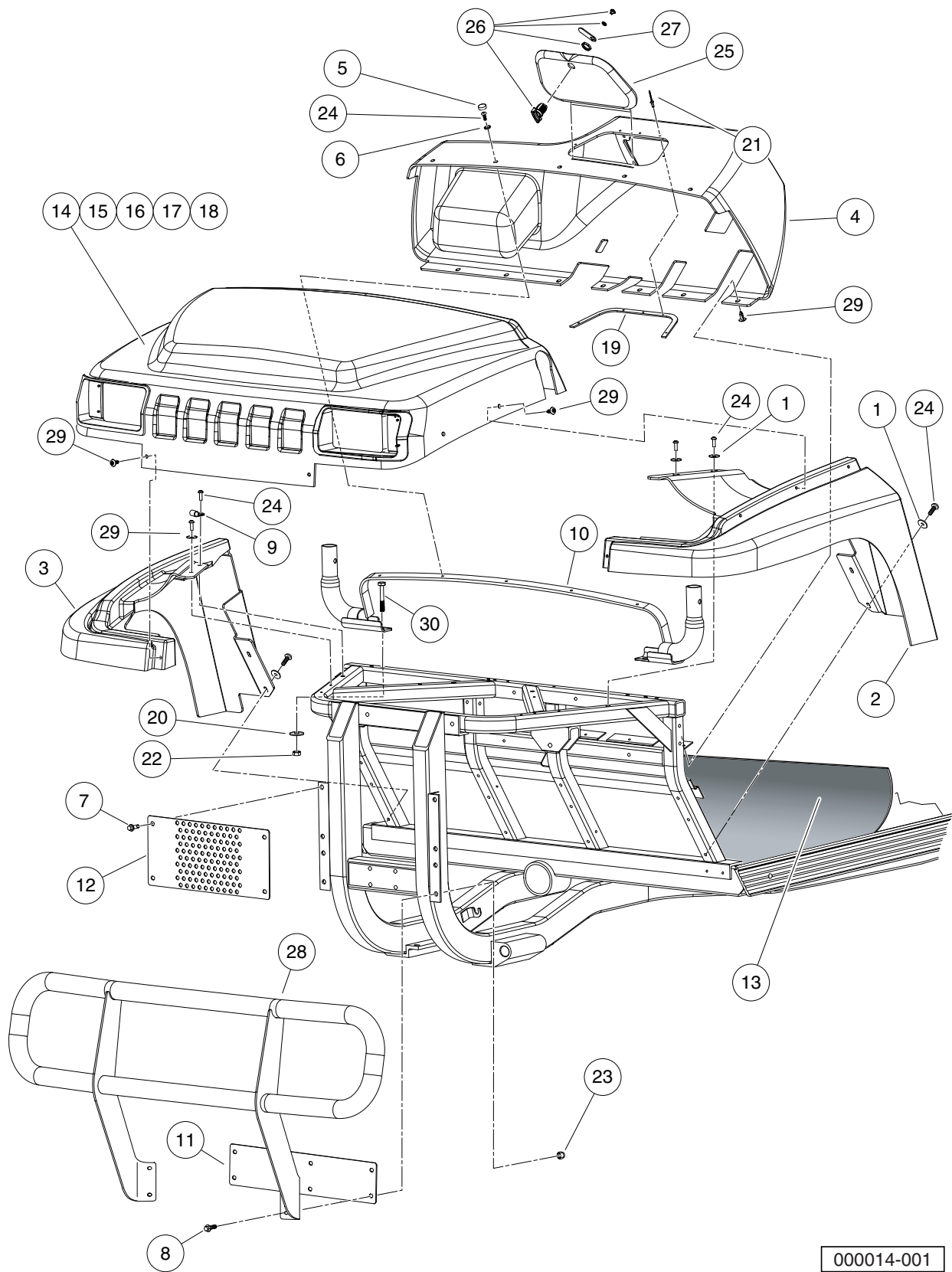
1

G

D

1
G

D



000014-001

FRONT BODY TRIM, GASOLINE VEHICLES

ITEM	PART NO.	DESCRIPTION	QTY
		1 2 3 4	
1	1014306	Washer, 1/4" Type B Flat	7
2	102021502	Fender, Left Front	1
3	102021602	Fender, Right Front	1
4	102021802	Dashboard with Access Hole	1
5	102045001	Cap, 1/4" Plastic Screw Head	5
6	102048401	Washer, 1/4 Id Scalloped Plast	5
7	102289002	Screw, M8 X 1.25 X 30 Tri, Blk	4
8	102298130	Bolt, Flange Head, M8 X 30.0	4
9	102410603	P-Clamp, Insulated .312 In	1
10	102418501	Weldment, Support, ROPS	1
11	N/A	Plate, Brush Mount	1
12	102429301	Grill, Flat	1
13	102432001	Mat, Floor	1
14	102459710	Cowl, Machined, Dark Green	1
15	102459714	Cowl, Machined, Dark Gray	1
16	102459715	Cowl, Machined, Red	1
17	102459716	Cowl, Machined, White	1
18	102459718	Cowl, Machined, Camo	1
19	102477301	Support, Access Panel, Dash	1
20	102491501	Washer Hard,m10	4
21	102492801	Rivet, .125" Dia, .311" Panel	5
22	102617201	Nut Flg M10 X 1.5 Mech Def	4
23	102618601	Lock Nut, Flg M8 X 1.25 Nylon	4
24	102628601	Screw, 1/4-20 X 1.0 Pn Hd Torx	13
25	102760501	Panel, Access, Dash	1
26	102760701	Cam Lock Body	1
27	102760801	Latch, Cam, Access Panel	1
28	102778001	Asm, Brush Guard	1
29	102967901	Rivet, Removable, Tuflok 1/4"	15
30	96715552	Bolt, M10 X 1.50 X 65	4

1

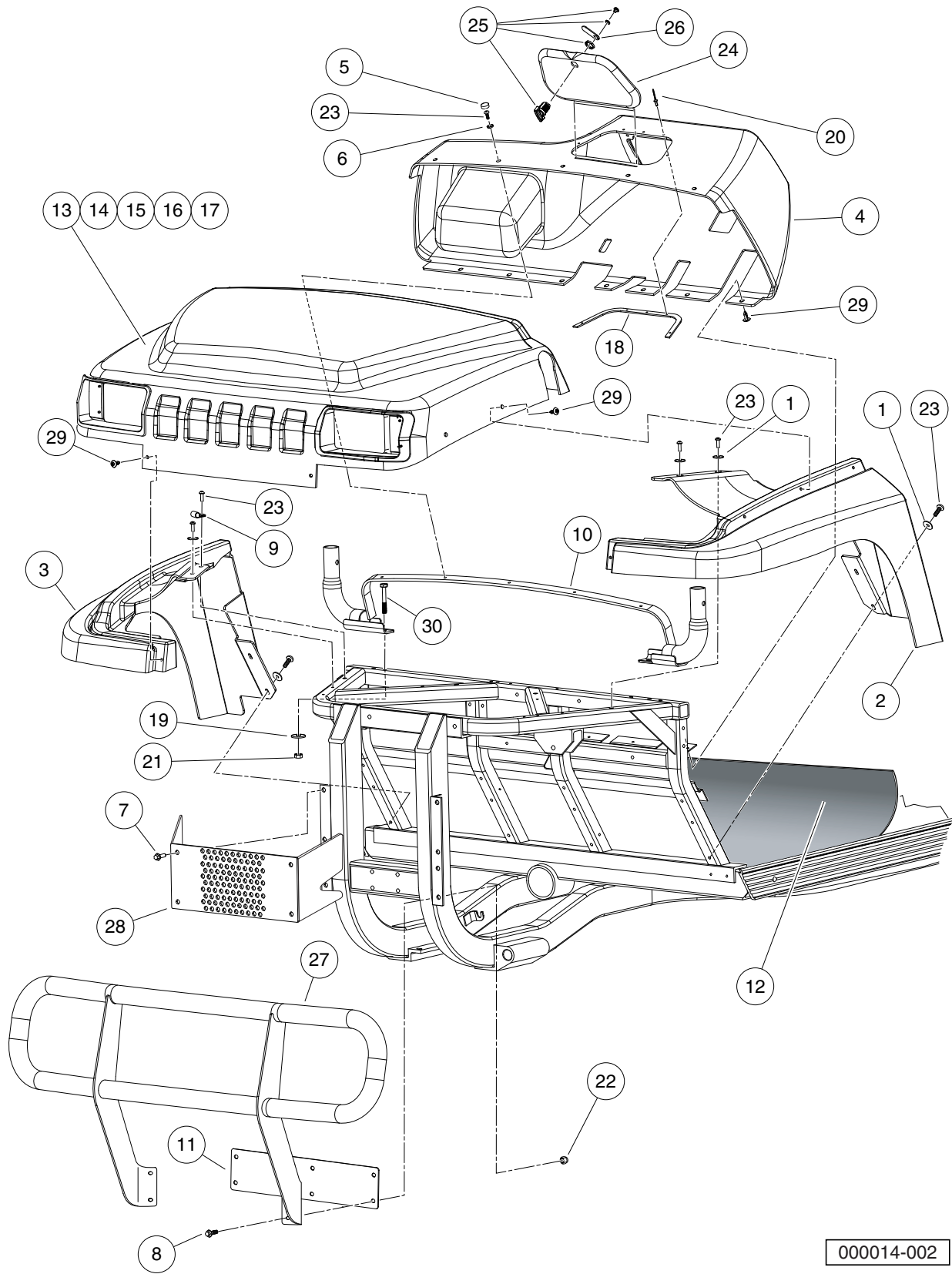
G

D

1

G

D



000014-002

FRONT BODY TRIM, DIESEL VEHICLES

ITEM	PART NO.	DESCRIPTION	QTY
		1 2 3 4	
1	1014306	Washer, 1/4" Type B Flat	7
2	102021502	Fender, Left Front	1
3	102021602	Fender, Right Front	1
4	102021802	Dashboard with Access Hole	1
5	102045001	Cap, 1/4" Plastic Screw Head	5
6	102048401	Washer, 1/4 Id Scalloped Plast	5
7	102289002	Screw, M8 X 1.25 X 30 Tri, Blk	4
8	102298130	Bolt, Flange Head, M8 X 30.0	4
9	102410603	P-Clamp, Insulated .312 In	1
10	102418501	Weldment, Support, ROPS	1
11	N/A	Plate, Brush Mount	1
12	102432001	Mat, Floor	1
13	102459710	Cowl, Machined, Dark Green	1
14	102459714	Cowl, Machined, Dark Gray	1
15	102459715	Cowl, Machined, Red	1
16	102459716	Cowl, Machined, White	1
17	102459718	Cowl, Machined, Camo	1
18	102477301	Support, Access Panel, Dash	1
19	102491501	Washer Hard,m10	4
20	102492801	Rivet, .125" Dia, .311" Panel	5
21	102617201	Nut Flg M10 X 1.5 Mech Def	4
22	102618601	Lock Nut, Flg M8 X 1.25 Nylon	4
23	102628601	Screw, 1/4-20 X 1.0 Pn Hd Torx	13
24	102760501	Panel, Access, Dash	1
25	102760701	Cam Lock Body	1
26	102760801	Latch, Cam, Access Panel	1
27	102778001	Asm, Brush Guard	1
28	102831601	Guard, Radiator	1
29	102967901	Rivet, Removable, Tuflok 1/4"	15
30	8248	Screw, 1/4-20 X 0.75 Truss-Head Machine	4

1

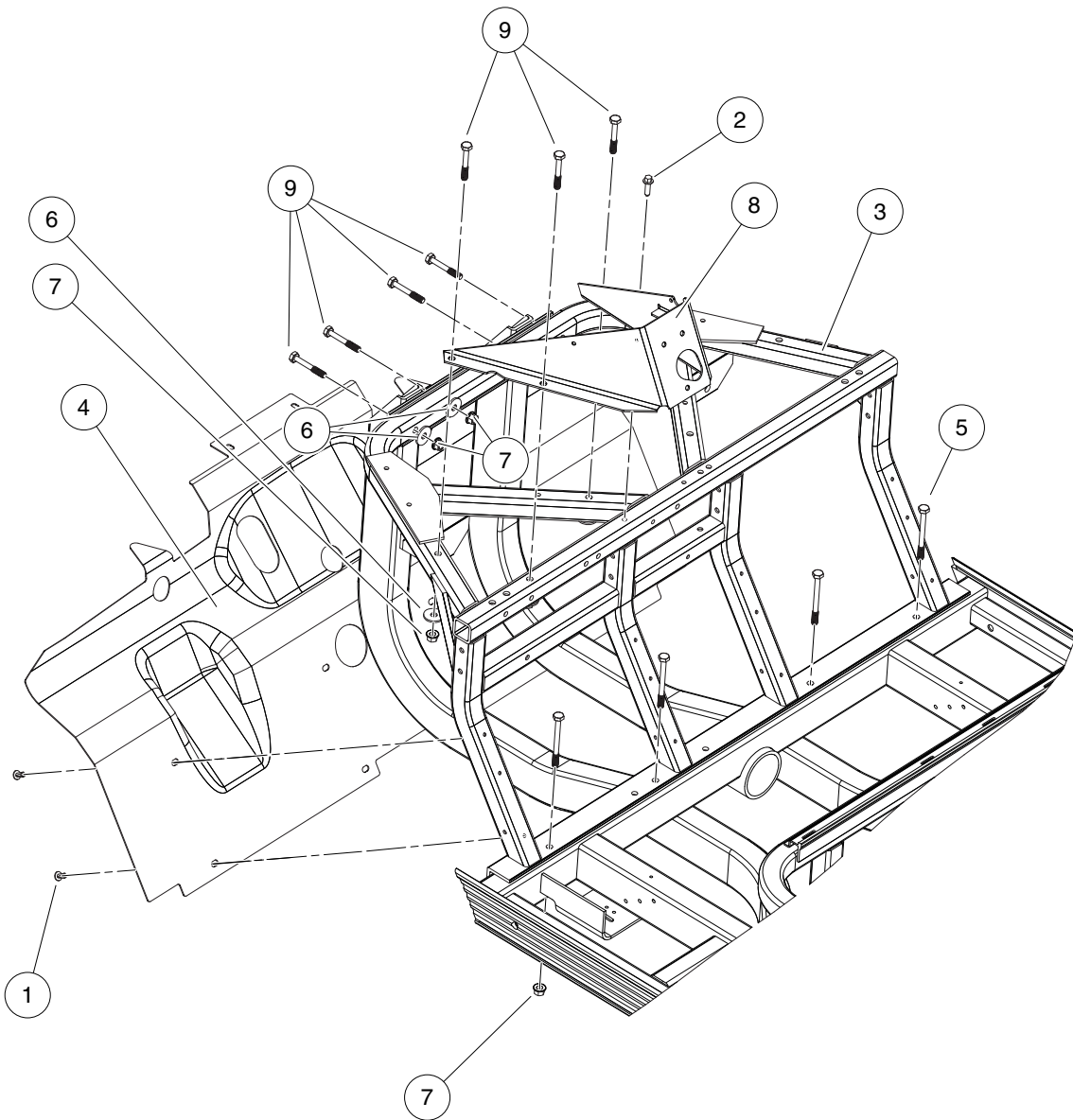
G

D

1

G

D



000017-001

FRONT BODY COMPONENTS

ITEM	PART NO.	DESCRIPTION	QTY
		1 2 3 4	
1	1016967	Blind Rivet, Push Type	8
2	102289001	Screw, M8X1.25X30, Hex	1
3	102373401	Weldment, Dash, Front	1
4	102437201	Guard, Splash	1
5	102491301	Bolt, M10x1.50x100 (Black)	4
6	102491501	Washer Hard,m10	7
7	102617201	Nut Flg M10 X 1.5 Mech Def	11
8	****	Bracket, Support, Steering	1
9	96715552	Bolt, M10 X 1.50 X 65	7
		**** Special order item available upon request.	

1

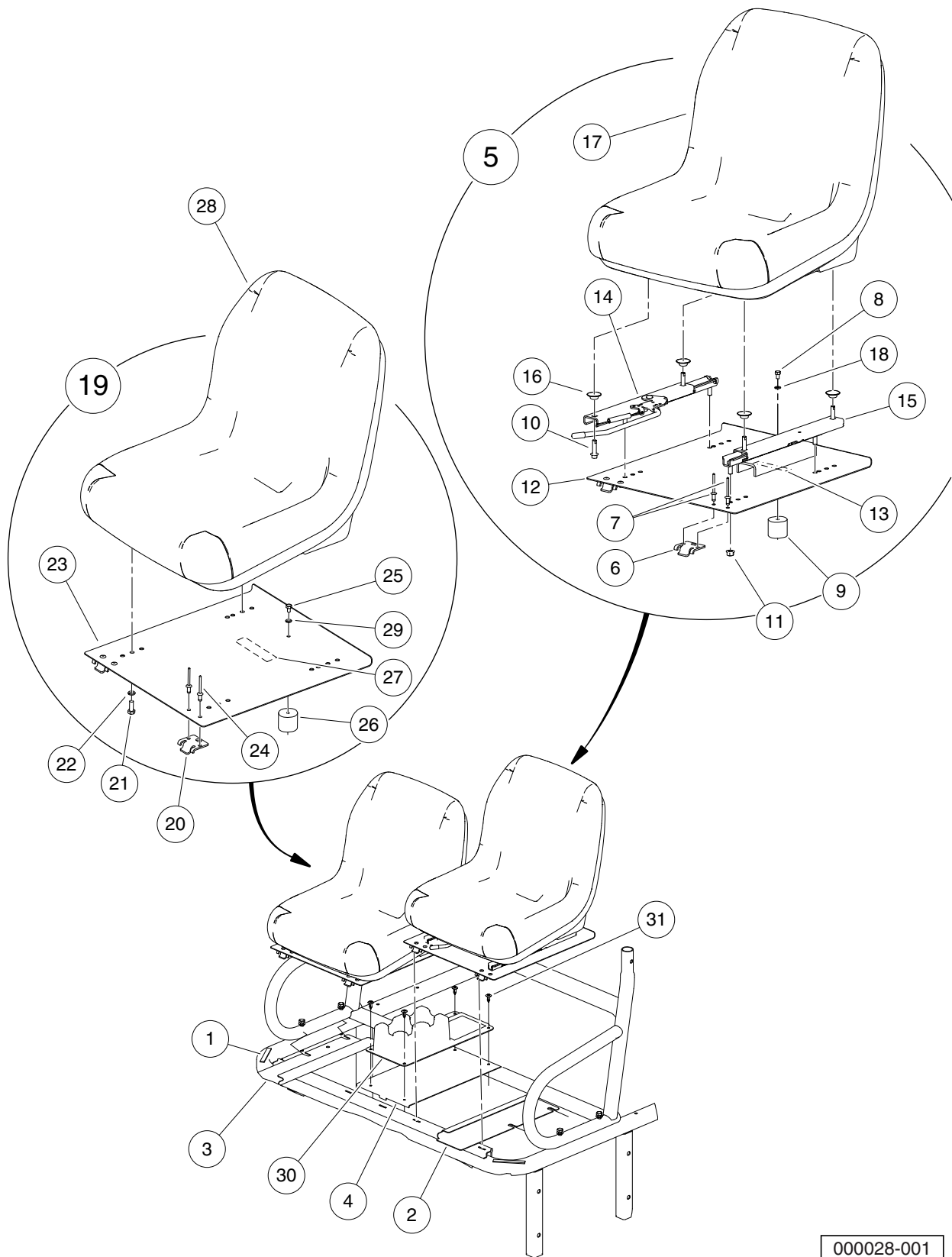
G

D

1

G

D



000028-001

FRONT SEATS AND CUP HOLDER

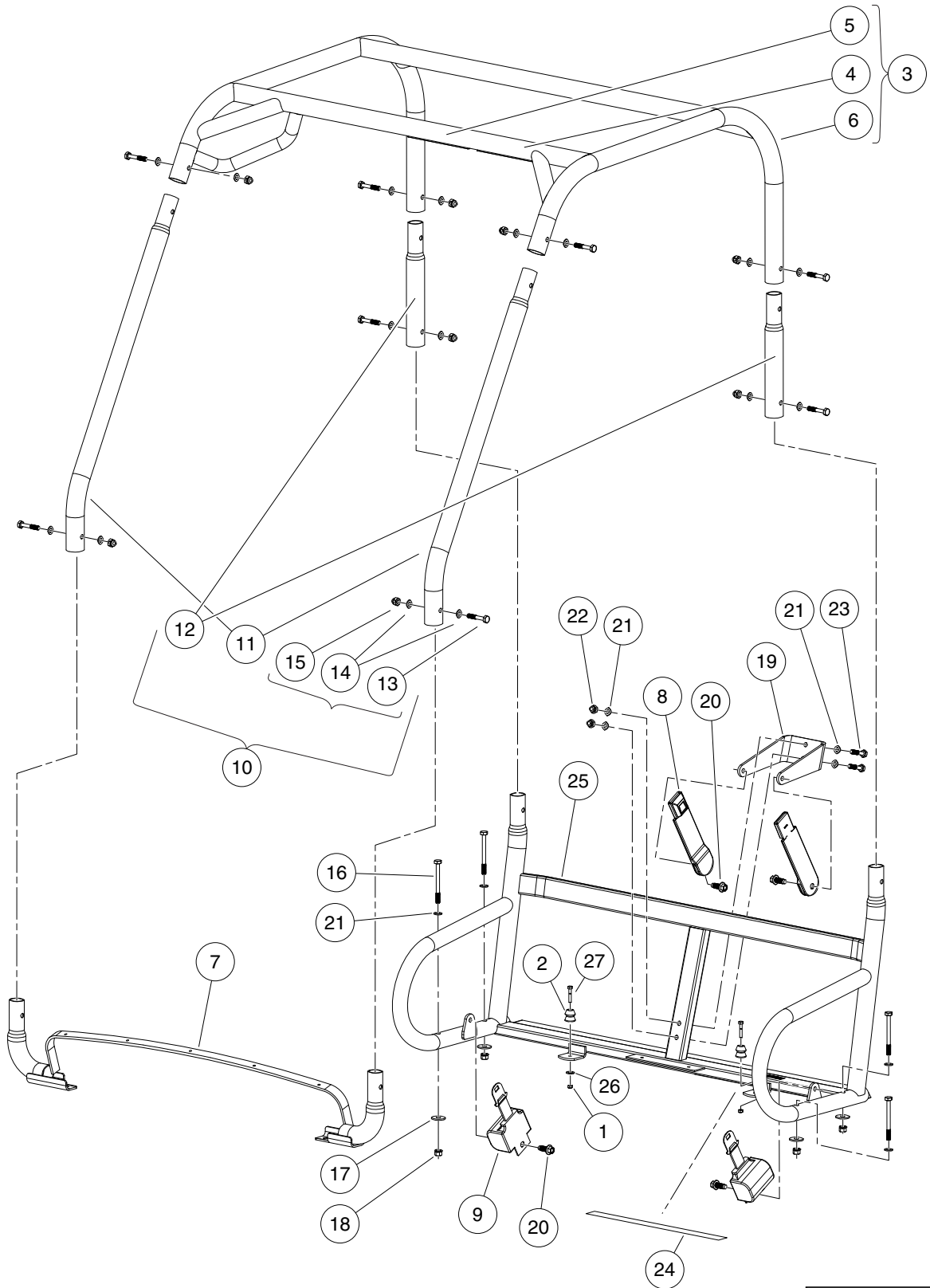
ITEM	PART NO.	DESCRIPTION	QTY
		1 2 3 4	
1	1014471	Tape, Vinyl Foam 1/8" x 3/4" *	2
2	102425401	Closeout, Driver Side	1
3	102425501	Closeout, Passenger Side	1
4	102442001	Pan, Center, Closeout	1
5	102473701	Asm, Bucket Seat Adjustable (includes items 6 through 18)	1
6	1011652	Hinge Plate	2
7	102047001	Rivet, 1/4 X .438 Blind	4
8	102059401	Screw, 6m-1.00 X 10mm Hex Head	1
9	102061101	Seat Holder Cup	1
10	102298130	Bolt, Flange Head, M8 X 30.0	4
11	102298401	Nut,m8,all Metal Lock	4
12	102456001	Pan, Seat, Driver Asm	1
13	102458901	Decal, Hot Surface Warning	1
14	102473501	Adjuster, Forward/Aft	1
15	102473601	Adjuster, Slider	1
16	102475901	Washer, Bell	4
17	103267001	Seat, Bucket, Gray	1
18	451	Lockwasher, 1/4 Split	1
19	N/A	Assembly, Bucket Seat w/Spacers (includes items 20 through 29)	1
20	1011652	Hinge Plate	2
21	1012830	Screw, M8-125 X 22 Hex-Head	4
22	1013734	Lockwasher, 8mm Split	4
23	102023703	Pan, Seat, Passenger	1
24	102047001	Rivet, 1/4 X .438 Blind	4
25	102059401	Screw, 6m-1.00 X 10mm Hex Head	1
26	102061101	Seat Holder Cup	1
27	102458901	Decal, Hot Surface Warning	1
28	103267001	Seat, Bucket, Gray	1
29	451	Lockwasher, 1/4 Split	1
30	102486201	Console, Center, Drink Holder	1
31	102967901	Rivet, Removable, Tuflok 1/4"	4
		 * Note: Item not shown.	

1
G
D

1

G

D



000029-001

ROPS

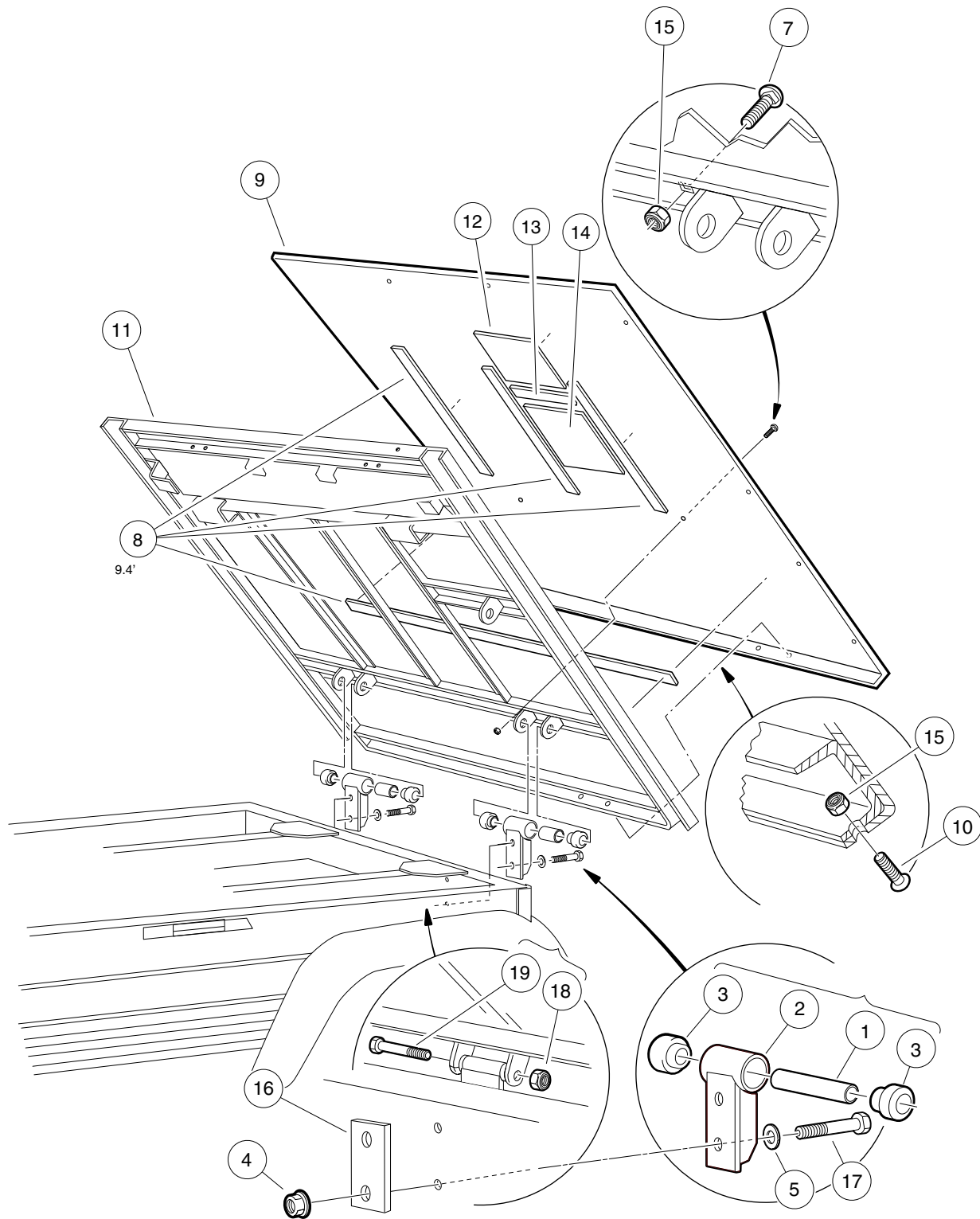
ITEM	PART NO.	DESCRIPTION	QTY
		1 2 3 4	
1	101887601	Locknut, M6-1.00 Nylon Insert	2
2	102059001	Seat Holder Base	2
3	102418401	Weldment, Top, ROPS (includes items 4 through 6)	1
4	102459401	Decal, Young Driver Warning	1
5	102621101	Decal, ROPS Certification/Warning	1
6	N/A	Weldment, ROPS, Top, Unlabeled	1
7	102418501	Weldment, Support, ROPS	1
8	102447601	Buckle, Seat Belt with Sleeve	2
9	102447602	Retractor, Seat Belt	2
10	102482201	Kit, ROPS (includes items 11 through 15)	1
11	102419901	Tube, Support, Front, ROPS	2
12	102420001	Tube, Support, Rear, ROPS	2
13	102718001	Bolt, M10 X 55, Zn-Ni (Black)	8
14	102718101	Washer, Hard, M10, Zn-Ni/Blk	16
15	102718201	Nut, Hex Cap, M10, Zn-Ni/Blk	8
16	102491301	Bolt, M10x1.50x100 (Black)	4
17	102491501	Washer Hard,m10	4
18	102617201	Nut Flg M10 X 1.5 Mech Def	4
19	102670601	Bracket, Seatbelt, Bolt-On	1
20	102671201	Screw,m12x1.75x30 Thd Form Blk	4
21	102718101	Washer, Hard, M10, Zn-Ni/Blk	8
22	102718201	Nut, Hex Cap, M10, Zn-Ni/Blk	2
23	102732401	Bolt, M10 X 45, Zn-Ni (Black)	2
24	102739201	Barrier, Heat, Neoprene	1
25	102886101	Weldment, Supp, Seat, Rops	1
26	332	Washer, 1/4 Type A Narrow Flat	2
27	96742515	Bolt, M6 X 1 X 45	2

1
G
D

1

G

D



000157-001

TILT BED AND HINGE

ITEM	PART NO.	DESCRIPTION	QTY
		1 2 3 4	
1	1012303	Bushing, Steel	2
2	1015356	Hinge	2
3	1015583	Bushing, Urethane	2
4	102065901	Locknut, 3/8-16 Flanged Dimple	4
5	102066001	Washer, 3/8 Type B Hard Flat	4
6	102171504	Assembly, Tilt Bed, Electric Lift (includes items 7 through 14)	1
7	1010435	Bolt, Carriage, 5/16-18 X 1.00	4
8	1014471	Tape, Vinyl Foam 1/8" x 3/4" *	1
9	1015258	Plate, Floor Bed	1
10	N/A	Frame Assembly	1
11	1015399	Screw, 5/16-18 X 0.88 Torx Truss-Head	4
12	102725801	Foam, Barrier, Heat, Bed, Frt	1
13	102725901	Foam, Barrier, Heat, Bed, Rail	1
14	7473	Locknut, 5/16-18 Nylon Insert	8
15	102614101	Plate, Back	2
16	7561	Bolt, 3/8-16 X 3.00 Hex Head	4
17	8754	Locknut, 3/8-16 Hex	2
18	8755	Screw, 3/8-16 X 3.375 Hex Cap	2
		* Note: Item not shown.	

1

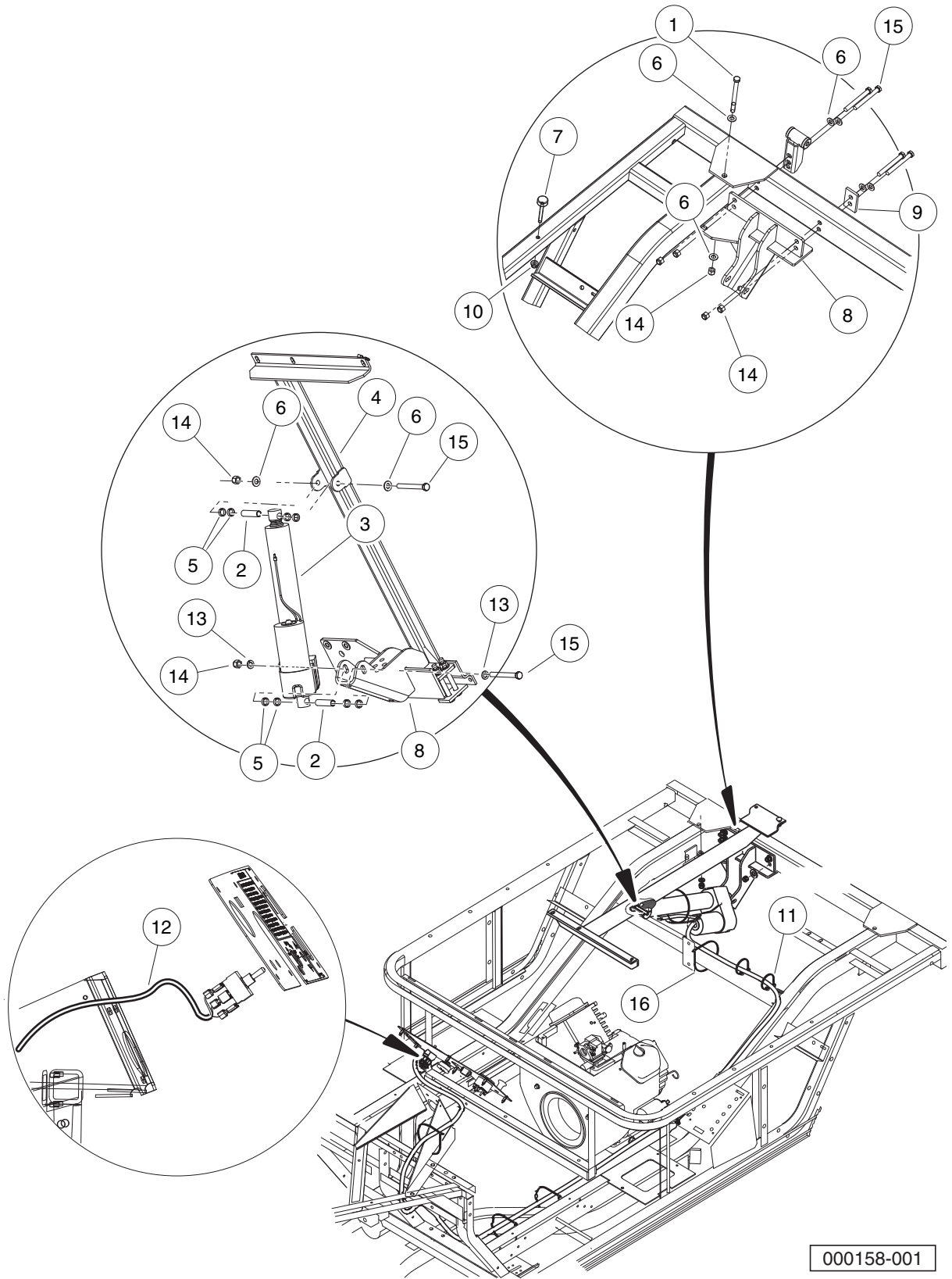
G

D

1

G

D



000158-001

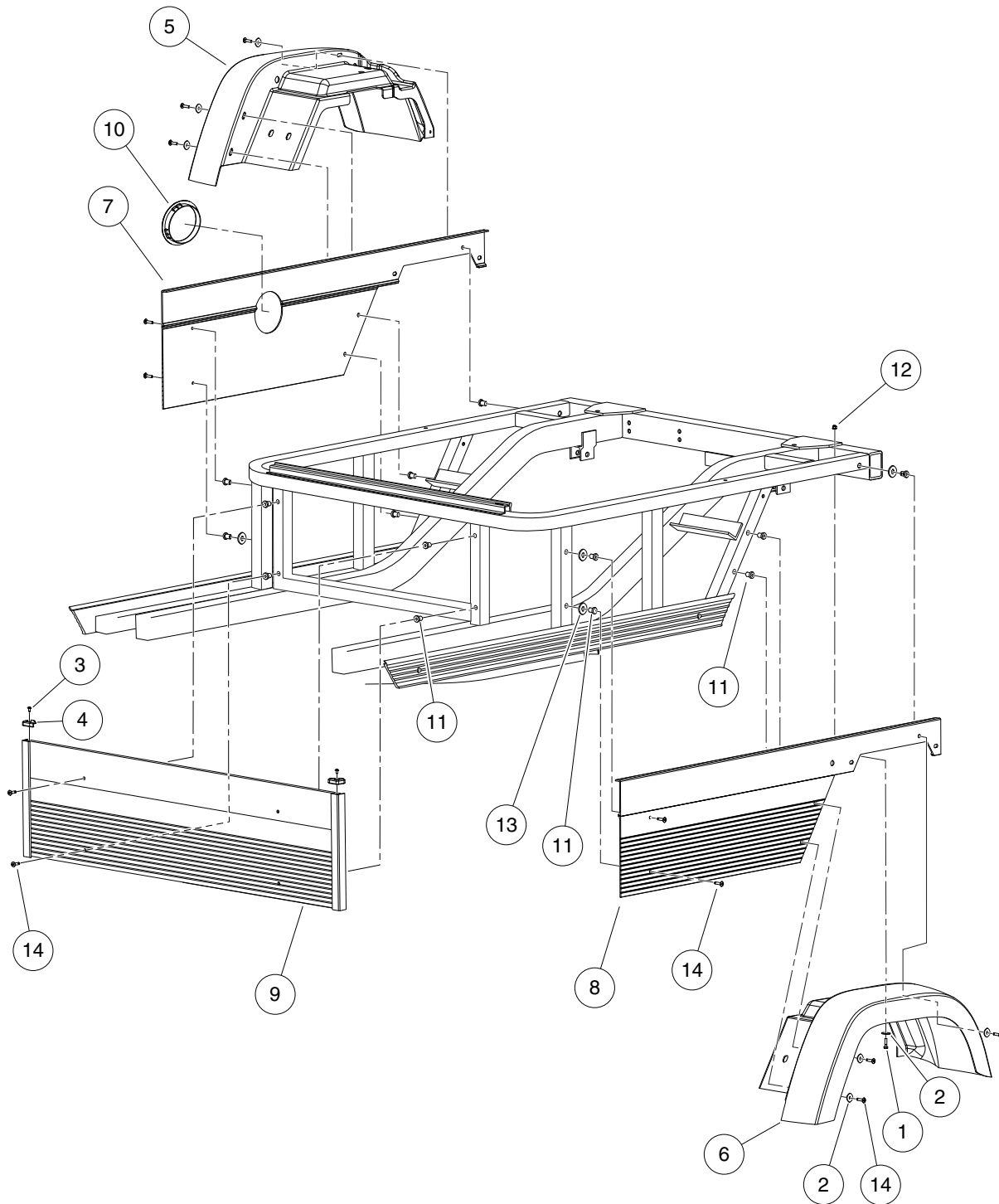
ELECTRIC BED LIFT

ITEM	PART NO.	DESCRIPTION	QTY	
		1 2 3 4		1
1	1010200	Bolt, 3/8-16 X 4.25 Hex Head	1	G
2	1016603	Bushing Long	2	
3	1017162	Actuator Assembly, Electric	1	
4	1017167	Actuator Adapter	1	D
5	1017774	Body Spacer	8	
6	102066001	Washer, 3/8 Type B Hard Flat	8	
7	102426601	Bumper, Bed, Mtg, Front	2	
8	102465701	Weldment, Bracket, Actuator	1	
9	102614101	Plate, Back	1	
10	102618601	Lock Nut, Flg M8 X 1.25 Nylon	2	
11	102629001	Tie Wrap, 8.00" With Mount	2	
12	102673901	Wire Harness, Electric Lift	1	
13	357	Lockwasher, 3/8 Split	2	
14	8754	Locknut, 3/8-16 Hex	9	
15	8755	Screw, 3/8-16 X 3.375 Hex Cap	6	
16	8990	Tie Wrap, 8" Nylon	5	

1

G

D



000027-001

REAR BODY TRIM

ITEM	PART NO.	DESCRIPTION	QTY
		1 2 3 4	
1	1012769	Screw, M6-1.00 X 25mm Hex Cap	2
2	1014306	Washer, 1/4" Type B Flat	8
3	1014321	Screw, #10 Truss-Head Torx	2
4	101438702	Corner Cap AWD	2
5	102251601	Fender, Right Rear	1
6	102251701	Fender, Left Rear	1
7	102454001	Assembly, Panel (Passenger Side)	1
8	102454101	Assembly, Panel (Driver Side)	1
9	102454201	Panel, Front	1
10	102466201	Bezel, Fuel Fill	1
11	102491701	Well Nut 1/4-20	14
12	102621501	Nut Flg, M6 X 1.0 Nylon	2
13	102684501	Washer, M12 Hard Regular	2
14	8251	Screw, 1/4-20 X 1.0 Truss-Head Machine	14

1

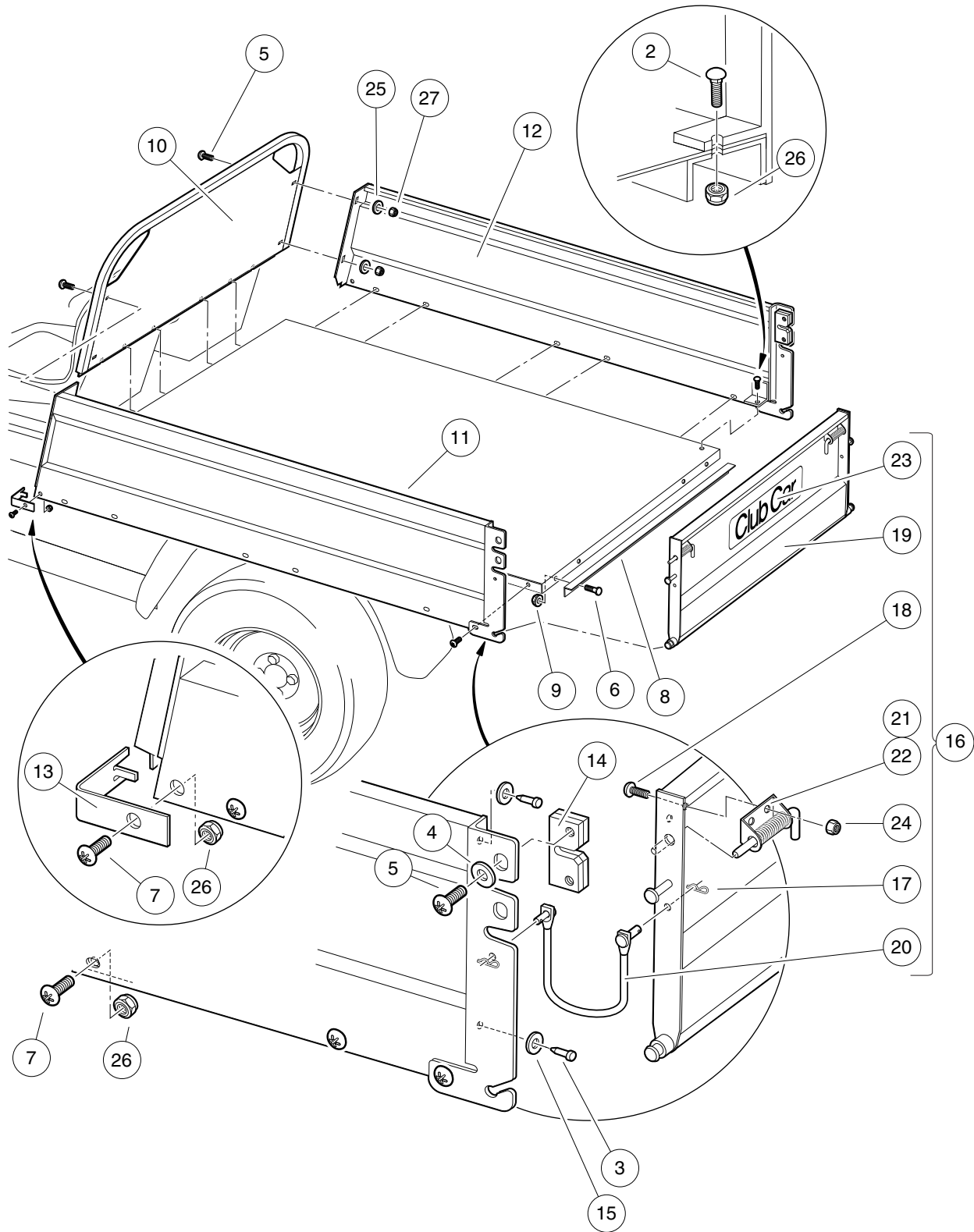
G

D

1

G

D



000038-001

CARGO BOX (STEEL)

ITEM	PART NO.	DESCRIPTION	QTY
		1 2 3 4	
1	N/A	Instl, Steel Box, XRT (includes items 2 through 27)	1
2	1010435	Bolt, Carriage, 5/16-18 X 1.00	13
3	1010436	Bumper, Rubber	4
4	1014306	Washer, 1/4" Type B Flat	4
5	1014415	Screw, 1/4-20 X 0.75 Torx Truss-Head	8
6	1014537	Stud, Self-Clinching Flush Head	4
7	1015399	Screw, 5/16-18 X 0.88 Torx Truss-Head	18
8	101894304	Box Bed Tailgate Angle	1
9	101963401	Locknut, 5/16-18 Hex Flange	4
10	102221301	Front Panel Weldment	1
11	102221401	Left Panel Weldment	1
12	102221501	Right Panel Weldment	1
13	102221701	Front Corner Cap	2
14	102222001	Slam Latch	2
15	102239901	Washer, Rubber, 3/8	4
16	102614401	Assembly, Tailgate (includes items 17 through 24)	1
17	1013366	Hair Pin Clip	4
18	1014415	Screw, 1/4-20 X 0.75 Torx Truss-Head	4
19	N/A	Tailgate, Weldment	1
20	102221801	Tether Assembly	2
21	102222101	Spring Latch Left	1
22	102222201	Spring Latch Right	1
23	102673201	Decal, Club Car Tailgate	1
24	8233	Locknut, 1/4-20 Nylon Insert	4
25	332	Washer, 1/4 Type A Narrow Flat	4
26	7473	Locknut, 5/16-18 Nylon Insert	31
27	8233	Locknut, 1/4-20 Nylon Insert	4

1

G

D

1

G

D

WHEELS AND TIRES

2

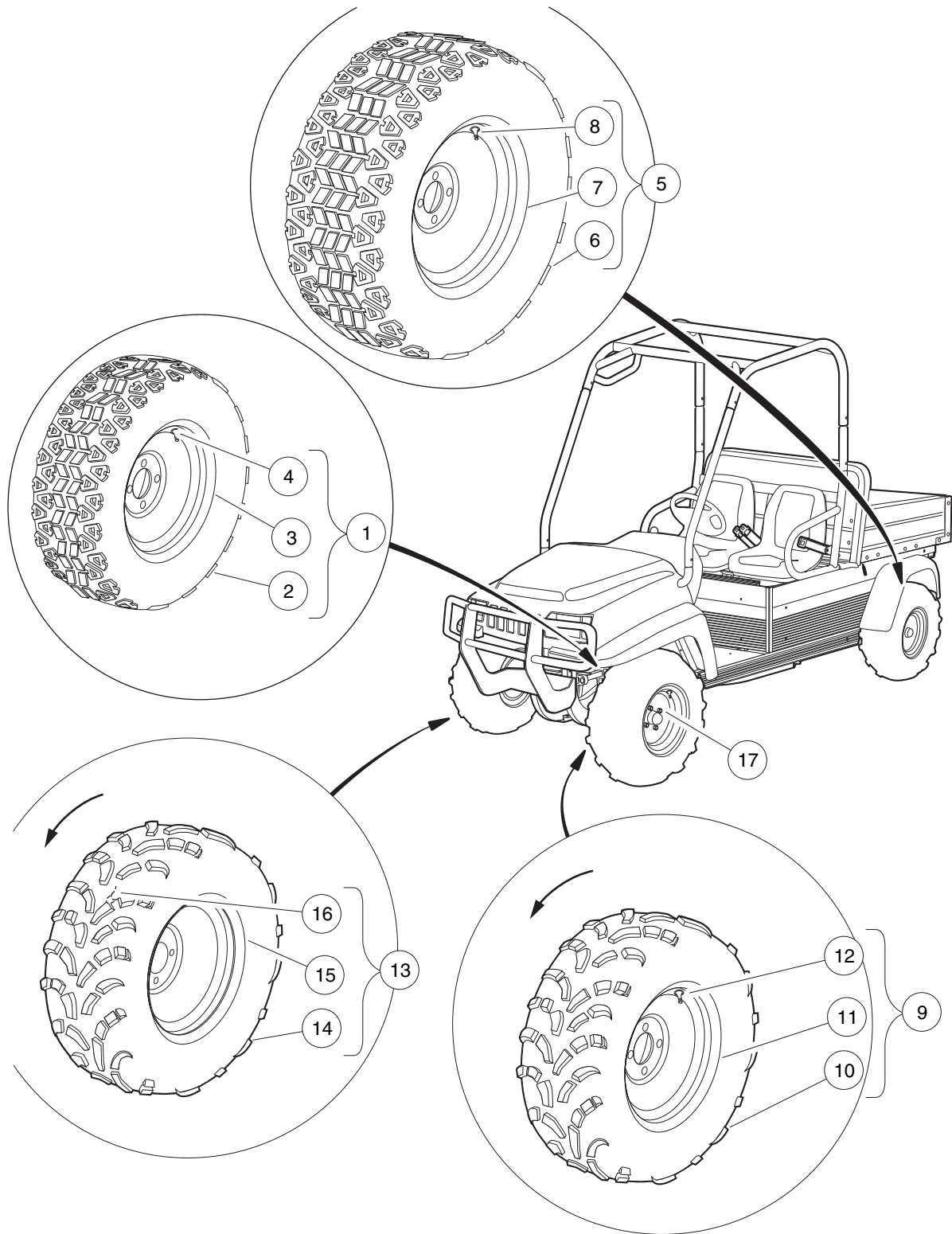
G

D

2

G

D



000009-001

WHEELS AND TIRES

ITEM	PART NO.	DESCRIPTION	QTY
		1 2 3 4	
1	102021406	Gray Tire Assembly, HDAT, 8-Inch (includes items 2 through 4)	2
2	102021305	HDAT Tire, 8"	1
3	102374801	Wheel, Indus Spider, Gray	1
4	7310	Valve Stem	1
5	102021407	Gray Tire Assembly, HDAT 10.5-Inch (includes items 6 through 8)	2
6	102021302	Tire, HDAT	1
7	102374801	Wheel, Indus Spider, Gray	1
8	7310	Valve Stem	1
9	102021408	Gray Tire Assembly, AT489 LH (includes items 10 through 12)	2
10	102021306	Tire, AT489	1
11	102374801	Wheel, Indus Spider, Gray	1
12	7310	Valve Stem	1
13	102021409	Gray Tire Assembly, AT489 RH (includes items 14 through 16)	2
14	102021306	Tire, AT489	1
15	102374801	Wheel, Indus Spider, Gray	1
16	7310	Valve Stem	1
17	102736901	Nut, Lug, 1/2-20 SAE J2283	16

2

G

D

2

G

D

DECALS

3

G

D

3

G

D

UNDER 16

WARNING

YOUNG DRIVERS INCREASE CHANCE OF DEATH

- Young drivers may not be able to control vehicle.
- No drivers younger than 16 years old.
- Do not leave children unsupervised on vehicle.

CCI 1024901

WARNING

ROLLOVER OR FALLING OFF MAY CAUSE DEATH

- Read owner's manual and operating instructions.
- Fasten seat belts and remain seated while moving.
- Children requiring a child safety seat must not ride on vehicle.

Comply with state and local laws pertaining to child safety.

- Drive slowly in turns and straight up and down slopes.
- Do not start vehicle until all occupants are seated.
- Front seats: One (1) person per seat maximum.
- Operate from driver side only and not on public roads.
- Keep entire body inside vehicle while moving.
- Do not operate while under the influence of alcohol or drugs.
- Never attempt jumps and avoid extremely hard braking in reverse.

OFF ON
START

F
N
R

CCI 10249201

Club Car, Inc.
Augusta, Georgia, USA

Roll-over Protective Structure (ROPS)
ROPS per ISO 3471, SAE J1040,
AS 2294.1, and CSA B352.2

Certified for vehicle models:
Carryall 294, XRT 1500, and Bobcat 2200
Max, unlabeled vehicle mass: 1543 lb (700 kg)

WARNING

- Do not modify or remove Roll-over Protective Structure (ROPS).
- Replace ROPS if damaged. Do not attempt repair.
- Use seat belts during operation. Do not jump from vehicle.
- Keep away from drop-offs, steep slopes, and unstable surfaces.

CCI 10262101

WARNING

Riding in cargo bed can cause severe injury or death. Do not ride in cargo bed.

CCI 101553901

WARNING

Rotating Parts

CCI 102224001

NOTICE

MAXIMUM TONGUE WEIGHT - 150 lbs.

CCI 1011553

WARNING

CRUSH AREA

STAY CLEAR

CCI 101609401

WARNING

Crush area. Can cause severe injury. Stay clear when closing bed.

CCI 10249001

VEHICLE LOADING

Read owner's manual and warnings on dash.

- Maximum gross vehicle weight: 2750 lb. (1247 kg)
- Maximum cargo load: 800 lb. (363 kg)
- Includes cargo bed load and gross trailer weight.
- Maximum cargo load is reduced by the weight of optional equipment.
- Maximum trailer hitch tongue weight: 150 lb. force (667 N).

PREVENT VEHICLE ROLL-OVER.

- Place cargo forward in the cargo bed and distribute evenly side to side. Secure load.
- On uneven or steep terrain reduce speed and load. Avoid stopping on or backing down steep hills.
- Avoid top heavy loads. See owner's manual.

CCI 102662301

HIGH-CAPACITY VEHICLE LOADING

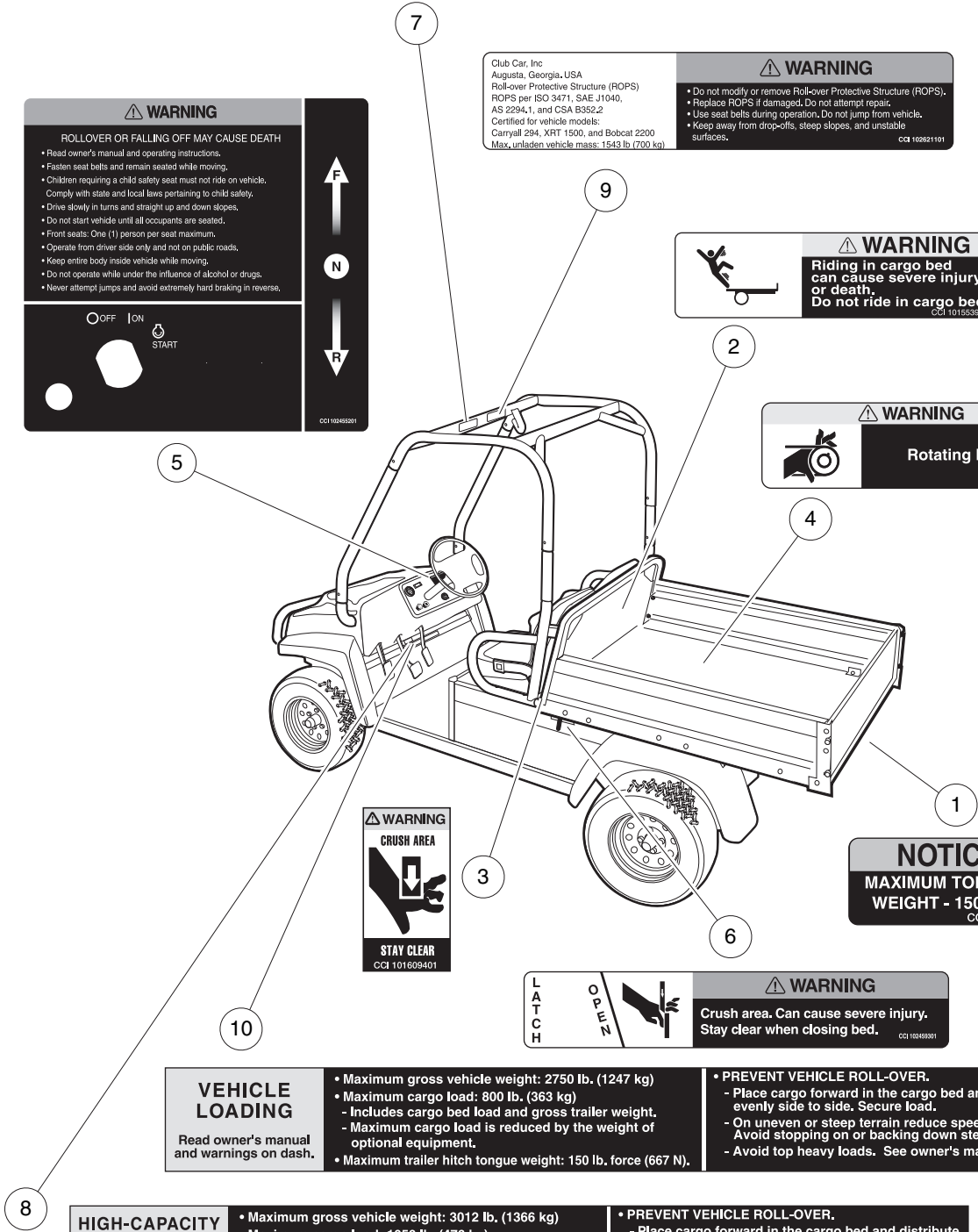
Read owner's manual and warnings on dash.

- Maximum gross vehicle weight: 3012 lb. (1366 kg)
- Maximum cargo load: 1050 lb. (476 kg)
- Includes cargo bed load and gross trailer weight.
- Maximum cargo load is reduced by the weight of optional equipment.
- Maximum trailer hitch tongue weight: 150 lb. force (667 N).

PREVENT VEHICLE ROLL-OVER.

- Place cargo forward in the cargo bed and distribute evenly side to side. Secure load.
- On uneven or steep terrain reduce speed and load. Avoid stopping on or backing down steep hills.
- Avoid top heavy loads. See owner's manual.

CCI 102459601



000005-001

SAFETY DECALS, GASOLINE VEHICLES

ITEM	PART NO.	DESCRIPTION	QTY
		1 2 3 4	
1	1011553	Decal, Trailer Hitch	1
2	101553901	Decal, Bed Load Warning	1
3	101609401	Decal, Crush Area Warning	2
4	102224001	Decal, Rotating Parts Warning	1
5	102455201	Decal, Instrument Panel Warning, Gasoline Vehicle	1
6	102459301	Decal, Bed Crush Area Warning	1
7	102459401	Decal, Young Driver Warning	1
8	102459601	Decal, Vehicle Loading, High-Capacity	1
9	102621101	Decal, ROPS Certification/Warning	1
10	102682301	Decal, Vehicle Loading, Standard Capacity	1

3

G

D

3

G

D

⚠ WARNING

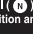
- GASOLINE EXPLOSION / FIRE.
- CAN CAUSE SEVERE INJURY OR DEATH.
- NO SMOKING, SPARKS, OR OPEN FLAME.
- STOP ENGINE, ALLOW TO COOL BEFORE REFUELING.
- TURN FUEL VALVE () ON DURING OPERATION.
- () OFF DURING STORAGE OR TRANSPORT.

CCI 101547601

OPERATING INSTRUCTIONS

- Read owner's manual and vehicle safety warnings. Study and understand controls.

TO START ENGINE

- Place shift lever in Neutral () position and press brake pedal.
- Turn key to "START" position and hold until engine starts.

TO OPERATE VEHICLE

- Make sure wheels are turned in desired direction and nothing is in your path.
- Engine must be at idle before moving shift lever.
- While vehicle is stopped, and the engine is at idle, select shift lever position.
 - ⬆ – Forward
 - ⊖ – Neutral
 - ⬆ – Reverse (Buzzer will sound)
- Release park brake and slowly press accelerator pedal to increase speed.
- All-wheel drive will automatically drive appropriate wheel(s) as required.

TO STOP VEHICLE

- Release accelerator pedal and push brake pedal. After stopping, firmly set park brake.
- Turn key to "OFF" position, remove key and place shift lever in neutral position when not in use.

CCI 102455001

⚠ WARNING

WINCH CABLE FRACTURE COULD RESULT IN SERIOUS INJURY OR DEATH.

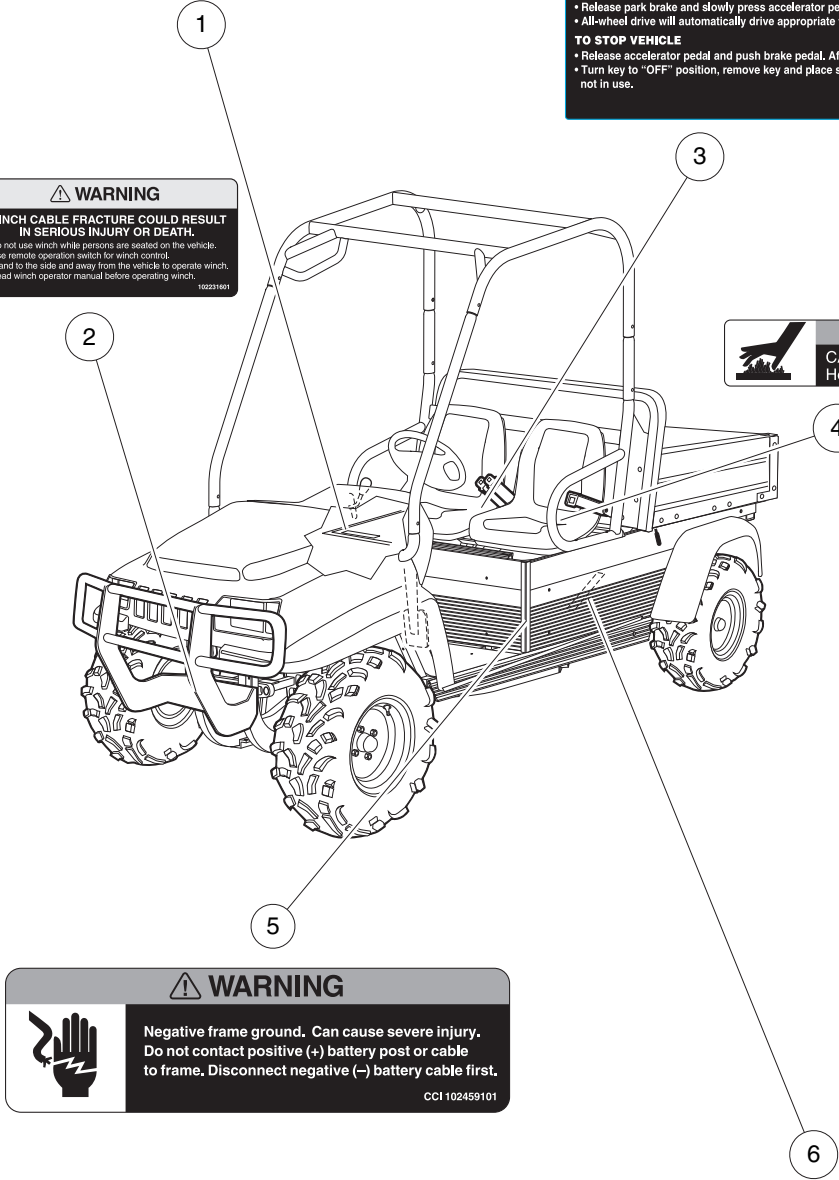
- Do not use winch while persons are seated on the vehicle.
- Use remote operation switch for winch control.
- Stand to the side and away from the vehicle to operate winch.
- Read winch operator manual before operating winch.

102231691

⚠ WARNING

CAN CAUSE SEVERE BURNS
Hot Surface

CCI 102458901



⚠ WARNING

Negative frame ground. Can cause severe injury. Do not contact positive (+) battery post or cable to frame. Disconnect negative (-) battery cable first.

CCI 102459101

⚠ WARNING

CAN CAUSE SEVERE INJURY
Rotating parts. KEEP CLEAR.

⚠ WARNING

CAN CAUSE SEVERE INJURY
Hot manifold and muffler. KEEP CLEAR.

CCI 102459501

000006-001

SAFETY DECALS, GASOLINE VEHICLES, CONTINUED

ITEM	PART NO.	DESCRIPTION	QTY
		1 2 3 4	
1	101547601	Decal, Gasoline Explosion/Fire Warning	1
2	102231601	Decal, Winch Cable Fracture Warning	1
3	102455001	Decal, Operating Instructions, Gasoline	1
4	102458901	Decal, Hot Surface Warning	3
5	102459101	Decal, Frame Ground Warning	1
6	102459501	Decal, Rotating Parts and Hot Exhaust Warning	1

3

G

D

3
G

D

UNDER 16

WARNING

YOUNG DRIVERS INCREASE CHANCE OF DEATH

- Young drivers may not be able to control vehicle.
- No drivers younger than 16 years old.
- Do not leave children unattended on vehicle.

CCI 10269901

WARNING

ROLLOVER OR FALLING OFF MAY CAUSE DEATH

- Read owner's manual and operating instructions.
- Fasten seat belts and remain seated while moving.
- Children requiring a child safety seat must not ride on vehicle.

Comply with state and local laws pertaining to child safety.

- Drive slowly in turns and straight up and down slopes.
- Do not start vehicle until all occupants are seated.
- Front seats: One (1) person per seat maximum.
- Operate from driver side only and not on public roads.
- Keep entire body inside vehicle while moving.
- Do not operate while under the influence of alcohol or drugs.
- Never attempt jumps and avoid extremely hard braking in reverse.

OFF ON
PREHEAT START

F N R

CCI 10260301

Club Car, Inc
Augusta, Georgia, USA

Roll-over Protective Structure (ROPS)
ROPS per ISO 3471, SAE J1040,
AS 2294.1, and CSA B552.2

Certified for vehicle models:
Caryall 294, XRT 1500, and Bobcat 2200
Max. unladen vehicle mass: 1543 lb (700 kg)

WARNING

- Do not modify or remove Roll-over Protective Structure (ROPS).
- Replace ROPS if damaged. Do not attempt repair.
- Use seat belts during operation. Do not jump from vehicle.
- Keep away from drop-offs, steep slopes, and unstable surfaces.

CCI 102621101

WARNING

Riding in cargo bed can cause severe injury or death. Do not ride in cargo bed.

CCI 1011553901

DIESEL FUEL ONLY

CCI 102458801

WARNING

Rotating Parts

CCI 10222901

WARNING

CRUSH AREA

STAY CLEAR

CCI 101609401

NOTICE

MAXIMUM TONGUE WEIGHT - 150 lbs.

CCI 10111553

WARNING

Crush area. Can cause severe injury. Stay clear when closing bed.

CCI 10245901

VEHICLE LOADING

Read owner's manual and warnings on dash.

- Maximum gross vehicle weight: 2750 lb. (1247 kg)
- Maximum cargo load: 800 lb. (363 kg)
- Includes cargo bed load and gross trailer weight.
- Maximum cargo load is reduced by the weight of optional equipment.
- Maximum trailer hitch tongue weight: 150 lb. force (667 N).

PREVENT VEHICLE ROLL-OVER.

- Place cargo forward in the cargo bed and distribute evenly side to side. Secure load.
- On uneven or steep terrain reduce speed and load. Avoid stopping on or backing down steep hills.
- Avoid top heavy loads. See owner's manual.

CCI 102682301

HIGH-CAPACITY VEHICLE LOADING

Read owner's manual and warnings on dash.

- Maximum gross vehicle weight: 3012 lb. (1366 kg)
- Maximum cargo load: 1050 lb. (476 kg)
- Includes cargo bed load and gross trailer weight.
- Maximum cargo load is reduced by the weight of optional equipment.
- Maximum trailer hitch tongue weight: 150 lb. force (667 N).

PREVENT VEHICLE ROLL-OVER.

- Place cargo forward in the cargo bed and distribute evenly side to side. Secure load.
- On uneven or steep terrain reduce speed and load. Avoid stopping on or backing down steep hills.
- Avoid top heavy loads. See owner's manual.

CCI 102459601

000005-002

SAFETY DECALS, DIESEL VEHICLES

ITEM	PART NO.	DESCRIPTION	QTY
		1 2 3 4	
1	1011553	Decal, Trailer Hitch	1
2	101553901	Decal, Bed Load Warning	1
3	101609401	Decal, Crush Area Warning	2
4	102224001	Decal, Rotating Parts Warning	1
5	102455301	Decal, Warning, Diesel	1
6	102458801	Decal, Diesel Fuel Only	1
7	102459301	Decal, Bed Crush Area Warning	1
8	102459401	Decal, Young Driver Warning	1
9	102459601	Decal, Vehicle Loading, High-Capacity	1
10	102621101	Decal, ROPS Certification/Warning	1
11	102682301	Decal, Vehicle Loading, Standard Capacity	1

3

G

D

3

G

D

⚠ WARNING

DIESEL FUEL EXPLOSION / FIRE.

- Can cause severe injury or death.
- No smoking, sparks, or open flame.
- Stop engine, allow to cool before refueling.

CCI 102459201

OPERATING INSTRUCTIONS

- Read owner's manual and vehicle safety warnings. Study and understand controls.

TO START ENGINE

- Place shift lever in Neutral (N) position and press brake pedal.
- To preheat glow plugs, turn key to "PREHEAT" position and hold for 10-15 seconds.
- Turn key to "START" position and hold until engine starts.

TO OPERATE VEHICLE

- Make sure wheels are turned in desired direction and nothing is in your path.
- Engine must be at idle before moving shift lever.
- While vehicle is stopped, and the engine is at idle, select shift lever position.
 - ↑ - Forward
 - N - Neutral
 - ↓ - Reverse (Buzzer will sound)
- Release park brake and slowly press accelerator pedal to increase speed.
- All-wheel drive will automatically drive appropriate wheel(s) as required.

TO STOP VEHICLE

- Release accelerator pedal and push brake pedal. After stopping, firmly set park brake.
- Turn key to "OFF" position, remove key and place shift lever in neutral position when not in use.

CCI 102455101

⚠ WARNING

CAN CAUSE SEVERE INJURY

Rotating parts. KEEP CLEAR.

CCI 102460201

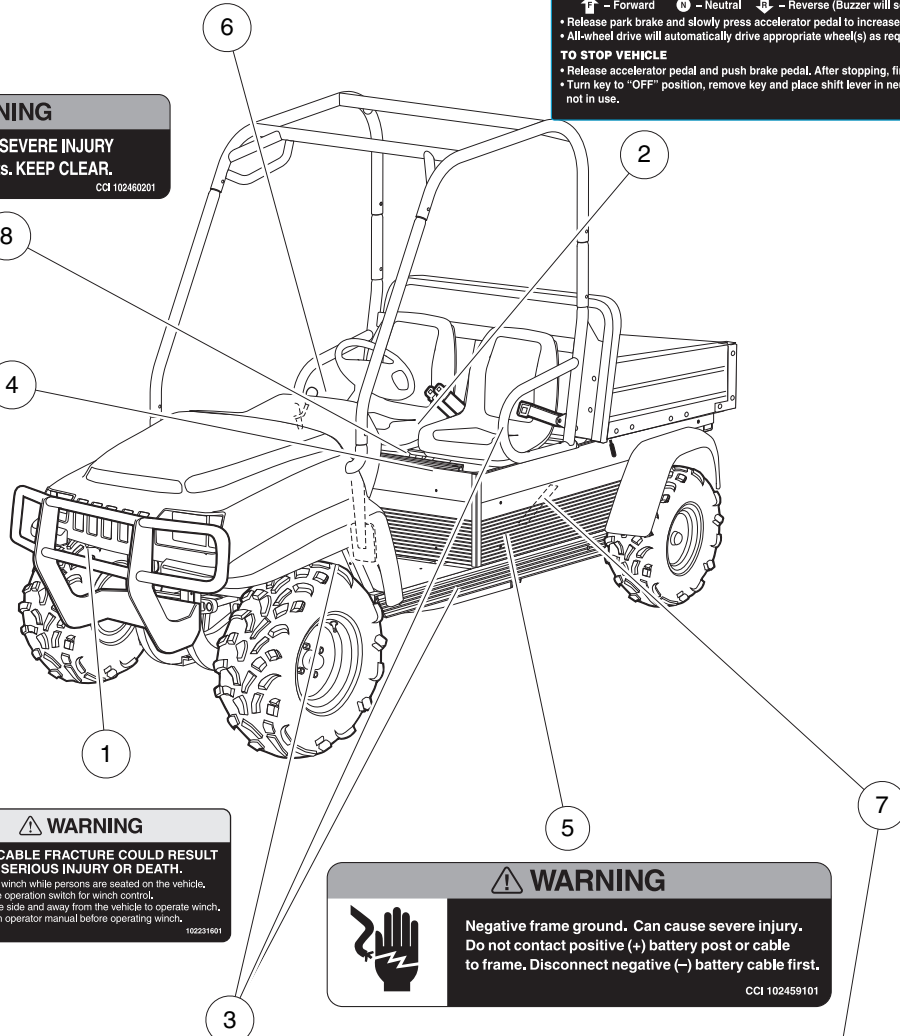
⚠ WARNING

CAN CAUSE SEVERE INJURY

HOT manifold

KEEP CLEAR

CCI 102459001



⚠ WARNING

WINCH CABLE FRACTURE COULD RESULT IN SERIOUS INJURY OR DEATH.

- Do not use winch while persons are seated on the vehicle.
- Use remote operation switch for winch control.
- Stand to the side and away from the vehicle to operate winch.
- Read winch operator manual before operating winch.

102231601

⚠ WARNING

Negative frame ground. Can cause severe injury.

Do not contact positive (+) battery post or cable to frame. Disconnect negative (-) battery cable first.

CCI 102459101

⚠ WARNING

CAN CAUSE SEVERE BURNS

Hot Surface

CCI 102458901

⚠ WARNING

CAN CAUSE SEVERE INJURY

Rotating parts. KEEP CLEAR.

⚠ WARNING

CAN CAUSE SEVERE INJURY

Hot manifold and muffler. KEEP CLEAR.

CCI 102459501

000006-002

SAFETY DECALS, DIESEL VEHICLES, CONTINUED

ITEM	PART NO.	DESCRIPTION	QTY
		1 2 3 4	
1	102231601	Decal, Winch Cable Fracture Warning	1
2	102455101	Decal, Operating Instructions, Diesel	1
3	102458901	Decal, Hot Surface Warning	5
4	102459001	Decal, Hot Manifold Warning	1
5	102459101	Decal, Frame Ground Warning	1
6	102459201	Decal, Diesel Explosion/Fire Warning	1
7	102459501	Decal, Rotating Parts and Hot Exhaust Warning	1
8	102460201	Decal, Rotating Parts Warning	1

3

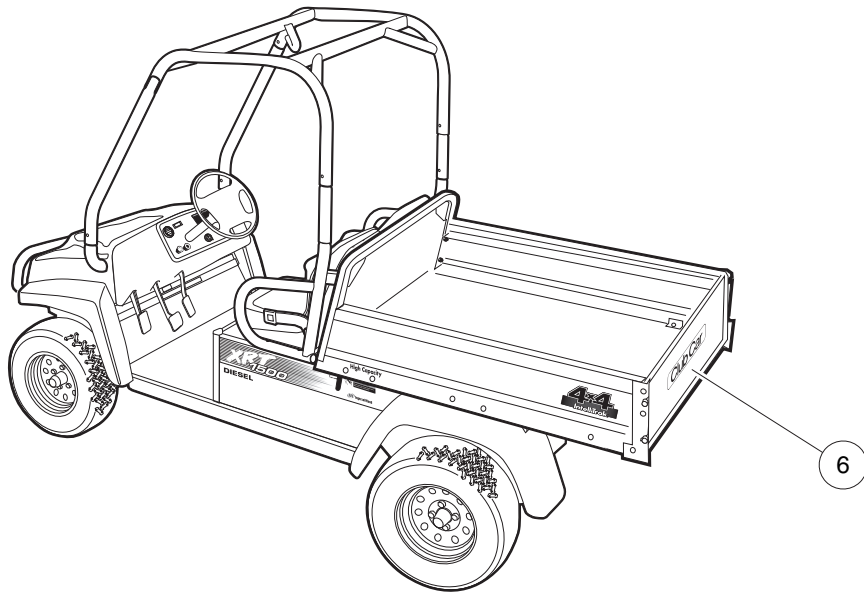
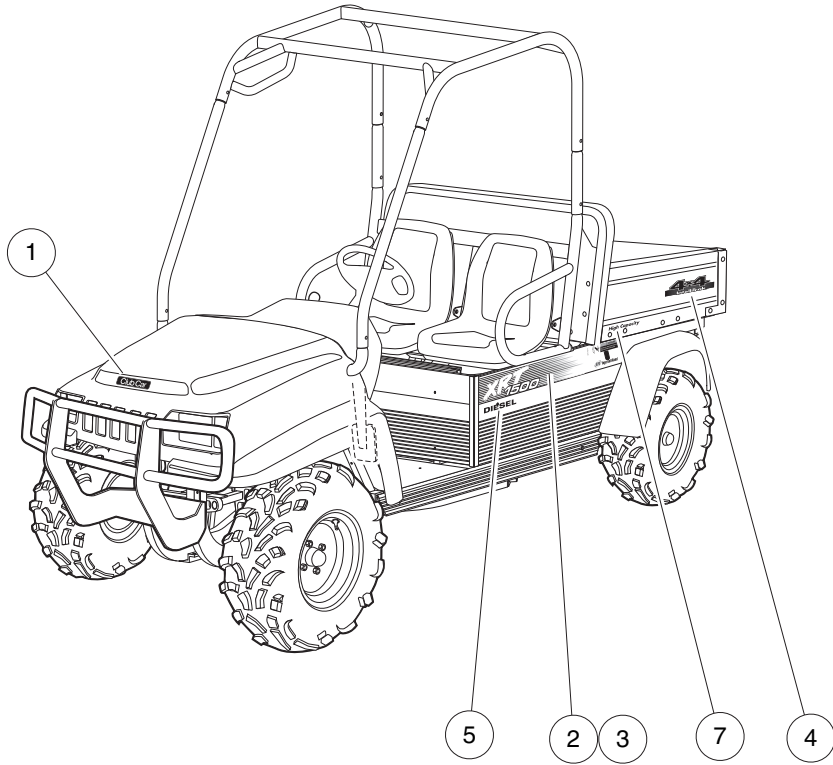
G

D

3

G

D



000011-001

BADGING DECALS, XRT 1500 VEHICLES

ITEM	PART NO.	DESCRIPTION	QTY
		1 2 3 4	
1	102046501	Decal, CC Nameplate, Utility	1
2	102622701	Decal, XRT 1500 (driver-side)	1
3	102622801	Decal, XRT 1500 (passenger-side)	1
4	102623301	Decal, 4x4	2
5	102623501	Decal, Diesel	2
6	102673201	Decal, Club Car Tailgate	1
7	102673301	Decal, High-Capacity (optional accessory)	2

3

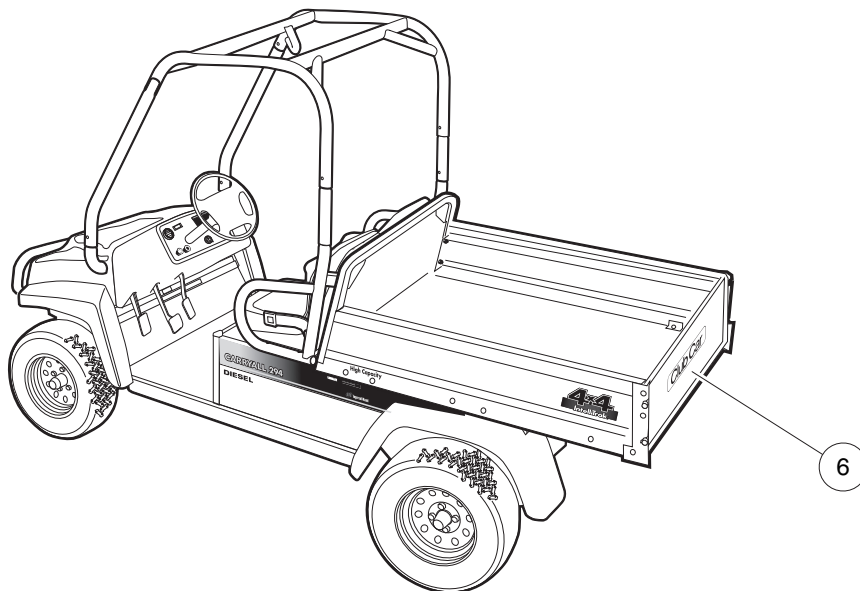
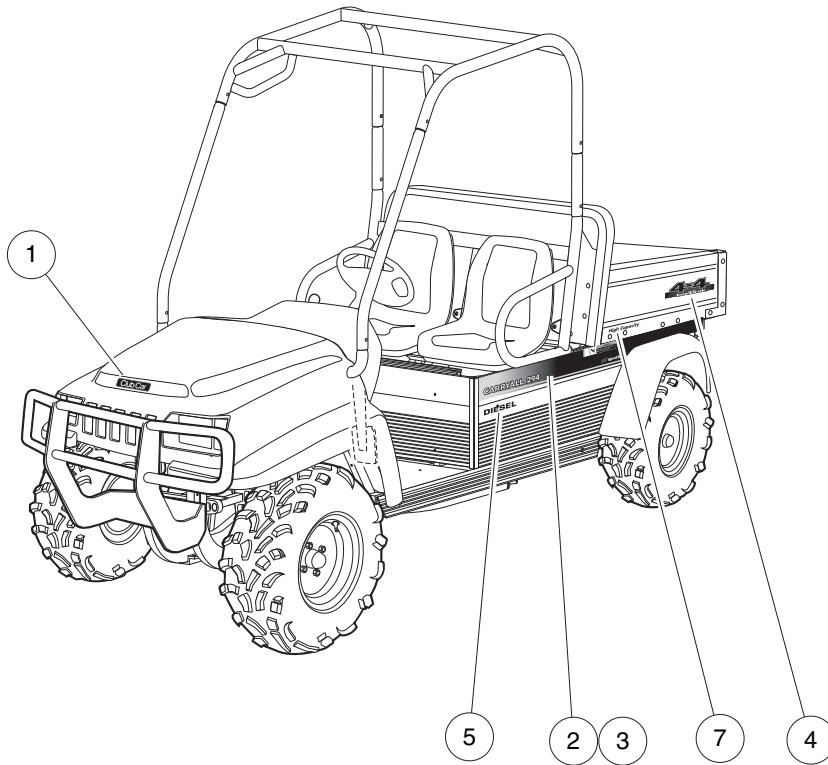
G

D

3

G

D



000011-002

BADGING DECALS, CARRYALL 294 VEHICLES

ITEM	PART NO.	DESCRIPTION	QTY
		1 2 3 4	
1	102046501	Decal, CC Nameplate, Utility	1
2	102622901	Decal, Carryall 294 (driver-side)	1
3	102623001	Decal, Carryall 294 (passenger-side)	1
4	102623301	Decal, 4x4	2
5	102623501	Decal, Diesel	2
6	102673201	Decal, Club Car Tailgate	1
7	102673301	Decal, High-Capacity (optional accessory)	2

3

G

D

3

G

D

BRAKE SYSTEMS

4

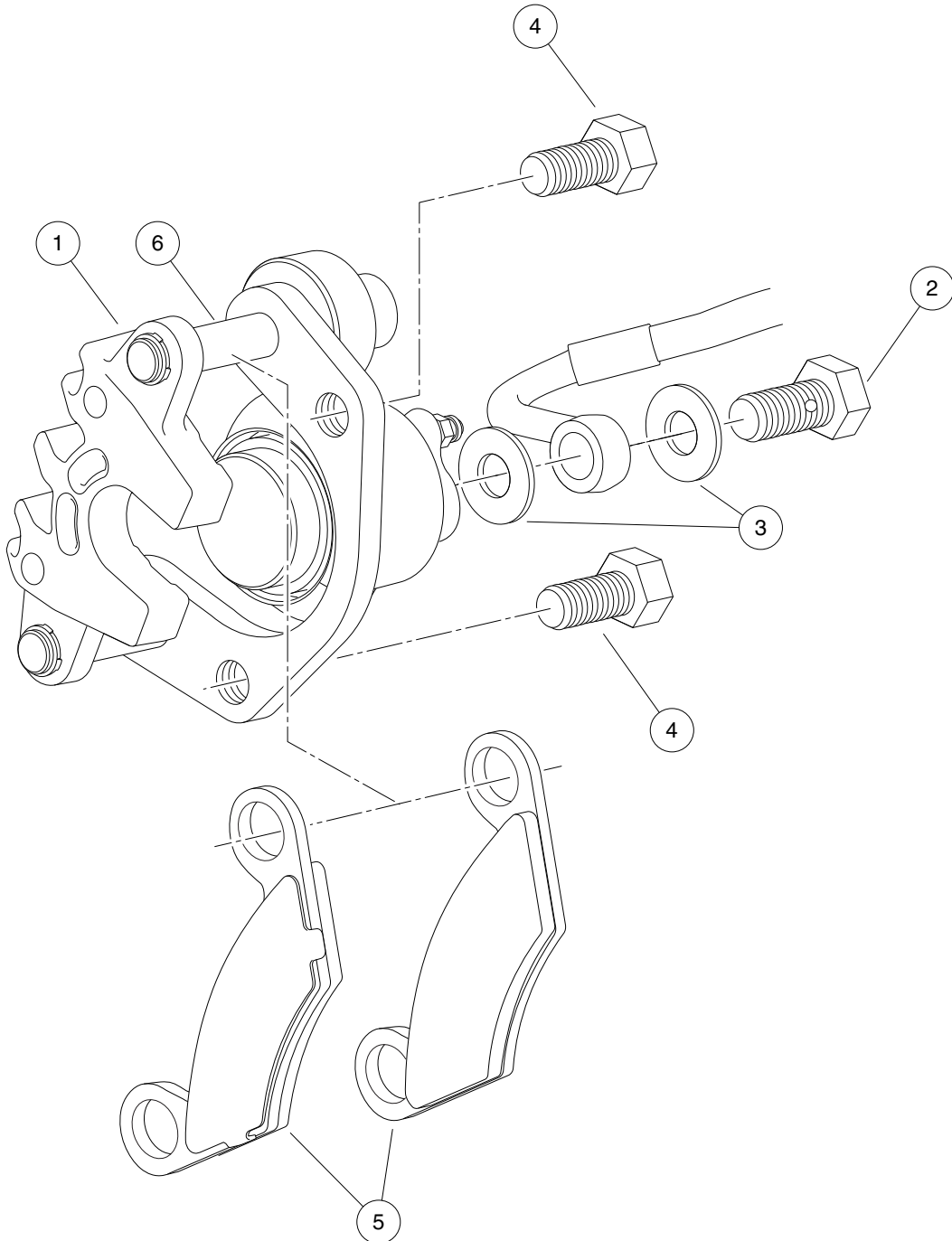
G

D

4

G

D



000067-001

FRONT BRAKE ASSEMBLY

ITEM	PART NO.	DESCRIPTION	QTY
		1 2 3 4	
1	102367601	Brake Caliper, Front, with Brake Pads	2
2	102488001	Bolt, Banjo, M10x1x19	2
3	102491601	Washer, Copper, M10 Crush	4
4	102493301	Bolt Flange Head, 3/8-24x.750 with Loctite	4
5	102714001	Service Kit, Brake Pad (4 Pads)	1
6	103418801	Pin, Slide, 7/16	2

4

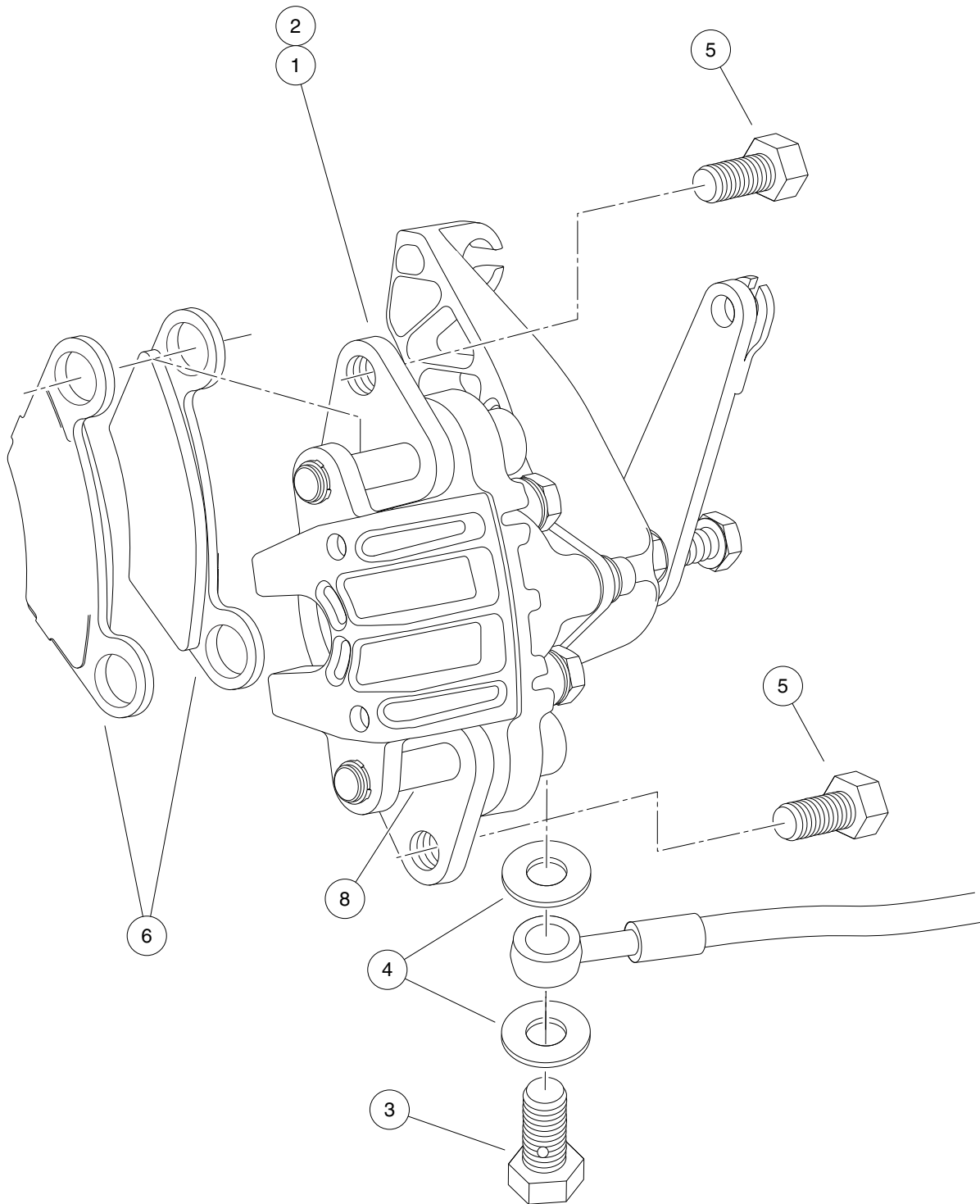
G

D

4

G

D



000068-001

REAR BRAKE ASSEMBLY

ITEM	PART NO.	DESCRIPTION	QTY
		1 2 3 4	
1	102399201	Caliper, Brake, Hydro-Mechanical, LH	1
2	102399202	Caliper, Brake, Hydro-Mechanical, RH	1
3	102488001	Bolt, Banjo, M10x1x19	2
4	102491601	Washer, Copper, M10 Crush	4
5	102493301	Bolt Flange Head, 3/8-24x.750 with Loctite	4
6	102714001	Service Kit, Brake Pad (4 Pads)	1
7	103418701	Spring, Brake Caliper, Return	1
8	103418801	Pin, Slide, 7/16	2

4

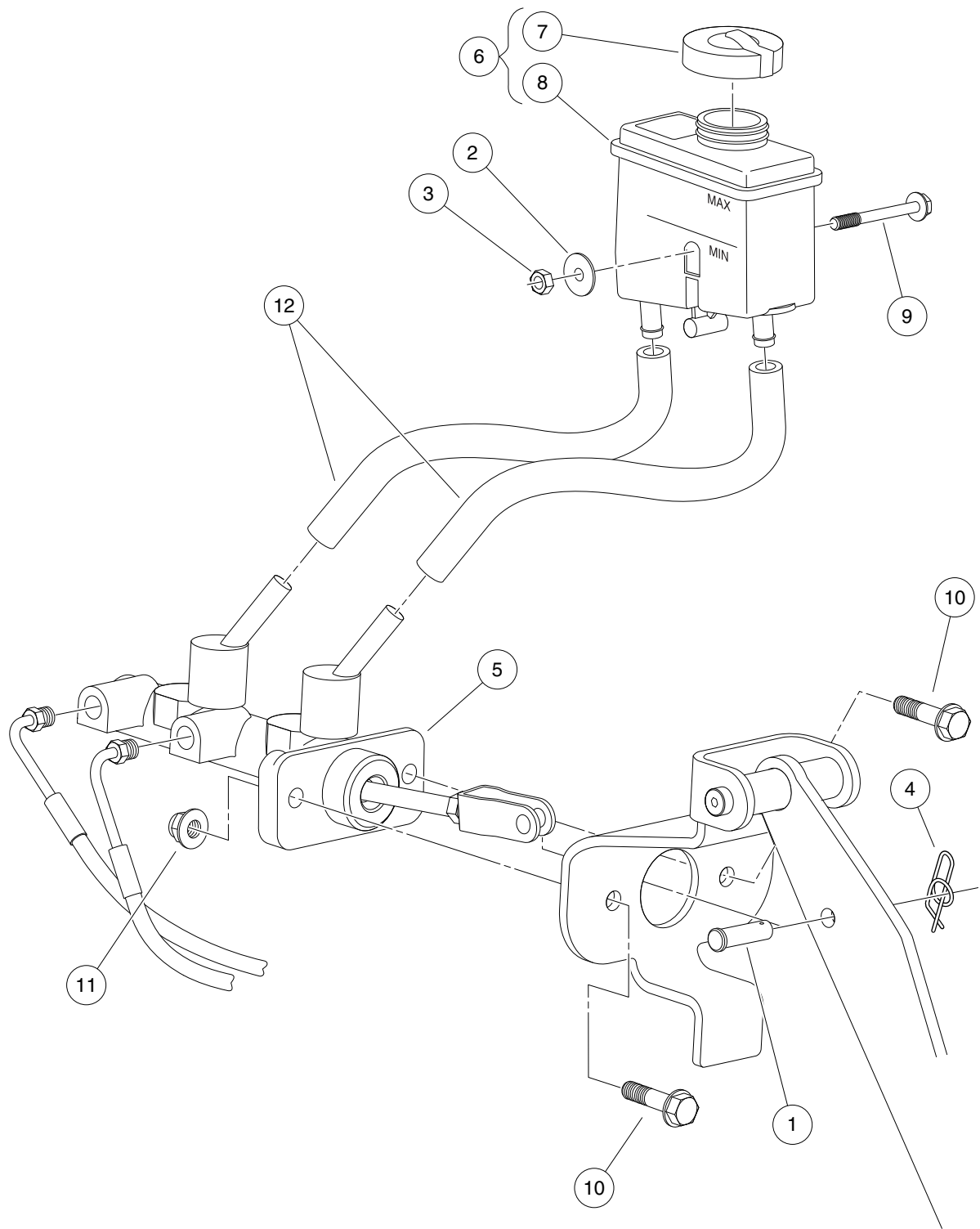
G

D

4

G

D



000069-001

MASTER CYLINDER

ITEM	PART NO.	DESCRIPTION	QTY
		1 2 3 4	
1	101082903	Clevis Pin, 5/16 X 1	1
2	1014306	Washer, 1/4" Type B Flat	1
3	101887601	Locknut, M6-1.00 Nylon Insert	1
4	102176901	Pin, Rue	1
5	102402801	Cylinder, Master, Tandem	1
6	102402901	Assembly, Reservoir, Remote (includes items 7 and 8)	1
7	102051401	Filler Cap Asm	1
8	N/A	Reservoir, Brake Fluid, Without Cap	1
9	102541465	Bolt, M 6 X 1.0 X 65 Hex, Flange, Head, Black	1
10	102618401	Bolt Flanged Head, M8 X 1.25 X 35	2
11	102618601	Lock Nut, Flg M8 X 1.25 Nylon	2
12	102715701	Line, Reservoir, Brake	2

4

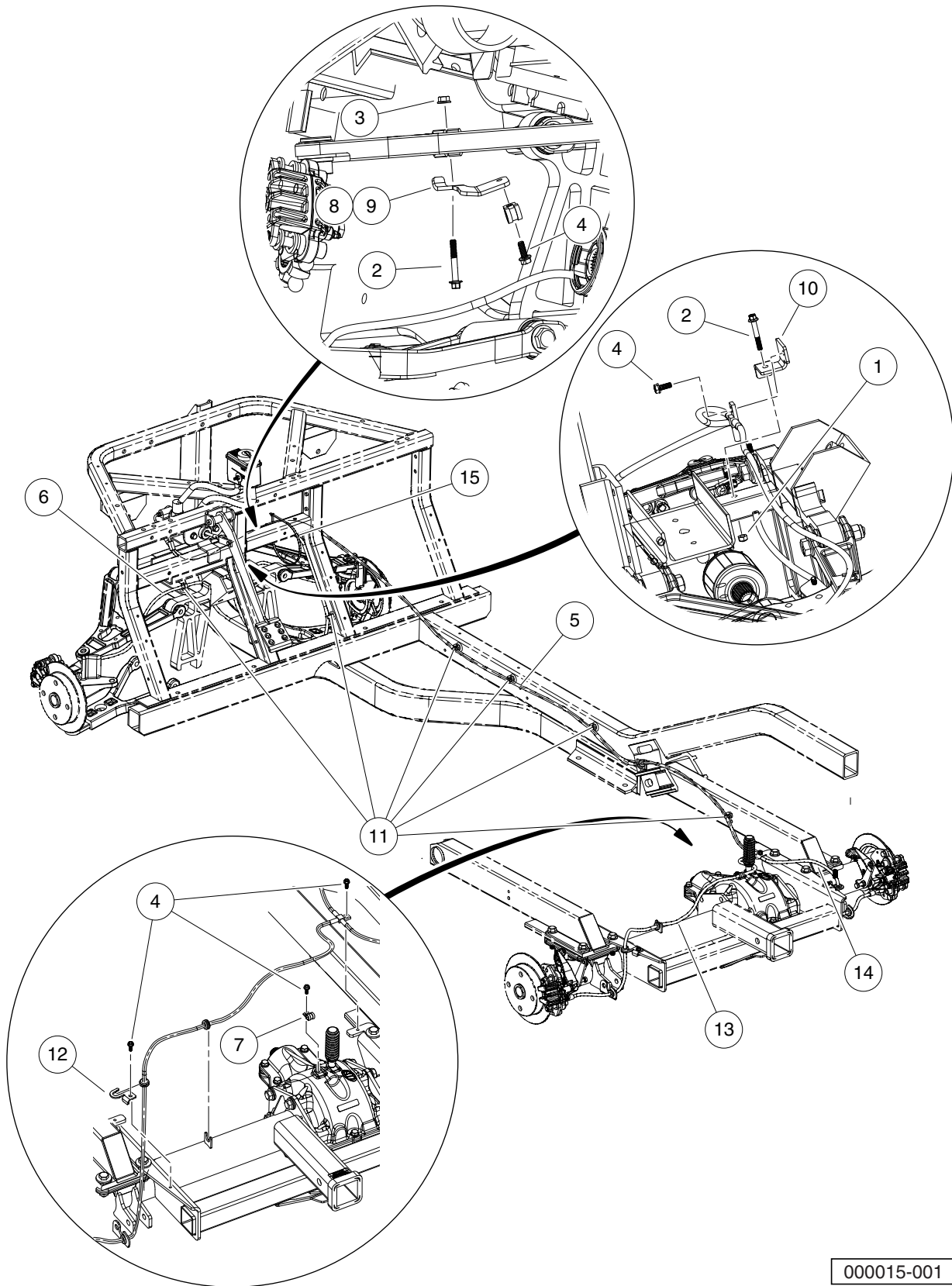
G

D

4

G

D



000015-001

HYDRAULIC BRAKE LINES AND CLIPS

ITEM	PART NO.	DESCRIPTION	QTY
		1 2 3 4	
1	101887601	Locknut, M6-1.00 Nylon Insert	1
2	102296140	Bolt, Flanged Head, M6x1.0x40	3
3	102296401	Nut-m6x1.0 Flng All Mtl Lock	2
4	102296716	Screw, M6 X 16 Tt Hx Fl Hd	7
5	102407801	Assembly, Brake Line, Rear	1
6	102407901	Assembly, Brakeline, Front (includes item 7)	1
7	102410603	P-Clamp, Insulated .312 In	1
8	102474101	Bracket, Brake Line, Left	1
9	102474102	Bracket, Brake Line, Right	1
10	102474301	Bracket, Tee, Brakeline	1
11	102475701	Clip, Brake Line	6
12	102689001	Bracket, Line, Hydraulic	2
13	102689101	Brkt, Line, Hyd, Shk Mnt, Drv	1
14	102689102	Brkt, Line, Hyd, Shk Mnt, Pass	1
15	8639	Tie Wrap, 11" Nylon	1

4

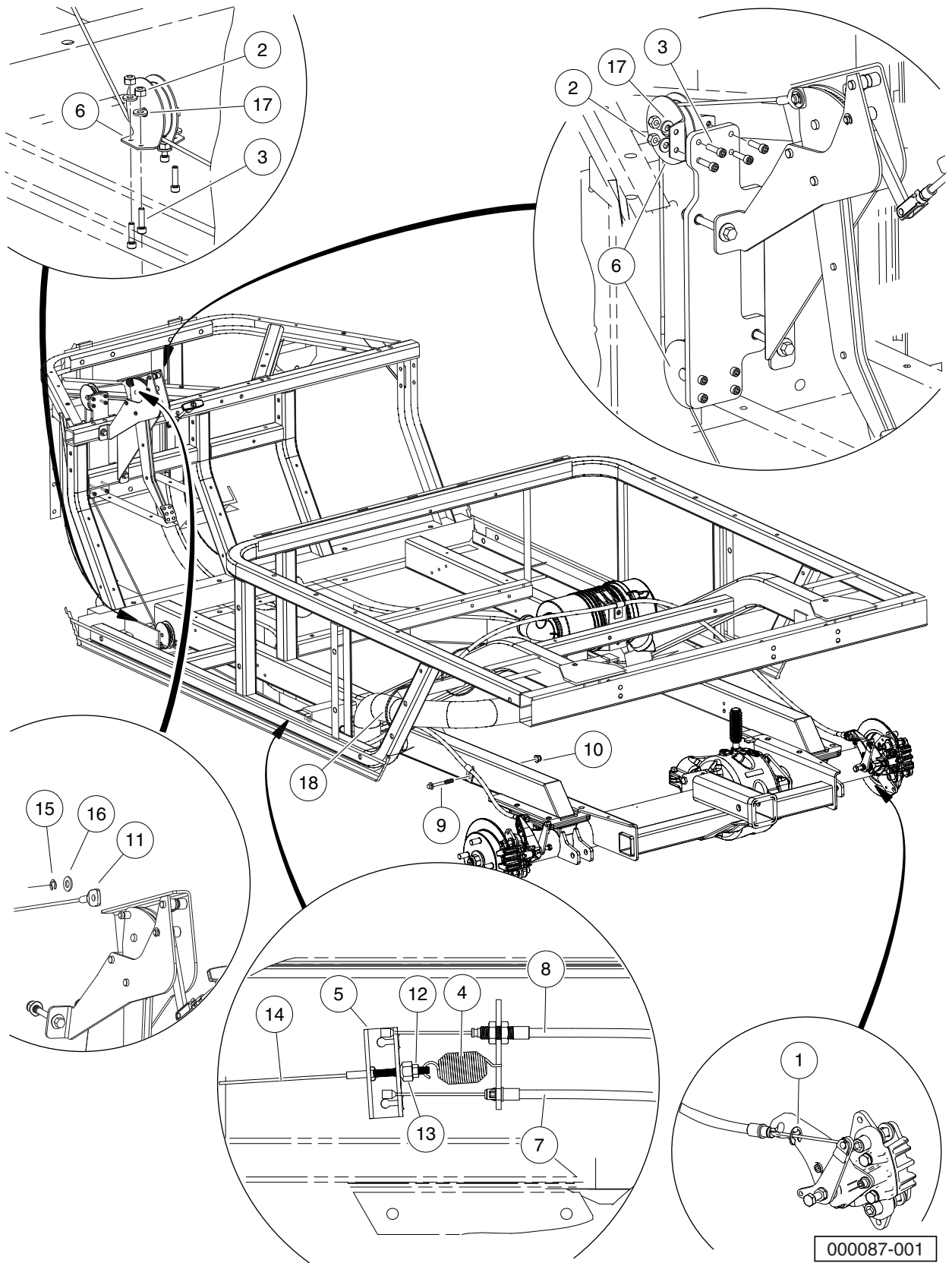
G

D

4

G

D



000087-001

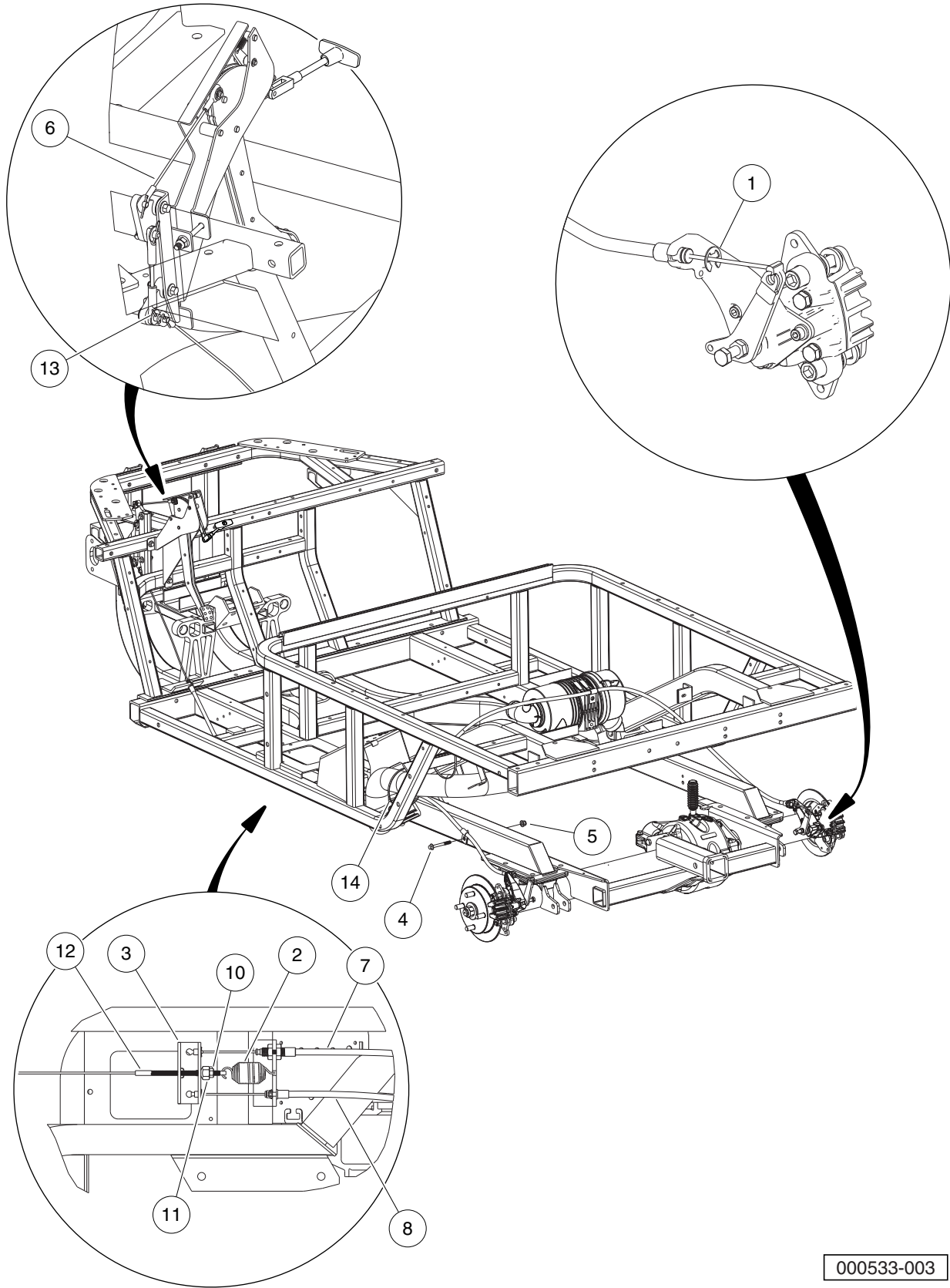
PARK BRAKE ASSEMBLY WITH PULLEY SYSTEM

ITEM	PART NO.	DESCRIPTION	QTY	
		1 2 3 4		4
1	1011779	E-Clip, 1/2	2	G
2	1012438	Locknut, #10-24 Nylon Insert	12	
3	101260202	Screw, #10-24 X 3/4 Socket-Head	12	
4	1013531	Spring, Brake Return	1	D
5	101990802	Equalizer Bracket	1	
6	102028302	Pulley, 2-Inch Flat Mount	3	
7	102442701	Cable, Brake, Parking, Left	1	
8	102442801	Cable, Brake, Parking, Right	1	
9	102618301	Bolt Flanged Head, M8 X 1.25 X 65	1	
10	102618601	Lock Nut, Flg M8 X 1.25 Nylon	1	
11	102770001	Brake Cable, Park, Kit, Front (includes items 12 through 16)	1	
12	1010521	Nut, 5/16-24 Hex	1	
13	102052801	Nut, 5/16-24 Hex Cone	1	
14	102492401	Cable, Brake, Parking, Front	1	
15	102692801	Ring, Retaining, External, 9mm	1	
16	1241	Washer, 5/16 Type A Flat	1	
17	183	Washer, #10 Type A Flat	12	
18	8639	Tie Wrap, 11" Nylon	2	

4

G

D



000533-003

PARK BRAKE ASSEMBLY WITH BELLCRANK SYSTEM

ITEM	PART NO.	DESCRIPTION	QTY
		1 2 3 4	
1	1011779	E-Clip, 1/2	2
2	1013531	Spring, Brake Return	1
3	101990802	Equalizer Bracket	1
4	102618301	Bolt Flanged Head, M8 X 1.25 X 65	1
5	102618601	Lock Nut, Flg M8 X 1.25 Nylon	1
6	102712601	Cable, Crank, Bell, Front	1
7	102763301	Cable, Noncoated, Pbrake, Left	1
8	102763401	Cable, Noncoated, Pbrake, Right	1
9	102770301	Kit, Cable, Brake, Crank, Fr (includes items 10 through 13)	1
10	1010521	Nut, 5/16-24 Hex	1
11	102052801	Nut, 5/16-24 Hex Cone	1
12	102712701	Cable, Crank, Bell, Main	1
13	1035	Cotter Pin, 3/32 x 1	1
14	8639	Tie Wrap, 11" Nylon	2

4

G

D

4

G

D

PEDAL GROUP

5

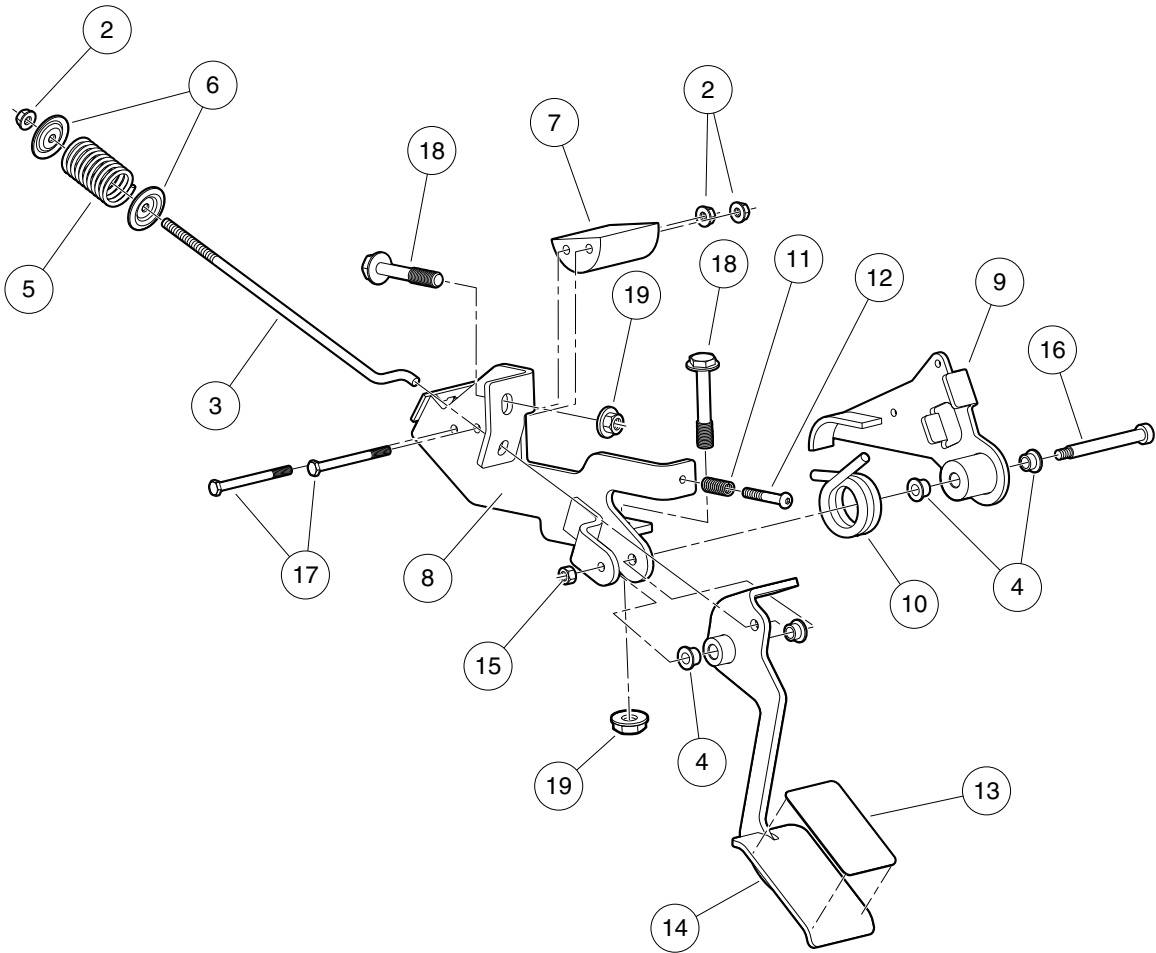
G

D

5

G

D



000026-001

ACCELERATOR PEDAL ASSEMBLY

ITEM	PART NO.	DESCRIPTION	QTY
		1 2 3 4	
1	102489901	Asm, Pedal, Accelerator (includes items 2 through 17)	1
2	102296401	Nut-m6x1.0 Flng All Mtl Lock	3
3	N/A	Pullrod, Spring, Compression	1
4	102442901	Bushing, Greaseless	4
5	102445201	Spring, Comp, Pedal, Pullrod	1
6	N/A	Washer, Retaining Spring, 7mm	2
7	N/A	Guide, Cable, Accelerator	1
8	N/A	Weldment, Bracket, Pedal	1
9	102469401	Weldment, Lever, Motion, Lost	1
10	N/A	Spring, Torsion	1
11	102476301	Spring, Stop, Pedal	1
12	102476401	Bolt, Stop, Pedal	1
13	102479301	Pad, Grip Tape, Accelerator	1
14	N/A	Weldment, Pedal, Accel	1
15	102618101	Nut M6x1 Mech Def Center	1
16	103273101	Bolt, Shoulder, M8 X 70, Hc	1
17	96706825	Bolt, M6 X 1 X 70	2
18	102618301	Bolt Flanged Head, M8 X 1.25 X 65	2
19	102618601	Lock Nut, Flg M8 X 1.25 Nylon	2

5

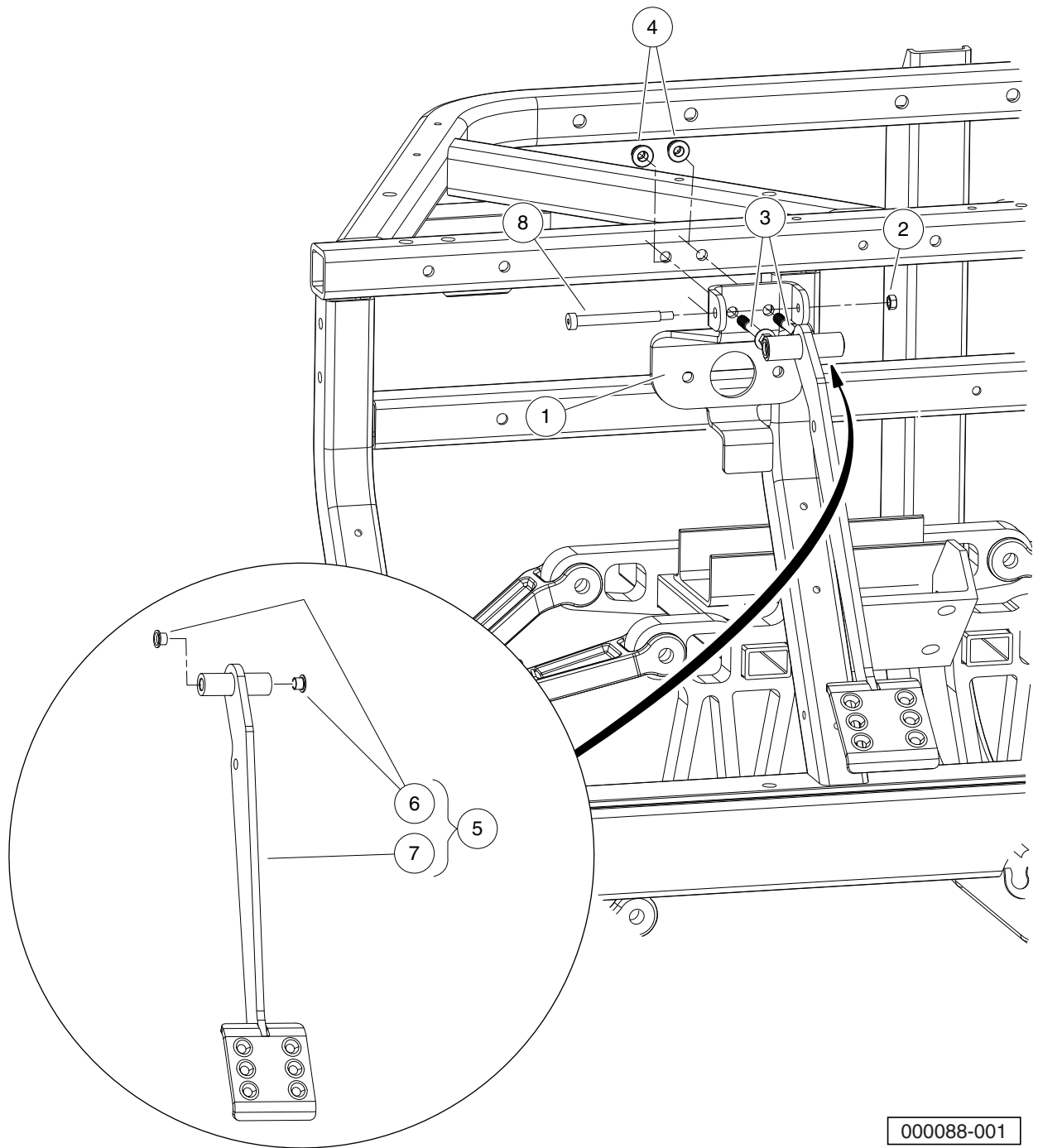
G

D

5

G

D



000088-001

BRAKE PEDAL ASSEMBLY

ITEM	PART NO.	DESCRIPTION	QTY
		1 2 3 4	
1	102380601	Bracket, Pedal, Brake	1
2	102618101	Nut M6x1 Mech Def Center	1
3	102618301	Bolt Flanged Head, M8 X 1.25 X 65	2
4	102618601	Lock Nut, Flg M8 X 1.25 Nylon	2
5	N/A	Asm, Pedal, Brake, Hung (includes items 6 and 7)	1
6	102442901	Bushing, Greaseless	2
7	102626201	Weldment, Pedal, Brake, Hung	1
8	103273101	Bolt, Shoulder, M8 X 70, Hc	1

5

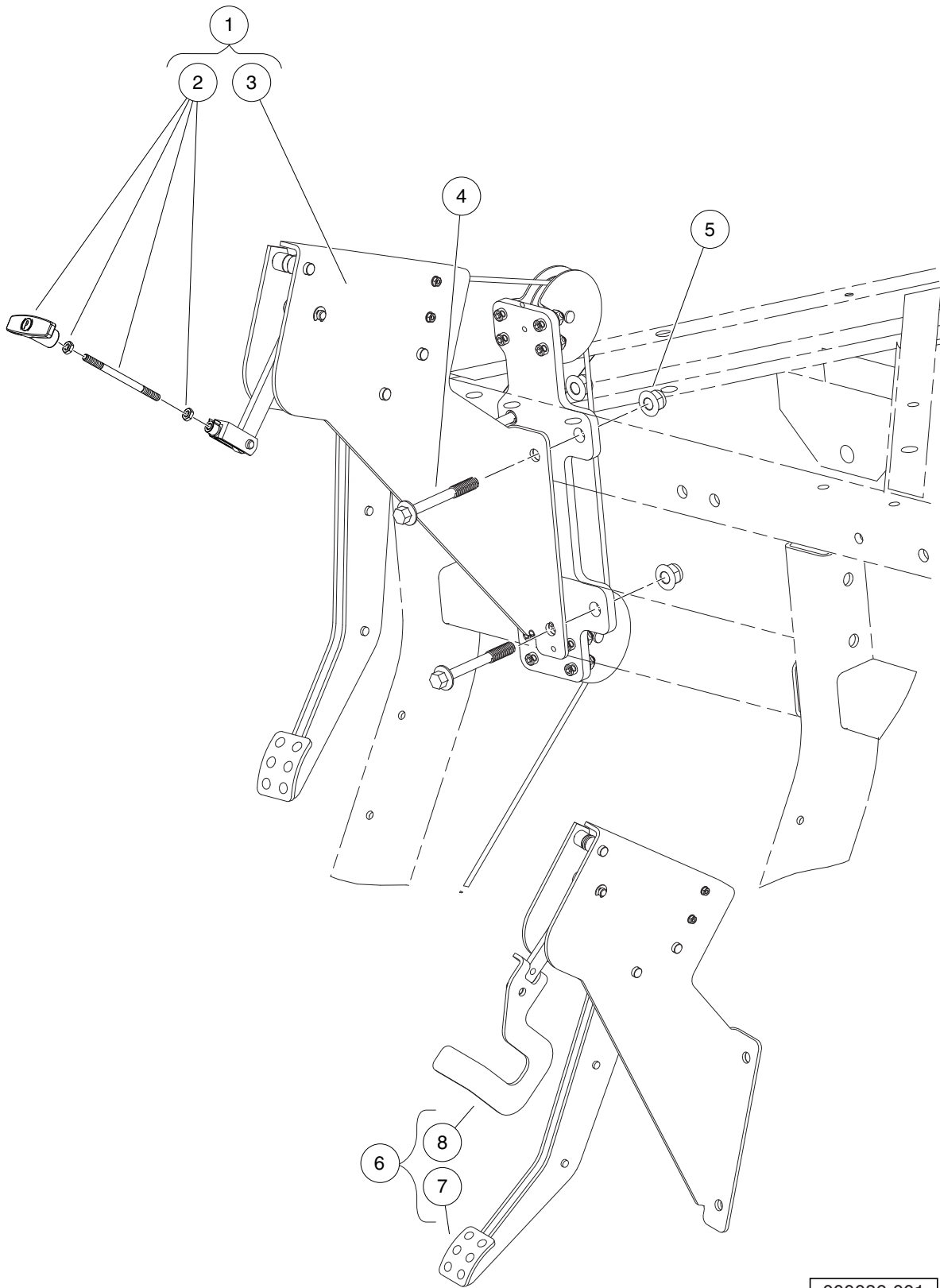
G

D

5

G

D



000086-001

PARK BRAKE PEDAL ASSEMBLY

ITEM	PART NO.	DESCRIPTION	QTY
		1 2 3 4	
1	102438101	Pedal Asm, Brake, Park (includes items 2 and 3)	1
2	102758701	Kit, Handle, Brake, Park	1
3	N/A	Pedal, Brake, Park	1
4	102618301	Bolt Flanged Head, M8 X 1.25 X 65	3
5	102618601	Lock Nut, Flg M8 X 1.25 Nylon	3
6	102892401	Asm, Pedal, Brake, Hard (includes items 7 and 8)	1
7	N/A	Pedal, Brake, Park	1
8	102896601	Handle, Release, Park Brake	1
<p style="text-align: center;">Note: Item 1 has been discontinued. Use item 6 for replacement of the complete assembly.</p>			

5

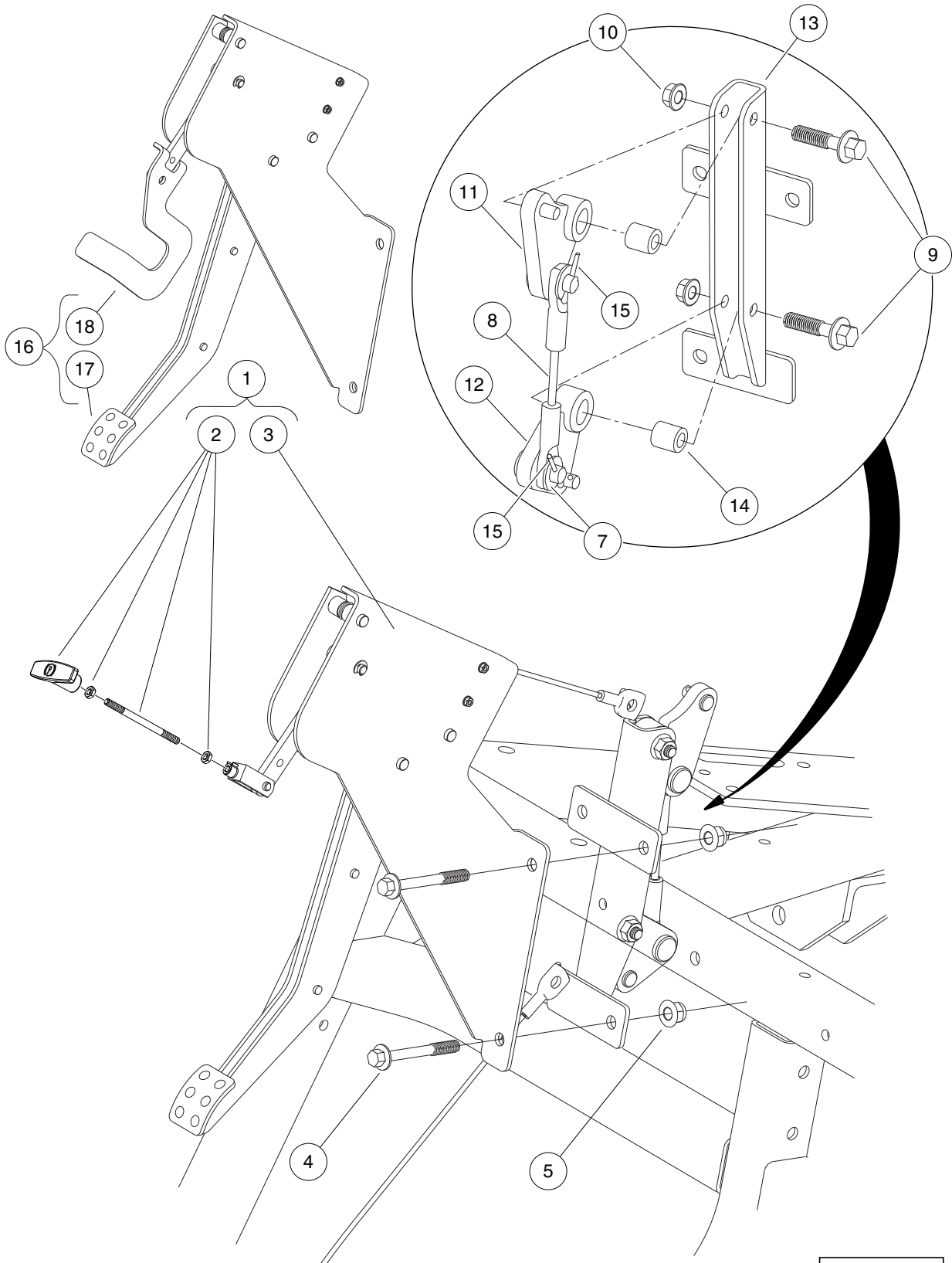
G

D

5

G

D



000086-003

PARK BRAKE PEDAL ASSEMBLY WITH BELLCRANK SYSTEM

ITEM	PART NO.	DESCRIPTION	QTY
		1 2 3 4	
1	102438101	Pedal Asm, Brake, Park (includes items 2 and 3)	1
2	102758701	Kit, Handle, Brake, Park	1
3	N/A	Pedal, Brake, Park	1
4	102618301	Bolt Flanged Head, M8 X 1.25 X 65	3
5	102618601	Lock Nut, Flg M8 X 1.25 Nylon	3
6	102751501	Asm, Sub, Bracket, Park Brake (includes items 7 through 15)	1
7	102323501	Washer, Flat, 3/8, Blk Fin	2
8	102716001	Cable, Crank, Bell	1
9	102741501	Bolt Flg, M8x1.25 X 35, Gr10.9	2
10	102741601	Nut Flg M8 X 1.25 Gr 10	2
11	102751301	Asm, Bellcrank, Upper	1
12	102751401	Asm, Bellcrank, Lower	1
13	103305001	Brkt, Bellcrank, Prk Brk, Awd	1
14	103305101	Spacer, Pivot, Park Brk, Awd	2
15	1035	Cotter Pin, 3/32 x 1	2
16	102892401	Asm, Pedal, Brake, Hard (includes items 17 and 18)	1
17	N/A	Pedal, Brake, Park	1
18	102896601	Handle, Release, Park Brake	1
		Note: Item 1 has been discontinued. Use item 16 for replacement of the complete assembly.	

5

G

D

5

G

D

STEERING AND SUSPENSION

6

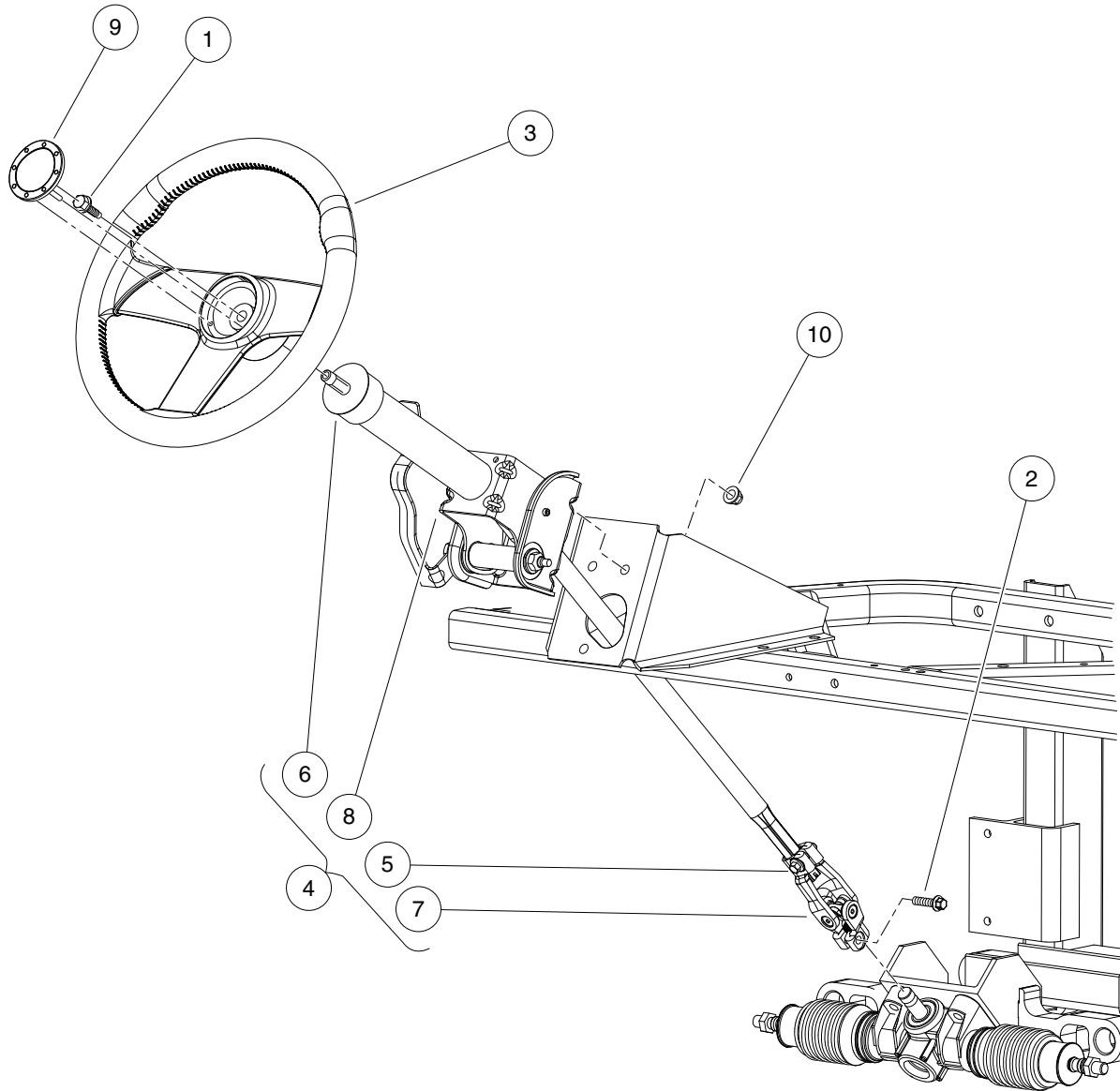
G

D

6

G

D



000070-001

STEERING COLUMN

ITEM	PART NO.	DESCRIPTION	QTY
		1 2 3 4	
1	102290120	Bolt, M10 X 20 Hex Washer Hd	1
2	102298130	Bolt, Flange Head, M8 X 30.0	1
3	102363802	Steering Wheel, Viper, Hex Hub	1
4	102364201	Steering Column (includes items 5 through 8)	1
5	102298130	Bolt, Flange Head, M8 X 30.0	1
6	102571301	Shroud, Steering Column	1
7	102676801	Knuckle, Steering, Slider	1
8	N/A	Column, Steering without Knuckle and Shroud	1
9	102367101	Cap, Steering Wheel, Viper	1
10	102618601	Lock Nut, Flg M8 X 1.25 Nylon	3

6

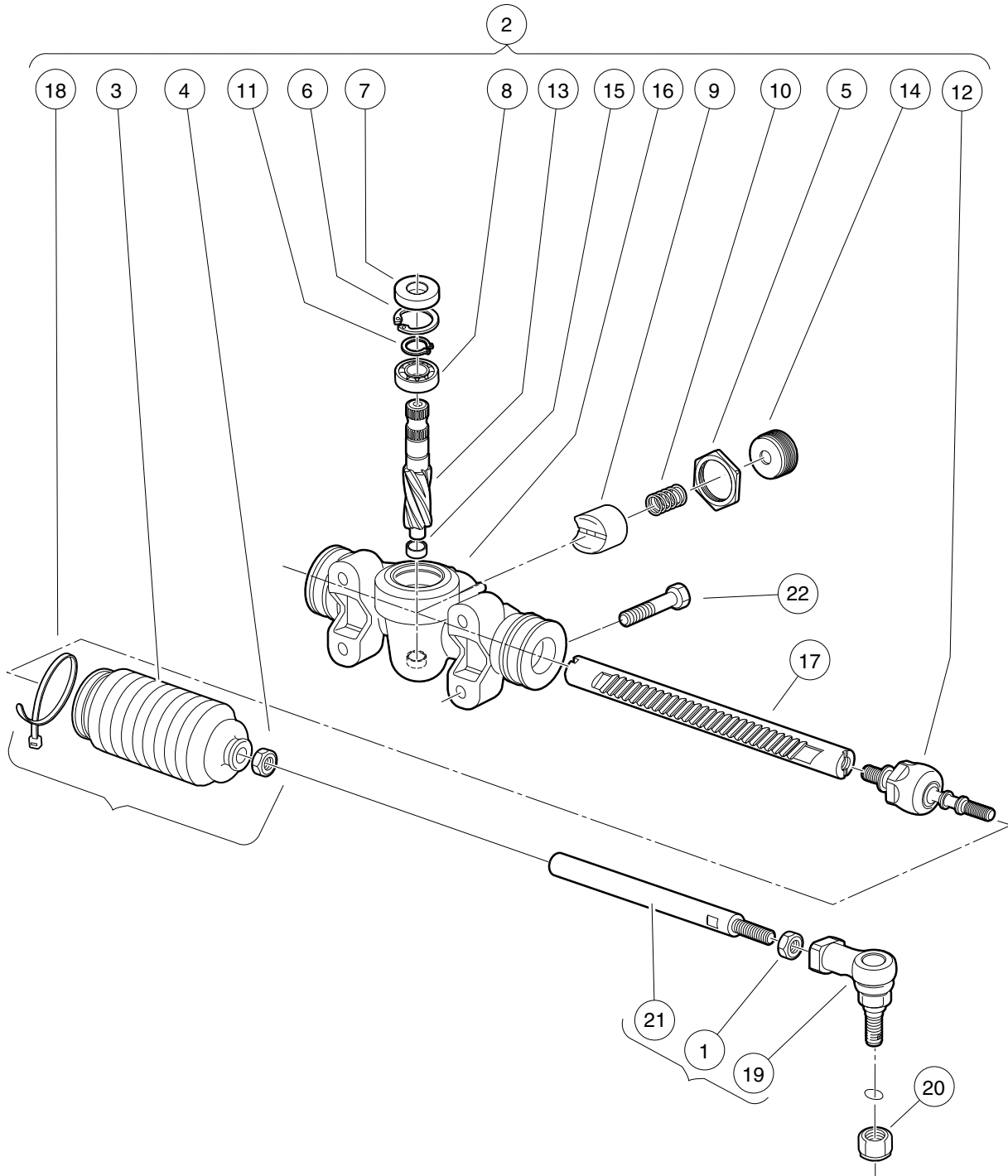
G

D

6

G

D



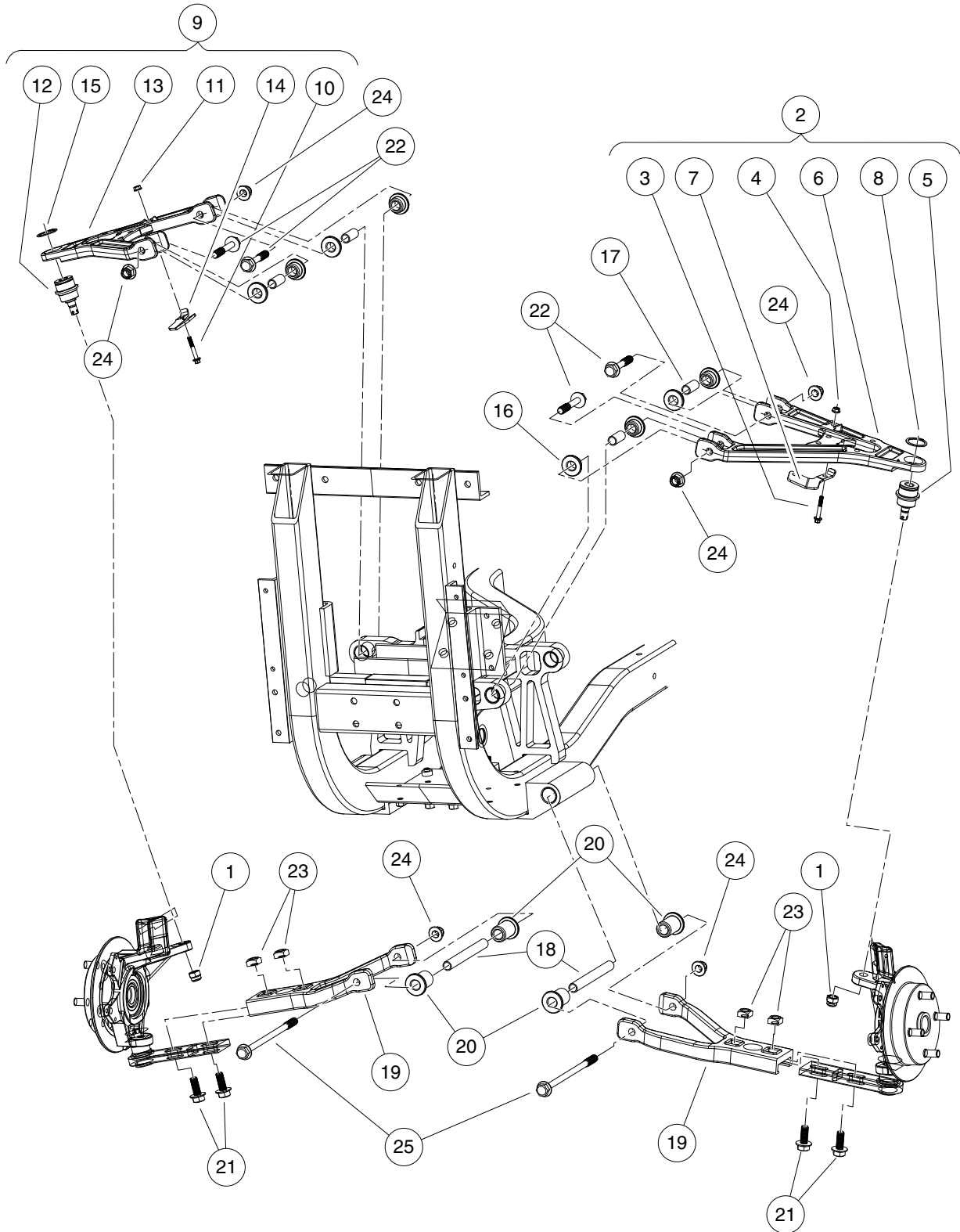
000071-002

STEERING GEAR ASSEMBLY

ITEM	PART NO.	DESCRIPTION	QTY	
		1 2 3 4		6
1	1013042	Nut, 12mm Hex	2	G
2	102010102	Steering Rack (includes items 3 through 18)	1	
3	1013035	Bellows, Long	2	
4	1013042	Nut, 12mm Hex	2	D
5	1013044	Rack Screw Locknut	1	
6	1013051	Snap Ring	1	
7	1013052	Seal, Steering Pinion Dust	1	
8	101879401	Bearing, Ball	1	
9	101879701	Support Yoke	1	
10	101879801	Rack Guide Pressure Spring	1	
11	101879901	Ring, Stop, C-Type	1	
12	101880201	Inner Ball Joint Asm	2	
13	N/A	Pinion, Steering	1	
14	N/A	Bearing, Lower Pinion	1	
15	N/A	Screw, Rack Guide	1	
16	N/A	Housing, Steering Gear	1	
17	N/A	Rack, Steering	1	
18	8990	Tie Wrap, 8" Nylon	2	
19	102022601	End, Tie Rod M12 X 1.25 Rh	2	
20	102022901	Locknut, M12-1.25 Nylon	2	
21	102449901	Link, Drag	2	
22	102687801	Bolt, Flange Head, M10x 1.5 X 40 with Loctite	4	

6
G

D



000074-001

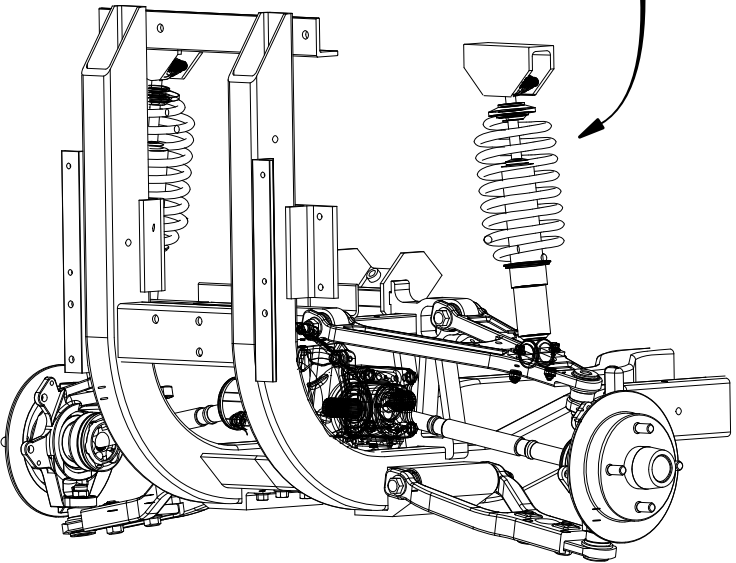
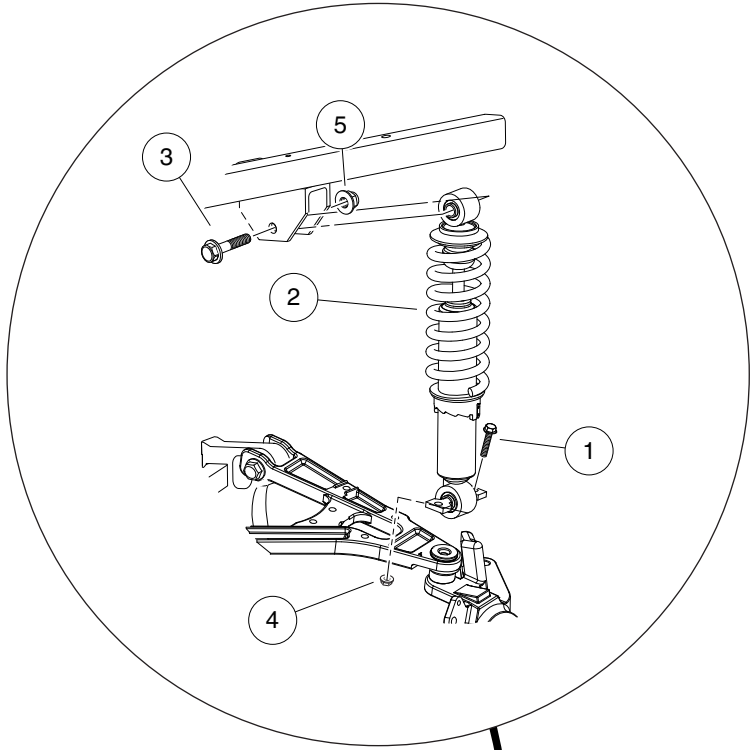
FRONT SUSPENSION – A-ARMS

ITEM	PART NO.	DESCRIPTION	QTY	6
		1 2 3 4		G
1	102022901	Locknut, M12-1.25 Nylon	2	
2	102368501	Sub-assembly, A-Arm, Upper, LH (includes items 3 through 8)	1	
3	102296140	Bolt, Flanged Head, M6x1.0x40	1	
4	102296401	Nut-m6x1.0 Flng All Mtl Lock	1	D
5	102361901	Joint, Ball	1	
6	102368801	A-Arm, Upper, Left	1	
7	102474101	Bracket, Brake Line, Left	1	
8	102722301	Ring, Retaining, Ext, 1-1/4"	1	
9	102368502	Sub-assembly, A-Arm, Upper, RH (includes items 10 through 15)	1	
10	102296140	Bolt, Flanged Head, M6x1.0x40	1	
11	102296401	Nut-m6x1.0 Flng All Mtl Lock	1	
12	102361901	Joint, Ball	1	
13	102368802	A-Arm, Upper, Right	1	
14	102474102	Bracket, Brake Line, Right	1	
15	102722301	Ring, Retaining, Ext, 1-1/4"	1	
16	102408401	Bushing, A-Arm	8	
17	102437001	Sleeve, Upper	4	
18	102437101	Sleeve, Lower	2	
19	102446901	Arm, Lower	2	
20	102469901	Bushing, Lower Arm	4	
21	102490801	Bolt, Flange Head, M12x 1.75x 30 with Loctite	4	
22	102616301	Bolt, Flange Head, M12 X 1.75 X 70	4	
23	102617701	Nut, Square, M12x 1.75	4	
24	102620501	Nut Flg, M12x1.75, Nylon Gr 10	6	
25	103256701	Bolt Flg, M12 X 1.75 X 200 10.	2	

6

G

D



000072-001

FRONT SUSPENSION (STANDARD)

ITEM	PART NO.	DESCRIPTION	QTY
		1 2 3 4	
1	102298240	Bolt, Flange Head, M8-1.25 X 40	4
2	102394002	Shock, Coil Over, Front Hd	2
3	102616301	Bolt, Flange Head, M12 X 1.75 X 70	2
4	102618601	Lock Nut, Flg M8 X 1.25 Nylon	4
5	102620501	Nut Flg, M12x1.75, Nylon Gr 10	2

6

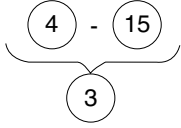
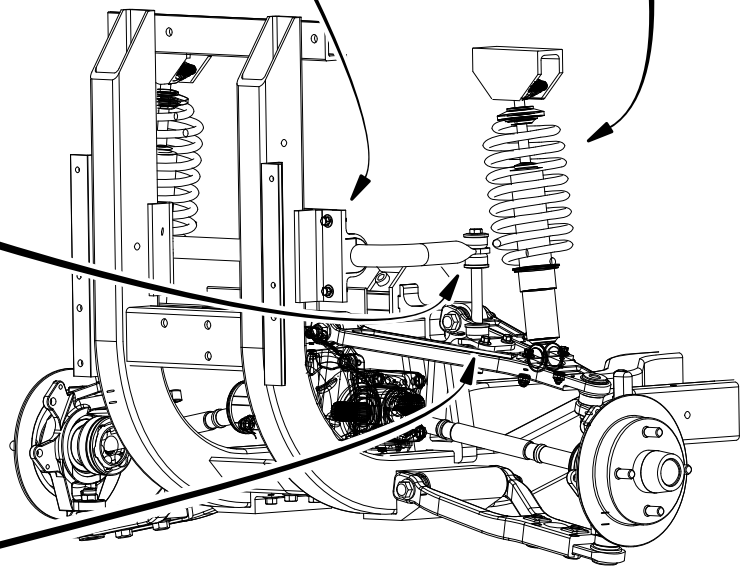
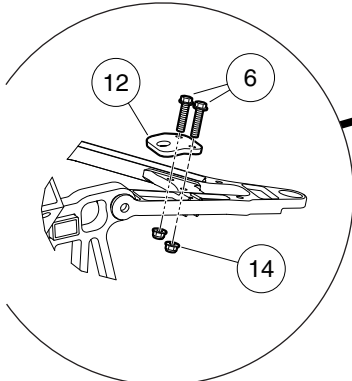
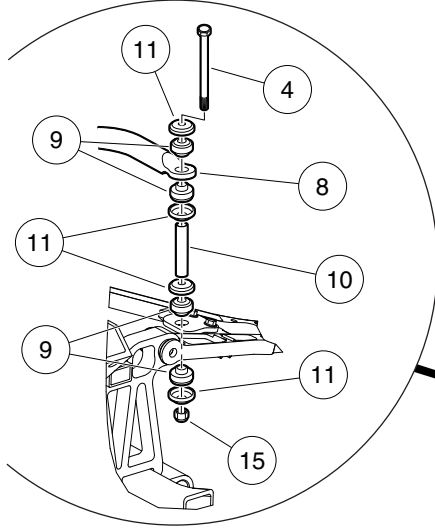
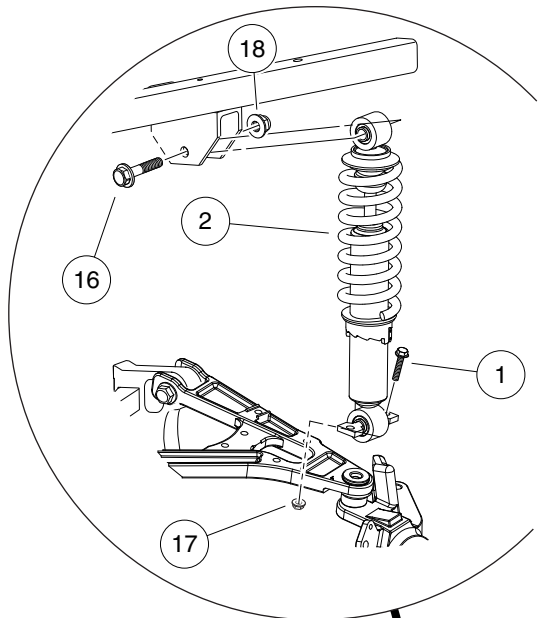
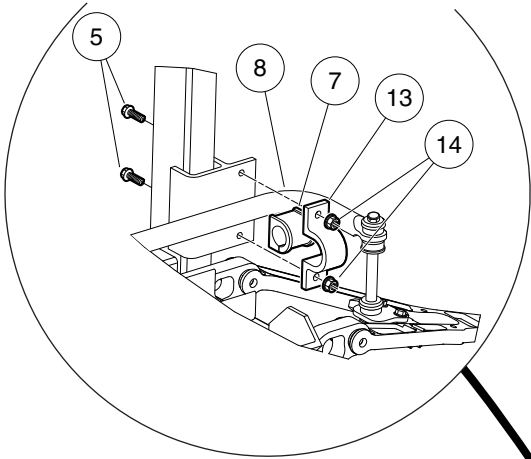
G

D

6

G

D



000072-002

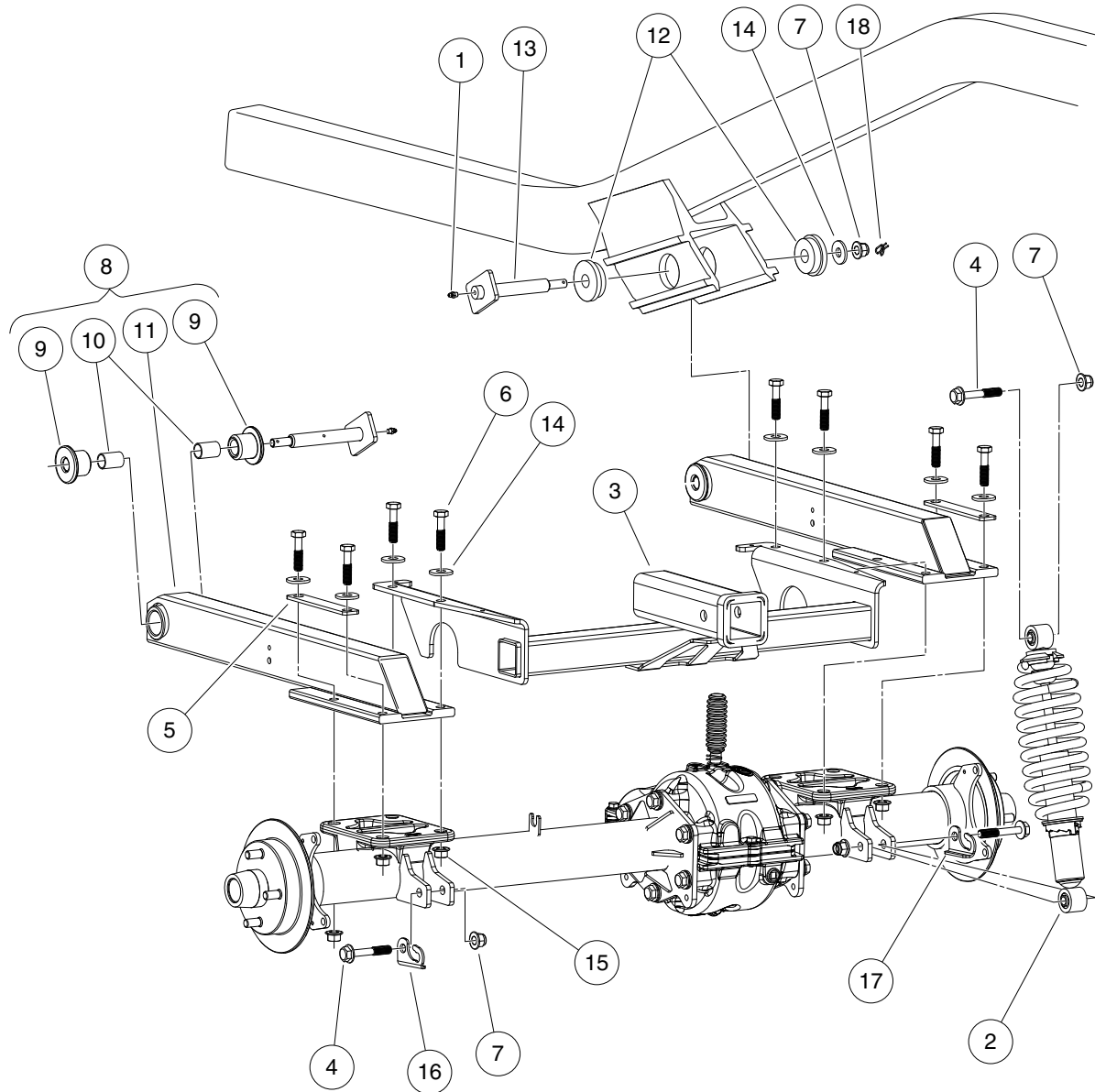
FRONT SUSPENSION (HIGH-CAPACITY OPTION)

ITEM	PART NO.	DESCRIPTION	QTY	
		1 2 3 4		6
1	102298240	Bolt, Flange Head, M8-1.25 X 40	4	G
2	102394002	Shock, Coil Over, Front Hd	2	
3	102468802	Kit, Anti-Sway Bar (includes items 4 through 15)	1	
4	1016183	Screw, 3/8-16 X 7.00 Hex Cap	2	D
5	102298130	Bolt, Flange Head, M8 X 30.0	4	
6	102298240	Bolt, Flange Head, M8-1.25 X 40	4	
7	102446601	Bushing, Anti-Sway Bar, 1-1/8	2	
8	102464601	Bar, Sway, Formed	1	
9	102470101	Bushing, Link	8	
10	102470501	Sleeve, Link	2	
11	102470601	Washer, Cup, Bushing	8	
12	102477201	Mount, Link	2	
13	102495001	Bracket, Anti-Sway Bar	2	
14	102618601	Lock Nut, Flg M8 X 1.25 Nylon	8	
15	8754	Locknut, 3/8-16 Hex	2	
16	102616301	Bolt, Flange Head, M12 X 1.75 X 70	2	
17	102618601	Lock Nut, Flg M8 X 1.25 Nylon	4	
18	102620501	Nut Flg, M12x1.75, Nylon Gr 10	2	

6

G

D



000031-001

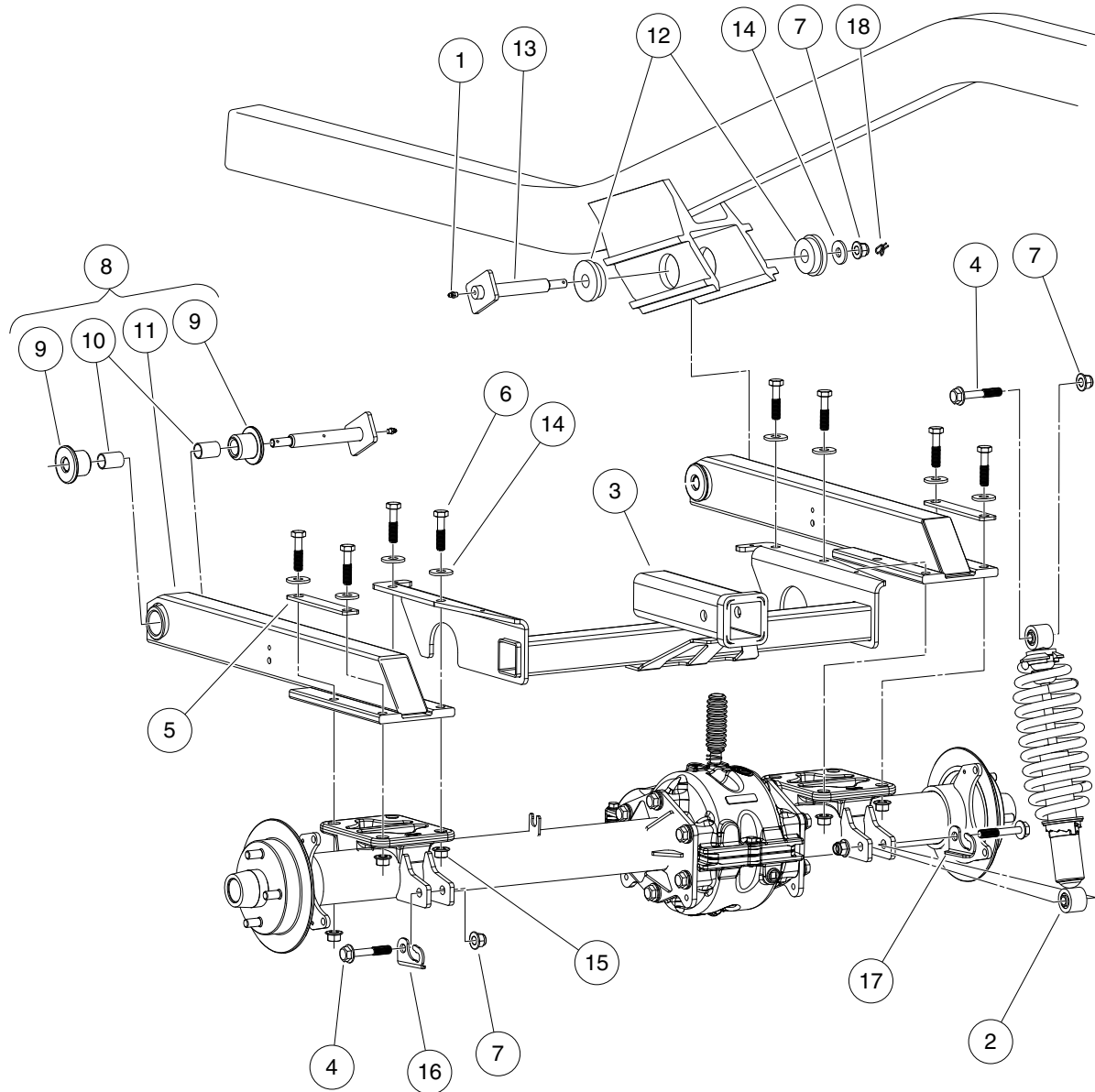
REAR SUSPENSION (STANDARD)

ITEM	PART NO.	DESCRIPTION	QTY	
		1 2 3 4		6
1	1015597	Fitting, 1/4-28 Thread-Forming Grease	2	G
2	102365601	Shock, Coil Over Rear	2	
3	102393501	Weldment, Receiver, Rear	1	
4	102616301	Bolt, Flange Head, M12 X 1.75 X 70	4	D
5	102619801	Washer, Strip, Swingarm	2	
6	102620401	Bolt Flanged Head, M12 X 1.75 X 50	8	
7	102620501	Nut Flg, M12x1.75, Nylon Gr 10	6	
8	N/A	Sub Asm Swingarm (includes items 9 through 11)	2	
9	102398901	Bushing, Pivot, Urethane	2	
10	102477001	Bushing, Teflon	2	
11	103282301	Swingarm, Rear, Awd	1	
12	102682701	Insert, Flanged, H-Bracket	4	
13	102682901	Pin, Swingarm, Weldment	2	
14	102684501	Washer, M12 Hard Regular	10	
15	102685601	Nut Flg M12 X 1.75 Cl10	8	
16	102689101	Brkt, Line, Hyd, Shk Mnt, Drv	1	
17	102689102	Brkt, Line, Hyd, Shk Mnt, Pass	1	
18	102737101	Cotter, Rue Ring, 1/2"	2	

6

G

D



000031-001

REAR SUSPENSION (HIGH-CAPACITY OPTION)

ITEM	PART NO.	DESCRIPTION	QTY	
		1 2 3 4		6
1	1015597	Fitting, 1/4-28 Thread-Forming Grease	2	G
2	102365602	Shock, Coil Over, Rear HD	2	
3	102393501	Weldment, Receiver, Rear	1	
4	102616301	Bolt, Flange Head, M12 X 1.75 X 70	4	D
5	102619801	Washer, Strip, Swingarm	2	
6	102620401	Bolt Flanged Head, M12 X 1.75 X 50	8	
7	102620501	Nut Flg, M12x1.75, Nylon Gr 10	6	
8	N/A	Sub Asm Swingarm (includes items 9 through 11)	2	
9	102398901	Bushing, Pivot, Urethane	2	
10	102477001	Bushing, Teflon	2	
11	103282301	Swingarm, Rear, Awd	1	
12	102682701	Insert, Flanged, H-Bracket	4	
13	102682901	Pin, Swingarm, Weldment	2	
14	102684501	Washer, M12 Hard Regular	10	
15	102685601	Nut Flg M12 X 1.75 Cl10	8	
16	102689101	Brkt, Line, Hyd, Shk Mnt, Drv	1	
17	102689102	Brkt, Line, Hyd, Shk Mnt, Pass	1	
18	102737101	Cotter, Rue Ring, 1/2"	2	

6

G

D

ELECTRICAL SYSTEM

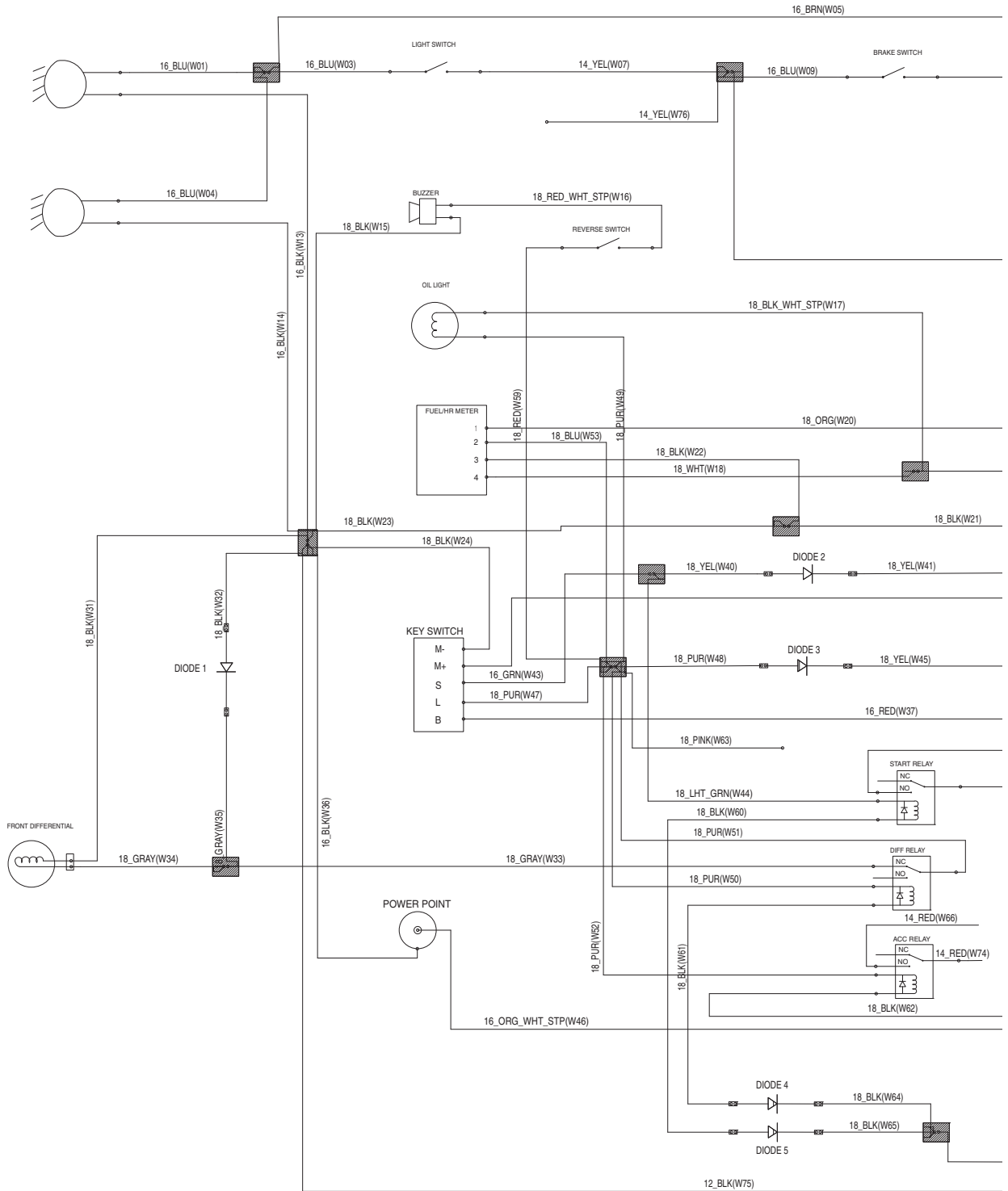
7

G

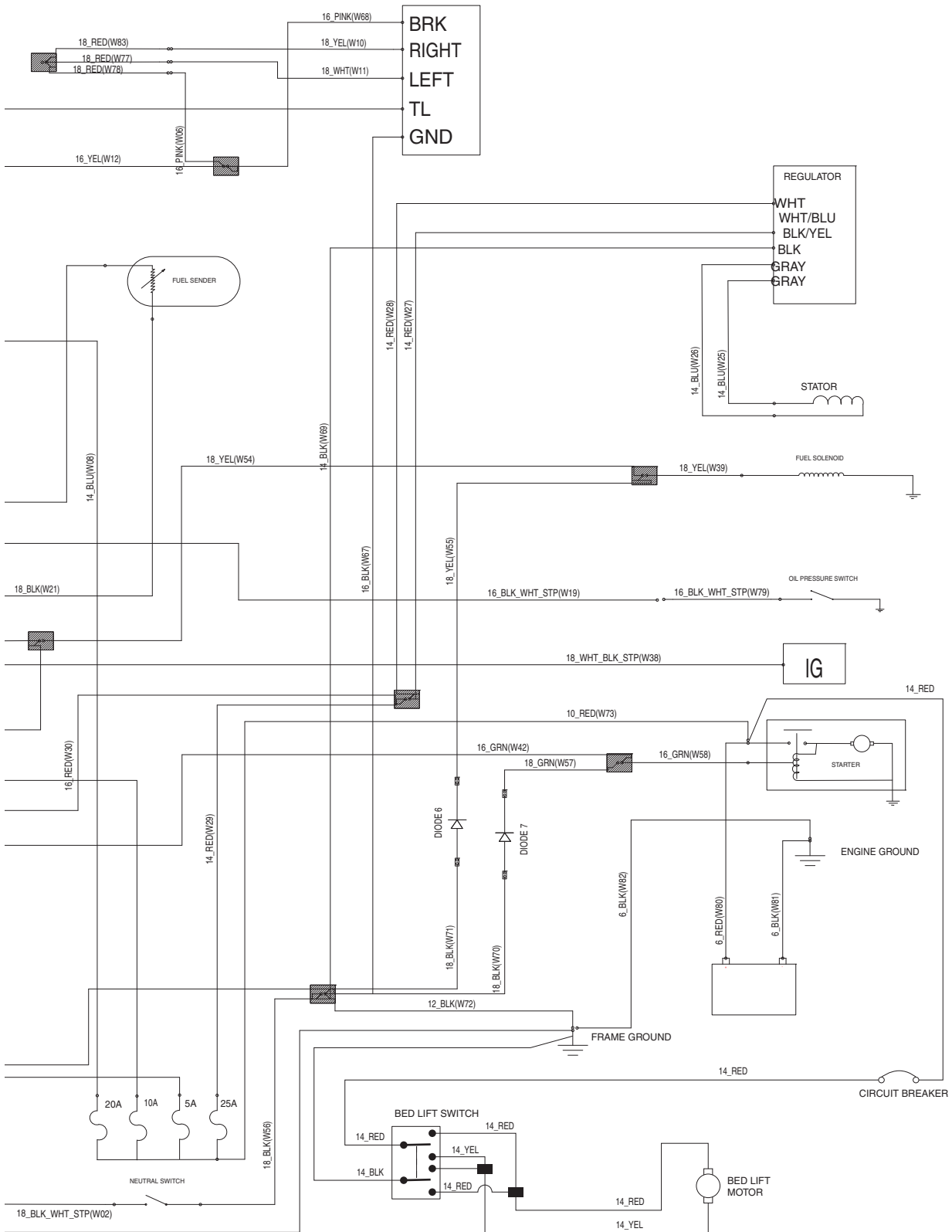
D

7
G

D



000001-002



00001-002

7

G

D

See previous two pages for illustration.

WIRING – GASOLINE VEHICLES

ITEM	PART NO.	DESCRIPTION	QTY
1	102435301	1 2 3 4 Wire Harness, Awd, Gas	1

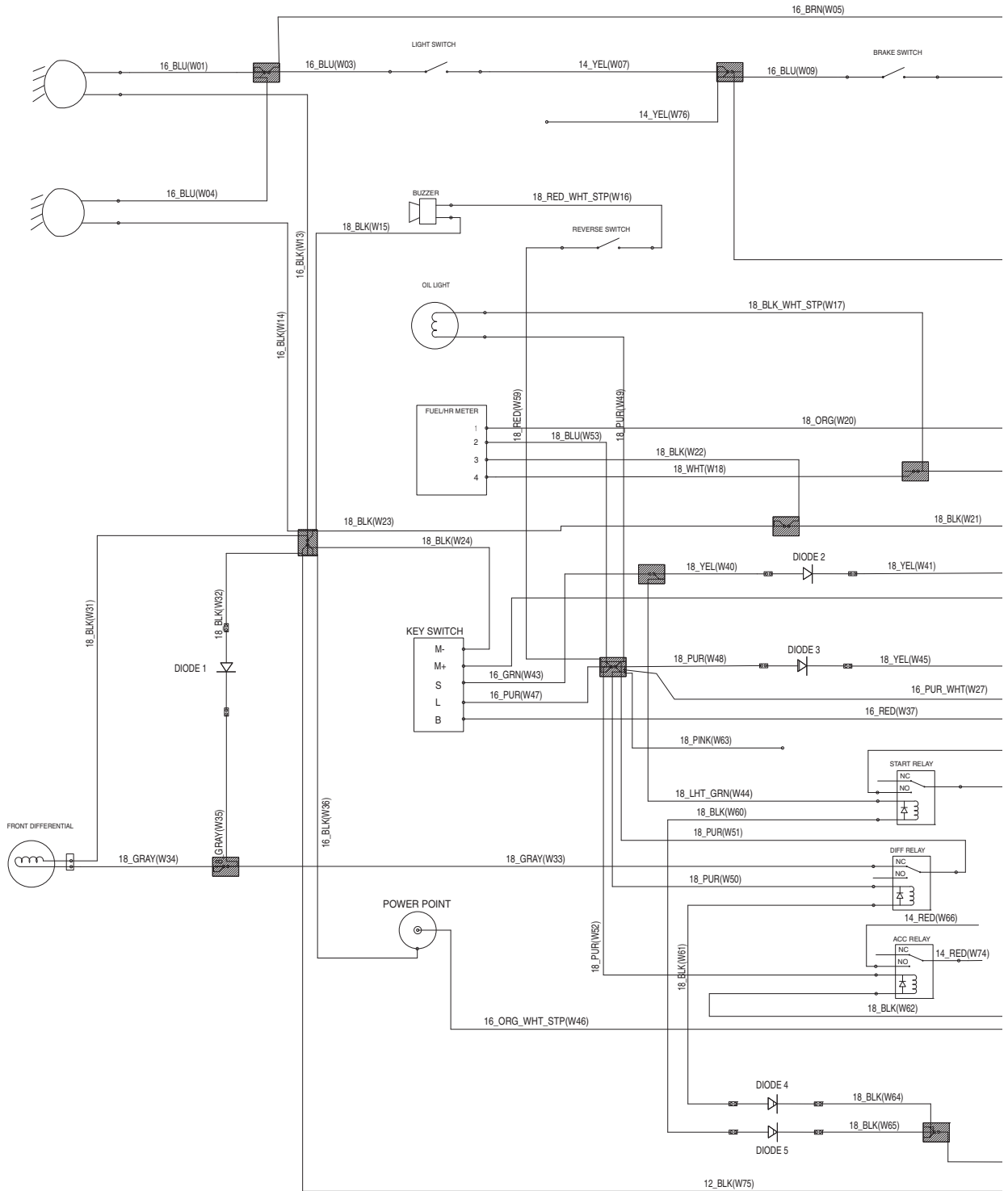
7

G

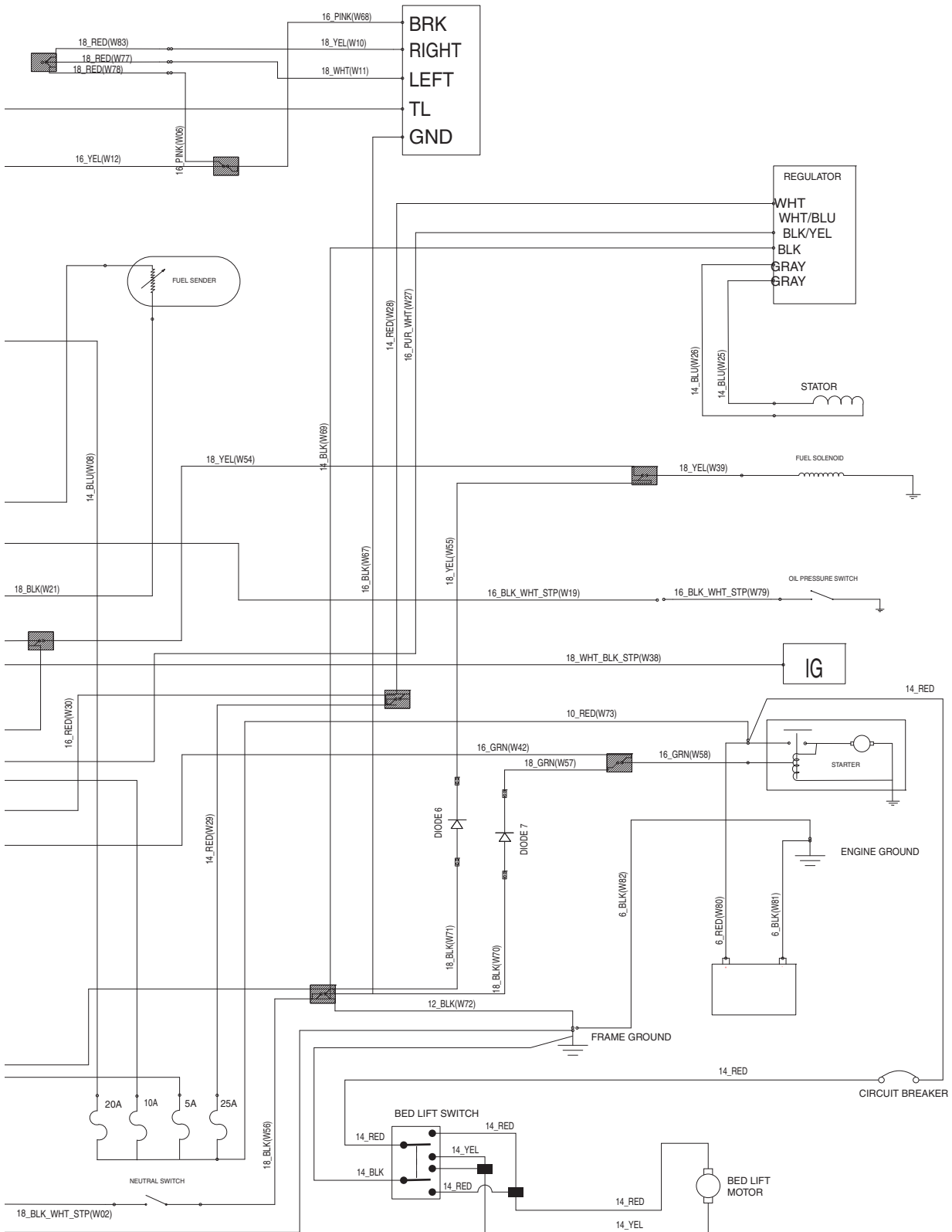
D

7
G

D



000001-002



00001-003

7

G

D

See previous two pages for illustration.

WIRING – GASOLINE VEHICLES

ITEM	PART NO.	DESCRIPTION	QTY
1	102435301	1 2 3 4 Wire Harness, Awd, Gas	1

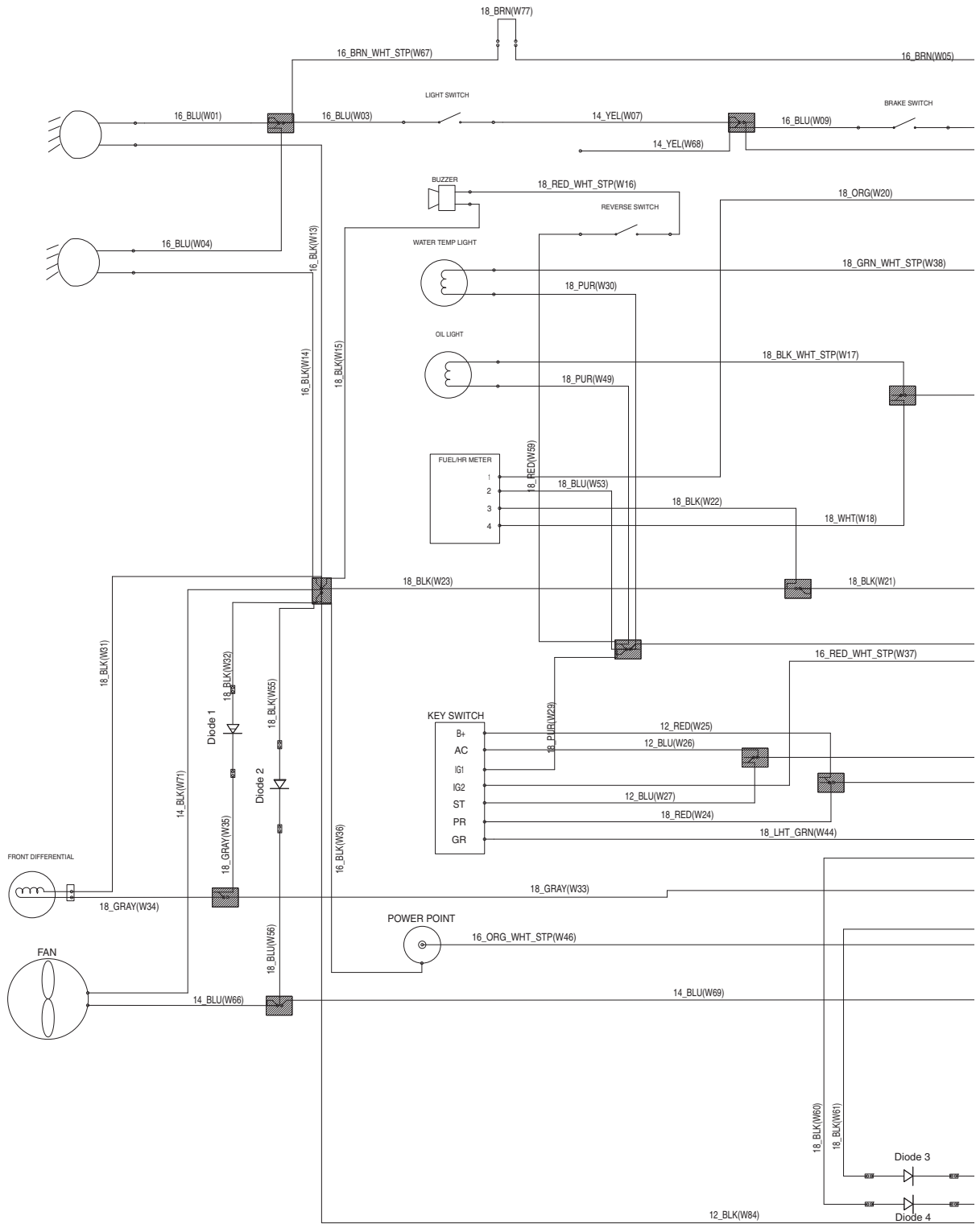
7

G

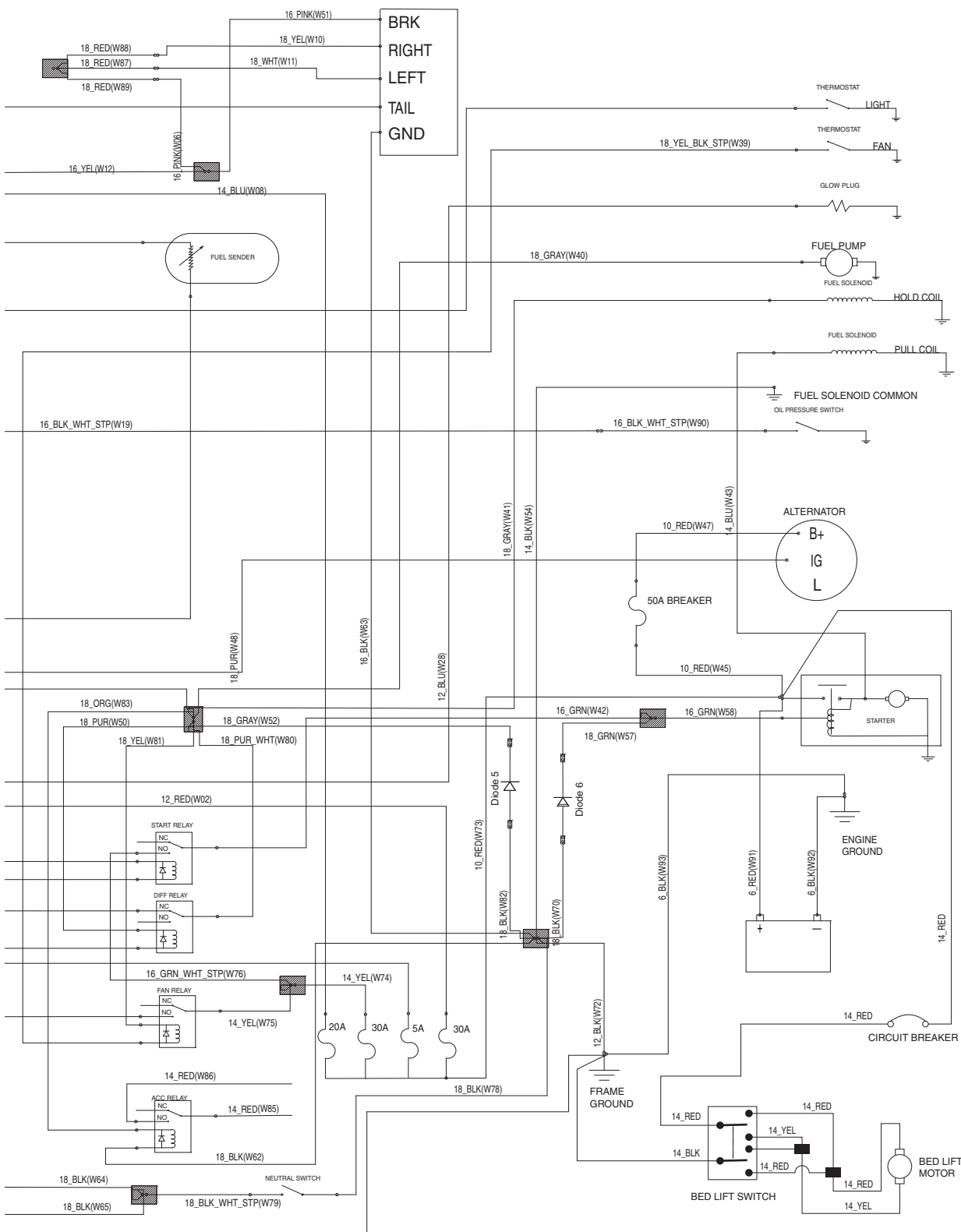
D

7
G

D



000002-002



000002-002

7

G

D

See previous two pages for illustration.

WIRING – DIESEL VEHICLES

ITEM	PART NO.	DESCRIPTION	QTY
1	102444201	1 2 3 4 Wire Harness, Awd, Diesel	1

7

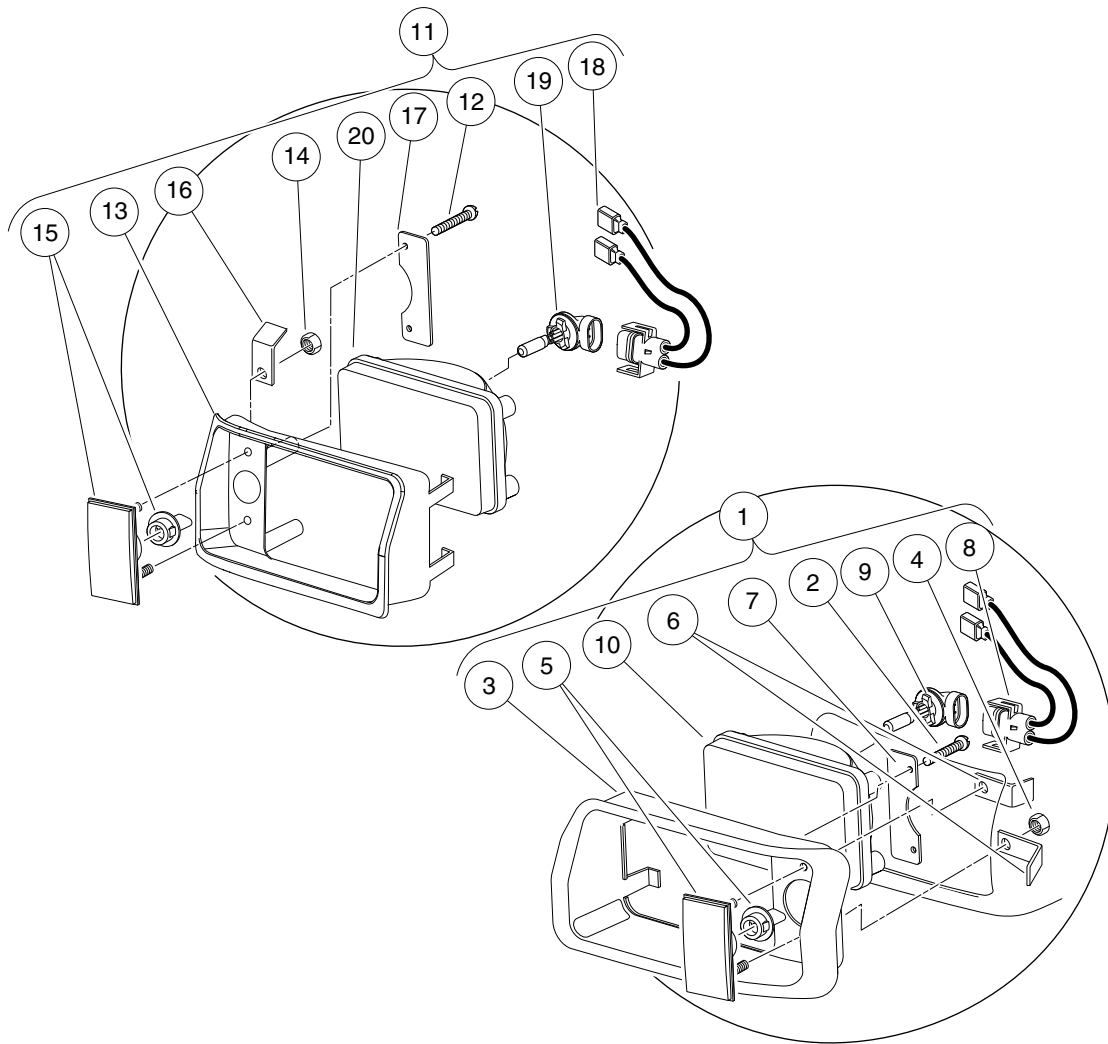
G

D

7

G

D



000073-001

HEADLIGHTS

ITEM	PART NO.	DESCRIPTION	QTY
		1 2 3 4	
1	101988001	Headlight Assembly, Driver-Side Single Beam (includes items 2 through 10)	1
2	1013461	Screw, #10-16 Hex-Head Hi-Lo	2
3	1016880	Headlight Bezel, Left	1
4	1017	Nut, #10-24 Stainless-Steel Hex Machine	2
5	1017062	Turn Signal Lens Assy	1
6	1017064	Mounting Bracket	2
7	1017065	Retainer, Headlight	1
8	101987901	Connector Harness Assembly, Headlight	1
9	101988101	Bulb, Headlight	1
10	101988201	Lens, Headlight	1
11	101988002	Headlight Assy, Passenger-Side Single Beam (includes items 12 through 20)	1
12	1013461	Screw, #10-16 Hex-Head Hi-Lo	2
13	1016879	Headlight Bezel, Right	1
14	1017	Nut, #10-24 Stainless-Steel Hex Machine	2
15	1017062	Turn Signal Lens Assy	1
16	1017064	Mounting Bracket	2
17	1017065	Retainer, Headlight	1
18	101987901	Connector Harness Assembly, Headlight	1
19	101988101	Bulb, Headlight	1
20	101988201	Lens, Headlight	1

7

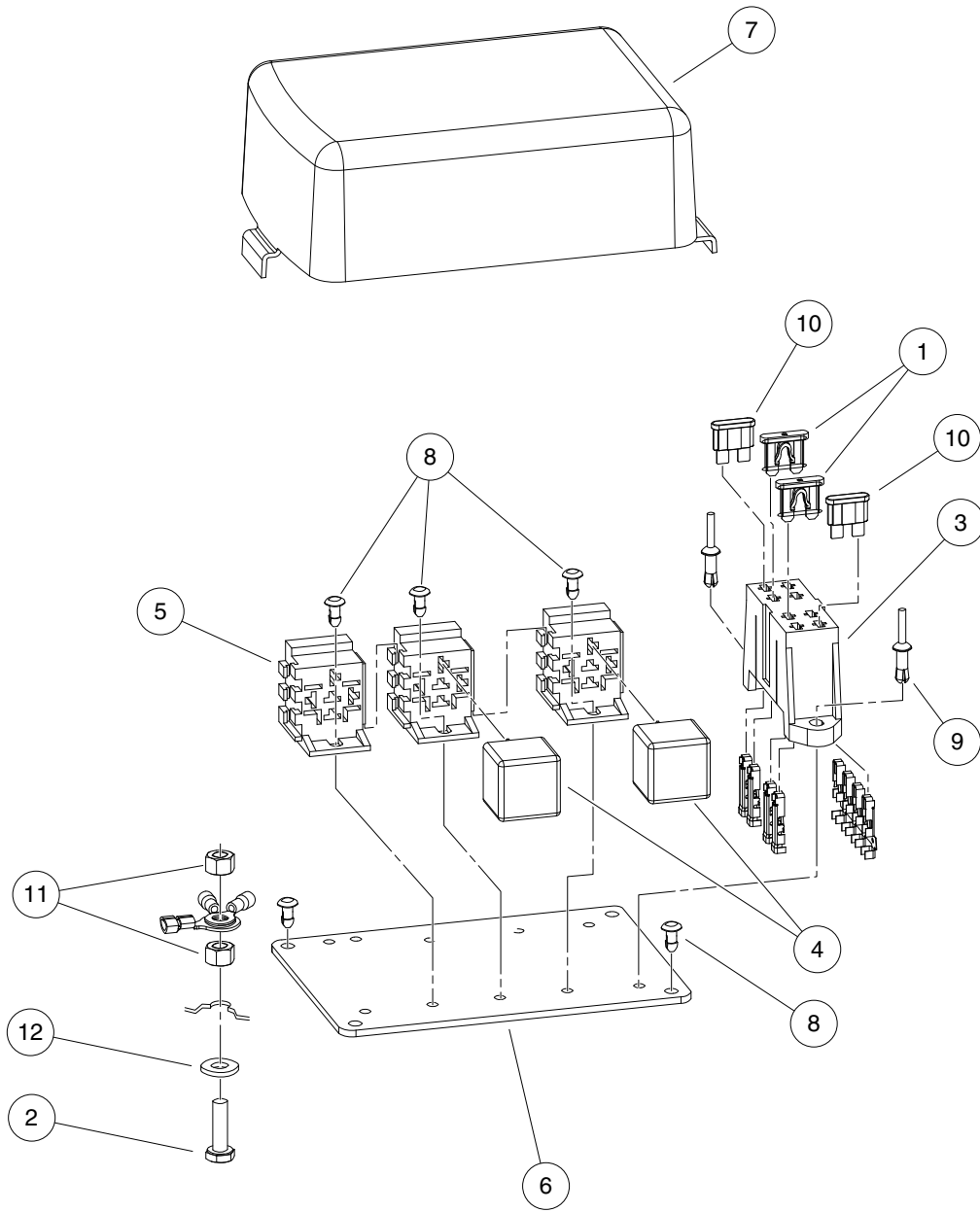
G

D

7

G

D



000076-001

ELECTRICAL COMPONENT BOX, GASOLINE VEHICLES

ITEM	PART NO.	DESCRIPTION	QTY
		1 2 3 4	
1	1012295	Fuse, 10-Amp	2
2	1015521	Screw, 1/4-20 X .88 Hex Hd Cap	1
3	1015741	Fuse Block	1
4	102420201	Relay, Mini ISO, SPDT	2
5	****	Connector, Relay	3
6	102420401	Plate, Electrical	1
7	102420501	Cover, Electrical	1
8	102447901	Fastener, Push-in	7
9	102448001	Rivet, Drive	2
10	102492201	Fuse, 25-Amp	2
11	1108	Locknut, 1/4-20 Dimpled	2
12	332	Washer, 1/4 Type A Narrow Flat	1
		**** Special order item available upon request.	

7

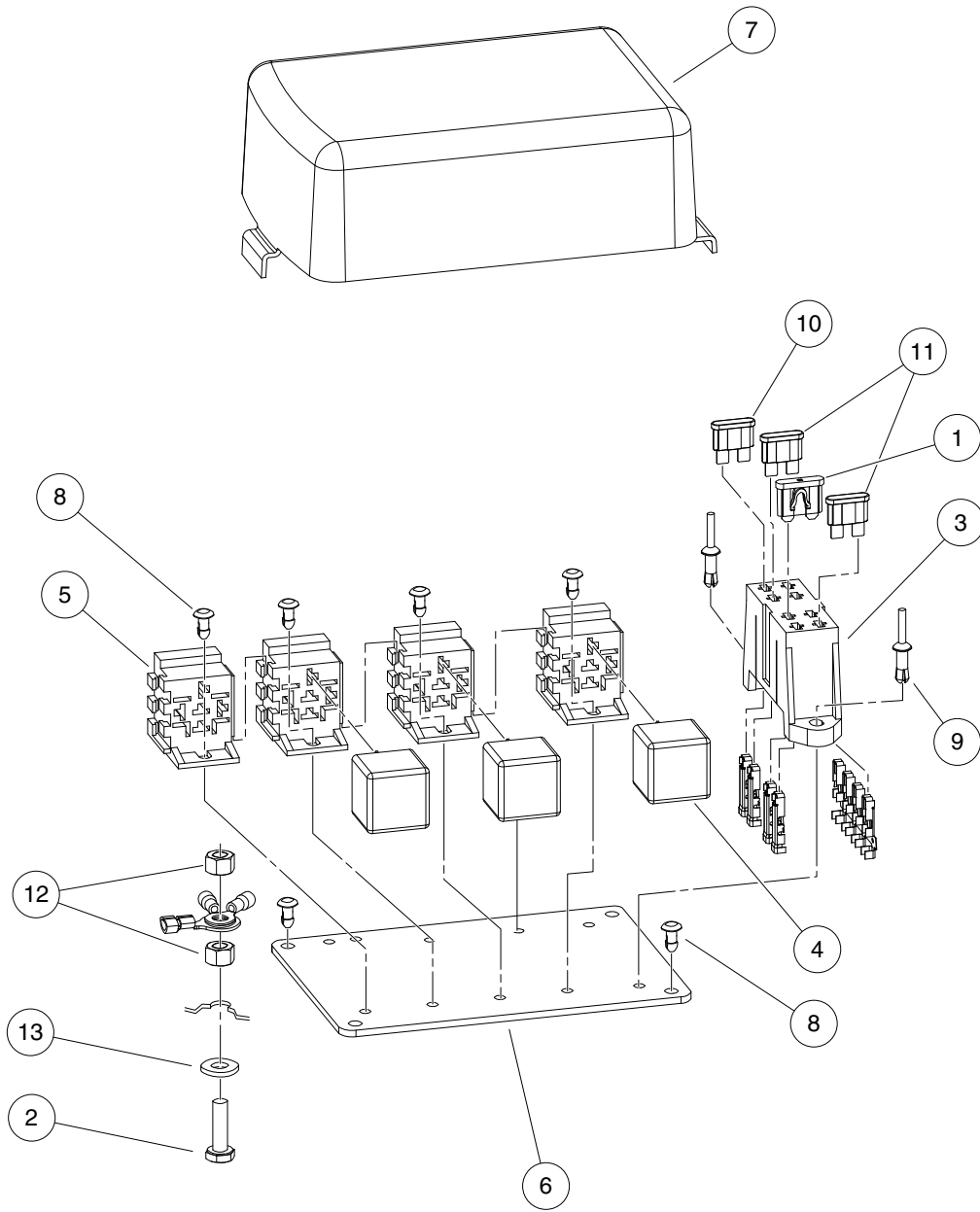
G

D

7

G

D



000076-002

ELECTRICAL COMPONENT BOX, DIESEL VEHICLES

ITEM	PART NO.	DESCRIPTION	QTY
		1 2 3 4	
1	1012295	Fuse, 10-Amp	1
2	1015521	Screw, 1/4-20 X .88 Hex Hd Cap	1
3	1015741	Fuse Block	1
4	102420201	Relay, Mini ISO, SPDT	3
5	****	Connector, Relay	4
6	102420401	Plate, Electrical	1
7	102420501	Cover, Electrical	1
8	102447901	Fastener, Push-in	8
9	102448001	Rivet, Drive	2
10	102492201	Fuse, 25-Amp	1
11	102492301	Fuse, 30-Amp	2
12	1108	Locknut, 1/4-20 Dimpled	2
13	332	Washer, 1/4 Type A Narrow Flat	1
**** Special order item available upon request.			

7

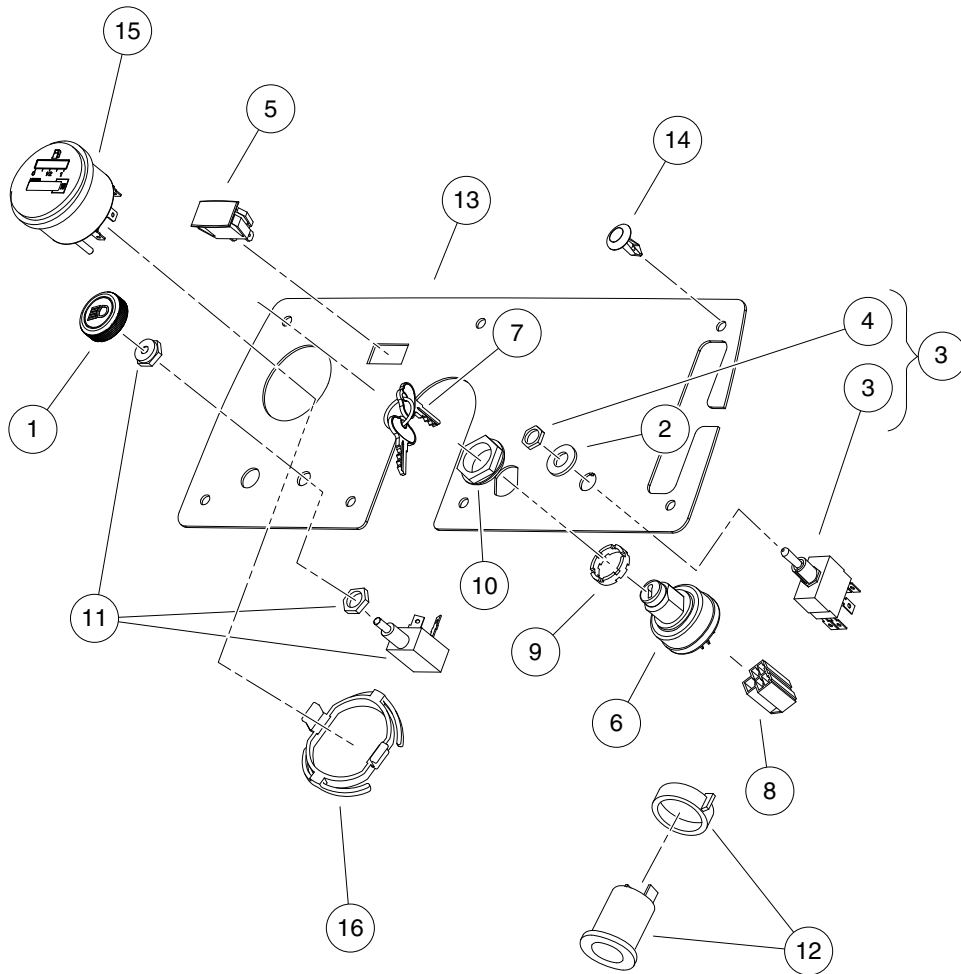
G

D

7

G

D



000080-003

ELECTRICAL COMPONENTS, INSTRUMENT PANEL, GASOLINE VEHICLES

ITEM	PART NO.	DESCRIPTION	QTY
		1 2 3 4	
1	1013857	Knob, Light Switch	1
2	1014557	Washer, 7/16 Flat	1
3	1015636	Toggle Switch (includes item 4)	1
4	N/A	Nut, Toggle Switch	1
5	1016630	Light, Oil	1
6	102044702	Key Switch 12v Key Start	1
7	102044801	Key Set	1
8	N/A	Connector, 5 Way, Female	1
9	102051601	Spacer, Keyswitch	1
10	102051701	Nut, Key Switch	1
11	102051901	Switch, Light	1
12	102198001	Receptacle, Accessory	1
13	102739901	Panel, Instrument - Gas	1
14	102967901	Rivet, Removable, Tuflok 1/4"	7
15	103348101	Gauge Fuel-hour Sep Gnd	1
16	103348201	Clip, Meter, Round	1

7

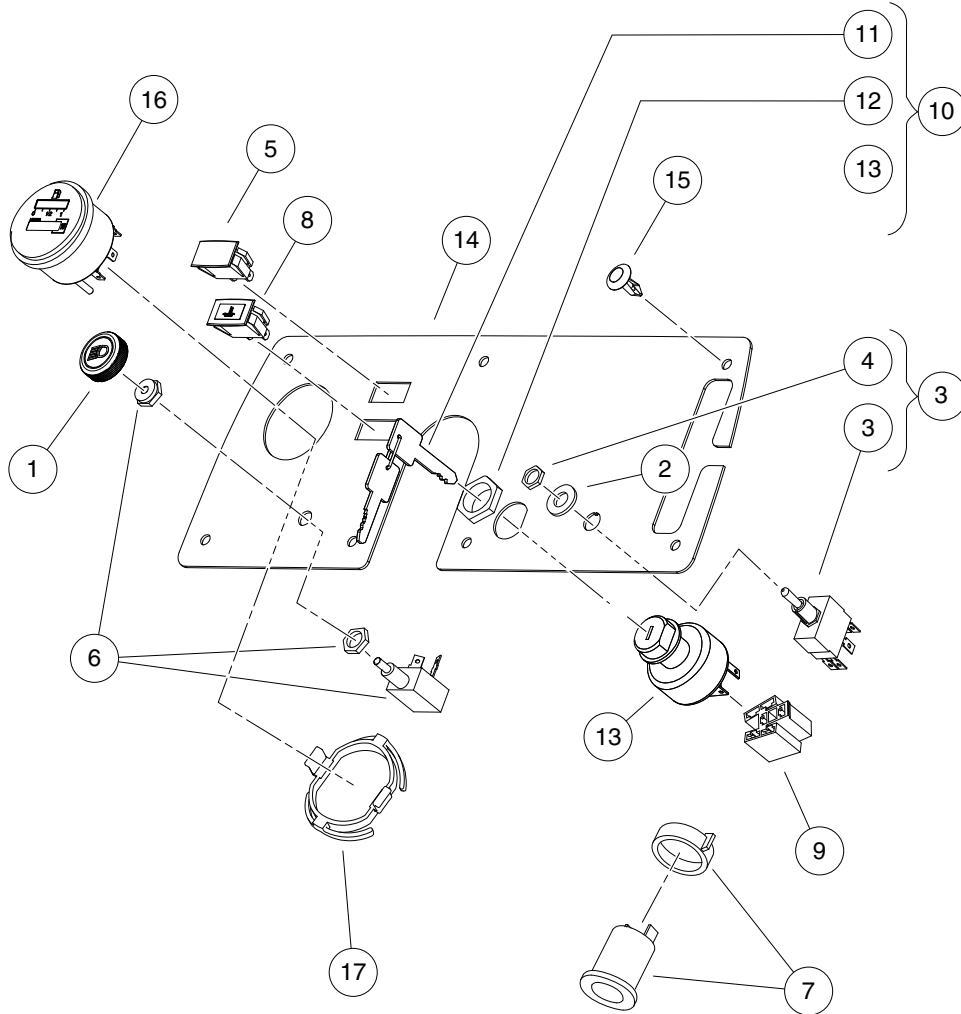
G

D

7

G

D



000080-004

ELECTRICAL COMPONENTS, INSTRUMENT PANEL, DIESEL VEHICLES

ITEM	PART NO.	DESCRIPTION	QTY
		1 2 3 4	
1	1013857	Knob, Light Switch	1
2	1014557	Washer, 7/16 Flat	1
3	1015636	Toggle Switch (includes item 4)	1
4	N/A	Nut, Toggle Switch	1
5	1016630	Light, Oil	1
6	102051901	Switch, Light	1
7	102198001	Receptacle, Accessory	1
8	102375401	Light, Indicator, Coolant Temp	1
9	N/A	Connector, 6 Way, 56 Series	1
10	102457301	Switch, Key (includes items 11 through 13)	1
11	102731701	Key Set (1 pair)	1
12	N/A	Nut, Key Switch	1
13	N/A	Switch, Key without Nut	1
14	102739902	Panel, Instrument - Diesel	1
15	102967901	Rivet, Removable, Tuflok 1/4"	7
16	103348101	Gauge Fuel-hour Sep Gnd	1
17	103348201	Clip, Meter, Round	1

7

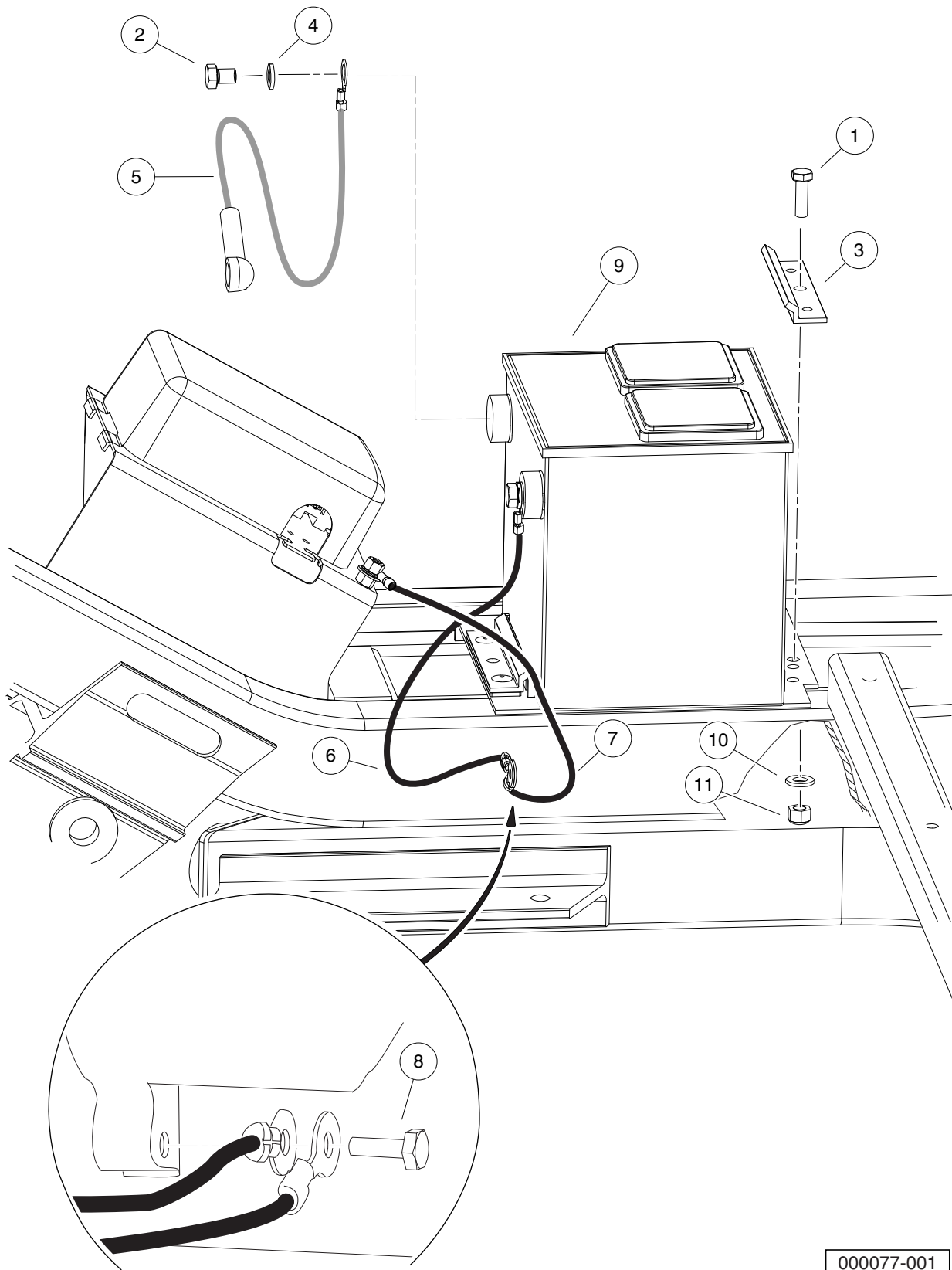
G

D

7

G

D



000077-001

BATTERY – GASOLINE VEHICLES

ITEM	PART NO.	DESCRIPTION	QTY
		1 2 3 4	
1	1010934	Screw, 5/16-18 X 1.00 Hex Cap	1
2	1014375	Screw, 3/8-16 X 0.50 Stainless Steel Hex-Head	2
3	101898001	Clamp, Battery	1
4	102355301	Lockwasher, #10 Split Ss	2
5	102442201	Asm, #6 Red Wire	1
6	102442301	Asm, #6 Blk Wire	1
7	102442401	Asm, #6 Blk Wire	1
8	102490301	Bolt, M6 X 1 X 16 Loctite	1
9	N/A	Battery, Start, 12v	1
10	1241	Washer, 5/16 Type A Flat	1
11	7473	Locknut, 5/16-18 Nylon Insert	1

7

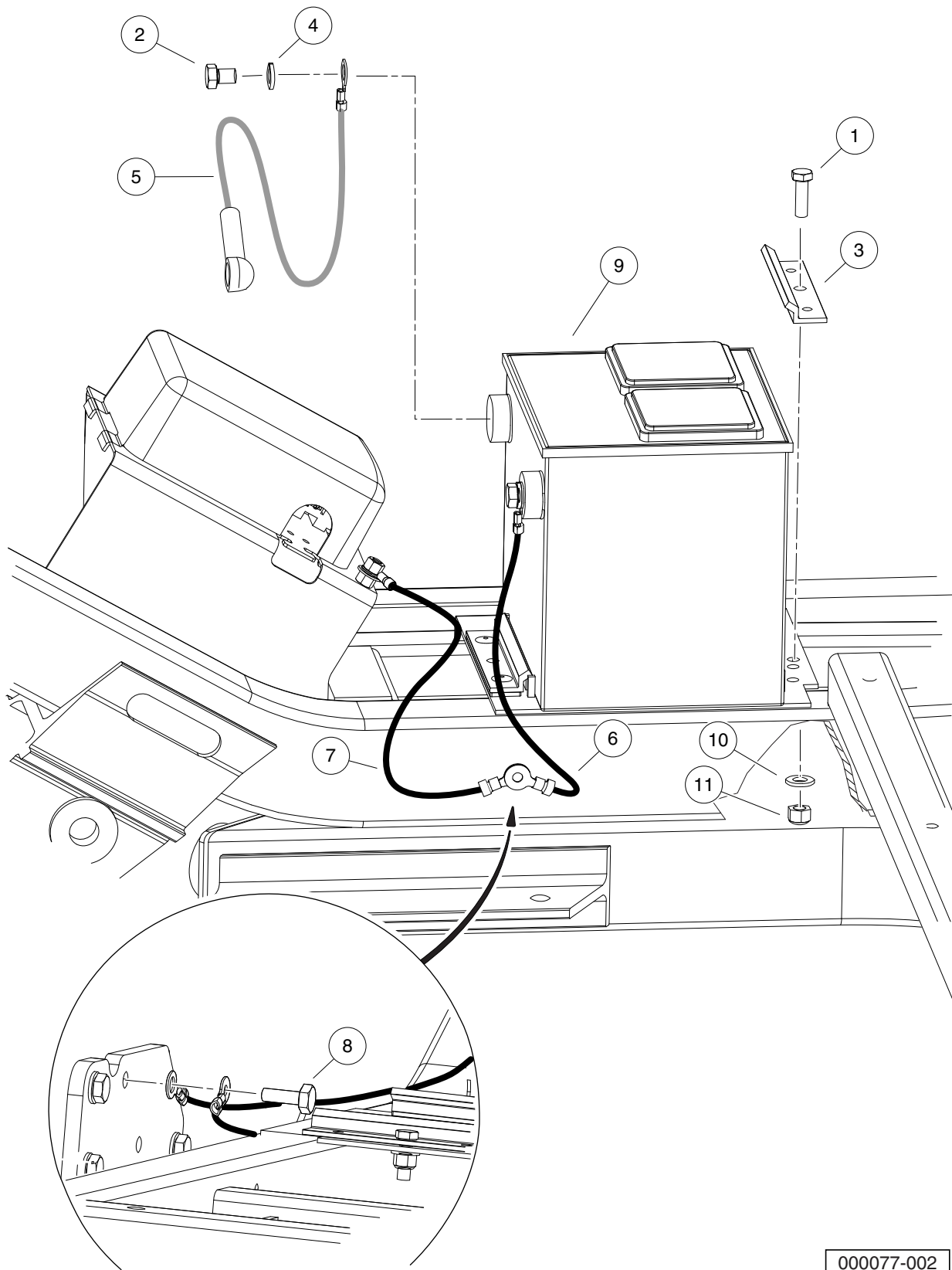
G

D

7

G

D



000077-002

BATTERY – DIESEL VEHICLES

ITEM	PART NO.	DESCRIPTION	QTY
		1 2 3 4	
1	1010934	Screw, 5/16-18 X 1.00 Hex Cap	1
2	1014375	Screw, 3/8-16 X 0.50 Stainless Steel Hex-Head	2
3	101898001	Clamp, Battery	1
4	102355301	Lockwasher, #10 Split Ss	2
5	102442201	Asm, #6 Red Wire	1
6	102448401	Wire Asm, #6 Blk, Awd, 350	1
7	102448501	Wire Asm, #6 Blk, Awd, 325	1
8	102498201	Bolt, M10 X 1.25 X 25 Loctite	1
9	N/A	Battery, Start, 12v	1
10	1241	Washer, 5/16 Type A Flat	1
11	7473	Locknut, 5/16-18 Nylon Insert	1

7

G

D

7

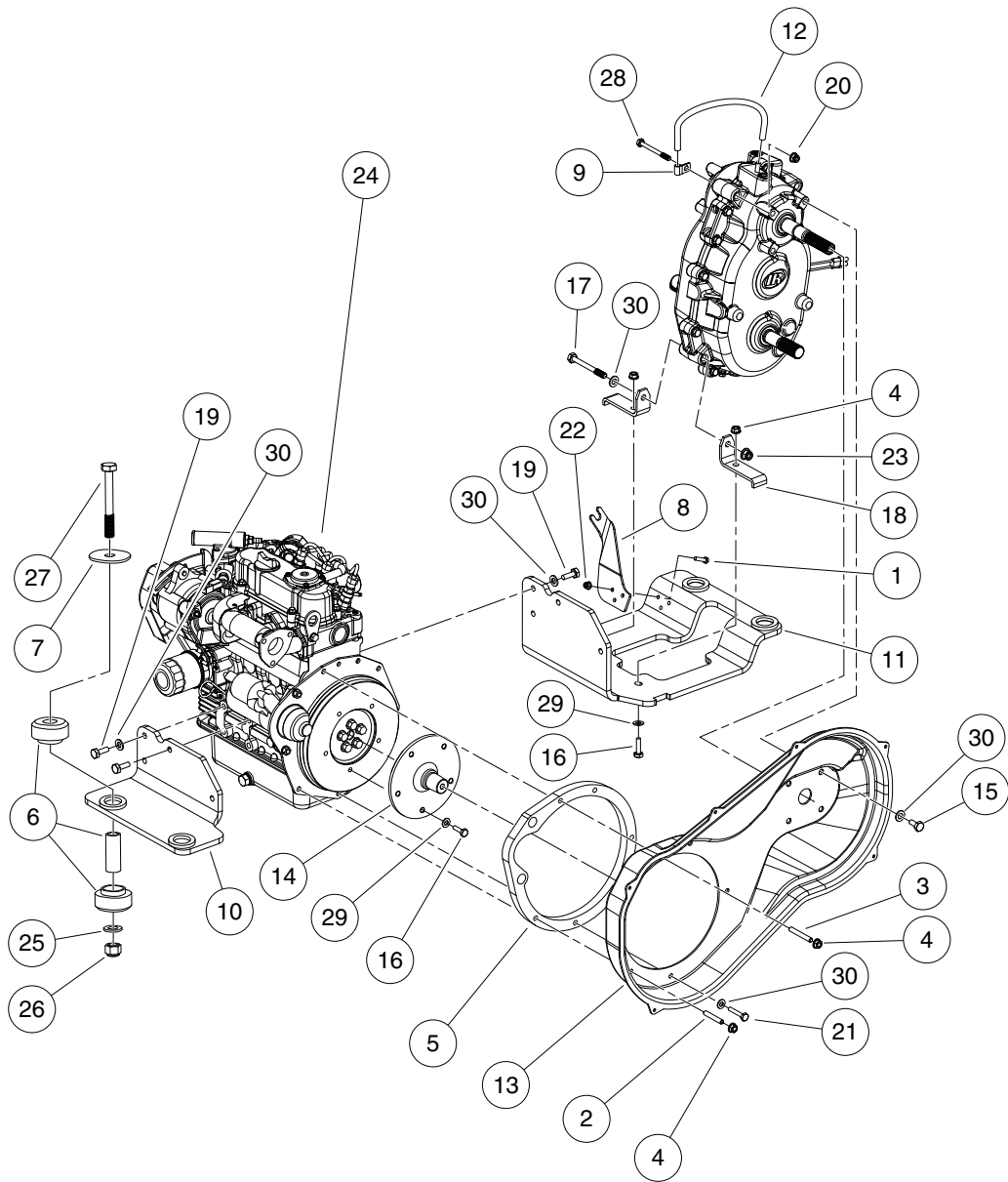
G

D

DIESEL ENGINE – CLOSED BREATHER

8

D



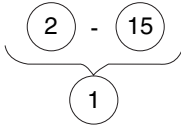
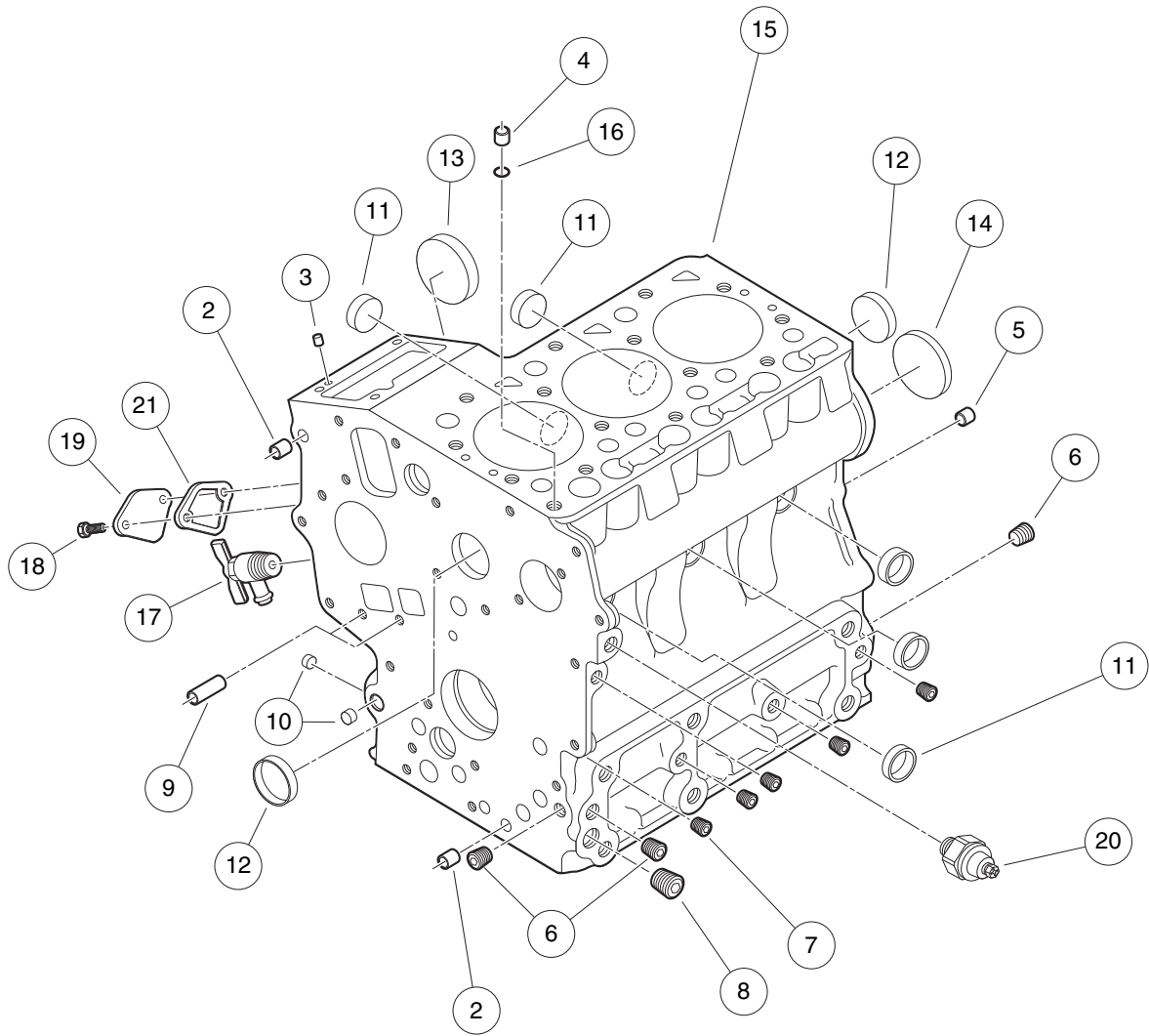
000025-002

KUBOTA D722 DIESEL ENGINE MOUNTING

ITEM	PART NO.	DESCRIPTION	QTY
		1 2 3 4	
1	1012769	Screw, M6-1.00 X 25mm Hex Cap	3
2	101833101	Stud, M8-1.25 X 50 mm Two-Ended	1
3	101833201	Stud, M8-1.25 X 60mm Two-Ended	1
4	102298401	Nut,m8,all Metal Lock	7
5	102370101	Spacer, Engine, Diesel	1
6	102370501	Isolator Ring and Bushing	4
7	102370601	Washer, Snubbing, Ring N Bush	4
8	102382401	Bracket, FNR Trans Cable	1
9	102410603	P-Clamp, Insulated .312 In	1
10	102414701	Plate, Engine Mounting, Weld, Left-Hand	1
11	102414801	Plate, Engine Mounting, Weld, Right-Hand	1
12	102462301	Hose, Vent, Transmission	1
13	102462501	Cover, CVT Inner, Diesel	1
14	102465901	Shaft, CVT Adapter	1
15	102490101	Bolt, M10 X 1.5 X 20 Loctite	4
16	102490201	Bolt, M8 X 1.25 X 25 Loctite	7
17	102490501	Bolt, M10 X 1.5 X 100 Loctite	1
18	102494401	Bracket, Transmission Mounting	2
19	102498201	Bolt, M10 X 1.25 X 25 Loctite	8
20	102618601	Lock Nut, Flg M8 X 1.25 Nylon	1
21	102621301	Bolt, M8 X 1.25 X 40 with Loctite	3
22	102621501	Nut Flg, M6 X 1.0 Nylon	3
23	102670701	Nut Flg M10 X 1.5 Nylon	1
24	102934601	Engine, Kubota, D722, with Closed Breather, 60a	1
25	96701412	Washer, M12 Hard	4
26	96704622	Locknut, M12x1.75 Nylon Insert	4
27	96704721	Bolt, M12 X 1.75 X 90	4
28	96718978	Bolt, M8 X 1.25 X 80	1
29	96741038	Washer, M8 Hard	10
30	96741046	Washer, M10 Hard	12

8

D



000039-001

CRANKCASE

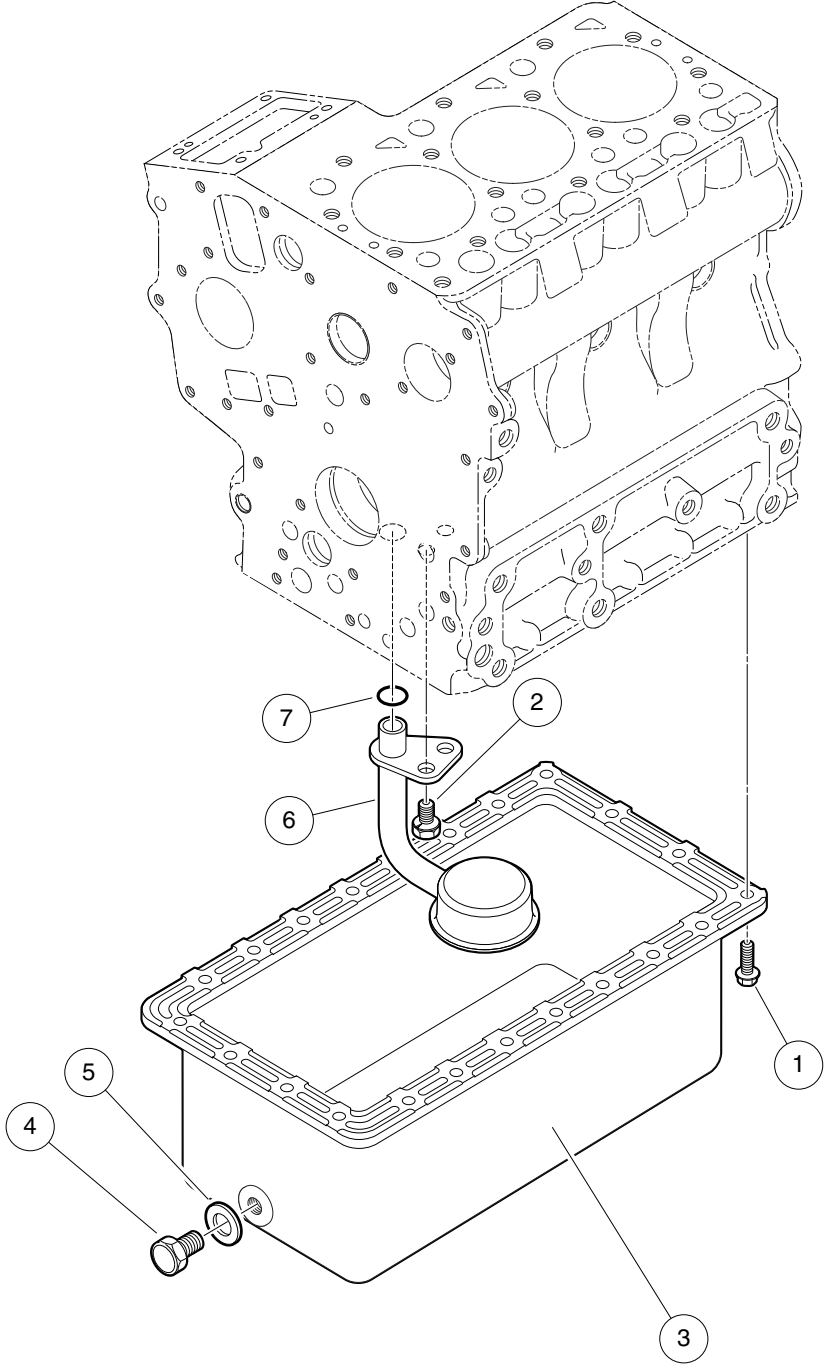
ITEM	PART NO.	DESCRIPTION	QTY
		1 2 3 4	
1	102600001	Engine Block (includes items 2 through 15)	1
2	102600101	Pin, Pipe, Dia 8 X 14	2
3	102600201	Pin, Straight, Dia 5 X 10	2
4	102600401	Pin, Pipe, Dia 7 X 14	1
5	102600601	Pin, Straight, Dia 8 X 16	2
6	102600701	Plug, 1/8"	3
7	102600801	Plug, 3/32"	5
8	102601001	Plug, 1/4"	1
9	102601301	Pin, Pipe, Dia 8 X 11	2
10	102726201	Cap, Sealing, Small	3
11	102726301	Cap, Sealing, Med	5
12	102726401	Cap, Sealing, Large	2
13	102726501	Cover, Fuel Camshaft	1
14	102726601	Plug, Expansion	1
15	N/A	Block, Engine	1
16	102600301	O Ring, 8 X 7	1
17	102601401	Cock, Drain	1
18	102631601	Bolt, M6 X 1 X 20	2
19	N/A	Plate, Engine Block	1
20	102730801	Switch, Oil Pressure	1
21	102732601	Gasket, Fuel Pump, D722	1

8

D

8

D



000040-001

OIL PAN

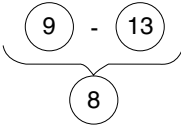
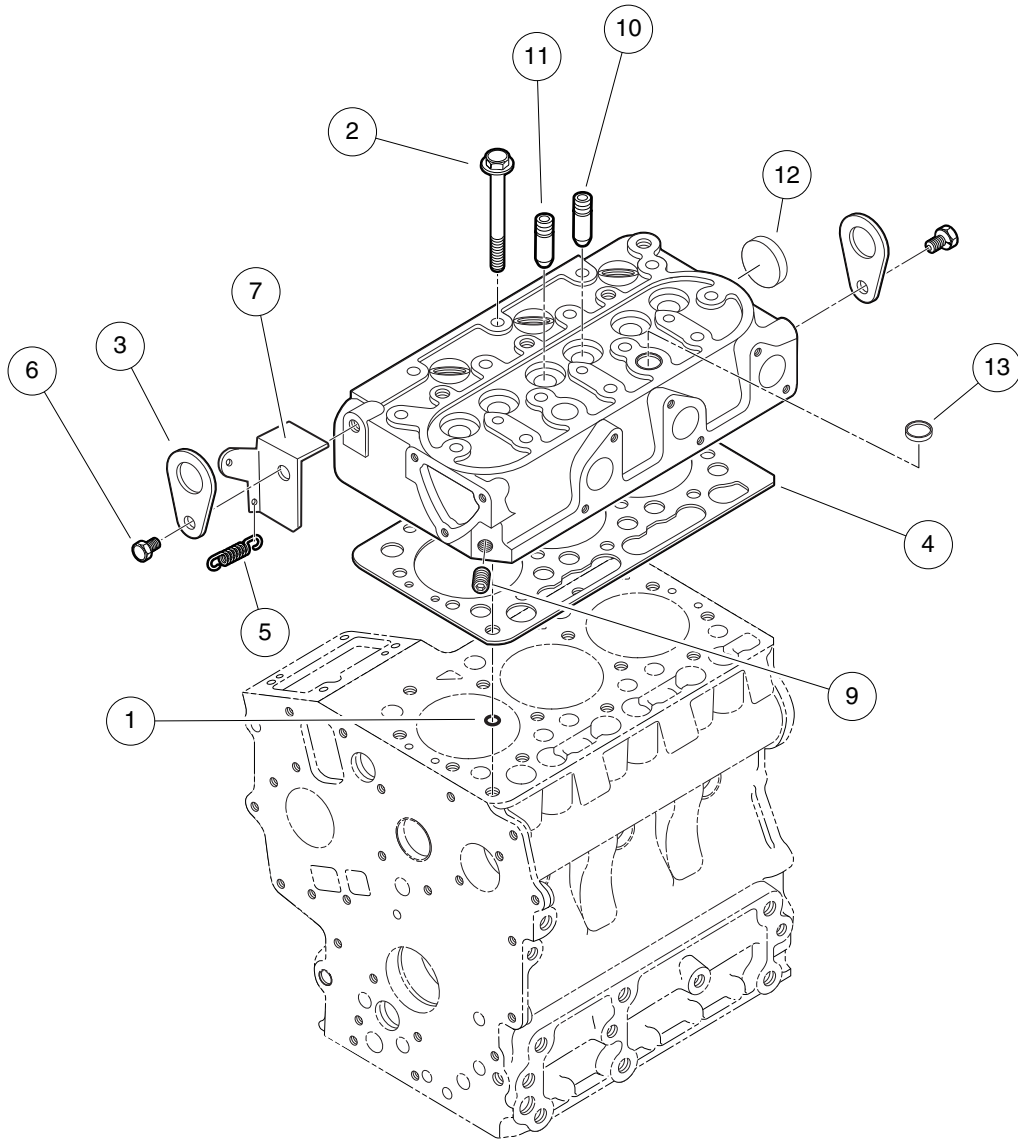
ITEM	PART NO.	DESCRIPTION	QTY
		1 2 3 4	
1	102605101	Bolt, M6 X 1 X 14	22
2	102606901	Bolt, M8 X 1.25 X 15	1
3	102607001	Oil Pan	1
4	102607201	Plug, Drain, M12 X 14	1
5	102607301	Gasket, 20 X 13	1
6	102607401	Filter, Oil, Pick Up	1
7	102654601	O Ring, 20 X 17	1

8

D

8

D



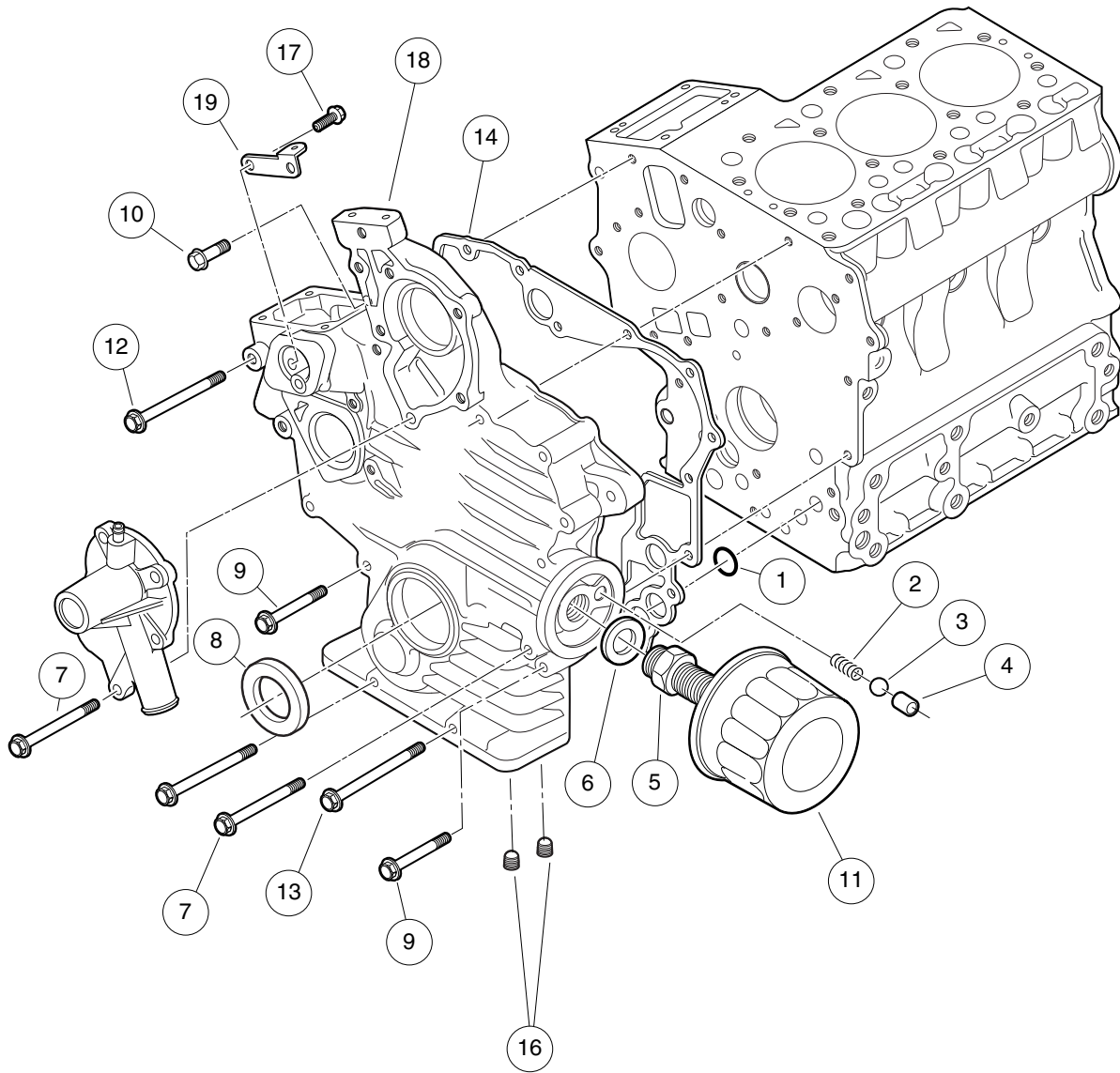
000041-002

CYLINDER HEAD

ITEM	PART NO.	DESCRIPTION	QTY
		1 2 3 4	
1	102600301	O Ring, 8 X 7	1
2	102652801	Bolt, Cylinder Head	14
3	102653901	Hook, Engine	2
4	102654101	Gasket, Cylinder Head	1
5	102701001	Spring, Start	1
6	102726701	Bolt, Engine Hook	2
7	102727101	Stay, Cylinder Head	1
8	102798001	Head, Cylinder, Complete (includes items 9 through 13)	1
9	102600801	Plug, 3/32"	1
10	102653401	Guide, Exhaust Valve	3
11	102653501	Guide, Inlet Valve	3
12	102726901	Cap, Sealing, Head	1
13	102727001	Cap, Sealing, Head, Top	2

8

D



000042-002

GEAR CASE

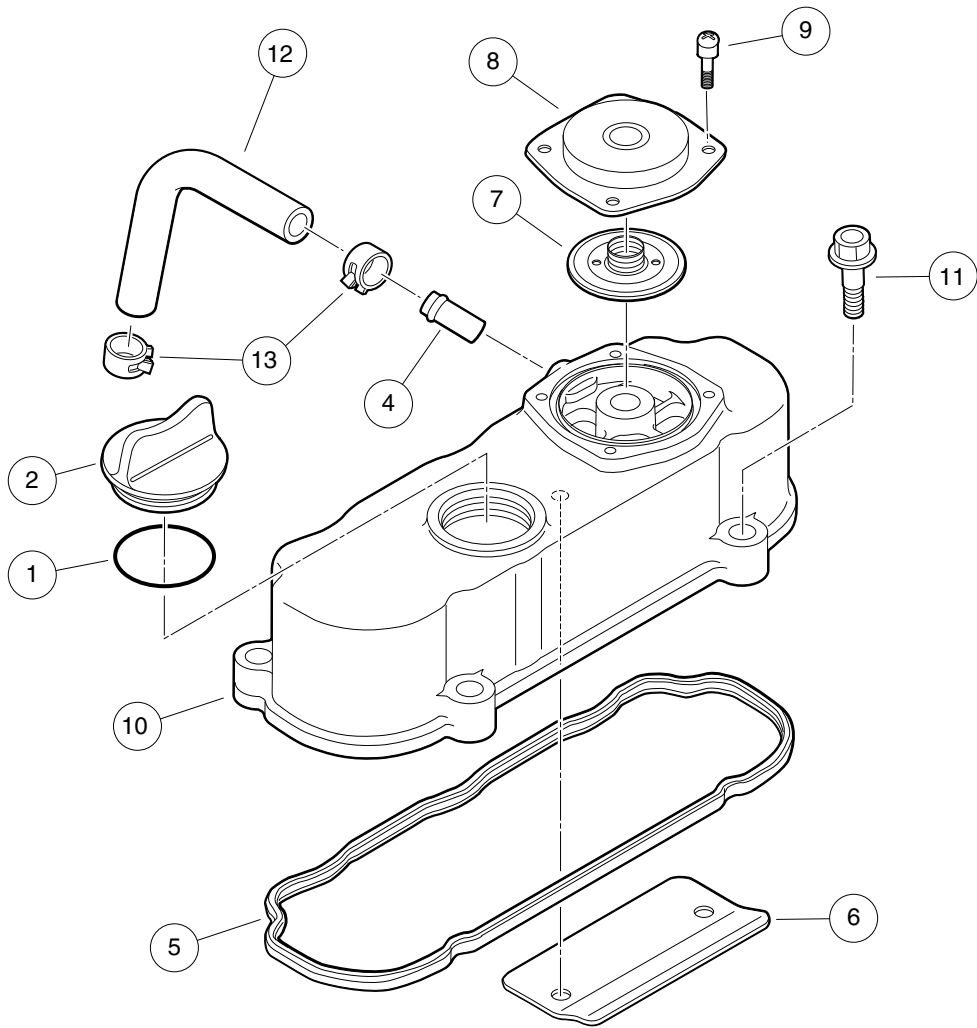
8

D

ITEM	PART NO.	DESCRIPTION	QTY
		1 2 3 4	
1	102601801	O Ring, 18 X 13	3
2	102601901	Spring, Valve	1
3	102602001	Ball, Valve	1
4	102602101	Seat, Valve	1
5	102602301	Joint, Pipe	1
6	102602401	Washer, Plain, Special	1
7	102602601	Bolt, M6 X 1 X 60	2
8	102602701	Seal, Oil	1
9	102602801	Bolt, D722, Front Case	9
10	102654301	Bolt, D722 Intake Manfld Lower	1
11	102703301	Filter, Engine Oil, D722	1
12	102727401	Bolt, Gearcase, Top	2
13	102727501	Bolt, Gearcase, Lower	1
14	102729301	Gasket, Gearcase, D722	1
15	N/A	Case, Gear (includes items 16 through 19)	1
16	102601001	Plug, 1/4"	2
17	102727601	Screw, Breather	2
18	N/A	Case, Gear	1
19	102798201	Stay, Spring	1

8

D



000181-001

HEAD COVER

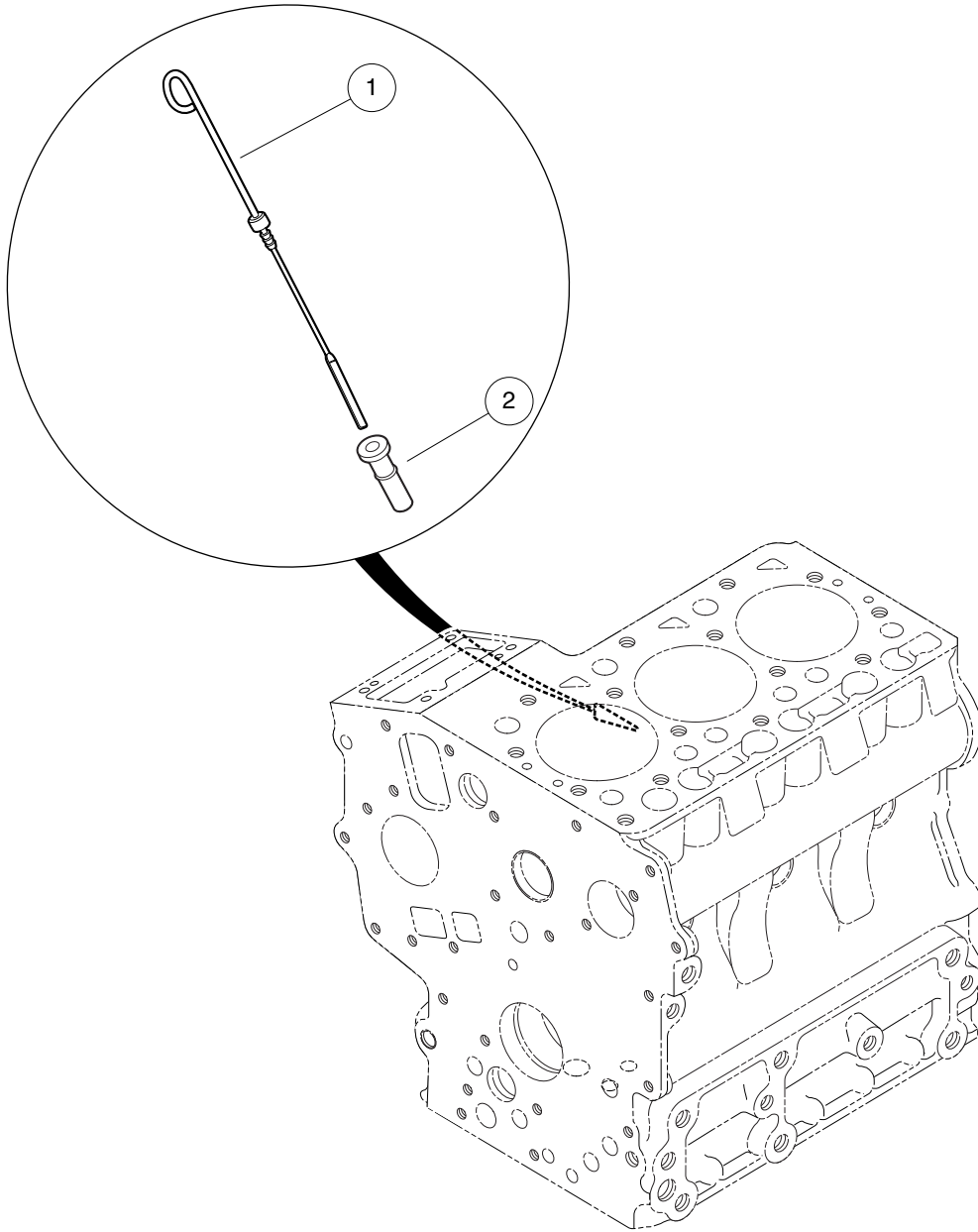
ITEM	PART NO.	DESCRIPTION	QTY
		1 2 3 4	
1	102644001	O Ring, 30 X 36	1
2	102644101	Plug, Oil Filler	1
3	102798401	Assembly, Cylinder Head Cover (includes items 4 through 10)	1
4	102633301	Pipe, Water Return, D722	1
5	102798501	Gasket, Cylinder Head Cover	1
6	102798601	Shield, Breather	1
7	102799001	Valve, Breather	1
8	102799101	Cover, Breather	1
9	102799201	Screw, Breather	4
10	N/A	Cover, Cylinder Head	1
11	102798701	Bolt, Cylinder Head Cover	4
12	102798801	Tube, Breather	1
13	102798901	Clamp, Breather Tube	2

8

D

8

D



000044-002

DIPSTICK AND GUIDE

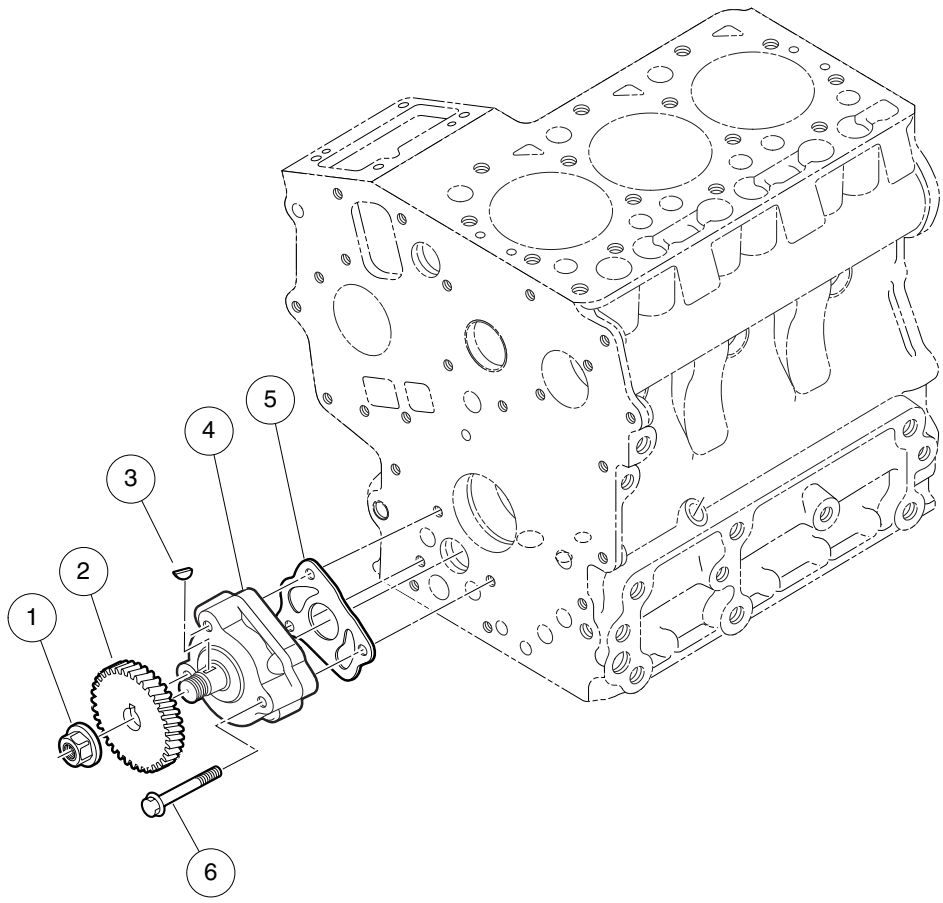
ITEM	PART NO.	DESCRIPTION	QTY
1	102606701	1 2 3 4 Gauge, Oil	1
2	102727701	Guide, Oil Gauge	1

8

D

8

D



000045-001

OIL PUMP

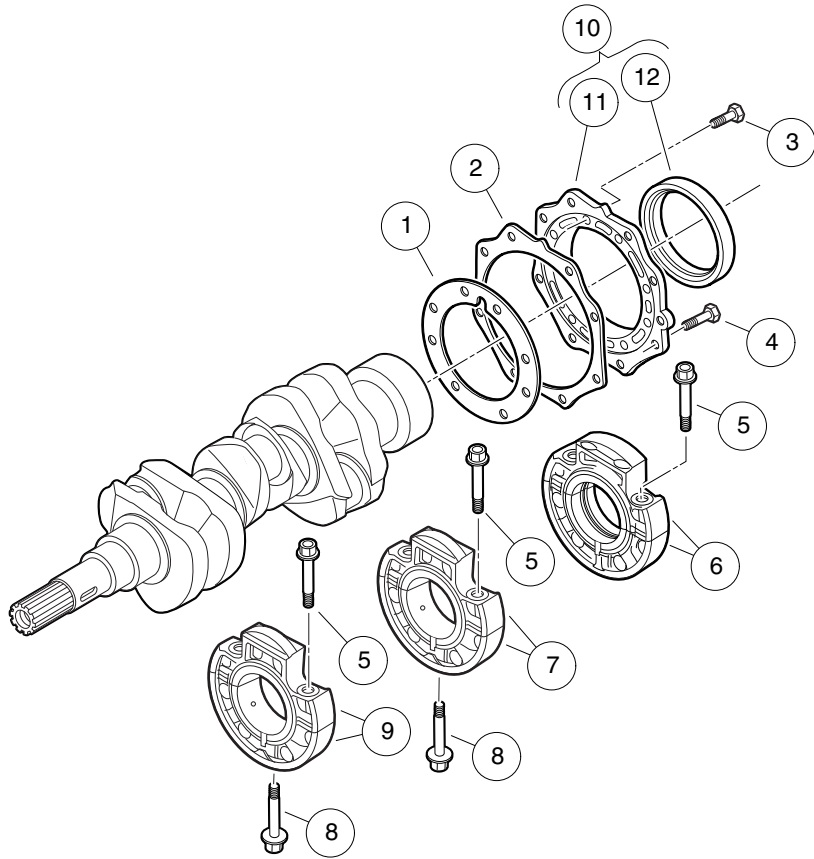
ITEM	PART NO.	DESCRIPTION	QTY
		1 2 3 4	
1	102606201	Nut, Flange, D722 Oil Pump	1
2	102606301	Gear, Oil Pump Drive	1
3	102606401	Key, Feather, 8x4	1
4	102606501	Assy, Pump, Oil	1
5	102606601	Gasket, Oil Pump	1
6	102727901	Bolt, Oil Pump	3

8

D

8

D



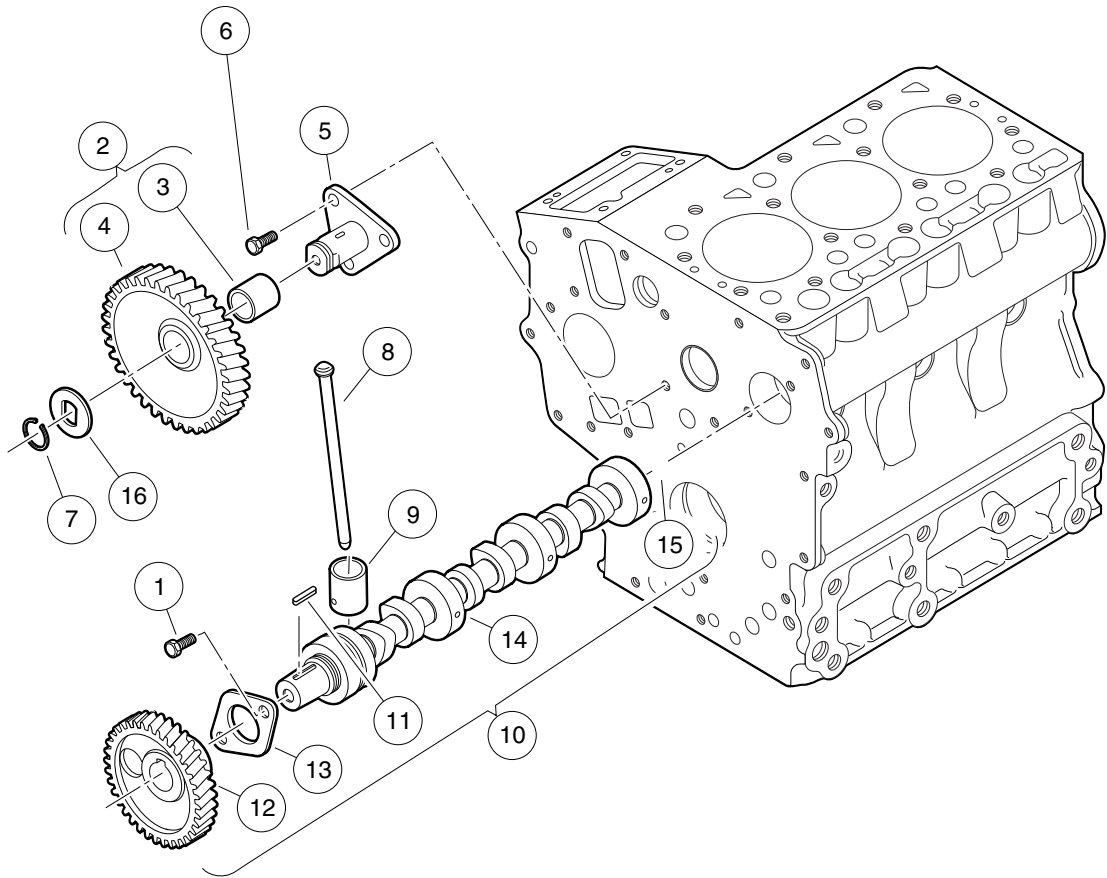
000046-001

MAIN BEARING CASE

ITEM	PART NO.	DESCRIPTION	QTY
		1 2 3 4	
1	102608201	Gasket, Bearing Case	1
2	102608301	Gasket, Cover	1
3	102608601	Bolt, M6 X 1 X 20	8
4	102608701	Bolt, M6 X 1 X 22	8
5	102608901	Bolt, Bearing Case, Top	6
6	102609101	Assy Case, Main Brg, First	1
7	102609301	Assy Case, Main Brg, Sec	1
8	102609401	Bolt, Bearing Case, Bottom	2
9	102609601	Assy Case, Main Brg, Third	1
10	102728001	Assy, Cover, Bearing Case (includes items 11 and 12)	1
11	102608401	Cover, Bearing Case	1
12	102608501	Seal, Oil	1

8

D



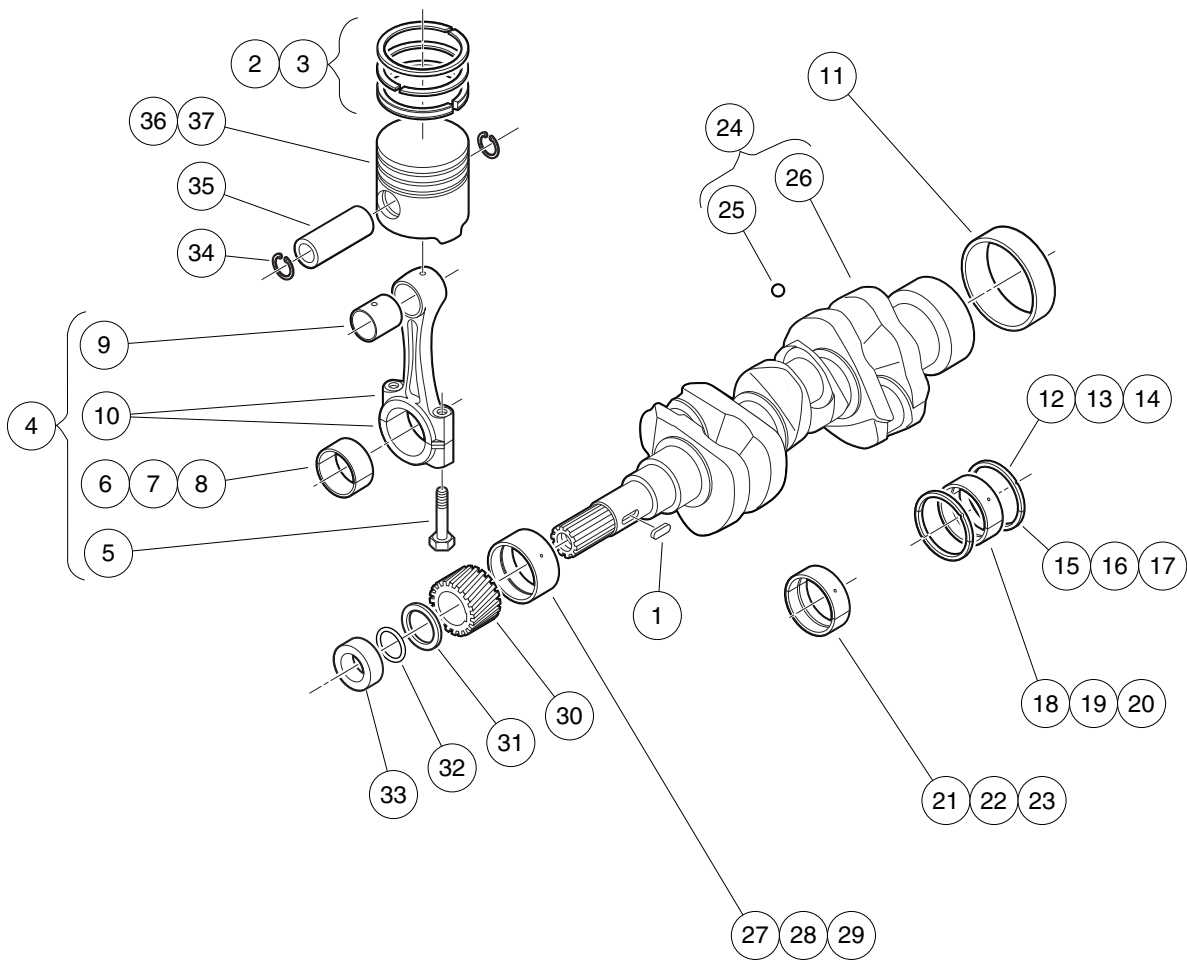
000047-002

CAMSHAFT AND IDLE GEAR

ITEM	PART NO.	DESCRIPTION	QTY
		1 2 3 4	
1	102604201	Bolt, D722, Cam End	2
2	102604901	Gear, Idle (includes items 3 and 4)	1
3	102603201	Bushing, D722 Idle Gear	1
4	N/A	Gear, Idle	1
5	102605001	Shaft, Idle Gear	1
6	102605101	Bolt, M6 X 1 X 14	3
7	102605301	Ring, Snap	1
8	102605401	Push Rod	6
9	102605501	Tappet	6
10	102605801	Assy Camshaft, Long (includes items 11 through 15)	1
11	102605601	Key, Feather, Long Camshaft	1
12	102605901	Gear, Cam	1
13	102606001	Stopper, Camshaft	1
14	N/A	Camshaft	1
15	102799401	Ball, Check	1
16	102654401	Collar, Idle Gear	1

8

D



000048-002

PISTON AND CRANKSHAFT

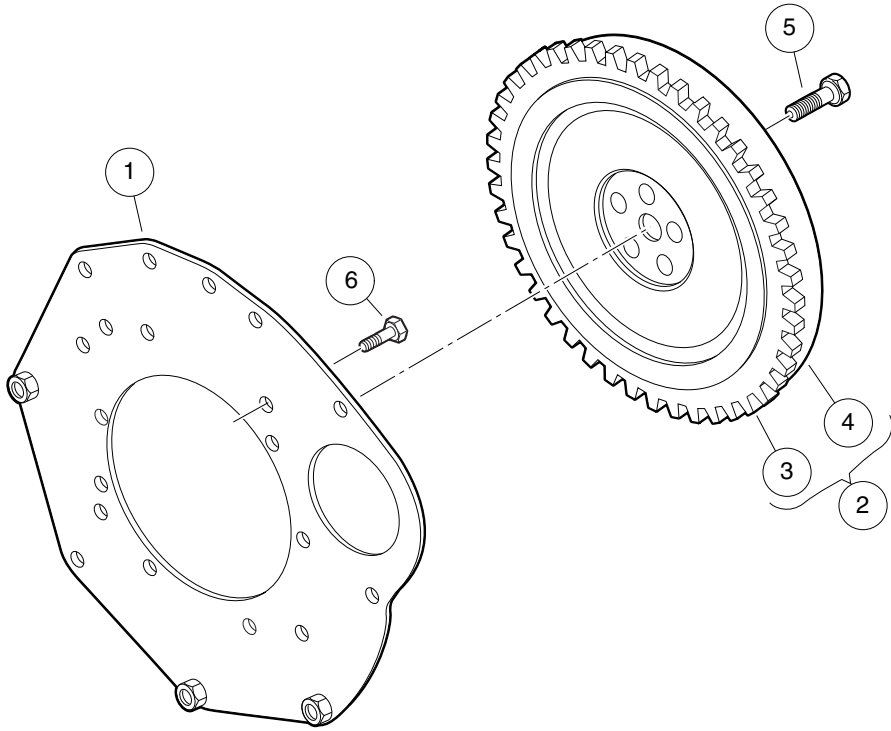
ITEM	PART NO.	DESCRIPTION	QTY
		1 2 3 4	
1	102604401	Key, Feather, Short Camshaft	1
2	102607601	Assy Piston Ring, D722 Std	3
3	102607602	Assy Piston Ring, D722 +.025	3
4	102607801	Assy, Connecting Rod (includes items 5 through 10)	3
5	102607901	Bolt, Connecting Rod	6
6	102630701	Metal, Crank, Rod, D722, Std	3
7	N/A	Metal, Crank, Rod, D722, .020	3
8	102630703	Metal, Crank, Rod, D722, .040	3
9	102732201	Bushing, Piston Pin, D722	3
10	N/A	Rod, Connecting	1
11	102608101	Sleeve, Crankshaft	1
12	102608801	Metal,crank, O Side, Std	2
13	N/A	Metal,crank, O Side, +.020	2
14	102608803	Metal,crank, O Side, +.040	2
15	102608804	Metal,crank, I Side, Std	2
16	N/A	Metal,crank, I Side, +.020	2
17	102608806	Metal,crank, I Side, +.040	2
18	102609001	Metal, Crank, Main, Rear Std	1
19	N/A	Metal, Crank, Main, Rear -.020	1
20	102609003	Metal, Crank, Main, Rear -.040	1
21	102609801	Metal, Crank, Main, Mid Std	4
22	N/A	Metal, Crank, Main, Mid +.020	2
23	102609803	Metal, Crank, Main, Mid +.040	2
24	102610001	Crankshaft (includes items 25 and 26)	1
25	102608001	Ball, Crankshaft	3
26	N/A	Crankshaft	1
27	102630001	Metal, Crank, D722, Frnt, Std	1
28	N/A	Metal, Crank, 722, Frnt, -.020	1
29	102630003	Metal, Crank, 722, Frnt, -.040	1
30	102630101	Gear, Crank	1
31	102630201	Slinger, Oil	1
32	102630301	O Ring, 23 X 26	1
33	102630401	Collar, Crankshaft	1
34	102630901	Circlip, Piston Pin	6
35	102631001	Pin, Piston	3
36	102728101	Piston, D722, Std	3
37	102728102	Piston, D722, +0.25	3

8

D

8

D



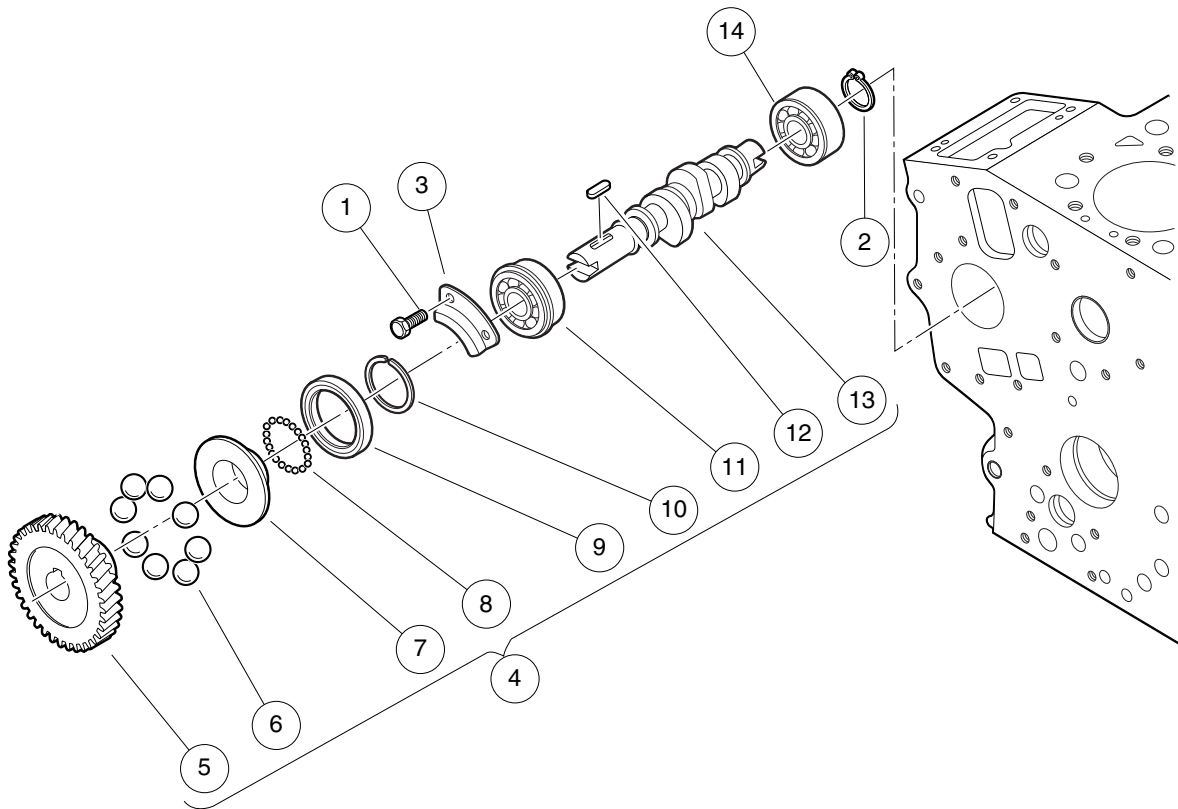
000049-001

FLYWHEEL

ITEM	PART NO.	DESCRIPTION	QTY
		1 2 3 4	
1	102647501	Plate, Rear End	1
2	102647801	Flywheel (includes items 3 and 4)	1
3	102647901	Gear, Ring, D722	1
4	N/A	Flywheel	1
5	102648001	Bolt, Flange Head, M10 X 1.5 X 25	5
6	102728301	Bolt, End Plate	10

8

D



000050-001

SHAFT

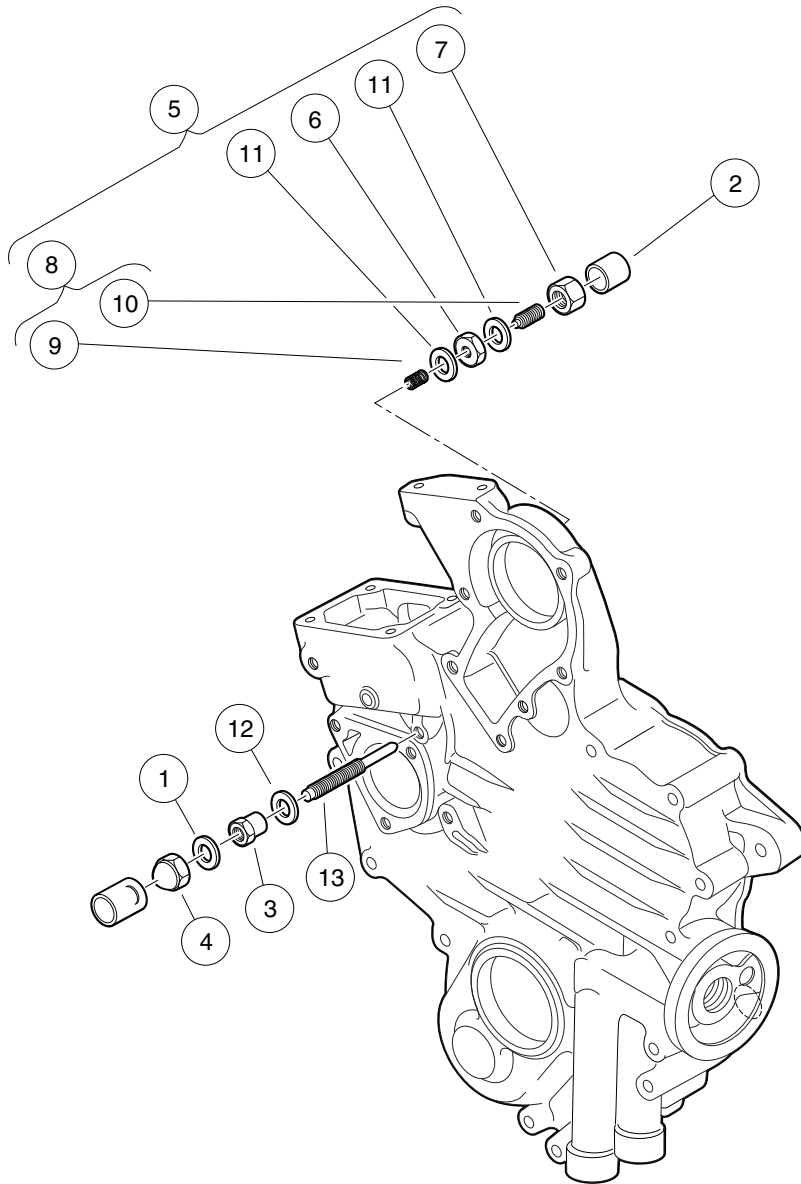
ITEM	PART NO.	DESCRIPTION	QTY
		1 2 3 4	
1	102604201	Bolt, D722, Cam End	2
2	102604701	Circlip, External	1
3	N/A	Stopper, Fuel, C/shaft	1
4	102728401	Assy, Fuel Camshaft (includes items 5 through 13)	1
5	102603601	Gear, Injection Pump	1
6	102603701	Ball, Injection Pump	8
7	102603801	Sleeve, Governor	1
8	102603901	Ball, Governor	32
9	102604001	Case, Governor Ball	1
10	102604101	Circlip	1
11	102604301	Bearing, Ball	1
12	102604401	Key, Feather, Short Camshaft	1
13	102604501	Camshaft, Fuel, Short	1
14	102728501	Bearing, Ball	1

8

D

8

D



000051-002

IDLE APPARATUS

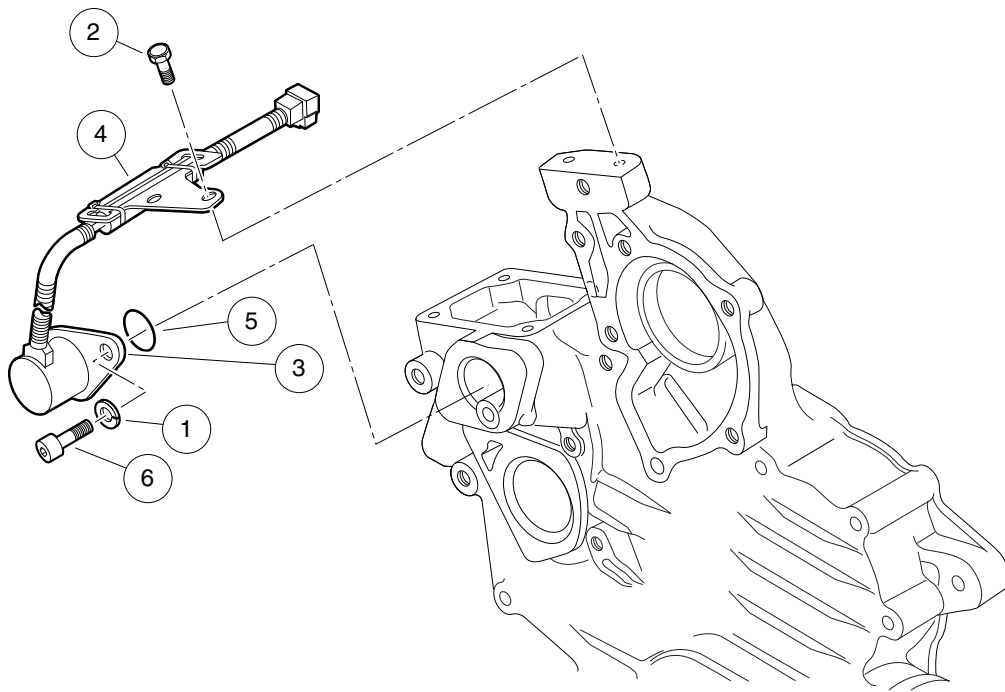
ITEM	PART NO.	DESCRIPTION	QTY
		1 2 3 4	
1	102635301	Gasket, 6 X 10	1
2	102635701	Cap, Bolt Assy	1
3	102637001	Nut, Lock, Special	1
4	102637101	Nut, Special	1
5	102728601	Assy, Idle Apparatus (includes items 6 through 11)	1
6	102635501	Nut, M8, D722 Idle App, Specl	1
7	102635801	Nut, M8, D722 Idle App	1
8	102635901	Assy, Bolt, Adjusting (includes items 9 and 10)	1
9	102728701	Spring, Idle Apparatus	1
10	N/A	Stud, Idle Adjustment	1
11	102728801	Gasket, Idle Apparatus, Rear	2
12	102728901	Gasket, Idle Apparatus, Front	1
13	102799501	Bolt, Idle Adjusting	1

8

D

8

D



000182-001

STOP SOLENOID

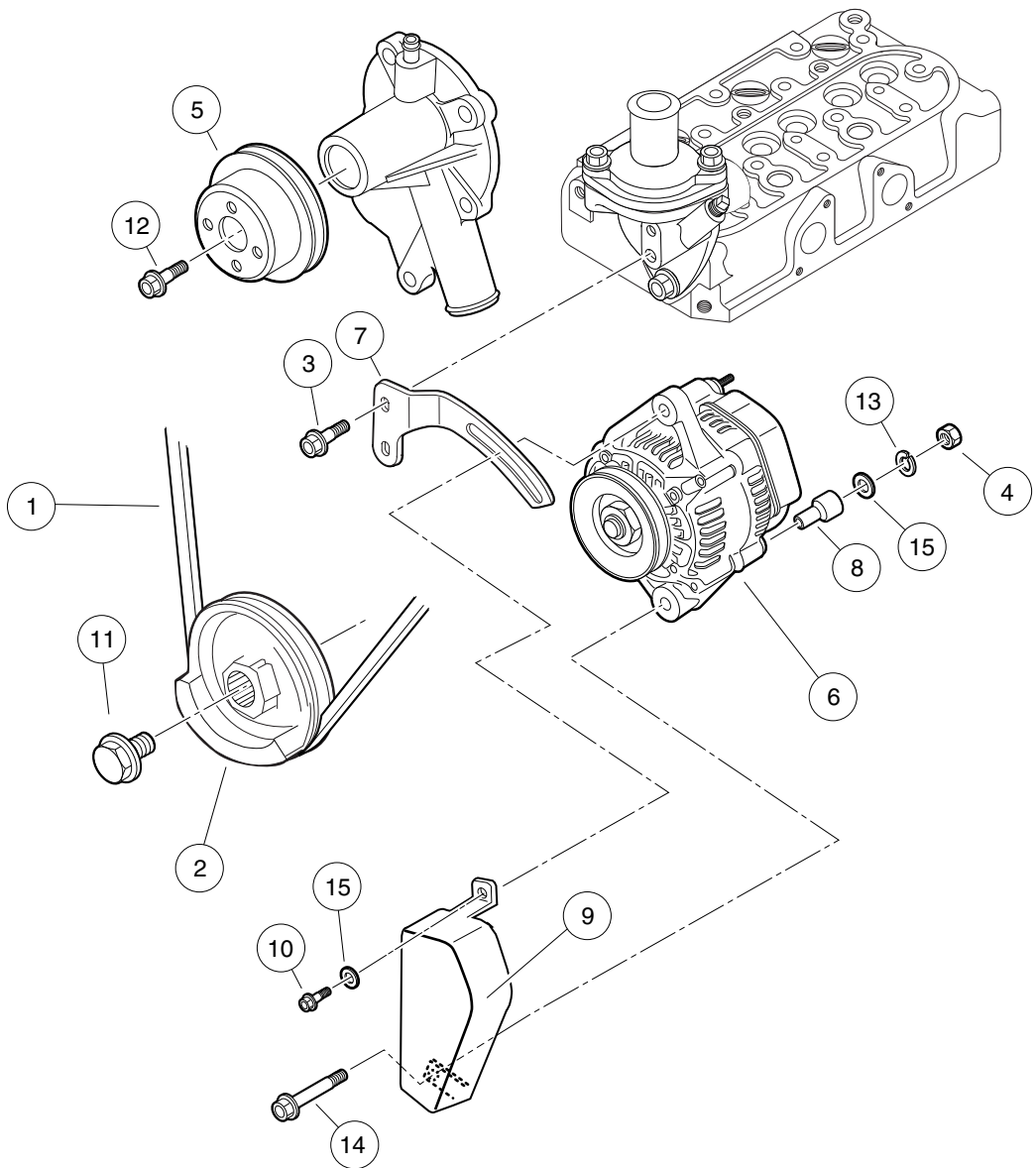
ITEM	PART NO.	DESCRIPTION	QTY
		1 2 3 4	
1	102640601	Washer, Spring, M6, D722	2
2	102729101	Bolt, Solenoid, Stop, D722	2
3	102799601	Solenoid, Stop	1
4	102799701	Stay, Stop Solenoid	1
5	102799801	O-Ring, Stop Solenoid	1
6	N/A	Bolt, Stop Solenoid	2

8

D

8

D



000057-002

40-AMP ALTERNATOR

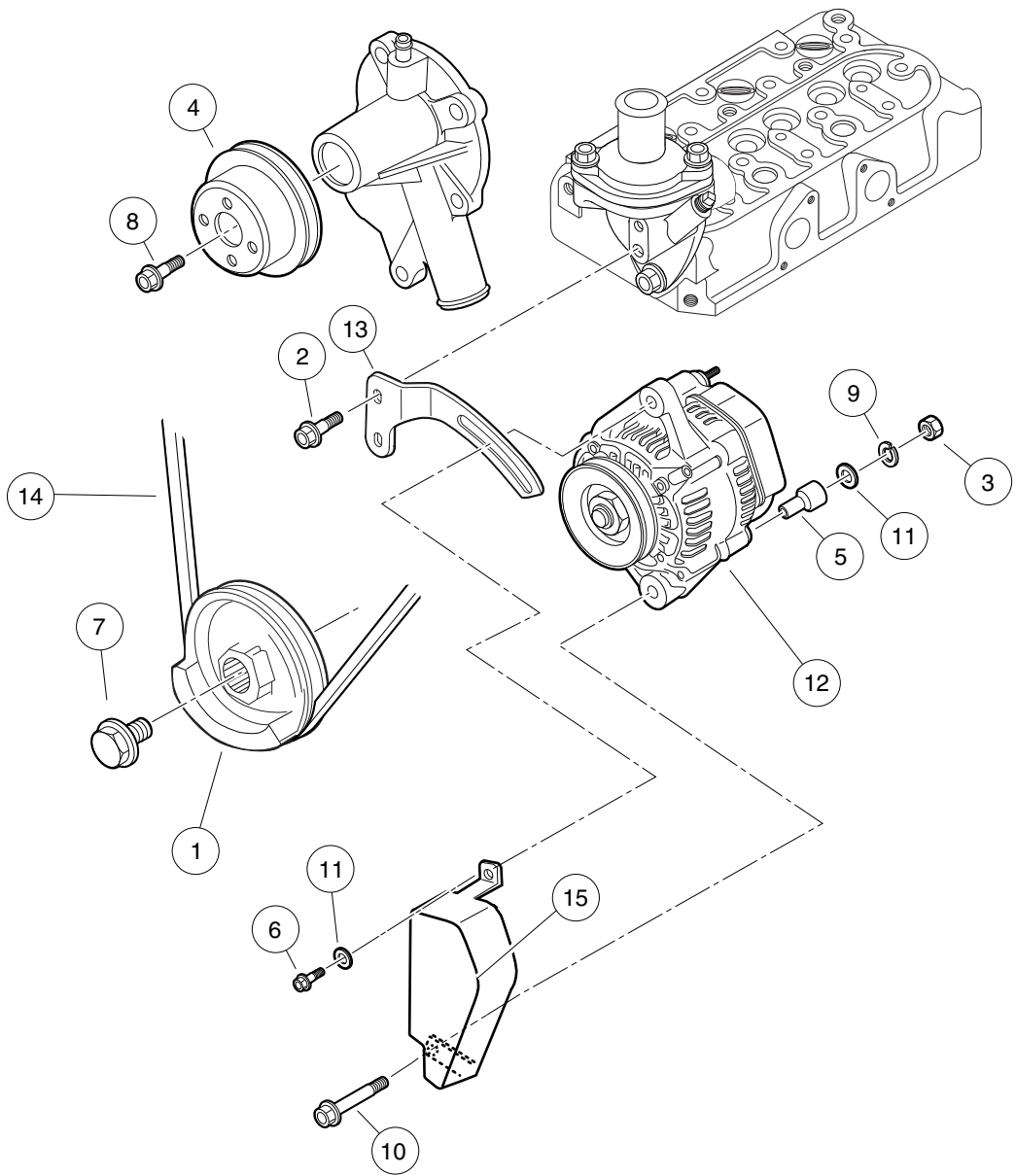
ITEM	PART NO.	DESCRIPTION	QTY
		1 2 3 4	
1	102601101	V-Belt	1
2	102630601	Pulley, Fan Drive	1
3	102631601	Bolt, M6 X 1 X 20	2
4	102647701	Nut, M8, Plate	1
5	102701201	Pulley, Water Pump	1
6	102730001	Alternator, 40-Amp	1
7	102730101	Stay, Alternator Assy, D722	1
8	102730201	Collar, Alternator Assy, D722	1
9	102730301	Cover, Alternator Assy, D722	1
10	102730401	Bolt, Alt, D722, Adjuster	1
11	102730601	Bolt, Alt, D722, Drive Pulley	1
12	102731301	Bolt, D722, Drive Pulley	4
13	102732501	Washer, Spring, D722, Starter	1
14	102800701	Bolt, Alternator, Lower	1
15	102801001	Washer, Alternator, Upper	2

8

D

8

D



000057-003

60-AMP ALTERNATOR

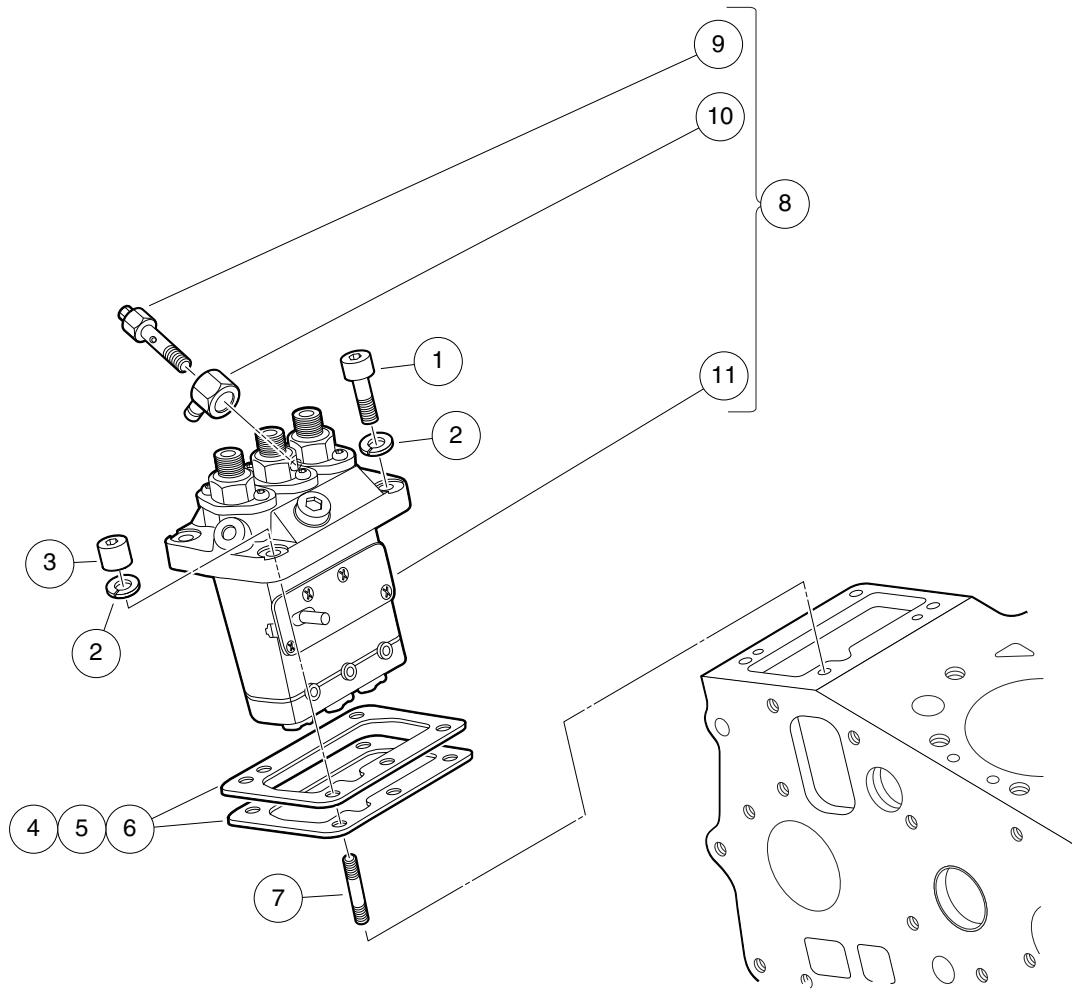
ITEM	PART NO.	DESCRIPTION	QTY
		1 2 3 4	
1	102630601	Pulley, Fan Drive	1
2	102631601	Bolt, M6 X 1 X 20	2
3	102647701	Nut, M8, Plate	1
4	102701201	Pulley, Water Pump	1
5	102730201	Collar, Alternator Assy, D722	1
6	102730401	Bolt, Alt, D722, Adjuster	1
7	102730601	Bolt, Alt, D722, Drive Pulley	1
8	102731301	Bolt, D722, Drive Pulley	4
9	102732501	Washer, Spring, D722, Starter	1
10	102800701	Bolt, Alternator, Lower	1
11	102801001	Washer, Alternator, Upper	2
12	102934701	Alternator, 60 Amp	1
13	102934801	Brkt, Alt, D722, 60 Amp	1
14	102934901	Belt, Acc Drive, D722, 60 Amp	1
15	103239901	Guard, Acc Belt	1

8

D

8

D



000053-002

INJECTION PUMP

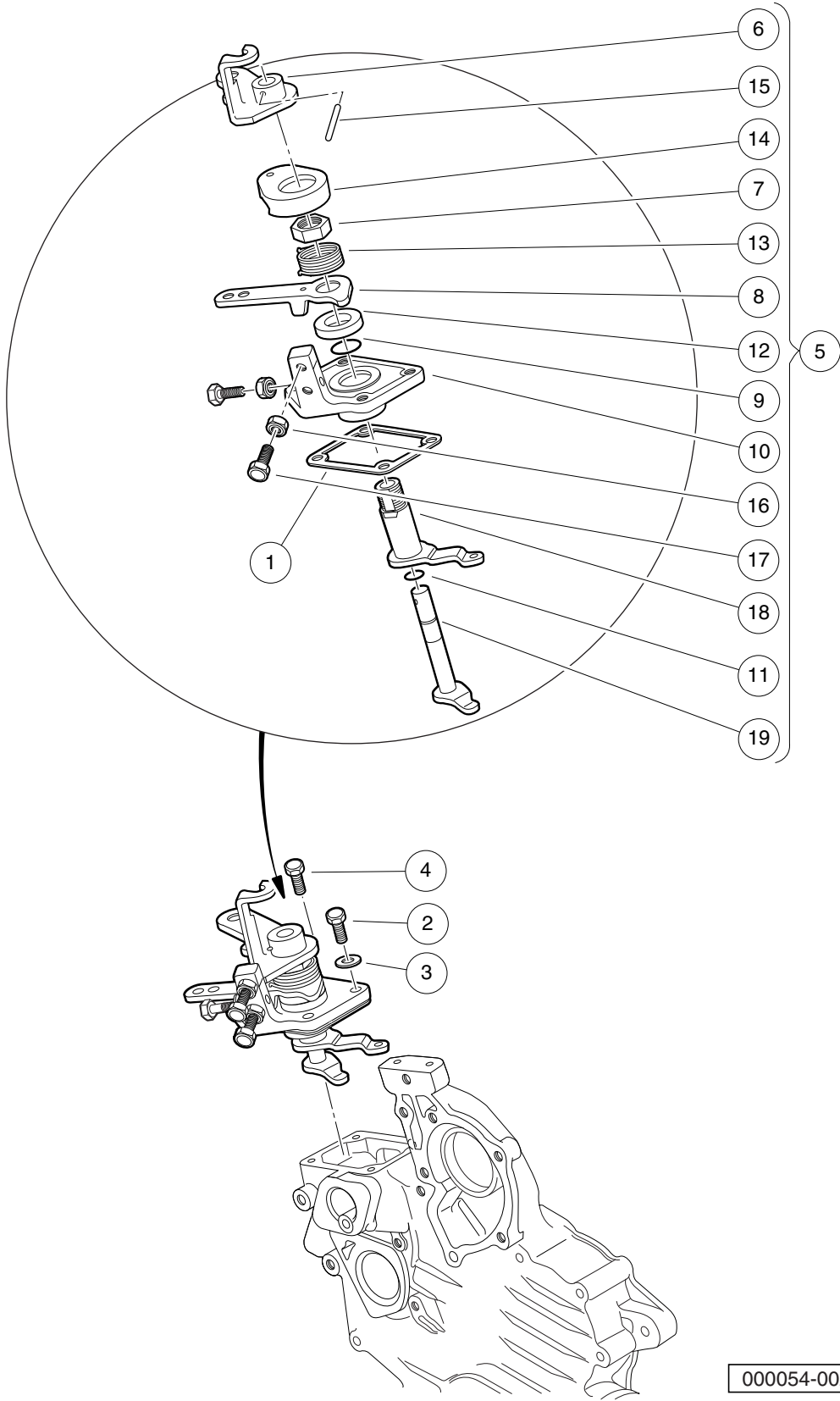
ITEM	PART NO.	DESCRIPTION	QTY
		1 2 3 4	
1	102640501	Bolt, Hex-Head, M5 X 0.75 X	2
2	102640601	Washer, Spring, M6, D722	4
3	102640701	Nut, Special	2
4	102640901	Shim, Injection Pump, 0.20 mm	1
5	102641001	Shim, Injection Pump, 0.25 mm	1
6	102641101	Shim, Injection Pump, 0.30 mm	1
7	102641201	Stud, M5 X 25	2
8	102800101	Assembly, Fuel Injection Pump (includes items 9 through 11)	1
9	102637701	Screw, Hollow, D722, Inj Pump	1
10	102640401	Joint, Eye	1
11	N/A	Pump, Injection	1

8

D

8

D



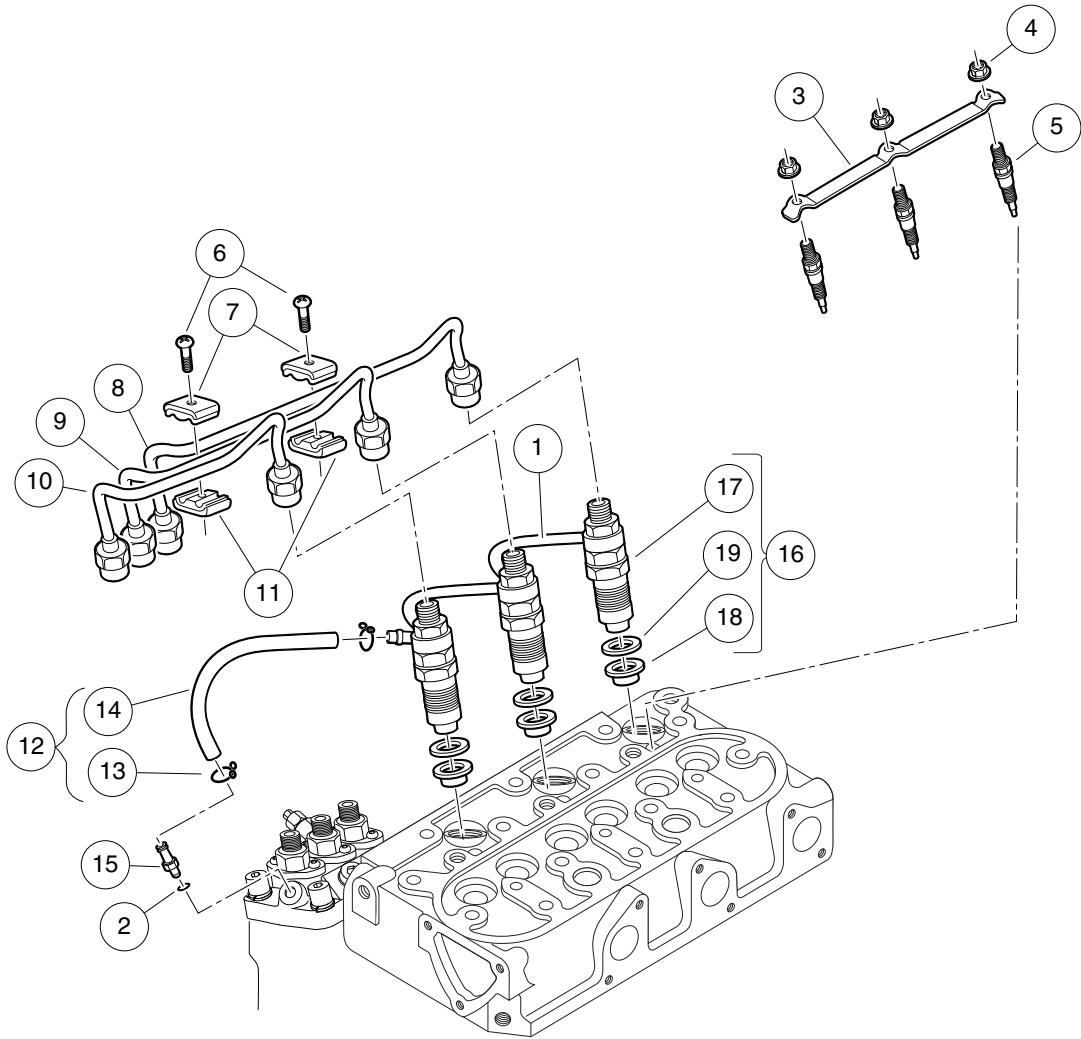
000054-002

SPEED CONTROL PLATE

ITEM	PART NO.	DESCRIPTION	QTY
		1 2 3 4	
1	102634501	Gasket, Control Plate	1
2	102635201	Bolt, M6 X 1 X 30	2
3	102635301	Gasket, 6 X 10	2
4	102654301	Bolt, D722 Intake Manfld Lower	2
5	102800401	Assembly, Speed Plate (includes items 6 through 19)	1
6	102633701	Lever, Engine Stop	1
7	102633801	Nut, Speed Control	1
8	102633901	Lever, Speed Control	1
9	102634001	O Ring, 19 X 16	1
10	102634101	Plate, Speed Control	1
11	102634401	O Ring, 9 X 7	1
12	102634601	Collar, Lever	1
13	102634701	Spring, Return	1
14	102729401	Cap, Speed Cntrl Plate Rtrn	1
15	102729501	Pin, Spring, Speed Plate	1
16	N/A	Nut, Speed Control	2
17	N/A	Bolt, Speed Control	2
18	102800501	Lever, Governor	1
19	102800601	Shaft, Governor Lever	1

8

D



000055-001

NOZZLE HOLDERS AND GLOW PLUGS

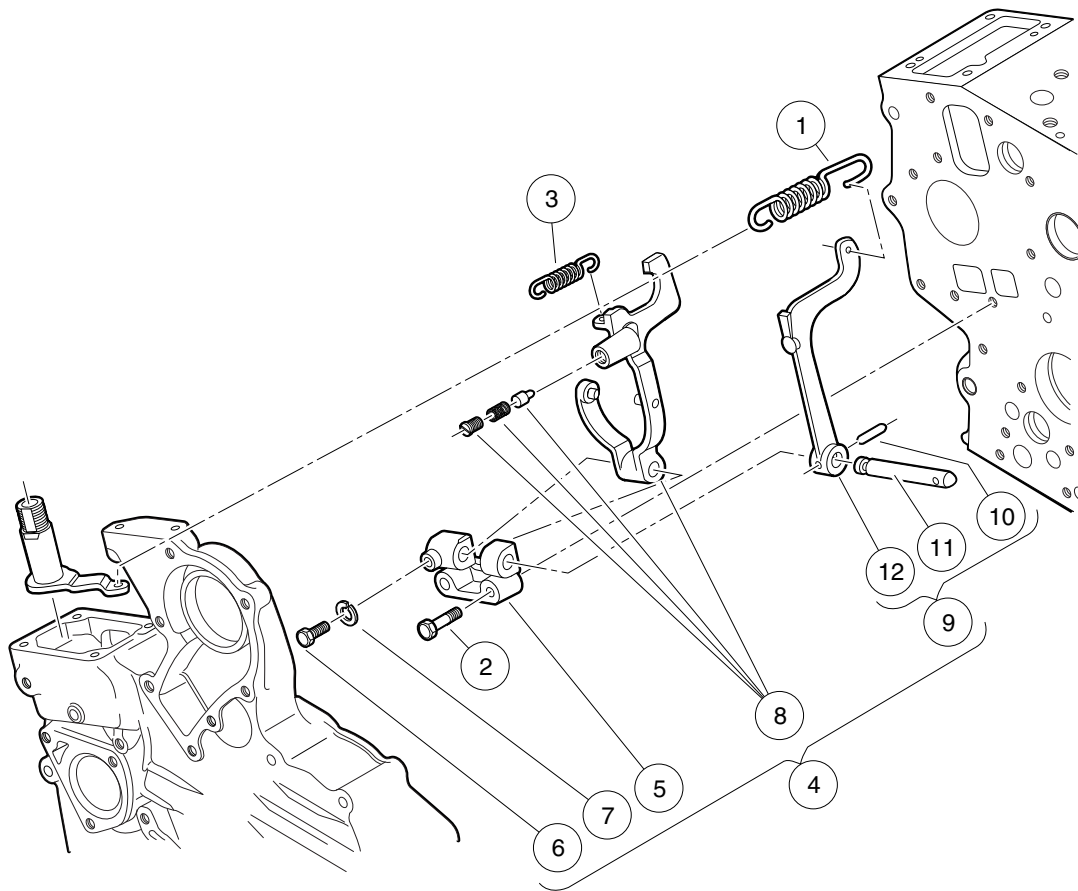
ITEM	PART NO.	DESCRIPTION	QTY
		1 2 3 4	
1	102605701	Assy Pipe, D722 Fuel Over Flow	1
2	102635301	Gasket, 6 X 10	1
3	102642401	Cord, Glow Plug	1
4	102642501	Nut, Flange,m4	3
5	102642601	Glow Plug	3
6	102642801	Screw, Washer	2
7	102642901	Clamp, Pipe, Top	2
8	102643001	Pipe, Injection, Left	1
9	102643101	Pipe, Injection, Right	1
10	102643201	Pipe, Injection, Middle	1
11	102643301	Clamp, Pipe, Bottom	2
12	102643401	Assy Pipe, Over Flow (includes items 13 and 14)	1
13	102729601	Clip, Pipe, Return	2
14	N/A	Hose, Overflow	1
15	102643701	Screw, Air Bleeder	1
16	102729701	Kit, Holder, Nozzle (includes items 17 through 19)	3
17	102641501	Assembly, Nozzle Holder	3
18	102642701	Seal, Heat	3
19	102643601	Gasket, Nozzle	3

8

D

8

D



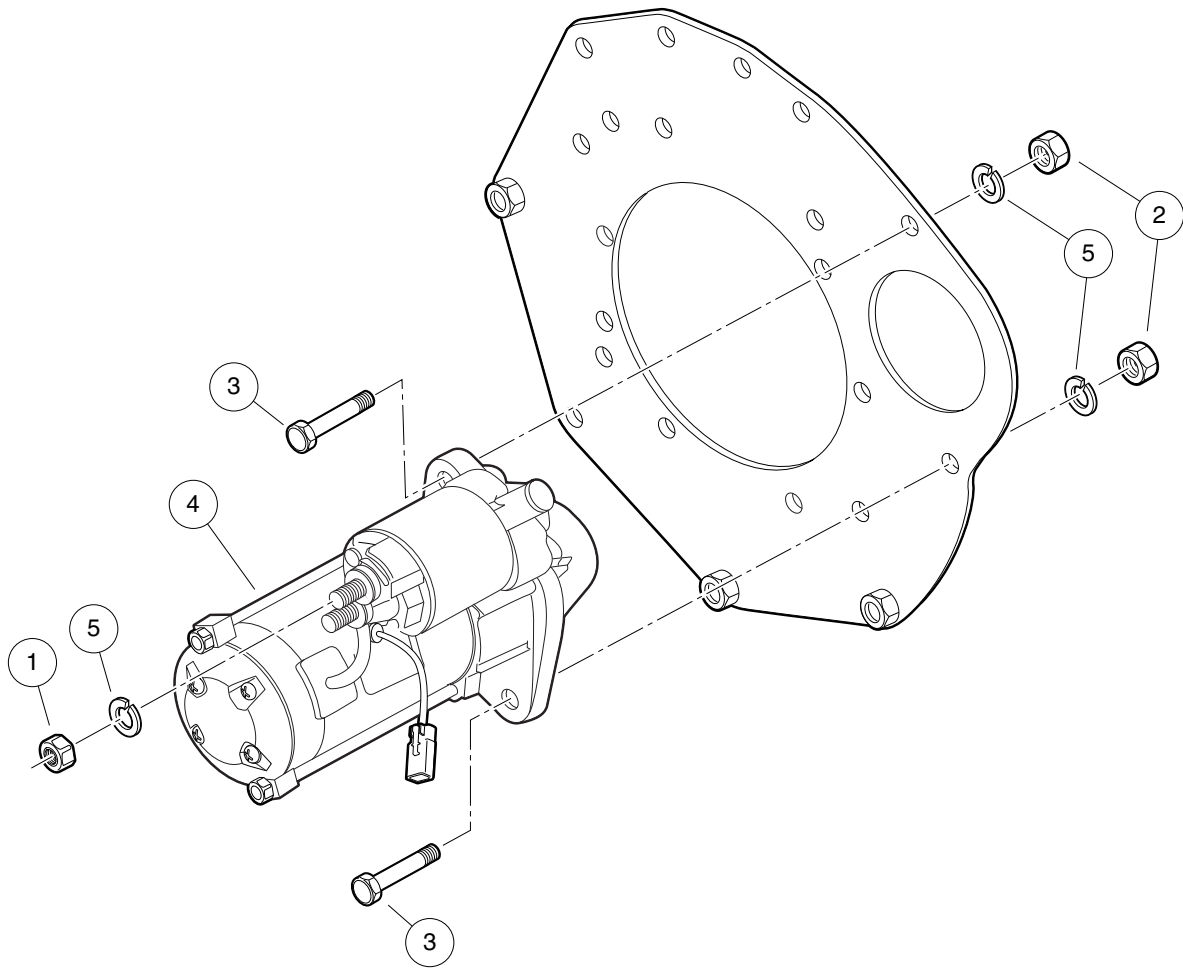
000056-002

GOVERNOR COMPONENTS

ITEM	PART NO.	DESCRIPTION	QTY
		1 2 3 4	
1	102635101	Spring, Governor	1
2	102636301	Bolt, M5 X 0.75 X 25	2
3	102800201	Spring, Start	1
4	102800301	Assembly, Governor Fork (includes items 5 through 9)	1
5	102636201	Holder, Fork Lever	1
6	102636401	Bolt, M5 X 0.75 X 11	1
7	102636501	Washer, Spring, M5	1
8	N/A	Lever, Fork, Middle, D722 CB	1
9	N/A	Assembly, Governor Fork Level, Lower, D722 CB (includes items 10 through 12)	1
10	102633601	Pin, Spring	1
11	102636601	Shaft, Fork Lever	1
12	N/A	Lever, Fork, End, D722 CB	1

8

D



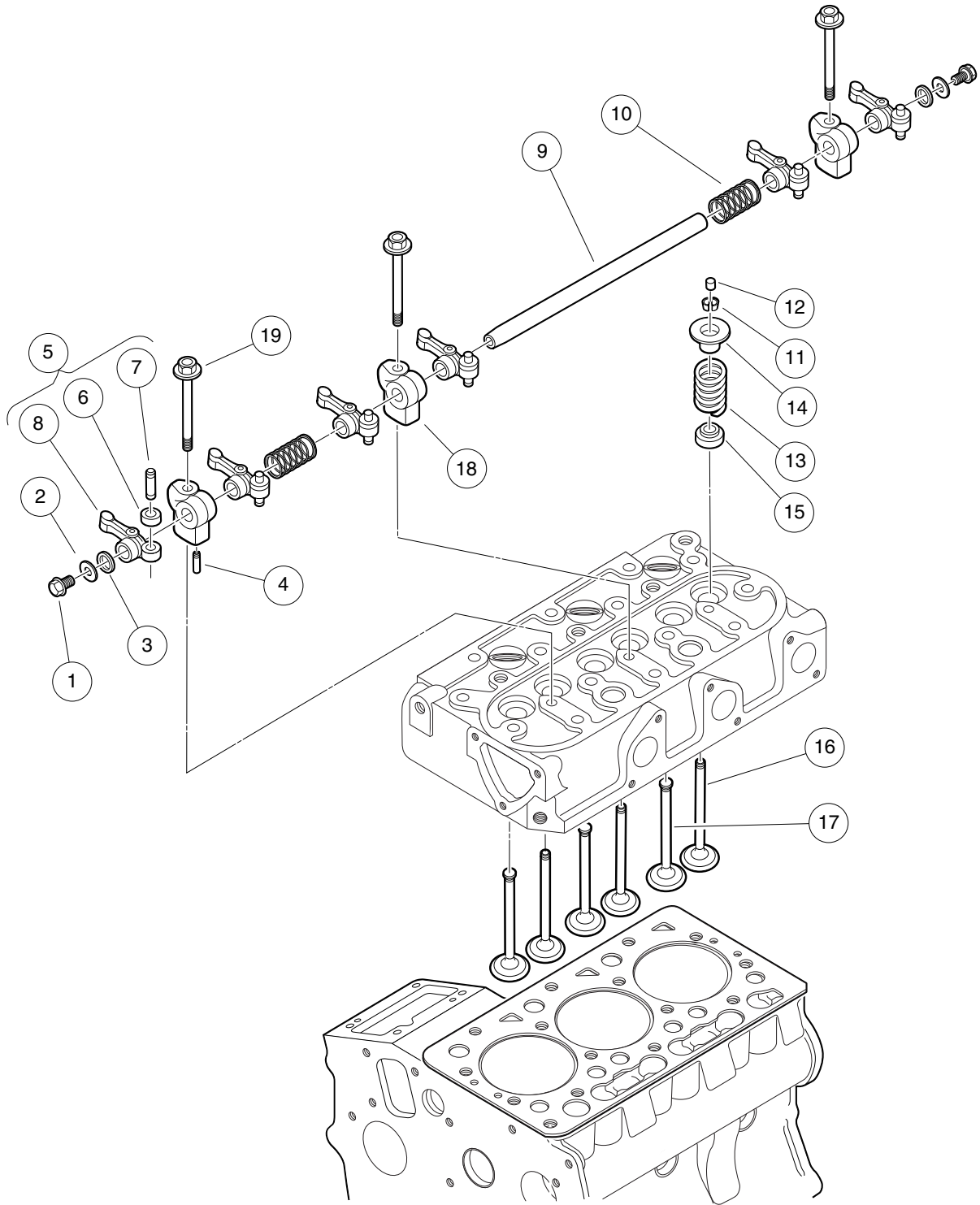
000058-001

STARTER

ITEM	PART NO.	DESCRIPTION	QTY
		1 2 3 4	
1	102645501	Nut, D722, Starter	2
2	102647701	Nut, M8, Plate	2
3	102648401	Bolt, M8 X 1.25 X 28	2
4	102648501	Motor, Starter	1
5	102732501	Washer, Spring, D722, Starter	4

8

D



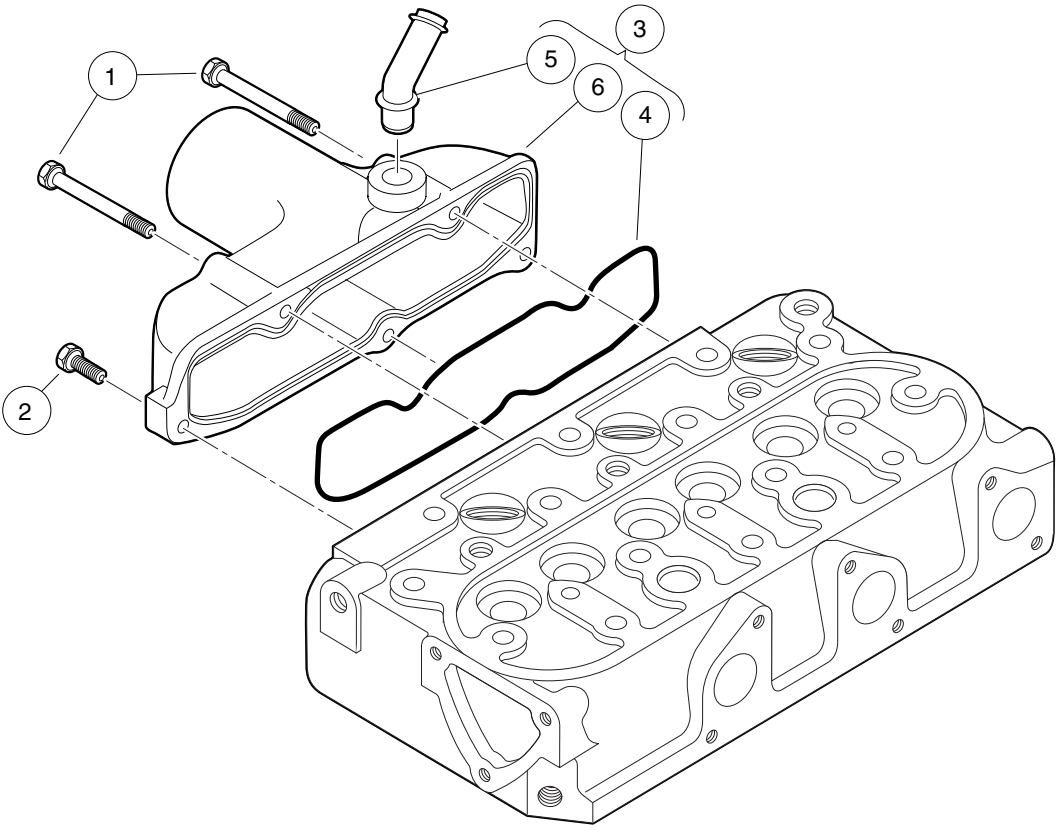
000062-002

VALVES AND ROCKER ARMS

ITEM	PART NO.	DESCRIPTION	QTY
		1 2 3 4	
1	102646401	Bolt, M6 X 1 X 8	2
2	102651301	Washer, D722, Plain, Rocker	2
3	102651601	Washer, Rocker Arm	2
4	102651801	Pin, Spring, D722, Rocker	1
5	102652001	Assy Rocker Arm (includes items 6 through 8)	6
6	102651501	Nut, M6	6
7	102651701	Screw-Adjusting	6
8	N/A	Arm, Rocker	1
9	102652601	Shaft, Rocker Arm	1
10	102652701	Spring, Rocker Arm	2
11	102652901	Collet, Valve Spring, Set	6
12	102653001	Cap, Valve, D722	6
13	102653101	Spring, Valve	6
14	102653201	Retainer, Spring	6
15	102653301	Seal, Valve Stem	6
16	102653601	Valve, Exhaust	3
17	102653701	Valve, Inlet	3
18	102801101	Bracket, Rocker Arm, D722 Closed-Breather	3
19	102801201	Bolt, Rocker Arm	3

8

D



000063-002

DIESEL INLET MANIFOLD

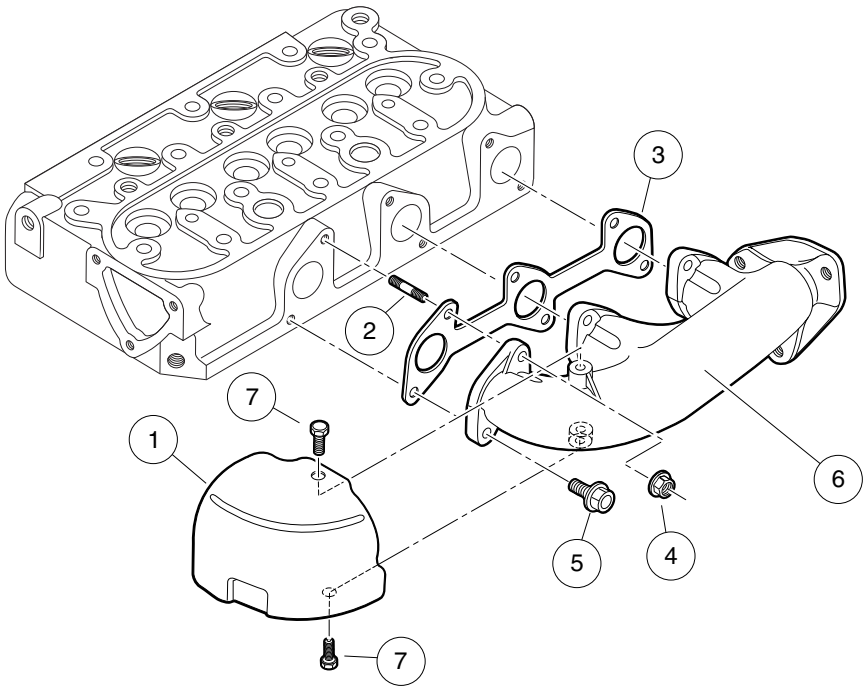
ITEM	PART NO.	DESCRIPTION	QTY
		1 2 3 4	
1	102646101	Bolt, M6 X 1 X 45	3
2	102654301	Bolt, D722 Intake Manfld Lower	2
3	102801301	Assembly, Intake Manifold (includes items 4 through 6)	1
4	102646001	Gasket, Intake Manifold	1
5	102801401	Pipe, Breather	1
6	102801501	Manifold, Intake	1

8

D

8

D



000064-001

EXHAUST MANIFOLD

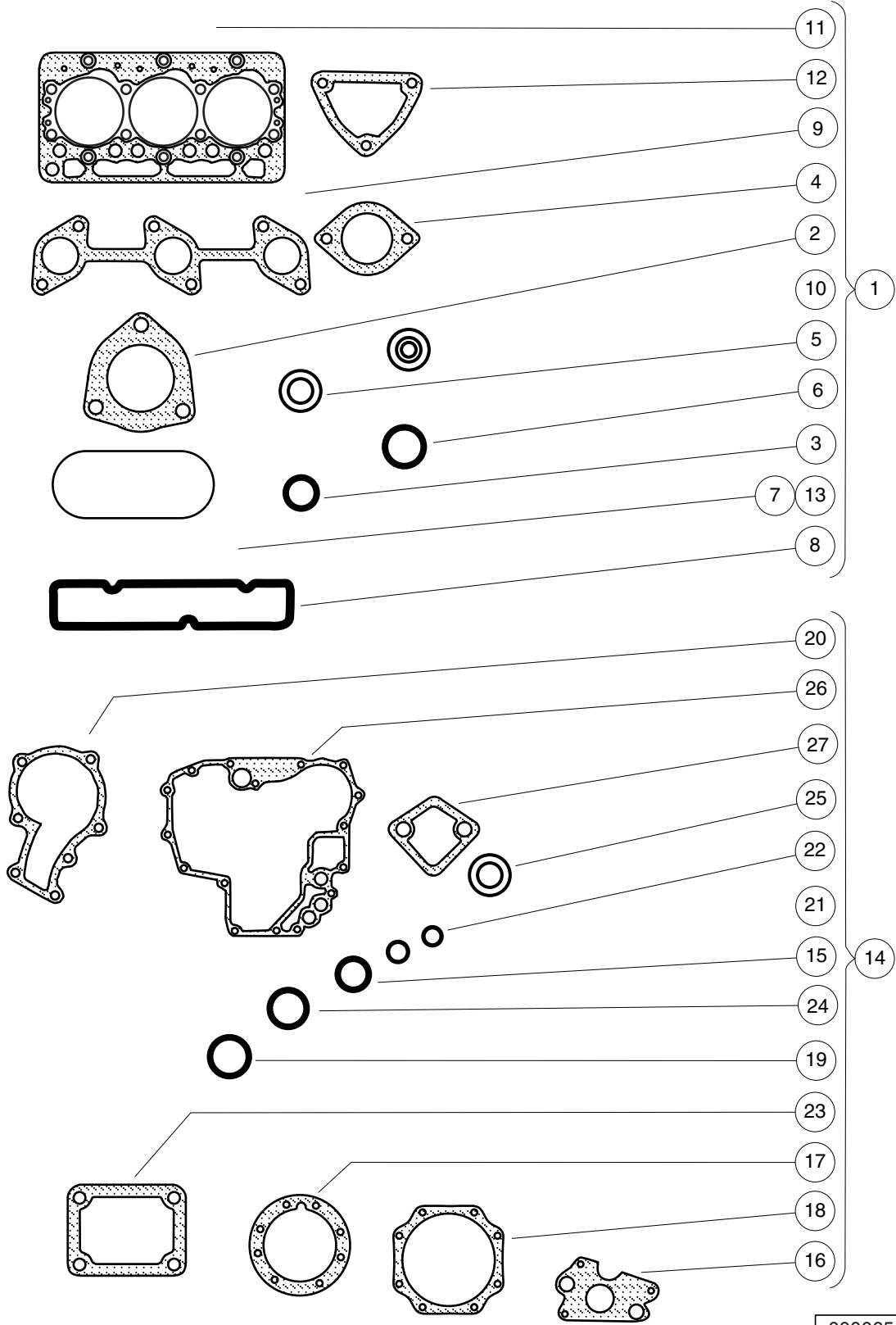
ITEM	PART NO.	DESCRIPTION	QTY
		1 2 3 4	
1	102646301	Cover, Heat Proof	1
2	102646501	Stud, M6 X 26	3
3	102646601	Gasket, Ex-manifold	1
4	102647101	Nut, Flange, M6, Ubs	3
5	102647201	Bolt, Flange Head, M6 X 1 X 16	3
6	102731501	Manifold, Exhaust, D722	1
7	102731601	Bolt, D722, Exhst Manfld Cover	2

8

D

8

D



000065-001

GASKET KITS

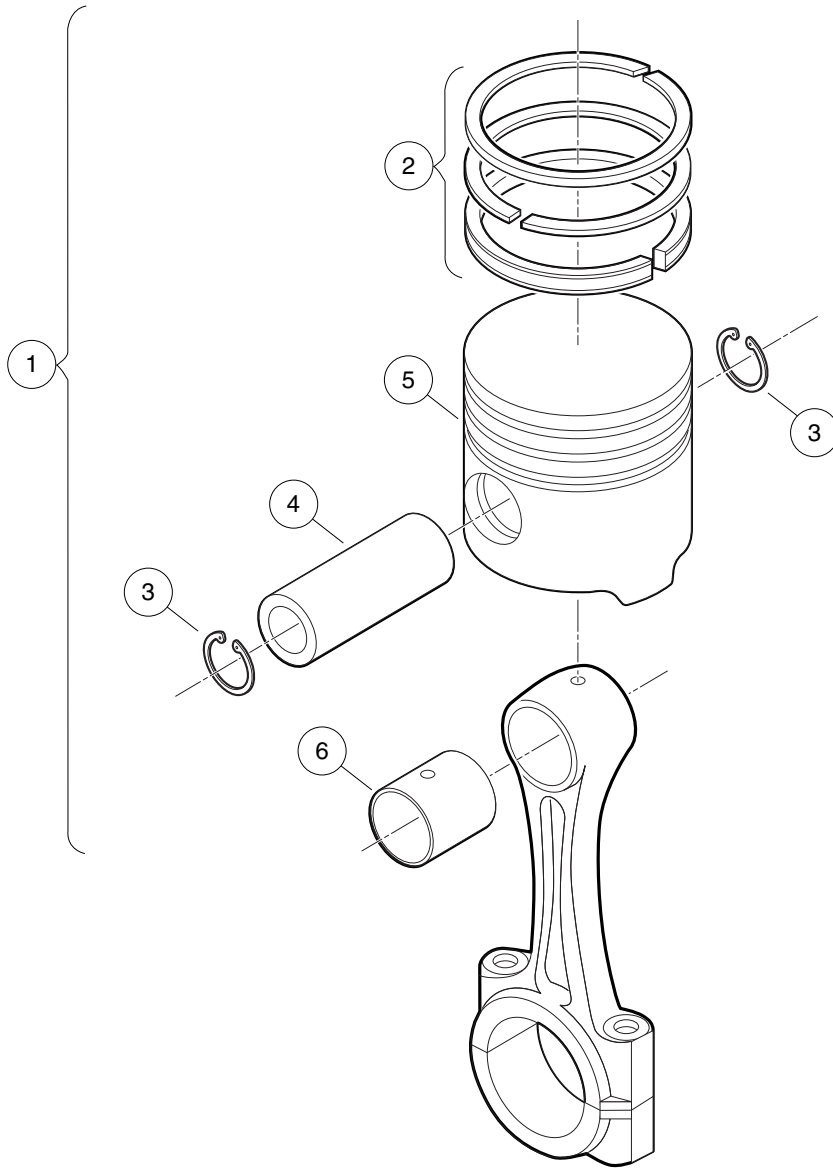
ITEM	PART NO.	DESCRIPTION	QTY
		1 2 3 4	
1	102731801	Kit, Gasket Upper, D722 (includes items 2 through 13)	1
2	102422301	Gasket, Exhaust Diesel	1
3	102600301	O Ring, 8 X 7	1
4	102633401	Gasket, Thermostat	1
5	102635301	Gasket, 6 X 10	3
6	102644001	O Ring, 30 X 36	1
7	102644501	Gasket, Head Cover	1
8	102646001	Gasket, Intake Manifold	1
9	102646601	Gasket, Ex-manifold	1
10	102653301	Seal, Valve Stem	6
11	102654101	Gasket, Cylinder Head	1
12	102654701	Gasket, Water Flange	1
13	102798501	Gasket, Cylinder Head Cover	1
14	102731901	Kit, Gasket Lower, D722 (includes items 15 through 27)	1
15	102601801	O Ring, 18 X 13	3
16	102606601	Gasket, Oil Pump	1
17	102608201	Gasket, Bearing Case	1
18	102608301	Gasket, Cover	1
19	102630301	O Ring, 23 X 26	1
20	102632701	Gasket, Water Pump, D722	1
21	102634001	O Ring, 19 X 16	1
22	102634401	O Ring, 9 X 7	1
23	102634501	Gasket, Control Plate	1
24	102654601	O Ring, 20 X 17	1
25	102728801	Gasket, Idle Apparatus, Rear	2
26	102729301	Gasket, Gearcase, D722	1
27	102732601	Gasket, Fuel Pump, D722	1

8

D

8

D



000066-001

PISTON KIT

ITEM	PART NO.	DESCRIPTION	QTY
		1 2 3 4	
1	102732001	Kit, Piston Rebuild, D722 (includes items 2 through 6)	1
2	102607601	Assy Piston Ring, D722 Std	1
3	102630901	Circlip, Piston Pin	2
4	102631001	Pin, Piston	1
5	102728101	Piston, D722, Std	1
6	102732201	Bushing, Piston Pin, D722	1

8

D

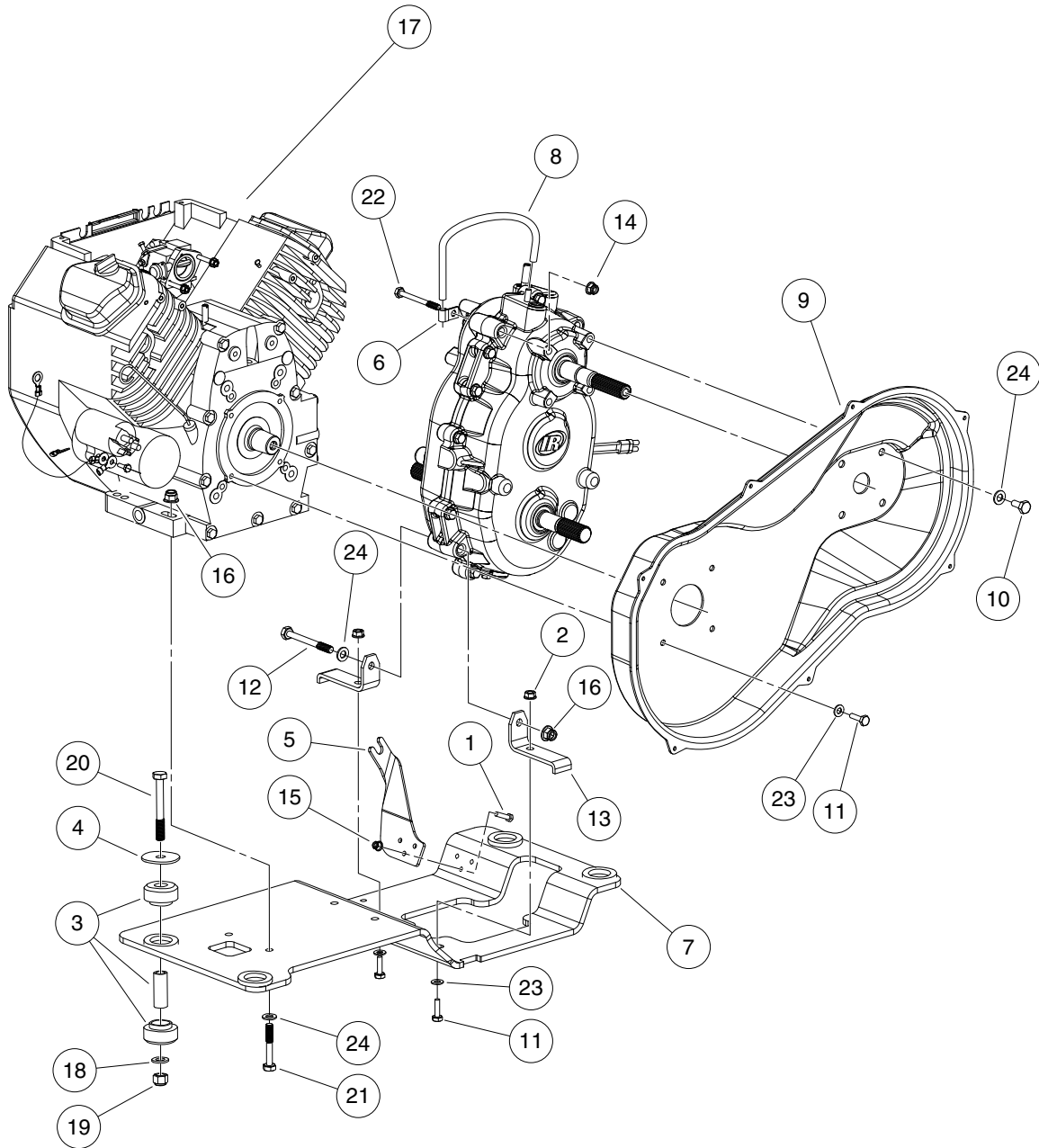
8

D

HONDA GX620 GASOLINE ENGINE

9

G



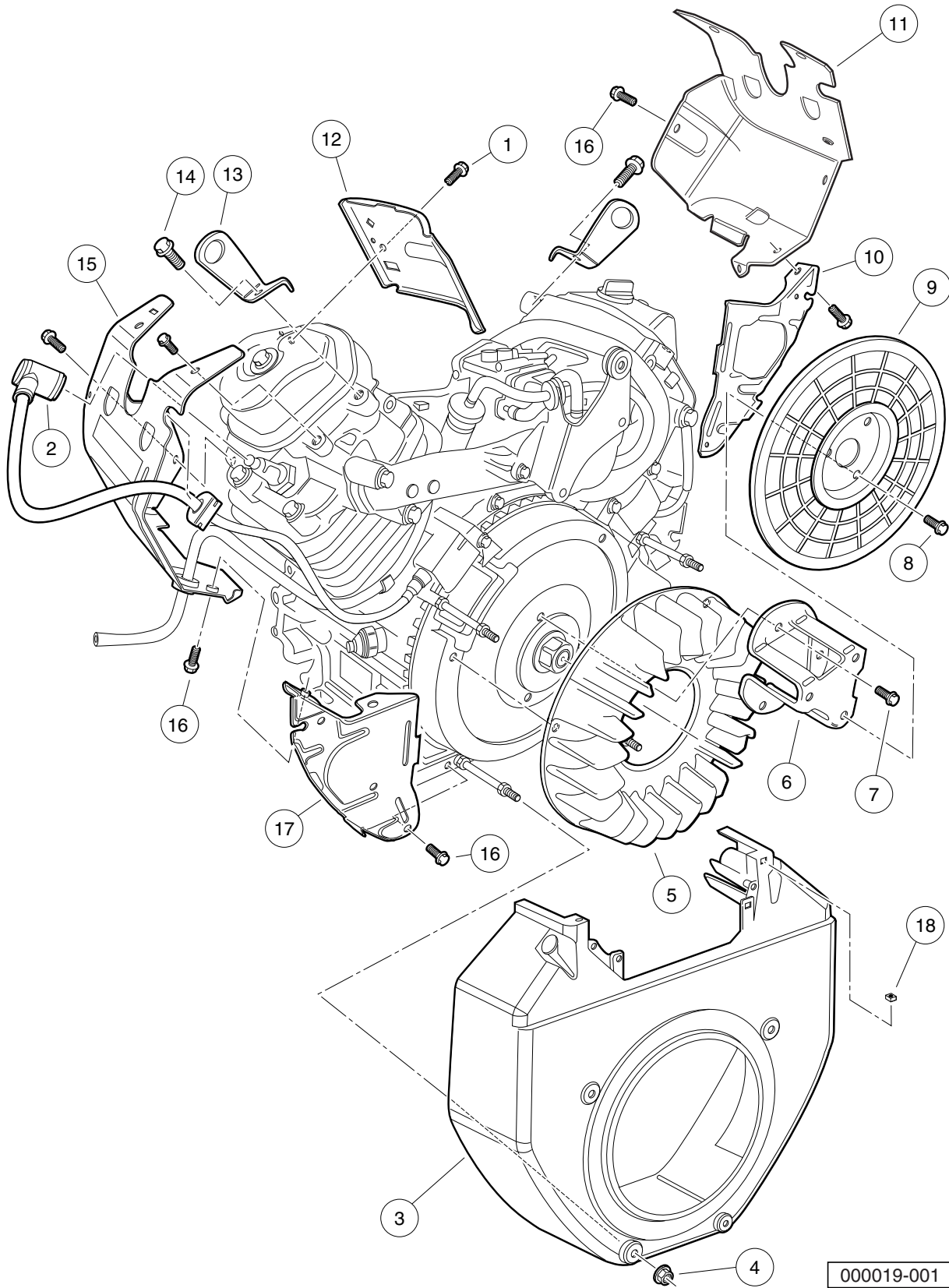
000025-003

HONDA GX620 GASOLINE ENGINE MOUNTING

ITEM	PART NO.	DESCRIPTION	QTY
		1 2 3 4	
1	1012769	Screw, M6-1.00 X 25mm Hex Cap	3
2	102298401	Nut,m8,all Metal Lock	2
3	102370501	Isolator Ring and Bushing	4
4	102370601	Washer, Snubbing, Ring N Bush	4
5	102382401	Bracket, FNR Trans Cable	1
6	102410603	P-Clamp, Insulated .312 In	1
7	102414901	Plate, Eng Mtg, Weld, Honda	1
8	102462301	Hose, Vent, Transmission	1
9	102462502	Cover, CVT Inner, Honda	1
10	102490101	Bolt, M10 X 1.5 X 20 Loctite	4
11	102490201	Bolt, M8 X 1.25 X 25 Loctite	6
12	102490501	Bolt, M10 X 1.5 X 100 Loctite	1
13	102494401	Bracket, Transmission Mounting	2
14	102618601	Lock Nut, Flg M8 X 1.25 Nylon	1
15	102621501	Nut Flg, M6 X 1.0 Nylon	3
16	102670701	Nut Flg M10 X 1.5 Nylon	5
17	103252201	Engine, Honda, No Acr	1
18	96701412	Washer, M12 Hard	4
19	96704622	Locknut, M12x1.75 Nylon Insert	4
20	96704721	Bolt, M12 X 1.75 X 90	4
21	96704960	Bolt, M10 X 1.5 X 60	4
22	96718978	Bolt, M8 X 1.25 X 80	1
23	96741038	Washer, M8 Hard	6
24	96741046	Washer, M10 Hard	9

9

G



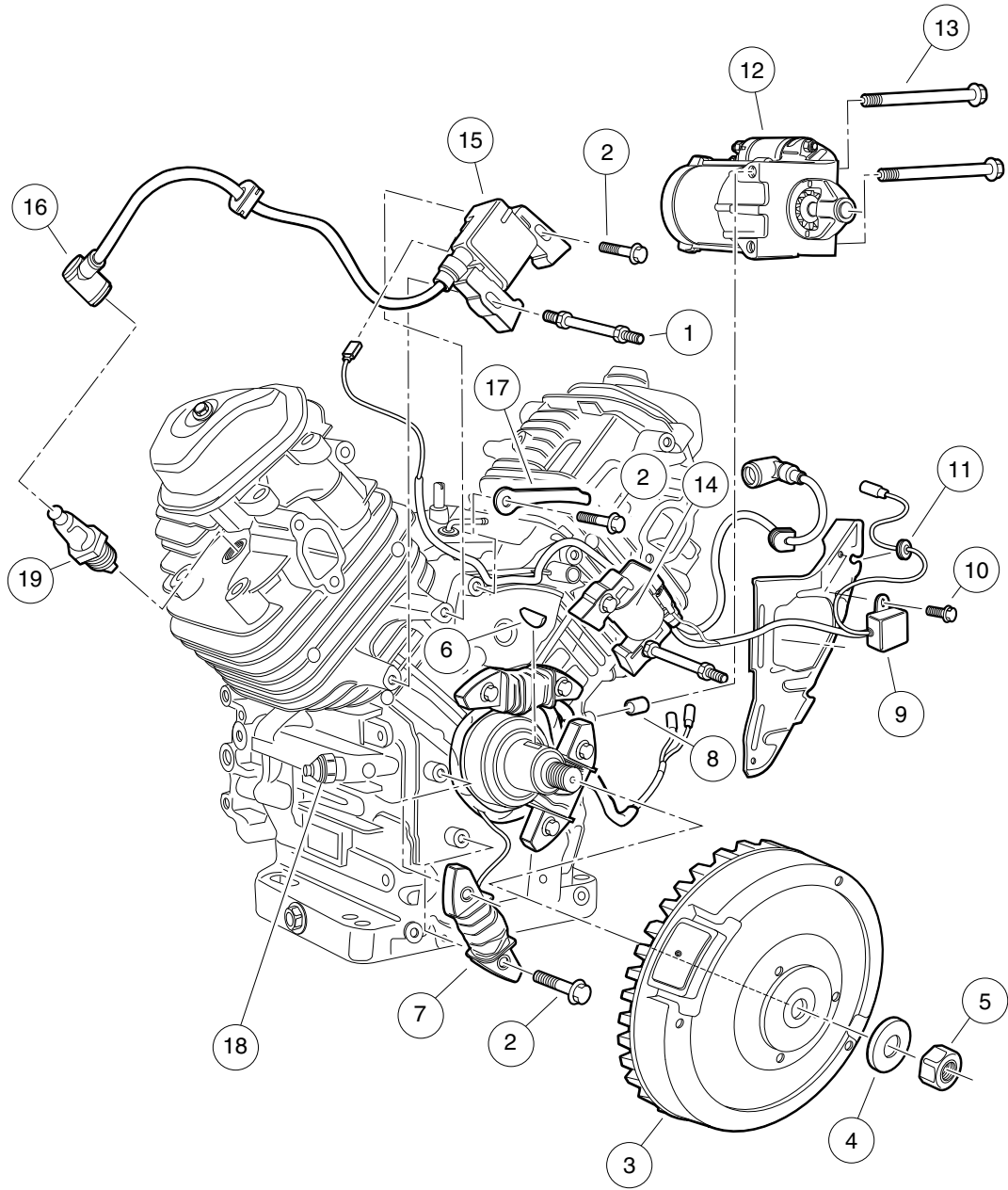
000019-001

SHROUDS AND BRACKETS

ITEM	PART NO.	DESCRIPTION	QTY
		1 2 3 4	
1	102657501	Bolt, Flange Head, M6 X 11 X 4	2
2	102666201	Cap Assy, Noise Suppressor	2
3	102666801	Cover, Fan, Bright Red	1
4	102666901	Nut, Flange, M6	4
5	102667001	Fan, Cooling	1
6	102667101	Holder, Screen Grid	1
7	102667201	Bolt, Flange Head, M8 X 1.25 X 16	3
8	102667301	Bolt, Flange Head, M6 X 1 X 12	3
9	102667401	Grid Screen, PTO	1
10	102667501	Plate, R Side	1
11	102667601	Shroud, R	1
12	102667701	Shroud, Head	2
13	102667901	Hanger, Engine	2
14	102668001	Bolt, Flange Head, M8 X 1.25 X 20	2
15	102668101	Shroud, L	1
16	102668301	Bolt, Flange Head, M6 X 1 X 12	6
17	102668401	Plate, Left Side	1
18	102759401	Nut, Square, 5mm	2
		Note: The part number for a complete engine is 102402701.	

9

G

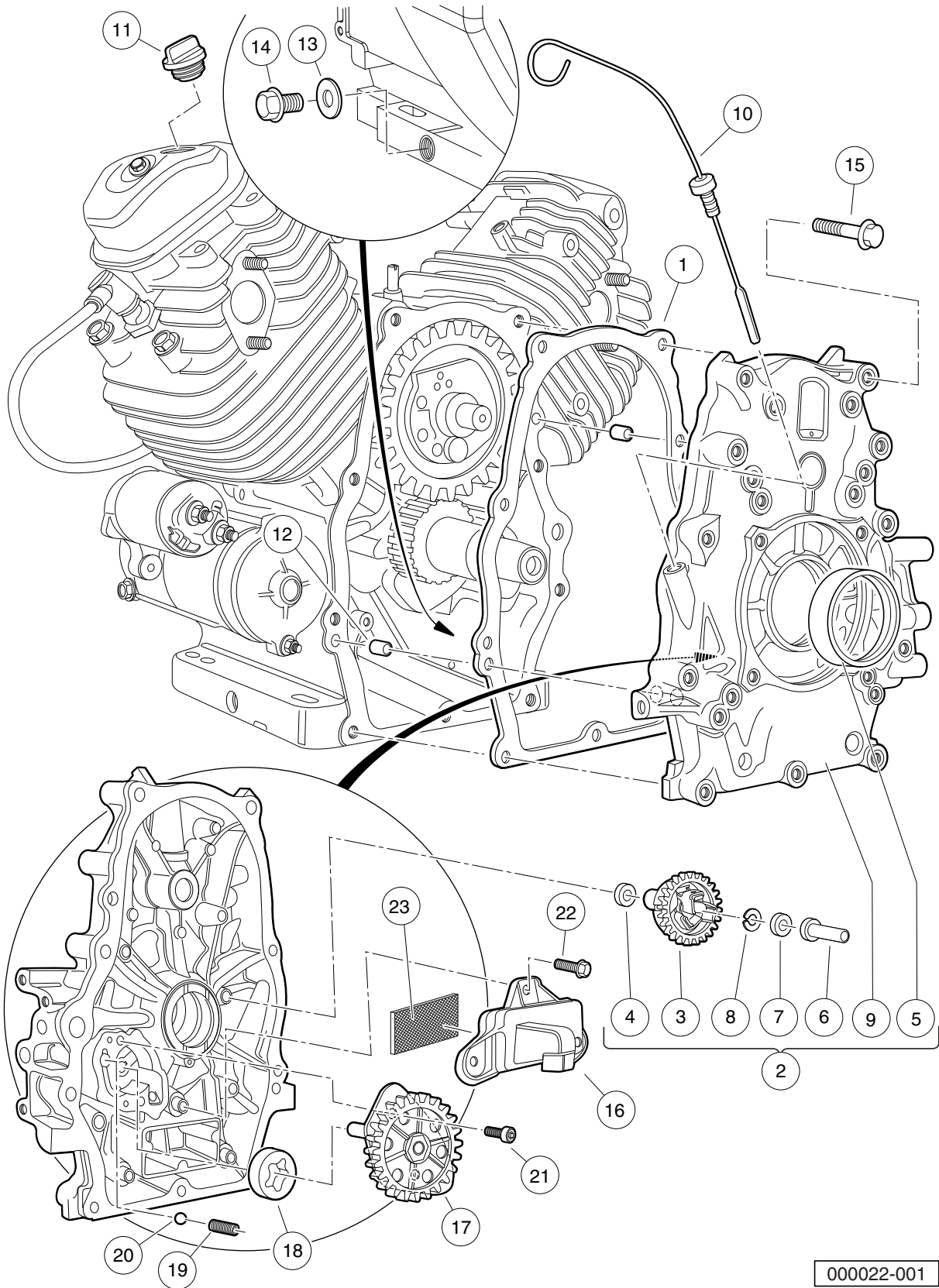


000018-001

IGNITION COMPONENTS AND FLYWHEEL

ITEM	PART NO.	DESCRIPTION	QTY
		1 2 3 4	
1	102655301	Stud, Engine	2
2	102661901	Bolt, Flange Head, M6 X 1 X 32	9
3	102664601	Flywheel	1
4	102664701	Washer, M20	1
5	102664801	Nut, Flange, M20	1
6	102664901	Key, Special Woodruff, 25 X 18	1
7	102665001	Coil Assy, Charge, 12-Volt, 20-Amp	1
8	102665101	Pin, Dowel, 10x12	2
9	102665301	Diode Assembly	1
10	102665401	Bolt, Flange Head, M6 X 1 X 8	1
11	102665501	Grommet, Tool	1
12	102665601	Motor, Starter	1
13	102665701	Bolt, Flange Head, M8 X 1.25 X 110	2
14	102665901	Coil Assy, R, Ignition	2
15	102666001	Coil Assy, L, Ignition	2
16	102666201	Cap Assy, Noise Suppressor	2
17	102668201	Clamp, Wire	1
18	102831201	Switch, Oil Pressure	1
19	AM1232301	Spark Plug, BPR2ES	2

9
G

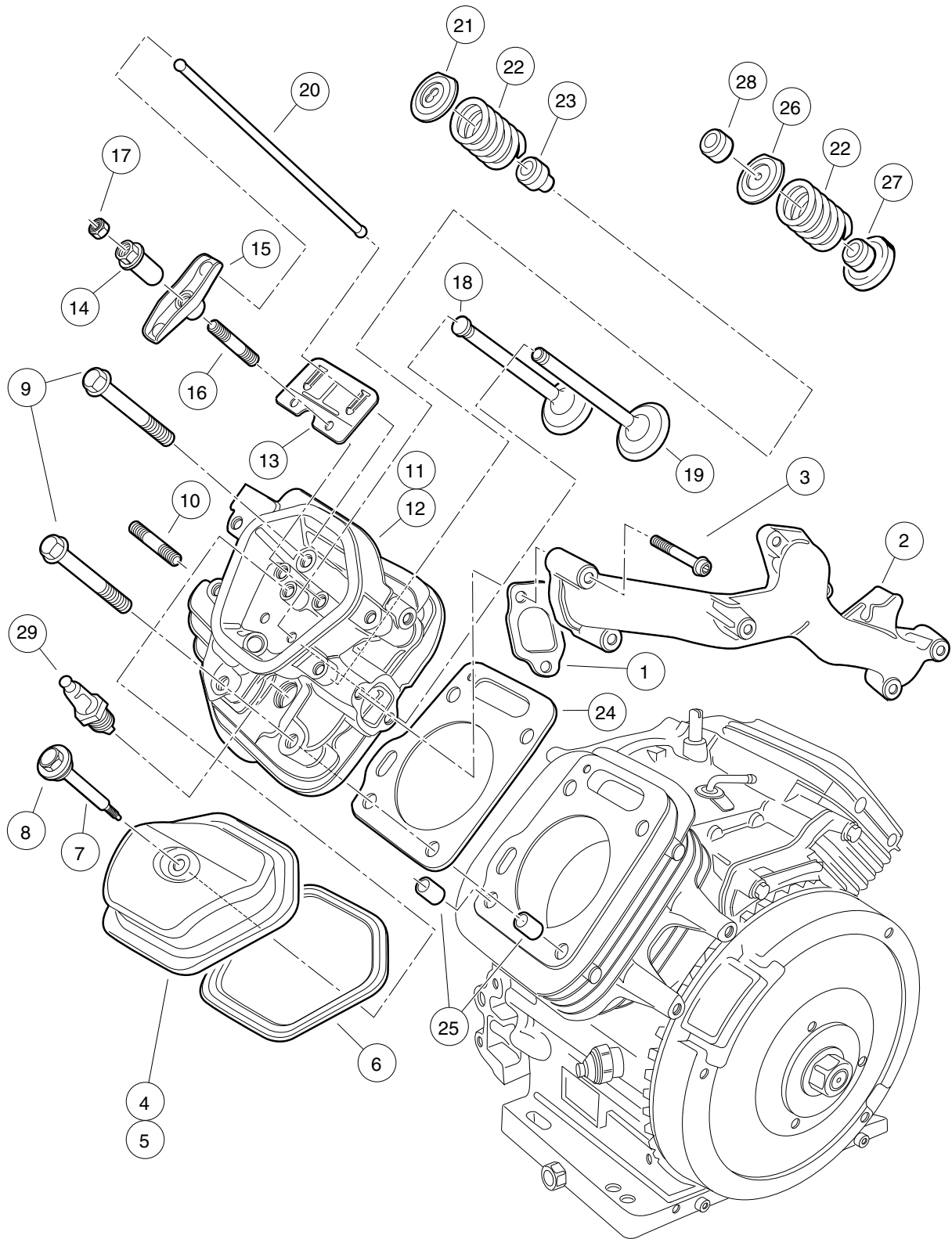


000022-001

OIL CIRCULATION

ITEM	PART NO.	DESCRIPTION	QTY
		1 2 3 4	
1	102658001	Gasket, Case Cover	1
2	102658101	Cover Assembly, Crankcase (includes items 3 through 9)	1
3	102658801	Governor Assembly	1
4	102659601	Washer, Plain, M6	1
5	102724301	Seal, Oil, 38 X 58 X 9	1
6	102724401	Slider, Governor	1
7	102724501	Washer, 6 X 16	1
8	102724601	Clip, Governor	1
9	N/A	Cover, Crankcase	1
10	102658201	Dipstick, Oil	1
11	102658301	Cap, Oil Filler	1
12	102658401	Pin A, Dowel, 8 X 14	2
13	102658501	Washer, Drain Plug, M14	1
14	102658601	Bolt, Drain Plug , M14	1
15	102658701	Bolt, Flange Head, M8 X 1.25 X 50	9
16	102658901	Cover, Oil Filter	1
17	102659001	Cover Assembly, Oil Pump	1
18	102659101	Rotor, Oil Pump, Outer	1
19	102659201	Spring, Relief Valve	1
20	102659301	Ball, Steel , 3/8, #12	1
21	102659401	Bolt, Socket	2
22	102659501	Bolt, Flange Head, M6 X 1 X 20	3
23	102724701	Screen, Oil Filter	1

9
G



000013-001

CYLINDER HEAD

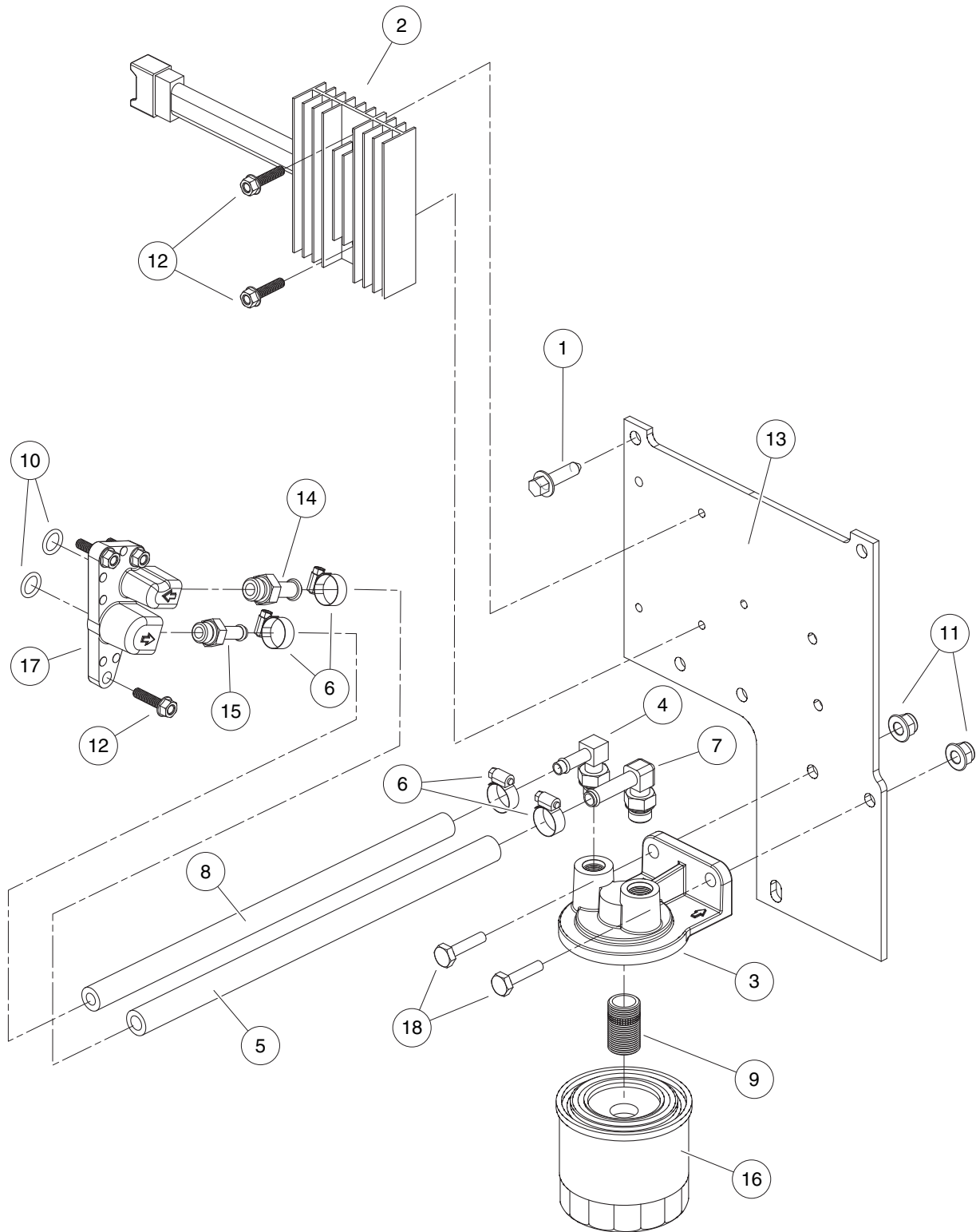
ITEM	PART NO.	DESCRIPTION	QTY
		1 2 3 4	
1	102657601	Gasket, Intake Manifold	2
2	102657701	Manifold, Inlet	1
3	102657801	Bolt, Socket, M8 X 1.25 X 45	4
4	102662101	Cover, Head	1
5	N/A	Cover, Head Filler	1
6	102662201	Gasket, Cylinder Head Cover	2
7	102662301	Bolt, Head Cover	2
8	102662401	Washer, Head Cover	2
9	102662601	Bolt, Flange Head, M10 X 1.5 X 80	8
10	102662701	Bolt, Stud, M8x22	4
11	102662801	Cylinder Head, #2	1
12	102662802	Cylinder Head, #1	1
13	102662901	Plate, Push Rod Guide	2
14	102663001	Pivot, Rocker Arm	4
15	102663101	Arm, Valve Rocker	4
16	102663201	Bolt, Pivot, M8	4
17	102663301	Nut, Pivot Adj	4
18	102663401	Valve, Ex	2
19	102663501	Valve, In	2
20	102663801	Rod, Push	4
21	102663901	Retainer, In Valve Spring	2
22	102664001	Spring, Valve	4
23	102664101	Seal, Valve Stem	2
24	102664301	Gasket, Cylinder Head	2
25	102664401	Pin A, Dowel ,12 X 20	4
26	102722701	Retainer, Ex Valve Spring	2
27	102722801	Seat, Valve Spring	2
28	102722901	Rotator, Valve	2
29	AM1232301	Spark Plug, BPR2ES	2

9
G

CRANKCASE AND CRANKSHAFT

ITEM	PART NO.	DESCRIPTION	QTY
		1 2 3 4	
1	102659801	Crankshaft	1
2	102659901	Camshaft Assembly	1
3	102660001	Lifter Assembly, Valve	1
4	102660101	Bearing, Radial Ball, 6003	1
5	102660201	Bolt, Flange Head, M5 X 1 X 16	1
6	102660301	Bolt, Flange Head, M6 X 1 X 25	1
7	102660401	Piston, Std	2
8	102660402	Piston, Over-Sized 0.25	2
9	102660403	Piston, Over-Sized 0.50	2
10	102660404	Piston, 0.75	2
11	102660501	Rod Assy., Connecting (includes items 12 through 14)	2
12	102660901	Bolt, Connecting Rod, 6 X 37	2
13	N/A	Connecting Rod	1
14	N/A	Cap, Connecting Rod	1
15	102660601	Clip, Piston Pin, 18mm	4
16	102660701	Pin, Piston	2
17	102660801	Ring Set, Piston, Std	2
18	102660802	Ring Set, Piston, OS 0.25	2
19	102660803	Ring Set, Piston, OS 0.50	2
20	102660804	Ring Set, Piston, OS 0.75	2
21	102661001	Washer, Plain, M8	3
22	102661101	Pin, Lock, 8 Mm	2
23	102661201	Bearing, Needle, 8 X 12.7 X 11	1
24	102661202	Oil Seal, 8 X 14 X 5	1
25	102661301	Bearing, Needle, 8 X 12 X 10	1
26	102661401	Oil Seal, 38 X 58 X 9	1
27	102661501	Shaft, Governor Arm	1
28	102661601	Cover, Breather	1
29	102661701	Gasket, Breather Cover	1
30	102661801	Valve, Breather	1
31	102661901	Bolt, Flange Head, M6 X 1 X 32	2
32	102664901	Key, Special Woodruff, 25 X 18	1
33	102668201	Clamp, Wire	1
34	102725101	Pin A, Dowel	1
35	102725201	Bolt, Flange Head, 6 X 16	1

9
G



000083-001

OIL FILTER ADAPTER AND VOLTAGE REGULATOR

ITEM	PART NO.	DESCRIPTION	QTY
		1 2 3 4	
1	102289001	Screw, M8X1.25X30, Hex	3
2	102331401	Regulator, Voltage	1
3	102371401	Bracket, Oil Filter Mount	1
4	102434801	Adapter, 90, 5/16 Tube	1
5	102443501	Hose, 3/8, Remote Oil, Honda	1
6	102443601	Clamp, Hose	4
7	102457501	Adapter, 90, 3/8 Tube	1
8	102457601	Hose, 5/16, Remote Oil, Honda	1
9	102475301	Nipple, M20, Remote Oil	1
10	102490401	O-ring 11.8 X 2.4	2
11	102618601	Lock Nut, Flg M8 X 1.25 Nylon	2
12	102670801	Screw, M6 X 1 X 25 Thd Form	5
13	102710301	Plate, Fuel/Oil System	1
14	102721901	Adapter, 3/8 Hose	1
15	102722001	Adapter, 5/16 Hose	1
16	102827901	Filter, Oil, Honda Service	1
17	102849401	Adapter, Oil Filter, Honda Eng	1
18	96705587	Bolt, M8 X 1.25 X 30	2

9
G

9

G

FUEL, INTAKE, AND GOVERNOR SYSTEM

10

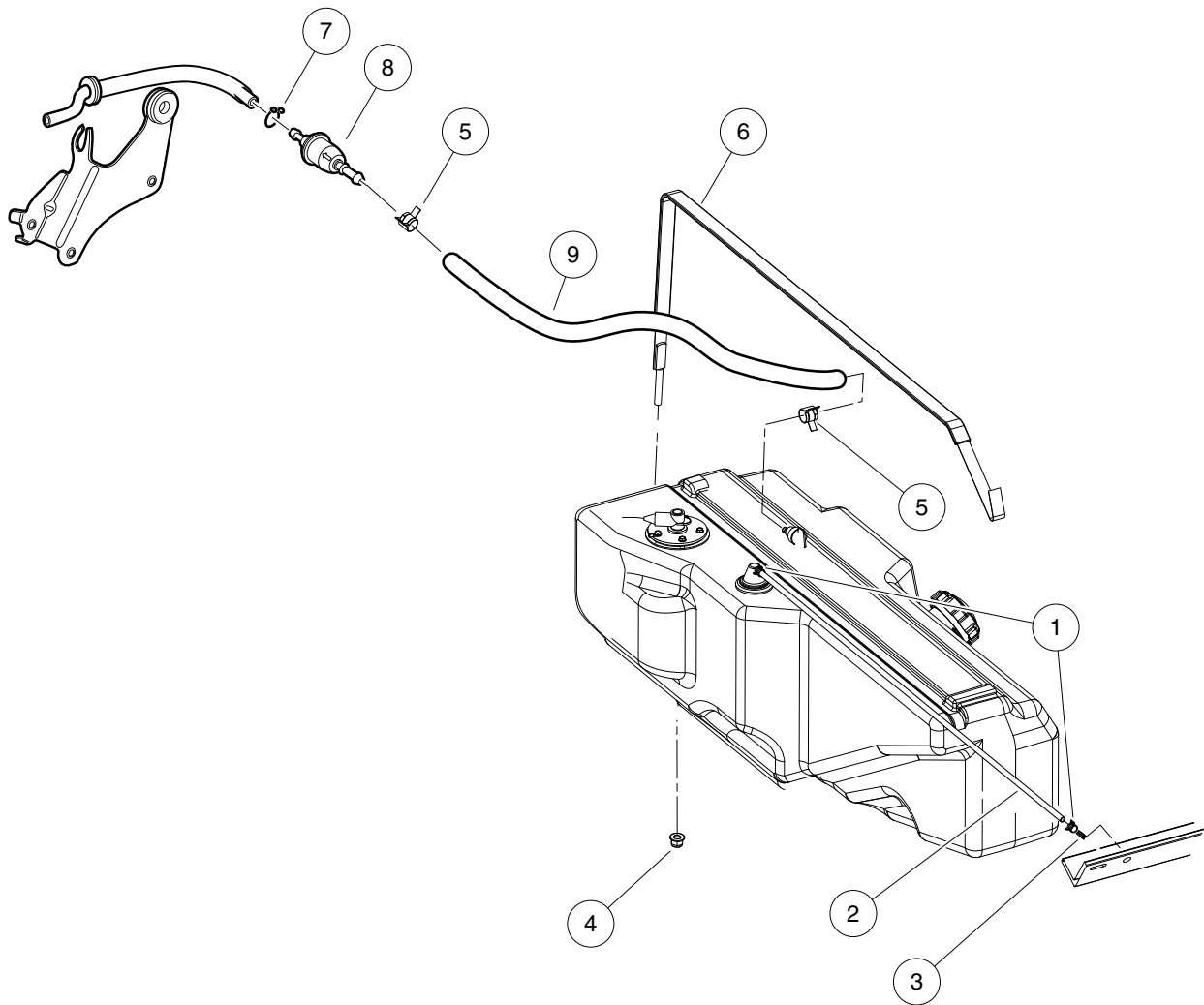
G

D

10

G

D



000081-002

FUEL SYSTEM – GASOLINE VEHICLES

ITEM	PART NO.	DESCRIPTION	QTY
		1 2 3 4	
1	1013746	Clamp, 0.301 ID Hose	2
2	101587703	Hose, Fuel, Vent, 22" Long	1
3	101824401	Vent Barb	1
4	102298401	Nut,m8,all Metal Lock	1
5	102411202	Clamp, Hose, Ctb 13mm	2
6	102426301	Strap, Tank, Fuel	1
7	102657201	Clip, Tube, B10	1
8	102657301	Filter, Fuel	1
9	103307901	Hose, Tank To Filter, Fh680d	1

10

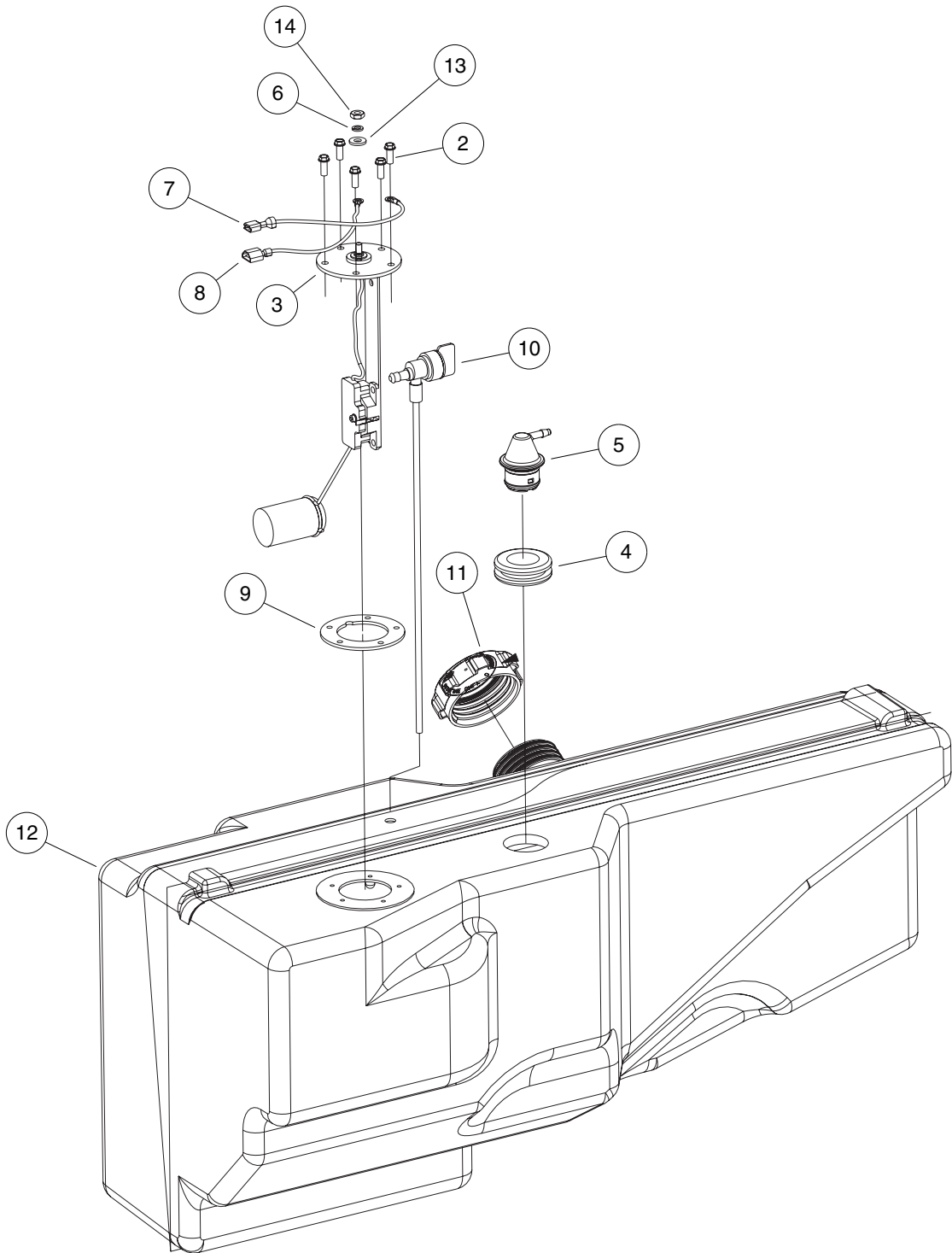
G

D

10

G

D



000082-004

FUEL TANK – GASOLINE VEHICLES

ITEM	PART NO.	DESCRIPTION	QTY
		1 2 3 4	
1	102952102	Asm, Tank, Fuel, Gas, 4x4 (includes items 2 through 14)	1
2	1013461	Screw, #10-16 Hex-Head Hi-Lo	5
3	1013462	Sending Unit, Fuel Level *	1
4	1015139	Insulation Grommet	1
5	1015143	Vent, Fuel Tank	1
6	1016	Lockwasher, #10 Split	1
7	N/A	Wire Asm, Blk, 170mm	1
8	N/A	Wire Asm, Org, 170mm	1
9	102522001	Gasket, Rubber	1
10	102670901	Valve, Pickup Tube, Fuel	1
11	102751601	Cap, Fuel Tank, Gasoline	1
12	N/A	Tank, Fuel, Gas, 4x4	1
13	183	Washer, #10 Type A Flat	1
14	8797	Nut, #10-32 Brass Hex	1
		* Note: Must replace fuel sending unit gasket when servicing this component.	

10

G

D

FUEL SYSTEM – DIESEL VEHICLES

ITEM	PART NO.	DESCRIPTION	QTY
		1 2 3 4	
1	101313402	Clamp, Green Hose	1
2	1013746	Clamp, 0.301 ID Hose	2
3	101587703	Hose, Fuel, Vent, 22" Long	1
4	101824401	Vent Barb	1
5	102289001	Screw, M8X1.25X30, Hex	5
6	102296716	Screw, M6 X 16 Tt Hx Fl Hd	1
7	102410801	Pump, Diesel Fuel Electric	1
8	102411203	Clamp, Hose, Ctb 14mm	5
9	102426301	Strap, Tank, Fuel	1
10	102430001	Hose, Tank To Prefilter Diesel	1
11	102430201	Hose, Fuel Pump To Filter	1
12	102430301	Hose, Fuel Filter To Eng	1
13	102430401	Hose, Fuel Return	1
14	102434601	Filter Assy, Fuel	1
15	102434701	Filter, Fuel	1
16	102434801	Adapter, 90, 5/16 Tube	2
17	102618601	Lock Nut, Flg M8 X 1.25 Nylon	3
18	102710301	Plate, Fuel/Oil System	1
19	96705587	Bolt, M8 X 1.25 X 30	2

10

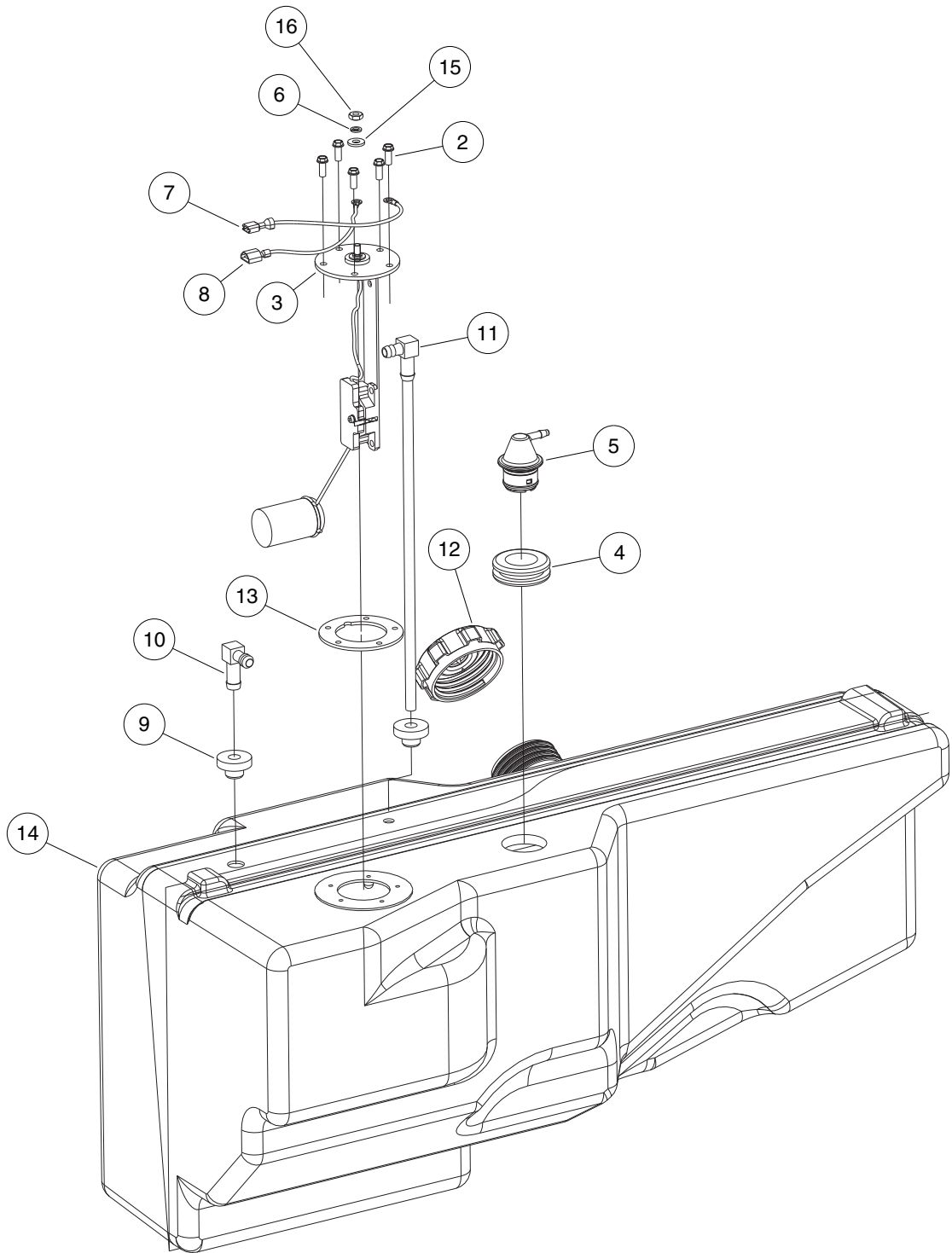
G

D

10

G

D



000082-005

FUEL TANK – DIESEL VEHICLES

ITEM	PART NO.	DESCRIPTION	QTY
		1 2 3 4	
1	102952101	Asm, Tank, Fuel, Diesel, 4x4 (includes items 2 through 16)	1
2	1013461	Screw, #10-16 Hex-Head Hi-Lo	5
3	1013462	Sending Unit, Fuel Level *	1
4	1015139	Insulation Grommet	1
5	1015143	Vent, Fuel Tank	1
6	1016	Lockwasher, #10 Split	1
7	N/A	Wire Asm, Blk, 170mm	1
8	N/A	Wire Asm, Org, 170mm	1
9	102406701	Bushing, Line, Return	2
10	102406801	Elbow, 90 Barbed	1
11	102478501	Pickup Tube, Fuel	1
12	102494701	Cap, Fuel (Diesel)	1
13	102522001	Gasket, Rubber	1
14	N/A	Tank, Fuel, Diesel, 4x4	1
15	183	Washer, #10 Type A Flat	1
16	8797	Nut, #10-32 Brass Hex	1
		* Note: Must replace fuel sending unit gasket when servicing this component.	

10

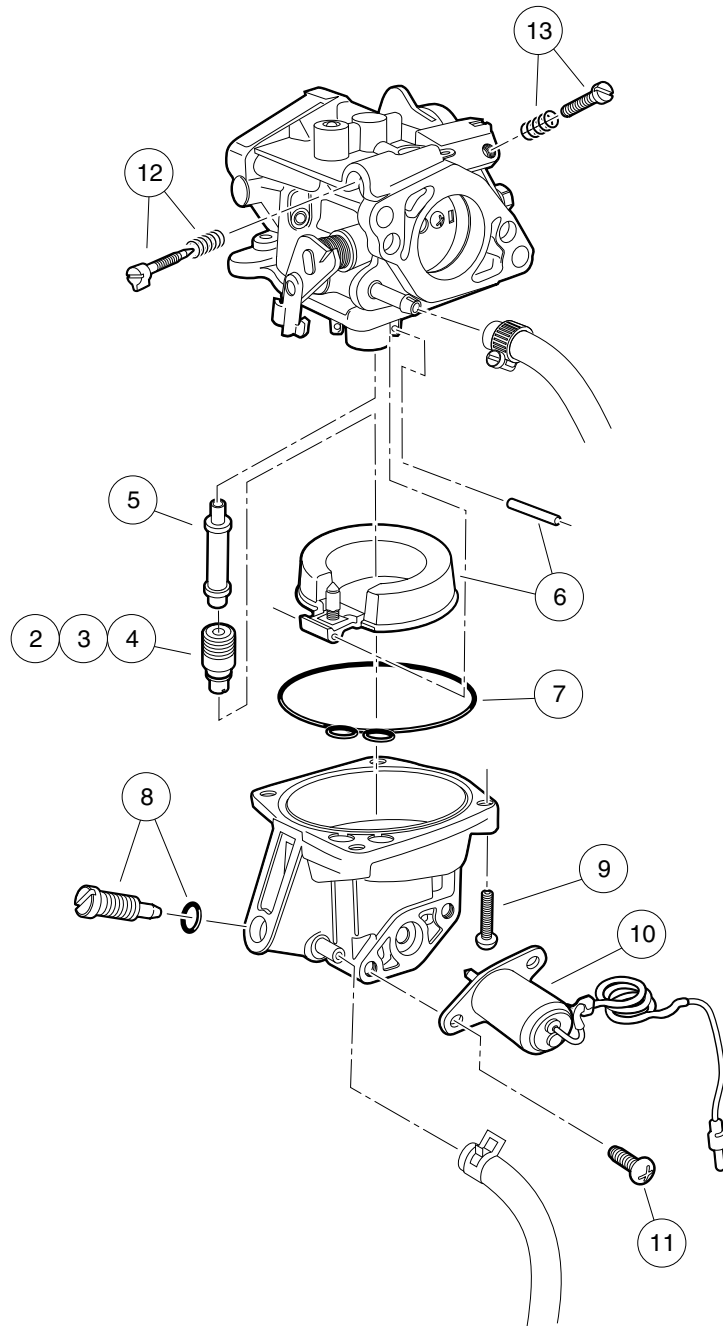
G

D

10

G

D



000020-001

CARBURETOR ASSEMBLY, HONDA GASOLINE VEHICLES

ITEM	PART NO.	DESCRIPTION	QTY
		1 2 3 4	
1	103201601	Carburetor, Seal Shaft (includes items 2 through 13)	1
2	102623802	Jet, GX620, #102 (8000 ft. and higher (2438 m and higher))	1
3	102623805	Jet, GX620, #105 (5000-8000 ft. (1524-2438 m))	1
4	102623808	Jet, GX620, #108 (0-5000 ft. (0-1524 m))	1
5	102655401	Nozzle, Main	1
6	102655501	Float Set	1
7	102655601	Gasket Set	1
8	102655701	Screw Set, Drain	1
9	102655801	Screw-Washer, M4 X 14	4
10	102655901	Valve Assy., Solenoid	1
11	102656001	Screw-Washer, M5 X 12	2
12	102724101	Screw Set, Left	1
13	102724201	Screw Set, Right	1

10

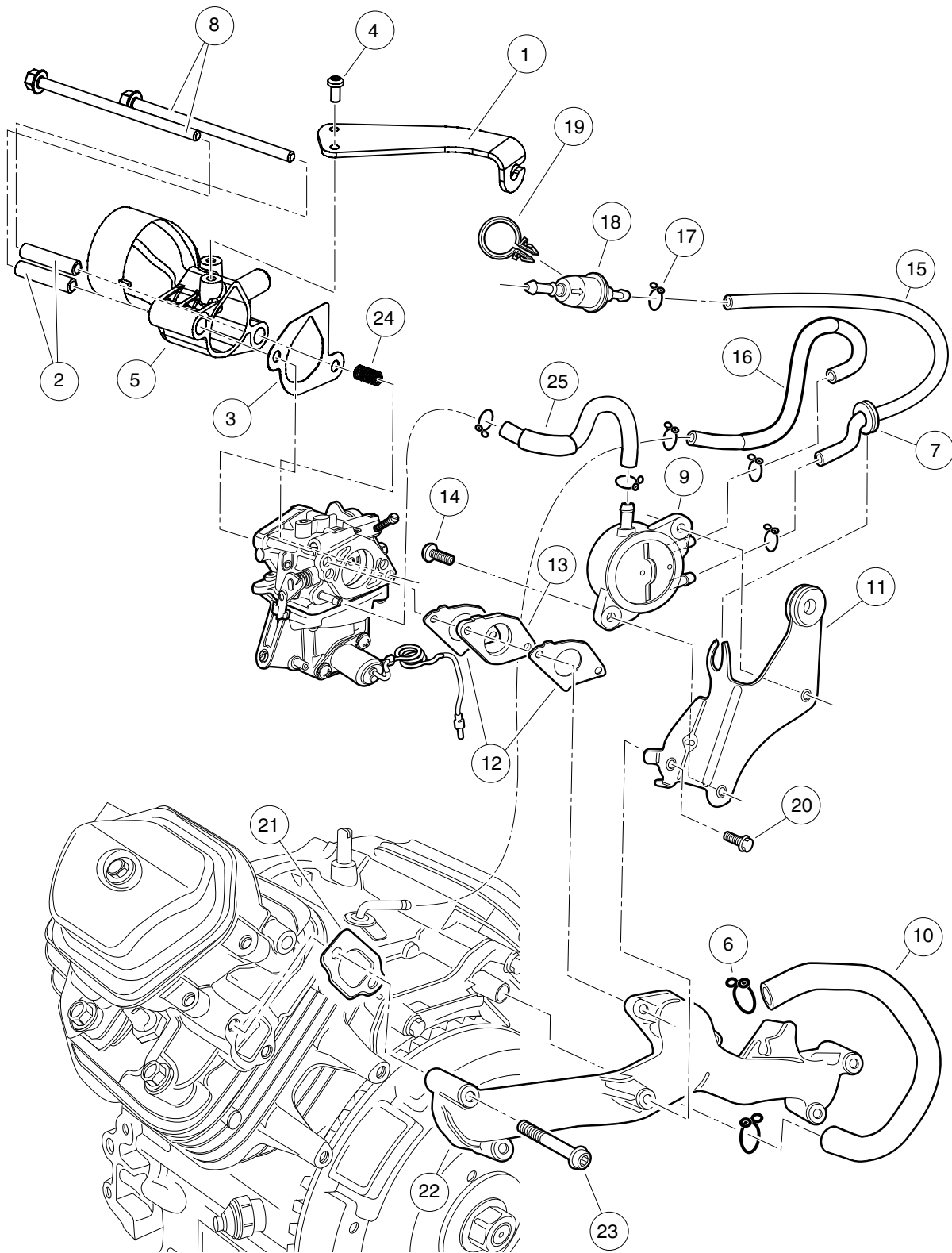
G

D

10

G

D



000021-001

CARBURETOR INSTALLATION – HONDA GASOLINE VEHICLES

ITEM	PART NO.	DESCRIPTION	QTY
		1 2 3 4	
1	102385801	Bracket, Choke Cable	1
2	102462601	Insert, Adapter, Carburetor	2
3	102493001	Gasket, Adapter, Carburetor	1
4	102617301	Screw Tapping, M5 X 0.8x10	2
5	102620801	Adapter, Intake Honda GX620	1
6	102656101	Clip, Breather Tube	1
7	102656201	Grommet, Reserve Tank	1
8	102656301	Bolt, Flange Head, M6 X 1 X 120	2
9	102656402	Pump Assy., Fuel, Sup	1
10	102656501	Tube, Breather	1
11	102656601	Stay, Fuel Pump	1
12	102656701	Gasket, Carburetor	2
13	102656801	Insulator, Carburetor	1
14	102656901	Srew-Washer, M6 X 16	2
15	102657001	Tube B, Fuel	1
16	102657101	Tube, Diaphragm	1
17	102657201	Clip, Tube, B10	3
18	102657301	Filter, Fuel	1
19	102657401	Clip, Wire Harness	1
20	102657501	Bolt, Flange Head, M6 X 11 X 4	2
21	102657601	Gasket, Intake Manifold	2
22	102657701	Manifold, Inlet	1
23	102657801	Bolt, Socket, M8 X 1.25 X 45	4
24	102710501	Spring, Continuity, Solenoid	1
25	102725401	Tube A, Fuel	1

10

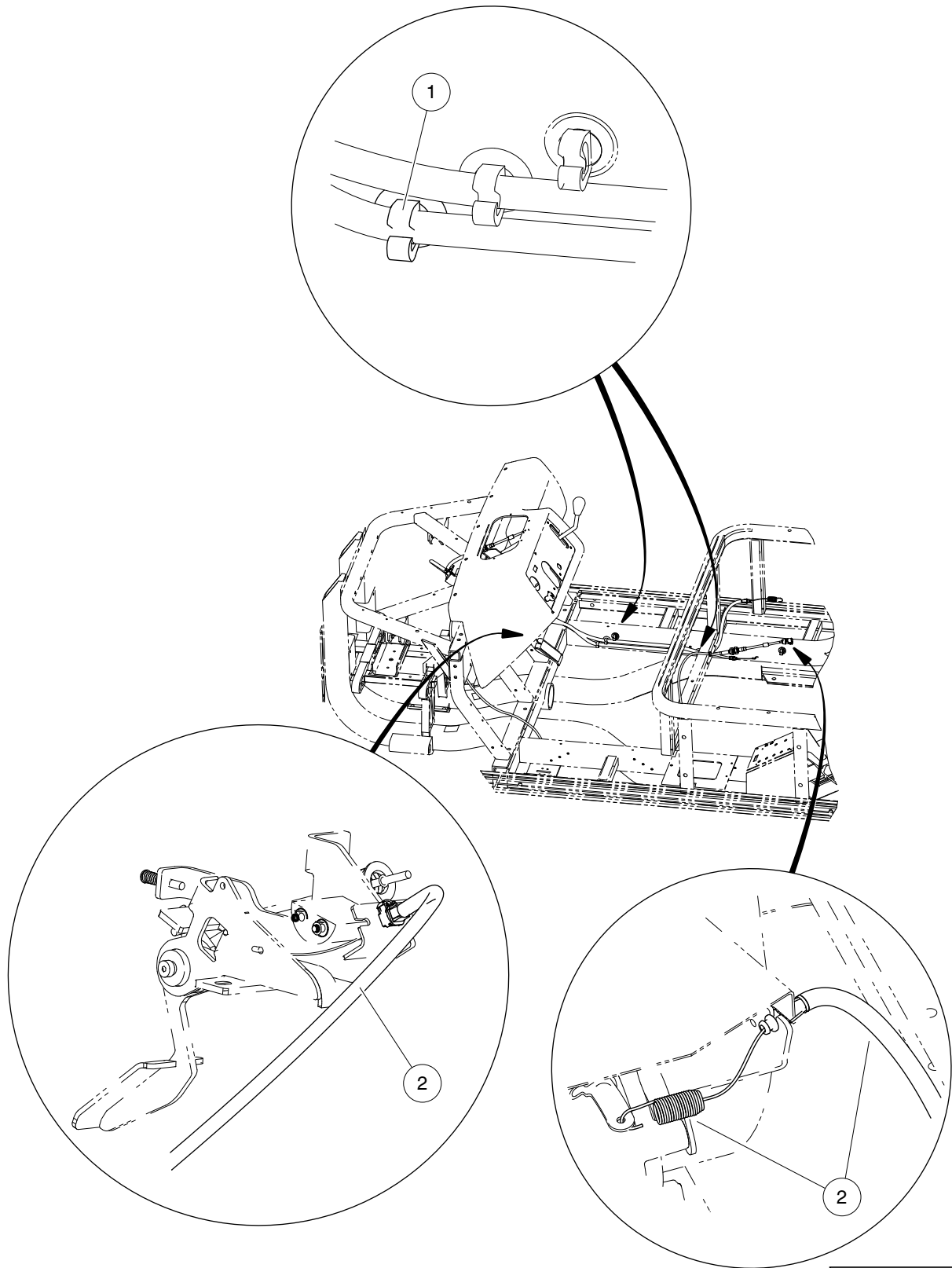
G

D

10

G

D



000033-001

GOVERNOR AND ACCELERATOR CABLES, GASOLINE VEHICLES

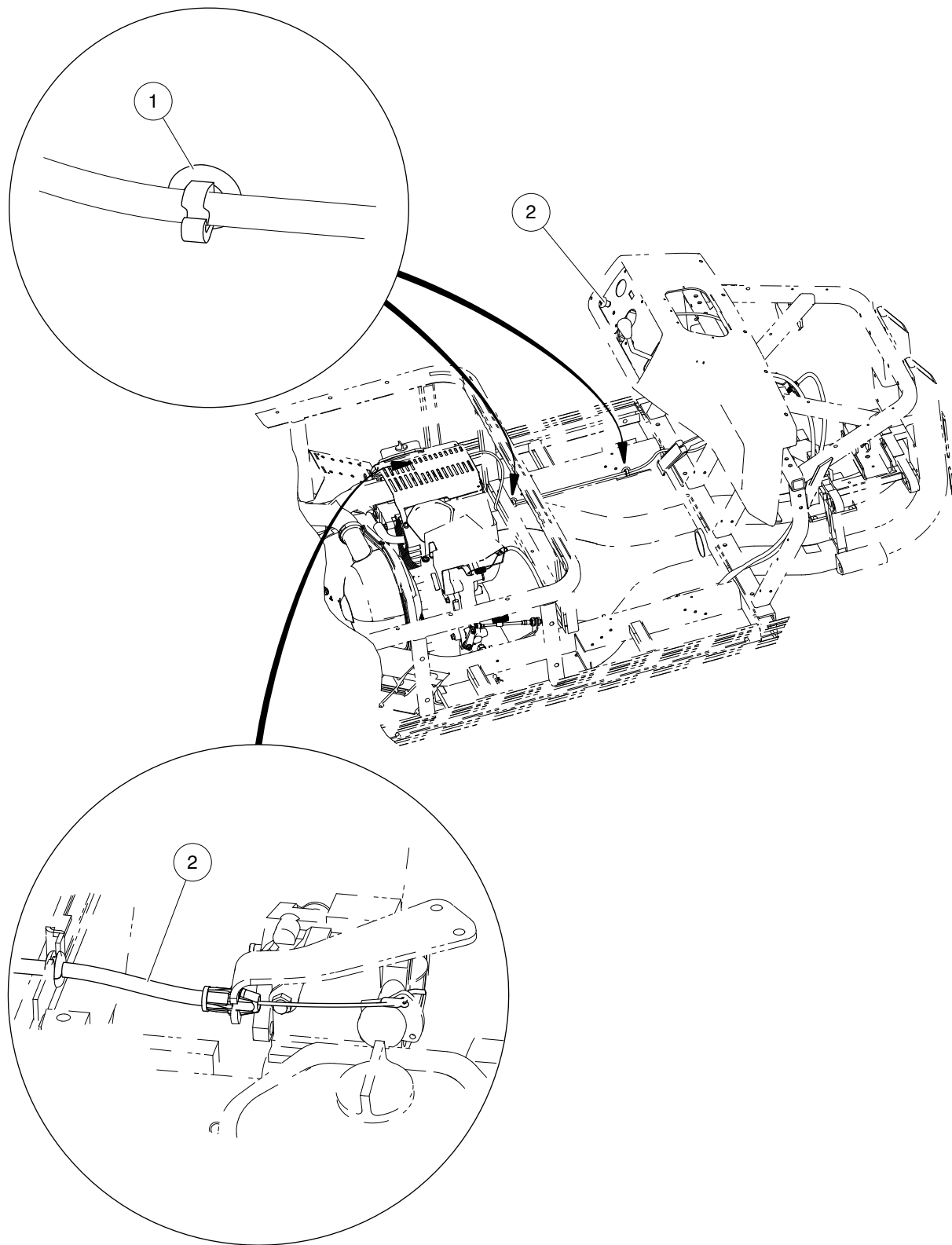
ITEM	PART NO.	DESCRIPTION	QTY
1	102475701	1 2 3 4 Clip, Brake Line	2
2	102498701	Cable, Accelerator, GX620	1

10
G
D

10

G

D



000034-001

CHOKE CABLE, GASOLINE VEHICLES

ITEM	PART NO.	DESCRIPTION	QTY
1	102475701	1 2 3 4 Clip, Brake Line	2
2	102826101	Cable, Choke	1

10

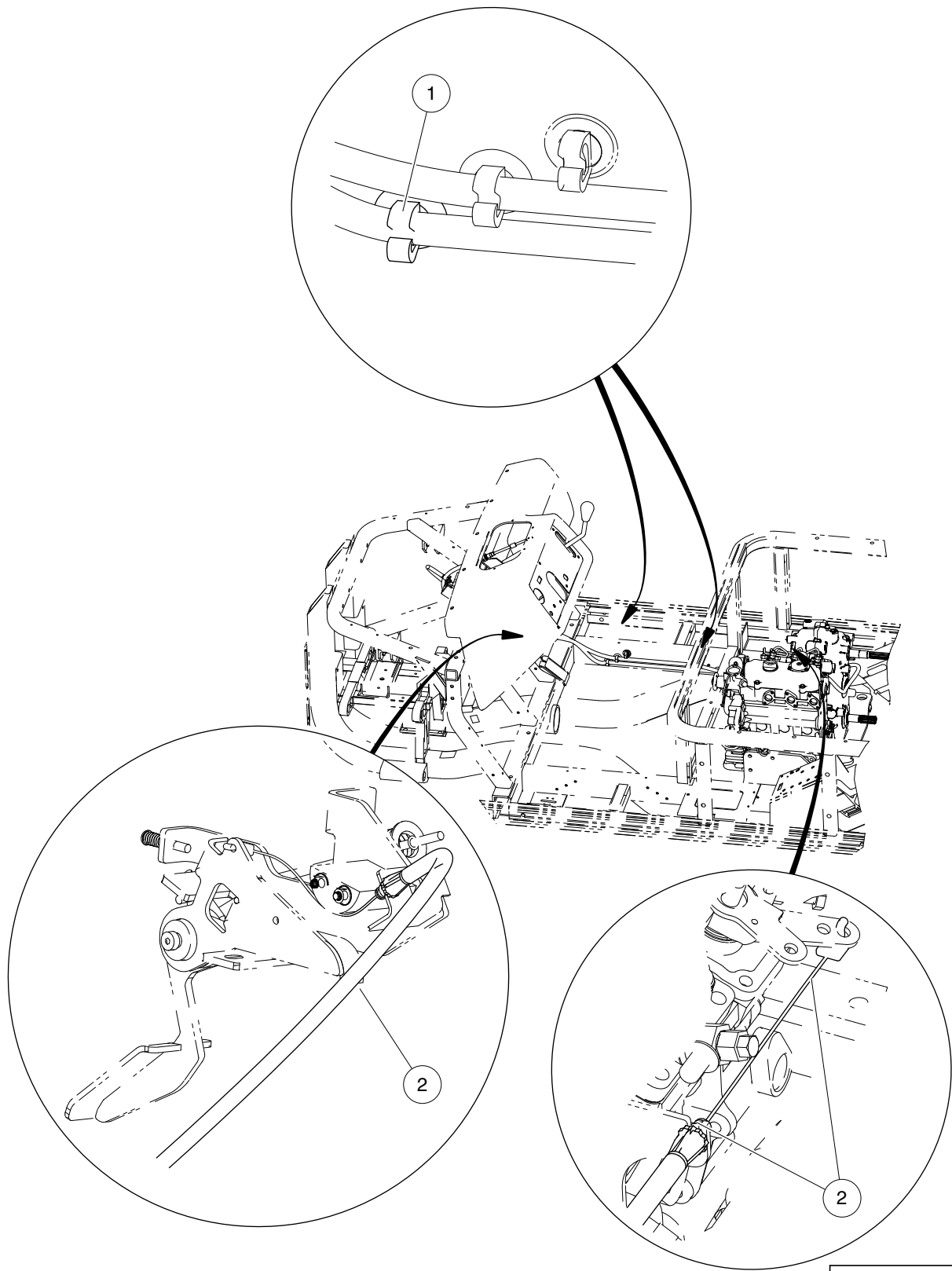
G

D

10

G

D



000035-001

ACCELERATOR CABLE, DIESEL VEHICLES

ITEM	PART NO.	DESCRIPTION	QTY
		1 2 3 4	
1	102475701	Clip, Brake Line	2
2	102498801	Cable, Accelerator, Diesel	1

10

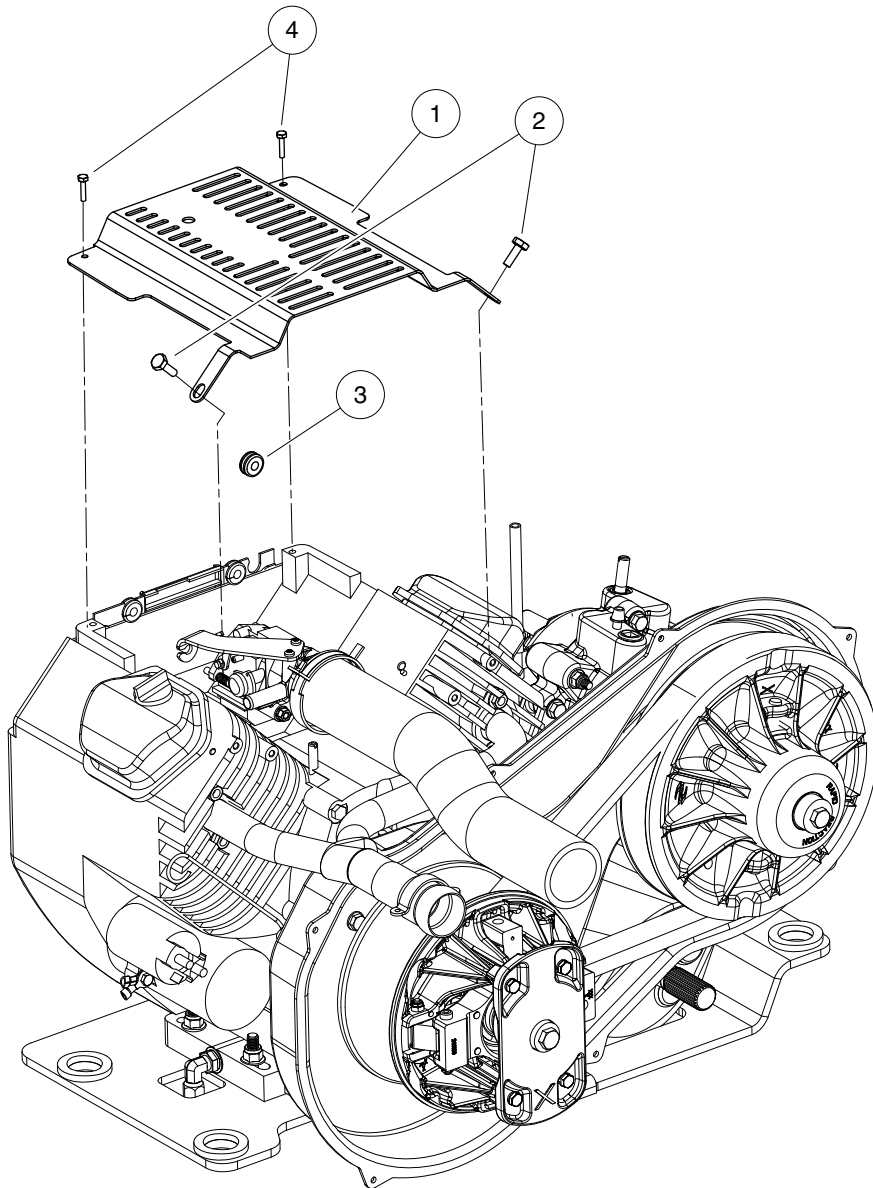
G

D

10

G

D



000085-001

GOVERNOR COVER – GASOLINE VEHICLES

ITEM	PART NO.	DESCRIPTION	QTY
		1 2 3 4	
1	102451001	Cover, Engine, Honda	1
2	102498101	Bolt, M8 X 1.25 X 20	2
3	102707101	Grommet, Split, 50 Durometer	2
4	96705736	Bolt, M5 X .8 X 20	2

10

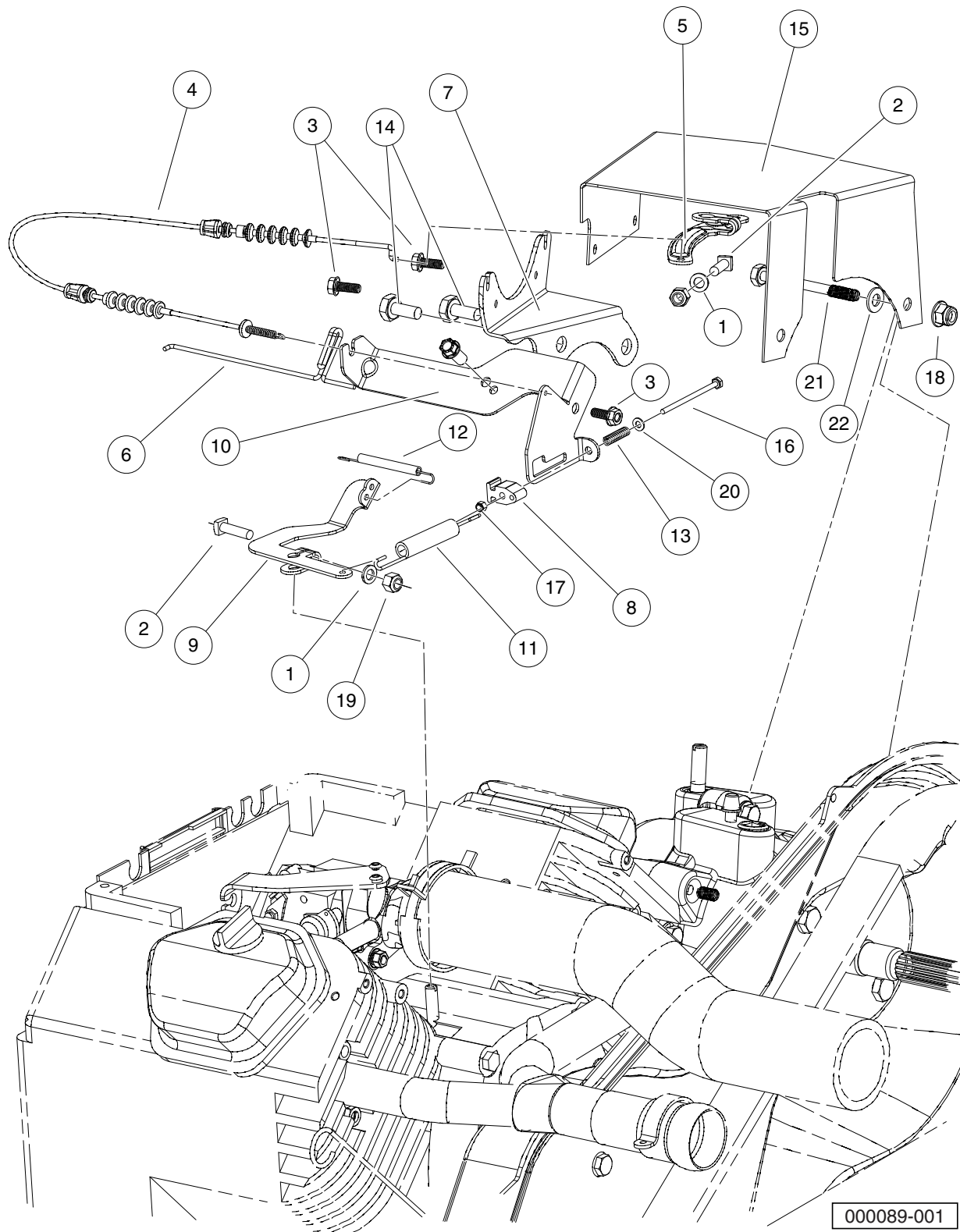
G

D

10

G

D



GOVERNOR SYSTEM – GASOLINE VEHICLES

ITEM	PART NO.	DESCRIPTION	QTY
		1 2 3 4	
1	1014007	Washer, 1/4 Flat	2
2	101886101	Screw, 1/4-20 X 1.00 Square-Head	2
3	102296716	Screw, M6 X 16 Tt Hx Fl Hd	3
4	102423701	Cable, Engine Governor	1
5	102433101	Bracket, Governor, Arm, Trans	1
6	102433501	Wire, Governor	1
7	102451201	Bracket, Governor, Trans Cable	1
8	102452301	Adjuster, Spring, Idle	1
9	102454801	Bracket, Arm, Gov, Engine	1
10	102454901	Bracket, Cable, Gov, Engine	1
11	102457001	Spring	1
12	102457101	Spring, Carb	1
13	102457201	Spring, Compression, Adj, Idle	1
14	102490101	Bolt, M10 X 1.5 X 20 Loctite	2
15	102499601	Guard, Governor, Ground Speed	1
16	102616801	Bolt, M4 X .7 X 60	1
17	102616901	Nut Flg, M4 X 0.7 Mech Def	1
18	102618601	Lock Nut, Flg M8 X 1.25 Nylon	1
19	8233	Locknut, 1/4-20 Nylon Insert	2
20	96714464	Washer, M4	1
21	96718978	Bolt, M8 X 1.25 X 80	1
22	96741038	Washer, M8 Hard	1

10

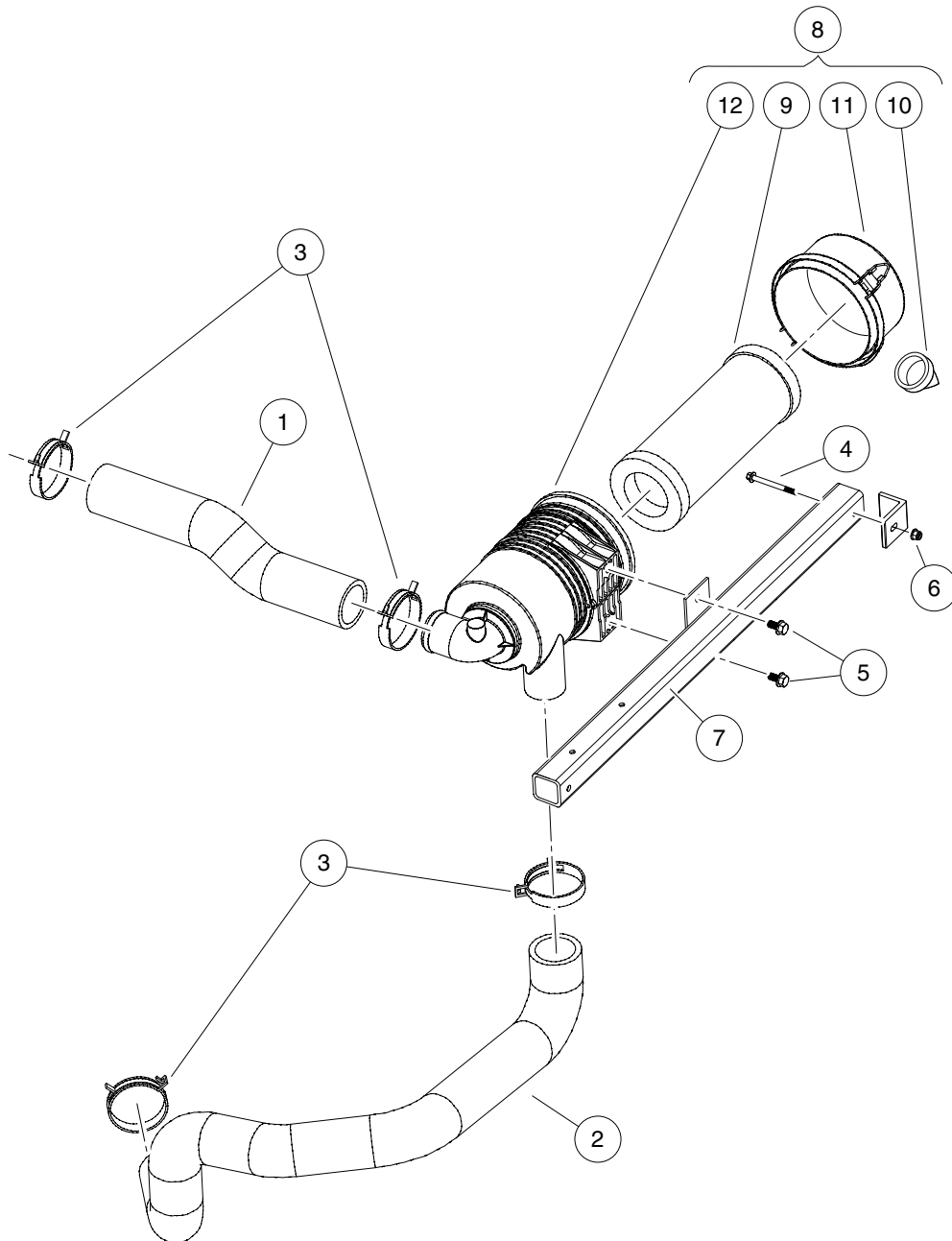
G

D

10

G

D



000090-001

INTAKE DUCT AND AIR BOX ASSEMBLY – HONDA GASOLINE VEHICLES

ITEM	PART NO.	DESCRIPTION	QTY
		1 2 3 4	
1	102378901	Hose, Intake, GX620	1
2	102395601	Hose, Intake, Primary	1
3	102411210	Clamp, Hose, Ctb 64mm	4
4	102541465	Bolt, M 6 X 1.0 X 65 Hex, Flange, Head, Black	2
5	102621201	Bolt Flanged Head, M8 X1.25x 16 with Loctite	2
6	102621501	Nut Flg, M6 X 1.0 Nylon	2
7	N/A	Weldment, Support, Air Cleaner	1
8	102810701	Filter, Air, Canister, W/labe (includes items 9 through 12)	1
9	102498601	Element, Filter, Air, 5 In	1
10	102725501	Valve, Evacuator, Filter Air	1
11	102725601	Cap, Latch Lock, Filter, Air	1
12	N/A	Body, Canister, Filter, Air	1

10

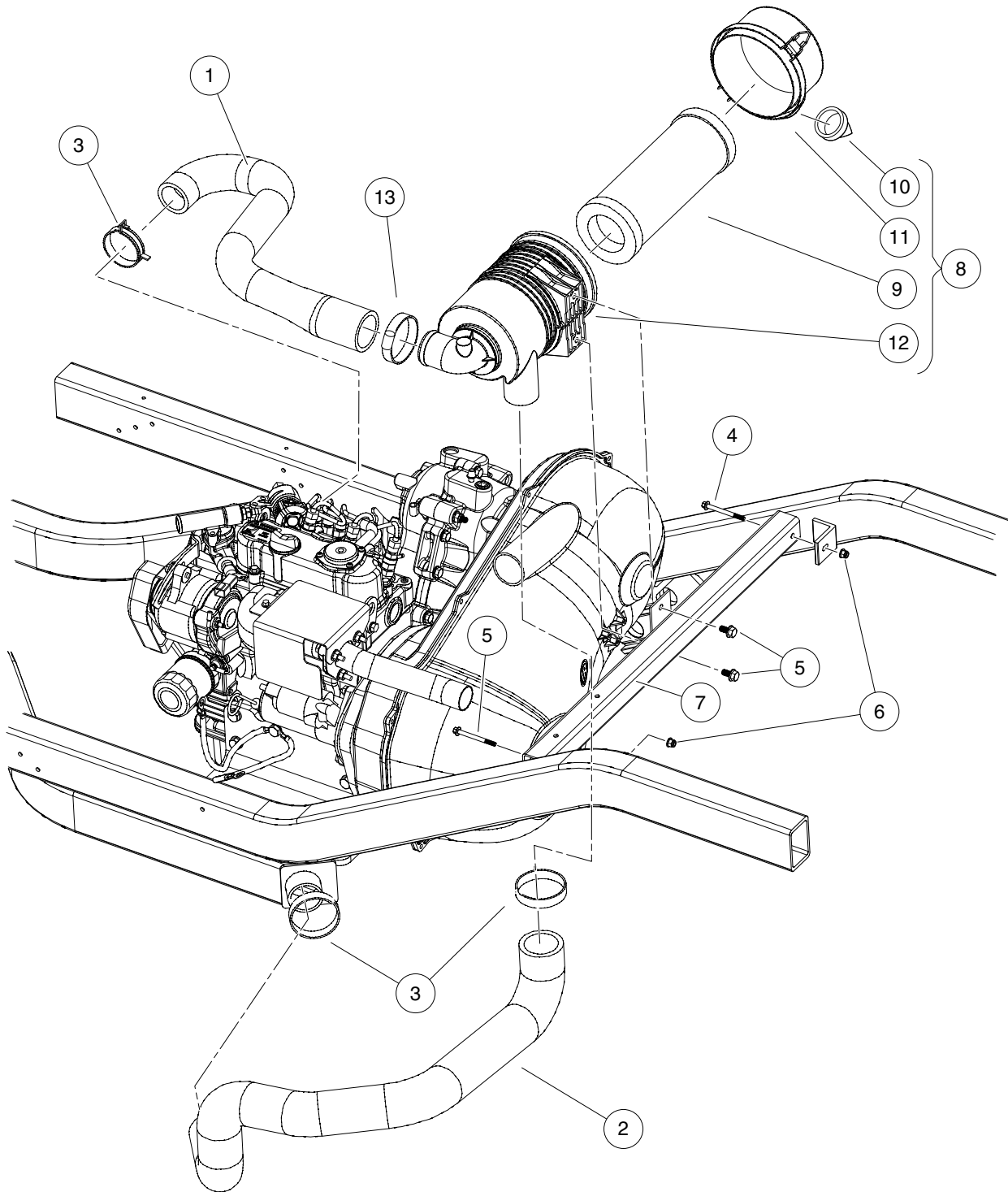
G

D

10

G

D



000090-002

INTAKE DUCT AND AIR BOX ASSEMBLY – DIESEL VEHICLES

ITEM	PART NO.	DESCRIPTION	QTY
		1 2 3 4	
1	102379001	Hose, Intake, D722	1
2	102395601	Hose, Intake, Primary	1
3	102411209	Clamp, Hose, Ctb 55mm	3
4	102541465	Bolt, M 6 X 1.0 X 65 Hex, Flange, Head, Black	2
5	102621201	Bolt Flanged Head, M8 X1.25x 16 with Loctite	2
6	102621501	Nut Flg, M6 X 1.0 Nylon	2
7	N/A	Weldment, Support, Air Cleaner	1
8	102810701	Filter, Air, Canister, W/labe (includes items 9 through 12)	1
9	102498601	Element, Filter, Air, 5 In	1
10	102725501	Valve, Evacuator, Filter Air	1
11	102725601	Cap, Latch Lock, Filter, Air	1
12	N/A	Body, Canister, Filter, Air	1
13	103441401	Clamp, Worm Screw, Hose, 2"	1

10

G

D

10

G

D

EXHAUST SYSTEM

11

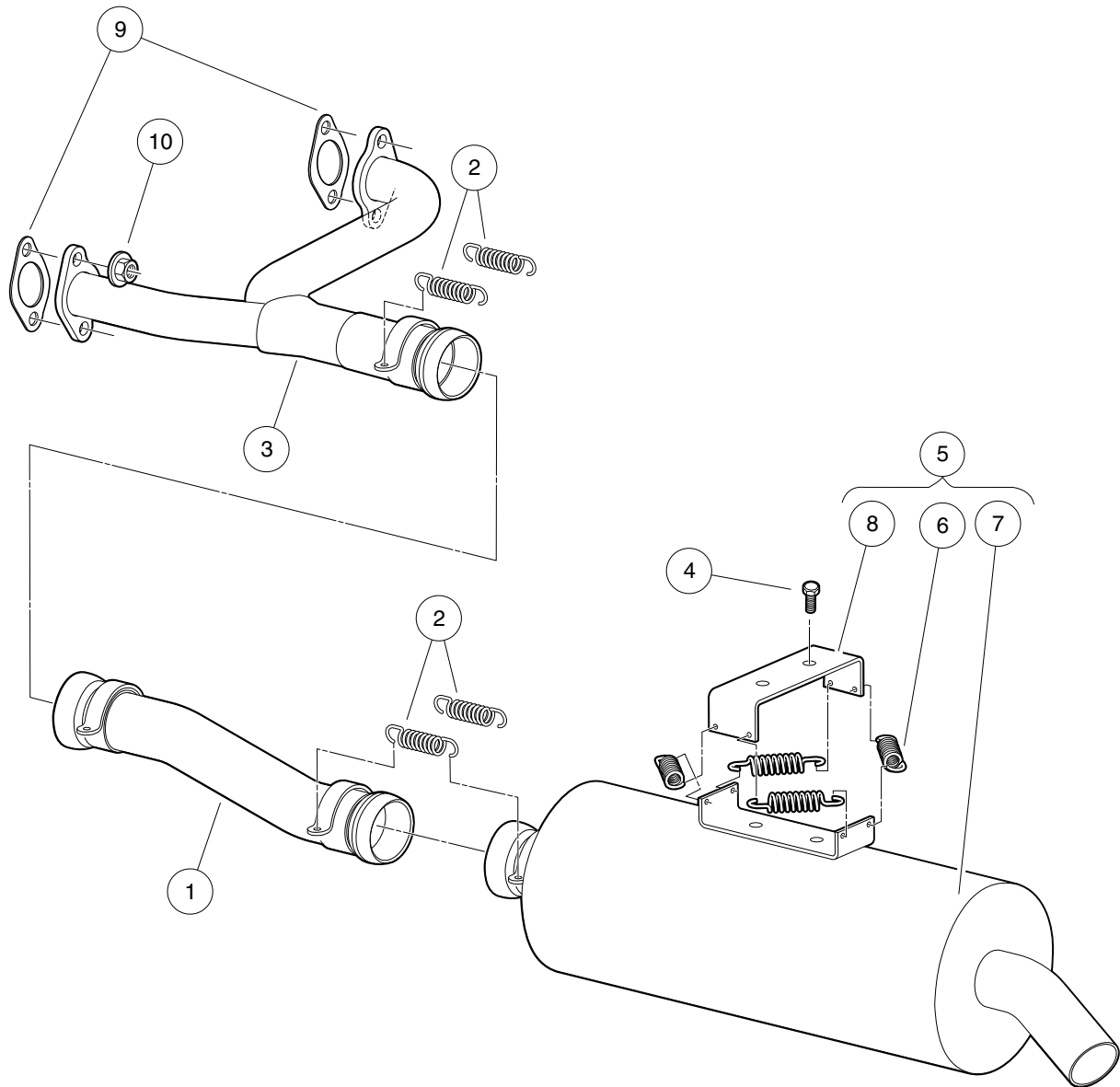
G

D

11

G

D



000075-001

EXHAUST SYSTEM, GASOLINE VEHICLES

ITEM	PART NO.	DESCRIPTION	QTY
		1 2 3 4	
1	102409401	Pipe, Exhaust Intermediate	1
2	102409501	Spring, Exhaust	4
3	102409601	Header, Exhaust, Gas	1
4	102621201	Bolt Flanged Head, M8 X1.25x 16 with Loctite	2
5	102812801	Asm, Muffler, AWD Homologation (includes items 6 through 8)	1
6	102409501	Spring, Exhaust	4
7	N/A	Muffler	1
8	N/A	Bracket, Muffler	1
9	102834901	Gasket, Exhaust, Gx620	2
10	96704416	Nut Flg, M8 X 1.25 Serrated	4

11

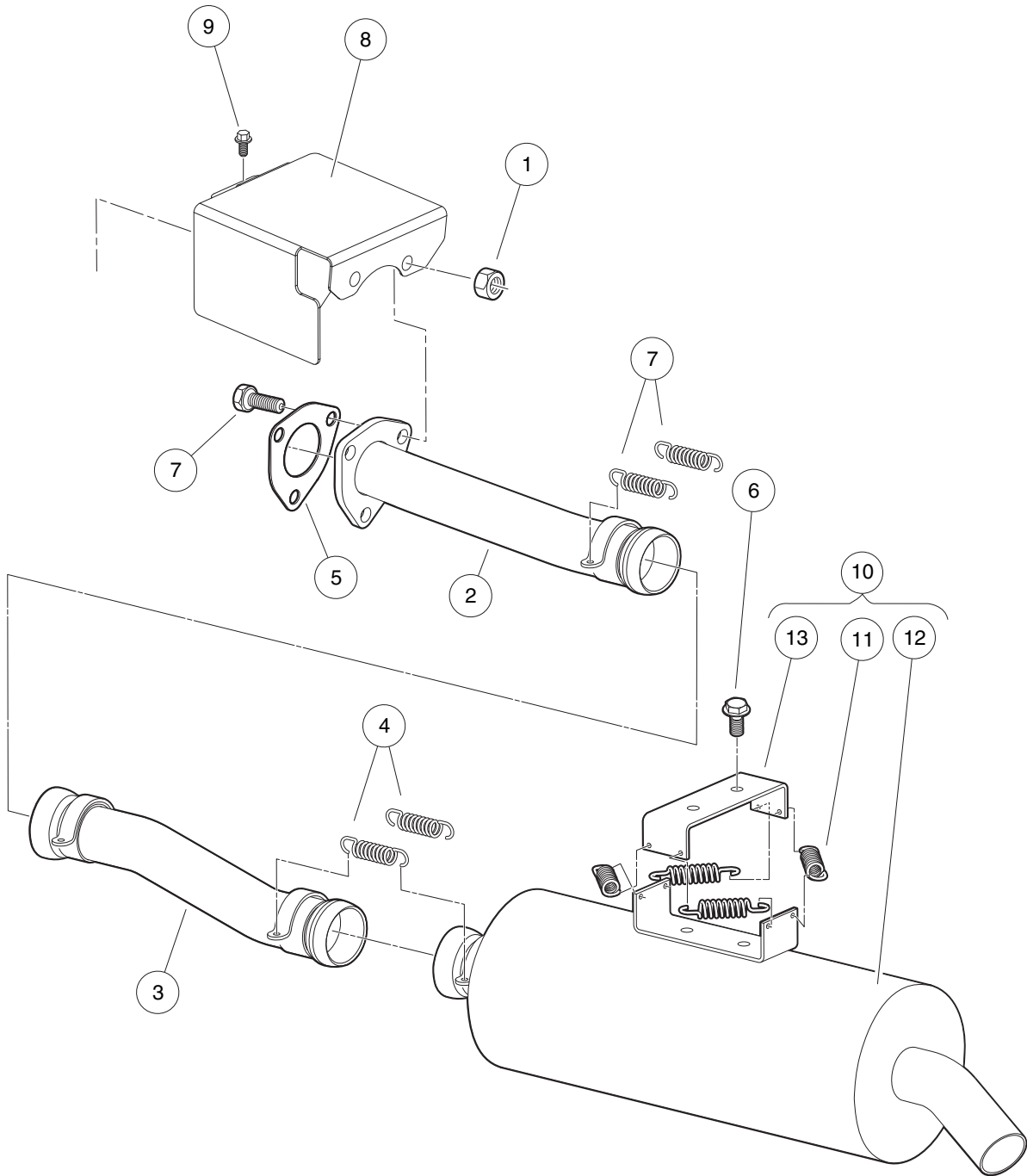
G

D

11

G

D



000075-002

EXHAUST SYSTEM, DIESEL VEHICLES

ITEM	PART NO.	DESCRIPTION	QTY
		1 2 3 4	
1	102298401	Nut,m8,all Metal Lock	3
2	102409301	Pipe, Exhaust Diesel Main	1
3	102409401	Pipe, Exhaust Intermediate	1
4	102409501	Spring, Exhaust	4
5	102422301	Gasket, Exhaust Diesel	1
6	102621201	Bolt Flanged Head, M8 X1.25x 16 with Loctite	2
7	102621301	Bolt, M8 X 1.25 X 40 with Loctite	3
8	102628101	Shield, Diesel Exhaust	1
9	102731601	Bolt, D722, Exhst Manfld Cover	1
10	102812801	Asm, Muffler, AWD Homologation (includes items 11 through 13)	1
11	102409501	Spring, Exhaust	4
12	N/A	Muffler	1
13	N/A	Bracket, Muffler	1

11

G

D

11

G

D

CLUTCHES

12

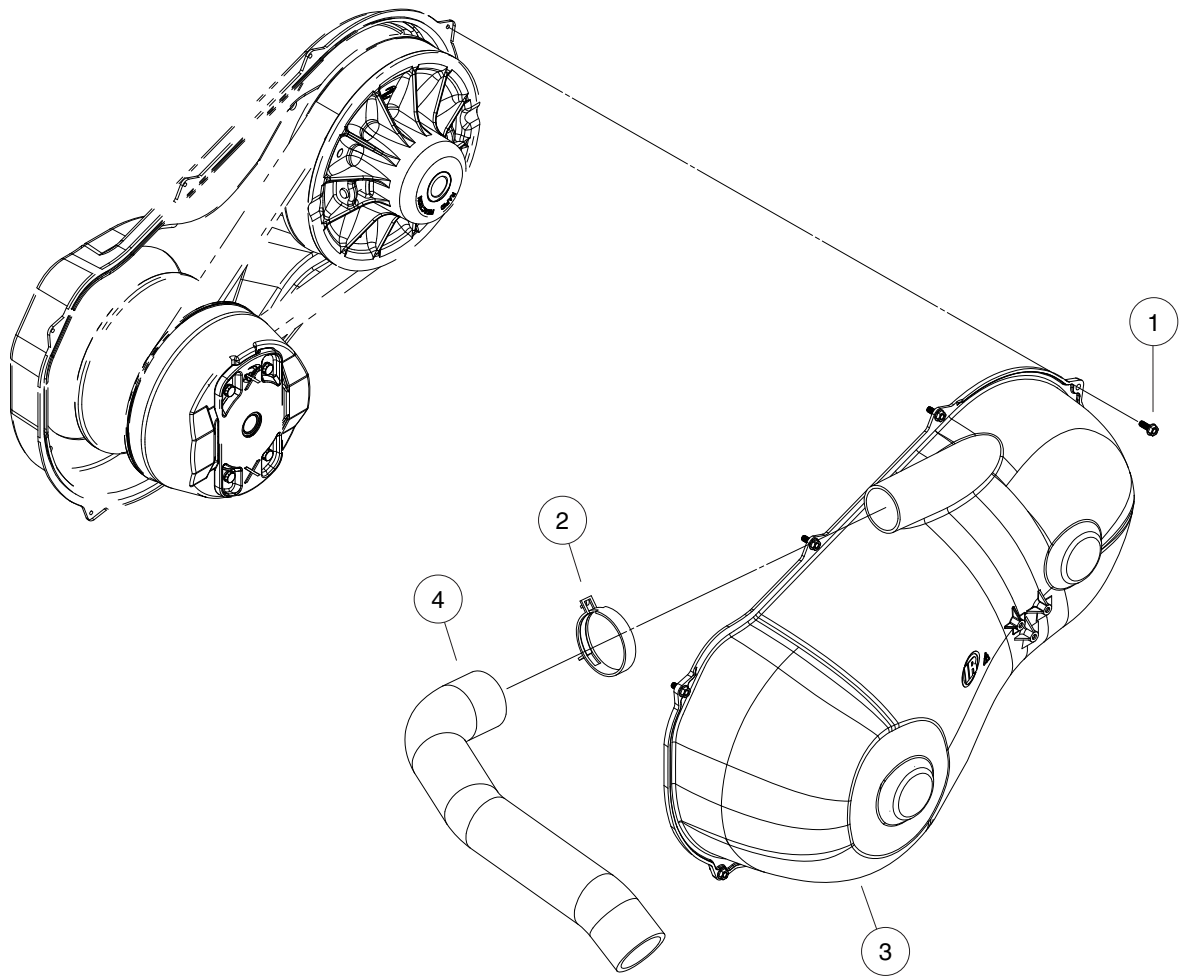
G

D

12

G

D



000008-002

CLUTCH COVER (STANDARD)

ITEM	PART NO.	DESCRIPTION	QTY
		1 2 3 4	
1	102296716	Screw, M6 X 16 Tt Hx Fl Hd	7
2	102411210	Clamp, Hose, Ctb 64mm	1
3	N/A	Cover, Cvt, Open	1
4	103320601	Hose, Outlet, Cvt	1

12

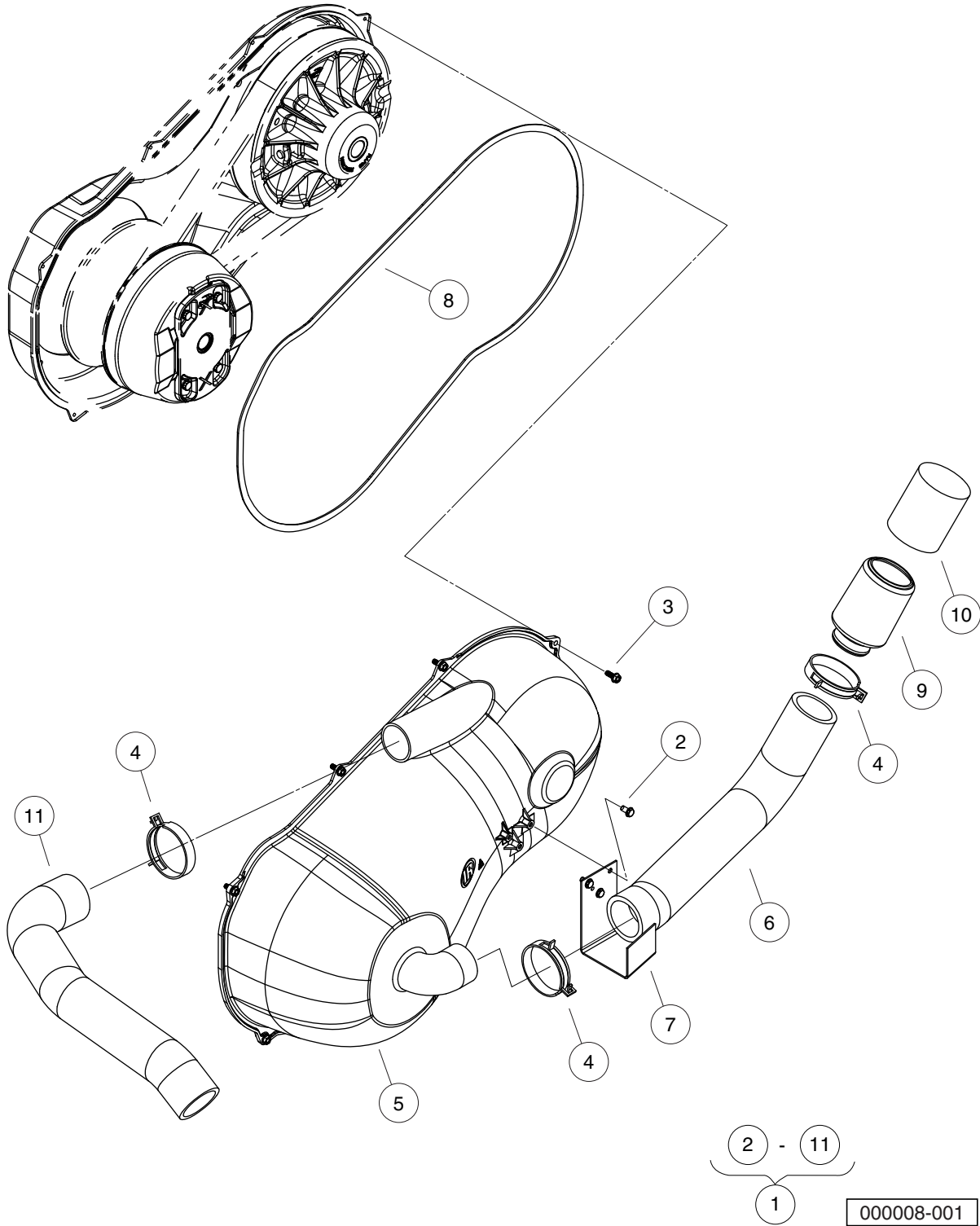
G

D

12

G

D



CLUTCH COVER (SEALED)

ITEM	PART NO.	DESCRIPTION	QTY
		1 2 3 4	
1	102616003	Kit, Sealed CVT Cover (includes items 2 through 11)	1
2	101856102	Screw, 1/4-15 X 1.50 Hi-lo Hex	3
3	102296716	Screw, M6 X 16 Tt Hx Fl Hd	7
4	102411210	Clamp, Hose, Ctb 64mm	2
5	102414501	Cover, CVT Outer	1
6	102481001	Hose, Inlet, Cover, CVT	1
7	102481201	Bracket, Inlet, Cover, CVT	1
8	102481301	Gasket, Cover, CVT	1
9	102616101	Cap, Inlet, Cover, CVT	1
10	102628001	Filter, Inlet, Cover, CVT	1
11	103320601	Hose, Outlet, Cvt	1

12

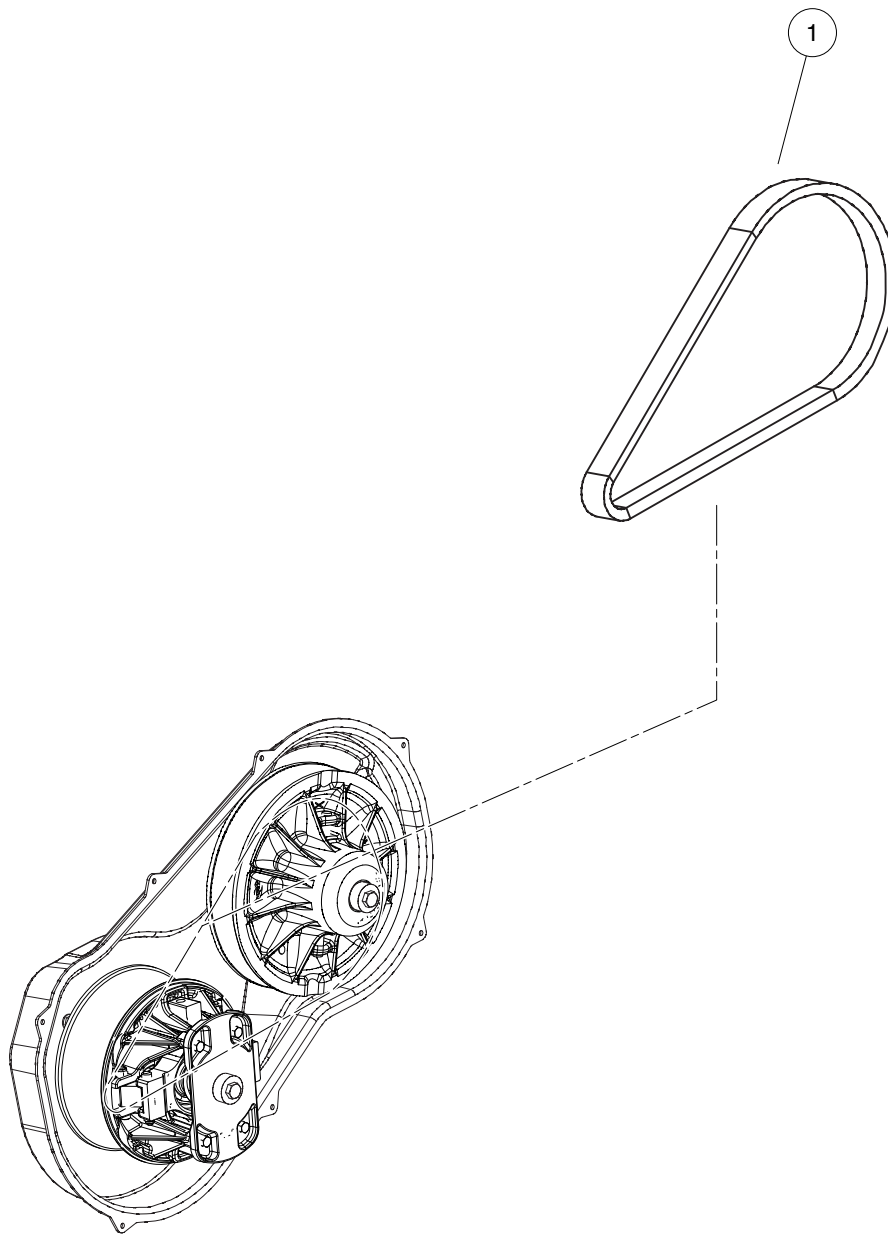
G

D

12

G

D



000084-001

DRIVE BELT

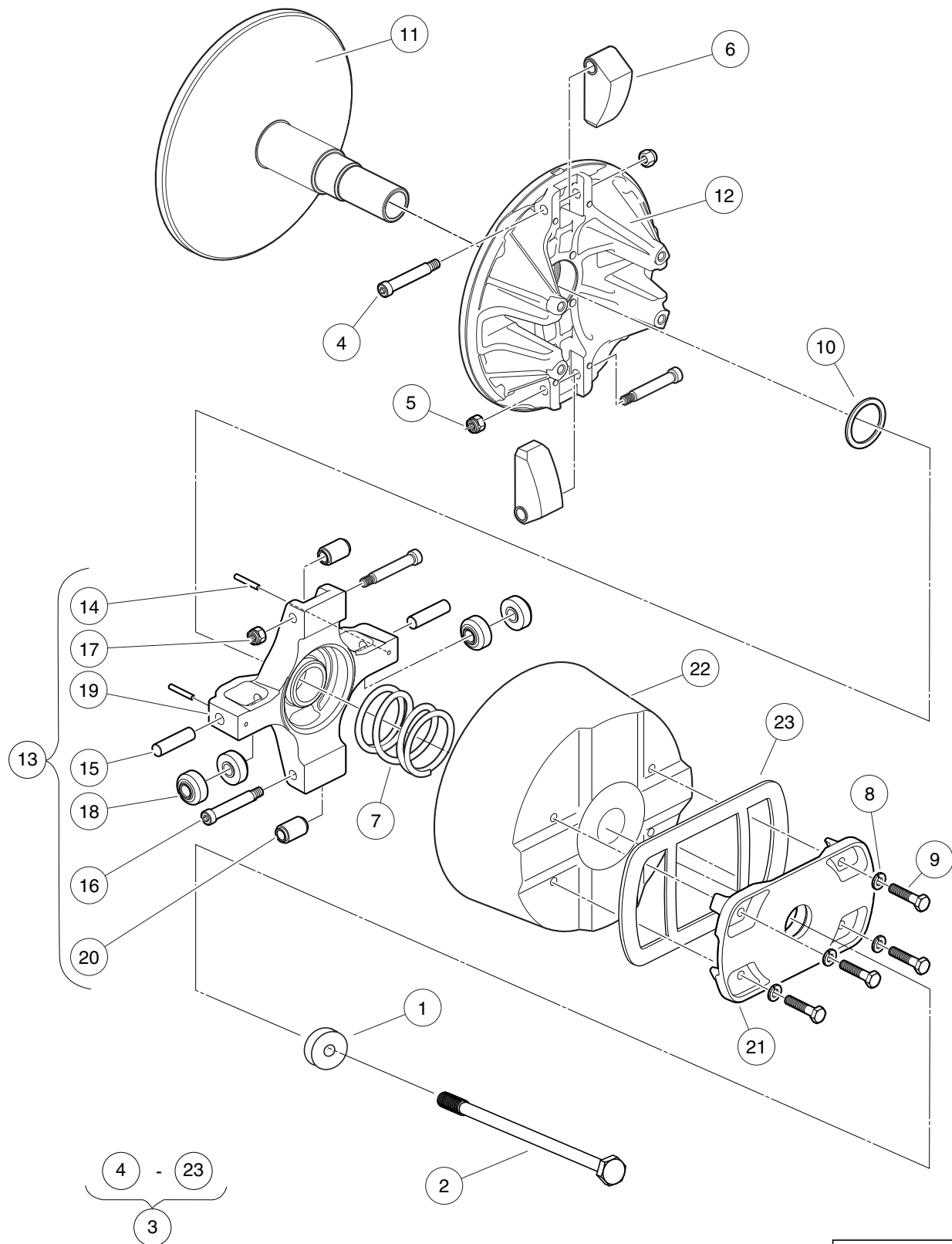
ITEM	PART NO.	DESCRIPTION	QTY
1	102374901	1 2 3 4 Belt, Drive	1

12
G
D

12

G

D



000007-003

DRIVE CLUTCH – GASOLINE VEHICLES

ITEM	PART NO.	DESCRIPTION	QTY
		1 2 3 4	
1	102385601	Washer, Stepped	1
2	102490001	Bolt, M10x1.25x200 Loctite	1
3	103185401	Clutch, 4x4, Gas, W/cover (includes items 4 through 23)	1
4	102690501	Screw, Shlder Hex, .312 X 1.75	2
5	102690701	Nut, Lock Hex, 1/14-20, Flexlc	2
6	102691001	Sub Assy, Wt Clutch, Gas	2
7	102691401	Spring, Compression, Primary	1
8	102691601	Washer, Lock, H-Spring, 1/4	4
9	102691701	Screw, Cap, Hex Hd, 1/4 X 1.25	4
10	102691801	Shim, 1.63 X 1.33	1
11	N/A	Subassembly, Drive Clutch	1
12	N/A	Subassembly, Moveable, Drive Clutch	1
13	N/A	Spider Subassembly (Gasoline) (includes items 14 through 20)	1
14	102690201	Pin, Spring Slotted, 1.25 X 1.0	2
15	102690301	Pin, Dowel, .375 X 1.50	2
16	102690501	Screw, Shlder Hex, .312 X 1.75	2
17	102690701	Nut, Lock Hex, 1/14-20, Flexlc	2
18	102691901	Roller, Torque, Gas	4
19	N/A	Spider, Drive Clutch	1
20	102839401	Sub Assy, Roller Weight	2
21	N/A	Cover, Drive Clutch	1
22	103185801	Cover, Clutch, 4x4	1
23	103185901	Gasket, Cover, Clutch, 4x4	1

12

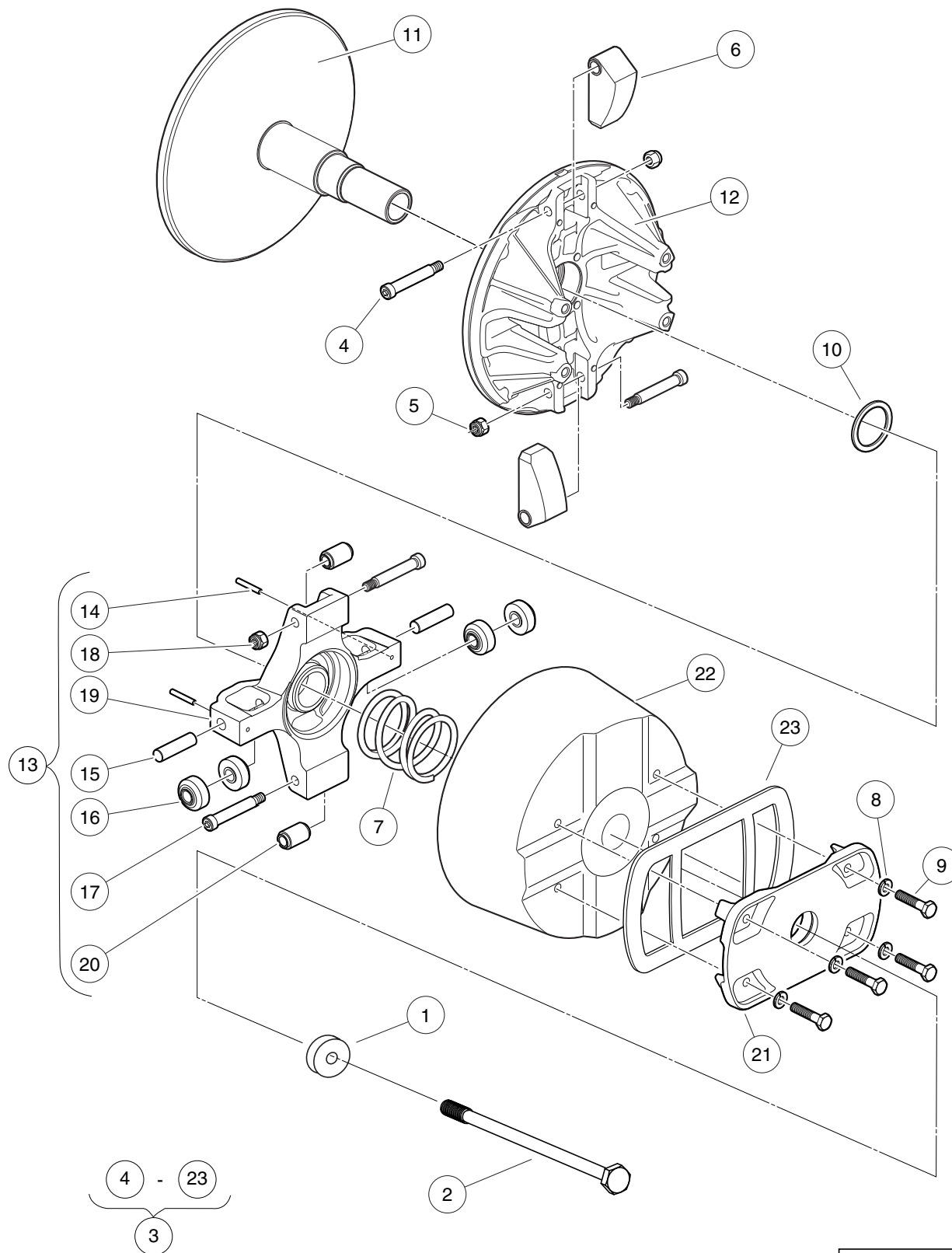
G

D

12

G

D



000007-004

DRIVE CLUTCH – DIESEL VEHICLES

ITEM	PART NO.	DESCRIPTION	QTY
		1 2 3 4	
1	102385601	Washer, Stepped	1
2	102616501	Bolt, M10 X 1.5 X 160	1
3	103185501	Clutch, 4x4, Diesel, W/cover (includes items 4 through 23)	1
4	102690501	Screw, Shlder Hex, .312 X 1.75	2
5	102690701	Nut, Lock Hex, 1/14-20, Flexlc	2
6	102690801	Sub Assy, Wt Clutch, Diesel	2
7	102691401	Spring, Compression, Primary	1
8	102691601	Washer, Lock, H-Spring, 1/4	4
9	102691701	Screw, Cap, Hex Hd, 1/4 X 1.25	4
10	102691801	Shim, 1.63 X 1.33	1
11	N/A	Subassembly, Drive Clutch	1
12	N/A	Subassembly, Moveable, Drive Clutch	1
13	N/A	Subassembly, Spider Utility, Diesel (includes items 14 through 20)	1
14	102690201	Pin, Spring Slotted, 1.25 X 1.0	2
15	102690301	Pin, Dowel, .375 X 1.50	2
16	102690401	Roller, Torque, Diesel	4
17	102690501	Screw, Shlder Hex, .312 X 1.75	2
18	102690701	Nut, Lock Hex, 1/14-20, Flexlc	2
19	N/A	Spider, Drive Clutch	1
20	102839401	Sub Assy, Roller Weight	2
21	N/A	Cover, Drive Clutch	1
22	103185801	Cover, Clutch, 4x4	1
23	103185901	Gasket, Cover, Clutch, 4x4	1

12

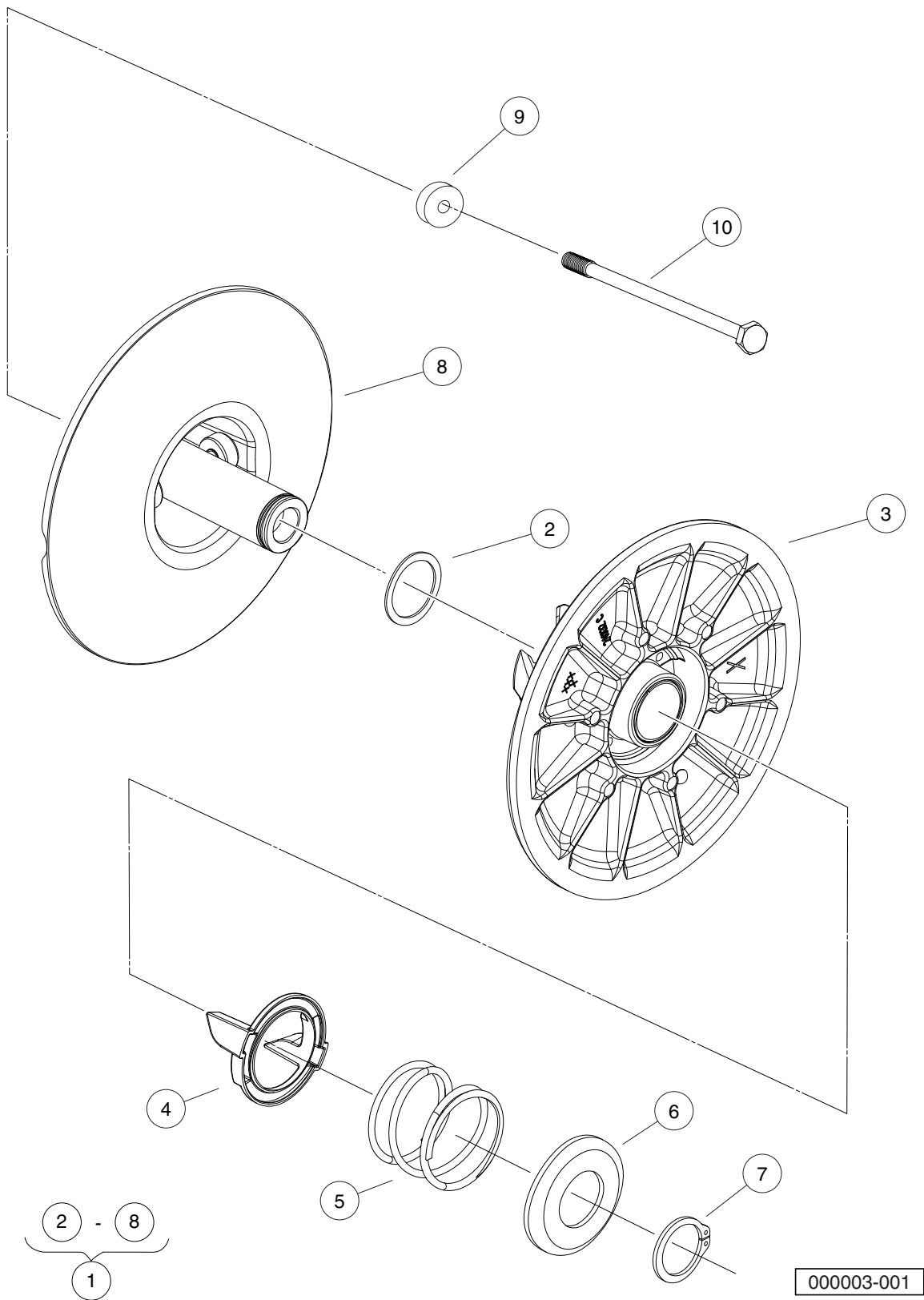
G

D

12

G

D



000003-001

DRIVEN CLUTCH

ITEM	PART NO.	DESCRIPTION	QTY
		1 2 3 4	
1	102369901	CVT, Secondary (includes items 2 through 8)	1
2	102695401	Washer, Thrust, 1.53 X 1.92	1
3	N/A	Sheave, Driven Clutch	1
4	102695601	Retainer, Spring, Inner	1
5	102695701	Spring, Compression, Secondary	1
6	102695801	Retainer, Spring, Outer	1
7	102695901	Ring, Retaining, External	1
8	N/A	Driven Clutch Base Sheave	1
9	102385701	Washer, Stepped	1
10	102719301	Bolt, M10 X 1.50 X 90, Loctite	1

12
G
D

12

G

D

DRIVETRAIN COMPONENTS

13

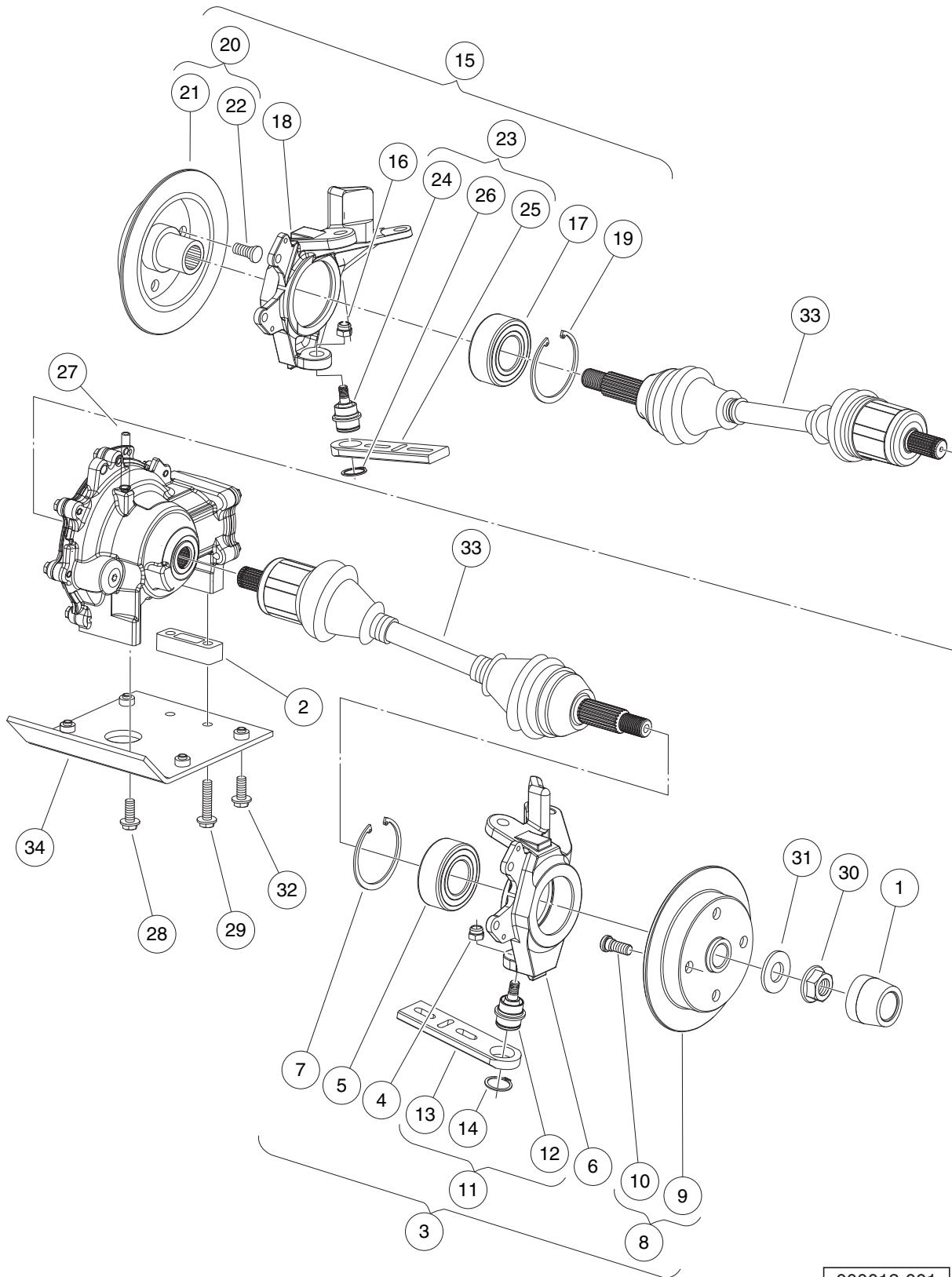
G

D

13

G

D



000012-001

FRONT DIFFERENTIAL MOUNTING AND HALF SHAFTS

ITEM	PART NO.	DESCRIPTION	QTY
		1 2 3 4	
1	102274101	Center Cap, Rubber	2
2	102381701	Spacer Block, Diff	1
3	102436001	Upright Sub-Assembly, LH (includes items 4 through 11)	1
4	102022901	Locknut, M12-1.25 Nylon	1
5	102368201	Bearing	1
6	102368301	Upright, Left	1
7	102374701	Internal Retaining Ring, 80mm Bore	1
8	102376601	Assy, Rotor, Brake, Front (includes items 9 and 10)	1
9	N/A	Rotor, Brake, Front	1
10	102475801	Stud, Wheel Lug	4
11	102479001	Asm, Adjuster, Slide (includes items 12 through 14)	1
12	102361901	Joint, Ball	1
13	102447001	Slide, Adjuster	1
14	102722301	Ring, Retaining, Ext, 1-1/4"	1
15	102436101	Upright Sub-Assembly, RH (includes items 16 through 23)	1
16	102022901	Locknut, M12-1.25 Nylon	1
17	102368201	Bearing	1
18	102368302	Upright, Right	1
19	102374701	Internal Retaining Ring, 80mm Bore	1
20	102376601	Assy, Rotor, Brake, Front (includes items 21 and 22)	1
21	N/A	Rotor, Brake, Front	1
22	102475801	Stud, Wheel Lug	4
23	102479001	Asm, Adjuster, Slide (includes items 24 through 26)	1
24	102361901	Joint, Ball	1
25	102447001	Slide, Adjuster	1
26	102722301	Ring, Retaining, Ext, 1-1/4"	1
27	102462401	Hose, Vent, Front Diff	1
28	102491001	Bolt Flanged Head, 3/8-16x1.0 with Loctite	2
29	102491101	Bolt Flanged Head, 3/8-16x1.500 with Loctite	2
30	102617501	Nut Flg, M22 X 1.5 Mech Def	2
31	102617801	Washer Hard, M22	2
32	102711601	Bolt, Flange Head, M10 X 1.5 X 25	4
33	102865201	Shaft, Half	2
34	103244701	Asm, Mount, Diff Plate	1

13

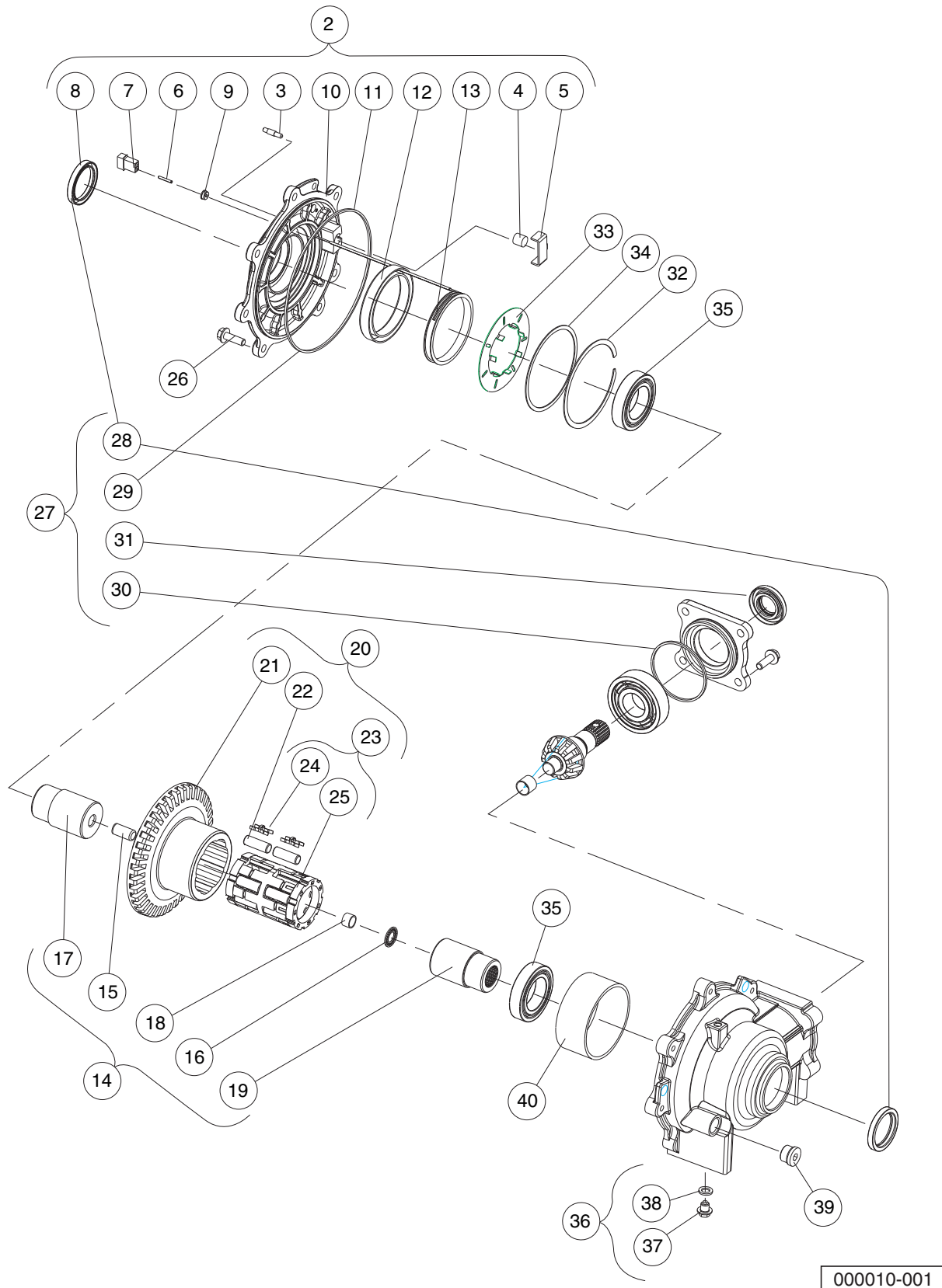
G

D

13

G

D



000010-001

FRONT DIFFERENTIAL (OUTPUT COMPONENTS)

ITEM	PART NO.	DESCRIPTION	QTY
		1 2 3 4	
1	102371801	Differential, Front * (includes items 2 through 40)	1
2	102438201	Kit, Assy, Output Cover Plate (includes items 3 through 13)	1
3	102439001	Set Screw, #10-24 UNC-3A with Patch	1
4	102439101	Thrust Button	1
5	102439201	Thrust Plate	1
6	N/A	Mate-N-Lock Pin	2
7	N/A	Mate-N-Lock Housing	1
8	N/A	Oil Seal	1
9	N/A	Grommet	1
10	N/A	Plate, Output Cover	1
11	N/A	O-Ring	1
12	N/A	Coil, Pocket Insert	1
13	N/A	Coil with Press-Fit Bobbin	1
14	102438301	Kit, Assy, Race Output Hub (includes items 15 through 19)	1
15	102439401	Pin, Dowel	1
16	102439501	Bearing, Needle	1
17	N/A	Race/Output Hub, Male	1
18	N/A	Bushing, PermiGlide	1
19	N/A	Race/Output Hub, Female	1
20	102438401	Kit, Assy, Clutch (includes items 21 through 23)	1
21	102439601	Clutch Hsg/Ring Gear, Machined	1
22	102439801	Kit, Roller (contains 14 rollers)	1
23	102439901	Kit, Assy, Roll Cage (includes items 24 and 25)	1
24	102439701	Kit, H-Clip Spring (contains 14 clips)	1
25	N/A	Roll Cage, Plastic	1
26	102438501	Kit, Bolt (contains 7 bolts)	1
27	102438601	Kit, Minor Repair (includes items 28 through 31)	1
28	N/A	Oil Seal	1
29	N/A	O-Ring	1
30	N/A	O-Ring	1
31	N/A	Oil Seal, Triple-Lipped	1
32	102438701	Retaining, Ring Internal	1
33	102438801	Plate, Armature	1
34	102438901	Shim, Armature, Plate	1
35	102439301	Bearing, Ball	12
36	102440101	Kit, Assy, Drain Plug (includes items 37 and 38)	1
37	N/A	Plug, Oil Drain	1
38	N/A	Washer, Nylon, 0.625 x 0.382 x 0.06	1
39	102440301	Plug, Oil Fill	1
40	N/A	Bushing, Self-Lubricating, 80 x 85 x 20	1
		* Note: This assembly also contains components listed on the following two pages.	

13

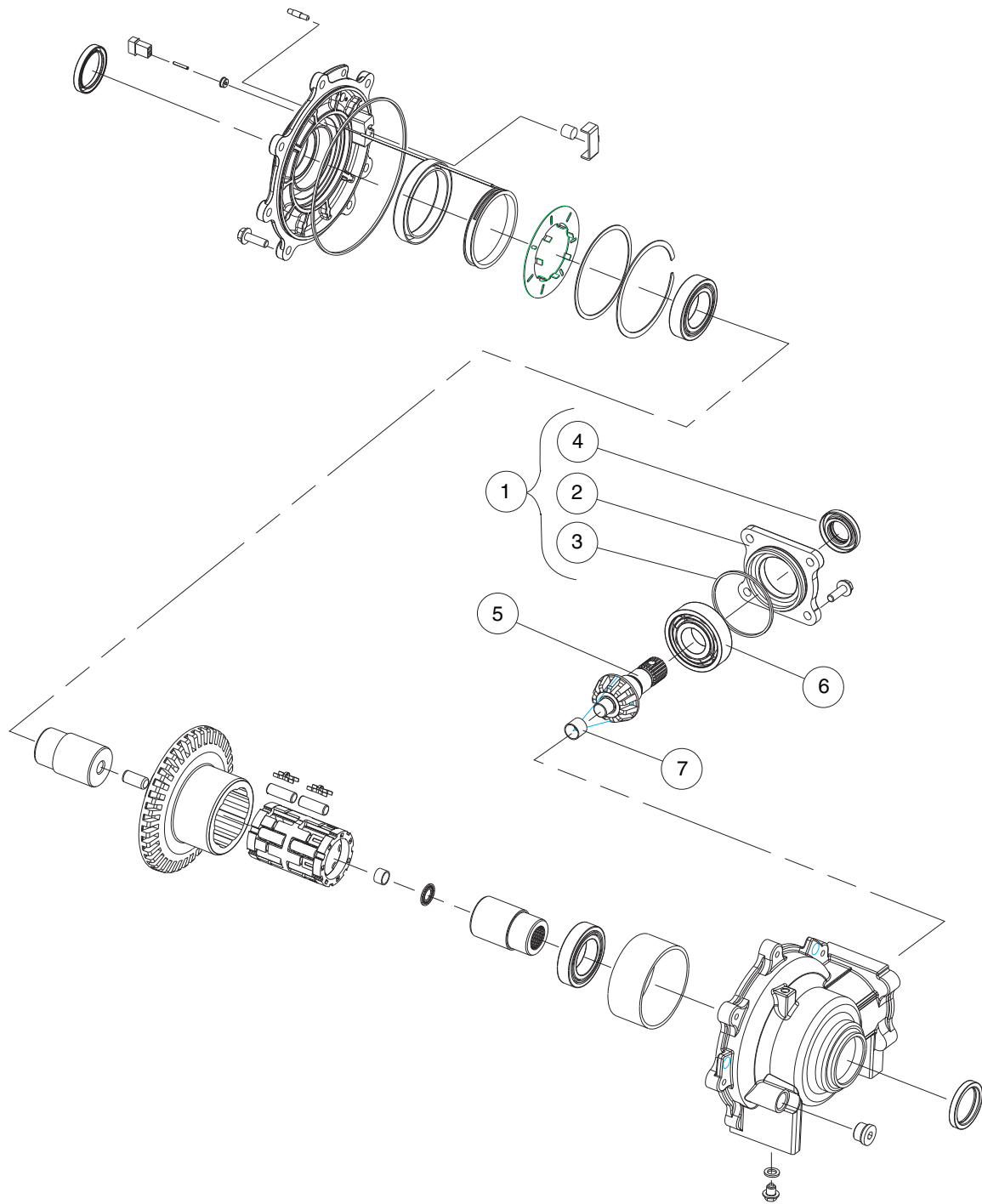
G

D

13

G

D



000010-002

FRONT DIFFERENTIAL (INPUT COMPONENTS)

ITEM	PART NO.	DESCRIPTION	QTY
		1 2 3 4	
1	102440201	Kit, Assy, Input Cover Plate (includes items 2 through 4)	1
2	102440601	Cover, Input, Machined	1
3	N/A	O-Ring	1
4	N/A	Oil Seal, Triple-Lipped	1
5	102440401	Shaft, Pinion, Machined	1
6	102440501	Bearing, Ball	1
7	N/A	Bushing, Plain 16 Id X 15 Wide	1
<p>Note: This page contains a list of components internal to the front differential. See the previous pages for other front differential components.</p>			

13

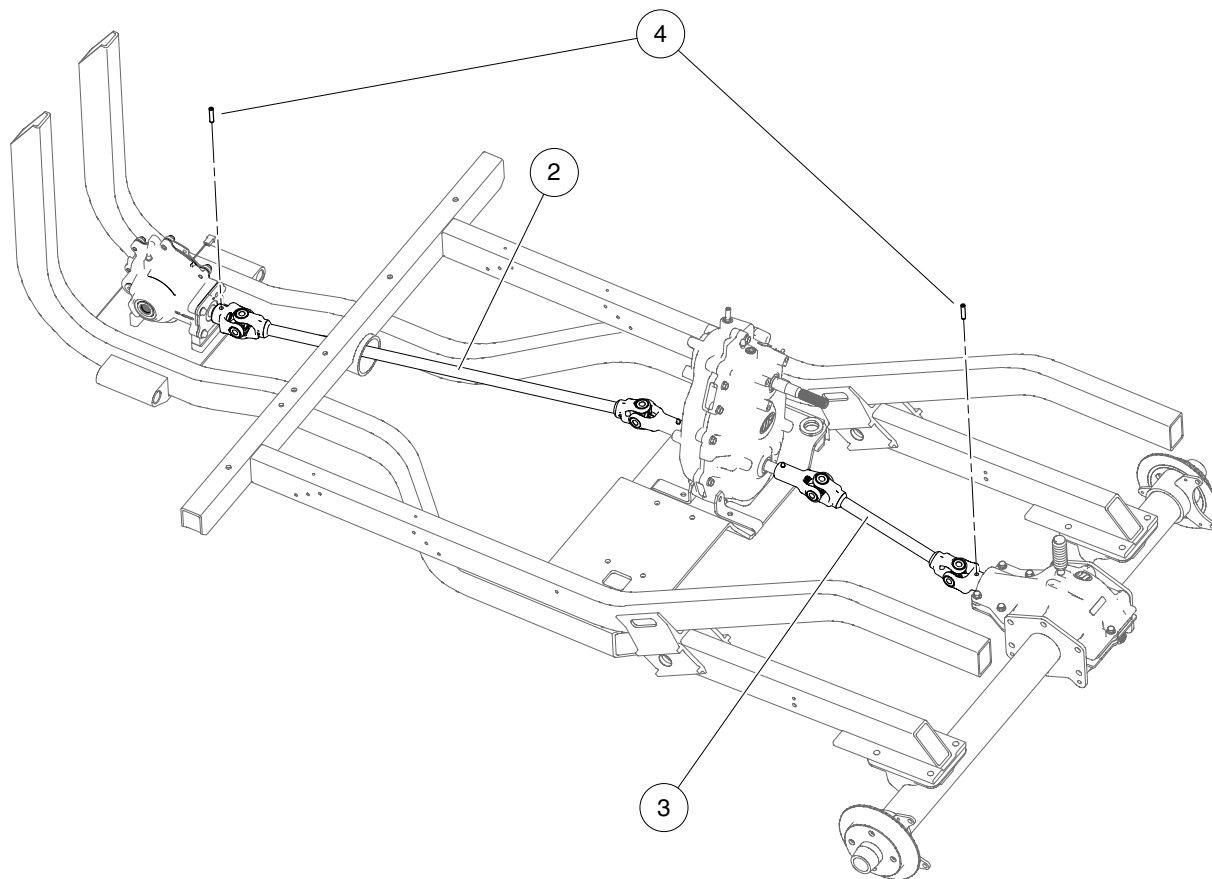
G

D

13

G

D



000091-001

PROP SHAFTS

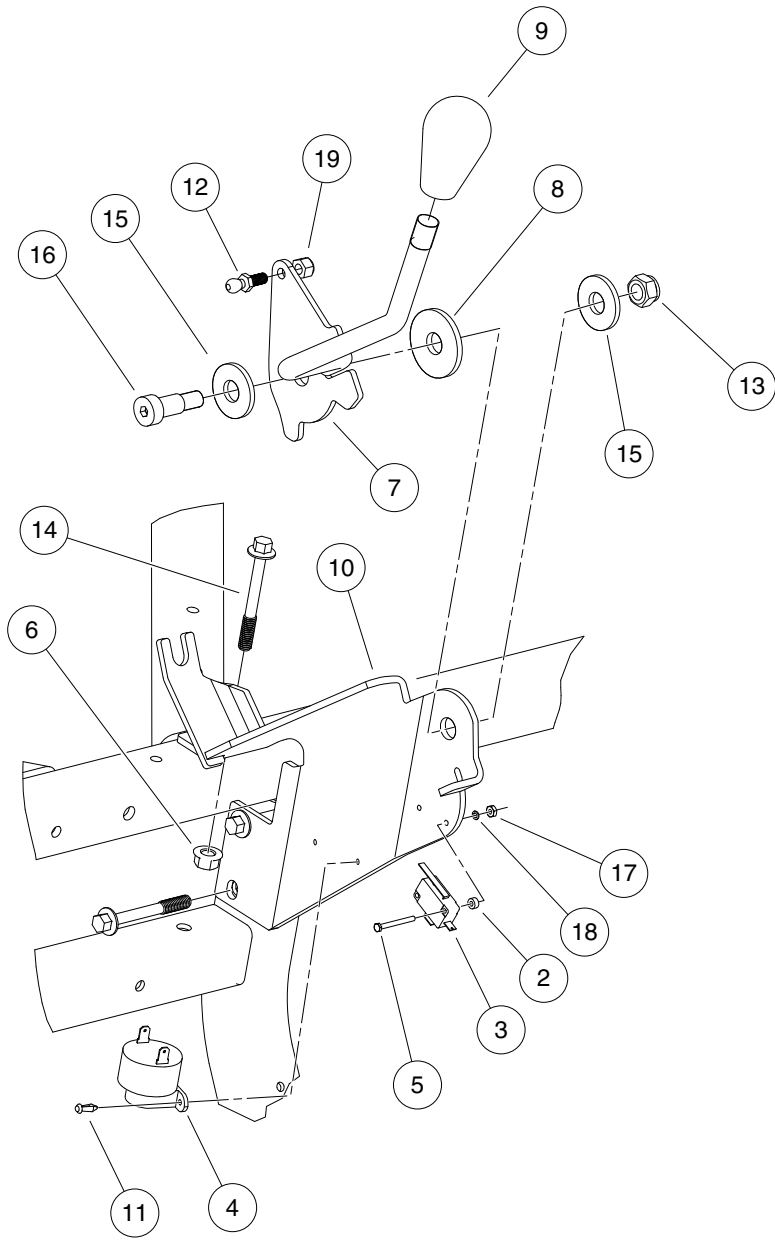
ITEM	PART NO.	DESCRIPTION	QTY
1	N/A	1 2 3 4 Inst, Prop Shafts, Awd (includes items 2 through 4)	1
2	102371701	Prop Shaft, Front	1
3	102372101	Prop Shaft, Rear	1
4	95293643	Pin, Spring, 5/16 X 1-1/2 Hd	2

13
G
D

13

G

D



000030-001

FORWARD/REVERSE SHIFTER ASSEMBLY

ITEM	PART NO.	DESCRIPTION	QTY
		1 2 3 4	
1	102470801	Asm, FNR (includes items 2 through 19)	1
2	1014727	Washer, #4 Nylon Flat	2
3	1014808	Switch, Limit	1
4	1016851	Buzzer, Reverse (9-48 VDC)	1
5	1016896	Screw, #4-40 X 1.125 Hx Hd Mch	2
6	102298401	Nut,m8,all Metal Lock	3
7	102375801	Weldment, FNR Shifter	1
8	102375901	Bushing, Fnr	1
9	102376001	Knob, Fnr	1
10	N/A	Weldment, FNR Shifter Bracket	1
11	102499001	Rivet, Micro Tuflok	2
12	102615701	Stud, Ball, .346 Dia	1
13	102616701	Locknut, M10x1.5 Nylon Insert	1
14	102618301	Bolt Flanged Head, M8 X 1.25 X 65	3
15	102684501	Washer, M12 Hard Regular	2
16	102684601	Shoulder Bolt,m12 X 20 M10 Thd	1
17	8057	Nut, #4-40 Hex Machine	2
18	8058	Lockwasher, #4 Split	2
19	8717	Locknut, 1/4-28 Nylon Insert	1

13

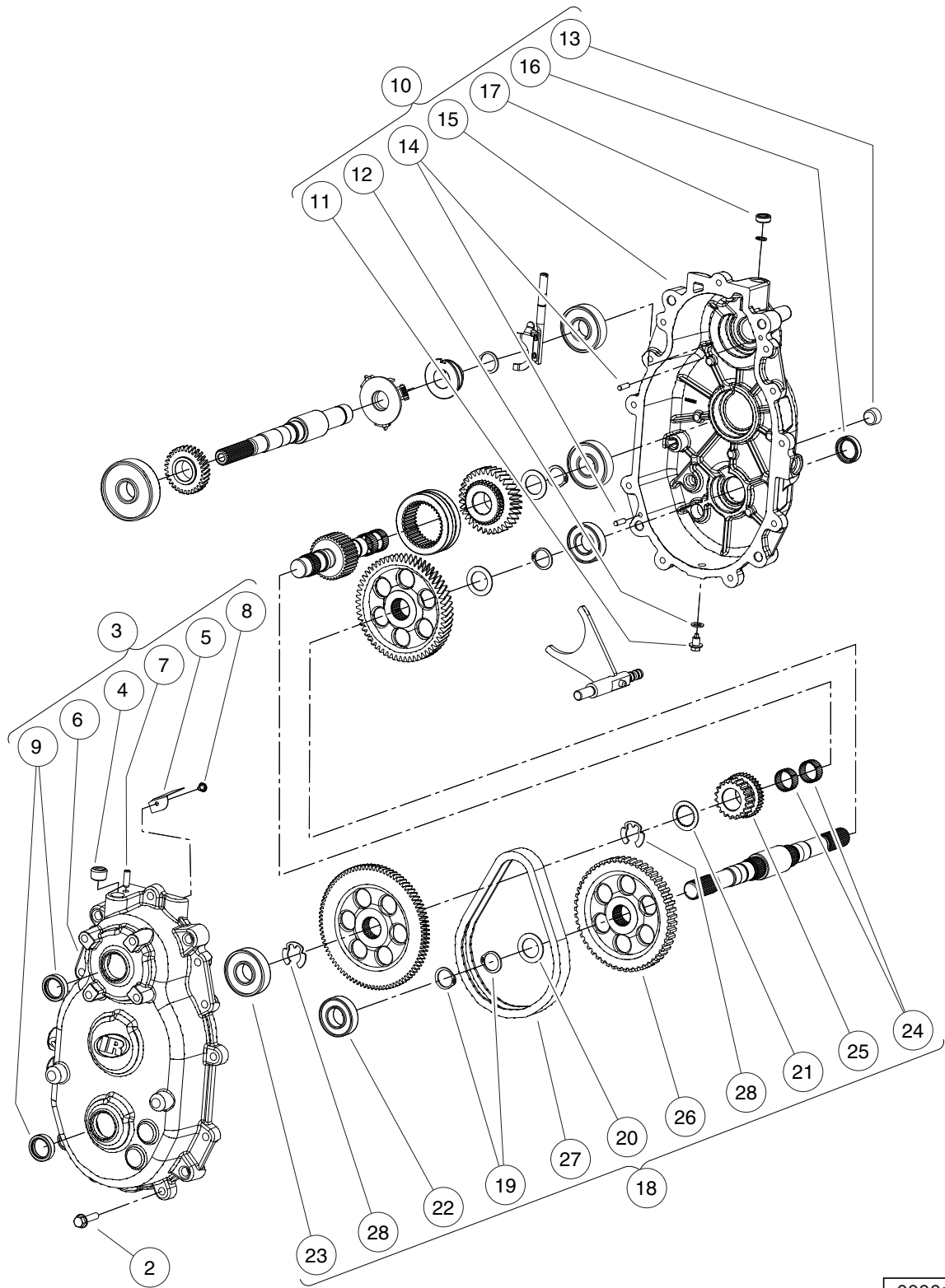
G

D

13

G

D



000016-001

TRANSMISSION

ITEM	PART NO.	DESCRIPTION	QTY
		1 2 3 4	
1	102369401	Transmission, Parallel Shaft * (includes items 2 through 18)	1
2	102693301	Screw,hex Flange, M8 X 35	11
3	102764201	Asm, Gear Case, Rear (includes items 4 through 9)	1
4	102694201	Plug, Square Skt, 1/12-14, Ptf	1
5	102696301	Oil, Deflector	1
6	102697401	Gearcase, Rear	1
7	102698301	Vent, Trans	1
8	102698901	Screw, Tapping # 10-24 X .375	1
9	102699401	Seal, Triple, 25 X 35 X 7.8	2
10	N/A	Asm, Gear Case, Front (includes items 11 through 17)	1
11	102693401	Plug,3/8-16, Hex Flange	1
12	102693501	Washer, .625 X .382 X .60	1
13	102694201	Plug, Square Skt, 1/12-14, Ptf	1
14	102696101	Pin, Dowel, 6 X 20	2
15	102697301	Gearcase, Front	1
16	102699401	Seal, Triple, 25 X 35 X 7.8	1
17	102721501	Seal, Dual-Lip	1
18	102765201	Kit, Reverse Gear Repair (includes items 19 through 28)	1
19	102696201	Ring, Retaining, Basic External	2
20	102696501	Washer, Thrust, 1.007 X .062	1
21	102696701	Washer, 26.231 X 39.167 X 1.57	1
22	102696801	Bearing, Ball	1
23	102696901	Bearing, Ball	1
24	102697101	Bearing, Needle	2
25	102697601	Sprocket, 19-Tooth	1
26	102697701	Sprocket, 51-Tooth	1
27	102699201	Chain, .375p, .75 Wide, 60ptch	1
28	102699701	Ring, Retaining, E-Ring	2
		 * Note: This assembly also contains components listed on the following four pages.	

13

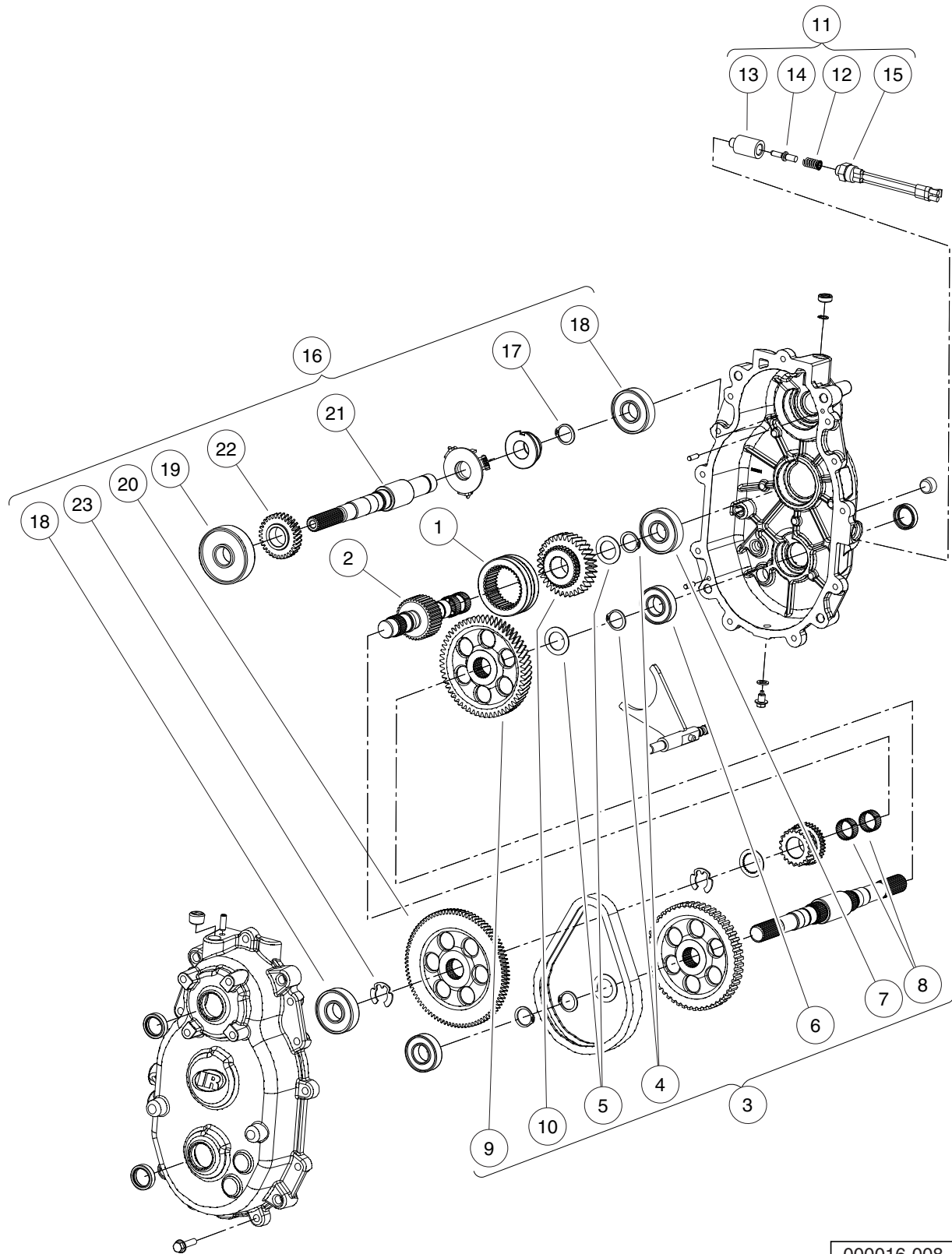
G

D

13

G

D



000016-008

TRANSMISSION, CONTINUED

ITEM	PART NO.	DESCRIPTION	QTY
		1 2 3 4	
1	102697501	Dog, Engagement	1
2	102698701	Shaft, Intermediate	1
3	102764901	Kit, Forward Gear Repair (includes items 4 through 10)	1
4	102696201	Ring, Retaining, Basic External	2
5	102696501	Washer, Thrust, 1.007 X .062	2
6	102696801	Bearing, Ball	1
7	102696901	Bearing, Ball	1
8	102697101	Bearing, Needle	2
9	102697901	Gear, Helical 58-Tooth	1
10	102698001	Gear, Helical 34-Tooth	1
11	102765101	Kit, Neutral Switch Repair (includes items 12 through 15)	1
12	102697201	Spring, .484 X .340 X 1.076	1
13	N/A	Guide, Detent Bullet	1
14	102698601	Bullet, Detent	1
15	102699301	Switch, Indicator, Pollak	1
<p style="margin: 0;">Note: This page contains a list of components internal to the transmission. See the previous pages for other transmission components.</p>			

13

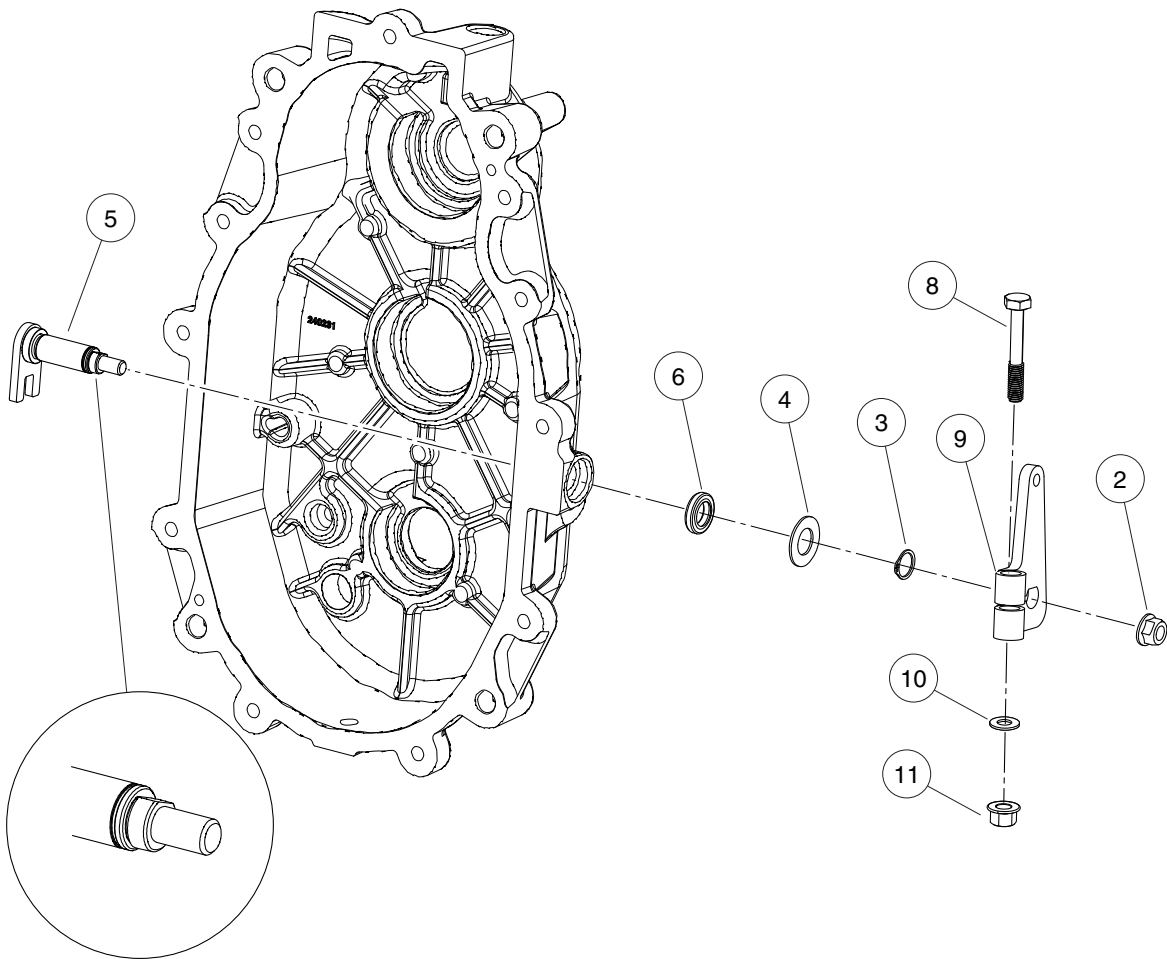
G

D

13

G

D



000016-009

TRANSMISSION SHIFT SHAFT AND BELL CRANK TRANSMISSION SHIFT SHAFT AND BELL CRANK (STYLE

ITEM	PART NO.	DESCRIPTION	QTY
		1 2 3 4	
1	102765001	Kit, Trans Shift Shaft Repair (includes items 2 through 6)	1
2	102696001	Nut, Lock Hex, Nylon, 5/16-24	1
3	102696401	Ring, Retaining, External 9/16	1
4	102696601	Washer, Flat, .58 X 1.08 X .05	1
5	N/A	Weldment, Shift, Shaft	1
6	102699601	Seal, Dul Lip, .88 X .56 X .19	1
7	103294301	Kit, Bellcrank, D Shape, Clamp (includes items 8 through 11)	1
8	1010177	Bolt, 3/8-16 X 2.00 Hex Head	1
9	N/A	Asm, Bellcrank, D Shape, Clamp	1
10	334	Washer, 3/8 Type A Flat	1
11	8754	Locknut, 3/8-16 Hex	1

13

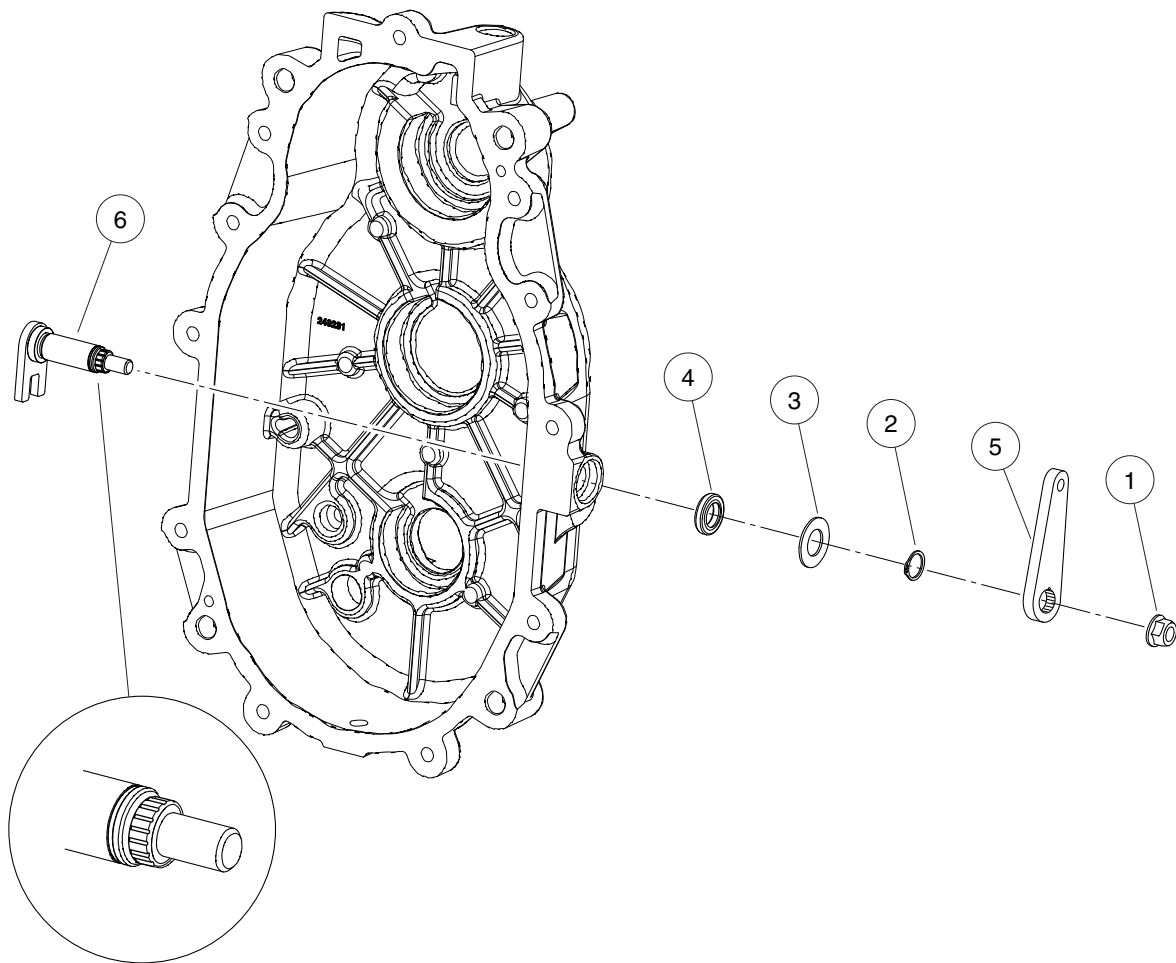
G

D

13

G

D



000016-010

TRANSMISSION SHIFT SHAFT AND BELL CRANK (STYLE B)

ITEM	PART NO.	DESCRIPTION	QTY
		1 2 3 4	
1	102696001	Nut, Lock Hex, Nylon, 5/16-24	1
2	102696401	Ring, Retaining, External 9/16	1
3	102696601	Washer, Flat, .58 X 1.08 X .05	1
4	102699601	Seal, Dul Lip, .88 X .56 X .19	1
5	103239501	Bellcrank, Alum	1
6	103239801	Shaft, Shift	1

13

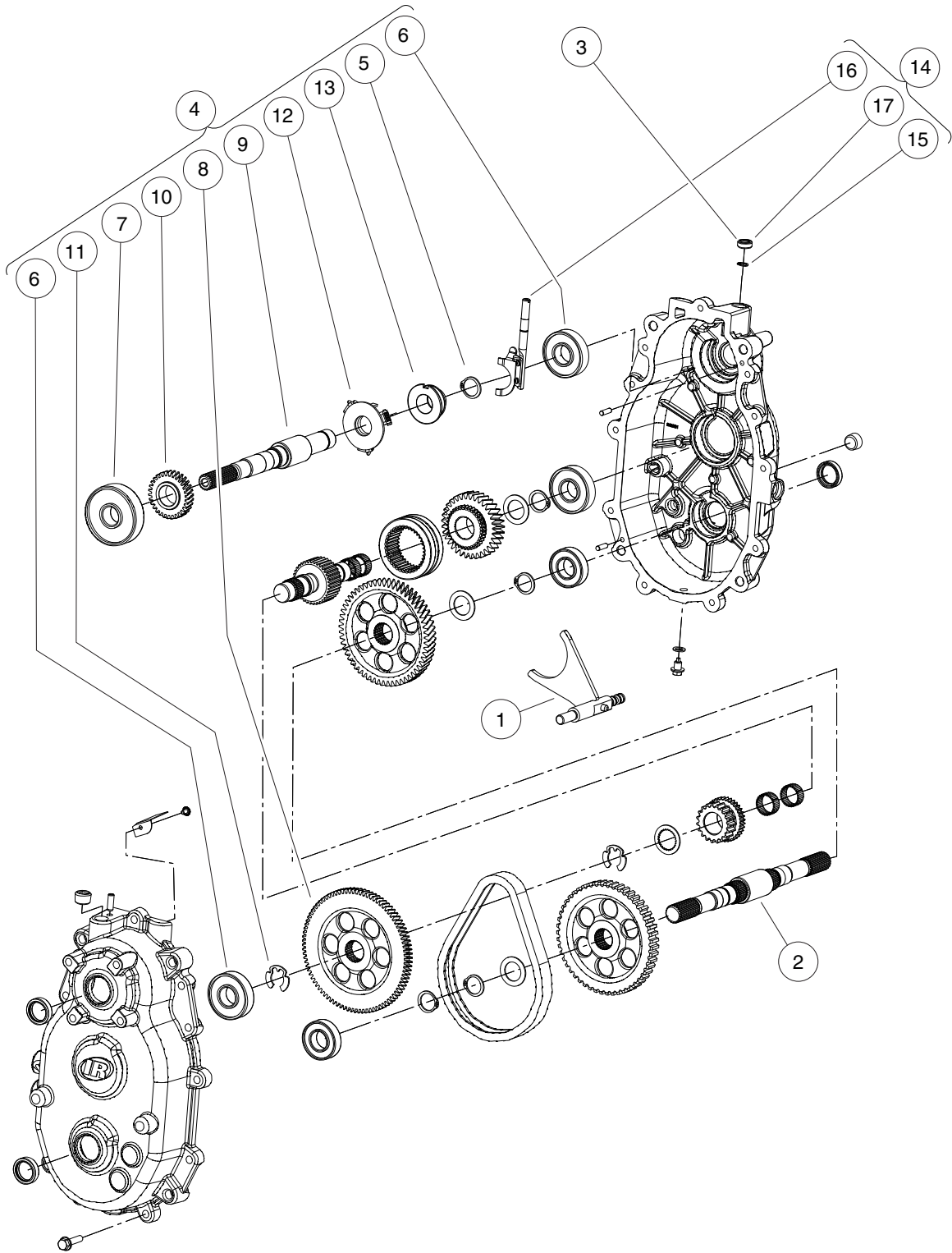
G

D

13

G

D



000016-003

TRANSMISSION, CONTINUED

ITEM	PART NO.	DESCRIPTION	QTY
		1 2 3 4	
1	102697801	Fork, Transmission	1
2	102698801	Shaft, Output	1
3	102699501	Plug, 19mm	1
4	102764701	Kit, Input Shaft Repair (includes items 5 through 13)	1
5	102696201	Ring, Retaining, Basic External	1
6	102696901	Bearing, Ball	2
7	102697001	Bearing, Ball	1
8	102698101	Gear, Helical 90-Tooth	1
9	102698401	Shaft, Input	1
10	102699001	Gear, Helical, 31-tooth	1
11	102699701	Ring, Retaining, E-Ring	1
12	102700201	Sub Assy, Fly Weight	1
13	102700301	Sub Assy, Governor Spool	1
14	102764801	Kit, Governor Shaft Repair (includes items 15 through 17)	2
15	102700001	Ring, Retaining	1
16	102700101	Assy, Governor Arm	1
17	102721501	Seal, Dual-Lip	1
<p style="margin-left: 40px;">Note: This page contains a list of components internal to the transmission. See the previous pages for other transmission components.</p>			

13

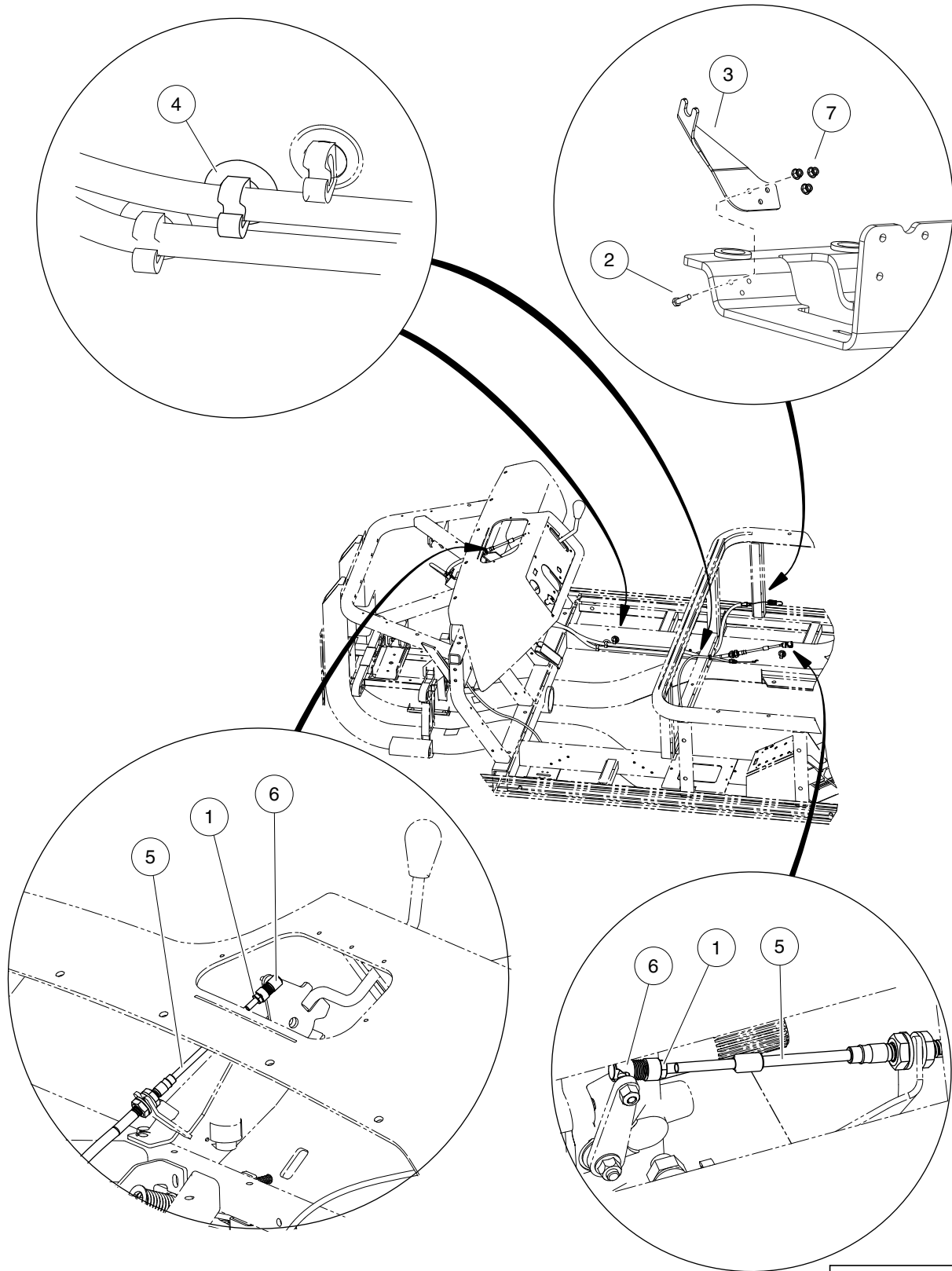
G

D

13

G

D



000032-001

TRANSMISSION CABLE

ITEM	PART NO.	DESCRIPTION	QTY
		1 2 3 4	
1	1011084	Nut, 1/4-28 Hex Jam	2
2	1012769	Screw, M6-1.00 X 25mm Hex Cap	3
3	102382401	Bracket, FNR Trans Cable	1
4	102475701	Clip, Brake Line	2
5	102495801	Cable, Transmission Shift	1
6	102615801	Joint, Ball, .346 Dia	2
7	102621501	Nut Flg, M6 X 1.0 Nylon	3

13

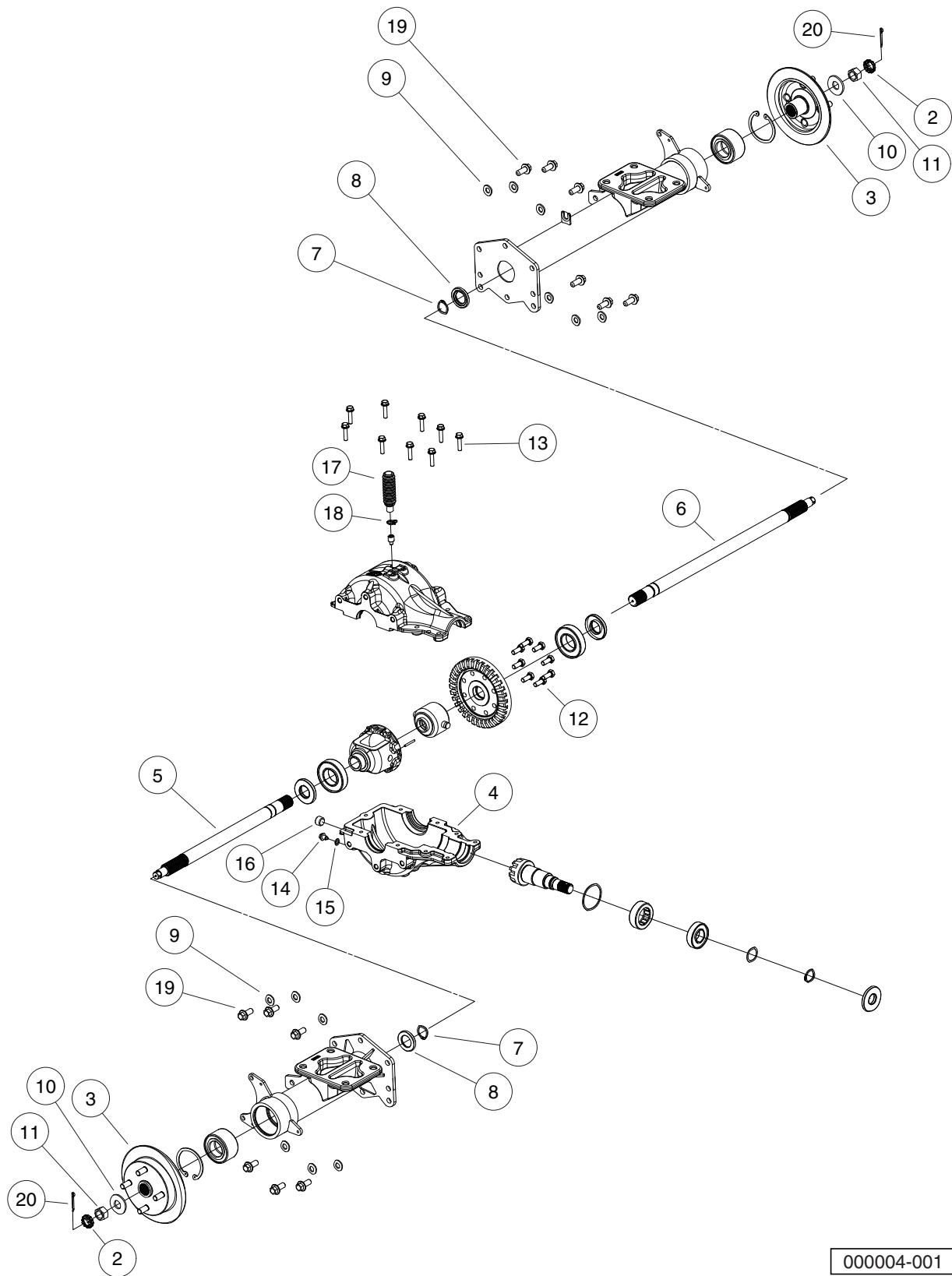
G

D

13

G

D



000004-001

REAR DIFFERENTIAL

ITEM	PART NO.	DESCRIPTION	QTY
		1 2 3 4	
1	102831501	Axle, Rear, Guard Mounts (Complete Assembly) (includes items 2 through 20)	1
2	102276001	Locking Cap, Nut	2
3	102376602	Assy, Rotor, Brake, Rear	2
4	102449101	Gearcase, Lower, Machined	1
5	102463501	Axle, Right-hand	1
6	102463601	Axle, Left-Hand	1
7	102463801	Ring, Retaining, Internal	2
8	102672101	Washer, counterbored 51 X 30	2
9	102672201	Washer, Belleville, 1.063 X .043	12
10	102672301	Washer, Belleville, 49 X 4	2
11	102672401	Nut, Hex, M20 X 1.5 , Modified	2
12	N/A	Screw, M10 X 25	8
13	102693301	Screw, hex Flange, M8 X 35	9
14	102693401	Plug, 3/8-16, Hex Flange	1
15	102693501	Washer, .625 X .382 X .60	1
16	102694201	Plug, Square Skt, 1/12-14, Ptf	1
17	102694301	Bellows, Vent, Upper Housing	1
18	102694401	Clamp, Hose, Dw-9.5	1
19	102694701	Screw, Hex Fl, M12 X 1.75 X 30	12
20	102694801	Pin, Cotter, 5/32 X 1.25	2

13

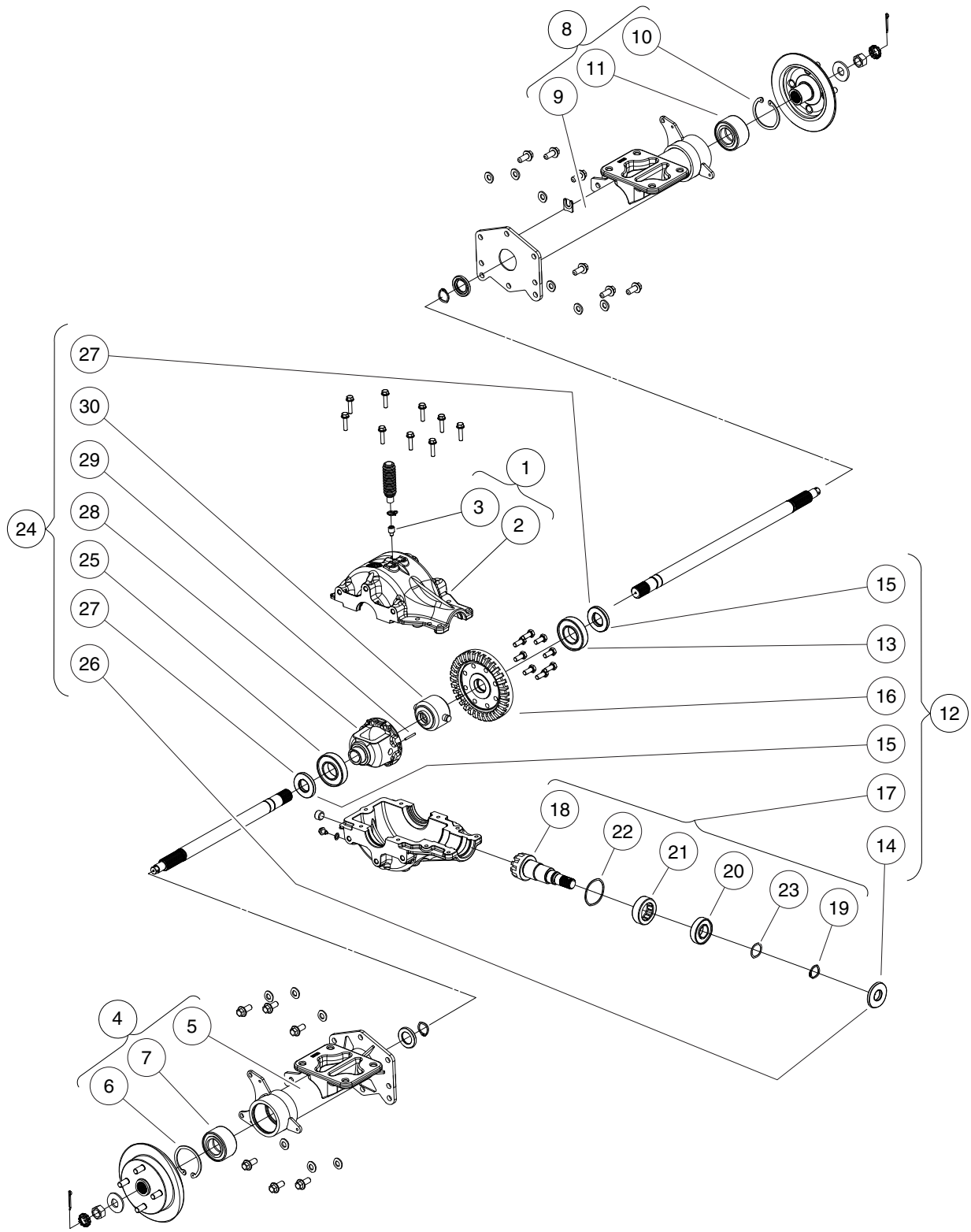
G

D

13

G

D



000004-002

REAR DIFFERENTIAL, CONTINUED

ITEM	PART NO.	DESCRIPTION	QTY
		1 2 3 4	
1	102765301	Asm, Gearcase, Upper (includes items 2 and 3)	1
2	102449201	Gearcase, Upper, Machined	1
3	102694001	Vent, Top, Upper Housing	1
4	102765401	Asm, Axle Tube, RH (includes items 5 through 7)	1
5	102463401	Weldment, Axle Tube Rh	1
6	102463801	Ring, Retaining, Internal	1
7	102464301	Bearing	1
8	102765501	Asm, Axle Tube, LH (includes items 9 through 11)	1
9	102463301	Weldment, Axle Tube Lh	1
10	102463801	Ring, Retaining, Internal	1
11	102464301	Bearing	1
12	102765801	Kit, Rear Axle Gear Repair (includes items 13 through 17)	1
13	102464201	Bearing, Ball	1
14	102464401	Seal, Dual-Lip 25x 62x 7tc	1
15	102464501	Seal, Dual-Lip 30x 62x 8tc	2
16	102762601	Gear, Ring, 33-Tooth	1
17	102765701	Asm, Pinion W/ Bearings (includes items 18 through 23)	1
18	102463101	Pinion, 10t Machined	1
19	102463901	Ring, Retaining, External	1
20	102464001	Bearing, Ball	1
21	102464101	Bearing, Needle, Drawn Shell	1
22	102693601	Washer, 2.625 X 2.367 X .06	1
23	102694502	Shim, 1.50 X 1.189 X .008	1
24	102961501	Asm, Differential & Carrier (includes items 25 through 30)	1
25	102464201	Bearing, Ball	1
26	102464401	Seal, Dual-Lip 25x 62x 7tc	1
27	102464501	Seal, Dual-Lip 30x 62x 8tc	2
28	102961301	Housing, Differential, Mach	1
29	102961401	Pin, Dowel, 4 X 35	1
30	102961601	Asm, Locker, Nongrease/Spacers	1

13

G

D

13

G

D

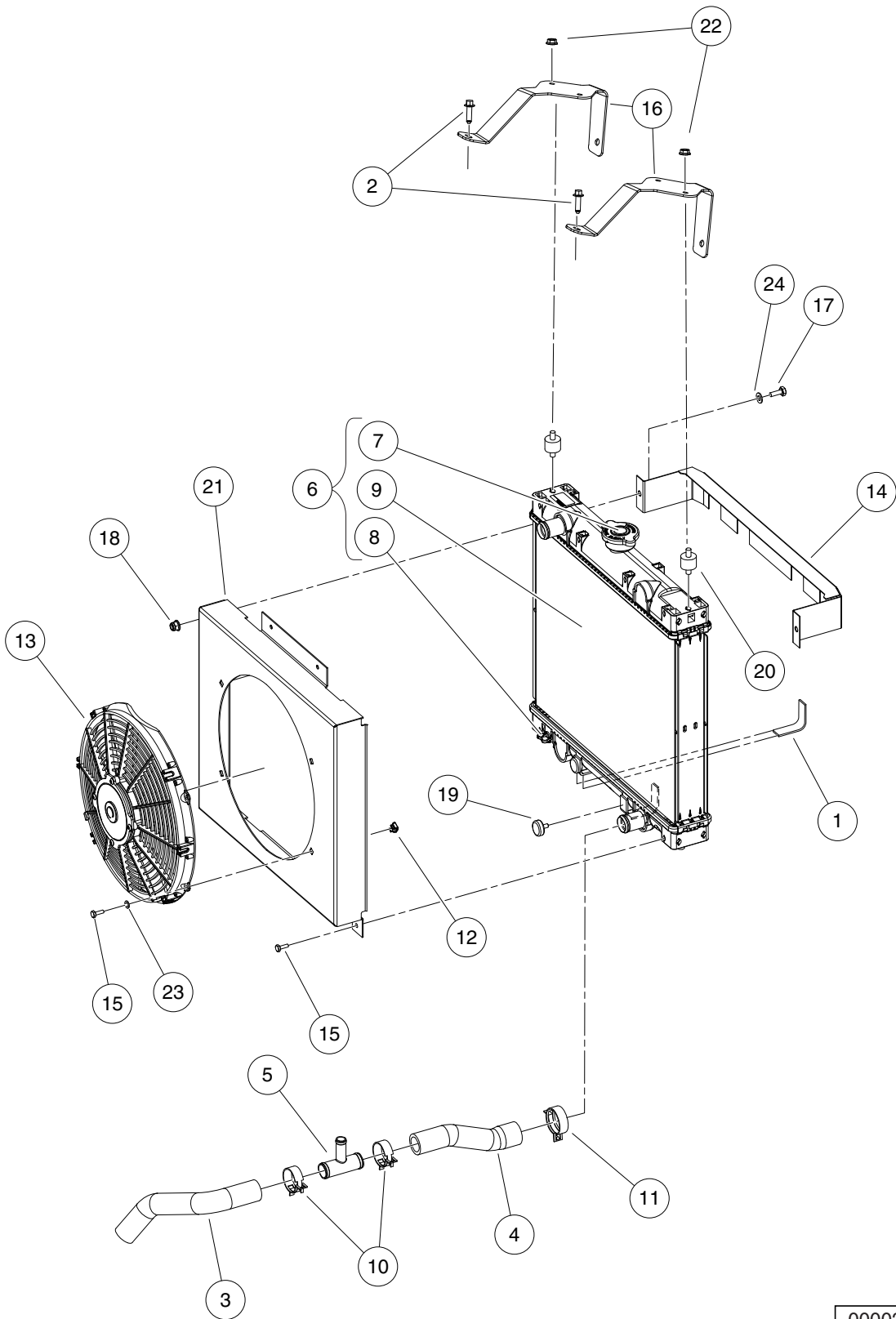
RADIATOR AND COOLANT SYSTEM (DIESEL VEHICLES)

14

D

14

D



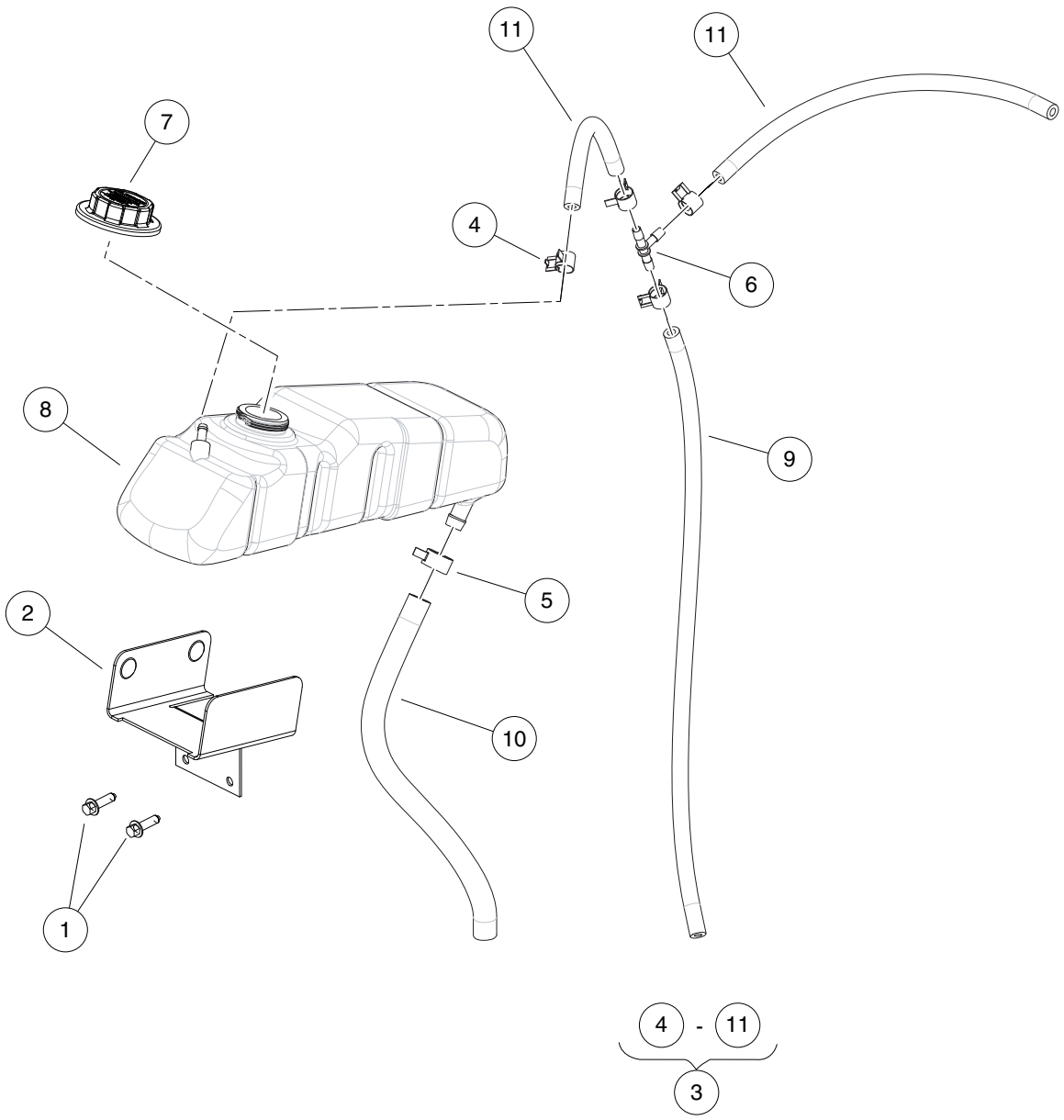
000024-001

RADIATOR

14

D

ITEM	PART NO.	DESCRIPTION	QTY
		1 2 3 4	
1	1014471	Tape, Vinyl Foam 1/8" x 3/4" *	1
2	102289001	Screw, M8X1.25X30, Hex	2
3	102377801	Hose, Coolant Lower Pipe	1
4	102377901	Hose, Coolant Lower Rad	1
5	102380301	Tee, Coolant Fill	1
6	102410301	Exchanger, Engine Coolant (includes items 7 and 8)	1
7	102737301	Cap, Radiator	1
8	102737401	Drain Cock, Radiator	1
9	102411207	Clamp, Hose, Ctb 35mm	2
10	102411208	Clamp, Hose, Ctb 38mm	1
11	102411301	Nut, Self Retaining	4
12	102436701	Fan, Cooling 12 In Elect	1
13	102452101	Guard, Radiator, Top	1
14	102490301	Bolt, M6 X 1 X 16 Loctite	8
15	102493401	Bracket, Upper Radiator Mount	2
16	102498101	Bolt, M8 X 1.25 X 20	2
17	102618601	Lock Nut, Flg M8 X 1.25 Nylon	2
18	102684401	Bumper, 13mm Stud	2
19	102685001	Isolator, Twin-Stud	2
20	102855501	Shroud, Radiator Fan	1
21	96704416	Nut Flg, M8 X 1.25 Serrated	2
22	96705199	Washer, M6	4
23	96741038	Washer, M8 Hard	2
		* Note: Item not shown.	



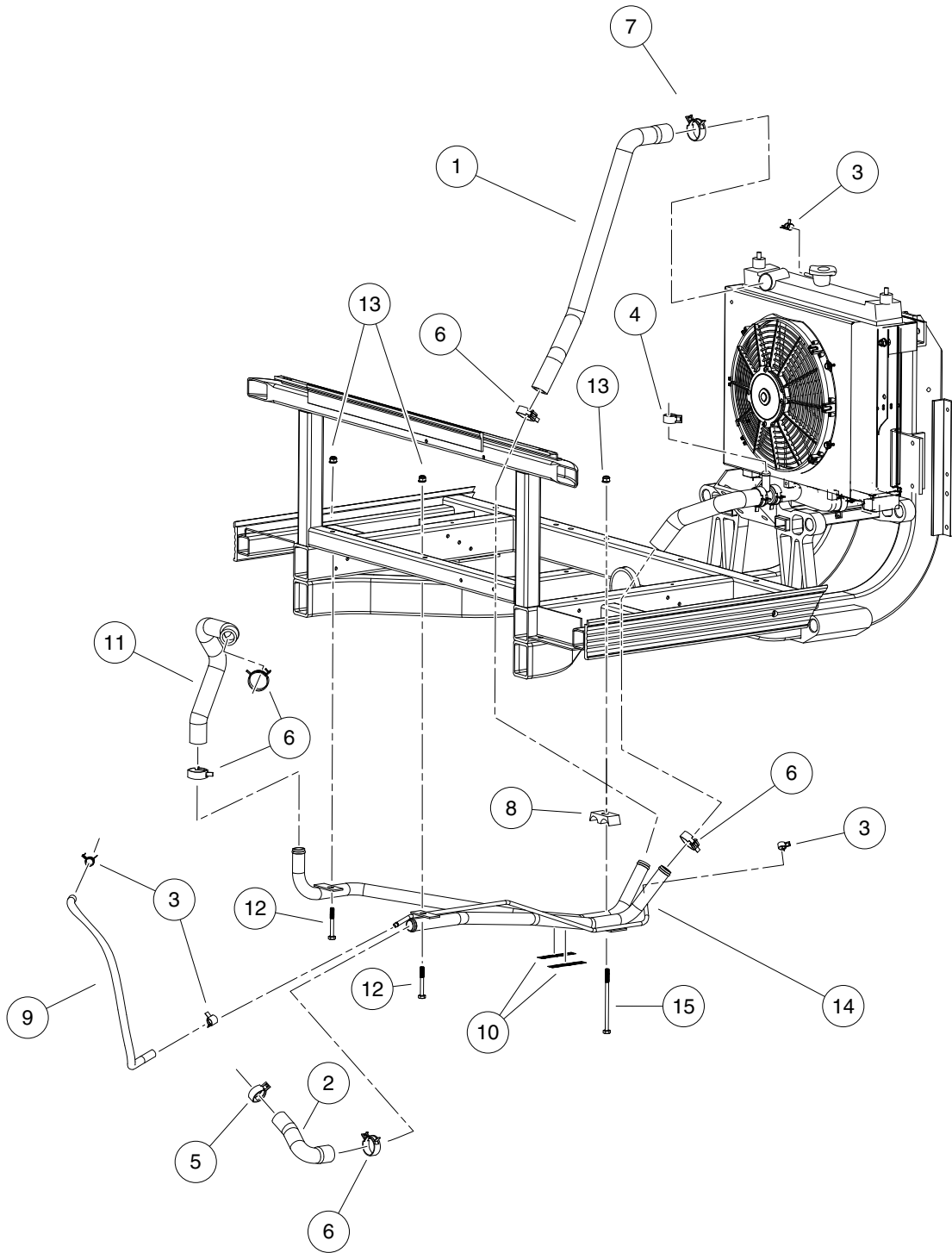
000078-001

COOLANT EXPANSION TANK

ITEM	PART NO.	DESCRIPTION	QTY
		1 2 3 4	
1	102289001	Screw, M8X1.25X30, Hex	2
2	102460801	Bracket, Coolant Bottle	1
3	N/A	Asm, Tank, Expansion (includes items 4 through 11)	1
4	102411204	Clamp, Hose, CTB 15mm	4
5	102411205	Clamp, Hose, CTB 22mm	1
6	102411701	Fitting, Tee	1
7	102427501	Cap, Radiator	1
8	102434501	Tank, Expansion	1
9	102435201	Hose, Tee To Vent Tube, Coolnt	1
10	102807601	Hose, Clnt, 5/8 Sae J20r3 Bulk	1
11	102807801	Hose, Clnt 5/16 Sae J20r3 Bulk	1

14

D



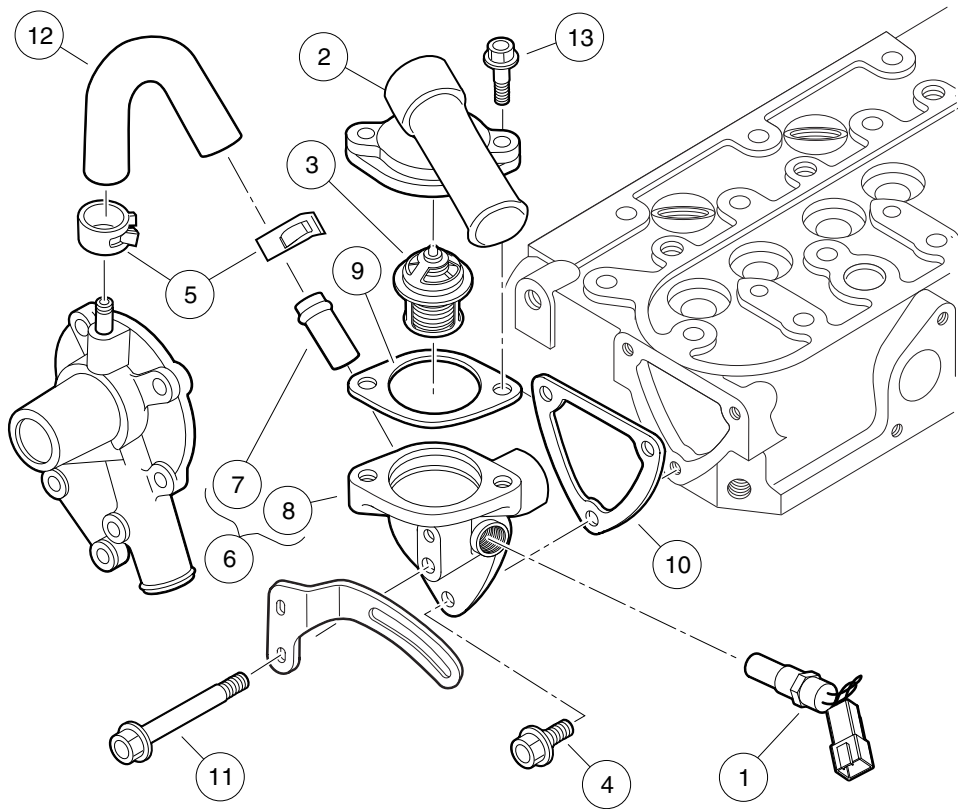
000079-001

COOLANT PIPES AND HOSES

ITEM	PART NO.	DESCRIPTION	QTY
		1 2 3 4	
1	102377501	Hose, Coolant Upper Rad	1
2	102377601	Hose, Coolant Lower Eng	1
3	102411204	Clamp, Hose, CTB 15mm	4
4	102411205	Clamp, Hose, CTB 22mm	1
5	102411206	Clamp, Hose, Ctb 30mm	1
6	102411207	Clamp, Hose, Ctb 35mm	5
7	102411208	Clamp, Hose, Ctb 38mm	1
8	102427601	Clamp, Bar	1
9	102435001	Hose, Vent Tube To Eng, Coolnt	1
10	102458901	Decal, Hot Surface Warning	2
11	102480501	Hose, Coolant, Return, Engine	1
12	102618301	Bolt Flanged Head, M8 X 1.25 X 65	2
13	102618601	Lock Nut, Flg M8 X 1.25 Nylon	3
14	102628701	Weldment, Group, Coolant Pipe (includes items 15 through 19)	1
15	102377401	Pipe, Coolant Upper	1
16	102377701	Pipe, Coolant Lower	1
17	N/A	Tab, Rear Mntg, Coolant Pipe	2
18	N/A	Pipe, Vent, Coolant	1
19	N/A	Tab, Cooling Pipe Mount	1
20	96747126	Bolt, M8 X 1.25 X 130	1

14

D



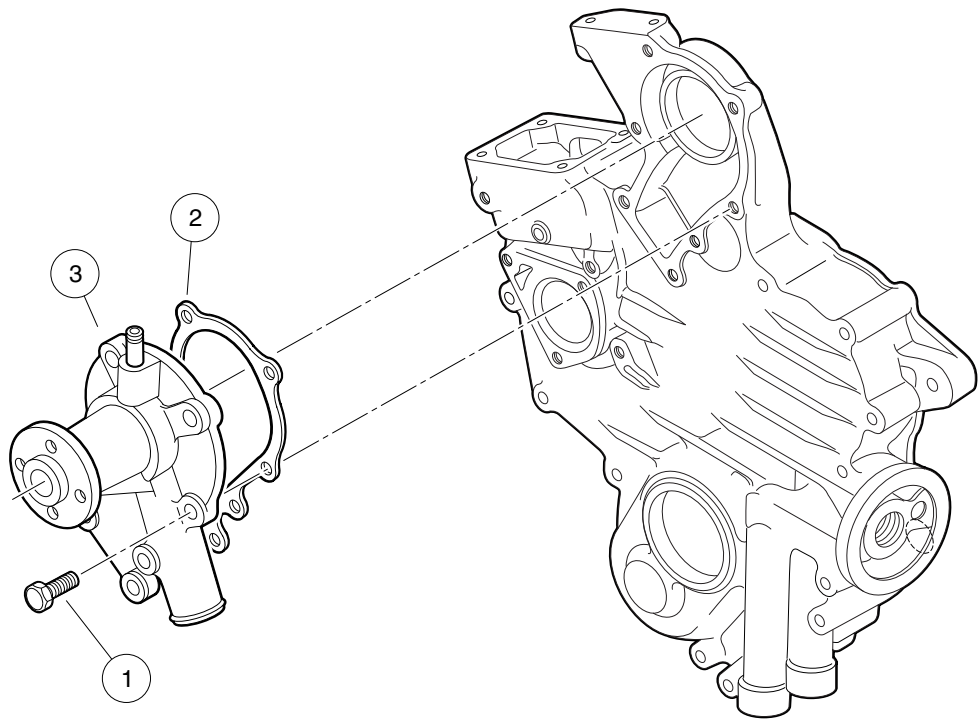
000059-001

WATER FLANGE AND THERMOSTAT

ITEM	PART NO.	DESCRIPTION	QTY
		1 2 3 4	
1	102410001	Sensor, Coolant Temp	1
2	102631301	Cover, Thermostat	1
3	102631401	Assy, Thermostat	1
4	102631601	Bolt, M6 X 1 X 20	2
5	102633001	Band, Pipe	2
6	102633201	Flange, Water (includes items 7 and 8)	1
7	102633301	Pipe, Water Return, D722	1
8	N/A	Flange, Water	1
9	102633401	Gasket, Thermostat	1
10	102654701	Gasket, Water Flange	1
11	102730901	Bolt, Alt, D722, Stay Lower	1
12	102731001	Pipe, Water Return, D722	1
13	102731101	Bolt, D722, Thermostat Cover	2

14

D



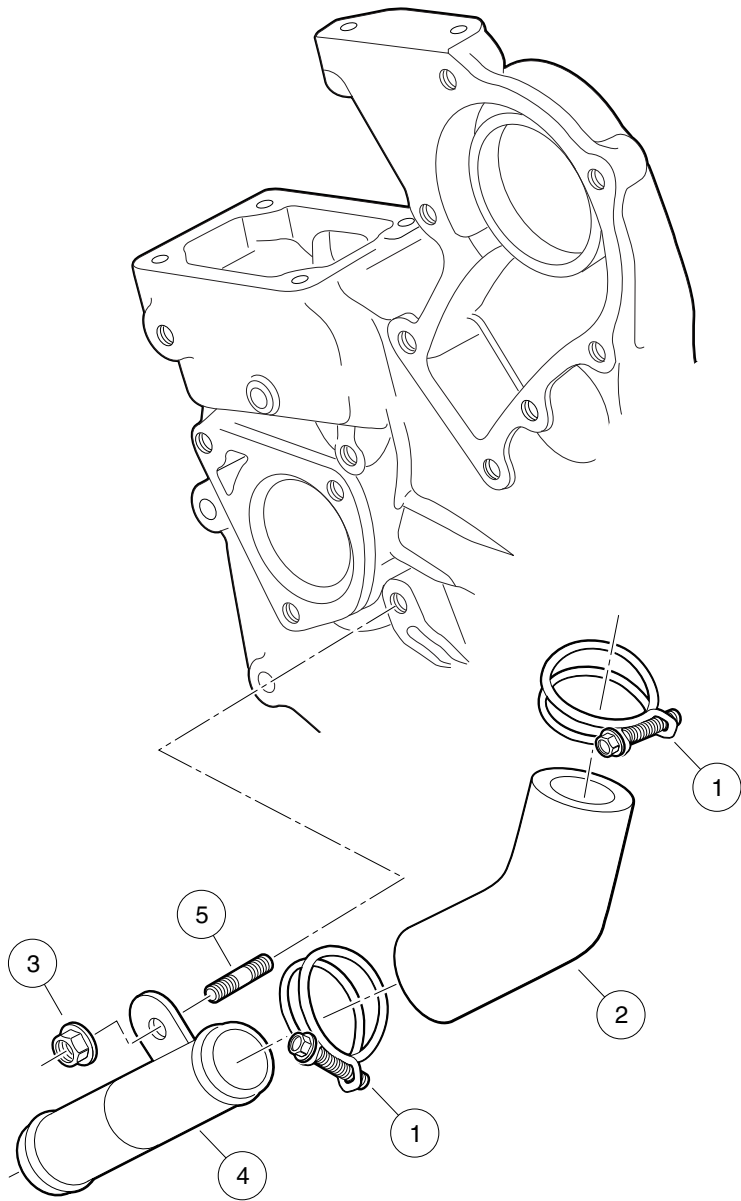
000060-001

WATER PUMP

ITEM	PART NO.	DESCRIPTION	QTY
		1 2 3 4	
1	102608701	Bolt, M6 X 1 X 22	4
2	102632701	Gasket, Water Pump, D722	1
3	102731201	Water Pump Assembly	1

14

D



000061-001

BLOCK COOLANT PIPE

ITEM	PART NO.	DESCRIPTION	QTY
		1 2 3 4	
1	102631701	Band, Pipe, with Nut	2
2	102631801	Pipe, Water, Bent	1
3	102632001	Nut, Flange, M6	1
4	102632101	Pipe, Water, Bent	1
5	102632201	Stud, M6 X 15	1

14

D

14

D

MAINTENANCE AND SERVICE TOOLS

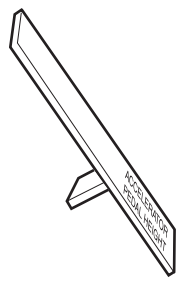
15

G

E

D

15
G
E
D



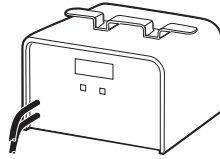
1



2



3



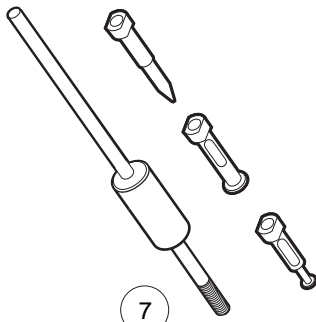
4



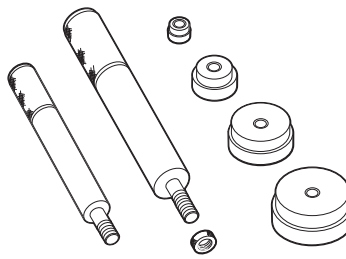
5



6



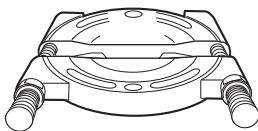
7



8



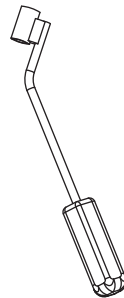
9



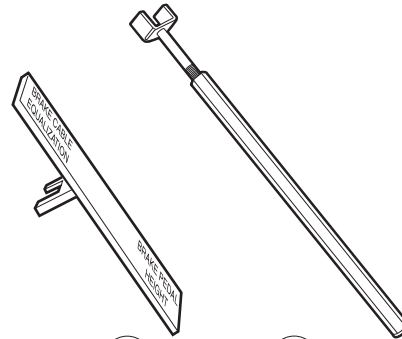
10



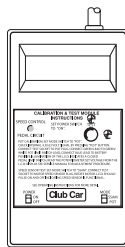
11



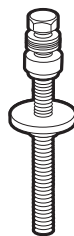
12



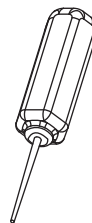
14 15
13



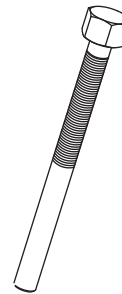
16



17



18



19

MAINTENANCE AND SERVICE TOOLS

ITEM	PART NO.	DESCRIPTION	QTY DIESEL	QTY GAS	QTY ELEC
		<p>1 2 3 4</p> <p>The following tool list includes all tools available from Club Car for maintenance and service procedures for gasoline, electric, and/or diesel vehicles, both past and present models. Be sure to carefully examine the tool list for applicability to your vehicle before ordering.</p>			
1	101871001	Accelerator Pedal Adjustment Tool		1	1
2	101813202	Adhesive, Guide Ring, 3-Gram Tube			1
3	101641202	Arbor		1	
4	101831901	Battery Discharge Machine, 36/48 Volt			1
5	1014305	Battery Terminal Protector Spray	1	1	1
6	1011767	Battery Thermometer	1	1	1
7	1016417	Bearing and Oil Seal Remover Assembly	1	1	1
8	1016416	Bearing Driver Set	1	1	1
9	1012811	Bearing Puller	1	1	1
10	1012812	Bearing Puller Wedge Attachment	1	1	1
11	1013582	Brake Adjustment Tool (used only on vehicles with manually adjusted mechanical brakes)		1	1
12	102555501	Brake Cable Release Tool	1	1	1
13	102249901	Brake Pedal Adjustment Tool Kit (used for the Carryall Electric Industrial Truck only) (includes items 14 and 15).....			1
14	****	Brake Pedal Adjustment Tool			1
15	****	Brake Pedal Tension Tool			1
16	101887101	Calibration Test Module			1
17	101808401	Cam Installation Tool		1	
18	102562401	Charger Bezel Tool			1
19	102686101	Clutch Removal Tool (for 4x4 vehicles)	1	1	
		<p>Please refer to the maintenance and service manual for proper tool application.</p> <p>**** Special order item available upon request</p>			

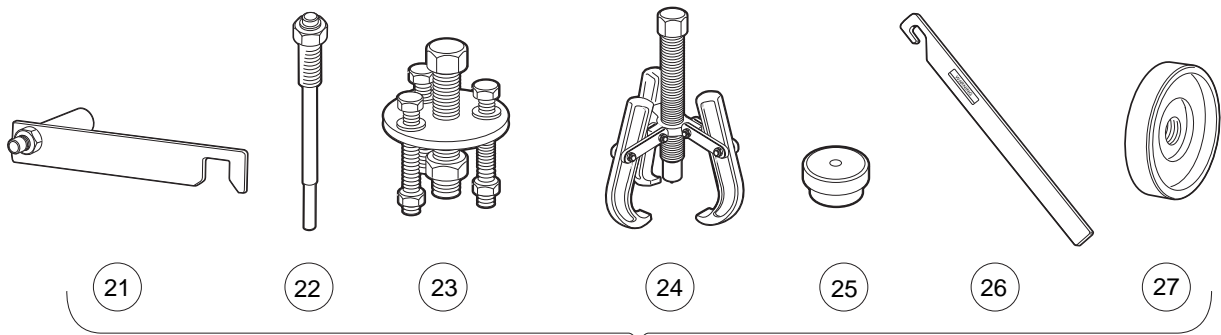
15

G

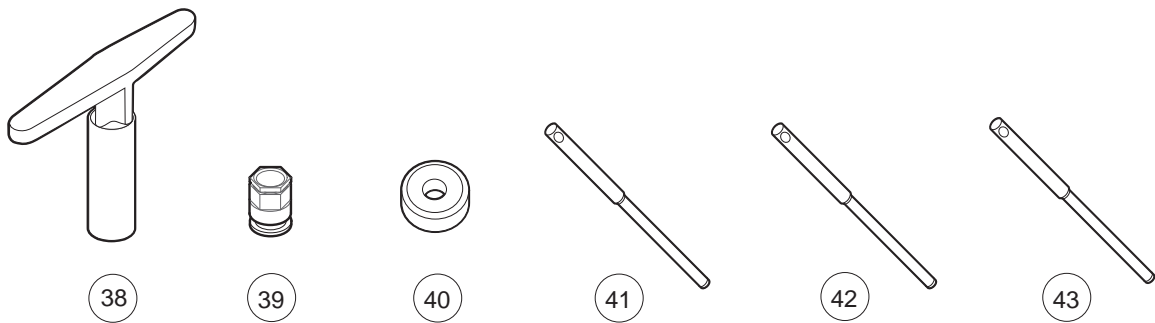
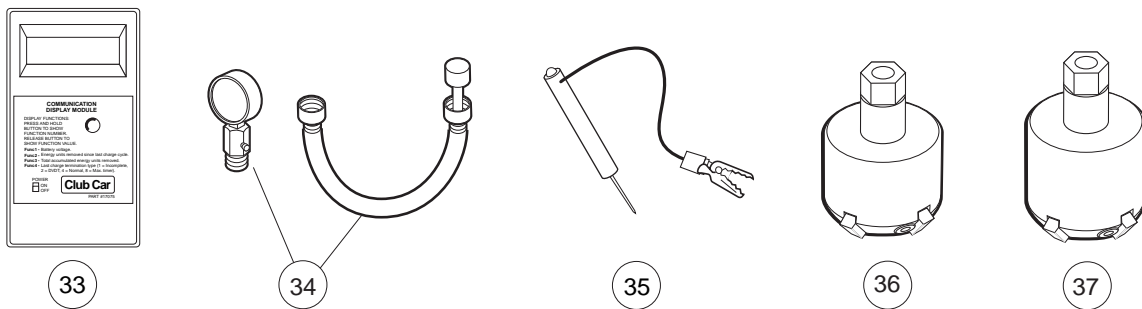
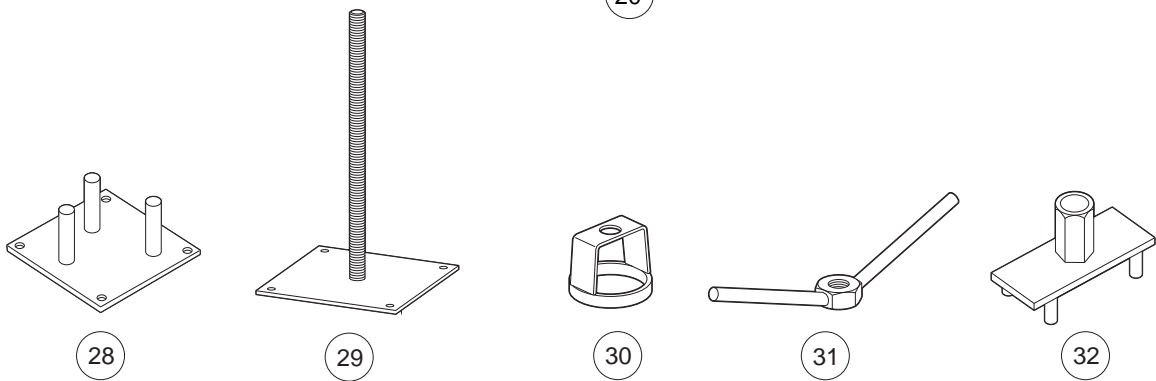
E

D

15
G
E
D



20



MAINTENANCE AND SERVICE TOOLS, CONTINUED

ITEM	PART NO.	DESCRIPTION	QTY DIESEL	QTY GAS	QTY ELEC
		1 2 3 4			
20	1014510	Clutch Tool Kit (includes items 21 - 27)		1	
21	1014498	Clutch Alignment Tool (for pre-unitized transaxle vehicles built prior to 1997 model year)		1	
22	1014496	Drive Clutch Puller (for Kawasaki engines only)		1	
23	1014497	Drive Clutch Hub Puller (for Kawasaki engines only)		1	
24	1014508	Driven Clutch Cam Puller (for Kawasaki engines only)		1	
25	1014507	Driven Clutch Puller Plug (for Kawasaki engines only)		1	
26	1015524	Drive Clutch Holder Tool Assembly (for Kawasaki engines only)		1	
27	101809101	Press Weldment (for Kawasaki engines only)		1	
28	102601501	Drive ClutchFixed Sheave Tool (for 4x4 vehicles)	1	1	
29	102603501	Driven Clutch Spring Compression Base (for use with items 30 and 31) (for 4x4 vehicles)	1	1	
30	102605201	Driven Clutch Spring Compression Collar (for use with items 29 and 31) (for 4x4 vehicles)	1	1	
31	102606101	Driven Clutch Spring Compression Nut (for use with items 29 and 30) (for 4x4 vehicles)	1	1	
32	102607501	Drive Clutch Spider Removal Tool (for 4x4 vehicles)	1	1	
33	101831801	Communication Display Module			1
34	101641002	Compression Gauge and Adapter		1	
35	1011273	Continuity Tester		1	1
36	102773801	Cutter, Valve Seat, #122		1	
37	102773901	Cutter, Valve Seat #115		1	
38	102774101	Wrench, T, #505.....		1	
39	102774101	Adapter, T-Wrench.....		1	
40	102675401	Cutter, Valve Seat, 60 Degree (requires item 51) (for Honda GX620 Gasoline Engines)		1	
41	102774201	Pilot, 6.6 MM		1	
42	102774301	Pilot, 6.62 MM.....		1	
43	102774401	Pilot, 6.65 MM.....		1	
		Please refer to the maintenance and service manual for proper tool application.			

15

G

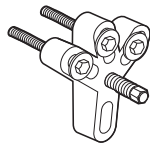
E

D

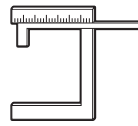
15
G
E
D



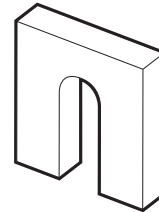
44



45



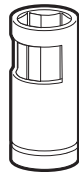
46



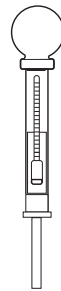
47



48



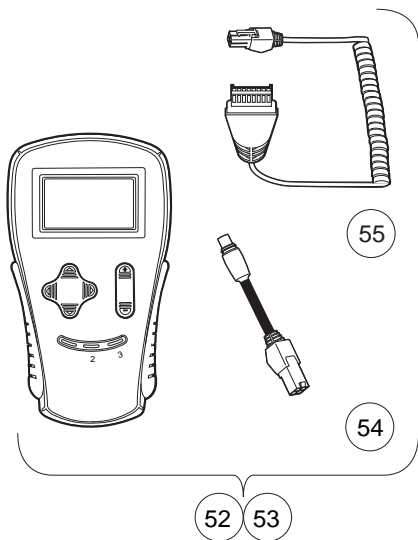
49



50



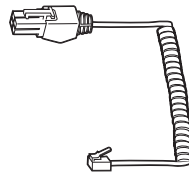
51



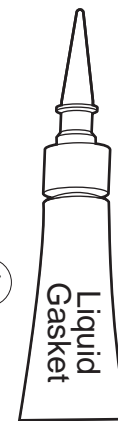
52 53

55

54



56



57



58



59 60



61

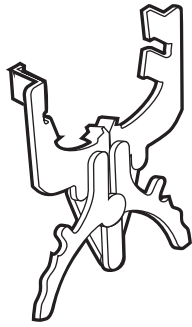
MAINTENANCE AND SERVICE TOOLS, CONTINUED

ITEM	PART NO.	DESCRIPTION	QTY DIESEL	QTY GAS	QTY ELEC	15
		1 2 3 4				G
44	1012151	Dry Moly Lubricant	1	1	1	E
45	1016627	Flywheel Puller Kit (for Kawasaki Engines)		1		D
46	102669901	Gauge, Carburetor Float Level (for Honda GX620 Gasoline Engines)		1		
47	1016418	Gear Yoke	1	1	1	
48	101933101	Governor Shaft Installation Tool (for Kawasaki Engine Vehicles)		1		
49	102169401	Hydraulic Brake Adjuster (for Turf/CA 272/472, Pioneer/XRT 1200, Bobcat 2100, HUV 4213)			1	
50	1011478	Hydrometer	1	1	1	
51	1013593	Internal Retaining Ring Pliers	1	1	1	
52	102248803	IQ Display Module (IQDM) Kit (IQ System and IQ Plus vehicles)			1	
		(includes items 54 and 55)				
53	102248804	IQ Display Module (IQDM-P) Kit (IQ System and IQ Plus vehicles)			1	
		(includes items 54 and 55)				
54	102251501	Adaptor, Cable			1	
55	102241502	IQDM Series 2 Cable			1	
56	102241501	IQDM Series 1 Cable (replacement)			1	
57	101928701	Liquid Gasket (transaxle case)	1	1	1	
58	102243402	Moly-Teflon Lubricant (4-oz. (113-gram) tube)			1	
59	101997201	Paint, Touch-Up – Beige*		1	1	
59	101997207	Paint, Touch-Up – Black*		1	1	
59	101997212	Paint, Touch-Up – Burgundy*		1	1	
59	101997211	Paint, Touch-Up – Classic Blue (Navy)*		1	1	
59	101997205	Paint, Touch-Up – Dark Gray*	1	1	1	
59	101997209	Paint, Touch-Up – Dark Green*	1	1	1	
59	101997204	Paint, Touch-Up – Gray*	1	1	1	
59	101997203	Paint, Touch-Up – Red*	1	1	1	
59	101997206	Paint, Touch-Up – Royal Blue (Pacific Blue)*		1	1	
59	101997202	Paint, Touch-Up – White*	1	1	1	
60	102562301	Paint, Precedent Underbody – Gray		1	1	
61	102587201	Paint Pen, Touch-Up, Precedent Underbody – Black		1	1	
		Please refer to the maintenance and service manual for proper tool application.				
		* Item 59 is not for use on Surlyn [®] body material, which is used on Precedent vehicles.				

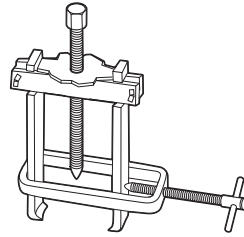
15
G
E
D



62



63



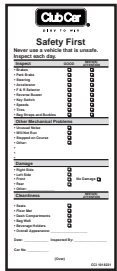
64



65



66



67



68



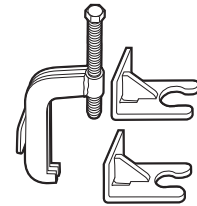
69



70



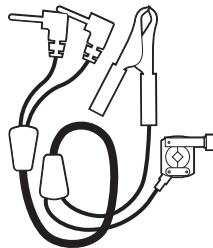
71



72



73



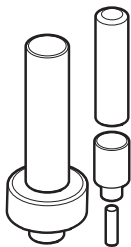
74



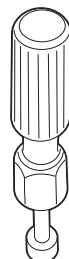
75



76



77



83



84



85



86

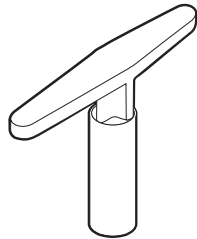
MAINTENANCE AND SERVICE TOOLS, CONTINUED

ITEM	PART NO.	DESCRIPTION	QTY	QTY	QTY	15
			DIESEL	GAS	ELEC	
		1 2 3 4				G
62	1016414	Piston Ring Compressor Kit (FE290, FE350 and FE400 engines)		1		E
63	1016415	Piston Ring Pliers (for Kawasaki Engines)		1		D
64	102668801	Puller, Special Use (for Kubota D722 Diesel Engines)	1			
65	1012549	Retaining Ring Pliers, 45° External	1	1	1	
66	1012560	Retaining Ring Pliers, 90° Internal	1	1	1	
67	101823101	Safety First Card (50 per pack)	1	1	1	
68	1012809	Seal Puller	1	1	1	
69	102330901	Spanner Wrench (for coil over shock front suspension vehicles only)	1	1		
70	1014264	Steering Column Bearing Press Tool		1	1	
71	1014259	Steering Column Retaining Ring Tool		1	1	
72	102061201	Steering Wheel Puller Tool	1	1	1	
73	AM10753	Tachometer (includes gasoline engine pick up lead only)	1	1		
74	AM10771	Tachometer Diesel Probe (for use with item 73)	1			
75	1014162	Transaxle Axle Seal Tool		1		
76	1014161	Transaxle Pinion Seal Tool		1		
77	1014115	Transmission Tool Kit		1		
78	101611003	Tune-Up Kit, All OHV (for FE290, FE350, FE400 only) (includes air filter, spark plug, oil filter, fuel filters) (not shown)		1		
79	AM11804	Tune-Up Kit, Gx620 (for Honda Engines) (includes air filter, spark plug, oil filter, fuel filters) (not shown)		1		
80	AM11805	Tune-Up Kit, D722 (for Kubota Engines) (includes air filter, oil filter, fuel filters, water separator filter) (not shown)	1			
81	AM1220301	Tune-Up Kit, Precedent (for FE290/350 Engines) (includes air filter, spark plug, oil filter, fuel filters) (not shown)		1		
82	AM1232401	Tune-Up Kit, FH680D (for Kawasaki V-Twin Engines) (includes oil filter, fuel filter, air filter, and spark plugs) (not shown)		1		
83	1016413	Valve Clearance Adjuster Screw Holder (for FE290 engines only)		1		
84	102674601	Valve Guide Driver (for Honda GX620 Gasoline Engines)		1		
85	101641201	Valve Guide Reamer (FE290, FE350, and FE400 only)		1		
86	102674401	Valve Guide Reamer, 6.6 mm (for Honda GX620 Gasoline Engines)		1		

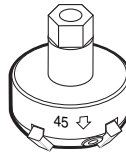
15
G
E
D



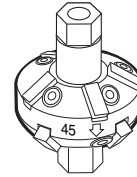
87



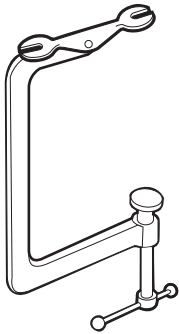
88



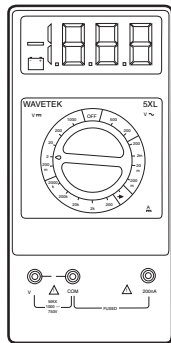
89



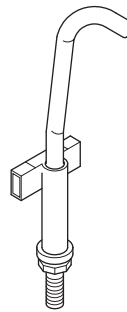
90



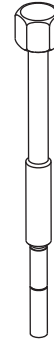
91



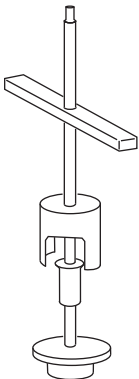
92



93



94



95



96

MAINTENANCE AND SERVICE TOOLS, CONTINUED

ITEM	PART NO.	DESCRIPTION	QTY DIESEL	QTY GAS	QTY ELEC
		1 2 3 4			
87	1016552	Valve Seat Cutter Guide		1	
88	1016551	Valve Seat Cutter T-Wrench		1	
89	1016553	Valve Seat Cutter, 45° (32 mm diameter) (for FE290 engines only)		1	
90	1016554	Valve Seat Cutter, 45°/30° (35 mm diameter)		1	
91	101641101	Valve Spring Compressor		1	
92	1011480	Volt Ohm Meter	1	1	1
93	102570401	Tool, Tensioning, Starter Generator (For Precedent vehicles)		1	
94	103601401	Puller, Drive Clutch, XRT 950*		1	
95	103601701	Tool, Disassembly, Driven Clutch, XRT 950		1	
96	103600501	Screw, Driven Clutch Disassembly, M6, XRT 950		1	
<p>*Note: The XRT 950 Drive Clutch Puller requires the use of Screw, Driven Clutch Disassembly, CCI Part Number 103600501.</p>					

15

G

E

D

INDEX

Part Number and Page

AM10753	15-9	1013035	6-5	101641101	15-11
AM10771	15-9	1013042	6-5	101641201	15-9
AM1232301	9-7, 9-11	1013044	6-5	101641202	15-3
183	4-11, 10-5, 10-9	1013051	6-5	1016413	15-9
332	1-11, 1-19, 7-17, 7-19	1013052	6-5	1016414	15-9
334	13-17	101313402	10-7	1016415	15-9
357	1-15	1013366	1-19	1016416	15-3
451	1-9	1013461	7-15, 10-5, 10-9	1016417	15-3
1016	10-5, 10-9	1013462	10-5, 10-9	1016418	15-7
1017	7-15	1013531	4-11, 4-13	1016551	15-11
1035	4-13, 5-9	1013582	15-3	1016552	15-11
1108	7-17, 7-19	1013593	15-7	1016553	15-11
1241	4-11, 7-25, 7-27	1013734	1-9	1016554	15-11
7310	2-3	1013746	10-3, 10-7	1016603	1-15
7473	1-13, 1-19, 7-25, 7-27	1013857	7-21, 7-23	1016627	15-7
7561	1-13	1014007	10-23	1016630	7-21, 7-23
8057	13-11	1014115	15-9	1016851	13-11
8058	13-11	1014161	15-9	1016879	7-15
8233	1-19, 10-23	1014162	15-9	1016880	7-15
8248	1-5	1014259	15-9	1016896	13-11
8251	1-17	1014264	15-9	1016967	1-7
8639	4-9, 4-11, 4-13	1014305	15-3	1017062	7-15
8717	13-11	1014306	1-3, 1-5, 1-17, 1-19, 4-7	1017064	7-15
8754	1-13, 1-15, 6-11, 13-17	1014321	1-17	1017065	7-15
8755	1-13, 1-15	1014375	7-25, 7-27	1017162	1-15
8797	10-5, 10-9	101438702	1-17	1017167	1-15
8990	1-15, 6-5	1014415	1-19	1017774	1-15
1010177	13-17	1014471	1-9, 1-13, 14-3	101808401	15-3
1010200	1-15	1014496	15-5	101809101	15-5
1010435	1-13, 1-19	1014497	15-5	101813202	15-3
1010436	1-19	1014498	15-5	101823101	15-9
1010521	4-11, 4-13	1014507	15-5	101824401	10-3, 10-7
101082903	4-7	1014508	15-5	101831801	15-5
1010934	7-25, 7-27	1014510	15-5	101831901	15-3
1011084	13-23	1014537	1-19	101833101	8-3
1011273	15-5	1014557	7-21, 7-23	101833201	8-3
1011478	15-7	1014727	13-11	101856102	12-5
1011480	15-11	1014808	13-11	101871001	15-3
1011553	3-3, 3-7	1015139	10-5, 10-9	101879401	6-5
1011652	1-9	1015143	10-5, 10-9	101879701	6-5
1011767	15-3	1015258	1-13	101879801	6-5
1011779	4-11, 4-13	1015356	1-13	101879901	6-5
1012151	15-7	1015399	1-13, 1-19	101880201	6-5
1012295	7-17, 7-19	101547601	3-5	101886101	10-23
1012303	1-13	1015521	7-17, 7-19	101887101	15-3
1012438	4-11	1015524	15-5	101887601	1-11, 4-7, 4-9
1012549	15-9	101553901	3-3, 3-7	101894304	1-19
1012560	15-9	1015583	1-13	101898001	7-25, 7-27
101260202	4-11	1015597	6-13, 6-15	101928701	15-7
1012769	1-17, 8-3, 9-3, 13-23	1015636	7-21, 7-23	101933101	15-7
1012809	15-9	1015741	7-17, 7-19	101963401	1-19
1012811	15-3	101587703	10-3, 10-7	101972001	15-7
1012812	15-3	101609401	3-3, 3-7	101972002	15-7
1012830	1-9	101611003	15-9	101972003	15-7
		1016183	6-11	101972004	15-7
		101641002	15-5	101972005	15-7

INDEX

101972006	15-7	102231601	3-5, 3-9	102376601	13-3
101972007	15-7	102239901	1-19	102376602	13-25
101972009	15-7	102241501	15-7	102377401	14-7
101972011	15-7	102241502	15-7	102377501	14-7
101972012	15-7	102243402	15-7	102377601	14-7
101987901	7-15	102248803	15-7	102377701	14-7
101988001	7-15	102249901	15-3	102377801	14-3
101988002	7-15	102251501	15-7	102377901	14-3
101988101	7-15	102251601	1-17	102378901	10-25
101988201	7-15	102251701	1-17	102379001	10-27
101990802	4-11, 4-13	102274101	13-3	102380301	14-3
102010102	6-5	102276001	13-25	102380601	5-5
102021302	2-3	102289001	1-7, 9-15, 10-7, 14-3, 14-5	102381701	13-3
102021305	2-3	102289002	1-3, 1-5	102382401	8-3, 9-3, 13-23
102021306	2-3	102290120	6-3	102385601	12-9, 12-11
102021406	2-3	102296140	4-9, 6-7	102385701	12-13
102021407	2-3	102296401	4-9, 5-3, 6-7	102385801	10-13
102021408	2-3	102296716	4-9, 10-7, 10-23, 12-3, 12-5	102393501	6-13, 6-15
102021409	2-3	102298130	1-3, 1-5, 1-9, 6-3, 6-11	102394002	6-9, 6-11
102021502	1-3, 1-5	102298240	6-9, 6-11	102395601	10-25, 10-27
102021602	1-3, 1-5	102298401	1-9, 8-3, 9-3, 10-3, 11-5, 13-11	102398901	6-13, 6-15
102021802	1-3, 1-5	102323501	5-9	102399201	4-5
102022601	6-5	102330901	15-9	102399202	4-5
102022901	6-5, 6-7, 13-3	102331401	9-15	102402801	4-7
102023703	1-9	102355301	7-25, 7-27	102402901	4-7
102028302	4-11	102361901	6-7, 13-3	102406701	10-9
102044702	7-21	102363802	6-3	102406801	10-9
102044801	7-21	102364201	6-3	102407801	4-9
102045001	1-3, 1-5	102365601	6-13	102407901	4-9
102046501	3-11, 3-13	102365602	6-15	102408401	6-7
102047001	1-9	102367101	6-3	102409301	11-5
102048401	1-3, 1-5	102367601	4-3	102409401	11-3, 11-5
102051401	4-7	102368201	13-3	102409501	11-3, 11-5
102051601	7-21	102368301	13-3	102409601	11-3
102051701	7-21	102368302	13-3	102410001	14-9
102051901	7-21, 7-23	102368501	6-7	102410301	14-3
102052801	4-11, 4-13	102368502	6-7	102410603	1-3, 1-5, 4-9, 8-3, 9-3
102059001	1-11	102368801	6-7	102410801	10-7
102059401	1-9	102368802	6-7	102411202	10-3
102061101	1-9	102369401	13-13	102411203	10-7
102061201	15-9	102369901	12-13	102411204	14-5, 14-7
102065901	1-13	102370101	8-3	102411205	14-5, 14-7
102066001	1-13, 1-15	102370501	8-3, 9-3	102411206	14-7
102169401	15-7	102370601	8-3, 9-3	102411207	14-3, 14-7
102171504	1-13	102371401	9-15	102411208	14-3, 14-7
102176901	4-7	102371701	13-9	102411209	10-27
102198001	7-21, 7-23	102371801	13-5	102411210	10-25, 12-3, 12-5
102221301	1-19	102372101	13-9	102411301	14-3
102221401	1-19	102373401	1-7	102411701	14-5
102221501	1-19	102374701	13-3	102414501	12-5
102221701	1-19	102374801	2-3	102414701	8-3
102221801	1-19	102374901	12-7	102414801	8-3
102222001	1-19	102375401	7-23	102414901	9-3
102222101	1-19	102375801	13-11	102418401	1-11
102222201	1-19	102375901	13-11	102418501	1-3, 1-5, 1-11
102224001	3-3, 3-7	102376001	13-11	102419901	1-11

INDEX

102420001	1-11	102440501	13-7	102459715	1-3, 1-5
102420201	7-17, 7-19	102440601	13-7	102459716	1-3, 1-5
102420401	7-17, 7-19	102442001	1-9	102459718	1-3, 1-5
102420501	7-17, 7-19	102442201	7-25, 7-27	102460201	3-9
102422301	8-53, 11-5	102442301	7-25	102460801	14-5
102423701	10-23	102442401	7-25	102462301	8-3, 9-3
102425401	1-9	102442701	4-11	102462401	13-3
102425501	1-9	102442801	4-11	102462501	8-3
102426301	10-3, 10-7	102442901	5-3, 5-5	102462502	9-3
102426601	1-15	102443501	9-15	102462601	10-13
102427501	14-5	102443601	9-15	102463101	13-27
102427601	14-7	102444201	7-13	102463301	13-27
102429301	1-3	102445201	5-3	102463401	13-27
102430001	10-7	102446601	6-11	102463501	13-25
102430201	10-7	102446901	6-7	102463601	13-25
102430301	10-7	102447001	13-3	102463801	13-25, 13-27
102430401	10-7	102447601	1-11	102463901	13-27
102432001	1-3, 1-5	102447602	1-11	102464001	13-27
102433101	10-23	102447901	7-17, 7-19	102464101	13-27
102433501	10-23	102448001	7-17, 7-19	102464201	13-27
102434501	14-5	102448401	7-27	102464301	13-27
102434601	10-7	102448501	7-27	102464401	13-27
102434701	10-7	102449101	13-25	102464501	13-27
102434801	9-15, 10-7	102449201	13-27	102464601	6-11
102435001	14-7	102449901	6-5	102465701	1-15
102435201	14-5	102451001	10-21	102465901	8-3
102435301	7-5, 7-9	102451201	10-23	102466201	1-17
102436001	13-3	102452101	14-3	102468802	6-11
102436101	13-3	102452301	10-23	102469401	5-3
102436701	14-3	102454001	1-17	102469901	6-7
102437001	6-7	102454101	1-17	102470101	6-11
102437101	6-7	102454201	1-17	102470501	6-11
102437201	1-7	102454801	10-23	102470601	6-11
102438101	5-7, 5-9	102454901	10-23	102470801	13-11
102438201	13-5	102455001	3-5	102473501	1-9
102438301	13-5	102455101	3-9	102473601	1-9
102438401	13-5	102455201	3-3	102473701	1-9
102438501	13-5	102455301	3-7	102474101	4-9, 6-7
102438601	13-5	102456001	1-9	102474102	4-9, 6-7
102438701	13-5	102457001	10-23	102474301	4-9
102438801	13-5	102457101	10-23	102475301	9-15
102438901	13-5	102457201	10-23	102475701	4-9, 10-15, 10-17, 10-19, 13-23
102439001	13-5	102457301	7-23	102475801	13-3
102439101	13-5	102457501	9-15	102475901	1-9
102439201	13-5	102457601	9-15	102476301	5-3
102439301	13-5	102458801	3-7	102476401	5-3
102439401	13-5	102458901	1-9, 3-5, 3-9, 14-7	102477001	6-13, 6-15
102439501	13-5	102459001	3-9	102477201	6-11
102439601	13-5	102459101	3-5, 3-9	102477301	1-3, 1-5
102439701	13-5	102459201	3-9	102478501	10-9
102439801	13-5	102459301	3-3, 3-7	102479001	13-3
102439901	13-5	102459401	1-11, 3-3, 3-7	102479301	5-3
102440101	13-5	102459501	3-5, 3-9	102480501	14-7
102440201	13-7	102459601	3-3, 3-7	102481001	12-5
102440301	13-5	102459710	1-3, 1-5	102481201	12-5
102440401	13-7	102459714	1-3, 1-5	102481301	12-5

INDEX

102482201	1-11	102602001	8-11	102608701	8-19, 14-11
102486201	1-9	102602101	8-11	102608801	8-23
102488001	4-3, 4-5	102602301	8-11	102608803	8-23
102489901	5-3	102602401	8-11	102608804	8-23
102490001	12-9	102602601	8-11	102608806	8-23
102490101	8-3, 9-3, 10-23	102602701	8-11	102608901	8-19
102490201	8-3, 9-3	102602801	8-11	102609001	8-23
102490301	7-25, 14-3	102603201	8-21	102609003	8-23
102490401	9-15	102603501	15-5	102609101	8-19
102490501	8-3, 9-3	102603601	8-27	102609301	8-19
102490801	6-7	102603701	8-27	102609401	8-19
102491001	13-3	102603801	8-27	102609601	8-19
102491101	13-3	102603901	8-27	102609801	8-23
102491301	1-7, 1-11	102604001	8-27	102609803	8-23
102491501	1-3, 1-5, 1-7, 1-11	102604101	8-27	102610001	8-23
102491601	4-3, 4-5	102604201	8-21, 8-27	102614101	1-13, 1-15
102491701	1-17	102604301	8-27	102614401	1-19
102492201	7-17, 7-19	102604401	8-23, 8-27	102615701	13-11
102492301	7-19	102604501	8-27	102615801	13-23
102492401	4-11	102604701	8-27	102616003	12-5
102492801	1-3, 1-5	102604901	8-21	102616101	12-5
102493001	10-13	102605001	8-21	102616301	6-7, 6-9, 6-11, 6-13, 6-15
102493301	4-3, 4-5	102605101	8-7, 8-21	102616501	12-11
102493401	14-3	102605201	15-5	102616701	13-11
102494401	8-3, 9-3	102605301	8-21	102616801	10-23
102494701	10-9	102605401	8-21	102616901	10-23
102495001	6-11	102605501	8-21	102617201	1-3, 1-5, 1-7, 1-11
102495801	13-23	102605601	8-21	102617301	10-13
102498101	10-21, 14-3	102605701	8-41	102617501	13-3
102498201	7-27, 8-3	102605801	8-21	102617701	6-7
102498601	10-25, 10-27	102605901	8-21	102617801	13-3
102498701	10-15	102606001	8-21	102618101	5-3, 5-5
102498801	10-19	102606101	15-5	102618301	4-11, 4-13, 5-3, 5-5, 5-7, 5-9, 13-11, 14-7
102499001	13-11	102606201	8-17	102618401	4-7
102499601	10-23	102606301	8-17	102618601	1-3, 1-5, 1-15, 4-7, 4-11, 4-13, 5-3, 5-5, 5-7, 5-9, 6-3, 6-9, 6-11, 8-3, 9-3, 9-15, 10-7, 10-23, 14-3, 14-7
102522001	10-5, 10-9	102606401	8-17	102619801	6-13, 6-15
102541465	4-7, 10-25, 10-27	102606501	8-17	102620401	6-13, 6-15
102555501	15-3	102606601	8-17, 8-53	102620501	6-7, 6-9, 6-11, 6-13, 6-15
102562401	15-3	102606701	8-15	102620801	10-13
102570401	15-11	102606901	8-7	102621101	1-11, 3-3, 3-7
102571301	6-3	102607001	8-7	102621201	10-25, 10-27, 11-3, 11-5
102600001	8-5	102607201	8-7	102621301	8-3, 11-5
102600101	8-5	102607301	8-7	102621501	1-17, 8-3, 9-3, 10-25, 10-27, 13-23
102600201	8-5	102607401	8-7	102622701	3-11
102600301	8-5, 8-9, 8-53	102607501	15-5	102622801	3-11
102600401	8-5	102607601	8-23, 8-55	102622901	3-13
102600601	8-5	102607602	8-23	102623001	3-13
102600701	8-5	102607801	8-23	102623301	3-11, 3-13
102600801	8-5, 8-9	102607901	8-23	102623501	3-11, 3-13
102601001	8-5, 8-11	102608001	8-23	102623802	10-11
102601101	8-33	102608101	8-23	102623805	10-11
102601301	8-5	102608201	8-19, 8-53	102623808	10-11
102601401	8-5	102608301	8-19, 8-53	102626201	5-5
102601501	15-5	102608401	8-19		
102601801	8-11, 8-53	102608501	8-19		
102601901	8-11	102608601	8-19		

INDEX

102628001	12-5	102640601	8-31, 8-37	102653701	8-47
102628101	11-5	102640701	8-37	102653901	8-9
102628601	1-3, 1-5	102640901	8-37	102654101	8-9, 8-53
102628701	14-7	102641001	8-37	102654301	8-11, 8-39, 8-49
102629001	1-15	102641101	8-37	102654401	8-21
102630001	8-23	102641201	8-37	102654601	8-7, 8-53
102630003	8-23	102641501	8-41	102654701	8-53, 14-9
102630101	8-23	102642401	8-41	102655301	9-7
102630201	8-23	102642501	8-41	102655401	10-11
102630301	8-23, 8-53	102642601	8-41	102655501	10-11
102630401	8-23	102642701	8-41	102655601	10-11
102630601	8-33, 8-35	102642801	8-41	102655701	10-11
102630701	8-23	102642901	8-41	102655801	10-11
102630703	8-23	102643001	8-41	102655901	10-11
102630901	8-23, 8-55	102643101	8-41	102656001	10-11
102631001	8-23, 8-55	102643201	8-41	102656101	10-13
102631301	14-9	102643301	8-41	102656201	10-13
102631401	14-9	102643401	8-41	102656301	10-13
102631601	8-5, 8-33, 8-35, 14-9	102643601	8-41	102656402	10-13
102631701	14-13	102643701	8-41	102656501	10-13
102631801	14-13	102644001	8-13, 8-53	102656601	10-13
102632001	14-13	102644101	8-13	102656701	10-13
102632101	14-13	102644501	8-53	102656801	10-13
102632201	14-13	102645501	8-45	102656901	10-13
102632701	8-53, 14-11	102646001	8-49, 8-53	102657001	10-13
102633001	14-9	102646101	8-49	102657101	10-13
102633201	14-9	102646301	8-51	102657201	10-3, 10-13
102633301	8-13, 14-9	102646401	8-47	102657301	10-3, 10-13
102633401	8-53, 14-9	102646501	8-51	102657401	10-13
102633601	8-43	102646601	8-51, 8-53	102657501	9-5, 10-13
102633701	8-39	102647101	8-51	102657601	9-11, 10-13
102633801	8-39	102647201	8-51	102657701	9-11, 10-13
102633901	8-39	102647501	8-25	102657801	9-11, 10-13
102634001	8-39, 8-53	102647701	8-33, 8-35, 8-45	102658001	9-9
102634101	8-39	102647801	8-25	102658101	9-9
102634401	8-39, 8-53	102647901	8-25	102658201	9-9
102634501	8-39, 8-53	102648001	8-25	102658301	9-9
102634601	8-39	102648401	8-45	102658401	9-9
102634701	8-39	102648501	8-45	102658501	9-9
102635101	8-43	102651301	8-47	102658601	9-9
102635201	8-39	102651501	8-47	102658701	9-9
102635301	8-29, 8-39, 8-41, 8-53	102651601	8-47	102658801	9-9
102635501	8-29	102651701	8-47	102658901	9-9
102635701	8-29	102651801	8-47	102659001	9-9
102635801	8-29	102652001	8-47	102659101	9-9
102635901	8-29	102652601	8-47	102659201	9-9
102636201	8-43	102652701	8-47	102659301	9-9
102636301	8-43	102652801	8-9	102659401	9-9
102636401	8-43	102652901	8-47	102659501	9-9
102636501	8-43	102653001	8-47	102659601	9-9
102636601	8-43	102653101	8-47	102659801	9-13
102637001	8-29	102653201	8-47	102659901	9-13
102637101	8-29	102653301	8-47, 8-53	102660001	9-13
102637701	8-37	102653401	8-9	102660101	9-13
102640401	8-37	102653501	8-9	102660201	9-13
102640501	8-37	102653601	8-47	102660301	9-13

INDEX

102660401	9-13	102666001	9-7	102690201	12-9, 12-11
102660402	9-13	102666201	9-5, 9-7	102690301	12-9, 12-11
102660403	9-13	102666801	9-5	102690401	12-11
102660404	9-13	102666901	9-5	102690501	12-9, 12-11
102660501	9-13	102667001	9-5	102690701	12-9, 12-11
102660601	9-13	102667101	9-5	102690801	12-11
102660701	9-13	102667201	9-5	102691001	12-9
102660801	9-13	102667301	9-5	102691401	12-9, 12-11
102660802	9-13	102667401	9-5	102691601	12-9, 12-11
102660803	9-13	102667501	9-5	102691701	12-9, 12-11
102660804	9-13	102667601	9-5	102691801	12-9, 12-11
102660901	9-13	102667701	9-5	102691901	12-9
102661001	9-13	102667901	9-5	102692801	4-11
102661101	9-13	102668001	9-5	102693301	13-13, 13-25
102661201	9-13	102668101	9-5	102693401	13-13, 13-25
102661202	9-13	102668201	9-7, 9-13	102693501	13-13, 13-25
102661301	9-13	102668301	9-5	102693601	13-27
102661401	9-13	102668401	9-5	102694001	13-27
102661501	9-13	102668801	15-9	102694201	13-13, 13-25
102661601	9-13	102669901	15-7	102694301	13-25
102661701	9-13	102670601	1-11	102694401	13-25
102661801	9-13	102670701	8-3, 9-3	102694502	13-27
102661901	9-7, 9-13	102670801	9-15	102694701	13-25
102662101	9-11	102670901	10-5	102694801	13-25
102662201	9-11	102671201	1-11	102695401	12-13
102662301	9-11	102672101	13-25	102695601	12-13
102662401	9-11	102672201	13-25	102695701	12-13
102662601	9-11	102672301	13-25	102695801	12-13
102662701	9-11	102672401	13-25	102695901	12-13
102662801	9-11	102673201	1-19, 3-11, 3-13	102696001	13-17, 13-19
102662802	9-11	102673301	3-11, 3-13	102696101	13-13
102662901	9-11	102673901	1-15	102696201	13-13, 13-15, 13-21
102663001	9-11	102674001	15-5	102696301	13-13
102663101	9-11	102674101	15-5	102696401	13-17, 13-19
102663201	9-11	102674201	15-5	102696501	13-13, 13-15
102663301	9-11	102674401	15-9	102696601	13-17, 13-19
102663401	9-11	102674601	15-9	102696701	13-13
102663501	9-11	102675001	15-5	102696801	13-13, 13-15
102663801	9-11	102675101	15-5	102696901	13-13, 13-15, 13-21
102663901	9-11	102675201	15-5	102697001	13-21
102664001	9-11	102675301	15-5	102697101	13-13, 13-15
102664101	9-11	102675401	15-5	102697201	13-15
102664301	9-11	102676801	6-3	102697301	13-13
102664401	9-11	102682301	3-3, 3-7	102697401	13-13
102664601	9-7	102682701	6-13, 6-15	102697501	13-15
102664701	9-7	102682901	6-13, 6-15	102697601	13-13
102664801	9-7	102684401	14-3	102697701	13-13
102664901	9-7, 9-13	102684501	1-17, 6-13, 6-15, 13-11	102697801	13-21
102665001	9-7	102684601	13-11	102697901	13-15
102665101	9-7	102685001	14-3	102698001	13-15
102665301	9-7	102685601	6-13, 6-15	102698101	13-21
102665401	9-7	102686101	15-3	102698301	13-13
102665501	9-7	102687801	6-5	102698401	13-21
102665601	9-7	102689001	4-9	102698601	13-15
102665701	9-7	102689101	4-9, 6-13, 6-15	102698701	13-15
102665901	9-7	102689102	4-9, 6-13, 6-15	102698801	13-21

INDEX

102698901	13-13	102727001	8-9	102751501	5-9
102699001	13-21	102727101	8-9	102751601	10-5
102699201	13-13	102727401	8-11	102758701	5-7, 5-9
102699301	13-15	102727501	8-11	102759401	9-5
102699401	13-13	102727601	8-11	102760501	1-3, 1-5
102699501	13-21	102727701	8-15	102760701	1-3, 1-5
102699601	13-17, 13-19	102727901	8-17	102760801	1-3, 1-5
102699701	13-13, 13-21	102728001	8-19	102762601	13-27
102700001	13-21	102728101	8-23, 8-55	102763301	4-13
102700101	13-21	102728102	8-23	102763401	4-13
102700201	13-21	102728301	8-25	102764201	13-13
102700301	13-21	102728401	8-27	102764701	13-21
102701001	8-9	102728501	8-27	102764801	13-21
102701201	8-33, 8-35	102728601	8-29	102764901	13-15
102703301	8-11	102728701	8-29	102765001	13-17
102707101	10-21	102728801	8-29, 8-53	102765101	13-15
102710301	9-15, 10-7	102728901	8-29	102765201	13-13
102710501	10-13	102729101	8-31	102765301	13-27
102711601	13-3	102729301	8-11, 8-53	102765401	13-27
102712601	4-13	102729401	8-39	102765501	13-27
102712701	4-13	102729501	8-39	102765701	13-27
102714001	4-3, 4-5	102729601	8-41	102765801	13-27
102715701	4-7	102729701	8-41	102770001	4-11
102716001	5-9	102730001	8-33	102770301	4-13
102718001	1-11	102730101	8-33	102778001	1-3, 1-5
102718101	1-11	102730201	8-33, 8-35	102798001	8-9
102718201	1-11	102730301	8-33	102798201	8-11
102719301	12-13	102730401	8-33, 8-35	102798401	8-13
102721501	13-13, 13-21	102730601	8-33, 8-35	102798501	8-13, 8-53
102721901	9-15	102730801	8-5	102798601	8-13
102722001	9-15	102730901	14-9	102798701	8-13
102722301	6-7, 13-3	102731001	14-9	102798801	8-13
102722701	9-11	102731101	14-9	102798901	8-13
102722801	9-11	102731201	14-11	102799001	8-13
102722901	9-11	102731301	8-33, 8-35	102799101	8-13
102724101	10-11	102731501	8-51	102799201	8-13
102724201	10-11	102731601	8-51, 11-5	102799401	8-21
102724301	9-9	102731701	7-23	102799501	8-29
102724401	9-9	102731801	8-53	102799601	8-31
102724501	9-9	102731901	8-53	102799701	8-31
102724601	9-9	102732001	8-55	102799801	8-31
102724701	9-9	102732201	8-23, 8-55	102800101	8-37
102725101	9-13	102732401	1-11	102800201	8-43
102725201	9-13	102732501	8-33, 8-35, 8-45	102800301	8-43
102725401	10-13	102732601	8-5, 8-53	102800401	8-39
102725501	10-25, 10-27	102736901	2-3	102800501	8-39
102725601	10-25, 10-27	102737101	6-13, 6-15	102800601	8-39
102725801	1-13	102737301	14-3	102800701	8-33, 8-35
102725901	1-13	102737401	14-3	102801001	8-33, 8-35
102726201	8-5	102739201	1-11	102801101	8-47
102726301	8-5	102739901	7-21	102801201	8-47
102726401	8-5	102739902	7-23	102801301	8-49
102726501	8-5	102741501	5-9	102801401	8-49
102726601	8-5	102741601	5-9	102801501	8-49
102726701	8-9	102751301	5-9	102807601	14-5
102726901	8-9	102751401	5-9	102807801	14-5

INDEX

- 102810701 10-25, 10-27
102812801 11-3, 11-5
102826101 10-17
102827901 9-15
102831201 9-7
102831501 13-25
102831601 1-5
102834901 11-3
102839401 12-9, 12-11
102849401 9-15
102855501 14-3
102865201 13-3
102886101 1-11
102892401 5-7, 5-9
102896601 5-7, 5-9
102934601 8-3
102934701 8-35
102934801 8-35
102934901 8-35
102952101 10-9
102952102 10-5
102961301 13-27
102961401 13-27
102961501 13-27
102961601 13-27
102967901 1-3, 1-5, 1-9, 7-21, 7-23
103185401 12-9
103185501 12-11
103185801 12-9, 12-11
103185901 12-9, 12-11
103201601 10-11
103239501 13-19
103239801 13-19
103239901 8-35
103244701 13-3
103252201 9-3
103256701 6-7
103267001 1-9
103273101 5-3, 5-5
103282301 6-13, 6-15
103294301 13-17
103305001 5-9
103305101 5-9
103307901 10-3
103320601 12-3, 12-5
103348101 7-21, 7-23
103348201 7-21, 7-23
103418701 4-5
103418801 4-3, 4-5
103441401 10-27
95293643 13-9
96701412 8-3, 9-3
96704416 11-3, 14-3
96704622 8-3, 9-3
96704721 8-3, 9-3
96704960 9-3
96705199 14-3
96705587 9-15, 10-7
96705736 10-21
96706825 5-3
96714464 10-23
96715552 1-3, 1-7
96718978 8-3, 9-3, 10-23
96741038 8-3, 9-3, 10-23, 14-3
96741046 8-3, 9-3
96742515 1-11
96747126 14-7
- ## A
- A-arm 6-7
absorber, shock 6-9, 6-11
accelerator cable 10-15, 10-19
accelerator pedal 5-3
accelerator pedal adjustment tool 15-3
accessory receptacle 7-21, 7-23
actuator 1-15
adapter
 actuator 1-15
 cable (IQDM) 15-7
 hose 9-15
 intake, engine 10-13
 tube 9-15, 10-7
adapter, oil filter 9-15
adhesive, guide ring 15-3
adjuster
 hydraulic brake 15-7
adjuster, forward/aft 1-9
adjuster, slide 13-3
adjuster, slider 1-9
adjuster, spring 10-23
air clean support 10-25, 10-27
air filter 10-25, 10-27
air filter canister 10-25, 10-27
air filter evacuator 10-25, 10-27
alternator 8-33, 8-35
alternator belt 8-35
arbor 15-3
arm
 A- 6-7
 governor 13-21
 lower 6-7
 rocker 8-47
 valve rocker 9-11
arm, swing 6-13, 6-15
assembly
 accelerator pedal 5-3
 adjusting bolt 8-29
 alternator 8-33
 bearing case cover 8-19
 brake line 4-9
 brake pedal 5-5, 5-7, 5-9
 brake rotor 13-3, 13-25
 bucket seat 1-9
 camshaft 8-21, 9-13
 case, main bearing 8-19
 connecting rod 8-23, 9-13
 crankcase cover 9-9
 cylinder head cover 8-13
 drain cock 8-5
 filler cap 4-7
 forward/reverse 13-11
 fuel camshaft 8-27
 fuel cap 10-9
 fuel filter 10-7
 fuel injection pump 8-37
 fuel pump 10-7, 10-13
 fuel tank vent 10-5, 10-9
 gear case 13-13, 13-27
 governor 9-9
 governor arm 13-21
 governor fork 8-43
 governor fork lever 8-43
 headlight 7-15
 headlight harness 7-15
 hinge, tilt bed 1-13
 idle apparatus 8-29
 inner ball joint 6-5
 intake manifold 8-49
 muffler 13-3
 nozzle holder 8-41
 oil pump 8-17
 oil pump cover 9-9
 overflow pipe 8-41
 park brake pedal 5-7, 5-9
 pinion 13-27
 piston ring 8-23, 8-55
 reservoir, remote 4-7
 rocker arm 8-47
 slide adjuster 13-3
 speed plate 8-39
 tailgate 1-19
 tank, coolant expansion 14-5
 tether 1-19
 thermostat 14-9
 tilt bed 1-13
 tire 2-3
 turn signal lens 7-15
 valve, lifter 9-13
 valve, solenoid 10-11
 water pump 14-11
 wire 7-25, 7-27, 10-5, 10-9
assembly, sub-
 A-arm, upper 6-7
 fly weight 13-21
 front differential upright 13-3
 gear case 13-13
 governor spool 13-21
 moveable drive clutch 12-9, 12-11

INDEX

spider 12-9, 12-11
stationary 12-9, 12-11
swingarm 6-13, 6-15
weight clutch 12-9, 12-11
axle 13-25
axle tube 13-27
axle, rear, guard mounts 13-25

B

ball
check 8-21
crankshaft 8-23
governor 8-27
injection pump 8-27
steel 9-9
valve 8-11
ball joint 6-7, 13-3, 13-23
ball stud 13-11
band, pipe 14-9, 14-13
banjo bolt 4-3, 4-5
bar clamp 14-7
bar, sway 6-11
barb, vent 10-3, 10-7
barrier, heat 1-11
base, seat holder 1-11
battery 7-25, 7-27
battery clamp 7-25, 7-27
battery discharge machine 15-3
battery terminal protector spray 15-3
battery thermometer 15-3
bearing 13-27
ball (steering pinion) 6-5
lower pinion 6-5
needle 9-13, 13-5, 13-13, 13-15, 13-27
radial ball 9-13
bearing and oil seal remover 15-3
bearing case cover 8-19
bearing case, main 8-19
bearing driver set 15-3
bearing puller 15-3
bearing puller wedge 15-3
bed floor plate 1-13
bed, tilt 1-13
bell crank kit 4-13
bellcrank 5-9, 13-17, 13-19
bellows 6-5, 13-25
belt guard 8-35
belt, alternator 8-35
belt, drive 12-7
belt, V- 8-33
bezel, fuel fill 1-17
bezel, headlight 7-15
block, differential spacer 13-3
block, engine 8-5
block, fuse 7-17, 7-19
bobbin, coil with press fit 13-5

body, front 1-3, 1-5
bolt
adjusting 8-29
banjo 4-3, 4-5
drain plug 9-9
box
cargo 1-19
bracket
actuator 1-15
anti-sway bar 6-11
brake line 4-9, 6-7
brake pedal 5-5
choke cable 10-13
coolant bottle 14-5
cover inlet 12-5
equalizer 4-11, 4-13
governor arm 10-23
governor cable 10-23
headlight mounting 7-15
hydraulic line 4-9, 6-13, 6-15
muffler 11-3, 11-5
oil filter mount 9-15
park brake 5-9
radiator mount, upper 14-3
rocker arm 8-47
seatbelt 1-11
steering support 1-7
transmission cable 8-3, 9-3, 13-23
transmission mounting 8-3, 9-3
brake adjustment tool 15-3
brake cable 4-13
brake cable release tool 15-3
brake caliper 4-3, 4-5
brake caliper return spring 4-5
brake fluid reservoir 4-7
brake line 4-9
brake pad service kit 4-3, 4-5
brake pedal 5-5, 5-7, 5-9
brake pedal adjustment tool 15-3
brake pedal tension tool 15-3
brake return spring 4-11, 4-13
brake rotor 13-3, 13-25
brake, park, cable pulley kit 4-11
breather cover 8-13
breather shield 8-13
breather tube 8-13, 10-13
breather valve 8-13, 9-13
brush guard 1-3, 1-5
bucket seat 1-9
buckle, seatbelt 1-11
bulb, headlight 7-15
bullet, detent 13-15
bumper
bed 1-15
front 1-3, 1-5
rubber 1-19

stud 14-3
bushing 1-15
A-arm 6-7
anti-sway bar 6-11
arm, lower 6-7
flanged bronze 8-21
forward/reverse 13-11
greaseless 5-3, 5-5
link 6-11
Permglide 13-5
piston pin 8-23, 8-55
pivot, urethane 6-13, 6-15
plain 13-7
return line 10-9
self-lubricating 13-5
steel 1-13
teflon 6-13, 6-15
urethane 1-13
button, thrust 13-5
buzzer, reverse 13-11

C

cable
accelerator 10-15, 10-19
bell crank 4-13, 5-9
brake 4-13
choke 10-17
governor 10-23
IQDM 15-7
park brake 4-11
transmission 13-23
cage, roll 13-5
calibration test module 15-3
caliper, brake 4-3, 4-5
cam installation tool 15-3
camshaft 8-21, 9-13
camshaft, fuel 8-27
canister, air filter 10-25, 10-27
cap
air filter 10-25, 10-27
bolt assembly 8-29
connecting rod 9-13
filler 4-7
fuel 10-9
fuel tank 10-5
inlet 12-5
noise suppressor 9-5, 9-7
oil filler 9-9
pressure 14-5
radiator 14-3
rubber 13-3
sealing 8-5, 8-9
spark plug 9-5, 9-7
speed control plate 8-39
steering wheel 6-3
valve 8-47

INDEX

- cap, front corner 1-19
 - carburetor air vent tube 10-3, 10-7
 - carburetor float level tool 15-7
 - carburetor, Honda 10-11
 - card, safety first 15-9
 - cargo box 1-19
 - case
 - gear 8-11, 13-13, 13-25, 13-27
 - governor ball 8-27
 - main bearing 8-19
 - case cover, bearing 8-19
 - chain, transmission 13-13
 - charge coil 9-7
 - charger bezel tool 15-3
 - choke cable 10-17
 - clamp
 - bar 14-7
 - battery 7-25, 7-27
 - breather tube 8-13
 - hose 10-3, 10-7
 - p- (fuel filter) 1-3, 1-5, 4-9, 8-3, 9-3
 - pipe 8-41
 - wire 9-7, 9-13
 - clevis pin 4-7
 - clip
 - hair pin 1-19
 - clip, brake line 4-9, 10-15, 10-17, 10-19, 13-23
 - clip, breather tube 10-13
 - clip, governor 9-9
 - clip, meter 7-21, 7-23
 - clip, piston pin 9-13
 - clip, return pipe 8-41
 - clip, tube 10-3, 10-13
 - clip, wire harness 10-13
 - closeout 1-9
 - clutch 12-13
 - clutch alignment tool 15-5
 - clutch cover 12-9, 12-11
 - clutch housing 13-5
 - clutch removal tool 15-3
 - clutch tool kit 15-5
 - clutch, diesel 12-11
 - clutch, gas 12-9
 - coil
 - charge 9-7
 - ignition 9-7
 - pocket insert 13-5
 - coil with press-fit bobbin 13-5
 - collar, alternator assembly 8-33, 8-35
 - collar, crankshaft 8-23
 - collar, idle gear 8-21
 - collar, lever 8-39
 - collet 8-47
 - column, steering 6-3
 - communication display module 15-5
 - compression gauge 15-5
 - compressor, piston ring 15-9
 - compressor, valve spring 15-11
 - connecting rod 8-23, 9-13
 - connector, relay 7-17, 7-19
 - console, drink holder 1-9
 - continuity tester 15-5
 - coolant exchanger 14-3
 - coolant expansion tank 14-5
 - coolant fill tee 14-3
 - coolant lamp sensor 14-9
 - coolant pipe 14-7
 - coolant pipe mounting tab 14-7
 - coolant temperature indicator light 7-23
 - cooling fan 9-5, 14-3
 - cord, glow plug 8-41
 - corner cap 1-19
 - cotter, rue ring 6-13, 6-15
 - cover 9-9
 - alternator assembly 8-33
 - bearing case 8-19
 - breather 8-13, 9-13
 - clutch 12-9, 12-11
 - crankcase 9-9
 - CVT 8-3, 9-3, 12-3, 12-5, 12-9, 12-11
 - cylinder head 8-13
 - electrical 7-17, 7-19
 - engine 10-21
 - fan 9-5
 - fuel camshaft 8-5
 - head 9-11
 - head filler 9-11
 - heat proof 8-51
 - input 13-7
 - oil filter 9-9
 - oil pump 9-9
 - thermostat 14-9
 - cover plate, output 13-5
 - cover, steering column 6-3
 - cowl 1-3, 1-5
 - cowl support, ROPS 1-3, 1-5, 1-11
 - crank 8-23
 - crankcase 9-9
 - crankcase cover 9-9
 - crankshaft 8-23, 9-13
 - C-type stop ring 6-5
 - cup holder, seat 1-9
 - cutter, valve seat 15-5, 15-11
 - CVT 12-13
 - CVT cover 12-3
 - CVT cover kit, sealed 12-5
 - CVT cover kit, unsealed 12-5
 - cylinder head 8-9, 9-11
 - cylinder head cover 8-13
 - cylinder, master 4-7
- ## D
- dash, front 1-7
 - dashboard 1-3, 1-5
 - decal
 - 4x4 3-11, 3-13
 - bed load warning 3-3, 3-7
 - Carryall 294 3-13
 - Club Car 3-11, 3-13
 - Club Car tailgate 1-19, 3-11, 3-13
 - crush area warning 3-3, 3-7
 - diesel 3-11, 3-13
 - diesel fuel only 3-7
 - driver/passenger 3-5, 3-9
 - ground warning 3-5, 3-9
 - high capacity 3-11, 3-13
 - hot manifold warning 3-9
 - hot surface warning 1-9, 3-5, 3-9, 14-7
 - operating instructions 3-5, 3-9
 - ROPS certification 1-11, 3-3, 3-7
 - rotating parts 3-3, 3-7
 - rotating parts and hot manifold 3-5, 3-9
 - rotating parts warning 3-9
 - trailer hitch 3-3, 3-7
 - under 16 warning 1-11, 3-3, 3-7
 - vehicle loading 3-3, 3-7
 - warning, diesel 3-7
 - warning, gas 3-3
 - winch cable warning 3-5, 3-9
 - XRT 1500 3-11
 - deflector oil 13-13
 - diaphragm tube 10-13
 - diesel tachometer probe 15-9
 - differential housing 13-27
 - differential, front 13-5
 - diode, engine stop 9-7
 - dipstick, oil 9-9
 - disc 4-11
 - dowel pin 13-5
 - drag link 6-5
 - drain cock 8-5
 - drink holder console 1-9
 - drive belt 12-7
 - drive clutch fixed sheave tool 15-5
 - drive clutch holder tool 15-5
 - drive clutch hub puller 15-5
 - drive clutch puller 15-5
 - drive clutch spider removal tool 15-5
 - drive clutch, moveable 12-9, 12-11
 - drive shaft 13-9
 - driven clutch base sheave 12-13
 - driven clutch cam puller 15-5
 - driven clutch puller plug 15-5
 - driven clutch spring compression base tool 15-5
 - driven clutch spring compression collar tool 15-5

INDEX

driven clutch spring compression nut tool
15-5

dry moly lubricant 15-7

E

E-clip 4-11, 4-13

elbow 10-9

end, tie rod 6-5

engine block 8-5

engine, diesel, Kubota D722 with closed
breather 8-3

engine, Honda 9-3

equalizer 4-11, 4-13

exchanger, engine coolant 14-3

exhaust header 11-3

exhaust valve 8-47, 9-11

expansion tank, coolant 14-5

F

fan shroud 14-3

fan, cooling 9-5, 14-3

fastener, push-in 7-17, 7-19

fender, front 1-3, 1-5

fender, rear 1-17

filler cap 4-7

filter

air 10-25, 10-27

fuel 10-3, 10-7, 10-13

inlet cover 12-5

oil 8-7, 8-11, 9-15

filter, air, canister 10-25, 10-27

fitting, thread-forming grease 6-13, 6-15

flange, water 14-9

float set 10-11

floor mat 1-3, 1-5

floor plate, bed 1-13

fly weight 13-21

flywheel 8-25, 9-7

flywheel puller 15-7

FNR shifter bracket 8-3, 9-3, 13-23

fork, transmission 13-21

forward/reverse assembly 13-11

Forward/Reverse shifter 13-11

frame, tilt bed 1-13

front body 1-3, 1-5

front differential 13-5

fuel camshaft 8-27

fuel cap 10-9

fuel filter 10-3, 10-7, 10-13

fuel gauge sending unit 10-5, 10-9

fuel injection pump 8-37

fuel pickup tube 10-9

fuel pump 10-7, 10-13

fuel tank (diesel) 10-9

fuel tank (gasoline) 10-5

fuel tank cap 10-5

fuel tank strap 10-3, 10-7

fuel tank vent 10-5, 10-9

fuel tank, diesel 10-9

fuel tank, gas 10-5

fuel tube 10-13

fuel-hour gauge 7-21, 7-23

fuse

10-amp 7-17, 7-19

25-amp 7-17, 7-19

30-amp 7-19

fuse block 7-17, 7-19

G

gasket

bearing case 8-19, 8-53

breather cover 9-13

carburetor 10-13

carburetor adapter 10-13

carburetor bowl 10-11

case cover 9-9

clutch cover 12-9, 12-11

control plate 8-39, 8-53

cover 8-19, 8-53, 12-5

cylinder head 8-9, 8-53, 9-11

cylinder head cover 8-13, 8-53, 9-11

drain plug 8-7

exhaust 8-53, 11-3, 11-5

ex-manifold 8-51, 8-53

fuel pump 8-5, 8-53

gearcase 8-11, 8-53

head cover 8-53

head cover nut 8-29, 8-39, 8-41, 8-53

idle apparatus 8-29, 8-53

intake manifold 8-49, 8-53, 9-11, 10-13

liquid 15-7

nozzle 8-41

oil pump 8-17, 8-53

sending unit 10-5, 10-9

thermostat 8-53, 14-9

water flange 8-53, 14-9

water pump 8-53, 14-11

gauge, compression 15-5

gauge, fuel-hour 7-21, 7-23

gauge, oil 8-15

gear

cam 8-21

case 8-11, 13-13, 13-25, 13-27

crank 8-23

helical 13-15, 13-21

idle 8-21

injection pump 8-27

oil pump drive 8-17

ring 8-25, 13-5, 13-27

gear ring engagement 13-15

gear yoke 15-7

glow plug 8-41

glow plug cord 8-41

governor 9-9

governor arm 13-21

governor cable 10-23

governor fork lever 8-43

governor guard 10-23

governor lever 8-39

governor shaft installation tool 15-7

governor spool 13-21

governor wire 10-23

grid, screen 9-5

grill 1-3

grip tape, accelerator pad 5-3

grommet 10-5, 10-9, 10-13, 13-5

grommet tool 9-7

guard

governor 10-23

radiator 14-3

splash 1-7

guard, belt 8-35

guard, brush 1-3, 1-5

guide

accelerator cable 5-3

detent bullet 13-15

exhaust valve 8-9

inlet valve 8-9

oil gauge 8-15

valve seat cutter 15-11

guide ring adhesive 15-3

H

hair pin clip 1-19

half shaft 13-3

handle, park brake 5-7, 5-9

hanger, engine 9-5

harness, wire 7-5, 7-9, 7-13

head, cylinder 8-9, 9-11

header, exhaust 11-3

headlight assembly 7-15

headlight bulb 7-15

headlight harness 7-15

headlight retainer 7-15

heat barrier 1-11

heat seal 8-41

helical gear 13-15, 13-21

hinge plate 1-9

hinge, tilt bed 1-13

holder

drink 1-9

fork lever 8-43

screen grid 9-5

Honda engine 9-3

hook, engine 8-9

hose 14-5

coolant 14-3, 14-7

fuel filter 10-7

INDEX

fuel pump 10-7
fuel return 10-7
inlet cover 12-5
intake 10-25, 10-27
oil, remote 9-15
overflow 8-41
vent 8-3, 9-3, 13-3, 14-5, 14-7
hose, outlet 12-3, 12-5
housing
 clutch 13-5
 differential 13-27
 Mate-N-Lock 13-5
 steering gear 6-5
hub 4-11
hub, race/output 13-5
hydraulic brake adjuster 15-7
hydrometer 15-7

I

idle apparatus 8-29
idle gear 8-21
ignition coil 9-7
injection pump gear 8-27
inlet valve 8-47, 9-11
insert, carburetor adapter 10-13
insulator, carburetor 10-13
intake adapter, engine 10-13
intake manifold 8-49
internal retaining ring pliers 15-7
IQ display module (IQDM) 15-7
isolator ring and bushing 8-3, 9-3
isolator, twin stud 14-3

J

jet, main 10-11
joint
 ball 6-7, 13-3, 13-23
 eye 8-37
 pipe 8-11

K

key
 feather 8-17, 8-21, 8-23, 8-27
 pair 7-23
 woodruff 9-7, 9-13
key (pair) 7-21
key switch 7-21, 7-23
key switch spacer 7-21
keyswitch nut 7-21
kit
 anti-sway 6-11
 bolt 13-5
 brake pad service 4-3, 4-5
 brake pedal adjustment tool 15-3
 clutch 13-5

cover plate, input 13-7
cover plate, output 13-5
drain plug 13-5
forward gear repair 13-15
gasket 8-53
governor shaft repair 13-21
H-clip spring 13-5
input shaft repair 13-21
IQ display module (IQDM) 15-7
neutral switch repair 13-15
nozzle holder 8-41
park brake handle 5-7, 5-9
piston rebuild 8-55
race output hub 13-5
rear axle gear repair 13-27
repair, minor 13-5
reverse gear repair 13-13
roll cage 13-5
roller 13-5
ROPS 1-11
transmission shift shaft repair 13-17
tune-up 15-9
knob, forward/reverse 13-11
knob, light switch 7-21, 7-23
knuckle, slider steering 6-3

L

latch, access panel 1-3, 1-5
latch, slam 1-19
latch, spring 1-19
lens, headlight 7-15
lever
 engine stop 8-39
 fork 8-43
 governor 8-39
 lost motion 5-3
 speed control 8-39
light
 oil 7-21, 7-23
light switch 7-21, 7-23
light switch knob 7-21, 7-23
light, coolant temperature indicator 7-23
limit switch 13-11
line, brake reservoir 4-7
link, drag 6-5
liquid gasket 15-7
low oil warning light 7-21, 7-23
lubricant, dry moly 15-7
lubricant, moly-teflon 15-7

M

main jet 10-11
manifold
 exhaust 8-51
 inlet 9-11, 10-13

intake 8-49
mat, floor 1-3, 1-5
Mate-N-Lock housing 13-5
Mate-N-Lock pin 13-5
meter clip 7-21, 7-23
meter, volt ohm 15-11
module
 calibration test 15-3
 communication display 15-5
moly-teflon lubricant 15-7
motor
 starter 8-45, 9-7
mount, link 6-11
moveable drive clutch 12-9, 12-11
muffler 11-3, 11-5, 13-3

N

nipple, remote oil 9-15
noise suppressor cap 9-5, 9-7
nongrease/spacers locker 13-27
nozzle holder 8-41
nozzle, main 10-11
nut, keyswitch 7-21
nut, toggle switch 7-21, 7-23

O

oil deflector 13-13
oil dipstick 9-9
oil filter 8-7, 8-11, 9-15
oil filter screen 9-9
oil pan 8-7
oil pressure switch 8-5, 9-7
oil pump 8-17
oil pump drive gear 8-17
oil seal 8-11, 8-19, 9-9, 9-13, 13-5, 13-7
oil slinger 8-23
oil warning light, low 7-21, 7-23
O-ring 8-5, 8-7, 8-9, 8-11, 8-13, 8-23, 8-31, 8-39,
 8-53, 9-15, 13-5, 13-7
overflow pipe 8-41

P

paint, touch-up 15-7
pan
 center 1-9
 oil 8-7
 seat 1-9
panel
 access 1-3, 1-5
 left 1-19
 right 1-19
 side 1-17
panel, front 1-17, 1-19
park brake cable 4-11
park brake pedal 5-7, 5-9

INDEX

p-clamp (fuel filter) 1-3, 1-5, 4-9, 8-3, 9-3
pedal, accelerator 5-3
pedal, brake 5-5, 5-7, 5-9
pin, clevis 4-7
pin, dowel 13-5
pin, Mate-N-Lock 13-5
pin, piston 8-23, 8-55, 9-13
pin, slide, caliper slide pin 4-3, 4-5
pinion 13-27
pinion, steering 6-5
pipe
 breather 8-49
 coolant 14-7
 exhaust 11-3, 11-5
 injection 8-41
 overflow 8-41
 water 14-13
 water return 8-13, 14-9
pipe band 14-9, 14-13
pipe clamp 8-41
pipe, coolant 14-7
piston 8-23, 8-55, 9-13
piston pin 8-23, 8-55, 9-13
piston ring 8-23, 8-55
piston ring compressor 15-9
piston ring pliers 15-9
piston ring set 9-13
pivot, rocker arm 9-11
plate
 armature 13-5
 back 1-13, 1-15
 brush mount 1-3, 1-5
 cover, output 13-5
 electrical 7-17, 7-19
 engine block 8-5
 engine mounting 8-3, 9-3
 engine, left side 9-5
 fuel/oil 9-15, 10-7
 hinge 1-9
 push rod guide 9-11
 shroud 8-25, 9-5
 speed 8-39
 speed control 8-39
 thrust 13-5
pliers
 internal retaining ring 15-7
 piston ring 15-9
 retaining ring 15-9
plug
 drain 8-7
 driven clutch puller 15-5
 engine block 8-5, 8-9, 8-11, 13-13, 13-25
 expansion 8-5
 gearcase 13-13, 13-25
 glow 8-41
 oil drain 13-5

oil fill 13-5
oil filler 8-13
plug, spark 9-7, 9-11
press weldment 15-5
prop shaft 13-9
protector spray, battery terminal 15-3
puller
 bearing 15-3
 clutch 15-3
 drive clutch 15-5
 drive clutch hub 15-5
 driven clutch cam 15-5
 flywheel 15-7
 seal 15-9
 special use tool 15-9
pulley
 fan drive 8-33, 8-35
 mount 4-11
 water pump 8-33, 8-35
pulley, brake, park, cable, kit 4-11
pullrod, compression spring 5-3
pump
 fuel 10-7, 10-13
 fuel injection 8-37
 oil 8-17
 water 14-11
push rod 8-21, 9-11

R

rack guide pressure spring 6-5
rack, steering 6-5
radiator cap 14-3
radiator guard 1-5, 14-3
radiator pipe 14-7
reamer, valve guide 15-9
receiver, rear 6-13, 6-15
receptacle, accessory 7-21, 7-23
regulator, voltage 9-15
relay 7-17, 7-19
relay connector 7-17, 7-19
remover, bearing and oil seal 15-3
reservoir, brake fluid 4-7
reservoir, remote 4-7
retainer
 headlight 7-15
 spring (driven clutch) 12-13
 valve spring 8-47, 9-11
retaining ring 13-3
retaining ring pliers 15-9
retractor, seat belt 1-11
reverse buzzer 13-11
ring
 piston 8-23, 8-55
 snap 6-5
ring gear 8-25, 13-5, 13-27
ring set, piston 9-13

ring, C-type stop 6-5
ring, retaining 13-3
ring, retaining, ext 6-7, 13-3
rivet, blind push 1-7
rocker arm 8-47
rocker arm pivot 9-11
rod
 connecting 8-23, 9-13
 crank crank rod 8-23
 push 8-21, 9-11
roll cage 13-5
roller weight 12-9, 12-11
roller, torque 12-9, 12-11
ROPS certification decal 1-11, 3-3, 3-7
ROPS cowl support 1-3, 1-5, 1-11
ROPS kit 1-11
ROPS support tube 1-11
ROPS top 1-11
ROPS weldment 1-11
rotator, valve 9-11
rotor, brake 13-3, 13-25
rotor, oil pump 9-9
rubber bumper 1-19

S

safety first card 15-9
screen grid 9-5
screen, oil filter 9-9
screw, valve clearance adjuster 15-9
seal
 dual lip 13-13, 13-17, 13-19, 13-21, 13-27
 heat 8-41
 oil 8-11, 8-19, 9-9, 9-13, 13-5, 13-7
 steering pinion dust 6-5
 triple lip 13-13
 valve stem 8-47, 8-53, 9-11
seal puller 15-9
seat
 bucket 1-9
 valve 8-11
 valve spring 9-11
seat belt retractor 1-11
seat holder base 1-11
seat, bucket 1-9
seatbelt buckle 1-11
sending unit, fuel gauge 10-5, 10-9
sensor, coolant lamp 14-9
service kit, brake pad 4-3, 4-5
shaft
 CVT adapter 8-3
 drive 13-9
 fork lever 8-43
 governor arm 9-13
 governor lever 8-39
 idle gear 8-21
 input 13-21

INDEX

- intermediate 13-15
- output 13-21
- pinion 13-7
- prop 13-9
- rock arm 8-47
- shift 13-19
- shaft shift 13-17
- shaft, half 13-3
- sheave, drive clutch base 12-13
- sheave, driven clutch 12-13
- shield, breather 8-13
- shield, exhaust 11-5
- shift, shaft 13-17
- shim 12-9, 12-11, 13-27
- shim, armature plate 13-5
- shim, injection pump 8-37
- shock absorber 6-9, 6-11, 6-13, 6-15
- shroud 9-5
 - head 9-5
- shroud, fan 14-3
- slam latch 1-19
- sleeve
 - crankshaft 8-23
 - governor 8-27
 - link 6-11
 - lower suspension 6-7
 - upper suspension 6-7
- slide pin 4-3, 4-5
- slide, adjuster 13-3
- slider, governor 9-9
- slinger, oil 8-23
- snap ring 6-5
- solenoid, stop 8-31
- spacer
 - engine 8-3
 - key switch 7-21
- spacer block, differential 13-3
- spanner wrench 15-9
- spark plug 9-7, 9-11
- spark plug cap 9-5, 9-7
- speed plate 8-39
- spider 12-9, 12-11
- splash guard 1-7
- spray, battery terminal protector 15-3
- spring
 - access panel 1-3, 1-5
 - brake caliper return 4-5
 - brake return 4-11, 4-13
 - carburetor 10-23
 - choke spring 10-23
 - compression 10-23, 12-9, 12-11, 12-13
 - continuity 10-13
 - detent bullet 13-15
 - exhaust 11-3, 11-5
 - governor 8-43
 - governor idle 10-23
 - idle apparatus 8-29
 - pedal 5-3
 - pedal stop 5-3
 - rack guide pressure 6-5
 - relief valve 9-9
 - return 8-39
 - rocker arm 8-47
 - start 8-9, 8-43
 - torsion 5-3
 - valve 8-11, 8-47, 9-11
- spring latch 1-19
- sprocket 13-13
- start spring 8-43
- starter motor 8-45, 9-7
- stay
 - alternator assembly 8-33
 - cylinder head 8-9
 - fuel pump 10-13
 - spring 8-11
 - stop solenoid 8-31
- steel bushing 1-13
- steering column 6-3
- steering column bearing press tool 15-9
- steering column cover 6-3
- steering column retaining ring tool 15-9
- steering gear housing 6-5
- steering pinion dust seal 6-5
- steering rack 6-5
- steering wheel 6-3
- steering wheel puller tool 15-9
- stem, valve 2-3
- stop solenoid stay 8-31
- stopper, camshaft 8-21
- stopper, fuel camshaft 8-27
- strap, fuel tank 10-3, 10-7
- stud 8-3, 8-37, 8-51, 14-13
 - engine 9-7
 - idle adjustment 8-29
 - self-clinching 1-19
- stud, ball 13-11
- support yoke (steering) 6-5
- support, access panel 1-3, 1-5
- sway bar 6-11
- swingarm 6-13, 6-15
- switch
 - indicator (transmission) 13-15
 - key 7-21, 7-23
 - light 7-21, 7-23
 - limit 13-11
 - oil pressure 8-5, 9-7
 - toggle 7-21, 7-23
- T**
- tab, coolant pipe mounting 14-7
- tachometer 15-9
- tachometer probe, diesel 15-9
- tailgate 1-19
- tailgate angle 1-19
- tank
 - coolant expansion 14-5
- tank, fuel 10-5, 10-9
- tank, fuel (diesel) 10-9
- tank, fuel (gasoline) 10-5
- tape, grip, accelerator pad 5-3
- tape, vinyl foam 1-9, 1-13, 14-3
- tappet 8-21
- tee, coolant fill 14-3
- temperature indicator light, coolant 7-23
- tester, continuity 15-5
- tether 1-19
- thermometer, battery 15-3
- thermostat 14-9
- thread-forming grease fitting 6-13, 6-15
- thrust button 13-5
- thrust plate 13-5
- tie rod end 6-5
- tie wrap 1-15, 4-9, 4-11, 4-13, 6-5
- tilt bed 1-13
- tilt bed frame 1-13
- tire 2-3
- toggle switch 7-21, 7-23
- tool
 - accelerator pedal adjustment 15-3
 - belt tensioning, starter/generator 15-11
 - brake adjustment 15-3
 - brake cable release 15-3
 - brake pedal adjustment 15-3
 - brake pedal tension 15-3
 - cam installation 15-3
 - carburetor float level 15-7
 - charger bezel 15-3
 - clutch alignment 15-5
 - cT-wrench 15-5
 - drive clutch fixed sheave 15-5
 - drive clutch holder 15-5
 - drive clutch spider removal 15-5
 - driven clutch spring compression base 15-5
 - driven clutch spring compression collar 15-5
 - driven clutch spring compression nut 15-5
 - governor shaft installation 15-7
 - grommet 9-7
 - puller, special use 15-9
 - steering column bearing press 15-9
 - steering column retaining ring 15-9
 - steering wheel puller 15-9
 - transaxle axle seal 15-9
 - transaxle pinion seal 15-9
 - transmission 15-9
 - valve guide driver 15-9
 - valve seat cutter 15-5

INDEX

tool kit, clutch 15-5
top, ROPS 1-11
torque converter 12-13
torque roller 12-9, 12-11
touch-up paint 15-7
transaxle axle seal tool 15-9
transaxle housing 13-27
transaxle pinion seal tool 15-9
transmission cable 13-23
transmission cable bracket 8-3, 9-3, 13-23
transmission chain 13-13
transmission fork 13-21
transmission tool 15-9
transmission, parallel shaft 13-13
tube
 axle 13-27
 breather 8-13, 10-13
 carburetor air vent 10-3, 10-7
 diaphragm 10-13
 fuel 10-13
 fuel pickup 10-9
 ROPS support 1-11
tune-up kit 15-9
turn signal lens 7-15
T-wrench tool 15-5

U

upright, front differential 13-3
urethane bushing 1-13

V

valve 10-25, 10-27
 breather 8-13, 9-13
 exhaust 8-47, 9-11
 fuel pickup tube 10-5
 inlet 8-47, 9-11
 lifter 9-13
 rocker arm 9-11
 rotator 9-11
 seat 8-11
 solenoid 10-11
 spring seat 9-11
valve clearance adjuster screw 15-9
valve guide driver tool 15-9
valve guide reamer 15-9
valve seat cutter 15-5, 15-11
valve seat cutter guide 15-11
valve seat cutter tool 15-5
valve seat t-wrench 15-11
valve spring compressor 15-11
valve stem 2-3
V-belt 8-33
vent barb 10-3, 10-7
vent, housing, upper 13-27
vent, transmission 13-13

volt ohm meter 15-11
voltage regulator 9-15

W

warning light, low oil 7-21, 7-23
water flange 14-9
water pump 14-11
wedge, bearing puller 15-3
weight clutch 12-9, 12-11
weldment
 press 15-5
weldment, accelerator pedal 5-3
weldment, accelerator pedal bracket 5-3
weldment, actuator bracket 1-15
weldment, air cleaner support 10-25, 10-27
weldment, brake pedal 5-5
weldment, coolant pipe 14-7
weldment, cowl support, ROPS 1-3, 1-5, 1-11
weldment, dash, front 1-7
weldment, Forward/Reverse shifter 13-11
weldment, Forward/Reverse shifter bracket 13-11
weldment, lever, lost motion 5-3
weldment, receiver 6-13, 6-15
weldment, shaft shift 13-17
weldment, tilt bed frame 1-13
weldment, top, ROPS 1-11
wheel 2-3
wheel, steering 6-3
wire assembly 7-25, 7-27, 10-5, 10-9
wire harness 7-5, 7-9, 7-13
wire harness, electric lift 1-15
wire, governor 10-23
wrap, tie 1-15, 4-9, 4-11, 4-13, 6-5
wrench, spanner 15-9

Y

yoke, gear 15-7
yoke, support (steering) 6-5



Club Car, Inc.
P.O. Box 204658
Augusta, GA 30917-4658
USA

Web www.clubcar.com
Phone 1.706.863.3000
1.800.ClubCar
Int'l +1 706.863.3000
Fax 1.706.863.5808