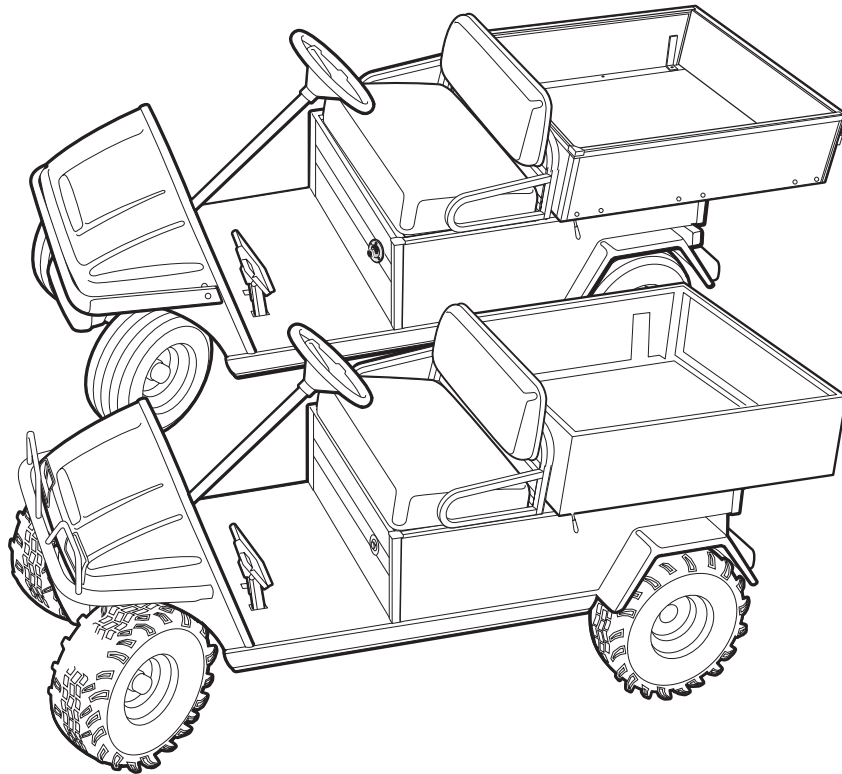




2008
Turf/Carryall 2, 252, 2 Plus,
and XRT 900
Illustrated Parts List



Gasoline and Electric Vehicles

Manual Number 103373008
Edition Code 1207M0616L

USING THE ILLUSTRATED PARTS LIST

WARNING

- **This manual is to be used only for identification and ordering of service parts. Be sure to read and use the maintenance and service manual before attempting any vehicle repairs.**

This manual covers all Turf/Carryall 2, 2 Plus, 252 and XRT 900 vehicles built during the 2008 model year.

The manual is divided into sections. Note that there are two or three flags on the outside edge of each page. The first flag contains the section number of which that page is a part. The other flag (or flags) contains the letter G or E, signifying that the page pertains to the electric or gasoline vehicles only.

Use the Table of Contents to find the sections and pages that contain the parts and assemblies you seek. The Table of Contents lists section numbers, and under them, the individual page titles and numbers to be found in that section. The index can be used to find specific parts and assemblies. The index is divided into numerical and alphabetical listings with the page numbers in italic text.

There is a two-page spread for each individual page title in the Table of Contents. On the left-hand page is an illustration showing the parts in their relative positions; the parts are each tagged with an item number in a balloon. The right-hand page is the parts list page, and gives the page title at the top, then the item numbers (corresponding to the numbers on the illustration), part descriptions, and quantity of parts used.

Note that a part description may be indented. This indentation corresponds to a parts assembly level indicated by the numbers 1, 2, 3, and 4 at the top left corner of the parts description area of the parts list page. A part that is indented to *level 2* is a component of the *level 1* part (assembly) that it is listed under. A *level 3* part is a component of the *level 2* part that it is listed under, and a *level 4* part is a component of the *level 3* part preceding it. In each case, the part quantity given for a level 2, 3, or 4 part is the quantity used per next higher level assembly of which it is a component. A part that is not indented is a *level 1* part. This means that the quantity given is the quantity used per the portion of the vehicle illustrated on that particular spread.



P. O. Box 204658
Augusta, Georgia 30917-4658 USA
Telephone 706-863-3000
Service Parts Fax 706-855-7413
www.clubcar.com

HOW TO ORDER PARTS

Replacement parts and accessories can be obtained from our network of authorized dealers and distributors. You can obtain the name and phone number of your closest authorized Club Car dealer or distributor by visiting our web site at www.clubcardealer.com, by calling our toll-free Service Parts and Technical Assistance hotline at (800) 872-2246 or (706) 863-3000, extension 3887, or by scanning this Quick Response (QR) code to be taken to the Club Car dealer locator. **Refer to Figure 1.** Download a QR code reader such as RedLaser or Barcode Scanner to your cell phone or tablet.

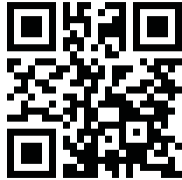


Figure 1 Dealer Locator QR Code

CUSTOMER SATISFACTION SURVEY

Let your voice be heard!

Please take time to participate in the Technical Publications satisfaction survey. Obtaining feedback from our customers is important to the department's continuous improvement process. The online survey takes less than five minutes and responses will help the department to examine current performance as well as identify areas for future improvement.

Our top priority is to provide timely, accurate, and user friendly manuals.

The online satisfaction survey can be found at: <http://bit.ly/1w9uFMh>



Figure 2 Survey QR Code

NOTE: *This illustrated parts list represents the most current information at the time of publication. Club Car, Inc. is continually working to further improve its vehicles and other products. These improvements may affect the parts used to service the vehicle. Any modification and/or significant change in specifications will be forwarded to all Club Car and Carryall distributors/dealers and will, when applicable, appear in future editions of this illustrated parts list.*

Club Car, Inc. reserves the right to change specifications and designs at any time without notice and without the obligation of making changes to units previously sold.

Copyright © 2007, 2015 Club Car, Inc.
Club Car and ArmorFlex
are registered trademarks of Club Car, Inc.
This manual effective August 6, 2007.

CONTENTS

SECTION 1 – BODY AND TRIM

Front Body and Trim – Turf, Utility, & Transportation	1-3
Front Body and Trim – Turf/Carryall 252 and XRT 900	1-5
Splash Guard – Gasoline Vehicles Only	1-7
Dash Pockets and Floormat	1-9
Beverage Holder	1-11
Mirror, Rear-View – without Cab	1-13
Grommets, Chassis	1-15
Seat Bottom	1-17
Seat Back Assembly	1-19
Windshield, Hinged	1-21
Windshield, Non-Hinged	1-23
Canopy Kit, White	1-25
Canopy Kit, Beige	1-27
Canopy Kit, Black	1-29
Hip Restraints and Seat Back Mounting	1-31
Tilt Bed, Hinge, and Latch – Turf/Carryall 2, 2 Plus, 252, and XRT 900	1-33
Latch Plate	1-35
Prop Rod	1-37
Cargo Box (Aluminum)	1-39
Cargo Box (Aluminum) Mounting	1-41
Cargo Box (Steel)	1-43
Bed Mat	1-45
Stake Side Kit	1-47
Electric Bed Lift – Gasoline Vehicles	1-49
Electric Bed Lift – Electric Vehicle	1-51
Hydraulic Bed Lift Kit	1-53
Portable Refreshment Center	1-55
Toolboxes	1-57
Trailer Hitch	1-59
Trailer Hitch Ball	1-61
Receiver Hitch	1-63
Rear Body Trim – Turf/Carryall 1, 2, 2 Plus, and 6	1-65
Rear Body Trim – Turf/Carryall 252 and XRT 900	1-67
Cab, Curtis – Turf/Carryall 1, 2, 2 Plus, 252 and XRT 900	1-69
Mirror, Inside Rear-View – Curtis Cab	1-71
Mirror, Side-View – Curtis Cab	1-73
Accessory Switch Panel – Curtis Cab	1-75
Strobe Light – Curtis Cab	1-77

CONTENTS

Work Lights – Curtis Cab	1-79
Fan/Defogger – Curtis Cab	1-81
Heater – Curtis Cab	1-83
Van Box	1-85

SECTION 2 – WHEELS AND TIRES

Wheels and Tires – Turf/Carryall 2 and 2 Plus	2-3
Wheels and Tires, Off-Road Tread – Turf/Carryall 252 and XRT 900	2-5
Wheels and Tires, Turf Tread – Turf/Carryall 252 and XRT 900	2-7
Wheel Covers	2-9

SECTION 3 – DECALS

Decals – Turf/Carryall 2 IQ Plus Electric	3-3
Decals – Turf/Carryall 2 IQ Plus Electric, Continued	3-5
Decals – Turf/Carryall 252 and XRT 900 IQ Plus Electric	3-7
Decals – Turf/Carryall 252 and XRT 900 IQ Plus Electric, Continued	3-9
Decals – Turf/Carryall 2 Gasoline Vehicles	3-11
Decals – Turf/Carryall 2 Gasoline Vehicles, Continued	3-13
Decals – Carryall 2 Plus Gasoline Vehicles	3-15
Decals – Carryall 2 Plus Gasoline Vehicles, Continued	3-17
Decals – Turf/Carryall 252 Gasoline Vehicles	3-19
Decals – Turf/Carryall 252 Gasoline Vehicles, Continued	3-21
Decals – XRT 900 Gasoline Vehicles	3-23
Decals – XRT 900 Gasoline Vehicles, Continued	3-25
Decals, Badging – Turf/Carryall 2 and 2 Plus	3-27
Decals, Badging – Turf/Carryall 252	3-29
Decals, Badging – XRT 900	3-31

SECTION 4 – LIGHTS, CONTROLS, AND INDICATORS

Headlights	4-3
Light Kit, Standard – Carryall 2 Gasoline Vehicles	4-5
Light Kit, Standard – Carryall 2 IQ Plus Electric Vehicles	4-9
Turn Signal Kit – DS and Utility Gasoline and Electric Vehicles	4-13
Instrument Panel and Electrical Components – Turf/Carryall 1, 2, and 252 Gas	4-15
Instrument Panel and Electrical Components – Carryall 2 Plus and XRT 900 Gas	4-17
Instrument Panel and Electrical Components – Turf/CA 1 and 2 Electric	4-19
Instrument Panel with Electrical Components – Turf/Carryall 252 and XRT 900 Electric	4-21
Keys and Keyswitches, SmartKey Kit – Electric Vehicle	4-23
Keys and Keyswitches, Uncommon – Gas Vehicle	4-25

CONTENTS

DC Converter – IQ Plus Electric Vehicle	4-27
Voltage Limiter – Gasoline Vehicle	4-29
Strobe Light, Post-Mounted – Gasoline Vehicles	4-31
Strobe Light, Post-Mounted – Electric Vehicles	4-33
Strobe Light, Canopy-Mounted	4-35
Light Bar – Turf/CA 252 and XRT 900 Gas Vehicles	4-37
Light Bar – Turf/CA 252 and XRT 900 Electric Vehicles	4-39
Horn	4-41
Hour Meter – IQ System and IQ Plus Electric Vehicles	4-43
Taillights	4-45

SECTION 5 – BRAKES, PEDAL, AND CABLE ASSEMBLIES

Brake Pedal Assembly	5-3
Accelerator Pedal Assembly – Electric Vehicles with MCOR	5-5
Accelerator Pedal Assembly – Gasoline Vehicles	5-7
Accelerator Rod – Turf/Carryall 2/2 Plus/252 and XRT900 Gasoline Vehicles	5-9
Front Brake Assembly – Vehicles with Four-Wheel Brakes	5-11
Front Brake Cables and Equalizer – Vehicles with Four-Wheel Brakes	5-13
Rear Brake Cables and Equalizer – Vehicles with 4-Wheel Brakes	5-15
Rear Brake Assembly, Manually-Adjusted – Vehicles with 4-Wheel Brakes	5-17
Rear Brake Assembly, Self-Adjusting – Vehicle with 2-Wheel Brakes	5-19
Rear Brake Cables and Equalizer – Vehicles with Two-Wheel Brakes	5-21

SECTION 6 – STEERING AND SUSPENSIONS – TURF/CA 2 AND 2 PLUS

Steering Gear Assembly	6-3
Steering Column – Utility	6-5
Intermediate Steering Shaft – Turf/Carryall 1/2/2 Plus/6	6-7
Steering Wheel	6-9
Steering Wheel with Clip	6-11
Front Spindles and Hubs – Vehicles with Two-Wheel Brakes	6-13
Front Suspension, Upper – Vehicles with Two-Wheel Brakes	6-15
Front Suspension, Lower – Vehicles with Two-Wheel Brakes	6-17
Heavy Duty Front Springs	6-19
Front Spindles and Hubs – Vehicles with Four-Wheel Brakes	6-21
Front Suspension, Upper – Vehicles with Four-Wheel Brakes	6-23
Front Suspension, Lower – Vehicles with Four-Wheel Brakes	6-25
Rear Suspension – Gasoline Turf/Carryall 2, 2 Plus, and 6	6-27
Rear Suspension – Turf/Carryall 2 and 6 IQ Plus Vehicles	6-29
Stabilizer Bar – Turf/Carryall 2, 2 Plus, and 6 Gasoline Vehicles	6-31

CONTENTS

SECTION 7 – STEERING AND SUSPENSIONS – TURF/CA 252 AND XRT 900

Front Frame Plate Hardware – Turf/Carryall 252 and XRT 900	7-3
Steering Gear Assembly	7-5
Steering Column – Utility	7-7
Intermediate Steering Shaft – Turf/Carryall 252 and XRT 900 Vehicles	7-9
Steering Wheel	7-11
Steering Wheel with Clip	7-13
Front Spindles and Hubs – Vehicles with Four-Wheel Brakes	7-15
Front Suspension, Upper – Turf/Carryall 252 and XRT 900	7-17
Front Suspension, Lower – Turf/Carryall 252 and XRT 900	7-19
Rear Suspension – Gasoline Turf/Carryall 252 and XRT 900	7-21
Rear Suspension – Turf/Carryall 252 and XRT 900 IQ Plus	7-23
Stabilizer Bar – Turf/Carryall 252 and XRT 900	7-25

SECTION 8 – ELECTRICAL SYSTEM – GASOLINE VEHICLE

Wiring, Fuses, and Diodes – Turf/Carryall 2 and 252	8-3
Wiring, Fuses, and Diodes – Carryall 2 Plus	8-5
Wiring, Fuses, and Diodes – XRT 900	8-7
Starter/Generator Assembly Model G425419 – Gasoline Vehicles	8-9
Starter/Generator Mounting – FE350	8-11
Operation and Maintenance Switch	8-13
Electrical Component Box – Turf/Carryall 1, 2, and 252	8-15
Electrical Component Box – Carryall 2 Plus	8-17
Electrical Component Box – XRT 900	8-19
Forward/Reverse Shifter Switches – Dash Mounted Shifter	8-21
Charging Diode, Key-Start – XRT Vehicles	8-23
Battery – Gasoline Utility Vehicles	8-25

SECTION 9 – FE350 ENGINE WITH ACR (CARRYALL 2 PLUS)

FE350 Engine with ACR (Automatic Compression Release) – Shrouds and Brackets	9-3
FE350 Engine – Ignition Components and Flywheel	9-5
FE350 Engine – Oil Circulation	9-7
FE350 Engine – Cylinder Head	9-9
FE350 Engine with ACR – Crankcase, Camshaft, and Oil Sensor	9-11
FE350 Engine – Crankcase and Crankshaft	9-13
FE350 Engine Mounting	9-15

CONTENTS

SECTION 10 – FE350 ENGINE W/O ACR (TURF/CA 2, 252 AND XRT 900)

FE350 Engine w/o ACR – Shrouds and Brackets	10-3
FE350 Engine – Ignition Components and Flywheel	10-5
FE350 Engine – Oil Circulation	10-7
FE350 Engine – Cylinder Head	10-9
FE350 Engine w/o ACR – Crankcase, Camshaft, and Oil Sensor	10-11
FE350 Engine – Crankcase and Crankshaft	10-13
FE350 Engine Mounting	10-15

SECTION 11 – FUEL, INTAKE, AND GOVERNOR SYSTEMS

Fuel System – 49 State	11-3
Fuel System – California Only	11-5
Carbon Canister – California Only	11-7
Carburetor Assembly, FE350 (AS11)	11-9
Carburetor Mounting, Utility, FE350 – 49 State	11-11
Carburetor Mounting, Utility, FE350 – California Only	11-13
Governor and Accelerator Cables	11-15
Air Filter and Intake System – Turf/CA 2, 252 and XRT 900	11-17

SECTION 12 – EXHAUST SYSTEM

Exhaust System – FE350 Engine	12-3
-------------------------------------	------

SECTION 13 – DRIVE BELT AND CLUTCHES

Drive Belt	13-3
Drive Clutch – Turf/Carryall 1, 2, and 252	13-5
Drive Clutch – Carryall 2 Plus	13-7
Drive Clutch – XRT 900	13-9
Driven Clutch – Turf/Carryall 1, 2, and 252	13-11
Driven Clutch – Carryall 2 Plus and XRT 900	13-13

SECTION 14 – UNITIZED TRANSAXLE – GASOLINE VEHICLES

Forward/Reverse Shifter	14-3
Shifter Cable – Turf/CA 2/252/2 Plus and XRT900	14-5
Kawasaki Transaxle – Gear Cases and Brackets	14-7
Kawasaki Transaxle – F&R Transmission and Gear Reduction	14-9
Kawasaki Transaxle – Differential and Axles	14-11
Graziano Transaxle – Gear Cases and Levers	14-13
Graziano Transaxle – F&R Transmission and Gear Reduction	14-15

CONTENTS

Graziano Transaxle -Differential and Axles	14-17
--	-------

SECTION 15 – ELECTRICAL SYSTEM – ELECTRIC VEHICLES

Motor Controller Output Regulator (MCOR)	15-3
Main Wiring Harness, 48-Volt Fuse Block – Electric Vehicle	15-5
Battery Charger Receptacle	15-7
Tow/Run Switch and Circuit-Breaker – IQ Plus	15-9
Batteries, 6-Volt, Standard Duty	15-11
Batteries, 6-Volt, Heavy Duty	15-13
Computer, Controller, and Solenoid	15-15

SECTION 16 – MOTOR (MODEL DA5-4006) – IQ PLUS

Motor (Model DA5-4006) – IQ Plus	16-3
--	------

SECTION 17 – TRANSAXLE – ELECTRIC VEHICLES

Transaxle – Electric Vehicles	17-3
Differential Guard – Electric Vehicles	17-5

SECTION 18 – BATTERY CHARGERS

IQ Plus Battery Charger (Models 25730-11,-18,-19), Domestic	18-3
IQ Plus Battery Charger (Models 25880-11 and -18), International	18-5
Onboard IQ Plus Battery Charger (Model 25260-11), Domestic	18-7
Onboard IQ Plus Battery Charger (Model 25660-40), International	18-9
Onboard IQ Plus Charger and Cord Reel Mounting, Page 1 of 2	18-11
Onboard IQ Plus Charger and Cord Reel Mounting, Page 2 of 2	18-13

SECTION 19 – MAINTENANCE AND SERVICE TOOLS

Maintenance and Service Tools	19-3
Maintenance and Service Tools, Continued	19-5
Maintenance and Service Tools, Continued	19-7

SECTION i – INDEX

BODY AND TRIM

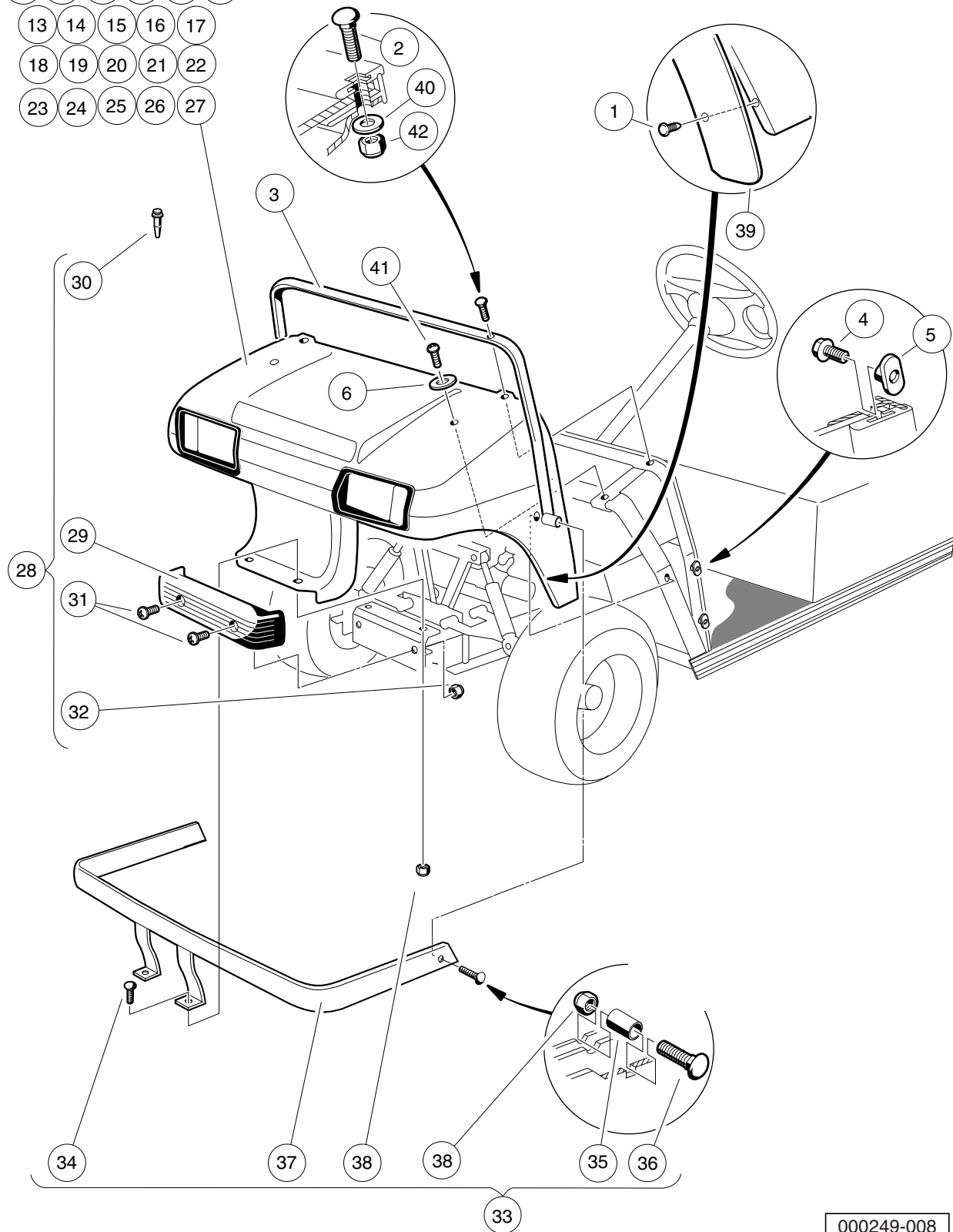
1

G

E

1
G
E

- 7 8 9 10 11 12
- 13 14 15 16 17
- 18 19 20 21 22
- 23 24 25 26 27



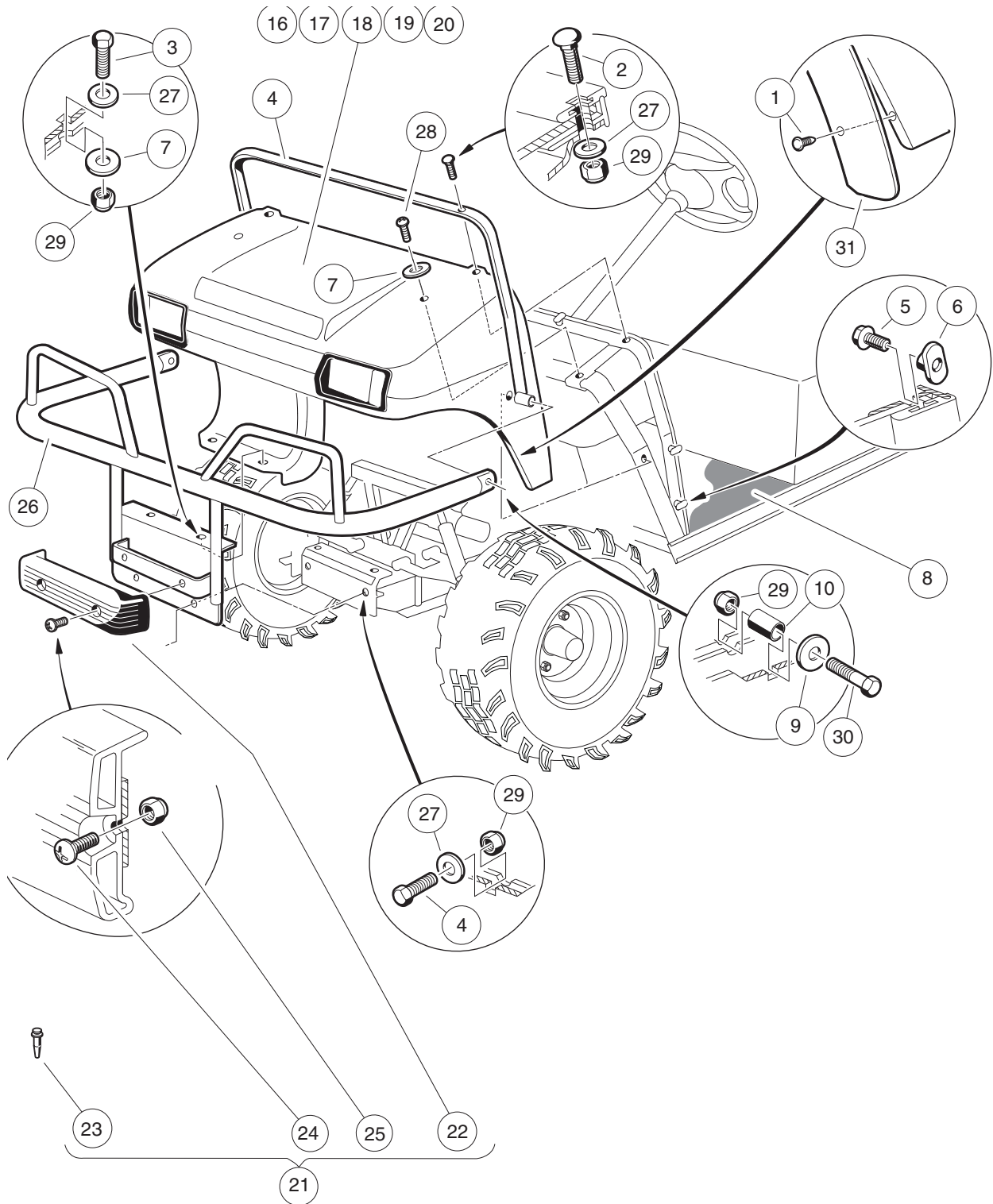
000249-008

FRONT BODY AND TRIM – TURF, UTILITY, & TRANSPORTATION

ITEM	PART NO.	DESCRIPTION	QTY
		1 2 3 4	
1	1010434	Barrel - Plastic	12
2	1010435	Bolt, Carriage, 5/16-18 X 1.00	2
3	1011014	Trim, Cowl	1
4	1011017	Screw, #8-32 X 0.375	6
5	1011394	T-Nut Package (Set of 4)	1
6	1015075	Washer, 5/16 Flat Type A	2
7	101692501	Cowl, TPO, Beige	1
8	101692502	Cowl, TPO, White	1
9	101692504	Cowl, Tpo -gray	1
10	101692506	Cowl, TPO, Red	1
11	101692509	Cowl, TPO, Pacific Blue (Royal Blue)	1
12	101692510	Cowl, TPO, Dark Green	1
13	101692511	Cowl, TPO, Black	1
14	101692512	Cowl, TPO, Classic Blue (Navy)	1
15	101692513	Cowl, TPO, Burgundy	1
16	101692514	Cowl, TPO, Dark Gray	1
17	101692515	Cowl, TPO, Safety Yellow	1
18	101693901	Cowl with Headlight Opening, TPO, Beige	1
19	101693902	Cowl with Headlight Opening, TPO, White	1
20	101693904	Cowl with Headlight Opening, TPO, Gray	1
21	101693906	Cowl with Headlight Opening, TPO, Red	1
22	101693909	Cowl with Headlight Opening, TPO, Dark Green	1
23	101693910	Cowl with Headlight Opening, TPO, Black	1
24	101693911	Cowl with Headlight Opening, TPO, Classic Blue (Navy)	1
25	101693912	Cowl with Headlight Opening, TPO, Burgundy	1
26	101693913	Cowl with Headlight Opening, TPO, Dark Gray	1
27	101693914	Cowl with Headlight Opening, TPO, Safety Yellow	1
28	1017080	Kit, Front Bumper (includes items 29 through 32)	1
29	1016868	Front Bumper	1
30	1016967	Blind Rivet, Push Type	2
31	7251	Screw, 5/16-18 x 1.0 Truss-Head	2
32	7473	Locknut, 5/16-18 Nylon Insert	2
33	101734802	Kit, Heavy-Duty Bumper (includes items 34 through 38)	1
34	1010435	Bolt, Carriage, 5/16-18 X 1.00	2
35	1010546	Spacer	2
36	1015405	Bolt, Carriage, 5/16-18 X 2.0	2
37	N/A	Weldment, Heavy Duty Bumper	1
38	7473	Locknut, 5/16-18 Nylon Insert	4
39	101870401	Fender Extrusion	2
40	1241	Washer, 5/16 Type A Flat	2
41	7251	Screw, 5/16-18 x 1.0 Truss-Head	2
42	7473	Locknut, 5/16-18 Nylon Insert	2

1
G
E

1
G
E



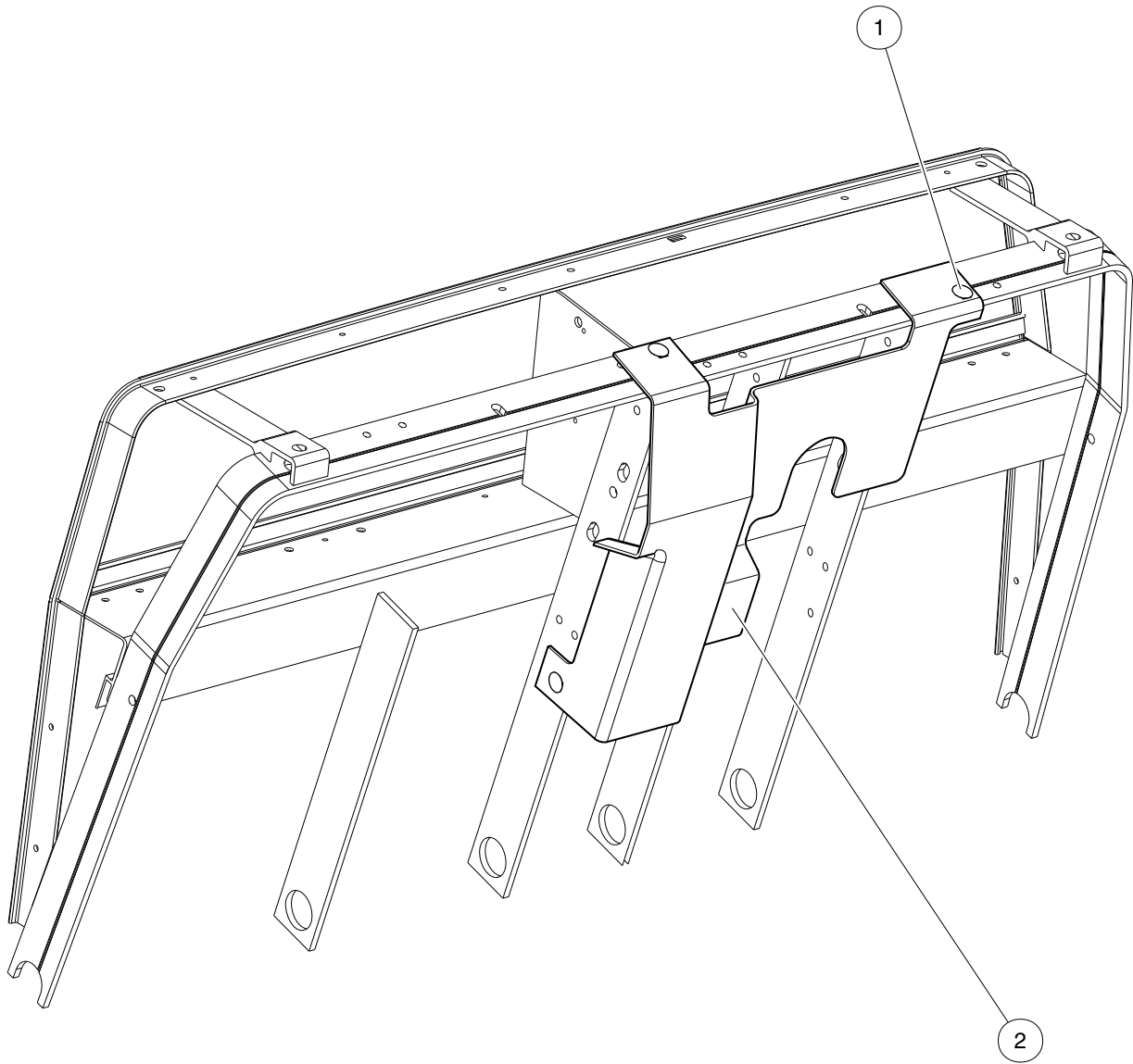
000249-004

FRONT BODY AND TRIM – TURF/CARRYALL 252 AND XRT 900

ITEM	PART NO.	DESCRIPTION	QTY
		1 2 3 4	
1	1010434	Barrel - Plastic	12
2	1010435	Bolt, Carriage, 5/16-18 X 1.00	2
3	1010934	Screw, 5/16-18 X 1.00 Hex Cap	4
4	1011014	Trim, Cowl	1
5	1011017	Screw, #8-32 X 0.375	6
6	1011394	T-Nut Package (Set of 4)	1
7	1011578	Washer, 5/16 Type B Flat	4
8	101503202	Floormat	1
9	1015075	Washer, 5/16 Flat Type A	2
10	1015608	Tube Spacer, Hydraulic Cylinder	2
11	101693901	Cowl with Headlight Opening, TPO, Beige	1
12	101693902	Cowl with Headlight Opening, TPO, White	1
13	101693906	Cowl with Headlight Opening, TPO, Red	1
14	101693908	Cowl with Headlight Opening, TPO, Pacific Blue (Royal Blue)	1
15	101693909	Cowl with Headlight Opening, TPO, Dark Green	1
16	101693910	Cowl with Headlight Opening, TPO, Black	1
17	101693911	Cowl with Headlight Opening, TPO, Classic Blue (Navy)	1
18	101693912	Cowl with Headlight Opening, TPO, Burgundy	1
19	101693913	Cowl with Headlight Opening, TPO, Dark Gray	1
20	101693914	Cowl with Headlight Opening, TPO, Safety Yellow	1
21	1017080	Kit, Front Bumper (includes items 22 through 25)	1
22	1016868	Front Bumper	1
23	1016967	Blind Rivet, Push Type	2
24	7251	Screw, 5/16-18 x 1.0 Truss-Head	2
25	7473	Locknut, 5/16-18 Nylon Insert	2
26	102004301	Brush Guard	1
27	1241	Washer, 5/16 Type A Flat	6
28	7251	Screw, 5/16-18 x 1.0 Truss-Head	2
29	7473	Locknut, 5/16-18 Nylon Insert	8
30	8935	Screw, 5/16-18 X 2.25 Hex-Head Cap	2
31	AM10808	Front Fender Extrusion - Lynx	2

1
G
E

1
G
E



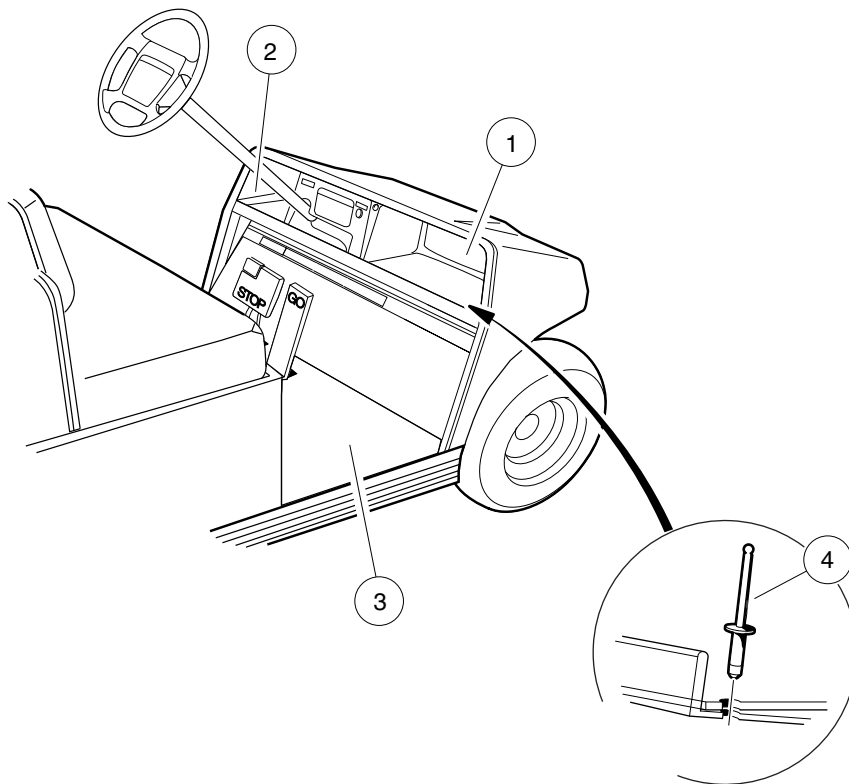
000593-002

SPLASH GUARD – GASOLINE VEHICLES ONLY

ITEM	PART NO.	DESCRIPTION	QTY
1	1010434	1 2 3 4 Barrel - Plastic	3
2	103174401	Splash Guard	1

1
G
E

1
G
E



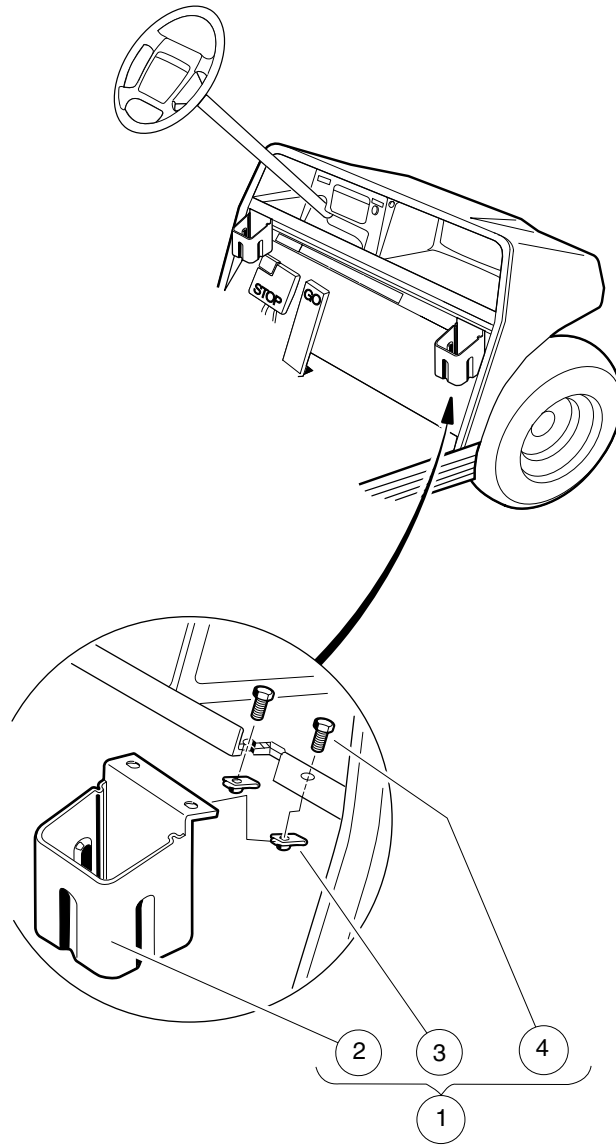
000252-002

DASH POCKETS AND FLOORMAT

ITEM	PART NO.	DESCRIPTION	QTY
		1 2 3 4	
1	1013343	Dash Component, Passenger-Side, Black	1
2	1013344	Dash Component, Driver-Side	1
3	101503202	Floormat	1
4	7973	Rivet, 3/16 X .400 Blind	5

1
G
E

1
G
E



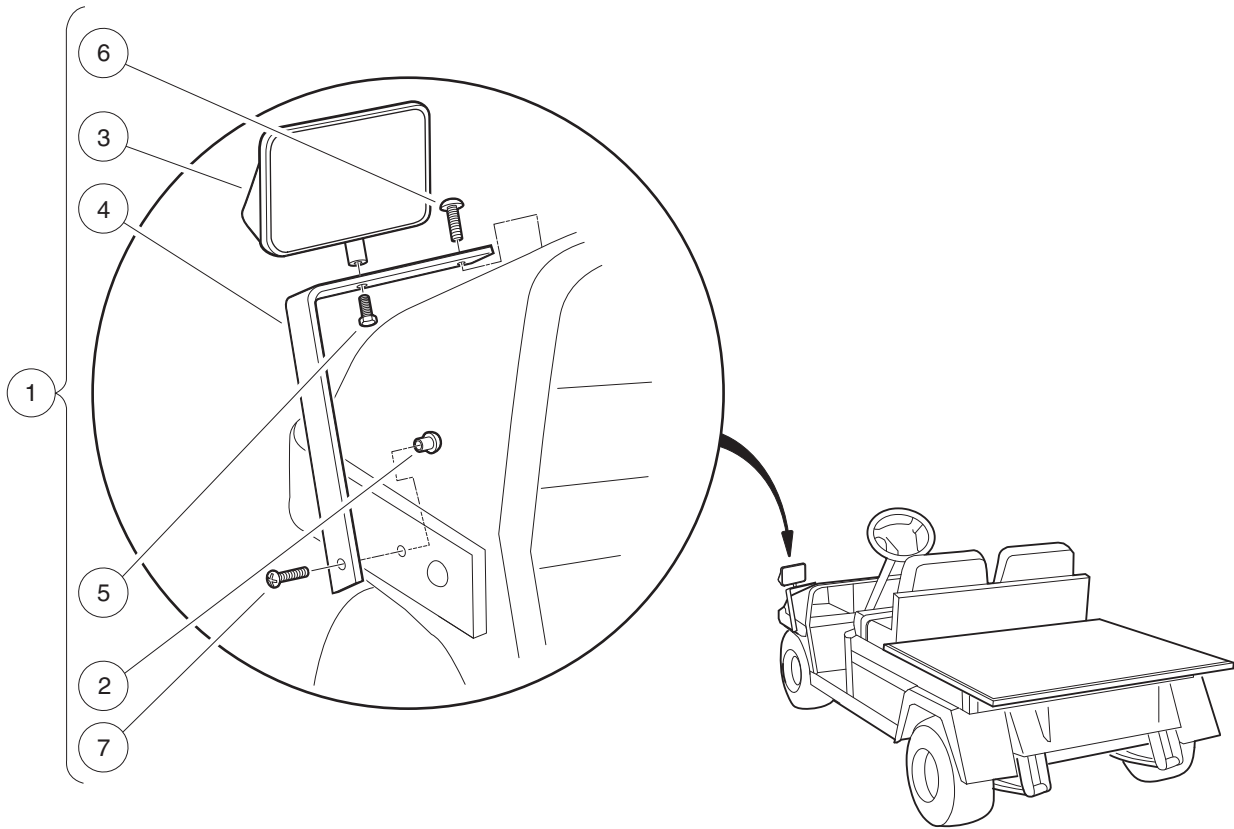
000253-001

BEVERAGE HOLDER

ITEM	PART NO.	DESCRIPTION	QTY
		1 2 3 4	
1	1013422	Cup Holder Kit (includes items 2 through 4)	2
2	1013420	Holder, Single Cup	1
3	1016952	U-Nut, 1/4-20	2
4	7847	Screw, 1/4-20 X 0.75 Hex-Head Cap	2

1
G
E

1
G
E



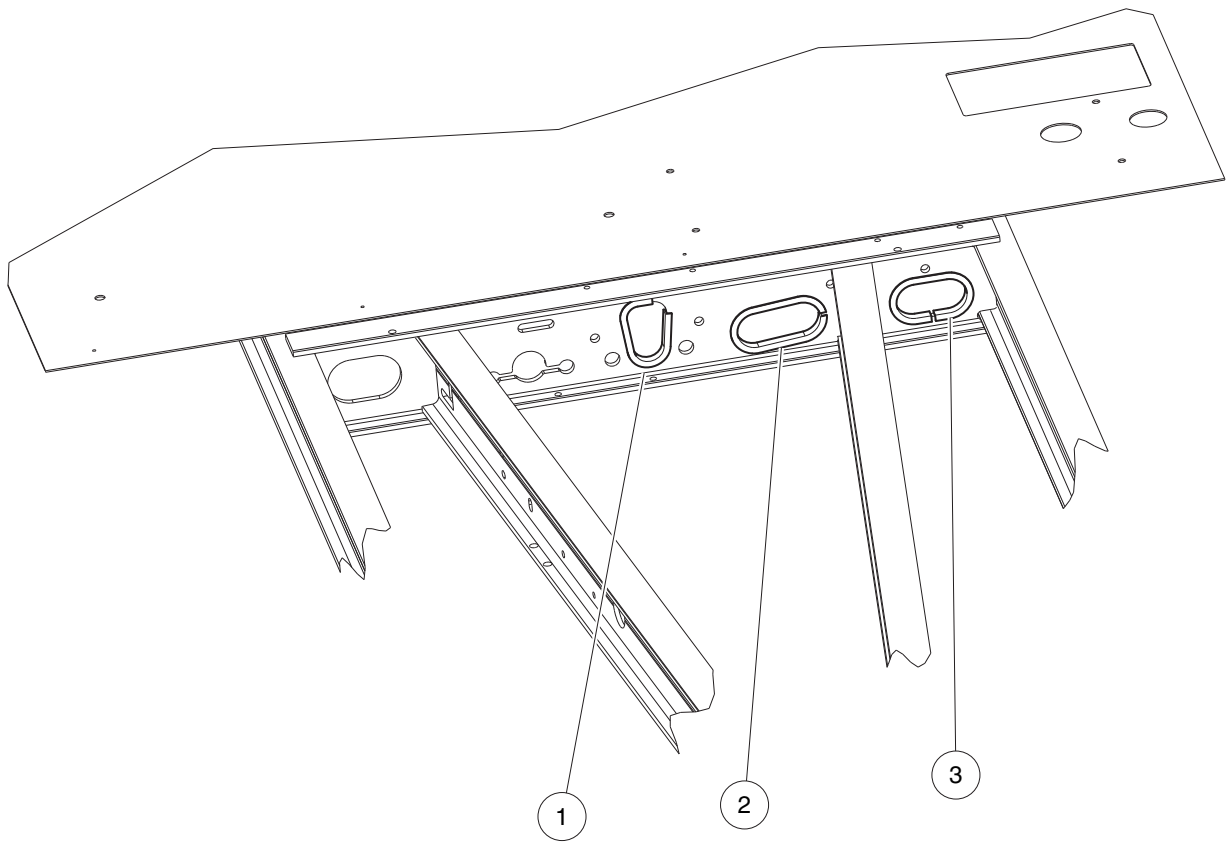
001211-001

MIRROR, REAR-VIEW – WITHOUT CAB

ITEM	PART NO.	DESCRIPTION	QTY
		1 2 3 4	
1	1013846	Kit, Rear Mirror, West Coast (includes items 2 through 7)	1
2	1011878	T-nut, 1/4-20 X .310 Capped	1
3	1013824	Rear View Mirror	1
4	1013825	Mirror Mounting Bracket	1
5	7173	Screw, 5/16-18 X 0.75, Hex-Head Cap	1
6	7251	Screw, 5/16-18 x 1.0 Truss-Head	1
7	8248	Screw, 1/4-20 X 0.75, Truss-Head Machine	1
<p style="margin-left: 40px;">Note: To install this kit, vehicle must be equipped with a heavy-duty front bumper.</p>			

1
G
E

1
G
E



001221-001

GROMMETS, CHASSIS

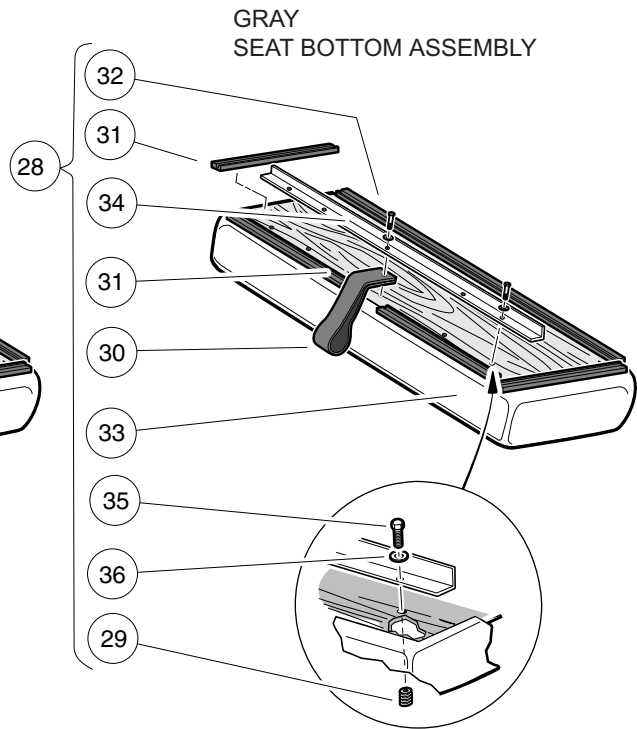
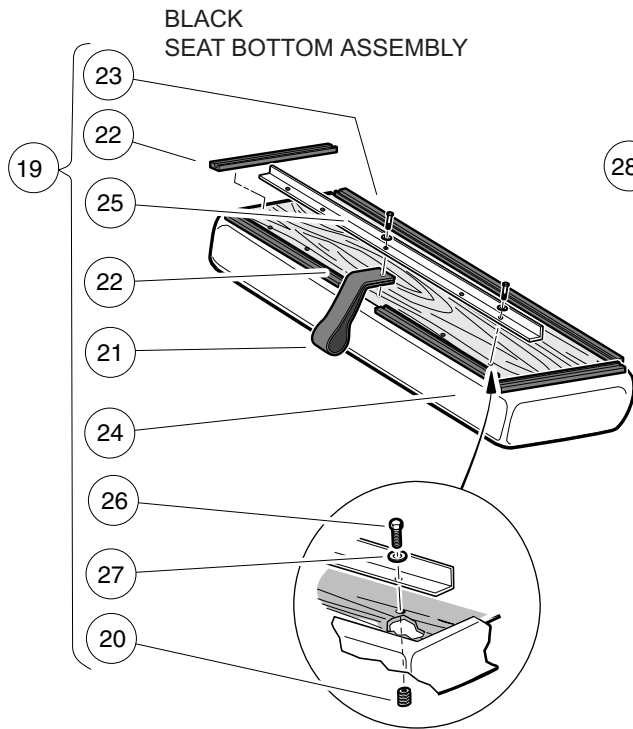
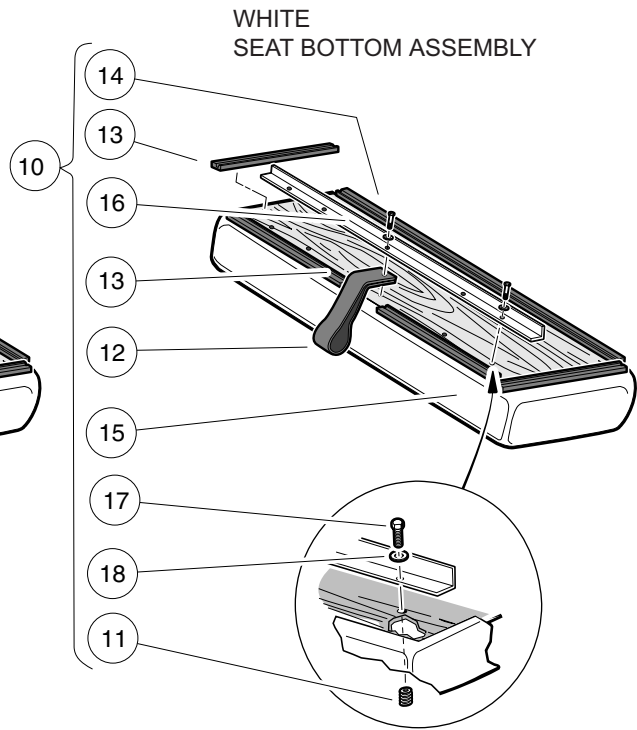
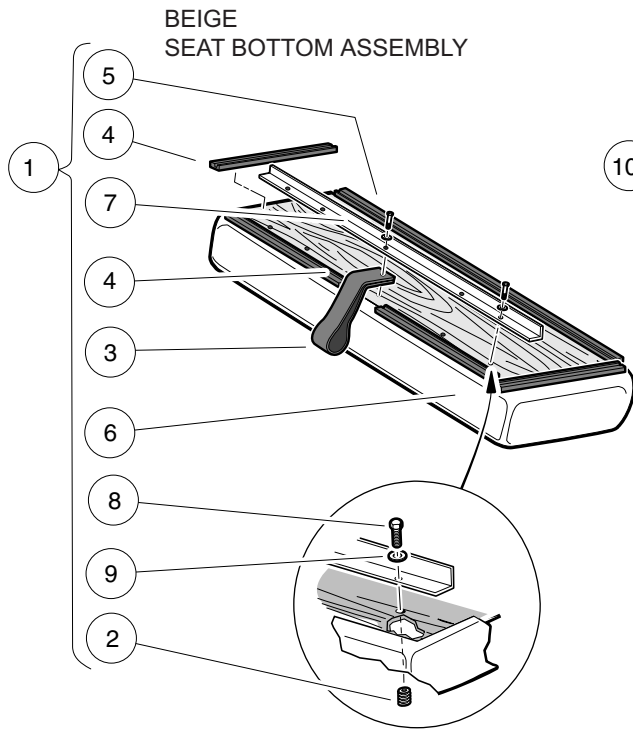
ITEM	PART NO.	DESCRIPTION	QTY
		1 2 3 4	
1	101806001	I-beam Grommet - 5.5	A/R
2	101806002	I-beam Grommet - 7.5	A/R
3	101806005	I-beam Grommet - 6.75	A/R

1

G

E

1
G
E



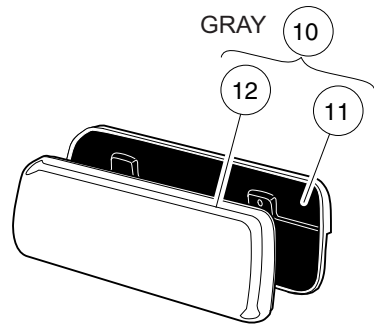
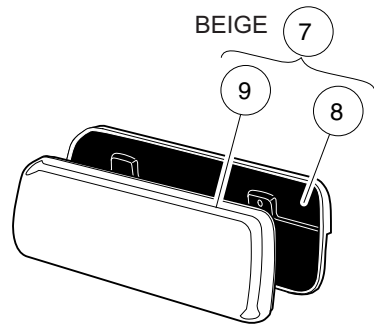
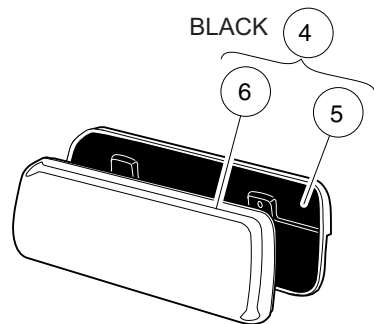
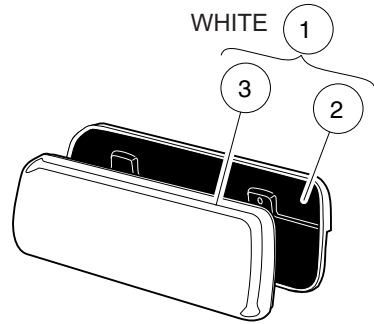
000254-001

SEAT BOTTOM

ITEM	PART NO.	DESCRIPTION	QTY
		1 2 3 4	
1	101564501	Seat Bottom Assembly, Beige (includes items 2 through 9)	1
2	1010543	Insert - Wood	5
3	1013309	Strap, Utility Seat	1
4	1013311	Bumper, Seat, Short	4
5	1013312	Bumper, Seat, Long	1
6	101562711	Vinyl Cover, Seat Bottom, Buff	1
7	101894303	Stiffener	1
8	101954301	Screw, 1/4-20 X 0.75 Hex-Head Cap	5
9	332	Washer, 1/4 Type A Narrow Flat	5
10	101564502	Seat Bottom Assembly, White (includes items 11 through 18)	1
11	1010543	Insert - Wood	5
12	1013309	Strap, Utility Seat	1
13	1013311	Bumper, Seat, Short	4
14	1013312	Bumper, Seat, Long	1
15	101562712	Vinyl Cover, Seat Bottom, White	1
16	101894303	Stiffener	1
17	101954301	Screw, 1/4-20 X 0.75 Hex-Head Cap	5
18	332	Washer, 1/4 Type A Narrow Flat	5
19	101564503	Seat Bottom Assembly, Black (includes items 20 through 27)	1
20	1010543	Insert - Wood	5
21	1013309	Strap, Utility Seat	1
22	1013311	Bumper, Seat, Short	4
23	1013312	Bumper, Seat, Long	1
24	101562714	Vinyl Cover, Seat Bottom, Black	1
25	101894303	Stiffener	1
26	101954301	Screw, 1/4-20 X 0.75 Hex-Head Cap	5
27	332	Washer, 1/4 Type A Narrow Flat	5
28	101564505	Seat Bottom Assembly, Gray (includes items 29 through 36)	1
29	1010543	Insert - Wood	5
30	1013309	Strap, Utility Seat	1
31	1013311	Bumper, Seat, Short	4
32	1013312	Bumper, Seat, Long	1
33	101562715	Vinyl Cover, Seat Bottom, Gray	2
34	101894303	Stiffener	1
35	101954301	Screw, 1/4-20 X 0.75 Hex-Head Cap	5
36	332	Washer, 1/4 Type A Narrow Flat	5

1
G
E

1
G
E

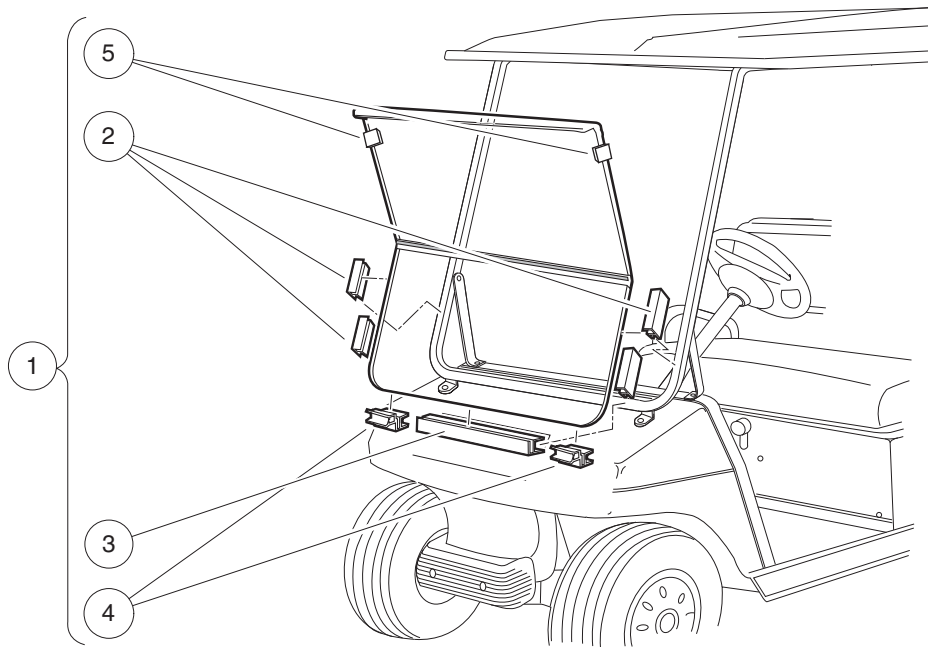


000608-001

SEAT BACK ASSEMBLY

ITEM	PART NO.	DESCRIPTION	QTY
		1 2 3 4	
1	101677701	Seat Back Assembly, White (includes items 2 and 3)	1
2	1016751	Cap, Seat Back	1
3	101675512	Vinyl Seat Back, White	1
4	101677702	Seat Back Assembly, Black (includes items 5 and 6)	1
5	1016751	Cap, Seat Back	1
6	101675514	Vinyl Seat Back, Black	1
7	101677703	Seat Back Assembly, Beige (includes items 8 and 9)	1
8	1016751	Cap, Seat Back	1
9	101675511	Vinyl Seat Back, Beige	1
10	101677705	Seat Back Assembly, Gray (includes items 11 and 12)	1
11	1016751	Cap, Seat Back	1
12	101675515	Vinyl Seat Back-nstd Svc	1

1
G
E



001205-001

WINDSHIELD, HINGED

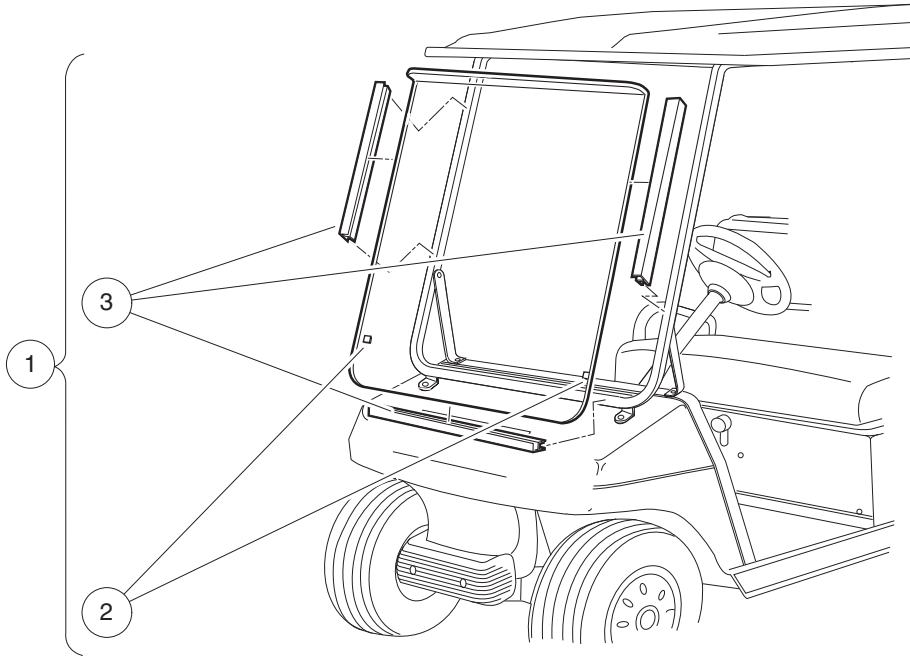
ITEM	PART NO.	DESCRIPTION	QTY
		1 2 3 4	
1	101728602	Hinged Windshield Kit (includes items 2 through 5)	1
2	102005701	5" Plastic Extrusion	4
3	102163001	Windshield Channel	1
4	102163101	Channel with Receiver Clip	2
5	N/A	Clip, Release	2

1
G
E

1

G

E



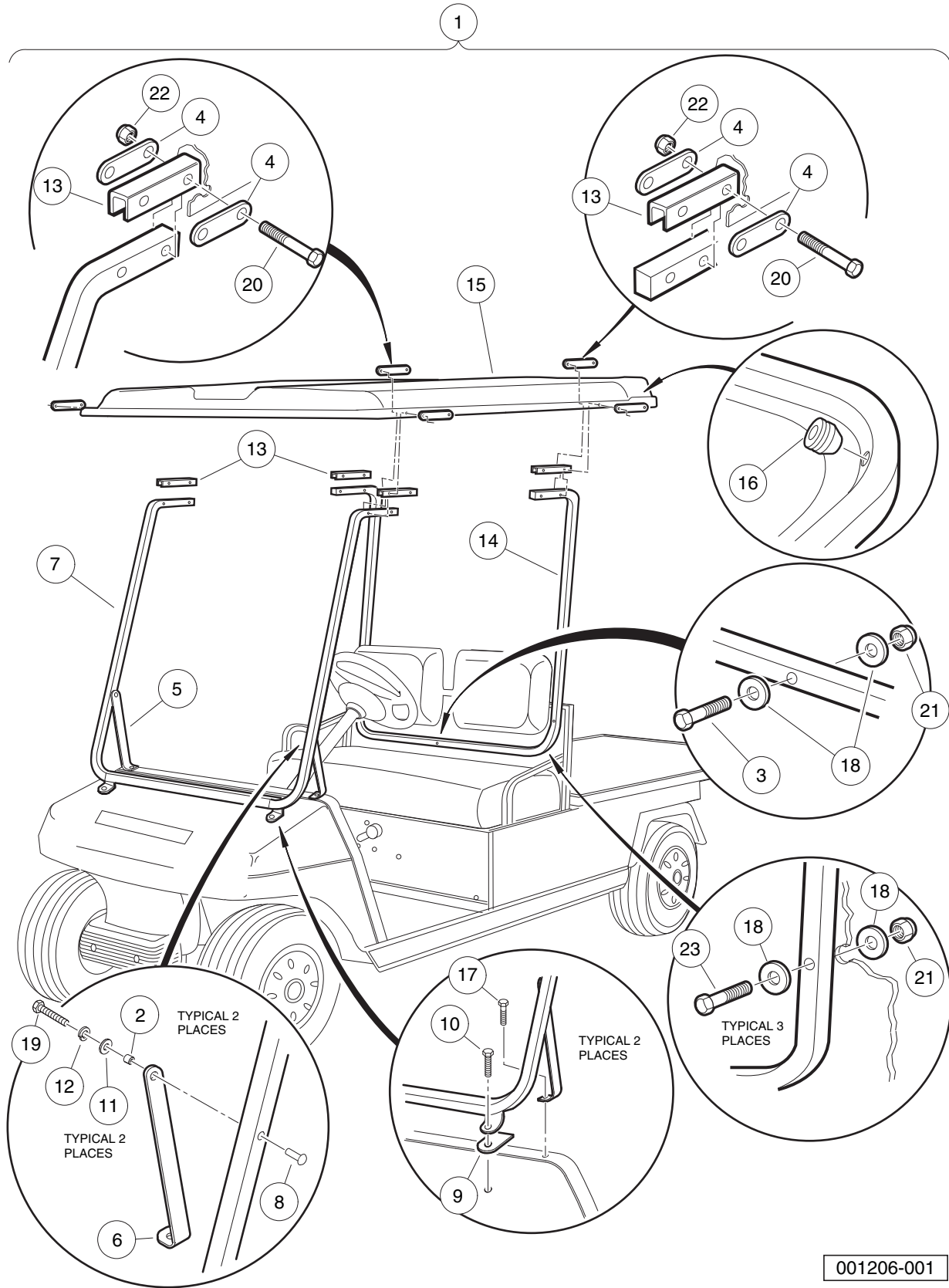
001204-001

WINDSHIELD, NON-HINGED

ITEM	PART NO.	DESCRIPTION	QTY
		1 2 3 4	
1	1014435	Windshield Tinted One-Piece (includes items 2 and 3)	1
2	1011897	Bumper, Protective	2
3	101444101	21" Plastic Extrusion	3



1
G
E

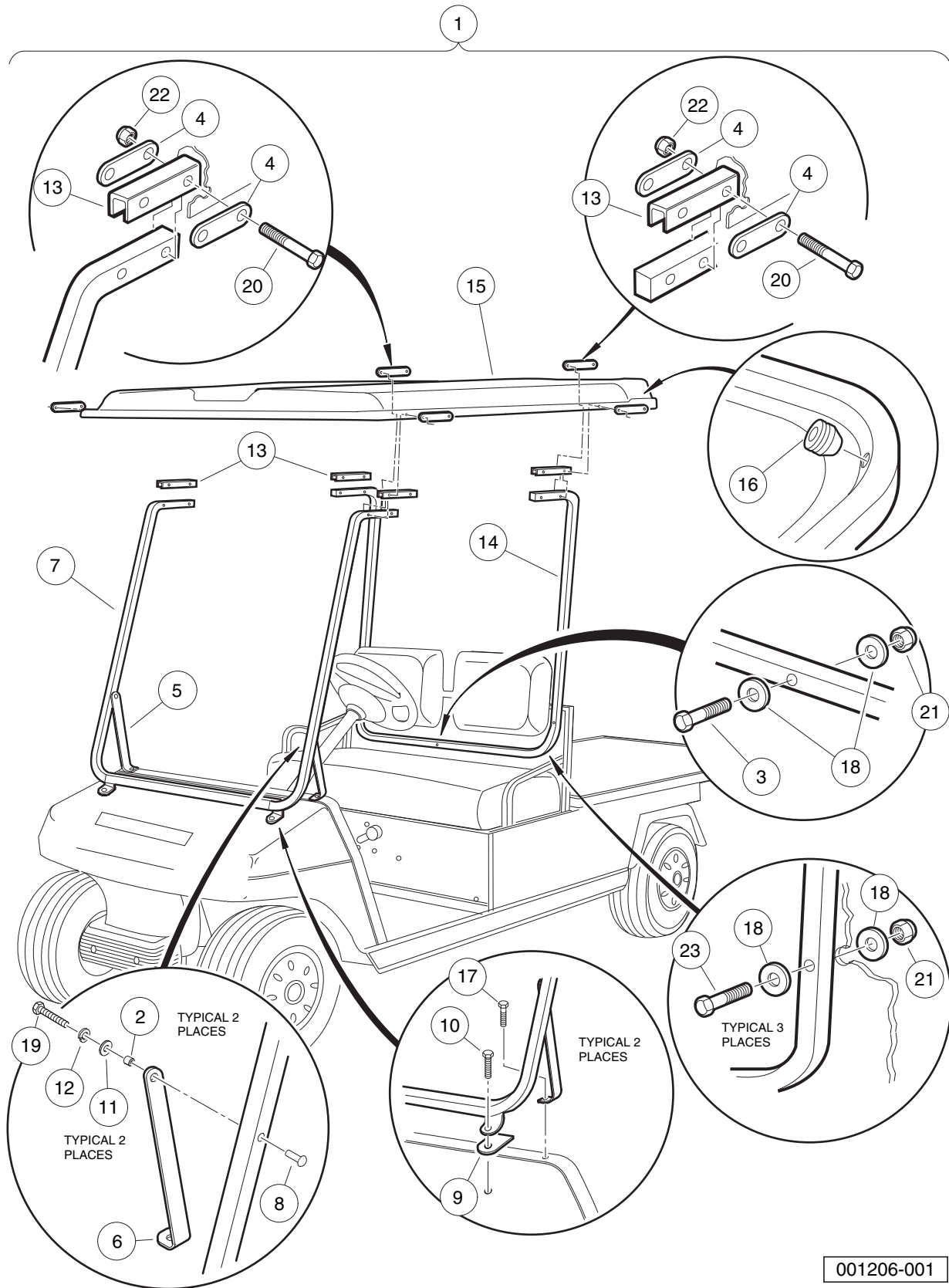


CANOPY KIT, WHITE

ITEM	PART NO.	DESCRIPTION	QTY
		1 2 3 4	
1	1014506	Kit, Canopy, White (includes items 2 through 23)	1
2	1010237	Bushing	2
3	1010921	Screw, 5/16-18 X 2.50 Hex Cap	1
4	1011852	Plate, Canopy Trim	8
5	1011862	Brace, Right-Hand Canopy Mount Knee	1
6	1011865	Brace, Left-Hand Canopy Mount Knee	1
7	1011868	Weldment, Windshield Frame	1
8	1011878	T-nut, 1/4-20 X .310 Capped	2
9	1011883	Pad, Windshield Frame Mounting	2
10	1011937	Bolt, 5/16-18 X 1.25 Hex Head	2
11	1011964	Washer, 1/4 Flat	2
12	1011965	Lockwasher, 1/4 Split Ss	2
13	1012008	Support, Side Canopy	4
14	1014503	Brace, Rear Canopy	1
15	1014509	Canopy, White (includes item 16)	1
16	1011942	Modified Grommet	2
17	1218	Screw, 5/16-18 X 1.25 Hex-Head Cap	2
18	1241	Washer, 5/16 Type A Flat	6
19	1703	Screw, 1/4-20 X 1.50 Hx Hd Cap	2
20	7311	Screw, 1/4-20 X 2.00 Hex-Head Cap	8
21	7473	Locknut, 5/16-18 Nylon Insert	3
22	8233	Locknut, 1/4-20, Nylon Insert	8
23	8963	Screw, 5/16-18 X 1.75 Hex-Head Cap	3

1
G
E

1
G
E



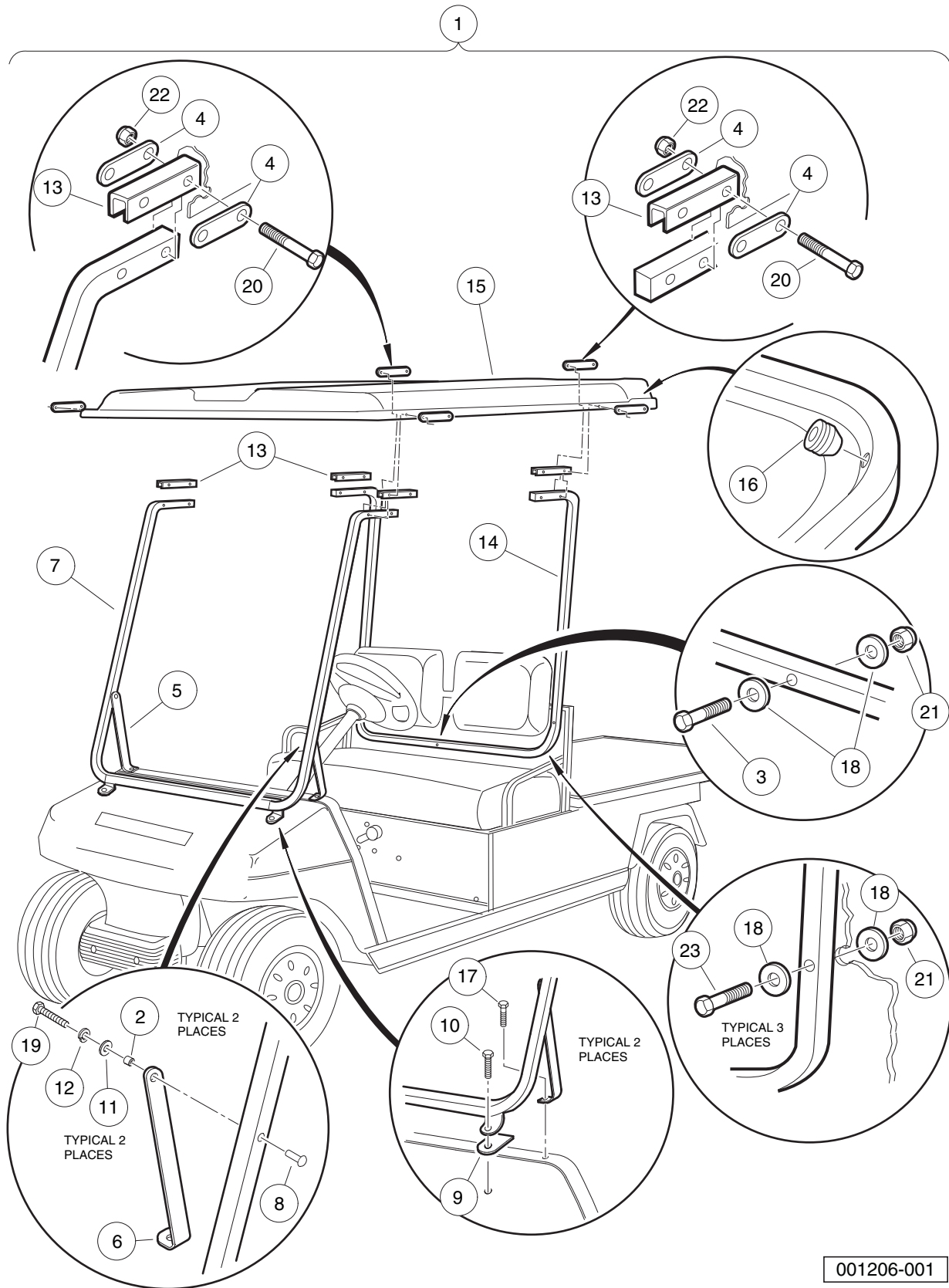
001206-001

CANOPY KIT, BEIGE

ITEM	PART NO.	DESCRIPTION	QTY
		1 2 3 4	
1	101450698	Kit, Canopy, Beige, Ca1/2 (includes items 2 through 23)	1
2	1010237	Bushing	2
3	1010921	Screw, 5/16-18 X 2.50 Hex Cap	1
4	1011852	Plate, Canopy Trim	8
5	1011862	Brace, Right-Hand Canopy Mount Knee	1
6	1011865	Brace, Left-Hand Canopy Mount Knee	1
7	1011868	Weldment, Windshield Frame	1
8	1011878	T-nut, 1/4-20 X .310 Capped	2
9	1011883	Pad, Windshield Frame Mounting	2
10	1011937	Bolt, 5/16-18 X 1.25 Hex Head	2
11	1011964	Washer, 1/4 Flat	2
12	1011965	Lockwasher, 1/4 Split Ss	2
13	1012008	Support, Side Canopy	4
14	1014503	Brace, Rear Canopy	1
15	101450903	Asm, Canopy, Beige (includes item 16)	1
16	1011942	Modified Grommet	2
17	1218	Screw, 5/16-18 X 1.25 Hex-Head Cap	2
18	1241	Washer, 5/16 Type A Flat	6
19	1703	Screw, 1/4-20 X 1.50 Hx Hd Cap	2
20	7311	Screw, 1/4-20 X 2.00 Hex-Head Cap	8
21	7473	Locknut, 5/16-18 Nylon Insert	3
22	8233	Locknut, 1/4-20, Nylon Insert	8
23	8963	Screw, 5/16-18 X 1.75 Hex-Head Cap	3

1
G
E

1
G
E

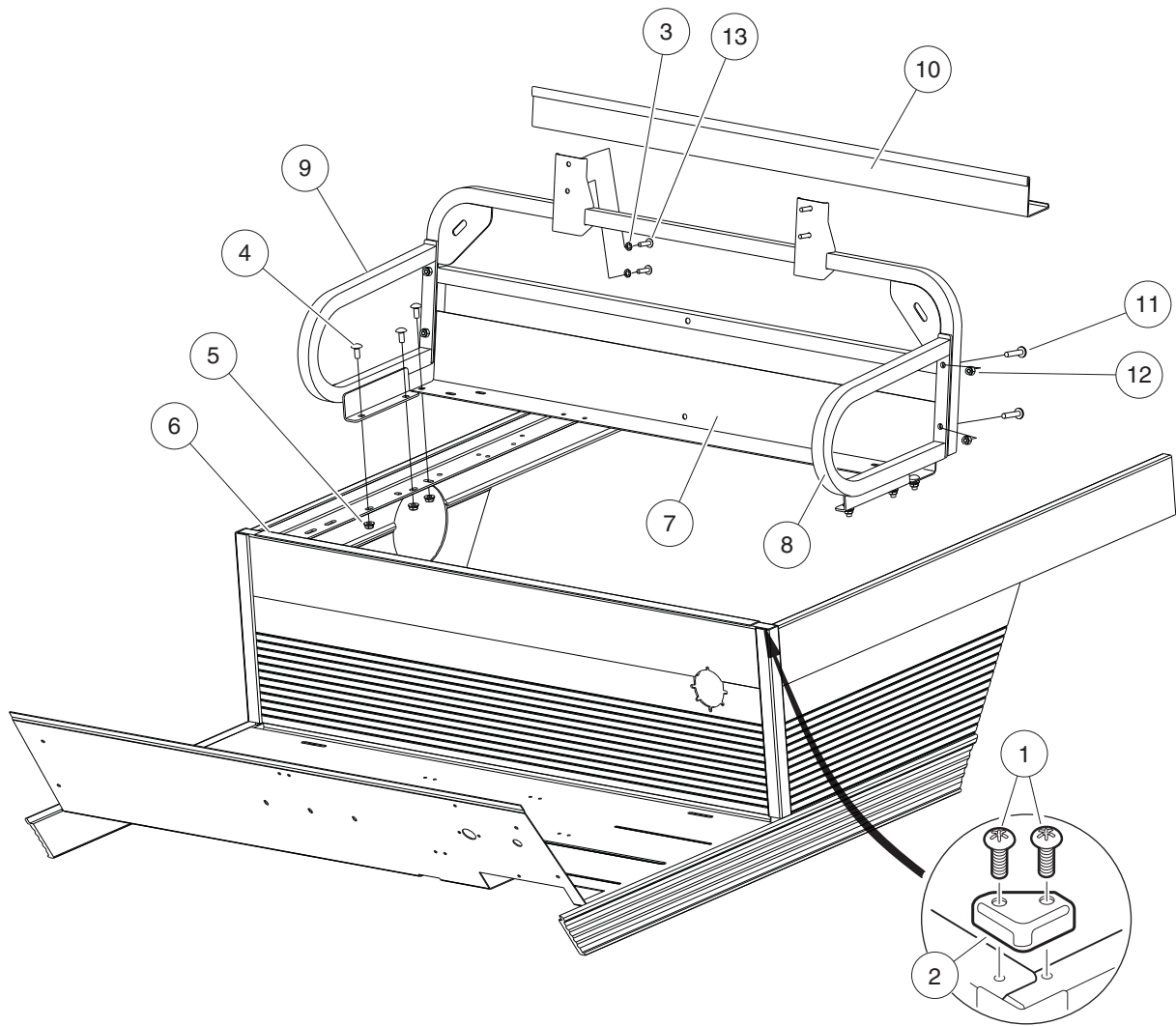


001206-001

CANOPY KIT, BLACK

ITEM	PART NO.	DESCRIPTION	QTY
		1 2 3 4	
1	102198501	Canopy Top Kit, Black (includes items 2 through 23)	1
2	1010237	Bushing	2
3	1010921	Screw, 5/16-18 X 2.50 Hex Cap	1
4	1011852	Plate, Canopy Trim	8
5	1011862	Brace, Right-Hand Canopy Mount Knee	1
6	1011865	Brace, Left-Hand Canopy Mount Knee	1
7	1011868	Weldment, Windshield Frame	1
8	1011878	T-nut, 1/4-20 X .310 Capped	2
9	1011883	Pad, Windshield Frame Mounting	2
10	1011937	Bolt, 5/16-18 X 1.25 Hex Head	2
11	1011964	Washer, 1/4 Flat	4
12	1011965	Lockwasher, 1/4 Split Ss	2
13	1012008	Support, Side Canopy	4
14	1014503	Brace, Rear Canopy	1
15	101450902	Asm, Canopy, Black (includes item 16)	1
16	1011942	Modified Grommet	2
17	1218	Screw, 5/16-18 X 1.25 Hex-Head Cap	2
18	1241	Washer, 5/16 Type A Flat	6
19	1703	Screw, 1/4-20 X 1.50 Hx Hd Cap	2
20	7311	Screw, 1/4-20 X 2.00 Hex-Head Cap	8
21	7473	Locknut, 5/16-18 Nylon Insert	3
22	8233	Locknut, 1/4-20, Nylon Insert	8
23	8963	Screw, 5/16-18 X 1.75 Hex-Head Cap	3

1
G
E



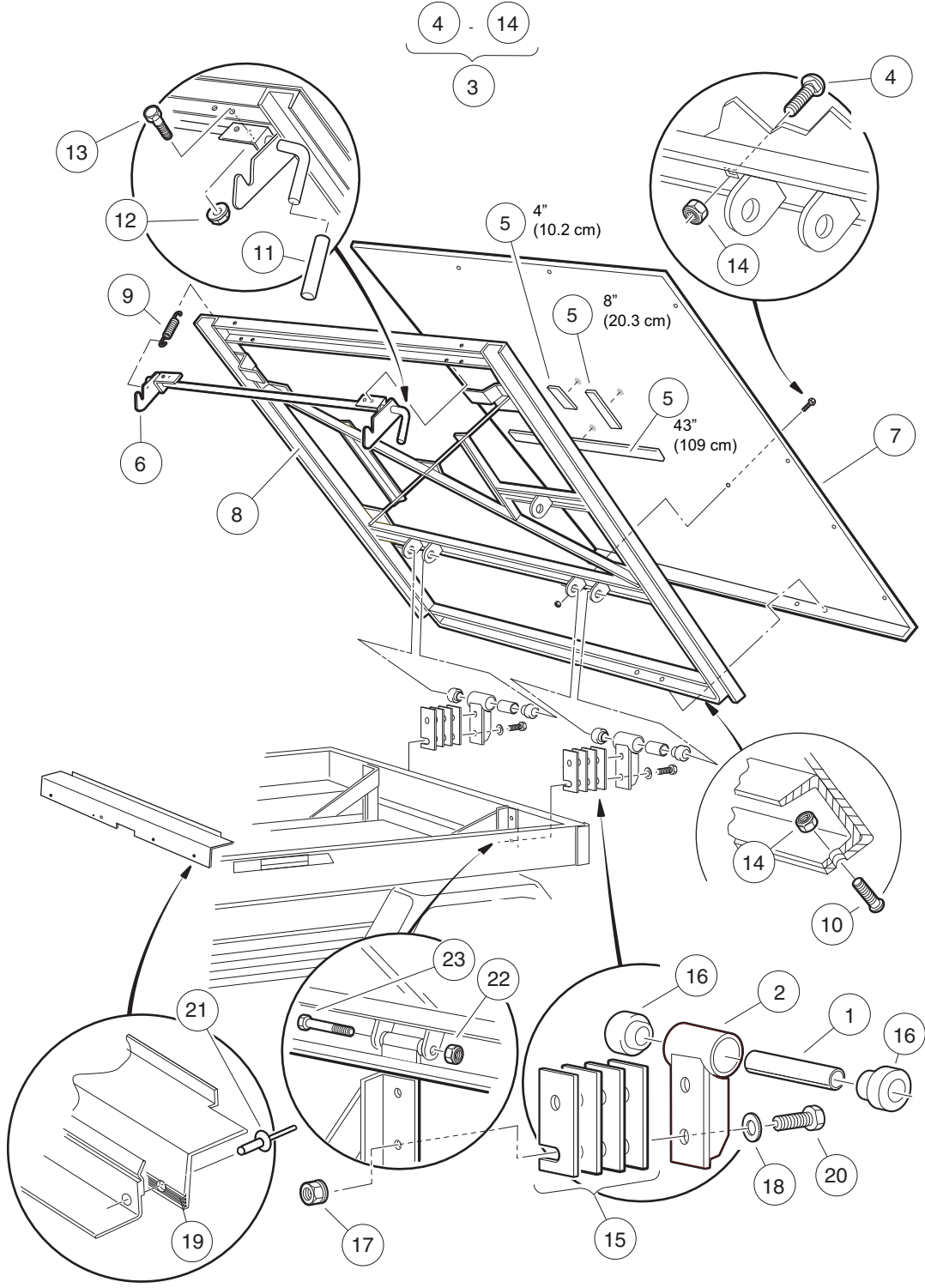
000603-004

HIP RESTRAINTS AND SEAT BACK MOUNTING

ITEM	PART NO.	DESCRIPTION	QTY
		1 2 3 4	
1	1014321	Screw, #10 Truss-Head Torx	4
2	1014387	Cap, Corner	2
3	101946201	Washer, Lock, 0.250 External-Tooth	4
4	101963301	Bolt, 5/16-18 X 0.75 Round-Head	6
5	101963401	Locknut, 5/16-18 Hex Flange	6
6	101964001	Trim, Seat Bottom Front	1
7	102966401	Seat Back, Tube	1
8	102966501	Hip Restraint, Left	1
9	102966502	Hip Restraint, Right	1
10	102989501	Seal, Bed, 41-Inch	1
11	103245201	Screw, 5/16-18 X 1.5, Tr Tx Hd	4
12	103245301	Nut, Hex, Cp, Mech Def, 5/16-1	4
13	8251	Screw, 1/4-20 X 1.0 Truss-Head Machine	4

1
G
E

1
G
E



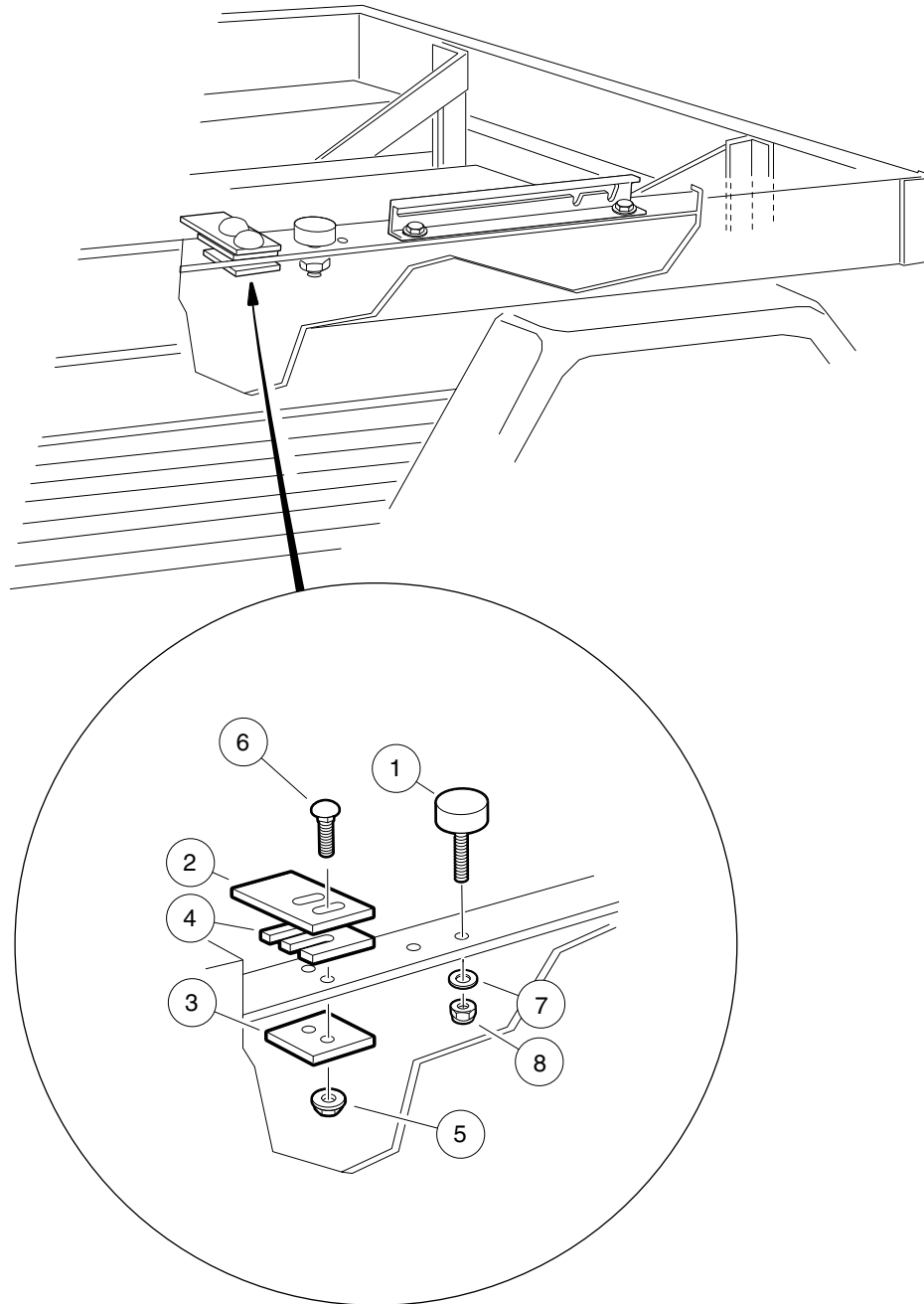
000257-002

TILT BED, HINGE, AND LATCH – TURF/CARRYALL 2, 2 PLUS, 252, AND XRT 900

ITEM	PART NO.	DESCRIPTION	QTY
		1 2 3 4	
1	1012303	Bushing, Steel	2
2	1015356	Hinge	2
3	101542901	Assembly, Tilt Bed (includes items 4 through 14)	1
4	1010435	Bolt, Carriage, 5/16-18 X 1.00	4
5	1014471	Tape, Vinyl Foam 1/8" x 3/4"	A/R
6	1015252	Latch Weld Assembly	1
7	1015258	Plate, Floor Bed	1
8	N/A	Frame Assembly	1
9	1015391	Extension, Spring Latch	2
10	1015399	Screw, 5/16-18 X 0.88 Torx Truss-Head	4
11	1015400	Grip, Tilt Latch Hand	1
12	101835601	Locknut, 1/4-20 Hex Whiz	4
13	403	Screw, 1/4-20 X 0.625 Hex-Head Cap	4
14	7473	Locknut, 5/16-18 Nylon Insert	8
15	1015507	Shim, Tilt Bed Pivot	A/R
16	1015583	Bushing, Urethane	4
17	102065901	Locknut, 3/8-16 Flanged Dimple	4
18	102066001	Washer, 3/8 Type B Hard Flat	4
19	102989501	Seal, Bed, 41-Inch	1
20	705	Screw, Cap-hex Hd 3/8-16x1.25	4
21	7532	Rivet, 3/16 X 0.3125, Pop	1
22	8754	Locknut, 3/8-16 Hex	2
23	8755	Screw, 3/8-16 X 3.375 Hex Cap	2

1
G
E

1
G
E



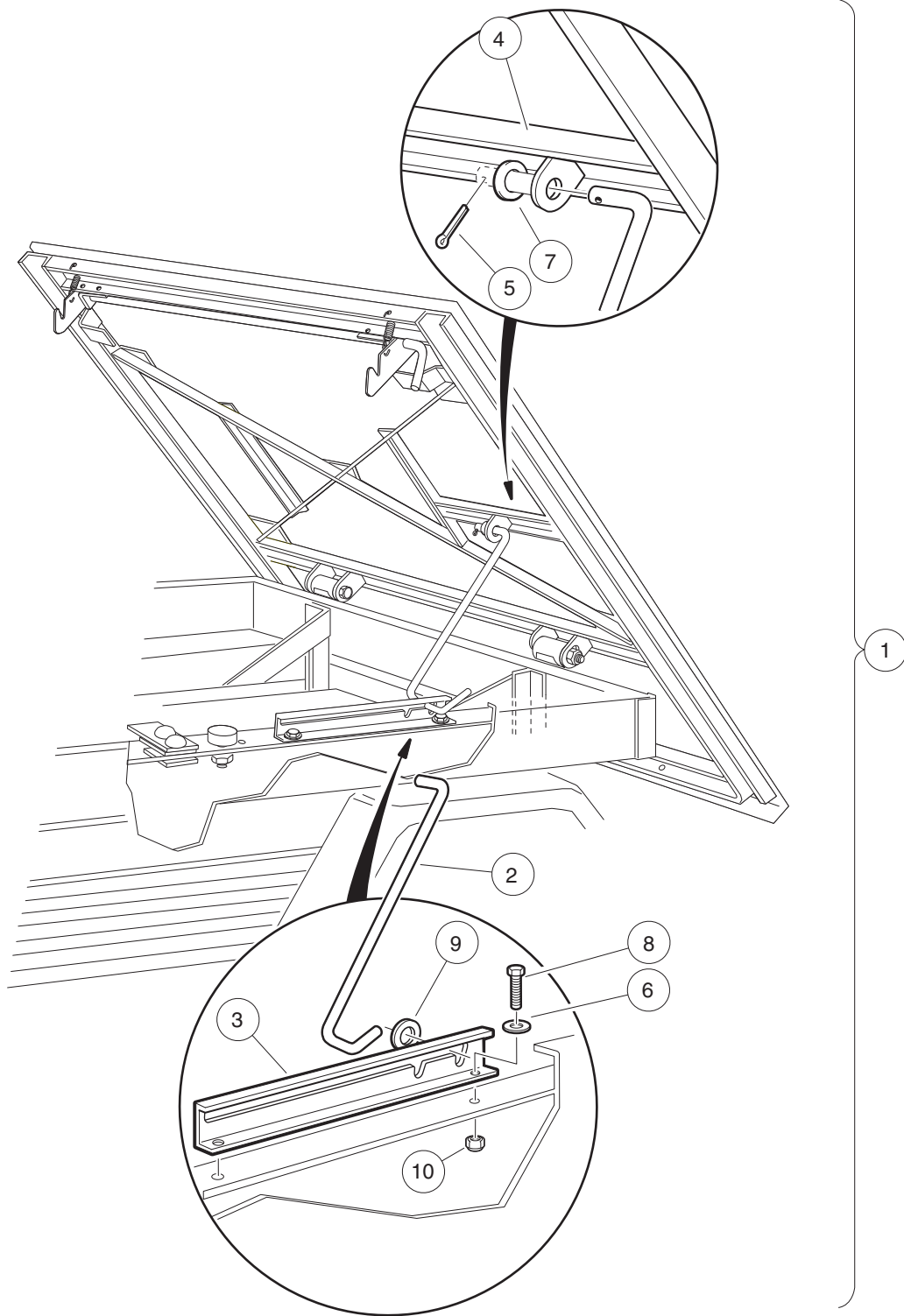
000258-002

LATCH PLATE

ITEM	PART NO.	DESCRIPTION	QTY
		1 2 3 4	
1	1010878	Bumper, Rubber	2
2	1015277	Latch Plate, Tilt Bed	2
3	1016060	Plate, Latch Support	2
4	1016078	Latch Plate Shim	A/R
5	101835601	Locknut, 1/4-20 Hex Whiz	4
6	101958601	Carriage Bolt, 1/4-20 X 0.75	4
7	332	Washer, 1/4 Type A Narrow Flat	4
8	8233	Locknut, 1/4-20, Nylon Insert	4

1
G
E

1
G
E



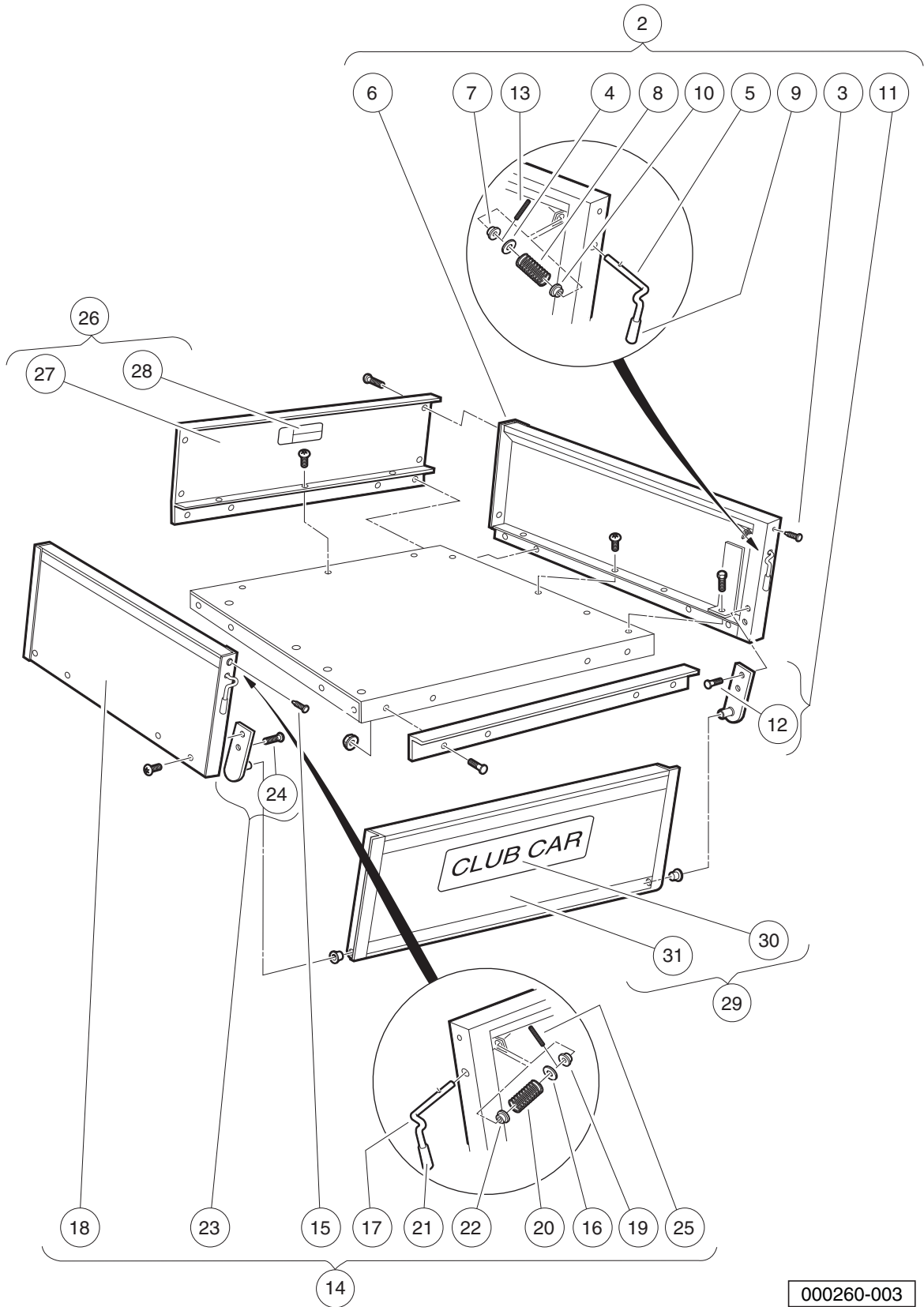
000259-001

PROP ROD

ITEM	PART NO.	DESCRIPTION	QTY
		1 2 3 4	
1	101922801	Prop Rod Support Instl Kit (includes items 2 through 10)	1
2	1015348	Prop Rod Ca li	1
3	1015700	Track Prop Rod Ca li	1
4	101921601	Weldment, Prop Rod Support	1
5	1035	Cotter Pin, 3/32 x 1	2
6	332	Washer, 1/4 Type A Narrow Flat	5
7	334	Washer, 3/8, Type A, Flat	1
8	7847	Screw, 1/4-20 X 0.75 Hex-Head Cap	6
9	808	Washer, 3/8 Type B Flat	1
10	8233	Locknut, 1/4-20, Nylon Insert	6

1
G
E

1
G
E



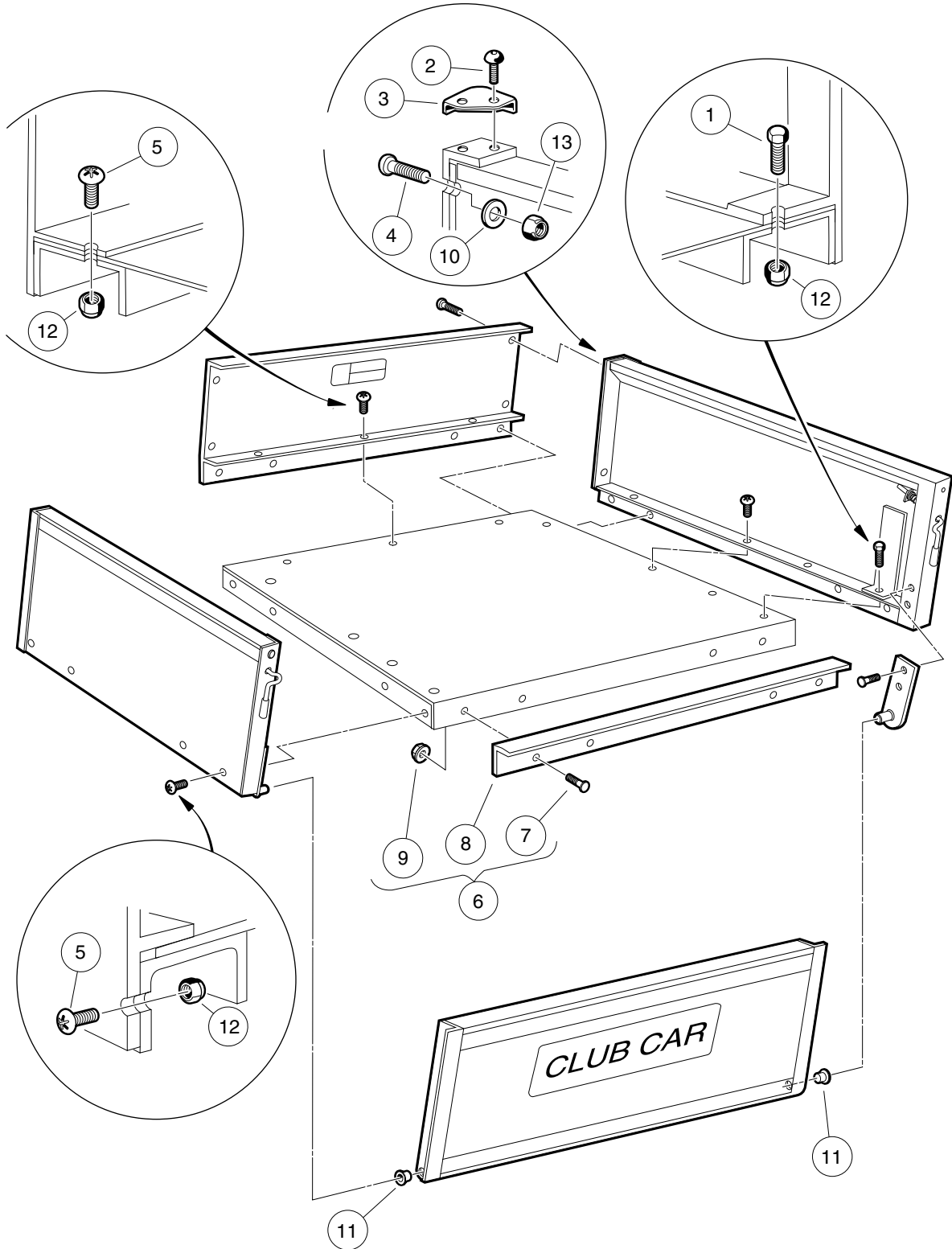
000260-003

CARGO BOX (ALUMINUM)

ITEM	PART NO.	DESCRIPTION	QTY
		1 2 3 4	
1	1015607	Cargo Box Set (includes items 2 through 29)	1
2	1015366	Side-Panel Assembly, Right-Hand (includes items 3 through 13)	1
3	1010434	Barrel - Plastic	1
4	1011990	Washer, 3/8 Flat	1
5	1015245	Latch, Tailgate, Right-Hand	1
6	N/A	Side-Panel Weldment, Right-Hand	1
7	1015363	Bushing, Snap-In	1
8	1015390	Compression Spring Latch Tilt	1
9	1015400	Grip, Tilt Latch Hand	1
10	1032	Bushing, Nylon	1
11	103406502	Kit, Tailgate Mounting Bracket, CA, RH (includes item 12)	1
12	103406601	Stud, 1/4 Self-clnchg Flush	2
13	1231	Pin, 1/8 X 1.00 Split Roll	1
14	1015368	Side Panel Assembly, Left-Hand (includes items 15 through 25)	1
15	1010434	Barrel - Plastic	1
16	1011990	Washer, 3/8 Flat	1
17	1015313	Latch, Tailgate, Left-Hand	1
18	N/A	Side-Panel Weldment, Left-Hand	1
19	1015363	Bushing, Snap-In	1
20	1015390	Compression Spring Latch Tilt	1
21	1015400	Grip, Tilt Latch Hand	1
22	1032	Bushing, Nylon	1
23	103406501	Kit, Tailgate Mounting Bracket, CA, LH (includes item 24)	1
24	103406601	Stud, 1/4 Self-clnchg Flush	2
25	1231	Pin, 1/8 X 1.00 Split Roll	1
26	1015412	Front Panel Assembly (includes items 27 and 28)	1
27	N/A	Front Panel Box	1
28	101553901	Decal, Bed Load Warning	1
29	1015424	Tailgate Assembly (includes items 30 and 31)	1
30	1013317	Decal, Logo, Tailgate	1
31	N/A	Tailgate Weldment	1
<p>Note: Additional components in kit 1015607 are shown on the following two pages.</p>			

1
G
E

1
G
E



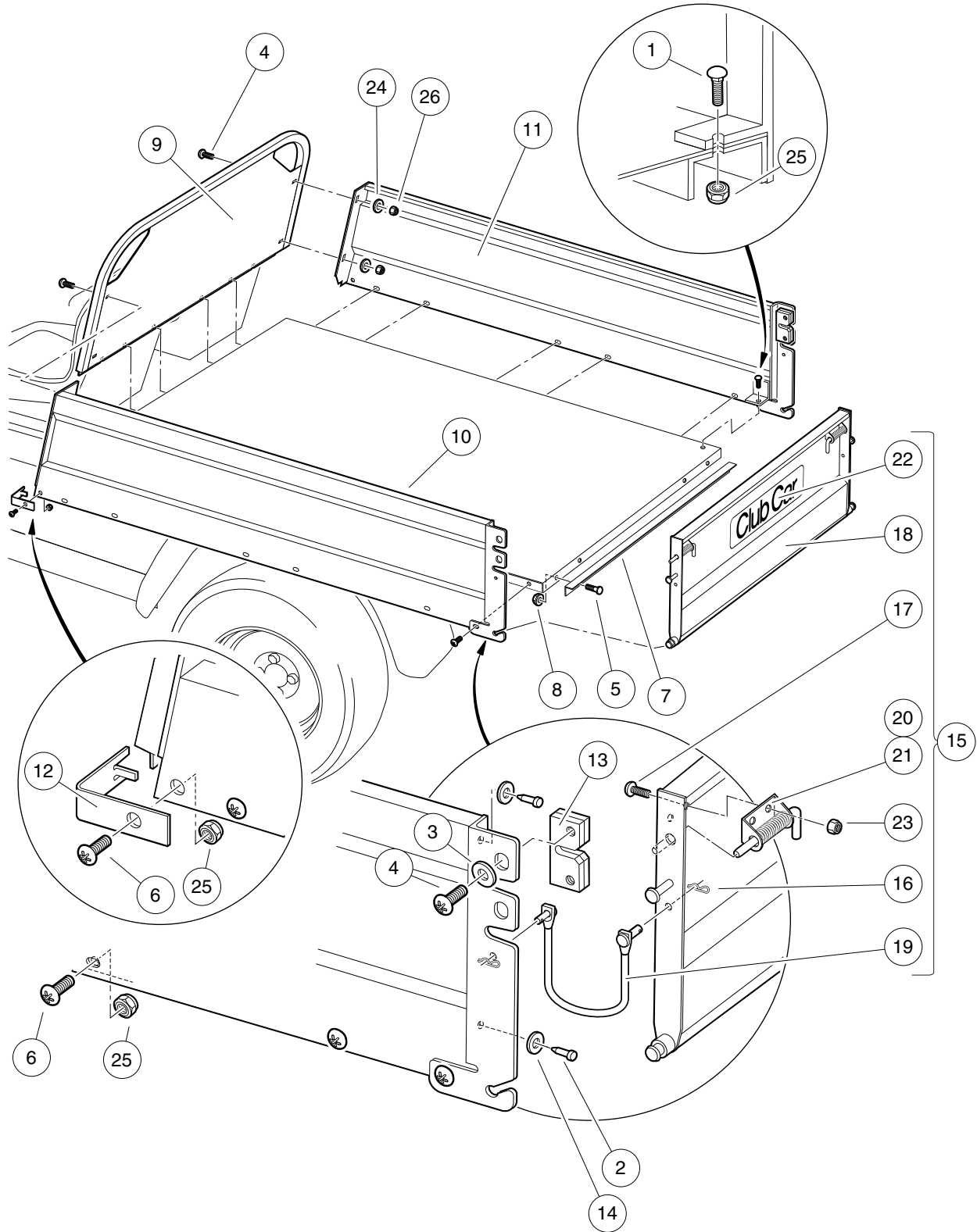
000261-001

CARGO BOX (ALUMINUM) MOUNTING

ITEM	PART NO.	DESCRIPTION	QTY
		1 2 3 4	
1	1010934	Screw, 5/16-18 X 1.00 Hex Cap	2
2	1014321	Screw, #10 Truss-Head Torx	4
3	1014387	Cap, Corner	2
4	1014415	Screw, 1/4-20 X 0.75 Torx Truss-Head	4
5	1015399	Screw, 5/16-18 X 0.88 Torx Truss-Head	23
6	101894702	Kit, Tailgate Angle (includes items 7 through 9)	1
7	1014537	Stud, Self-Clinching Flush Head	4
8	N/A	Box Bed Tailgate Angle	1
9	101963401	Locknut, 5/16-18 Hex Flange	4
10	332	Washer, 1/4 Type A Narrow Flat	4
11	7049	Bushing, Nylon	2
12	7473	Locknut, 5/16-18 Nylon Insert	25
13	8233	Locknut, 1/4-20, Nylon Insert	4
<p>Note: All parts listed on this page are included in kit 1015607.</p>			

1
G
E

1
G
E



000038-006

CARGO BOX (STEEL)

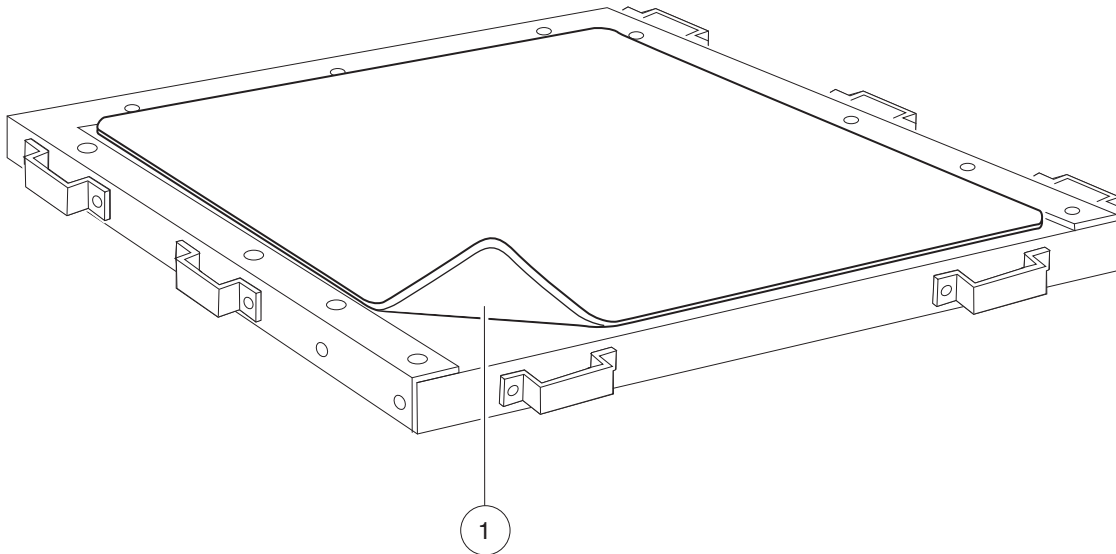
ITEM	PART NO.	DESCRIPTION	QTY
		1 2 3 4	
1	1010435	Bolt, Carriage, 5/16-18 X 1.00	13
2	1010436	Bumper, Rubber	4
3	1014306	Washer, 1/4" Type B Flat	4
4	1014415	Screw, 1/4-20 X 0.75 Torx Truss-Head	8
5	1014537	Stud, Self-Clinching Flush Head	4
6	1015399	Screw, 5/16-18 X 0.88 Torx Truss-Head	18
7	101894304	Box Bed Tailgate Angle	1
8	101963401	Locknut, 5/16-18 Hex Flange	4
9	102221301	Front Panel Weldment	1
10	102221401	Left Panel Weldment	1
11	102221501	Right Panel Weldment	1
12	102221701	Front Corner Cap	2
13	102222001	Slam Latch	2
14	102239901	Washer, Rubber, 3/8	4
15	102614401	Assembly, Tailgate (includes items 16 through 23)	1
16	1013366	Hair Pin Clip	4
17	1014415	Screw, 1/4-20 X 0.75 Torx Truss-Head	4
18	N/A	Tailgate, Weldment	1
19	102221801	Tether Assembly	2
20	102222101	Spring Latch Right	1
21	102222201	Spring Latch Left	1
22	102673201	Decal, Club Car Tailgate	1
23	8233	Locknut, 1/4-20, Nylon Insert	4
24	332	Washer, 1/4 Type A Narrow Flat	4
25	7473	Locknut, 5/16-18 Nylon Insert	31
26	8233	Locknut, 1/4-20, Nylon Insert	4

1
G
E

1

G

E



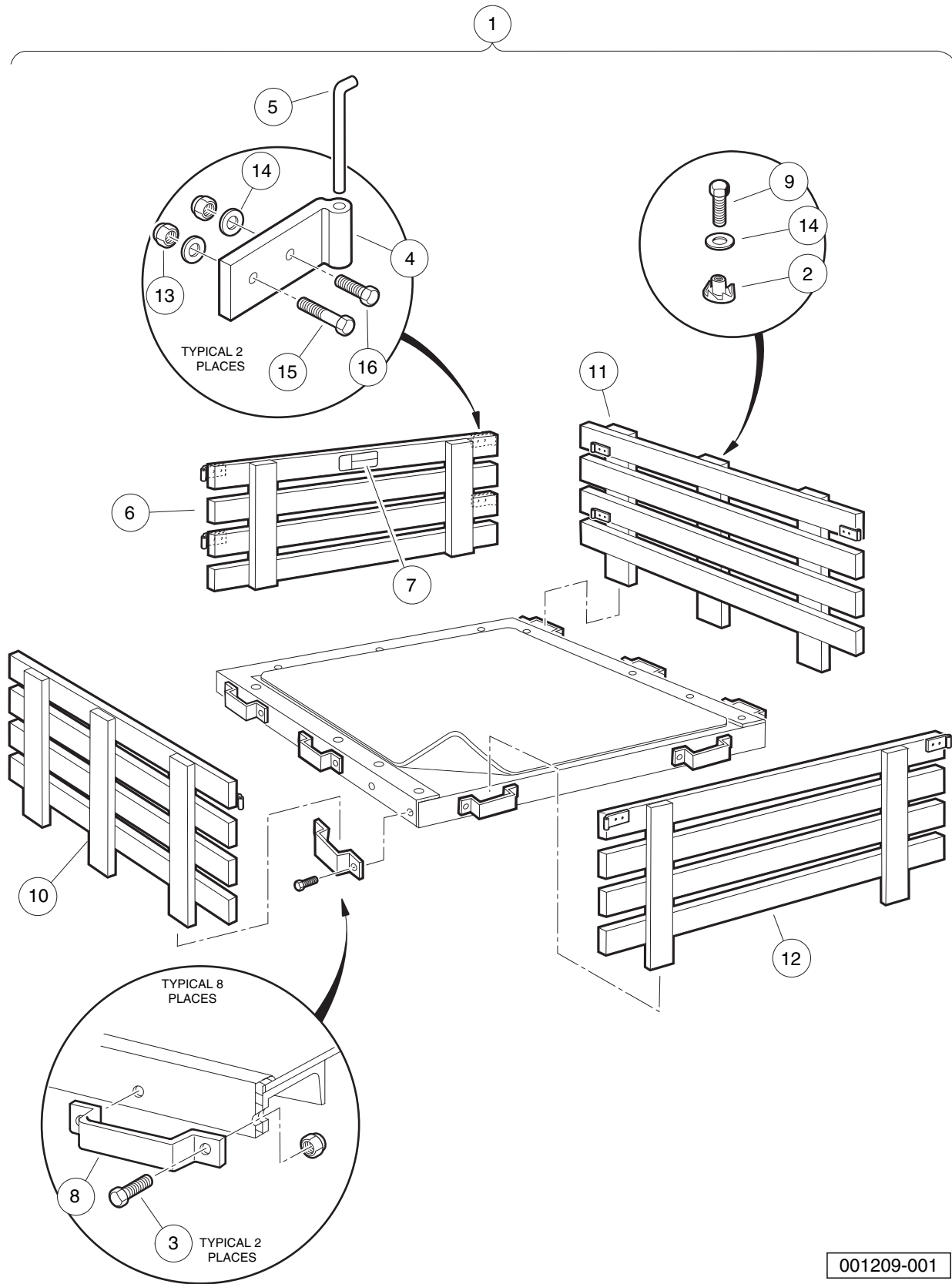
001207-001

BED MAT

ITEM	PART NO.	DESCRIPTION	QTY
1	101770202	1 2 3 4 Bed Mat	1

1
G
E

1
G
E

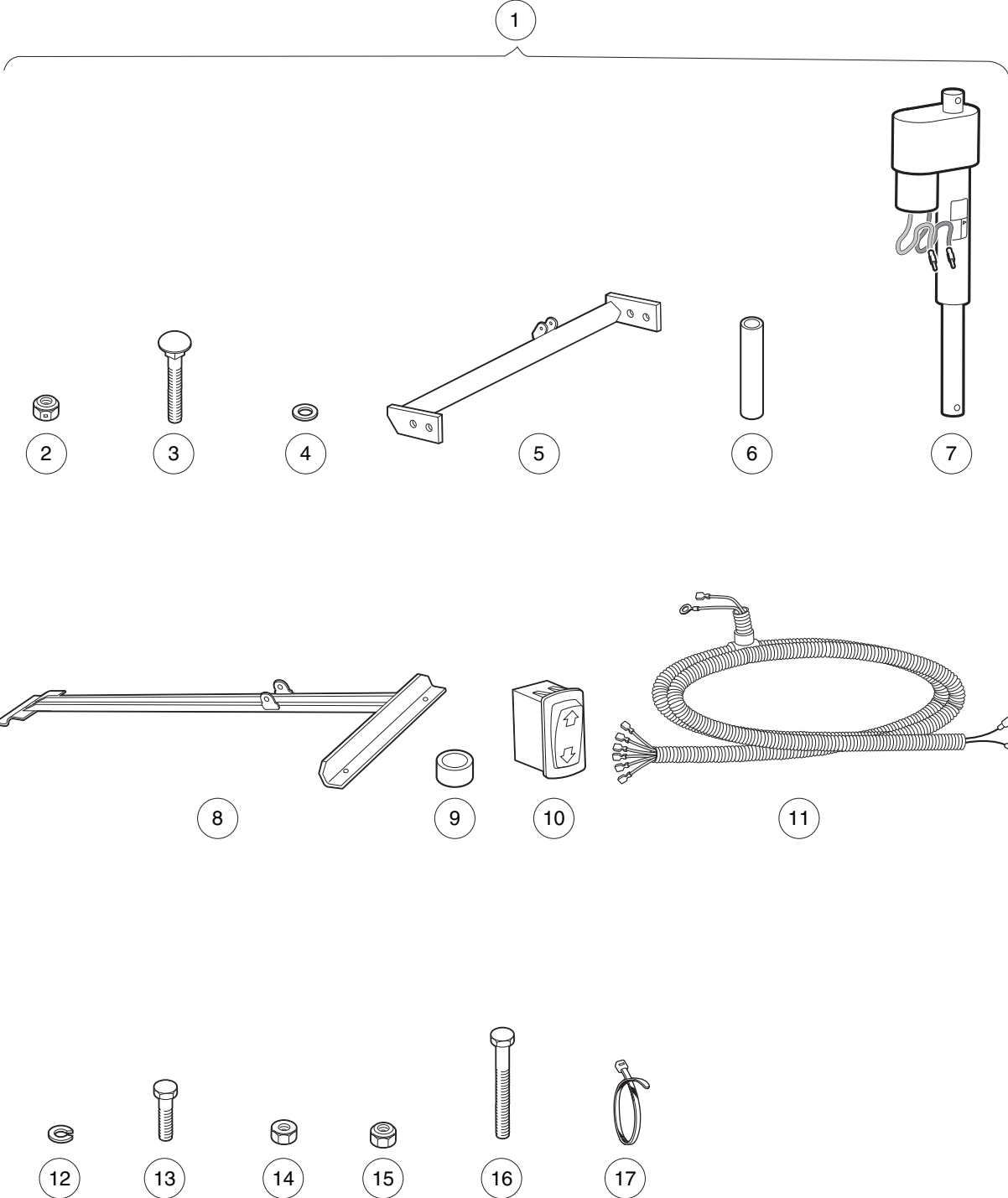


STAKE SIDE KIT

ITEM	PART NO.	DESCRIPTION	QTY
		1 2 3 4	
1	102847701	Kit, Stake Side, 45-5/8 X 50 (includes items 2 through 16)	1
2	1010086	T-Nut	74
3	1010934	Screw, 5/16-18 X 1.00 Hex Cap	16
4	1015654	Stake Side Hinge	12
5	1015656	Pin, hinge	6
6	101565803	Stake Side Assembly, Front (includes item 7)	1
7	101553901	Decal, Bed Load Warning	1
8	1016077	Bracket, Stake Side	8
9	1016916	Screw, 1/4-20 X 1.50 Hex-Head Cap	74
10	102847601	Asm, Stake Side, 45-5/8 X 19 D	1
11	102847602	Asm, Stake Side, 45-5/8 X 19 P	1
12	102847603	Asm, Stake Side, 48 X 19 Rear	1
13	1108	Locknut, 1/4-20 Dimpled	24
14	332	Washer, 1/4 Type A Narrow Flat	24
15	7311	Screw, 1/4-20 X 2.00 Hex-Head Cap	6
16	7479	Screw, 1/4-20 X 1.25 Hex-Head Cap	18

1
G
E

1
G
E

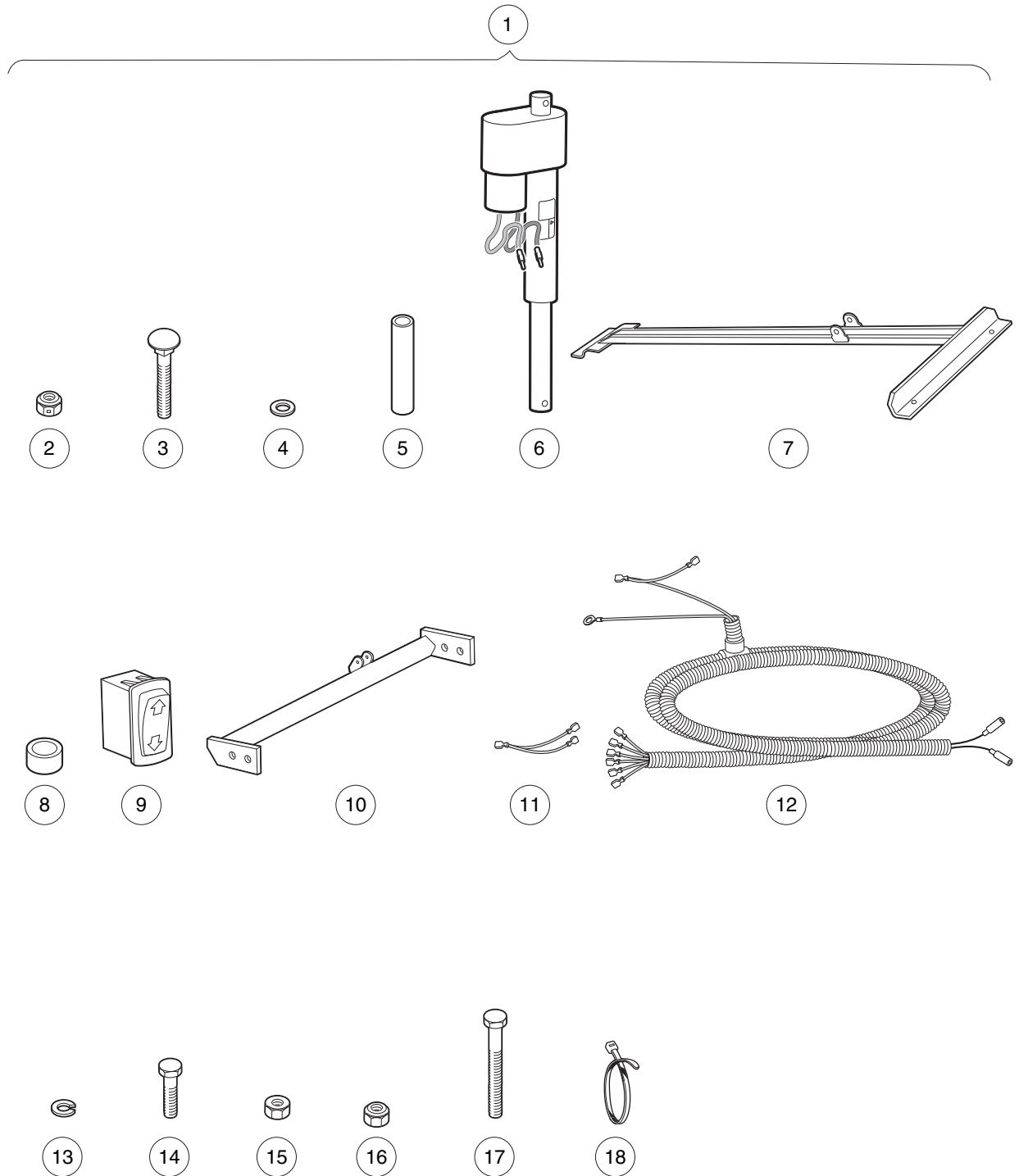


001263-001

ELECTRIC BED LIFT – GASOLINE VEHICLES

ITEM	PART NO.	DESCRIPTION	QTY	
		1 2 3 4		1
1	103272801	Kit, Electric Bed Lift, T/CA2/252/900 Gas (includes items 2 through 17)	1	G
2	1010138	Locknut, 3/8-16 Dimpled	2	E
3	1010435	Bolt, Carriage, 5/16-18 X 1.00	3	
4	1011990	Washer, 3/8 Flat	4	
5	1015612	Mounting Bracket, Hydraulic Cylinder	1	
6	1016603	Bushing Long	2	
7	1017162	Actuator Assembly, Electric	1	
8	1017167	Actuator Adapter	1	
9	1017774	Body Spacer	8	
10	102882501	Switch, Rocker, Bed Lift	1	
11	103270201	Wire Harness, Elec Tilt Sys	1	
12	357	Lockwasher, 3/8 Split	4	
13	705	Screw, Cap-hex Hd 3/8-16x1.25	4	
14	706	Nut, Hex 3/8-16	4	
15	7473	Locknut, 5/16-18 Nylon Insert	3	
16	7561	Bolt, 3/8-16 X 3.00 Hex Head	2	
17	8990	Tie Wrap, 8" Nylon	10	

1
G
E



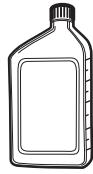
001264-001

ELECTRIC BED LIFT – ELECTRIC VEHICLE

ITEM	PART NO.	DESCRIPTION	QTY
		1 2 3 4	
1	103274202	Kit, Electric Bed Lift, T/CA2/252/900 IQ Plus (includes items 2 through 18)	1
2	1010138	Locknut, 3/8-16 Dimpled	2
3	1010435	Bolt, Carriage, 5/16-18 X 1.00	3
4	1011990	Washer, 3/8 Flat	4
5	1016603	Bushing Long	2
6	1017162	Actuator Assembly, Electric	1
7	1017167	Actuator Adapter	1
8	1017774	Body Spacer	8
9	102882501	Switch, Rocker, Bed Lift	1
10	102893601	Center Bracket, Bed Lift	1
11	102959601	Iq Plus Acc Jumper, 3 Inch	1
12	103270301	Wire Harness, El Tilt, Iq Plus	1
13	357	Lockwasher, 3/8 Split	4
14	705	Screw, Cap-hex Hd 3/8-16x1.25	4
15	706	Nut, Hex 3/8-16	4
16	7473	Locknut, 5/16-18 Nylon Insert	3
17	7561	Bolt, 3/8-16 X 3.00 Hex Head	2
18	8990	Tie Wrap, 8" Nylon	12

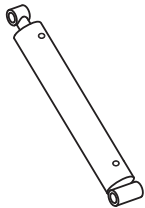
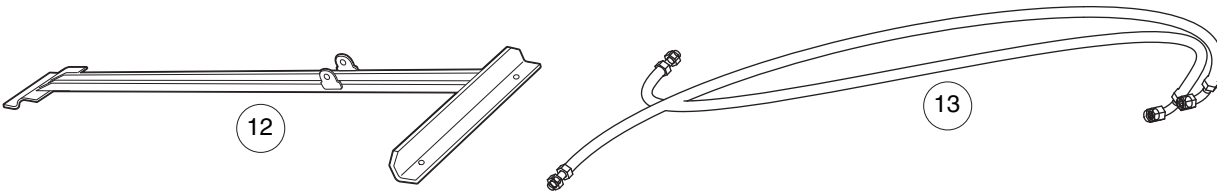
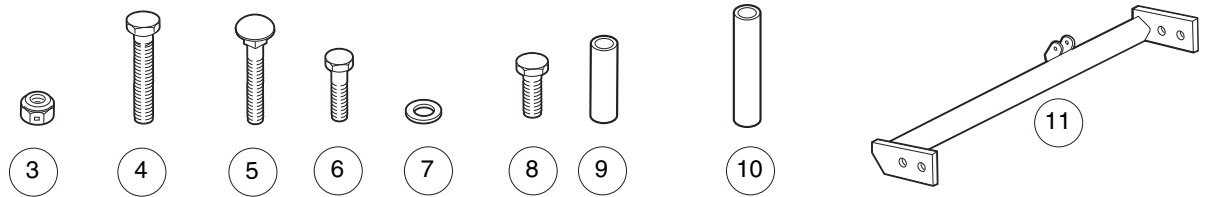
1
G
E

1
G
E



1

2



14



15



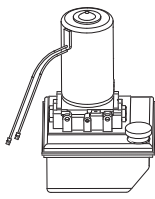
16



17



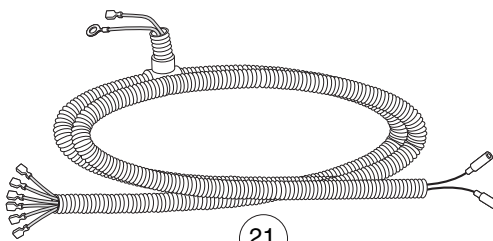
18



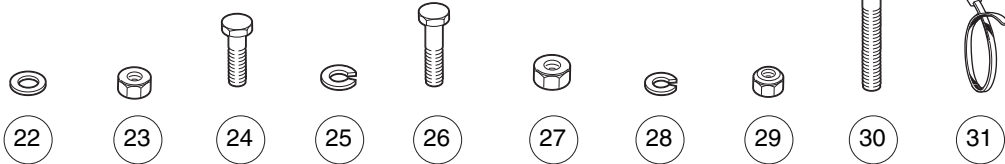
19



20



21

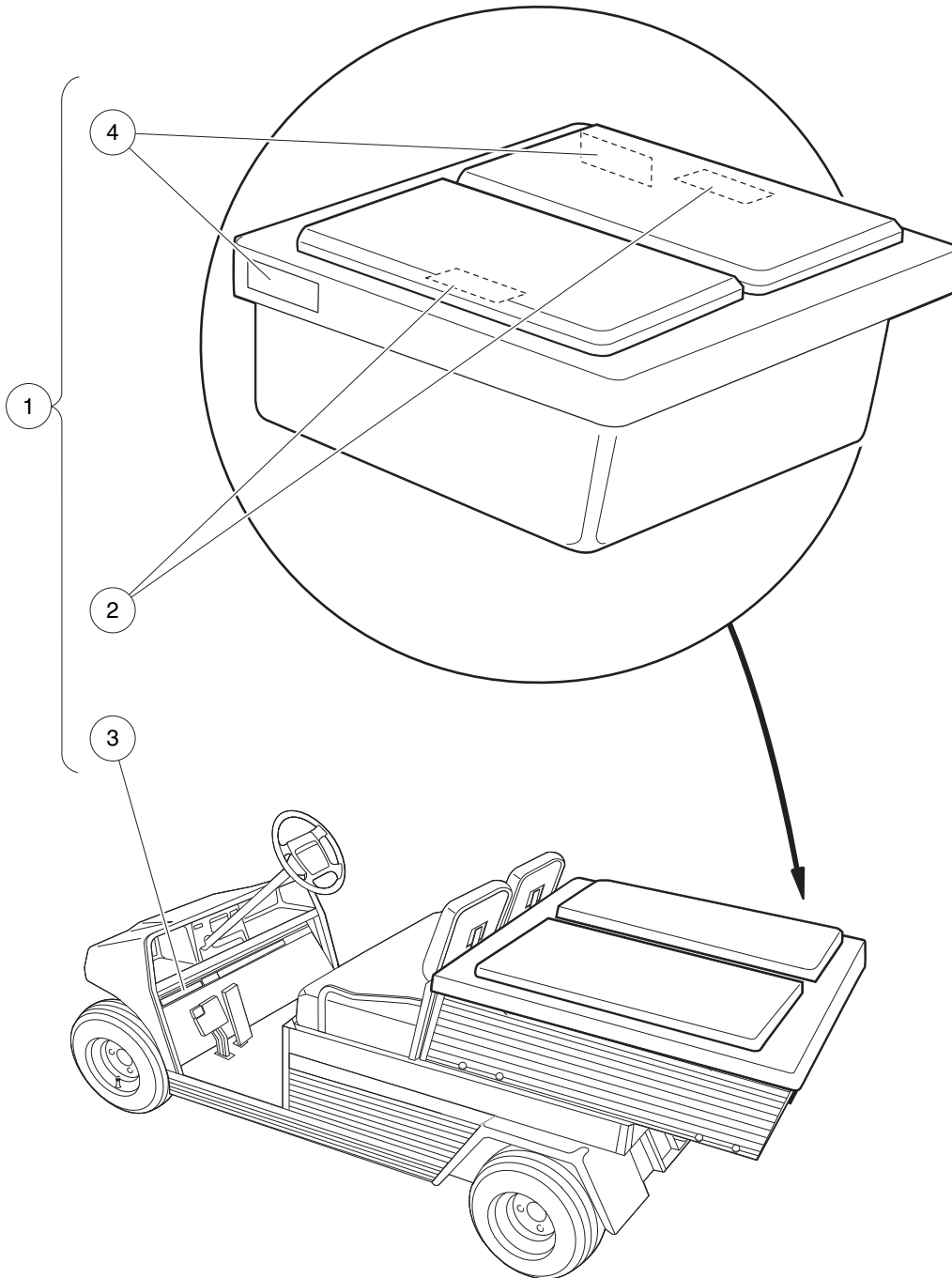


001222-001

HYDRAULIC BED LIFT KIT

ITEM	PART NO.	DESCRIPTION	QTY
		1 2 3 4	
1	1015820	Hydraulic Fluid	A/R
2	103324402	Kit, Hydraulic Bed Lift (includes items 3 through 31)	1
3	1010138	Locknut, 3/8-16 Dimpled	2
4	1010177	Bolt, 3/8-16 X 2.00 Hex Head	1
5	1010435	Bolt, Carriage, 5/16-18 X 1.00	4
6	1010934	Screw, 5/16-18 X 1.00 Hex Cap	2
7	1011990	Washer, 3/8 Flat	6
8	1012463	Bolt, 3/8-16 X .875 Hex Head	2
9	1015608	Tube Spacer, Hydraulic Cylinder	1
10	1015610	Tube Spacer Lg Hyd Cyl	1
11	1015612	Mounting Bracket, Hydraulic Cylinder	1
12	1015615	Cylinder Adapter Weldment	1
13	1015616	Hydraulic Hose Asm. Tilt Bed	2
14	1015617	Hydraulic Cylinder Cail Tilt	1
15	1015621	Mtg Bracket Hydr. Pump	1
16	1015623	Straight Thread Adap. W/o-ring	2
17	1015624	Straight Thd Elbow W/o-ring Ca	2
18	101570401	Decal, Tilt System Warning	1
19	1016136	Pump, Hydraulic Tilt Bed	1
20	102882501	Switch, Rocker, Bed Lift	1
21	103318401	Harness, Hyd Lift, Gas	1
22	1241	Washer, 5/16 Type A Flat	6
23	1242	Nut, 5/16-18 Hex	2
24	320	Screw, 3/8-16 X 1.00 Hex-Head Cap	2
25	357	Lockwasher, 3/8 Split	6
26	705	Screw, Cap-hex Hd 3/8-16x1.25	2
27	706	Nut, Hex 3/8-16	4
28	7174	Lockwasher, 5/16 Split	2
29	7473	Locknut, 5/16-18 Nylon Insert	5
30	7561	Bolt, 3/8-16 X 3.00 Hex Head	1
31	8990	Tie Wrap, 8" Nylon	8

1
G
E



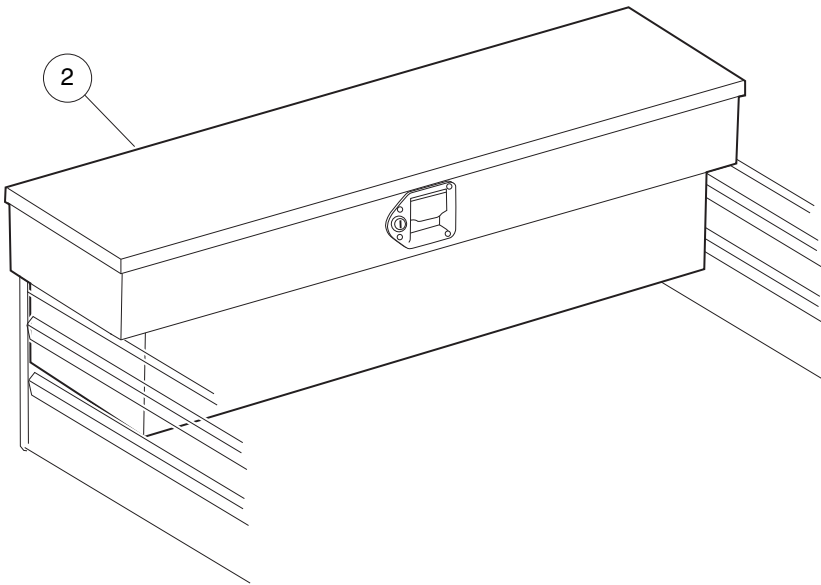
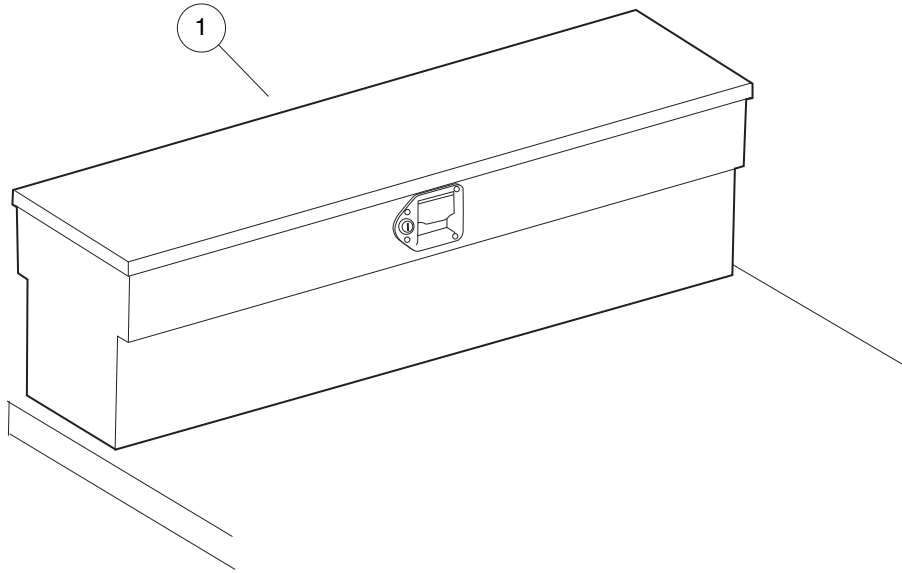
001210-001

PORTABLE REFRESHMENT CENTER

ITEM	PART NO.	DESCRIPTION	QTY
		1 2 3 4	
1	101996901	Portable Refreshment Ctr, 2 (includes items 2 through 4)	1
2	1011962	Decal, Refreshment Center	2
3	102056401	Decal-bev Unit Dash Warning	1
4	N/A	Decal, PRC Warning	2

1
G
E

1
G
E



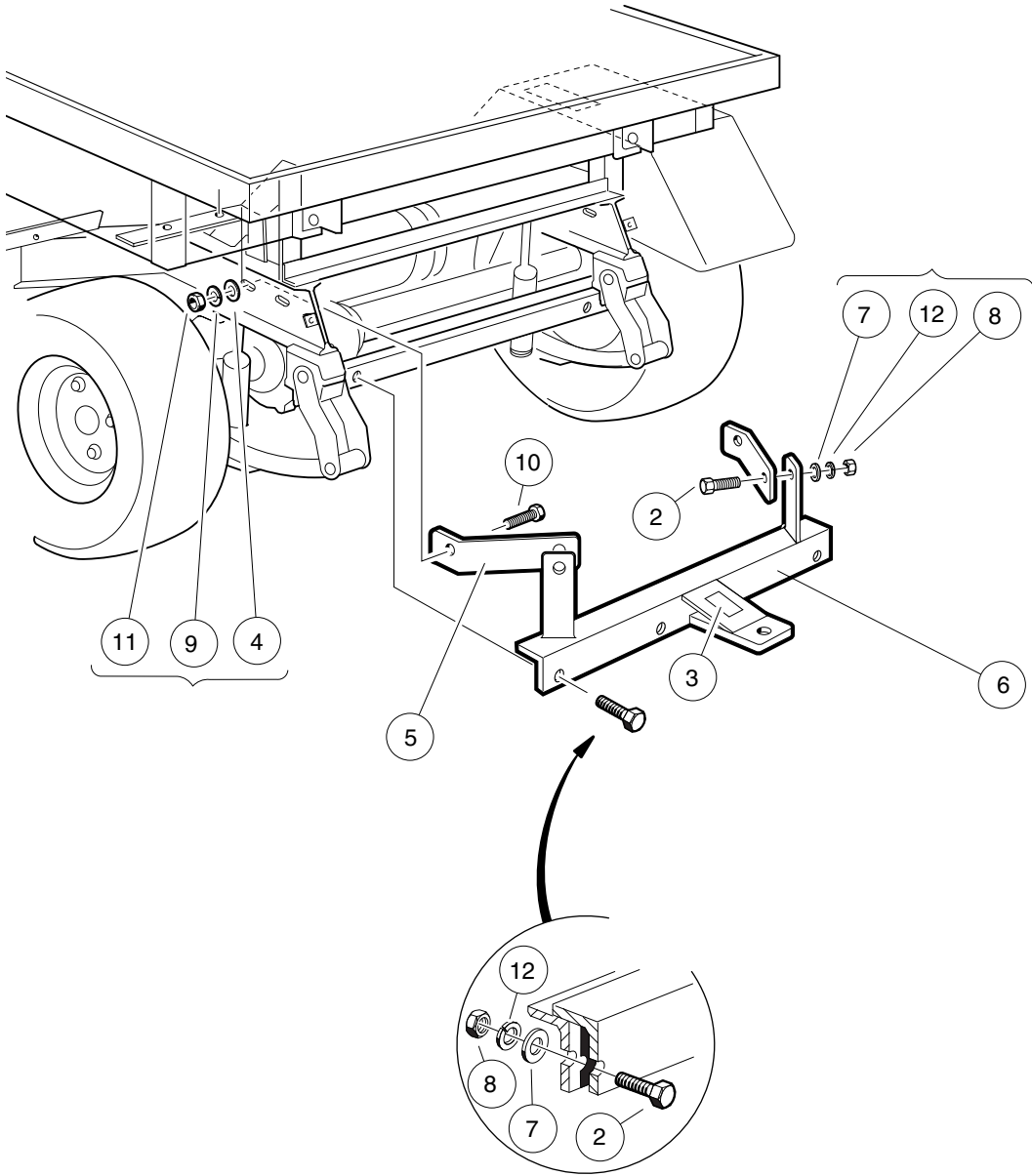
001157-001

TOOLBOXES

ITEM	PART NO.	DESCRIPTION	QTY
1	101837401	1 2 3 4 Toolbox, Flat Bed	1
2	101837502	Toolbox, Box Bed	1

1
G
E

1
G
E



000265-001

TRAILER HITCH

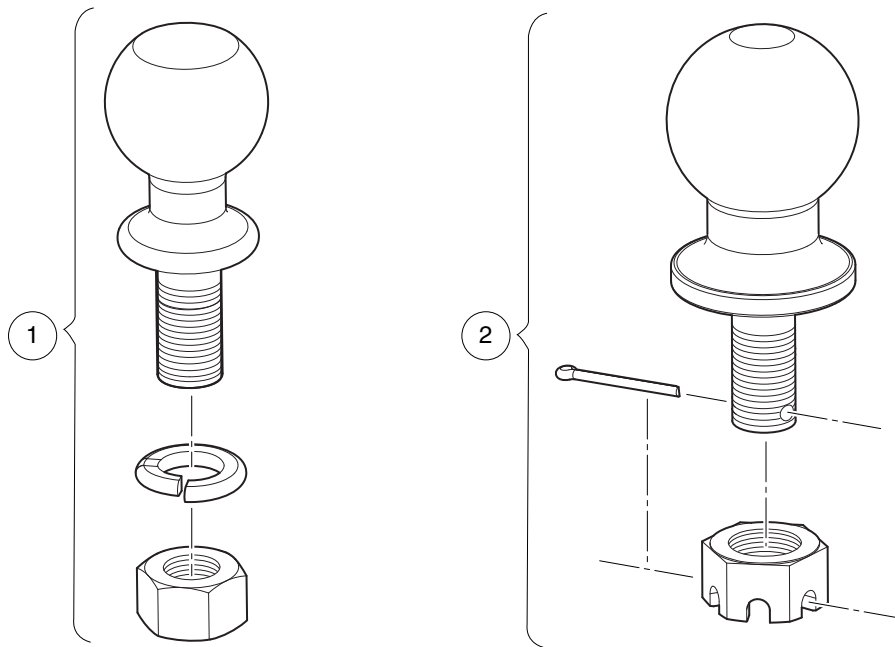
ITEM	PART NO.	DESCRIPTION	QTY
		1 2 3 4	
1	1015445	Kit, Trailer Hitch (includes items 2 through 12)	1
2	1010934	Screw, 5/16-18 X 1.00 Hex Cap	4
3	1011553	Decal, Trailer Hitch	1
4	1011990	Washer, 3/8 Flat	2
5	1013483	Brace, Trailer Hitch	2
6	N/A	Asm, Trailer Hitch	1
7	1241	Washer, 5/16 Type A Flat	4
8	1242	Nut, 5/16-18 Hex	4
9	357	Lockwasher, 3/8 Split	2
10	705	Screw, Cap-hex Hd 3/8-16x1.25	2
11	706	Nut, Hex 3/8-16	2
12	7174	Lockwasher, 5/16 Split	4

1
G
E

1

G

E

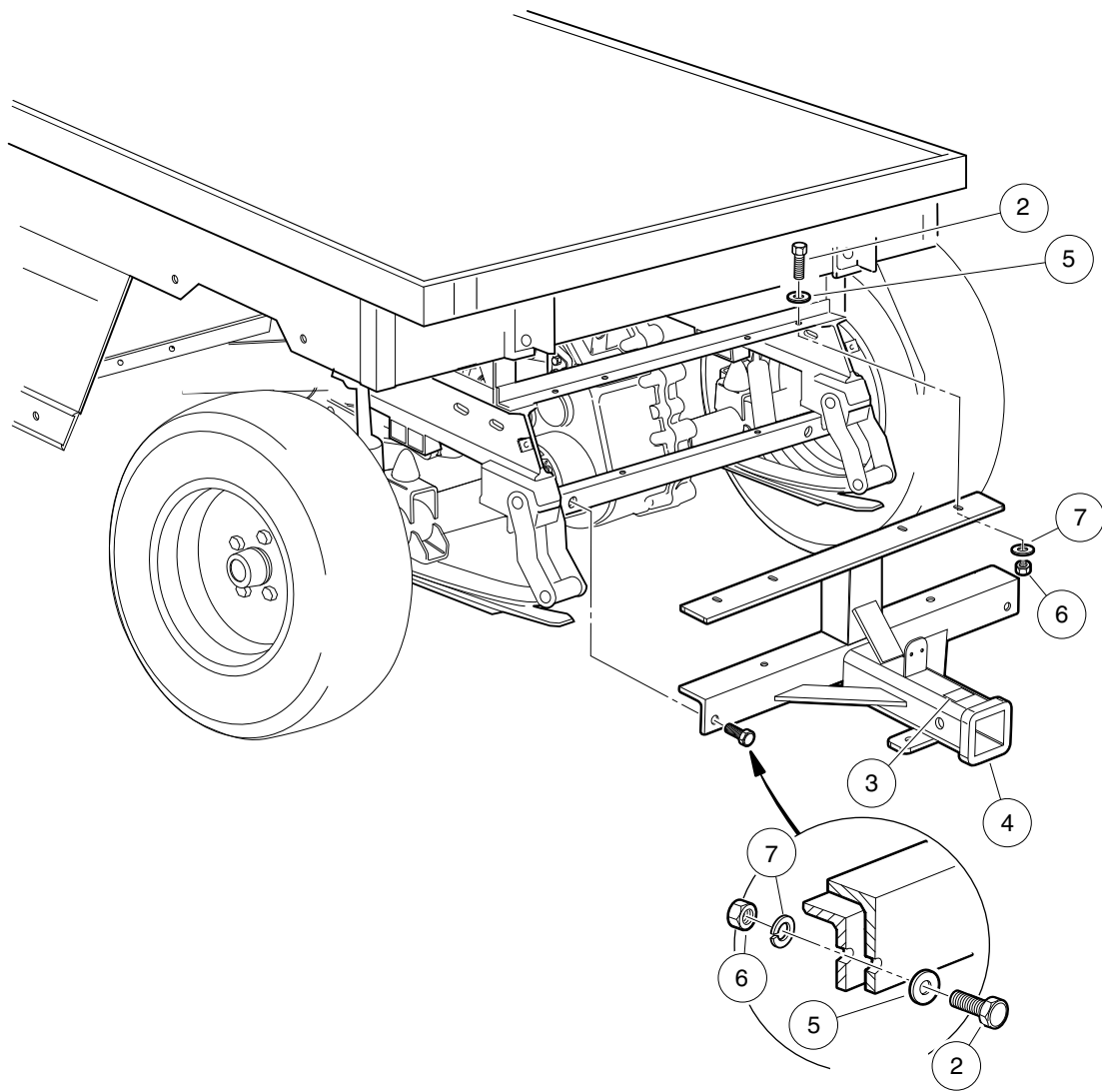


001137-001

TRAILER HITCH BALL

ITEM	PART NO.	DESCRIPTION	QTY
1	1011546	1 2 3 4 Trailer Hitch Ball - 1 7/8"	1
2	AM1264001	Chrome Hitch Ball, 2"	1

1
G
E



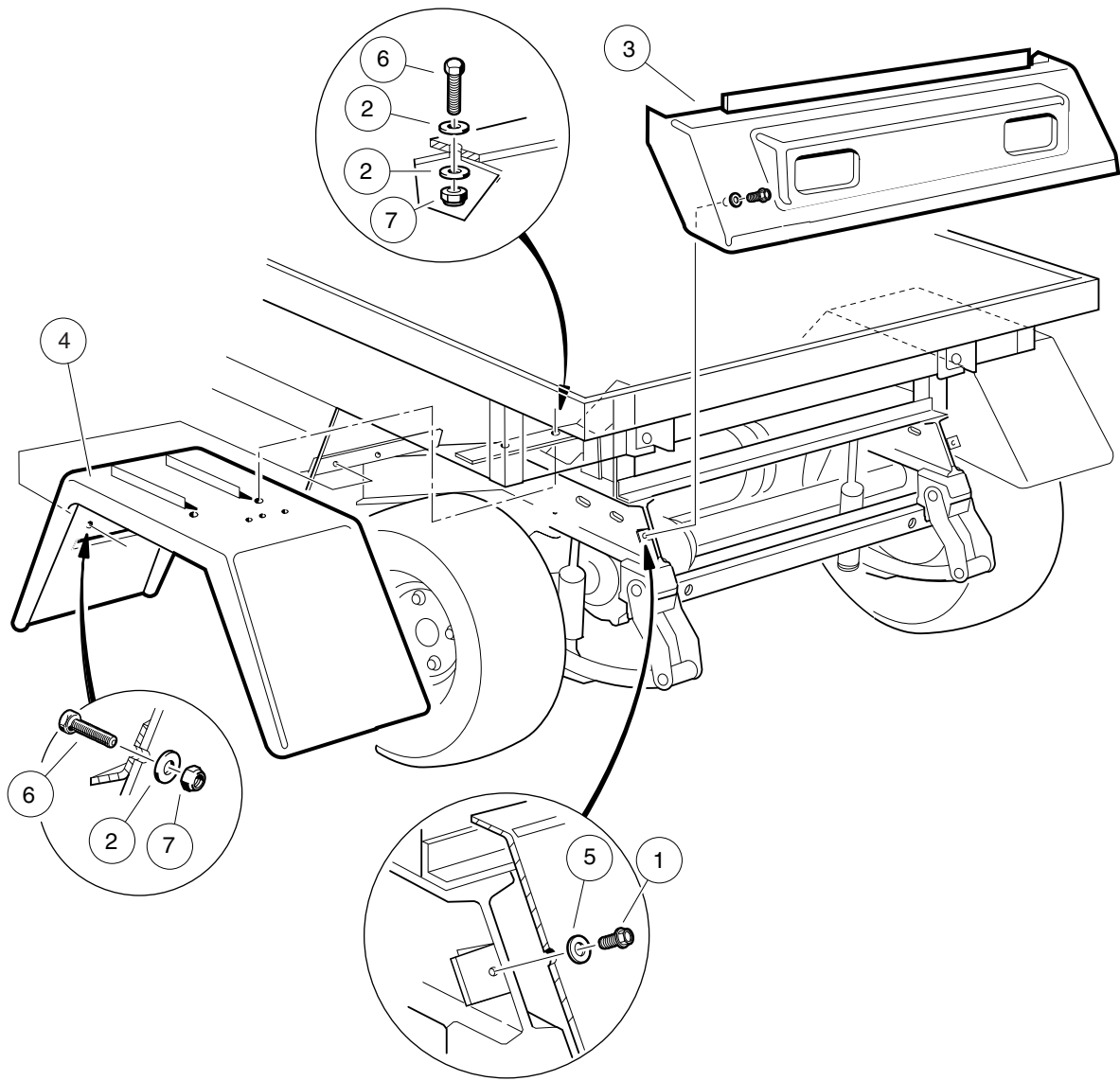
000100-002

RECEIVER HITCH

ITEM	PART NO.	DESCRIPTION	QTY
		1 2 3 4	
1	102065103	Kit, Rear Receiver (includes items 2 through 7)	1
2	1010934	Screw, 5/16-18 X 1.00 Hex Cap	6
3	1011553	Decal, Trailer Hitch	1
4	102056001	Rear Receiver Weld Asm	1
5	1241	Washer, 5/16 Type A Flat	6
6	1242	Nut, 5/16-18 Hex	6
7	7174	Lockwasher, 5/16 Split	6

1
G
E

1
G
E



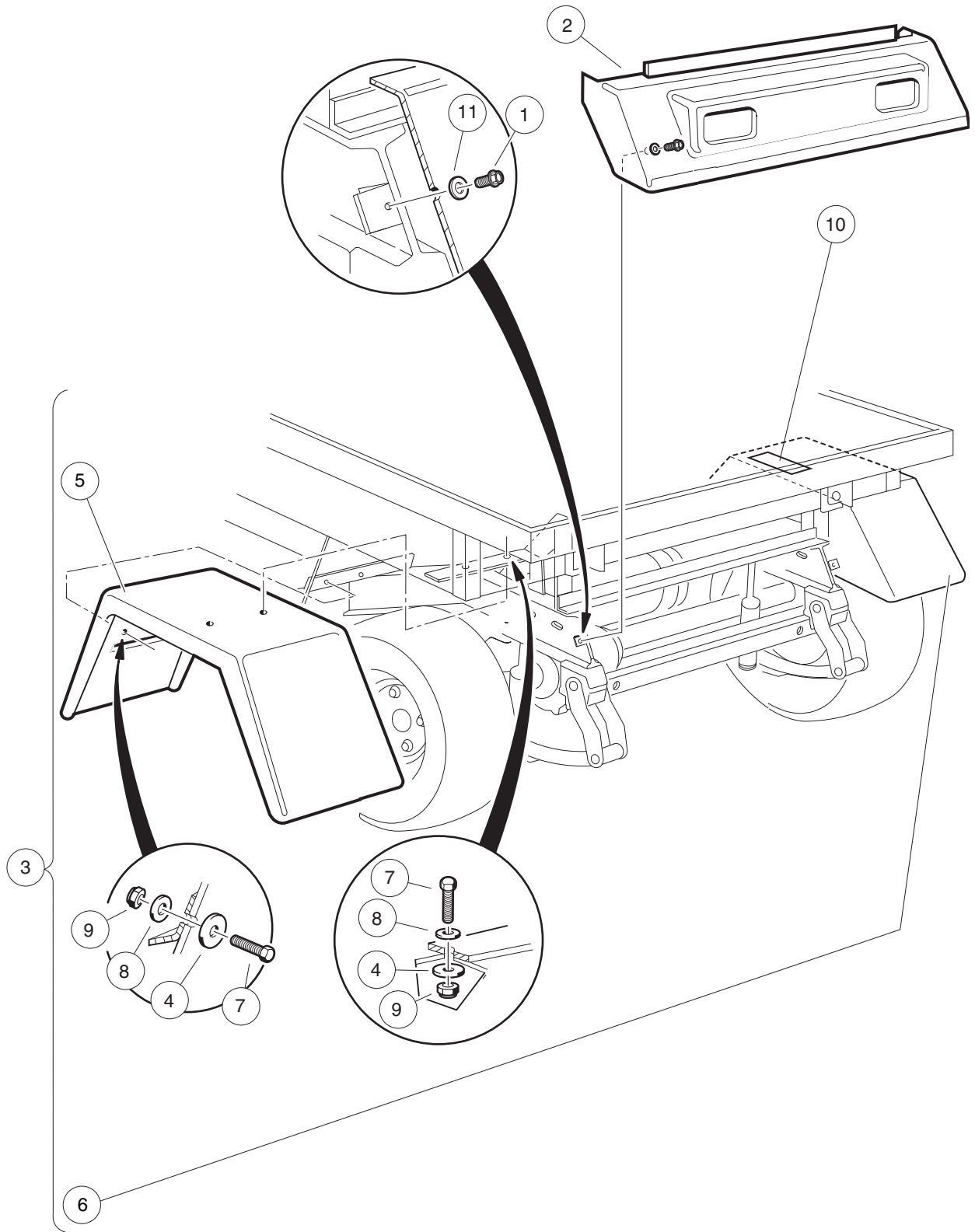
000266-001

REAR BODY TRIM – TURF/CARRYALL 1, 2, 2 PLUS, AND 6

ITEM	PART NO.	DESCRIPTION	QTY
		1 2 3 4	
1	1012285	Screw, 1/4 X 0.625 Hex-Head	2
2	1014306	Washer, 1/4" Type B Flat	12
3	1015530	Tailskirt	1
4	1016679	Rear Fender	2
5	332	Washer, 1/4 Type A Narrow Flat	2
6	7847	Screw, 1/4-20 X 0.75 Hex-Head Cap	8
7	8233	Locknut, 1/4-20, Nylon Insert	8

1
G
E

1
G
E

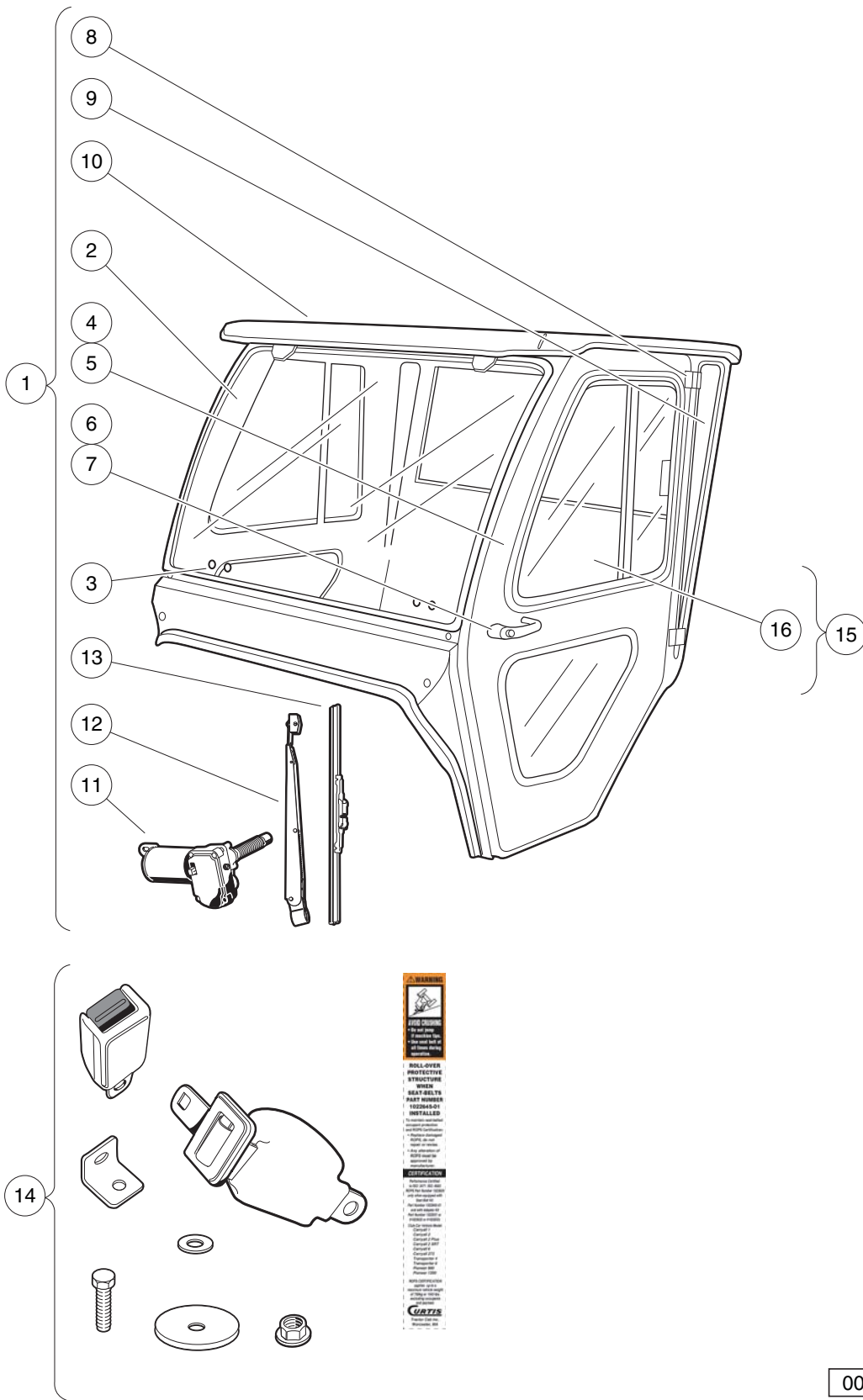


000267-001

REAR BODY TRIM – TURF/CARRYALL 252 AND XRT 900

ITEM	PART NO.	DESCRIPTION	QTY
		1 2 3 4	
1	1012285	Screw, 1/4 X 0.625 Hex-Head	2
2	1015530	Tailskirt	1
3	102010501	Rear Fender Kit (includes items 4 through 9)	1
4	1014306	Washer, 1/4" Type B Flat	10
5	102004601	Extended Fender, Rear, Left-Hand	1
6	102004602	Extended Fender, Rear, Right-Hand	1
7	304	Screw, 1/4-20 X 1.0 Hex-Head Cap	8
8	332	Washer, 1/4 Type A Narrow Flat	6
9	8233	Locknut, 1/4-20, Nylon Insert	8
10	102224001	Decal, Rotating Parts Warning	1
11	332	Washer, 1/4 Type A Narrow Flat	2

1
G
E



001098-001

CAB, CURTIS – TURF/CARRYALL 1, 2, 2 PLUS, 252 AND XRT 900

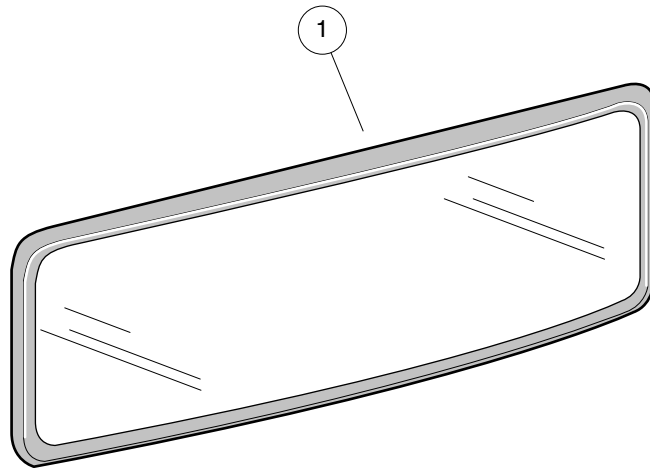
ITEM	PART NO.	DESCRIPTION	QTY
		1 2 3 4	
1	102262901	Asm, Cab (includes items 2 through 13)	1
2	AM1304001	CTC-Windshield Assembly	1
3	AM1304101	CTC-Windshield Latches	A/R
4	AM1304201	CTC-Drivers Side Door	1
5	AM1304301	CTC-Passenger Side Door	1
6	AM1304401	CTC-Inside Door Latches	2
7	AM1304501	CTC-Outside Door Latches	2
8	AM1304601	CTC-Door Hinge Kit	A/R
9	AM1304801	CTC-Side Frame Rear Window	1
10	AM1304901	CTC-Roof (White Plastic)	1
11	AM1305001	CTC-Wiper Motor	1
12	AM1305101	CTC-Wiper Arm	1
13	AM1305201	CTC-Wiper Blade	1
14	102264501	Kit, Seat Belt (required for ROPS certification, includes mounting hardware)	1
15	103274401	Kit, Adapter, Cab, Carryall (includes item 16)	1
16	AM1304701	CTC-Rear Panel	1

1
G
E

1

G

E



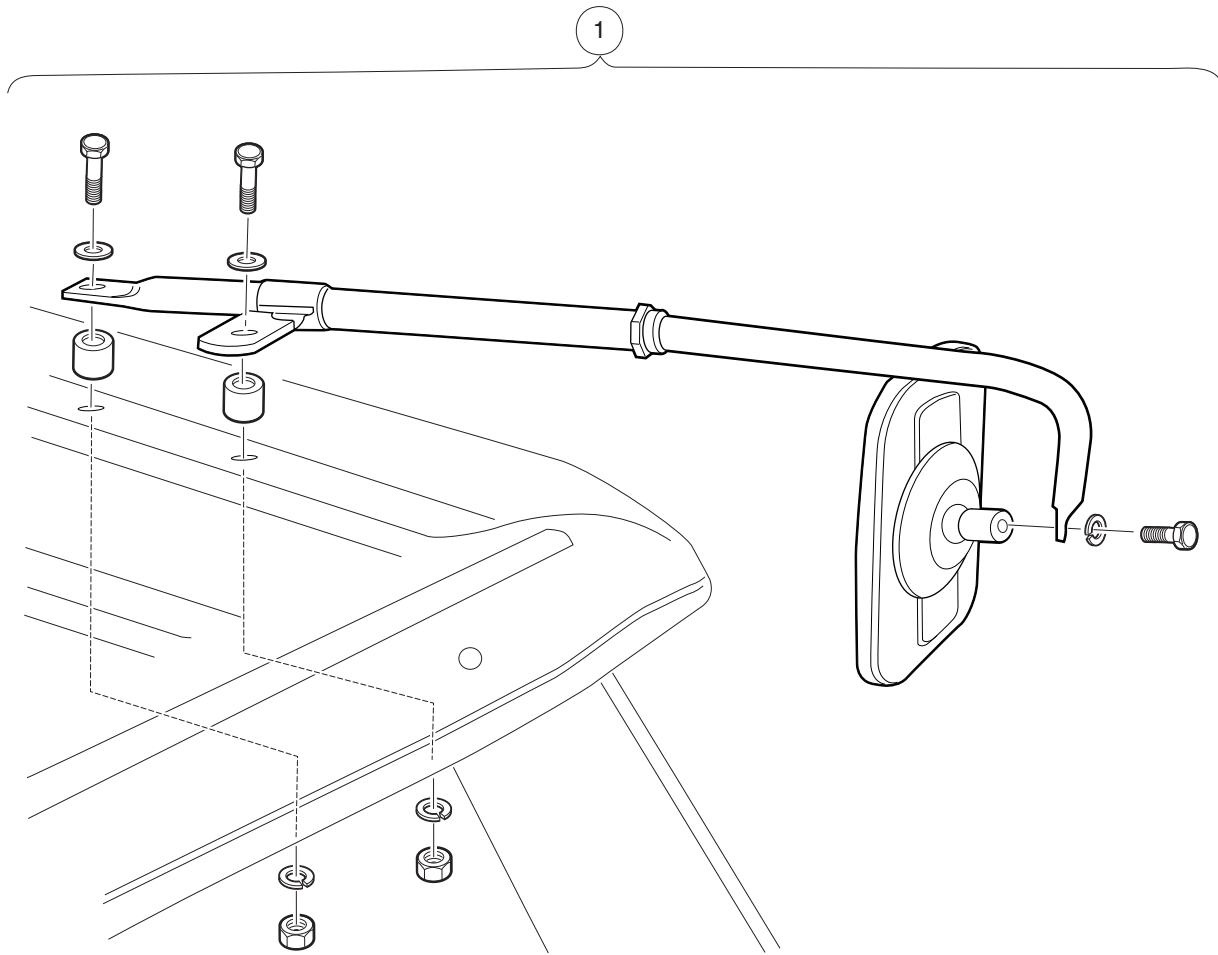
APM-000214-001

MIRROR, INSIDE REAR-VIEW – CURTIS CAB

ITEM	PART NO.	DESCRIPTION	QTY
1	101995101	<p>1 2 3 4 Kit, Rear-View Mirror (includes mounting hardware)</p> <p>Note: For installation on vehicles equipped with a Curtis cab.</p>	1

1
G
E

1
G
E



001202-001

MIRROR, SIDE-VIEW – CURTIS CAB

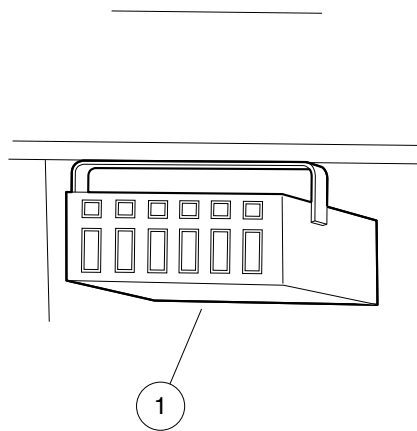
ITEM	PART NO.	DESCRIPTION	QTY
1	102272601	<p>1 2 3 4 Kit, Mirror</p> <p>Note: For installation on vehicles equipped with a Curtis cab.</p>	1

1
G
E

1

G

E



APM-000264-002

ACCESSORY SWITCH PANEL – CURTIS CAB

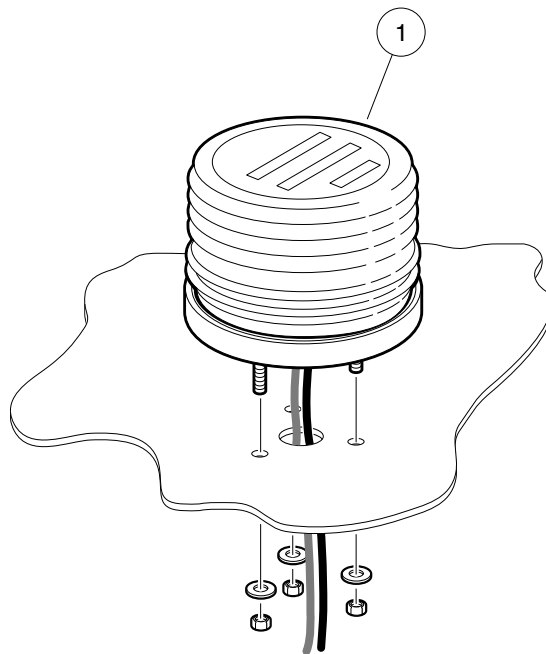
ITEM	PART NO.	DESCRIPTION	QTY
1	101994601	<p>1 2 3 4</p> <p>Panel, Accessory Switch</p> <p style="margin-top: 20px;">Note: For installation on vehicles equipped with a Curtis cab.</p>	1

1

G

E

1
G
E



APM-000212-001

STROBE LIGHT – CURTIS CAB

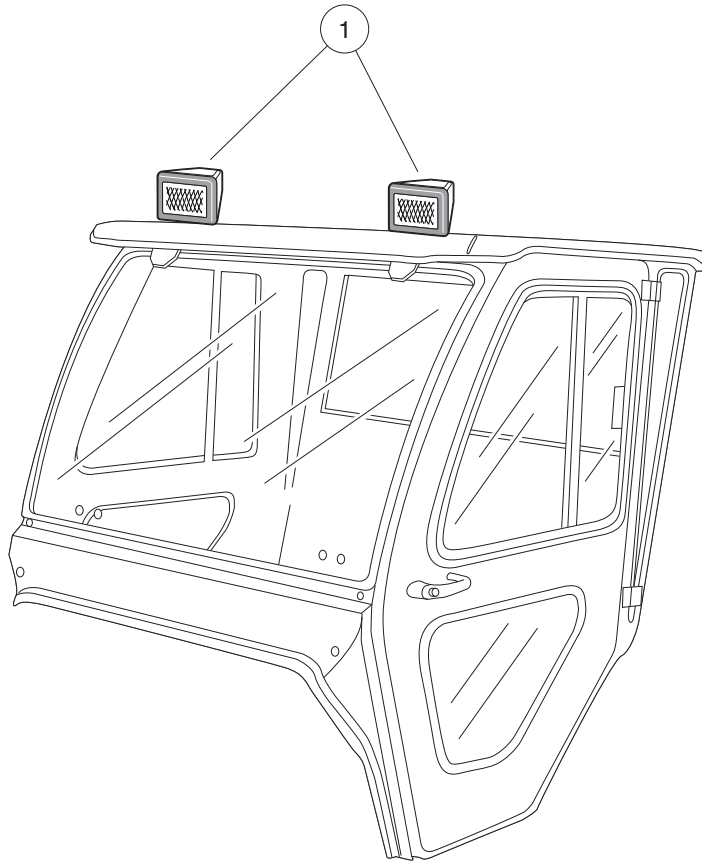
ITEM	PART NO.	DESCRIPTION	QTY
1	101994301	<p>1 2 3 4 Kit, Strobe Light (includes mounting hardware and wire harness)</p> <p>Note: For installation on vehicles equipped with a Curtis cab.</p>	1

1
G
E

1

G

E



001201-001

WORK LIGHTS – CURTIS CAB

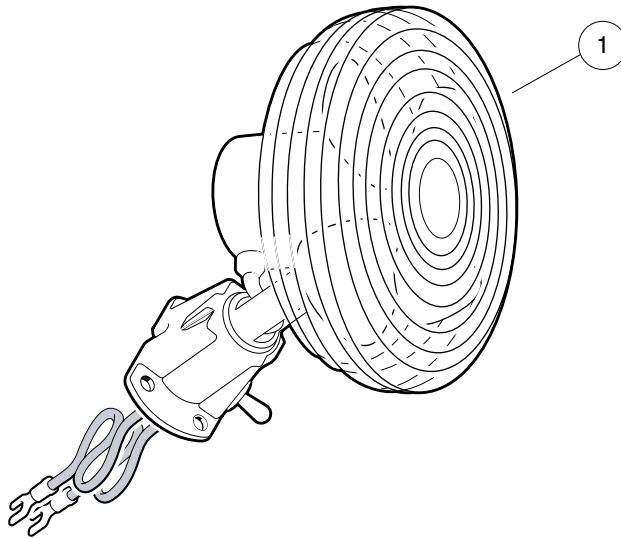
ITEM	PART NO.	DESCRIPTION	QTY
1	101994801	<p>1 2 3 4 Kit, Work Light (includes mounting hardware and wire harness)</p> <p>Note: For installation on vehicles equipped with a Curtis cab.</p>	1

1
G
E

1

G

E

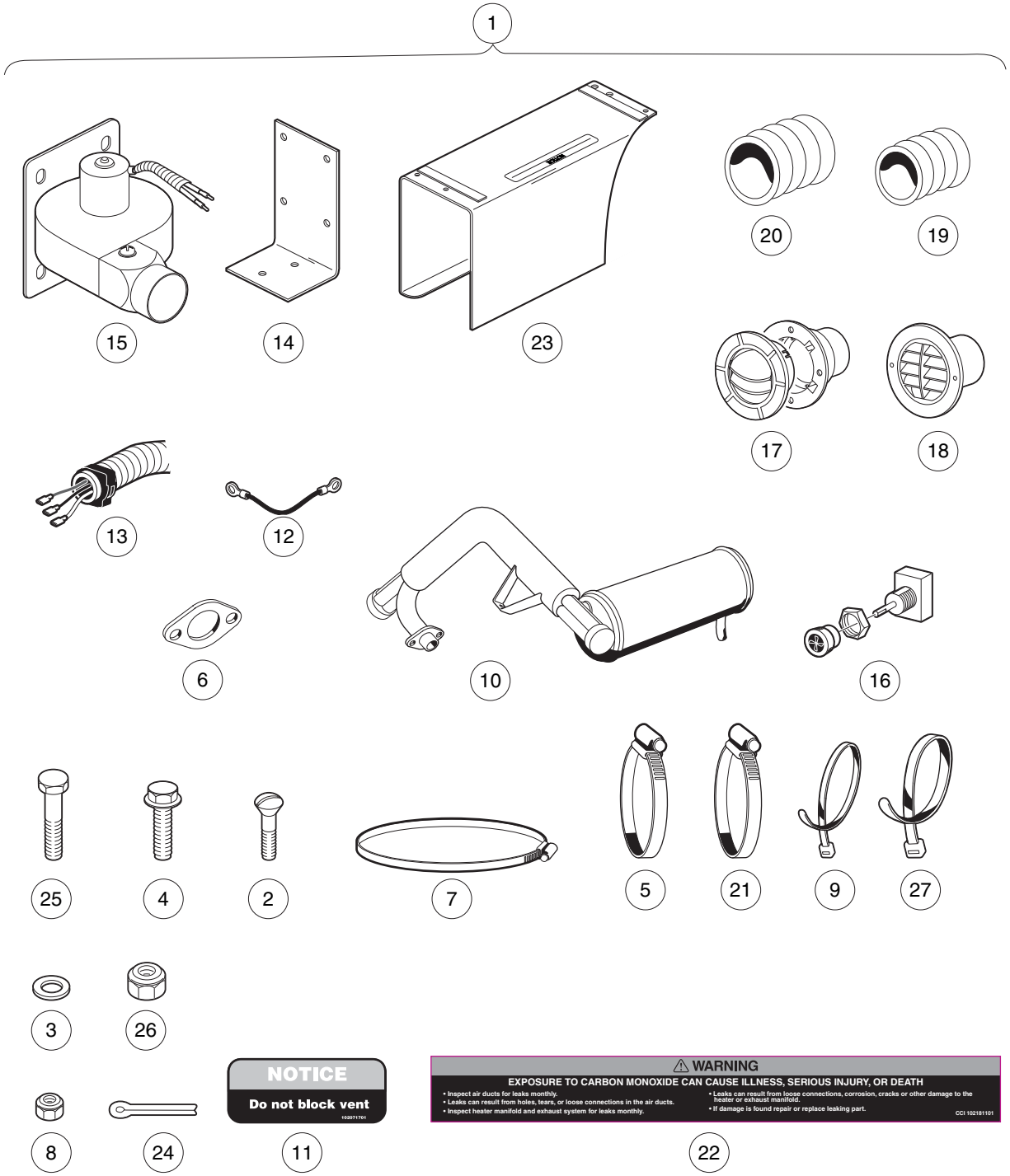


APM-000215-001

FAN/DEFOGGER – CURTIS CAB

ITEM	PART NO.	DESCRIPTION	QTY	
1	101994401	<p>1 2 3 4</p> <p>Kit, Fan/Defogger (includes mounting hardware and wire harness)</p> <p style="margin-left: 40px;">Note: For installation on vehicles equipped with a Curtis cab.</p>	1	<div style="background-color: black; color: white; padding: 2px; margin-bottom: 2px;">1</div> <div style="background-color: black; color: white; padding: 2px; margin-bottom: 2px;">G</div> <div style="background-color: black; color: white; padding: 2px;">E</div>

1
G
E



NOTICE
Do not block vent
16091701

WARNING
EXPOSURE TO CARBON MONOXIDE CAN CAUSE ILLNESS, SERIOUS INJURY, OR DEATH
 • Inspect air ducts for leaks monthly.
 • Leaks can result from holes, tears, or loose connections in the air ducts.
 • Inspect heater manifold and exhaust system for leaks monthly.
 • Leaks can result from loose connections, corrosion, cracks or other damage to the heater or exhaust manifold.
 • If damage is found repair or replace leaking part.
CG 10231101

001099-001

HEATER – CURTIS CAB

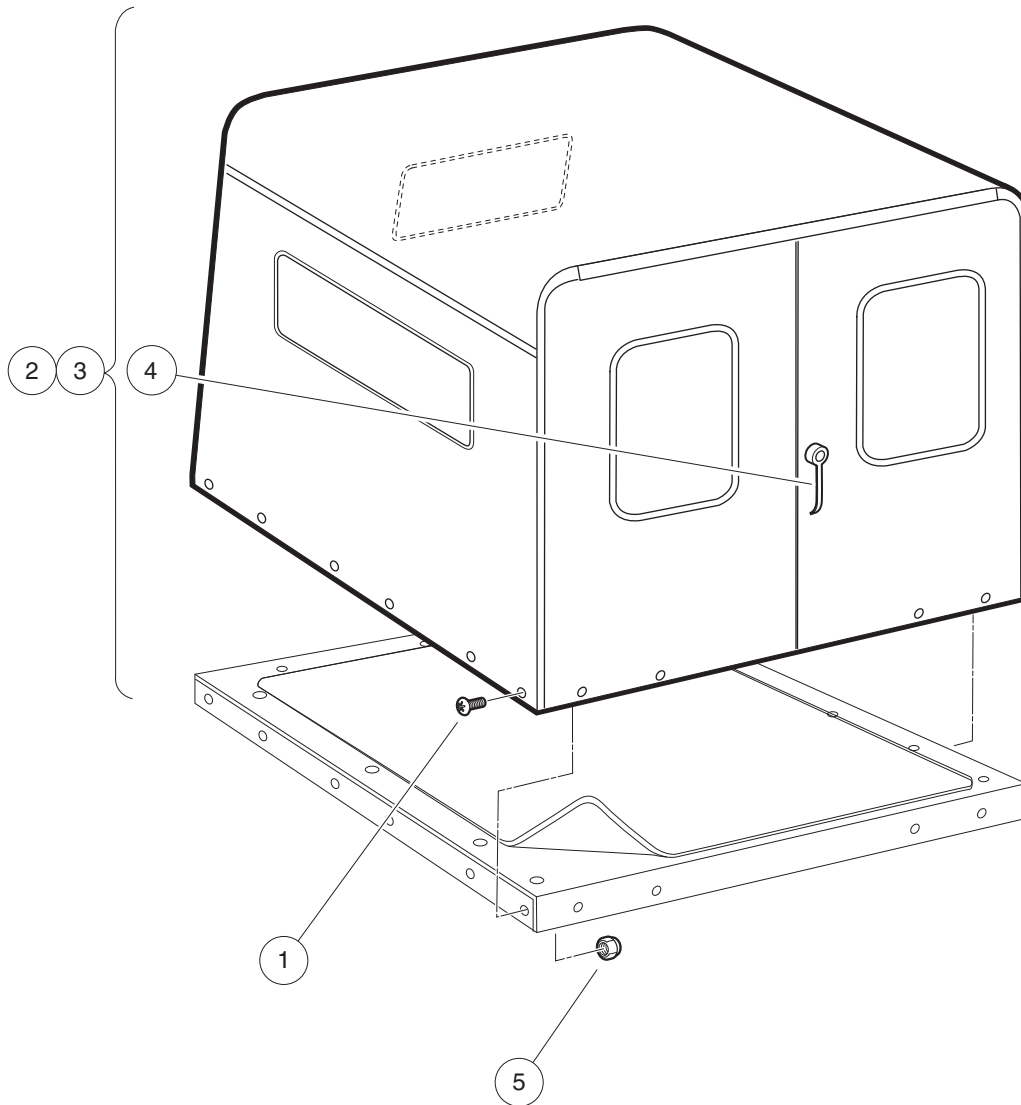
ITEM	PART NO.	DESCRIPTION	QTY
		1 2 3 4	
1	102056502	Comfort Cab Heater Kit, Turf/CA2/252 w/FE350 (includes items 2 through 27)	1
2	1011226	Screw, #6-32 X .62 Cs Oval Hd	4
3	1011964	Washer, 1/4 Flat	12
4	1012285	Screw, 1/4 X 0.625 Hex-Head	3
5	1012349	Clamp, Air Intake Hose, 2"	2
6	1016904	Gasket, Exhaust	1
7	1017689	Clamp, 5" Muffler Hose	1
8	101932201	Locknut, #6-32 Nylon	4
9	102025401	Tie Wrap, Heavy Duty	1
10	102070601	Header Heater, FE350	1
11	102071701	Decal - Header Heater Kit	2
12	N/A	Wire Asm #16 Black	1
13	N/A	Wire Harness, Header Heater	1
14	N/A	Mounting Bracket, Blower	1
15	102074101	Centrifugal Blower Asm	1
16	102074201	Heater Switch	1
17	102074501	Outlet Vent	1
18	102074601	Inlet Vent	1
19	102074701	Duct Hose	1
20	102074801	Duct Hose	1
21	102074901	Clamp, Air Intake Hose, 2-1/2"	4
22	102181101	Decal Inspection Heater	1
23	102182101	Cover, Blower	1
24	1035	Cotter Pin, 3/32 x 1	2
25	304	Screw, 1/4-20 X 1.0 Hex-Head Cap	6
26	8233	Locknut, 1/4-20, Nylon Insert	6
27	8639	Tie Wrap, 11" Nylon	3
Note: For installation on vehicles equipped with a Curtis cab.			

1

G

E

1
G
E



001208-001

VAN BOX

ITEM	PART NO.	DESCRIPTION	QTY
		1 2 3 4	
1	1015399	Screw, 5/16-18 X 0.88 Torx Truss-Head	20
2	101754201	Custom Van Box, Gray	1
3	101754204	Custom Van Box Kit, White (includes item 4)	1
4	102006201	Handle, Van Box Door	1
5	7473	Locknut, 5/16-18 Nylon Insert	20
<p>Note: Item 2, Van Box Gray, includes item 4, Door Handle.</p>			

1

G

E

1

G

E

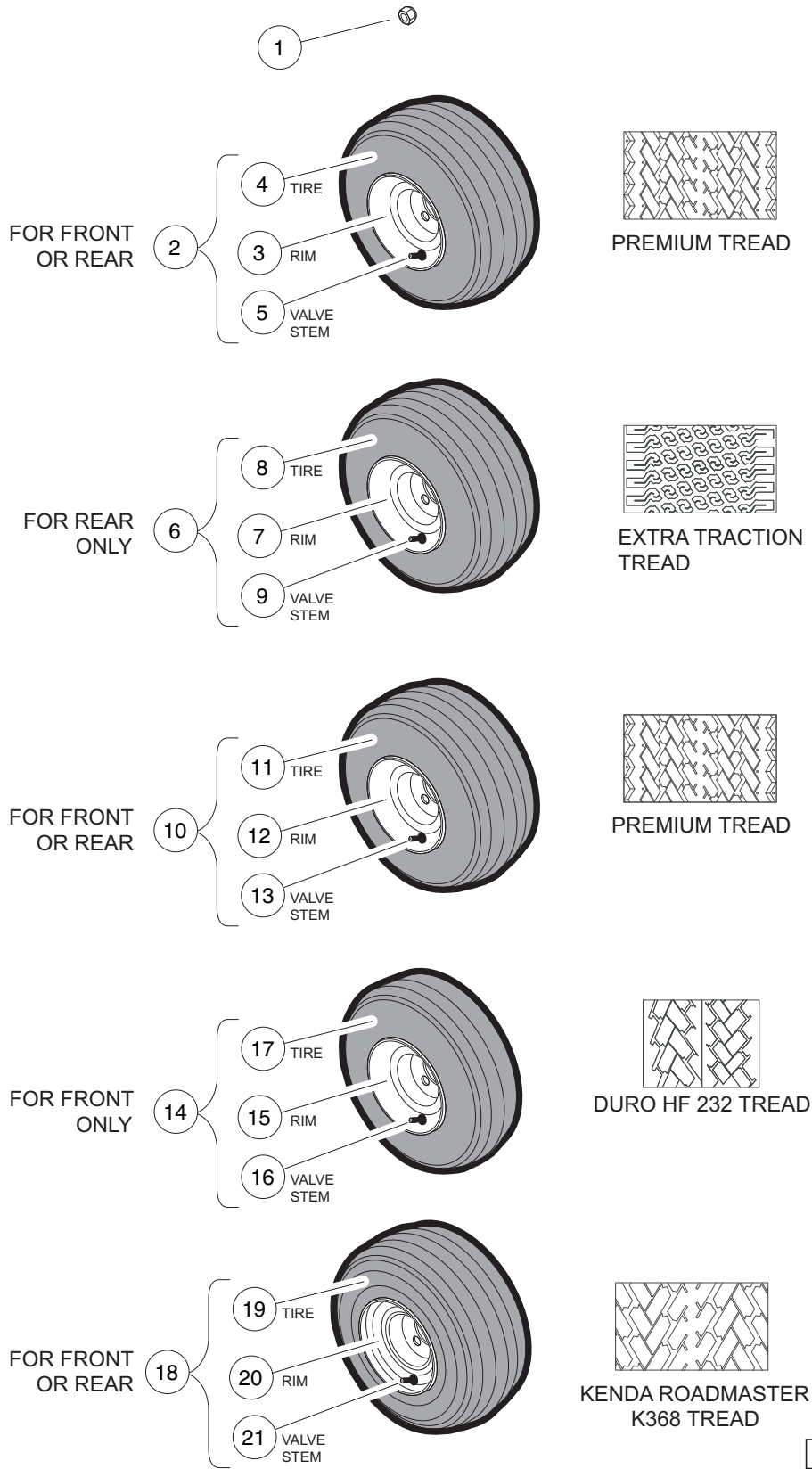
WHEELS AND TIRES

2

G

E

2
G
E



000269-015

WHEELS AND TIRES – TURF/CARRYALL 2 AND 2 PLUS

ITEM	PART NO.	DESCRIPTION	QTY
		1 2 3 4	
1	1010984	.500-20 Unf Lug Nut	16
2	101651406	Tire/Wheel Asm, White, Premium Tread, 6-Ply (includes items 3 through 5)	4
3	1014771	Wheel Rim, White	1
4	101737002	Tire, Unmounted	1
5	7310	Valve Stem, Black Plastic	1
6	101651407	Tire/Wheel Asm, White, Extra-Traction, 6-Ply (includes items 7 through 9)	2
7	1014771	Wheel Rim, White	1
8	101769302	Tire, Unmounted Xtrac 18 x 8.50-8	1
9	7310	Valve Stem, Black Plastic	1
10	101651409	Tire/Wheel Asm, White, Premium Tread, 6.5-inch (includes items 11 through 13)	4
11	101884901	Tire, Unmounted, Power Rib 18 x 6.50-8	1
12	101918402	Wheel Rim, White	1
13	7310	Valve Stem, Black Plastic	1
14	101651414	Tire/Wheel Asm, White, Duro HF 232 (includes items 15 through 17)	4
15	1014771	Wheel Rim, White	1
16	7310	Valve Stem, Black Plastic	1
17	****	Tire, Unmounted, 6-Ply Rated (18.5 x 8.5 - 8) (Duro)	1
18	101651416	Tire/Wheel Asm, White, Kenda Premium Tread, 6-Ply (includes items 19 through 21) ...	4
19	N/A	Tire, Unmounted Kenda Premium Tread 6-Ply, Roadmaster K368	1
20	103459102	Wheel Rim Asm, 8"x7", White	1
21	7310	Valve Stem, Black Plastic	1
**** Special order item available upon request.			

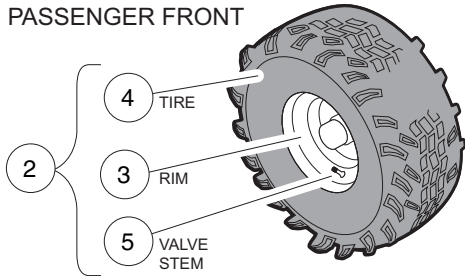
2
G
E



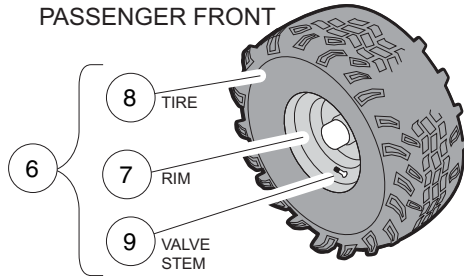
WHITE RIMS

SILVER RIMS

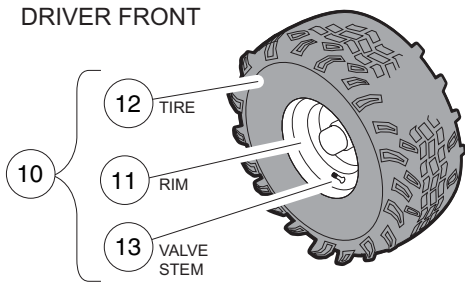
PASSENGER FRONT



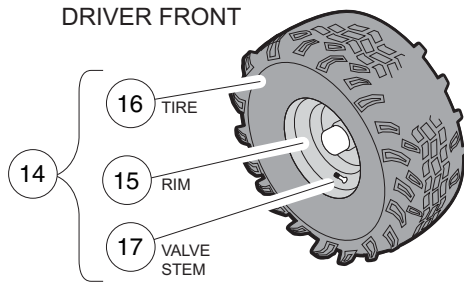
PASSENGER FRONT



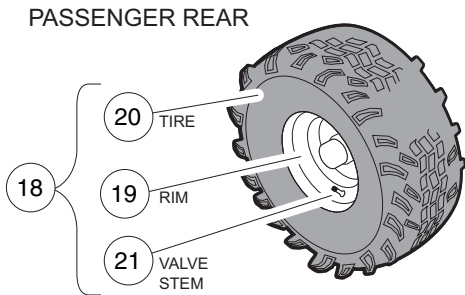
DRIVER FRONT



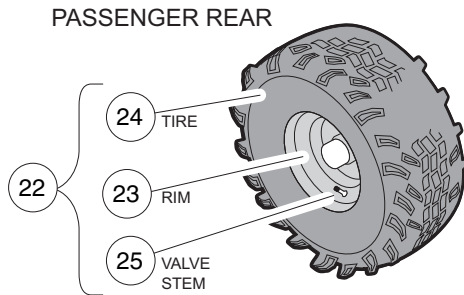
DRIVER FRONT



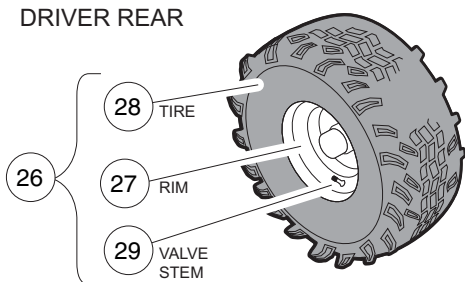
PASSENGER REAR



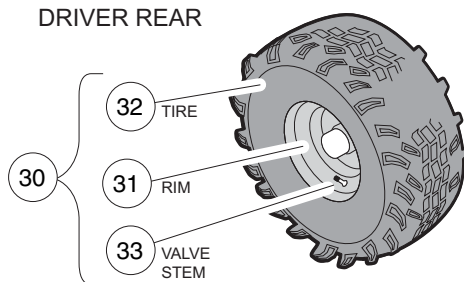
PASSENGER REAR



DRIVER REAR



DRIVER REAR



000269-004

WHEELS AND TIRES, OFF-ROAD TREAD – TURF/CARRYALL 252 AND XRT 900

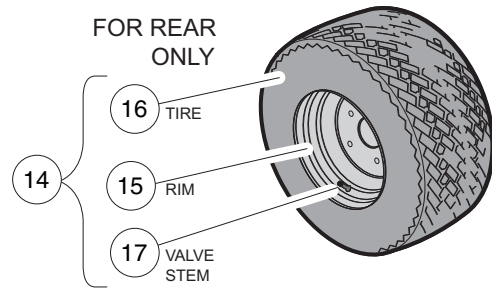
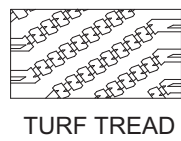
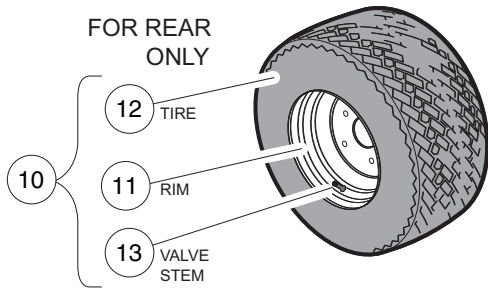
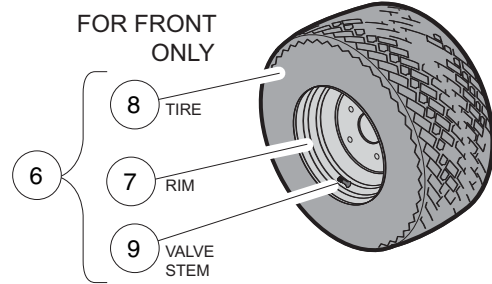
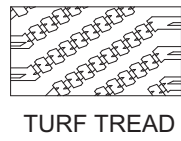
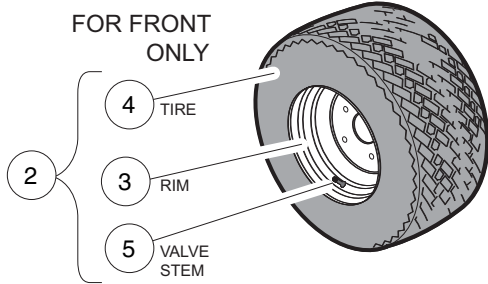
ITEM	PART NO.	DESCRIPTION	QTY
		1 2 3 4	
1	1010984	.500-20 Unf Lug Nut	16
2	102009201	Off-Road Tire and Wheel Asm, Right, Front (includes items 3 through 5)	1
3	N/A	Rim, Wheel, White	1
4	N/A	Tire, Unmounted, Duro, Off-Road Tire, 22 x 11-10, 6-Ply Rated	1
5	7310	Valve Stem, Black Plastic	1
6	102009202	Off-Road Tire and Wheel Asm, Right, Front (includes items 7 through 9)	1
7	N/A	Wheel Rim, Silver	1
8	N/A	Tire, Unmounted, Duro, Off-Road Tire, 22 x 11-10, 6-Ply Rated	1
9	7310	Valve Stem, Black Plastic	1
10	102009301	Off-Road Tire and Wheel Asm, Left, Front (includes items 11 through 13)	1
11	N/A	Rim, Wheel, White	1
12	N/A	Tire, Unmounted, Duro, Off-Road Tire, 22 x 11-10, 6-Ply Rated	1
13	7310	Valve Stem, Black Plastic	1
14	102009302	Off-Road Tire and Wheel Asm, Left, Front (includes items 15 through 17)	1
15	N/A	Wheel Rim, Silver	1
16	N/A	Tire, Unmounted, Duro, Off-Road Tire, 22 x 11-10, 6-Ply Rated	1
17	7310	Valve Stem, Black Plastic	1
18	102009401	Off-Road Tire and Wheel Asm, Right, Rear (includes items 19 through 21)	1
19	N/A	Rim, Wheel, White	1
20	N/A	Tire, Unmounted, Duro, Off-Road Tire, 22 x 11-10, 6-Ply Rated	1
21	7310	Valve Stem, Black Plastic	1
22	102009402	Off-Road Tire and Wheel Asm, Right, Rear (includes items 23 through 25)	1
23	N/A	Wheel Rim, Silver	1
24	N/A	Tire, Unmounted, Duro, Off-Road Tire, 22 x 11-10, 6-Ply Rated	1
25	7310	Valve Stem, Black Plastic	1
26	102009501	Off-Road Tire and Wheel Asm, Left, Rear (includes items 27 through 29)	1
27	N/A	Rim, Wheel, White	1
28	N/A	Tire, Unmounted, Duro, Off-Road Tire, 22 x 11-10, 6-Ply Rated	1
29	7310	Valve Stem, Black Plastic	1
30	102009502	Off-Road Tire and Wheel Asm, Left, Rear (includes items 31 through 33)	1
31	N/A	Wheel Rim, Silver	1
32	N/A	Tire, Unmounted, Duro, Off-Road Tire, 22 x 11-10, 6-Ply Rated	1
33	7310	Valve Stem, Black Plastic	1
<p>Note: Front and rear wheels are NOT interchangeable. The rear wheels have a different offset than the front wheels. The rear wheels must be installed with the deeper offset facing out. Off-road tires are directional.</p>			

2
G
E



WHITE RIMS

SILVER RIMS



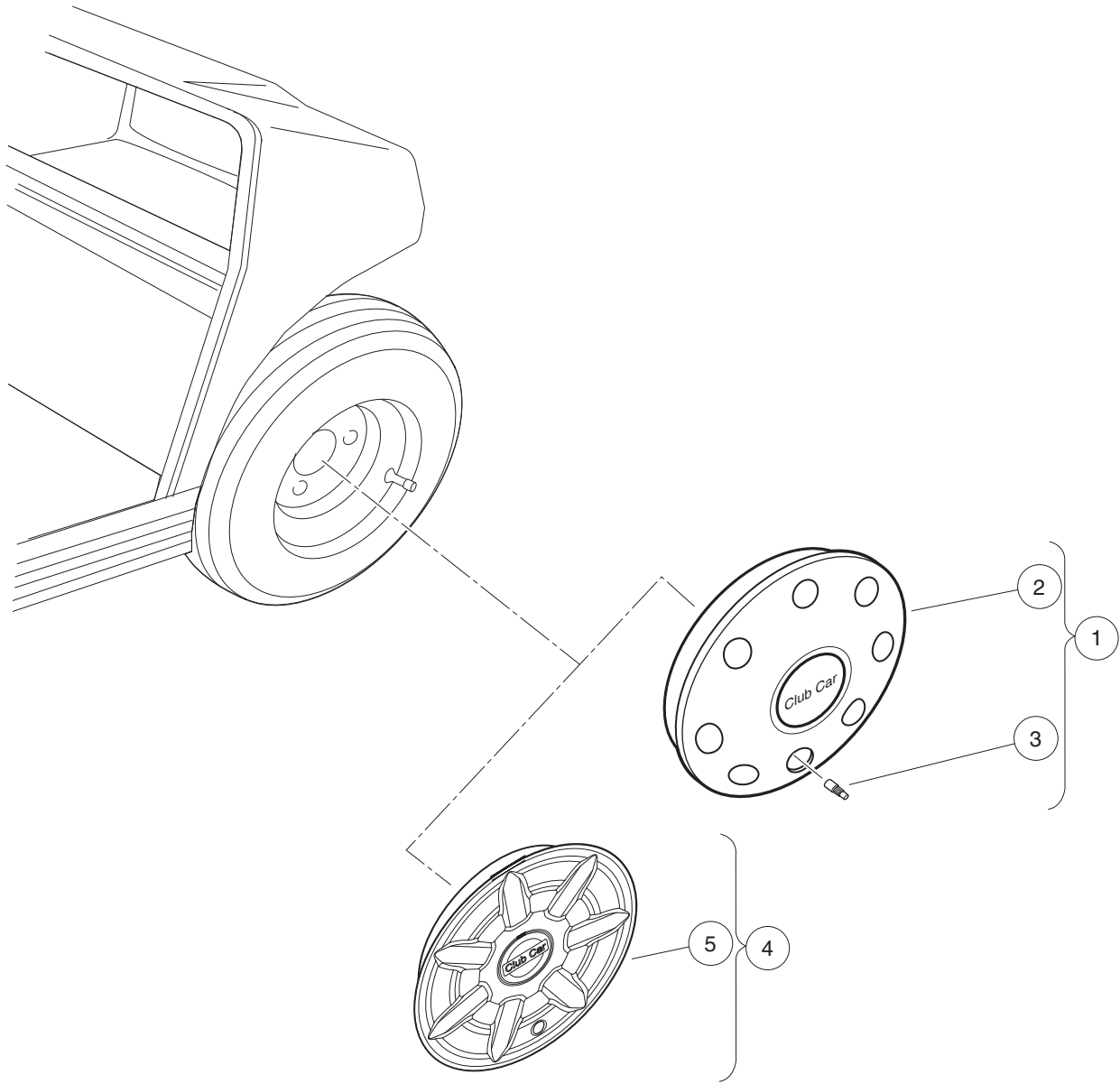
000269-005

WHEELS AND TIRES, TURF TREAD – TURF/CARRYALL 252 AND XRT 900

ITEM	PART NO.	DESCRIPTION	QTY
		1 2 3 4	
1	1010984	.500-20 Unf Lug Nut	16
2	102009901	Turf Tire and Wheel Asm, Front (includes items 3 through 5)	2
3	N/A	Rim, Wheel, White	1
4	N/A	Tire, Front, Unmounted, Titan Turf Trac, 23 x 10.5-12, 4-Ply Rated	1
5	7310	Valve Stem, Black Plastic	1
6	102009902	Turf Tire and Wheel Asm, Front (includes items 7 through 9)	2
7	N/A	Wheel Rim, Silver	1
8	N/A	Tire, Front, Unmounted, Titan Turf Trac, 23 x 10.5-12, 4-Ply Rated	1
9	7310	Valve Stem, Black Plastic	1
10	102010001	Turf Tire and Wheel Asm, Rear (includes items 11 through 13)	2
11	N/A	Rim, Wheel, White	1
12	N/A	Tire, Rear, Unmounted, Titan Turf Trac, 23 x 10.5-12, 4-Ply Rated	1
13	7310	Valve Stem, Black Plastic	1
14	102010002	Turf Tire and Wheel Asm, Rear (includes items 15 through 17)	2
15	N/A	Wheel Rim, Silver	1
16	N/A	Tire, Rear, Unmounted, Titan Turf Trac, 23 x 10.5-12, 4-Ply Rated	1
17	7310	Valve Stem, Black Plastic	1

2
G
E

2
G
E



001203-001

WHEEL COVERS

ITEM	PART NO.	DESCRIPTION	QTY
		1 2 3 4	
1	1012642	Sport Wheel Cover Kit (each) (includes items 2 and 3)	4
2	1012640	Hubcap	1
3	1012641	Valve Extension	1
4	102559901	Hub Cap Kit, Prec (includes item 5)	1
5	103694501	Hub Cap, 7 Prong	4

2
G
E

2

G

E

DECALS

3

G

E

⚠ WARNING

ROLLOVER OR FALLING OFF MAY CAUSE DEATH.

- Before using vehicle, read operating instructions.
- Remain seated and hold on to seat handle while moving.
- Do not start vehicle until all occupants are seated.
- Two (2) persons per seat maximum.
- Operate from driver side only and not on public roads.
- Keep entire body inside vehicle while moving.
- Drive slowly in turns and straight up and down slopes.
- Do not leave children unattended on vehicle.
- Never operate under the influence of alcohol or drugs.
- Use brakes to reduce speed when coasting downhill.
- Never stand in front of or behind vehicle.

CCI 103205401

OPERATING INSTRUCTIONS

- Read owner's manual and dash-mounted safety warnings prior to driving.
- Study and understand controls.

TO OPERATE

- Turn wheels to desired direction and ensure path is clear.
- Turn key to ON position.
- While stopped, place Forward/Reverse switch in desired position: F=Forward N=Neutral R=Reverse (Buzzer will sound)
- Park brake will release and vehicle will start moving when accelerator pedal is pressed.
- Slowly press accelerator pedal to increase speed.
- To stop, release accelerator pedal and press brake pedal.

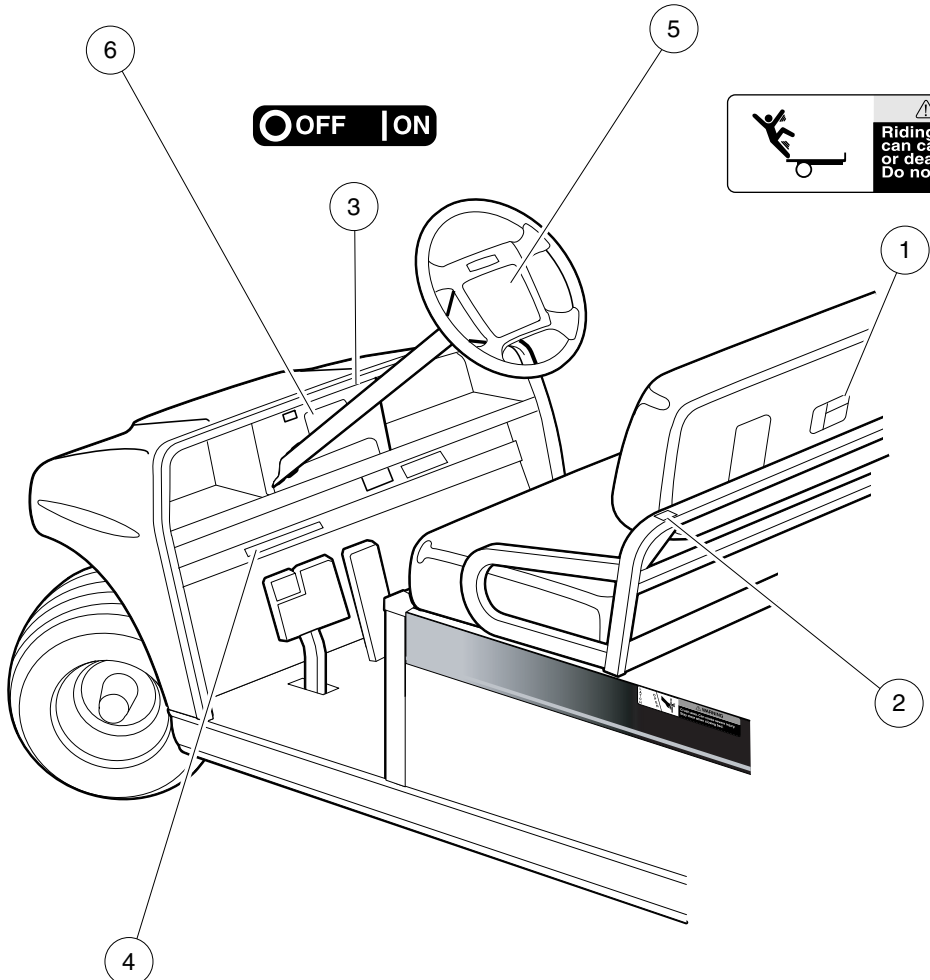
BEFORE LEAVING

- Press park brake pedal until it locks and holds vehicle.
- Place Forward/Reverse switch in NEUTRAL position.
- Turn key OFF and remove key when not in use.

MOTOR BRAKING

- Electric motor braking provides speed regulation functions.
- For parked vehicle, beeping alarm indicates vehicle roll away.
- In operation, beeping alarm indicates reduction in motor braking.
- Apply brakes to further reduce vehicle speed as required.
- System is activated only when tow switch is in the RUN position.
- When towing this vehicle, tow switch must be in the TOW position.

CCI 102518001



⚠ WARNING

Riding in cargo bed can cause severe injury or death. Do not ride in cargo bed.

CCI 101553901

⚠ WARNING

CRUSH AREA

STAY CLEAR

CCI 101609401

VEHICLE LOADING

Read Owner's Manual and warnings on dash.

- Vehicle rated capacity - 1200 lbs. on level surface only. Weight to include passengers, cargo bed load, and gross trailer weight. See Owner's Manual.
- Maximum cargo load - 800 lbs. Weight to include cargo bed load and gross trailer weight.
- Maximum trailer hitch tongue weight - 150 lbs.

- Cargo should be evenly spread over the floor of the cargo bed as far forward as possible and secured.
- For vehicle stability, when fully loaded, drive slowly and avoid stopping on or backing down steep hills.
- Avoid top heavy loads. See Owner's Manual.
- When driving on uneven terrain or down steep hills, reduce speed and load.

CCI 101960201

000600-001

DECALS – TURF/CARRYALL 2 IQ PLUS ELECTRIC

ITEM	PART NO.	DESCRIPTION	QTY
		1 2 3 4	
1	101553901	Decal, Bed Load Warning	1
2	101609401	Decal, Crush Area Warning	2
3	101825101	Decal, Off/On	1
4	101960201	Decal, Vehicle Loading	1
5	102518001	Decal, Operating Instr, Elec	1
6	103205401	Decal, Warning, Rollover, Utl	1

3
G
E

⚠ WARNING
AVOID FIRE HAZARD

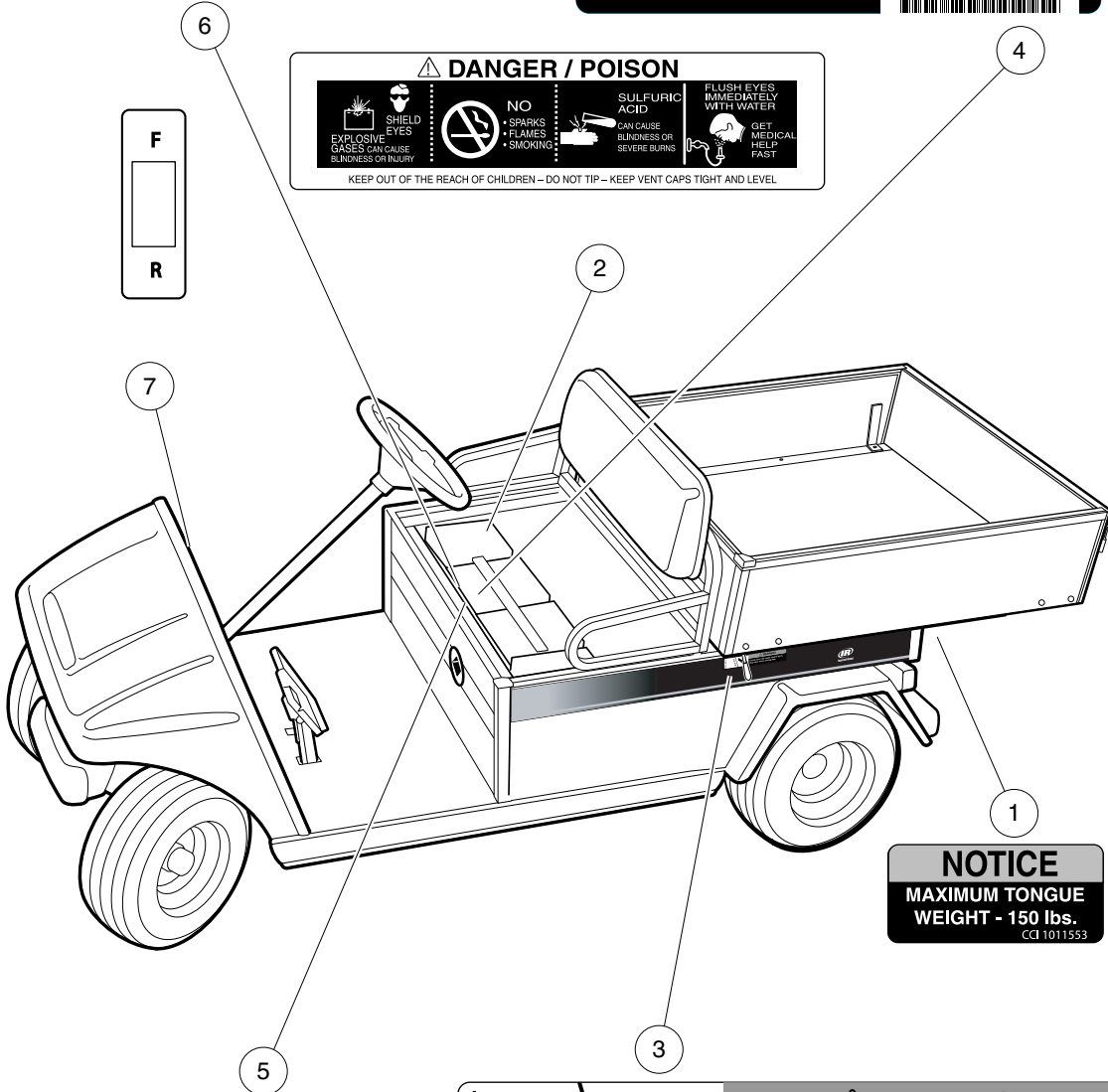
- Replacement battery wires must be 4-gauge (AWG) with low-resistance terminals equivalent to factory-installed wires.
- Ensure that battery connections are clean and properly tightened. See owner's manual.

CCI 102967601

CAUTION
EXPOSURE TO WATER MAY DAMAGE ELECTRONIC COMPONENTS

- Do not operate vehicle without this cover properly installed.
- Do not direct water stream in the area of the cover without cover securely in place.
- See vehicle maintenance and service manual before servicing.

CCI 102518301



⚠ DANGER / POISON

<p>EXPLOSIVE GASES CAN CAUSE BLINDNESS OR INJURY</p>	<p>SHIELD EYES</p>	<p>NO SPARKS • FLAMES • SMOKING</p>	<p>SULFURIC ACID CAN CAUSE BLINDNESS OR SEVERE BURNS</p>	<p>FLUSH EYES IMMEDIATELY WITH WATER GET MEDICAL HELP FAST</p>
---	---------------------------	--	---	--

KEEP OUT OF THE REACH OF CHILDREN – DO NOT TIP – KEEP VENT CAPS TIGHT AND LEVEL

NOTICE
MAXIMUM TONGUE WEIGHT - 150 lbs.

CCI 1011553

⚠ WARNING
BATTERY EXPLOSION COULD RESULT IN SEVERE PERSONAL INJURY.

- Do not store items in battery compartment.
- Place Run/Tow switch in TOW position before:
 - Disconnecting or connecting battery cables
 - Towing this vehicle
 - Extended storage
 - Servicing the vehicle

NORMAL **TRIPPED**
TOW **RUN**

CCI 102845101

LATCH OPEN

⚠ WARNING
Crush area. Can cause severe injury. Stay clear when closing bed.

000611-001

DECALS – TURF/CARRYALL 2 IQ PLUS ELECTRIC, CONTINUED

ITEM	PART NO.	DESCRIPTION	QTY
		1 2 3 4	
1	1011553	Decal, Trailer Hitch	1
2	1013677	Decal, Battery Danger	6
3	102459301	Decal, Bed Crush Area Warning	1
4	102518301	Decal, Caution, Electrical Component Cover	1
5	102845101	Decal, Tow Switch	1
6	102967601	Decal, Warning, 4 Gauge Wire	1
7	103210301	Decal, Forward/Reverse, Electric	1

3
G
E

WARNING

ROLLOVER OR FALLING OFF MAY CAUSE DEATH.

- Before using vehicle, read operating instructions.
- Remain seated and hold on to seat handle while moving.
- Do not start vehicle until all occupants are seated.
- Two (2) persons per seat maximum.
- Operate from driver side only and not on public roads.
- Keep entire body inside vehicle while moving.
- Drive slowly in turns and straight up and down slopes.
- Do not leave children unattended on vehicle.
- Never operate under the influence of alcohol or drugs.
- Use brakes to reduce speed when coasting downhill.
- Never stand in front of or behind vehicle.

CCI 103205401

OPERATING INSTRUCTIONS

- Read owner's manual and dash-mounted safety warnings prior to driving.
- Study and understand controls.

TO OPERATE

- Turn wheels to desired direction and ensure path is clear.
- Turn key to ON position.
- While stopped, place Forward/Reverse switch in desired position:
F—Forward N—Neutral R—Reverse (Buzzer will sound)
- Park brake will release and vehicle will start moving when accelerator pedal is pressed.
- Slowly press accelerator pedal to increase speed.
- To stop, release accelerator pedal and press brake pedal.

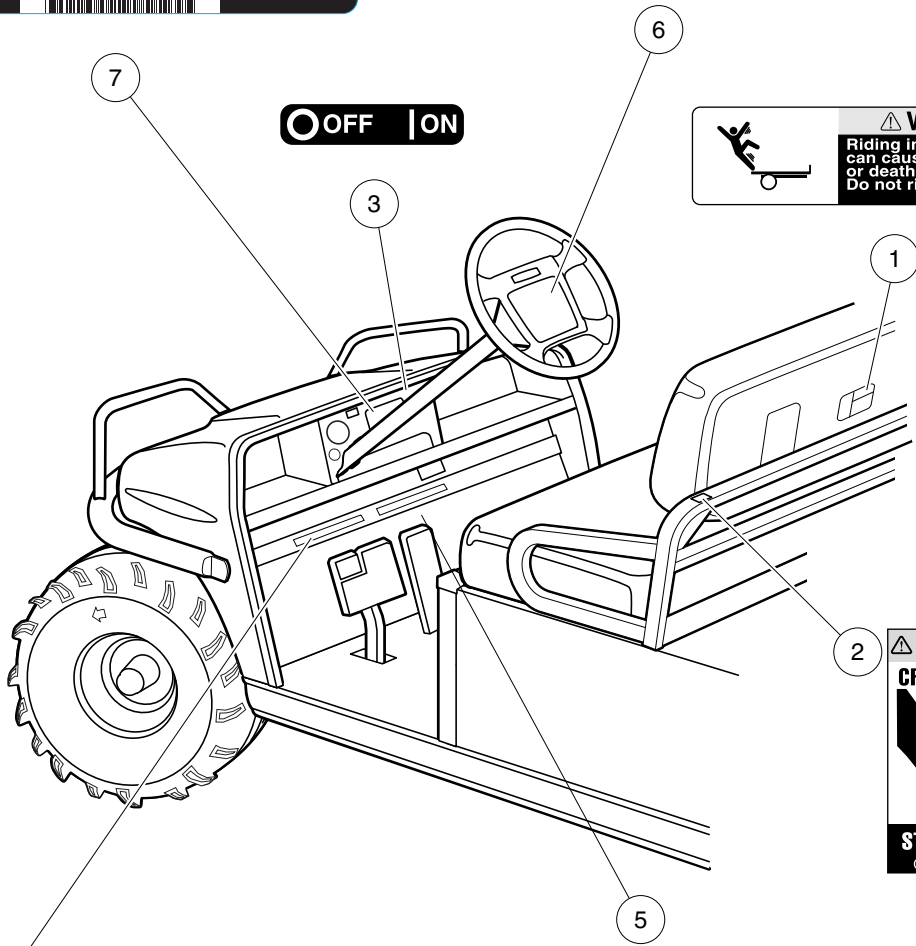
BEFORE LEAVING

- Press park brake pedal until it locks and holds vehicle.
- Place Forward/Reverse switch in NEUTRAL position.
- Turn key OFF and remove key when not in use.

MOTOR BRAKING


- Electric motor braking provides speed regulation functions.
- For parked vehicle, beeping alarm indicates vehicle roll away.
- In operation, beeping alarm indicates reduction in motor braking.
- Apply brakes to further reduce vehicle speed as required.
- System is activated only when tow switch is in the RUT position.
- When towing this vehicle, tow switch must be in the TOW position.

CCI 102518001



OFF | ON

WARNING

 Riding in cargo bed can cause severe injury or death. Do not ride in cargo bed.

CCI 101553901

WARNING

CRUSH AREA



STAY CLEAR

CCI 101609401

UNDER 16

WARNING

YOUNG DRIVERS INCREASE CHANCE OF DEATH

- Young drivers may not be able to control vehicle.
- No drivers younger than 16 years old.

CCI 102075801

VEHICLE LOADING

Read owner's manual and warnings on dash.

- Vehicle rated capacity - 900 lbs. on level surface only. Weight to include passengers, cargo bed load, and gross trailer weight. See Owner's Manual.
- Maximum cargo load - 500 lbs. Weight to include cargo bed load and gross trailer weight.
- Maximum trailer hitch tongue weight - 150 lbs.

- Cargo should be evenly spread over the floor of the cargo bed as far forward as possible and secured.
 - For vehicle stability, when fully loaded, drive slowly and avoid stopping on or backing down steep hills.
 - Avoid top heavy loads. See Owner's Manual.
 - When driving on uneven terrain or down steep hills, reduce speed and load.
- CCI 10206701

000612-001

DECALS – TURF/CARRYALL 252 AND XRT 900 IQ PLUS ELECTRIC

ITEM	PART NO.	DESCRIPTION	QTY
		1 2 3 4	
1	101553901	Decal, Bed Load Warning	1
2	101609401	Decal, Crush Area Warning	2
3	101825101	Decal, Off/On	1
4	102006701	Decal, Vehicle Loading	1
5	102075801	Decal, Young Driver Warning	1
6	102518001	Decal, Operating Instr, Elec	1
7	103205401	Decal, Warning, Rollover, Utl	1

3
G
E

⚠ WARNING
AVOID FIRE HAZARD

- Replacement battery wires must be 4-gauge (AWG) with low-resistance terminals equivalent to factory-installed wires.
- Ensure that battery connections are clean and properly tightened. See owner's manual.

CCI 102967601

⚠ WARNING

WINCH CABLE FRACTURE COULD RESULT IN SERIOUS INJURY OR DEATH.

- Do not use winch while persons are seated on the vehicle.
- Use remote operation switch for winch control.
- Stand to the side and away from the vehicle to operate winch.
- Read winch operator manual before operating winch.

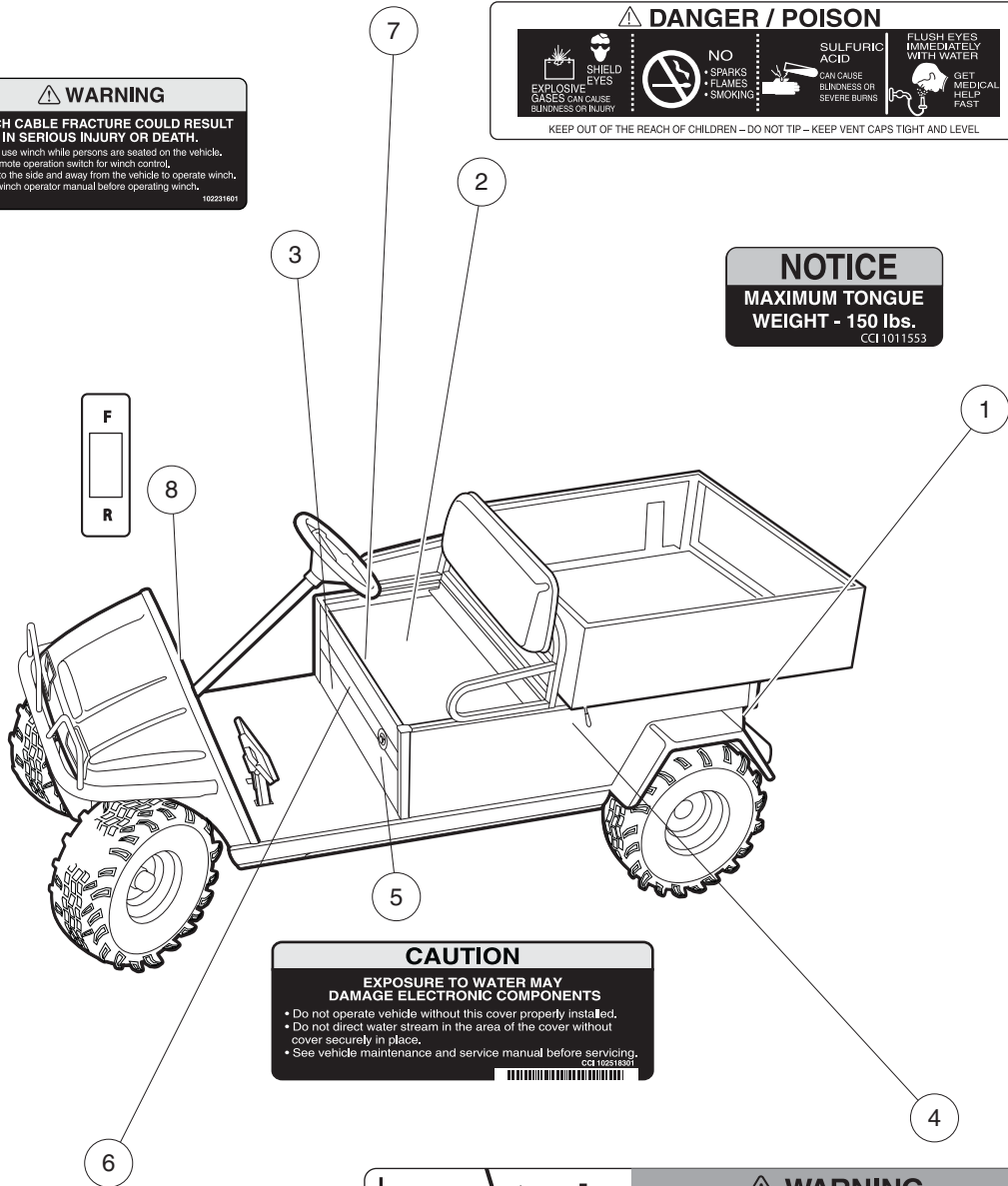
102231601

⚠ DANGER / POISON

EXPLOSIVE GASES CAN CAUSE BLINDNESS OR INJURY **SHEILD EYES** **NO SPARKS, FLAMES, SMOKING** **SULFURIC ACID CAN CAUSE BLINDNESS OR SEVERE BURNS** **FLUSH EYES IMMEDIATELY WITH WATER** **GET MEDICAL HELP FAST**

KEEP OUT OF THE REACH OF CHILDREN – DO NOT TIP – KEEP VENT CAPS TIGHT AND LEVEL

NOTICE
MAXIMUM TONGUE WEIGHT - 150 lbs.
CCI 1011553



CAUTION
EXPOSURE TO WATER MAY DAMAGE ELECTRONIC COMPONENTS

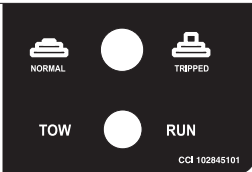
- Do not operate vehicle without this cover properly installed.
- Do not direct water stream in the area of the cover without cover securely in place.
- See vehicle maintenance and service manual before servicing.

CCI 102818061

⚠ WARNING
BATTERY EXPLOSION COULD RESULT IN SEVERE PERSONAL INJURY.

- Do not store items in battery compartment.
- Place Run/Tow switch in TOW position before:
 - Disconnecting or connecting battery cables
 - Towing this vehicle
 - Extended storage
 - Servicing the vehicle

CCI 102845101



⚠ WARNING
Crush area. Can cause severe injury. Stay clear when closing bed.

LATCH **OPEN**

000613-001

DECALS – TURF/CARRYALL 252 AND XRT 900 IQ PLUS ELECTRIC, CONTINUED

ITEM	PART NO.	DESCRIPTION	QTY
		1 2 3 4	
1	1011553	Decal, Trailer Hitch	1
2	1013677	Decal, Battery Danger	6
3	102231601	Decal, Winch Cable Fracture Warning	1
4	102459301	Decal, Bed Crush Area Warning	1
5	102518301	Decal, Caution, Electrical Component Cover	1
6	102845101	Decal, Tow Switch	1
7	102967601	Decal, Warning, 4 Gauge Wire	1
8	103210301	Decal, Forward/Reverse, Electric	1

3
G
E

⚠ WARNING

ROLLOVER OR FALLING OFF MAY CAUSE DEATH.

- Before using vehicle, read operating instructions.
- Remain seated and hold on to seat handle while moving.
- Do not start vehicle until all occupants are seated.
- Two (2) persons per seat maximum.
- Operate from driver side only and not on public roads.
- Keep entire body inside vehicle while moving.
- Drive slowly in turns and straight up and down slopes.
- Do not leave children unattended on vehicle.
- Never operate under the influence of alcohol or drugs.
- Use brakes to reduce speed when coasting downhill.
- Never stand in front of or behind vehicle.

CCI 103205401

OPERATING INSTRUCTIONS

- Read owner's manual and safety warnings located on dash panel prior to driving.
- Study and understand controls.

TO OPERATE

- Turn wheels to desired direction and ensure path is clear.
- Turn key to ON position.
- While stopped, place shift lever in desired position:

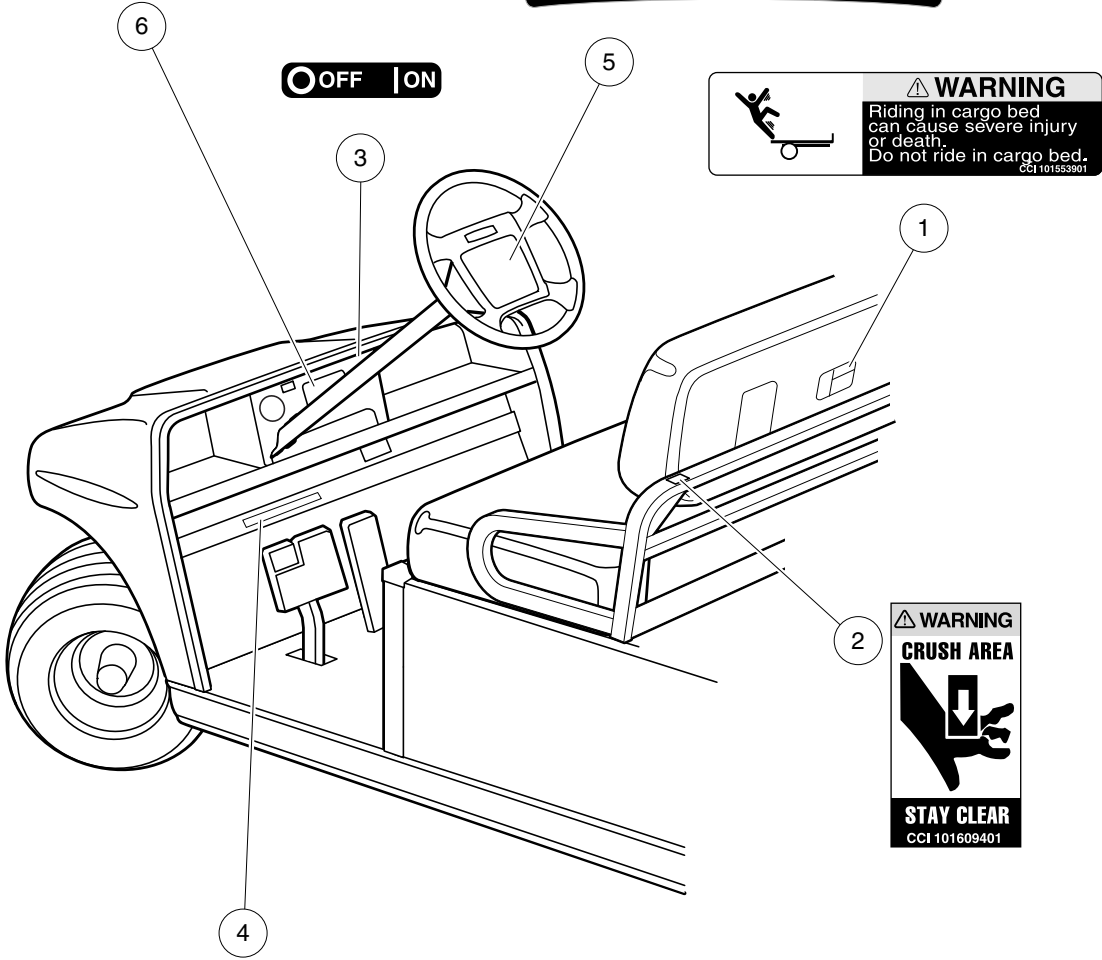
F—Forward **N**—Neutral **R**—Reverse (Buzzer will sound)

- Park brake will release and vehicle will start moving when accelerator pedal is pressed.
- Slowly press accelerator pedal to increase speed.
- To stop, release accelerator pedal and press brake pedal.

BEFORE LEAVING

- Press park brake pedal until it locks and holds vehicle.
- Place Forward/Reverse switch in NEUTRAL position.
- Turn key OFF and remove key when not in use.

CCI 102519201



OFF | ON

⚠ WARNING

Riding in cargo bed can cause severe injury or death. Do not ride in cargo bed.

CCI 101553901

⚠ WARNING

CRUSH AREA

STAY CLEAR

CCI 101609401

VEHICLE LOADING

Read Owner's Manual and warnings on dash.

- Vehicle rated capacity - 1200 lbs. on level surface only. Weight to include passengers, cargo bed load, and gross trailer weight. See Owner's Manual.
- Maximum cargo load - 800 lbs. Weight to include cargo bed load and gross trailer weight.
- Maximum trailer hitch tongue weight - 150 lbs.

- Cargo should be evenly spread over the floor of the cargo bed as far forward as possible and secured.
- For vehicle stability, when fully loaded, drive slowly and avoid stopping on or backing down steep hills.
- Avoid top heavy loads. See Owner's Manual.
- When driving on uneven terrain or down steep hills, reduce speed and load.

CCI 101960201

000616-001

DECALS – TURF/CARRYALL 2 GASOLINE VEHICLES

ITEM	PART NO.	DESCRIPTION	QTY
		1 2 3 4	
1	101553901	Decal, Bed Load Warning	1
2	101609401	Decal, Crush Area Warning	2
3	101825101	Decal, Off/On	1
4	101960201	Decal, Vehicle Loading	1
5	102519201	Decal, Operating Instr, Gas	1
6	103205401	Decal, Warning, Rollover, Utl	1

3
G
E

WARNING

GASOLINE EXPLOSION / FIRE.

- Can cause severe injury or death.
- No smoking, sparks, or open flame.
- Stop engine, allow to cool before refueling.
- Turn fuel valve (←) on during operation. (→) off during storage or transport.

CCI 101547601

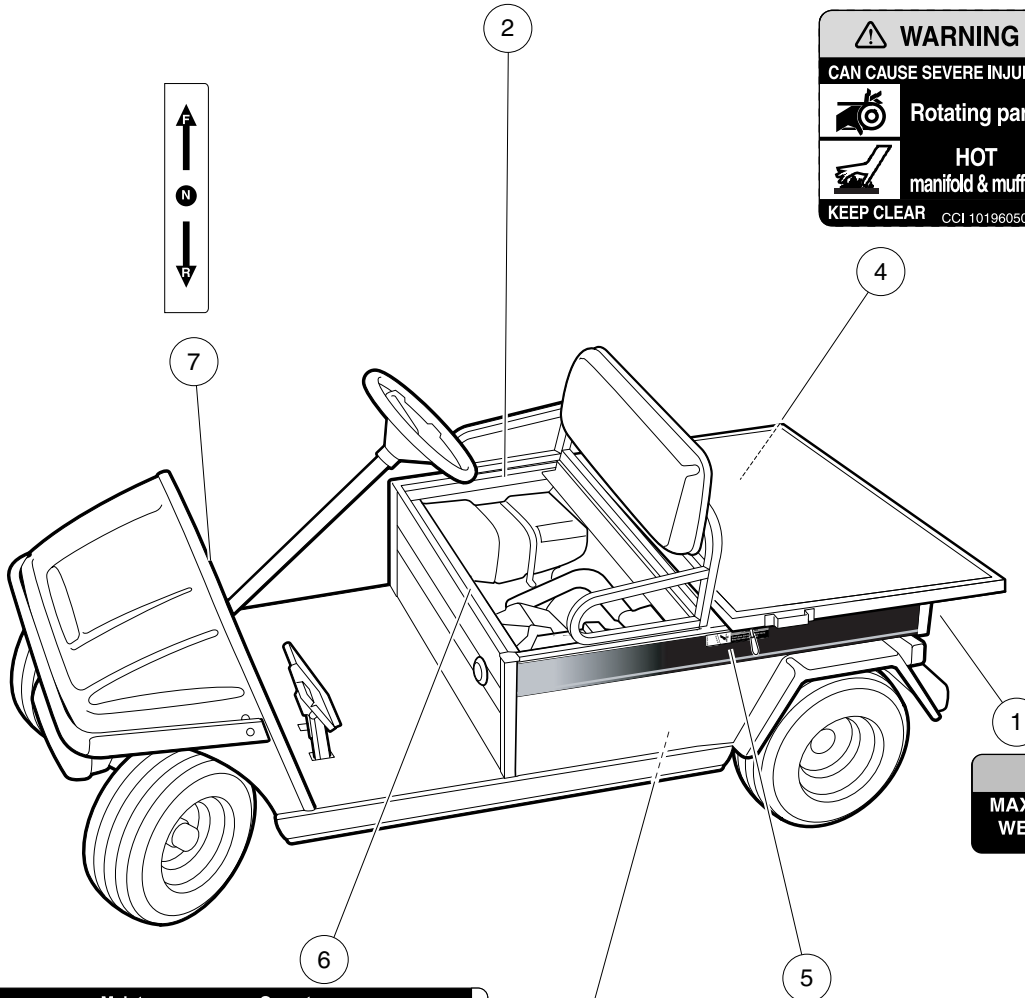
WARNING

CAN CAUSE SEVERE INJURY

Rotating parts

HOT manifold & muffler

KEEP CLEAR CCI 101960501



NOTICE

MAXIMUM TONGUE WEIGHT - 150 lbs.

CCI 1011553

Maintenance Operate

WARNING

VEHICLE MOVEMENT MAY CAUSE SERIOUS INJURY

When switch is in Maintenance position, chock wheels and firmly set park brake.

CCI 103205501

LATCH **OPEN**

WARNING

Crush area. Can cause severe injury. Stay clear when closing bed.

WARNING

Negative frame ground. Can cause severe injury. Do not contact positive (+) battery post or cable to frame. Disconnect negative battery lead first.

WARNING

Excessive speed. Can cause severe injury or death. Do not tamper with engine governor adjustment.

CCI 101915201

000617-001

DECALS – TURF/CARRYALL 2 GASOLINE VEHICLES, CONTINUED

ITEM	PART NO.	DESCRIPTION	QTY
		1 2 3 4	
1	1011553	Decal, Trailer Hitch	1
2	101547601	Decal, Gasoline Explosion/Fire Warning	1
3	101915201	Decal, Frame Ground and Governor Warning	1
4	101960501	Decal, Rotating Parts/Hot Manifold	1
5	102459301	Decal, Bed Crush Area Warning	1
6	103205501	Decal, Run/Service Switch	1
7	103210201	Decal, Forward/Reverse, Gas	1

3
G
E

⚠ WARNING

ROLLOVER OR FALLING OFF MAY CAUSE DEATH.

- Before using vehicle, read operating instructions.
- Remain seated and hold on to seat handle while moving.
- Do not start vehicle until all occupants are seated.
- Two (2) persons per seat maximum.
- Operate from driver side only and not on public roads.
- Keep entire body inside vehicle while moving.
- Drive slowly in turns and straight up and down slopes.
- Do not leave children unattended on vehicle.
- Never operate under the influence of alcohol or drugs.
- Use brakes to reduce speed when coasting downhill.
- Never stand in front of or behind vehicle.

CCI 103205401

OPERATING INSTRUCTIONS

- Read Owner's Manual and safety warnings located on dash panel prior to driving.
- Study and understand controls.

TO START ENGINE

- Place shift lever in "N" - Neutral position.
- Depress brake pedal.
- Turn key switch to "START" position and release.

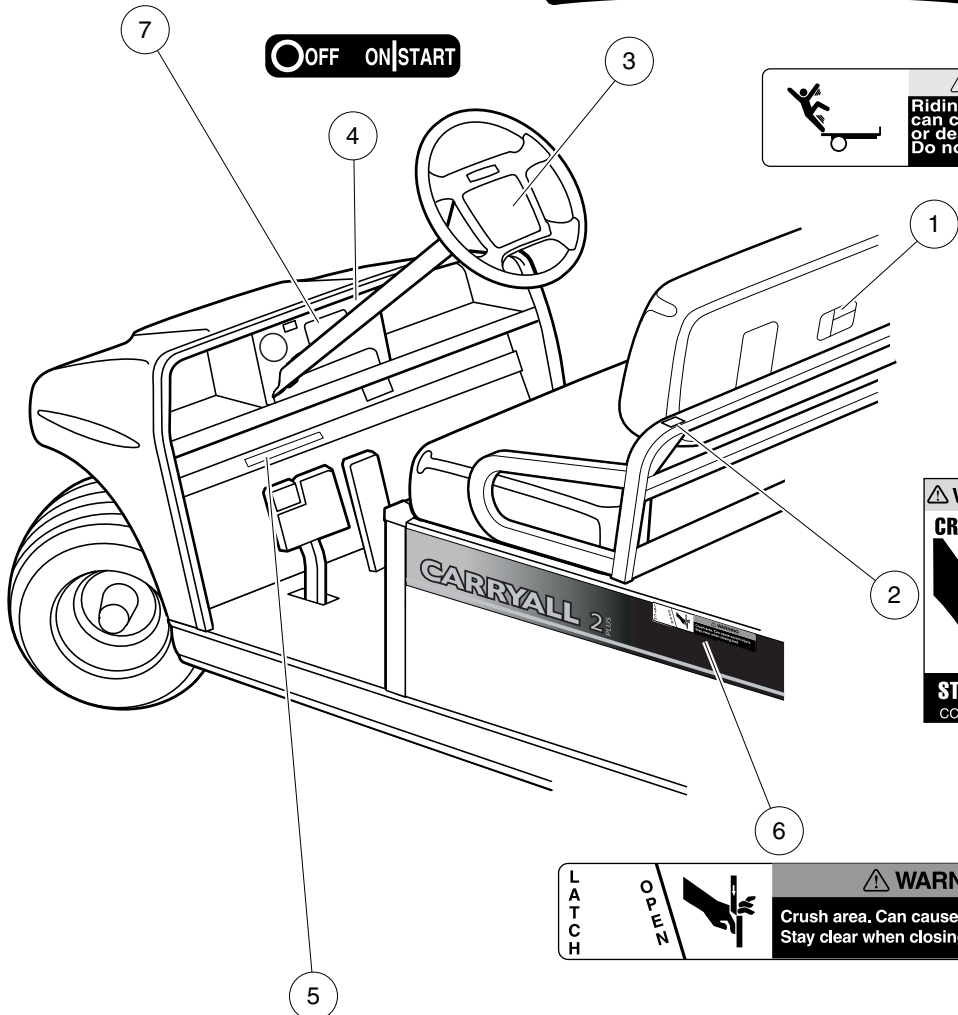
TO OPERATE VEHICLE

- Make sure wheels are turned in desired direction.
- Be sure nothing is in your path.
- While vehicle is stopped, and engine is at idle, select vehicle direction by placing shift lever or switch in desired position.
- F - Forward N - Neutral R - Reverse (Buzzer will sound)
- Park brake will release when accelerator pedal is pushed.
- Slowly push accelerator pedal to increase speed.
- Engine must be at idle before moving shift lever.

TO STOP VEHICLE

- Release accelerator pedal and push brake pedal.
- After stopping, firmly push park brake until it locks.
- Turn key to "OFF" position, remove key and place shift lever in straight up neutral position when not in use.

CCI 101693201



⚠ WARNING

Riding in cargo bed can cause severe injury or death. Do not ride in cargo bed.

CCI 101553901

⚠ WARNING

CRUSH AREA

STAY CLEAR

CCI 101609401

⚠ WARNING

Crush area. Can cause severe injury. Stay clear when closing bed.

VEHICLE LOADING

Read Owner's Manual and warnings on dash.

- Vehicle rated capacity - 1200 lbs. on level surface only. Weight to include passengers, cargo bed load, and gross trailer weight. See Owner's Manual.
- Maximum cargo load - 800 lbs. Weight to include cargo bed load and gross trailer weight.
- Maximum trailer hitch tongue weight - 150 lbs.

- Cargo should be evenly spread over the floor of the cargo bed as far forward as possible and secured.
- For vehicle stability, when fully loaded, drive slowly and avoid stopping on or backing down steep hills.
- Avoid top heavy loads. See Owner's Manual.
- When driving on uneven terrain or down steep hills, reduce speed and load.

CCI 101960201

000618-001

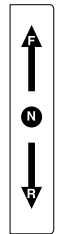
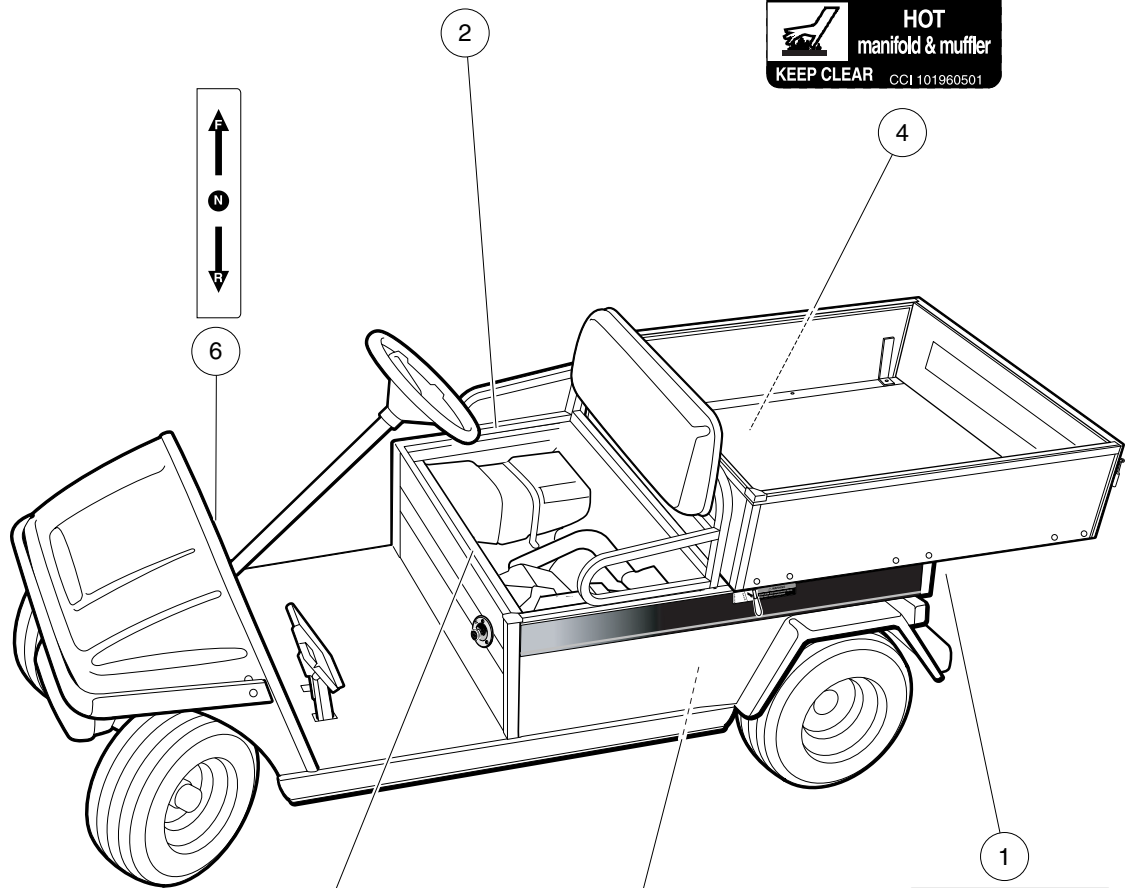
DECALS – CARRYALL 2 PLUS GASOLINE VEHICLES

ITEM	PART NO.	DESCRIPTION	QTY
		1 2 3 4	
1	101553901	Decal, Bed Load Warning	1
2	101609401	Decal, Crush Area Warning	2
3	101693201	Decal, Operating Instructions, Key-Start	1
4	101825102	Decal, Off/On/Start	1
5	101960201	Decal, Vehicle Loading	1
6	102459301	Decal, Bed Crush Area Warning	1
7	103205401	Decal, Warning, Rollover, Utl	1

3
G
E



⚠ WARNING
GASOLINE EXPLOSION / FIRE.
 • Can cause severe injury or death.
 • No smoking, sparks, or open flame.
 • Stop engine, allow to cool before refueling.
 • Turn fuel valve (↔) on during operation.
 (↔) off during storage or transport.
 CCI 101547601

⚠ WARNING
CAN CAUSE SEVERE INJURY
 **Rotating parts**
 **HOT manifold & muffler**
KEEP CLEAR CCI 101960501



NOTICE
MAXIMUM TONGUE WEIGHT - 150 lbs.
 CCI 1011553

Maintenance Operate
⚠ WARNING
VEHICLE MOVEMENT MAY CAUSE SERIOUS INJURY
 When switch is in Maintenance position, chock wheels and firmly set park brake.
 CCI 103205501

	<p>⚠ WARNING Negative frame ground. Can cause severe injury. Do not contact positive (+) battery post or cable to frame. Disconnect negative battery lead first.</p>		<p>⚠ WARNING Excessive speed. Can cause severe injury or death. Do not tamper with engine governor adjustment. CCI 101915201</p>
---	--	---	---

000619-001

DECALS – CARRYALL 2 PLUS GASOLINE VEHICLES, CONTINUED

ITEM	PART NO.	DESCRIPTION	QTY
		1 2 3 4	
1	1011553	Decal, Trailer Hitch	1
2	101547601	Decal, Gasoline Explosion/Fire Warning	1
3	101915201	Decal, Frame Ground and Governor Warning	1
4	101960501	Decal, Rotating Parts/Hot Manifold	1
5	103205501	Decal, Run/Service Switch	1
6	103210201	Decal, Forward/Reverse, Gas	1

3
G
E

WARNING

ROLLOVER OR FALLING OFF MAY CAUSE DEATH.

- Before using vehicle, read operating instructions.
- Remain seated and hold on to seat handle while moving.
- Do not start vehicle until all occupants are seated.
- Two (2) persons per seat maximum.
- Operate from driver side only and not on public roads.
- Keep entire body inside vehicle while moving.
- Drive slowly in turns and straight up and down slopes.
- Do not leave children unattended on vehicle.
- Never operate under the influence of alcohol or drugs.
- Use brakes to reduce speed when coasting downhill.
- Never stand in front of or behind vehicle.

CCI 103205401

OPERATING INSTRUCTIONS

- Read owner's manual and safety warnings located on dash panel prior to driving.
- Study and understand controls.

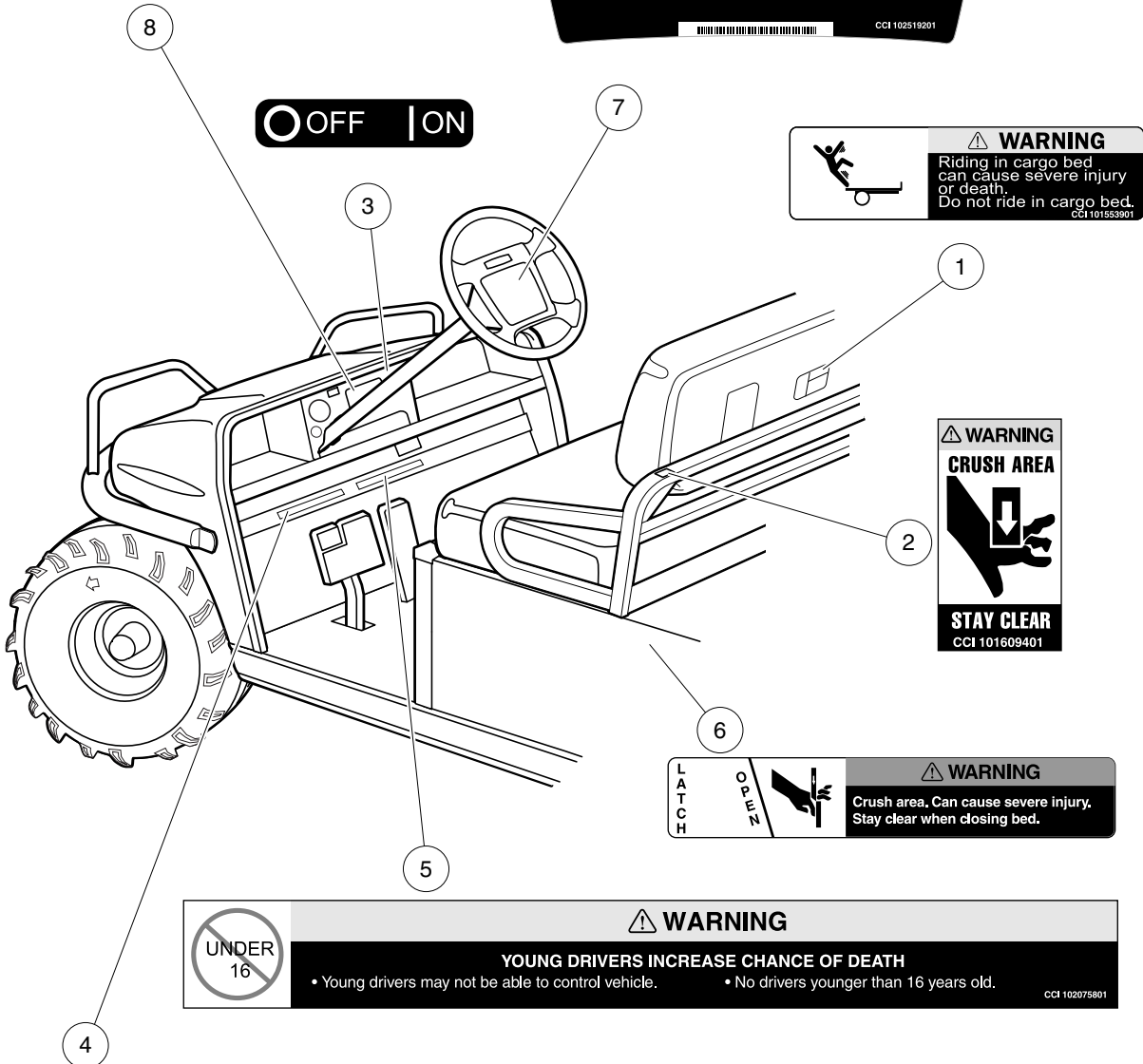
TO OPERATE

- Turn wheels to desired direction and ensure path is clear.
- Turn key to ON position.
- While stopped, place shift lever in desired position:
F—Forward N—Neutral R—Reverse (Buzzer will sound)
- Park brake will release and vehicle will start moving when accelerator pedal is pressed.
- Slowly press accelerator pedal to increase speed.
- To stop, release accelerator pedal and press brake pedal.

BEFORE LEAVING

- Press park brake pedal until it locks and holds vehicle.
- Place Forward/Reverse switch in NEUTRAL position.
- Turn key OFF and remove key when not in use.

CCI 102519201



VEHICLE LOADING

Read owner's manual and warnings on dash.

- Vehicle rated capacity - 900 lbs. on level surface only. Weight to include passengers, cargo bed load, and gross trailer weight. See Owner's Manual.
- Maximum cargo load - 500 lbs. Weight to include cargo bed load and gross trailer weight.
- Maximum trailer hitch tongue weight - 150 lbs.

- Cargo should be evenly spread over the floor of the cargo bed as far forward as possible and secured.
- For vehicle stability, when fully loaded, drive slowly and avoid stopping on or backing down steep hills.
- Avoid top heavy loads. See Owner's Manual.
- When driving on uneven terrain or down steep hills, reduce speed and load.

CCI 102006701

000620-001

DECALS – TURF/CARRYALL 252 GASOLINE VEHICLES

ITEM	PART NO.	DESCRIPTION	QTY
		1 2 3 4	
1	101553901	Decal, Bed Load Warning	1
2	101609401	Decal, Crush Area Warning	2
3	101825101	Decal, Off/On	1
4	102006701	Decal, Vehicle Loading	1
5	102075801	Decal, Young Driver Warning	1
6	102459301	Decal, Bed Crush Area Warning	1
7	102519201	Decal, Operating Instr, Gas	1
8	103205401	Decal, Warning, Rollover, Utl	1

3
G
E

⚠ WARNING
GASOLINE EXPLOSION / FIRE.

- Can cause severe injury or death.
- No smoking, sparks, or open flame.
- Stop engine, allow to cool before refueling.
- Turn fuel valve (←) on during operation, (→) off during storage or transport.

CCI 101547601

Maintenance Operate

⚠ WARNING

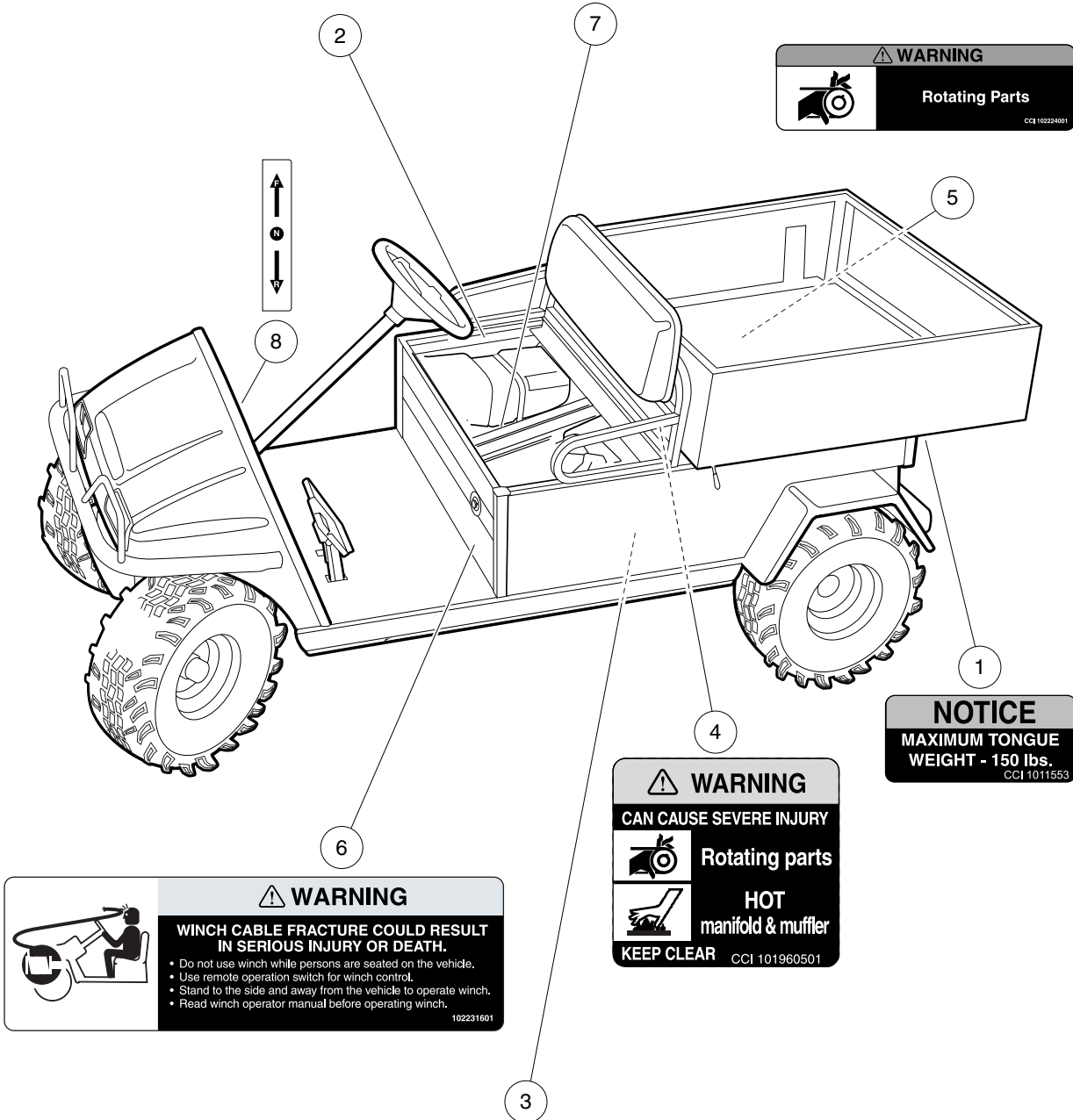
VEHICLE MOVEMENT MAY CAUSE SERIOUS INJURY
When switch is in Maintenance position, chock wheels and firmly set park brake.

CCI 103205001

⚠ WARNING

Rotating Parts

CCI 10224001



⚠ WARNING

WINCH CABLE FRACTURE COULD RESULT IN SERIOUS INJURY OR DEATH.

- Do not use winch while persons are seated on the vehicle.
- Use remote operation switch for winch control.
- Stand to the side and away from the vehicle to operate winch.
- Read winch operator manual before operating winch.

102231601

⚠ WARNING

CAN CAUSE SEVERE INJURY

Rotating parts

HOT
manifold & muffler

KEEP CLEAR CCI 101960501

NOTICE

MAXIMUM TONGUE WEIGHT - 150 lbs.

CCI 1011553

⚠ WARNING

Negative frame ground. Can cause severe injury. Do not contact positive (+) battery post or cable to frame. Disconnect negative battery cable first.

⚠ WARNING

Excessive speed can cause severe injury or death. Do not tamper with engine governor adjustment.

CCI 101915201

000621-001

DECALS – TURF/CARRYALL 252 GASOLINE VEHICLES, CONTINUED

ITEM	PART NO.	DESCRIPTION	QTY
		1 2 3 4	
1	1011553	Decal, Trailer Hitch	1
2	101547601	Decal, Gasoline Explosion/Fire Warning	1
3	101915201	Decal, Frame Ground and Governor Warning	1
4	101960501	Decal, Rotating Parts/Hot Manifold	1
5	102224001	Decal, Rotating Parts Warning	1
6	102231601	Decal, Winch Cable Fracture Warning	1
7	103205501	Decal, Run/Service Switch	1
8	103210201	Decal, Forward/Reverse, Gas	1

3
G
E

⚠ WARNING
ROLLOVER OR FALLING OFF MAY CAUSE DEATH.

- Before using vehicle, read operating instructions.
- Remain seated and hold on to seat handle while moving.
- Do not start vehicle until all occupants are seated.
- Two (2) persons per seat maximum.
- Operate from driver side only and not on public roads.
- Keep entire body inside vehicle while moving.
- Drive slowly in turns and straight up and down slopes.
- Do not leave children unattended on vehicle.
- Never operate under the influence of alcohol or drugs.
- Use brakes to reduce speed when coasting downhill.
- Never stand in front of or behind vehicle.

CCI 1019606-01

OPERATING INSTRUCTIONS

- Read Owner's Manual and safety warnings located on dash panel prior to driving.
- Study and understand controls.

TO START ENGINE

- Place shift lever in "N"—Neutral position.
- Depress brake pedal.
- Turn key switch to "START" position and release.

TO OPERATE VEHICLE

- Make sure wheels are turned in desired direction.
- Be sure nothing is in your path.

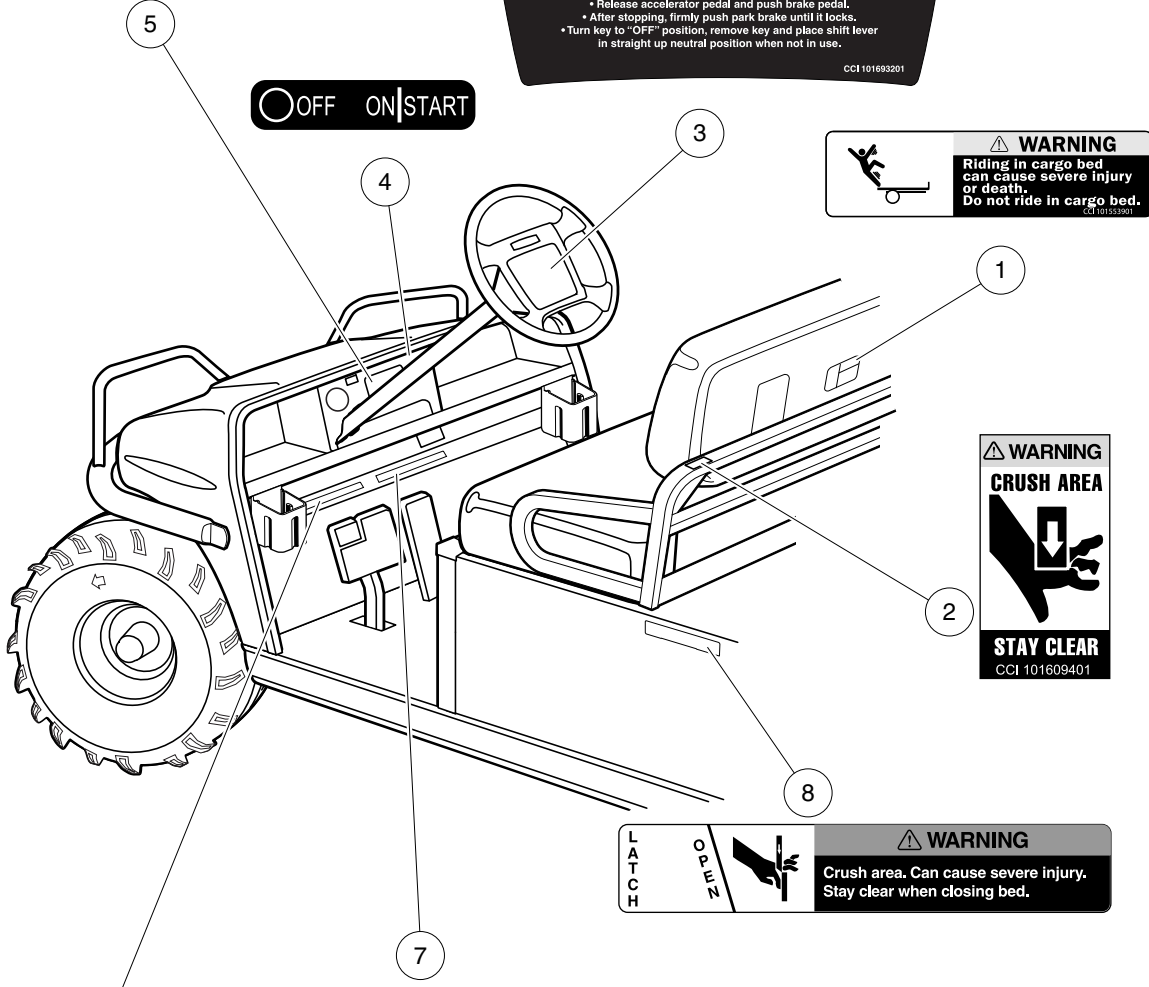
• While vehicle is stopped, and engine is at idle, select vehicle direction by placing shift lever or switch in desired position.
 F—Forward N—Neutral R—Reverse (Buzzer will sound)

- Park brake will release when accelerator pedal is pushed.
- Slowly push accelerator pedal to increase speed.
- Engine must be at idle before moving shift lever.

TO STOP VEHICLE

- Release accelerator pedal and push brake pedal.
- After stopping, firmly push park brake until it locks.
- Turn key to "OFF" position, remove key and place shift lever in straight up neutral position when not in use.

CCI 101693201



⚠ WARNING
 Riding in cargo bed can cause severe injury or death. Do not ride in cargo bed.
 CCI 101553901

⚠ WARNING
CRUSH AREA
STAY CLEAR
 CCI 101609401

⚠ WARNING
 Crush area. Can cause severe injury. Stay clear when closing bed.
 LATCH

⚠ WARNING
YOUNG DRIVERS INCREASE CHANCE OF DEATH

UNDER 16

- Young drivers may not be able to control vehicle.
- No drivers younger than 16 years old.

CCI 102075801

VEHICLE LOADING
 Read owner's manual and warnings on dash.

- Vehicle rated capacity - 900 lbs. on level surface only. Weight to include passengers, cargo bed load, and gross trailer weight. See Owner's Manual.
- Maximum cargo load - 500 lbs. Weight to include cargo bed load and gross trailer weight.
- Maximum trailer hitch tongue weight - 150 lbs.

- Cargo should be evenly spread over the floor of the cargo bed as far forward as possible and secured.
- For vehicle stability, when fully loaded, drive slowly and avoid stopping on or backing down steep hills.
- Avoid top heavy loads. See Owner's Manual.
- When driving on uneven terrain or down steep hills, reduce speed and load.

CCI 102006701

000622-001

DECALS – XRT 900 GASOLINE VEHICLES

ITEM	PART NO.	DESCRIPTION	QTY
		1 2 3 4	
1	101553901	Decal, Bed Load Warning	1
2	101609401	Decal, Crush Area Warning	1
3	101693201	Decal, Operating Instructions, Key-Start	1
4	101825102	Decal, Off/On/Start	1
5	101960601	Decal, Dash Warning	1
6	102006701	Decal, Vehicle Loading	1
7	102075801	Decal, Young Driver Warning	1
8	102459301	Decal, Bed Crush Area Warning	1

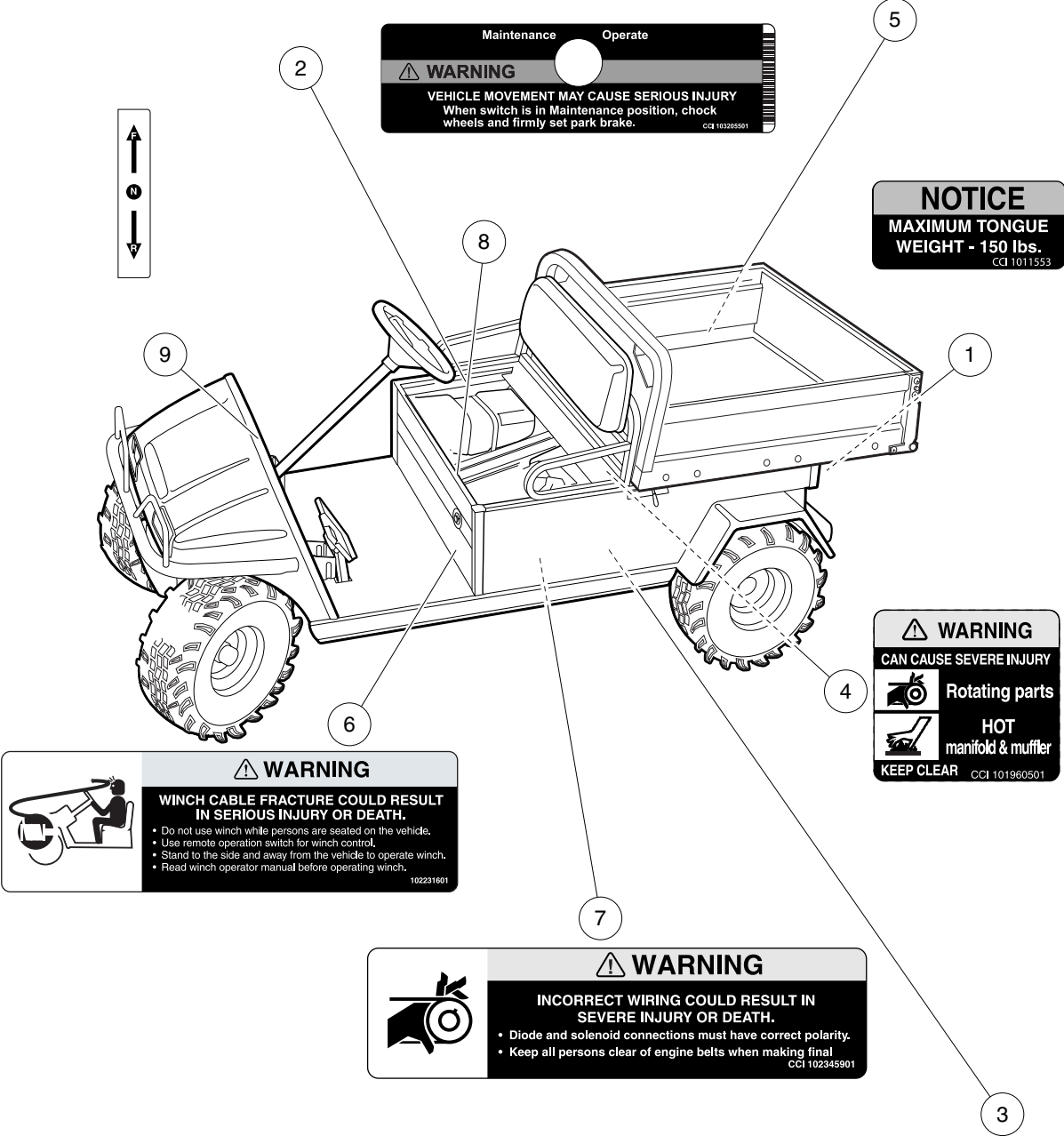
3
G
E

⚠ WARNING
GASOLINE EXPLOSION / FIRE.
 • Can cause severe injury or death.
 • No smoking, sparks, or open flame.
 • Stop engine, allow to cool before refueling.
 • Turn fuel valve (—) on during operation.
 (→) off during storage or transport.
 CCI 101547691

⚠ WARNING
Rotating Parts
 CCI 10029001

Maintenance Operate
⚠ WARNING
VEHICLE MOVEMENT MAY CAUSE SERIOUS INJURY
 When switch is in Maintenance position, chock wheels and firmly set park brake.
 CCI 10205501

NOTICE
MAXIMUM TONGUE WEIGHT - 150 lbs.
 CCI 1011553



⚠ WARNING
WINCH CABLE FRACTURE COULD RESULT IN SERIOUS INJURY OR DEATH.
 • Do not use winch while persons are seated on the vehicle.
 • Use remote operation switch for winch control.
 • Stand to the side and away from the vehicle to operate winch.
 • Read winch operator manual before operating winch.
 102231601

⚠ WARNING
CAN CAUSE SEVERE INJURY
Rotating parts
HOT manifold & muffler
KEEP CLEAR CCI 101960501

⚠ WARNING
INCORRECT WIRING COULD RESULT IN SEVERE INJURY OR DEATH.
 • Diode and solenoid connections must have correct polarity.
 • Keep all persons clear of engine belts when making final
 CCI 102345901

⚠ WARNING
Negative frame ground. Can cause severe injury.
 Do not contact positive (+) battery post or cable to frame. Disconnect negative battery cable first.

⚠ WARNING
Excessive speed can cause severe injury or death. Do not tamper with engine governor adjustment.
 CCI 101915201

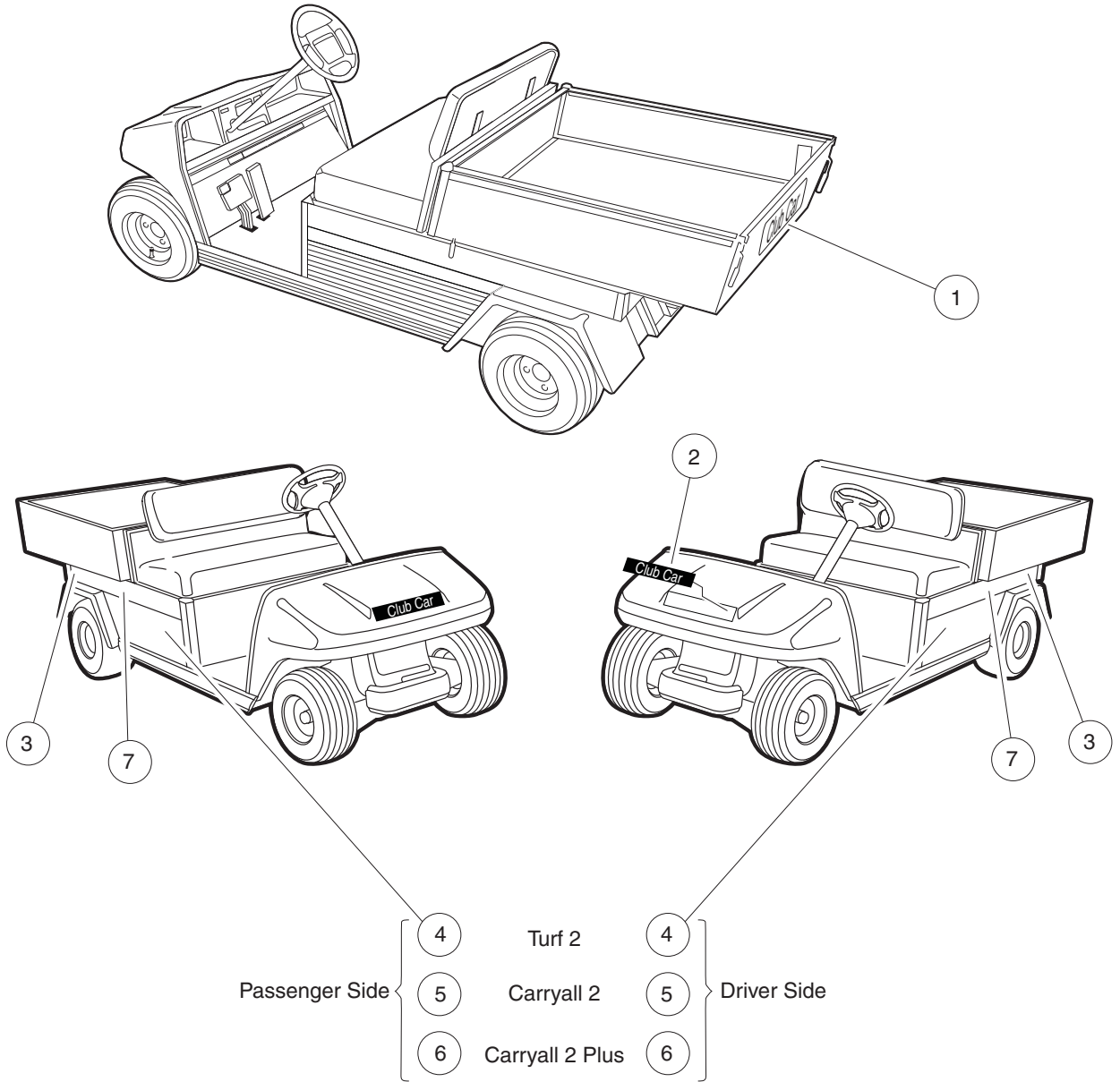
000623-001

DECALS – XRT 900 GASOLINE VEHICLES, CONTINUED

ITEM	PART NO.	DESCRIPTION	QTY
		1 2 3 4	
1	1011553	Decal, Trailer Hitch	1
2	101547601	Decal, Gasoline Explosion/Fire Warning	1
3	101915201	Decal, Frame Ground and Governor Warning	1
4	101960501	Decal, Rotating Parts/Hot Manifold	1
5	102224001	Decal, Rotating Parts Warning	1
6	102231601	Decal, Winch Cable Fracture Warning	1
7	102345901	Decal, Diode Safety	1
8	103205501	Decal, Run/Service Switch	1
9	103210201	Decal, Forward/Reverse, Gas	1

3
G
E

LOGO DECALS



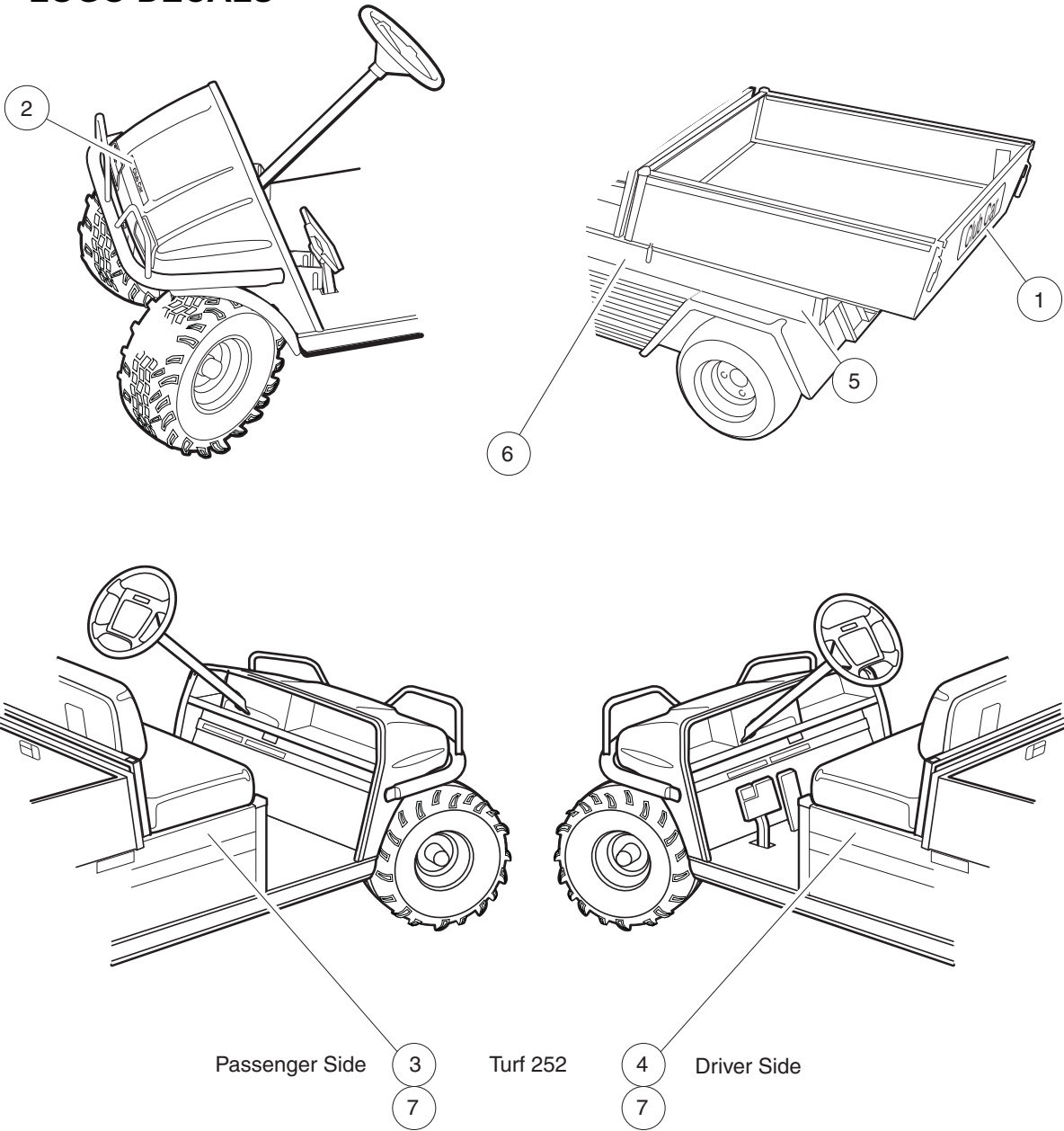
000287-005

DECALS, BADGING – TURF/CARRYALL 2 AND 2 PLUS

ITEM	PART NO.	DESCRIPTION	QTY
		1 2 3 4	
1	1013317	Decal, Logo, Tailgate	1
2	101670201	Nameplate Kit (silver)	1
3	103234301	Decal, Badge, IR	2
4	103260101	Decal Turf 2 Side Panel	2
5	103260801	Decal Ca 2 Side Panel	2
6	103260901	Decal Ca 2 Plus Side Panel	2
7	103284101	Decal Ca2/ca2p/ca252/ca272 Bar	2

3
G
E

LOGO DECALS



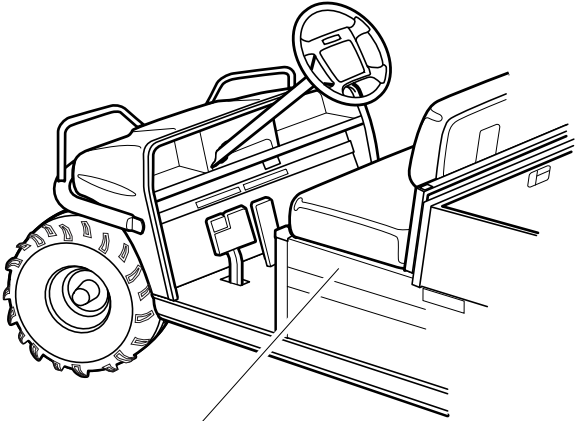
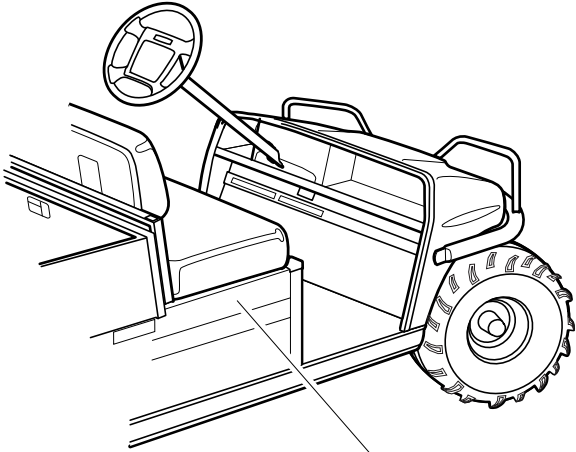
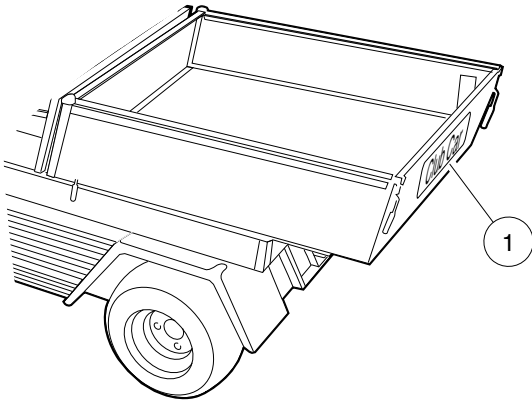
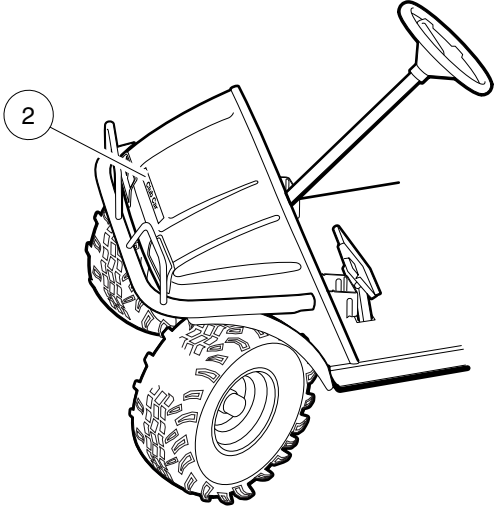
000289-002

DECALS, BADGING – TURF/CARRYALL 252

ITEM	PART NO.	DESCRIPTION	QTY
		1 2 3 4	
1	1013317	Decal, Logo, Tailgate	1
2	101670201	Nameplate Kit (silver)	1
3	102683201	Decal, Turf 252, Passenger-Side	1
4	102683301	Decal, Turf 252, Driver-Side	1
5	103234301	Decal, Badge, IR	2
6	103261301	Decal Ca 252 Side Panel	2
7	103284101	Decal Ca2/ca2p/ca252/ca272 Bar	2

3
G
E

LOGO DECALS



Passenger Side (3)
(5)

XRT 900

(4) Driver Side
(5)

000624-001

DECALS, BADGING – XRT 900

ITEM	PART NO.	DESCRIPTION	QTY
		1 2 3 4	
1	1013317	Decal, Logo, Tailgate	1
2	101670201	Nameplate Kit (silver)	1
3	102683701	Decal, XRT 900 Passenger-Side	1
4	102683801	Decal, XRT 900 Driver-Side	1
5	103234301	Decal, Badge, IR	2

3
G
E

3

G

E

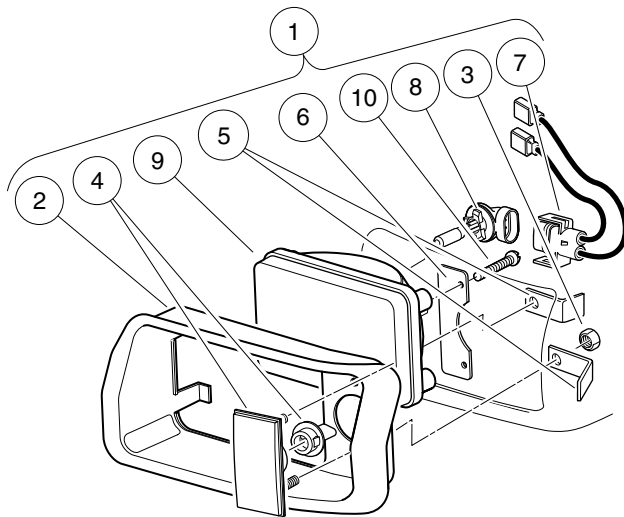
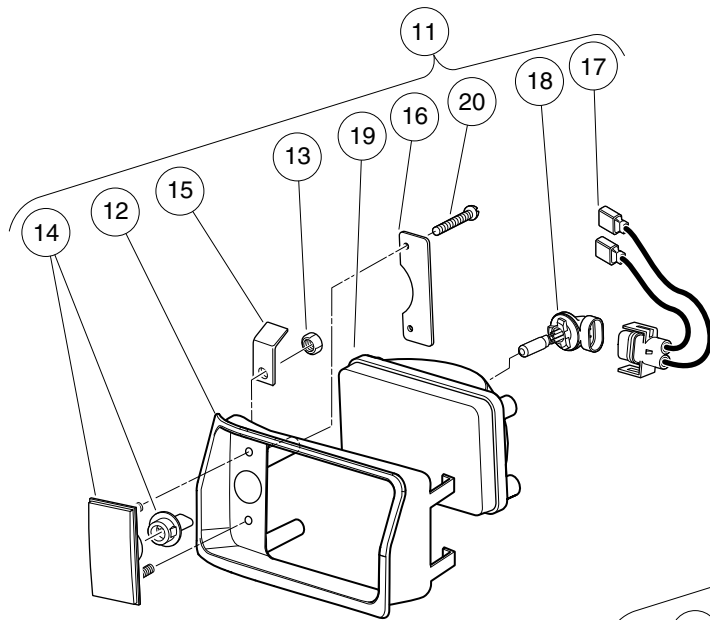
LIGHTS, CONTROLS, AND INDICATORS

4

G

E

4
G
E



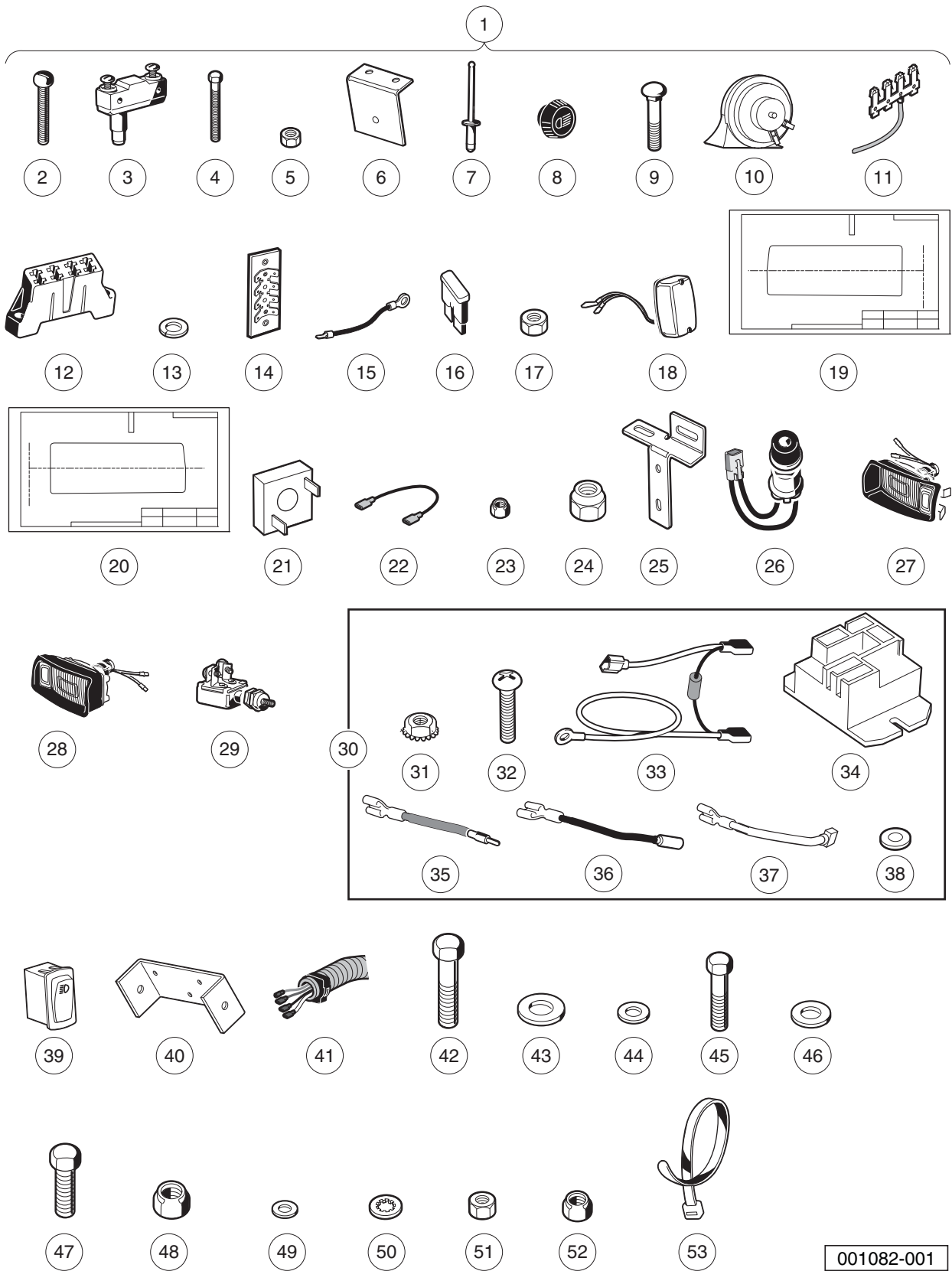
001097-001

HEADLIGHTS

ITEM	PART NO.	DESCRIPTION	QTY
		1 2 3 4	
1	101988001	Headlight Assembly, Driver-Side Single Beam (includes items 2 through 10)	1
2	1016880	Headlight Bezel, Left	1
3	1017	Nut, #10-24 Stainless-Steel Hex Machine	2
4	1017062	Turn Signal Lens Assy	1
5	1017064	Mounting Bracket	2
6	1017065	Retainer, Headlight	1
7	101987901	Connector, Harness Assembly, Headlight	1
8	101988101	Bulb, Headlight	1
9	101988201	Lens, Headlight	1
10	1620	Screw, #10-16 X 0.75 Pan-Head Tap	2
11	101988002	Headlight Assy, Passenger-Side Single Beam (includes items 12 through 20)	1
12	1016879	Headlight Bezel, Right	1
13	1017	Nut, #10-24 Stainless-Steel Hex Machine	2
14	1017062	Turn Signal Lens Assy	1
15	1017064	Mounting Bracket	2
16	1017065	Retainer, Headlight	1
17	101987901	Connector, Harness Assembly, Headlight	1
18	101988101	Bulb, Headlight	1
19	101988201	Lens, Headlight	1
20	1620	Screw, #10-16 X 0.75 Pan-Head Tap	2

4
G
E

4
G
E



LIGHT KIT, STANDARD – CARRYALL 2 GASOLINE VEHICLES

ITEM	PART NO.	DESCRIPTION	QTY
		1 2 3 4	
1	101705603	Standard Lighting Package (includes items 2 through 53)	1
2	1010909	Screw, #10-32 X 1.25 Rd Hd Mch	1
3	1011439	Switch, Limit	2
4	1011557	Screw, #6-32 X 1.00 Hex-Head Machine	8
5	1011558	Nut, #6-32 Hex	6
6	1011825	Horn Bracket	1
7	1013357	Rivet, 5/32 Aluminum Pop	2
8	1013857	Knob, Light Switch	1
9	1014109	Bolt, Carriage, #10-24 X 1.0	1
10	1014530	Horn, 12-VDC	1
11	1015737	Wire Assy, #10 Red	1
12	1015741	Fuse Block	1
13	1016	Lockwasher, #10 Split	2
14	1016356	Terminal Block with Insulator	1
15	1016367	Wire Assy, #10 Black	1
16	1016423	Fuse, 20-Amp	3
17	1017	Nut, #10-24 Stainless-Steel Hex Machine	1
18	1017035	Taillight Assembly	2
19	N/A	Headlight Template R.h.	1
20	N/A	Headlight Template L.h.	1
21	1017721	Limiter, Voltage	1
22	1017722	Wire Assy, #16 Black	1
23	101932201	Locknut, #6-32 Nylon	4
24	101955101	Nut, M6 Hex	1
25	101957101	Bracket, Brake Light Switch	1
26	101969701	Horn Button and Wire Assembly	1
27	101988001	Headlight Assembly, Driver-Side Single Beam	1
28	101988002	Headlight Assy, Passenger-Side Single Beam	1
29	102051901	Switch, Light	1
30	102198701	Brake Relay Kit - 12v (includes items 31 through 38)	1
31	1011229	Locknut, #6-32 Whiz	2
32	1017853	Screw, #6-32 X 0.75 Hex-Head Machine	2
33	101914401	Assembly, Voltage Suppressor	1
34	102199001	Relay, 12-Volt	1
35	102199201	Wire Asm #18 Brown	1
36	102199301	Wire Asm #18 Black	1
37	102199401	Wire Asm #18 Black	1
38	7591	Washer, #6, Flat	2
39	102869401	Switch, Rocker, Light	1
40	103254101	Bracket, Mtg, Power Relay	1
41	103256901	Wire Harness, Lighting, CA2	1
42	1218	Screw, 5/16-18 X 1.25 Hex-Head Cap	1
43	1241	Washer, 5/16 Type A Flat	1
44	183	Washer, #10, Type A, Flat	1

4
G
E



45304

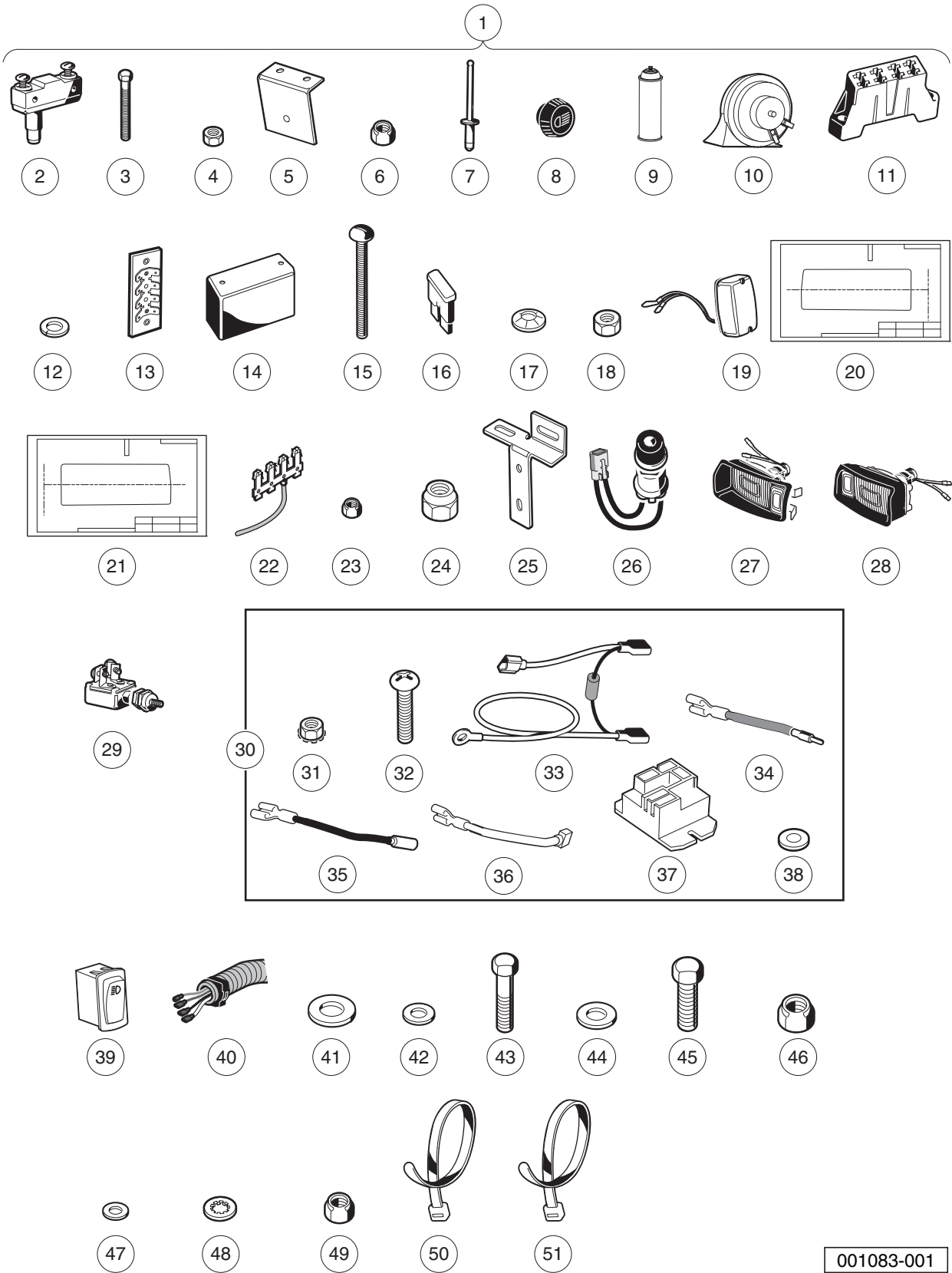
Screw, 1/4-20 X 1.0 Hex-Head Cap 3

46	332	Washer, 1/4 Type A Narrow Flat	3
47	7173	Screw, 5/16-18 X 0.75, Hex-Head Cap	1

ITEM	PART NO.	DESCRIPTION	QTY
		1 2 3 4	
48	7473	Locknut, 5/16-18 Nylon Insert	3
49	7591	Washer, #6, Flat	4
50	7820	Washer, 5/16 Internal-Tooth	1
51	7893	Nut, #10-32 Hex	1
52	8233	Locknut, 1/4-20, Nylon Insert	3
53	8990	Tie Wrap, 8" Nylon	18

4
G
E

4
G
E



LIGHT KIT, STANDARD – CARRYALL 2 IQ PLUS ELECTRIC VEHICLES

ITEM	PART NO.	DESCRIPTION	QTY
		1 2 3 4	
1	102915101	Lgt Pkg Std Iq Plus Elec Field (includes items 2 through 51)	1
2	1011439	Switch, Limit	2
3	1011557	Screw, #6-32 X 1.00 Hex-Head Machine	8
4	1011558	Nut, #6-32 Hex	8
5	1011825	Horn Bracket	1
6	1012438	Locknut, #10-24 Nylon Insert	2
7	1013357	Rivet, 5/32 Aluminum Pop	2
8	1013857	Knob, Light Switch	1
9	1014307	Bulk Batt Term Protector	A/R
10	1014530	Horn, 12-VDC	1
11	1015741	Fuse Block	1
12	1016	Lockwasher, #10 Split	2
13	1016356	Terminal Block with Insulator	1
14	1016363	Fuse Block Cover	1
15	1016366	Screw, #10-24 X 3.0 Pan-Head Machine	2
16	1016423	Fuse, 20-Amp	3
17	1016631	Push Nut	2
18	1017	Nut, #10-24 Stainless-Steel Hex Machine	2
19	1017035	Taillight Assembly	2
20	N/A	Headlight Template R.h.	1
21	N/A	Headlight Template L.h.	1
22	101810601	Wire Assy, #10 Red	1
23	101932201	Locknut, #6-32 Nylon	4
24	101955101	Nut, M6 Hex	1
25	101957101	Bracket, Brake Light Switch	1
26	101969701	Horn Button and Wire Assembly	1
27	101988001	Headlight Assembly, Driver-Side Single Beam	1
28	101988002	Headlight Assy, Passenger-Side Single Beam	1
29	102051901	Switch, Light	1
30	N/A	Elec Regen Iq Brake Relay Inst (includes items 31 through 38)	1
31	1011229	Locknut, #6-32 Whiz	2
32	1017853	Screw, #6-32 X 0.75 Hex-Head Machine	2
33	101914402	Asm, Pd Volt. Supp. W/o Instr.	1
34	102199201	Wire Asm #18 Brown	1
35	102199301	Wire Asm #18 Black	1
36	102199401	Wire Asm #18 Black	1
37	103397901	Relay, Spst No, 48v 30a, Pmt	1
38	7591	Washer, #6, Flat	2
39	102869401	Switch, Rocker, Light	1
40	103256901	Wire Harness, Lighting, CA2	1
41	1241	Washer, 5/16 Type A Flat	1
42	183	Washer, #10, Type A, Flat	4
43	304	Screw, 1/4-20 X 1.0 Hex-Head Cap	2
44	332	Washer, 1/4 Type A Narrow Flat	2

4
G
E

4

G

E

457173

Screw, 5/16-18 X 0.75, Hex-Head Cap 1

46	7473	Locknut, 5/16-18 Nylon Insert	2
47	7591	Washer, #6, Flat	4

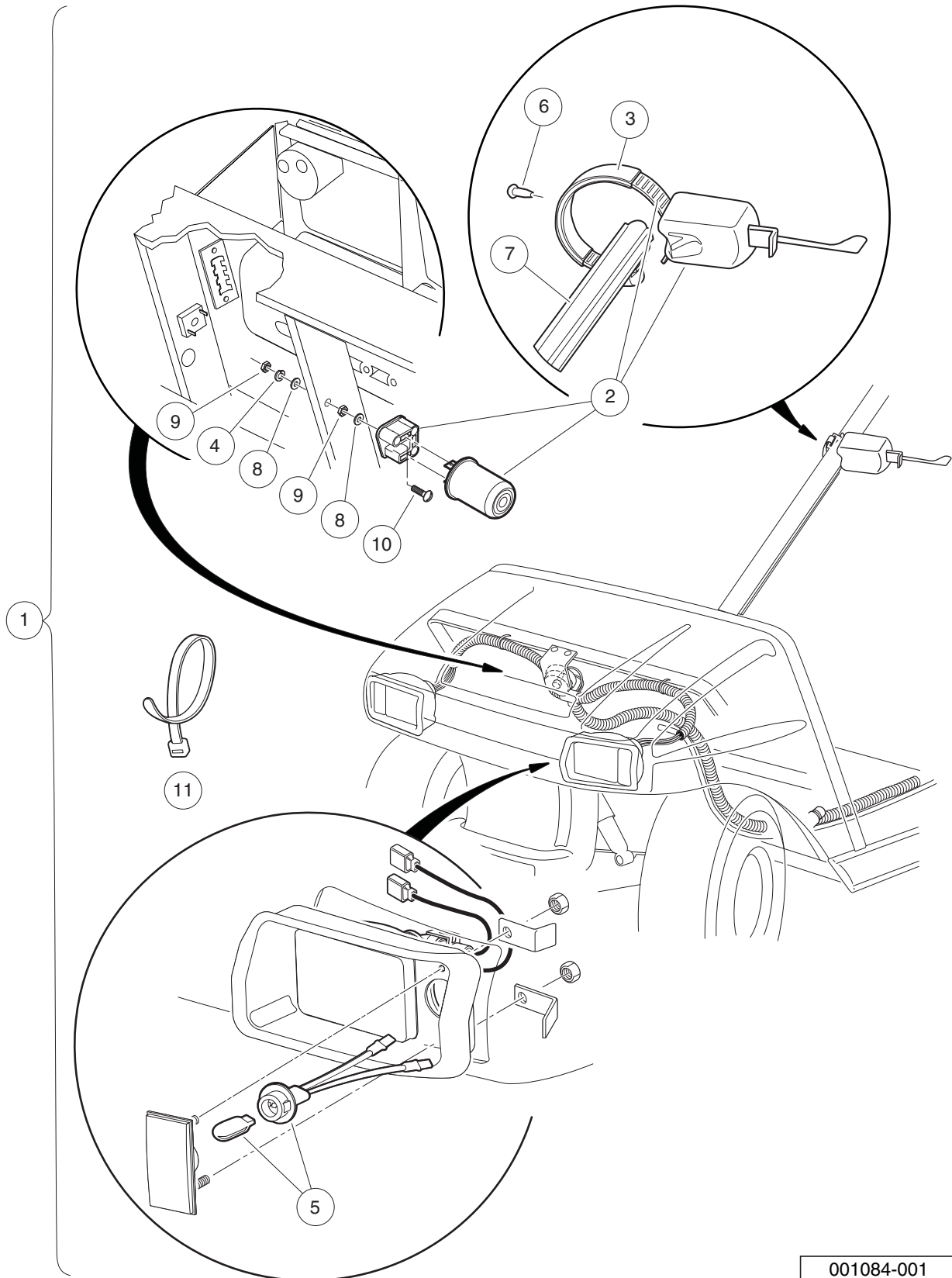
ITEM	PART NO.	DESCRIPTION	QTY
		1 2 3 4	
48	7820	Washer, 5/16 Internal-Tooth	1
49	8233	Locknut, 1/4-20, Nylon Insert	2
50	8639	Tie Wrap, 11" Nylon	10
51	8990	Tie Wrap, 8" Nylon	8

4

G

E

4
G
E



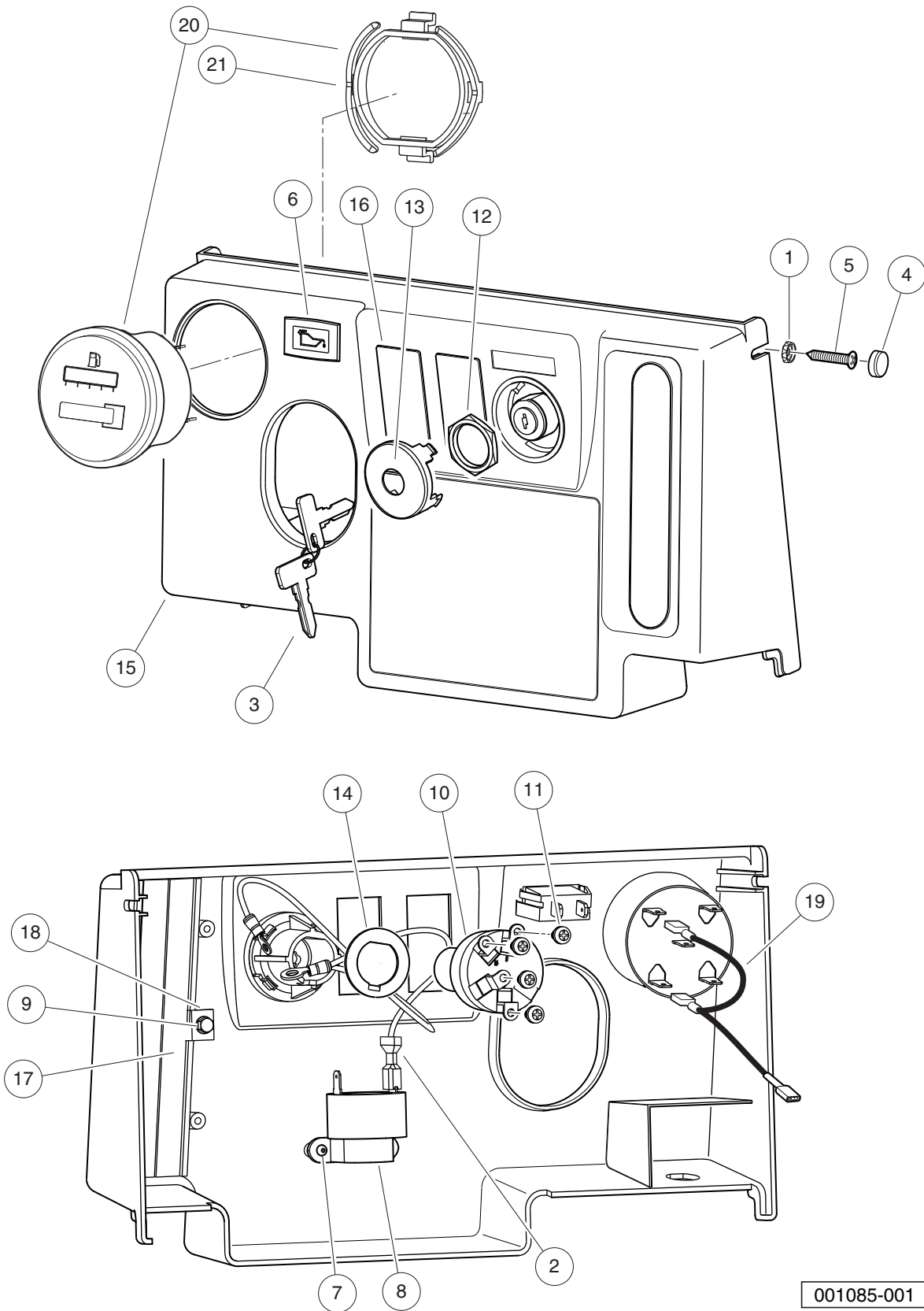
001084-001

TURN SIGNAL KIT – DS AND UTILITY GASOLINE AND ELECTRIC VEHICLES

ITEM	PART NO.	DESCRIPTION	QTY
		1 2 3 4	
1	101707402	Turn Signal Conversion Kit (includes items 2 through 11)	1
2	1011590	Switch Sub-assy, Turn Signal	1
3	N/A	Strap, Extrusion	1
4	1016	Lockwasher, #10 Split	1
5	1017075	Socket & Lamp Assembly	2
6	1017724	Rivet, Plastic	1
7	102529201	Wire Cover, Steering Column	1
8	183	Washer, #10, Type A, Flat	2
9	7893	Nut, #10-32 Hex	2
10	8104	Screw, #10-32 X .75 Rd Hd Mach	1
11	8990	Tie Wrap, 8" Nylon	1

4
G
E

4
G
E



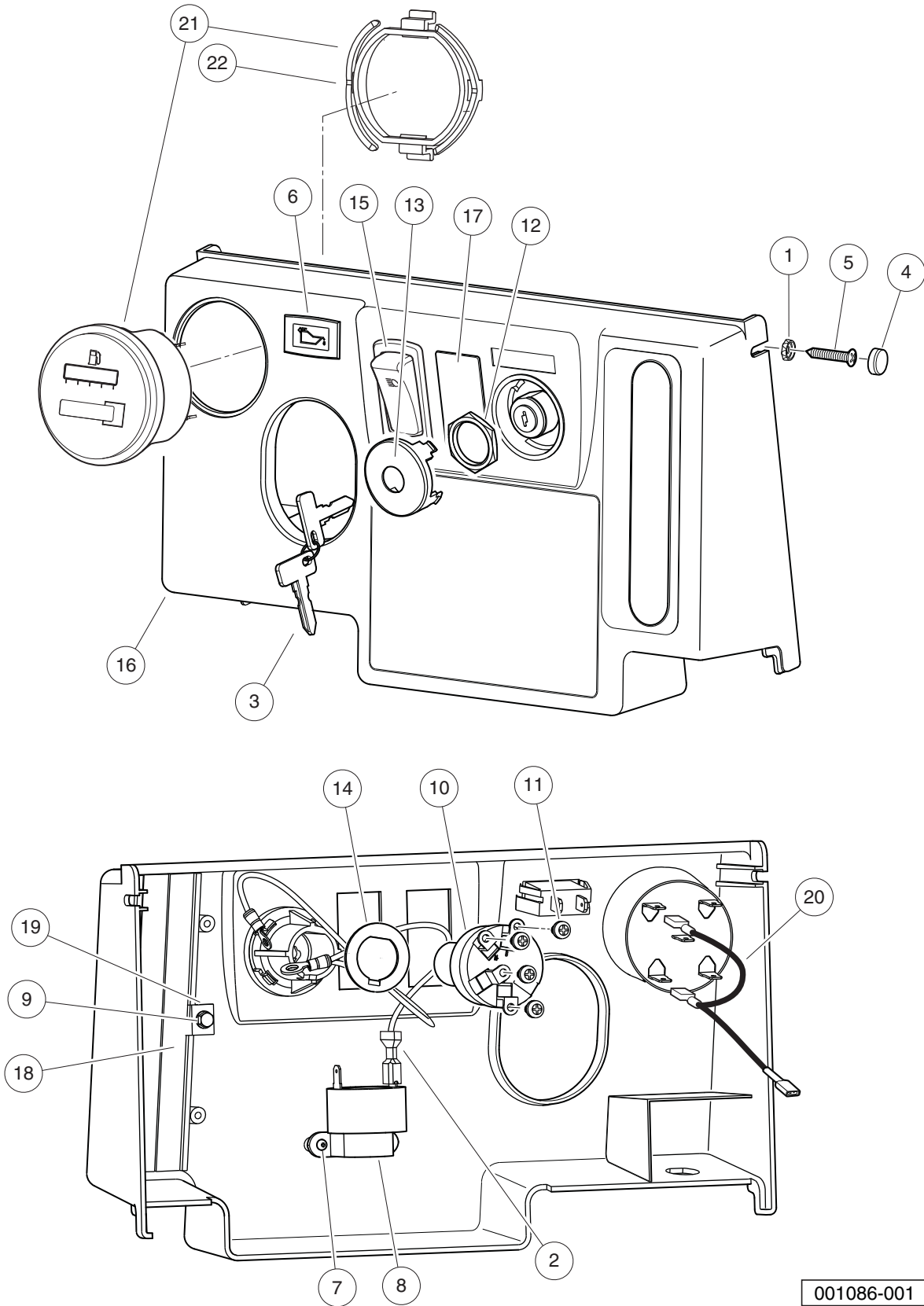
001085-001

INSTRUMENT PANEL AND ELECTRICAL COMPONENTS – TURF/ CARRYALL 1, 2, AND 252 GAS

ITEM	PART NO.	DESCRIPTION	QTY
		1 2 3 4	
1	1011382	Washer, #10 Pan-Head Screw	2
2	1012396	Wire Assy #18 Black	1
3	1012505	Keys (set of 2)	1
4	1013494	Cover, Screw Head	2
5	1015528	Screw, #10 x 1-1/4 Phillips Head	2
6	1016630	Light, Oil	1
7	1016849	Screw, #4-24 X 0.33, Pan-Head, Machine	2
8	1016851	Buzzer, Reverse (9-48 VDC)	1
9	101804301	Screw, #8 X 0.500, Hex-Head Hi-Lo	2
10	101826301	Key Switch, 12-Volt, Off/On	1
11	101830601	Screw and Washer Assembly	4
12	101830701	Nut, Key Switch	1
13	101834502	Cap, Black Key Switch	1
14	101851101	Washer, Key Switch	1
15	102977001	Panel, Dash, Center, Gas (Instrument Panel)	1
16	103180101	Cover, Hole, Switch, Rocker	2
17	103199001	Brush, Closeout, FNR	2
18	103199101	Washer, Retaining, Brush, FNR	2
19	103348501	Asm, Wire Meter, F-h Jumper	1
20	103348601	Gauge, Fuel-hour,sep Gnd,utl (includes item 21)	1
21	103348201	Clip, Meter, Round	1

4
G
E

4
G
E



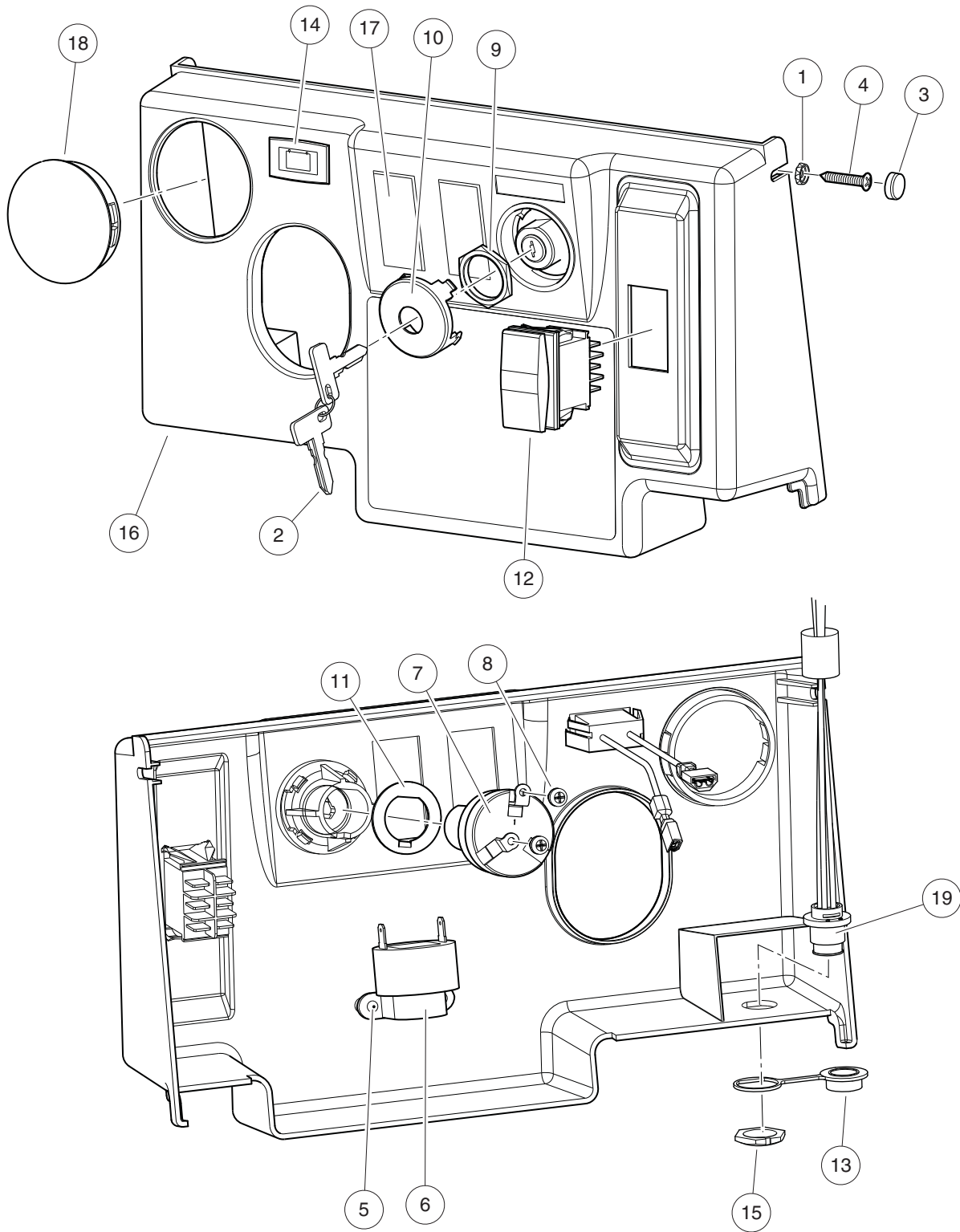
001086-001

INSTRUMENT PANEL AND ELECTRICAL COMPONENTS – CARRYALL 2 PLUS AND XRT 900 GAS

ITEM	PART NO.	DESCRIPTION	QTY
		1 2 3 4	
1	1011382	Washer, #10 Pan-Head Screw	2
2	1012396	Wire Assy #18 Black	1
3	1012505	Keys (set of 2)	1
4	1013494	Cover, Screw Head	2
5	1015528	Screw, #10 x 1-1/4 Phillips Head	2
6	1016630	Light, Oil	1
7	1016849	Screw, #4-24 X 0.33, Pan-Head, Machine	2
8	1016851	Buzzer, Reverse (9-48 VDC)	1
9	101804301	Screw, #8 X 0.500, Hex-Head Hi-Lo	2
10	101826401	Key Switch, 12-Volt, Off/On/Start	1
11	101830601	Screw and Washer Assembly	5
12	101830701	Nut, Key Switch	1
13	101834502	Cap, Black Key Switch	1
14	101851101	Washer, Key Switch	1
15	102869401	Switch, Rocker, Light	1
16	102977001	Panel, Dash, Center, Gas (Instrument Panel)	1
17	103180101	Cover, Hole, Switch, Rocker	1
18	103199001	Brush, Closeout, FNR	2
19	103199101	Washer, Retaining, Brush, FNR	2
20	103348501	Asm, Wire Meter, F-h Jumper	1
21	103348601	Gauge, Fuel-hour, sep Gnd, utl (includes item 22)	1
22	103348201	Clip, Meter, Round	1

4
G
E

4
G
E



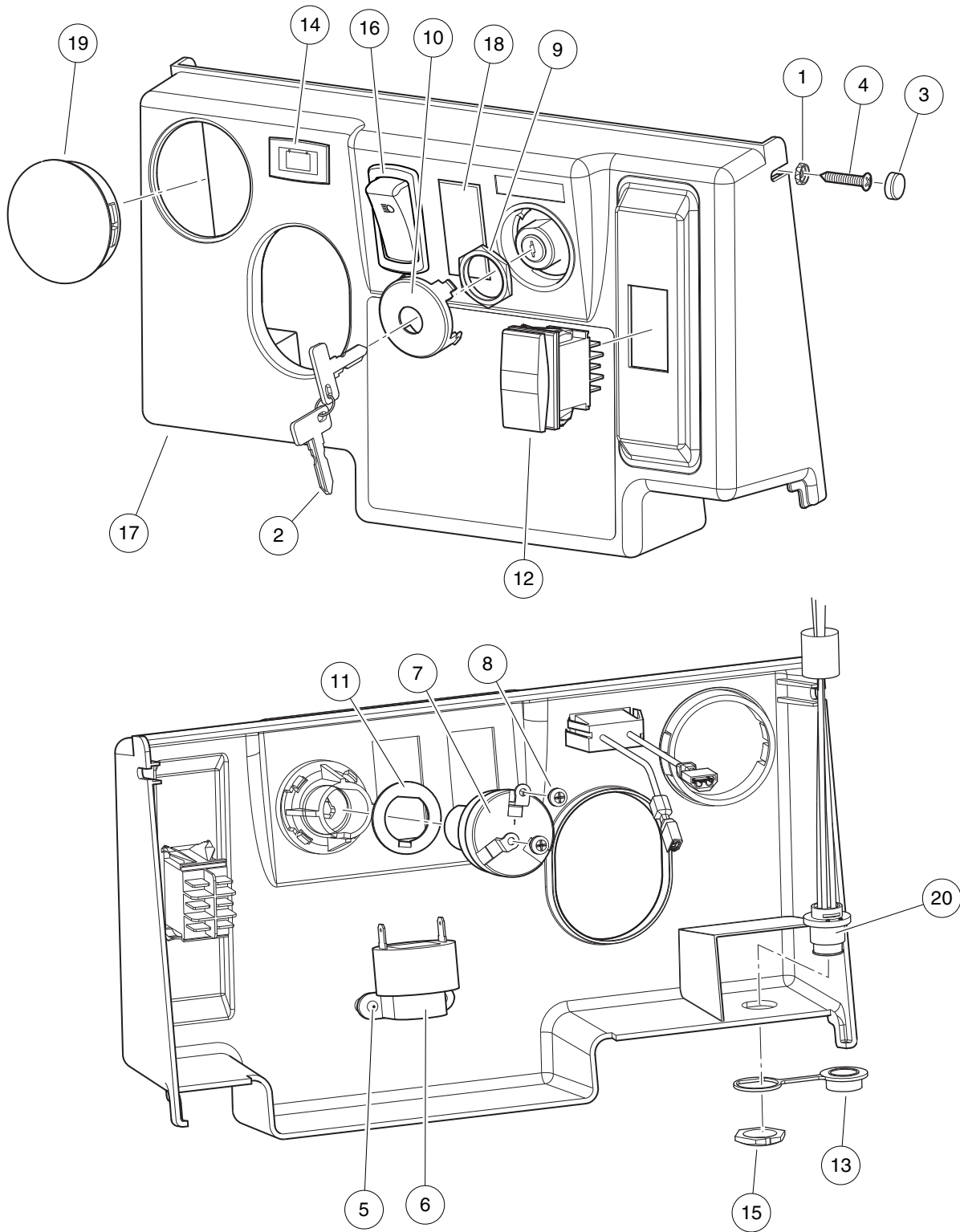
001087-001

INSTRUMENT PANEL AND ELECTRICAL COMPONENTS – TURF/ CA 1 AND 2 ELECTRIC

ITEM	PART NO.	DESCRIPTION	QTY
		1 2 3 4	
1	1011382	Washer, #10 Pan-Head Screw	2
2	1012505	Keys (set of 2)	1
3	1013494	Cover, Screw Head	2
4	1015528	Screw, #10 x 1-1/4 Phillips Head	2
5	1016849	Screw, #4-24 X 0.33, Pan-Head, Machine	2
6	1016851	Buzzer, Reverse (9-48 VDC)	1
7	101826201	Key Switch, On/Off	1
8	101830601	Screw and Washer Assembly	2
9	101830701	Nut, Key Switch	1
10	101834502	Cap, Black Key Switch	1
11	101851101	Washer, Key Switch	1
12	101856002	Switch, Rocker, Single-Pole	1
13	102196901	Dust Cap	1
14	102508701	Light, Battery	1
15	102572401	Nut, Diagnostic Port, Prec	1
16	102977002	Panel, Dash, Center, Elec (Instrument Panel)	1
17	103180101	Cover, Hole, Switch, Rocker	2
18	103198301	Plug, Hole, Round, 2.0 In	1
19	103218601	Harness, Diagnostic Port	1

4
G
E

4
G
E



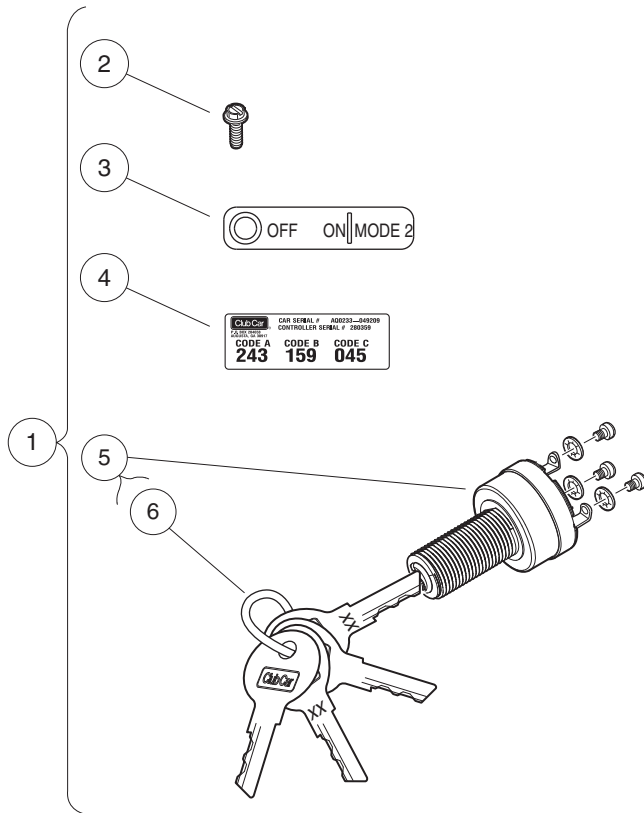
001088-001

INSTRUMENT PANEL WITH ELECTRICAL COMPONENTS – TURF/ CARRYALL 252 AND XRT 900 ELECTRIC

ITEM	PART NO.	DESCRIPTION	QTY
		1 2 3 4	
1	1011382	Washer, #10 Pan-Head Screw	2
2	1012505	Keys (set of 2)	1
3	1013494	Cover, Screw Head	2
4	1015528	Screw, #10 x 1-1/4 Phillips Head	2
5	1016849	Screw, #4-24 X 0.33, Pan-Head, Machine	2
6	1016851	Buzzer, Reverse (9-48 VDC)	1
7	101826201	Key Switch, On/Off	1
8	101830601	Screw and Washer Assembly	2
9	101830701	Nut, Key Switch	1
10	101834502	Cap, Black Key Switch	1
11	101851101	Washer, Key Switch	1
12	101856002	Switch, Rocker, Single-Pole	1
13	102196901	Dust Cap	1
14	102508701	Light, Battery	1
15	102572401	Nut, Diagnostic Port, Prec	1
16	102869401	Switch, Rocker, Light	1
17	102977002	Panel, Dash, Center, Elec (Instrument Panel)	1
18	103180101	Cover, Hole, Switch, Rocker	1
19	103198301	Plug, Hole, Round, 2.0 In	1
20	103218601	Harness, Diagnostic Port	1

4
G
E

4
G
E



001212-001

KEYS AND KEYSWITCHES, SMARTKEY KIT – ELECTRIC VEHICLE

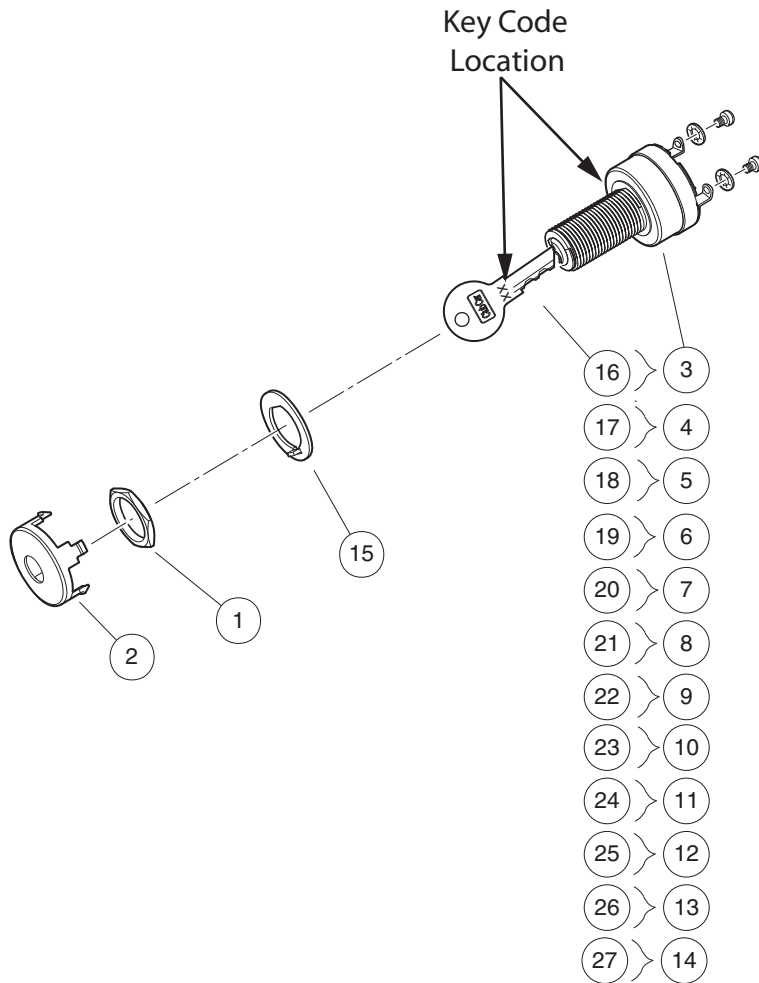
ITEM	PART NO.	DESCRIPTION	QTY
		1 2 3 4	
1	102962602	Kit, Field, Smartkey (includes items 2 through 5)	1
2	1011017	Screw, #8-32 X 0.375	1
3	101825103	Decal, Keyswitch, Iq Plus Mode	1
4	N/A	Decal, Passcode	1
5	102950301	Key Switch, Mode B, Iq Plus (includes item 6)	1
6	102962303	Keys, Set Of 4, Iq Plus Mode	1
		 Note: Not available in the EU.	

4
G
E

4

G

E



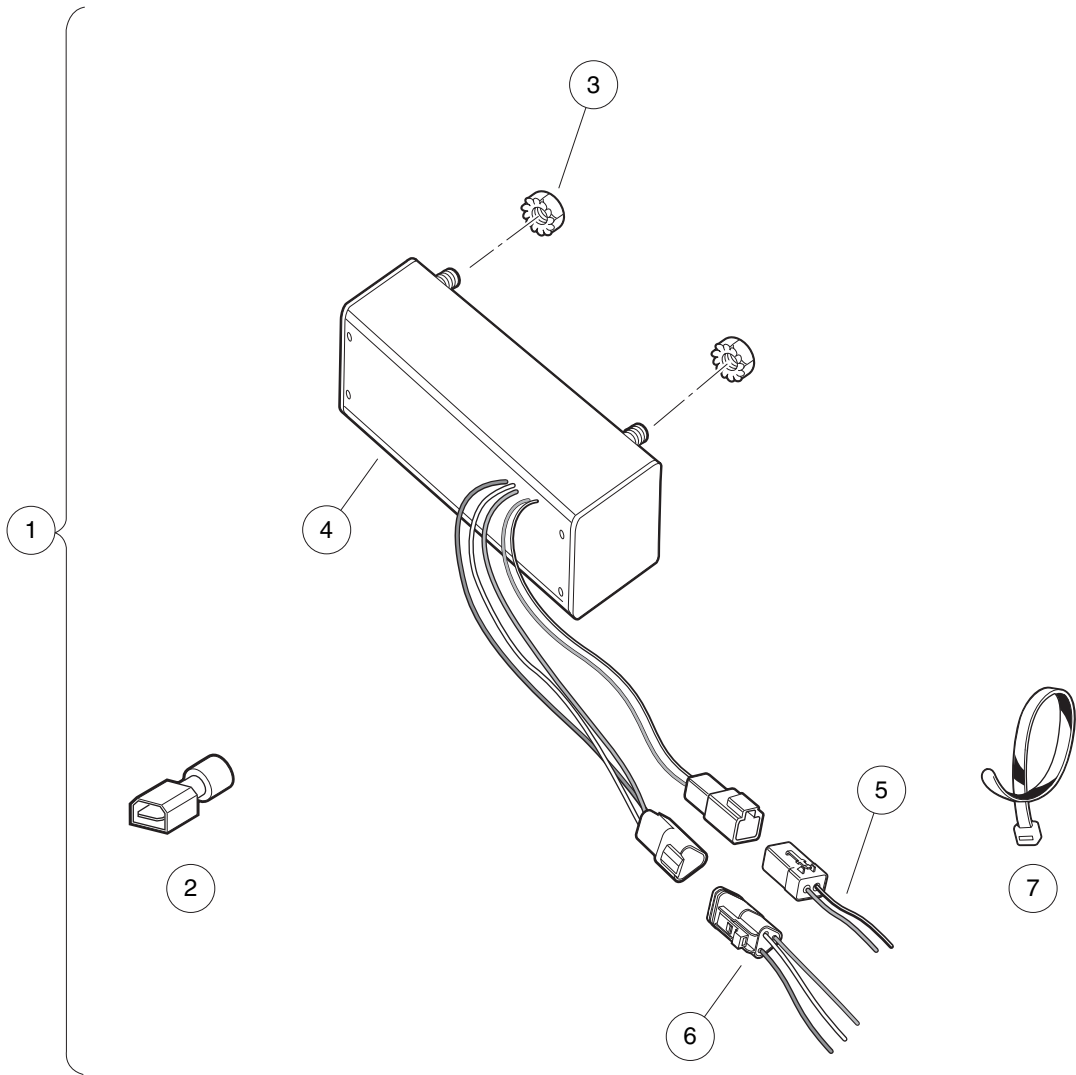
001089-001

KEYS AND KEYSWITCHES, UNCOMMON – GAS VEHICLE

ITEM	PART NO.	DESCRIPTION	QTY
		1 2 3 4	
1	101830701	Nut, Key Switch	1
2	101834502	Cap, Black Key Switch	1
3	101839801	Keyswtch Uncom A408 On/off/st	1
4	101839802	Keyswtch Uncom B408 On/off/st	1
5	101839803	Keyswtch Uncom C408 On/off/st	1
6	101839804	Keyswtch Uncom D408 On/off/st	1
7	101839805	Keyswtch Uncom 2a408 On/off/st	1
8	101839806	Keyswtch Uncom 2b408 On/off/st	1
9	101839807	Keyswtch Uncom 2c408 On/off/st	1
10	101839808	Keyswtch Uncom 2d408 On/off/st	1
11	101839809	Keyswtch Uncom E408 On/off/st	1
12	101839810	Keyswtch Uncom F408 On/off/st	1
13	101839811	Keyswtch Uncom 2e408 On/off/st	1
14	101839812	Keyswtch Uncom 2f408 On/off/st	1
15	101851101	Washer, Key Switch	1
16	101974701	Key, Uncommon 1a	1
17	101974702	Key, Uncommon 1b	1
18	101974703	Key, Uncommon 1c	1
19	101974704	Key, Uncommon 1d	1
20	101974705	Key, Uncommon 2a	1
21	101974706	Key, Uncommon 2b	1
22	101974707	Key, Uncommon 2c	1
23	101974708	Key, Uncommon 2d	1
24	101974709	Key, Uncommon 1e	1
25	101974710	Key, Uncommon 1f	1
26	101974711	Key, Uncommon 2e	1
27	101974712	Key, Uncommon 2f	1
		Note: Keyswitches 101839801 through 101839812 are for key-start, gasoline vehicles ONLY.	

4
G
E

4
G
E



001090-001

DC CONVERTER – IQ PLUS ELECTRIC VEHICLE

ITEM	PART NO.	DESCRIPTION	QTY
		1 2 3 4	
1	102918701	Kit, DC/DC Converter, IQ Plus (includes items 2 through 7)	1
2	1016365	Terminal, 1/4" Male Quick Disconnect	1
3	101835601	Locknut, 1/4-20 Hex Whiz	2
4	102352201	Converter , Dc -non Isolated	1
5	102354901	Harness, Dc Converter - 12v	1
6	102890201	Harness, Dc Converter, 48v	1
7	8990	Tie Wrap, 8" Nylon	10

4

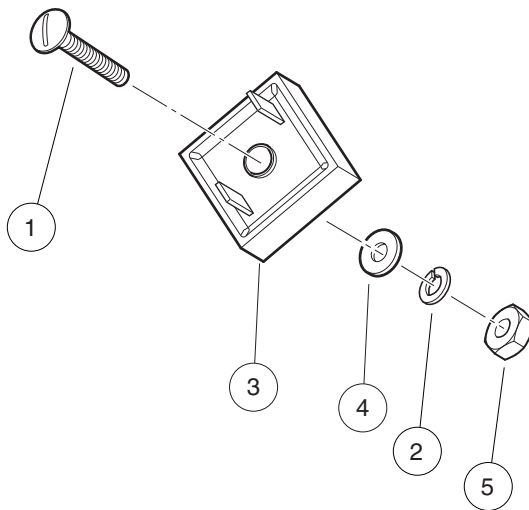
G

E

4

G

E



001091-001

VOLTAGE LIMITER – GASOLINE VEHICLE

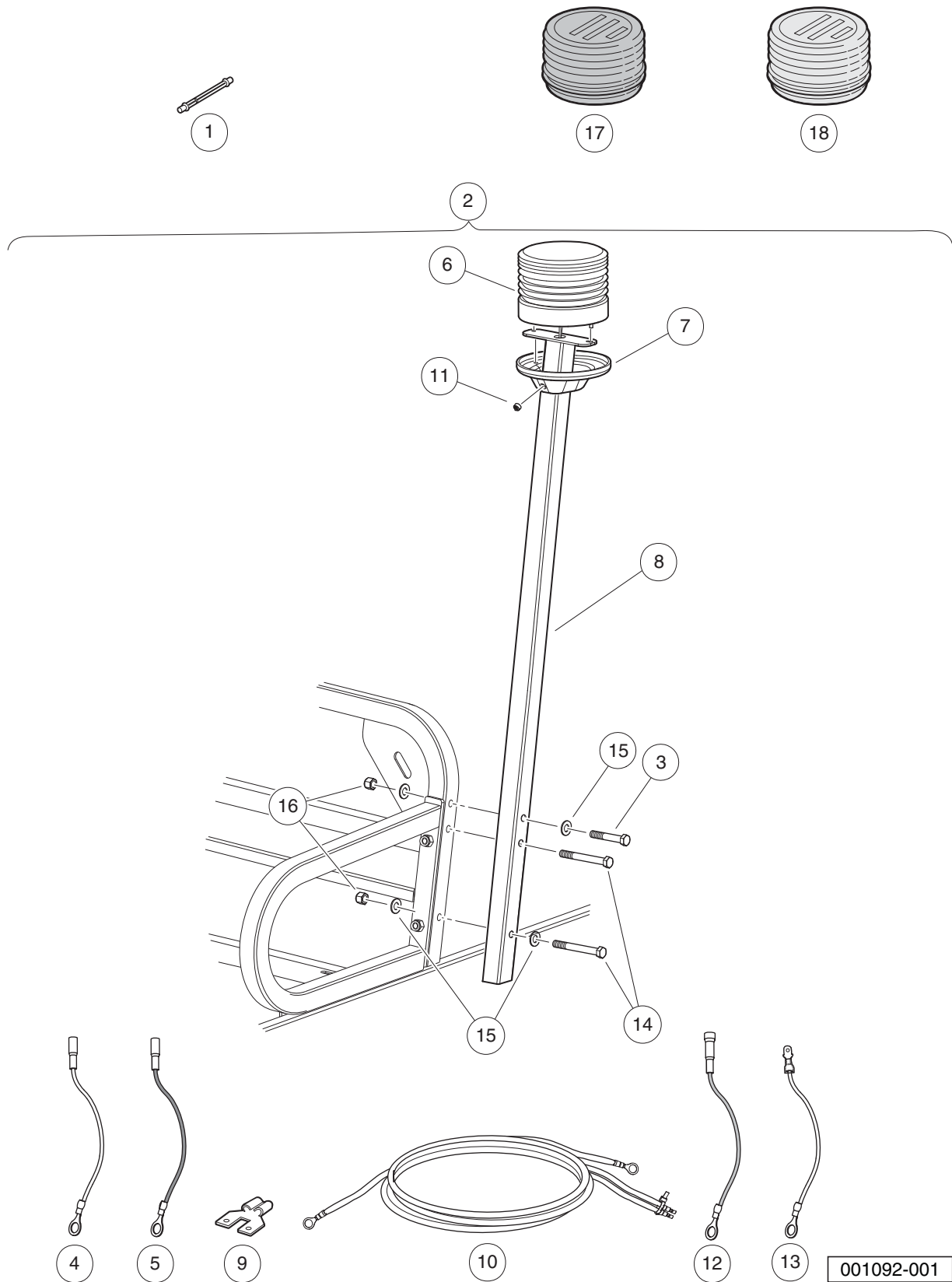
ITEM	PART NO.	DESCRIPTION	QTY
		1 2 3 4	
1	1010909	Screw, #10-32 X 1.25 Rd Hd Mch	1
2	1016	Lockwasher, #10 Split	1
3	1017721	Limitter, Voltage	1
4	183	Washer, #10, Type A, Flat	1
5	7893	Nut, #10-32 Hex	1

4

G

E

4
G
E



001092-001

STROBE LIGHT, POST-MOUNTED – GASOLINE VEHICLES

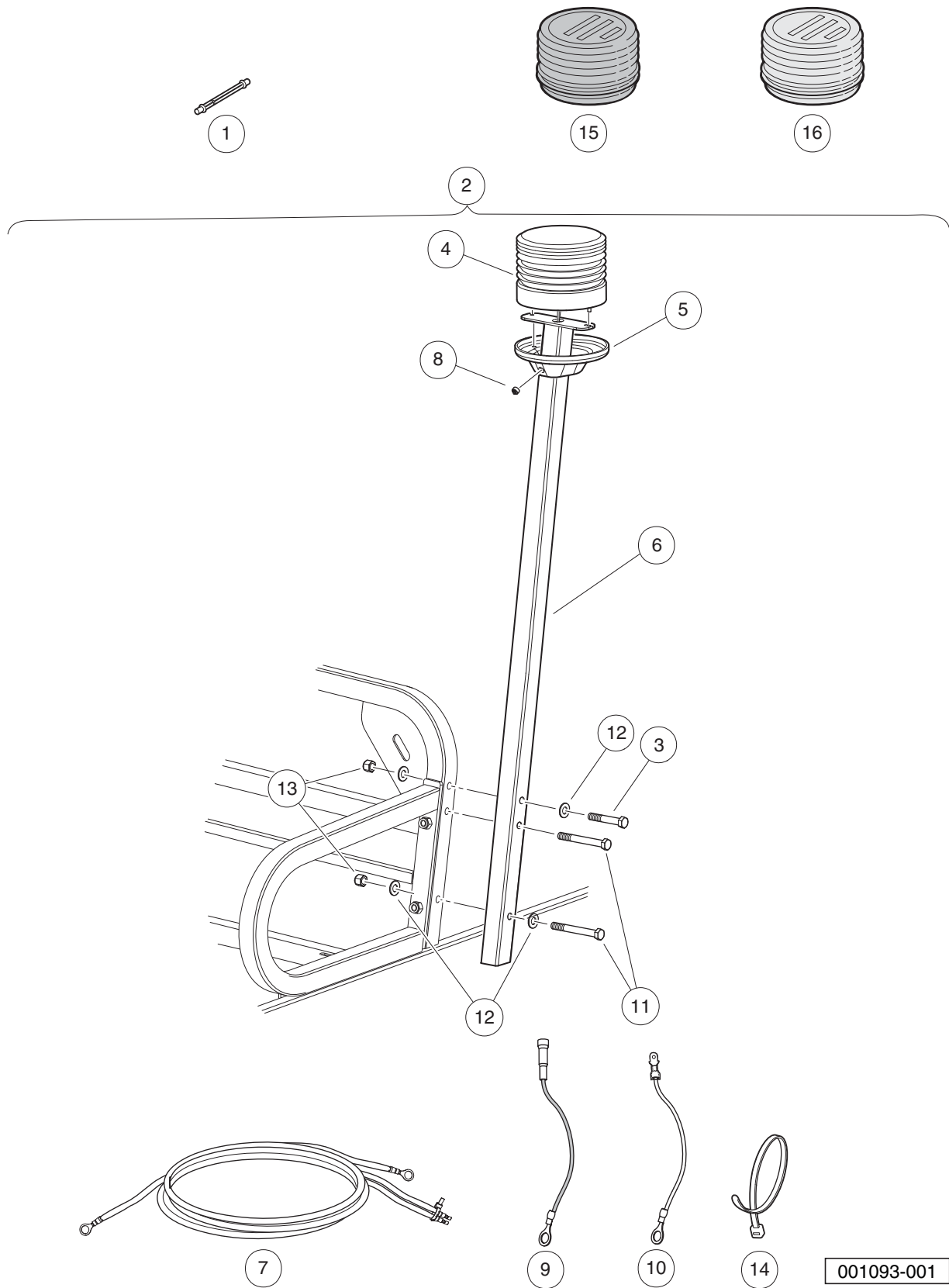
ITEM	PART NO.	DESCRIPTION	QTY
		1 2 3 4	
1	1015526	Bulb, Replacement, for Strobe Light	1
2	1015765	Safety Strobe Lht Post Mnt Gas (includes items 3 through 16)	1
3	1013509	Screw, 1/4-20 X 1.75 Hx Hd Cap	2
4	1015153	Wire Assembly #16 Yellow	1
5	1015154	Wire Assembly Blue Ca #16	1
6	1015156	Light Assembly, Strobe	1
7	1015157	Cover Plate Switch - Pole Ca	1
8	1015160	Pole Weldment Carryall	1
9	1015162	3/16 Tab Adapter Non-insul	1
10	1015172	Wire Harness Assy, Strobe Lght	1
11	1015187	Switch Assembly	1
12	1016837	Wire Assembly Red #18	1
13	1016929	Wire Assembly Black #16	1
14	324	Screw, 1/4-20 X 2.50 Hx Hd Cap	2
15	332	Washer, 1/4 Type A Narrow Flat	4
16	8233	Locknut, 1/4-20, Nylon Insert	2
17	AM1243701	Lens, Blue, for Strobe Light	1
18	AM1243801	Lens, Red, for Strobe Light	1

4

G

E

4
G
E



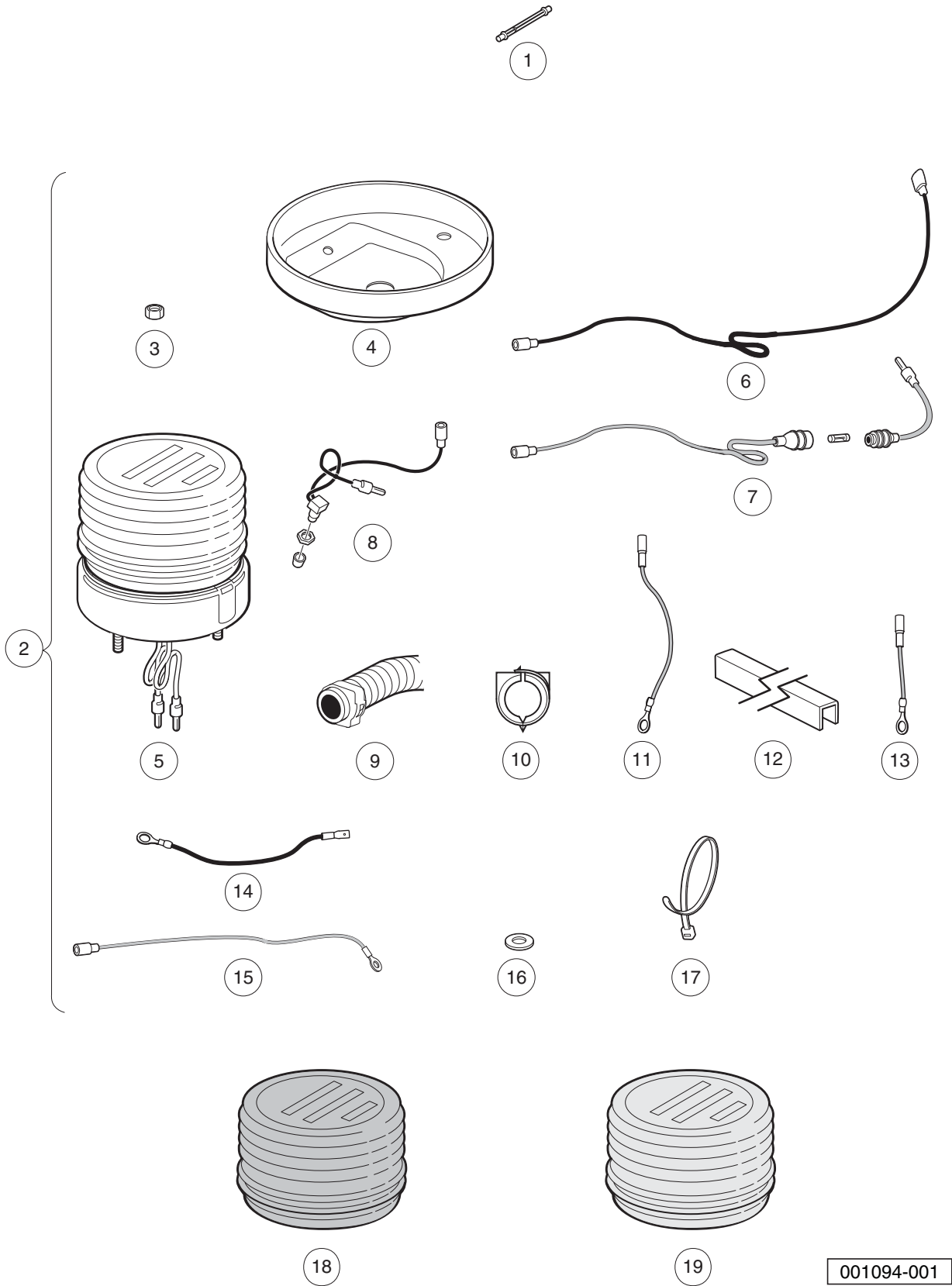
001093-001

STROBE LIGHT, POST-MOUNTED – ELECTRIC VEHICLES

ITEM	PART NO.	DESCRIPTION	QTY
		1 2 3 4	
1	1015526	Bulb, Replacement, for Strobe Light	1
2	101814601	Safety Strobe Lht & Post Mt El (includes items 3 through 14)	1
3	1013509	Screw, 1/4-20 X 1.75 Hx Hd Cap	2
4	1015156	Light Assembly, Strobe	1
5	1015157	Cover Plate Switch - Pole Ca	1
6	1015160	Pole Weldment Carryall	1
7	1015172	Wire Harness Assy, Strobe Lght	1
8	1015187	Switch Assembly	1
9	1016837	Wire Assembly Red #18	1
10	1016929	Wire Assembly Black #16	1
11	324	Screw, 1/4-20 X 2.50 Hx Hd Cap	2
12	332	Washer, 1/4 Type A Narrow Flat	4
13	8233	Locknut, 1/4-20, Nylon Insert	2
14	8990	Tie Wrap, 8" Nylon	4
15	AM1243701	Lens, Blue, for Strobe Light	1
16	AM1243801	Lens, Red, for Strobe Light	1

4
G
E

4
G
E

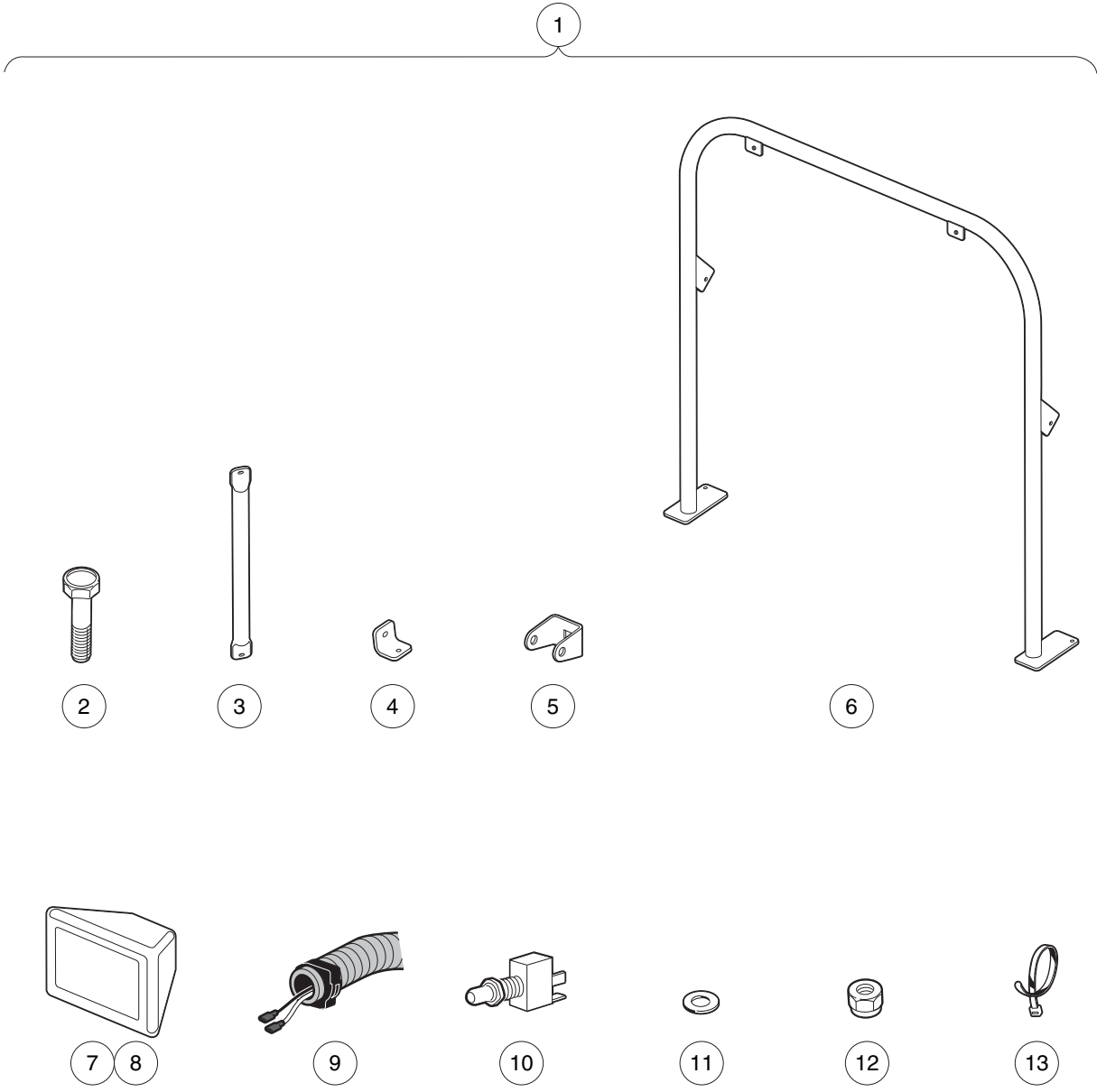


STROBE LIGHT, CANOPY-MOUNTED

ITEM	PART NO.	DESCRIPTION	QTY
		1 2 3 4	
1	1015526	Bulb, Replacement, for Strobe Light	1
2	AM1243501	Kit, Roof Mounted Strobe Fd (includes items 3 through 17)	A/R
3	1012438	Locknut, #10-24 Nylon Insert	2
4	1015010	Cover Plate Switch	1
5	1015156	Light Assembly, Strobe	1
6	1015167	#16 Black Wire Asm	1
7	1015170	Wire Assembly #16	1
8	1015187	Switch Assembly	1
9	1015768	Split Convoluted Elec Conduit	11
10	1015770	Outlet Ring - .5 Diameter	5
11	1016230	Wire Asm #16 Red	1
12	1016267	Snap On Conduit Vert.	1
13	1016287	Wire Asm #16 Red	1
14	1016929	Wire Assembly Black #16	1
15	101821601	#18 Red Wire Assembly	1
16	183	Washer, #10, Type A, Flat	2
17	8639	Tie Wrap, 11" Nylon	8
18	AM1243701	Lens, Blue, for Strobe Light	A/R
19	AM1243801	Lens, Red, for Strobe Light	A/R

4
G
E

4
G
E



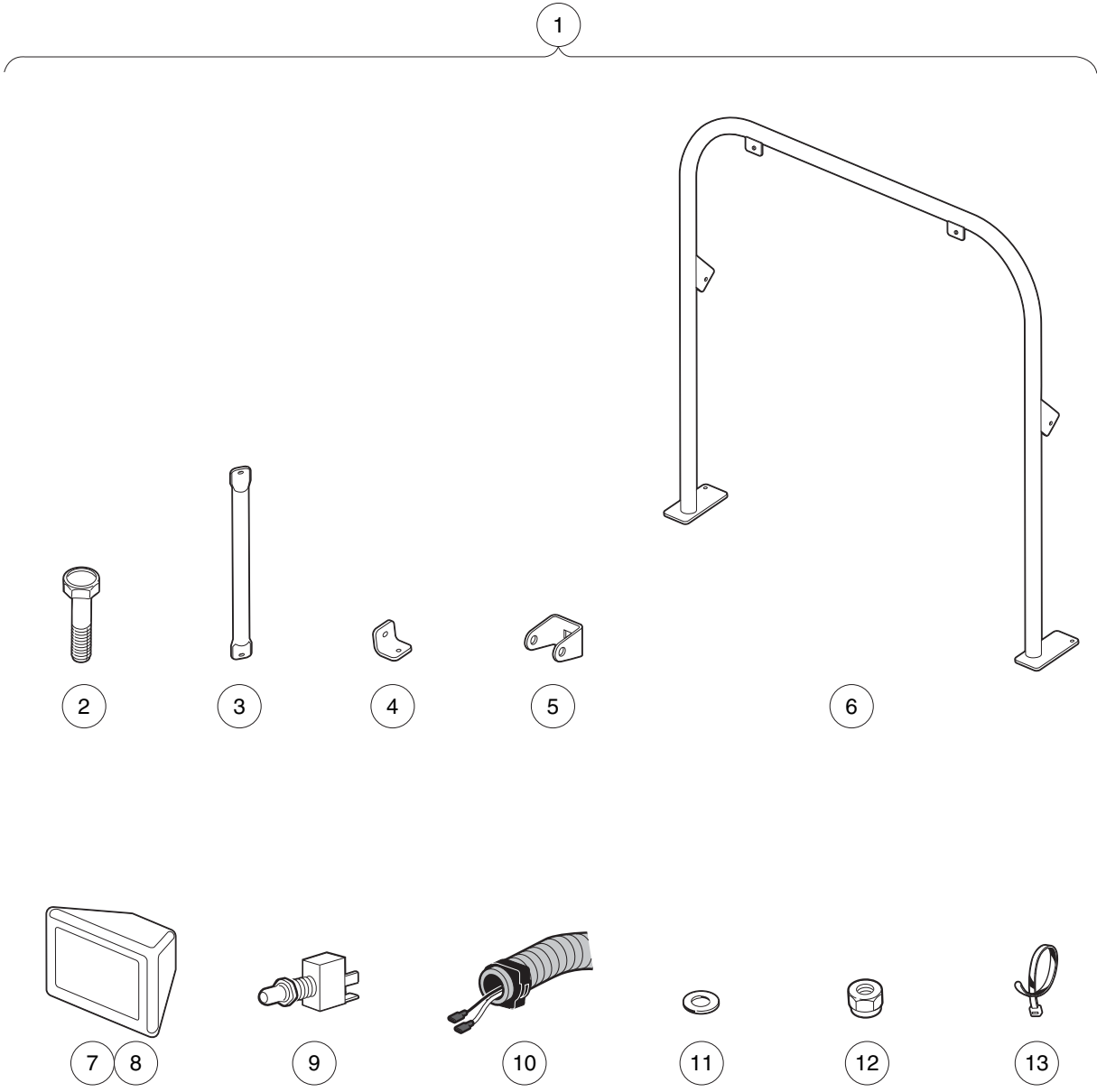
001223-001

LIGHT BAR – TURF/CA 252 AND XRT 900 GAS VEHICLES

ITEM	PART NO.	DESCRIPTION	QTY
		1 2 3 4	
1	102054501	Kit, Light Bar, Gas (includes items 2 through 13)	1
2	1010934	Screw, 5/16-18 X 1.00 Hex Cap	8
3	102077601	Brace, Light Bar	2
4	102077701	Bracket, Brace Mtg	2
5	102077801	Bracket, Light Mtg	2
6	102077901	Light Bar	1
7	102078001	Light, Light Bar (includes item 8)	2
8	AM10015	37.5 Watt Light Bar Bulb	2
9	102155701	Wire Harness, Light Bar	1
10	102159601	Switch	1
11	1241	Washer, 5/16 Type A Flat	12
12	7473	Locknut, 5/16-18 Nylon Insert	8
13	8990	Tie Wrap, 8" Nylon	4

4
G
E

4
G
E



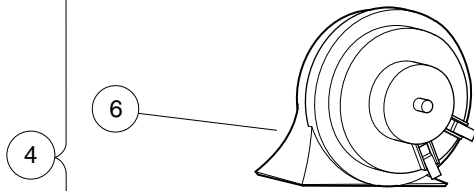
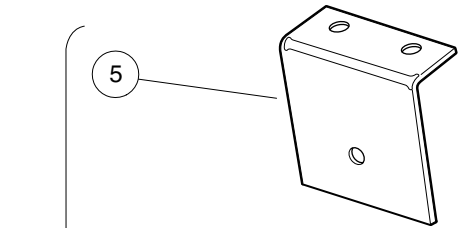
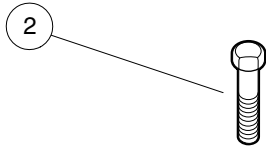
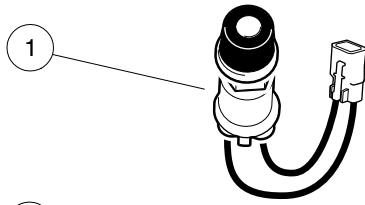
001224-001

LIGHT BAR – TURF/CA 252 AND XRT 900 ELECTRIC VEHICLES

ITEM	PART NO.	DESCRIPTION	QTY
		1 2 3 4	
1	102054502	Kit, Light Bar, Elec (includes items 2 through 13)	1
2	1010934	Screw, 5/16-18 X 1.00 Hex Cap	8
3	102077601	Brace, Light Bar	2
4	102077701	Bracket, Brace Mtg	2
5	102077801	Bracket, Light Mtg	2
6	102077901	Light Bar	1
7	102078001	Light, Light Bar (includes item 8)	2
8	AM10015	37.5 Watt Light Bar Bulb	2
9	102159601	Switch	1
10	103350001	Harness, Light Bar, 252	1
11	1241	Washer, 5/16 Type A Flat	12
12	7473	Locknut, 5/16-18 Nylon Insert	8
13	8990	Tie Wrap, 8" Nylon	4

4
G
E

4
G
E



001095-001

HORN

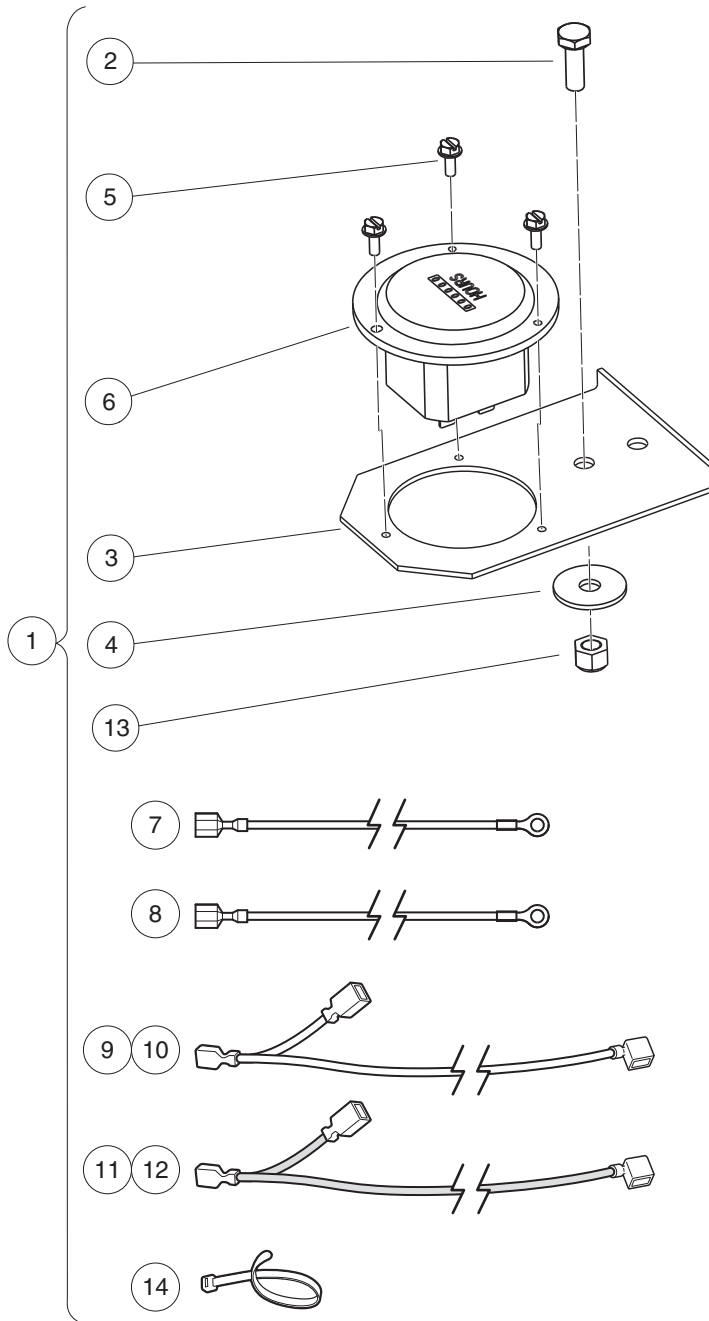
ITEM	PART NO.	DESCRIPTION	QTY
		1 2 3 4	
1	101969701	Horn Button and Wire Assembly	1
2	304	Screw, 1/4-20 X 1.0 Hex-Head Cap	2
3	332	Washer, 1/4 Type A Narrow Flat	2
4	4029	Horn (includes items 5 through 9)	1
5	1011825	Horn Bracket	1
6	1014530	Horn, 12-VDC	1
7	101955101	Nut, M6 Hex	1
8	7820	Washer, 5/16 Internal-Tooth	1
9	8294	5/16 Ring Term.	1
10	8233	Locknut, 1/4-20, Nylon Insert	2

4
G
E

4

G

E



001096-001

HOUR METER – IQ SYSTEM AND IQ PLUS ELECTRIC VEHICLES

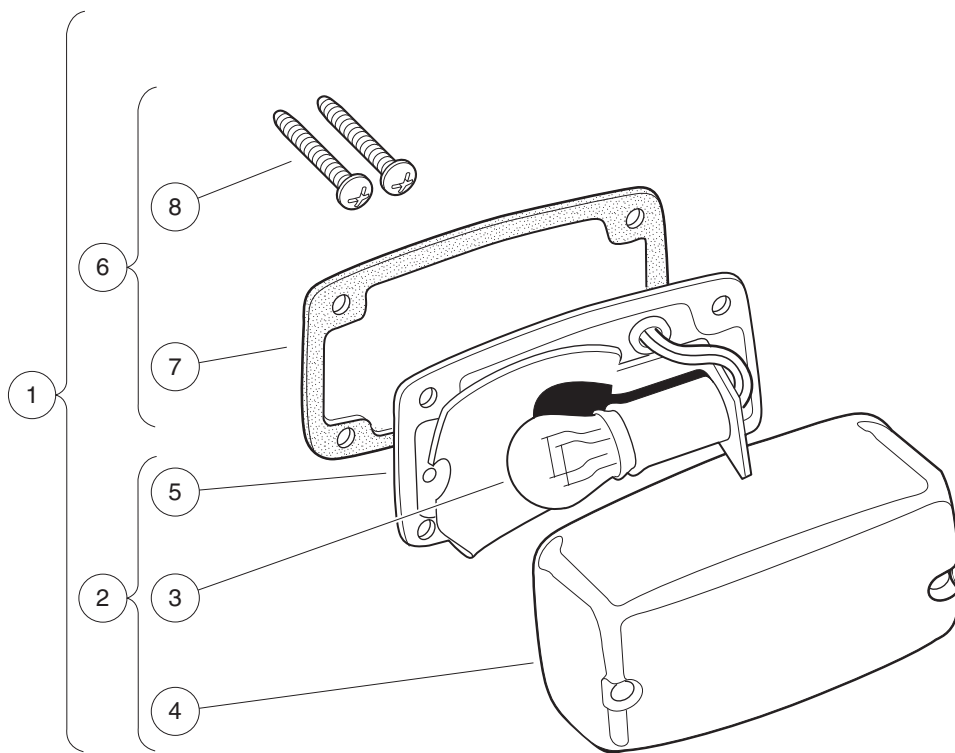
ITEM	PART NO.	DESCRIPTION	QTY
		1 2 3 4	
1	1013579	Kit, Hour Meter (includes items 2 through 14)	1
2	1012285	Screw, 1/4 X 0.625 Hex-Head	1
3	1013547	Hour Meter Bracket	1
4	1014306	Washer, 1/4" Type B Flat	1
5	1014540	Screw, #6-32 X 3/8 Taptite	3
6	N/A	Hour Meter	1
7	101881501	Wire Assembly Black #18	1
8	101881601	Wire Assembly Red #18	1
9	101997802	Wire Assembly #18 Yellow	1
10	101997803	Wire Asm #18 Yellow 31"	1
11	101997902	Wire Assembly #18 Red	1
12	101997903	Wire Asm # 18 Red 31"	1
13	8233	Locknut, 1/4-20, Nylon Insert	1
14	8990	Tie Wrap, 8" Nylon	1
		<p>Note: The kit includes components that apply to multiple vehicles. The installation instructions will specify which components are required for a specific model. After installation, discard components not used.</p>	

4
G
E

4

G

E



001081-001

TAILLIGHTS

ITEM	PART NO.	DESCRIPTION	QTY
		1 2 3 4	
1	1017035	Taillight Assembly (includes items 2 through 6)	2
2	N/A	Light, Tail (includes items 3 through 5)	1
3	1011582	Taillight Bulb	1
4	1011843	Taillight Lens	1
5	N/A	Base, Taillight	1
6	1017699	Hardware Kit, Tail Light (includes items 7 and 8)	1
7	N/A	Gasket	1
8	N/A	Screw, Tapered	2

4
G
E

4

G

E

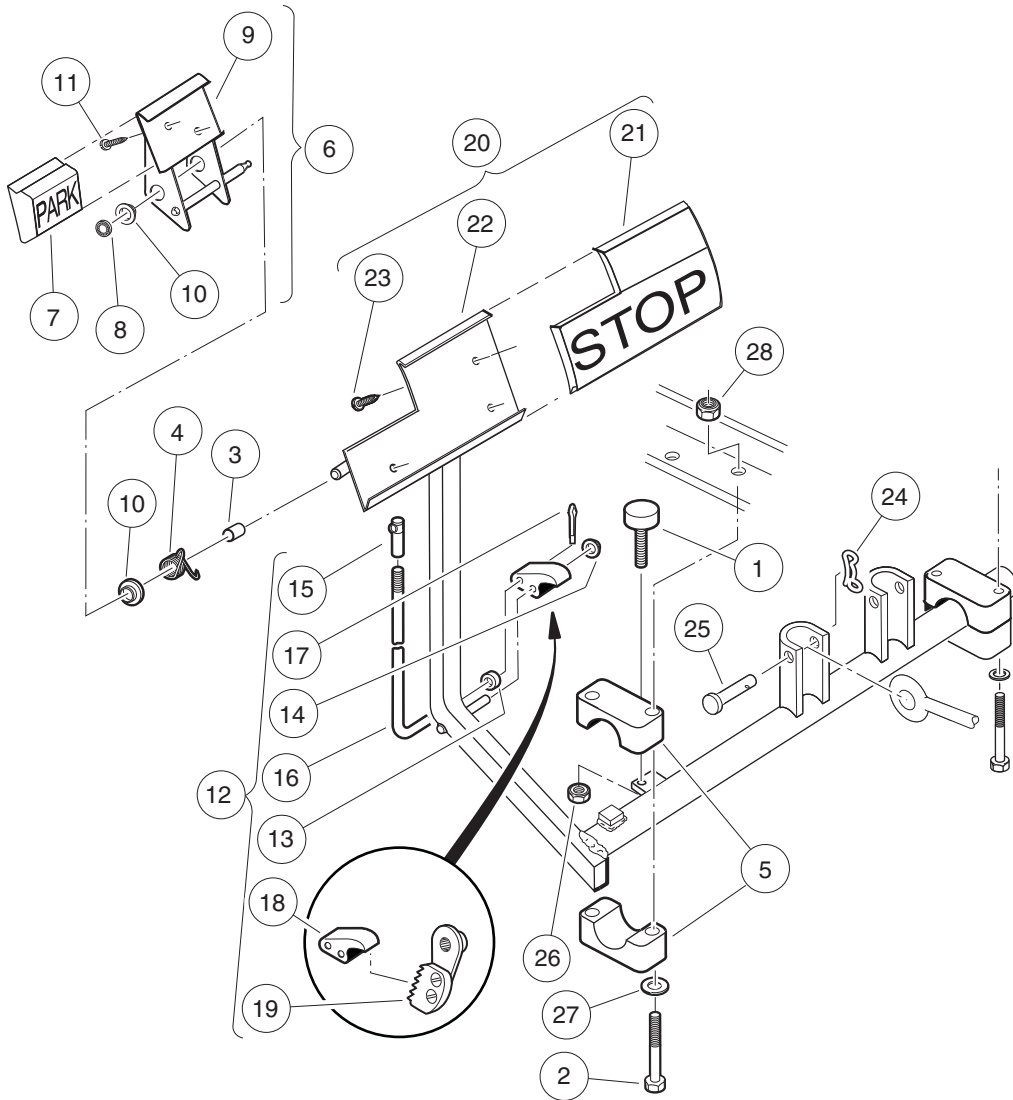
BRAKES, PEDAL, AND CABLE ASSEMBLIES

5

G

E

5
G
E



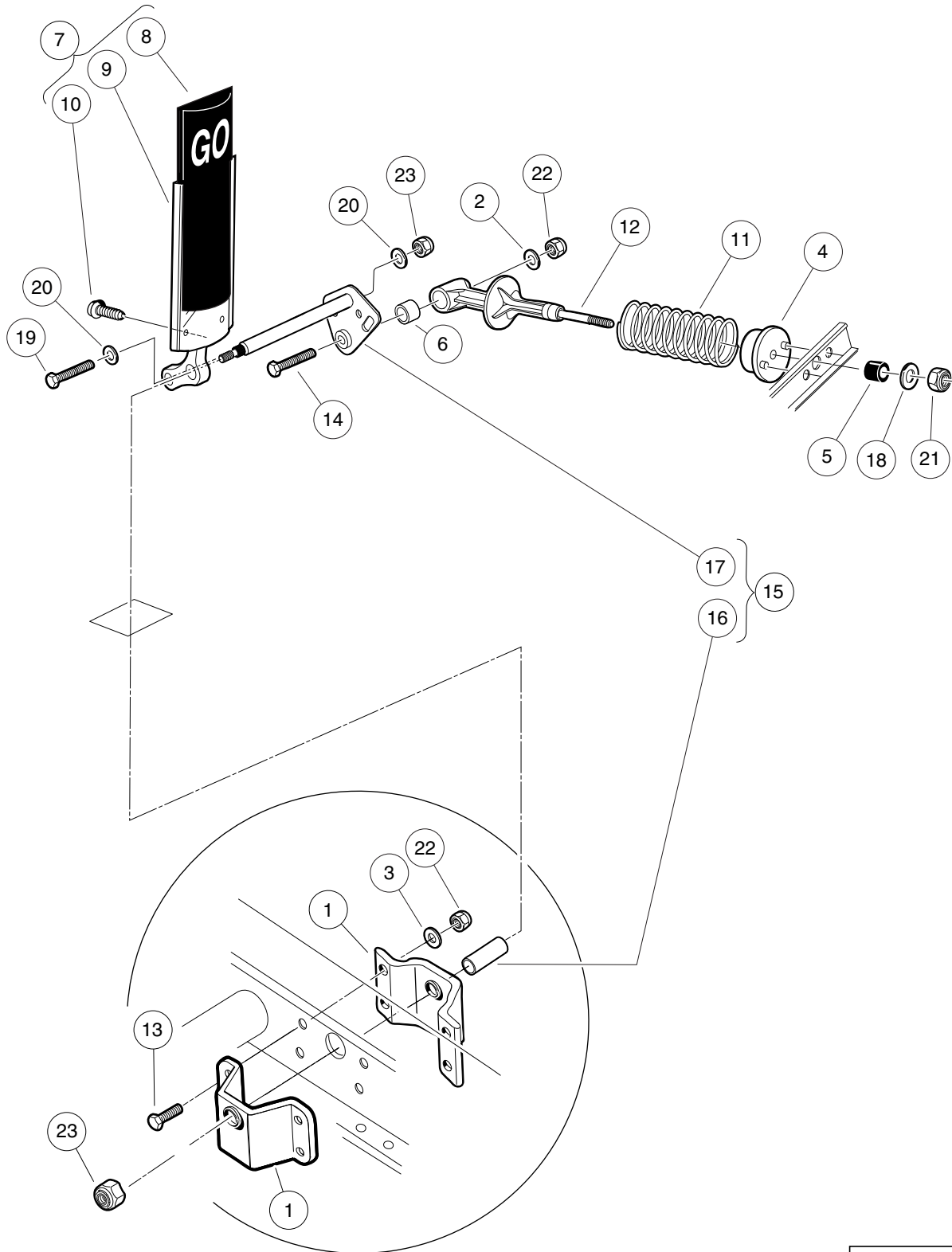
000187-001

BRAKE PEDAL ASSEMBLY

ITEM	PART NO.	DESCRIPTION	QTY
		1 2 3 4	
1	1010878	Bumper, Rubber	1
2	1010921	Screw, 5/16-18 X 2.50 Hex Cap	4
3	1010927	Hill Brake Spacer	1
4	1010933	Spring, Hill Brake Torsion	1
5	1011402	Package, Brake Mounting Block	1
6	1011418	Kit, Hill Brake Pedal (includes items 7 through 11)	1
7	1013870	Pad, Hill Brake	1
8	1013876	Pushnut, 3/8	1
9	N/A	Hill Brake Weld Assembly	1
10	1032	Bushing, Nylon	2
11	7716	Screw, #10-16 Type AB, Sheet Metal	2
12	101187702	Kit, Hill Brake Latch (includes items 13 through 19)	1
13	1010805	Sleeve, Hill Brake Rod	1
14	1010877	Pushnut, 3/8	1
15	1010932	Ball Joint, 1/4-28	1
16	N/A	Rod, Hill Brake	1
17	1017029	Pin, Cotter, 7/64 x 1/2 Stainless-Steel	1
18	N/A	Pawl, Hill Brake	1
19	101918501	Ratchet Assembly	1
20	101878201	Brake Pedal Kit (includes items 21 through 23)	1
21	1013869	Pad, Brake Pedal	1
22	N/A	Weldment, Brake Pedal, 2wr Std	1
23	7716	Screw, #10-16 Type AB, Sheet Metal	3
24	102323101	Pin, Bow Tie Locking	1
25	102323201	Pin, 3/8 X 1-5/16 Clevis	1
26	1028	Nut, 1/4-20 Hex	1
27	1241	Washer, 5/16 Type A Flat	4
28	7473	Locknut, 5/16-18 Nylon Insert	4

5
G
E

5
G
E



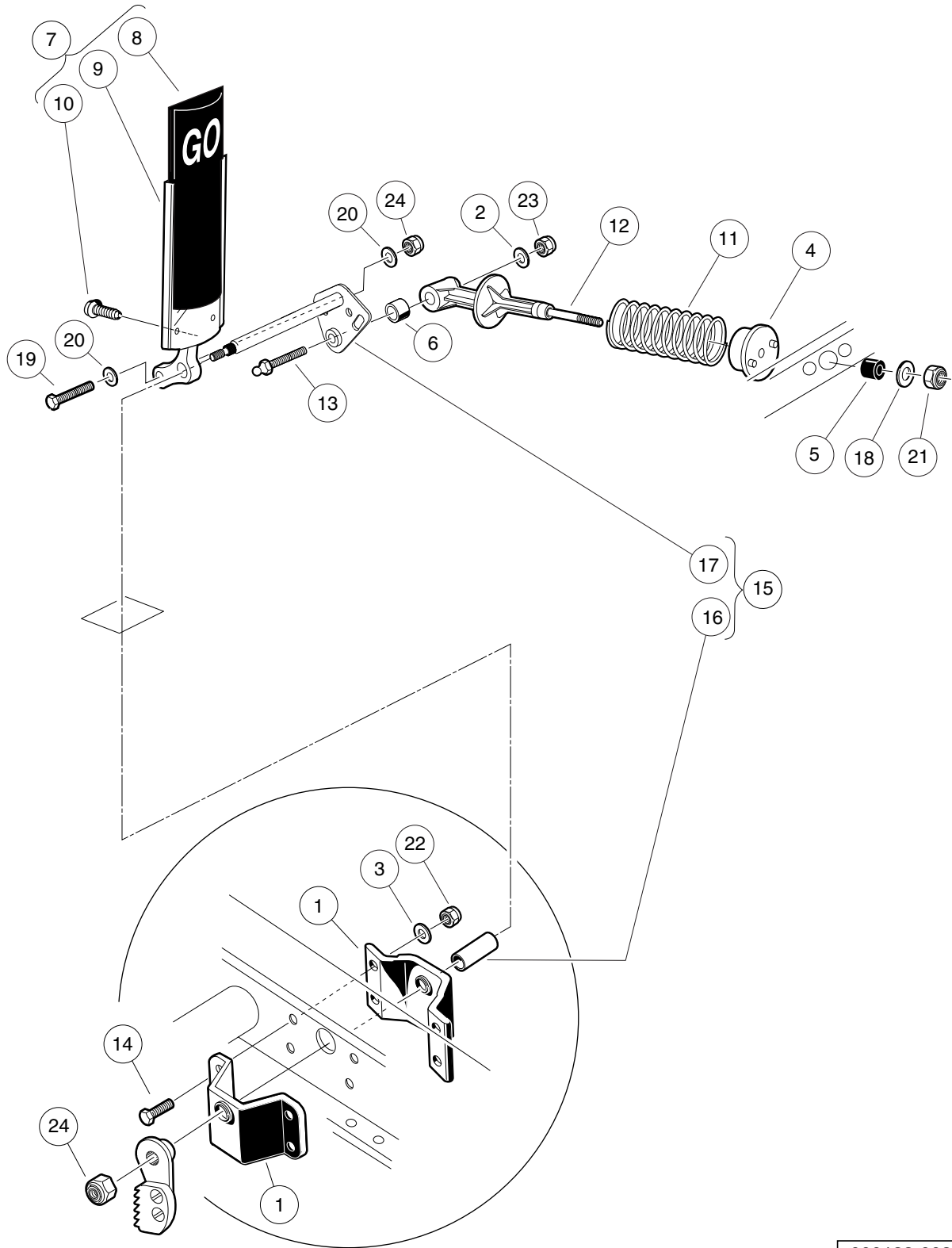
000188-007

ACCELERATOR PEDAL ASSEMBLY – ELECTRIC VEHICLES WITH MCOR

ITEM	PART NO.	DESCRIPTION	QTY
		1 2 3 4	
1	1011694	Accelerator Bracket and Bearing Assembly	2
2	1011931	Washer, 1/4 Flat	1
3	1014007	Washer, 1/4, Flat	4
4	1017378	Cup, Spring	1
5	1017380	Bumper, Spring Return	1
6	1017424	Bearing, Pivot Support	1
7	1017696	Sub Asm, Accelerator Pedal (includes items 8 through 10)	1
8	1013871	Pad, Accelerator Pedal	1
9	N/A	Accelerator Pedal Weldment	1
10	7716	Screw, #10-16 Type AB, Sheet Metal	4
11	101796201	Spring, Accelerator Return	1
12	101817401	Retainer, Spring	1
13	101861901	Screw, 1/4-20 X 1.125 Hex Cap	4
14	101862001	Screw, 1/4-20 X 1.500 Flange	1
15	102026001	Kit, Accelerator Pivot Rod Assembly (includes items 16 and 17)	1
16	101919801	Spacer, Accelerator	1
17	102158901	Pivot Rod Weldment	1
18	1241	Washer, 5/16 Type A Flat	1
19	1624	Screw, 3/8-16 X 1.50, Hex-Head Cap	1
20	334	Washer, 3/8, Type A, Flat	2
21	7473	Locknut, 5/16-18 Nylon Insert	1
22	8233	Locknut, 1/4-20, Nylon Insert	5
23	8754	Locknut, 3/8-16 Hex	2

5
G
E

5
G
E



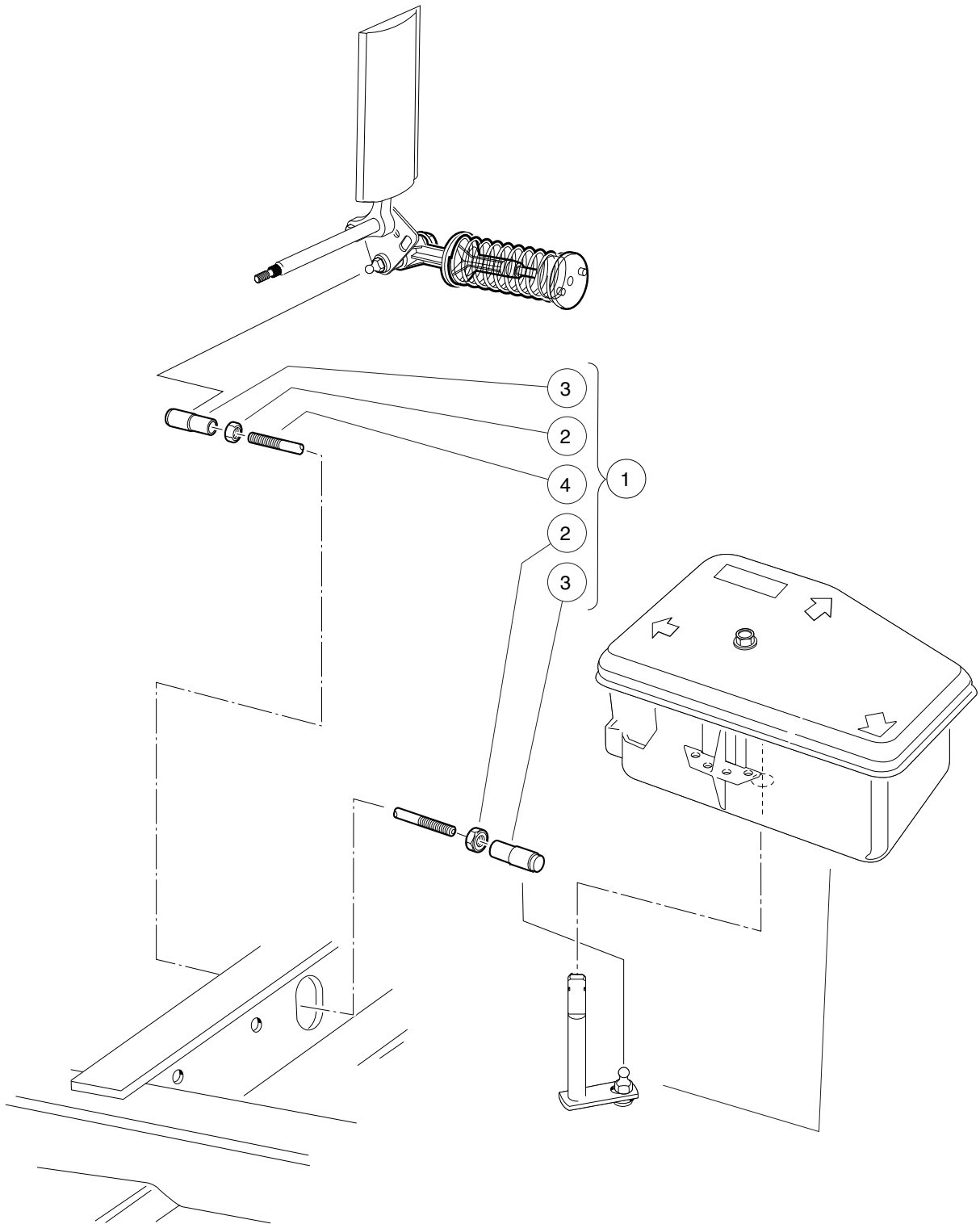
000188-008

ACCELERATOR PEDAL ASSEMBLY – GASOLINE VEHICLES

ITEM	PART NO.	DESCRIPTION	QTY
		1 2 3 4	
1	1011694	Accelerator Bracket and Bearing Assembly	2
2	1011931	Washer, 1/4 Flat	1
3	1014007	Washer, 1/4, Flat	4
4	1017378	Cup, Spring	1
5	1017380	Bumper, Spring Return	1
6	1017424	Bearing, Pivot Support	1
7	1017696	Sub Asm, Accelerator Pedal (includes items 8 through 10)	1
8	1013871	Pad, Accelerator Pedal	1
9	N/A	Accelerator Pedal Weldment	1
10	7716	Screw, #10-16 Type AB, Sheet Metal	4
11	101796201	Spring, Accelerator Return	1
12	101817401	Retainer, Spring	1
13	101818801	Stud, 1/4-28 X 1.35 Ball	1
14	101861901	Screw, 1/4-20 X 1.125 Hex Cap	4
15	102026001	Kit, Accelerator Pivot Rod Assembly (includes items 16 and 17)	1
16	101919801	Spacer, Accelerator	1
17	102158901	Pivot Rod Weldment	1
18	1241	Washer, 5/16 Type A Flat	1
19	1624	Screw, 3/8-16 X 1.50, Hex-Head Cap	1
20	334	Washer, 3/8, Type A, Flat	2
21	7473	Locknut, 5/16-18 Nylon Insert	1
22	8233	Locknut, 1/4-20, Nylon Insert	4
23	8717	Locknut, Nylon Insert, 1/4-28	1
24	8754	Locknut, 3/8-16 Hex	2

5
G
E

5
G
E



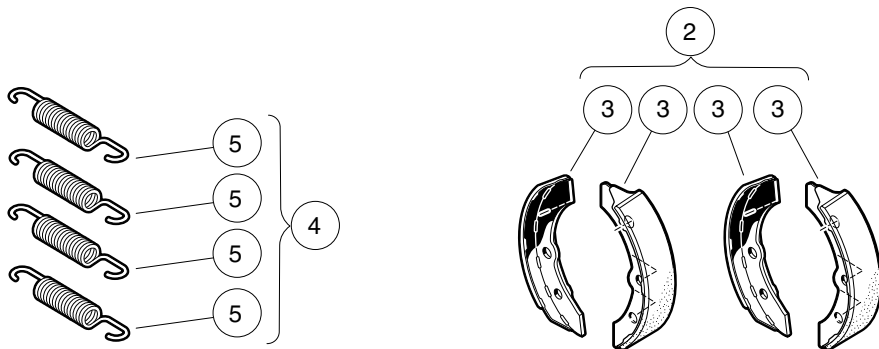
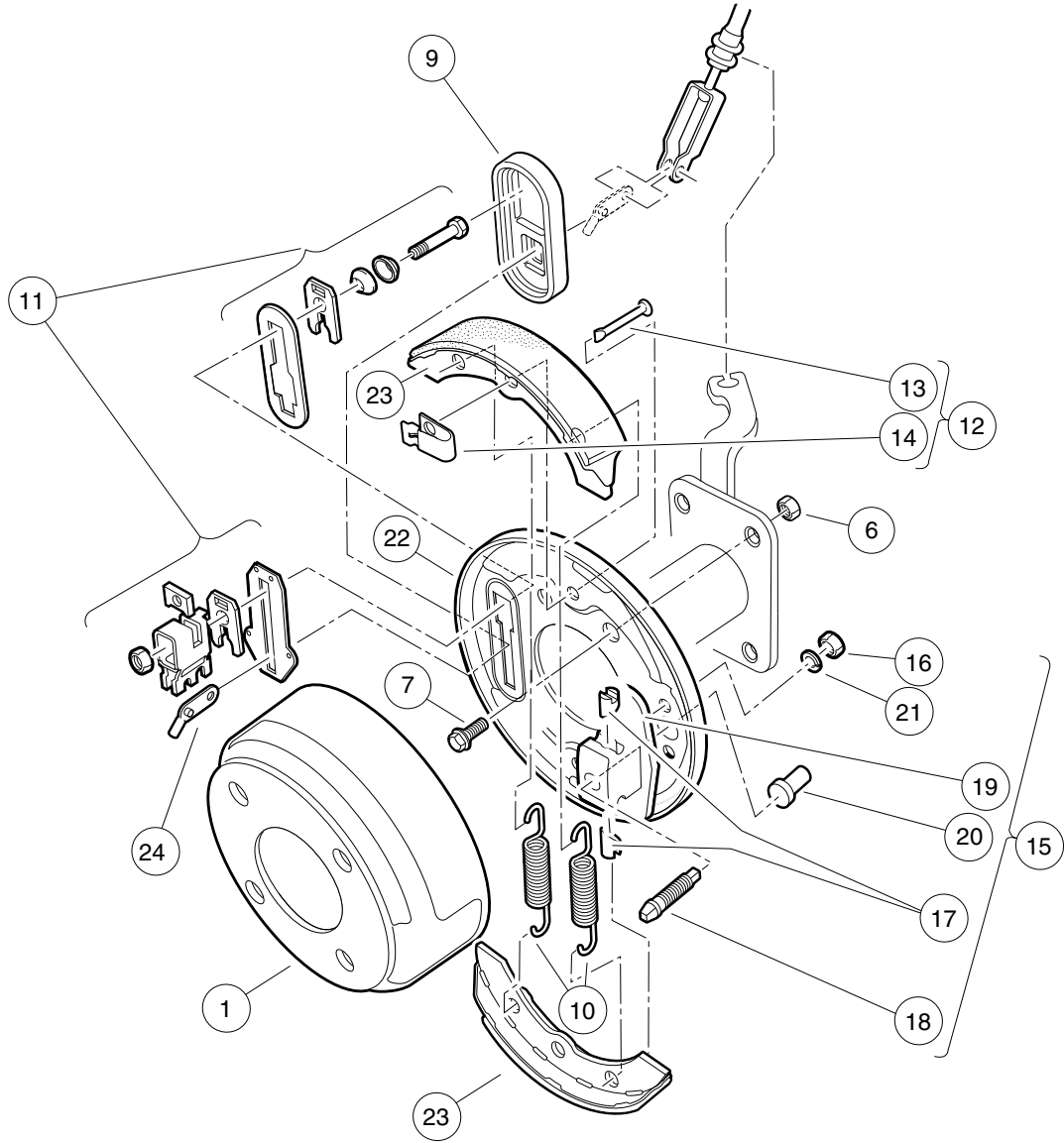
000362-001

ACCELERATOR ROD – TURF/CARRYALL 2/2 PLUS/252 AND XRT900 GASOLINE VEHICLES

ITEM	PART NO.	DESCRIPTION	QTY
		1 2 3 4	
1	101822001	Rod, Accelerator (includes items 2 through 4)	1
2	1011084	Nut, 1/4-28 Hex Jam	2
3	1011734	Joint, Ball	2
4	N/A	Accelerator Rod	1

5
G
E

5
G
E



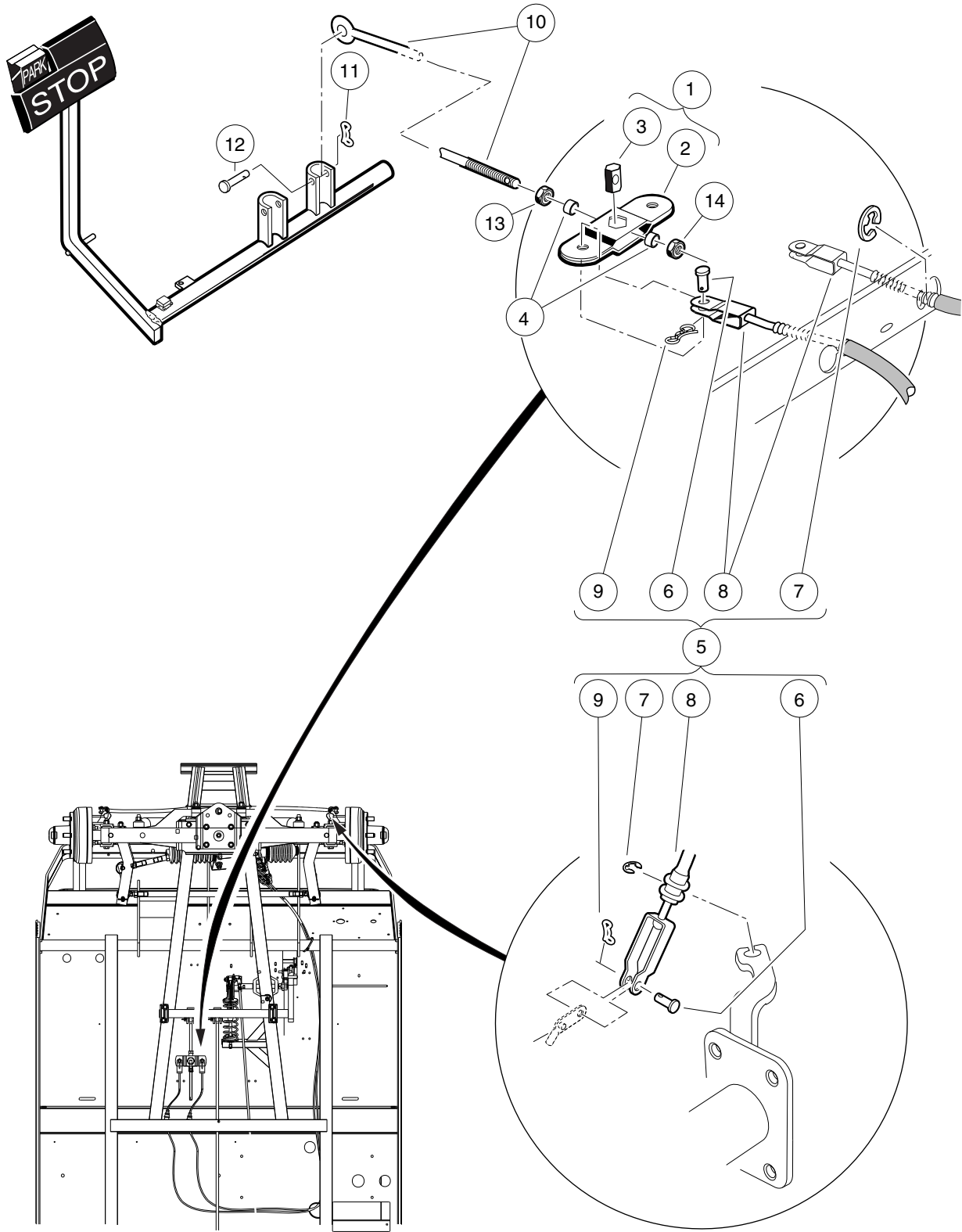
000298-001

FRONT BRAKE ASSEMBLY – VEHICLES WITH FOUR-WHEEL BRAKES

ITEM	PART NO.	DESCRIPTION	QTY
		1 2 3 4	
1	1011137	Drum, Brake	2
2	101146302	Kit, Non-Asbestos Brake Shoe (includes item 3)	1
3	101880701	Shoe Brake Manual Adj (Available in Kit, Non-Asbestos Brake Shoe)	4
4	1011464	Package, Brake Spring (includes item 5)	1
5	1011314	Brake Spring	4
6	1013924	Nut, 5/16-24, Hex Head Cone	8
7	1014153	Bolt, Brake Cluster Mounting	8
8	1016557	Cluster, Brake, Driver-Side (includes items 9 through 24)	1
9	1010850	Dust Cover	1
10	1011314	Brake Spring	2
11	1011465	Kit, Brake Actuator	1
12	1011466	Kit, Shoe Retainer (includes items 13 and 14)	1
13	N/A	Pin	2
14	N/A	Shoe Clamp Spring	2
15	1011467	Kit, Anchor Body (includes items 16 through 21)	1
16	1011114	Nut, M6-1.00 Hex	2
17	1011298	Anchor Piston	2
18	N/A	Adjustment Bolt	1
19	N/A	Anchor Body Component	1
20	1011303	Adjustment Bolt Cap	1
21	451	Lockwasher, 1/4 Split	2
22	1011494	Backing Plate, Left-Hand	1
23	101880701	Shoe Brake Manual Adj (Available in Kit, Non-Asbestos Brake Shoe)	2
24	N/A	Arm, Brake Lever	1
25	1016573	Cluster, Brake, Passenger-Side (includes items 26 through 41)	1
26	1010850	Dust Cover	1
27	1011154	Backing Plate, Right-Hand	1
28	1011314	Brake Spring	2
29	1011465	Kit, Brake Actuator	1
30	1011466	Kit, Shoe Retainer (includes items 31 and 32)	1
31	N/A	Pin	2
32	N/A	Shoe Clamp Spring	2
33	1011467	Kit, Anchor Body (includes items 34 through 39)	1
34	1011114	Nut, M6-1.00 Hex	2
35	1011298	Anchor Piston	2
36	N/A	Adjustment Bolt	1
37	N/A	Anchor Body Component	1
38	1011303	Adjustment Bolt Cap	1
39	451	Lockwasher, 1/4 Split	2
40	101880701	Shoe Brake Manual Adj (Available in Kit, Non-Asbestos Brake Shoe)	2
41	N/A	Arm, Brake Lever	1
		Note: Passenger-side brake cluster not shown. Components have a similar appearance to driver-side brake cluster components.	

5
G
E

5
G
E



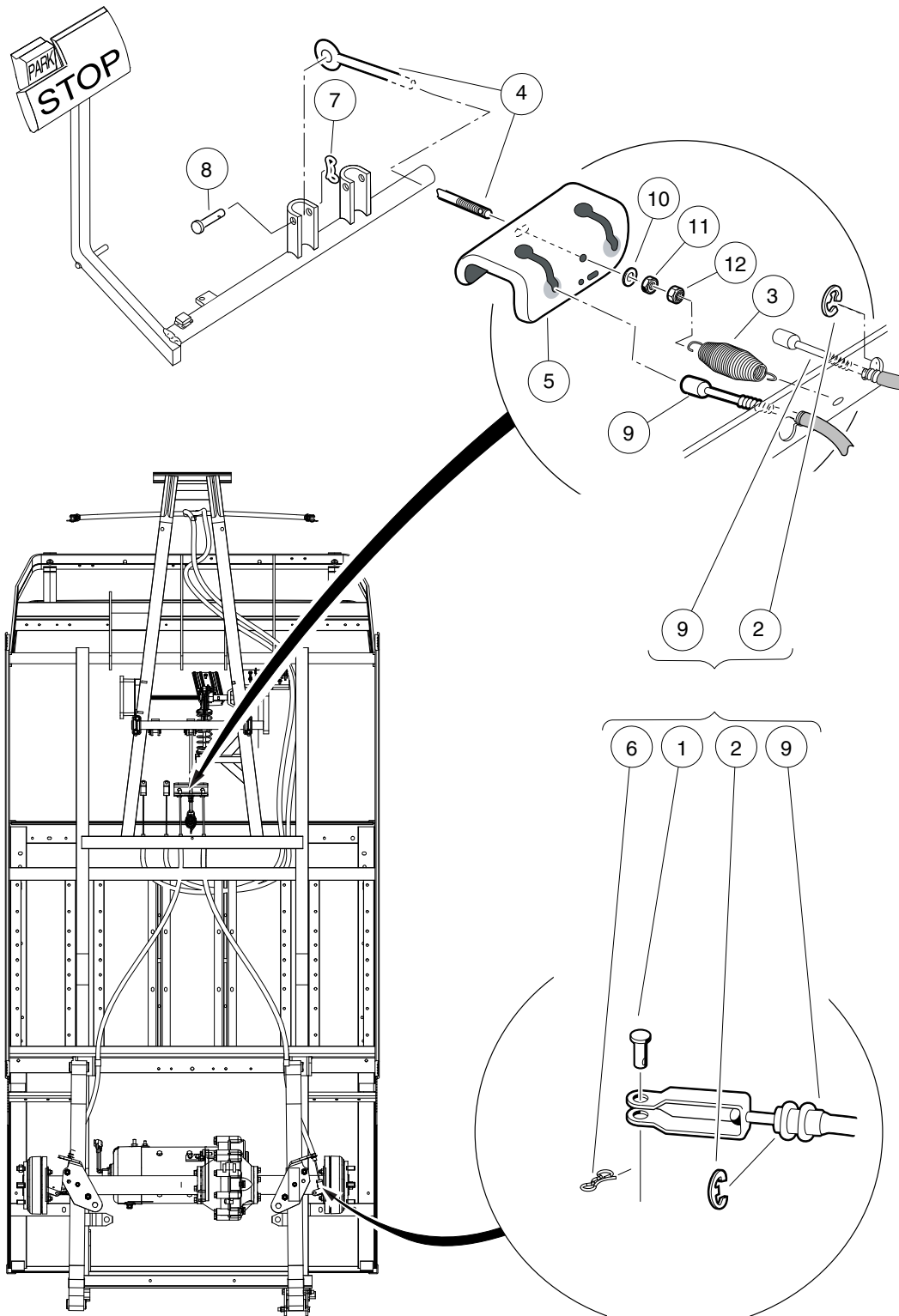
000294-001

FRONT BRAKE CABLES AND EQUALIZER – VEHICLES WITH FOUR-WHEEL BRAKES

ITEM	PART NO.	DESCRIPTION	QTY
		1 2 3 4	
1	1017211	Kit, Equalizer and Pivot Limiter (includes items 2 and 3)	1
2	1016319	Equalizer Weld Assembly	1
3	1016320	Equalizer, Pivot Limiter	1
4	101865301	Spacer	2
5	101874601	Kit, Brake Cable (includes items 6 through 9)	1
6	1010829	Pin, Clevis, 5/16 X 3/4	4
7	1011779	E-Clip, 1/2	4
8	N/A	Brake Cable	2
9	102292801	Pin, Bow Tie Locking - .072	4
10	101953106	Rod, Equalizer, 9.75"	1
11	102323101	Pin, Bow Tie Locking	1
12	102323201	Pin, 3/8 X 1-5/16 Clevis	1
13	1242	Nut, 5/16-18 Hex	1
14	7473	Locknut, 5/16-18 Nylon Insert	1

5
G
E

5
G
E



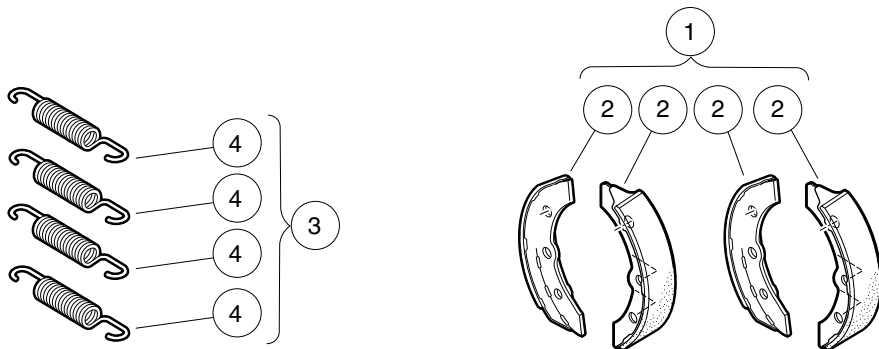
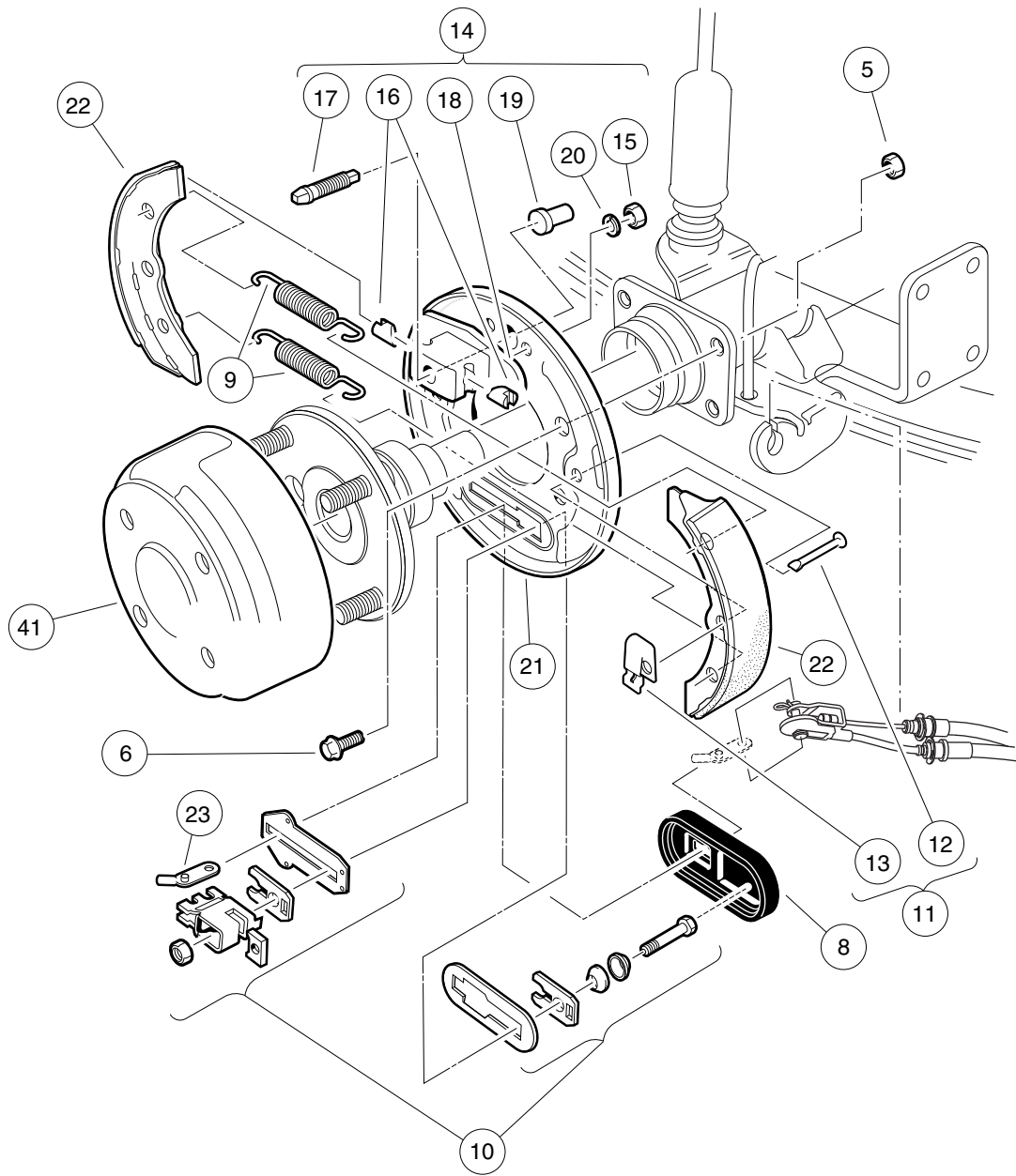
000295-002

REAR BRAKE CABLES AND EQUALIZER – VEHICLES WITH 4-WHEEL BRAKES

ITEM	PART NO.	DESCRIPTION	QTY
		1 2 3 4	
1	1010829	Pin, Clevis, 5/16 X 3/4	2
2	1011779	E-Clip, 1/2	4
3	1013531	Spring, Brake Return	1
4	101953106	Rod, Equalizer, 9.75"	1
5	101990801	Equalizer Bracket	1
6	102292801	Pin, Bow Tie Locking - .072	2
7	102323101	Pin, Bow Tie Locking	1
8	102323201	Pin, 3/8 X 1-5/16 Clevis	1
9	102852101	Cable, Brake, 51-inch, Right	2
10	1241	Washer, 5/16 Type A Flat	1
11	1242	Nut, 5/16-18 Hex	1
12	7473	Locknut, 5/16-18 Nylon Insert	1

5
G
E

5
G
E



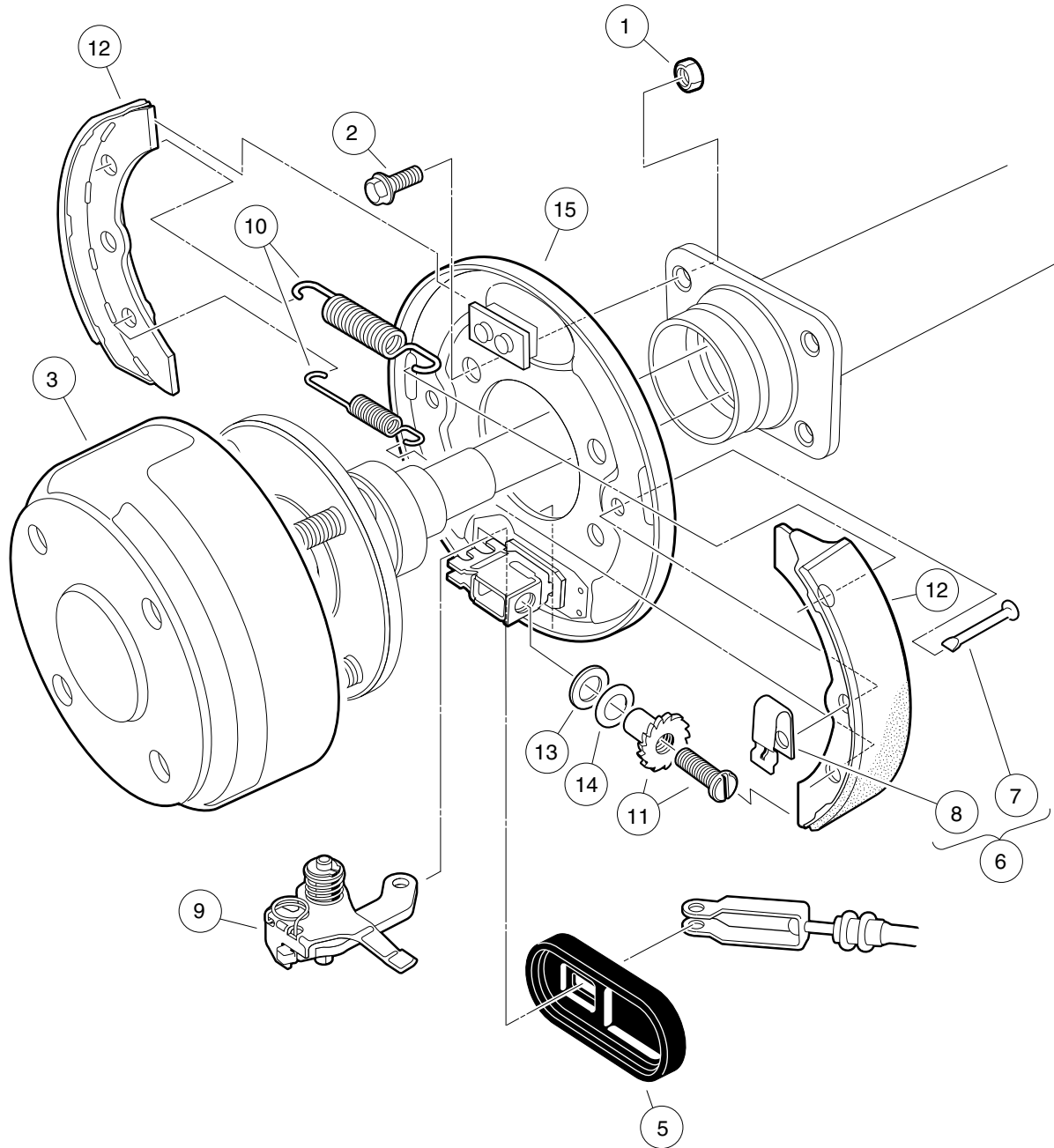
000293-002

REAR BRAKE ASSEMBLY, MANUALLY-ADJUSTED – VEHICLES WITH 4-WHEEL BRAKES

ITEM	PART NO.	DESCRIPTION	QTY
		1 2 3 4	
1	101146302	Kit, Non-Asbestos Brake Shoe (includes item 2)	1
2	101880701	Shoe Brake Manual Adj (Available in Kit, Non-Asbestos Brake Shoe)	4
3	1011464	Package, Brake Spring (includes item 4)	1
4	1011314	Brake Spring	4
5	1013924	Nut, 5/16-24, Hex Head Cone	8
6	1014153	Bolt, Brake Cluster Mounting	8
7	1016557	Cluster, Brake, Driver-Side (includes items 8 through 23)	1
8	1010850	Dust Cover	1
9	1011314	Brake Spring	2
10	1011465	Kit, Brake Actuator	1
11	1011466	Kit, Shoe Retainer (includes items 12 and 13)	1
12	N/A	Pin	2
13	N/A	Shoe Clamp Spring	2
14	1011467	Kit, Anchor Body (includes items 15 through 20)	1
15	1011114	Nut, M6-1.00 Hex	2
16	1011298	Anchor Piston	2
17	N/A	Adjustment Bolt	1
18	N/A	Anchor Body Component	1
19	1011303	Adjustment Bolt Cap	1
20	451	Lockwasher, 1/4 Split	2
21	1011494	Backing Plate, Left-Hand	1
22	101880701	Shoe Brake Manual Adj (Available in Kit, Non-Asbestos Brake Shoe)	2
23	N/A	Arm, Brake Lever	1
24	1016573	Cluster, Brake, Passenger-Side (includes items 25 through 40)	1
25	1010850	Dust Cover	1
26	1011154	Backing Plate, Right-Hand	1
27	1011314	Brake Spring	2
28	1011465	Kit, Brake Actuator	1
29	1011466	Kit, Shoe Retainer (includes items 30 and 31)	1
30	N/A	Pin	2
31	N/A	Shoe Clamp Spring	2
32	1011467	Kit, Anchor Body (includes items 33 through 38)	1
33	1011114	Nut, M6-1.00 Hex	2
34	1011298	Anchor Piston	2
35	N/A	Adjustment Bolt	1
36	N/A	Anchor Body Component	1
37	1011303	Adjustment Bolt Cap	1
38	451	Lockwasher, 1/4 Split	2
39	101880701	Shoe Brake Manual Adj (Available in Kit, Non-Asbestos Brake Shoe)	2
40	N/A	Arm, Brake Lever	1
41	101791101	Drum without Center Hole, Brake	2
		Note: Passenger-side brake cluster not shown. Components have a similar appearance to driver-side brake cluster components.	

5
G
E

5
G
E



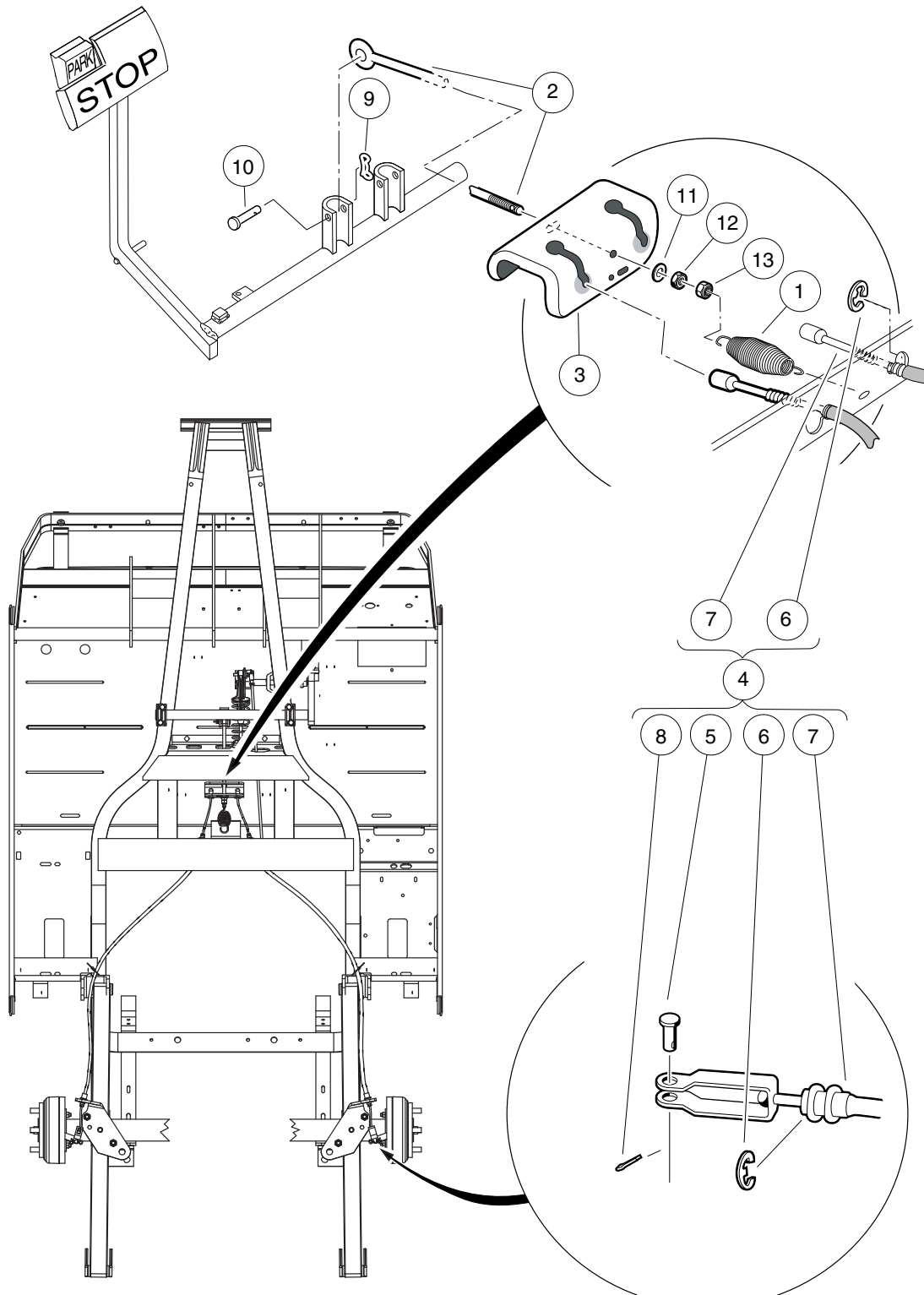
000186-002

REAR BRAKE ASSEMBLY, SELF-ADJUSTING – VEHICLE WITH 2-WHEEL BRAKES

ITEM	PART NO.	DESCRIPTION	QTY
		1 2 3 4	
1	1013924	Nut, 5/16-24, Hex Head Cone	8
2	1014153	Bolt, Brake Cluster Mounting	8
3	101791101	Drum without Center Hole, Brake	2
4	101823301	Cluster Assembly, Right (Passenger) Brake (includes items 5 through 15)	1
5	1010850	Dust Cover	1
6	1011466	Kit, Shoe Retainer (includes items 7 and 8)	1
7	N/A	Pin	2
8	N/A	Shoe Clamp Spring	2
9	101815501	Lever Assembly, Self-Adjusting Brake, Right (Passenger)	1
10	101816301	Package, Brake Spring, Self-Adjusting	1
11	101816501	Adj Mechanism, S.A. Brakes, Right (Passenger)	1
12	101823201	Package, Brake Shoe, Self-Adjusting	1
13	101823801	Plate, Washer, Brake, Self-Adjusting	1
14	101823901	Washer, Brake, Self-Adjusting	1
15	101824001	Plate Assembly, Right Brake Backing	1
16	101823302	Cluster Assembly, Left Brake (includes items 17 through 27)	1
17	1010850	Dust Cover	1
18	1011466	Kit, Shoe Retainer (includes items 19 and 20)	1
19	N/A	Pin	2
20	N/A	Shoe Clamp Spring	2
21	101815502	Lever Assembly, Self-Adjusting Brake, Left	1
22	101816301	Package, Brake Spring, Self-Adjusting	1
23	101816502	Adjusting Mechanism, Self-Adjusting Brake, Left	1
24	101823201	Package, Brake Shoe, Self-Adjusting	1
25	101823801	Plate, Washer, Brake, Self-Adjusting	1
26	101823901	Washer, Brake, Self-Adjusting	1
27	101824002	Plate Assembly, Left Brake Backing	1
Note: Driver-side brake cluster not shown. Components have a similar appearance to passenger-side brake cluster components.			

5
G
E

5
G
E



000296-001

REAR BRAKE CABLES AND EQUALIZER – VEHICLES WITH TWO-WHEEL BRAKES

ITEM	PART NO.	DESCRIPTION	QTY
		1 2 3 4	
1	1013531	Spring, Brake Return	1
2	101953102	Rod, Equalizer, 20.91 inch	1
3	101990801	Equalizer Bracket	1
4	102022101	Brake Cable Kit (includes items 5 through 8)	2
5	1010829	Pin, Clevis, 5/16 X 3/4	1
6	1011779	E-Clip, 1/2	2
7	N/A	Cable, Brake, 41"	1
8	102292801	Pin, Bow Tie Locking - .072	1
9	102323101	Pin, Bow Tie Locking	1
10	102323201	Pin, 3/8 X 1-5/16 Clevis	1
11	1241	Washer, 5/16 Type A Flat	1
12	1242	Nut, 5/16-18 Hex	1
13	7473	Locknut, 5/16-18 Nylon Insert	1

5
G
E

5

G

E

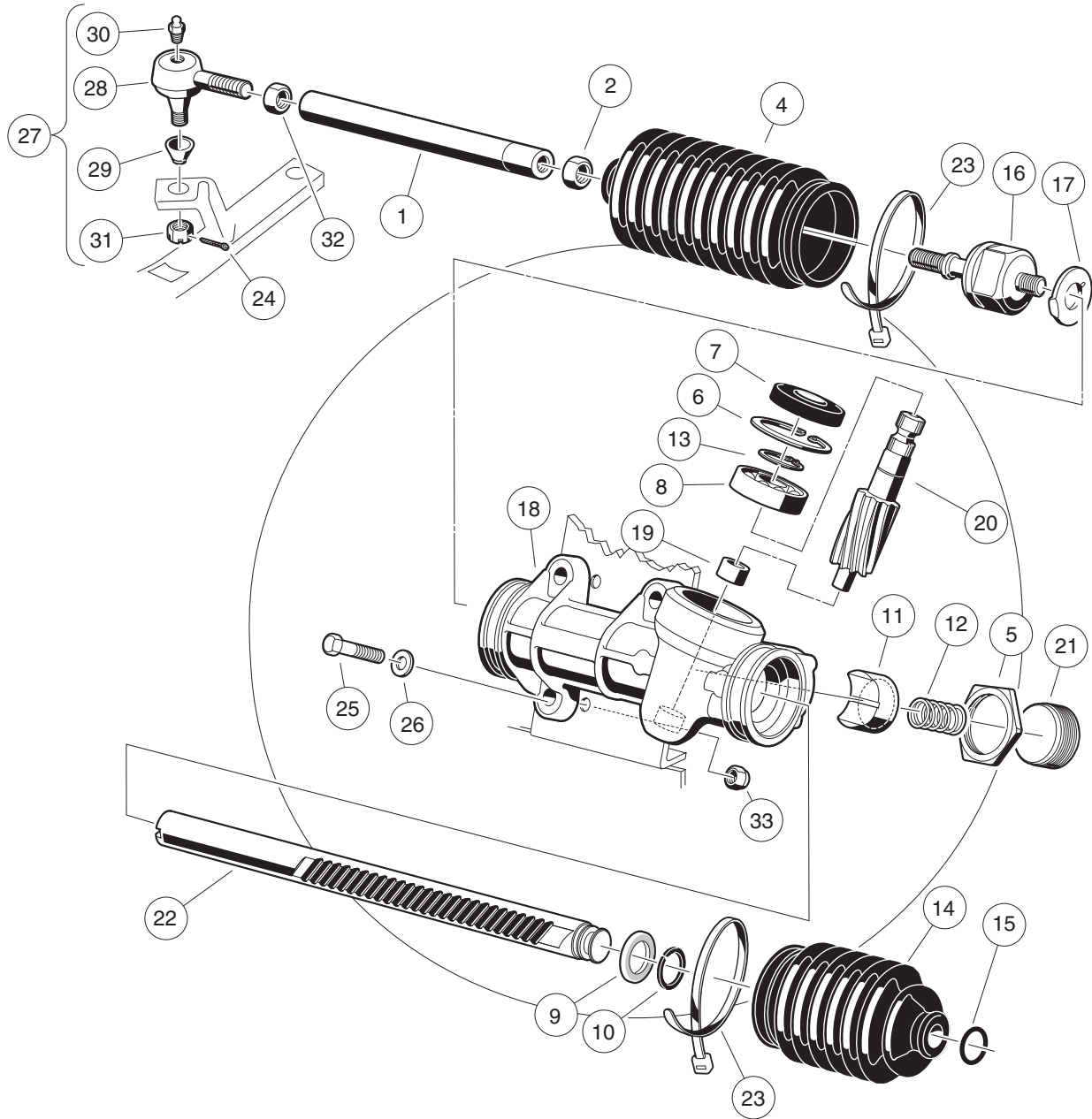
STEERING AND SUSPENSIONS – TURF/CA 2 AND 2 PLUS

6

G

E

6
G
E

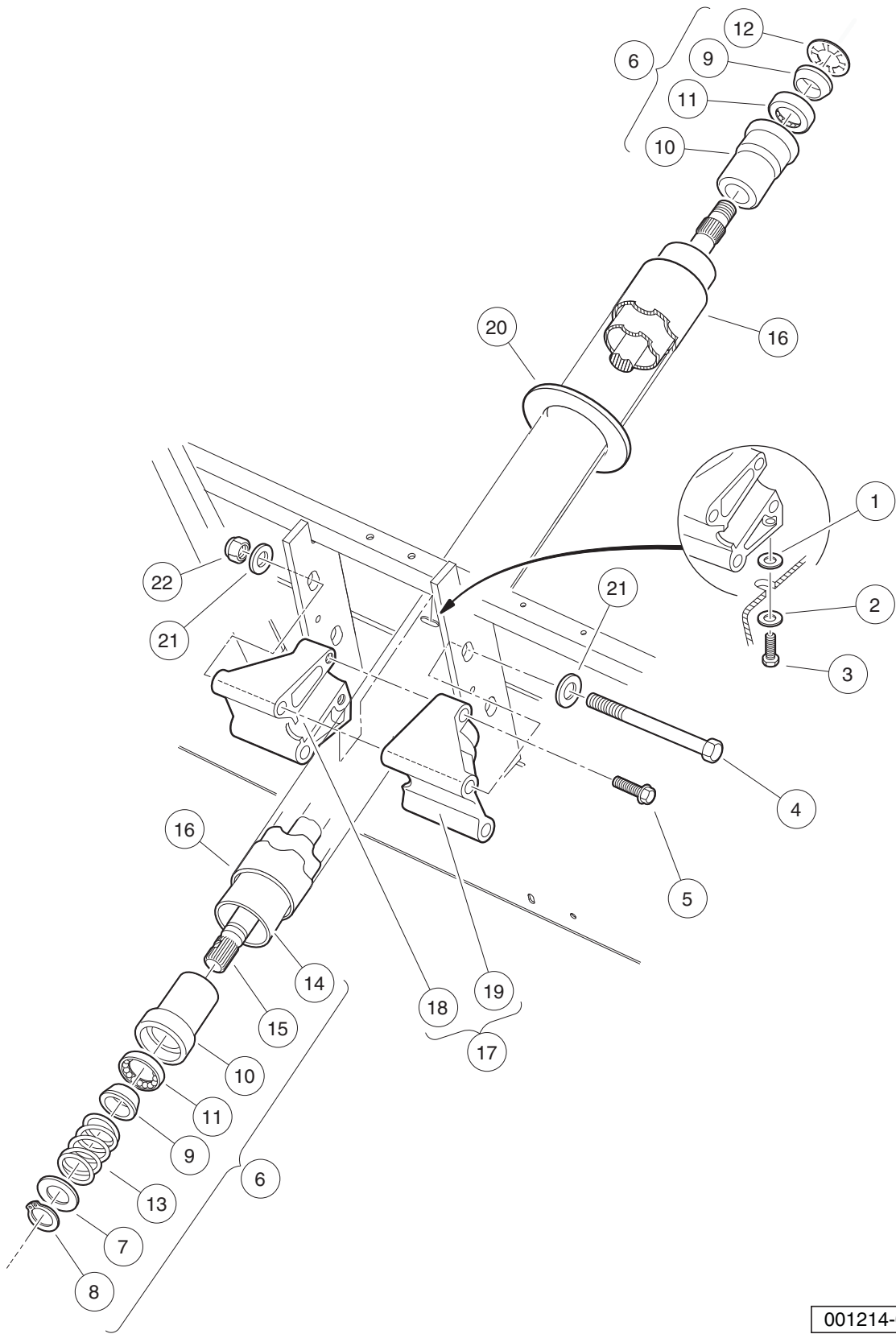


001213-001

STEERING GEAR ASSEMBLY

ITEM	PART NO.	DESCRIPTION	QTY	
		1 2 3 4		6
1	1012467	Link, Rack and Pinion Drag	1	G
2	1013042	Nut, 12mm Hex	1	E
3	101878302	Steering Gear Assembly (without yoke) (includes items 4 through 23)	1	
4	1013035	Bellows, Long	1	
5	1013044	Rack Screw Locknut	1	
6	N/A	Snap Ring	1	
7	1013052	Seal, Steering Pinion Dust	1	
8	101879401	Bearing, Ball	1	
9	101879501	Stop Washer	1	
10	101879601	Stop Ring, C-Type	1	
11	101879701	Support Yoke	1	
12	101879801	Rack Guide Pressure Spring	1	
13	101879901	Ring, Stop, C-Type	1	
14	101880001	Bellows, Short	1	
15	101880101	Dust Seal Retaining Ring	1	
16	101880201	Inner Ball Joint Asm	1	
17	101880301	Washer, Tab	1	
18	N/A	Box, Steering Gear	1	
19	N/A	Bearing, Lower Pinion	1	
20	N/A	Pinion, Steering	1	
21	N/A	Screw, Rack Guide	1	
22	N/A	Rack, Steering	1	
23	8990	Tie Wrap, 8" Nylon	2	
24	1035	Cotter Pin, 3/32 x 1	1	
25	1624	Screw, 3/8-16 X 1.50, Hex-Head Cap	3	
26	334	Washer, 3/8, Type A, Flat	3	
27	7540	Ball Joint, Left (includes items 28 through 31)	1	
28	1011895	Socket, LH Vertical	1	
29	1011930	Seal, Vertical Socket Dust	1	
30	1015597	Fitting, 1/4-28 Thread-Forming Grease	1	
31	7602	Nut, 3/8-24 UNF Hex	1	
32	7555	Nut, 1/2-20 Hex, Left-Hand Thread	1	
33	8754	Locknut, 3/8-16 Hex	3	

6
G
E



001214-001

STEERING COLUMN – UTILITY

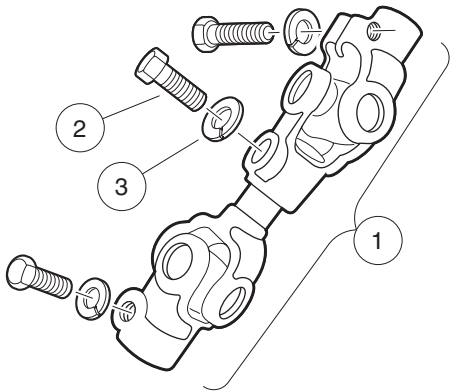
ITEM	PART NO.	DESCRIPTION	QTY
		1 2 3 4	
1	1011578	Washer, 5/16 Type B Flat	1
2	1011697	Washer, 5/16 Flat	1
3	1014288	Screw, 5/16-18 X 0.75, Thread-Forming	1
4	1016183	Screw, 3/8-16 X 7.00 Hex Cap	2
5	1016269	Screw, 5/16-18 Thrd Forming	2
6	1017313	Steering Shaft Assembly (includes items 7 through 15)	1
7	1012604	Washer, 0.675 ID X 1.19 OD	1
8	1012605	Ring, 0.579 Internal Retaining	1
9	1014125	Wedge, Molded	2
10	1014126	Seat, Plastic Bearing	2
11	1014213	Bearing, Ball	2
12	1014214	Ring, Retaining	1
13	1014217	Spring, Steering Shaft	1
14	1017314	Column, Aluminum Steering	1
15	1017315	Shaft Steering Column	1
16	1017317	Tube Cover, Steering Column	1
17	101984801	Kit, Steering Column Mounting Bracket (includes items 18 and 19)	1
18	N/A	Bracket, RH Steering Column Mount	1
19	N/A	Bracket, LH Steering column mount	1
20	102278001	Boot, Steering Column Round	1
21	334	Washer, 3/8, Type A, Flat	4
22	8754	Locknut, 3/8-16 Hex	2

6
G
E

6

G

E

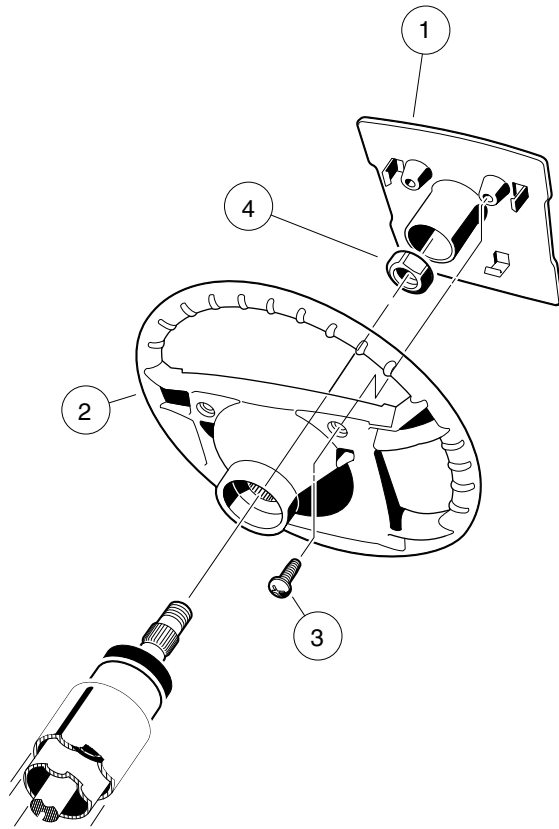


001217-001

INTERMEDIATE STEERING SHAFT – TURF/CARRYALL 1/2/2 PLUS/6

ITEM	PART NO.	DESCRIPTION	QTY
		1 2 3 4	
1	1013861	Intermediate Steering Shaft (includes items 2 and 3)	1
2	1017226	Bolt, Hex-Head, 8mm X 1.25 - 30	3
3	7174	Lockwasher, 5/16 Split	3

6
G
E



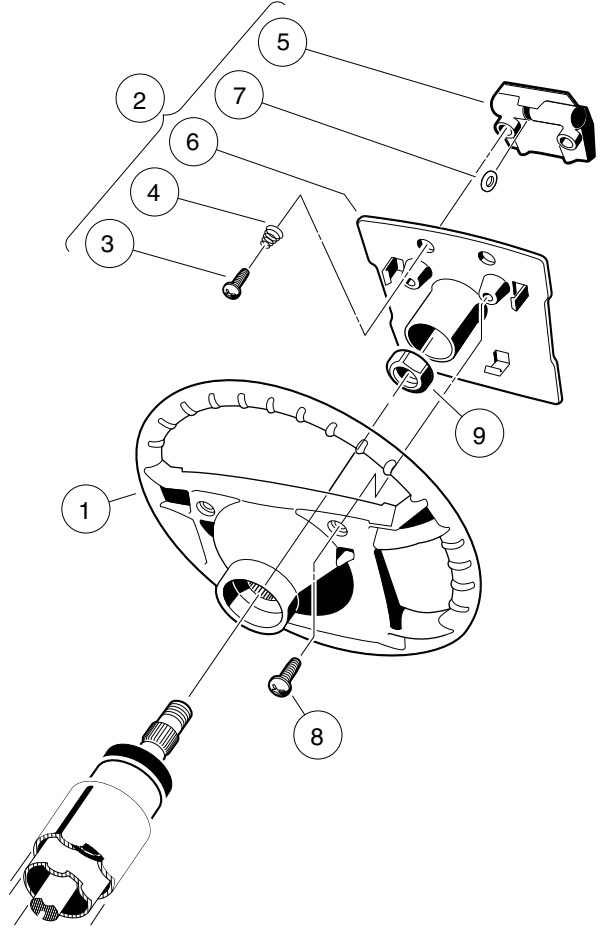
000246-003

STEERING WHEEL

ITEM	PART NO.	DESCRIPTION	QTY
		1 2 3 4	
1	101615504	Plate, Scorecard	1
2	1016156	Wheel, Steering	1
3	1016663	Screw, #12-14 X 0.625	2
4	1017273	Nut, 5/8-18 Nylon Insert Jam	1

6
G
E

6
G
E



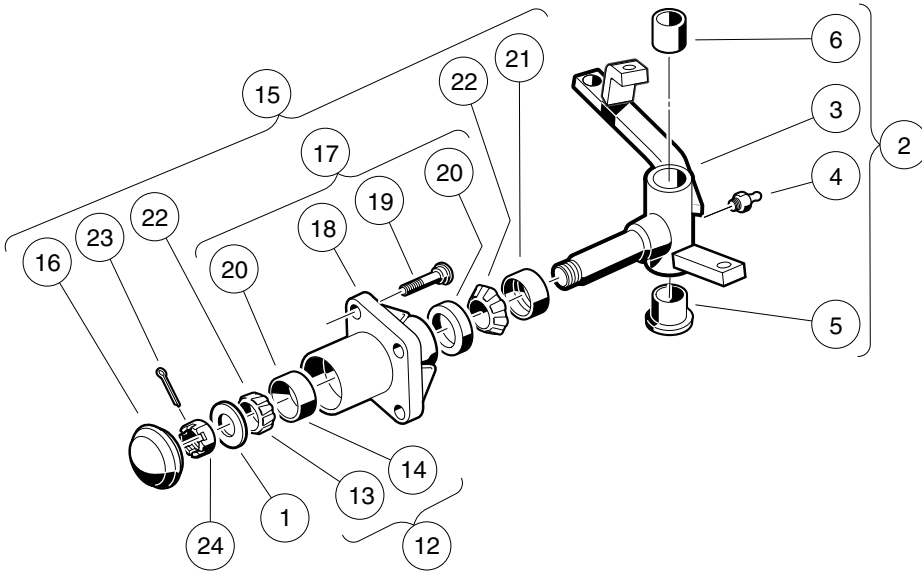
000246-002

STEERING WHEEL WITH CLIP

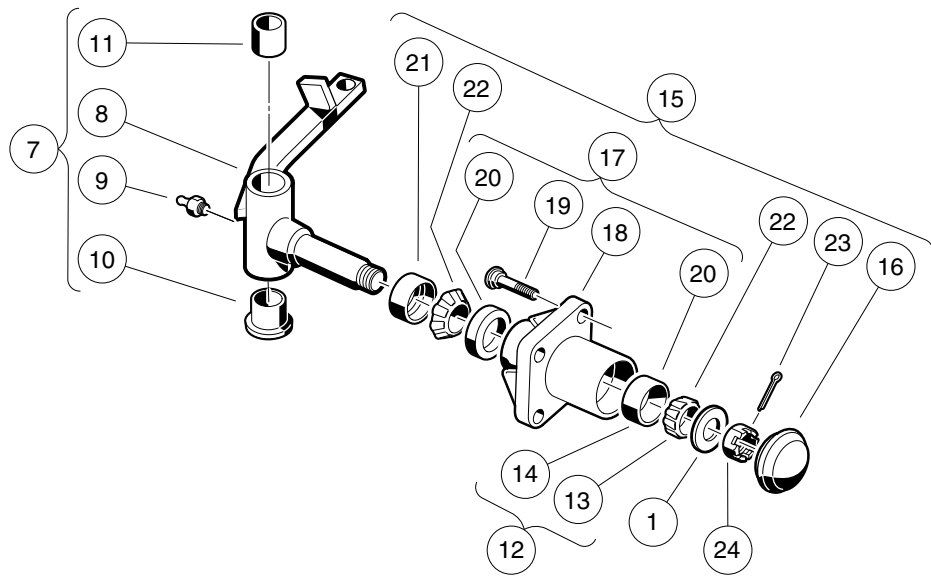
ITEM	PART NO.	DESCRIPTION	QTY
		1 2 3 4	
1	1016156	Wheel, Steering	1
2	1016219	Plate, Scorecard (includes items 3 through 7)	1
3	1012565	Screw, #12 Phillips Round Head	2
4	1012566	Tapered Compression Spring	2
5	1016154	Clip, Scorecard	1
6	N/A	Plate, Score Card	1
7	1016214	Pencil Grip	1
8	1016663	Screw, #12-14 X 0.625	2
9	1017273	Nut, 5/8-18 Nylon Insert Jam	1

6
G
E

PASSENGER SIDE



DRIVER SIDE



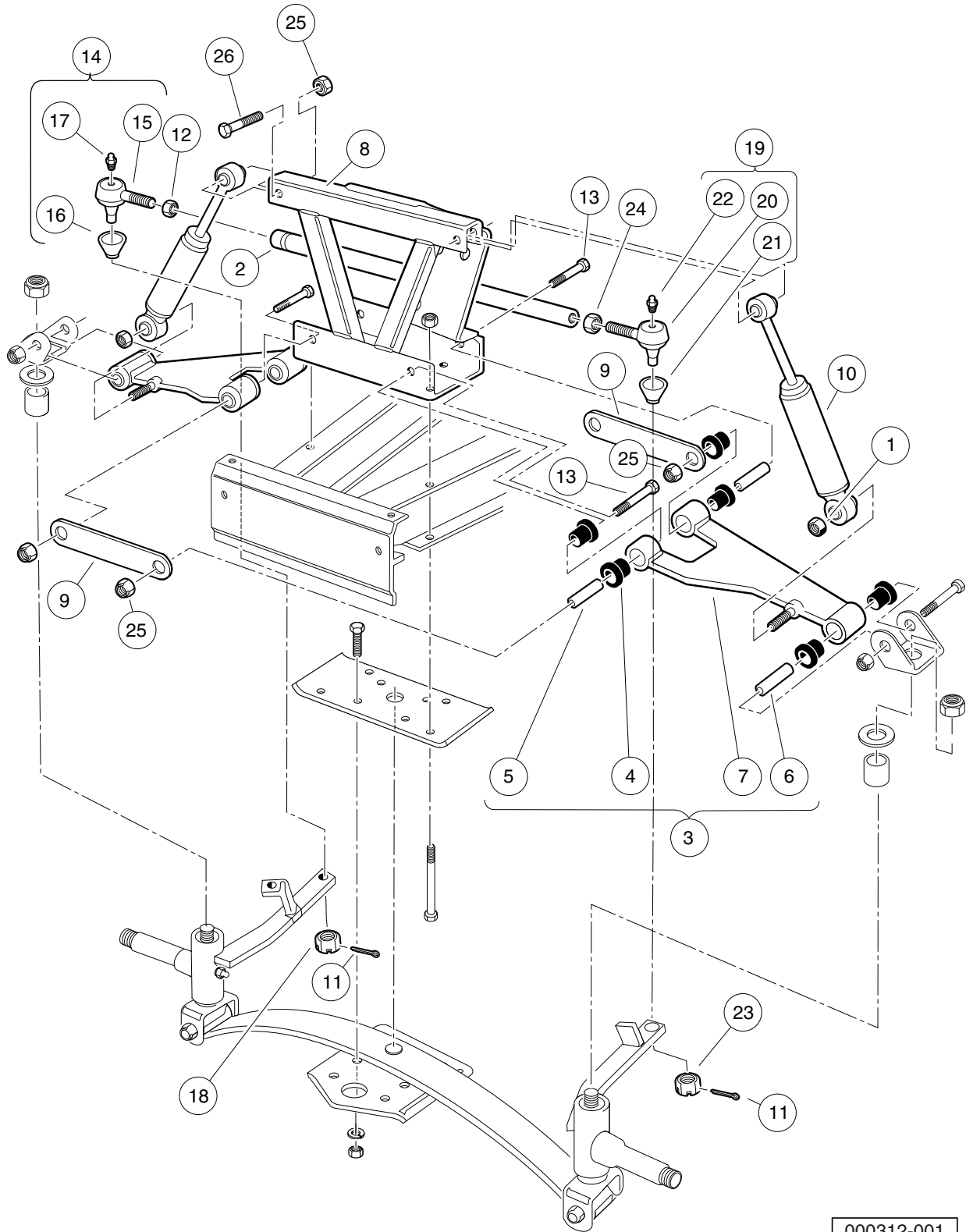
000310-001

FRONT SPINDLES AND HUBS – VEHICLES WITH TWO-WHEEL BRAKES

ITEM	PART NO.	DESCRIPTION	QTY
		1 2 3 4	
1	1010005	Washer, 3/4 Flat	2
2	1010347	Spindle Assembly, Right (includes items 3 through 6)	1
3	1010344	Spindle Sub-Assembly, Right-Hand	1
4	1015597	Fitting, 1/4-28 Thread-Forming Grease	1
5	7048	Bushing, Flanged Bronze	1
6	8067	Bushing, Bronze Spindle	1
7	1010348	Spindle Assembly, Left (includes items 8 through 11)	1
8	1010342	Spindle Sub-Assembly, Left-Hand	1
9	1015597	Fitting, 1/4-28 Thread-Forming Grease	1
10	7048	Bushing, Flanged Bronze	1
11	8067	Bushing, Bronze Spindle	1
12	1011393	Hub Bearing Package (includes items 13 and 14)	4
13	7274	Bearing, Front Hub Wheel	1
14	7308	Race, Front Hub Bearing	1
15	1011892	Hub Assembly (includes items 16 through 23)	2
16	1011887	Dust Cover	1
17	N/A	Hub (includes items 18 through 20)	1
18	N/A	Front Hub	1
19	103477901	Lug Stud, 1/2-20 Unf, 4037	4
20	7308	Race, Front Hub Bearing	2
21	1013135	Seal, Double Lip	1
22	7274	Bearing, Front Hub Wheel	2
23	7910	Pin, 5/32 X 1.00 Cotter	1
24	7840	Nut, 3/4-16 Hex Slotted	2

6
G
E

6
G
E



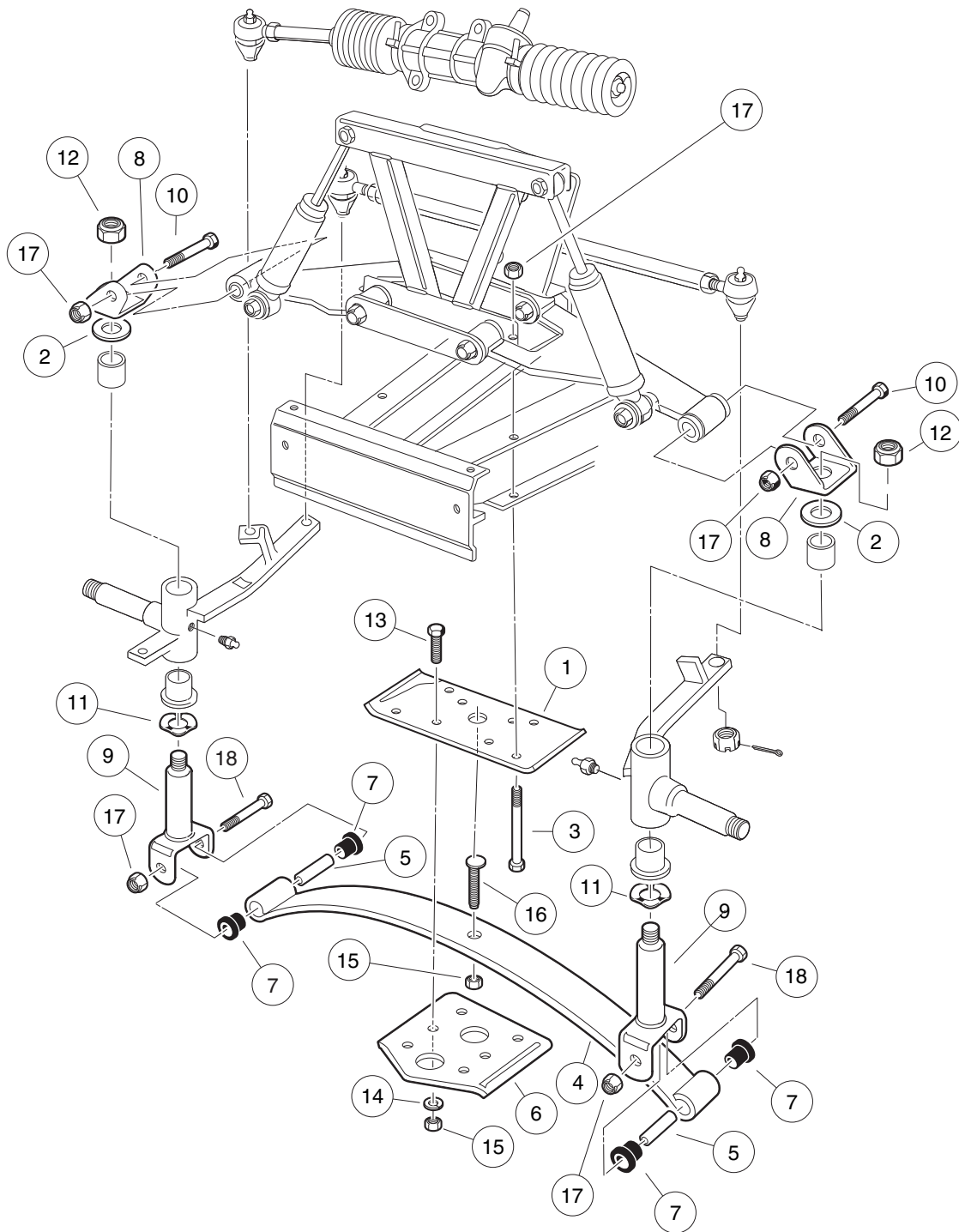
000312-001

FRONT SUSPENSION, UPPER – VEHICLES WITH TWO-WHEEL BRAKES

ITEM	PART NO.	DESCRIPTION	QTY
		1 2 3 4	
1	1010138	Locknut, 3/8-16 Dimpled	2
2	1010219	Tie Rod	1
3	1016353	Sub-Assembly, Delta A-Plate (includes items 4 through 7)	2
4	1016346	Bushing, Urethane	6
5	1016349	Sleeve, Delta Inner	2
6	1016350	Sleeve, Delta Outer	1
7	1016351	Delta A-Plate	1
8	1016385	Delta Shock and Gear Support Assembly	1
9	1017266	A-Plate Strap	2
10	103351001	Shock Absorber, Front, Common	2
11	1035	Cotter Pin, 3/32 x 1	2
12	1308	Nut, 1/2-20 Hex	1
13	2402	Screw, 3/8-16 X 2.25 Hx Hd Cap	4
14	7539	Ball Joint, Right-Hand (includes items 15 through 18)	1
15	1011893	Socket, RH Vertical	1
16	1011930	Seal, Vertical Socket Dust	1
17	1015597	Fitting, 1/4-28 Thread-Forming Grease	1
18	7602	Nut, 3/8-24 UNF Hex	1
19	7540	Ball Joint, Left (includes items 20 through 23)	1
20	1011895	Socket, LH Vertical	1
21	1011930	Seal, Vertical Socket Dust	1
22	1015597	Fitting, 1/4-28 Thread-Forming Grease	1
23	7602	Nut, 3/8-24 UNF Hex	1
24	7555	Nut, 1/2-20 Hex, Left-Hand Thread	1
25	8754	Locknut, 3/8-16 Hex	6
26	8861	Bolt, 3/8-16 X 1.75 Hex	2

6
G
E

6
G
E



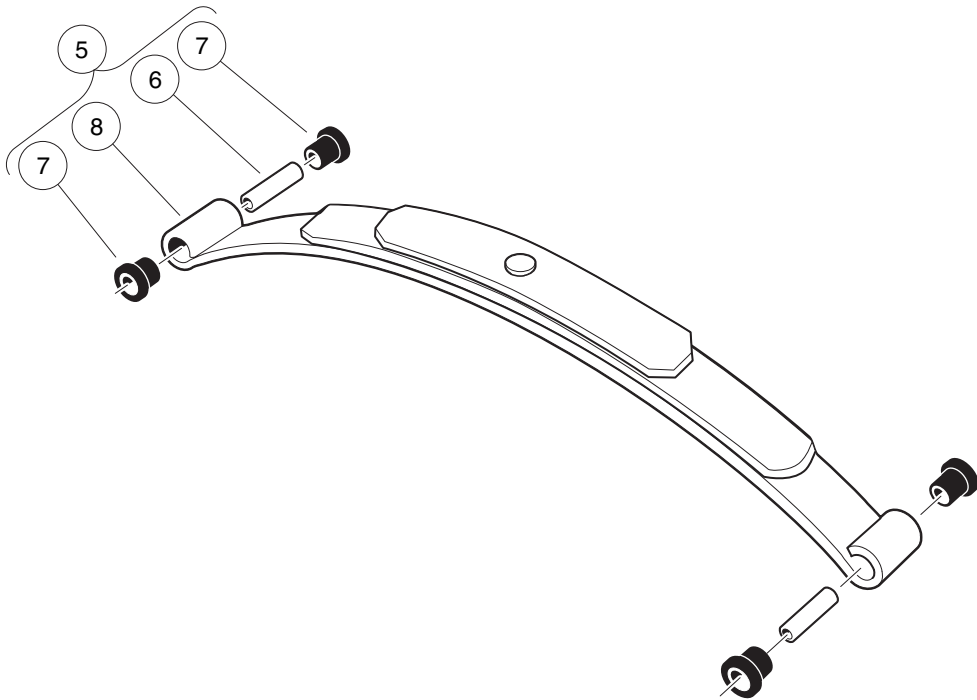
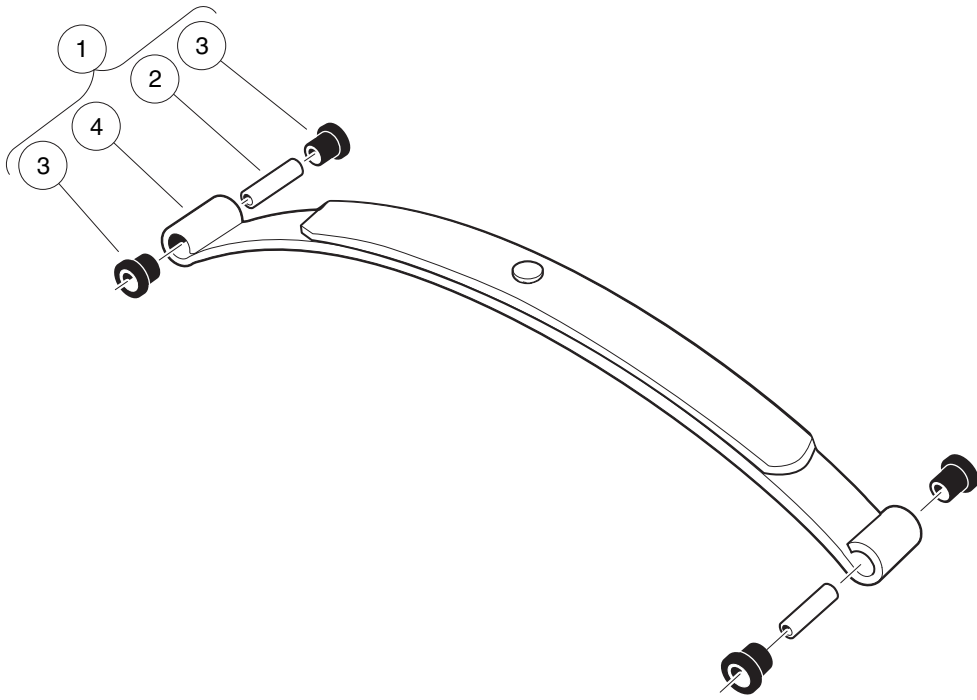
001215-001

FRONT SUSPENSION, LOWER – VEHICLES WITH TWO-WHEEL BRAKES

ITEM	PART NO.	DESCRIPTION	QTY
		1 2 3 4	
1	1010124	Plate, Spring Mount	1
2	1010150	Bearing, Thrust	2
3	1010200	Bolt, 3/8-16 X 4.25 Hex Head	4
4	1012030	Spring, Front Leaf	1
5	1012303	Bushing, Steel	2
6	1014276	Plate, Front Spring Retainer	1
7	1015583	Bushing, Urethane	4
8	1016384	Clevis, Delta Upper	2
9	1016386	King Pin Assembly	2
10	1016387	Screw, 3/8-16 X 2.75 Hx Hd Cap	2
11	1016389	Washer, 1.125 Od Wave	2
12	101903101	Locknut, 1/2-20 Nylon Insert	2
13	1624	Screw, 3/8-16 X 1.50, Hex-Head Cap	4
14	357	Lockwasher, 3/8 Split	4
15	706	Nut, Hex 3/8-16	5
16	8745	Screw, Eccentric Adjustment	1
17	8754	Locknut, 3/8-16 Hex	8
18	8755	Screw, 3/8-16 X 3.375 Hex Cap	2

6
G
E

6
G
E



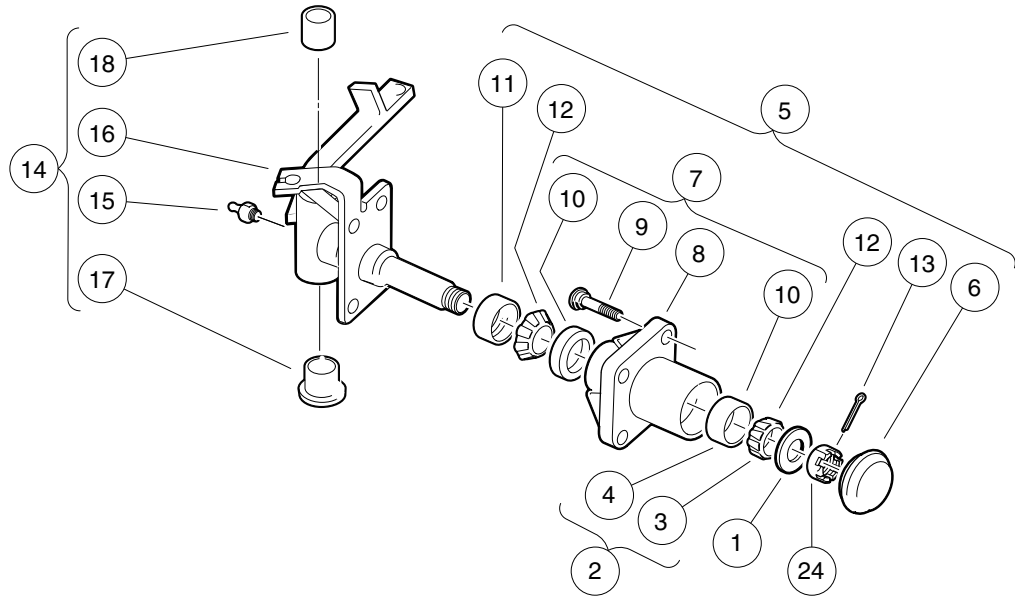
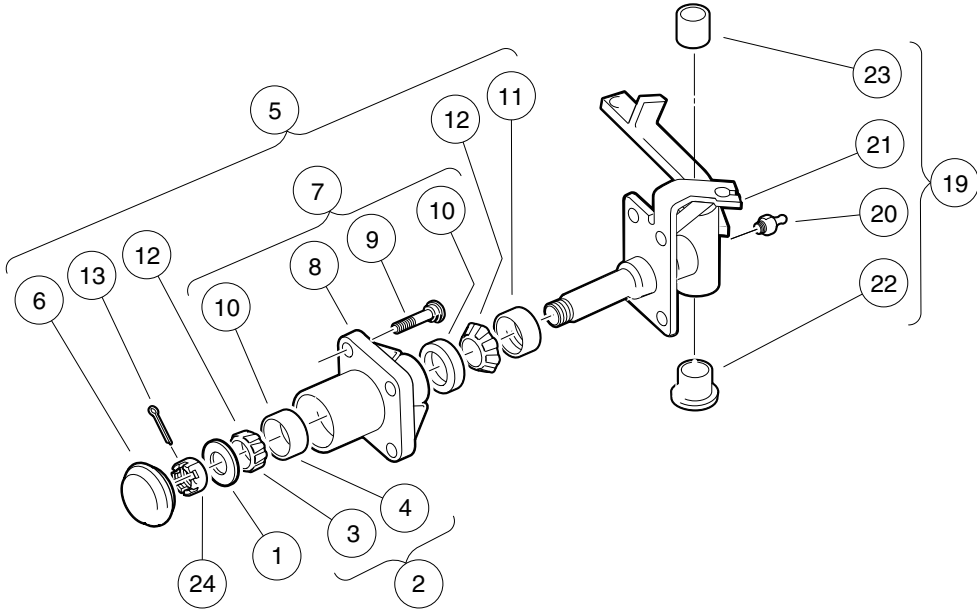
001225-001

HEAVY DUTY FRONT SPRINGS

ITEM	PART NO.	DESCRIPTION	QTY
		1 2 3 4	
1	103628801	Spring Asm, Front, 2 Leaf (includes items 2 through 4)	1
2	1012303	Bushing, Steel	2
3	1015583	Bushing, Urethane	4
4	103502701	Spring, Front, 2 Leaf	1
5	103628901	Spring Asm, Front, 3 Leaf (includes items 6 through 8)	1
6	1012303	Bushing, Steel	2
7	1015583	Bushing, Urethane	4
8	103502801	Spring, Front, 3 Leaf	1

6
G
E

6
G
E



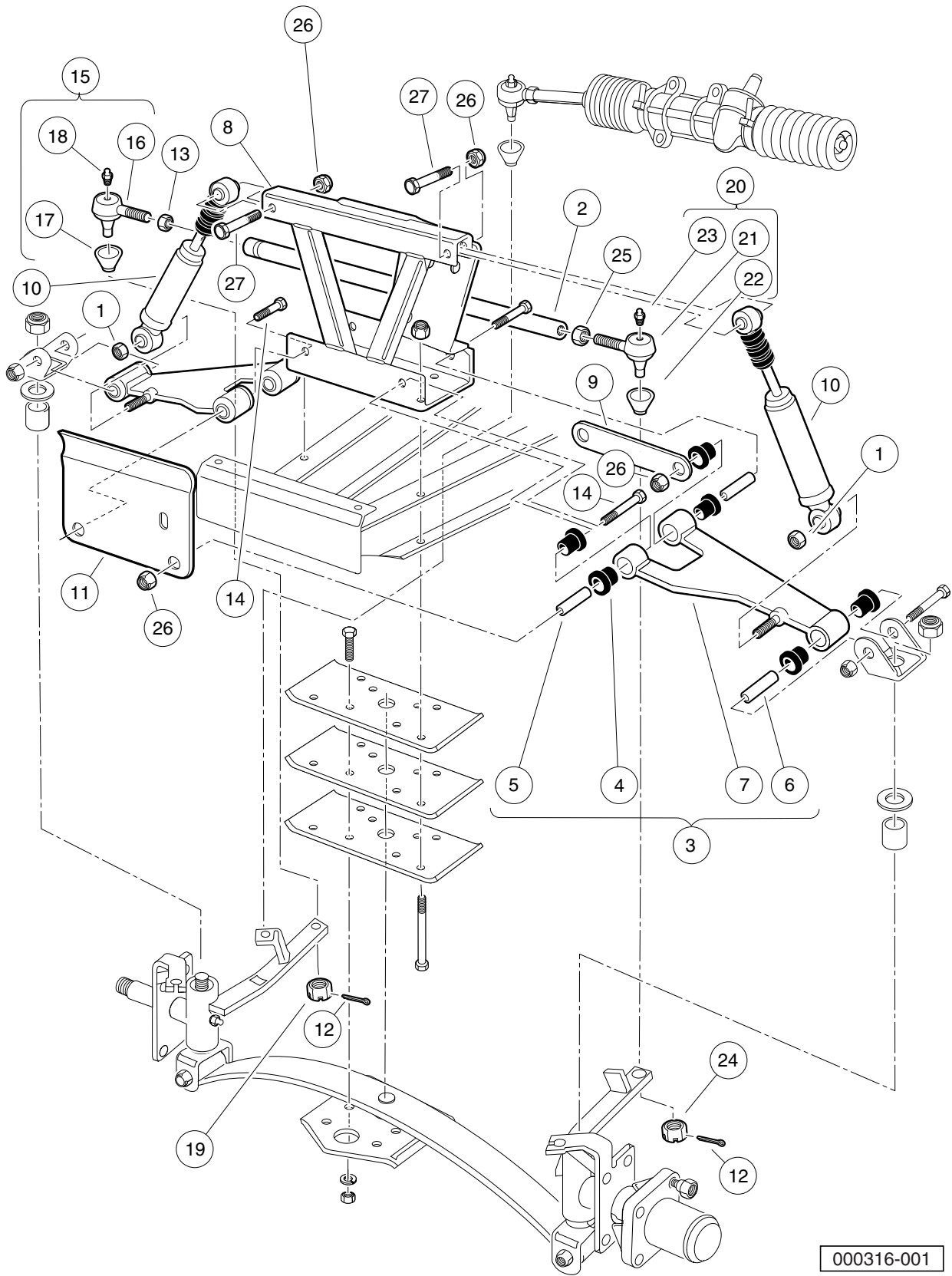
000310-002

FRONT SPINDLES AND HUBS – VEHICLES WITH FOUR-WHEEL BRAKES

ITEM	PART NO.	DESCRIPTION	QTY
		1 2 3 4	
1	1010005	Washer, 3/4 Flat	2
2	1011393	Hub Bearing Package (includes items 3 and 4)	4
3	7274	Bearing, Front Hub Wheel	1
4	7308	Race, Front Hub Bearing	1
5	1011892	Hub Assembly (includes items 6 through 13)	2
6	1011887	Dust Cover	1
7	N/A	Hub (includes items 8 through 10)	1
8	N/A	Front Hub	1
9	103477901	Lug Stud, 1/2-20 Unf, 4037	4
10	7308	Race, Front Hub Bearing	2
11	1013135	Seal, Double Lip	1
12	7274	Bearing, Front Hub Wheel	2
13	7910	Pin, 5/32 X 1.00 Cotter	1
14	101876901	Spindle Assy, Driver Side (includes items 15 through 18)	1
15	1015597	Fitting, 1/4-28 Thread-Forming Grease	1
16	N/A	Spindle Assembly, Left	1
17	7048	Bushing, Flanged Bronze	1
18	8067	Bushing, Bronze Spindle	1
19	101877001	Spindle Assy, Passenger Side (includes items 20 through 23)	1
20	1015597	Fitting, 1/4-28 Thread-Forming Grease	1
21	N/A	Spindle Assembly, Right	1
22	7048	Bushing, Flanged Bronze	1
23	8067	Bushing, Bronze Spindle	1
24	7840	Nut, 3/4-16 Hex Slotted	2

6
G
E

6
G
E



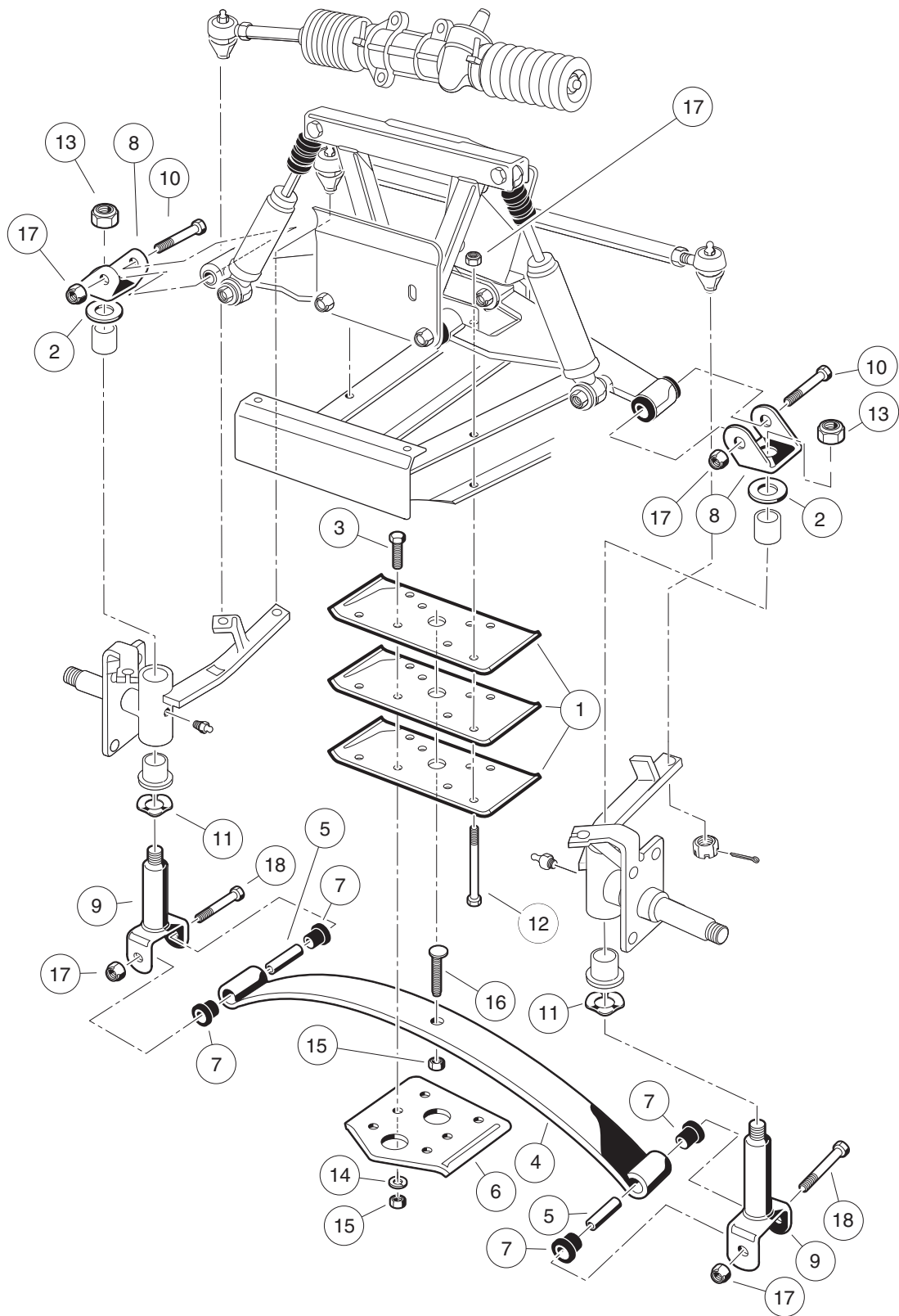
000316-001

FRONT SUSPENSION, UPPER – VEHICLES WITH FOUR-WHEEL BRAKES

ITEM	PART NO.	DESCRIPTION	QTY
		1 2 3 4	
1	1010138	Locknut, 3/8-16 Dimpled	2
2	1010219	Tie Rod	1
3	1016353	Sub-Assembly, Delta A-Plate (includes items 4 through 7)	2
4	1016346	Bushing, Urethane	6
5	1016349	Sleeve, Delta Inner	2
6	1016350	Sleeve, Delta Outer	1
7	1016351	Delta A-Plate	1
8	1016385	Delta Shock and Gear Support Assembly	1
9	1017266	A-Plate Strap	1
10	101870601	Shock Absorber, Front Utility	2
11	101955001	Brake Cable Guide Bracket	1
12	1035	Cotter Pin, 3/32 x 1	2
13	1308	Nut, 1/2-20 Hex	1
14	2402	Screw, 3/8-16 X 2.25 Hx Hd Cap	4
15	7539	Ball Joint, Right-Hand (includes items 16 through 19)	1
16	1011893	Socket, RH Vertical	1
17	1011930	Seal, Vertical Socket Dust	1
18	1015597	Fitting, 1/4-28 Thread-Forming Grease	1
19	7602	Nut, 3/8-24 UNF Hex	1
20	7540	Ball Joint, Left (includes items 21 through 24)	1
21	1011895	Socket, LH Vertical	1
22	1011930	Seal, Vertical Socket Dust	1
23	1015597	Fitting, 1/4-28 Thread-Forming Grease	1
24	7602	Nut, 3/8-24 UNF Hex	1
25	7555	Nut, 1/2-20 Hex, Left-Hand Thread	1
26	8754	Locknut, 3/8-16 Hex	6
27	8861	Bolt, 3/8-16 X 1.75 Hex	2

6
G
E

6
G
E



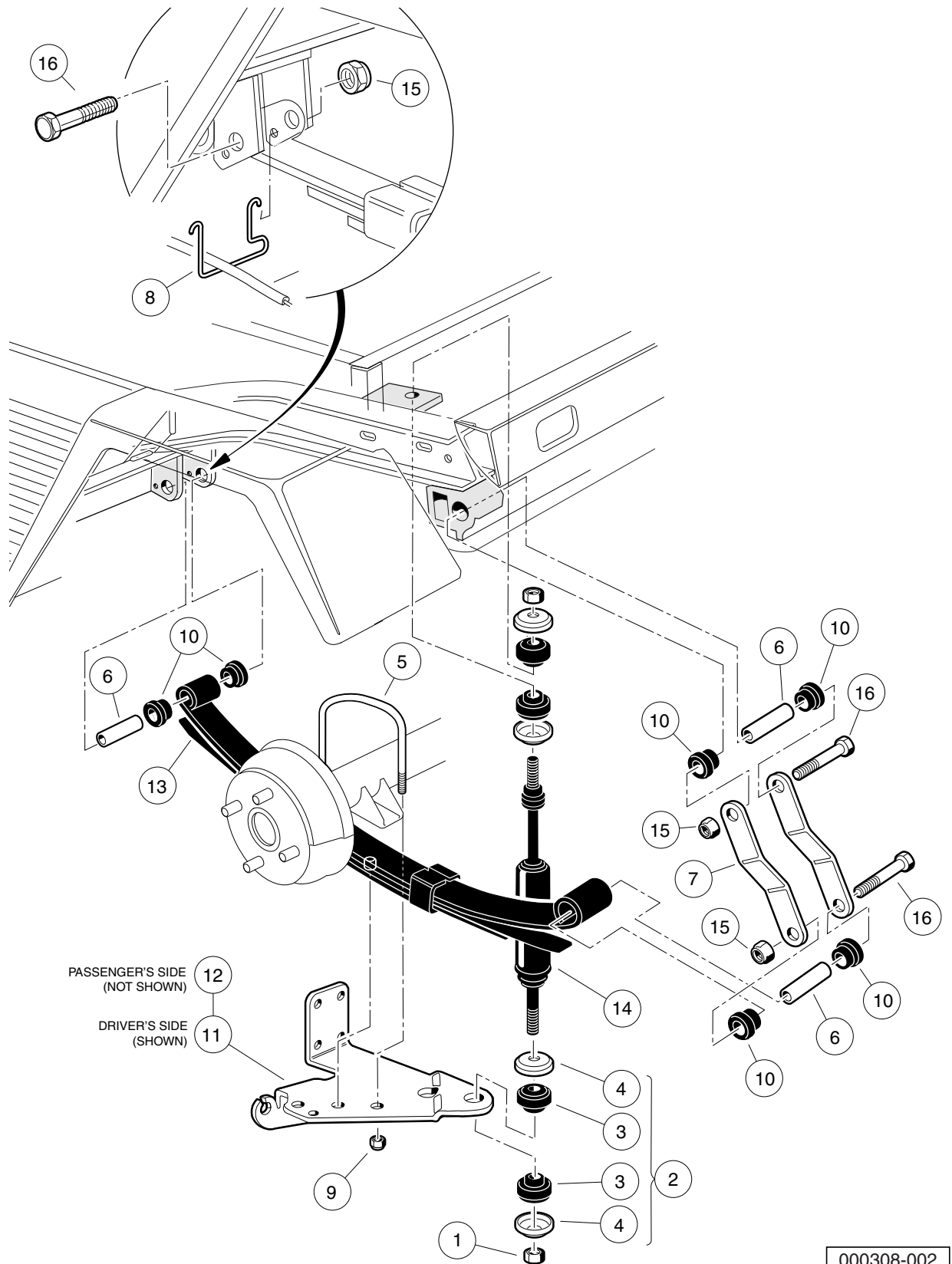
001216-001

FRONT SUSPENSION, LOWER – VEHICLES WITH FOUR-WHEEL BRAKES

ITEM	PART NO.	DESCRIPTION	QTY
		1 2 3 4	
1	1010124	Plate, Spring Mount	3
2	1010150	Bearing, Thrust	2
3	1010177	Bolt, 3/8-16 X 2.00 Hex Head	4
4	1012030	Spring, Front Leaf	1
5	1012303	Bushing, Steel	2
6	1014276	Plate, Front Spring Retainer	1
7	1015583	Bushing, Urethane	4
8	1016384	Clevis, Delta Upper	2
9	1016386	King Pin Assembly	2
10	1016387	Screw, 3/8-16 X 2.75 Hx Hd Cap	2
11	1016389	Washer, 1.125 Od Wave	2
12	101870501	Screw, 3/8-16 X 4.75 Hx Hd Cap	4
13	101903101	Locknut, 1/2-20 Nylon Insert	2
14	357	Lockwasher, 3/8 Split	4
15	706	Nut, Hex 3/8-16	5
16	8745	Screw, Eccentric Adjustment	1
17	8754	Locknut, 3/8-16 Hex	8
18	8755	Screw, 3/8-16 X 3.375 Hex Cap	2

6
G
E

6
G
E



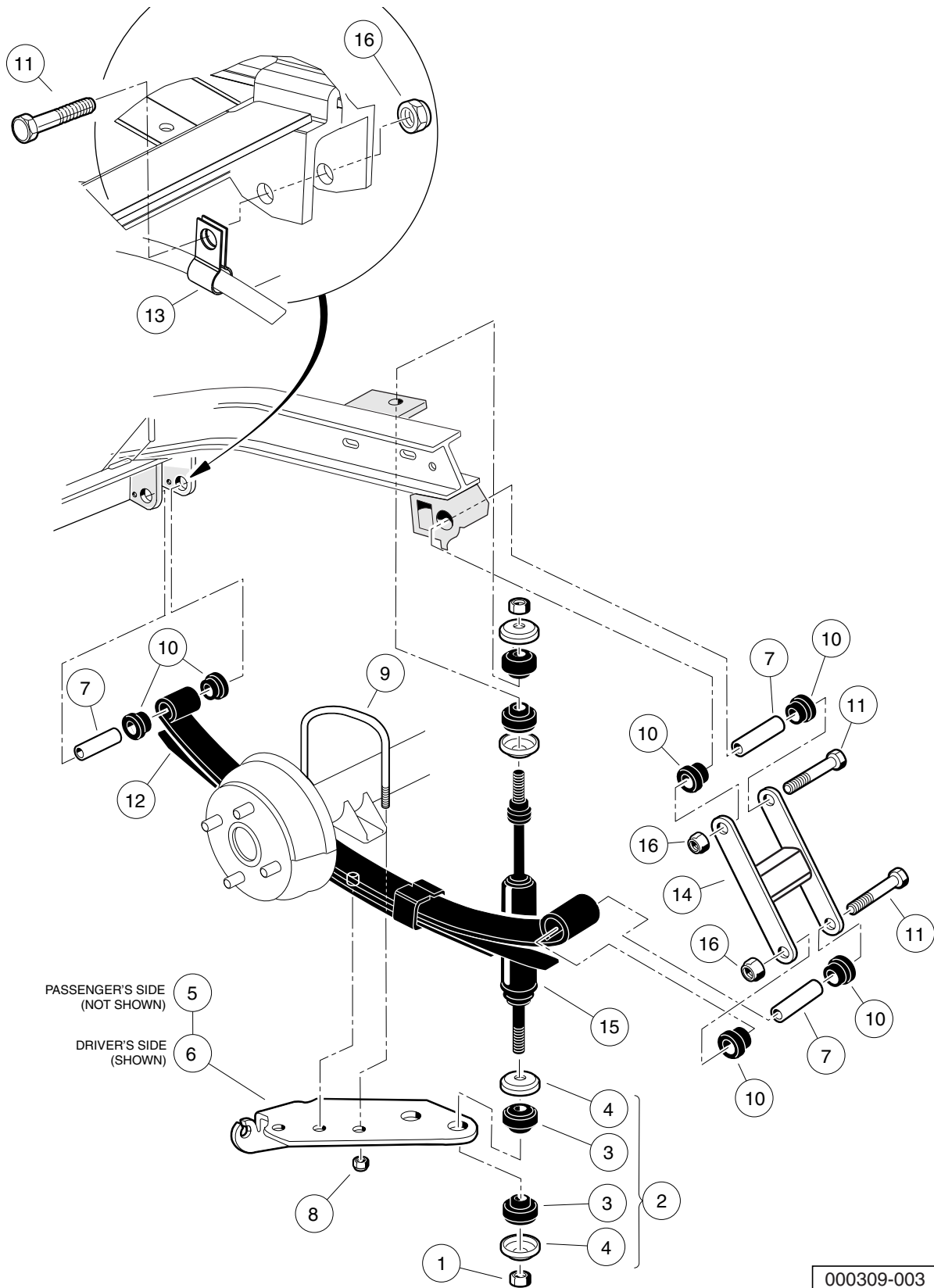
000308-002

REAR SUSPENSION – GASOLINE TURF/CARRYALL 2, 2 PLUS, AND 6

ITEM	PART NO.	DESCRIPTION	QTY
		1 2 3 4	
1	1010145	Nut, 3/8-24 Hex	4
2	1011415	Kit, Shock Absorber Cushion (includes items 3 and 4)	4
3	N/A	Cushion, Shock Absorber	2
4	N/A	Retainer, Shock Absorber Cushion	2
5	1012180	U-Bolt	2
6	1012303	Bushing, Steel	6
7	1012304	Shackle, Rear Spring	4
8	1013207	Hanger, Brake Cable	2
9	1014555	Locknut, 7/16-14 Nylon Hex	4
10	1015583	Bushing, Urethane	12
11	101926501	Bracket, Left-Hand	1
12	101929401	Bracket, Right	1
13	102871801	Rear Spring, 3leaf, 600 Lb/in	2
14	103350901	Shock Absorber, Rear, Utility	2
15	8754	Locknut, 3/8-16 Hex	6
16	8755	Screw, 3/8-16 X 3.375 Hex Cap	6
<p>Note: Only the driver-side rear suspension is shown. Parts for the passenger-side rear suspension are identical except for the leaf spring/shock mounting plate.</p>			

6
G
E

6
G
E



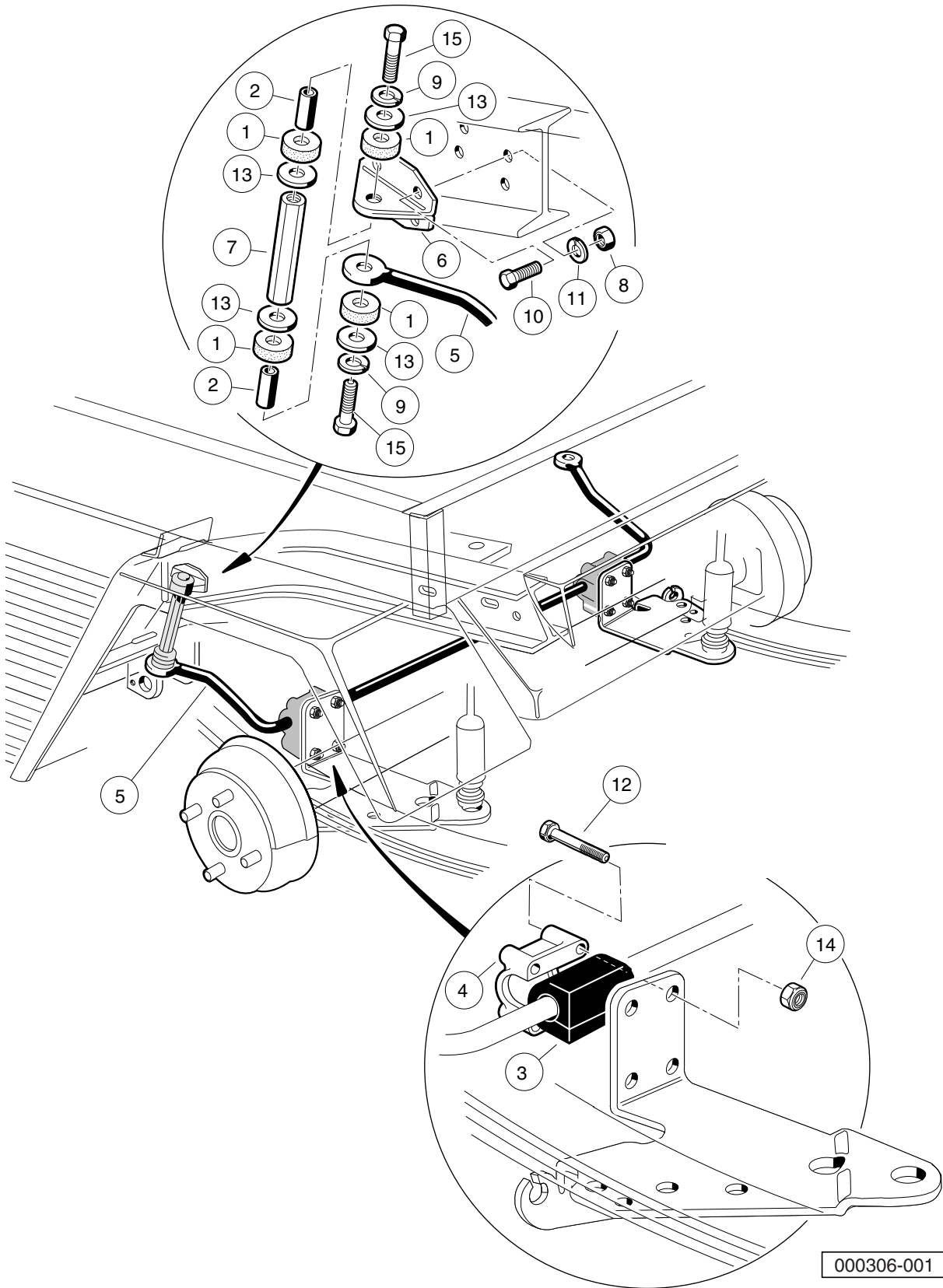
000309-003

REAR SUSPENSION – TURF/CARRYALL 2 AND 6 IQ PLUS VEHICLES

ITEM	PART NO.	DESCRIPTION	QTY
		1 2 3 4	
1	1010145	Nut, 3/8-24 Hex	4
2	1011415	Kit, Shock Absorber Cushion (includes items 3 and 4)	4
3	N/A	Cushion, Shock Absorber	2
4	N/A	Retainer, Shock Absorber Cushion	2
5	1012181	Bracket, Shock Mounting, Right (Passenger)	1
6	1012182	Bracket, Shock Mounting, Left (Driver)	1
7	1012303	Bushing, Steel	6
8	1014555	Locknut, 7/16-14 Nylon Hex	4
9	1014902	U-Bolt	2
10	1015583	Bushing, Urethane	12
11	102066201	Screw, 3/8-16 X 3.50 Hex Cap	6
12	102871801	Rear Spring, 3leaf, 600 Lb/in	2
13	102891101	Clamp, Cable, Brake, Sym	2
14	102917101	Weldment, Shackle	2
15	103351101	Shock, Absorber, Utility	2
16	8754	Locknut, 3/8-16 Hex	6
<p>Note: Only the driver-side rear suspension is shown. Parts for the passenger-side rear suspension are identical except for the leaf spring/shock mounting plate.</p>			

6
G
E

6
G
E



000306-001

STABILIZER BAR – TURF/CARRYALL 2, 2 PLUS, AND 6 GASOLINE VEHICLES

ITEM	PART NO.	DESCRIPTION	QTY
		1 2 3 4	
1	1015453	Compression Mount	8
2	1015457	Spacer, 0.720"	4
3	1015613	Bushing, Stabilizer Bar	2
4	1015614	Support, Bushing	2
5	1015760	Stabilizer Bar	1
6	1016813	Mounting Bracket, Stabilizer Bar	2
7	1016814	Link, Stabilizer Bar	2
8	1242	Nut, 5/16-18 Hex	8
9	357	Lockwasher, 3/8 Split	4
10	7173	Screw, 5/16-18 X 0.75, Hex-Head Cap	8
11	7174	Lockwasher, 5/16 Split	8
12	7311	Screw, 1/4-20 X 2.00 Hex-Head Cap	8
13	808	Washer, 3/8 Type B Flat	8
14	8233	Locknut, 1/4-20, Nylon Insert	8
15	8861	Bolt, 3/8-16 X 1.75 Hex	4

6
G
E

6

G

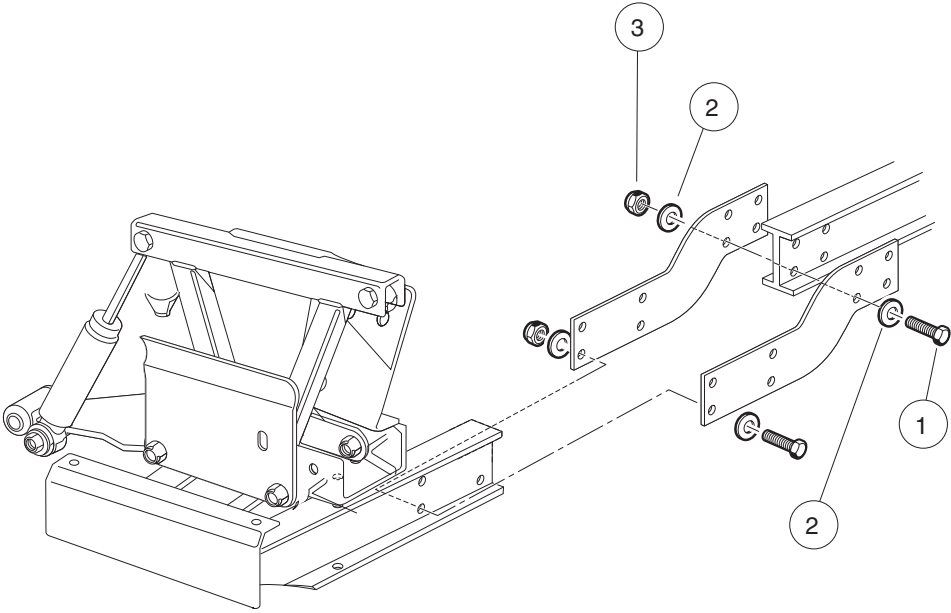
E

STEERING AND SUSPENSIONS – TURF/CA 252 AND XRT 900

7

G

E



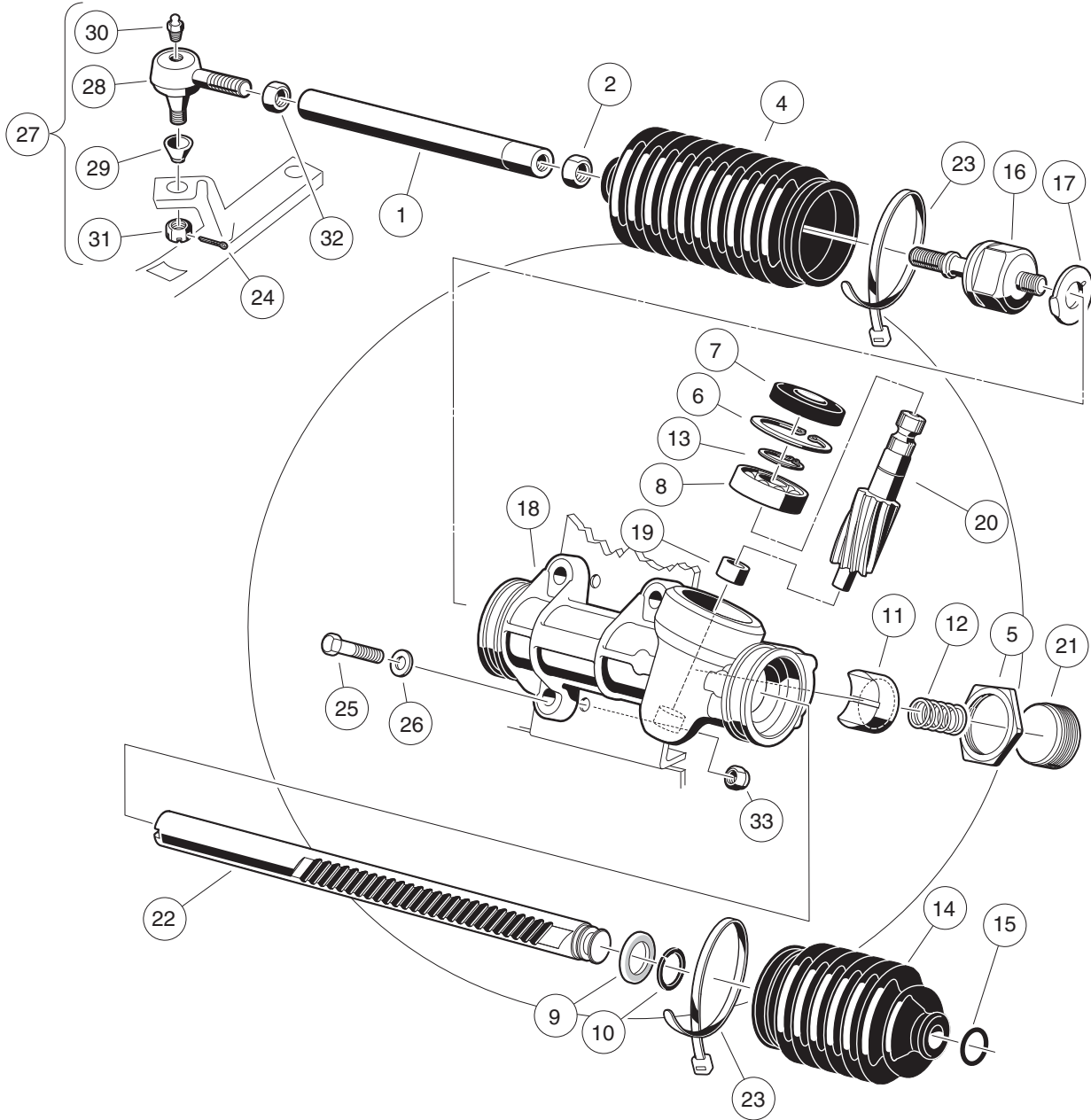
000304-002

FRONT FRAME PLATE HARDWARE – TURF/CARRYALL 252 AND XRT 900

ITEM	PART NO.	DESCRIPTION	QTY
		1 2 3 4	
1	1218	Screw, 5/16-18 X 1.25 Hex-Head Cap	16
2	1241	Washer, 5/16 Type A Flat	32
3	7473	Locknut, 5/16-18 Nylon Insert	16

7
G
E

7
G
E



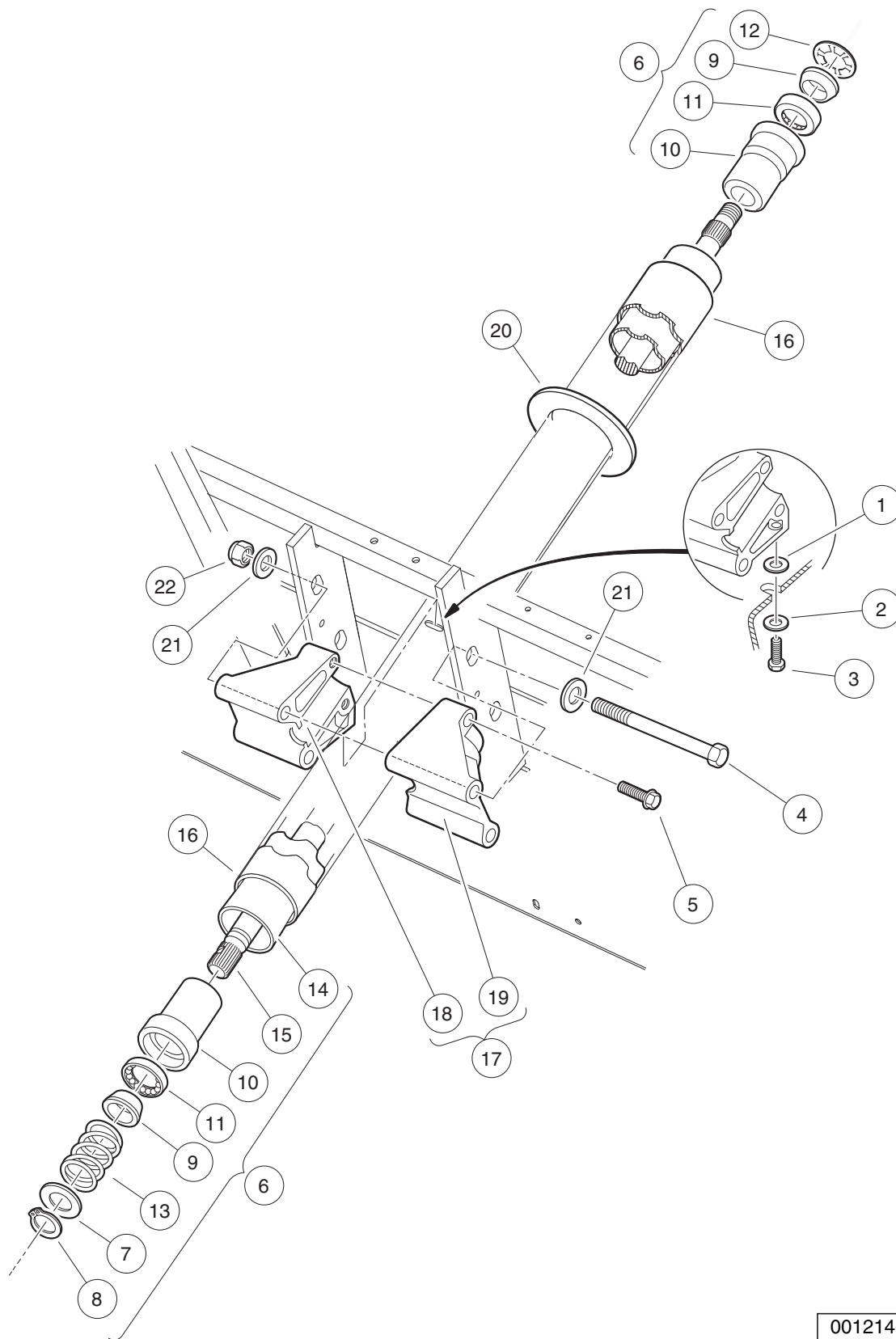
001213-001

STEERING GEAR ASSEMBLY

ITEM	PART NO.	DESCRIPTION	QTY
		1 2 3 4	
1	1012467	Link, Rack and Pinion Drag	1
2	1013042	Nut, 12mm Hex	1
3	101878302	Steering Gear Assembly (without yoke) (includes items 4 through 23)	1
4	1013035	Bellows, Long	1
5	1013044	Rack Screw Locknut	1
6	N/A	Snap Ring	1
7	1013052	Seal, Steering Pinion Dust	1
8	101879401	Bearing, Ball	1
9	101879501	Stop Washer	1
10	101879601	Stop Ring, C-Type	1
11	101879701	Support Yoke	1
12	101879801	Rack Guide Pressure Spring	1
13	101879901	Ring, Stop, C-Type	1
14	101880001	Bellows, Short	1
15	101880101	Dust Seal Retaining Ring	1
16	101880201	Inner Ball Joint Asm	1
17	101880301	Washer, Tab	1
18	N/A	Box, Steering Gear	1
19	N/A	Bearing, Lower Pinion	1
20	N/A	Pinion, Steering	1
21	N/A	Screw, Rack Guide	1
22	N/A	Rack, Steering	1
23	8990	Tie Wrap, 8" Nylon	2
24	1035	Cotter Pin, 3/32 x 1	1
25	1624	Screw, 3/8-16 X 1.50, Hex-Head Cap	3
26	334	Washer, 3/8, Type A, Flat	3
27	7540	Ball Joint, Left (includes items 28 through 31)	1
28	1011895	Socket, LH Vertical	1
29	1011930	Seal, Vertical Socket Dust	1
30	1015597	Fitting, 1/4-28 Thread-Forming Grease	1
31	7602	Nut, 3/8-24 UNF Hex	1
32	7555	Nut, 1/2-20 Hex, Left-Hand Thread	1
33	8754	Locknut, 3/8-16 Hex	3

7
G
E

7
G
E

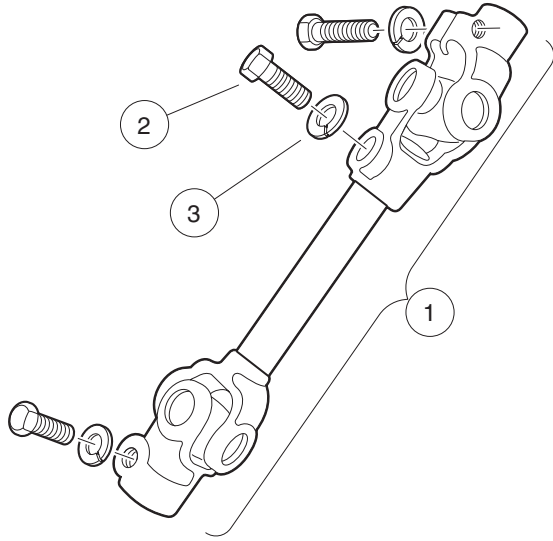


001214-001

STEERING COLUMN – UTILITY

ITEM	PART NO.	DESCRIPTION	QTY
		1 2 3 4	
1	1011578	Washer, 5/16 Type B Flat	1
2	1011697	Washer, 5/16 Flat	1
3	1014288	Screw, 5/16-18 X 0.75, Thread-Forming	1
4	1016183	Screw, 3/8-16 X 7.00 Hex Cap	2
5	1016269	Screw, 5/16-18 Thrd Forming	2
6	1017313	Steering Shaft Assembly (includes items 7 through 15)	1
7	1012604	Washer, 0.675 ID X 1.19 OD	1
8	1012605	Ring, 0.579 Internal Retaining	1
9	1014125	Wedge, Molded	2
10	1014126	Seat, Plastic Bearing	2
11	1014213	Bearing, Ball	2
12	1014214	Ring, Retaining	1
13	1014217	Spring, Steering Shaft	1
14	1017314	Column, Aluminum Steering	1
15	1017315	Shaft Steering Column	1
16	1017317	Tube Cover, Steering Column	1
17	101984801	Kit, Steering Column Mounting Bracket (includes items 18 and 19)	1
18	N/A	Bracket, RH Steering Column Mount	1
19	N/A	Bracket, LH Steering column mount	1
20	102278001	Boot, Steering Column Round	1
21	334	Washer, 3/8, Type A, Flat	4
22	8754	Locknut, 3/8-16 Hex	2

7
G
E



001218-001

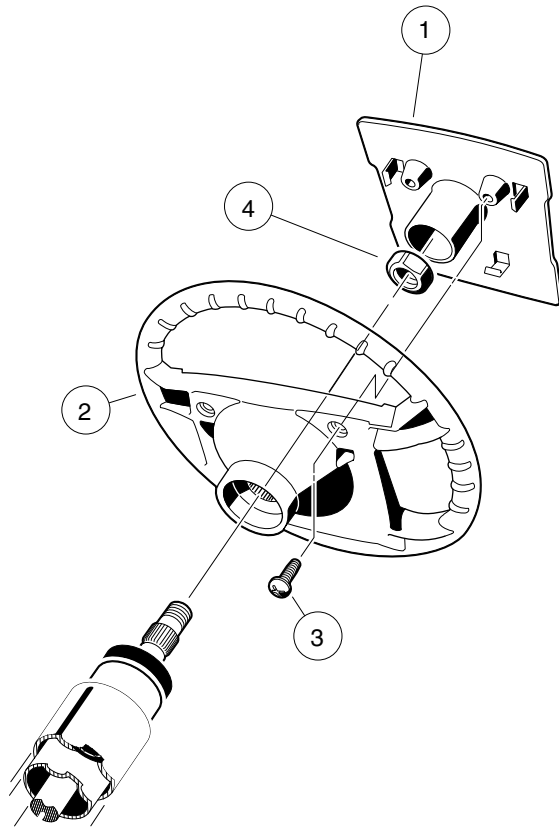
INTERMEDIATE STEERING SHAFT – TURF/CARRYALL 252 AND XRT 900 VEHICLES

ITEM	PART NO.	DESCRIPTION	QTY
1	102004101	1 2 3 4 Joint, Steering (includes items 2 and 3)	1
2	1017226	Bolt, Hex-Head, 8mm X 1.25 - 30	3
3	7174	Lockwasher, 5/16 Split	3

7

G

E



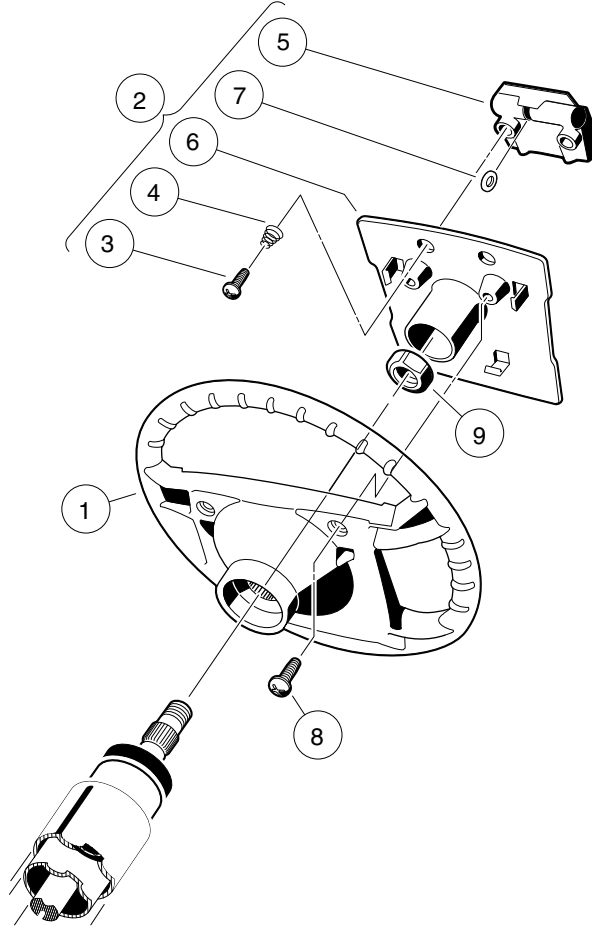
000246-003

STEERING WHEEL

ITEM	PART NO.	DESCRIPTION	QTY
		1 2 3 4	
1	101615504	Plate, Scorecard	1
2	1016156	Wheel, Steering	1
3	1016663	Screw, #12-14 X 0.625	2
4	1017273	Nut, 5/8-18 Nylon Insert Jam	1

7
G
E

7
G
E



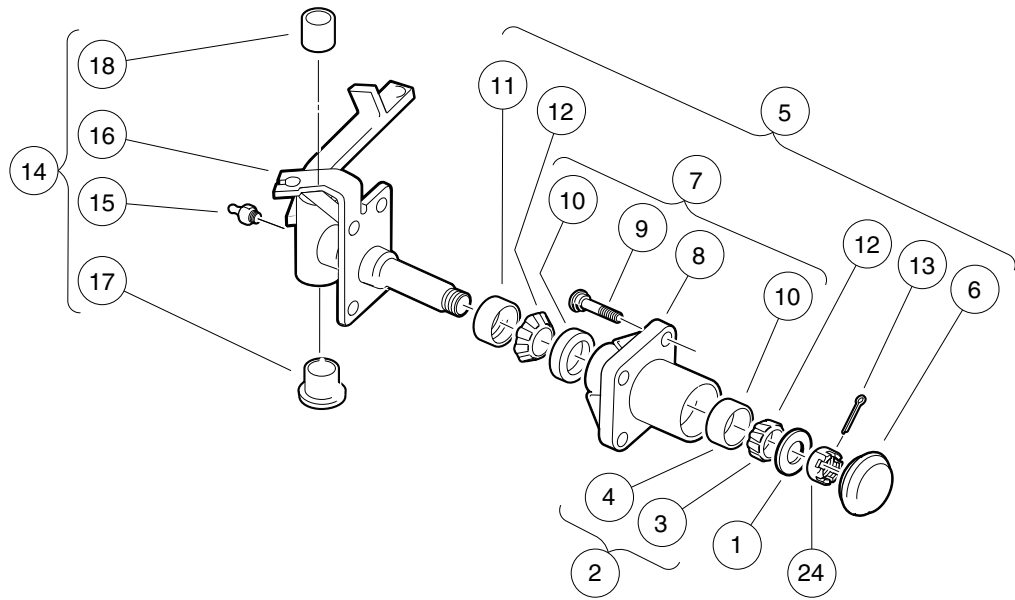
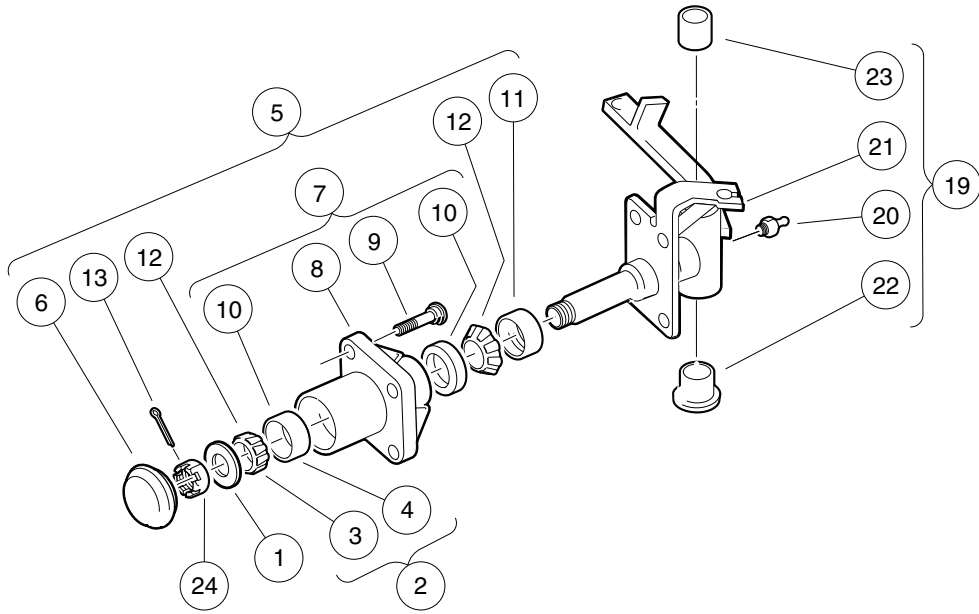
000246-002

STEERING WHEEL WITH CLIP

ITEM	PART NO.	DESCRIPTION	QTY
		1 2 3 4	
1	1016156	Wheel, Steering	1
2	1016219	Plate, Scorecard (includes items 3 through 7)	1
3	1012565	Screw, #12 Phillips Round Head	2
4	1012566	Tapered Compression Spring	2
5	1016154	Clip, Scorecard	1
6	N/A	Plate, Score Card	1
7	1016214	Pencil Grip	1
8	1016663	Screw, #12-14 X 0.625	2
9	1017273	Nut, 5/8-18 Nylon Insert Jam	1

7
G
E

7
G
E



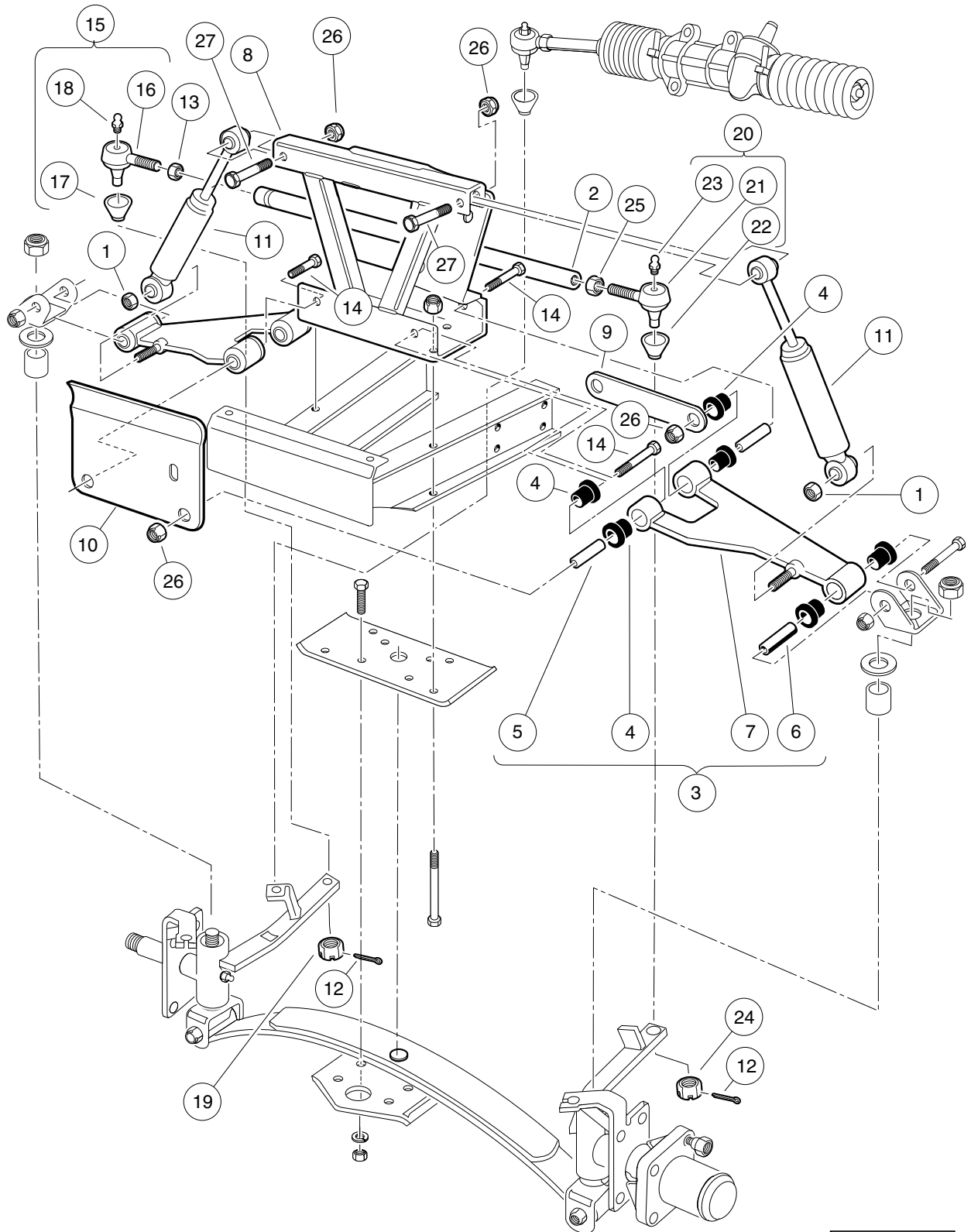
000310-002

FRONT SPINDLES AND HUBS – VEHICLES WITH FOUR-WHEEL BRAKES

ITEM	PART NO.	DESCRIPTION	QTY
		1 2 3 4	
1	1010005	Washer, 3/4 Flat	2
2	1011393	Hub Bearing Package (includes items 3 and 4)	4
3	7274	Bearing, Front Hub Wheel	1
4	7308	Race, Front Hub Bearing	1
5	1011892	Hub Assembly (includes items 6 through 13)	2
6	1011887	Dust Cover	1
7	N/A	Hub (includes items 8 through 10)	1
8	N/A	Front Hub	1
9	103477901	Lug Stud, 1/2-20 Unf, 4037	4
10	7308	Race, Front Hub Bearing	2
11	1013135	Seal, Double Lip	1
12	7274	Bearing, Front Hub Wheel	2
13	7910	Pin, 5/32 X 1.00 Cotter	1
14	101876901	Spindle Assy, Driver Side (includes items 15 through 18)	1
15	1015597	Fitting, 1/4-28 Thread-Forming Grease	1
16	N/A	Spindle Assembly, Left	1
17	7048	Bushing, Flanged Bronze	1
18	8067	Bushing, Bronze Spindle	1
19	101877001	Spindle Assy, Passenger Side (includes items 20 through 23)	1
20	1015597	Fitting, 1/4-28 Thread-Forming Grease	1
21	N/A	Spindle Assembly, Right	1
22	7048	Bushing, Flanged Bronze	1
23	8067	Bushing, Bronze Spindle	1
24	7840	Nut, 3/4-16 Hex Slotted	2

7
G
E

7
G
E



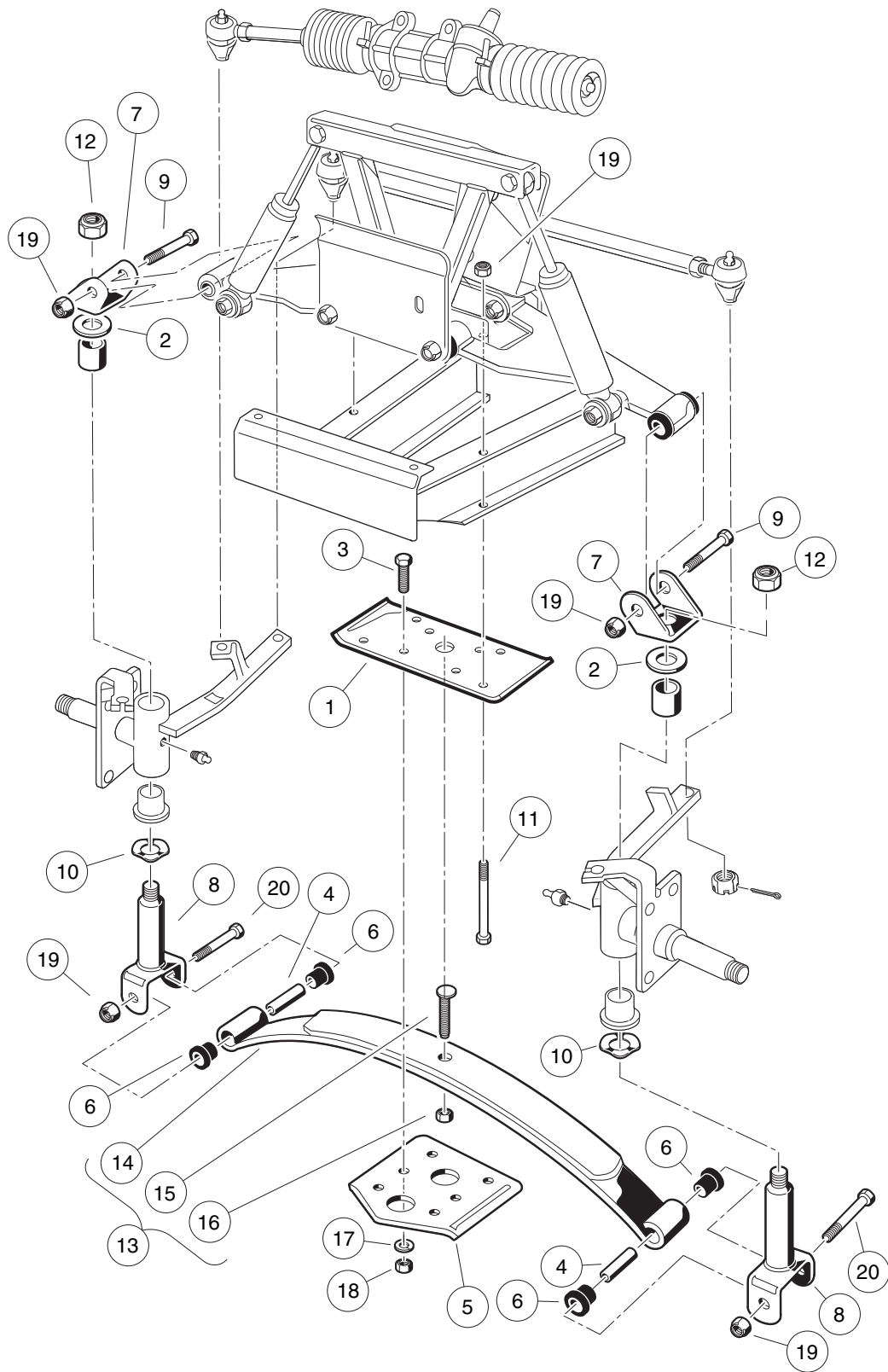
000314-001

FRONT SUSPENSION, UPPER – TURF/CARRYALL 252 AND XRT 900

ITEM	PART NO.	DESCRIPTION	QTY
		1 2 3 4	
1	1010138	Locknut, 3/8-16 Dimpled	2
2	1010219	Tie Rod	1
3	1016353	Sub-Assembly, Delta A-Plate (includes items 4 through 7)	2
4	1016346	Bushing, Urethane	6
5	1016349	Sleeve, Delta Inner	2
6	1016350	Sleeve, Delta Outer	1
7	1016351	Delta A-Plate	1
8	1016385	Delta Shock and Gear Support Assembly	1
9	1017266	A-Plate Strap	1
10	101955001	Brake Cable Guide Bracket	1
11	103351001	Shock Absorber, Front, Common	2
12	1035	Cotter Pin, 3/32 x 1	2
13	1308	Nut, 1/2-20 Hex	1
14	2402	Screw, 3/8-16 X 2.25 Hx Hd Cap	4
15	7539	Ball Joint, Right-Hand (includes items 16 through 19)	1
16	1011893	Socket, RH Vertical	1
17	1011930	Seal, Vertical Socket Dust	1
18	1015597	Fitting, 1/4-28 Thread-Forming Grease	1
19	7602	Nut, 3/8-24 UNF Hex	1
20	7540	Ball Joint, Left (includes items 21 through 24)	1
21	1011895	Socket, LH Vertical	1
22	1011930	Seal, Vertical Socket Dust	1
23	1015597	Fitting, 1/4-28 Thread-Forming Grease	1
24	7602	Nut, 3/8-24 UNF Hex	1
25	7555	Nut, 1/2-20 Hex, Left-Hand Thread	1
26	8754	Locknut, 3/8-16 Hex	6
27	8861	Bolt, 3/8-16 X 1.75 Hex	2

7
G
E

7
G
E



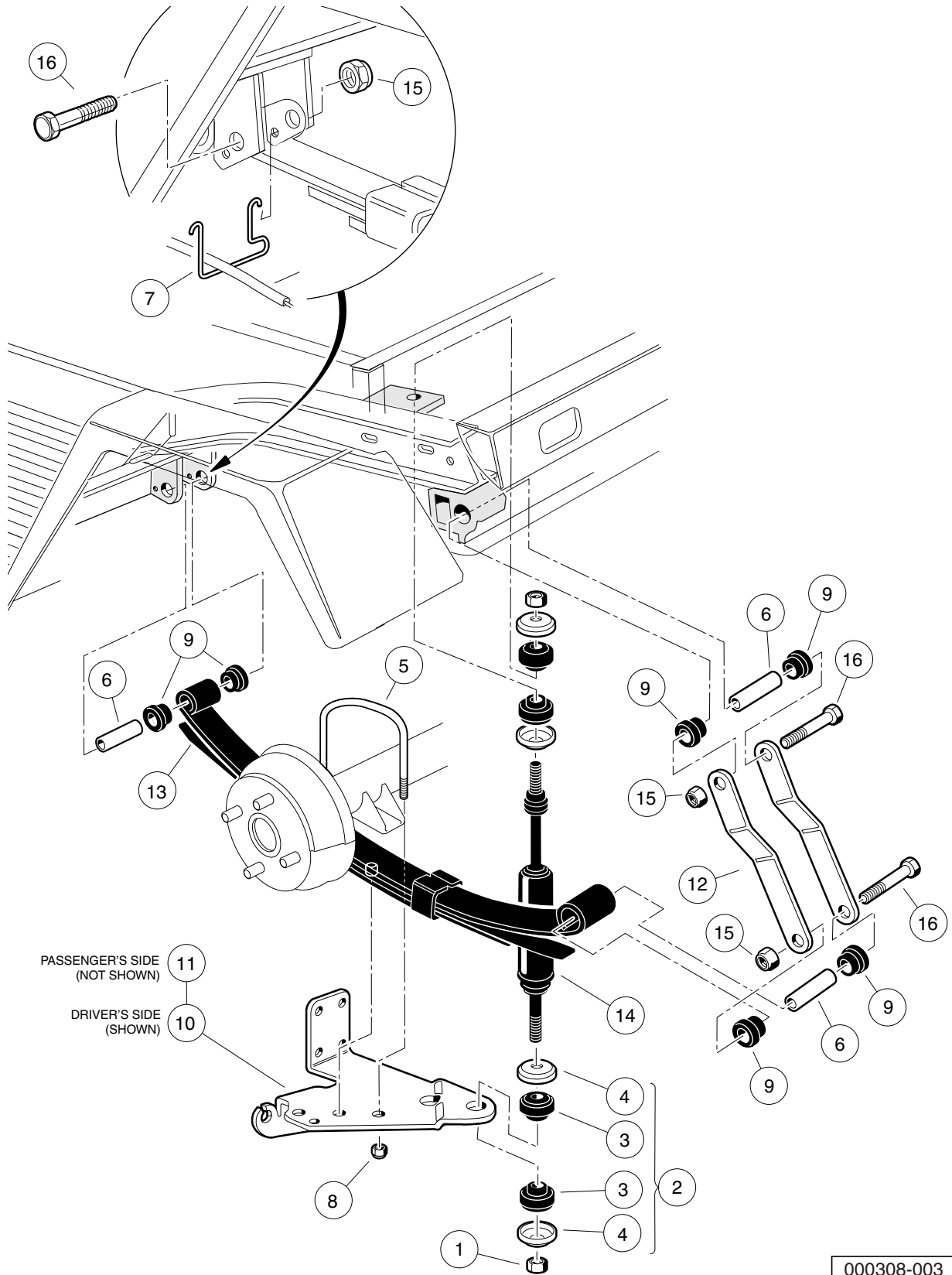
001219-001

FRONT SUSPENSION, LOWER – TURF/CARRYALL 252 AND XRT 900

ITEM	PART NO.	DESCRIPTION	QTY
		1 2 3 4	
1	1010124	Plate, Spring Mount	1
2	1010150	Bearing, Thrust	2
3	1010177	Bolt, 3/8-16 X 2.00 Hex Head	4
4	1012303	Bushing, Steel	2
5	1014276	Plate, Front Spring Retainer	1
6	1015583	Bushing, Urethane	4
7	1016384	Clevis, Delta Upper	2
8	1016386	King Pin Assembly	2
9	1016387	Screw, 3/8-16 X 2.75 Hx Hd Cap	2
10	1016389	Washer, 1.125 Od Wave	2
11	101870501	Screw, 3/8-16 X 4.75 Hx Hd Cap	4
12	101903101	Locknut, 1/2-20 Nylon Insert	2
13	102004001	Spring, Front, 2-Leaf (includes items 14 through 16)	1
14	N/A	Spring, Front Leaf	1
15	103507001	Eccentric Bolt Common	1
16	706	Nut, Hex 3/8-16	1
17	357	Lockwasher, 3/8 Split	4
18	706	Nut, Hex 3/8-16	4
19	8754	Locknut, 3/8-16 Hex	8
20	8755	Screw, 3/8-16 X 3.375 Hex Cap	2

7
G
E

7
G
E

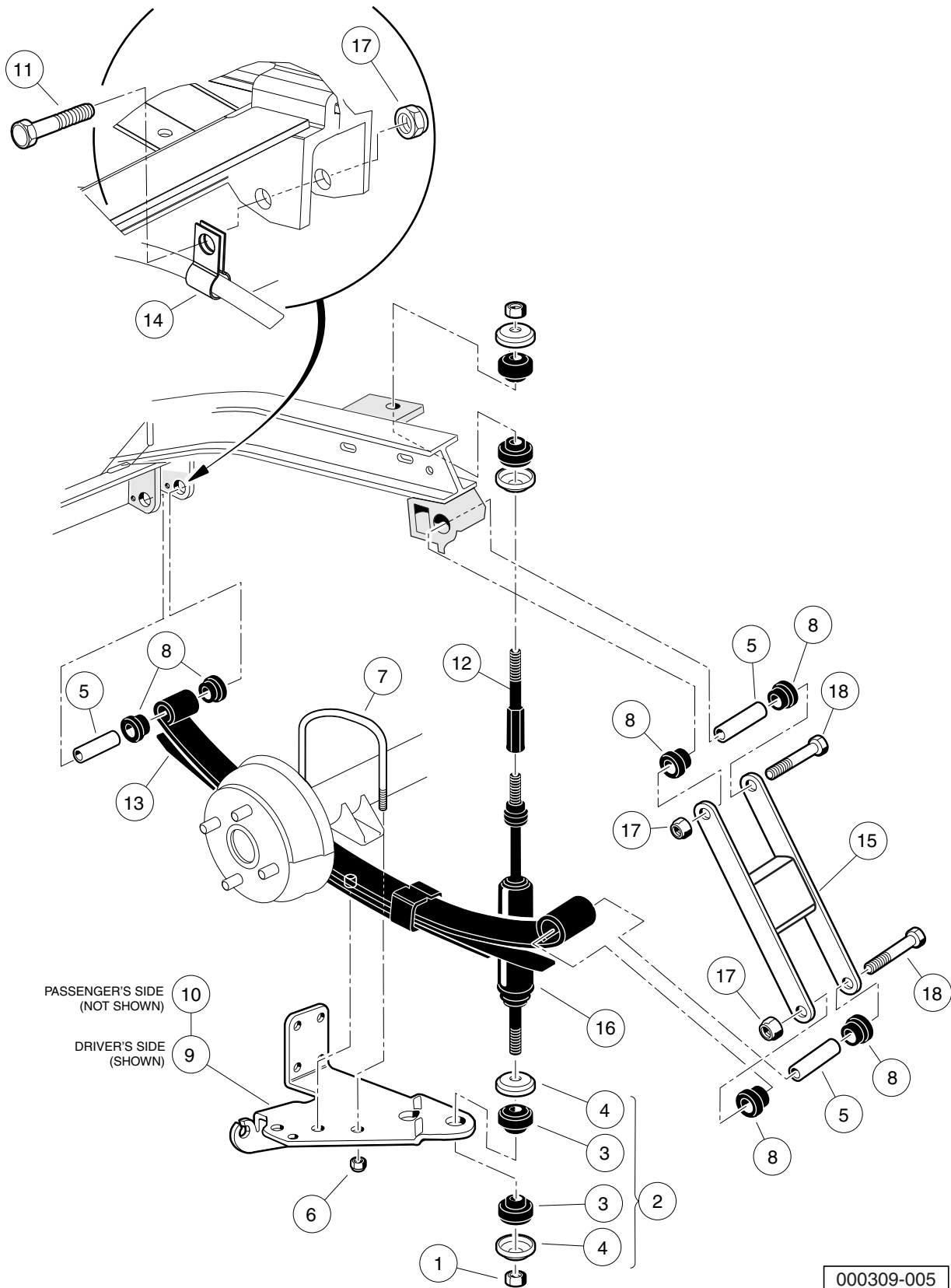


REAR SUSPENSION – GASOLINE TURF/CARRYALL 252 AND XRT 900

ITEM	PART NO.	DESCRIPTION	QTY
		1 2 3 4	
1	1010145	Nut, 3/8-24 Hex	4
2	1011415	Kit, Shock Absorber Cushion (includes items 3 and 4)	4
3	N/A	Cushion, Shock Absorber	2
4	N/A	Retainer, Shock Absorber Cushion	2
5	1012180	U-Bolt	2
6	1012303	Bushing, Steel	6
7	1013207	Hanger, Brake Cable	2
8	1014555	Locknut, 7/16-14 Nylon Hex	4
9	1015583	Bushing, Urethane	12
10	101926501	Bracket, Left-Hand	1
11	101929401	Bracket, Right	1
12	102004201	Rear Spring Shackle	4
13	102871801	Rear Spring, 3leaf, 600 Lb/in	2
14	103351101	Shock, Absorber, Utility	2
15	8754	Locknut, 3/8-16 Hex	6
16	8755	Screw, 3/8-16 X 3.375 Hex Cap	6
<p>Note: Only the driver-side rear suspension is shown. Parts for the passenger-side rear suspension are identical except for the leaf spring/shock mounting plate.</p>			

7
G
E

7
G
E

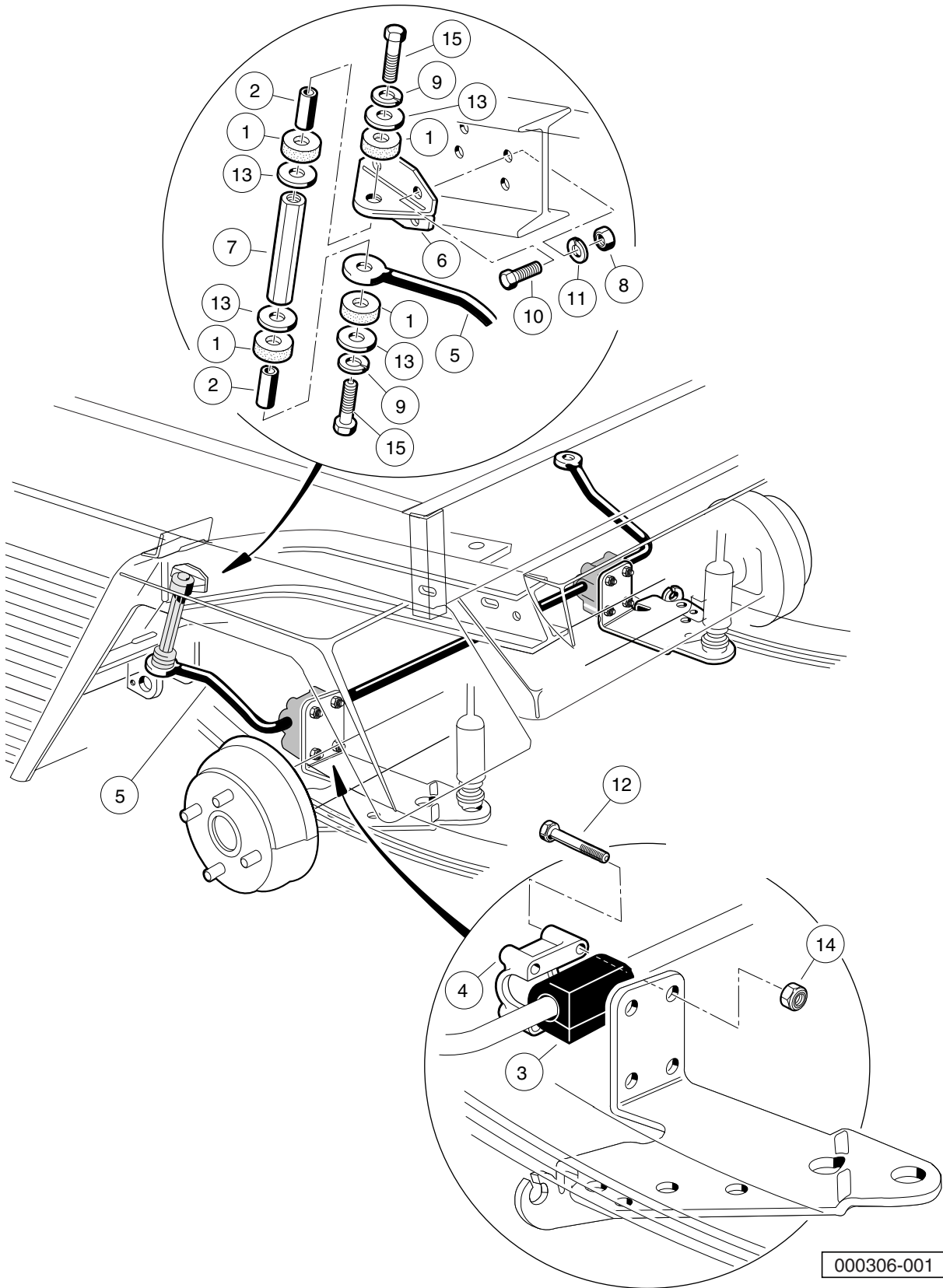


REAR SUSPENSION – TURF/CARRYALL 252 AND XRT 900 IQ PLUS

ITEM	PART NO.	DESCRIPTION	QTY
		1 2 3 4	
1	1010145	Nut, 3/8-24 Hex	4
2	1011415	Kit, Shock Absorber Cushion (includes items 3 and 4)	4
3	N/A	Cushion, Shock Absorber	2
4	N/A	Retainer, Shock Absorber Cushion	2
5	1012303	Bushing, Steel	6
6	1014555	Locknut, 7/16-14 Nylon Hex	4
7	1014902	U-Bolt	2
8	1015583	Bushing, Urethane	12
9	101926501	Bracket, Left-Hand	1
10	101929401	Bracket, Right	1
11	102066201	Screw, 3/8-16 X 3.50 Hex Cap	2
12	102399001	Shock Extension	2
13	102871801	Rear Spring, 3leaf, 600 Lb/in	2
14	102891101	Clamp, Cable, Brake, Sym	2
15	103324801	Weldment, Shackle, 10.0	2
16	103351101	Shock, Absorber, Utility	2
17	8754	Locknut, 3/8-16 Hex	6
18	8755	Screw, 3/8-16 X 3.375 Hex Cap	4
<p>Note: Only the driver-side rear suspension is shown. Parts for the passenger-side rear suspension are identical except for the leaf spring/shock mounting plate.</p>			

7
G
E

7
G
E



000306-001

STABILIZER BAR – TURF/CARRYALL 252 AND XRT 900

ITEM	PART NO.	DESCRIPTION	QTY
		1 2 3 4	
1	1015453	Compression Mount	8
2	1015457	Spacer, 0.720"	4
3	1015613	Bushing, Stabilizer Bar	2
4	1015614	Support, Bushing	2
5	1015760	Stabilizer Bar	1
6	1016813	Mounting Bracket, Stabilizer Bar	2
7	102004901	Link, Stabilizer Bar	2
8	1242	Nut, 5/16-18 Hex	8
9	357	Lockwasher, 3/8 Split	4
10	7173	Screw, 5/16-18 X 0.75, Hex-Head Cap	8
11	7174	Lockwasher, 5/16 Split	8
12	7311	Screw, 1/4-20 X 2.00 Hex-Head Cap	8
13	808	Washer, 3/8 Type B Flat	8
14	8233	Locknut, 1/4-20, Nylon Insert	8
15	8861	Bolt, 3/8-16 X 1.75 Hex	4

7
G
E

7

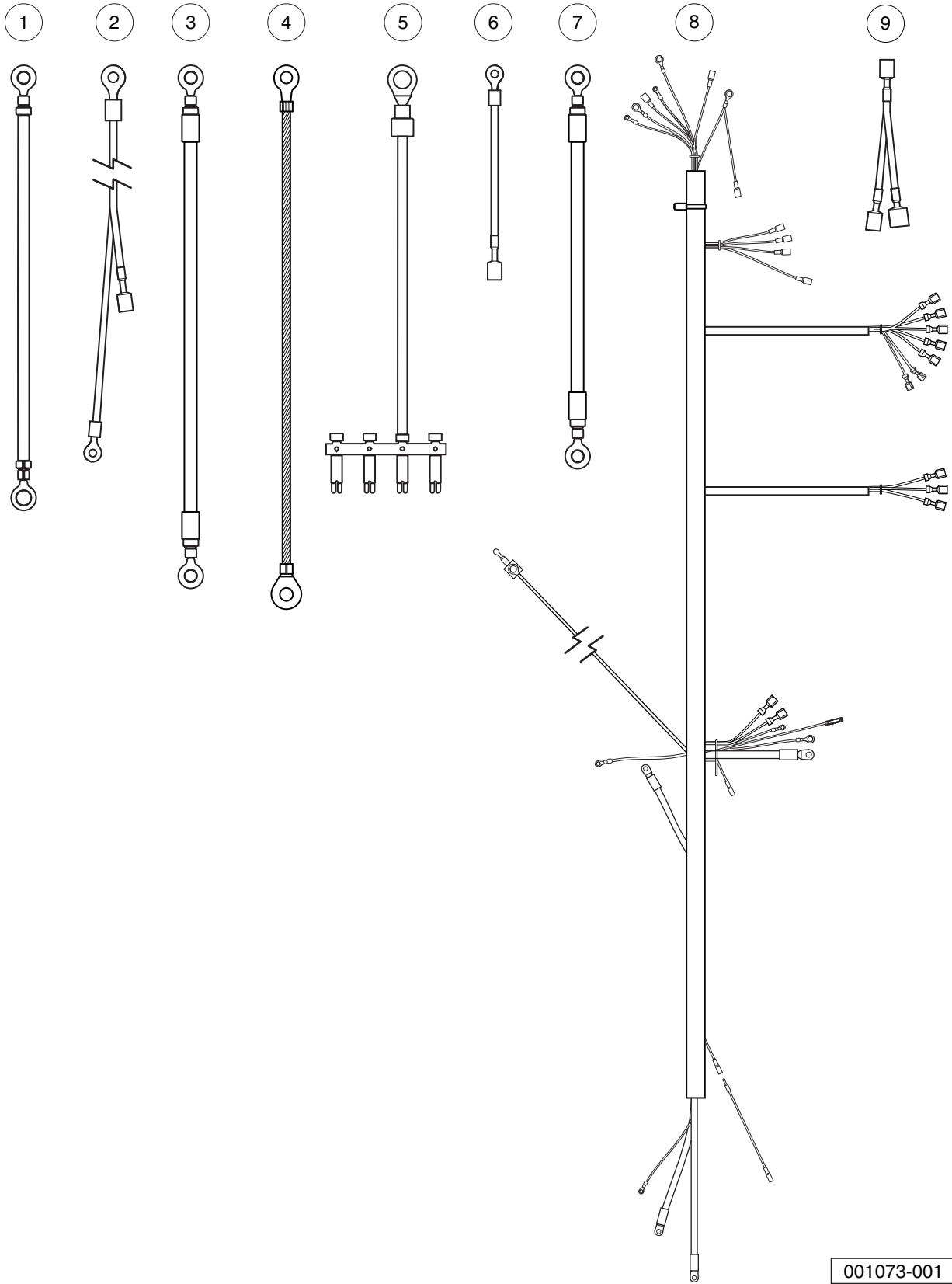
G

E

ELECTRICAL SYSTEM – GASOLINE VEHICLE

8

G

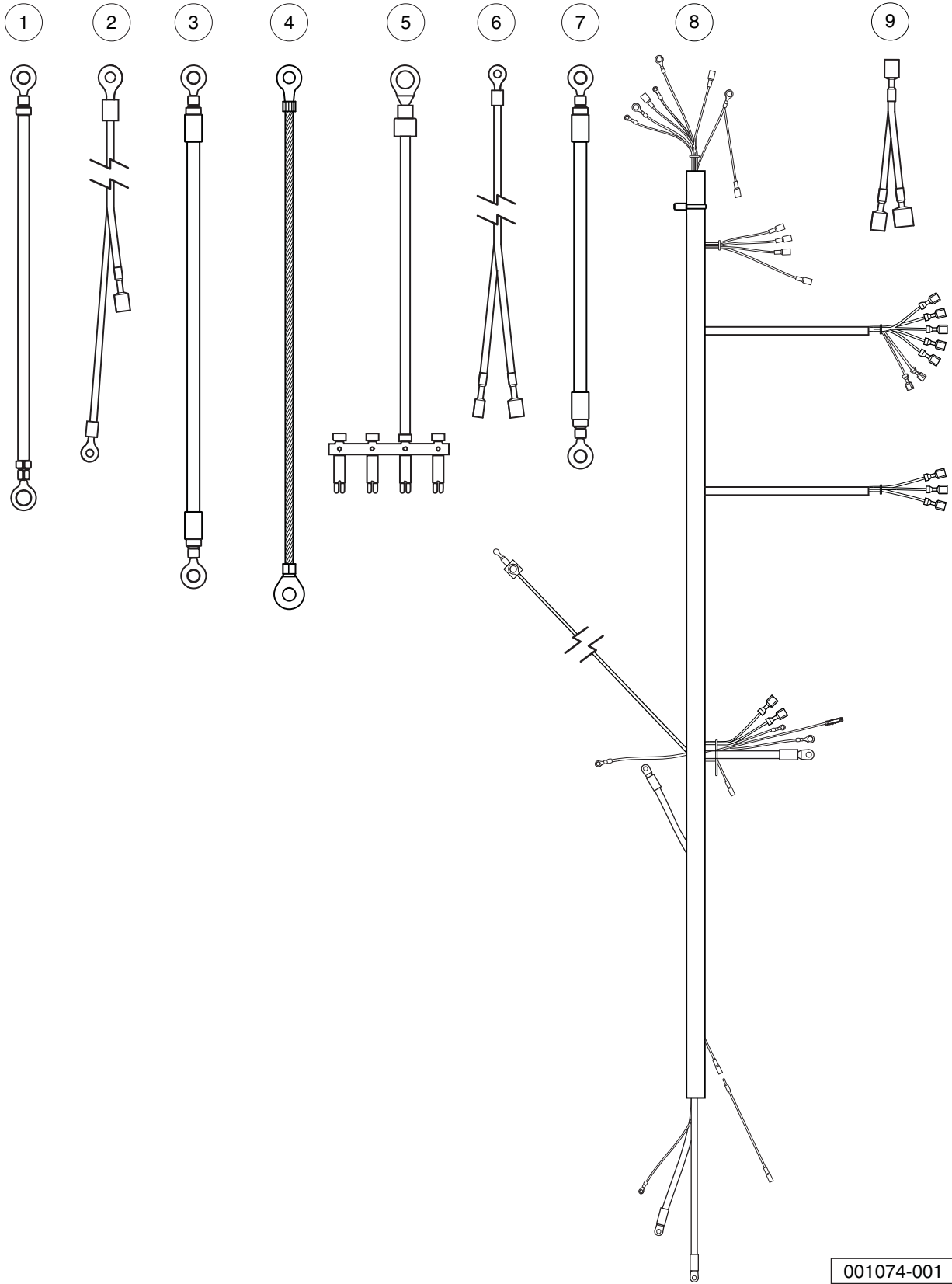


001073-001

WIRING, FUSES, AND DIODES – TURF/CARRYALL 2 AND 252

ITEM	PART NO.	DESCRIPTION	QTY
		1 2 3 4	
1	1012382	Wire Assy, #6 Black	1
2	1012396	Wire Assy #18 Black	1
3	1014119	Wire Assembly #6 Red	1
4	1015332	Wire, Ground, #10, Uninsulated	1
5	1015737	Wire Assy, #10 Red	1
6	1016401	Wire Assy, #16 Orange	1
7	101837301	Wire Assy, #6 Green	1
8	103197101	Asm, Wire Harness, Carryall 2, Gas	1
9	103348501	Asm, Wire Meter, F-h Jumper	1

8
G

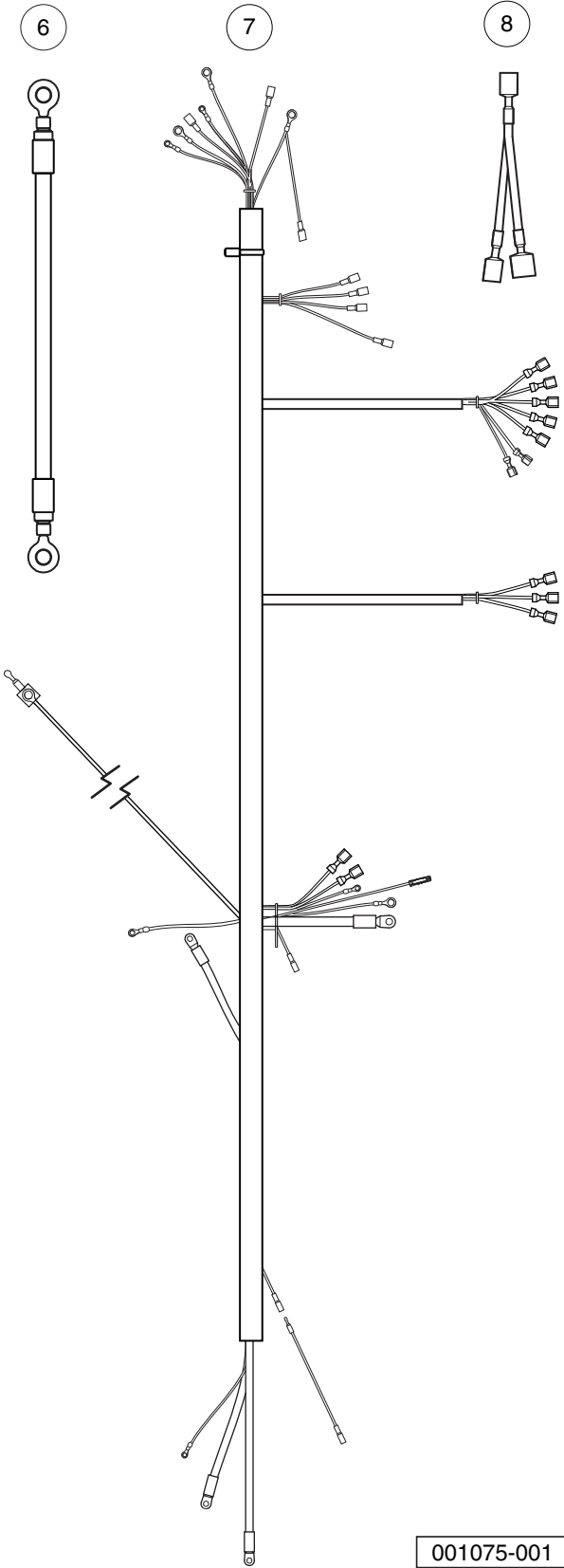
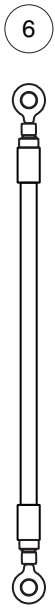
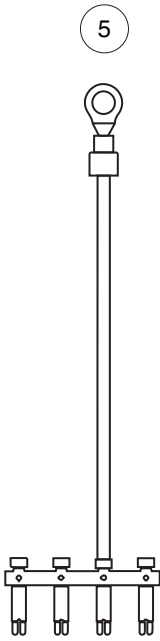
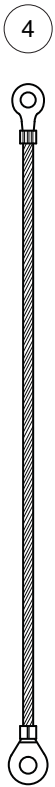
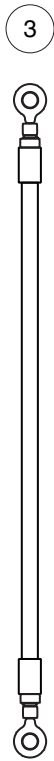
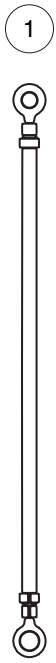


001074-001

WIRING, FUSES, AND DIODES – CARRYALL 2 PLUS

ITEM	PART NO.	DESCRIPTION	QTY
		1 2 3 4	
1	1012382	Wire Assy, #6 Black	1
2	1012396	Wire Assy #18 Black	1
3	1014119	Wire Assembly #6 Red	1
4	1015332	Wire, Ground, #10, Uninsulated	1
5	1015737	Wire Assy, #10 Red	1
6	1017006	Wire Assembly Orange #18	1
7	101837301	Wire Assy, #6 Green	1
8	103198001	Asm, Wire Harness, Carryall 2 Plus	1
9	103348501	Asm, Wire Meter, F-h Jumper	1

8
G

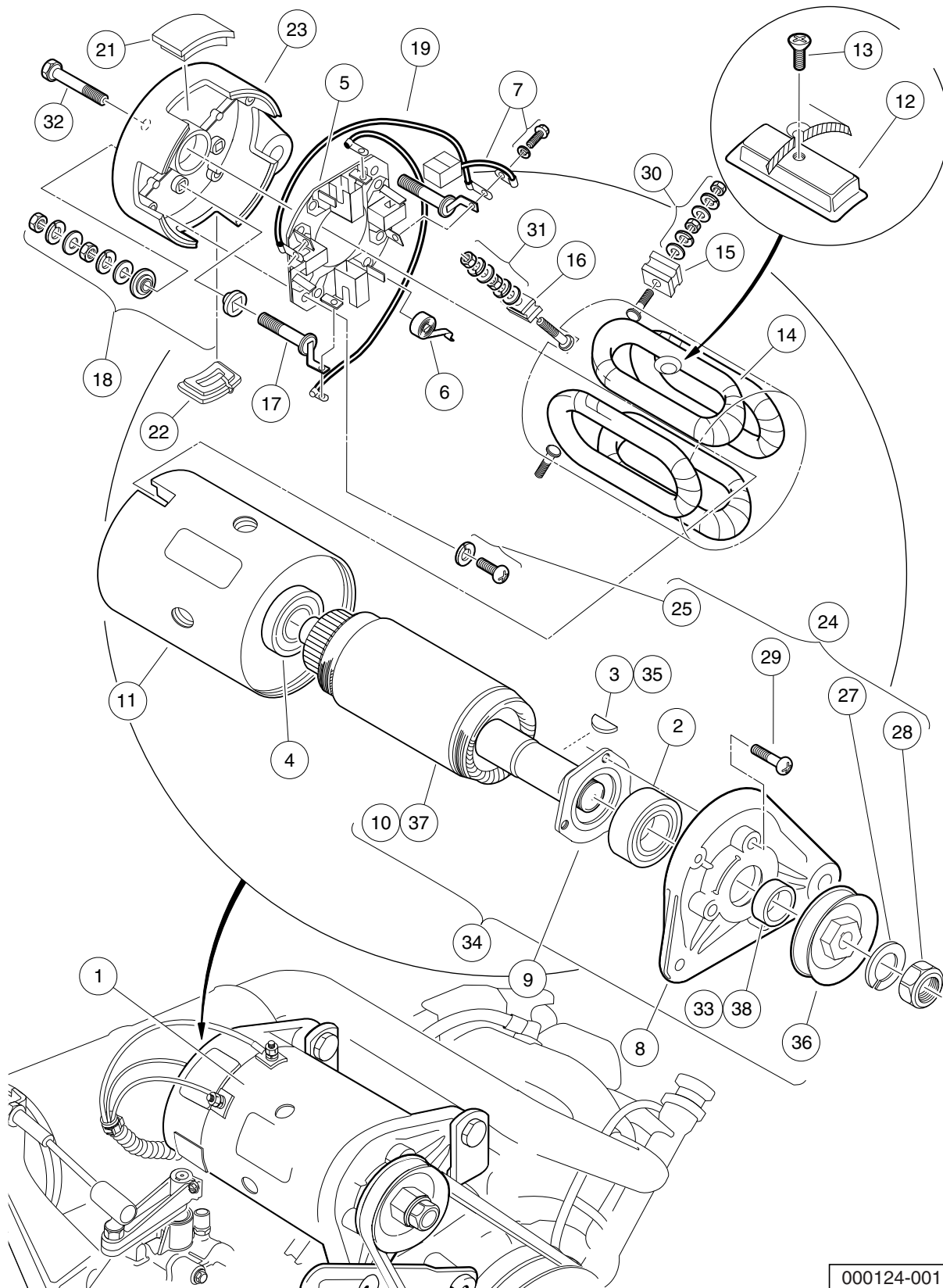


001075-001

WIRING, FUSES, AND DIODES – XRT 900

ITEM	PART NO.	DESCRIPTION	QTY
		1 2 3 4	
1	1012382	Wire Assy, #6 Black	1
2	1012396	Wire Assy #18 Black	1
3	1014119	Wire Assembly #6 Red	1
4	1015332	Wire, Ground, #10, Uninsulated	1
5	1015737	Wire Assy, #10 Red	1
6	101837301	Wire Assy, #6 Green	1
7	103198101	Asm, Wire Harness, CA XRT	1
8	103348501	Asm, Wire Meter, F-h Jumper	1

8
G

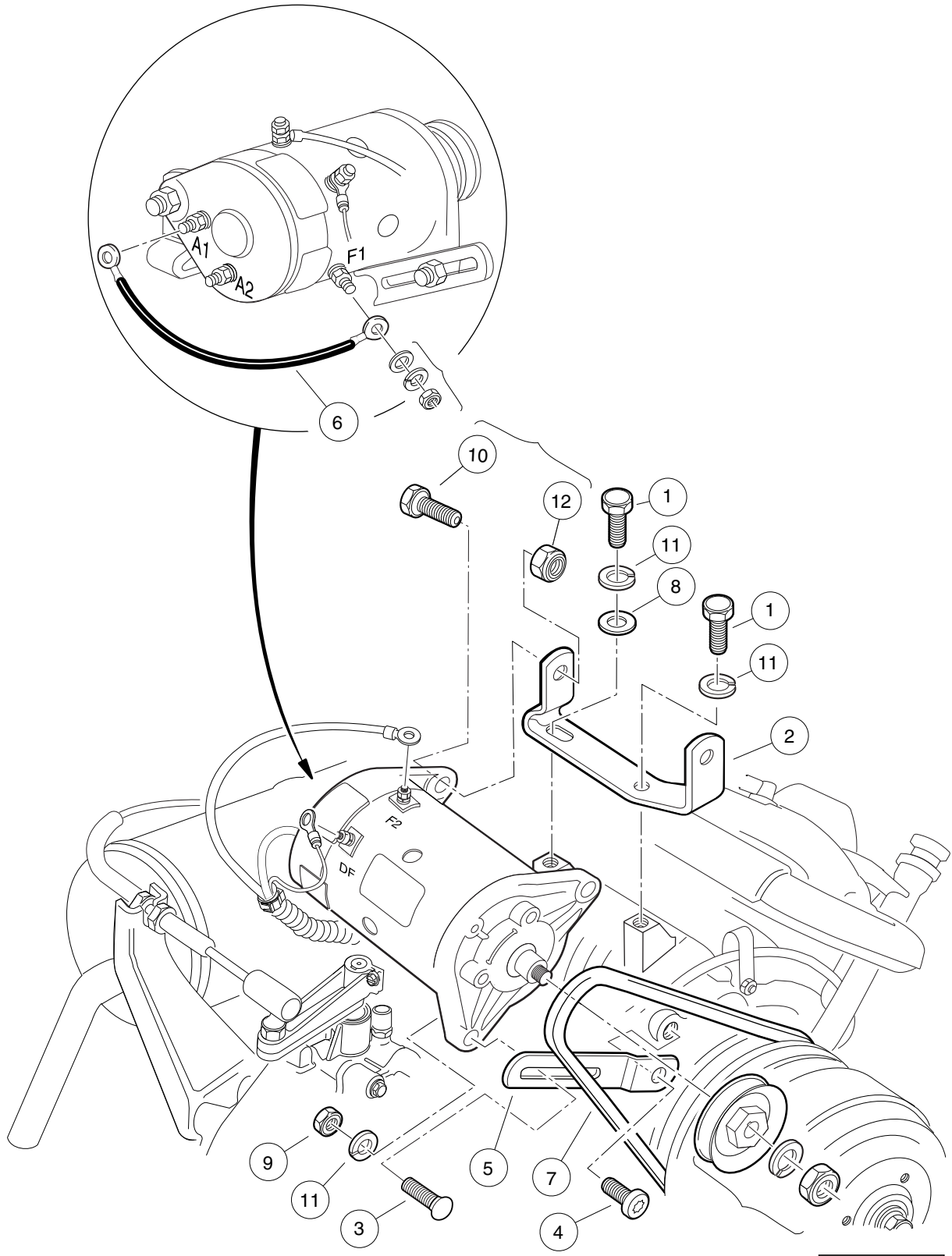


000124-001

STARTER/GENERATOR ASSEMBLY MODEL G425419 – GASOLINE VEHICLES

ITEM	PART NO.	DESCRIPTION	QTY
		1 2 3 4	
1	101833701	Starter/Generator (cw) (includes items 2 through 33)	1
2	1013001	Bearing, Output Shaft Ball	1
3	1013003	Key, Starter/Generator	1
4	1013005	Bearing, Ball	1
5	101301102	Brush Holder Assembly (cw) (includes item 6)	1
6	101878101	Brush Spring Set	4
7	101869302	Brush and Screw Set (cw)	1
8	101874901	Front Bracket	1
9	101875001	Retainer	1
10	101875101	Armature	1
11	101875201	Field Coil Housing	1
12	101875301	Pole Set	1
13	101875401	Screw Set	1
14	101875501	Field Stator Coil Assembly	1
15	101875601	F Insulator Set	2
16	101875701	DF Insulator	1
17	101875802	A Connector (cw)	1
18	101876001	Screw and Mold Assembly	2
19	101876202	Brush Connector Assembly (cw)	2
20	101876301	Cover Set (includes items 21 and 22)	1
21	N/A	Brush Inspection Port Cover	3
22	1017653	Brush Port Cover w/Drain	1
23	101876402	End Bell, Commutator, Rear Bracket (cw)	1
24	101876501	Nut and Screw Set (includes items 25 through 29)	1
25	101896501	Brush Holder Asm Screw	2
26	N/A	Washer, M5 Flat	1
27	N/A	Washer, M14 Lock	1
28	N/A	Nut, Hex, M14 x 2	1
29	N/A	Screw, M5 x 0.8 x 18mm	3
30	101877601	Nut and Washer Set	2
31	101877701	Nut and Washer Set	1
32	101879001	Through Bolt Set	2
33	101939901	Spacer	1
34	101875102	Armature Asm Conversion Kit (includes items 35 through 38)	1
35	1013003	Key, Starter/Generator	1
36	1014289	Pulley, Starter/Generator	1
37	101875101	Armature	1
38	101939901	Spacer	1
		Note: Item 36 will ONLY fit Model G425419 Starter/Generator.	

8
G



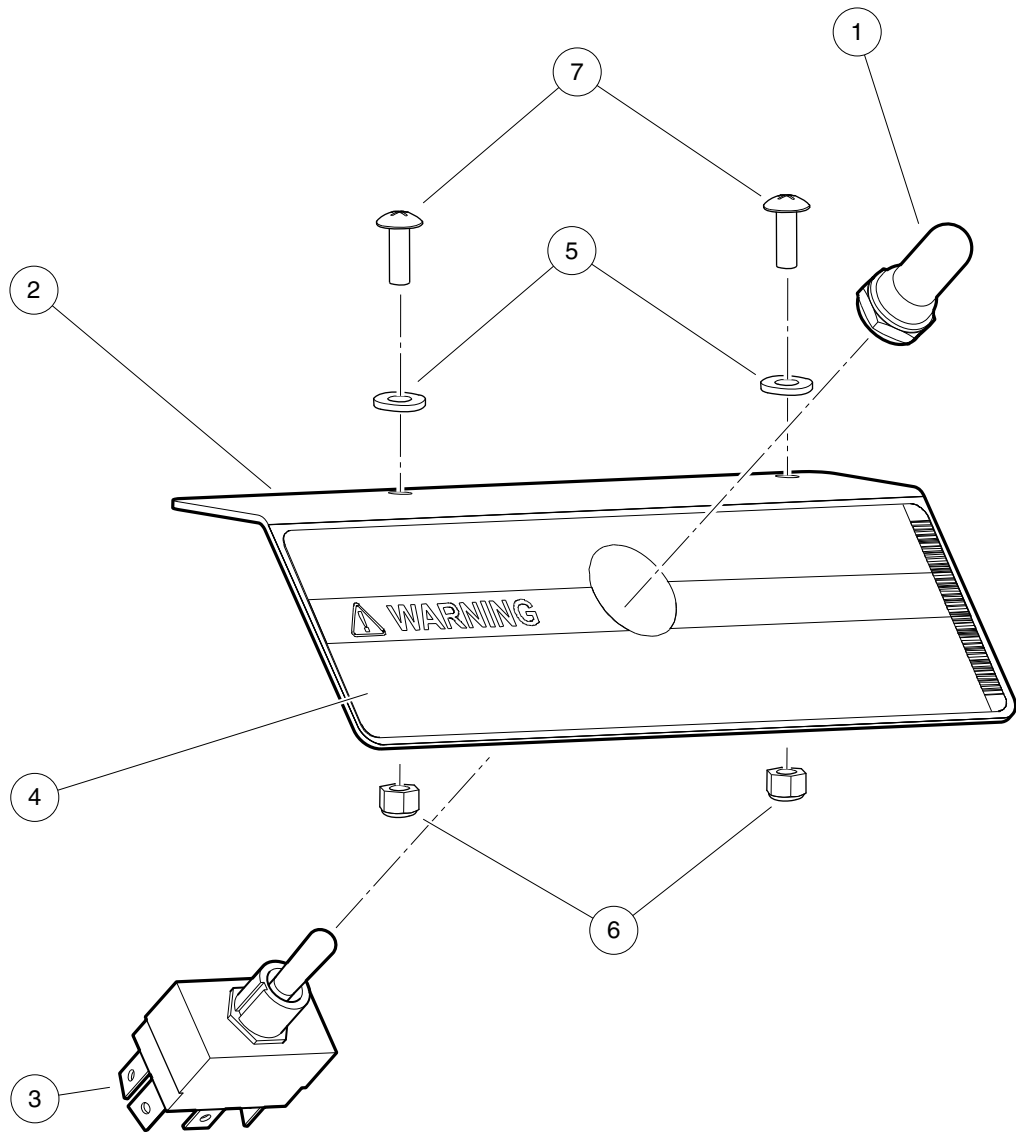
000239-001

STARTER/GENERATOR MOUNTING – FE350

ITEM	PART NO.	DESCRIPTION	QTY
		1 2 3 4	
1	1012830	Screw, M8-125 X 22 Hex-Head	2
2	101524002	Bracket, Starter/Generator Mounting	1
3	1015932	Bolt, Carriage, 5/16-18	1
4	1016074	Screw, M8-1.25 X 18mm Torx	1
5	1016883	Bracket, Starter/Generator Adjustment	1
6	101837301	Wire Assy, #6 Green	1
7	101916701	V-Belt	1
8	1241	Washer, 5/16 Type A Flat	1
9	1242	Nut, 5/16-18 Hex	1
10	705	Screw, Cap-hex Hd 3/8-16x1.25	2
11	7174	Lockwasher, 5/16 Split	3
12	8754	Locknut, 3/8-16 Hex	2

8

G

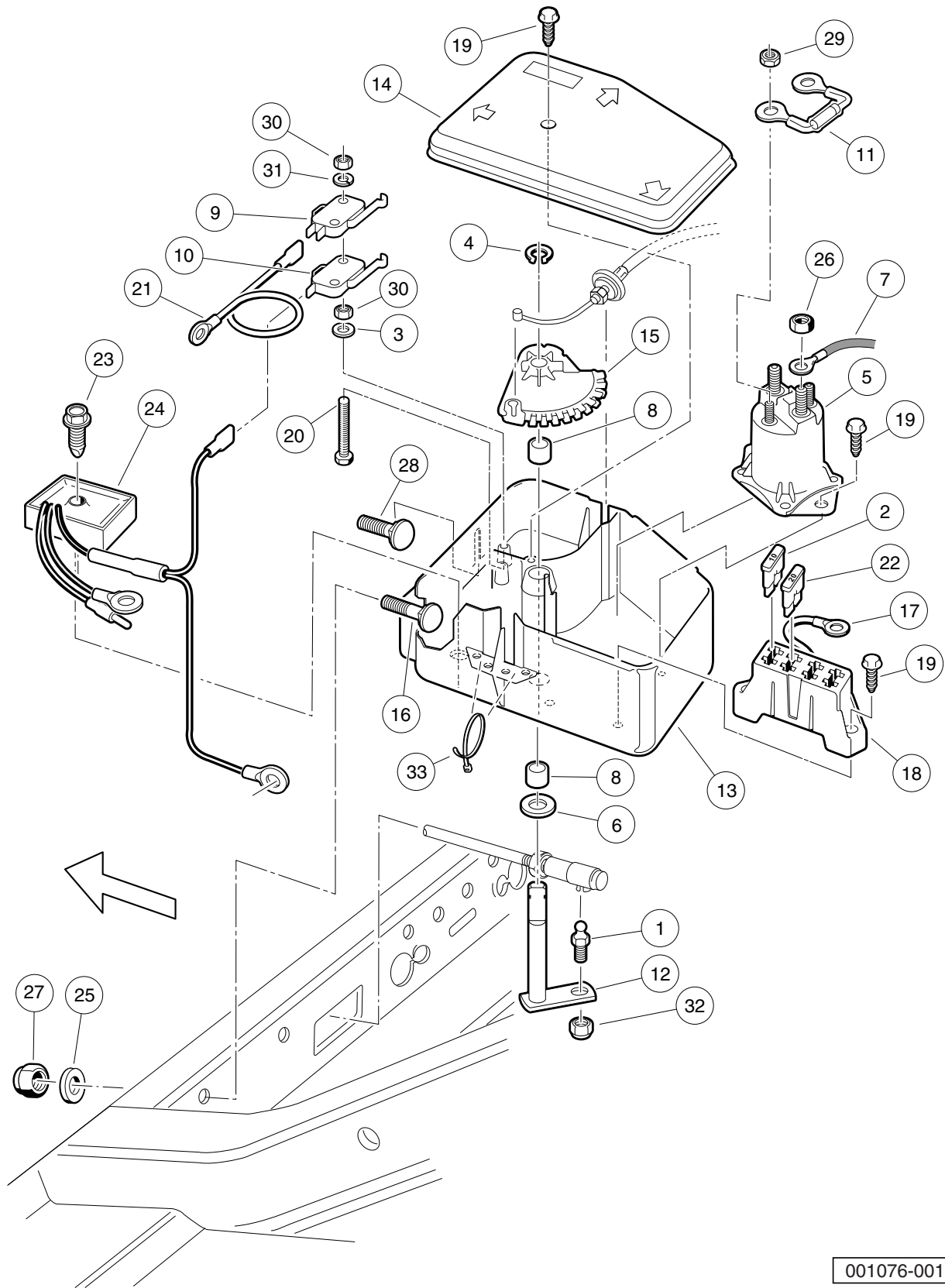


000755-003

OPERATION AND MAINTENANCE SWITCH

ITEM	PART NO.	DESCRIPTION	QTY
		1 2 3 4	
1	101908401	Boot, Switch	1
2	101922501	Bracket, Tow/Run Switch Mounting	1
3	103198401	Switch, Toggle, SPDT	1
4	103205501	Decal, Run/Service Switch	1
5	332	Washer, 1/4 Type A Narrow Flat	2
6	8233	Locknut, 1/4-20, Nylon Insert	2
7	8248	Screw, 1/4-20 X 0.75, Truss-Head Machine	2

8
G



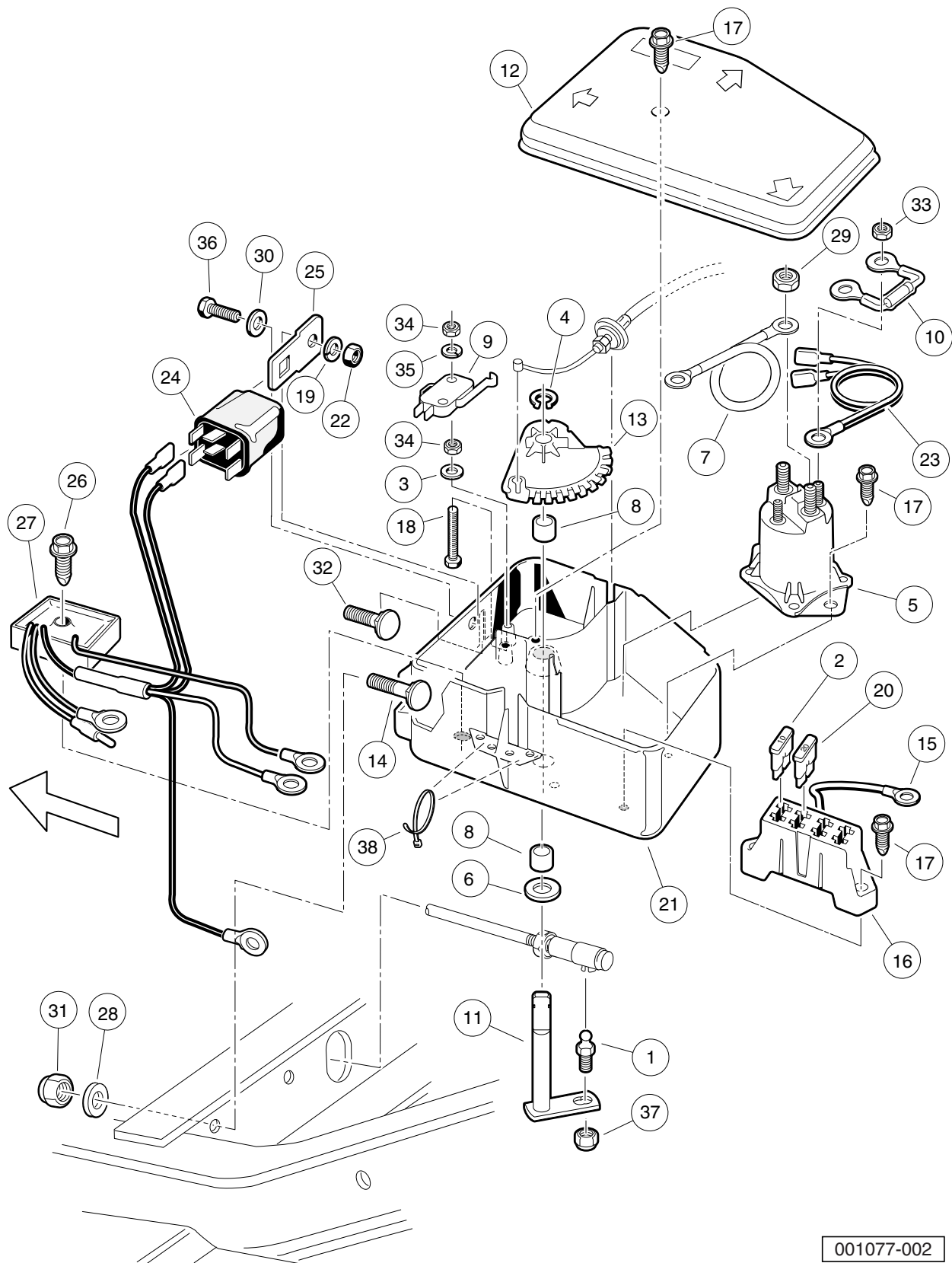
001076-001

ELECTRICAL COMPONENT BOX – TURF/CARRYALL 1, 2, AND 252

ITEM	PART NO.	DESCRIPTION	QTY
		1 2 3 4	
1	1010954	Stud, Ball, 1/4-28 X 0.560	1
2	1012295	Fuse, 10-Amp	1
3	1012431	Washer, #4 Flat	2
4	1013589	Ring, Retaining, 0.338" Internal	1
5	1013609	Solenoid, 12-Volt	1
6	1014065	Washer, Flat, 0.38" ID, Delrin	1
7	1014119	Wire Assembly #6 Red	1
8	1014145	Bushing, Secondary Weight, Split	2
9	1014807	Switch, Limit	1
10	1014808	Switch, Limit	1
11	1014948	Diode	1
12	1015345	Bell Crank and Shaft Assembly	1
13	1015371	Box, Electrical Component	1
14	1015372	Cover, Electric Box	1
15	1015373	Cam, Electric Box	1
16	1015405	Bolt, Carriage, 5/16-18 X 2.0	1
17	1015737	Wire Assy, #10 Red	1
18	1015741	Fuse Block	1
19	1015752	Screw, #12-16 X 0.625, Hi-Lo	5
20	1015878	Screw, #4-40 Hex Head Machine	2
21	1016401	Wire Assy, #16 Orange	1
22	1016423	Fuse, 20-Amp	1
23	101856102	Screw, 1/4-15 X 1.50, Hi-lo, Hex	1
24	102711201	Voltage Regulator	1
25	1241	Washer, 5/16 Type A Flat	2
26	1242	Nut, 5/16-18 Hex	2
27	7473	Locknut, 5/16-18 Nylon Insert	2
28	7818	Bolt, Carriage, 5/16-18 X 1.5	1
29	7893	Nut, #10-32 Hex	2
30	8057	Nut, #4-40 Hex Machine	4
31	8058	Lockwasher, #4 Split	2
32	8717	Locknut, Nylon Insert, 1/4-28	1
33	8990	Tie Wrap, 8" Nylon	2

8

G

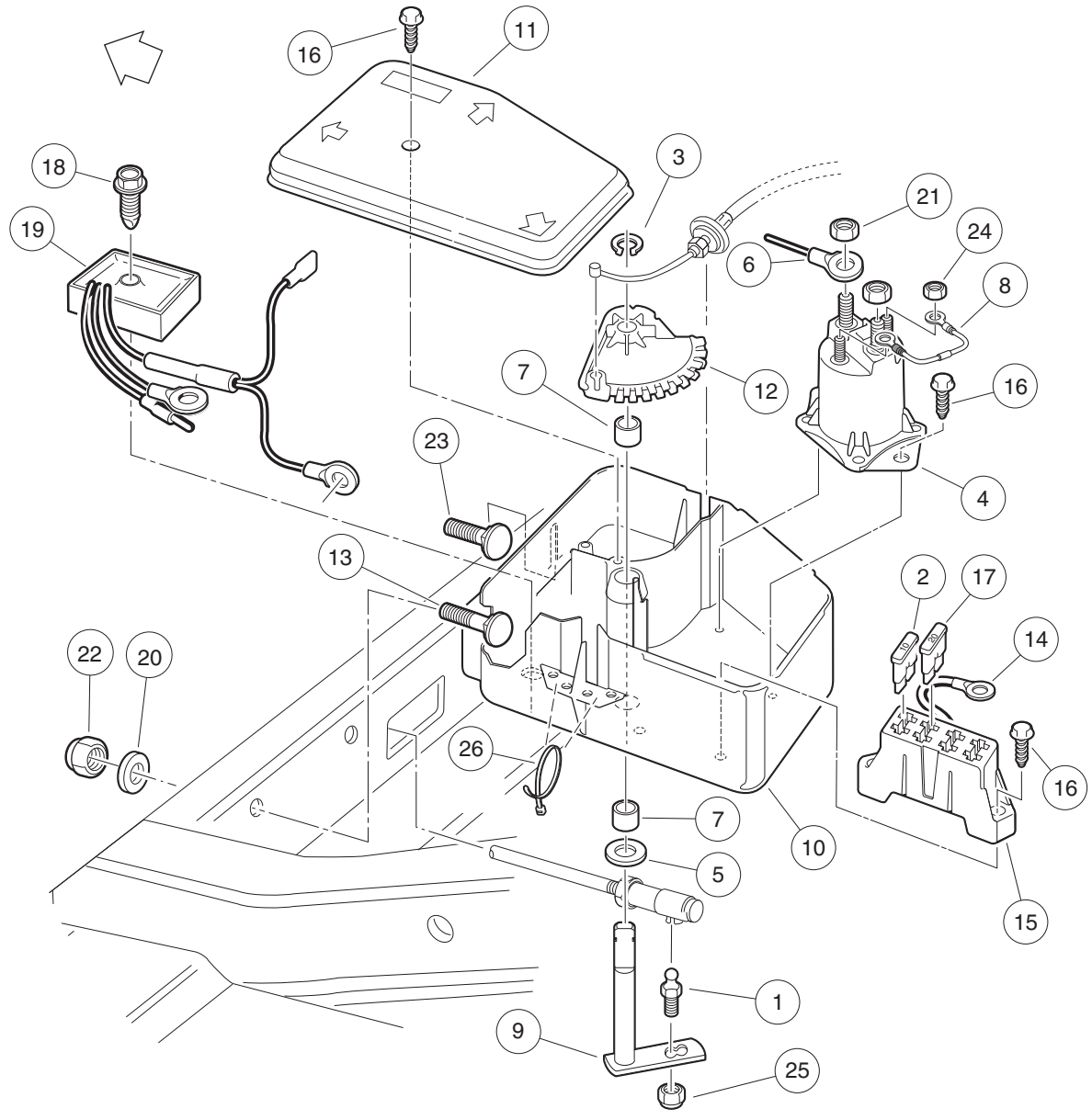


001077-002

ELECTRICAL COMPONENT BOX – CARRYALL 2 PLUS

ITEM	PART NO.	DESCRIPTION	QTY
		1 2 3 4	
1	1010954	Stud, Ball, 1/4-28 X 0.560	1
2	1012295	Fuse, 10-Amp	1
3	1012431	Washer, #4 Flat	2
4	1013589	Ring, Retaining, 0.338" Internal	1
5	1013609	Solenoid, 12-Volt	1
6	1014065	Washer, Flat, 0.38" ID, Delrin	1
7	1014119	Wire Assembly #6 Red	1
8	1014145	Bushing, Secondary Weight, Split	2
9	1014807	Switch, Limit	1
10	1014948	Diode	1
11	1015345	Bell Crank and Shaft Assembly	1
12	1015372	Cover, Electric Box	1
13	1015373	Cam, Electric Box	1
14	1015405	Bolt, Carriage, 5/16-18 X 2.0	1
15	1015737	Wire Assy, #10 Red	1
16	1015741	Fuse Block	1
17	1015752	Screw, #12-16 X 0.625, Hi-Lo	5
18	1015878	Screw, #4-40 Hex Head Machine	2
19	1016	Lockwasher, #10 Split	1
20	1016423	Fuse, 20-Amp	1
21	1016997	Electrical Component Box	1
22	1017	Nut, #10-24 Stainless-Steel Hex Machine	1
23	1017006	Wire Assembly Orange #18	1
24	1017239	Relay W/mounting Bracket	1
25	1017243	Mounting Bracket, Relay	1
26	101856102	Screw, 1/4-15 X 1.50, Hi-lo, Hex	1
27	102803401	Asm, Voltage Regulator Key Sta	1
28	1241	Washer, 5/16 Type A Flat	2
29	1242	Nut, 5/16-18 Hex	2
30	183	Washer, #10, Type A, Flat	1
31	7473	Locknut, 5/16-18 Nylon Insert	2
32	7818	Bolt, Carriage, 5/16-18 X 1.5	1
33	7893	Nut, #10-32 Hex	2
34	8057	Nut, #4-40 Hex Machine	4
35	8058	Lockwasher, #4 Split	2
36	8450	Screw, #10-24 X 0.50, Hex-Head	1
37	8717	Locknut, Nylon Insert, 1/4-28	1
38	8990	Tie Wrap, 8" Nylon	3

8
G



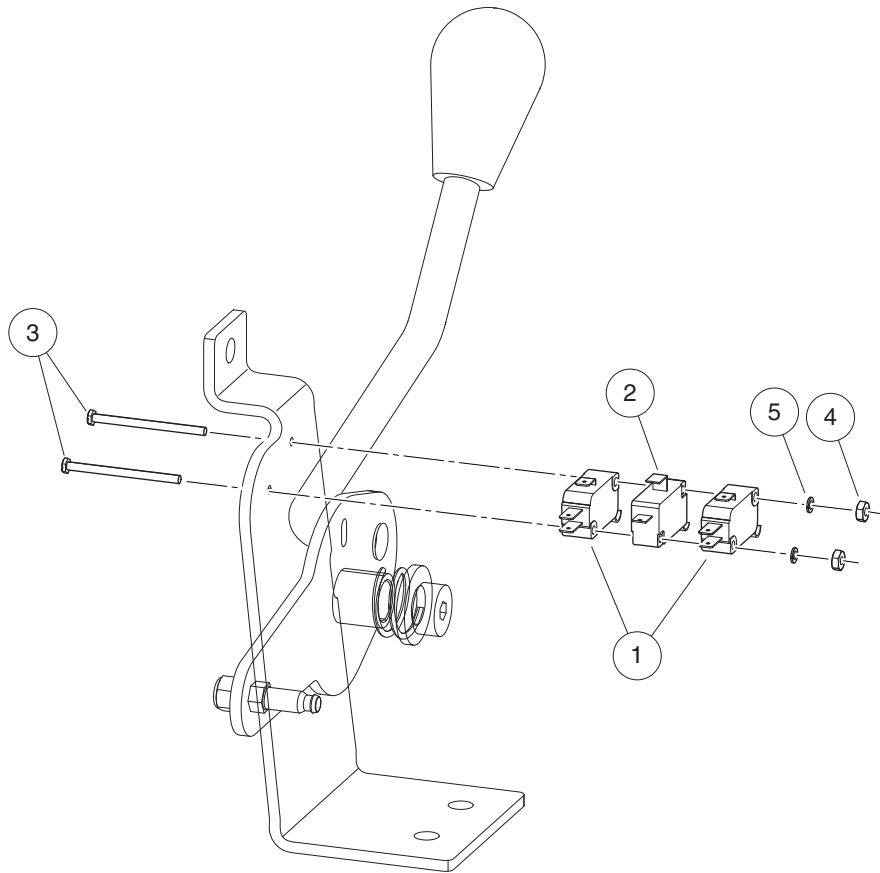
001078-001

ELECTRICAL COMPONENT BOX – XRT 900

ITEM	PART NO.	DESCRIPTION	QTY
		1 2 3 4	
1	1010954	Stud, Ball, 1/4-28 X 0.560	1
2	1012295	Fuse, 10-Amp	1
3	1013589	Ring, Retaining, 0.338" Internal	1
4	1013609	Solenoid, 12-Volt	1
5	1014065	Washer, Flat, 0.38" ID, Delrin	1
6	1014119	Wire Assembly #6 Red	1
7	1014145	Bushing, Secondary Weight, Split	2
8	1014948	Diode	1
9	1015345	Bell Crank and Shaft Assembly	1
10	1015371	Box, Electrical Component	1
11	1015372	Cover, Electric Box	1
12	1015373	Cam, Electric Box	1
13	1015405	Bolt, Carriage, 5/16-18 X 2.0	1
14	1015737	Wire Assy, #10 Red	1
15	1015741	Fuse Block	1
16	1015752	Screw, #12-16 X 0.625, Hi-Lo	5
17	1016423	Fuse, 20-Amp	1
18	101856102	Screw, 1/4-15 X 1.50, Hi-lo, Hex	1
19	102711201	Voltage Regulator	1
20	1241	Washer, 5/16 Type A Flat	2
21	1242	Nut, 5/16-18 Hex	2
22	7473	Locknut, 5/16-18 Nylon Insert	2
23	7818	Bolt, Carriage, 5/16-18 X 1.5	1
24	7893	Nut, #10-32 Hex	2
25	8717	Locknut, Nylon Insert, 1/4-28	1
26	8990	Tie Wrap, 8" Nylon	2

8

G

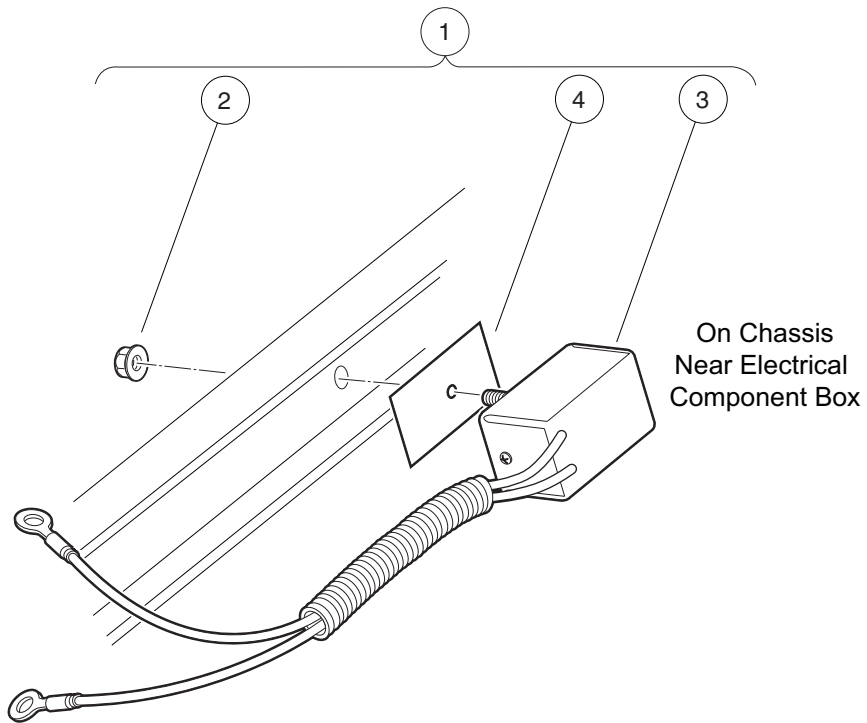


001080-001

FORWARD/REVERSE SHIFTER SWITCHES – DASH MOUNTED SHIFTER

ITEM	PART NO.	DESCRIPTION	QTY
		1 2 3 4	
1	1014807	Switch, Limit	2
2	1014808	Switch, Limit	1
3	1015878	Screw, #4-40 Hex Head Machine	2
4	8057	Nut, #4-40 Hex Machine	2
5	8058	Lockwasher, #4 Split	2

8
G



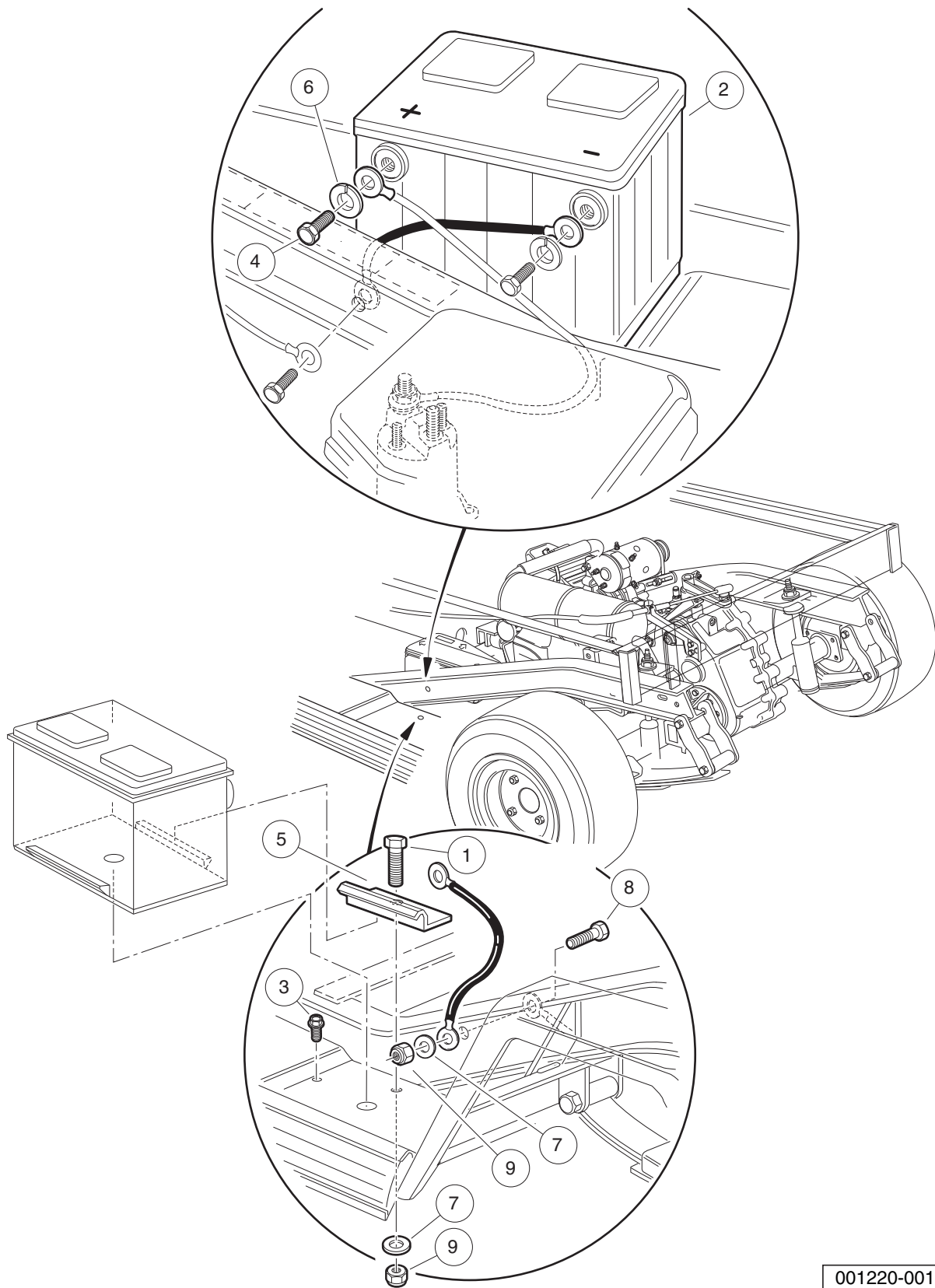
001079-001

CHARGING DIODE, KEY-START – XRT VEHICLES

ITEM	PART NO.	DESCRIPTION	QTY
		1 2 3 4	
1	102272501	Kit, Diode (includes items 2 through 4)	1
2	101963401	Locknut, 5/16-18 Hex Flange	1
3	102264001	Diode Assembly	1
4	102269701	Thermal Pad	1

8

G



001220-001

BATTERY – GASOLINE UTILITY VEHICLES

ITEM	PART NO.	DESCRIPTION	QTY
		1 2 3 4	
1	1010934	Screw, 5/16-18 X 1.00 Hex Cap	1
2	1012328	Battery, 12-Volt	1
3	1014288	Screw, 5/16-18 X 0.75, Thread-Forming	1
4	1014375	Screw, 3/8-16 X 0.50, Stainless Steel, Hex-Head	2
5	101898001	Clamp, Battery	1
6	102355301	Lockwasher, 3/8 Split Ss	2
7	1241	Washer, 5/16 Type A Flat	2
8	7173	Screw, 5/16-18 X 0.75, Hex-Head Cap	1
9	7473	Locknut, 5/16-18 Nylon Insert	2

8
G

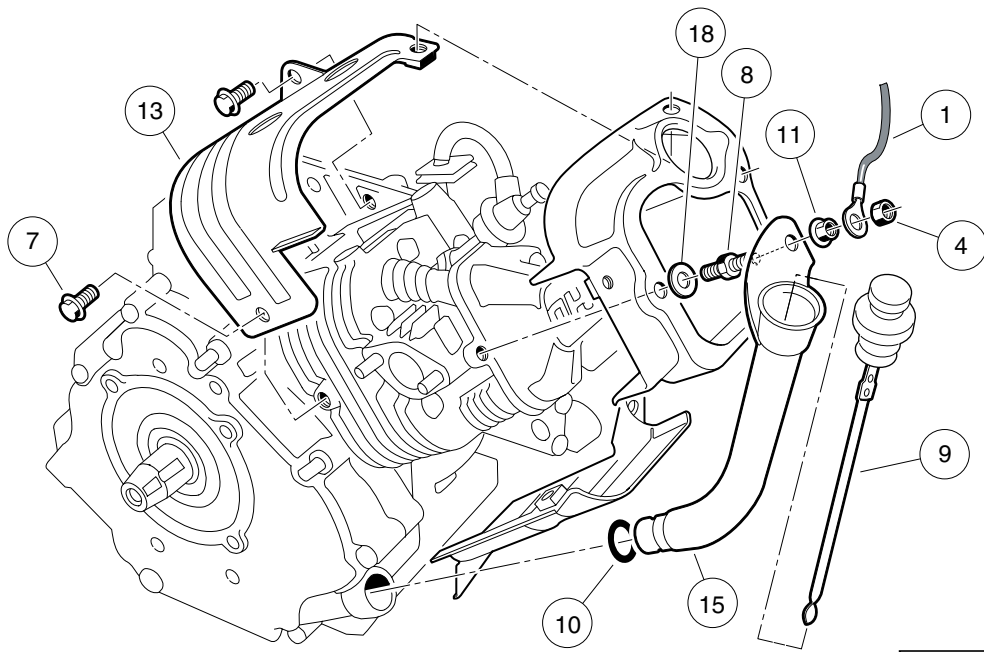
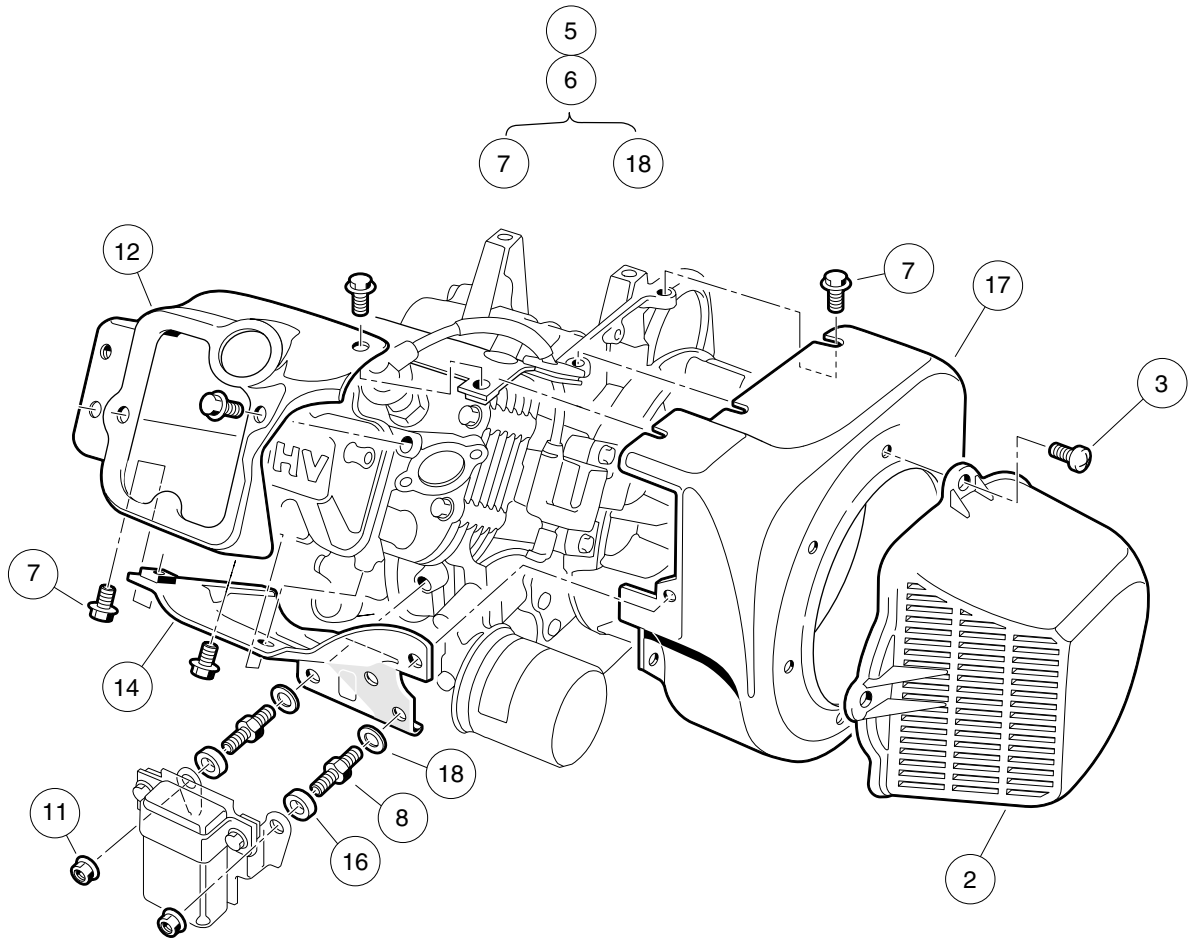
8

G

FE350 ENGINE WITH ACR (CARRYALL 2 PLUS)

9

G



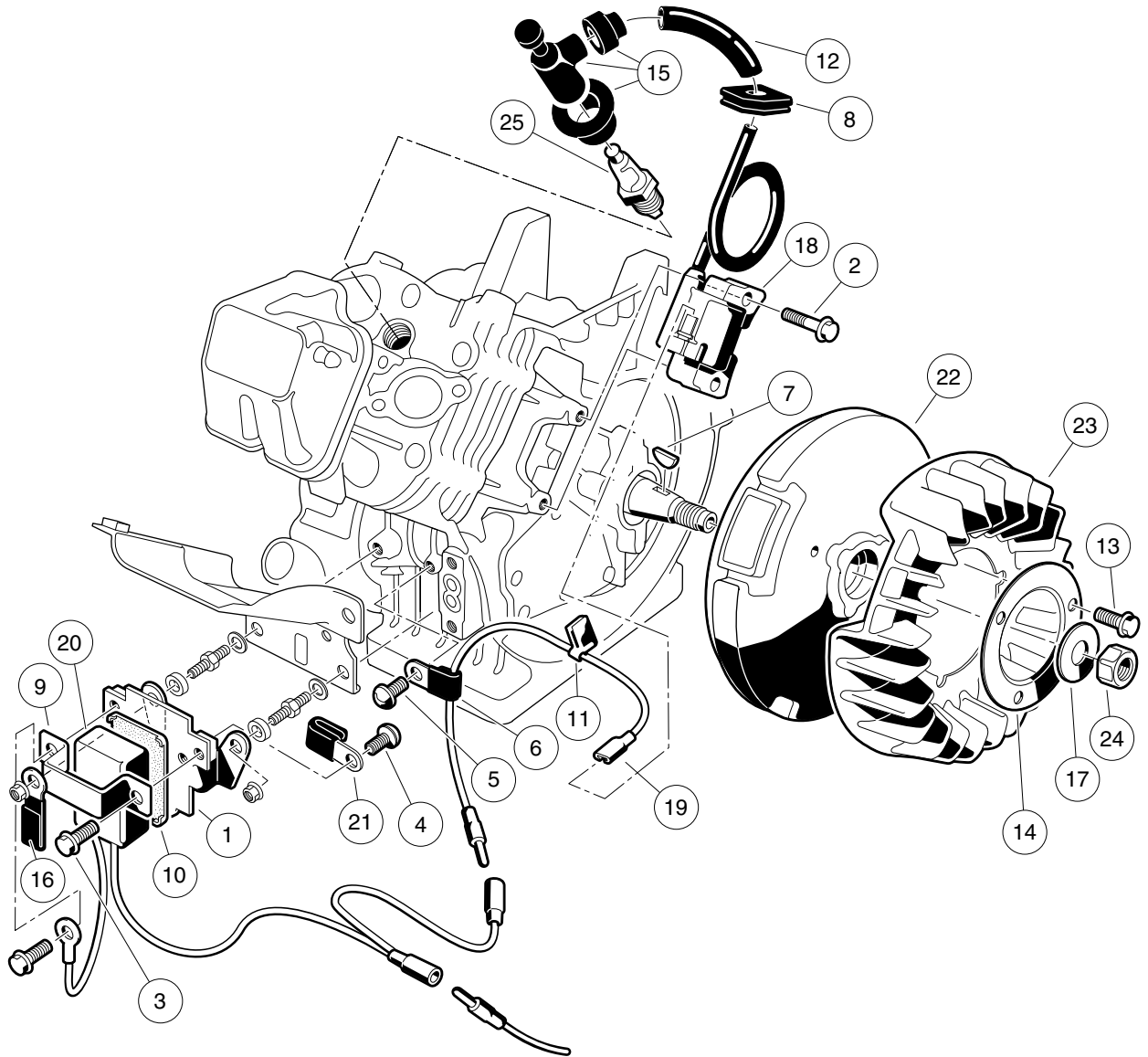
000201-003

FE350 ENGINE WITH ACR (AUTOMATIC COMPRESSION RELEASE) – SHROUDS AND BRACKETS

ITEM	PART NO.	DESCRIPTION	QTY
		1 2 3 4	
1	1015332	Wire, Ground, #10, Uninsulated	1
2	1015649	Shroud, Fan	1
3	1015969	Screw, M6-1.00 X 10mm, Pan Hd	4
4	101887601	Locknut, M6-1.00 Nylon Insert	1
5	101953801	Engine, FE350 with ACR	1
6	101953803	Engine, FE350, California-Only, with ACR (includes items 7 through 18)	1
7	1016456	Bolt, Flange Head, M6 x 1 x 12 mm	14
8	1016507	Bolt, Two-Ended	3
9	1016531	Dipstick	1
10	1016539	O-Ring	1
11	1016547	Nut, Flanged, M6 X 1.00	3
12	1017474	Shroud, Engine	1
13	1017475	Shroud, Engine	1
14	1017476	Shroud, Engine	1
15	1017486	Tube, Oil Filler	1
16	1017500	Spacer 6.50 X 12 X 5.5	2
17	101916101	Housing, FE350 Fan	1
18	N/A	Washer, 6mm Flat	3

9

G



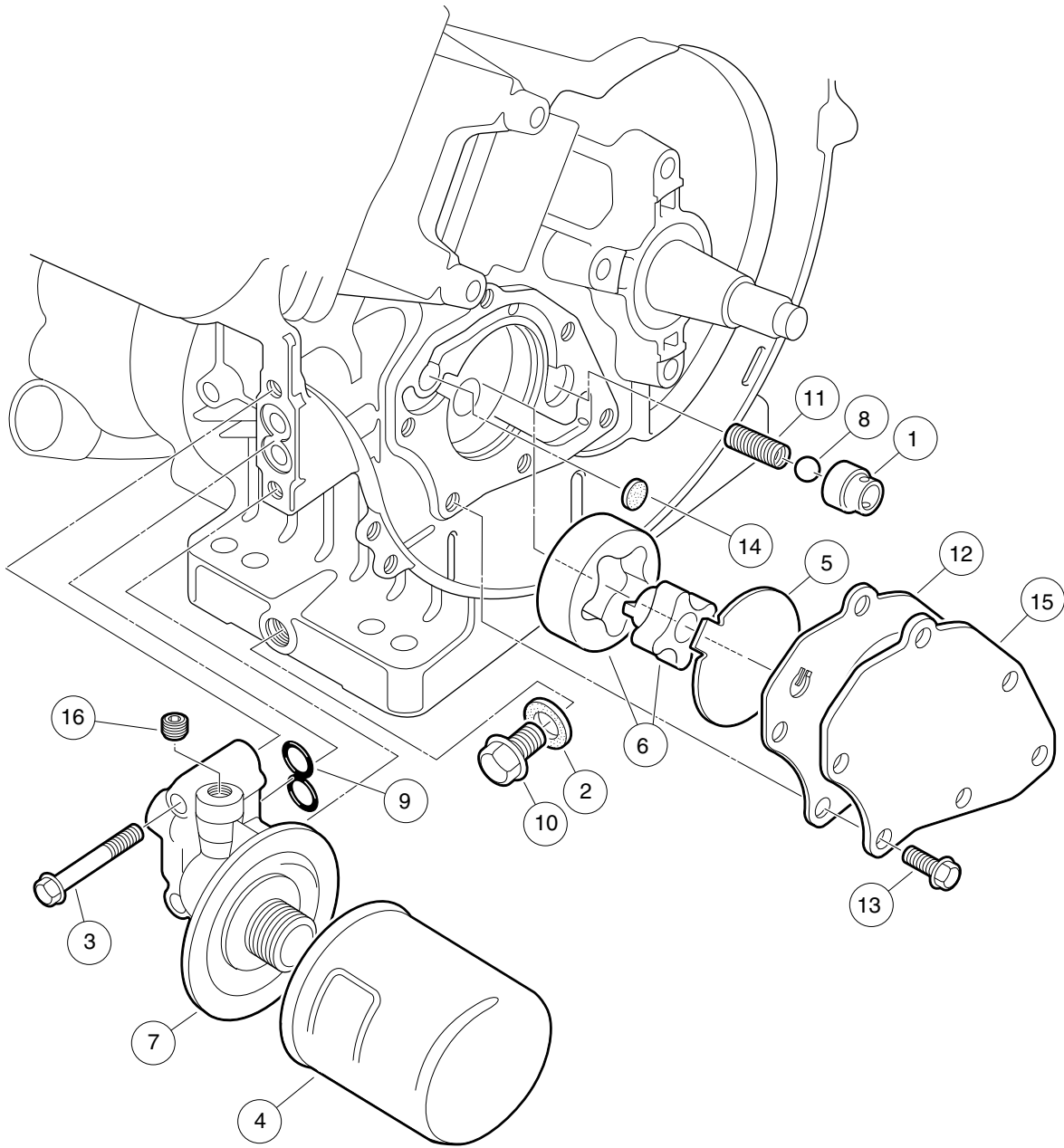
000202-003

FE350 ENGINE – IGNITION COMPONENTS AND FLYWHEEL

ITEM	PART NO.	DESCRIPTION	QTY
		1 2 3 4	
1	1016445	Bracket, RPM Limiter	1
2	1016455	Bolt, Flange Head	2
3	1016456	Bolt, Flange Head, M6 x 1 x 12 mm	2
4	1016497	Screw, Pan WP Cross	1
5	1016544	Screw	1
6	1016561	Clamp	1
7	1016562	Key	1
8	1016578	Grommet, Ignition	1
9	1016579	Band, RPM Limiter Mount	1
10	1016586	Damper, RPM Limiter	1
11	1016587	Clamp	1
12	1016588	Tube, 7mm X 10mm X 70mm	1
13	1017448	Bolt, Flanged	3
14	1017455	Plate, Flywheel Fan	1
15	1017463	Cap Asm, Plug	1
16	1017468	Clamp	1
17	1017490	Washer, Flat	1
18	101909201	Coil, Ignition	1
19	101909301	Lead Wire Assy	1
20	101909401	Limiter, RPM	1
21	101909501	Clamp, Steel	1
22	101916201	Flywheel	1
23	101916301	Fan (cw)	1
24	102838401	Nut, Hex, 18 mm Fine	1
25	AM1232301	Spark Plug, BPR2ES	1

9

G

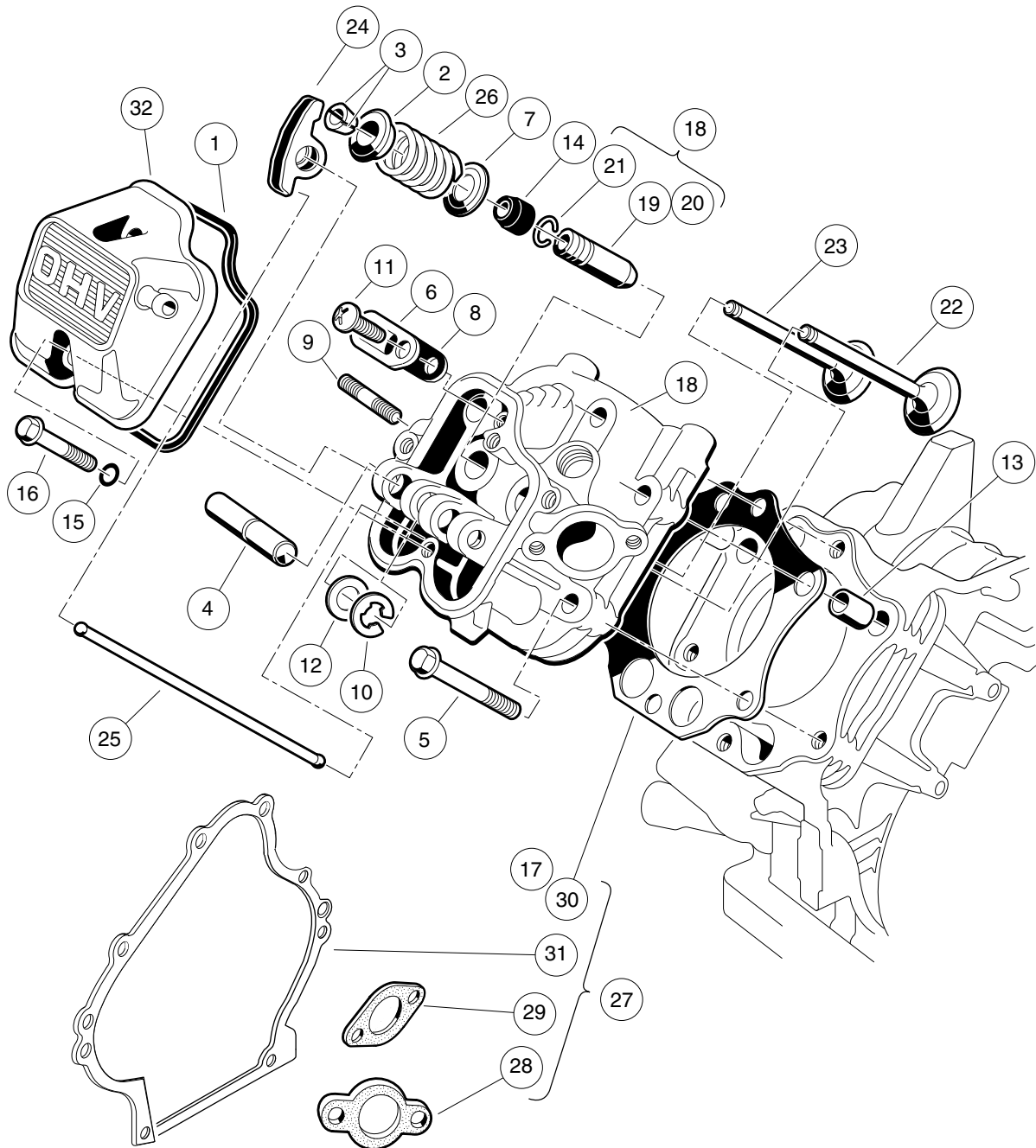


000203-001

FE350 ENGINE – OIL CIRCULATION

ITEM	PART NO.	DESCRIPTION	QTY
		1 2 3 4	
1	1016429	Seat, Valve Oil Pressure Relief	1
2	1016432	Gasket, Drain Plug	1
3	1016457	Bolt, Flange Head	2
4	1016467	Filter, Oil	1
5	1016473	Plate, Oil Pump	1
6	101648203	Oil Pump And Rotor	1
7	1016502	Bracket, Oil Filter Mount	1
8	1016537	Ball, Steel, Press, Relief	1
9	1016570	O-Ring	1
10	1016576	Plug, Drain	1
11	1016581	Spring	1
12	1017442	Gasket	1
13	1017456	Bolt, Flanged	6
14	1017458	Filter	1
15	1017460	Cover, Pump	1
16	1017507	Plug	2

9
G



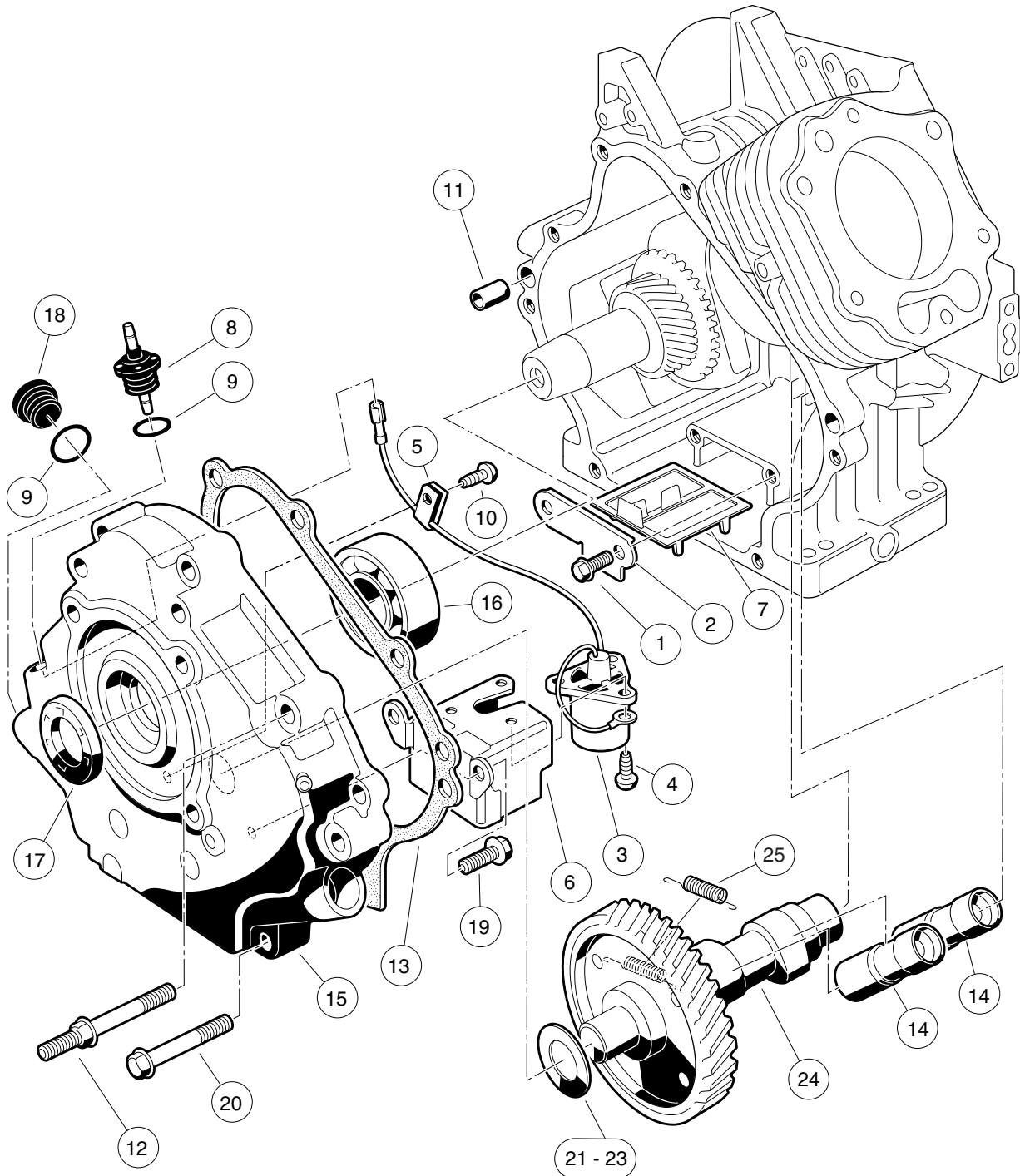
000204-003

FE350 ENGINE – CYLINDER HEAD

ITEM	PART NO.	DESCRIPTION	QTY
		1 2 3 4	
1	1016436	Gasket, Rocker Case	1
2	1016449	Retainer, Valve Spring	2
3	1016450	Collet	4
4	1016452	Shaft, Rocker	1
5	1016458	Bolt, Flange Head, M8 x 1.25 x 45 mm	6
6	1016474	Plate	1
7	1016479	Seat, Spring	2
8	1016483	Valve	1
9	1016489	Stud, Two-Ended, M8-1.25	2
10	1016517	Circlip, Type-E	1
11	1016544	Screw	1
12	1016549	Washer, 12.1x19x1.8	1
13	1016563	Pin	2
14	1016566	Seal, Oil	2
15	1016569	O-Ring	2
16	1016583	Bolt, 6x35	2
17	1017434	Gasket, Head	1
18	1017435	Assembly, Cylinder Head, FE350 (includes items 19 through 21)	1
19	1016518	Guide, Valve, Exhaust	1
20	1016519	Guide, Valve, Intake, Exhaust	1
21	1016560	Snap Ring	2
22	1017444	Valve, Intake	1
23	1017445	Valve, Exhaust	1
24	1017446	Arm, Rocker	2
25	1017454	Rod, Push	2
26	1017473	Spring, Engine Valve	2
27	102304801	Kit, Gasket, FE350 (includes items 28 through 31)	1
28	1016440	Gasket, Engine to Insulator	1
29	1016904	Gasket, Exhaust	1
30	1017434	Gasket, Head	1
31	1017443	Gasket, Crankcase Cover	1
32	102753401	Case, Rocker	1
		Note: Item 28, 1016440, is not a component of the FE350 engine.	

9

G

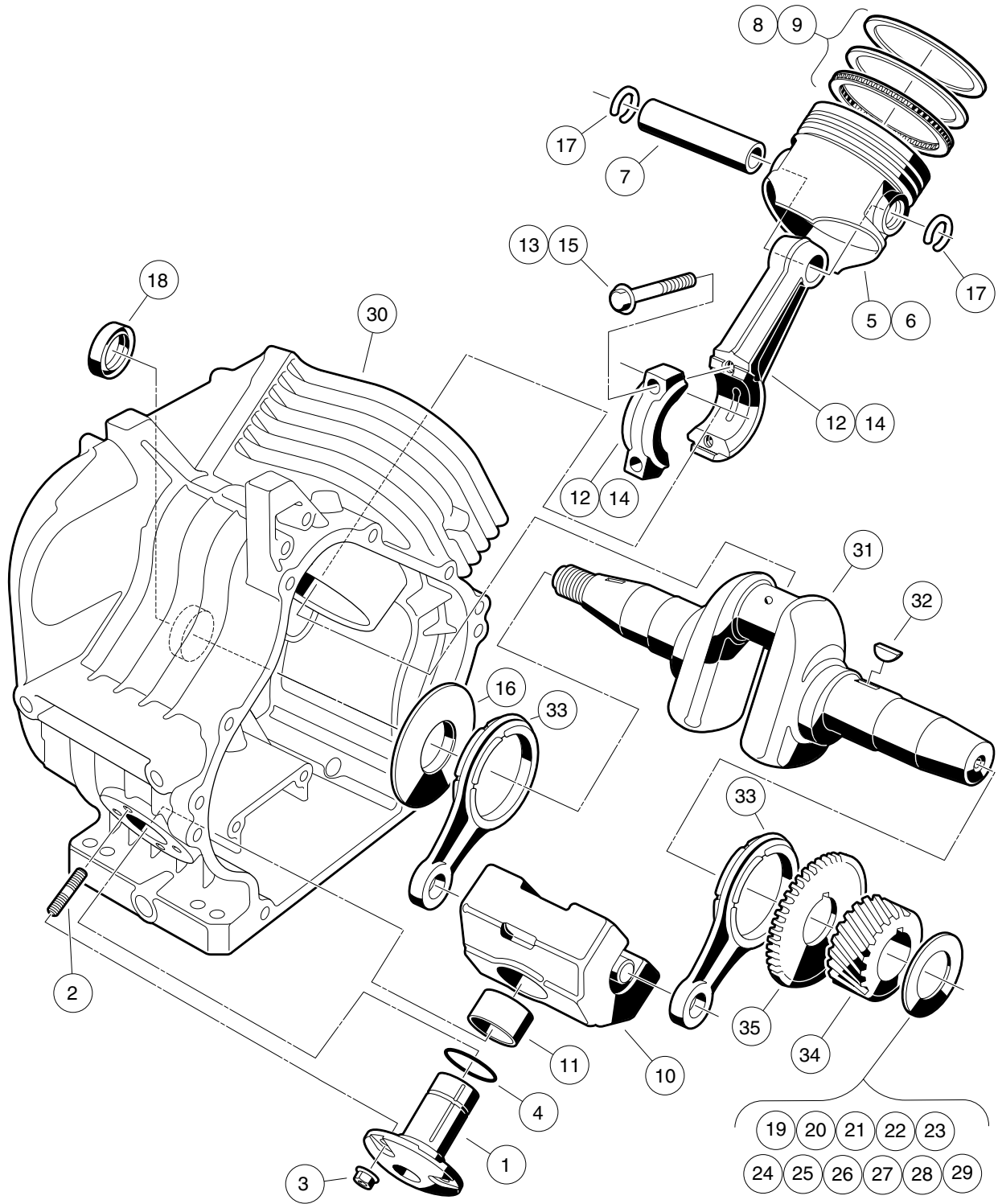


000205-001

FE350 ENGINE WITH ACR – CRANKCASE, CAMSHAFT, AND OIL SENSOR

ITEM	PART NO.	DESCRIPTION	QTY
		1 2 3 4	
1	1016454	Bolt, Flange Head, M5 x 0.8 x 8 mm	2
2	1016472	Plate, Oil Filter Screen	1
3	1016494	Sensor, Oil Level	1
4	1016496	Screw, Cross Pan-Head, M4 x 0.7 x 8 mm	3
5	1016506	Clamp	1
6	1016510	Bracket, Switch, Oil Level	1
7	1016521	Screen, Oil Filter	1
8	1016535	Connector, Cord	1
9	1016538	O-Ring	2
10	1016544	Screw	1
11	1016564	Pin	2
12	1016584	Bolt, Two-Ended, M8 x 1.25 x 69 mm	2
13	1017443	Gasket, Crankcase Cover	1
14	1017447	Adjuster, Lash	2
15	1017472	Cover Crankcase	1
16	1017487	Bearing, Ball	1
17	1017504	Seal, Oil	1
18	1017508	Plug	1
19	1017513	Bolt Switch Bracket	2
20	1017514	Screw, M8-1.25 X 45mm Hex	6
21	101751801	Shim, 0.3	1
22	101751802	Shim, 0.4	1
23	101751803	Shim, 0.5	1
24	102271601	Camshaft, FE350/FE400 with ACR, 44-tooth (includes item 25)	1
25	1017511	Spring	1

9
G

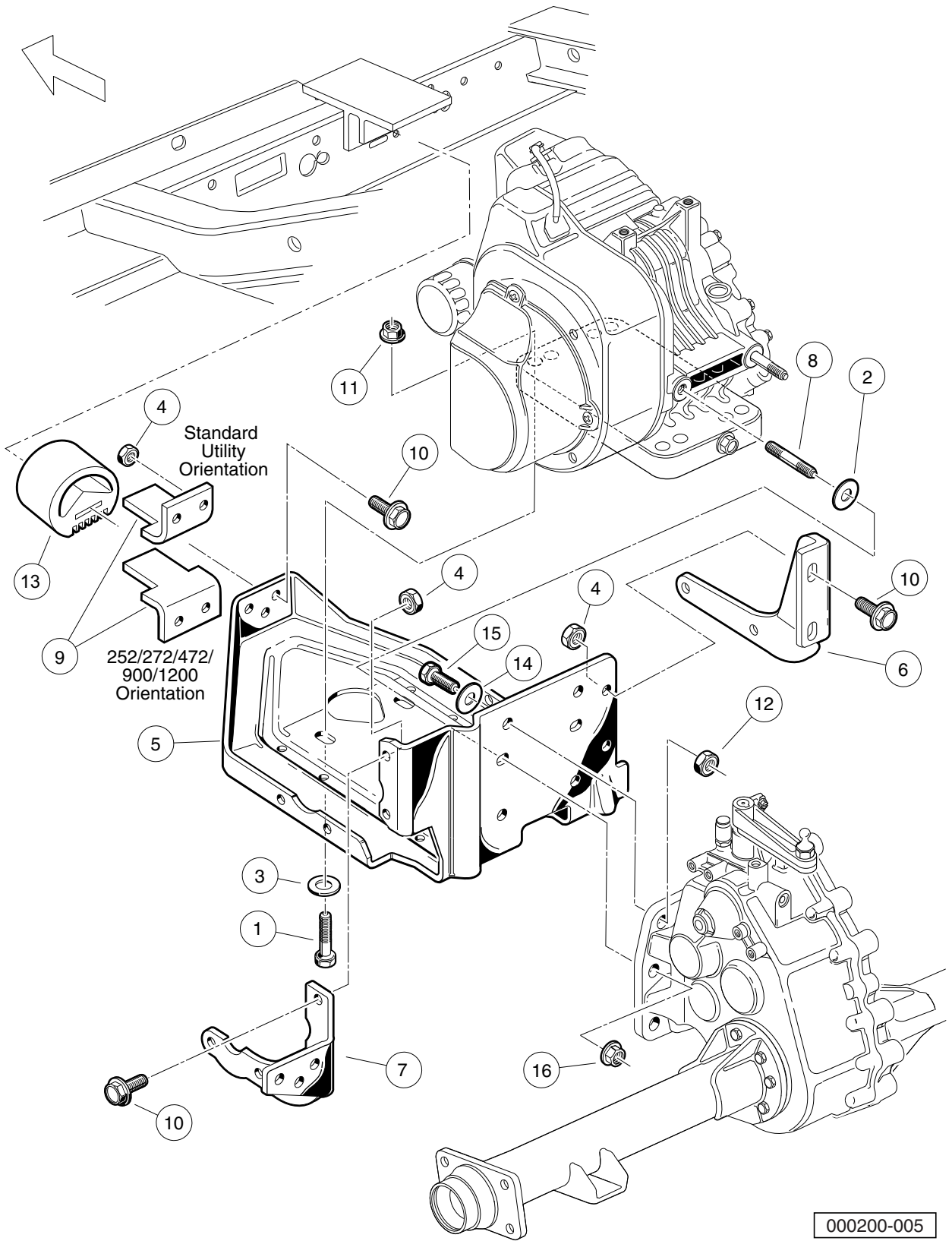


000206-001

FE350 ENGINE – CRANKCASE AND CRANKSHAFT

ITEM	PART NO.	DESCRIPTION	QTY
		1 2 3 4	
1	1016470	Shaft, Guide, Counterbalance	1
2	1016541	Stud, 6x14	4
3	1016547	Nut, M6 Flange	4
4	1016571	O-Ring	1
5	101744901	Piston, Standard	1
6	101744902	Piston, 0.50 mm Oversize	1
7	1017450	Pin, Piston	1
8	101745101	Ring Set, Standard Piston	1
9	101745102	Ring Set, Piston, 0.50 mm Oversize	1
10	1017453	Counterbalance Weight (includes item 11)	1
11	1017510	Bearing, Plain	1
12	101745701	Asm, Con. Rod Std (includes item 13)	1
13	1017512	Bolt	2
14	101745702	Asm,Con.Rod 0.5mm U/s (includes item 15)	1
15	1017512	Bolt	2
16	1017501	Spacer	1
17	1017502	Snap Ring	2
18	1017503	Seal, Oil	1
19	101773301	Shim, Crankshaft, 1.18mm	1
20	101773302	Shim, Crankshaft, 1.25mm	1
21	101773303	Shim, Crankshaft, 1.32mm	1
22	101773304	Shim, Crankshaft, 1.39mm	1
23	101773305	Shim, Crankshaft, 1.46mm	1
24	101773306	Shim, Crankshaft, 1.53mm	1
25	101773307	Shim, Crankshaft, 1.60mm	1
26	101773308	Shim, Crankshaft, 1.67mm	1
27	101773309	Shim, Crankshaft, 1.74mm	1
28	101773310	Shim, Crankshaft, 1.11 mm	1
29	101773311	Shim, Crankshaft, 1.81mm	1
30	101916001	Crankcase Complete, FE350 (cw)	1
31	102430901	Crankshaft, FE350 Left-Hand, 22-Tooth (includes items 32 through 35)	1
32	1016562	Key	1
33	1017471	Rod	2
34	N/A	Gear, Helical	1
35	N/A	Gear, Spur	1

9
G



000200-005

FE350 ENGINE MOUNTING

ITEM	PART NO.	DESCRIPTION	QTY
		1 2 3 4	
1	1010577	Bolt, Hex-Head, 5/16-18 X 1.50	4
2	1011697	Washer, 5/16 Flat	2
3	1012571	Washer, 5/16 Extra Thick Flat	4
4	1013924	Nut, 5/16-24, Hex Head Cone	10
5	101827101	Plate, Engine Mounting	1
6	101832601	Stiffener (PTO Side)	1
7	101832701	Stiffener (Flywheel Side)	1
8	101833101	Stud, M8-1.25 X 50 mm Two-Ended	2
9	101834601	Bracket, Snubber	1
10	101884801	Screw, 5/16-24 X 0.875, Grade-8	10
11	101963401	Locknut, 5/16-18 Hex Flange	4
12	102065901	Locknut, 3/8-16 Flanged Dimple	4
13	102540301	Snubber, Inner Frame	1
14	334	Washer, 3/8, Type A, Flat	4
15	705	Screw, Cap-hex Hd 3/8-16x1.25	4
16	96704416	Nut, Flange, M8 X 1.25 Serrated	2

9

G

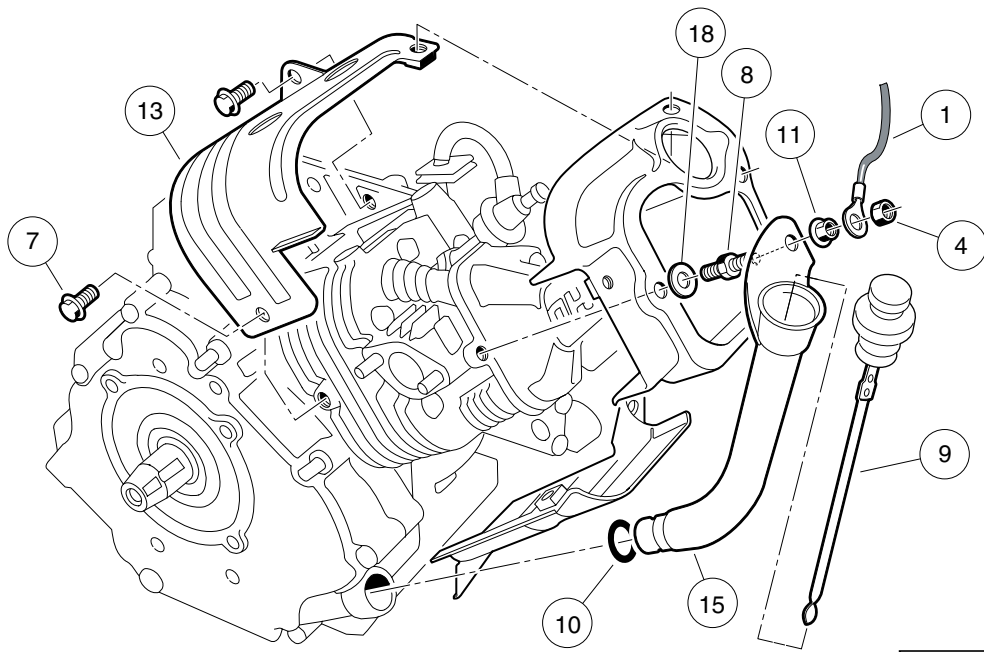
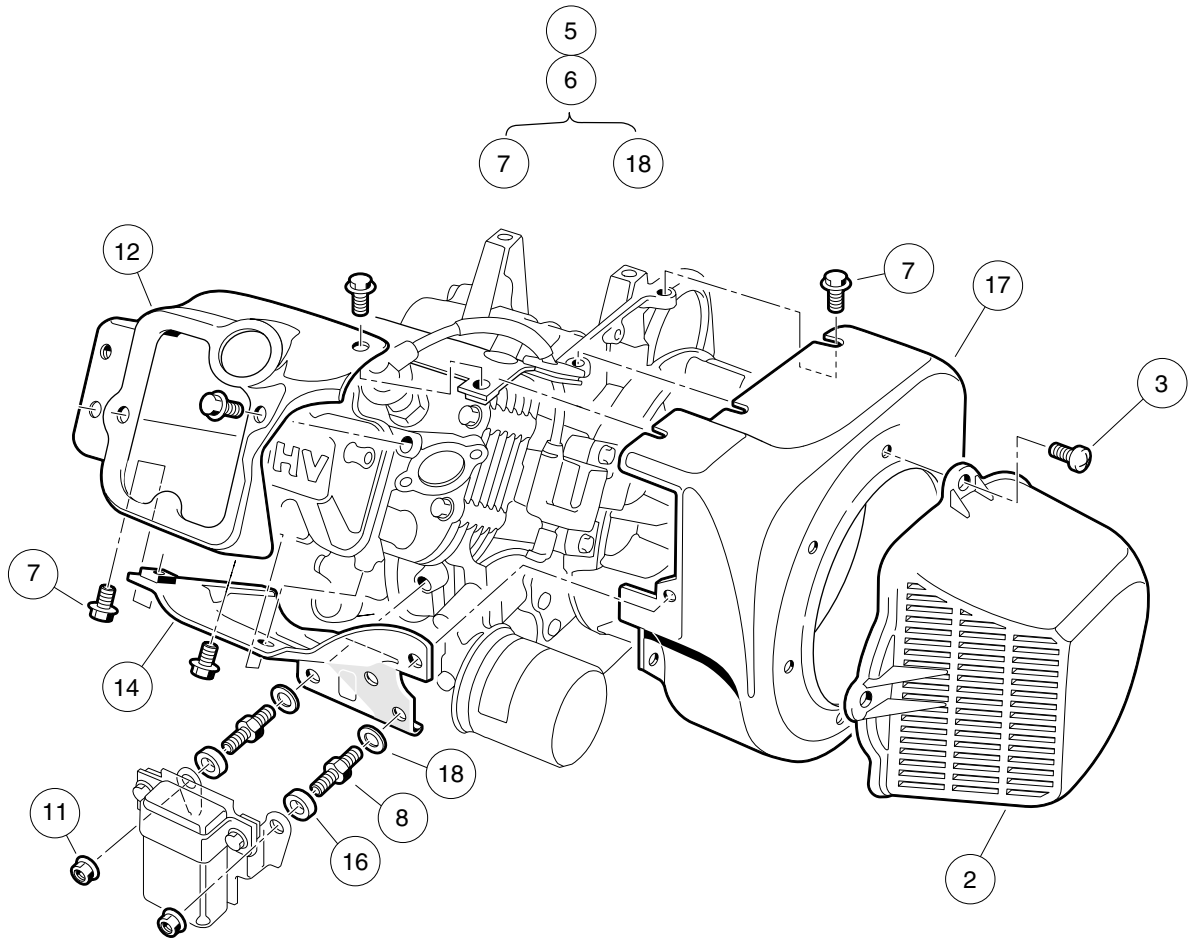
9

G

FE350 ENGINE W/O ACR (TURF/CA 2, 252 AND XRT 900)

10

G

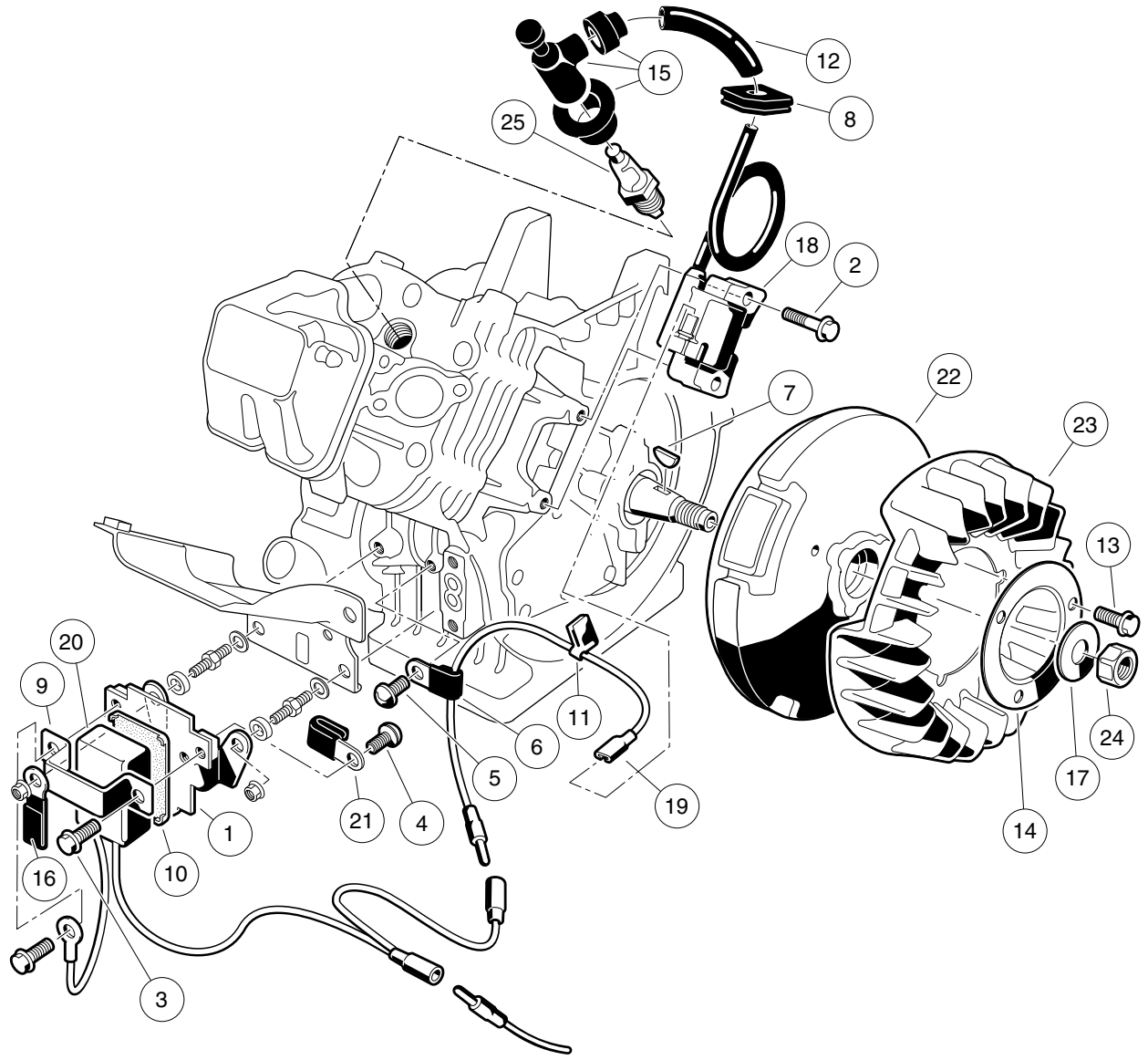


000201-003

FE350 ENGINE W/O ACR – SHROUDS AND BRACKETS

ITEM	PART NO.	DESCRIPTION	QTY
		1 2 3 4	
1	1015332	Wire, Ground, #10, Uninsulated	1
2	1015649	Shroud, Fan	1
3	1015969	Screw, M6-1.00 X 10mm, Pan Hd	4
4	101887601	Locknut, M6-1.00 Nylon Insert	1
5	101953802	Engine, FE350, without ACR	1
6	101953804	Engine, FE350, California-Only, without ACR (includes items 7 through 18)	1
7	1016456	Bolt, Flange Head, M6 x 1 x 12 mm	14
8	1016507	Bolt, Two-Ended	3
9	1016531	Dipstick	1
10	1016539	O-Ring	1
11	1016547	Nut, Flanged, M6 X 1.00	3
12	1017474	Shroud, Engine	1
13	1017475	Shroud, Engine	1
14	1017476	Shroud, Engine	1
15	1017486	Tube, Oil Filler	1
16	1017500	Spacer 6.50 X 12 X 5.5	2
17	101916101	Housing, FE350 Fan	1
18	N/A	Washer, 6mm Flat	3

10
G

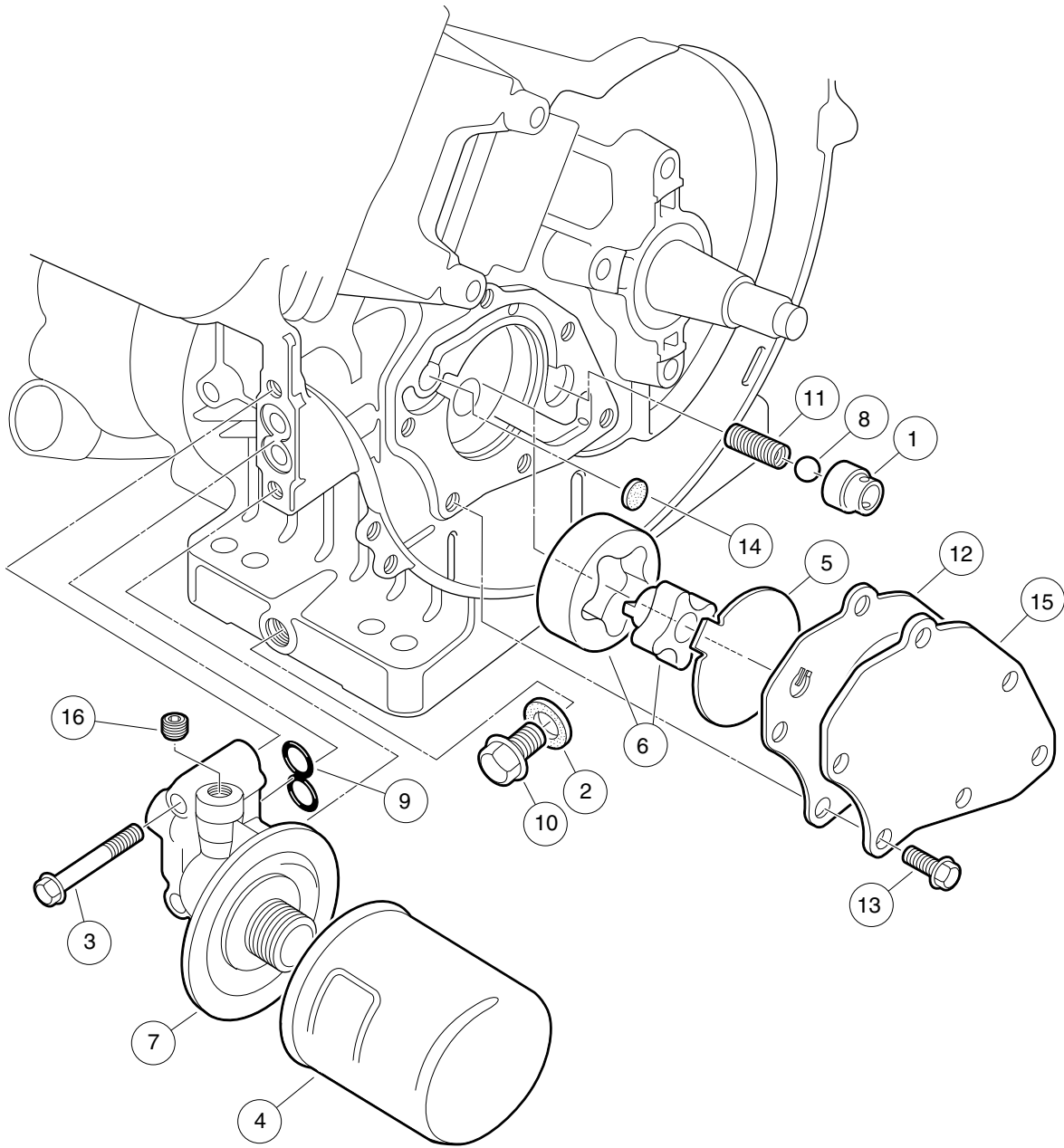


000202-003

FE350 ENGINE – IGNITION COMPONENTS AND FLYWHEEL

ITEM	PART NO.	DESCRIPTION	QTY
		1 2 3 4	
1	1016445	Bracket, RPM Limiter	1
2	1016455	Bolt, Flange Head	2
3	1016456	Bolt, Flange Head, M6 x 1 x 12 mm	2
4	1016497	Screw, Pan WP Cross	1
5	1016544	Screw	1
6	1016561	Clamp	1
7	1016562	Key	1
8	1016578	Grommet, Ignition	1
9	1016579	Band, RPM Limiter Mount	1
10	1016586	Damper, RPM Limiter	1
11	1016587	Clamp	1
12	1016588	Tube, 7mm X 10mm X 70mm	1
13	1017448	Bolt, Flanged	3
14	1017455	Plate, Flywheel Fan	1
15	1017463	Cap Asm, Plug	1
16	1017468	Clamp	1
17	1017490	Washer, Flat	1
18	101909201	Coil, Ignition	1
19	101909301	Lead Wire Assy	1
20	101909401	Limiter, RPM	1
21	101909501	Clamp, Steel	1
22	101916201	Flywheel	1
23	101916301	Fan (cw)	1
24	102838401	Nut, Hex, 18 mm Fine	1
25	AM1232301	Spark Plug, BPR2ES	1

10
G



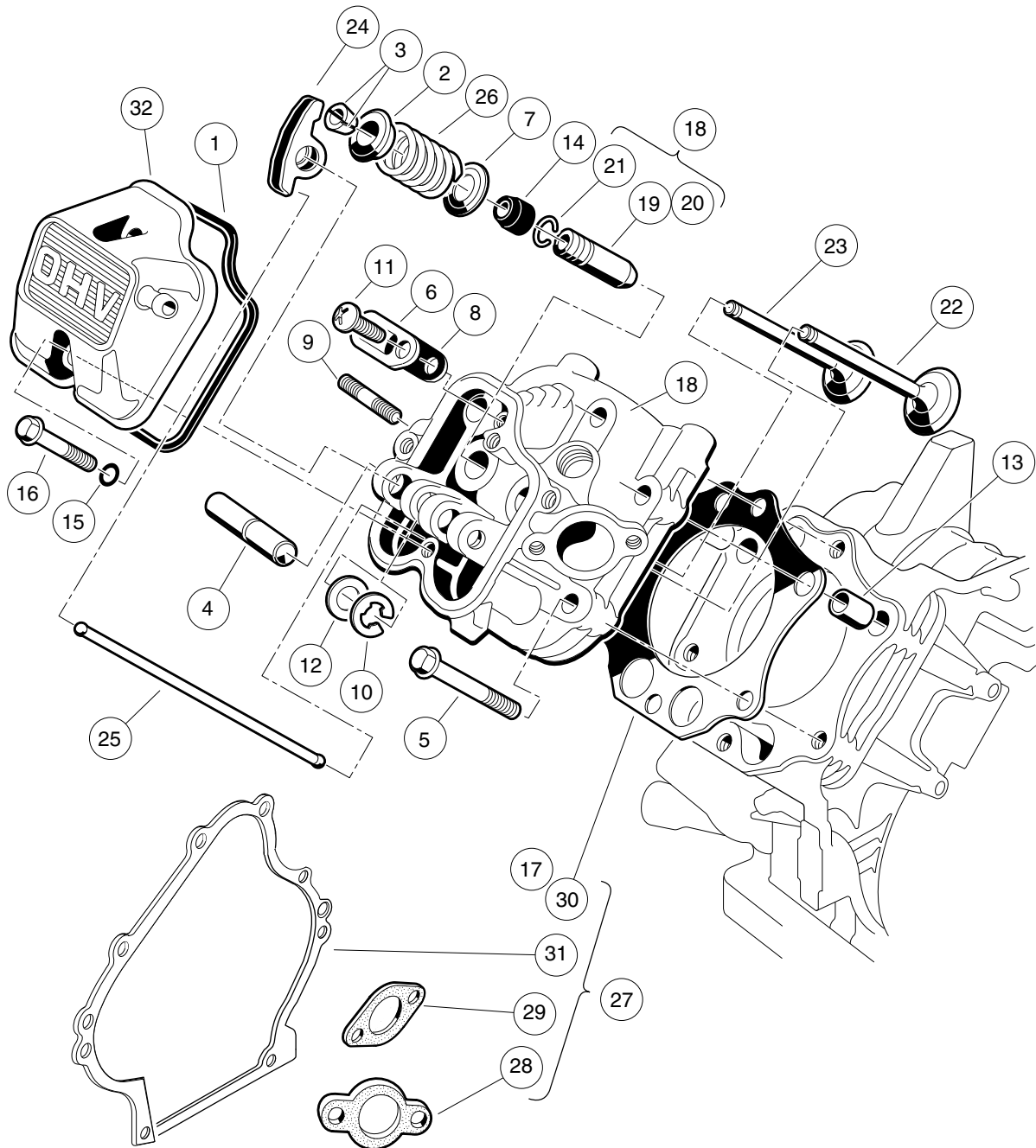
000203-001

FE350 ENGINE – OIL CIRCULATION

ITEM	PART NO.	DESCRIPTION	QTY
		1 2 3 4	
1	1016429	Seat, Valve Oil Pressure Relief	1
2	1016432	Gasket, Drain Plug	1
3	1016457	Bolt, Flange Head	2
4	1016467	Filter, Oil	1
5	1016473	Plate, Oil Pump	1
6	101648203	Oil Pump And Rotor	1
7	1016502	Bracket, Oil Filter Mount	1
8	1016537	Ball, Steel, Press, Relief	1
9	1016570	O-Ring	1
10	1016576	Plug, Drain	1
11	1016581	Spring	1
12	1017442	Gasket	1
13	1017456	Bolt, Flanged	6
14	1017458	Filter	1
15	1017460	Cover, Pump	1
16	1017507	Plug	2

10

G



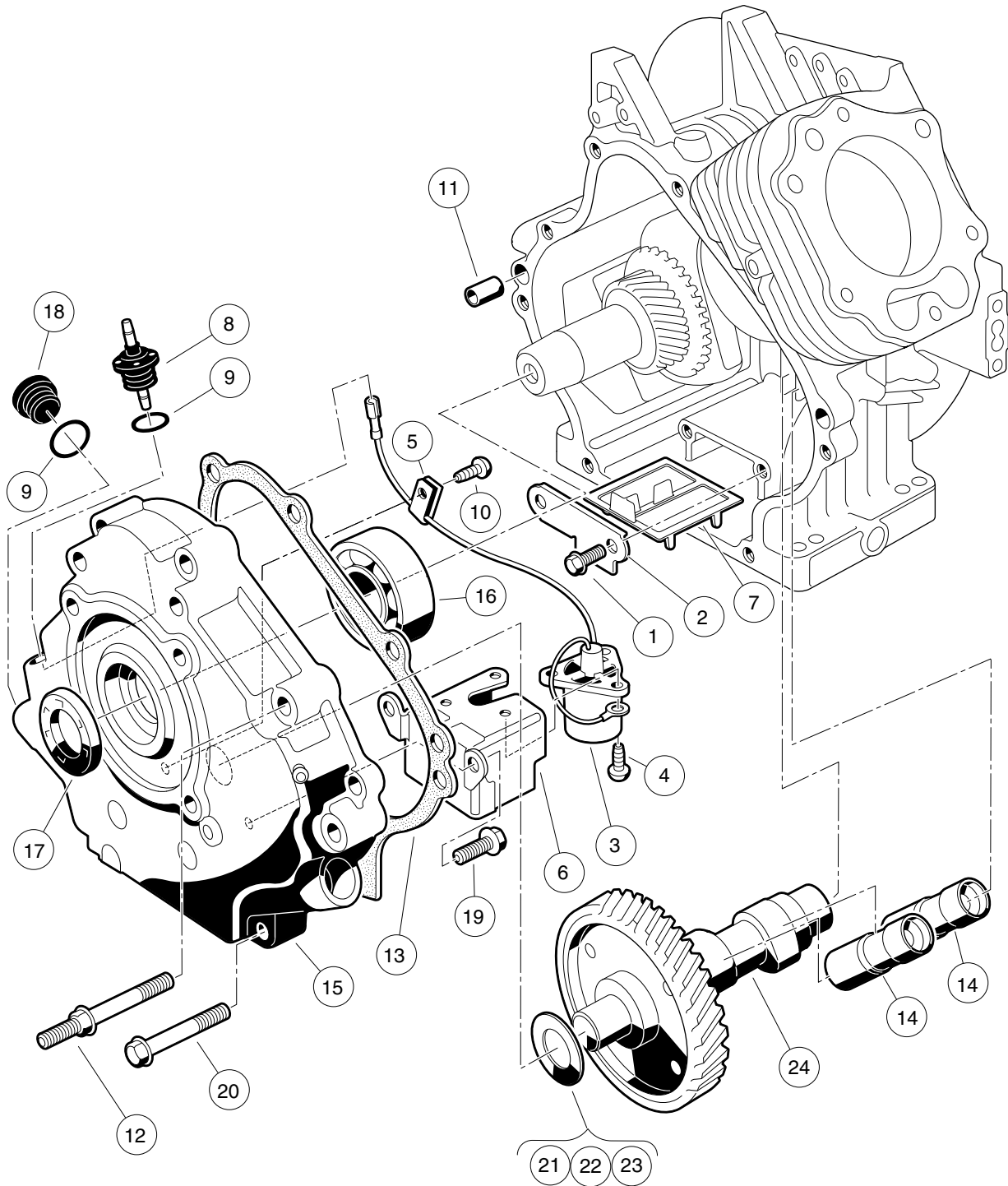
000204-003

FE350 ENGINE – CYLINDER HEAD

ITEM	PART NO.	DESCRIPTION	QTY
		1 2 3 4	
1	1016436	Gasket, Rocker Case	1
2	1016449	Retainer, Valve Spring	2
3	1016450	Collet	4
4	1016452	Shaft, Rocker	1
5	1016458	Bolt, Flange Head, M8 x 1.25 x 45 mm	6
6	1016474	Plate	1
7	1016479	Seat, Spring	2
8	1016483	Valve	1
9	1016489	Stud, Two-Ended, M8-1.25	2
10	1016517	Circlip, Type-E	1
11	1016544	Screw	1
12	1016549	Washer, 12.1x19x1.8	1
13	1016563	Pin	2
14	1016566	Seal, Oil	2
15	1016569	O-Ring	2
16	1016583	Bolt, 6x35	2
17	1017434	Gasket, Head	1
18	1017435	Assembly, Cylinder Head, FE350 (includes items 19 through 21)	1
19	1016518	Guide, Valve, Exhaust	1
20	1016519	Guide, Valve, Intake, Exhaust	1
21	1016560	Snap Ring	2
22	1017444	Valve, Intake	1
23	1017445	Valve, Exhaust	1
24	1017446	Arm, Rocker	2
25	1017454	Rod, Push	2
26	1017473	Spring, Engine Valve	2
27	102304801	Kit, Gasket, FE350 (includes items 28 through 31)	1
28	1016440	Gasket, Engine to Insulator	1
29	1016904	Gasket, Exhaust	1
30	1017434	Gasket, Head	1
31	1017443	Gasket, Crankcase Cover	1
32	102753401	Case, Rocker	1
		Note: Item 28, 1016440, is not a component of the FE350 engine.	

10

G

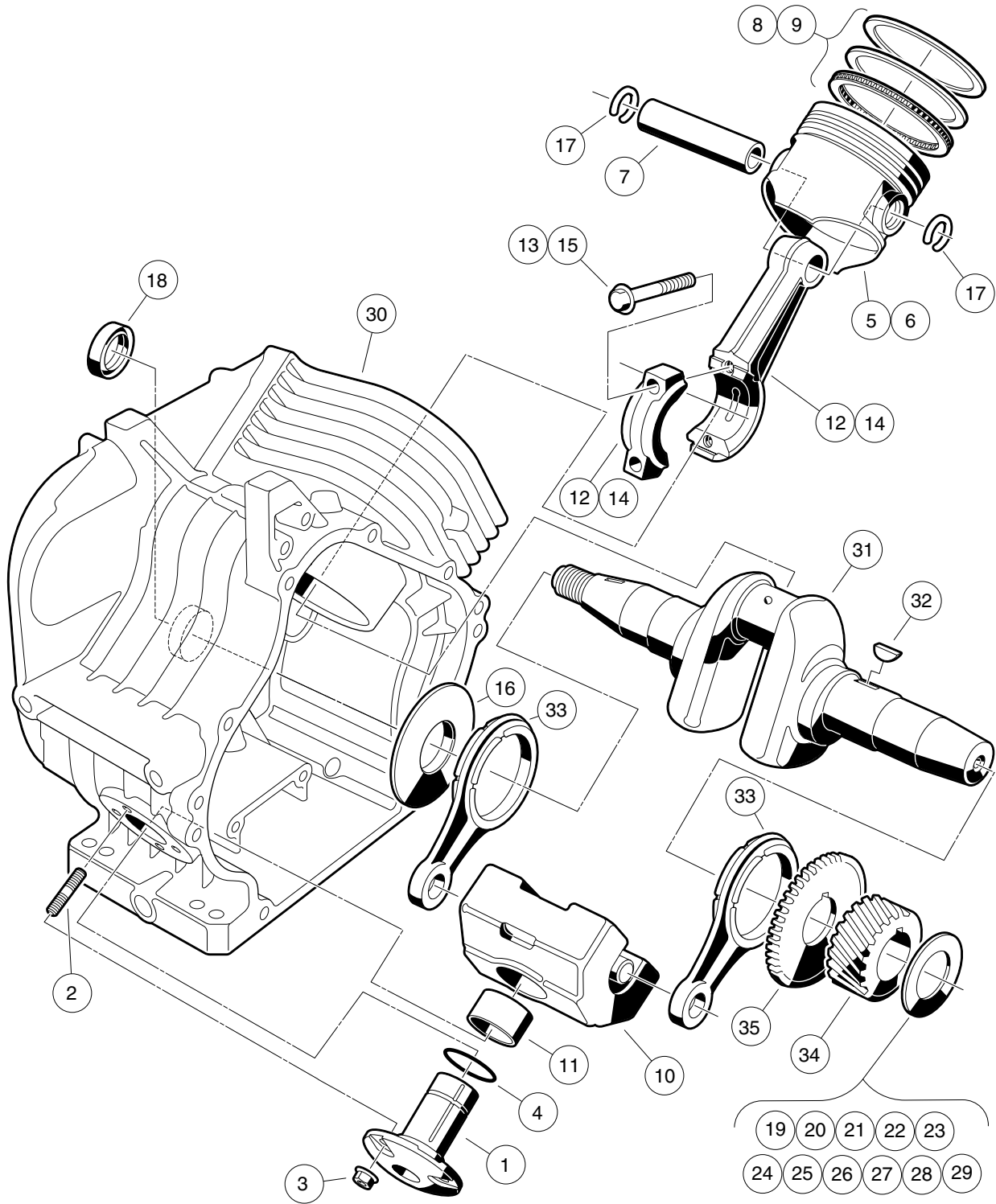


000205-002

FE350 ENGINE W/O ACR – CRANKCASE, CAMSHAFT, AND OIL SENSOR

ITEM	PART NO.	DESCRIPTION	QTY
		1 2 3 4	
1	1016454	Bolt, Flange Head, M5 x 0.8 x 8 mm	2
2	1016472	Plate, Oil Filter Screen	1
3	1016494	Sensor, Oil Level	1
4	1016496	Screw, Cross Pan-Head, M4 x 0.7 x 8 mm	3
5	1016506	Clamp	1
6	1016510	Bracket, Switch, Oil Level	1
7	1016521	Screen, Oil Filter	1
8	1016535	Connector, Cord	1
9	1016538	O-Ring	2
10	1016544	Screw	1
11	1016564	Pin	2
12	1016584	Bolt, Two-Ended, M8 x 1.25 x 69 mm	2
13	1017443	Gasket, Crankcase Cover	1
14	1017447	Adjuster, Lash	2
15	1017472	Cover Crankcase	1
16	1017487	Bearing, Ball	1
17	1017504	Seal, Oil	1
18	1017508	Plug	1
19	1017513	Bolt Switch Bracket	2
20	1017514	Screw, M8-1.25 X 45mm Hex	6
21	101751801	Shim, 0.3	1
22	101751802	Shim, 0.4	1
23	101751803	Shim, 0.5	1
24	102431001	Camshaft, FE350 without ACR, 44-Tooth	1

10
G



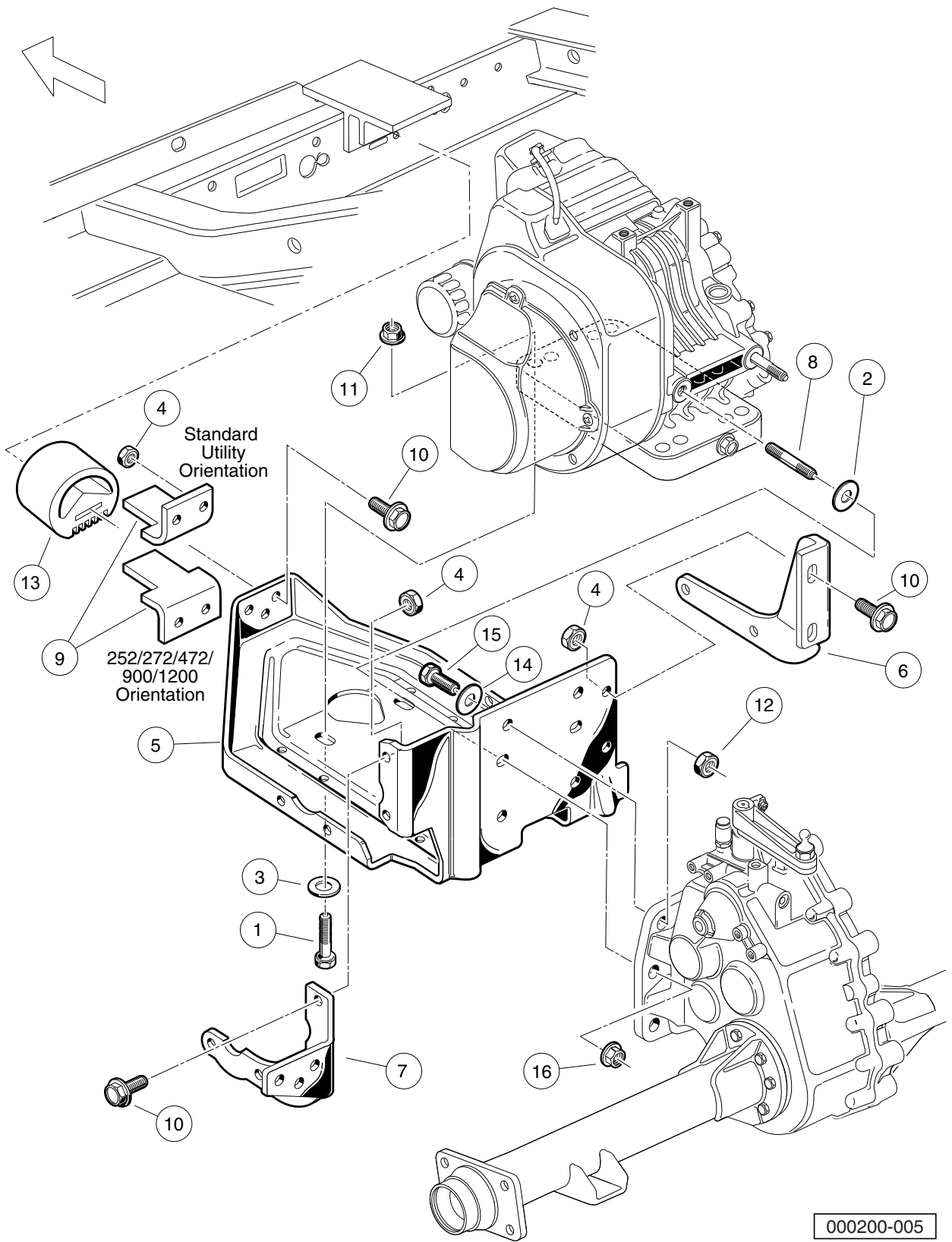
000206-001

FE350 ENGINE – CRANKCASE AND CRANKSHAFT

ITEM	PART NO.	DESCRIPTION	QTY
		1 2 3 4	
1	1016470	Shaft, Guide, Counterbalance	1
2	1016541	Stud, 6x14	4
3	1016547	Nut, M6 Flange	4
4	1016571	O-Ring	1
5	101744901	Piston, Standard	1
6	101744902	Piston, 0.50 mm Oversize	1
7	1017450	Pin, Piston	1
8	101745101	Ring Set, Standard Piston	1
9	101745102	Ring Set, Piston, 0.50 mm Oversize	1
10	1017453	Counterbalance Weight (includes item 11)	1
11	1017510	Bearing, Plain	1
12	101745701	Asm, Con. Rod Std (includes item 13)	1
13	1017512	Bolt	2
14	101745702	Asm, Con. Rod 0.5mm U/s (includes item 15)	1
15	1017512	Bolt	2
16	1017501	Spacer	1
17	1017502	Snap Ring	2
18	1017503	Seal, Oil	1
19	101773301	Shim, Crankshaft, 1.18mm	1
20	101773302	Shim, Crankshaft, 1.25mm	1
21	101773303	Shim, Crankshaft, 1.32mm	1
22	101773304	Shim, Crankshaft, 1.39mm	1
23	101773305	Shim, Crankshaft, 1.46mm	1
24	101773306	Shim, Crankshaft, 1.53mm	1
25	101773307	Shim, Crankshaft, 1.60mm	1
26	101773308	Shim, Crankshaft, 1.67mm	1
27	101773309	Shim, Crankshaft, 1.74mm	1
28	101773310	Shim, Crankshaft, 1.11 mm	1
29	101773311	Shim, Crankshaft, 1.81mm	1
30	101916001	Crankcase Complete, FE350 (cw)	1
31	102430901	Crankshaft, FE350 Left-Hand, 22-Tooth (includes items 32 through 35)	1
32	1016562	Key	1
33	1017471	Rod	2
34	N/A	Gear, Helical	1
35	N/A	Gear, Spur	1

10
G

10
G



FE350 ENGINE MOUNTING

ITEM	PART NO.	DESCRIPTION	QTY
		1 2 3 4	
1	1010577	Bolt, Hex-Head, 5/16-18 X 1.50	4
2	1011697	Washer, 5/16 Flat	2
3	1012571	Washer, 5/16 Extra Thick Flat	4
4	1013924	Nut, 5/16-24, Hex Head Cone	10
5	101827101	Plate, Engine Mounting	1
6	101832601	Stiffener (PTO Side)	1
7	101832701	Stiffener (Flywheel Side)	1
8	101833101	Stud, M8-1.25 X 50 mm Two-Ended	2
9	101834601	Bracket, Snubber	1
10	101884801	Screw, 5/16-24 X 0.875, Grade-8	10
11	101963401	Locknut, 5/16-18 Hex Flange	4
12	102065901	Locknut, 3/8-16 Flanged Dimple	4
13	102540301	Snubber, Inner Frame	1
14	334	Washer, 3/8, Type A, Flat	4
15	705	Screw, Cap-hex Hd 3/8-16x1.25	4
16	96704416	Nut, Flange, M8 X 1.25 Serrated	2

10

G

10

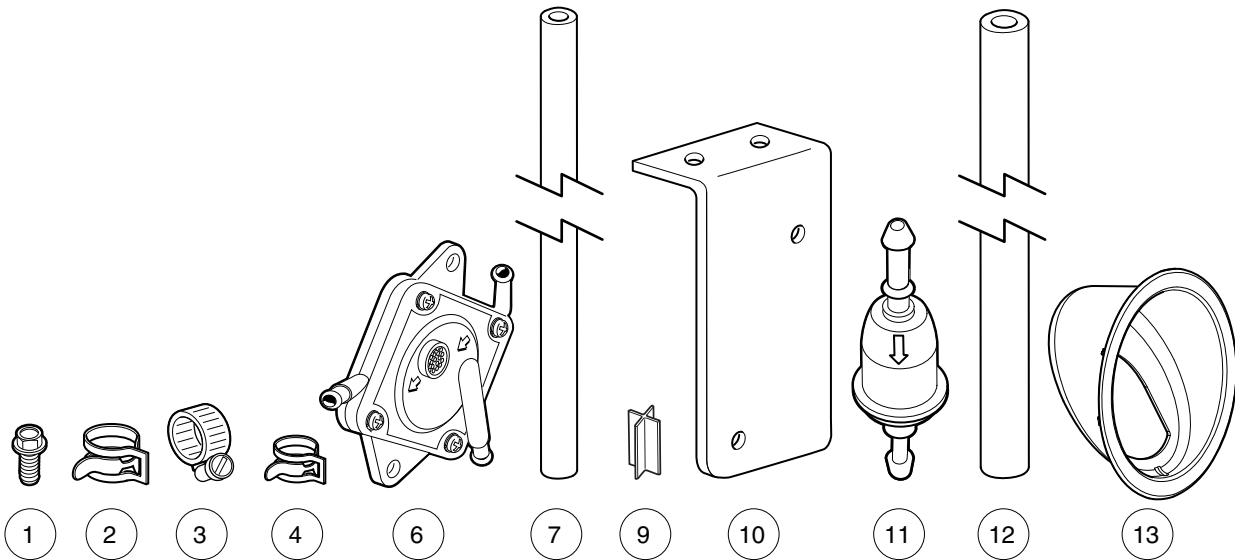
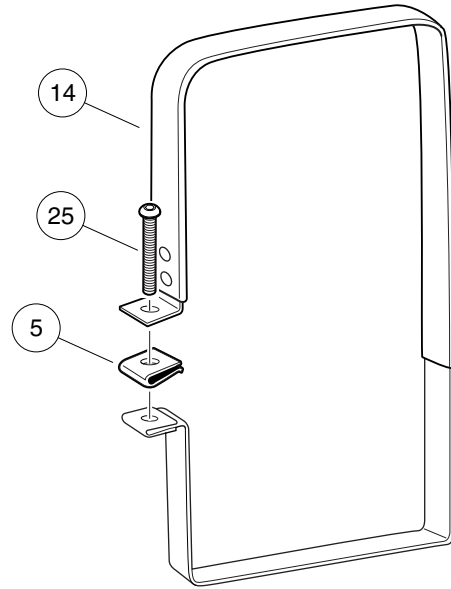
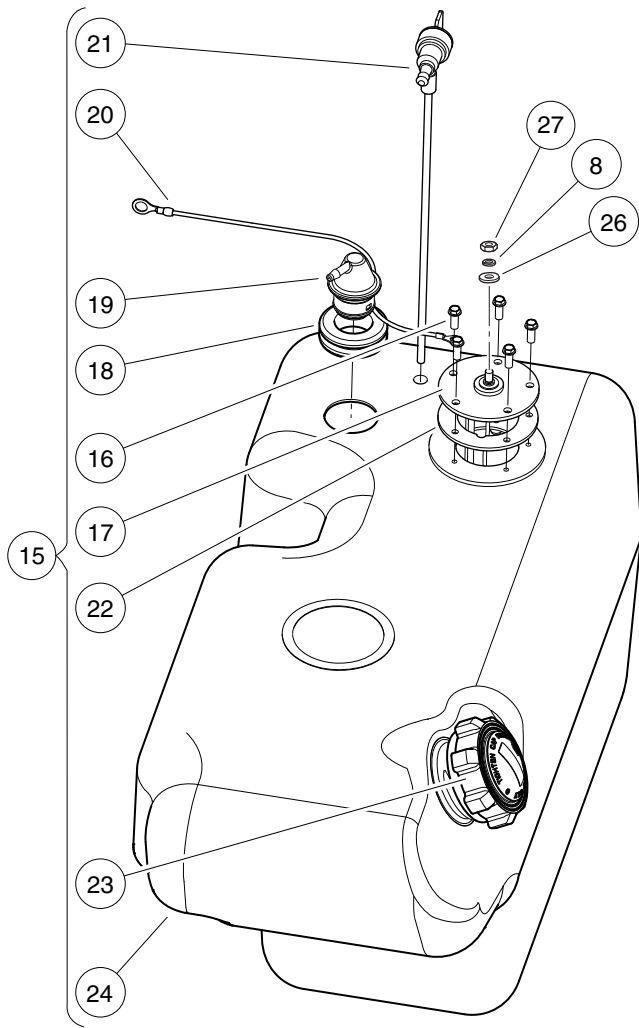
G

FUEL, INTAKE, AND GOVERNOR SYSTEMS

11

G

11
G



001072-001

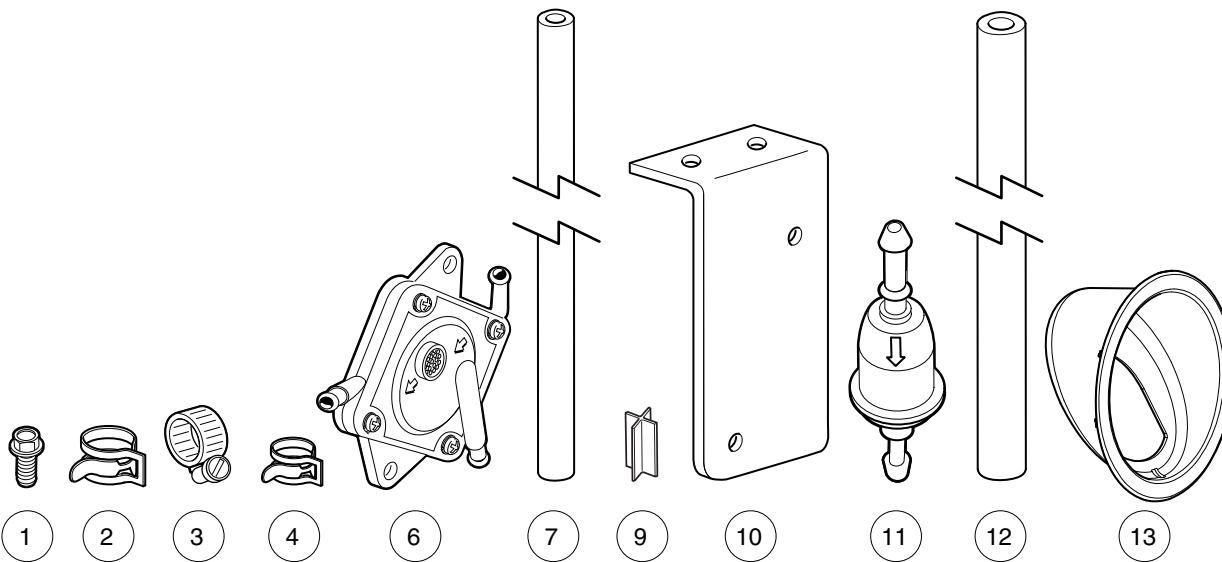
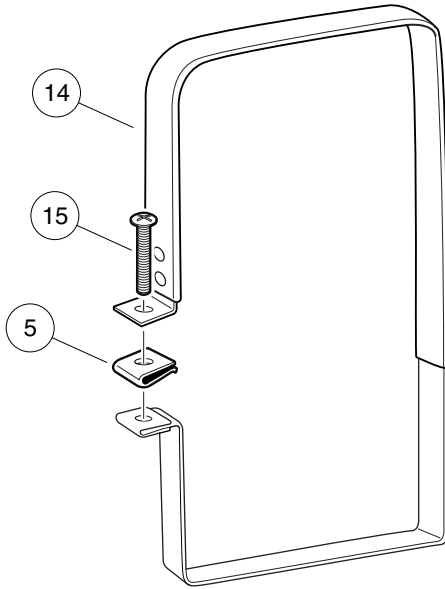
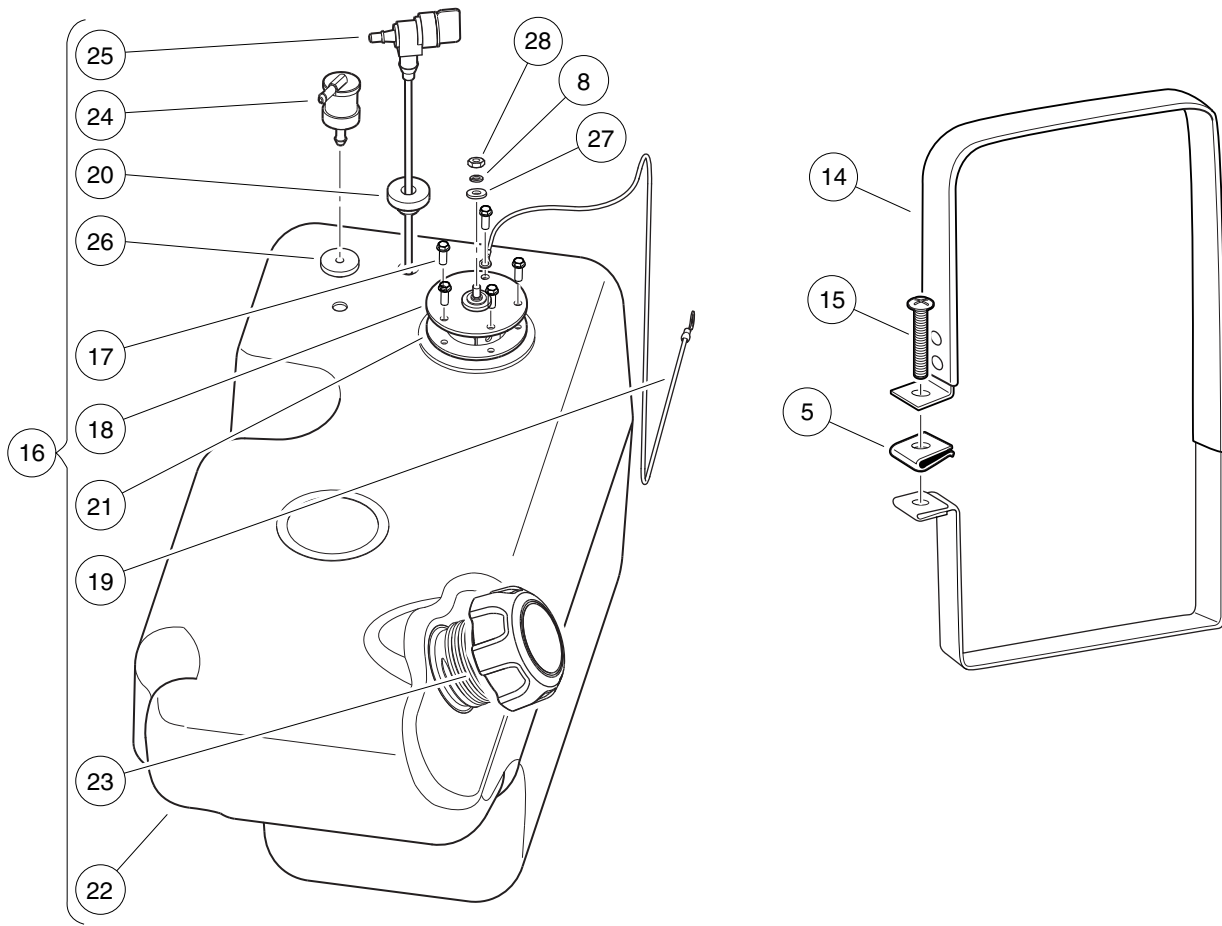
FUEL SYSTEM – 49 STATE

ITEM	PART NO.	DESCRIPTION	QTY
		1 2 3 4	
1	1012285	Screw, 1/4 X 0.625 Hex-Head	4
2	1012649	Clamp, 0.460 Red Hose	8
3	1013687	Clamp, 3/8" Hose (screw type)	1
4	1013746	Clamp, 0.301 ID Hose	2
5	1014116	Nut, 1/4-20 Speed	1
6	1014523	Pump, Impulse Fuel	1
7	1015137	Fuel Line, 3/16 (available by the foot)	A/R
8	1016	Lockwasher, #10 Split	1
9	101824401	Vent Barb	1
10	101929501	Mount Fuel Pump	1
11	102003201	Filter, Fuel, 30 Micron	2
12	102865101	Fuel Line, 1/4 (available by the foot)	A/R
13	102977901	Bezel, Fuel Fill, 5.0 Dia	1
14	102978001	Strap, Fuel Tank, Side Fill	1
15	103187601	Asm, Fuel Tank, Side Fill, Su (includes items 16 through 24)	1
16	1013461	Screw, #10-16 Hex-Head Hi-Lo	5
17	1013462	Sending Unit, Fuel Level *	1
18	1015139	Insulation Grommet	1
19	1015143	Vent, Fuel Tank	1
20	1015921	Wire Assembly #16 Black	1
21	102513701	Valve - Fuel Pickup Tube	1
22	102522001	Gasket, Rubber	1
23	102751601	Cap, Fuel Tank, Gasoline	1
24	102974201	Tank, Fuel, Side Fill	1
25	103306301	Screw, Bhsc, 1/4-20 X 2.0	1
26	183	Washer, #10, Type A, Flat	1
27	8797	Nut, #10-32 Brass Hex	1
<p style="text-align: center;">* Note: Must replace fuel sending unit gasket when servicing this component.</p>			

11

G

11
G



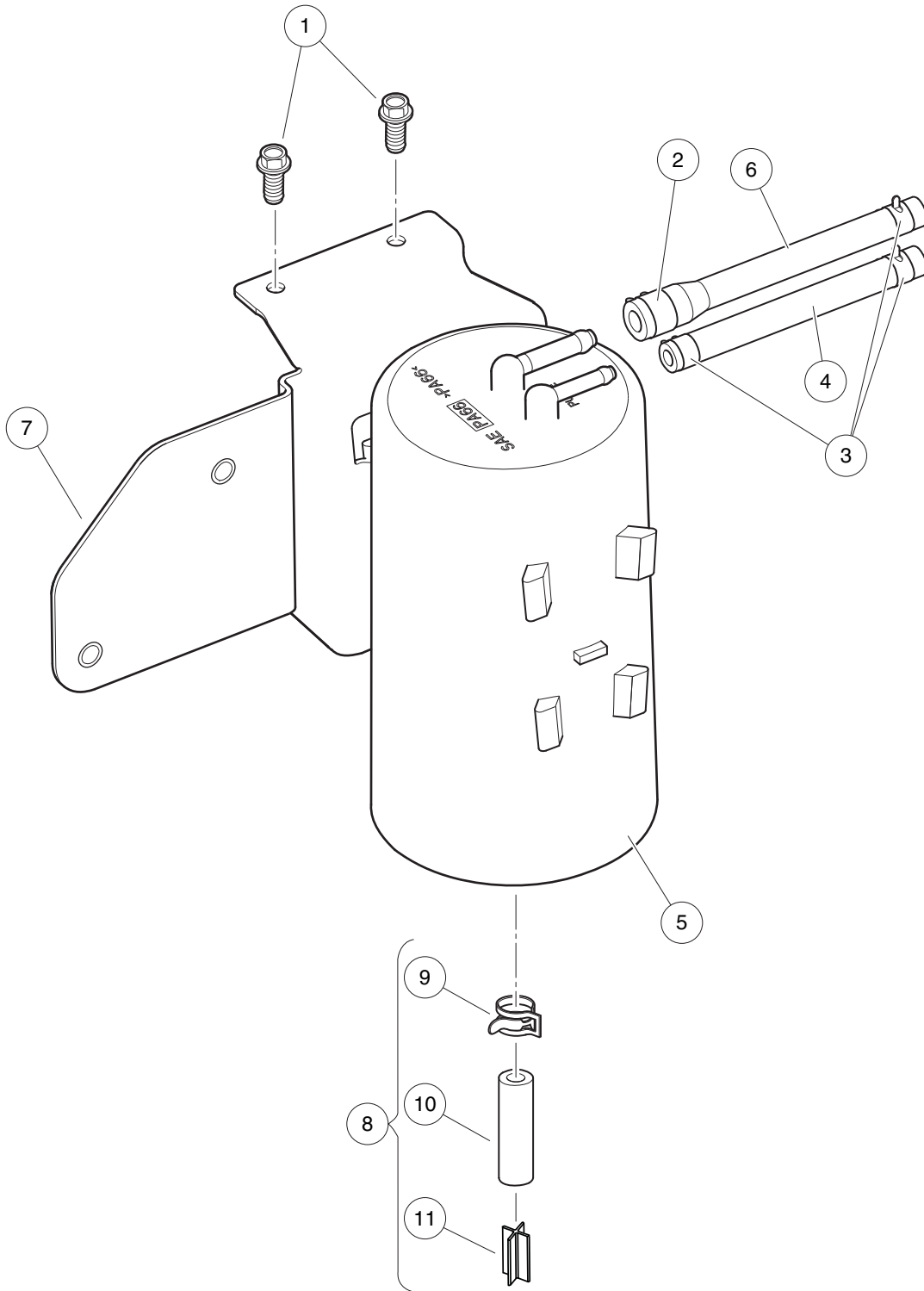
001072-002

FUEL SYSTEM – CALIFORNIA ONLY

ITEM	PART NO.	DESCRIPTION	QTY
		1 2 3 4	
1	1012285	Screw, 1/4 X 0.625 Hex-Head	4
2	1012649	Clamp, 0.460 Red Hose	8
3	1013687	Clamp, 3/8" Hose (screw type)	1
4	1013746	Clamp, 0.301 ID Hose	2
5	1014116	Nut, 1/4-20 Speed	1
6	1014523	Pump, Impulse Fuel	1
7	1015137	Fuel Line, 3/16 (available by the foot)	A/R
8	1016	Lockwasher, #10 Split	1
9	101824401	Vent Barb	1
10	101929501	Mount Fuel Pump	1
11	102003201	Filter, Fuel, 30 Micron	2
12	102865101	Fuel Line, 1/4 (available by the foot)	A/R
13	102977901	Bezel, Fuel Fill, 5.0 Dia	1
14	102978001	Strap, Fuel Tank, Side Fill	1
15	103306301	Screw, Bhsc, 1/4-20 X 2.0	1
16	103369101	Asm, Fuel Tank,side Fill,nano (includes items 17 through 26)	1
17	1013461	Screw, #10-16 Hex-Head Hi-Lo	5
18	1013462	Sending Unit, Fuel Level *	1
19	1015921	Wire Assembly #16 Black	1
20	102406701	Bushing, Line, Return	1
21	102522001	Gasket, Rubber	1
22	N/A	Tank, Fuel,side Fill,nano	1
23	103372101	Cap, Fuel Tank, Gas, Ratchet	1
24	103372201	Vent, Fuel Tank, W/ Valve	1
25	103372301	Valve, Fuel, 259mm	1
26	103374701	Grommet, Fuel Tank Vent	1
27	183	Washer, #10, Type A, Flat	1
28	8797	Nut, #10-32 Brass Hex	1
		* Note: Must replace fuel sending unit gasket when servicing this component.	

11

G



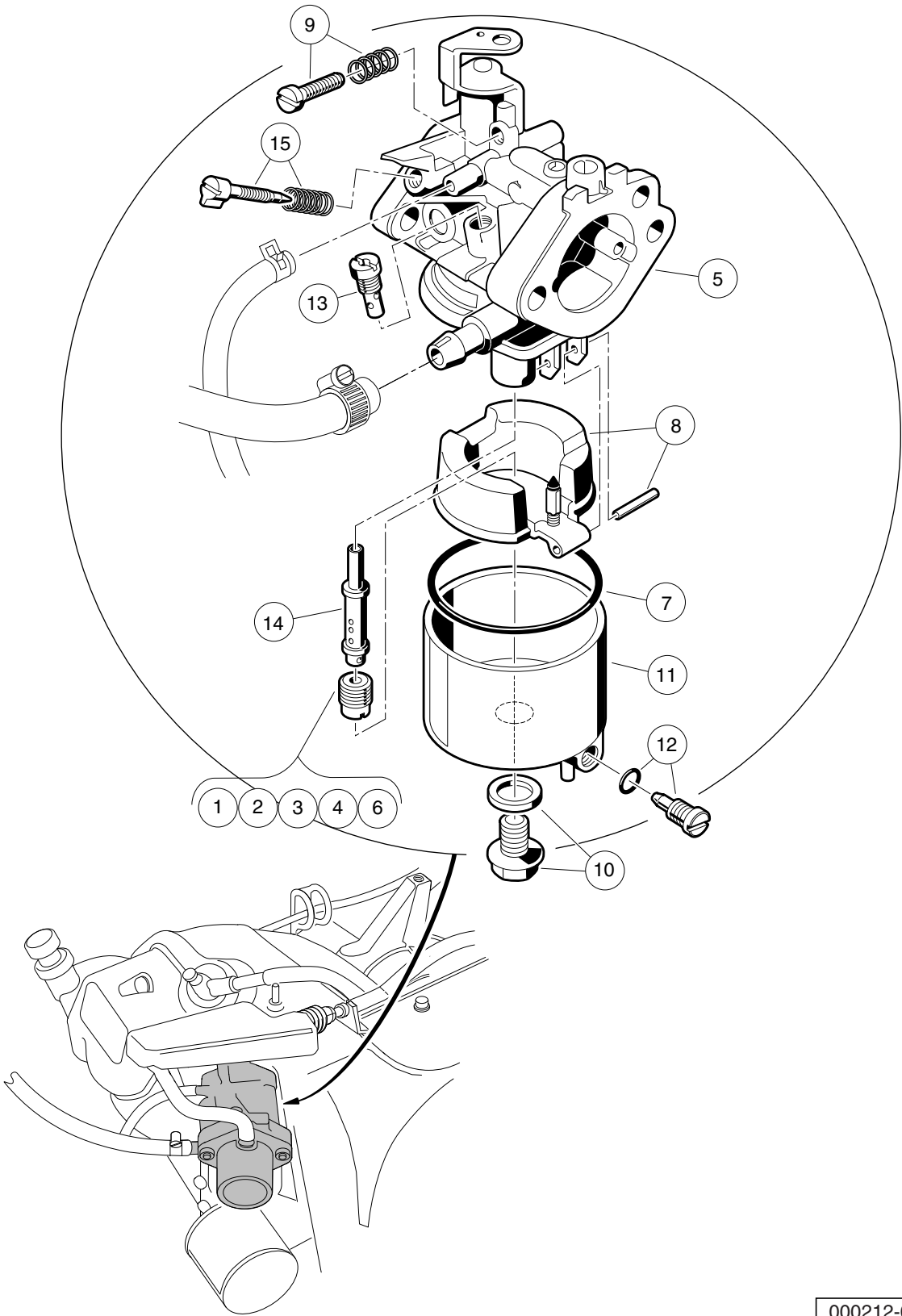
000980-007

CARBON CANISTER – CALIFORNIA ONLY

ITEM	PART NO.	DESCRIPTION	QTY
		1 2 3 4	
1	1012285	Screw, 1/4 X 0.625 Hex-Head	2
2	101313402	Clamp, Green Hose	1
3	1013746	Clamp, 0.301 ID Hose	3
4	1015137	Fuel Line, 3/16 (available by the foot)	A/R
5	103372401	Canister, Carbon	1
6	103372501	Hose, Vent, Flare, 4.7"	1
7	103372801	Bracket, Carbon Canister, Sw	1
8	103418601	Asm, Vent Line, Utility (includes items 9 through 11)	1
9	1012649	Clamp, 0.460 Red Hose	1
10	N/A	Hose, Vent, 5/16 I.D., Bulk	A/R
11	N/A	Vent, Barb, 5/16 I.D. Hose	1

11
G

11
G



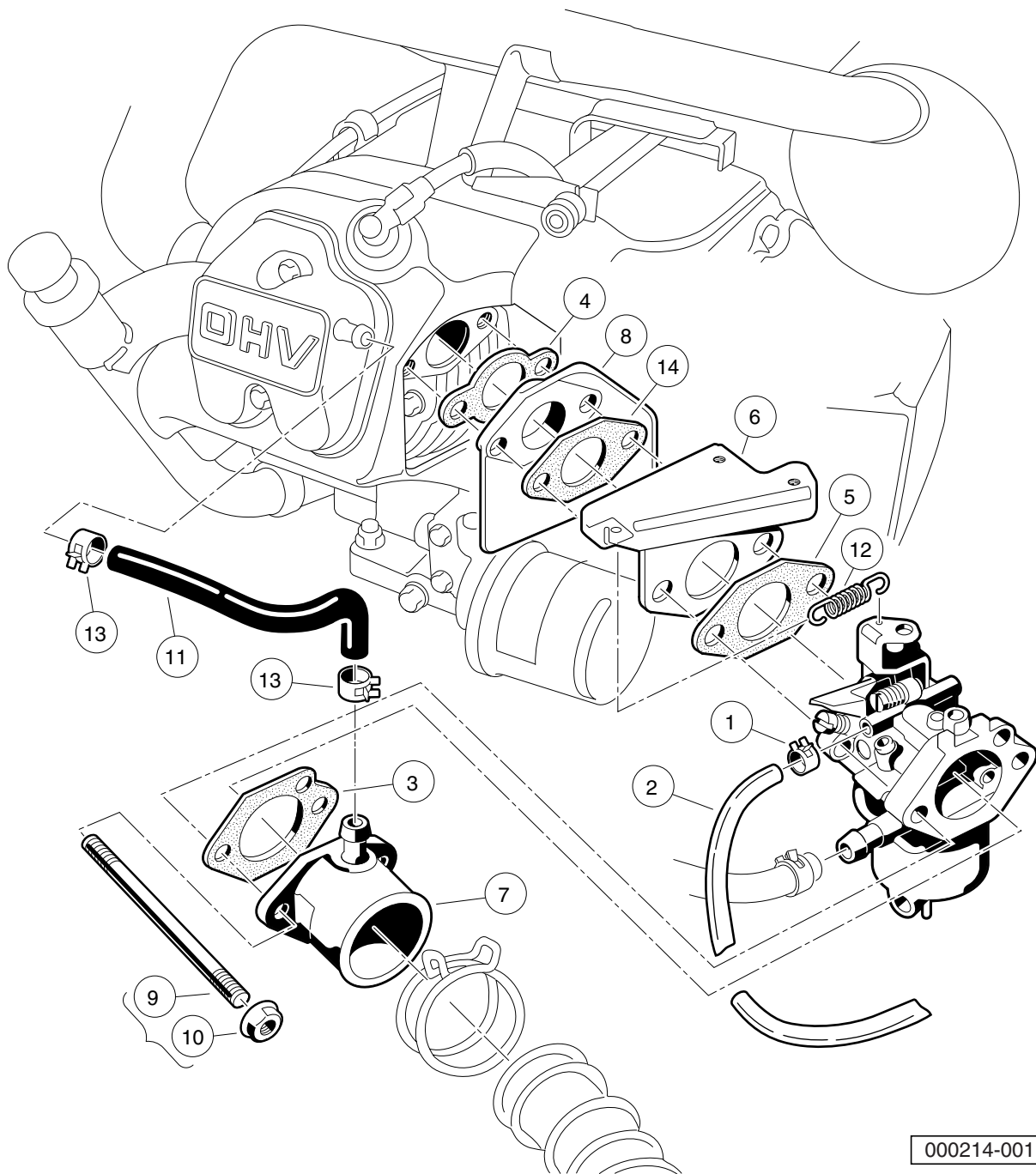
000212-001

CARBURETOR ASSEMBLY, FE350 (AS11)

ITEM	PART NO.	DESCRIPTION	QTY
		1 2 3 4	
1	101642575	Jet, Altitude, # 75	1
2	101642578	Jet, Altitude, # 78	1
3	101642580	Jet, Altitude, # 80	1
4	101642582	Jet, Altitude, # 82	1
5	101905901	Carburetor, FE350D (includes items 6 through 15)	1
6	101642585	Jet, Altitude, # 85	1
7	1016437	Gasket, Carburetor Bowl OHV	1
8	1016486	Float Assembly	1
9	1016501	Screw Assembly	1
10	1016585	Bolt	1
11	1017461	Chamber Assembly, Float (includes item 12)	1
12	1016499	Screw Assembly	1
13	101973101	Jet, #40 Pilot	1
14	101973301	Nozzle, Main	1
15	N/A	Assembly, Pilot Air Screw	1
<p>Note: Jets- 101642585 for 0 - 3,000 feet; 101642582 for 3,000 - 5,000 feet; 101642580 for 5,000 - 8,000 feet; 101642578 for 8,000 - 10,000 feet; 101642575 for 10,000 feet and higher. NOTE 2: Carburetor 101905901, shown above, is no longer available. Order part number 103524501 for replacement.</p>			

11

G

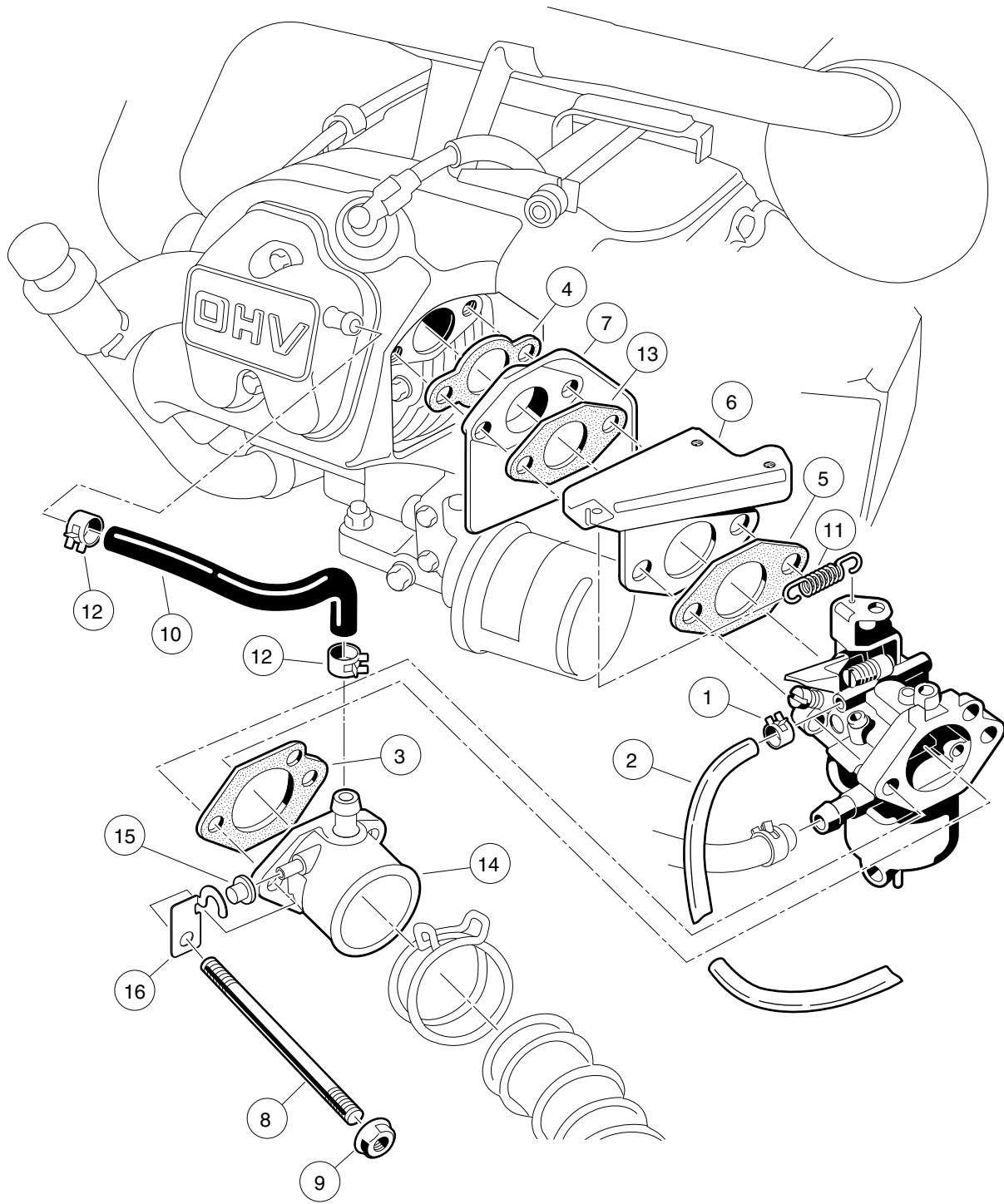


000214-001

CARBURETOR MOUNTING, UTILITY, FE350 – 49 STATE

ITEM	PART NO.	DESCRIPTION	QTY
		1 2 3 4	
1	1013746	Clamp, 0.301 ID Hose	1
2	1015137	Fuel Line, 3/16 (available by the foot)	1
3	1016438	Gasket, Carb To Intake Manifold	1
4	1016440	Gasket, Engine to Insulator	1
5	1016441	Gasket, Sprg Brkt To Carb OHV	1
6	1016444	Bracket, Throttle Spring Return	1
7	1016480	Pipe, Intake Manifold	1
8	101648102	Insulator, Carburetor	1
9	101649002	Stud, M6-1.00 Two-Ended	2
10	1016547	Nut, M6 Flange	2
11	1016572	Tube, Crankcase Vent	1
12	1016582	Spring, Throttle Return	1
13	1017466	Clamp	2
14	101973401	Gasket, Insulator To Bracket	1

11
G



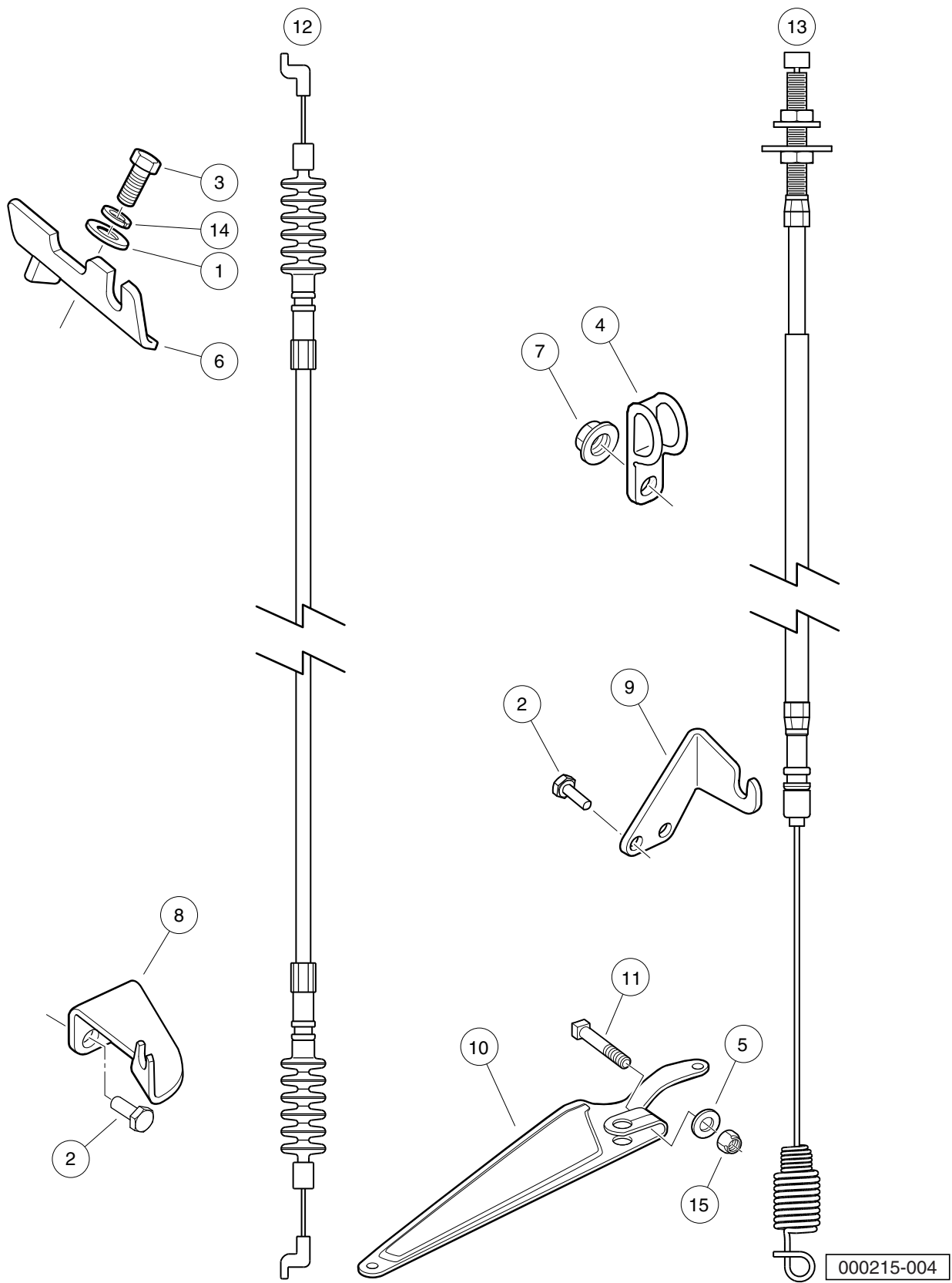
000214-002

CARBURETOR MOUNTING, UTILITY, FE350 – CALIFORNIA ONLY

ITEM	PART NO.	DESCRIPTION	QTY
		1 2 3 4	
1	1013746	Clamp, 0.301 ID Hose	1
2	1015137	Fuel Line, 3/16 (available by the foot)	1
3	1016438	Gasket, Carb To Intake Manifold	1
4	1016440	Gasket, Engine to Insulator	1
5	1016441	Gasket, Sprg Brkt To Carb OHV	1
6	1016444	Bracket, Throttle Spring Return	1
7	101648102	Insulator, Carburetor	1
8	101649002	Stud, M6-1.00 Two-Ended	2
9	1016547	Nut, M6 Flange	2
10	1016572	Tube, Crankcase Vent	1
11	1016582	Spring, Throttle Return	1
12	1017466	Clamp	2
13	101973401	Gasket, Insulator To Bracket	1
14	103507101	Carburetor Adapter w/ Tap	1
15	103507201	Plug, Intake Manifold, Carb	1
16	103507301	Bracket, Intake Manifold, Carb	1

11
G

11
G

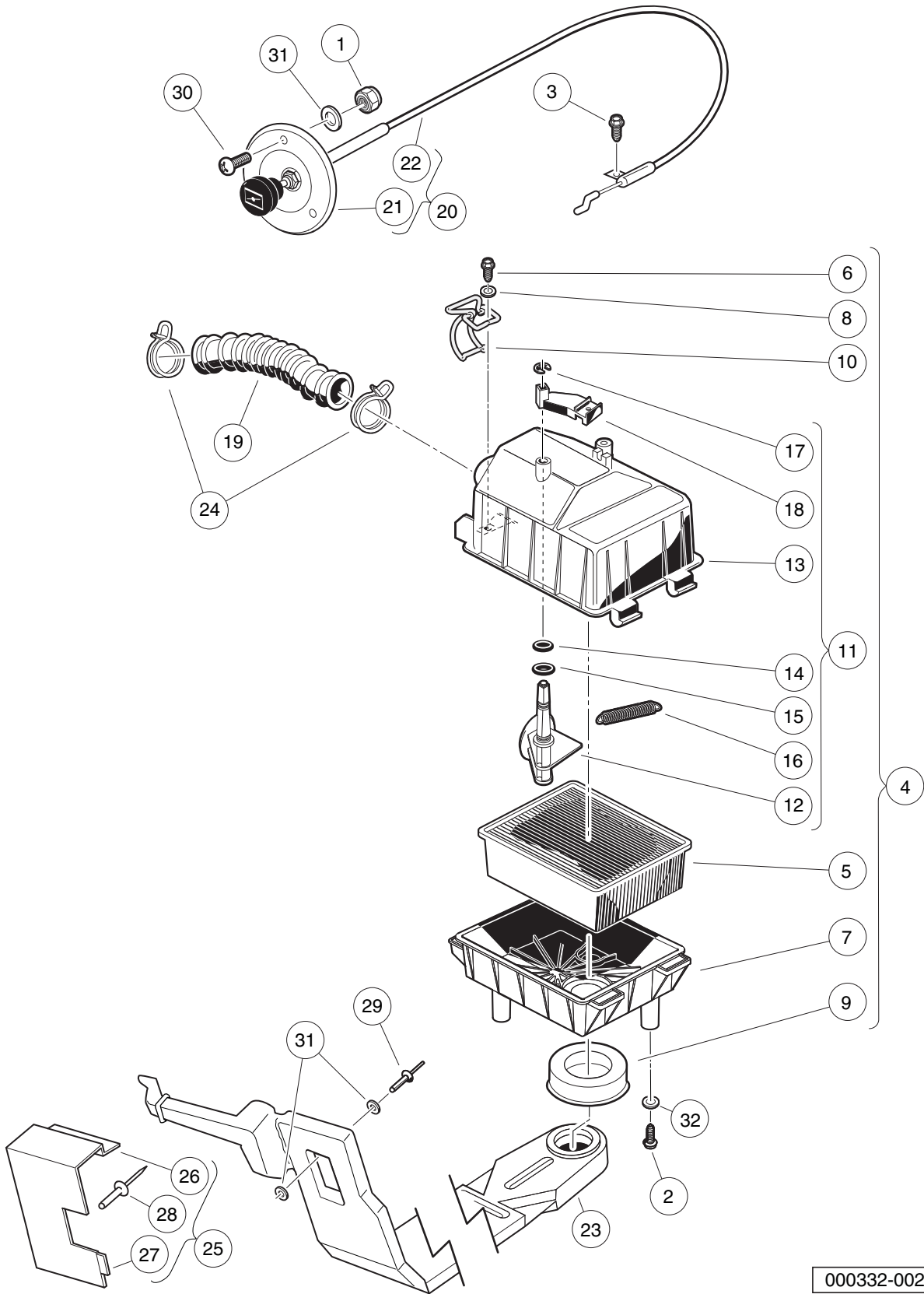


GOVERNOR AND ACCELERATOR CABLES

ITEM	PART NO.	DESCRIPTION	QTY
		1 2 3 4	
1	1011697	Washer, 5/16 Flat	1
2	1012285	Screw, 1/4 X 0.625 Hex-Head	4
3	1012830	Screw, M8-125 X 22 Hex-Head	1
4	1013700	Clamp	2
5	1014007	Washer, 1/4, Flat	1
6	101584502	Bracket, Governor Cable Snap-In	1
7	1016546	Nut	2
8	101832202	Bracket, Rear Governor Cable Snap-In	1
9	101832302	Bracket, Rear Accelerator Cable Snap-In	1
10	101834801	Arm, Governor	1
11	101886101	Screw, 1/4-20 X 1.00, Square-Head	1
12	102336001	Cable, Governor, Snap-In	1
13	102336101	Cable, Accelerator, Snap-In	1
14	7174	Lockwasher, 5/16 Split	1
15	8233	Locknut, 1/4-20, Nylon Insert	1

11

G



000332-002

AIR FILTER AND INTAKE SYSTEM – TURF/CA 2, 252 AND XRT 900

ITEM	PART NO.	DESCRIPTION	QTY
		1 2 3 4	
1	1012438	Locknut, #10-24 Nylon Insert	3
2	1015752	Screw, #12-16 X 0.625, Hi-Lo	3
3	101804301	Screw, #8 X 0.500, Hex-Head Hi-Lo	1
4	101821501	Assembly, Air Box (includes items 5 through 11)	1
5	1015426	Filter, Air	1
6	101804301	Screw, #8 X 0.500, Hex-Head Hi-Lo	2
7	101811901	Bottom, Air Box	1
8	101881701	Washer, #8 Stainless-Steel Flat	2
9	101921501	Seal, Intake	1
10	101925701	Latch, Wireform	2
11	101972801	Top Assy, Air Box (includes items 12 through 18)	1
12	N/A	Valve, Choke	1
13	N/A	Top, Air Box	1
14	N/A	O-Ring, 5/16	1
15	N/A	O-Ring, 3/8	1
16	101812301	Spring, Extension Return	1
17	101813001	Retaining Ring 0.25, Shaft	1
18	101917601	Lever, Choke	1
19	101837101	Hose, Air Intake	1
20	101926801	Cable, Choke (includes items 21 and 22)	1
21	101933701	Bezel, Choke Cable	1
22	N/A	Choke Cable without Bezel, Short	1
23	101958102	Duct Assembly	1
24	101971301	Clamp, 1.58" ID Hose	2
25	102190702	Kit, Air Duct Shield (includes items 26 through 28)	1
26	102185401	Tape, 3M VHB 4950	1
27	N/A	Shield, Air Duct	1
28	7973	Rivet, 3/16 X .400 Blind	1
29	1606	Rivet, 3/16 X .500 Alum Pop	2
30	1631	Screw, #10-24 X 0.75 Phillips Pan-Head	3
31	183	Washer, #10, Type A, Flat	7
32	332	Washer, 1/4 Type A Narrow Flat	3

11
G

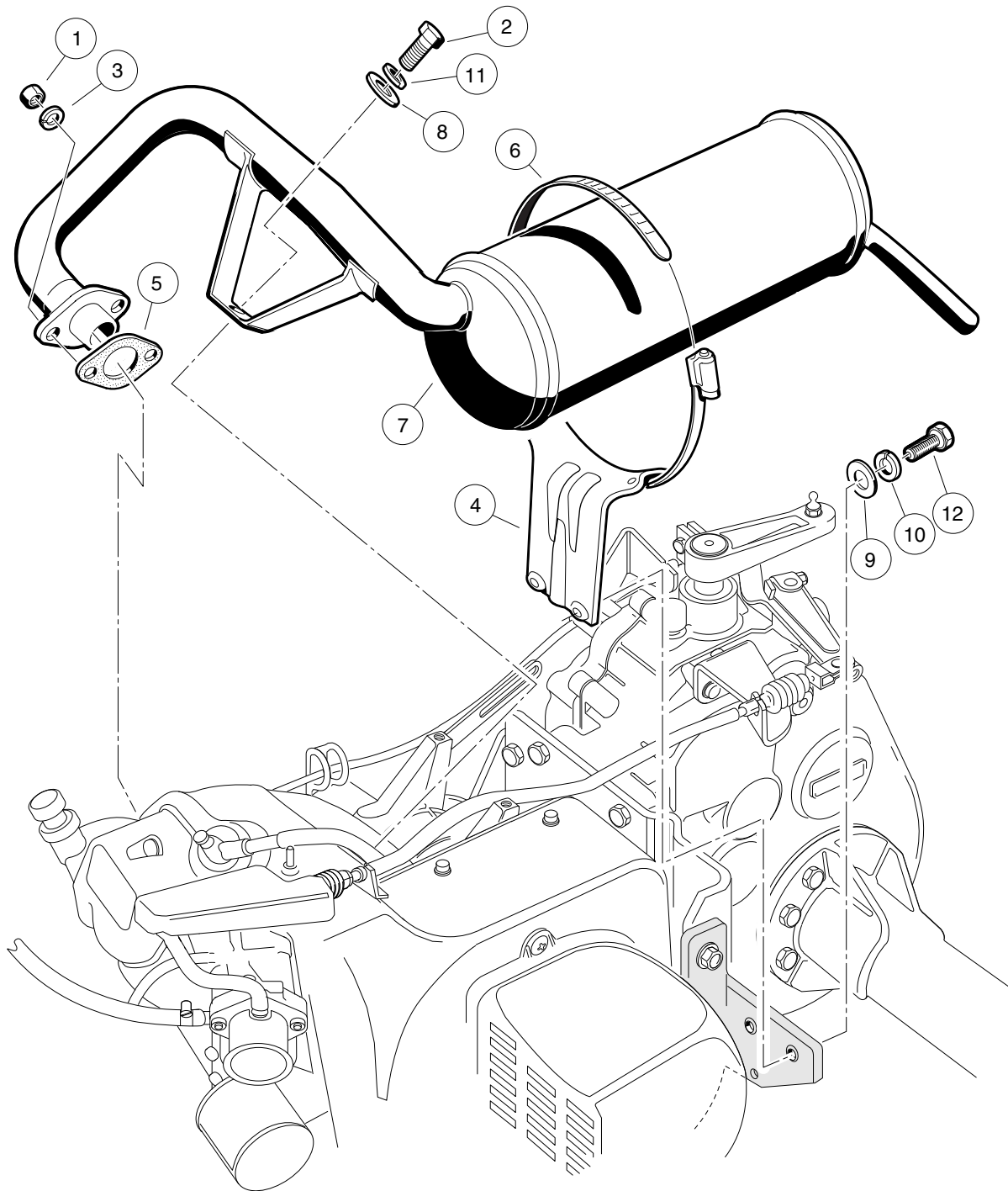
11

G

EXHAUST SYSTEM

12

G



000209-001

EXHAUST SYSTEM – FE350 ENGINE

ITEM	PART NO.	DESCRIPTION	QTY
		1 2 3 4	
1	1012528	Nut, M8-1.25 Hex	2
2	1012830	Screw, M8-125 X 22 Hex-Head	1
3	1013734	Lockwasher, 8mm Split	2
4	1015814	Bracket, Muffler Mounting	1
5	1016904	Gasket, Exhaust	1
6	1017689	Clamp, 5" Muffler Hose	1
7	101859401	Exhaust System, FE350	1
8	1241	Washer, 5/16 Type A Flat	1
9	332	Washer, 1/4 Type A Narrow Flat	2
10	451	Lockwasher, 1/4 Split	2
11	7174	Lockwasher, 5/16 Split	1
12	7847	Screw, 1/4-20 X 0.75 Hex-Head Cap	2

12

G

12

G

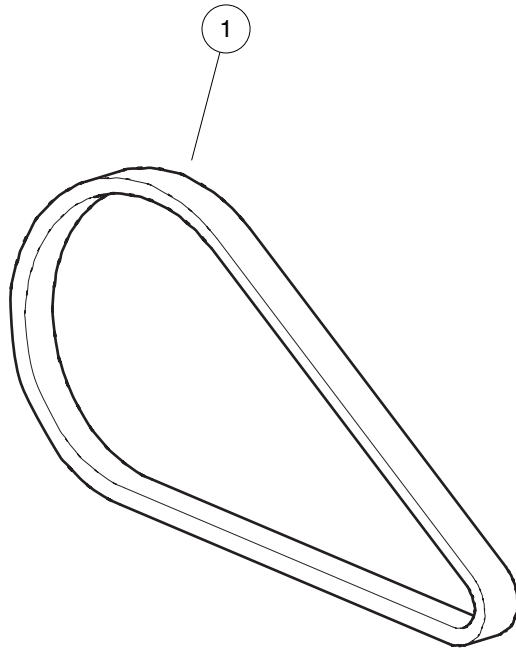
DRIVE BELT AND CLUTCHES

13

G

13

G

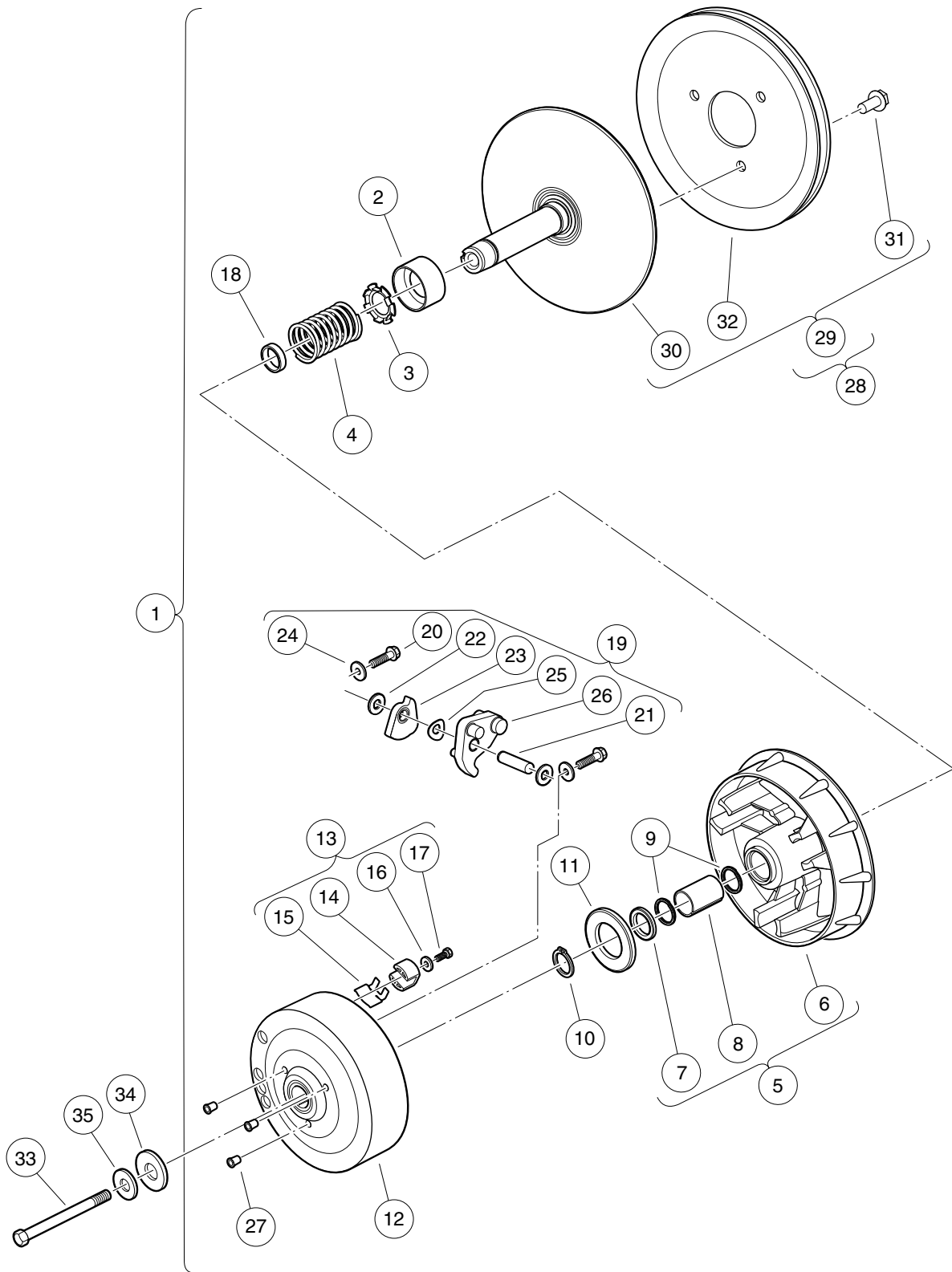


000918-001

DRIVE BELT

ITEM	PART NO.	DESCRIPTION	QTY
1	1017188	1 2 3 4 Belt, Drive (FE350)	1

13
G



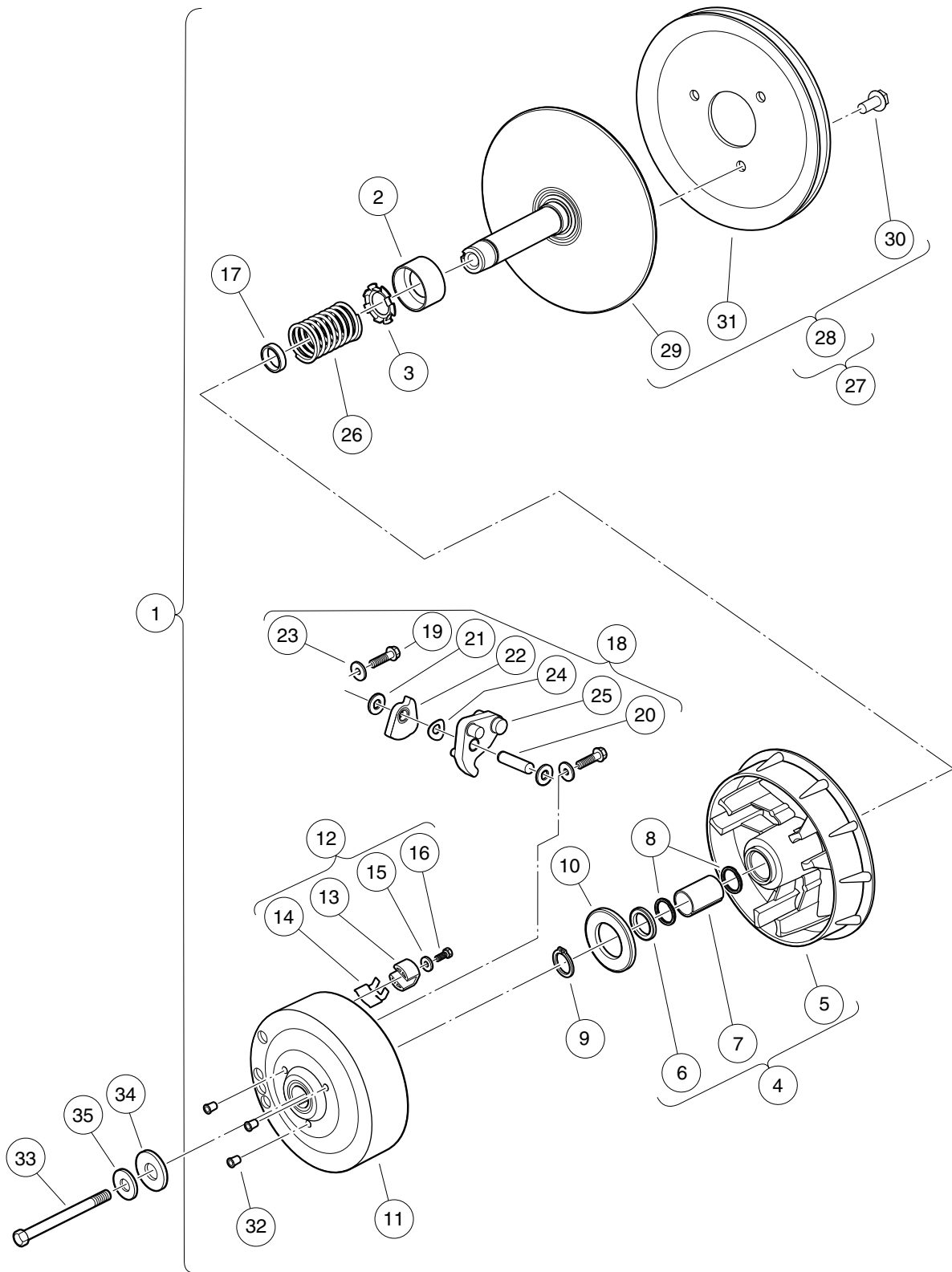
000217-006

DRIVE CLUTCH – TURF/CARRYALL 1, 2, AND 252

ITEM	PART NO.	DESCRIPTION	QTY
		1 2 3 4	
1	101833902	Clutch, Drive (includes items 2 through 28)	1
2	1014049	Bearing, Idler	1
3	1014050	Retainer, Spring	1
4	1014051	Spring, Drive Clutch	1
5	1014052	Movable-Face Assembly (includes items 6 through 8)	1
6	N/A	Drive Clutch Movable Face	1
7	1014055	Retainer	1
8	N/A	Bushing, Split, Drive Clutch	1
9	1014056	Ring, Spiral Backup	2
10	1014057	Ring, 0.810" Internal Retaining	1
11	1014058	Thrust Washer	1
12	1014059	Drive Hub Assy, Drive Clutch	1
13	1014453	Kit, Drive Clutch Button (includes items 14 through 17)	1
14	1014062	Driver, Drive Clutch	3
15	1014287	Spring, Drive Button	3
16	183	Washer, #10, Type A, Flat	3
17	8450	Screw, #10-24 X 0.50, Hex-Head	3
18	1016289	Spacer, Fixed Face Shaft	1
19	1016801	Kit, Drive Clutch Weight (includes items 20 through 26)	1
20	1014063	Screw, 1/4-20 X 1.00, Hex Head	6
21	N/A	Pin, Dowel, 0.3752 x 1.50	3
22	1014065	Washer, Flat, 0.38" ID, Delrin	6
23	N/A	Clutch Weight, Secondary	3
24	N/A	Washer	6
25	1016201	Washer, Wave	3
26	N/A	Weight, Primary	3
27	101925601	Plug, Drive Clutch	3
28	101929802	Kit, Fxd Face Dr Asm Fe290/350 (includes item 29)	1
29	N/A	Assembly, Fixed-Face Drive (includes items 30 through 32)	1
30	N/A	Fixed Face Assembly, Drive Clutch	1
31	1014288	Screw, 5/16-18 X 0.75, Thread-Forming	3
32	N/A	Pulley, Clutch	1
33	103345701	Screw 3/8-24x5.5 Hex Loc Ptch	1
34	334	Washer, 3/8, Type A, Flat	1
35	808	Washer, 3/8 Type B Flat	1

13

G



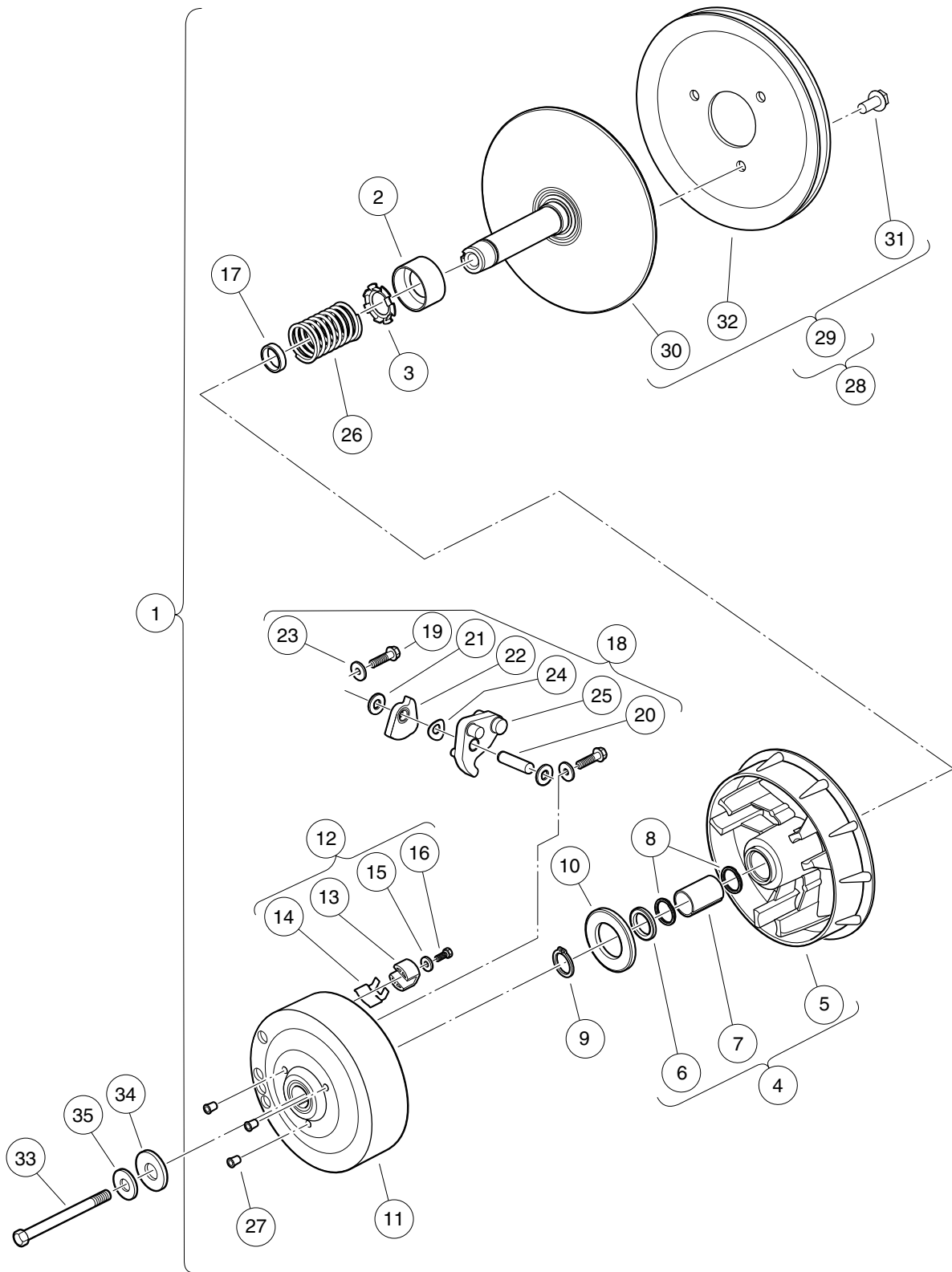
000217-007

DRIVE CLUTCH – CARRYALL 2 PLUS

ITEM	PART NO.	DESCRIPTION	QTY
		1 2 3 4	
1	101833904	Assembly, Drive Clutch (includes items 2 through 32)	1
2	1014049	Bearing, Idler	1
3	1014050	Retainer, Spring	1
4	1014052	Movable-Face Assembly (includes items 5 through 7)	1
5	N/A	Drive Clutch Movable Face	1
6	1014055	Retainer	1
7	N/A	Bushing, Split, Drive Clutch	1
8	1014056	Ring, Spiral Backup	2
9	1014057	Ring, 0.810" Internal Retaining	1
10	1014058	Thrust Washer	1
11	1014059	Drive Hub Assy, Drive Clutch	1
12	1014453	Kit, Drive Clutch Button (includes items 13 through 16)	1
13	1014062	Driver, Drive Clutch	3
14	1014287	Spring, Drive Button	3
15	183	Washer, #10, Type A, Flat	3
16	8450	Screw, #10-24 X 0.50, Hex-Head	3
17	1016289	Spacer, Fixed Face Shaft	1
18	1016801	Kit, Drive Clutch Weight (includes items 19 through 25)	1
19	1014063	Screw, 1/4-20 X 1.00, Hex Head	6
20	N/A	Pin, Dowel, 0.3752 x 1.50	3
21	1014065	Washer, Flat, 0.38" ID, Delrin	6
22	N/A	Clutch Weight, Secondary	3
23	N/A	Washer	6
24	1016201	Washer, Wave	3
25	N/A	Weight, Primary	3
26	1016901	Spring, Drive Clutch	1
27	101738302	Kit, Fixed Face - Drive (includes item 28)	1
28	101738301	Fixed Face Drive (includes items 29 through 31)	1
29	N/A	Fixed Face Assembly, Drive Clutch	1
30	1014288	Screw, 5/16-18 X 0.75, Thread-Forming	3
31	1016011	Pulley, Drive Clutch	1
32	N/A	Cap Plug	3
33	103345701	Screw 3/8-24x5.5 Hex Loc Ptch	1
34	334	Washer, 3/8, Type A, Flat	1
35	808	Washer, 3/8 Type B Flat	1

13

G



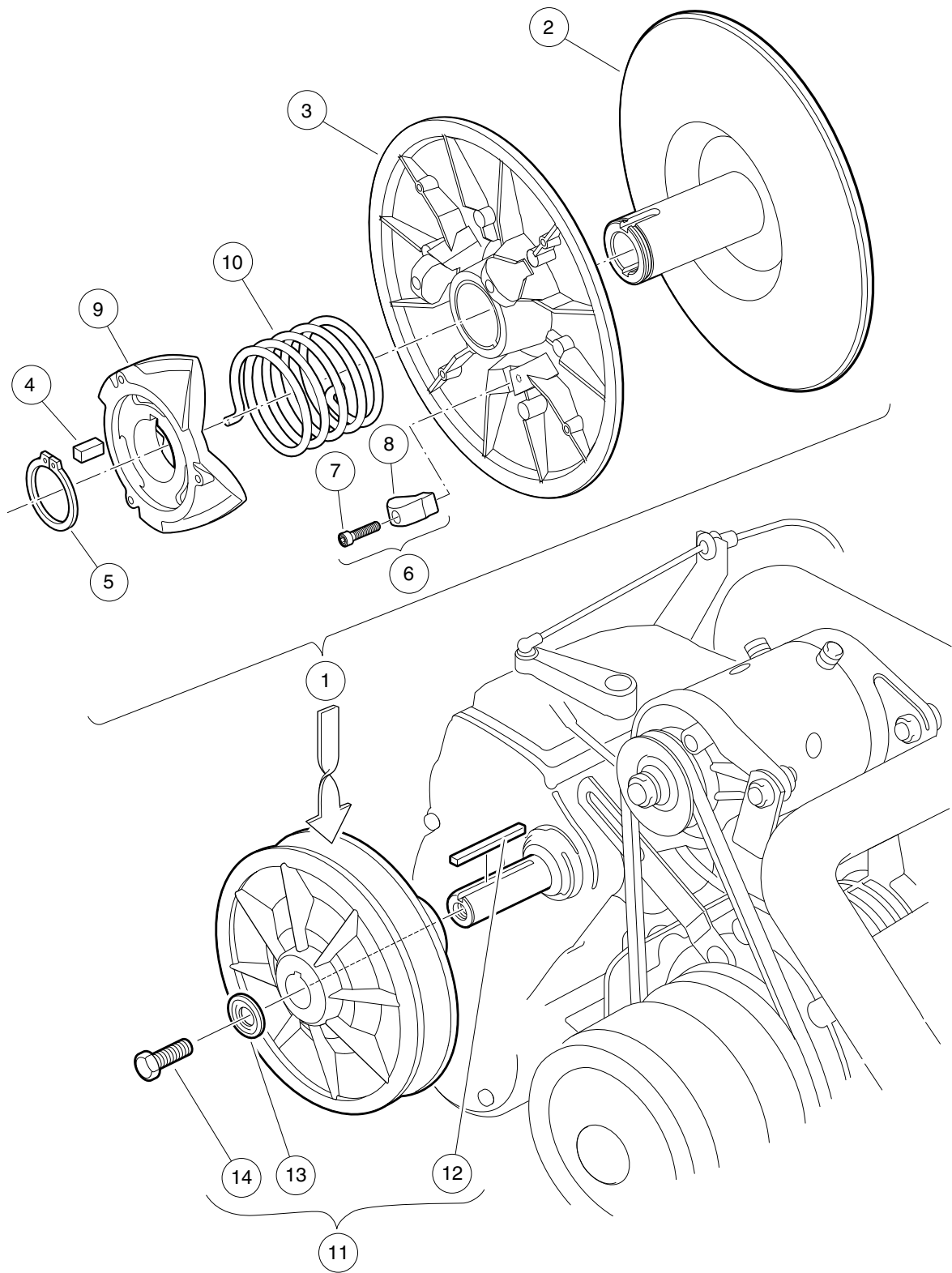
000217-008

DRIVE CLUTCH – XRT 900

ITEM	PART NO.	DESCRIPTION	QTY
		1 2 3 4	
1	101833906	Drive Clutch Assy. FE 350/272 (includes items 2 through 28)	1
2	1014049	Bearing, Idler	1
3	1014050	Retainer, Spring	1
4	1014052	Movable-Face Assembly (includes items 5 through 7)	1
5	N/A	Drive Clutch Movable Face	1
6	1014055	Retainer	1
7	N/A	Bushing, Split, Drive Clutch	1
8	1014056	Ring, Spiral Backup	2
9	1014057	Ring, 0.810" Internal Retaining	1
10	1014058	Thrust Washer	1
11	1014059	Drive Hub Assy, Drive Clutch	1
12	1014453	Kit, Drive Clutch Button (includes items 13 through 16)	1
13	1014062	Driver, Drive Clutch	3
14	1014287	Spring, Drive Button	3
15	183	Washer, #10, Type A, Flat	3
16	8450	Screw, #10-24 X 0.50, Hex-Head	3
17	1016289	Spacer, Fixed Face Shaft	1
18	1016801	Kit, Drive Clutch Weight (includes items 19 through 25)	1
19	1014063	Screw, 1/4-20 X 1.00, Hex Head	6
20	N/A	Pin, Dowel, 0.3752 x 1.50	3
21	1014065	Washer, Flat, 0.38" ID, Delrin	6
22	N/A	Clutch Weight, Secondary	3
23	N/A	Washer	6
24	1016201	Washer, Wave	3
25	N/A	Weight, Primary	3
26	1016901	Spring, Drive Clutch	1
27	N/A	Cap Plug	3
28	101929802	Kit, Fxd Face Dr Asm Fe290/350 (includes item 29)	1
29	N/A	Assembly, Fixed-Face Drive (includes items 30 through 32)	1
30	N/A	Fixed Face Assembly, Drive Clutch	1
31	1014288	Screw, 5/16-18 X 0.75, Thread-Forming	3
32	N/A	Pulley, Clutch	1
33	103345701	Screw 3/8-24x5.5 Hex Loc Ptch	1
34	334	Washer, 3/8, Type A, Flat	1
35	808	Washer, 3/8 Type B Flat	1

13

G



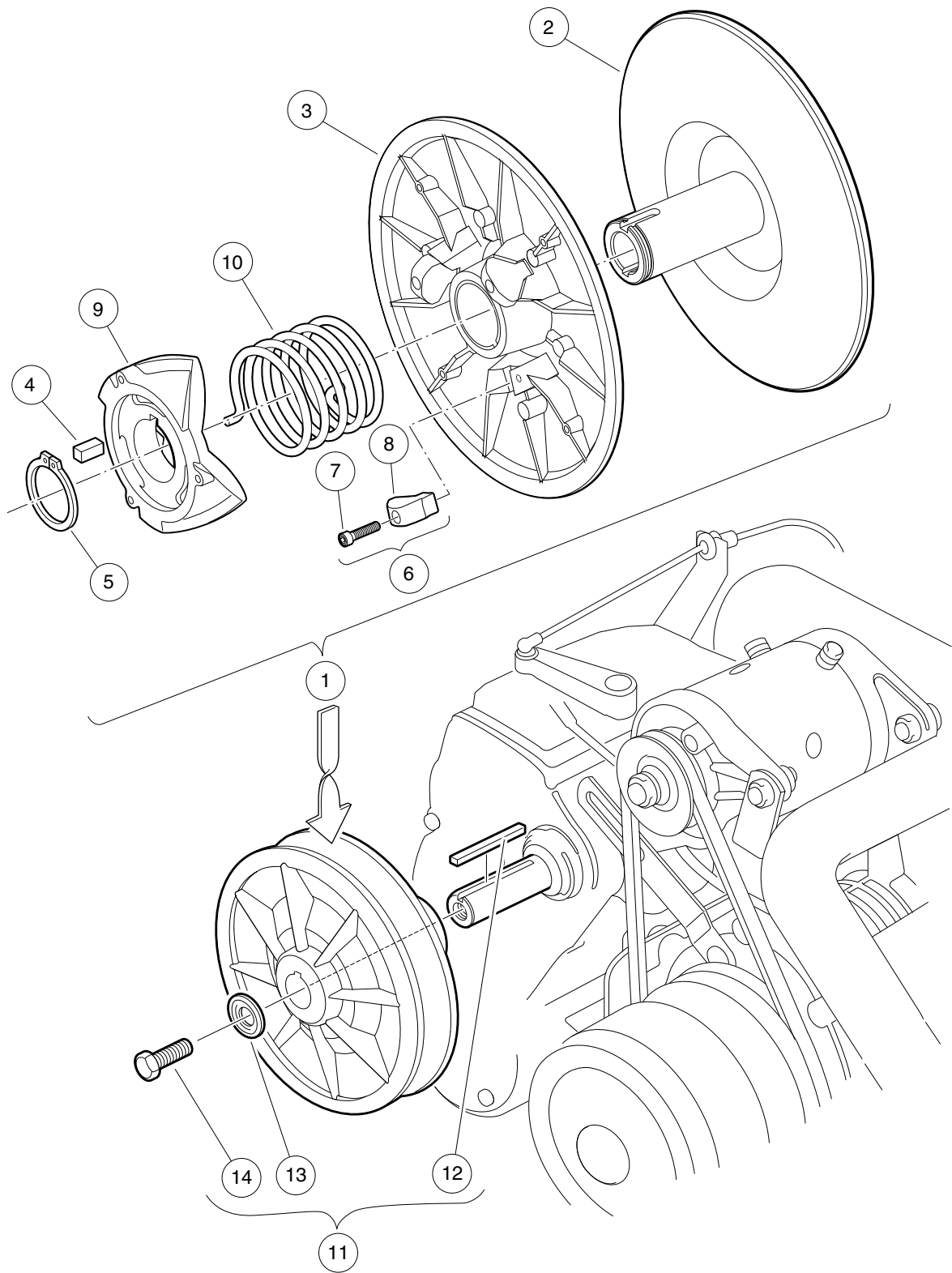
000219-001

DRIVEN CLUTCH – TURF/CARRYALL 1, 2, AND 252

ITEM	PART NO.	DESCRIPTION	QTY
		1 2 3 4	
1	101834001	Assembly, Driven Clutch (includes items 2 through 10)	1
2	1014070	Fixed Face Assy, Driven Clutch	1
3	1014072	Movable-Face Assembly with Bushing	1
4	1014078	Key, Driven Clutch	1
5	1014080	Ring, Retaining	1
6	1014454	Kit, Driven Clutch Button (includes items 7 and 8)	1
7	1012836	Screw, #8-32 X 3/4, Socket-Head Cap	3
8	N/A	Button, Drive	3
9	1017686	Cam, Driven Clutch	1
10	101836201	Spring, Driven Clutch, Reversed	1
11	AM10419	Kit, Clutch Repair (includes items 12 through 14)	1
12	101833401	Key, 3/16 Sq X 1.50"	1
13	102155801	Washer, Driven Clutch	1
14	102242101	Screw, 5/16-18 X 3/4 Hex-Head with Patch	1

13

G



000219-001

DRIVEN CLUTCH – CARRYALL 2 PLUS AND XRT 900

ITEM	PART NO.	DESCRIPTION	QTY
		1 2 3 4	
1	101834003	Clutch, Driven (includes items 2 through 10)	1
2	1014070	Fixed Face Assy, Driven Clutch	1
3	1014072	Movable-Face Assembly with Bushing	1
4	1014078	Key, Driven Clutch	1
5	1014080	Ring, Retaining	1
6	1014454	Kit, Driven Clutch Button (includes items 7 and 8)	1
7	1012836	Screw, #8-32 X 3/4, Socket-Head Cap	3
8	N/A	Button, Drive	3
9	1017686	Cam, Driven Clutch	1
10	101836202	Spring, Driven Clutch, Reversed	1
11	AM10419	Kit, Clutch Repair (includes items 12 through 14)	1
12	101833401	Key, 3/16 Sq X 1.50"	1
13	102155801	Washer, Driven Clutch	1
14	102242101	Screw, 5/16-18 X 3/4 Hex-Head with Patch	1

13
G

13

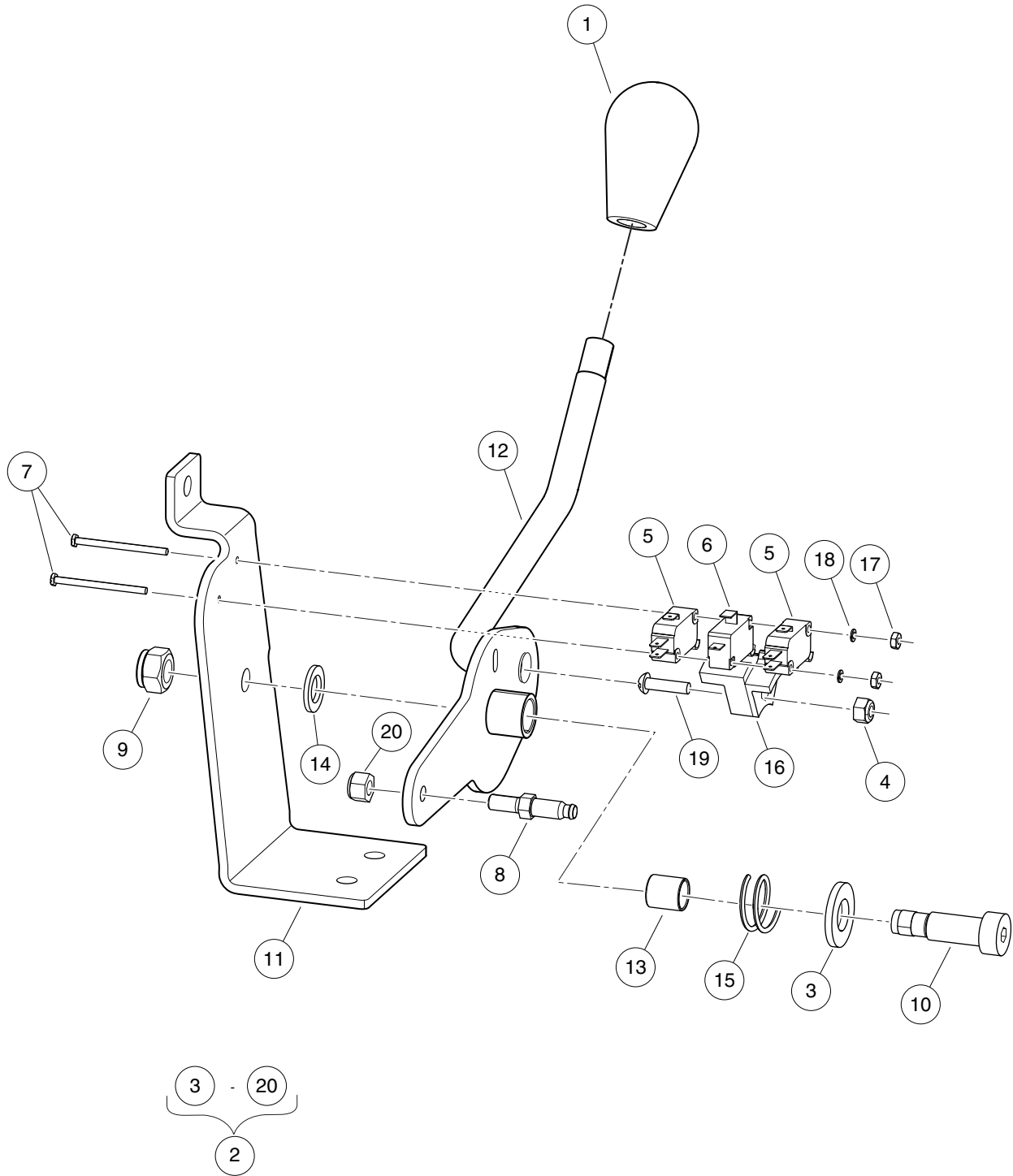
G

UNITIZED TRANSAXLE – GASOLINE VEHICLES

14

G

14
G



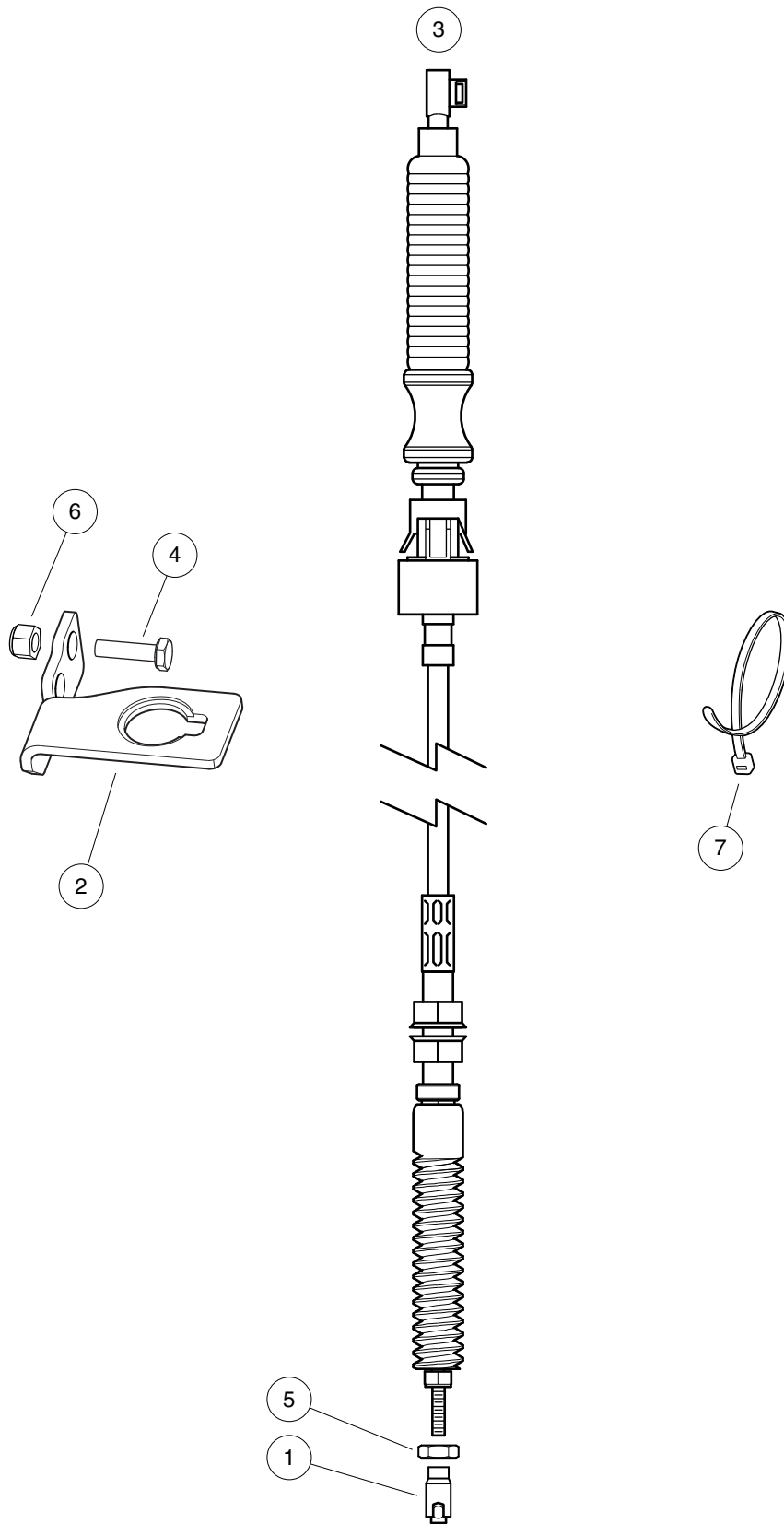
000563-001

FORWARD/REVERSE SHIFTER

ITEM	PART NO.	DESCRIPTION	QTY
		1 2 3 4	
1	102376001	Knob, FNR, Shifter	1
2	102969901	Asm, Shifter, FNR (includes items 3 through 20)	1
3	1010028	Washer, 1/2 Type A Flat	1
4	1013061	Locknut, #10-32 Nylon Insert	1
5	1014807	Switch, Limit	2
6	1014808	Switch, Limit	1
7	1015878	Screw, #4-40 Hex Head Machine	2
8	102526201	Stud, Thread, 1/4-28	1
9	102616701	Locknut, M10x1.5 Nylon Insert	1
10	102684602	Shoulder Bolt, M12 X 25.0	1
11	102969401	Bracket, Shifter, FNR	1
12	102969801	Weldment, Shift Lever, FNR	1
13	103173301	Bushing, Greaseless, 12mm Id	1
14	103177401	Washer, Thrust, Shifter, FNR	1
15	103192701	Spring, Comp, .97 Od X.75 L	1
16	103369501	Cam, Limit Switch, Fnr Shifter	1
17	8057	Nut, #4-40 Hex Machine	2
18	8058	Lockwasher, #4 Split	2
19	8104	Screw, #10-32 X .75 Rd Hd Mach	1
20	8717	Locknut, Nylon Insert, 1/4-28	1

14

G



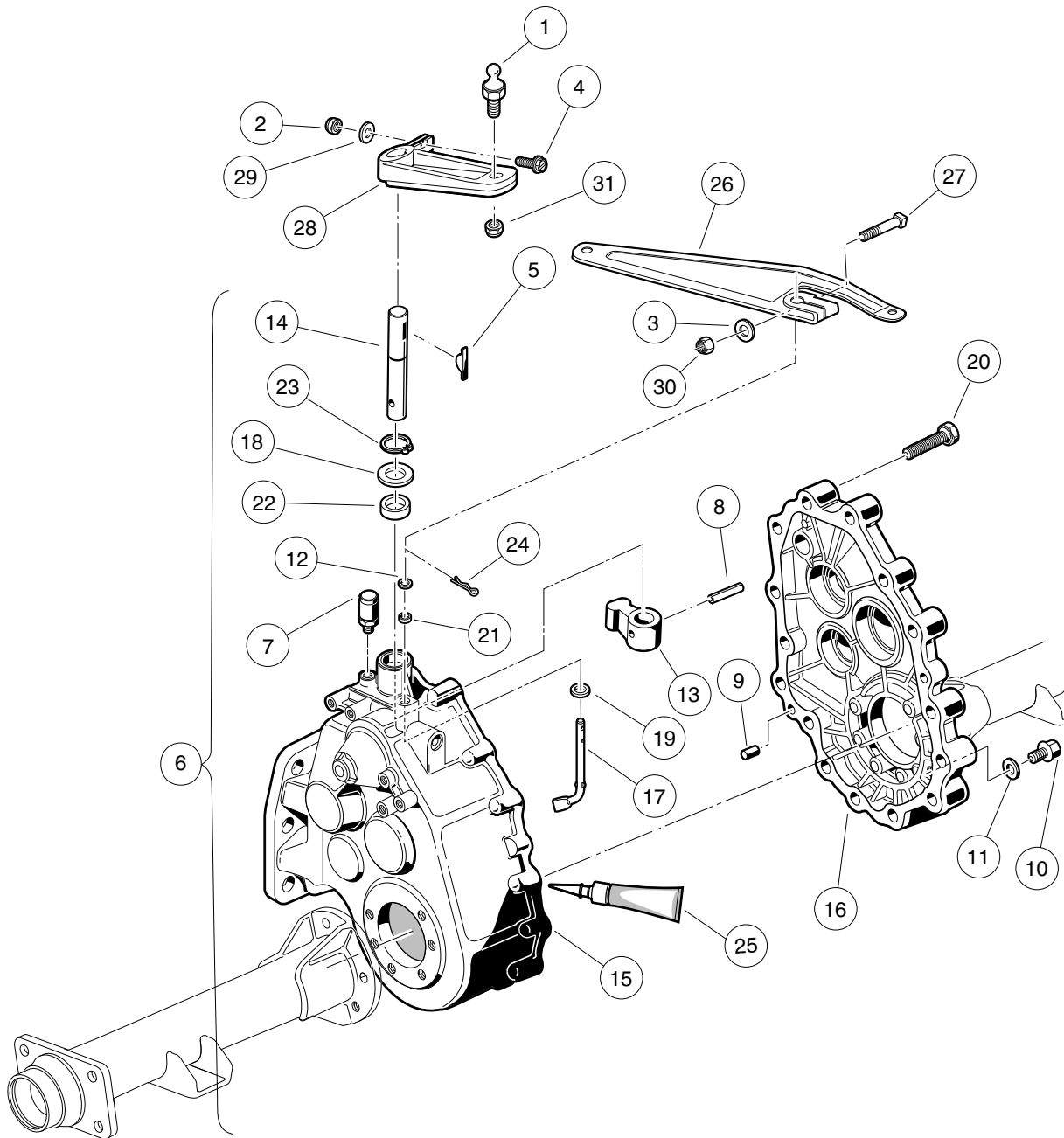
001071-001

SHIFTER CABLE – TURF/CA 2/252/2 PLUS AND XRT900

ITEM	PART NO.	DESCRIPTION	QTY
		1 2 3 4	
1	1012333	Joint, #10-32 Ball	1
2	103295101	Brkt, Spt, Cable End, Fnr	1
3	103295202	Cable, Trans, Ball End, 1855mm	1
4	304	Screw, 1/4-20 X 1.0 Hex-Head Cap	2
5	7893	Nut, #10-32 Hex	1
6	8233	Locknut, 1/4-20, Nylon Insert	2
7	8639	Tie Wrap, 11" Nylon	A/R

14

G



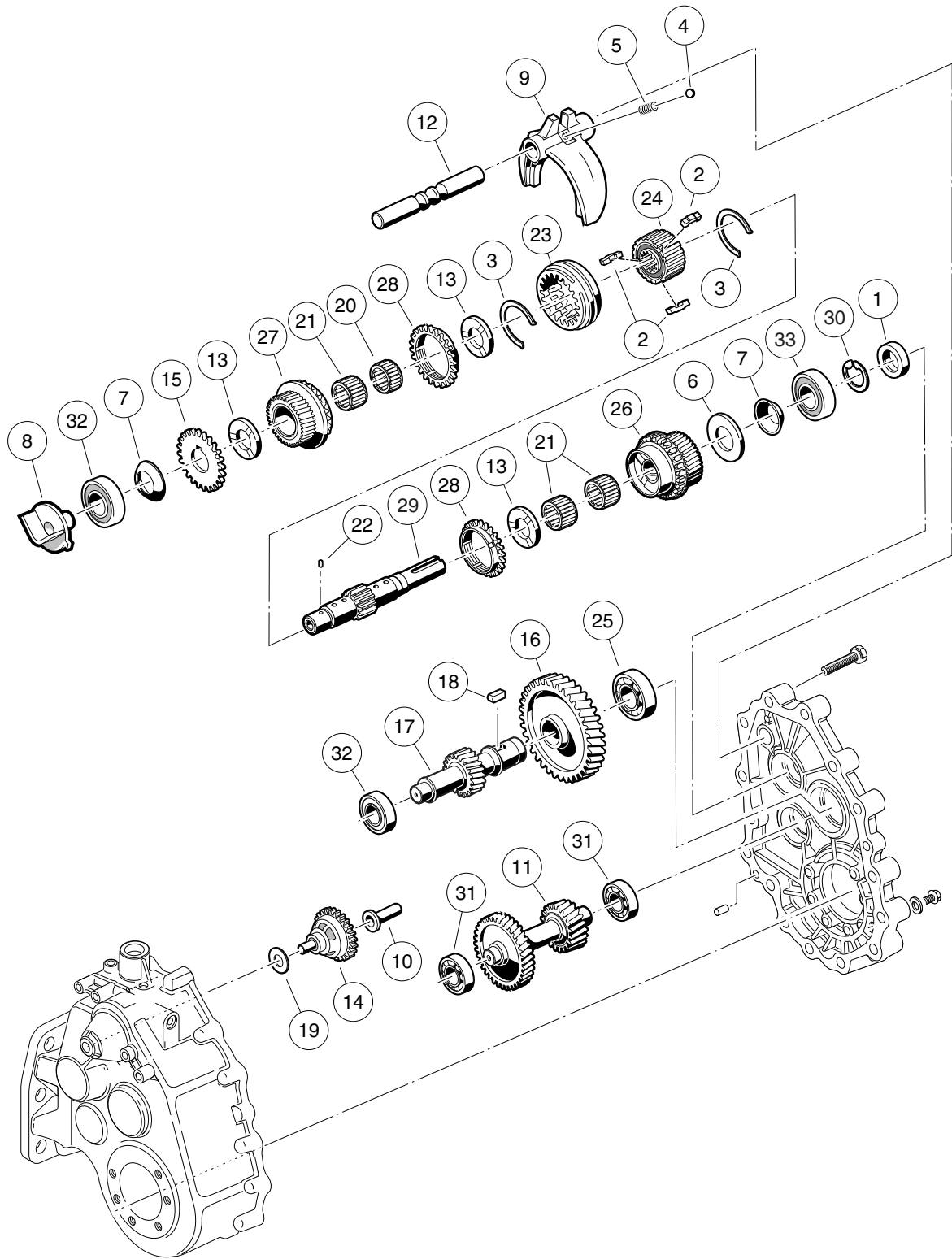
000220-005

KAWASAKI TRANSAXLE – GEAR CASES AND BRACKETS

ITEM	PART NO.	DESCRIPTION	QTY
		1 2 3 4	
1	1010954	Stud, Ball, 1/4-28 X 0.560	1
2	1013061	Locknut, #10-32 Nylon Insert	1
3	1014007	Washer, 1/4, Flat	1
4	1017082	Screw, #10-32 X 0.75, Hex-Head Machine	1
5	1017231	Key, Woodruff	1
6	101833601	Transaxle, 11.77 Ratio (includes items 7 through 25)	1
7	1012711	Breather	1
8	1012752	Roll Pin	1
9	1012896	Pin, Dowel	2
10	1013760	Fill Plug	2
11	1016432	Gasket, Drain Plug	1
12	1016513	Washer, M6 Flat	1
13	101890101	Lever, Drive Selector	1
14	101890201	Shaft, Drive Selector	1
15	101890501	Gear Case (driver side)	1
16	101890601	Gear Case (passenger side)	1
17	101891301	Arm Pivot	1
18	101892901	Washer	1
19	101893801	Washer	1
20	101926901	Screw, M8-1.25 X 40mm Hex-Head	15
21	101927101	Seal, Oil	1
22	101927201	Seal, Oil	1
23	101927301	Snap Ring	1
24	101928601	Pin, Cotter	1
25	101928701	Liquid Gasket (Transaxle case)	1
26	101834801	Arm, Governor	1
27	101886101	Screw, 1/4-20 X 1.00, Square-Head	1
28	102515401	Lever, Transmission Shift	1
29	183	Washer, #10, Type A, Flat	1
30	8233	Locknut, 1/4-20, Nylon Insert	1
31	8717	Locknut, Nylon Insert, 1/4-28	1
		<p>Note: Kawasaki transaxle component listings span three pages. To identify your transaxle, locate the serial number decal on the axle tube.</p>	

14

G



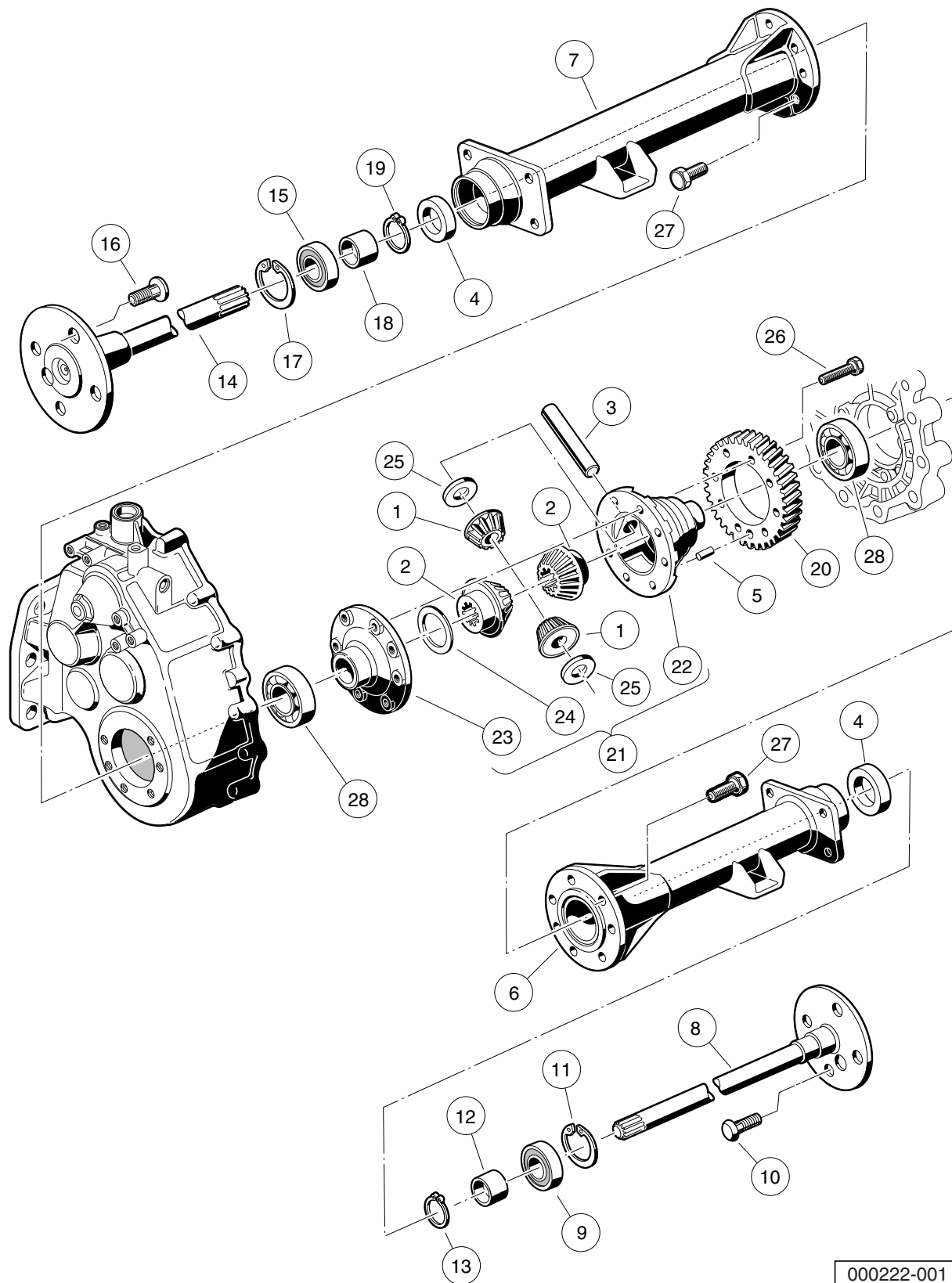
000221-001

KAWASAKI TRANSAXLE – F&R TRANSMISSION AND GEAR REDUCTION

14

G

ITEM	PART NO.	DESCRIPTION	QTY
		1 2 3 4	
1	1012714	Oil Seal	1
2	1012740	Synchro Insert	3
3	1012741	Synchro Spring	2
4	1012747	Shifter Ball	1
5	1012748	Shifter Spring	1
6	1016337	Washer, Thrust	1
7	1016338	Washer, Spring	2
8	101889401	Guide	1
9	101890001	Fork - Shift	1
10	101891601	Sleeve, Governor	1
11	101891901	Gear, Cluster	1
12	101892001	Rod, Shift	1
13	101892201	Plate, Thrust	3
14	101892301	Governor Assembly	1
15	101892401	Gear, Spur	1
16	101892501	Gear, Helical (61 Tooth)	1
17	101892601	Gear, Helical (17 Tooth)	1
18	101893201	Key Sunk	1
19	101893901	Washer	1
20	101927501	Needle Bearing	1
21	101927601	Needle Bearing	3
22	101927701	Pin, .116" Dia X 0.264 Dowel	1
23	101927901	Sleeve, Synchro	1
24	101928001	Hub, Synchro Clutch	1
25	101928101	Bearing, Ball	1
26	101980801	Gear Assembly, 16-Degree Synchro (25 Tooth)	1
27	101980901	Gear Assembly, 16-Degree Rear Synchro (28 Tooth)	1
28	101981001	Ring, 16-Degree Synchronizer	2
29	102453001	Shaft, Trans, with Circlip	1
30	102453101	Circlip	1
31	7335	Bearing	2
32	AM10080	Bearing, Ball, Sealed	2
33	AM10081	Bearing, Ball, Sealed	1
Note: To identify your transaxle, locate the serial number decal on the axle			



000222-001

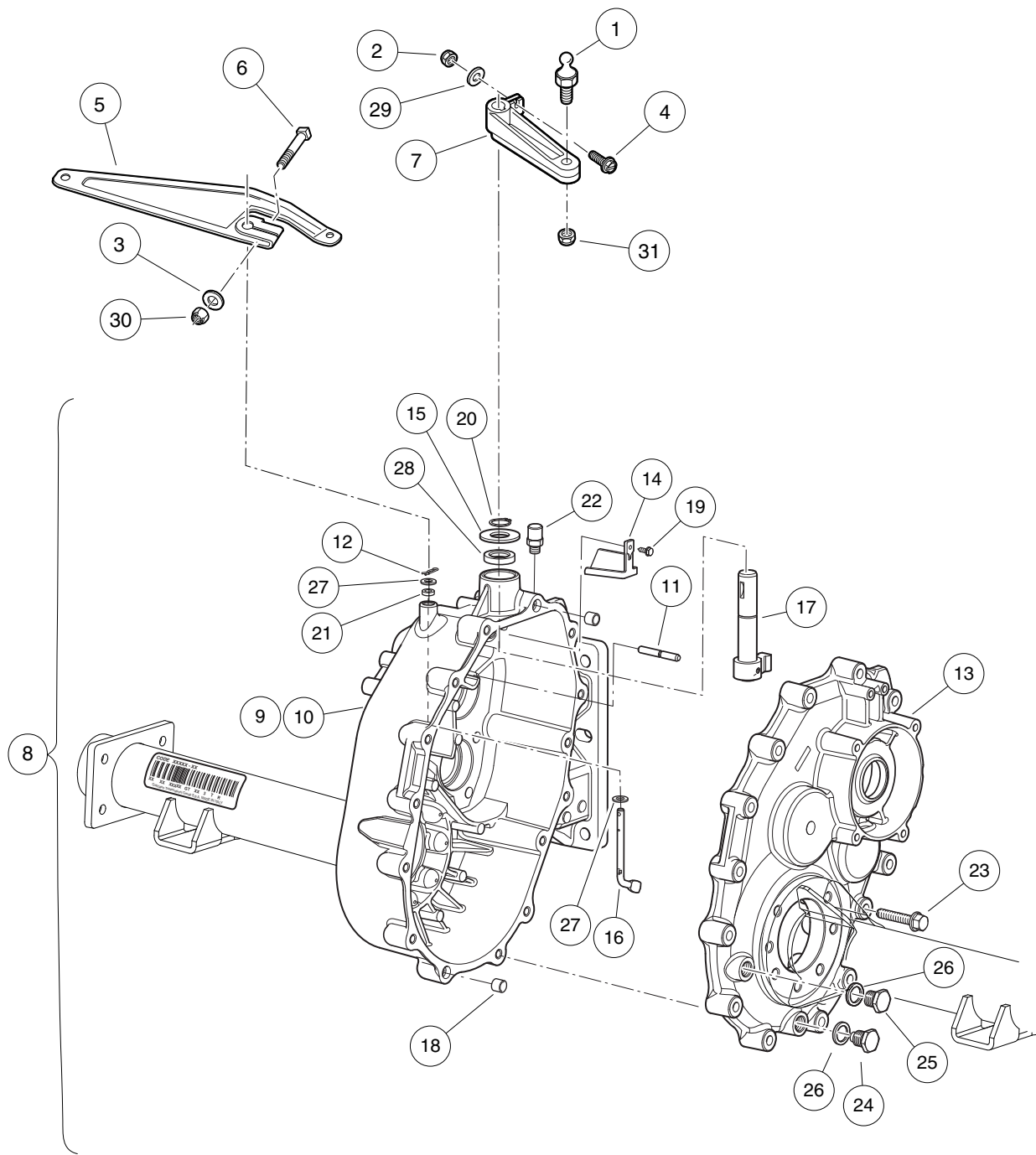
KAWASAKI TRANSAXLE – DIFFERENTIAL AND AXLES

ITEM	PART NO.	DESCRIPTION	QTY
		1 2 3 4	
1	1013770	Differential Idler Gear	2
2	1013771	Gear, Differential	2
3	1013772	Pin, Differential	1
4	1013794	Axle Shaft Oil Seal	2
5	N/A	Dowel Pin	1
6	101890901	Axle Tube (Passenger Side)	1
7	101891001	Axle Tube (Driver Side)	1
8	101891401	Axle Assembly, Passenger Side (includes items 9 through 13)	1
9	1011291	Outer Axle, Tube Bearing	1
10	1013787	Lug Stud	4
11	1013792	Circlip Type C	1
12	1014207	Bushing	1
13	1016672	Retaining Ring	1
14	101891501	Axle Assembly, Driver-Side (includes items 15 through 19)	1
15	1011291	Outer Axle, Tube Bearing	1
16	1013787	Lug Stud	4
17	1013792	Circlip Type C	1
18	1014207	Bushing	1
19	1016672	Retaining Ring	1
20	101892701	Gear, Helical	1
21	101910501	Kit, Differential Gear Case (includes items 22 through 25)	1
22	1013768	Differential Gear Case, Left-Hand	1
23	1013769	Differential Gear Case, Right-Hand	1
24	1013773	Plate, Thrust (Differential Gear)	1
25	1013774	Plate, Thrust (Idler Gear)	2
26	101928301	Screw, M8-1.25 X 35mm Hex Head	8
27	102031901	Bolt, M10 X 1.5 X 30mm	14
28	7330	Inner Axle Tube Bearing	2
Note: To identify your transaxle, locate the serial number decal on the axle			

14

G

14
G



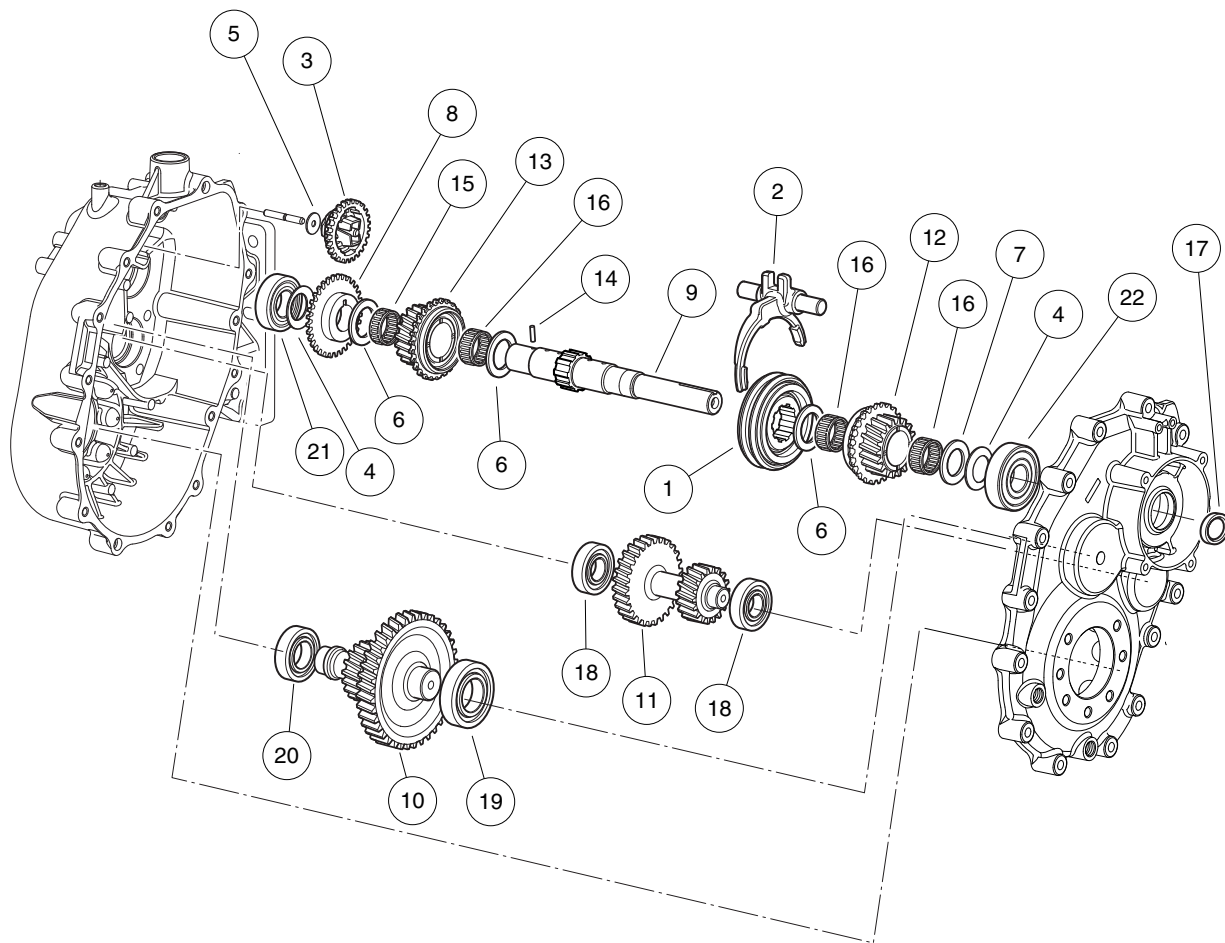
000680-009

GRAZIANO TRANSAXLE – GEAR CASES AND LEVERS

ITEM	PART NO.	DESCRIPTION	QTY
		1 2 3 4	
1	1010954	Stud, Ball, 1/4-28 X 0.560	1
2	1013061	Locknut, #10-32 Nylon Insert	1
3	1014007	Washer, 1/4, Flat	1
4	1017082	Screw, #10-32 X 0.75, Hex-Head Machine	1
5	101834801	Arm, Governor	1
6	101886101	Screw, 1/4-20 X 1.00, Square-Head	1
7	102515401	Lever, Transmission Shift	1
8	102896801	Transaxle, Unitized, Graziano (includes items 9 through 28)	1
9	102896901	Gear Box (Driver-Side) (includes items 10 and 11)	1
10	N/A	Gear Box	1
11	N/A	Pin, Speed Governor	1
12	102897401	Pin, Split	1
13	102897501	Cover, Gear Box (Passenger-Side)	1
14	102897601	Conveyor, Oil	1
15	102897801	Washer, Thrust	1
16	102897901	Lever, Speed Governor	1
17	102898201	Unit, Drive Selector	1
18	102899101	Dowel	2
19	102899201	Screw	1
20	102899401	Ring, Snap	1
21	102899701	Grommet	1
22	102899801	Breather	1
23	102900001	Screw	15
24	102900101	Drain Plug, Magnetic	1
25	102900201	Fill Plug	1
26	102900301	Seal	2
27	102900601	Washer	2
28	102900901	Grommet	1
29	183	Washer, #10, Type A, Flat	1
30	8233	Locknut, 1/4-20, Nylon Insert	1
31	8717	Locknut, Nylon Insert, 1/4-28	1
		Note: Graziano transaxle component listings span three pages. To identify your transaxle, locate the serial number decal on the axle tube.	

14

G



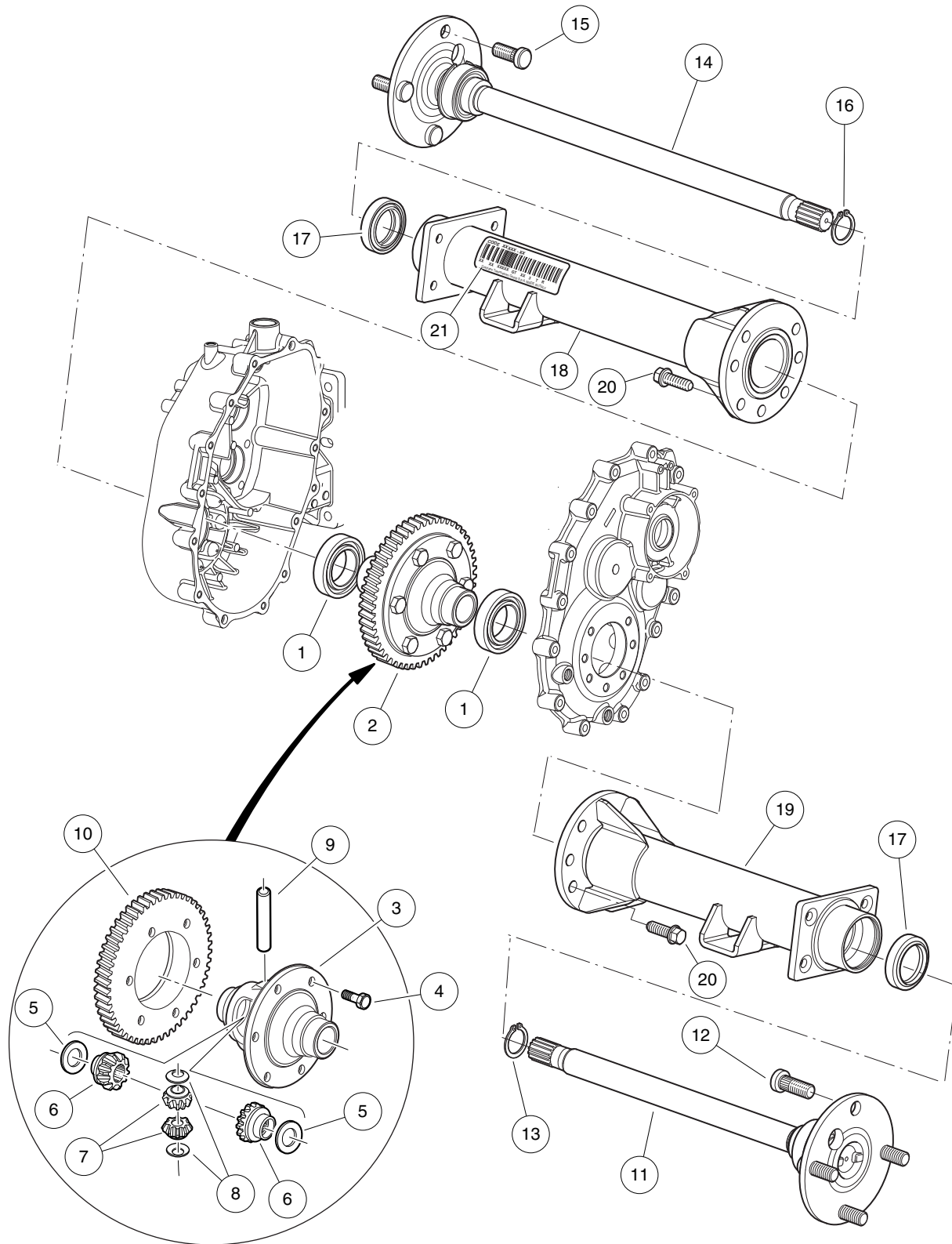
000680-006

GRAZIANO TRANSAXLE – F&R TRANSMISSION AND GEAR REDUCTION

14

G

ITEM	PART NO.	DESCRIPTION	QTY
		1 2 3 4	
1	102897201	Synchronizer, Complete	1
2	102897301	Fork, Complete	1
3	102897701	Assembly, Speed Governor	1
4	102898001	Washer, Belleville	2
5	102898101	Bearing, Thrust	1
6	102898301	Bearing, Thrust	3
7	102898401	Washer, Thrust	1
8	102898501	Gear, Speed Governor	1
9	102898601	Shaft, Main	1
10	102898701	Shaft, Secondary	1
11	102898801	Shaft, Reverse Gear	1
12	102898901	Gear, Complete, 25t	1
13	102899001	Gear, Complete, 28t	1
14	102899301	Pin	1
15	102899501	Cage, Roller	1
16	102899601	Cage, Roller	3
17	102899901	Grommet	1
18	102900401	Bearing	2
19	102900501	Bearing, 62 Od X 30 Id X 16	1
20	102900701	Bearing	1
21	102901001	Bearing	1
22	102901101	Bearing	1
<p>Note: To identify your transaxle, locate the serial number decal on the axle tube.</p>			



000681-002

GRAZIANO TRANSAXLE -DIFFERENTIAL AND AXLES

ITEM	PART NO.	DESCRIPTION	QTY
		1 2 3 4	
1	102900801	Bearing, 68 Od X 40 Id X 15	2
2	102902001	Assembly, Differential (includes items 3 through 10)	1
3	102901201	Box, Differential	1
4	102901301	Screw, M10 X 25	6
5	102901401	Ring, Sleeve	2
6	102901501	Gear, Sun	2
7	102901601	Gear, Planetary	2
8	102901701	Ring, Sleeve	2
9	102901801	Pin	1
10	102901901	Gear	1
11	102902101	Shaft, Axle, Short, Complete (Passenger-Side) (includes items 12 and 13)	1
12	102902301	Bolt, Stud	4
13	102902401	Snap Ring	1
14	102902201	Shaft, Axle, Long, Complete (Driver-Side) (includes items 15 and 16)	1
15	102902301	Bolt, Stud	4
16	102902401	Snap Ring	1
17	102902501	Seal, Lip	2
18	102902601	Axle Tube, (Driver-Side)	1
19	102902701	Axle Tube, (Passenger-Side)	1
20	102902801	Screw, M10 X 30	14
21	N/A	Tag, Serial	1
<p style="margin-left: 40px;">Note: To identify your transaxle, locate the serial number decal on the axle tube.</p>			

14

G

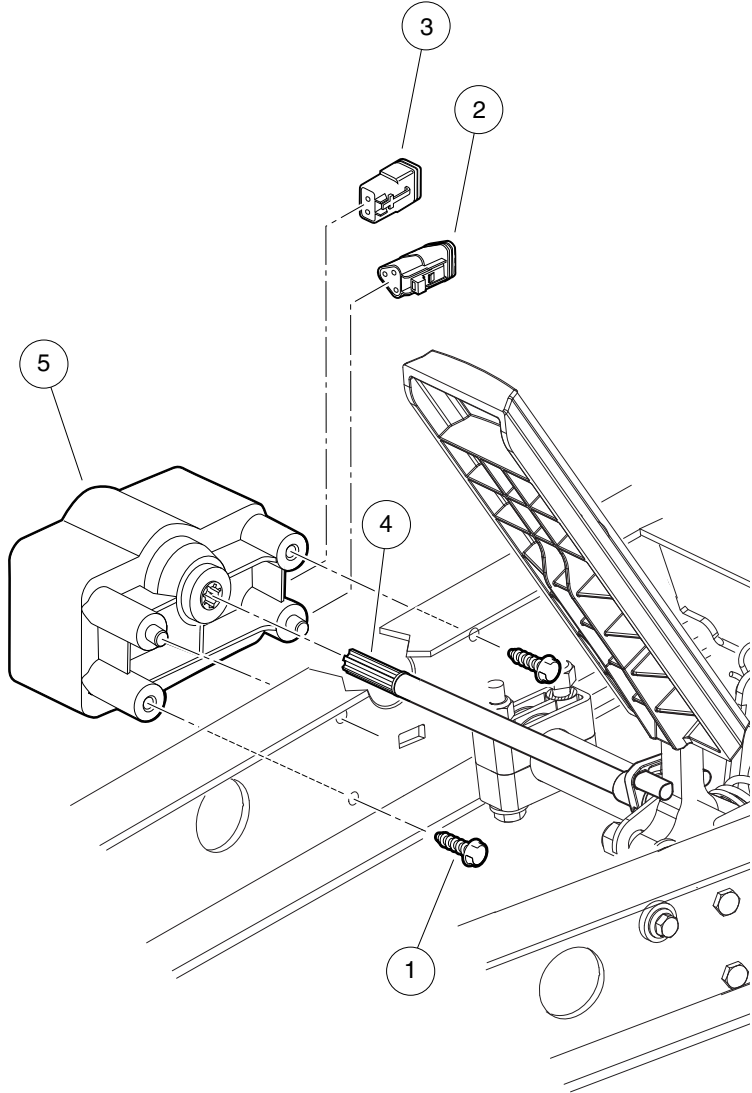
14

G

ELECTRICAL SYSTEM – ELECTRIC VEHICLES

15

E



001070-001

MOTOR CONTROLLER OUTPUT REGULATOR (MCOR)

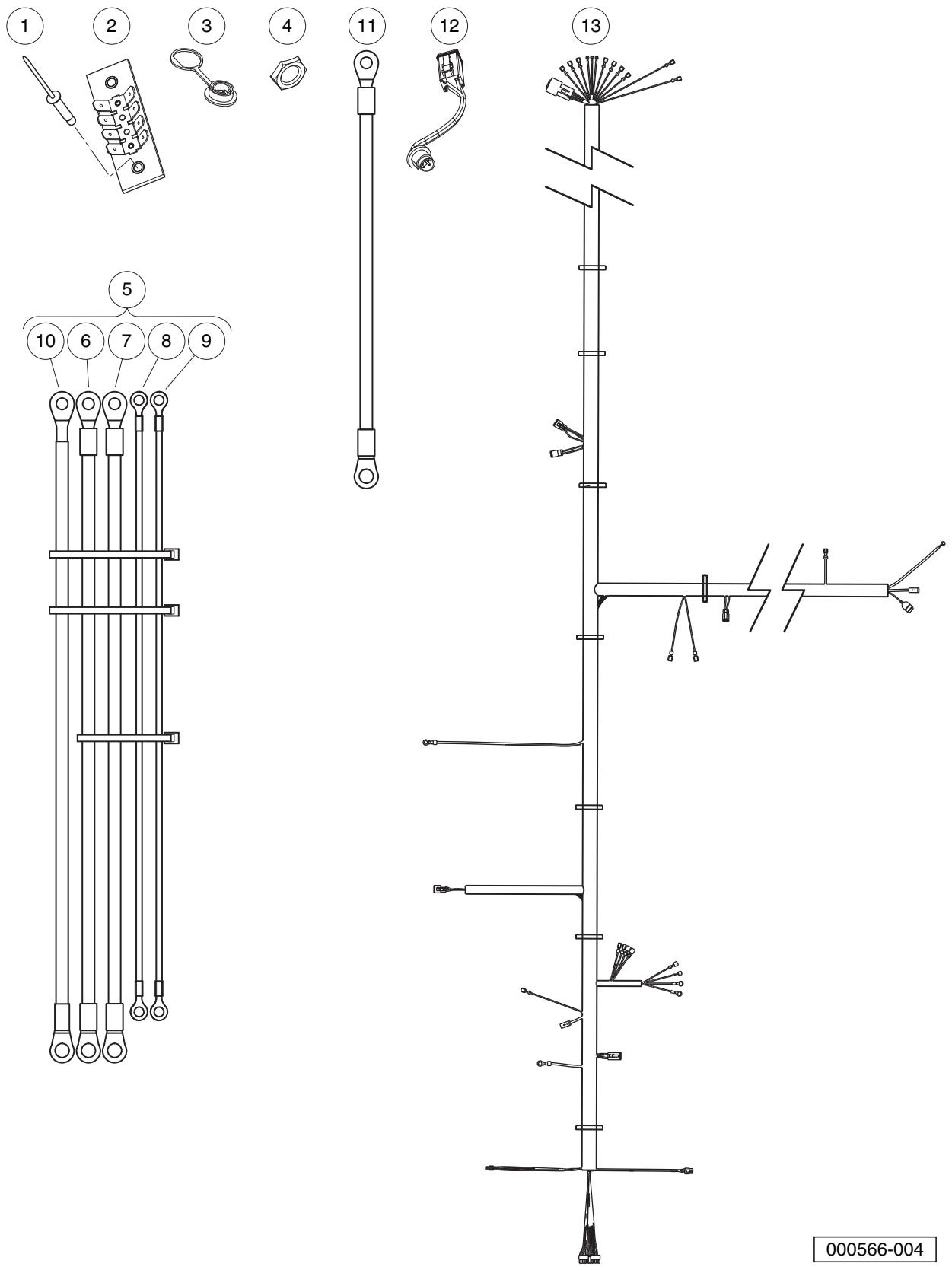
ITEM	PART NO.	DESCRIPTION	QTY
		1 2 3 4	
1	1015752	Screw, #12-16 X 0.625, Hi-Lo	2
2	101920101	Kit, 3-Pin Wedge Lock	1
3	101936801	Kit, 2-Pin Wedge Lock	1
4	102101001	Bar, Drive, Cast	1
5	102101101	MCOR	1

15

E

15

E



000566-004

MAIN WIRING HARNESS, 48-VOLT FUSE BLOCK – ELECTRIC VEHICLE

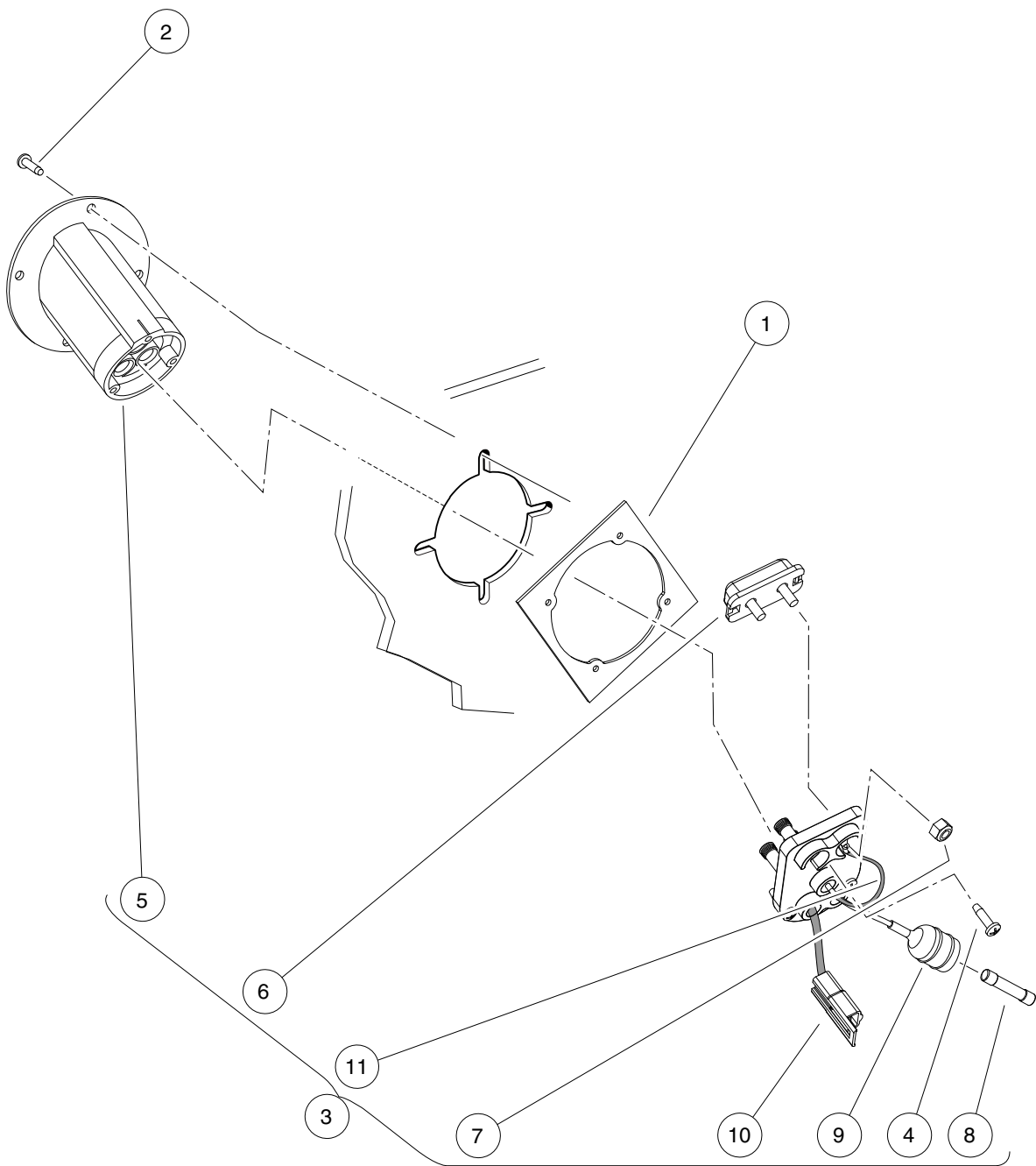
ITEM	PART NO.	DESCRIPTION	QTY
		1 2 3 4	
1	1013357	Rivet, 5/32 Aluminum Pop	2
2	1016356	Terminal Block with Insulator	1
3	102196901	Dust Cap	1
4	102572401	Nut, Diagnostic Port, Prec	1
5	102845401	Wire Harness, Power, IQ Plus (includes items 6 through 10)	1
6	N/A	Asm, #4 Grn Wire, 37"	1
7	N/A	Asm, #4 Wht Wire, 36.5"	1
8	N/A	Asm, #10 Org Wire, 39"	1
9	N/A	Asm, #10 Blu Wire, 46"	1
10	102846402	Asm, #4 Red Wire, 33"	1
11	102863801	Wire Asm, #4 Yellow, 12.5"	1
12	103218601	Harness, Diagnostic Port	1
13	103221901	Asm, Wire Harness, Carryall 2, Elec	1

15

E

15

E



000369-002

BATTERY CHARGER RECEPTACLE

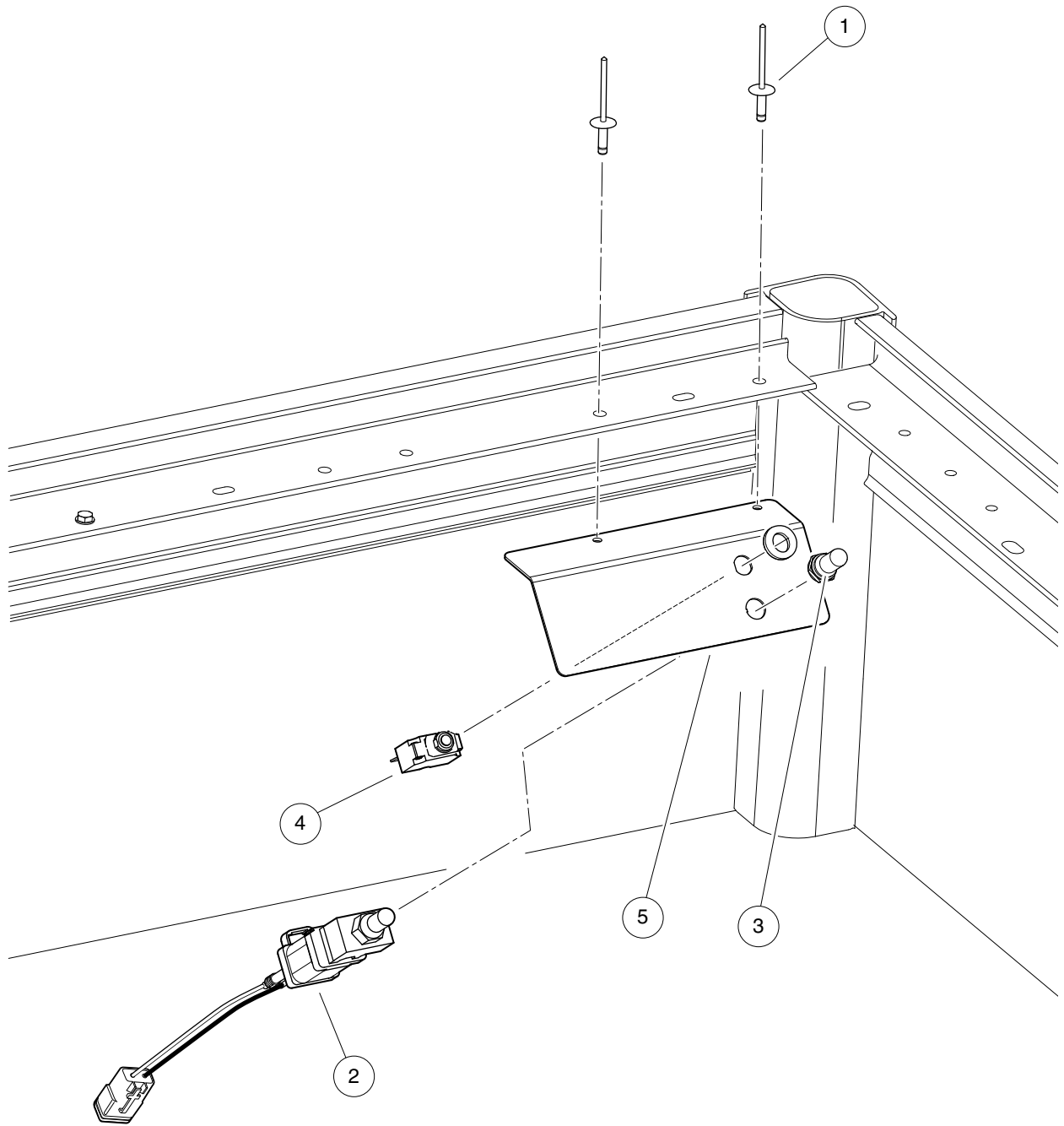
ITEM	PART NO.	DESCRIPTION	QTY
		1 2 3 4	
1	101801001	Plate, Receptacle Backing	1
2	101832001	Screw, #7-19 X 0.625 Phillips Pan-Head Tap	4
3	102848701	Fuse and Receptacle Assembly (includes items 4 through 11)	1
4	1017705	Screw, #8 X 5/8 Phillips Pan-Head Type AB	3
5	101796501	Receptacle	1
6	101796801	Fuse Assembly (includes item 7)	1
7	1013061	Locknut, #10-32 Nylon Insert	2
8	101894901	Fuse, 3/8-Amp	1
9	N/A	Wire Assembly, Sense Lead, Gray	1
10	N/A	Wire Assembly, #10 Red	1
11	N/A	Wire Assembly, #10 Black	1

15

E

15

E



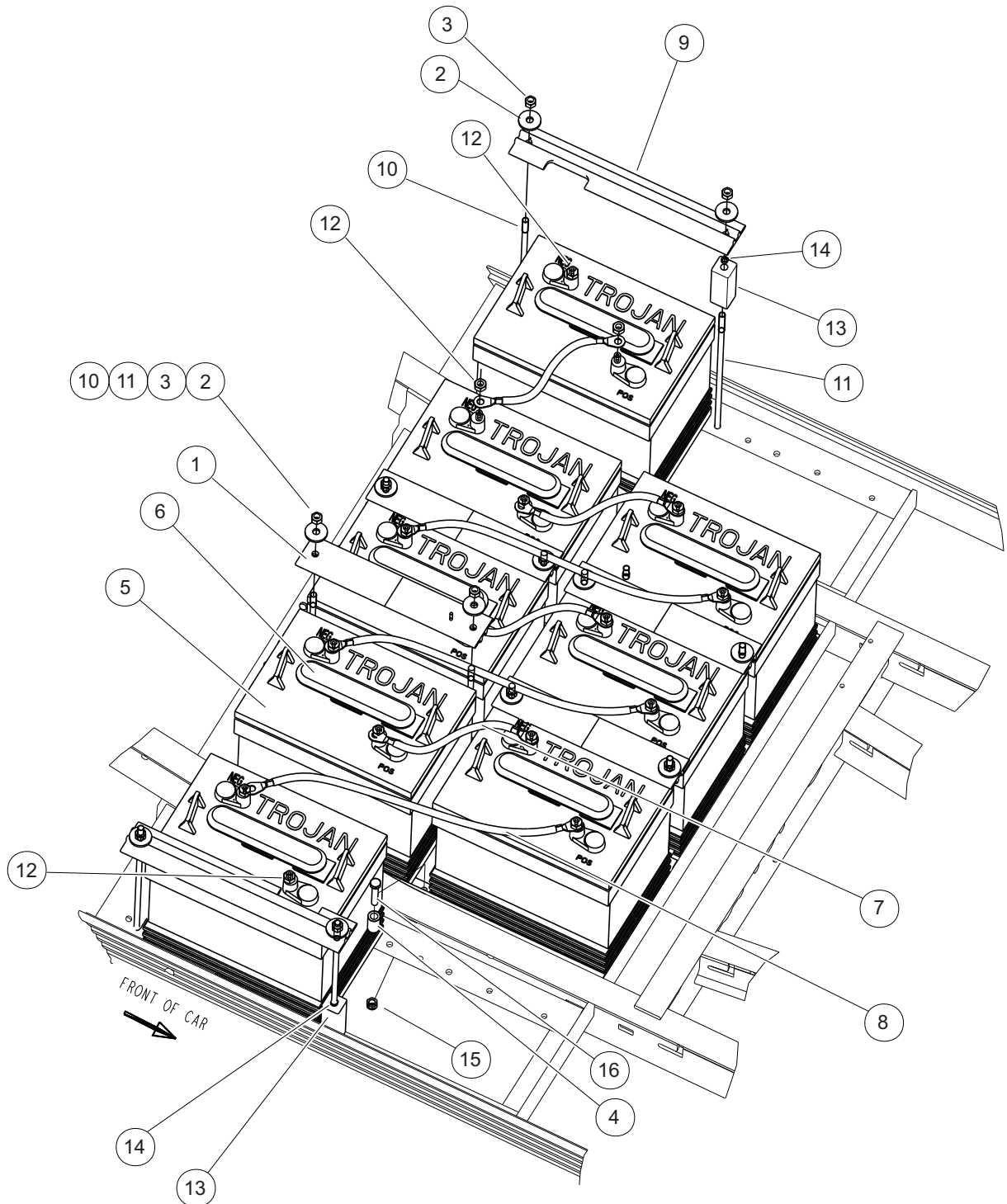
002520-003

TOW/RUN SWITCH AND CIRCUIT-BREAKER – IQ PLUS

ITEM	PART NO.	DESCRIPTION	QTY
		1 2 3 4	
1	1015392	Rivet, 3/16 Pop	2
2	101908101	Switch Assembly, Tow/Run	1
3	101908401	Boot, Switch	1
4	102838101	Circuit Breaker, 20 Amp	1
5	102915701	Plate, Switch, Run Tow, Mode	1

15

E



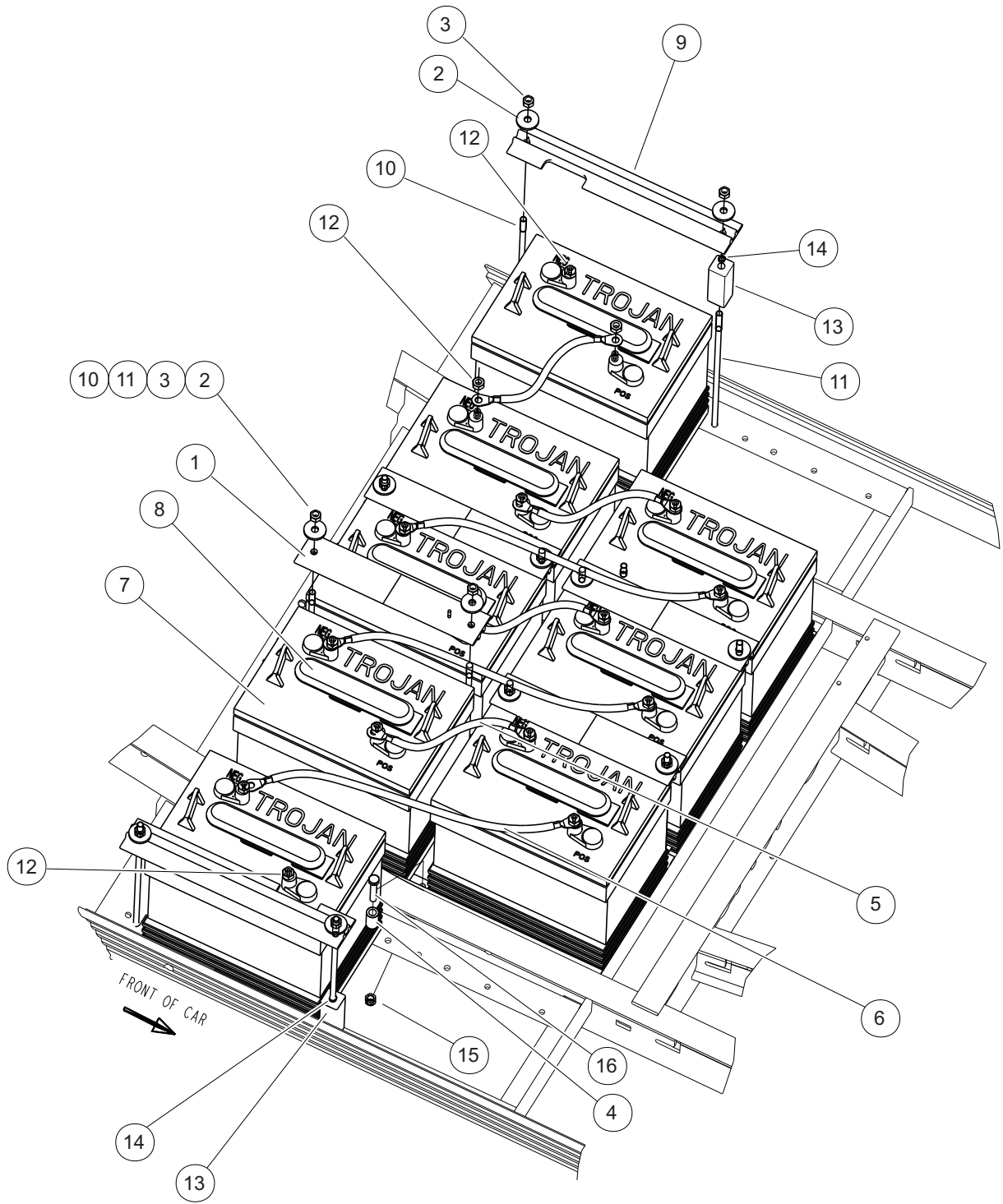
000409-003

BATTERIES, 6-VOLT, STANDARD DUTY

ITEM	PART NO.	DESCRIPTION	QTY
		1 2 3 4	
1	101090801	Hold-Down, Battery	4
2	1012571	Washer, 5/16 Extra Thick Flat	12
3	1015072	Locknut, 5/16-18 Nylon Insert	12
4	1015608	Tube Spacer, Hydraulic Cylinder	2
5	101661601	Battery, 6-Volt, Trojan T105 (Wet) (includes item 6)	8
6	101831401	Battery Cap 6 Volt	1
7	102002901	Wire Assy, #4 Black	4
8	102764001	Wire Asm, #4 Black	3
9	102766201	Hold Down, Outside	2
10	102845201	Rod, Battery Hold Down 9.7"	10
11	102845203	Rod, Battery Hold Down 10.7"	2
12	102873401	5/16-18 Heavy Hex Nut	16
13	102980801	Extr, Plastic, 1 X 1 X 3	2
14	102980901	Clamp, Hose, Nylon, .25	2
15	7473	Locknut, 5/16-18 Nylon Insert	2
16	8963	Screw, 5/16-18 X 1.75 Hex-Head Cap	2

15

E



000409-004

BATTERIES, 6-VOLT, HEAVY DUTY

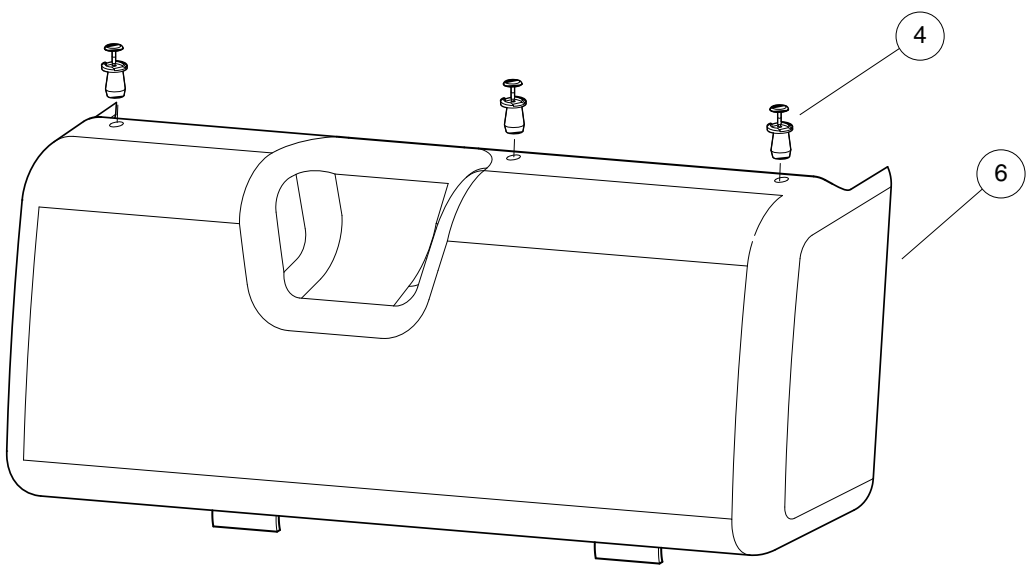
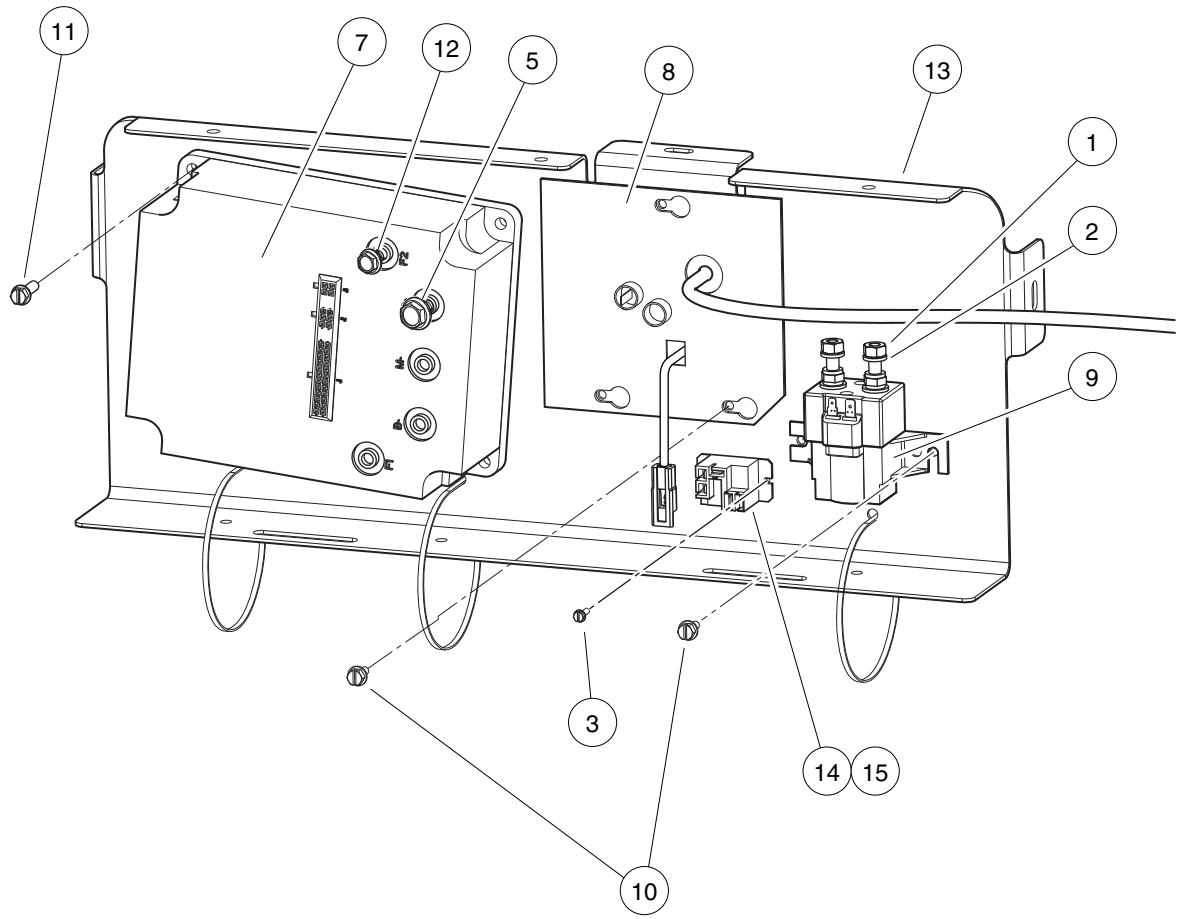
ITEM	PART NO.	DESCRIPTION	QTY
		1 2 3 4	
1	101090801	Hold-Down, Battery	4
2	1012571	Washer, 5/16 Extra Thick Flat	12
3	1015072	Locknut, 5/16-18 Nylon Insert	12
4	1015608	Tube Spacer, Hydraulic Cylinder	2
5	102002901	Wire Assy, #4 Black	4
6	102764001	Wire Asm, #4 Black	3
7	102764401	Battery, 6v Trojan T145 (Wet) (includes item 8)	8
8	101831401	Battery Cap 6 Volt	1
9	102766201	Hold Down, Outside	2
10	102845203	Rod, Battery Hold Down 10.7"	10
11	102845204	Rod, Battery Hold Down 12"	2
12	102873401	5/16-18 Heavy Hex Nut	16
13	102980801	Extr, Plastic, 1 X 1 X 3	2
14	102980901	Clamp, Hose, Nylon, .25	2
15	7473	Locknut, 5/16-18 Nylon Insert	2
16	8963	Screw, 5/16-18 X 1.75 Hex-Head Cap	2

15

E

15

E



000597-002

COMPUTER, CONTROLLER, AND SOLENOID

ITEM	PART NO.	DESCRIPTION	QTY
		1 2 3 4	
1	1012528	Nut, M8-1.25 Hex	2
2	1013734	Lockwasher, 8mm Split	2
3	1015720	Screw, #6-32 X 1/2 Hex Washer-Head	2
4	1016967	Blind Rivet, Push Type	3
5	102240501	Bolt, Controller, Terminal	3
6	102772401	Cover, Component, Elec, Rear	1
7	102774501	Controller, 500 Amp	1
8	102774602	Computer, Onbrd, 8x 6v, 38"	1
9	102774701	Solenoid, 48v	1
10	102817101	Screw, 1/4-20 X .50 Hex Wsh Hd	5
11	102817201	Screw, 1/4-20 X .88 Hex Wsh Hd	4
12	102859501	Screw, M6 X 1 X 20 Ser Hex Flg	2
13	102931101	Plate, Component, Rear	1
14	103414901	Kit, Relay, 48v 30a W/instr (includes item 15)	1
15	103397901	Relay, Spst No, 48v 30a, Pmt	1

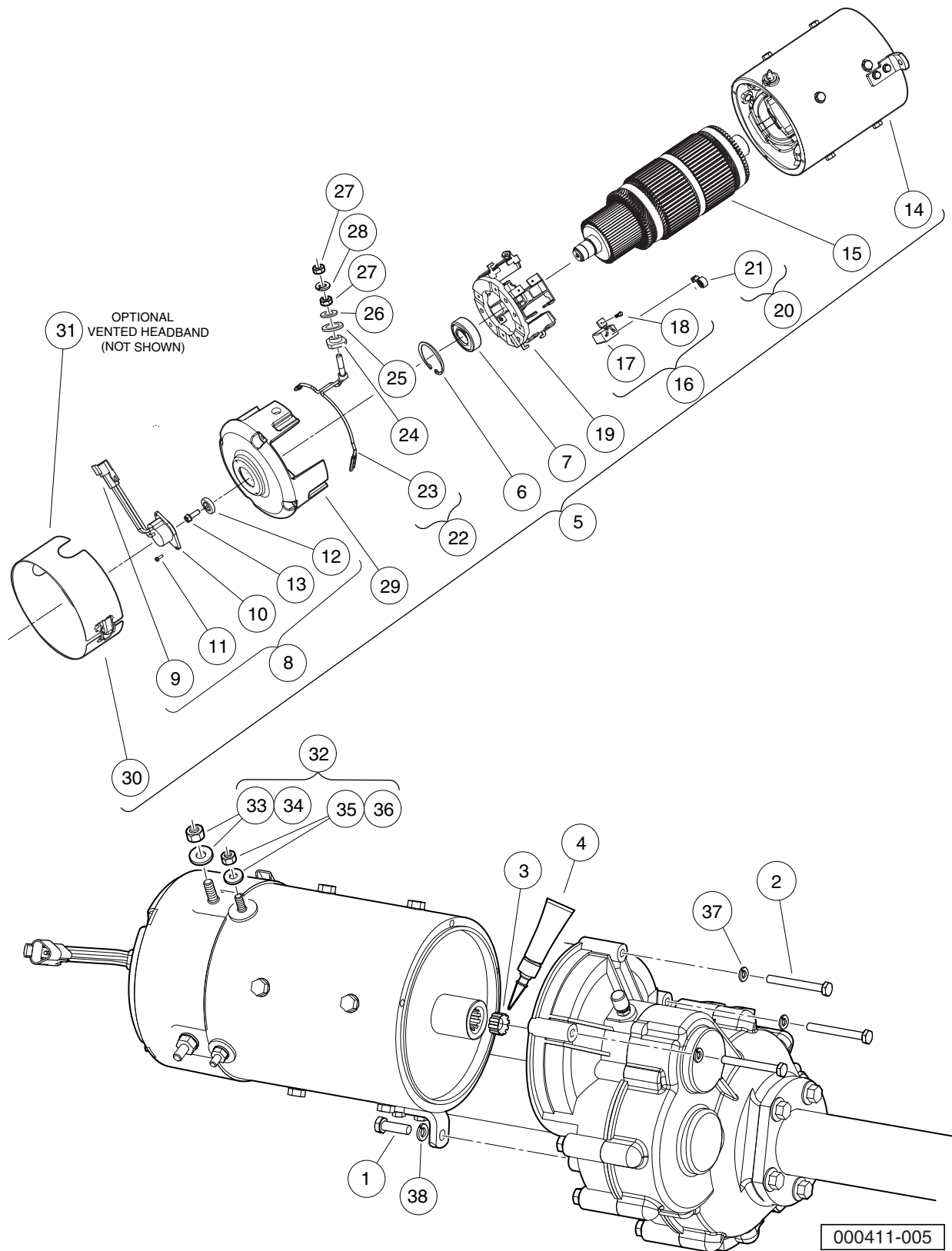
15

E

15

E

MOTOR (MODEL DA5-4006) – IQ PLUS



MOTOR (MODEL DA5-4006) – IQ PLUS

ITEM	PART NO.	DESCRIPTION	QTY
		1 2 3 4	
1	1010934	Screw, 5/16-18 X 1.00 Hex Cap	1
2	1014201	Screw, 1/4-20 X 2.25 Hex Cap	3
3	102235201	Bumper, Drive Unit	1
4	102243403	Lubricant, Moly-Teflon (Single-Use Tube)	1
5	102775101	IQ Plus Electric Motor, 48-VDC 3.7 hp (includes items 6 through 30)	1
6	N/A	Ring, 2.24" Internal Retaining	1
7	102186401	Bearing, Ball	1
8	102704901	Kit, Speed Sensor (includes items 9 through 13)	1
9	101942301	Kit, 3-Pin Wedge Lock	1
10	N/A	Sensor, Motor Speed, ADC	1
11	N/A	Screw, #8-32, Taptite Thread	2
12	N/A	Magnet, ADC Motor	1
13	N/A	Screw, 1/4-20 x 0.5	1
14	N/A	Asm, Frame And Field, 3.7 Hp	1
15	N/A	Armature (Includes external hardware not shown)	1
16	102938601	Kit, Brush, 3.7 Hp (includes items 17 and 18)	1
17	N/A	Brush, Motor	8
18	N/A	Screw, Taptite	8
19	102938701	Asm, Brush Box, 3.7 Hp	1
20	102938801	Kit, Brush Spring, 3.7 Hp (includes item 21)	1
21	N/A	Brush Spring	8
22	102938901	Kit, Brush Lead Asm, 3.7 Hp (includes items 23 through 28)	1
23	N/A	Terminal and Lead Assembly	2
24	N/A	Insulator, Terminal	2
25	N/A	Washer, Insulating	2
26	N/A	Washer, Flat, 5/16, Brass/Bronze	2
27	N/A	Nut, 5/16, Steel	4
28	N/A	Lockwasher, 5/16, Steel	2
29	102939001	Commutator End Head, 3.7 Hp	1
30	102939101	Sealed Headband, 3.7 Hp	1
31	102939102	Vented Headband, 3.7 HP (optional - not shown)	1
32	102951701	Pkg, Terminal Hardware, 3.7hp (includes items 33 through 36)	1
33	N/A	Nut, 5/16, Steel	2
34	N/A	Lockwasher, 5/16, Steel	2
35	N/A	Nut, 1/4-20, Steel	2
36	N/A	Lockwasher, 1/4-20, Steel	2
37	451	Lockwasher, 1/4 Split	3
38	7174	Lockwasher, 5/16 Split	1

16

E

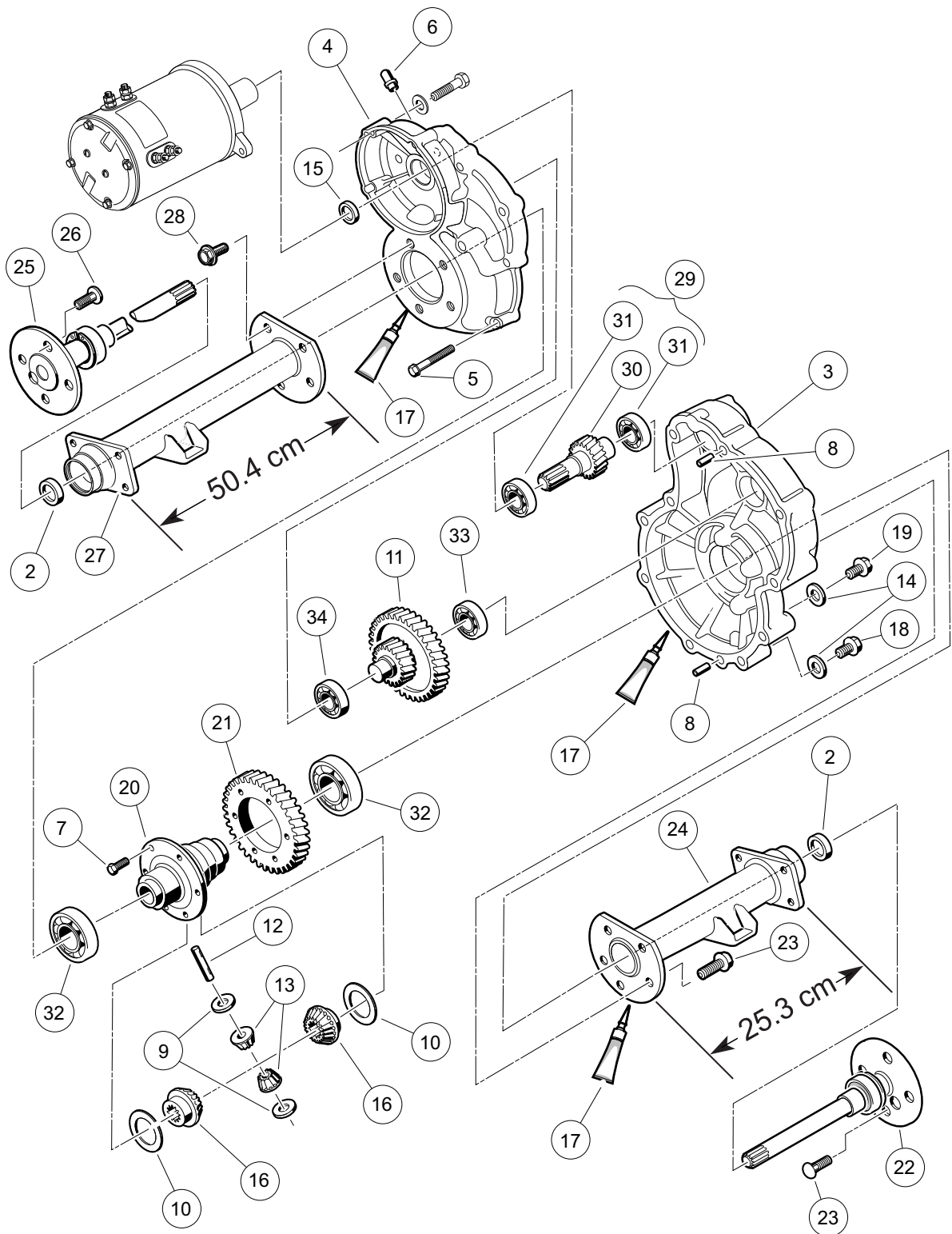
16

E

TRANSAXLE – ELECTRIC VEHICLES

17

E



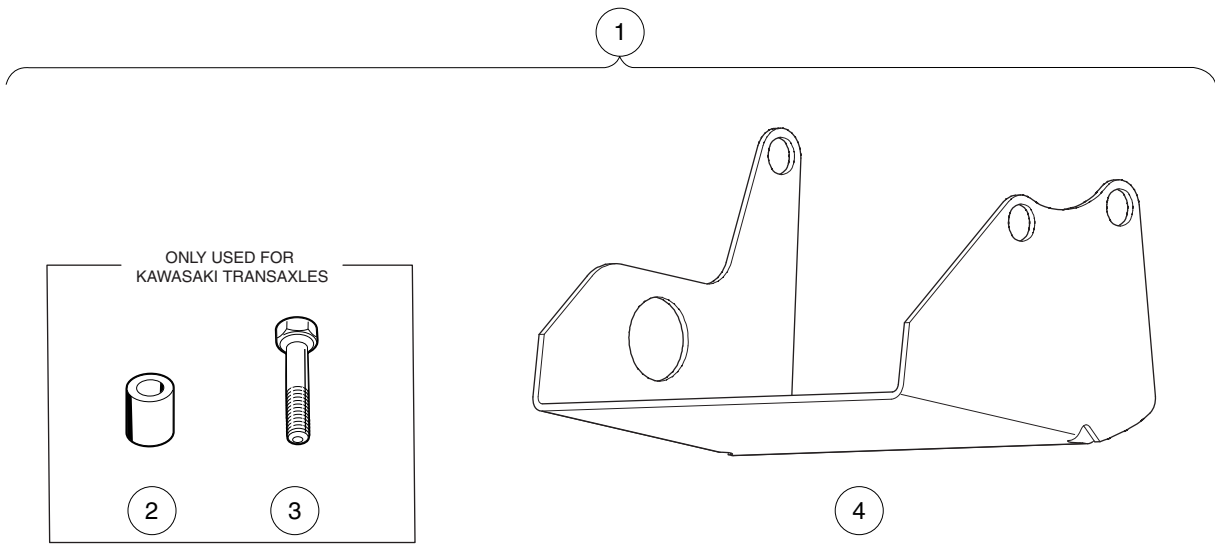
000223-005

TRANSAXLE – ELECTRIC VEHICLES

ITEM	PART NO.	DESCRIPTION	QTY
		1 2 3 4	
1	102771701	Transaxle, Electric (includes items 2 through 34)	1
2	1013794	Axle Shaft Oil Seal	2
3	101895401	Gear Case, Driver-Side	1
4	101895501	Gear Case, Passenger-Side	1
5	101897001	Screw, M8-1.25 X 60mm Hex-Head	11
6	101897201	Breather	1
7	101897401	Screw, M10-1.25 X 25mm	6
8	101897601	Pin, 11mm OD X 8.5mm ID X 10mm	2
9	101903601	Washer, Thrust	2
10	101903701	Washer, Thrust	2
11	101906901	Intermediate Shaft Assembly	1
12	101922101	Pin, 15.99mm X 88.7mm Dowel	1
13	101923001	Gear, Differential Idler	2
14	101923201	Gasket	2
15	101923501	Seal, Lip	1
16	101923901	Gear, Differential	2
17	101928701	Liquid Gasket (Transaxle case)	1
18	101972101	Plug, M14-1.5 X 12mm Magnetic	1
19	101972201	Plug, M14-1.5 X 12mm Hex	1
20	102356601	Housing, Differential, 6 Bolt	6
21	102356801	Gear, Differential Output, 6-Bolt	6
22	102886301	Axle Assembly, Driver-Side (includes item 23)	1
23	101922201	Lug Stud	4
24	102886401	Tube, Axle, Driver-Side	1
25	102886501	Axle Assembly, Passenger-Side (includes item 26)	1
26	101922201	Lug Stud	4
27	102886601	Tube, Axle, Passenger-Side	1
28	102902801	Screw, M10 X 30	10
29	103582801	Asm, E Trans Shaft/bearing (includes items 30 and 31)	1
30	N/A	Shaft, Input	1
31	7335	Bearing	2
32	7330	Inner Axle Tube Bearing	2
33	7335	Bearing	1
34	7336	Bearing	1

17

E



000365-002

DIFFERENTIAL GUARD – ELECTRIC VEHICLES

ITEM	PART NO.	DESCRIPTION	QTY
		1 2 3 4	
1	101611402	Kit, Differential Guard, Elec Vehicles (includes items 2 through 4)	1
2	101914001	Spacer, Steel	2
3	101936101	Screw, M10-1.50 X 60mm Hex Cap	2
4	101978601	Guard, Differential, Electric Vehicle Transaxle	1

17

E

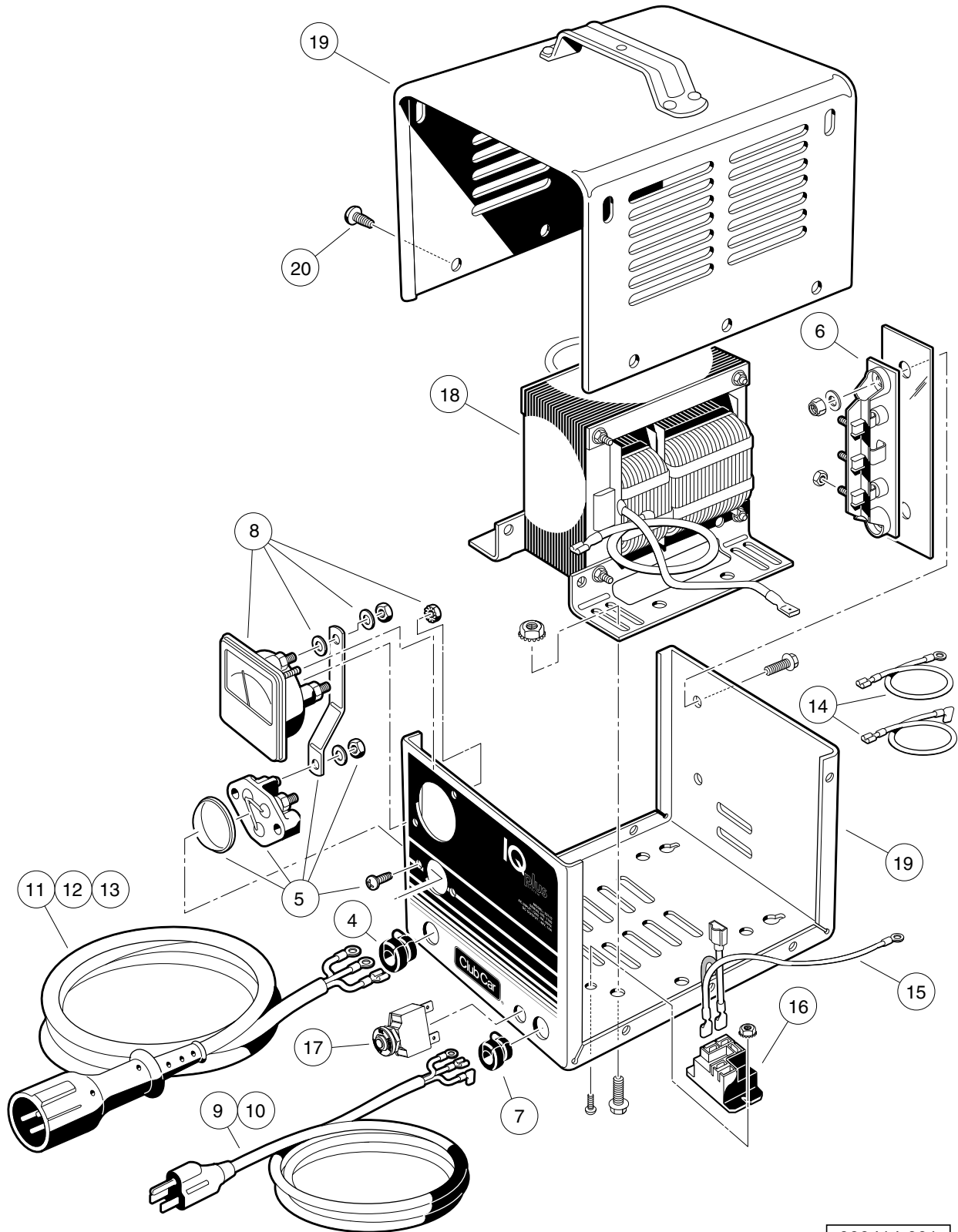
17

E

BATTERY CHARGERS

18

E



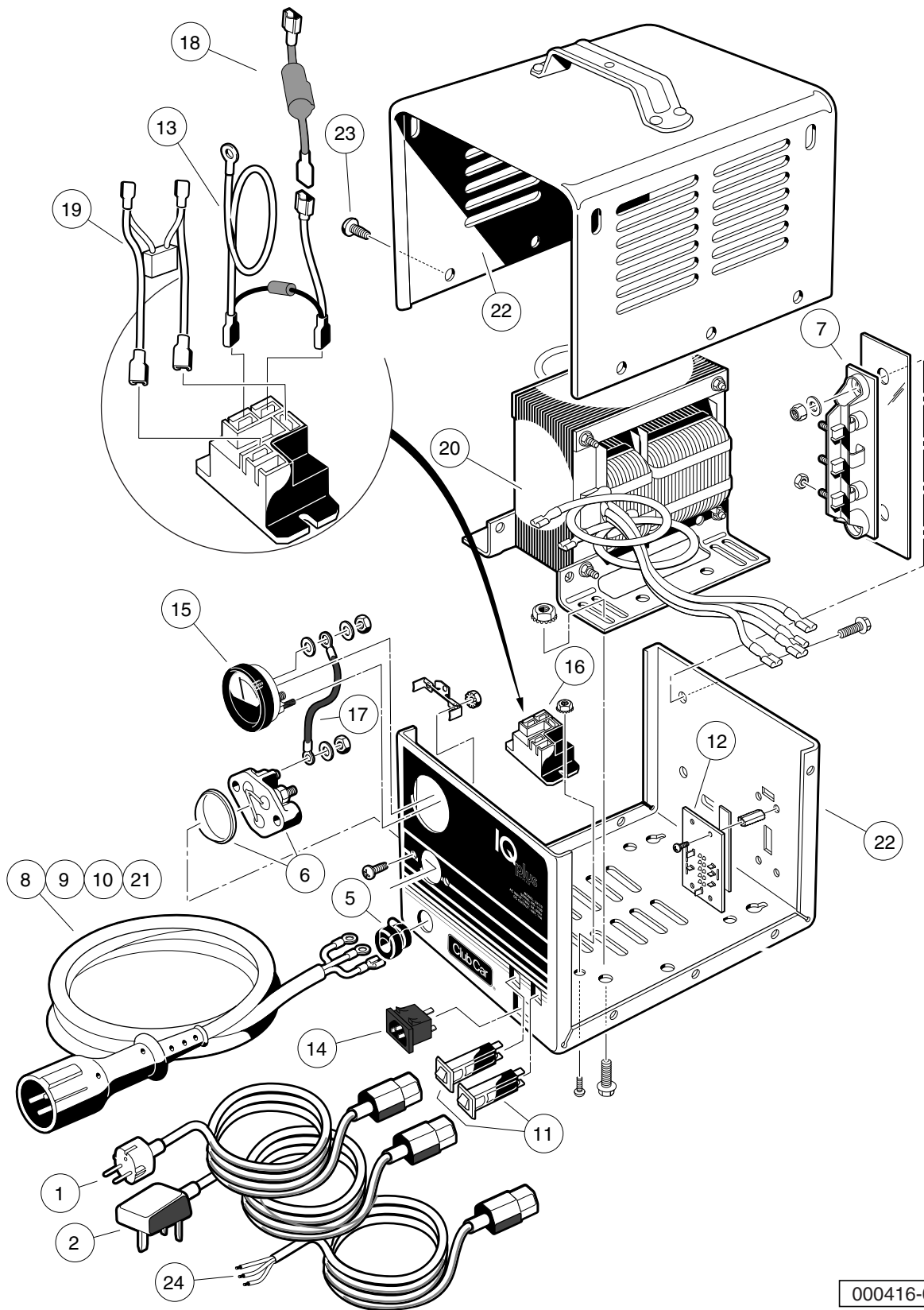
000414-001

IQ PLUS BATTERY CHARGER (MODELS 25730-11,-18,-19), DOMESTIC

ITEM	PART NO.	DESCRIPTION	QTY
		1 2 3 4	
1	102847801	Charger, IQ Plus, Domestic (9-ft. DC Cord, 6-ft. AC Cord)	1
2	102847802	Charger, IQ Plus, Domestic (12-ft. DC Cord, 9-ft. AC Cord)	1
3	102847803	Charger, IQ Plus, Domestic (20-ft. DC Cord, 9-ft. AC Cord) (includes items 4 through 20)	1
4	1012098	Bushing, DC Cord	1
5	1012101	Fuse Assembly	1
6	1015914	Rectifier with Heatsink Assembly	1
7	1015917	Bushing, AC Cord	1
8	101828501	Ammeter	1
9	101828801	Cord, AC, 80-Inch (203 cm)	1
10	101828802	Cord, AC, 108-Inch (274 cm)	1
11	101828901	Cord, DC, 113-Inch (287 cm)	1
12	101828902	Cord, DC, 154-Inch (391 cm)	1
13	101828903	Cord, DC, 250-Inch (635 cm)	1
14	101831101	Wire Assembly Kit	1
15	101914401	Assembly, Voltage Suppressor	1
16	102275401	Relay, 48-VDC	1
17	102838101	Circuit Breaker 250vac-50vdc	1
18	N/A	Transformer, Battery Charger	1
19	N/A	Case, Battery Charger	1
20	7577	Screw, #10 X 0.50 Phillips Pan-Head	10

18

E



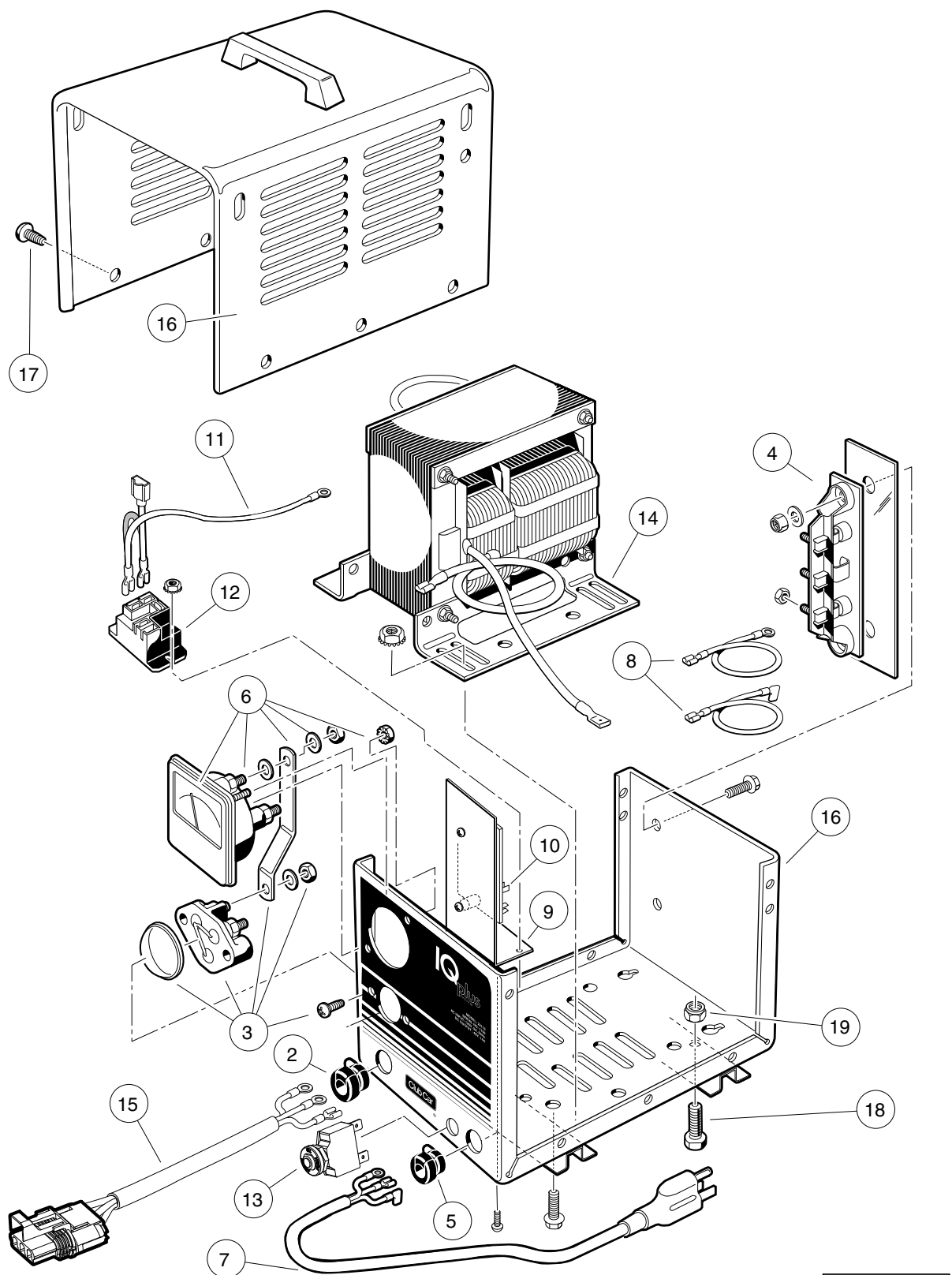
000416-001

IQ PLUS BATTERY CHARGER (MODELS 25880-11 AND -18), INTERNATIONAL

ITEM	PART NO.	DESCRIPTION	QTY
		1 2 3 4	
1	101958201	Cord, UK, AC, Battery Charger	1
2	101958301	Cord, European AC, Battery Charger	1
3	102892901	Charger, IQ Plus, International (9-ft. DC Cord)	1
4	102892902	Charger, IQ Plus, International (12-ft. DC Cord) (includes items 5 through 23)	1
5	1012098	Bushing, DC Cord	1
6	1012101	Fuse Assembly	1
7	1015914	Rectifier with Heatsink Assembly	1
8	101828901	Cord, DC, 113-Inch (287 cm)	1
9	101828902	Cord, DC, 154-Inch (391 cm)	1
10	101828903	Cord, DC, 250-Inch (635 cm)	1
11	101838401	Circuit Breaker	2
12	101838601	Four-Position Switch	1
13	101914401	Assembly, Voltage Suppressor	1
14	101973501	Receptacle, AC Cord	1
15	101976601	Ammeter with Mounting Bracket	1
16	102275401	Relay, 48-VDC	1
17	N/A	Wire, Jumper	1
18	N/A	Limiter, Current	1
19	N/A	Wire Assembly, Battery Charger	1
20	N/A	Transformer, Battery Charger	1
21	102940801	Cord, Dc	1
22	N/A	Case, Battery Charger	1
23	7577	Screw, #10 X 0.50 Phillips Pan-Head	10
24	102939501	Cord, European AC, Battery Charger	1

18

E



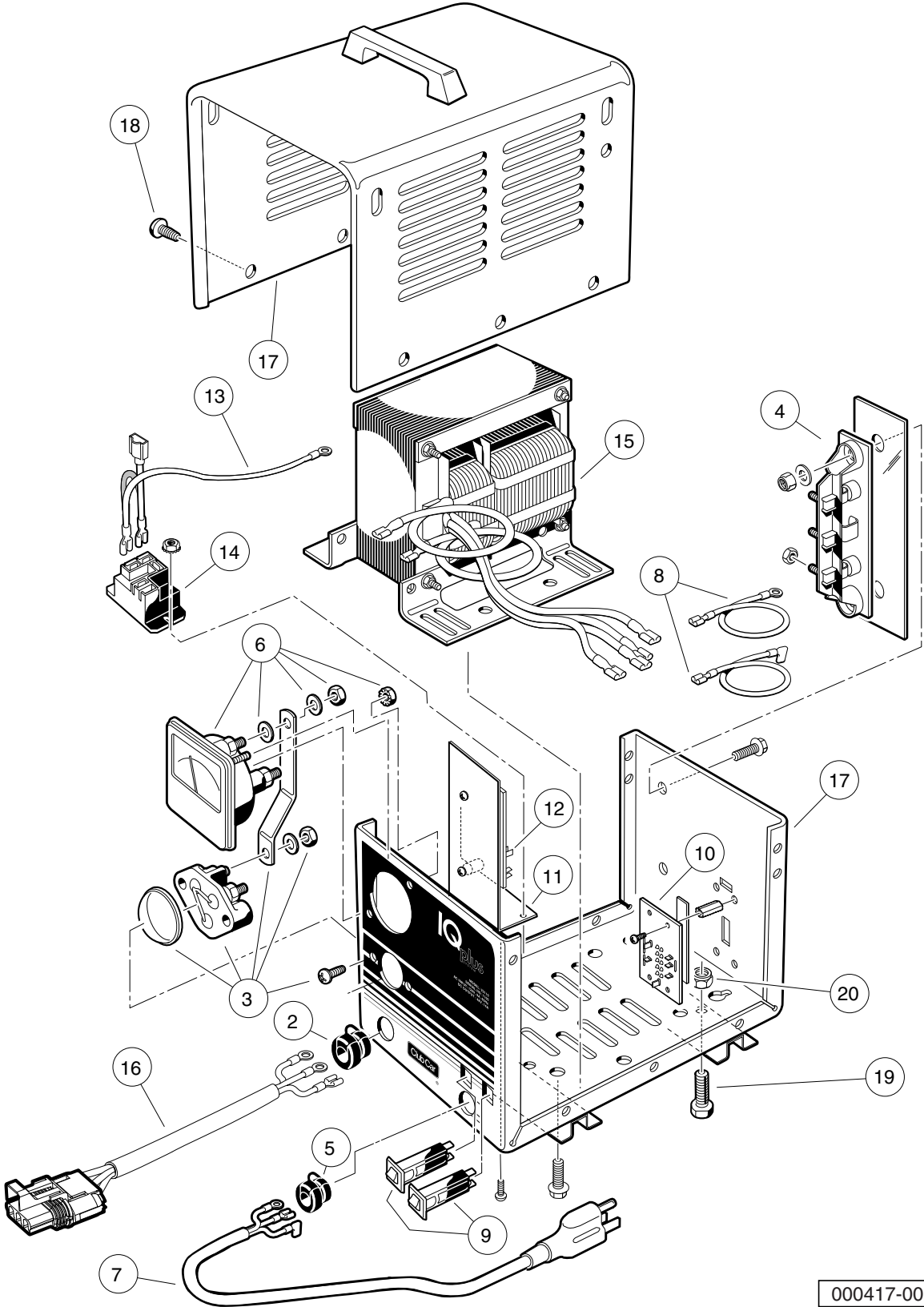
000415-001

ONBOARD IQ PLUS BATTERY CHARGER (MODEL 25260-11), DOMESTIC

ITEM	PART NO.	DESCRIPTION	QTY
		1 2 3 4	
1	102837001	Battery Charger, Onboard, 120-VAC, 48-VDC (includes items 2 through 19)	1
2	1012098	Bushing, DC Cord	1
3	1012101	Fuse Assembly	1
4	1015914	Rectifier with Heatsink Assembly	1
5	1015917	Bushing, AC Cord	1
6	101828501	Ammeter	1
7	101829001	Cord, AC, 22-Inch (56 cm)	1
8	101831101	Wire Assembly Kit	1
9	101838701	Mounting Bracket, Relay	1
10	101841901	Control Board	1
11	101914401	Assembly, Voltage Suppressor	1
12	102275401	Relay, 48-VDC	1
13	102838101	Circuit Breaker 250vac-50vdc	1
14	N/A	Transformer, Battery Charger	1
15	102940801	Cord, Dc	1
16	N/A	Case, Battery Charger	1
17	7577	Screw, #10 X 0.50 Phillips Pan-Head	12
18	7847	Screw, 1/4-20 X 0.75 Hex-Head Cap	4
19	8233	Locknut, 1/4-20, Nylon Insert	4

18

E



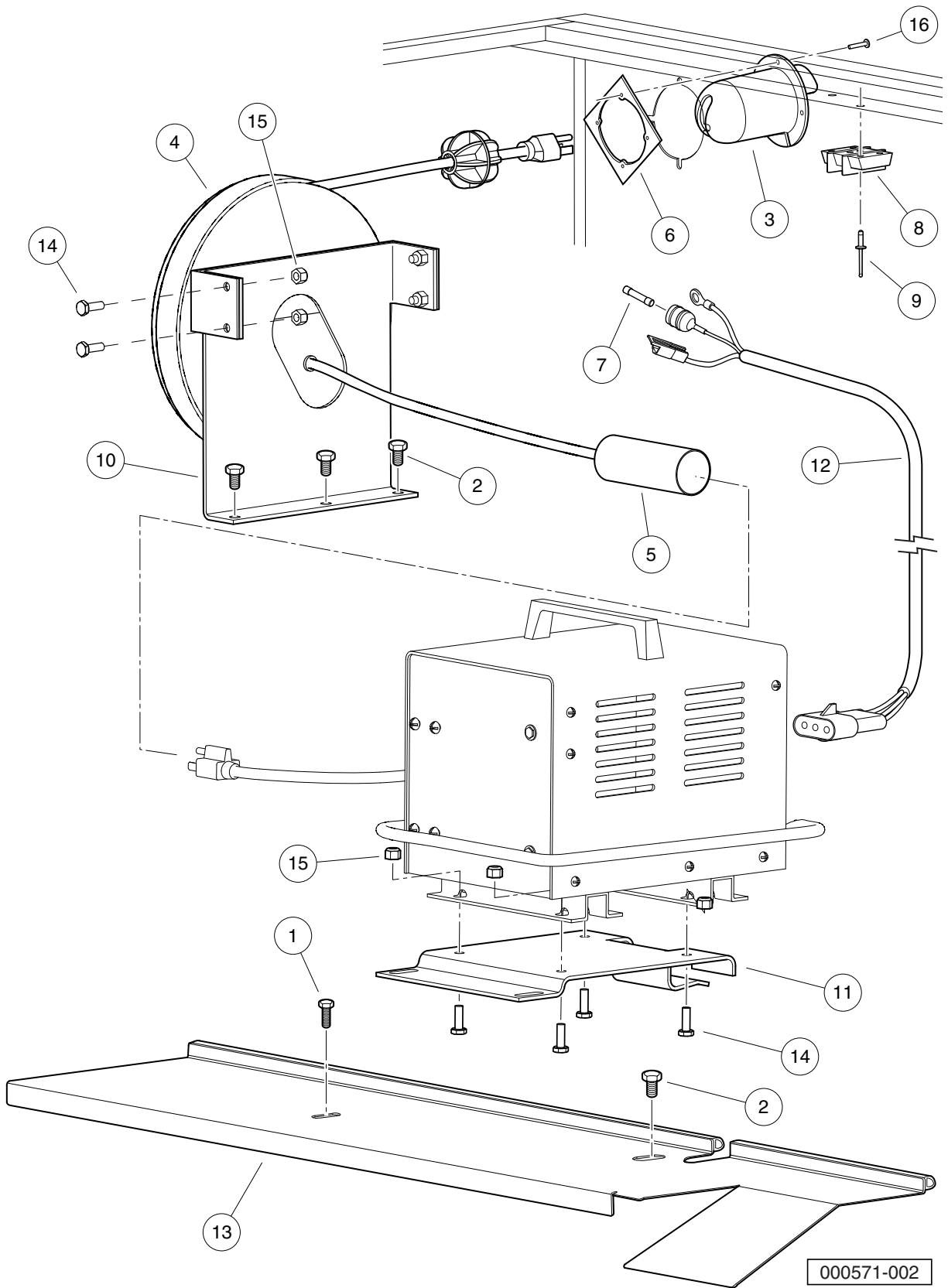
000417-001

ONBOARD IQ PLUS BATTERY CHARGER (MODEL 25660-40), INTERNATIONAL

ITEM	PART NO.	DESCRIPTION	QTY
		1 2 3 4	
1	102893001	Battery Charger, Onboard, International, IQ Plus (includes items 2 through 20)	1
2	1012098	Bushing, DC Cord	1
3	1012101	Fuse Assembly	1
4	1015914	Rectifier with Heatsink Assembly	1
5	1015917	Bushing, AC Cord	1
6	101828501	Ammeter	1
7	101829001	Cord, AC, 22-Inch (56 cm)	1
8	101831101	Wire Assembly Kit	1
9	101838401	Circuit Breaker	2
10	101838601	Four-Position Switch	1
11	101838701	Mounting Bracket, Relay	1
12	101841901	Control Board	1
13	101914401	Assembly, Voltage Suppressor	1
14	102275401	Relay, 48-VDC	1
15	N/A	Transformer, Battery Charger	1
16	102940801	Cord, Dc	1
17	N/A	Case, Battery Charger	1
18	7577	Screw, #10 X 0.50 Phillips Pan-Head	12
19	7847	Screw, 1/4-20 X 0.75 Hex-Head Cap	4
20	8233	Locknut, 1/4-20, Nylon Insert	4

18

E



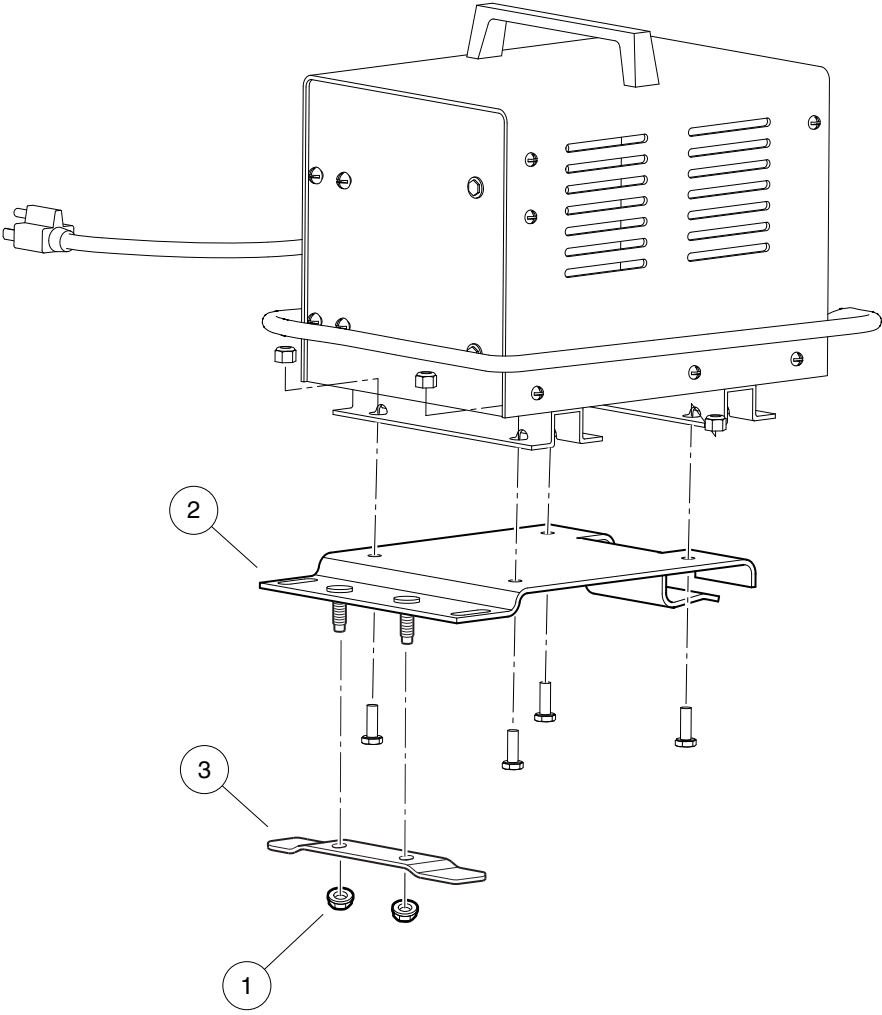
000571-002

ONBOARD IQ PLUS CHARGER AND CORD REEL MOUNTING, PAGE 1 OF 2

ITEM	PART NO.	DESCRIPTION	QTY
		1 2 3 4	
1	1014063	Screw, 1/4-20 X 1.00, Hex Head	1
2	1014288	Screw, 5/16-18 X 0.75, Thread-Forming	4
3	1016673	Housing, Cord Reel	1
4	1017187	Retractable Cord Reel	1
5	1017189	Heat Shrink Tube 1.5" X 3"	1
6	101801001	Plate, Receptacle Backing	1
7	101894901	Fuse, 3/8-Amp	1
8	101966801	Block, Terminal	1
9	101968801	Rivet, 3/16", Pop	2
10	102770701	Bracket, Reel, Tabbed	1
11	102844001	Plate, Charger Mounting	1
12	102881401	Charger Harness, IQ Plus, 55"	1
13	103353501	Shield	1
14	7847	Screw, 1/4-20 X 0.75 Hex-Head Cap	8
15	8233	Locknut, 1/4-20, Nylon Insert	8
16	8796	Screw, #7-19 X 0.75 Pan-Head Type AB	4
17	8990	Tie Wrap, 8" Nylon	4
Note: Item 17 not shown. NOTE 2: See following page for parts specific to the international onboard charger.			

18

E



000572-003

ONBOARD IQ PLUS CHARGER AND CORD REEL MOUNTING, PAGE 2 OF 2

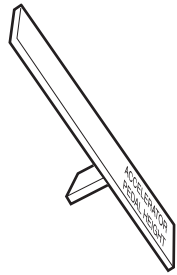
ITEM	PART NO.	DESCRIPTION	QTY
		1 2 3 4	
1	101832901	Nut, M10-1.25 Hex Flange	2
2	102844002	Plate, Charger Mounting, with Studs, International	1
3	103189101	Retainer, Charger Assembly	1
		<p>Note: Items on this page are used only for the International Onboard IQ Plus Battery Charger.</p>	

18

E

MAINTENANCE AND SERVICE TOOLS

19
G
E



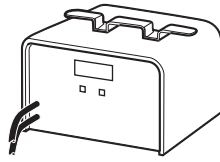
1



2



3



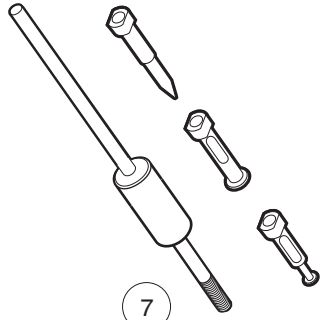
4



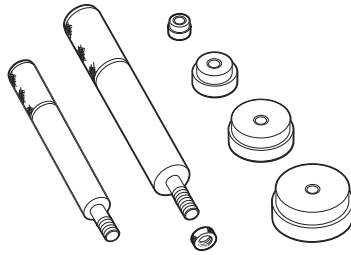
5



6



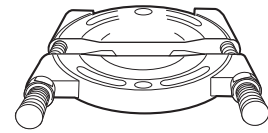
7



8



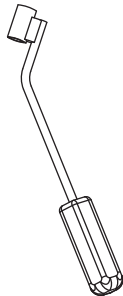
9



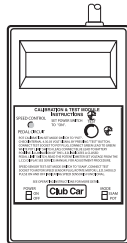
10



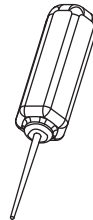
11



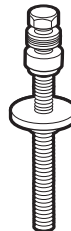
12



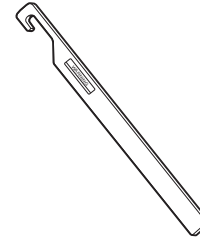
13



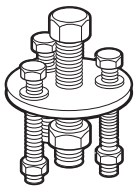
14



15



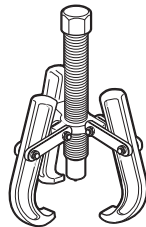
16



17



18



19



20



21

001600-001

MAINTENANCE AND SERVICE TOOLS

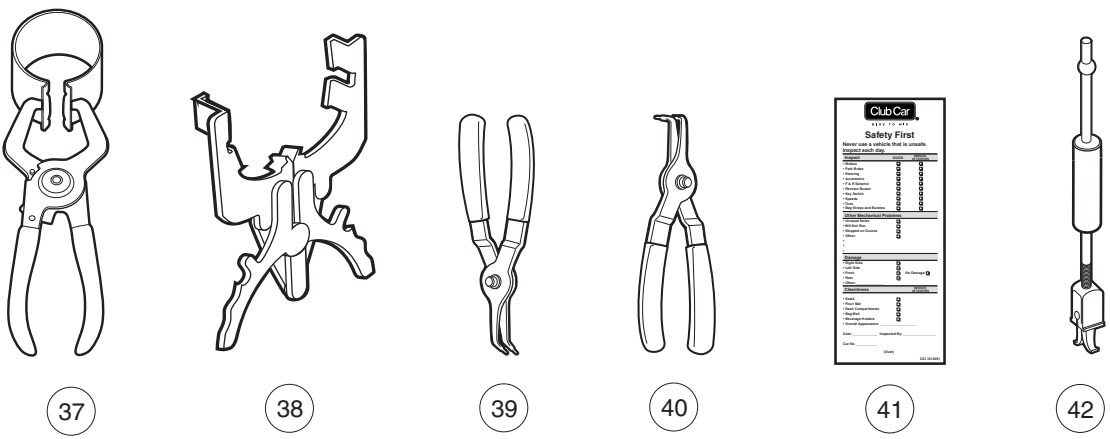
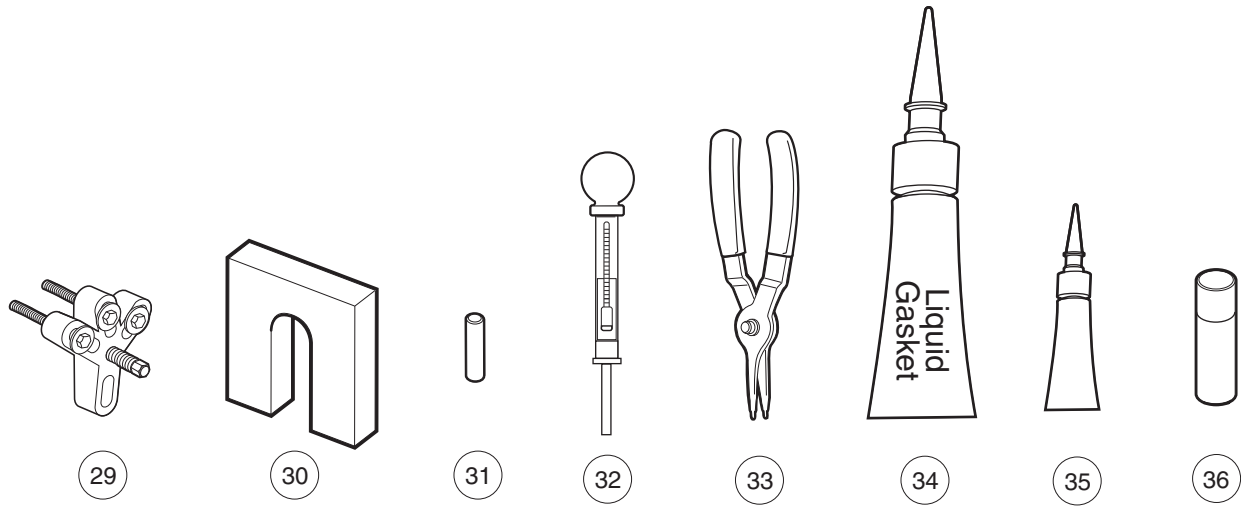
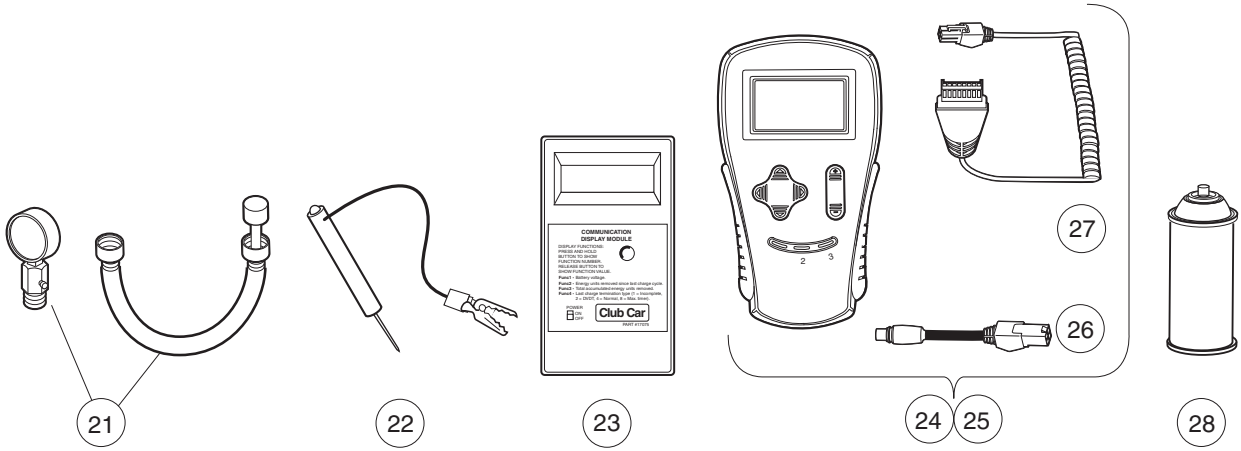
ITEM	PART NO.	DESCRIPTION	QTY GAS	QTY ELEC
		<p>1 2 3 4</p> <p>The following tool list includes all tools available from Club Car to perform maintenance and service procedures on all electric utility vehicles and all gasoline utility vehicles equipped with Kawasaki FE-series engines. Be sure to carefully examine the tool list for applicability to your vehicle before ordering.</p>		
1	101871001	Accelerator Pedal Adjustment Tool (Utility Vehicles).....	1	1
2	101813202	Adhesive, Guide Ring, 3-Gram Tube		1
3	101641202	Arbor	1	
4	101831901	Battery Discharge Machine, 36/48 Volt		1
5	1014305	Battery Terminal Protector Spray	1	1
6	1011767	Battery Thermometer	1	1
7	1016417	Bearing and Oil Seal Remover Assembly	1	1
8	1016416	Bearing Driver Set	1	1
9	1012811	Bearing Puller	1	1
10	1012812	Bearing Puller Wedge Attachment	1	1
11	1013582	Brake Adjustment Tool (used only on vehicles with manually adjusted mechanical brakes)	1	1
12	102555501	Brake Cable Release Tool	1	1
13	101887101	Calibration Test Module		1
14	102562401	Charger Bezel Tool		1
		Clutch Tools (items 14 - 20)	1	
15	101808401	Clutch Cam Installation Tool (for Kawasaki engines)	1	
16	1015524	Drive Clutch Holder Tool Assembly (for Kawasaki engines)	1	
17	1014497	Drive Clutch Hub Puller (for Kawasaki engines)	1	
18	1014496	Drive Clutch Puller (for Kawasaki engines)	1	
19	1014508	Driven Clutch Cam Puller (for Kawasaki engines)	1	
20	1014507	Driven Clutch Puller Plug (for Kawasaki engines)	1	
21	101809101	Press Weldment (for Kawasaki engines)	1	
		<p>Please refer to the maintenance and service manual for proper tool application.</p>		

19

G

E

19
G
E



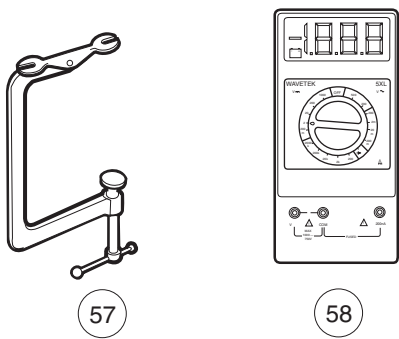
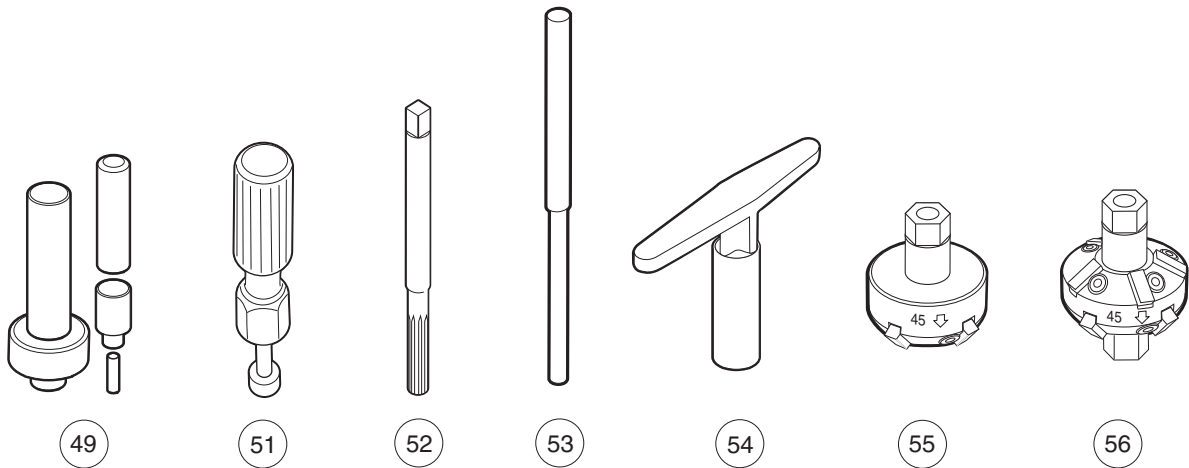
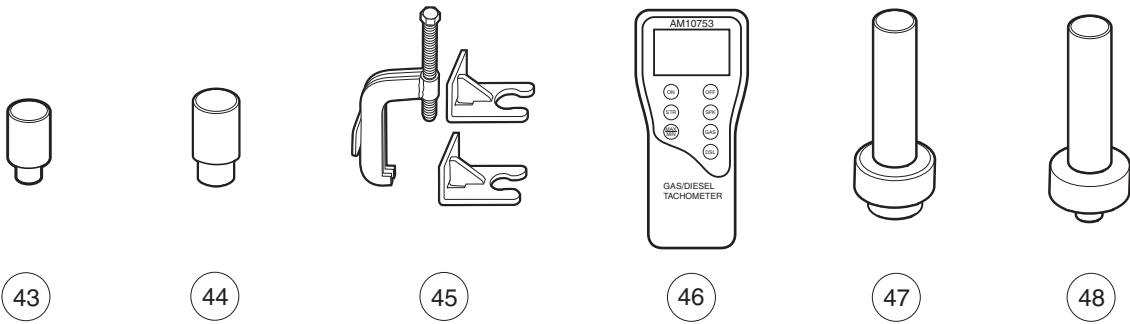
001601-001

MAINTENANCE AND SERVICE TOOLS, CONTINUED

ITEM	PART NO.	DESCRIPTION	QTY GAS	QTY ELEC
		1 2 3 4		
21	101641002	Compression Gauge and Adapter	1	
22	1011273	Continuity Tester	1	1
23	101831801	Communication Display Module		1
24	102248803	IQ Display Module (IQDM) Kit (IQ System and IQ Plus vehicles) (includes items 54 and 55)		1
25	102248804	IQ Display Module (IQDM-P) Kit (IQ System and IQ Plus vehicles) (includes items 54 and 55)		1
26	102251501	Adaptor, Cable		1
27	102241502	IQDM Series 2 Cable		1
28	1012151	Dry Moly Lubricant	1	1
29	1016627	Flywheel Puller Kit (for Kawasaki Engines)	1	
30	1016418	Gear Yoke	1	1
31	101933101	Governor Shaft Installation Tool (for Kawasaki Engine Vehicles)	1	
32	1011478	Hydrometer	1	1
33	1013593	Internal Retaining Ring Pliers	1	1
34	101928701	Liquid Gasket (transaxle case)	1	1
35	102243402	Moly-Teflon Lubricant (4-oz. (113-gram) tube)		1
36	101997201	Paint, Touch-Up ,Äi Beige*	1	1
36	101997207	Paint, Touch-Up ,Äi Black*	1	1
36	101997212	Paint, Touch-Up ,Äi Burgundy*	1	1
36	101997211	Paint, Touch-Up ,Äi Classic Blue (Navy)*	1	1
36	101997205	Paint, Touch-Up ,Äi Dark Gray*	1	1
36	101997209	Paint, Touch-Up ,Äi Dark Green*	1	1
36	101997204	Paint, Touch-Up ,Äi Gray*	1	1
36	101997203	Paint, Touch-Up ,Äi Red*	1	1
36	101997206	Paint, Touch-Up ,Äi Royal Blue (Pacific Blue)*	1	1
36	101997202	Paint, Touch-Up ,Äi White*	1	1
37	1016414	Piston Ring Compressor Kit	1	
38	1016415	Piston Ring Pliers	1	
39	1012549	Retaining Ring Pliers, 45→ External	1	1
40	1012560	Retaining Ring Pliers, 90→ Internal	1	1
41	101823101	Safety First Card (50 per pack)	1	1
42	1012809	Seal Puller	1	1
		Please refer to the maintenance and service manual for proper tool application.		

19
G
E

19
G
E



001602-001

MAINTENANCE AND SERVICE TOOLS, CONTINUED

ITEM	PART NO.	DESCRIPTION	QTY GAS	QTY ELEC
		1 2 3 4		
43	1014264	Steering Column Bearing Press Tool	1	1
44	1014259	Steering Column Retaining Ring Tool	1	1
45	102061201	Steering Wheel Puller Tool	1	1
46	AM10753	Tachometer (includes gasoline engine pick up lead only)	1	
47	1014162	Transaxle Axle Seal Tool (for electric vehicles)		1
48	1014161	Transaxle Pinion Seal Tool (for electric vehicles)		1
49	1014115	Transmission Tool Kit (for electric vehicles).....		1
50	101611003	Tune-Up Kit, All OHV (for FE290, FE350, FE400 only) (includes air filter, spark plug, oil filter, fuel filters) (not shown)	1	
51	1016413	Valve Clearance Adjuster Screw Holder (for FE290 engines only)	1	
52	101641201	Valve Guide Reamer (FE290, FE350, and FE400 only).....	1	
53	1016552	Valve Seat Cutter Guide	1	
54	1016551	Valve Seat Cutter T-Wrench	1	
55	1016553	Valve Seat Cutter, 45→× (32 mm diameter) (for FE290 engines only)	1	
56	1016554	Valve Seat Cutter, 45→×/30→× (35 mm diameter)	1	
57	101641101	Valve Spring Compressor	1	
58	1011480	Volt Ohm Meter	1	1
		Please refer to the maintenance and service manual for proper tool application.		

19

G

E

INDEX

Part Number and Page

AM10753	19-7	1606	11-17	6-25, 6-27, 6-29, 7-5, 7-7, 7-17, 7-19, 7-21, 7-23, 8-11
AM10015	4-37, 4-39	1620	4-3	8755
AM10080	14-9	1624	5-5, 5-7, 6-3, 6-17, 7-5	1-33, 6-17, 6-25, 6-27, 7-19, 7-21, 7-23
AM10081	14-9	1631	11-17	8796
AM10419	13-11, 13-13	1703	1-25, 1-27, 1-29	18-11
AM10808	1-5	2402	6-15, 6-23, 7-17	8797
AM1232301	9-5, 10-5	4029	4-41	11-3, 11-5
AM1243501	4-35	7048	6-13, 6-21, 7-15	8861
AM1243701	4-31, 4-33, 4-35	7049	1-41	6-15, 6-23, 6-31, 7-17, 7-25
AM1243801	4-31, 4-33, 4-35	7173	1-13, 4-7, 4-10, 6-31, 7-25, 8-25	8935
AM1264001	1-61	7174	1-53, 1-59, 1-63, 6-7, 6-31, 7-9, 7-25, 8-11, 11-15, 12-3, 16-3	1-5
AM1304001	1-69	7251	1-3, 1-5, 1-13	8963
AM1304101	1-69	7274	6-13, 6-21, 7-15	1-25, 1-27, 1-29, 15-11, 15-13
AM1304201	1-69	7308	6-13, 6-21, 7-15	8990
AM1304301	1-69	7310	2-3, 2-5, 2-7	1-49, 1-51, 1-53, 4-7, 4-11, 4-13, 4-27, 4-33, 4-37, 4-39, 4-43, 6-3, 7-5, 8-15, 8-17, 8-19, 18-11
AM1304401	1-69	7311	1-25, 1-27, 1-29, 1-47, 6-31, 7-25	1010005
AM1304501	1-69	7330	14-11, 17-3	6-13, 6-21, 7-15
AM1304601	1-69	7335	14-9, 17-3	1010028
AM1304701	1-69	7336	17-3	14-3
AM1304801	1-69	7473	1-3, 1-5, 1-25, 1-27, 1-29, 1-33, 1-41, 1-43, 1-49, 1-51, 1-53, 1-85, 4-7, 4-11, 4-37, 4-39, 5-3, 5-5, 5-7, 5-13, 5-15, 5-21, 7-3, 8-15, 8-17, 8-19, 8-25, 15-11, 15-13	1010086
AM1304901	1-69	7479	1-47	1-47
AM1305001	1-69	7532	1-33	1010124
AM1305101	1-69	7539	6-15, 6-23, 7-17	6-17, 6-25, 7-19
AM1305201	1-69	7540	6-3, 6-15, 6-23, 7-5, 7-17	1010138
183	4-5, 4-9, 4-13, 4-29, 4-35, 8-17, 11-3, 11-5, 11-17, 13-5, 13-7, 13-9, 14-7, 14-13	7555	6-3, 6-15, 6-23, 7-5, 7-17	1-49, 1-51, 1-53, 6-15, 6-23, 7-17
304	1-67, 1-83, 4-6, 4-9, 4-41, 14-5	7561	1-49, 1-51, 1-53	1010145
320	1-53	7577	18-3, 18-5, 18-7, 18-9	6-27, 6-29, 7-21, 7-23
324	4-31, 4-33	7591	4-5, 4-7, 4-9, 4-11	1010150
332	1-17, 1-35, 1-37, 1-41, 1-43, 1-47, 1-65, 1-67, 4-7, 4-9, 4-31, 4-33, 4-41, 8-13, 11-17, 12-3	7602	6-3, 6-15, 6-23, 7-5, 7-17	6-17, 6-25, 7-19
334	1-37, 5-5, 5-7, 6-3, 6-5, 7-5, 7-7, 9-15, 10-15, 13-5, 13-7, 13-9	7716	5-3, 5-5, 5-7	1010177
357	1-49, 1-51, 1-53, 1-59, 6-17, 6-25, 6-31, 7-19, 7-25	7818	8-15, 8-17, 8-19	1-53, 6-25, 7-19
403	1-33	7820	4-7, 4-11, 4-41	1010200
451	5-11, 5-17, 12-3, 16-3	7840	6-13, 6-21, 7-15	6-17
705	1-33, 1-49, 1-51, 1-53, 1-59, 8-11, 9-15, 10-15	7847	1-11, 1-37, 1-65, 12-3, 18-7, 18-9, 18-11	1010219
706	1-49, 1-51, 1-53, 1-59, 6-17, 6-25, 7-19	7893	4-7, 4-13, 4-29, 8-15, 8-17, 8-19, 14-5	6-15, 6-23, 7-17
808	1-37, 6-31, 7-25, 13-5, 13-7, 13-9	7910	6-13, 6-21, 7-15	1010237
1016	4-5, 4-9, 4-13, 4-29, 8-17, 11-3, 11-5	7973	1-9, 11-17	1-25, 1-27, 1-29
1017	4-3, 4-5, 4-9, 8-17	8057	8-15, 8-17, 8-21, 14-3	6-13
1028	5-3	8058	8-15, 8-17, 8-21, 14-3	1010344
1032	1-39, 5-3	8067	6-13, 6-21, 7-15	6-13
1035	1-37, 1-83, 6-3, 6-15, 6-23, 7-5, 7-17	8104	4-13, 14-3	1010347
1108	1-47	8233	1-25, 1-27, 1-29, 1-35, 1-37, 1-41, 1-43, 1-65, 1-67, 1-83, 4-7, 4-11, 4-31, 4-33, 4-41, 4-43, 5-5, 5-7, 6-31, 7-25, 8-13, 11-15, 14-5, 14-7, 14-13, 18-7, 18-9, 18-11	6-13
1218	1-25, 1-27, 1-29, 4-5, 7-3	8248	1-13, 8-13	1010348
1231	1-39	8251	1-31	6-13
1241	1-3, 1-5, 1-25, 1-27, 1-29, 1-53, 1-59, 1-63, 4-5, 4-9, 4-37, 4-39, 5-3, 5-5, 5-7, 5-15, 5-21, 7-3, 8-11, 8-15, 8-17, 8-19, 8-25, 12-3	8294	4-41	1010434
1242	1-53, 1-59, 1-63, 5-13, 5-15, 5-21, 6-31, 7-25, 8-11, 8-15, 8-17, 8-19	8450	8-17, 13-5, 13-7, 13-9	1-3, 1-5, 1-7, 1-39
1308	6-15, 6-23, 7-17	8639	1-83, 4-11, 4-35, 14-5	1010435
		8717	5-7, 8-15, 8-17, 8-19, 14-3, 14-7, 14-13	1-3, 1-5, 1-33, 1-43, 1-49, 1-51, 1-53
		8745	6-17, 6-25	1010436
		8754	1-33, 5-5, 5-7, 6-3, 6-5, 6-15, 6-17, 6-23,	1-43
				1010543
				1-17
				1-3
				9-15, 10-15
				5-3
				5-13, 5-15, 5-21
				5-11, 5-17, 5-19
				5-3
				1-35, 5-3
				101090801
				15-11, 15-13
				4-5, 4-29
				1010921
				1-25, 1-27, 1-29, 5-3
				5-3
				5-3
				5-3
				1-5, 1-41, 1-47, 1-53, 1-59, 1-63, 4-37, 4-39, 8-25, 16-3
				8-15, 8-17, 8-19, 14-7, 14-13
				2-3, 2-5, 2-7
				1-3, 1-5
				1-3, 1-5, 4-23
				5-9
				1011084
				5-9
				1011114
				5-11, 5-17
				5-11
				1011137
				5-11
				1011154
				5-11, 5-17
				1-83
				1011226
				4-5, 4-9
				1011229
				19-5
				1011273

INDEX

1011291	14-11	1012098	18-3, 18-5, 18-7, 18-9	101313402	11-7
1011298	5-11, 5-17	1012101	18-3, 18-5, 18-7, 18-9	1013135	6-13, 6-21, 7-15
1011303	5-11, 5-17	1012151	19-5	1013207	6-27, 7-21
1011314	5-11, 5-17	1012180	6-27, 7-21	1013309	1-17
1011382	4-15, 4-17, 4-19, 4-21	1012181	6-29	1013311	1-17
1011393	6-13, 6-21, 7-15	1012182	6-29	1013312	1-17
1011394	1-3, 1-5	1012285	1-65, 1-67, 1-83, 4-43, 11-3, 11-5, 11-7, 11-15	1013317	1-39, 3-27, 3-29, 3-31
1011402	5-3	1012295	8-15, 8-17, 8-19	1013343	1-9
1011415	6-27, 6-29, 7-21, 7-23	1012303	1-33, 6-17, 6-19, 6-25, 6-27, 6-29, 7-19, 7-21, 7-23	1013344	1-9
1011418	5-3	1012304	6-27	1013357	4-5, 4-9, 15-5
1011439	4-5, 4-9	1012328	8-25	1013366	1-43
101146302	5-11, 5-17	1012333	14-5	1013420	1-11
1011464	5-11, 5-17	1012349	1-83	1013422	1-11
1011465	5-11, 5-17	1012382	8-3, 8-5, 8-7	1013461	11-3, 11-5
1011466	5-11, 5-17, 5-19	1012396	4-15, 4-17, 8-3, 8-5, 8-7	1013462	11-3, 11-5
1011467	5-11, 5-17	1012431	8-15, 8-17	1013483	1-59
1011478	19-5	1012438	4-9, 4-35, 11-17	1013494	4-15, 4-17, 4-19, 4-21
1011480	19-7	1012463	1-53	1013509	4-31, 4-33
1011494	5-11, 5-17	1012467	6-3, 7-5	1013531	5-15, 5-21
1011546	1-61	1012505	4-15, 4-17, 4-19, 4-21	1013547	4-43
1011553	1-59, 1-63, 3-5, 3-9, 3-13, 3-17, 3-21, 3-25	1012528	12-3, 15-15	1013579	4-43
1011557	4-5, 4-9	1012549	19-5	1013582	19-3
1011558	4-5, 4-9	1012560	19-5	1013589	8-15, 8-17, 8-19
1011578	1-5, 6-5, 7-7	1012565	6-11, 7-13	1013593	19-5
1011582	4-45	1012566	6-11, 7-13	1013609	8-15, 8-17, 8-19
1011590	4-13	1012571	9-15, 10-15, 15-11, 15-13	1013677	3-5, 3-9
1011694	5-5, 5-7	1012604	6-5, 7-7	1013687	11-3, 11-5
1011697	6-5, 7-7, 9-15, 10-15, 11-15	1012605	6-5, 7-7	1013700	11-15
1011734	5-9	1012640	2-9	1013734	12-3, 15-15
1011767	19-3	1012641	2-9	1013746	11-3, 11-5, 11-7, 11-11, 11-13
1011779	5-13, 5-15, 5-21	1012642	2-9	1013760	14-7
1011825	4-5, 4-9, 4-41	1012649	11-3, 11-5, 11-7	1013768	14-11
1011843	4-45	1012711	14-7	1013769	14-11
1011852	1-25, 1-27, 1-29	1012714	14-9	1013770	14-11
1011862	1-25, 1-27, 1-29	1012740	14-9	1013771	14-11
1011865	1-25, 1-27, 1-29	1012741	14-9	1013772	14-11
1011868	1-25, 1-27, 1-29	1012747	14-9	1013773	14-11
101187702	5-3	1012748	14-9	1013774	14-11
1011878	1-13, 1-25, 1-27, 1-29	1012752	14-7	1013787	14-11
1011883	1-25, 1-27, 1-29	1012809	19-5	1013792	14-11
1011887	6-13, 6-21, 7-15	1012811	19-3	1013794	14-11, 17-3
1011892	6-13, 6-21, 7-15	1012812	19-3	1013824	1-13
1011893	6-15, 6-23, 7-17	1012830	8-11, 11-15, 12-3	1013825	1-13
1011895	6-3, 6-15, 6-23, 7-5, 7-17	1012836	13-11, 13-13	1013846	1-13
1011897	1-23	1012896	14-7	1013857	4-5, 4-9
1011930	6-3, 6-15, 6-23, 7-5, 7-17	1013001	8-9	1013861	6-7
1011931	5-5, 5-7	1013003	8-9	1013869	5-3
1011937	1-25, 1-27, 1-29	1013005	8-9	1013870	5-3
1011942	1-25, 1-27, 1-29	101301102	8-9	1013871	5-5, 5-7
1011962	1-55	1013035	6-3, 7-5	1013876	5-3
1011964	1-25, 1-27, 1-29, 1-83	1013042	6-3, 7-5	1013924	5-11, 5-17, 5-19, 9-15, 10-15
1011965	1-25, 1-27, 1-29	1013044	6-3, 7-5	1014007	5-5, 5-7, 11-15, 14-7, 14-13
1011990	1-39, 1-49, 1-51, 1-53, 1-59	1013052	6-3, 7-5	1014049	13-5, 13-7, 13-9
1012008	1-25, 1-27, 1-29	1013061	14-3, 14-7, 14-13, 15-7	1014050	13-5, 13-7, 13-9
1012030	6-17, 6-25			1014051	13-5
				1014052	13-5, 13-7, 13-9

INDEX

1014055	13-5, 13-7, 13-9	1014530	4-5, 4-9, 4-41	1015507	1-33
1014056	13-5, 13-7, 13-9	1014537	1-41, 1-43	1015524	19-3
1014057	13-5, 13-7, 13-9	1014540	4-43	1015526	4-31, 4-33, 4-35
1014058	13-5, 13-7, 13-9	1014555	6-27, 6-29, 7-21, 7-23	1015528	4-15, 4-17, 4-19, 4-21
1014059	13-5, 13-7, 13-9	1014771	2-3	1015530	1-65, 1-67
1014062	13-5, 13-7, 13-9	1014807	8-15, 8-17, 8-21, 14-3	101553901	1-39, 1-47, 3-3, 3-7, 3-11, 3-15, 3-19, 3-23
1014063	13-5, 13-7, 13-9, 18-11	1014808	8-15, 8-21, 14-3	1015583	1-33, 6-17, 6-19, 6-25, 6-27, 6-29, 7-19, 7-21, 7-23
1014065	8-15, 8-17, 8-19, 13-5, 13-7, 13-9	1014902	6-29, 7-23	1015597	6-3, 6-13, 6-15, 6-21, 6-23, 7-5, 7-15, 7-17
1014070	13-11, 13-13	1014948	8-15, 8-17, 8-19	1015607	1-39
1014072	13-11, 13-13	1015010	4-35	1015608	1-5, 1-53, 15-11, 15-13
1014078	13-11, 13-13	101503202	1-5, 1-9	1015610	1-53
1014080	13-11, 13-13	1015072	15-11, 15-13	1015612	1-49, 1-53
1014109	4-5	1015075	1-3, 1-5	1015613	6-31, 7-25
1014115	19-7	1015137	11-3, 11-5, 11-7, 11-11, 11-13	1015614	6-31, 7-25
1014116	11-3, 11-5	1015139	11-3	1015615	1-53
1014119	8-3, 8-5, 8-7, 8-15, 8-17, 8-19	1015143	11-3	1015616	1-53
1014125	6-5, 7-7	1015153	4-31	1015617	1-53
1014126	6-5, 7-7	1015154	4-31	1015621	1-53
1014145	8-15, 8-17, 8-19	1015156	4-31, 4-33, 4-35	1015623	1-53
1014153	5-11, 5-17, 5-19	1015157	4-31, 4-33	1015624	1-53
1014161	19-7	1015160	4-31, 4-33	101562711	1-17
1014162	19-7	1015162	4-31	101562712	1-17
1014201	16-3	1015167	4-35	101562714	1-17
1014207	14-11	1015170	4-35	101562715	1-17
1014213	6-5, 7-7	1015172	4-31, 4-33	101564501	1-17
1014214	6-5, 7-7	1015187	4-31, 4-33, 4-35	101564502	1-17
1014217	6-5, 7-7	101524002	8-11	101564503	1-17
1014259	19-7	1015245	1-39	101564505	1-17
1014264	19-7	1015252	1-33	1015649	9-3, 10-3
1014276	6-17, 6-25, 7-19	1015258	1-33	1015654	1-47
1014287	13-5, 13-7, 13-9	1015277	1-35	1015656	1-47
1014288	6-5, 7-7, 8-25, 13-5, 13-7, 13-9, 18-11	1015313	1-39	101565803	1-47
1014289	8-9	1015332	8-3, 8-5, 8-7, 9-3, 10-3	1015700	1-37
1014305	19-3	1015345	8-15, 8-17, 8-19	101570401	1-53
1014306	1-43, 1-65, 1-67, 4-43	1015348	1-37	1015720	15-15
1014307	4-9	1015356	1-33	1015737	4-5, 8-3, 8-5, 8-7, 8-15, 8-17, 8-19
1014321	1-31, 1-41	1015363	1-39	1015741	4-5, 4-9, 8-15, 8-17, 8-19
1014375	8-25	1015366	1-39	1015752	8-15, 8-17, 8-19, 11-17, 15-3
1014387	1-31, 1-41	1015368	1-39	1015760	6-31, 7-25
1014415	1-41, 1-43	1015371	8-15, 8-19	1015765	4-31
1014435	1-23	1015372	8-15, 8-17, 8-19	1015768	4-35
101444101	1-23	1015373	8-15, 8-17, 8-19	1015770	4-35
1014453	13-5, 13-7, 13-9	1015390	1-39	1015814	12-3
1014454	13-11, 13-13	1015391	1-33	1015820	1-53
1014471	1-33	1015392	15-9	101584502	11-15
1014496	19-3	1015399	1-33, 1-41, 1-43, 1-85	1015878	8-15, 8-17, 8-21, 14-3
1014497	19-3	1015400	1-33, 1-39	1015914	18-3, 18-5, 18-7, 18-9
1014503	1-25, 1-27, 1-29	1015405	1-3, 8-15, 8-17, 8-19	1015917	18-3, 18-7, 18-9
1014506	1-25	1015412	1-39	1015921	11-3, 11-5
101450698	1-27	1015424	1-39	1015932	8-11
1014507	19-3	1015426	11-17	1015969	9-3, 10-3
1014508	19-3	101542901	1-33	1016011	13-7
1014509	1-25	1015445	1-59	1016060	1-35
101450902	1-29	1015453	6-31, 7-25		
101450903	1-27	1015457	6-31, 7-25		
1014523	11-3, 11-5	101547601	3-13, 3-17, 3-21, 3-25		

INDEX

1016074	8-11	1016432	9-7, 10-7, 14-7	1016547	9-3, 9-13, 10-3, 10-13, 11-11, 11-13
1016077	1-47	1016436	9-9, 10-9	1016549	9-9, 10-9
1016078	1-35	1016437	11-9	1016551	19-7
101609401	3-3, 3-7, 3-11, 3-15, 3-19, 3-23	1016438	11-11, 11-13	1016552	19-7
101611003	19-7	1016440	9-9, 10-9, 11-11, 11-13	1016553	19-7
101611402	17-5	1016441	11-11, 11-13	1016554	19-7
1016136	1-53	1016444	11-11, 11-13	1016557	5-11, 5-17
1016154	6-11, 7-13	1016445	9-5, 10-5	1016560	9-9, 10-9
101615504	6-9, 7-11	1016449	9-9, 10-9	1016561	9-5, 10-5
1016156	6-9, 6-11, 7-11, 7-13	1016450	9-9, 10-9	1016562	9-5, 9-13, 10-5, 10-13
1016183	6-5, 7-7	1016452	9-9, 10-9	1016563	9-9, 10-9
1016201	13-5, 13-7, 13-9	1016454	9-11, 10-11	1016564	9-11, 10-11
1016214	6-11, 7-13	1016455	9-5, 10-5	1016566	9-9, 10-9
1016219	6-11, 7-13	1016456	9-3, 9-5, 10-3, 10-5	1016569	9-9, 10-9
1016230	4-35	1016457	9-7, 10-7	1016570	9-7, 10-7
1016267	4-35	1016458	9-9, 10-9	1016571	9-13, 10-13
1016269	6-5, 7-7	1016467	9-7, 10-7	1016572	11-11, 11-13
1016287	4-35	1016470	9-13, 10-13	1016573	5-11, 5-17
1016289	13-5, 13-7, 13-9	1016472	9-11, 10-11	1016576	9-7, 10-7
1016319	5-13	1016473	9-7, 10-7	1016578	9-5, 10-5
1016320	5-13	1016474	9-9, 10-9	1016579	9-5, 10-5
1016337	14-9	1016479	9-9, 10-9	1016581	9-7, 10-7
1016338	14-9	1016480	11-11	1016582	11-11, 11-13
1016346	6-15, 6-23, 7-17	101648102	11-11, 11-13	1016583	9-9, 10-9
1016349	6-15, 6-23, 7-17	101648203	9-7, 10-7	1016584	9-11, 10-11
1016350	6-15, 6-23, 7-17	1016483	9-9, 10-9	1016585	11-9
1016351	6-15, 6-23, 7-17	1016486	11-9	1016586	9-5, 10-5
1016353	6-15, 6-23, 7-17	1016489	9-9, 10-9	1016587	9-5, 10-5
1016356	4-5, 4-9, 15-5	101649002	11-11, 11-13	1016588	9-5, 10-5
1016363	4-9	1016494	9-11, 10-11	1016603	1-49, 1-51
1016365	4-27	1016496	9-11, 10-11	101661601	15-11
1016366	4-9	1016497	9-5, 10-5	1016627	19-5
1016367	4-5	1016499	11-9	1016630	4-15, 4-17
1016384	6-17, 6-25, 7-19	1016501	11-9	1016631	4-9
1016385	6-15, 6-23, 7-17	1016502	9-7, 10-7	1016663	6-9, 6-11, 7-11, 7-13
1016386	6-17, 6-25, 7-19	1016506	9-11, 10-11	1016672	14-11
1016387	6-17, 6-25, 7-19	1016507	9-3, 10-3	1016673	18-11
1016389	6-17, 6-25, 7-19	1016510	9-11, 10-11	1016679	1-65
1016401	8-3, 8-15	1016513	14-7	101670201	3-27, 3-29, 3-31
101641002	19-5	101651406	2-3	1016751	1-19
101641101	19-7	101651407	2-3	101675511	1-19
101641201	19-7	101651409	2-3	101675512	1-19
101641202	19-3	101651414	2-3	101675514	1-19
1016413	19-7	101651416	2-3	101675515	1-19
1016414	19-5	1016517	9-9, 10-9	101677701	1-19
1016415	19-5	1016518	9-9, 10-9	101677702	1-19
1016416	19-3	1016519	9-9, 10-9	101677703	1-19
1016417	19-3	1016521	9-11, 10-11	101677705	1-19
1016418	19-5	1016531	9-3, 10-3	1016801	13-5, 13-7, 13-9
1016423	4-5, 4-9, 8-15, 8-17, 8-19	1016535	9-11, 10-11	1016813	6-31, 7-25
101642575	11-9	1016537	9-7, 10-7	1016814	6-31
101642578	11-9	1016538	9-11, 10-11	1016837	4-31, 4-33
101642580	11-9	1016539	9-3, 10-3	1016849	4-15, 4-17, 4-19, 4-21
101642582	11-9	1016541	9-13, 10-13	1016851	4-15, 4-17, 4-19, 4-21
101642585	11-9	1016544	9-5, 9-9, 9-11, 10-5, 10-9, 10-11	1016868	1-3, 1-5
1016429	9-7, 10-7	1016546	11-15	1016879	4-3

INDEX

1016880	4-3	1017313	6-5, 7-7	1017513	9-11, 10-11
1016883	8-11	1017314	6-5, 7-7	1017514	9-11, 10-11
1016901	13-7, 13-9	1017315	6-5, 7-7	101751801	9-11, 10-11
1016904	1-83, 9-9, 10-9, 12-3	1017317	6-5, 7-7	101751802	9-11, 10-11
1016916	1-47	101734802	1-3	101751803	9-11, 10-11
101692501	1-3	101737002	2-3	101754201	1-85
101692502	1-3	1017378	5-5, 5-7	101754204	1-85
101692504	1-3	1017380	5-5, 5-7	1017653	8-9
101692506	1-3	101738301	13-7	1017686	13-11, 13-13
101692509	1-3	101738302	13-7	1017689	1-83, 12-3
101692510	1-3	1017424	5-5, 5-7	101769302	2-3
101692511	1-3	1017434	9-9, 10-9	1017696	5-5, 5-7
101692512	1-3	1017435	9-9, 10-9	1017699	4-45
101692513	1-3	1017442	9-7, 10-7	101770202	1-45
101692514	1-3	1017443	9-9, 9-11, 10-9, 10-11	1017705	15-7
101692515	1-3	1017444	9-9, 10-9	1017721	4-5, 4-29
1016929	4-31, 4-33, 4-35	1017445	9-9, 10-9	1017722	4-5
101693201	3-15, 3-23	1017446	9-9, 10-9	1017724	4-13
101693901	1-3, 1-5	1017447	9-11, 10-11	101773301	9-13, 10-13
101693902	1-3, 1-5	1017448	9-5, 10-5	101773302	9-13, 10-13
101693904	1-3	101744901	9-13, 10-13	101773303	9-13, 10-13
101693906	1-3, 1-5	101744902	9-13, 10-13	101773304	9-13, 10-13
101693908	1-5	1017450	9-13, 10-13	101773305	9-13, 10-13
101693909	1-3, 1-5	101745101	9-13, 10-13	101773306	9-13, 10-13
101693910	1-3, 1-5	101745102	9-13, 10-13	101773307	9-13, 10-13
101693911	1-3, 1-5	1017453	9-13, 10-13	101773308	9-13, 10-13
101693912	1-3, 1-5	1017454	9-9, 10-9	101773309	9-13, 10-13
101693913	1-3, 1-5	1017455	9-5, 10-5	101773310	9-13, 10-13
101693914	1-3, 1-5	1017456	9-7, 10-7	101773311	9-13, 10-13
1016952	1-11	101745701	9-13, 10-13	1017774	1-49, 1-51
1016967	1-3, 1-5, 15-15	101745702	9-13, 10-13	1017853	4-5, 4-9
1016997	8-17	1017458	9-7, 10-7	101791101	5-17, 5-19
1017006	8-5, 8-17	1017460	9-7, 10-7	101796201	5-5, 5-7
1017029	5-3	1017461	11-9	101796501	15-7
1017035	4-5, 4-9, 4-45	1017463	9-5, 10-5	101796801	15-7
101705603	4-5	1017466	11-11, 11-13	101801001	15-7, 18-11
1017062	4-3	1017468	9-5, 10-5	101804301	4-15, 4-17, 11-17
1017064	4-3	1017471	9-13, 10-13	101806001	1-15
1017065	4-3	1017472	9-11, 10-11	101806002	1-15
101707402	4-13	1017473	9-9, 10-9	101806005	1-15
1017075	4-13	1017474	9-3, 10-3	101808401	19-3
1017080	1-3, 1-5	1017475	9-3, 10-3	101809101	19-3
1017082	14-7, 14-13	1017476	9-3, 10-3	101810601	4-9
1017162	1-49, 1-51	1017486	9-3, 10-3	101811901	11-17
1017167	1-49, 1-51	1017487	9-11, 10-11	101812301	11-17
1017187	18-11	1017490	9-5, 10-5	101813001	11-17
1017188	13-3	1017500	9-3, 10-3	101813202	19-3
1017189	18-11	1017501	9-13, 10-13	101814601	4-33
1017211	5-13	1017502	9-13, 10-13	101815501	5-19
1017226	6-7, 7-9	1017503	9-13, 10-13	101815502	5-19
1017231	14-7	1017504	9-11, 10-11	101816301	5-19
1017239	8-17	1017507	9-7, 10-7	101816501	5-19
1017243	8-17	1017508	9-11, 10-11	101816502	5-19
1017266	6-15, 6-23, 7-17	1017510	9-13, 10-13	101817401	5-5, 5-7
1017273	6-9, 6-11, 7-11, 7-13	1017511	9-11	101818801	5-7
101728602	1-21	1017512	9-13, 10-13	101821501	11-17

INDEX

101821601	4-35	101838401	18-5, 18-9	101879701	6-3, 7-5
101822001	5-9	101838601	18-5, 18-9	101879801	6-3, 7-5
101823101	19-5	101838701	18-7, 18-9	101879901	6-3, 7-5
101823201	5-19	101839801	4-25	101880001	6-3, 7-5
101823301	5-19	101839802	4-25	101880101	6-3, 7-5
101823302	5-19	101839803	4-25	101880201	6-3, 7-5
101823801	5-19	101839804	4-25	101880301	6-3, 7-5
101823901	5-19	101839805	4-25	101880701	5-11, 5-17
101824001	5-19	101839806	4-25	101881501	4-43
101824002	5-19	101839807	4-25	101881601	4-43
101824401	11-3, 11-5	101839808	4-25	101881701	11-17
101825101	3-3, 3-7, 3-11, 3-19	101839809	4-25	101884801	9-15, 10-15
101825102	3-15, 3-23	101839810	4-25	101884901	2-3
101825103	4-23	101839811	4-25	101886101	11-15, 14-7, 14-13
101826201	4-19, 4-21	101839812	4-25	101887101	19-3
101826301	4-15	101841901	18-7, 18-9	101887601	9-3, 10-3
101826401	4-17	101851101	4-15, 4-17, 4-19, 4-21, 4-25	101889401	14-9
101827101	9-15, 10-15	101856002	4-19, 4-21	101890001	14-9
101828501	18-3, 18-7, 18-9	101856102	8-15, 8-17, 8-19	101890101	14-7
101828801	18-3	101859401	12-3	101890201	14-7
101828802	18-3	101861901	5-5, 5-7	101890501	14-7
101828901	18-3, 18-5	101862001	5-5	101890601	14-7
101828902	18-3, 18-5	101865301	5-13	101890901	14-11
101828903	18-3, 18-5	101869302	8-9	101891001	14-11
101829001	18-7, 18-9	101870401	1-3	101891301	14-7
101830601	4-15, 4-17, 4-19, 4-21	101870501	6-25, 7-19	101891401	14-11
101830701	4-15, 4-17, 4-19, 4-21, 4-25	101870601	6-23	101891501	14-11
101831101	18-3, 18-7, 18-9	101871001	19-3	101891601	14-9
101831401	15-11, 15-13	101874601	5-13	101891901	14-9
101831801	19-5	101874901	8-9	101892001	14-9
101831901	19-3	101875001	8-9	101892201	14-9
101832001	15-7	101875101	8-9	101892301	14-9
101832202	11-15	101875102	8-9	101892401	14-9
101832302	11-15	101875201	8-9	101892501	14-9
101832601	9-15, 10-15	101875301	8-9	101892601	14-9
101832701	9-15, 10-15	101875401	8-9	101892701	14-11
101832901	18-13	101875501	8-9	101892901	14-7
101833101	9-15, 10-15	101875601	8-9	101893201	14-9
101833401	13-11, 13-13	101875701	8-9	101893801	14-7
101833601	14-7	101875802	8-9	101893901	14-9
101833701	8-9	101876001	8-9	101894303	1-17
101833902	13-5	101876202	8-9	101894304	1-43
101833904	13-7	101876301	8-9	101894702	1-41
101833906	13-9	101876402	8-9	101894901	15-7, 18-11
101834001	13-11	101876501	8-9	101895401	17-3
101834003	13-13	101876901	6-21, 7-15	101895501	17-3
101834502	4-15, 4-17, 4-19, 4-21, 4-25	101877001	6-21, 7-15	101896501	8-9
101834601	9-15, 10-15	101877601	8-9	101897001	17-3
101834801	11-15, 14-7, 14-13	101877701	8-9	101897201	17-3
101835601	1-33, 1-35, 4-27	101878101	8-9	101897401	17-3
101836201	13-11	101878201	5-3	101897601	17-3
101836202	13-13	101878302	6-3, 7-5	101898001	8-25
101837101	11-17	101879001	8-9	101903101	6-17, 6-25, 7-19
101837301	8-3, 8-5, 8-7, 8-11	101879401	6-3, 7-5	101903601	17-3
101837401	1-57	101879501	6-3, 7-5	101903701	17-3
101837502	1-57	101879601	6-3, 7-5	101905901	11-9

INDEX

101906901	17-3	101936801	15-3	101974712	4-25
101908101	15-9	101939901	8-9	101976601	18-5
101908401	8-13, 15-9	101942301	16-3	101978601	17-5
101909201	9-5, 10-5	101946201	1-31	101980801	14-9
101909301	9-5, 10-5	101953102	5-21	101980901	14-9
101909401	9-5, 10-5	101953106	5-13, 5-15	101981001	14-9
101909501	9-5, 10-5	101953801	9-3	101984801	6-5, 7-7
101910501	14-11	101953802	10-3	101987901	4-3
101914001	17-5	101953803	9-3	101988001	4-3, 4-5, 4-9
101914401	4-5, 18-3, 18-5, 18-7, 18-9	101953804	10-3	101988002	4-3, 4-5, 4-9
101914402	4-9	101954301	1-17	101988101	4-3
101915201	3-13, 3-17, 3-21, 3-25	101955001	6-23, 7-17	101988201	4-3
101916001	9-13, 10-13	101955101	4-5, 4-9, 4-41	101990801	5-15, 5-21
101916101	9-3, 10-3	101957101	4-5, 4-9	101994301	1-77
101916201	9-5, 10-5	101958102	11-17	101994401	1-81
101916301	9-5, 10-5	101958201	18-5	101994601	1-75
101916701	8-11	101958301	18-5	101994801	1-79
101917601	11-17	101958601	1-35	101995101	1-71
101918402	2-3	101960201	3-3, 3-11, 3-15	101996901	1-55
101918501	5-3	101960501	3-13, 3-17, 3-21, 3-25	101997802	4-43
101919801	5-5, 5-7	101960601	3-23	101997803	4-43
101920101	15-3	101963301	1-31	101997902	4-43
101921501	11-17	101963401	1-31, 1-41, 1-43, 8-23, 9-15, 10-15	101997903	4-43
101921601	1-37	101964001	1-31	102002901	15-11, 15-13
101922101	17-3	101966801	18-11	102003201	11-3, 11-5
101922201	17-3	101968801	18-11	102004001	7-19
101922501	8-13	101969701	4-5, 4-9, 4-41	102004101	7-9
101922801	1-37	101971301	11-17	102004201	7-21
101923001	17-3	101972001	19-5	102004301	1-5
101923201	17-3	101972002	19-5	102004601	1-67
101923301	17-3	101972003	19-5	102004602	1-67
101923501	17-3	101972004	19-5	102004901	7-25
101923901	17-3	101972005	19-5	102005701	1-21
101925601	13-5	101972006	19-5	102006201	1-85
101925701	11-17	101972007	19-5	102006701	3-7, 3-19, 3-23
101926501	6-27, 7-21, 7-23	101972009	19-5	102009201	2-5
101926801	11-17	101972011	19-5	102009202	2-5
101926901	14-7	101972012	19-5	102009301	2-5
101927101	14-7	101972101	17-3	102009302	2-5
101927201	14-7	101972201	17-3	102009401	2-5
101927301	14-7	101972801	11-17	102009402	2-5
101927501	14-9	101973101	11-9	102009501	2-5
101927601	14-9	101973301	11-9	102009502	2-5
101927701	14-9	101973401	11-11, 11-13	102009901	2-7
101927901	14-9	101973501	18-5	102009902	2-7
101928001	14-9	101974701	4-25	102010001	2-7
101928101	14-9	101974702	4-25	102010002	2-7
101928301	14-11	101974703	4-25	102010501	1-67
101928601	14-7	101974704	4-25	102022101	5-21
101928701	14-7, 17-3, 19-5	101974705	4-25	102025401	1-83
101929401	6-27, 7-21, 7-23	101974706	4-25	102026001	5-5, 5-7
101929501	11-3, 11-5	101974707	4-25	102031901	14-11
101929802	13-5, 13-9	101974708	4-25	102051901	4-5, 4-9
101932201	1-83, 4-5, 4-9	101974709	4-25	102054501	4-37
101933101	19-5	101974710	4-25	102054502	4-39
101933701	11-17	101974711	4-25	102056001	1-63
101936101	17-5				

INDEX

102056401	1-55	102242101	13-11, 13-13	102704901	16-3
102056502	1-83	102243402	19-5	102711201	8-15, 8-19
102061201	19-7	102243403	16-3	102751601	11-3
102065103	1-63	102248803	19-5	102753401	9-9, 10-9
102065901	1-33, 9-15, 10-15	102251501	19-5	102764001	15-11, 15-13
102066001	1-33	102262901	1-69	102764401	15-13
102066201	6-29, 7-23	102264001	8-23	102766201	15-11, 15-13
102070601	1-83	102264501	1-69	102770701	18-11
102071701	1-83	102269701	8-23	102771701	17-3
102074101	1-83	102271601	9-11	102772401	15-15
102074201	1-83	102272501	8-23	102774501	15-15
102074501	1-83	102272601	1-73	102774602	15-15
102074601	1-83	102275401	18-3, 18-5, 18-7, 18-9	102774701	15-15
102074701	1-83	102278001	6-5, 7-7	102775101	16-3
102074801	1-83	102292801	5-13, 5-15, 5-21	102803401	8-17
102074901	1-83	102304801	9-9, 10-9	102817101	15-15
102075801	3-7, 3-19, 3-23	102323101	5-3, 5-13, 5-15, 5-21	102817201	15-15
102077601	4-37, 4-39	102323201	5-3, 5-13, 5-15, 5-21	102837001	18-7
102077701	4-37, 4-39	102336001	11-15	102838101	15-9, 18-3, 18-7
102077801	4-37, 4-39	102336101	11-15	102838401	9-5, 10-5
102077901	4-37, 4-39	102345901	3-25	102844001	18-11
102078001	4-37, 4-39	102352201	4-27	102844002	18-13
102101001	15-3	102354901	4-27	102845101	3-5, 3-9
102101101	15-3	102355301	8-25	102845201	15-11
102155701	4-37	102356601	17-3	102845203	15-11, 15-13
102155801	13-11, 13-13	102356801	17-3	102845204	15-13
102158901	5-5, 5-7	102376001	14-3	102845401	15-5
102159601	4-37, 4-39	102399001	7-23	102846402	15-5
102163001	1-21	102406701	11-5	102847601	1-47
102163101	1-21	102430901	9-13, 10-13	102847602	1-47
102181101	1-83	102431001	10-11	102847603	1-47
102182101	1-83	102453001	14-9	102847701	1-47
102185401	11-17	102453101	14-9	102847801	18-3
102186401	16-3	102459301	3-5, 3-9, 3-13, 3-15, 3-19, 3-23	102847802	18-3
102190702	11-17	102508701	4-19, 4-21	102847803	18-3
102196901	4-19, 4-21, 15-5	102513701	11-3	102848701	15-7
102198501	1-29	102515401	14-7, 14-13	102852101	5-15
102198701	4-5	102518001	3-3, 3-7	102859501	15-15
102199001	4-5	102518301	3-5, 3-9	102863801	15-5
102199201	4-5, 4-9	102519201	3-11, 3-19	102865101	11-3, 11-5
102199301	4-5, 4-9	102522001	11-3, 11-5	102869401	4-5, 4-9, 4-17, 4-21
102199401	4-5, 4-9	102526201	14-3	102871801	6-27, 6-29, 7-21, 7-23
102221301	1-43	102529201	4-13	102873401	15-11, 15-13
102221401	1-43	102540301	9-15, 10-15	102881401	18-11
102221501	1-43	102555501	19-3	102882501	1-49, 1-51, 1-53
102221701	1-43	102559901	2-9	102886301	17-3
102221801	1-43	102562401	19-3	102886401	17-3
102222001	1-43	102572401	4-19, 4-21, 15-5	102886501	17-3
102222101	1-43	102614401	1-43	102886601	17-3
102222201	1-43	102616701	14-3	102890201	4-27
102224001	1-67, 3-21, 3-25	102673201	1-43	102891101	6-29, 7-23
102231601	3-9, 3-21, 3-25	102683201	3-29	102892901	18-5
102235201	16-3	102683301	3-29	102892902	18-5
102239901	1-43	102683701	3-31	102893001	18-9
102240501	15-15	102683801	3-31	102893601	1-51
102241502	19-5	102684602	14-3	102896801	14-13

INDEX

102896901	14-13	102902701	14-17	103234301	3-27, 3-29, 3-31
102897201	14-15	102902801	14-17, 17-3	103245201	1-31
102897301	14-15	102915101	4-9	103245301	1-31
102897401	14-13	102915701	15-9	103254101	4-5
102897501	14-13	102917101	6-29	103256901	4-5, 4-9
102897601	14-13	102918701	4-27	103260101	3-27
102897701	14-15	102931101	15-15	103260801	3-27
102897801	14-13	102938601	16-3	103260901	3-27
102897901	14-13	102938701	16-3	103261301	3-29
102898001	14-15	102938801	16-3	103270201	1-49
102898101	14-15	102938901	16-3	103270301	1-51
102898201	14-13	102939001	16-3	103272801	1-49
102898301	14-15	102939101	16-3	103274202	1-51
102898401	14-15	102939102	16-3	103274401	1-69
102898501	14-15	102939501	18-5	103284101	3-27, 3-29
102898601	14-15	102940801	18-5, 18-7, 18-9	103295101	14-5
102898701	14-15	102950301	4-23	103295202	14-5
102898801	14-15	102951701	16-3	103306301	11-3, 11-5
102898901	14-15	102959601	1-51	103318401	1-53
102899001	14-15	102962303	4-23	103324402	1-53
102899101	14-13	102962602	4-23	103324801	7-23
102899201	14-13	102966401	1-31	103345701	13-5, 13-7, 13-9
102899301	14-15	102966501	1-31	103348201	4-15, 4-17
102899401	14-13	102966502	1-31	103348501	4-15, 4-17, 8-3, 8-5, 8-7
102899501	14-15	102967601	3-5, 3-9	103348601	4-15, 4-17
102899601	14-15	102969401	14-3	103350001	4-39
102899701	14-13	102969801	14-3	103350901	6-27
102899801	14-13	102969901	14-3	103351001	6-15, 7-17
102899901	14-15	102974201	11-3	103351101	6-29, 7-21, 7-23
102900001	14-13	102977001	4-15, 4-17	103353501	18-11
102900101	14-13	102977002	4-19, 4-21	103369101	11-5
102900201	14-13	102977901	11-3, 11-5	103369501	14-3
102900301	14-13	102978001	11-3, 11-5	103372101	11-5
102900401	14-15	102980801	15-11, 15-13	103372201	11-5
102900501	14-15	102980901	15-11, 15-13	103372301	11-5
102900601	14-13	102989501	1-31, 1-33	103372401	11-7
102900701	14-15	103173301	14-3	103372501	11-7
102900801	14-17	103174401	1-7	103372801	11-7
102900901	14-13	103177401	14-3	103374701	11-5
102901001	14-15	103180101	4-15, 4-17, 4-19, 4-21	103397901	4-9, 15-15
102901101	14-15	103187601	11-3	103406501	1-39
102901201	14-17	103189101	18-13	103406502	1-39
102901301	14-17	103192701	14-3	103406601	1-39
102901401	14-17	103197101	8-3	103414901	15-15
102901501	14-17	103198001	8-5	103418601	11-7
102901601	14-17	103198101	8-7	103459102	2-3
102901701	14-17	103198301	4-19, 4-21	103477901	6-13, 6-21, 7-15
102901801	14-17	103198401	8-13	103502701	6-19
102901901	14-17	103199001	4-15, 4-17	103502801	6-19
102902001	14-17	103199101	4-15, 4-17	103507001	7-19
102902101	14-17	103205401	3-3, 3-7, 3-11, 3-15, 3-19	103507101	11-13
102902201	14-17	103205501	3-13, 3-17, 3-21, 3-25, 8-13	103507201	11-13
102902301	14-17	103210201	3-13, 3-17, 3-21, 3-25	103507301	11-13
102902401	14-17	103210301	3-5, 3-9	103582801	17-3
102902501	14-17	103218601	4-19, 4-21, 15-5	103628801	6-19
102902601	14-17	103221901	15-5	103628901	6-19

INDEX

103694501 2-9
96704416 9-15, 10-15

A

absorber, shock 6-23
AC cord 18-3, 18-5, 18-7, 18-9
AC cord receptacle 18-5
accelerator bracket and bearing assembly 5-5, 5-7
accelerator cable 11-15
accelerator pedal 5-5, 5-7
accelerator pedal adjustment tool 19-3
accelerator pivot rod 5-5, 5-7
accelerator return spring 5-5, 5-7
accelerator rod 5-9
accessory switch panel 1-75
actuator 1-49, 1-51
adapter
 actuator 1-49, 1-51
 cable (IQDM) 19-5
adhesive, guide ring 19-3
adjuster, lash 9-11, 10-11
air box 11-17
air box top 11-17
air duct 11-17
air duct shield 11-17
air filter 11-17
air intake hose 11-17
ammeter 18-3, 18-5, 18-7, 18-9
anchor body 5-11, 5-17
anchor body kit 5-11, 5-17
anchor, piston 5-11, 5-17
anti-sway bar 6-31, 7-25
A-plate strap 6-15, 6-23, 7-17
A-plate, delta 6-15, 6-23, 7-17
arbor 19-3
arm
 governor 11-15, 14-7, 14-13
 pivot 14-7
 rocker 9-9, 10-9
 wiper 1-69
armature 8-9, 16-3
armature conversion kit 8-9
assembly
 accelerator bracket and bearing 5-5, 5-7
 accelerator pivot rod 5-5, 5-7
 air box 11-17
 air box top 11-17
 air duct 11-17
 armature 8-9
 axle 14-11
 bearing, steering shaft 6-5, 7-7
 bell crank and shaft 8-15, 8-17, 8-19
 brake lever 5-19
 brush connector 8-9
 brush holder 8-9

cab 1-69
carburetor 11-9
choke cable 11-17
connecting rod 9-13, 10-13
cylinder head 9-9, 10-9
delta A-plate 6-15, 6-23, 7-17
delta shock and gear support 6-15, 6-23, 7-17
drive clutch 13-7
drive hub 13-5, 13-7, 13-9
driven clutch 13-11
driven clutch fixed-face 13-11, 13-13
field coil 8-9
float 11-9
fuel cap 11-5
fuel tank vent 11-3
governor 14-9, 14-15
headlight 4-3, 4-5, 4-9
headlight harness 4-3
hinge, tilt bed 1-33
idle screw 11-9
inner ball joint 6-3, 7-5
kingpin 6-17, 6-25, 7-19
latch weld 1-33
moveable-face 13-5, 13-7, 13-9, 13-11, 13-13
pilot air screw 11-9
plug cap 9-5, 10-5
prop rod support 1-37
ratchet 5-3
score card plate 6-11, 7-13
secondary clutch weight 13-5, 13-7, 13-9
steering shaft 6-5, 7-7
steering wheel 6-9, 6-11, 7-11, 7-13
tailgate 1-43
tether 1-43
tilt bed 1-33
turn signal lens 4-3
axle 14-7, 14-11, 14-17, 17-3
axle guard 17-5
axle shaft oil seal 14-11, 14-17, 17-3
axle tube 14-11, 14-17, 17-3

B

backing plate, brake 5-11, 5-17, 5-19
ball bearing 9-11, 10-11
ball joint 5-3, 5-9, 6-3, 6-15, 6-23, 7-5, 7-17, 14-5
ball joint, left-hand thread 6-3, 6-15, 6-23, 7-5, 7-17
ball stud 8-15, 8-17, 8-19, 14-7, 14-13
ball, shifter 14-9
ball, steel pressure relief 9-7, 10-7
ball, trailer hitch 1-61
band, RPM limiter mount 9-5, 10-5
bar, drive 15-3
bar, light 4-37, 4-39

bar, stabilizer 6-31, 7-25
barb, vent 11-3, 11-5
barrel, plastic 1-3, 1-5, 1-7, 1-39
battery cap, 6-volt 15-11, 15-13
battery charger 18-3, 18-5
battery charger case 18-3, 18-5, 18-7, 18-9
battery charger harness 18-11
battery charger mounting plate 18-11
battery charger receptacle 15-7
battery charger retainer 18-13
battery charger shield 18-11
battery charger transformer 18-3, 18-5, 18-7, 18-9
battery charger wire assembly 18-5
battery charger, onboard 18-7, 18-9
battery clamp 8-25
battery discharge machine 19-3
battery hold-down 15-11, 15-13
battery hold-down rod 15-11, 15-13
battery light 4-19, 4-21
battery terminal protector spray 4-9, 19-3
battery thermometer 19-3
battery, 12-volt 8-25
battery, 6-volt, Trojan T105 15-11
battery, 6-volt, Trojan T145 15-13
bearing 17-3
 ball 9-11, 10-11
 ball (motor) 16-3
 ball (steering pinion) 6-3, 7-5
 cage roller 14-15
 front wheel hub 6-13, 6-21, 7-15
 hub 6-13, 6-21, 7-15
 idler 13-5, 13-7, 13-9
 inner axle tube 14-11, 17-3
 lower pinion (steering) 6-3, 7-5
 needle 14-9
 outer axle tube 14-11
 pivot support 5-5, 5-7
 steering shaft 6-5, 7-7
 thrust 6-17, 6-25, 7-19
bearing and oil seal remover 19-3
bearing driver set 19-3
bearing puller 19-3
bearing puller wedge 19-3
bearing seat 6-5, 7-7
bed floor plate 1-33
bed latch 1-39
bed latch spring 1-39
bed lift
 hydraulic 1-53
bed mat 1-45
bed seal 1-31, 1-33
bed, tilt 1-33
bell crank and shaft 8-15, 8-17, 8-19
bellows 6-3, 7-5
belt, drive 13-3

INDEX

- belt, seat 1-69
 - belt, starter/generator 8-11
 - belt, V 8-11
 - bezel, choke cable 11-17
 - bezel, headlight 4-3
 - block, brake-mounting 5-3
 - block, fuse 4-5, 4-9, 8-15, 8-17, 8-19
 - block, terminal 4-5, 4-9, 15-5
 - blower cover 1-83
 - blower mounting bracket 1-83
 - blower, centrifugal 1-83
 - body, anchor 5-11, 5-17
 - body, front 1-3
 - bolt, U- 6-29, 7-23
 - boot, steering column 6-5, 7-7
 - boot, switch 8-13, 15-9
 - bottom, air box 11-17
 - box
 - air 11-17
 - cargo 1-39
 - differential 14-17
 - electrical component 8-15, 8-17, 8-19
 - steering gear 6-3, 7-5
 - tool 1-57
 - van 1-85
 - brace, light bar 4-37, 4-39
 - brace, trailer hitch 1-59
 - bracket 6-27, 7-21, 7-23
 - accelerator cable 11-15
 - adjustable starter/generator 8-11
 - brace mounting 4-37, 4-39
 - brake cable guide 6-23, 7-17
 - brake light switch 4-5, 4-9
 - FNR shifter 14-3
 - governor cable 11-15
 - headlight mounting 4-3
 - horn 4-5, 4-9, 4-41
 - hour meter 4-43
 - light mounting 4-37, 4-39
 - muffler mounting 12-3
 - oil filter mount 9-7, 10-7
 - oil level switch 9-11, 10-11
 - relay mounting 8-17, 18-7, 18-9
 - RPM limiter 9-5, 10-5
 - shock mounting, drv 6-29
 - shock mounting, pas 6-29
 - snubber 9-15, 10-15
 - stabilizer bar mounting 6-31, 7-25
 - stake side 1-47
 - starter/generator mounting 8-11
 - steering column 6-5, 7-7
 - steering column mounting 6-5, 7-7
 - throttle spring return 11-11, 11-13
 - Tow/Run switch 8-13
 - bracket, carburetor intake manifold 11-13
 - brake actuator kit 5-11, 5-17
 - brake adjusting mechanism 5-19
 - brake adjustment tool 19-3
 - brake backing plate 5-11, 5-17, 5-19
 - brake cable 5-13, 5-15, 5-21
 - brake cable equalizer 5-13, 5-15, 5-21
 - brake cable hanger 6-27, 7-21
 - brake cable release tool 19-3
 - brake cluster 5-11, 5-17, 5-19
 - brake drum 5-11, 5-17, 5-19
 - brake lever 5-19
 - brake lever arm 5-11, 5-17
 - brake light switch bracket 4-5, 4-9
 - brake mounting block 5-3
 - brake pedal 5-3
 - brake pedal pad 5-3
 - brake relay kit, 12-volt 4-5
 - brake return spring 5-15, 5-21
 - brake self-adjusting mechanism 5-19
 - brake shoe 5-11, 5-17, 5-19
 - brake spring 5-11, 5-17, 5-19
 - breaker, circuit 18-5, 18-9
 - breather 14-7, 14-13, 17-3
 - brush and screw set 8-9
 - brush box assembly 16-3
 - brush connector 8-9
 - brush cover kit, starter/generator 8-9
 - brush guard 1-5
 - brush holder 8-9
 - brush inspection port cover 8-9
 - brush kit, motor 16-3
 - brush plate
 - starter/generator 8-9
 - brush port cover 8-9
 - brush rigging 16-3
 - brush spring 16-3
 - brush spring set 8-9
 - brush spring, starter/generator 8-9
 - brush terminal, starter/generator 8-9
 - brush, motor 16-3
 - bulb, headlight 4-3
 - bulb, light bar 4-37, 4-39
 - bulb, strobe light 4-31, 4-33, 4-35
 - bulb, tail light 4-45
 - bumper 1-23
 - drive unit (motor) 16-3
 - front 1-3, 1-5
 - front, heavy duty 1-3
 - front, kit 1-3, 1-5
 - rubber 1-35, 1-43, 5-3
 - seal, long 1-17
 - spring return 5-5, 5-7
 - bumper, heavy-duty 1-3
 - bumper, seat 1-17
 - bushing 1-49, 1-51, 8-15, 8-17, 8-19, 13-5, 13-7, 13-9, 14-3
 - bronze 6-13, 6-21, 7-15
 - nylon 1-39, 1-41, 5-3
 - return line 11-5
 - snap-in 1-39
 - spindle 6-13, 6-21, 7-15
 - stabilizer bar 6-31, 7-25
 - steel 1-33, 6-17, 6-19, 6-25, 6-27, 6-29, 7-19, 7-21, 7-23
 - urethane 1-33, 6-15, 6-17, 6-19, 6-23, 6-25, 6-27, 6-29, 7-17, 7-19, 7-21, 7-23
 - bushing support 6-31, 7-25
 - button, drive 13-11, 13-13
 - buzzer, reverse 4-15, 4-17, 4-19, 4-21
- ## C
- cab 1-69
 - door 1-69
 - door hinge 1-69
 - door latch 1-69
 - heater 1-83
 - roof 1-69
 - side rear window 1-69
 - windshield 1-69
 - windshield latches 1-69
 - wiper arm 1-69
 - wiper blade 1-69
 - wiper motor 1-69
 - cable
 - accelerator 11-15
 - brake 5-13, 5-15, 5-21
 - choke 11-17
 - FNR shifter 14-5
 - governor 11-15
 - calibration test module 19-3
 - cam
 - driven clutch 13-11, 13-13
 - electrical component box 8-15, 8-17, 8-19
 - cam, FNR shifter 14-3
 - camshaft 9-11, 10-11
 - camshaft shim 9-11, 10-11
 - camshaft spring 9-11
 - canister, carbon, fuel tank 11-7
 - canopy 1-25, 1-27, 1-29
 - canopy brace 1-25, 1-27, 1-29
 - canopy support 1-25, 1-27, 1-29
 - canopy trim plate 1-25, 1-27, 1-29
 - cap
 - battery, 6-volt 15-11, 15-13
 - corner 1-31, 1-41
 - dust 4-19, 4-21, 15-5
 - front corner 1-43
 - fuel tank 11-3
 - fuel, gas, ratchet 11-5
 - key switch 4-15, 4-17, 4-19, 4-21, 4-25
 - plug 9-5, 10-5
 - seat back 1-19
 - cap, hub, 7 prong 2-9

INDEX

- carbon canister 11-7
 - carburetor 11-9
 - carburetor adapter 11-13
 - carburetor gasket 11-11, 11-13
 - carburetor insulator 11-11, 11-13
 - carburetor mounting gasket 11-11, 11-13
 - card, safety first 19-5
 - cargo bed, side panel 1-39
 - cargo box 1-39
 - case
 - battery charger 18-3, 18-5, 18-7, 18-9
 - differential gear 14-11
 - gear 14-7, 14-13, 17-3
 - rocker 9-9, 10-9
 - centrifugal blower 1-83
 - charger
 - wire assembly kit 18-3, 18-7, 18-9
 - charger bezel tool 19-3
 - charger receptacle 15-7
 - charger, battery 18-3, 18-5
 - charger, battery, onboard 18-7, 18-9
 - charger, battery, shield 18-11
 - choke cable 11-17
 - choke cable bezel 11-17
 - choke valve 11-17
 - circuit breaker 15-9, 18-3, 18-5, 18-7, 18-9
 - clamp
 - battery 8-25
 - cable retaining 11-15
 - hose 11-3, 11-5, 11-7, 11-11, 11-13, 11-17
 - hose, green 11-7
 - muffler hose 1-83, 12-3
 - clevis, upper delta 6-17, 6-25, 7-19
 - clip
 - hair pin 1-43
 - meter 4-15, 4-17
 - clip, score card 6-11, 7-13
 - cluster idler gear 14-9
 - cluster, brake 5-11, 5-17, 5-19
 - clutch cam installation tool 19-3
 - clutch pulley 13-5, 13-9
 - clutch repair kit 13-11, 13-13
 - clutch tool kit 19-3
 - clutch weight 13-5, 13-7, 13-9
 - clutch, drive 13-5, 13-9
 - clutch, driven 13-11, 13-13
 - coil, field 8-9
 - coil, ignition 9-5, 10-5
 - collet 9-9, 10-9
 - column, steering 6-5, 7-7
 - communication display module 19-5
 - component box, electrical 8-15, 8-17, 8-19
 - component mounting plate 15-15
 - compression gauge 19-5
 - compression mount 6-31, 7-25
 - compressor, piston ring 19-5
 - 3-15, 3-19, 3-23
 - compressor, valve spring 19-7
 - computer, onboard 15-15
 - conduit 4-35
 - connecting rod 9-13, 10-13
 - connector, a- 8-9
 - continuity tester 19-5
 - control board 18-7, 18-9
 - controller, speed 15-15
 - converter, DC/DC 4-27
 - cord connector 9-11, 10-11
 - cord reel 18-11
 - cord, AC 18-3, 18-5, 18-7, 18-9
 - cord, DC 18-3, 18-5, 18-7, 18-9
 - corner cap 1-43
 - counterbalance guide shaft 9-13, 10-13
 - counterbalance weight 9-13, 10-13
 - cover
 - brush inspection port 8-9
 - brush port 8-9
 - crankcase 9-11, 10-11
 - dust 5-11, 5-17, 5-19, 6-13, 6-21, 7-15
 - electrical box 8-15, 8-17, 8-19
 - electrical component 15-15
 - fuse block 4-9
 - oil pump 9-7, 10-7
 - rocker switch hole 4-15, 4-17, 4-19, 4-21
 - screw head 4-15, 4-17, 4-19, 4-21
 - steering column 6-5, 7-7
 - wheel 2-9
 - cover, steering column 4-13
 - cowl 1-3, 1-5
 - crankcase 9-13, 10-13
 - crankcase cover 9-11, 10-11
 - crankcase vent tube 11-11, 11-13
 - crankshaft 9-13, 10-13
 - crankshaft rod 9-13, 10-13
 - crankshaft shim 9-13, 10-13
 - C-type stop ring 6-3, 7-5
 - cup holder 1-11
 - cup, spring 5-5, 5-7
 - current limiter 18-5
 - cushion, shock absorber 6-27, 6-29, 7-21, 7-23
 - cutter, valve seat 19-7
 - cylinder adapter 1-53
 - cylinder head 9-9, 10-9
- ## D
- damper, RPM limiter 9-5, 10-5
 - dash component 1-9
 - dash panel 4-15, 4-17, 4-19, 4-21
 - DC cord 18-3, 18-5, 18-7, 18-9
 - DC/DC converter 4-27
 - decal
 - 4-gauge wire warning 3-5, 3-9
 - battery danger 3-5, 3-9
 - bed load warning 1-39, 1-47, 3-3, 3-7, 3-11,

INDEX

diode 8-15, 8-17, 8-19, 8-23
diode, charging 8-23
dipstick 9-3, 10-3
door 1-69
door latch 1-69
drain plug 9-7, 10-7, 14-13
drain plug gasket 9-7, 10-7, 14-7, 14-13
drive bar 15-3
drive belt 13-3
drive button 13-11, 13-13
drive clutch 13-5, 13-9
drive clutch assembly 13-7
drive clutch button 13-5, 13-7, 13-9
drive clutch fixed-face 13-5, 13-7, 13-9
drive clutch holder tool 19-3
drive clutch hub puller 19-3
drive clutch puller 19-3
drive clutch pulley 13-7
drive clutch spring 13-5, 13-7, 13-9
drive clutch weight 13-5, 13-7, 13-9
drive hub 13-5, 13-7, 13-9
drive selector shaft 14-7, 14-13
drive unit bumper 16-3
drive unit guard 17-5
driven clutch 13-11, 13-13
driven clutch button 13-11, 13-13
driven clutch cam 13-11, 13-13
driven clutch cam puller 19-3
driven clutch fixed-face assembly 13-11, 13-13
driven clutch puller plug 19-3
driver, drive clutch 13-5, 13-7, 13-9
drum, brake 5-11, 5-17, 5-19
dry moly lubricant 19-5
duct hose 1-83
dust cap 4-19, 4-21, 15-5
dust cover 5-11, 5-17, 5-19, 6-13, 6-21, 7-15

E

eccentric adjustment screw 6-17, 6-25
eccentric bolt 7-19
E-clip 5-13, 5-15, 5-21
electrical box cover 8-15, 8-17, 8-19
electrical component box 8-15, 8-17, 8-19
electrical component cover 15-15
end bell, commutator 8-9
end bell, output shaft 8-9
end cap, motor 16-3
engine 9-3, 10-3
engine mounting plate 9-15, 10-15
engine shroud 9-3, 10-3
equalizer pivot 5-13
equalizer rod 5-13, 5-15, 5-21
equalizer, brake cable 5-13, 5-15, 5-21
exhaust system 12-3
exhaust valve 9-9, 10-9
extension, spring latch 1-33

extrusion, fender 1-3
extrusion, plastic 1-23

F

face, moveable 13-5, 13-7, 13-9, 13-11, 13-13
fan housing 9-3, 10-3
fan shroud 9-3, 10-3
fan, defogger 1-81
fan, flywheel 9-5, 10-5
fender 1-67
fender extrusion 1-3
fender kit 1-67
fender, rear 1-65, 1-67
field coil 8-9
field coil housing 8-9
fill plug 14-7, 14-13
fill plug gasket 14-13
filter
 air 11-17
 fuel 11-3, 11-5
 oil 9-7, 10-7
 oil pump 9-7, 10-7
fitting, thread-forming grease 6-3, 6-13, 6-15, 6-21, 6-23, 7-5, 7-15, 7-17
fixed-face, drive clutch 13-5, 13-7, 13-9
fixed-face, driven clutch 13-11, 13-13
float 11-9
floor mat 1-5, 1-9
floor plate, bed 1-33
fluid, hydraulic 1-53
flywheel 9-5, 10-5
flywheel fan 9-5, 10-5
flywheel fan plate 9-5, 10-5
flywheel puller 19-5
FNR closeout brush 4-15, 4-17
FNR shift lever 14-7, 14-13
FNR shifter 14-3
FNR shifter bracket 14-3
FNR shifter cable 14-5
FNR shifter cam 14-3
fork, shift 14-9, 14-15
frame and field, motor 16-3
frame and field, starter/generator 8-9
frame, tilt bed 1-33
front body 1-3
front bumper 1-3, 1-5
front bumper kit 1-3, 1-5
front leaf spring 6-17, 6-25
front spring retainer plate 6-17, 6-25, 7-19
F-terminal hardware 8-9
f-terminal insulator 8-9
fuel filter 11-3, 11-5
fuel gauge sending unit 11-3, 11-5
fuel line 11-3, 11-5, 11-7, 11-11, 11-13
fuel meter 4-15, 4-17
fuel pickup tube 11-3

fuel pump mount 11-3, 11-5
fuel pump, impulse 11-3, 11-5
fuel tank 11-3
fuel tank cap 11-3
fuel tank strap 11-3, 11-5
fuel tank vent 11-3
fuel tank vent grommet 11-5
fuse 15-7, 18-3, 18-5, 18-7, 18-9
 10-amp 8-15, 8-17, 8-19
 20-amp 4-5, 4-9, 8-15, 8-17, 8-19
 3/8-amp 15-7, 18-11
fuse and receptacle 15-7
fuse block 4-5, 4-9, 8-15, 8-17, 8-19
fuse block cover 4-9

G

gasket
 carburetor 11-11, 11-13
 carburetor mounting 11-9, 11-11, 11-13
 crankcase cover 9-9, 9-11, 10-9, 10-11
 drain plug 9-7, 10-7, 14-7
 drain plug, fill plug 14-13
 exhaust 1-83, 9-9, 10-9, 12-3
 head 9-9, 10-9
 insulator 9-9, 10-9, 11-11, 11-13
 liquid 14-7, 17-3, 19-5
 plug 17-3
 rocker case 9-9, 10-9
 sending unit 11-3, 11-5
 taillight 4-45
gasket kit, FE350 9-9, 10-9
gauge, compression 19-5
gauge, fuel-hour 4-15, 4-17
gear
 25 tooth 14-15
 28 tooth 14-15
 case 14-13
 cluster idler 14-9
 differential 14-11, 14-17, 17-3
 differential idler 14-11, 17-3
 differential output 17-3
 helical 9-13, 10-13, 14-9, 14-11
 planetary 14-17
 speed governor 14-15
 spur 9-13, 10-13, 14-9
 sun 14-17
 synchro 14-9
gear yoke 19-5
gearcase 14-7, 17-3
governor 14-9, 14-15
governor arm 11-15, 14-7, 14-13
governor cable 11-15
governor cable bracket 11-15
governor shaft installation tool 19-5
grip, pencil 6-11, 7-13
grip, tilt latch hand 1-33, 1-39

INDEX

grommet 1-15, 1-25, 1-27, 1-29, 11-3

fuel tank vent 11-5

ignition 9-5, 10-5

guard, brush 1-5

guard, differential 17-5

guard, splash 1-7

guide

intake valve 9-9, 10-9

valve 9-9, 10-9

valve seat cutter 19-7

guide ring adhesive 19-3

H

hair pin clip 1-43

handle 1-85

hanger, brake cable 6-27, 7-21

hardware, F-terminal 8-9

harness, battery charger 18-11

harness, wire 1-83, 4-27, 4-31, 4-33, 8-3, 8-5, 8-7, 15-5

head gasket 9-9, 10-9

head, cylinder 9-9, 10-9

headband, sealed, motor 16-3

headband, vented, motor 16-3

headlamp template 4-5, 4-9

headlight 4-3

headlight assembly 4-3, 4-5, 4-9

headlight bulb 4-3

headlight harness 4-3

headlight retainer 4-3

heat shrink tube 18-11

heater 1-83

heatsink and rectifier 18-3, 18-5, 18-7, 18-9

heavy-duty bumper 1-3

helical gear 9-13, 10-13, 14-9, 14-11

hill brake rod 5-3

hill brake weld assembly 5-3

hinge kit, door 1-69

hinge pin 1-47

hinge, stake side 1-47

hinge, tilt bed 1-33

hitch, trailer 1-59

hitch, trailer, ball 1-61

hold-down rod, battery 15-11, 15-13

hold-down, battery 15-11, 15-13

holder, cup 1-11

hole plug 4-19, 4-21

horn 4-5, 4-9, 4-41

horn bracket 4-5, 4-9, 4-41

horn button and wire assembly 4-5, 4-9, 4-41

hose 1-53

fuel 11-3, 11-5

vent 11-7

hose clamp, green 11-7

hose, air intake 11-17

hose, duct 1-83

hour meter 4-15, 4-17, 4-43

hour meter, 36-48 volt 4-43

housing

2-pin 15-3

3-pin 15-3, 16-3

differential 17-3

fan 9-3, 10-3

field coil 8-9

hub 6-13, 6-21, 7-15

hub bearing 6-13, 6-21, 7-15

hub cap 2-9

hub cap, 7 prong 2-9

hub, synchronizer clutch 14-9

hydraulic bed lift 1-53

hydraulic bed lift harness 1-53

hydraulic fluid 1-53

hydraulic tilt bed pump 1-53

hydraulic tilt cylinder 1-53

hydrometer 19-5

I

idle screw assembly 11-9

idler bearing 13-5, 13-7, 13-9

idler gear, differential 17-3

ignition coil 9-5, 10-5

inlet valve 1-83

inner frame snubber 9-15, 10-15

input shaft 17-3

insert, synchronizer 14-9

instrument panel 4-15, 4-17, 4-19, 4-21

insulating washer 16-3

insulator gasket 9-9, 10-9, 11-11, 11-13

insulator, carburetor 11-11, 11-13

insulator, motor terminal 16-3

intake pipe 11-11

intake valve 9-9, 10-9

intermediate shaft 17-3

intermediate steering shaft 6-7

internal retaining ring pliers 19-5

IQ display module (IQDM) 19-5

J

jet, main 11-9

jet, pilot 11-9

joint

ball 5-3, 5-9, 6-15, 6-23, 7-17, 14-5

left-hand thread ball 6-3, 6-15, 6-23, 7-5, 7-17

steering 7-9

K

key

crankshaft 9-5, 9-13, 10-5, 10-13

driven clutch 13-11, 13-13

On/Off 4-15, 4-17, 4-19, 4-21

square 13-11, 13-13

starter/generator 8-9

woodruff 14-7

key switch 4-15, 4-17

key switch cap 4-15, 4-17, 4-19, 4-21, 4-25

key switch, On/Off 4-19, 4-21

key switch, uncommon 4-25

kingpin 6-17, 6-25, 7-19

kit

2-pin housing 15-3

3-pin housing 15-3, 16-3

accelerator pivot rod 5-5, 5-7

air duct shield 11-17

anchor body 5-11, 5-17

armature conversion 8-9

bed lift 1-49, 1-51

brake actuator 5-11, 5-17

brake cable 5-13, 5-21

brake pedal 5-3

brake relay 4-5

brake shoe 5-11, 5-17

brake shoe retainer 5-11, 5-17, 5-19

cab adapter 1-69

canopy 1-25, 1-27, 1-29

clutch repair 13-11, 13-13

cup holder 1-11

DC/DC converter 4-27

differential gear case 14-11

diode 8-23

door hinge 1-69

drive clutch button 13-5, 13-7, 13-9

drive clutch weight 13-5, 13-7, 13-9

driven clutch button 13-11, 13-13

equalizer, brake 5-13

fan/defogger 1-81

fixed-face drive 13-5, 13-7, 13-9

flywheel puller 19-5

front bumper 1-3, 1-5

gasket, FE350 9-9, 10-9

heater, cab 1-83

heavy-duty front bumper 1-3

hour meter 4-43

hub cap 2-9

hydraulic bed lift 1-53

IQ display module (IQDM) 19-5

light 4-5, 4-9

mirror 1-13

mirror, inside rear-view 1-71

mirror, side-view 1-73

motor brush 16-3

motor brush lead assembly 16-3

motor brush spring 16-3

motor speed sensor 16-3

name plate 3-27, 3-29, 3-31

park brake latch 5-3

park brake pedal 5-3

INDEX

piston ring compressor 19-5
prop rod 1-37
rear fender 1-67
rear receiver hitch 1-63
relay, 48V 15-15
seat belt 1-69
shock absorber cushion 6-27, 6-29, 7-21, 7-23
shoe retainer 5-11, 5-17, 5-19
smartkey 4-23
stake side 1-47
steering column mounting bracket 6-5, 7-7
strobe light 1-77, 4-31, 4-33, 4-35
tailgate angle 1-41
tailgate mounting 1-39
taillight hardware 4-45
trailer hitch 1-59
transmission tool 19-7
tune-up 19-7
turn signal 4-13
wheel cover 2-9
windshield, hinged 1-21
windshield, one-piece 1-23
wire assembly, charger 18-3, 18-7, 18-9
work light 1-79
knob, forward/reverse 14-3
knob, light switch 4-5, 4-9

L

lamp, strobe light 4-31, 4-33, 4-35
lamp, turn signal and socket 4-13
lash adjuster 9-11, 10-11
latch plate, tilt bed 1-35
latch weld 1-33
latch, air box 11-17
latch, bed 1-39
latch, park brake 5-3
latch, slam 1-43
latch, spring 1-43
leaf spring 6-17, 6-25, 6-27, 6-29, 7-19, 7-21, 7-23
lens, headlight 4-3
lens, strobe light 4-31, 4-33, 4-35
lens, taillight 4-45
lever
choke 11-17
drive selector 14-7
speed governor 14-13
transmission shift 14-7, 14-13
light
battery 4-19, 4-21
oil 4-15, 4-17
light bar 4-37, 4-39
light switch 4-5, 4-9
light switch knob 4-5, 4-9

light, strobe 1-77, 4-31, 4-33, 4-35
lighting package 4-5, 4-9
limit switch 4-5, 4-9, 8-15, 8-17, 8-21, 14-3
limiter
current 18-5
RPM 9-5, 10-5
voltage 4-5, 4-29
line, fuel 11-3, 11-5, 11-7, 11-11, 11-13
link, rack and pinion drag 6-3, 7-5
link, stabilizer bar 6-31, 7-25
liquid gasket 14-7, 17-3, 19-5
low oil warning light 4-15, 4-17
lubricant, dry moly 19-5
lubricant, moly-teflon 16-3, 19-5
lug nut 2-3, 2-5, 2-7
lug stud 14-11, 14-17, 17-3

M

magnet, speed sensor 16-3
main jet 11-9
mat, bed 1-45
mat, floor 1-5, 1-9
MCOR 15-3
mechanism, brake adjusting 5-19
meter clip 4-15, 4-17
meter, hour 4-43
meter, volt ohm 19-7
mirror 1-13
mirror, inside rear-view 1-71
mirror, rear view 1-13
mirror, side-view 1-73
module
calibration test 19-3
communication display 19-5
moly-teflon lubricant 19-5
motor
48-volt IQ Plus 16-3
wiper 1-69
motor brush 16-3
motor brush kit 16-3
motor brush lead assembly kit 16-3
motor brush spring 16-3
motor bumper 16-3
motor controller 15-15
motor end cap 16-3
motor frame and field 16-3
motor headband, sealed 16-3
motor headband, vented 16-3
motor magnet, speed sensor 16-3
motor speed sensor 16-3
motor speed sensor kit 16-3
motor terminal and lead assembly 16-3
motor terminal insulator 16-3
mount, compression 6-31, 7-25
mount, fuel pump 11-3, 11-5
mounting block, brake 5-3

moveable-face 13-5, 13-7, 13-9, 13-11, 13-13
muffler hose clamp 1-83, 12-3

N

name plate 3-27, 3-29, 3-31
needle bearing 14-9
nozzle, main 11-9
nut, lug 2-3, 2-5, 2-7

O

OBC 15-15
oil conveyer 14-13
oil filler tube 9-3, 10-3
oil filter 9-7, 10-7
oil filter mount bracket 9-7, 10-7
oil filter screen 9-11, 10-11
oil filter screen plate 9-11, 10-11
oil level sensor 9-11, 10-11
oil level switch bracket 9-11, 10-11
oil pump and rotor 9-7, 10-7
oil pump cover 9-7, 10-7
oil pump filter 9-7, 10-7
oil pump plate 9-7, 10-7
oil seal 9-9, 9-11, 9-13, 10-9, 10-11, 10-13, 14-7, 14-9
oil warning light, low 4-15, 4-17
onboard battery charger 18-7, 18-9
onboard computer 15-15
O-ring 9-3, 9-9, 9-11, 9-13, 10-3, 10-9, 10-11, 10-13

P

pad
accelerator pedal 5-5, 5-7
brake pedal 5-3
park brake 5-3
thermal 8-23
paint, touch-up 19-5
panel
front 1-43
left 1-43
right 1-43
panel box 1-39
panel, front 1-39
panel, instrument 4-15, 4-17, 4-19, 4-21
park brake latch 5-3
park brake pedal 5-3
park brake rod sleeve 5-3
park brake spacer 5-3
park brake torsion spring 5-3
pawl 5-3
pedal, accelerator 5-5, 5-7
pedal, brake 5-3
pedal, park brake 5-3
pencil grip 6-11, 7-13

INDEX

- pilot air screw assembly 11-9
 - pilot jet 11-9
 - pin
 - bow tie locking 5-13, 5-15, 5-21
 - clevis 5-13, 5-15, 5-21
 - differential 14-11
 - piston 9-13, 10-13
 - pin, hinge 1-47
 - pinion, steering 6-3, 7-5
 - pipe, intake 11-11
 - piston 9-13, 10-13
 - piston anchor 5-11, 5-17
 - piston pin 9-13, 10-13
 - piston ring 9-13, 10-13
 - piston ring compressor 19-5
 - piston ring pliers 19-5
 - piston ring set 9-13, 10-13
 - pivot arm 14-7
 - pivot support bearing 5-5, 5-7
 - plate
 - backing (brake) 5-19
 - component mounting 15-15
 - engine mounting 9-15, 10-15
 - flywheel fan 9-5, 10-5
 - front spring retainer 6-17, 6-25, 7-19
 - latch 1-35
 - name 3-27, 3-29, 3-31
 - oil filter screen 9-11, 10-11
 - oil pump 9-7, 10-7
 - receptacle backing 15-7, 18-11
 - score card 6-9, 6-11, 7-11, 7-13
 - spring mounting 6-17, 6-25, 7-19
 - steering wheel 6-9, 7-11
 - thrust 14-9, 14-11
 - plate, canopy trim 1-25, 1-27, 1-29
 - plate, Tow/Run switch 15-9
 - pliers
 - internal retaining ring 19-5
 - piston ring 19-5
 - retaining ring 19-5
 - plug
 - drain 9-7, 10-7, 14-13
 - drive clutch 13-5
 - driven clutch puller 19-3
 - fill 14-7, 14-13
 - hole 4-19, 4-21
 - spark 9-5, 10-5
 - plug cap 9-5, 10-5
 - plug, carburetor intake manifold 11-13
 - pole set 8-9
 - port, diagnostic 4-19, 4-21, 15-5
 - portable refreshment center 1-55
 - PRC 1-55
 - press weldment 19-3
 - prop rod 1-37
 - prop rod track 1-37
 - protector spray, battery terminal 19-3
 - puller
 - bearing 19-3
 - drive clutch 19-3
 - drive clutch hub 19-3
 - driven clutch cam 19-3
 - flywheel 19-5
 - seal 19-5
 - pulley
 - clutch 13-5, 13-9
 - drive clutch 13-7
 - starter-generator 8-9
 - v-belt 8-9
 - pump assembly, hydraulic tilt bed 1-53
 - pump, impulse fuel 11-3, 11-5
 - push rod 9-9, 10-9
- ## R
- race, front hub bearing 6-13, 6-21, 7-15
 - rack and pinion drag link 6-3, 7-5
 - rack guide pressure spring 6-3, 7-5
 - rack, steering 6-3, 7-5
 - ratchet, park brake 5-3
 - reamer, valve guide 19-7
 - rear fender 1-65
 - rear spring shackle 6-27, 7-21
 - rear view mirror 1-13
 - rear-view mirror, inside 1-71
 - receiver hitch 1-63
 - receptacle and fuse 15-7
 - receptacle backing plate 15-7, 18-11
 - receptacle, AC cord 18-5
 - receptacle, battery charger 15-7
 - rectifier with heatsink 18-3, 18-5, 18-7, 18-9
 - reel bracket 18-11
 - reel cord 18-11
 - refreshment center, portable 1-55
 - regulator, voltage 8-15, 8-17, 8-19
 - relay 4-9, 8-17, 15-15
 - relay mounting bracket 8-17, 18-7, 18-9
 - relay, 12-volt 4-5
 - relay, 48V 15-15
 - relay, 48-volt 18-3, 18-5, 18-7, 18-9
 - relay, brake, kit, 12-volt 4-5
 - remover, bearing and oil seal 19-3
 - retainer
 - accelerator pedal spring 5-5, 5-7
 - brake shoe 5-11, 5-17, 5-19
 - headlight 4-3
 - shock absorber cushion 6-27, 6-29, 7-21, 7-23
 - spring (drive clutch) 13-5, 13-7, 13-9
 - valve spring 9-9, 10-9
 - retainer, battery charger 18-13
 - retaining ring 6-5, 7-7
 - retaining ring pliers 19-5
- ## S
- return spring bumper 5-5, 5-7
 - reverse buzzer 4-15, 4-17, 4-19, 4-21
 - rim, wheel 2-5, 2-7
 - rim, wheel, silver 2-5, 2-7
 - rim, wheel, white 2-3
 - ring
 - C-type stop 6-3, 7-5
 - piston 9-13, 10-13
 - retaining 6-5, 7-7, 8-15, 8-17, 8-19, 13-5, 13-7, 13-9, 13-11, 13-13
 - snap 6-3, 7-5, 9-9, 9-13, 10-9, 10-13
 - spiral backup 13-5, 13-7, 13-9
 - synchronizer 14-9
 - rivet, blind push 1-3, 1-5, 15-15
 - rock guard 17-5
 - rocker arm 9-9, 10-9
 - rocker case 9-9, 10-9
 - rocker case gasket 9-9, 10-9
 - rocker shaft 9-9, 10-9
 - rocker switch 1-49, 1-51, 1-53, 4-19, 4-21
 - rocker switch (lights) 4-5, 4-9, 4-17, 4-21
 - rod
 - accelerator 5-9
 - accelerator pivot 5-5, 5-7
 - battery hold-down 15-11, 15-13
 - connecting 9-13, 10-13
 - crankshaft 9-13, 10-13
 - equalizer 5-13, 5-15, 5-21
 - hill brake 5-3
 - prop 1-37
 - push 9-9, 10-9
 - shift 14-9
 - tie 6-15, 6-23, 7-17
 - roof 1-69
 - RPM limiter 9-5, 10-5
 - RPM limiter bracket 9-5, 10-5
 - RPM limiter damper 9-5, 10-5
 - RPM limiter mount band 9-5, 10-5
 - rubber bumper 1-43

INDEX

- seal, bed 1-31, 1-33
- sealant 14-7, 17-3
- seat
 - spring 9-9, 10-9
 - valve 9-7, 10-7
- seat back 1-19
- seat back assembly 1-19
- seat back cap 1-19
- seat back tube 1-31
- seat back, white 1-19
- seat belt 1-69
- seat bottom assembly 1-17
- seat bumper 1-17
- seat cover, vinyl 1-17
- seat strap 1-17
- seat, bearing 6-5, 7-7
- sending unit, fuel gauge 11-3, 11-5
- sensor, motor speed 16-3
- sensor, oil level 9-11, 10-11
- set, brush and screw 8-9
- set, pole 8-9
- shackle weldment 6-29
- shackle, rear spring 6-27, 7-21
- shaft
 - counterbalance guide 9-13, 10-13
 - drive selector 14-7, 14-13
 - input 17-3
 - intermediate 17-3
 - intermediate steering 6-7
 - rocker 9-9, 10-9
 - steering column 6-5, 7-7
 - transmission 14-9, 14-15
- shaft, reverse gear 14-15
- shaft, secondary
 - transmission 14-15
- shield, air duct 11-17
- shield, battery charger 18-11
- shift fork 14-9, 14-15
- shift lever 14-7, 14-13
- shift rod 14-9
- shifter, FNR 14-3
- shim, camshaft 9-11, 10-11
- shim, crankshaft 9-13, 10-13
- shim, latch plate 1-35
- shim, tilt bed pivot 1-33
- shock absorber 6-15, 6-23, 6-27, 6-29, 7-17, 7-21, 7-23
- shock absorber cushion 6-27, 6-29, 7-21, 7-23
- shock absorber cushion retainer 6-27, 6-29, 7-21, 7-23
- shock extension 7-23
- shock mounting bracket, drv 6-29
- shock mounting bracket, pas 6-29
- shoe retainer kit 5-11, 5-17, 5-19
- shoe, brake 5-11, 5-17, 5-19
- shroud 9-3, 10-3
- shroud, engine 9-3, 10-3
- shroud, fan 9-3, 10-3
- side-view mirror 1-73
- signal, turn 4-13
- slam latch 1-43
- sleeve
 - delta A-plate 6-15, 6-23, 7-17
 - governor 14-9
 - park brake rod 5-3
 - synchronizer 14-9
- smartkey 4-23
- snap ring 6-3, 7-5, 9-9, 9-13, 10-9, 10-13
- snubber bracket 9-15, 10-15
- snubber, inner frame 9-15, 10-15
- socket 6-3, 6-15, 6-23, 7-5, 7-17
- solenoid 15-15
- solenoid, 12-volt 8-15, 8-17, 8-19
- spacer 1-5, 1-53, 15-11, 15-13
 - accelerator pivot rod 5-5, 5-7
 - park brake 5-3
- spark plug 9-5, 10-5
- speed controller 15-15
- speed sensor 16-3
- speed sensor magnet 16-3
- speed sensor, motor 16-3
- spindle 6-13, 6-21, 7-15
- spiral backup ring 13-5, 13-7, 13-9
- splash guard 1-7
- spray, battery terminal protector 4-9, 19-3
- spring
 - accelerator return 5-5, 5-7
 - brake 5-11, 5-17, 5-19
 - brake return 5-15, 5-21
 - brush 8-9, 16-3
 - camshaft 9-11
 - compression 6-11, 7-13
 - drive button 13-5, 13-7, 13-9
 - drive clutch 13-5, 13-7, 13-9
 - driven clutch 13-11
 - extension 1-33
 - extension return 11-17
 - latch tilt 1-39
 - leaf 6-17, 6-25, 6-27, 6-29, 7-19, 7-21, 7-23
 - park brake torsion 5-3
 - rack guide pressure 6-3, 7-5
 - shifter 14-9
 - steering shaft compression 6-5, 7-7
 - synchronizer 14-9
 - throttle return 11-11, 11-13
 - valve 9-9, 10-9
- spring cup 5-5, 5-7
- spring latch 1-43
- spring mounting plate 6-17, 6-25, 7-19
- spring, motor brush 16-3
- spur gear 9-13, 10-13, 14-9
- stabilizer bar 6-31, 7-25
- stabilizer bar link 6-31, 7-25
- stabilizer bar mounting bracket 6-31, 7-25
- stake side 1-47
- stake side bracket 1-47
- stake side hinge 1-47
- stake side kit 1-47
- starter/generator (cw) (model G425419) 8-9
- starter/generator belt 8-11
- starter/generator brush cover kit 8-9
- starter/generator brush plate 8-9
- starter/generator brush spring 8-9
- starter/generator brush terminal 8-9
- starter/generator frame and field 8-9
- starter/generator pulley 8-9
- steel bushing 1-33, 6-17, 6-19, 6-25, 6-27, 6-29, 7-19, 7-21, 7-23
- steel pressure relief ball 9-7, 10-7
- steering column 6-5, 7-7
- steering column bearing press tool 19-7
- steering column cover 4-13
- steering column retaining ring tool 19-7
- steering gear box 6-3, 7-5
- steering joint 7-9
- steering pinion 6-3, 7-5
- steering pinion dust seal 6-3, 7-5
- steering rack 6-3, 7-5
- steering shaft assembly 6-5, 7-7
- steering shaft compression spring 6-5, 7-7
- steering wheel 6-9, 6-11, 7-11, 7-13
- steering wheel plate 6-9, 7-11
- steering wheel puller tool 19-7
- stem, valve 2-3, 2-5, 2-7
- stiffener 1-17
- stiffener, flywheel side 9-15, 10-15
- stiffener, PTO side 9-15, 10-15
- strap, A-plate 6-15, 6-23, 7-17
- strap, fuel tank 11-3, 11-5
- strap, seat 1-17
- strobe light 1-77, 4-31, 4-33, 4-35
- strobe light lens 4-31, 4-33, 4-35
- stud 9-15, 10-15
 - lug 14-11, 14-17, 17-3
 - self-clinching 1-41, 1-43
- stud, ball 8-15, 8-17, 8-19, 14-7, 14-13
- support yoke (steering) 6-3, 7-5
- support, bushing 6-31, 7-25
- suppressor, voltage 4-5, 18-3, 18-5, 18-7, 18-9
- switch plate cover 4-31, 4-33, 4-35
- switch 1-83
 - four-position 18-5, 18-9
 - key 4-15, 4-17, 4-19, 4-21
 - key, uncommon 4-25
 - light 4-5, 4-9
 - light rocker 4-5, 4-9, 4-17, 4-21
 - limit 4-5, 4-9, 8-15, 8-17, 8-21, 14-3
 - rocker 1-49, 1-51, 1-53, 4-19, 4-21

INDEX

toggle 4-37, 4-39
Tow/Run 15-9
turn signal 4-13
switch assembly 4-31, 4-33, 4-35
switch panel, accessory 1-75
switch rubber boot 8-13, 15-9
switch, toggle 8-13
synchro gear 14-9
synchronizer clutch hub 14-9
synchronizer insert 14-9
synchronizer sleeve 14-9
synchronizer spring 14-9
synchronizer, complete 14-15
system, exhaust 12-3

T

12-volt battery 8-25
12-volt solenoid 8-15, 8-17, 8-19
tachometer 19-7
tail light bulb 4-45
tailgate 1-39, 1-43
tailgate angle 1-41, 1-43
tailgate mounting kit 1-39
taillight 4-45
taillight assembly 4-5, 4-9, 4-45
taillight base 4-45
taillight gasket 4-45
taillight hardware kit 4-45
taillight lens 4-45
taillight skirt 1-65, 1-67
tank, fuel 11-3
tape 11-17
tape, vinyl foam 1-33
terminal block 4-5, 4-9, 15-5, 18-11
tester, continuity 19-5
tether 1-43
thermal pad 8-23
thermometer, battery 19-3
thread-forming grease fitting 6-3, 6-13, 6-15, 6-21, 6-23, 7-5, 7-15, 7-17
throttle return spring 11-11, 11-13
throttle spring return bracket 11-11, 11-13
thrust bearing 6-17, 6-25, 7-19
thrust plate 14-9, 14-11
tie rod 6-15, 6-23, 7-17
tie wrap 1-49, 1-51, 1-53, 1-83, 4-7, 4-11, 4-13, 4-27, 4-33, 4-35, 4-37, 4-39, 4-43, 6-3, 7-5, 8-15, 8-17, 8-19, 14-5, 18-11
tilt bed 1-33
tilt bed frame 1-33
tilt latch hand grip 1-33, 1-39
tilt, hydraulic, cylinder 1-53
tire 2-3, 2-5, 2-7
tire and wheel assembly 2-3
toggle switch 4-37, 4-39, 8-13
tool

accelerator pedal adjustment 19-3
brake adjustment 19-3
brake cable release 19-3
charger bezel 19-3
clutch cam installation 19-3
drive clutch holder 19-3
governor shaft installation 19-5
steering column bearing press 19-7
steering column retaining ring 19-7
steering wheel puller 19-7
transaxle axle seal 19-7
transaxle pinion seal 19-7
transmission 19-7
tool kit, clutch 19-3
toolbox 1-57
touch-up paint 19-5
Tow/Run switch 15-9
Tow/Run switch bracket 8-13
Tow/Run switch plate 15-9
track, prop rod 1-37
trailer hitch 1-59
trailer hitch ball 1-61
trailer hitch brace 1-59
transaxle (Electric Vehicle) 17-3
transaxle axle seal tool 19-7
transaxle Graziano (gasoline vehicle), unitized 14-13
transaxle guard 17-5
transaxle pinion seal tool 19-7
transaxle, Kawasaki (Gasoline Vehicle) 14-7
transformer, battery charger 18-3, 18-5, 18-7, 18-9
transmission secondary shaft 14-15
transmission shaft 14-9, 14-15
transmission tool 19-7
trim
 cowl 1-3, 1-5
 seat bottom 1-31
tube
 axle 14-11, 14-17, 17-3
 crankcase vent 11-11, 11-13
 fuel pickup 11-3
 oil filler 9-3, 10-3
 seat back 1-31
tune-up kit 19-7
turn signal 4-13
turn signal conversion kit 4-13
turn signal lens 4-3
turn signal socket and lamp 4-13

U

U-bolt 6-27, 6-29, 7-21, 7-23
unitized transaxle Graziano 14-13
upper delta clevis 6-17, 6-25, 7-19
urethane bushing 1-33, 6-15, 6-17, 6-19, 6-23, 6-25, 6-27, 6-29, 7-17, 7-19, 7-21, 7-23

V

valve
 choke 11-17
 exhaust 9-9, 10-9
 intake 9-9, 10-9
 reed 9-9, 10-9
valve clearance adjuster screw 19-7
valve guide 9-9, 10-9
valve guide reamer 19-7
valve guide, intake 9-9, 10-9
valve seat 9-7, 10-7
valve seat cutter 19-7
valve seat cutter guide 19-7
valve seat t-wrench 19-7
valve spring 9-9, 10-9
valve spring compressor 19-7
valve spring retainer 9-9, 10-9
valve stem 2-3, 2-5, 2-7
valve stem extension 2-9
valve, inlet 1-83
van box 1-85
v-belt 8-11
vent barb 11-3, 11-5
vent, barb 11-7
vent, fuel tank, w/ valve 11-5
vertical socket dust seal 6-3, 6-15, 6-23, 7-5, 7-17
volt ohm meter 19-7
voltage limiter 4-5, 4-29
voltage regulator 8-15, 8-17, 8-19
voltage suppressor 4-5, 18-3, 18-5, 18-7, 18-9

W

warning light, low oil 4-15, 4-17
washer, insulating 16-3
wedge, bearing puller 19-3
weight
 clutch 13-5, 13-7, 13-9
 counterbalance 9-13, 10-13
 secondary clutch 13-5, 13-7, 13-9
weldment
 press 19-3
 tilt bed frame 1-33
weldment, receiver hitch 1-63
wheel 2-3
wheel and tire assembly 2-3
wheel cover 2-9
wheel rim 2-5, 2-7
wheel rim, silver 2-5, 2-7
wheel rim, white 2-3
wheel, steering 6-9, 6-11, 7-11, 7-13
window 1-69
windshield 1-69
 hinged 1-21
 one-piece 1-23

INDEX

windshield channel 1-21
windshield frame 1-25, 1-27, 1-29
windshield frame pad 1-25, 1-27, 1-29
windshield latches 1-69
wiper arm 1-69
wiper blade 1-69
wiper motor 1-69
wire assembly, battery charger 18-5
wire harness 1-53, 1-83, 4-27, 4-31, 4-33, 8-3,
8-5, 8-7, 15-5
wire harness, light bar 4-37
woodruff key 14-7
work lights, light, work 1-79
wrap, tie 1-49, 1-51, 1-53, 1-83, 4-7, 4-11, 4-13,
4-27, 4-33, 4-35, 4-37, 4-39, 4-43, 6-3, 7-5,
8-15, 8-17, 8-19, 14-5, 18-11

Y

yoke, gear 19-5
yoke, support (steering) 6-3, 7-5



Club Car, Inc.
P.O. Box 204658
Augusta, GA 30917-4658
USA

Web www.clubcar.com
Phone 1.706.863.3000
1.800.ClubCar
Int'l +1 706.863.3000
Fax 1.706.863.5808