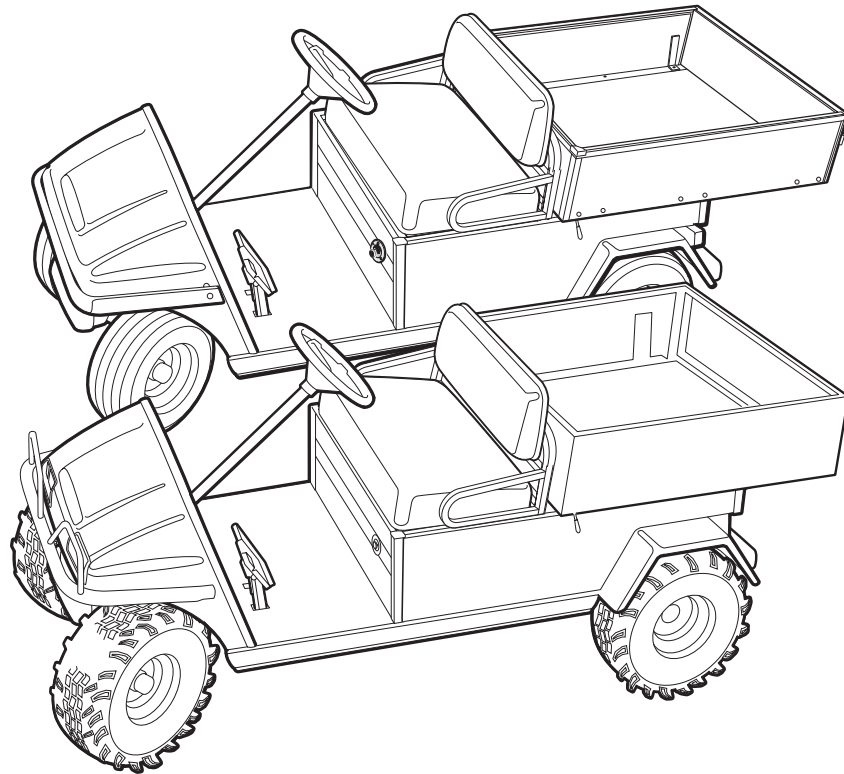




2012
Turf/Carryall 2, 252, 2 Plus,
and XRT 900
Illustrated Parts List



Gasoline and Electric Vehicles

Manual Number 103897309
Edition Code 0715C0616B

USING THE ILLUSTRATED PARTS LIST

⚠ WARNING

- **This manual is to be used only for identification and ordering of service parts. Be sure to read and use the maintenance and service manual before attempting any vehicle repairs.**

This manual covers all Turf/Carryall 2, 2 Plus, 252 and XRT 900 vehicles built during the 2012 model year.

The manual is divided into sections. Note that there are two or three flags on the outside edge of each page. The first flag contains the section number of which that page is a part. The other flag (or flags) contains the letter G or E, signifying that the page pertains to the electric or gasoline vehicles only.

Use the Table of Contents to find the sections and pages that contain the parts and assemblies you seek. The Table of Contents lists section numbers, and under them, the individual page titles and numbers to be found in that section. The index can be used to find specific parts and assemblies. The index is divided into numerical and alphabetical listings with the page numbers in italic text.

There is a two-page spread for each individual page title in the Table of Contents. On the left-hand page is an illustration showing the parts in their relative positions; the parts are each tagged with an item number in a balloon. The right-hand page is the parts list page, and gives the page title at the top, then the item numbers (corresponding to the numbers on the illustration), part descriptions, and quantity of parts used.

Note that a part description may be indented. This indentation corresponds to a parts assembly level indicated by the numbers 1, 2, 3, and 4 at the top left corner of the parts description area of the parts list page. A part that is indented to *level 2* is a component of the *level 1* part (assembly) that it is listed under. A *level 3* part is a component of the *level 2* part that it is listed under, and a *level 4* part is a component of the *level 3* part preceding it. In each case, the part quantity given for a level 2, 3, or 4 part is the quantity used per next higher level assembly of which it is a component. A part that is not indented is a *level 1* part. This means that the quantity given is the quantity used per the portion of the vehicle illustrated on that particular spread.



P. O. Box 204658
Augusta, Georgia 30917-4658 USA
Telephone 706-863-3000
Service Parts Fax 706-855-7413
www.clubcar.com

HOW TO ORDER PARTS

Replacement parts and accessories can be obtained from our network of authorized dealers and distributors. You can obtain the name and phone number of your closest authorized Club Car dealer or distributor by visiting our web site at www.clubcardealer.com, by calling our toll-free Service Parts and Technical Assistance hotline at (800) 872-2246 or (706) 863-3000, extension 3887, or by scanning this Quick Response (QR) code to be taken to the Club Car dealer locator. **Refer to Figure 1.** Download a QR code reader such as RedLaser or Barcode Scanner to your cell phone or tablet.



Figure 1 Dealer Locator QR Code

CUSTOMER SATISFACTION SURVEY

Let your voice be heard!

Please take time to participate in the Technical Publications satisfaction survey. Obtaining feedback from our customers is important to the department's continuous improvement process. The online survey takes less than five minutes and responses will help the department to examine current performance as well as identify areas for future improvement.

Our top priority is to provide timely, accurate, and user friendly manuals.

The online satisfaction survey can be found at: <http://bit.ly/1w9uFMh>



Figure 2 Survey QR Code

NOTE: *This illustrated parts list represents the most current information at the time of publication. Club Car, LLC is continually working to further improve its vehicles and other products. These improvements may affect the parts used to service the vehicle. Any modification and/or significant change in specifications will be forwarded to all Club Car and Carryall distributors/dealers and will, when applicable, appear in future editions of this illustrated parts list.*

Club Car, LLC reserves the right to change specifications and designs at any time without notice and without the obligation of making changes to units previously sold.

Copyright © 2011 Club Car, LLC
Club Car and ArmorFlex
are registered trademarks of Club Car, LLC
This manual effective August 1, 2011.

CONTENTS

SECTION 1 – BODY AND TRIM

Winch Kit, 1700 lb – CA Turf 252/272 & XRT 900/1200	1-3
Brush Guard Kit – DS, Utility, & Villager	1-5
Front Body and Trim – Turf/Carryall 2, 2 Plus, and 6	1-7
Front Body and Trim – Turf/Carryall 252 and XRT 900	1-9
Splash Guard – Gasoline Vehicles Only	1-11
Dash Pockets and Floormat	1-13
Beverage Holder	1-15
Mirror, Rear-View – without Cab	1-17
Grommets, Chassis	1-19
Seat Bottom	1-21
Seat Back Assembly	1-23
Windshield, Hinged	1-25
Windshield, Non-Hinged	1-27
Canopy Kit, White	1-29
Canopy Kit, Beige	1-31
Canopy Kit, Black	1-33
Hip Restraints and Seat Back Mounting	1-35
Tilt Bed, Extruded Hinge, and Latch	1-37
Latch Plate	1-39
Prop Rod	1-41
Cargo Box (Aluminum)	1-43
Cargo Box (Aluminum) Mounting	1-45
Cargo Box (Steel)	1-47
Bed Mat	1-49
Stake Side Kit	1-51
Electric Bed Lift – Gasoline Vehicles	1-53
Electric Bed Lift – Electric Vehicle	1-55
Hydraulic Bed Lift Kit	1-57
Portable Refreshment Center	1-59
Toolboxes	1-61
Trailer Hitch, Heavy-Duty	1-63
Trailer Hitch, Light-Duty	1-65
Trailer Hitch Ball	1-67
Receiver Hitch	1-69
Rear Body Trim – Turf/Carryall 1, 2, 2 Plus, and 6	1-71
Rear Body Trim – Turf/Carryall 252 and XRT 900	1-73
Cab, Curtis – Turf/Carryall 2, 2 Plus, 252 and XRT 900	1-75
Mirror, Inside Rear-View – Curtis Cab	1-77

CONTENTS

Mirror, Side-View – Curtis Cab	1-79
Accessory Switch Panel – Curtis Cab	1-81
Strobe Light – Curtis Cab	1-83
Work Lights – Curtis Cab	1-85
Fan/Defogger – Curtis Cab	1-87
Heater – Curtis Cab	1-89
Cab, CPL – Turf/CA 1, 2, 2 Plus, 6, 252 and XRT 900	1-91
Doors – CPL Cab	1-93
Windshield Wiper – CPL Cab	1-95
Windshields – CPL Cab	1-97
Seat Belts, Roof, Vent, & Seals – CPL Cab	1-99
Lights – CPL Cab	1-101
Fan and Mirror – CPL Cab	1-103
Van Box	1-105

SECTION 2 – WHEELS AND TIRES

Wheels (White) and Tires – Turf/Carryall 2 and 2 Plus	2-3
Wheels (Silver) and Tires – Turf/Carryall 2 and 2 Plus	2-5
Wheels and Tires, Off-Road Tread – Turf/Carryall 252 and XRT 900	2-7
Wheels and Tires, Turf Tread – Turf/Carryall 252 and XRT 900	2-9
Wheel Covers	2-11

SECTION 3 – DECALS

Decals – Turf/Carryall 2 IQ Plus Electric (Page 1 of 2)	3-3
Decals – Turf/Carryall 2 IQ Plus Electric (Page 2 of 2)	3-5
Decals – Turf/Carryall 252 and XRT 900 IQ Plus Electric (Page 1 of 2)	3-7
Decals – Turf/Carryall 252 and XRT 900 IQ Plus Electric (Page 2 of 2)	3-9
Decals – Turf/CA 2 Gasoline Vehicles (Page 1 of 2)	3-11
Decals – Turf/CA 2 Gasoline Vehicles (Page 2 of 2)	3-13
Decals – Carryall 2 Plus Gasoline Vehicles (Page 1 of 2)	3-15
Decals – Carryall 2 Plus Gasoline Vehicles (Page 2 of 2)	3-17
Decals – Turf/Carryall 252 Gasoline Vehicles (Page 1 of 2)	3-19
Decals – Turf/Carryall 252 Gasoline Vehicles (Page 2 of 2)	3-21
Decals – XRT 900 Gasoline Vehicles (Page 1 of 2)	3-23
Decals – XRT 900 Gasoline Vehicles (Page 2 of 2)	3-25
Decals, Badging – Turf/Carryall 2 and 2 Plus	3-27
Decals, Badging – Turf/Carryall 252	3-29
Decals, Badging – XRT 900	3-31

CONTENTS

SECTION 4 – LIGHTS, CONTROLS, AND INDICATORS

Headlights	4-3
Light Kit, Standard – Carryall 2 Gasoline Vehicles	4-5
Light Kit, Standard – Carryall 2 IQ Plus Electric Vehicles	4-9
Turn Signal Kit – DS and Utility Gasoline and Electric Vehicles	4-13
Turn Signal (with Horn Button) Kit – DS and Utility Gas and Electric Vehicles	4-15
Instrument Panel and Electrical Components – Turf/Carryall 2 and 252 Gas	4-17
Instrument Panel and Electrical Components – Carryall 2 Plus and XRT 900 Gas	4-19
Instrument Panel and Electrical Components – Turf/Carryall 2 Electric	4-21
Instrument Panel with Electrical Components – Turf/Carryall 252 and XRT 900 Electric	4-23
Indicator, Charger Info – Elec. Vehicles with Maint-Free Batteries and DeltaQ Charger	4-25
Keys and Keyswitches, SmartKey Kit – Electric Vehicle	4-27
Keys and Keyswitches, Uncommon – Gas Vehicle	4-29
DC Converter (Isolated) – Electric Vehicle	4-31
DC Converter (Isolated) – CE Electric Vehicle	4-33
Voltage Limiter – Gasoline Vehicle	4-35
Strobe Light, Post-Mounted – Gasoline Vehicles	4-37
Strobe Light, Post-Mounted – Electric Vehicles	4-39
Strobe Light, Canopy-Mounted	4-41
Light Bar – Turf/CA 252 and XRT 900 Gas Vehicles	4-43
Light Bar – Turf/CA 252 and XRT 900 Electric Vehicles	4-45
Horn with Floor-Mounted Button	4-47
Horn with Column-Mounted Button	4-49
Hour Meter – Carryall/Turf 2 IQ Plus Electric Vehicles	4-51
Taillights	4-53

SECTION 5 – BRAKES, PEDAL, AND CABLE ASSEMBLIES

Brake Pedal Assembly	5-3
Accelerator Pedal Assembly – Electric Vehicles	5-5
Accelerator Pedal Assembly – Gasoline Vehicles	5-7
Accelerator Rod – Turf/Carryall 2/2 Plus/252 and XRT 900 Gasoline Vehicles	5-9
Front Brake Assembly – Vehicles with Four-Wheel Brakes	5-11
Front Brake Cables and Equalizer – Vehicles with Four-Wheel Brakes	5-13
Rear Brake Cables and Equalizer – Vehicles with 4-Wheel Brakes	5-15
Rear Brake Assembly, Manually-Adjusted – Vehicles with 4-Wheel Brakes	5-17
Rear Brake Assembly, Self-Adjusting – Vehicle with 2-Wheel Brakes	5-19
Rear Brake Cables and Equalizer – Vehicles with Two-Wheel Brakes	5-21

CONTENTS

SECTION 6 – STEERING AND SUSPENSIONS – TURF/CA 2 & 2 PLUS

Steering Gear Assembly (Wanda) – Maint.-Free Ball Joint	6-3
Steering Column – Utility	6-5
Intermediate Steering Shaft (Wanda) – Turf/CA 1/2/6	6-7
Steering Wheel	6-9
Steering Wheel with Clip	6-11
Front Spindles and Hubs – Vehicles with Two-Wheel Brakes and Maintenance-Free Ball Joints	6-13
Front Suspension, Upper – Vehicles with Two-Wheel Brakes and Maintenance-Free Ball Joints	6-15
Front Suspension, Lower – Vehicles with Two-Wheel Brakes and Maintenance-Free Ball Joints	6-17
Heavy Duty Front Springs	6-19
Front Spindles and Hubs – Vehicles with Four-Wheel Brakes and Maintenance-Free Ball Joints	6-21
Front Suspension, Upper – Vehicles with Four-Wheel Brakes and Maintenance-Free Ball Joints	6-23
Front Suspension, Lower – Vehicles with Four-Wheel Brakes and Maintenance-Free Ball Joints	6-25
Rear Suspension – Gasoline Turf/Carryall 2, 2 Plus, and 6	6-27
Rear Suspension – Turf/Carryall 2 and 6 IQ Plus Vehicles	6-29
Stabilizer Bar – Turf/Carryall 2, 6, and Carryall 2 Plus Gasoline Vehicles	6-31

SECTION 7 – STEERING AND SUSPENSIONS – 252 AND 900

Front Frame Plate Hardware – Turf/Carryall 252 and XRT 900	7-3
Steering Gear Assembly (Wanda) – Maint.-Free Ball Joint	7-5
Steering Column – Utility	7-7
Intermediate Steering Shaft – Turf/Carryall 252 and XRT 900 Vehicles	7-9
Steering Wheel	7-11
Steering Wheel with Clip	7-13
Front Spindles and Hubs – Vehicles with Four-Wheel Brakes and Maintenance-Free Ball Joints	7-15
Front Suspension, Upper – Turf/Carryall 252 and XRT 900 with Maintenance-Free Ball Joints	7-17
Front Suspension, Lower – Turf/Carryall 252 and XRT 900 with Maintenance-Free Ball Joints	7-19
Rear Suspension – Gasoline Turf/Carryall 252 and XRT 900	7-21
Rear Suspension – Turf/Carryall 252 and XRT 900 IQ Plus	7-23
Stabilizer Bar – Turf/Carryall 252 and XRT 900	7-25

SECTION 8 – ELECTRICAL SYSTEM – GASOLINE VEHICLE

Wiring, Fuses, and Diodes – Turf/Carryall 2 and 252 with AMD Starter/Gen	8-3
Wiring, Fuses, and Diodes – Carryall 2 Plus with AMD Starter/Gen	8-5
Wiring, Fuses, and Diodes – XRT 900 with AMD Starter/Gen	8-7
Starter/Generator Assembly (Pedal-Start), Model 114-01-4009A	8-9
Starter/Generator Assembly (Key-Start), Model 114-04-4001A	8-11
Starter/Generator Mounting – 114-0x-400xx Models	8-13

CONTENTS

Operation and Maintenance Switch	8-15
Electrical Component Box – Turf/Carryall 2 and 252	8-17
Electrical Component Box – Carryall 2 Plus	8-19
Electrical Component Box – XRT 900	8-21
Forward/Reverse Shifter Switches – Dash Mounted Shifter	8-23
Charging Diode, Key-Start – XRT Vehicles	8-25
Battery – Gasoline Utility Vehicles	8-27

SECTION 9 – ENGINE (S27) W/O ACR, 50-STATE

Tune-Up Kit – Kawasaki FE350	9-3
FE350 Engine (S27) w/o ACR, Shrouds, and Brackets; 50-State	9-5
FE350 Engine (S27) – Ignition Components and Flywheel	9-7
FE350 Engine (S27) – Oil Circulation	9-9
FE350 Engine (S27) – Cylinder Head	9-11
FE350 Engine (S27) – Crankcase, Camshaft, and Oil Sensor	9-13
FE350 Engine (S27) – Crankcase and Crankshaft	9-15
FE350 Engine (S27) – Mounting	9-17

SECTION 10 – FUEL, INTAKE, AND GOVERNOR SYSTEMS

Fuel System, 50-State – To Mid-2012 Model Year	10-3
Fuel Tank Vent Kit	10-5
Fuel System, 50-State – From Mid-2012 Model Year	10-7
Carbon Canister	10-9
Carburetor Assembly – FE350 S27	10-11
Carburetor Mounting, Utility, FE350 S27	10-13
Governor and Accelerator Cables	10-15
Air Filter and Intake System	10-17

SECTION 11 – EXHAUST SYSTEM

Exhaust System – FE350 Engine	11-3
-------------------------------------	------

SECTION 12 – DRIVE BELT AND CLUTCHES

Drive Belt	12-3
Drive Clutch – Turf/Carryall 2 and 252	12-5
Drive Clutch – XRT 900 and Carryall 2 Plus	12-7
Driven Clutch – Turf/Carryall 2 and 252	12-9
Driven Clutch – Carryall 2 Plus and XRT 900	12-11

CONTENTS

SECTION 13 – UNITIZED TRANSAXLE – GASOLINE VEHICLES

Forward/Reverse Shifter	13-3
Shifter Cable – Turf/CA 2/252/2 Plus and XRT900	13-5
Kawasaki Transaxle – Gear Cases and Levers	13-7
Kawasaki Transaxle – F&R Transmission and Gear Reduction	13-9
Kawasaki Transaxle – Differential and Axles	13-11
Graziano Transaxle – Gear Cases and Levers – To Late-2012 Model Year	13-13
Graziano Transaxle – F&R Transmission and Gear Reduction – To Late-2012 Model Year	13-15
Graziano Transaxle – Differential and Axles – To Late-2012 Model Year	13-17
Graziano Transaxle – Gear Cases and Levers – From Late-2012 Model Year	13-19
Graziano Transaxle – F&R Transmission and Gear Reduction – From Late-2012 Model Year	13-21
Graziano Transaxle – Differential and Axles – From Late-2012 Model Year	13-23

SECTION 14 – ELECTRICAL SYSTEM, ELECTRIC VEHICLES

Motor Controller Output Regulator (MCOR)	14-3
Wiring – Electric Vehicle	14-5
Battery Charger Receptacle	14-7
Tow/Run Switch and Circuit-Breaker – IQ Plus	14-9
Batteries, 6-Volt, Standard Duty, JCI	14-11
Batteries, 6-Volt, Heavy Duty, Crown	14-13
Batteries, 6-Volt, Standard Duty, Trojan	14-15
Batteries, 6-Volt, Heavy Duty, Trojan	14-17
Single Point Watering System, 6V – To Late-2012 Model Year	14-19
Single Point Watering System, 6V – From Late-2012 Model Year	14-21
Computer, Controller, and Solenoid – for JCI, Crown, & Trojan Batteries	14-23
Ferrite Beads, CE	14-25

SECTION 15 – MOTOR (MODEL DA5-4006) – IQ PLUS

Motor (Model DA5-4006) – IQ Plus	15-3
--	------

SECTION 16 – TRANSAXLE – ELECTRIC VEHICLES

Transaxle – Electric Vehicles	16-3
Differential Guard – Electric Vehicles	16-5

SECTION 17 – BATTERY CHARGERS

IQ Plus Battery Charger (Models 25730-11,-18,-19), Domestic	17-3
IQ Plus Battery Charger (Models 25880-11 and -18), International	17-5
Onboard IQ Plus Battery Charger (Model 25260-50), Domestic	17-7

CONTENTS

Onboard IQ Plus Battery Charger (Model 25660-50), International	17-9
Onboard IQ Plus Charger and Cord Reel Mounting, Page 1 of 2	17-11
Onboard IQ Plus Charger and Cord Reel Mounting, Page 2 of 2	17-13

SECTION 18 – MAINTENANCE AND SERVICE TOOLS

Maintenance and Service Tools	18-3
Maintenance and Service Tools, Continued	18-5
Maintenance and Service Tools, Continued	18-7

SECTION i – INDEX

BODY AND TRIM

1

G

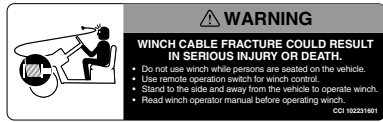
E

1
G
E

1



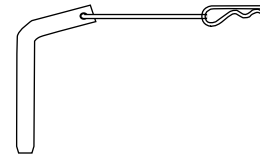
2



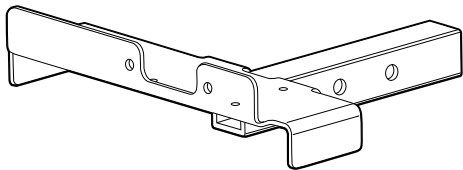
3



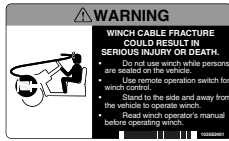
4



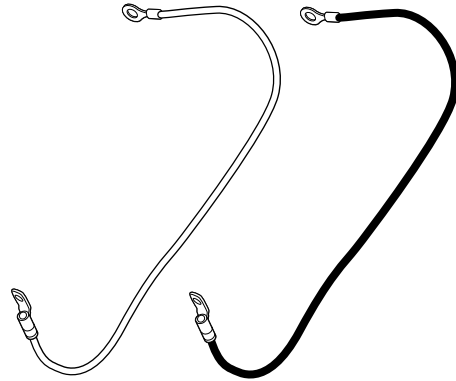
5



6

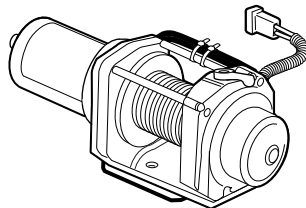


7



8

9



10



11

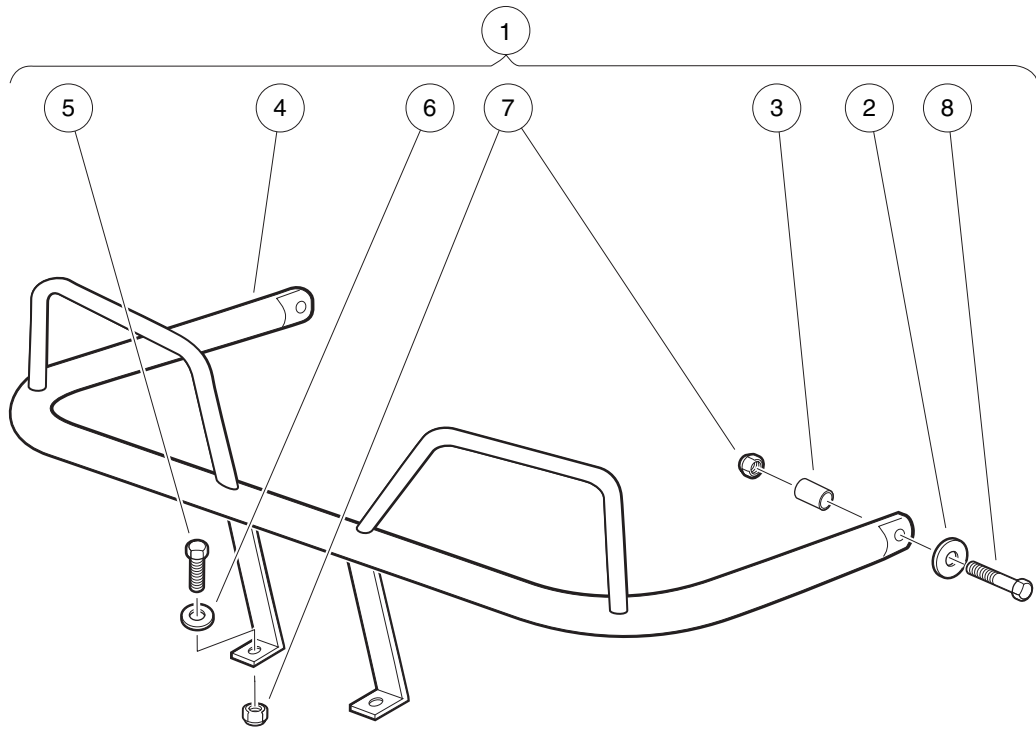
001227-001

WINCH KIT, 1700 LB – CA TURF 252/272 & XRT 900/1200

ITEM	PART NO.	DESCRIPTION	QTY
		1 2 3 4	
1	103696101	Kit, Winch, 1700 Lbs (includes items 2 through 11)	1
2	101576802	Conduit, 1/2 Split Convol Ele	9
3	102231601	Decal, Winch Cable Fracture Warning	1
4	102349501	Tie Wrap, 8.00", Black	12
5	102718301	Pin, Receiver, 5/8 X 3"	1
6	103212302	Winch, Weldment, Bracket li	1
7	103582401	Decal-winch, Warning	1
8	103696201	Power Wire, #8 Red 36"	1
9	103696301	Power Wire, #8 Black 36"	1
10	103696401	Winch, 1700 Lbs, Asm	1
11	8639	Tie Wrap, 11" Nylon	10

1
G
E

1
G
E



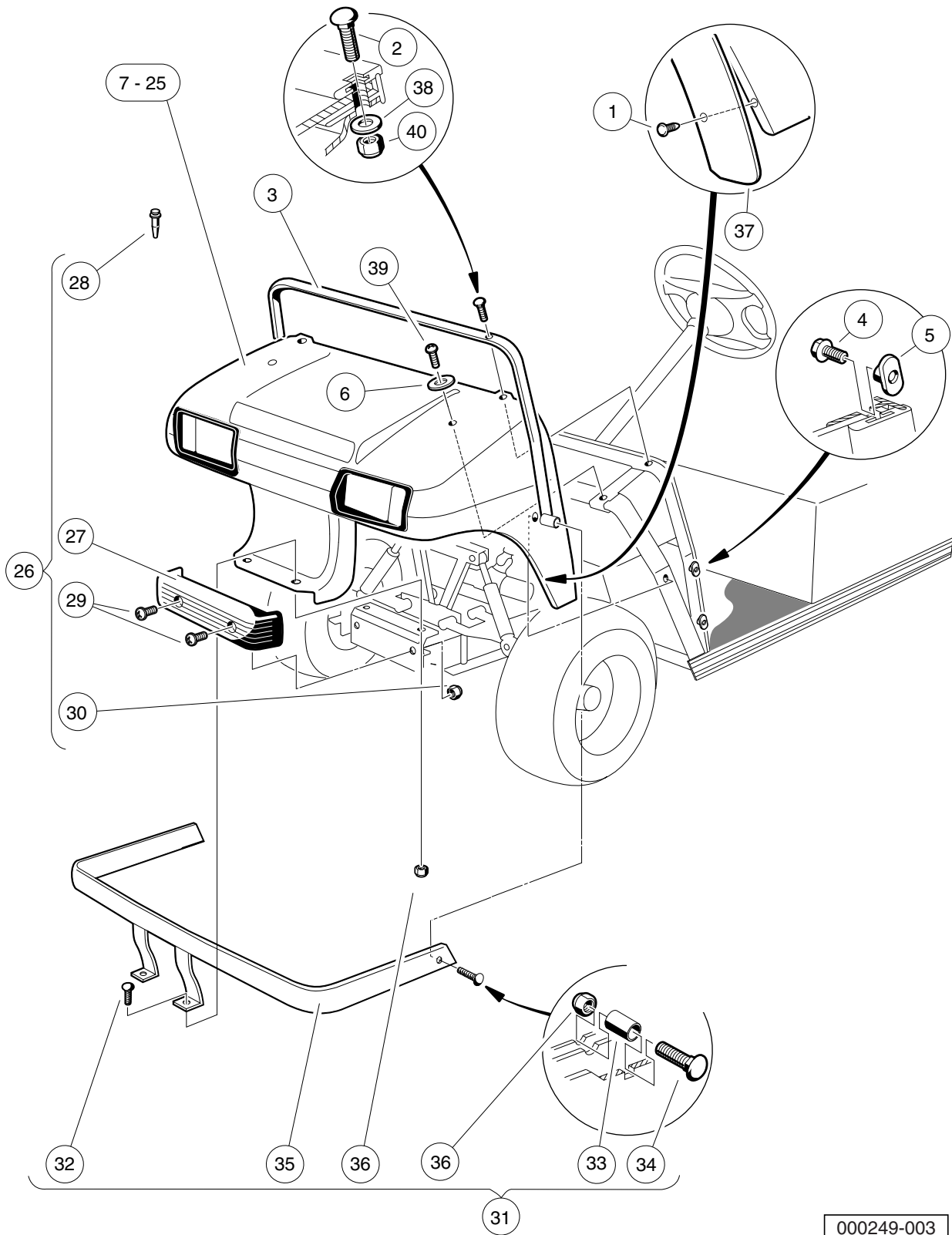
001238-001

BRUSH GUARD KIT – DS, UTILITY, & VILLAGER

ITEM	PART NO.	DESCRIPTION	QTY
		1 2 3 4	
1	SVP143902	Kit, Brush Guard, Heavy-Duty, DS/Utility/Villager (includes items 2 through 8)	1
2	1011578	Washer, 5/16 Type B Flat	2
3	1015608	Tube Spacer, Hydraulic Cylinder	2
4	103895401	Weldment, Brush Guard, Hd	1
5	1218	Screw, 5/16-18 X 1.25 Hex-Head Cap	2
6	1241	Washer, 5/16 Type A Flat	2
7	7473	Locknut, 5/16-18 Nylon Insert	4
8	8935	Screw, 5/16-18 X 2.25 Hex-Head Cap	2

1
G
E

1
G
E



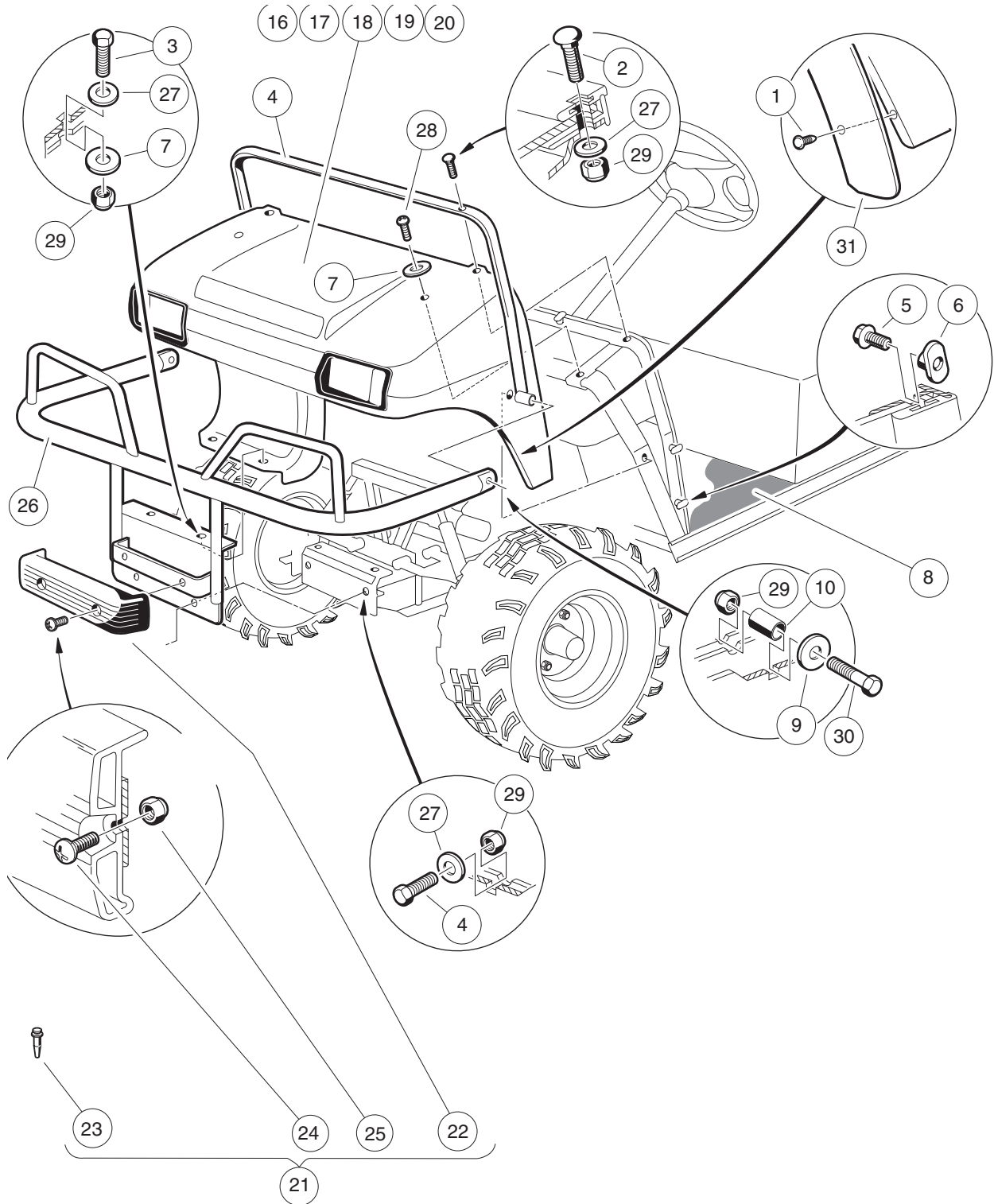
000249-003

FRONT BODY AND TRIM – TURF/CARRYALL 2, 2 PLUS, AND 6

ITEM	PART NO.	DESCRIPTION	QTY
		1 2 3 4	
1	1010434	Barrel - Plastic	12
2	1010435	Bolt, Carriage, 5/16-18 X 1.00	2
3	1011014	Trim, Cowl	1
4	1011017	Screw, #8-32 X 0.375	6
5	1011394	T-Nut Package (Set of 4)	1
6	1015075	Washer, 5/16 Flat Type A	2
7	101692501	Cowl, TPO, Beige	1
8	101692502	Cowl, TPO, White	1
9	101692506	Cowl, TPO, Red	1
10	101692509	Cowl, TPO, Pacific Blue (Royal Blue)	1
11	101692510	Cowl, TPO, Dark Green	1
12	101692511	Cowl, TPO, Black	1
13	101692512	Cowl, TPO, Classic Blue (Navy)	1
14	101692513	Cowl, TPO, Burgundy	1
15	101692514	Cowl, TPO, Dark Gray	1
16	101692515	Cowl, TPO, Safety Yellow	1
17	101693901	Cowl with Headlight Opening, TPO, Beige	1
18	101693902	Cowl with Headlight Opening, TPO, White	1
19	101693906	Cowl with Headlight Opening, TPO, Red	1
20	101693909	Cowl with Headlight Opening, TPO, Dark Green	1
21	101693910	Cowl with Headlight Opening, TPO, Black	1
22	101693911	Cowl with Headlight Opening, TPO, Classic Blue (Navy)	1
23	101693912	Cowl with Headlight Opening, TPO, Burgundy	1
24	101693913	Cowl with Headlight Opening, TPO, Dark Gray	1
25	101693914	Cowl with Headlight Opening, TPO, Safety Yellow	1
26	1017080	Kit, Front Bumper (includes items 27 through 30)	1
27	1016868	Front Bumper	1
28	1016967	Blind Rivet, Push Type	2
29	7251	Screw, 5/16-18 x 1.0 Truss-Head	2
30	7473	Locknut, 5/16-18 Nylon Insert	2
31	101734802	Kit, Heavy-Duty Bumper (includes items 32 through 36)	1
32	1010435	Bolt, Carriage, 5/16-18 X 1.00	2
33	1010546	Spacer	2
34	1015405	Bolt, Carriage, 5/16-18 X 2.0	2
35	N/A	Weldment, Heavy Duty Bumper	1
36	7473	Locknut, 5/16-18 Nylon Insert	4
37	101870401	Fender Extrusion	2
38	1241	Washer, 5/16 Type A Flat	2
39	7251	Screw, 5/16-18 x 1.0 Truss-Head	2
40	7473	Locknut, 5/16-18 Nylon Insert	2

1
G
E

1
G
E



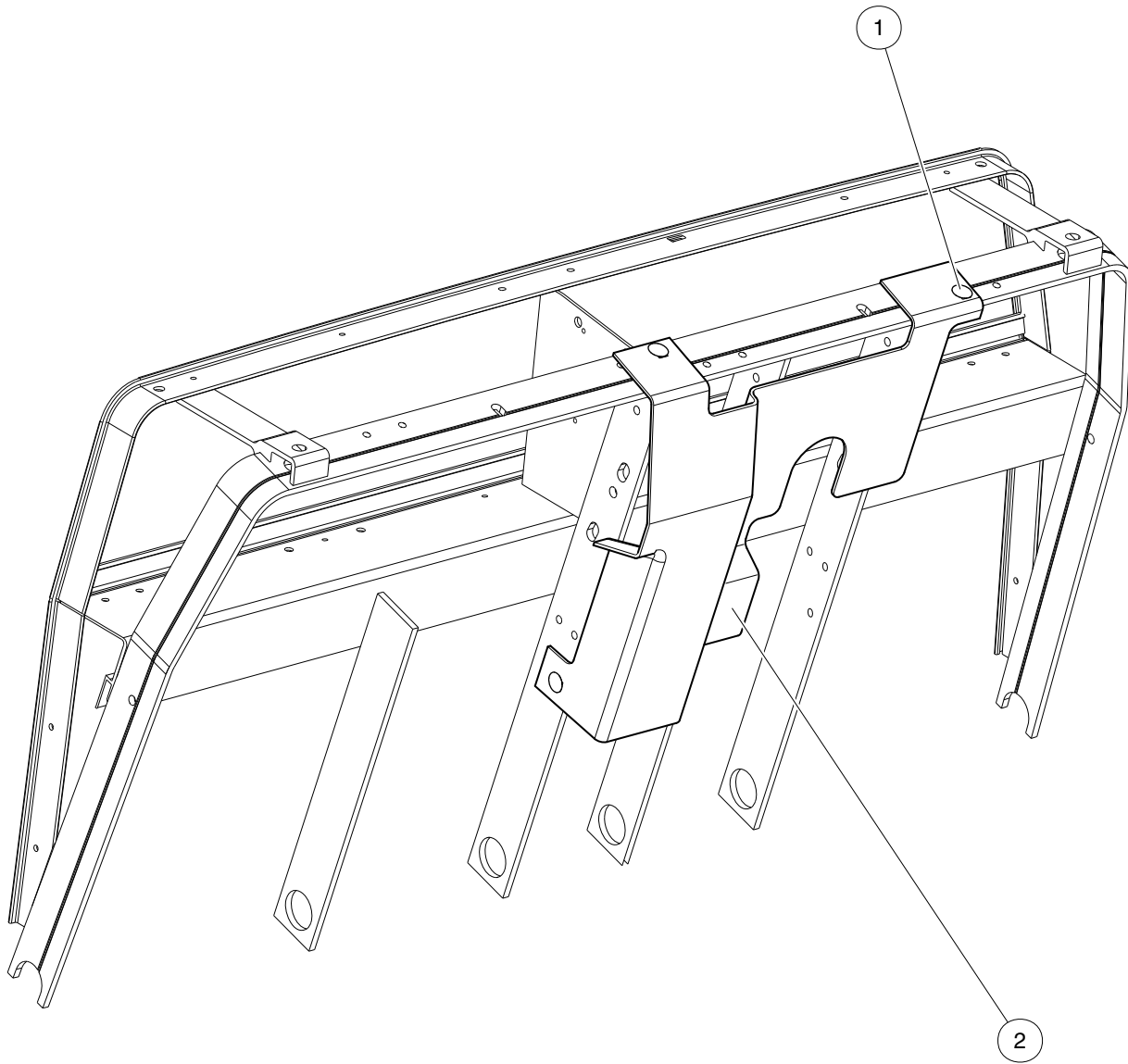
000249-004

FRONT BODY AND TRIM – TURF/CARRYALL 252 AND XRT 900

ITEM	PART NO.	DESCRIPTION	QTY
		1 2 3 4	
1	1010434	Barrel - Plastic	12
2	1010435	Bolt, Carriage, 5/16-18 X 1.00	2
3	1010934	Screw, 5/16-18 X 1.00 Hex Cap	4
4	1011014	Trim, Cowl	1
5	1011017	Screw, #8-32 X 0.375	6
6	1011394	T-Nut Package (Set of 4)	1
7	1011578	Washer, 5/16 Type B Flat	4
8	101503202	Floormat	1
9	1015075	Washer, 5/16 Flat Type A	2
10	1015608	Tube Spacer, Hydraulic Cylinder	2
11	101693901	Cowl with Headlight Opening, TPO, Beige	1
12	101693902	Cowl with Headlight Opening, TPO, White	1
13	101693906	Cowl with Headlight Opening, TPO, Red	1
14	101693908	Cowl with Headlight Opening, TPO, Pacific Blue (Royal Blue)	1
15	101693909	Cowl with Headlight Opening, TPO, Dark Green	1
16	101693910	Cowl with Headlight Opening, TPO, Black	1
17	101693911	Cowl with Headlight Opening, TPO, Classic Blue (Navy)	1
18	101693912	Cowl with Headlight Opening, TPO, Burgundy	1
19	101693913	Cowl with Headlight Opening, TPO, Dark Gray	1
20	101693914	Cowl with Headlight Opening, TPO, Safety Yellow	1
21	1017080	Kit, Front Bumper (includes items 22 through 25)	1
22	1016868	Front Bumper	1
23	1016967	Blind Rivet, Push Type	2
24	7251	Screw, 5/16-18 x 1.0 Truss-Head	2
25	7473	Locknut, 5/16-18 Nylon Insert	2
26	102004301	Brush Guard	1
27	1241	Washer, 5/16 Type A Flat	6
28	7251	Screw, 5/16-18 x 1.0 Truss-Head	2
29	7473	Locknut, 5/16-18 Nylon Insert	8
30	8935	Screw, 5/16-18 X 2.25 Hex-Head Cap	2
31	AM10808	Front Fender Extrusion - Lynx	2

1
G
E

1
G
E



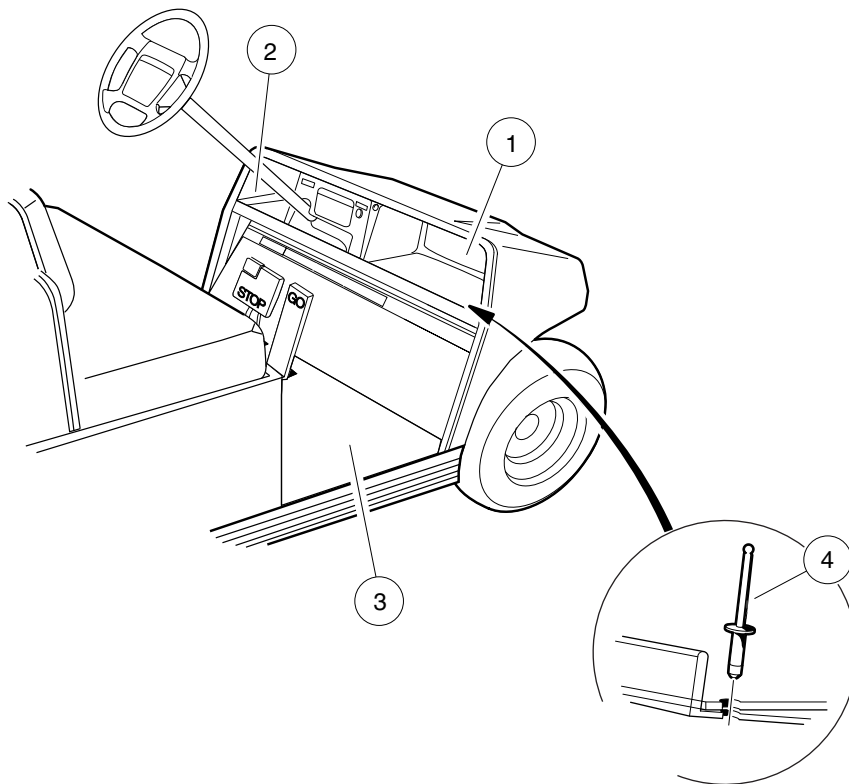
000593-002

SPLASH GUARD – GASOLINE VEHICLES ONLY

ITEM	PART NO.	DESCRIPTION	QTY
1	1010434	1 2 3 4 Barrel - Plastic	3
2	103174401	Splash Guard	1

1
G
E

1
G
E



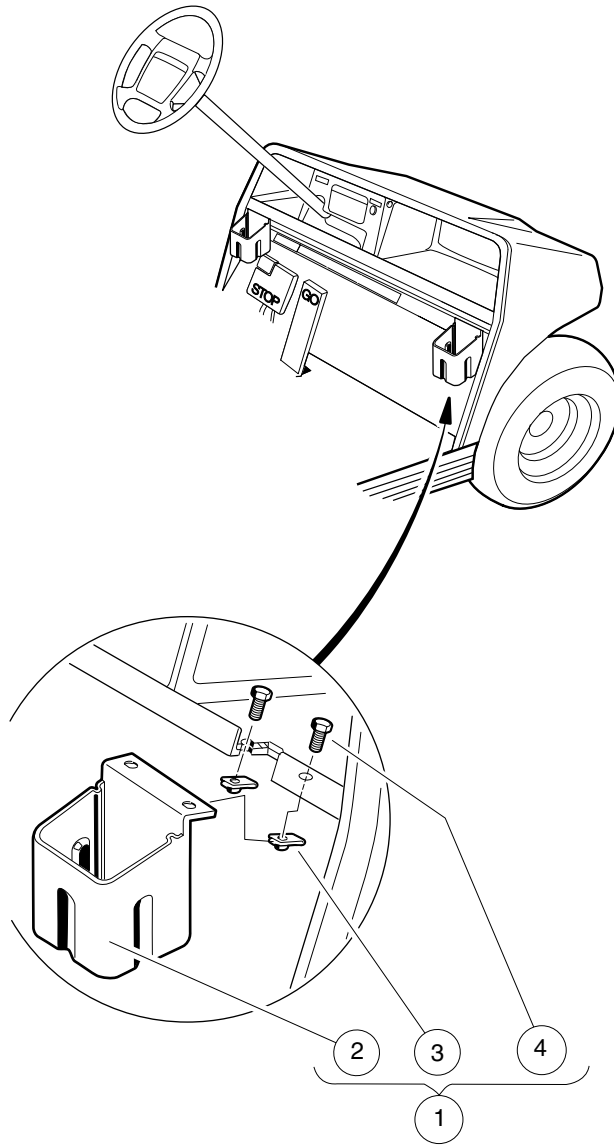
000252-002

DASH POCKETS AND FLOORMAT

ITEM	PART NO.	DESCRIPTION	QTY
		1 2 3 4	
1	1013343	Dash Component, Passenger-Side, Black	1
2	1013344	Dash Component, Driver-Side	1
3	101503202	Floormat	1
4	7973	Rivet, 3/16 X .400 Blind	5

1
G
E

1
G
E



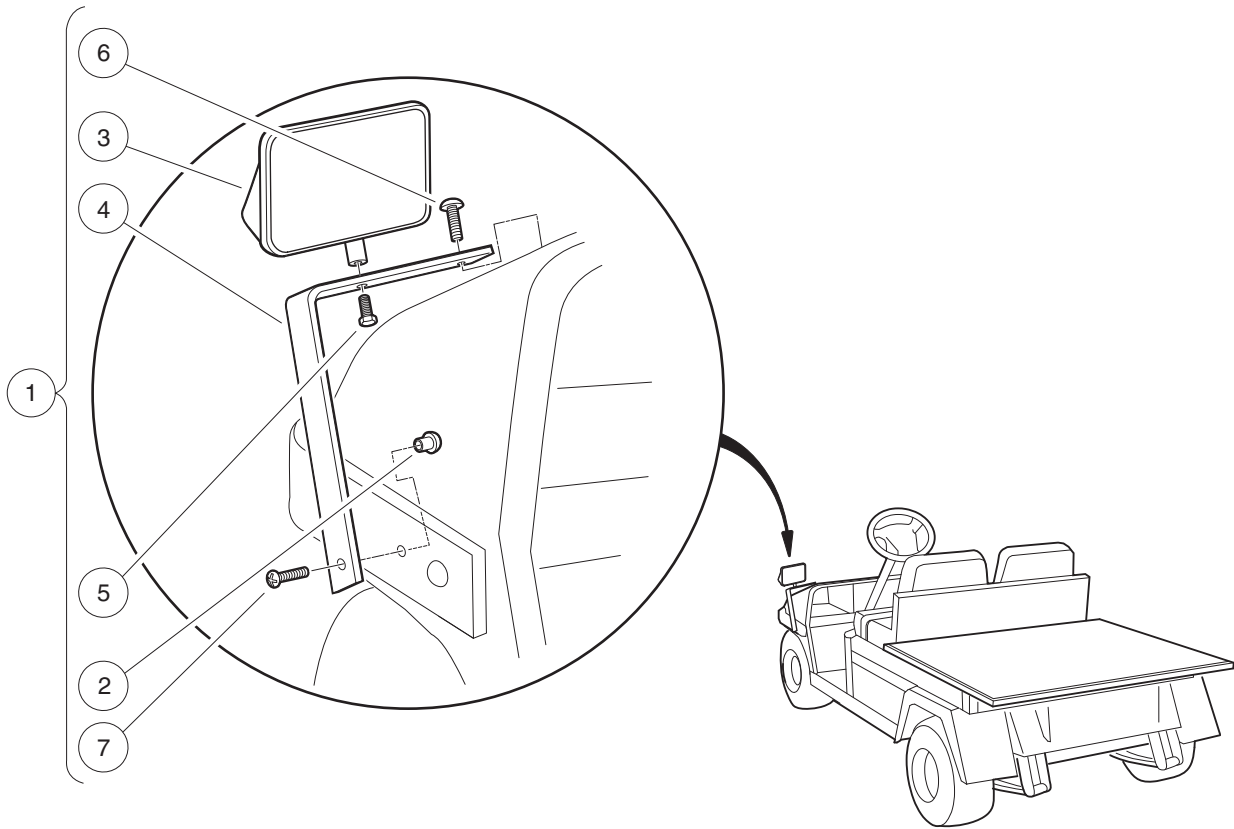
000253-001

BEVERAGE HOLDER

ITEM	PART NO.	DESCRIPTION	QTY
		1 2 3 4	
1	1013422	Cup Holder Kit (includes items 2 through 4)	2
2	1013420	Holder, Single Cup	1
3	1016952	U-Nut, 1/4-20	2
4	7847	Screw, 1/4-20 X 0.75 Hex-Head Cap	2

1
G
E

1
G
E



001211-001

MIRROR, REAR-VIEW – WITHOUT CAB

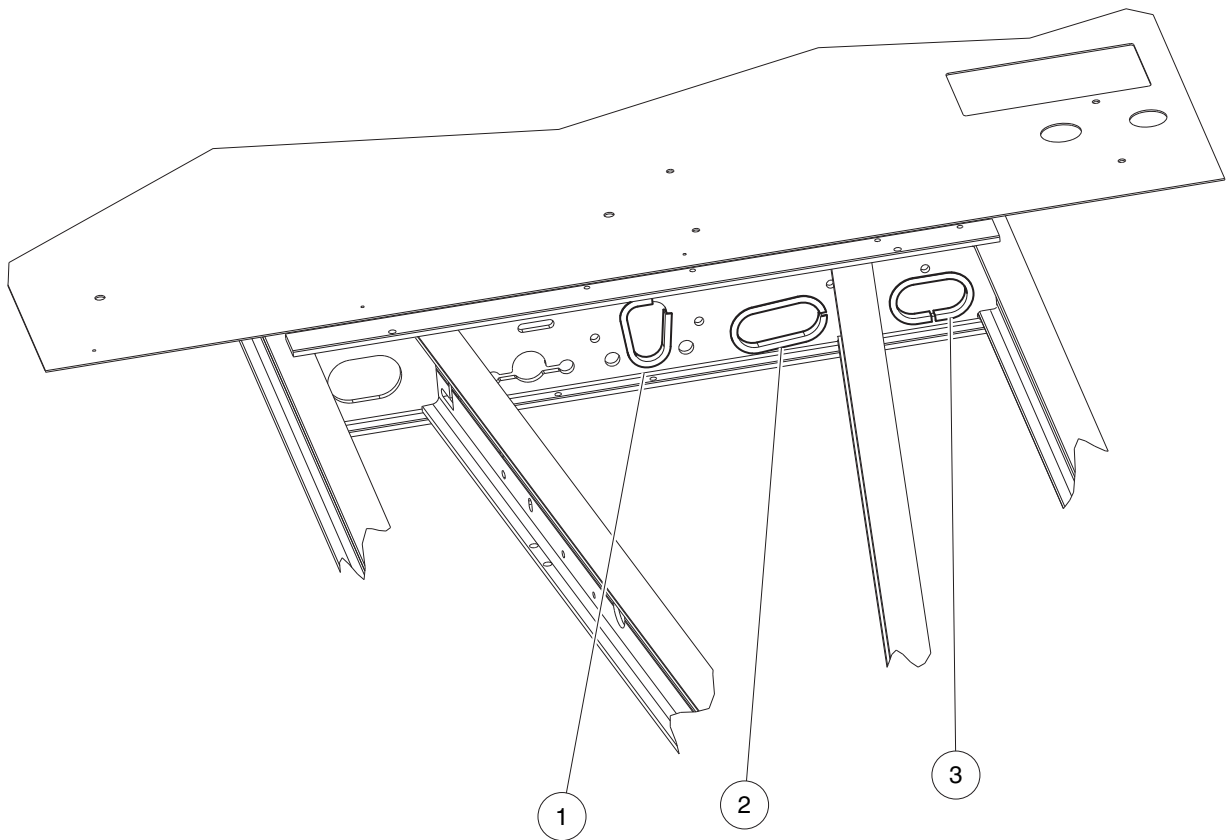
ITEM	PART NO.	DESCRIPTION	QTY
		1 2 3 4	
1	1013846	Kit, Rear Mirror, West Coast (includes items 2 through 7)	1
2	1011878	T-nut, 1/4-20 X .310 Capped	1
3	1013824	Rear View Mirror	1
4	1013825	Mirror Mounting Bracket	1
5	7173	Screw, 5/16-18 X 0.75, Hex-Head Cap	1
6	7251	Screw, 5/16-18 x 1.0 Truss-Head	1
7	8248	Screw, 1/4-20 X 0.75, Truss-Head Machine	1
		Note: To install this kit, vehicle must be equipped with a heavy-duty front bumper.	

1
G
E

1

G

E



001221-001

GROMMETS, CHASSIS

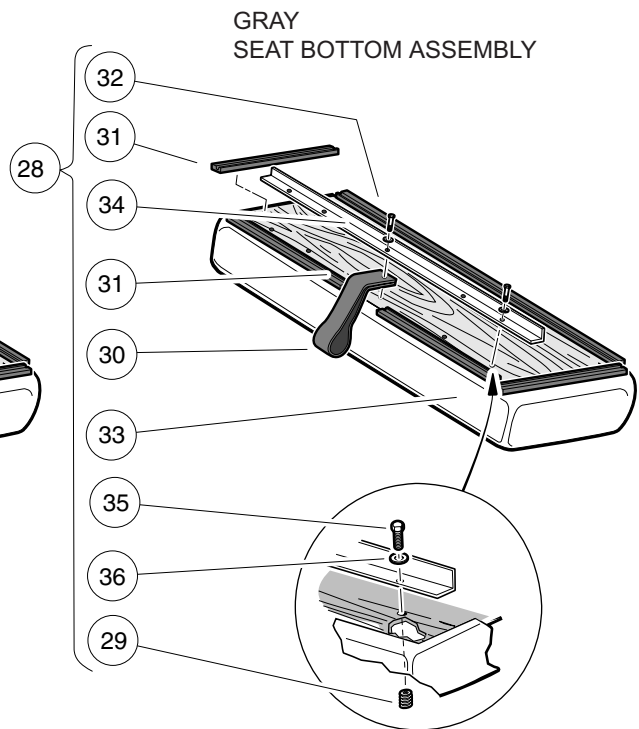
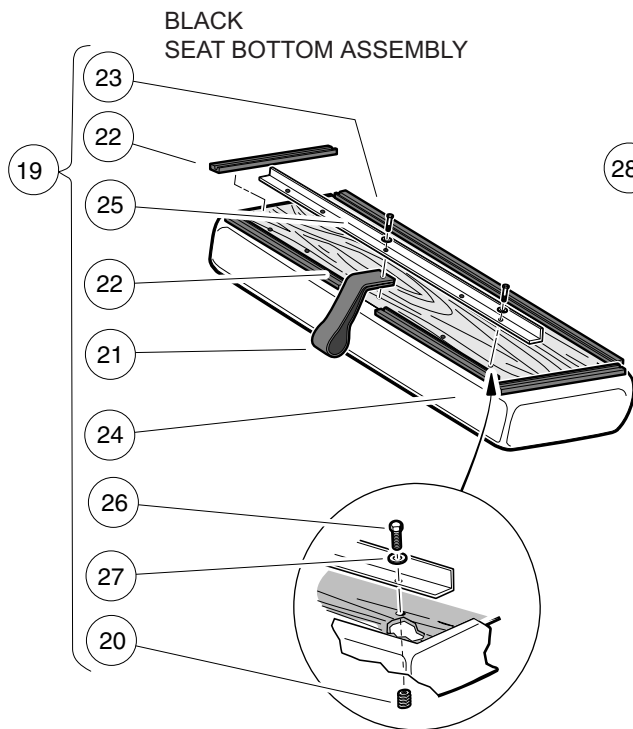
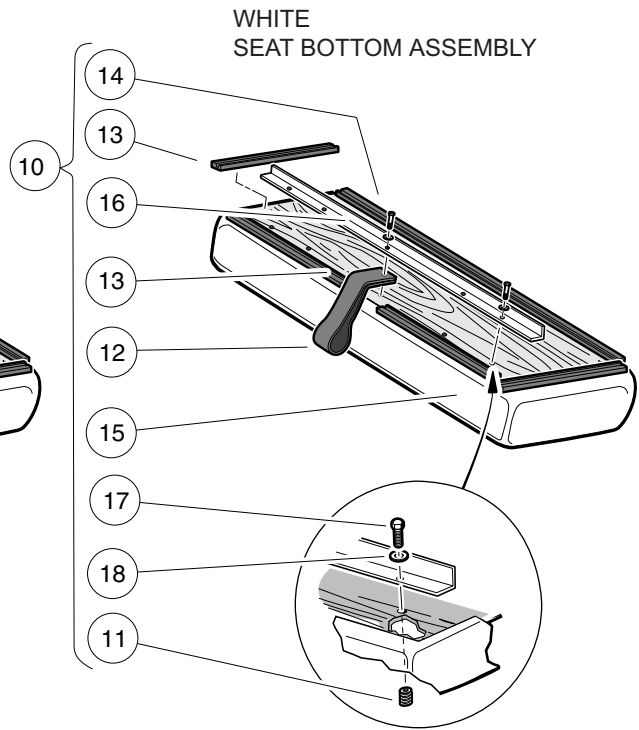
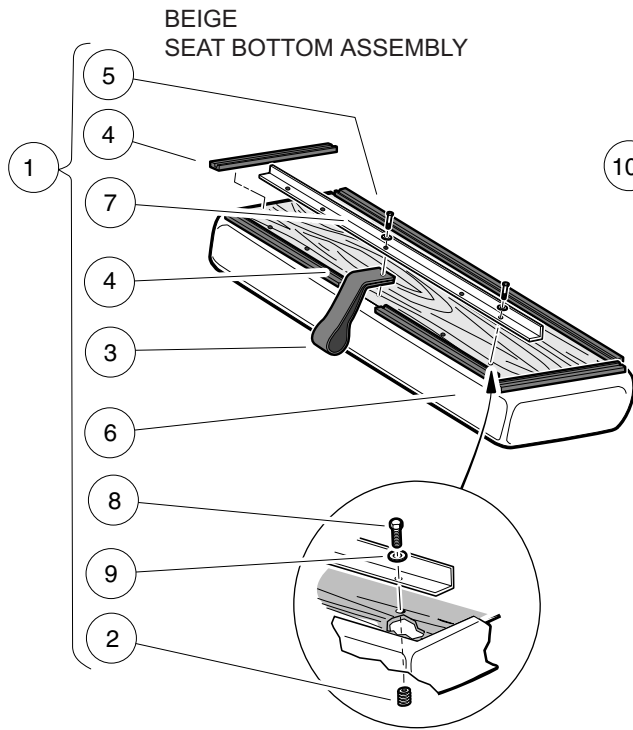
ITEM	PART NO.	DESCRIPTION	QTY
		1 2 3 4	
1	101806001	I-beam Grommet - 5.5	A/R
2	101806002	I-beam Grommet - 7.5	A/R
3	101806005	I-beam Grommet - 6.75	A/R

1

G

E

1
G
E



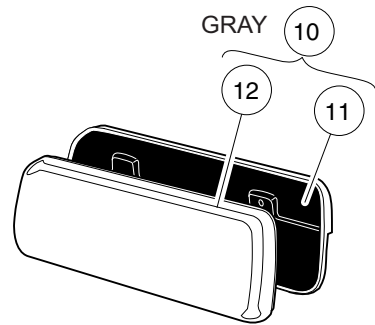
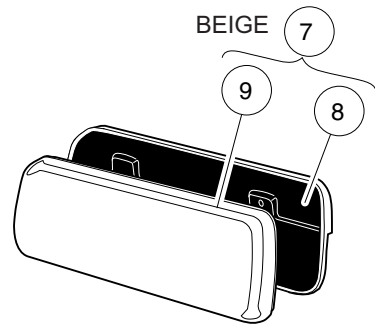
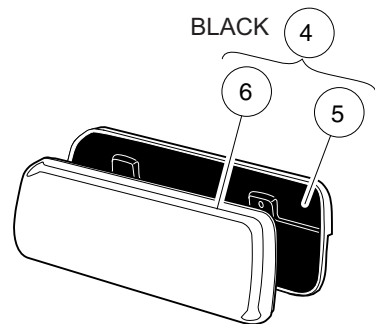
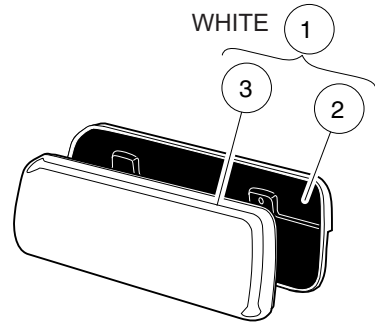
000254-001

SEAT BOTTOM

ITEM	PART NO.	DESCRIPTION	QTY
		1 2 3 4	
1	101564501	Seat Bottom Assembly, Beige (includes items 2 through 9)	1
2	1010543	Insert - Wood	5
3	1013309	Strap, Utility Seat	1
4	1013311	Bumper, Seat, Short	4
5	1013312	Bumper, Seat, Long	1
6	101562711	Vinyl Cover, Seat Bottom, Buff	1
7	101894303	Stiffener	1
8	101954301	Screw, 1/4-20 X 0.75 Hex-Head Cap	5
9	332	Washer, 1/4 Type A Narrow Flat	5
10	101564502	Seat Bottom Assembly, White (includes items 11 through 18)	1
11	1010543	Insert - Wood	5
12	1013309	Strap, Utility Seat	1
13	1013311	Bumper, Seat, Short	4
14	1013312	Bumper, Seat, Long	1
15	101562712	Vinyl Cover, Seat Bottom, White	1
16	101894303	Stiffener	1
17	101954301	Screw, 1/4-20 X 0.75 Hex-Head Cap	5
18	332	Washer, 1/4 Type A Narrow Flat	5
19	101564503	Seat Bottom Assembly, Black (includes items 20 through 27)	1
20	1010543	Insert - Wood	5
21	1013309	Strap, Utility Seat	1
22	1013311	Bumper, Seat, Short	4
23	1013312	Bumper, Seat, Long	1
24	101562714	Vinyl Cover, Seat Bottom, Black	1
25	101894303	Stiffener	1
26	101954301	Screw, 1/4-20 X 0.75 Hex-Head Cap	5
27	332	Washer, 1/4 Type A Narrow Flat	5
28	101564505	Seat Bottom Assembly, Gray (includes items 29 through 36)	1
29	1010543	Insert - Wood	5
30	1013309	Strap, Utility Seat	1
31	1013311	Bumper, Seat, Short	4
32	1013312	Bumper, Seat, Long	1
33	101562715	Vinyl Cover, Seat Bottom, Gray	2
34	101894303	Stiffener	1
35	101954301	Screw, 1/4-20 X 0.75 Hex-Head Cap	5
36	332	Washer, 1/4 Type A Narrow Flat	5

1
G
E

1
G
E



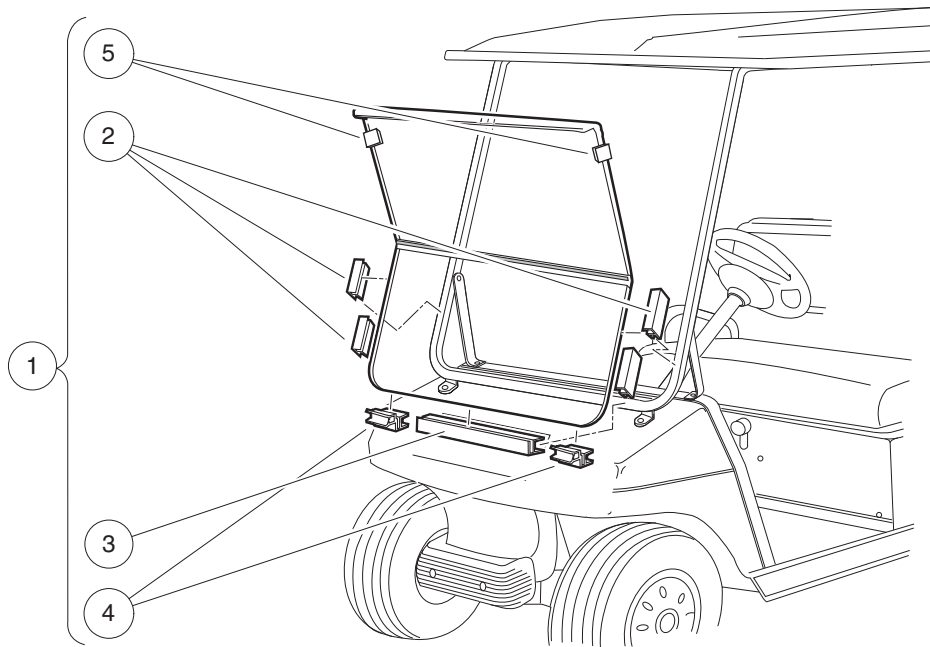
000608-001

SEAT BACK ASSEMBLY

ITEM	PART NO.	DESCRIPTION	QTY
		1 2 3 4	
1	101677701	Seat Back Assembly, White (includes items 2 and 3)	1
2	1016751	Cap, Seat Back	1
3	101675512	Vinyl Seat Back, White	1
4	101677702	Seat Back Assembly, Black (includes items 5 and 6)	1
5	1016751	Cap, Seat Back	1
6	101675514	Vinyl Seat Back, Black	1
7	101677703	Seat Back Assembly, Beige (includes items 8 and 9)	1
8	1016751	Cap, Seat Back	1
9	101675511	Vinyl Seat Back, Beige	1
10	101677705	Seat Back Assembly, Gray (includes items 11 and 12)	1
11	1016751	Cap, Seat Back	1
12	101675515	Vinyl Seat Back-nstd Svc	1

1
G
E

1
G
E



001205-001

WINDSHIELD, HINGED

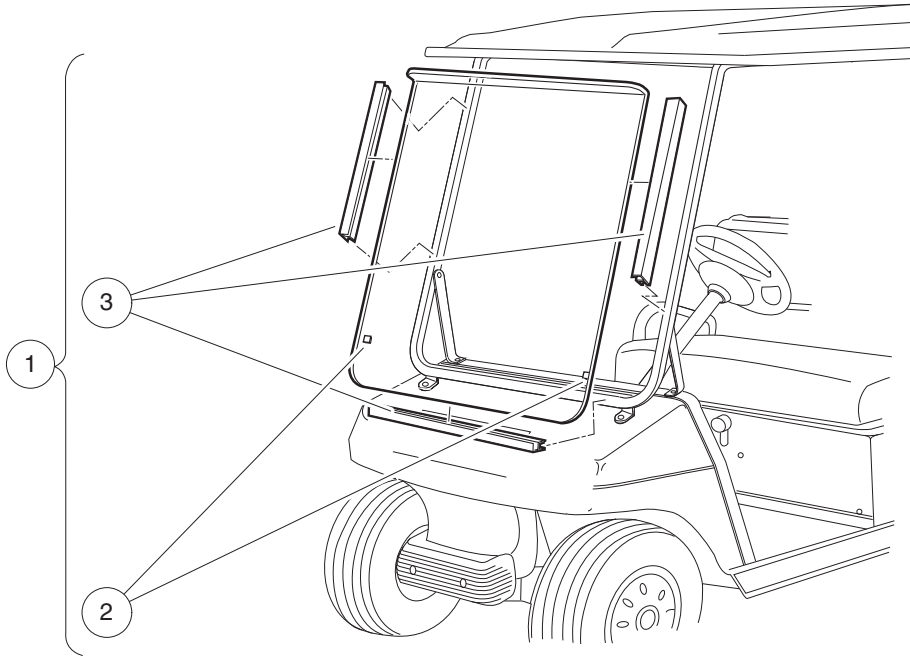
ITEM	PART NO.	DESCRIPTION	QTY
		1 2 3 4	
1	101728602	Hinged Windshield Kit (includes items 2 through 5)	1
2	102005701	5" Plastic Extrusion	4
3	102163001	Windshield Channel	1
4	102163101	Channel with Receiver Clip	2
5	N/A	Clip, Release	2

1
G
E

1

G

E



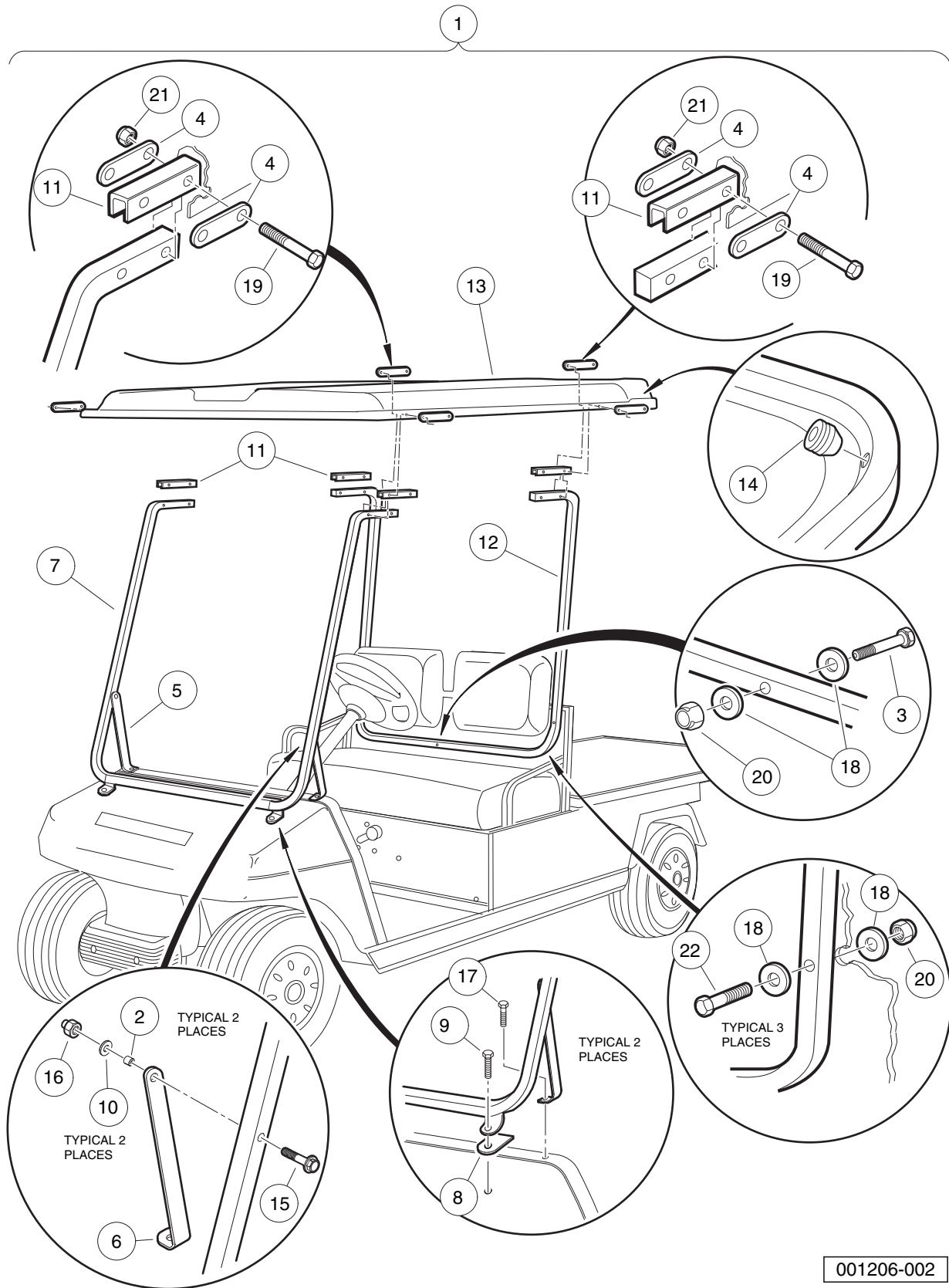
001204-001

WINDSHIELD, NON-HINGED

ITEM	PART NO.	DESCRIPTION	QTY
		1 2 3 4	
1	1014435	Windshield Tinted One-Piece (includes items 2 and 3)	1
2	1011897	Bumper, Protective	2
3	101444101	21" Plastic Extrusion	3



1
G
E

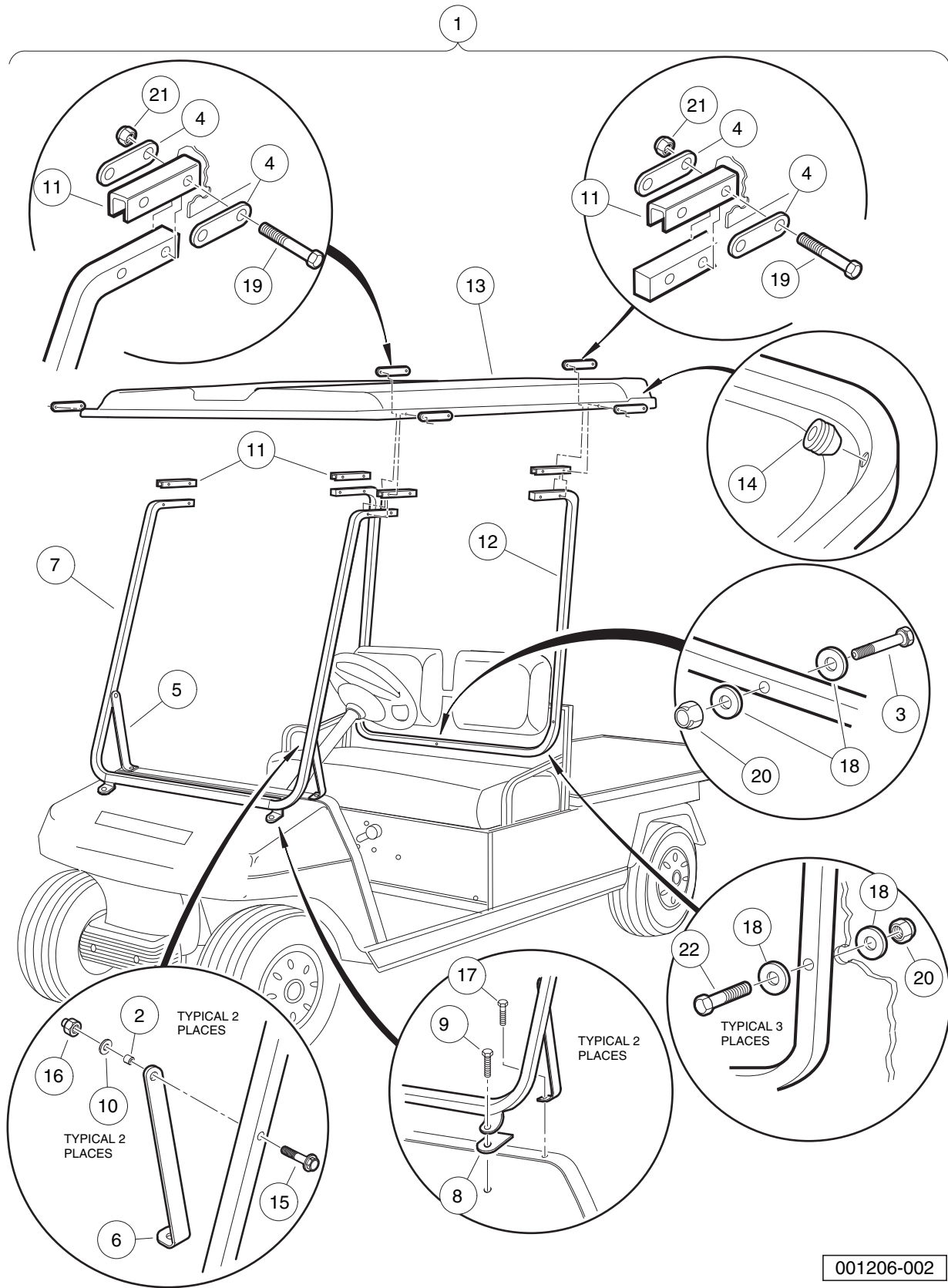


CANOPY KIT, WHITE

ITEM	PART NO.	DESCRIPTION	QTY
		1 2 3 4	
1	1014506	Kit, Canopy, White (includes items 2 through 22)	1
2	1010237	Bushing	2
3	1010921	Screw, 5/16-18 X 2.50 Hex Cap	1
4	1011852	Plate, Canopy Trim	8
5	1011862	Brace, Right-Hand Canopy Mount Knee	1
6	1011865	Brace, Left-Hand Canopy Mount Knee	1
7	1011868	Weldment, Windshield Frame	1
8	1011883	Pad, Windshield Frame Mounting	2
9	1011937	Bolt, 5/16-18 X 1.25 Hex Head	2
10	1011964	Washer, 1/4 Flat	2
11	1012008	Support, Side Canopy	4
12	1014503	Brace, Rear Canopy	1
13	1014509	Canopy, White (includes item 14)	1
14	1011942	Modified Grommet	2
15	102076702	1/4-20 X 1.75 Hex Sems Blk	2
16	102242401	Nut - Nylon Insert W/cap	2
17	1218	Screw, 5/16-18 X 1.25 Hex-Head Cap	2
18	1241	Washer, 5/16 Type A Flat	6
19	7311	Screw, 1/4-20 X 2.00 Hex-Head Cap	8
20	7473	Locknut, 5/16-18 Nylon Insert	3
21	8233	Locknut, 1/4-20, Nylon Insert	8
22	8963	Screw, 5/16-18 X 1.75 Hex-Head Cap	3

1
G
E

1
G
E

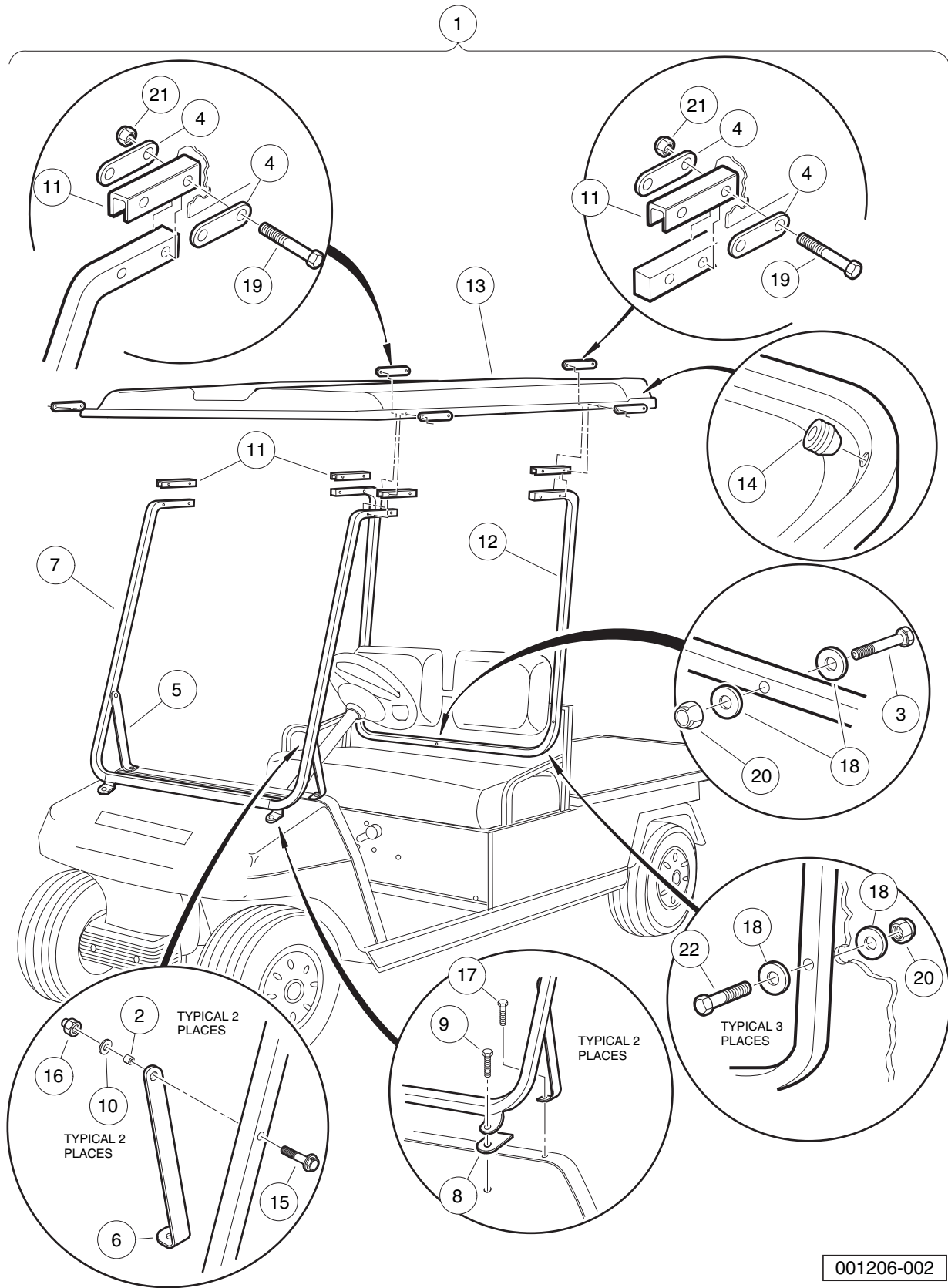


CANOPY KIT, BEIGE

ITEM	PART NO.	DESCRIPTION	QTY
		1 2 3 4	
1	101450698	Kit, Canopy, Beige, Ca1/2 (includes items 2 through 22)	1
2	1010237	Bushing	2
3	1010921	Screw, 5/16-18 X 2.50 Hex Cap	1
4	1011852	Plate, Canopy Trim	8
5	1011862	Brace, Right-Hand Canopy Mount Knee	1
6	1011865	Brace, Left-Hand Canopy Mount Knee	1
7	1011868	Weldment, Windshield Frame	1
8	1011883	Pad, Windshield Frame Mounting	2
9	1011937	Bolt, 5/16-18 X 1.25 Hex Head	2
10	1011964	Washer, 1/4 Flat	2
11	1012008	Support, Side Canopy	4
12	1014503	Brace, Rear Canopy	1
13	101450903	Asm, Canopy, Beige (includes item 14)	1
14	1011942	Modified Grommet	2
15	102076702	1/4-20 X 1.75 Hex Sems Blk	2
16	102242401	Nut - Nylon Insert W/cap	2
17	1218	Screw, 5/16-18 X 1.25 Hex-Head Cap	2
18	1241	Washer, 5/16 Type A Flat	6
19	7311	Screw, 1/4-20 X 2.00 Hex-Head Cap	8
20	7473	Locknut, 5/16-18 Nylon Insert	3
21	8233	Locknut, 1/4-20, Nylon Insert	8
22	8963	Screw, 5/16-18 X 1.75 Hex-Head Cap	3

1
G
E

1
G
E

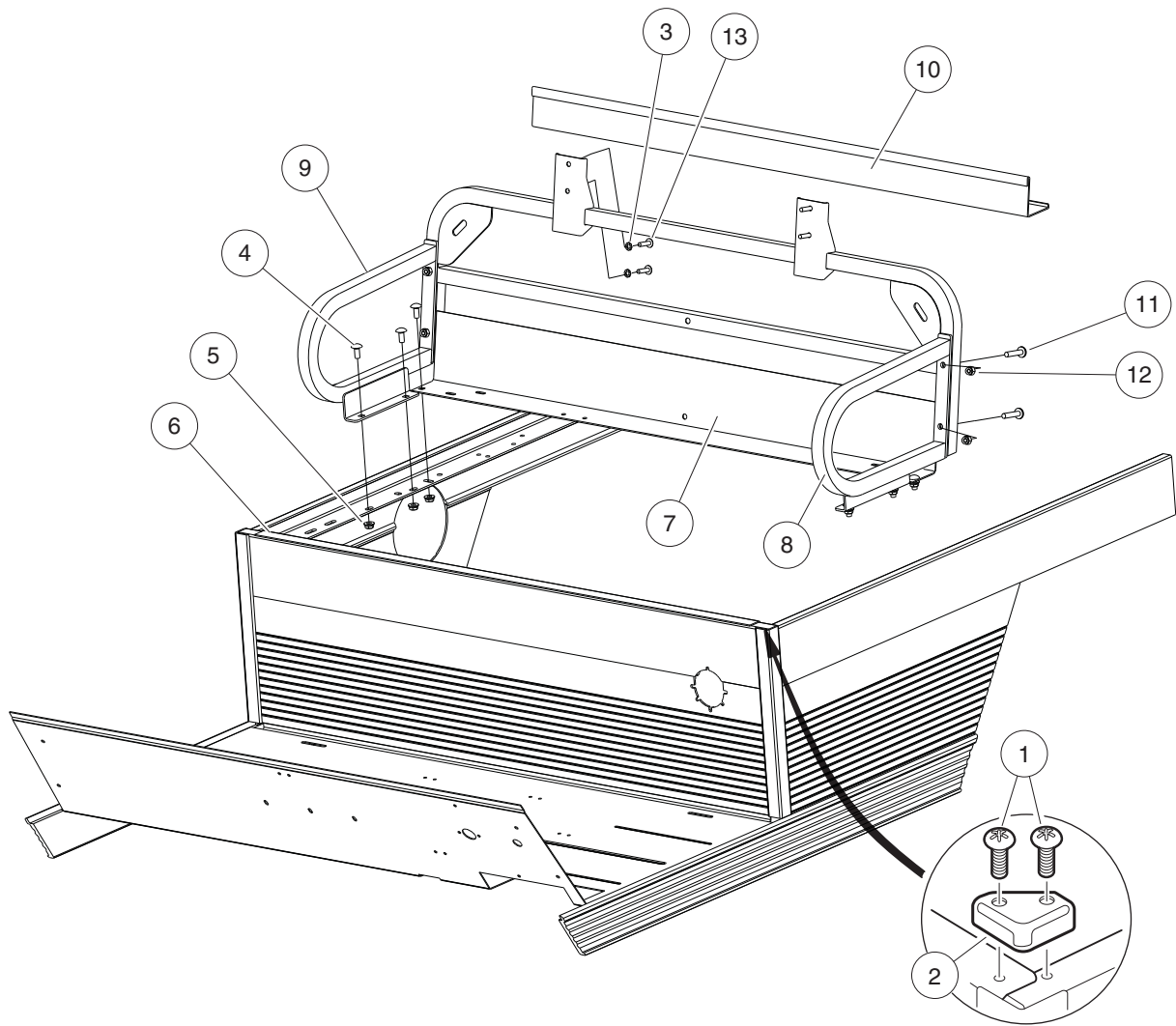


001206-002

CANOPY KIT, BLACK

ITEM	PART NO.	DESCRIPTION	QTY
		1 2 3 4	
1	102198501	Canopy Top Kit, Black (includes items 2 through 22)	1
2	1010237	Bushing	2
3	1010921	Screw, 5/16-18 X 2.50 Hex Cap	1
4	1011852	Plate, Canopy Trim	8
5	1011862	Brace, Right-Hand Canopy Mount Knee	1
6	1011865	Brace, Left-Hand Canopy Mount Knee	1
7	1011868	Weldment, Windshield Frame	1
8	1011883	Pad, Windshield Frame Mounting	2
9	1011937	Bolt, 5/16-18 X 1.25 Hex Head	2
10	1011964	Washer, 1/4 Flat	2
11	1012008	Support, Side Canopy	4
12	1014503	Brace, Rear Canopy	1
13	101450902	Asm, Canopy, Black (includes item 14)	1
14	1011942	Modified Grommet	2
15	102076702	1/4-20 X 1.75 Hex Sems Blk	2
16	102242401	Nut - Nylon Insert W/cap	2
17	1218	Screw, 5/16-18 X 1.25 Hex-Head Cap	2
18	1241	Washer, 5/16 Type A Flat	6
19	7311	Screw, 1/4-20 X 2.00 Hex-Head Cap	8
20	7473	Locknut, 5/16-18 Nylon Insert	3
21	8233	Locknut, 1/4-20, Nylon Insert	8
22	8963	Screw, 5/16-18 X 1.75 Hex-Head Cap	3

1
G
E



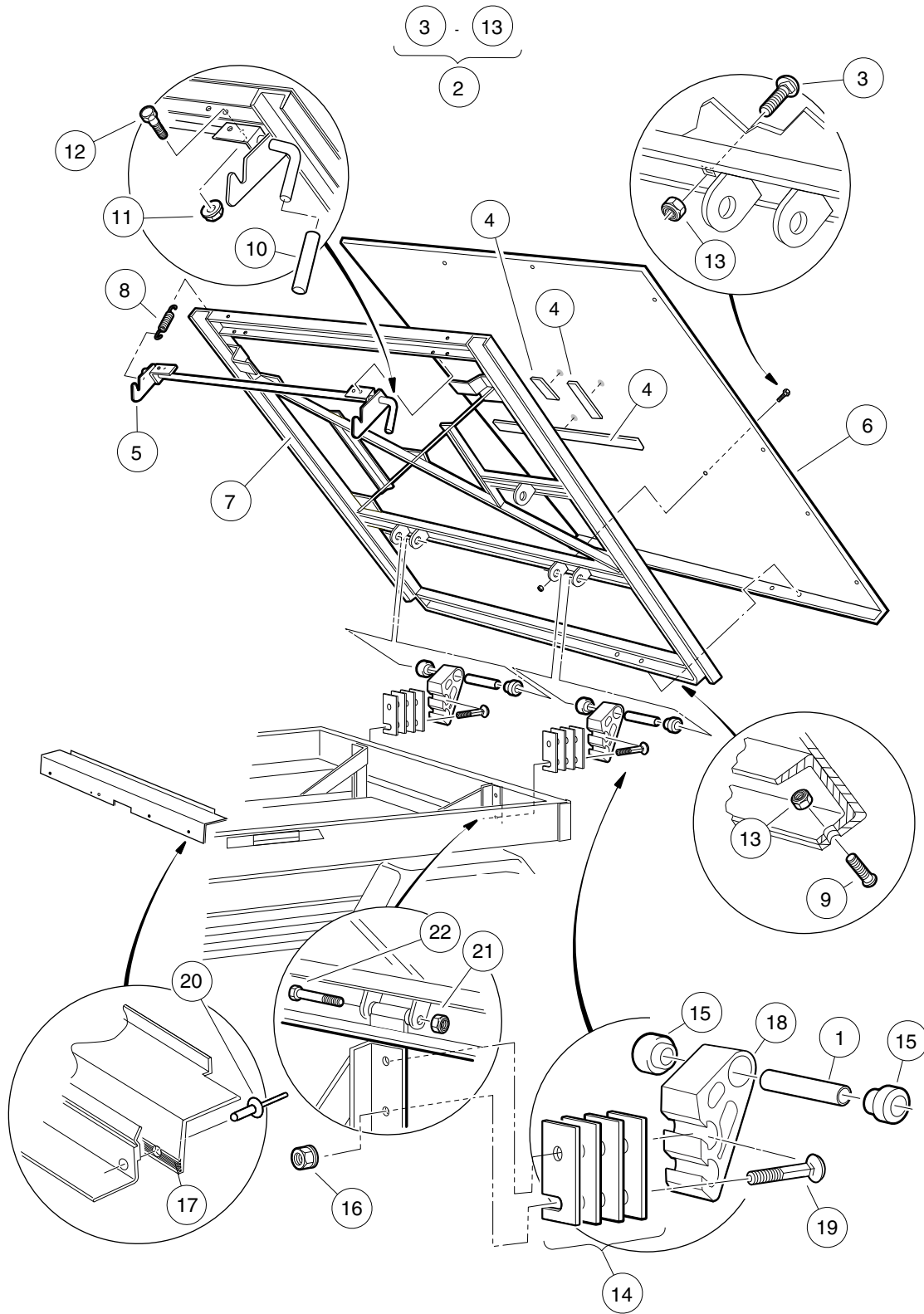
000603-004

HIP RESTRAINTS AND SEAT BACK MOUNTING

ITEM	PART NO.	DESCRIPTION	QTY
		1 2 3 4	
1	1014321	Screw, #10 Truss-Head Torx	4
2	1014387	Cap, Corner	2
3	101946201	Washer, Lock, 0.250 External-Tooth	4
4	101963301	Bolt, 5/16-18 X 0.75 Round-Head	6
5	101963401	Locknut, 5/16-18 Hex Flange	6
6	101964001	Trim, Seat Bottom Front	1
7	102966401	Seat Back, Tube	1
8	102966501	Hip Restraint, Left	1
9	102966502	Hip Restraint, Right	1
10	102989501	Seal, Bed, 41-Inch	1
11	103245201	Screw, 5/16-18 X 1.5, Tr Tx Hd	4
12	103245301	Nut, Hex, Cp, Mech Def, 5/16-1	4
13	8251	Screw, 1/4-20 X 1.0 Truss-Head Machine	4

1
G
E

1
G
E



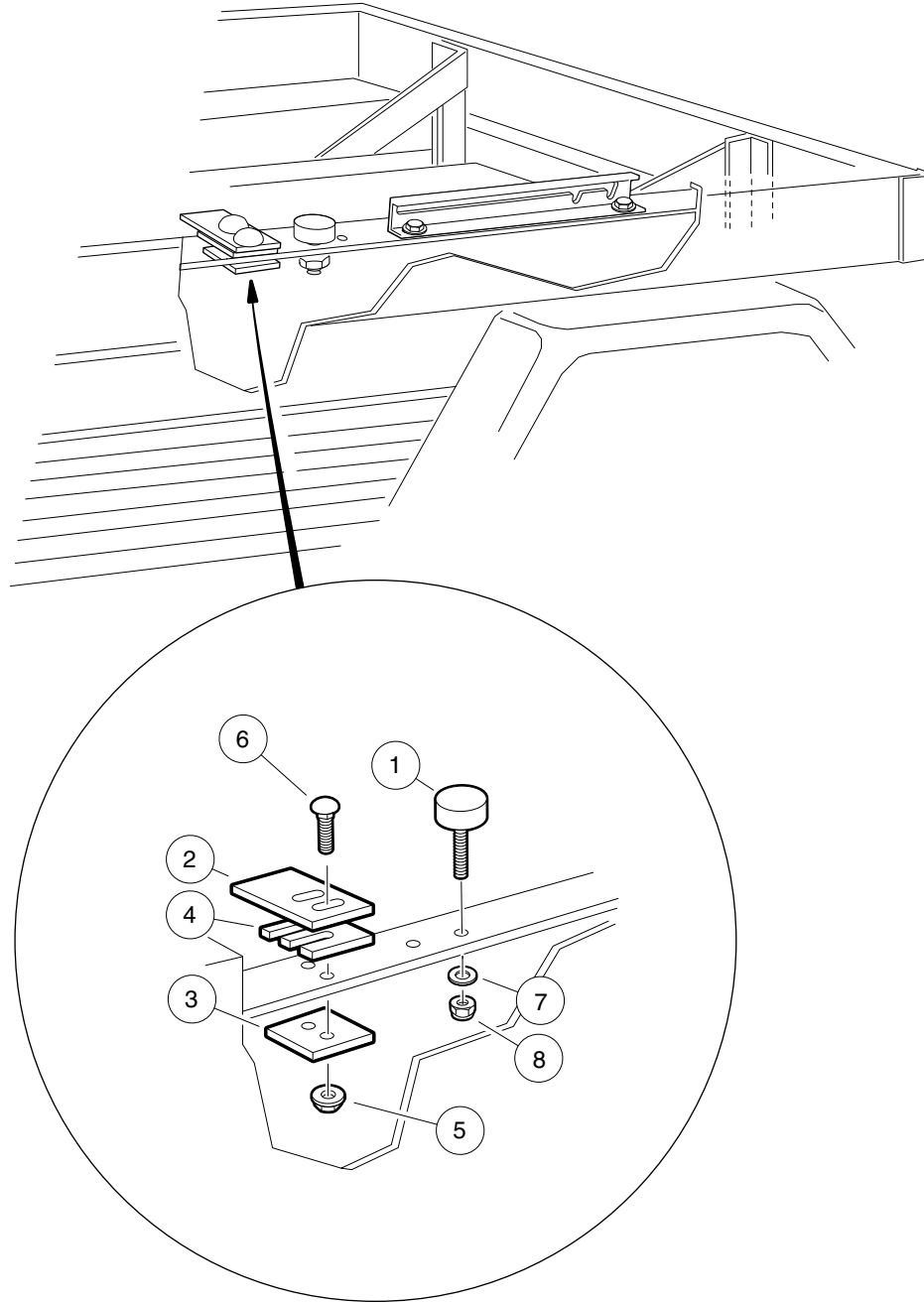
000257-003

TILT BED, EXTRUDED HINGE, AND LATCH

ITEM	PART NO.	DESCRIPTION	QTY
		1 2 3 4	
1	1012303	Bushing, Steel	2
2	101542901	Assembly, Tilt Bed (includes items 3 through 13)	1
3	1010435	Bolt, Carriage, 5/16-18 X 1.00	4
4	1014471	Tape, Vinyl Foam 1/8" x 3/4"	A/R
5	1015252	Latch Weld Assembly	1
6	1015258	Plate, Floor Bed	1
7	N/A	Frame Assembly	1
8	1015391	Extension, Spring Latch	2
9	1015399	Screw, 5/16-18 X 0.88 Torx Truss-Head	4
10	1015400	Grip, Tilt Latch Hand	1
11	101835601	Locknut, 1/4-20 Hex Whiz	4
12	403	Screw, 1/4-20 X 0.625 Hex-Head Cap	4
13	7473	Locknut, 5/16-18 Nylon Insert	8
14	1015507	Shim, Tilt Bed Pivot	1
15	1015583	Bushing, Urethane	4
16	102065901	Locknut, 3/8-16 Flanged Dimple	4
17	102989501	Seal, Bed, 41-Inch	1
18	103538701	Bracket, Bed Hinge, Extruded	2
19	103538901	Bolt, Carriage, 3/8-16 x 3.5" Grade 5	4
20	7532	Rivet, 3/16 X 0.3125, Pop	1
21	8754	Locknut, 3/8-16 Hex	2
22	8755	Screw, 3/8-16 X 3.375 Hex Cap	2

1
G
E

1
G
E



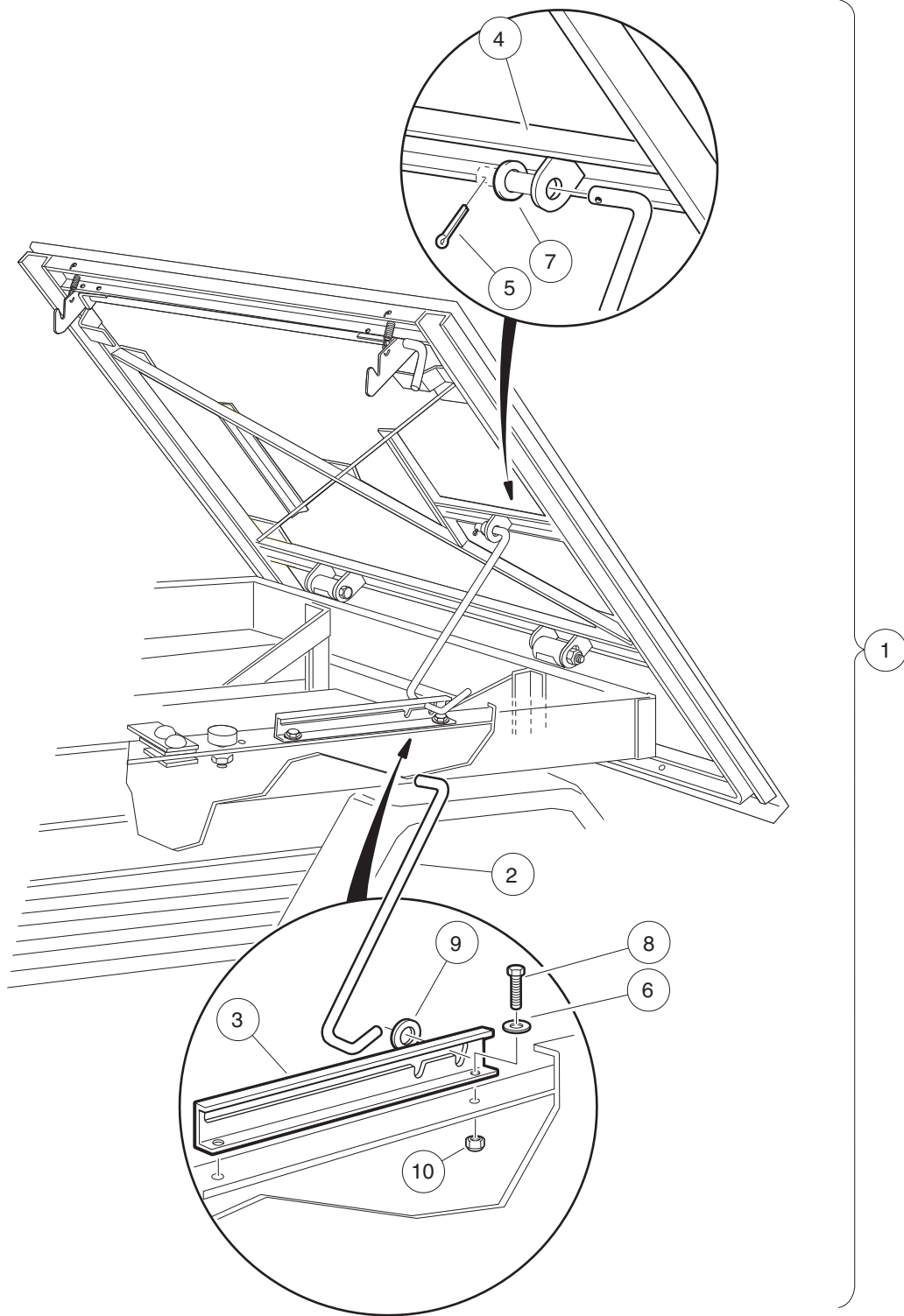
000258-002

LATCH PLATE

ITEM	PART NO.	DESCRIPTION	QTY
		1 2 3 4	
1	1010878	Bumper, Rubber	2
2	1015277	Latch Plate, Tilt Bed	2
3	1016060	Plate, Latch Support	2
4	1016078	Latch Plate Shim	A/R
5	101835601	Locknut, 1/4-20 Hex Whiz	4
6	101958601	Carriage Bolt, 1/4-20 X 0.75	4
7	332	Washer, 1/4 Type A Narrow Flat	4
8	8233	Locknut, 1/4-20, Nylon Insert	4

1
G
E

1
G
E



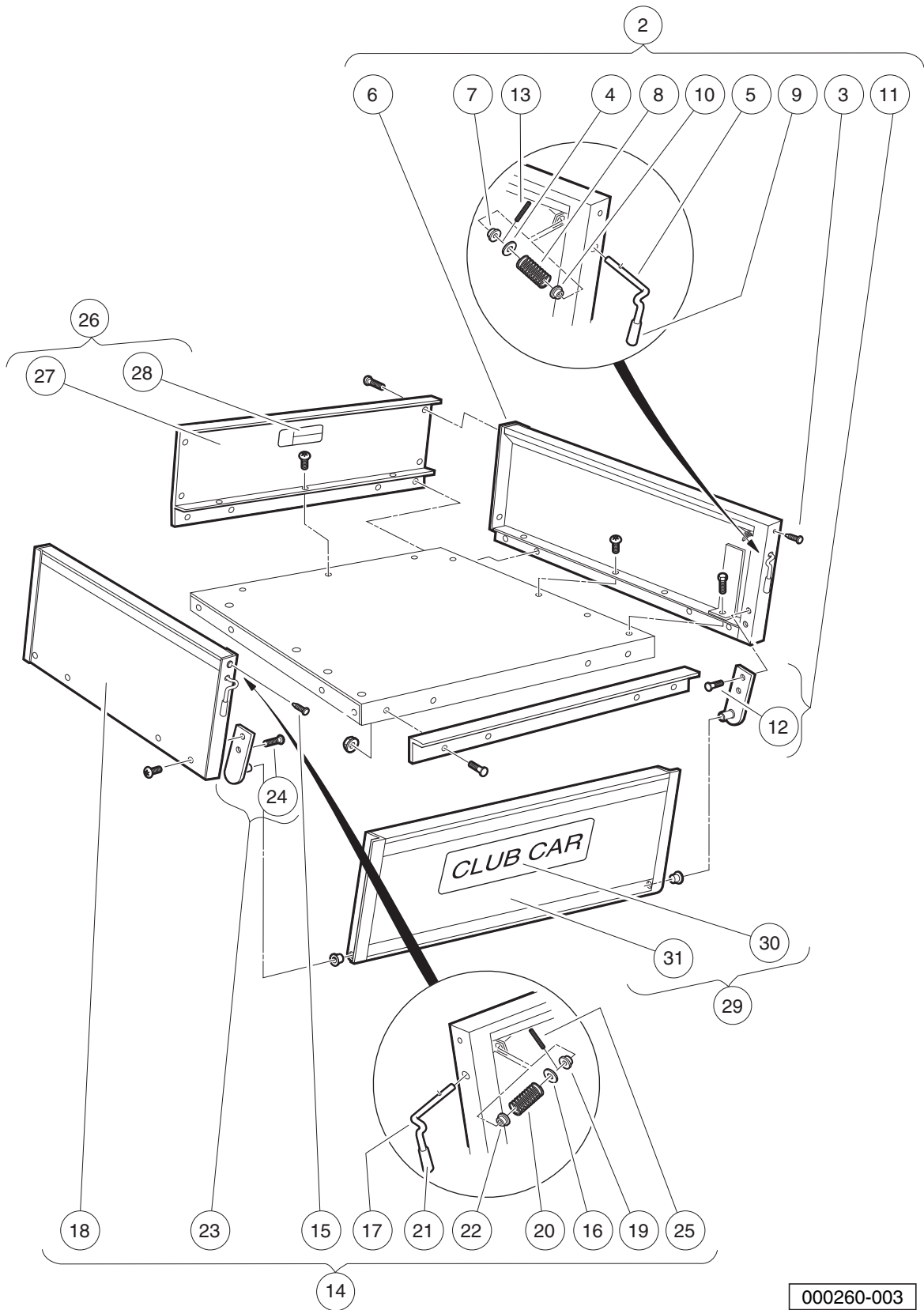
000259-001

PROP ROD

ITEM	PART NO.	DESCRIPTION	QTY
		1 2 3 4	
1	101922801	Prop Rod Support Instl Kit (includes items 2 through 10)	1
2	1015348	Prop Rod Ca li	1
3	1015700	Track Prop Rod Ca li	1
4	101921601	Weldment, Prop Rod Support	1
5	1035	Cotter Pin, 3/32 x 1	2
6	332	Washer, 1/4 Type A Narrow Flat	5
7	334	Washer, 3/8, Type A, Flat	1
8	7847	Screw, 1/4-20 X 0.75 Hex-Head Cap	6
9	808	Washer, 3/8 Type B Flat	1
10	8233	Locknut, 1/4-20, Nylon Insert	6

1
G
E

1
G
E



000260-003

CARGO BOX (ALUMINUM)

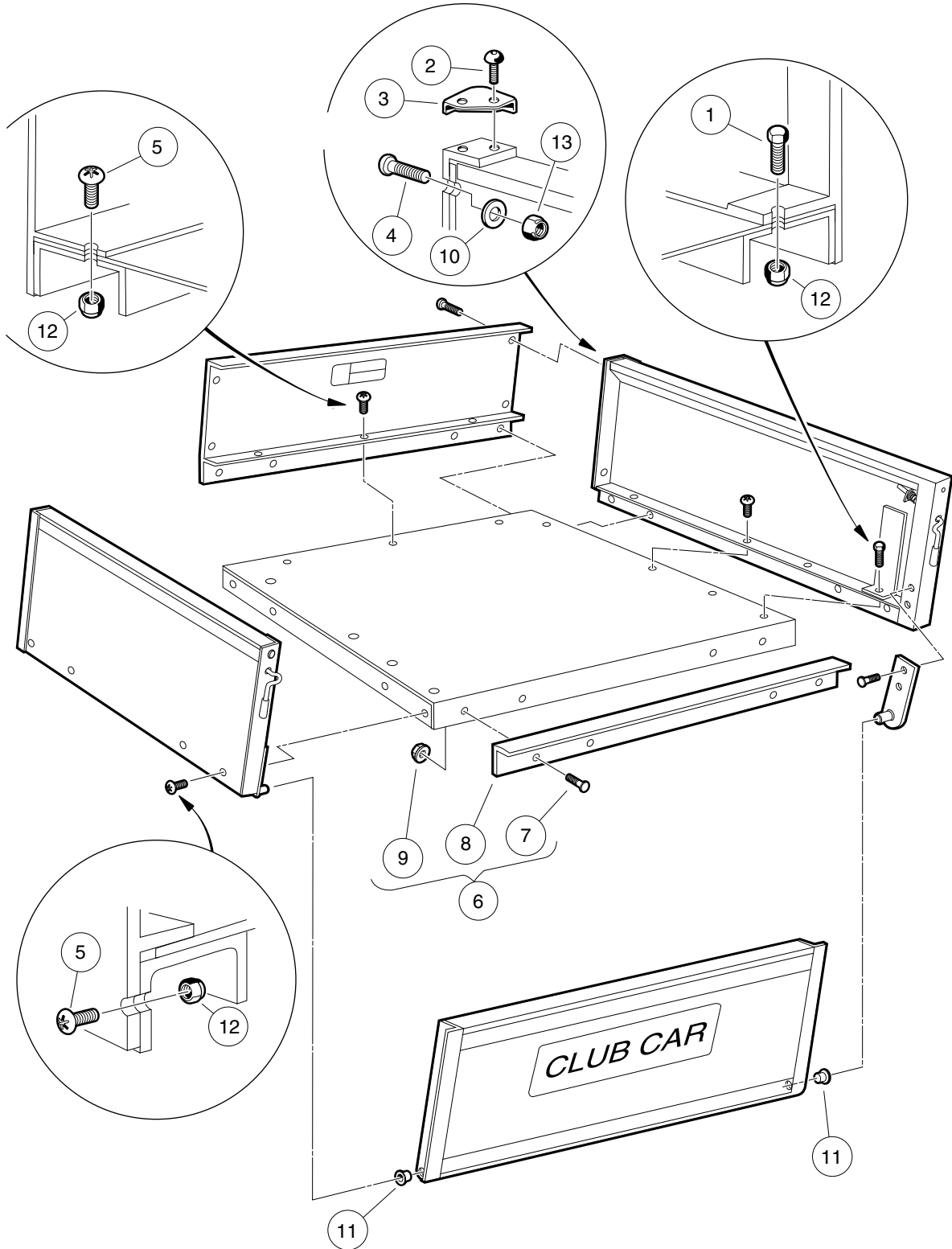
ITEM	PART NO.	DESCRIPTION	QTY
		1 2 3 4	
1	1015607	Cargo Box Set (includes items 2 through 29)	1
2	1015366	Side-Panel Assembly, Right-Hand (includes items 3 through 13)	1
3	1010434	Barrel - Plastic	1
4	1011990	Washer, 3/8 Flat	1
5	1015245	Latch, Tailgate, Right-Hand	1
6	N/A	Side-Panel Weldment, Right-Hand	1
7	1015363	Bushing, Snap-In	1
8	1015390	Compression Spring Latch Tilt	1
9	1015400	Grip, Tilt Latch Hand	1
10	1032	Bushing, Nylon	1
11	103406502	Kit, Tailgate Mounting Bracket, CA, RH (includes item 12)	1
12	103406601	Stud, 1/4 Self-clnchg Flush	2
13	1231	Pin, 1/8 X 1.00 Split Roll	1
14	1015368	Side Panel Assembly, Left-Hand (includes items 15 through 25)	1
15	1010434	Barrel - Plastic	1
16	1011990	Washer, 3/8 Flat	1
17	1015313	Latch, Tailgate, Left-Hand	1
18	N/A	Side-Panel Weldment, Left-Hand	1
19	1015363	Bushing, Snap-In	1
20	1015390	Compression Spring Latch Tilt	1
21	1015400	Grip, Tilt Latch Hand	1
22	1032	Bushing, Nylon	1
23	103406501	Kit, Tailgate Mounting Bracket, CA, LH (includes item 24)	1
24	103406601	Stud, 1/4 Self-clnchg Flush	2
25	1231	Pin, 1/8 X 1.00 Split Roll	1
26	1015412	Front Panel Assembly (includes items 27 and 28)	1
27	N/A	Front Panel Box	1
28	101553901	Decal, Bed Load Warning	1
29	1015424	Tailgate Assembly (includes items 30 and 31)	1
30	1013317	Decal, Logo, Tailgate	1
31	N/A	Tailgate Weldment	1
Note: Additional components in kit 1015607 are shown on the following two pages.			

1

G

E

1
G
E



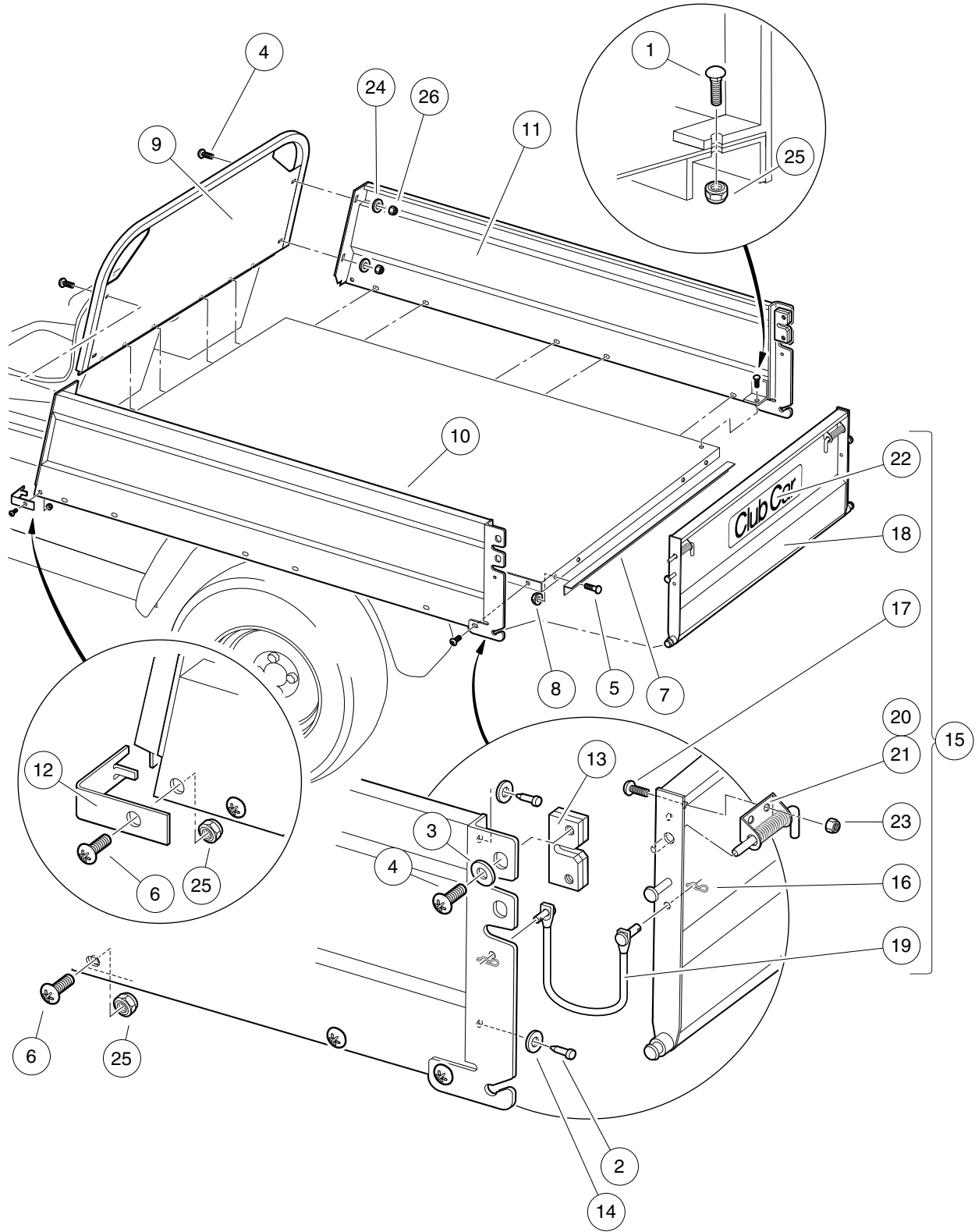
000261-001

CARGO BOX (ALUMINUM) MOUNTING

ITEM	PART NO.	DESCRIPTION	QTY
		1 2 3 4	
1	1010934	Screw, 5/16-18 X 1.00 Hex Cap	2
2	1014321	Screw, #10 Truss-Head Torx	4
3	1014387	Cap, Corner	2
4	1014415	Screw, 1/4-20 X 0.75 Torx Truss-Head	4
5	1015399	Screw, 5/16-18 X 0.88 Torx Truss-Head	23
6	101894702	Kit, Tailgate Angle (includes items 7 through 9)	1
7	1014537	Stud, Self-Clinching Flush Head	4
8	N/A	Box Bed Tailgate Angle	1
9	101963401	Locknut, 5/16-18 Hex Flange	4
10	332	Washer, 1/4 Type A Narrow Flat	4
11	7049	Bushing, Nylon	2
12	7473	Locknut, 5/16-18 Nylon Insert	25
13	8233	Locknut, 1/4-20, Nylon Insert	4
<p>Note: All parts listed on this page are included in kit 1015607.</p>			

1
G
E

1
G
E



000038-006

CARGO BOX (STEEL)

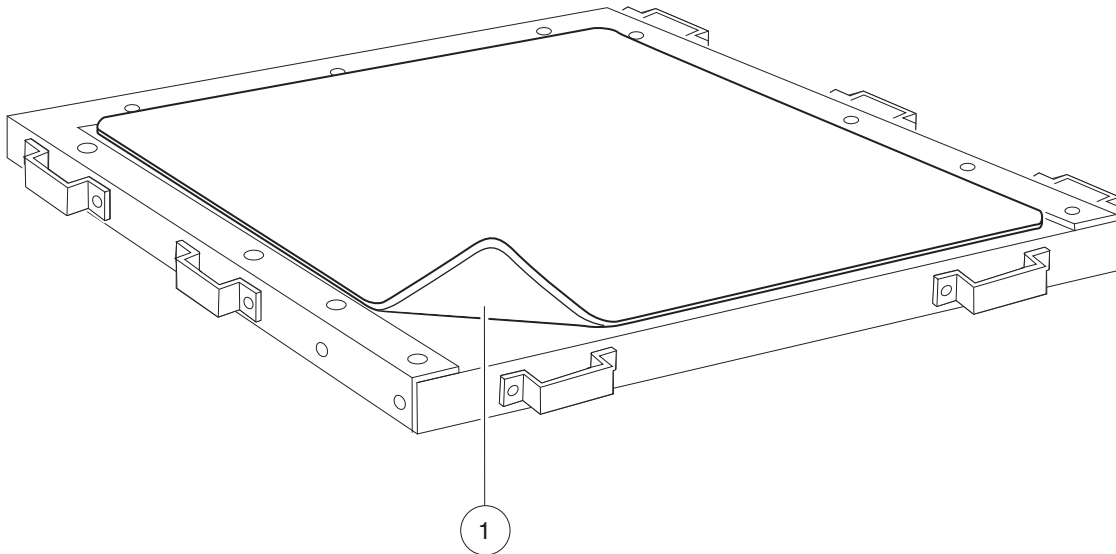
ITEM	PART NO.	DESCRIPTION	QTY
		1 2 3 4	
1	1010435	Bolt, Carriage, 5/16-18 X 1.00	13
2	1010436	Bumper, Rubber	4
3	1014306	Washer, 1/4" Type B Flat	4
4	1014415	Screw, 1/4-20 X 0.75 Torx Truss-Head	8
5	1014537	Stud, Self-Clinching Flush Head	4
6	1015399	Screw, 5/16-18 X 0.88 Torx Truss-Head	18
7	101894304	Box Bed Tailgate Angle	1
8	101963401	Locknut, 5/16-18 Hex Flange	4
9	102221301	Front Panel Weldment	1
10	102221401	Left Panel Weldment	1
11	102221501	Right Panel Weldment	1
12	102221701	Front Corner Cap	2
13	102222001	Slam Latch	2
14	102239901	Washer, Rubber, 3/8	4
15	102614401	Assembly, Tailgate (includes items 16 through 23)	1
16	1013366	Hair Pin Clip	4
17	1014415	Screw, 1/4-20 X 0.75 Torx Truss-Head	4
18	N/A	Tailgate, Weldment	1
19	102221801	Tether Assembly	2
20	102222101	Spring Latch Right	1
21	102222201	Spring Latch Left	1
22	102673201	Decal, Club Car Tailgate	1
23	8233	Locknut, 1/4-20, Nylon Insert	4
24	332	Washer, 1/4 Type A Narrow Flat	4
25	7473	Locknut, 5/16-18 Nylon Insert	31
26	8233	Locknut, 1/4-20, Nylon Insert	4

1
G
E

1

G

E



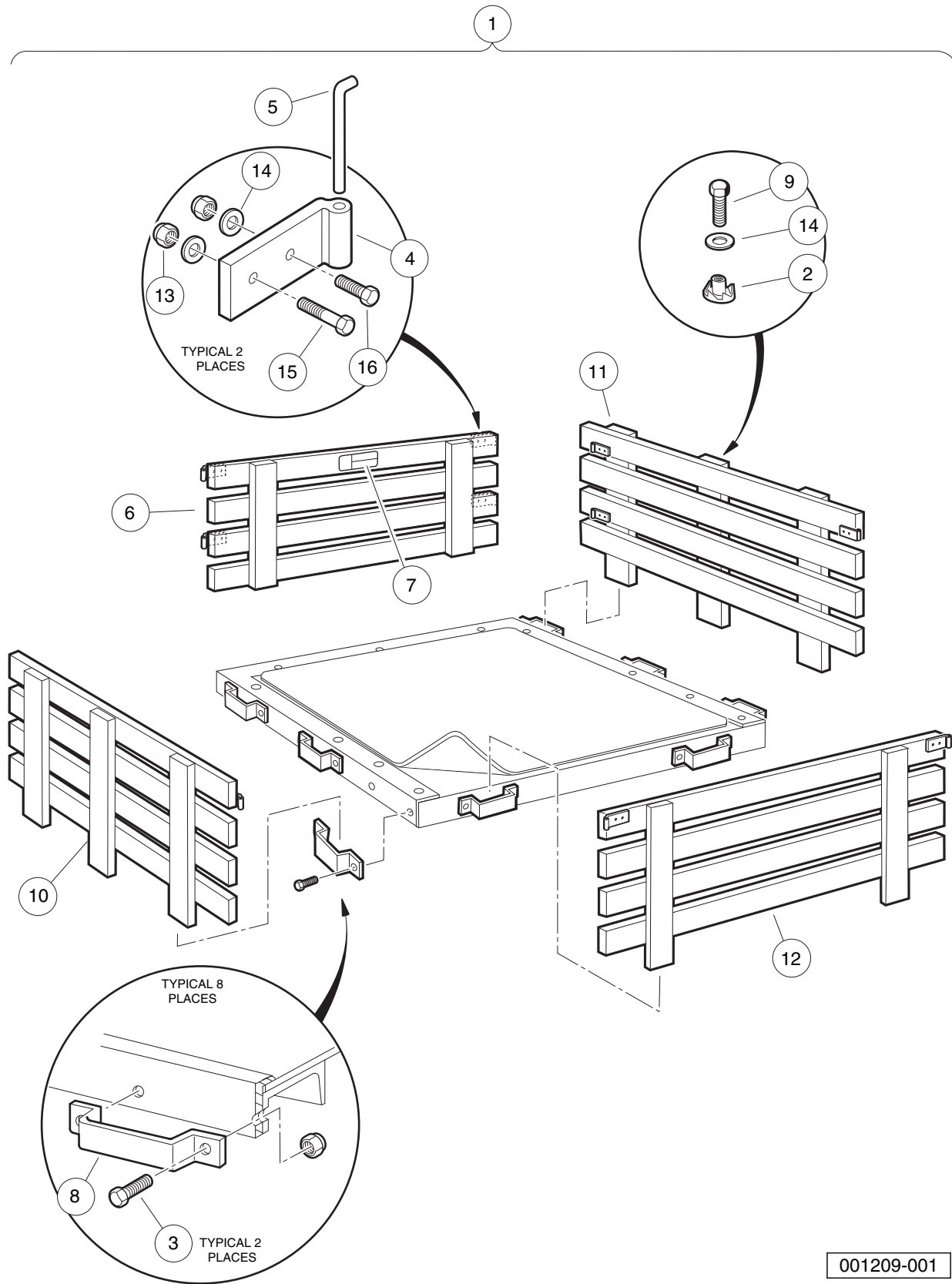
001207-001

BED MAT

ITEM	PART NO.	DESCRIPTION	QTY
1	101770202	1 2 3 4 Bed Mat	1

1
G
E

1
G
E

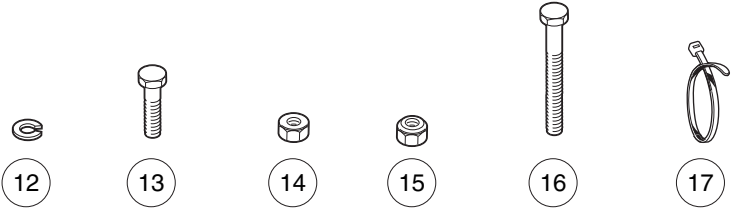
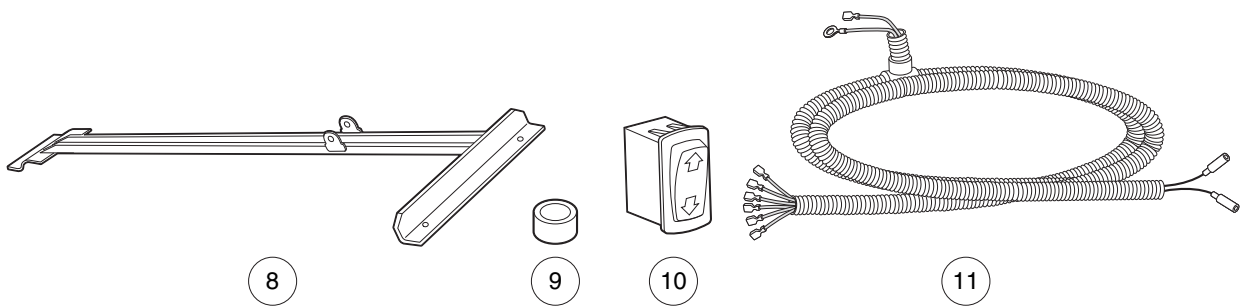
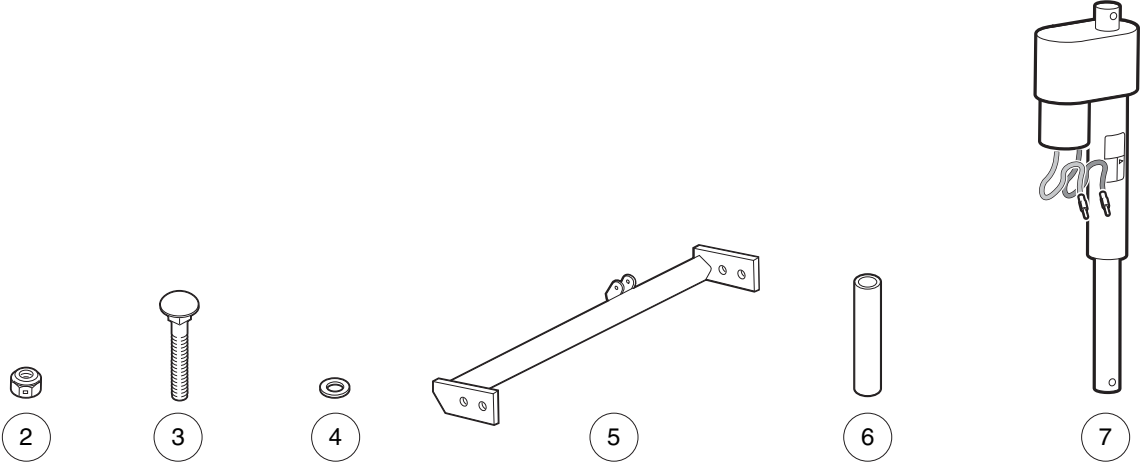
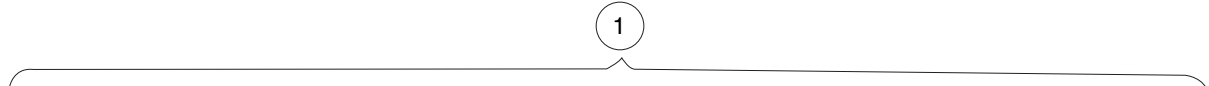


STAKE SIDE KIT

ITEM	PART NO.	DESCRIPTION	QTY
		1 2 3 4	
1	102847701	Kit, Stake Side, 45-5/8 X 50 (includes items 2 through 16)	1
2	1010086	T-Nut	74
3	1010934	Screw, 5/16-18 X 1.00 Hex Cap	16
4	1015654	Stake Side Hinge	12
5	1015656	Pin, hinge	6
6	101565803	Stake Side Assembly, Front (includes item 7)	1
7	101553901	Decal, Bed Load Warning	1
8	1016077	Bracket, Stake Side	8
9	1016916	Screw, 1/4-20 X 1.50 Hex-Head Cap	74
10	102847601	Asm, Stake Side, 45-5/8 X 19 D	1
11	102847602	Asm, Stake Side, 45-5/8 X 19 P	1
12	102847603	Asm, Stake Side, 48 X 19 Rear	1
13	1108	Locknut, 1/4-20 Dimpled	24
14	332	Washer, 1/4 Type A Narrow Flat	24
15	7311	Screw, 1/4-20 X 2.00 Hex-Head Cap	6
16	7479	Screw, 1/4-20 X 1.25 Hex-Head Cap	18

1
G
E

1
G
E



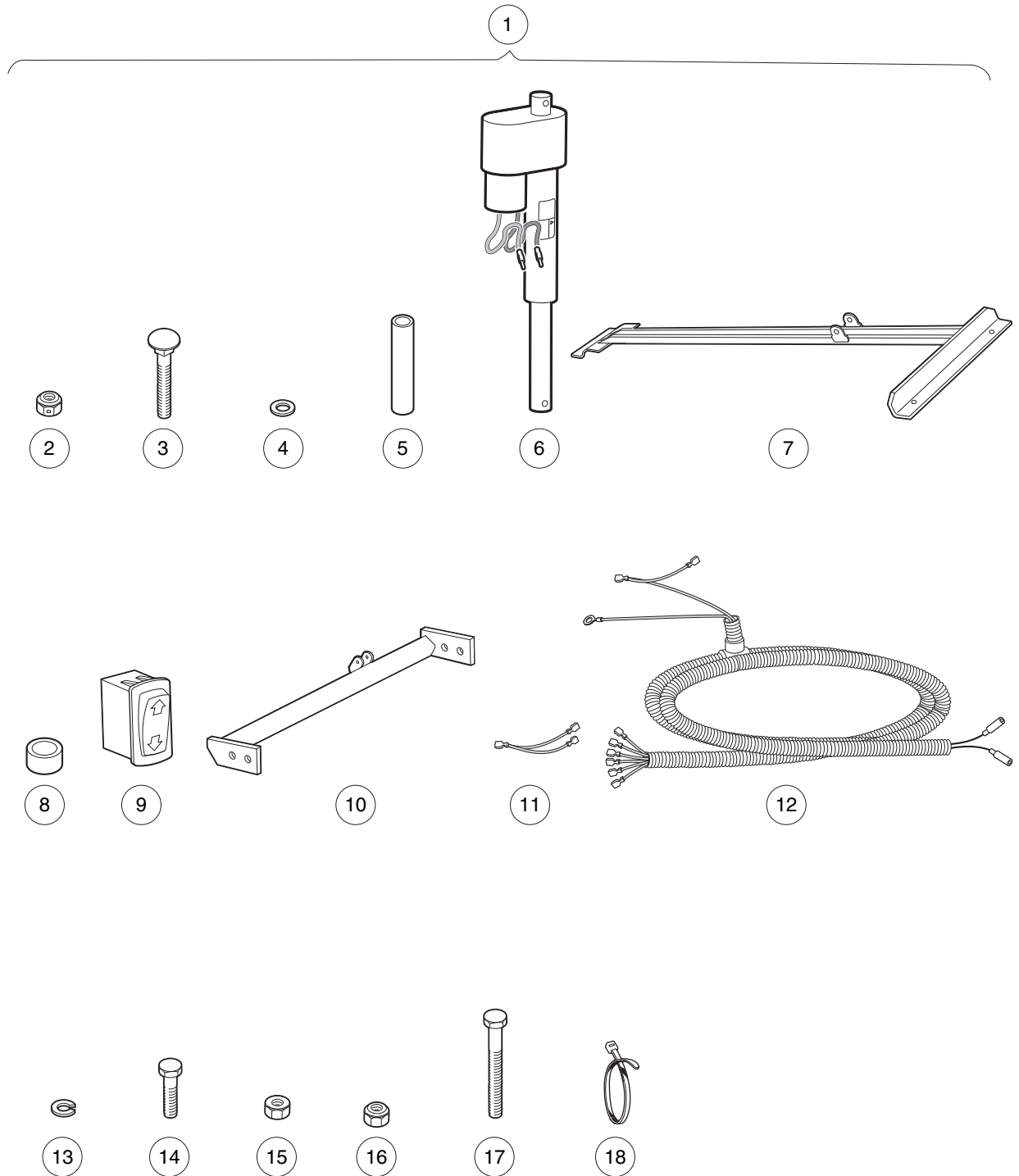
001263-001

ELECTRIC BED LIFT – GASOLINE VEHICLES

ITEM	PART NO.	DESCRIPTION	QTY
		1 2 3 4	
1	103272801	Kit, Electric Bed Lift, T/CA2/252/900 Gas (includes items 2 through 17)	1
2	1010138	Locknut, 3/8-16 Dimpled	2
3	1010435	Bolt, Carriage, 5/16-18 X 1.00	3
4	1011990	Washer, 3/8 Flat	4
5	1015612	Mounting Bracket, Hydraulic Cylinder	1
6	1016603	Bushing Long	2
7	1017162	Actuator Assembly, Electric	1
8	1017167	Actuator Adapter	1
9	1017774	Body Spacer	8
10	102882501	Switch, Rocker, Bed Lift	1
11	103270201	Wire Harness, Elec Tilt Sys	1
12	357	Lockwasher, 3/8 Split	4
13	705	Screw, Cap-hex Hd 3/8-16x1.25	4
14	706	Nut, Hex 3/8-16	4
15	7473	Locknut, 5/16-18 Nylon Insert	3
16	7561	Bolt, 3/8-16 X 3.00 Hex Head	2
17	8990	Tie Wrap, 8" Nylon	10

1
G
E

1
G
E



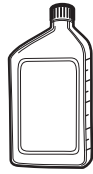
001264-001

ELECTRIC BED LIFT – ELECTRIC VEHICLE

ITEM	PART NO.	DESCRIPTION	QTY
		1 2 3 4	
1	103274202	Kit, Electric Bed Lift, T/CA2/252/900 IQ Plus (includes items 2 through 18)	1
2	1010138	Locknut, 3/8-16 Dimpled	2
3	1010435	Bolt, Carriage, 5/16-18 X 1.00	3
4	1011990	Washer, 3/8 Flat	4
5	1016603	Bushing Long	2
6	1017162	Actuator Assembly, Electric	1
7	1017167	Actuator Adapter	1
8	1017774	Body Spacer	8
9	102882501	Switch, Rocker, Bed Lift	1
10	102893601	Center Bracket, Bed Lift	1
11	102959601	Iq Plus Acc Jumper, 3 Inch	1
12	103270301	Wire Harness, El Tilt, Iq Plus	1
13	357	Lockwasher, 3/8 Split	4
14	705	Screw, Cap-hex Hd 3/8-16x1.25	4
15	706	Nut, Hex 3/8-16	4
16	7473	Locknut, 5/16-18 Nylon Insert	3
17	7561	Bolt, 3/8-16 X 3.00 Hex Head	2
18	8990	Tie Wrap, 8" Nylon	12

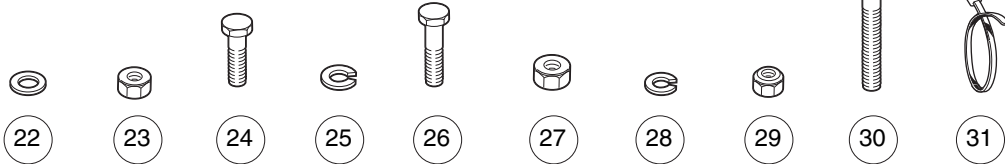
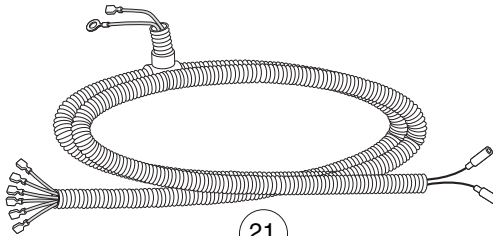
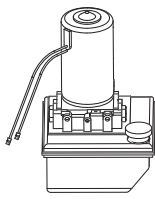
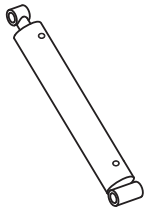
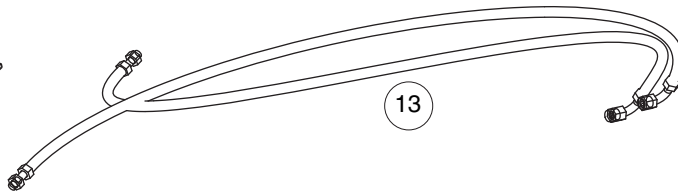
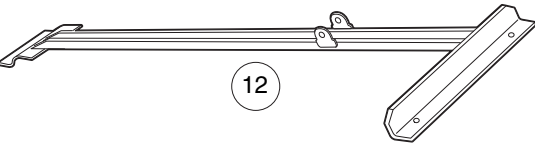
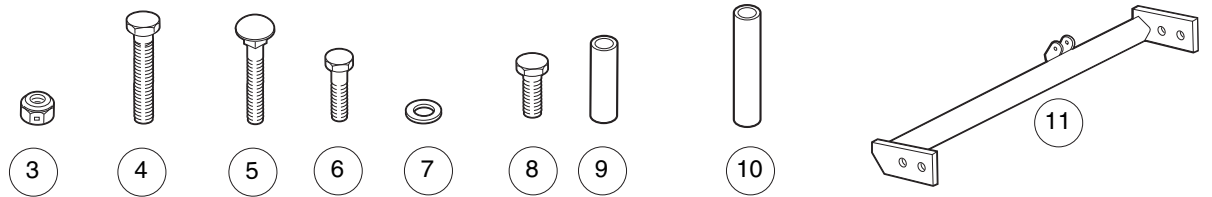
1
G
E

1
G
E



1

2

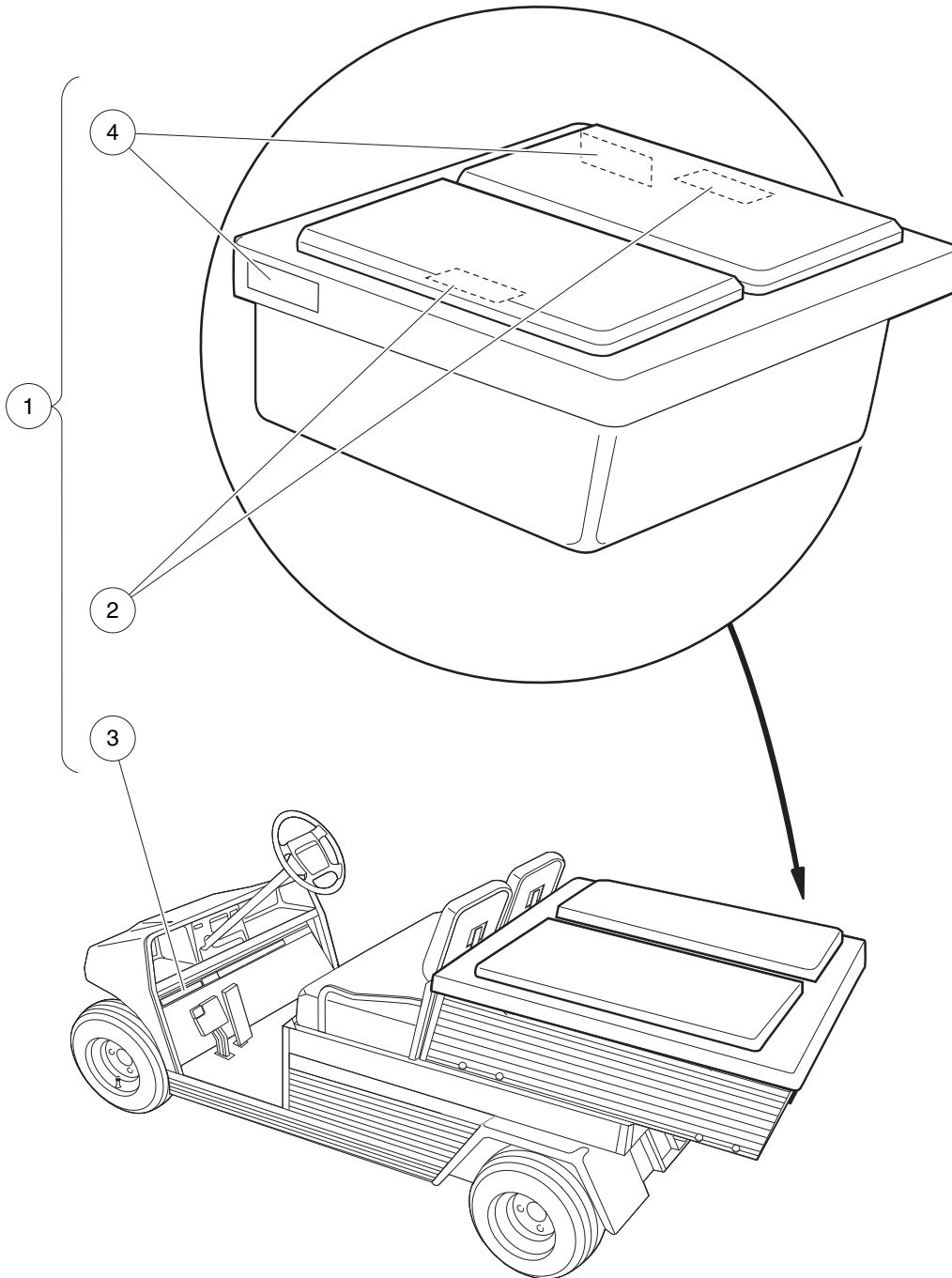


001222-001

HYDRAULIC BED LIFT KIT

ITEM	PART NO.	DESCRIPTION	QTY
		1 2 3 4	
1	1015820	Hydraulic Fluid	A/R
2	103324402	Kit, Hydraulic Bed Lift (includes items 3 through 31)	1
3	1010138	Locknut, 3/8-16 Dimpled	2
4	1010177	Bolt, 3/8-16 X 2.00 Hex Head	1
5	1010435	Bolt, Carriage, 5/16-18 X 1.00	4
6	1010934	Screw, 5/16-18 X 1.00 Hex Cap	2
7	1011990	Washer, 3/8 Flat	6
8	1012463	Bolt, 3/8-16 X .875 Hex Head	2
9	1015608	Tube Spacer, Hydraulic Cylinder	1
10	1015610	Tube Spacer Lg Hyd Cyl	1
11	1015612	Mounting Bracket, Hydraulic Cylinder	1
12	1015615	Cylinder Adapter Weldment	1
13	1015616	Hydraulic Hose Asm. Tilt Bed	2
14	1015617	Hydraulic Cylinder Cail Tilt	1
15	1015621	Mtg Bracket Hydr. Pump	1
16	1015623	Straight Thread Adap. W/o-ring	2
17	1015624	Straight Thd Elbow W/o-ring Ca	2
18	101570401	Decal, Tilt System Warning	1
19	1016136	Pump, Hydraulic Tilt Bed	1
20	102882501	Switch, Rocker, Bed Lift	1
21	103318401	Harness, Hyd Lift, Gas	1
22	1241	Washer, 5/16 Type A Flat	6
23	1242	Nut, 5/16-18 Hex	2
24	320	Screw, 3/8-16 X 1.00 Hex-Head Cap	2
25	357	Lockwasher, 3/8 Split	6
26	705	Screw, Cap-hex Hd 3/8-16x1.25	2
27	706	Nut, Hex 3/8-16	4
28	7174	Lockwasher, 5/16 Split	2
29	7473	Locknut, 5/16-18 Nylon Insert	5
30	7561	Bolt, 3/8-16 X 3.00 Hex Head	1
31	8990	Tie Wrap, 8" Nylon	8

1
G
E



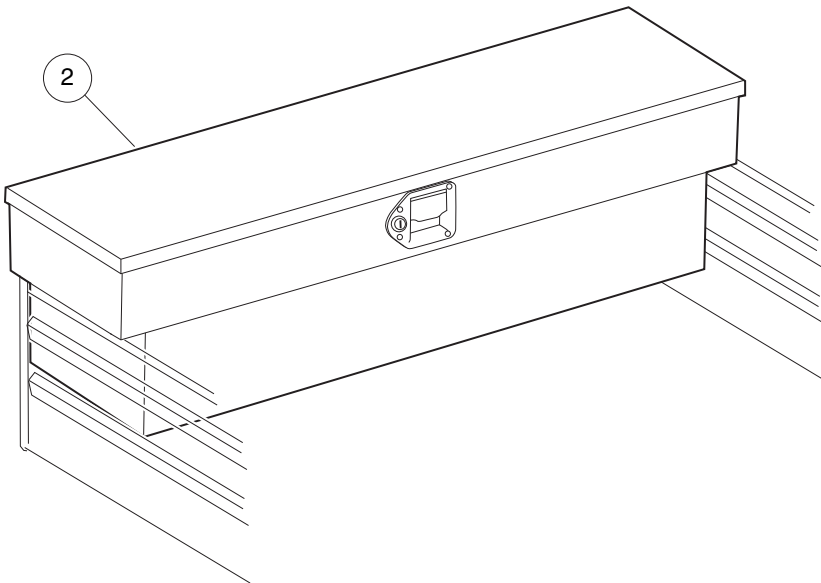
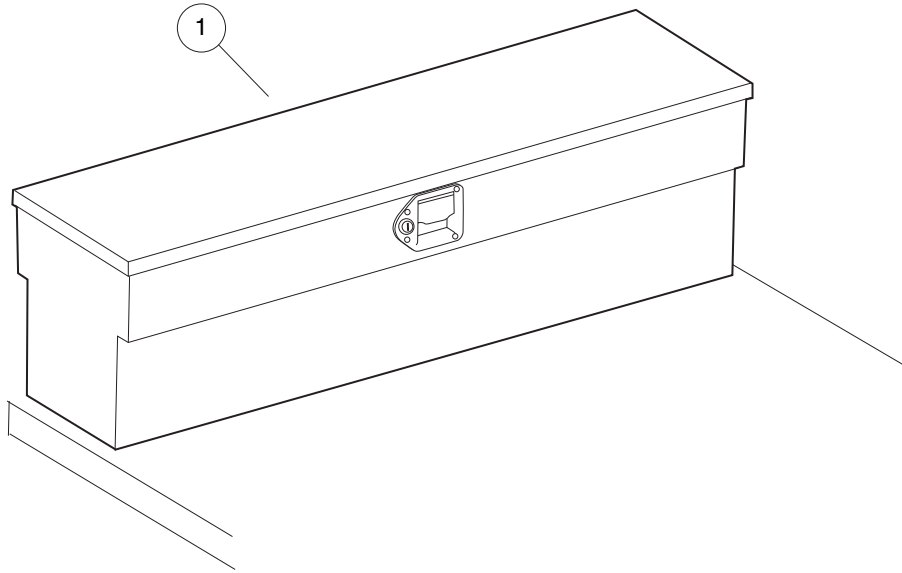
001210-001

PORTABLE REFRESHMENT CENTER

ITEM	PART NO.	DESCRIPTION	QTY
		1 2 3 4	
1	101996901	Portable Refreshment Ctr, 2 (includes items 2 through 4)	1
2	1011962	Decal, Refreshment Center	2
3	102056401	Decal-bev Unit Dash Warning	1
4	N/A	Decal, PRC Warning	2

1
G
E

1
G
E



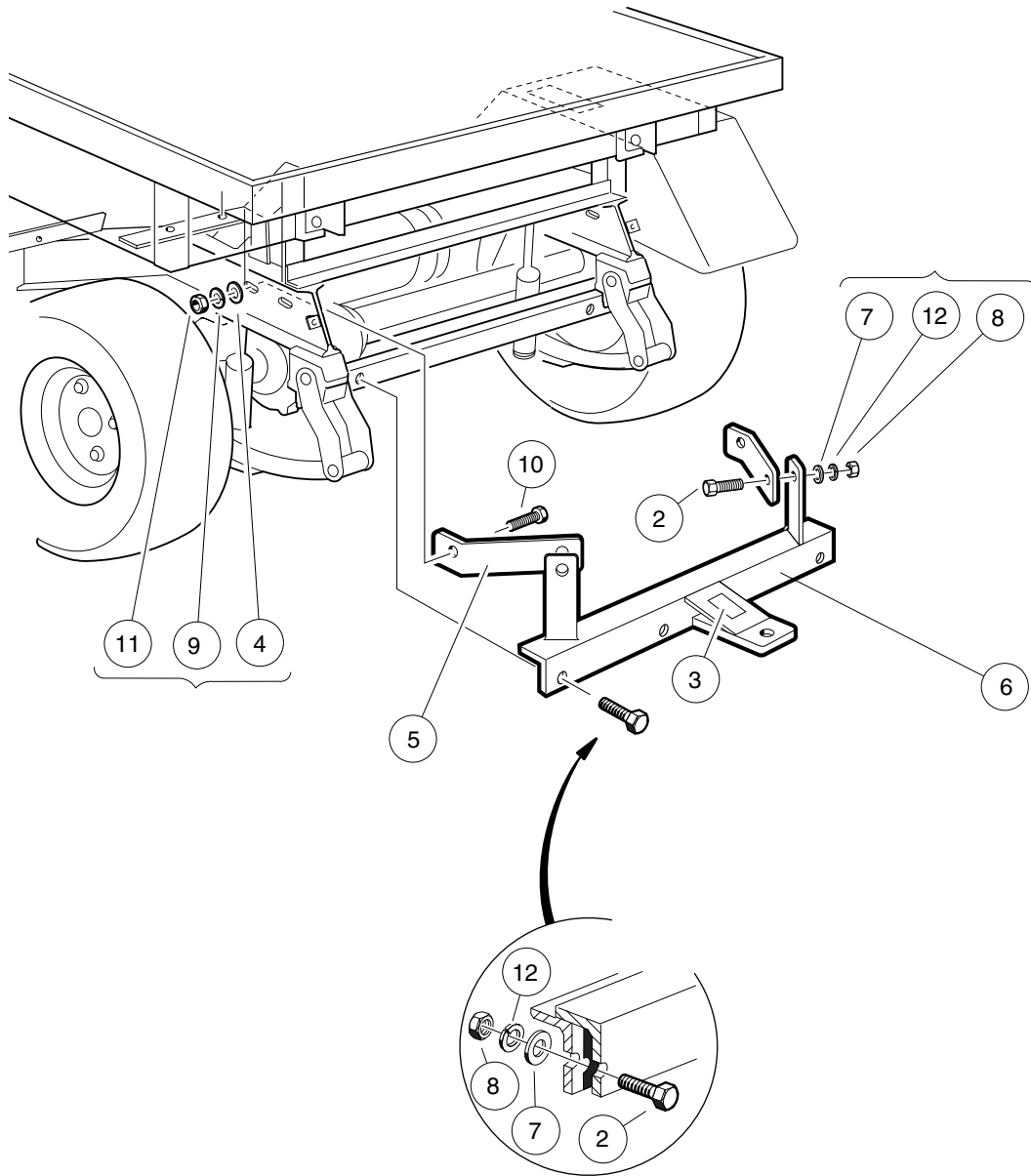
001157-001

TOOLBOXES

ITEM	PART NO.	DESCRIPTION	QTY
1	101837401	1 2 3 4 Toolbox, Flat Bed	1
2	101837502	Toolbox, Box Bed	1

1
G
E

1
G
E



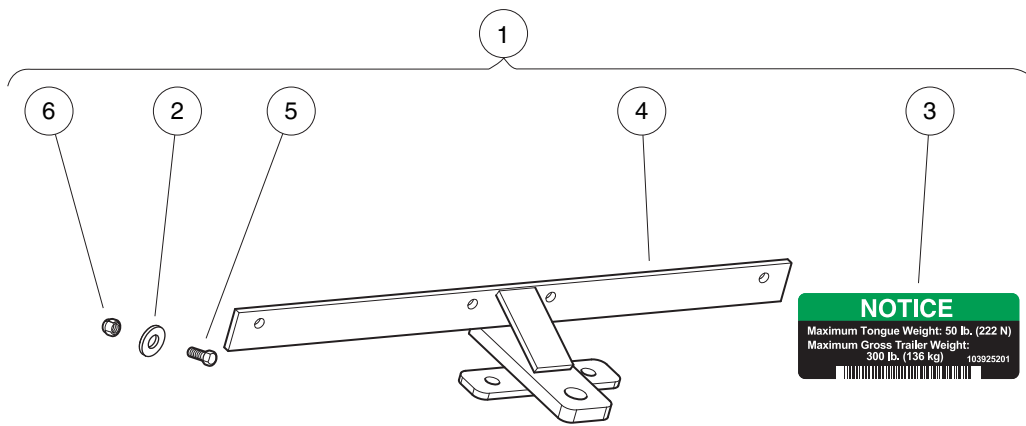
000265-001

TRAILER HITCH, HEAVY-DUTY

ITEM	PART NO.	DESCRIPTION	QTY
		1 2 3 4	
1	1015445	Kit, Trailer Hitch (includes items 2 through 12)	1
2	1010934	Screw, 5/16-18 X 1.00 Hex Cap	4
3	1011553	Decal, Trailer Hitch	1
4	1011990	Washer, 3/8 Flat	2
5	1013483	Brace, Trailer Hitch	2
6	N/A	Asm, Trailer Hitch	1
7	1241	Washer, 5/16 Type A Flat	4
8	1242	Nut, 5/16-18 Hex	4
9	357	Lockwasher, 3/8 Split	2
10	705	Screw, Cap-hex Hd 3/8-16x1.25	2
11	706	Nut, Hex 3/8-16	2
12	7174	Lockwasher, 5/16 Split	4

1
G
E

1
G
E



001239-001

TRAILER HITCH, LIGHT-DUTY

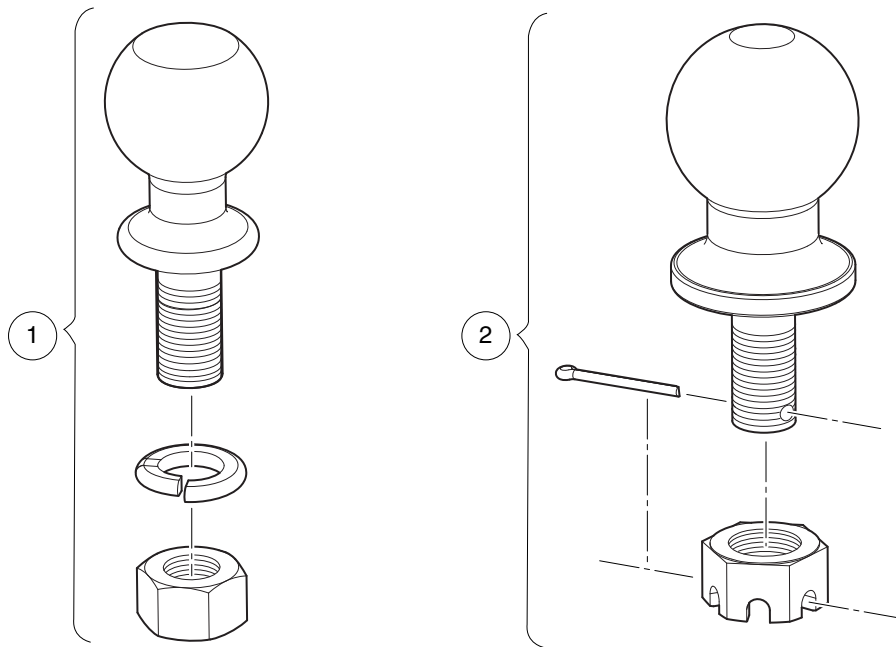
ITEM	PART NO.	DESCRIPTION	QTY
		1 2 3 4	
1	103925001	Kit, Trailer Hitch, Light-Duty (includes items 2 through 6)	1
2	1012571	Washer, 5/16 Extra Thick Flat	8
3	103925201	Decal, Trailer Htch, 50lb Tng	1
4	103930001	Ld Trailer Hitch Weld Assy	1
5	1218	Screw, 5/16-18 X 1.25 Hex-Head Cap	4
6	7473	Locknut, 5/16-18 Nylon Insert	4

1
G
E

1

G

E



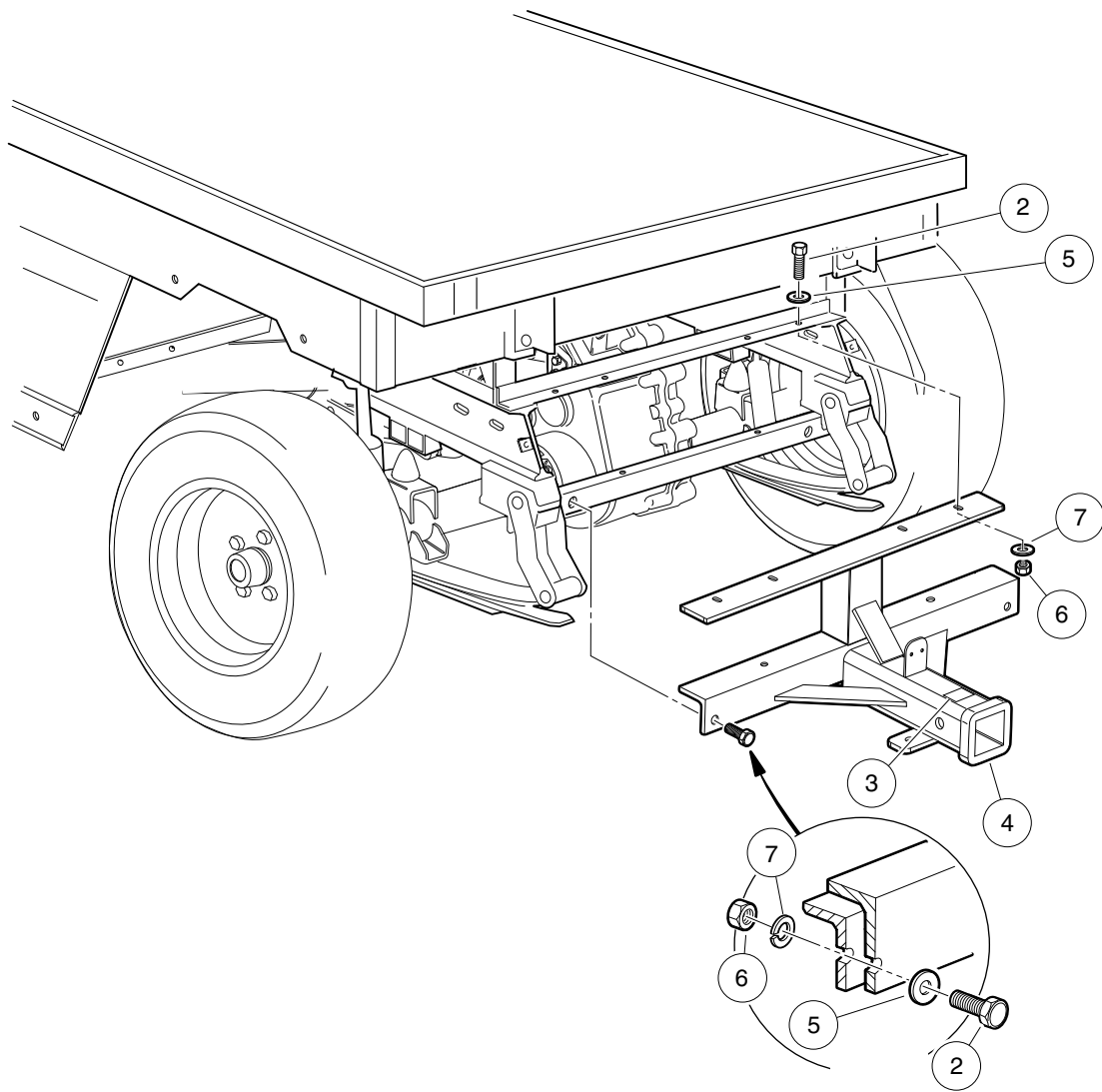
001137-001

TRAILER HITCH BALL

ITEM	PART NO.	DESCRIPTION	QTY
1	1011546	1 2 3 4 Trailer Hitch Ball - 1 7/8"	1
2	AM1264001	Chrome Hitch Ball, 2"	1

1
G
E

1
G
E



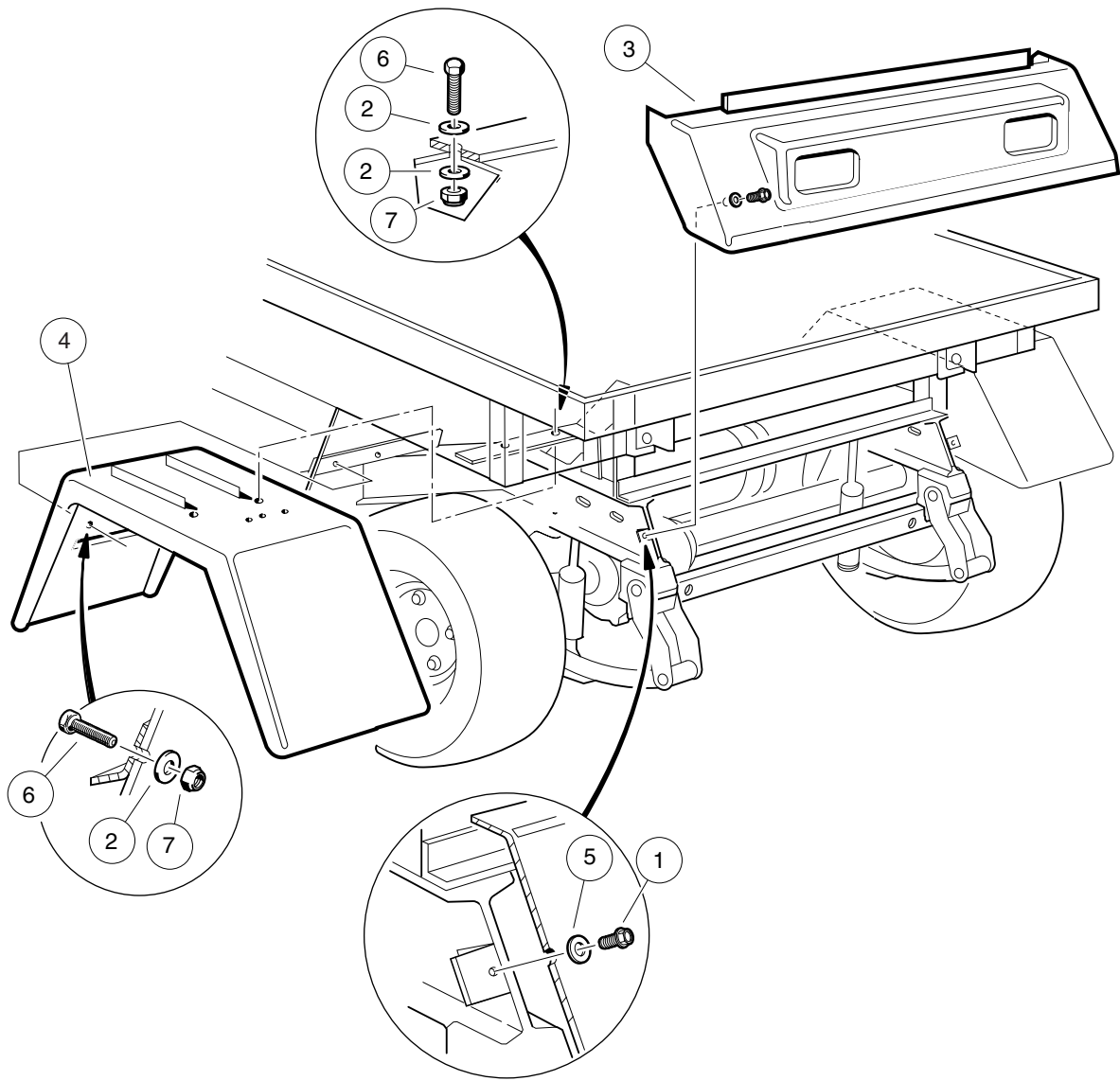
000100-002

RECEIVER HITCH

ITEM	PART NO.	DESCRIPTION	QTY
		1 2 3 4	
1	102065103	Kit, Rear Receiver (includes items 2 through 7)	1
2	1010934	Screw, 5/16-18 X 1.00 Hex Cap	6
3	1011553	Decal, Trailer Hitch	1
4	102056001	Rear Receiver Weld Asm	1
5	1241	Washer, 5/16 Type A Flat	6
6	1242	Nut, 5/16-18 Hex	6
7	7174	Lockwasher, 5/16 Split	6

1
G
E

1
G
E



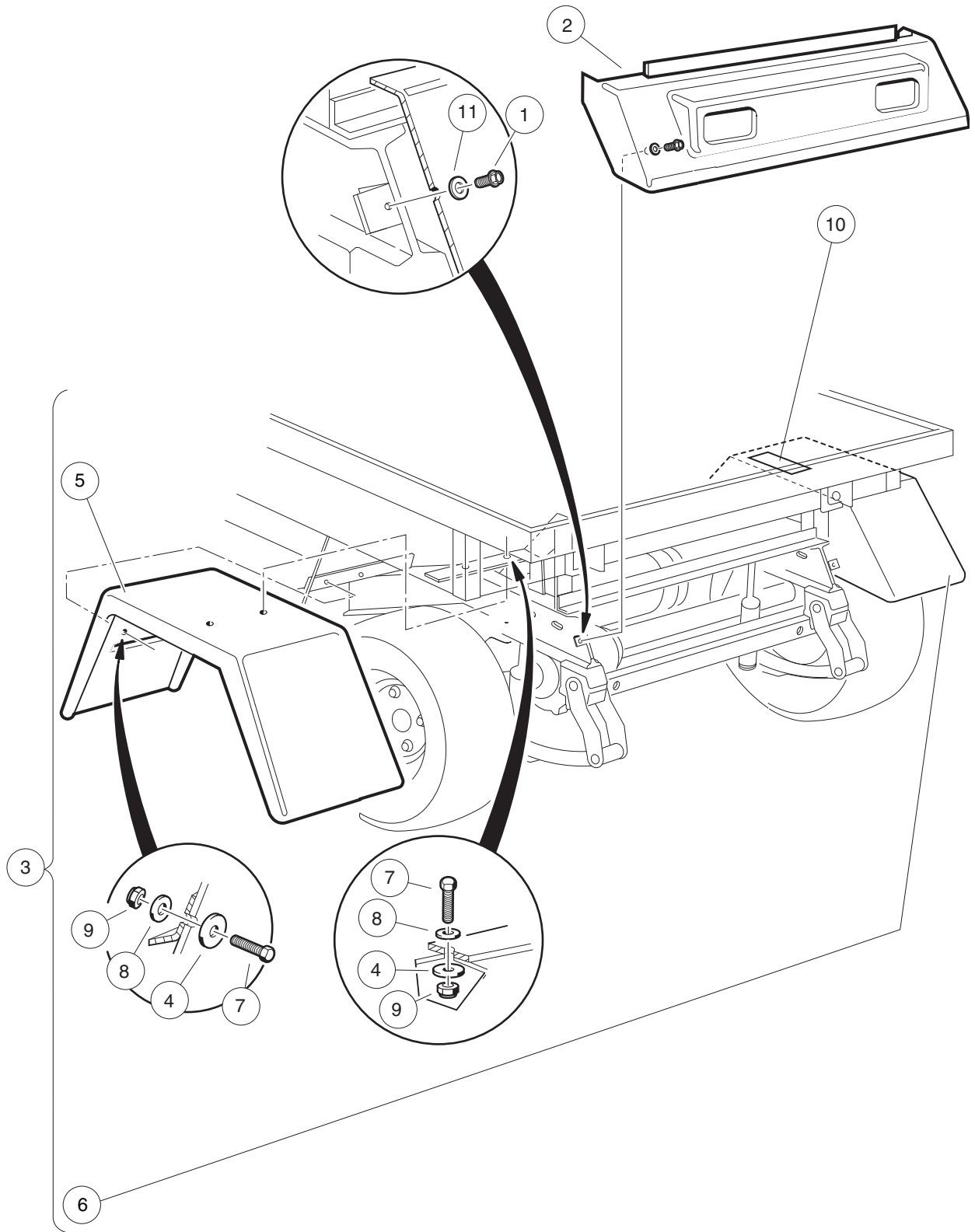
000266-001

REAR BODY TRIM – TURF/CARRYALL 1, 2, 2 PLUS, AND 6

ITEM	PART NO.	DESCRIPTION	QTY
		1 2 3 4	
1	1012285	Screw, 1/4 X 0.625 Hex-Head	2
2	1014306	Washer, 1/4" Type B Flat	12
3	1015530	Tailskirt	1
4	1016679	Rear Fender	2
5	332	Washer, 1/4 Type A Narrow Flat	2
6	7847	Screw, 1/4-20 X 0.75 Hex-Head Cap	8
7	8233	Locknut, 1/4-20, Nylon Insert	8

1
G
E

1
G
E



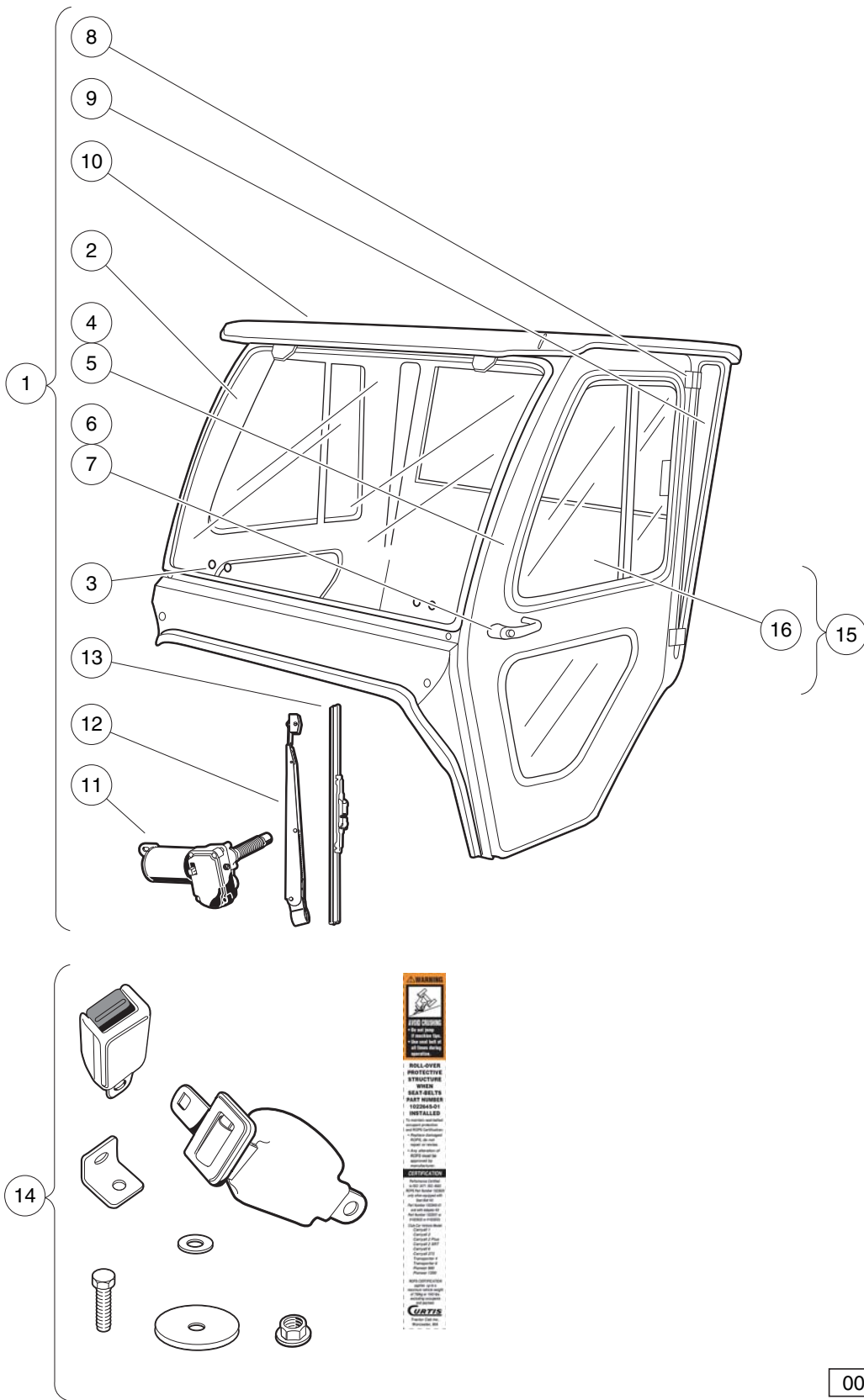
000267-001

REAR BODY TRIM – TURF/CARRYALL 252 AND XRT 900

ITEM	PART NO.	DESCRIPTION	QTY
		1 2 3 4	
1	1012285	Screw, 1/4 X 0.625 Hex-Head	2
2	1015530	Tailskirt	1
3	102010501	Rear Fender Kit (includes items 4 through 9)	1
4	1014306	Washer, 1/4" Type B Flat	10
5	102004601	Extended Fender, Rear, Left-Hand	1
6	102004602	Extended Fender, Rear, Right-Hand	1
7	304	Screw, 1/4-20 X 1.0 Hex-Head Cap	8
8	332	Washer, 1/4 Type A Narrow Flat	6
9	8233	Locknut, 1/4-20, Nylon Insert	8
10	102224001	Decal, Rotating Parts Warning	1
11	332	Washer, 1/4 Type A Narrow Flat	2

1
G
E

1
G
E



001098-001

CAB, CURTIS – TURF/CARRYALL 2, 2 PLUS, 252 AND XRT 900

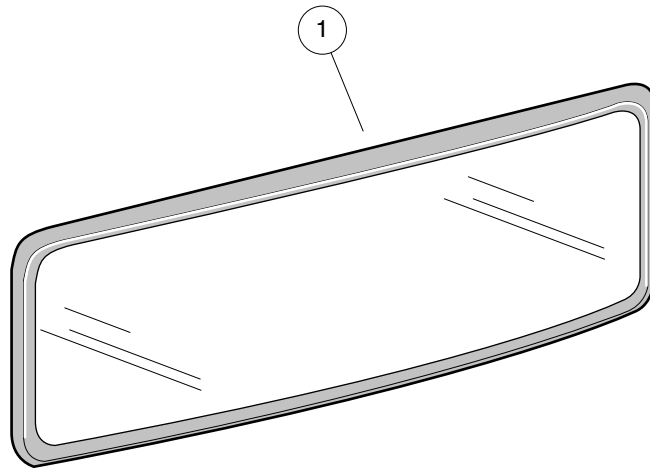
ITEM	PART NO.	DESCRIPTION	QTY
		1 2 3 4	
1	102262901	Asm, Cab (includes items 2 through 13)	1
2	AM1304001	CTC-Windshield Assembly	1
3	AM1304101	CTC-Windshield Latches	A/R
4	AM1304201	CTC-Drivers Side Door	1
5	AM1304301	CTC-Passenger Side Door	1
6	AM1304401	CTC-Inside Door Latches	2
7	AM1304501	CTC-Outside Door Latches	2
8	AM1304601	CTC-Door Hinge Kit	A/R
9	AM1304801	CTC-Side Frame Rear Window	1
10	AM1304901	CTC-Roof (White Plastic)	1
11	AM1305001	CTC-Wiper Motor	1
12	AM1305101	CTC-Wiper Arm	1
13	AM1305201	CTC-Wiper Blade	1
14	102264501	Kit, Seat Belt (required for ROPS certification, includes mounting hardware)	1
15	103274401	Kit, Adapter, Cab, Carryall (includes item 16)	1
16	AM1304701	CTC-Rear Panel	1

1
G
E

1

G

E



APM-000214-001

MIRROR, INSIDE REAR-VIEW – CURTIS CAB

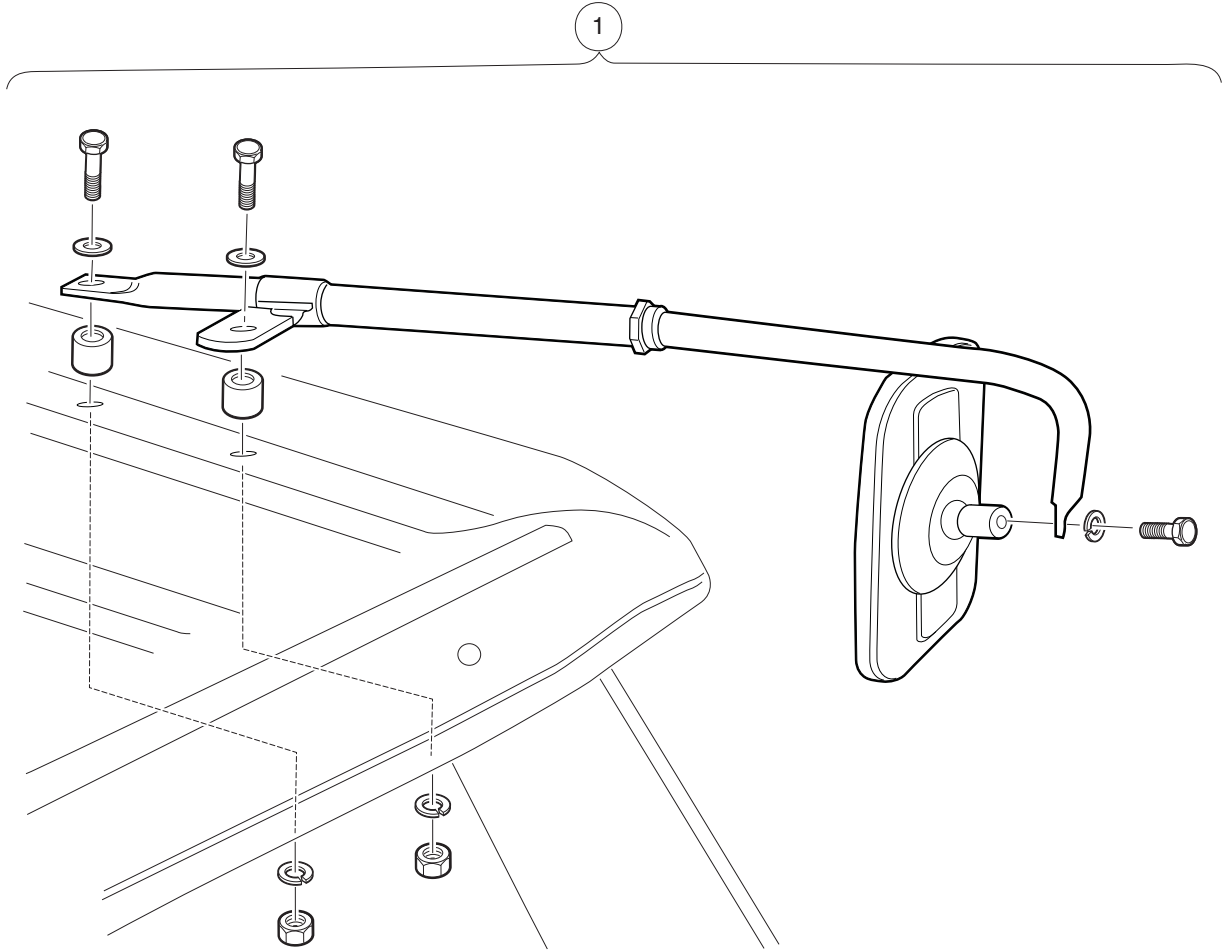
ITEM	PART NO.	DESCRIPTION	QTY
1	101995101	<p>1 2 3 4</p> <p>Kit, Rear-View Mirror (includes mounting hardware)</p> <p style="margin-left: 40px;">Note: For installation on vehicles equipped with a Curtis cab.</p>	1

1

G

E

1
G
E



001202-001

MIRROR, SIDE-VIEW – CURTIS CAB

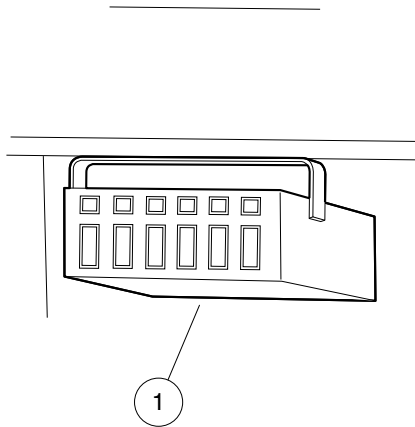
ITEM	PART NO.	DESCRIPTION	QTY
1	102272601	<p>1 2 3 4 Kit, Mirror</p> <p>Note: For installation on vehicles equipped with a Curtis cab.</p>	1

1
G
E

1

G

E



APM-000264-002

ACCESSORY SWITCH PANEL – CURTIS CAB

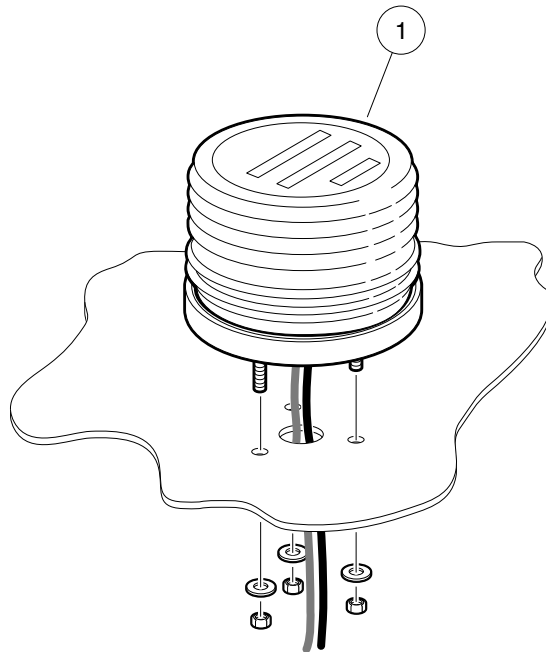
ITEM	PART NO.	DESCRIPTION	QTY
1	101994601	<p>1 2 3 4 Panel, Accessory Switch</p> <p>Note: For installation on vehicles equipped with a Curtis cab.</p>	1

1
G
E

1

G

E



APM-000212-001

STROBE LIGHT – CURTIS CAB

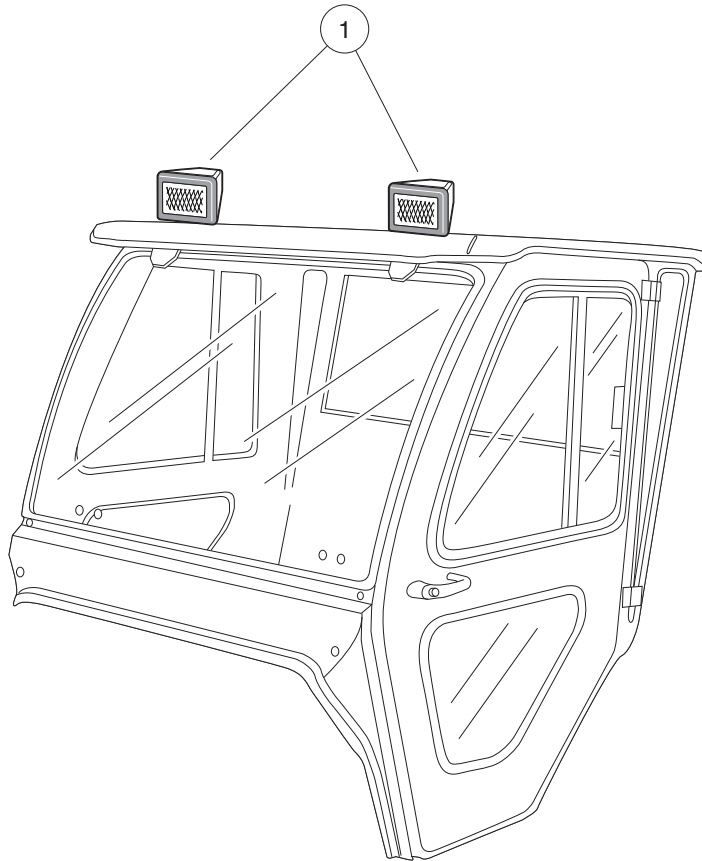
ITEM	PART NO.	DESCRIPTION	QTY
1	101994301	<p>1 2 3 4 Kit, Strobe Light (includes mounting hardware and wire harness)</p> <p>Note: For installation on vehicles equipped with a Curtis cab.</p>	1

1
G
E

1

G

E



001201-001

WORK LIGHTS – CURTIS CAB

ITEM	PART NO.	DESCRIPTION	QTY
1	101994801	<p>1 2 3 4</p> <p>Kit, Work Light (includes mounting hardware and wire harness)</p> <p style="margin-left: 40px;">Note: For installation on vehicles equipped with a Curtis cab.</p>	1

1

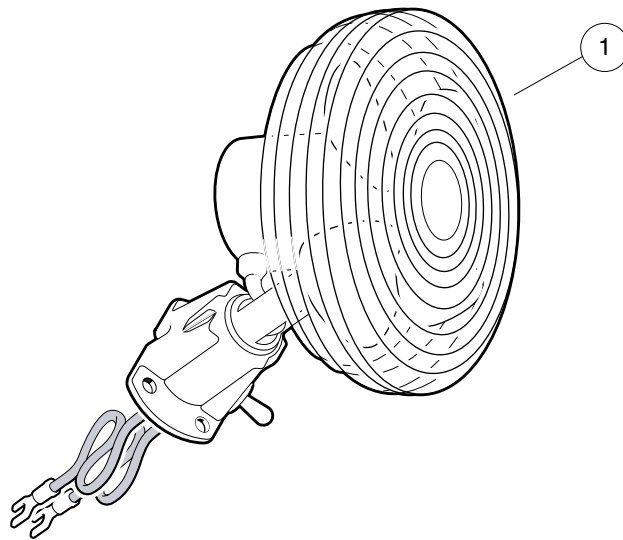
G

E

1

G

E



APM-000215-001

FAN/DEFOGGER – CURTIS CAB

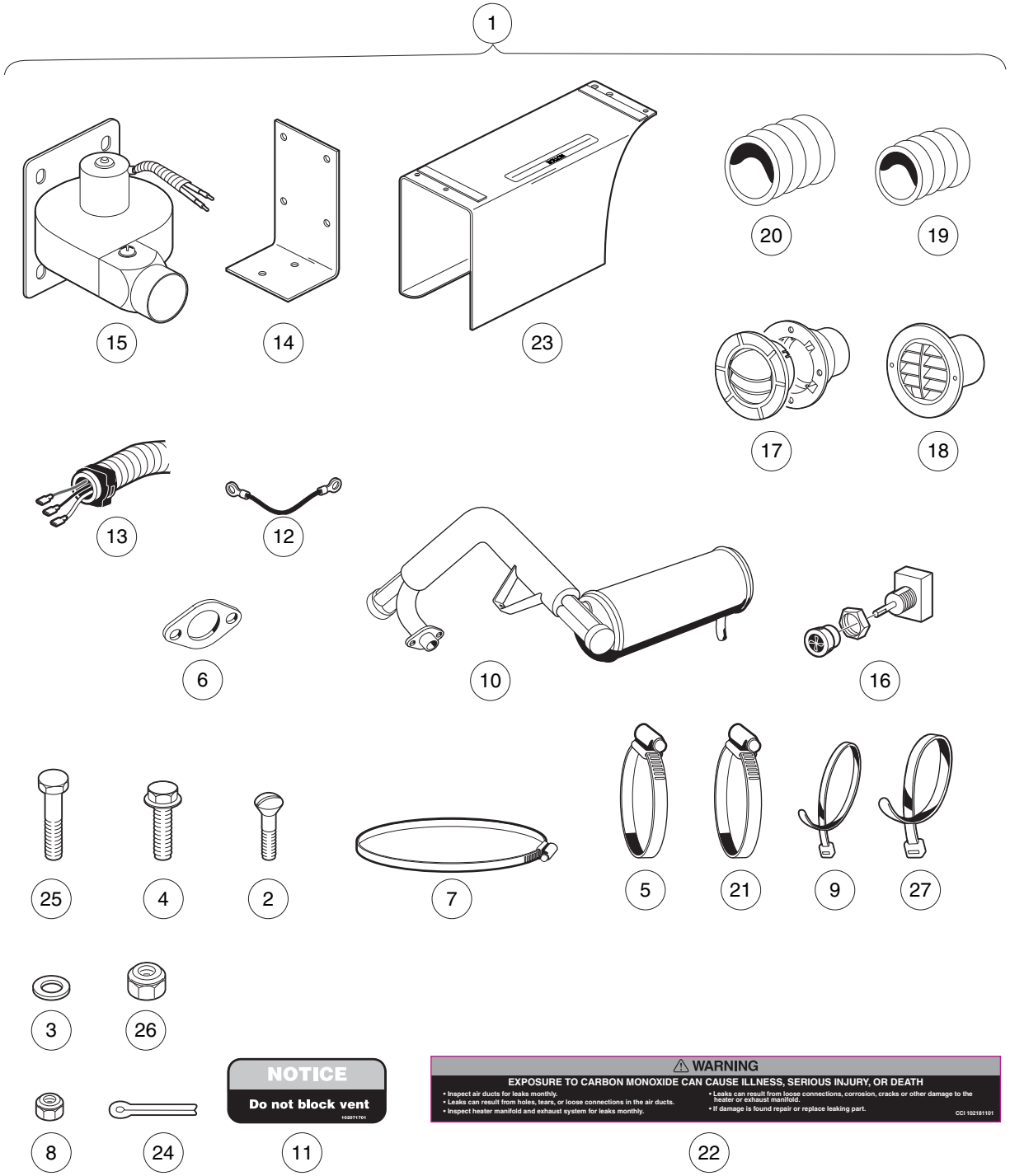
ITEM	PART NO.	DESCRIPTION	QTY
1	101994401	<p>1 2 3 4</p> <p>Kit, Fan/Defogger (includes mounting hardware and wire harness)</p> <p style="margin-left: 40px;">Note: For installation on vehicles equipped with a Curtis cab.</p>	1

1

G

E

1
G
E



NOTICE
Do not block vent
16091701

WARNING
EXPOSURE TO CARBON MONOXIDE CAN CAUSE ILLNESS, SERIOUS INJURY, OR DEATH
 • Inspect air ducts for leaks monthly.
 • Leaks can result from holes, tears, or loose connections in the air ducts.
 • Inspect heater manifold and exhaust system for leaks monthly.
 • Leaks can result from loose connections, corrosion, cracks or other damage to the heater or exhaust manifold.
 • If damage is found repair or replace leaking part.
CG 10231101

001099-001

HEATER – CURTIS CAB

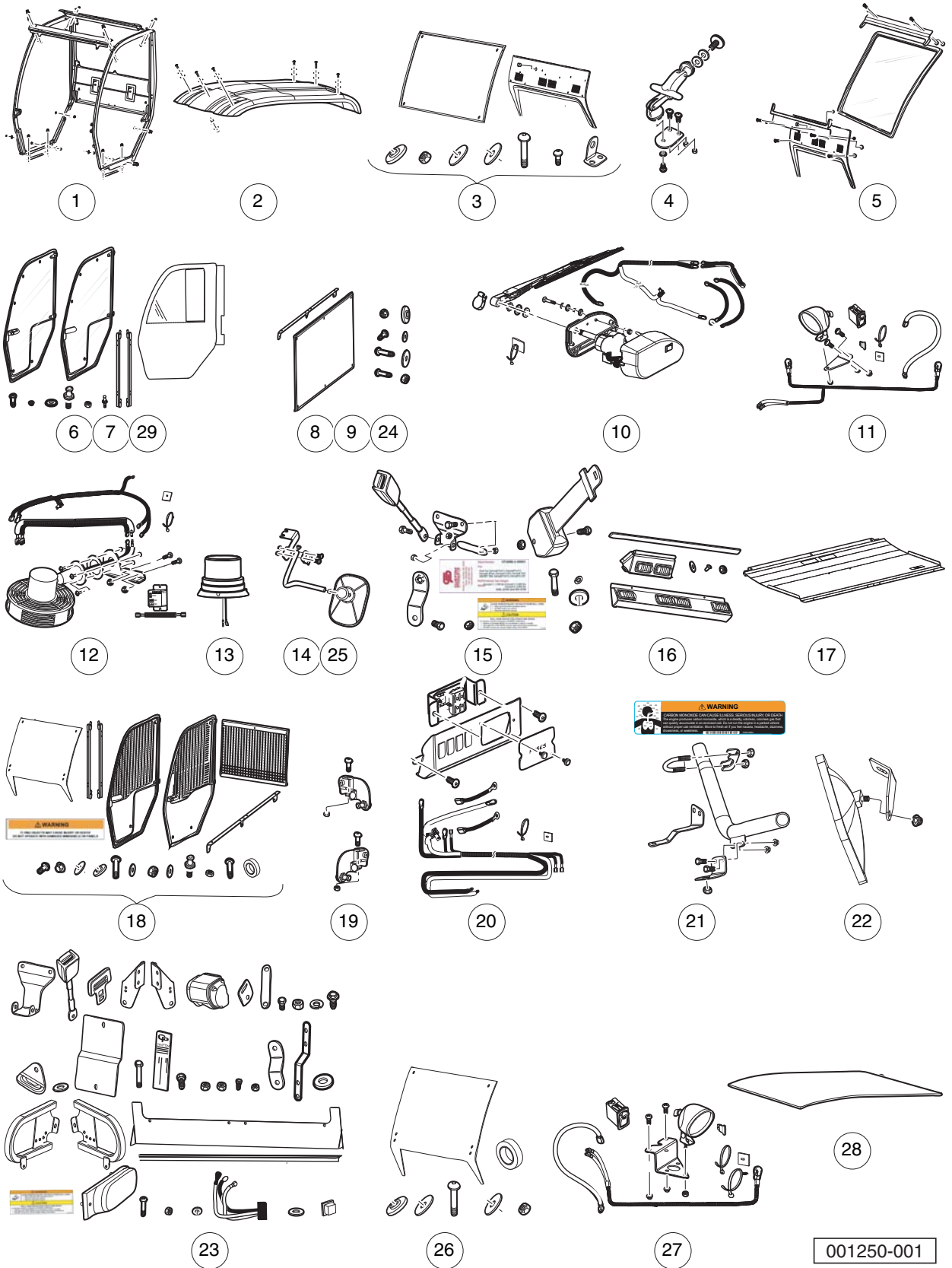
ITEM	PART NO.	DESCRIPTION	QTY
		1 2 3 4	
1	102056502	Comfort Cab Heater Kit, Turf/CA2/252 w/FE350 (includes items 2 through 27)	1
2	1011226	Screw, #6-32 X .62 Cs Oval Hd	4
3	1011964	Washer, 1/4 Flat	12
4	1012285	Screw, 1/4 X 0.625 Hex-Head	3
5	1012349	Clamp, Air Intake Hose, 2"	2
6	1016904	Gasket, Exhaust	1
7	1017689	Clamp, 5" Muffler Hose	1
8	101932201	Locknut, #6-32 Nylon	4
9	102025401	Tie Wrap, Heavy Duty	1
10	102070601	Header Heater, FE350	1
11	102071701	Decal - Header Heater Kit	2
12	N/A	Wire Asm #16 Black	1
13	N/A	Wire Harness, Header Heater	1
14	N/A	Mounting Bracket, Blower	1
15	102074101	Centrifugal Blower Asm	1
16	102074201	Heater Switch	1
17	102074501	Outlet Vent	1
18	102074601	Inlet Vent	1
19	102074701	Duct Hose	1
20	102074801	Duct Hose	1
21	102074901	Clamp, Air Intake Hose, 2-1/2"	4
22	102181101	Decal Inspection Heater	1
23	102182101	Cover, Blower	1
24	1035	Cotter Pin, 3/32 x 1	2
25	304	Screw, 1/4-20 X 1.0 Hex-Head Cap	6
26	8233	Locknut, 1/4-20, Nylon Insert	6
27	8639	Tie Wrap, 11" Nylon	3
Note: For installation on vehicles equipped with a Curtis cab.			

1

G

E

1
G
E

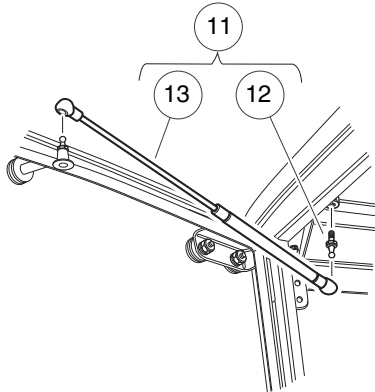
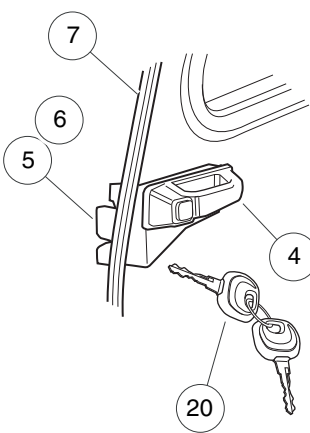
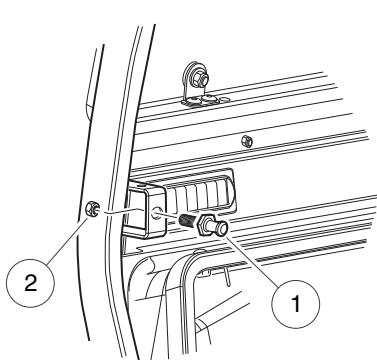
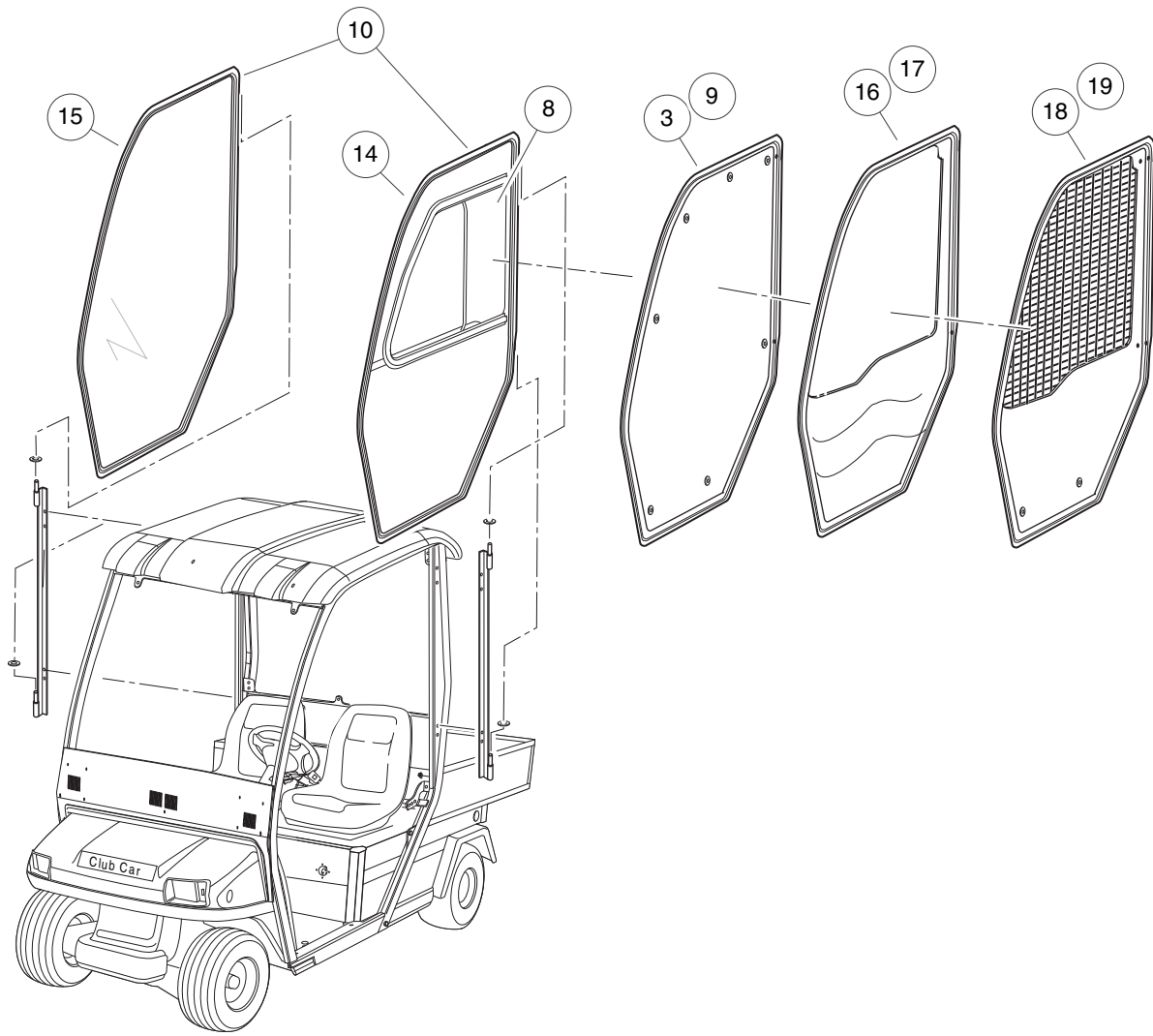


CAB, CPL – TURF/CA 1, 2, 2 PLUS, 6, 252 AND XRT 900

ITEM	PART NO.	DESCRIPTION	QTY
		1 2 3 4	
1	103910101	Kit, Side Frames	1
2	103910201	Kit, Roof, White	1
3	103910301	Kit, Front Window, Fixed, Tempered	1
4	103910401	Kit, Frt Window Tip-out	1
5	103910501	Kit, Front Window, Laminated, LSV	1
6	103910601	Kit, Doors, Hard-Side, Acrylic	1
7	103910701	Kit, Doors, Glass, LH Open	1
8	103910801	Kit, Rear Window, Acrylic	1
9	103910901	Kit, Rear Window, Sliding	1
10	103911001	Kit, Wiper, 12vdc	1
11	103911101	Kit, Work Lights, Front	1
12	103911301	Kit, Fan, 7-inch, Recirculation	1
13	103911401	Kit, Warning Beacon	1
14	103911501	Kit, Mirror, Outside, LH	1
15	103911601	Kit, ROPS, with 2-Point Seat Belts	1
16	103911701	Kit, Vent And Seal	1
17	103912001	Kit, FOPS	1
18	103912101	Kit, Driving-Range, with Doors	1
19	103912201	Kit, Door-Hold, LH and RH	1
20	103912301	Kit, Main Switch, Fuse Block	1
21	103912501	Kit, Exhaust Extension	1
22	103912601	Kit, Mirror, Interior	1
23	103912701	Kit, ROPS, with 3-Point Seat Belts	1
24	103912801	Kit, Rear Window, Glass	1
25	103912901	Kit, Mirror, Outside, RH	1
26	103913001	Kit, Front Window, Polycarbonate	1
27	103913101	Kit, Work Lights, Rear	1
28	103913201	Kit, Roof Liner	1
29	103913301	Kit, Doors, Soft, Wire-Frame	1
		Note: Use kits above to create a complete cab equipped with desired accessories.	

1
G
E

1
G
E



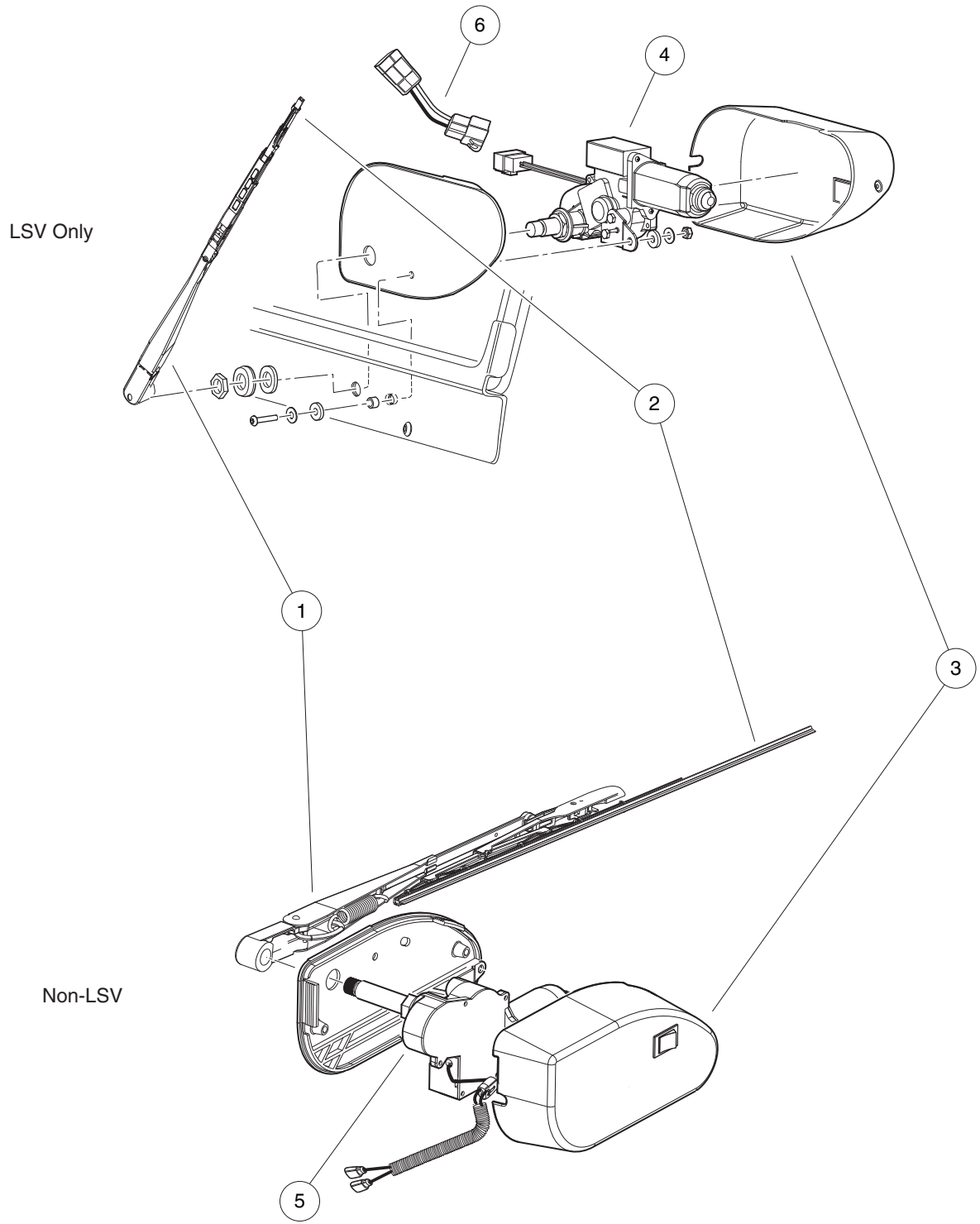
001251-001

DOORS – CPL CAB

ITEM	PART NO.	DESCRIPTION	QTY
		1 2 3 4	
1	104001601	Striker Stud 10 mm	2
2	104001701	Nut, Hex, Jam, M12-1.0	2
3	104002701	Door Panel, Acrylic, T2	2
4	104002801	Grab Handle, Exterior	2
5	104002901	Rotary Latch, Interior, Lh	1
6	104003001	Rotary Latch, Interior, Rh	1
7	104003401	Foam Spacer, Door	2
8	104004901	Window, Sliding, LH	1
9	104014901	Kit, Cab, Seals, Acrylic Doors	1
10	104015001	Kit, Cab, Seals, Glass Doors	1
11	104015501	Kit, Cab, Range Dr Gas Springs (includes items 12 and 13)	1
12	104001101	Ball Stud	2
13	104001201	Gas Spring	2
14	104027501	Door, Glass, Lh, Replacement	1
15	104027601	Door, Glass, Rh, Replacement	1
16	104027701	Door, Soft, Rh, Replacement	1
17	104027801	Door, Soft, Lh, Replacement	1
18	104028001	Door, Range, Lh	1
19	104028101	Door, Range, Rh	1
20	AM1290701	Key, Set (2), CPL Cab	1

1
G
E

1
G
E



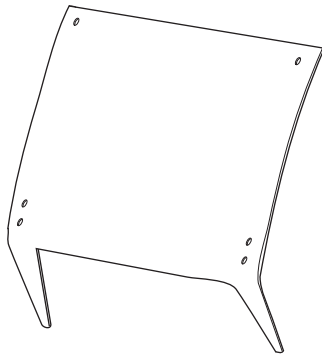
001252-001

WINDSHIELD WIPER – CPL CAB

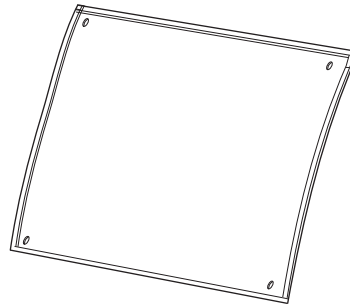
ITEM	PART NO.	DESCRIPTION	QTY
		1 2 3 4	
1	104000901	Wiper Arm, Modified	1
2	104001001	Wiper Blade, Modified	1
3	104003501	Cover, Wiper Mtr & Switch Asm	1
4	104003601	Wiper Motor, 12v, 2-inch Shaft	1
5	104004101	Wiper Motor, 12v, 110deg, 1-inch Shaft	1
6	104005001	Wire Harness, Jumper, LSV, Wiper	1

1
G
E

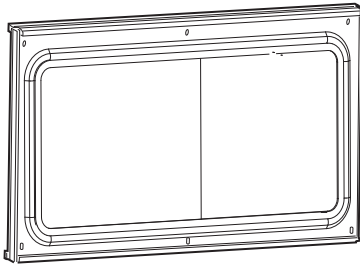
1
G
E



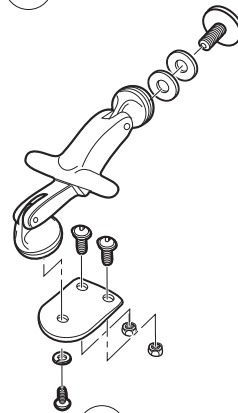
1



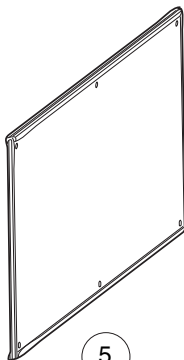
2



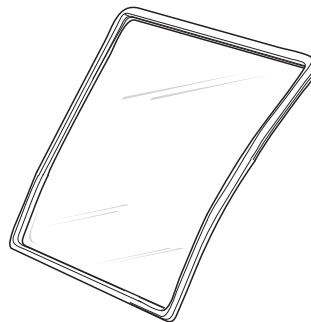
3



4



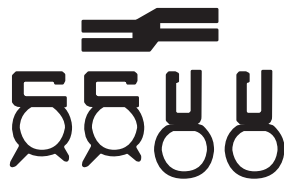
5



9



6



7



8

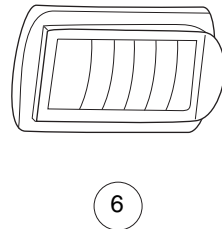
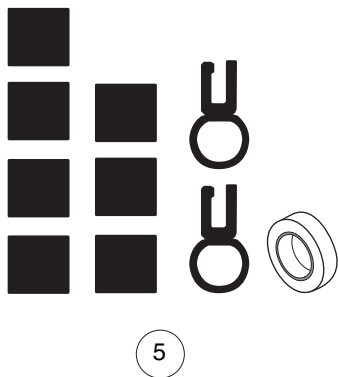
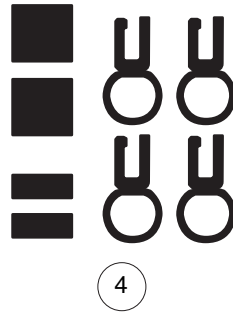
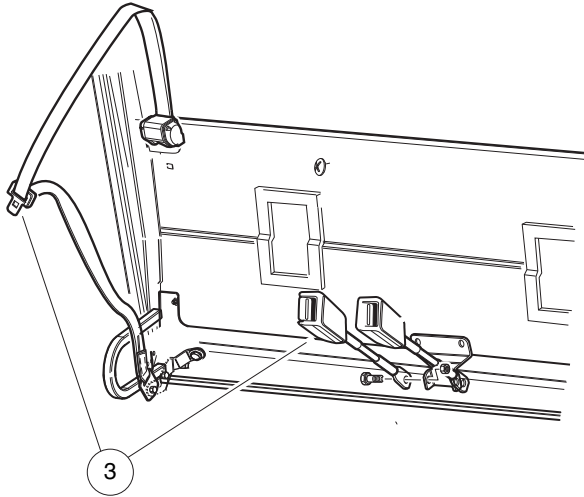
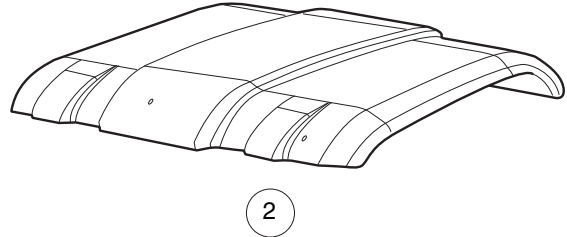
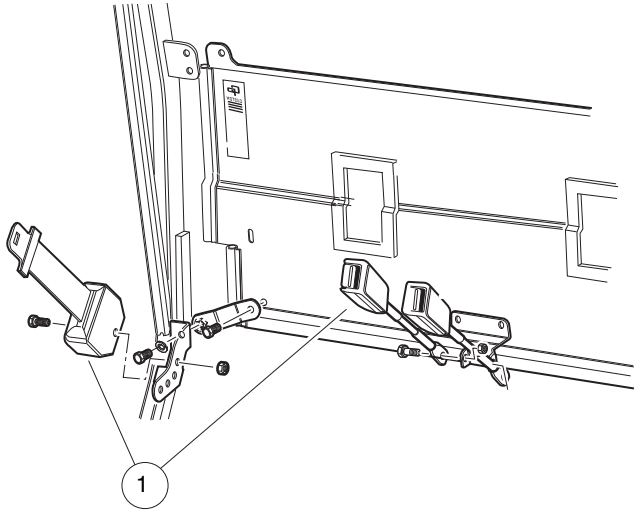
001253-001

WINDSHIELDS – CPL CAB

ITEM	PART NO.	DESCRIPTION	QTY
		1 2 3 4	
1	103913001	Kit, Front Window, Polycarbonate	1
2	104002601	Windshield, Tempered	1
3	104003101	Window, Rear Sliding	1
4	104003901	Handle, Tee	2
5	104004801	Window, Rear	1
6	104014801	Kit, Cab, Seals, Windshield	1
7	104015101	Kit, Cab, Seals, Rr Slid Wind	1
8	104015301	Kit, Cab, Seals, Rr Window	1
9	105002801	Windshield, Laminated	1

1
G
E

1
G
E



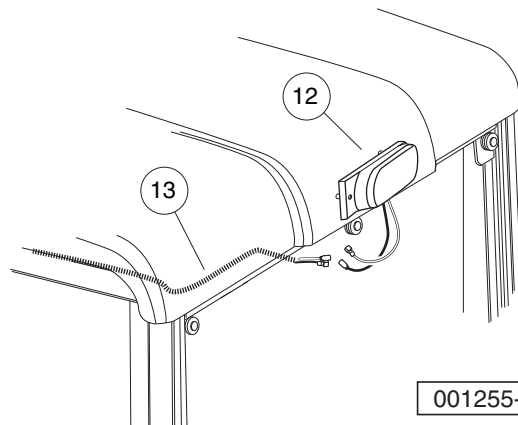
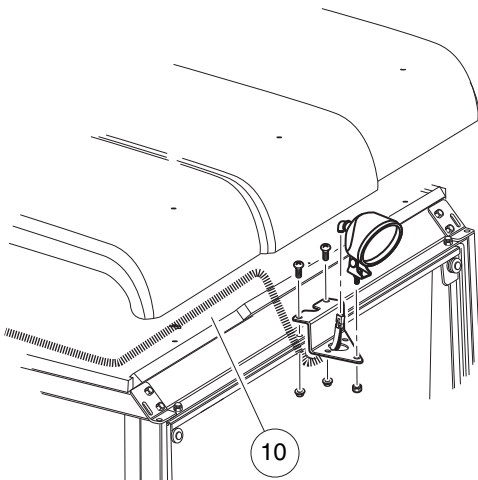
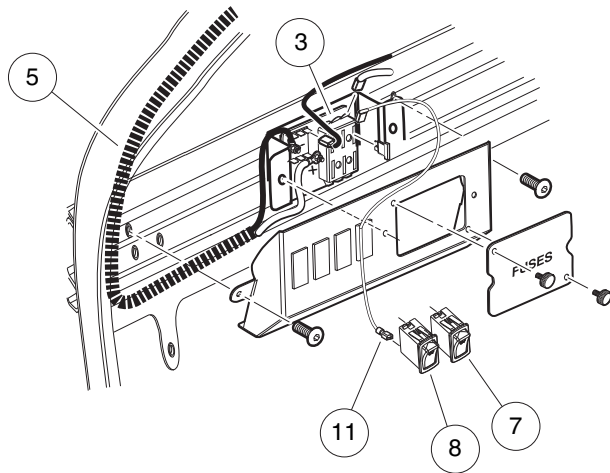
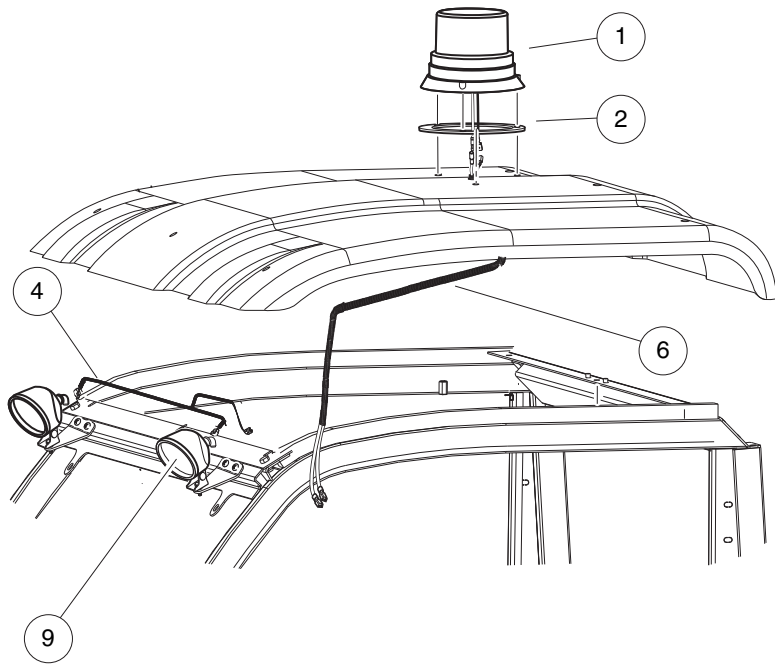
001254-001

SEAT BELTS, ROOF, VENT, & SEALS – CPL CAB

ITEM	PART NO.	DESCRIPTION	QTY
		1 2 3 4	
1	104001901	Seat Belt, 2 Point	2
2	104002501	Roof Panel, White	1
3	104004001	Seat Belt, 3 Point	2
4	104014701	Kit, Cab, Seals, Side Frame	1
5	104015201	Kit, Cab, Seals, Vent	1
6	104028301	Vent, Louver	A/R

1
G
E

1
G
E



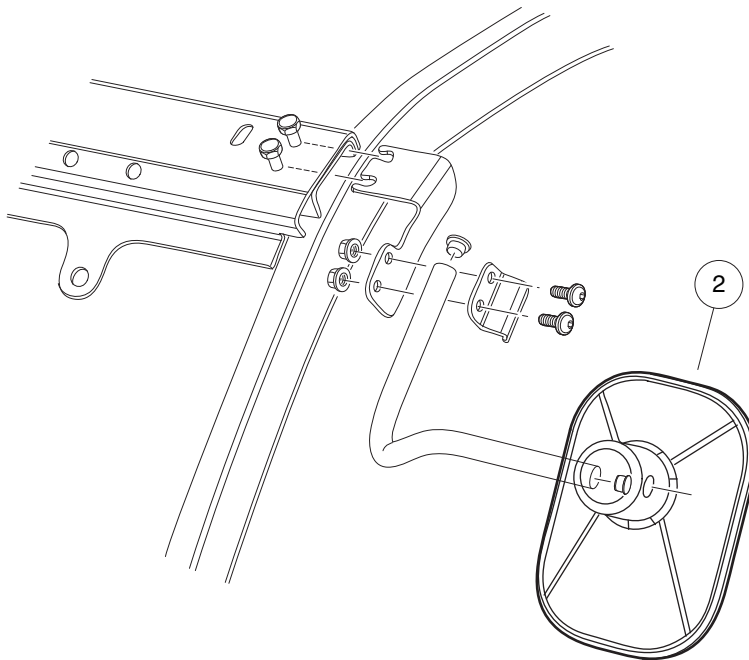
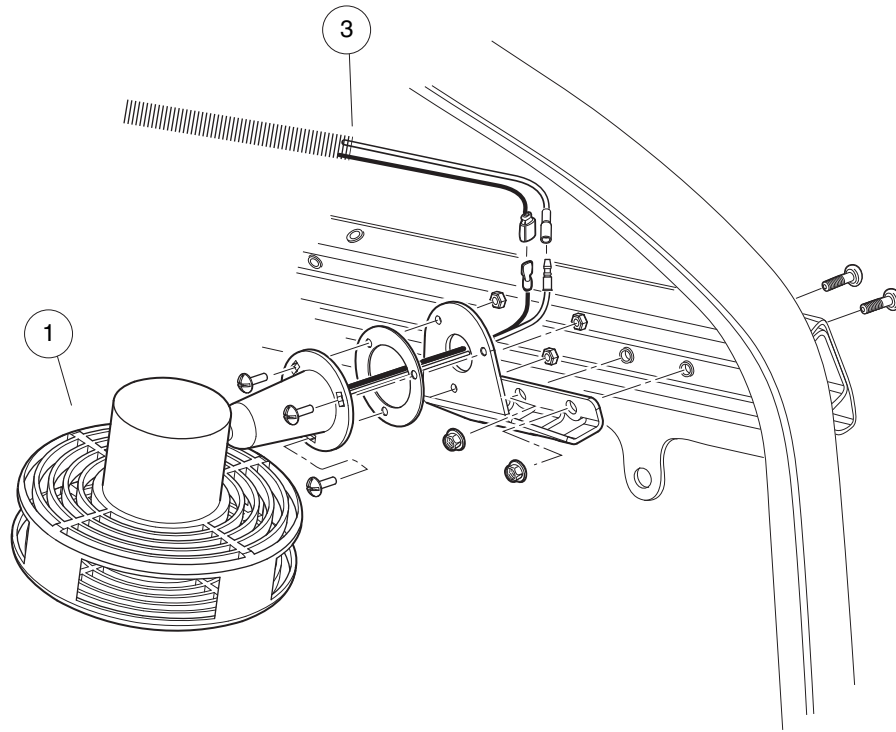
001255-001

LIGHTS – CPL CAB

ITEM	PART NO.	DESCRIPTION	QTY
		1 2 3 4	
1	104002101	Light, Strobe, Amber	1
2	104002201	Seal Gasket, Foam	1
3	104002301	Fuse Holder, ATC, 6-Slot	1
4	104003201	Wire Harness, Front Work Lights	1
5	104004201	Wire Harness, Main, CPL Cab	1
6	104004401	Wire Harness, Beacon	1
7	104004501	Switch, L Series, Headlight	1
8	104004601	Switch, L Series, Strobelight	1
9	104004701	Lamp, 700t/862-12v	A/R
10	104027901	Wire Harness, Rear Work Light	1
11	104028201	Wire Harness, Fuse Block to Switch	1
12	105002901	Light, CHMSL, Red	1
13	105003001	Wire Harness, CHMSL Light	1

1
G
E

1
G
E



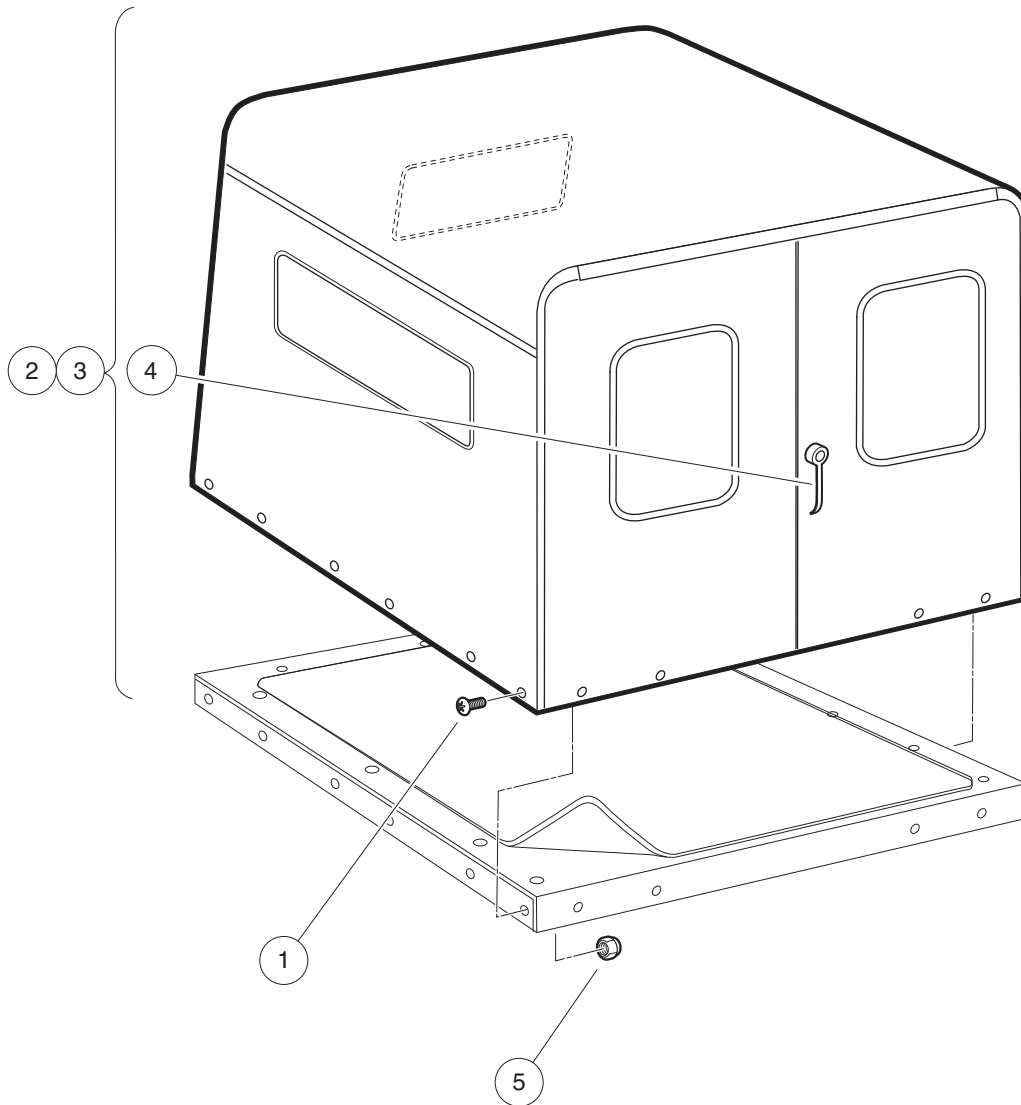
001256-001

FAN AND MIRROR – CPL CAB

ITEM	PART NO.	DESCRIPTION	QTY
1	104001401	1 2 3 4 Fan, 12v, 3 Position	1
2	104002001	Mirror, Universal, 5.5" X 7.5"	1
3	104004301	Wire Harness, Fan	1

1
G
E

1
G
E



001208-001

VAN BOX

ITEM	PART NO.	DESCRIPTION	QTY
		1 2 3 4	
1	1015399	Screw, 5/16-18 X 0.88 Torx Truss-Head	20
2	101754201	Custom Van Box, Gray	1
3	101754204	Custom Van Box Kit, White (includes item 4)	1
4	102006201	Handle, Van Box Door	1
5	7473	Locknut, 5/16-18 Nylon Insert	20
<p>Note: Item 2, Van Box Gray, includes item 4, Door Handle.</p>			

1
G
E

1

G

E

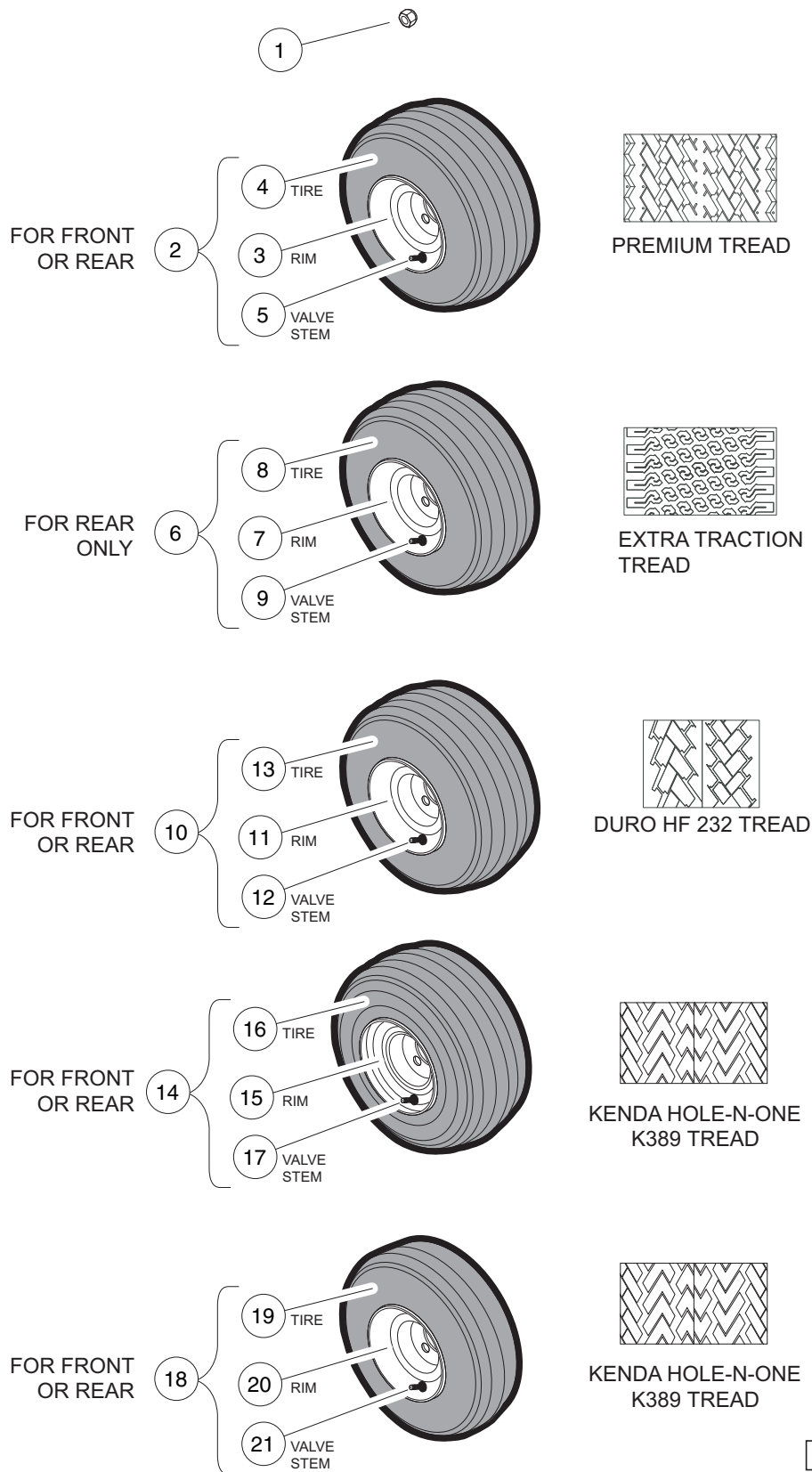
WHEELS AND TIRES

2

G

E

2
G
E



000269-017

WHEELS (WHITE) AND TIRES – TURF/CARRYALL 2 AND 2 PLUS

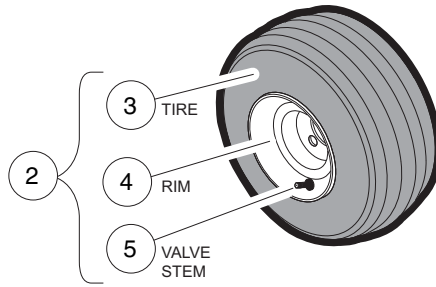
ITEM	PART NO.	DESCRIPTION	QTY
		1 2 3 4	
1	1010984	.500-20 Unf Lug Nut	16
2	101651406	Tire/Wheel Asm, White, Premium Tread, 6-Ply (includes items 3 through 5)	4
3	1014771	Wheel Rim, White	1
4	101737002	Tire, Unmounted	1
5	7310	Valve Stem, Black Plastic	1
6	101651407	Tire/Wheel Asm, White, Extra-Traction, 6-Ply (includes items 7 through 9)	2
7	1014771	Wheel Rim, White	1
8	101769302	Tire, Unmounted Xtrac 18 x 8.50-8	1
9	7310	Valve Stem, Black Plastic	1
10	101651414	Tire/Wheel Asm, White, Duro HF 232 (includes items 11 through 13)	4
11	1014771	Wheel Rim, White	1
12	7310	Valve Stem, Black Plastic	1
13	****	Tire, Unmounted, 6-Ply Rated (18.5 x 8.5 - 8) (Duro)	1
14	101651418	Tire/Wheel Asm, White, Kenda Hole-N-One, 6-Ply (includes items 15 through 17)	4
15	103459102	Wheel Rim Asm, 8"x7", White	1
16	103658701	Tire, Kenda Hole-N-One, 18x8.5 - 8, Prem, 6-Ply	1
17	7310	Valve Stem, Black Plastic	1
18	101651419	Tire/Wheel Asm, White, Kenda Hole-N-One, 6-Ply, Narrow (includes items 19 through 21)	4
19	103722901	Tire, Kenda Hole-N-One, 18x6.5 - 8, Prem, 6-Ply	1
20	103723002	Wheel Rim, 8 X 5.375, White	1
21	7310	Valve Stem, Black Plastic	1
**** Special order item available upon request.			

2

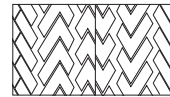
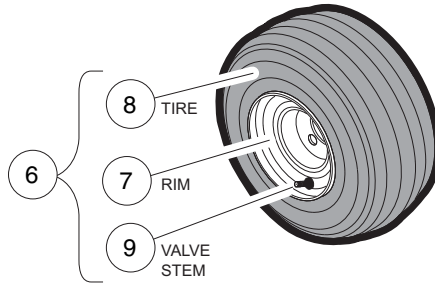
G

E

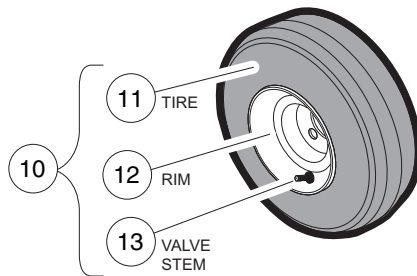
2
G
E



EXTRA TRACTION
TREAD



KENDA HOLE-N-ONE
K389 TREAD



KENDA HOLE-N-ONE
K389 TREAD

000269-018

WHEELS (SILVER) AND TIRES – TURF/CARRYALL 2 AND 2 PLUS

ITEM	PART NO.	DESCRIPTION	QTY
		1 2 3 4	
1	1010984	.500-20 Unf Lug Nut	16
2	103951002	Assembly, Silver Wheel Kenda, X/t 6ply (includes items 3 through 5)	A/R
3	102569302	Tire, Kenda, 18x8.5-8, 6-ply Xtr	1
4	103459104	Wheel Rim, 8"x7", Silver, Std	1
5	7310	Valve Stem, Black Plastic	1
6	103951003	Asm,silver Whl Kenda, Hn1 6pl (includes items 7 through 9)	A/R
7	103459104	Wheel Rim, 8"x7", Silver, Std	1
8	103658601	Tire, Kenda Hn1, 6pl	1
9	7310	Valve Stem, Black Plastic	1
10	103951004	Asm,silver Whl Kenda,6.5" 6pl (includes items 11 through 13)	A/R
11	103722901	Tire, Kenda Hole-N-One, 18x6.5 - 8, Prem, 6-Ply	1
12	103723003	Wheel Rim, 8 X 5.375, Silver	1
13	7310	Valve Stem, Black Plastic	1

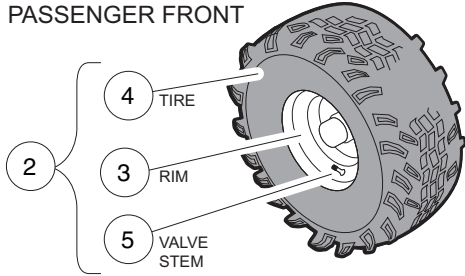
2
G
E



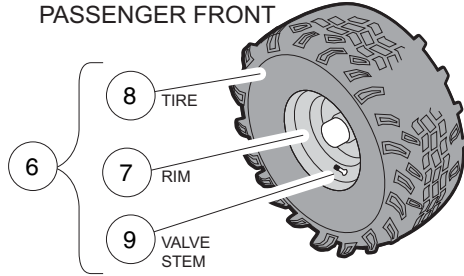
WHITE RIMS

SILVER RIMS

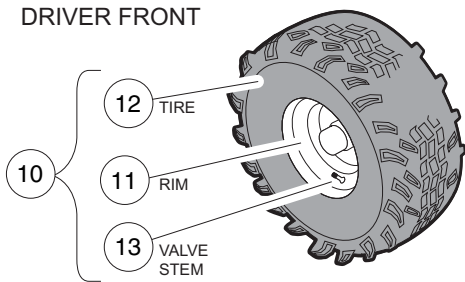
PASSENGER FRONT



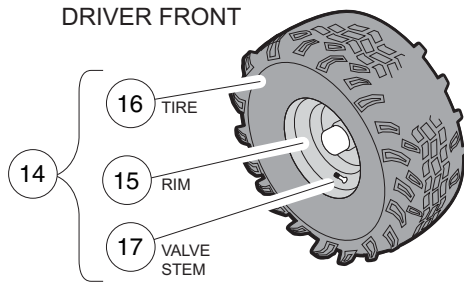
PASSENGER FRONT



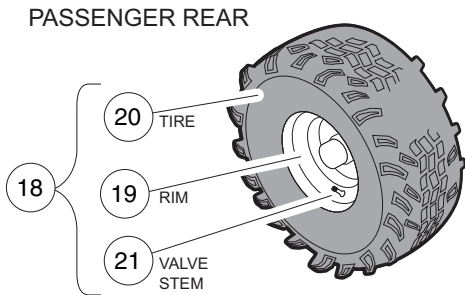
DRIVER FRONT



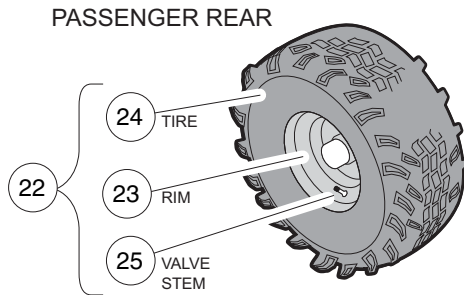
DRIVER FRONT



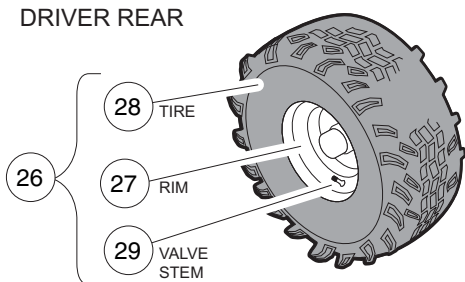
PASSENGER REAR



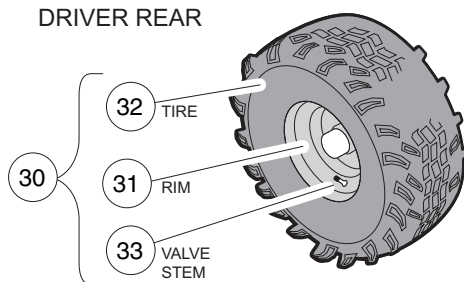
PASSENGER REAR



DRIVER REAR



DRIVER REAR



000269-004

WHEELS AND TIRES, OFF-ROAD TREAD – TURF/CARRYALL 252 AND XRT 900

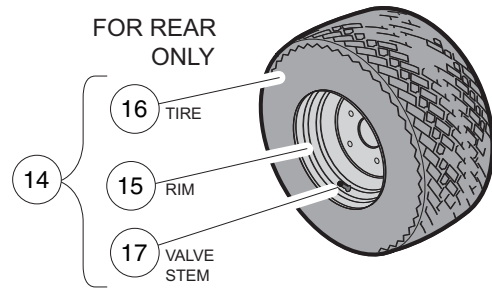
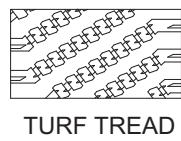
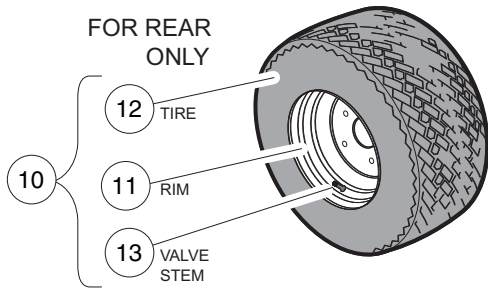
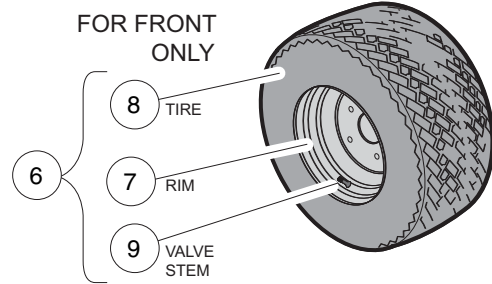
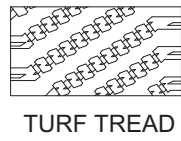
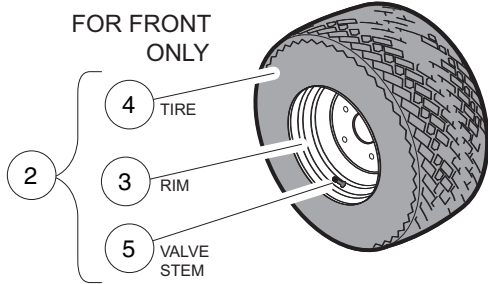
ITEM	PART NO.	DESCRIPTION	QTY
		1 2 3 4	
1	1010984	.500-20 Unf Lug Nut	16
2	102009201	Off-Road Tire and Wheel Asm, Right, Front (includes items 3 through 5)	1
3	N/A	Rim, Wheel, White	1
4	N/A	Tire, Unmounted, Duro, Off-Road Tire, 22 x 11-10, 6-Ply Rated	1
5	7310	Valve Stem, Black Plastic	1
6	102009202	Off-Road Tire and Wheel Asm, Right, Front (includes items 7 through 9)	1
7	N/A	Wheel Rim, Silver	1
8	N/A	Tire, Unmounted, Duro, Off-Road Tire, 22 x 11-10, 6-Ply Rated	1
9	7310	Valve Stem, Black Plastic	1
10	102009301	Off-Road Tire and Wheel Asm, Left, Front (includes items 11 through 13)	1
11	N/A	Rim, Wheel, White	1
12	N/A	Tire, Unmounted, Duro, Off-Road Tire, 22 x 11-10, 6-Ply Rated	1
13	7310	Valve Stem, Black Plastic	1
14	102009302	Off-Road Tire and Wheel Asm, Left, Front (includes items 15 through 17)	1
15	N/A	Wheel Rim, Silver	1
16	N/A	Tire, Unmounted, Duro, Off-Road Tire, 22 x 11-10, 6-Ply Rated	1
17	7310	Valve Stem, Black Plastic	1
18	102009401	Off-Road Tire and Wheel Asm, Right, Rear (includes items 19 through 21)	1
19	N/A	Rim, Wheel, White	1
20	N/A	Tire, Unmounted, Duro, Off-Road Tire, 22 x 11-10, 6-Ply Rated	1
21	7310	Valve Stem, Black Plastic	1
22	102009402	Off-Road Tire and Wheel Asm, Right, Rear (includes items 23 through 25)	1
23	N/A	Wheel Rim, Silver	1
24	N/A	Tire, Unmounted, Duro, Off-Road Tire, 22 x 11-10, 6-Ply Rated	1
25	7310	Valve Stem, Black Plastic	1
26	102009501	Off-Road Tire and Wheel Asm, Left, Rear (includes items 27 through 29)	1
27	N/A	Rim, Wheel, White	1
28	N/A	Tire, Unmounted, Duro, Off-Road Tire, 22 x 11-10, 6-Ply Rated	1
29	7310	Valve Stem, Black Plastic	1
30	102009502	Off-Road Tire and Wheel Asm, Left, Rear (includes items 31 through 33)	1
31	N/A	Wheel Rim, Silver	1
32	N/A	Tire, Unmounted, Duro, Off-Road Tire, 22 x 11-10, 6-Ply Rated	1
33	7310	Valve Stem, Black Plastic	1
<p>Note: Front and rear wheels are NOT interchangeable. The rear wheels have a different offset than the front wheels. The rear wheels must be installed with the deeper offset facing out. Off-road tires are directional.</p>			

2
G
E



WHITE RIMS

SILVER RIMS



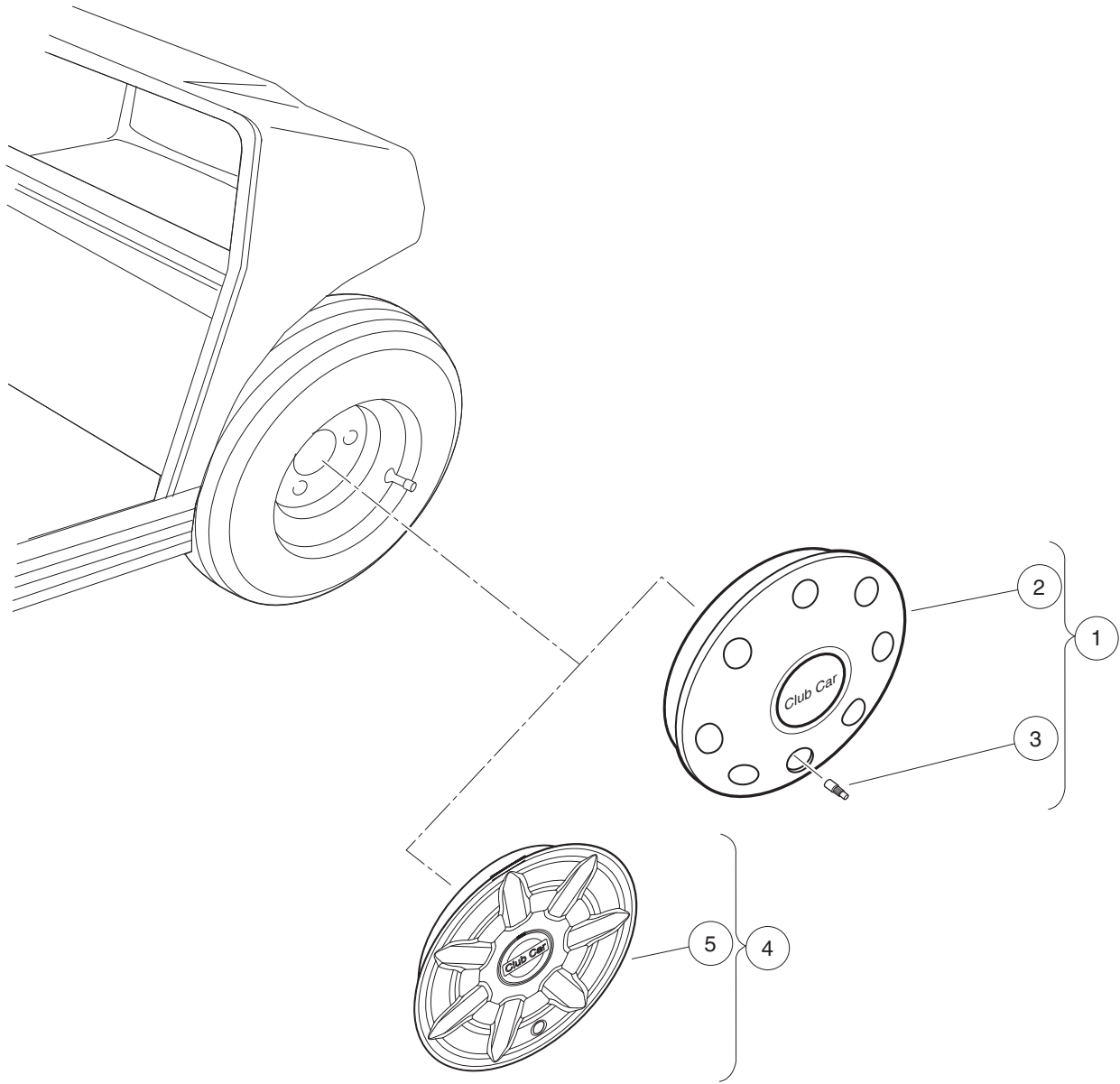
000269-005

WHEELS AND TIRES, TURF TREAD – TURF/CARRYALL 252 AND XRT 900

ITEM	PART NO.	DESCRIPTION	QTY
		1 2 3 4	
1	1010984	.500-20 Unf Lug Nut	16
2	102009901	Turf Tire and Wheel Asm, Front (includes items 3 through 5)	2
3	N/A	Rim, Wheel, White	1
4	N/A	Tire, Front, Unmounted, Titan Turf Trac, 23 x 10.5-12, 4-Ply Rated	1
5	7310	Valve Stem, Black Plastic	1
6	102009902	Turf Tire and Wheel Asm, Front (includes items 7 through 9)	2
7	N/A	Wheel Rim, Silver	1
8	N/A	Tire, Front, Unmounted, Titan Turf Trac, 23 x 10.5-12, 4-Ply Rated	1
9	7310	Valve Stem, Black Plastic	1
10	102010001	Turf Tire and Wheel Asm, Rear (includes items 11 through 13)	2
11	N/A	Rim, Wheel, White	1
12	N/A	Tire, Rear, Unmounted, Titan Turf Trac, 23 x 10.5-12, 4-Ply Rated	1
13	7310	Valve Stem, Black Plastic	1
14	102010002	Turf Tire and Wheel Asm, Rear (includes items 15 through 17)	2
15	N/A	Wheel Rim, Silver	1
16	N/A	Tire, Rear, Unmounted, Titan Turf Trac, 23 x 10.5-12, 4-Ply Rated	1
17	7310	Valve Stem, Black Plastic	1

2
G
E

2
G
E



001203-001

WHEEL COVERS

ITEM	PART NO.	DESCRIPTION	QTY
		1 2 3 4	
1	1012642	Sport Wheel Cover Kit (each) (includes items 2 and 3)	4
2	1012640	Hubcap	1
3	1012641	Valve Extension	1
4	102559901	Hub Cap Kit, Prec (includes item 5)	1
5	103694501	Hub Cap, 7 Prong	4

2
G
E

2

G

E

DECALS

3

G

E

⚠ WARNING

ROLLOVER OR FALLING OFF MAY CAUSE DEATH.

- Before using vehicle, read operating instructions.
- Remain seated and hold on to seat handle while moving.
- Do not start vehicle until all occupants are seated.
- Two (2) persons per seat maximum.
- Operate from driver side only and not on public roads.
- Keep entire body inside vehicle while moving.
- Drive slowly in turns and straight up and down slopes.
- Do not leave children unattended on vehicle.
- Never operate under the influence of alcohol or drugs.
- Use brakes to reduce speed when coasting downhill.
- Never stand in front of or behind vehicle.

CCI 103205401

OPERATING INSTRUCTIONS

Before using vehicle, read owner's manual and vehicle safety warnings. Study and understand controls.

TO OPERATE

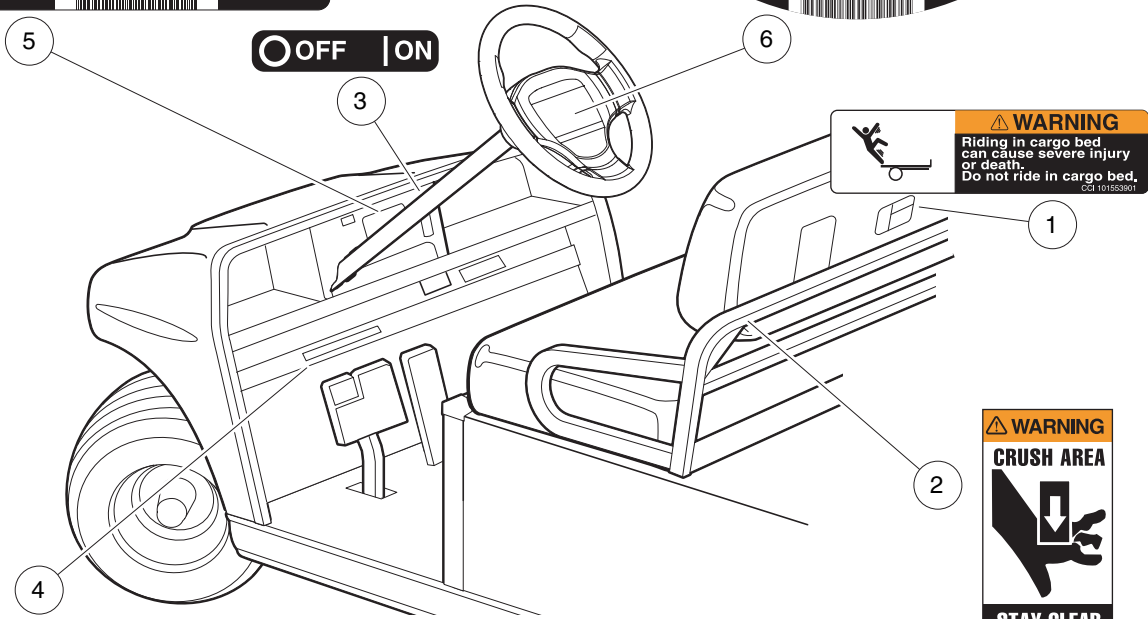
- Ensure wheels are turned in desired direction and path is clear.
- Turn key to ON position.
- Select FORWARD or REVERSE only when stopped.
- Release park brake fully.
- Vehicle will start moving when accelerator pedal is pressed.
- Slowly press accelerator pedal to increase speed.
- During operation, beeping alarm indicates reduction in motor braking.
- To stop, release accelerator pedal and press brake pedal.

WARNING

Unintended vehicle movement may cause severe injury or death. Before leaving vehicle:

- Engage park brake to lock wheels.
- Place vehicle in NEUTRAL.
- Turn key to OFF and remove key.

103783001



⚠ WARNING

Riding in cargo bed can cause severe injury or death. Do not ride in cargo bed.

CCI 101658001

⚠ WARNING

CRUSH AREA

STAY CLEAR

CCI 101609401

VEHICLE LOADING

Read owner's manual and warnings on dash.

- Vehicle rated capacity: 800 lb. (363 kg) on level surface only. - Includes occupants, cargo, optional equipment, and gross trailer weight.
- Maximum cargo load: 300 lb. (136 kg).
- Maximum gross trailer weight: 300 lb. (136 kg). Actual hitch rating may be less.

101960101

⚠ WARNING

ROLLOVER CAN CAUSE SERIOUS INJURY OR DEATH.

- Place cargo forward in the cargo bed and distribute evenly side to side. Secure load.
- On uneven or steep terrain, reduce speed and load.
- Avoid stopping on or backing down steep hills.
- Avoid top-heavy loads.

101960101

001232-001

DECALS – TURF/CARRYALL 2 IQ PLUS ELECTRIC (PAGE 1 OF 2)

ITEM	PART NO.	DESCRIPTION	QTY
		1 2 3 4	
1	101553901	Decal, Bed Load Warning	1
2	101609401	Decal, Crush Area Warning	2
3	101825101	Decal, Off/On	1
4	101960201	Decal, Vehicle Loading	1
5	103205401	Decal, Warning, Rollover, Utl	1
6	103783001	Decal, Op Instr, Ele	1

3
G
E

⚠ WARNING
AVOID FIRE HAZARD

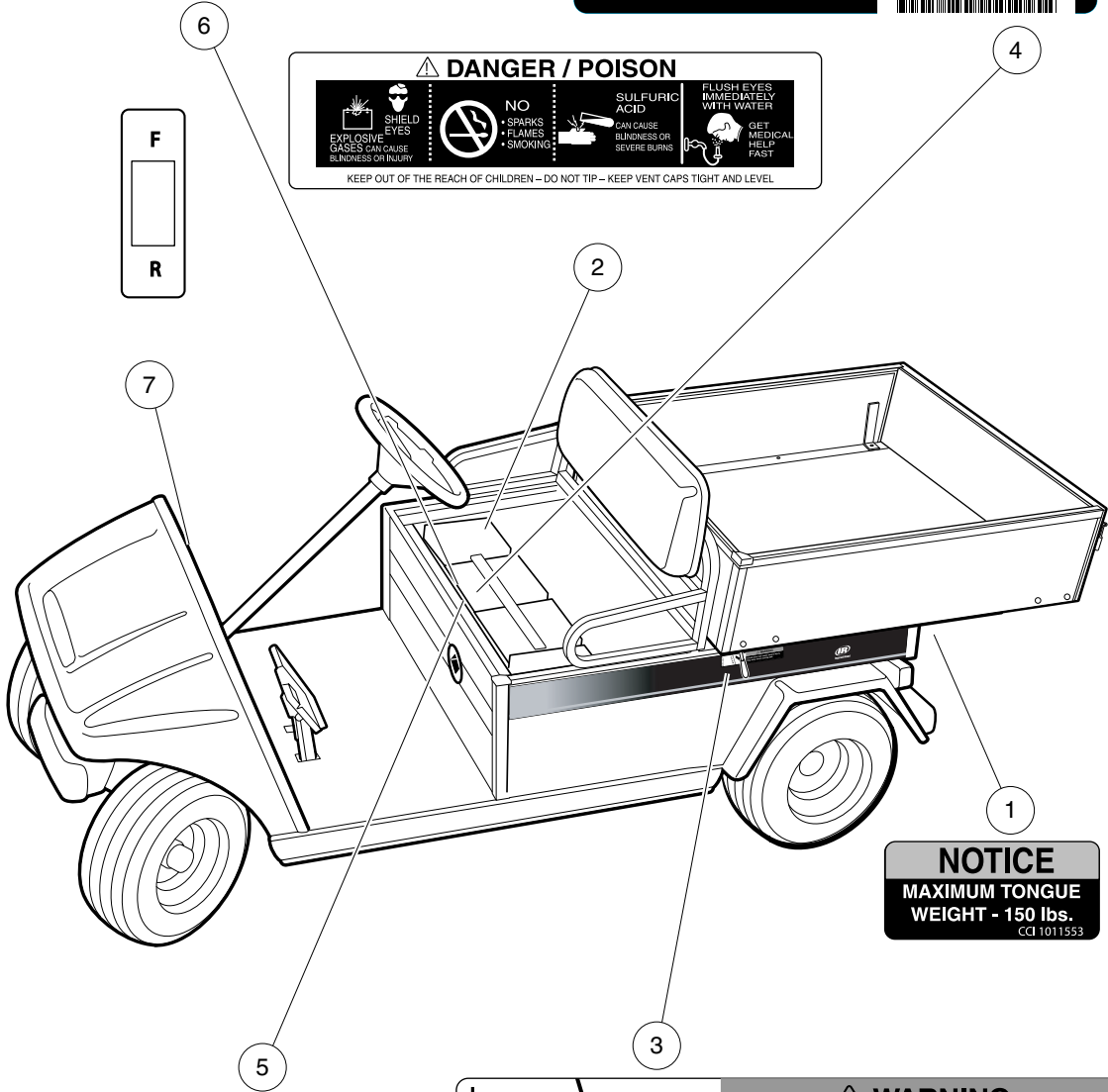
- Replacement battery wires must be 4-gauge (AWG) with low-resistance terminals equivalent to factory-installed wires.
- Ensure that battery connections are clean and properly tightened. See owner's manual.

CCI 102967601

CAUTION
EXPOSURE TO WATER MAY DAMAGE ELECTRONIC COMPONENTS

- Do not operate vehicle without this cover properly installed.
- Do not direct water stream in the area of the cover without cover securely in place.
- See vehicle maintenance and service manual before servicing.

CCI 102518301



⚠ DANGER / POISON

<p>EXPLOSIVE GASES CAN CAUSE BLINDNESS OR INJURY</p>	<p>SHIELD EYES</p>	<p>NO SPARKS • FLAMES • SMOKING</p>	<p>SULFURIC ACID CAN CAUSE BLINDNESS OR SEVERE BURNS</p>	<p>FLUSH EYES IMMEDIATELY WITH WATER</p> <p>GET MEDICAL HELP FAST</p>
---	---------------------------	--	---	---

KEEP OUT OF THE REACH OF CHILDREN – DO NOT TIP – KEEP VENT CAPS TIGHT AND LEVEL

NOTICE
MAXIMUM TONGUE WEIGHT - 150 lbs.

CCI 1011553

⚠ WARNING
BATTERY EXPLOSION COULD RESULT IN SEVERE PERSONAL INJURY.

- Do not store items in battery compartment.
- Place Run/Tow switch in TOW position before:
 - Disconnecting or connecting battery cables
 - Towing this vehicle
 - Extended storage
 - Servicing the vehicle

NORMAL **TRIPPED**
TOW **RUN**

CCI 102845101

LATCH OPEN

⚠ WARNING
Crush area. Can cause severe injury. Stay clear when closing bed.

000611-001

DECALS – TURF/CARRYALL 2 IQ PLUS ELECTRIC (PAGE 2 OF 2)

ITEM	PART NO.	DESCRIPTION	QTY
		1 2 3 4	
1	1011553	Decal, Trailer Hitch	1
2	1013677	Decal, Battery Danger	6
3	102459301	Decal, Bed Crush Area Warning	1
4	102518301	Decal, Caution, Electrical Component Cover	1
5	102845101	Decal, Tow Switch	1
6	102967601	Decal, Warning, 4 Gauge Wire	1
7	103210301	Decal, Forward/Reverse, Electric	1

3
G
E

⚠ WARNING

ROLLOVER OR FALLING OFF MAY CAUSE DEATH.

- Before using vehicle, read operating instructions.
- Remain seated and hold on to seat handle while moving.
- Do not start vehicle until all occupants are seated.
- Two (2) persons per seat maximum.
- Operate from driver side only and not on public roads.
- Keep entire body inside vehicle while moving.
- Drive slowly in turns and straight up and down slopes.
- Do not leave children unattended on vehicle.
- Never operate under the influence of alcohol or drugs.
- Use brakes to reduce speed when coasting downhill.
- Never stand in front of or behind vehicle.

CCI 103205401

OPERATING INSTRUCTIONS

Before using vehicle, read owner's manual and vehicle safety warnings. Study and understand controls.

TO OPERATE

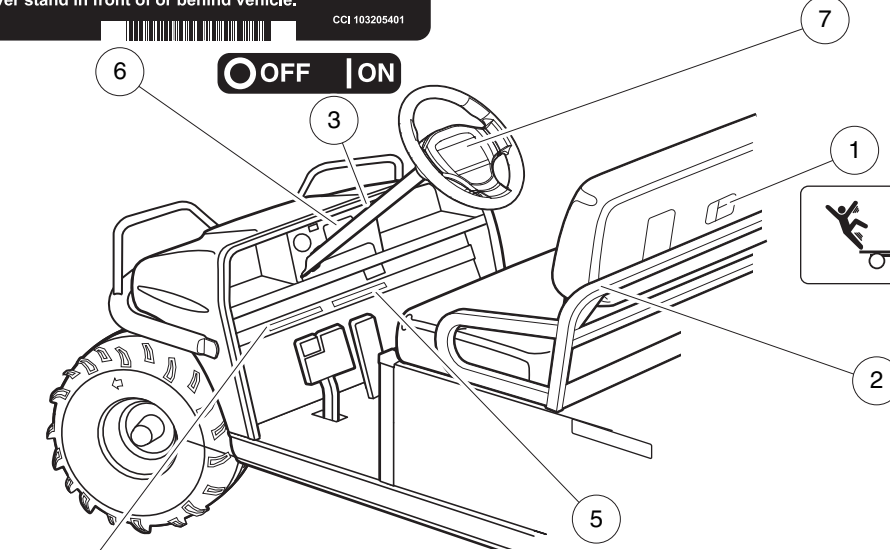
- Ensure wheels are turned in desired direction and path is clear.
- Turn key to ON position.
- Select FORWARD or REVERSE only when stopped.
- Release park brake fully.
- Vehicle will start moving when accelerator pedal is pressed.
- Slowly press accelerator pedal to increase speed.
- During operation, beeping alarm indicates reduction in motor braking.
- To stop, release accelerator pedal and press brake pedal.

WARNING

Unintended vehicle movement may cause severe injury or death. Before leaving vehicle:

- Engage park brake to lock wheels.
- Place vehicle in NEUTRAL.
- Turn key to OFF and remove key.

10278501



OFF | ON

⚠ WARNING

Riding in cargo bed can cause severe injury or death. Do not ride in cargo bed.

CCI 101553901

⚠ WARNING

CRUSH AREA

STAY CLEAR

CCI 101609401

⚠ WARNING

YOUNG DRIVERS OR PASSENGERS INCREASE CHANCE OF SERIOUS INJURY OR DEATH

UNDER 16

- All occupants must be able to hold on and place both feet flat on the floorboard with their backs against the seat backs. Children requiring a child safety seat must not ride in vehicle.
- A valid driver's license is required to operate this vehicle.

102075801

VEHICLE LOADING

Read owner's manual and warnings on dash.

- Vehicle rated capacity: 900 lb (408 kg) on level surface only.
- Includes occupants and cargo load.
- Maximum cargo load: 500 lb (227 kg).
- Includes cargo, bed load, gross trailer weight, and optional equipment.

102006701

⚠ WARNING

ROLLOVER CAN CAUSE SERIOUS INJURY OR DEATH.

- Place cargo forward in the cargo bed and distribute evenly side to side. Secure load.
- On uneven or steep terrain, reduce speed and load.
- Avoid stopping on or backing down steep hills.
- Avoid top-heavy loads.

102006701

001233-001

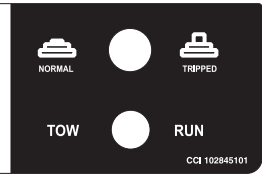
DECALS – TURF/CARRYALL 252 AND XRT 900 IQ PLUS ELECTRIC (PAGE 1 OF 2)

ITEM	PART NO.	DESCRIPTION	QTY
		1 2 3 4	
1	101553901	Decal, Bed Load Warning	1
2	101609401	Decal, Crush Area Warning	2
3	101825101	Decal, Off/On	1
4	102006701	Decal, Vehicle Loading	1
5	102075801	Decal, Young Driver Warning	1
6	103205401	Decal, Warning, Rollover, Utl	1
7	103783001	Decal, Op Instr, Ele	1

3
G
E

⚠ WARNING
BATTERY EXPLOSION COULD RESULT IN SEVERE PERSONAL INJURY.

- Do not store items in battery compartment.
- Place Run/Tow switch in TOW position before:
 - Disconnecting or connecting battery cables
 - Towing this vehicle
 - Extended storage
 - Servicing the vehicle



⚠ WARNING
AVOID FIRE HAZARD

- Replacement battery wires must be 4-gauge (AWG) with low-resistance terminals equivalent to factory-installed wires.
- Ensure that battery connections are clean and properly tightened. See owner's manual.

CCI 102967601

⚠ DANGER / POISON

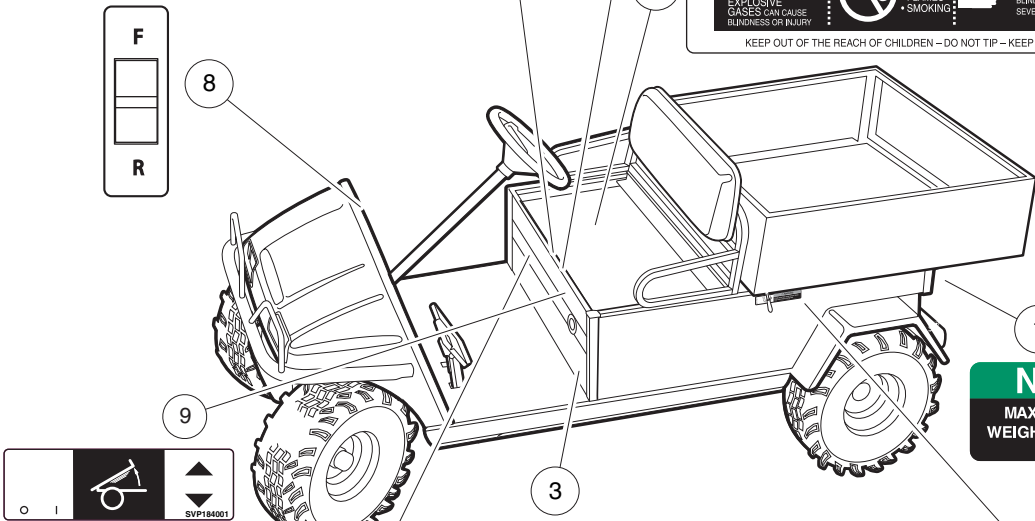
EXPLOSIVE GASES CAN CAUSE BLINDNESS OR INJURY. SHIELD EYES.

NO SPARKS, FLAMES, SMOKING.

SULFURIC ACID CAN CAUSE BLINDNESS OR SEVERE BURNS.

FLUSH EYES IMMEDIATELY WITH WATER. GET MEDICAL HELP FAST.

KEEP OUT OF THE REACH OF CHILDREN -- DO NOT TIP -- KEEP VENT CAPS TIGHT AND LEVEL.



NOTICE
MAXIMUM TONGUE WEIGHT - 150 lb. (667 N)

CCI 1011553

CAUTION
EXPOSURE TO WATER MAY DAMAGE ELECTRONIC COMPONENTS

- Do not operate vehicle without this cover properly installed.
- Do not direct water stream in the area of the cover without cover securely in place.
- See vehicle maintenance and service manual before servicing.

CCI 102518301

⚠ WARNING
WINCH CABLE FRACTURE COULD RESULT IN SERIOUS INJURY OR DEATH.

- Do not use winch while persons are seated on the vehicle.
- Use remote operation switch for winch control.
- Stand to the side and away from the vehicle to operate winch.
- Read winch operator manual before operating winch.

102231601

⚠ WARNING
Crush area. Can cause severe injury. Stay clear when closing bed.

CCI 102459301



001234-001

DECALS – TURF/CARRYALL 252 AND XRT 900 IQ PLUS ELECTRIC (PAGE 2 OF 2)

ITEM	PART NO.	DESCRIPTION	QTY
		1 2 3 4	
1	1011553	Decal, Trailer Hitch	1
2	1013677	Decal, Battery Danger	6
3	102231601	Decal, Winch Cable Fracture Warning	1
4	102459301	Decal, Bed Crush Area Warning	1
5	102518301	Decal, Caution, Electrical Component Cover	1
6	102845101	Decal, Tow Switch	1
7	102967601	Decal, Warning, 4 Gauge Wire	1
8	103210301	Decal, Forward/Reverse, Electric	1
9	SVP184001	Decal, Bed Lift Switch	1

3
G
E

WARNING

ROLLOVER OR FALLING OFF MAY CAUSE DEATH.

- Before using vehicle, read operating instructions.
- Remain seated and hold on to seat handle while moving.
- Do not start vehicle until all occupants are seated.
- Two (2) persons per seat maximum.
- Operate from driver side only and not on public roads.
- Keep entire body inside vehicle while moving.
- Drive slowly in turns and straight up and down slopes.
- Do not leave children unattended on vehicle.
- Never operate under the influence of alcohol or drugs.
- Use brakes to reduce speed when coasting downhill.
- Never stand in front of or behind vehicle.

CCI 10329401

OPERATING INSTRUCTIONS

Before using vehicle, read owner's manual and vehicle safety warnings. Study and understand controls.

TO OPERATE

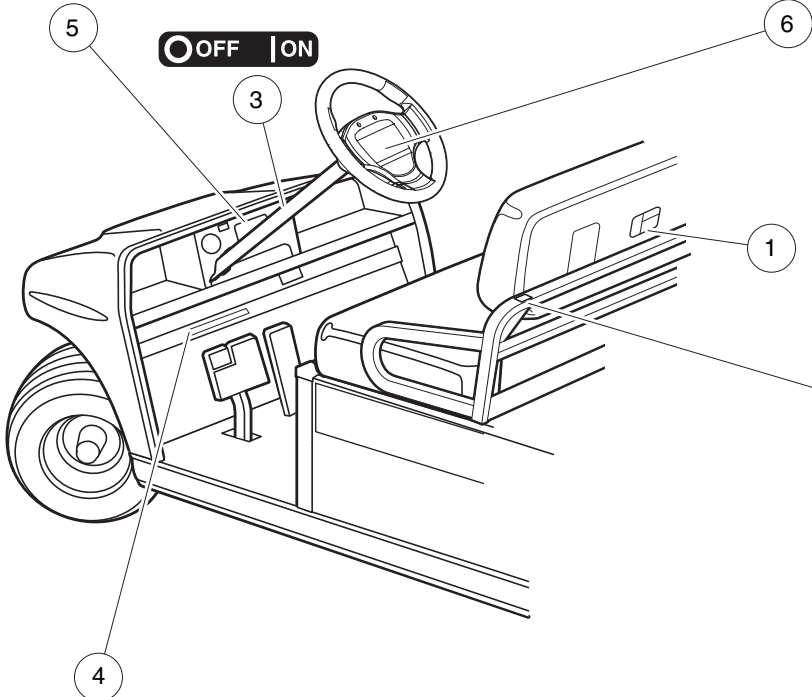
- Ensure wheels are turned in desired direction and path is clear.
- Turn key to ON position.
- Select FORWARD or REVERSE only when stopped.
- Release park brake fully.
- Vehicle will start moving when accelerator pedal is pressed.
- Slowly press accelerator pedal to increase speed.
- To stop, release accelerator pedal and press brake pedal.

WARNING

Unintended vehicle movement may cause severe injury or death. Before leaving vehicle:

- Engage park brake to lock wheels.
- Place vehicle in NEUTRAL.
- Turn key to OFF and remove key.

103763002



OFF | ON

WARNING

Riding in cargo bed can cause severe injury or death. Do not ride in cargo bed.

CCI 101583901

WARNING

CRUSH AREA

STAY CLEAR

CCI 101609401

VEHICLE LOADING

Read owner's manual and warnings on dash.

- Vehicle rated capacity: 1200 lb (544 kg) on level surface only.
 - Includes occupants and cargo load.
- Maximum cargo load: 800 lb (363 kg).
 - Includes cargo, bed load, gross trailer weight, and optional equipment.

CCI 101609401

WARNING

ROLLOVER CAN CAUSE SERIOUS INJURY OR DEATH.

- Place cargo forward in the cargo bed and distribute evenly side to side. Secure load.
- On uneven or steep terrain, reduce speed and load.
- Avoid stopping on or backing down steep hills.
- Avoid top-heavy loads.

101960201

001235-001

DECALS – TURF/CA 2 GASOLINE VEHICLES (PAGE 1 OF 2)

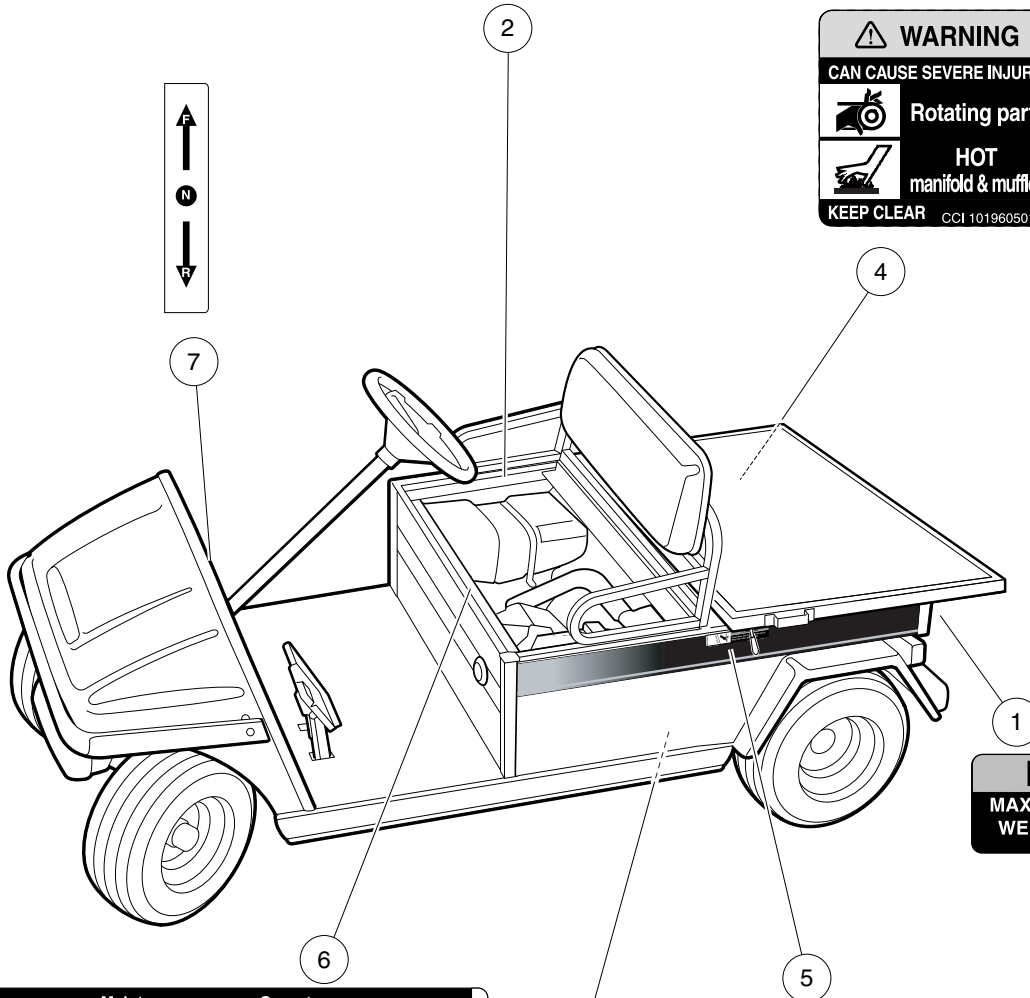
ITEM	PART NO.	DESCRIPTION	QTY
		1 2 3 4	
1	101553901	Decal, Bed Load Warning	1
2	101609401	Decal, Crush Area Warning	2
3	101825101	Decal, Off/On	1
4	101960201	Decal, Vehicle Loading	1
5	103205401	Decal, Warning, Rollover, Utl	1
6	103783002	Decal, Op Instr, Gas Ps	1

3
G
E


WARNING


GASOLINE EXPLOSION / FIRE.
 • Can cause severe injury or death.
 • No smoking, sparks, or open flame.
 • Stop engine, allow to cool before refueling.
 • Turn fuel valve (←) on during operation.
 (→) off during storage or transport.
 CCI 101547601



WARNING
CAN CAUSE SEVERE INJURY
 **Rotating parts**
 **HOT manifold & muffler**
KEEP CLEAR CCI 101960501



NOTICE
MAXIMUM TONGUE WEIGHT - 150 lbs.
 CCI 1011553

Maintenance Operate

WARNING
VEHICLE MOVEMENT MAY CAUSE SERIOUS INJURY
 When switch is in Maintenance position, chock wheels and firmly set park brake.
 CCI 103205501

LATCH **OPEN**

WARNING
 Crush area. Can cause severe injury. Stay clear when closing bed.
 CCI 1011553

WARNING
 Negative frame ground. Can cause severe injury. Do not contact positive (+) battery post or cable to frame. Disconnect negative battery lead first.
 **WARNING**
 Excessive speed. Can cause severe injury or death. Do not tamper with engine governor adjustment.
 CCI 101915201

000617-001

DECALS – TURF/CA 2 GASOLINE VEHICLES (PAGE 2 OF 2)

ITEM	PART NO.	DESCRIPTION	QTY
		1 2 3 4	
1	1011553	Decal, Trailer Hitch	1
2	101547601	Decal, Gasoline Explosion/Fire Warning	1
3	101915201	Decal, Frame Ground and Governor Warning	1
4	101960501	Decal, Rotating Parts/Hot Manifold	1
5	102459301	Decal, Bed Crush Area Warning	1
6	103205501	Decal, Run/Service Switch	1
7	103210201	Decal, Forward/Reverse, Gas	1

3
G
E

**3
G
E**

⚠ WARNING

ROLLOVER OR FALLING OFF MAY CAUSE DEATH.

- Before using vehicle, read operating instructions.
- Remain seated and hold on to seat handle while moving.
- Do not start vehicle until all occupants are seated.
- Two (2) persons per seat maximum.
- Operate from driver side only and not on public roads.
- Keep entire body inside vehicle while moving.
- Drive slowly in turns and straight up and down slopes.
- Do not leave children unattended on vehicle.
- Never operate under the influence of alcohol or drugs.
- Use brakes to reduce speed when coasting downhill.
- Never stand in front of or behind vehicle.

CCJ 103205401

OPERATING INSTRUCTIONS

Before using vehicle, read owner's manual and vehicle safety warnings. Study and understand controls.

TO OPERATE

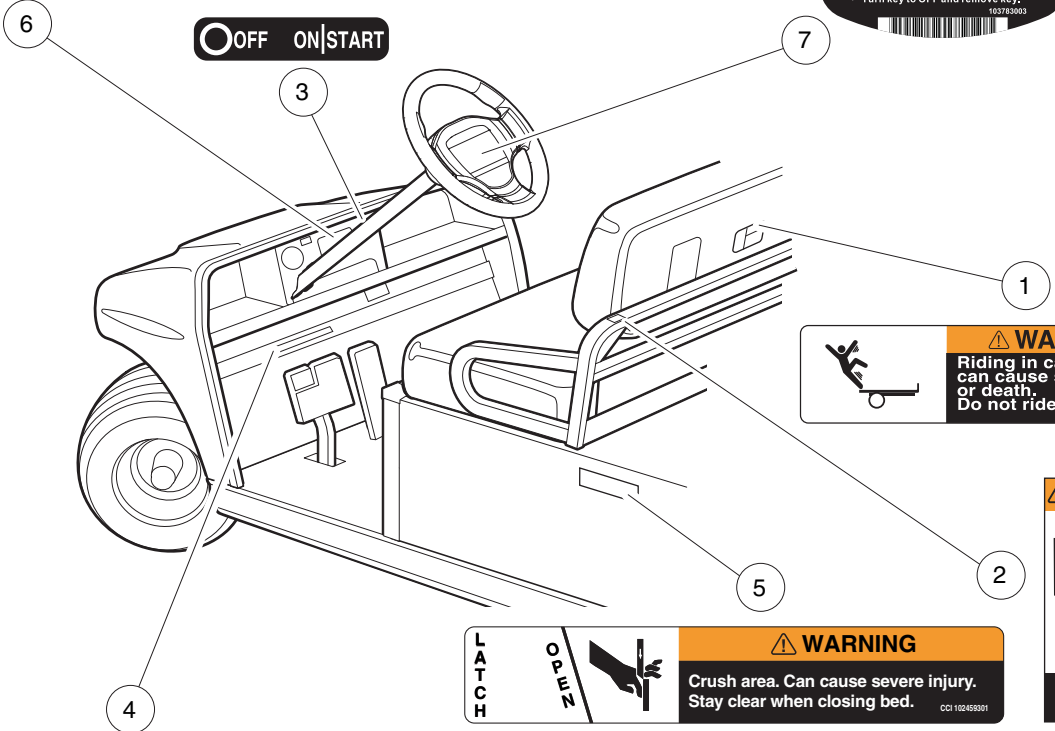
- Ensure wheels are turned in desired direction and path is clear.
- Place vehicle in NEUTRAL and press brake pedal.
- Turn key to START position and hold until engine starts.
- Select FORWARD or REVERSE only when stopped and engine at idle.
- Release park brake fully.
- Vehicle will start moving when accelerator pedal is pressed.
- Slowly press accelerator pedal to increase speed.
- To stop, release accelerator pedal and press brake pedal.

WARNING

Unintended vehicle movement may cause severe injury or death. Before leaving vehicle:

- Engage park brake to lock wheels.
- Place vehicle in NEUTRAL.
- Turn key to OFF and remove key.

103785003



⚠ WARNING

Riding in cargo bed can cause severe injury or death. Do not ride in cargo bed.

CCI 101553801

⚠ WARNING

CRUSH AREA

STAY CLEAR

CCI 101609401

⚠ WARNING

Crush area. Can cause severe injury. Stay clear when closing bed.

CCI 102458001

VEHICLE LOADING

Read owner's manual and warnings on dash.

- Vehicle rated capacity: 1200 lb (544 kg) on level surface only.
- Includes occupants and cargo load.
- Maximum cargo load: 800 lb (363 kg).
- Includes cargo, bed load, gross trailer weight, and optional equipment.

101960201

⚠ WARNING

ROLLOVER CAN CAUSE SERIOUS INJURY OR DEATH.

- Place cargo forward in the cargo bed and distribute evenly side to side. Secure load.
- On uneven or steep terrain, reduce speed and load.
- Avoid stopping on or backing down steep hills.
- Avoid top-heavy loads.

101960201

001236-001

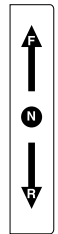
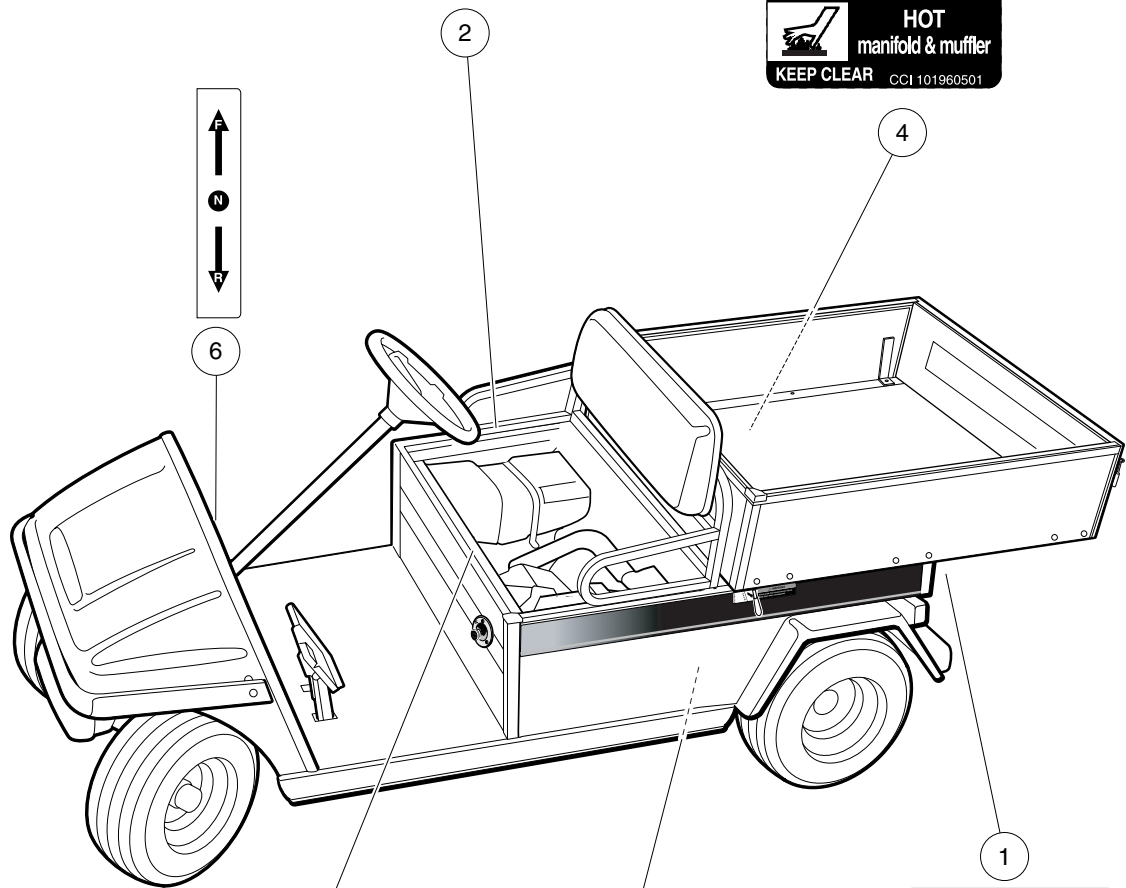
DECALS – CARRYALL 2 PLUS GASOLINE VEHICLES (PAGE 1 OF 2)

ITEM	PART NO.	DESCRIPTION	QTY
		1 2 3 4	
1	101553901	Decal, Bed Load Warning	1
2	101609401	Decal, Crush Area Warning	2
3	101825102	Decal, Off/On/Start	1
4	101960201	Decal, Vehicle Loading	1
5	102459301	Decal, Bed Crush Area Warning	1
6	103205401	Decal, Warning, Rollover, Utl	1
7	103783003	Decal, Op Instr, Gas Ks	1

3
G
E


⚠ WARNING
GASOLINE EXPLOSION / FIRE.
 • Can cause severe injury or death.
 • No smoking, sparks, or open flame.
 • Stop engine, allow to cool before refueling.
 • Turn fuel valve (↔) on during operation.
 (←) off during storage or transport.
 CCI 101547601

⚠ WARNING
CAN CAUSE SEVERE INJURY
 **Rotating parts**
 **HOT manifold & muffler**
KEEP CLEAR CCI 101960501



NOTICE
MAXIMUM TONGUE WEIGHT - 150 lbs.
 CCI 1011553

Maintenance Operate
⚠ WARNING
VEHICLE MOVEMENT MAY CAUSE SERIOUS INJURY
 When switch is in Maintenance position, chock wheels and firmly set park brake.
 CCI 103205501

	<p>⚠ WARNING Negative frame ground. Can cause severe injury. Do not contact positive (+) battery post or cable to frame. Disconnect negative battery lead first.</p>		<p>⚠ WARNING Excessive speed. Can cause severe injury or death. Do not tamper with engine governor adjustment. CCI 101915201</p>
---	--	---	---

000619-001

DECALS – CARRYALL 2 PLUS GASOLINE VEHICLES (PAGE 2 OF 2)

ITEM	PART NO.	DESCRIPTION	QTY
		1 2 3 4	
1	1011553	Decal, Trailer Hitch	1
2	101547601	Decal, Gasoline Explosion/Fire Warning	1
3	101915201	Decal, Frame Ground and Governor Warning	1
4	101960501	Decal, Rotating Parts/Hot Manifold	1
5	103205501	Decal, Run/Service Switch	1
6	103210201	Decal, Forward/Reverse, Gas	1

3
G
E

OPERATING INSTRUCTIONS

Before using vehicle, read owner's manual and vehicle safety warnings. Study and understand controls.

TO OPERATE

- Ensure wheels are turned in desired direction and path is clear.
- Turn key to ON position.
- Select FORWARD or REVERSE only when stopped.
- Release park brake fully.
- Vehicle will start moving when accelerator pedal is pressed.
- Slowly press accelerator pedal to increase speed.
- To stop, release accelerator pedal and press brake pedal.

WARNING

Unintended vehicle movement may cause severe injury or death. Before leaving vehicle:

- Engage park brake to lock wheels.
- Place vehicle in NEUTRAL.
- Turn key to OFF and remove key.

102763002

WARNING

ROLLOVER OR FALLING OFF MAY CAUSE DEATH.

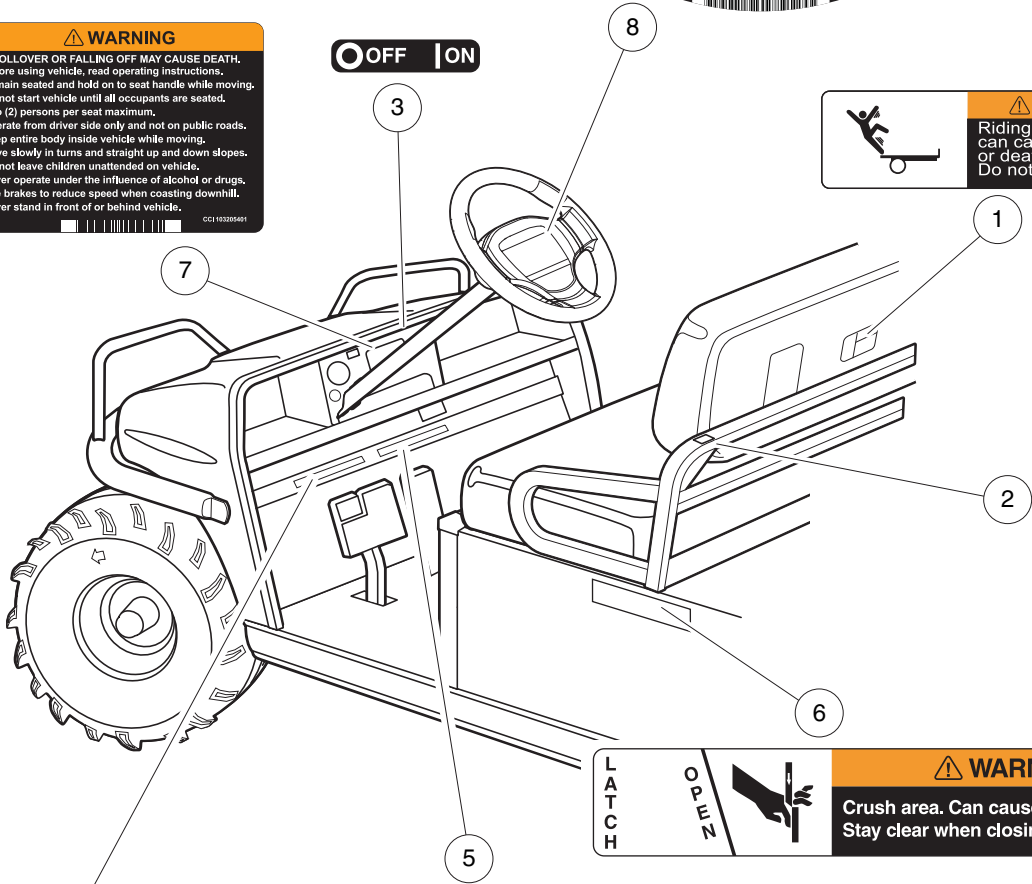
- Before using vehicle, read operating instructions.
- Remain seated and hold on to seat handle while moving.
- Do not start vehicle until all occupants are seated.
- Two (2) persons per seat maximum.
- Operate from driver side only and not on public roads.
- Keep entire body inside vehicle while moving.
- Drive slowly in turns and straight up and down slopes.
- Do not leave children unattended on vehicle.
- Never operate under the influence of alcohol or drugs.
- Use brakes to reduce speed when coasting downhill.
- Never stand in front of or behind vehicle.

CCI 102305491

WARNING

Riding in cargo bed can cause severe injury or death. Do not ride in cargo bed.

CCI 101553901



WARNING

CRUSH AREA

STAY CLEAR

CCI 101609401

WARNING

Crush area. Can cause severe injury. Stay clear when closing bed.

CCI 102459301

WARNING

YOUNG DRIVERS OR PASSENGERS INCREASE CHANCE OF SERIOUS INJURY OR DEATH

- All occupants must be able to hold on and place both feet flat on the floorboard with their backs against the seat backs. Children requiring a child safety seat must not ride in vehicle.
- A valid driver's license is required to operate this vehicle.

102075801

VEHICLE LOADING

Read owner's manual and warnings on dash.

- Vehicle rated capacity: 900 lb (408 kg) on level surface only.
 - Includes occupants and cargo load.
- Maximum cargo load: 500 lb (227 kg).
 - Includes cargo, bed load, gross trailer weight, and optional equipment.

102006701

WARNING

ROLLOVER CAN CAUSE SERIOUS INJURY OR DEATH.

- Place cargo forward in the cargo bed and distribute evenly side to side. Secure load.
- On uneven or steep terrain, reduce speed and load.
- Avoid stopping on or backing down steep hills.
- Avoid top-heavy loads.

102006701

001228-001

DECALS – TURF/CARRYALL 252 GASOLINE VEHICLES (PAGE 1 OF 2)

ITEM	PART NO.	DESCRIPTION	QTY
		1 2 3 4	
1	101553901	Decal, Bed Load Warning	1
2	101609401	Decal, Crush Area Warning	1
3	101825101	Decal, Off/On	1
4	102006701	Decal, Vehicle Loading	1
5	102075801	Decal, Young Driver Warning	1
6	102459301	Decal, Bed Crush Area Warning	1
7	103205401	Decal, Warning, Rollover, Utl	1
8	103783002	Decal, Op Instr, Gas Ps	1

3
G
E

WARNING
GASOLINE EXPLOSION / FIRE.

- Can cause severe injury or death.
- No smoking, sparks, or open flame.
- Stop engine, allow to cool before refueling.
- Turn fuel valve (←) on during operation. (→) off during storage or transport.

CCI 101547601

Maintenance Operate

WARNING
VEHICLE MOVEMENT MAY CAUSE SERIOUS INJURY
When switch is in Maintenance position, chock wheels and firmly set park brake.

CCI 103205501

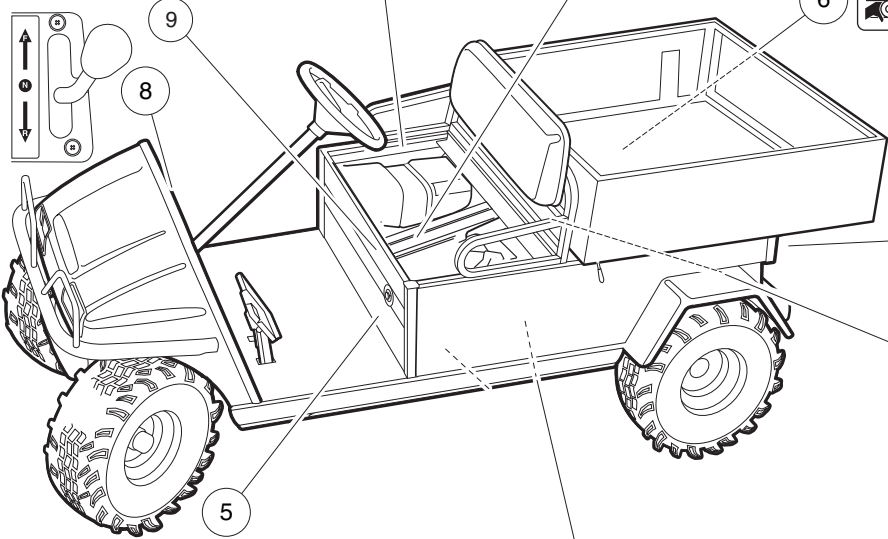
SVP184001

WARNING
CAN CAUSE SEVERE INJURY
Rotating parts. KEEP CLEAR.

CCI 10099501

NOTICE
MAXIMUM TONGUE WEIGHT – 150 lb. (667 N)

CCI 1011553



WARNING
CAN CAUSE SEVERE INJURY
Rotating parts
HOT manifold & muffler
KEEP CLEAR

CCI 101960501

WARNING
WINCH CABLE FRACTURE COULD RESULT IN SERIOUS INJURY OR DEATH.

- Do not use winch while persons are seated on the vehicle.
- Use remote operation switch for winch control.
- Stand to the side and away from the vehicle to operate winch.
- Read winch operator manual before operating winch.

102231601

WARNING
Negative frame ground. Can cause severe injury. Do not contact positive (+) battery post or cable to frame. Disconnect negative battery cable first.

WARNING
Excessive speed can cause severe injury or death. Do not tamper with engine governor adjustment.

CCI 101915201

001229-001

DECALS – TURF/CARRYALL 252 GASOLINE VEHICLES (PAGE 2 OF 2)

ITEM	PART NO.	DESCRIPTION	QTY
		1 2 3 4	
1	1011553	Decal, Trailer Hitch	1
2	101547601	Decal, Gasoline Explosion/Fire Warning	1
3	101915201	Decal, Frame Ground and Governor Warning	1
4	101960501	Decal, Rotating Parts/Hot Manifold	1
5	102231601	Decal, Winch Cable Fracture Warning	1
6	102460201	Decal, Rotating Parts Warning	1
7	103205501	Decal, Run/Service Switch	1
8	103210201	Decal, Forward/Reverse, Gas	1
9	SVP184001	Decal, Bed Lift Switch	1

3
G
E

OPERATING INSTRUCTIONS

Before using vehicle, read owner's manual and vehicle safety warnings. Study and understand controls.

TO OPERATE

- Ensure wheels are turned in desired direction and path is clear.
- Place vehicle in NEUTRAL and press brake pedal.
- Turn key to START position and hold until engine starts.
- Select FORWARD or REVERSE only when stopped and engine at idle.
- Release park brake fully.
- Vehicle will start moving when accelerator pedal is pressed.
- Slowly press accelerator pedal to increase speed.
- To stop, release accelerator pedal and press brake pedal.

WARNING

Unintended vehicle movement may cause severe injury or death. Before leaving vehicle:

- Engage park brake to lock wheels.
- Place vehicle in NEUTRAL.
- Turn key to OFF and remove key.

103723003

WARNING

ROLLOVER OR FALLING OFF MAY CAUSE DEATH.

- Before using vehicle, read operating instructions.
- Remain seated and hold on to seat handle while moving.
- Do not start vehicle until all occupants are seated.
- Two (2) persons per seat maximum.
- Operate from driver side only and not on public roads.
- Keep entire body inside vehicle while moving.
- Drive slowly in turns and straight up and down slopes.
- Do not leave children unattended on vehicle.
- Never operate under the influence of alcohol or drugs.
- Use brakes to reduce speed when coasting downhill.
- Never stand in front of or behind vehicle.

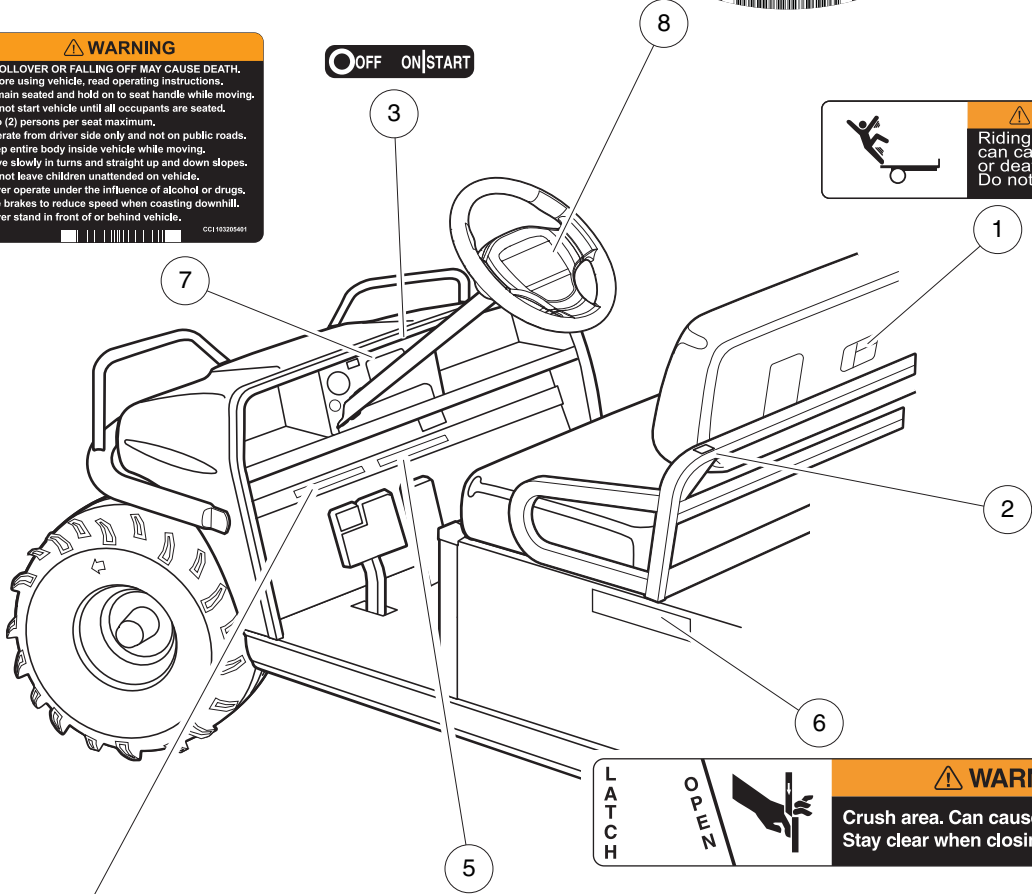
CCI 103205491

OFF ON/START

WARNING

Riding in cargo bed can cause severe injury or death. Do not ride in cargo bed.

CCI 101553901



WARNING

CRUSH AREA

STAY CLEAR

CCI 101609401

WARNING

Crush area. Can cause severe injury. Stay clear when closing bed.

CCI 102459301

WARNING

YOUNG DRIVERS OR PASSENGERS INCREASE CHANCE OF SERIOUS INJURY OR DEATH

- All occupants must be able to hold on and place both feet flat on the floorboard with their backs against the seat backs. Children requiring a child safety seat must not ride in vehicle.
- A valid driver's license is required to operate this vehicle.

102075801

VEHICLE LOADING

Read owner's manual and warnings on dash.

- Vehicle rated capacity: 900 lb (408 kg) on level surface only.
- Includes occupants and cargo load.
- Maximum cargo load: 500 lb (227 kg).
- Includes cargo, bed load, gross trailer weight, and optional equipment.

102006701

WARNING

ROLLOVER CAN CAUSE SERIOUS INJURY OR DEATH.

- Place cargo forward in the cargo bed and distribute evenly side to side. Secure load.
- On uneven or steep terrain, reduce speed and load.
- Avoid stopping on or backing down steep hills.
- Avoid top-heavy loads.

102006701

001230-001

DECALS – XRT 900 GASOLINE VEHICLES (PAGE 1 OF 2)

ITEM	PART NO.	DESCRIPTION	QTY
		1 2 3 4	
1	101553901	Decal, Bed Load Warning	1
2	101609401	Decal, Crush Area Warning	1
3	101825102	Decal, Off/On/Start	1
4	102006701	Decal, Vehicle Loading	1
5	102075801	Decal, Young Driver Warning	1
6	102459301	Decal, Bed Crush Area Warning	1
7	103205401	Decal, Warning, Rollover, Utl	1
8	103783003	Decal, Op Instr, Gas Ks	1

3
G
E

WARNING
GASOLINE EXPLOSION / FIRE.

- Can cause severe injury or death.
- No smoking, sparks, or open flame.
- Stop engine, allow to cool before refueling.
- Turn fuel valve (←) on during operation. (→) off during storage or transport.

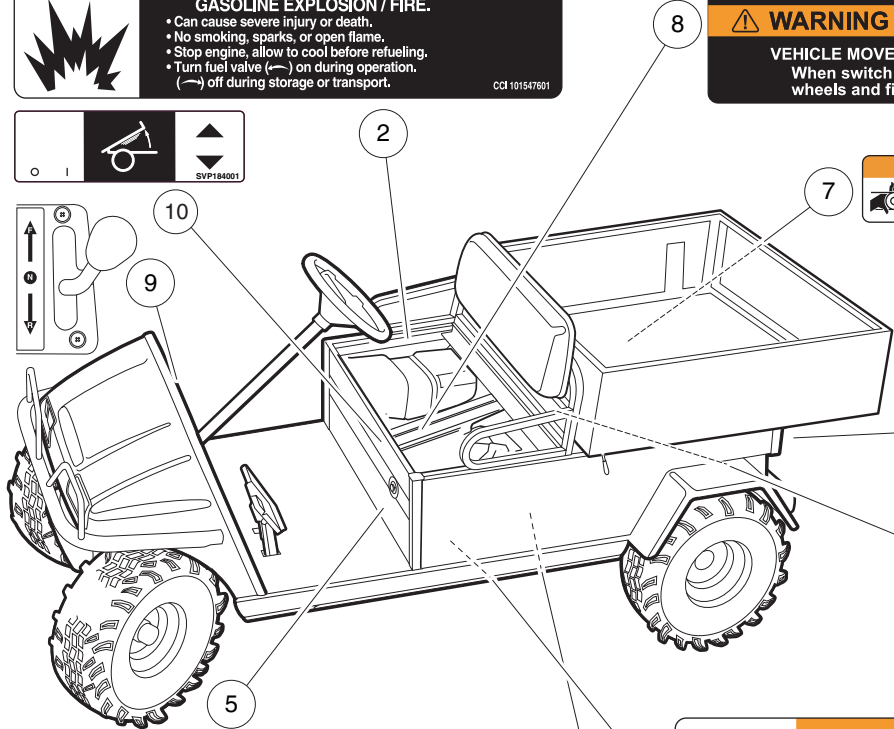
CCI 101547601

Maintenance Operate

WARNING
VEHICLE MOVEMENT MAY CAUSE SERIOUS INJURY
When switch is in Maintenance position, chock wheels and firmly set park brake.

CCI 103205501

SVP184001



WARNING
CAN CAUSE SEVERE INJURY
Rotating parts. KEEP CLEAR.

CCI 101069501

NOTICE
MAXIMUM TONGUE WEIGHT – 150 lb. (667 N)

CCI 1011553

WARNING
CAN CAUSE SEVERE INJURY

Rotating parts

HOT manifold & muffler

KEEP CLEAR

CCI 101960501

WARNING
WINCH CABLE FRACTURE COULD RESULT IN SERIOUS INJURY OR DEATH.

- Do not use winch while persons are seated on the vehicle.
- Use remote operation switch for winch control.
- Stand to the side and away from the vehicle to operate winch.
- Read winch operator manual before operating winch.

102231601

WARNING
INCORRECT WIRING COULD RESULT IN SEVERE INJURY OR DEATH.

- Diode and solenoid connections must have correct polarity.
- Keep all persons clear of engine belts when making final connections.

CCI 102345901

WARNING
Negative frame ground. Can cause severe injury. Do not contact positive (+) battery post or cable to frame. Disconnect negative battery cable first.

WARNING
Excessive speed can cause severe injury or death. Do not tamper with engine governor adjustment.

CCI 101915201

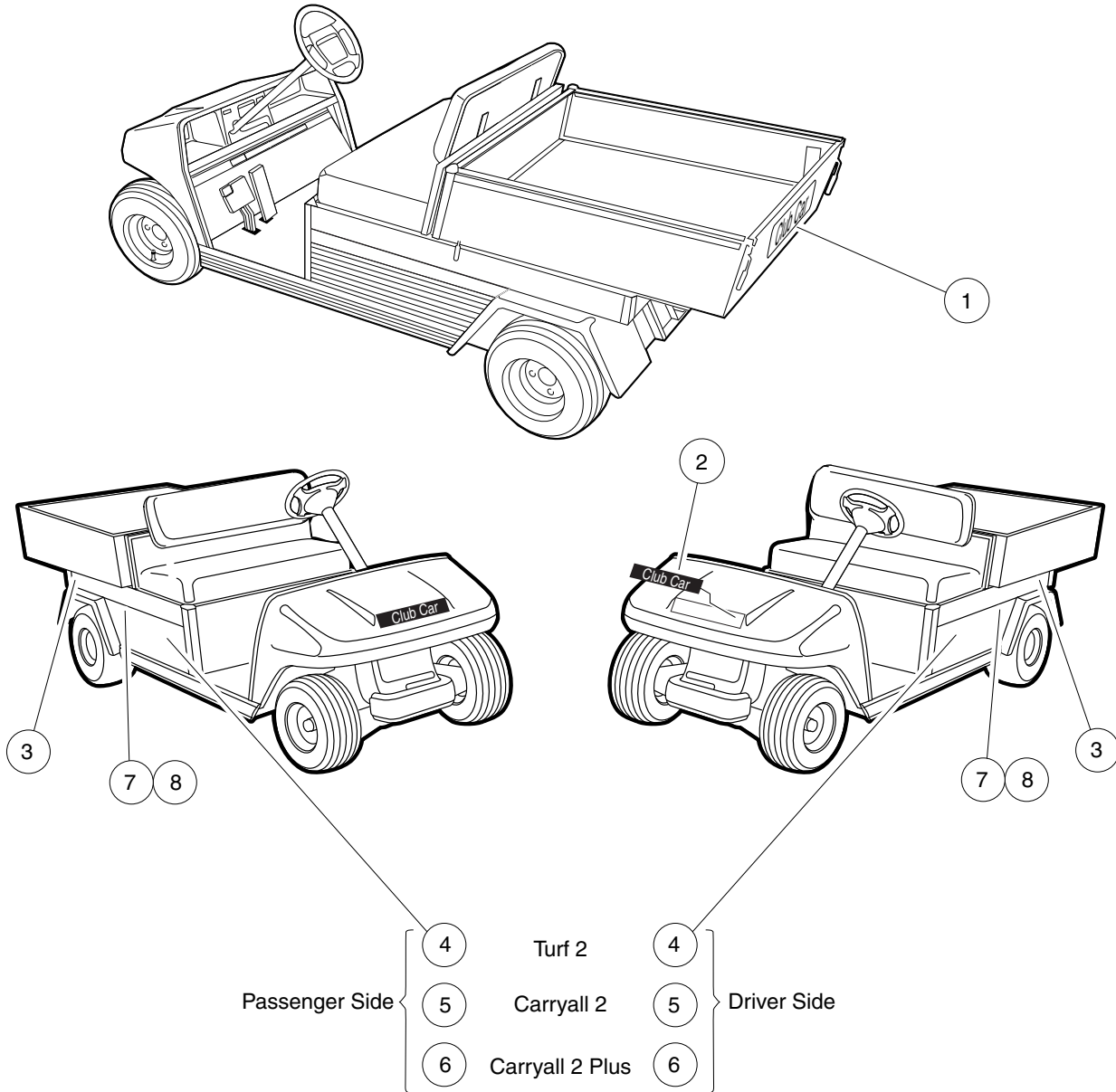
001231-001

DECALS – XRT 900 GASOLINE VEHICLES (PAGE 2 OF 2)

ITEM	PART NO.	DESCRIPTION	QTY
		1 2 3 4	
1	1011553	Decal, Trailer Hitch	1
2	101547601	Decal, Gasoline Explosion/Fire Warning	1
3	101915201	Decal, Frame Ground and Governor Warning	1
4	101960501	Decal, Rotating Parts/Hot Manifold	1
5	102231601	Decal, Winch Cable Fracture Warning	1
6	102345901	Decal, Diode Safety	1
7	102460201	Decal, Rotating Parts Warning	1
8	103205501	Decal, Run/Service Switch	1
9	103210201	Decal, Forward/Reverse, Gas	1
10	SVP184001	Decal, Bed Lift Switch	1

3
G
E

LOGO DECALS



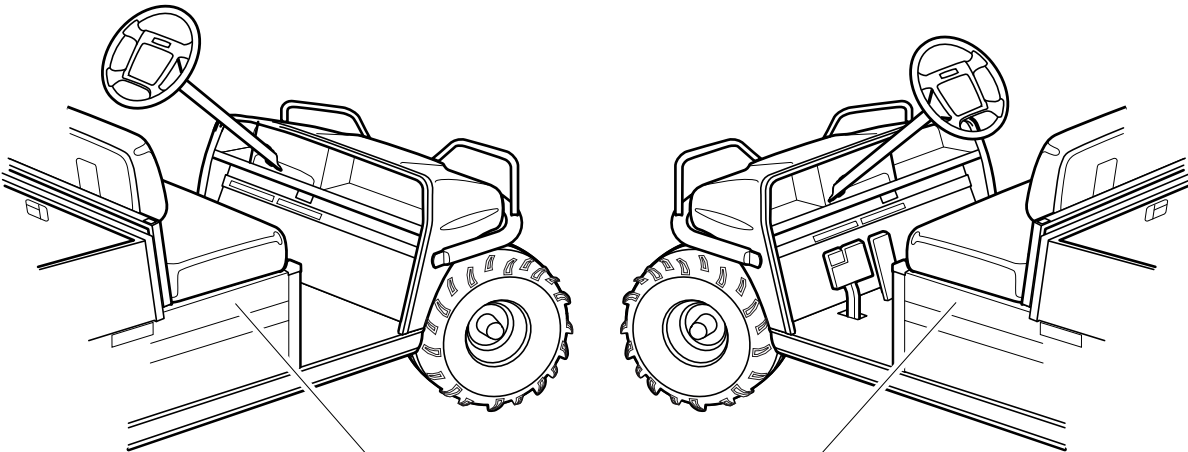
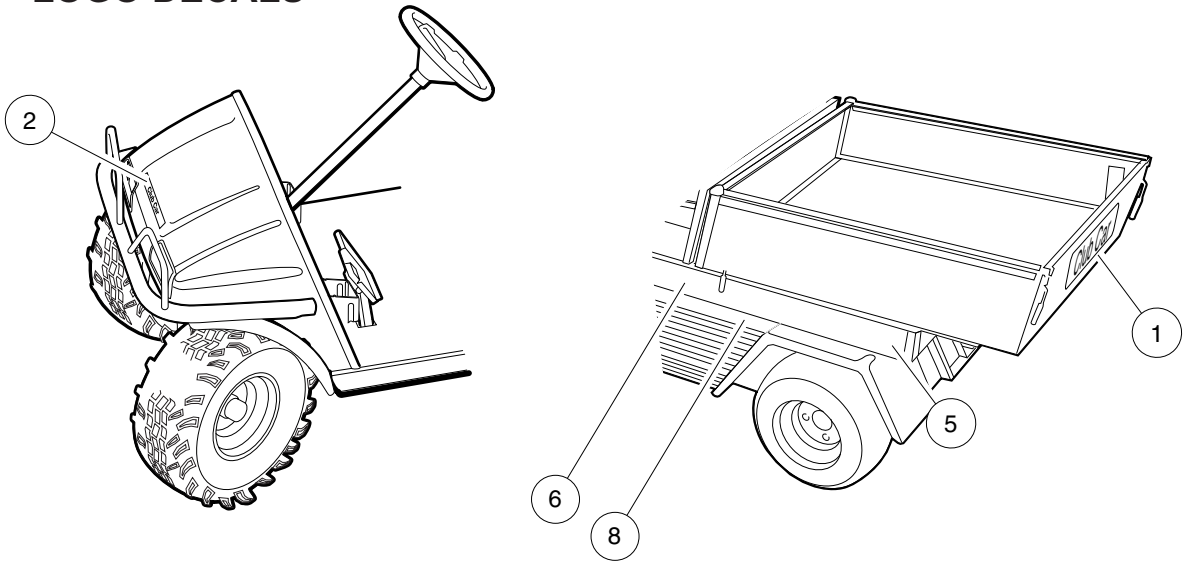
000287-006

DECALS, BADGING – TURF/CARRYALL 2 AND 2 PLUS

ITEM	PART NO.	DESCRIPTION	QTY
		1 2 3 4	
1	1013317	Decal, Logo, Tailgate	1
2	101670201	Nameplate Kit (silver)	1
3	103234303	Decal, Badge, Ir Black	2
4	103260101	Decal Turf 2 Side Panel	2
5	103260801	Decal Ca 2 Side Panel	2
6	103260901	Decal Ca 2 Plus Side Panel	2
7	103284101	Decal Ca2/ca2p/ca252/ca272 Bar	2
8	103464801	Decal, Iq Plus, Zev	2

3
G
E

LOGO DECALS



Passenger Side (3)
(7)

Turf 252

(4) Driver Side
(7)

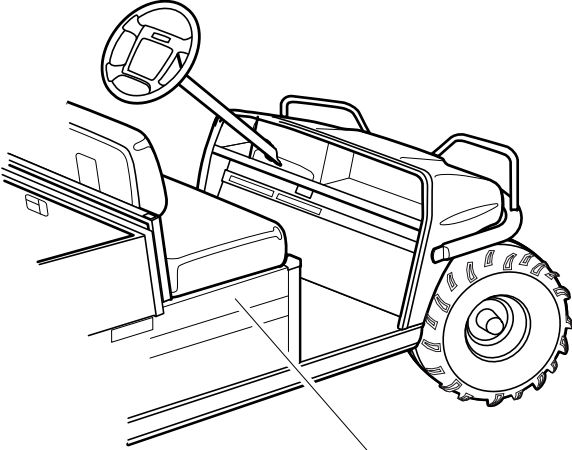
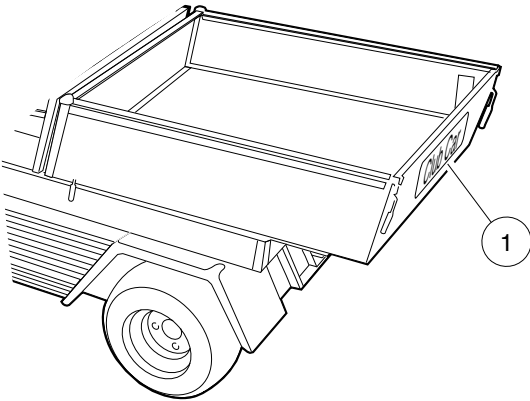
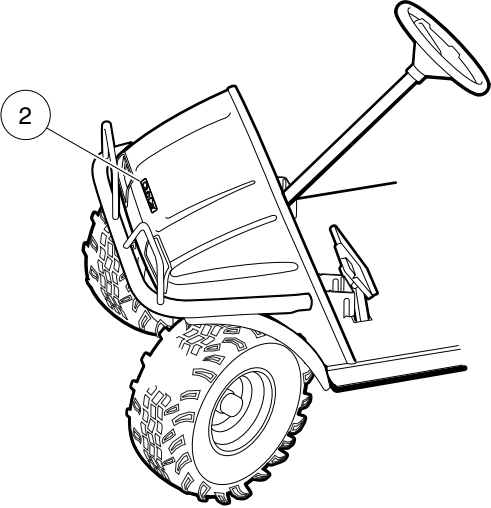
000289-003

DECALS, BADGING – TURF/CARRYALL 252

ITEM	PART NO.	DESCRIPTION	QTY
		1 2 3 4	
1	1013317	Decal, Logo, Tailgate	1
2	101670201	Nameplate Kit (silver)	1
3	102683201	Decal, Turf 252, Passenger-Side	1
4	102683301	Decal, Turf 252, Driver-Side	1
5	103234303	Decal, Badge, Ir Black	2
6	103261301	Decal Ca 252 Side Panel	2
7	103284101	Decal Ca2/ca2p/ca252/ca272 Bar	2
8	103464801	Decal, Iq Plus, Zev	2

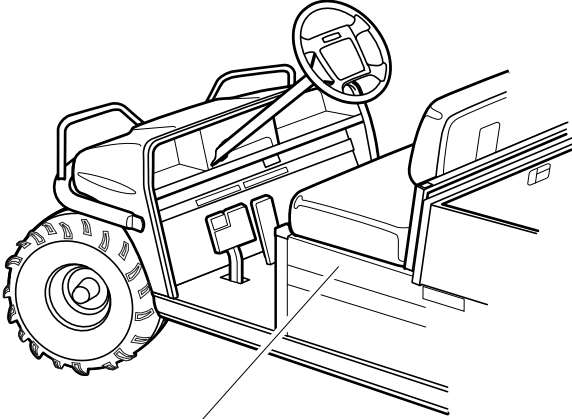
3
G
E

LOGO DECALS



Passenger Side (3)
(5)

XRT 900



Driver Side (4)
(5)

000624-002

DECALS, BADGING – XRT 900

ITEM	PART NO.	DESCRIPTION	QTY
		1 2 3 4	
1	1013317	Decal, Logo, Tailgate	1
2	102046501	Decal, CC Nameplate, Utility	1
3	102683701	Decal, XRT 900 Passenger-Side	1
4	102683801	Decal, XRT 900 Driver-Side	1
5	103234303	Decal, Badge, Ir Black	2

3
G
E

3

G

E

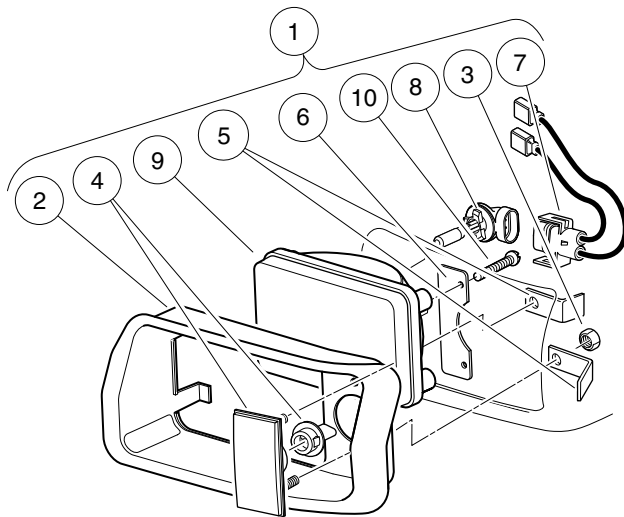
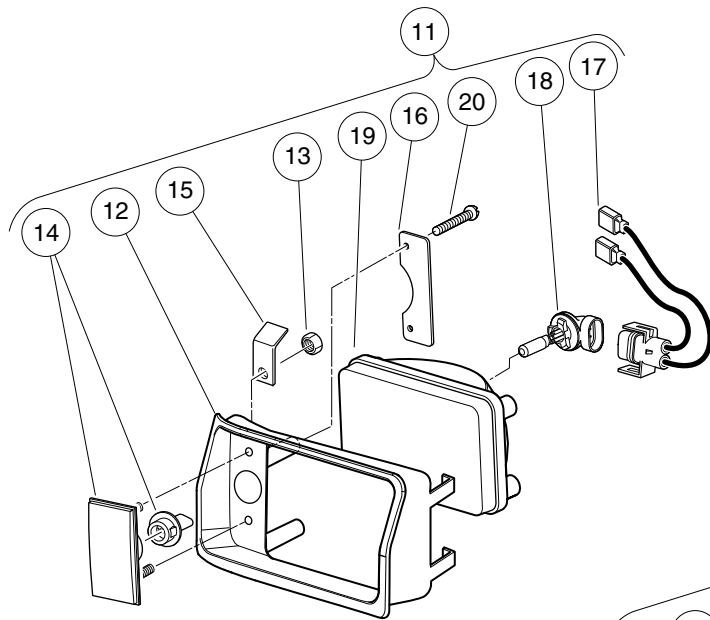
LIGHTS, CONTROLS, AND INDICATORS

4

G

E

4
G
E



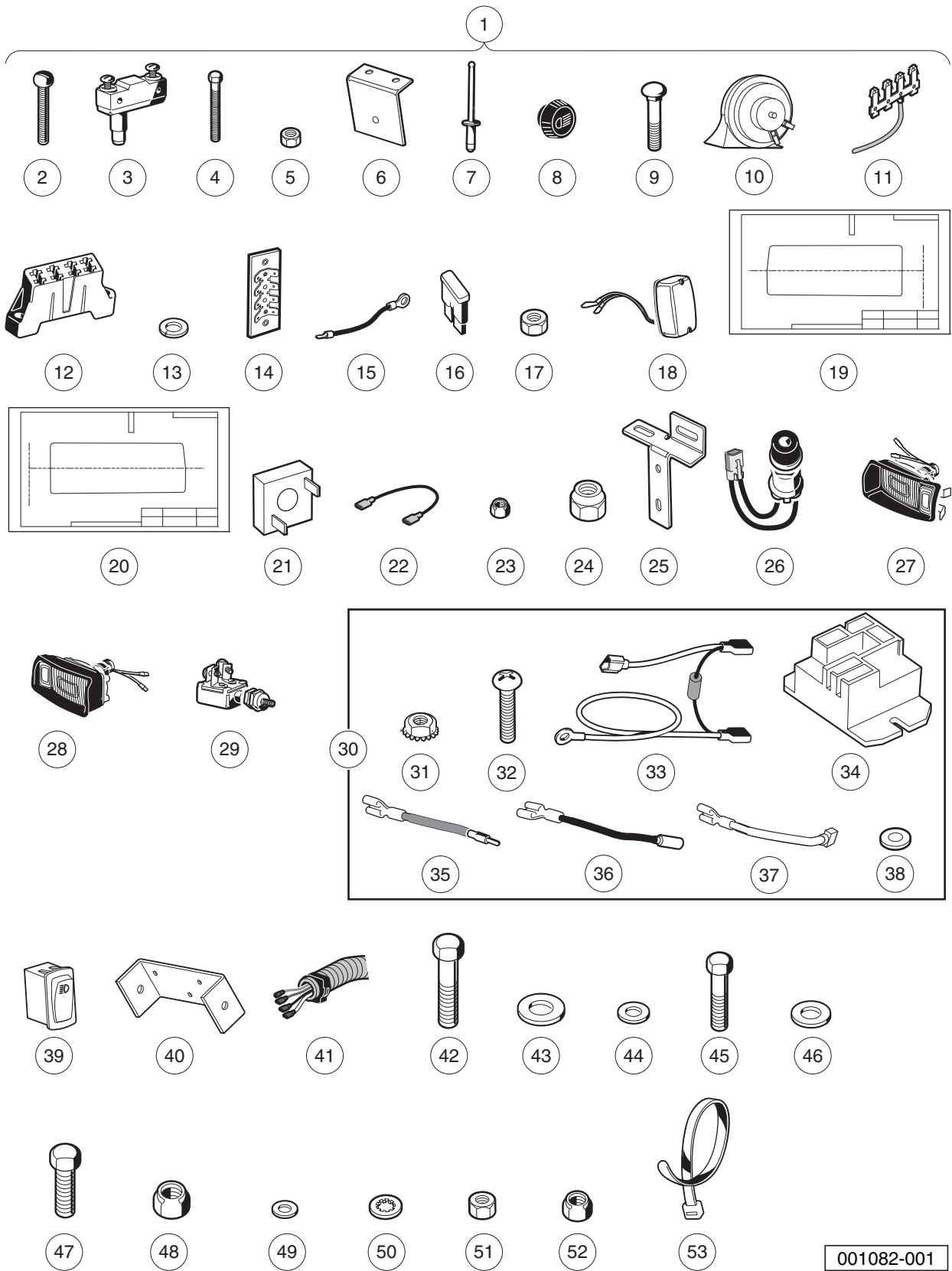
001097-001

HEADLIGHTS

ITEM	PART NO.	DESCRIPTION	QTY
		1 2 3 4	
1	101988001	Headlight Assembly, Driver-Side Single Beam (includes items 2 through 10)	1
2	1016880	Headlight Bezel, Left	1
3	1017	Nut, #10-24 Stainless-Steel Hex Machine	2
4	1017062	Turn Signal Lens Assy	1
5	1017064	Mounting Bracket	2
6	1017065	Retainer, Headlight	1
7	101987901	Connector, Harness Assembly, Headlight	1
8	101988101	Bulb, Headlight	1
9	101988201	Lens, Headlight	1
10	1620	Screw, #10-16 X 0.75 Pan-Head Tap	2
11	101988002	Headlight Assy, Passenger-Side Single Beam (includes items 12 through 20)	1
12	1016879	Headlight Bezel, Right	1
13	1017	Nut, #10-24 Stainless-Steel Hex Machine	2
14	1017062	Turn Signal Lens Assy	1
15	1017064	Mounting Bracket	2
16	1017065	Retainer, Headlight	1
17	101987901	Connector, Harness Assembly, Headlight	1
18	101988101	Bulb, Headlight	1
19	101988201	Lens, Headlight	1
20	1620	Screw, #10-16 X 0.75 Pan-Head Tap	2

4
G
E

4
G
E



LIGHT KIT, STANDARD – CARRYALL 2 GASOLINE VEHICLES

ITEM	PART NO.	DESCRIPTION	QTY
		1 2 3 4	
1	101705603	Standard Lighting Package (includes items 2 through 53)	1
2	1010909	Screw, #10-32 X 1.25 Rd Hd Mch	1
3	1011439	Switch, Limit	2
4	1011557	Screw, #6-32 X 1.00 Hex-Head Machine	8
5	1011558	Nut, #6-32 Hex	6
6	1011825	Horn Bracket	1
7	1013357	Rivet, 5/32 Aluminum Pop	2
8	1013857	Knob, Light Switch	1
9	1014109	Bolt, Carriage, #10-24 X 1.0	1
10	1014530	Horn, 12-VDC	1
11	1015737	Wire Assy, #10 Red	1
12	1015741	Fuse Block	1
13	1016	Lockwasher, #10 Split	2
14	1016356	Terminal Block with Insulator	1
15	1016367	Wire Assy, #10 Black	1
16	1016423	Fuse, 20-Amp	3
17	1017	Nut, #10-24 Stainless-Steel Hex Machine	1
18	1017035	Taillight Assembly	2
19	N/A	Headlight Template R.h.	1
20	N/A	Headlight Template L.h.	1
21	1017721	Limiter, Voltage	1
22	1017722	Wire Assy, #16 Black	1
23	101932201	Locknut, #6-32 Nylon	4
24	101955101	Nut, M6 Hex	1
25	101957101	Bracket, Brake Light Switch	1
26	101969701	Horn Button and Wire Assembly	1
27	101988001	Headlight Assembly, Driver-Side Single Beam	1
28	101988002	Headlight Assy, Passenger-Side Single Beam	1
29	102051901	Switch, Light	1
30	102198701	Brake Relay Kit - 12v (includes items 31 through 38)	1
31	1011229	Locknut, #6-32 Whiz	2
32	1017853	Screw, #6-32 X 0.75 Hex-Head Machine	2
33	101914401	Assembly, Voltage Suppressor	1
34	102199001	Relay, 12-Volt	1
35	102199201	Wire Asm #18 Brown	1
36	102199301	Wire Asm #18 Black	1
37	102199401	Wire Asm #18 Black	1
38	7591	Washer, #6, Flat	2
39	102869401	Switch, Rocker, Light	1
40	103254101	Bracket, Mtg, Power Relay	1
41	103256901	Wire Harness, Lighting, CA2	1
42	1218	Screw, 5/16-18 X 1.25 Hex-Head Cap	1
43	1241	Washer, 5/16 Type A Flat	1
44	183	Washer, #10, Type A, Flat	1

4
G
E



45304

Screw, 1/4-20 X 1.0 Hex-Head Cap 3

46	332	Washer, 1/4 Type A Narrow Flat	3
47	7173	Screw, 5/16-18 X 0.75, Hex-Head Cap	1

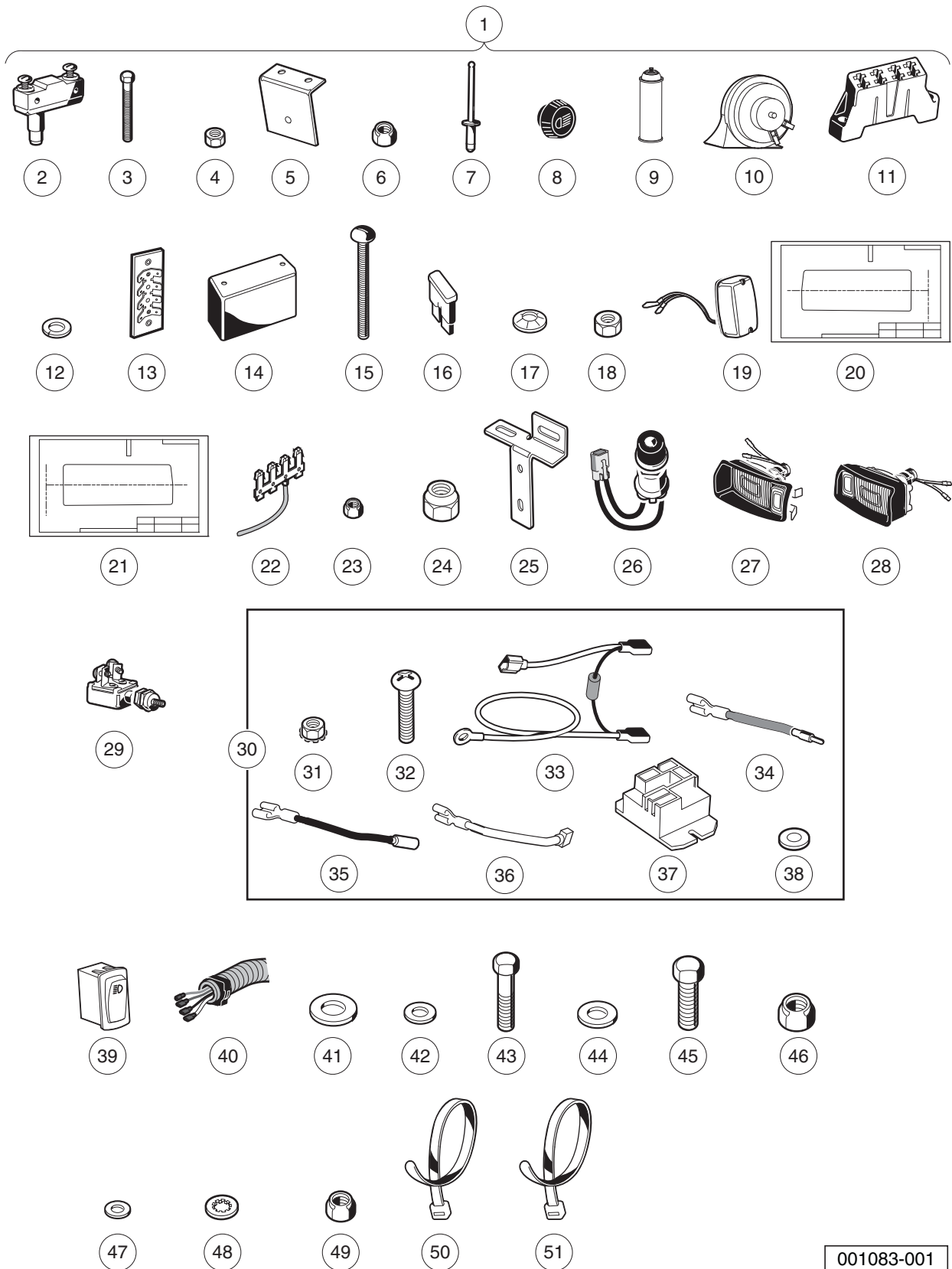
ITEM	PART NO.	DESCRIPTION	QTY
		1 2 3 4	
48	7473	Locknut, 5/16-18 Nylon Insert	3
49	7591	Washer, #6, Flat	4
50	7820	Washer, 5/16 Internal-Tooth	1
51	7893	Nut, #10-32 Hex	1
52	8233	Locknut, 1/4-20, Nylon Insert	3
53	8990	Tie Wrap, 8" Nylon	18

4

G

E

4
G
E



LIGHT KIT, STANDARD – CARRYALL 2 IQ PLUS ELECTRIC VEHICLES

ITEM	PART NO.	DESCRIPTION	QTY
		1 2 3 4	
1	102915101	Lgt Pkg Std Iq Plus Elec Field (includes items 2 through 51)	1
2	1011439	Switch, Limit	2
3	1011557	Screw, #6-32 X 1.00 Hex-Head Machine	8
4	1011558	Nut, #6-32 Hex	8
5	1011825	Horn Bracket	1
6	1012438	Locknut, #10-24 Nylon Insert	2
7	1013357	Rivet, 5/32 Aluminum Pop	2
8	1013857	Knob, Light Switch	1
9	1014307	Bulk Batt Term Protector	A/R
10	1014530	Horn, 12-VDC	1
11	1015741	Fuse Block	1
12	1016	Lockwasher, #10 Split	2
13	1016356	Terminal Block with Insulator	1
14	1016363	Fuse Block Cover	1
15	1016366	Screw, #10-24 X 3.0 Pan-Head Machine	2
16	1016423	Fuse, 20-Amp	3
17	1016631	Push Nut	2
18	1017	Nut, #10-24 Stainless-Steel Hex Machine	2
19	1017035	Taillight Assembly	2
20	N/A	Headlight Template R.h.	1
21	N/A	Headlight Template L.h.	1
22	101810601	Wire Assy, #10 Red	1
23	101932201	Locknut, #6-32 Nylon	4
24	101955101	Nut, M6 Hex	1
25	101957101	Bracket, Brake Light Switch	1
26	101969701	Horn Button and Wire Assembly	1
27	101988001	Headlight Assembly, Driver-Side Single Beam	1
28	101988002	Headlight Assy, Passenger-Side Single Beam	1
29	102051901	Switch, Light	1
30	N/A	Elec Regen Iq Brake Relay Inst (includes items 31 through 38)	1
31	1011229	Locknut, #6-32 Whiz	2
32	1017853	Screw, #6-32 X 0.75 Hex-Head Machine	2
33	101914402	Asm, Pd Volt. Supp. W/o Instr.	1
34	102199201	Wire Asm #18 Brown	1
35	102199301	Wire Asm #18 Black	1
36	102199401	Wire Asm #18 Black	1
37	103397901	Relay, Spst No, 48v 30a, Pmt	1
38	7591	Washer, #6, Flat	2
39	102869401	Switch, Rocker, Light	1
40	103256901	Wire Harness, Lighting, CA2	1
41	1241	Washer, 5/16 Type A Flat	1
42	183	Washer, #10, Type A, Flat	4
43	304	Screw, 1/4-20 X 1.0 Hex-Head Cap	2
44	332	Washer, 1/4 Type A Narrow Flat	2

4
G
E



457173

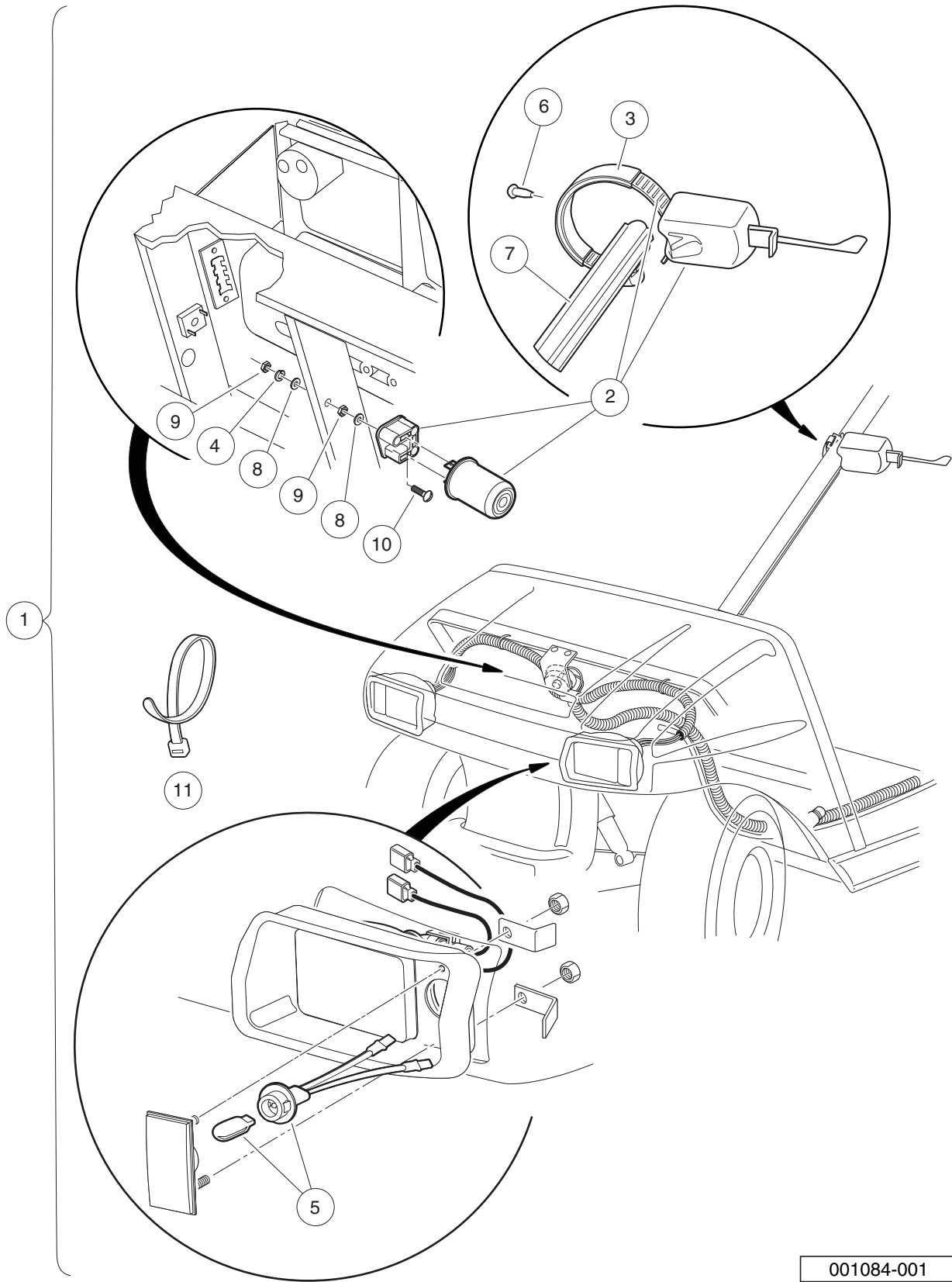
Screw, 5/16-18 X 0.75, Hex-Head Cap 1

46	7473	Locknut, 5/16-18 Nylon Insert	2
47	7591	Washer, #6, Flat	4

ITEM	PART NO.	DESCRIPTION	QTY
		1 2 3 4	
48	7820	Washer, 5/16 Internal-Tooth	1
49	8233	Locknut, 1/4-20, Nylon Insert	2
50	8639	Tie Wrap, 11" Nylon	10
51	8990	Tie Wrap, 8" Nylon	8

4
G
E

4
G
E



001084-001

TURN SIGNAL KIT – DS AND UTILITY GASOLINE AND ELECTRIC VEHICLES

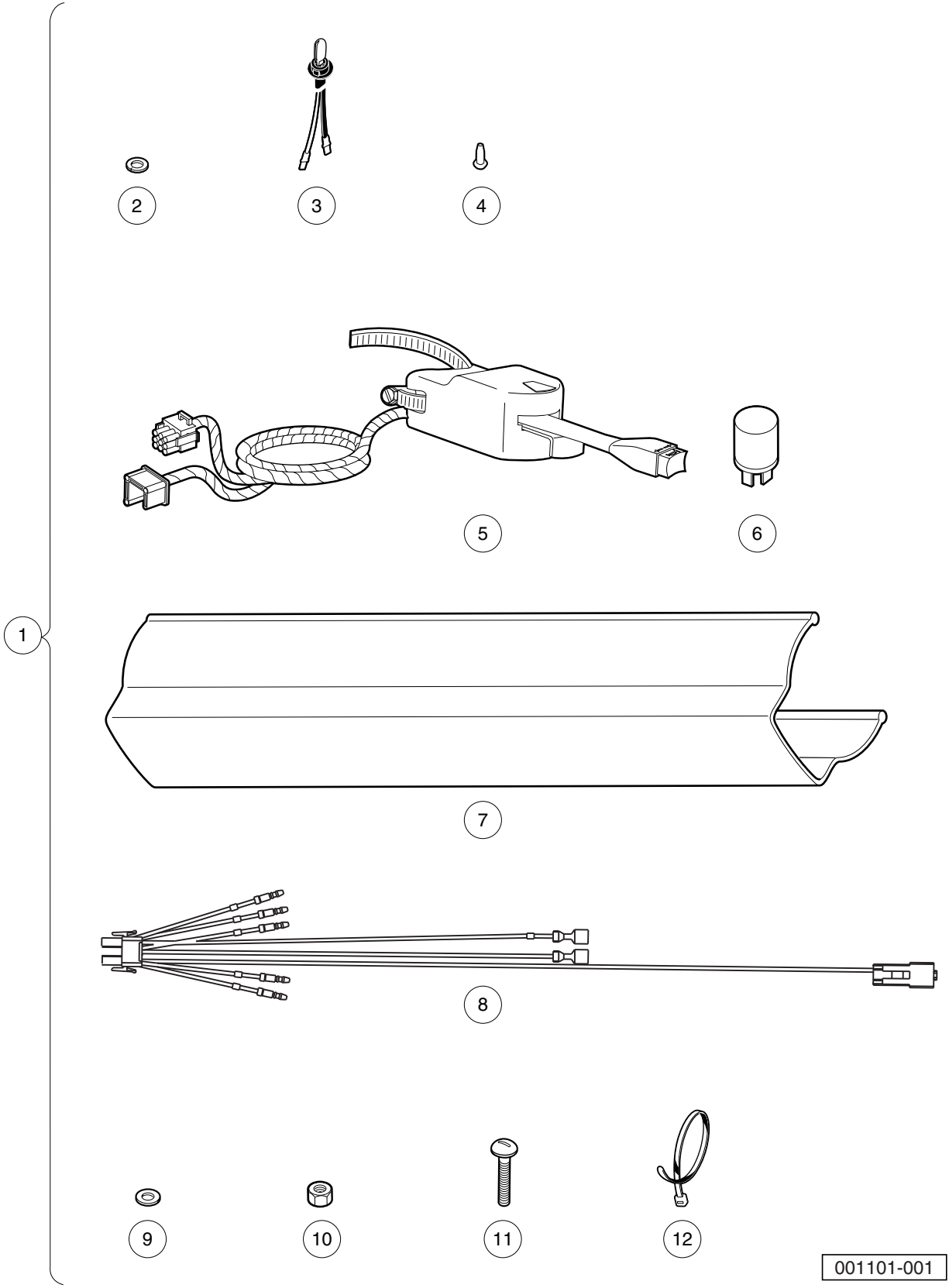
ITEM	PART NO.	DESCRIPTION	QTY
		1 2 3 4	
1	101707402	Turn Signal Conversion Kit (includes items 2 through 11)	1
2	1011590	Switch Sub-assy, Turn Signal	1
3	N/A	Strap, Extrusion	1
4	1016	Lockwasher, #10 Split	1
5	1017075	Socket & Lamp Assembly	2
6	1017724	Rivet, Plastic	1
7	102529201	Wire Cover, Steering Column	1
8	183	Washer, #10, Type A, Flat	2
9	7893	Nut, #10-32 Hex	2
10	8104	Screw, #10-32 X .75 Rd Hd Mach	1
11	8990	Tie Wrap, 8" Nylon	1

4

G

E

4
G
E



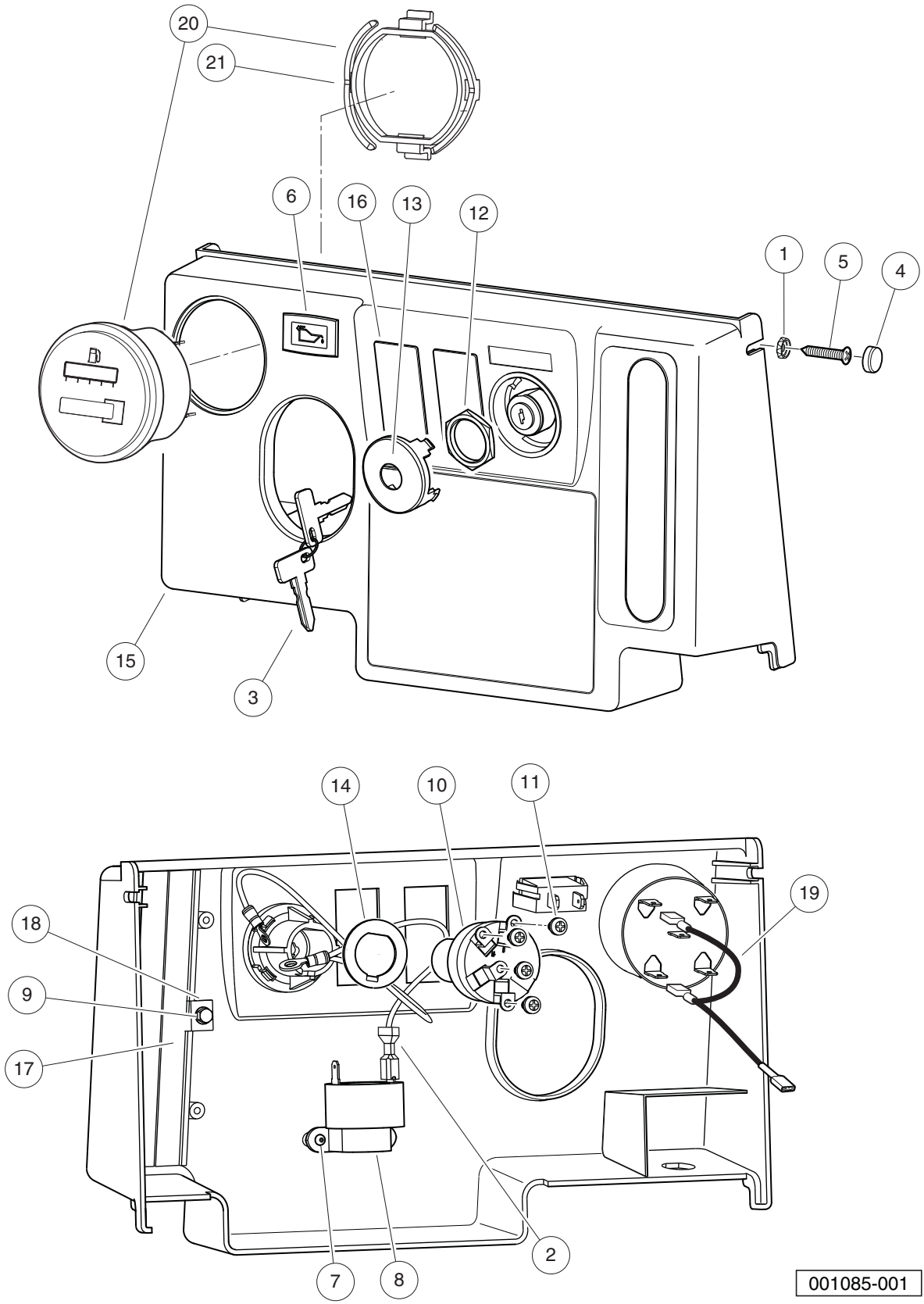
001101-001

TURN SIGNAL (WITH HORN BUTTON) KIT – DS AND UTILITY GAS AND ELECTRIC VEHICLES

ITEM	PART NO.	DESCRIPTION	QTY
		1 2 3 4	
1	101707405	Kit, Turn Signal-horn (includes items 2 through 12)	1
2	1016	Lockwasher, #10 Split	1
3	1017075	Socket & Lamp Assembly	2
4	1017724	Rivet, Plastic	1
5	102517501	Turn Signal Asm (includes item 6)	1
6	102546401	Flasher Unit, Prec	1
7	102529201	Wire Cover, Steering Column	1
8	103618001	Harness, Jumper, Turn Signal	1
9	183	Washer, #10, Type A, Flat	2
10	7893	Nut, #10-32 Hex	2
11	8104	Screw, #10-32 X .75 Rd Hd Mach	1
12	8990	Tie Wrap, 8" Nylon	1

4
G
E

4
G
E



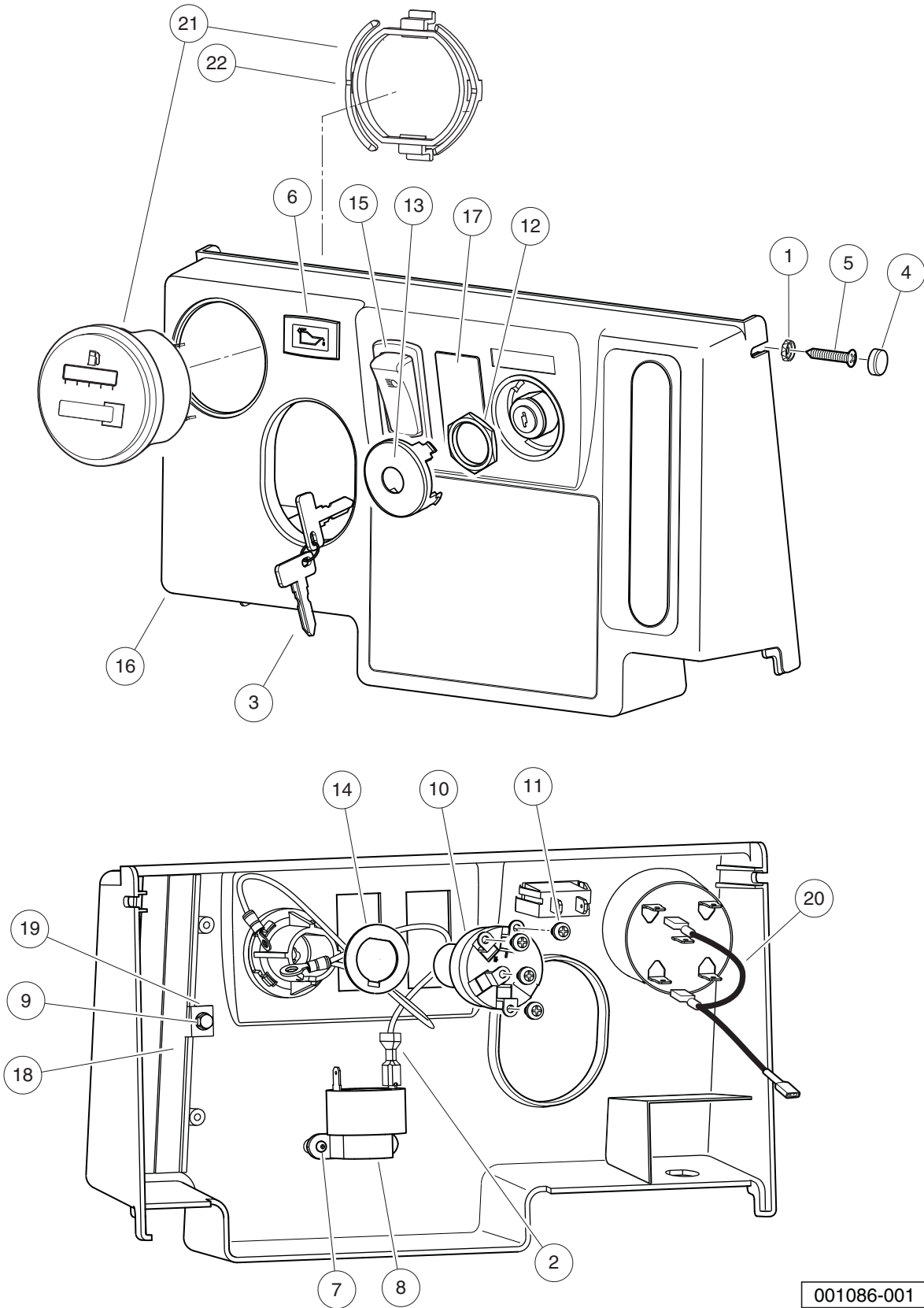
001085-001

INSTRUMENT PANEL AND ELECTRICAL COMPONENTS – TURF/ CARRYALL 2 AND 252 GAS

ITEM	PART NO.	DESCRIPTION	QTY
		1 2 3 4	
1	1011382	Washer, #10 Pan-Head Screw	2
2	1012396	Wire Assy #18 Black	1
3	1012505	Keys (set of 2)	1
4	1013494	Cover, Screw Head	2
5	1015528	Screw, #10 x 1-1/4 Phillips Head	2
6	1016630	Light, Oil	1
7	1016849	Screw, #4-24 X 0.33, Pan-Head, Machine	2
8	1016851	Buzzer, Reverse (9-48 VDC)	1
9	101804301	Screw, #8 X 0.500, Hex-Head Hi-Lo	2
10	101826301	Key Switch, 12-Volt, Off/On	1
11	101830601	Screw and Washer Assembly	4
12	101830701	Nut, Key Switch	1
13	101834502	Cap, Black Key Switch	1
14	101851101	Washer, Key Switch	1
15	102977001	Panel, Dash, Center, Gas (Instrument Panel)	1
16	103180101	Cover, Hole, Switch, Rocker	2
17	103199001	Brush, Closeout, FNR	2
18	103199101	Washer, Retaining, Brush, FNR	2
19	103348501	Asm, Wire Meter, F-h Jumper	1
20	103348602	Gauge, Fuel-hour, sep Gnd, Ds (includes item 21)	1
21	103348204	Clip, Meter, Round Ds	1

4
G
E

4
G
E



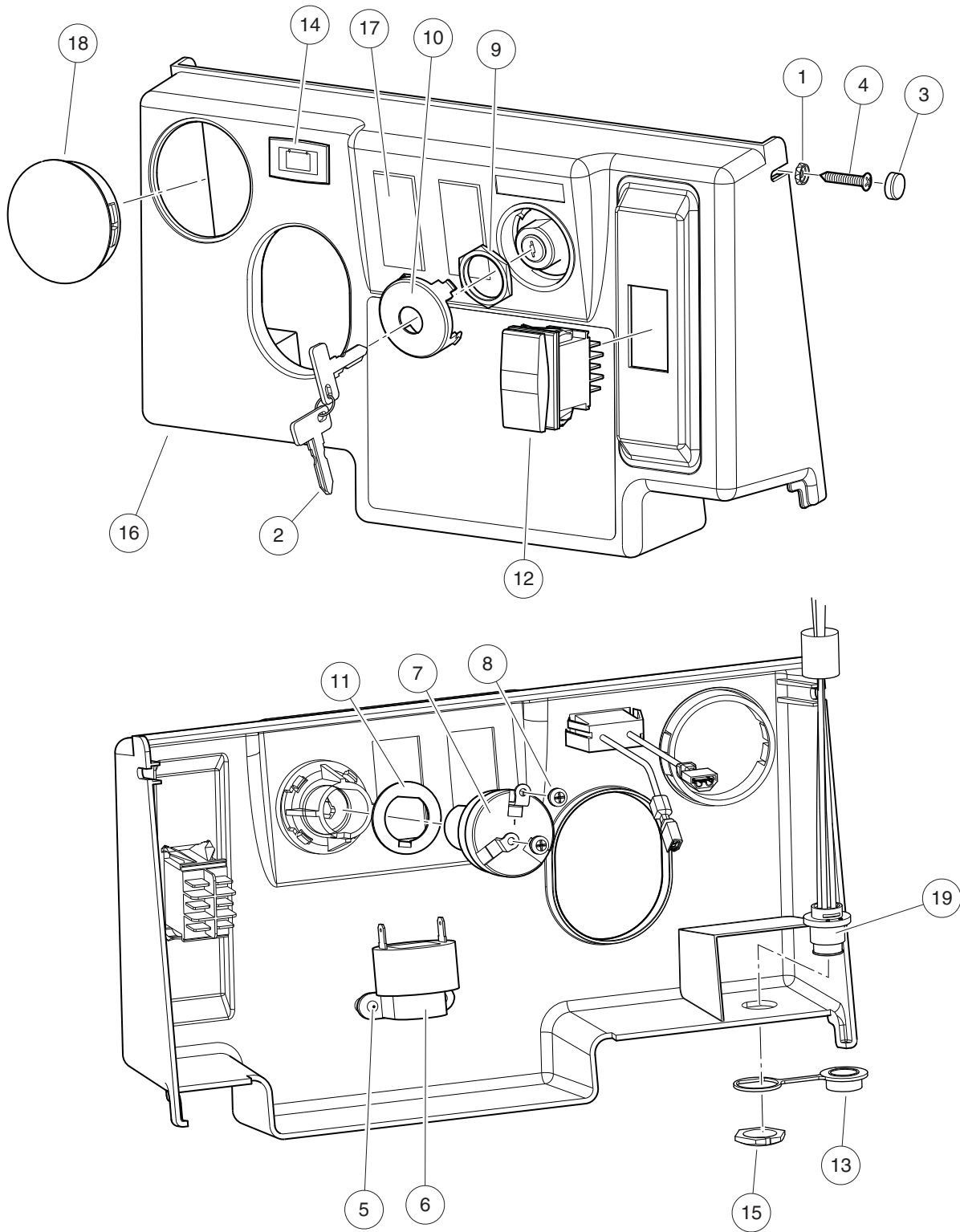
001086-001

INSTRUMENT PANEL AND ELECTRICAL COMPONENTS – CARRYALL 2 PLUS AND XRT 900 GAS

ITEM	PART NO.	DESCRIPTION	QTY
		1 2 3 4	
1	1011382	Washer, #10 Pan-Head Screw	2
2	1012396	Wire Assy #18 Black	1
3	1012505	Keys (set of 2)	1
4	1013494	Cover, Screw Head	2
5	1015528	Screw, #10 x 1-1/4 Phillips Head	2
6	1016630	Light, Oil	1
7	1016849	Screw, #4-24 X 0.33, Pan-Head, Machine	2
8	1016851	Buzzer, Reverse (9-48 VDC)	1
9	101804301	Screw, #8 X 0.500, Hex-Head Hi-Lo	2
10	101826401	Key Switch, 12-Volt, Off/On/Start	1
11	101830601	Screw and Washer Assembly	5
12	101830701	Nut, Key Switch	1
13	101834502	Cap, Black Key Switch	1
14	101851101	Washer, Key Switch	1
15	102869401	Switch, Rocker, Light	1
16	102977001	Panel, Dash, Center, Gas (Instrument Panel)	1
17	103180101	Cover, Hole, Switch, Rocker	1
18	103199001	Brush, Closeout, FNR	2
19	103199101	Washer, Retaining, Brush, FNR	2
20	103348501	Asm, Wire Meter, F-h Jumper	1
21	103348602	Gauge, Fuel-hour, sep Gnd, Ds (includes item 22)	1
22	103348204	Clip, Meter, Round Ds	1

4
G
E

4
G
E



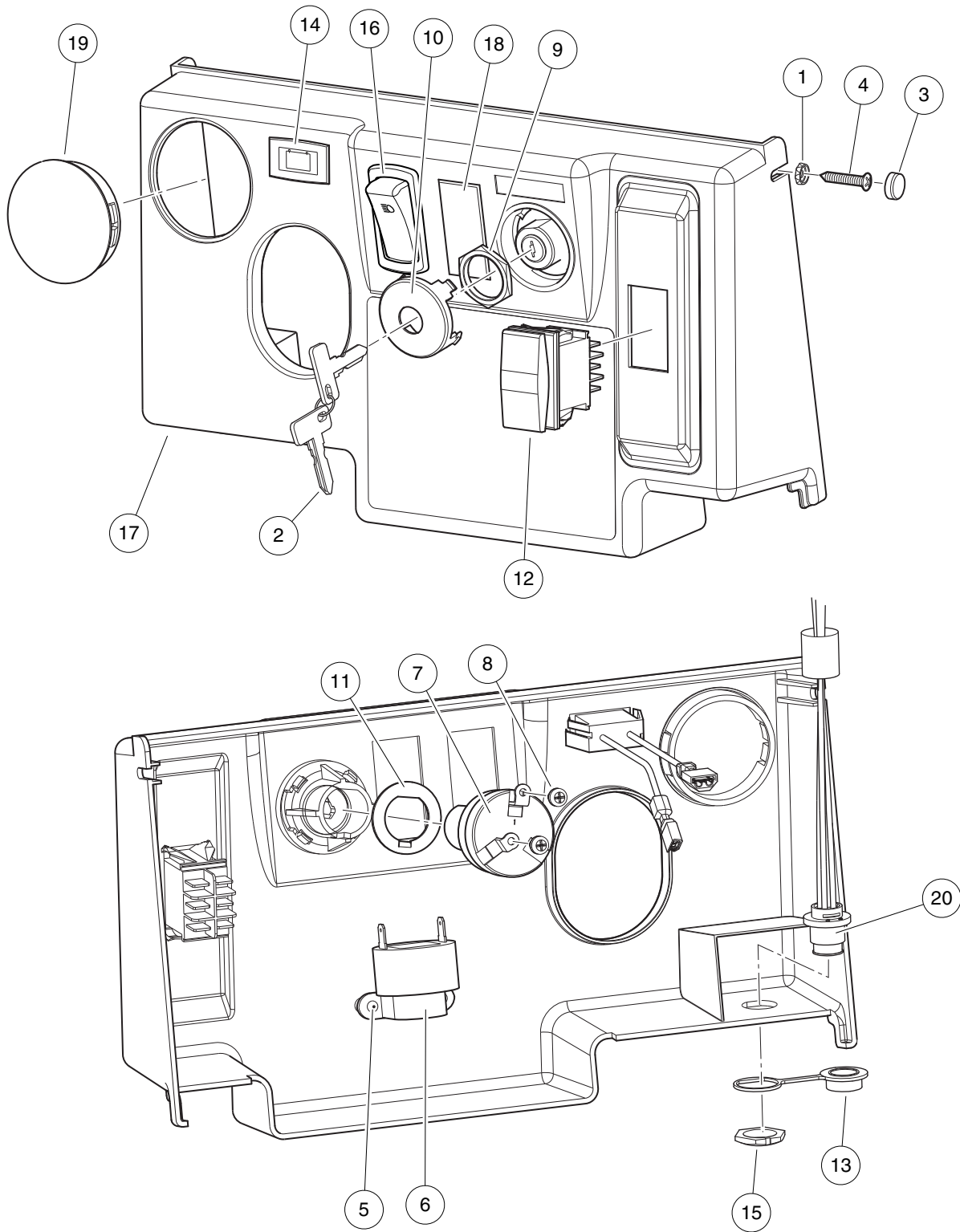
001087-001

INSTRUMENT PANEL AND ELECTRICAL COMPONENTS – TURF/ CARRYALL 2 ELECTRIC

ITEM	PART NO.	DESCRIPTION	QTY
		1 2 3 4	
1	1011382	Washer, #10 Pan-Head Screw	2
2	1012505	Keys (set of 2)	1
3	1013494	Cover, Screw Head	2
4	1015528	Screw, #10 x 1-1/4 Phillips Head	2
5	1016849	Screw, #4-24 X 0.33, Pan-Head, Machine	2
6	1016851	Buzzer, Reverse (9-48 VDC)	1
7	101826201	Key Switch, On/Off	1
8	101830601	Screw and Washer Assembly	2
9	101830701	Nut, Key Switch	1
10	101834502	Cap, Black Key Switch	1
11	101851101	Washer, Key Switch	1
12	101856002	Switch, Rocker, Single-Pole	1
13	102196901	Dust Cap	1
14	102508701	Light, Battery	1
15	102572401	Nut, Diagnostic Port, Prec	1
16	102977002	Panel, Dash, Center, Elec (Instrument Panel)	1
17	103180101	Cover, Hole, Switch, Rocker	2
18	103198301	Plug, Hole, Round, 2.0 In	1
19	103218601	Harness, Diagnostic Port	1

4
G
E

4
G
E



001088-001

INSTRUMENT PANEL WITH ELECTRICAL COMPONENTS – TURF/ CARRYALL 252 AND XRT 900 ELECTRIC

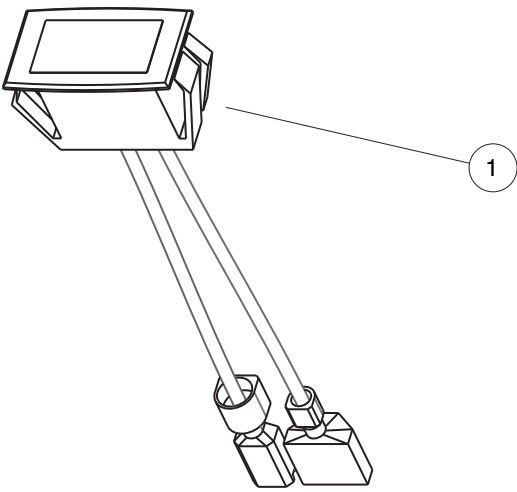
ITEM	PART NO.	DESCRIPTION	QTY
		1 2 3 4	
1	1011382	Washer, #10 Pan-Head Screw	2
2	1012505	Keys (set of 2)	1
3	1013494	Cover, Screw Head	2
4	1015528	Screw, #10 x 1-1/4 Phillips Head	2
5	1016849	Screw, #4-24 X 0.33, Pan-Head, Machine	2
6	1016851	Buzzer, Reverse (9-48 VDC)	1
7	101826201	Key Switch, On/Off	1
8	101830601	Screw and Washer Assembly	2
9	101830701	Nut, Key Switch	1
10	101834502	Cap, Black Key Switch	1
11	101851101	Washer, Key Switch	1
12	101856002	Switch, Rocker, Single-Pole	1
13	102196901	Dust Cap	1
14	102508701	Light, Battery	1
15	102572401	Nut, Diagnostic Port, Prec	1
16	102869401	Switch, Rocker, Light	1
17	102977002	Panel, Dash, Center, Elec (Instrument Panel)	1
18	103180101	Cover, Hole, Switch, Rocker	1
19	103198301	Plug, Hole, Round, 2.0 In	1
20	103218601	Harness, Diagnostic Port	1

4
G
E

4

G

E



001237-001

INDICATOR, CHARGER INFO – ELEC. VEHICLES WITH MAINT-FREE BATTERIES AND DELTAQ CHARGER

ITEM	PART NO.	DESCRIPTION	QTY
1	103860501	<p>1 2 3 4</p> <p>Indicator, Info, Charger</p> <p>Note: This indictator is only for non-standard vehicles equipped with maintenance-free, absorbed-glass-mat (AGM) batteries and DeltaQ battery charger.</p>	1

4

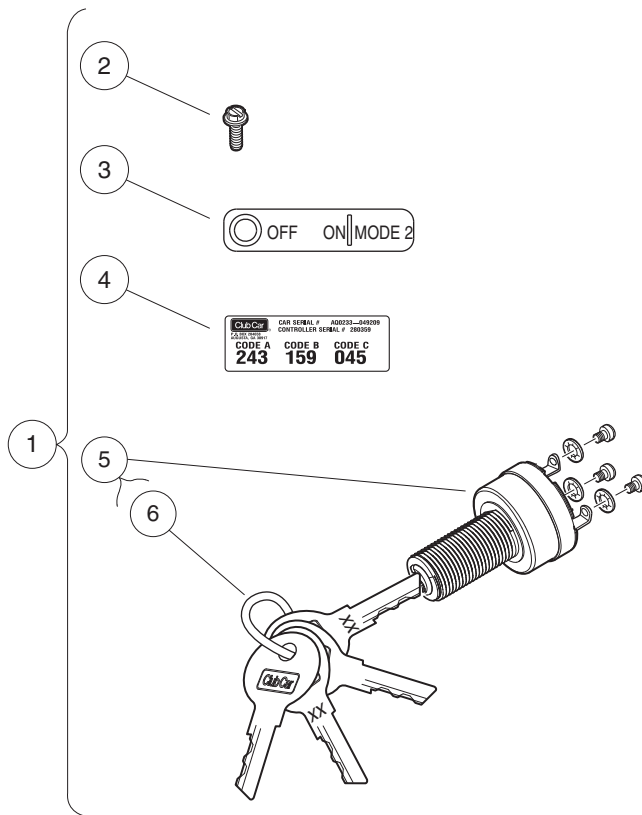
G

E

4

G

E



001212-001

KEYS AND KEYSWITCHES, SMARTKEY KIT – ELECTRIC VEHICLE

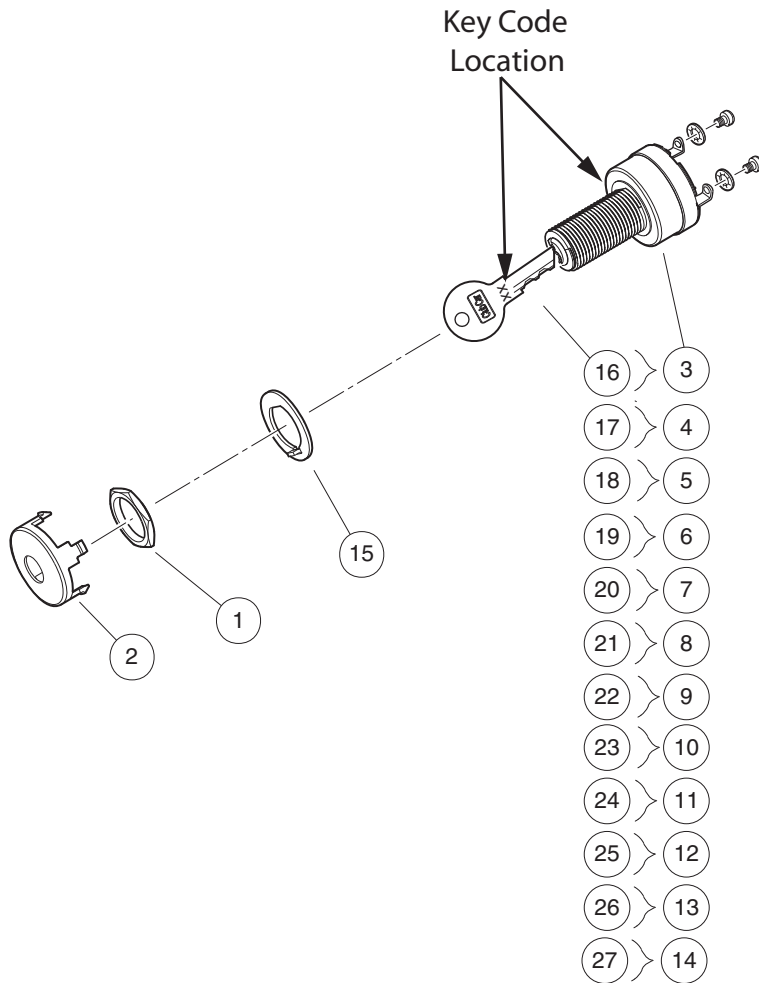
ITEM	PART NO.	DESCRIPTION	QTY
		1 2 3 4	
1	102962602	Kit, Field, Smartkey (includes items 2 through 5)	1
2	1011017	Screw, #8-32 X 0.375	1
3	101825103	Decal, Keyswitch, Iq Plus Mode	1
4	N/A	Decal, Passcode	1
5	102950301	Key Switch, Mode B, Iq Plus (includes item 6)	1
6	102962303	Keys, Set Of 4, Iq Plus Mode	1
		 Note: Not available in the EU.	

4
G
E

4

G

E



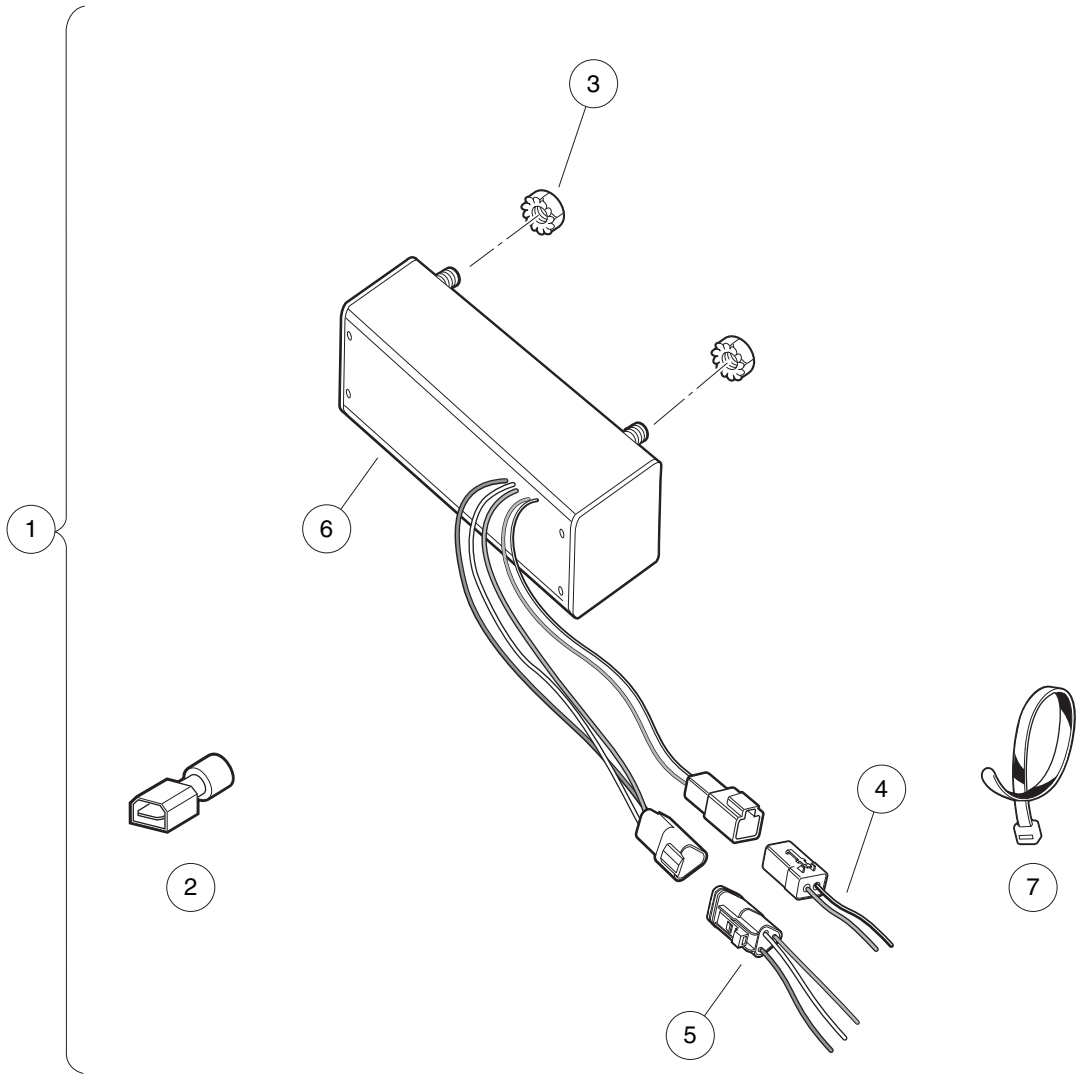
001089-001

KEYS AND KEYSWITCHES, UNCOMMON – GAS VEHICLE

ITEM	PART NO.	DESCRIPTION	QTY
		1 2 3 4	
1	101830701	Nut, Key Switch	1
2	101834502	Cap, Black Key Switch	1
3	101839801	Keyswtch Uncom A408 On/off/st	1
4	101839802	Keyswtch Uncom B408 On/off/st	1
5	101839803	Keyswtch Uncom C408 On/off/st	1
6	101839804	Keyswtch Uncom D408 On/off/st	1
7	101839805	Keyswtch Uncom 2a408 On/off/st	1
8	101839806	Keyswtch Uncom 2b408 On/off/st	1
9	101839807	Keyswtch Uncom 2c408 On/off/st	1
10	101839808	Keyswtch Uncom 2d408 On/off/st	1
11	101839809	Keyswtch Uncom E408 On/off/st	1
12	101839810	Keyswtch Uncom F408 On/off/st	1
13	101839811	Keyswtch Uncom 2e408 On/off/st	1
14	101839812	Keyswtch Uncom 2f408 On/off/st	1
15	101851101	Washer, Key Switch	1
16	101974701	Key, Uncommon 1a	1
17	101974702	Key, Uncommon 1b	1
18	101974703	Key, Uncommon 1c	1
19	101974704	Key, Uncommon 1d	1
20	101974705	Key, Uncommon 2a	1
21	101974706	Key, Uncommon 2b	1
22	101974707	Key, Uncommon 2c	1
23	101974708	Key, Uncommon 2d	1
24	101974709	Key, Uncommon 1e	1
25	101974710	Key, Uncommon 1f	1
26	101974711	Key, Uncommon 2e	1
27	101974712	Key, Uncommon 2f	1
		Note: Keyswitches 101839801 through 101839812 are for key-start, gasoline vehicles ONLY.	

4
G
E

4
G
E



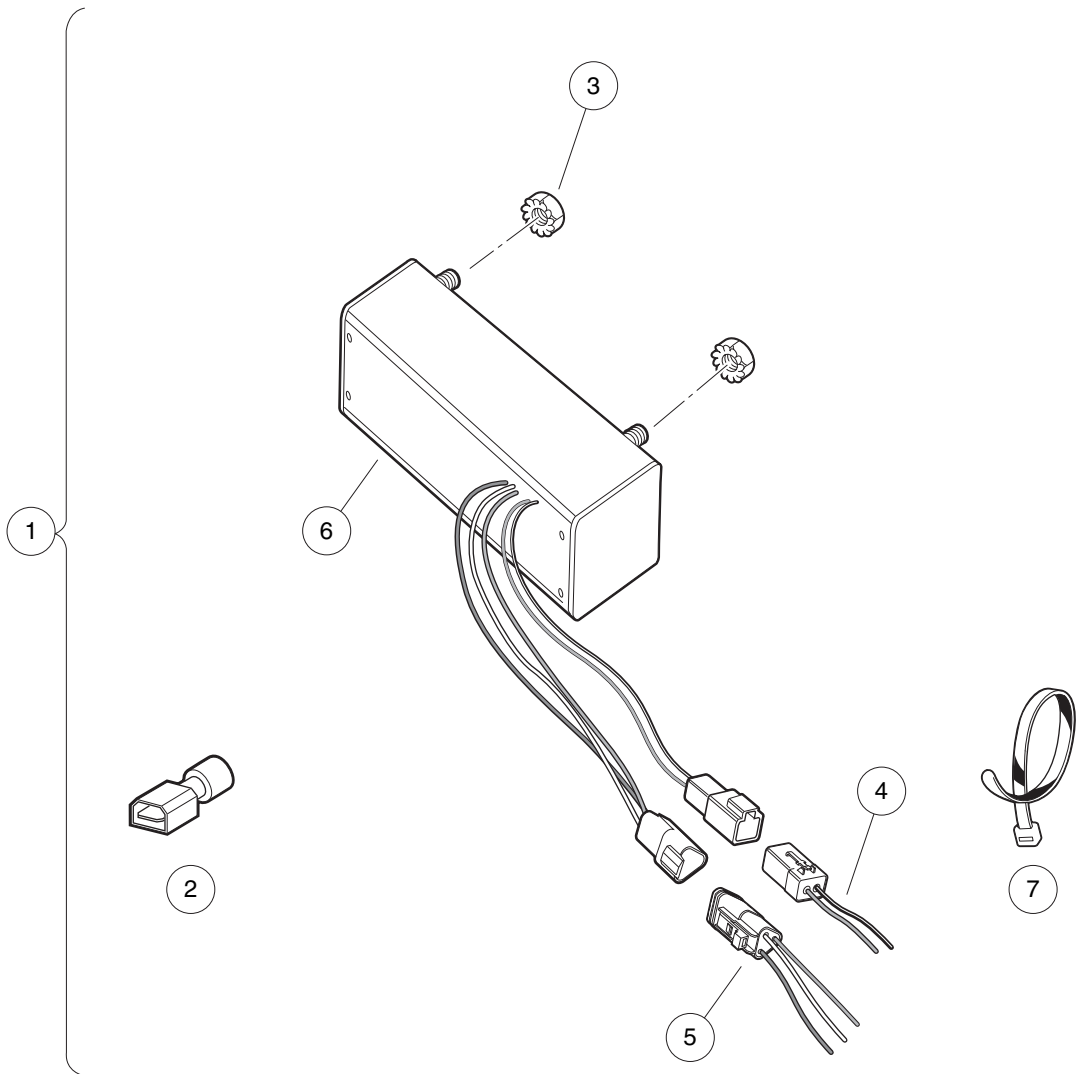
001090-002

DC CONVERTER (ISOLATED) – ELECTRIC VEHICLE

ITEM	PART NO.	DESCRIPTION	QTY
		1 2 3 4	
1	102918701	Kit, DC/DC Converter, IQ Plus (includes items 2 through 7)	1
2	1016365	Terminal, 1/4" Male Quick Disconnect	1
3	101835601	Locknut, 1/4-20 Hex Whiz	2
4	102354901	Harness, Dc Converter - 12v	1
5	102890201	Harness, Dc Converter, 48v	1
6	103700301	Converter, Dc/dc, Isoltd	1
7	8990	Tie Wrap, 8" Nylon	10

4
G
E

4
G
E



001090-002

DC CONVERTER (ISOLATED) – CE ELECTRIC VEHICLE

ITEM	PART NO.	DESCRIPTION	QTY
		1 2 3 4	
1	102918702	Kit, Dc Conv. Iq Plus Ce (includes items 2 through 7)	1
2	1016365	Terminal, 1/4" Male Quick Disconnect	1
3	101835601	Locknut, 1/4-20 Hex Whiz	2
4	102354901	Harness, Dc Converter - 12v	1
5	102890201	Harness, Dc Converter, 48v	1
6	103802401	Converter, Dc/dc, Ce	1
7	8990	Tie Wrap, 8" Nylon	10

4

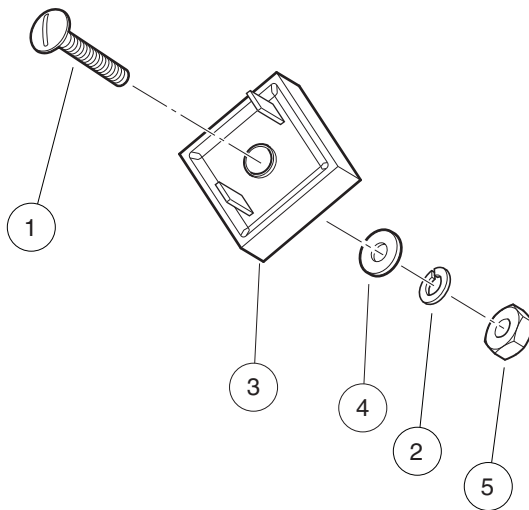
G

E

4

G

E



001091-001

VOLTAGE LIMITER – GASOLINE VEHICLE

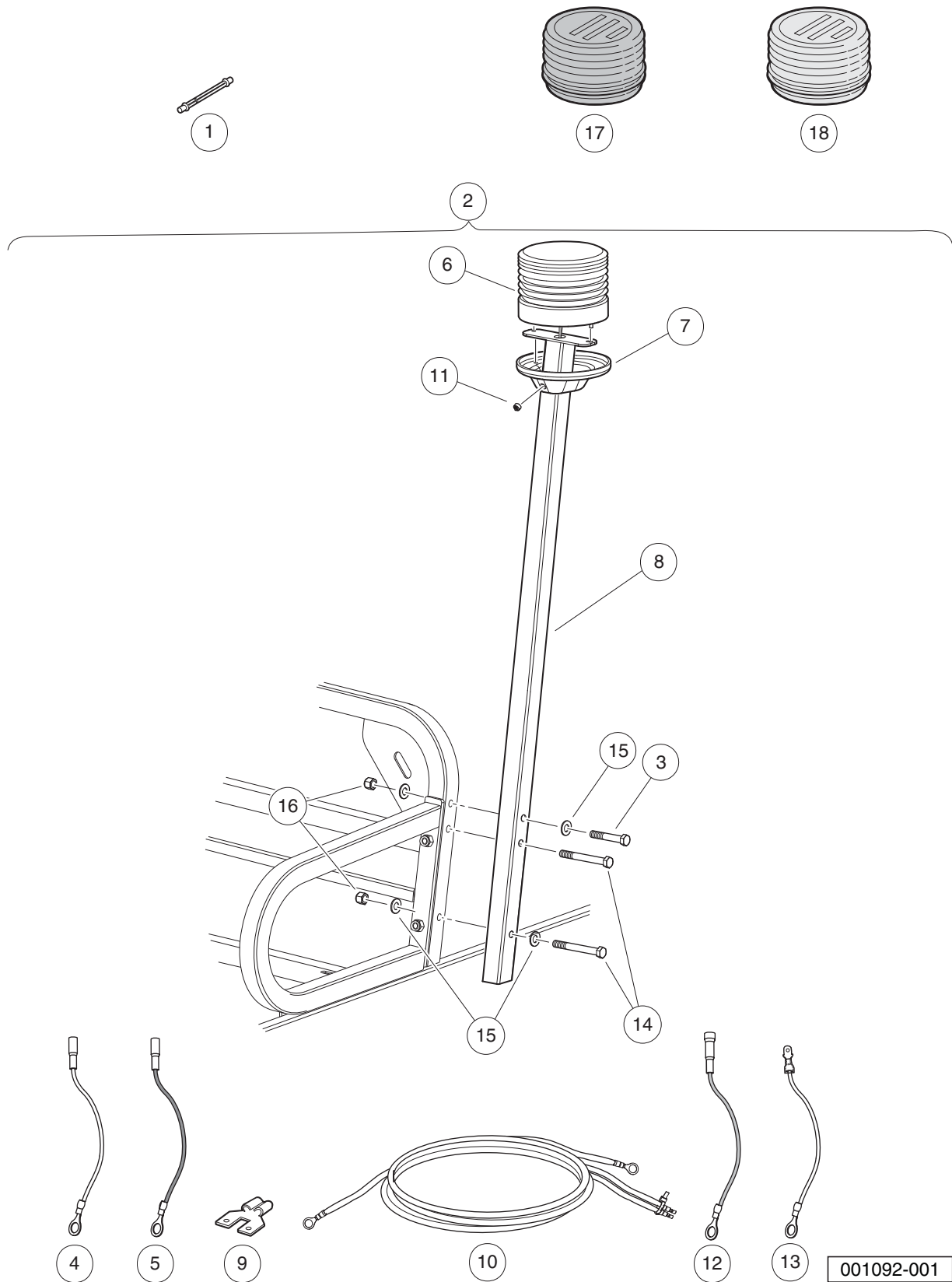
ITEM	PART NO.	DESCRIPTION	QTY
		1 2 3 4	
1	1010909	Screw, #10-32 X 1.25 Rd Hd Mch	1
2	1016	Lockwasher, #10 Split	1
3	1017721	Limitter, Voltage	1
4	183	Washer, #10, Type A, Flat	1
5	7893	Nut, #10-32 Hex	1

4

G

E

4
G
E



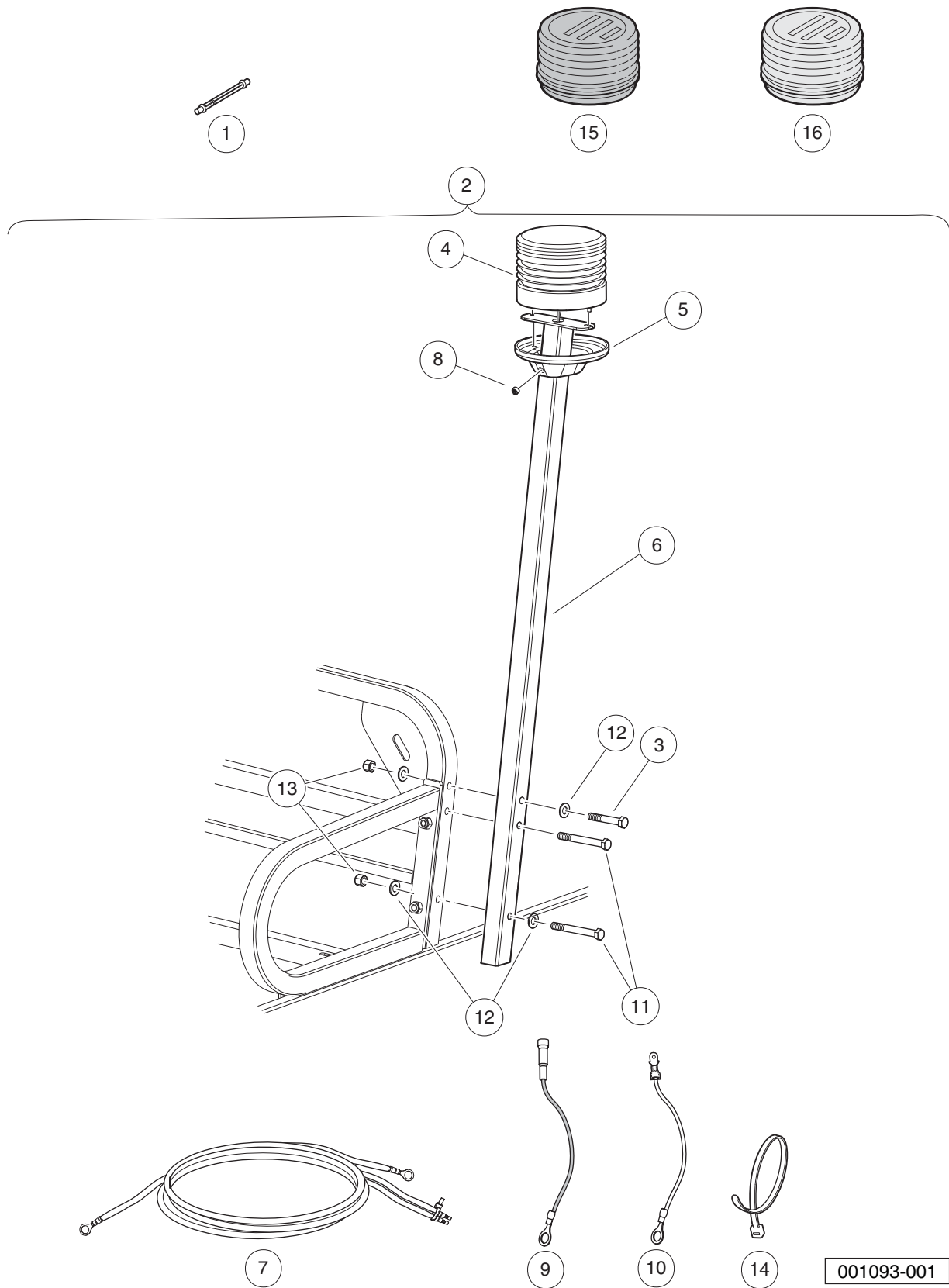
001092-001

STROBE LIGHT, POST-MOUNTED – GASOLINE VEHICLES

ITEM	PART NO.	DESCRIPTION	QTY
		1 2 3 4	
1	1015526	Bulb, Replacement, for Strobe Light	1
2	1015765	Safety Strobe Lht Post Mnt Gas (includes items 3 through 16)	1
3	1013509	Screw, 1/4-20 X 1.75 Hx Hd Cap	2
4	1015153	Wire Assembly #16 Yellow	1
5	1015154	Wire Assembly Blue Ca #16	1
6	1015156	Light Assembly, Strobe	1
7	1015157	Cover Plate Switch - Pole Ca	1
8	1015160	Pole Weldment Carryall	1
9	1015162	3/16 Tab Adapter Non-insul	1
10	1015172	Wire Harness Assy, Strobe Lght	1
11	1015187	Switch Assembly	1
12	1016837	Wire Assembly Red #18	1
13	1016929	Wire Assembly Black #16	1
14	324	Screw, 1/4-20 X 2.50 Hx Hd Cap	2
15	332	Washer, 1/4 Type A Narrow Flat	4
16	8233	Locknut, 1/4-20, Nylon Insert	2
17	AM1243701	Lens, Blue, for Strobe Light	1
18	AM1243801	Lens, Red, for Strobe Light	1

4
G
E

4
G
E



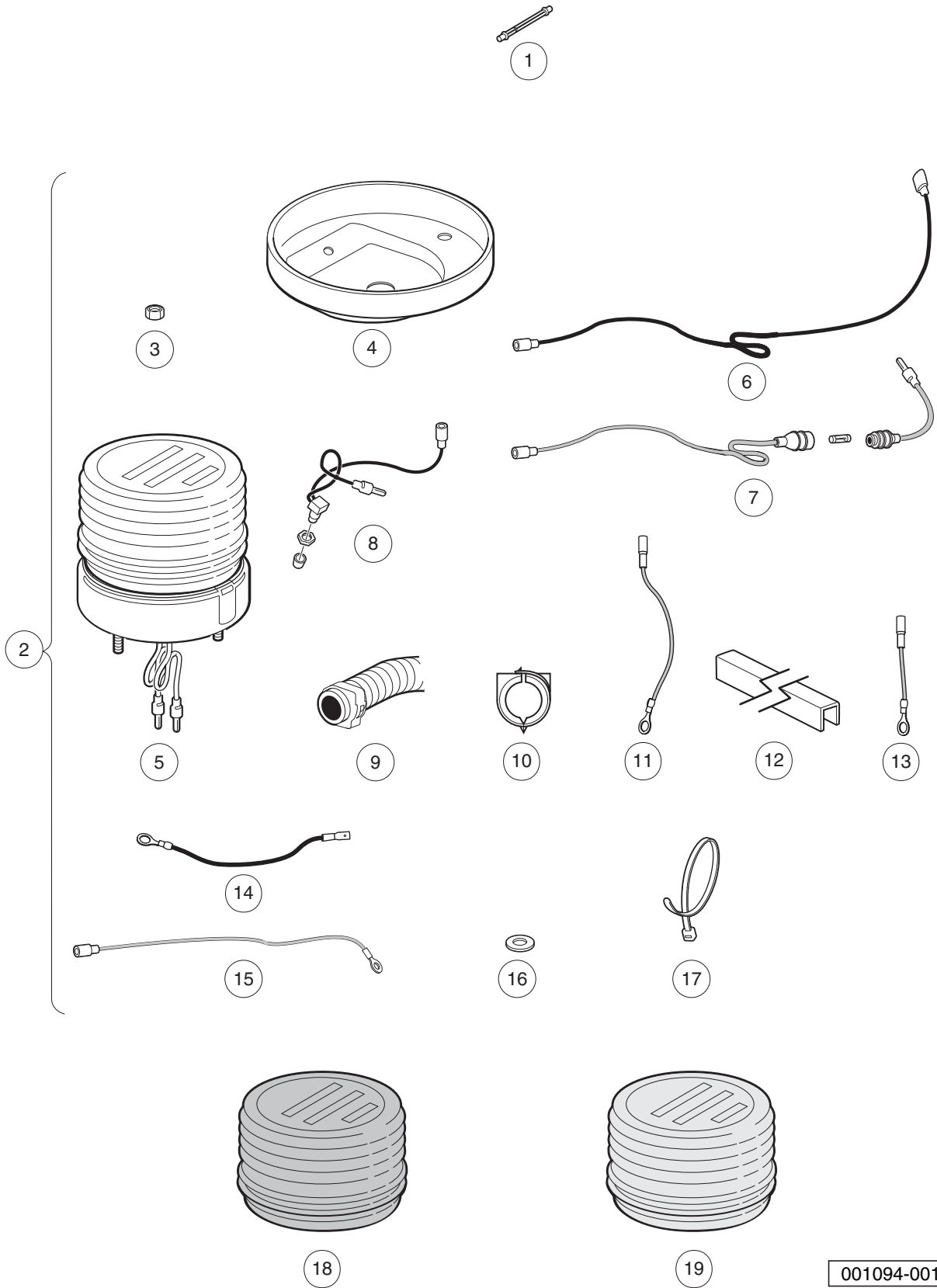
001093-001

STROBE LIGHT, POST-MOUNTED – ELECTRIC VEHICLES

ITEM	PART NO.	DESCRIPTION	QTY
		1 2 3 4	
1	1015526	Bulb, Replacement, for Strobe Light	1
2	101814601	Safety Strobe Lht & Post Mt El (includes items 3 through 14)	1
3	1013509	Screw, 1/4-20 X 1.75 Hx Hd Cap	2
4	1015156	Light Assembly, Strobe	1
5	1015157	Cover Plate Switch - Pole Ca	1
6	1015160	Pole Weldment Carryall	1
7	1015172	Wire Harness Assy, Strobe Lght	1
8	1015187	Switch Assembly	1
9	1016837	Wire Assembly Red #18	1
10	1016929	Wire Assembly Black #16	1
11	324	Screw, 1/4-20 X 2.50 Hx Hd Cap	2
12	332	Washer, 1/4 Type A Narrow Flat	4
13	8233	Locknut, 1/4-20, Nylon Insert	2
14	8990	Tie Wrap, 8" Nylon	4
15	AM1243701	Lens, Blue, for Strobe Light	1
16	AM1243801	Lens, Red, for Strobe Light	1

4
G
E

4
G
E



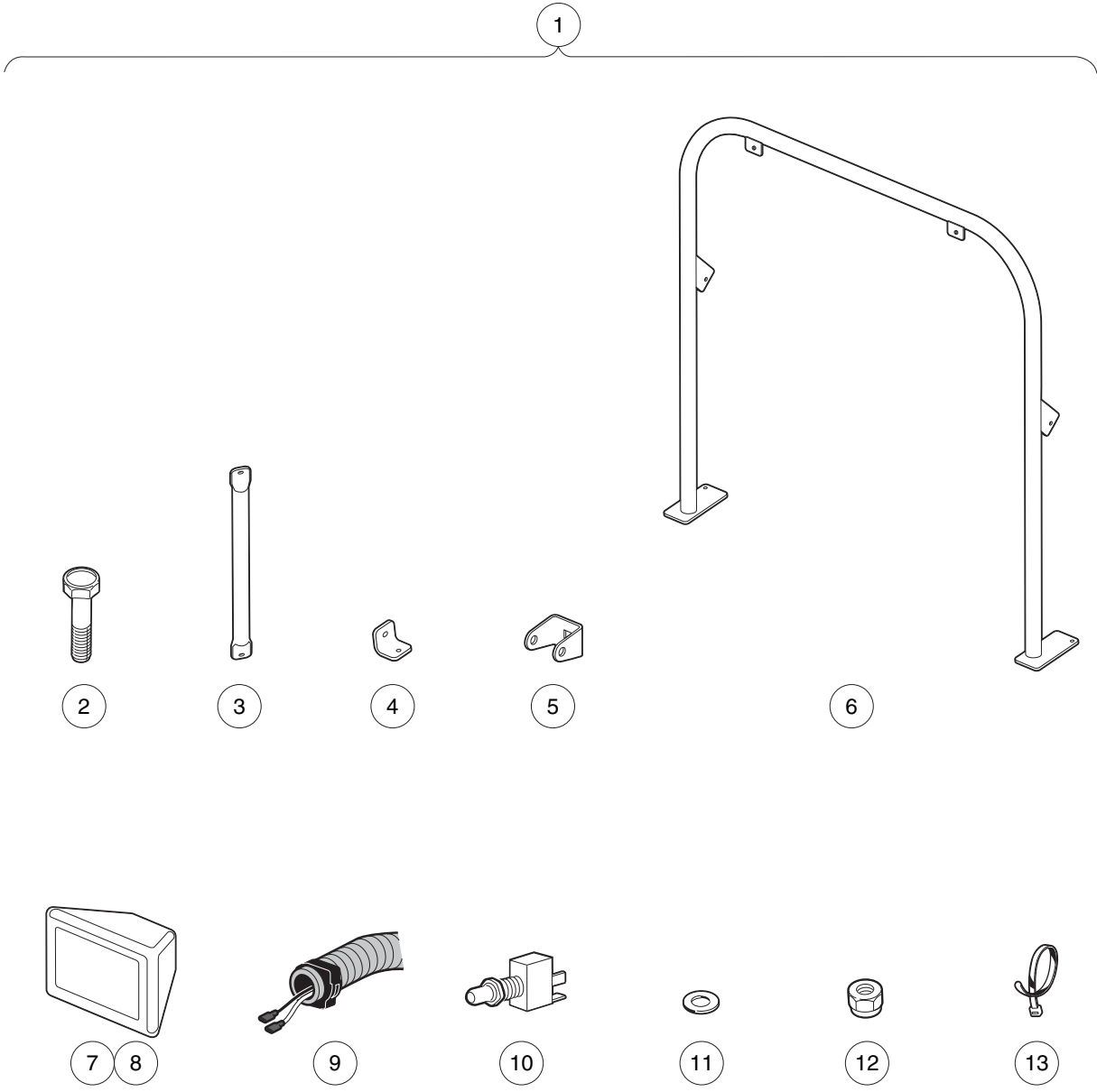
001094-001

STROBE LIGHT, CANOPY-MOUNTED

ITEM	PART NO.	DESCRIPTION	QTY
		1 2 3 4	
1	1015526	Bulb, Replacement, for Strobe Light	1
2	AM1243501	Kit, Roof Mounted Strobe Fd (includes items 3 through 17)	A/R
3	1012438	Locknut, #10-24 Nylon Insert	2
4	1015010	Cover Plate Switch	1
5	1015156	Light Assembly, Strobe	1
6	1015167	#16 Black Wire Asm	1
7	1015170	Wire Assembly #16	1
8	1015187	Switch Assembly	1
9	1015768	Split Convolute Elec Conduit	11
10	1015770	Outlet Ring - .5 Diameter	5
11	1016230	Wire Asm #16 Red	1
12	1016267	Snap On Conduit Vert.	1
13	1016287	Wire Asm #16 Red	1
14	1016929	Wire Assembly Black #16	1
15	101821601	#18 Red Wire Assembly	1
16	183	Washer, #10, Type A, Flat	2
17	8639	Tie Wrap, 11" Nylon	8
18	AM1243701	Lens, Blue, for Strobe Light	A/R
19	AM1243801	Lens, Red, for Strobe Light	A/R

4
G
E

4
G
E



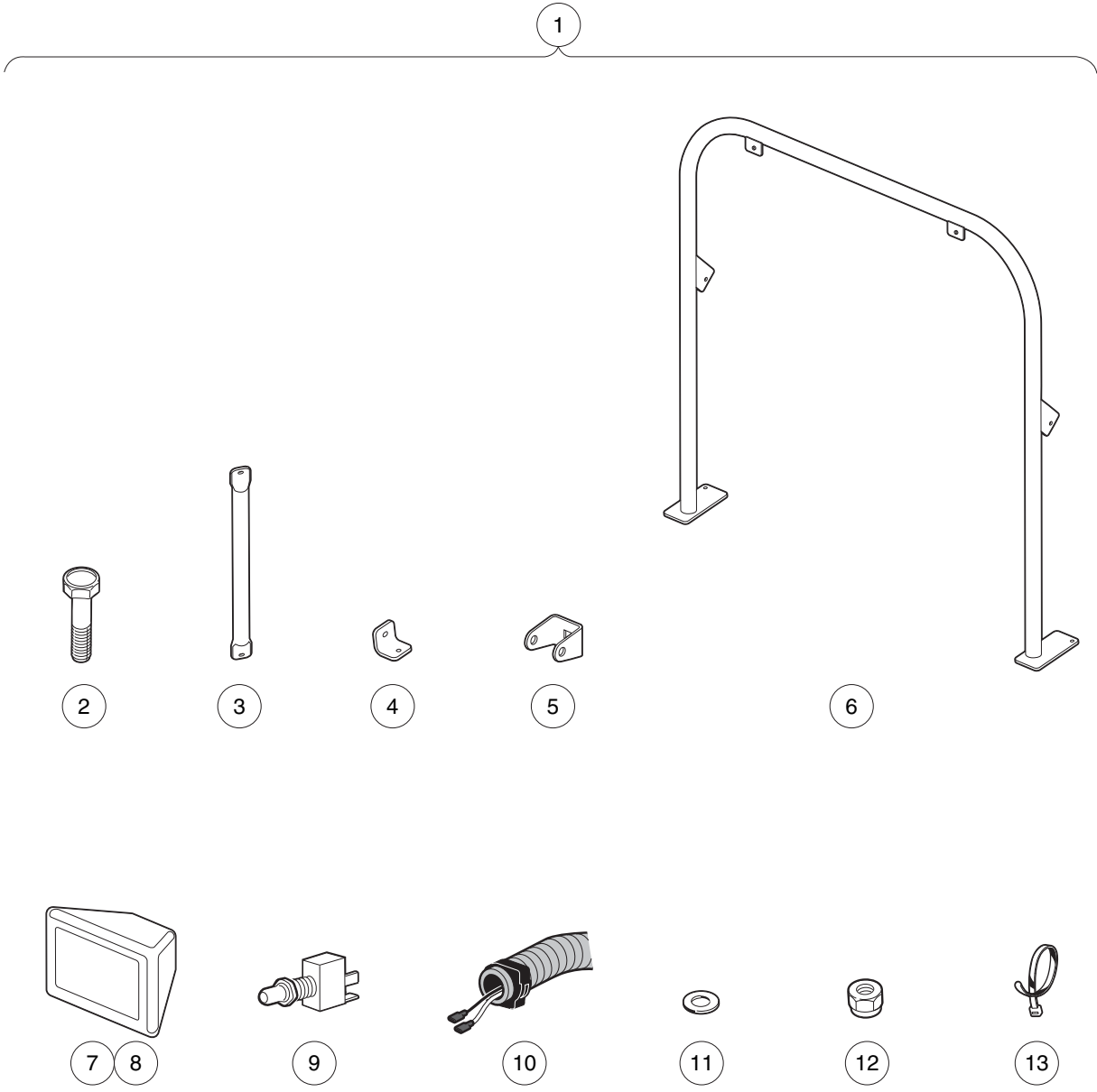
001223-001

LIGHT BAR – TURF/CA 252 AND XRT 900 GAS VEHICLES

ITEM	PART NO.	DESCRIPTION	QTY
		1 2 3 4	
1	102054501	Kit, Light Bar, Gas (includes items 2 through 13)	1
2	1010934	Screw, 5/16-18 X 1.00 Hex Cap	8
3	102077601	Brace, Light Bar	2
4	102077701	Bracket, Brace Mtg	2
5	102077801	Bracket, Light Mtg	2
6	102077901	Light Bar	1
7	102078001	Light, Light Bar (includes item 8)	2
8	AM10015	37.5 Watt Light Bar Bulb	2
9	102155701	Wire Harness, Light Bar	1
10	102159601	Switch	1
11	1241	Washer, 5/16 Type A Flat	12
12	7473	Locknut, 5/16-18 Nylon Insert	8
13	8990	Tie Wrap, 8" Nylon	4

4
G
E

4
G
E



001224-001

LIGHT BAR – TURF/CA 252 AND XRT 900 ELECTRIC VEHICLES

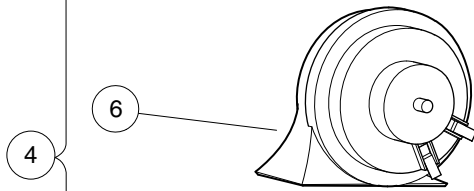
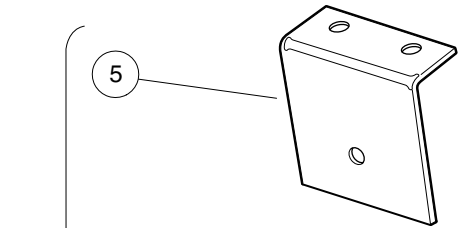
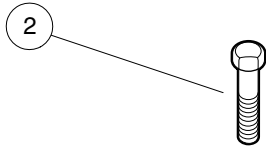
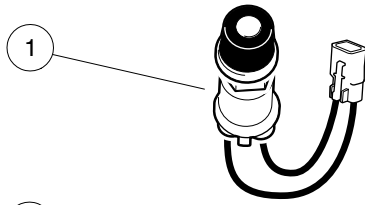
ITEM	PART NO.	DESCRIPTION	QTY
		1 2 3 4	
1	102054502	Kit, Light Bar, Elec (includes items 2 through 13)	1
2	1010934	Screw, 5/16-18 X 1.00 Hex Cap	8
3	102077601	Brace, Light Bar	2
4	102077701	Bracket, Brace Mtg	2
5	102077801	Bracket, Light Mtg	2
6	102077901	Light Bar	1
7	102078001	Light, Light Bar (includes item 8)	2
8	AM10015	37.5 Watt Light Bar Bulb	2
9	102159601	Switch	1
10	103350001	Harness, Light Bar, 252	1
11	1241	Washer, 5/16 Type A Flat	12
12	7473	Locknut, 5/16-18 Nylon Insert	8
13	8990	Tie Wrap, 8" Nylon	4

4
G
E

4

G

E



001095-001

HORN WITH FLOOR-MOUNTED BUTTON

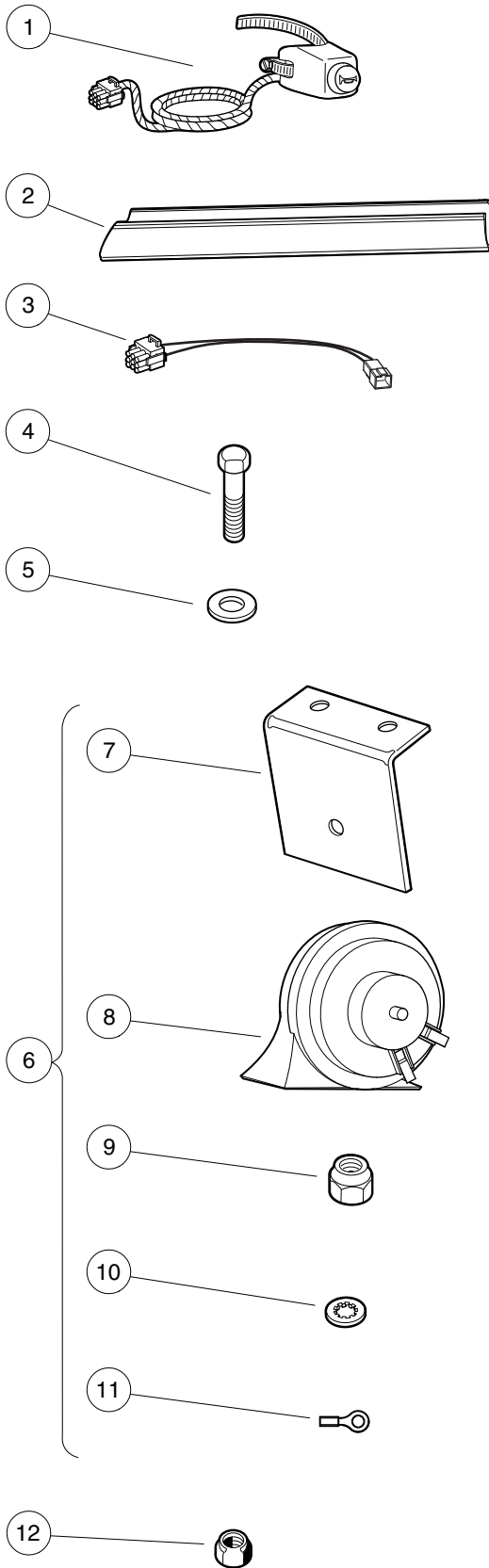
ITEM	PART NO.	DESCRIPTION	QTY
		1 2 3 4	
1	101969701	Horn Button and Wire Assembly	1
2	304	Screw, 1/4-20 X 1.0 Hex-Head Cap	2
3	332	Washer, 1/4 Type A Narrow Flat	2
4	4029	Horn (includes items 5 through 9)	1
5	1011825	Horn Bracket	1
6	1014530	Horn, 12-VDC	1
7	101955101	Nut, M6 Hex	1
8	7820	Washer, 5/16 Internal-Tooth	1
9	8294	5/16 Ring Term.	1
10	8233	Locknut, 1/4-20, Nylon Insert	2

4

G

E

4
G
E



001095-002

HORN WITH COLUMN-MOUNTED BUTTON

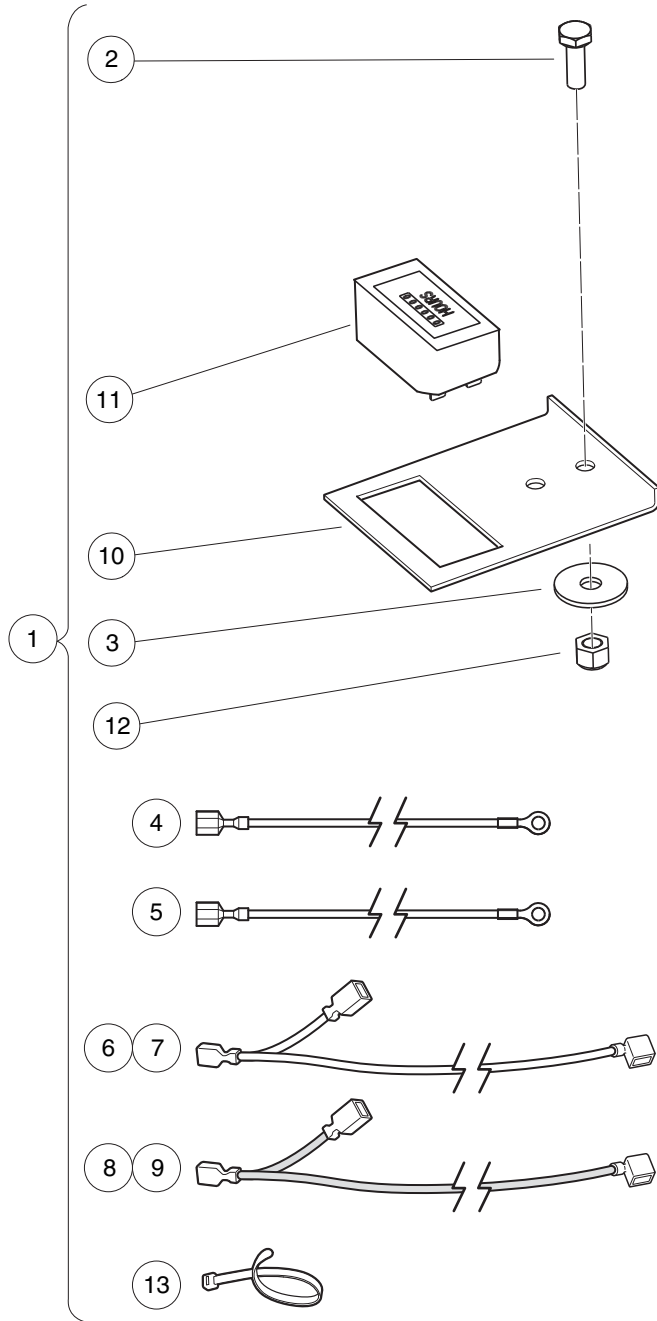
ITEM	PART NO.	DESCRIPTION	QTY
		1 2 3 4	
1	102517601	Subasm, Horn Button Harness	1
2	102529203	Wire Cover-steer Column 304 Mm	1
3	103618101	Harness, Jumper, Horn	1
4	304	Screw, 1/4-20 X 1.0 Hex-Head Cap	2
5	332	Washer, 1/4 Type A Narrow Flat	2
6	4029	Horn (includes items 7 through 11)	1
7	1011825	Horn Bracket	1
8	1014530	Horn, 12-VDC	1
9	101955101	Nut, M6 Hex	1
10	7820	Washer, 5/16 Internal-Tooth	1
11	8294	5/16 Ring Term.	1
12	8233	Locknut, 1/4-20, Nylon Insert	2

4

G

E

4
G
E



001096-002

HOUR METER – CARRYALL/TURF 2 IQ PLUS ELECTRIC VEHICLES

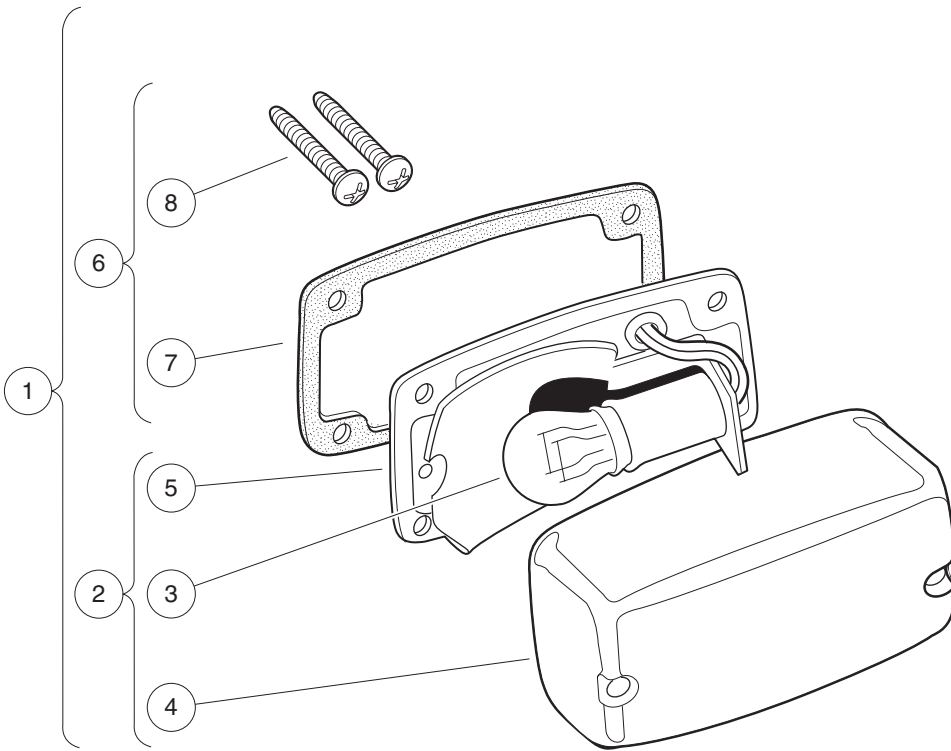
ITEM	PART NO.	DESCRIPTION	QTY
		1 2 3 4	
1	1013579	Kit, Hour Meter (includes items 2 through 13)	1
2	1012285	Screw, 1/4 X 0.625 Hex-Head	1
3	1014306	Washer, 1/4" Type B Flat	1
4	101881501	Wire Assembly Black #18	1
5	101881601	Wire Assembly Red #18	1
6	101997802	Wire Assembly #18 Yellow	1
7	101997803	Wire Asm #18 Yellow 31"	1
8	101997902	Wire Assembly #18 Red	1
9	101997903	Wire Asm # 18 Red 31"	1
10	103510001	Bracket, Hour Meter	1
11	103510301	Meter, Hour	1
12	8233	Locknut, 1/4-20, Nylon Insert	1
13	8990	Tie Wrap, 8" Nylon	1
<p>Note: The kit includes components that apply to multiple vehicles. The installation instructions will specify which components are required for a specific model. After installation, discard components not used.</p>			

4
G
E

4

G

E



001081-001

TAILLIGHTS

ITEM	PART NO.	DESCRIPTION	QTY
		1 2 3 4	
1	1017035	Taillight Assembly (includes items 2 through 6)	2
2	N/A	Light, Tail (includes items 3 through 5)	1
3	1011582	Taillight Bulb	1
4	1011843	Taillight Lens	1
5	N/A	Base, Taillight	1
6	1017699	Hardware Kit, Tail Light (includes items 7 and 8)	1
7	N/A	Gasket	1
8	N/A	Screw, Tapered	2

4
G
E

4

G

E

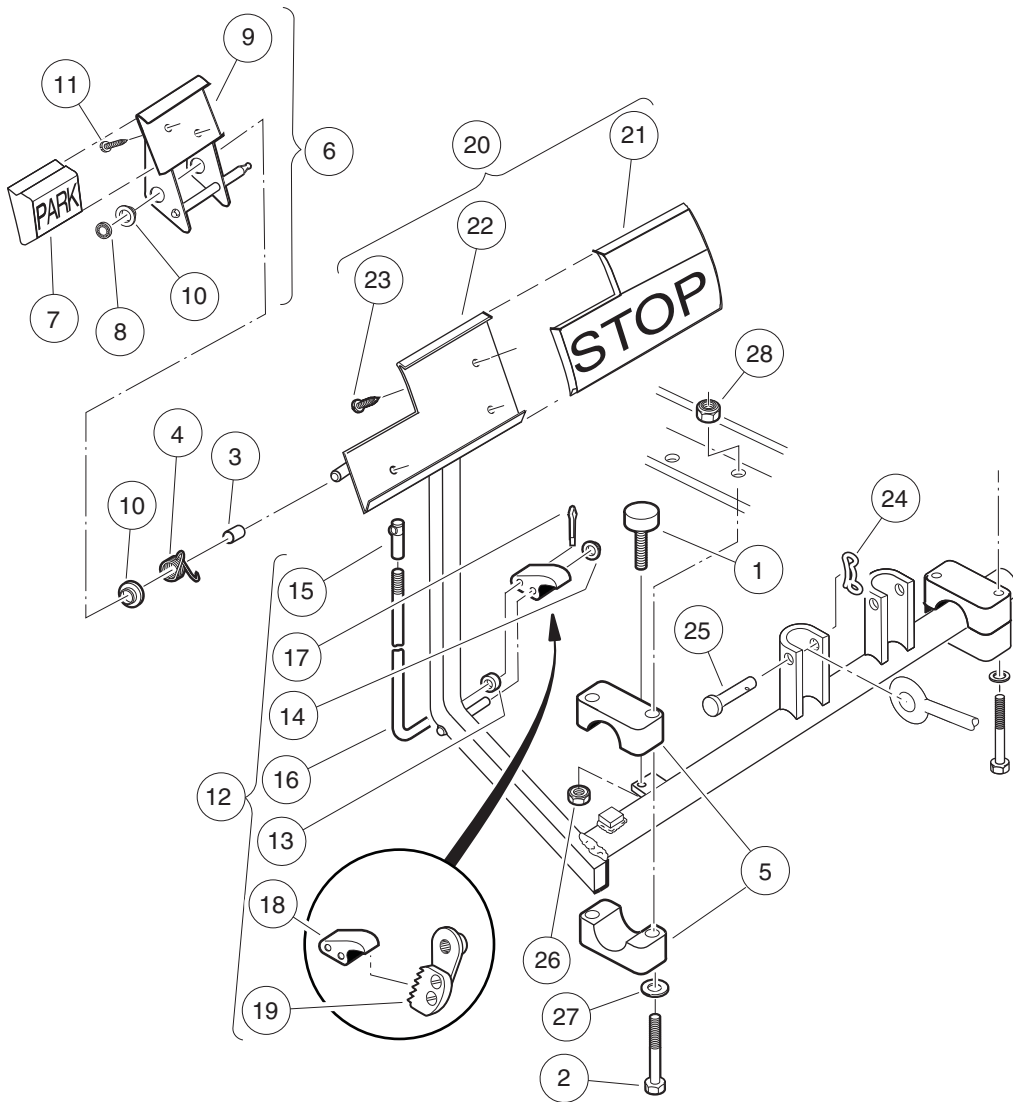
BRAKES, PEDAL, AND CABLE ASSEMBLIES

5

G

E

5
G
E

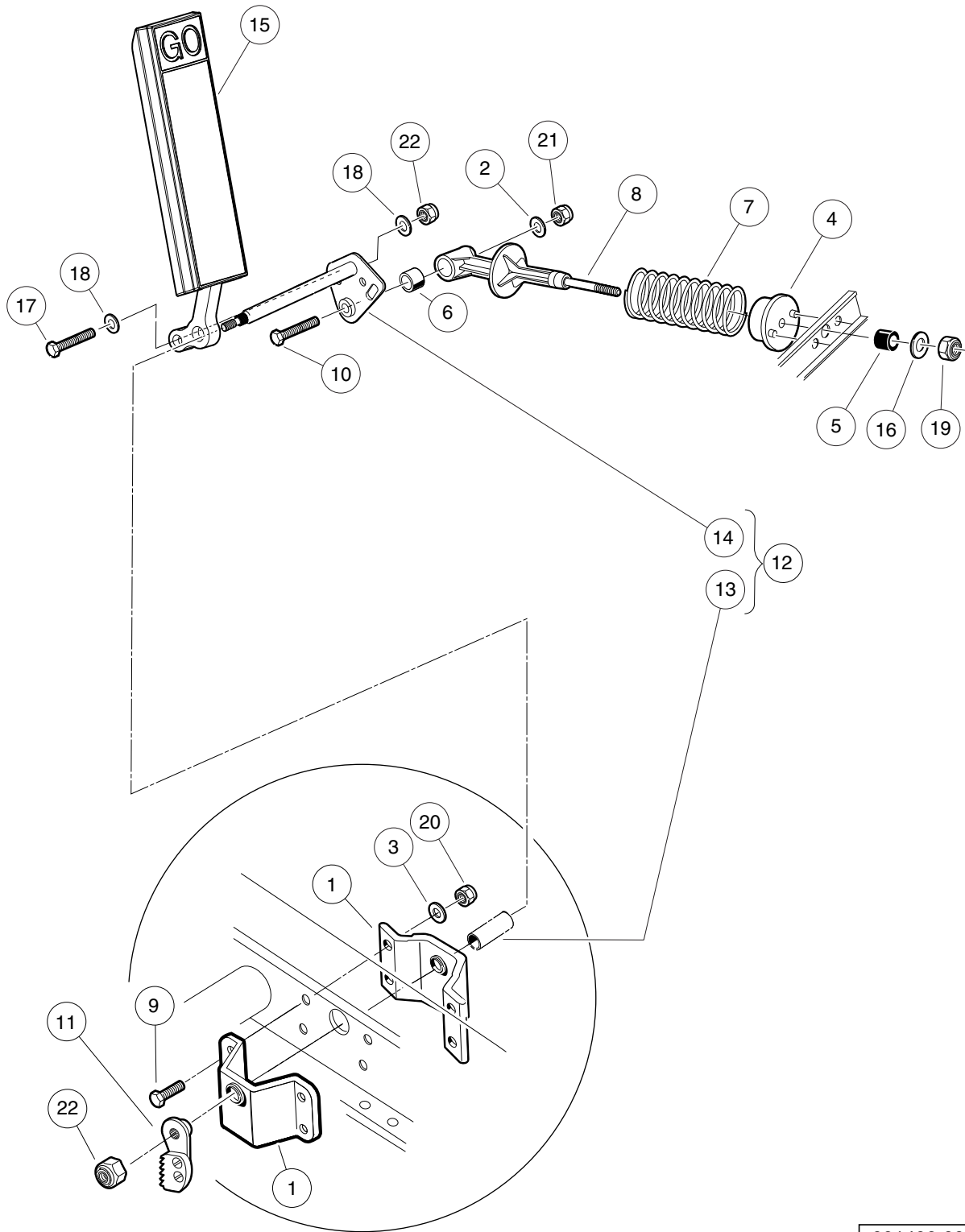


000187-001

BRAKE PEDAL ASSEMBLY

ITEM	PART NO.	DESCRIPTION	QTY	
		1 2 3 4		5
1	1010878	Bumper, Rubber	1	G
2	1010921	Screw, 5/16-18 X 2.50 Hex Cap	4	E
3	1010927	Hill Brake Spacer	1	
4	1010933	Spring, Hill Brake Torsion	1	
5	1011402	Package, Brake Mounting Block	1	
6	1011418	Kit, Hill Brake Pedal (includes items 7 through 11)	1	
7	1013870	Pad, Hill Brake	1	
8	1013876	Pushnut, 3/8	1	
9	N/A	Hill Brake Weld Assembly	1	
10	1032	Bushing, Nylon	2	
11	7716	Screw, #10-16 Type AB, Sheet Metal	2	
12	101187702	Kit, Hill Brake Latch (includes items 13 through 19)	1	
13	1010805	Sleeve, Hill Brake Rod	1	
14	1010877	Pushnut, 3/8	1	
15	1010932	Ball Joint, 1/4-28	1	
16	N/A	Rod, Hill Brake	1	
17	1017029	Pin, Cotter, 7/64 x 1/2 Stainless-Steel	1	
18	N/A	Pawl, Hill Brake	1	
19	101918501	Ratchet Assembly	1	
20	101878201	Brake Pedal Kit (includes items 21 through 23)	1	
21	1013869	Pad, Brake Pedal	1	
22	N/A	Weldment, Brake Pedal, 2wr Std	1	
23	7716	Screw, #10-16 Type AB, Sheet Metal	3	
24	102323101	Pin, Bow Tie Locking	1	
25	102323201	Pin, 3/8 X 1-5/16 Clevis	1	
26	1028	Nut, 1/4-20 Hex	1	
27	1241	Washer, 5/16 Type A Flat	4	
28	7473	Locknut, 5/16-18 Nylon Insert	4	

5
G
E



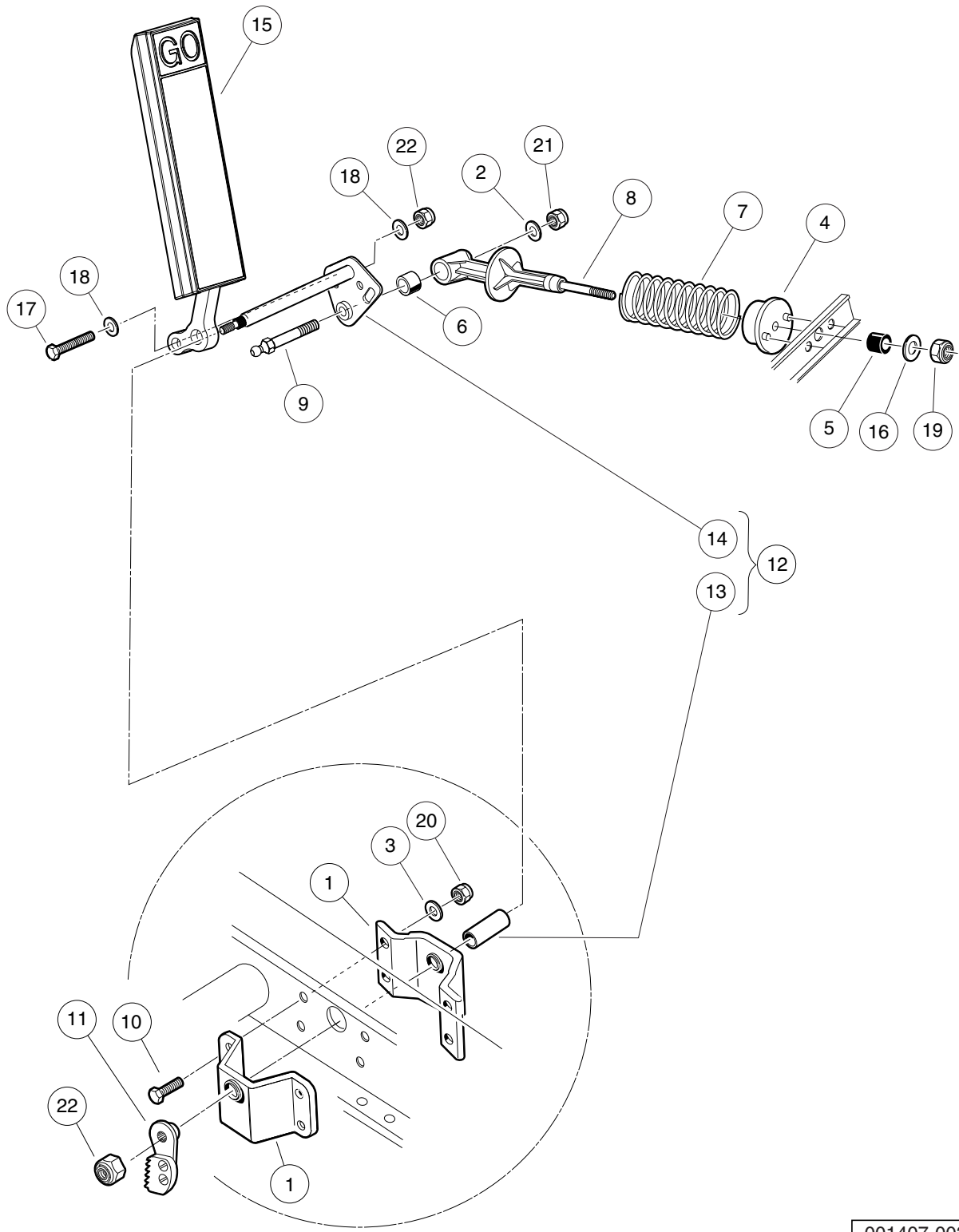
001406-001

ACCELERATOR PEDAL ASSEMBLY – ELECTRIC VEHICLES

ITEM	PART NO.	DESCRIPTION	QTY
		1 2 3 4	
1	1011694	Accelerator Bracket and Bearing Assembly	2
2	1011931	Washer, 1/4 Flat	1
3	1014007	Washer, 1/4, Flat	4
4	1017378	Cup, Spring	1
5	1017380	Bumper, Spring Return	1
6	1017424	Bearing, Pivot Support	1
7	101796201	Spring, Accelerator Return	1
8	101817401	Retainer, Spring	1
9	101861901	Screw, 1/4-20 X 1.125 Hex Cap	4
10	101862001	Screw, 1/4-20 X 1.500 Flange	1
11	101918501	Ratchet Assembly	1
12	102026001	Kit, Accelerator Pivot Rod Assembly (includes items 13 and 14)	1
13	101919801	Spacer, Accelerator	1
14	102158901	Pivot Rod Weldment	1
15	103865101	Pedal, Accel, Insert	A/R
16	1241	Washer, 5/16 Type A Flat	1
17	1624	Screw, 3/8-16 X 1.50, Hex-Head Cap	1
18	334	Washer, 3/8, Type A, Flat	2
19	7473	Locknut, 5/16-18 Nylon Insert	1
20	8233	Locknut, 1/4-20, Nylon Insert	4
21	8717	Locknut, Nylon Insert, 1/4-28	1
22	8754	Locknut, 3/8-16 Hex	2

5
G
E

5
G
E



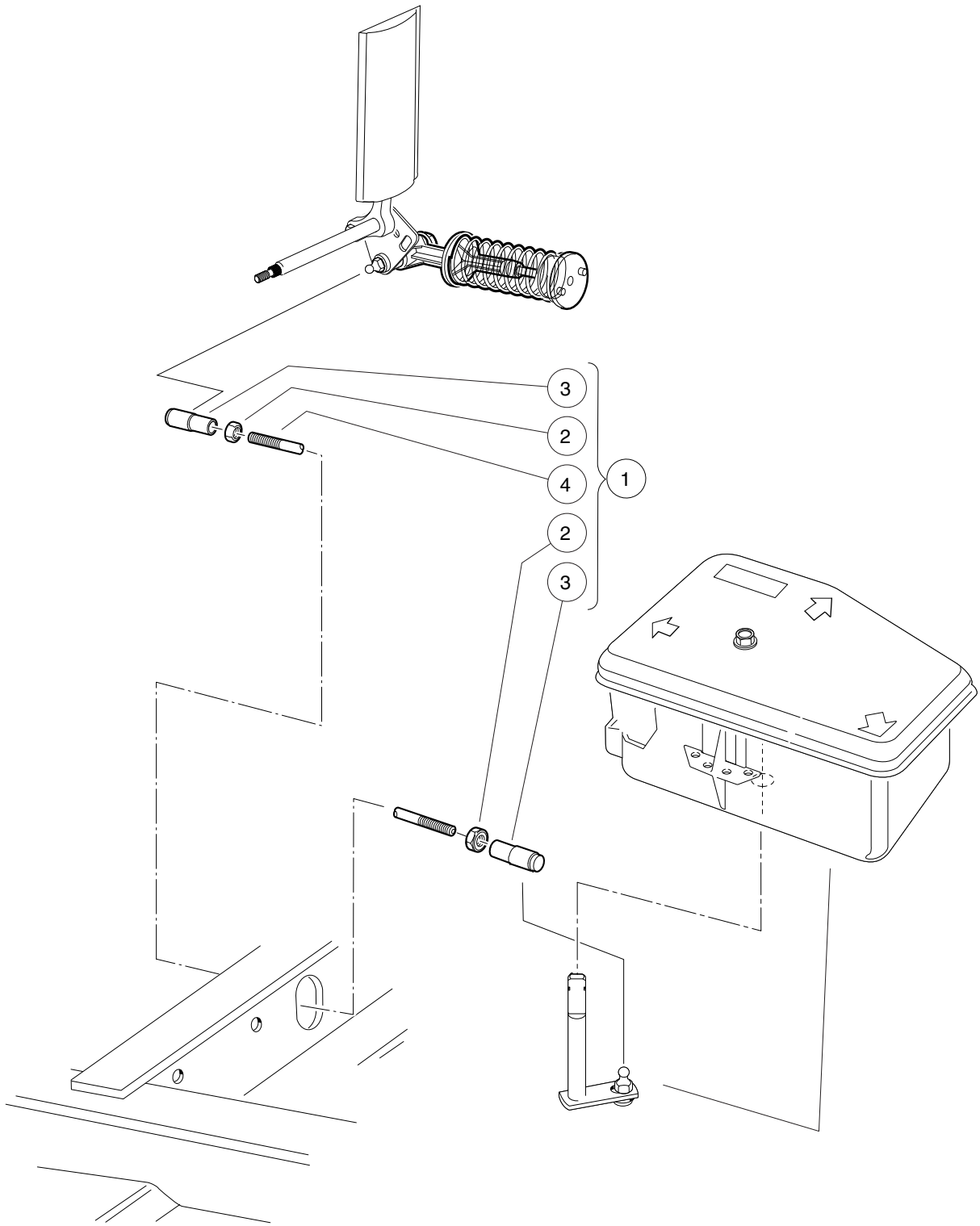
001407-003

ACCELERATOR PEDAL ASSEMBLY – GASOLINE VEHICLES

ITEM	PART NO.	DESCRIPTION	QTY
		1 2 3 4	
1	1011694	Accelerator Bracket and Bearing Assembly	2
2	1011931	Washer, 1/4 Flat	1
3	1014007	Washer, 1/4, Flat	4
4	1017378	Cup, Spring	1
5	1017380	Bumper, Spring Return	1
6	1017424	Bearing, Pivot Support	1
7	101796201	Spring, Accelerator Return	1
8	101817401	Retainer, Spring	1
9	101818801	Stud, 1/4-28 X 1.35 Ball	1
10	101861901	Screw, 1/4-20 X 1.125 Hex Cap	4
11	101918501	Ratchet Assembly	1
12	102026001	Kit, Accelerator Pivot Rod Assembly (includes items 13 and 14)	1
13	101919801	Spacer, Accelerator	1
14	102158901	Pivot Rod Weldment	1
15	103865101	Pedal, Accel, Insert	1
16	1241	Washer, 5/16 Type A Flat	1
17	1624	Screw, 3/8-16 X 1.50, Hex-Head Cap	1
18	334	Washer, 3/8, Type A, Flat	2
19	7473	Locknut, 5/16-18 Nylon Insert	1
20	8233	Locknut, 1/4-20, Nylon Insert	4
21	8717	Locknut, Nylon Insert, 1/4-28	1
22	8754	Locknut, 3/8-16 Hex	2

5
G
E

5
G
E



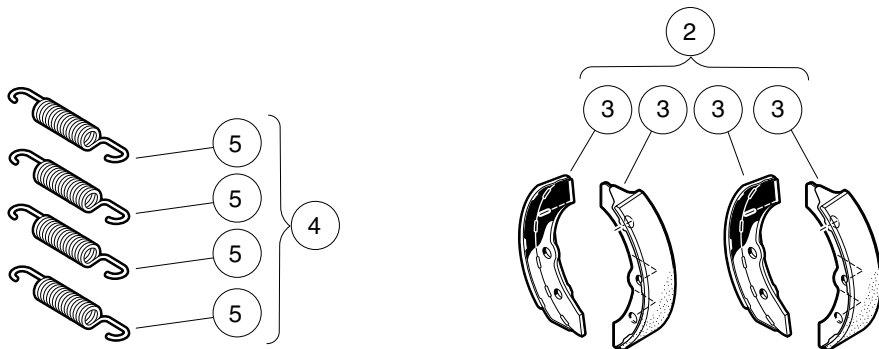
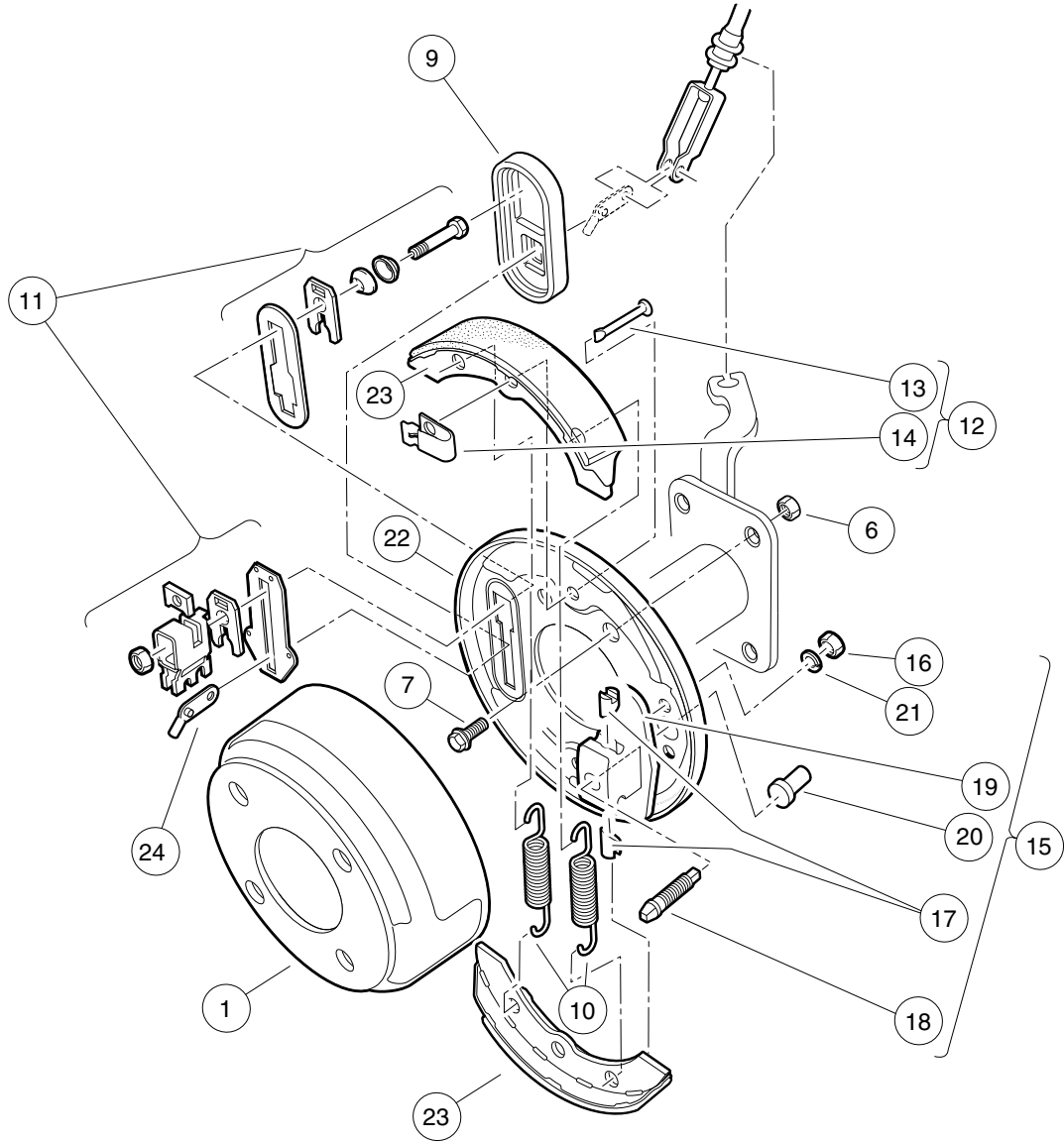
000362-001

ACCELERATOR ROD – TURF/CARRYALL 2/2 PLUS/252 AND XRT 900 GASOLINE VEHICLES

ITEM	PART NO.	DESCRIPTION	QTY
		1 2 3 4	
1	101822001	Rod, Accelerator (includes items 2 through 4)	1
2	1011084	Nut, 1/4-28 Hex Jam	2
3	1011734	Joint, Ball	2
4	N/A	Accelerator Rod	1

5
G
E

5
G
E



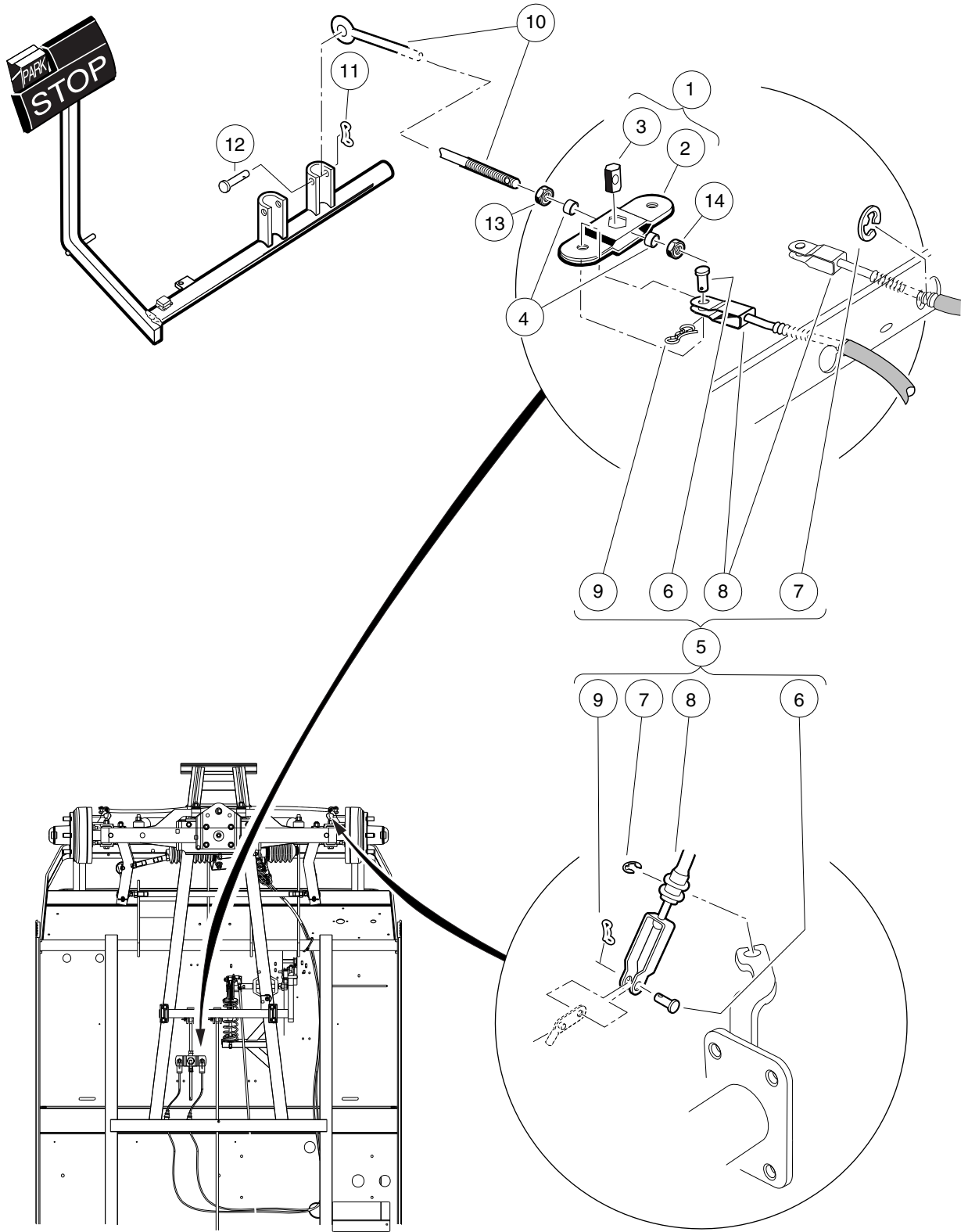
000298-001

FRONT BRAKE ASSEMBLY – VEHICLES WITH FOUR-WHEEL BRAKES

ITEM	PART NO.	DESCRIPTION	QTY
		1 2 3 4	
1	1011137	Drum, Brake	2
2	101146302	Kit, Non-Asbestos Brake Shoe (includes item 3)	1
3	101880701	Shoe Brake Manual Adj (Available in Kit, Non-Asbestos Brake Shoe)	4
4	1011464	Package, Brake Spring (includes item 5)	1
5	1011314	Brake Spring	4
6	1013924	Nut, 5/16-24, Hex Head Cone	8
7	1014153	Bolt, Brake Cluster Mounting	8
8	1016557	Cluster, Brake, Driver-Side (includes items 9 through 24)	1
9	1010850	Dust Cover	1
10	1011314	Brake Spring	2
11	1011465	Kit, Brake Actuator	1
12	1011466	Kit, Shoe Retainer (includes items 13 and 14)	1
13	N/A	Pin	2
14	N/A	Shoe Clamp Spring	2
15	1011467	Kit, Anchor Body (includes items 16 through 21)	1
16	1011114	Nut, M6-1.00 Hex	2
17	1011298	Anchor Piston	2
18	N/A	Adjustment Bolt	1
19	N/A	Anchor Body Component	1
20	1011303	Adjustment Bolt Cap	1
21	451	Lockwasher, 1/4 Split	2
22	1011494	Backing Plate, Left-Hand	1
23	101880701	Shoe Brake Manual Adj (Available in Kit, Non-Asbestos Brake Shoe)	2
24	N/A	Arm, Brake Lever	1
25	1016573	Cluster, Brake, Passenger-Side (includes items 26 through 41)	1
26	1010850	Dust Cover	1
27	1011154	Backing Plate, Right-Hand	1
28	1011314	Brake Spring	2
29	1011465	Kit, Brake Actuator	1
30	1011466	Kit, Shoe Retainer (includes items 31 and 32)	1
31	N/A	Pin	2
32	N/A	Shoe Clamp Spring	2
33	1011467	Kit, Anchor Body (includes items 34 through 39)	1
34	1011114	Nut, M6-1.00 Hex	2
35	1011298	Anchor Piston	2
36	N/A	Adjustment Bolt	1
37	N/A	Anchor Body Component	1
38	1011303	Adjustment Bolt Cap	1
39	451	Lockwasher, 1/4 Split	2
40	101880701	Shoe Brake Manual Adj (Available in Kit, Non-Asbestos Brake Shoe)	2
41	N/A	Arm, Brake Lever	1
		Note: Passenger-side brake cluster not shown. Components have a similar appearance to driver-side brake cluster components.	

5
G
E

5
G
E



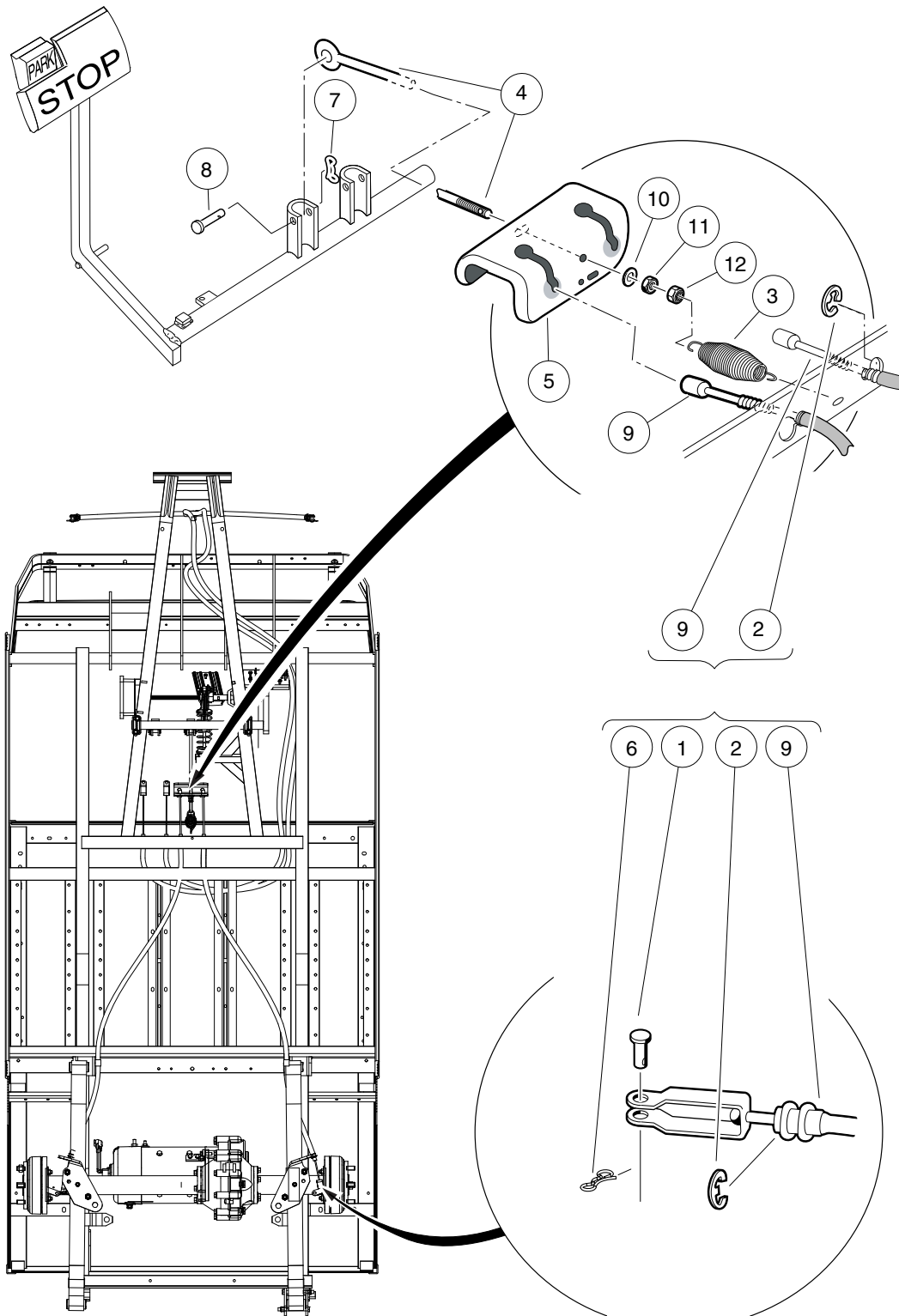
000294-001

FRONT BRAKE CABLES AND EQUALIZER – VEHICLES WITH FOUR-WHEEL BRAKES

ITEM	PART NO.	DESCRIPTION	QTY
		1 2 3 4	
1	1017211	Kit, Equalizer and Pivot Limiter (includes items 2 and 3)	1
2	1016319	Equalizer Weld Assembly	1
3	1016320	Equalizer, Pivot Limiter	1
4	101865301	Spacer	2
5	101874601	Kit, Brake Cable (includes items 6 through 9)	1
6	1010829	Pin, Clevis, 5/16 X 3/4	4
7	1011779	E-Clip, 1/2	4
8	N/A	Brake Cable	2
9	102292801	Pin, Bow Tie Locking - .072	4
10	101953106	Rod, Equalizer, 9.75"	1
11	102323101	Pin, Bow Tie Locking	1
12	102323201	Pin, 3/8 X 1-5/16 Clevis	1
13	1242	Nut, 5/16-18 Hex	1
14	7473	Locknut, 5/16-18 Nylon Insert	1

5
G
E

5
G
E



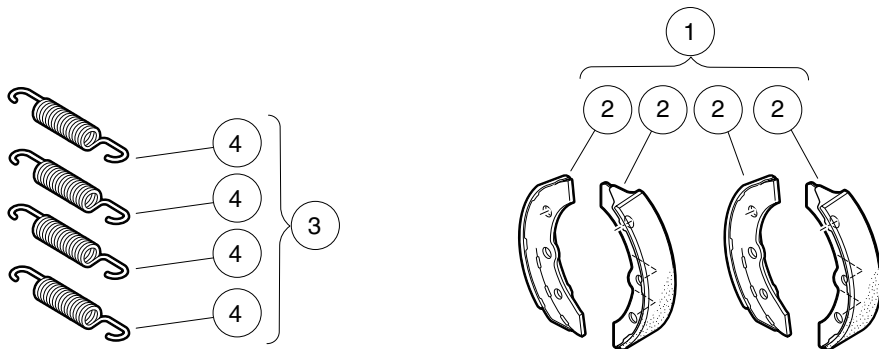
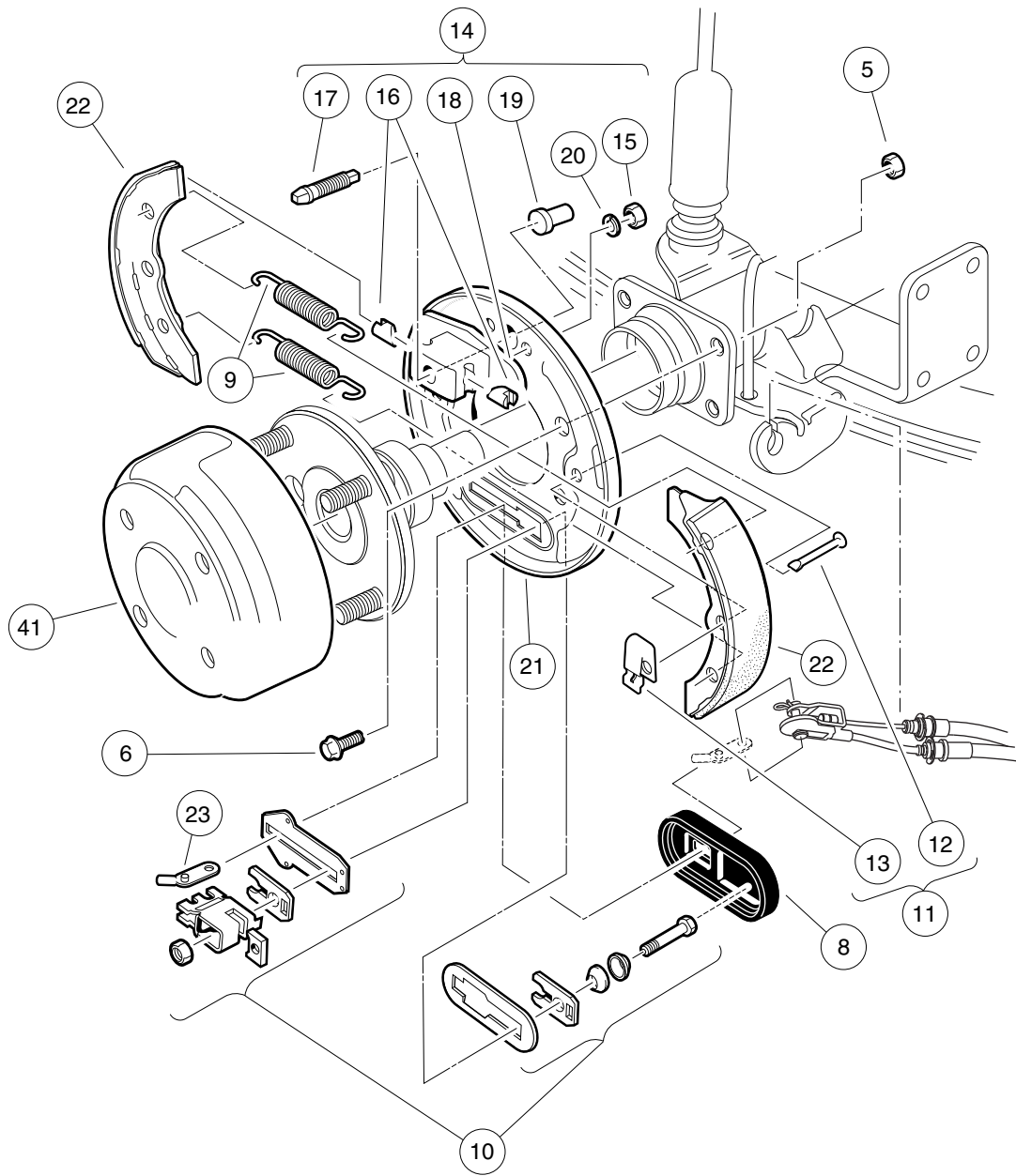
000295-002

REAR BRAKE CABLES AND EQUALIZER – VEHICLES WITH 4-WHEEL BRAKES

ITEM	PART NO.	DESCRIPTION	QTY
		1 2 3 4	
1	1010829	Pin, Clevis, 5/16 X 3/4	2
2	1011779	E-Clip, 1/2	4
3	1013531	Spring, Brake Return	1
4	101953106	Rod, Equalizer, 9.75"	1
5	101990801	Equalizer Bracket	1
6	102292801	Pin, Bow Tie Locking - .072	2
7	102323101	Pin, Bow Tie Locking	1
8	102323201	Pin, 3/8 X 1-5/16 Clevis	1
9	102852101	Cable, Brake, 51-inch, Right	2
10	1241	Washer, 5/16 Type A Flat	1
11	1242	Nut, 5/16-18 Hex	1
12	7473	Locknut, 5/16-18 Nylon Insert	1

5
G
E

5
G
E



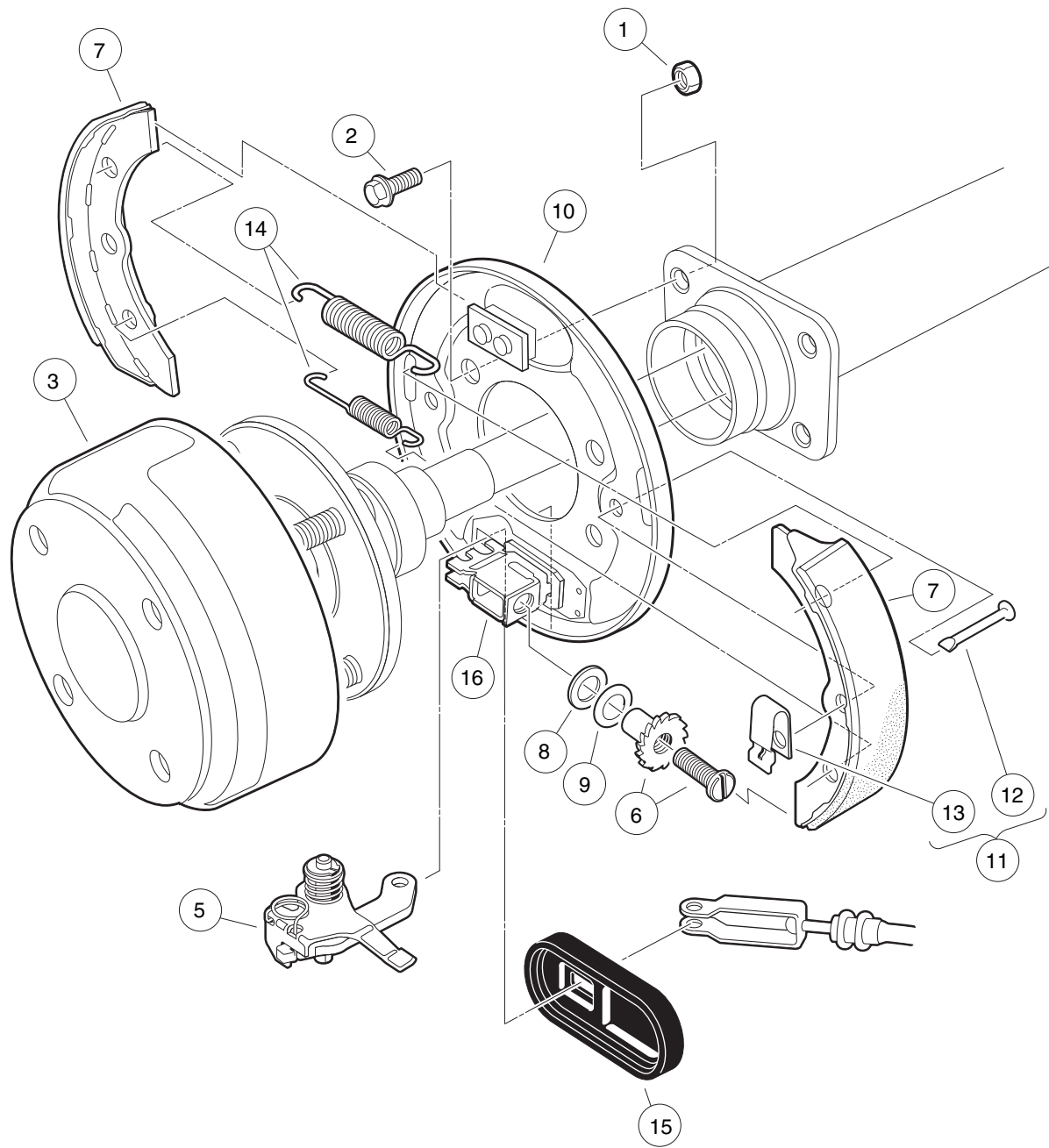
000293-002

REAR BRAKE ASSEMBLY, MANUALLY-ADJUSTED – VEHICLES WITH 4-WHEEL BRAKES

ITEM	PART NO.	DESCRIPTION	QTY
		1 2 3 4	
1	101146302	Kit, Non-Asbestos Brake Shoe (includes item 2)	1
2	101880701	Shoe Brake Manual Adj (Available in Kit, Non-Asbestos Brake Shoe)	4
3	1011464	Package, Brake Spring (includes item 4)	1
4	1011314	Brake Spring	4
5	1013924	Nut, 5/16-24, Hex Head Cone	8
6	1014153	Bolt, Brake Cluster Mounting	8
7	1016557	Cluster, Brake, Driver-Side (includes items 8 through 23)	1
8	1010850	Dust Cover	1
9	1011314	Brake Spring	2
10	1011465	Kit, Brake Actuator	1
11	1011466	Kit, Shoe Retainer (includes items 12 and 13)	1
12	N/A	Pin	2
13	N/A	Shoe Clamp Spring	2
14	1011467	Kit, Anchor Body (includes items 15 through 20)	1
15	1011114	Nut, M6-1.00 Hex	2
16	1011298	Anchor Piston	2
17	N/A	Adjustment Bolt	1
18	N/A	Anchor Body Component	1
19	1011303	Adjustment Bolt Cap	1
20	451	Lockwasher, 1/4 Split	2
21	1011494	Backing Plate, Left-Hand	1
22	101880701	Shoe Brake Manual Adj (Available in Kit, Non-Asbestos Brake Shoe)	2
23	N/A	Arm, Brake Lever	1
24	1016573	Cluster, Brake, Passenger-Side (includes items 25 through 40)	1
25	1010850	Dust Cover	1
26	1011154	Backing Plate, Right-Hand	1
27	1011314	Brake Spring	2
28	1011465	Kit, Brake Actuator	1
29	1011466	Kit, Shoe Retainer (includes items 30 and 31)	1
30	N/A	Pin	2
31	N/A	Shoe Clamp Spring	2
32	1011467	Kit, Anchor Body (includes items 33 through 38)	1
33	1011114	Nut, M6-1.00 Hex	2
34	1011298	Anchor Piston	2
35	N/A	Adjustment Bolt	1
36	N/A	Anchor Body Component	1
37	1011303	Adjustment Bolt Cap	1
38	451	Lockwasher, 1/4 Split	2
39	101880701	Shoe Brake Manual Adj (Available in Kit, Non-Asbestos Brake Shoe)	2
40	N/A	Arm, Brake Lever	1
41	101791101	Drum without Center Hole, Brake	2
		Note: Passenger-side brake cluster not shown. Components have a similar appearance to driver-side brake cluster components.	

5
G
E

5
G
E



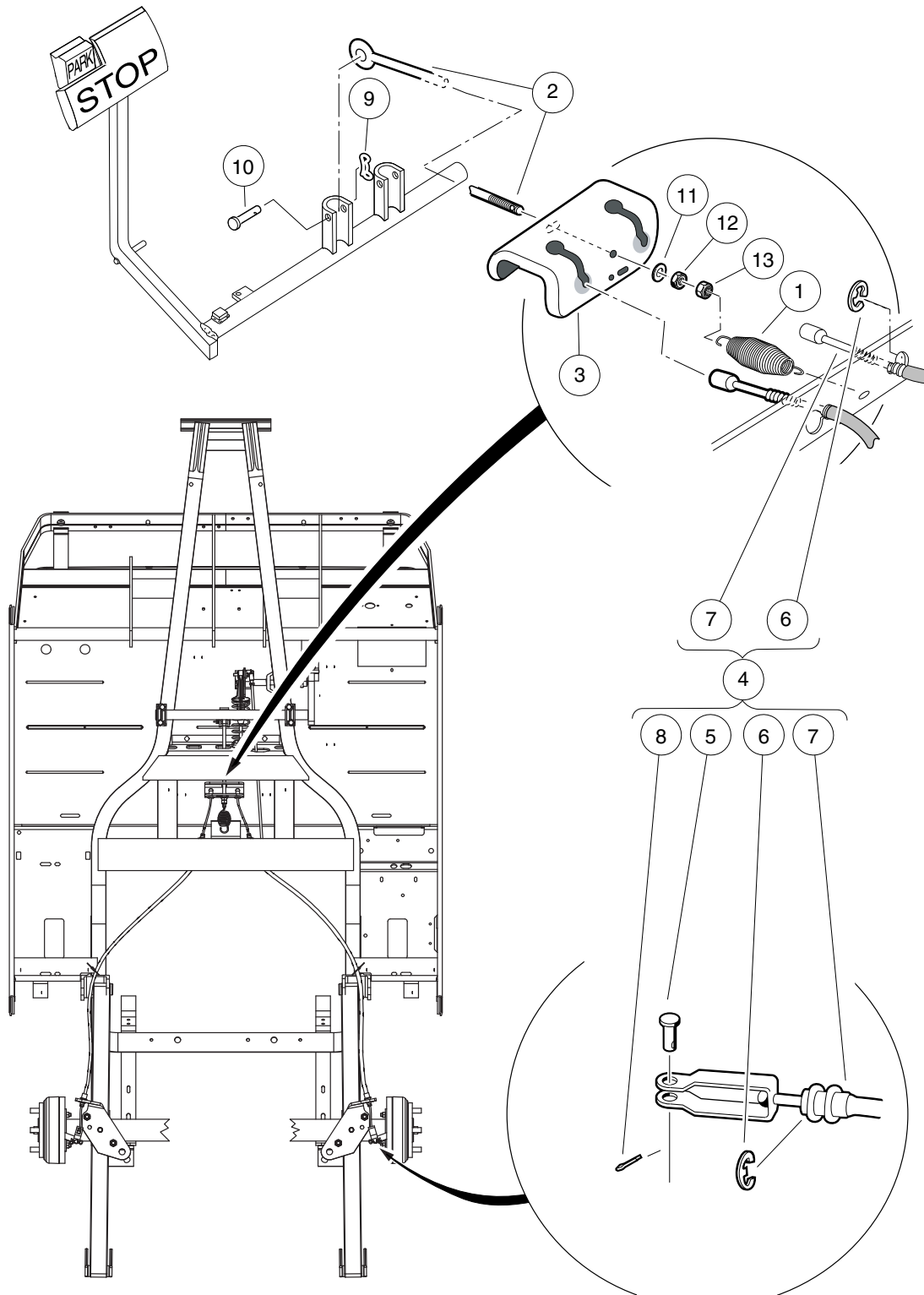
000186-003

REAR BRAKE ASSEMBLY, SELF-ADJUSTING – VEHICLE WITH 2-WHEEL BRAKES

ITEM	PART NO.	DESCRIPTION	QTY
		1 2 3 4	
1	1013924	Nut, 5/16-24, Hex Head Cone	8
2	1014153	Bolt, Brake Cluster Mounting	8
3	101791101	Drum without Center Hole, Brake	2
4	103380201	Asm, Brake Cluster, Mech, Drvr (includes items 5 through 16)	1
5	101815502	Lever Assembly, Self-Adjusting Brake, Left	1
6	101816502	Adjusting Mechanism, Self-Adjusting Brake, Left	1
7	101823201	Package, Brake Shoe, Self-Adjusting	1
8	101823801	Plate, Washer, Brake, Self-Adjusting	1
9	101823901	Washer, Brake, Self-Adjusting	1
10	103483102	Back Plate, Lh	1
11	103483201	Kit, Shoe Retainer (includes items 12 and 13)	1
12	N/A	Pin	2
13	N/A	Spring, Shoe, Clamp	2
14	103483401	Package Brake Spring Self Adj	1
15	103483601	Cover, Dust	1
16	103483701	Brake Block	1
17	103380202	Asm, Brake Cluster, Mech, Pass (includes items 18 through 29)	1
18	101815501	Lever Assembly, Self-Adjusting Brake, Right (Passenger)	1
19	101816501	Adj Mechanism, S.A. Brakes, Right (Passenger)	1
20	101823201	Package, Brake Shoe, Self-Adjusting	1
21	101823801	Plate, Washer, Brake, Self-Adjusting	1
22	101823901	Washer, Brake, Self-Adjusting	1
23	103483101	Back Plate, Rh	1
24	103483201	Kit, Shoe Retainer (includes items 25 and 26)	1
25	N/A	Pin	2
26	N/A	Spring, Shoe, Clamp	2
27	103483401	Package Brake Spring Self Adj	1
28	103483601	Cover, Dust	1
29	103483701	Brake Block	1
<p>Note: Passenger-side brake cluster not shown. Components have a similar appearance to driver-side brake cluster components. 1033802 brake cluster assemblies are backward compatible but individual parts that do not share part numbers with 1018233 are not.</p>			

5
G
E

5
G
E



000296-001

REAR BRAKE CABLES AND EQUALIZER – VEHICLES WITH TWO-WHEEL BRAKES

ITEM	PART NO.	DESCRIPTION	QTY
		1 2 3 4	
1	1013531	Spring, Brake Return	1
2	101953102	Rod, Equalizer, 20.91 inch	1
3	101990801	Equalizer Bracket	1
4	102022101	Brake Cable Kit (includes items 5 through 8)	2
5	1010829	Pin, Clevis, 5/16 X 3/4	1
6	1011779	E-Clip, 1/2	2
7	N/A	Cable, Brake, 41"	1
8	102292801	Pin, Bow Tie Locking - .072	1
9	102323101	Pin, Bow Tie Locking	1
10	102323201	Pin, 3/8 X 1-5/16 Clevis	1
11	1241	Washer, 5/16 Type A Flat	1
12	1242	Nut, 5/16-18 Hex	1
13	7473	Locknut, 5/16-18 Nylon Insert	1

5
G
E

5

G

E

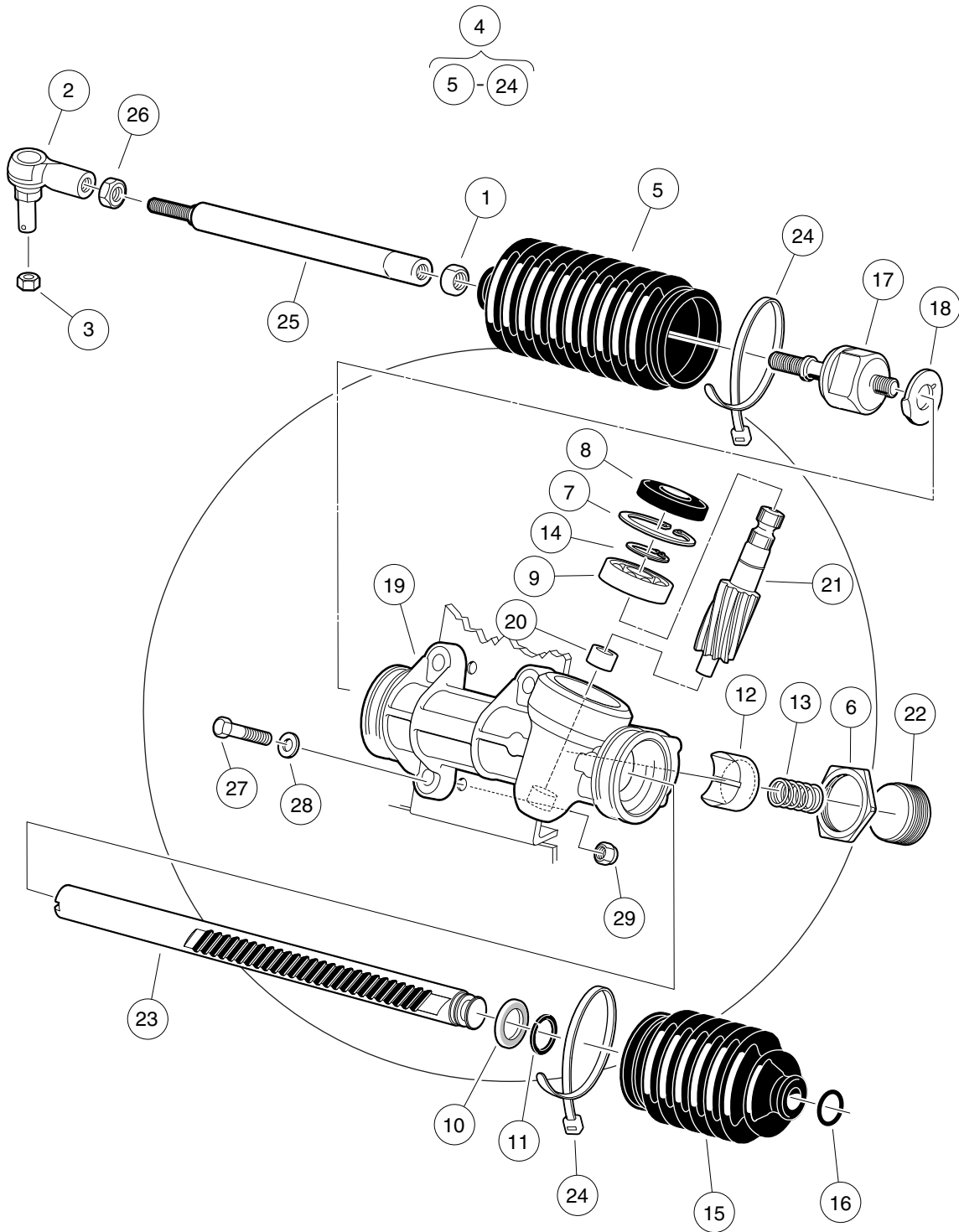
STEERING AND SUSPENSIONS – TURF/CA 2 & 2 PLUS

6

G

E

6
G
E



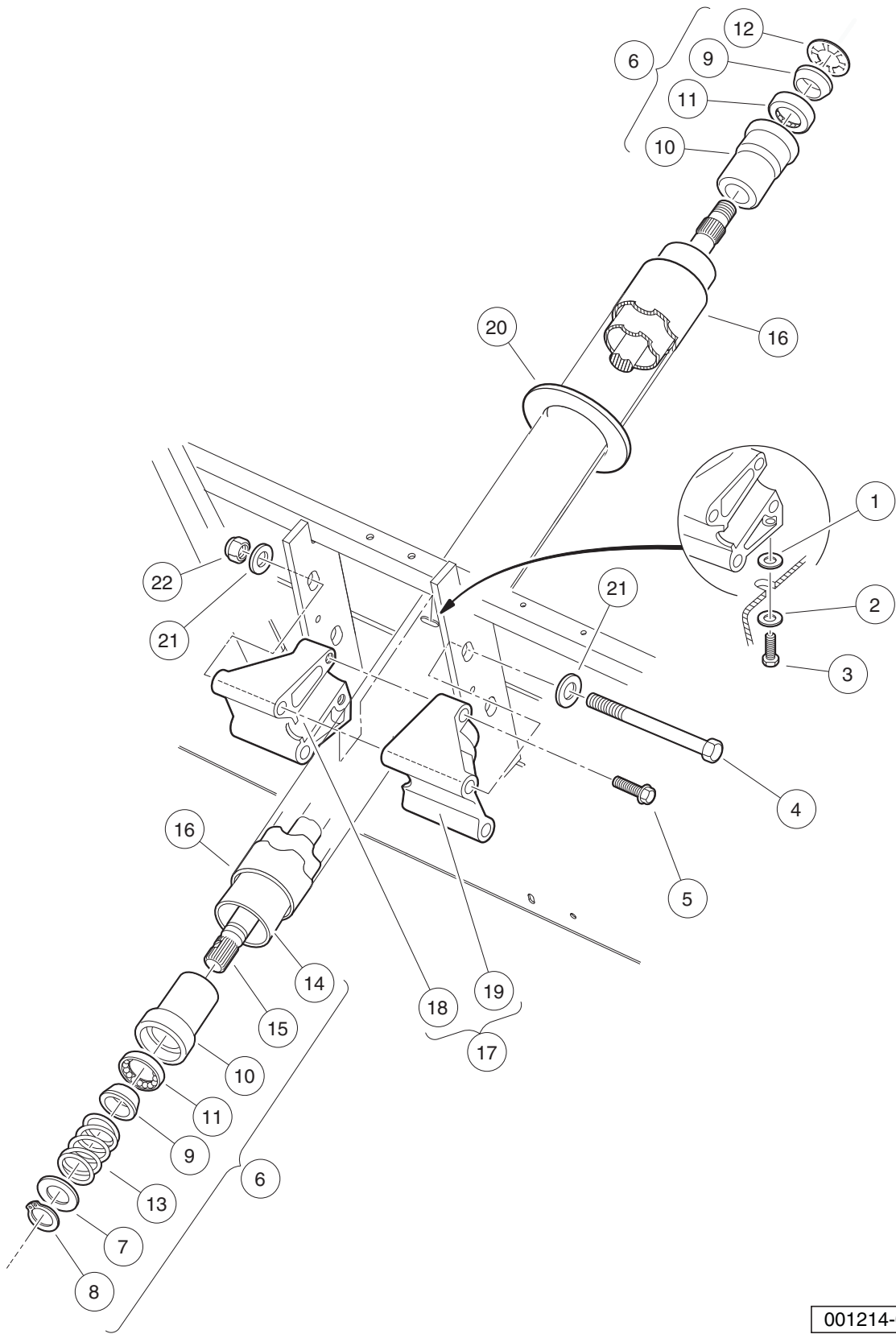
001500-002

STEERING GEAR ASSEMBLY (WANDA) – MAINT.-FREE BALL JOINT

ITEM	PART NO.	DESCRIPTION	QTY
		1 2 3 4	
1	1013042	Nut, 12mm Hex	1
2	102022602	End, Tie Rod, M12 X 1.25, Lh	1
3	102289201	Nut - Hex Locking, M12 X 1.25	1
4	103601501	Asm, Steering Rack And Pinion (includes items 5 through 24)	1
5	1013035	Bellows, Long	1
6	1013044	Rack Screw Locknut	1
7	N/A	Snap Ring	1
8	1013052	Seal, Steering Pinion Dust	1
9	101879401	Bearing, Ball	1
10	101879501	Stop Washer	1
11	101879601	Stop Ring, C-Type	1
12	101879701	Support Yoke	1
13	101879801	Rack Guide Pressure Spring	1
14	101879901	Ring, Stop, C-Type	1
15	101880001	Bellows, Short	1
16	101880101	Dust Seal Retaining Ring	1
17	101880201	Inner Ball Joint Asm	1
18	101880301	Washer, Tab	1
19	N/A	Box, Steering Gear	1
20	N/A	Bearing, Lower Pinion	1
21	N/A	Pinion, Steering	1
22	N/A	Screw, Rack Guide	1
23	N/A	Rack, Steering	1
24	8990	Tie Wrap, 8" Nylon	2
25	103653401	Link, Drag, Male Thd	1
26	103653501	Nut, Jam, M12-1.25, Lh	1
27	1624	Screw, 3/8-16 X 1.50, Hex-Head Cap	3
28	334	Washer, 3/8, Type A, Flat	3
29	8754	Locknut, 3/8-16 Hex	3

6
G
E

6
G
E



001214-001

STEERING COLUMN – UTILITY

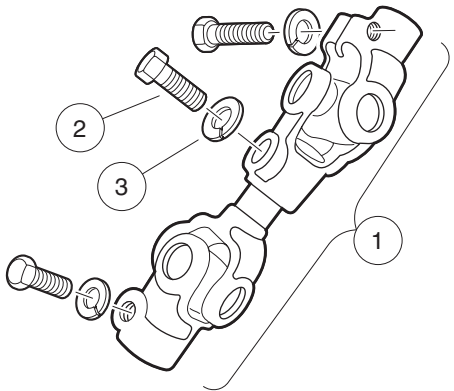
ITEM	PART NO.	DESCRIPTION	QTY
		1 2 3 4	
1	1011578	Washer, 5/16 Type B Flat	1
2	1011697	Washer, 5/16 Flat	1
3	1014288	Screw, 5/16-18 X 0.75, Thread-Forming	1
4	1016183	Screw, 3/8-16 X 7.00 Hex Cap	2
5	1016269	Screw, 5/16-18 Thrd Forming	2
6	1017313	Steering Shaft Assembly (includes items 7 through 15)	1
7	1012604	Washer, 0.675 ID X 1.19 OD	1
8	1012605	Ring, 0.579 Internal Retaining	1
9	1014125	Wedge, Molded	2
10	1014126	Seat, Plastic Bearing	2
11	1014213	Bearing, Ball	2
12	1014214	Ring, Retaining	1
13	1014217	Spring, Steering Shaft	1
14	1017314	Column, Aluminum Steering	1
15	1017315	Shaft Steering Column	1
16	1017317	Tube Cover, Steering Column	1
17	101984801	Kit, Steering Column Mounting Bracket (includes items 18 and 19)	1
18	N/A	Bracket, RH Steering Column Mount	1
19	N/A	Bracket, LH Steering column mount	1
20	102278001	Boot, Steering Column Round	1
21	334	Washer, 3/8, Type A, Flat	4
22	8754	Locknut, 3/8-16 Hex	2

6
G
E

6

G

E



001217-001

INTERMEDIATE STEERING SHAFT (WANDA) – TURF/CA 1/2/6

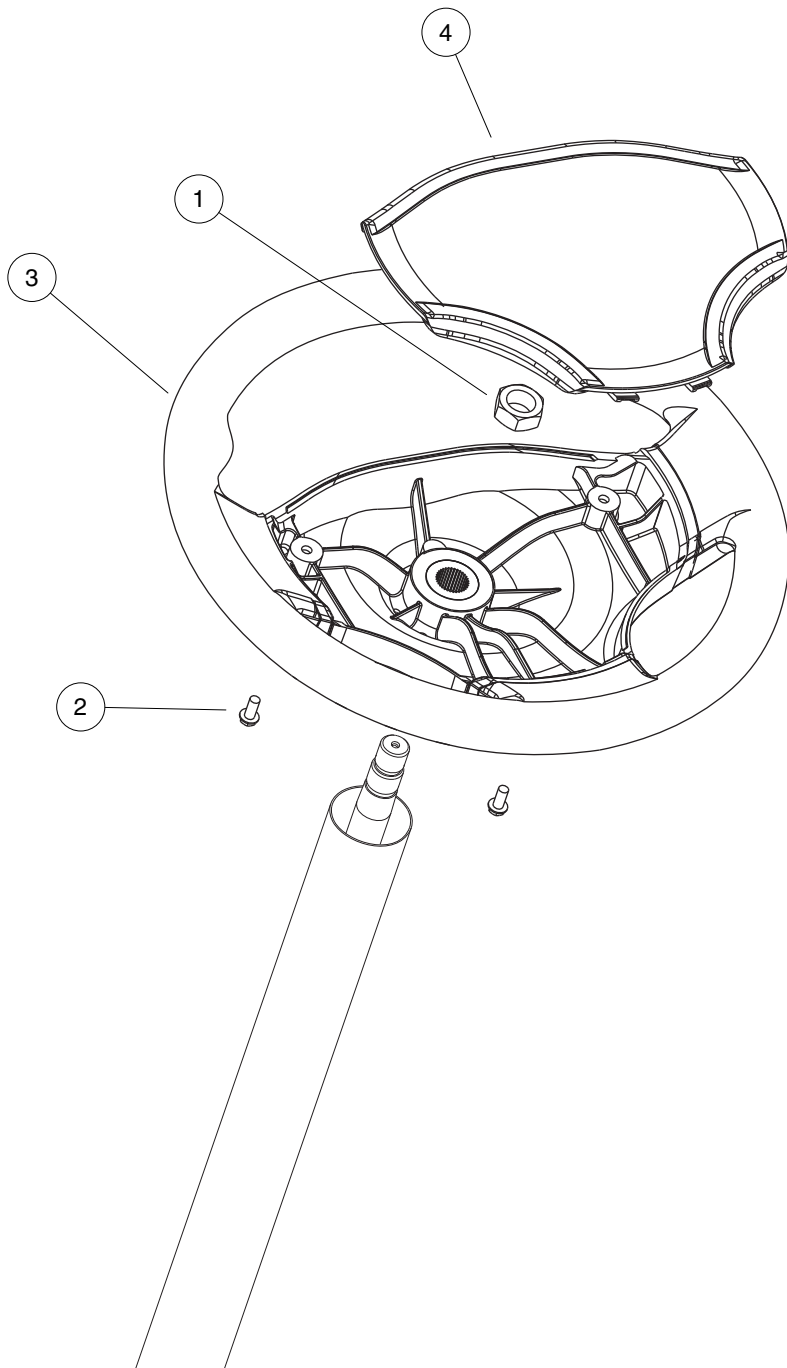
ITEM	PART NO.	DESCRIPTION	QTY
		1 2 3 4	
1	103601601	Shaft, Intermediate Steering (includes items 2 and 3)	1
2	1017226	Bolt, Hex-Head, 8mm X 1.25 - 30	3
3	7174	Lockwasher, 5/16 Split	3

6

G

E

6
G
E



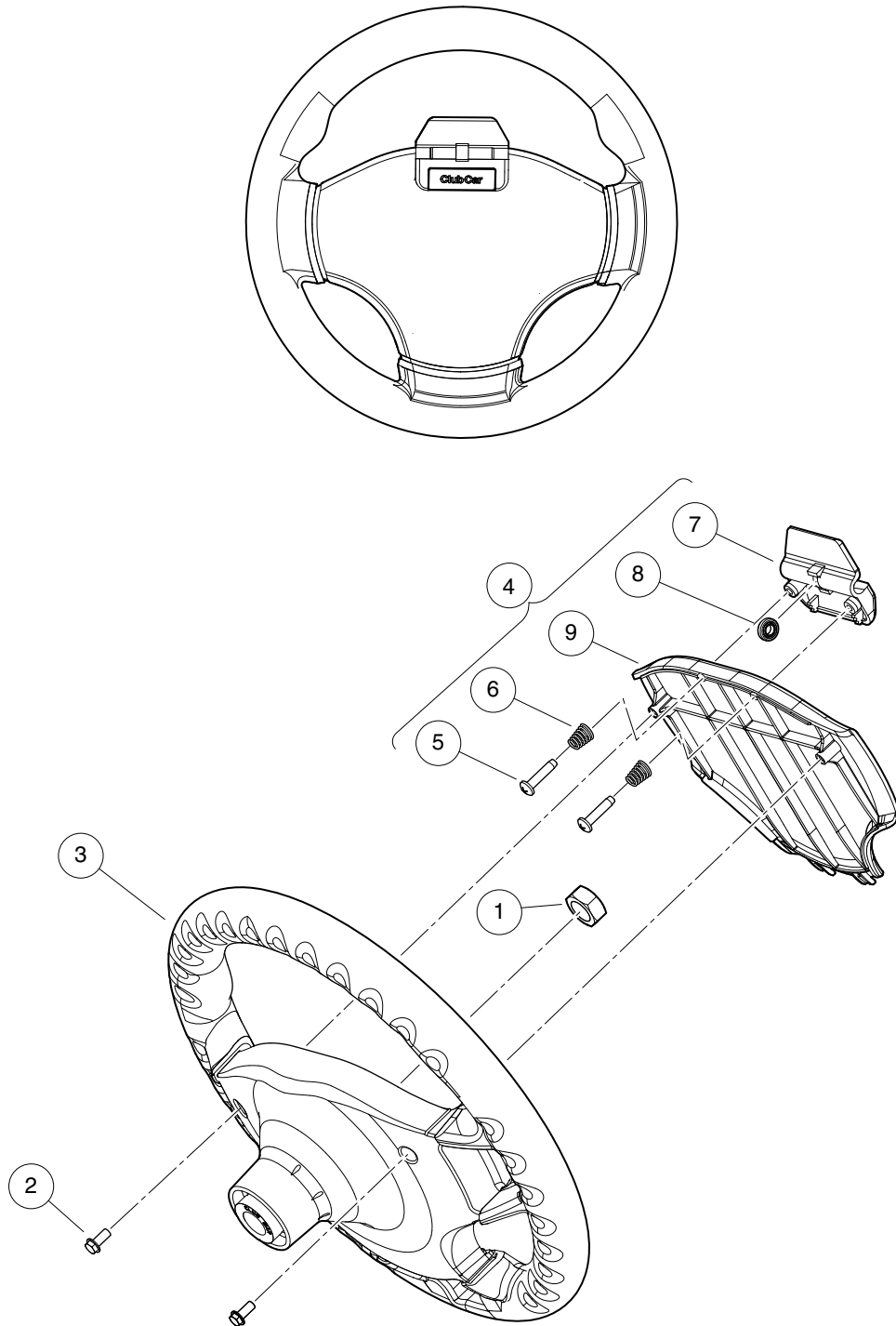
000246-007

STEERING WHEEL

ITEM	PART NO.	DESCRIPTION	QTY
		1 2 3 4	
1	1017273	Nut, 5/8-18 Nylon Insert Jam	1
2	101850301	Screw, #12-16 X 0.50 Washer-Head Hi-Lo	2
3	103724502	Wheel, Steering, Splined	1
4	103724602	Cover, Steering Wheel, Generic	1

6
G
E

6
G
E



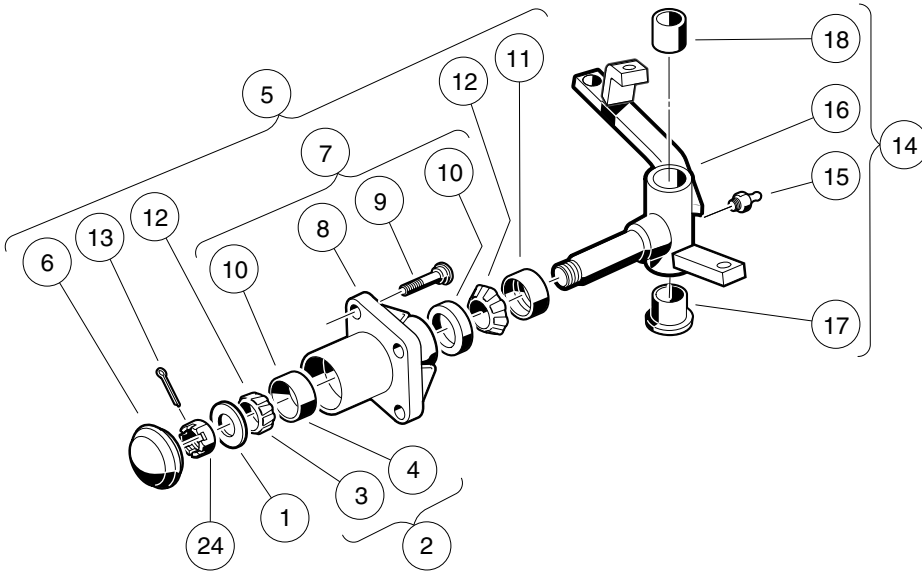
001504-001

STEERING WHEEL WITH CLIP

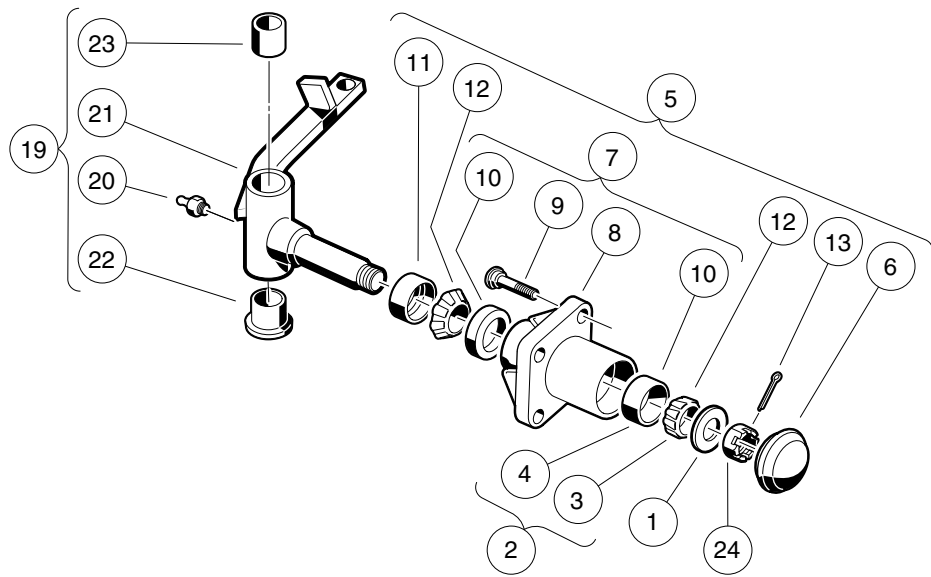
ITEM	PART NO.	DESCRIPTION	QTY
		1 2 3 4	
1	1017273	Nut, 5/8-18 Nylon Insert Jam	1
2	101850301	Screw, #12-16 X 0.50 Washer-Head Hi-Lo	2
3	103724502	Wheel, Steering, Splined	1
4	103724901	Asm, Scorecard, Clip (includes items 5 through 9)	1
5	1012565	Screw, #12 Phillips Round Head	2
6	1012566	Tapered Compression Spring	2
7	1016154	Clip, Scorecard	1
8	1016214	Pencil Grip	1
9	103724601	Cover, Steering Wheel, Clip	1

6
G
E

PASSENGER SIDE



DRIVER SIDE



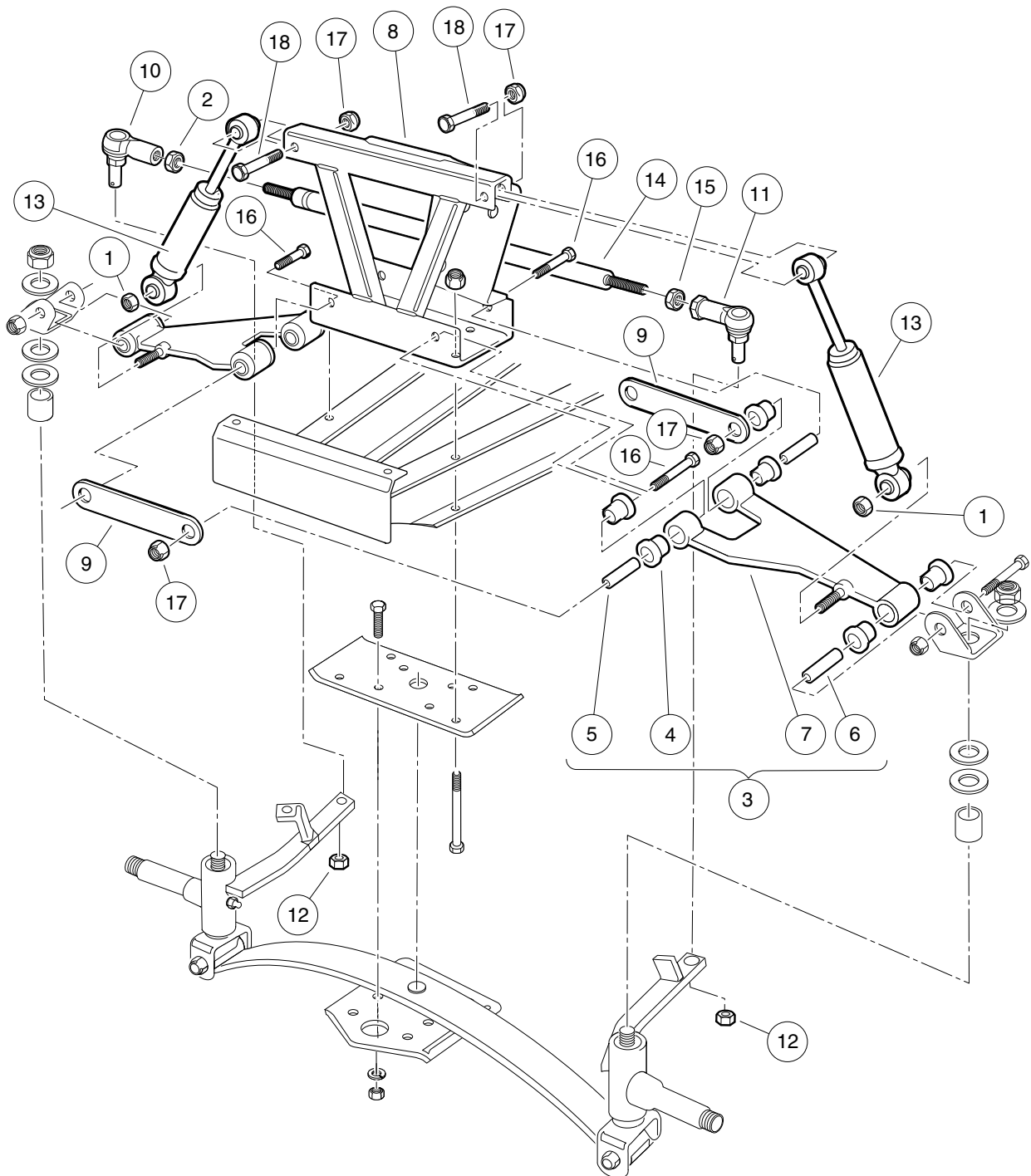
001104-001

FRONT SPINDLES AND HUBS – VEHICLES WITH TWO-WHEEL BRAKES AND MAINTENANCE-FREE BALL JOINTS

ITEM	PART NO.	DESCRIPTION	QTY
		1 2 3 4	
1	1010005	Washer, 3/4 Flat	2
2	1011393	Hub Bearing Package (includes items 3 and 4)	4
3	7274	Bearing, Front Hub Wheel	1
4	7308	Race, Front Hub Bearing	1
5	1011892	Hub Assembly (includes items 6 through 13)	2
6	1011887	Dust Cover	1
7	N/A	Hub (includes items 8 through 10)	1
8	N/A	Front Hub	1
9	103477901	Lug Stud, 1/2-20 Unf, 4037	4
10	7308	Race, Front Hub Bearing	2
11	1013135	Seal, Double Lip	1
12	7274	Bearing, Front Hub Wheel	2
13	7910	Pin, 5/32 X 1.00 Cotter	1
14	103665902	Asm, Spindle, Rh, 2wb, Sp (includes items 15 through 18)	1
15	1015597	Fitting, 1/4-28 Thread-Forming Grease	1
16	N/A	Subasm, Spndle, Rh, 2wb	1
17	7048	Bushing, Flanged Bronze	1
18	8067	Bushing, Bronze Spindle	1
19	103666002	Asm, Spindle, Lh, 2wb, Sp (includes items 20 through 23)	1
20	1015597	Fitting, 1/4-28 Thread-Forming Grease	1
21	N/A	Subasm, Spndle, Lh, 2wb	1
22	7048	Bushing, Flanged Bronze	1
23	8067	Bushing, Bronze Spindle	1
24	7840	Nut, 3/4-16 Hex Slotted	2

6
G
E

6
G
E



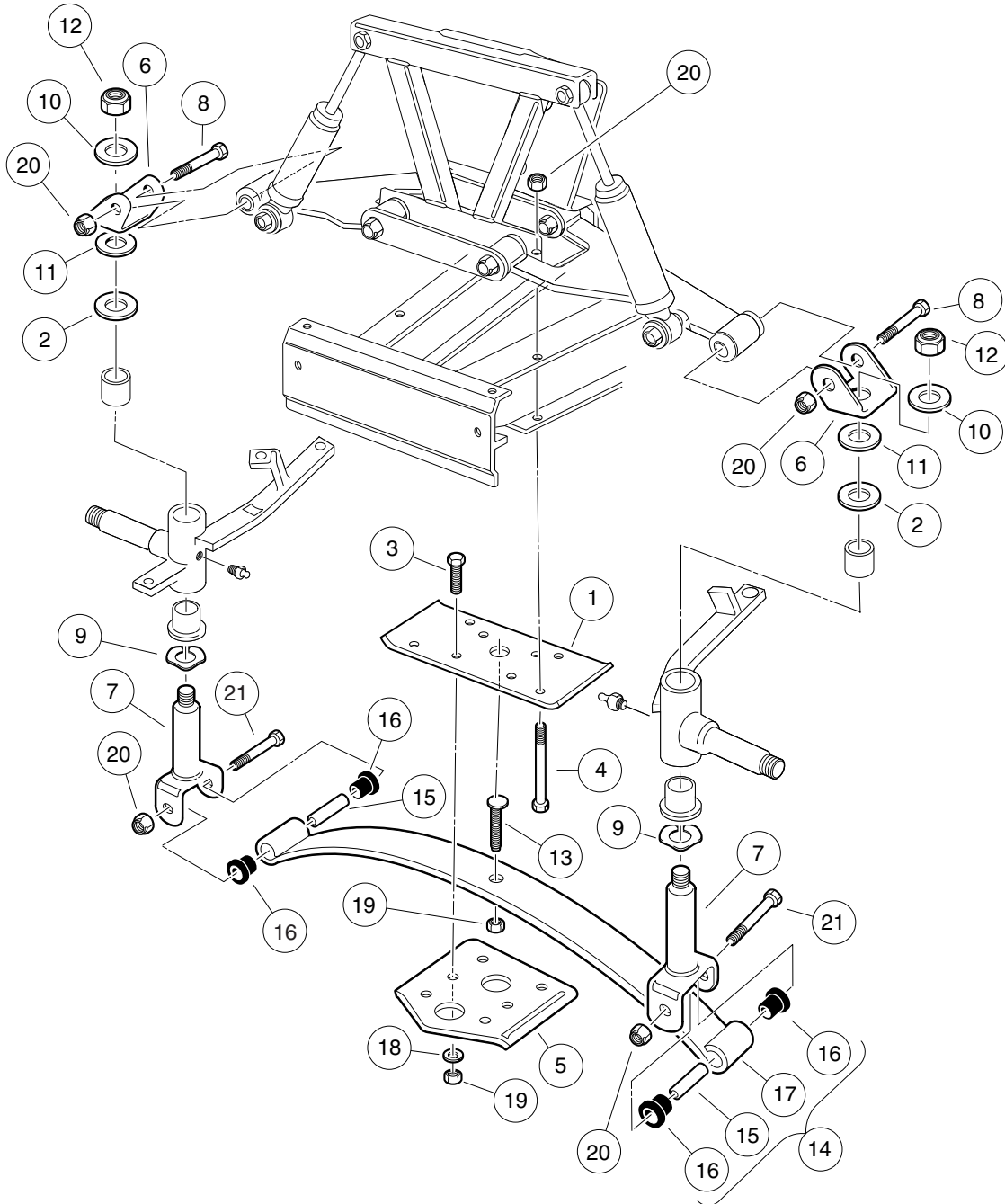
001105-001

FRONT SUSPENSION, UPPER – VEHICLES WITH TWO-WHEEL BRAKES AND MAINTENANCE-FREE BALL JOINTS

ITEM	PART NO.	DESCRIPTION	QTY
		1 2 3 4	
1	1010138	Locknut, 3/8-16 Dimpled	2
2	1013042	Nut, 12mm Hex	1
3	1016353	Sub-Assembly, Delta A-Plate (includes items 4 through 7)	2
4	1016346	Bushing, Urethane	6
5	1016349	Sleeve, Delta Inner	2
6	1016350	Sleeve, Delta Outer	1
7	1016351	Delta A-Plate	1
8	1016385	Delta Shock and Gear Support Assembly	1
9	1017266	A-Plate Strap	2
10	102022601	End, Tie Rod M12 X 1.25 Rh	1
11	102022602	End, Tie Rod, M12 X 1.25, Lh	1
12	102289201	Nut - Hex Locking, M12 X 1.25	2
13	103351001	Shock Absorber, Front, Common	2
14	103354701	Rod, Tie, Male Thd	1
15	103653501	Nut, Jam, M12-1.25, Lh	1
16	2402	Screw, 3/8-16 X 2.25 Hx Hd Cap	4
17	8754	Locknut, 3/8-16 Hex	6
18	8861	Bolt, 3/8-16 X 1.75 Hex	2

6
G
E

6
G
E



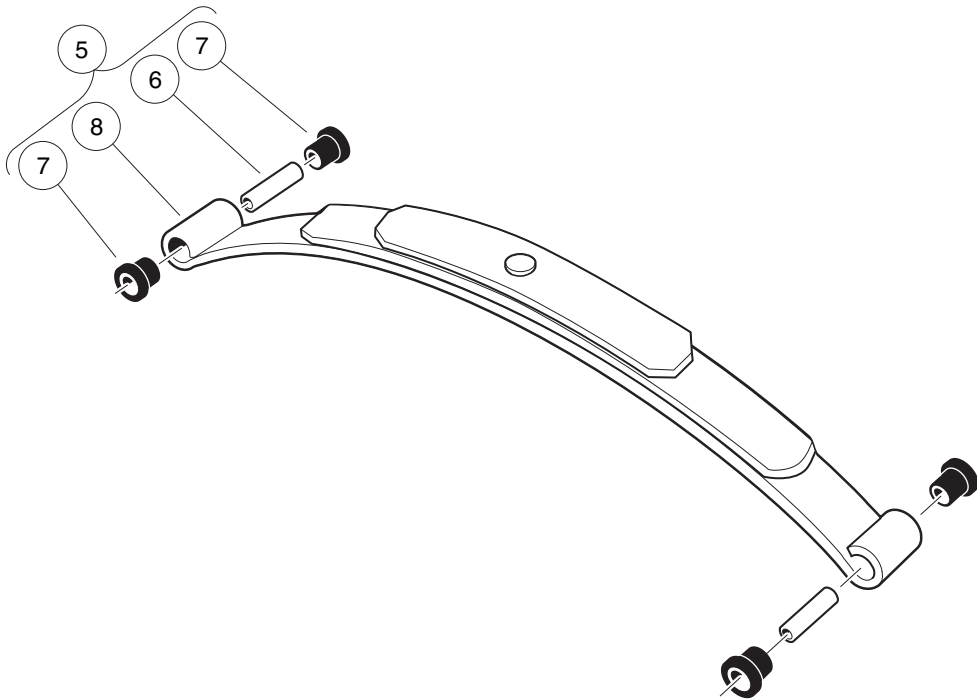
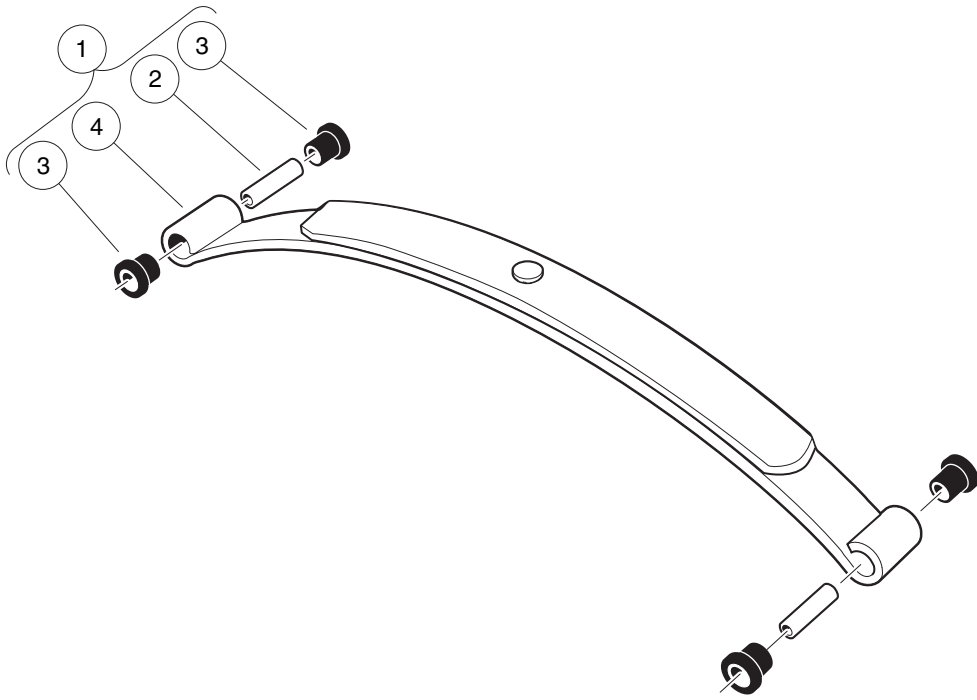
001106-001

FRONT SUSPENSION, LOWER – VEHICLES WITH TWO-WHEEL BRAKES AND MAINTENANCE-FREE BALL JOINTS

ITEM	PART NO.	DESCRIPTION	QTY
		1 2 3 4	
1	1010124	Plate, Spring Mount	1
2	1010150	Bearing, Thrust	2
3	1010177	Bolt, 3/8-16 X 2.00 Hex Head	4
4	1010200	Bolt, 3/8-16 X 4.25 Hex Head	4
5	1014276	Plate, Front Spring Retainer	1
6	1016384	Clevis, Delta Upper	2
7	1016386	King Pin Assembly	2
8	1016387	Screw, 3/8-16 X 2.75 Hx Hd Cap	2
9	1016389	Washer, 1.125 Od Wave	2
10	102564002	Washer-1/2 Conical, Yellow	2
11	102684501	Washer, M12 Hard Regular	2
12	102766301	Nut, 1/2-20, Center Lock	2
13	103507001	Eccentric Bolt Common	1
14	103628701	Spring Asm, Front, 1 Leaf (includes items 15 through 17)	1
15	1012303	Bushing, Steel	2
16	101558302	Bushing, Urethane, Soft	4
17	103502601	Spring, Front, 1 Leaf	1
18	357	Lockwasher, 3/8 Split	4
19	706	Nut, Hex 3/8-16	5
20	8754	Locknut, 3/8-16 Hex	8
21	8755	Screw, 3/8-16 X 3.375 Hex Cap	2

6
G
E

6
G
E



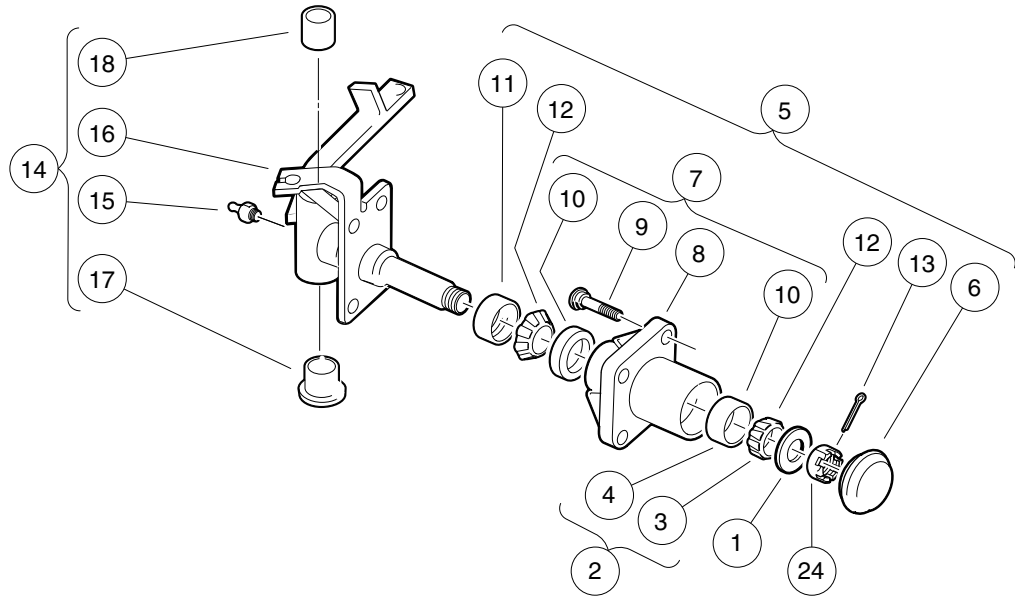
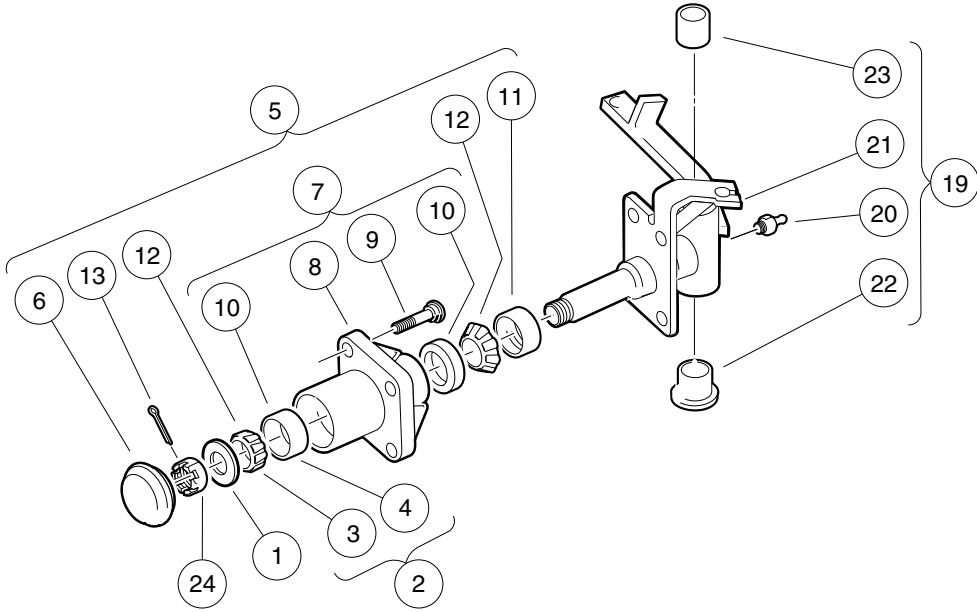
001225-001

HEAVY DUTY FRONT SPRINGS

ITEM	PART NO.	DESCRIPTION	QTY
		1 2 3 4	
1	103628801	Spring Asm, Front, 2 Leaf (includes items 2 through 4)	1
2	1012303	Bushing, Steel	2
3	1015583	Bushing, Urethane	4
4	103502701	Spring, Front, 2 Leaf	1
5	103628901	Spring Asm, Front, 3 Leaf (includes items 6 through 8)	1
6	1012303	Bushing, Steel	2
7	1015583	Bushing, Urethane	4
8	103502801	Spring, Front, 3 Leaf	1

6
G
E

6
G
E



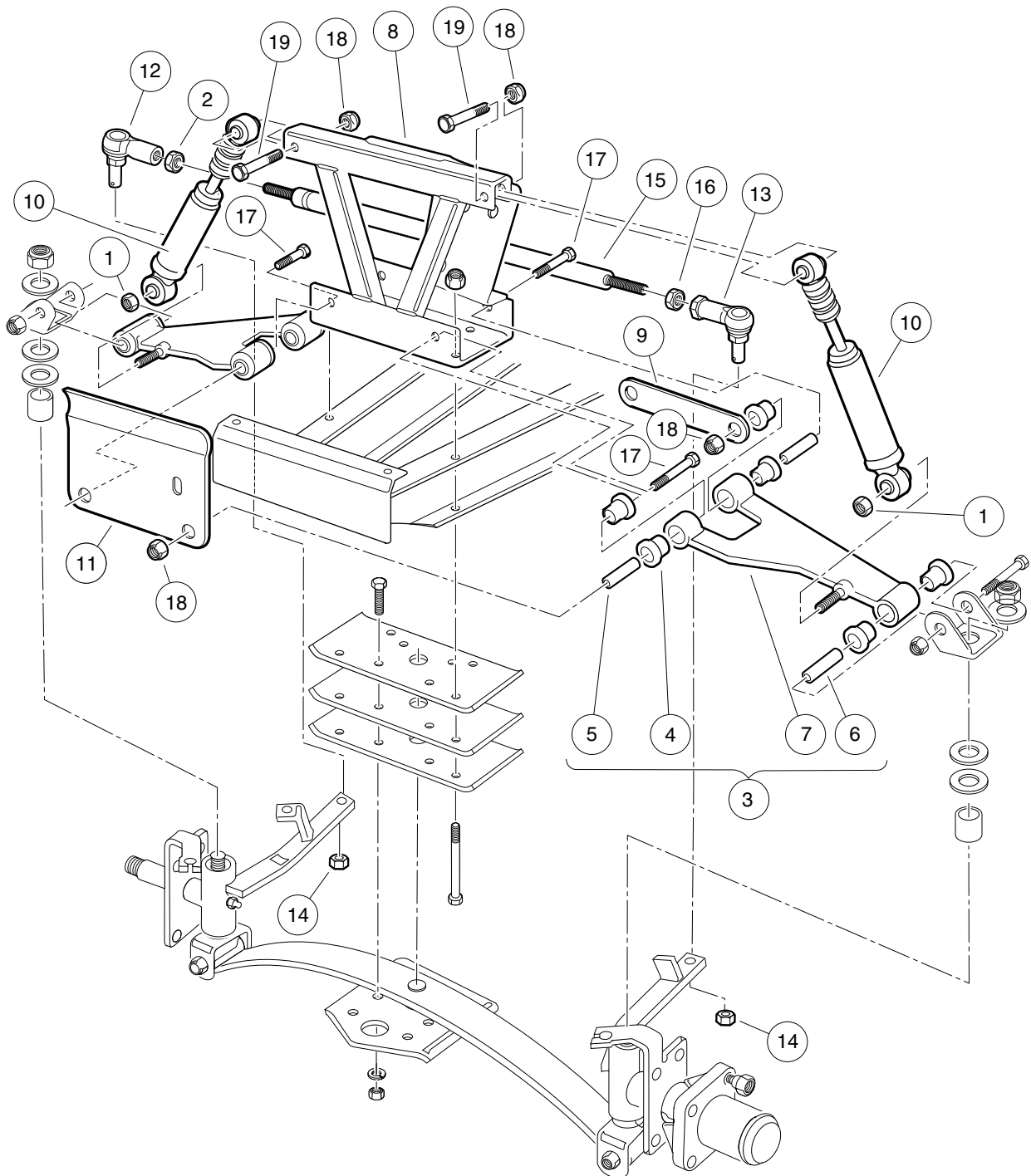
000310-002

FRONT SPINDLES AND HUBS – VEHICLES WITH FOUR-WHEEL BRAKES AND MAINTENANCE-FREE BALL JOINTS

ITEM	PART NO.	DESCRIPTION	QTY
		1 2 3 4	
1	1010005	Washer, 3/4 Flat	2
2	1011393	Hub Bearing Package (includes items 3 and 4)	4
3	7274	Bearing, Front Hub Wheel	1
4	7308	Race, Front Hub Bearing	1
5	1011892	Hub Assembly (includes items 6 through 13)	2
6	1011887	Dust Cover	1
7	N/A	Hub (includes items 8 through 10)	1
8	N/A	Front Hub	1
9	103477901	Lug Stud, 1/2-20 Unf, 4037	4
10	7308	Race, Front Hub Bearing	2
11	1013135	Seal, Double Lip	1
12	7274	Bearing, Front Hub Wheel	2
13	7910	Pin, 5/32 X 1.00 Cotter	1
14	103717302	Asm, Spindle, Lh, 4wb, Sp (includes items 15 through 18)	1
15	1015597	Fitting, 1/4-28 Thread-Forming Grease	1
16	N/A	Subasm, Spindle, Lh, 4wb	1
17	7048	Bushing, Flanged Bronze	1
18	8067	Bushing, Bronze Spindle	1
19	103717402	Asm, Spindle, Rh, 4wb, Sp (includes items 20 through 23)	1
20	1015597	Fitting, 1/4-28 Thread-Forming Grease	1
21	N/A	Subasm, Spindle, Rh, 4wb	1
22	7048	Bushing, Flanged Bronze	1
23	8067	Bushing, Bronze Spindle	1
24	7840	Nut, 3/4-16 Hex Slotted	2

6
G
E

6
G
E



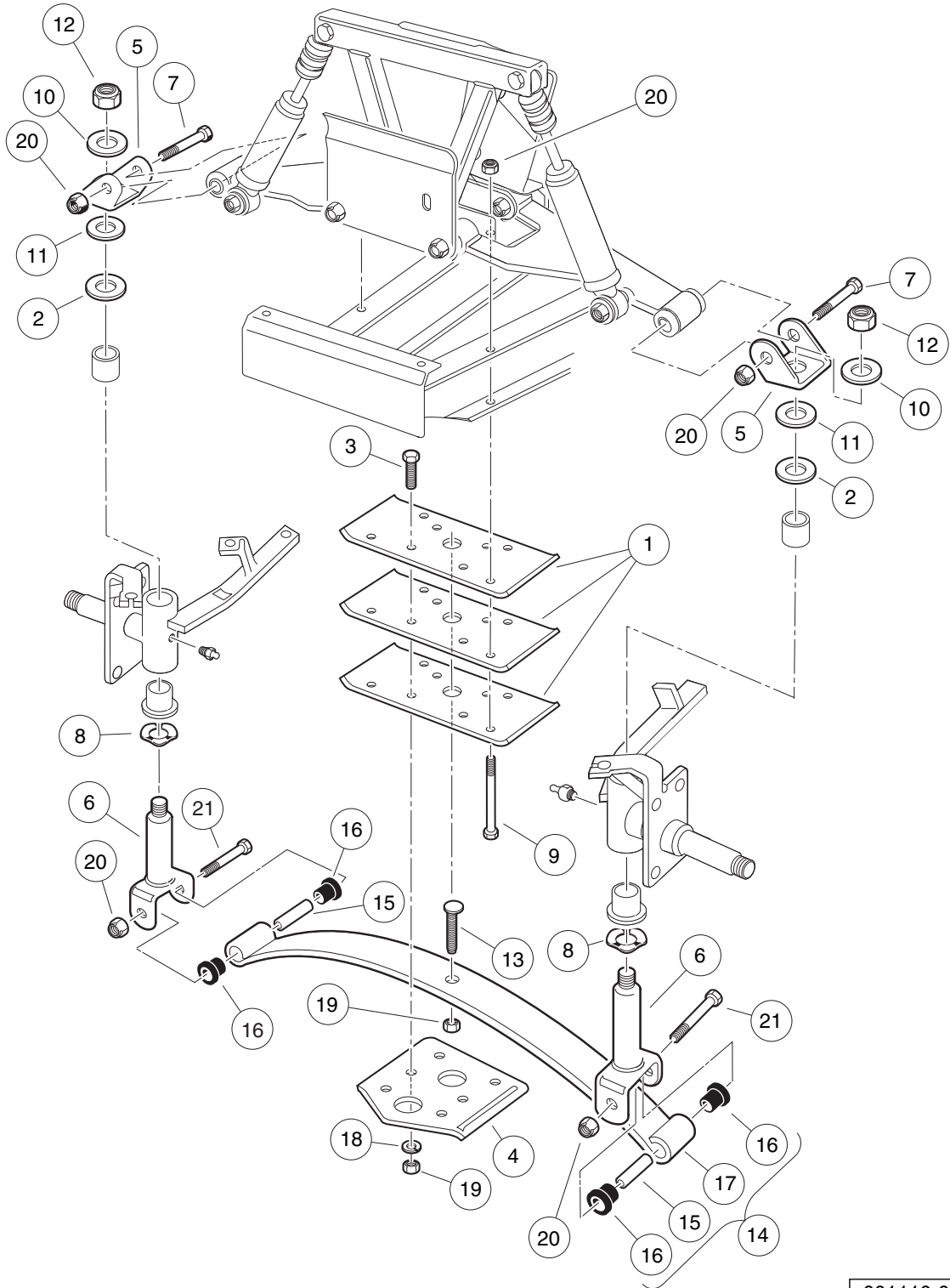
001109-001

FRONT SUSPENSION, UPPER – VEHICLES WITH FOUR-WHEEL BRAKES AND MAINTENANCE-FREE BALL JOINTS

ITEM	PART NO.	DESCRIPTION	QTY
		1 2 3 4	
1	1010138	Locknut, 3/8-16 Dimpled	2
2	1013042	Nut, 12mm Hex	1
3	1016353	Sub-Assembly, Delta A-Plate (includes items 4 through 7)	2
4	1016346	Bushing, Urethane	6
5	1016349	Sleeve, Delta Inner	2
6	1016350	Sleeve, Delta Outer	1
7	1016351	Delta A-Plate	1
8	1016385	Delta Shock and Gear Support Assembly	1
9	1017266	A-Plate Strap	1
10	101870601	Shock Absorber, Front Utility	2
11	101955001	Brake Cable Guide Bracket	1
12	102022601	End, Tie Rod M12 X 1.25 Rh	1
13	102022602	End, Tie Rod, M12 X 1.25, Lh	1
14	102289201	Nut - Hex Locking, M12 X 1.25	2
15	103354701	Rod, Tie, Male Thd	1
16	103653501	Nut, Jam, M12-1.25, Lh	1
17	2402	Screw, 3/8-16 X 2.25 Hx Hd Cap	4
18	8754	Locknut, 3/8-16 Hex	6
19	8861	Bolt, 3/8-16 X 1.75 Hex	2

6
G
E

6
G
E



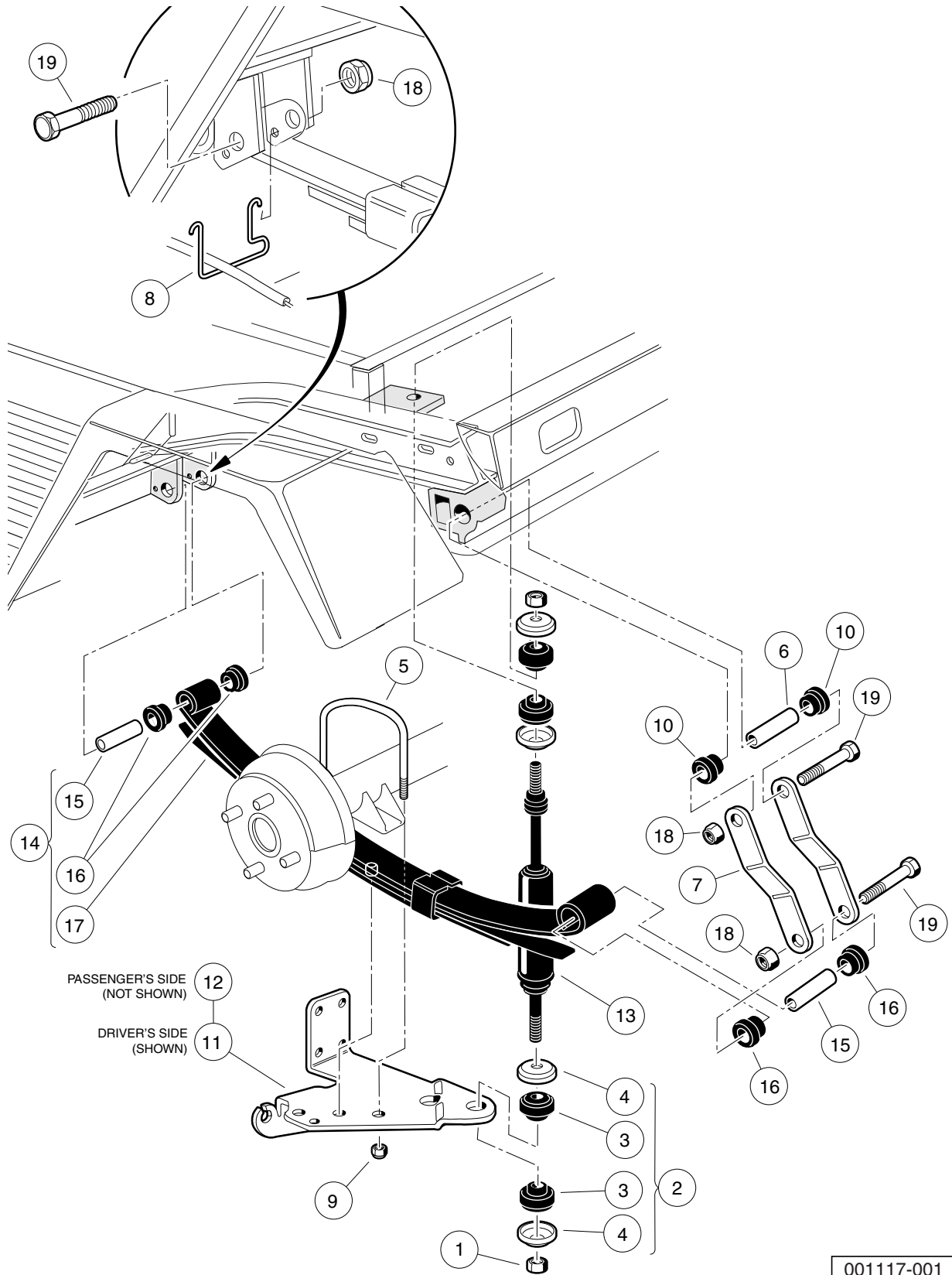
001110-001

FRONT SUSPENSION, LOWER – VEHICLES WITH FOUR-WHEEL BRAKES AND MAINTENANCE-FREE BALL JOINTS

ITEM	PART NO.	DESCRIPTION	QTY
		1 2 3 4	
1	1010124	Plate, Spring Mount	3
2	1010150	Bearing, Thrust	2
3	1010177	Bolt, 3/8-16 X 2.00 Hex Head	4
4	1014276	Plate, Front Spring Retainer	1
5	1016384	Clevis, Delta Upper	2
6	1016386	King Pin Assembly	2
7	1016387	Screw, 3/8-16 X 2.75 Hx Hd Cap	2
8	1016389	Washer, 1.125 Od Wave	2
9	101870501	Screw, 3/8-16 X 4.75 Hx Hd Cap	4
10	102564002	Washer-1/2 Conical, Yellow	2
11	102684501	Washer, M12 Hard Regular	2
12	102766301	Nut, 1/2-20, Center Lock	2
13	103507001	Eccentric Bolt Common	1
14	103628701	Spring Asm, Front, 1 Leaf (includes items 15 through 17)	1
15	1012303	Bushing, Steel	2
16	101558302	Bushing, Urethane, Soft	4
17	103502601	Spring, Front, 1 Leaf	1
18	357	Lockwasher, 3/8 Split	4
19	706	Nut, Hex 3/8-16	5
20	8754	Locknut, 3/8-16 Hex	8
21	8755	Screw, 3/8-16 X 3.375 Hex Cap	2

6
G
E

6
G
E



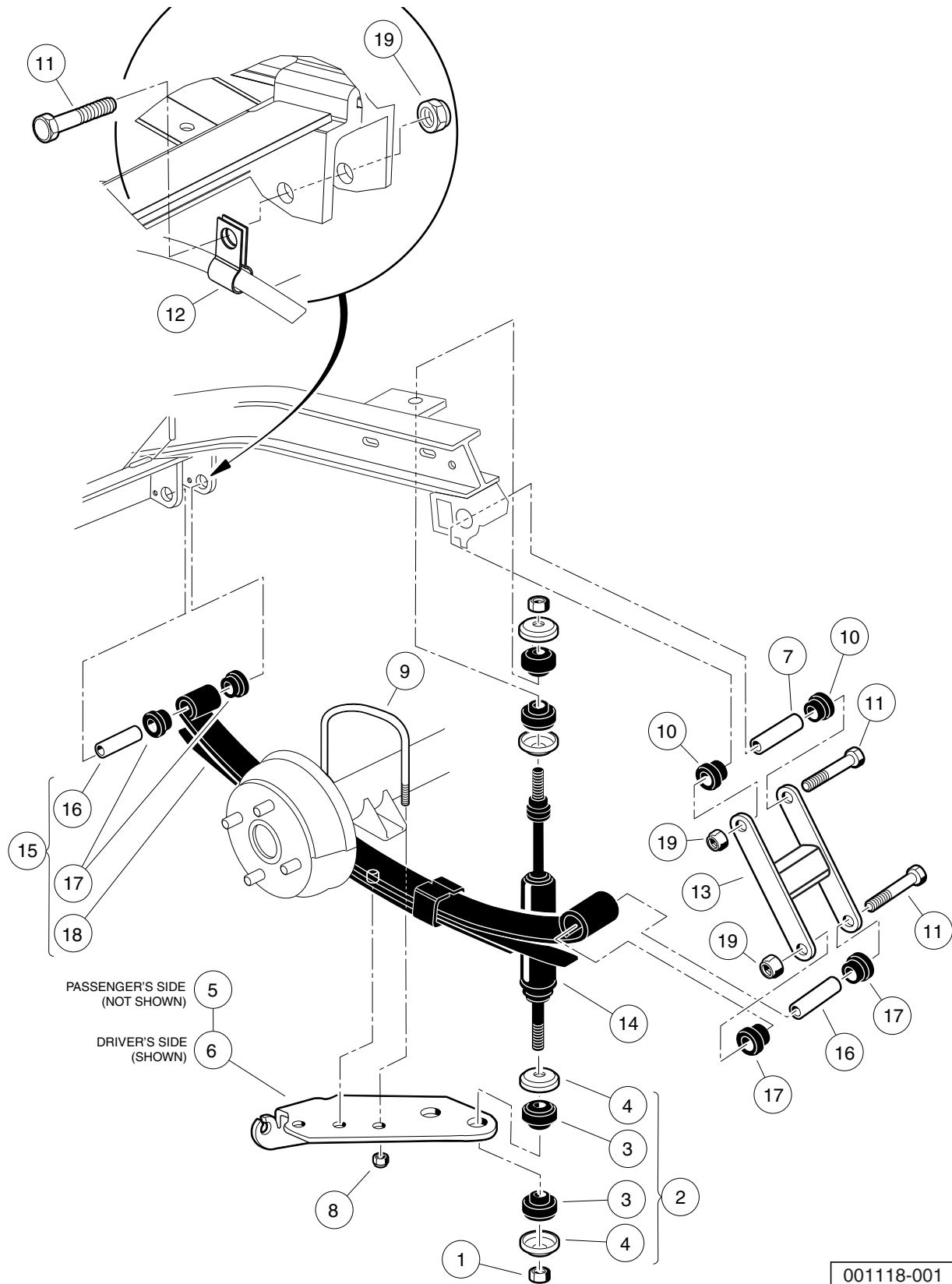
001117-001

REAR SUSPENSION – GASOLINE TURF/CARRYALL 2, 2 PLUS, AND 6

ITEM	PART NO.	DESCRIPTION	QTY
		1 2 3 4	
1	1010145	Nut, 3/8-24 Hex	4
2	1011415	Kit, Shock Absorber Cushion (includes items 3 and 4)	4
3	N/A	Cushion, Shock Absorber	2
4	N/A	Retainer, Shock Absorber Cushion	2
5	1012180	U-Bolt	2
6	1012303	Bushing, Steel	2
7	1012304	Shackle, Rear Spring	4
8	1013207	Hanger, Brake Cable	2
9	1014555	Locknut, 7/16-14 Nylon Hex	4
10	101558302	Bushing, Urethane, Soft	4
11	101926501	Bracket, Left-Hand	1
12	101929401	Bracket, Right	1
13	103350901	Shock Absorber, Rear, Utility	2
14	103657301	Asm-rear 3leaf Spring, 600 Lb (includes items 15 through 17)	2
15	1012303	Bushing, Steel	2
16	101558302	Bushing, Urethane, Soft	4
17	102871801	Rear Spring, 3leaf, 600 Lb/in	1
18	8754	Locknut, 3/8-16 Hex	6
19	8755	Screw, 3/8-16 X 3.375 Hex Cap	6
<p>Note: Only the driver-side rear suspension is shown. Parts for the passenger-side rear suspension are identical except for the leaf spring/shock mounting plate.</p>			

6
G
E

6
G
E



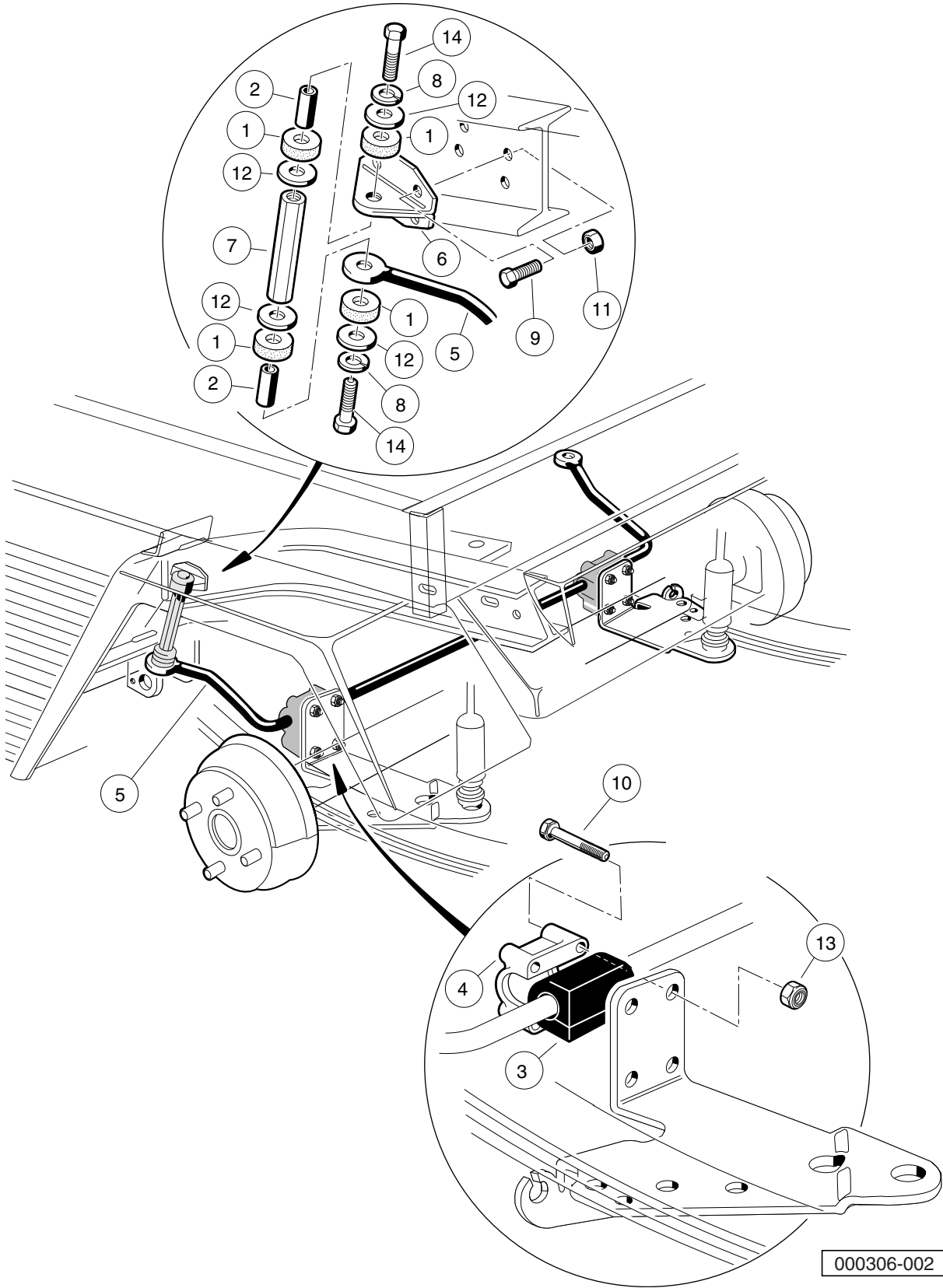
001118-001

REAR SUSPENSION – TURF/CARRYALL 2 AND 6 IQ PLUS VEHICLES

ITEM	PART NO.	DESCRIPTION	QTY
		1 2 3 4	
1	1010145	Nut, 3/8-24 Hex	4
2	1011415	Kit, Shock Absorber Cushion (includes items 3 and 4)	4
3	N/A	Cushion, Shock Absorber	2
4	N/A	Retainer, Shock Absorber Cushion	2
5	1012181	Bracket, Shock Mounting, Right (Passenger)	1
6	1012182	Bracket, Shock Mounting, Left (Driver)	1
7	1012303	Bushing, Steel	2
8	1014555	Locknut, 7/16-14 Nylon Hex	4
9	1014902	U-Bolt	2
10	101558302	Bushing, Urethane, Soft	4
11	102066201	Screw, 3/8-16 X 3.50 Hex Cap	6
12	102891101	Clamp, Cable, Brake, Sym	2
13	102917101	Weldment, Shackle	2
14	103351101	Shock, Absorber, Utility	2
15	103657301	Asm-rear 3leaf Spring, 600 Lb (includes items 16 through 18)	2
16	1012303	Bushing, Steel	2
17	101558302	Bushing, Urethane, Soft	4
18	102871801	Rear Spring, 3leaf, 600 Lb/in	1
19	8754	Locknut, 3/8-16 Hex	6
<p>Note: Only the driver-side rear suspension is shown. Parts for the passenger-side rear suspension are identical except for the leaf spring/shock mounting plate.</p>			

6
G
E

6
G
E



000306-002

STABILIZER BAR – TURF/CARRYALL 2, 6, AND CARRYALL 2 PLUS GASOLINE VEHICLES

ITEM	PART NO.	DESCRIPTION	QTY
		1 2 3 4	
1	1015453	Compression Mount	8
2	1015457	Spacer, 0.720"	4
3	1015613	Bushing, Stabilizer Bar	2
4	1015614	Support, Bushing	2
5	1015760	Stabilizer Bar	1
6	1016813	Mounting Bracket, Stabilizer Bar	2
7	1016814	Link, Stabilizer Bar	2
8	357	Lockwasher, 3/8 Split	4
9	7173	Screw, 5/16-18 X 0.75, Hex-Head Cap	8
10	7311	Screw, 1/4-20 X 2.00 Hex-Head Cap	8
11	7473	Locknut, 5/16-18 Nylon Insert	8
12	808	Washer, 3/8 Type B Flat	8
13	8233	Locknut, 1/4-20, Nylon Insert	8
14	8861	Bolt, 3/8-16 X 1.75 Hex	4

6
G
E

6

G

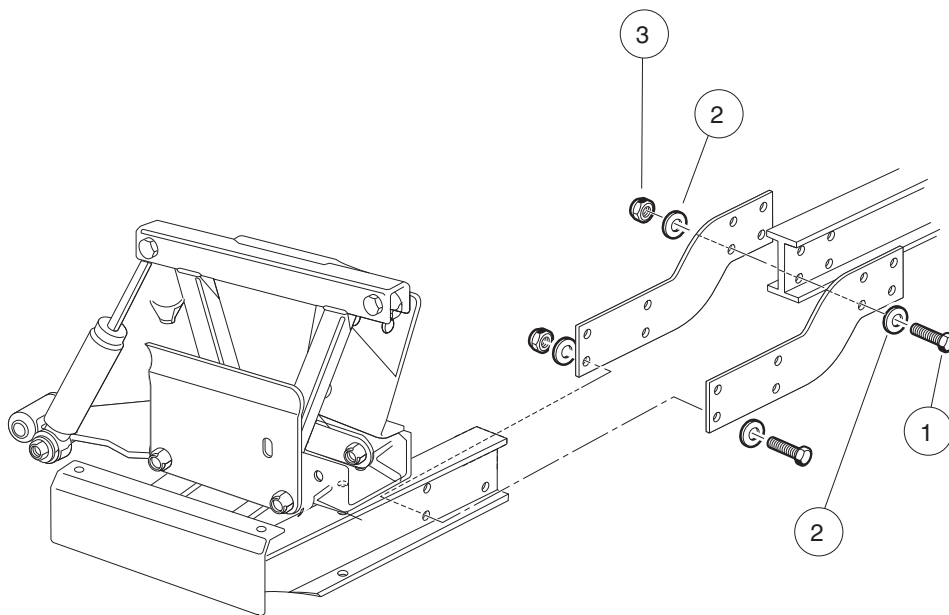
E

STEERING AND SUSPENSIONS – 252 AND 900

7

G

E



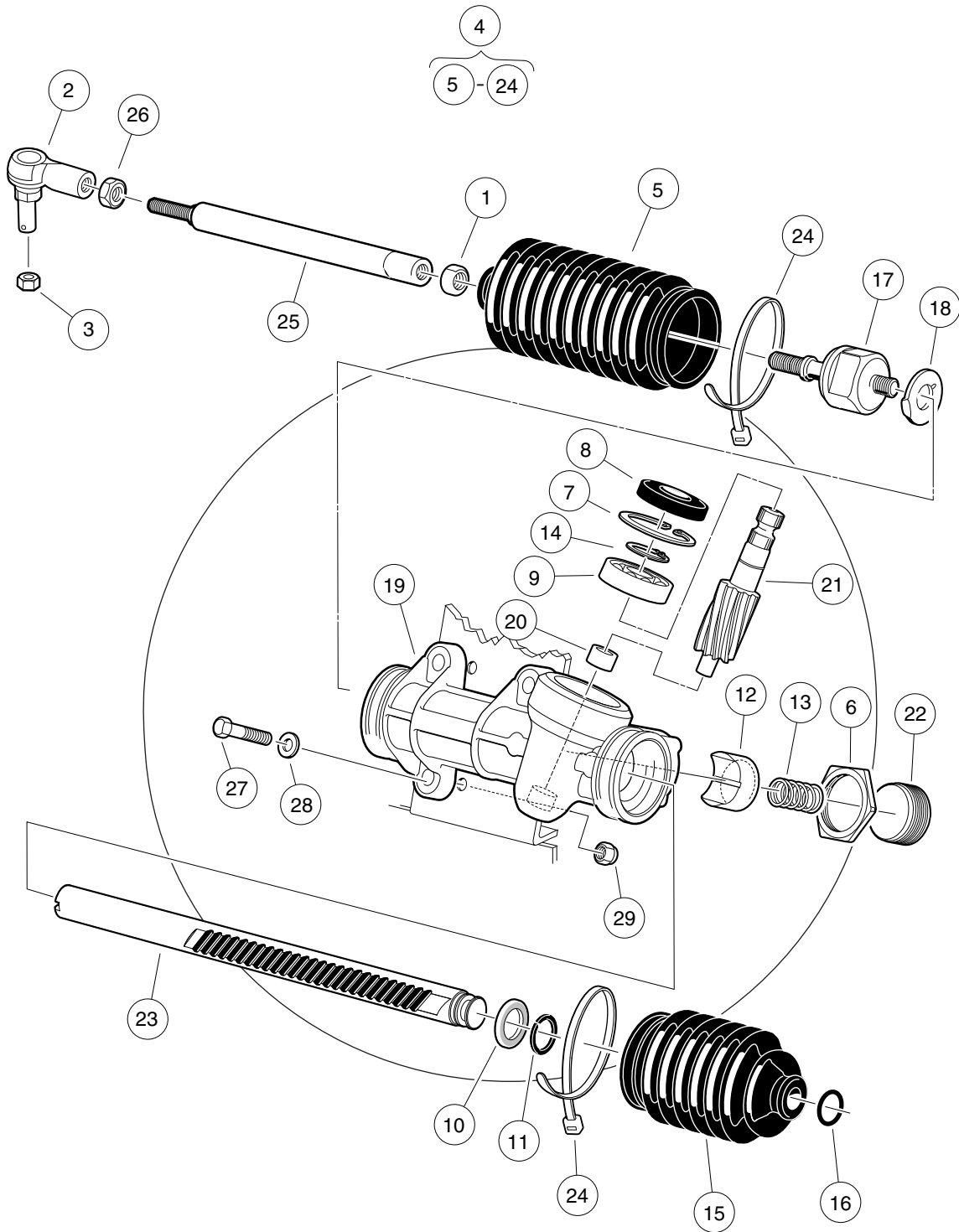
000304-002

FRONT FRAME PLATE HARDWARE – TURF/CARRYALL 252 AND XRT 900

ITEM	PART NO.	DESCRIPTION	QTY
		1 2 3 4	
1	1218	Screw, 5/16-18 X 1.25 Hex-Head Cap	16
2	1241	Washer, 5/16 Type A Flat	32
3	7473	Locknut, 5/16-18 Nylon Insert	16

7
G
E

7
G
E



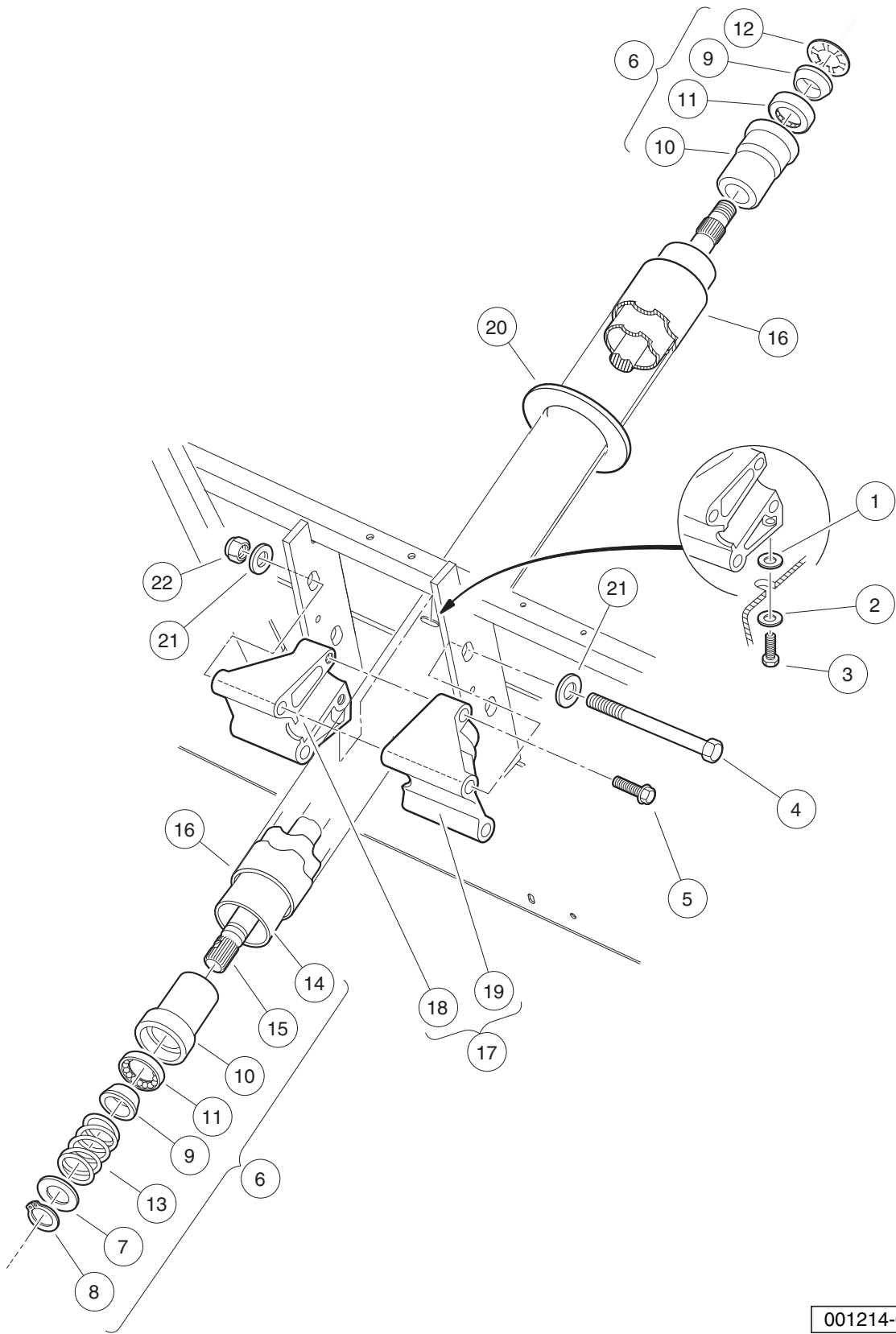
001500-002

STEERING GEAR ASSEMBLY (WANDA) – MAINT.-FREE BALL JOINT

ITEM	PART NO.	DESCRIPTION	QTY
		1 2 3 4	
1	1013042	Nut, 12mm Hex	1
2	102022602	End, Tie Rod, M12 X 1.25, Lh	1
3	102289201	Nut - Hex Locking, M12 X 1.25	1
4	103601501	Asm, Steering Rack And Pinion (includes items 5 through 24)	1
5	1013035	Bellows, Long	1
6	1013044	Rack Screw Locknut	1
7	N/A	Snap Ring	1
8	1013052	Seal, Steering Pinion Dust	1
9	101879401	Bearing, Ball	1
10	101879501	Stop Washer	1
11	101879601	Stop Ring, C-Type	1
12	101879701	Support Yoke	1
13	101879801	Rack Guide Pressure Spring	1
14	101879901	Ring, Stop, C-Type	1
15	101880001	Bellows, Short	1
16	101880101	Dust Seal Retaining Ring	1
17	101880201	Inner Ball Joint Asm	1
18	101880301	Washer, Tab	1
19	N/A	Box, Steering Gear	1
20	N/A	Bearing, Lower Pinion	1
21	N/A	Pinion, Steering	1
22	N/A	Screw, Rack Guide	1
23	N/A	Rack, Steering	1
24	8990	Tie Wrap, 8" Nylon	2
25	103653401	Link, Drag, Male Thd	1
26	103653501	Nut, Jam, M12-1.25, Lh	1
27	1624	Screw, 3/8-16 X 1.50, Hex-Head Cap	3
28	334	Washer, 3/8, Type A, Flat	3
29	8754	Locknut, 3/8-16 Hex	3

7
G
E

7
G
E

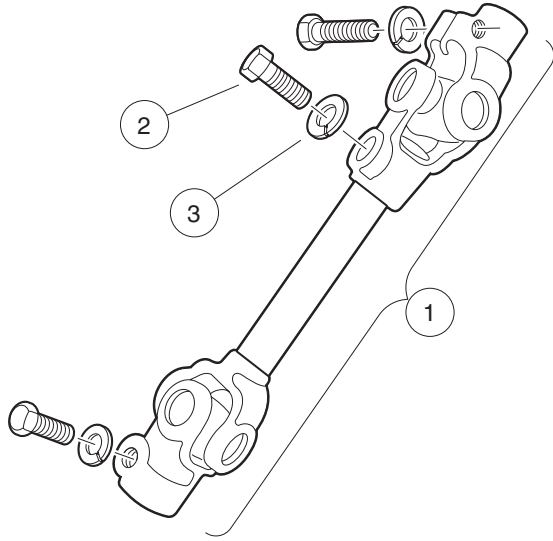


001214-001

STEERING COLUMN – UTILITY

ITEM	PART NO.	DESCRIPTION	QTY
		1 2 3 4	
1	1011578	Washer, 5/16 Type B Flat	1
2	1011697	Washer, 5/16 Flat	1
3	1014288	Screw, 5/16-18 X 0.75, Thread-Forming	1
4	1016183	Screw, 3/8-16 X 7.00 Hex Cap	2
5	1016269	Screw, 5/16-18 Thrd Forming	2
6	1017313	Steering Shaft Assembly (includes items 7 through 15)	1
7	1012604	Washer, 0.675 ID X 1.19 OD	1
8	1012605	Ring, 0.579 Internal Retaining	1
9	1014125	Wedge, Molded	2
10	1014126	Seat, Plastic Bearing	2
11	1014213	Bearing, Ball	2
12	1014214	Ring, Retaining	1
13	1014217	Spring, Steering Shaft	1
14	1017314	Column, Aluminum Steering	1
15	1017315	Shaft Steering Column	1
16	1017317	Tube Cover, Steering Column	1
17	101984801	Kit, Steering Column Mounting Bracket (includes items 18 and 19)	1
18	N/A	Bracket, RH Steering Column Mount	1
19	N/A	Bracket, LH Steering column mount	1
20	102278001	Boot, Steering Column Round	1
21	334	Washer, 3/8, Type A, Flat	4
22	8754	Locknut, 3/8-16 Hex	2

7
G
E



001218-001

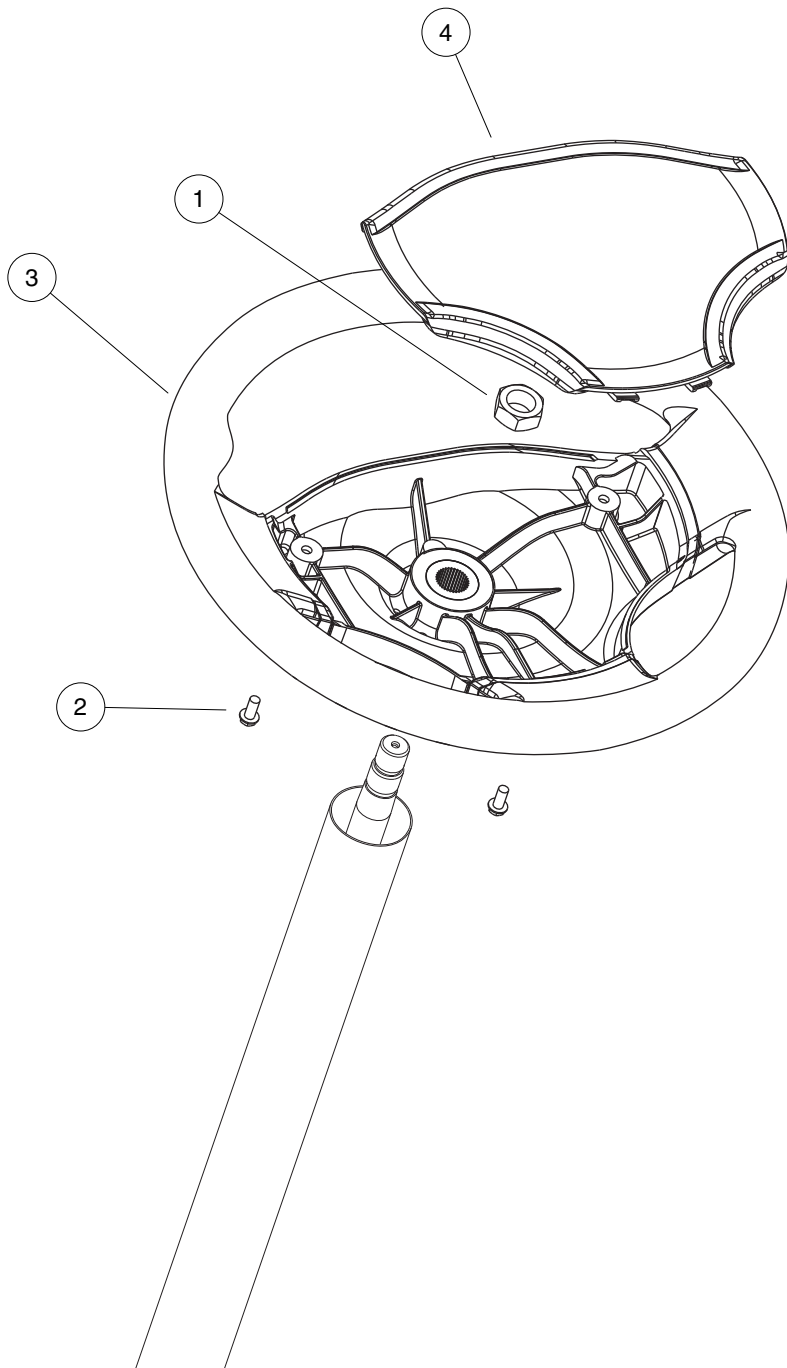
INTERMEDIATE STEERING SHAFT – TURF/CARRYALL 252 AND XRT 900 VEHICLES

ITEM	PART NO.	DESCRIPTION	QTY
		1 2 3 4	
1	103867901	Joint, Steering, Lifted (includes items 2 and 3)	1
2	1017226	Bolt, Hex-Head, 8mm X 1.25 - 30	3
3	7174	Lockwasher, 5/16 Split	3

7

G

E



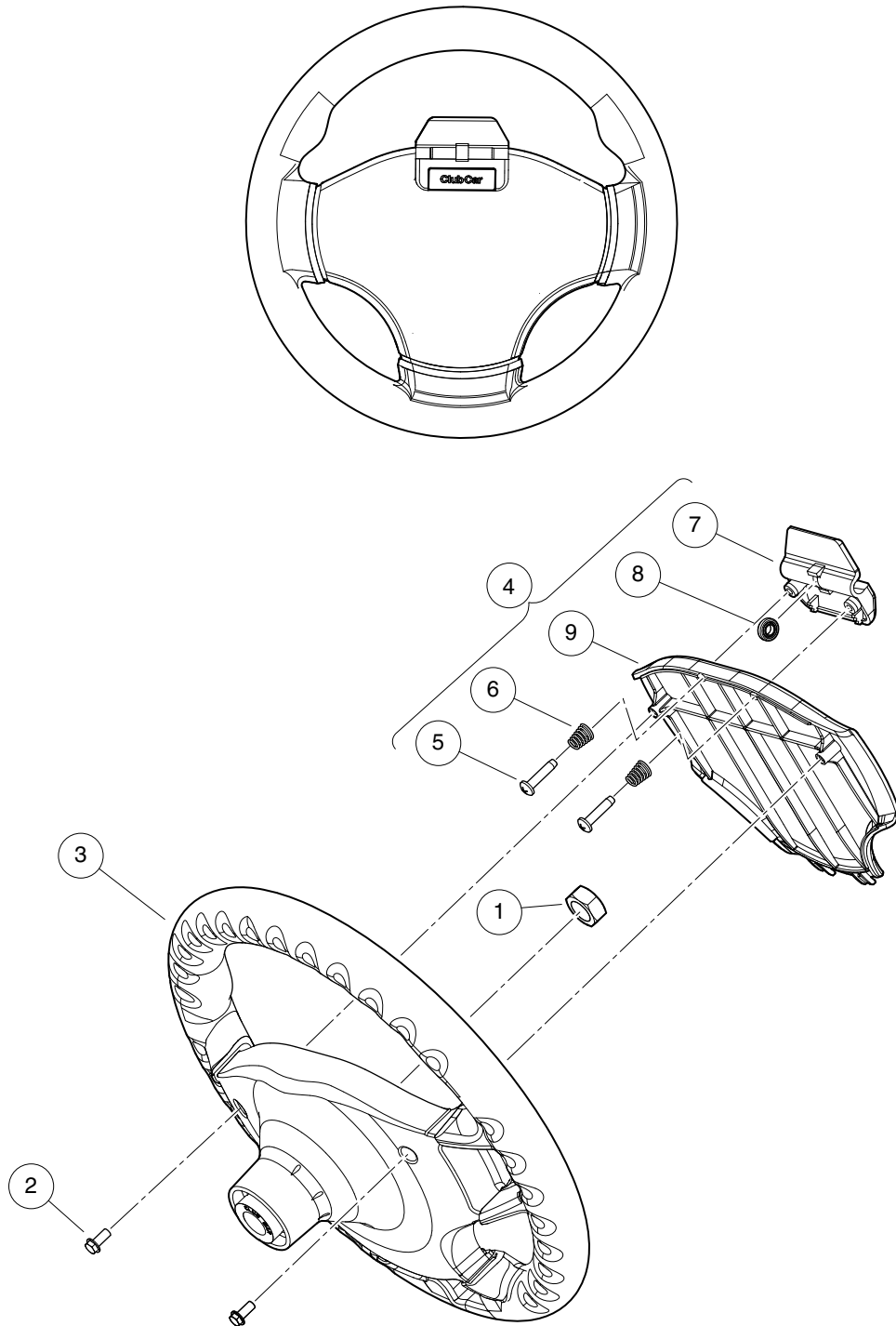
000246-007

STEERING WHEEL

ITEM	PART NO.	DESCRIPTION	QTY
		1 2 3 4	
1	1017273	Nut, 5/8-18 Nylon Insert Jam	1
2	101850301	Screw, #12-16 X 0.50 Washer-Head Hi-Lo	2
3	103724502	Wheel, Steering, Splined	1
4	103724602	Cover, Steering Wheel, Generic	1

7
G
E

7
G
E



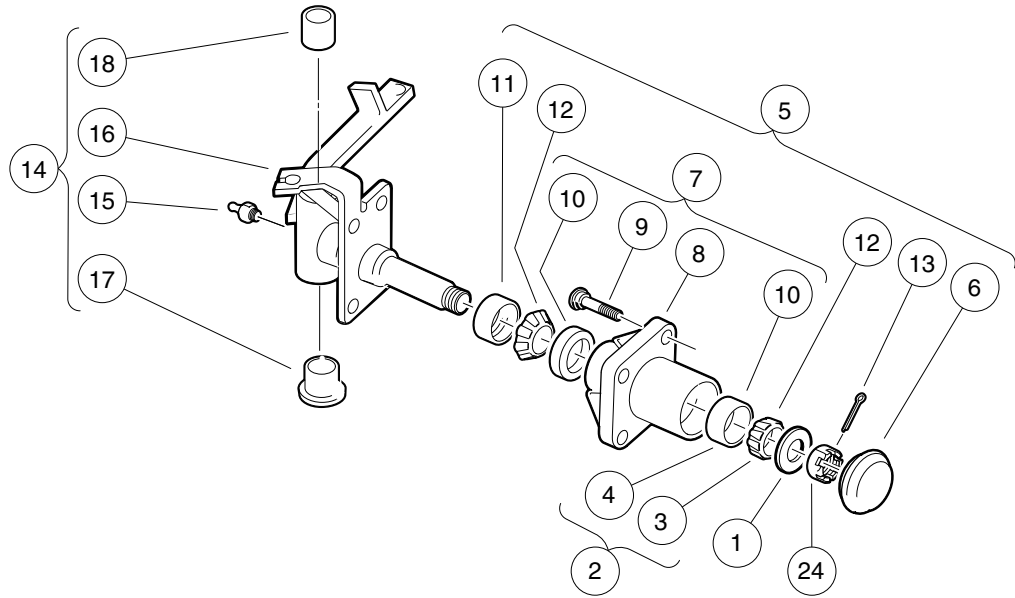
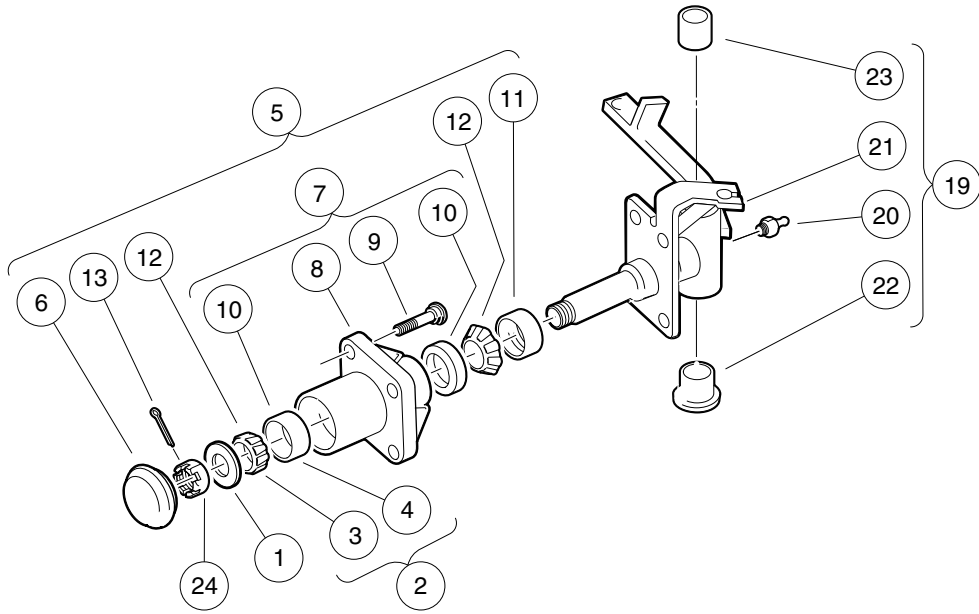
001504-001

STEERING WHEEL WITH CLIP

ITEM	PART NO.	DESCRIPTION	QTY
		1 2 3 4	
1	1017273	Nut, 5/8-18 Nylon Insert Jam	1
2	101850301	Screw, #12-16 X 0.50 Washer-Head Hi-Lo	2
3	103724502	Wheel, Steering, Splined	1
4	103724901	Asm, Scorecard, Clip (includes items 5 through 9)	1
5	1012565	Screw, #12 Phillips Round Head	2
6	1012566	Tapered Compression Spring	2
7	1016154	Clip, Scorecard	1
8	1016214	Pencil Grip	1
9	103724601	Cover, Steering Wheel, Clip	1

7
G
E

7
G
E



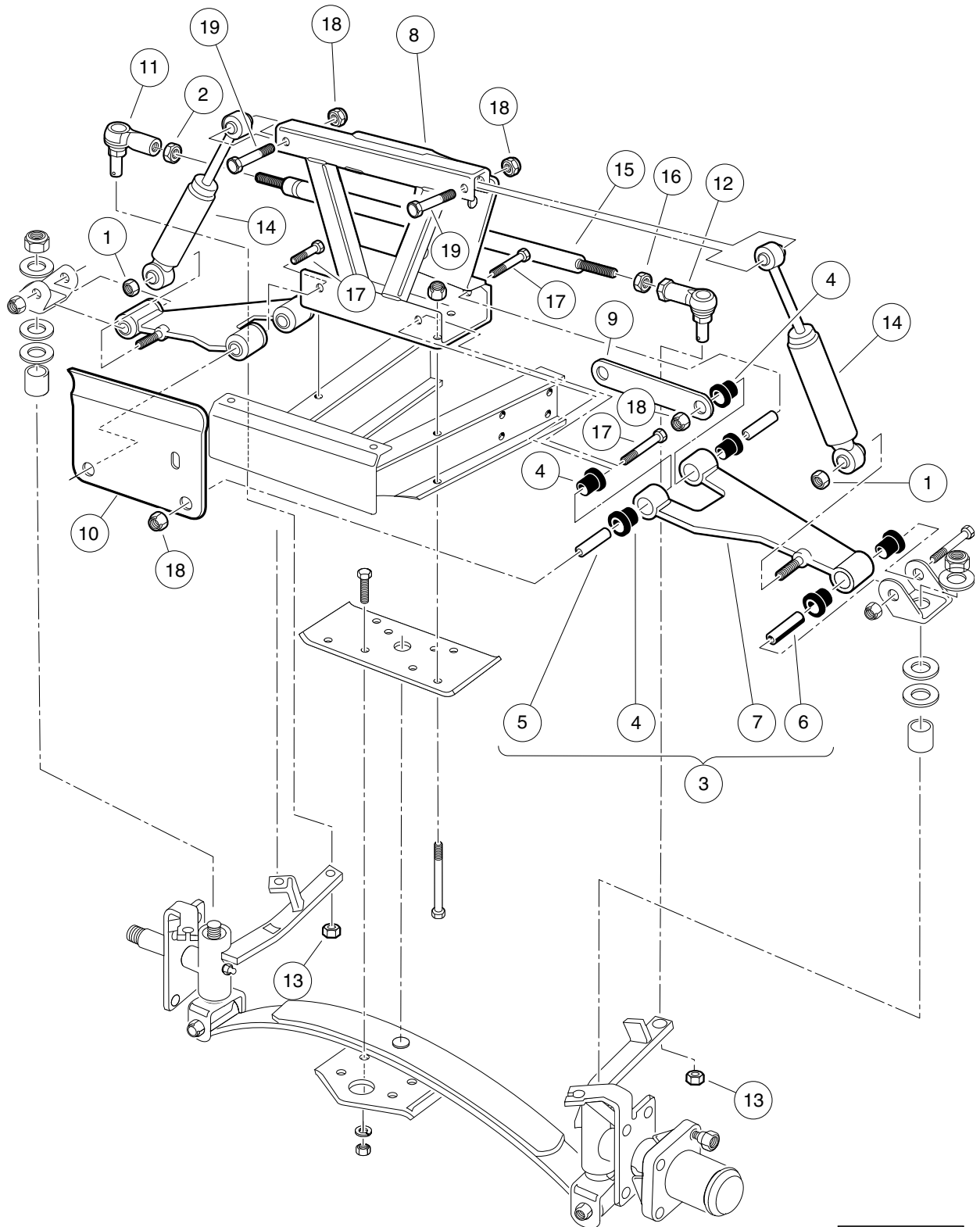
000310-002

FRONT SPINDLES AND HUBS – VEHICLES WITH FOUR-WHEEL BRAKES AND MAINTENANCE-FREE BALL JOINTS

ITEM	PART NO.	DESCRIPTION	QTY
		1 2 3 4	
1	1010005	Washer, 3/4 Flat	2
2	1011393	Hub Bearing Package (includes items 3 and 4)	4
3	7274	Bearing, Front Hub Wheel	1
4	7308	Race, Front Hub Bearing	1
5	1011892	Hub Assembly (includes items 6 through 13)	2
6	1011887	Dust Cover	1
7	N/A	Hub (includes items 8 through 10)	1
8	N/A	Front Hub	1
9	103477901	Lug Stud, 1/2-20 Unf, 4037	4
10	7308	Race, Front Hub Bearing	2
11	1013135	Seal, Double Lip	1
12	7274	Bearing, Front Hub Wheel	2
13	7910	Pin, 5/32 X 1.00 Cotter	1
14	103717302	Asm, Spindle, Lh, 4wb, Sp (includes items 15 through 18)	1
15	1015597	Fitting, 1/4-28 Thread-Forming Grease	1
16	N/A	Subasm, Spindle, Lh, 4wb	1
17	7048	Bushing, Flanged Bronze	1
18	8067	Bushing, Bronze Spindle	1
19	103717402	Asm, Spindle, Rh, 4wb, Sp (includes items 20 through 23)	1
20	1015597	Fitting, 1/4-28 Thread-Forming Grease	1
21	N/A	Subasm, Spindle, Rh, 4wb	1
22	7048	Bushing, Flanged Bronze	1
23	8067	Bushing, Bronze Spindle	1
24	7840	Nut, 3/4-16 Hex Slotted	2

7
G
E

7
G
E



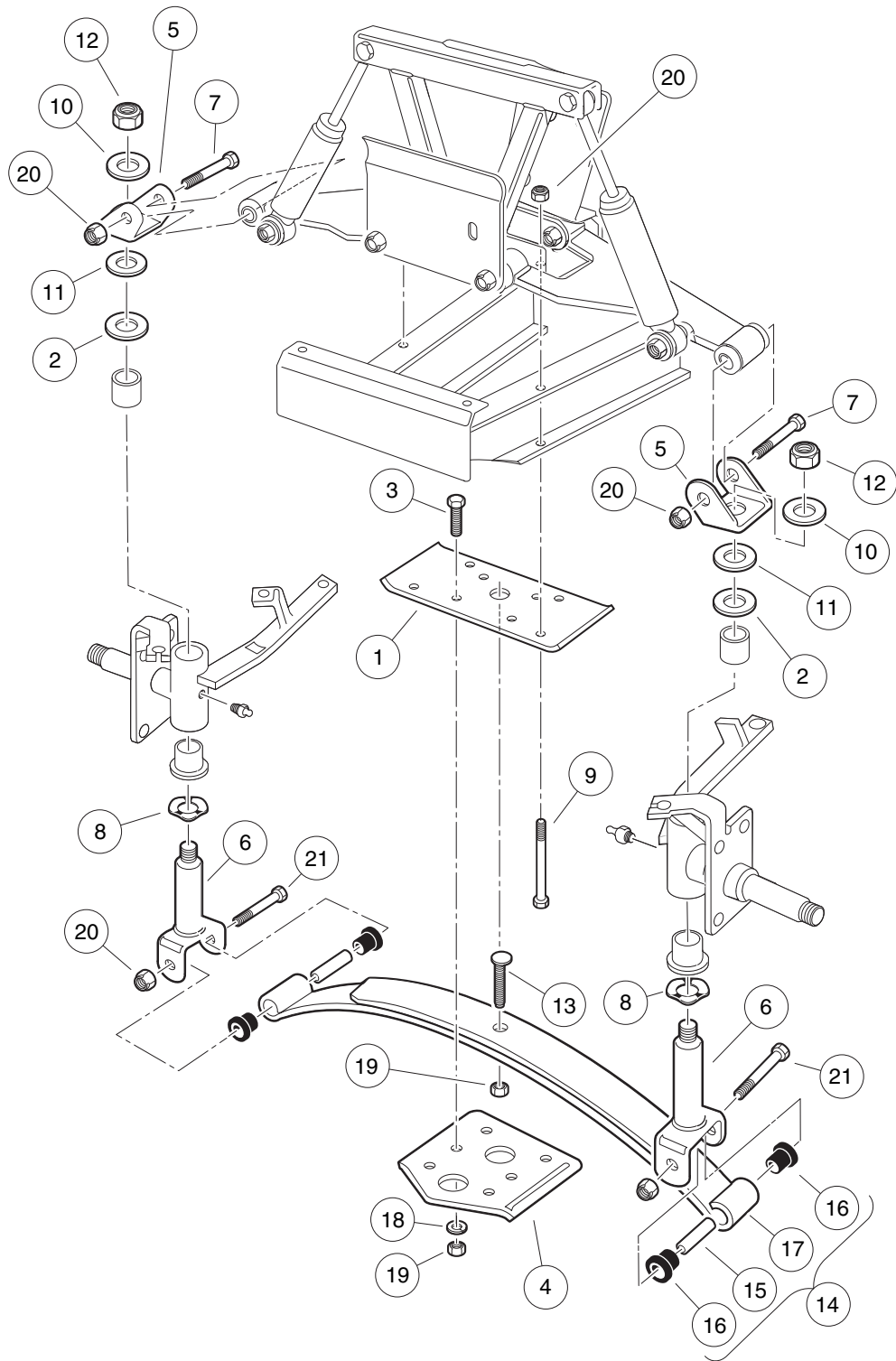
001112-001

FRONT SUSPENSION, UPPER – TURF/CARRYALL 252 AND XRT 900 WITH MAINTENANCE-FREE BALL JOINTS

ITEM	PART NO.	DESCRIPTION	QTY
		1 2 3 4	
1	1010138	Locknut, 3/8-16 Dimpled	2
2	1013042	Nut, 12mm Hex	1
3	1016353	Sub-Assembly, Delta A-Plate (includes items 4 through 7)	2
4	1016346	Bushing, Urethane	6
5	1016349	Sleeve, Delta Inner	2
6	1016350	Sleeve, Delta Outer	1
7	1016351	Delta A-Plate	1
8	1016385	Delta Shock and Gear Support Assembly	1
9	1017266	A-Plate Strap	1
10	101955001	Brake Cable Guide Bracket	1
11	102022601	End, Tie Rod M12 X 1.25 Rh	1
12	102022602	End, Tie Rod, M12 X 1.25, Lh	1
13	102289201	Nut - Hex Locking, M12 X 1.25	2
14	103351001	Shock Absorber, Front, Common	2
15	103354701	Rod, Tie, Male Thd	1
16	103653501	Nut, Jam, M12-1.25, Lh	1
17	2402	Screw, 3/8-16 X 2.25 Hx Hd Cap	4
18	8754	Locknut, 3/8-16 Hex	6
19	8861	Bolt, 3/8-16 X 1.75 Hex	2

7
G
E

7
G
E



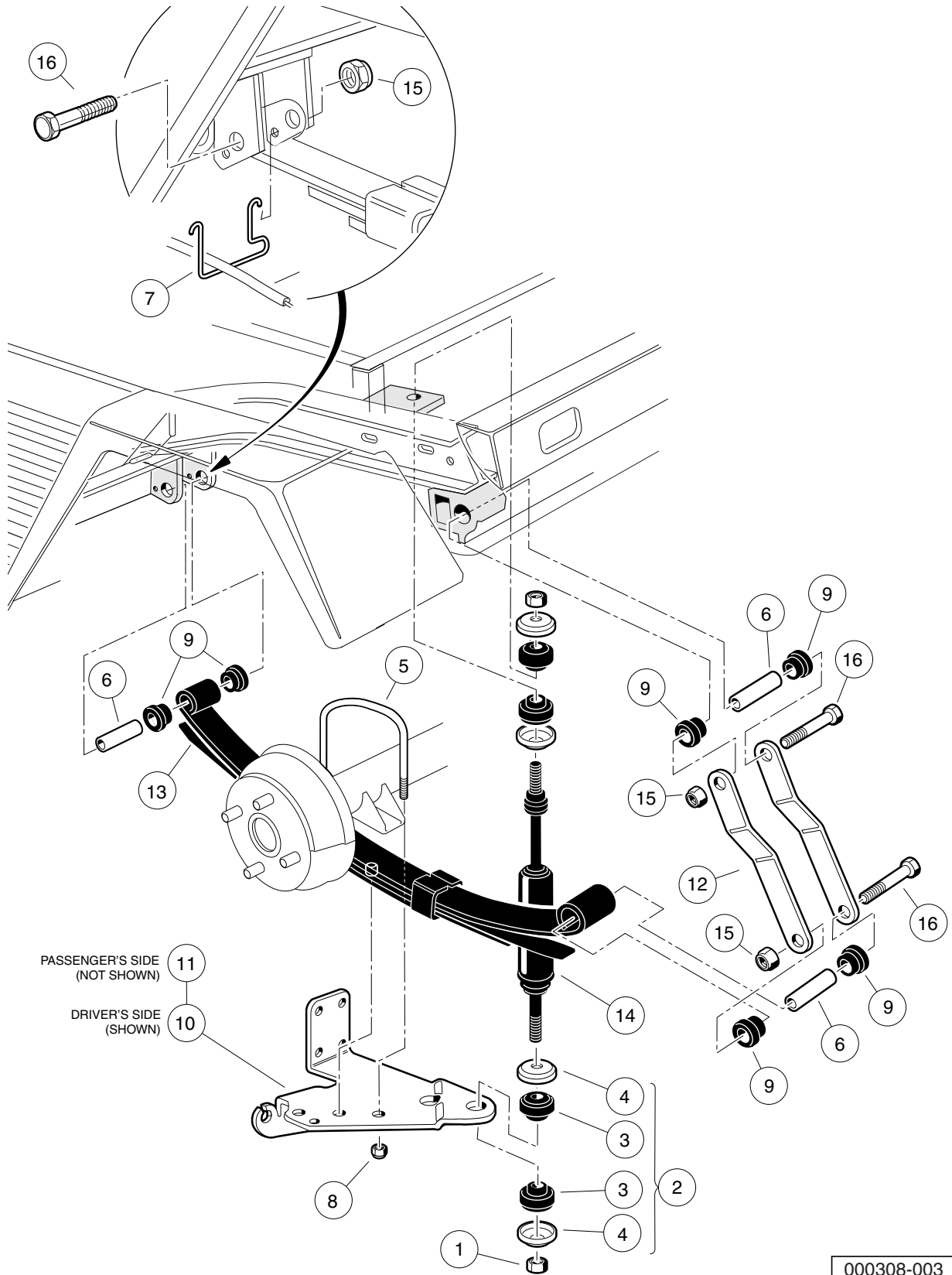
001113-001

FRONT SUSPENSION, LOWER – TURF/CARRYALL 252 AND XRT 900 WITH MAINTENANCE-FREE BALL JOINTS

ITEM	PART NO.	DESCRIPTION	QTY
		1 2 3 4	
1	1010124	Plate, Spring Mount	1
2	1010150	Bearing, Thrust	2
3	1010177	Bolt, 3/8-16 X 2.00 Hex Head	4
4	1014276	Plate, Front Spring Retainer	1
5	1016384	Clevis, Delta Upper	2
6	1016386	King Pin Assembly	2
7	1016387	Screw, 3/8-16 X 2.75 Hx Hd Cap	2
8	1016389	Washer, 1.125 Od Wave	2
9	101870501	Screw, 3/8-16 X 4.75 Hx Hd Cap	4
10	102564002	Washer-1/2 Conical, Yellow	2
11	102684501	Washer, M12 Hard Regular	2
12	102766301	Nut, 1/2-20, Center Lock	2
13	103507001	Eccentric Bolt Common	1
14	103628801	Spring Asm, Front, 2 Leaf (includes items 15 through 17)	1
15	1012303	Bushing, Steel	2
16	1015583	Bushing, Urethane	4
17	103502701	Spring, Front, 2 Leaf	1
18	357	Lockwasher, 3/8 Split	4
19	706	Nut, Hex 3/8-16	5
20	8754	Locknut, 3/8-16 Hex	8
21	8755	Screw, 3/8-16 X 3.375 Hex Cap	2

7
G
E

7
G
E



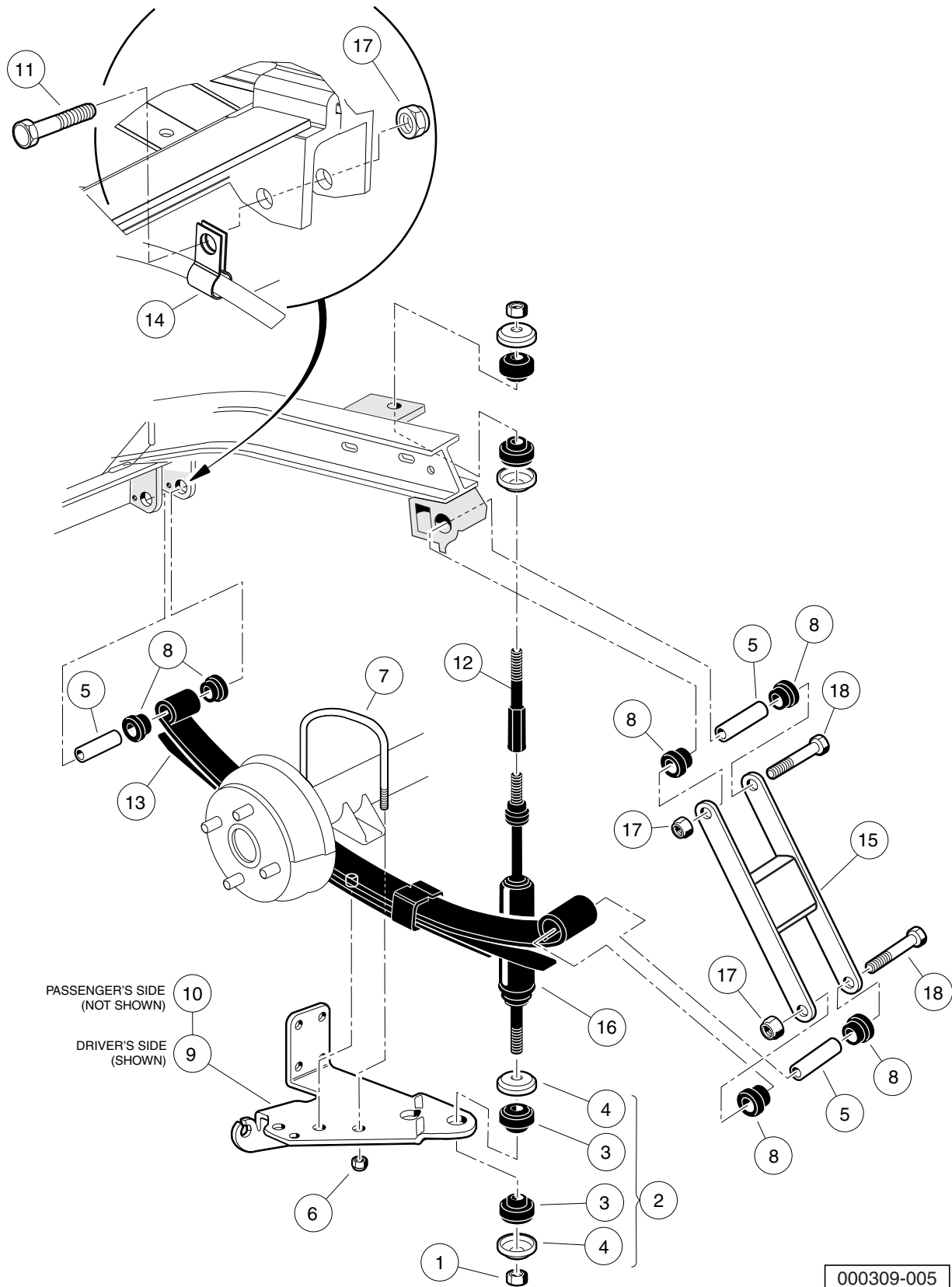
000308-003

REAR SUSPENSION – GASOLINE TURF/CARRYALL 252 AND XRT 900

ITEM	PART NO.	DESCRIPTION	QTY
		1 2 3 4	
1	1010145	Nut, 3/8-24 Hex	4
2	1011415	Kit, Shock Absorber Cushion (includes items 3 and 4)	4
3	N/A	Cushion, Shock Absorber	2
4	N/A	Retainer, Shock Absorber Cushion	2
5	1012180	U-Bolt	2
6	1012303	Bushing, Steel	6
7	1013207	Hanger, Brake Cable	2
8	1014555	Locknut, 7/16-14 Nylon Hex	4
9	1015583	Bushing, Urethane	12
10	101926501	Bracket, Left-Hand	1
11	101929401	Bracket, Right	1
12	102004201	Rear Spring Shackle	4
13	102871801	Rear Spring, 3leaf, 600 Lb/in	2
14	103351101	Shock, Absorber, Utility	2
15	8754	Locknut, 3/8-16 Hex	6
16	8755	Screw, 3/8-16 X 3.375 Hex Cap	6
<p>Note: Only the driver-side rear suspension is shown. Parts for the passenger-side rear suspension are identical except for the leaf spring/shock mounting plate.</p>			

7
G
E

7
G
E

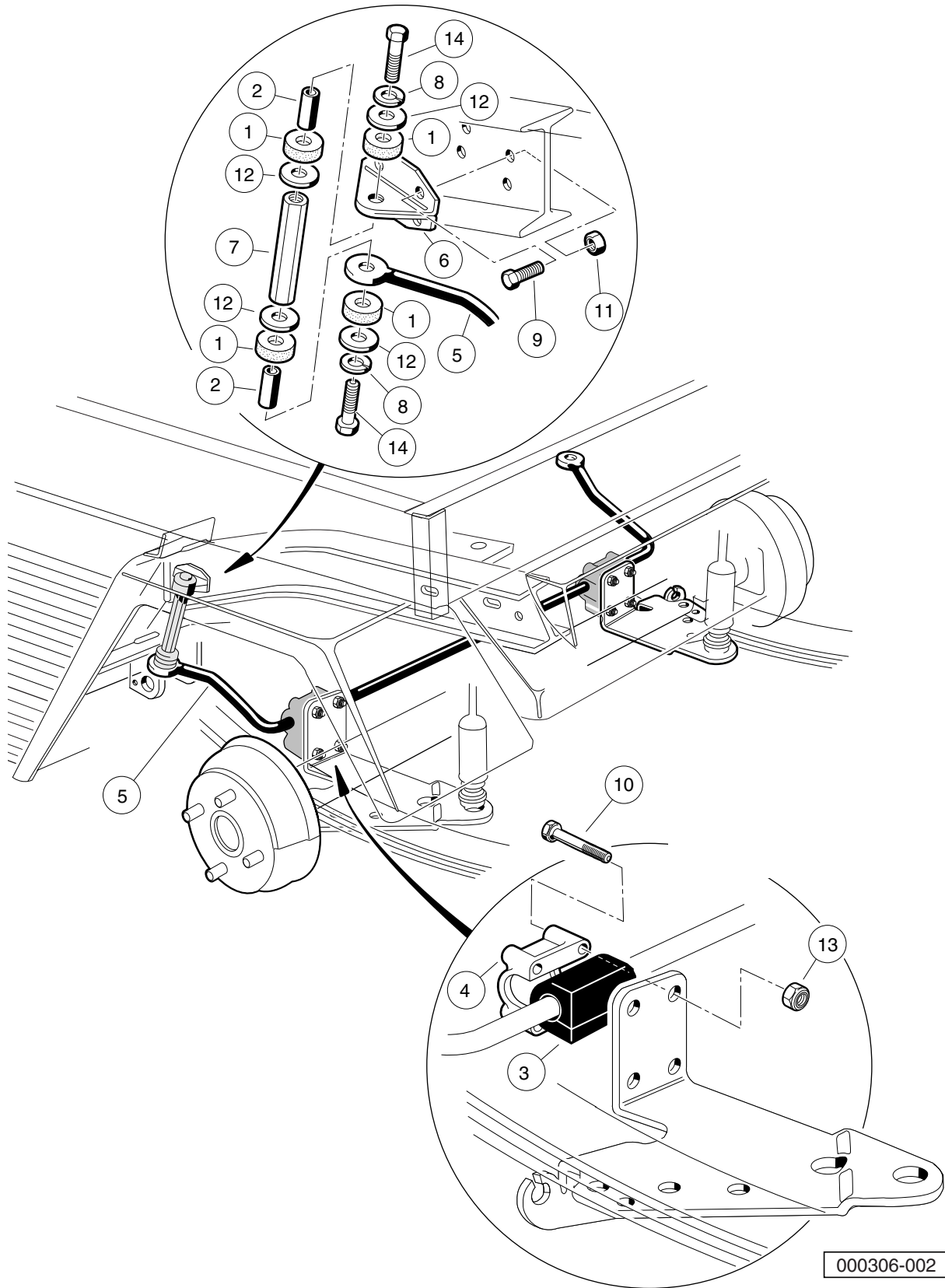


REAR SUSPENSION – TURF/CARRYALL 252 AND XRT 900 IQ PLUS

ITEM	PART NO.	DESCRIPTION	QTY
		1 2 3 4	
1	1010145	Nut, 3/8-24 Hex	4
2	1011415	Kit, Shock Absorber Cushion (includes items 3 and 4)	4
3	N/A	Cushion, Shock Absorber	2
4	N/A	Retainer, Shock Absorber Cushion	2
5	1012303	Bushing, Steel	6
6	1014555	Locknut, 7/16-14 Nylon Hex	4
7	1014902	U-Bolt	2
8	1015583	Bushing, Urethane	12
9	101926501	Bracket, Left-Hand	1
10	101929401	Bracket, Right	1
11	102066201	Screw, 3/8-16 X 3.50 Hex Cap	2
12	102399001	Shock Extension	2
13	102871801	Rear Spring, 3leaf, 600 Lb/in	2
14	102891101	Clamp, Cable, Brake, Sym	2
15	103324801	Weldment, Shackle, 10.0	2
16	103351101	Shock, Absorber, Utility	2
17	8754	Locknut, 3/8-16 Hex	6
18	8755	Screw, 3/8-16 X 3.375 Hex Cap	4
<p>Note: Only the driver-side rear suspension is shown. Parts for the passenger-side rear suspension are identical except for the leaf spring/shock mounting plate.</p>			

7
G
E

7
G
E



000306-002

STABILIZER BAR – TURF/CARRYALL 252 AND XRT 900

ITEM	PART NO.	DESCRIPTION	QTY
		1 2 3 4	
1	1015453	Compression Mount	8
2	1015457	Spacer, 0.720"	4
3	1015613	Bushing, Stabilizer Bar	2
4	1015614	Support, Bushing	2
5	1015760	Stabilizer Bar	1
6	1016813	Mounting Bracket, Stabilizer Bar	2
7	102004901	Link, Stabilizer Bar	2
8	357	Lockwasher, 3/8 Split	4
9	7173	Screw, 5/16-18 X 0.75, Hex-Head Cap	8
10	7311	Screw, 1/4-20 X 2.00 Hex-Head Cap	8
11	7473	Locknut, 5/16-18 Nylon Insert	8
12	808	Washer, 3/8 Type B Flat	8
13	8233	Locknut, 1/4-20, Nylon Insert	8
14	8861	Bolt, 3/8-16 X 1.75 Hex	4

7
G
E

7

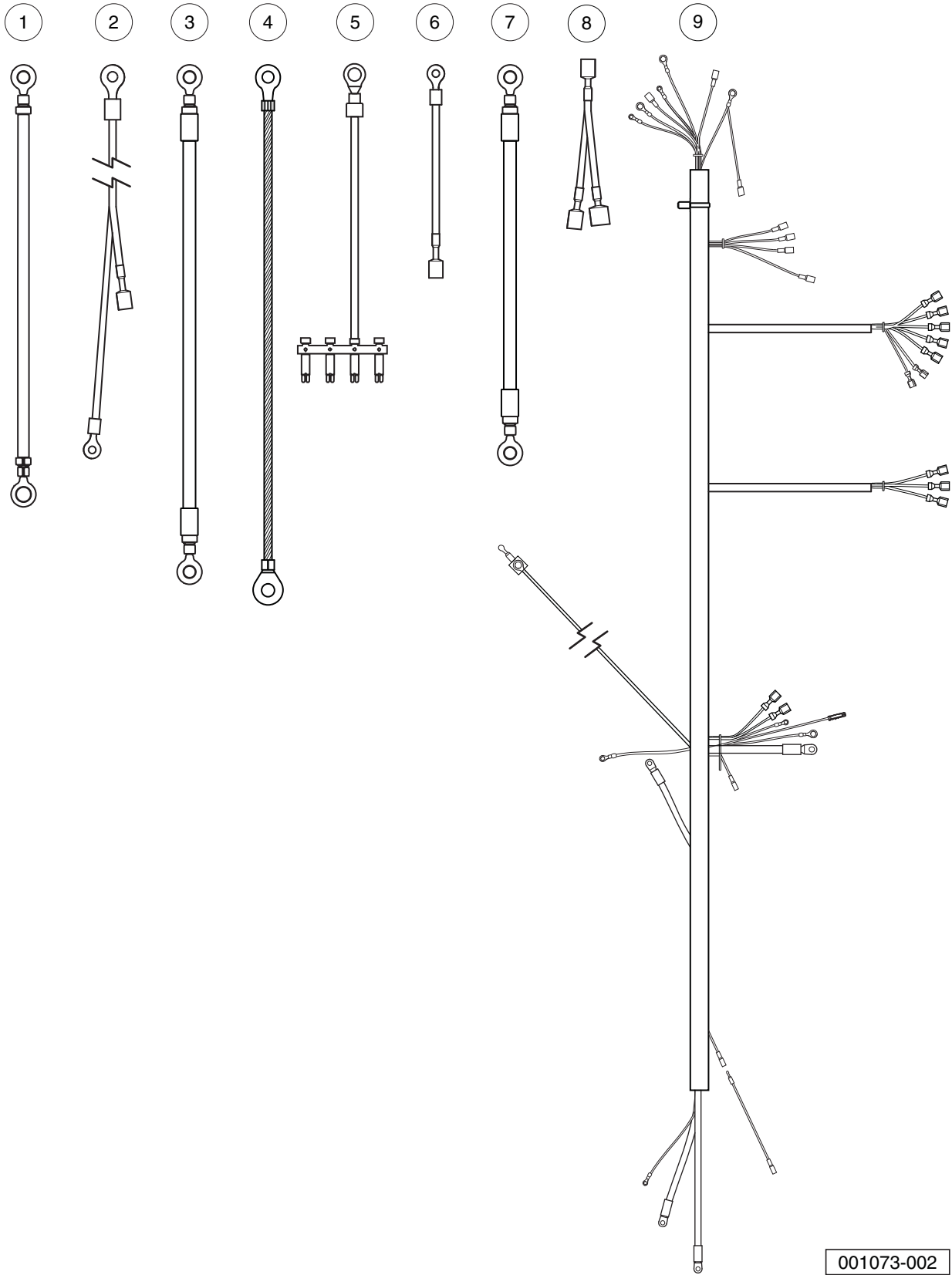
G

E

ELECTRICAL SYSTEM – GASOLINE VEHICLE

8

G

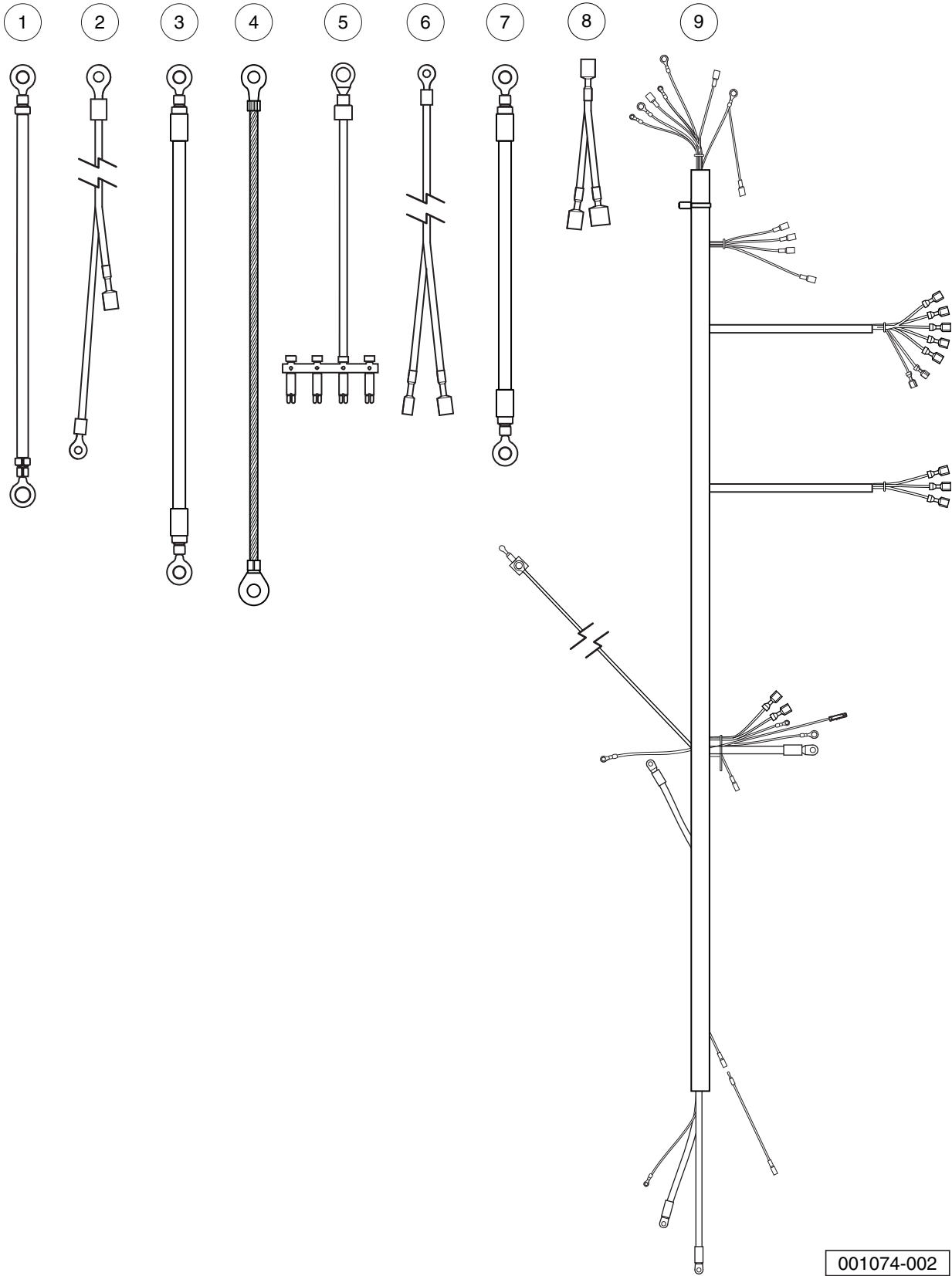


001073-002

WIRING, FUSES, AND DIODES – TURF/CARRYALL 2 AND 252 WITH AMD STARTER/GEN

ITEM	PART NO.	DESCRIPTION	QTY
		1 2 3 4	
1	1012382	Wire Assy, #6 Black	1
2	1012396	Wire Assy #18 Black	1
3	1014119	Wire Assembly #6 Red	1
4	1015332	Wire, Ground, #10, Uninsulated	1
5	1015737	Wire Assy, #10 Red	1
6	1016401	Wire Assy, #16 Orange	1
7	101837301	Wire Assy, #6 Green	1
8	103348501	Asm, Wire Meter, F-h Jumper	1
9	103687101	Asm, Wire Harness, Carryall 2, Gas, AMD S/G	1

8
G



WIRING, FUSES, AND DIODES – CARRYALL 2 PLUS WITH AMD STARTER/GEN

ITEM	PART NO.	DESCRIPTION	QTY
		1 2 3 4	
1	1012382	Wire Assy, #6 Black	1
2	1012396	Wire Assy #18 Black	1
3	1014119	Wire Assembly #6 Red	1
4	1015332	Wire, Ground, #10, Uninsulated	1
5	1015737	Wire Assy, #10 Red	1
6	1017006	Wire Assembly Orange #18	1
7	101837301	Wire Assy, #6 Green	1
8	103348501	Asm, Wire Meter, F-h Jumper	1
9	103686401	Asm, Wire Harness, Carryall 2 Plus, Gas, AMD S/G	1

8
G

1



2



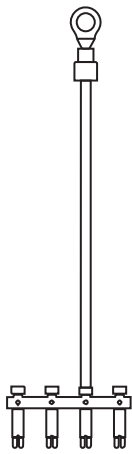
3



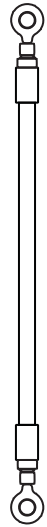
4



5



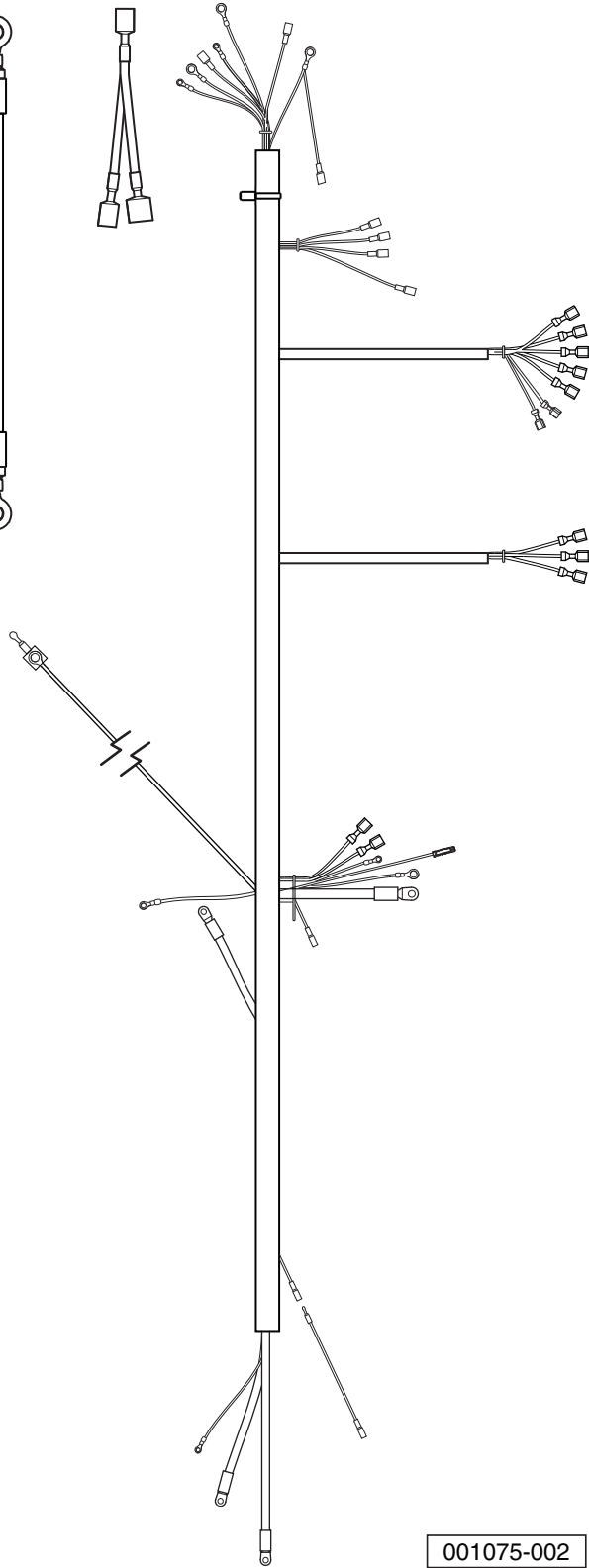
6



7



8

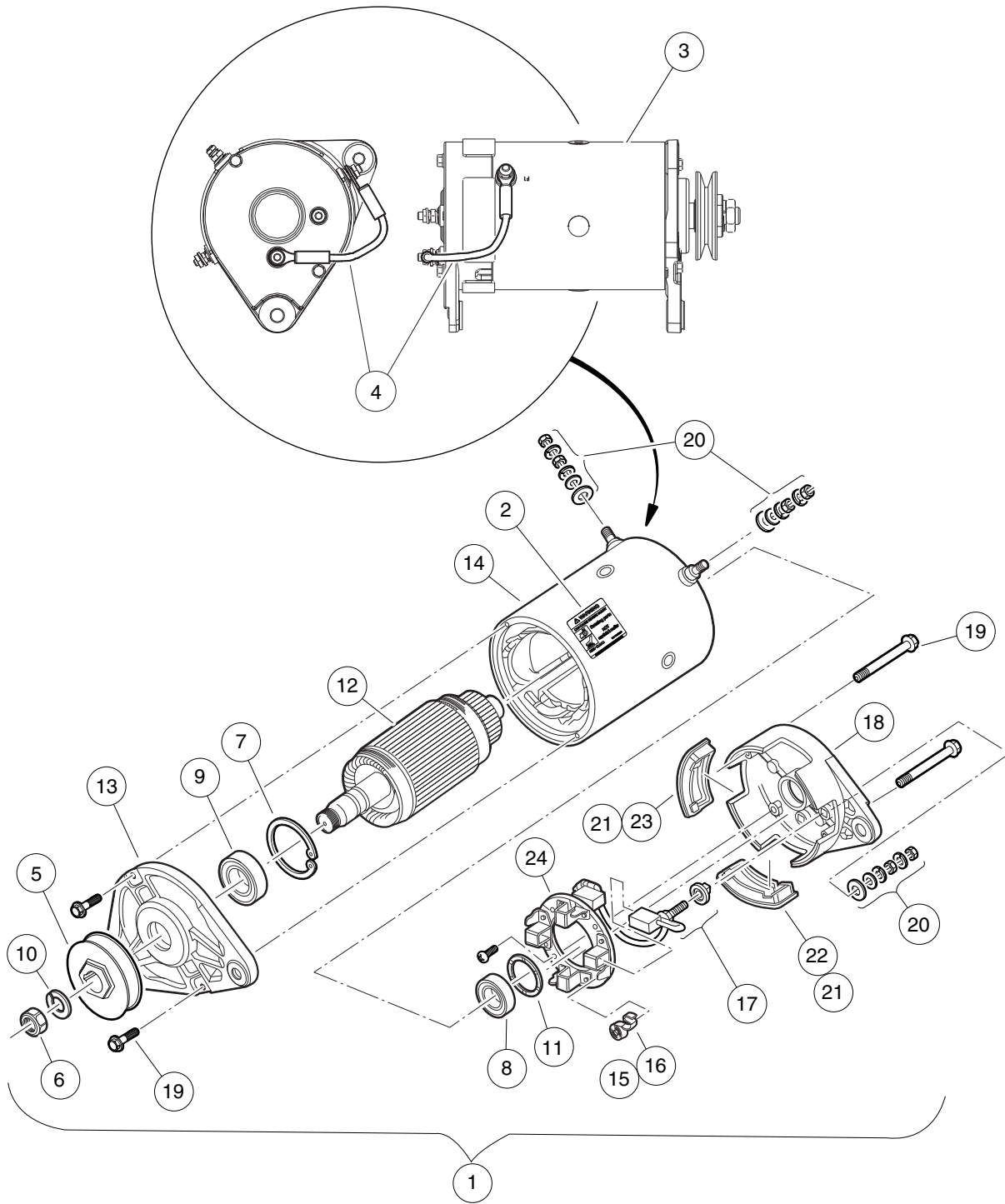


001075-002

WIRING, FUSES, AND DIODES – XRT 900 WITH AMD STARTER/ GEN

ITEM	PART NO.	DESCRIPTION	QTY
		1 2 3 4	
1	1012382	Wire Assy, #6 Black	1
2	1012396	Wire Assy #18 Black	1
3	1014119	Wire Assembly #6 Red	1
4	1015332	Wire, Ground, #10, Uninsulated	1
5	1015737	Wire Assy, #10 Red	1
6	101837301	Wire Assy, #6 Green	1
7	103348501	Asm, Wire Meter, F-h Jumper	1
8	103687201	Asm, Wire Harness, XRT 900, Gas, AMD S/G	1

8
G

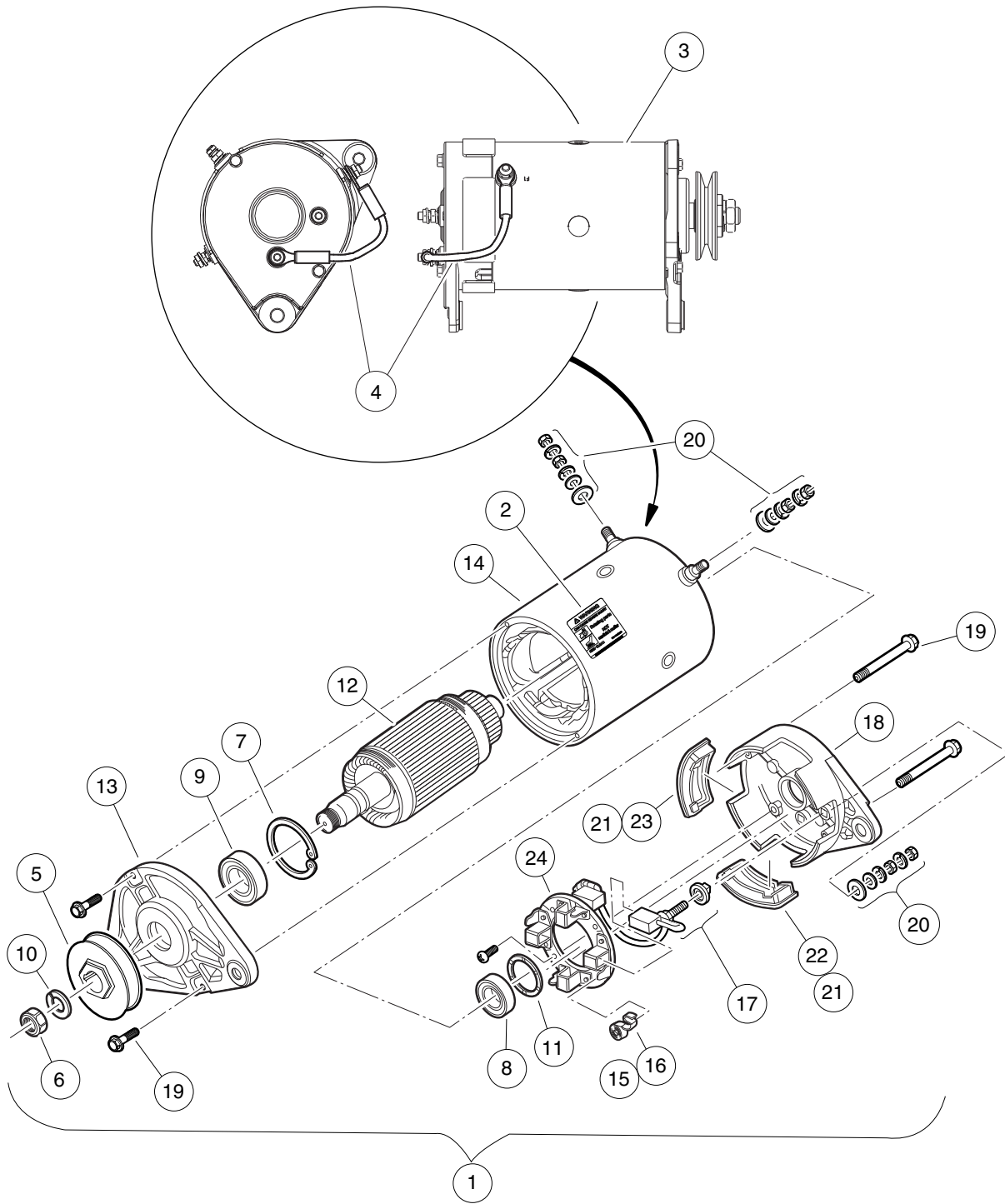


000124-005

STARTER/GENERATOR ASSEMBLY (PEDAL-START), MODEL 114-01-4009A

ITEM	PART NO.	DESCRIPTION	QTY
		1 2 3 4	
1	103678402	Asm, St/gen, Bi-rot, Ps, Svc (includes items 2 and 3)	1
2	101960501	Decal, Rotating Parts/Hot Manifold	1
3	103718702	St/gen, Bi-rot, Util,ps W/wire (includes items 4 through 24)	1
4	101837301	Wire Assy, #6 Green	1
5	102711001	Pulley, V-Belt	1
6	102838701	Nut, Hex, M14x2, S/G	1
7	102838801	Retainer, Front, S/G	1
8	102838901	Bearing, Ball, Rear, S-g	1
9	102839001	Bearing, Ball, Front, S-g	1
10	102839301	Washer, Lock M14x2, S-g	1
11	102841101	Washer, Wave, S-g	1
12	N/A	Asm, Armature, Starter/Generator	1
13	102844601	Head, Drive End, S-g	1
14	102844701	Asm, Frame and Field, Starter/Generator	1
15	103347101	Kit, Spring Brush, Starter/Generator (includes item 16)	1
16	N/A	Spring, Brush, S-g	4
17	103347301	Set, Brush Term, S-g	1
18	103347601	Head, Comm End, S-g	1
19	103347701	Set, Fast, Ceh Deh, S-g	1
20	103347801	Set, Term Hardware, S/G	1
21	103347901	Kit, Cover, Brush Insp, Starter/Generator (includes items 22 and 23)	1
22	N/A	Plug, Rubber Drain, Start/Generator	3
23	N/A	Cover, Inspection, S-g	1
24	103953301	Kit, Brush And Brush Holder	1

8
G

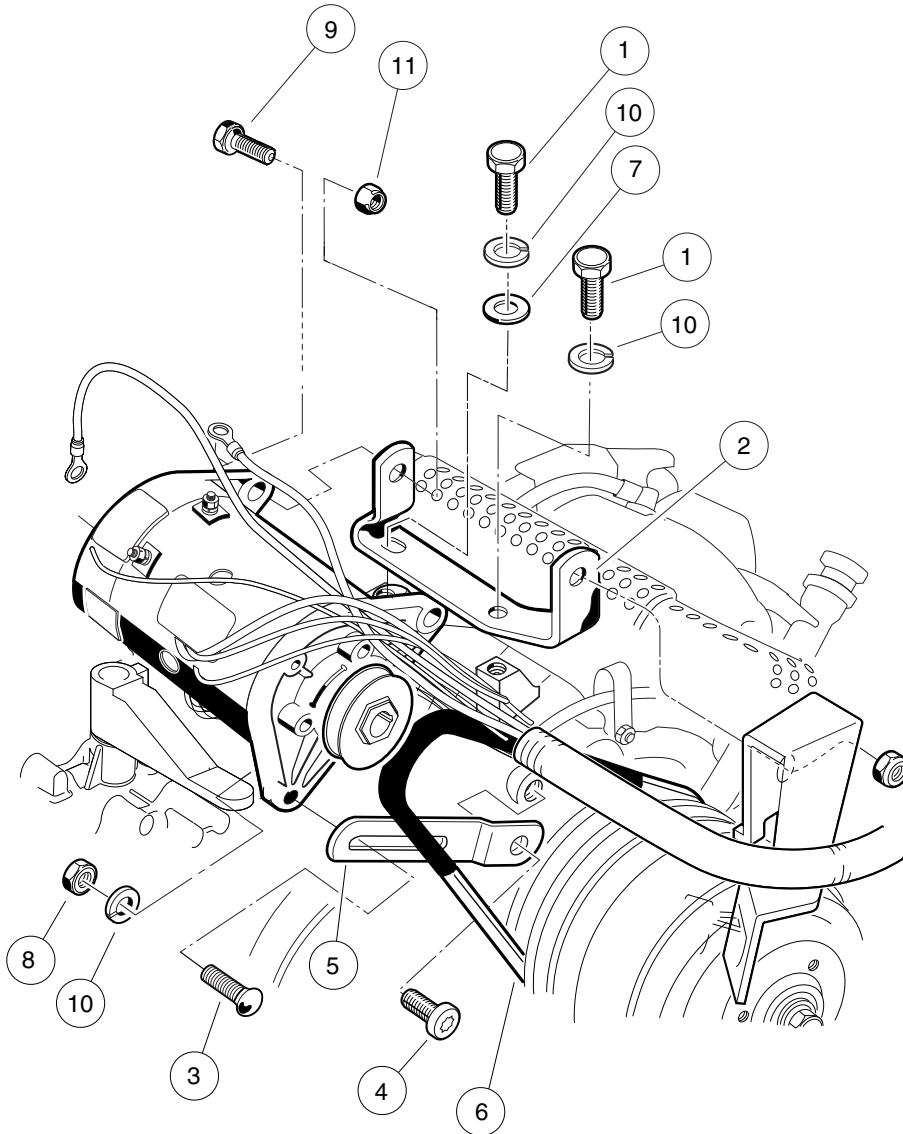


000124-005

STARTER/GENERATOR ASSEMBLY (KEY-START), MODEL 114-04-4001A

ITEM	PART NO.	DESCRIPTION	QTY
		1 2 3 4	
1	103678502	Asm, St/gen, Bi-rot, Ks, Svc (includes items 2 and 3)	1
2	101960501	Decal, Rotating Parts/Hot Manifold	1
3	N/A	St/gen, Bi-rot, Util, Ks (includes items 4 through 24)	1
4	101837301	Wire Assy, #6 Green	1
5	102711001	Pulley, V-Belt	1
6	102838701	Nut, Hex, M14x2, S/G	1
7	102838801	Retainer, Front, S/G	1
8	102838901	Bearing, Ball, Front, S-g	1
9	102839001	Bearing, Ball, Front, S-g	1
10	102839301	Washer, Lock M14x2, S-g	1
11	102841101	Washer, Wave, S-g	1
12	N/A	Asm, Armature, Starter/Generator	1
13	102844601	Head, Drive End, S-g	1
14	102844701	Asm, Frame and Field, Starter/Generator	1
15	103347101	Kit, Spring Brush, Starter/Generator (includes item 16)	1
16	N/A	Spring, Brush, S-g	4
17	103347301	Set, Brush Term, S-g	1
18	103347601	Head, Comm End, S-g	1
19	103347701	Set, Fastener, Ceh Deh, S-g	1
20	103347801	Set, Term Hardware, S/G	1
21	103347901	Kit, Cover, Brush Insp, Starter/Generator (includes items 22 and 23)	1
22	N/A	Plug, Rubber Drain, Start/Generator	3
23	N/A	Cover, Inspection, S-g	1
24	103953301	Kit, Brush And Brush Holder	1

8
G

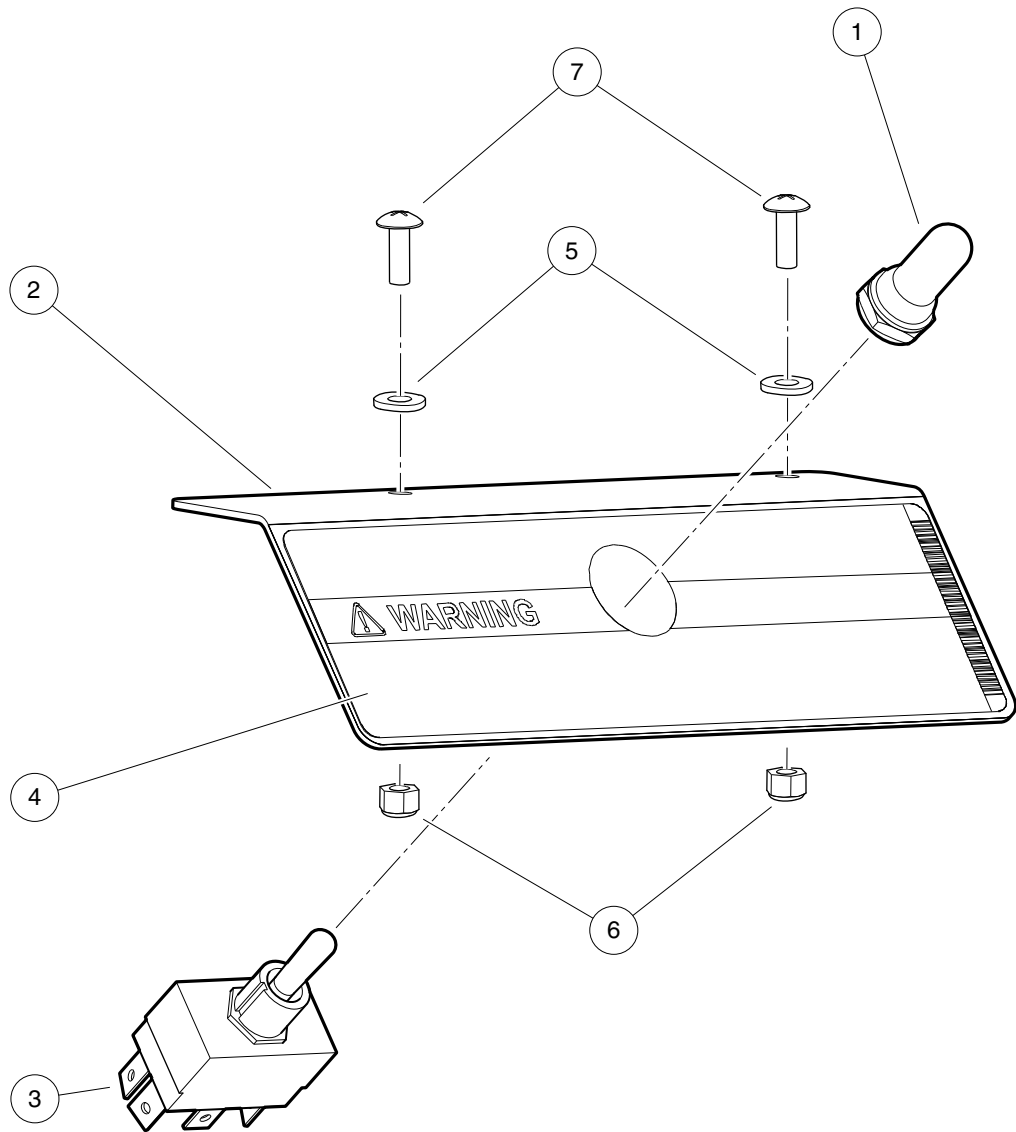


000238-005

STARTER/GENERATOR MOUNTING – 114-0X-400XX MODELS

ITEM	PART NO.	DESCRIPTION	QTY
		1 2 3 4	
1	1012830	Screw, M8-1.25 X 22 Hex-Head	2
2	101524002	Bracket, Starter/Generator Mounting	1
3	1015932	Bolt, Carriage, 5/16-18	1
4	1016074	Screw, M8-1.25 X 18mm Torx	1
5	1016883	Bracket, Starter/Generator Adjustment	1
6	101916701	V-Belt	1
7	1241	Washer, 5/16 Type A Flat	1
8	1242	Nut, 5/16-18 Hex	1
9	1624	Screw, 3/8-16 X 1.50, Hex-Head Cap	2
10	7174	Lockwasher, 5/16 Split	3
11	8754	Locknut, 3/8-16 Hex	2

8
G

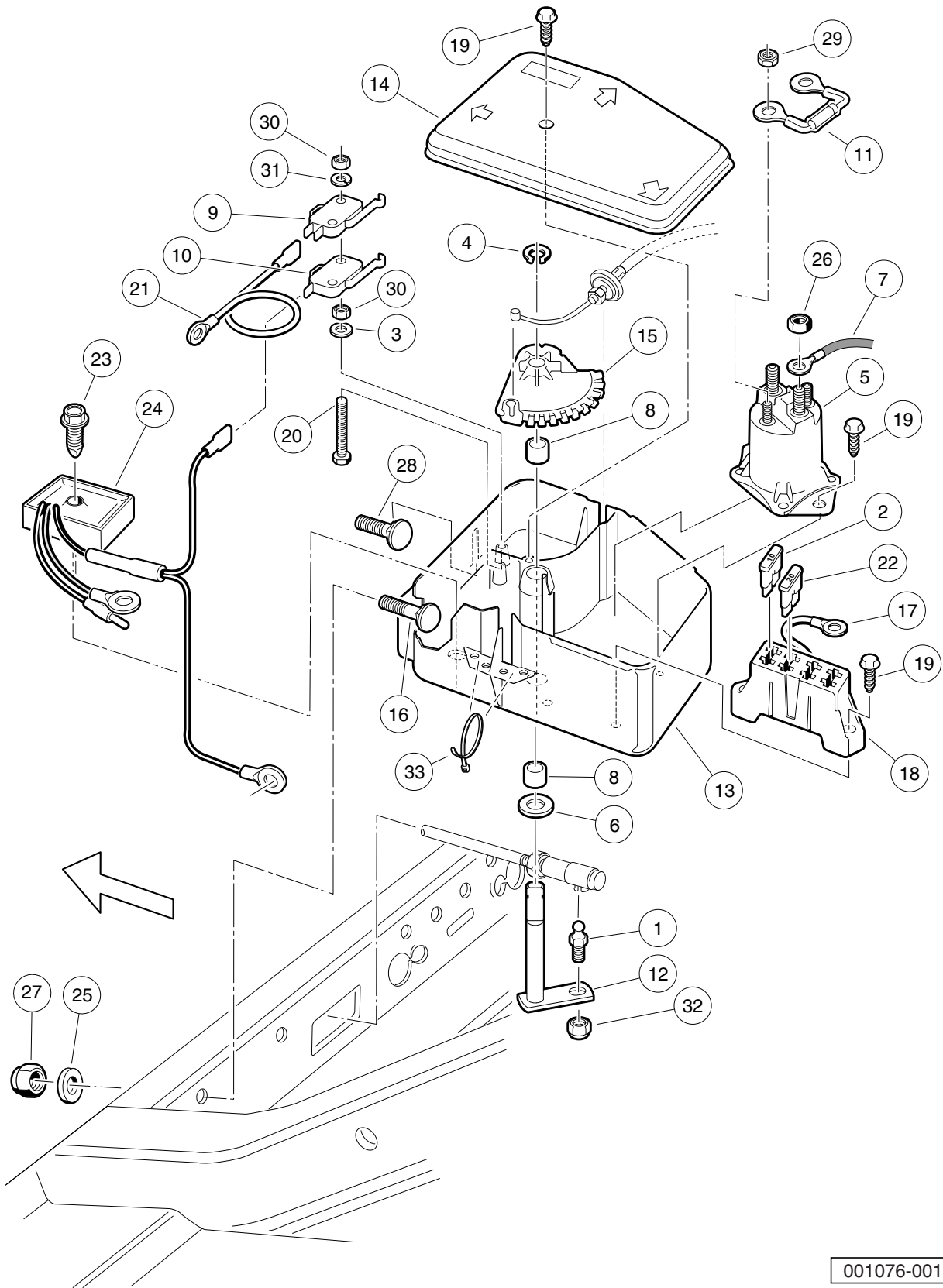


000755-003

OPERATION AND MAINTENANCE SWITCH

ITEM	PART NO.	DESCRIPTION	QTY
		1 2 3 4	
1	101908401	Boot, Switch	1
2	101922501	Bracket, Tow/Run Switch Mounting	1
3	103198401	Switch, Toggle, SPDT	1
4	103205501	Decal, Run/Service Switch	1
5	332	Washer, 1/4 Type A Narrow Flat	2
6	8233	Locknut, 1/4-20, Nylon Insert	2
7	8248	Screw, 1/4-20 X 0.75, Truss-Head Machine	2

8
G

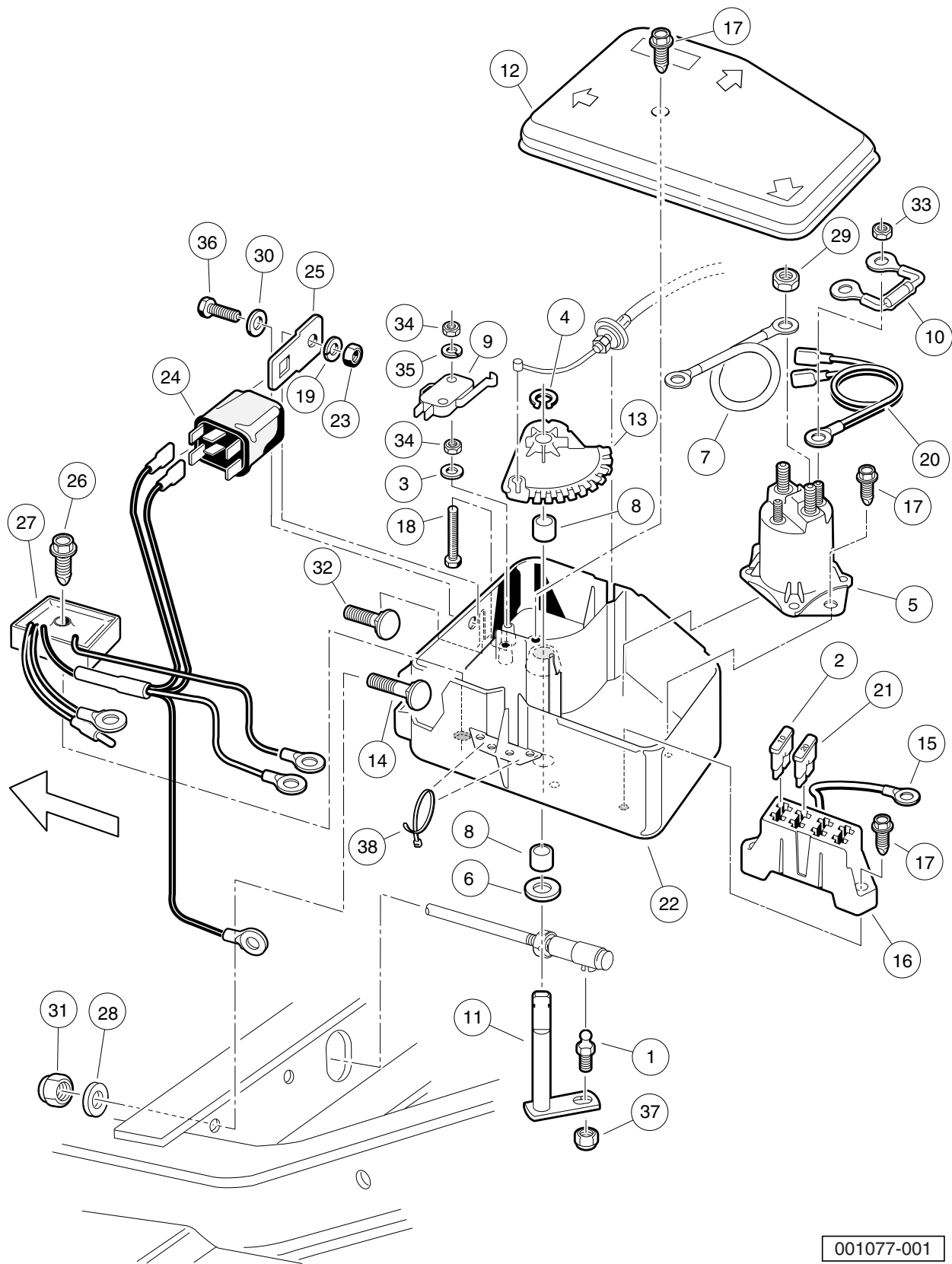


001076-001

ELECTRICAL COMPONENT BOX – TURF/CARRYALL 2 AND 252

ITEM	PART NO.	DESCRIPTION	QTY
		1 2 3 4	
1	1010954	Stud, Ball, 1/4-28 X 0.560	1
2	1012295	Fuse, 10-Amp	1
3	1012431	Washer, #4 Flat	2
4	1013589	Ring, Retaining, 0.338" Internal	1
5	1013609	Solenoid, 12-Volt	1
6	1014065	Washer, Flat, 0.38" ID, Delrin	1
7	1014119	Wire Assembly #6 Red	1
8	1014145	Bushing, Secondary Weight, Split	2
9	1014807	Switch, Limit	1
10	1014808	Switch, Limit	1
11	1014948	Diode	1
12	1015345	Bell Crank and Shaft Assembly	1
13	1015371	Box, Electrical Component	1
14	1015372	Cover, Electric Box	1
15	1015373	Cam, Electric Box	1
16	1015405	Bolt, Carriage, 5/16-18 X 2.0	1
17	1015737	Wire Assy, #10 Red	1
18	1015741	Fuse Block	1
19	1015752	Screw, #12-16 X 0.625, Hi-Lo	5
20	1015878	Screw, #4-40 Hex Head Machine	2
21	1016401	Wire Assy, #16 Orange	1
22	1016423	Fuse, 20-Amp	1
23	101856102	Screw, 1/4-15 X 1.50, Hi-lo, Hex	1
24	102711201	Voltage Regulator	1
25	1241	Washer, 5/16 Type A Flat	2
26	1242	Nut, 5/16-18 Hex	2
27	7473	Locknut, 5/16-18 Nylon Insert	2
28	7818	Bolt, Carriage, 5/16-18 X 1.5	1
29	7893	Nut, #10-32 Hex	2
30	8057	Nut, #4-40 Hex Machine	4
31	8058	Lockwasher, #4 Split	2
32	8717	Locknut, Nylon Insert, 1/4-28	1
33	8990	Tie Wrap, 8" Nylon	2

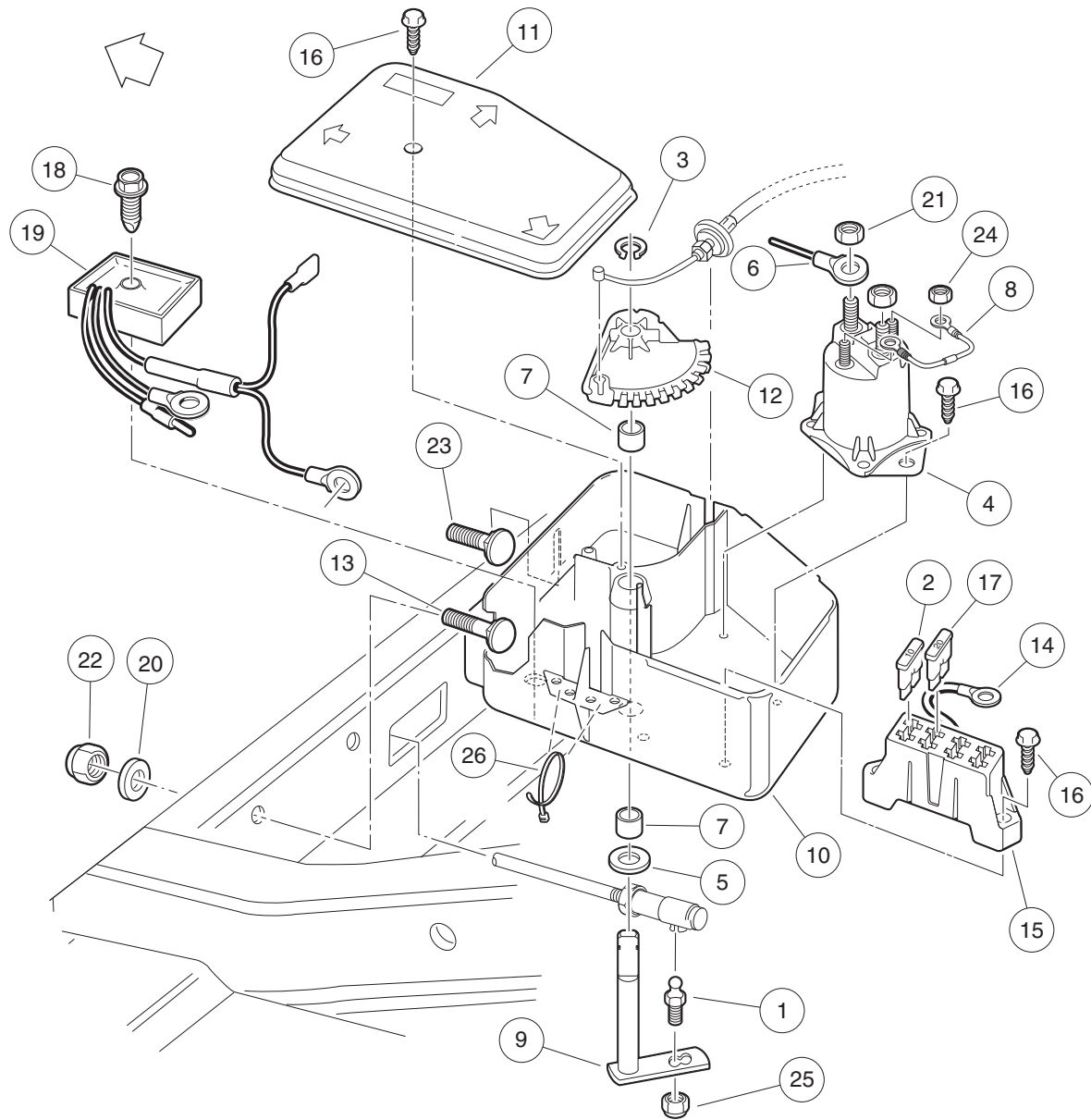
8
G



ELECTRICAL COMPONENT BOX – CARRYALL 2 PLUS

ITEM	PART NO.	DESCRIPTION	QTY
		1 2 3 4	
1	1010954	Stud, Ball, 1/4-28 X 0.560	1
2	1012295	Fuse, 10-Amp	1
3	1012431	Washer, #4 Flat	2
4	1013589	Ring, Retaining, 0.338" Internal	1
5	1013609	Solenoid, 12-Volt	1
6	1014065	Washer, Flat, 0.38" ID, Delrin	1
7	1014119	Wire Assembly #6 Red	1
8	1014145	Bushing, Secondary Weight, Split	2
9	1014807	Switch, Limit	1
10	1014948	Diode	1
11	1015345	Bell Crank and Shaft Assembly	1
12	1015372	Cover, Electric Box	1
13	1015373	Cam, Electric Box	1
14	1015405	Bolt, Carriage, 5/16-18 X 2.0	1
15	1015737	Wire Assy, #10 Red	1
16	1015741	Fuse Block	1
17	1015752	Screw, #12-16 X 0.625, Hi-Lo	5
18	1015878	Screw, #4-40 Hex Head Machine	2
19	1016	Lockwasher, #10 Split	1
20	1016401	Wire Assy, #16 Orange	1
21	1016423	Fuse, 20-Amp	1
22	1016997	Electrical Component Box	1
23	1017	Nut, #10-24 Stainless-Steel Hex Machine	1
24	1017239	Relay W/mounting Bracket	1
25	1017243	Mounting Bracket, Relay	1
26	101856102	Screw, 1/4-15 X 1.50, Hi-lo, Hex	1
27	102803401	Asm, Voltage Regulator Key Sta	1
28	1241	Washer, 5/16 Type A Flat	2
29	1242	Nut, 5/16-18 Hex	2
30	183	Washer, #10, Type A, Flat	1
31	7473	Locknut, 5/16-18 Nylon Insert	2
32	7818	Bolt, Carriage, 5/16-18 X 1.5	1
33	7893	Nut, #10-32 Hex	2
34	8057	Nut, #4-40 Hex Machine	4
35	8058	Lockwasher, #4 Split	2
36	8450	Screw, #10-24 X 0.50, Hex-Head	1
37	8717	Locknut, Nylon Insert, 1/4-28	1
38	8990	Tie Wrap, 8" Nylon	3

8
G



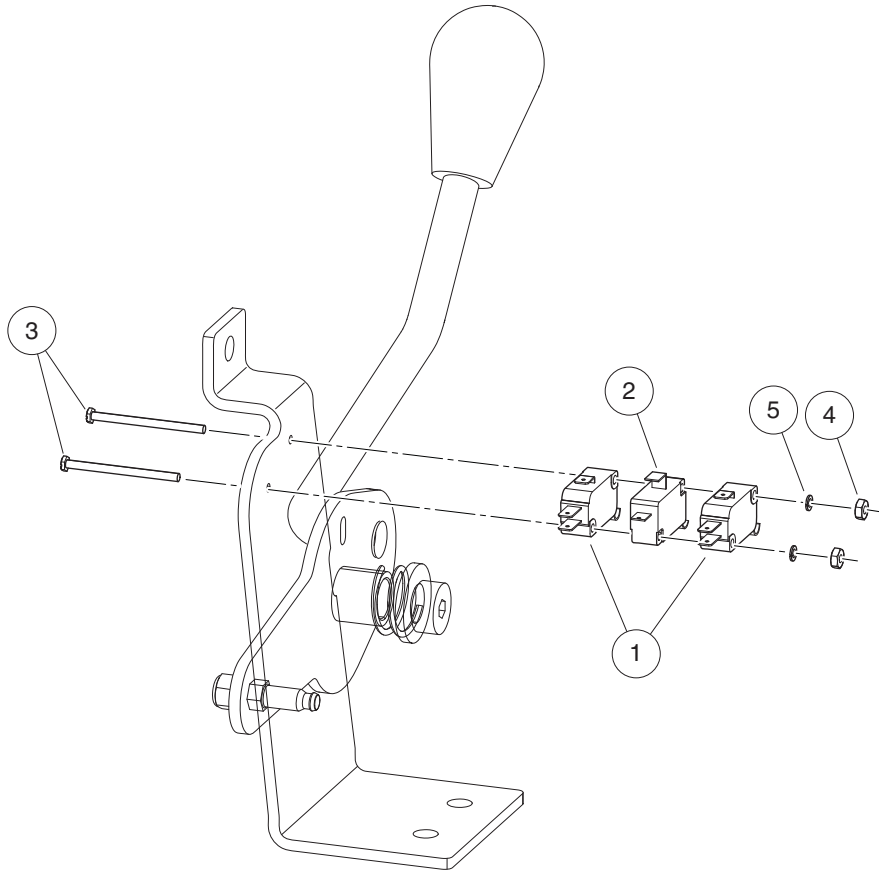
001078-001

ELECTRICAL COMPONENT BOX – XRT 900

ITEM	PART NO.	DESCRIPTION	QTY
		1 2 3 4	
1	1010954	Stud, Ball, 1/4-28 X 0.560	1
2	1012295	Fuse, 10-Amp	1
3	1013589	Ring, Retaining, 0.338" Internal	1
4	1013609	Solenoid, 12-Volt	1
5	1014065	Washer, Flat, 0.38" ID, Delrin	1
6	1014119	Wire Assembly #6 Red	1
7	1014145	Bushing, Secondary Weight, Split	2
8	1014948	Diode	1
9	1015345	Bell Crank and Shaft Assembly	1
10	1015371	Box, Electrical Component	1
11	1015372	Cover, Electric Box	1
12	1015373	Cam, Electric Box	1
13	1015405	Bolt, Carriage, 5/16-18 X 2.0	1
14	1015737	Wire Assy, #10 Red	1
15	1015741	Fuse Block	1
16	1015752	Screw, #12-16 X 0.625, Hi-Lo	5
17	1016423	Fuse, 20-Amp	1
18	101856102	Screw, 1/4-15 X 1.50, Hi-lo, Hex	1
19	102711201	Voltage Regulator	1
20	1241	Washer, 5/16 Type A Flat	2
21	1242	Nut, 5/16-18 Hex	2
22	7473	Locknut, 5/16-18 Nylon Insert	2
23	7818	Bolt, Carriage, 5/16-18 X 1.5	1
24	7893	Nut, #10-32 Hex	2
25	8717	Locknut, Nylon Insert, 1/4-28	1
26	8990	Tie Wrap, 8" Nylon	2

8

G

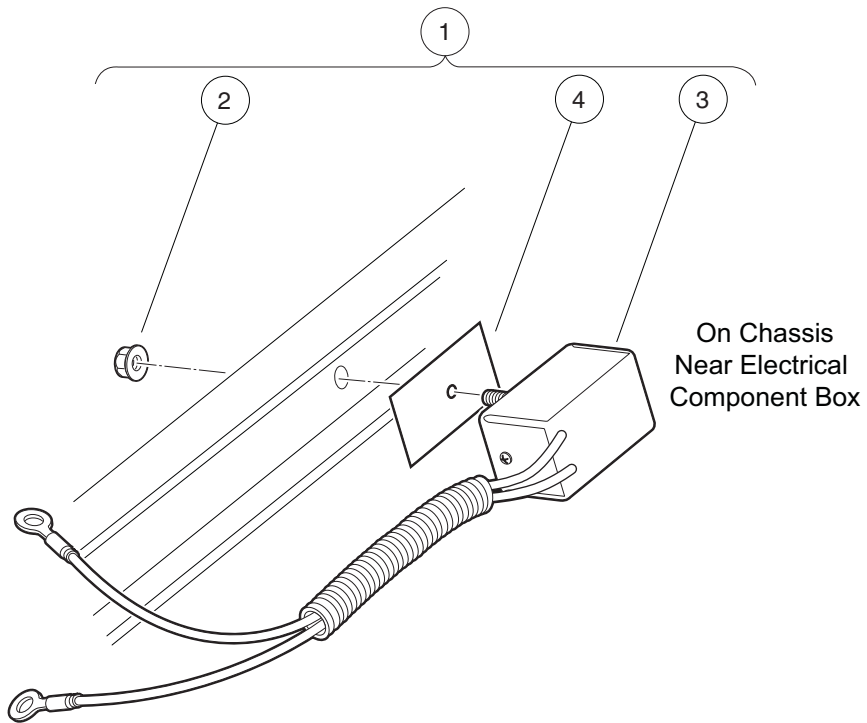


001080-001

FORWARD/REVERSE SHIFTER SWITCHES – DASH MOUNTED SHIFTER

ITEM	PART NO.	DESCRIPTION	QTY
		1 2 3 4	
1	1014807	Switch, Limit	2
2	1014808	Switch, Limit	1
3	1015878	Screw, #4-40 Hex Head Machine	2
4	8057	Nut, #4-40 Hex Machine	2
5	8058	Lockwasher, #4 Split	2

8
G



001079-001

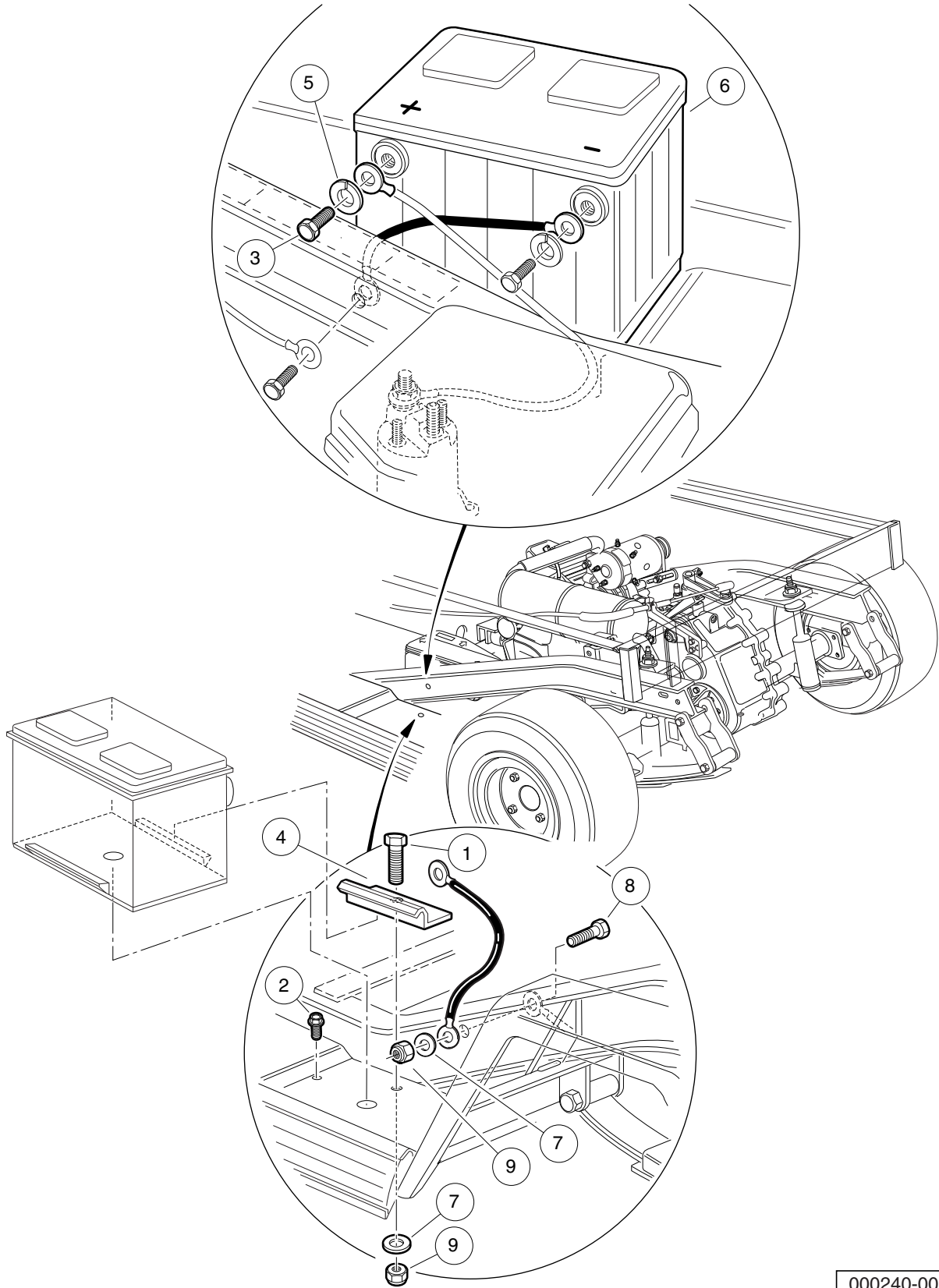
CHARGING DIODE, KEY-START – XRT VEHICLES

ITEM	PART NO.	DESCRIPTION	QTY
		1 2 3 4	
1	102272501	Kit, Diode (includes items 2 through 4)	1
2	101963401	Locknut, 5/16-18 Hex Flange	1
3	102264001	Diode Assembly	1
4	102269701	Thermal Pad	1

8

G

8
G



000240-001

BATTERY – GASOLINE UTILITY VEHICLES

ITEM	PART NO.	DESCRIPTION	QTY
		1 2 3 4	
1	1010934	Screw, 5/16-18 X 1.00 Hex Cap	1
2	1014288	Screw, 5/16-18 X 0.75, Thread-Forming	1
3	1014375	Screw, 3/8-16 X 0.50, Stainless Steel, Hex-Head	2
4	101898001	Clamp, Battery	1
5	102355301	Lockwasher, 3/8 Split Ss	2
6	103496801	Battery, Start, 12v	1
7	1241	Washer, 5/16 Type A Flat	2
8	7173	Screw, 5/16-18 X 0.75, Hex-Head Cap	1
9	7473	Locknut, 5/16-18 Nylon Insert	2

8

G

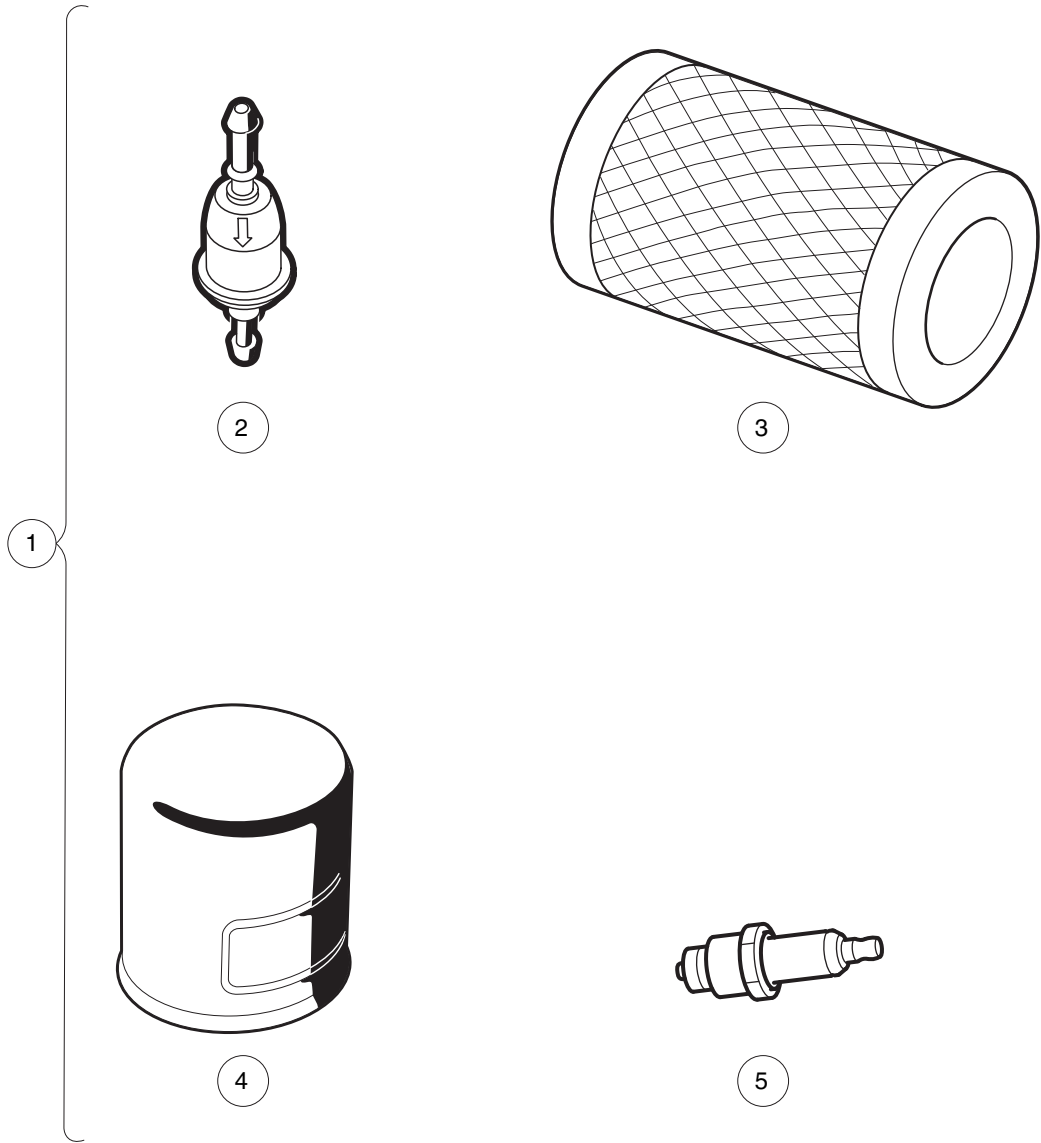
8

G

ENGINE (S27) W/O ACR, 50-STATE

9

G



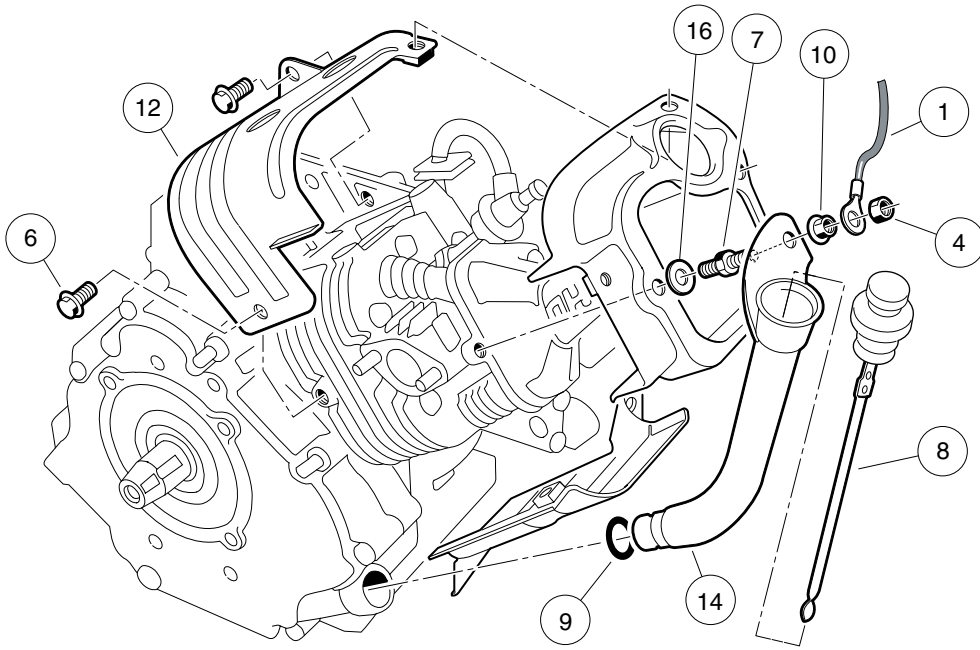
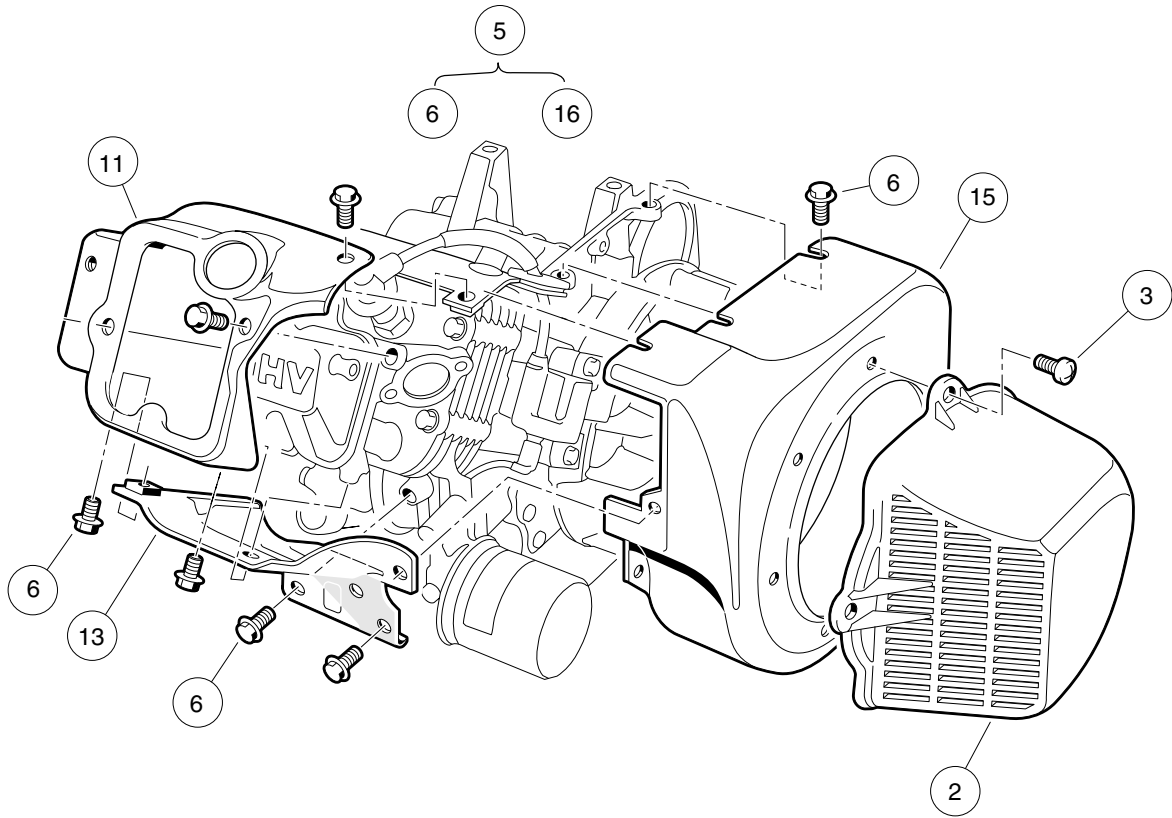
001064-001

TUNE-UP KIT – KAWASAKI FE350

ITEM	PART NO.	DESCRIPTION	QTY
		1 2 3 4	
1	AM1220301	Kit, Tune-Up (For FE290 and FE350 engines) (includes items 2 through 5)	1
2	102003201	Filter, Fuel, 30 Micron	1
3	102558201	Air Filter, 4 Inch	1
4	103887901	Filter, Oil, Kawasaki	1
5	AM1232301	Spark Plug, BPR2ES	1

9

G



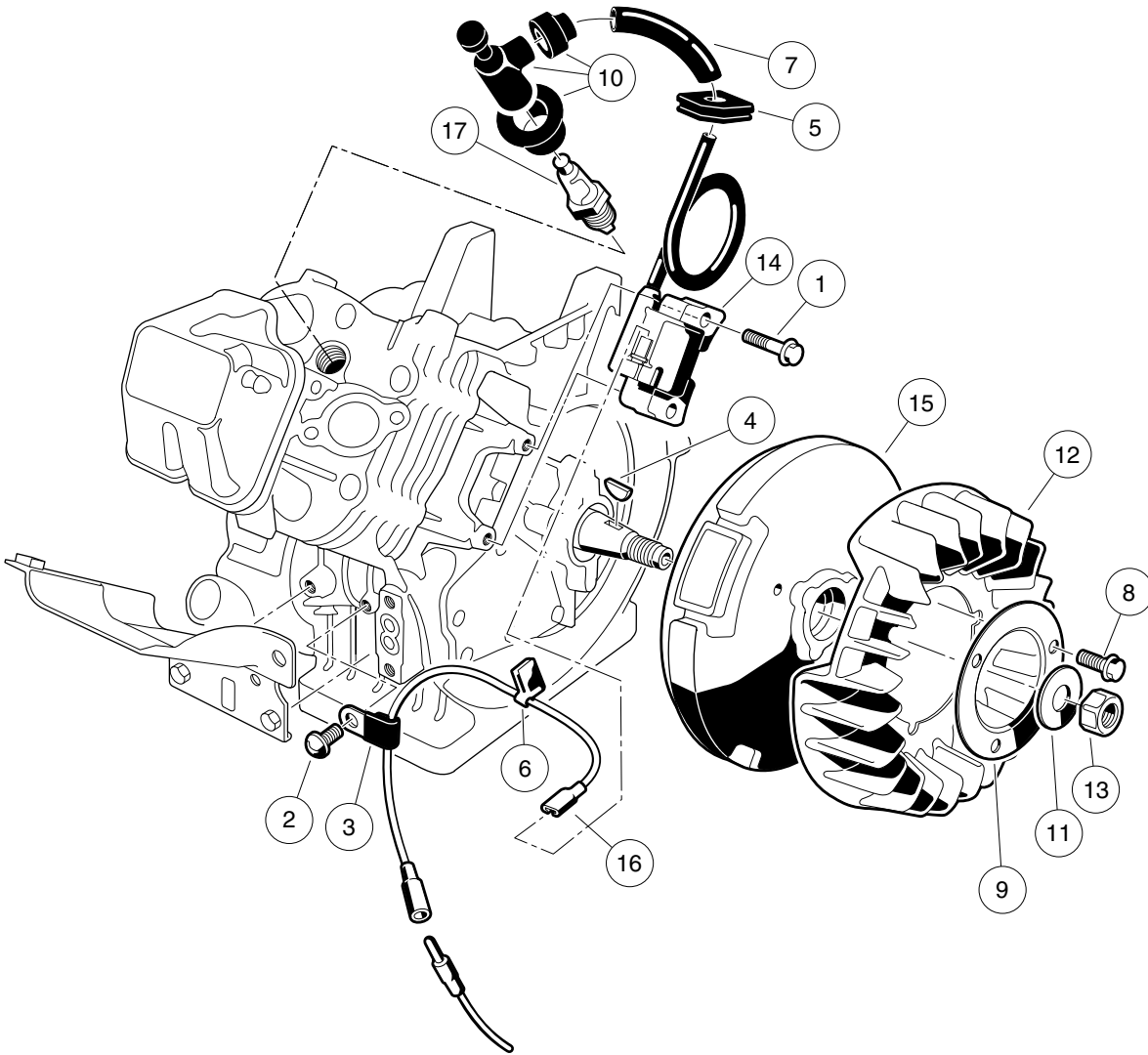
000201-002

FE350 ENGINE (S27) W/O ACR, SHROUDS, AND BRACKETS; 50-STATE

ITEM	PART NO.	DESCRIPTION	QTY
		1 2 3 4	
1	1015332	Wire, Ground, #10, Uninsulated	1
2	1015649	Shroud, Fan	1
3	1015969	Screw, M6-1.00 X 10mm, Pan Hd	4
4	101887601	Locknut, M6-1.00 Nylon Insert	1
5	103386202	Engine, FE350 S27 (includes items 6 through 16)	1
6	1016456	Bolt, Flange Head, M6 x 1 x 12 mm	16
7	1016507	Bolt, Two-Ended	1
8	1016531	Dipstick	1
9	1016539	O-Ring	1
10	1016547	Nut, M6 Flange	1
11	1017474	Shroud, Engine	1
12	1017475	Shroud, Engine	1
13	1017476	Shroud, Engine	1
14	1017486	Tube, Oil Filler	1
15	101916101	Housing, FE350 Fan	1
16	N/A	Washer, 6mm Flat	1
Note: The S27 engine meets emission requirements for all 50 states.			

9

G

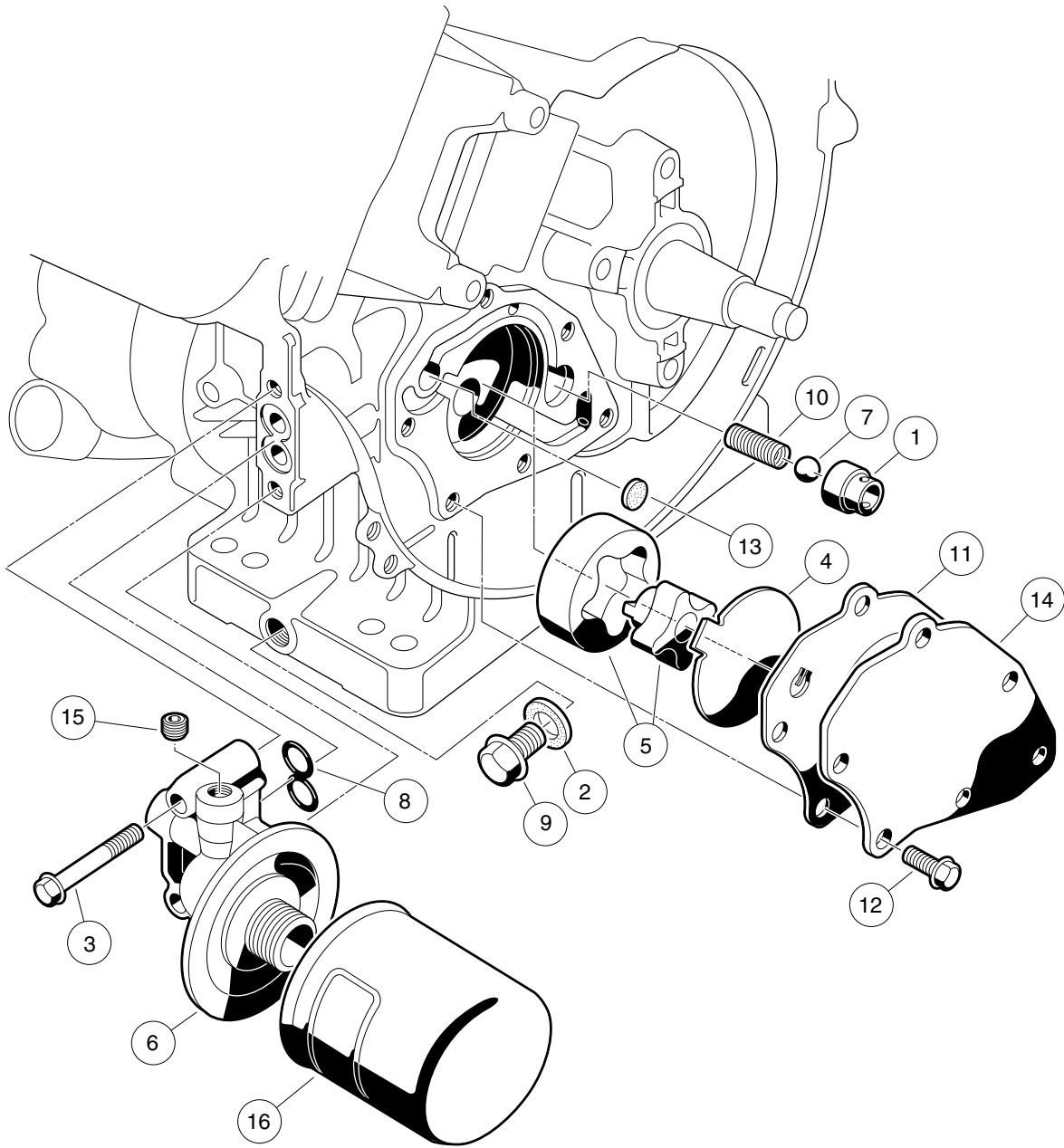


000202-004

FE350 ENGINE (S27) – IGNITION COMPONENTS AND FLYWHEEL

ITEM	PART NO.	DESCRIPTION	QTY
		1 2 3 4	
1	1016455	Bolt, Flange Head	2
2	1016544	Screw	1
3	1016561	Clamp	1
4	1016562	Key	1
5	1016578	Grommet, Ignition	1
6	1016587	Clamp	1
7	1016588	Tube, 7mm X 10mm X 70mm	1
8	1017448	Bolt, Flanged	3
9	1017455	Plate, Flywheel Fan	1
10	1017463	Cap Asm, Plug	1
11	1017490	Washer, Flat	1
12	101916301	Fan (cw)	1
13	102838401	Nut, Hex, 18 mm Fine	1
14	103616501	Coil Asm, Ignition	1
15	103616601	Flywheel, Complete	1
16	103616701	Wire Lead, Ignition	1
17	AM1232301	Spark Plug, BPR2ES	1

9
G

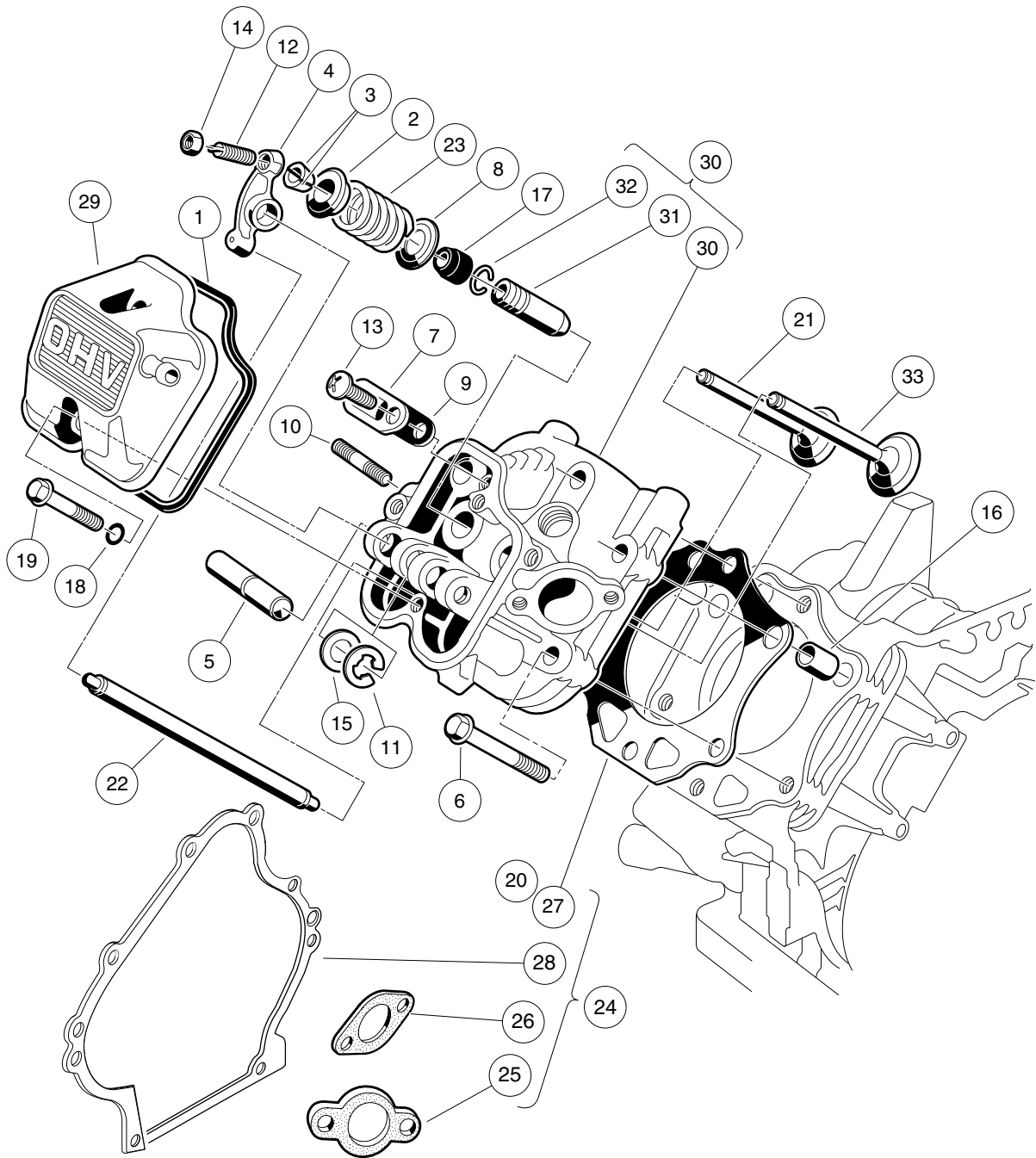


000203-002

FE350 ENGINE (S27) – OIL CIRCULATION

ITEM	PART NO.	DESCRIPTION	QTY
		1 2 3 4	
1	1016429	Seat, Valve Oil Pressure Relief	1
2	1016432	Gasket, Drain Plug	1
3	1016457	Bolt, Flange Head	2
4	1016473	Plate, Oil Pump	1
5	101648203	Oil Pump And Rotor	1
6	1016502	Bracket, Oil Filter Mount	1
7	1016537	Ball, Steel, Press, Relief	1
8	1016570	O-Ring	1
9	1016576	Plug, Drain	1
10	1016581	Spring	1
11	1017442	Gasket	1
12	1017456	Bolt, Flanged	6
13	1017458	Filter	1
14	1017460	Cover, Pump	1
15	1017507	Plug	2
16	103887901	Filter, Oil, Kawasaki	1

9
G

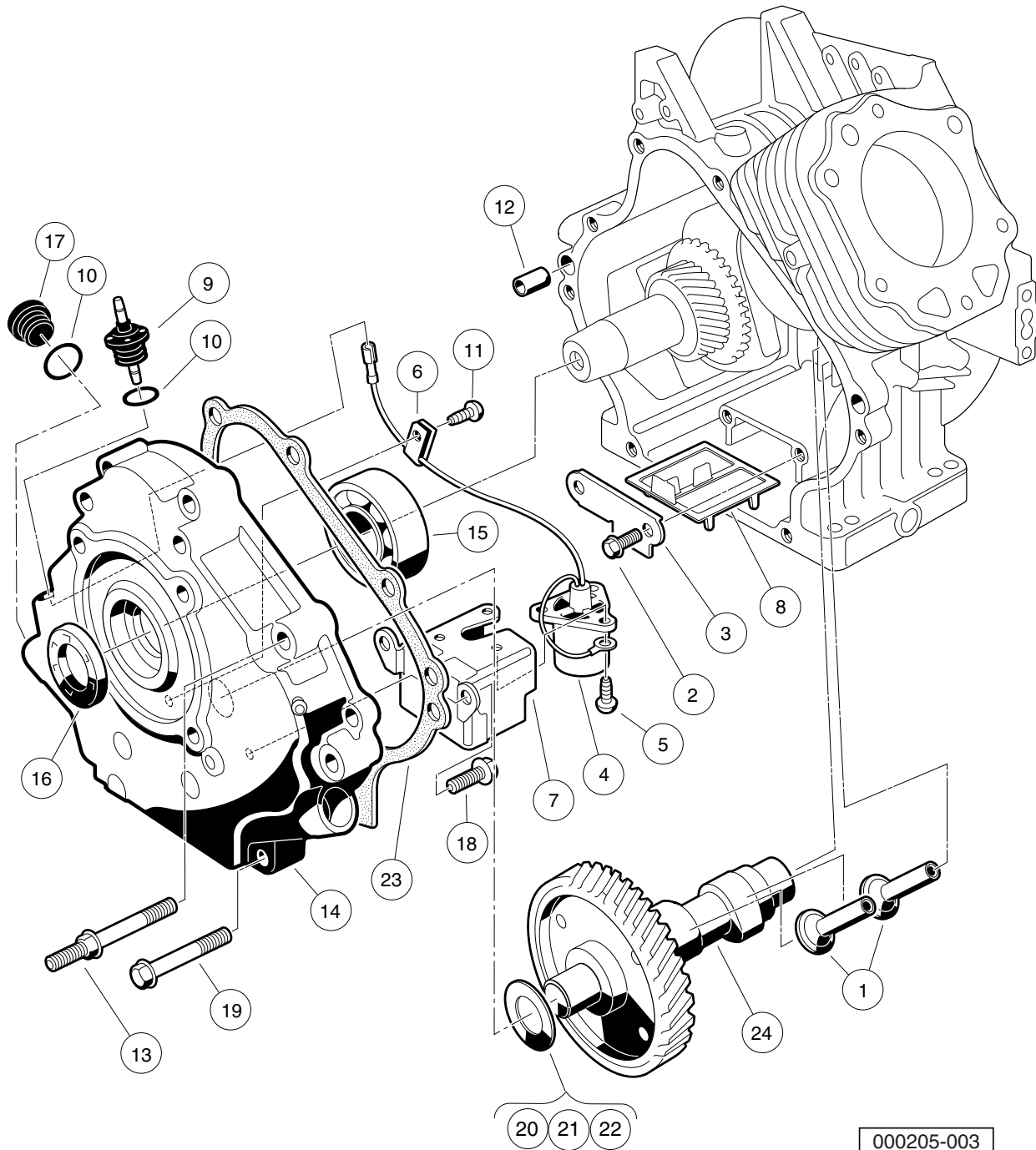


000204-007

FE350 ENGINE (S27) – CYLINDER HEAD

ITEM	PART NO.	DESCRIPTION	QTY
		1 2 3 4	
1	1016436	Gasket, Rocker Case	1
2	1016449	Retainer, Valve Spring	2
3	1016450	Collet	4
4	1016451	Arm, Rocker	2
5	1016452	Shaft, Rocker	1
6	1016458	Bolt, Flange Head, M8 x 1.25 x 45 mm	6
7	1016474	Plate	1
8	1016479	Seat, Spring	2
9	1016483	Valve	1
10	1016489	Stud, Two-Ended, M8-1.25	2
11	1016517	Circlip, Type-E	1
12	1016542	Screw	2
13	1016544	Screw	1
14	1016545	Nut	2
15	1016549	Washer, 12.1x19x1.8	1
16	1016563	Pin	2
17	1016566	Seal, Oil	2
18	1016569	O-Ring	2
19	1016583	Bolt, 6x35	2
20	1017434	Gasket, Head	1
21	1017445	Valve, Exhaust	1
22	1017454	Rod, Push	2
23	1017473	Spring, Engine Valve	2
24	102304801	Kit, Gasket, FE350 (includes items 25 through 28)	1
25	1016440	Gasket, Engine to Insulator	1
26	1016904	Gasket, Exhaust	1
27	1017434	Gasket, Head	1
28	1017443	Gasket, Crankcase Cover	1
29	102753401	Case, Rocker, Fe	1
30	103615601	Cylinder Head (includes items 31 and 32)	1
31	1016519	Guide, Valve, Intake, Exhaust	2
32	1016560	Snap Ring	2
33	103616301	Valve, Intake, Hard Tip	1
		Note: Item 25 is not a component of the FE350 engine.	

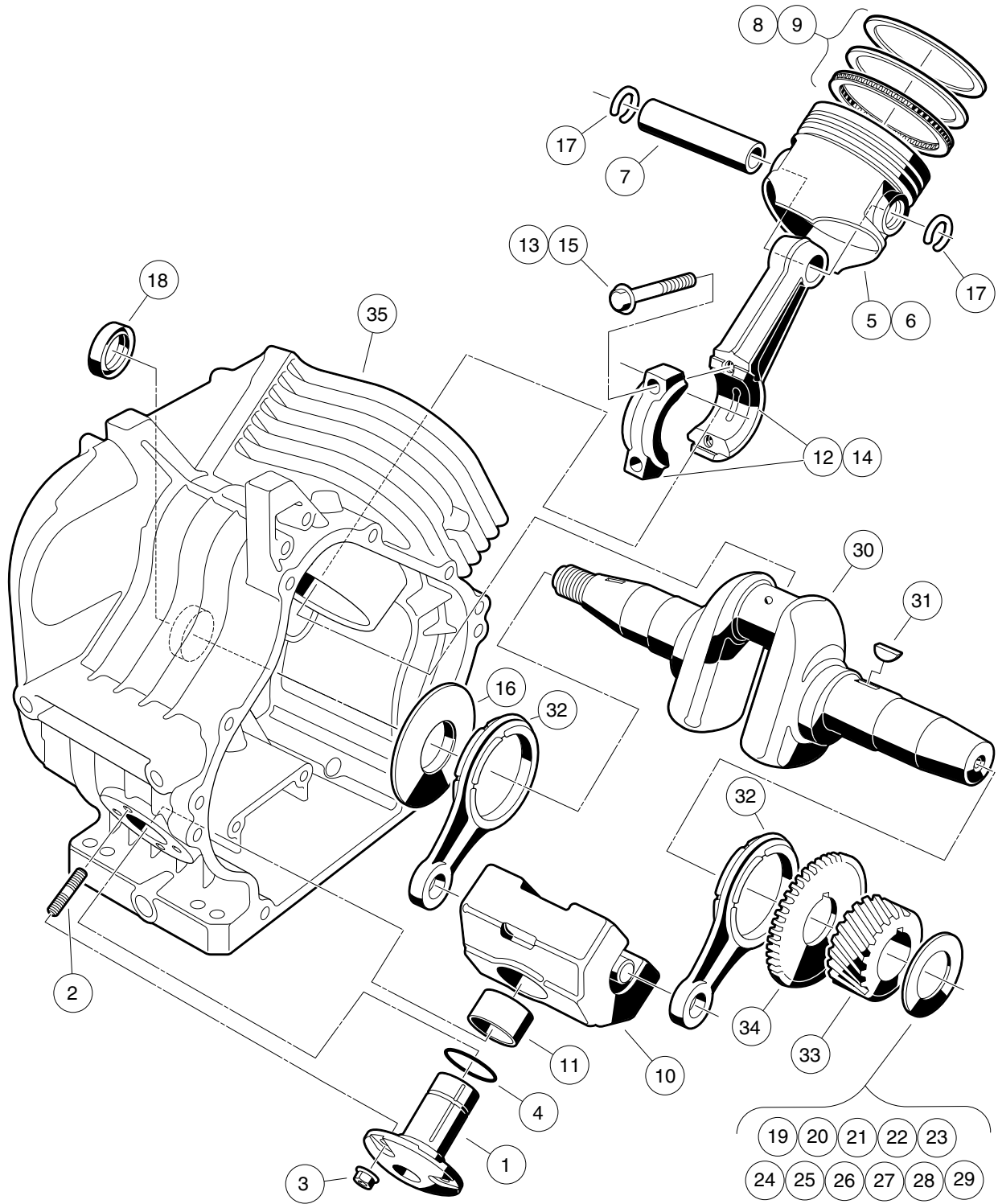
9
G



FE350 ENGINE (S27) – CRANKCASE, CAMSHAFT, AND OIL SENSOR

ITEM	PART NO.	DESCRIPTION	QTY
		1 2 3 4	
1	1016453	Tappet	2
2	1016454	Bolt, Flange Head, M5 x 0.8 x 8 mm	2
3	1016472	Plate, Oil Filter Screen	1
4	1016494	Sensor, Oil Level	1
5	1016496	Screw, Cross Pan-Head, M4 x 0.7 x 8 mm	3
6	1016506	Clamp	1
7	1016510	Bracket, Switch, Oil Level	1
8	1016521	Screen, Oil Filter	1
9	1016535	Connector, Cord	1
10	1016538	O-Ring	2
11	1016544	Screw	1
12	1016564	Pin	2
13	1016584	Bolt, Two-Ended, M8 x 1.25 x 69 mm	2
14	1017472	Cover Crankcase	1
15	1017487	Bearing, Ball	1
16	1017504	Seal, Oil	1
17	1017508	Plug	1
18	1017513	Bolt Switch Bracket	2
19	1017514	Screw, M8-1.25 X 45mm Hex	6
20	101751801	Shim, 0.3	1
21	101751802	Shim, 0.4	1
22	101751803	Shim, 0.5	1
23	103615901	Gasket, Crankcase Cover	1
24	103616401	Camshaft, Complete	1

9
G



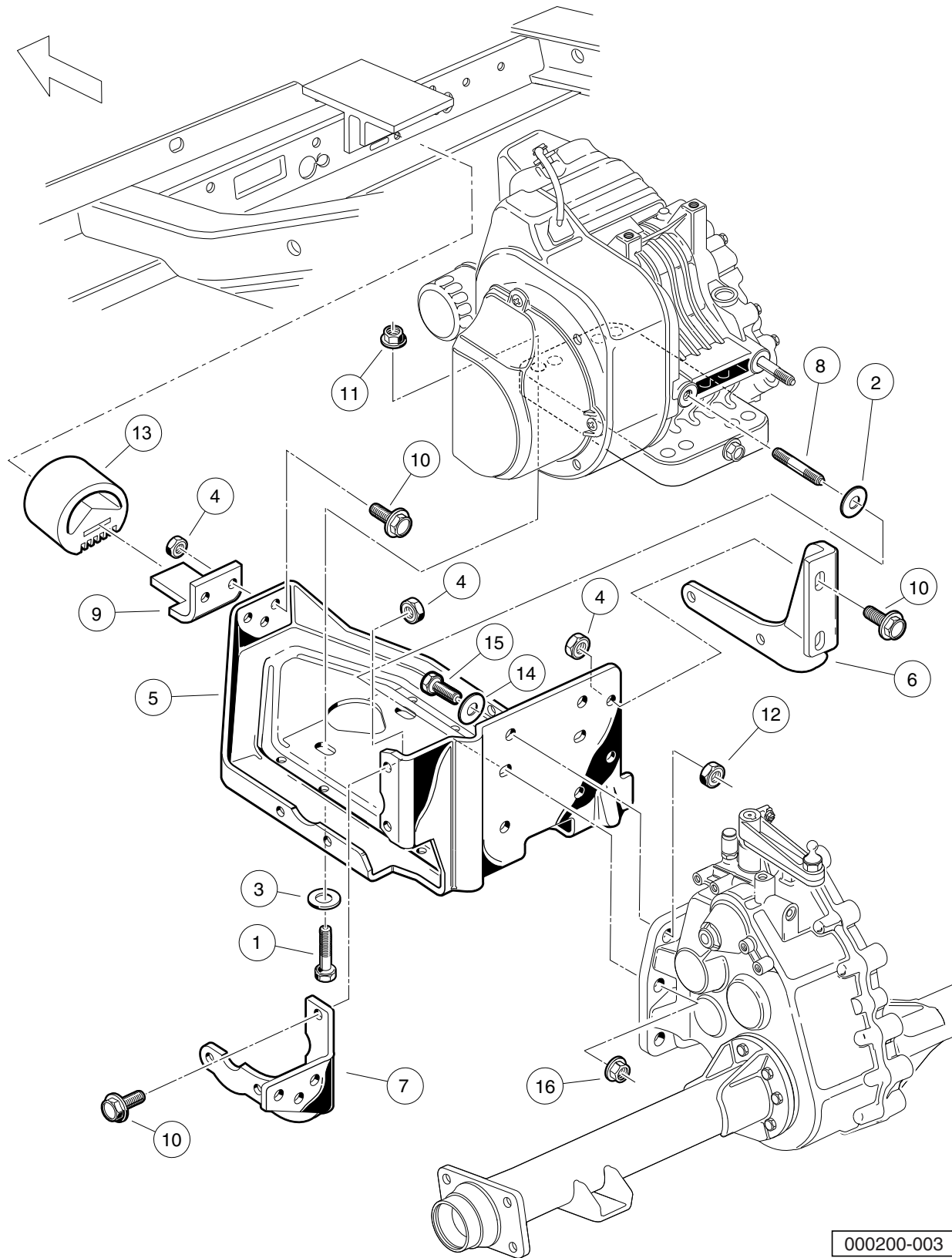
000206-003

FE350 ENGINE (S27) – CRANKCASE AND CRANKSHAFT

ITEM	PART NO.	DESCRIPTION	QTY
		1 2 3 4	
1	1016470	Shaft, Guide, Counterbalance	1
2	1016541	Stud, 6x14	4
3	1016547	Nut, Flanged, M6 X 1.00	4
4	1016571	O-Ring	1
5	101744901	Piston, Standard	1
6	101744902	Piston, 0.50 mm Oversize	1
7	1017450	Pin, Piston	1
8	101745101	Ring Set, Standard Piston	1
9	101745102	Ring Set, Piston, 0.50 mm Oversize	1
10	1017453	Counterbalance Weight (includes item 11)	1
11	1017510	Bearing, Plain	1
12	101745701	Asm, Con. Rod Std (includes item 13)	1
13	1017512	Bolt	2
14	101745702	Asm, Con. Rod 0.5mm U/s (includes item 15)	1
15	1017512	Bolt	2
16	1017501	Spacer	1
17	1017502	Snap Ring	2
18	1017503	Seal, Oil	1
19	101773301	Shim, Crankshaft, 1.18mm	1
20	101773302	Shim, Crankshaft, 1.25mm	1
21	101773303	Shim, Crankshaft, 1.32mm	1
22	101773304	Shim, Crankshaft, 1.39mm	1
23	101773305	Shim, Crankshaft, 1.46mm	1
24	101773306	Shim, Crankshaft, 1.53mm	1
25	101773307	Shim, Crankshaft, 1.60mm	1
26	101773308	Shim, Crankshaft, 1.67mm	1
27	101773309	Shim, Crankshaft, 1.74mm	1
28	101773310	Shim, Crankshaft, 1.11 mm	1
29	101773311	Shim, Crankshaft, 1.81mm	1
30	102430901	Crankshaft, FE350 Left-Hand, 22-Tooth (includes items 31 through 34)	1
31	1016562	Key	1
32	1017471	Rod	2
33	N/A	Gear, Helical	1
34	N/A	Gear, Spur	1
35	103615801	Crankcase, FE350	1

9

G



000200-003

FE350 ENGINE (S27) – MOUNTING

ITEM	PART NO.	DESCRIPTION	QTY
		1 2 3 4	
1	1010577	Bolt, Hex-Head, 5/16-18 X 1.50	4
2	1011697	Washer, 5/16 Flat	2
3	1012571	Washer, 5/16 Extra Thick Flat	4
4	1013924	Nut, 5/16-24, Hex Head Cone	10
5	101827101	Plate, Engine Mounting	1
6	101832601	Stiffener (PTO Side)	1
7	101832701	Stiffener (Flywheel Side)	1
8	101833101	Stud, M8-1.25 X 50 mm Two-Ended	2
9	101834601	Bracket, Snubber	1
10	101884801	Screw, 5/16-24 X 0.875, Grade-8	10
11	101963401	Locknut, 5/16-18 Hex Flange	4
12	102065901	Locknut, 3/8-16 Flanged Dimple	4
13	102540301	Snubber, Inner Frame	1
14	334	Washer, 3/8, Type A, Flat	4
15	705	Screw, Cap-hex Hd 3/8-16x1.25	4
16	96704416	Nut, Flange, M8 X 1.25 Serrated	2

9

G

9

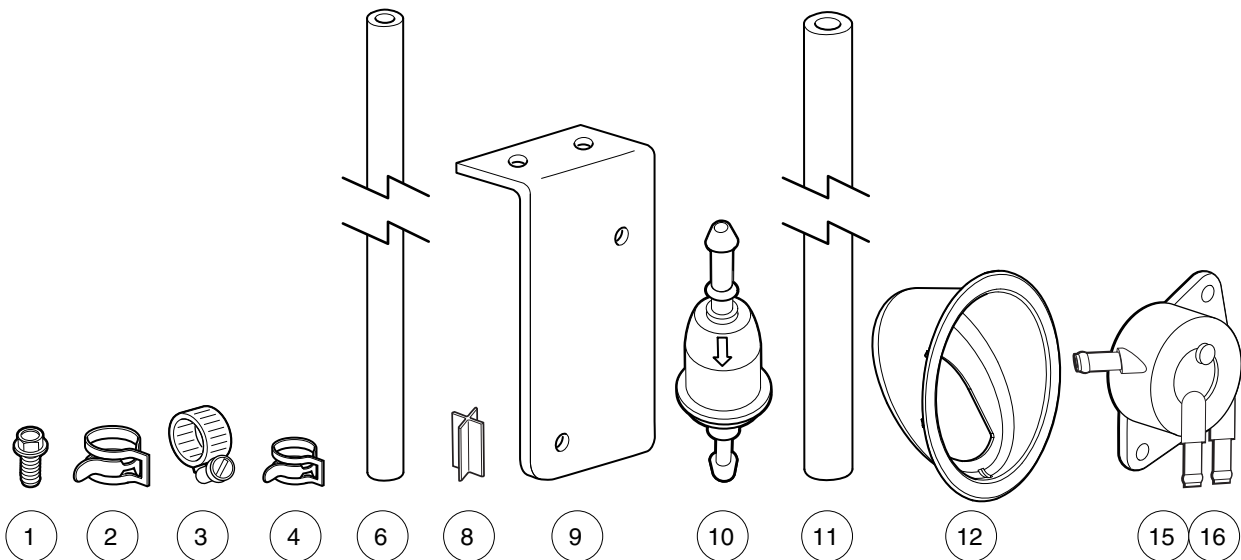
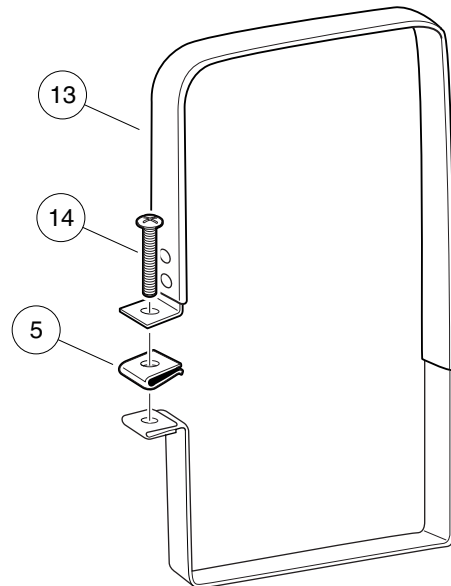
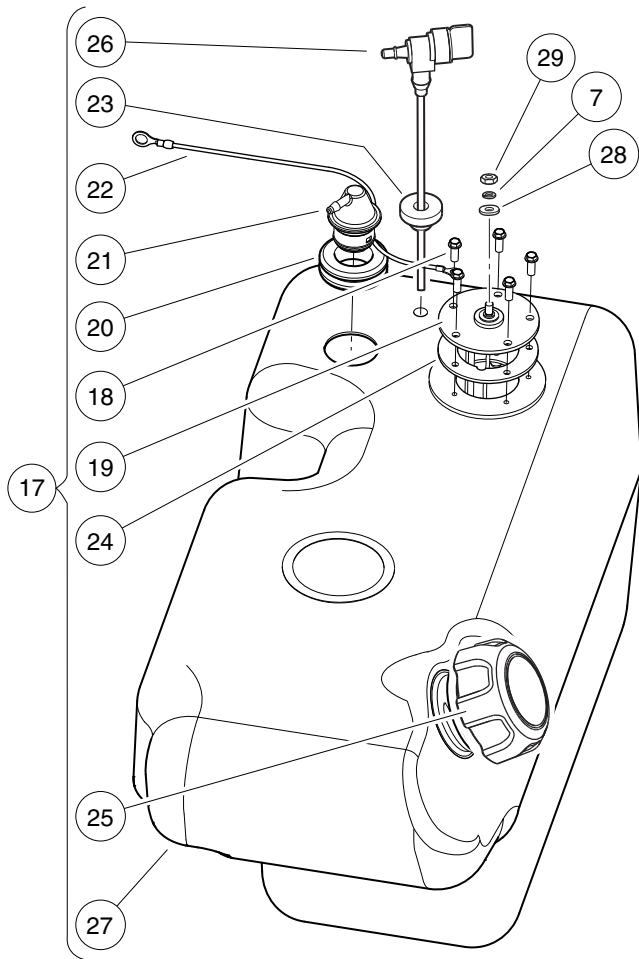
G

FUEL, INTAKE, AND GOVERNOR SYSTEMS

10

G

10
G



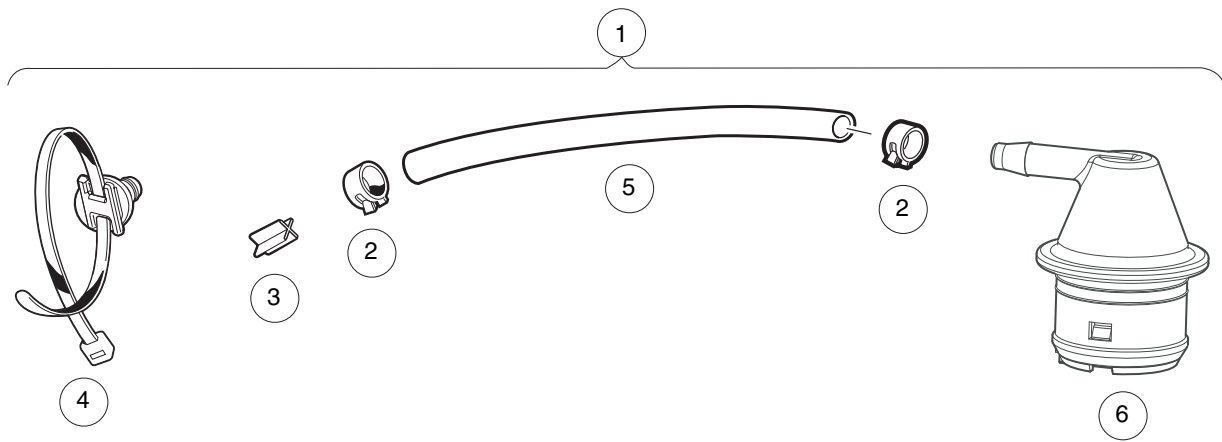
001072-005

FUEL SYSTEM, 50-STATE – TO MID-2012 MODEL YEAR

ITEM	PART NO.	DESCRIPTION	QTY
		1 2 3 4	
1	1012285	Screw, 1/4 X 0.625 Hex-Head	4
2	1012649	Clamp, 0.460 Red Hose	8
3	1013687	Clamp, 3/8" Hose (screw type)	1
4	1013746	Clamp, 0.301 ID Hose	2
5	1014116	Nut, 1/4-20 Speed	1
6	1015137	Fuel Line, 3/16 (available by the foot)	A/R
7	1016	Lockwasher, #10 Split	1
8	101824401	Vent Barb	1
9	101929501	Mount Fuel Pump	1
10	102003201	Filter, Fuel, 30 Micron	2
11	102865101	Fuel Line, 1/4 (available by the foot)	A/R
12	102977901	Bezel, Fuel Fill, 5.0 Dia	1
13	102978001	Strap, Fuel Tank, Side Fill	1
14	103306301	Screw, Bhsc, 1/4-20 X 2.0	1
15	103781101	Kit, Fuel Pump Retrofit (includes item 16)	1
16	103010101	Pump, Fuel, Impulse, Fh	1
17	103788101	Asm, Fuel Tank,side Fill,nano (includes items 18 through 27)	1
18	1013461	Screw, #10-16 Hex-Head Hi-Lo	5
19	1013462	Sending Unit, Fuel Level *	1
20	1015139	Insulation Grommet	1
21	1015143	Vent, Fuel Tank	1
22	1015921	Wire Assembly #16 Black	1
23	102406701	Bushing, Line, Return	1
24	102522001	Gasket, Rubber	1
25	103372101	Cap, Fuel Tank, Gas, Ratchet	1
26	103372301	Valve, Fuel, 259mm	1
27	103788001	Tank, Fuel,side Fill,nano	1
28	183	Washer, #10, Type A, Flat	1
29	8797	Nut, #10-32 Brass Hex	1
		* Note: Must replace fuel sending unit gasket when servicing this component.	

10

G



001244-001

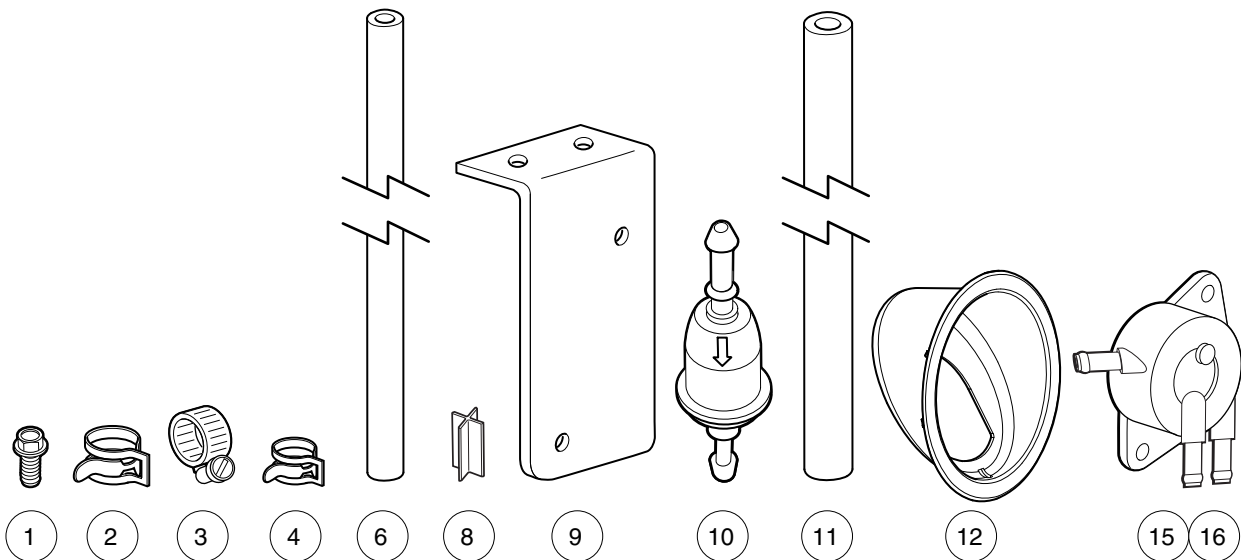
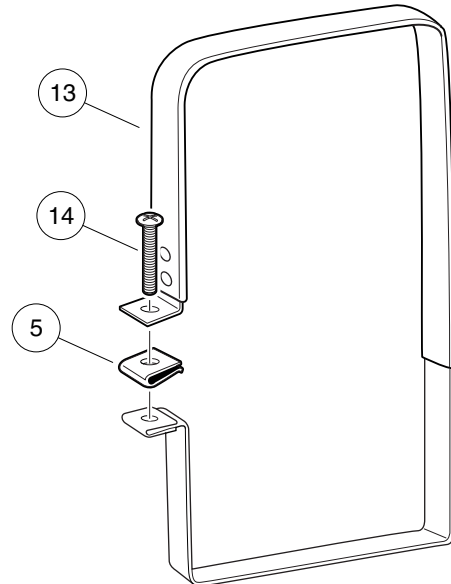
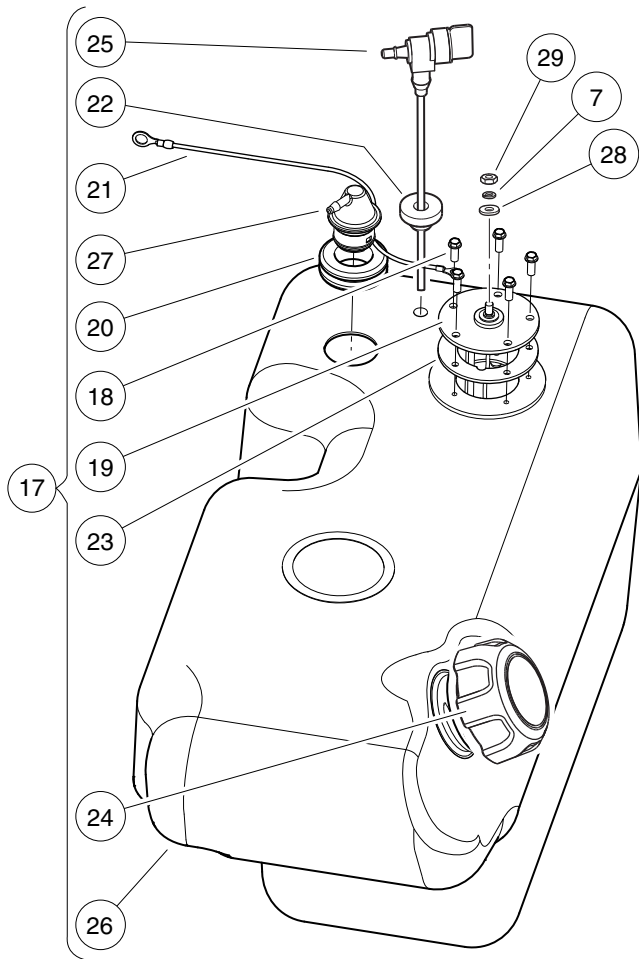
FUEL TANK VENT KIT

ITEM	PART NO.	DESCRIPTION	QTY
		1 2 3 4	
1	103923101	Kit, Fuel Tank Vent, 1/4 In Od (includes items 2 through 6)	1
2	1012649	Clamp, 0.460 Red Hose	2
3	101824401	Vent Barb	1
4	102787101	Mount, Fir Tree, Cable Tie	1
5	103896603	Hose, Vent, 1/4 Id, 22 In	1
6	103905201	Assembly, Vent, Fuel, 1/4 Inch O.D.	1

10

G

10
G



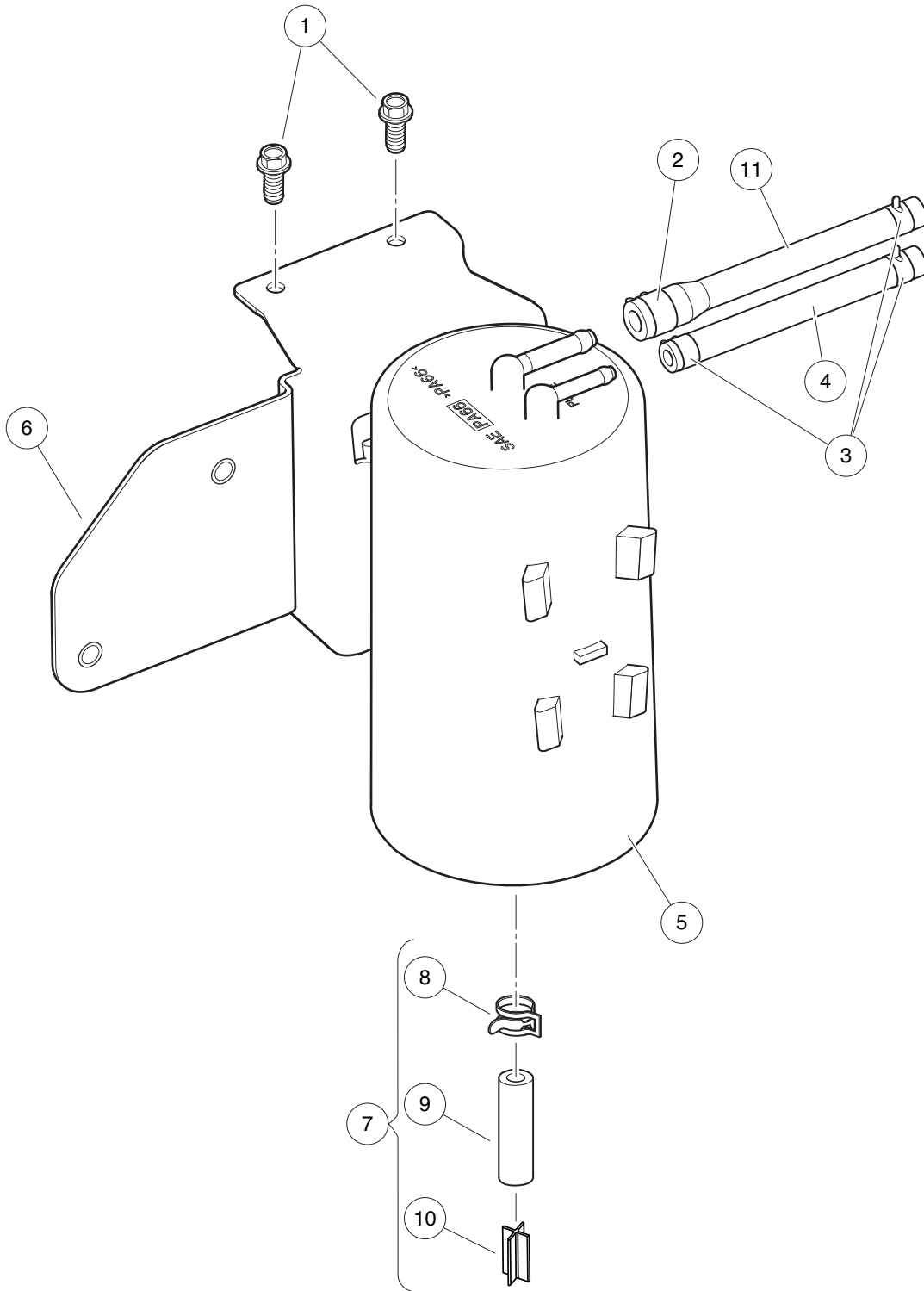
001072-006

FUEL SYSTEM, 50-STATE – FROM MID-2012 MODEL YEAR

ITEM	PART NO.	DESCRIPTION	QTY
		1 2 3 4	
1	1012285	Screw, 1/4 X 0.625 Hex-Head	4
2	1012649	Clamp, 0.460 Red Hose	8
3	1013687	Clamp, 3/8" Hose (screw type)	1
4	1013746	Clamp, 0.301 ID Hose	2
5	1014116	Nut, 1/4-20 Speed	1
6	1015137	Fuel Line, 3/16 (available by the foot)	A/R
7	1016	Lockwasher, #10 Split	1
8	101824401	Vent Barb	1
9	101929501	Mount Fuel Pump	1
10	102003201	Filter, Fuel, 30 Micron	2
11	102865101	Fuel Line, 1/4 (available by the foot)	A/R
12	102977901	Bezel, Fuel Fill, 5.0 Dia	1
13	102978001	Strap, Fuel Tank, Side Fill	1
14	103306301	Screw, Bhsc, 1/4-20 X 2.0	1
15	103781101	Kit, Fuel Pump Retrofit (includes item 16)	1
16	103010101	Pump, Fuel, Impulse, Fh	1
17	103788101	Asm, Fuel Tank,side Fill,nano (includes items 18 through 27)	1
18	1013461	Screw, #10-16 Hex-Head Hi-Lo	5
19	1013462	Sending Unit, Fuel Level *	1
20	1015139	Insulation Grommet	1
21	1015921	Wire Assembly #16 Black	1
22	102406701	Bushing, Line, Return	1
23	102522001	Gasket, Rubber	1
24	103372101	Cap, Fuel Tank, Gas, Ratchet	1
25	103372301	Valve, Fuel, 259mm	1
26	103788001	Tank, Fuel,side Fill,nano	1
27	103905201	Assembly, Vent, Fuel, 1/4 Inch O.D.	1
28	183	Washer, #10, Type A, Flat	1
29	8797	Nut, #10-32 Brass Hex	1
		* Note: Must replace fuel sending unit gasket when servicing this component.	

10

G



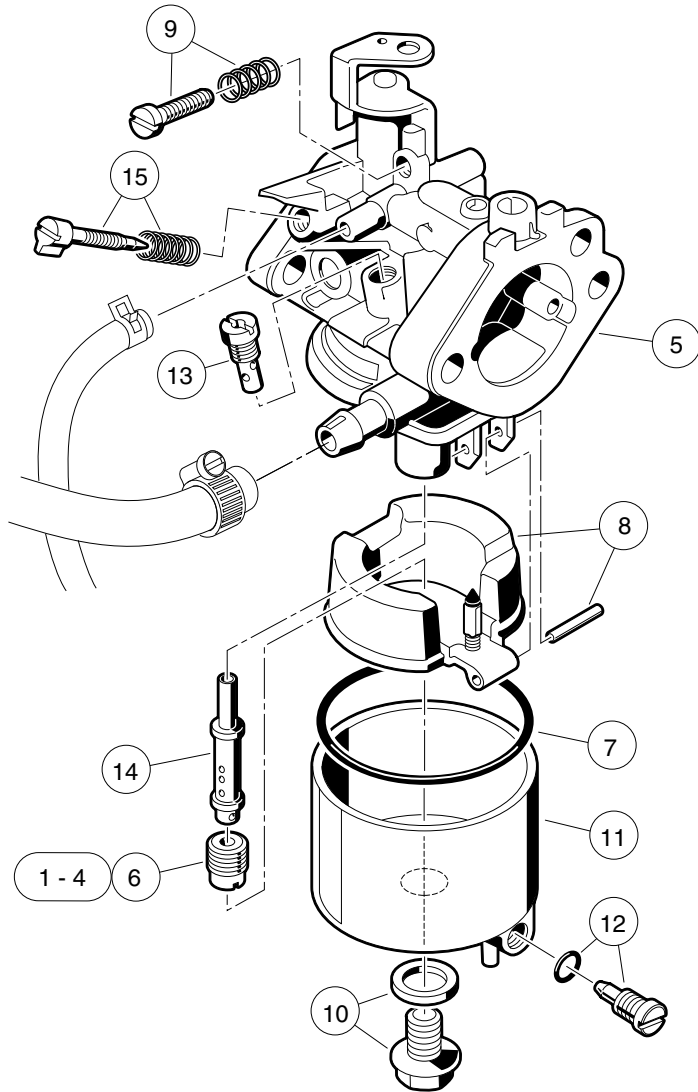
000980-008

CARBON CANISTER

ITEM	PART NO.	DESCRIPTION	QTY
		1 2 3 4	
1	1012285	Screw, 1/4 X 0.625 Hex-Head	2
2	101313402	Clamp, Green Hose	1
3	1013746	Clamp, 0.301 ID Hose	3
4	1015137	Fuel Line, 3/16 (available by the foot)	A/R
5	103372401	Canister, Carbon	1
6	103372801	Bracket, Carbon Canister, Sw	1
7	103418601	Asm, Vent Line, Utility (includes items 8 through 10)	1
8	1012649	Clamp, 0.460 Red Hose	1
9	N/A	Hose, Vent, 5/16 I.D., Bulk	A/R
10	N/A	Vent, Barb, 5/16 I.D. Hose	1
11	103851201	Hose, Vent Flared, 9.0 Inch	1

10

G



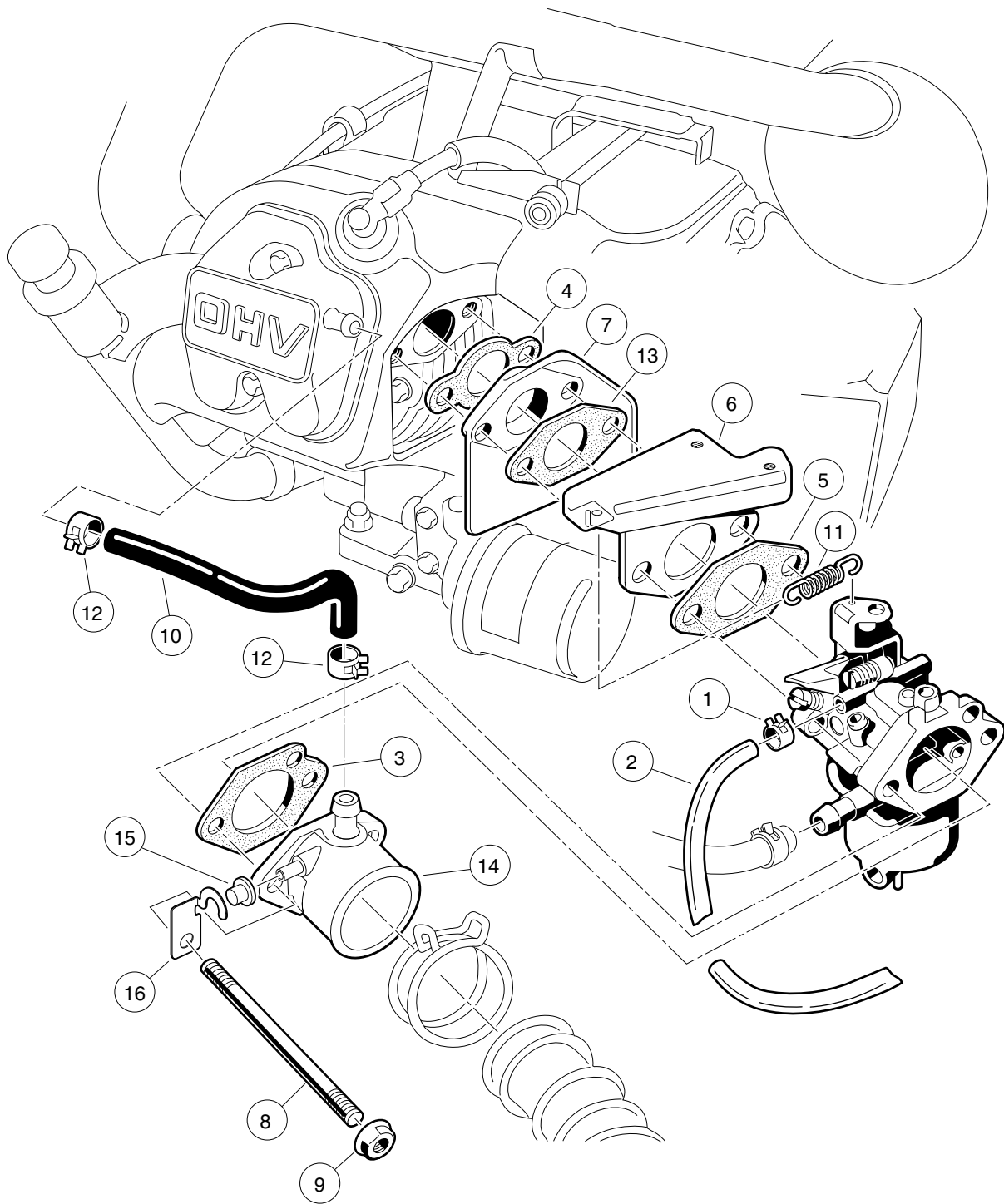
000212-002

CARBURETOR ASSEMBLY – FE350 S27

ITEM	PART NO.	DESCRIPTION	QTY
		1 2 3 4	
1	101642575	Jet, Altitude, # 75	1
2	101642578	Jet, Altitude, # 78	1
3	101642580	Jet, Altitude, # 80	1
4	101642582	Jet, Altitude, # 82	1
5	103617101	Carburetor, FE350 S27 (includes items 6 through 15)	1
6	101642585	Jet, Altitude, # 85	1
7	1016437	Gasket, Carburetor Bowl OHV	1
8	1016486	Float Assembly	1
9	1016501	Screw Assembly	1
10	1016585	Bolt	1
11	1017461	Chamber Assembly, Float (includes item 12)	1
12	1016499	Screw Assembly	1
13	101973101	Jet, #40 Pilot	1
14	101973301	Nozzle, Main	1
15	N/A	Assembly, Pilot Air Screw	1
<p style="text-align: center;">Note: 101642585 for 0 - 3,200 feet; 101642582 for 3,200 - 6,500 feet; 101642580 for 6,500 - 9,800 feet; 101642578 for 9,800 feet and above.</p>			

10

G



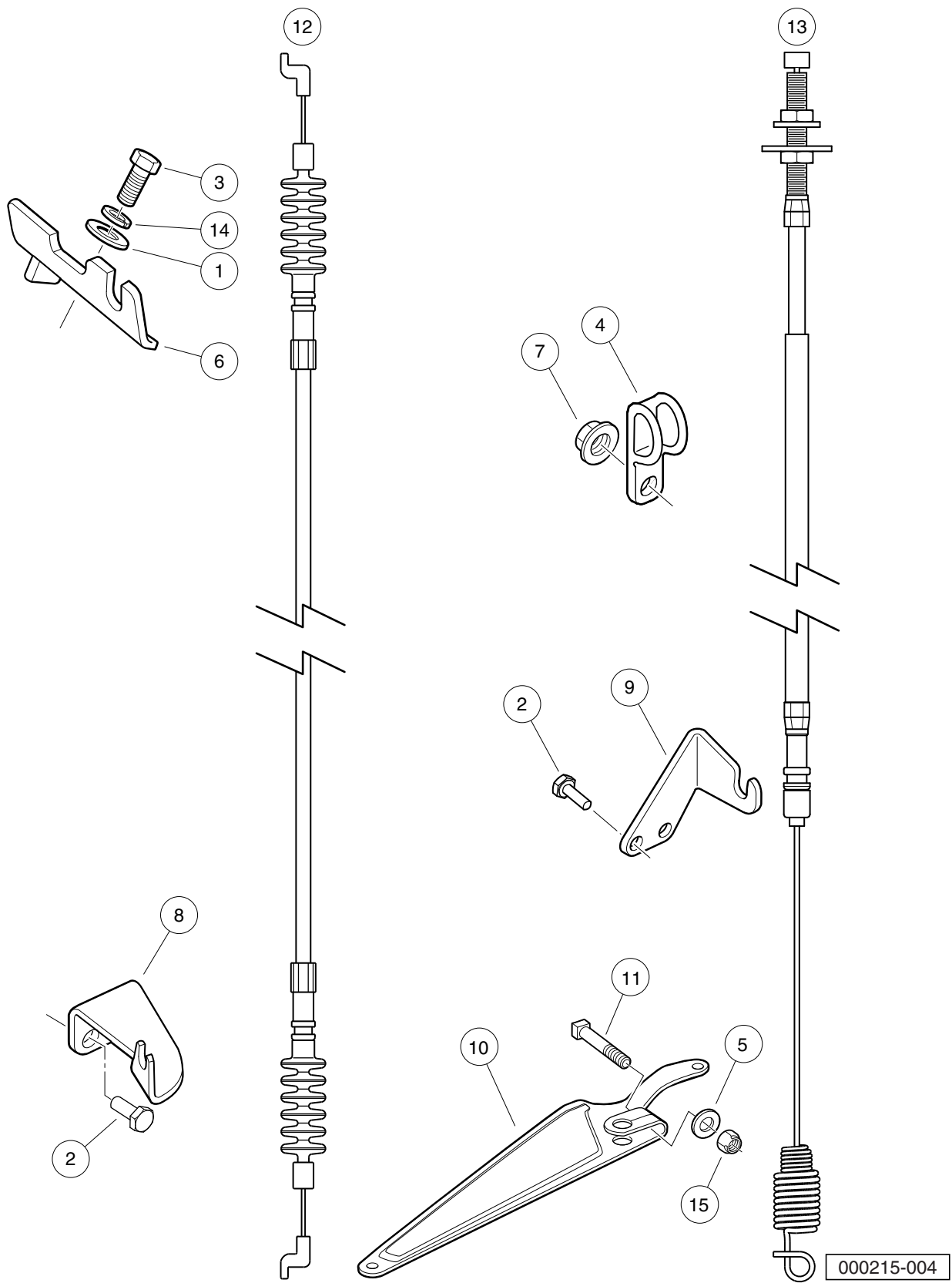
000214-002

CARBURETOR MOUNTING, UTILITY, FE350 S27

ITEM	PART NO.	DESCRIPTION	QTY
		1 2 3 4	
1	1013746	Clamp, 0.301 ID Hose	1
2	1015137	Fuel Line, 3/16 (available by the foot)	1
3	1016438	Gasket, Carb To Intake Manifold	1
4	1016440	Gasket, Engine to Insulator	1
5	1016441	Gasket, Sprg Brkt To Carb OHV	1
6	1016444	Bracket, Throttle Spring Return	1
7	101648102	Insulator, Carburetor	1
8	101649002	Stud, M6-1.00 Two-Ended	2
9	1016547	Nut, M6 Flange	2
10	1016572	Tube, Crankcase Vent	1
11	1016582	Spring, Throttle Return	1
12	1017466	Clamp	2
13	101973401	Gasket, Insulator To Bracket	1
14	103507101	Carburetor Adapter w/ Tap	1
15	103507201	Plug, Intake Manifold, Carb	1
16	103507301	Bracket, Intake Manifold, Carb	1

10
G

10
G

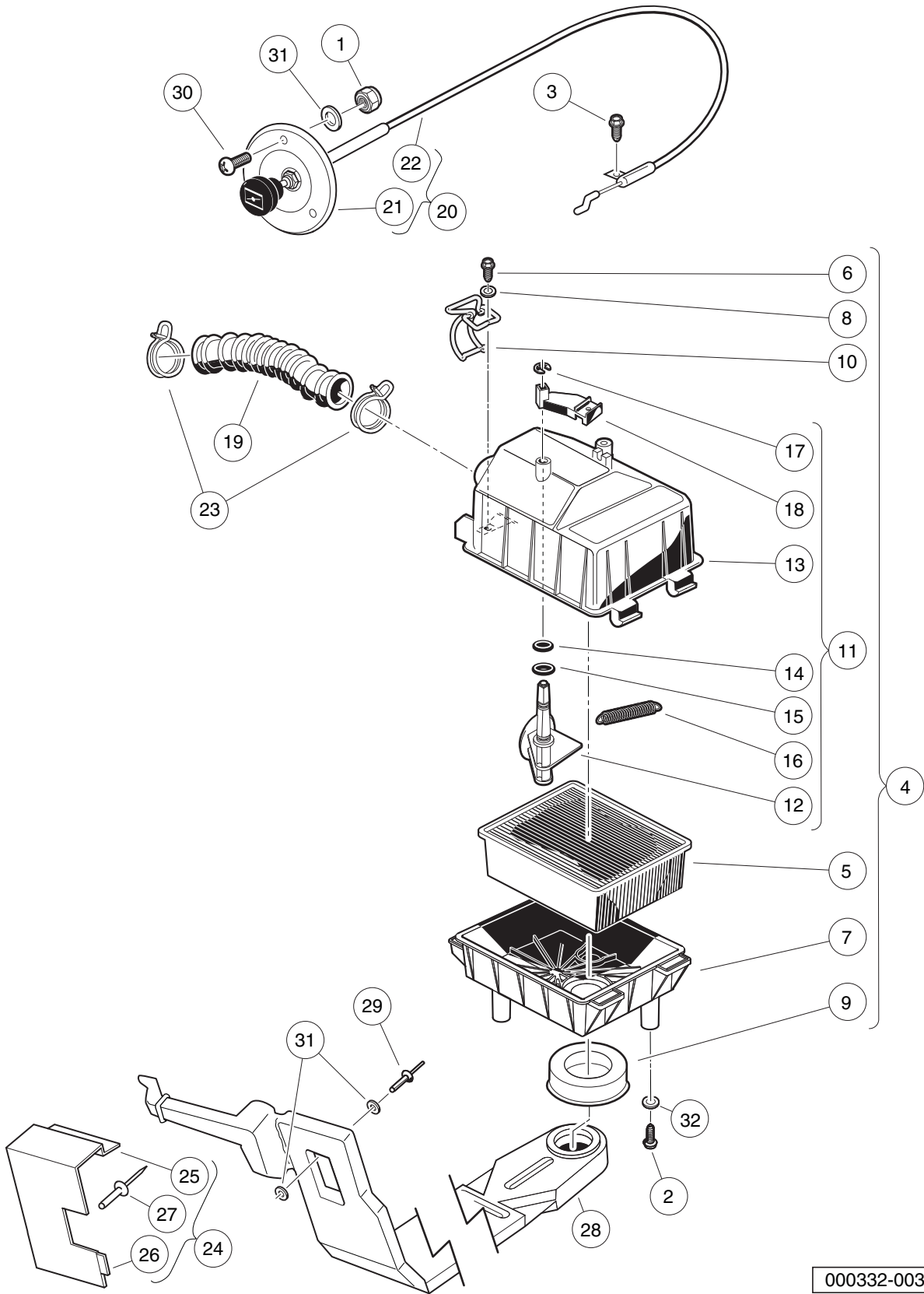


GOVERNOR AND ACCELERATOR CABLES

ITEM	PART NO.	DESCRIPTION	QTY
		1 2 3 4	
1	1011697	Washer, 5/16 Flat	1
2	1012285	Screw, 1/4 X 0.625 Hex-Head	4
3	1012830	Screw, M8-125 X 22 Hex-Head	1
4	1013700	Clamp	2
5	1014007	Washer, 1/4, Flat	1
6	101584502	Bracket, Governor Cable Snap-In	1
7	1016546	Nut	2
8	101832202	Bracket, Rear Governor Cable Snap-In	1
9	101832302	Bracket, Rear Accelerator Cable Snap-In	1
10	101834801	Arm, Governor	1
11	101886101	Screw, 1/4-20 X 1.00, Square-Head	1
12	102336001	Cable, Governor, Snap-In	1
13	102336101	Cable, Accelerator, Snap-In	1
14	7174	Lockwasher, 5/16 Split	1
15	8233	Locknut, 1/4-20, Nylon Insert	1

10
G

10
G



000332-003

AIR FILTER AND INTAKE SYSTEM

ITEM	PART NO.	DESCRIPTION	QTY
		1 2 3 4	
1	1012438	Locknut, #10-24 Nylon Insert	3
2	1015752	Screw, #12-16 X 0.625, Hi-Lo	3
3	101804301	Screw, #8 X 0.500, Hex-Head Hi-Lo	1
4	101821501	Assembly, Air Box (includes items 5 through 11)	1
5	1015426	Filter, Air	1
6	101804301	Screw, #8 X 0.500, Hex-Head Hi-Lo	2
7	101811901	Bottom, Air Box	1
8	101881701	Washer, #8 Stainless-Steel Flat	2
9	101921501	Seal, Intake	1
10	101925701	Latch, Wireform	2
11	101972801	Top Assy, Air Box (includes items 12 through 18)	1
12	N/A	Valve, Choke	1
13	N/A	Top, Air Box	1
14	N/A	O-Ring, 5/16	1
15	N/A	O-Ring, 3/8	1
16	101812301	Spring, Extension Return	1
17	101813001	Retaining Ring 0.25, Shaft	1
18	101917601	Lever, Choke	1
19	101837101	Hose, Air Intake	1
20	101926801	Cable, Choke (includes items 21 and 22)	1
21	101933701	Bezel, Choke Cable	1
22	N/A	Choke Cable without Bezel, Short	1
23	101971301	Clamp, 1.58" ID Hose	2
24	102190702	Kit, Air Duct Shield (includes items 25 through 27)	1
25	102185401	Tape, 3M VHB 4950	1
26	N/A	Shield, Air Duct	1
27	7973	Rivet, 3/16 X .400 Blind	1
28	103520401	Duct, Air Intake, Ca li	1
29	1606	Rivet, 3/16 X .500 Alum Pop	2
30	1631	Screw, #10-24 X 0.75 Phillips Pan-Head	3
31	183	Washer, #10, Type A, Flat	7
32	332	Washer, 1/4 Type A Narrow Flat	3

10

G

10

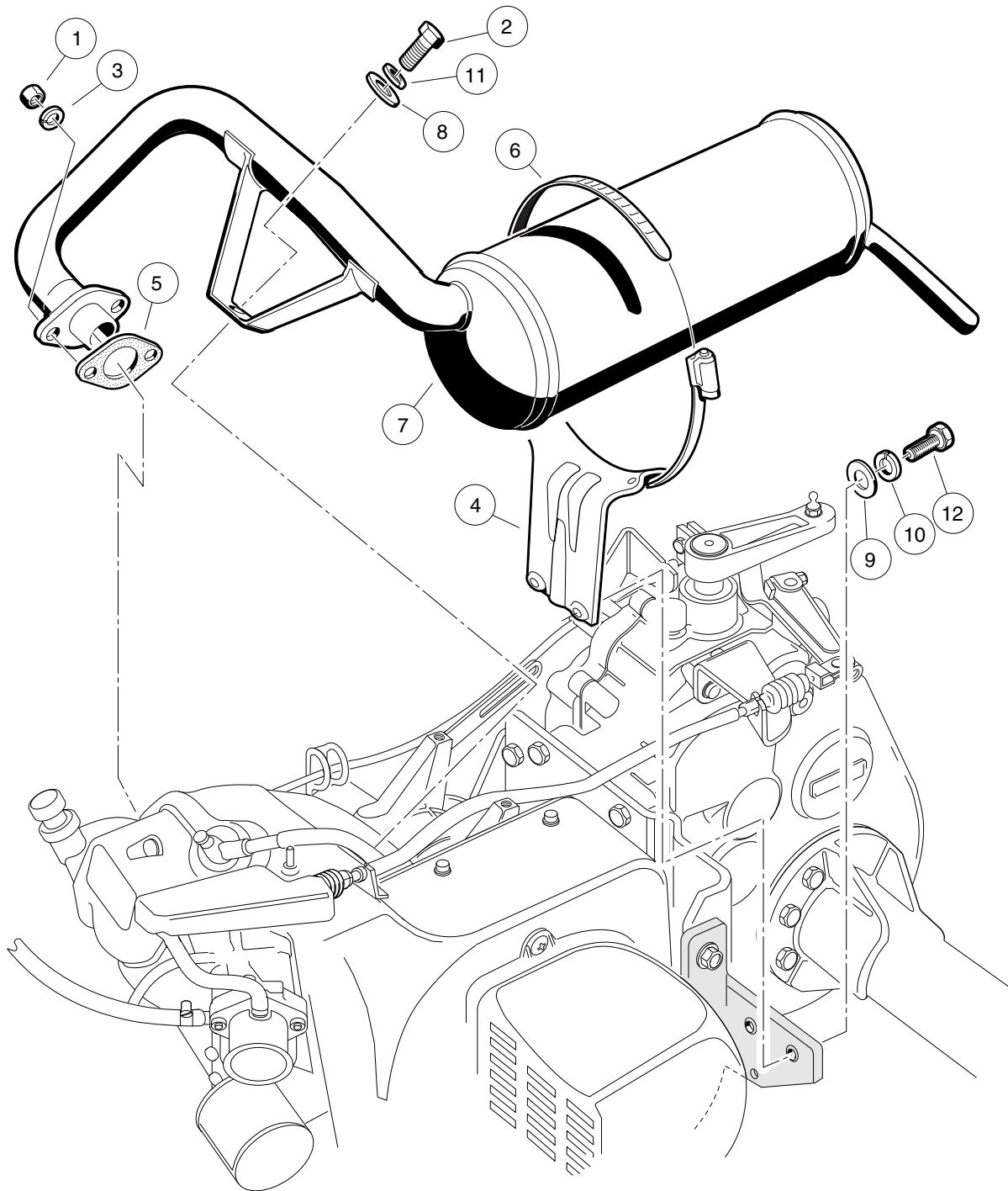
G

EXHAUST SYSTEM

11

G

11
G



000209-001

EXHAUST SYSTEM – FE350 ENGINE

ITEM	PART NO.	DESCRIPTION	QTY
		1 2 3 4	
1	1012528	Nut, M8-1.25 Hex	2
2	1012830	Screw, M8-125 X 22 Hex-Head	1
3	1013734	Lockwasher, 8mm Split	2
4	1015814	Bracket, Muffler Mounting	1
5	1016904	Gasket, Exhaust	1
6	1017689	Clamp, 5" Muffler Hose	1
7	101859401	Exhaust System, FE350	1
8	1241	Washer, 5/16 Type A Flat	1
9	332	Washer, 1/4 Type A Narrow Flat	2
10	451	Lockwasher, 1/4 Split	2
11	7174	Lockwasher, 5/16 Split	1
12	7847	Screw, 1/4-20 X 0.75 Hex-Head Cap	2

11
G

11

G

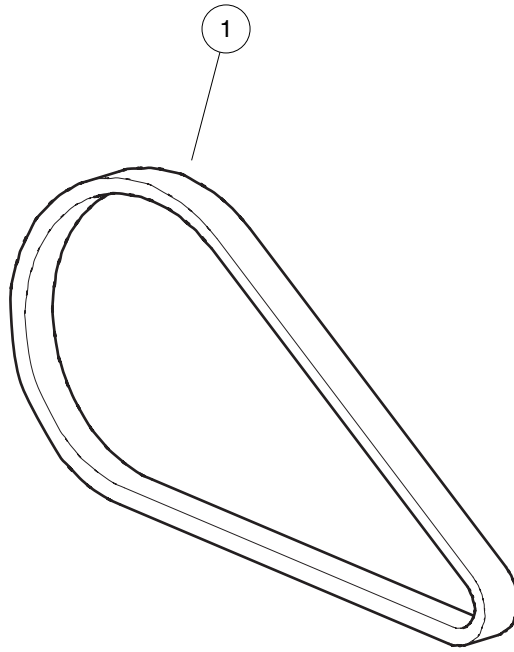
DRIVE BELT AND CLUTCHES

12

G

12

G

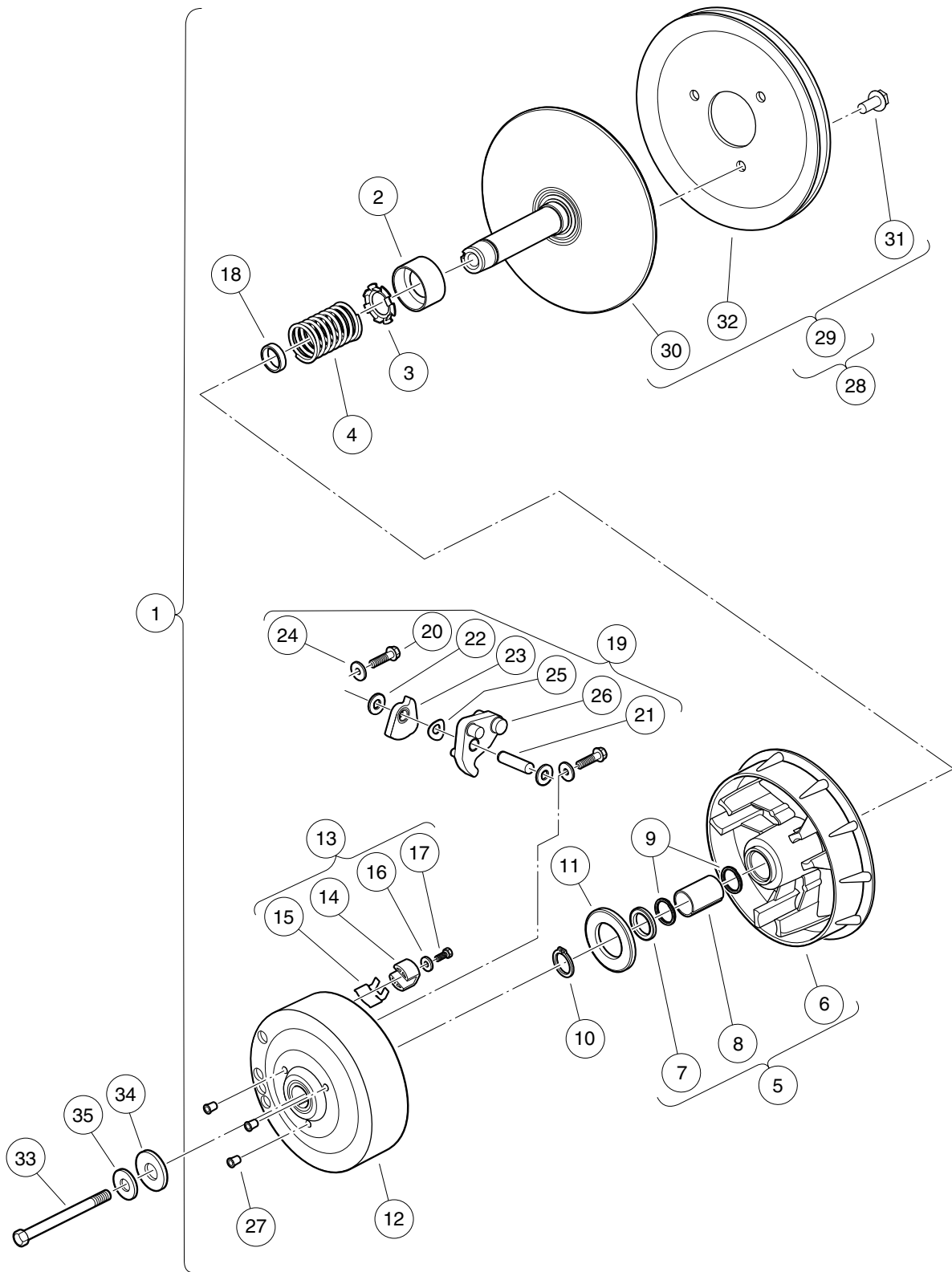


000918-001

DRIVE BELT

ITEM	PART NO.	DESCRIPTION	QTY
1	1017188	1 2 3 4 Belt, Drive (FE350)	1

12
G

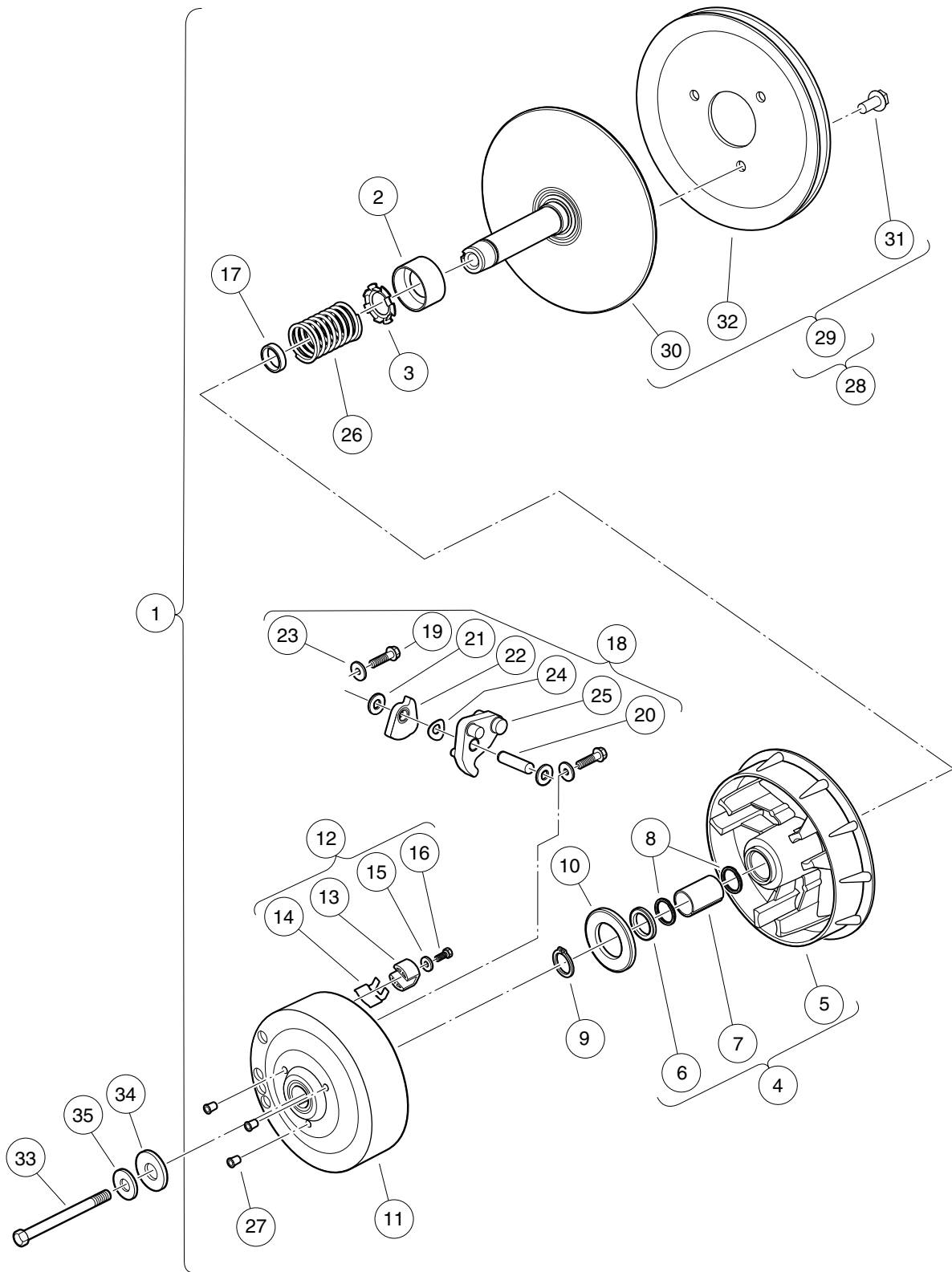


000217-006

DRIVE CLUTCH – TURF/CARRYALL 2 AND 252

ITEM	PART NO.	DESCRIPTION	QTY
		1 2 3 4	
1	101833902	Clutch, Drive (includes items 2 through 28)	1
2	1014049	Bearing, Idler	1
3	1014050	Retainer, Spring	1
4	1014051	Spring, Drive Clutch	1
5	1014052	Movable-Face Assembly (includes items 6 through 8)	1
6	N/A	Drive Clutch Movable Face	1
7	1014055	Retainer	1
8	N/A	Bushing, Split, Drive Clutch	1
9	1014056	Ring, Spiral Backup	2
10	1014057	Ring, 0.810" Internal Retaining	1
11	1014058	Thrust Washer	1
12	1014059	Drive Hub Assy, Drive Clutch	1
13	1014453	Kit, Drive Clutch Button (includes items 14 through 17)	1
14	1014062	Driver, Drive Clutch	3
15	1014287	Spring, Drive Button	3
16	183	Washer, #10, Type A, Flat	3
17	8450	Screw, #10-24 X 0.50, Hex-Head	3
18	1016289	Spacer, Fixed Face Shaft	1
19	1016801	Kit, Drive Clutch Weight (includes items 20 through 26)	1
20	1014063	Screw, 1/4-20 X 1.00, Hex Head	6
21	N/A	Pin, Dowel, 0.3752 x 1.50	3
22	1014065	Washer, Flat, 0.38" ID, Delrin	6
23	N/A	Clutch Weight, Secondary	3
24	N/A	Washer	6
25	1016201	Washer, Wave	3
26	N/A	Weight, Primary	3
27	101925601	Plug, Drive Clutch	3
28	101929802	Kit, Fxd Face Dr Asm Fe290/350 (includes item 29)	1
29	N/A	Assembly, Fixed-Face Drive (includes items 30 through 32)	1
30	N/A	Fixed Face Assembly, Drive Clutch	1
31	1014288	Screw, 5/16-18 X 0.75, Thread-Forming	3
32	N/A	Pulley, Clutch	1
33	103345701	Screw 3/8-24x5.5 Hex Loc Ptch	1
34	334	Washer, 3/8, Type A, Flat	1
35	808	Washer, 3/8 Type B Flat	1

12
G

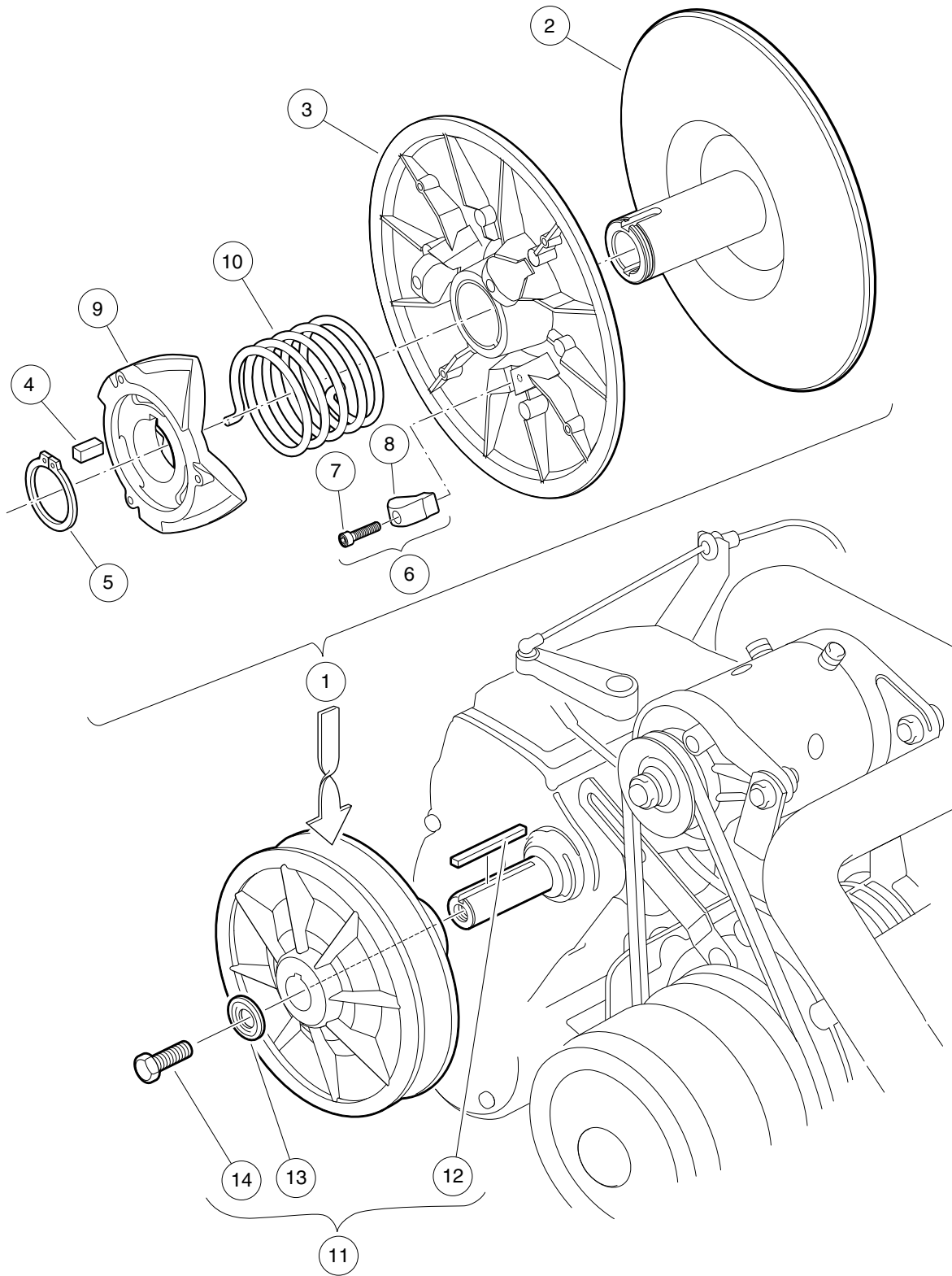


000217-008

DRIVE CLUTCH – XRT 900 AND CARRYALL 2 PLUS

ITEM	PART NO.	DESCRIPTION	QTY
		1 2 3 4	
1	101833906	Drive Clutch Assy. FE 350/272 (includes items 2 through 28)	1
2	1014049	Bearing, Idler	1
3	1014050	Retainer, Spring	1
4	1014052	Movable-Face Assembly (includes items 5 through 7)	1
5	N/A	Drive Clutch Movable Face	1
6	1014055	Retainer	1
7	N/A	Bushing, Split, Drive Clutch	1
8	1014056	Ring, Spiral Backup	2
9	1014057	Ring, 0.810" Internal Retaining	1
10	1014058	Thrust Washer	1
11	1014059	Drive Hub Assy, Drive Clutch	1
12	1014453	Kit, Drive Clutch Button (includes items 13 through 16)	1
13	1014062	Driver, Drive Clutch	3
14	1014287	Spring, Drive Button	3
15	183	Washer, #10, Type A, Flat	3
16	8450	Screw, #10-24 X 0.50, Hex-Head	3
17	1016289	Spacer, Fixed Face Shaft	1
18	1016801	Kit, Drive Clutch Weight (includes items 19 through 25)	1
19	1014063	Screw, 1/4-20 X 1.00, Hex Head	6
20	N/A	Pin, Dowel, 0.3752 x 1.50	3
21	1014065	Washer, Flat, 0.38" ID, Delrin	6
22	N/A	Clutch Weight, Secondary	3
23	N/A	Washer	6
24	1016201	Washer, Wave	3
25	N/A	Weight, Primary	3
26	1016901	Spring, Drive Clutch	1
27	N/A	Cap Plug	3
28	101929802	Kit, Fxd Face Dr Asm Fe290/350 (includes item 29)	1
29	N/A	Assembly, Fixed-Face Drive (includes items 30 through 32)	1
30	N/A	Fixed Face Assembly, Drive Clutch	1
31	1014288	Screw, 5/16-18 X 0.75, Thread-Forming	3
32	N/A	Pulley, Clutch	1
33	103345701	Screw 3/8-24x5.5 Hex Loc Ptch	1
34	334	Washer, 3/8, Type A, Flat	1
35	808	Washer, 3/8 Type B Flat	1

12
G



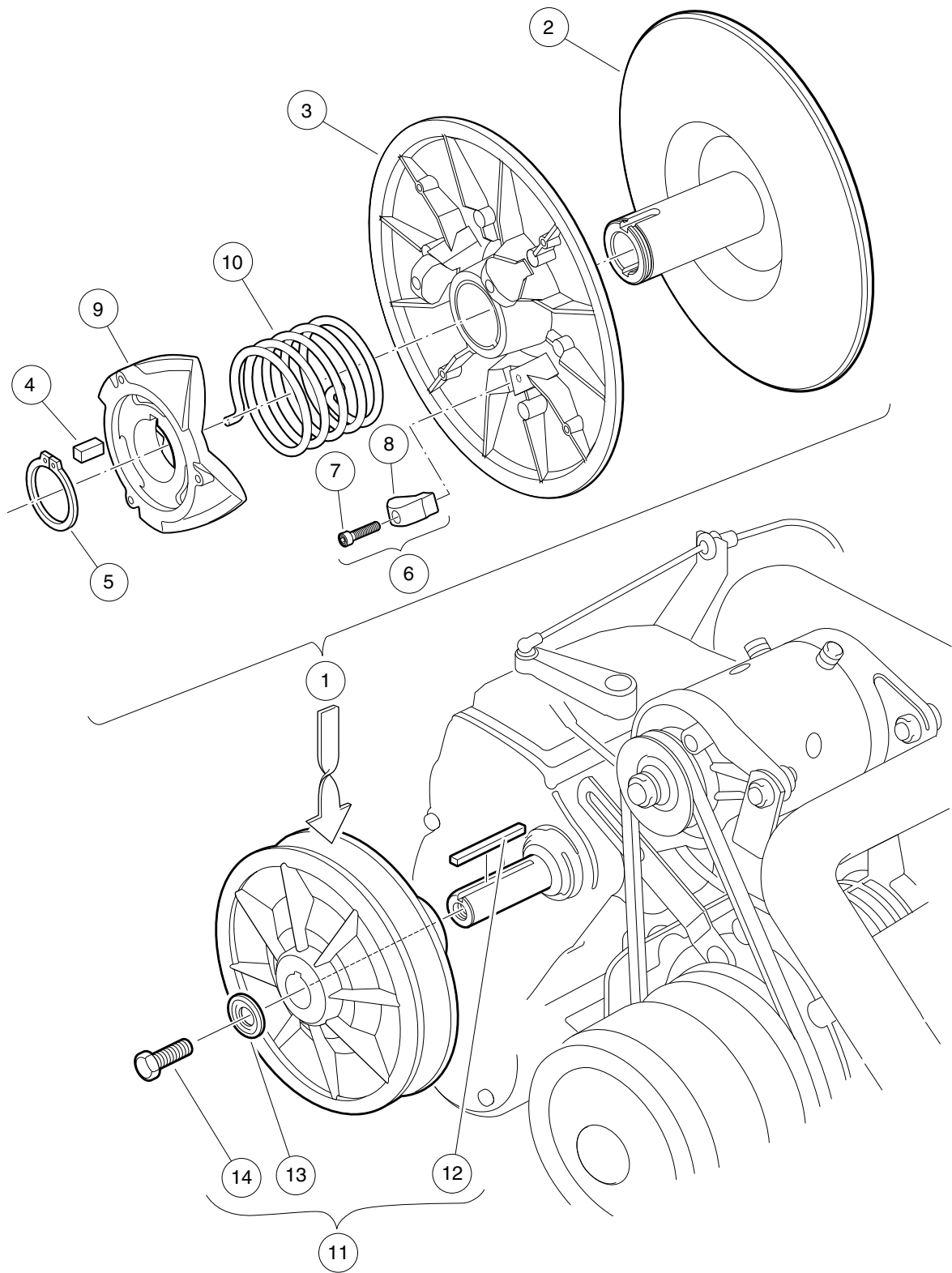
000219-001

DRIVEN CLUTCH – TURF/CARRYALL 2 AND 252

ITEM	PART NO.	DESCRIPTION	QTY
		1 2 3 4	
1	101834001	Assembly, Driven Clutch (includes items 2 through 10)	1
2	1014070	Fixed Face Assy, Driven Clutch	1
3	1014072	Movable-Face Assembly with Bushing	1
4	1014078	Key, Driven Clutch	1
5	1014080	Ring, Retaining	1
6	1014454	Kit, Driven Clutch Button (includes items 7 and 8)	1
7	1012836	Screw, #8-32 X 3/4, Socket-Head Cap	3
8	N/A	Button, Drive	3
9	1017686	Cam, Driven Clutch	1
10	101836201	Spring, Driven Clutch, Reversed	1
11	AM10419	Kit, Clutch Repair (includes items 12 through 14)	1
12	101833401	Key, 3/16 Sq X 1.50"	1
13	102155801	Washer, Driven Clutch	1
14	102242101	Screw, 5/16-18 X 3/4 Hex-Head with Patch	1

12

G



000219-001

DRIVEN CLUTCH – CARRYALL 2 PLUS AND XRT 900

ITEM	PART NO.	DESCRIPTION	QTY
		1 2 3 4	
1	101834003	Clutch, Driven (includes items 2 through 10)	1
2	1014070	Fixed Face Assy, Driven Clutch	1
3	1014072	Movable-Face Assembly with Bushing	1
4	1014078	Key, Driven Clutch	1
5	1014080	Ring, Retaining	1
6	1014454	Kit, Driven Clutch Button (includes items 7 and 8)	1
7	1012836	Screw, #8-32 X 3/4, Socket-Head Cap	3
8	N/A	Button, Drive	3
9	1017686	Cam, Driven Clutch	1
10	101836202	Spring, Driven Clutch, Reversed	1
11	AM10419	Kit, Clutch Repair (includes items 12 through 14)	1
12	101833401	Key, 3/16 Sq X 1.50"	1
13	102155801	Washer, Driven Clutch	1
14	102242101	Screw, 5/16-18 X 3/4 Hex-Head with Patch	1

12
G

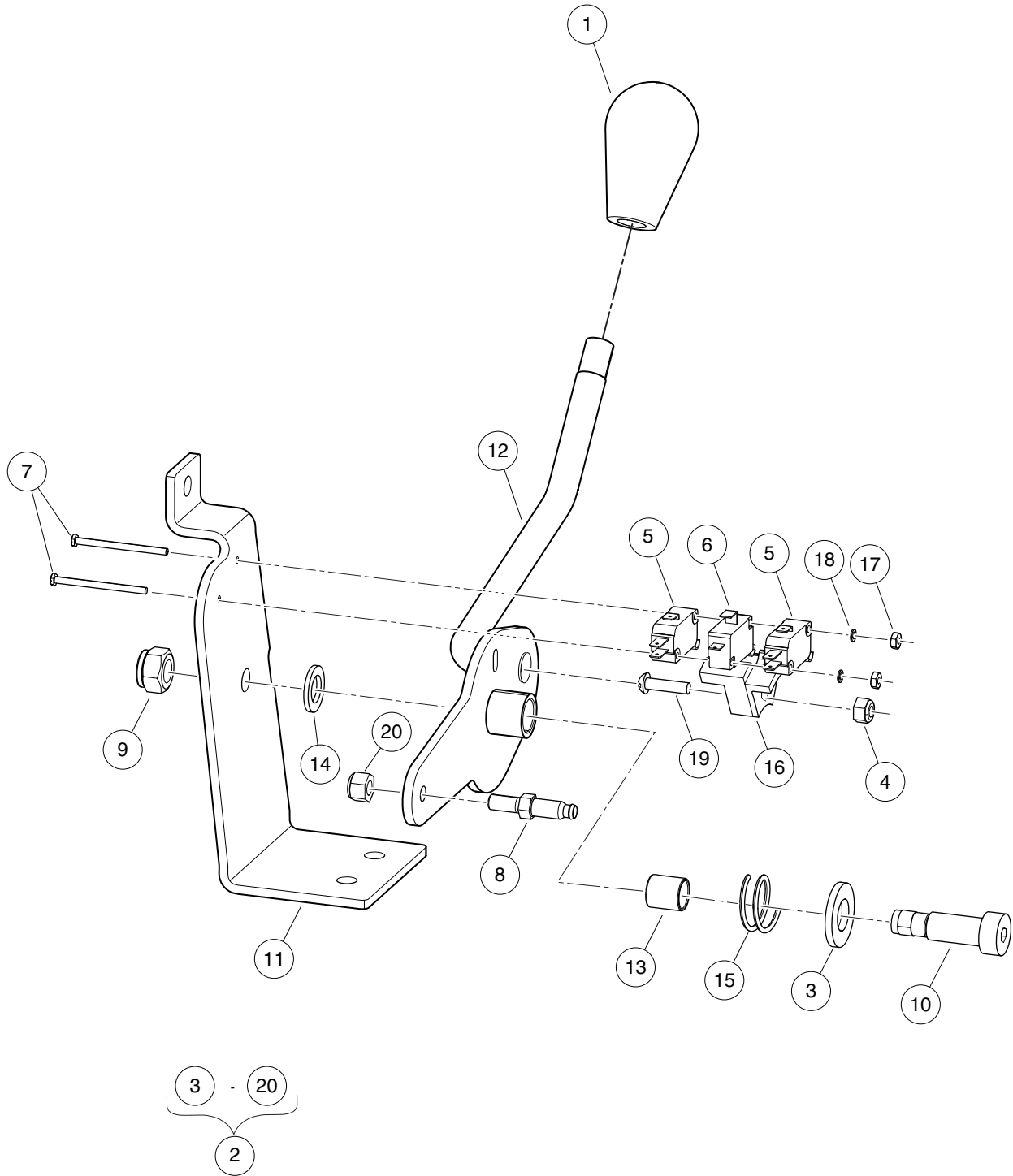
12

G

UNITIZED TRANSAXLE – GASOLINE VEHICLES

13

G



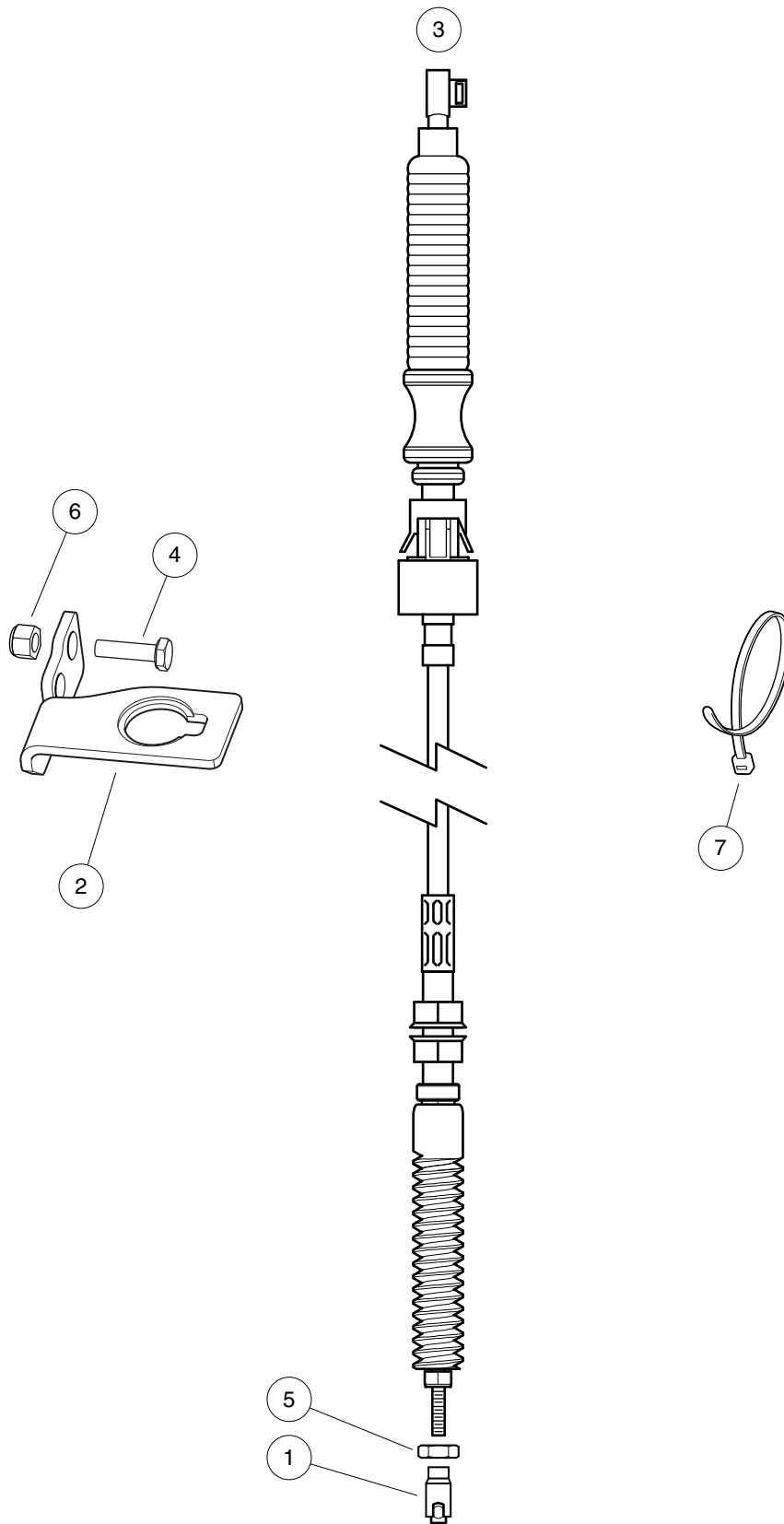
000563-001

FORWARD/REVERSE SHIFTER

ITEM	PART NO.	DESCRIPTION	QTY
		1 2 3 4	
1	102376001	Knob, FNR, Shifter	1
2	102969901	Asm, Shifter, FNR (includes items 3 through 20)	1
3	1010028	Washer, 1/2 Type A Flat	1
4	1013061	Locknut, #10-32 Nylon Insert	1
5	1014807	Switch, Limit	2
6	1014808	Switch, Limit	1
7	1015878	Screw, #4-40 Hex Head Machine	2
8	102526201	Stud, Thread, 1/4-28	1
9	102616701	Locknut, M10x1.5 Nylon Insert	1
10	102684602	Shoulder Bolt, M12 X 25.0	1
11	102969401	Bracket, Shifter, FNR	1
12	102969801	Weldment, Shift Lever, FNR	1
13	103173301	Bushing, Greaseless, 12mm Id	1
14	103177401	Washer, Thrust, Shifter, FNR	1
15	103192701	Spring, Comp, .97 Od X.75 L	1
16	103369501	Cam, Limit Switch, Fnr Shifter	1
17	8057	Nut, #4-40 Hex Machine	2
18	8058	Lockwasher, #4 Split	2
19	8104	Screw, #10-32 X .75 Rd Hd Mach	1
20	8717	Locknut, Nylon Insert, 1/4-28	1

13

G



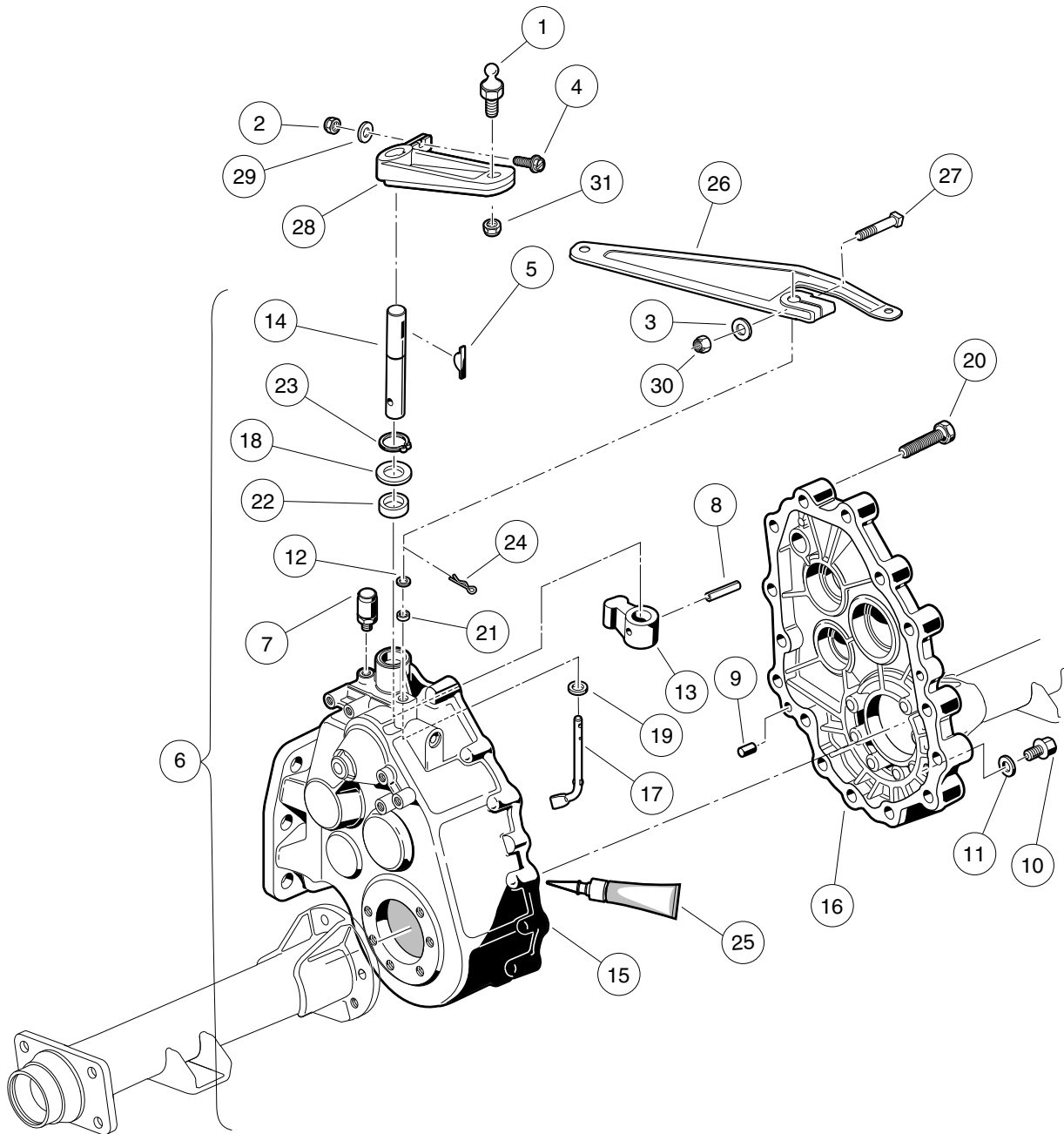
001071-001

SHIFTER CABLE – TURF/CA 2/252/2 PLUS AND XRT900

ITEM	PART NO.	DESCRIPTION	QTY
		1 2 3 4	
1	1012333	Joint, #10-32 Ball	1
2	103295101	Brkt, Spt, Cable End, Fnr	1
3	103295202	Cable, Trans, Ball End, 1855mm	1
4	304	Screw, 1/4-20 X 1.0 Hex-Head Cap	2
5	7893	Nut, #10-32 Hex	1
6	8233	Locknut, 1/4-20, Nylon Insert	2
7	8639	Tie Wrap, 11" Nylon	A/R

13

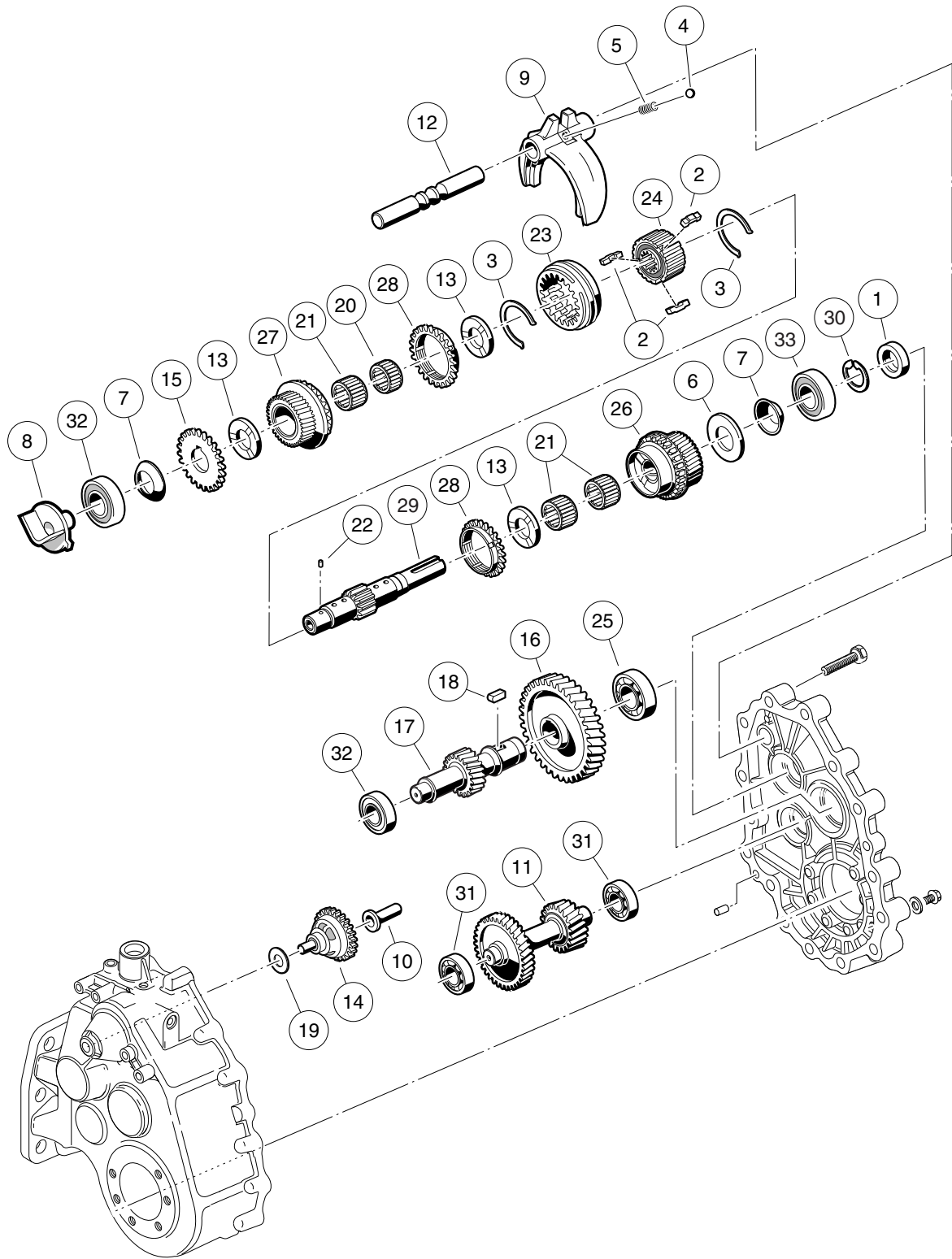
G



000220-005

KAWASAKI TRANSAXLE – GEAR CASES AND LEVERS

ITEM	PART NO.	DESCRIPTION	QTY
		1 2 3 4	
1	1010954	Stud, Ball, 1/4-28 X 0.560	1
2	1013061	Locknut, #10-32 Nylon Insert	1
3	1014007	Washer, 1/4, Flat	1
4	1017082	Screw, #10-32 X 0.75, Hex-Head Machine	1
5	1017231	Key, Woodruff	1
6	101833601	Transaxle, 11.77 Ratio (includes items 7 through 25)	1
7	1012711	Breather	1
8	1012752	Roll Pin	1
9	1012896	Pin, Dowel	2
10	1013760	Fill Plug	2
11	1016432	Gasket, Drain Plug	1
12	1016513	Washer, M6 Flat	1
13	101890101	Lever, Drive Selector	1
14	101890201	Shaft, Drive Selector	1
15	101890501	Gear Case (driver side)	1
16	101890601	Gear Case (passenger side)	1
17	101891301	Arm Pivot	1
18	101892901	Washer	1
19	101893801	Washer	1
20	101926901	Screw, M8-1.25 X 40mm Hex-Head	15
21	101927101	Seal, Oil	1
22	101927201	Seal, Oil	1
23	101927301	Snap Ring	1
24	101928601	Pin, Cotter	1
25	101928701	Liquid Gasket (Transaxle case)	1
26	101834801	Arm, Governor	1
27	101886101	Screw, 1/4-20 X 1.00, Square-Head	1
28	102515401	Lever, Transmission Shift	1
29	183	Washer, #10, Type A, Flat	1
30	8233	Locknut, 1/4-20, Nylon Insert	1
31	8717	Locknut, Nylon Insert, 1/4-28	1
Note: Kawasaki transaxle component listings span three pages.			



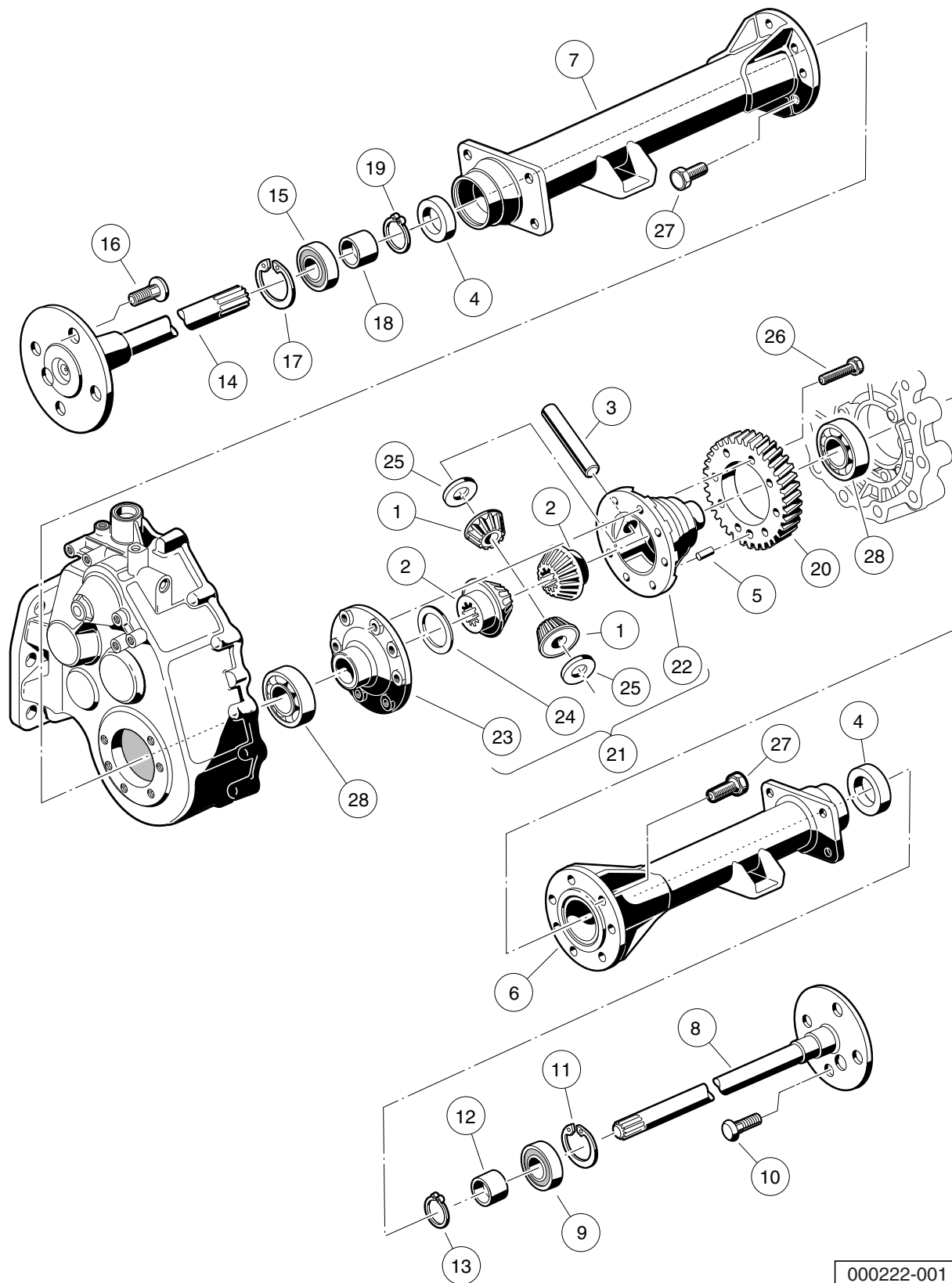
000221-001

KAWASAKI TRANSAXLE – F&R TRANSMISSION AND GEAR REDUCTION

13

G

ITEM	PART NO.	DESCRIPTION	QTY
		1 2 3 4	
1	1012714	Oil Seal	1
2	1012740	Synchro Insert	3
3	1012741	Synchro Spring	2
4	1012747	Shifter Ball	1
5	1012748	Shifter Spring	1
6	1016337	Washer, Thrust	1
7	1016338	Washer, Spring	2
8	101889401	Guide	1
9	101890001	Fork - Shift	1
10	101891601	Sleeve, Governor	1
11	101891901	Gear, Cluster	1
12	101892001	Rod, Shift	1
13	101892201	Plate, Thrust	3
14	101892301	Governor Assembly	1
15	101892401	Gear, Spur	1
16	101892501	Gear, Helical (61 Tooth)	1
17	101892601	Gear, Helical (17 Tooth)	1
18	101893201	Key Sunk	1
19	101893901	Washer	1
20	101927501	Needle Bearing	1
21	101927601	Needle Bearing	3
22	101927701	Pin, .116" Dia X 0.264 Dowel	1
23	101927901	Sleeve, Synchro	1
24	101928001	Hub, Synchro Clutch	1
25	101928101	Bearing, Ball	1
26	101980801	Gear Assembly, 16-Degree Synchro (25 Tooth)	1
27	101980901	Gear Assembly, 16-Degree Rear Synchro (28 Tooth)	1
28	101981001	Ring, 16-Degree Synchronizer	2
29	102453001	Shaft, Trans, with Circlip	1
30	102453101	Circlip	1
31	7335	Bearing	2
32	AM10080	Bearing, Ball, Sealed	2
33	AM10081	Bearing, Ball, Sealed	1



000222-001

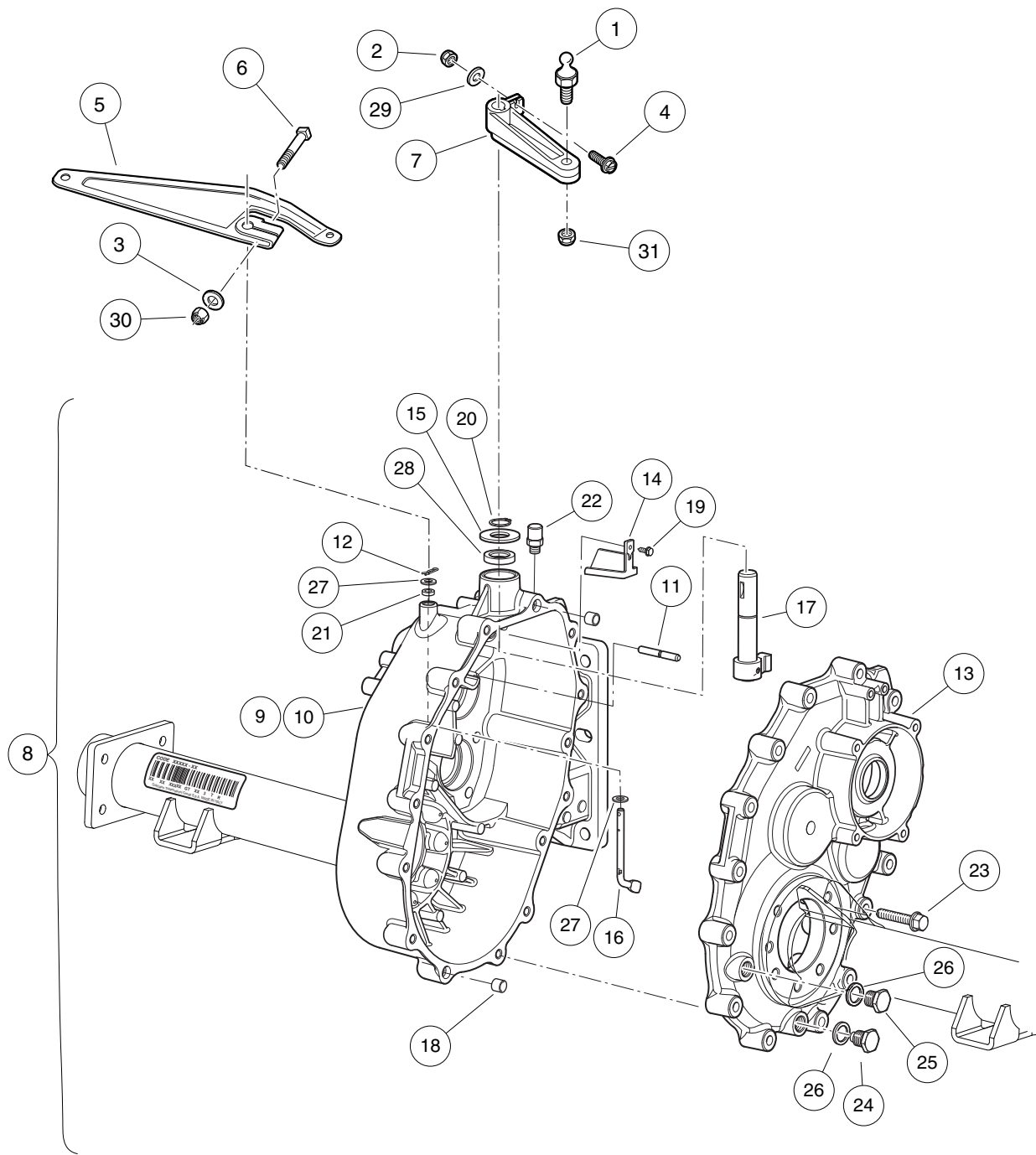
KAWASAKI TRANSAXLE – DIFFERENTIAL AND AXLES

ITEM	PART NO.	DESCRIPTION	QTY
		1 2 3 4	
1	1013770	Differential Idler Gear	2
2	1013771	Gear, Differential	2
3	1013772	Pin, Differential	1
4	1013794	Axle Shaft Oil Seal	2
5	N/A	Dowel Pin	1
6	101890901	Axle Tube (Passenger Side)	1
7	101891001	Axle Tube (Driver Side)	1
8	101891401	Axle Assembly, Passenger Side (includes items 9 through 13)	1
9	1011291	Outer Axle, Tube Bearing	1
10	1013787	Lug Stud	4
11	1013792	Circlip Type C	1
12	1014207	Bushing	1
13	1016672	Retaining Ring	1
14	101891501	Axle Assembly, Driver-Side (includes items 15 through 19)	1
15	1011291	Outer Axle, Tube Bearing	1
16	1013787	Lug Stud	4
17	1013792	Circlip Type C	1
18	1014207	Bushing	1
19	1016672	Retaining Ring	1
20	101892701	Gear, Helical	1
21	101910501	Kit, Differential Gear Case (includes items 22 through 25)	1
22	1013768	Differential Gear Case, Left-Hand	1
23	1013769	Differential Gear Case, Right-Hand	1
24	1013773	Plate, Thrust (Differential Gear)	1
25	1013774	Plate, Thrust (Idler Gear)	2
26	101928301	Screw, M8-1.25 X 35mm Hex Head	8
27	102031901	Bolt, M10 X 1.5 X 30mm	14
28	7330	Inner Axle Tube Bearing	2

13

G

13
G



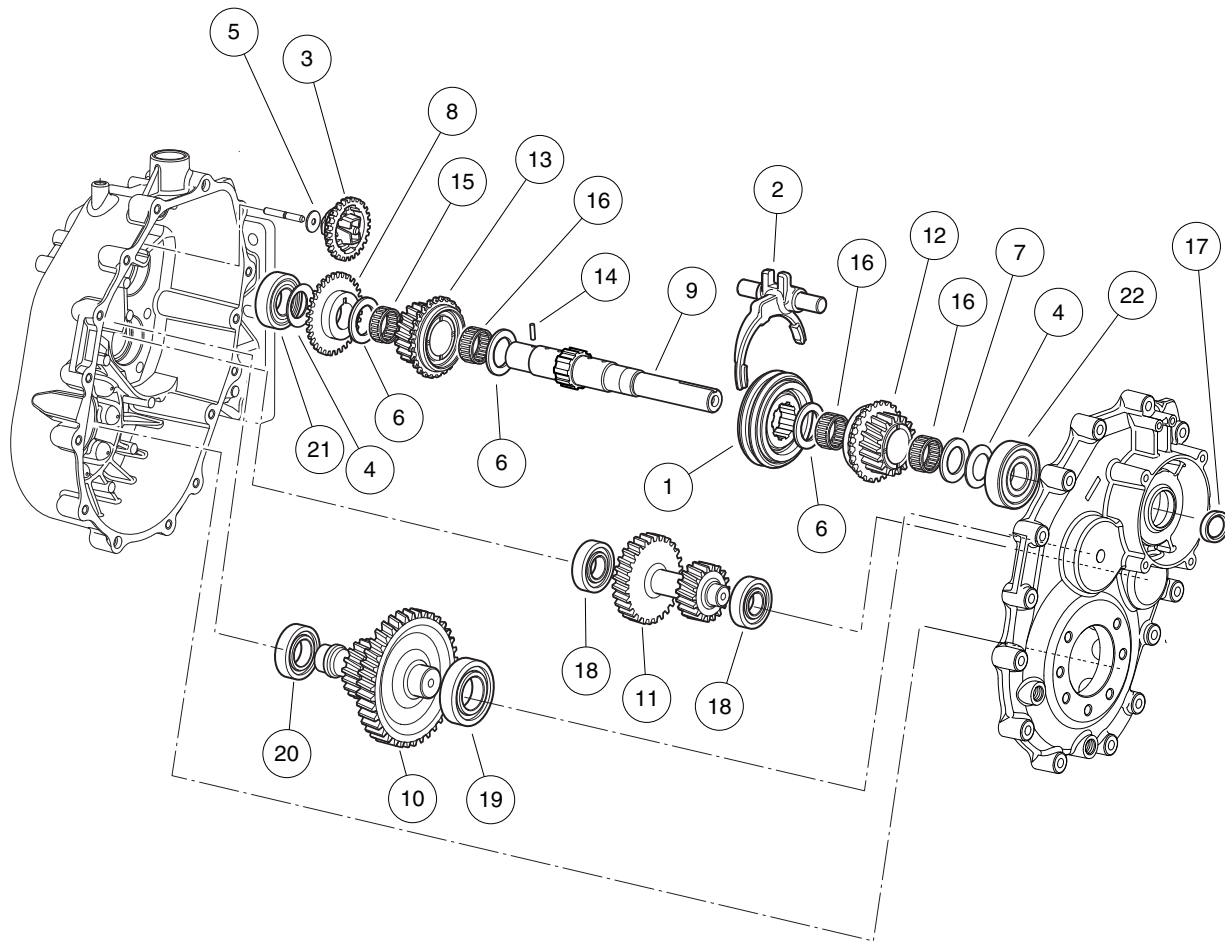
000680-009

GRAZIANO TRANSAXLE – GEAR CASES AND LEVERS – TO LATE- 2012 MODEL YEAR

13

G

ITEM	PART NO.	DESCRIPTION	QTY
		1 2 3 4	
1	1010954	Stud, Ball, 1/4-28 X 0.560	1
2	1013061	Locknut, #10-32 Nylon Insert	1
3	1014007	Washer, 1/4, Flat	1
4	1017082	Screw, #10-32 X 0.75, Hex-Head Machine	1
5	101834801	Arm, Governor	1
6	101886101	Screw, 1/4-20 X 1.00, Square-Head	1
7	102515401	Lever, Transmission Shift	1
8	102896801	Transaxle, Unitized, Graziano (includes items 9 through 28)	1
9	102896901	Gear Box (Driver-Side) (includes items 10 and 11)	1
10	N/A	Gear Box	1
11	N/A	Pin, Speed Governor	1
12	102897401	Pin, Split	1
13	102897501	Cover, Gear Box (Passenger-Side)	1
14	102897601	Conveyor, Oil	1
15	102897801	Washer, Thrust	1
16	102897901	Lever, Speed Governor	1
17	102898201	Unit, Drive Selector	1
18	102899101	Dowel	2
19	102899201	Screw	1
20	102899401	Ring, Snap	1
21	102899701	Grommet	1
22	102899801	Breather	1
23	102900001	Screw	15
24	102900101	Drain Plug, Magnetic	1
25	102900201	Fill Plug	1
26	102900301	Seal	2
27	102900601	Washer	2
28	102900901	Grommet	1
29	183	Washer, #10, Type A, Flat	1
30	8233	Locknut, 1/4-20, Nylon Insert	1
31	8717	Locknut, Nylon Insert, 1/4-28	1
<p>Note: Graziano transaxle component listings span three pages. To identify your transaxle, locate the serial number decal on the axle tube.</p>			



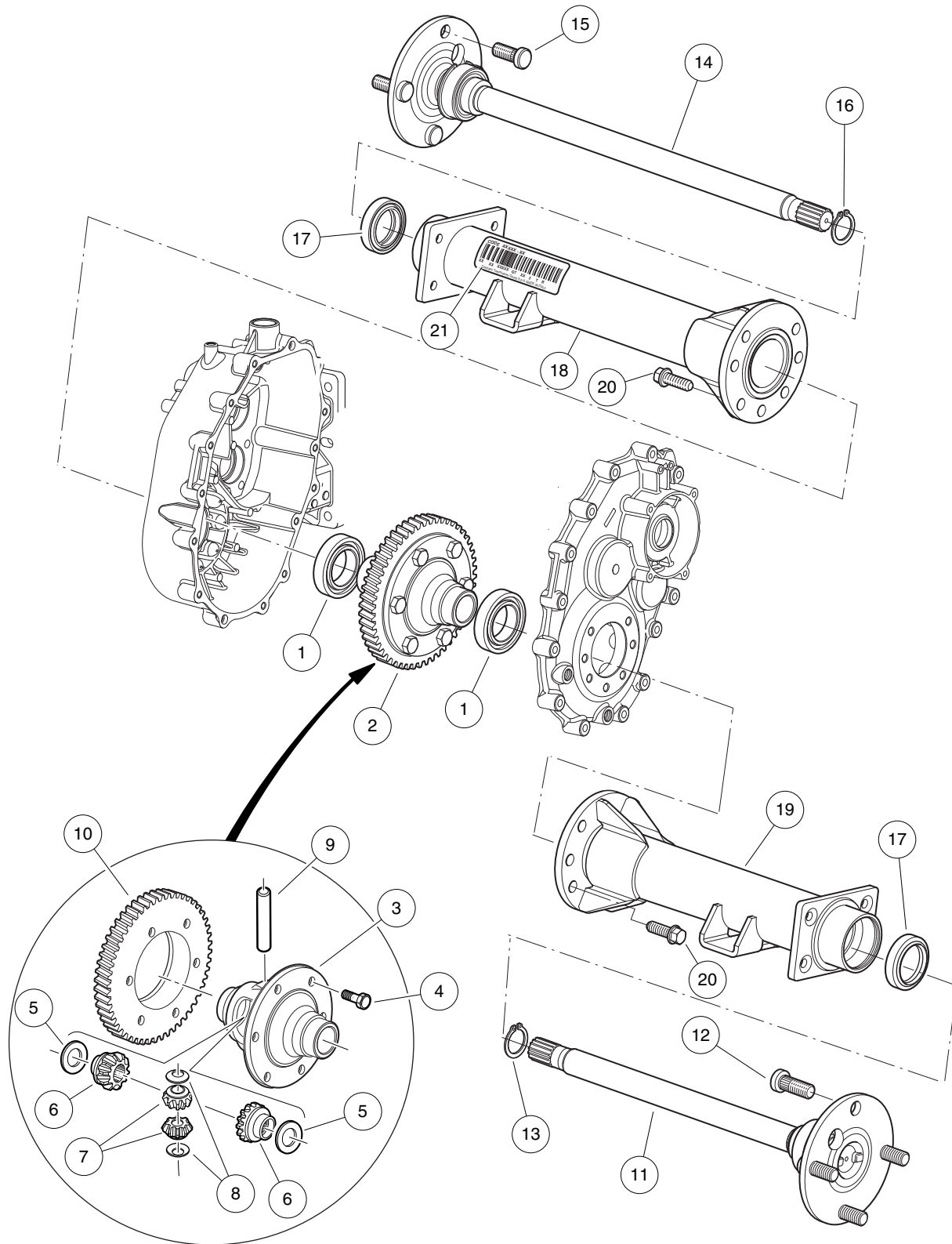
000680-006

GRAZIANO TRANSAXLE – F&R TRANSMISSION AND GEAR REDUCTION – TO LATE-2012 MODEL YEAR

ITEM	PART NO.	DESCRIPTION	QTY
		1 2 3 4	
1	102897201	Synchronizer, Complete	1
2	102897301	Fork, Complete	1
3	102897701	Assembly, Speed Governor	1
4	102898001	Washer, Belleville	2
5	102898101	Bearing, Thrust	1
6	102898301	Bearing, Thrust	3
7	102898401	Washer, Thrust	1
8	102898501	Gear, Speed Governor	1
9	102898601	Shaft, Main	1
10	102898701	Shaft, Secondary	1
11	102898801	Shaft, Reverse Gear	1
12	102898901	Gear, Complete, 25t	1
13	102899001	Gear, Complete, 28t	1
14	102899301	Pin	1
15	102899501	Cage, Roller	1
16	102899601	Cage, Roller	3
17	102899901	Grommet	1
18	102900401	Bearing	2
19	102900501	Bearing, 62 Od X 30 Id X 16	1
20	102900701	Bearing	1
21	102901001	Bearing	1
22	102901101	Bearing	1
		<p>Note: To identify your transaxle, locate the serial number decal on the axle tube.</p>	

13

G



000681-002

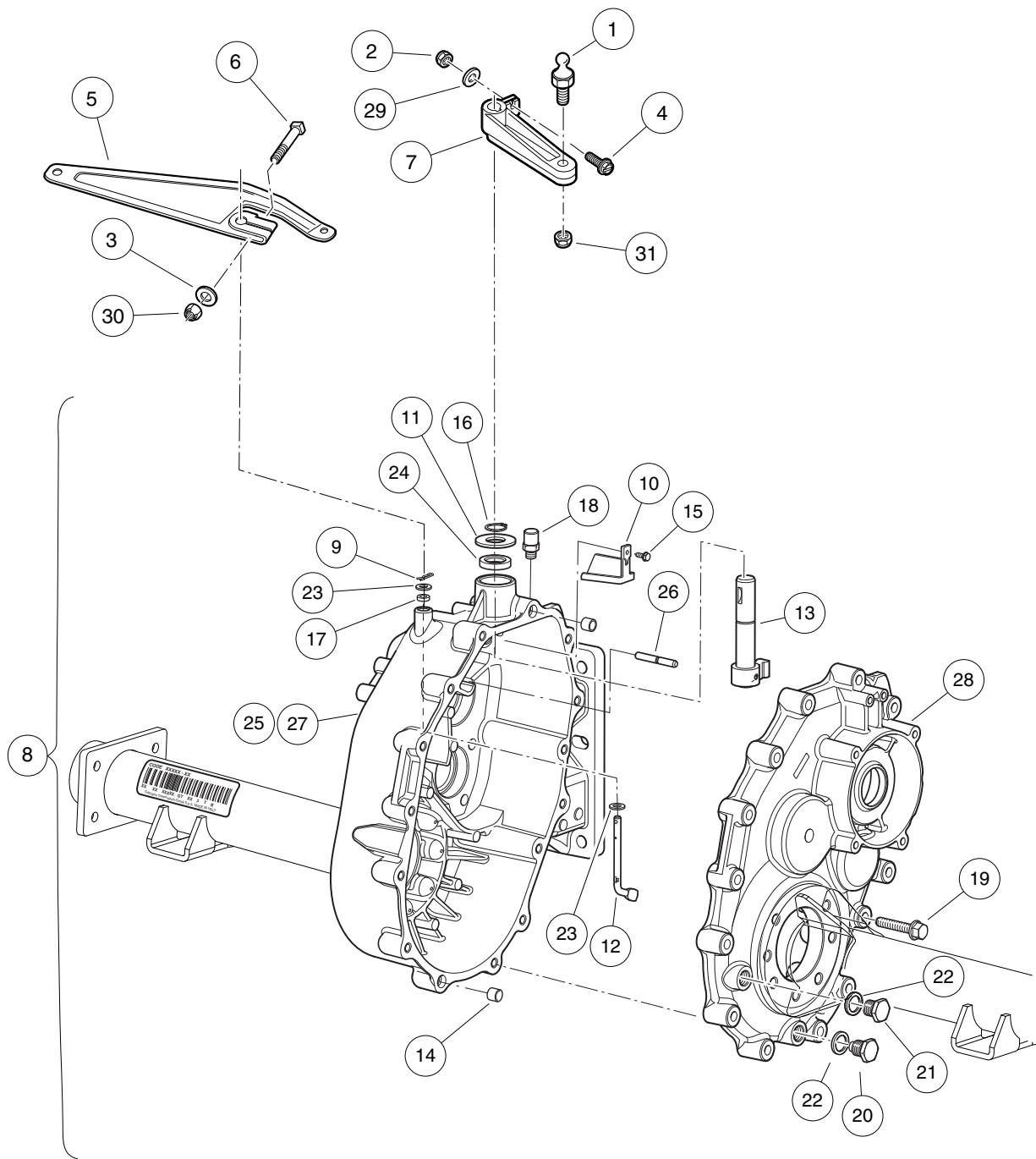
GRAZIANO TRANSAXLE – DIFFERENTIAL AND AXLES – TO LATE- 2012 MODEL YEAR

ITEM	PART NO.	DESCRIPTION	QTY
		1 2 3 4	
1	102900801	Bearing, 68 Od X 40 Id X 15	2
2	102902001	Assembly, Differential (includes items 3 through 10)	1
3	102901201	Box, Differential	1
4	102901301	Screw, M10 X 25	6
5	102901401	Ring, Sleeve	2
6	102901501	Gear, Sun	2
7	102901601	Gear, Planetary	2
8	102901701	Ring, Sleeve	2
9	102901801	Pin	1
10	102901901	Gear	1
11	102902101	Shaft, Axle, Short, Complete (Passenger-Side) (includes items 12 and 13)	1
12	102902301	Bolt, Stud	4
13	102902401	Snap Ring	1
14	102902201	Shaft, Axle, Long, Complete (Driver-Side) (includes items 15 and 16)	1
15	102902301	Bolt, Stud	4
16	102902401	Snap Ring	1
17	102902501	Seal, Lip	2
18	102902601	Axle Tube, (Driver-Side)	1
19	102902701	Axle Tube, (Passenger-Side)	1
20	102902801	Screw, M10 X 30	14
21	N/A	Tag, Serial	1
<p style="margin-left: 40px;">Note: To identify your transaxle, locate the serial number decal on the axle tube.</p>			

13

G

13
G



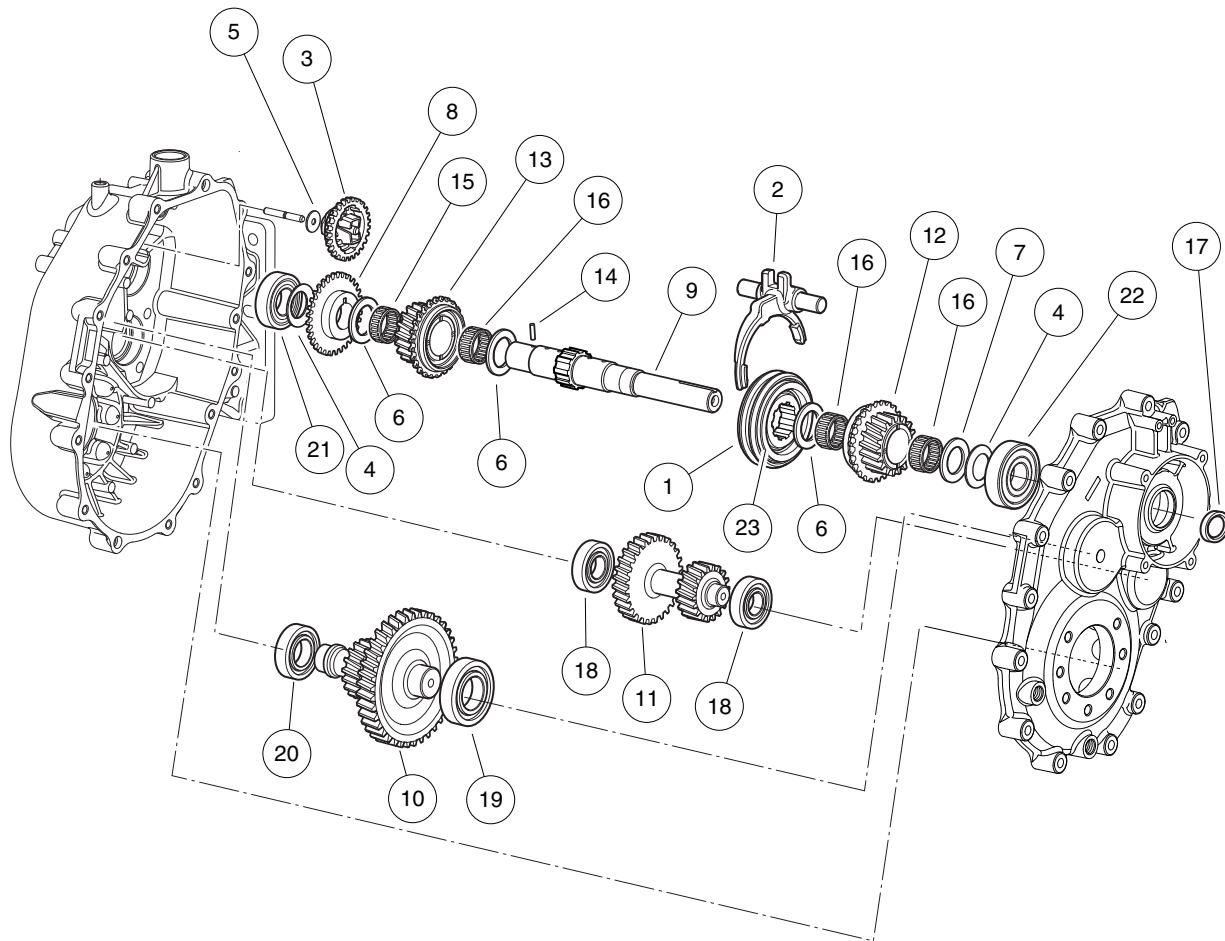
000680-010

GRAZIANO TRANSAXLE – GEAR CASES AND LEVERS – FROM LATE-2012 MODEL YEAR

ITEM	PART NO.	DESCRIPTION	QTY
		1 2 3 4	
1	1010954	Stud, Ball, 1/4-28 X 0.560	1
2	1013061	Locknut, #10-32 Nylon Insert	1
3	1014007	Washer, 1/4, Flat	1
4	1017082	Screw, #10-32 X 0.75, Hex-Head Machine	1
5	101834801	Arm, Governor	1
6	101886101	Screw, 1/4-20 X 1.00, Square-Head	1
7	102515401	Lever, Transmission Shift	1
8	103874201	Transaxle, Gas, 11.77:1, Gtg (includes items 9 through 28)	1
9	102897401	Pin, Split	1
10	102897601	Conveyor, Oil	1
11	102897801	Washer, Thrust	1
12	102897901	Lever, Speed Governor	1
13	102898201	Unit, Drive Selector	1
14	102899101	Dowel	2
15	102899201	Screw	1
16	102899401	Ring, Snap	1
17	102899701	Grommet	1
18	102899801	Breather	1
19	102900001	Screw	15
20	102900101	Drain Plug, Magnetic	1
21	102900201	Fill Plug	1
22	102900301	Seal	2
23	102900601	Washer	2
24	102900901	Grommet	1
25	103882101	Case, Transaxle, W/gov Pin (includes items 26 and 27)	1
26	N/A	Pin, Speed Governor	1
27	N/A	Cover, Gear Box (Driver-Side)	1
28	103882301	Cover, Gear Box (Passenger-Side)	1
29	183	Washer, #10, Type A, Flat	1
30	8233	Locknut, 1/4-20, Nylon Insert	1
31	8717	Locknut, Nylon Insert, 1/4-28	1
<p>Note: Graziano transaxle component listings span three pages. To identify your transaxle, locate the serial number decal on the axle tube. 103874201 is used on vehicles with serial numbers 1235-307250 and greater and is backwards compatible. However, some service parts are not compatible with other transaxles.</p>			

13

G

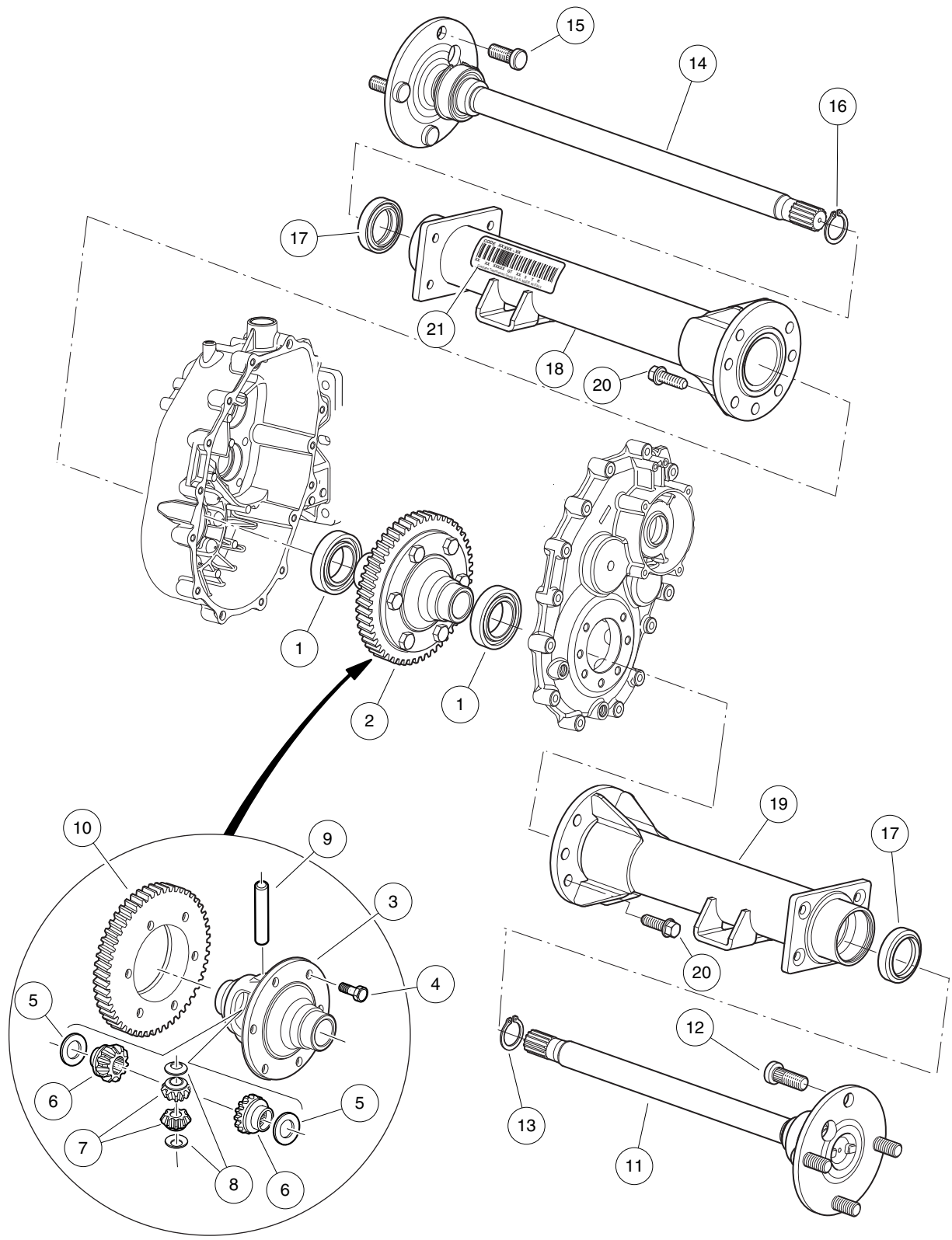


000680-008

GRAZIANO TRANSAXLE – F&R TRANSMISSION AND GEAR REDUCTION – FROM LATE-2012 MODEL YEAR

ITEM	PART NO.	DESCRIPTION	QTY
		1 2 3 4	
1	102897201	Synchronizer, Complete	1
2	102897301	Fork, Complete	1
3	102897701	Assembly, Speed Governor	1
4	102898001	Washer, Belleville	2
5	102898101	Bearing, Thrust	1
6	102898301	Bearing, Thrust	3
7	102898401	Washer, Thrust	1
8	102898501	Gear, Speed Governor	1
9	102898601	Shaft, Main	1
10	102898701	Shaft, Secondary	1
11	102898801	Shaft, Reverse Gear	1
12	102898901	Gear, Complete, 25t	1
13	102899001	Gear, Complete, 28t	1
14	102899301	Pin	1
15	102899501	Cage, Roller	1
16	102899601	Cage, Roller	3
17	102899901	Grommet	1
18	102900401	Bearing	2
19	102900501	Bearing, 62 Od X 30 Id X 16	1
20	102900701	Bearing	1
21	102901001	Bearing	1
22	102901101	Bearing	1
23	103882001	Washer, Wave, Trans Synchro	2
		Note: To identify your transaxle, locate the serial number decal on the axle tube.	

13
G



000681-002

GRAZIANO TRANSAXLE – DIFFERENTIAL AND AXLES – FROM LATE-2012 MODEL YEAR

ITEM	PART NO.	DESCRIPTION	QTY
		1 2 3 4	
1	102900801	Bearing, 68 Od X 40 Id X 15	2
2	102902001	Assembly, Differential (includes items 3 through 10)	1
3	102901201	Box, Differential	1
4	102901301	Screw, M10 X 25	6
5	102901401	Ring, Sleeve	2
6	102901501	Gear, Sun	2
7	102901601	Gear, Planetary	2
8	102901701	Ring, Sleeve	2
9	102901801	Pin	1
10	102901901	Gear	1
11	102902101	Shaft, Axle, Short, Complete (Passenger-Side) (includes items 12 and 13)	1
12	102902301	Bolt, Stud	4
13	102902401	Snap Ring	1
14	102902201	Shaft, Axle, Long, Complete (Driver-Side) (includes items 15 and 16)	1
15	102902301	Bolt, Stud	4
16	102902401	Snap Ring	1
17	102902501	Seal, Lip	2
18	102902601	Axle Tube, (Driver-Side)	1
19	102902701	Axle Tube, (Passenger-Side)	1
20	102902801	Screw, M10 X 30	14
21	N/A	Tag, Serial	1
		Note: To identify your transaxle, locate the serial number decal on the axle tube.	

13
G

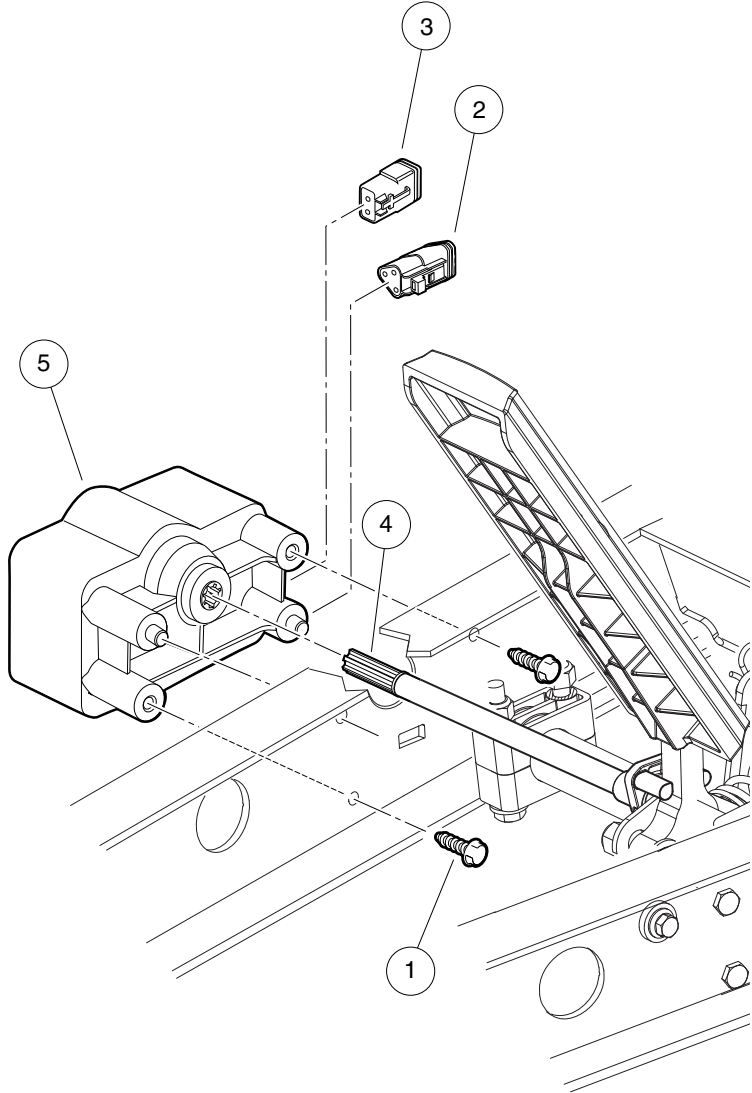
13

G

ELECTRICAL SYSTEM, ELECTRIC VEHICLES

14

E



001070-001

MOTOR CONTROLLER OUTPUT REGULATOR (MCOR)

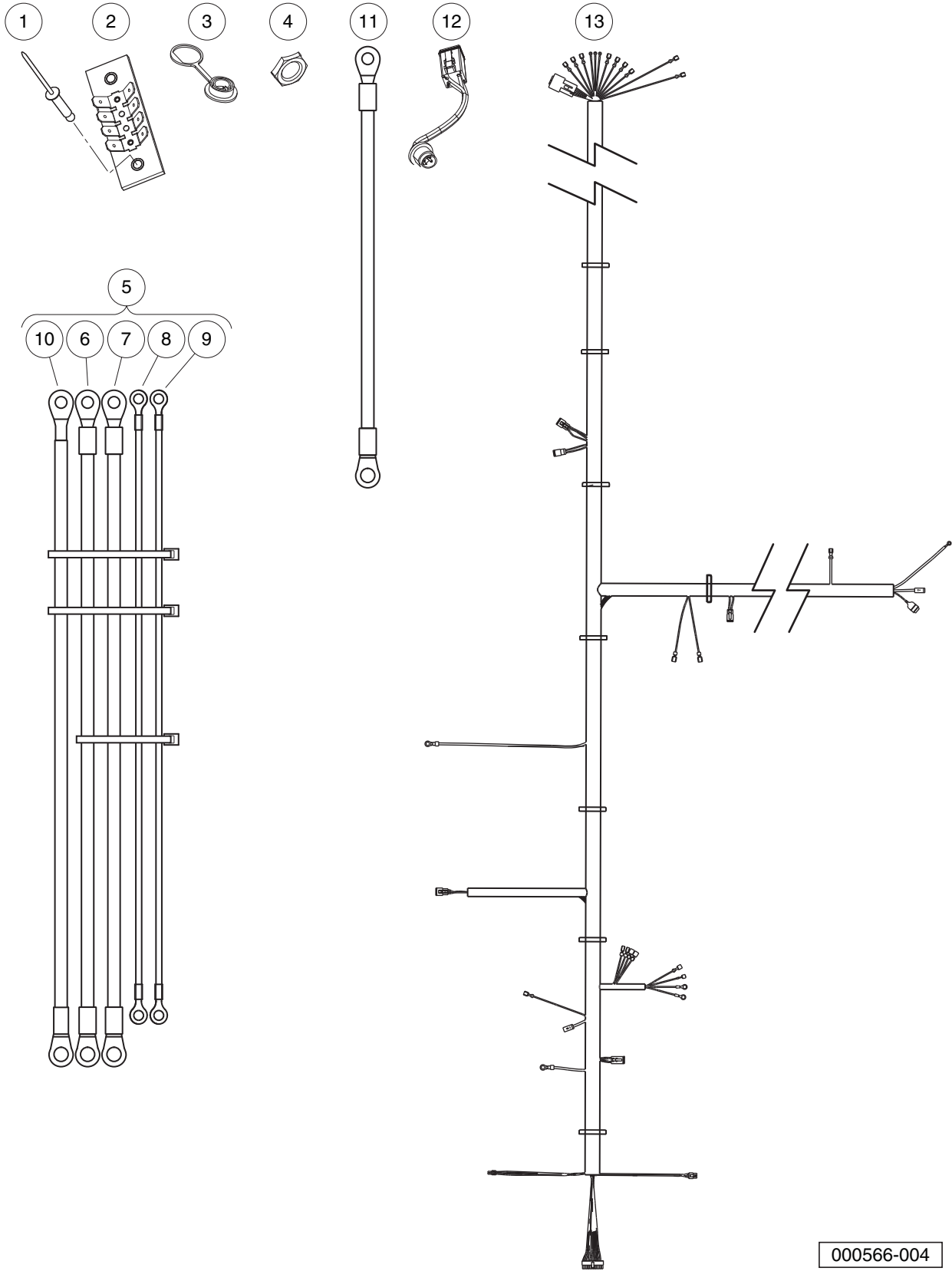
ITEM	PART NO.	DESCRIPTION	QTY
		1 2 3 4	
1	1015752	Screw, #12-16 X 0.625, Hi-Lo	2
2	101920101	Kit, 3-Pin Wedge Lock	1
3	101936801	Kit, 2-Pin Wedge Lock	1
4	102101001	Bar, Drive, Cast	1
5	102101101	MCOR	1

14

E

14

E



000566-004

WIRING – ELECTRIC VEHICLE

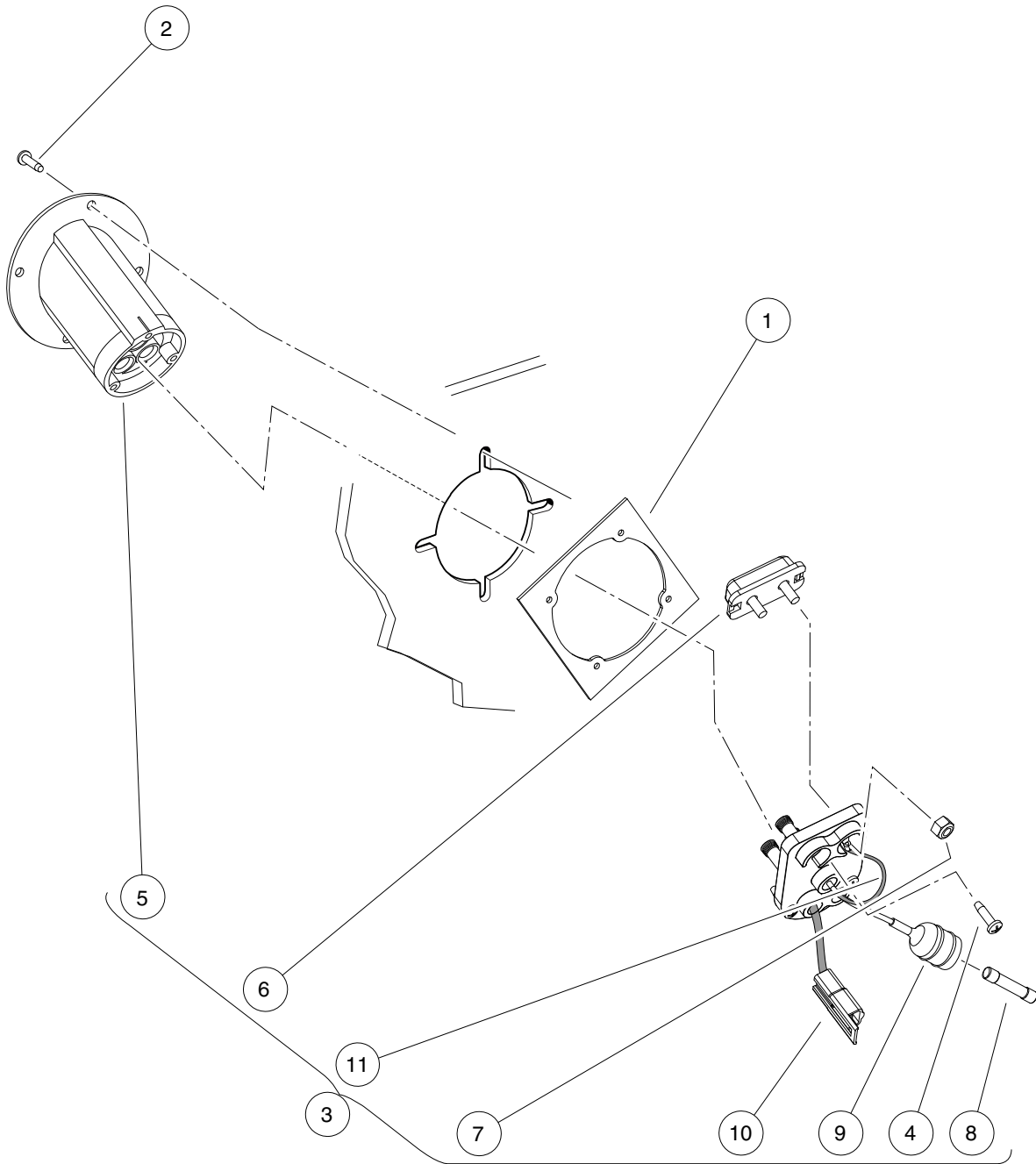
14

E

ITEM	PART NO.	DESCRIPTION	QTY
		1 2 3 4	
1	1013357	Rivet, 5/32 Aluminum Pop	2
2	1016356	Terminal Block with Insulator	1
3	102196901	Dust Cap	1
4	102572401	Nut, Diagnostic Port, Prec	1
5	102845401	Wire Harness, Power, IQ Plus (includes items 6 through 10)	1
6	N/A	Asm, #4 Grn Wire, 37"	1
7	N/A	Asm, #4 Wht Wire, 36.5"	1
8	N/A	Asm, #10 Org Wire, 39"	1
9	N/A	Asm, #10 Blu Wire, 46"	1
10	102846402	Asm, #4 Red Wire, 33"	1
11	102863801	Wire Asm, #4 Yellow, 12.5"	1
12	103218601	Harness, Diagnostic Port	1
13	103771501	Asm, Wire Harness, Carryall 2, Elec, Packard 480	1
<p>Note: Wire Harness (item 13) is for use with Onboard Computers equipped with the Packard 480 Series connector.</p>			

14

E



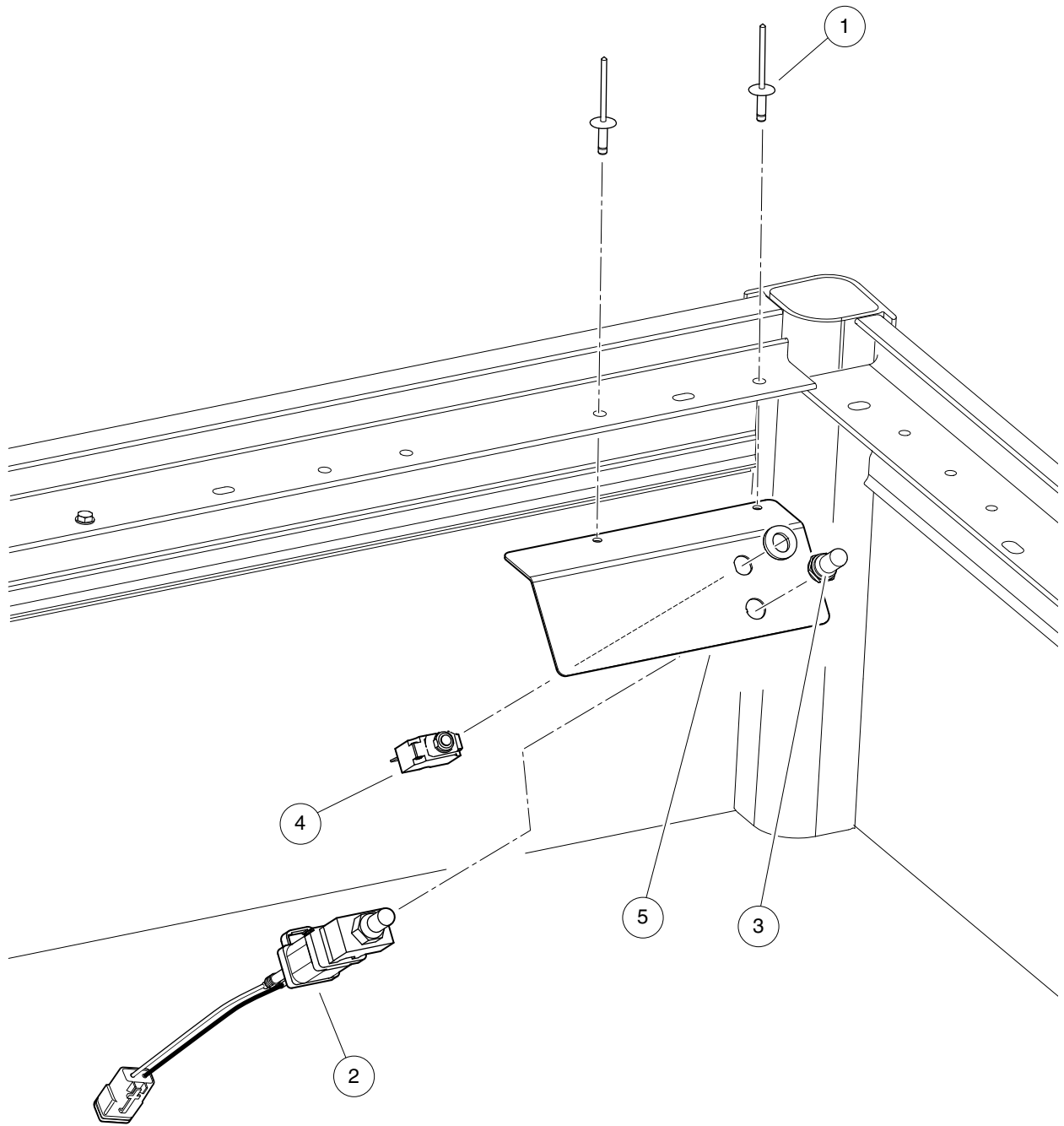
000369-002

BATTERY CHARGER RECEPTACLE

ITEM	PART NO.	DESCRIPTION	QTY
		1 2 3 4	
1	101801001	Plate, Receptacle Backing	1
2	101832001	Screw, #7-19 X 0.625 Phillips Pan-Head Tap	4
3	103771901	Asm, Fuse & Receptacle, 480 (includes items 4 through 11)	1
4	1017705	Screw, #8 X 5/8 Phillips Pan-Head Type AB	3
5	101796501	Receptacle	1
6	101796801	Fuse Assembly (includes item 7)	1
7	1013061	Locknut, #10-32 Nylon Insert	2
8	101894901	Fuse, 3/8-Amp	1
9	N/A	Wire Assembly, Sense Lead, Gray	1
10	N/A	Wire Assembly, #10 Red	1
11	N/A	Wire Assembly, #10 Black	1

14

E



002520-003

TOW/RUN SWITCH AND CIRCUIT-BREAKER – IQ PLUS

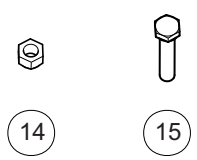
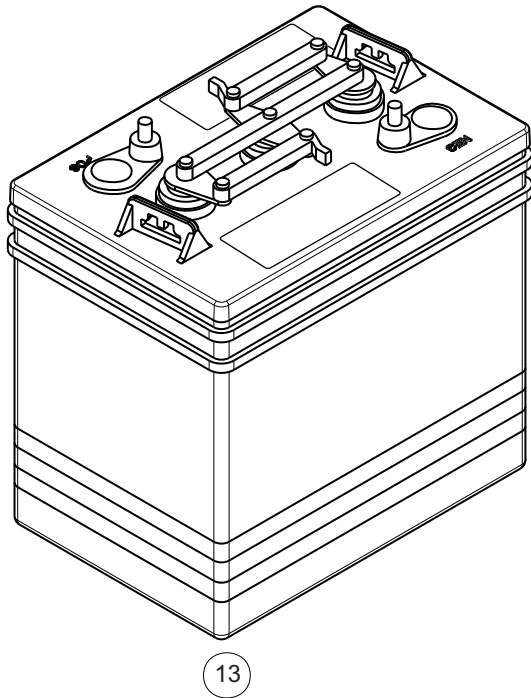
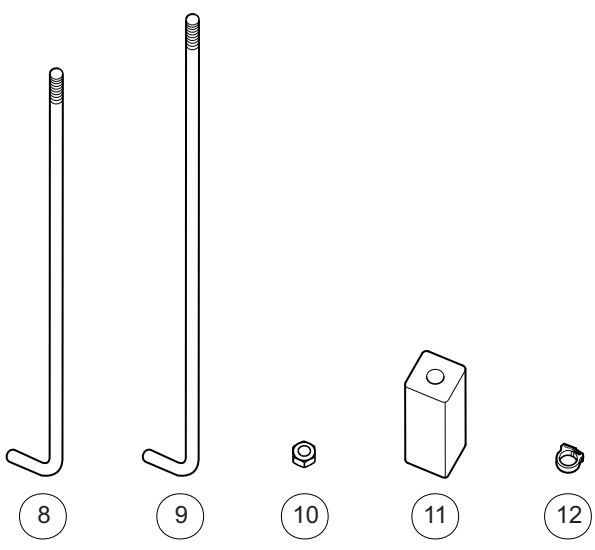
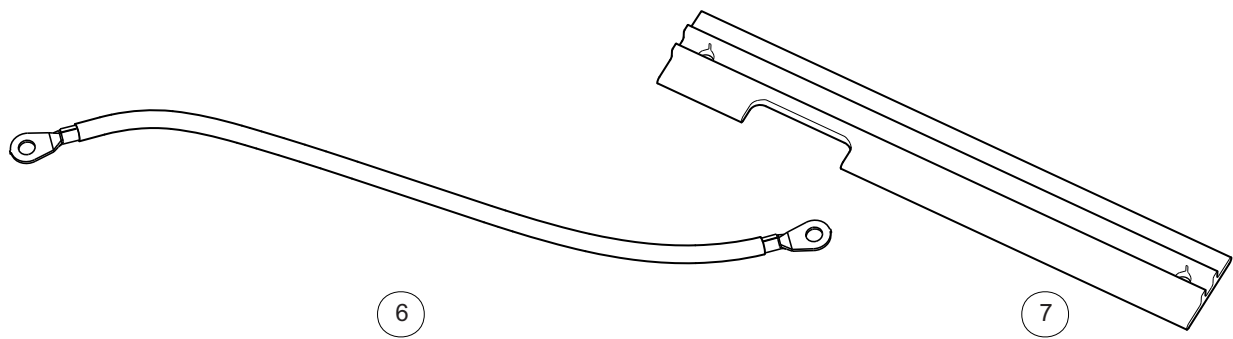
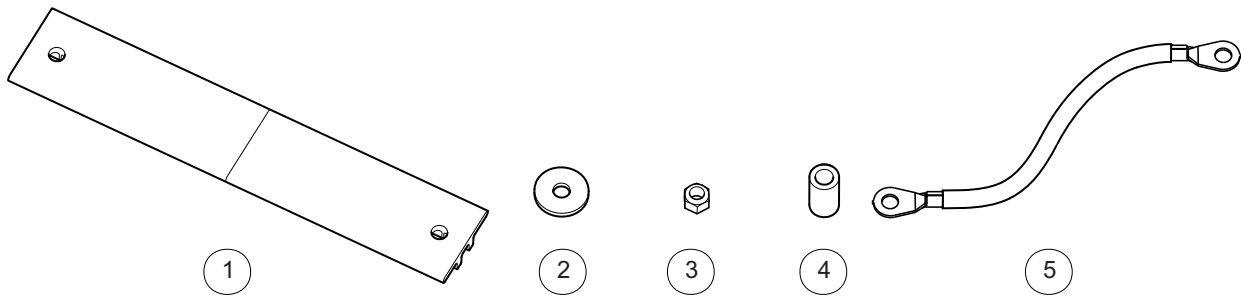
ITEM	PART NO.	DESCRIPTION	QTY
		1 2 3 4	
1	1015392	Rivet, 3/16 Pop	2
2	101908101	Switch Assembly, Tow/Run	1
3	101908401	Boot, Switch	1
4	102838101	Circuit Breaker, 20 Amp	1
5	102915701	Plate, Switch, Run Tow, Mode	1

14

E

14

E



000409-007

BATTERIES, 6-VOLT, STANDARD DUTY, JCI

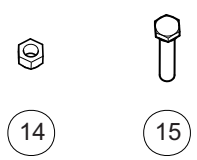
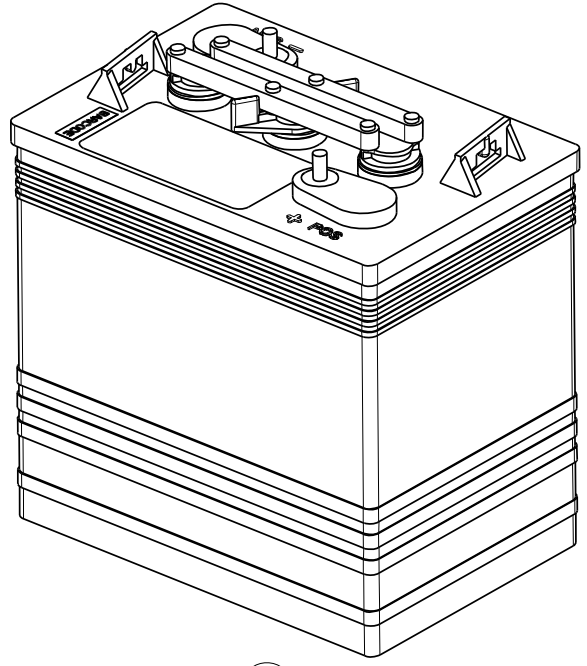
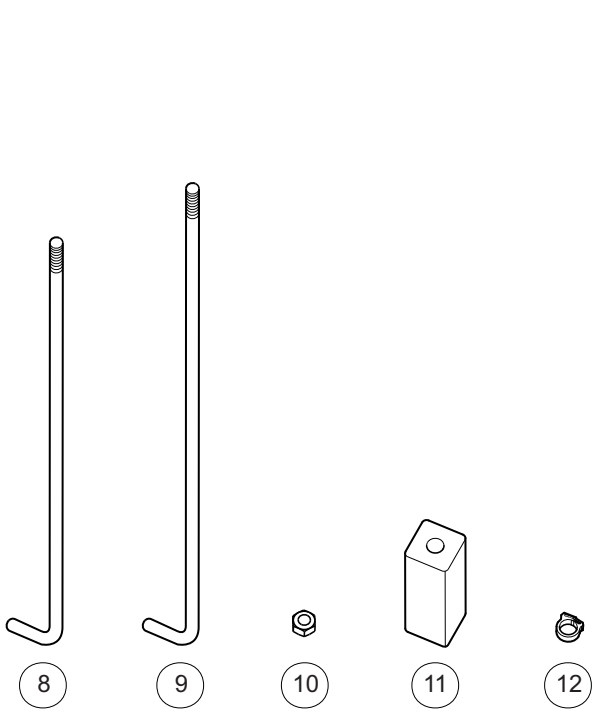
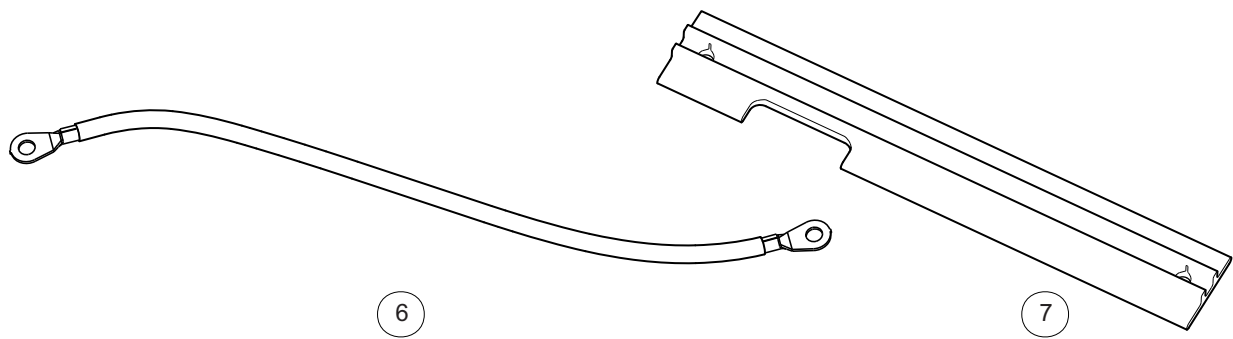
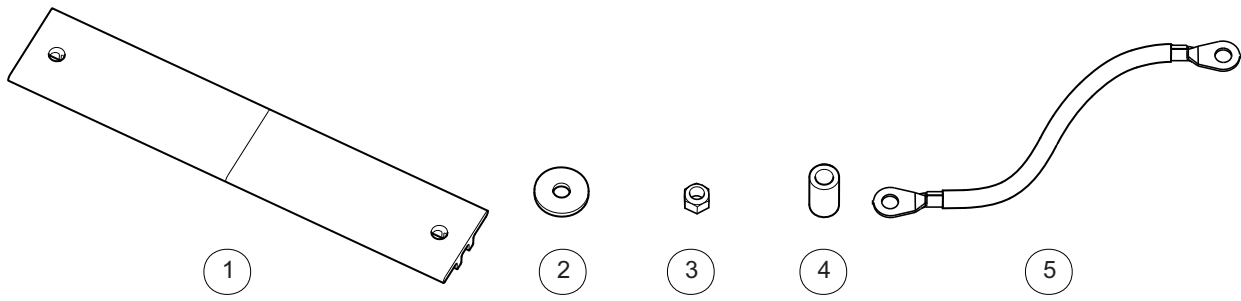
ITEM	PART NO.	DESCRIPTION	QTY
		1 2 3 4	
1	101090801	Hold-Down, Battery	4
2	1012571	Washer, 5/16 Extra Thick Flat	12
3	1015072	Locknut, 5/16-18 Nylon Insert	12
4	1015608	Tube Spacer, Hydraulic Cylinder	2
5	102002901	Wire Assy, #4 Black	4
6	102764001	Wire Asm, #4 Black	3
7	102766201	Hold Down, Outside	2
8	102845201	Rod, Battery Hold Down 9.7"	10
9	102845203	Rod, Battery Hold Down 10.7"	2
10	102873401	5/16-18 Heavy Hex Nut	16
11	102980801	Extr, Plastic, 1 X 1 X 3	2
12	102980901	Clamp, Hose, Nylon, .25	2
13	103793102	Battery, 6v, Gc2, Dry	8
14	7473	Locknut, 5/16-18 Nylon Insert	2
15	8963	Screw, 5/16-18 X 1.75 Hex-Head Cap	2

14

E

14

E



000409-005

BATTERIES, 6-VOLT, HEAVY DUTY, CROWN

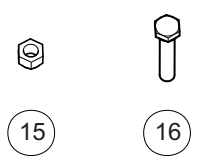
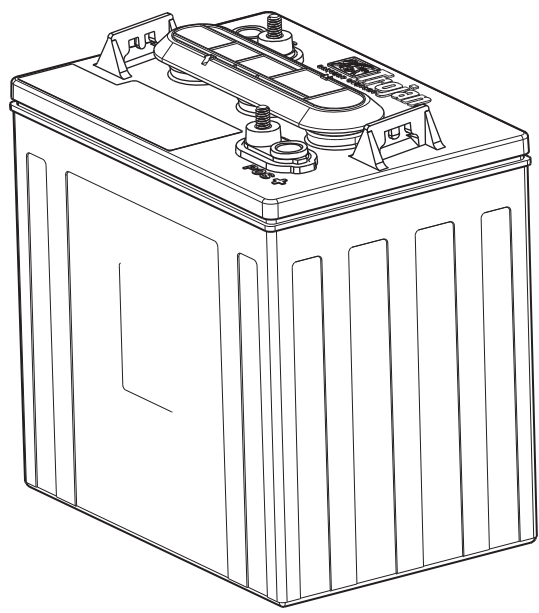
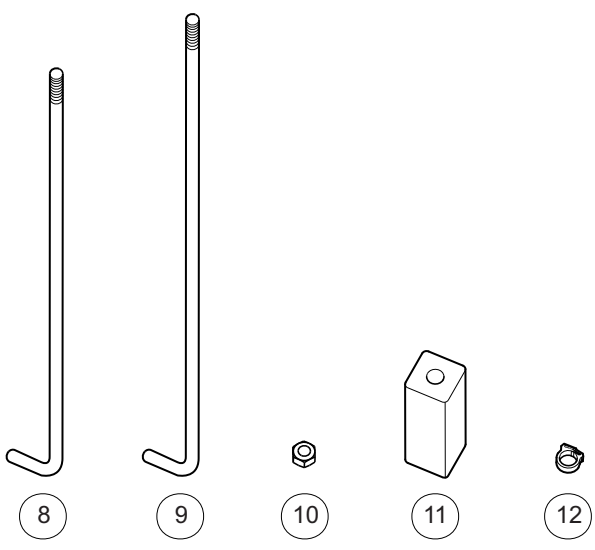
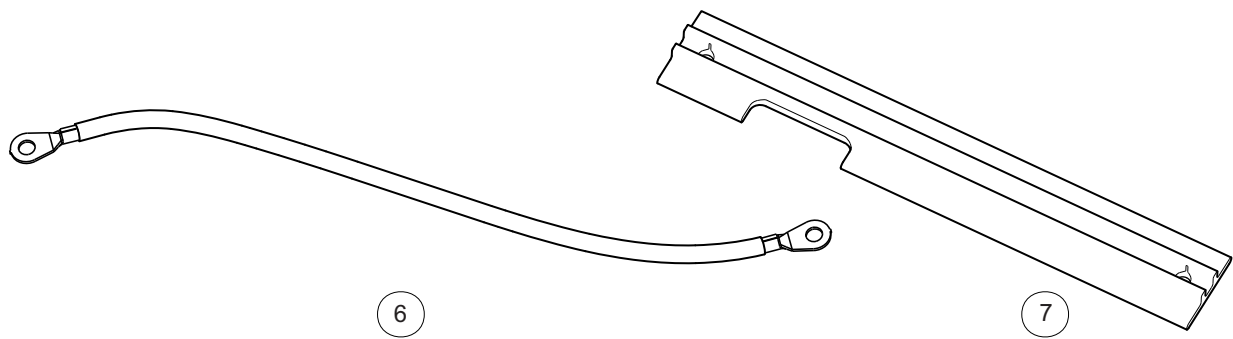
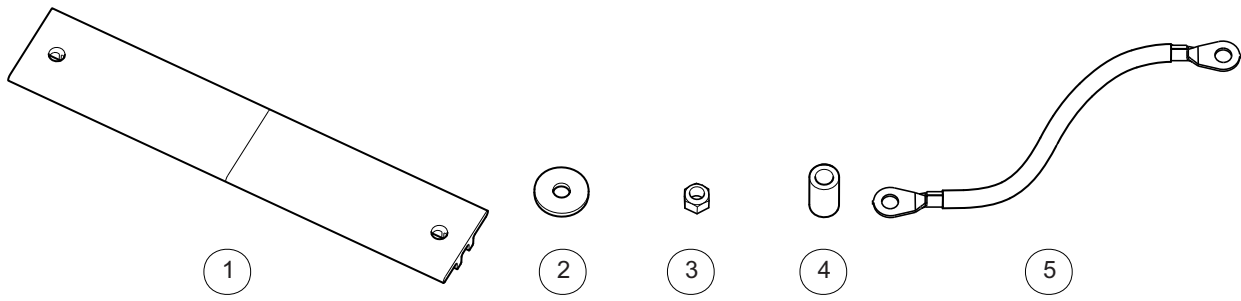
ITEM	PART NO.	DESCRIPTION	QTY
		1 2 3 4	
1	101090801	Hold-Down, Battery	4
2	1012571	Washer, 5/16 Extra Thick Flat	12
3	1015072	Locknut, 5/16-18 Nylon Insert	12
4	1015608	Tube Spacer, Hydraulic Cylinder	2
5	102002901	Wire Assy, #4 Black	4
6	102764001	Wire Asm, #4 Black	3
7	102766201	Hold Down, Outside	2
8	102845203	Rod, Battery Hold Down 10.7"	10
9	102845204	Rod, Battery Hold Down 12"	2
10	102873401	5/16-18 Heavy Hex Nut	16
11	102980801	Extr, Plastic, 1 X 1 X 3	2
12	102980901	Clamp, Hose, Nylon, .25	2
13	103720402	Battery, 6v, Cr245, Moist	8
14	7473	Locknut, 5/16-18 Nylon Insert	2
15	8963	Screw, 5/16-18 X 1.75 Hex-Head Cap	2

14

E

14

E



000409-008

BATTERIES, 6-VOLT, STANDARD DUTY, TROJAN

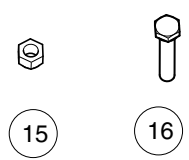
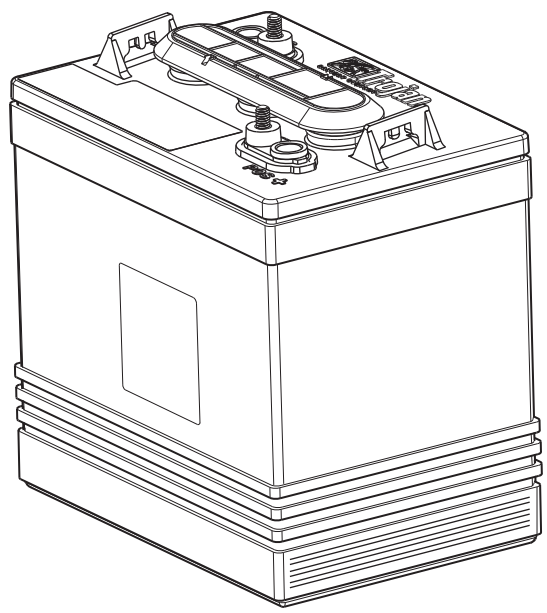
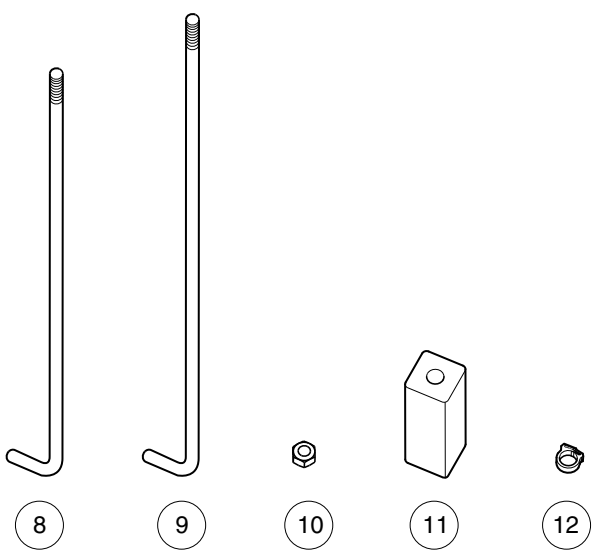
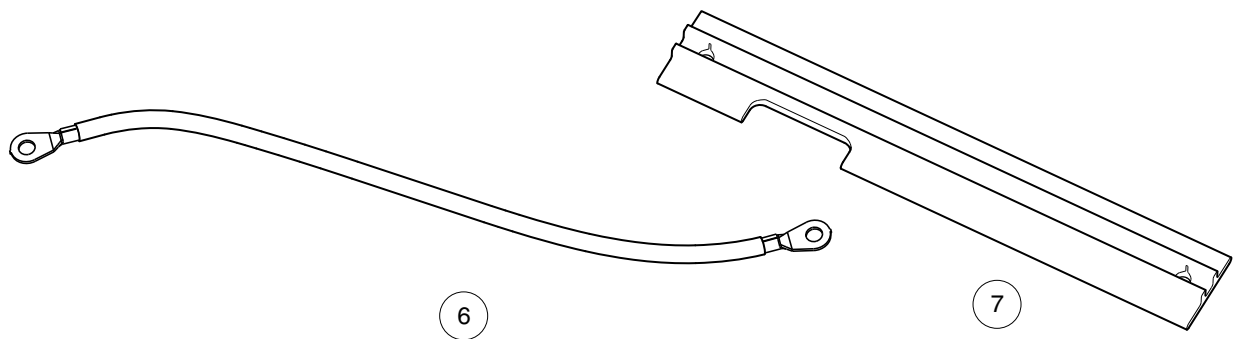
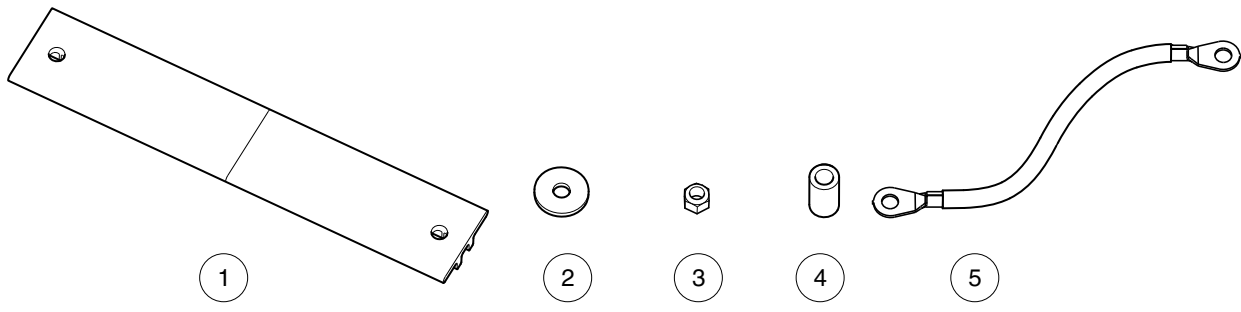
ITEM	PART NO.	DESCRIPTION	QTY
		1 2 3 4	
1	101090801	Hold-Down, Battery	4
2	1012571	Washer, 5/16 Extra Thick Flat	12
3	1015072	Locknut, 5/16-18 Nylon Insert	12
4	1015608	Tube Spacer, Hydraulic Cylinder	2
5	102002901	Wire Assy, #4 Black	4
6	102764001	Wire Asm, #4 Black	3
7	102766201	Hold Down, Outside	2
8	102845201	Rod, Battery Hold Down 9.7"	10
9	102845203	Rod, Battery Hold Down 10.7"	2
10	102873401	5/16-18 Heavy Hex Nut	16
11	102980801	Extr, Plastic, 1 X 1 X 3	2
12	102980901	Clamp, Hose, Nylon, .25	2
13	103969601	Battery, 6-Volt, Trojan T105 (Wet) (includes item 14)	8
14	101831401	Battery Cap 6 Volt	1
15	7473	Locknut, 5/16-18 Nylon Insert	2
16	8963	Screw, 5/16-18 X 1.75 Hex-Head Cap	2

14

E

14

E



13 14

000409-009

BATTERIES, 6-VOLT, HEAVY DUTY, TROJAN

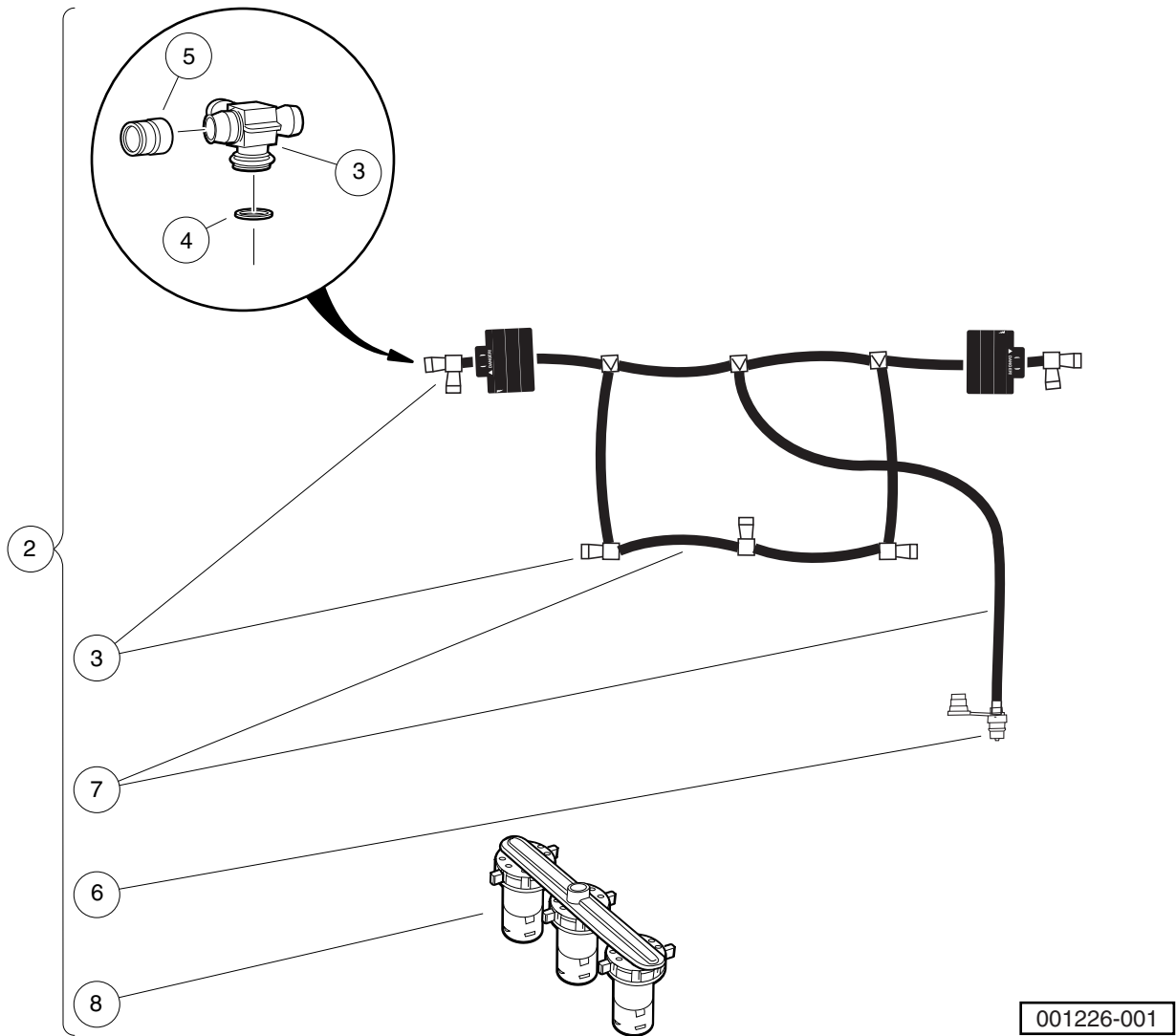
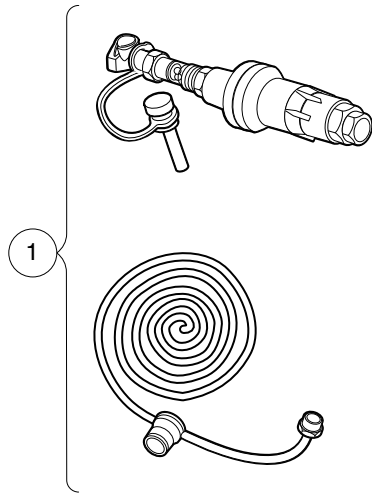
ITEM	PART NO.	DESCRIPTION	QTY
		1 2 3 4	
1	101090801	Hold-Down, Battery	4
2	1012571	Washer, 5/16 Extra Thick Flat	12
3	1015072	Locknut, 5/16-18 Nylon Insert	12
4	1015608	Tube Spacer, Hydraulic Cylinder	2
5	102002901	Wire Assy, #4 Black	4
6	102764001	Wire Asm, #4 Black	3
7	102766201	Hold Down, Outside	2
8	102845203	Rod, Battery Hold Down 10.7"	10
9	102845204	Rod, Battery Hold Down 12"	2
10	102873401	5/16-18 Heavy Hex Nut	16
11	102980801	Extr, Plastic, 1 X 1 X 3	2
12	102980901	Clamp, Hose, Nylon, .25	2
13	103969701	Battery, 6-Volt, Trojan T145 (Wet) (includes item 14)	8
14	101831401	Battery Cap 6 Volt	1
15	7473	Locknut, 5/16-18 Nylon Insert	2
16	8963	Screw, 5/16-18 X 1.75 Hex-Head Cap	2

14

E

14

E

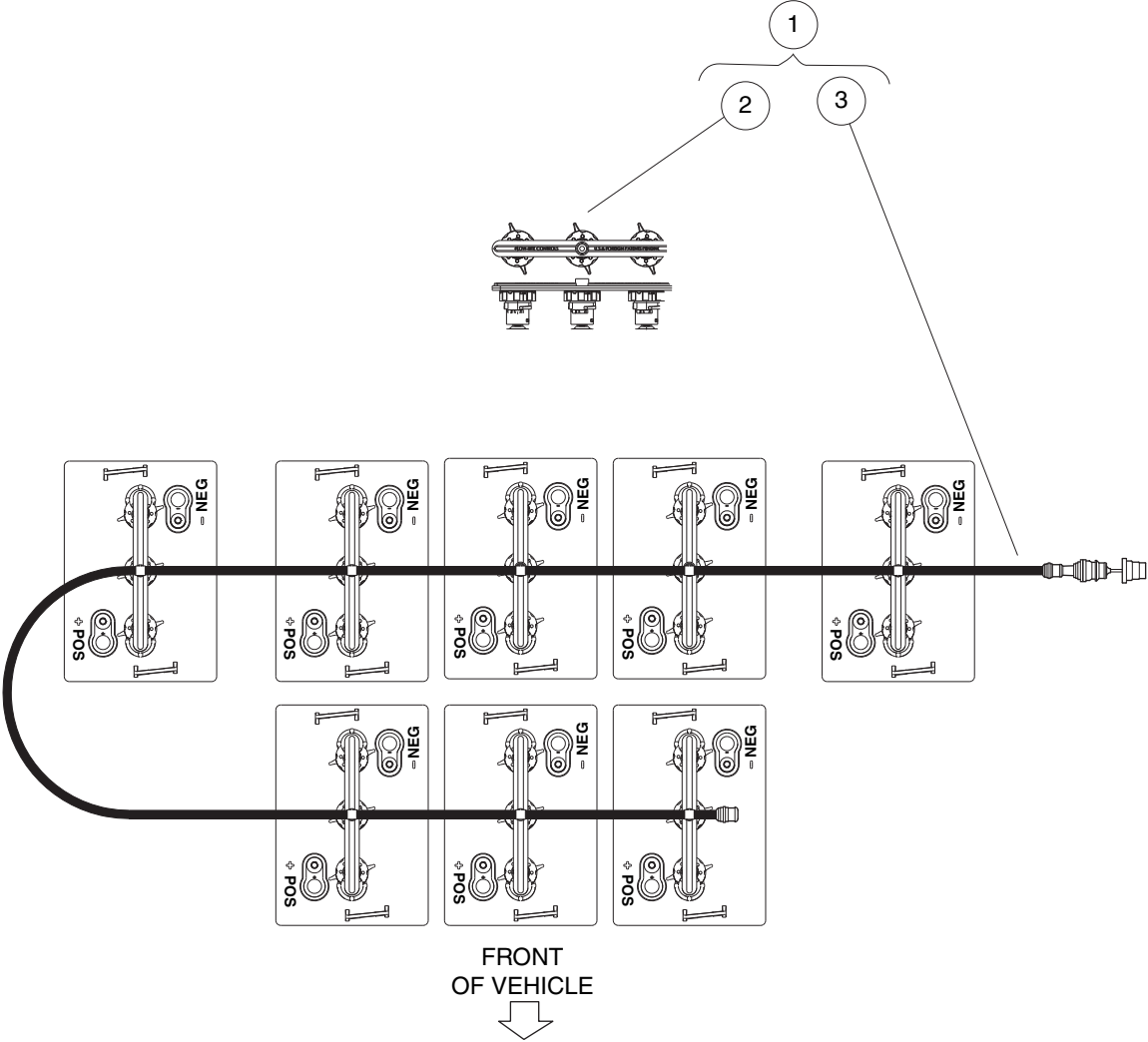


SINGLE POINT WATERING SYSTEM, 6V – TO LATE-2012 MODEL YEAR

ITEM	PART NO.	DESCRIPTION	QTY
		1 2 3 4	
1	102958001	Kit Regulated Hose Sply Spws	1
2	103510801	Kit, Spws, 8x6v, Opt 2 (includes items 3 through 8)	1
3	103226201	Fitting Spws Swivel T	8
4	103226301	O-ring Spws Swivel T	8
5	103226401	Cap Spws Swivel T Red	7
6	103226601	Coupler Male Spws Supply	1
7	103226701	Tubing Spws	A/R
8	103510501	Manifold, Lpr, 3 Vlve, Spw	8
		Note: For 6-Volt batteries only.	

14

E



002524-001

SINGLE POINT WATERING SYSTEM, 6V – FROM LATE-2012 MODEL YEAR

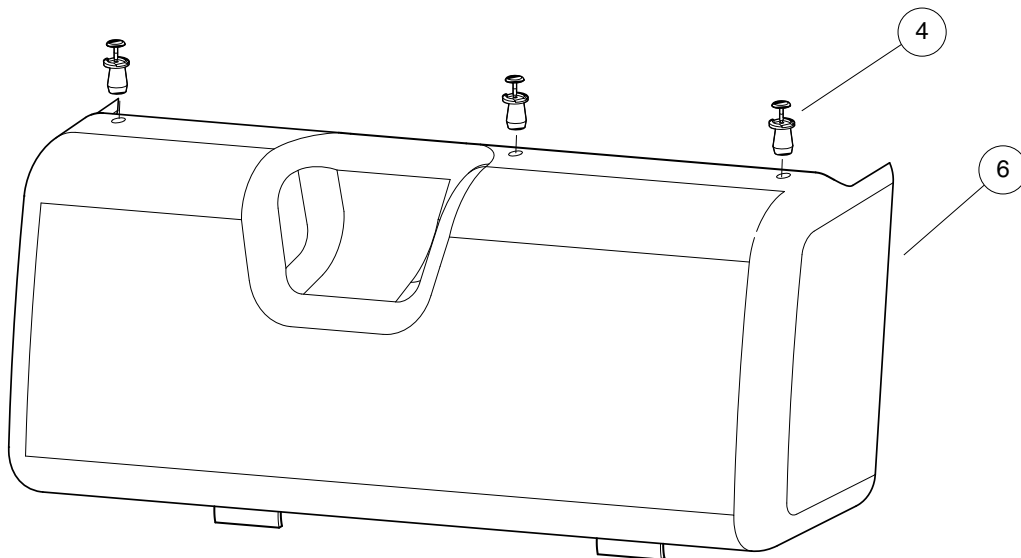
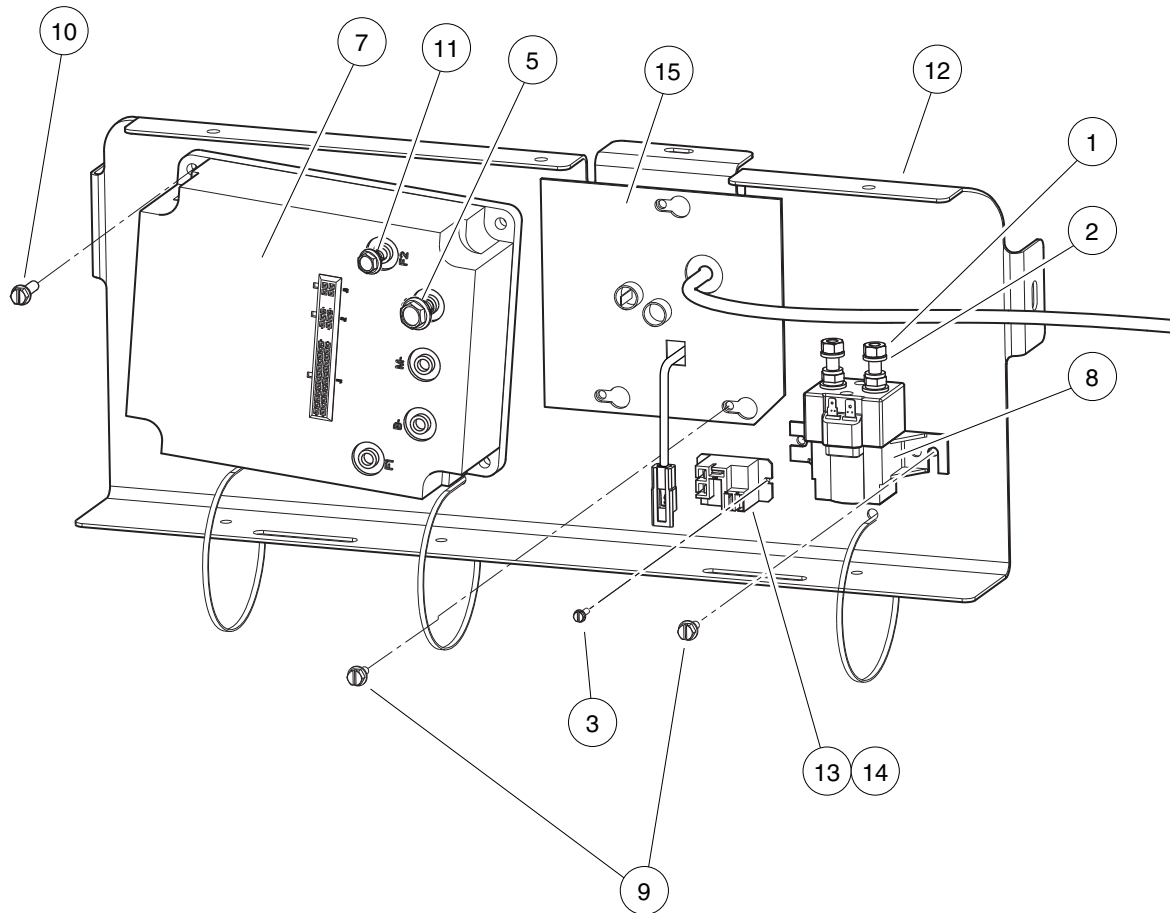
ITEM	PART NO.	DESCRIPTION	QTY
		1 2 3 4	
1	103497702	Kit, Spws, 8x6v (includes items 2 and 3)	1
2	103510501	Manifold, Lpr, 3 Vlve, Spw	8
3	103942601	Spws, Carryall, 8x6v	1
Note: For 6-Volt batteries only.			

14

E

14

E



000597-003

COMPUTER, CONTROLLER, AND SOLENOID – FOR JCI, CROWN, & TROJAN BATTERIES

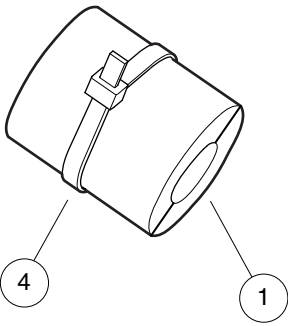
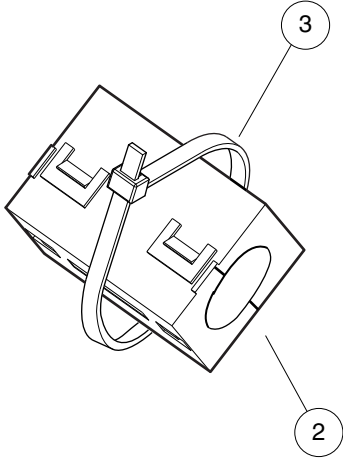
ITEM	PART NO.	DESCRIPTION	QTY
		1 2 3 4	
1	1012528	Nut, M8-1.25 Hex	2
2	1013734	Lockwasher, 8mm Split	2
3	1015720	Screw, #6-32 X 1/2 Hex Washer-Head	2
4	1016967	Blind Rivet, Push Type	3
5	102240501	Bolt, Controller, Terminal	3
6	102772401	Cover, Component, Elec, Rear	1
7	102774501	Controller, 500 Amp	1
8	102774701	Solenoid, 48v	1
9	102817101	Screw, 1/4-20 X .50 Hex Wsh Hd	5
10	102817201	Screw, 1/4-20 X .88 Hex Wsh Hd	4
11	102859501	Screw, M6 X 1 X 20 Ser Hex Flg	2
12	102931101	Plate, Component, Rear	1
13	103414901	Kit, Relay, 48v 30a W/instr (includes item 14)	1
14	103397901	Relay, Spst No, 48v 30a, Pmt	1
15	103709202	Obc, Iqplus, A1, 38", 480	1
		<p>Note: If JCI or Crown is used to replace U.S. Battery brand of battery, the onboard computer must be changed to match. See Batteries pages. NOTE 2: Onboard Computer (item 15) is equipped with the Packard 480 Series connector.</p>	

14

E

14

E



001055-001

FERRITE BEADS, CE

ITEM	PART NO.	DESCRIPTION	QTY
		1 2 3 4	
1	103449501	Bead, Ferrite, Tdk	A/R
2	103449601	Bead, Ferrite, Fair-rite	A/R
3	8639	Tie Wrap, 11" Nylon	A/R
4	8990	Tie Wrap, 8" Nylon	A/R

14

E

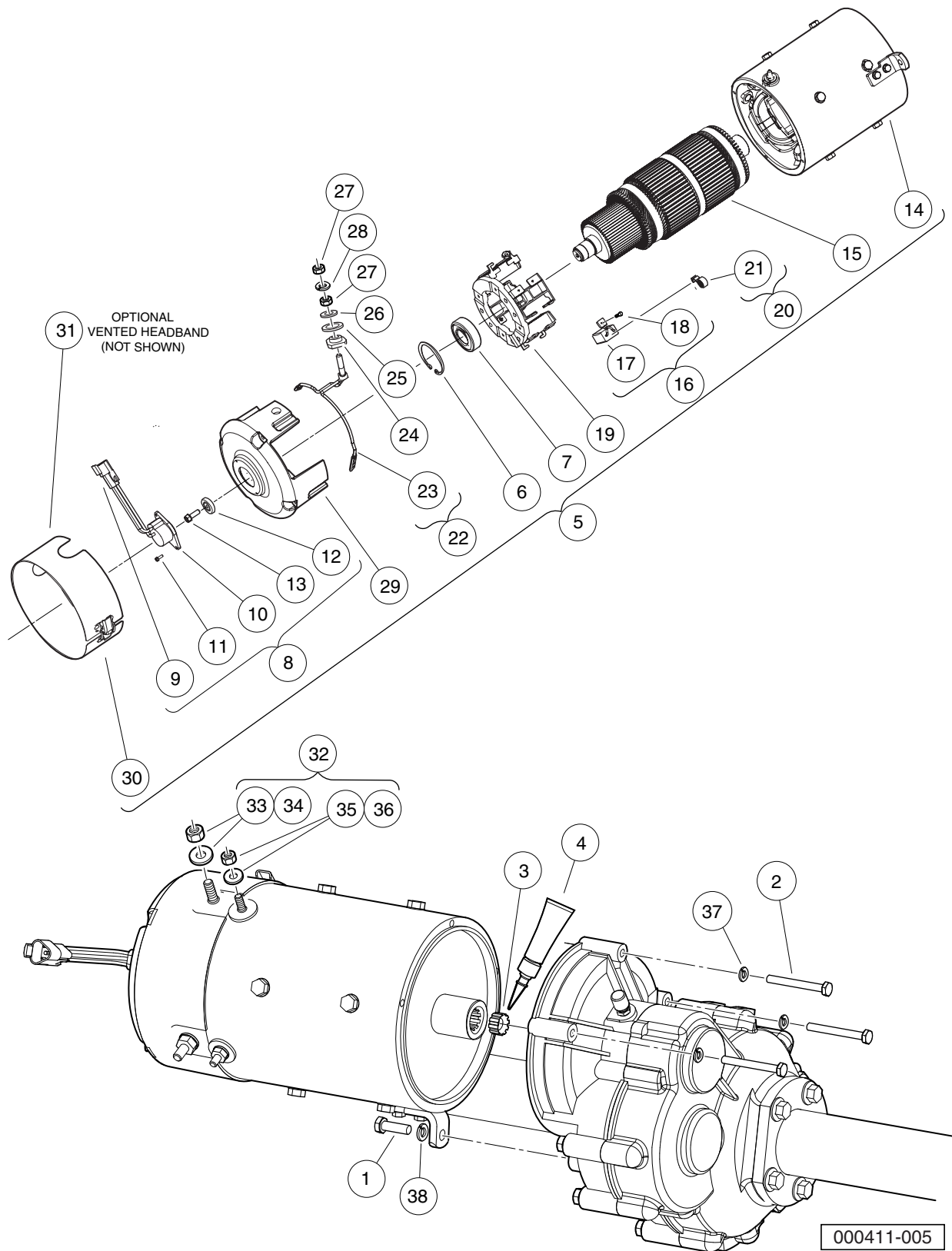
14

E

MOTOR (MODEL DA5-4006) – IQ PLUS

15

E



MOTOR (MODEL DA5-4006) – IQ PLUS

ITEM	PART NO.	DESCRIPTION	QTY
		1 2 3 4	
1	1010934	Screw, 5/16-18 X 1.00 Hex Cap	1
2	1014201	Screw, 1/4-20 X 2.25 Hex Cap	3
3	102235201	Bumper, Drive Unit	1
4	102243403	Lubricant, Moly-Teflon (Single-Use Tube)	1
5	102775101	IQ Plus Electric Motor, 48-VDC 3.7 hp (includes items 6 through 30)	1
6	N/A	Ring, 2.24" Internal Retaining	1
7	102186401	Bearing, Ball	1
8	102704901	Kit, Speed Sensor (includes items 9 through 13)	1
9	101942301	Kit, 3-Pin Wedge Lock	1
10	N/A	Sensor, Motor Speed, ADC	1
11	N/A	Screw, #8-32, Taptite Thread	2
12	N/A	Magnet, ADC Motor	1
13	N/A	Screw, 1/4-20 x 0.5	1
14	N/A	Asm, Frame And Field, 3.7 Hp	1
15	N/A	Armature (Includes external hardware not shown)	1
16	102938601	Kit, Brush, 3.7 Hp (includes items 17 and 18)	1
17	N/A	Brush, Motor	8
18	N/A	Screw, Taptite	8
19	102938701	Asm, Brush Box, 3.7 Hp	1
20	102938801	Kit, Brush Spring, 3.7 Hp (includes item 21)	1
21	N/A	Brush Spring	8
22	102938901	Kit, Brush Lead Asm, 3.7 Hp (includes items 23 through 28)	1
23	N/A	Terminal and Lead Assembly	2
24	N/A	Insulator, Terminal	2
25	N/A	Washer, Insulating	2
26	N/A	Washer, Flat, 5/16, Brass/Bronze	2
27	N/A	Nut, 5/16, Steel	4
28	N/A	Lockwasher, 5/16, Steel	2
29	102939001	Commutator End Head, 3.7 Hp	1
30	102939101	Sealed Headband, 3.7 Hp	1
31	102939102	Vented Headband, 3.7 HP (optional - not shown)	1
32	102951701	Pkg, Terminal Hardware, 3.7hp (includes items 33 through 36)	1
33	N/A	Nut, 5/16, Steel	2
34	N/A	Lockwasher, 5/16, Steel	2
35	N/A	Nut, 1/4-20, Steel	2
36	N/A	Lockwasher, 1/4-20, Steel	2
37	451	Lockwasher, 1/4 Split	3
38	7174	Lockwasher, 5/16 Split	1

15

E

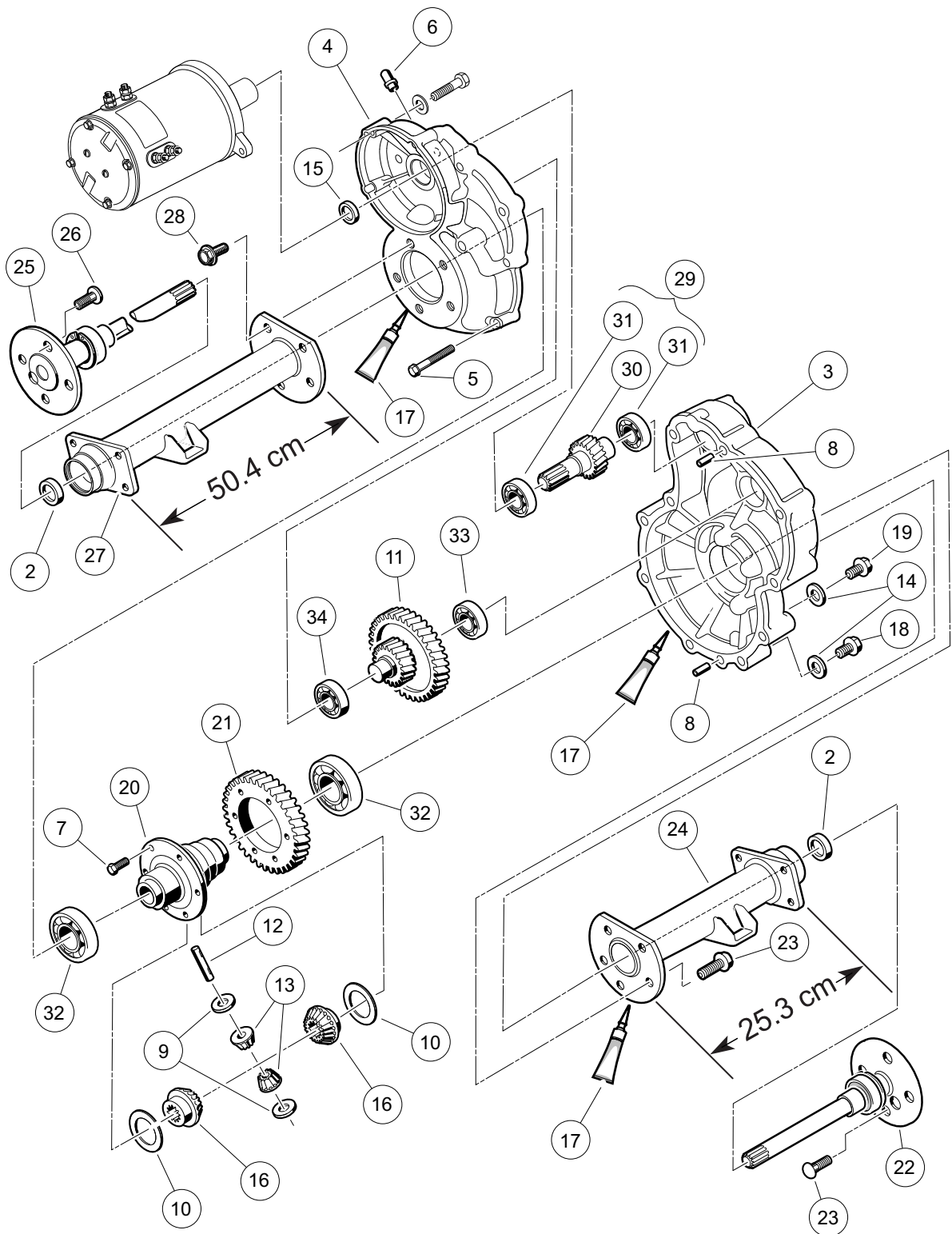
15

E

TRANSAXLE – ELECTRIC VEHICLES

16

E



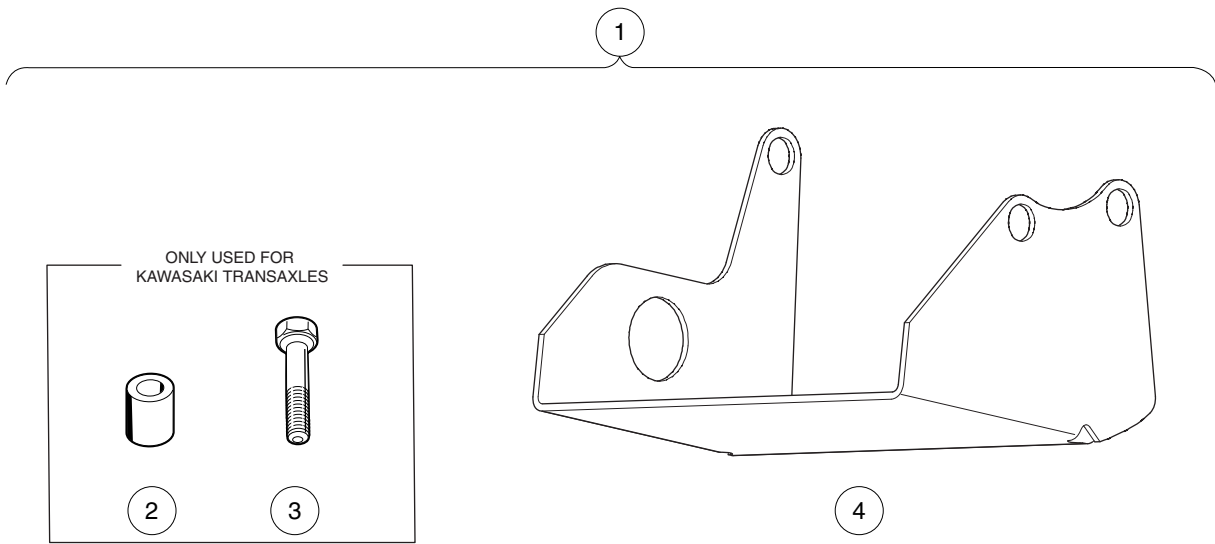
000223-005

TRANSAXLE – ELECTRIC VEHICLES

ITEM	PART NO.	DESCRIPTION	QTY
		1 2 3 4	
1	102771701	Transaxle, Electric (includes items 2 through 34)	1
2	1013794	Axle Shaft Oil Seal	2
3	101895401	Gear Case, Driver-Side	1
4	101895501	Gear Case, Passenger-Side	1
5	101897001	Screw, M8-1.25 X 60mm Hex-Head	11
6	101897201	Breather	1
7	101897401	Screw, M10-1.25 X 25mm	6
8	101897601	Pin, 11mm OD X 8.5mm ID X 10mm	2
9	101903601	Washer, Thrust	2
10	101903701	Washer, Thrust	2
11	101906901	Intermediate Shaft Assembly	1
12	101922101	Pin, 15.99mm X 88.7mm Dowel	1
13	101923001	Gear, Differential Idler	2
14	101923201	Gasket	2
15	101923501	Seal, Lip	1
16	101923901	Gear, Differential	2
17	101928701	Liquid Gasket (Transaxle case)	1
18	101972101	Plug, M14-1.5 X 12mm Magnetic	1
19	101972201	Plug, M14-1.5 X 12mm Hex	1
20	102356601	Housing, Differential, 6 Bolt	6
21	102356801	Gear, Differential Output, 6-Bolt	6
22	102886301	Axle Assembly, Driver-Side (includes item 23)	1
23	101922201	Lug Stud	4
24	102886401	Tube, Axle, Driver-Side	1
25	102886501	Axle Assembly, Passenger-Side (includes item 26)	1
26	101922201	Lug Stud	4
27	102886601	Tube, Axle, Passenger-Side	1
28	102902801	Screw, M10 X 30	10
29	103582801	Asm, E Trans Shaft/bearing (includes items 30 and 31)	1
30	N/A	Shaft, Input	1
31	7335	Bearing	2
32	7330	Inner Axle Tube Bearing	2
33	7335	Bearing	1
34	7336	Bearing	1

16

E



000365-002

DIFFERENTIAL GUARD – ELECTRIC VEHICLES

ITEM	PART NO.	DESCRIPTION	QTY
		1 2 3 4	
1	101611402	Kit, Differential Guard, Elec Vehicles (includes items 2 through 4)	1
2	101914001	Spacer, Steel	2
3	101936101	Screw, M10-1.50 X 60mm Hex Cap	2
4	101978601	Guard, Differential, Electric Vehicle Transaxle	1

16

E

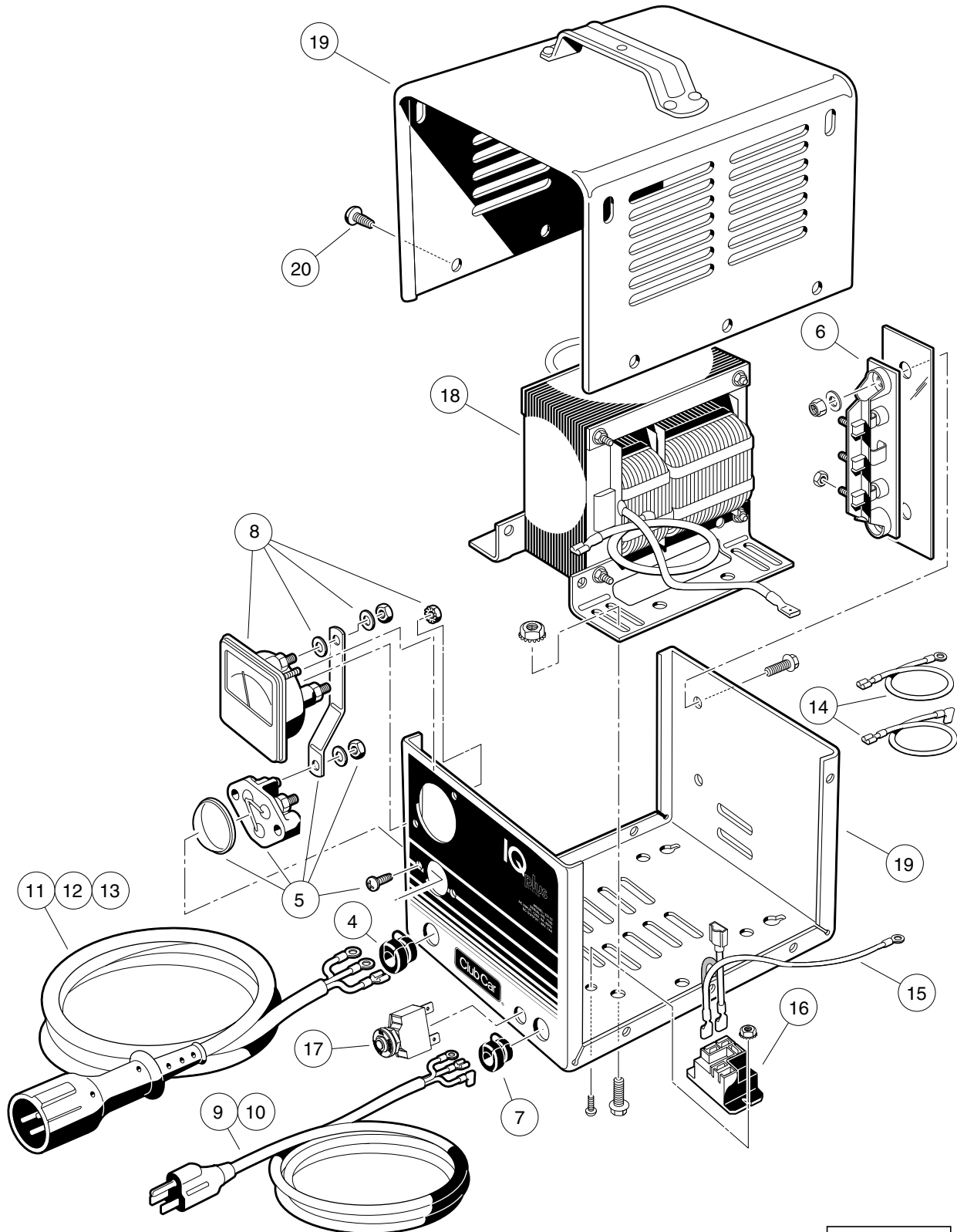
16

E

BATTERY CHARGERS

17

E



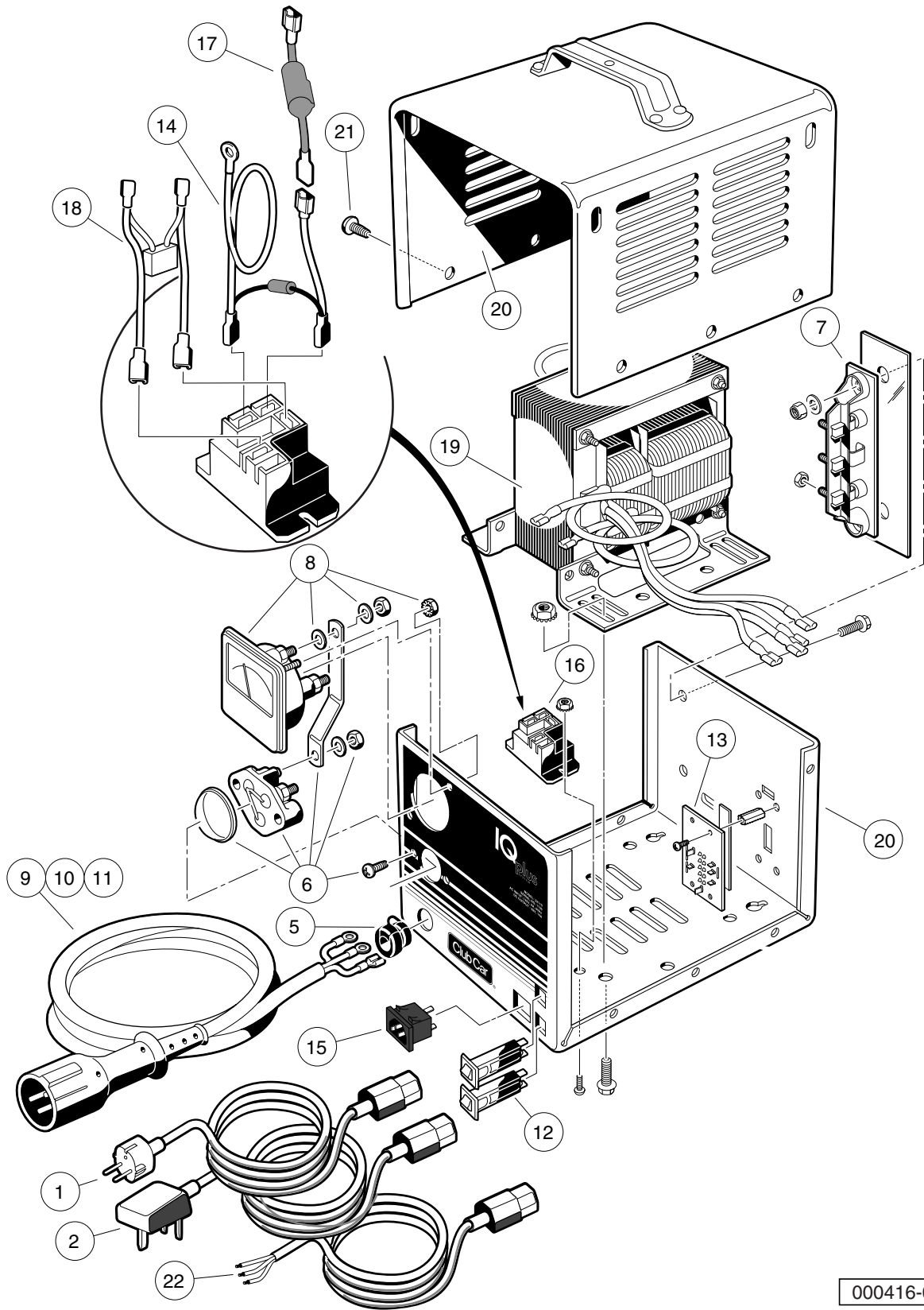
000414-001

IQ PLUS BATTERY CHARGER (MODELS 25730-11,-18,-19), DOMESTIC

ITEM	PART NO.	DESCRIPTION	QTY
		1 2 3 4	
1	102847801	Charger, IQ Plus, Domestic (9-ft. DC Cord, 6-ft. AC Cord)	1
2	102847802	Charger, IQ Plus, Domestic (12-ft. DC Cord, 9-ft. AC Cord)	1
3	102847803	Charger, IQ Plus, Domestic (20-ft. DC Cord, 9-ft. AC Cord) (includes items 4 through 20)	1
4	1012098	Bushing, DC Cord	1
5	1012101	Fuse Assembly	1
6	1015914	Rectifier with Heatsink Assembly	1
7	1015917	Bushing, AC Cord	1
8	101828501	Ammeter	1
9	101828801	Cord, AC, 80-Inch (203 cm)	1
10	101828802	Cord, AC, 108-Inch (274 cm)	1
11	101828901	Cord, DC, 113-Inch (287 cm)	1
12	101828902	Cord, DC, 154-Inch (391 cm)	1
13	101828903	Cord, DC, 250-Inch (635 cm)	1
14	101831101	Wire Assembly Kit	1
15	101914401	Assembly, Voltage Suppressor	1
16	102275401	Relay, 48-VDC	1
17	102838101	Circuit Breaker 250vac-50vdc	1
18	N/A	Transformer, Battery Charger	1
19	N/A	Case, Battery Charger	1
20	7577	Screw, #10 X 0.50 Phillips Pan-Head	10

17

E



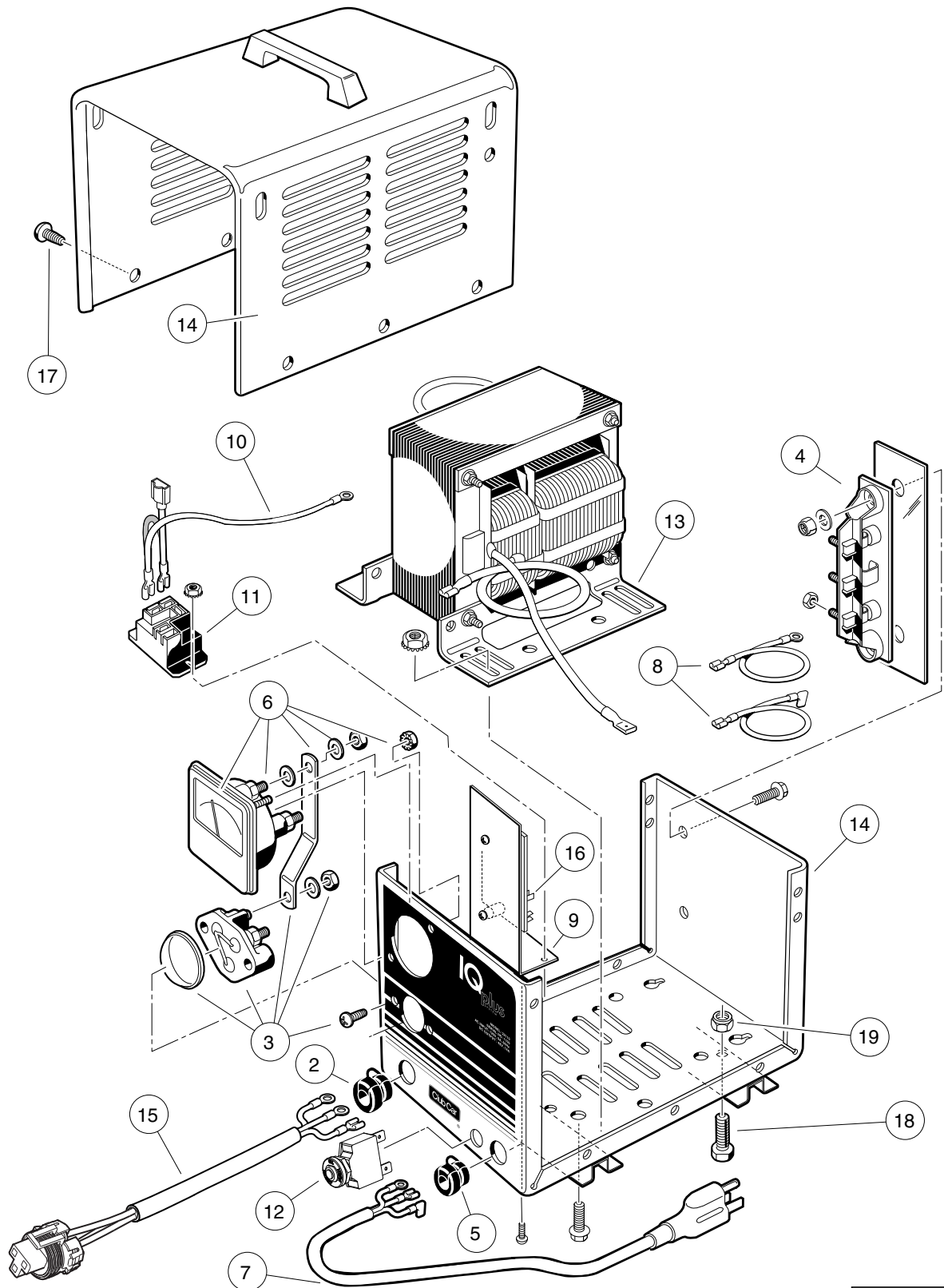
000416-002

IQ PLUS BATTERY CHARGER (MODELS 25880-11 AND -18), INTERNATIONAL

ITEM	PART NO.	DESCRIPTION	QTY
		1 2 3 4	
1	101958201	Cord, UK, AC, Battery Charger	1
2	101958301	Cord, European AC, Battery Charger	1
3	102892901	Charger, IQ Plus, International (9-ft. DC Cord)	1
4	102892902	Charger, IQ Plus, International (12-ft. DC Cord) (includes items 5 through 21)	1
5	1012098	Bushing, DC Cord	1
6	1012101	Fuse Assembly	1
7	1015914	Rectifier with Heatsink Assembly	1
8	101828501	Ammeter	1
9	101828901	Cord, DC, 113-Inch (287 cm)	1
10	101828902	Cord, DC, 154-Inch (391 cm)	1
11	101828903	Cord, DC, 250-Inch (635 cm)	1
12	101838401	Circuit Breaker	2
13	101838601	Four-Position Switch	1
14	101914401	Assembly, Voltage Suppressor	1
15	101973501	Receptacle, AC Cord	1
16	102275401	Relay, 48-VDC	1
17	N/A	Limiter, Current	1
18	N/A	Wire Assembly, Battery Charger	1
19	N/A	Transformer, Battery Charger	1
20	N/A	Case, Battery Charger	1
21	7577	Screw, #10 X 0.50 Phillips Pan-Head	10
22	102939501	Cord, European AC, Battery Charger	1

17

E



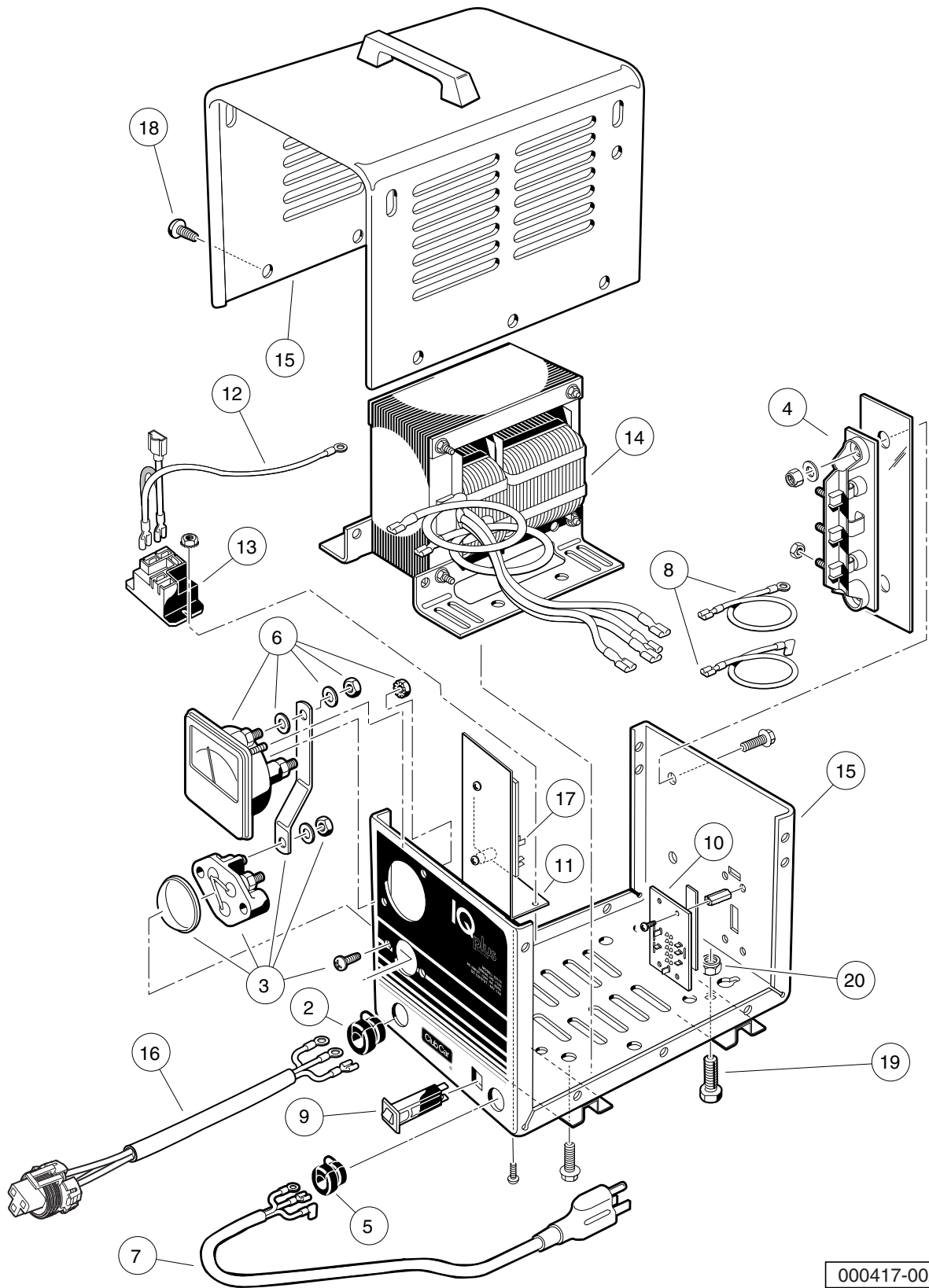
000415-002

ONBOARD IQ PLUS BATTERY CHARGER (MODEL 25260-50), DOMESTIC

ITEM	PART NO.	DESCRIPTION	QTY
		1 2 3 4	
1	103772401	Charger, IQ Plus, Onboard, Domestic (includes items 2 through 19)	1
2	1012098	Bushing, DC Cord	1
3	1012101	Fuse Assembly	1
4	1015914	Rectifier with Heatsink Assembly	1
5	1015917	Bushing, AC Cord	1
6	101828501	Ammeter	1
7	101829001	Cord, AC, 22-Inch (56 cm)	1
8	101831101	Wire Assembly Kit	1
9	101838701	Mounting Bracket, Relay	1
10	101914401	Assembly, Voltage Suppressor	1
11	102275401	Relay, 48-VDC	1
12	102838101	Circuit Breaker, 20 Amp	1
13	N/A	Transformer, Battery Charger	1
14	N/A	Case, Battery Charger	1
15	103832001	Cord, DC, 20", Charger	1
16	103869401	Control Board, Potted	1
17	7577	Screw, #10 X 0.50 Phillips Pan-Head	12
18	7847	Screw, 1/4-20 X 0.75 Hex-Head Cap	4
19	8233	Locknut, 1/4-20, Nylon Insert	4
Note: DC Cord (item 15) uses the Packard 480 Connector.			

17

E



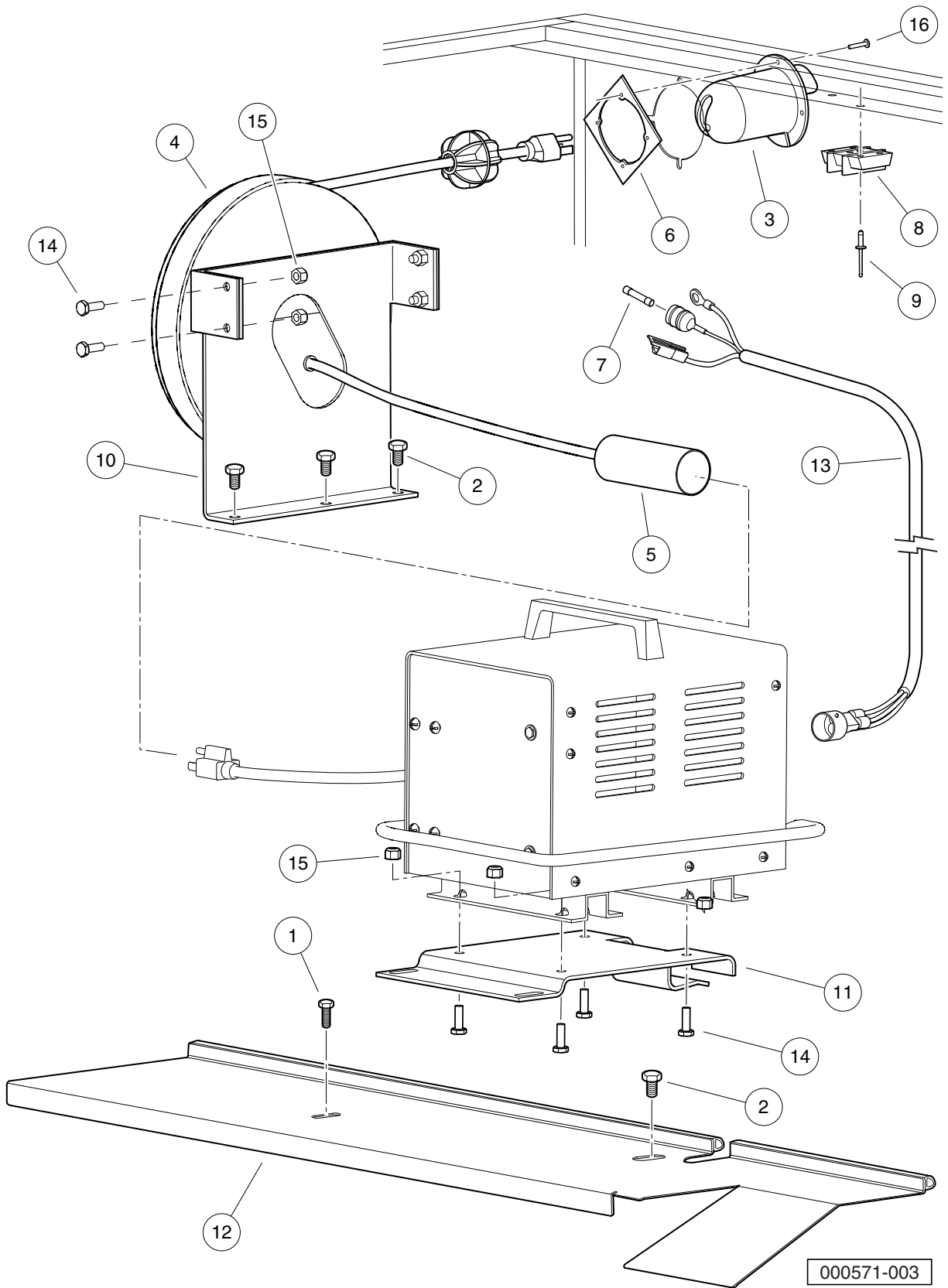
000417-002

ONBOARD IQ PLUS BATTERY CHARGER (MODEL 25660-50), INTERNATIONAL

17

E

ITEM	PART NO.	DESCRIPTION	QTY
		1 2 3 4	
1	103771601	Charger, IQ Plus, Onboard, International (includes items 2 through 20)	1
2	1012098	Bushing, DC Cord	1
3	1012101	Fuse Assembly	1
4	1015914	Rectifier with Heatsink Assembly	1
5	1015917	Bushing, AC Cord	1
6	101828501	Ammeter	1
7	101829001	Cord, AC, 22-Inch (56 cm)	1
8	101831101	Wire Assembly Kit	1
9	101838401	Circuit Breaker	1
10	101838601	Four-Position Switch	1
11	101838701	Mounting Bracket, Relay	1
12	101914401	Assembly, Voltage Suppressor	1
13	102275401	Relay, 48-VDC	1
14	N/A	Transformer, Battery Charger	1
15	N/A	Case, Battery Charger	1
16	103832001	Cord, DC, 20", Charger	1
17	103869401	Control Board, Potted	1
18	7577	Screw, #10 X 0.50 Phillips Pan-Head	12
19	7847	Screw, 1/4-20 X 0.75 Hex-Head Cap	4
20	8233	Locknut, 1/4-20, Nylon Insert	4
<p style="margin-left: 40px;">Note: DC Cord (item 16) uses the Packard 480 Connector.</p>			



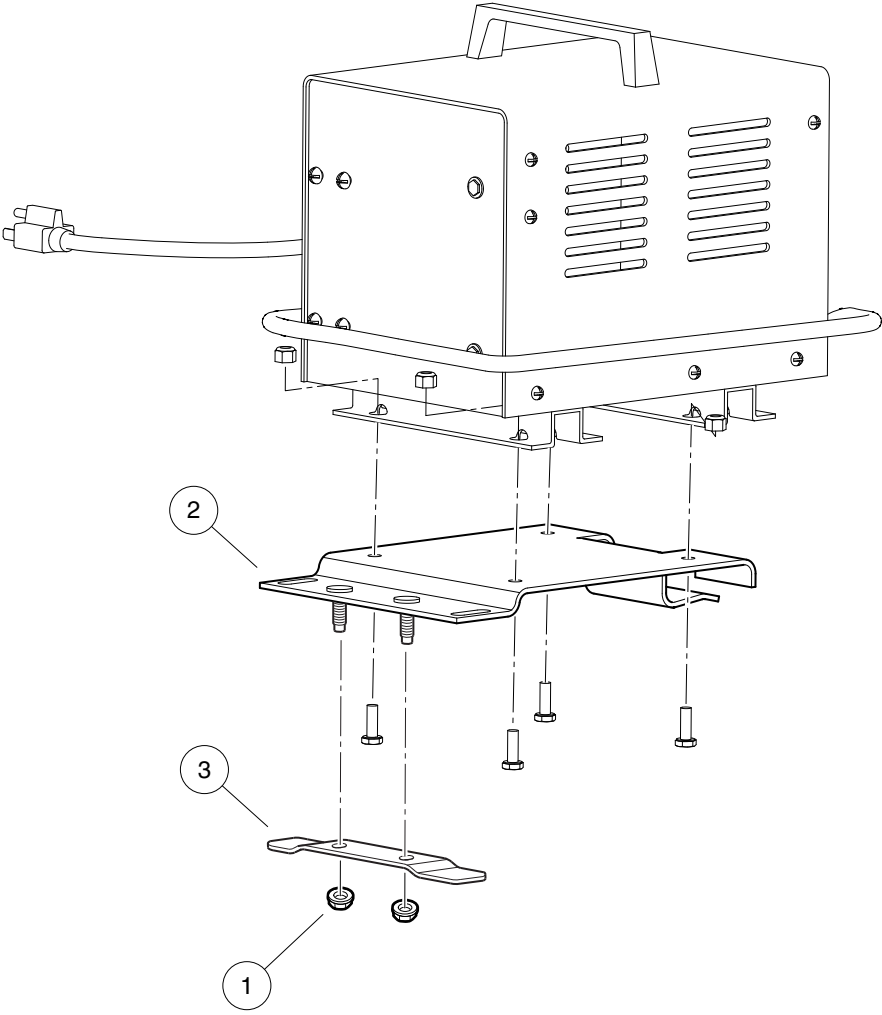
000571-003

ONBOARD IQ PLUS CHARGER AND CORD REEL MOUNTING, PAGE 1 OF 2

ITEM	PART NO.	DESCRIPTION	QTY
		1 2 3 4	
1	1014063	Screw, 1/4-20 X 1.00, Hex Head	1
2	1014288	Screw, 5/16-18 X 0.75, Thread-Forming	4
3	1016673	Housing, Cord Reel	1
4	1017187	Retractable Cord Reel	1
5	1017189	Heat Shrink Tube 1.5" X 3"	1
6	101801001	Plate, Receptacle Backing	1
7	101894901	Fuse, 3/8-Amp	1
8	101966801	Block, Terminal	1
9	101968801	Rivet, 3/16", Pop	2
10	102770701	Bracket, Reel, Tabbed	1
11	102844001	Plate, Charger Mounting	1
12	103353501	Shield	1
13	103772301	Harness, Wire, Charger, IQ Plus, 55"	1
14	7847	Screw, 1/4-20 X 0.75 Hex-Head Cap	8
15	8233	Locknut, 1/4-20, Nylon Insert	8
16	8796	Screw, #7-19 X 0.75 Pan-Head Type AB	4
17	8990	Tie Wrap, 8" Nylon	4
<p>Note: Charger Harness (item 13) uses the Packard 480 Connector. NOTE 2: Tie Wrap (item 17) not shown. NOTE 3: See following page for parts specific to the international onboard charger.</p>			

17

E



000572-003

ONBOARD IQ PLUS CHARGER AND CORD REEL MOUNTING, PAGE 2 OF 2

ITEM	PART NO.	DESCRIPTION	QTY
		1 2 3 4	
1	101832901	Nut, M10-1.25 Hex Flange	2
2	102844002	Plate, Charger Mounting, with Studs, International	1
3	103189101	Retainer, Charger Assembly	1
		<p>Note: Items on this page are used only for the International Onboard IQ Plus Battery Charger.</p>	

17

E

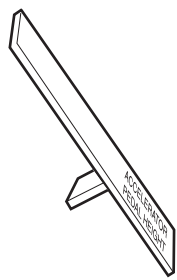
MAINTENANCE AND SERVICE TOOLS

18

G

E

18
G
E



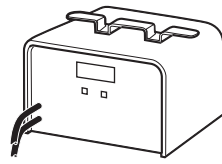
1



2



3



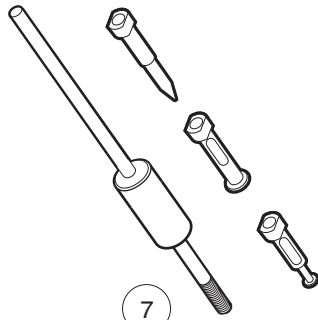
4



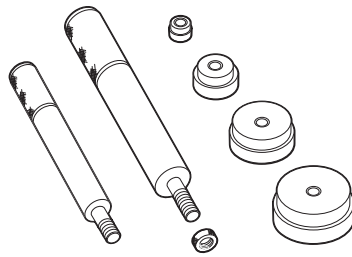
5



6



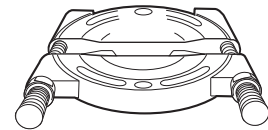
7



8



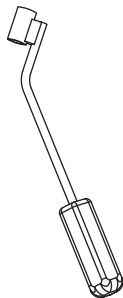
9



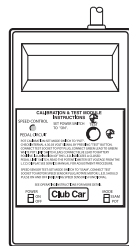
10



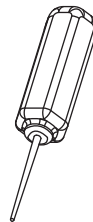
11



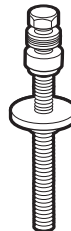
12



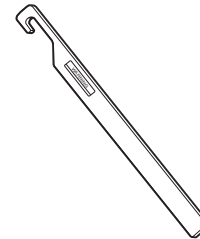
13



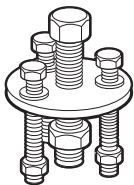
14



15



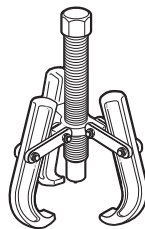
16



17



18



19



20



21

001600-001

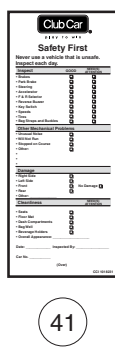
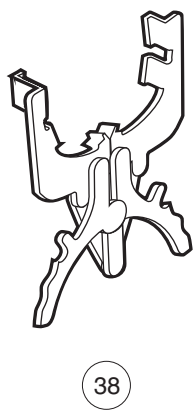
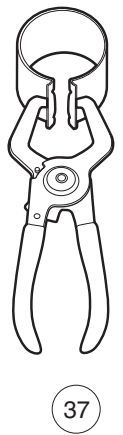
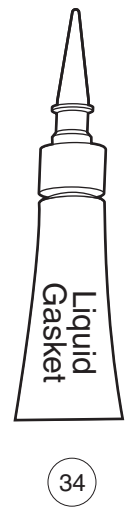
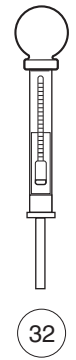
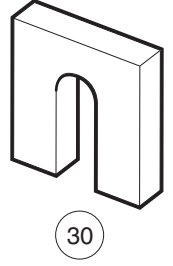
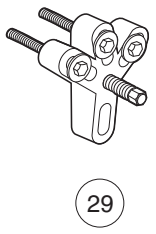
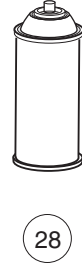
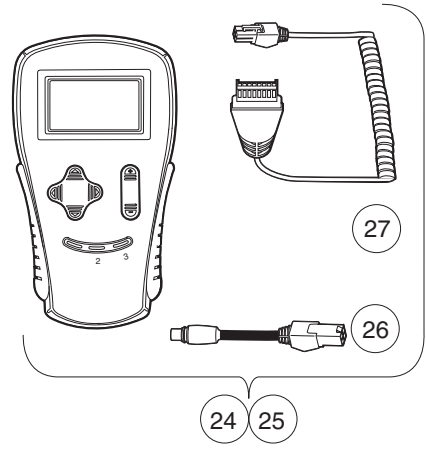
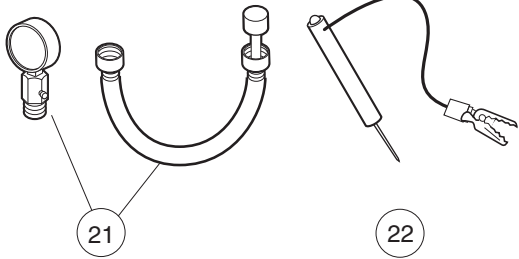
MAINTENANCE AND SERVICE TOOLS

ITEM	PART NO.	DESCRIPTION	QTY GAS	QTY ELEC
		<p>1 2 3 4</p> <p>The following tool list includes all tools available from Club Car to perform maintenance and service procedures on all electric utility vehicles and all gasoline utility vehicles equipped with Kawasaki FE-series engines. Be sure to carefully examine the tool list for applicability to your vehicle before ordering.</p>		
1	101871001	Accelerator Pedal Adjustment Tool (Utility Vehicles).....	1	1
2	101813202	Adhesive, Guide Ring, 3-Gram Tube		1
3	101641202	Arbor	1	
4	101831901	Battery Discharge Machine, 36/48 Volt		1
5	1014305	Battery Terminal Protector Spray	1	1
6	1011767	Battery Thermometer	1	1
7	1016417	Bearing and Oil Seal Remover Assembly	1	1
8	1016416	Bearing Driver Set	1	1
9	1012811	Bearing Puller	1	1
10	1012812	Bearing Puller Wedge Attachment	1	1
11	1013582	Brake Adjustment Tool (used only on vehicles with manually adjusted mechanical brakes)	1	1
12	102555501	Brake Cable Release Tool	1	1
13	101887101	Calibration Test Module		1
14	102562401	Charger Bezel Tool		1
		Clutch Tools (items 14 - 20)	1	
15	101808401	Clutch Cam Installation Tool (for Kawasaki engines)	1	
16	1015524	Drive Clutch Holder Tool Assembly (for Kawasaki engines)	1	
17	1014497	Drive Clutch Hub Puller (for Kawasaki engines)	1	
18	1014496	Drive Clutch Puller (for Kawasaki engines)	1	
19	1014508	Driven Clutch Cam Puller (for Kawasaki engines)	1	
20	1014507	Driven Clutch Puller Plug (for Kawasaki engines)	1	
21	101809101	Press Weldment (for Kawasaki engines)	1	
		<p>Please refer to the maintenance and service manual for proper tool application.</p>		

18

G

E



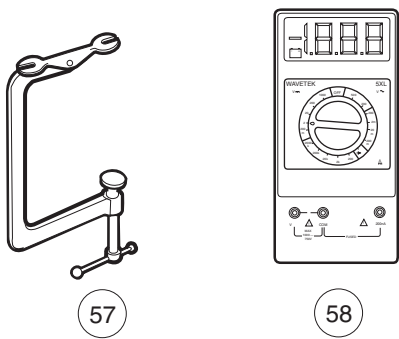
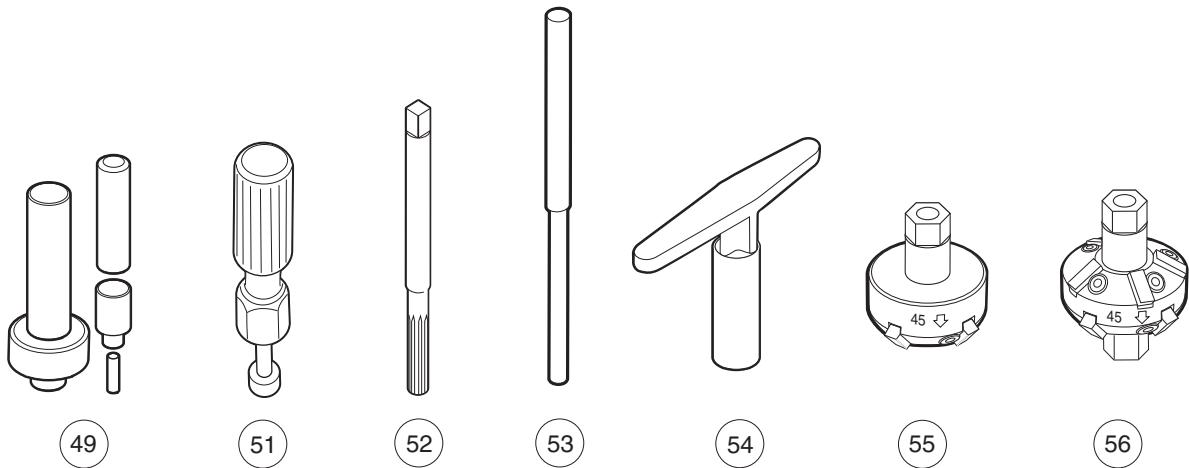
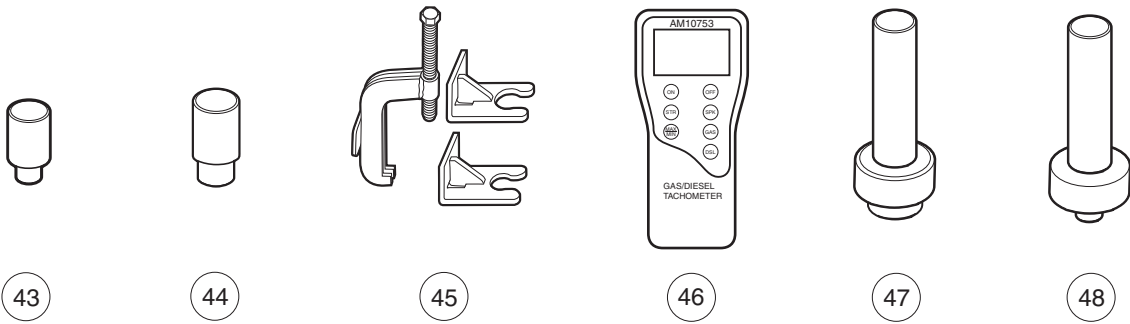
001601-001

MAINTENANCE AND SERVICE TOOLS, CONTINUED

ITEM	PART NO.	DESCRIPTION	QTY GAS	QTY ELEC
		1 2 3 4		
21	101641002	Compression Gauge and Adapter	1	
22	1011273	Continuity Tester	1	1
23	101831801	Communication Display Module		1
24	102248803	IQ Display Module (IQDM) Kit (IQ System and IQ Plus vehicles) (includes items 54 and 55)		1
25	102248804	IQ Display Module (IQDM-P) Kit (IQ System and IQ Plus vehicles) (includes items 54 and 55)		1
26	102251501	Adaptor, Cable		1
27	102241502	IQDM Series 2 Cable		1
28	1012151	Dry Moly Lubricant	1	1
29	1016627	Flywheel Puller Kit (for Kawasaki Engines)	1	
30	1016418	Gear Yoke	1	1
31	101933101	Governor Shaft Installation Tool (for Kawasaki Engine Vehicles)	1	
32	1011478	Hydrometer	1	1
33	1013593	Internal Retaining Ring Pliers	1	1
34	101928701	Liquid Gasket (transaxle case)	1	1
35	102243402	Moly-Teflon Lubricant (4-oz. (113-gram) tube)		1
36	101997201	Paint, Touch-Up ,Äi Beige*	1	1
36	101997207	Paint, Touch-Up ,Äi Black*	1	1
36	101997212	Paint, Touch-Up ,Äi Burgundy*	1	1
36	101997211	Paint, Touch-Up ,Äi Classic Blue (Navy)*	1	1
36	101997205	Paint, Touch-Up ,Äi Dark Gray*	1	1
36	101997209	Paint, Touch-Up ,Äi Dark Green*	1	1
36	101997204	Paint, Touch-Up ,Äi Gray*	1	1
36	101997203	Paint, Touch-Up ,Äi Red*	1	1
36	101997206	Paint, Touch-Up ,Äi Royal Blue (Pacific Blue)*	1	1
36	101997202	Paint, Touch-Up ,Äi White*	1	1
37	1016414	Piston Ring Compressor Kit	1	
38	1016415	Piston Ring Pliers	1	
39	1012549	Retaining Ring Pliers, 45→ External	1	1
40	1012560	Retaining Ring Pliers, 90→ Internal	1	1
41	101823101	Safety First Card (50 per pack)	1	1
42	1012809	Seal Puller	1	1
		Please refer to the maintenance and service manual for proper tool application.		

18
G
E

18
G
E



001602-001

MAINTENANCE AND SERVICE TOOLS, CONTINUED

ITEM	PART NO.	DESCRIPTION	QTY GAS	QTY ELEC
		1 2 3 4		
43	1014264	Steering Column Bearing Press Tool	1	1
44	1014259	Steering Column Retaining Ring Tool	1	1
45	102061201	Steering Wheel Puller Tool	1	1
46	AM10753	Tachometer (includes gasoline engine pick up lead only)	1	
47	1014162	Transaxle Axle Seal Tool (for electric vehicles)		1
48	1014161	Transaxle Pinion Seal Tool (for electric vehicles)		1
49	1014115	Transmission Tool Kit (for electric vehicles).....		1
50	101611003	Tune-Up Kit, All OHV (for FE290, FE350, FE400 only) (includes air filter, spark plug, oil filter, fuel filters) (not shown)	1	
51	1016413	Valve Clearance Adjuster Screw Holder (for FE290 engines only)	1	
52	101641201	Valve Guide Reamer (FE290, FE350, and FE400 only).....	1	
53	1016552	Valve Seat Cutter Guide	1	
54	1016551	Valve Seat Cutter T-Wrench	1	
55	1016553	Valve Seat Cutter, 45→× (32 mm diameter) (for FE290 engines only)	1	
56	1016554	Valve Seat Cutter, 45→×/30→× (35 mm diameter)	1	
57	101641101	Valve Spring Compressor	1	
58	1011480	Volt Ohm Meter	1	1
		Please refer to the maintenance and service manual for proper tool application.		

18
G
E

INDEX

Part Number and Page

AM10753	18-7	1242	1-57, 1-63, 1-69, 5-13, 5-15, 5-21, 8-13, 8-17, 8-19, 8-21	8796	17-11
AM10015	4-43, 4-45	1606	10-17	8797	10-3, 10-7
AM10080	13-9	1620	4-3	8861	6-15, 6-23, 6-31, 7-17, 7-25
AM10081	13-9	1624	5-5, 5-7, 6-3, 7-5, 8-13	8935	1-5, 1-9
AM10419	12-9, 12-11	1631	10-17	8963	1-29, 1-31, 1-33, 14-11, 14-13, 14-15, 14-17
AM10808	1-9	2402	6-15, 6-23, 7-17	8990	1-53, 1-55, 1-57, 4-7, 4-11, 4-13, 4-15, 4-31, 4-33, 4-39, 4-43, 4-45, 4-51, 6-3, 7-5, 8-17, 8-19, 8-21, 14-25, 17-11
AM1220301	9-3	4029	4-47, 4-49	1010005	6-13, 6-21, 7-15
AM1232301	9-3, 9-7	7048	6-13, 6-21, 7-15	1010028	13-3
AM1243501	4-41	7049	1-45	1010086	1-51
AM1243701	4-37, 4-39, 4-41	7173	1-17, 4-7, 4-10, 6-31, 7-25, 8-27	1010124	6-17, 6-25, 7-19
AM1243801	4-37, 4-39, 4-41	7174	1-57, 1-63, 1-69, 6-7, 7-9, 8-13, 10-15, 11-3, 15-3	1010138	1-53, 1-55, 1-57, 6-15, 6-23, 7-17
AM1264001	1-67	7251	1-7, 1-9, 1-17	1010145	6-27, 6-29, 7-21, 7-23
AM1290701	1-93	7274	6-13, 6-21, 7-15	1010150	6-17, 6-25, 7-19
AM1304001	1-75	7308	6-13, 6-21, 7-15	1010177	1-57, 6-17, 6-25, 7-19
AM1304101	1-75	7310	2-3, 2-5, 2-7, 2-9	1010200	6-17
AM1304201	1-75	7311	1-29, 1-31, 1-33, 1-51, 6-31, 7-25	1010237	1-29, 1-31, 1-33
AM1304301	1-75	7330	13-11, 16-3	1010434	1-7, 1-9, 1-11, 1-43
AM1304401	1-75	7335	13-9, 16-3	1010435	1-7, 1-9, 1-37, 1-47, 1-53, 1-55, 1-57
AM1304501	1-75	7336	16-3	1010436	1-47
AM1304601	1-75	7473	1-5, 1-7, 1-9, 1-29, 1-31, 1-33, 1-37, 1-45, 1-47, 1-53, 1-55, 1-57, 1-65, 1-105, 4-7, 4-11, 4-43, 4-45, 5-3, 5-5, 5-7, 5-13, 5-15, 5-21, 6-31, 7-3, 7-25, 8-17, 8-19, 8-21, 8-27, 14-11, 14-13, 14-15, 14-17	1010543	1-21
AM1304701	1-75	7479	1-51	1010546	1-7
AM1304801	1-75	7532	1-37	1010577	9-17
AM1304901	1-75	7561	1-53, 1-55, 1-57	1010805	5-3
AM1305001	1-75	7577	17-3, 17-5, 17-7, 17-9	1010829	5-13, 5-15, 5-21
AM1305101	1-75	7591	4-5, 4-7, 4-9, 4-11	1010850	5-11, 5-17
AM1305201	1-75	7716	5-3	1010877	5-3
SVP143902	1-5	7818	8-17, 8-19, 8-21	1010878	1-39, 5-3
SVP184001	3-9, 3-21, 3-25	7820	4-7, 4-11, 4-47, 4-49	101090801	14-11, 14-13, 14-15, 14-17
183	4-5, 4-9, 4-13, 4-15, 4-35, 4-41, 8-19, 10-3, 10-7, 10-17, 12-5, 12-7, 13-7, 13-13, 13-19	7840	6-13, 6-21, 7-15	1010909	4-5, 4-35
304	1-73, 1-89, 4-6, 4-9, 4-47, 4-49, 13-5	7847	1-15, 1-41, 1-71, 11-3, 17-7, 17-9, 17-11	1010921	1-29, 1-31, 1-33, 5-3
320	1-57	7893	4-7, 4-13, 4-15, 4-35, 8-17, 8-19, 8-21, 13-5	1010927	5-3
324	4-37, 4-39	7910	6-13, 6-21, 7-15	1010932	5-3
332	1-21, 1-39, 1-41, 1-45, 1-47, 1-51, 1-71, 1-73, 4-7, 4-9, 4-37, 4-39, 4-47, 4-49, 8-15, 10-17, 11-3	7973	1-13, 10-17	1010933	5-3
334	1-41, 5-5, 5-7, 6-3, 6-5, 7-5, 7-7, 9-17, 12-5, 12-7	8057	8-17, 8-19, 8-23, 13-3	1010934	1-9, 1-45, 1-51, 1-57, 1-63, 1-69, 4-43, 4-45, 8-27, 15-3
357	1-53, 1-55, 1-57, 1-63, 6-17, 6-25, 6-31, 7-19, 7-25	8058	8-17, 8-19, 8-23, 13-3	1010954	8-17, 8-19, 8-21, 13-7, 13-13, 13-19
403	1-37	8067	6-13, 6-21, 7-15	1010984	2-3, 2-5, 2-7, 2-9
451	5-11, 5-17, 11-3, 15-3	8104	4-13, 4-15, 13-3	1011014	1-7, 1-9
705	1-53, 1-55, 1-57, 1-63, 9-17	8233	1-29, 1-31, 1-33, 1-39, 1-41, 1-45, 1-47, 1-71, 1-73, 1-89, 4-7, 4-11, 4-37, 4-39, 4-47, 4-49, 4-51, 5-5, 5-7, 6-31, 7-25, 8-15, 10-15, 13-5, 13-7, 13-13, 13-19, 17-7, 17-9, 17-11	1011017	1-7, 1-9, 4-27
706	1-53, 1-55, 1-57, 1-63, 6-17, 6-25, 7-19	8248	1-17, 8-15	1011084	5-9
808	1-41, 6-31, 7-25, 12-5, 12-7	8251	1-35	1011114	5-11, 5-17
1016	4-5, 4-9, 4-13, 4-15, 4-35, 8-19, 10-3, 10-7	8294	4-47, 4-49	1011137	5-11
1017	4-3, 4-5, 4-9, 8-19	8450	8-19, 12-5, 12-7	1011154	5-11, 5-17
1028	5-3	8639	1-3, 1-89, 4-11, 4-41, 13-5, 14-25	1011226	1-89
1032	1-43, 5-3	8717	5-5, 5-7, 8-17, 8-19, 8-21, 13-3, 13-7, 13-13, 13-19	1011229	4-5, 4-9
1035	1-41, 1-89	8754	1-37, 5-5, 5-7, 6-3, 6-5, 6-15, 6-17, 6-23, 6-25, 6-27, 6-29, 7-5, 7-7, 7-17, 7-19, 7-21, 7-23, 8-13	1011273	18-5
1108	1-51	8755	1-37, 6-17, 6-25, 6-27, 7-19, 7-21, 7-23	1011291	13-11
1218	1-5, 1-29, 1-31, 1-33, 1-65, 4-5, 7-3			1011298	5-11, 5-17
1231	1-43			1011303	5-11, 5-17
1241	1-5, 1-7, 1-9, 1-29, 1-31, 1-33, 1-57, 1-63, 1-69, 4-5, 4-9, 4-43, 4-45, 5-3, 5-5, 5-7, 5-15, 5-21, 7-3, 8-13, 8-17, 8-19, 8-21, 8-27, 11-3			1011314	5-11, 5-17

INDEX

1011402	5-3	1012333	13-5	1013531	5-15, 5-21
1011415	6-27, 6-29, 7-21, 7-23	1012349	1-89	1013579	4-51
1011418	5-3	1012382	8-3, 8-5, 8-7	1013582	18-3
1011439	4-5, 4-9	1012396	4-17, 4-19, 8-3, 8-5, 8-7	1013589	8-17, 8-19, 8-21
101146302	5-11, 5-17	1012431	8-17, 8-19	1013593	18-5
1011464	5-11, 5-17	1012438	4-9, 4-41, 10-17	1013609	8-17, 8-19, 8-21
1011465	5-11, 5-17	1012463	1-57	1013677	3-5, 3-9
1011466	5-11, 5-17	1012505	4-17, 4-19, 4-21, 4-23	1013687	10-3, 10-7
1011467	5-11, 5-17	1012528	11-3, 14-23	1013700	10-15
1011478	18-5	1012549	18-5	1013734	11-3, 14-23
1011480	18-7	1012560	18-5	1013746	10-3, 10-7, 10-9, 10-13
1011494	5-11, 5-17	1012565	6-11, 7-13	1013760	13-7
1011546	1-67	1012566	6-11, 7-13	1013768	13-11
1011553	1-63, 1-69, 3-5, 3-9, 3-13, 3-17, 3-21, 3-25	1012571	1-65, 9-17, 14-11, 14-13, 14-15, 14-17	1013769	13-11
1011557	4-5, 4-9	1012604	6-5, 7-7	1013770	13-11
1011558	4-5, 4-9	1012605	6-5, 7-7	1013771	13-11
1011578	1-5, 1-9, 6-5, 7-7	1012640	2-11	1013772	13-11
1011582	4-53	1012641	2-11	1013773	13-11
1011590	4-13	1012642	2-11	1013774	13-11
1011694	5-5, 5-7	1012649	10-3, 10-5, 10-7, 10-9	1013787	13-11
1011697	6-5, 7-7, 9-17, 10-15	1012711	13-7	1013792	13-11
1011734	5-9	1012714	13-9	1013794	13-11, 16-3
1011767	18-3	1012740	13-9	1013824	1-17
1011779	5-13, 5-15, 5-21	1012741	13-9	1013825	1-17
1011825	4-5, 4-9, 4-47, 4-49	1012747	13-9	1013846	1-17
1011843	4-53	1012748	13-9	1013857	4-5, 4-9
1011852	1-29, 1-31, 1-33	1012752	13-7	1013869	5-3
1011862	1-29, 1-31, 1-33	1012809	18-5	1013870	5-3
1011865	1-29, 1-31, 1-33	1012811	18-3	1013876	5-3
1011868	1-29, 1-31, 1-33	1012812	18-3	1013924	5-11, 5-17, 5-19, 9-17
101187702	5-3	1012830	8-13, 10-15, 11-3	1014007	5-5, 5-7, 10-15, 13-7, 13-13, 13-19
1011878	1-17	1012836	12-9, 12-11	1014049	12-5, 12-7
1011883	1-29, 1-31, 1-33	1012896	13-7	1014050	12-5, 12-7
1011887	6-13, 6-21, 7-15	1013035	6-3, 7-5	1014051	12-5
1011892	6-13, 6-21, 7-15	1013042	6-3, 6-15, 6-23, 7-5, 7-17	1014052	12-5, 12-7
1011897	1-27	1013044	6-3, 7-5	1014055	12-5, 12-7
1011931	5-5, 5-7	1013052	6-3, 7-5	1014056	12-5, 12-7
1011937	1-29, 1-31, 1-33	1013061	13-3, 13-7, 13-13, 13-19, 14-7	1014057	12-5, 12-7
1011942	1-29, 1-31, 1-33	101313402	10-9	1014058	12-5, 12-7
1011962	1-59	1013135	6-13, 6-21, 7-15	1014059	12-5, 12-7
1011964	1-29, 1-31, 1-33, 1-89	1013207	6-27, 7-21	1014062	12-5, 12-7
1011990	1-43, 1-53, 1-55, 1-57, 1-63	1013309	1-21	1014063	12-5, 12-7, 17-11
1012008	1-29, 1-31, 1-33	1013311	1-21	1014065	8-17, 8-19, 8-21, 12-5, 12-7
1012098	17-3, 17-5, 17-7, 17-9	1013312	1-21	1014070	12-9, 12-11
1012101	17-3, 17-5, 17-7, 17-9	1013317	1-43, 3-27, 3-29, 3-31	1014072	12-9, 12-11
1012151	18-5	1013343	1-13	1014078	12-9, 12-11
1012180	6-27, 7-21	1013344	1-13	1014080	12-9, 12-11
1012181	6-29	1013357	4-5, 4-9, 14-5	1014109	4-5
1012182	6-29	1013366	1-47	1014115	18-7
1012285	1-71, 1-73, 1-89, 4-51, 10-3, 10-7, 10-9, 10-15	1013420	1-15	1014116	10-3, 10-7
1012295	8-17, 8-19, 8-21	1013422	1-15	1014119	8-3, 8-5, 8-7, 8-17, 8-19, 8-21
1012303	1-37, 6-17, 6-19, 6-25, 6-27, 6-29, 7-19, 7-21, 7-23	1013461	10-3, 10-7	1014125	6-5, 7-7
1012304	6-27	1013462	10-3, 10-7	1014126	6-5, 7-7
		1013483	1-63	1014145	8-17, 8-19, 8-21
		1013494	4-17, 4-19, 4-21, 4-23	1014153	5-11, 5-17, 5-19
		1013509	4-37, 4-39	1014161	18-7

INDEX

1014162	18-7	1015172	4-37, 4-39	101562714	1-21
1014201	15-3	1015187	4-37, 4-39, 4-41	101562715	1-21
1014207	13-11	101524002	8-13	101564501	1-21
1014213	6-5, 7-7	1015245	1-43	101564502	1-21
1014214	6-5, 7-7	1015252	1-37	101564503	1-21
1014217	6-5, 7-7	1015258	1-37	101564505	1-21
1014259	18-7	1015277	1-39	1015649	9-5
1014264	18-7	1015313	1-43	1015654	1-51
1014276	6-17, 6-25, 7-19	1015332	8-3, 8-5, 8-7, 9-5	1015656	1-51
1014287	12-5, 12-7	1015345	8-17, 8-19, 8-21	101565803	1-51
1014288	6-5, 7-7, 8-27, 12-5, 12-7, 17-11	1015348	1-41	1015700	1-41
1014305	18-3	1015363	1-43	101570401	1-57
1014306	1-47, 1-71, 1-73, 4-51	1015366	1-43	1015720	14-23
1014307	4-9	1015368	1-43	1015737	4-5, 8-3, 8-5, 8-7, 8-17, 8-19, 8-21
1014321	1-35, 1-45	1015371	8-17, 8-21	1015741	4-5, 4-9, 8-17, 8-19, 8-21
1014375	8-27	1015372	8-17, 8-19, 8-21	1015752	8-17, 8-19, 8-21, 10-17, 14-3
1014387	1-35, 1-45	1015373	8-17, 8-19, 8-21	1015760	6-31, 7-25
1014415	1-45, 1-47	1015390	1-43	1015765	4-37
1014435	1-27	1015391	1-37	1015768	4-41
101444101	1-27	1015392	14-9	101576802	1-3
1014453	12-5, 12-7	1015399	1-37, 1-45, 1-47, 1-105	1015770	4-41
1014454	12-9, 12-11	1015400	1-37, 1-43	1015814	11-3
1014471	1-37	1015405	1-7, 8-17, 8-19, 8-21	1015820	1-57
1014496	18-3	1015412	1-43	101584502	10-15
1014497	18-3	1015424	1-43	1015878	8-17, 8-19, 8-23, 13-3
1014503	1-29, 1-31, 1-33	1015426	10-17	1015914	17-3, 17-5, 17-7, 17-9
1014506	1-29	101542901	1-37	1015917	17-3, 17-7, 17-9
101450698	1-31	1015445	1-63	1015921	10-3, 10-7
1014507	18-3	1015453	6-31, 7-25	1015932	8-13
1014508	18-3	1015457	6-31, 7-25	1015969	9-5
1014509	1-29	101547601	3-13, 3-17, 3-21, 3-25	1016060	1-39
101450902	1-33	1015507	1-37	1016074	8-13
101450903	1-31	1015524	18-3	1016077	1-51
1014530	4-5, 4-9, 4-47, 4-49	1015526	4-37, 4-39, 4-41	1016078	1-39
1014537	1-45, 1-47	1015528	4-17, 4-19, 4-21, 4-23	101609401	3-3, 3-7, 3-11, 3-15, 3-19, 3-23
1014555	6-27, 6-29, 7-21, 7-23	1015530	1-71, 1-73	101611003	18-7
1014771	2-3	101553901	1-43, 1-51, 3-3, 3-7, 3-11, 3-15, 3-19, 3-23	101611402	16-5
1014807	8-17, 8-19, 8-23, 13-3	1015583	1-37, 6-19, 7-19, 7-21, 7-23	1016136	1-57
1014808	8-17, 8-23, 13-3	101558302	6-17, 6-25, 6-27, 6-29	1016154	6-11, 7-13
1014902	6-29, 7-23	1015597	6-13, 6-21, 7-15	1016183	6-5, 7-7
1014948	8-17, 8-19, 8-21	1015607	1-43	1016201	12-5, 12-7
1015010	4-41	1015608	1-5, 1-9, 1-57, 14-11, 14-13, 14-15, 14-17	1016214	6-11, 7-13
101503202	1-9, 1-13	1015610	1-57	1016230	4-41
1015072	14-11, 14-13, 14-15, 14-17	1015612	1-53, 1-57	1016267	4-41
1015075	1-7, 1-9	1015613	6-31, 7-25	1016269	6-5, 7-7
1015137	10-3, 10-7, 10-9, 10-13	1015614	6-31, 7-25	1016287	4-41
1015139	10-3, 10-7	1015615	1-57	1016289	12-5, 12-7
1015143	10-3	1015616	1-57	1016319	5-13
1015153	4-37	1015617	1-57	1016320	5-13
1015154	4-37	1015621	1-57	1016337	13-9
1015156	4-37, 4-39, 4-41	1015623	1-57	1016338	13-9
1015157	4-37, 4-39	1015624	1-57	1016346	6-15, 6-23, 7-17
1015160	4-37, 4-39	101562711	1-21	1016349	6-15, 6-23, 7-17
1015162	4-37	101562712	1-21	1016350	6-15, 6-23, 7-17
1015167	4-41			1016351	6-15, 6-23, 7-17
1015170	4-41			1016353	6-15, 6-23, 7-17

INDEX

1016356	4-5, 4-9, 14-5	1016494	9-13	1016630	4-17, 4-19
1016363	4-9	1016496	9-13	1016631	4-9
1016365	4-31, 4-33	1016499	10-11	1016672	13-11
1016366	4-9	1016501	10-11	1016673	17-11
1016367	4-5	1016502	9-9	1016679	1-71
1016384	6-17, 6-25, 7-19	1016506	9-13	101670201	3-27, 3-29
1016385	6-15, 6-23, 7-17	1016507	9-5	1016751	1-23
1016386	6-17, 6-25, 7-19	1016510	9-13	101675511	1-23
1016387	6-17, 6-25, 7-19	1016513	13-7	101675512	1-23
1016389	6-17, 6-25, 7-19	101651406	2-3	101675514	1-23
1016401	8-3, 8-17, 8-19	101651407	2-3	101675515	1-23
101641002	18-5	101651414	2-3	101677701	1-23
101641101	18-7	101651418	2-3	101677702	1-23
101641201	18-7	101651419	2-3	101677703	1-23
101641202	18-3	1016517	9-11	101677705	1-23
1016413	18-7	1016519	9-11	1016801	12-5, 12-7
1016414	18-5	1016521	9-13	1016813	6-31, 7-25
1016415	18-5	1016531	9-5	1016814	6-31
1016416	18-3	1016535	9-13	1016837	4-37, 4-39
1016417	18-3	1016537	9-9	1016849	4-17, 4-19, 4-21, 4-23
1016418	18-5	1016538	9-13	1016851	4-17, 4-19, 4-21, 4-23
1016423	4-5, 4-9, 8-17, 8-19, 8-21	1016539	9-5	1016868	1-7, 1-9
101642575	10-11	1016541	9-15	1016879	4-3
101642578	10-11	1016542	9-11	1016880	4-3
101642580	10-11	1016544	9-7, 9-11, 9-13	1016883	8-13
101642582	10-11	1016545	9-11	1016901	12-7
101642585	10-11	1016546	10-15	1016904	1-89, 9-11, 11-3
1016429	9-9	1016547	9-5, 9-15, 10-13	1016916	1-51
1016432	9-9, 13-7	1016549	9-11	101692501	1-7
1016436	9-11	1016551	18-7	101692502	1-7
1016437	10-11	1016552	18-7	101692506	1-7
1016438	10-13	1016553	18-7	101692509	1-7
1016440	9-11, 10-13	1016554	18-7	101692510	1-7
1016441	10-13	1016557	5-11, 5-17	101692511	1-7
1016444	10-13	1016560	9-11	101692512	1-7
1016449	9-11	1016561	9-7	101692513	1-7
1016450	9-11	1016562	9-7, 9-15	101692514	1-7
1016451	9-11	1016563	9-11	101692515	1-7
1016452	9-11	1016564	9-13	1016929	4-37, 4-39, 4-41
1016453	9-13	1016566	9-11	101693901	1-7, 1-9
1016454	9-13	1016569	9-11	101693902	1-7, 1-9
1016455	9-7	1016570	9-9	101693906	1-7, 1-9
1016456	9-5	1016571	9-15	101693908	1-9
1016457	9-9	1016572	10-13	101693909	1-7, 1-9
1016458	9-11	1016573	5-11, 5-17	101693910	1-7, 1-9
1016470	9-15	1016576	9-9	101693911	1-7, 1-9
1016472	9-13	1016578	9-7	101693912	1-7, 1-9
1016473	9-9	1016581	9-9	101693913	1-7, 1-9
1016474	9-11	1016582	10-13	101693914	1-7, 1-9
1016479	9-11	1016583	9-11	1016952	1-15
101648102	10-13	1016584	9-13	1016967	1-7, 1-9, 14-23
101648203	9-9	1016585	10-11	1016997	8-19
1016483	9-11	1016587	9-7	1017006	8-5
1016486	10-11	1016588	9-7	1017029	5-3
1016489	9-11	1016603	1-53, 1-55	1017035	4-5, 4-9, 4-53
101649002	10-13	1016627	18-5	101705603	4-5

INDEX

1017062	4-3	1017476	9-5	101813202	18-3
1017064	4-3	1017486	9-5	101814601	4-39
1017065	4-3	1017487	9-13	101815501	5-19
101707402	4-13	1017490	9-7	101815502	5-19
101707405	4-15	1017501	9-15	101816501	5-19
1017075	4-13, 4-15	1017502	9-15	101816502	5-19
1017080	1-7, 1-9	1017503	9-15	101817401	5-5, 5-7
1017082	13-7, 13-13, 13-19	1017504	9-13	101818801	5-7
1017162	1-53, 1-55	1017507	9-9	101821501	10-17
1017167	1-53, 1-55	1017508	9-13	101821601	4-41
1017187	17-11	1017510	9-15	101822001	5-9
1017188	12-3	1017512	9-15	101823101	18-5
1017189	17-11	1017513	9-13	101823201	5-19
1017211	5-13	1017514	9-13	101823801	5-19
1017226	6-7, 7-9	101751801	9-13	101823901	5-19
1017231	13-7	101751802	9-13	101824401	10-3, 10-5, 10-7
1017239	8-19	101751803	9-13	101825101	3-3, 3-7, 3-11, 3-19
1017243	8-19	101754201	1-105	101825102	3-15, 3-23
1017266	6-15, 6-23, 7-17	101754204	1-105	101825103	4-27
1017273	6-9, 6-11, 7-11, 7-13	1017686	12-9, 12-11	101826201	4-21, 4-23
101728602	1-25	1017689	1-89, 11-3	101826301	4-17
1017313	6-5, 7-7	101769302	2-3	101826401	4-19
1017314	6-5, 7-7	1017699	4-53	101827101	9-17
1017315	6-5, 7-7	101770202	1-49	101828501	17-3, 17-5, 17-7, 17-9
1017317	6-5, 7-7	1017705	14-7	101828801	17-3
101734802	1-7	1017721	4-5, 4-35	101828802	17-3
101737002	2-3	1017722	4-5	101828901	17-3, 17-5
1017378	5-5, 5-7	1017724	4-13, 4-15	101828902	17-3, 17-5
1017380	5-5, 5-7	101773301	9-15	101828903	17-3, 17-5
1017424	5-5, 5-7	101773302	9-15	101829001	17-7, 17-9
1017434	9-11	101773303	9-15	101830601	4-17, 4-19, 4-21, 4-23
1017442	9-9	101773304	9-15	101830701	4-17, 4-19, 4-21, 4-23, 4-29
1017443	9-11	101773305	9-15	101831101	17-3, 17-7, 17-9
1017445	9-11	101773306	9-15	101831401	14-15, 14-17
1017448	9-7	101773307	9-15	101831801	18-5
101744901	9-15	101773308	9-15	101831901	18-3
101744902	9-15	101773309	9-15	101832001	14-7
1017450	9-15	101773310	9-15	101832202	10-15
101745101	9-15	101773311	9-15	101832302	10-15
101745102	9-15	1017774	1-53, 1-55	101832601	9-17
1017453	9-15	1017853	4-5, 4-9	101832701	9-17
1017454	9-11	101791101	5-17, 5-19	101832901	17-13
1017455	9-7	101796201	5-5, 5-7	101833101	9-17
1017456	9-9	101796501	14-7	101833401	12-9, 12-11
101745701	9-15	101796801	14-7	101833601	13-7
101745702	9-15	101801001	14-7, 17-11	101833902	12-5
1017458	9-9	101804301	4-17, 4-19, 10-17	101833906	12-7
1017460	9-9	101806001	1-19	101834001	12-9
1017461	10-11	101806002	1-19	101834003	12-11
1017463	9-7	101806005	1-19	101834502	4-17, 4-19, 4-21, 4-23, 4-29
1017466	10-13	101808401	18-3	101834601	9-17
1017471	9-15	101809101	18-3	101834801	10-15, 13-7, 13-13, 13-19
1017472	9-13	101810601	4-9	101835601	1-37, 1-39, 4-31, 4-33
1017473	9-11	101811901	10-17	101836201	12-9
1017474	9-5	101812301	10-17	101836202	12-11
1017475	9-5	101813001	10-17	101837101	10-17

INDEX

101837301	8-3, 8-5, 8-7, 8-9, 8-11	101890901	13-11	101925601	12-5
101837401	1-61	101891001	13-11	101925701	10-17
101837502	1-61	101891301	13-7	101926501	6-27, 7-21, 7-23
101838401	17-5, 17-9	101891401	13-11	101926801	10-17
101838601	17-5, 17-9	101891501	13-11	101926901	13-7
101838701	17-7, 17-9	101891601	13-9	101927101	13-7
101839801	4-29	101891901	13-9	101927201	13-7
101839802	4-29	101892001	13-9	101927301	13-7
101839803	4-29	101892201	13-9	101927501	13-9
101839804	4-29	101892301	13-9	101927601	13-9
101839805	4-29	101892401	13-9	101927701	13-9
101839806	4-29	101892501	13-9	101927901	13-9
101839807	4-29	101892601	13-9	101928001	13-9
101839808	4-29	101892701	13-11	101928101	13-9
101839809	4-29	101892901	13-7	101928301	13-11
101839810	4-29	101893201	13-9	101928601	13-7
101839811	4-29	101893801	13-7	101928701	13-7, 16-3, 18-5
101839812	4-29	101893901	13-9	101929401	6-27, 7-21, 7-23
101850301	6-9, 6-11, 7-11, 7-13	101894303	1-21	101929501	10-3, 10-7
101851101	4-17, 4-19, 4-21, 4-23, 4-29	101894304	1-47	101929802	12-5, 12-7
101856002	4-21, 4-23	101894702	1-45	101932201	1-89, 4-5, 4-9
101856102	8-17, 8-19, 8-21	101894901	14-7, 17-11	101933101	18-5
101859401	11-3	101895401	16-3	101933701	10-17
101861901	5-5, 5-7	101895501	16-3	101936101	16-5
101862001	5-5	101897001	16-3	101936801	14-3
101865301	5-13	101897201	16-3	101942301	15-3
101870401	1-7	101897401	16-3	101946201	1-35
101870501	6-25, 7-19	101897601	16-3	101953102	5-21
101870601	6-23	101898001	8-27	101953106	5-13, 5-15
101871001	18-3	101903601	16-3	101954301	1-21
101874601	5-13	101903701	16-3	101955001	6-23, 7-17
101878201	5-3	101906901	16-3	101955101	4-5, 4-9, 4-47, 4-49
101879401	6-3, 7-5	101908101	14-9	101957101	4-5, 4-9
101879501	6-3, 7-5	101908401	8-15, 14-9	101958201	17-5
101879601	6-3, 7-5	101910501	13-11	101958301	17-5
101879701	6-3, 7-5	101914001	16-5	101958601	1-39
101879801	6-3, 7-5	101914401	4-5, 17-3, 17-5, 17-7, 17-9	101960201	3-3, 3-11, 3-15
101879901	6-3, 7-5	101914402	4-9	101960501	3-13, 3-17, 3-21, 3-25, 8-9, 8-11
101880001	6-3, 7-5	101915201	3-13, 3-17, 3-21, 3-25	101963301	1-35
101880101	6-3, 7-5	101916101	9-5	101963401	1-35, 1-45, 1-47, 8-25, 9-17
101880201	6-3, 7-5	101916301	9-7	101964001	1-35
101880301	6-3, 7-5	101916701	8-13	101966801	17-11
101880701	5-11, 5-17	101917601	10-17	101968801	17-11
101881501	4-51	101918501	5-3, 5-5, 5-7	101969701	4-5, 4-9, 4-47
101881601	4-51	101919801	5-5, 5-7	101971301	10-17
101881701	10-17	101920101	14-3	101972001	18-5
101884801	9-17	101921501	10-17	101972002	18-5
101886101	10-15, 13-7, 13-13, 13-19	101921601	1-41	101972003	18-5
101887101	18-3	101922101	16-3	101972004	18-5
101887601	9-5	101922201	16-3	101972005	18-5
101889401	13-9	101922501	8-15	101972006	18-5
101890001	13-9	101922801	1-41	101972007	18-5
101890101	13-7	101923001	16-3	101972009	18-5
101890201	13-7	101923201	16-3	101972011	18-5
101890501	13-7	101923501	16-3	101972012	18-5
101890601	13-7	101923901	16-3	101972101	16-3

INDEX

101972201	16-3	102009502	2-7	102199201	4-5, 4-9
101972801	10-17	102009901	2-9	102199301	4-5, 4-9
101973101	10-11	102009902	2-9	102199401	4-5, 4-9
101973301	10-11	102010001	2-9	102221301	1-47
101973401	10-13	102010002	2-9	102221401	1-47
101973501	17-5	102010501	1-73	102221501	1-47
101974701	4-29	102022101	5-21	102221701	1-47
101974702	4-29	102022601	6-15, 6-23, 7-17	102221801	1-47
101974703	4-29	102022602	6-3, 6-15, 6-23, 7-5, 7-17	102222001	1-47
101974704	4-29	102025401	1-89	102222101	1-47
101974705	4-29	102026001	5-5, 5-7	102222201	1-47
101974706	4-29	102031901	13-11	102224001	1-73
101974707	4-29	102046501	3-31	102231601	1-3, 3-9, 3-21, 3-25
101974708	4-29	102051901	4-5, 4-9	102235201	15-3
101974709	4-29	102054501	4-43	102239901	1-47
101974710	4-29	102054502	4-45	102240501	14-23
101974711	4-29	102056001	1-69	102241502	18-5
101974712	4-29	102056401	1-59	102242101	12-9, 12-11
101978601	16-5	102056502	1-89	102242401	1-29, 1-31, 1-33
101980801	13-9	102061201	18-7	102243402	18-5
101980901	13-9	102065103	1-69	102243403	15-3
101981001	13-9	102065901	1-37, 9-17	102248803	18-5
101984801	6-5, 7-7	102066201	6-29, 7-23	102251501	18-5
101987901	4-3	102070601	1-89	102262901	1-75
101988001	4-3, 4-5, 4-9	102071701	1-89	102264001	8-25
101988002	4-3, 4-5, 4-9	102074101	1-89	102264501	1-75
101988101	4-3	102074201	1-89	102269701	8-25
101988201	4-3	102074501	1-89	102272501	8-25
101990801	5-15, 5-21	102074601	1-89	102272601	1-79
101994301	1-83	102074701	1-89	102275401	17-3, 17-5, 17-7, 17-9
101994401	1-87	102074801	1-89	102278001	6-5, 7-7
101994601	1-81	102074901	1-89	102289201	6-3, 6-15, 6-23, 7-5, 7-17
101994801	1-85	102075801	3-7, 3-19, 3-23	102292801	5-13, 5-15, 5-21
101995101	1-77	102076702	1-29, 1-31, 1-33	102304801	9-11
101996901	1-59	102077601	4-43, 4-45	102323101	5-3, 5-13, 5-15, 5-21
101997802	4-51	102077701	4-43, 4-45	102323201	5-3, 5-13, 5-15, 5-21
101997803	4-51	102077801	4-43, 4-45	102336001	10-15
101997902	4-51	102077901	4-43, 4-45	102336101	10-15
101997903	4-51	102078001	4-43, 4-45	102345901	3-25
102002901	14-11, 14-13, 14-15, 14-17	102101001	14-3	102349501	1-3
102003201	9-3, 10-3, 10-7	102101101	14-3	102354901	4-31, 4-33
102004201	7-21	102155701	4-43	102355301	8-27
102004301	1-9	102155801	12-9, 12-11	102356601	16-3
102004601	1-73	102158901	5-5, 5-7	102356801	16-3
102004602	1-73	102159601	4-43, 4-45	102376001	13-3
102004901	7-25	102163001	1-25	102399001	7-23
102005701	1-25	102163101	1-25	102406701	10-3, 10-7
102006201	1-105	102181101	1-89	102430901	9-15
102006701	3-7, 3-19, 3-23	102182101	1-89	102453001	13-9
102009201	2-7	102185401	10-17	102453101	13-9
102009202	2-7	102186401	15-3	102459301	3-5, 3-9, 3-13, 3-15, 3-19, 3-23
102009301	2-7	102190702	10-17	102460201	3-21, 3-25
102009302	2-7	102196901	4-21, 4-23, 14-5	102508701	4-21, 4-23
102009401	2-7	102198501	1-33	102515401	13-7, 13-13, 13-19
102009402	2-7	102198701	4-5	102517501	4-15
102009501	2-7	102199001	4-5	102517601	4-49

INDEX

102518301	3-5, 3-9	102845204	14-13, 14-17	102899901	13-15, 13-21
102522001	10-3, 10-7	102845401	14-5	102900001	13-13, 13-19
102526201	13-3	102846402	14-5	102900101	13-13, 13-19
102529201	4-13, 4-15	102847601	1-51	102900201	13-13, 13-19
102529203	4-49	102847602	1-51	102900301	13-13, 13-19
102540301	9-17	102847603	1-51	102900401	13-15, 13-21
102546401	4-15	102847701	1-51	102900501	13-15, 13-21
102555501	18-3	102847801	17-3	102900601	13-13, 13-19
102558201	9-3	102847802	17-3	102900701	13-15, 13-21
102559901	2-11	102847803	17-3	102900801	13-17, 13-23
102562401	18-3	102852101	5-15	102900901	13-13, 13-19
102564002	6-17, 6-25, 7-19	102859501	14-23	102901001	13-15, 13-21
102569302	2-5	102863801	14-5	102901101	13-15, 13-21
102572401	4-21, 4-23, 14-5	102865101	10-3, 10-7	102901201	13-17, 13-23
102614401	1-47	102869401	4-5, 4-9, 4-19, 4-23	102901301	13-17, 13-23
102616701	13-3	102871801	6-27, 6-29, 7-21, 7-23	102901401	13-17, 13-23
102673201	1-47	102873401	14-11, 14-13, 14-15, 14-17	102901501	13-17, 13-23
102683201	3-29	102882501	1-53, 1-55, 1-57	102901601	13-17, 13-23
102683301	3-29	102886301	16-3	102901701	13-17, 13-23
102683701	3-31	102886401	16-3	102901801	13-17, 13-23
102683801	3-31	102886501	16-3	102901901	13-17, 13-23
102684501	6-17, 6-25, 7-19	102886601	16-3	102902001	13-17, 13-23
102684602	13-3	102890201	4-31, 4-33	102902101	13-17, 13-23
102704901	15-3	102891101	6-29, 7-23	102902201	13-17, 13-23
102711001	8-9, 8-11	102892901	17-5	102902301	13-17, 13-23
102711201	8-17, 8-21	102892902	17-5	102902401	13-17, 13-23
102718301	1-3	102893601	1-55	102902501	13-17, 13-23
102753401	9-11	102896801	13-13	102902601	13-17, 13-23
102764001	14-11, 14-13, 14-15, 14-17	102896901	13-13	102902701	13-17, 13-23
102766201	14-11, 14-13, 14-15, 14-17	102897201	13-15, 13-21	102902801	13-17, 13-23, 16-3
102766301	6-17, 6-25, 7-19	102897301	13-15, 13-21	102915101	4-9
102770701	17-11	102897401	13-13, 13-19	102915701	14-9
102771701	16-3	102897501	13-13	102917101	6-29
102772401	14-23	102897601	13-13, 13-19	102918701	4-31
102774501	14-23	102897701	13-15, 13-21	102918702	4-33
102774701	14-23	102897801	13-13, 13-19	102931101	14-23
102775101	15-3	102897901	13-13, 13-19	102938601	15-3
102787101	10-5	102898001	13-15, 13-21	102938701	15-3
102803401	8-19	102898101	13-15, 13-21	102938801	15-3
102817101	14-23	102898201	13-13, 13-19	102938901	15-3
102817201	14-23	102898301	13-15, 13-21	102939001	15-3
102838101	14-9, 17-3, 17-7	102898401	13-15, 13-21	102939101	15-3
102838401	9-7	102898501	13-15, 13-21	102939102	15-3
102838701	8-9, 8-11	102898601	13-15, 13-21	102939501	17-5
102838801	8-9, 8-11	102898701	13-15, 13-21	102950301	4-27
102838901	8-9, 8-11	102898801	13-15, 13-21	102951701	15-3
102839001	8-9, 8-11	102898901	13-15, 13-21	102958001	14-19
102839301	8-9, 8-11	102899001	13-15, 13-21	102959601	1-55
102841101	8-9, 8-11	102899101	13-13, 13-19	102962303	4-27
102844001	17-11	102899201	13-13, 13-19	102962602	4-27
102844002	17-13	102899301	13-15, 13-21	102966401	1-35
102844601	8-9, 8-11	102899401	13-13, 13-19	102966501	1-35
102844701	8-9, 8-11	102899501	13-15, 13-21	102966502	1-35
102845101	3-5, 3-9	102899601	13-15, 13-21	102967601	3-5, 3-9
102845201	14-11, 14-15	102899701	13-13, 13-19	102969401	13-3
102845203	14-11, 14-13, 14-15, 14-17	102899801	13-13, 13-19	102969801	13-3

INDEX

102969901	13-3	103347801	8-9, 8-11	103601601	6-7
102977001	4-17, 4-19	103347901	8-9, 8-11	103615601	9-11
102977002	4-21, 4-23	103348204	4-17, 4-19	103615801	9-15
102977901	10-3, 10-7	103348501	4-17, 4-19, 8-3, 8-5, 8-7	103615901	9-13
102978001	10-3, 10-7	103348602	4-17, 4-19	103616301	9-11
102980801	14-11, 14-13, 14-15, 14-17	103350001	4-45	103616401	9-13
102980901	14-11, 14-13, 14-15, 14-17	103350901	6-27	103616501	9-7
102989501	1-35, 1-37	103351001	6-15, 7-17	103616601	9-7
103010101	10-3, 10-7	103351101	6-29, 7-21, 7-23	103616701	9-7
103173301	13-3	103353501	17-11	103617101	10-11
103174401	1-11	103354701	6-15, 6-23, 7-17	103618001	4-15
103177401	13-3	103369501	13-3	103618101	4-49
103180101	4-17, 4-19, 4-21, 4-23	103372101	10-3, 10-7	103628701	6-17, 6-25
103189101	17-13	103372301	10-3, 10-7	103628801	6-19, 7-19
103192701	13-3	103372401	10-9	103628901	6-19
103198301	4-21, 4-23	103372801	10-9	103653401	6-3, 7-5
103198401	8-15	103380201	5-19	103653501	6-3, 6-15, 6-23, 7-5, 7-17
103199001	4-17, 4-19	103380202	5-19	103657301	6-27, 6-29
103199101	4-17, 4-19	103386202	9-5	103658601	2-5
103205401	3-3, 3-7, 3-11, 3-15, 3-19, 3-23	103397901	4-9, 14-23	103658701	2-3
103205501	3-13, 3-17, 3-21, 3-25, 8-15	103406501	1-43	103665902	6-13
103210201	3-13, 3-17, 3-21, 3-25	103406502	1-43	103666002	6-13
103210301	3-5, 3-9	103406601	1-43	103678402	8-9
103212302	1-3	103414901	14-23	103678502	8-11
103218601	4-21, 4-23, 14-5	103418601	10-9	103686401	8-5
103226201	14-19	103449501	14-25	103687101	8-3
103226301	14-19	103449601	14-25	103687201	8-7
103226401	14-19	103459102	2-3	103694501	2-11
103226601	14-19	103459104	2-5	103696101	1-3
103226701	14-19	103464801	3-27, 3-29	103696201	1-3
103234303	3-27, 3-29, 3-31	103477901	6-13, 6-21, 7-15	103696301	1-3
103245201	1-35	103483101	5-19	103696401	1-3
103245301	1-35	103483102	5-19	103700301	4-31
103254101	4-5	103483201	5-19	103709202	14-23
103256901	4-5, 4-9	103483401	5-19	103717302	6-21, 7-15
103260101	3-27	103483601	5-19	103717402	6-21, 7-15
103260801	3-27	103483701	5-19	103718702	8-9
103260901	3-27	103496801	8-27	103720402	14-13
103261301	3-29	103497702	14-21	103722901	2-3, 2-5
103270201	1-53	103502601	6-17, 6-25	103723002	2-3
103270301	1-55	103502701	6-19, 7-19	103723003	2-5
103272801	1-53	103502801	6-19	103724502	6-9, 6-11, 7-11, 7-13
103274202	1-55	103507001	6-17, 6-25, 7-19	103724601	6-11, 7-13
103274401	1-75	103507101	10-13	103724602	6-9, 7-11
103284101	3-27, 3-29	103507201	10-13	103724901	6-11, 7-13
103295101	13-5	103507301	10-13	103771501	14-5
103295202	13-5	103510001	4-51	103771601	17-9
103306301	10-3, 10-7	103510301	4-51	103771901	14-7
103318401	1-57	103510501	14-19, 14-21	103772301	17-11
103324402	1-57	103510801	14-19	103772401	17-7
103324801	7-23	103520401	10-17	103781101	10-3, 10-7
103345701	12-5, 12-7	103538701	1-37	103783001	3-3, 3-7
103347101	8-9, 8-11	103538901	1-37	103783002	3-11, 3-19
103347301	8-9, 8-11	103582401	1-3	103783003	3-15, 3-23
103347601	8-9, 8-11	103582801	16-3	103788001	10-3, 10-7
103347701	8-9, 8-11	103601501	6-3, 7-5	103788101	10-3, 10-7

INDEX

103793102	14-11	104000901	1-95	A	
103802401	4-33	104001001	1-95	absorber, shock	6-23
103832001	17-7, 17-9	104001101	1-93	AC cord	17-3, 17-5, 17-7, 17-9
103851201	10-9	104001201	1-93	AC cord receptacle	17-5
103860501	4-25	104001401	1-103	accelerator bracket and bearing assembly	5-5, 5-7
103865101	5-5, 5-7	104001601	1-93	accelerator cable	10-15
103867901	7-9	104001701	1-93	accelerator pedal adjustment tool	18-3
103869401	17-7, 17-9	104001901	1-99	accelerator pivot rod	5-5, 5-7
103874201	13-19	104002001	1-103	accelerator return spring	5-5, 5-7
103882001	13-21	104002101	1-101	accelerator rod	5-9
103882101	13-19	104002201	1-101	accessory switch panel	1-81
103882301	13-19	104002301	1-101	actuator	1-53, 1-55
103887901	9-3, 9-9	104002501	1-99	adapter	
103895401	1-5	104002601	1-97	actuator	1-53, 1-55
103896603	10-5	104002701	1-93	cable (IQDM)	18-5
103905201	10-5, 10-7	104002801	1-93	adhesive, guide ring	18-3
103910101	1-91	104002901	1-93	air box	10-17
103910201	1-91	104003001	1-93	air box top	10-17
103910301	1-91	104003101	1-97	air duct shield	10-17
103910401	1-91	104003201	1-101	air filter	9-3, 10-17
103910501	1-91	104003401	1-93	air intake hose	10-17
103910601	1-91	104003501	1-95	ammeter	17-3, 17-5, 17-7, 17-9
103910701	1-91	104003601	1-95	anchor body	5-11, 5-17
103910801	1-91	104003901	1-97	anchor body kit	5-11, 5-17
103910901	1-91	104004001	1-99	anchor, piston	5-11, 5-17
103911001	1-91	104004101	1-95	anti-sway bar	6-31, 7-25
103911101	1-91	104004201	1-101	A-plate strap	6-15, 6-23, 7-17
103911301	1-91	104004301	1-103	A-plate, delta	6-15, 6-23, 7-17
103911401	1-91	104004401	1-101	arbor	18-3
103911501	1-91	104004501	1-101	arm	
103911601	1-91	104004601	1-101	governor	10-15, 13-7, 13-13, 13-19
103911701	1-91	104004701	1-101	pivot	13-7
103912001	1-91	104004801	1-97	rocker	9-11
103912101	1-91	104004901	1-93	wiper	1-75
103912201	1-91	104005001	1-95	armature	15-3
103912301	1-91	104014701	1-99	assembly	
103912501	1-91	104014801	1-97	accelerator bracket and bearing	5-5, 5-7
103912601	1-91	104014901	1-93	accelerator pivot rod	5-5, 5-7
103912701	1-91	104015001	1-93	air box	10-17
103912801	1-91	104015101	1-97	air box top	10-17
103912901	1-91	104015201	1-99	axle	13-11
103913001	1-91, 1-97	104015301	1-97	bearing, steering shaft	6-5, 7-7
103913101	1-91	104015501	1-93	bell crank and shaft	8-17, 8-19, 8-21
103913201	1-91	104027501	1-93	brake lever	5-19
103913301	1-91	104027601	1-93	cab	1-75
103923101	10-5	104027701	1-93	choke cable	10-17
103925001	1-65	104027801	1-93	connecting rod	9-15
103925201	1-65	104027901	1-101	cylinder head	9-11
103930001	1-65	104028001	1-93	delta A-plate	6-15, 6-23, 7-17
103942601	14-21	104028101	1-93	delta shock and gear support	6-15, 6-23, 7-17
103951002	2-5	104028201	1-101	drive hub	12-5, 12-7
103951003	2-5	104028301	1-99	driven clutch	12-9
103951004	2-5	105002801	1-97	driven clutch fixed-face	12-9, 12-11
103953301	8-9, 8-11	105002901	1-101	float	10-11
103969601	14-15	105003001	1-101		
103969701	14-17	96704416	9-17		

INDEX

fuel cap 10-3, 10-7
fuel pump 10-3, 10-7
fuel tank vent 10-3
governor 13-9, 13-15, 13-21
headlight 4-3, 4-5, 4-9
headlight harness 4-3
idle screw 10-11
inner ball joint 6-3, 7-5
kingpin 6-17, 6-25, 7-19
latch weld 1-37
moveable-face 12-5, 12-7, 12-9, 12-11
pilot air screw 10-11
plug cap 9-7
prop rod support 1-41
ratchet 5-3, 5-5, 5-7
secondary clutch weight 12-5, 12-7
steering shaft 6-5, 7-7
tailgate 1-47
tether 1-47
tilt bed 1-37
turn signal lens 4-3
axle 13-7, 13-11, 13-17, 13-19, 13-23, 16-3
axle guard 16-5
axle shaft oil seal 13-11, 13-17, 13-23, 16-3
axle tube 13-11, 13-17, 13-23, 16-3

B

backing plate, brake 5-11, 5-17, 5-19
ball bearing 8-9, 8-11, 9-13
ball joint 5-3, 5-9, 13-5
ball stud 8-17, 8-19, 8-21, 13-7, 13-13, 13-19
ball, shifter 13-9
ball, steel pressure relief 9-9
ball, trailer hitch 1-67
bar, drive 14-3
bar, light 4-43, 4-45
bar, stabilizer 6-31, 7-25
barb, vent 10-3, 10-5, 10-7
barrel, plastic 1-7, 1-9, 1-11, 1-43
battery 14-11, 14-13
 12-volt, side-post 8-27
battery cap, 6-volt 14-15, 14-17
battery charger 17-3, 17-5
battery charger case 17-3, 17-5, 17-7, 17-9
battery charger harness 17-11
battery charger mounting plate 17-11
battery charger receptacle 14-7
battery charger retainer 17-13
battery charger shield 17-11
battery charger transformer 17-3, 17-5, 17-7, 17-9
battery charger wire assembly 17-5
battery charger, onboard 17-7, 17-9
battery clamp 8-27
battery discharge machine 18-3
battery HD, 6-volt, Trojan T145 14-17

battery hold-down 14-11, 14-13, 14-15, 14-17
battery hold-down rod 14-11, 14-13, 14-15, 14-17
battery light 4-21, 4-23
battery terminal protector spray 4-9, 18-3
battery thermometer 18-3
battery, 6-volt, Trojan T105 14-15
bead, ferrite 14-25
bearing 16-3
 ball 8-9, 8-11, 9-13
 ball (motor) 15-3
 ball (steering pinion) 6-3, 7-5
 cage roller 13-15, 13-21
 front wheel hub 6-13, 6-21, 7-15
 hub 6-13, 6-21, 7-15
 idler 12-5, 12-7
 inner axle tube 13-11, 16-3
 lower pinion (steering) 6-3, 7-5
 needle 13-9
 outer axle tube 13-11
 pivot support 5-5, 5-7
 steering shaft 6-5, 7-7
 thrust 6-17, 6-25, 7-19
bearing and oil seal remover 18-3
bearing driver set 18-3
bearing puller 18-3
bearing puller wedge 18-3
bearing seat 6-5, 7-7
bed floor plate 1-37
bed latch 1-43
bed latch spring 1-43
bed lift
 hydraulic 1-57
bed mat 1-49
bed seal 1-35, 1-37
bed, tilt 1-37
bell crank and shaft 8-17, 8-19, 8-21
bellows 6-3, 7-5
belt, drive 12-3
belt, seat 1-75
belt, starter/generator 8-13
belt, V 8-13
bezel, choke cable 10-17
bezel, headlight 4-3
block, brake-mounting 5-3
block, fuse 4-5, 4-9, 8-17, 8-19, 8-21
block, terminal 4-5, 4-9, 14-5
blower cover 1-89
blower mounting bracket 1-89
blower, centrifugal 1-89
body, anchor 5-11, 5-17
bolt, U- 6-29, 7-23
boot, steering column 6-5, 7-7
boot, switch 8-15, 14-9
bottom, air box 10-17
box

air 10-17
cargo 1-43
differential 13-17, 13-23
electrical component 8-17, 8-19, 8-21
steering gear 6-3, 7-5
tool 1-61
van 1-105
brace, light bar 4-43, 4-45
brace, trailer hitch 1-63
bracket 6-27, 7-21, 7-23
 accelerator cable 10-15
 adjustable starter/generator 8-13
 brace mounting 4-43, 4-45
 brake cable guide 6-23, 7-17
 brake light switch 4-5, 4-9
 FNR shifter 13-3
 governor cable 10-15
 headlight mounting 4-3
 horn 4-5, 4-9, 4-47, 4-49
 light mounting 4-43, 4-45
 muffler mounting 11-3
 oil filter mount 9-9
 oil level switch 9-13
 relay mounting 8-19, 17-7, 17-9
 shock mounting, drv 6-29
 shock mounting, pas 6-29
 snubber 9-17
 stabilizer bar mounting 6-31, 7-25
 stake side 1-51
 starter/generator mounting 8-13
 steering column 6-5, 7-7
 steering column mounting 6-5, 7-7
 throttle spring return 10-13
 Tow/Run switch 8-15
bracket, carburetor intake manifold 10-13
bracket, hinge, bed 1-37
bracket, hour meter 4-51
brake actuator kit 5-11, 5-17
brake adjusting mechanism 5-19
brake adjustment tool 18-3
brake backing plate 5-11, 5-17, 5-19
brake cable 5-13, 5-15, 5-21
brake cable equalizer 5-13, 5-15, 5-21
brake cable hanger 6-27, 7-21
brake cable release tool 18-3
brake cluster 5-11, 5-17, 5-19
brake drum 5-11, 5-17, 5-19
brake lever 5-19
brake lever arm 5-11, 5-17
brake light switch bracket 4-5, 4-9
brake mounting block 5-3
brake pedal 5-3
brake pedal pad 5-3
brake relay kit, 12-volt 4-5
brake return spring 5-15, 5-21
brake self-adjusting mechanism 5-19

INDEX

- brake shoe 5-11, 5-17, 5-19
- brake spring 5-11, 5-17, 5-19
- breaker, circuit 17-5, 17-9
- breather 13-7, 13-13, 13-19, 16-3
- brush box assembly 15-3
- brush cover kit, starter/generator 8-9, 8-11
- brush guard 1-9
- brush guard kit 1-5
- brush inspection port cover 8-9, 8-11
- brush kit, motor 15-3
- brush rigging 15-3
- brush spring 8-9, 8-11, 15-3
- brush spring set 8-9, 8-11
- brush spring, starter/generator 8-9, 8-11
- brush terminal, starter/generator 8-9, 8-11
- brush, motor 15-3
- bulb, headlight 4-3
- bulb, light bar 4-43, 4-45
- bulb, strobe light 4-37, 4-39, 4-41
- bulb, tail light 4-53
- bumper 1-27
 - drive unit (motor) 15-3
 - front 1-7, 1-9
 - front, heavy duty 1-7
 - front, kit 1-7, 1-9
 - rubber 1-39, 1-47, 5-3
 - seal, long 1-21
 - spring return 5-5, 5-7
- bumper, heavy-duty 1-7
- bumper, seat 1-21
- bushing 1-53, 1-55, 8-17, 8-19, 8-21, 12-5, 12-7, 13-3
 - bronze 6-13, 6-21, 7-15
 - nylon 1-43, 1-45, 5-3
 - return line 10-3, 10-7
 - snap-in 1-43
 - spindle 6-13, 6-21, 7-15
 - stabilizer bar 6-31, 7-25
 - steel 1-37, 6-17, 6-19, 6-25, 6-27, 6-29, 7-19, 7-21, 7-23
 - urethane 1-37, 6-15, 6-17, 6-19, 6-23, 6-25, 6-27, 6-29, 7-17, 7-19, 7-21, 7-23
- bushing support 6-31, 7-25
- button, drive 12-9, 12-11
- buzzer, reverse 4-17, 4-19, 4-21, 4-23
- C**
- cab 1-75
 - door 1-75
 - door hinge 1-75
 - door latch 1-75
 - fan 1-103
 - heater 1-89
 - mirror 1-103
 - roof 1-75, 1-91, 1-99
 - side rear window 1-75
 - vent 1-99
 - windshield 1-75
 - windshield latches 1-75
 - wiper arm 1-75
 - wiper blade 1-75
 - wiper motor 1-75
- cable
 - accelerator 10-15
 - brake 5-13, 5-15, 5-21
 - choke 10-17
 - FNR shifter 13-5
 - governor 10-15
- calibration test module 18-3
- cam
 - driven clutch 12-9, 12-11
 - electrical component box 8-17, 8-19, 8-21
- cam, FNR shifter 13-3
- camshaft 9-13
- camshaft shim 9-13
- canister, carbon, fuel tank 10-9
- canopy 1-29, 1-31, 1-33
- canopy brace 1-29, 1-31, 1-33
- canopy support 1-29, 1-31, 1-33
- canopy trim plate 1-29, 1-31, 1-33
- cap
 - battery, 6-volt 14-15, 14-17
 - corner 1-35, 1-45
 - dust 4-21, 4-23, 14-5
 - front corner 1-47
 - fuel, gas, ratchet 10-3, 10-7
 - key switch 4-17, 4-19, 4-21, 4-23, 4-29
 - plug 9-7
 - seat back 1-23
- cap, hub, 7 prong 2-11
- carbon canister 10-9
- carburetor adapter 10-13
- carburetor gasket 10-13
- carburetor insulator 10-13
- carburetor mounting gasket 10-13
- carburetor, FE350 S27 10-11
- card, safety first 18-5
- cargo bed, side panel 1-43
- cargo box 1-43
- case
 - battery charger 17-3, 17-5, 17-7, 17-9
 - differential gear 13-11
 - gear 13-7, 13-13, 16-3
 - rocker 9-11
- CE mark ferrite bead, Fair-rite 14-25
- CE mark ferrite bead, TDK 14-25
- centrifugal blower 1-89
- charger
 - wire assembly kit 17-3, 17-7, 17-9
- charger bezel tool 18-3
- charger info indicator 4-25
- charger receptacle 14-7
- charger, battery 17-3, 17-5
- charger, battery, onboard 17-7, 17-9
- charger, battery, shield 17-11
- choke cable 10-17
- choke cable bezel 10-17
- choke valve 10-17
- circuit breaker 14-9, 17-3, 17-5, 17-7, 17-9
- clamp
 - battery 8-27
 - cable retaining 10-15
 - hose 10-3, 10-5, 10-7, 10-9, 10-13, 10-17
 - hose, green 10-9
 - muffler hose 1-89, 11-3
- clevis, upper delta 6-17, 6-25, 7-19
- clip
 - hair pin 1-47
- clip, score card 6-11, 7-13
- cluster idler gear 13-9
- cluster, brake 5-11, 5-17, 5-19
- clutch cam installation tool 18-3
- clutch pulley 12-5, 12-7
- clutch repair kit 12-9, 12-11
- clutch tool kit 18-3
- clutch weight 12-5, 12-7
- clutch, drive 12-5, 12-7
- clutch, driven 12-9, 12-11
- collet 9-11
- column, steering 6-5, 7-7
- communication display module 18-5
- component box, electrical 8-17, 8-19, 8-21
- component mounting plate 14-23
- compression gauge 18-5
- compression mount 6-31, 7-25
- compressor, piston ring 18-5
- compressor, valve spring 18-7
- computer
 - onboard 14-23
- conduit 1-3, 4-41
- connecting rod 9-15
- continuity tester 18-5
- control board, potted 17-7, 17-9
- controller, speed 14-23
- converter, DC/DC 4-31
- cord connector 9-13
- cord reel 17-11
- cord, AC 17-3, 17-5, 17-7, 17-9
- cord, DC 17-3, 17-5, 17-7, 17-9
- corner cap 1-47
- counterbalance guide shaft 9-15
- counterbalance weight 9-15
- coupler, SPWS 14-19
- cover
 - brush inspection port 8-9, 8-11
 - crankcase 9-13
 - dust 5-11, 5-17, 5-19, 6-13, 6-21, 7-15
 - electrical box 8-17, 8-19, 8-21

INDEX

electrical component 14-23
fuse block 4-9
oil pump 9-9
rocker switch hole 4-17, 4-19, 4-21, 4-23
screw head 4-17, 4-19, 4-21, 4-23
steering column 6-5, 7-7
wheel 2-11
cover, steering column 4-13, 4-15
cowl 1-7, 1-9
crankcase 9-15
crankcase cover 9-13
crankcase vent tube 10-13
crankshaft 9-15
crankshaft rod 9-15
crankshaft shim 9-15
C-type stop ring 6-3, 7-5
cup holder 1-15
cup, spring 5-5, 5-7
current limiter 17-5
cushion, shock absorber 6-27, 6-29, 7-21, 7-23
cutter, valve seat 18-7
cylinder adapter 1-57
cylinder head 9-11

D

dash component 1-13
dash panel 4-17, 4-19, 4-21, 4-23
dc converter, 15A 4-31
dc converter, CE 4-33
DC cord 17-3, 17-5, 17-7, 17-9
DC/DC converter 4-31
decal
4-gauge wire warning 3-5, 3-9
battery danger 3-5, 3-9
bed load warning 1-43, 1-51, 3-3, 3-7, 3-11,
3-15, 3-19, 3-23
Carryall 3-27, 3-29
Carryall 2 3-27
Carryall 2 Plus 3-27
Carryall 252 3-29
Club Car name plate 3-27, 3-29, 3-31
Club Car tailgate 1-47
crush area warning 3-3, 3-5, 3-7, 3-9, 3-11,
3-13, 3-15, 3-19, 3-23
dash, beverage unit warning 1-59
diode safety 3-25
driver/passenger 3-13, 3-17, 3-21, 3-25
electrical cover safety 3-5, 3-9
FNR 3-5, 3-9, 3-13, 3-17, 3-21, 3-25
frame ground 3-13, 3-17, 3-21, 3-25
header heater 1-89
heater inspection 1-89
key switch 3-15, 3-23
on/off 3-3, 3-7, 3-11, 3-19
operating instructions 3-3, 3-7, 3-11, 3-15,
3-19, 3-23

passcode 4-27
refreshment center 1-59
refreshment center warning 1-59
rollover warning 3-3, 3-7, 3-11, 3-15, 3-19,
3-23
rotating parts 1-73, 3-13, 3-17, 3-21, 3-25,
8-9, 8-11
rotating parts warning 3-21, 3-25
run/service switch 3-13, 3-17, 3-21, 3-25,
8-15
tailgate 1-43, 3-27, 3-29, 3-31
tilt system warning 1-57
Tow/Run switch 3-5, 3-9
trailer hitch 1-63, 1-69, 3-5, 3-9, 3-13, 3-17,
3-21, 3-25
Turf 2 3-27
Turf 252 3-29
vehicle loading 3-3, 3-7, 3-11, 3-15, 3-19,
3-23
winch cable warning 1-3, 3-9, 3-21, 3-25
winch, warning 1-3
XRT 900 3-31
young driver warning 3-7, 3-19, 3-23
defogger fan 1-87
delta A-plate 6-15, 6-23, 7-17
delta A-plate sub-assembly 6-15, 6-23, 7-17
delta shock and gear support 6-15, 6-23, 7-17
diagnostic port 4-21, 4-23, 14-5
differential drive unit 13-7, 13-19, 16-3
differential gear 13-11, 16-3
differential gear case 13-11, 13-17, 13-23
differential guard 16-5
differential housing 16-3
differential idler gear 13-11
differential pin 13-11
diode 8-17, 8-19, 8-21, 8-25
diode, charging 8-25
dipstick 9-5
door 1-75, 1-91
door latch 1-75
drain plug 9-9, 13-13, 13-19
drain plug gasket 9-9, 13-7, 13-13, 13-19
drain plug, rubber 8-9, 8-11
drive bar 14-3
drive belt 12-3
drive button 12-9, 12-11
drive clutch 12-5, 12-7
drive clutch button 12-5, 12-7
drive clutch fixed-face 12-5, 12-7
drive clutch holder tool 18-3
drive clutch hub puller 18-3
drive clutch puller 18-3
drive clutch spring 12-5, 12-7
drive clutch weight 12-5, 12-7
drive hub 12-5, 12-7
drive selector shaft 13-7, 13-13, 13-19
drive unit bumper 15-3

drive unit guard 16-5
driven clutch 12-9, 12-11
driven clutch button 12-9, 12-11
driven clutch cam 12-9, 12-11
driven clutch cam puller 18-3
driven clutch fixed-face assembly 12-9, 12-11
driven clutch puller plug 18-3
driver, drive clutch 12-5, 12-7
drum, brake 5-11, 5-17, 5-19
dry moly lubricant 18-5
duct hose 1-89
dust cap 4-21, 4-23, 14-5
dust cover 5-11, 5-17, 5-19, 6-13, 6-21, 7-15

E

eccentric bolt 6-17, 6-25, 7-19
E-clip 5-13, 5-15, 5-21
electrical box cover 8-17, 8-19, 8-21
electrical component box 8-17, 8-19, 8-21
electrical component cover 14-23
end cap, motor 15-3
end, tie rod 6-15, 6-23, 7-17
engine
air filter 9-3
engine mounting plate 9-17
engine shroud 9-5
engine tune-up kit 9-3
engine, FE350 S27 9-5
equalizer pivot 5-13
equalizer rod 5-13, 5-15, 5-21
equalizer, brake cable 5-13, 5-15, 5-21
exhaust 1-91
exhaust system 11-3
exhaust valve 9-11
extension, spring latch 1-37
extrusion, fender 1-7
extrusion, plastic 1-27

F

face, moveable 12-5, 12-7, 12-9, 12-11
fan 1-91, 1-103
fan housing 9-5
fan shroud 9-5
fan, defogger 1-87
fan, flywheel 9-7
fender 1-73
fender extrusion 1-7
fender kit 1-73
fender, rear 1-71, 1-73
ferrite bead (CE), Fair-rite 14-25
ferrite bead (CE), TDK 14-25
field coil housing 8-9, 8-11
fill plug 13-7, 13-13, 13-19
fill plug gasket 13-13, 13-19
filter

INDEX

- air 9-3, 10-17
 - fuel 9-3, 10-3, 10-7
 - oil 9-3, 9-9
 - oil pump 9-9
 - fitting, thread-forming grease 6-13, 6-21, 7-15
 - fixed-face, drive clutch 12-5, 12-7
 - fixed-face, driven clutch 12-9, 12-11
 - flasher, turn signal, 12-volt 4-15
 - float 10-11
 - floor mat 1-9, 1-13
 - floor plate, bed 1-37
 - fluid, hydraulic 1-57
 - flywheel 9-7
 - flywheel fan 9-7
 - flywheel fan plate 9-7
 - flywheel puller 18-5
 - FNR closeout brush 4-17, 4-19
 - FNR shift lever 13-7, 13-13, 13-19
 - FNR shifter 13-3
 - FNR shifter bracket 13-3
 - FNR shifter cable 13-5
 - FNR shifter cam 13-3
 - FOPS 1-91
 - fork, shift 13-9, 13-15, 13-21
 - frame and field, motor 15-3
 - frame and field, starter/generator 8-9, 8-11
 - frame, tilt bed 1-37
 - front bumper 1-7, 1-9
 - front bumper kit 1-7, 1-9
 - front spring retainer plate 6-17, 6-25, 7-19
 - fuel filter 9-3, 10-3, 10-7
 - fuel gauge sending unit 10-3, 10-7
 - fuel line 10-3, 10-7, 10-9, 10-13
 - fuel pump 10-3, 10-7
 - fuel pump mount 10-3, 10-7
 - fuel tank 10-3, 10-7
 - fuel tank strap 10-3, 10-7
 - fuel tank vent 10-3
 - fuse 14-7, 17-3, 17-5, 17-7, 17-9
 - 10-amp 8-17, 8-19, 8-21
 - 20-amp 4-5, 4-9, 8-17, 8-19, 8-21
 - 3/8-amp 14-7, 17-11
 - fuse block 1-91, 4-5, 4-9, 8-17, 8-19, 8-21
 - fuse block cover 4-9
 - fuse holder 1-101
- G**
- gasket
 - carburetor 10-13
 - carburetor mounting 10-11, 10-13
 - crankcase cover 9-11, 9-13
 - drain plug 9-9, 13-7
 - drain plug, fill plug 13-13, 13-19
 - exhaust 1-89, 9-11, 11-3
 - head 9-11
 - insulator 9-11, 10-13
 - liquid 13-7, 16-3, 18-5
 - plug 16-3
 - rocker case 9-11
 - sending unit 10-3, 10-7
 - stroke light 1-101
 - taillight 4-53
 - gasket kit, FE350 9-11
 - gauge, compression 18-5
 - gear
 - 25 tooth 13-15, 13-21
 - 28 tooth 13-15, 13-21
 - case 13-13
 - cluster idler 13-9
 - differential 13-11, 13-17, 13-23, 16-3
 - differential idler 13-11, 16-3
 - differential output 16-3
 - helical 9-15, 13-9, 13-11
 - planetary 13-17, 13-23
 - speed governor 13-15, 13-21
 - spur 9-15, 13-9
 - sun 13-17, 13-23
 - synchro 13-9
 - gear yoke 18-5
 - gearcase 13-7, 16-3
 - governor 13-9, 13-15, 13-21
 - governor arm 10-15, 13-7, 13-13, 13-19
 - governor cable 10-15
 - governor cable bracket 10-15
 - governor shaft installation tool 18-5
 - grip, pencil 6-11, 7-13
 - grip, tilt latch hand 1-37, 1-43
 - grommet 1-19, 1-29, 1-31, 1-33, 10-3, 10-7
 - ignition 9-7
 - guard, brush 1-9
 - guard, differential 16-5
 - guard, splash 1-11
 - guide
 - intake valve 9-11
 - valve seat cutter 18-7
 - guide ring adhesive 18-3
- H**
- hair pin clip 1-47
 - handle 1-105
 - handle, tee 1-97
 - hanger, brake cable 6-27, 7-21
 - harness
 - wire 4-49
 - harness, battery charger 17-11
 - harness, wire 1-89, 4-31, 4-33, 4-37, 4-39, 4-49, 8-3, 8-5, 8-7, 14-5, 17-11
 - head gasket 9-11
 - head, cylinder 9-11
 - headband, sealed, motor 15-3
 - headband, vented, motor 15-3
 - headlamp template 4-5, 4-9
 - headlight 4-3
 - headlight assembly 4-3, 4-5, 4-9
 - headlight bulb 4-3
 - headlight harness 4-3
 - headlight retainer 4-3
 - headliner 1-91
 - heat shrink tube 17-11
 - heater 1-89
 - heatsink and rectifier 17-3, 17-5, 17-7, 17-9
 - heavy-duty bumper 1-7
 - helical gear 9-15, 13-9, 13-11
 - hill brake rod 5-3
 - hill brake weld assembly 5-3
 - hinge kit, door 1-75
 - hinge pin 1-51
 - hinge, stake side 1-51
 - hitch, trailer 1-63
 - hitch, trailer, ball 1-67
 - hold-down rod, battery 14-11, 14-13, 14-15, 14-17
 - hold-down, battery 14-11, 14-13, 14-15, 14-17
 - holder, cup 1-15
 - hole plug 4-21, 4-23
 - horn 4-5, 4-9, 4-47, 4-49
 - horn bracket 4-5, 4-9, 4-47, 4-49
 - horn button and wire assembly 4-5, 4-9, 4-47
 - hose 1-57
 - fuel 10-3, 10-7
 - SPWS 14-19
 - vent 10-9
 - hose clamp, green 10-9
 - hose, air intake 10-17
 - hose, duct 1-89
 - hour meter 4-51
 - hour meter bracket 4-51
 - hour meter, 36-48 volt 4-51
 - housing
 - 2-pin 14-3
 - 3-pin 14-3, 15-3
 - differential 16-3
 - fan 9-5
 - field coil 8-9, 8-11
 - hub 6-13, 6-21, 7-15
 - hub bearing 6-13, 6-21, 7-15
 - hub cap 2-11
 - hub cap, 7 prong 2-11
 - hub, synchronizer clutch 13-9
 - hydraulic bed lift 1-57
 - hydraulic bed lift harness 1-57
 - hydraulic fluid 1-57
 - hydraulic tilt bed pump 1-57
 - hydraulic tilt cylinder 1-57
 - hydrometer 18-5
- I**
- idle screw assembly 10-11

INDEX

idler bearing 12-5, 12-7
idler gear, differential 16-3
ignition coil 9-7
indicator
 charger info 4-25
inlet valve 1-89
inner frame snubber 9-17
input shaft 16-3
insert, synchronizer 13-9
instrument panel 4-17, 4-19, 4-21, 4-23
insulating washer 15-3
insulator gasket 9-11, 10-13
insulator, carburetor 10-13
insulator, motor terminal 15-3
intake valve 9-11
intermediate shaft 16-3
internal retaining ring pliers 18-5
IQ display module (IQDM) 18-5

J

jet, main 10-11
jet, pilot 10-11
joint
 ball 5-3, 5-9, 13-5
 steering 7-9

K

key
 crankshaft 9-7, 9-15
 driven clutch 12-9, 12-11
 On/Off 4-17, 4-19, 4-21, 4-23
 square 12-9, 12-11
 woodruff 13-7
key switch 4-17, 4-19
key switch cap 4-17, 4-19, 4-21, 4-23, 4-29
key switch, On/Off 4-21, 4-23
key switch, uncommon 4-29
keys 1-93
kingpin 6-17, 6-25, 7-19
kit
 2-pin housing 14-3
 3-pin housing 14-3, 15-3
 accelerator pivot rod 5-5, 5-7
 air duct shield 10-17
 anchor body 5-11, 5-17
 beacon 1-91
 bed lift 1-53, 1-55
 brake actuator 5-11, 5-17
 brake cable 5-13, 5-21
 brake pedal 5-3
 brake relay 4-5
 brake shoe 5-11, 5-17
 brake shoe retainer 5-11, 5-17, 5-19
 brush guard 1-5
 cab adapter 1-75

canopy 1-29, 1-31, 1-33
clutch repair 12-9, 12-11
cup holder 1-15
DC/DC converter 4-31
differential gear case 13-11
diode 8-25
door hinge 1-75
door-hold 1-91
doors 1-91
drive clutch button 12-5, 12-7
drive clutch weight 12-5, 12-7
driven clutch button 12-9, 12-11
driving-range 1-91
equalizer, brake 5-13
exhaust extension 1-91
fan 1-91
fan/defogger 1-87
fixed-face drive 12-5, 12-7
flywheel puller 18-5
FOPS 1-91
front bumper 1-7, 1-9
front window 1-91, 1-97
front work lights 1-91
fuse block 1-91
gasket, FE350 9-11
heater, cab 1-89
heavy-duty front bumper 1-7
hour meter 4-51
hub cap 2-11
hydraulic bed lift 1-57
IQ display module (IQDM) 18-5
key set 1-93
light 4-5, 4-9
main switch 1-91
mirror 1-17, 1-91
mirror, inside rear-view 1-77
mirror, side-view 1-79
motor brush 15-3
motor brush lead assembly 15-3
motor brush spring 15-3
motor speed sensor 15-3
name plate 3-27, 3-29
park brake latch 5-3
park brake pedal 5-3
piston ring compressor 18-5
prop rod 1-41
rear fender 1-73
rear receiver hitch 1-69
rear window 1-91
rear work light 1-91
relay, 48V 14-23
roof 1-91
roof liner 1-91
ROPS 1-91
seals 1-93, 1-97, 1-99
seat belt 1-75

seat belts 1-91
shock absorber cushion 6-27, 6-29, 7-21, 7-23
shoe retainer 5-11, 5-17, 5-19
side frames 1-91
smartkey 4-27
SPWS 14-19
stake side 1-51
steering column mounting bracket 6-5, 7-7
strobe light 1-83, 4-37, 4-39, 4-41
tailgate angle 1-45
tailgate mounting 1-43
taillight hardware 4-53
trailer hitch 1-63, 1-65
transmission tool 18-7
tune up 9-3
tune-up 18-7
turn signal 4-13
vent and seals 1-91
wheel cover 2-11
winch 1-3
windshield, hinged 1-25
windshield, one-piece 1-27
wire assembly, charger 17-3, 17-7, 17-9
work light 1-85
knob, forward/reverse 13-3
knob, light switch 4-5, 4-9

L

lamp, strobe light 4-37, 4-39, 4-41
lamp, turn signal and socket 4-13, 4-15
latch plate, tilt bed 1-39
latch weld 1-37
latch, air box 10-17
latch, bed 1-43
latch, park brake 5-3
latch, slam 1-47
latch, spring 1-47
leaf spring 6-27, 6-29, 7-21, 7-23
lens, headlight 4-3
lens, strobe light 4-37, 4-39, 4-41
lens, taillight 4-53
lever
 choke 10-17
 drive selector 13-7
 speed governor 13-13, 13-19
 transmission shift 13-7, 13-13, 13-19
light
 battery 4-21, 4-23
 beacon 1-91
 CHMSL 1-101
 indicator 4-25
 oil 4-17, 4-19
 strobe 1-101
 work 1-91

INDEX

light bar 4-43, 4-45
light switch 4-5, 4-9
light switch knob 4-5, 4-9
light, strobe 1-83, 4-37, 4-39, 4-41
lighting package 4-5, 4-9
limit switch 4-5, 4-9, 8-17, 8-19, 8-23, 13-3
limiter
 current 17-5
 voltage 4-5, 4-35
line, fuel 10-3, 10-7, 10-9, 10-13
link, stabilizer bar 6-31, 7-25
liquid gasket 13-7, 16-3, 18-5
low oil warning light 4-17, 4-19
lubricant, dry moly 18-5
lubricant, moly-teflon 15-3, 18-5
lug nut 2-3, 2-5, 2-7, 2-9
lug stud 13-11, 13-17, 13-23, 16-3

M

magnet, speed sensor 15-3
main jet 10-11
mat, bed 1-49
mat, floor 1-9, 1-13
MCOR 14-3
mechanism, brake adjusting 5-19
meter, hour 4-51
meter, volt ohm 18-7
mirror 1-17, 1-91, 1-103
mirror, inside rear-view 1-77
mirror, rear view 1-17
mirror, side-view 1-79
module
 calibration test 18-3
 communication display 18-5
moly-teflon lubricant 18-5
motor
 48-volt IQ Plus 15-3
 wiper 1-75, 1-95
motor brush 15-3
motor brush kit 15-3
motor brush lead assembly kit 15-3
motor brush spring 15-3
motor bumper 15-3
motor controller 14-23
motor end cap 15-3
motor frame and field 15-3
motor headband, sealed 15-3
motor headband, vented 15-3
motor magnet, speed sensor 15-3
motor speed sensor 15-3
motor speed sensor kit 15-3
motor terminal and lead assembly 15-3
motor terminal insulator 15-3
mount, compression 6-31, 7-25
mount, fuel pump 10-3, 10-7
mounting block, brake 5-3

moveable-face 12-5, 12-7, 12-9, 12-11
muffler hose clamp 1-89, 11-3

N

name plate 3-27, 3-29
needle bearing 13-9
nozzle, main 10-11
nut, lug 2-3, 2-5, 2-7, 2-9

O

oil conveyor 13-13, 13-19
oil filler tube 9-5
oil filter 9-3, 9-9
oil filter mount bracket 9-9
oil filter screen 9-13
oil filter screen plate 9-13
oil level sensor 9-13
oil level switch bracket 9-13
oil pump and rotor 9-9
oil pump cover 9-9
oil pump filter 9-9
oil pump plate 9-9
oil seal 9-11, 9-13, 9-15, 13-7, 13-9
oil warning light, low 4-17, 4-19
onboard battery charger 17-7, 17-9
onboard computer (OBC) 14-23
O-ring 9-5, 9-11, 9-13, 9-15, 14-19

P

pad
 brake pedal 5-3
 park brake 5-3
 thermal 8-25
paint, touch-up 18-5
panel
 front 1-47
 left 1-47
 right 1-47
panel box 1-43
panel, front 1-43
panel, instrument 4-17, 4-19, 4-21, 4-23
park brake latch 5-3
park brake pedal 5-3
park brake rod sleeve 5-3
park brake spacer 5-3
park brake torsion spring 5-3
pawl 5-3
pedal, brake 5-3
pedal, park brake 5-3
pencil grip 6-11, 7-13
pilot air screw assembly 10-11
pilot jet 10-11
pin
 bow tie locking 5-13, 5-15, 5-21
 clevis 5-13, 5-15, 5-21

differential 13-11
 piston 9-15
pin, hinge 1-51
pin, receiver 1-3
pinion, steering 6-3, 7-5
piston 9-15
piston anchor 5-11, 5-17
piston pin 9-15
piston ring 9-15
piston ring compressor 18-5
piston ring pliers 18-5
piston ring set 9-15
pivot arm 13-7
pivot support bearing 5-5, 5-7
plate
 backing (brake) 5-19
 component mounting 14-23
 engine mounting 9-17
 flywheel fan 9-7
 front spring retainer 6-17, 6-25, 7-19
 latch 1-39
 name 3-27, 3-29
 oil filter screen 9-13
 oil pump 9-9
 receptacle backing 14-7, 17-11
 spring mounting 6-17, 6-25, 7-19
 thrust 13-9, 13-11
plate, canopy trim 1-29, 1-31, 1-33
plate, Tow/Run switch 14-9
pliers
 internal retaining ring 18-5
 piston ring 18-5
 retaining ring 18-5
plug
 drain 9-9, 13-13, 13-19
 drive clutch 12-5
 driven clutch puller 18-3
 fill 13-7, 13-13, 13-19
 hole 4-21, 4-23
 rubber drain 8-9, 8-11
 spark 9-3, 9-7
plug cap 9-7
plug, carburetor intake manifold 10-13
port, diagnostic 4-21, 4-23, 14-5
portable refreshment center 1-59
PRC 1-59
press weldment 18-3
prop rod 1-41
prop rod track 1-41
protector spray, battery terminal 18-3
puller
 bearing 18-3
 drive clutch 18-3
 drive clutch hub 18-3
 driven clutch cam 18-3
 flywheel 18-5

INDEX

- seal 18-5
- pulley
 - clutch 12-5, 12-7
 - starter-generator 8-9, 8-11
 - v-belt 8-9, 8-11
- pump
 - fuel 10-3, 10-7
- pump assembly, hydraulic tilt bed 1-57
- push rod 9-11
- R**
- race, front hub bearing 6-13, 6-21, 7-15
- rack guide pressure spring 6-3, 7-5
- rack, steering 6-3, 7-5
- ratchet, park brake 5-3, 5-5, 5-7
- reamer, valve guide 18-7
- rear fender 1-71
- rear spring shackle 6-27, 7-21
- rear view mirror 1-17
- rear-view mirror, inside 1-77
- receiver hitch 1-69
- receiver pin 1-3
- receptacle backing plate 14-7, 17-11
- receptacle, AC cord 17-5
- receptacle, battery charger 14-7
- rectifier with heatsink 17-3, 17-5, 17-7, 17-9
- reel bracket 17-11
- reel cord 17-11
- refreshment center, portable 1-59
- regulator, voltage 8-17, 8-19, 8-21
- relay 4-9, 8-19, 14-23
- relay mounting bracket 8-19, 17-7, 17-9
- relay, 12-volt 4-5
- relay, 48V 14-23
- relay, 48-volt 17-3, 17-5, 17-7, 17-9
- relay, brake, kit, 12-volt 4-5
- remover, bearing and oil seal 18-3
- retainer
 - accelerator pedal spring 5-5, 5-7
 - brake shoe 5-11, 5-17, 5-19
 - headlight 4-3
 - shock absorber cushion 6-27, 6-29, 7-21, 7-23
 - spring (drive clutch) 12-5, 12-7
 - valve spring 9-11
- retainer, battery charger 17-13
- retaining ring 6-5, 7-7
- retaining ring pliers 18-5
- return spring bumper 5-5, 5-7
- reverse buzzer 4-17, 4-19, 4-21, 4-23
- rim (wheel) 2-5
- rim, wheel 2-7, 2-9
- rim, wheel, silver 2-7, 2-9
- rim, wheel, white 2-3
- ring
 - C-type stop 6-3, 7-5
 - piston 9-15
 - retaining 6-5, 7-7, 8-17, 8-19, 8-21, 12-5, 12-7, 12-9, 12-11
 - snap 6-3, 7-5, 9-11, 9-15
 - spiral backup 12-5, 12-7
 - synchronizer 13-9
- rivet, blind push 1-7, 1-9, 14-23
- rock guard 16-5
- rocker arm 9-11
- rocker case 9-11
- rocker case gasket 9-11
- rocker shaft 9-11
- rocker switch 1-53, 1-55, 1-57, 4-21, 4-23
- rocker switch (lights) 4-5, 4-9, 4-19, 4-23
- rod
 - accelerator 5-9
 - accelerator pivot 5-5, 5-7
 - battery hold-down 14-11, 14-13, 14-15, 14-17
 - connecting 9-15
 - crankshaft 9-15
 - equalizer 5-13, 5-15, 5-21
 - hill brake 5-3
 - prop 1-41
 - push 9-11
 - shift 13-9
- roof 1-75, 1-91, 1-99
- ROPS 1-91
- rubber bumper 1-47
- S**
- safety first card 18-5
- score card clip 6-11, 7-13
- score card plate 6-11, 7-13
- screen, oil filter 9-13
- screw, valve clearance adjuster 18-7
- seal
 - intake 10-17
 - lip 16-3
 - oil 9-11, 9-13, 9-15, 13-7, 13-9, 13-11, 13-17, 13-23, 16-3
 - steering pinion dust 6-3, 7-5
- seal puller 18-5
- seal, bed 1-35, 1-37
- sealant 13-7, 16-3
- seals 1-93
- seat
 - spring 9-11
 - valve 9-9
- seat back 1-23
- seat back assembly 1-23
- seat back cap 1-23
- seat back tube 1-35
- seat back, white 1-23
- seat belt 1-75
- seat bottom assembly 1-21
- seat bumper 1-21
- seat cover, vinyl 1-21
- seat strap 1-21
- seat, bearing 6-5, 7-7
- sending unit, fuel gauge 10-3, 10-7
- sensor, motor speed 15-3
- sensor, oil level 9-13
- shackle weldment 6-29
- shackle, rear spring 6-27, 7-21
- shaft
 - counterbalance guide 9-15
 - drive selector 13-7, 13-13, 13-19
 - input 16-3
 - intermediate 16-3
 - rocker 9-11
 - steering column 6-5, 7-7
 - transmission 13-9, 13-15, 13-21
- shaft, reverse gear 13-15, 13-21
- shaft, secondary
 - transmission 13-15, 13-21
- shield, air duct 10-17
- shield, battery charger 17-11
- shift fork 13-9, 13-15, 13-21
- shift lever 13-7, 13-13, 13-19
- shift rod 13-9
- shifter, FNR 13-3
- shim, camshaft 9-13
- shim, crankshaft 9-15
- shim, latch plate 1-39
- shim, tilt bed pivot 1-37
- shock absorber 6-15, 6-23, 6-27, 6-29, 7-17, 7-21, 7-23
- shock absorber cushion 6-27, 6-29, 7-21, 7-23
- shock absorber cushion retainer 6-27, 6-29, 7-21, 7-23
- shock extension 7-23
- shock mounting bracket, drv 6-29
- shock mounting bracket, pas 6-29
- shoe retainer kit 5-11, 5-17, 5-19
- shoe, brake 5-11, 5-17, 5-19
- shroud 9-5
- shroud, engine 9-5
- shroud, fan 9-5
- side-view mirror 1-79
- signal, turn 4-13
- single-point watering system 14-19
- slam latch 1-47
- sleeve
 - delta A-plate 6-15, 6-23, 7-17
 - governor 13-9
 - park brake rod 5-3
 - synchronizer 13-9
- smartkey 4-27
- snap ring 6-3, 7-5, 9-11, 9-15
- snubber bracket 9-17
- snubber, inner frame 9-17

INDEX

- solenoid 14-23
- solenoid, 12-volt 8-17, 8-19, 8-21
- spacer 1-5, 1-9, 1-57, 14-11, 14-13, 14-15, 14-17
 - accelerator pivot rod 5-5, 5-7
 - park brake 5-3
- spark plug 9-3, 9-7
- speed controller 14-23
- speed sensor 15-3
- speed sensor magnet 15-3
- speed sensor, motor 15-3
- spindle 6-13
- spindle assembly 6-21, 7-15
- spiral backup ring 12-5, 12-7
- splash guard 1-11
- spray, battery terminal protector 4-9, 18-3
- spring
 - accelerator return 5-5, 5-7
 - brake 5-11, 5-17, 5-19
 - brake return 5-15, 5-21
 - brush 8-9, 8-11, 15-3
 - compression 6-11, 7-13
 - drive button 12-5, 12-7
 - drive clutch 12-5, 12-7
 - driven clutch 12-9
 - extension 1-37
 - extension return 10-17
 - latch tilt 1-43
 - leaf 6-27, 6-29, 7-21, 7-23
 - park brake torsion 5-3
 - rack guide pressure 6-3, 7-5
 - shifter 13-9
 - steering shaft compression 6-5, 7-7
 - synchronizer 13-9
 - throttle return 10-13
 - valve 9-11
- spring cup 5-5, 5-7
- spring latch 1-47
- spring mounting plate 6-17, 6-25, 7-19
- spring, motor brush 15-3
- spring, leaf 6-17, 6-25
- spur gear 9-15, 13-9
- SPWS coupler 14-19
- SPWS fitting, swivel T 14-19
- SPWS hose 14-19
- SPWS manifold 14-19, 14-21
- SPWS tubing 14-19
- stabilizer bar 6-31, 7-25
- stabilizer bar link 6-31, 7-25
- stabilizer bar mounting bracket 6-31, 7-25
- stake side 1-51
- stake side bracket 1-51
- stake side hinge 1-51
- stake side kit 1-51
- starter/generator (bi-rotational) 8-11
- starter/generator belt 8-13
- starter/generator brush cover kit 8-9, 8-11
- starter/generator brush spring 8-9, 8-11
- starter/generator brush terminal 8-9, 8-11
- starter/generator frame and field 8-9, 8-11
- starter/generator pulley 8-9, 8-11
- steel bushing 1-37, 6-17, 6-19, 6-25, 6-27, 6-29, 7-19, 7-21, 7-23
- steel pressure relief ball 9-9
- steering column 6-5, 7-7
- steering column bearing press tool 18-7
- steering column cover 4-13, 4-15
- steering column retaining ring tool 18-7
- steering gear box 6-3, 7-5
- steering joint 7-9
- steering pinion 6-3, 7-5
- steering pinion dust seal 6-3, 7-5
- steering rack 6-3, 7-5
- steering shaft assembly 6-5, 7-7
- steering shaft compression spring 6-5, 7-7
- steering wheel 6-9, 6-11, 7-11, 7-13
- steering wheel puller tool 18-7
- stem, valve 2-3, 2-5, 2-7, 2-9
- stiffener 1-21
- stiffener, flywheel side 9-17
- stiffener, PTO side 9-17
- strap, A-plate 6-15, 6-23, 7-17
- strap, fuel tank 10-3, 10-7
- strap, seat 1-21
- strobe light 1-83, 1-101, 4-37, 4-39, 4-41
- strobe light lens 4-37, 4-39, 4-41
- stud 9-17
 - lug 13-11, 13-17, 13-23, 16-3
 - self-clinching 1-45, 1-47
- stud, ball 8-17, 8-19, 8-21, 13-7, 13-13, 13-19
- support yoke (steering) 6-3, 7-5
- support, bushing 6-31, 7-25
- suppressor, voltage 4-5, 17-3, 17-5, 17-7, 17-9
- switch plate cover 4-37, 4-39, 4-41
- switch 1-89
 - four-position 17-5, 17-9
 - key 4-17, 4-19, 4-21, 4-23
 - key, uncommon 4-29
 - light 4-5, 4-9
 - light rocker 4-5, 4-9, 4-19, 4-23
 - limit 4-5, 4-9, 8-17, 8-19, 8-23, 13-3
 - rocker 1-53, 1-55, 1-57, 4-21, 4-23
 - toggle 4-43, 4-45
 - Tow/Run 14-9
 - turn signal 4-13, 4-15
- switch assembly 4-37, 4-39, 4-41
- switch panel, accessory 1-81
- switch rubber boot 8-15, 14-9
- switch, toggle 8-15
- synchro gear 13-9
- synchronizer clutch hub 13-9
- synchronizer insert 13-9
- synchronizer sleeve 13-9
- synchronizer spring 13-9
- synchronizer, complete 13-15, 13-21
- system, exhaust 11-3

T

- 12-volt solenoid 8-17, 8-19, 8-21
- tachometer 18-7
- tail light bulb 4-53
- tailgate 1-43, 1-47
- tailgate angle 1-45, 1-47
- tailgate mounting kit 1-43
- taillight 4-53
- taillight assembly 4-5, 4-9, 4-53
- taillight base 4-53
- taillight gasket 4-53
- taillight hardware kit 4-53
- taillight lens 4-53
- tailskirt 1-71, 1-73
- tank
 - fuel 10-3, 10-7
- tape 10-17
- tape, vinyl foam 1-37
- tappet 9-13
- tee handle 1-97
- terminal block 4-5, 4-9, 14-5, 17-11
- tester, continuity 18-5
- tether 1-47
- thermal pad 8-25
- thermometer, battery 18-3
- thread-forming grease fitting 6-13, 6-21, 7-15
- throttle return spring 10-13
- throttle spring return bracket 10-13
- thrust bearing 6-17, 6-25, 7-19
- thrust plate 13-9, 13-11
- tie rod 6-15, 6-23, 7-17
- tie rod end 6-15, 6-23, 7-17
- tie wrap 1-3, 1-53, 1-55, 1-57, 1-89, 4-7, 4-11, 4-13, 4-15, 4-31, 4-33, 4-39, 4-41, 4-43, 4-45, 4-51, 6-3, 7-5, 8-17, 8-19, 8-21, 13-5, 14-25, 17-11
- tilt bed 1-37
- tilt bed frame 1-37
- tilt latch hand grip 1-37, 1-43
- tilt, hydraulic, cylinder 1-57
- tire 2-3, 2-5, 2-7, 2-9
- tire and wheel assembly 2-3
- toggle switch 4-43, 4-45, 8-15
- tool
 - accelerator pedal adjustment 18-3
 - brake adjustment 18-3
 - brake cable release 18-3
 - charger bezel 18-3
 - clutch cam installation 18-3
 - drive clutch holder 18-3
 - governor shaft installation 18-5
 - steering column bearing press 18-7

INDEX

steering column retaining ring 18-7
steering wheel puller 18-7
transaxle axle seal 18-7
transaxle pinion seal 18-7
transmission 18-7
tool kit, clutch 18-3
toolbox 1-61
touch-up paint 18-5
Tow/Run switch 14-9
Tow/Run switch bracket 8-15
Tow/Run switch plate 14-9
track, prop rod 1-41
trailer hitch 1-63
trailer hitch ball 1-67
trailer hitch brace 1-63
trailer hitch kit 1-65
transaxle (Electric Vehicle) 16-3
transaxle axle seal tool 18-7
transaxle Gaziano (gasoline vehicle), unitized 13-13
transaxle guard 16-5
transaxle pinion seal tool 18-7
transaxle, Gaziano (Gasoline Vehicle) 13-19
transaxle, Kawasaki (Gasoline Vehicle) 13-7
transformer, battery charger 17-3, 17-5, 17-7, 17-9
transmission secondary shaft 13-15, 13-21
transmission shaft 13-9, 13-15, 13-21
transmission tool 18-7
trim
 cowl 1-7, 1-9
 seat bottom 1-35
tube
 axle 13-11, 13-17, 13-23, 16-3
 crankcase vent 10-13
 oil filler 9-5
 seat back 1-35
tubing, SPWS 14-19
tune-up kit 9-3, 18-7
turn signal 4-13
turn signal conversion kit 4-13
turn signal lens 4-3
turn signal socket and lamp 4-13, 4-15
turn signal switch 4-15

U

U-bolt 6-27, 6-29, 7-21, 7-23
unitized transaxle Gaziano 13-13
upper delta clevis 6-17, 6-25, 7-19
urethane bushing 1-37, 6-15, 6-17, 6-19, 6-23, 6-25, 6-27, 6-29, 7-17, 7-19, 7-21, 7-23

V

valve
 choke 10-17
 exhaust 9-11

 reed 9-11
valve clearance adjuster screw 18-7
valve guide reamer 18-7
valve guide, intake 9-11
valve seat 9-9
valve seat cutter 18-7
valve seat cutter guide 18-7
valve seat t-wrench 18-7
valve spring 9-11
valve spring compressor 18-7
valve spring retainer 9-11
valve stem 2-3, 2-5, 2-7, 2-9
valve stem extension 2-11
valve, inlet 1-89
van box 1-105
v-belt 8-13
vent 1-99
 fuel tank 10-5, 10-7
vent barb 10-3, 10-5, 10-7
vent, barb 10-9
volt ohm meter 18-7
voltage limiter 4-5, 4-35
voltage regulator 8-17, 8-19, 8-21
voltage suppressor 4-5, 17-3, 17-5, 17-7, 17-9

W

warning light, low oil 4-17, 4-19
washer, insulating 15-3
wedge, bearing puller 18-3
weight
 clutch 12-5, 12-7
 counterbalance 9-15
 secondary clutch 12-5, 12-7
weldment
 press 18-3
 tilt bed frame 1-37
weldment, receiver hitch 1-69
wheel 2-5
 steering 6-9, 6-11, 7-11, 7-13
wheel and tire assembly 2-3
wheel cover 2-11
wheel rim 2-7, 2-9
wheel rim, silver 2-7, 2-9
wheel rim, white 2-3
winch 1-3
window 1-75, 1-93
windshield 1-75, 1-91, 1-97
 hinged 1-25
 one-piece 1-27
windshield channel 1-25
windshield frame 1-29, 1-31, 1-33
windshield frame pad 1-29, 1-31, 1-33
windshield latches 1-75
wiper 1-95
wiper arm 1-75
wiper blade 1-75

wiper motor 1-75
wire assembly, battery charger 17-5
wire harness 1-57, 1-89, 4-31, 4-33, 4-37, 4-39, 4-49, 8-3, 8-5, 8-7, 14-5, 17-11
 beacon 1-101
 CHMSL light 1-101
 fan 1-103
 front work lights 1-101
 fuse block to switch 1-101
 main, CPL cab 1-101
 rear work light 1-101
 wiper jumper 1-95
wire harness, light bar 4-43
wire lead, ignition 9-7
woodruff key 13-7
work lights, light, work 1-85
wrap, tie 1-3, 1-53, 1-55, 1-57, 1-89, 4-7, 4-11, 4-13, 4-15, 4-31, 4-33, 4-39, 4-41, 4-43, 4-45, 4-51, 6-3, 7-5, 8-17, 8-19, 8-21, 13-5, 14-25, 17-11

Y

yoke, gear 18-5
yoke, support (steering) 6-3, 7-5



Club Car, Inc.
P.O. Box 204658
Augusta, GA 30917-4658
USA

Web www.clubcar.com
Phone 1.706.863.3000
1.800.ClubCar
Int'l +1 706.863.3000
Fax 1.706.863.5808