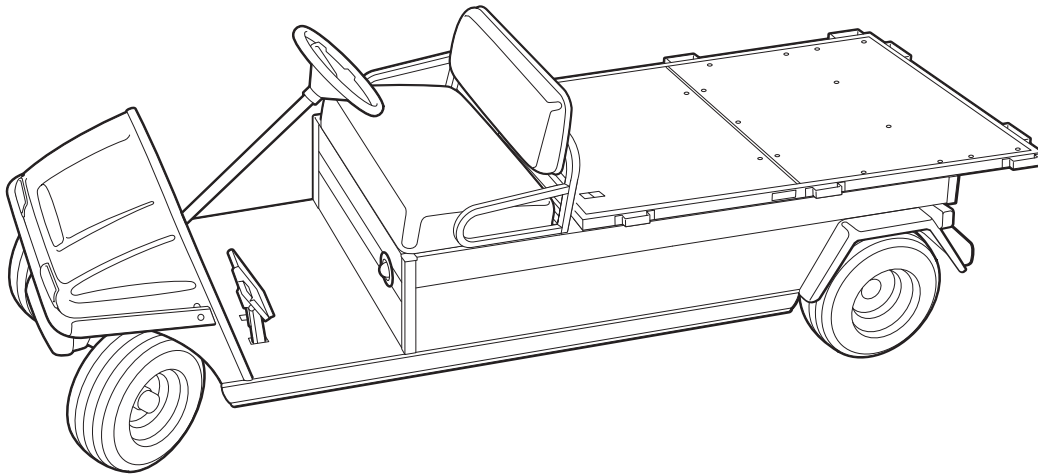




**2014**  
**Turf/Carryall 6 Vehicles**  
**Illustrated Parts List**



**Gasoline and Electric Vehicles**

Manual Number 105062805  
Edition Code 1015B0616A



# USING THE ILLUSTRATED PARTS LIST

---

## **⚠ WARNING**

- **This manual is to be used only for identification and ordering of service parts. Be sure to read and use the maintenance and service manual before attempting any vehicle repairs.**

This manual covers all Turf/Carryall 6 vehicles built during the 2014 model year.

The manual is divided into sections. Note that there are two or three flags on the outside edge of each page. The first flag contains the section number of which that page is a part. The other flag (or flags) contains the letter G or E, signifying that the page pertains to the electric or gasoline vehicles only.

Use the Table of Contents to find the sections and pages that contain the parts and assemblies you seek. The Table of Contents lists section numbers, and under them, the individual page titles and numbers to be found in that section. The index can be used to find specific parts and assemblies. The index is divided into numerical and alphabetical listings with the page numbers in italic text.

There is a two-page spread for each individual page title in the Table of Contents. On the left-hand page is an illustration showing the parts in their relative positions; the parts are each tagged with an item number in a balloon. The right-hand page is the parts list page, and gives the page title at the top, then the item numbers (corresponding to the numbers on the illustration), part descriptions, and quantity of parts used.

Note that a part description may be indented. This indentation corresponds to a parts assembly level indicated by the numbers 1, 2, 3, and 4 at the top left corner of the parts description area of the parts list page. A part that is indented to *level 2* is a component of the *level 1* part (assembly) that it is listed under. A *level 3* part is a component of the *level 2* part that it is listed under, and a *level 4* part is a component of the *level 3* part preceding it. In each case, the part quantity given for a level 2, 3, or 4 part is the quantity used per next higher level assembly of which it is a component. A part that is not indented is a *level 1* part. This means that the quantity given is the quantity used per the portion of the vehicle illustrated on that particular spread.



P. O. Box 204658  
Augusta, Georgia 30917-4658 USA  
Telephone 706-863-3000  
Service Parts Fax 706-855-7413  
[www.clubcar.com](http://www.clubcar.com)

## HOW TO ORDER PARTS

Replacement parts and accessories can be obtained from our network of authorized dealers and distributors. You can obtain the name and phone number of your closest authorized Club Car dealer or distributor by visiting our web site at [www.clubcardealer.com](http://www.clubcardealer.com), by calling our toll-free Service Parts and Technical Assistance hotline at (800) 872-2246 or (706) 863-3000, extension 3887, or by scanning this Quick Response (QR) code to be taken to the Club Car dealer locator. **Refer to Figure 1.** Download a QR code reader such as RedLaser or Barcode Scanner to your cell phone or tablet.

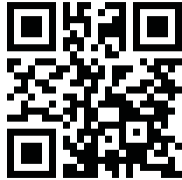


Figure 1 Dealer Locator QR Code

## CUSTOMER SATISFACTION SURVEY

Let your voice be heard!

Please take time to participate in the Technical Publications satisfaction survey. Obtaining feedback from our customers is important to the department's continuous improvement process. The online survey takes less than five minutes and responses will help the department to examine current performance as well as identify areas for future improvement.

Our top priority is to provide timely, accurate, and user friendly manuals.

The online satisfaction survey can be found at: <http://bit.ly/1w9uFMh>



Figure 2 Survey QR Code

**NOTE:** *This illustrated parts list represents the most current information at the time of publication. Club Car, LLC is continually working to further improve its vehicles and other products. These improvements may affect the parts used to service the vehicle. Any modification and/or significant change in specifications will be forwarded to all Club Car and Carryall distributors/dealers and will, when applicable, appear in future editions of this illustrated parts list.*

*Club Car, LLC reserves the right to change specifications and designs at any time without notice and without the obligation of making changes to units previously sold.*

Copyright © 2013 Club Car, LLC  
Club Car and ArmorFlex  
are registered trademarks of Club Car, LLC.  
This manual effective August 1, 2013.



# CONTENTS

## SECTION 1 – BODY AND TRIM

Front Body and Trim – Turf/Carryall 2, 2 Plus, and 6 .....	1-3
Splash Guard – Gasoline Vehicles Only .....	1-5
Dash Pockets and Floormat .....	1-7
Beverage Holder .....	1-9
Mirror, Rear-View – without Cab .....	1-11
Underseat Storage .....	1-13
Grommets, Chassis .....	1-15
Seat Bottom .....	1-17
Seat Back Assembly .....	1-19
Windshield, Hinged .....	1-21
Windshield, Non-Hinged .....	1-23
Canopy Kit, White .....	1-25
Canopy Kit, Beige .....	1-27
Hip Restraints and Seat Back Mounting .....	1-29
Flat Bed – Turf/Carryall 6 .....	1-31
Flat Bed Mounting .....	1-33
Bed Mat .....	1-35
Stake Side Kit .....	1-37
Toolboxes .....	1-39
Electric Bed Lift – Gasoline Vehicles .....	1-41
Electric Bed Lift – Electric Vehicle .....	1-43
Trailer Hitch, Heavy-Duty .....	1-45
Trailer Hitch, Light-Duty .....	1-47
Trailer Hitch Ball .....	1-49
Receiver Hitch .....	1-51
Rear Body Trim – Turf/Carryall 1, 2, 2 Plus, and 6 .....	1-53
Rear Bumper .....	1-55
Cab, CPL – Turf/CA 2, 2 Plus, 6, 252 and XRT 900 .....	1-57
Doors – CPL Cab .....	1-59
Windshield Wiper – CPL Cab .....	1-61
Windshields – CPL Cab .....	1-63
Seat Belts, Roof, Vent, & Seals – CPL Cab .....	1-65
Lights – CPL Cab .....	1-67
Fan and Mirror – CPL Cab .....	1-69
Van Box .....	1-71

## SECTION 2 – WHEELS AND TIRES

Wheels (Silver) and Tires .....	2-3
---------------------------------	-----

# CONTENTS

Wheel Covers .....	2-5
--------------------	-----

## SECTION 3 – DECALS

Decals – Electric Carryall 6 .....	3-3
Decals – Electric Carryall 6, Continued .....	3-5
Decals – Gasoline Turf/Carryall 6 .....	3-7
Decals – Gasoline Turf/Carryall 6, Continued .....	3-9
Badging Decals, Carryall 6 – Electric Vehicles .....	3-11
Badging Decals, Carryall 6 – Gasoline Vehicles .....	3-13
Badging Decals, Turf 6 – Gasoline Vehicles .....	3-15

## SECTION 4 – LIGHTS, CONTROLS, AND INDICATORS

Headlights .....	4-3
Lighting System Components – Gasoline Vehicles .....	4-5
Lighting System Components – Electric Vehicles .....	4-7
Turn Signal Kit – DS and Utility Gasoline and Electric Vehicles .....	4-9
Turn Signal (with Horn Button) Kit – DS and Utility Gas and Electric Vehicles .....	4-11
Instrument Panel and Electrical Components – Turf 6 Gas .....	4-13
Instrument Panel and Electrical Components – Carryall 6 Gas .....	4-15
Instrument Panel with Electrical Components – Carryall 6 Electric .....	4-17
Indicator, Charger Info – Elec. Vehicles with Maint-Free Batteries and DeltaQ Charger .....	4-19
Keys and Keyswitches, SmartKey Kit – Electric Vehicle .....	4-21
Keys and Keyswitches, Uncommon – Gas Vehicle .....	4-23
DC Converter (Isolated) – Electric Vehicle .....	4-25
DC Converter (Isolated) – CE Electric Vehicle .....	4-27
Voltage Limiter – Gasoline Vehicle .....	4-29
Strobe Light, Post-Mounted – Gasoline Vehicles .....	4-31
Strobe Light, Post-Mounted – Electric Vehicles .....	4-33
Strobe Light, Canopy-Mounted .....	4-35
Horn with Column-Mounted Button .....	4-37
Hour Meter – Carryall/Turf 2 IQ Plus Electric Vehicles .....	4-39
Taillights .....	4-41

## SECTION 5 – BRAKES, PEDAL, AND CABLE ASSEMBLIES

Brake Pedal Assembly .....	5-3
Accelerator Pedal Assembly – Electric Vehicles .....	5-5
Accelerator Pedal Assembly – Gasoline Vehicles .....	5-7
Accelerator Rod – Turf/Carryall 6 Gasoline Vehicles .....	5-9
Front Brake Assembly – Vehicles with Four-Wheel Brakes .....	5-11

# CONTENTS

---

Front Brake Cables and Equalizer – Vehicles with Four-Wheel Brakes .....	5-13
Rear Brake Cables and Equalizer – Turf/Carryall 6 .....	5-15
Rear Brake Assembly, Manually-Adjusted – Vehicles with 4-Wheel Brakes .....	5-17

## SECTION 6 – STEERING AND SUSPENSIONS

---

Steering Gear Assembly (Wanda) – Maint.-Free Ball Joint .....	6-3
Steering Column – Utility .....	6-5
Intermediate Steering Shaft (Wanda) – Turf/CA 1/2/6 .....	6-7
Steering Wheel .....	6-9
Steering Wheel with Clip .....	6-11
Front Spindles and Hubs – Vehicles with Four-Wheel Brakes and Maintenance-Free Ball Joints .....	6-13
Front Suspension, Upper – All Turf/Carryall 6 with Maintenance-Free Ball Joints .....	6-15
Front Suspension, Lower – Standard Gasoline Vehicle with Maintenance-Free Ball Joints .....	6-17
Front Suspension, Lower – CA6 Elec & Turf/CA6 Gas with HD Option .....	6-19
Rear Suspension – Gasoline Turf/Carryall 2, 2 Plus, and 6 .....	6-21
Rear Suspension – Turf/Carryall 2 and 6 IQ Plus Vehicles .....	6-23
Stabilizer Bar – Turf/Carryall 2, 6, and Carryall 2 Plus Gasoline Vehicles .....	6-25

## SECTION 7 – ELECTRICAL SYSTEM – GASOLINE VEHICLE

---

Wiring – Turf 6 Gas with AMD Starter Gen .....	7-3
Wiring – Carryall 6 Gas with AMD Starter Gen .....	7-5
Starter/Generator Assembly (Pedal-Start), Model 114-01-4009A .....	7-7
Starter/Generator Assembly (Key-Start), Model 114-04-4001A .....	7-9
Starter/Generator Mounting – 114-0x-400xx Models .....	7-11
Operation and Maintenance Switch .....	7-13
Electrical Component Box – Turf 6 .....	7-15
Electrical Component Box – Carryall 6 .....	7-17
Forward/Reverse Shifter Switches – Dash Mounted Shifter .....	7-19
Battery – Gasoline Utility Vehicles .....	7-21

## SECTION 8 – ENGINE (S27) W/O ACR, 50-STATE

---

Tune-Up Kit – Kawasaki FE350 .....	8-3
FE350 Engine (S27) w/o ACR, Shrouds, and Brackets; 50-State .....	8-5
FE350 Engine (S27) – Ignition Components and Flywheel .....	8-7
FE350 Engine (S27) – Oil Circulation .....	8-9
FE350 Engine (S27) – Cylinder Head .....	8-11
FE350 Engine (S27) – Crankcase, Camshaft, and Oil Sensor .....	8-13
FE350 Engine (S27) – Crankcase and Crankshaft .....	8-15
FE350 Engine (S27) – Mounting .....	8-17

# CONTENTS

---

## SECTION 9 – FUEL, INTAKE, AND GOVERNOR SYSTEMS

---

Fuel System, 50-State .....	9-3
Carbon Canister .....	9-5
Carburetor Assembly – FE350 S27 .....	9-7
Carburetor Mounting, Utility, FE350 S27 .....	9-9
Governor and Accelerator Cables .....	9-11
Air Intake Duct and Choke Cable – Turf/Carryall 6 .....	9-13
Air Filter and Intake Hose .....	9-15

---

## SECTION 10 – EXHAUST SYSTEM

---

Exhaust System – FE350 Engine .....	10-3
-------------------------------------	------

---

## SECTION 11 – DRIVE BELT AND CLUTCHES

---

Drive Belt .....	11-3
Drive Clutch – Turf 6 .....	11-5
Drive Clutch – Carryall 6 .....	11-7
Driven Clutch – Turf 6 and Carryall 6 .....	11-9

---

## SECTION 12 – UNITIZED TRANSAXLE AND FNR SHIFTER – GASOLINE VEHICLES

---

Forward/Reverse Shifter .....	12-3
Shifter Cable – Turf/CA 6 .....	12-5
Kawasaki Transaxle – Gear Cases and Levers .....	12-7
Kawasaki Transaxle – F&R Transmission and Gear Reduction .....	12-9
Kawasaki Transaxle – Differential and Axles .....	12-11
Graziano Transaxle – Gear Cases and Levers .....	12-13
Graziano Transaxle – F&R Transmission and Gear Reduction .....	12-15
Graziano Transaxle – Differential and Axles .....	12-17

---

## SECTION 13 – ELECTRICAL SYSTEM, ELECTRIC VEHICLES

---

Motor Controller Output Regulator (MCOR) .....	13-3
Wiring – CA 6 Electric .....	13-5
Battery Charger Receptacle .....	13-7
Tow/Run Switch and Circuit-Breaker – IQ Plus .....	13-9
Batteries, 6-Volt, Standard Duty, Trojan .....	13-11
Batteries, 6-Volt, Heavy Duty, Trojan .....	13-13
Single Point Watering System, 6V .....	13-15
Hand Pump and Deionizer (Battery-Powered Quality Light) .....	13-17
Computer, Controller, and Solenoid – for Trojan Batteries .....	13-19

# CONTENTS

---

Ferrite Beads, CE .....	13-21
-------------------------	-------

## **SECTION 14 – MOTOR (MODEL DA5-4006) – IQ PLUS**

---

Motor (Model DA5-4006) – IQ Plus .....	14-3
--	------

## **SECTION 15 – TRANSAXLE – ELECTRIC VEHICLES**

---

Transaxle – Electric Vehicles .....	15-3
Differential Guard – Electric Vehicles .....	15-5

## **SECTION 16 – BATTERY CHARGERS**

---

IQ Plus Battery Charger (Models 25730-11,-18,-19), Domestic .....	16-3
IQ Plus Battery Charger (Models 25880-11 and -18), International .....	16-5
Onboard IQ Plus Battery Charger (Model 25260-50), Domestic .....	16-7
Onboard IQ Plus Battery Charger (Model 25660-50), International .....	16-9
Onboard IQ Plus Charger and Cord Reel Mounting .....	16-11

## **SECTION 17 – MAINTENANCE AND SERVICE TOOLS**

---

Maintenance and Service Tools .....	17-3
Maintenance and Service Tools, Continued .....	17-5
Maintenance and Service Tools, Continued .....	17-7

## **SECTION i – INDEX**

---



# BODY AND TRIM

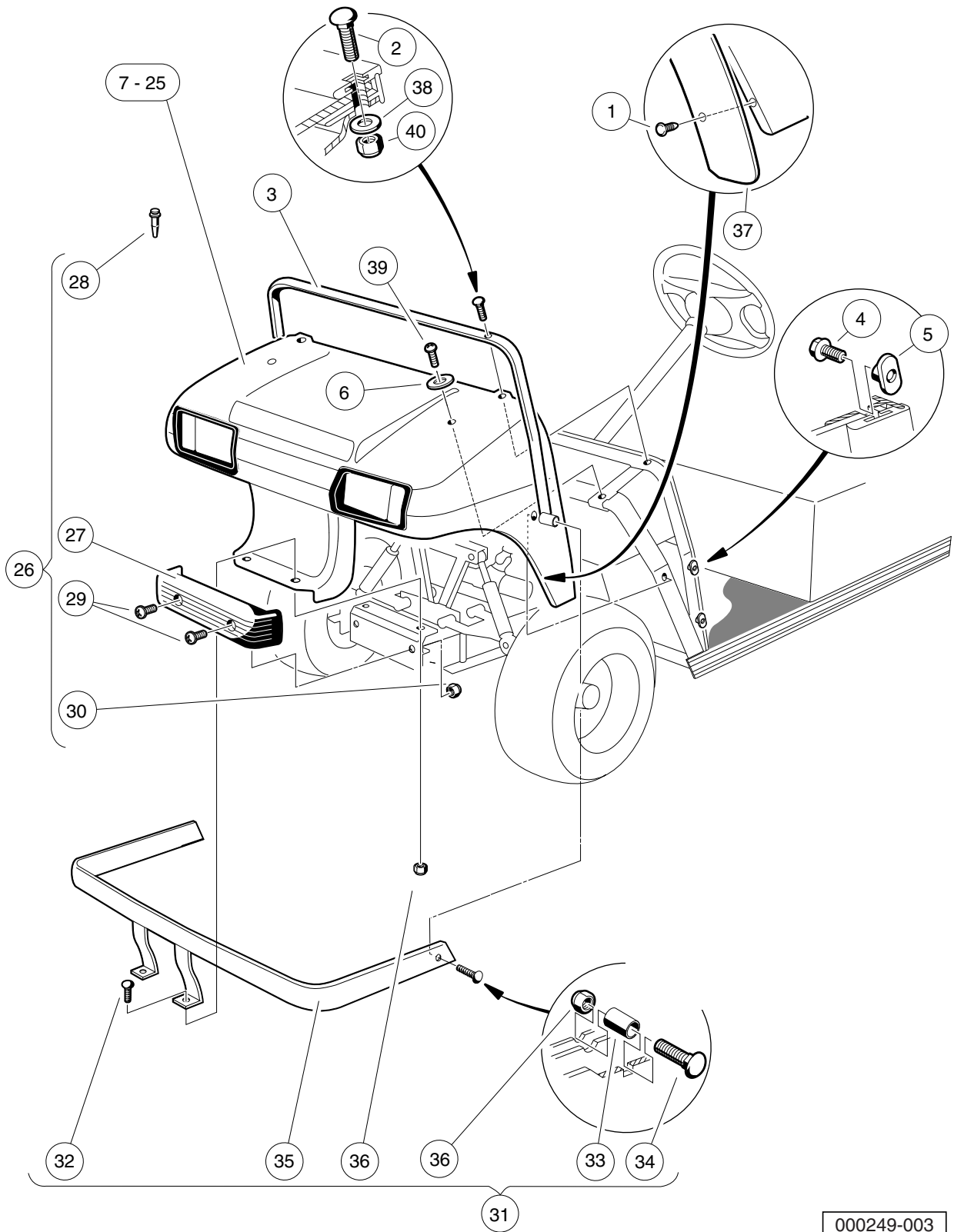
---

1

G

E

**1**  
**G**  
**E**



000249-003

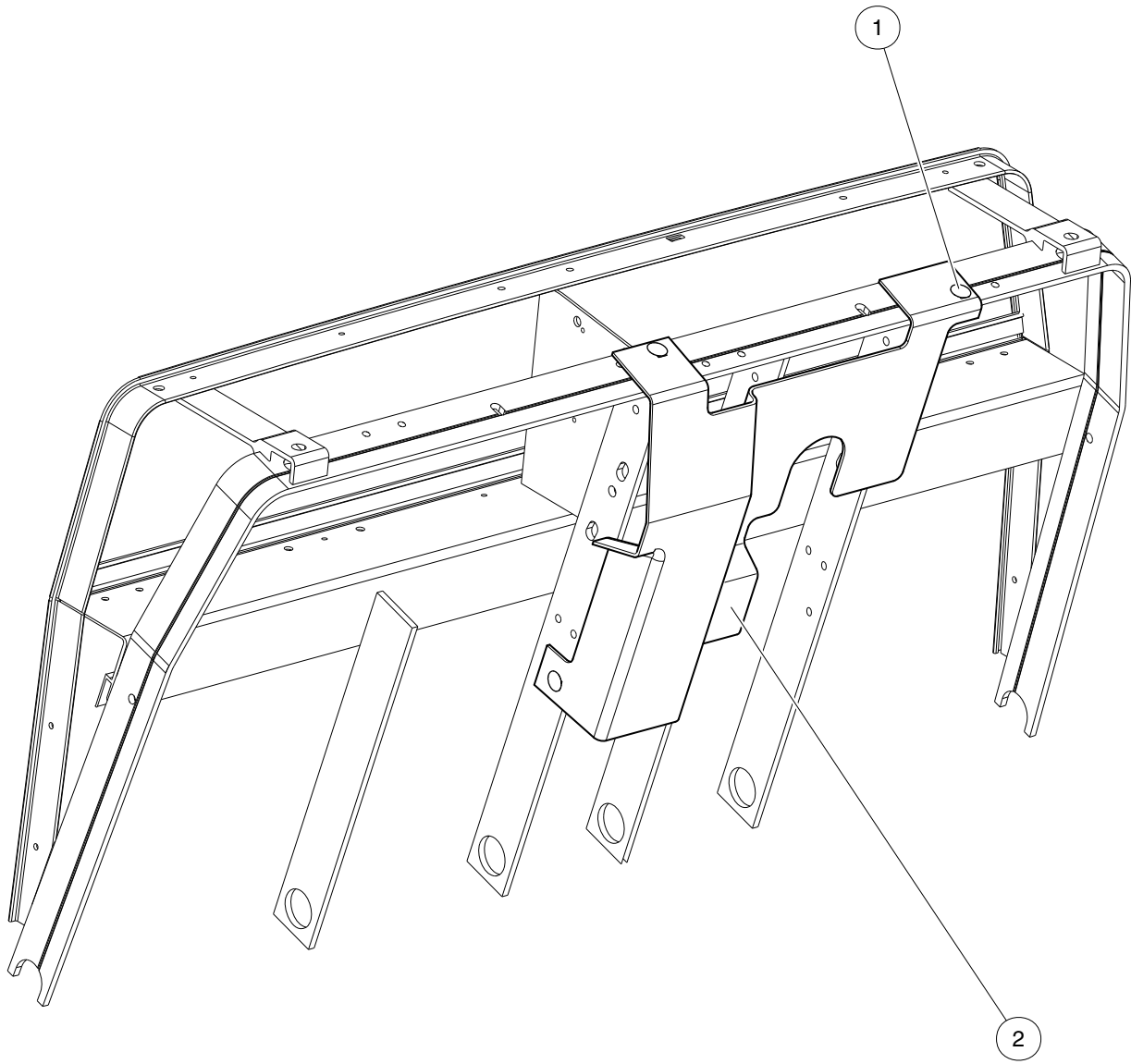


# FRONT BODY AND TRIM – TURF/CARRYALL 2, 2 PLUS, AND 6

ITEM	PART NO.	DESCRIPTION	QTY
		<b>1 2 3 4</b>	
1	1010434	Barrel - Plastic .....	12
2	1010435	Bolt, Carriage, 5/16-18 X 1.00 .....	2
3	1011014	Trim, Cowl .....	1
4	1011017	Screw, #8-32 X 0.375 .....	6
5	1011394	T-Nut Package (Set of 4) .....	1
6	1015075	Washer, 5/16 Flat Type A .....	2
7	101692501	Cowl, TPO, Beige .....	1
8	101692502	Cowl, TPO, White .....	1
9	101692506	Cowl, TPO, Red .....	1
10	101692509	Cowl, TPO, Pacific Blue (Royal Blue) .....	1
11	101692510	Cowl, TPO, Dark Green .....	1
12	101692511	Cowl, TPO, Black .....	1
13	101692512	Cowl, TPO, Classic Blue (Navy) .....	1
14	101692513	Cowl, TPO, Burgundy .....	1
15	101692514	Cowl, TPO, Dark Gray .....	1
16	101692515	Cowl, TPO, Safety Yellow .....	1
17	101693901	Cowl with Headlight Opening, TPO, Beige .....	1
18	101693902	Cowl with Headlight Opening, TPO, White .....	1
19	101693906	Cowl with Headlight Opening, TPO, Red .....	1
20	101693909	Cowl with Headlight Opening, TPO, Dark Green .....	1
21	101693910	Cowl with Headlight Opening, TPO, Black .....	1
22	101693911	Cowl with Headlight Opening, TPO, Classic Blue (Navy) .....	1
23	101693912	Cowl with Headlight Opening, TPO, Burgundy .....	1
24	101693913	Cowl with Headlight Opening, TPO, Dark Gray .....	1
25	101693914	Cowl with Headlight Opening, TPO, Safety Yellow .....	1
26	1017080	Kit, Front Bumper (includes items 27 through 30) .....	1
27	1016868	Front Bumper .....	1
28	1016967	Blind Rivet, Push Type .....	2
29	7251	Screw, 5/16-18 x 1.0 Truss-Head .....	2
30	7473	Locknut, 5/16-18 Nylon Insert .....	2
31	101734802	Kit, Heavy-Duty Bumper (includes items 32 through 36) .....	1
32	1010435	Bolt, Carriage, 5/16-18 X 1.00 .....	2
33	1010546	Spacer .....	2
34	1015405	Bolt, Carriage, 5/16-18 X 2.0 .....	2
35	N/A	Weldment, Heavy Duty Bumper .....	1
36	7473	Locknut, 5/16-18 Nylon Insert .....	4
37	101870401	Fender Extrusion .....	2
38	1241	Washer, 5/16 Type A Flat .....	2
39	7251	Screw, 5/16-18 x 1.0 Truss-Head .....	2
40	7473	Locknut, 5/16-18 Nylon Insert .....	2

**1**  
**G**  
**E**

**1**  
**G**  
**E**



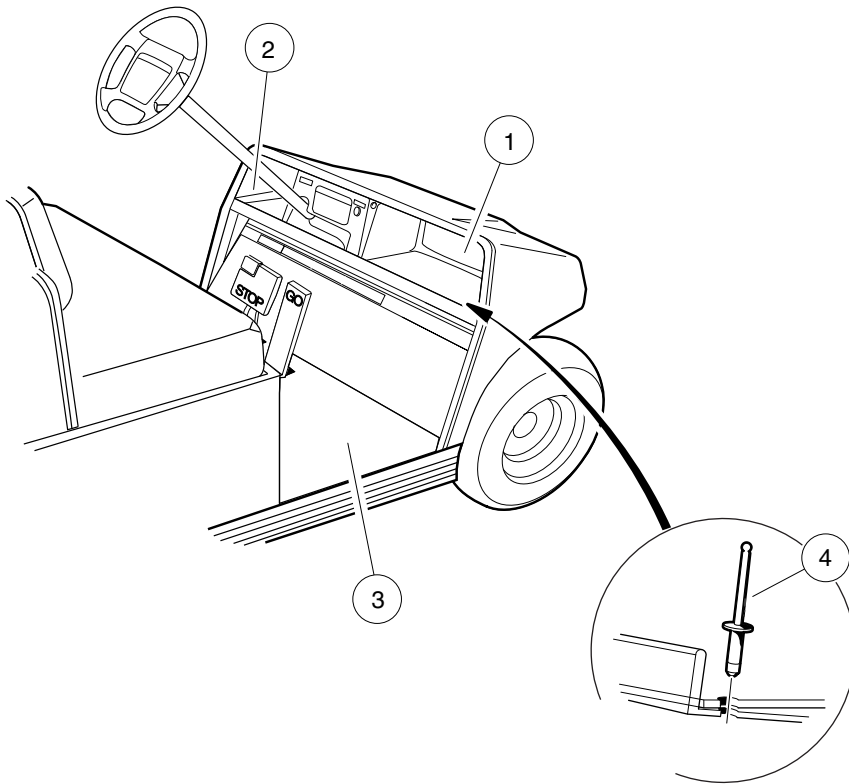
000593-002

## SPLASH GUARD – GASOLINE VEHICLES ONLY

ITEM	PART NO.	DESCRIPTION	QTY
1	1010434	1 2 3 4 Barrel - Plastic .....	3
2	103174401	Splash Guard .....	1

1  
G  
E

**1**  
**G**  
**E**



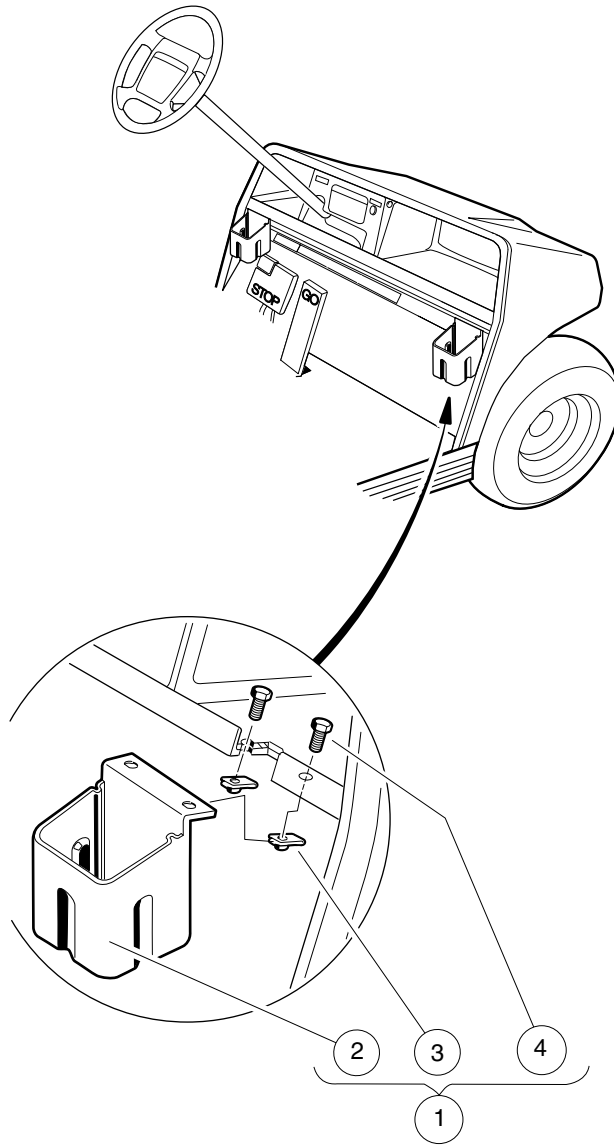
000252-002

# DASH POCKETS AND FLOORMAT

ITEM	PART NO.	DESCRIPTION	QTY
		1 2 3 4	
1	1013343	Dash Component, Passenger-Side, Black .....	1
2	1013344	Dash Component, Driver-Side .....	1
3	103939201	Floor Mat, Ds/utl, Std .....	1
4	7973	Rivet, 3/16 X .400 Blind .....	5

1  
G  
E

**1**  
**G**  
**E**



000253-001

# BEVERAGE HOLDER

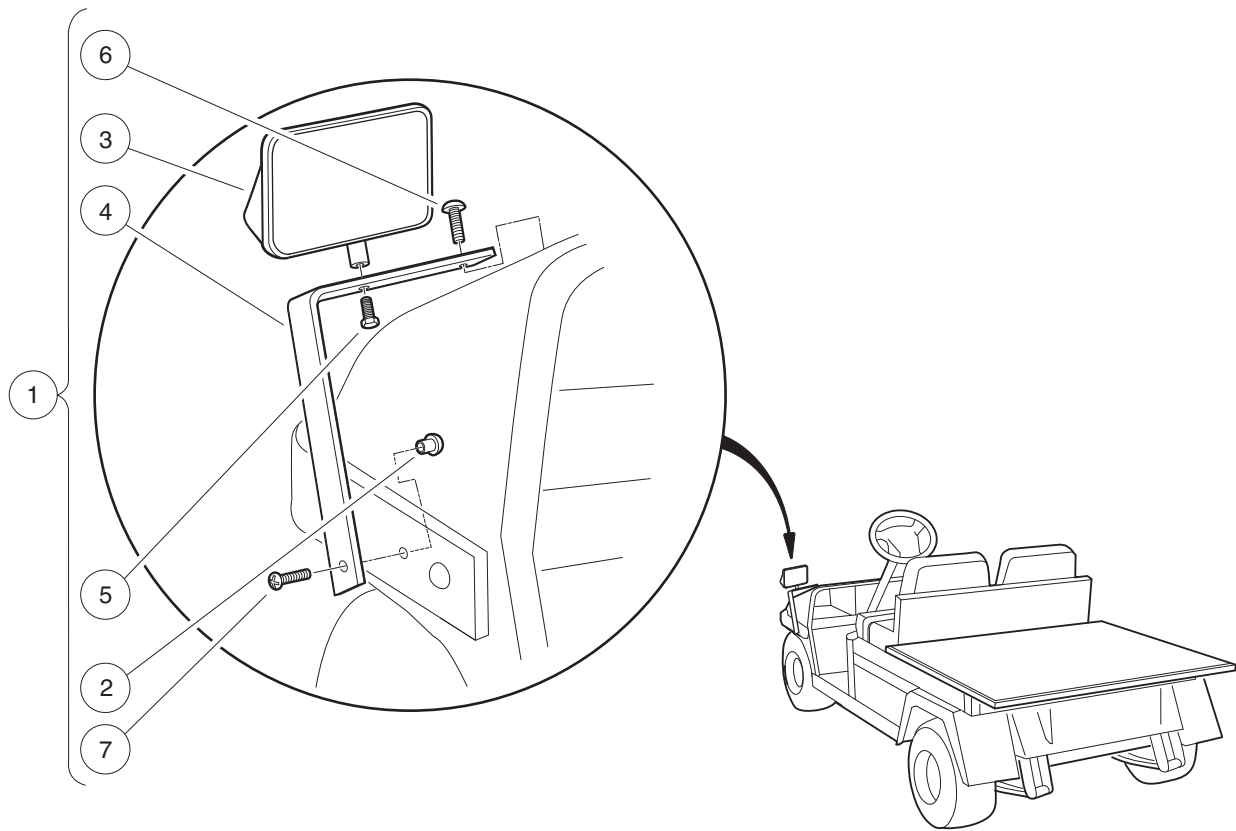
ITEM	PART NO.	DESCRIPTION	QTY
		1 2 3 4	
1	1013422	Cup Holder Kit (includes items 2 through 4) .....	2
2	1013420	Holder, Single Cup .....	1
3	1016952	U-Nut, 1/4-20 .....	2
4	7847	Screw, 1/4-20 X 0.75 Hex-Head Cap .....	2

1

G

E

**1**  
**G**  
**E**



001211-001

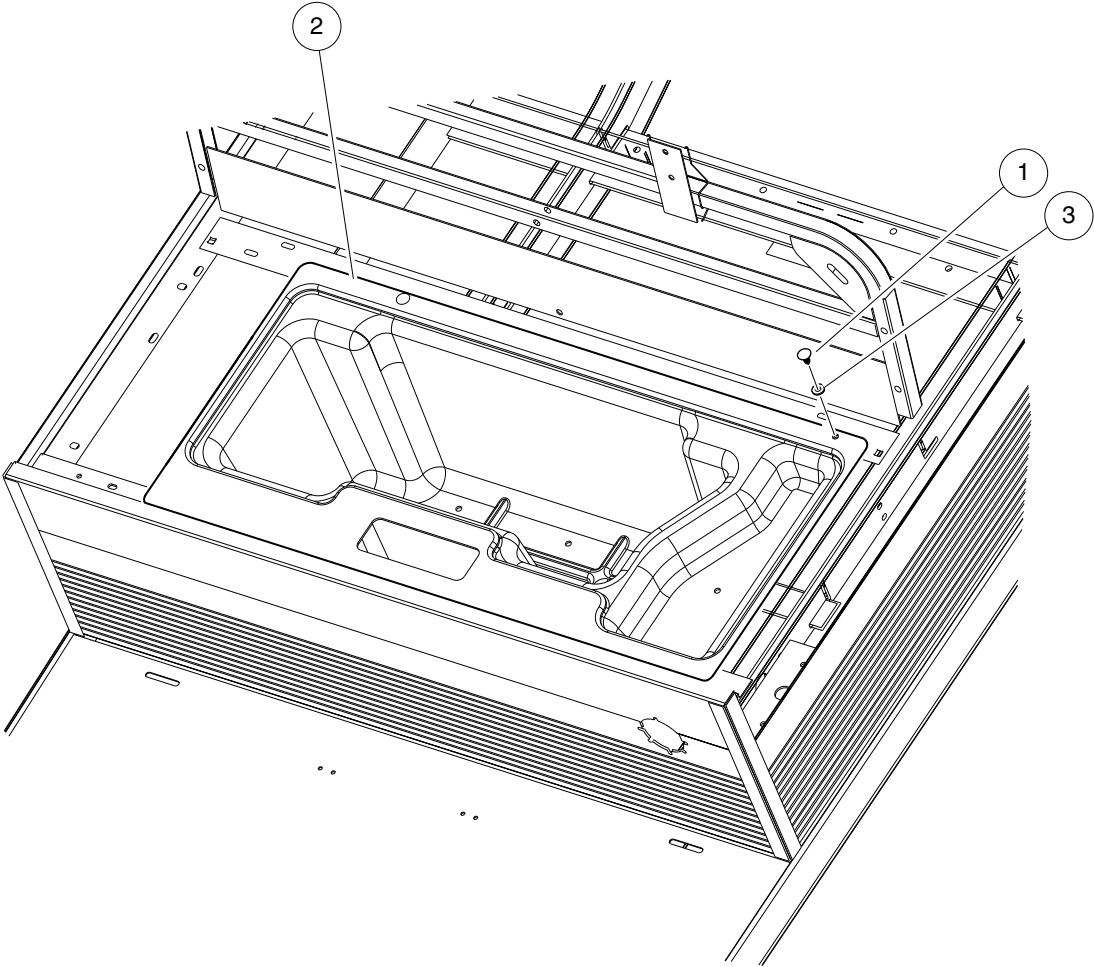


## MIRROR, REAR-VIEW – WITHOUT CAB

ITEM	PART NO.	DESCRIPTION	QTY
		1 2 3 4	
1	1013846	Kit, Rear Mirror, West Coast (includes items 2 through 7) .....	1
2	1011878	T-nut, 1/4-20 X .310 Capped .....	1
3	1013824	Rear View Mirror .....	1
4	1013825	Mirror Mounting Bracket .....	1
5	7173	Screw, 5/16-18 X 0.75, Hex-Head Cap .....	1
6	7251	Screw, 5/16-18 x 1.0 Truss-Head .....	1
7	8248	Screw, 1/4-20 X 0.75, Truss-Head Machine .....	1
<p style="margin-left: 40px;">Note: To install this kit, vehicle must be equipped with a heavy-duty front bumper.</p>			

1  
G  
E

**1**  
**G**  
**E**



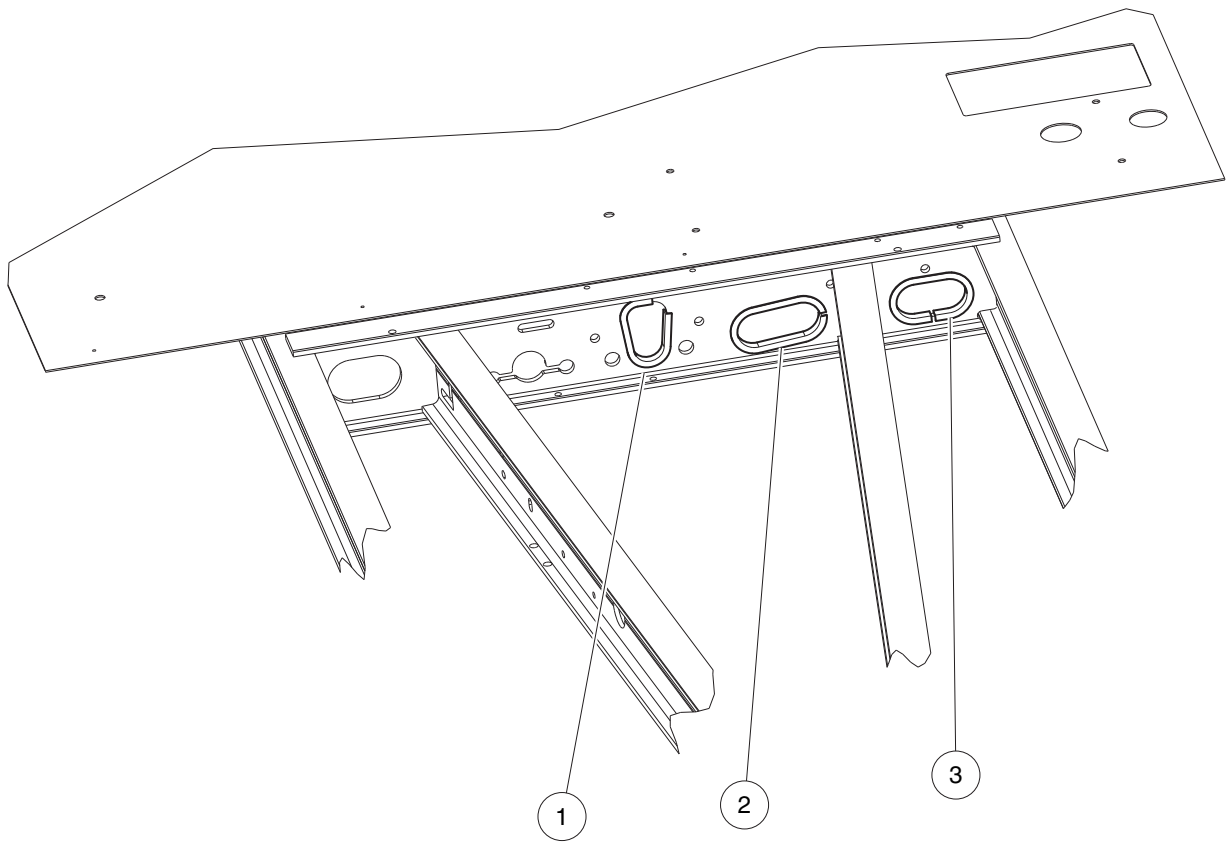
001172-001

# UNDERSEAT STORAGE

ITEM	PART NO.	DESCRIPTION	QTY
1	1010434	1 2 3 4 Barrel - Plastic .....	2
2	103731001	Container, Underseat, CA,Gas .....	1
3	332	Washer, 1/4 Type A Narrow Flat .....	2

**1**  
**G**  
**E**

**1**  
**G**  
**E**



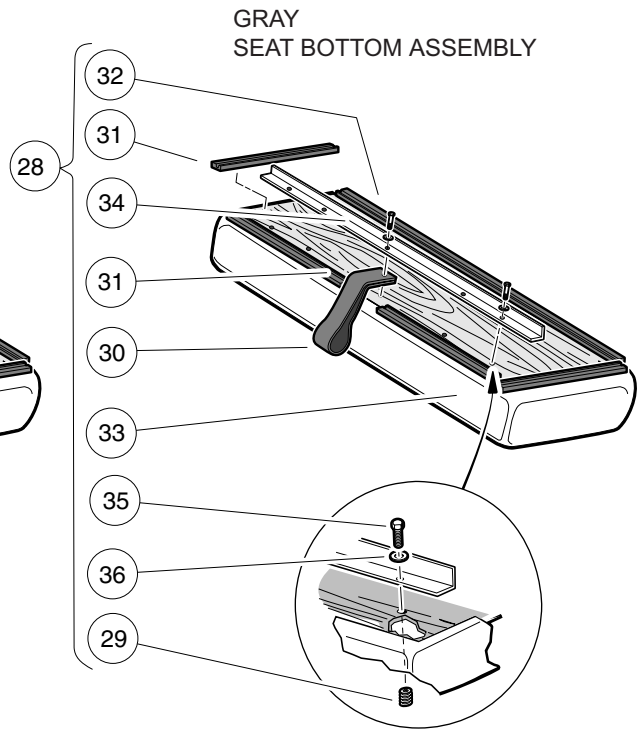
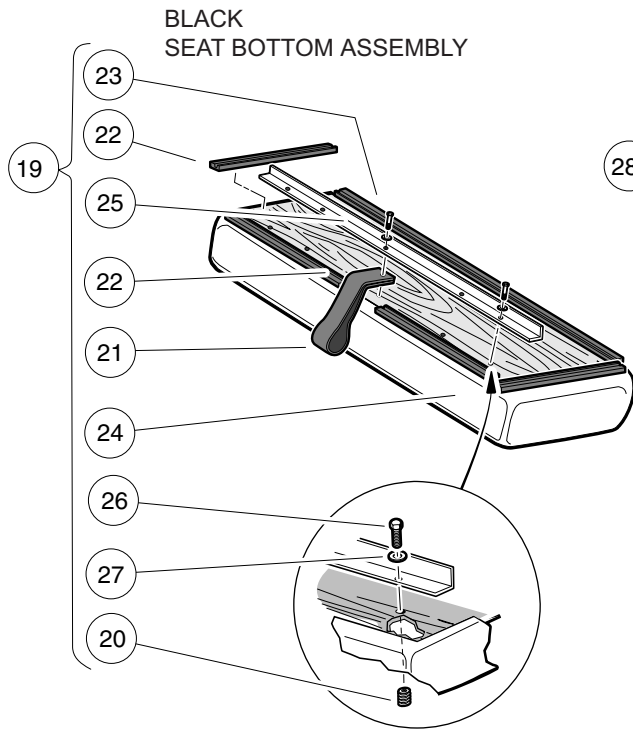
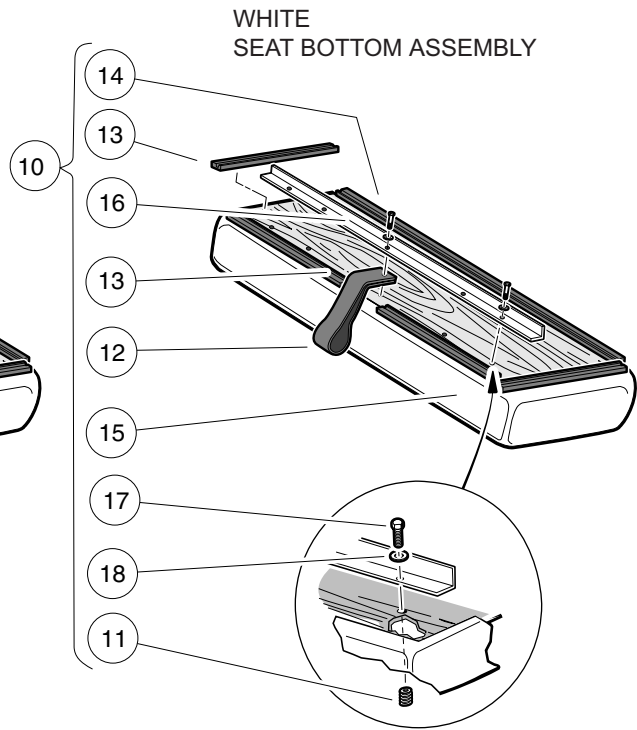
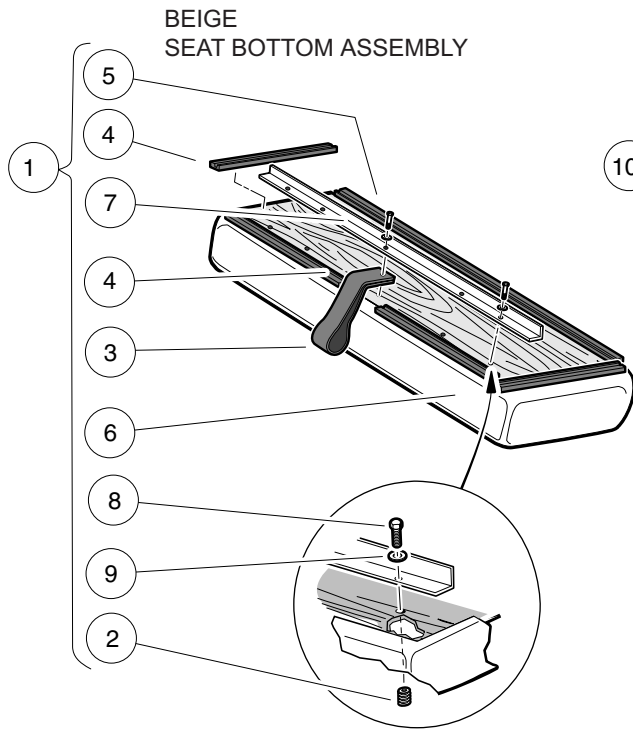
001221-001

# GROMMETS, CHASSIS

ITEM	PART NO.	DESCRIPTION	QTY
		1 2 3 4	
1	101806001	I-beam Grommet - 5.5 .....	A/R
2	101806002	I-beam Grommet - 7.5 .....	A/R
3	101806005	I-beam Grommet - 6.75 .....	A/R

1  
G  
E

**1**  
**G**  
**E**



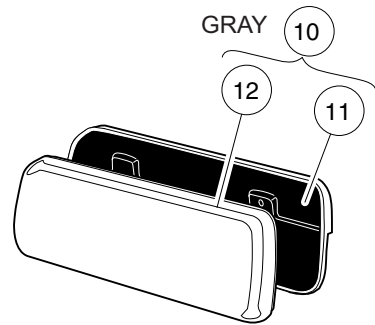
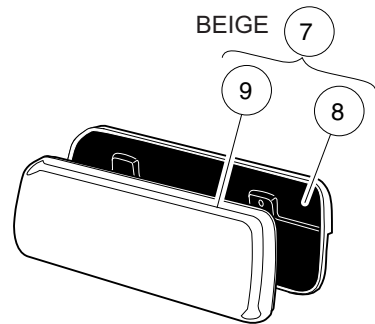
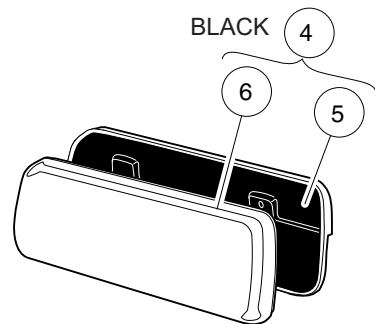
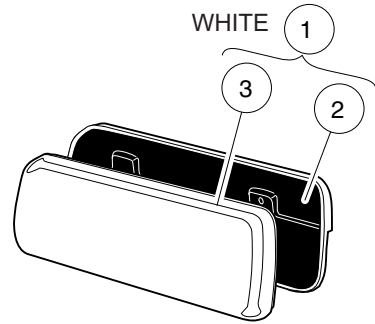
000254-001

# SEAT BOTTOM

ITEM	PART NO.	DESCRIPTION	QTY
		<b>1 2 3 4</b>	
1	101564501	Seat Bottom Assembly, Beige (includes items 2 through 9) .....	1
2	1010543	Insert - Wood .....	5
3	1013309	Strap, Utility Seat .....	1
4	1013311	Bumper, Seat, Short .....	4
5	1013312	Bumper, Seat, Long .....	1
6	101562711	Vinyl Cover, Seat Bottom, Buff .....	1
7	101894303	Stiffener .....	1
8	101954301	Screw, 1/4-20 X 0.75 Hex-Head Cap .....	5
9	332	Washer, 1/4 Type A Narrow Flat .....	5
10	101564502	Seat Bottom Assembly, White (includes items 11 through 18) .....	1
11	1010543	Insert - Wood .....	5
12	1013309	Strap, Utility Seat .....	1
13	1013311	Bumper, Seat, Short .....	4
14	1013312	Bumper, Seat, Long .....	1
15	101562712	Vinyl Cover, Seat Bottom, White .....	1
16	101894303	Stiffener .....	1
17	101954301	Screw, 1/4-20 X 0.75 Hex-Head Cap .....	5
18	332	Washer, 1/4 Type A Narrow Flat .....	5
19	101564503	Seat Bottom Assembly, Black (includes items 20 through 27) .....	1
20	1010543	Insert - Wood .....	5
21	1013309	Strap, Utility Seat .....	1
22	1013311	Bumper, Seat, Short .....	4
23	1013312	Bumper, Seat, Long .....	1
24	101562714	Vinyl Cover, Seat Bottom, Black .....	1
25	101894303	Stiffener .....	1
26	101954301	Screw, 1/4-20 X 0.75 Hex-Head Cap .....	5
27	332	Washer, 1/4 Type A Narrow Flat .....	5
28	101564505	Seat Bottom Assembly, Gray (includes items 29 through 36) .....	1
29	1010543	Insert - Wood .....	5
30	1013309	Strap, Utility Seat .....	1
31	1013311	Bumper, Seat, Short .....	4
32	1013312	Bumper, Seat, Long .....	1
33	101562715	Vinyl Cover, Seat Bottom, Gray .....	2
34	101894303	Stiffener .....	1
35	101954301	Screw, 1/4-20 X 0.75 Hex-Head Cap .....	5
36	332	Washer, 1/4 Type A Narrow Flat .....	5

**1**  
**G**  
**E**

**1**  
**G**  
**E**



000608-001

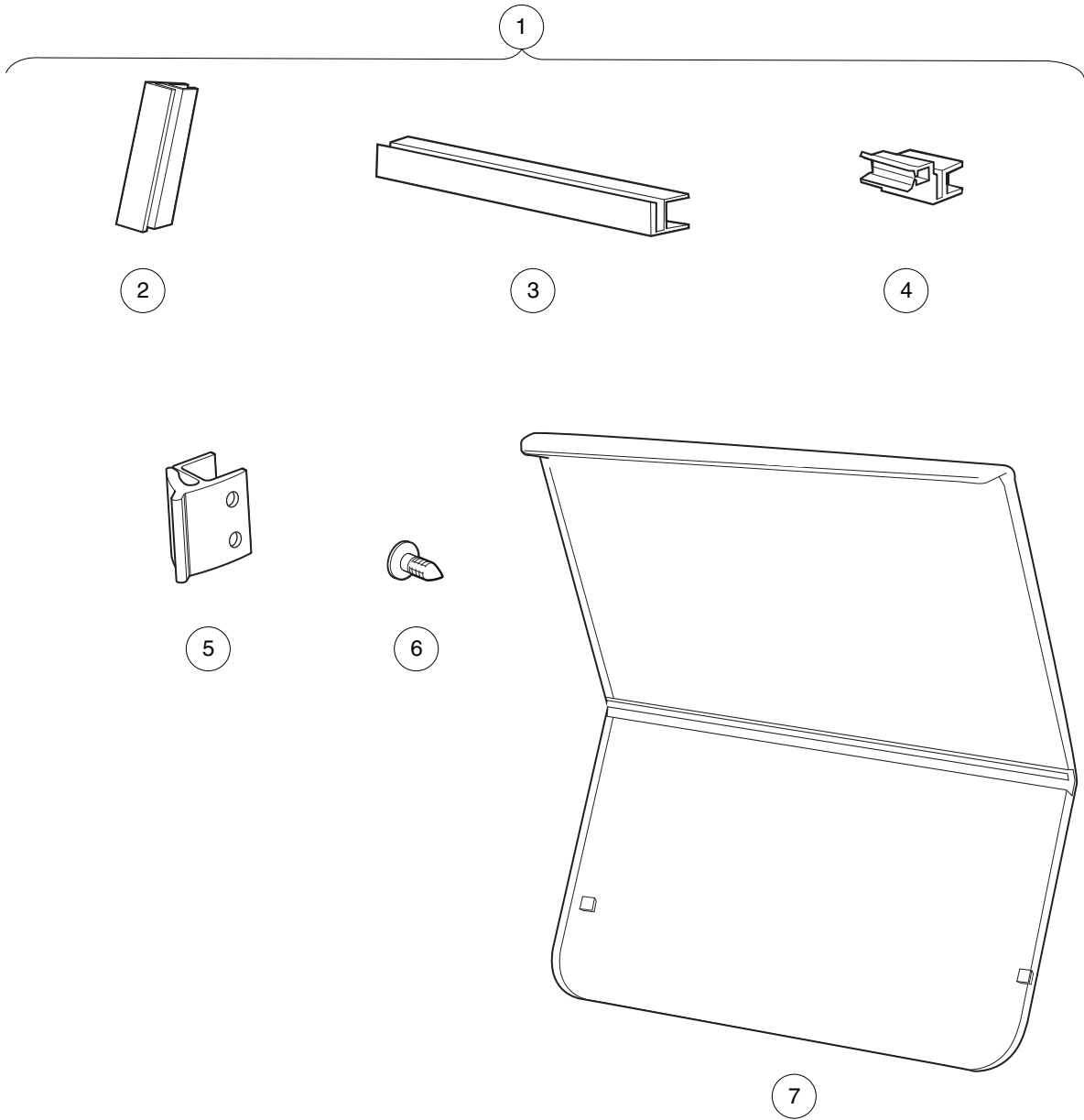


# SEAT BACK ASSEMBLY

ITEM	PART NO.	DESCRIPTION	QTY
		<b>1 2 3 4</b>	
1	101677701	Seat Back Assembly, White (includes items 2 and 3) .....	1
2	1016751	Cap, Seat Back .....	1
3	101675512	Vinyl Seat Back, White .....	1
4	101677702	Seat Back Assembly, Black (includes items 5 and 6) .....	1
5	1016751	Cap, Seat Back .....	1
6	101675514	Vinyl Seat Back, Black .....	1
7	101677703	Seat Back Assembly, Beige (includes items 8 and 9) .....	1
8	1016751	Cap, Seat Back .....	1
9	101675511	Vinyl Seat Back, Beige .....	1
10	101677705	Seat Back Assembly, Gray (includes items 11 and 12) .....	1
11	1016751	Cap, Seat Back .....	1
12	101675515	Vinyl Seat Back-nstd Svc .....	1

**1**  
**G**  
**E**

**1**  
**G**  
**E**



001257-001

# WINDSHIELD, HINGED

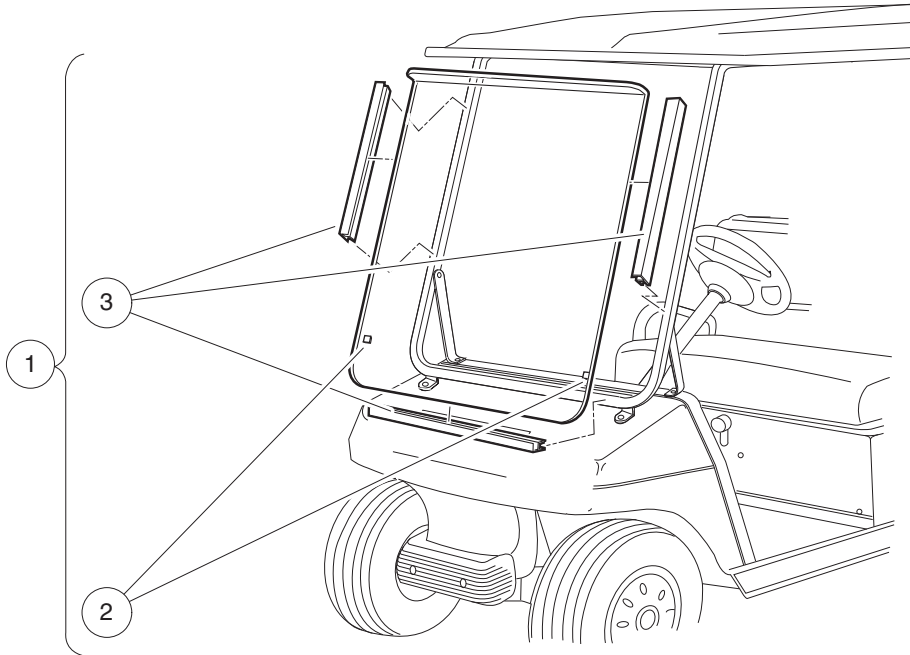
ITEM	PART NO.	DESCRIPTION	QTY
		<b>1 2 3 4</b>	
1	103888301	Kit, Hinged Windshield, Utility (includes items 2 through 7) .....	1
2	102005701	5" Plastic Extrusion .....	4
3	102163001	Windshield Channel .....	1
4	102163101	Channel with Receiver Clip .....	2
5	103677101	W/s, Rubber, Clip Retainer .....	2
6	103754901	Fastener, Barrel - .610 X .25 .....	8
7	103888101	Hinged Windshield, Utility .....	1

1  
G  
E

1

G

E



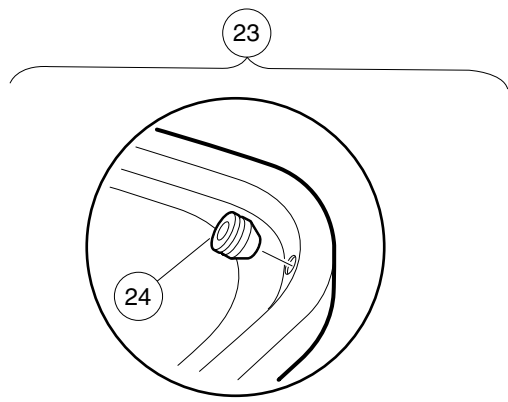
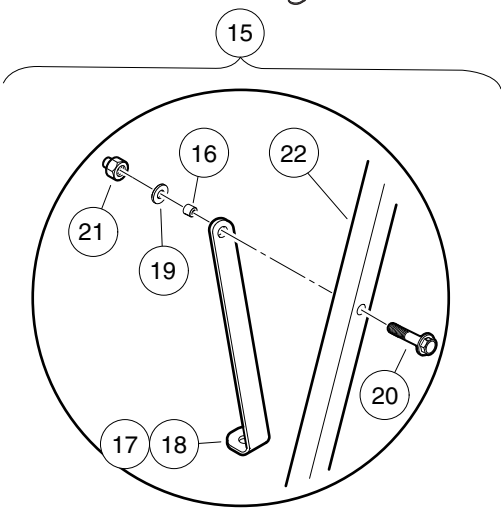
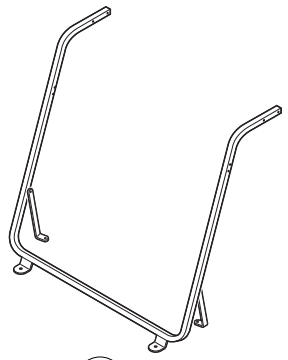
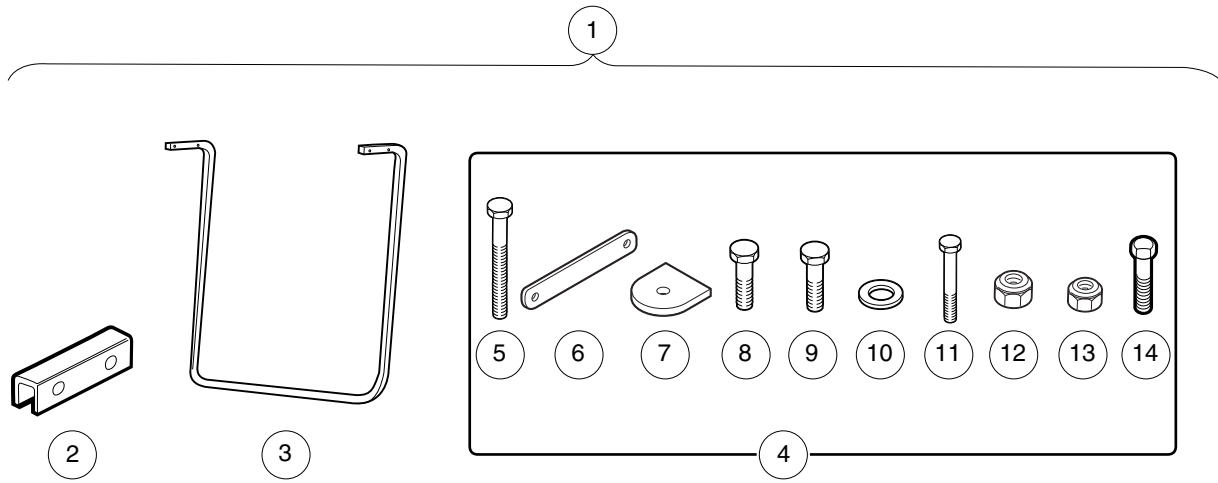
001204-001

# WINDSHIELD, NON-HINGED

ITEM	PART NO.	DESCRIPTION	QTY
		1 2 3 4	
1	1014435	Windshield Tinted One-Piece (includes items 2 and 3) .....	1
2	1011897	Bumper, Protective .....	2
3	101444101	21" Plastic Extrusion .....	3

1  
G  
E

**1**  
**G**  
**E**



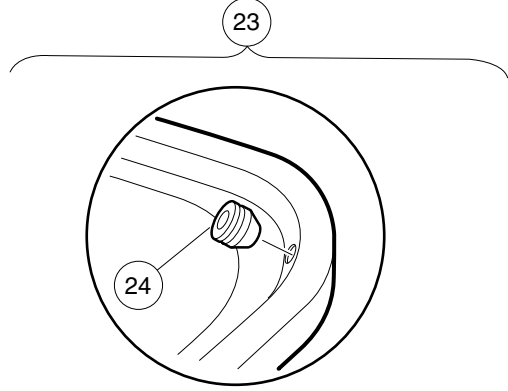
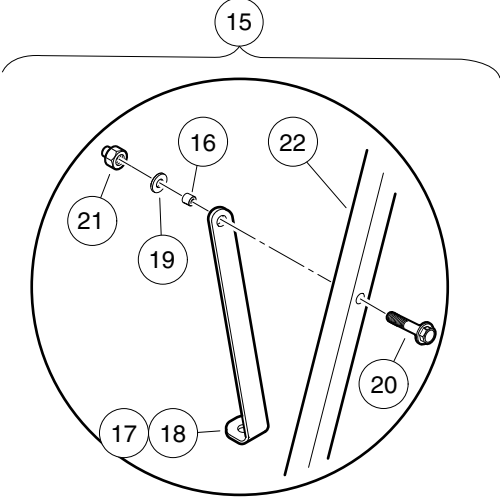
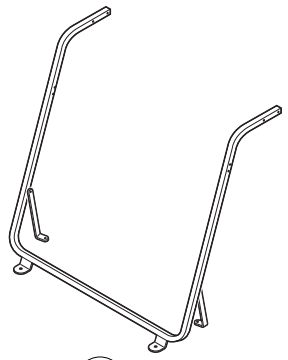
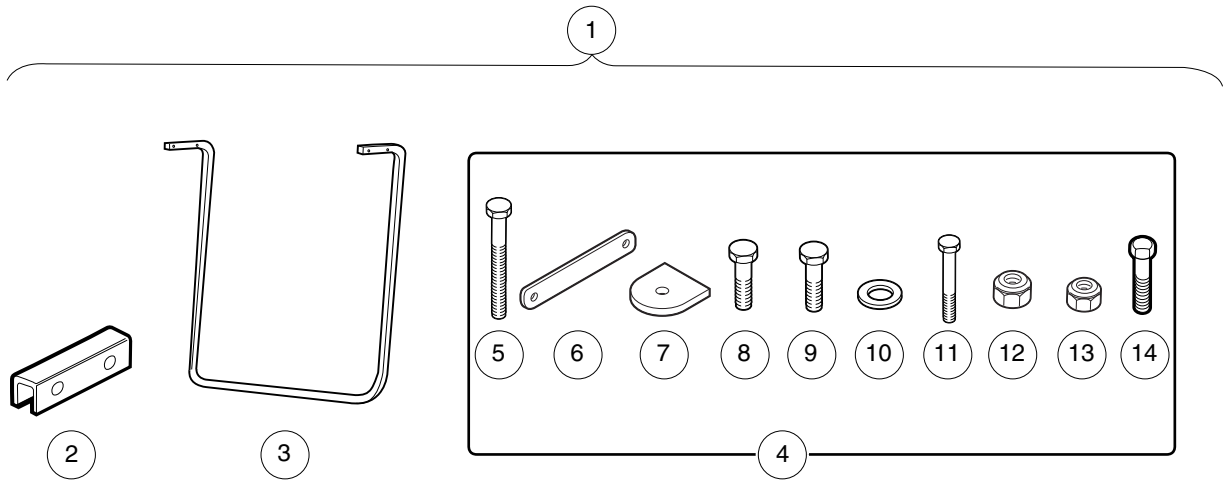
001258-001

# CANOPY KIT, WHITE

ITEM	PART NO.	DESCRIPTION	QTY
		1 2 3 4	
1	1014506	Kit, Canopy, White (includes items 2 through 23) .....	1
2	1012008	Support, Side Canopy .....	4
3	1014503	Brace, Rear Canopy .....	1
4	1016855	Kit, Hardware, Canopy (includes items 5 through 14) .....	1
5	1010921	Screw, 5/16-18 X 2.50 Hex Cap .....	1
6	1011852	Plate, Canopy Trim .....	8
7	1011883	Pad, Windshield Frame Mounting .....	2
8	1011937	Bolt, 5/16-18 X 1.25 Hex Head .....	2
9	1218	Screw, 5/16-18 X 1.25 Hex-Head Cap .....	2
10	1241	Washer, 5/16 Type A Flat .....	6
11	7311	Screw, 1/4-20 X 2.00 Hex-Head Cap .....	8
12	7473	Locknut, 5/16-18 Nylon Insert .....	3
13	8233	Locknut, 1/4-20, Nylon Insert .....	8
14	8963	Screw, 5/16-18 X 1.75 Hex-Head Cap .....	3
15	103789601	W/s Fr / Knee Br, Aluminum (includes items 16 through 22) .....	1
16	1010237	Bushing .....	2
17	1011862	Brace, Right-Hand Canopy Mount Knee .....	1
18	1011865	Brace, Left-Hand Canopy Mount Knee .....	1
19	1011964	Washer, 1/4 Flat .....	2
20	102076701	Screw, 1/4-20 X 1.75 Hex Sems .....	2
21	102242401	Nut - Nylon Insert W/cap .....	2
22	103787401	Asm, Windshield Frame, Alum .....	1
23	103804003	Asm, Canopy, Utility White (includes item 24) .....	1
24	1011942	Modified Grommet .....	2

1  
G  
E

**1**  
**G**  
**E**



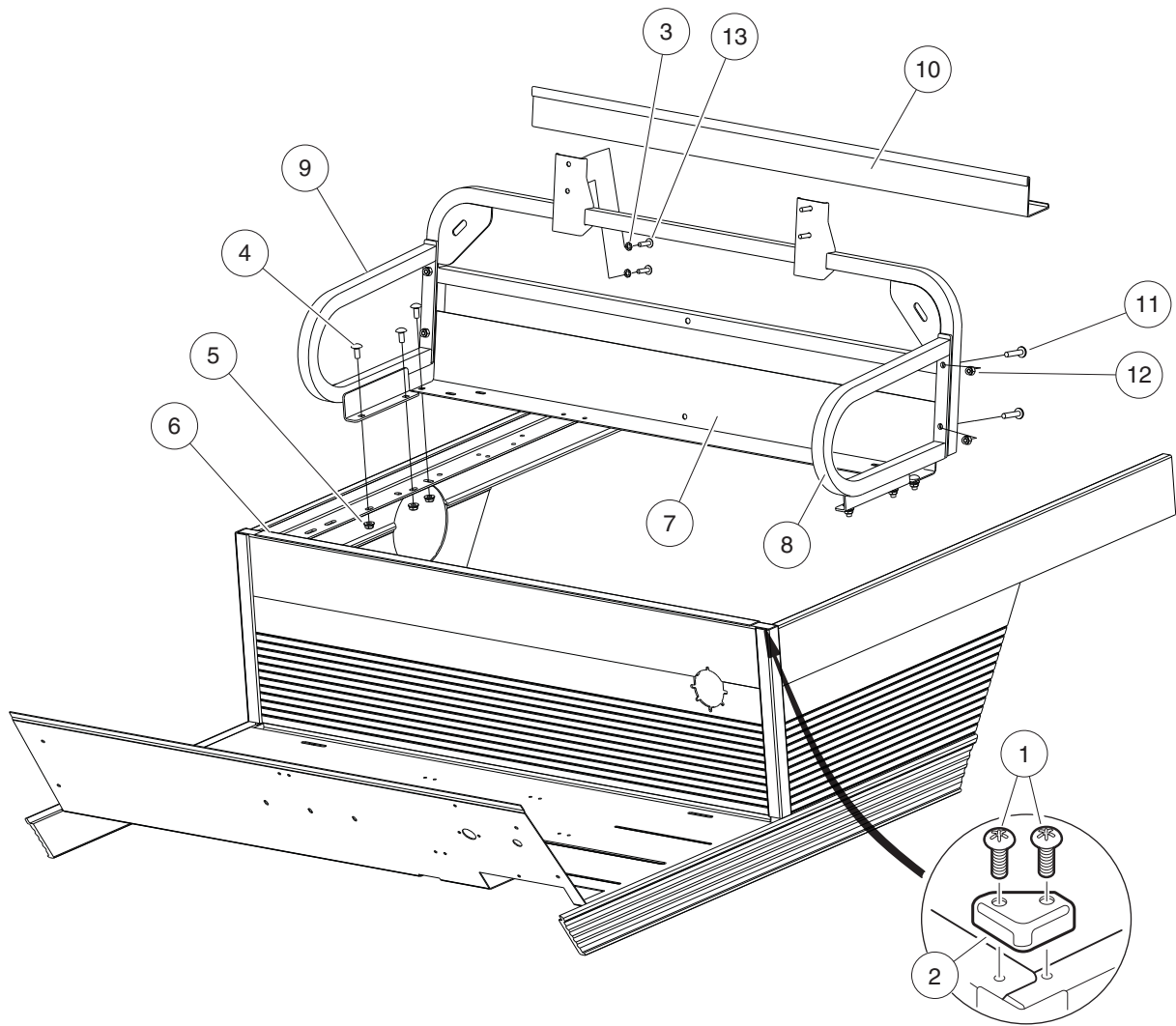
001258-001



# CANOPY KIT, BEIGE

ITEM	PART NO.	DESCRIPTION	QTY
		1 2 3 4	
1	101450698	Kit, Canopy, Beige, Ca1/2 (includes items 2 through 23) .....	1
2	1012008	Support, Side Canopy .....	4
3	1014503	Brace, Rear Canopy .....	1
4	1016855	Kit, Hardware, Canopy (includes items 5 through 14) .....	1
5	1010921	Screw, 5/16-18 X 2.50 Hex Cap .....	1
6	1011852	Plate, Canopy Trim .....	8
7	1011883	Pad, Windshield Frame Mounting .....	2
8	1011937	Bolt, 5/16-18 X 1.25 Hex Head .....	2
9	1218	Screw, 5/16-18 X 1.25 Hex-Head Cap .....	2
10	1241	Washer, 5/16 Type A Flat .....	6
11	7311	Screw, 1/4-20 X 2.00 Hex-Head Cap .....	8
12	7473	Locknut, 5/16-18 Nylon Insert .....	3
13	8233	Locknut, 1/4-20, Nylon Insert .....	8
14	8963	Screw, 5/16-18 X 1.75 Hex-Head Cap .....	3
15	103789601	W/s Fr / Knee Br, Aluminum (includes items 16 through 22) .....	1
16	1010237	Bushing .....	2
17	1011862	Brace, Right-Hand Canopy Mount Knee .....	1
18	1011865	Brace, Left-Hand Canopy Mount Knee .....	1
19	1011964	Washer, 1/4 Flat .....	2
20	102076701	Screw, 1/4-20 X 1.75 Hex Sems .....	2
21	102242401	Nut - Nylon Insert W/cap .....	2
22	103787401	Asm, Windshield Frame, Alum .....	1
23	103804005	Asm, Canopy, Utility Beige (includes item 24) .....	1
24	1011942	Modified Grommet .....	2

1  
G  
E

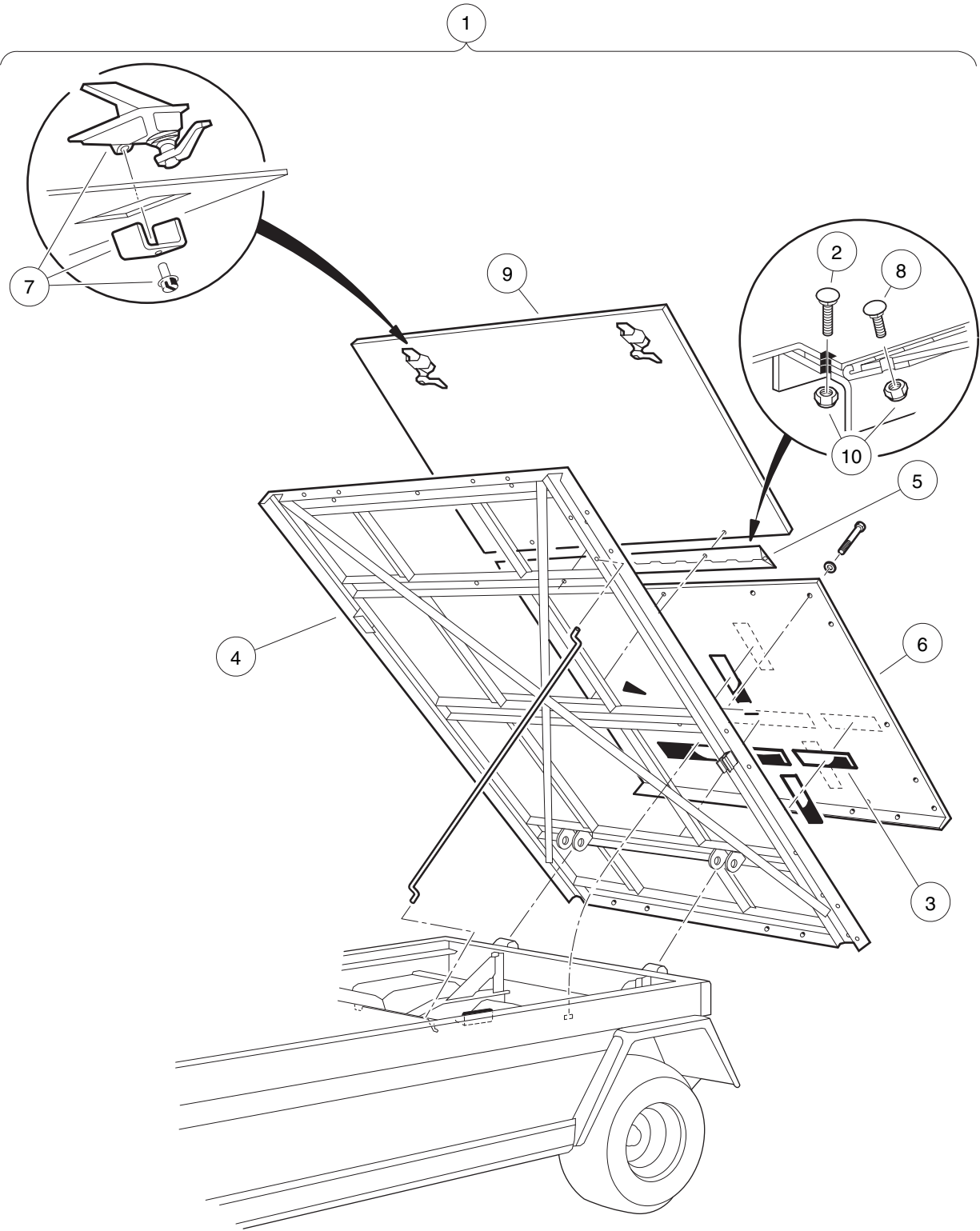


000603-004

# HIP RESTRAINTS AND SEAT BACK MOUNTING

ITEM	PART NO.	DESCRIPTION	QTY
		1 2 3 4	
1	1014321	Screw, #10 Truss-Head Torx .....	4
2	1014387	Cap, Corner .....	2
3	101946201	Washer, Lock, 0.250 External-Tooth .....	4
4	101963301	Bolt, 5/16-18 X 0.75 Round-Head .....	6
5	101963401	Locknut, 5/16-18 Hex Flange .....	6
6	101964001	Trim, Seat Bottom Front .....	1
7	102966401	Seat Back, Tube .....	1
8	102966501	Hip Restraint, Left .....	1
9	102966502	Hip Restraint, Right .....	1
10	102989501	Seal, Bed, 41-Inch .....	1
11	103245201	Screw, 5/16-18 X 1.5, Tr Tx Hd .....	4
12	103245301	Nut, Hex, Cp, Mech Def, 5/16-1 .....	4
13	8251	Screw, 1/4-20 X 1.0 Truss-Head Machine .....	4

**1**  
**G**  
**E**



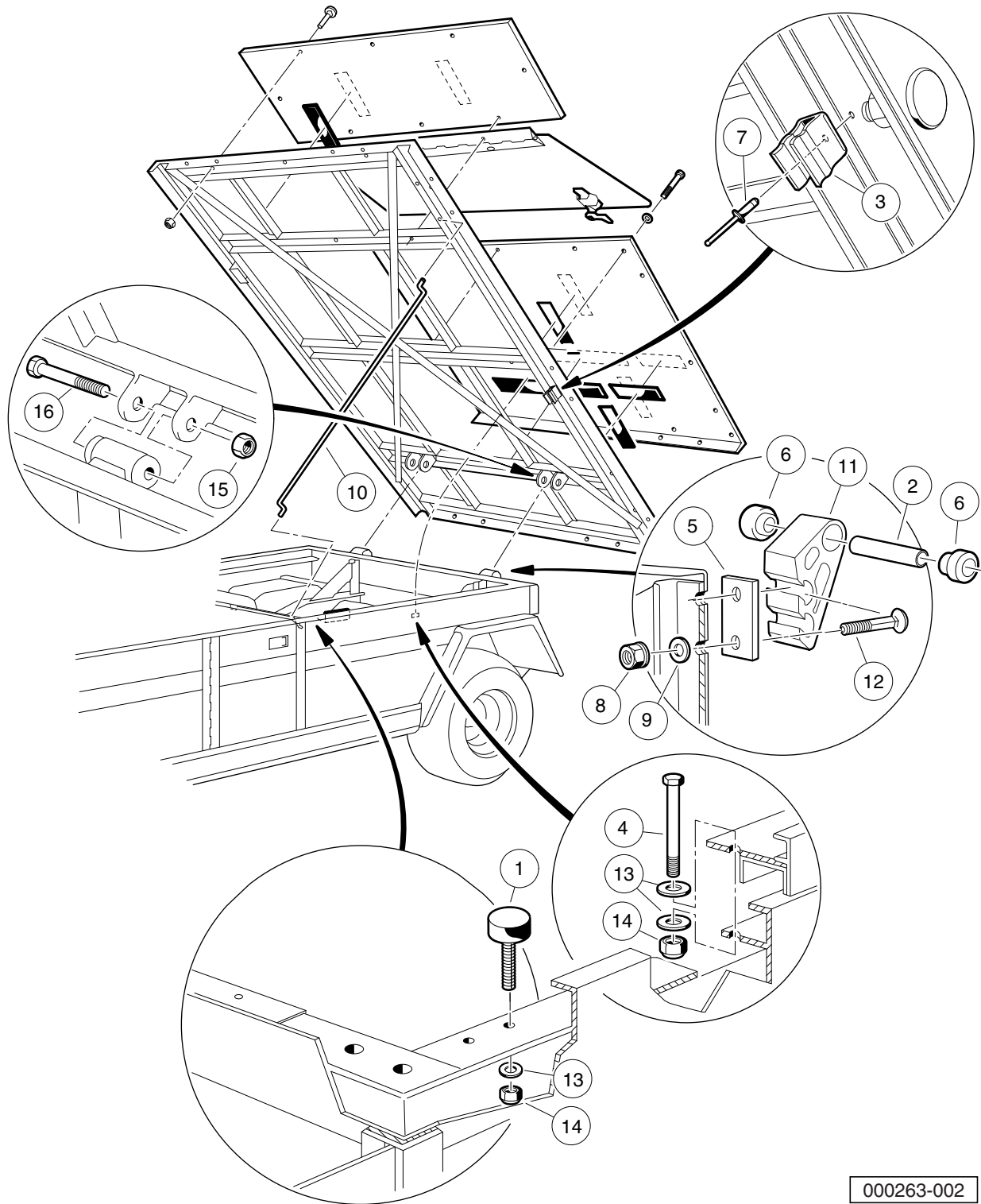
000264-003

# FLAT BED – TURF/CARRYALL 6

ITEM	PART NO.	DESCRIPTION	QTY
		<b>1 2 3 4</b>	
1	103509601	Asm, Long Bed Str Ic, W/o Trim (includes items 2 through 10) .....	1
2	1010435	Bolt, Carriage, 5/16-18 X 1.00 .....	13
3	1014471	Tape, Vinyl Foam 1/8" x 3/4" .....	13
4	1016878	Long Bed Frame Assembly .....	1
5	1016881	Hinge, Access Door .....	1
6	****	Plate Floor Rear Long Bed .....	1
7	101691401	Latch, Door .....	2
8	1017077	Bolt, Carriage, 5/16-18 X 0.625 .....	2
9	103509401	Plate Access Door, Ca6, Ic .....	1
10	7473	Locknut, 5/16-18 Nylon Insert .....	15
		**** Special order item available upon request.	

**1**  
**G**  
**E**

**1**  
**G**  
**E**



000263-002

# FLAT BED MOUNTING

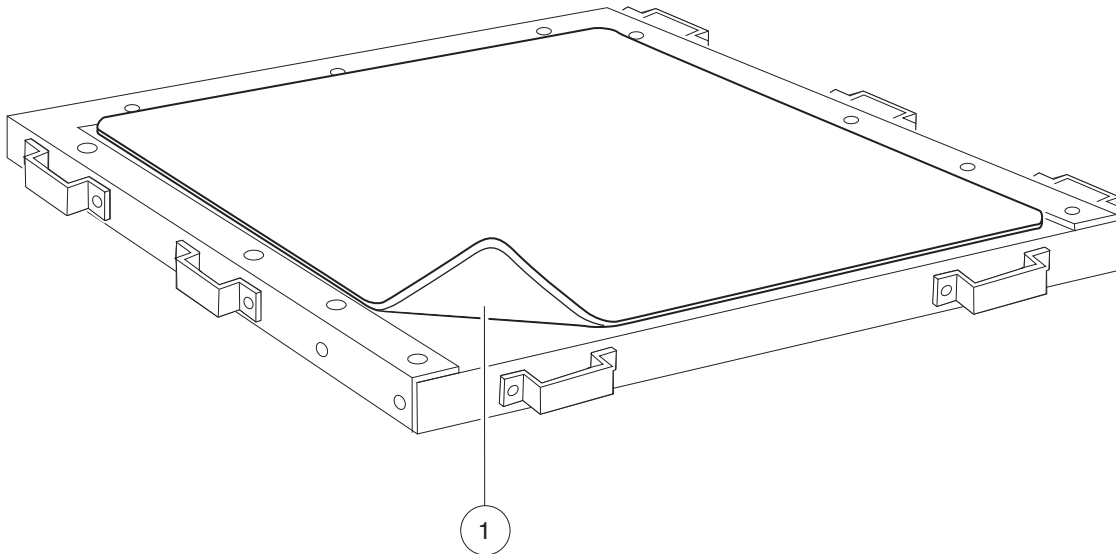
ITEM	PART NO.	DESCRIPTION	QTY
		1 2 3 4	
1	1010878	Bumper, Rubber .....	2
2	1012303	Bushing, Steel .....	2
3	1013413	Clip, Rod .....	1
4	1013872	Bolt, 1/4-20 X 4.00 Hex Head .....	2
5	1015507	Shim, Tilt Bed Pivot .....	1
6	1015583	Bushing, Urethane .....	4
7	1015727	Rivet, 1/8 .....	1
8	102065901	Locknut, 3/8-16 Flanged Dimple .....	4
9	102066001	Washer, 3/8 Type B Hard Flat .....	4
10	102259401	Prop Rod, Long Bed .....	1
11	103538701	Bracket, Bed Hinge, Extruded .....	2
12	103538901	Bolt, Carriage, 3/8-16 x 3.5" Grade 5 .....	4
13	332	Washer, 1/4 Type A Narrow Flat .....	6
14	8233	Locknut, 1/4-20, Nylon Insert .....	4
15	8754	Locknut, 3/8-16 Hex .....	2
16	8755	Screw, 3/8-16 X 3.375 Hex Cap .....	2

1  
G  
E

1

G

E



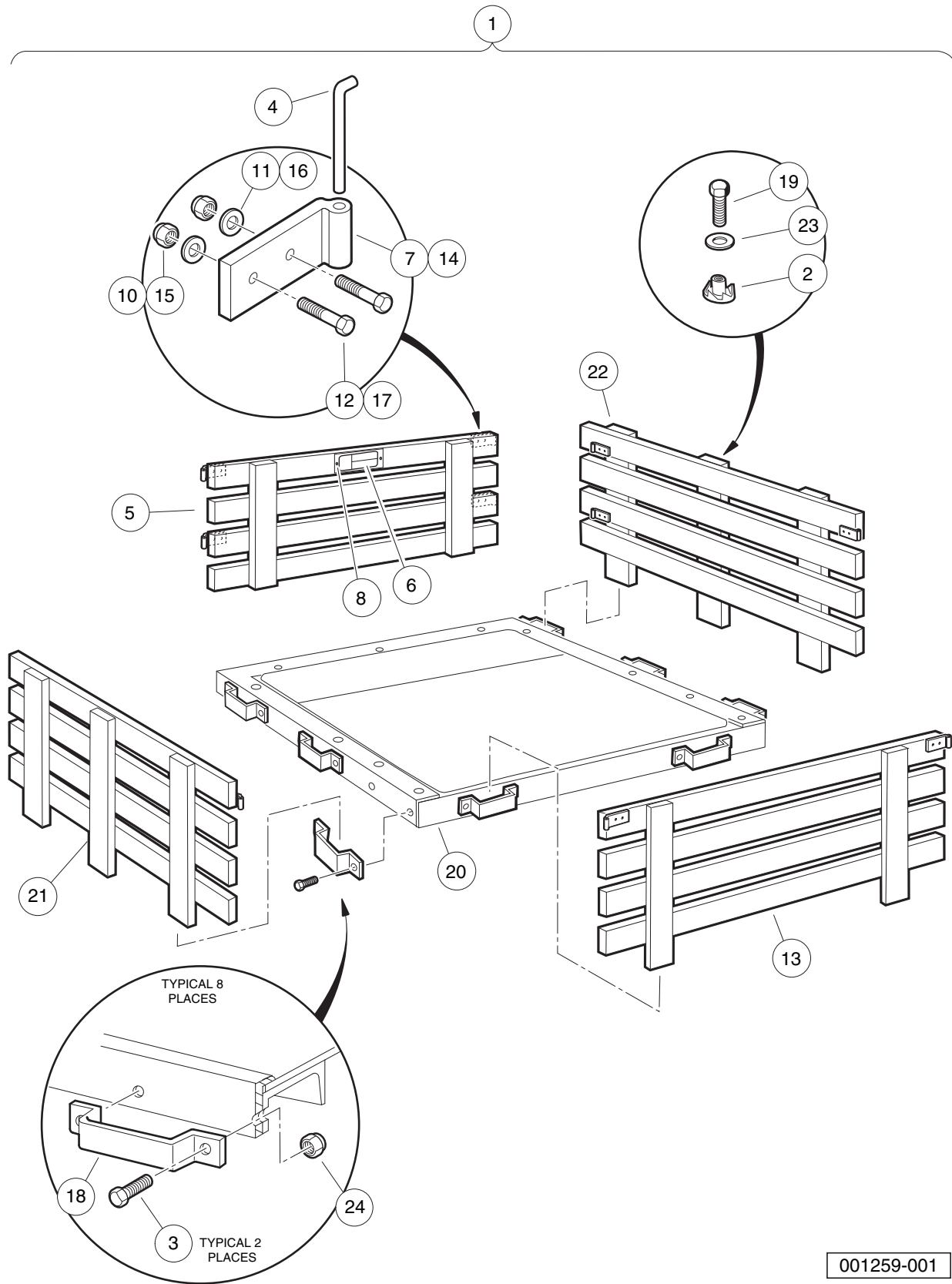
001207-001



# BED MAT

ITEM	PART NO.	DESCRIPTION	QTY
1	101770201	1 2 3 4 Bed Mat - Carryall 6 .....	1

**1**  
**G**  
**E**

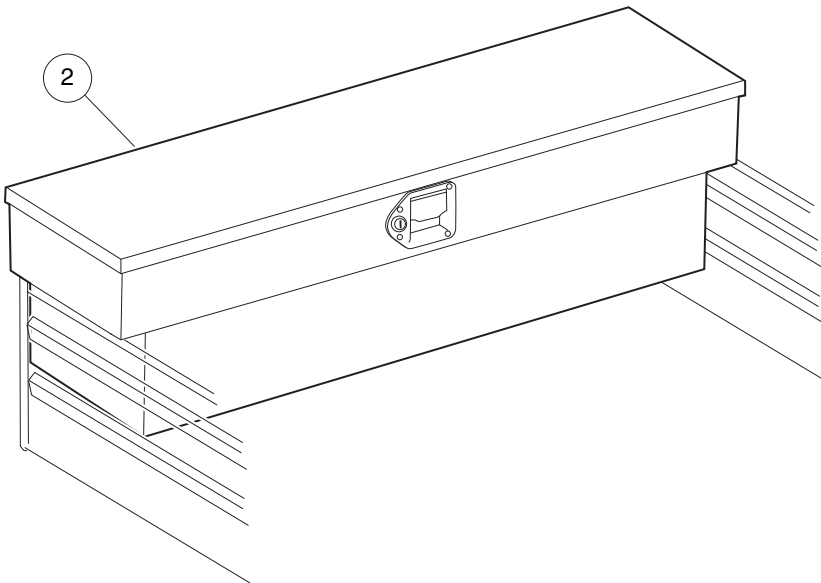
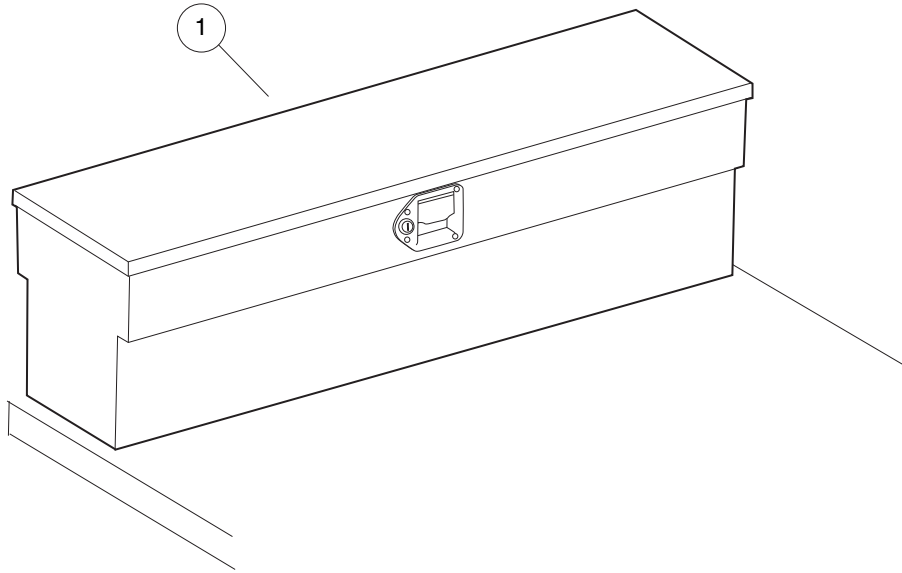


# STAKE SIDE KIT

ITEM	PART NO.	DESCRIPTION	QTY
		<b>1 2 3 4</b>	
1	1017117	Stake Side Kit, 6 (includes items 2 through 24) .....	1
2	1010086	T-Nut .....	74
3	1010934	Screw, 5/16-18 X 1.00 Hex Cap .....	14
4	1015656	Pin, hinge .....	6
5	101565703	Stake Side, Front (includes items 6 through 12) .....	1
6	101553901	Decal, Bed Load Warning .....	1
7	1015654	Stake Side Hinge .....	4
8	1016663	Screw, #12-14 X 0.625 .....	2
9	N/A	Plate, Bed Load Decal .....	1
10	1108	Locknut, 1/4-20 Dimpled .....	8
11	332	Washer, 1/4 Type A Narrow Flat .....	24
12	7479	Screw, 1/4-20 X 1.25 Hex-Head Cap .....	8
13	101565704	Stake Side, Rear (includes items 14 through 17) .....	1
14	1015654	Stake Side Hinge .....	2
15	1108	Locknut, 1/4-20 Dimpled .....	4
16	332	Washer, 1/4 Type A Narrow Flat .....	20
17	7479	Screw, 1/4-20 X 1.25 Hex-Head Cap .....	4
18	1016077	Bracket, Stake Side .....	7
19	1016916	Screw, 1/4-20 X 1.50 Hex-Head Cap .....	74
20	N/A	Assembly, Long Bed .....	1
21	101711801	Stake Side Assy C/a Vi L.h. ....	1
22	101711802	Stake Side AssyC/aViR.h.' .....	1
23	332	Washer, 1/4 Type A Narrow Flat .....	74
24	7473	Locknut, 5/16-18 Nylon Insert .....	14

**1**  
**G**  
**E**

**1**  
**G**  
**E**



001157-001

# TOOLBOXES

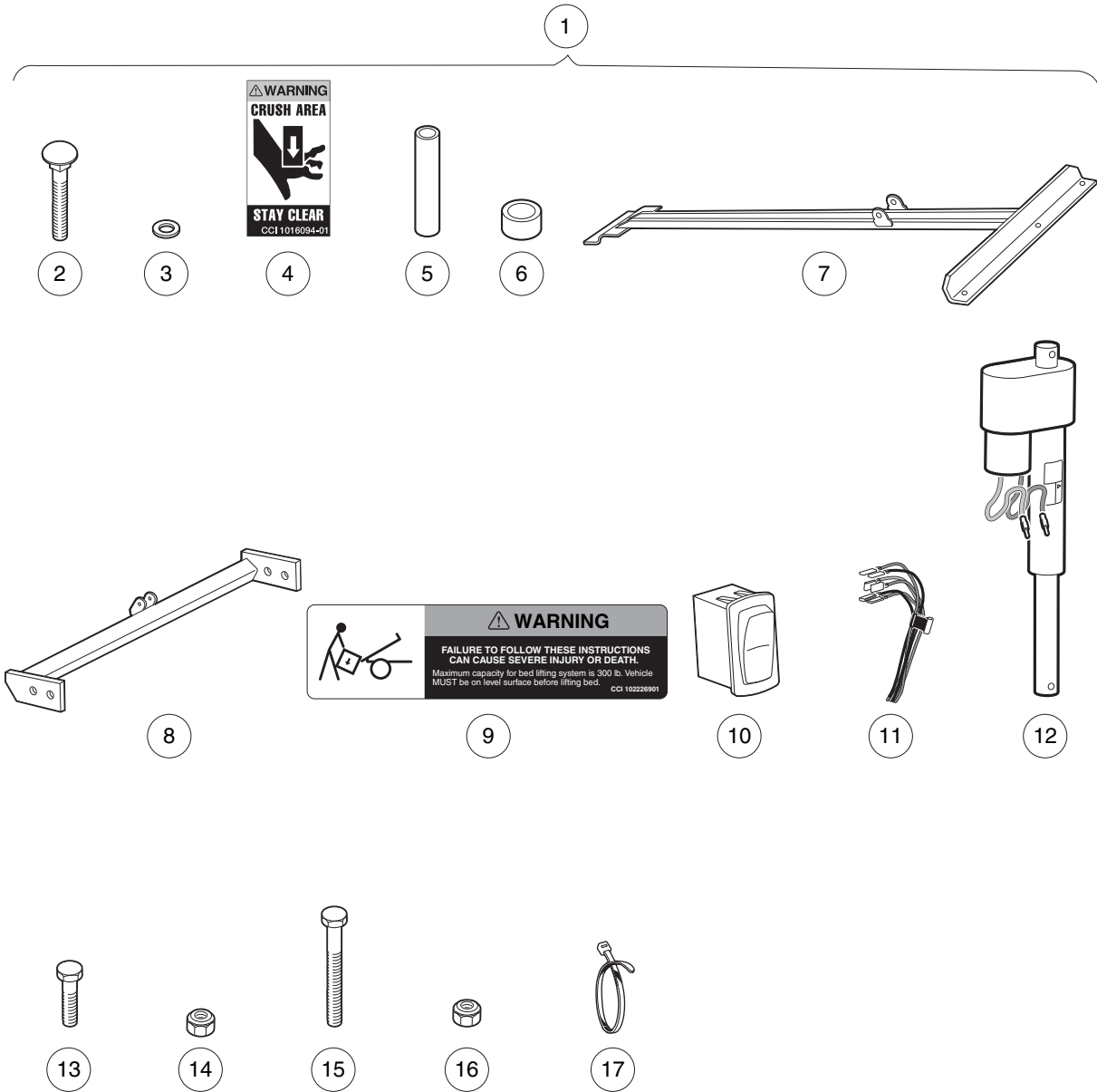
ITEM	PART NO.	DESCRIPTION	QTY
1	101837401	1 2 3 4 Toolbox, Flat Bed .....	1
2	101837501	Tool Box, Box Bed .....	1

**1**

**G**

**E**

**1**  
**G**  
**E**



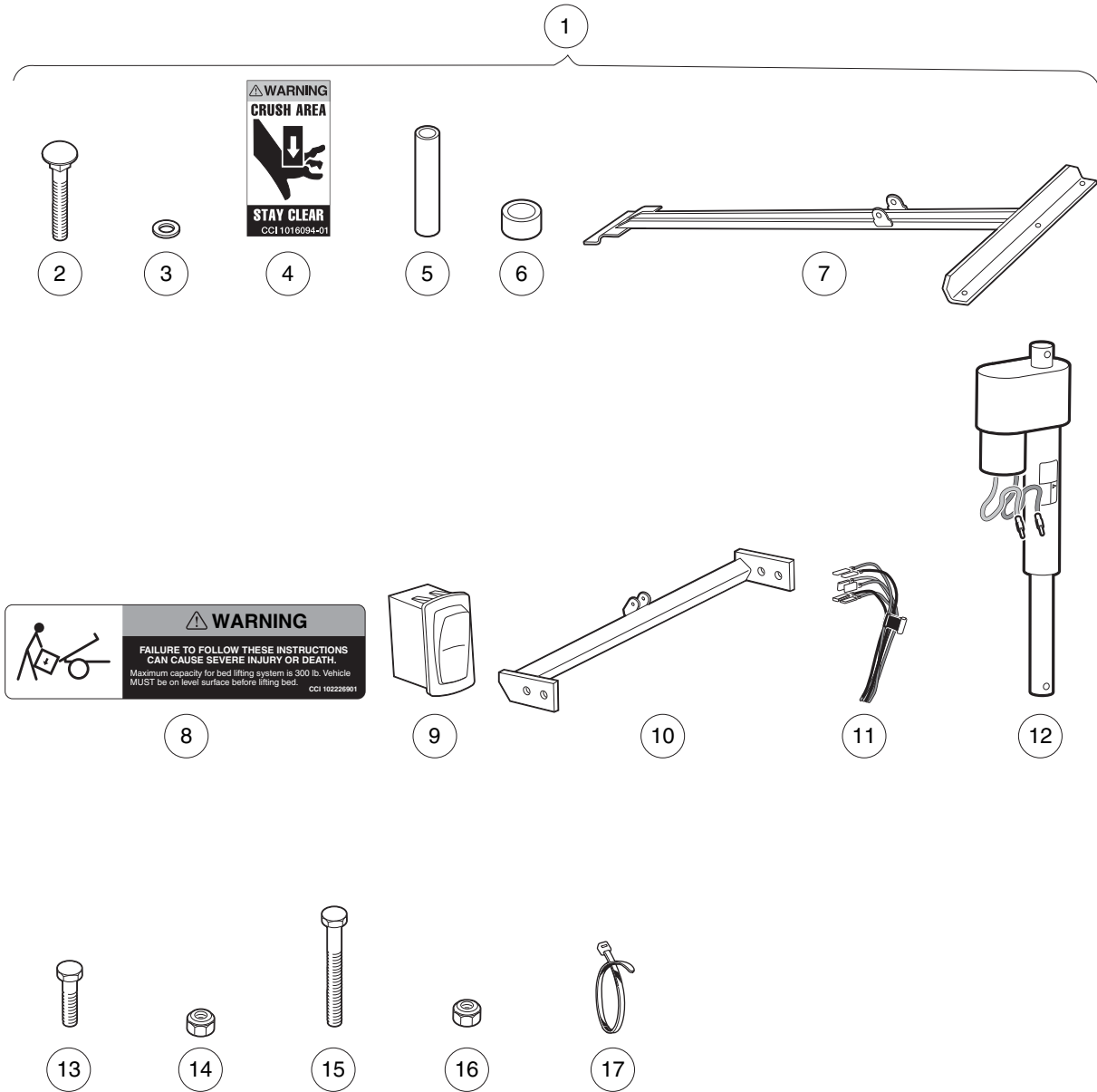
001261-001

# ELECTRIC BED LIFT – GASOLINE VEHICLES

ITEM	PART NO.	DESCRIPTION	QTY
		<b>1 2 3 4</b>	
1	SVP120402	Kit, Electric Bed Lift, T/CA6 Gas (includes items 2 through 17) .....	1
2	1010435	Bolt, Carriage, 5/16-18 X 1.00 .....	3
3	1011990	Washer, 3/8 Flat .....	8
4	101609401	Decal, Crush Area Warning .....	2
5	1016603	Bushing, Long .....	2
6	1017774	Body Spacer .....	8
7	102154201	Asm, Actuator Adapter .....	1
8	102154801	19th Deluxe Actuator Mtg Wld .....	1
9	102226901	Service Only Warning Decal .....	1
10	102882501	Switch, Rocker, Bed Lift .....	1
11	103270201	Wire Harness, Elec Tilt Sys .....	1
12	103951801	Actuator, Bed Lift, Electric .....	1
13	705	Screw, Cap-hex Hd 3/8-16x1.25 .....	4
14	7473	Locknut, 5/16-18 Nylon Insert .....	4
15	7561	Bolt, 3/8-16 X 3.00 Hex Head .....	2
16	8754	Locknut, 3/8-16 Hex .....	6
17	8990	Tie Wrap, 8" Nylon .....	8

1  
G  
E

**1**  
**G**  
**E**



001260-001

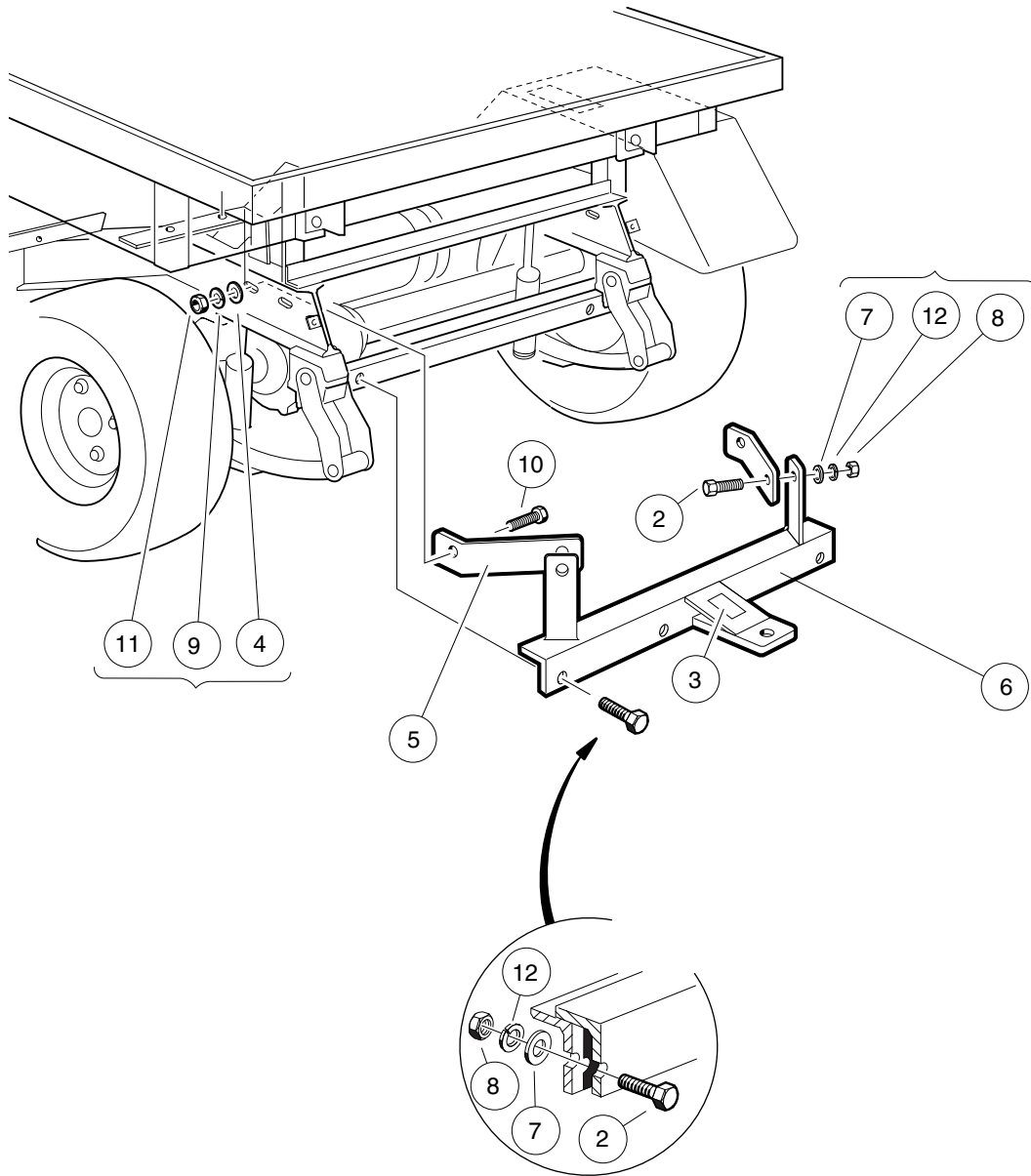


# ELECTRIC BED LIFT – ELECTRIC VEHICLE

ITEM	PART NO.	DESCRIPTION	QTY
		<b>1 2 3 4</b>	
1	SVP183302	Kit, Electric Bed Lift, T/CA6 IQ Plus (includes items 2 through 17) .....	1
2	1010435	Bolt, Carriage, 5/16-18 X 1.00 .....	4
3	1011990	Washer, 3/8 Flat .....	8
4	101609401	Decal, Crush Area Warning .....	2
5	1016603	Bushing, Long .....	2
6	1017774	Body Spacer .....	8
7	102154201	Asm, Actuator Adapter .....	1
8	102226901	Service Only Warning Decal .....	1
9	102882501	Switch, Rocker, Bed Lift .....	1
10	102893601	Center Bracket, Bed Lift .....	1
11	103270201	Wire Harness, Elec Tilt Sys .....	1
12	103951801	Actuator, Bed Lift, Electric .....	1
13	705	Screw, Cap-hex Hd 3/8-16x1.25 .....	4
14	7473	Locknut, 5/16-18 Nylon Insert .....	5
15	7561	Bolt, 3/8-16 X 3.00 Hex Head .....	2
16	8754	Locknut, 3/8-16 Hex .....	6
17	8990	Tie Wrap, 8" Nylon .....	8

**1**  
**G**  
**E**

**1**  
**G**  
**E**



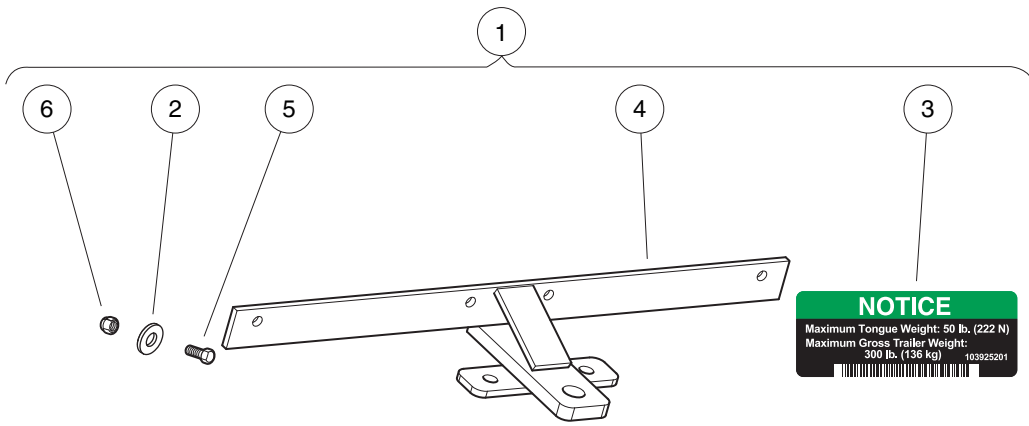
000265-001

# TRAILER HITCH, HEAVY-DUTY

ITEM	PART NO.	DESCRIPTION	QTY
		<b>1 2 3 4</b>	
1	1015445	Kit, Trailer Hitch (includes items 2 through 12) .....	1
2	1010934	Screw, 5/16-18 X 1.00 Hex Cap .....	4
3	1011553	Decal, Trailer Hitch .....	1
4	1011990	Washer, 3/8 Flat .....	2
5	1013483	Brace, Trailer Hitch .....	2
6	N/A	Asm, Trailer Hitch .....	1
7	1241	Washer, 5/16 Type A Flat .....	4
8	1242	Nut, 5/16-18 Hex .....	4
9	357	Lockwasher, 3/8 Split .....	2
10	705	Screw, Cap-hex Hd 3/8-16x1.25 .....	2
11	706	Nut, Hex 3/8-16 .....	2
12	7174	Lockwasher, 5/16 Split .....	4

**1**  
**G**  
**E**

**1**  
**G**  
**E**



001239-001

# TRAILER HITCH, LIGHT-DUTY

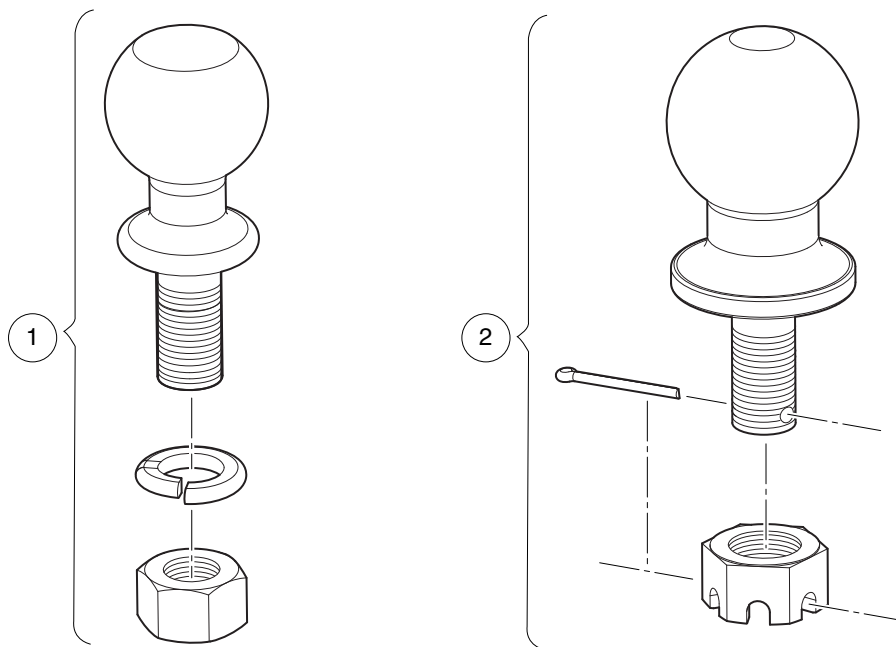
ITEM	PART NO.	DESCRIPTION	QTY
		<b>1 2 3 4</b>	
1	103925001	Kit, Trailer Hitch, Light-Duty (includes items 2 through 6) .....	1
2	1012571	Washer, 5/16 Extra Thick Flat .....	8
3	103925201	Decal, Trailer Htch, 50lb Tng .....	1
4	103930001	Ld Trailer Hitch Weld Assy .....	1
5	1218	Screw, 5/16-18 X 1.25 Hex-Head Cap .....	4
6	7473	Locknut, 5/16-18 Nylon Insert .....	4

1  
G  
E

1

G

E



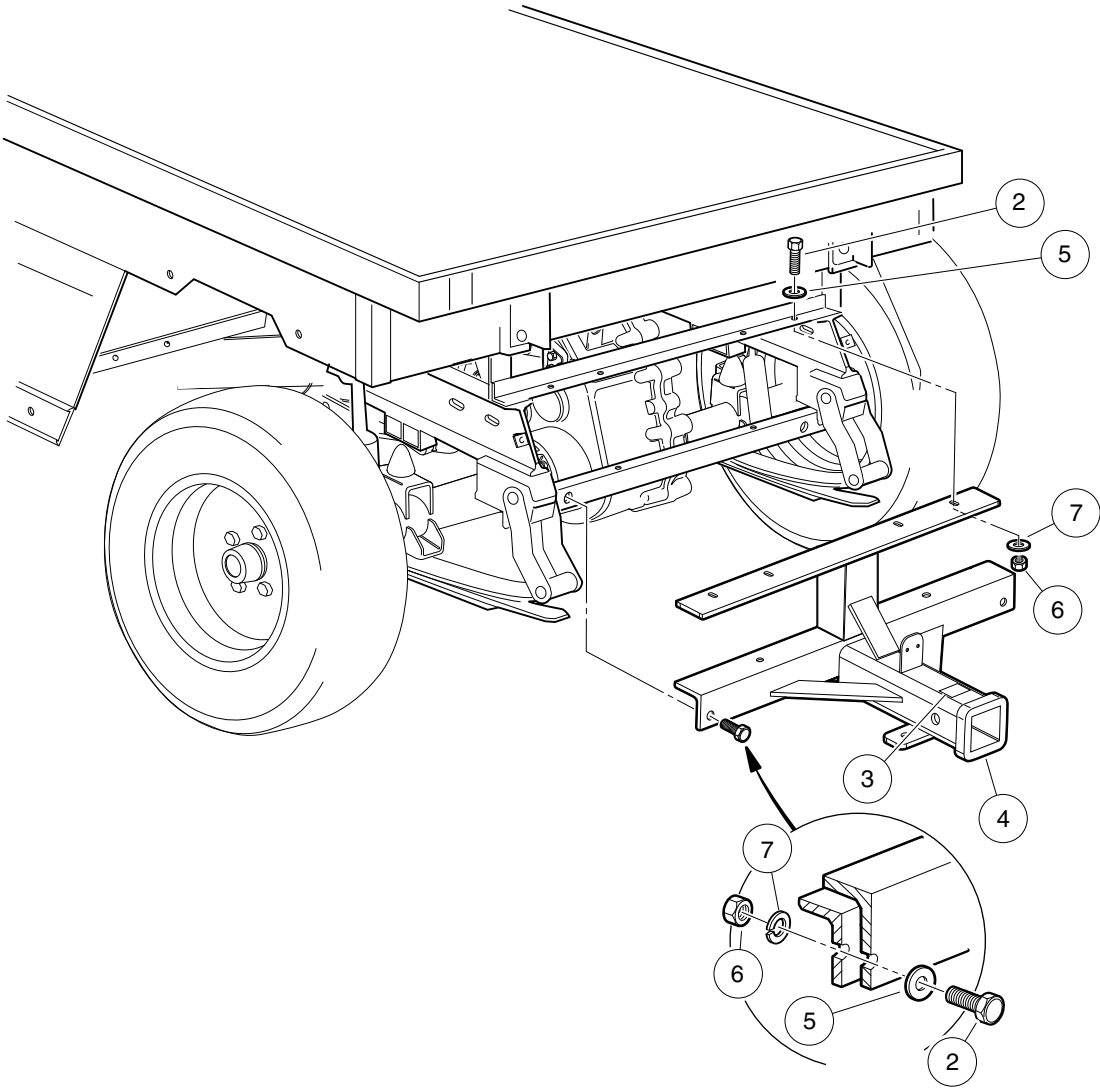
001137-001

# TRAILER HITCH BALL

ITEM	PART NO.	DESCRIPTION	QTY
1	1011546	1 2 3 4 Trailer Hitch Ball - 1 7/8" .....	1
2	AM1264001	Chrome Hitch Ball, 2" .....	1

**1**  
**G**  
**E**

**1**  
**G**  
**E**



000100-002

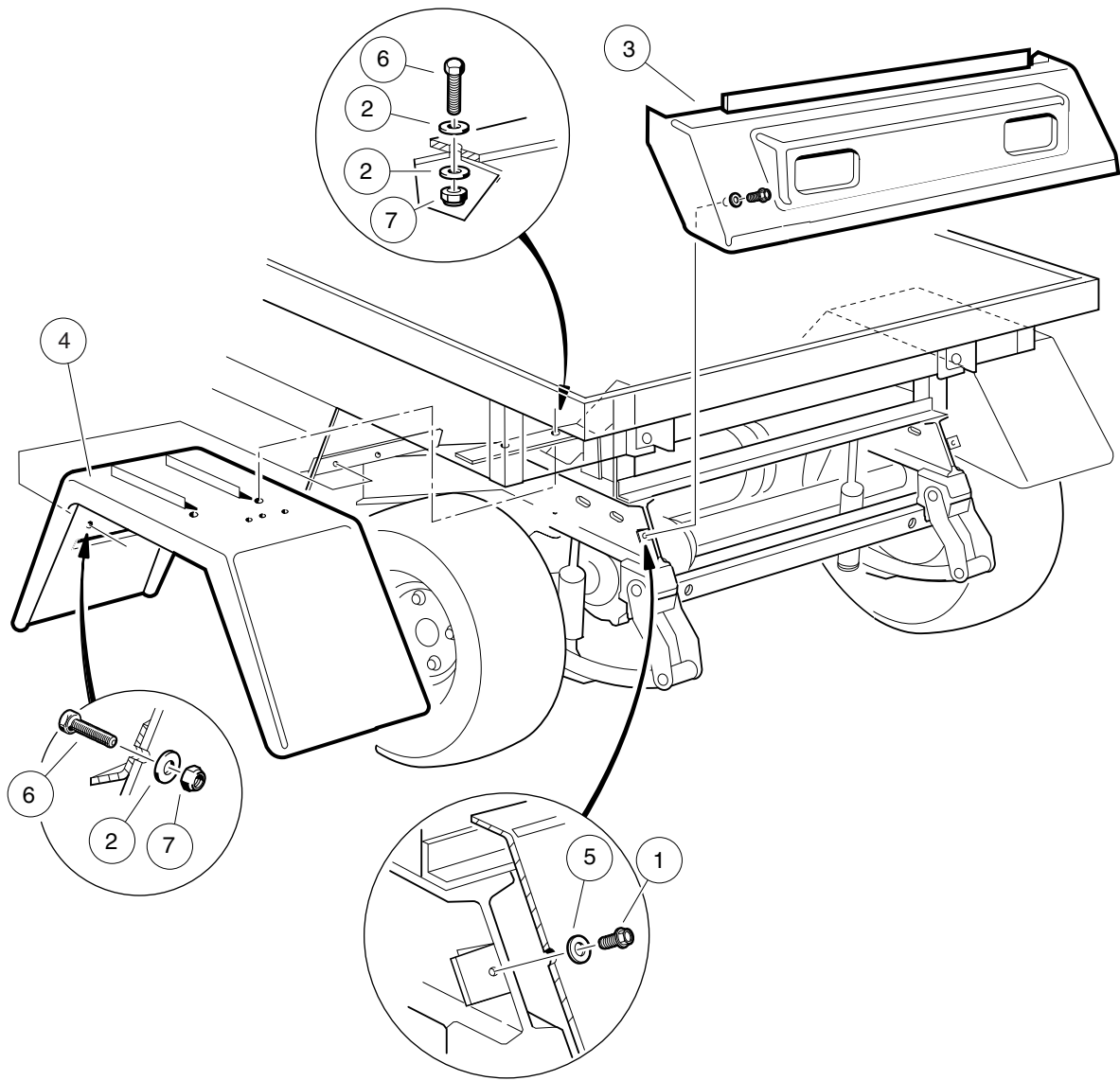


# RECEIVER HITCH

ITEM	PART NO.	DESCRIPTION	QTY
		<b>1 2 3 4</b>	
1	102065103	Kit, Rear Receiver (includes items 2 through 7) .....	1
2	1010934	Screw, 5/16-18 X 1.00 Hex Cap .....	6
3	1011553	Decal, Trailer Hitch .....	1
4	102056001	Rear Receiver Weld Asm .....	1
5	1241	Washer, 5/16 Type A Flat .....	6
6	1242	Nut, 5/16-18 Hex .....	6
7	7174	Lockwasher, 5/16 Split .....	6

**1**  
**G**  
**E**

**1**  
**G**  
**E**

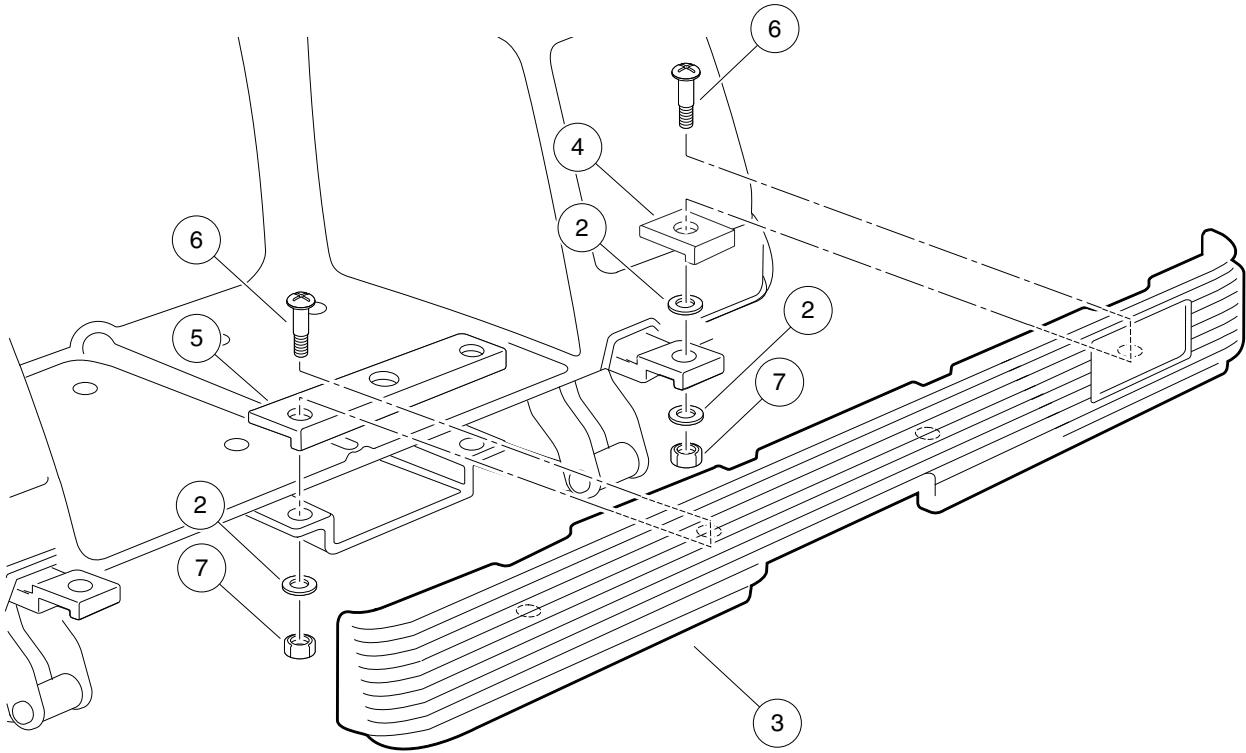


000266-001

## REAR BODY TRIM – TURF/CARRYALL 1, 2, 2 PLUS, AND 6

ITEM	PART NO.	DESCRIPTION	QTY
		1 2 3 4	
1	1012285	Screw, 1/4 X 0.625 Hex-Head .....	2
2	1014306	Washer, 1/4" Type B Flat .....	12
3	1015530	Tailskirt .....	1
4	1016679	Rear Fender .....	2
5	332	Washer, 1/4 Type A Narrow Flat .....	2
6	7847	Screw, 1/4-20 X 0.75 Hex-Head Cap .....	8
7	8233	Locknut, 1/4-20, Nylon Insert .....	8

1  
G  
E



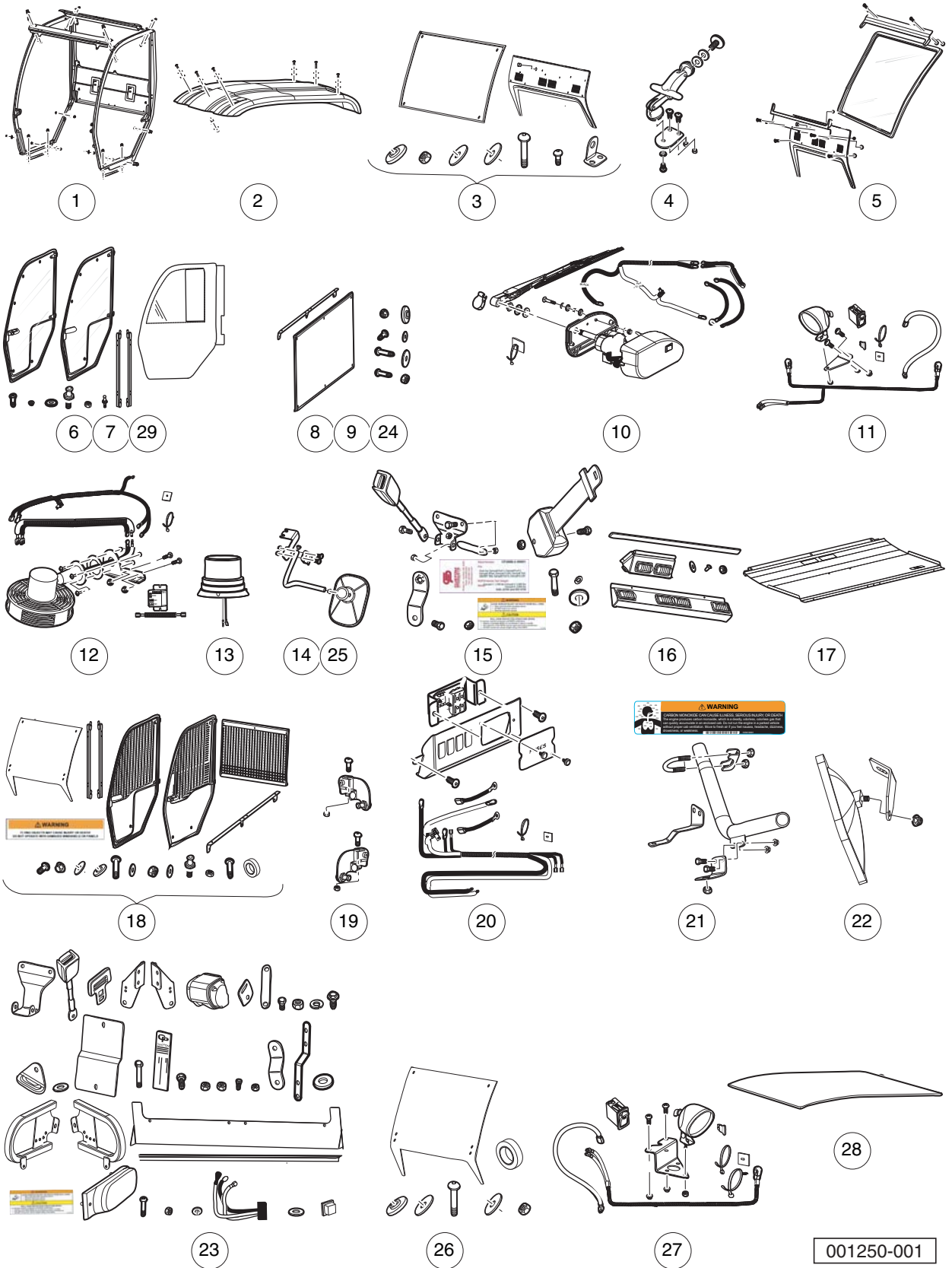
000666-001

# REAR BUMPER

ITEM	PART NO.	DESCRIPTION	QTY
		<b>1 2 3 4</b>	
1	1017079	Kit, Rear Bumper (includes items 2 through 7) .....	1
2	1011697	Washer, 5/16 Flat .....	6
3	1016379	Bumper, Rear .....	1
4	1016874	Plate, Bumper Mounting, Short .....	2
5	1016875	Plate, Bumper Mounting, Long .....	1
6	1016876	Bolt, 3/8 Shoulder .....	4
7	7473	Locknut, 5/16-18 Nylon Insert .....	4
<p>Note: Item 4 not used in all applications.</p>			

**1**  
**G**  
**E**

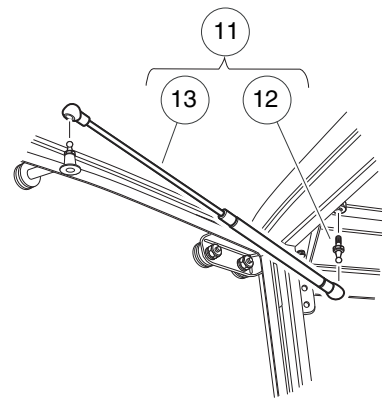
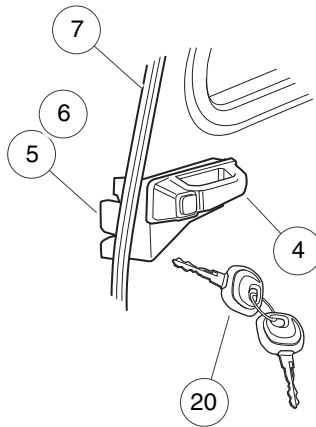
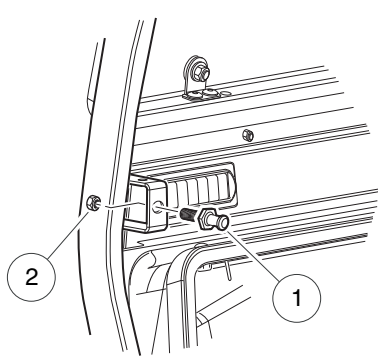
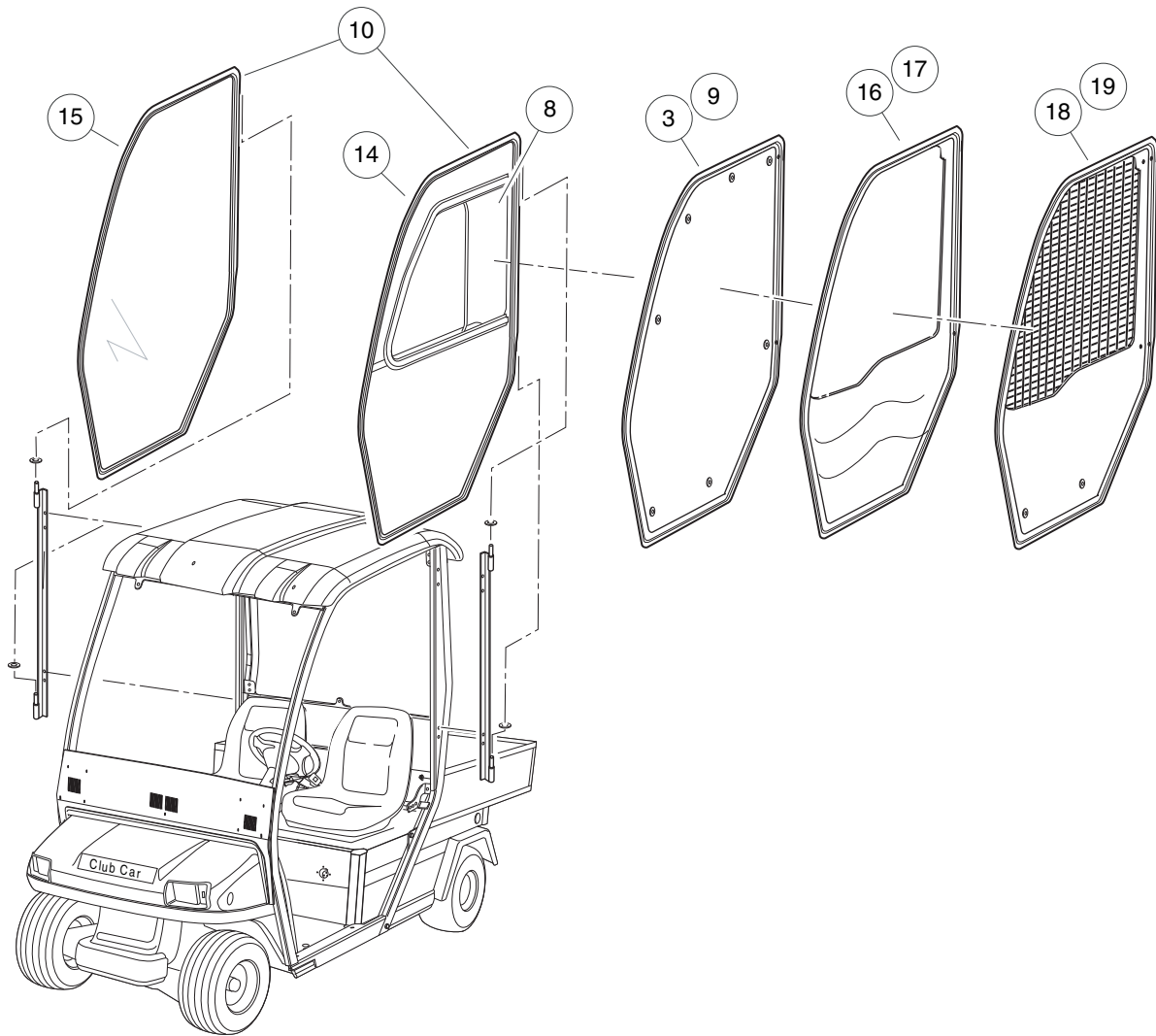
**1**  
**G**  
**E**



## CAB, CPL – TURF/CA 2, 2 PLUS, 6, 252 AND XRT 900

ITEM	PART NO.	DESCRIPTION	QTY	
		1 2 3 4		<b>1</b>
1	103910101	Kit, Side Frames .....	1	<b>G</b>
2	103910201	Kit, Roof, White .....	1	<b>E</b>
3	103910301	Kit, Front Window, Fixed, Tempered .....	1	
4	103910401	Kit, Frt Window Tip-out .....	1	
5	103910501	Kit, Front Window, Laminated, LSV .....	1	
6	103910601	Kit, Doors, Hard-Side, Acrylic .....	1	
7	103910701	Kit, Doors, Glass, LH Open .....	1	
8	103910801	Kit, Rear Window, Acrylic .....	1	
9	103910901	Kit, Rear Window, Sliding .....	1	
10	103911001	Kit, Wiper, 12vdc .....	1	
11	103911101	Kit, Work Lights, Front .....	1	
12	103911301	Kit, Fan, 7-inch, Recirculation .....	1	
13	103911401	Kit, Warning Beacon .....	1	
14	103911501	Kit, Mirror, Outside, LH .....	1	
15	103911601	Kit, ROPS, with 2-Point Seat Belts .....	1	
16	103911701	Kit, Vent And Seal .....	1	
17	103912001	Kit, FOPS .....	1	
18	103912101	Kit, Driving-Range, with Doors .....	1	
19	103912201	Kit, Door-Hold, LH and RH .....	1	
20	103912301	Kit, Main Switch, Fuse Block .....	1	
21	103912501	Kit, Exhaust Extension .....	1	
22	103912601	Kit, Mirror, Interior .....	1	
23	103912701	Kit, ROPS, with 3-Point Seat Belts .....	1	
24	103912801	Kit, Rear Window, Glass .....	1	
25	103912901	Kit, Mirror, Outside, RH .....	1	
26	103913001	Kit, Front Window, Polycarbonate .....	1	
27	103913101	Kit, Work Lights, Rear .....	1	
28	103913201	Kit, Roof Liner .....	1	
29	103913301	Kit, Doors, Soft, Wire-Frame .....	1	
		Note: Use kits above to create a complete cab equipped with desired accessories.		

**1**  
**G**  
**E**



001251-001

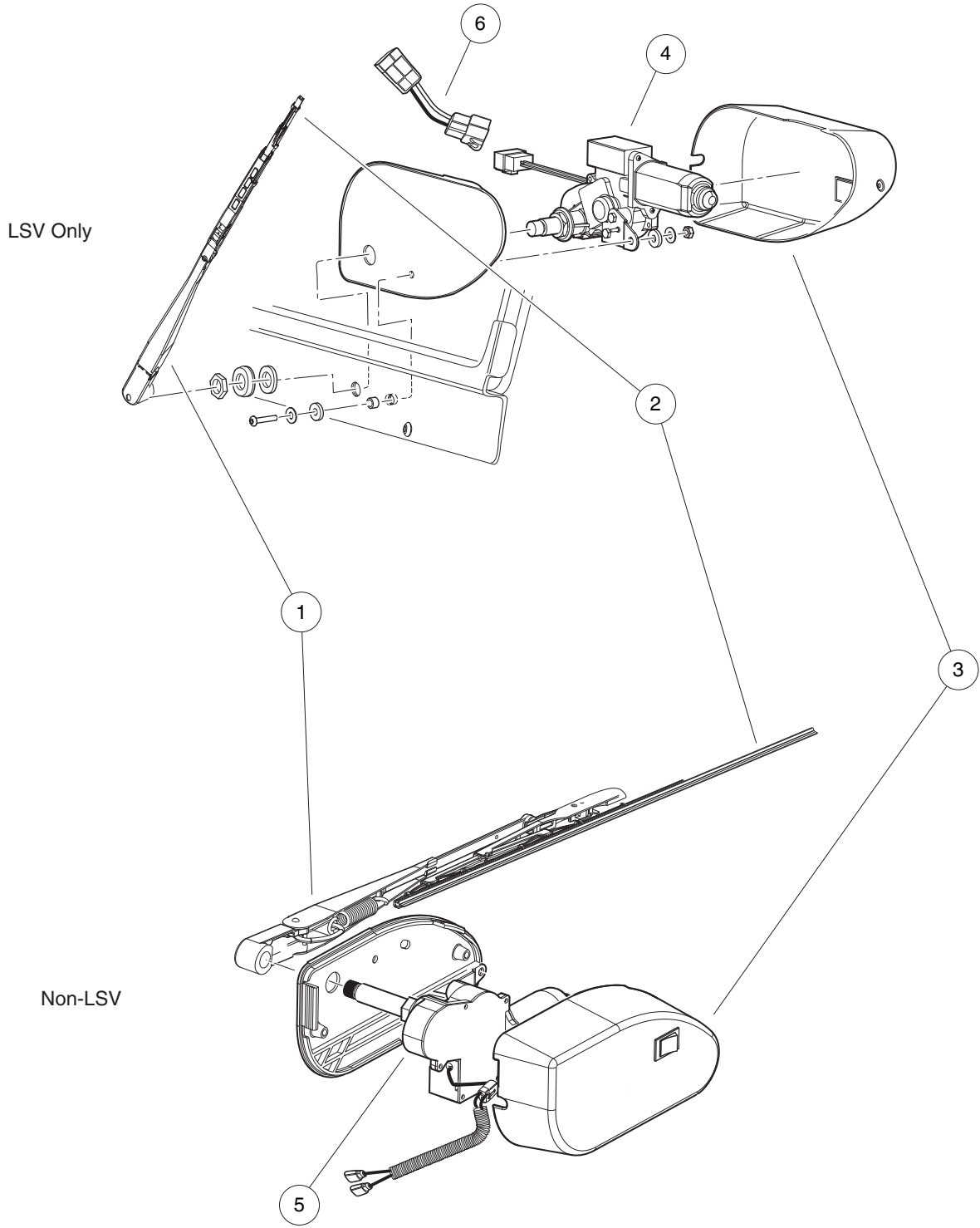


# DOORS – CPL CAB

ITEM	PART NO.	DESCRIPTION	QTY
		1 2 3 4	
1	104001601	Striker Stud 10 mm .....	2
2	104001701	Nut, Hex, Jam, M12-1.0 .....	2
3	104002701	Door Panel, Acrylic, T2 .....	2
4	104002801	Grab Handle, Exterior .....	2
5	104002901	Rotary Latch, Interior, Lh .....	1
6	104003001	Rotary Latch, Interior, Rh .....	1
7	104003401	Foam Spacer, Door .....	2
8	104004901	Window, Sliding, LH .....	1
9	104014901	Kit, Cab, Seals, Acrylic Doors .....	1
10	104015001	Kit, Cab, Seals, Glass Doors .....	1
11	104015501	Kit, Cab, Range Dr Gas Springs (includes items 12 and 13) .....	1
12	104001101	Ball Stud .....	2
13	104001201	Gas Spring .....	2
14	104027501	Door, Glass, Lh, Replacement .....	1
15	104027601	Door, Glass, Rh, Replacement .....	1
16	104027701	Door, Soft, Rh, Replacement .....	1
17	104027801	Door, Soft, Lh, Replacement .....	1
18	104028001	Door, Range, Lh .....	1
19	104028101	Door, Range, Rh .....	1
20	AM1290701	Key, Set (2), CPL Cab .....	1

1  
G  
E

**1**  
**G**  
**E**



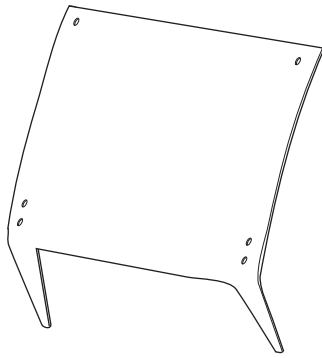
001252-001

# WINDSHIELD WIPER – CPL CAB

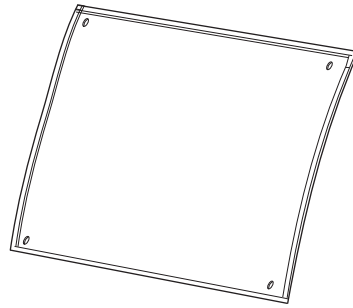
ITEM	PART NO.	DESCRIPTION	QTY
		<b>1 2 3 4</b>	
1	104000901	Wiper Arm, Modified .....	1
2	104001001	Wiper Blade, Modified .....	1
3	104003501	Cover, Wiper Mtr & Switch Asm .....	1
4	104003601	Wiper Motor, 12v, 2-inch Shaft .....	1
5	104004101	Wiper Motor, 12v, 110deg, 1-inch Shaft .....	1
6	104005001	Wire Harness, Jumper, LSV, Wiper .....	1

**1**  
**G**  
**E**

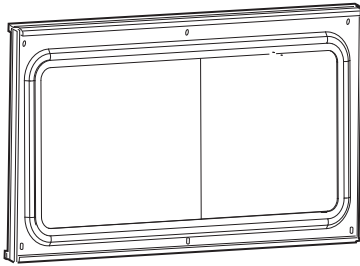
**1**  
**G**  
**E**



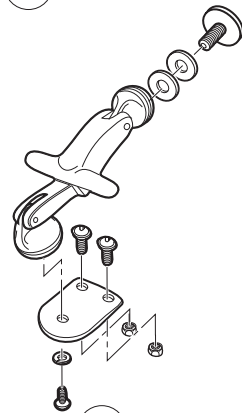
1



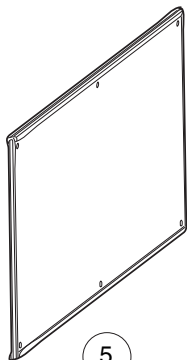
2



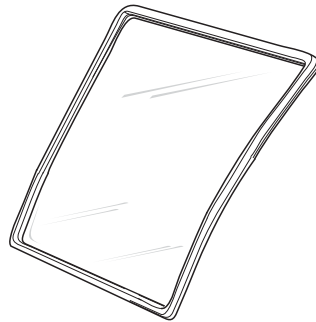
3



4



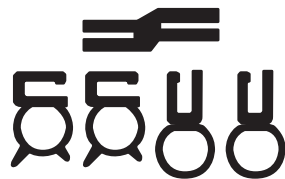
5



9



6



7



8

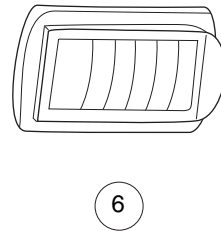
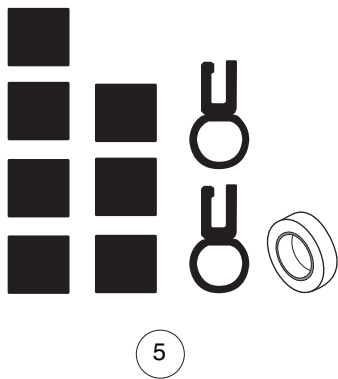
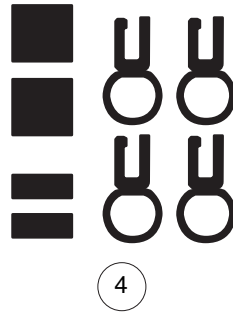
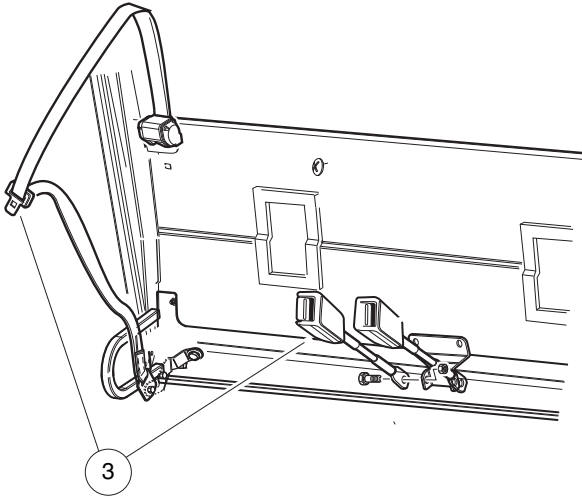
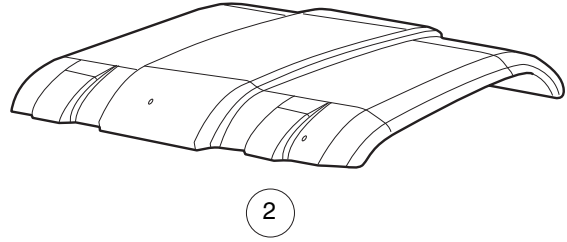
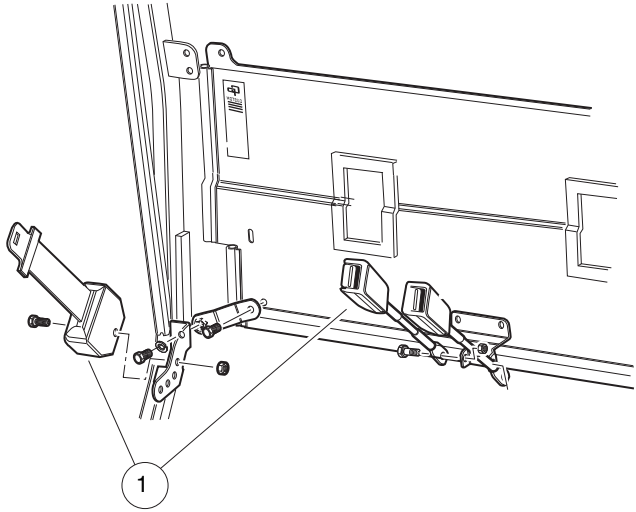
001253-001

# WINDSHIELDS – CPL CAB

ITEM	PART NO.	DESCRIPTION	QTY
		<b>1 2 3 4</b>	
1	103913001	Kit, Front Window, Polycarbonate .....	1
2	104002601	Windshield, Tempered .....	1
3	104003101	Window, Rear Sliding .....	1
4	104003901	Handle, Tee .....	2
5	104004801	Window, Rear .....	1
6	104014801	Kit, Cab, Seals, Windshield .....	1
7	104015101	Kit, Cab, Seals, Rr Slid Wind .....	1
8	104015301	Kit, Cab, Seals, Rr Window .....	1
9	105002801	Windshield, Laminated .....	1

1  
G  
E

**1**  
**G**  
**E**



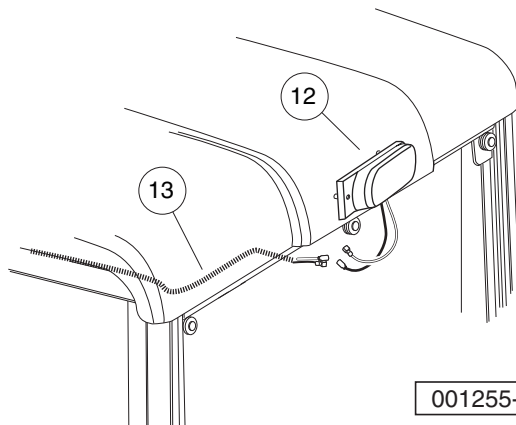
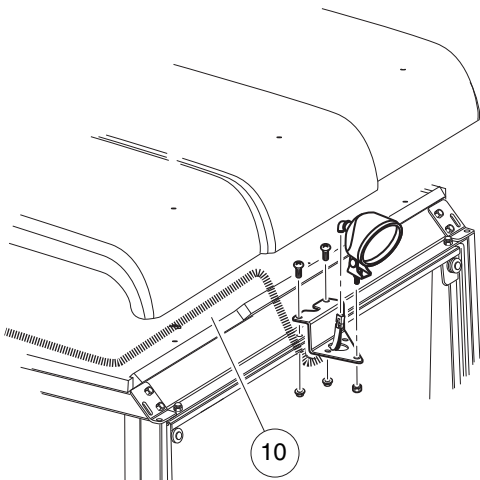
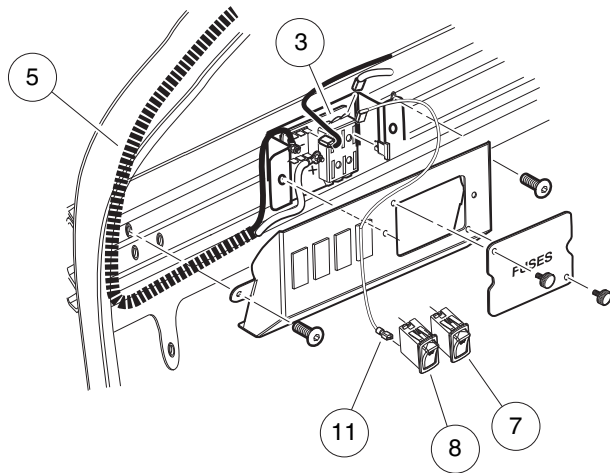
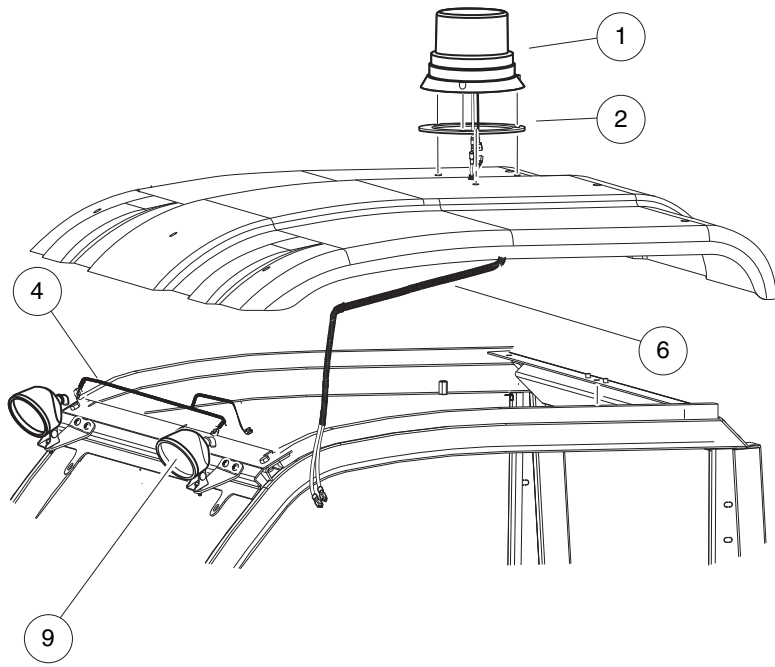
001254-001

## SEAT BELTS, ROOF, VENT, & SEALS – CPL CAB

ITEM	PART NO.	DESCRIPTION	QTY
		1 2 3 4	
1	104001901	Seat Belt, 2 Point .....	2
2	104002501	Roof Panel, White .....	1
3	104004001	Seat Belt, 3 Point .....	2
4	104014701	Kit, Cab, Seals, Side Frame .....	1
5	104015201	Kit, Cab, Seals, Vent .....	1
6	104028301	Vent, Louver .....	A/R

1  
G  
E

**1**  
**G**  
**E**



001255-001

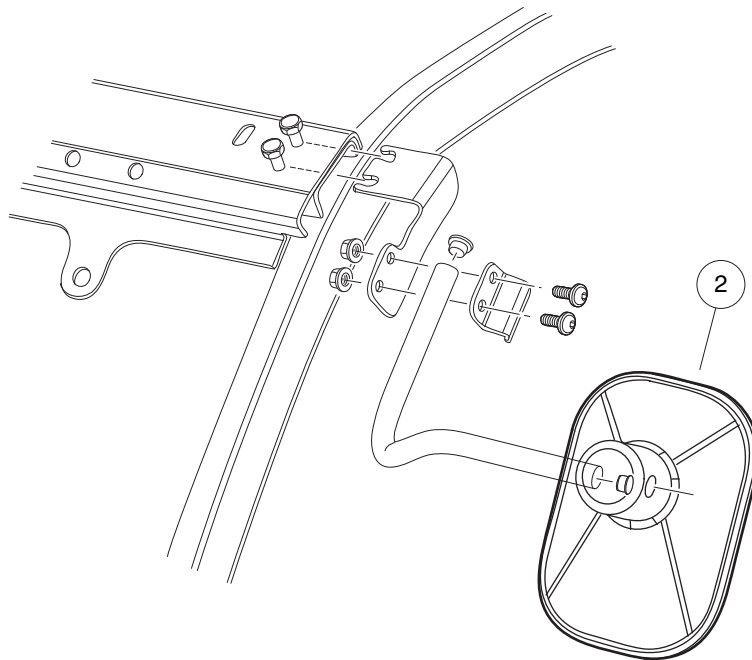
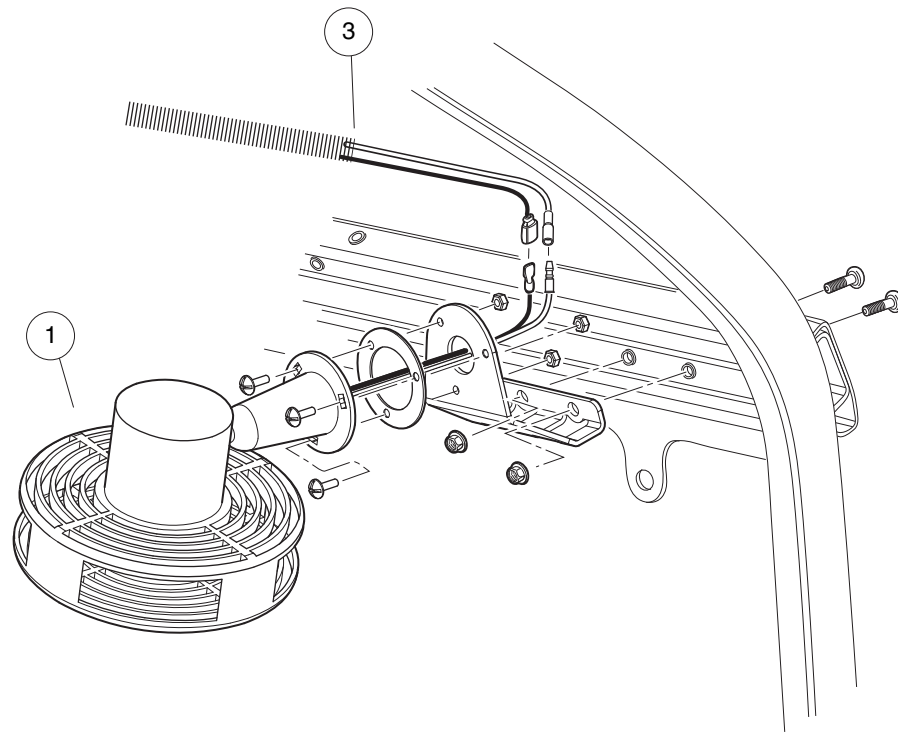


# LIGHTS – CPL CAB

ITEM	PART NO.	DESCRIPTION	QTY
		<b>1 2 3 4</b>	
1	104002101	Light, Strobe, Amber .....	1
2	104002201	Seal Gasket, Foam .....	1
3	104002301	Fuse Holder, ATC, 6-Slot .....	1
4	104003201	Wire Harness, Front Work Lights .....	1
5	104004201	Wire Harness, Main, CPL Cab .....	1
6	104004401	Wire Harness, Beacon .....	1
7	104004501	Switch, L Series, Headlight .....	1
8	104004601	Switch, L Series, Strobelight .....	1
9	104004701	Lamp, 700t/862-12v .....	A/R
10	104027901	Wire Harness, Rear Work Light .....	1
11	104028201	Wire Harness, Fuse Block to Switch .....	1
12	105002901	Light, CHMSL, Red .....	1
13	105003001	Wire Harness, CHMSL Light .....	1

**1**  
**G**  
**E**

**1**  
**G**  
**E**

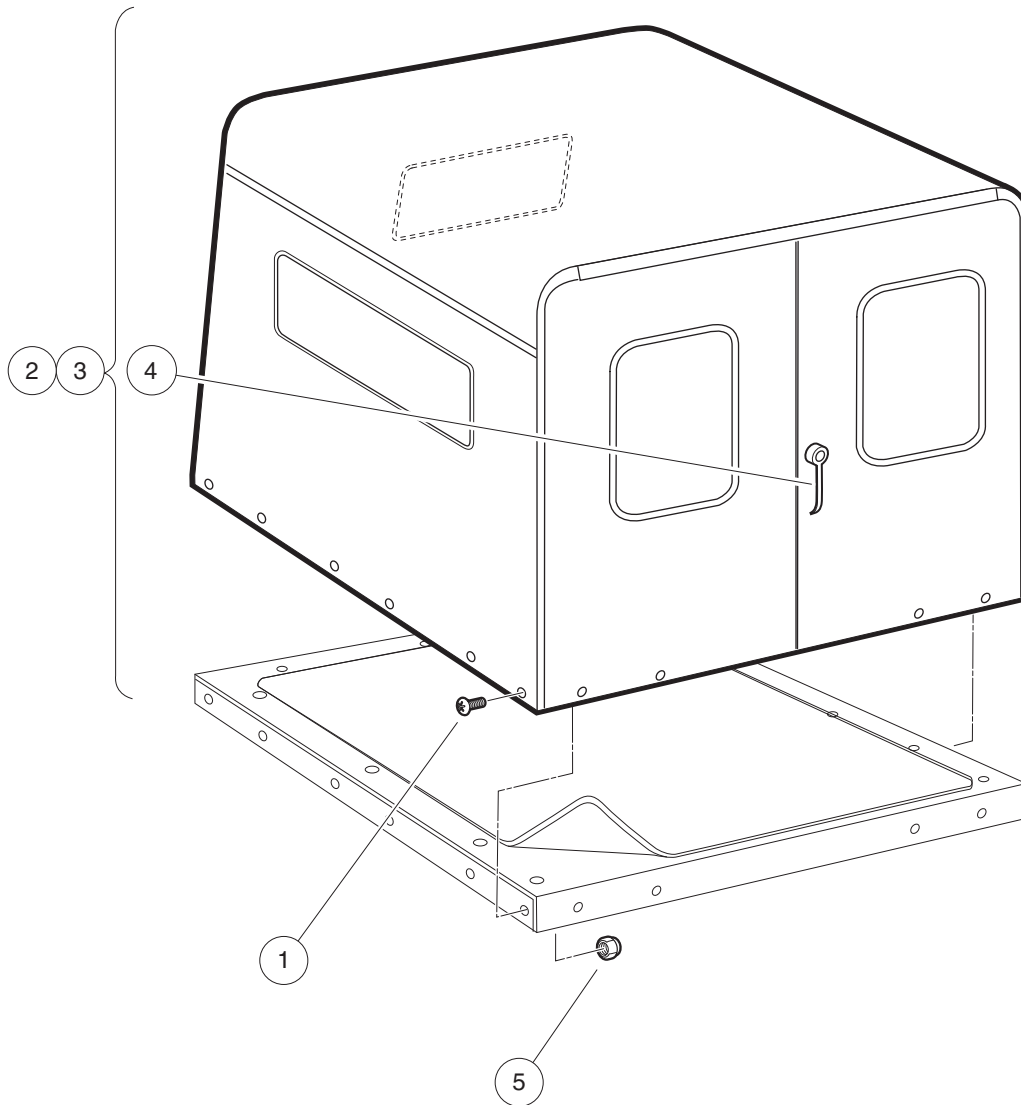


001256-001

# FAN AND MIRROR – CPL CAB

ITEM	PART NO.	DESCRIPTION	QTY
		<b>1 2 3 4</b> 1    104001401    Fan, 12v, 3 Position .....	1
2	104002001	Mirror, Universal, 5.5" X 7.5" .....	1
3	104004301	Wire Harness, Fan .....	1

**1**  
**G**  
**E**



001208-001

# VAN BOX

ITEM	PART NO.	DESCRIPTION	QTY
		<b>1 2 3 4</b>	
1	1015399	Screw, 5/16-18 X 0.88 Torx Truss-Head .....	20
2	101754202	Custom Van Box Gray .....	1
3	101754205	Custom Van Box Kit Ca Vi White (includes item 4) .....	1
4	102006201	Handle, Van Box Door .....	1
5	7473	Locknut, 5/16-18 Nylon Insert .....	20
<p>Note: Item 2, Van Box Gray, includes item 4, Door Handle.</p>			

**1**  
**G**  
**E**

**1**

**G**

**E**

# WHEELS AND TIRES

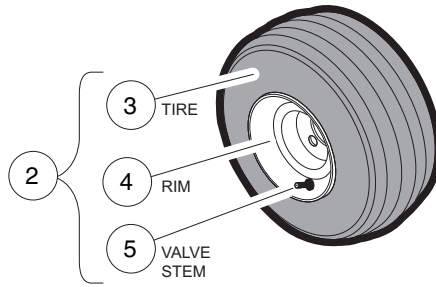
---

2

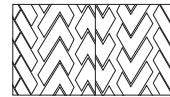
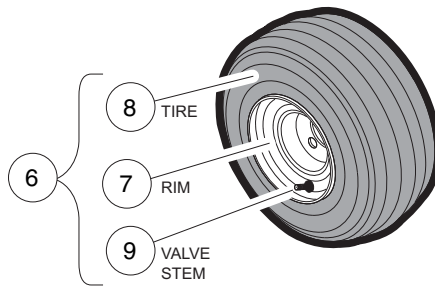
G

E

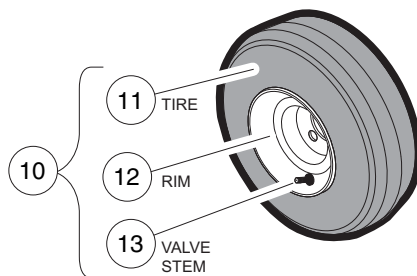
**2**  
**G**  
**E**



EXTRA TRACTION  
TREAD



KENDA HOLE-N-ONE  
K389 TREAD



KENDA HOLE-N-ONE  
K389 TREAD

000269-018



## WHEELS (SILVER) AND TIRES

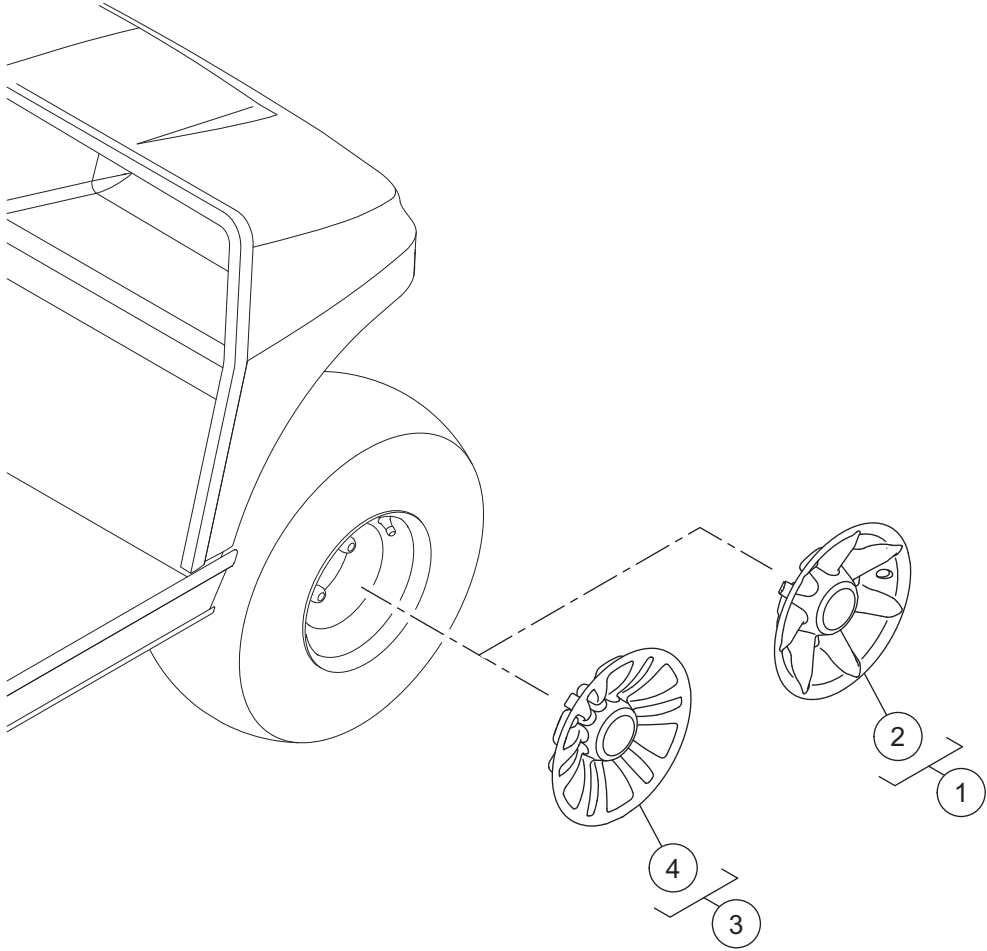
ITEM	PART NO.	DESCRIPTION	QTY
		<b>1 2 3 4</b>	
1	1010984	.500-20 Unf Lug Nut .....	16
2	103951002	Assembly, Silver Wheel Kenda, X/t 6ply (includes items 3 through 5) .....	A/R
3	102569302	Tire, Kenda, 18x8.5-8, 6-ply Xtr .....	1
4	103459104	Wheel Rim, 8"x7", Silver, Std .....	1
5	7310	Valve Stem, Black Plastic .....	1
6	103951003	Asm,silver Whl Kenda, Hn1 6pl (includes items 7 through 9) .....	A/R
7	103459104	Wheel Rim, 8"x7", Silver, Std .....	1
8	103658601	Tire, Kenda Hn1, 6pl .....	1
9	7310	Valve Stem, Black Plastic .....	1
10	103951004	Asm,silver Whl Kenda,6.5" 6pl (includes items 11 through 13) .....	A/R
11	103722901	Tire, Kenda Hole-N-One, 18x6.5 - 8, Prem, 6-Ply .....	1
12	103723003	Wheel Rim, 8 X 5.375, Silver .....	1
13	7310	Valve Stem, Black Plastic .....	1

**2**  
**G**  
**E**

2

G

E



001203-002

# WHEEL COVERS

ITEM	PART NO.	DESCRIPTION	QTY
		1 2 3 4	
1	102559901	Hub Cap Kit, Prec (includes item 2) .....	1
2	103694501	Hub Cap, 7 Prong .....	4
3	102559902	Kit, Wheel Cover, 12 Spk (includes item 4) .....	1
4	105142401	Wheel Cover, 12 Spk, 8", Slvr .....	4

2

G

E

**2**

**G**

**E**

# DECALS

---

3

G

E

**⚠ WARNING**

**ROLLOVER OR FALLING OFF MAY CAUSE DEATH.**

- Before using vehicle, read operating instructions.
- Remain seated and hold on to seat handle while moving.
- Do not start vehicle until all occupants are seated.
- Two (2) persons per seat maximum.
- Operate from driver side only and not on public roads.
- Keep entire body inside vehicle while moving.
- Drive slowly in turns and straight up and down slopes.
- Do not leave children unattended on vehicle.
- Never operate under the influence of alcohol or drugs.
- Use brakes to reduce speed when coasting downhill.
- Never stand in front of or behind vehicle.

CCI 103205401

**⚠ WARNING**

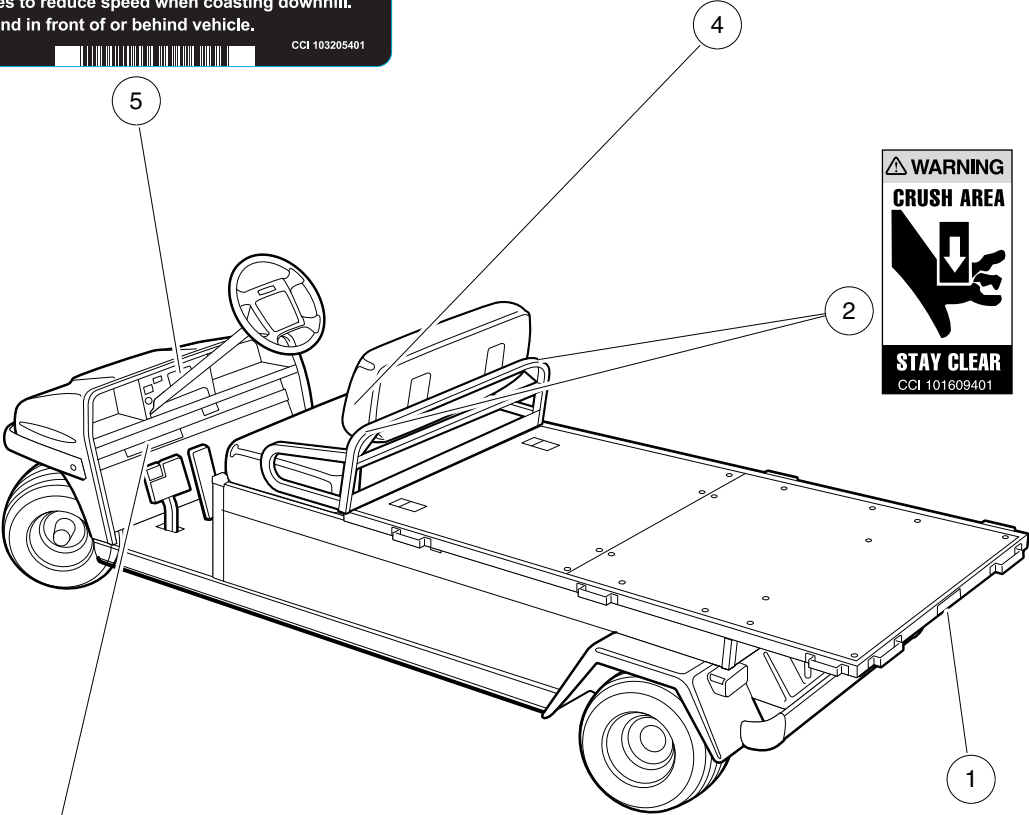
**BATTERY EXPLOSION COULD RESULT IN SEVERE PERSONAL INJURY.**

- Do not store items in battery compartment.
- Place Run/Tow switch in TOW position before:
  - Disconnecting or connecting battery cables
  - Towing this vehicle
  - Extended storage
  - Servicing the vehicle

NORMAL      TRIPPED

TOW      RUN

CCI 102845101



**⚠ WARNING**

**CRUSH AREA**

**STAY CLEAR**

CCI 101609401

**⚠ WARNING**

**Riding in cargo bed can cause severe injury or death. Do not ride in cargo bed.**

CCI 101555901

**VEHICLE LOADING**

Read owner's manual and warnings on dash.

- Vehicle rated capacity - 1500 lb on level surface only. Weight to include passengers, cargo bed load, and gross trailer weight. See owner's manual.
- Maximum cargo load CARRYALL 6 or TURF 6 - 1000 lb, TRANSPORTER - 300 lb. Weight to include cargo bed load and gross trailer weight.
- Maximum trailer hitch tongue weight - 150 lbs.

- Cargo should be evenly spread over the floor of the cargo bed as far forward as possible and secured.
  - For vehicle stability, when fully loaded, drive slowly and avoid stopping on or backing down steep hills.
  - Avoid top heavy loads. See owner's manual.
  - When driving on uneven terrain or down steep hills, reduce speed and load.
- CCI 101960001

000632-002

## DECALS – ELECTRIC CARRYALL 6

ITEM	PART NO.	DESCRIPTION	QTY
		1 2 3 4	
1	101553901	Decal, Bed Load Warning .....	1
2	101609401	Decal, Crush Area Warning .....	2
3	101960001	Decal, Vehicle Loading .....	1
4	102845101	Decal, Tow Switch .....	1
5	103205401	Decal, Warning, Rollover, Utl .....	1

3  
G  
E

**3**  
**G**  
**E**

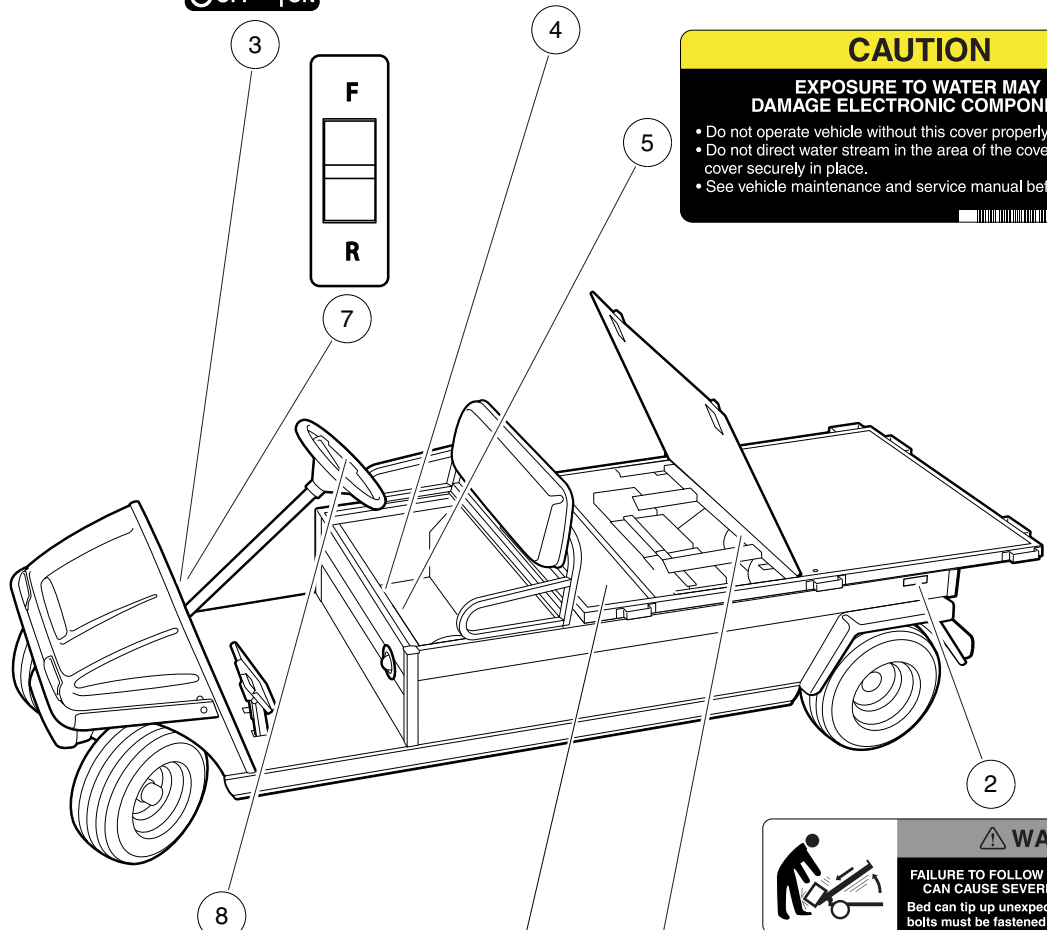
**NOTICE** DO NOT USE AS GROUND  
CCI 101964601

OFF | ON

**CAUTION**  
**EXPOSURE TO WATER MAY DAMAGE ELECTRONIC COMPONENTS**

- Do not operate vehicle without this cover properly installed.
- Do not direct water stream in the area of the cover without cover securely in place.
- See vehicle maintenance and service manual before servicing.

CCI 102518301



**WARNING**

**FAILURE TO FOLLOW THESE INSTRUCTIONS CAN CAUSE SEVERE INJURY OR DEATH.**

Bed can tip up unexpectedly. Bed hold down bolts must be fastened.

CCI 101707801

**OPERATING INSTRUCTIONS**

Before using vehicle, read owner's manual and vehicle safety warnings. Study and understand controls.

**TO OPERATE**

- Ensure wheels are turned in desired direction and path is clear.
- Turn key to ON position.
- Select FORWARD or REVERSE only when stopped.
- Release park brake fully.
- Vehicle will start moving when accelerator pedal is pressed.
- Slowly press accelerator pedal to increase speed.
- During operation, beeping alarm indicates reduction in motor braking.
- To stop, release accelerator pedal and press brake pedal.

**WARNING**

Unintended vehicle movement may cause severe injury or death. Before leaving vehicle:

- Engage park brake to lock wheels.
- Place vehicle in NEUTRAL.
- Turn key to OFF and remove key.

CCI 1023001

**WARNING**

**AVOID FIRE HAZARD**

- Replacement battery wires must be 4-gauge (AWG) with low-resistance terminals equivalent to factory-installed wires.
- Ensure that battery connections are clean and properly tightened. See owner's manual.

CCI 102967601

**DANGER / POISON**

**EXPLOSIVE GASES CAN CAUSE BLINDNESS OR INJURY** SHIELD EYES

**NO SPARKS, FLAMES, SMOKING**

**SULFURIC ACID CAN CAUSE BLINDNESS OR SEVERE BURNS**

FLUSH EYES IMMEDIATELY WITH WATER

GET MEDICAL HELP FAST

KEEP OUT OF THE REACH OF CHILDREN -- DO NOT TIP -- KEEP VENT CAPS TIGHT AND LEVEL

000633-003



## DECALS – ELECTRIC CARRYALL 6, CONTINUED

ITEM	PART NO.	DESCRIPTION	QTY
		1 2 3 4	
1	1013677	Decal, Battery Danger .....	A/R
2	101707801	Decal, Bed Hold-Down Bolts .....	1
3	101825101	Decal, Off/On .....	1
4	101964601	Decal, No Ground Warning .....	1
5	102518301	Decal, Caution, Electrical Component Cover .....	1
6	102967601	Decal, Warning, 4 Gauge Wire .....	1
7	103210301	Decal, Forward/Reverse, Electric .....	1
8	103783001	Decal, Op Instr, Ele .....	1

3  
G  
E

**⚠ WARNING**

**ROLLOVER OR FALLING OFF MAY CAUSE DEATH.**

- Before using vehicle, read operating instructions.
- Remain seated and hold on to seat handle while moving.
- Do not start vehicle until all occupants are seated.
- Two (2) persons per seat maximum.
- Operate from driver side only and not on public roads.
- Keep entire body inside vehicle while moving.
- Drive slowly in turns and straight up and down slopes.
- Do not leave children unattended on vehicle.
- Never operate under the influence of alcohol or drugs.
- Use brakes to reduce speed when coasting downhill.
- Never stand in front of or behind vehicle.

CCI 103205401

**⚠ WARNING**

**CRUSH AREA**

**STAY CLEAR**

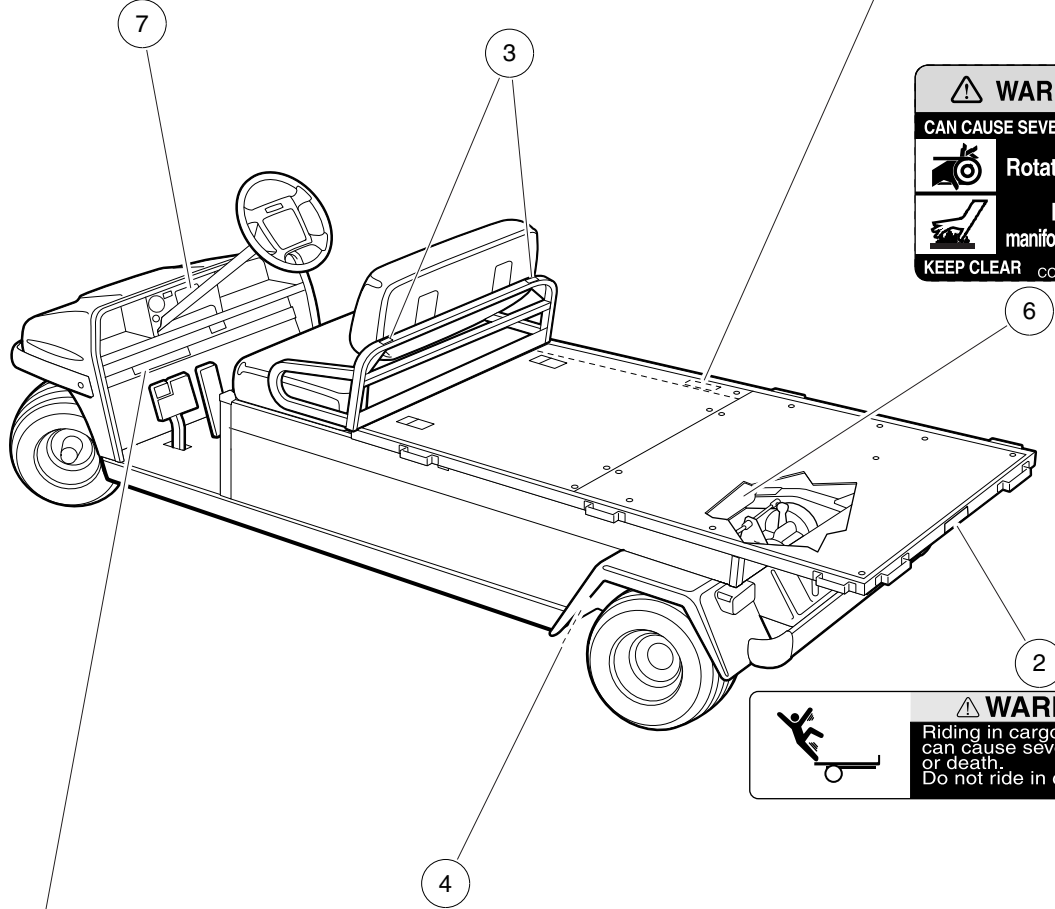
CCI 101609401

**⚠ WARNING**

**GASOLINE EXPLOSION / FIRE.**

- Can cause severe injury or death.
- No smoking, sparks, or open flame.
- Stop engine, allow to cool before refueling.
- Turn fuel valve (↔) on during operation.
- (↔) off during storage or transport.

CCI 101547601



**⚠ WARNING**

**CAN CAUSE SEVERE INJURY**

**Rotating parts**

**HOT manifold & muffler**

**KEEP CLEAR**

CCI 101960501

**⚠ WARNING**

**Riding in cargo bed can cause severe injury or death. Do not ride in cargo bed.**

CCI 101553901

**⚠ WARNING**

**Negative frame ground. Can cause severe injury. Do not contact positive (+) battery post or cable to frame. Disconnect negative battery lead first.**

**⚠ WARNING**

**Excessive speed. Can cause severe injury or death. Do not tamper with engine governor adjustment.**

CCI 101915201

**VEHICLE LOADING**

Read owner's manual and warnings on dash.

- Vehicle rated capacity - 1500 lb on level surface only. Weight to include passengers, cargo bed load, and gross trailer weight. See owner's manual.
- Maximum cargo load CARRYALL 6 or TURF 6 - 1000 lb, TRANSPORTER - 300 lb. Weight to include cargo bed load and gross trailer weight.
- Maximum trailer hitch tongue weight - 150 lbs.

- Cargo should be evenly spread over the floor of the cargo bed as far forward as possible and secured.
- For vehicle stability, when fully loaded, drive slowly and avoid stopping on or backing down steep hills.
- Avoid top heavy loads. See owner's manual.
- When driving on uneven terrain or down steep hills, reduce speed and load.

CCI 101960001

000634-002

## DECALS – GASOLINE TURF/CARRYALL 6

ITEM	PART NO.	DESCRIPTION	QTY
		<b>1 2 3 4</b>	
1	101547601	Decal, Gasoline Explosion/Fire Warning .....	1
2	101553901	Decal, Bed Load Warning .....	1
3	101609401	Decal, Crush Area Warning .....	2
4	101915201	Decal, Frame Ground and Governor Warning .....	1
5	101960001	Decal, Vehicle Loading .....	1
6	101960501	Decal, Rotating Parts/Hot Manifold .....	1
7	103205401	Decal, Warning, Rollover, Utl .....	1

**3**  
**G**  
**E**

**OPERATING INSTRUCTIONS**

Before using vehicle, read owner's manual and vehicle safety warnings. Study and understand controls.

**TO OPERATE**

- Ensure wheels are turned in desired direction and path is clear.
- Place vehicle in NEUTRAL and press brake pedal.
- Turn key to START position and hold until engine starts.
- Select FORWARD or REVERSE only when stopped and engine at idle.
- Release park brake fully.
- Vehicle will start moving when accelerator pedal is pressed.
- Slowly press accelerator pedal to increase speed.
- To stop, release accelerator pedal and press brake pedal.

**WARNING**

Unintended vehicle movement may cause severe injury or death. Before leaving vehicle:

- Engage park brake to lock wheels.
- Place vehicle in NEUTRAL.
- Turn key to OFF and remove key.

103782003

**OPERATING INSTRUCTIONS**

Before using vehicle, read owner's manual and vehicle safety warnings. Study and understand controls.

**TO OPERATE**

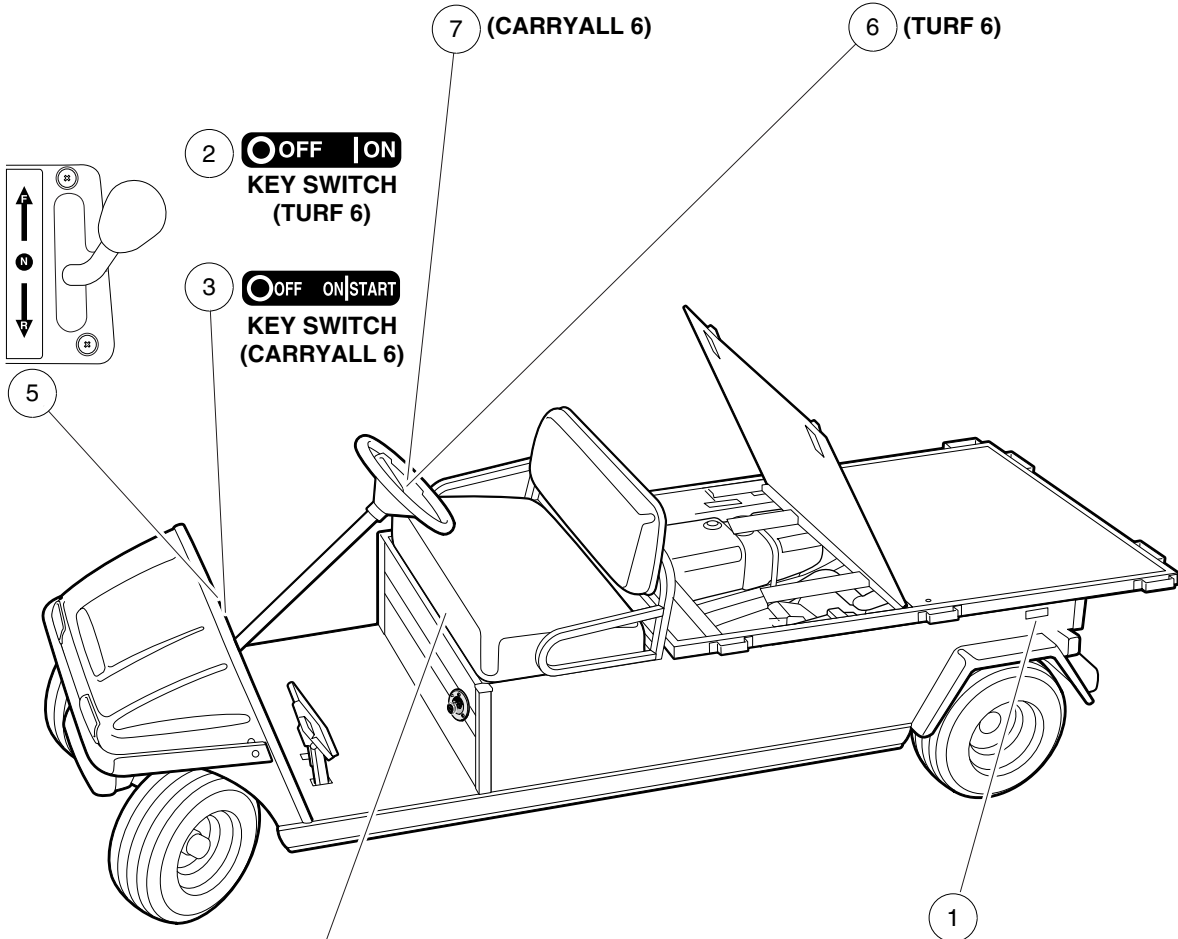
- Ensure wheels are turned in desired direction and path is clear.
- Turn key to ON position.
- Select FORWARD or REVERSE only when stopped.
- Release park brake fully.
- Vehicle will start moving when accelerator pedal is pressed.
- Slowly press accelerator pedal to increase speed.
- To stop, release accelerator pedal and press brake pedal.

**WARNING**

Unintended vehicle movement may cause severe injury or death. Before leaving vehicle:

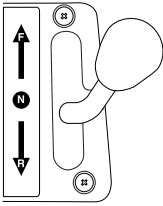
- Engage park brake to lock wheels.
- Place vehicle in NEUTRAL.
- Turn key to OFF and remove key.

103782002



2 **OFF | ON**  
**KEY SWITCH**  
**(TURF 6)**

3 **OFF ON|START**  
**KEY SWITCH**  
**(CARRYALL 6)**



5

4

Maintenance Operate

**WARNING**

**VEHICLE MOVEMENT MAY CAUSE SERIOUS INJURY**  
When switch is in Maintenance position, chock wheels and firmly set park brake.

CCI 103205501

**WARNING**

**FAILURE TO FOLLOW THESE INSTRUCTIONS CAN CAUSE SEVERE INJURY OR DEATH.**  
Bed can tip up unexpectedly. Bed hold down bolts must be fastened.

CCI 101707801

000635-003

## DECALS – GASOLINE TURF/CARRYALL 6, CONTINUED

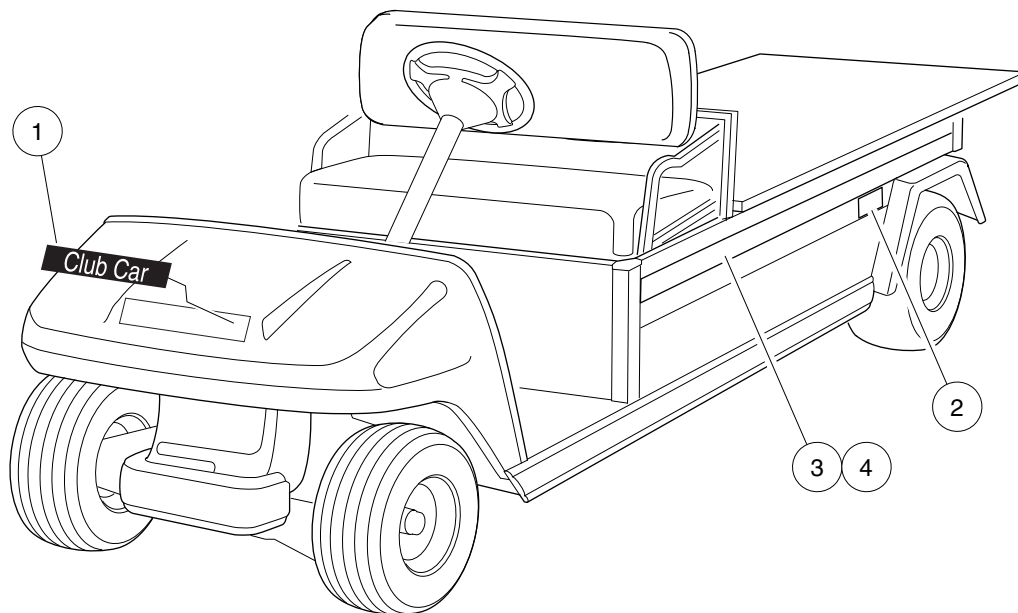
ITEM	PART NO.	DESCRIPTION	QTY
		1 2 3 4	
1	101707801	Decal, Bed Hold-Down Bolts .....	1
2	101825101	Decal, Off/On .....	1
3	101825102	Decal, Off/On/Start .....	1
4	103205501	Decal, Run/Service Switch .....	1
5	103210201	Decal, Forward/Reverse, Gas .....	1
6	103783002	Decal, Op Instr, Gas Ps .....	1
7	103783003	Decal, Op Instr, Gas Ks .....	1

3  
G  
E

3

G

E



000674-008

## BADGING DECALS, CARRYALL 6 – ELECTRIC VEHICLES

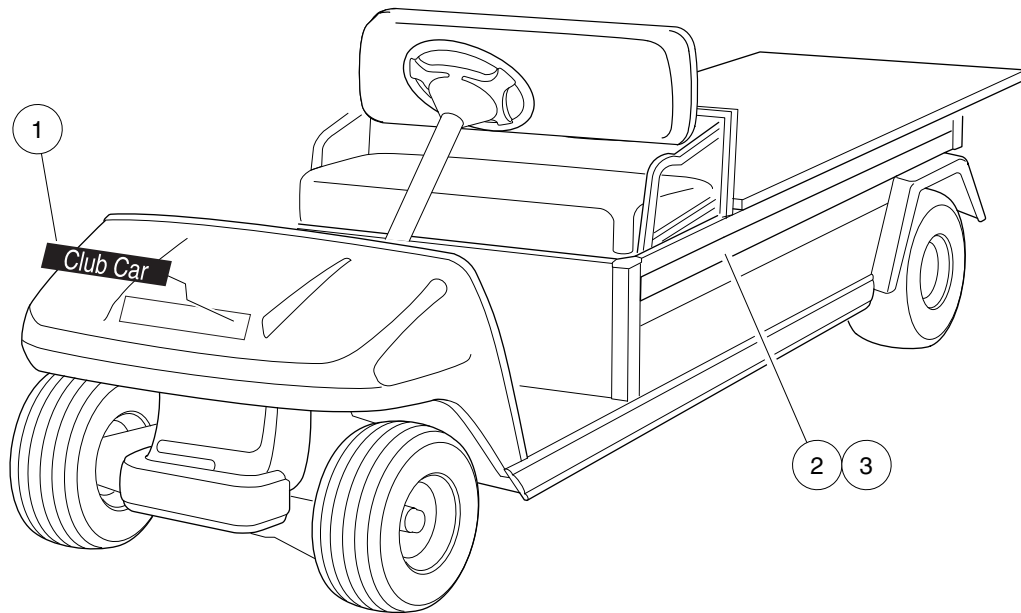
ITEM	PART NO.	DESCRIPTION	QTY
		1 2 3 4	
1	101670201	Nameplate Kit (silver) .....	1
2	103464801	Decal, Iq Plus, Zev .....	2
3	103515601	Decal, Ca6, Sidepanel, Drv .....	1
4	103515701	Decal, Ca6, Sidepanel, Pass .....	1

3  
G  
E

3

G

E



000674-009



## BADGING DECALS, CARRYALL 6 – GASOLINE VEHICLES

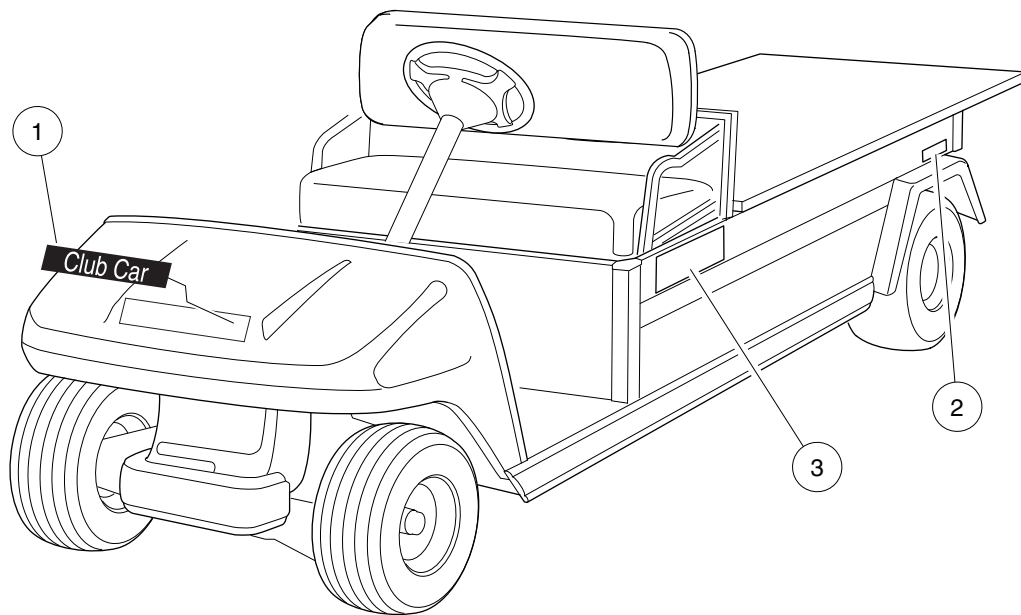
ITEM	PART NO.	DESCRIPTION	QTY
		1 2 3 4	
1	101670201	Nameplate Kit (silver) .....	1
2	103515601	Decal, Ca6, Sidepanel, Drv .....	1
3	103515701	Decal, Ca6, Sidepanel, Pass .....	1

3  
G  
E

3

G

E



000674-010

## BADGING DECALS, TURF 6 – GASOLINE VEHICLES

ITEM	PART NO.	DESCRIPTION	QTY
		1 2 3 4	
1	101670201	Nameplate Kit (silver) .....	1
2	103234303	Decal, Badge, Ir Black .....	2
3	103260201	Decal Turf 6 Side Panel .....	2



**3**

**G**

**E**

# LIGHTS, CONTROLS, AND INDICATORS

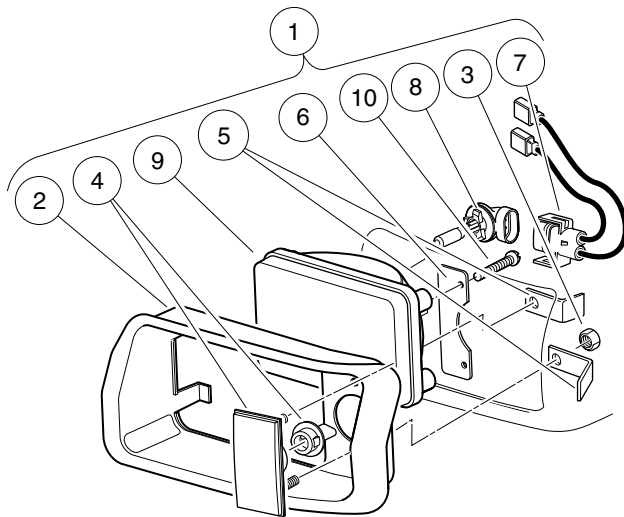
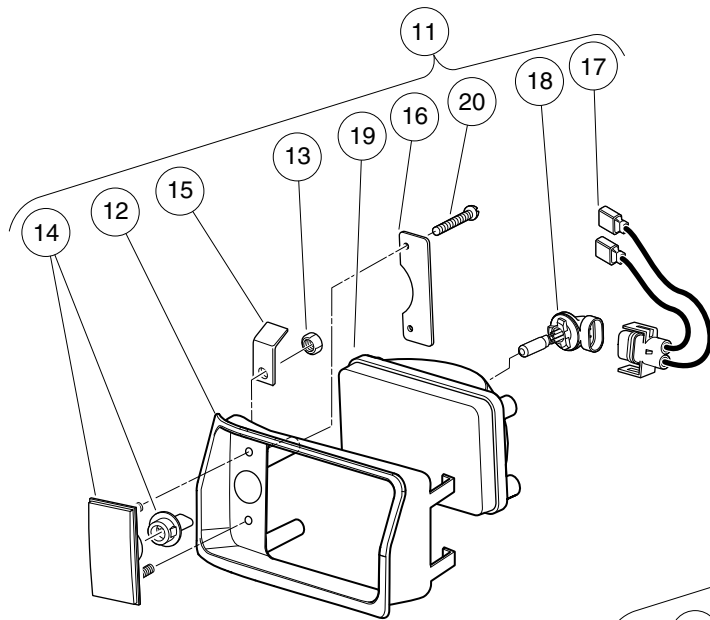
---

4

G

E

**4**  
**G**  
**E**



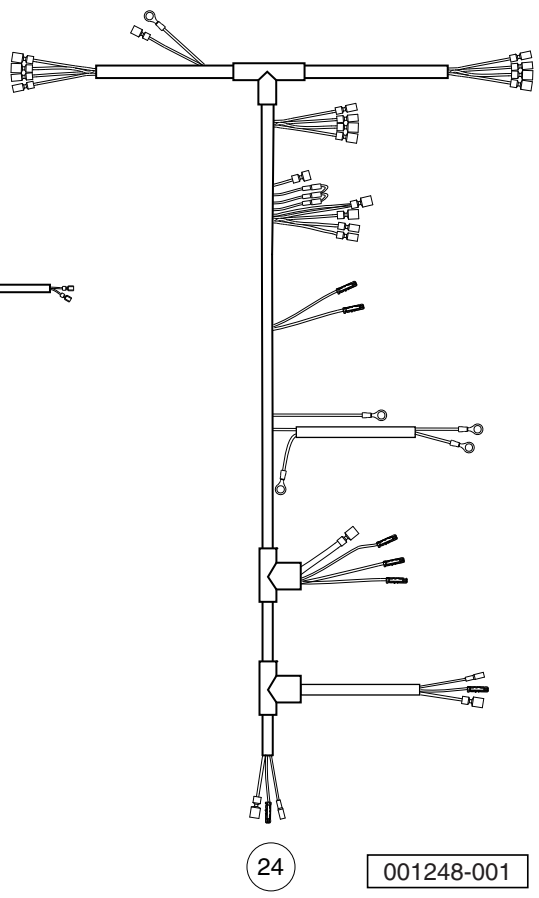
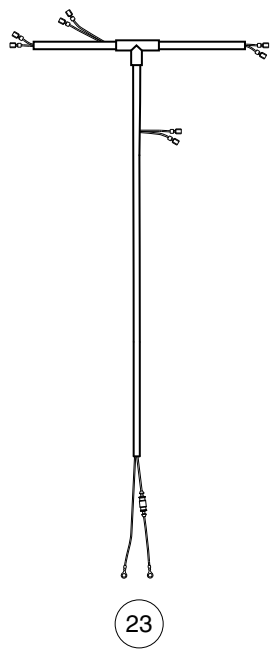
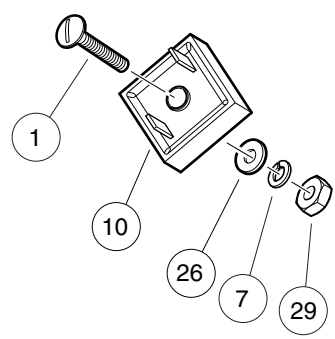
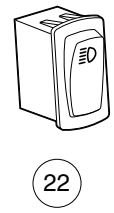
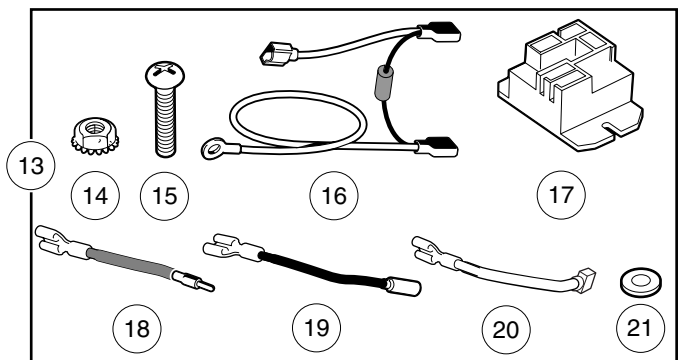
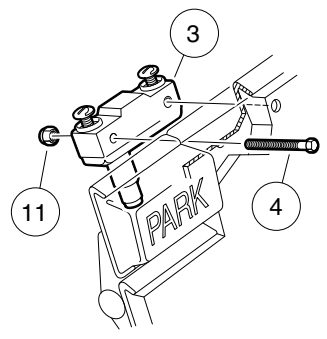
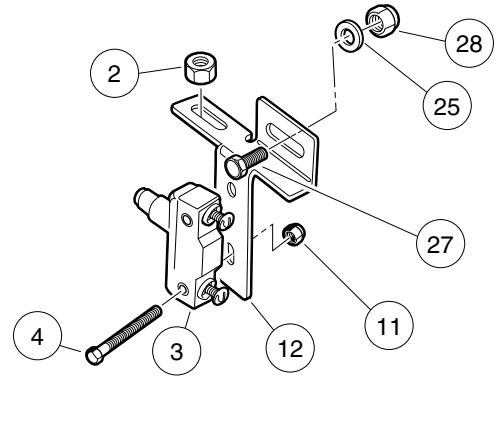
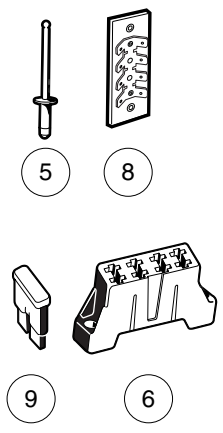
001097-001

# HEADLIGHTS

ITEM	PART NO.	DESCRIPTION	QTY
		1 2 3 4	
1	101988001	Headlight Assembly, Driver-Side Single Beam (includes items 2 through 10) .....	1
2	1016880	Headlight Bezel, Left .....	1
3	1017	Nut, #10-24 Stainless-Steel Hex Machine .....	2
4	1017062	Turn Signal Lens Assy .....	1
5	1017064	Mounting Bracket .....	2
6	1017065	Retainer, Headlight .....	1
7	101987901	Connector, Harness Assembly, Headlight .....	1
8	101988101	Bulb, Headlight .....	1
9	101988201	Lens, Headlight .....	1
10	1620	Screw, #10-16 X 0.75 Pan-Head Tap .....	2
11	101988002	Headlight Assy, Passenger-Side Single Beam (includes items 12 through 20) .....	1
12	1016879	Headlight Bezel, Right .....	1
13	1017	Nut, #10-24 Stainless-Steel Hex Machine .....	2
14	1017062	Turn Signal Lens Assy .....	1
15	1017064	Mounting Bracket .....	2
16	1017065	Retainer, Headlight .....	1
17	101987901	Connector, Harness Assembly, Headlight .....	1
18	101988101	Bulb, Headlight .....	1
19	101988201	Lens, Headlight .....	1
20	1620	Screw, #10-16 X 0.75 Pan-Head Tap .....	2

4  
G  
E

**4**  
**G**  
**E**



001248-001

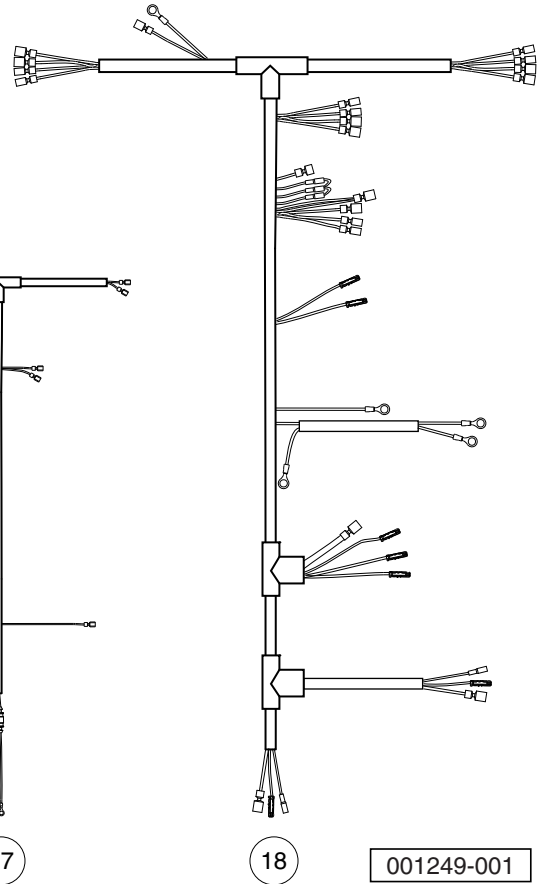
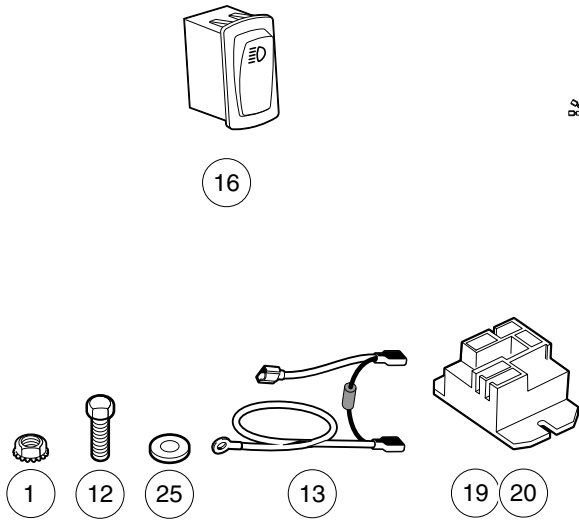
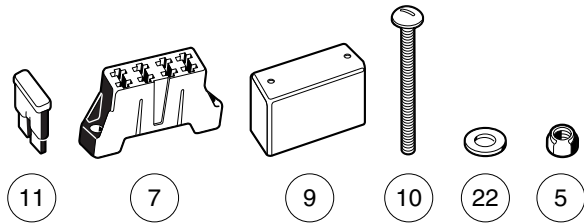
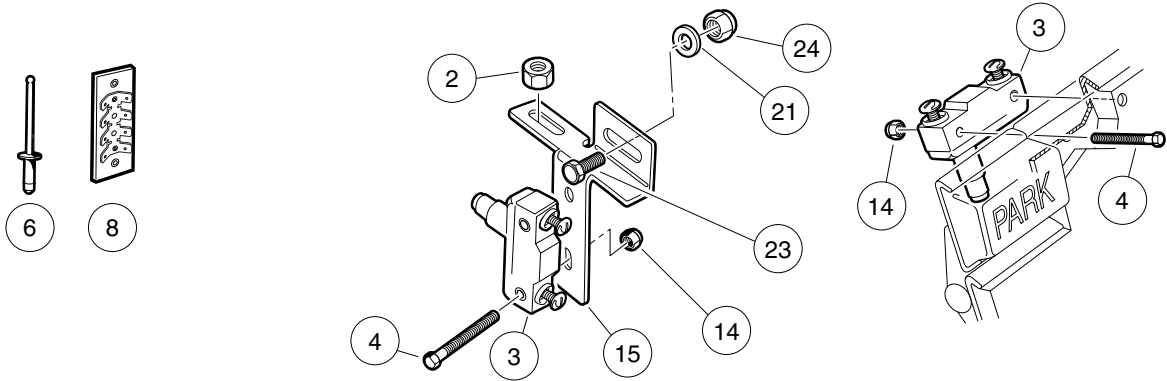


# LIGHTING SYSTEM COMPONENTS – GASOLINE VEHICLES

ITEM	PART NO.	DESCRIPTION	QTY
		1 2 3 4	
1	1010909	Screw, #10-32 X 1.25 Rd Hd Mch .....	1
2	1011280	Locknut, 5/16-18 .....	1
3	1011439	Switch, Limit .....	2
4	1011557	Screw, #6-32 X 1.00 Hex-Head Machine .....	4
5	1013357	Rivet, 5/32 Aluminum Pop .....	2
6	1015741	Fuse Block .....	1
7	1016	Lockwasher, #10 Split .....	1
8	1016356	Terminal Block with Insulator .....	1
9	1016423	Fuse, 20-Amp .....	3
10	1017721	Limiter, Voltage .....	1
11	101932201	Locknut, #6-32 Nylon .....	4
12	101957101	Bracket, Brake Light Switch .....	1
13	102198701	Brake Relay Kit - 12v (includes items 14 through 21) .....	1
14	1011229	Locknut, #6-32 Whiz .....	2
15	1017853	Screw, #6-32 X 0.75 Hex-Head Machine .....	2
16	101914401	Assembly, Voltage Suppressor .....	1
17	102199001	Relay, 12-Volt .....	1
18	102199201	Wire Asm #18 Brown .....	1
19	102199301	Wire Asm #18 Black .....	1
20	102199401	Wire Asm #18 Black .....	1
21	7591	Washer, #6, Flat .....	2
22	102869401	Switch, Rocker, Light .....	1
23	103255601	Wire Harness, Headlights-Only, CA, Gas .....	1
24	103256801	Wire Harness, Lighting Package, Stretch, Gas .....	1
25	1241	Washer, 5/16 Type A Flat .....	1
26	183	Washer, #10, Type A, Flat .....	1
27	7173	Screw, 5/16-18 X 0.75, Hex-Head Cap .....	1
28	7473	Locknut, 5/16-18 Nylon Insert .....	1
29	7893	Nut, #10-32 Hex .....	1
		<p>Note: The wire harnesses (item 23 and 24) are for use on the Turf 6 gasoline model. The Carryall 6 gasoline model has wiring for lights built into its harness. NOTE 2: Use item 23 for headlights only. NOTE 3: Use item 24 for headlights and taillights.</p>	

4  
G  
E

**4**  
**G**  
**E**

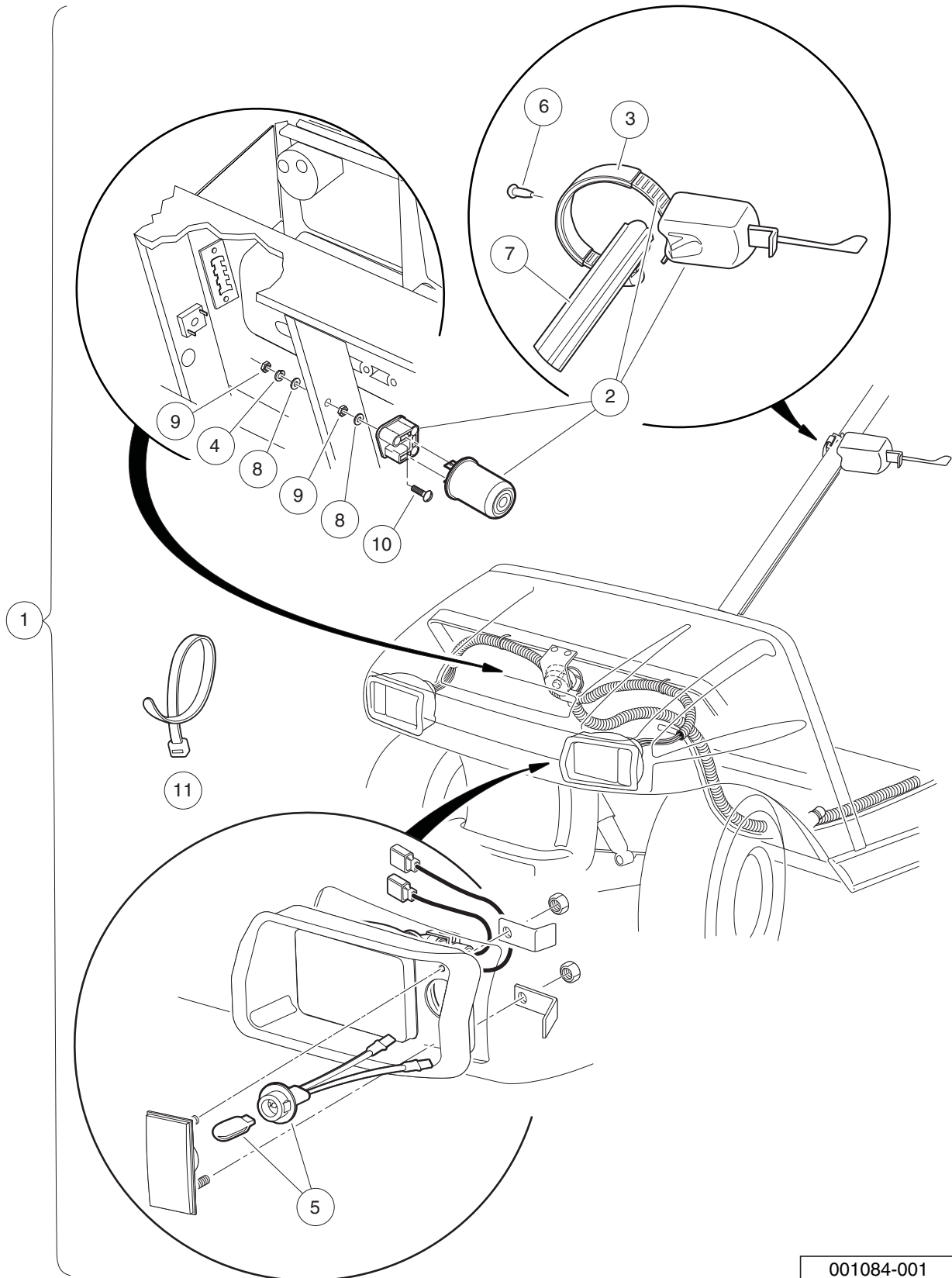


# LIGHTING SYSTEM COMPONENTS – ELECTRIC VEHICLES

ITEM	PART NO.	DESCRIPTION	QTY
		1 2 3 4	
1	1011229	Locknut, #6-32 Whiz .....	2
2	1011280	Locknut, 5/16-18 .....	1
3	1011439	Switch, Limit .....	2
4	1011557	Screw, #6-32 X 1.00 Hex-Head Machine .....	4
5	1012438	Locknut, #10-24 Nylon Insert .....	2
6	1013357	Rivet, 5/32 Aluminum Pop .....	2
7	1015741	Fuse Block .....	1
8	1016356	Terminal Block with Insulator .....	1
9	1016363	Fuse Block Cover .....	1
10	1016366	Screw, #10-24 X 3.0 Pan-Head Machine .....	2
11	1016423	Fuse, 20-Amp .....	3
12	1017853	Screw, #6-32 X 0.75 Hex-Head Machine .....	2
13	101914401	Assembly, Voltage Suppressor .....	1
14	101932201	Locknut, #6-32 Nylon .....	4
15	102869401	Switch, Rocker, Light .....	1
16	103255701	Wire Harness, Headlights-Only, CA, Electric .....	1
17	103257101	Wire Harness, Lighting Package, Stretch, Electric .....	1
18	103414901	Kit, Relay, 48v 30a W/instr (includes item 19) .....	1
19	103397901	Relay, Spst No, 48v 30a, Pmt .....	1
20	1241	Washer, 5/16 Type A Flat .....	1
21	183	Washer, #10, Type A, Flat .....	4
22	7173	Screw, 5/16-18 X 0.75, Hex-Head Cap .....	1
23	7473	Locknut, 5/16-18 Nylon Insert .....	1
24	7591	Washer, #6, Flat .....	2
		Note: Use item 16 for headlights only. NOTE 2: Use item 17 for headlights and taillights.	

4  
G  
E

**4**  
**G**  
**E**



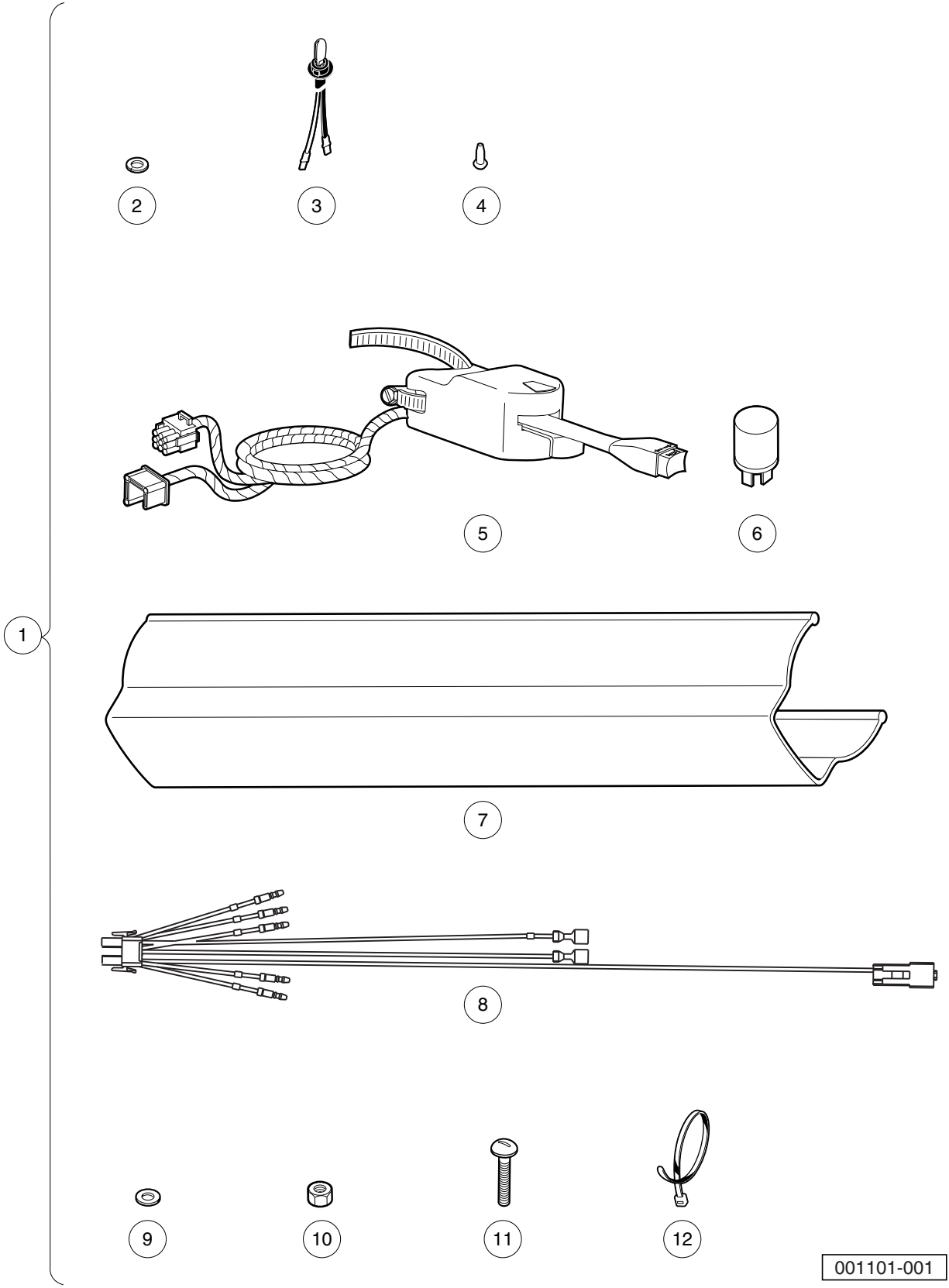
001084-001

# TURN SIGNAL KIT – DS AND UTILITY GASOLINE AND ELECTRIC VEHICLES

ITEM	PART NO.	DESCRIPTION	QTY
		1 2 3 4	
1	101707402	Turn Signal Conversion Kit (includes items 2 through 11) .....	1
2	1011590	Switch Sub-assy, Turn Signal .....	1
3	N/A	Strap, Extrusion .....	1
4	1016	Lockwasher, #10 Split .....	1
5	1017075	Socket & Lamp Assembly .....	2
6	1017724	Rivet, Plastic .....	1
7	102529201	Wire Cover, Steering Column .....	1
8	183	Washer, #10, Type A, Flat .....	2
9	7893	Nut, #10-32 Hex .....	2
10	8104	Screw, #10-32 X .75 Rd Hd Mach .....	1
11	8990	Tie Wrap, 8" Nylon .....	1

4  
G  
E

**4**  
**G**  
**E**



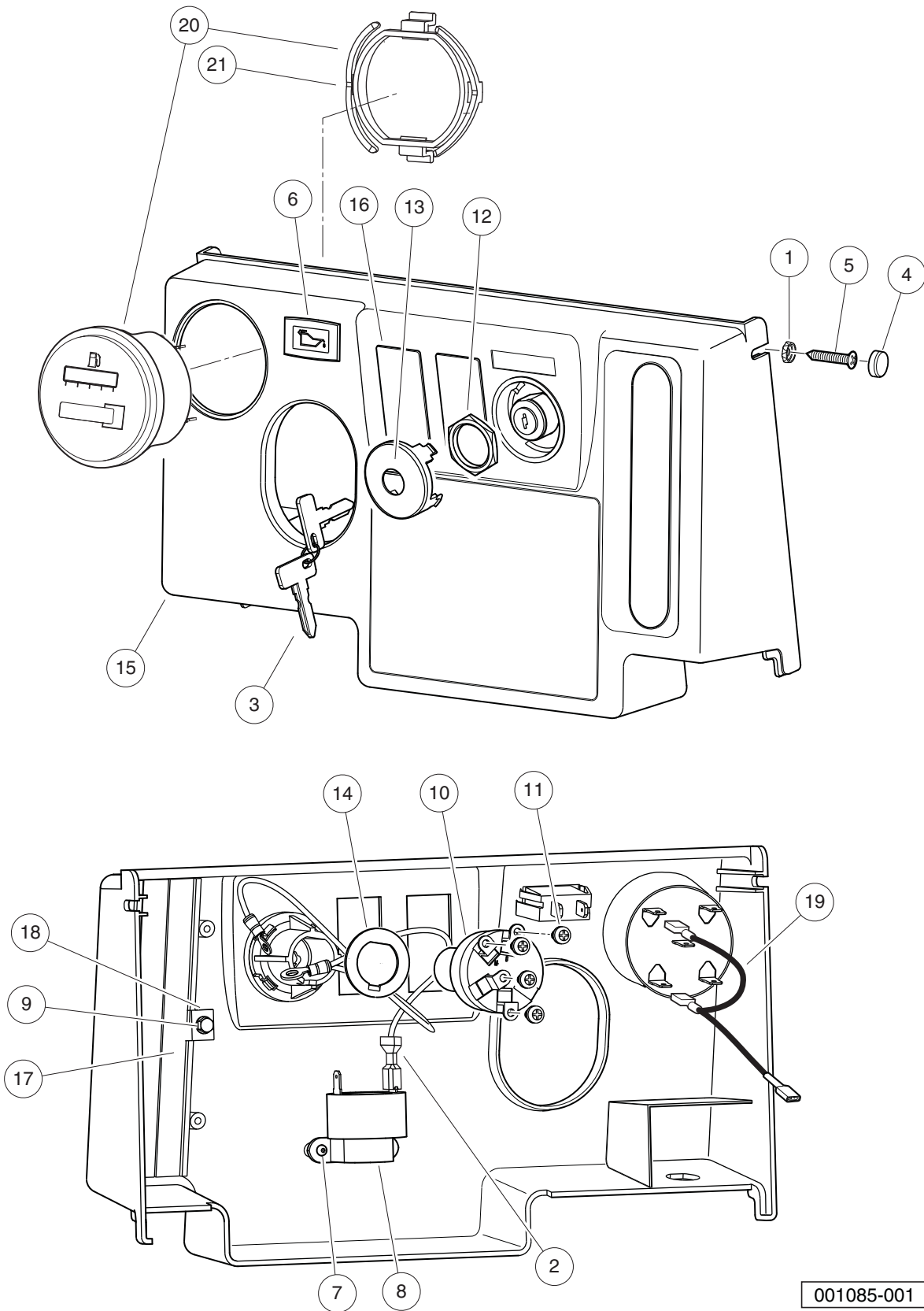
001101-001

# TURN SIGNAL (WITH HORN BUTTON) KIT – DS AND UTILITY GAS AND ELECTRIC VEHICLES

ITEM	PART NO.	DESCRIPTION	QTY
		<b>1 2 3 4</b>	
1	101707405	Kit, Turn Signal-horn (includes items 2 through 12) .....	1
2	1016	Lockwasher, #10 Split .....	1
3	1017075	Socket & Lamp Assembly .....	2
4	1017724	Rivet, Plastic .....	1
5	102517501	Turn Signal Asm (includes item 6) .....	1
6	102546401	Flasher Unit, Prec .....	1
7	102529201	Wire Cover, Steering Column .....	1
8	103618001	Harness, Jumper, Turn Signal .....	1
9	183	Washer, #10, Type A, Flat .....	2
10	7893	Nut, #10-32 Hex .....	2
11	8104	Screw, #10-32 X .75 Rd Hd Mach .....	1
12	8990	Tie Wrap, 8" Nylon .....	1

**4**  
**G**  
**E**

**4**  
**G**  
**E**



001085-001

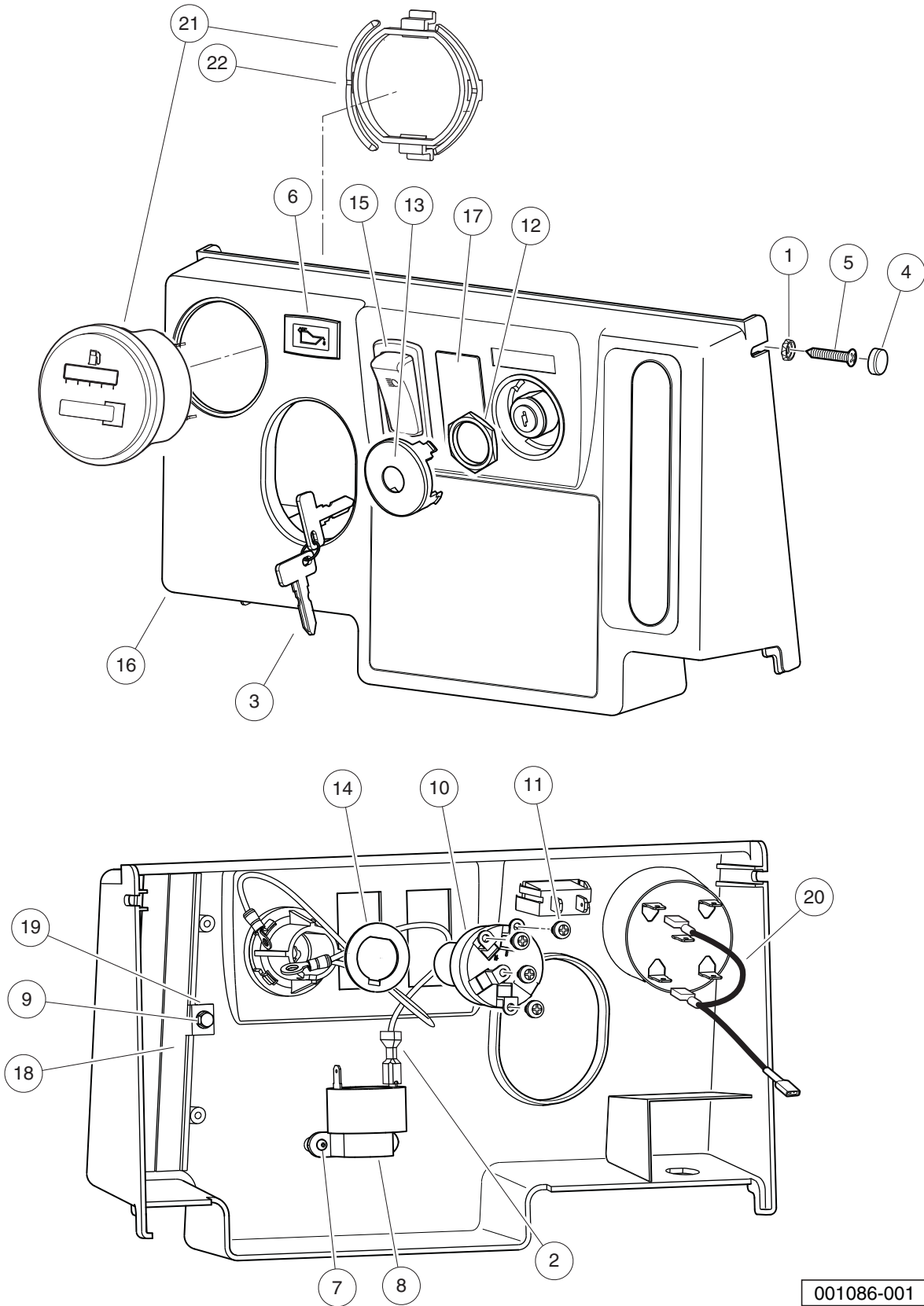


# INSTRUMENT PANEL AND ELECTRICAL COMPONENTS – TURF 6 GAS

ITEM	PART NO.	DESCRIPTION	QTY
		<b>1 2 3 4</b>	
1	1011382	Washer, #10 Pan-Head Screw .....	2
2	1012396	Wire Assy #18 Black .....	1
3	1012505	Keys (set of 2) .....	1
4	1013494	Cover, Screw Head .....	2
5	1015528	Screw, #10 x 1-1/4 Phillips Head .....	2
6	1016630	Light, Oil .....	1
7	1016849	Screw, #4-24 X 0.33, Pan-Head, Machine .....	2
8	1016851	Buzzer, Reverse (9-48 VDC) .....	1
9	101804301	Screw, #8 X 0.500, Hex-Head Hi-Lo .....	2
10	101826301	Key Switch, 12-Volt, Off/On .....	1
11	101830601	Screw and Washer Assembly .....	4
12	101830701	Nut, Key Switch .....	1
13	101834502	Cap, Black Key Switch .....	1
14	101851101	Washer, Key Switch .....	1
15	102977001	Panel, Dash, Center, Gas (Instrument Panel) .....	1
16	103180101	Cover, Hole, Switch, Rocker .....	2
17	103199001	Brush, Closeout, FNR .....	2
18	103199101	Washer, Retaining, Brush, FNR .....	2
19	103348501	Asm, Wire Meter, F-h Jumper .....	1
20	103348602	Gauge, Fuel-hour,sep Gnd, Ds (includes item 21) .....	1
21	103348204	Clip, Meter, Round Ds .....	1

**4**  
**G**  
**E**

**4**  
**G**  
**E**



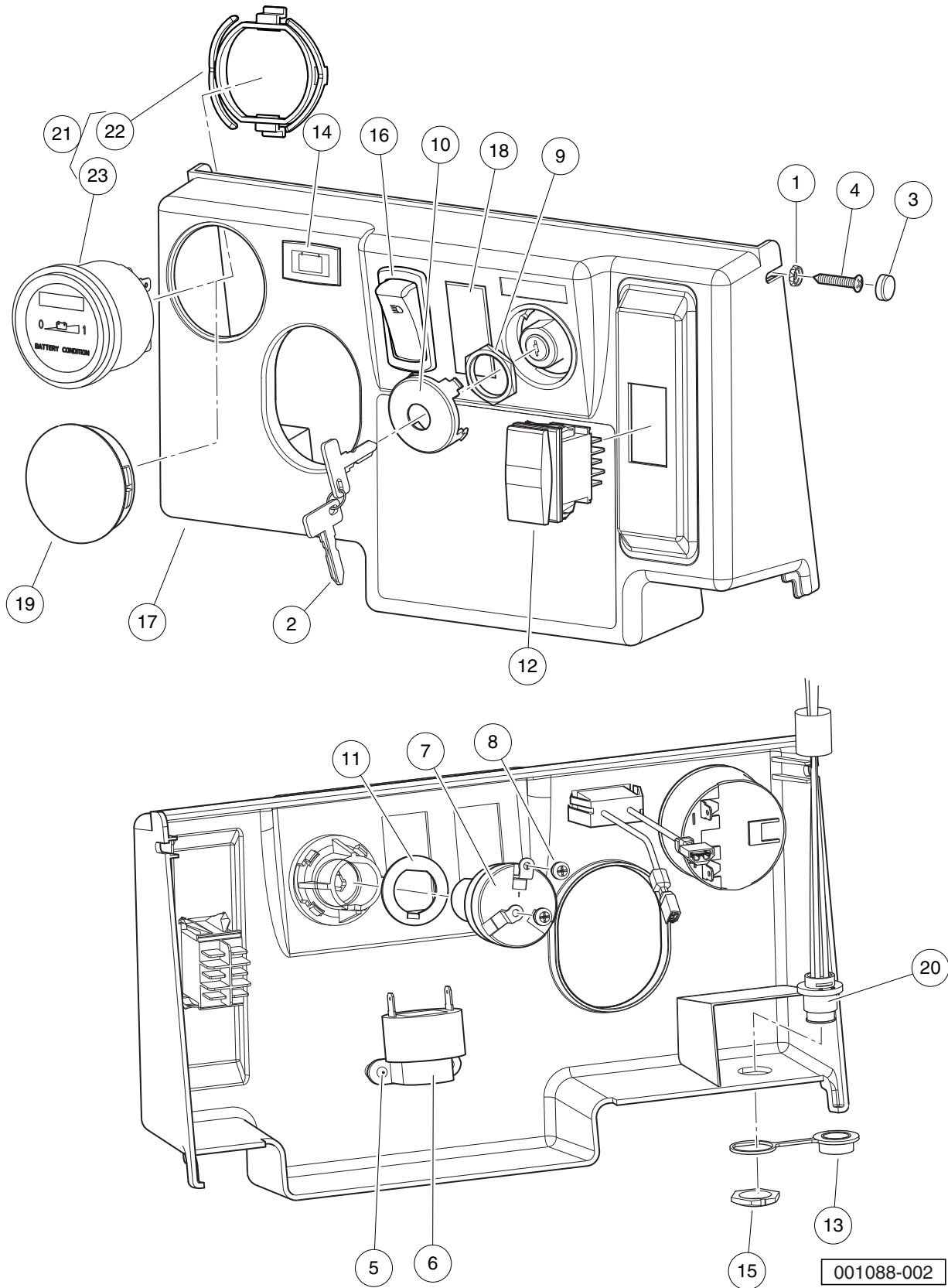
001086-001

# INSTRUMENT PANEL AND ELECTRICAL COMPONENTS – CARRYALL 6 GAS

ITEM	PART NO.	DESCRIPTION	QTY
		<b>1 2 3 4</b>	
1	1011382	Washer, #10 Pan-Head Screw .....	2
2	1012396	Wire Assy #18 Black .....	1
3	1012505	Keys (set of 2) .....	1
4	1013494	Cover, Screw Head .....	2
5	1015528	Screw, #10 x 1-1/4 Phillips Head .....	2
6	1016630	Light, Oil .....	1
7	1016849	Screw, #4-24 X 0.33, Pan-Head, Machine .....	2
8	1016851	Buzzer, Reverse (9-48 VDC) .....	1
9	101804301	Screw, #8 X 0.500, Hex-Head Hi-Lo .....	2
10	101826401	Key Switch, 12-Volt, Off/On/Start .....	1
11	101830601	Screw and Washer Assembly .....	5
12	101830701	Nut, Key Switch .....	1
13	101834502	Cap, Black Key Switch .....	1
14	101851101	Washer, Key Switch .....	1
15	102869401	Switch, Rocker, Light .....	1
16	102977001	Panel, Dash, Center, Gas (Instrument Panel) .....	1
17	103180101	Cover, Hole, Switch, Rocker .....	1
18	103199001	Brush, Closeout, FNR .....	2
19	103199101	Washer, Retaining, Brush, FNR .....	2
20	103348501	Asm, Wire Meter, F-h Jumper .....	1
21	103348602	Gauge, Fuel-hour, sep Gnd, Ds (includes item 22) .....	1
22	103348204	Clip, Meter, Round Ds .....	1

**4**  
**G**  
**E**

**4**  
**G**  
**E**



# INSTRUMENT PANEL WITH ELECTRICAL COMPONENTS – CARRYALL 6 ELECTRIC

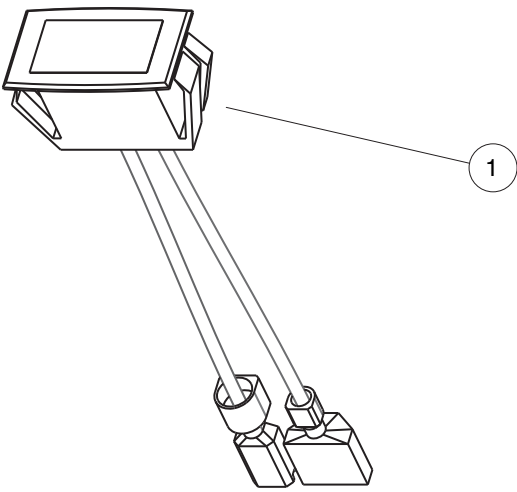
ITEM	PART NO.	DESCRIPTION	QTY
		<b>1 2 3 4</b>	
1	1011382	Washer, #10 Pan-Head Screw .....	2
2	1012505	Keys (set of 2) .....	1
3	1013494	Cover, Screw Head .....	2
4	1015528	Screw, #10 x 1-1/4 Phillips Head .....	2
5	1016849	Screw, #4-24 X 0.33, Pan-Head, Machine .....	2
6	1016851	Buzzer, Reverse (9-48 VDC) .....	1
7	101826201	Key Switch, On/Off .....	1
8	101830601	Screw and Washer Assembly .....	2
9	101830701	Nut, Key Switch .....	1
10	101834502	Cap, Black Key Switch .....	1
11	101851101	Washer, Key Switch .....	1
12	101856002	Switch, Rocker, Single-Pole .....	1
13	102196901	Dust Cap .....	1
14	102508701	Light, Battery .....	1
15	102572401	Nut, Diagnostic Port, Prec .....	1
16	102869401	Switch, Rocker, Light .....	1
17	102977002	Panel, Dash, Center, Elec (Instrument Panel) .....	1
18	103180101	Cover, Hole, Switch, Rocker .....	1
19	103198301	Plug, Hole, Round, 2.0 In .....	1
20	103218601	Harness, Diagnostic Port .....	1
21	103354401	Gauge, Battery Cond Ind, Rnd (includes item 22) .....	1
22	103348202	Clip, Bci, Round .....	1

**4**  
**G**  
**E**

4

G

E



001237-001

# INDICATOR, CHARGER INFO – ELEC. VEHICLES WITH MAINT-FREE BATTERIES AND DELTAQ CHARGER

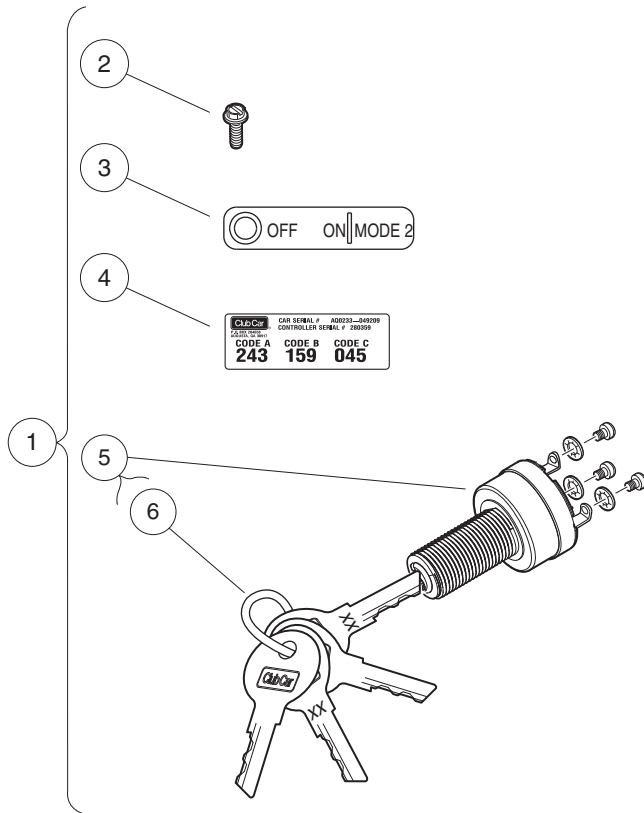
ITEM	PART NO.	DESCRIPTION	QTY
1	103860501	<p>1 2 3 4</p> <p>Indicator, Info, Charger .....</p> <p>Note: This indictator is only for non-standard vehicles equipped with maintenance-free, absorbed-glass-mat (AGM) batteries and DeltaQ battery charger.</p>	1

**4**

**G**

**E**

**4**  
**G**  
**E**



001212-001



# KEYS AND KEYSWITCHES, SMARTKEY KIT – ELECTRIC VEHICLE

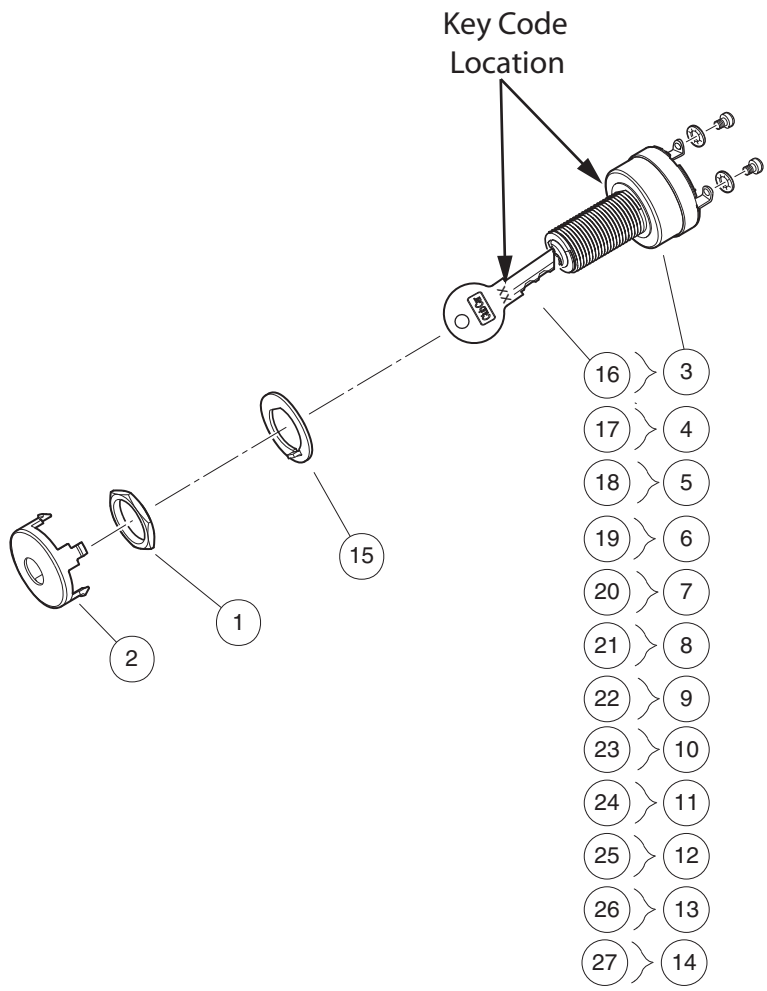
ITEM	PART NO.	DESCRIPTION	QTY
		<b>1 2 3 4</b>	
1	102962602	Kit, Field, Smartkey (includes items 2 through 5) .....	1
2	1011017	Screw, #8-32 X 0.375 .....	1
3	101825103	Decal, Keyswitch, Iq Plus Mode .....	1
4	N/A	Decal, Passcode .....	1
5	102950301	Key Switch, Mode B, Iq Plus (includes item 6) .....	1
6	102962303	Keys, Set Of 4, Iq Plus Mode .....	1
		 Note: Not available in the EU.	

**4**  
**G**  
**E**

4

G

E



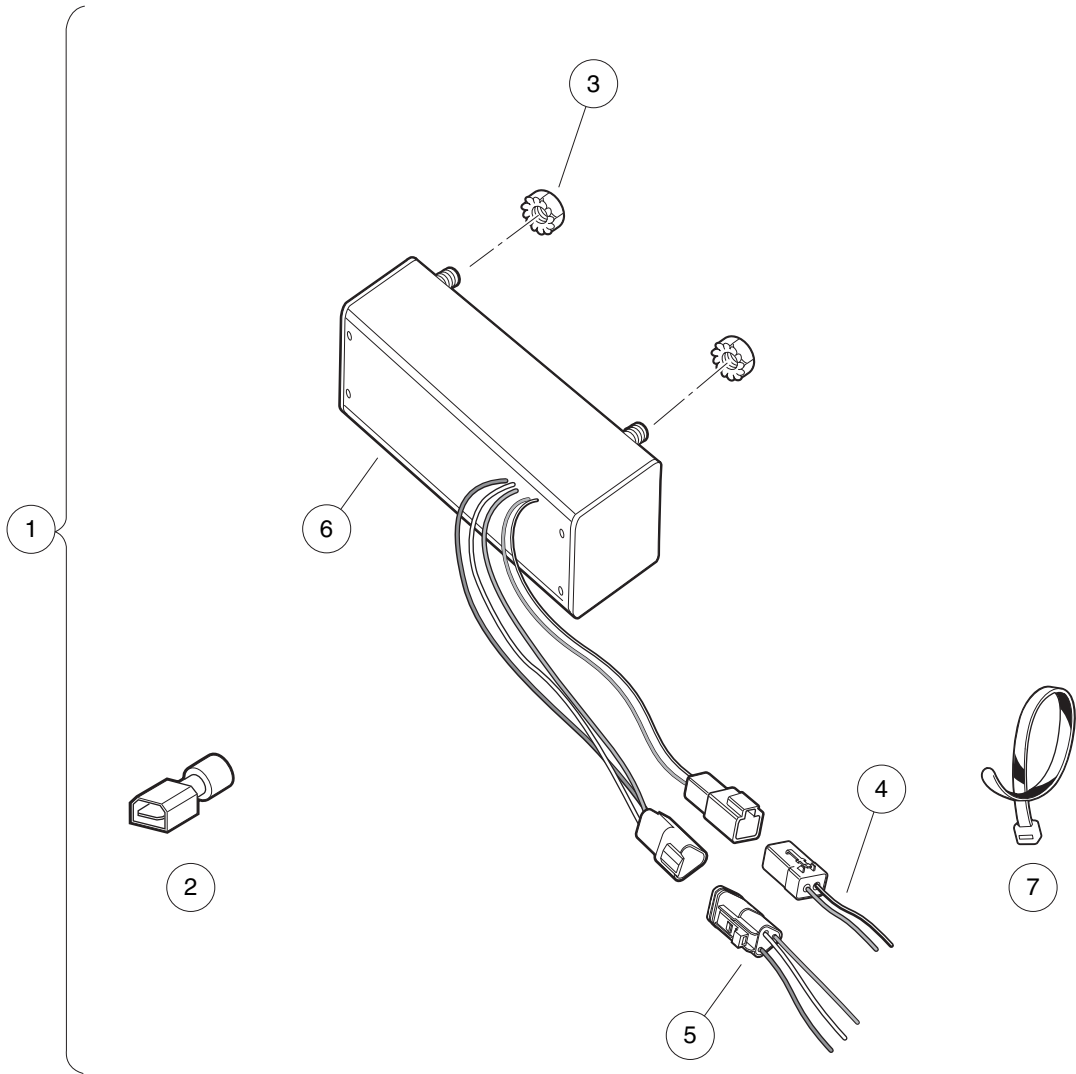
001089-001

## KEYS AND KEYSWITCHES, UNCOMMON – GAS VEHICLE

ITEM	PART NO.	DESCRIPTION	QTY
		1 2 3 4	
1	101830701	Nut, Key Switch .....	1
2	101834502	Cap, Black Key Switch .....	1
3	101839801	Keyswtch Uncom A408 On/off/st .....	1
4	101839802	Keyswtch Uncom B408 On/off/st .....	1
5	101839803	Keyswtch Uncom C408 On/off/st .....	1
6	101839804	Keyswtch Uncom D408 On/off/st .....	1
7	101839805	Keyswtch Uncom 2a408 On/off/st .....	1
8	101839806	Keyswtch Uncom 2b408 On/off/st .....	1
9	101839807	Keyswtch Uncom 2c408 On/off/st .....	1
10	101839808	Keyswtch Uncom 2d408 On/off/st .....	1
11	101839809	Keyswtch Uncom E408 On/off/st .....	1
12	101839810	Keyswtch Uncom F408 On/off/st .....	1
13	101839811	Keyswtch Uncom 2e408 On/off/st .....	1
14	101839812	Keyswtch Uncom 2f408 On/off/st .....	1
15	101851101	Washer, Key Switch .....	1
16	101974701	Key, Uncommon 1a .....	1
17	101974702	Key, Uncommon 1b .....	1
18	101974703	Key, Uncommon 1c .....	1
19	101974704	Key, Uncommon 1d .....	1
20	101974705	Key, Uncommon 2a .....	1
21	101974706	Key, Uncommon 2b .....	1
22	101974707	Key, Uncommon 2c .....	1
23	101974708	Key, Uncommon 2d .....	1
24	101974709	Key, Uncommon 1e .....	1
25	101974710	Key, Uncommon 1f .....	1
26	101974711	Key, Uncommon 2e .....	1
27	101974712	Key, Uncommon 2f .....	1
		Note: Keyswitches 101839801 through 101839812 are for key-start, gasoline vehicles ONLY.	

4  
G  
E

**4**  
**G**  
**E**



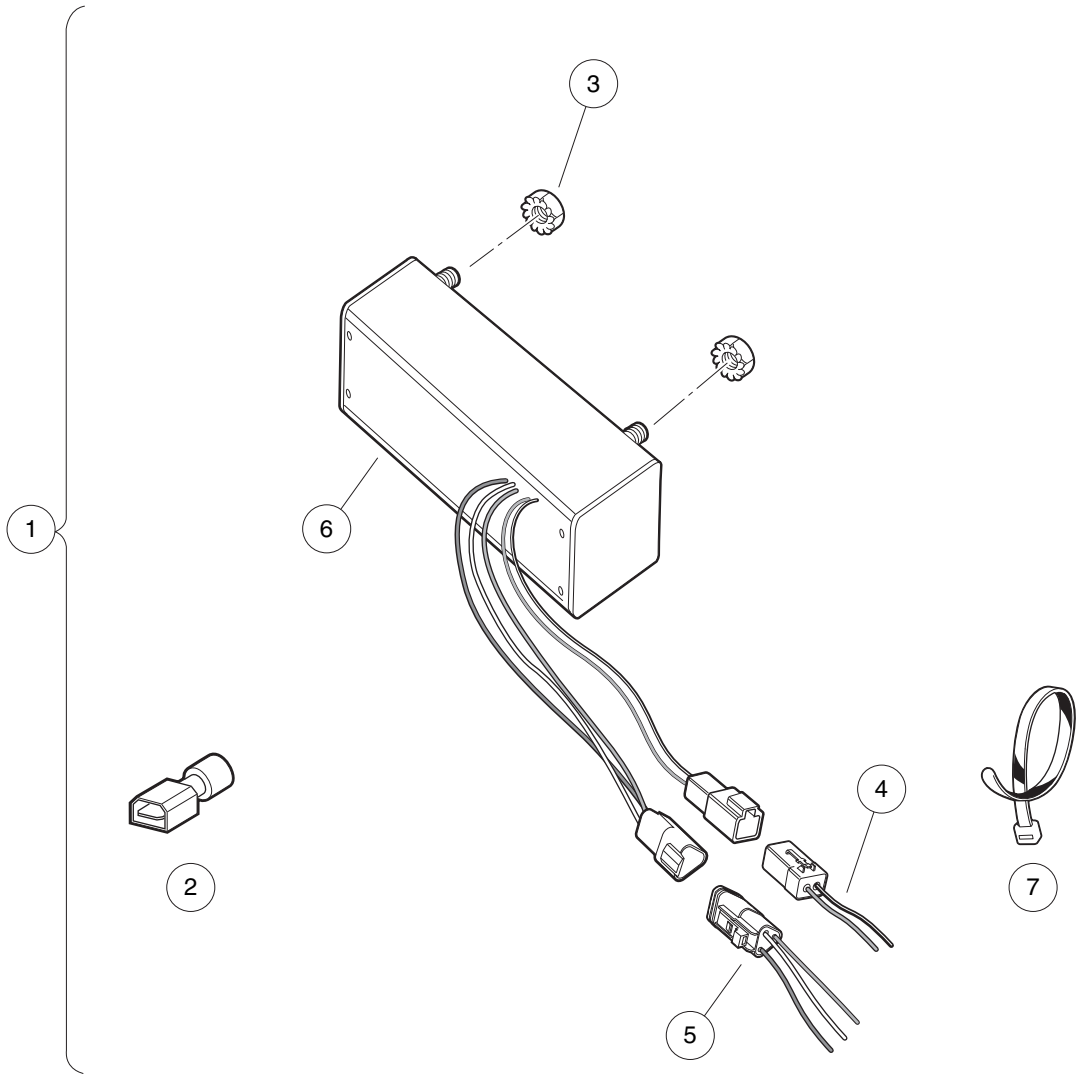
001090-002

## DC CONVERTER (ISOLATED) – ELECTRIC VEHICLE

ITEM	PART NO.	DESCRIPTION	QTY
		<b>1 2 3 4</b>	
1	102918701	Kit, DC/DC Converter, IQ Plus (includes items 2 through 7) .....	1
2	1016365	Terminal, 1/4" Male Quick Disconnect .....	1
3	101835601	Locknut, 1/4-20 Hex Whiz .....	2
4	102354901	Harness, Dc Converter - 12v .....	1
5	102890201	Harness, Dc Converter, 48v .....	1
6	103700301	Converter, Dc/dc, Isoldt .....	1
7	8990	Tie Wrap, 8" Nylon .....	10

**4**  
**G**  
**E**

**4**  
**G**  
**E**



001090-002

## DC CONVERTER (ISOLATED) – CE ELECTRIC VEHICLE

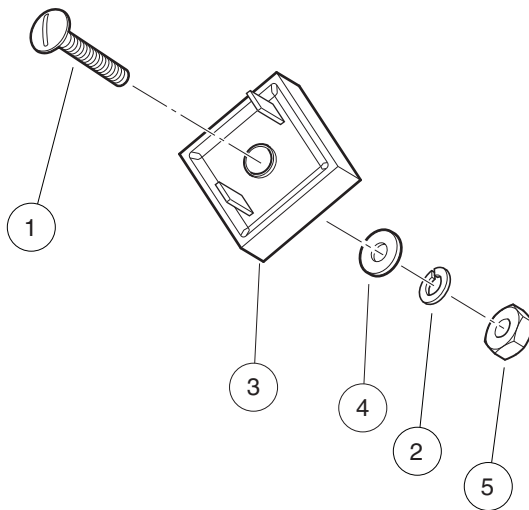
ITEM	PART NO.	DESCRIPTION	QTY
		<b>1 2 3 4</b>	
1	102918702	Kit, Dc Conv. Iq Plus Ce (includes items 2 through 7) .....	1
2	1016365	Terminal, 1/4" Male Quick Disconnect .....	1
3	101835601	Locknut, 1/4-20 Hex Whiz .....	2
4	102354901	Harness, Dc Converter - 12v .....	1
5	102890201	Harness, Dc Converter, 48v .....	1
6	103802401	Converter, Dc/dc, Ce .....	1
7	8990	Tie Wrap, 8" Nylon .....	10

**4**  
**G**  
**E**

4

G

E



001091-001

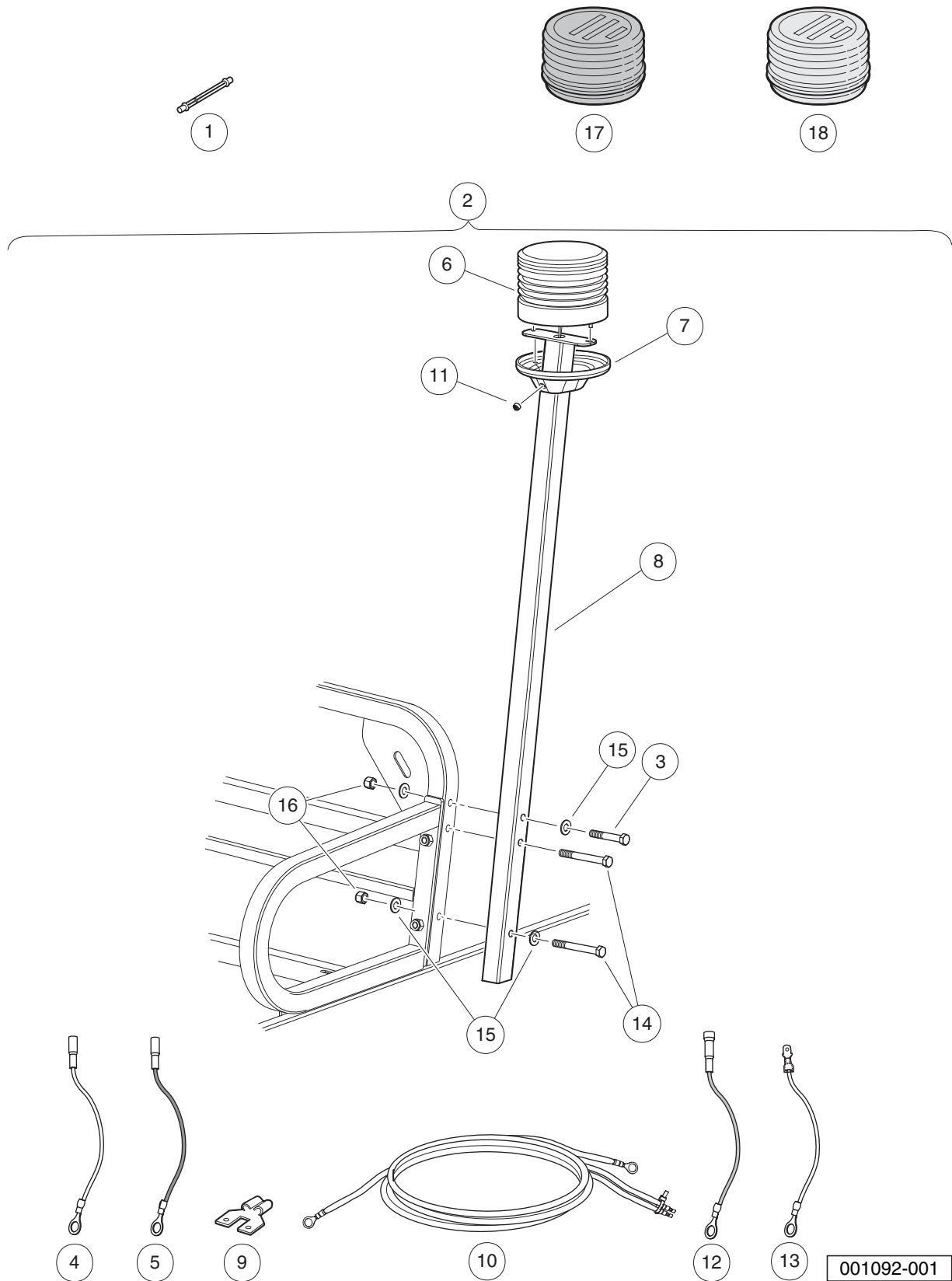


## VOLTAGE LIMITER – GASOLINE VEHICLE

ITEM	PART NO.	DESCRIPTION	QTY
		1 2 3 4	
1	1010909	Screw, #10-32 X 1.25 Rd Hd Mch .....	1
2	1016	Lockwasher, #10 Split .....	1
3	1017721	Limitter, Voltage .....	1
4	183	Washer, #10, Type A, Flat .....	1
5	7893	Nut, #10-32 Hex .....	1

4  
G  
E

**4**  
**G**  
**E**



001092-001

# STROBE LIGHT, POST-MOUNTED – GASOLINE VEHICLES

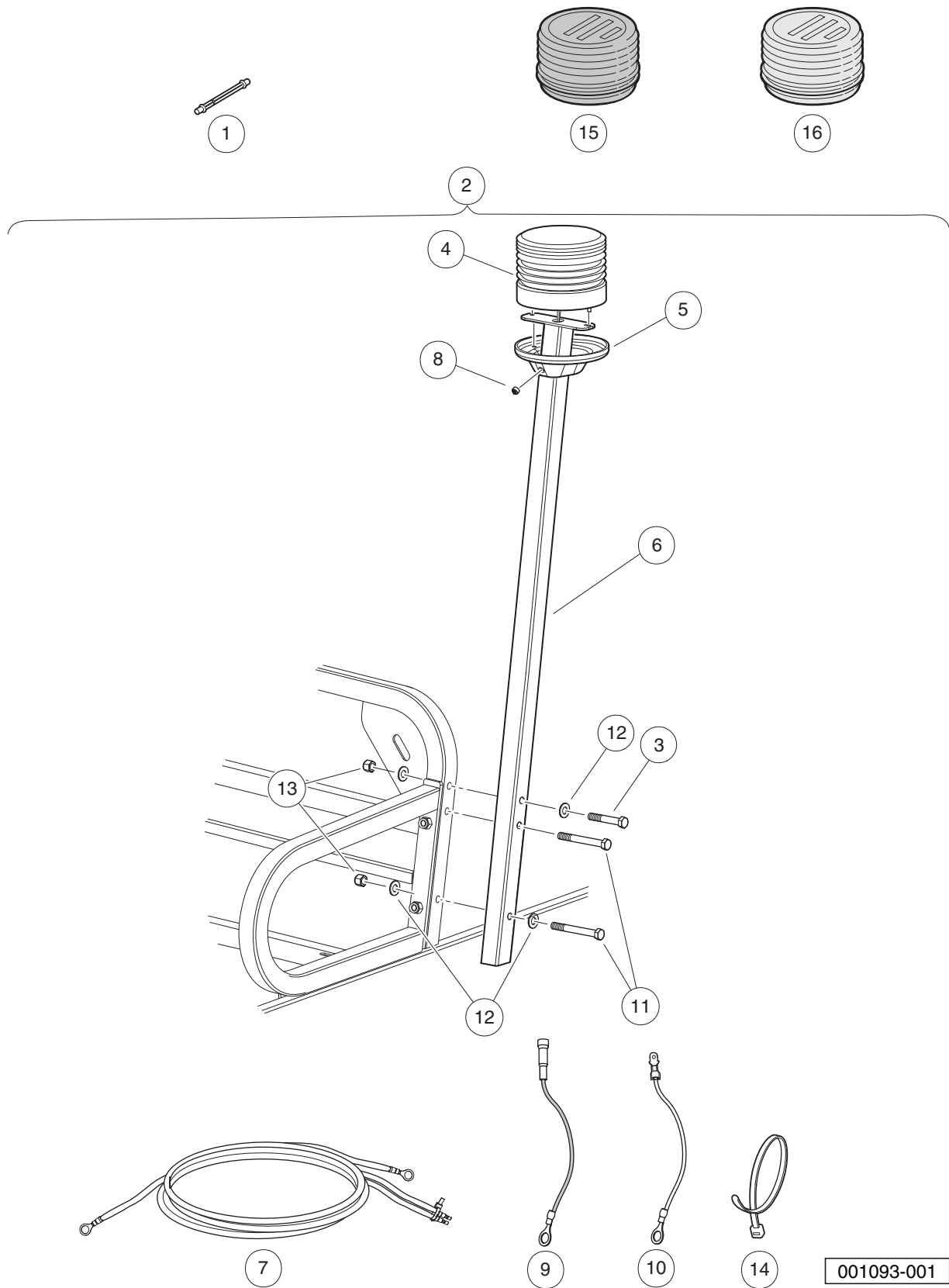
ITEM	PART NO.	DESCRIPTION	QTY
		1 2 3 4	
1	1015526	Bulb, Replacement, for Strobe Light .....	1
2	1015765	Safety Strobe Lht Post Mnt Gas (includes items 3 through 16) .....	1
3	1013509	Screw, 1/4-20 X 1.75 Hx Hd Cap .....	2
4	1015153	Wire Assembly #16 Yellow .....	1
5	1015154	Wire Assembly Blue Ca #16 .....	1
6	1015156	Light Assembly, Strobe .....	1
7	1015157	Cover Plate Switch - Pole Ca .....	1
8	1015160	Pole Weldment Carryall .....	1
9	1015162	3/16 Tab Adapter Non-insul .....	1
10	1015172	Wire Harness Assy, Strobe Lght .....	1
11	1015187	Switch Assembly .....	1
12	1016837	Wire Assembly Red #18 .....	1
13	1016929	Wire Assembly Black #16 .....	1
14	324	Screw, 1/4-20 X 2.50 Hx Hd Cap .....	2
15	332	Washer, 1/4 Type A Narrow Flat .....	4
16	8233	Locknut, 1/4-20, Nylon Insert .....	2
17	AM1243701	Lens, Blue, for Strobe Light .....	1
18	AM1243801	Lens, Red, for Strobe Light .....	1

4

G

E

**4**  
**G**  
**E**



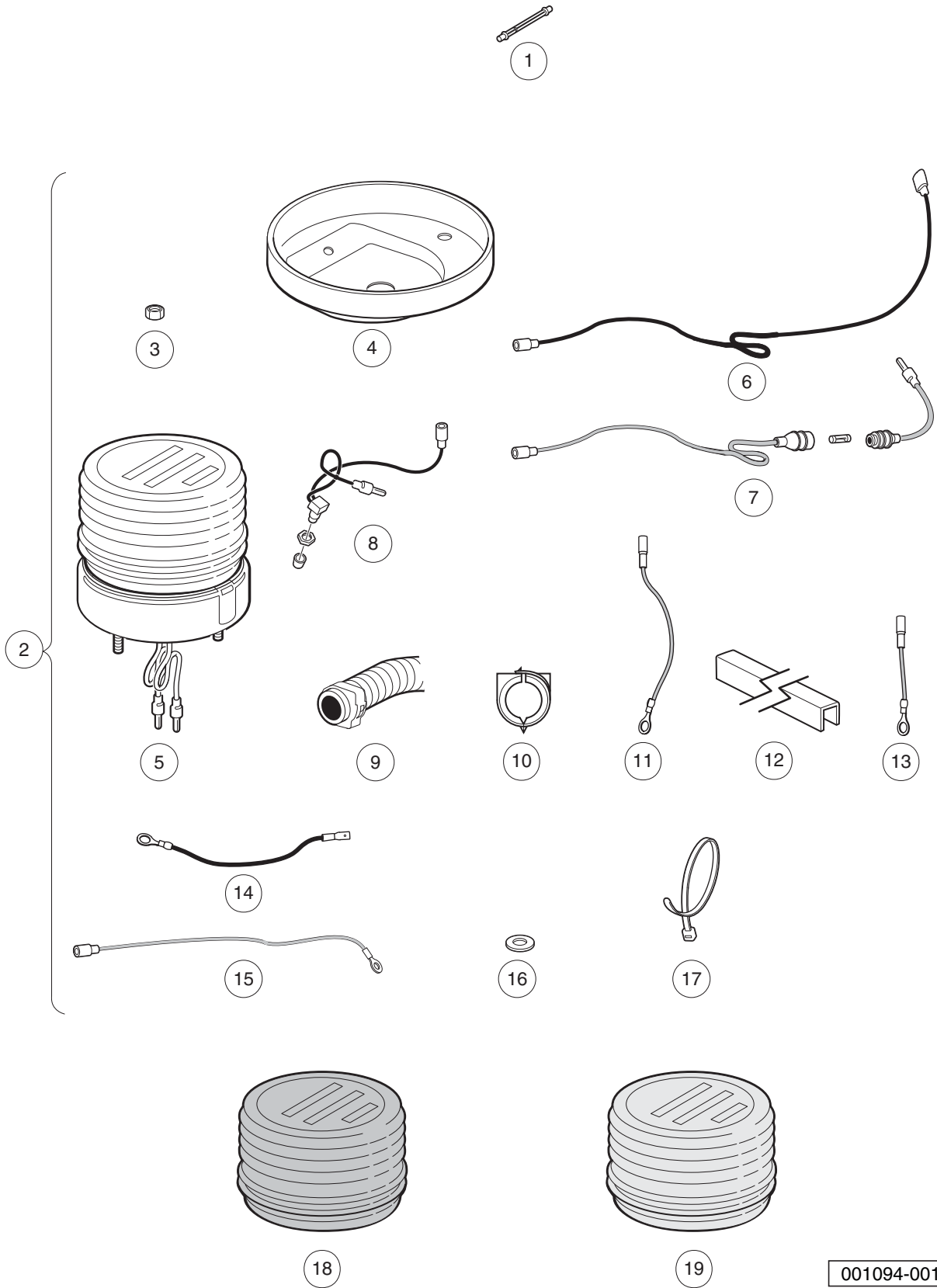
001093-001

## STROBE LIGHT, POST-MOUNTED – ELECTRIC VEHICLES

ITEM	PART NO.	DESCRIPTION	QTY
		1 2 3 4	
1	1015526	Bulb, Replacement, for Strobe Light .....	1
2	101814601	Safety Strobe Lht & Post Mt El (includes items 3 through 14) .....	1
3	1013509	Screw, 1/4-20 X 1.75 Hx Hd Cap .....	2
4	1015156	Light Assembly, Strobe .....	1
5	1015157	Cover Plate Switch - Pole Ca .....	1
6	1015160	Pole Weldment Carryall .....	1
7	1015172	Wire Harness Assy, Strobe Lght .....	1
8	1015187	Switch Assembly .....	1
9	1016837	Wire Assembly Red #18 .....	1
10	1016929	Wire Assembly Black #16 .....	1
11	324	Screw, 1/4-20 X 2.50 Hx Hd Cap .....	2
12	332	Washer, 1/4 Type A Narrow Flat .....	4
13	8233	Locknut, 1/4-20, Nylon Insert .....	2
14	8990	Tie Wrap, 8" Nylon .....	4
15	AM1243701	Lens, Blue, for Strobe Light .....	1
16	AM1243801	Lens, Red, for Strobe Light .....	1

**4**  
**G**  
**E**

**4**  
**G**  
**E**



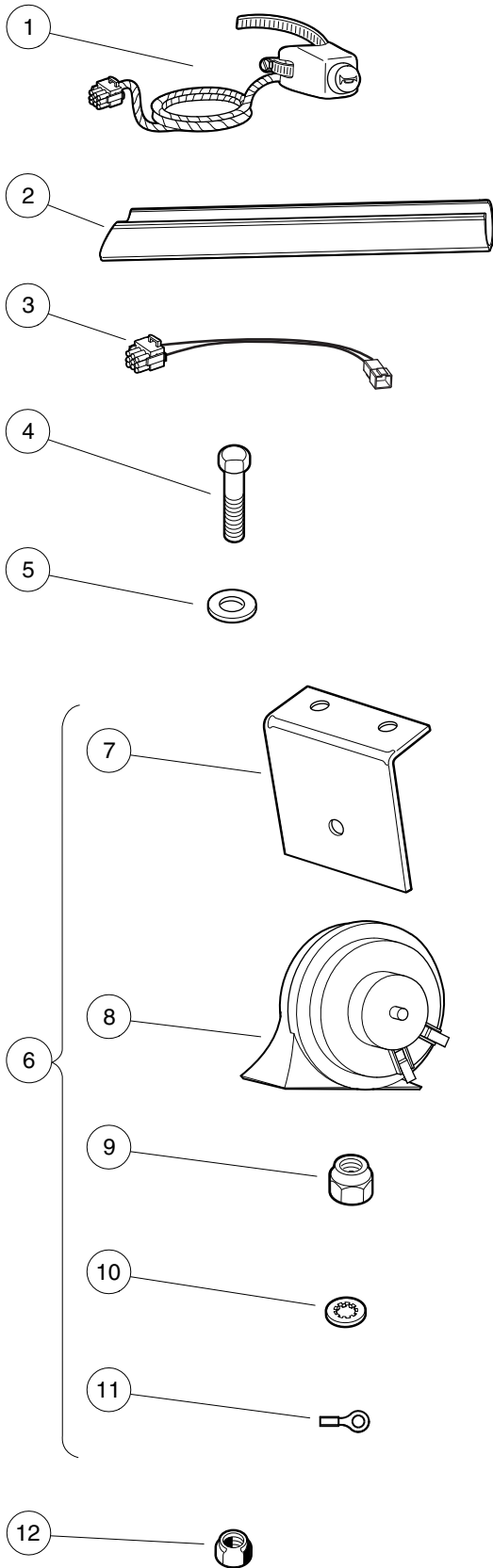
001094-001

## STROBE LIGHT, CANOPY-MOUNTED

ITEM	PART NO.	DESCRIPTION	QTY
		<b>1 2 3 4</b>	
1	1015526	Bulb, Replacement, for Strobe Light .....	1
2	AM1243501	Kit, Roof Mounted Strobe Fd (includes items 3 through 17) .....	A/R
3	1012438	Locknut, #10-24 Nylon Insert .....	2
4	1015010	Cover Plate Switch .....	1
5	1015156	Light Assembly, Strobe .....	1
6	1015167	#16 Black Wire Asm .....	1
7	1015170	Wire Assembly #16 .....	1
8	1015187	Switch Assembly .....	1
9	1015768	Split Convolute Elec Conduit .....	11
10	1015770	Outlet Ring - .5 Diameter .....	5
11	1016230	Wire Asm #16 Red .....	1
12	1016267	Snap On Conduit Vert. ....	1
13	1016287	Wire Asm #16 Red .....	1
14	1016929	Wire Assembly Black #16 .....	1
15	101821601	#18 Red Wire Assembly .....	1
16	183	Washer, #10, Type A, Flat .....	2
17	8639	Tie Wrap, 11" Nylon .....	8
18	AM1243701	Lens, Blue, for Strobe Light .....	A/R
19	AM1243801	Lens, Red, for Strobe Light .....	A/R

**4**  
**G**  
**E**

**4**  
**G**  
**E**



001095-002

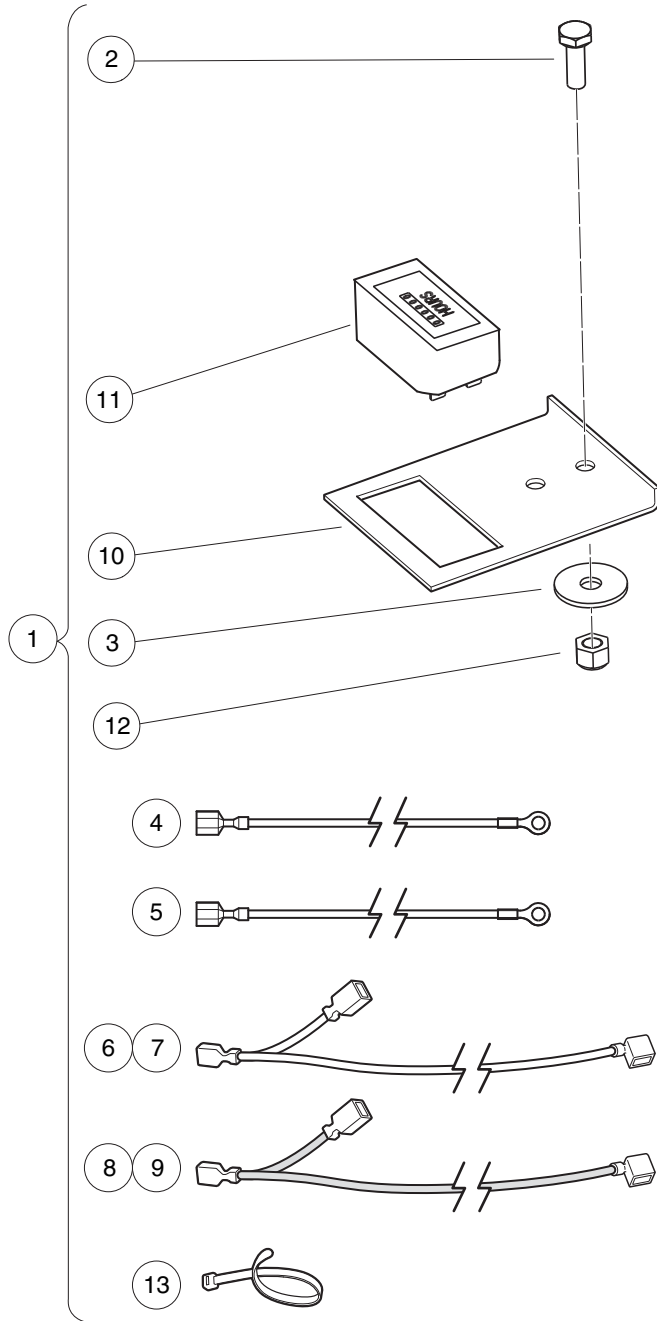


# HORN WITH COLUMN-MOUNTED BUTTON

ITEM	PART NO.	DESCRIPTION	QTY
		<b>1 2 3 4</b>	
1	102517601	Subasm, Horn Button Harness .....	1
2	102529203	Wire Cover-steer Column 304 Mm .....	1
3	103618101	Harness, Jumper, Horn .....	1
4	304	Screw, 1/4-20 X 1.0 Hex-Head Cap .....	2
5	332	Washer, 1/4 Type A Narrow Flat .....	2
6	4029	Horn (includes items 7 through 11) .....	1
7	1011825	Horn Bracket .....	1
8	1014530	Horn, 12-VDC .....	1
9	101955101	Nut, M6 Hex .....	1
10	7820	Washer, 5/16 Internal-Tooth .....	1
11	8294	5/16 Ring Term. ....	1
12	8233	Locknut, 1/4-20, Nylon Insert .....	2

**4**  
**G**  
**E**

**4**  
**G**  
**E**



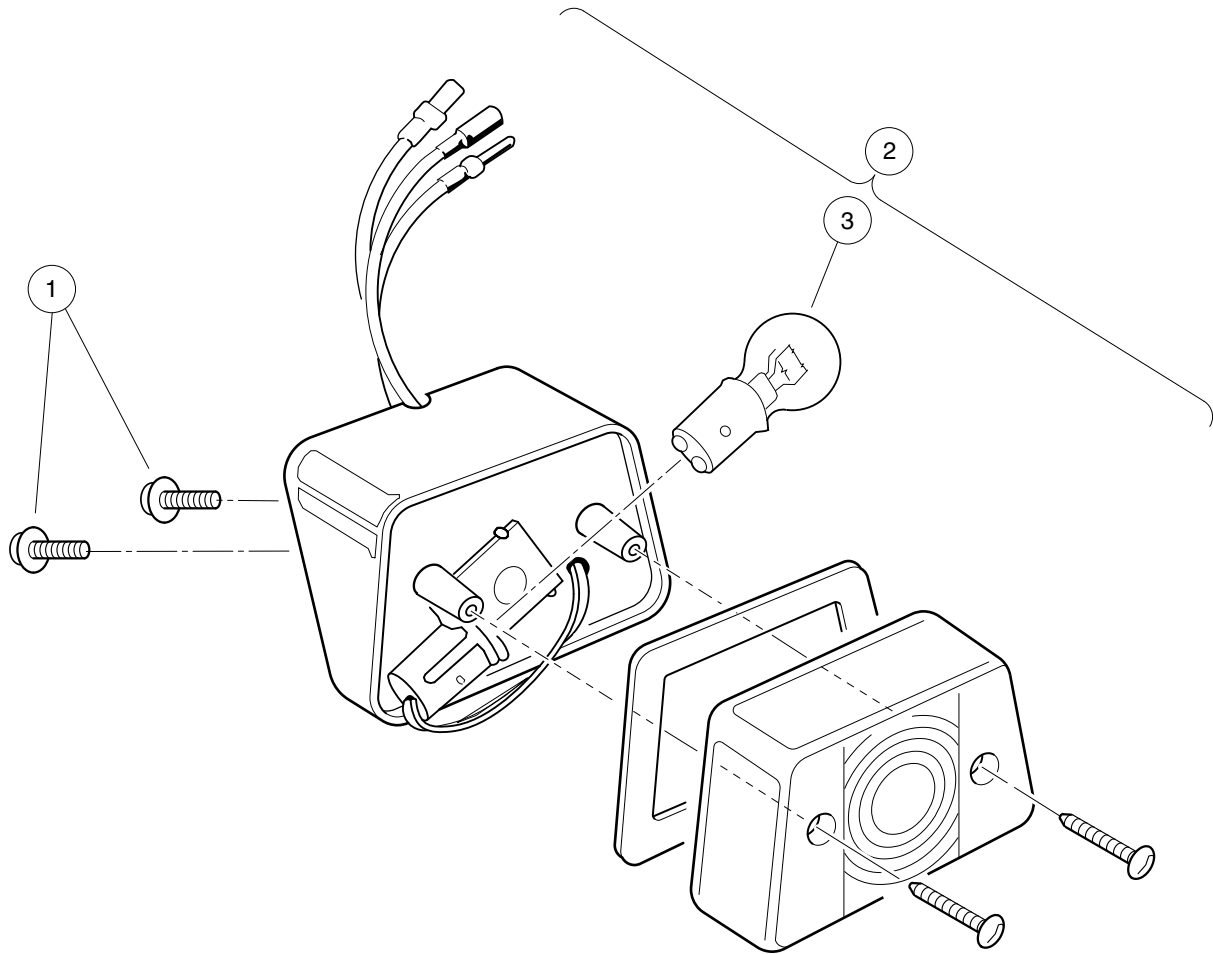
001096-002

# HOUR METER – CARRYALL/TURF 2 IQ PLUS ELECTRIC VEHICLES

ITEM	PART NO.	DESCRIPTION	QTY
		<b>1 2 3 4</b>	
1	1013579	Kit, Hour Meter (includes items 2 through 13) .....	1
2	1012285	Screw, 1/4 X 0.625 Hex-Head .....	1
3	1014306	Washer, 1/4" Type B Flat .....	1
4	101881501	Wire Assembly Black #18 .....	1
5	101881601	Wire Assembly Red #18 .....	1
6	101997802	Wire Assembly #18 Yellow .....	1
7	101997803	Wire Asm #18 Yellow 31" .....	1
8	101997902	Wire Assembly #18 Red .....	1
9	101997903	Wire Asm # 18 Red 31" .....	1
10	103510001	Bracket, Hour Meter .....	1
11	103510301	Meter, Hour .....	1
12	8233	Locknut, 1/4-20, Nylon Insert .....	1
13	8990	Tie Wrap, 8" Nylon .....	1
<p>Note: The kit includes components that apply to multiple vehicles. The installation instructions will specify which components are required for a specific model. After installation, discard components not used.</p>			

**4**  
**G**  
**E**

**4**  
**G**  
**E**



001247-001

# TAILLIGHTS

ITEM	PART NO.	DESCRIPTION	QTY
1	1015752	1 2 3 4 Screw, #12-16 X 0.625, Hi-Lo .....	4
2	1016717	Light Assembly, Stop/Taillight (includes item 3) .....	2
3	1011582	Taillight Bulb .....	1

**4**  
**G**  
**E**

**4**

**G**

**E**

# BRAKES, PEDAL, AND CABLE ASSEMBLIES

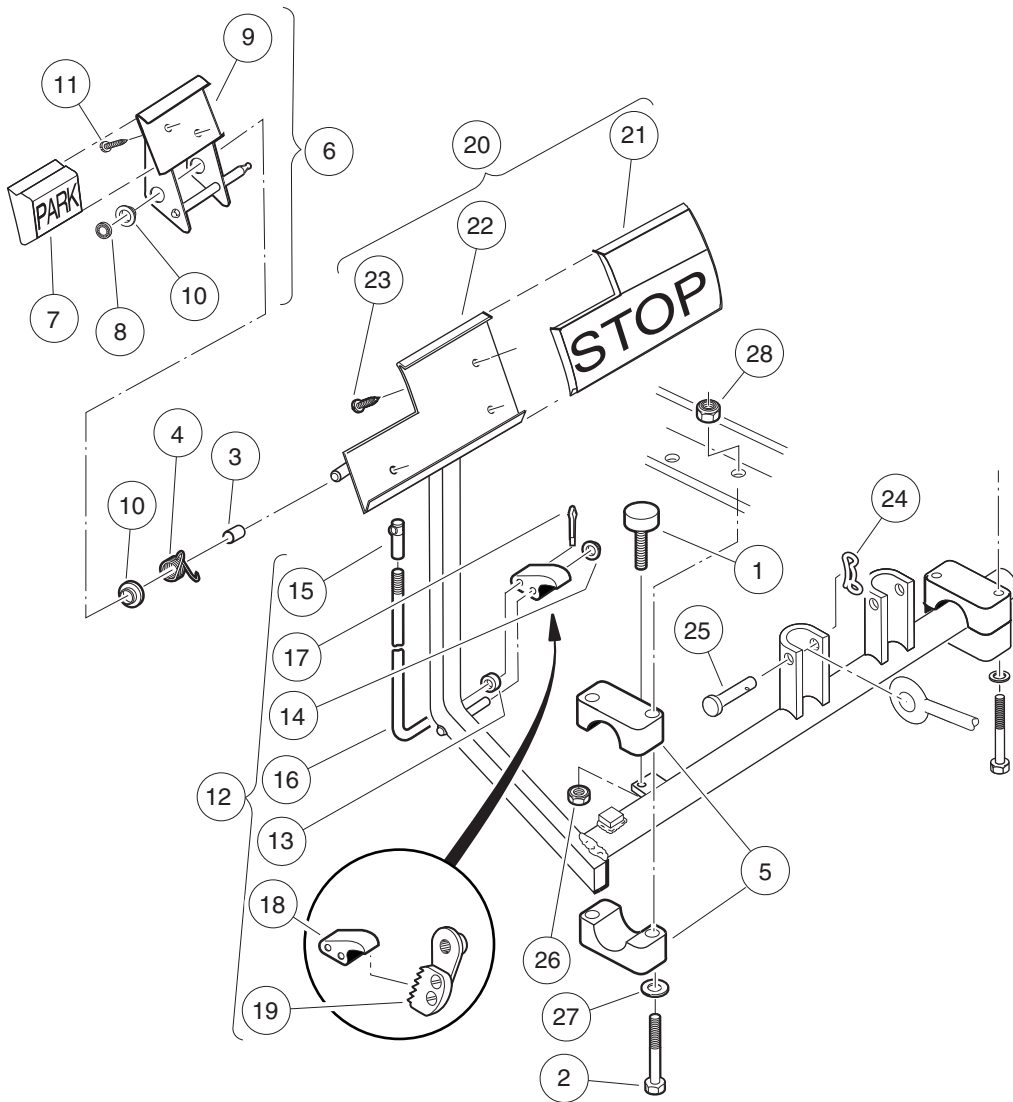
---

**5**

**G**

**E**

**5**  
**G**  
**E**



000187-001

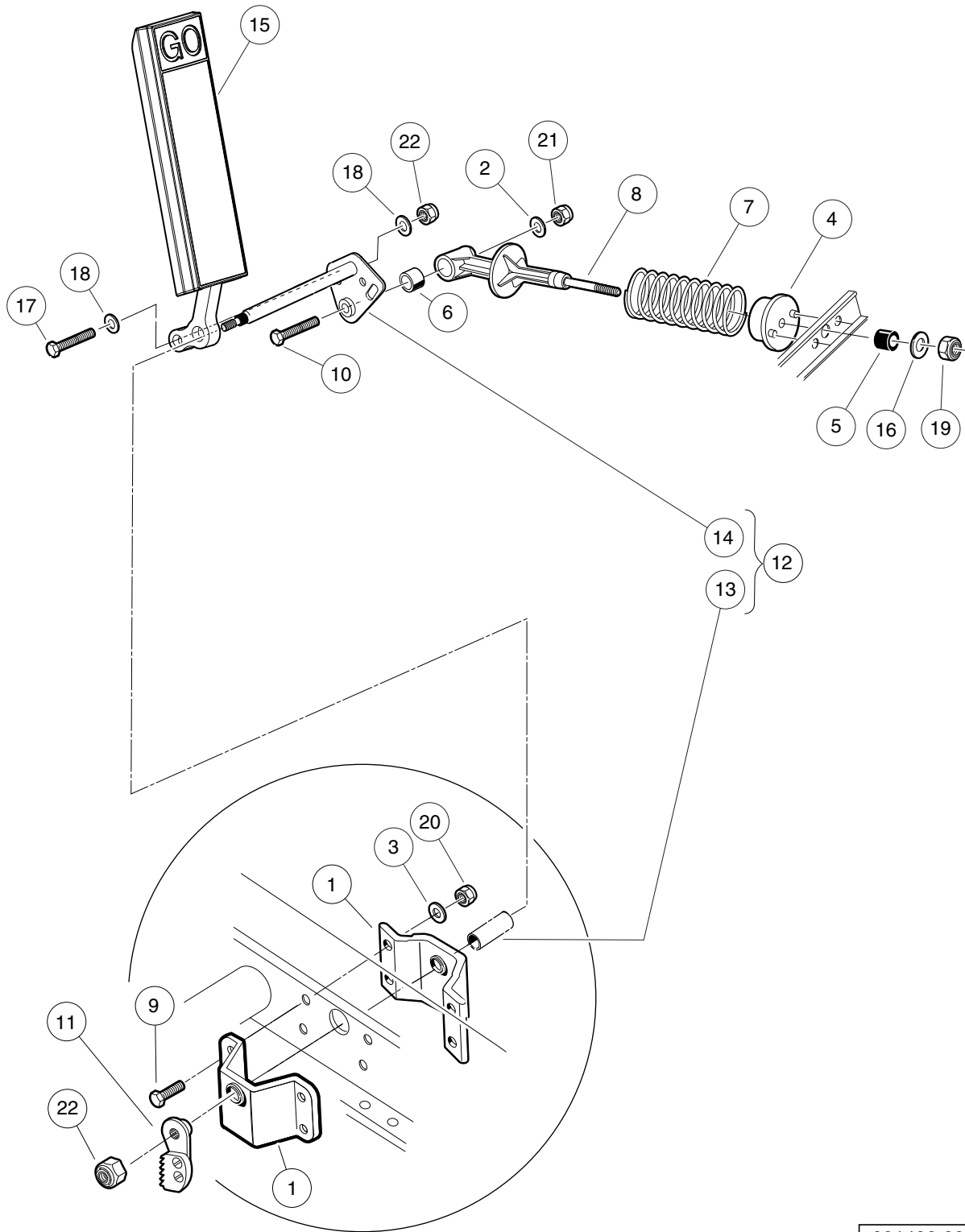


# BRAKE PEDAL ASSEMBLY

ITEM	PART NO.	DESCRIPTION	QTY
		<b>1 2 3 4</b>	
1	1010878	Bumper, Rubber .....	1
2	1010921	Screw, 5/16-18 X 2.50 Hex Cap .....	4
3	1010927	Hill Brake Spacer .....	1
4	1010933	Spring, Hill Brake Torsion .....	1
5	1011402	Package, Brake Mounting Block .....	1
6	1011418	Kit, Hill Brake Pedal (includes items 7 through 11) .....	1
7	1013870	Pad, Hill Brake .....	1
8	1013876	Pushnut, 3/8 .....	1
9	N/A	Hill Brake Weld Assembly .....	1
10	1032	Bushing, Nylon .....	2
11	7716	Screw, #10-16 Type AB, Sheet Metal .....	2
12	101187702	Kit, Hill Brake Latch (includes items 13 through 19) .....	1
13	1010805	Sleeve, Hill Brake Rod .....	1
14	1010877	Pushnut, 3/8 .....	1
15	1010932	Ball Joint, 1/4-28 .....	1
16	N/A	Rod, Hill Brake .....	1
17	1017029	Pin, Cotter, 7/64 x 1/2 Stainless-Steel .....	1
18	N/A	Pawl, Hill Brake .....	1
19	101918501	Ratchet Assembly .....	1
20	101878201	Brake Pedal Kit (includes items 21 through 23) .....	1
21	1013869	Pad, Brake Pedal .....	1
22	N/A	Weldment, Brake Pedal, 2wr Std .....	1
23	7716	Screw, #10-16 Type AB, Sheet Metal .....	3
24	102323101	Pin, Bow Tie Locking .....	1
25	102323201	Pin, 3/8 X 1-5/16 Clevis .....	1
26	1028	Nut, 1/4-20 Hex .....	1
27	1241	Washer, 5/16 Type A Flat .....	4
28	7473	Locknut, 5/16-18 Nylon Insert .....	4

**5**  
**G**  
**E**

**5**  
**G**  
**E**



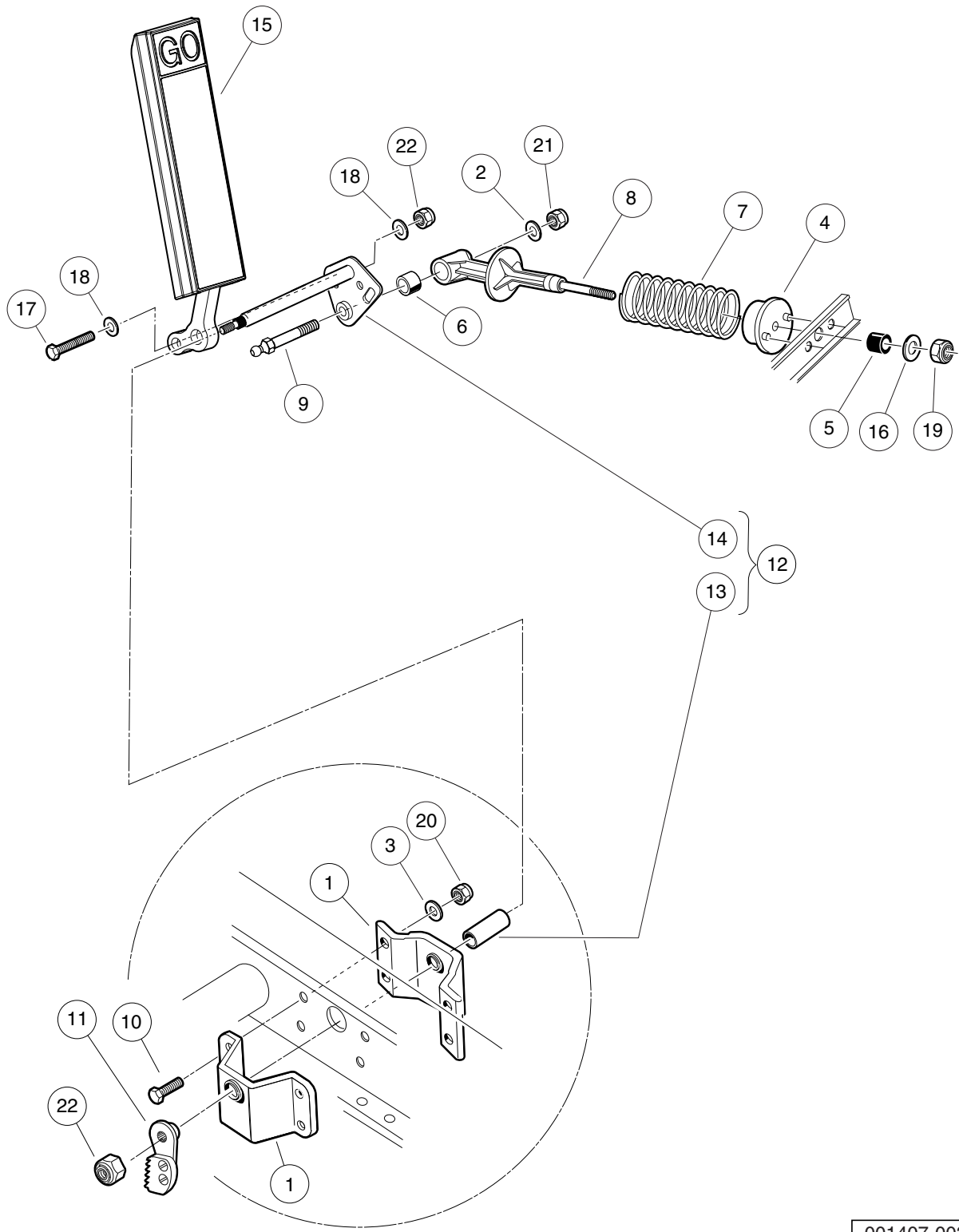
001406-001

# ACCELERATOR PEDAL ASSEMBLY – ELECTRIC VEHICLES

ITEM	PART NO.	DESCRIPTION	QTY
		1 2 3 4	
1	1011694	Accelerator Bracket and Bearing Assembly .....	2
2	1011931	Washer, 1/4 Flat .....	1
3	1014007	Washer, 1/4, Flat .....	4
4	1017378	Cup, Spring .....	1
5	1017380	Bumper, Spring Return .....	1
6	1017424	Bearing, Pivot Support .....	1
7	101796201	Spring, Accelerator Return .....	1
8	101817401	Retainer, Spring .....	1
9	101861901	Screw, 1/4-20 X 1.125 Hex Cap .....	4
10	101862001	Screw, 1/4-20 X 1.500 Flange .....	1
11	101918501	Ratchet Assembly .....	1
12	102026001	Kit, Accelerator Pivot Rod Assembly (includes items 13 and 14) .....	1
13	101919801	Spacer, Accelerator .....	1
14	102158901	Pivot Rod Weldment .....	1
15	103865101	Pedal, Accel, Insert .....	A/R
16	1241	Washer, 5/16 Type A Flat .....	1
17	1624	Screw, 3/8-16 X 1.50, Hex-Head Cap .....	1
18	334	Washer, 3/8, Type A, Flat .....	2
19	7473	Locknut, 5/16-18 Nylon Insert .....	1
20	8233	Locknut, 1/4-20, Nylon Insert .....	4
21	8717	Locknut, Nylon Insert, 1/4-28 .....	1
22	8754	Locknut, 3/8-16 Hex .....	2

5  
G  
E

**5**  
**G**  
**E**



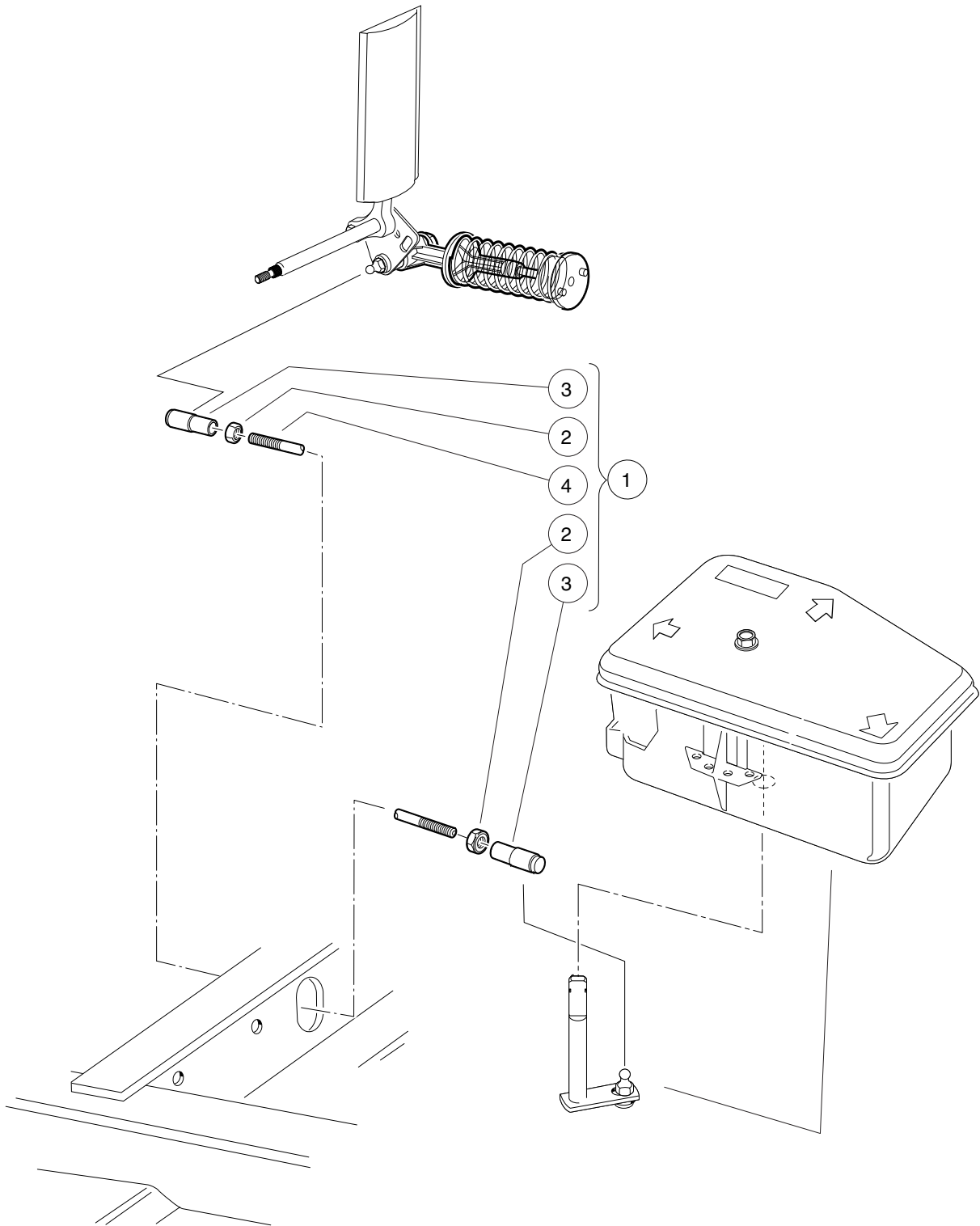
001407-003

# ACCELERATOR PEDAL ASSEMBLY – GASOLINE VEHICLES

ITEM	PART NO.	DESCRIPTION	QTY
		<b>1 2 3 4</b>	
1	1011694	Accelerator Bracket and Bearing Assembly .....	2
2	1011931	Washer, 1/4 Flat .....	1
3	1014007	Washer, 1/4, Flat .....	4
4	1017378	Cup, Spring .....	1
5	1017380	Bumper, Spring Return .....	1
6	1017424	Bearing, Pivot Support .....	1
7	101796201	Spring, Accelerator Return .....	1
8	101817401	Retainer, Spring .....	1
9	101818801	Stud, 1/4-28 X 1.35 Ball .....	1
10	101861901	Screw, 1/4-20 X 1.125 Hex Cap .....	4
11	101918501	Ratchet Assembly .....	1
12	102026001	Kit, Accelerator Pivot Rod Assembly (includes items 13 and 14) .....	1
13	101919801	Spacer, Accelerator .....	1
14	102158901	Pivot Rod Weldment .....	1
15	103865101	Pedal, Accel, Insert .....	1
16	1241	Washer, 5/16 Type A Flat .....	1
17	1624	Screw, 3/8-16 X 1.50, Hex-Head Cap .....	1
18	334	Washer, 3/8, Type A, Flat .....	2
19	7473	Locknut, 5/16-18 Nylon Insert .....	1
20	8233	Locknut, 1/4-20, Nylon Insert .....	4
21	8717	Locknut, Nylon Insert, 1/4-28 .....	1
22	8754	Locknut, 3/8-16 Hex .....	2

5  
G  
E

**5**  
**G**  
**E**



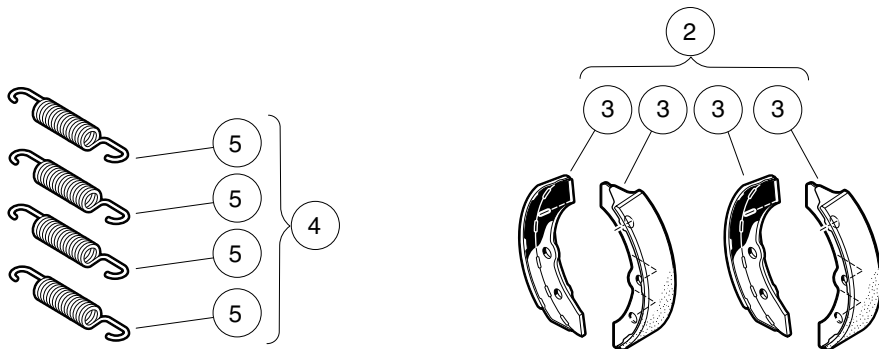
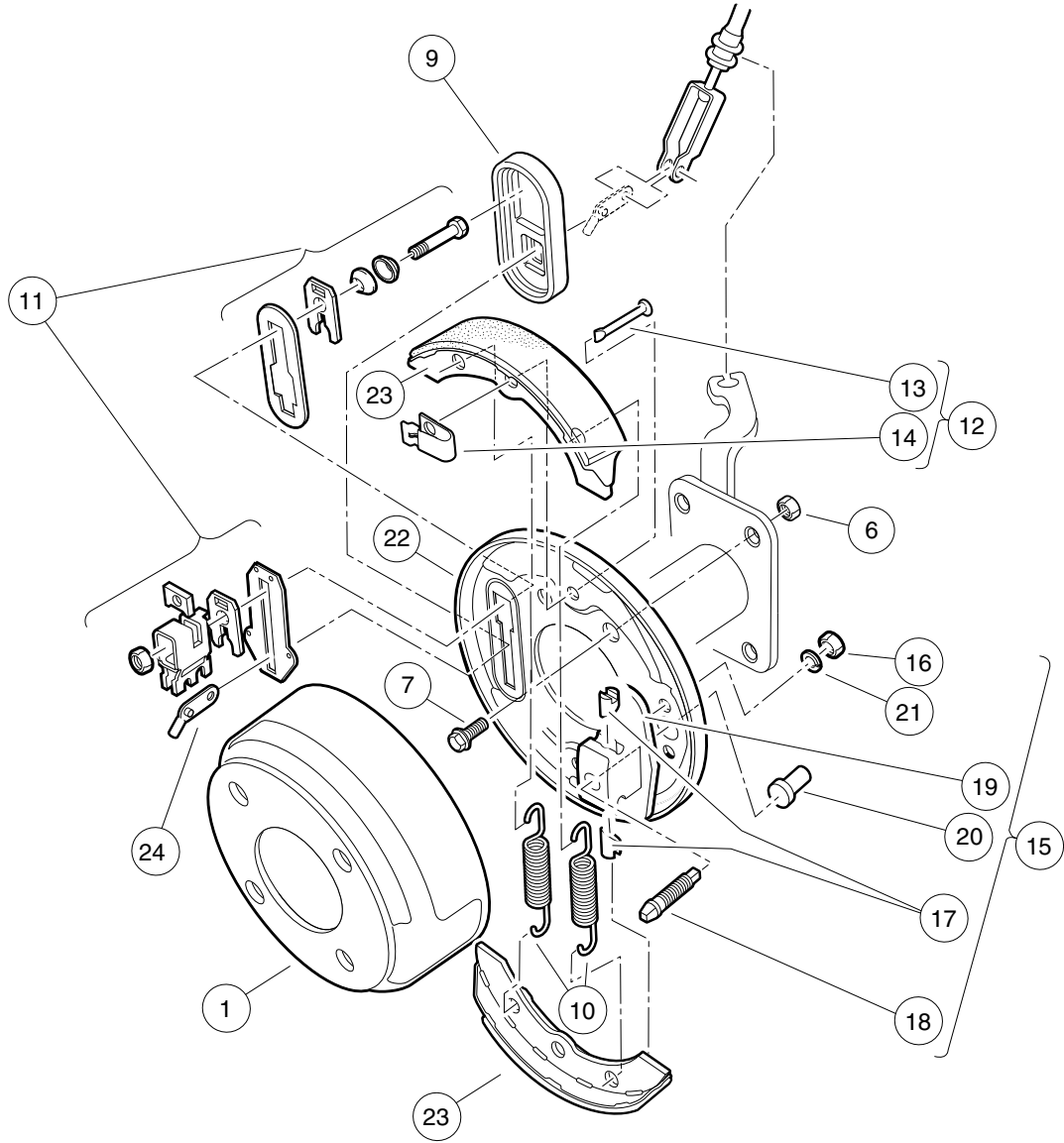
000362-001

# ACCELERATOR ROD – TURF/CARRYALL 6 GASOLINE VEHICLES

ITEM	PART NO.	DESCRIPTION	QTY
		<b>1 2 3 4</b>	
1	101674702	Rod, Accelerator (includes items 2 through 4) .....	1
2	1011084	Nut, 1/4-28 Hex Jam .....	2
3	1011734	Joint, Ball .....	2
4	N/A	Accelerator Rod Elec Stretch .....	1

**5**  
**G**  
**E**

**5**  
**G**  
**E**



000298-001

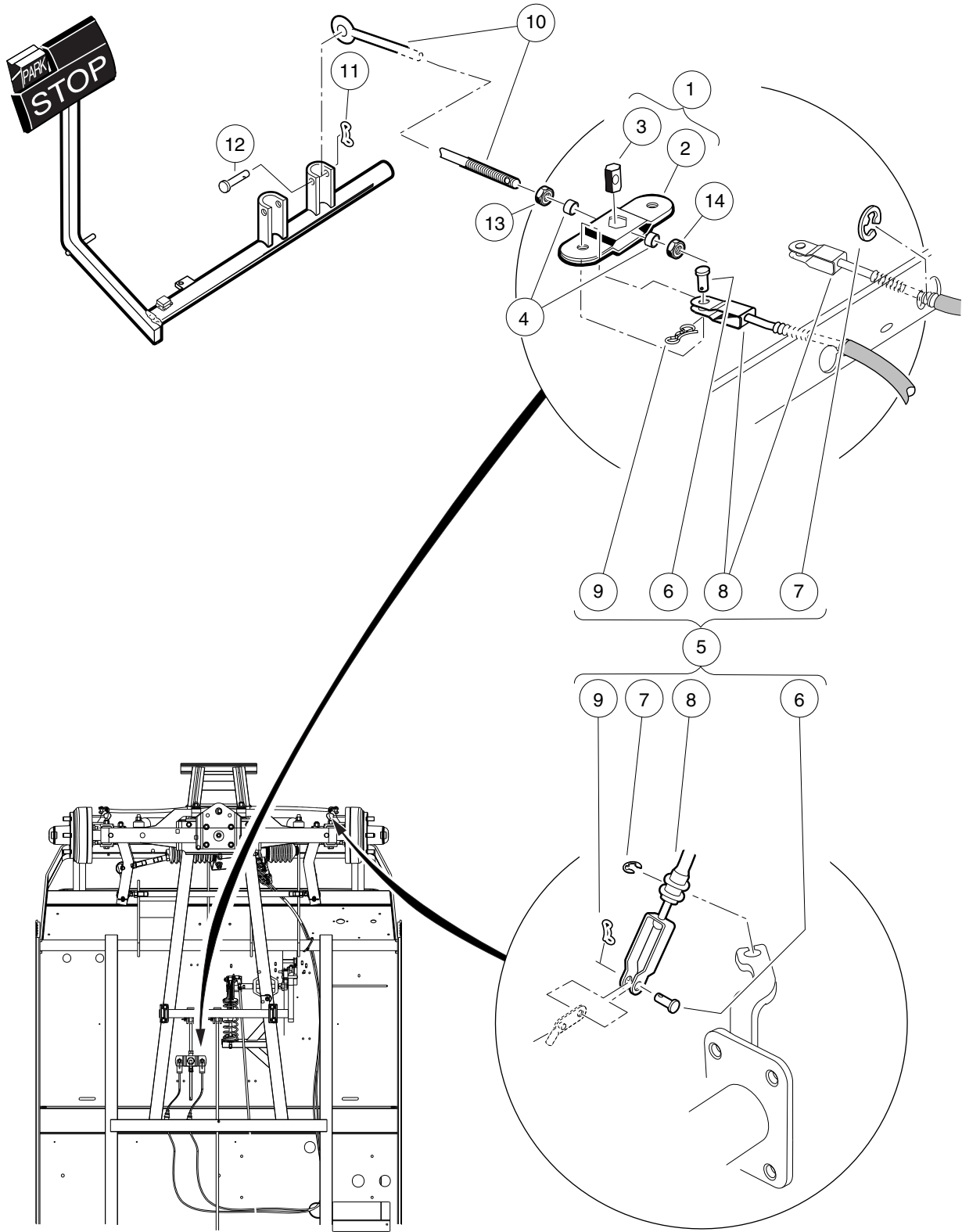


# FRONT BRAKE ASSEMBLY – VEHICLES WITH FOUR-WHEEL BRAKES

ITEM	PART NO.	DESCRIPTION	QTY
		<b>1 2 3 4</b>	
1	1011137	Drum, Brake .....	2
2	101146302	Kit, Non-Asbestos Brake Shoe (includes item 3) .....	1
3	101880701	Shoe Brake Manual Adj (Available in Kit, Non-Asbestos Brake Shoe) .....	4
4	1011464	Package, Brake Spring (includes item 5) .....	1
5	1011314	Brake Spring .....	4
6	1013924	Nut, 5/16-24, Hex Head Cone .....	8
7	1014153	Bolt, Brake Cluster Mounting .....	8
8	1016557	Cluster, Brake, Driver-Side (includes items 9 through 24) .....	1
9	1010850	Dust Cover .....	1
10	1011314	Brake Spring .....	2
11	1011465	Kit, Brake Actuator .....	1
12	1011466	Kit, Shoe Retainer (includes items 13 and 14) .....	1
13	N/A	Pin .....	2
14	N/A	Shoe Clamp Spring .....	2
15	1011467	Kit, Anchor Body (includes items 16 through 21) .....	1
16	1011114	Nut, M6-1.00 Hex .....	2
17	1011298	Anchor Piston .....	2
18	N/A	Adjustment Bolt .....	1
19	N/A	Anchor Body Component .....	1
20	1011303	Adjustment Bolt Cap .....	1
21	451	Lockwasher, 1/4 Split .....	2
22	1011494	Backing Plate, Left-Hand .....	1
23	101880701	Shoe Brake Manual Adj (Available in Kit, Non-Asbestos Brake Shoe) .....	2
24	N/A	Arm, Brake Lever .....	1
25	1016573	Cluster, Brake, Passenger-Side (includes items 26 through 41) .....	1
26	1010850	Dust Cover .....	1
27	1011154	Backing Plate, Right-Hand .....	1
28	1011314	Brake Spring .....	2
29	1011465	Kit, Brake Actuator .....	1
30	1011466	Kit, Shoe Retainer (includes items 31 and 32) .....	1
31	N/A	Pin .....	2
32	N/A	Shoe Clamp Spring .....	2
33	1011467	Kit, Anchor Body (includes items 34 through 39) .....	1
34	1011114	Nut, M6-1.00 Hex .....	2
35	1011298	Anchor Piston .....	2
36	N/A	Adjustment Bolt .....	1
37	N/A	Anchor Body Component .....	1
38	1011303	Adjustment Bolt Cap .....	1
39	451	Lockwasher, 1/4 Split .....	2
40	101880701	Shoe Brake Manual Adj (Available in Kit, Non-Asbestos Brake Shoe) .....	2
41	N/A	Arm, Brake Lever .....	1
		Note: Passenger-side brake cluster not shown. Components have a similar appearance to driver-side brake cluster components.	

**5**  
**G**  
**E**

**5**  
**G**  
**E**



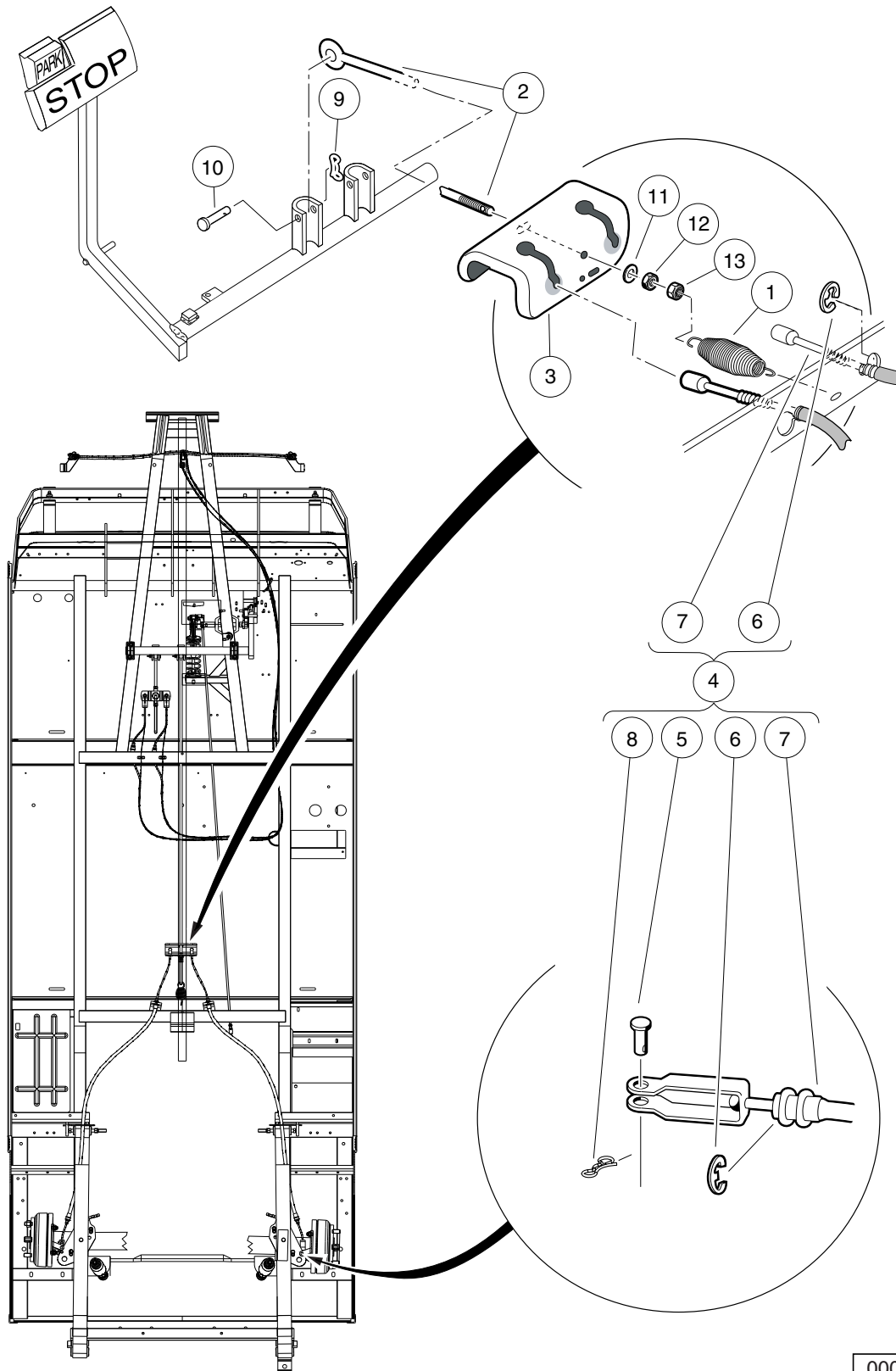
000294-001

# FRONT BRAKE CABLES AND EQUALIZER – VEHICLES WITH FOUR-WHEEL BRAKES

ITEM	PART NO.	DESCRIPTION	QTY
		<b>1 2 3 4</b>	
1	1017211	Kit, Equalizer and Pivot Limiter (includes items 2 and 3) .....	1
2	1016319	Equalizer Weld Assembly .....	1
3	1016320	Equalizer, Pivot Limiter .....	1
4	101865301	Spacer .....	2
5	101874601	Kit, Brake Cable (includes items 6 through 9) .....	1
6	1010829	Pin, Clevis, 5/16 X 3/4 .....	4
7	1011779	E-Clip, 1/2 .....	4
8	N/A	Brake Cable .....	2
9	102292801	Pin, Bow Tie Locking - .072 .....	4
10	101953106	Rod, Equalizer, 9.75" .....	1
11	102323101	Pin, Bow Tie Locking .....	1
12	102323201	Pin, 3/8 X 1-5/16 Clevis .....	1
13	1242	Nut, 5/16-18 Hex .....	1
14	7473	Locknut, 5/16-18 Nylon Insert .....	1

**5**  
**G**  
**E**

**5**  
**G**  
**E**



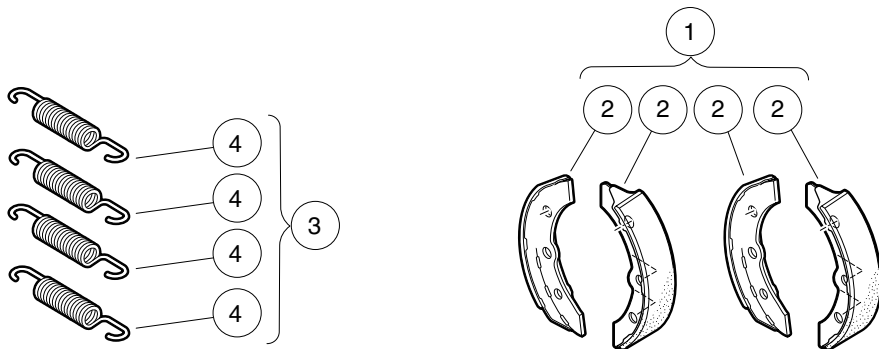
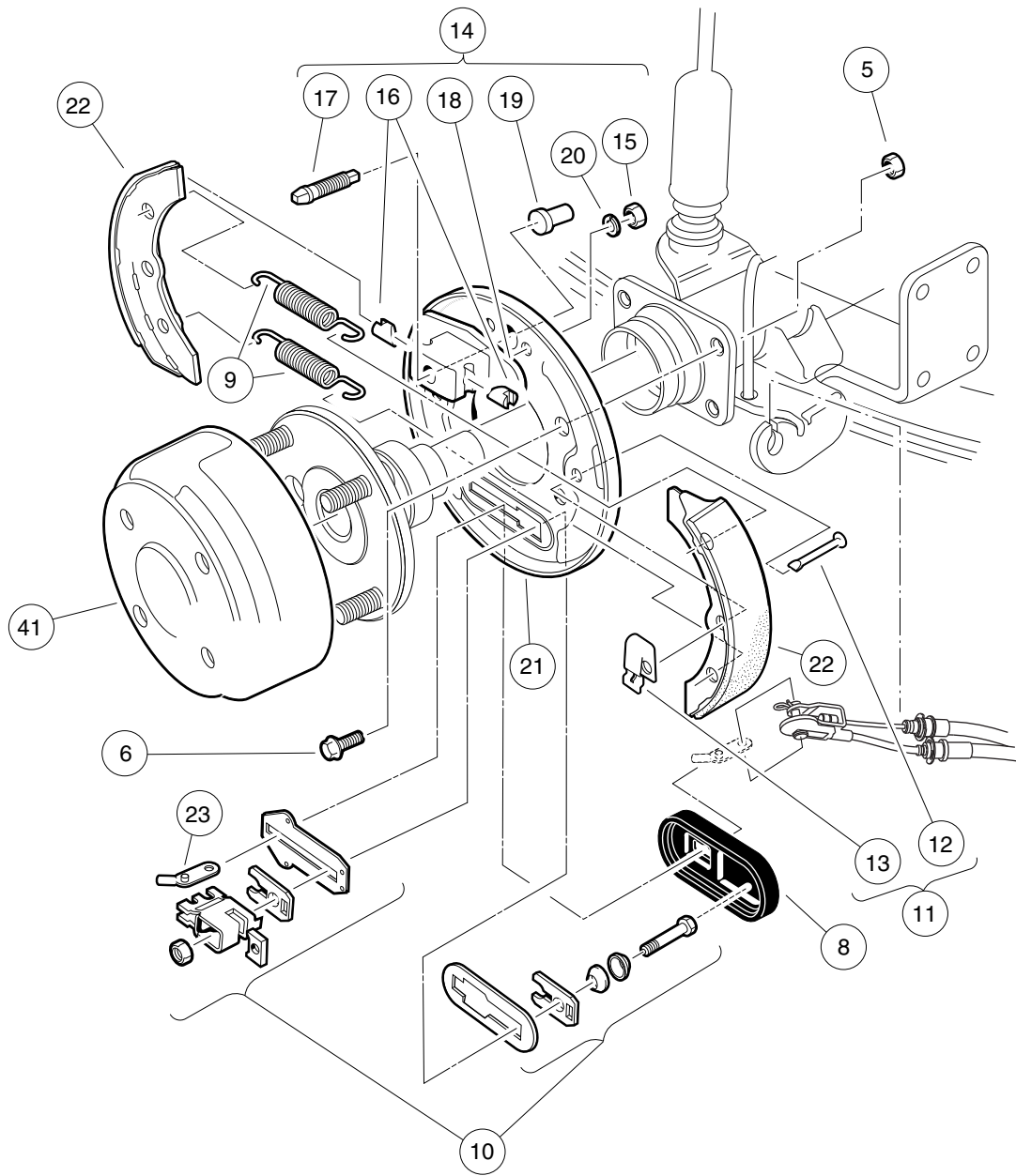
000296-004

# REAR BRAKE CABLES AND EQUALIZER – TURF/CARRYALL 6

ITEM	PART NO.	DESCRIPTION	QTY
		1 2 3 4	
1	1013531	Spring, Brake Return .....	1
2	101953103	Rod, Equalizer, 41.91" .....	1
3	101990801	Equalizer Bracket .....	1
4	102166901	Kit, Brake Cable Rear (includes items 5 through 8) .....	1
5	1010829	Pin, Clevis, 5/16 X 3/4 .....	2
6	1011779	E-Clip, 1/2 .....	4
7	102162601	Cable, Brake .....	2
8	102292801	Pin, Bow Tie Locking - .072 .....	2
9	102323101	Pin, Bow Tie Locking .....	1
10	102323201	Pin, 3/8 X 1-5/16 Clevis .....	1
11	1241	Washer, 5/16 Type A Flat .....	1
12	1242	Nut, 5/16-18 Hex .....	1
13	7473	Locknut, 5/16-18 Nylon Insert .....	1

**5**  
**G**  
**E**

**5**  
**G**  
**E**



000293-002

# REAR BRAKE ASSEMBLY, MANUALLY-ADJUSTED – VEHICLES WITH 4-WHEEL BRAKES

ITEM	PART NO.	DESCRIPTION	QTY
		<b>1 2 3 4</b>	
1	101146302	Kit, Non-Asbestos Brake Shoe (includes item 2) .....	1
2	101880701	Shoe Brake Manual Adj (Available in Kit, Non-Asbestos Brake Shoe) .....	4
3	1011464	Package, Brake Spring (includes item 4) .....	1
4	1011314	Brake Spring .....	4
5	1013924	Nut, 5/16-24, Hex Head Cone .....	8
6	1014153	Bolt, Brake Cluster Mounting .....	8
7	1016557	Cluster, Brake, Driver-Side (includes items 8 through 23) .....	1
8	1010850	Dust Cover .....	1
9	1011314	Brake Spring .....	2
10	1011465	Kit, Brake Actuator .....	1
11	1011466	Kit, Shoe Retainer (includes items 12 and 13) .....	1
12	N/A	Pin .....	2
13	N/A	Shoe Clamp Spring .....	2
14	1011467	Kit, Anchor Body (includes items 15 through 20) .....	1
15	1011114	Nut, M6-1.00 Hex .....	2
16	1011298	Anchor Piston .....	2
17	N/A	Adjustment Bolt .....	1
18	N/A	Anchor Body Component .....	1
19	1011303	Adjustment Bolt Cap .....	1
20	451	Lockwasher, 1/4 Split .....	2
21	1011494	Backing Plate, Left-Hand .....	1
22	101880701	Shoe Brake Manual Adj (Available in Kit, Non-Asbestos Brake Shoe) .....	2
23	N/A	Arm, Brake Lever .....	1
24	1016573	Cluster, Brake, Passenger-Side (includes items 25 through 40) .....	1
25	1010850	Dust Cover .....	1
26	1011154	Backing Plate, Right-Hand .....	1
27	1011314	Brake Spring .....	2
28	1011465	Kit, Brake Actuator .....	1
29	1011466	Kit, Shoe Retainer (includes items 30 and 31) .....	1
30	N/A	Pin .....	2
31	N/A	Shoe Clamp Spring .....	2
32	1011467	Kit, Anchor Body (includes items 33 through 38) .....	1
33	1011114	Nut, M6-1.00 Hex .....	2
34	1011298	Anchor Piston .....	2
35	N/A	Adjustment Bolt .....	1
36	N/A	Anchor Body Component .....	1
37	1011303	Adjustment Bolt Cap .....	1
38	451	Lockwasher, 1/4 Split .....	2
39	101880701	Shoe Brake Manual Adj (Available in Kit, Non-Asbestos Brake Shoe) .....	2
40	N/A	Arm, Brake Lever .....	1
41	101791101	Drum without Center Hole, Brake .....	2
		Note: Passenger-side brake cluster not shown. Components have a similar appearance to driver-side brake cluster components.	

**5**  
**G**  
**E**

**5**

**G**

**E**



# STEERING AND SUSPENSIONS

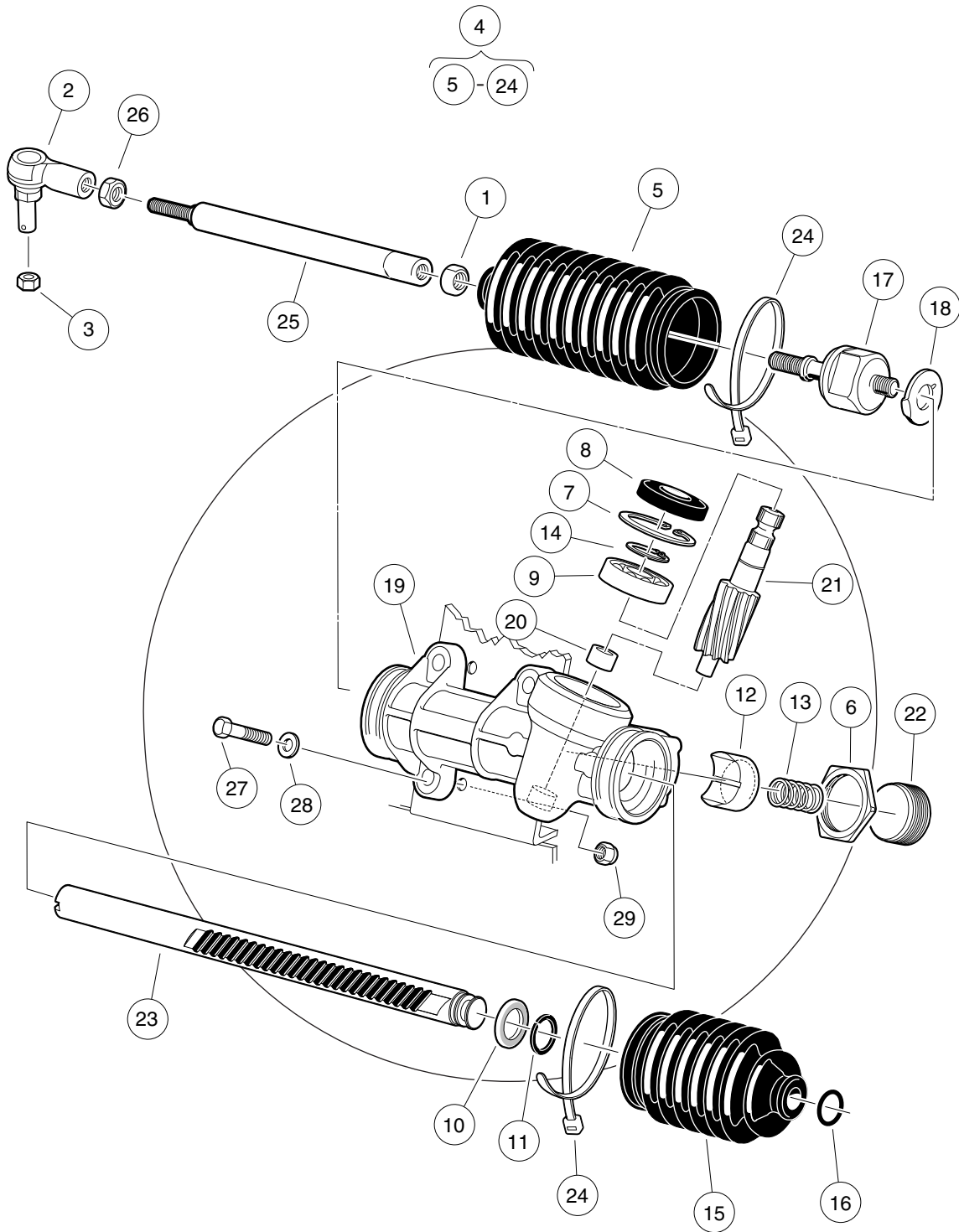
---

6

G

E

**6**  
**G**  
**E**



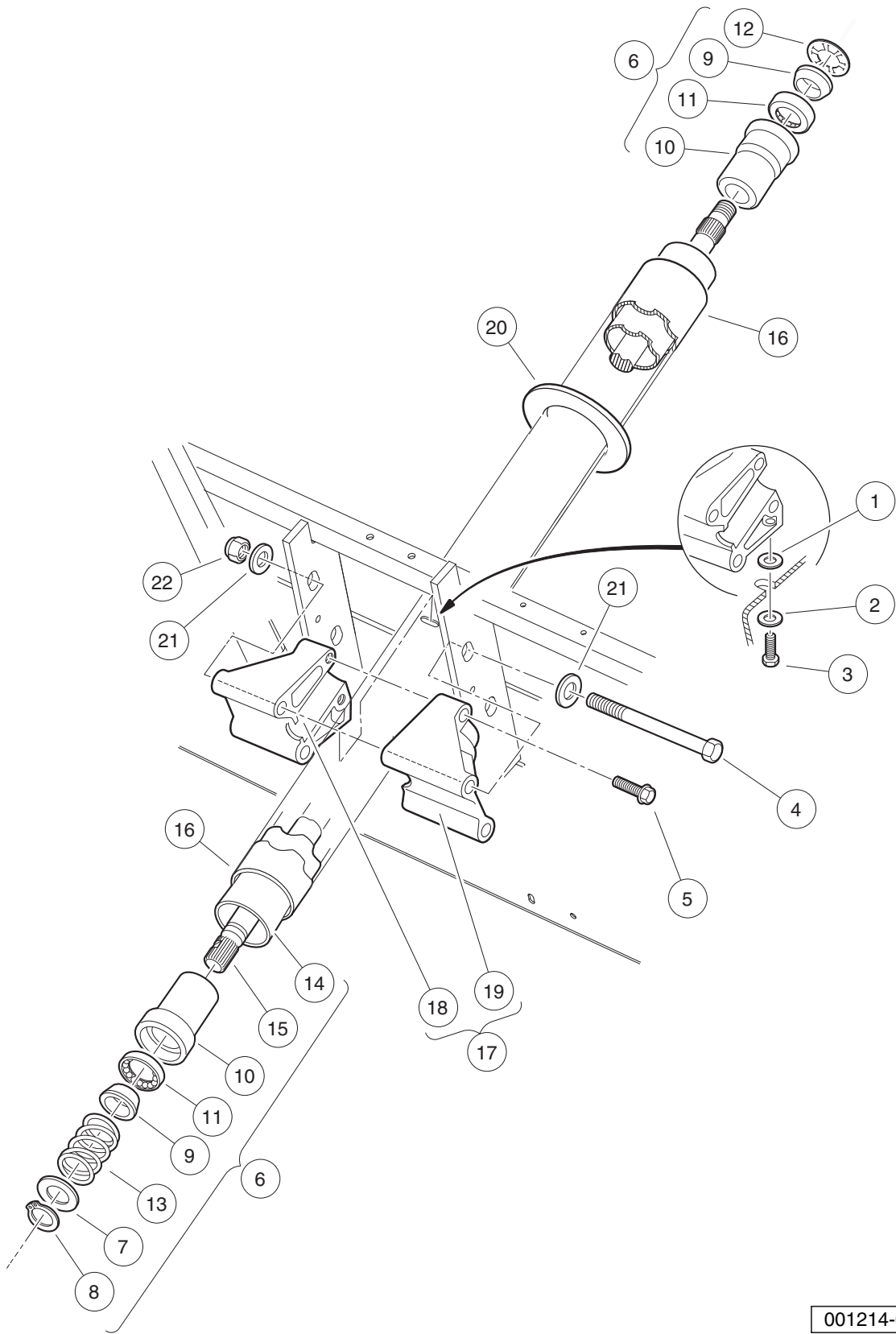
001500-002

# STEERING GEAR ASSEMBLY (WANDA) – MAINT.-FREE BALL JOINT

ITEM	PART NO.	DESCRIPTION	QTY
		<b>1 2 3 4</b>	
1	1013042	Nut, 12mm Hex .....	1
2	102022602	End, Tie Rod, M12 X 1.25, Lh .....	1
3	102289201	Nut - Hex Locking, M12 X 1.25 .....	1
4	103601501	Asm, Steering Rack And Pinion (includes items 5 through 24) .....	1
5	1013035	Bellows, Long .....	1
6	1013044	Rack Screw Locknut .....	1
7	N/A	Snap Ring .....	1
8	1013052	Seal, Steering Pinion Dust .....	1
9	101879401	Bearing, Ball .....	1
10	101879501	Stop Washer .....	1
11	101879601	Stop Ring, C-Type .....	1
12	101879701	Support Yoke .....	1
13	101879801	Rack Guide Pressure Spring .....	1
14	101879901	Ring, Stop, C-Type .....	1
15	101880001	Bellows, Short .....	1
16	101880101	Dust Seal Retaining Ring .....	1
17	101880201	Inner Ball Joint Asm .....	1
18	101880301	Washer, Tab .....	1
19	N/A	Box, Steering Gear .....	1
20	N/A	Bearing, Lower Pinion .....	1
21	N/A	Pinion, Steering .....	1
22	N/A	Screw, Rack Guide .....	1
23	N/A	Rack, Steering .....	1
24	8990	Tie Wrap, 8" Nylon .....	2
25	103653401	Link, Drag, Male Thd .....	1
26	103653501	Nut, Jam, M12-1.25, Lh .....	1
27	1624	Screw, 3/8-16 X 1.50, Hex-Head Cap .....	3
28	334	Washer, 3/8, Type A, Flat .....	3
29	8754	Locknut, 3/8-16 Hex .....	3

**6**  
**G**  
**E**

**6**  
**G**  
**E**



001214-001

## STEERING COLUMN – UTILITY

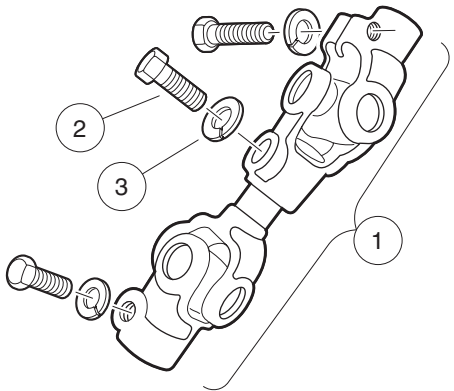
ITEM	PART NO.	DESCRIPTION	QTY
		1 2 3 4	
1	1011578	Washer, 5/16 Type B Flat .....	1
2	1011697	Washer, 5/16 Flat .....	1
3	1014288	Screw, 5/16-18 X 0.75, Thread-Forming .....	1
4	1016183	Screw, 3/8-16 X 7.00 Hex Cap .....	2
5	1016269	Screw, 5/16-18 Thrd Forming .....	2
6	1017313	Steering Shaft Assembly (includes items 7 through 15) .....	1
7	1012604	Washer, 0.675 ID X 1.19 OD .....	1
8	1012605	Ring, 0.579 Internal Retaining .....	1
9	1014125	Wedge, Molded .....	2
10	1014126	Seat, Plastic Bearing .....	2
11	1014213	Bearing, Ball .....	2
12	1014214	Ring, Retaining .....	1
13	1014217	Spring, Steering Shaft .....	1
14	1017314	Column, Aluminum Steering .....	1
15	1017315	Shaft Steering Column .....	1
16	1017317	Tube Cover, Steering Column .....	1
17	101984801	Kit, Steering Column Mounting Bracket (includes items 18 and 19) .....	1
18	N/A	Bracket, RH Steering Column Mount .....	1
19	N/A	Bracket, LH Steering column mount .....	1
20	102278001	Boot, Steering Column Round .....	1
21	334	Washer, 3/8, Type A, Flat .....	4
22	8754	Locknut, 3/8-16 Hex .....	2

**6**  
**G**  
**E**

6

G

E



001217-001

# INTERMEDIATE STEERING SHAFT (WANDA) – TURF/CA 1/2/6

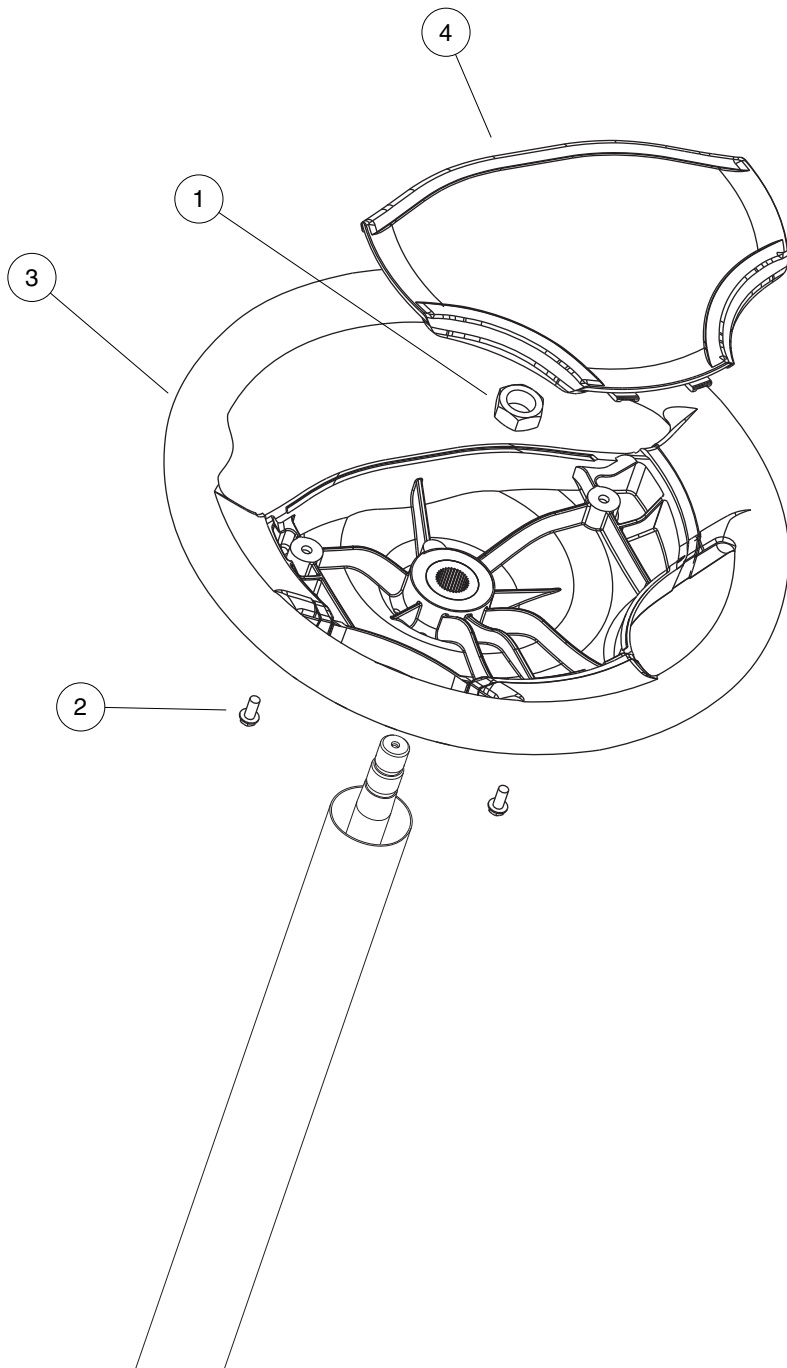
ITEM	PART NO.	DESCRIPTION	QTY
		1 2 3 4	
1	103601601	Shaft, Intermediate Steering (includes items 2 and 3) .....	1
2	1017226	Bolt, Hex-Head, 8mm X 1.25 - 30 .....	3
3	7174	Lockwasher, 5/16 Split .....	3

6

G

E

**6**  
**G**  
**E**



000246-007

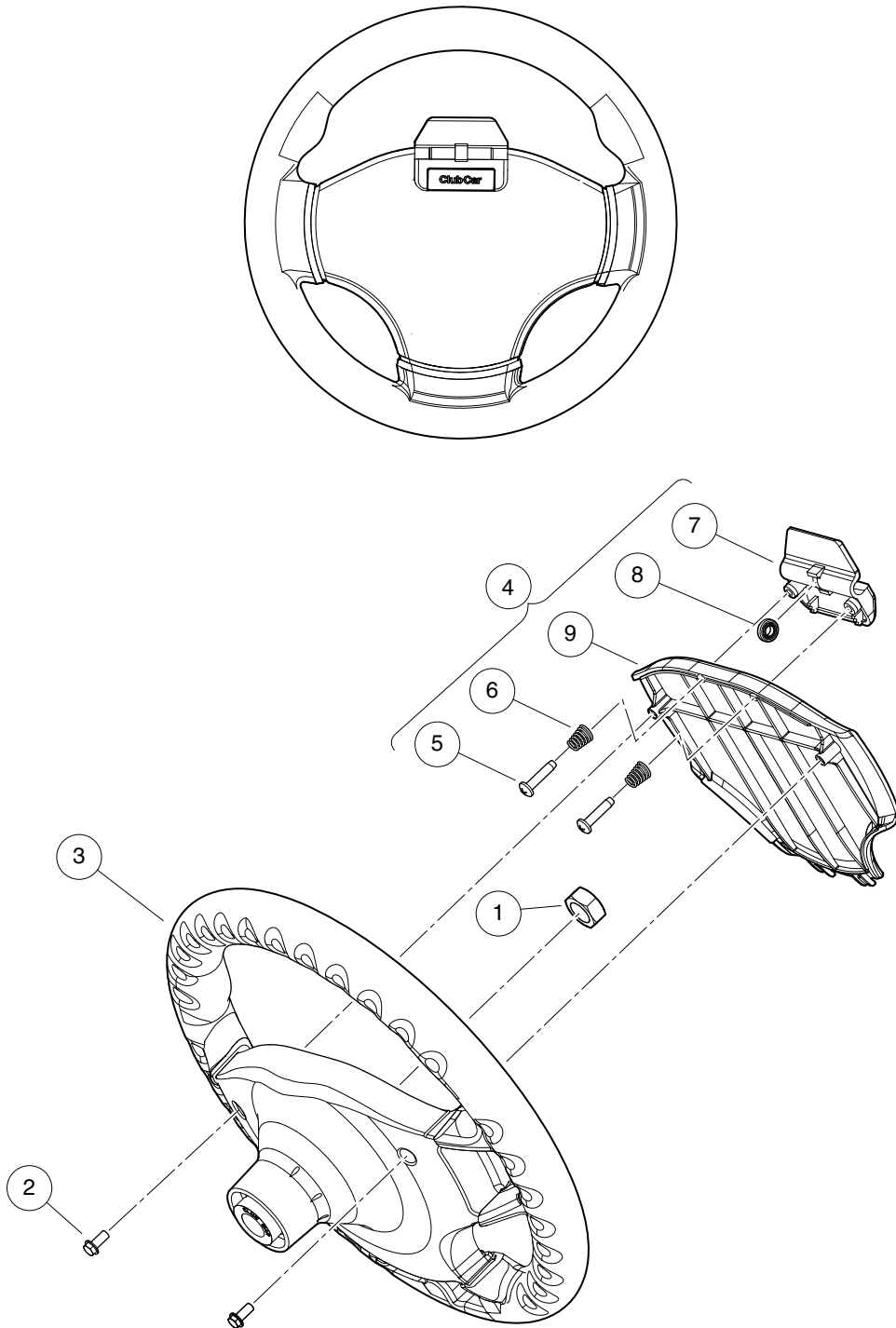


# STEERING WHEEL

ITEM	PART NO.	DESCRIPTION	QTY
		1 2 3 4	
1	1017273	Nut, 5/8-18 Nylon Insert Jam .....	1
2	101850301	Screw, #12-16 X 0.50 Washer-Head Hi-Lo .....	2
3	103724502	Wheel, Steering, Splined .....	1
4	103724602	Cover, Steering Wheel, Generic .....	1

6  
G  
E

**6**  
**G**  
**E**



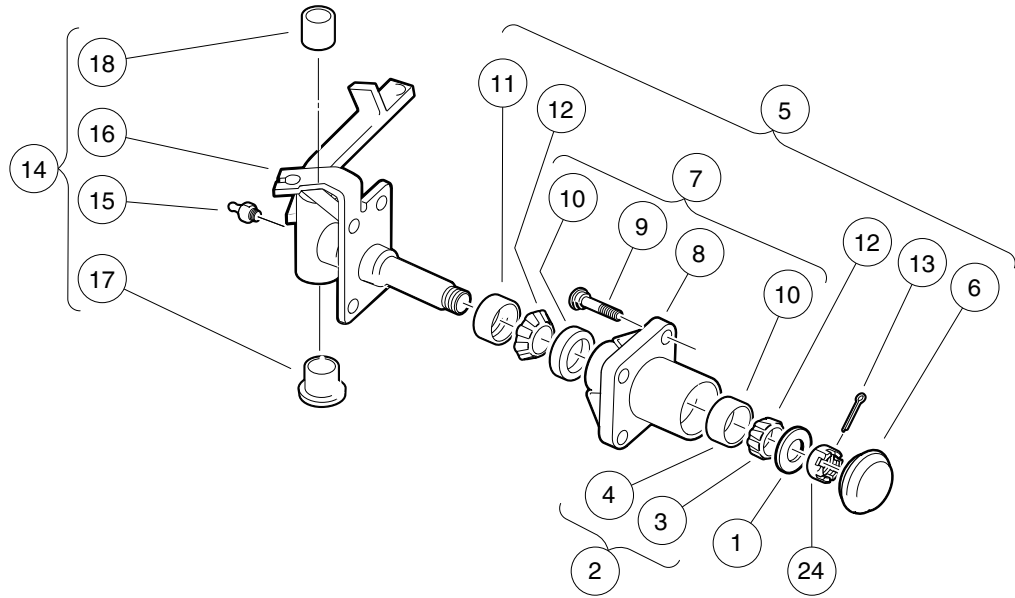
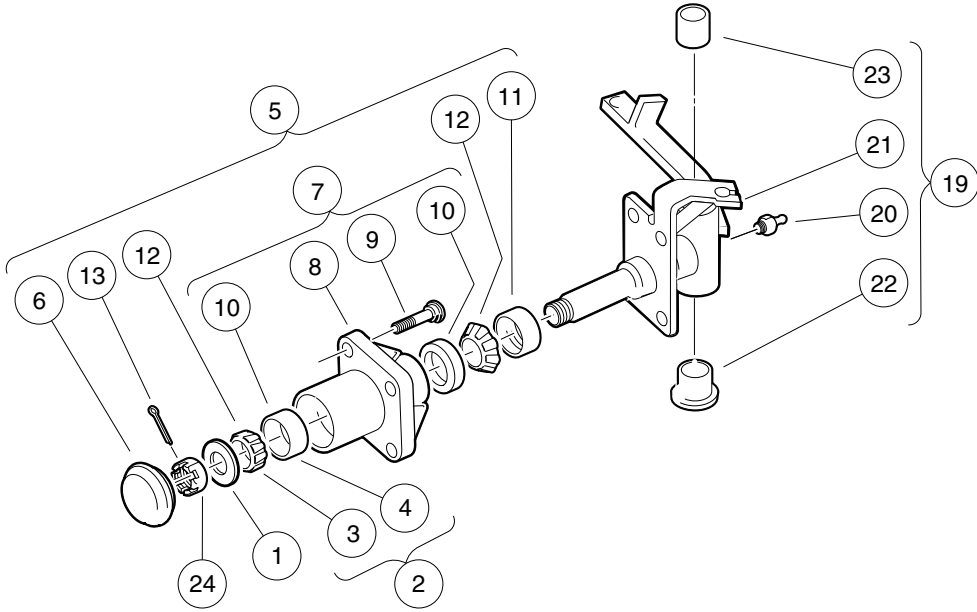
001504-001

# STEERING WHEEL WITH CLIP

ITEM	PART NO.	DESCRIPTION	QTY
		<b>1 2 3 4</b>	
1	1017273	Nut, 5/8-18 Nylon Insert Jam .....	1
2	101850301	Screw, #12-16 X 0.50 Washer-Head Hi-Lo .....	2
3	103724502	Wheel, Steering, Splined .....	1
4	103724901	Asm, Scorecard, Clip (includes items 5 through 9) .....	1
5	1012565	Screw, #12 Phillips Round Head .....	2
6	1012566	Tapered Compression Spring .....	2
7	1016154	Clip, Scorecard .....	1
8	1016214	Pencil Grip .....	1
9	103724601	Cover, Steering Wheel, Clip .....	1

**6**  
**G**  
**E**

**6**  
**G**  
**E**



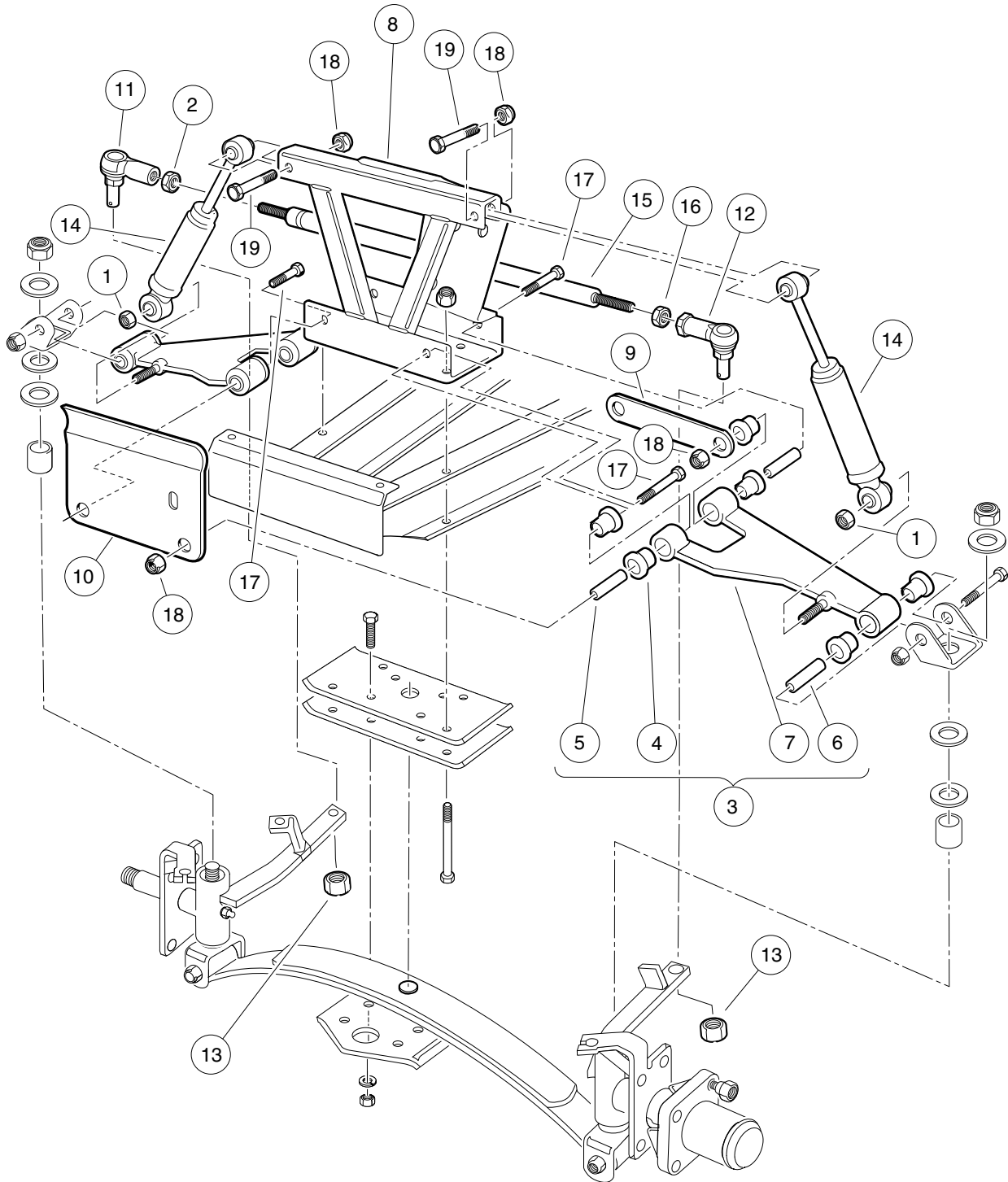
000310-002

# FRONT SPINDLES AND HUBS – VEHICLES WITH FOUR-WHEEL BRAKES AND MAINTENANCE-FREE BALL JOINTS

ITEM	PART NO.	DESCRIPTION	QTY
		<b>1 2 3 4</b>	
1	1010005	Washer, 3/4 Flat .....	2
2	1011393	Hub Bearing Package (includes items 3 and 4) .....	4
3	7274	Bearing, Front Hub Wheel .....	1
4	7308	Race, Front Hub Bearing .....	1
5	1011892	Hub Assembly (includes items 6 through 13) .....	2
6	1011887	Dust Cover .....	1
7	N/A	Hub (includes items 8 through 10) .....	1
8	N/A	Front Hub .....	1
9	103477901	Lug Stud, 1/2-20 Unf, 4037 .....	4
10	7308	Race, Front Hub Bearing .....	2
11	1013135	Seal, Double Lip .....	1
12	7274	Bearing, Front Hub Wheel .....	2
13	7910	Pin, 5/32 X 1.00 Cotter .....	1
14	103717302	Asm, Spindle, Lh, 4wb, Sp (includes items 15 through 18) .....	1
15	1015597	Fitting, 1/4-28 Thread-Forming Grease .....	1
16	N/A	Subasm, Spindle, Lh, 4wb .....	1
17	7048	Bushing, Flanged Bronze .....	1
18	8067	Bushing, Bronze Spindle .....	1
19	103717402	Asm, Spindle, Rh, 4wb, Sp (includes items 20 through 23) .....	1
20	1015597	Fitting, 1/4-28 Thread-Forming Grease .....	1
21	N/A	Subasm, Spindle, Rh, 4wb .....	1
22	7048	Bushing, Flanged Bronze .....	1
23	8067	Bushing, Bronze Spindle .....	1
24	7840	Nut, 3/4-16 Hex Slotted .....	2

**6**  
**G**  
**E**

**6**  
**G**  
**E**



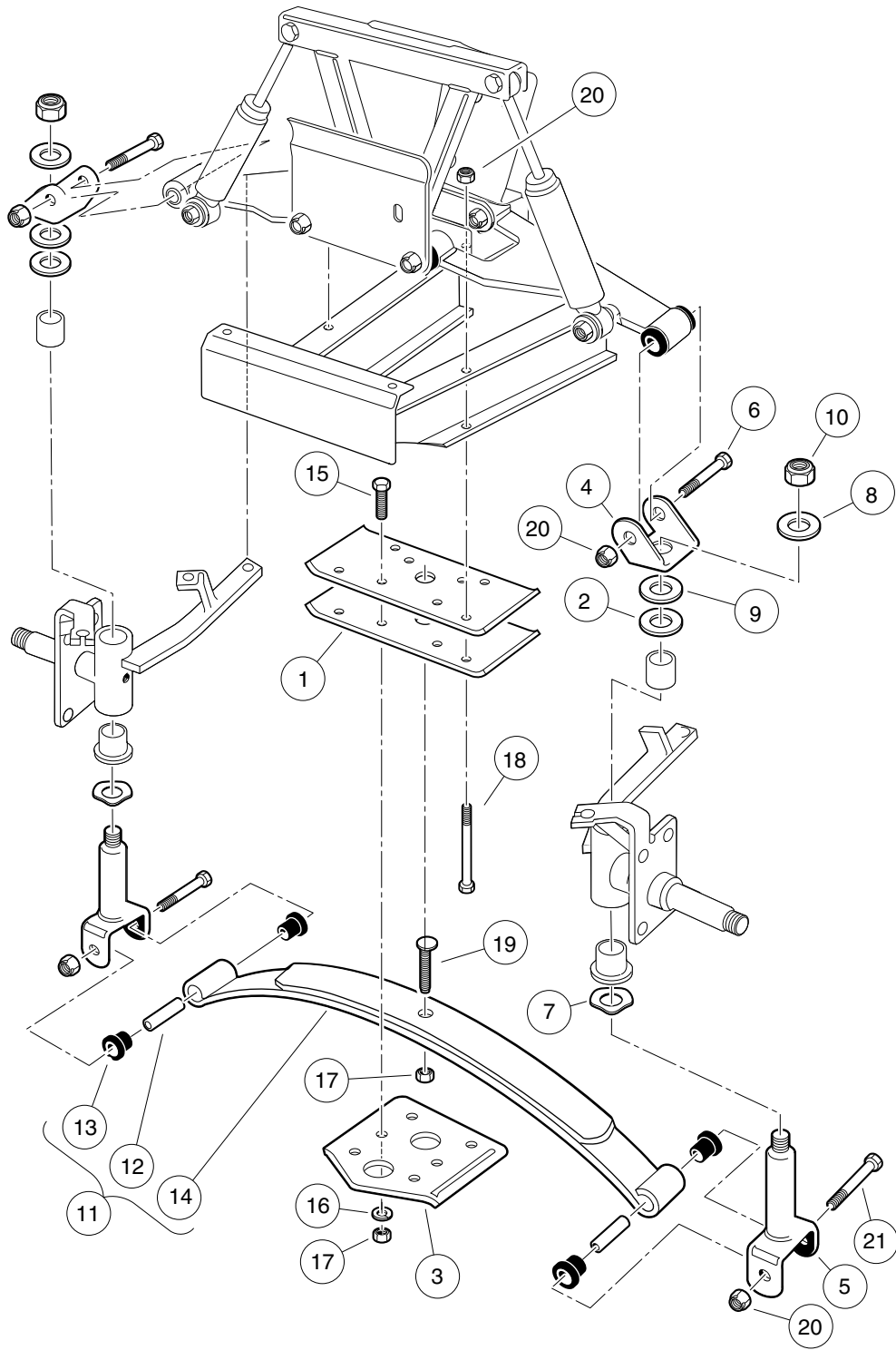
001265-001

## FRONT SUSPENSION, UPPER – ALL TURF/ CARRYALL 6 WITH MAINTENANCE-FREE

ITEM	PART NO.	DESCRIPTION	QTY
		<b>1 2 3 4</b>	
1	1010138	Locknut, 3/8-16 Dimpled .....	2
2	1013042	Nut, 12mm Hex .....	1
3	1016353	Sub-Assembly, Delta A-Plate (includes items 4 through 7) .....	2
4	1016346	Bushing, Urethane .....	6
5	1016349	Sleeve, Delta Inner .....	2
6	1016350	Sleeve, Delta Outer .....	1
7	1016351	Delta A-Plate .....	1
8	1016385	Delta Shock and Gear Support Assembly .....	1
9	1017266	A-Plate Strap .....	1
10	101955001	Brake Cable Guide Bracket .....	1
11	102022601	End, Tie Rod M12 X 1.25 Rh .....	1
12	102022602	End, Tie Rod, M12 X 1.25, Lh .....	1
13	102289201	Nut - Hex Locking, M12 X 1.25 .....	3
14	103351001	Shock Absorber, Front, Common .....	2
15	103354701	Rod, Tie, Male Thd .....	1
16	103653501	Nut, Jam, M12-1.25, Lh .....	1
17	2402	Screw, 3/8-16 X 2.25 Hx Hd Cap .....	4
18	8754	Locknut, 3/8-16 Hex .....	13
19	8861	Bolt, 3/8-16 X 1.75 Hex .....	2

**6**  
**G**  
**E**

**6**  
**G**  
**E**



001266-001

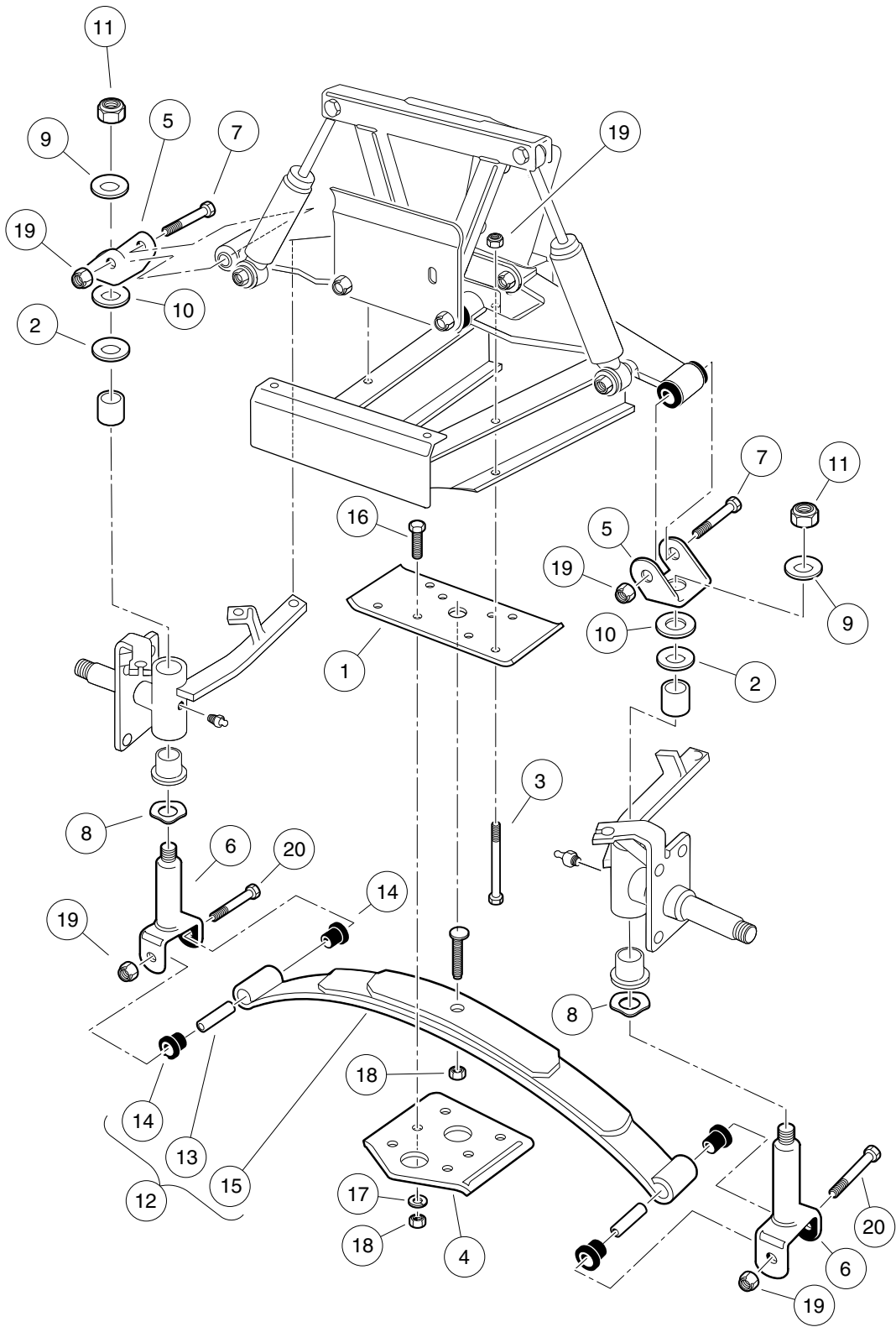


## FRONT SUSPENSION, LOWER – STANDARD GASOLINE VEHICLE WITH

ITEM	PART NO.	DESCRIPTION	QTY
		<b>1 2 3 4</b>	
1	1010124	Plate, Spring Mount .....	2
2	1010150	Bearing, Thrust .....	2
3	1014276	Plate, Front Spring Retainer .....	1
4	1016384	Clevis, Delta Upper .....	2
5	1016386	King Pin Assembly .....	2
6	1016387	Screw, 3/8-16 X 2.75 Hx Hd Cap .....	2
7	1016389	Washer, 1.125 Od Wave .....	2
8	102564002	Washer-1/2 Conical, Yellow .....	2
9	102684501	Washer, M12 Hard Regular .....	2
10	102766301	Nut, 1/2-20, Center Lock .....	2
11	103628801	Spring Asm, Front, 2 Leaf (includes items 12 through 14) .....	1
12	1012303	Bushing, Steel .....	2
13	1015583	Bushing, Urethane .....	4
14	103502701	Spring, Front, 2 Leaf .....	1
15	2402	Screw, 3/8-16 X 2.25 Hx Hd Cap .....	4
16	357	Lockwasher, 3/8 Split .....	4
17	706	Nut, Hex 3/8-16 .....	5
18	7270	Bolt, 3/8-16 X 4.50 Hex Head .....	4
19	8745	Screw, Eccentric Adjustment .....	1
20	8754	Locknut, 3/8-16 Hex .....	8
21	8755	Screw, 3/8-16 X 3.375 Hex Cap .....	2

**6**  
**G**  
**E**

**6**  
**G**  
**E**



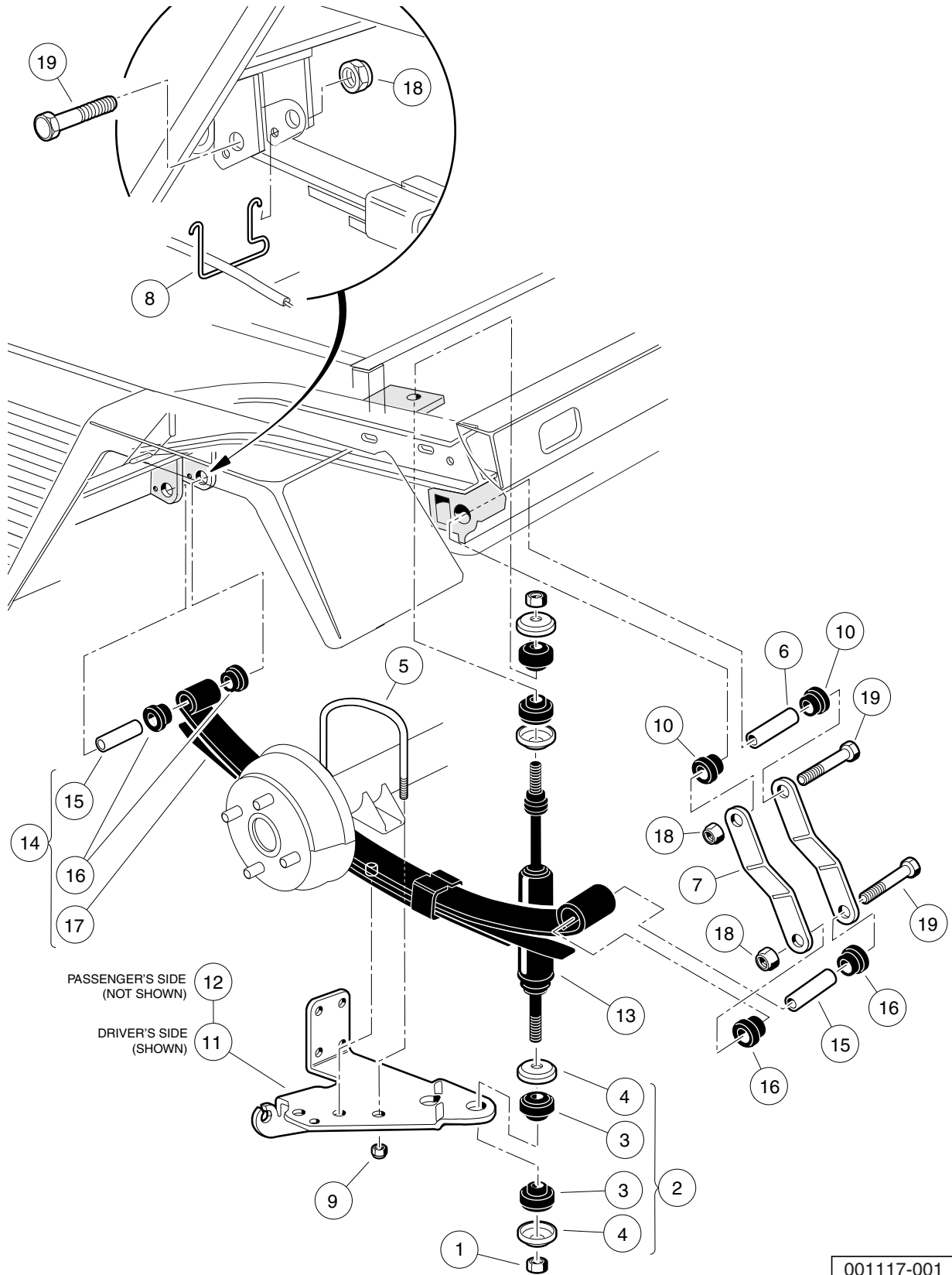
000313-005

# FRONT SUSPENSION, LOWER – CA6 ELEC & TURF/CA6 GAS WITH HD OPTION

ITEM	PART NO.	DESCRIPTION	QTY
		<b>1 2 3 4</b>	
1	1010124	Plate, Spring Mount .....	1
2	1010150	Bearing, Thrust .....	2
3	1010200	Bolt, 3/8-16 X 4.25 Hex Head .....	4
4	1014276	Plate, Front Spring Retainer .....	1
5	1016384	Clevis, Delta Upper .....	2
6	1016386	King Pin Assembly .....	2
7	1016387	Screw, 3/8-16 X 2.75 Hx Hd Cap .....	2
8	1016389	Washer, 1.125 Od Wave .....	2
9	102564002	Washer-1/2 Conical, Yellow .....	2
10	102684501	Washer, M12 Hard Regular .....	2
11	102766301	Nut, 1/2-20, Center Lock .....	2
12	103628901	Spring Asm, Front, 3 Leaf (includes items 13 through 15) .....	1
13	1012303	Bushing, Steel .....	2
14	1015583	Bushing, Urethane .....	4
15	103502801	Spring, Front, 3 Leaf .....	1
16	2402	Screw, 3/8-16 X 2.25 Hx Hd Cap .....	4
17	357	Lockwasher, 3/8 Split .....	4
18	706	Nut, Hex 3/8-16 .....	5
19	8754	Locknut, 3/8-16 Hex .....	8
20	8755	Screw, 3/8-16 X 3.375 Hex Cap .....	2

**6**  
**G**  
**E**

**6**  
**G**  
**E**



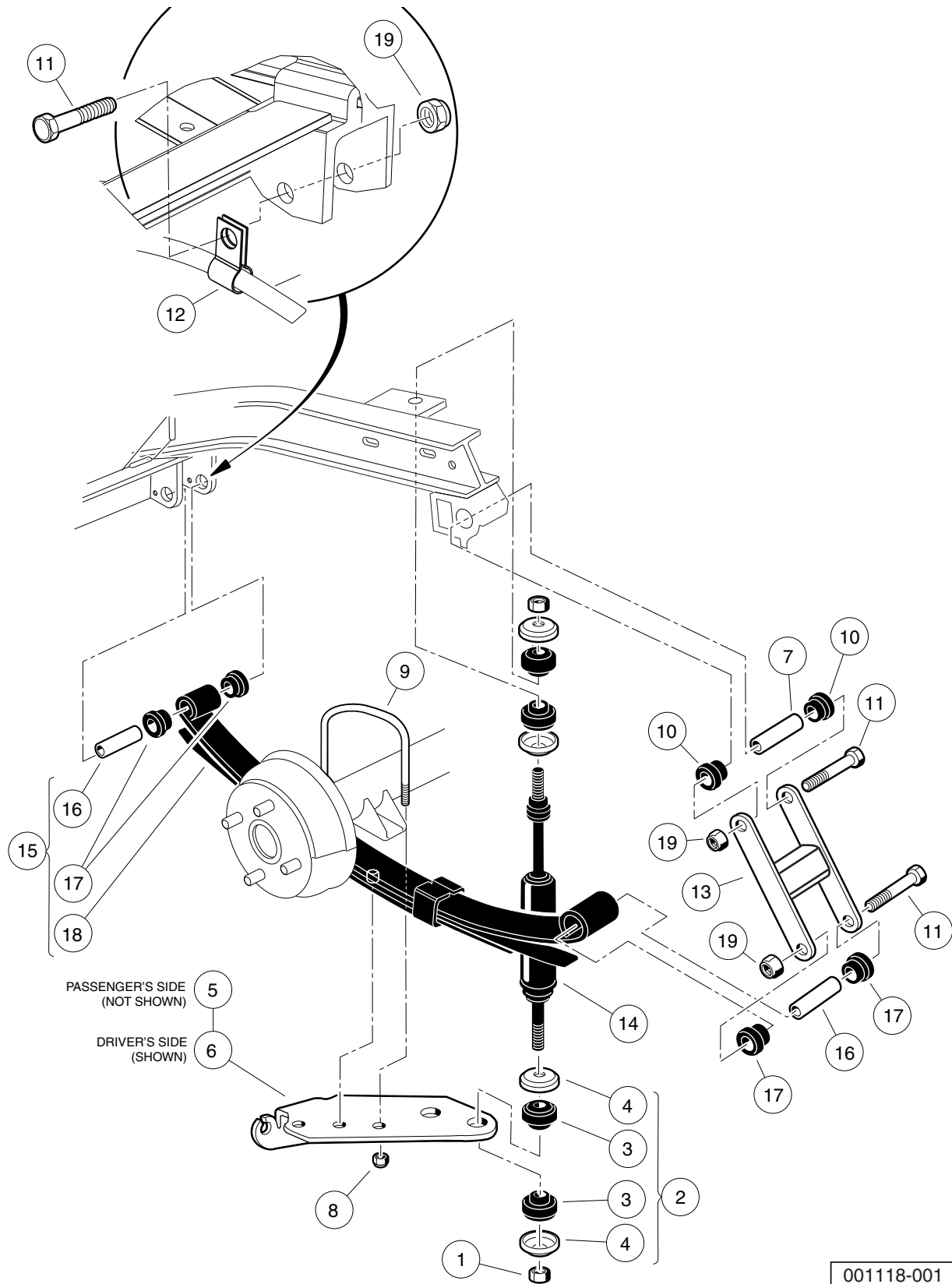
001117-001

# REAR SUSPENSION – GASOLINE TURF/CARRYALL 2, 2 PLUS, AND 6

ITEM	PART NO.	DESCRIPTION	QTY
		1 2 3 4	
1	1010145	Nut, 3/8-24 Hex .....	4
2	1011415	Kit, Shock Absorber Cushion (includes items 3 and 4) .....	4
3	N/A	Cushion, Shock Absorber .....	2
4	N/A	Retainer, Shock Absorber Cushion .....	2
5	1012180	U-Bolt .....	2
6	1012303	Bushing, Steel .....	2
7	1012304	Shackle, Rear Spring .....	4
8	1013207	Hanger, Brake Cable .....	2
9	1014555	Locknut, 7/16-14 Nylon Hex .....	4
10	101558302	Bushing, Urethane, Soft .....	4
11	101926501	Bracket, Left-Hand .....	1
12	101929401	Bracket, Right .....	1
13	103350901	Shock Absorber, Rear, Utility .....	2
14	103657301	Asm-rear 3leaf Spring, 600 Lb (includes items 15 through 17) .....	2
15	1012303	Bushing, Steel .....	2
16	101558302	Bushing, Urethane, Soft .....	4
17	102871801	Rear Spring, 3leaf, 600 Lb/in .....	1
18	8754	Locknut, 3/8-16 Hex .....	6
19	8755	Screw, 3/8-16 X 3.375 Hex Cap .....	6
<p>Note: Only the driver-side rear suspension is shown. Parts for the passenger-side rear suspension are identical except for the leaf spring/shock mounting plate.</p>			

6  
G  
E

**6**  
**G**  
**E**



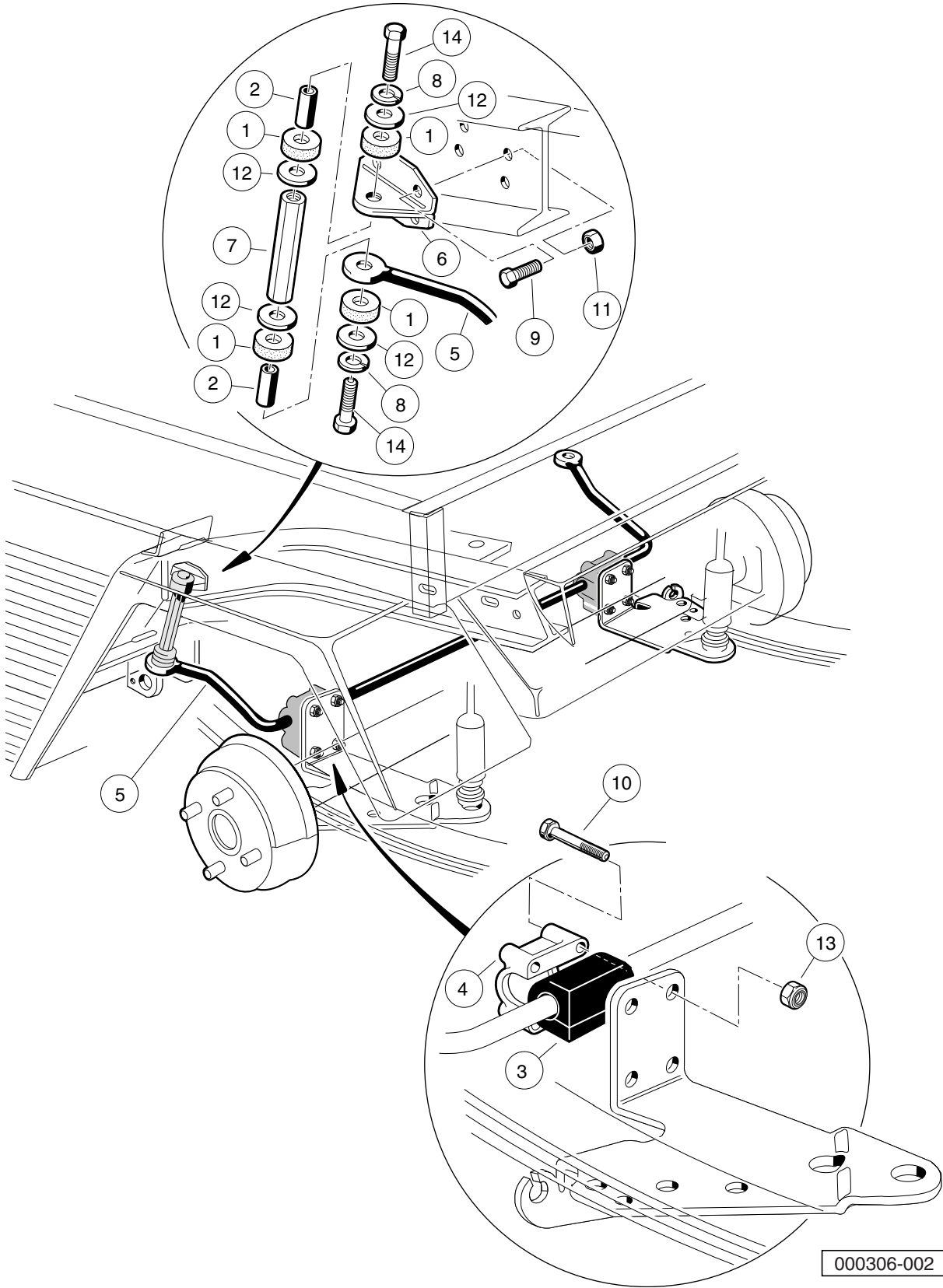
001118-001

# REAR SUSPENSION – TURF/CARRYALL 2 AND 6 IQ PLUS VEHICLES

ITEM	PART NO.	DESCRIPTION	QTY
		1 2 3 4	
1	1010145	Nut, 3/8-24 Hex .....	4
2	1011415	Kit, Shock Absorber Cushion (includes items 3 and 4) .....	4
3	N/A	Cushion, Shock Absorber .....	2
4	N/A	Retainer, Shock Absorber Cushion .....	2
5	1012181	Bracket, Shock Mounting, Right (Passenger) .....	1
6	1012182	Bracket, Shock Mounting, Left (Driver) .....	1
7	1012303	Bushing, Steel .....	2
8	1014555	Locknut, 7/16-14 Nylon Hex .....	4
9	1014902	U-Bolt .....	2
10	101558302	Bushing, Urethane, Soft .....	4
11	102066201	Screw, 3/8-16 X 3.50 Hex Cap .....	6
12	102891101	Clamp, Cable, Brake, Sym .....	2
13	102917101	Weldment, Shackle .....	2
14	103351101	Shock, Absorber, Utility .....	2
15	103657301	Asm-rear 3leaf Spring, 600 Lb (includes items 16 through 18) .....	2
16	1012303	Bushing, Steel .....	2
17	101558302	Bushing, Urethane, Soft .....	4
18	102871801	Rear Spring, 3leaf, 600 Lb/in .....	1
19	8754	Locknut, 3/8-16 Hex .....	6
<p>Note: Only the driver-side rear suspension is shown. Parts for the passenger-side rear suspension are identical except for the leaf spring/shock mounting plate.</p>			

6  
G  
E

**6**  
**G**  
**E**



000306-002



# STABILIZER BAR – TURF/CARRYALL 2, 6, AND CARRYALL 2 PLUS GASOLINE VEHICLES

ITEM	PART NO.	DESCRIPTION	QTY
		<b>1 2 3 4</b>	
1	1015453	Compression Mount .....	8
2	1015457	Spacer, 0.720" .....	4
3	1015613	Bushing, Stabilizer Bar .....	2
4	1015614	Support, Bushing .....	2
5	1015760	Stabilizer Bar .....	1
6	1016813	Mounting Bracket, Stabilizer Bar .....	2
7	1016814	Link, Stabilizer Bar .....	2
8	357	Lockwasher, 3/8 Split .....	4
9	7173	Screw, 5/16-18 X 0.75, Hex-Head Cap .....	8
10	7311	Screw, 1/4-20 X 2.00 Hex-Head Cap .....	8
11	7473	Locknut, 5/16-18 Nylon Insert .....	8
12	808	Washer, 3/8 Type B Flat .....	8
13	8233	Locknut, 1/4-20, Nylon Insert .....	8
14	8861	Bolt, 3/8-16 X 1.75 Hex .....	4

**6**  
**G**  
**E**

**6**

**G**

**E**

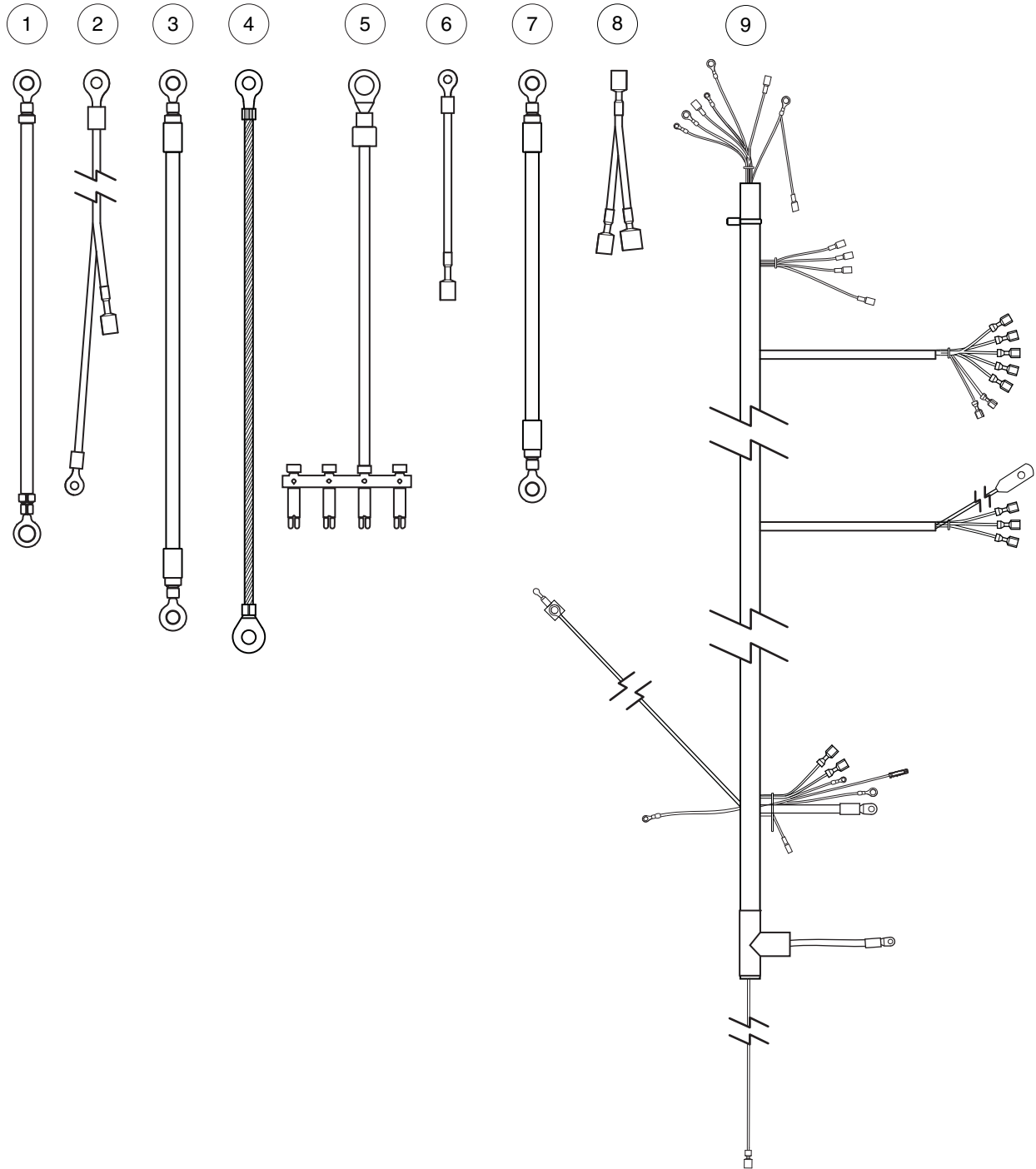
# ELECTRICAL SYSTEM – GASOLINE VEHICLE

---

7

G

**7**  
**G**



000627-003

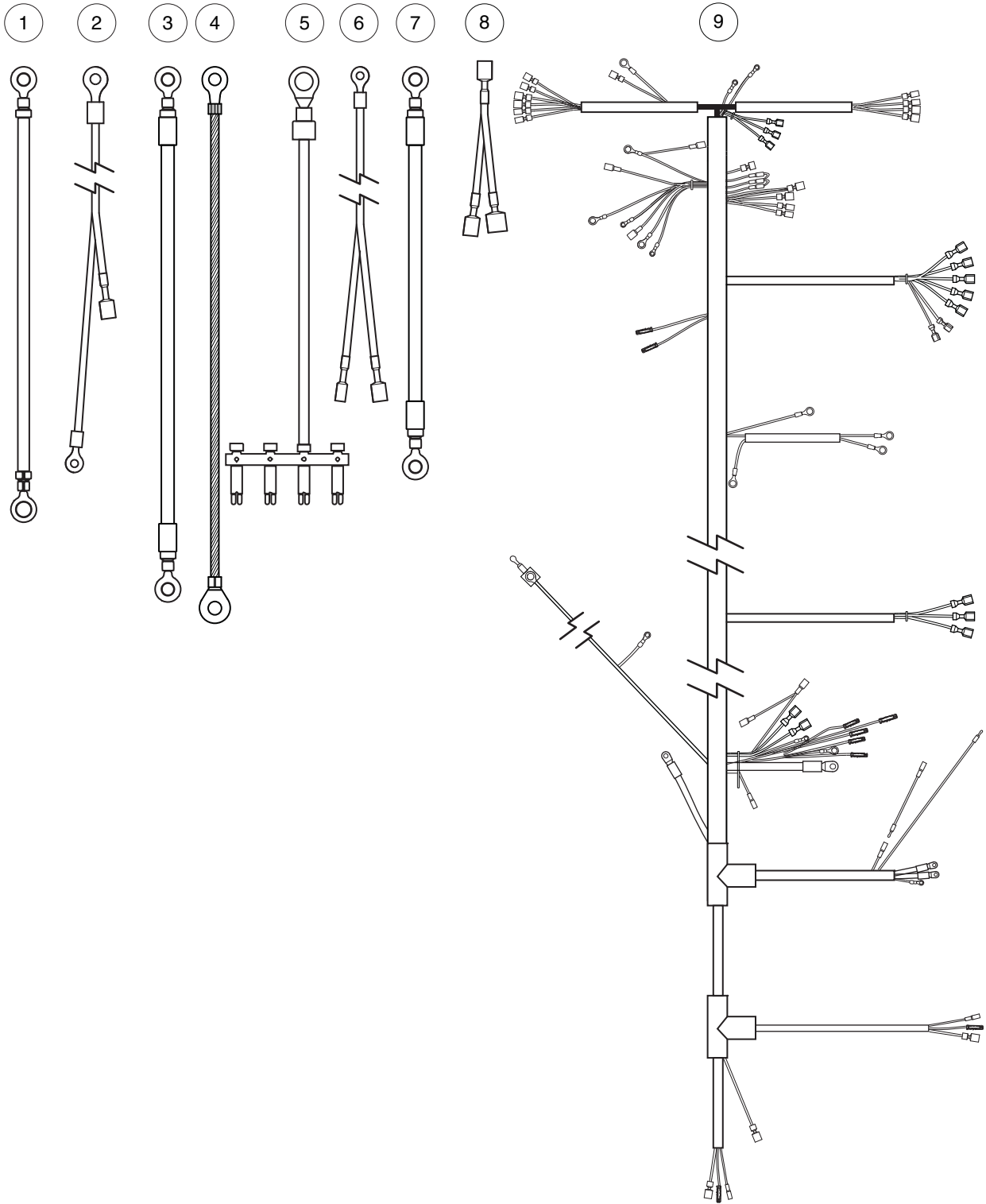
## WIRING – TURF 6 GAS WITH AMD STARTER GEN

ITEM	PART NO.	DESCRIPTION	QTY
		1 2 3 4	
1	1012382	Wire Assy, #6 Black .....	1
2	1012396	Wire Assy #18 Black .....	1
3	1014119	Wire Assembly #6 Red .....	1
4	1015332	Wire, Ground, #10, Uninsulated .....	1
5	1015737	Wire Assy, #10 Red .....	1
6	1016401	Wire Assy, #16 Orange .....	1
7	101837301	Wire Assy, #6 Green .....	1
8	103348501	Asm, Wire Meter, F-h Jumper .....	1
9	103764801	Asm, Harn, Trf6, Gs, Amd S/g .....	1

7

G

**7**  
**G**



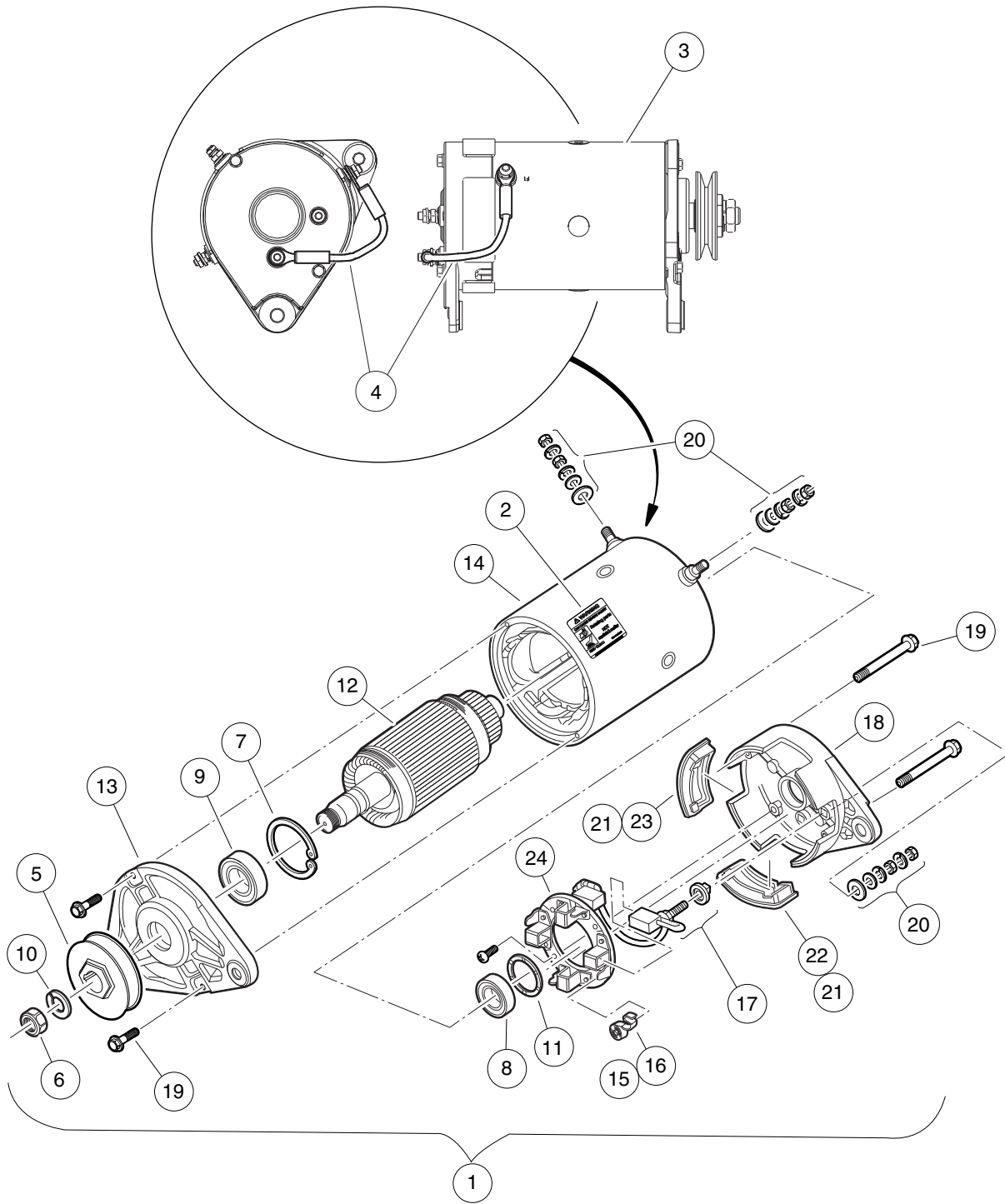
000574-003

## WIRING – CARRYALL 6 GAS WITH AMD STARTER GEN

ITEM	PART NO.	DESCRIPTION	QTY
		1 2 3 4	
1	1012382	Wire Assy, #6 Black .....	1
2	1012396	Wire Assy #18 Black .....	1
3	1014119	Wire Assembly #6 Red .....	1
4	1015332	Wire, Ground, #10, Uninsulated .....	1
5	1015737	Wire Assy, #10 Red .....	1
6	1017006	Wire Assembly Orange #18 .....	1
7	101837301	Wire Assy, #6 Green .....	1
8	103348501	Asm, Wire Meter, F-h Jumper .....	1
9	103686501	Asm, Harn, Str, Gas, Amd S/g .....	1

7

G



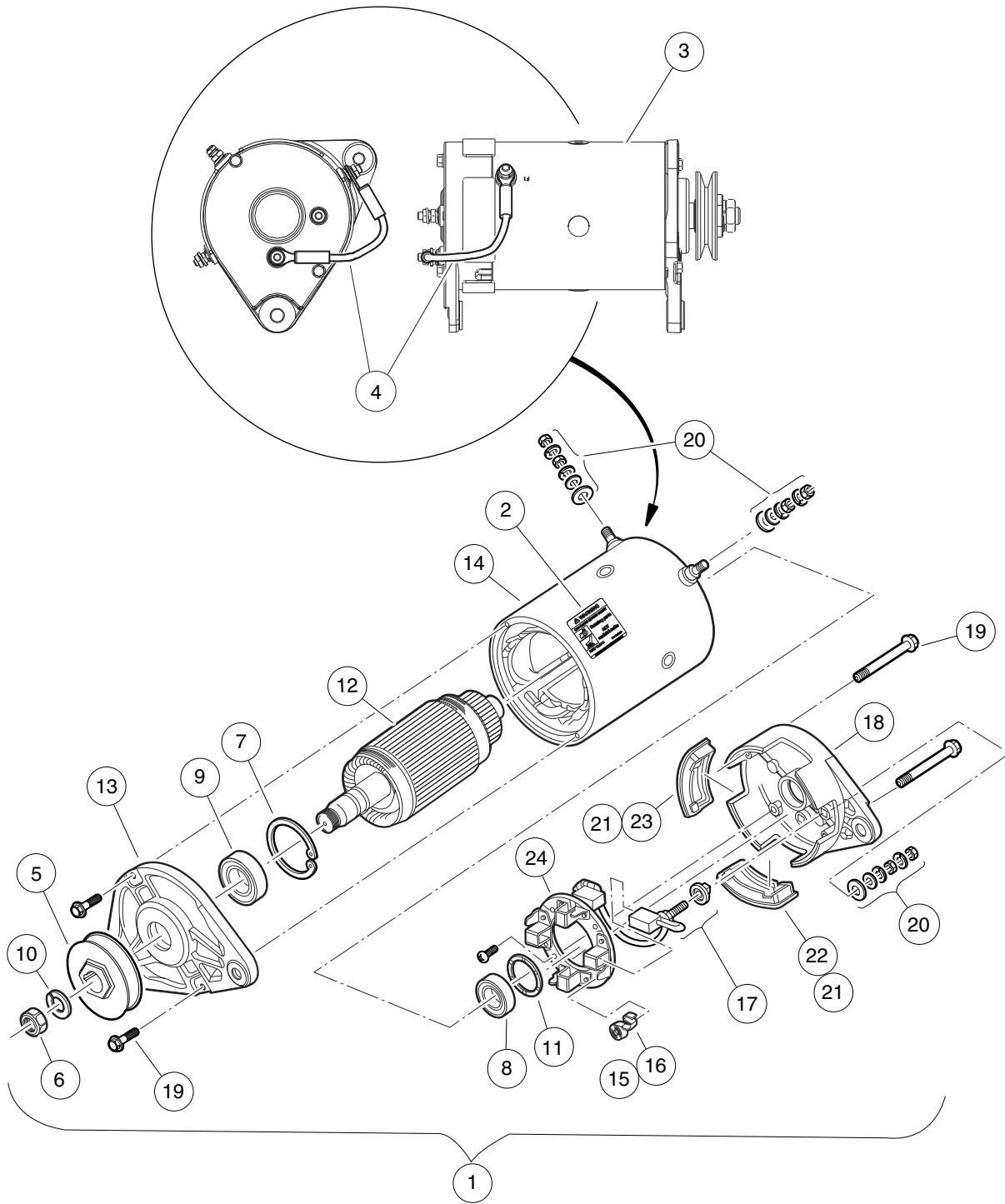
000124-005



# STARTER/GENERATOR ASSEMBLY (PEDAL-START), MODEL 114-01-4009A

ITEM	PART NO.	DESCRIPTION	QTY
		<b>1 2 3 4</b>	
1	103678402	Asm, St/gen, Bi-rot, Ps, Svc (includes items 2 and 3) .....	1
2	101960501	Decal, Rotating Parts/Hot Manifold .....	1
3	103718702	St/gen, Bi-rot, Util,ps W/wire (includes items 4 through 24) .....	1
4	101837301	Wire Assy, #6 Green .....	1
5	102711001	Pulley, V-Belt .....	1
6	102838701	Nut, Hex, M14x2, S/G .....	1
7	102838801	Retainer, Front, S/G .....	1
8	102838901	Bearing, Ball, Rear, S-g .....	1
9	102839001	Bearing, Ball, Front, S-g .....	1
10	102839301	Washer, Lock M14x2, S-g .....	1
11	102841101	Washer, Wave, S-g .....	1
12	N/A	Asm, Armature, Starter/Generator .....	1
13	102844601	Head, Drive End, S-g .....	1
14	102844701	Asm, Frame and Field, Starter/Generator .....	1
15	103347101	Kit, Spring Brush, Starter/Generator (includes item 16) .....	1
16	N/A	Spring, Brush, S-g .....	4
17	103347301	Set, Brush Term, S-g .....	1
18	103347601	Head, Comm End, S-g .....	1
19	103347701	Set, Fast, Ceh Deh, S-g .....	1
20	103347801	Set, Term Hardware, S/G .....	1
21	103347901	Kit, Cover, Brush Insp, Starter/Generator (includes items 22 and 23) .....	1
22	N/A	Plug, Rubber Drain, Start/Generator .....	3
23	N/A	Cover, Inspection, S-g .....	1
24	103953301	Kit, Brush And Brush Holder .....	1

**7**  
**G**

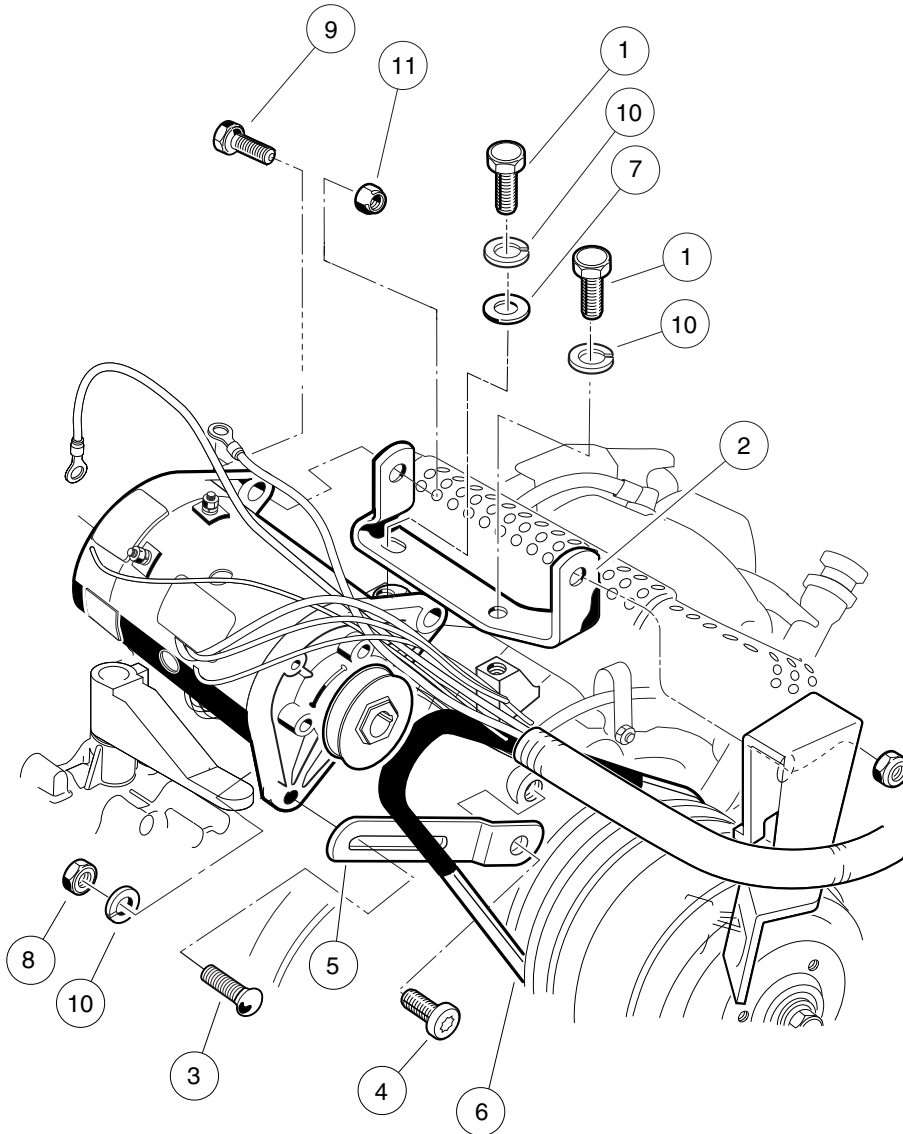


000124-005

# STARTER/GENERATOR ASSEMBLY (KEY-START), MODEL 114-04-4001A

ITEM	PART NO.	DESCRIPTION	QTY
		<b>1 2 3 4</b>	
1	103678502	Asm, St/gen, Bi-rot, Ks, Svc (includes items 2 and 3) .....	1
2	101960501	Decal, Rotating Parts/Hot Manifold .....	1
3	N/A	St/gen, Bi-rot, Util, Ks (includes items 4 through 24) .....	1
4	101837301	Wire Assy, #6 Green .....	1
5	102711001	Pulley, V-Belt .....	1
6	102838701	Nut, Hex, M14x2, S/G .....	1
7	102838801	Retainer, Front, S/G .....	1
8	102838901	Bearing, Ball, Front, S-g .....	1
9	102839001	Bearing, Ball, Front, S-g .....	1
10	102839301	Washer, Lock M14x2, S-g .....	1
11	102841101	Washer, Wave, S-g .....	1
12	N/A	Asm, Armature, Starter/Generator .....	1
13	102844601	Head, Drive End, S-g .....	1
14	102844701	Asm, Frame and Field, Starter/Generator .....	1
15	103347101	Kit, Spring Brush, Starter/Generator (includes item 16) .....	1
16	N/A	Spring, Brush, S-g .....	4
17	103347301	Set, Brush Term, S-g .....	1
18	103347601	Head, Comm End, S-g .....	1
19	103347701	Set, Fastener, Ceh Deh, S-g .....	1
20	103347801	Set, Term Hardware, S/G .....	1
21	103347901	Kit, Cover, Brush Insp, Starter/Generator (includes items 22 and 23) .....	1
22	N/A	Plug, Rubber Drain, Start/Generator .....	3
23	N/A	Cover, Inspection, S-g .....	1
24	103953301	Kit, Brush And Brush Holder .....	1

**7**  
**G**



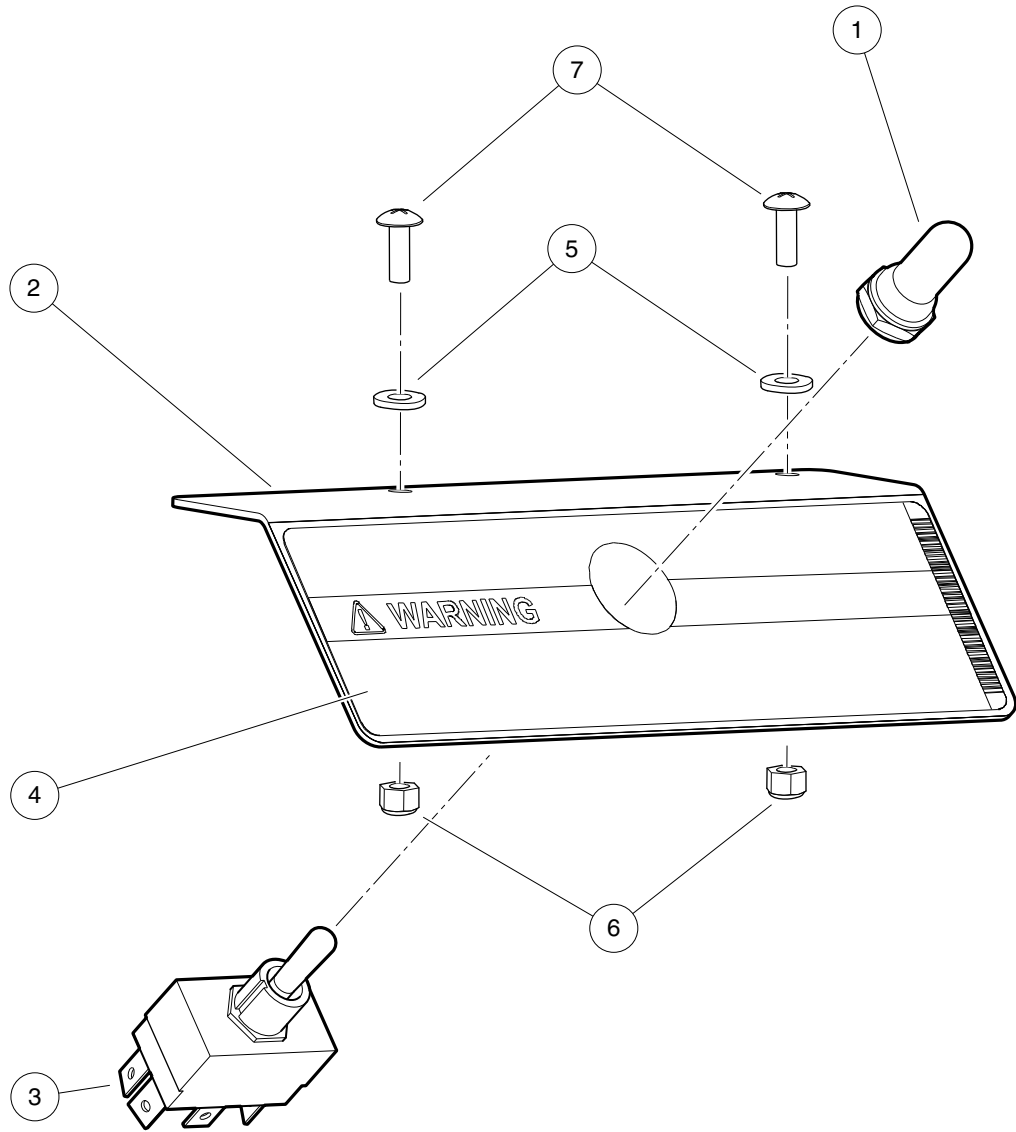
000238-005

# STARTER/GENERATOR MOUNTING – 114-0X-400XX MODELS

ITEM	PART NO.	DESCRIPTION	QTY
		<b>1 2 3 4</b>	
1	1012830	Screw, M8-125 X 22 Hex-Head .....	2
2	101524002	Bracket, Starter/Generator Mounting .....	1
3	1015932	Bolt, Carriage, 5/16-18 .....	1
4	1016074	Screw, M8-1.25 X 18mm Torx .....	1
5	1016883	Bracket, Starter/Generator Adjustment .....	1
6	101916701	V-Belt .....	1
7	1241	Washer, 5/16 Type A Flat .....	1
8	1242	Nut, 5/16-18 Hex .....	1
9	1624	Screw, 3/8-16 X 1.50, Hex-Head Cap .....	2
10	7174	Lockwasher, 5/16 Split .....	3
11	8754	Locknut, 3/8-16 Hex .....	2

**7**  
**G**

**7**  
**G**



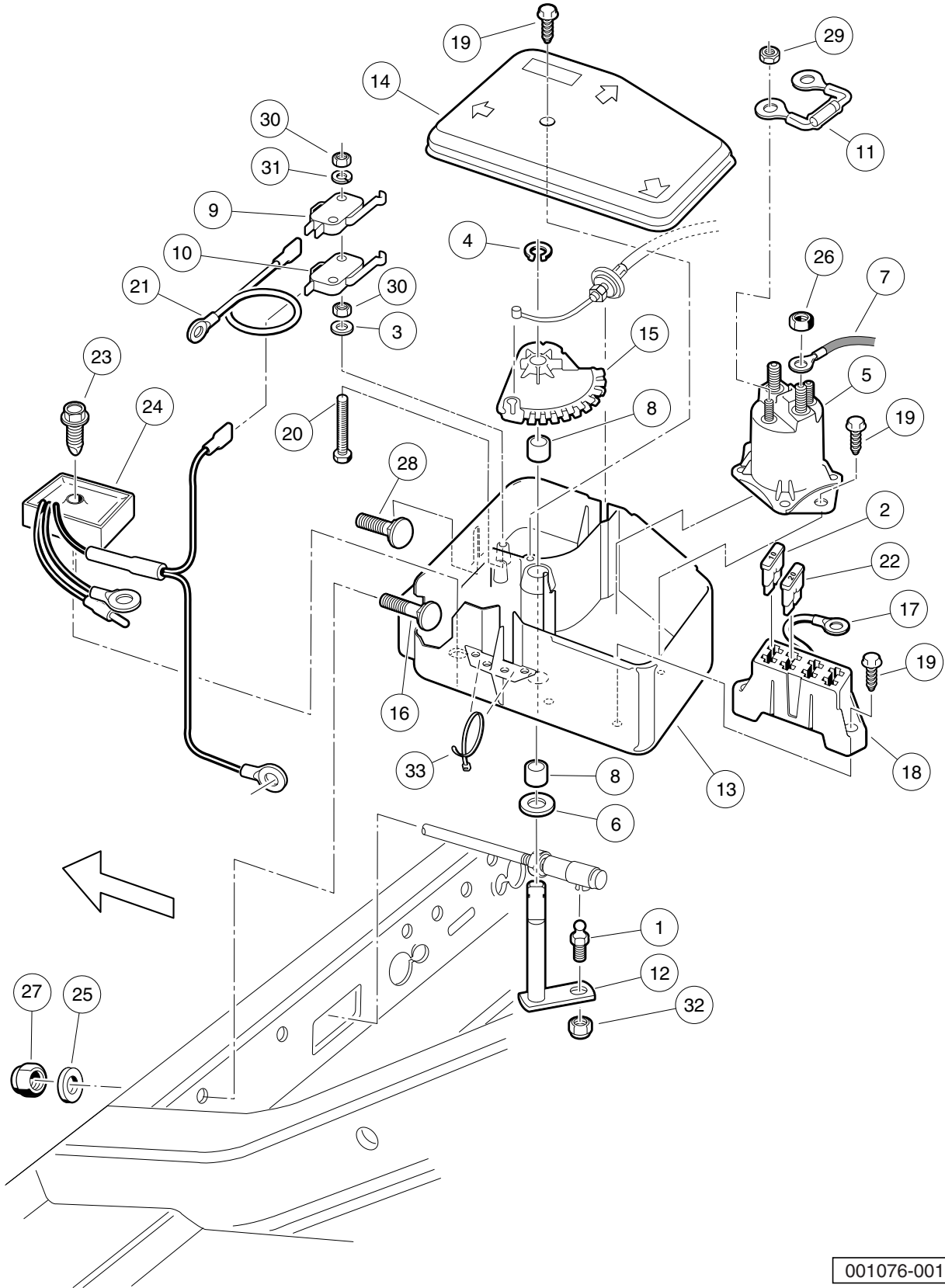
000755-003

# OPERATION AND MAINTENANCE SWITCH

ITEM	PART NO.	DESCRIPTION	QTY
		<b>1 2 3 4</b>	
1	101908401	Boot, Switch .....	1
2	101922501	Bracket, Tow/Run Switch Mounting .....	1
3	103198401	Switch, Toggle, SPDT .....	1
4	103205501	Decal, Run/Service Switch .....	1
5	332	Washer, 1/4 Type A Narrow Flat .....	2
6	8233	Locknut, 1/4-20, Nylon Insert .....	2
7	8248	Screw, 1/4-20 X 0.75, Truss-Head Machine .....	2

**7**  
**G**

**7**  
**G**



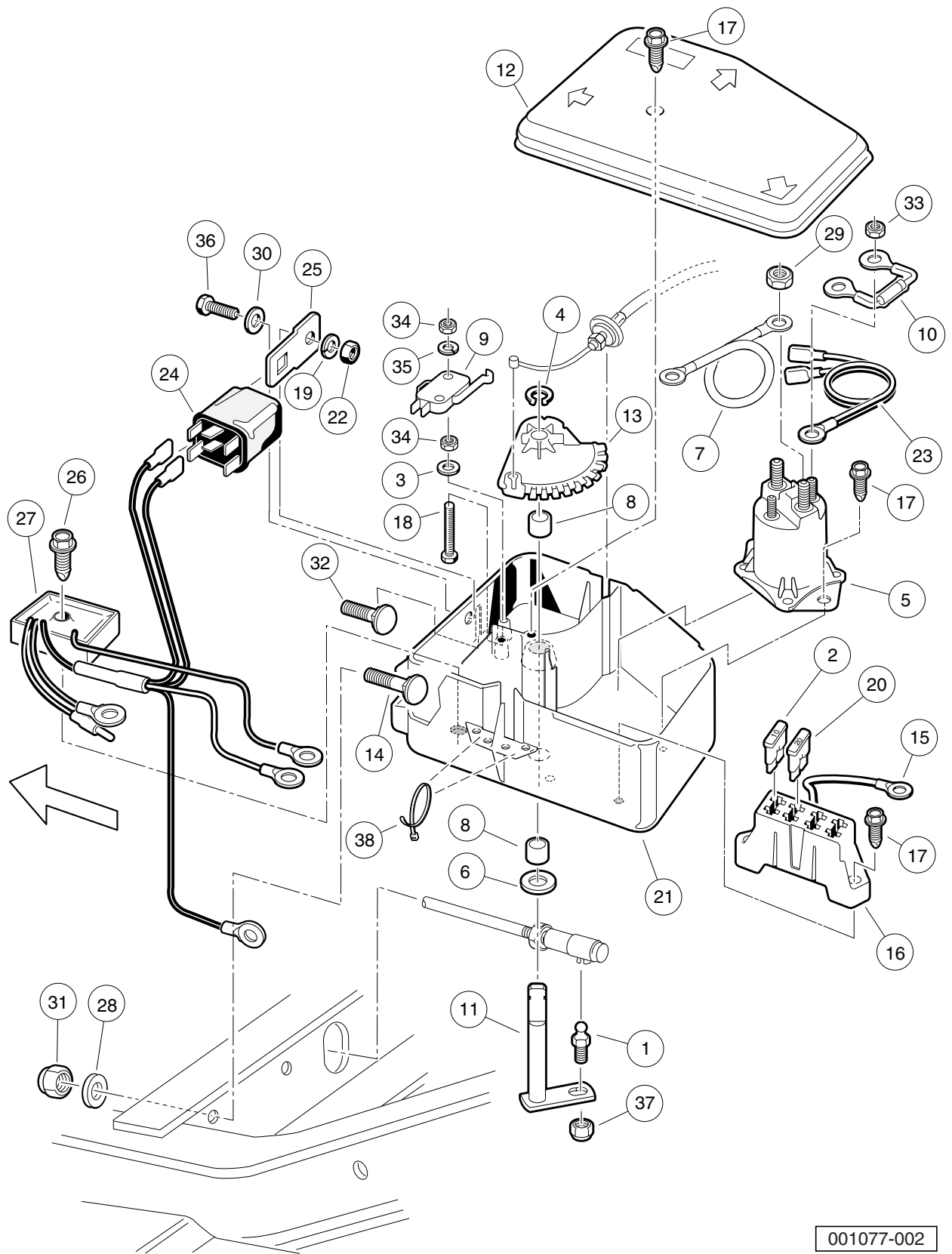
001076-001



# ELECTRICAL COMPONENT BOX – TURF 6

ITEM	PART NO.	DESCRIPTION	QTY
		<b>1 2 3 4</b>	
1	1010954	Stud, Ball, 1/4-28 X 0.560 .....	1
2	1012295	Fuse, 10-Amp .....	1
3	1012431	Washer, #4 Flat .....	2
4	1013589	Ring, Retaining, 0.338" Internal .....	1
5	1013609	Solenoid, 12-Volt .....	1
6	1014065	Washer, Flat, 0.38" ID, Delrin .....	1
7	1014119	Wire Assembly #6 Red .....	1
8	1014145	Bushing, Secondary Weight, Split .....	2
9	1014807	Switch, Limit .....	1
10	1014808	Switch, Limit .....	1
11	1014948	Diode .....	1
12	1015345	Bell Crank and Shaft Assembly .....	1
13	1015371	Box, Electrical Component .....	1
14	1015372	Cover, Electric Box .....	1
15	1015373	Cam, Electric Box .....	1
16	1015405	Bolt, Carriage, 5/16-18 X 2.0 .....	1
17	1015737	Wire Assy, #10 Red .....	1
18	1015741	Fuse Block .....	1
19	1015752	Screw, #12-16 X 0.625, Hi-Lo .....	5
20	1015878	Screw, #4-40 Hex Head Machine .....	2
21	1016401	Wire Assy, #16 Orange .....	1
22	1016423	Fuse, 20-Amp .....	1
23	101856102	Screw, 1/4-15 X 1.50, Hi-lo, Hex .....	1
24	102711201	Voltage Regulator .....	1
25	1241	Washer, 5/16 Type A Flat .....	2
26	1242	Nut, 5/16-18 Hex .....	2
27	7473	Locknut, 5/16-18 Nylon Insert .....	2
28	7818	Bolt, Carriage, 5/16-18 X 1.5 .....	1
29	7893	Nut, #10-32 Hex .....	2
30	8057	Nut, #4-40 Hex Machine .....	4
31	8058	Lockwasher, #4 Split .....	2
32	8717	Locknut, Nylon Insert, 1/4-28 .....	1
33	8990	Tie Wrap, 8" Nylon .....	2

**7**  
**G**



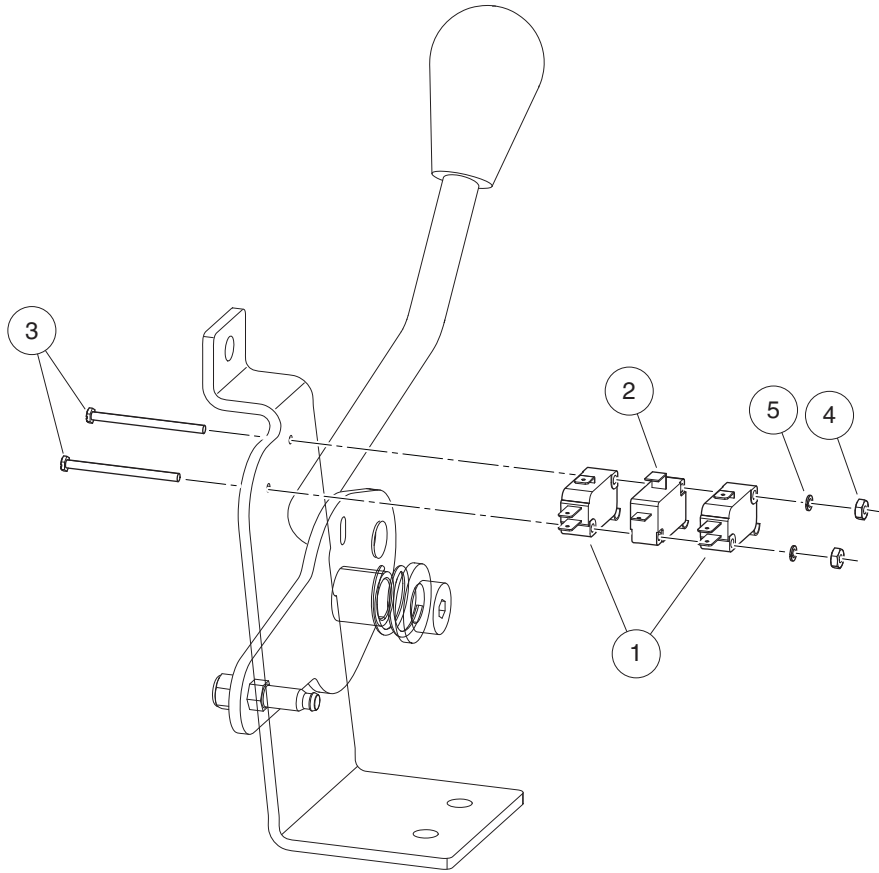
001077-002

## ELECTRICAL COMPONENT BOX – CARRYALL 6

ITEM	PART NO.	DESCRIPTION	QTY
		1 2 3 4	
1	1010954	Stud, Ball, 1/4-28 X 0.560 .....	1
2	1012295	Fuse, 10-Amp .....	1
3	1012431	Washer, #4 Flat .....	2
4	1013589	Ring, Retaining, 0.338" Internal .....	1
5	1013609	Solenoid, 12-Volt .....	1
6	1014065	Washer, Flat, 0.38" ID, Delrin .....	1
7	1014119	Wire Assembly #6 Red .....	1
8	1014145	Bushing, Secondary Weight, Split .....	2
9	1014807	Switch, Limit .....	1
10	1014948	Diode .....	1
11	1015345	Bell Crank and Shaft Assembly .....	1
12	1015372	Cover, Electric Box .....	1
13	1015373	Cam, Electric Box .....	1
14	1015405	Bolt, Carriage, 5/16-18 X 2.0 .....	1
15	1015737	Wire Assy, #10 Red .....	1
16	1015741	Fuse Block .....	1
17	1015752	Screw, #12-16 X 0.625, Hi-Lo .....	5
18	1015878	Screw, #4-40 Hex Head Machine .....	2
19	1016	Lockwasher, #10 Split .....	1
20	1016423	Fuse, 20-Amp .....	1
21	1016997	Electrical Component Box .....	1
22	1017	Nut, #10-24 Stainless-Steel Hex Machine .....	1
23	1017006	Wire Assembly Orange #18 .....	1
24	1017239	Relay W/mounting Bracket .....	1
25	1017243	Mounting Bracket, Relay .....	1
26	101856102	Screw, 1/4-15 X 1.50, Hi-lo, Hex .....	1
27	102803401	Asm, Voltage Regulator Key Sta .....	1
28	1241	Washer, 5/16 Type A Flat .....	2
29	1242	Nut, 5/16-18 Hex .....	2
30	183	Washer, #10, Type A, Flat .....	1
31	7473	Locknut, 5/16-18 Nylon Insert .....	2
32	7818	Bolt, Carriage, 5/16-18 X 1.5 .....	1
33	7893	Nut, #10-32 Hex .....	2
34	8057	Nut, #4-40 Hex Machine .....	4
35	8058	Lockwasher, #4 Split .....	2
36	8450	Screw, #10-24 X 0.50, Hex-Head .....	1
37	8717	Locknut, Nylon Insert, 1/4-28 .....	1
38	8990	Tie Wrap, 8" Nylon .....	3

**7**

**G**



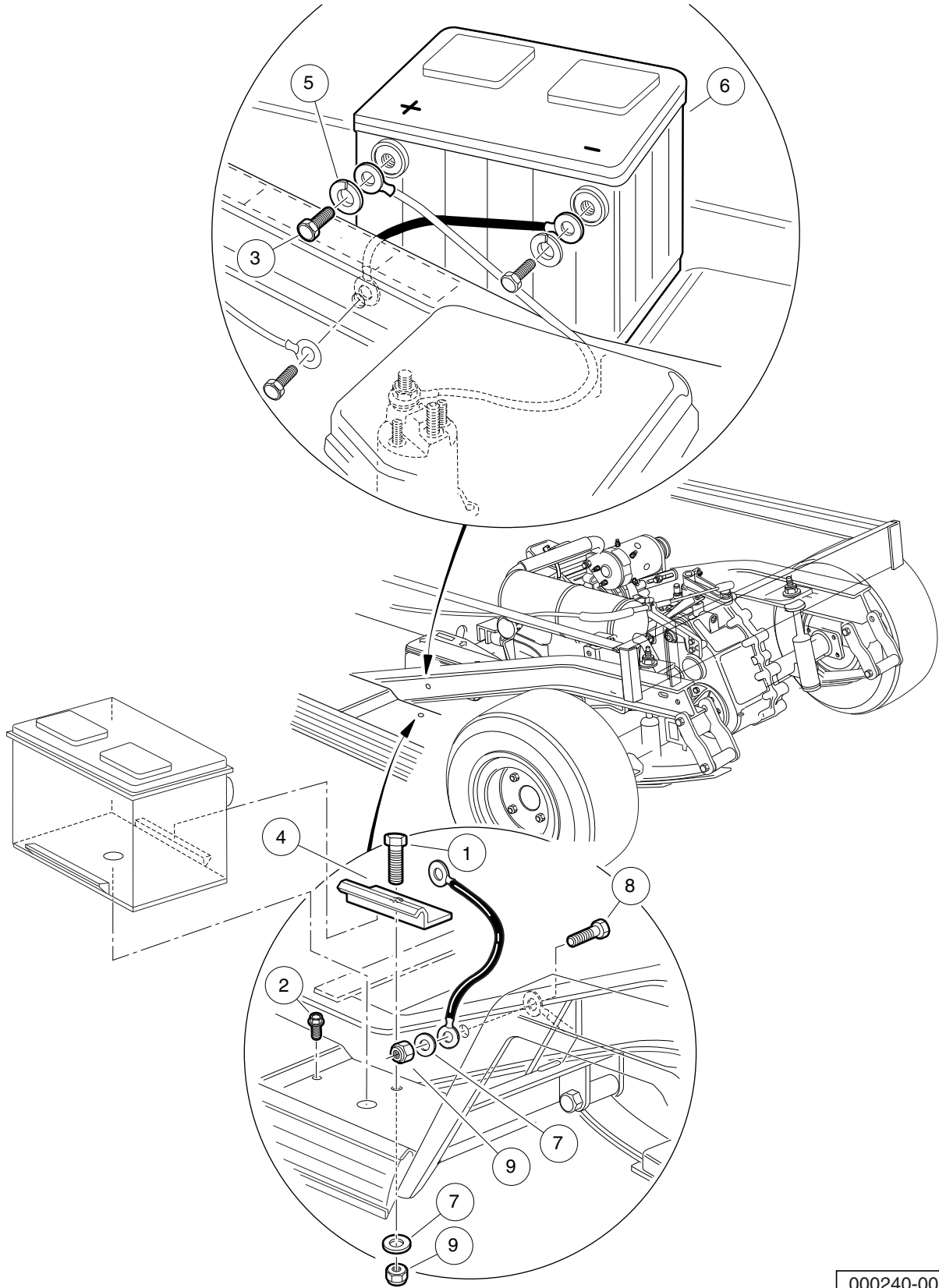
001080-001

# FORWARD/REVERSE SHIFTER SWITCHES – DASH MOUNTED SHIFTER

ITEM	PART NO.	DESCRIPTION	QTY
		1 2 3 4	
1	1014807	Switch, Limit .....	2
2	1014808	Switch, Limit .....	1
3	1015878	Screw, #4-40 Hex Head Machine .....	2
4	8057	Nut, #4-40 Hex Machine .....	2
5	8058	Lockwasher, #4 Split .....	2

**7**  
**G**

**7**  
**G**



000240-001

## BATTERY – GASOLINE UTILITY VEHICLES

ITEM	PART NO.	DESCRIPTION	QTY
		1 2 3 4	
1	1010934	Screw, 5/16-18 X 1.00 Hex Cap .....	1
2	1014288	Screw, 5/16-18 X 0.75, Thread-Forming .....	1
3	1014375	Screw, 3/8-16 X 0.50, Stainless Steel, Hex-Head .....	2
4	101898001	Clamp, Battery .....	1
5	102355301	Lockwasher, 3/8 Split Ss .....	2
6	103496801	Battery, Start, 12v .....	1
7	1241	Washer, 5/16 Type A Flat .....	2
8	7173	Screw, 5/16-18 X 0.75, Hex-Head Cap .....	1
9	7473	Locknut, 5/16-18 Nylon Insert .....	2

7

G

7

G

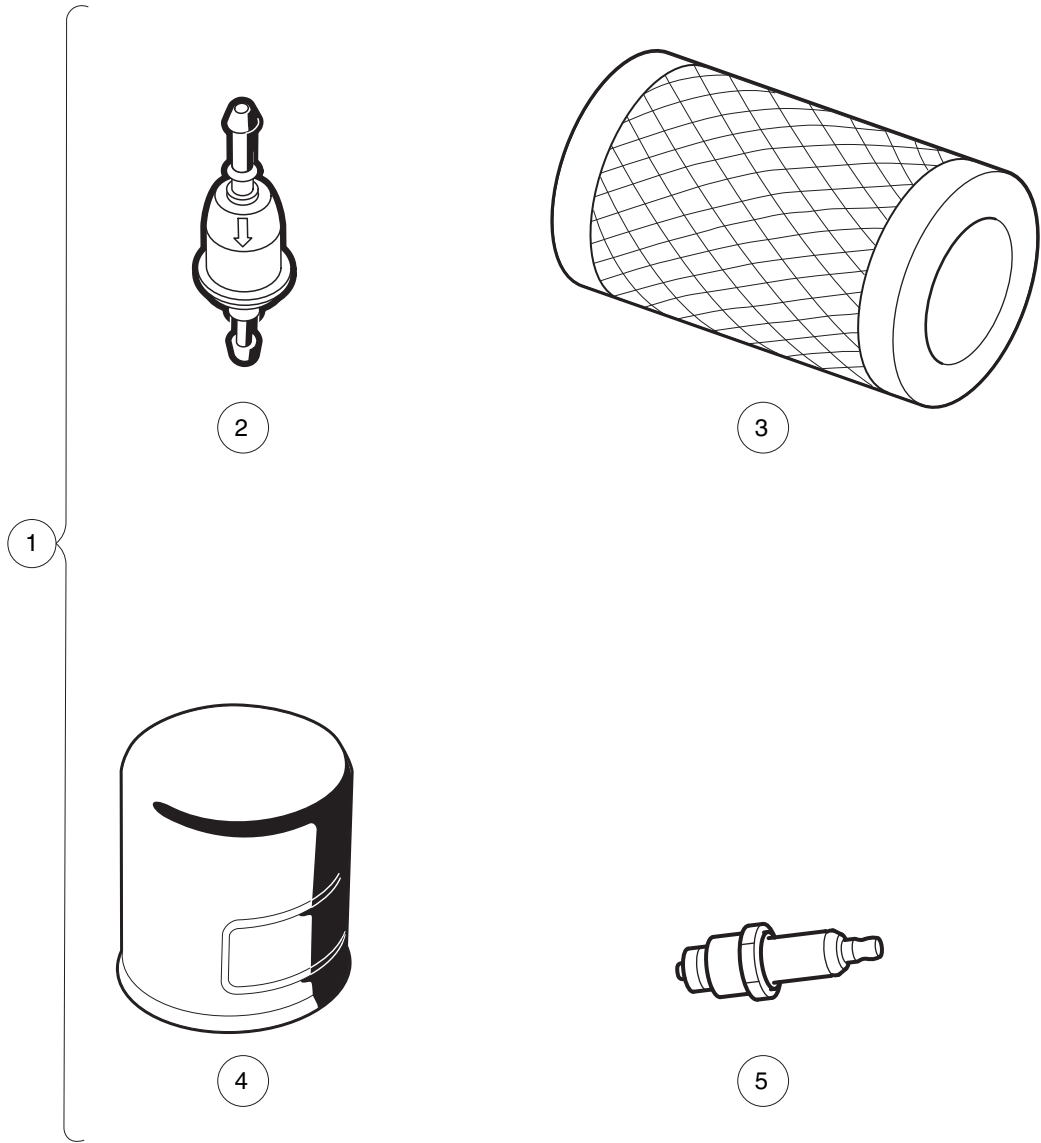


# ENGINE (S27) W/O ACR, 50-STATE

---

8

G

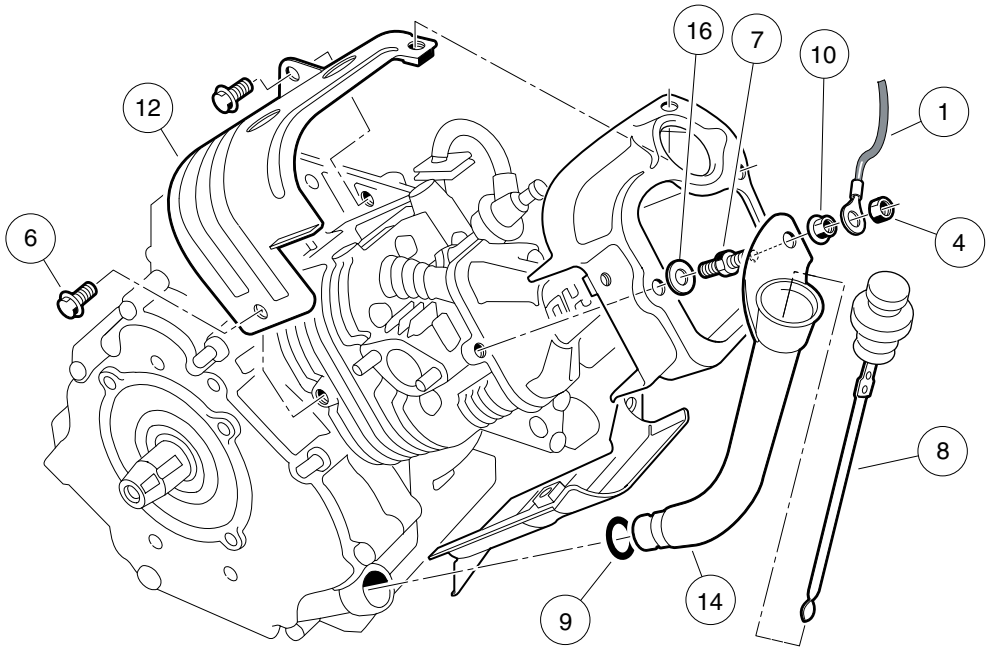
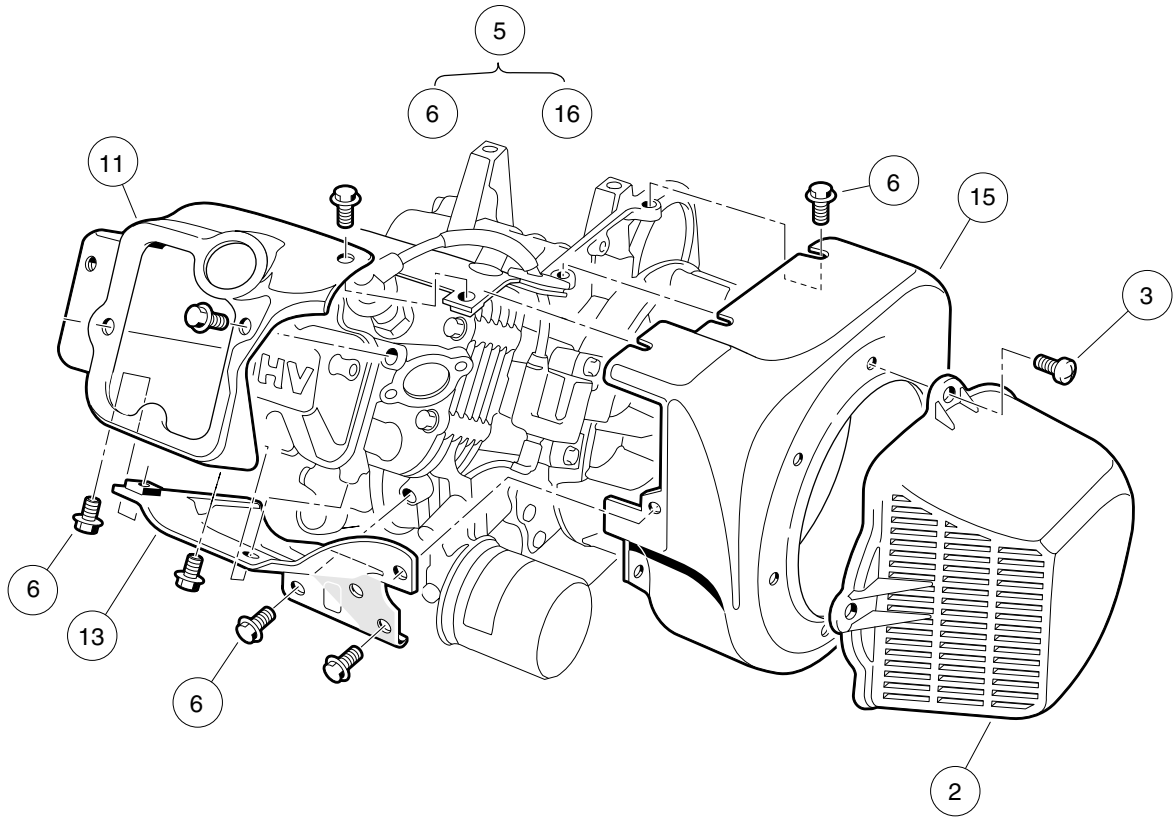


001064-001

# TUNE-UP KIT – KAWASAKI FE350

ITEM	PART NO.	DESCRIPTION	QTY
		<b>1 2 3 4</b>	
1	AM1220301	Kit, Tune-Up (For FE290 and FE350 engines) (includes items 2 through 5) .....	1
2	102003201	Filter, Fuel, 30 Micron .....	1
3	102558201	Air Filter, 4 Inch .....	1
4	103887901	Filter, Oil, Kawasaki .....	1
5	AM1232301	Spark Plug, BPR2ES .....	1

**8**  
**G**

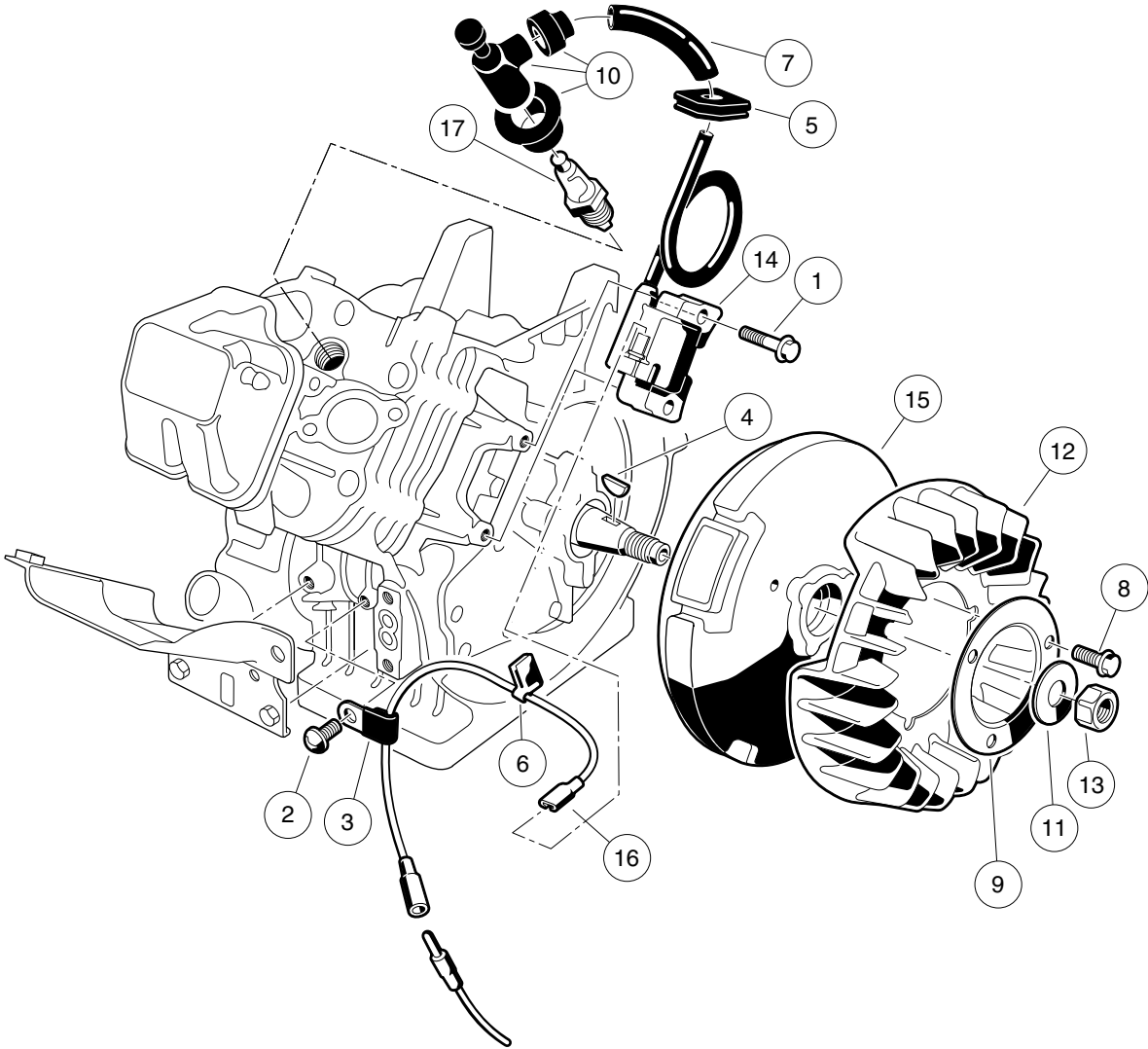


000201-002

# FE350 ENGINE (S27) W/O ACR, SHROUDS, AND BRACKETS; 50-STATE

ITEM	PART NO.	DESCRIPTION	QTY
		<b>1 2 3 4</b>	
1	1015332	Wire, Ground, #10, Uninsulated .....	1
2	1015649	Shroud, Fan .....	1
3	1015969	Screw, M6-1.00 X 10mm, Pan Hd .....	4
4	101887601	Locknut, M6-1.00 Nylon Insert .....	1
5	103386202	Engine, FE350 S27 (includes items 6 through 16) .....	1
6	1016456	Bolt, Flange Head, M6 x 1 x 12 mm .....	16
7	1016507	Bolt, Two-Ended .....	1
8	1016531	Dipstick .....	1
9	1016539	O-Ring .....	1
10	1016547	Nut, M6 Flange .....	1
11	1017474	Shroud, Engine .....	1
12	1017475	Shroud, Engine .....	1
13	1017476	Shroud, Engine .....	1
14	1017486	Tube, Oil Filler .....	1
15	101916101	Housing, FE350 Fan .....	1
16	N/A	Washer, 6mm Flat .....	1
<p>Note: The S27 engine meets emission requirements for all 50 states.</p>			

**8**  
**G**

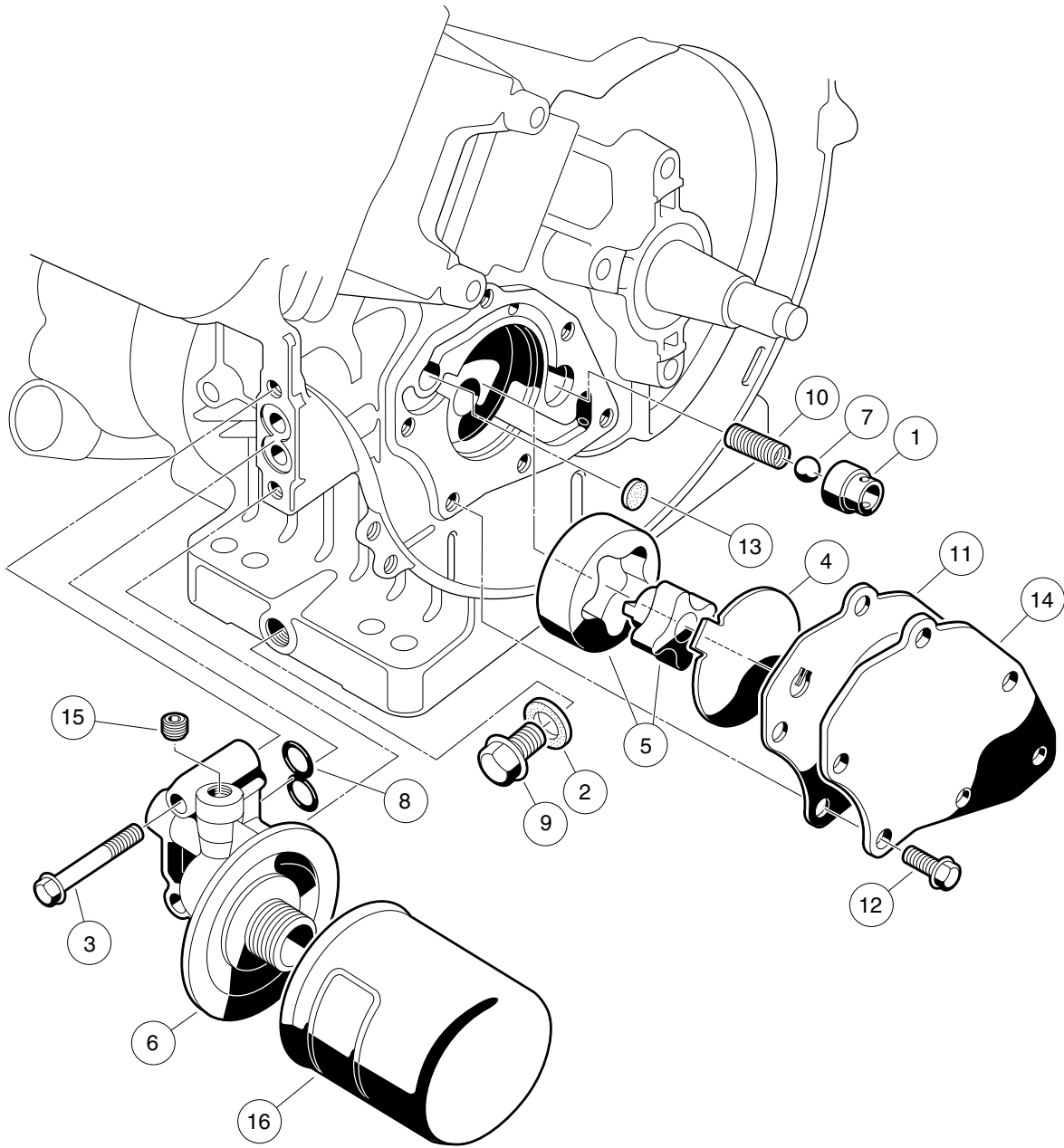


000202-004

# FE350 ENGINE (S27) – IGNITION COMPONENTS AND FLYWHEEL

ITEM	PART NO.	DESCRIPTION	QTY
		1 2 3 4	
1	1016455	Bolt, Flange Head .....	2
2	1016544	Screw .....	1
3	1016561	Clamp .....	1
4	1016562	Key .....	1
5	1016578	Grommet, Ignition .....	1
6	1016587	Clamp .....	1
7	1016588	Tube, 7mm X 10mm X 70mm .....	1
8	1017448	Bolt, Flanged .....	3
9	1017455	Plate, Flywheel Fan .....	1
10	1017463	Cap Asm, Plug .....	1
11	1017490	Washer, Flat .....	1
12	101916301	Fan (cw) .....	1
13	102838401	Nut, Hex, 18 mm Fine .....	1
14	103616501	Coil Asm, Ignition .....	1
15	103616601	Flywheel, Complete .....	1
16	103616701	Wire Lead, Ignition .....	1
17	AM1232301	Spark Plug, BPR2ES .....	1

**8**  
**G**



000203-002

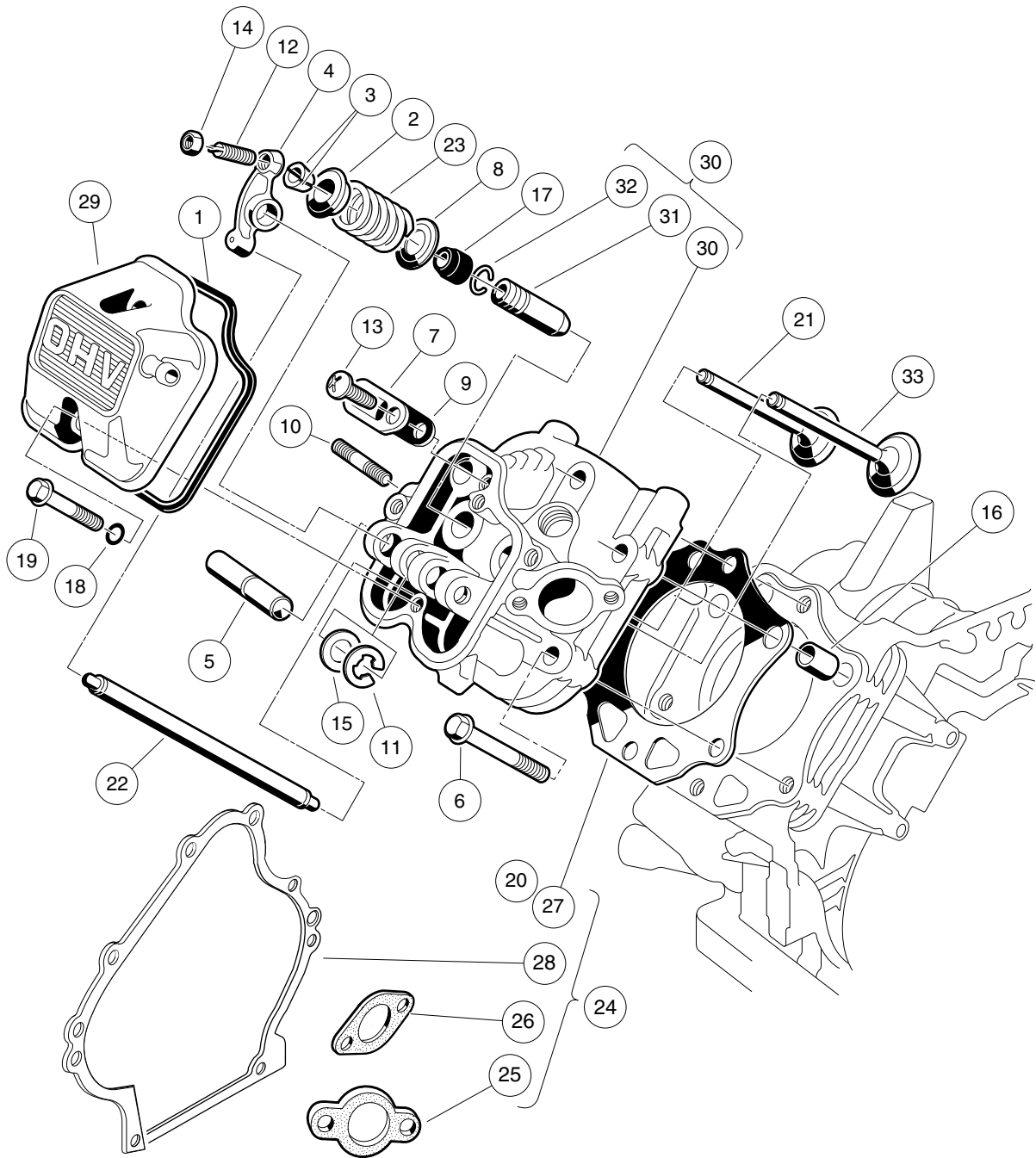


## FE350 ENGINE (S27) – OIL CIRCULATION

ITEM	PART NO.	DESCRIPTION	QTY
		1 2 3 4	
1	1016429	Seat, Valve Oil Pressure Relief .....	1
2	1016432	Gasket, Drain Plug .....	1
3	1016457	Bolt, Flange Head .....	2
4	1016473	Plate, Oil Pump .....	1
5	101648203	Oil Pump And Rotor .....	1
6	1016502	Bracket, Oil Filter Mount .....	1
7	1016537	Ball, Steel, Press, Relief .....	1
8	1016570	O-Ring .....	1
9	1016576	Plug, Drain .....	1
10	1016581	Spring .....	1
11	1017442	Gasket .....	1
12	1017456	Bolt, Flanged .....	6
13	1017458	Filter .....	1
14	1017460	Cover, Pump .....	1
15	1017507	Plug .....	2
16	103887901	Filter, Oil, Kawasaki .....	1

**8**

**G**



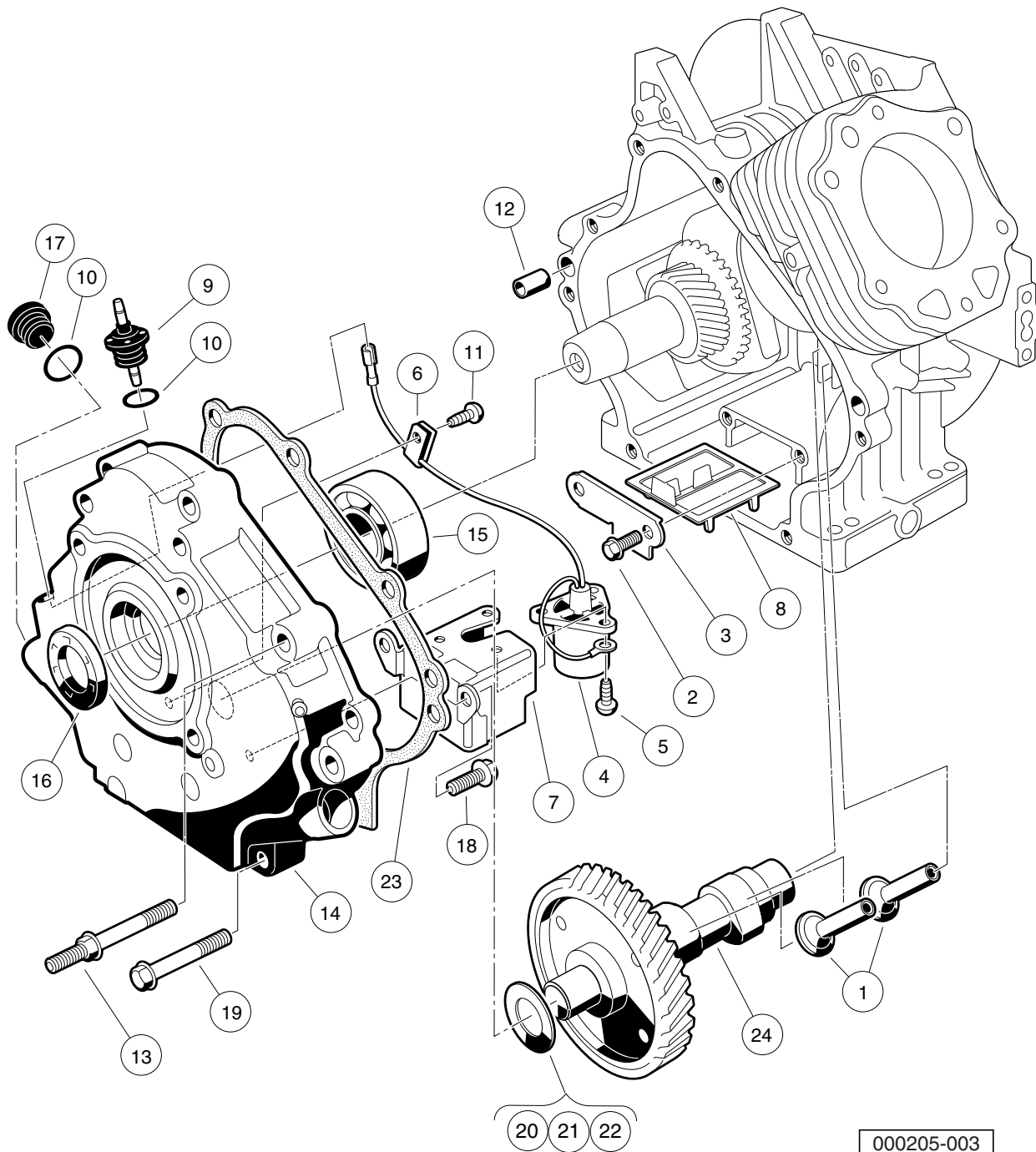
000204-007

## FE350 ENGINE (S27) – CYLINDER HEAD

ITEM	PART NO.	DESCRIPTION	QTY
		1 2 3 4	
1	1016436	Gasket, Rocker Case .....	1
2	1016449	Retainer, Valve Spring .....	2
3	1016450	Collet .....	4
4	1016451	Arm, Rocker .....	2
5	1016452	Shaft, Rocker .....	1
6	1016458	Bolt, Flange Head, M8 x 1.25 x 45 mm .....	6
7	1016474	Plate .....	1
8	1016479	Seat, Spring .....	2
9	1016483	Valve .....	1
10	1016489	Stud, Two-Ended, M8-1.25 .....	2
11	1016517	Circlip, Type-E .....	1
12	1016542	Screw .....	2
13	1016544	Screw .....	1
14	1016545	Nut .....	2
15	1016549	Washer, 12.1x19x1.8 .....	1
16	1016563	Pin .....	2
17	1016566	Seal, Oil .....	2
18	1016569	O-Ring .....	2
19	1016583	Bolt, 6x35 .....	2
20	1017434	Gasket, Head .....	1
21	1017445	Valve, Exhaust .....	1
22	1017454	Rod, Push .....	2
23	1017473	Spring, Engine Valve .....	2
24	102304801	Kit, Gasket, FE350 (includes items 25 through 28) .....	1
25	1016440	Gasket, Engine to Insulator .....	1
26	1016904	Gasket, Exhaust .....	1
27	1017434	Gasket, Head .....	1
28	1017443	Gasket, Crankcase Cover .....	1
29	102753401	Case, Rocker, Fe .....	1
30	103615601	Cylinder Head (includes items 31 and 32) .....	1
31	1016519	Guide, Valve, Intake, Exhaust .....	2
32	1016560	Snap Ring .....	2
33	103616301	Valve, Intake, Hard Tip .....	1
		Note: Item 25 is not a component of the FE350 engine.	

**8**

**G**



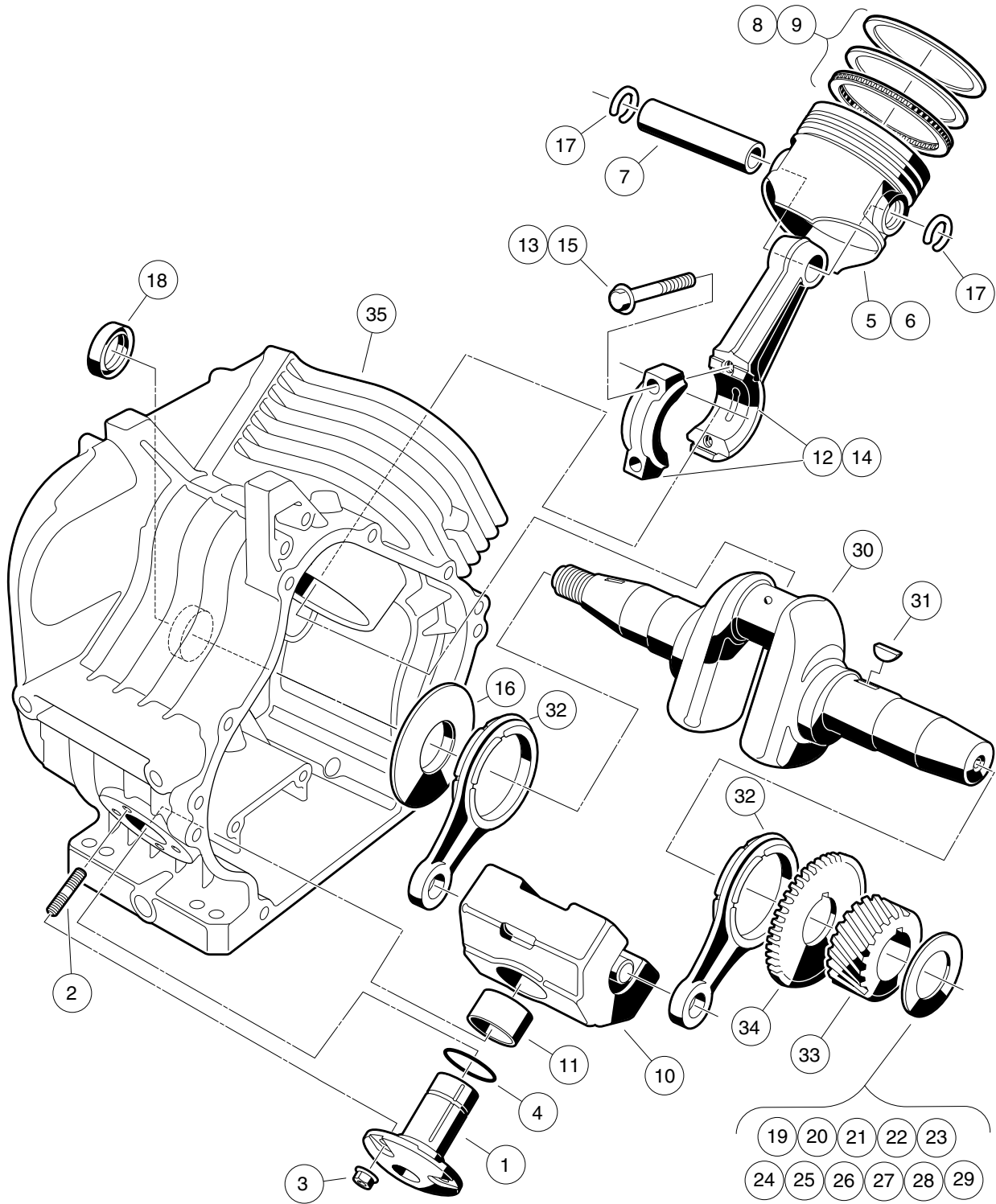
000205-003

# FE350 ENGINE (S27) – CRANKCASE, CAMSHAFT, AND OIL SENSOR

ITEM	PART NO.	DESCRIPTION	QTY
		1 2 3 4	
1	1016453	Tappet .....	2
2	1016454	Bolt, Flange Head, M5 x 0.8 x 8 mm .....	2
3	1016472	Plate, Oil Filter Screen .....	1
4	1016494	Sensor, Oil Level .....	1
5	1016496	Screw, Cross Pan-Head, M4 x 0.7 x 8 mm .....	3
6	1016506	Clamp .....	1
7	1016510	Bracket, Switch, Oil Level .....	1
8	1016521	Screen, Oil Filter .....	1
9	1016535	Connector, Cord .....	1
10	1016538	O-Ring .....	2
11	1016544	Screw .....	1
12	1016564	Pin .....	2
13	1016584	Bolt, Two-Ended, M8 x 1.25 x 69 mm .....	2
14	1017472	Cover Crankcase .....	1
15	1017487	Bearing, Ball .....	1
16	1017504	Seal, Oil .....	1
17	1017508	Plug .....	1
18	1017513	Bolt Switch Bracket .....	2
19	1017514	Screw, M8-1.25 X 45mm Hex .....	6
20	101751801	Shim, 0.3 .....	1
21	101751802	Shim, 0.4 .....	1
22	101751803	Shim, 0.5 .....	1
23	103615901	Gasket, Crankcase Cover .....	1
24	103616401	Camshaft, Complete .....	1

**8**

**G**



000206-003

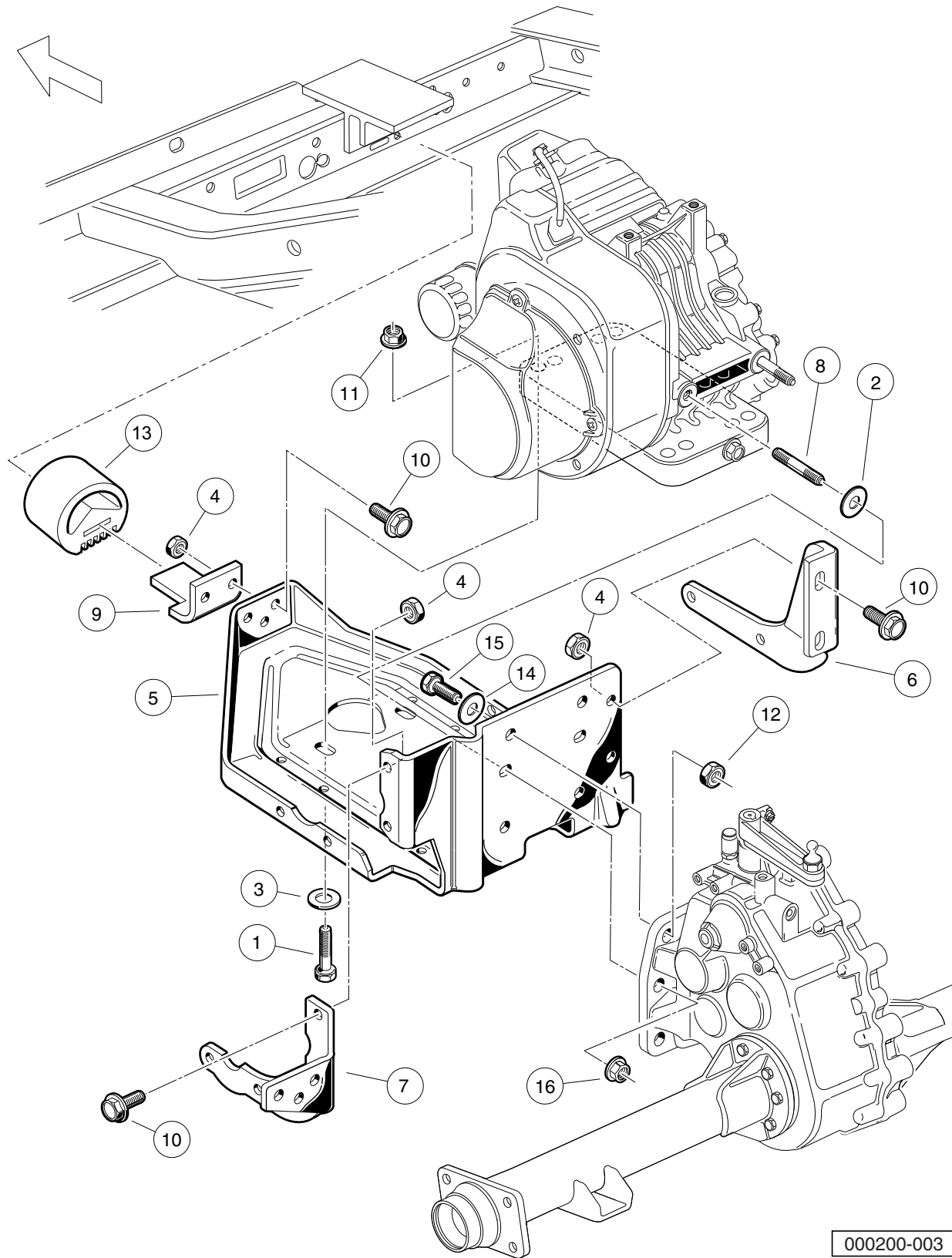
# FE350 ENGINE (S27) – CRANKCASE AND CRANKSHAFT

ITEM	PART NO.	DESCRIPTION	QTY
		1 2 3 4	
1	1016470	Shaft, Guide, Counterbalance .....	1
2	1016541	Stud, 6x14 .....	4
3	1016547	Nut, Flanged, M6 X 1.00 .....	4
4	1016571	O-Ring .....	1
5	101744901	Piston, Standard .....	1
6	101744902	Piston, 0.50 mm Oversize .....	1
7	1017450	Pin, Piston .....	1
8	101745101	Ring Set, Standard Piston .....	1
9	101745102	Ring Set, Piston, 0.50 mm Oversize .....	1
10	1017453	Counterbalance Weight (includes item 11) .....	1
11	1017510	Bearing, Plain .....	1
12	101745701	Asm, Con. Rod Std (includes item 13) .....	1
13	1017512	Bolt .....	2
14	101745702	Asm, Con. Rod 0.5mm U/s (includes item 15) .....	1
15	1017512	Bolt .....	2
16	1017501	Spacer .....	1
17	1017502	Snap Ring .....	2
18	1017503	Seal, Oil .....	1
19	101773301	Shim, Crankshaft, 1.18mm .....	1
20	101773302	Shim, Crankshaft, 1.25mm .....	1
21	101773303	Shim, Crankshaft, 1.32mm .....	1
22	101773304	Shim, Crankshaft, 1.39mm .....	1
23	101773305	Shim, Crankshaft, 1.46mm .....	1
24	101773306	Shim, Crankshaft, 1.53mm .....	1
25	101773307	Shim, Crankshaft, 1.60mm .....	1
26	101773308	Shim, Crankshaft, 1.67mm .....	1
27	101773309	Shim, Crankshaft, 1.74mm .....	1
28	101773310	Shim, Crankshaft, 1.11 mm .....	1
29	101773311	Shim, Crankshaft, 1.81mm .....	1
30	102430901	Crankshaft, FE350 Left-Hand, 22-Tooth (includes items 31 through 34) .....	1
31	1016562	Key .....	1
32	1017471	Rod .....	2
33	N/A	Gear, Helical .....	1
34	N/A	Gear, Spur .....	1
35	103615801	Crankcase, FE350 .....	1

8

G

8  
G



000200-003



## FE350 ENGINE (S27) – MOUNTING

ITEM	PART NO.	DESCRIPTION	QTY
		1 2 3 4	
1	1010577	Bolt, Hex-Head, 5/16-18 X 1.50 .....	4
2	1011697	Washer, 5/16 Flat .....	2
3	1012571	Washer, 5/16 Extra Thick Flat .....	4
4	1013924	Nut, 5/16-24, Hex Head Cone .....	10
5	101827101	Plate, Engine Mounting .....	1
6	101832601	Stiffener (PTO Side) .....	1
7	101832701	Stiffener (Flywheel Side) .....	1
8	101833101	Stud, M8-1.25 X 50 mm Two-Ended .....	2
9	101834601	Bracket, Snubber .....	1
10	101884801	Screw, 5/16-24 X 0.875, Grade-8 .....	10
11	101963401	Locknut, 5/16-18 Hex Flange .....	4
12	102065901	Locknut, 3/8-16 Flanged Dimple .....	4
13	102540301	Snubber, Inner Frame .....	1
14	334	Washer, 3/8, Type A, Flat .....	4
15	705	Screw, Cap-hex Hd 3/8-16x1.25 .....	4
16	96704416	Nut, Flange, M8 X 1.25 Serrated .....	2

**8**

**G**

8

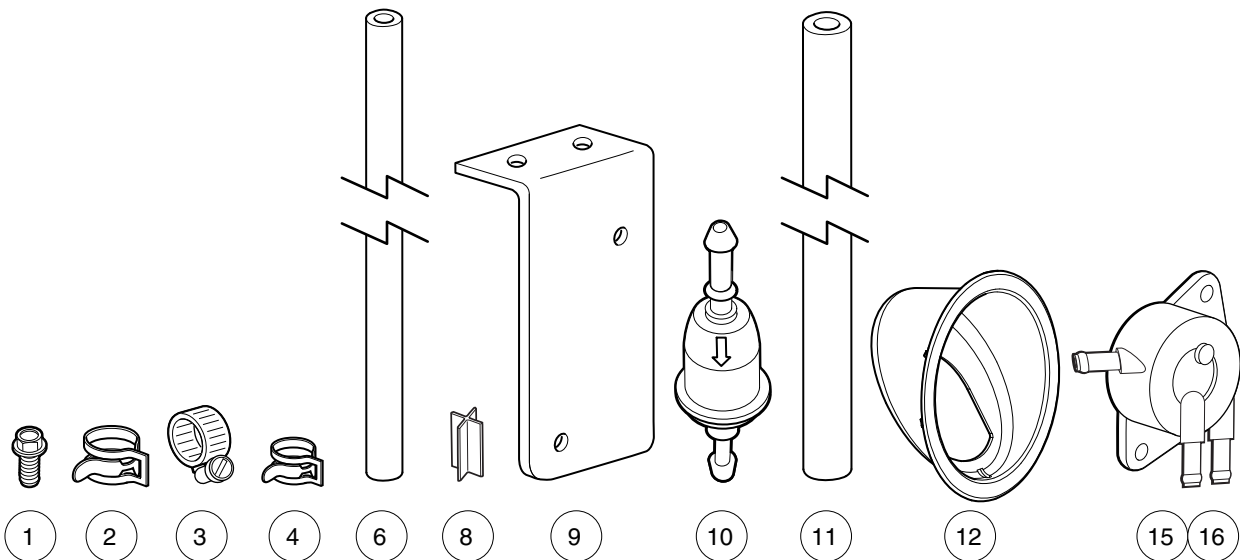
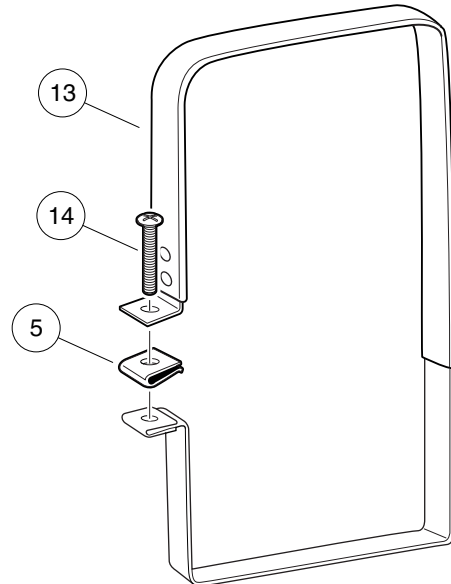
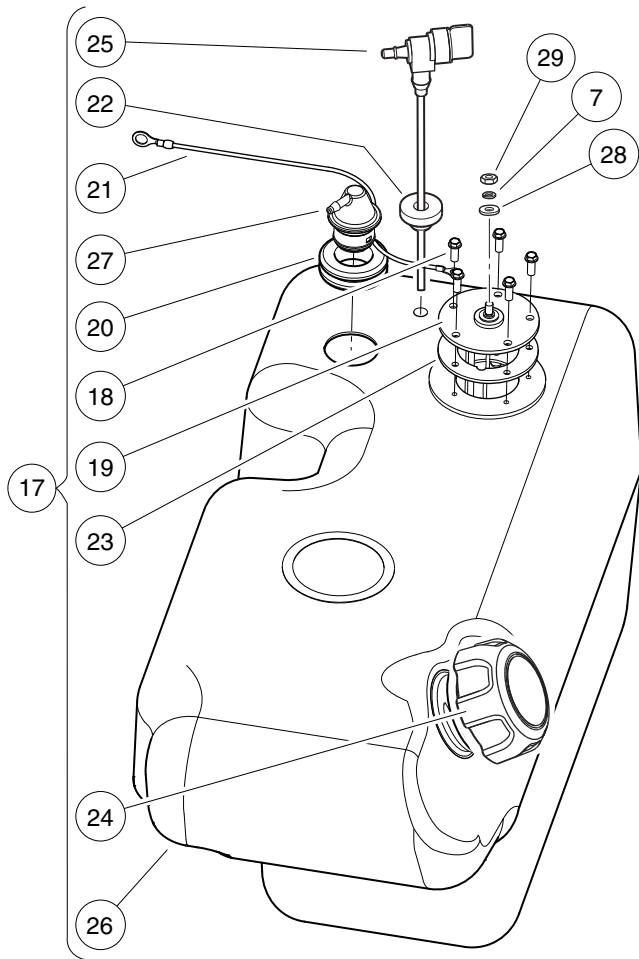
G

# FUEL, INTAKE, AND GOVERNOR SYSTEMS

---

9

G



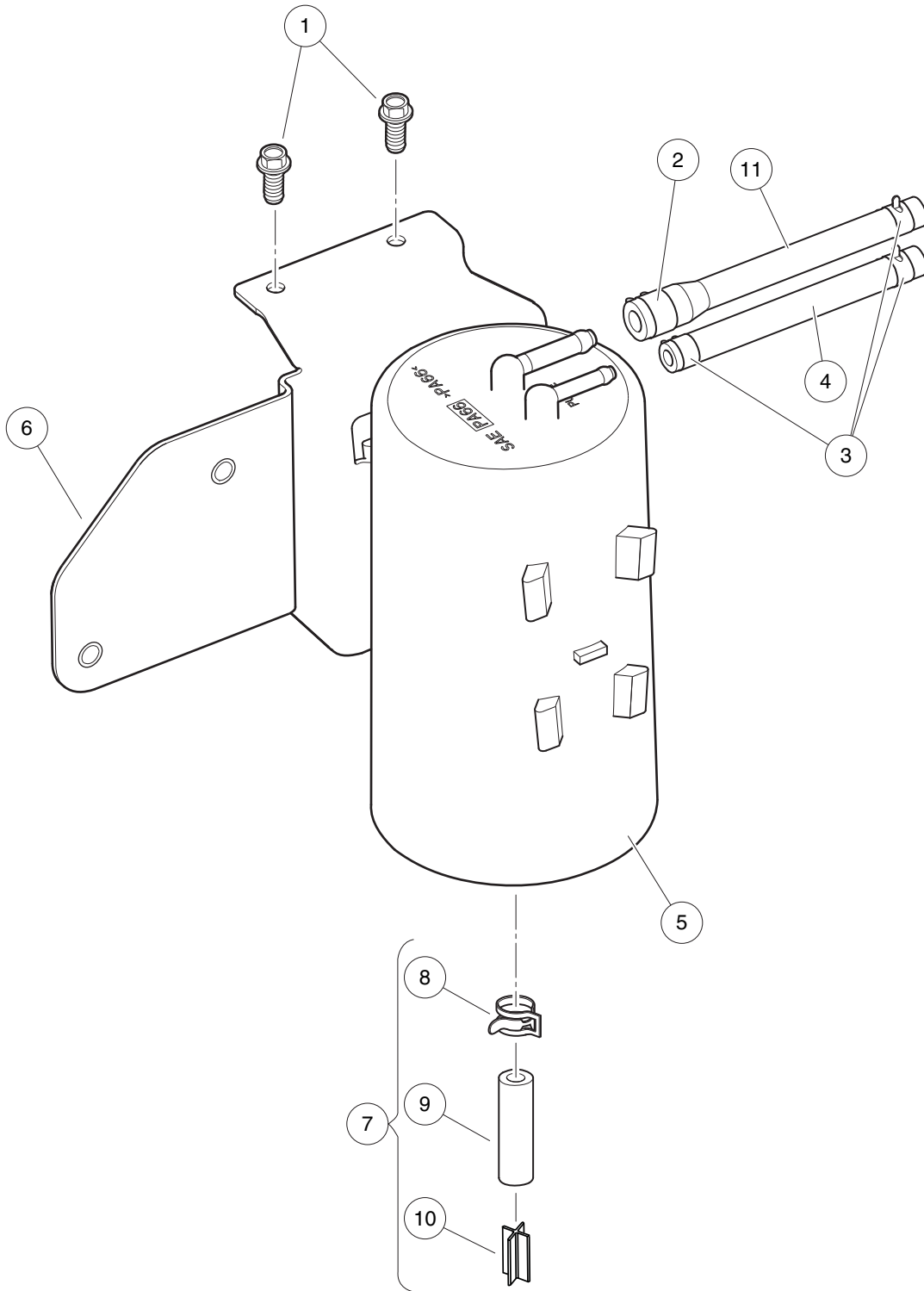
001072-006

## FUEL SYSTEM, 50-STATE

ITEM	PART NO.	DESCRIPTION	QTY
		<b>1 2 3 4</b>	
1	1012285	Screw, 1/4 X 0.625 Hex-Head .....	4
2	1012649	Clamp, 0.460 Red Hose .....	8
3	1013687	Clamp, 3/8" Hose (screw type) .....	1
4	1013746	Clamp, 0.301 ID Hose .....	2
5	1014116	Nut, 1/4-20 Speed .....	1
6	1015137	Fuel Line, 3/16 (available by the foot) .....	A/R
7	1016	Lockwasher, #10 Split .....	1
8	101824401	Vent Barb .....	1
9	101929501	Mount Fuel Pump .....	1
10	102003201	Filter, Fuel, 30 Micron .....	2
11	102865101	Fuel Line, 1/4 (available by the foot) .....	A/R
12	102977901	Bezel, Fuel Fill, 5.0 Dia .....	1
13	102978001	Strap, Fuel Tank, Side Fill .....	1
14	103306301	Screw, Bhsc, 1/4-20 X 2.0 .....	1
15	103781101	Kit, Fuel Pump Retrofit (includes item 16) .....	1
16	103010101	Pump, Fuel, Impulse, Fh .....	1
17	103956801	Asm, Fuel Tank,side Fill,nano (includes items 18 through 27) .....	1
18	1013461	Screw, #10-16 Hex-Head Hi-Lo .....	5
19	1013462	Sending Unit, Fuel Level * .....	1
20	1015139	Insulation Grommet .....	1
21	1015921	Wire Assembly #16 Black .....	1
22	102406701	Bushing, Line, Return .....	1
23	102522001	Gasket, Rubber .....	1
24	103372101	Cap, Fuel Tank, Gas, Ratchet .....	1
25	103372301	Valve, Fuel, 259mm .....	1
26	103788001	Tank, Fuel,side Fill,nano .....	1
27	103905201	Assembly, Vent, Fuel, 1/4 Inch O.D. ....	1
28	183	Washer, #10, Type A, Flat .....	1
29	8797	Nut, #10-32 Brass Hex .....	1
		* Note: Must replace fuel sending unit gasket when servicing this component.	

**9**

**G**



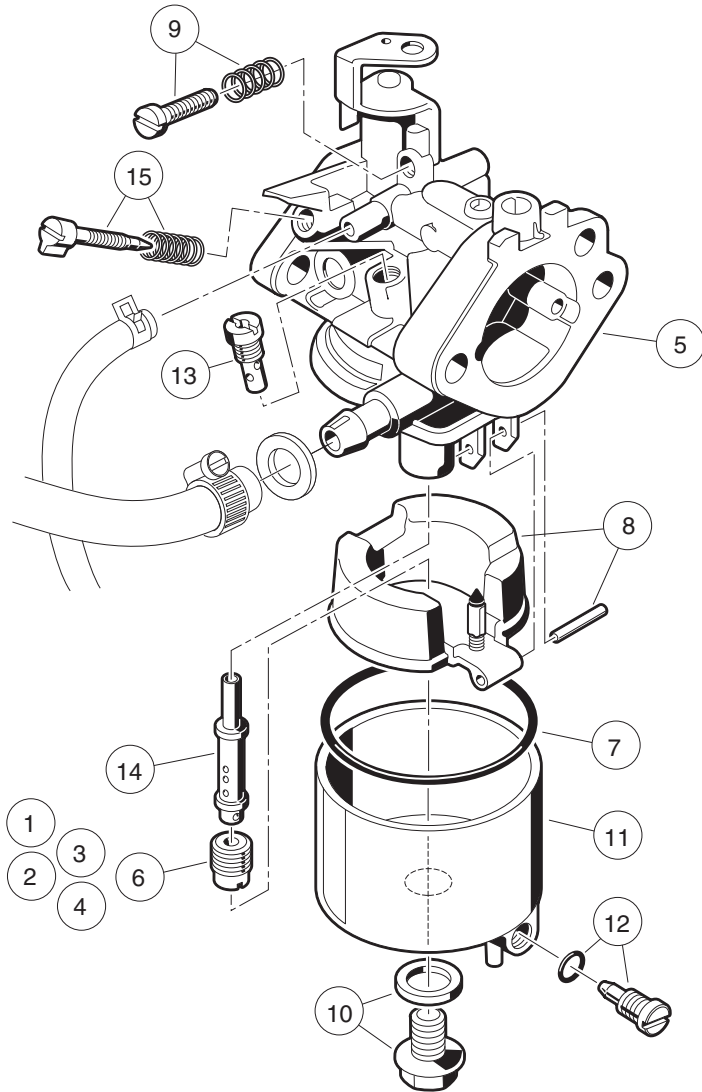
000980-008

# CARBON CANISTER

ITEM	PART NO.	DESCRIPTION	QTY
		1 2 3 4	
1	1012285	Screw, 1/4 X 0.625 Hex-Head .....	2
2	101313402	Clamp, Green Hose .....	1
3	1013746	Clamp, 0.301 ID Hose .....	3
4	1015137	Fuel Line, 3/16 (available by the foot) .....	A/R
5	103372401	Canister, Carbon .....	1
6	103372801	Bracket, Carbon Canister, Sw .....	1
7	103418601	Asm, Vent Line, Utility (includes items 8 through 10) .....	1
8	1012649	Clamp, 0.460 Red Hose .....	1
9	N/A	Hose, Vent, 5/16 I.D., Bulk .....	A/R
10	N/A	Vent, Barb, 5/16 I.D. Hose .....	1
11	103851201	Hose, Vent Flared, 9.0 Inch .....	1

**9**

**G**



000212-007

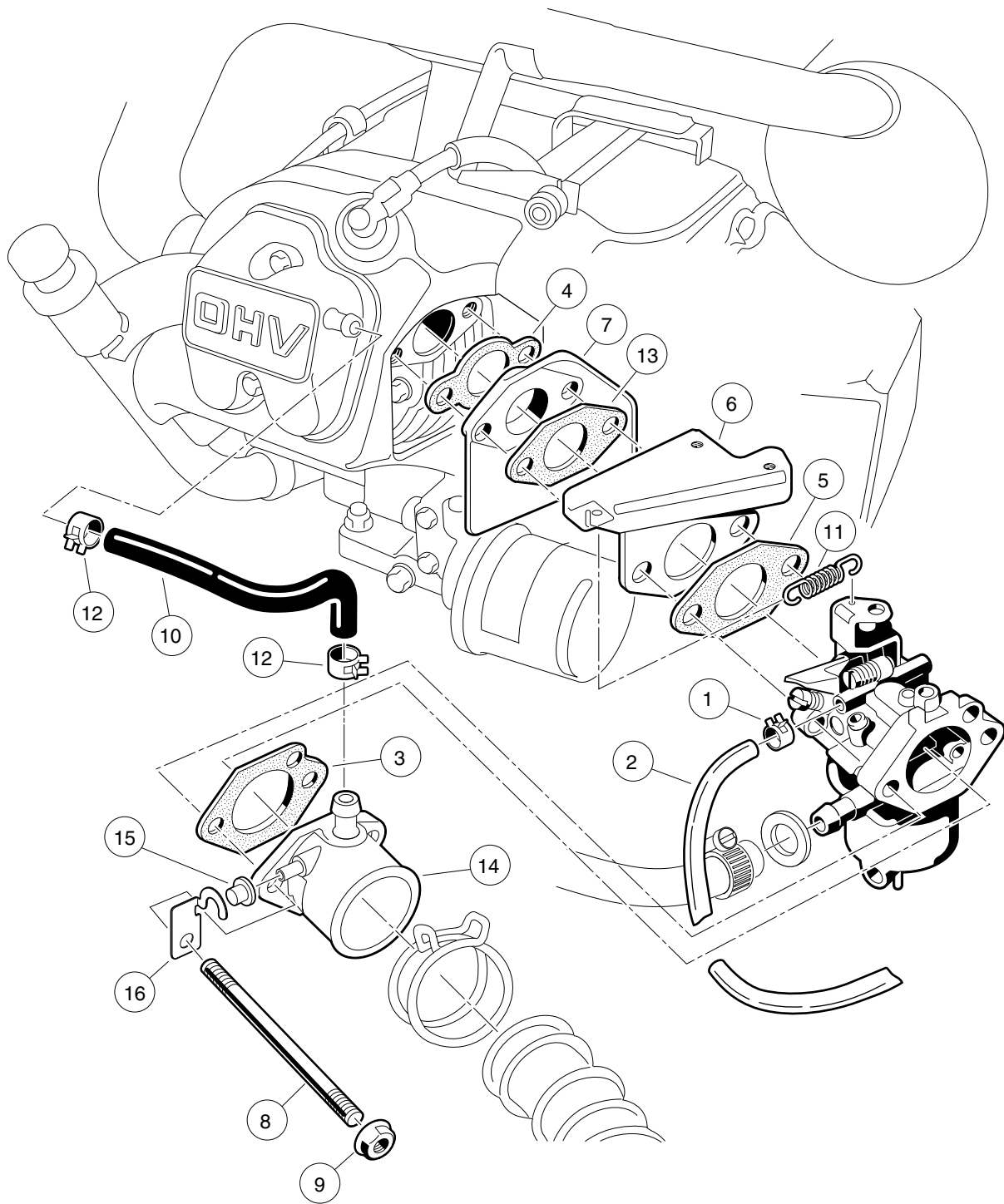


## CARBURETOR ASSEMBLY – FE350 S27

ITEM	PART NO.	DESCRIPTION	QTY
		1 2 3 4	
1	101642575	Jet, Altitude, # 75 .....	1
2	101642578	Jet, Altitude, # 78 .....	1
3	101642580	Jet, Altitude, # 80 .....	1
4	101642582	Jet, Altitude, # 82 .....	1
5	103617101	Carburetor, FE350 S27 (includes items 6 through 15) .....	1
6	101642585	Jet, Altitude, # 85 .....	1
7	1016437	Gasket, Carburetor Bowl OHV .....	1
8	1016486	Float Assembly .....	1
9	1016501	Screw Assembly .....	1
10	1016585	Bolt .....	1
11	1017461	Chamber Assembly, Float (includes item 12) .....	1
12	1016499	Screw Assembly .....	1
13	101973101	Jet, #40 Pilot .....	1
14	101973301	Nozzle, Main .....	1
15	N/A	Assembly, Pilot Air Screw .....	1
<p style="text-align: center;">Note: 101642585 for 0 - 3,200 feet; 101642582 for 3,200 - 6,500 feet;            101642580 for 6,500 - 9,800 feet; 101642578 for 9,800 feet and above.</p>			

9

G



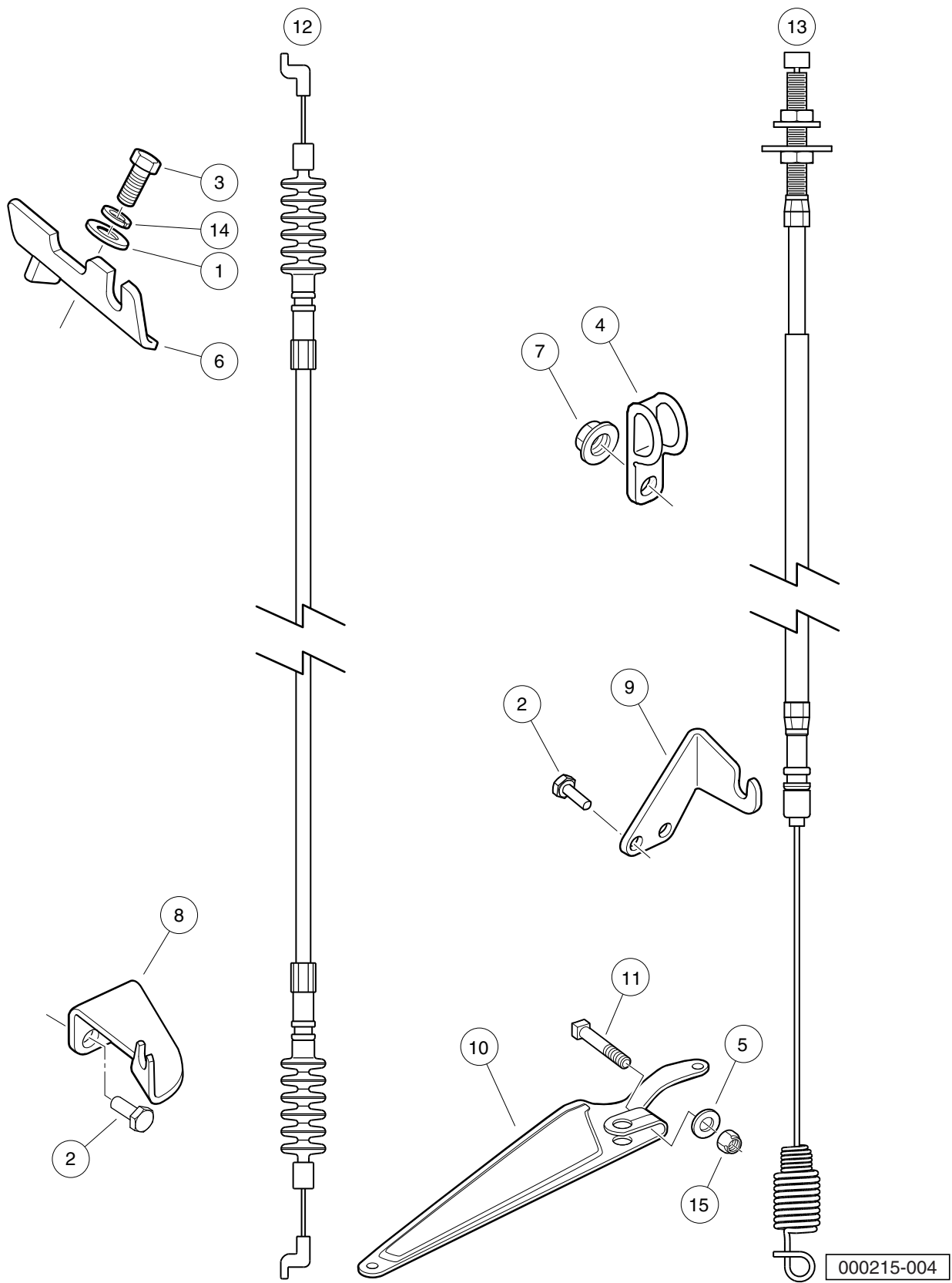
000214-003

## CARBURETOR MOUNTING, UTILITY, FE350 S27

ITEM	PART NO.	DESCRIPTION	QTY
		1 2 3 4	
1	1013746	Clamp, 0.301 ID Hose .....	1
2	1015137	Fuel Line, 3/16 (available by the foot) .....	1
3	1016438	Gasket, Carb To Intake Manifold .....	1
4	1016440	Gasket, Engine to Insulator .....	1
5	1016441	Gasket, Sprg Brkt To Carb OHV .....	1
6	1016444	Bracket, Throttle Spring Return .....	1
7	101648102	Insulator, Carburetor .....	1
8	101649002	Stud, M6-1.00 Two-Ended .....	2
9	1016547	Nut, M6 Flange .....	2
10	1016572	Tube, Crankcase Vent .....	1
11	1016582	Spring, Throttle Return .....	1
12	1017466	Clamp .....	2
13	101973401	Gasket, Insulator To Bracket .....	1
14	103507101	Carburetor Adapter w/ Tap .....	1
15	103507201	Plug, Intake Manifold, Carb .....	1
16	103507301	Bracket, Intake Manifold, Carb .....	1

9

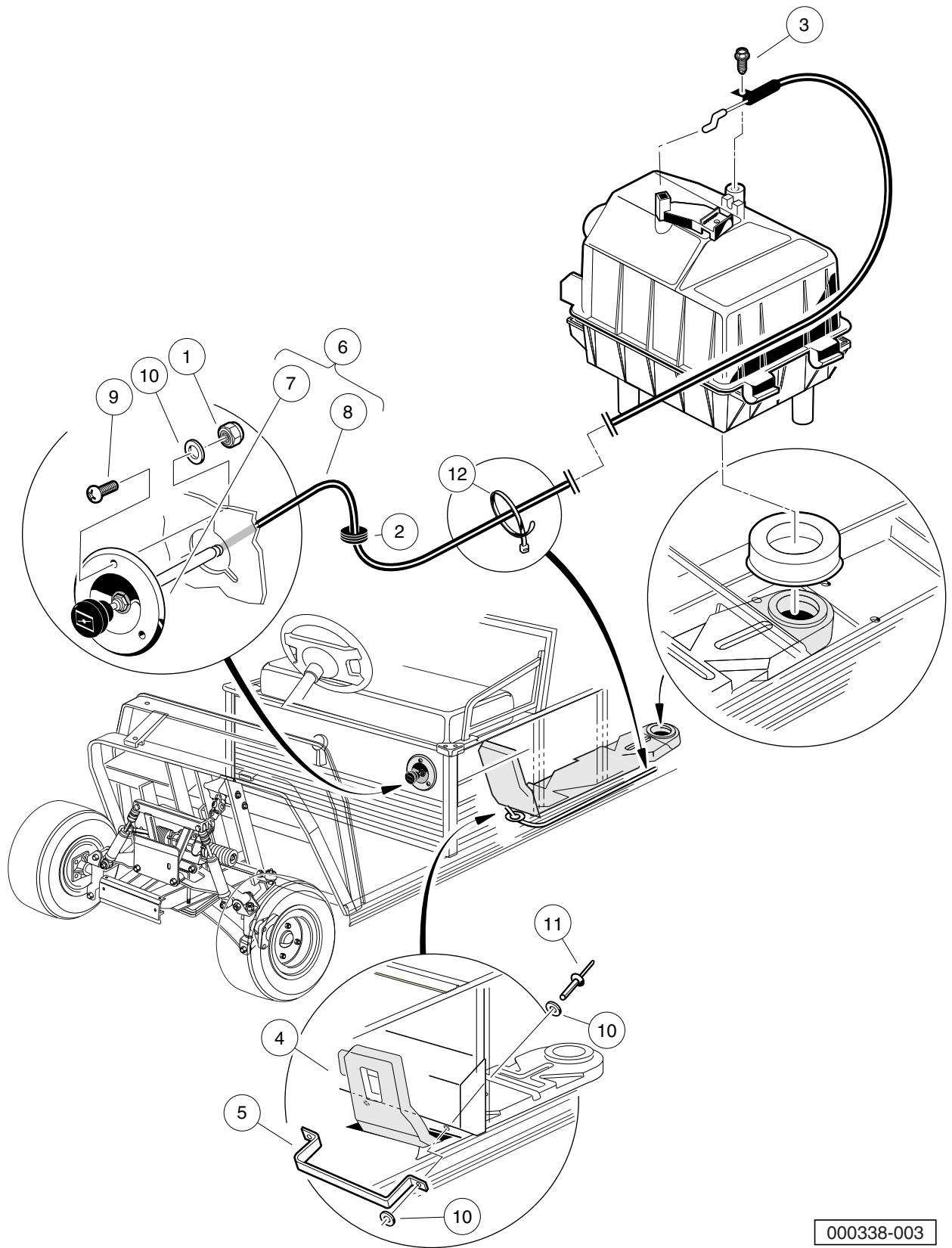
G



# GOVERNOR AND ACCELERATOR CABLES

ITEM	PART NO.	DESCRIPTION	QTY
		1 2 3 4	
1	1011697	Washer, 5/16 Flat .....	1
2	1012285	Screw, 1/4 X 0.625 Hex-Head .....	4
3	1012830	Screw, M8-125 X 22 Hex-Head .....	1
4	1013700	Clamp .....	2
5	1014007	Washer, 1/4, Flat .....	1
6	101584502	Bracket, Governor Cable Snap-In .....	1
7	1016546	Nut .....	2
8	101832202	Bracket, Rear Governor Cable Snap-In .....	1
9	101832302	Bracket, Rear Accelerator Cable Snap-In .....	1
10	101834801	Arm, Governor .....	1
11	101886101	Screw, 1/4-20 X 1.00, Square-Head .....	1
12	102336001	Cable, Governor, Snap-In .....	1
13	102336101	Cable, Accelerator, Snap-In .....	1
14	7174	Lockwasher, 5/16 Split .....	1
15	8233	Locknut, 1/4-20, Nylon Insert .....	1

**9**  
**G**



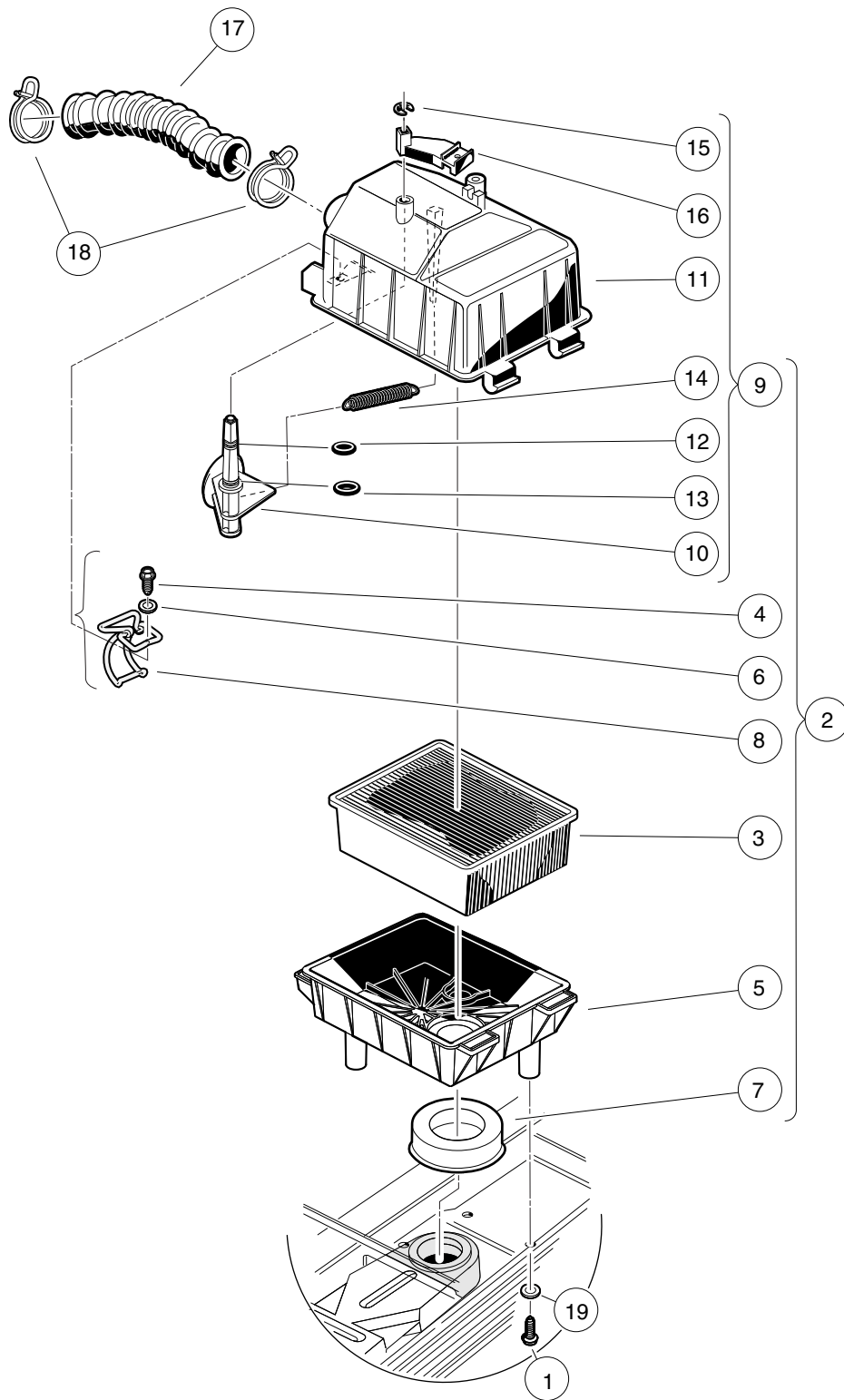
000338-003

# AIR INTAKE DUCT AND CHOKE CABLE – TURF/CARRYALL 6

ITEM	PART NO.	DESCRIPTION	QTY
		1 2 3 4	
1	1012438	Locknut, #10-24 Nylon Insert .....	3
2	1015139	Insulation Grommet .....	1
3	101804301	Screw, #8 X 0.500, Hex-Head Hi-Lo .....	1
4	101811301	Duct, Intake .....	1
5	101825701	Retaining Bracket .....	1
6	101926802	Cable, Choke (includes items 7 and 8) .....	1
7	101933701	Bezel, Choke Cable .....	1
8	N/A	Choke Cable without Bezel, Long .....	1
9	1631	Screw, #10-24 X 0.75 Phillips Pan-Head .....	3
10	183	Washer, #10, Type A, Flat .....	7
11	7973	Rivet, 3/16 X .400 Blind .....	2
12	8639	Tie Wrap, 11" Nylon .....	2

9

G



000332-001



# AIR FILTER AND INTAKE HOSE

ITEM	PART NO.	DESCRIPTION	QTY
		1 2 3 4	
1	1015752	Screw, #12-16 X 0.625, Hi-Lo .....	3
2	101821501	Assembly, Air Box (includes items 3 through 9) .....	1
3	1015426	Filter, Air .....	1
4	101804301	Screw, #8 X 0.500, Hex-Head Hi-Lo .....	2
5	101811901	Bottom, Air Box .....	1
6	101881701	Washer, #8 Stainless-Steel Flat .....	2
7	101921501	Seal, Intake .....	1
8	101925701	Latch, Wireform .....	2
9	101972801	Top Assy, Air Box (includes items 10 through 16) .....	1
10	N/A	Valve, Choke .....	1
11	N/A	Top, Air Box .....	1
12	N/A	O-Ring, 5/16 .....	1
13	N/A	O-Ring, 3/8 .....	1
14	101812301	Spring, Extension Return .....	1
15	101813001	Retaining Ring 0.25, Shaft .....	1
16	101917601	Lever, Choke .....	1
17	101837101	Hose, Air Intake .....	1
18	101971301	Clamp, 1.58" ID Hose .....	2
19	332	Washer, 1/4 Type A Narrow Flat .....	3

9

G

9

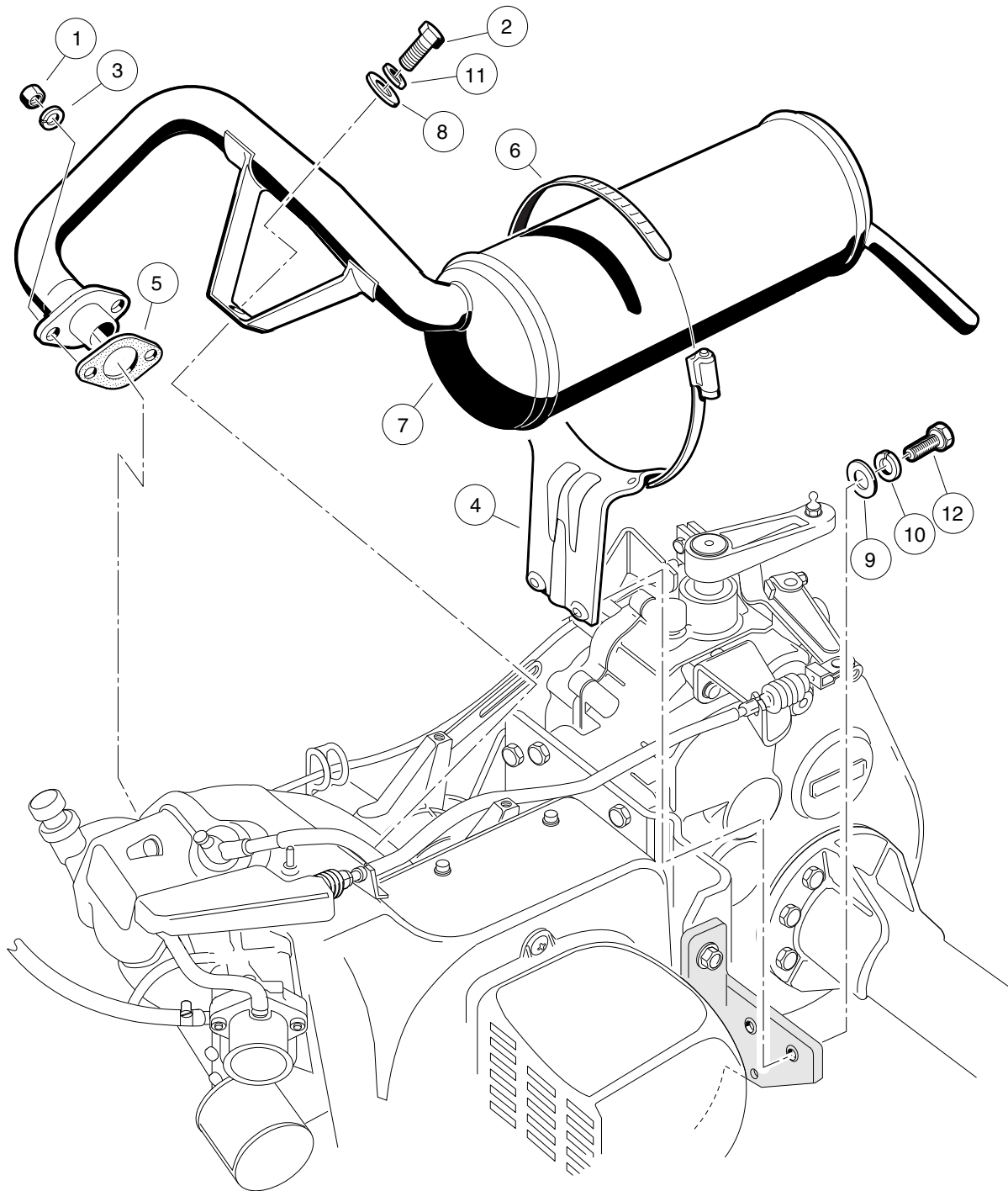
G

# EXHAUST SYSTEM

---

10

G



000209-001

## EXHAUST SYSTEM – FE350 ENGINE

ITEM	PART NO.	DESCRIPTION	QTY
		1 2 3 4	
1	1012528	Nut, M8-1.25 Hex .....	2
2	1012830	Screw, M8-125 X 22 Hex-Head .....	1
3	1013734	Lockwasher, 8mm Split .....	2
4	1015814	Bracket, Muffler Mounting .....	1
5	1016904	Gasket, Exhaust .....	1
6	1017689	Clamp, 5" Muffler Hose .....	1
7	101859401	Exhaust System, FE350 .....	1
8	1241	Washer, 5/16 Type A Flat .....	1
9	332	Washer, 1/4 Type A Narrow Flat .....	2
10	451	Lockwasher, 1/4 Split .....	2
11	7174	Lockwasher, 5/16 Split .....	1
12	7847	Screw, 1/4-20 X 0.75 Hex-Head Cap .....	2

**10**  
**G**

**10**

**G**

# DRIVE BELT AND CLUTCHES

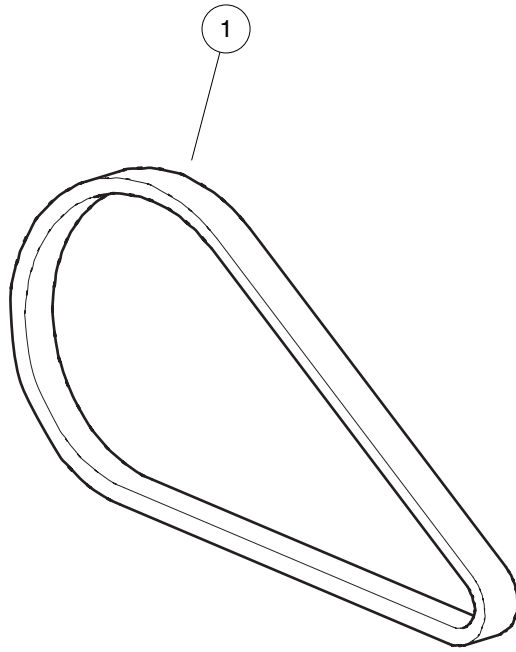
---

11

G

11

G



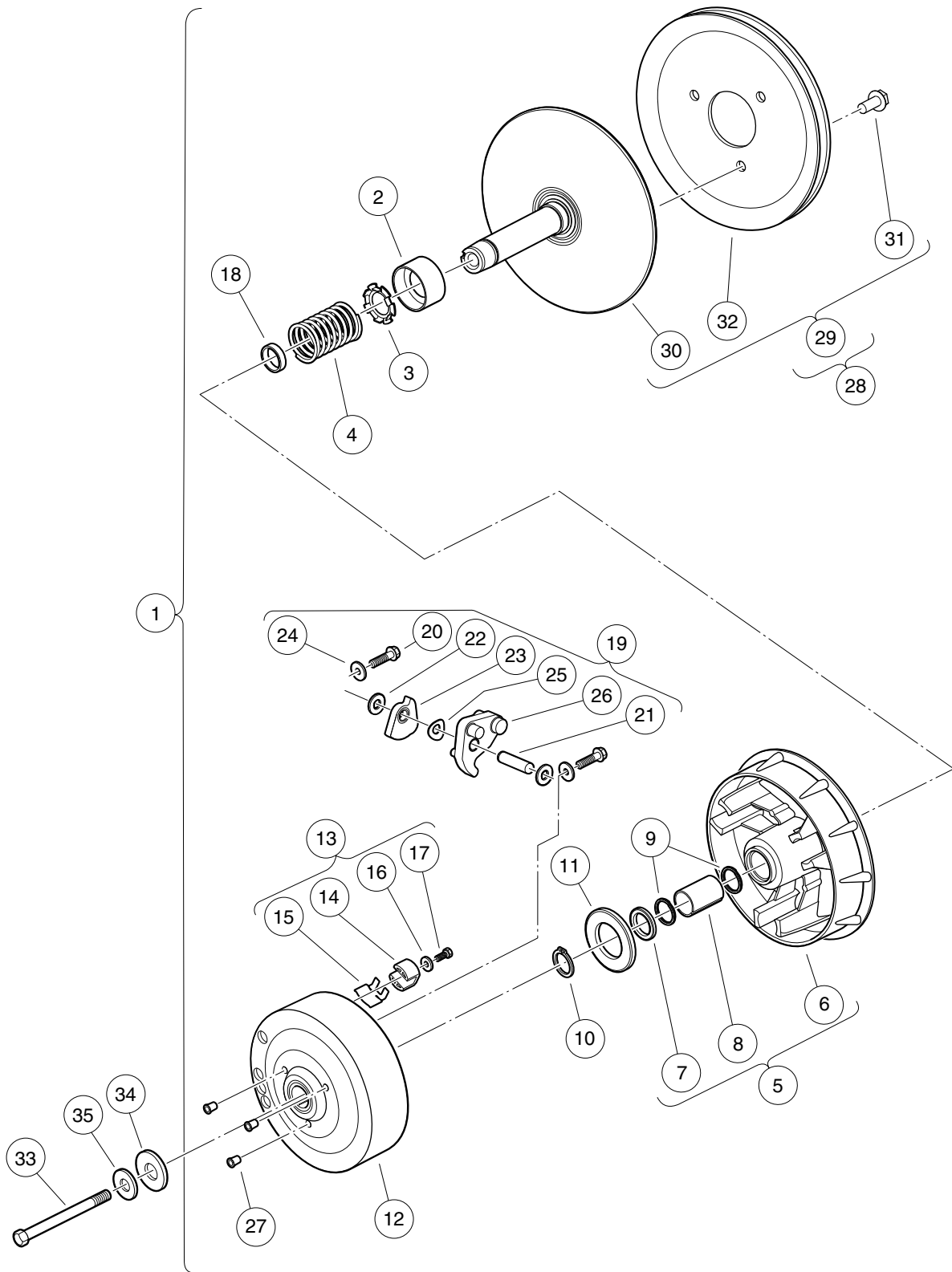
000918-001



# DRIVE BELT

ITEM	PART NO.	DESCRIPTION	QTY
1	1017188	1 2 3 4 Belt, Drive (FE350) .....	1

**11**  
**G**



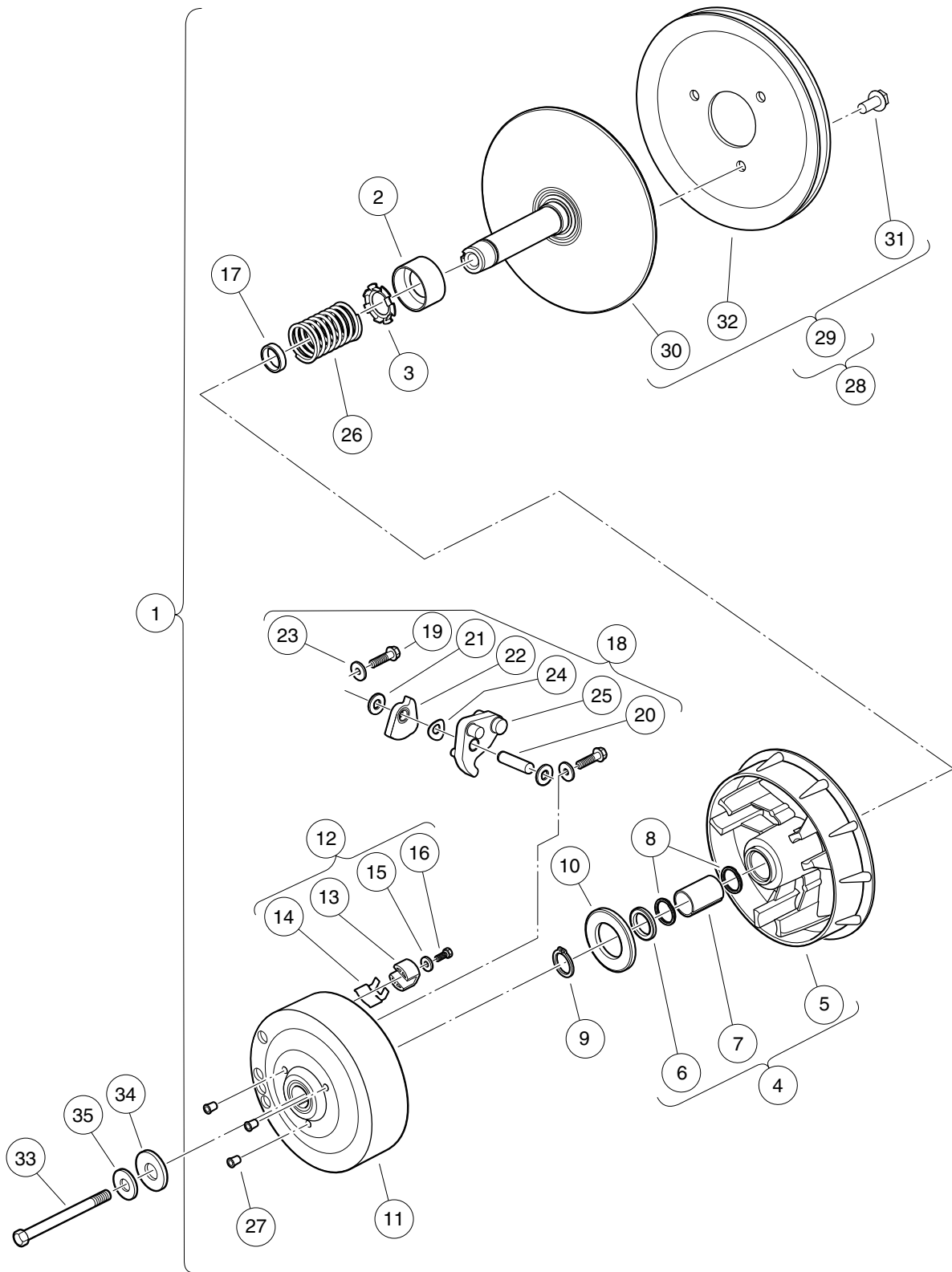
000217-006

# DRIVE CLUTCH – TURF 6

ITEM	PART NO.	DESCRIPTION	QTY
		1 2 3 4	
1	101833902	Clutch, Drive (includes items 2 through 28) .....	1
2	1014049	Bearing, Idler .....	1
3	1014050	Retainer, Spring .....	1
4	1014051	Spring, Drive Clutch .....	1
5	1014052	Movable-Face Assembly (includes items 6 through 8) .....	1
6	N/A	Drive Clutch Movable Face .....	1
7	1014055	Retainer .....	1
8	N/A	Bushing, Split, Drive Clutch .....	1
9	1014056	Ring, Spiral Backup .....	2
10	1014057	Ring, 0.810" Internal Retaining .....	1
11	1014058	Thrust Washer .....	1
12	1014059	Drive Hub Assy, Drive Clutch .....	1
13	1014453	Kit, Drive Clutch Button (includes items 14 through 17) .....	1
14	1014062	Driver, Drive Clutch .....	3
15	1014287	Spring, Drive Button .....	3
16	183	Washer, #10, Type A, Flat .....	3
17	8450	Screw, #10-24 X 0.50, Hex-Head .....	3
18	1016289	Spacer, Fixed Face Shaft .....	1
19	1016801	Kit, Drive Clutch Weight (includes items 20 through 26) .....	1
20	1014063	Screw, 1/4-20 X 1.00, Hex Head .....	6
21	N/A	Pin, Dowel, 0.3752 x 1.50 .....	3
22	1014065	Washer, Flat, 0.38" ID, Delrin .....	6
23	N/A	Clutch Weight, Secondary .....	3
24	N/A	Washer .....	6
25	1016201	Washer, Wave .....	3
26	N/A	Weight, Primary .....	3
27	101925601	Plug, Drive Clutch .....	3
28	101929802	Kit, Fxd Face Dr Asm Fe290/350 (includes item 29) .....	1
29	N/A	Assembly, Fixed-Face Drive (includes items 30 through 32) .....	1
30	N/A	Fixed Face Assembly, Drive Clutch .....	1
31	1014288	Screw, 5/16-18 X 0.75, Thread-Forming .....	3
32	N/A	Pulley, Clutch .....	1
33	103345701	Screw 3/8-24x5.5 Hex Loc Ptch .....	1
34	334	Washer, 3/8, Type A, Flat .....	1
35	808	Washer, 3/8 Type B Flat .....	1

**11**

**G**



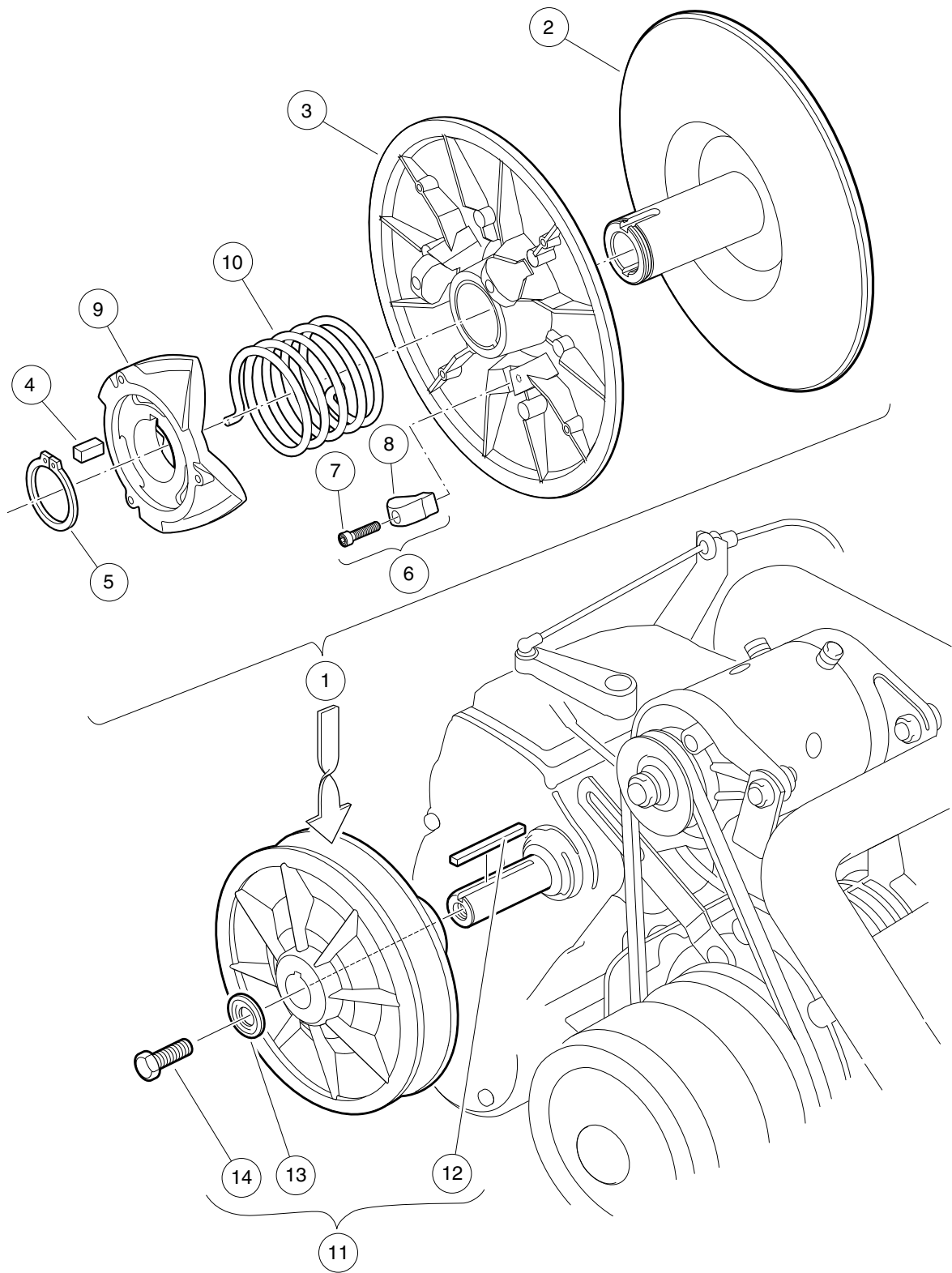
000217-008

# DRIVE CLUTCH – CARRYALL 6

ITEM	PART NO.	DESCRIPTION	QTY
		1 2 3 4	
1	101833906	Drive Clutch Assy. FE 350/272 (includes items 2 through 28) .....	1
2	1014049	Bearing, Idler .....	1
3	1014050	Retainer, Spring .....	1
4	1014052	Movable-Face Assembly (includes items 5 through 7) .....	1
5	N/A	Drive Clutch Movable Face .....	1
6	1014055	Retainer .....	1
7	N/A	Bushing, Split, Drive Clutch .....	1
8	1014056	Ring, Spiral Backup .....	2
9	1014057	Ring, 0.810" Internal Retaining .....	1
10	1014058	Thrust Washer .....	1
11	1014059	Drive Hub Assy, Drive Clutch .....	1
12	1014453	Kit, Drive Clutch Button (includes items 13 through 16) .....	1
13	1014062	Driver, Drive Clutch .....	3
14	1014287	Spring, Drive Button .....	3
15	183	Washer, #10, Type A, Flat .....	3
16	8450	Screw, #10-24 X 0.50, Hex-Head .....	3
17	1016289	Spacer, Fixed Face Shaft .....	1
18	1016801	Kit, Drive Clutch Weight (includes items 19 through 25) .....	1
19	1014063	Screw, 1/4-20 X 1.00, Hex Head .....	6
20	N/A	Pin, Dowel, 0.3752 x 1.50 .....	3
21	1014065	Washer, Flat, 0.38" ID, Delrin .....	6
22	N/A	Clutch Weight, Secondary .....	3
23	N/A	Washer .....	6
24	1016201	Washer, Wave .....	3
25	N/A	Weight, Primary .....	3
26	1016901	Spring, Drive Clutch .....	1
27	N/A	Cap Plug .....	3
28	101929802	Kit, Fxd Face Dr Asm Fe290/350 (includes item 29) .....	1
29	N/A	Assembly, Fixed-Face Drive (includes items 30 through 32) .....	1
30	N/A	Fixed Face Assembly, Drive Clutch .....	1
31	1014288	Screw, 5/16-18 X 0.75, Thread-Forming .....	3
32	N/A	Pulley, Clutch .....	1
33	103345701	Screw 3/8-24x5.5 Hex Loc Ptch .....	1
34	334	Washer, 3/8, Type A, Flat .....	1
35	808	Washer, 3/8 Type B Flat .....	1

11

G



000219-001

## DRIVEN CLUTCH – TURF 6 AND CARRYALL 6

ITEM	PART NO.	DESCRIPTION	QTY
		1 2 3 4	
1	101834001	Assembly, Driven Clutch (includes items 2 through 10) .....	1
2	1014070	Fixed Face Assy, Driven Clutch .....	1
3	1014072	Movable-Face Assembly with Bushing .....	1
4	1014078	Key, Driven Clutch .....	1
5	1014080	Ring, Retaining .....	1
6	1014454	Kit, Driven Clutch Button (includes items 7 and 8) .....	1
7	1012836	Screw, #8-32 X 3/4, Socket-Head Cap .....	3
8	N/A	Button, Drive .....	3
9	1017686	Cam, Driven Clutch .....	1
10	101836201	Spring, Driven Clutch, Reversed .....	1
11	AM10419	Kit, Clutch Repair (includes items 12 through 14) .....	1
12	101833401	Key, 3/16 Sq X 1.50" .....	1
13	102155801	Washer, Driven Clutch .....	1
14	102242101	Screw, 5/16-18 X 3/4 Hex-Head with Patch .....	1

**11**  
**G**

11

G

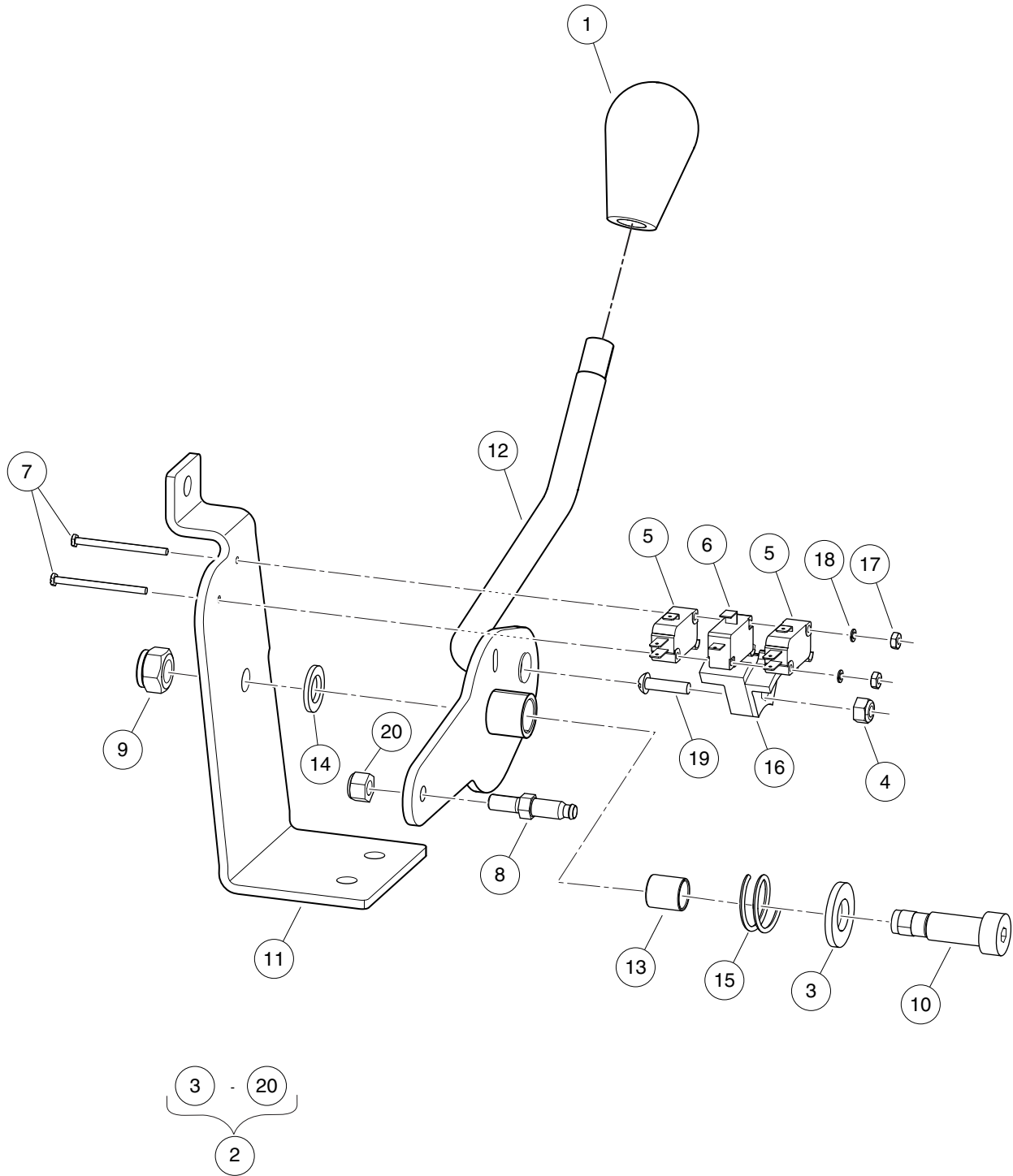


# UNITIZED TRANSAXLE AND FNR SHIFTER – GASOLINE VEHICLES

---

12

G

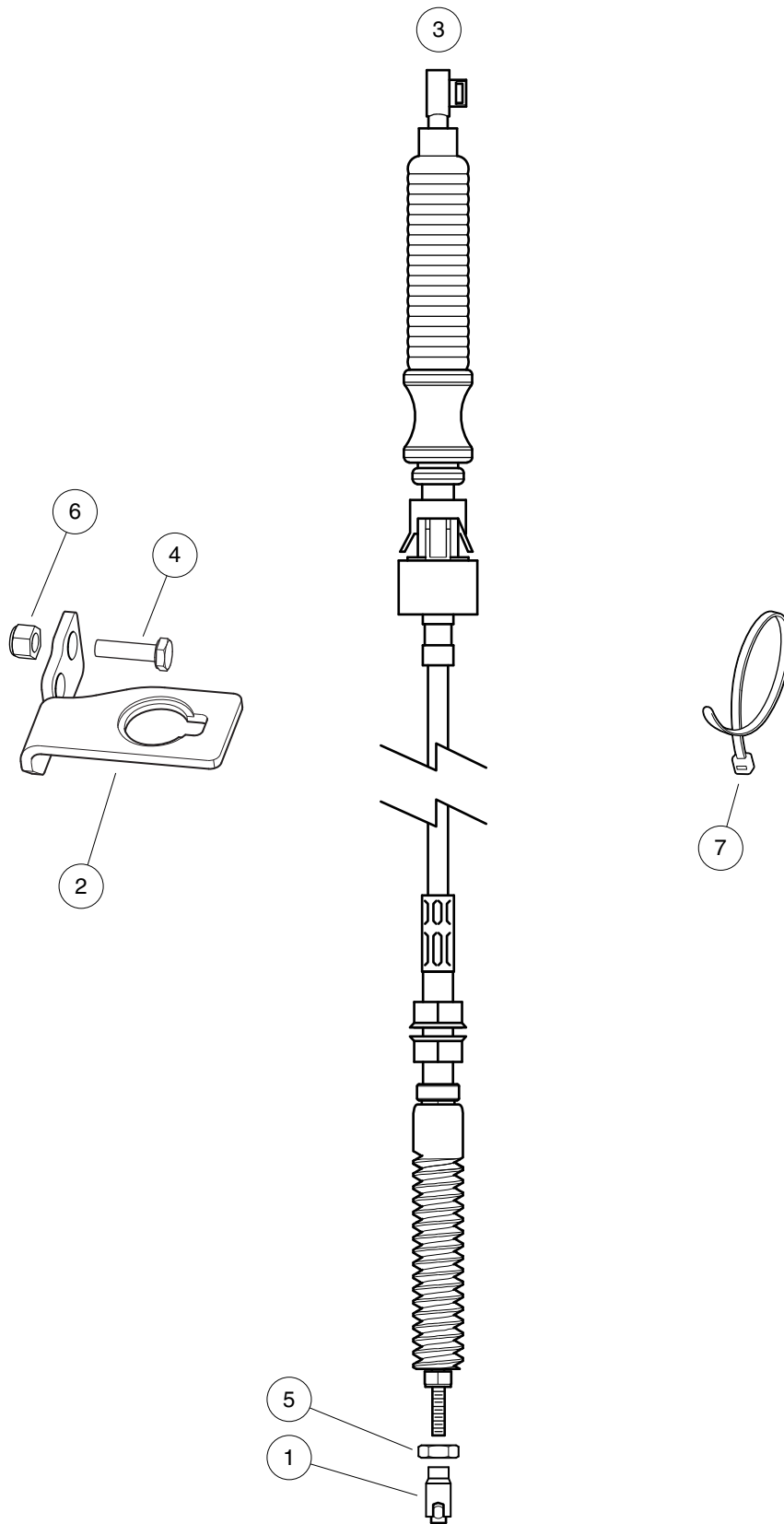


000563-001

# FORWARD/REVERSE SHIFTER

ITEM	PART NO.	DESCRIPTION	QTY
		<b>1 2 3 4</b>	
1	102376001	Knob, FNR, Shifter .....	1
2	102969901	Asm, Shifter, FNR (includes items 3 through 20) .....	1
3	1010028	Washer, 1/2 Type A Flat .....	1
4	1013061	Locknut, #10-32 Nylon Insert .....	1
5	1014807	Switch, Limit .....	2
6	1014808	Switch, Limit .....	1
7	1015878	Screw, #4-40 Hex Head Machine .....	2
8	102526201	Stud, Thread, 1/4-28 .....	1
9	102616701	Locknut, M10x1.5 Nylon Insert .....	1
10	102684602	Shoulder Bolt, M12 X 25.0 .....	1
11	102969401	Bracket, Shifter, FNR .....	1
12	102969801	Weldment, Shift Lever, FNR .....	1
13	103173301	Bushing, Greaseless, 12mm Id .....	1
14	103177401	Washer, Thrust, Shifter, FNR .....	1
15	103192701	Spring, Comp, .97 Od X.75 L .....	1
16	103369501	Cam, Limit Switch, Fnr Shifter .....	1
17	8057	Nut, #4-40 Hex Machine .....	2
18	8058	Lockwasher, #4 Split .....	2
19	8104	Screw, #10-32 X .75 Rd Hd Mach .....	1
20	8717	Locknut, Nylon Insert, 1/4-28 .....	1

**12**  
**G**



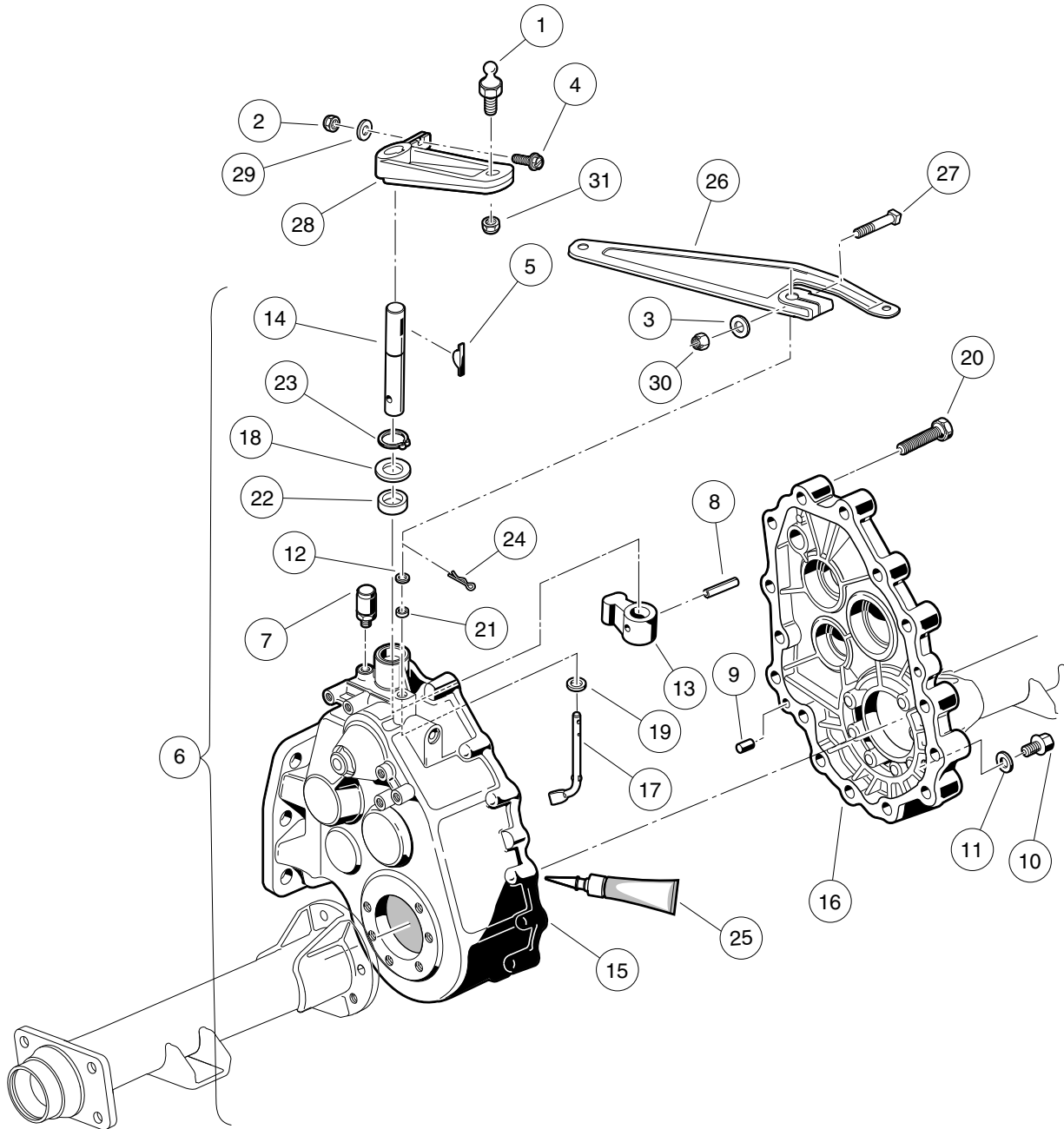
001071-001

## SHIFTER CABLE – TURF/CA 6

ITEM	PART NO.	DESCRIPTION	QTY
		<b>1 2 3 4</b>	
1	1012333	Joint, #10-32 Ball .....	1
2	103295101	Brkt, Spt, Cable End, Fnr .....	1
3	103295203	Cable, Transmission, 2385mm .....	1
4	304	Screw, 1/4-20 X 1.0 Hex-Head Cap .....	2
5	7893	Nut, #10-32 Hex .....	1
6	8233	Locknut, 1/4-20, Nylon Insert .....	2
7	8639	Tie Wrap, 11" Nylon .....	A/R

12

G



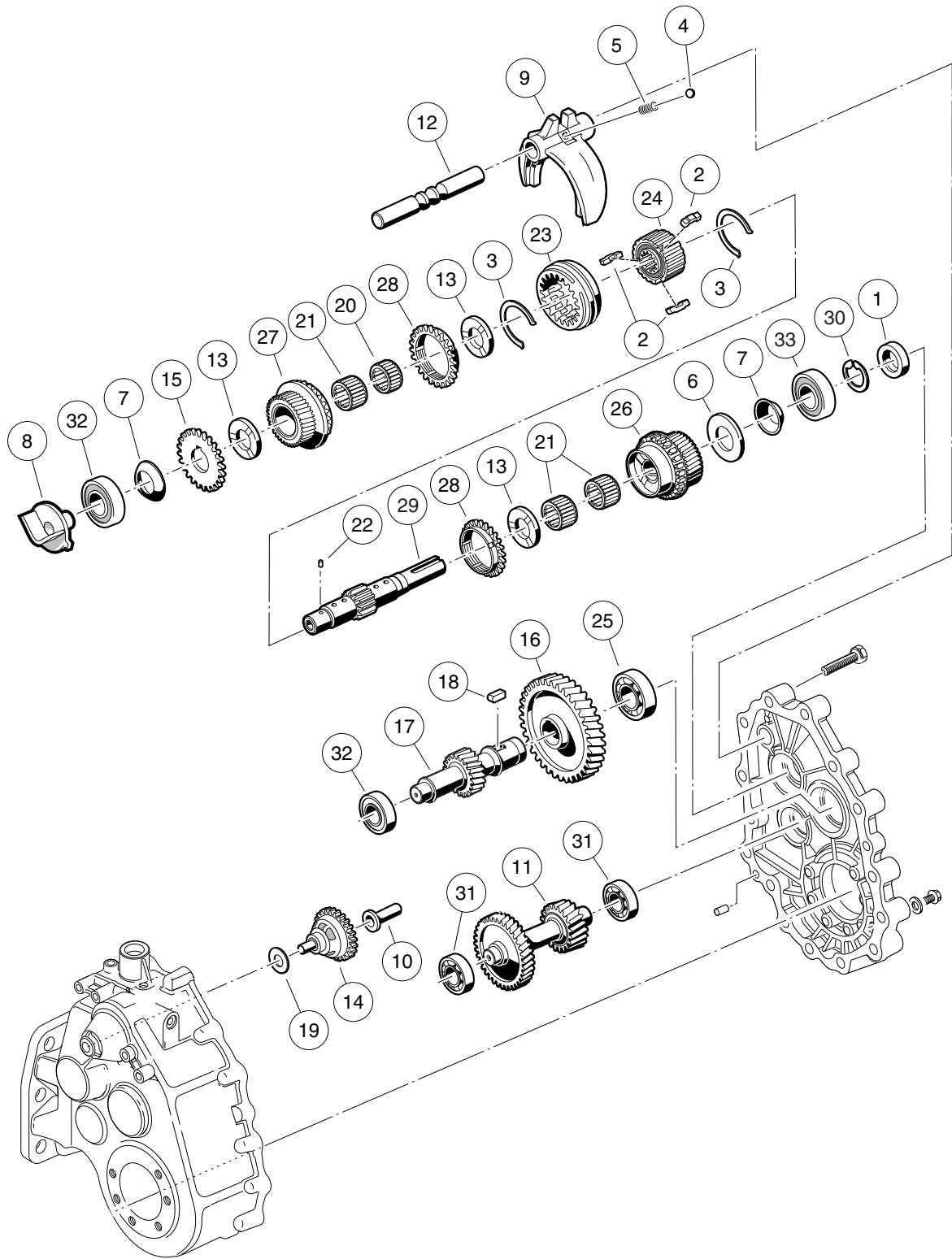
000220-005

# KAWASAKI TRANSAXLE – GEAR CASES AND LEVERS

ITEM	PART NO.	DESCRIPTION	QTY
		<b>1 2 3 4</b>	
1	1010954	Stud, Ball, 1/4-28 X 0.560 .....	1
2	1013061	Locknut, #10-32 Nylon Insert .....	1
3	1014007	Washer, 1/4, Flat .....	1
4	1017082	Screw, #10-32 X 0.75, Hex-Head Machine .....	1
5	1017231	Key, Woodruff .....	1
6	101833601	Transaxle, 11.77 Ratio (includes items 7 through 25) .....	1
7	1012711	Breather .....	1
8	1012752	Roll Pin .....	1
9	1012896	Pin, Dowel .....	2
10	1013760	Fill Plug .....	2
11	1016432	Gasket, Drain Plug .....	1
12	1016513	Washer, M6 Flat .....	1
13	101890101	Lever, Drive Selector .....	1
14	101890201	Shaft, Drive Selector .....	1
15	101890501	Gear Case (driver side) .....	1
16	101890601	Gear Case (passenger side) .....	1
17	101891301	Arm Pivot .....	1
18	101892901	Washer .....	1
19	101893801	Washer .....	1
20	101926901	Screw, M8-1.25 X 40mm Hex-Head .....	15
21	101927101	Seal, Oil .....	1
22	101927201	Seal, Oil .....	1
23	101927301	Snap Ring .....	1
24	101928601	Pin, Cotter .....	1
25	101928701	Liquid Gasket (Transaxle case) .....	1
26	101834801	Arm, Governor .....	1
27	101886101	Screw, 1/4-20 X 1.00, Square-Head .....	1
28	102515401	Lever, Transmission Shift .....	1
29	183	Washer, #10, Type A, Flat .....	1
30	8233	Locknut, 1/4-20, Nylon Insert .....	1
31	8717	Locknut, Nylon Insert, 1/4-28 .....	1
Note: Kawasaki transaxle component listings span three pages.			

12

G



000221-001

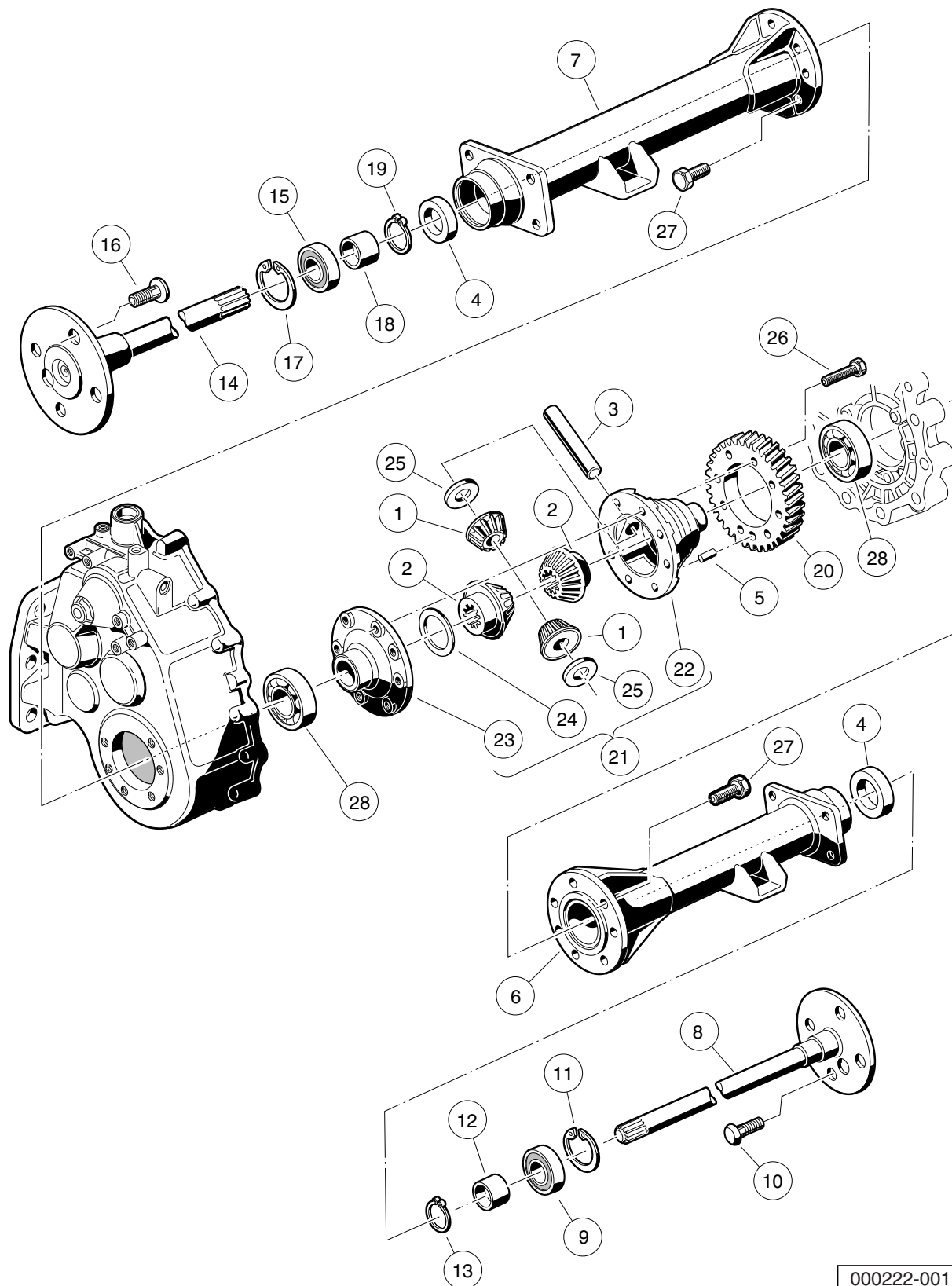


# KAWASAKI TRANSAXLE – F&R TRANSMISSION AND GEAR REDUCTION

12

G

ITEM	PART NO.	DESCRIPTION	QTY
		1 2 3 4	
1	1012714	Oil Seal .....	1
2	1012740	Synchro Insert .....	3
3	1012741	Synchro Spring .....	2
4	1012747	Shifter Ball .....	1
5	1012748	Shifter Spring .....	1
6	1016337	Washer, Thrust .....	1
7	1016338	Washer, Spring .....	2
8	101889401	Guide .....	1
9	101890001	Fork - Shift .....	1
10	101891601	Sleeve, Governor .....	1
11	101891901	Gear, Cluster .....	1
12	101892001	Rod, Shift .....	1
13	101892201	Plate, Thrust .....	3
14	101892301	Governor Assembly .....	1
15	101892401	Gear, Spur .....	1
16	101892501	Gear, Helical (61 Tooth) .....	1
17	101892601	Gear, Helical (17 Tooth) .....	1
18	101893201	Key Sunk .....	1
19	101893901	Washer .....	1
20	101927501	Needle Bearing .....	1
21	101927601	Needle Bearing .....	3
22	101927701	Pin, .116" Dia X 0.264 Dowel .....	1
23	101927901	Sleeve, Synchro .....	1
24	101928001	Hub, Synchro Clutch .....	1
25	101928101	Bearing, Ball .....	1
26	101980801	Gear Assembly, 16-Degree Synchro (25 Tooth) .....	1
27	101980901	Gear Assembly, 16-Degree Rear Synchro (28 Tooth) .....	1
28	101981001	Ring, 16-Degree Synchronizer .....	2
29	102453001	Shaft, Trans, with Circlip .....	1
30	102453101	Circlip .....	1
31	7335	Bearing .....	2
32	AM10080	Bearing, Ball, Sealed .....	2
33	AM10081	Bearing, Ball, Sealed .....	1



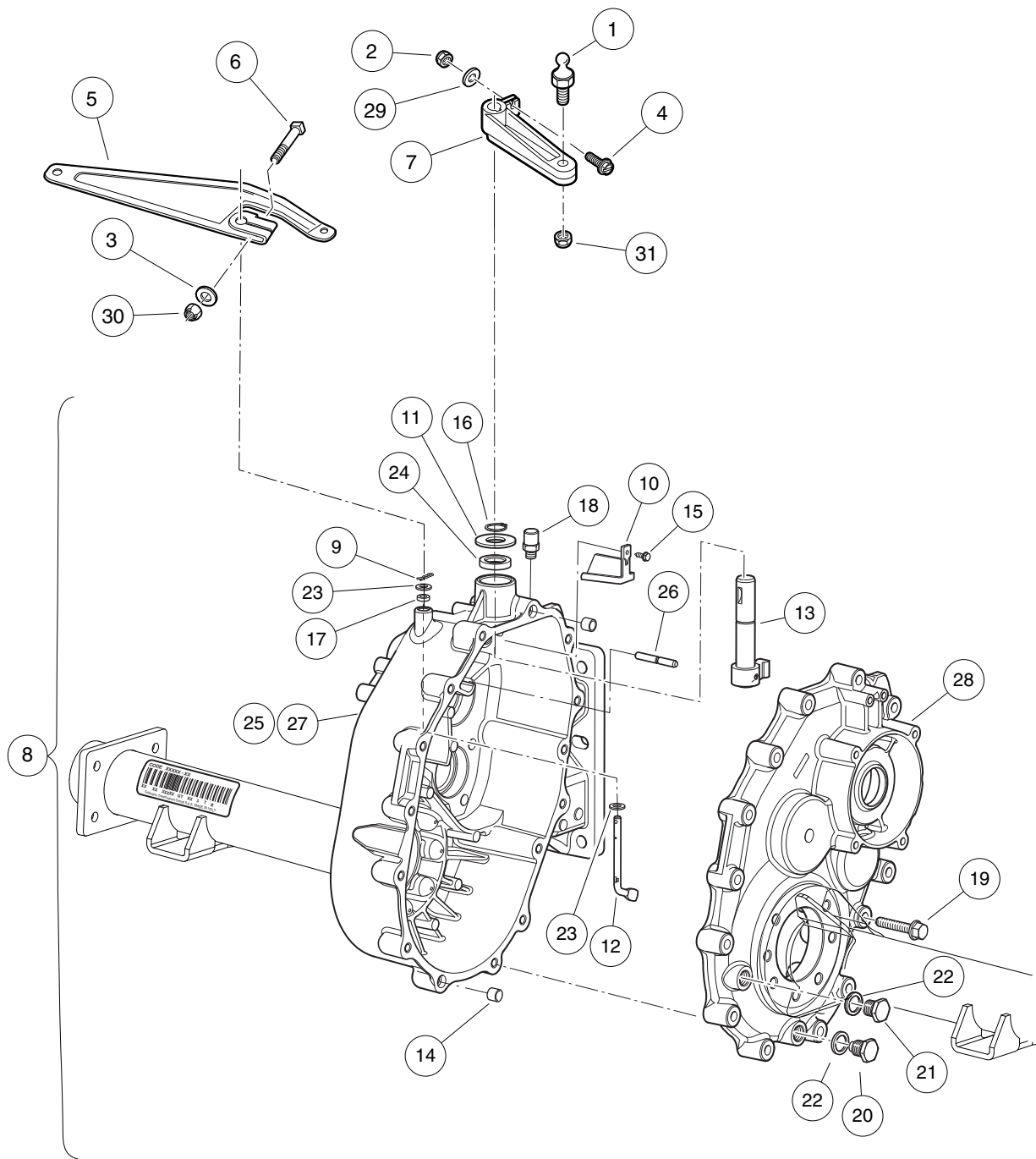
000222-001

# KAWASAKI TRANSAXLE – DIFFERENTIAL AND AXLES

ITEM	PART NO.	DESCRIPTION	QTY
		1 2 3 4	
1	1013770	Differential Idler Gear .....	2
2	1013771	Gear, Differential .....	2
3	1013772	Pin, Differential .....	1
4	1013794	Axle Shaft Oil Seal .....	2
5	N/A	Dowel Pin .....	1
6	101890901	Axle Tube (Passenger Side) .....	1
7	101891001	Axle Tube (Driver Side) .....	1
8	101891401	Axle Assembly, Passenger Side (includes items 9 through 13) .....	1
9	1011291	Outer Axle, Tube Bearing .....	1
10	1013787	Lug Stud .....	4
11	1013792	Circlip Type C .....	1
12	1014207	Bushing .....	1
13	1016672	Retaining Ring .....	1
14	101891501	Axle Assembly, Driver-Side (includes items 15 through 19) .....	1
15	1011291	Outer Axle, Tube Bearing .....	1
16	1013787	Lug Stud .....	4
17	1013792	Circlip Type C .....	1
18	1014207	Bushing .....	1
19	1016672	Retaining Ring .....	1
20	101892701	Gear, Helical .....	1
21	101910501	Kit, Differential Gear Case (includes items 22 through 25) .....	1
22	1013768	Differential Gear Case, Left-Hand .....	1
23	1013769	Differential Gear Case, Right-Hand .....	1
24	1013773	Plate, Thrust (Differential Gear) .....	1
25	1013774	Plate, Thrust (Idler Gear) .....	2
26	101928301	Screw, M8-1.25 X 35mm Hex Head .....	8
27	102031901	Bolt, M10 X 1.5 X 30mm .....	14
28	7330	Inner Axle Tube Bearing .....	2

**12**

**G**



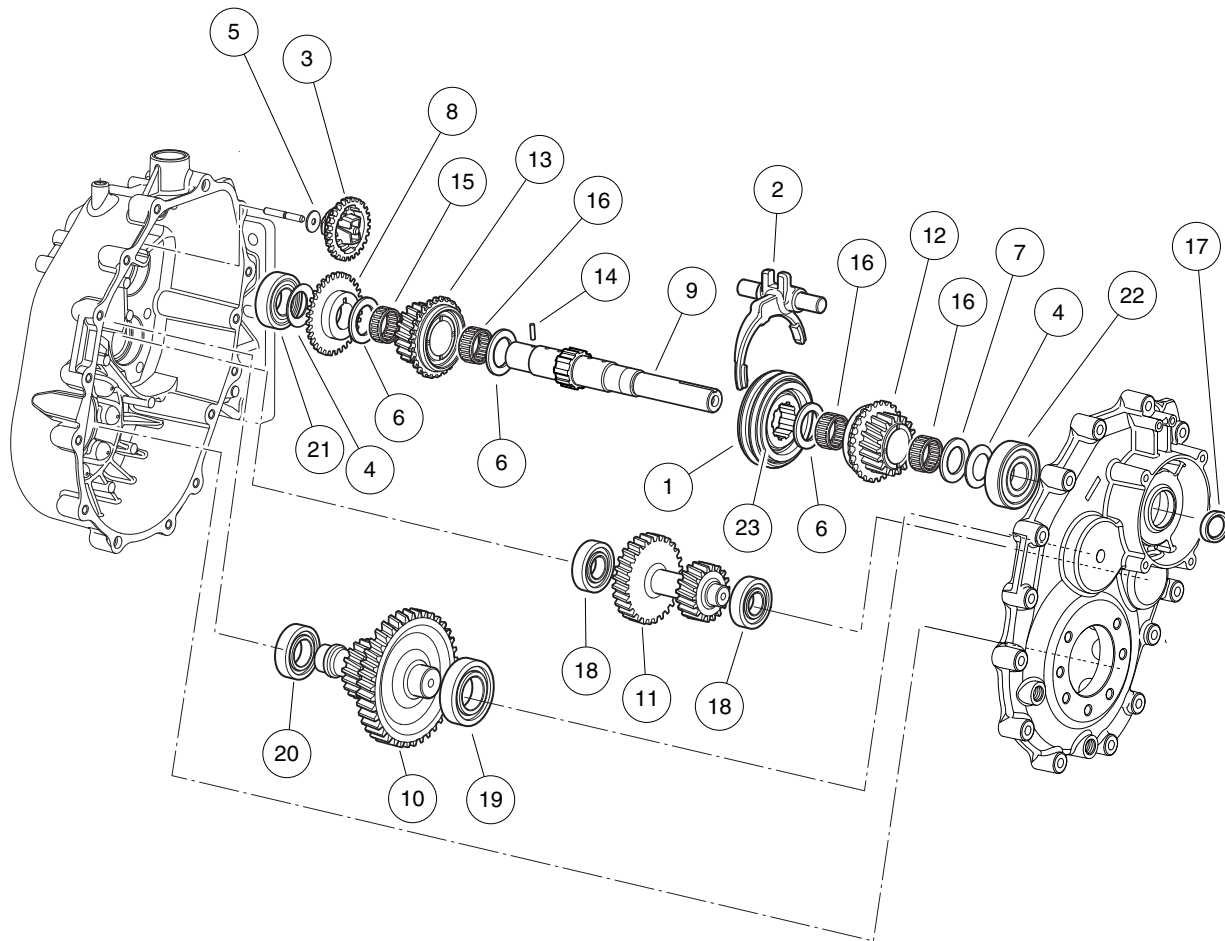
000680-010

## GRAZIANO TRANSAXLE – GEAR CASES AND LEVERS

ITEM	PART NO.	DESCRIPTION	QTY
		1 2 3 4	
1	1010954	Stud, Ball, 1/4-28 X 0.560 .....	1
2	1013061	Locknut, #10-32 Nylon Insert .....	1
3	1014007	Washer, 1/4, Flat .....	1
4	1017082	Screw, #10-32 X 0.75, Hex-Head Machine .....	1
5	101834801	Arm, Governor .....	1
6	101886101	Screw, 1/4-20 X 1.00, Square-Head .....	1
7	102515401	Lever, Transmission Shift .....	1
8	103874201	Transaxle, Gas, 11.77:1, Gtg (includes items 9 through 28) .....	1
9	102897401	Pin, Split .....	1
10	102897601	Conveyor, Oil .....	1
11	102897801	Washer, Thrust .....	1
12	102897901	Lever, Speed Governor .....	1
13	102898201	Unit, Drive Selector .....	1
14	102899101	Dowel .....	2
15	102899201	Screw .....	1
16	102899401	Ring, Snap .....	1
17	102899701	Grommet .....	1
18	102899801	Breather .....	1
19	102900001	Screw .....	15
20	102900101	Drain Plug, Magnetic .....	1
21	102900201	Fill Plug .....	1
22	102900301	Seal .....	2
23	102900601	Washer .....	2
24	102900901	Grommet .....	1
25	103882101	Case, Transaxle, W/gov Pin (includes items 26 and 27) .....	1
26	N/A	Pin, Speed Governor .....	1
27	N/A	Cover, Gear Box (Driver-Side) .....	1
28	103882301	Cover, Gear Box (Passenger-Side) .....	1
29	183	Washer, #10, Type A, Flat .....	1
30	8233	Locknut, 1/4-20, Nylon Insert .....	1
31	8717	Locknut, Nylon Insert, 1/4-28 .....	1
<p style="text-align: center;">Note: Graziano transaxle component listings span three pages. To identify your transaxle, locate the serial number decal on the axle tube. 103874201 is used on vehicles with serial numbers 1235-307250 and greater and is backwards compatible. However, some service parts are not compatible with other transaxles.</p>			

**12**

**G**



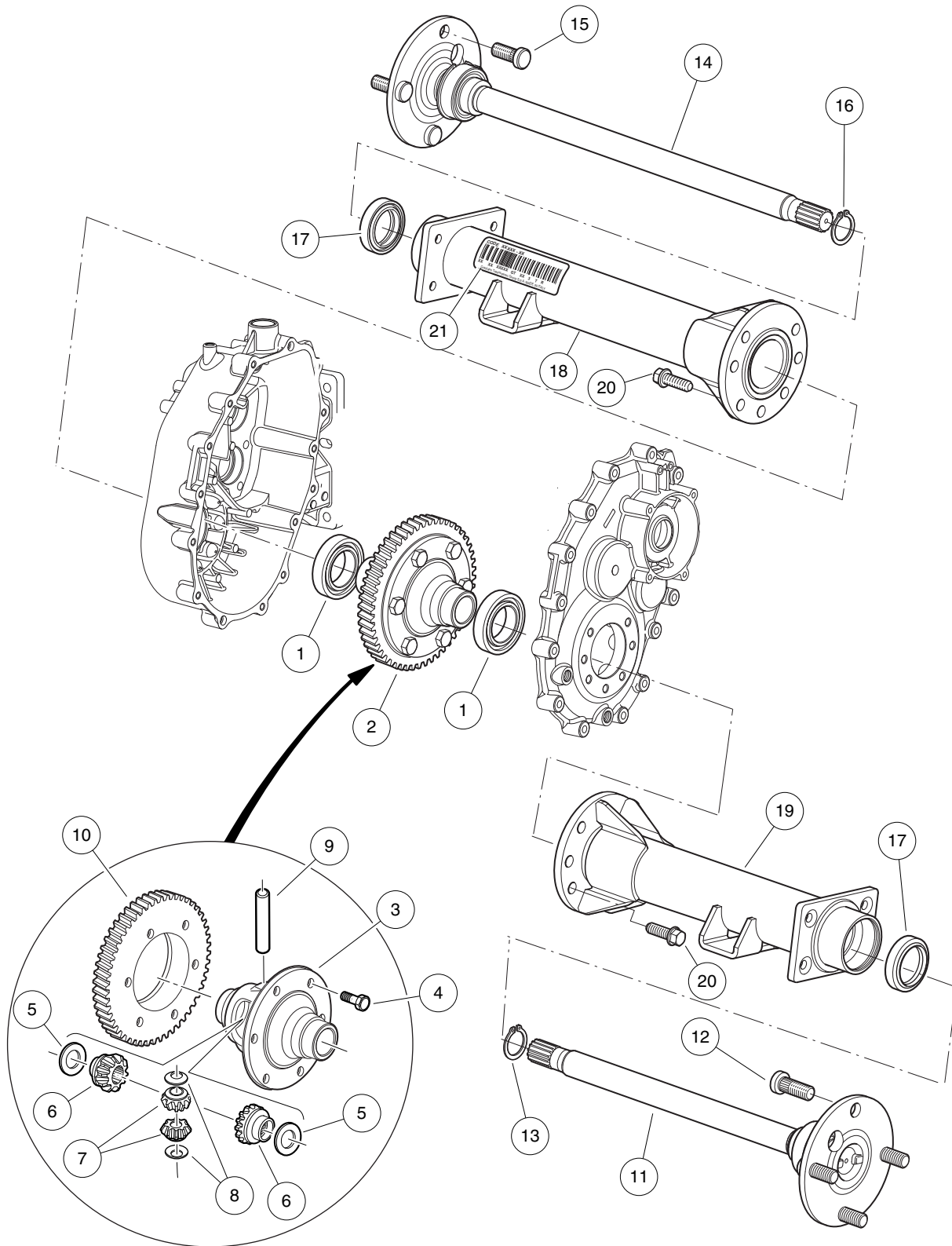
000680-008

# GRAZIANO TRANSAXLE – F&R TRANSMISSION AND GEAR REDUCTION

12

G

ITEM	PART NO.	DESCRIPTION	QTY
		<b>1 2 3 4</b>	
1	102897201	Synchronizer, Complete .....	1
2	102897301	Fork, Complete .....	1
3	102897701	Assembly, Speed Governor .....	1
4	102898001	Washer, Belleville .....	2
5	102898101	Bearing, Thrust .....	1
6	102898301	Bearing, Thrust .....	3
7	102898401	Washer, Thrust .....	1
8	102898501	Gear, Speed Governor .....	1
9	102898601	Shaft, Main .....	1
10	102898701	Shaft, Secondary .....	1
11	102898801	Shaft, Reverse Gear .....	1
12	102898901	Gear, Complete, 25t .....	1
13	102899001	Gear, Complete, 28t .....	1
14	102899301	Pin .....	1
15	102899501	Cage, Roller .....	1
16	102899601	Cage, Roller .....	3
17	102899901	Grommet .....	1
18	102900401	Bearing .....	2
19	102900501	Bearing, 62 Od X 30 Id X 16 .....	1
20	102900701	Bearing .....	1
21	102901001	Bearing .....	1
22	102901101	Bearing .....	1
23	103882001	Washer, Wave, Trans Synchro .....	2
<p>Note: To identify your transaxle, locate the serial number decal on the axle tube.</p>			



000681-002



## GRAZIANO TRANSAXLE – DIFFERENTIAL AND AXLES

ITEM	PART NO.	DESCRIPTION	QTY
		1 2 3 4	
1	102900801	Bearing, 68 Od X 40 Id X 15 .....	2
2	102902001	Assembly, Differential (includes items 3 through 10) .....	1
3	102901201	Box, Differential .....	1
4	102901301	Screw, M10 X 25 .....	6
5	102901401	Ring, Sleeve .....	2
6	102901501	Gear, Sun .....	2
7	102901601	Gear, Planetary .....	2
8	102901701	Ring, Sleeve .....	2
9	102901801	Pin .....	1
10	102901901	Gear .....	1
11	102902101	Shaft, Axle, Short, Complete (Passenger-Side) (includes items 12 and 13) .....	1
12	102902301	Bolt, Stud .....	4
13	102902401	Snap Ring .....	1
14	102902201	Shaft, Axle, Long, Complete (Driver-Side) (includes items 15 and 16) .....	1
15	102902301	Bolt, Stud .....	4
16	102902401	Snap Ring .....	1
17	102902501	Seal, Lip .....	2
18	102902601	Axle Tube, (Driver-Side) .....	1
19	102902701	Axle Tube, (Passenger-Side) .....	1
20	102902801	Screw, M10 X 30 .....	14
21	N/A	Tag, Serial .....	1
<p style="margin-left: 40px;">Note: To identify your transaxle, locate the serial number decal on the axle tube.</p>			

12

G

12

G

# ELECTRICAL SYSTEM, ELECTRIC VEHICLES

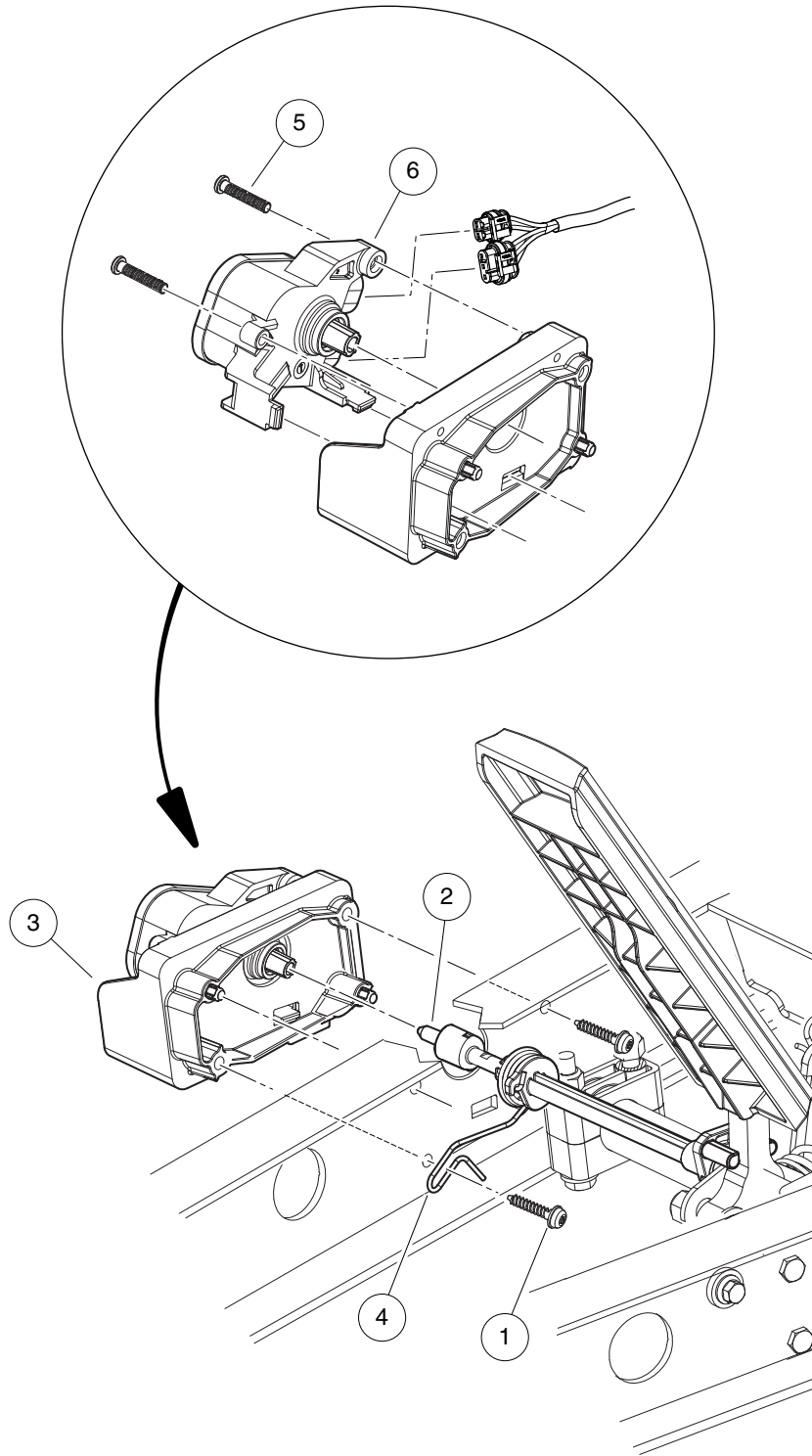
---

13

*E*

13

E



002522-001

# MOTOR CONTROLLER OUTPUT REGULATOR (MCOR)

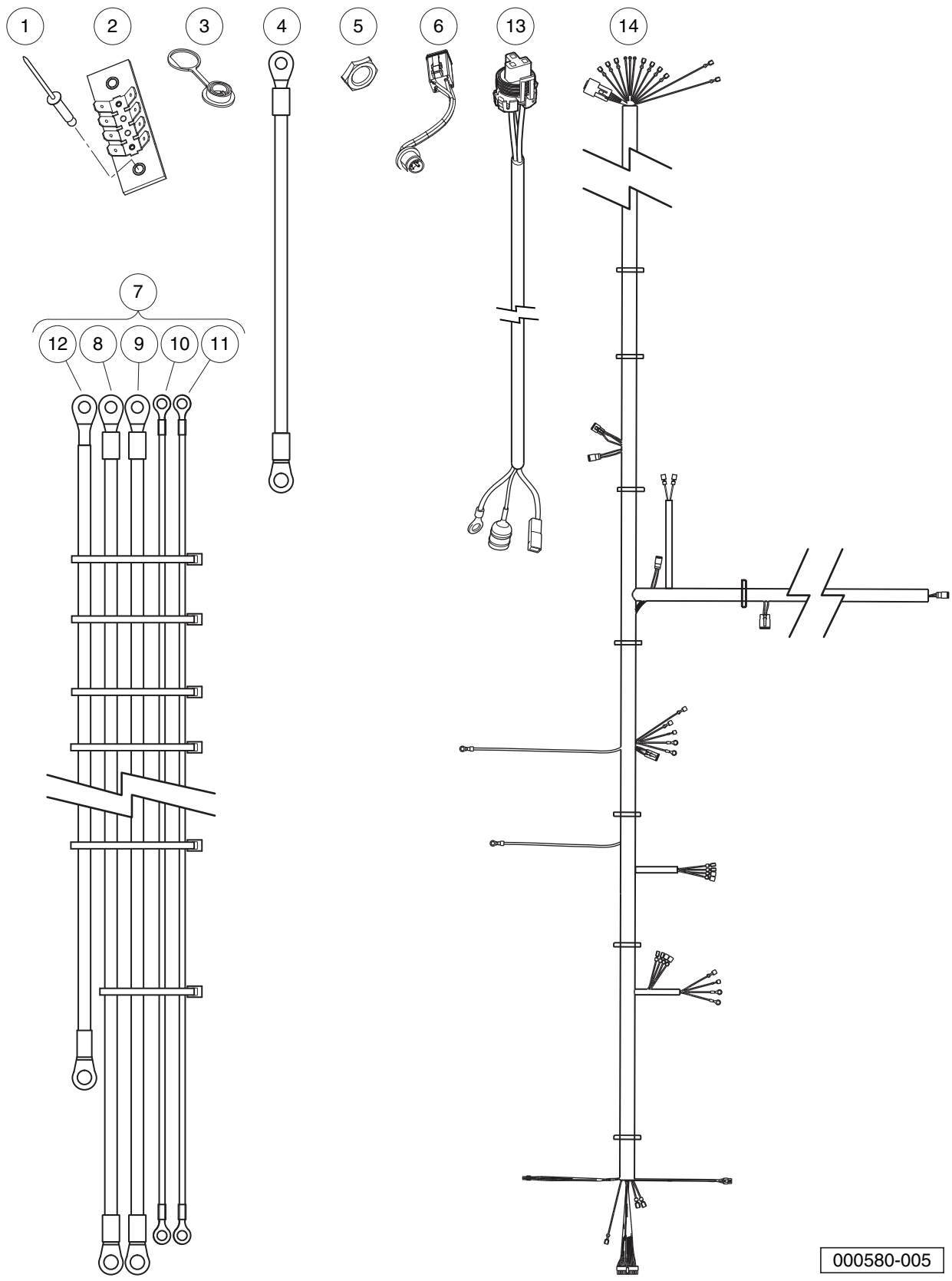
ITEM	PART NO.	DESCRIPTION	QTY
		1 2 3 4	
1	102297230	Screw, M6, Torx, Interlock Thread .....	2
2	103902101	Bar, Drive, Cast .....	1
3	103902301	Housing, Mcor .....	1
4	103902401	Spring, Torsion .....	1
5	103943401	Screw, Pan, #10 X 1.00 Hi-lo .....	2
6	105116301	MCOR4, Type 16 Switch .....	1

13

E

13

E



000580-005

## WIRING – CA 6 ELECTRIC

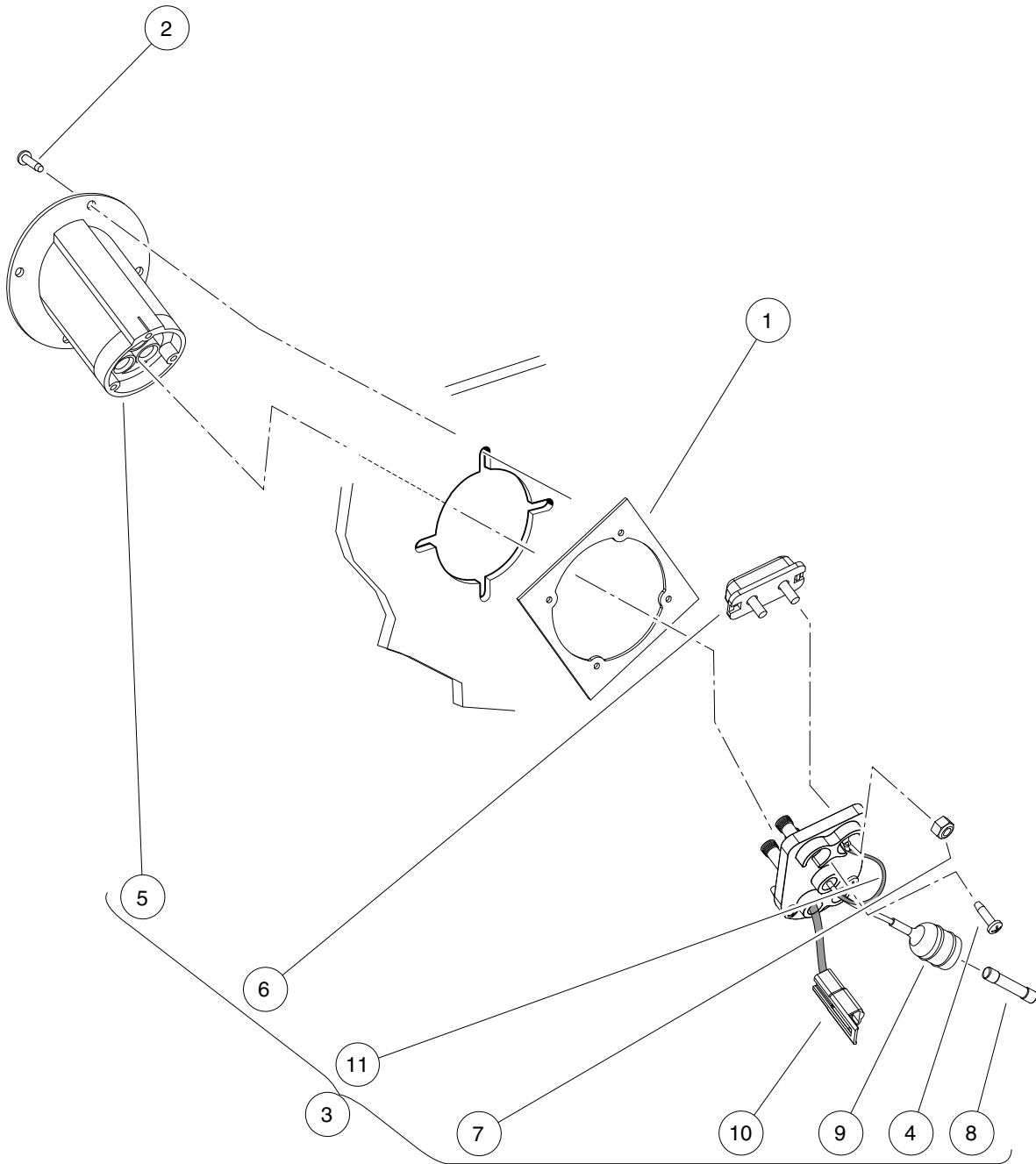
ITEM	PART NO.	DESCRIPTION	QTY
		1 2 3 4	
1	1013357	Rivet, 5/32 Aluminum Pop .....	2
2	1016356	Terminal Block with Insulator .....	1
3	102196901	Dust Cap .....	1
4	102440901	Wire Asm, #4 Yellow, 13" .....	1
5	102572401	Nut, Diagnostic Port, Prec .....	1
6	103218601	Harness, Diagnostic Port .....	1
7	103698601	Harness, Power, Ca6 Iq Plus (includes items 8 through 12) .....	1
8	N/A	Asm, #4 Grn Wire, 89" .....	1
9	N/A	Asm, #4 Wht Wire, 88.5" .....	1
10	N/A	Asm, #10 Org Wire, 89.5" .....	1
11	N/A	Asm, #10 Blu Wire, 95.5" .....	1
12	N/A	Asm, #4 Red Wire, 67.5" .....	1
13	103772101	Charg Harness Iqplus,shelf 480 .....	1
14	103940701	Harness, Wire, CA6, Vill 6, IQ Plus, MCOR3/4 .....	1
		Note: Wire Harness (item 14) is for use with MCOR3 and MCOR4.	

13

E

**13**

**E**



000369-002



# BATTERY CHARGER RECEPTACLE

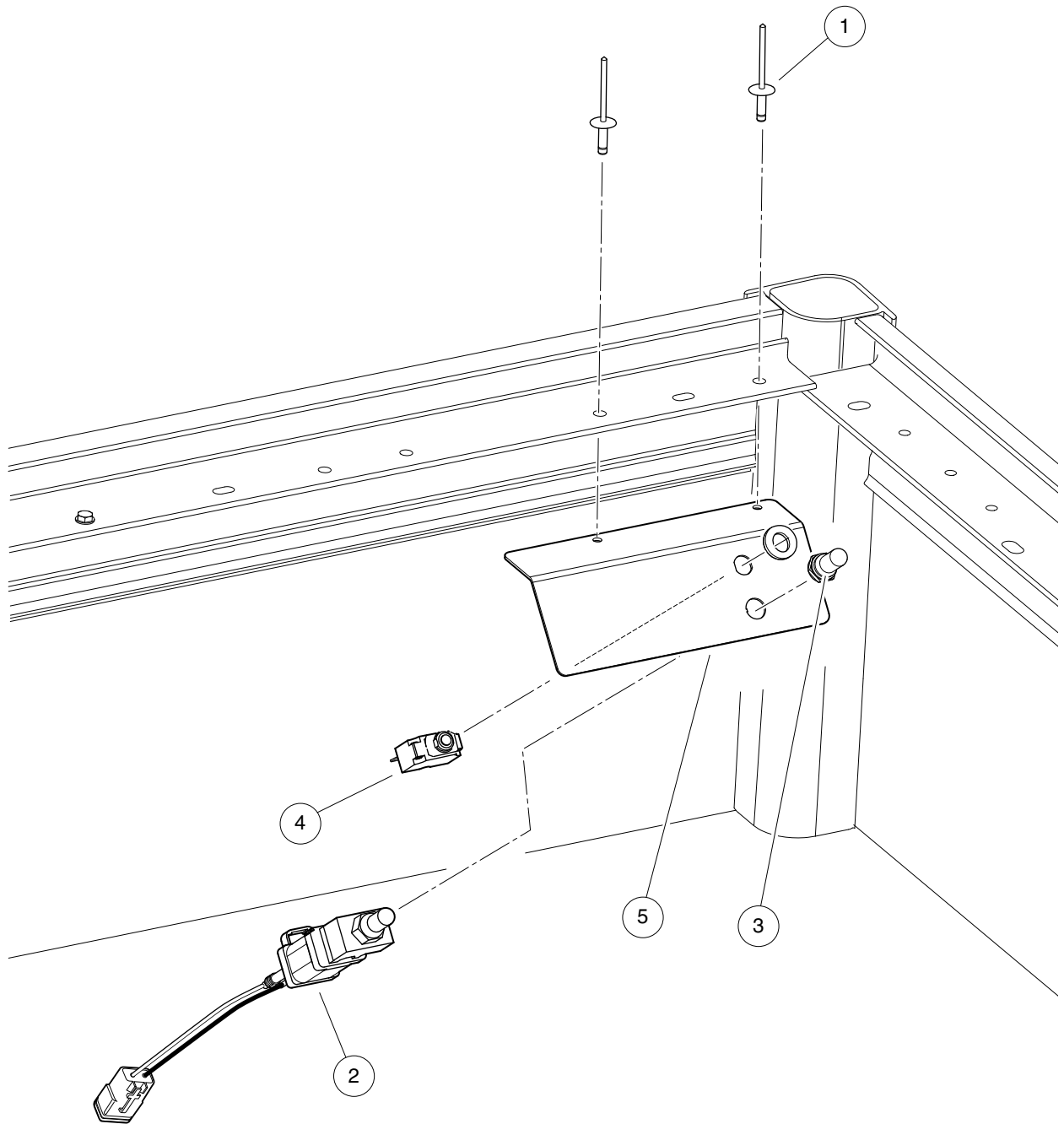
ITEM	PART NO.	DESCRIPTION	QTY
		1 2 3 4	
1	101801001	Plate, Receptacle Backing .....	1
2	101832001	Screw, #7-19 X 0.625 Phillips Pan-Head Tap .....	4
3	103771901	Asm, Fuse & Receptacle, 480 (includes items 4 through 11) .....	1
4	1017705	Screw, #8 X 5/8 Phillips Pan-Head Type AB .....	3
5	101796501	Receptacle .....	1
6	101796801	Fuse Assembly (includes item 7) .....	1
7	1013061	Locknut, #10-32 Nylon Insert .....	2
8	101894901	Fuse, 3/8-Amp .....	1
9	N/A	Wire Assembly, Sense Lead, Gray .....	1
10	N/A	Wire Assembly, #10 Red .....	1
11	N/A	Wire Assembly, #10 Black .....	1

13

E

13

E



002520-003

# TOW/RUN SWITCH AND CIRCUIT-BREAKER – IQ PLUS

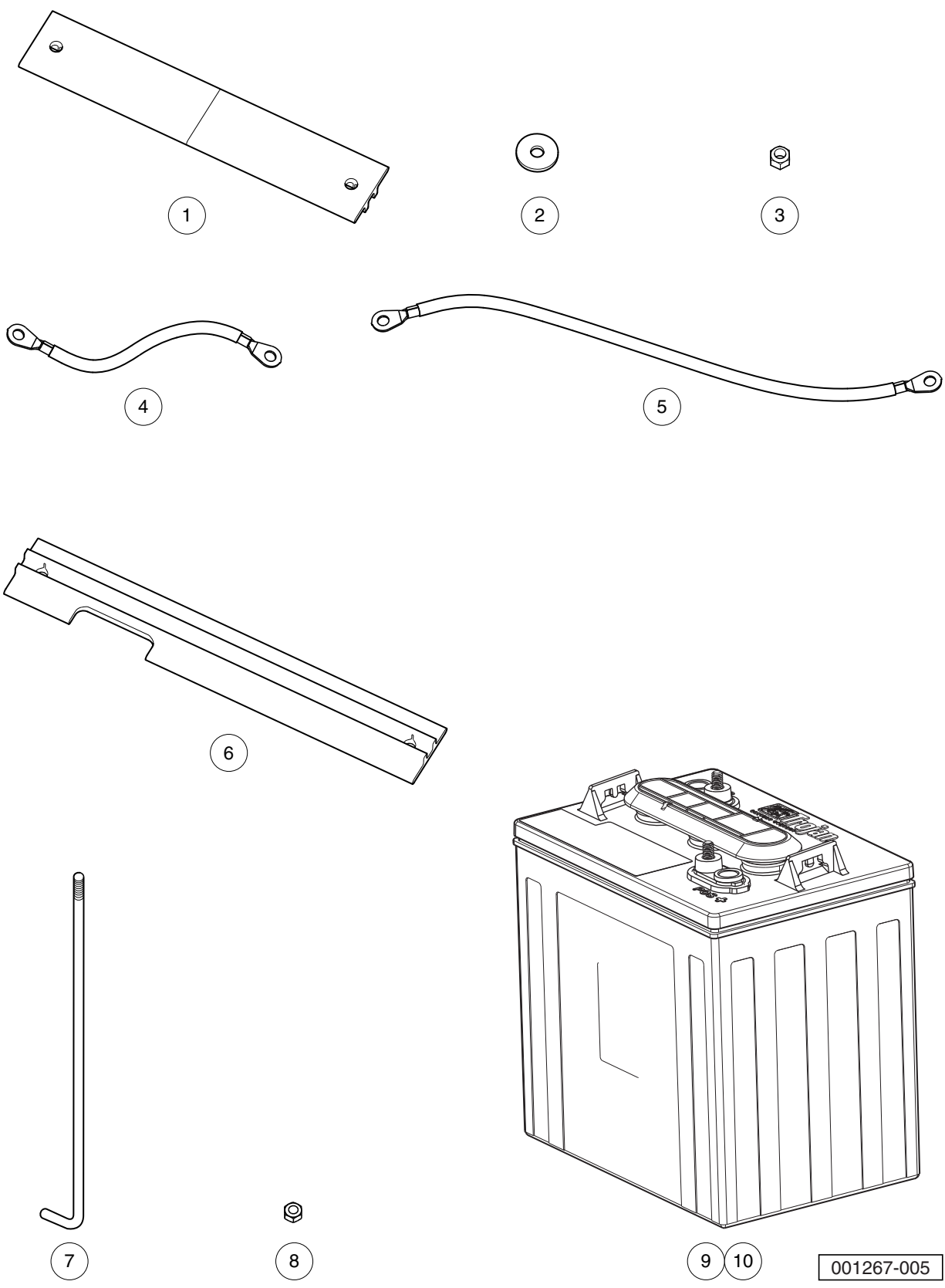
ITEM	PART NO.	DESCRIPTION	QTY
		1 2 3 4	
1	1015392	Rivet, 3/16 Pop .....	2
2	101908101	Switch Assembly, Tow/Run .....	1
3	101908401	Boot, Switch .....	1
4	102838101	Circuit Breaker, 20 Amp .....	1
5	102915701	Plate, Switch, Run Tow, Mode .....	1

13

E

13

E



001267-005

## BATTERIES, 6-VOLT, STANDARD DUTY, TROJAN

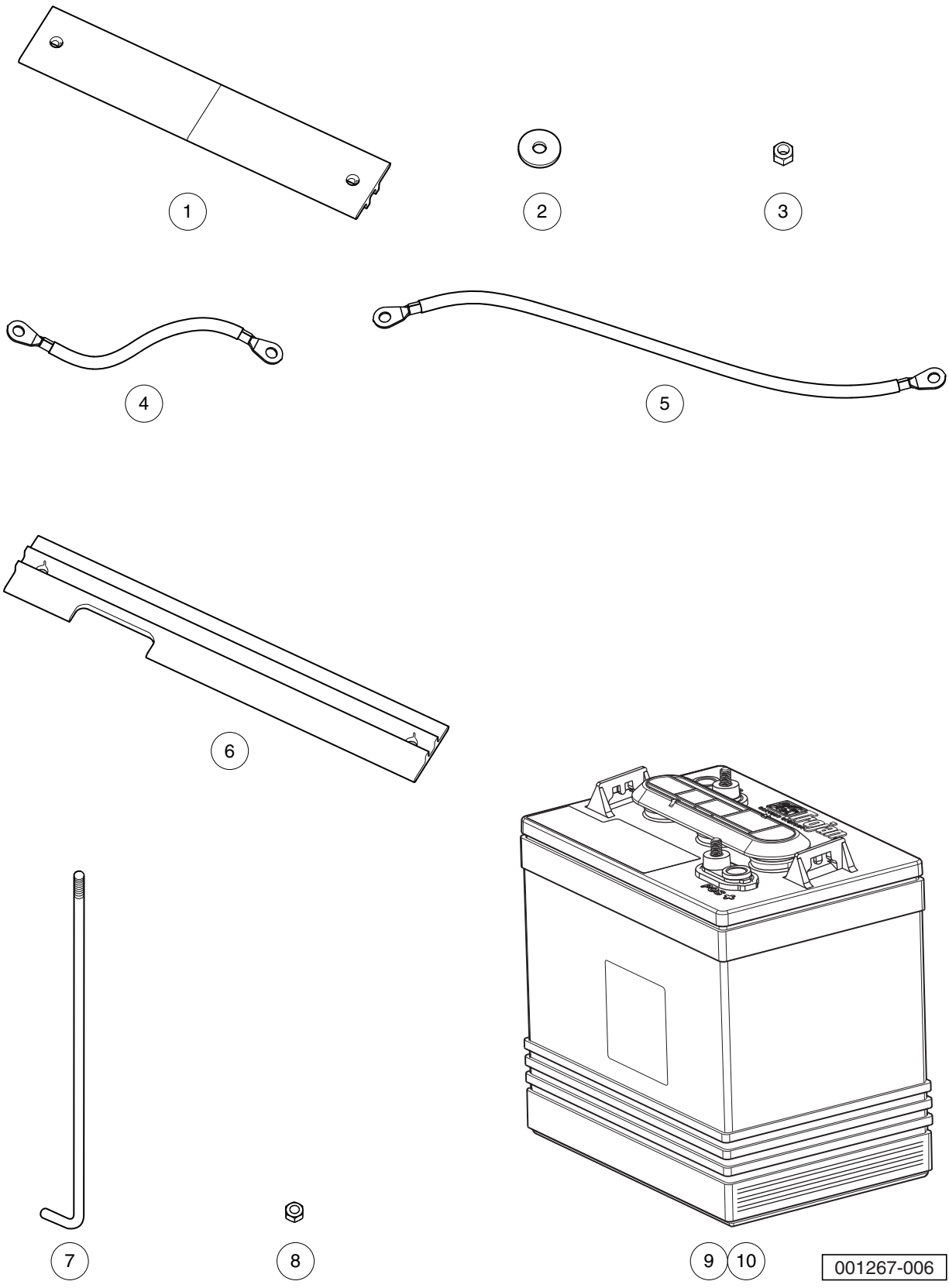
ITEM	PART NO.	DESCRIPTION	QTY
		1 2 3 4	
1	101090801	Hold-Down, Battery .....	4
2	1012571	Washer, 5/16 Extra Thick Flat .....	12
3	1015072	Locknut, 5/16-18 Nylon Insert .....	12
4	102002901	Wire Assy, #4 Black .....	4
5	102764001	Wire Asm, #4 Black .....	3
6	102766201	Hold Down, Outside .....	2
7	102845203	Rod, Battery Hold Down 10.7" .....	12
8	102873401	5/16-18 Heavy Hex Nut .....	16
9	103969601	Battery, 6-Volt, Trojan T105 (Wet) (includes item 10) .....	8
10	101831401	Battery Cap 6 Volt .....	1

13

E

13

E



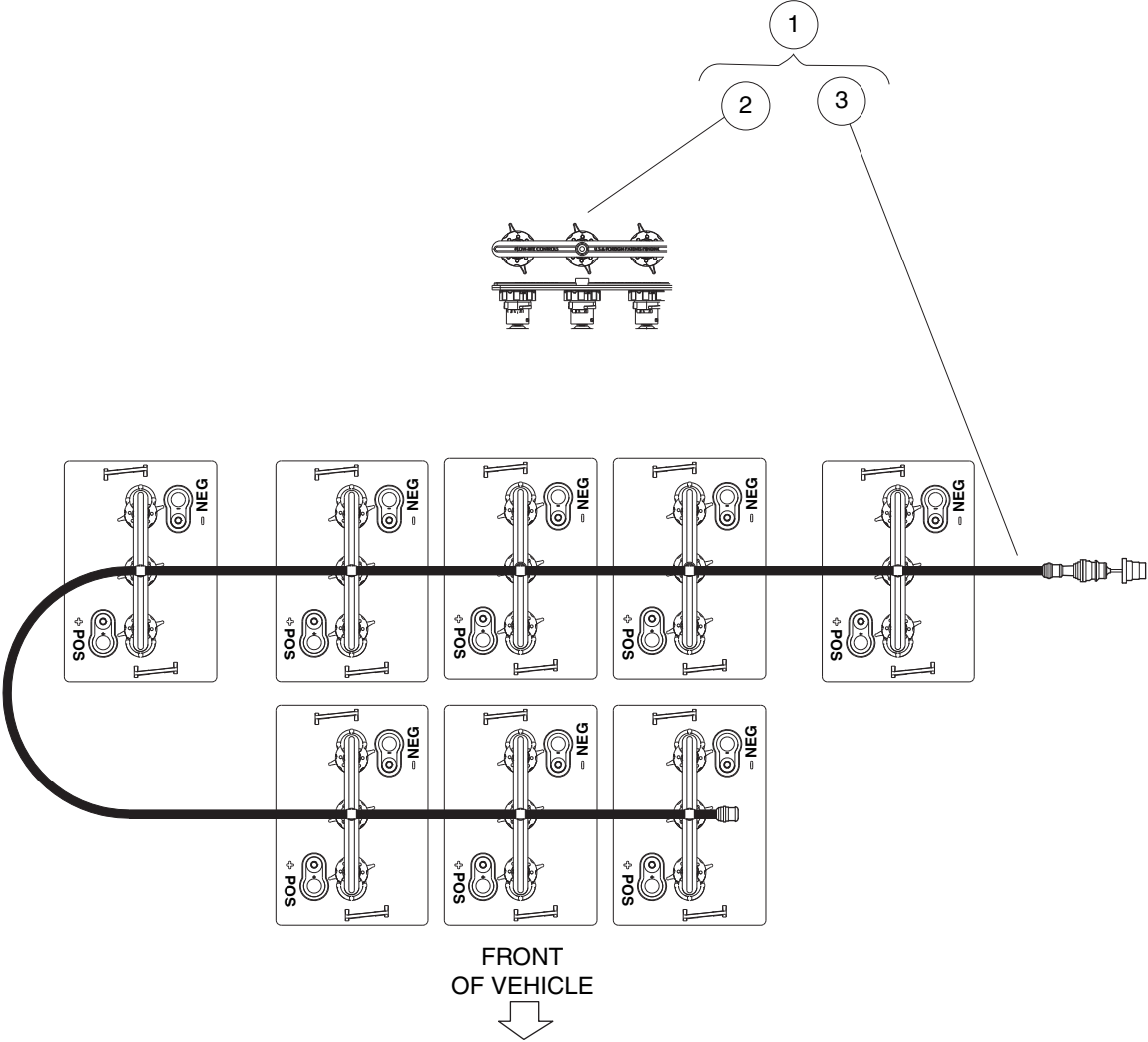
001267-006

## BATTERIES, 6-VOLT, HEAVY DUTY, TROJAN

ITEM	PART NO.	DESCRIPTION	QTY
		1 2 3 4	
1	101090801	Hold-Down, Battery .....	4
2	1012571	Washer, 5/16 Extra Thick Flat .....	12
3	1015072	Locknut, 5/16-18 Nylon Insert .....	12
4	102002901	Wire Assy, #4 Black .....	4
5	102764001	Wire Asm, #4 Black .....	3
6	102766201	Hold Down, Outside .....	2
7	102845204	Rod, Battery Hold Down 12" .....	12
8	102873401	5/16-18 Heavy Hex Nut .....	16
9	103969701	Battery, 6-Volt, Trojan T145 (Wet) (includes item 10) .....	8
10	101831401	Battery Cap 6 Volt .....	1

13

E



002524-001



# SINGLE POINT WATERING SYSTEM, 6V

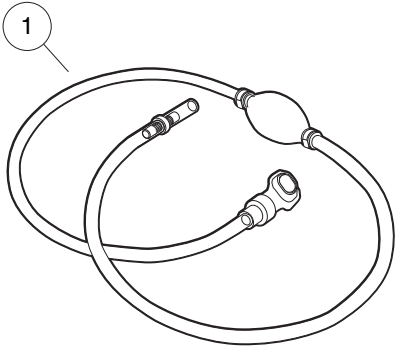
ITEM	PART NO.	DESCRIPTION	QTY
		1 2 3 4	
1	103497702	Kit, Spws, 8x6v (includes items 2 and 3) .....	1
2	103510501	Manifold, Lpr, 3 Vlve, Spw .....	8
3	103942601	Spws, Carryall, 8x6v .....	1
		Note: For 6-Volt batteries only.	

13

E

**13**

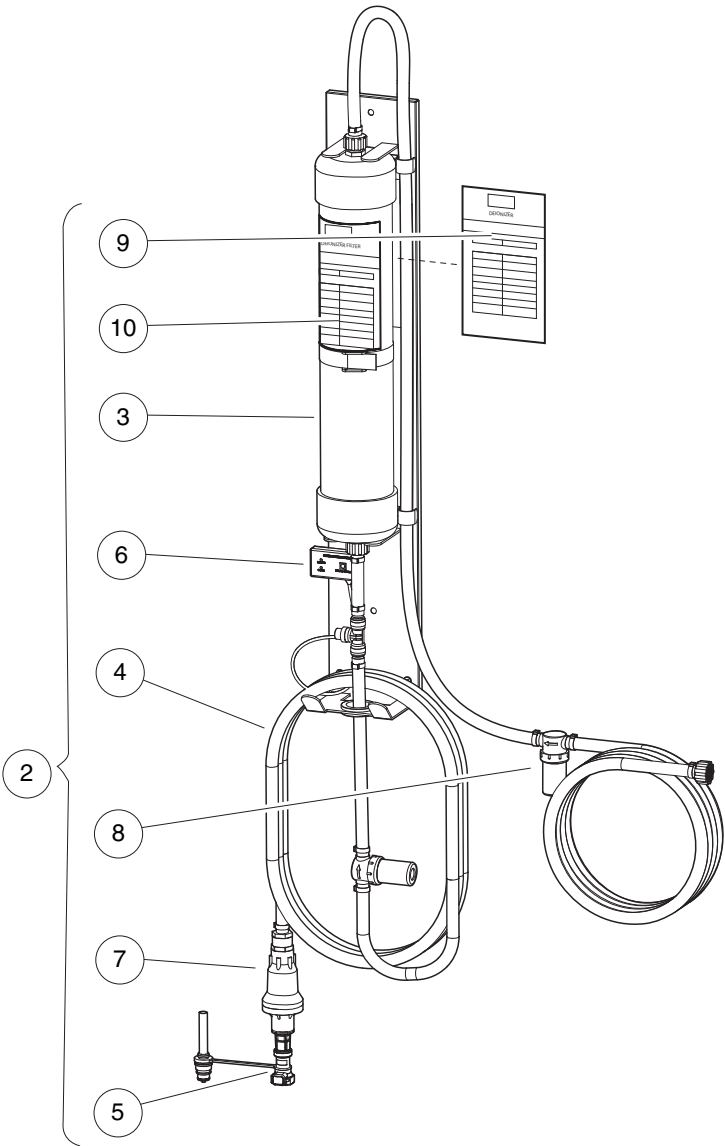
**E**



11



12



002523-003

# HAND PUMP AND DEIONIZER (BATTERY-POWERED QUALITY LIGHT)

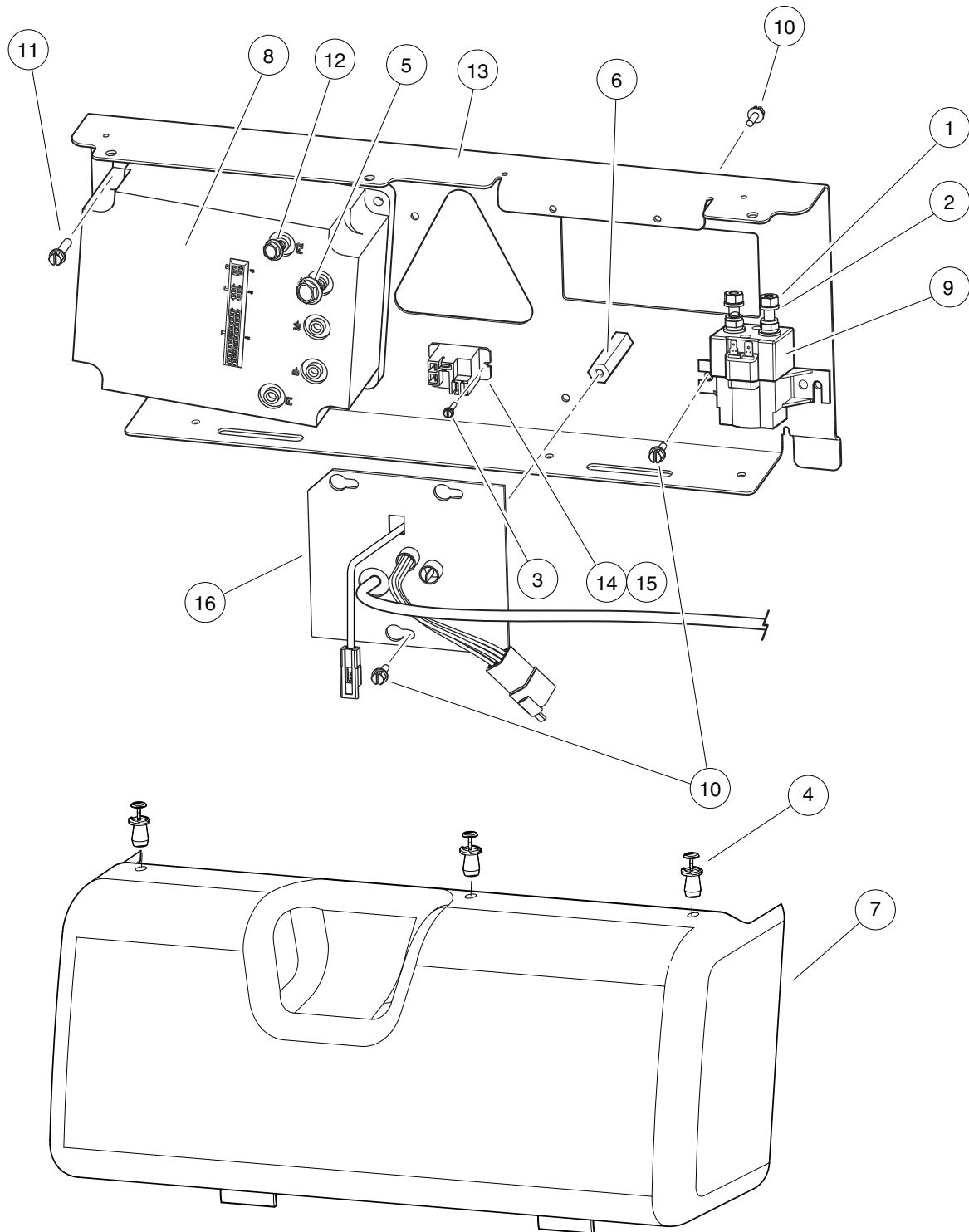
ITEM	PART NO.	DESCRIPTION	QTY
		1 2 3 4	
1	104006101	Kit, Hand Pump, Spws .....	1
2	105166801	Deionizer, w/Battery-Powered Water Quality Light (includes items 3 through 10) .....	1
3	104005901	Cartridge, Deionizer .....	1
4	105166901	Hose,outlet,deionizer .....	1
5	105167001	Flow Ind, W/coupler, Deionizer .....	1
6	105167101	Light, Quality, Battery-Powered, w/T-Fitting .....	1
7	105168501	Regulator, Pressure, Deionizer .....	1
8	105168601	Strainer, In-line, Deionizer .....	1
9	AM1300001	Decal, Filter Log, Blue .....	1
10	AM1300201	Decal, Inspect Log, Yellow .....	1
11	AM1300101	Decal, Filter Log, Blue, Pack of 100 .....	A/R
12	AM1300301	Decal, Inspect Log, Yellow, Pack of 100 .....	A/R

13

E

13

E



001246-002

# COMPUTER, CONTROLLER, AND SOLENOID – FOR TROJAN BATTERIES

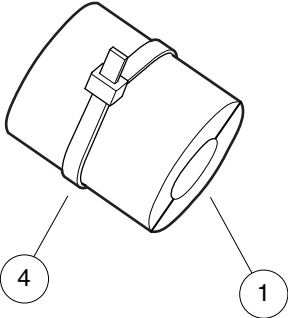
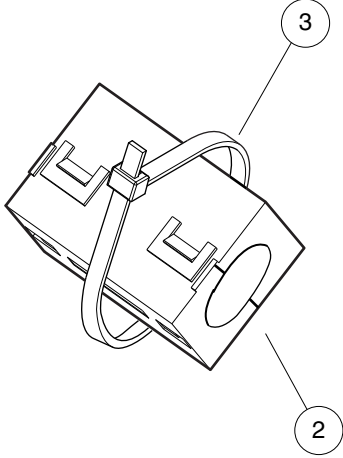
ITEM	PART NO.	DESCRIPTION	QTY
		1 2 3 4	
1	1012528	Nut, M8-1.25 Hex .....	2
2	1013734	Lockwasher, 8mm Split .....	2
3	1015720	Screw, #6-32 X 1/2 Hex Washer-Head .....	2
4	1016967	Blind Rivet, Push Type .....	3
5	102240501	Bolt, Controller, Terminal .....	3
6	102769701	Spacer, 2", 1/4-20, Hex .....	1
7	102772402	Cover, Electrical Component, Carryall 6 .....	1
8	102774501	Controller, 500 Amp .....	1
9	102774701	Solenoid, 48v .....	1
10	102817101	Screw, 1/4-20 X .50 Hex Wsh Hd .....	6
11	102817201	Screw, 1/4-20 X .88 Hex Wsh Hd .....	4
12	102859501	Screw, M6 X 1 X 20 Ser Hex Flg .....	2
13	102912801	Plate, Component, Front .....	1
14	103414901	Kit, Relay, 48v 30a W/instr (includes item 15) .....	1
15	103397901	Relay, Spst No, 48v 30a, Pmt .....	1
16	103709207	Obc, Iqplus, A1, 116", 480 .....	1

13

E

13

E



001055-001

# FERRITE BEADS, CE

ITEM	PART NO.	DESCRIPTION	QTY
		<b>1 2 3 4</b>	
1	103449501	Bead, Ferrite, Tdk .....	A/R
2	103449601	Bead, Ferrite, Fair-rite .....	A/R
3	8639	Tie Wrap, 11" Nylon .....	A/R
4	8990	Tie Wrap, 8" Nylon .....	A/R

**13**

**E**

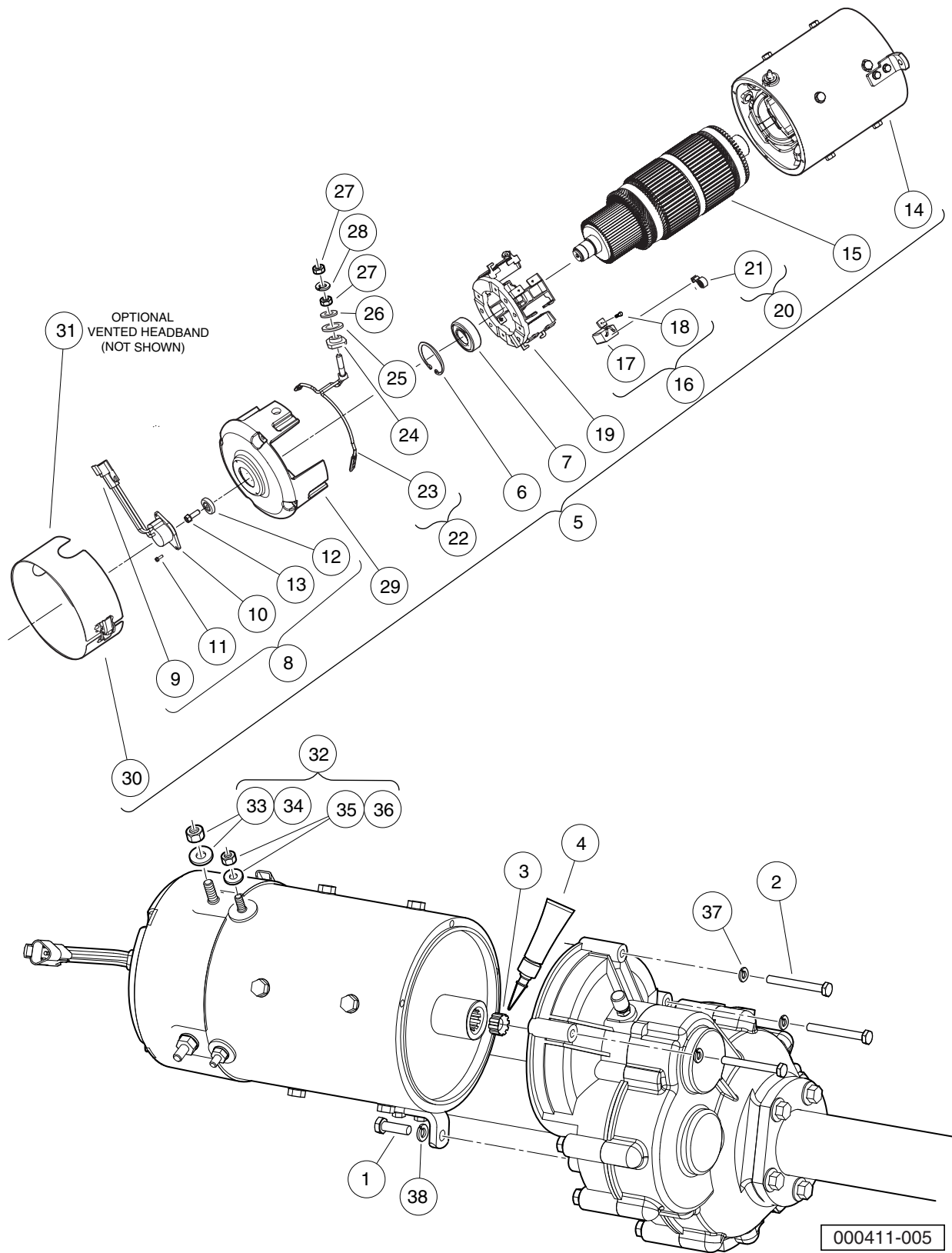
**13**

***E***



# MOTOR (MODEL DA5-4006) – IQ PLUS

---



# MOTOR (MODEL DA5-4006) – IQ PLUS

ITEM	PART NO.	DESCRIPTION	QTY
		<b>1 2 3 4</b>	
1	1010934	Screw, 5/16-18 X 1.00 Hex Cap .....	1
2	1014201	Screw, 1/4-20 X 2.25 Hex Cap .....	3
3	102235201	Bumper, Drive Unit .....	1
4	102243403	Lubricant, Moly-Teflon (Single-Use Tube) .....	1
5	102775101	IQ Plus Electric Motor, 48-VDC 3.7 hp (includes items 6 through 30) .....	1
6	N/A	Ring, 2.24" Internal Retaining .....	1
7	102186401	Bearing, Ball .....	1
8	102704901	Kit, Speed Sensor (includes items 9 through 13) .....	1
9	101942301	Kit, 3-Pin Wedge Lock .....	1
10	N/A	Sensor, Motor Speed, ADC .....	1
11	N/A	Screw, #8-32, Taptite Thread .....	2
12	N/A	Magnet, ADC Motor .....	1
13	N/A	Screw, 1/4-20 x 0.5 .....	1
14	N/A	Asm, Frame And Field, 3.7 Hp .....	1
15	N/A	Armature (Includes external hardware not shown) .....	1
16	102938601	Kit, Brush, 3.7 Hp (includes items 17 and 18) .....	1
17	N/A	Brush, Motor .....	8
18	N/A	Screw, Taptite .....	8
19	102938701	Asm, Brush Box, 3.7 Hp .....	1
20	102938801	Kit, Brush Spring, 3.7 Hp (includes item 21) .....	1
21	N/A	Brush Spring .....	8
22	102938901	Kit, Brush Lead Asm, 3.7 Hp (includes items 23 through 28) .....	1
23	N/A	Terminal and Lead Assembly .....	2
24	N/A	Insulator, Terminal .....	2
25	N/A	Washer, Insulating .....	2
26	N/A	Washer, Flat, 5/16, Brass/Bronze .....	2
27	N/A	Nut, 5/16, Steel .....	4
28	N/A	Lockwasher, 5/16, Steel .....	2
29	102939001	Commutator End Head, 3.7 Hp .....	1
30	102939101	Sealed Headband, 3.7 Hp .....	1
31	102939102	Vented Headband, 3.7 HP (optional - not shown) .....	1
32	102951701	Pkg, Terminal Hardware, 3.7hp (includes items 33 through 36) .....	1
33	N/A	Nut, 5/16, Steel .....	2
34	N/A	Lockwasher, 5/16, Steel .....	2
35	N/A	Nut, 1/4-20, Steel .....	2
36	N/A	Lockwasher, 1/4-20, Steel .....	2
37	451	Lockwasher, 1/4 Split .....	3
38	7174	Lockwasher, 5/16 Split .....	1

**14**

**E**

**14**

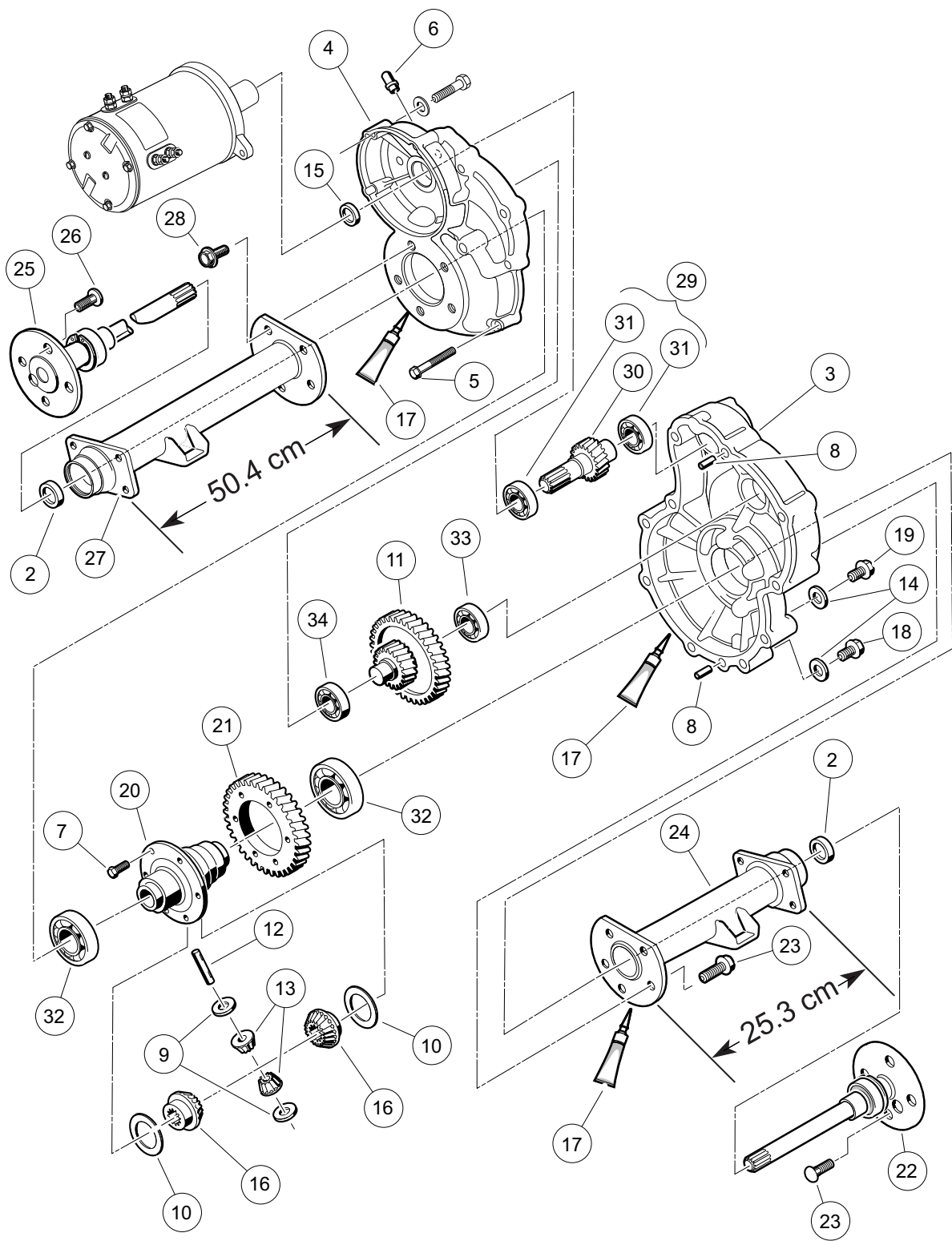
***E***

# TRANSAXLE – ELECTRIC VEHICLES

---

15

E



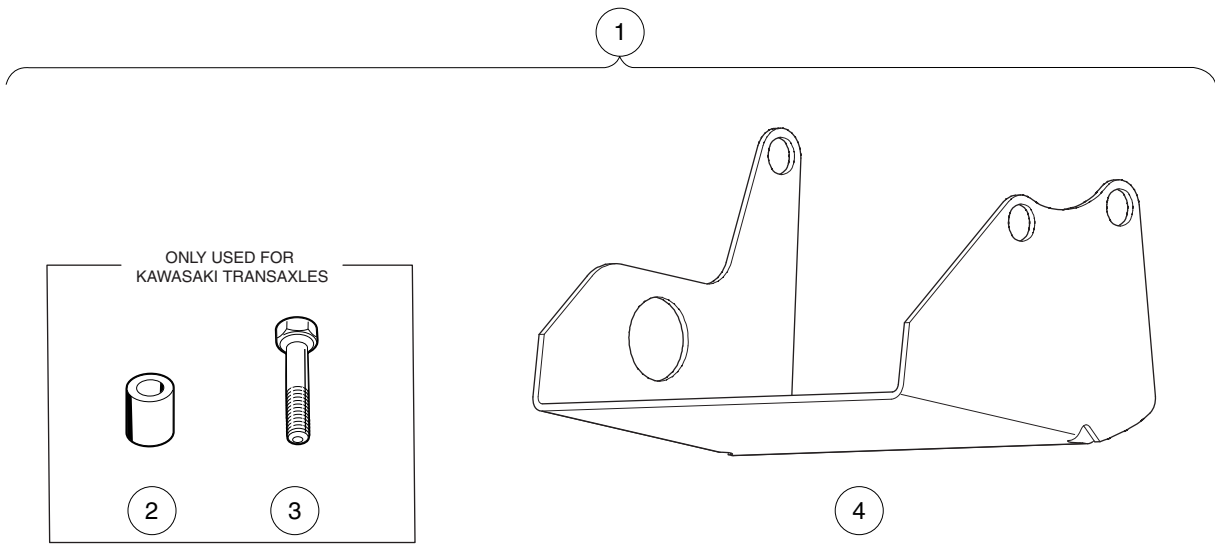
000223-005

# TRANSAXLE – ELECTRIC VEHICLES

ITEM	PART NO.	DESCRIPTION	QTY
		<b>1 2 3 4</b>	
1	102771701	Transaxle, Electric (includes items 2 through 34) .....	1
2	1013794	Axle Shaft Oil Seal .....	2
3	101895401	Gear Case, Driver-Side .....	1
4	101895501	Gear Case, Passenger-Side .....	1
5	101897001	Screw, M8-1.25 X 60mm Hex-Head .....	11
6	101897201	Breather .....	1
7	101897401	Screw, M10-1.25 X 25mm .....	6
8	101897601	Pin, 11mm OD X 8.5mm ID X 10mm .....	2
9	101903601	Washer, Thrust .....	2
10	101903701	Washer, Thrust .....	2
11	101906901	Intermediate Shaft Assembly .....	1
12	101922101	Pin, 15.99mm X 88.7mm Dowel .....	1
13	101923001	Gear, Differential Idler .....	2
14	101923201	Gasket .....	2
15	101923501	Seal, Lip .....	1
16	101923901	Gear, Differential .....	2
17	101928701	Liquid Gasket (Transaxle case) .....	1
18	101972101	Plug, M14-1.5 X 12mm Magnetic .....	1
19	101972201	Plug, M14-1.5 X 12mm Hex .....	1
20	102356601	Housing, Differential, 6 Bolt .....	6
21	102356801	Gear, Differential Output, 6-Bolt .....	6
22	102886301	Axle Assembly, Driver-Side (includes item 23) .....	1
23	101922201	Lug Stud .....	4
24	102886401	Tube, Axle, Driver-Side .....	1
25	102886501	Axle Assembly, Passenger-Side (includes item 26) .....	1
26	101922201	Lug Stud .....	4
27	102886601	Tube, Axle, Passenger-Side .....	1
28	102902801	Screw, M10 X 30 .....	10
29	103582801	Asm, E Trans Shaft/bearing (includes items 30 and 31) .....	1
30	N/A	Shaft, Input .....	1
31	7335	Bearing .....	2
32	7330	Inner Axle Tube Bearing .....	2
33	7335	Bearing .....	1
34	7336	Bearing .....	1

**15**

**E**



000365-002



## DIFFERENTIAL GUARD – ELECTRIC VEHICLES

ITEM	PART NO.	DESCRIPTION	QTY
		1 2 3 4	
1	101611402	Kit, Differential Guard, Elec Vehicles (includes items 2 through 4) .....	1
2	101914001	Spacer, Steel .....	2
3	101936101	Screw, M10-1.50 X 60mm Hex Cap .....	2
4	101978601	Guard, Differential, Electric Vehicle Transaxle .....	1

15

E

**15**

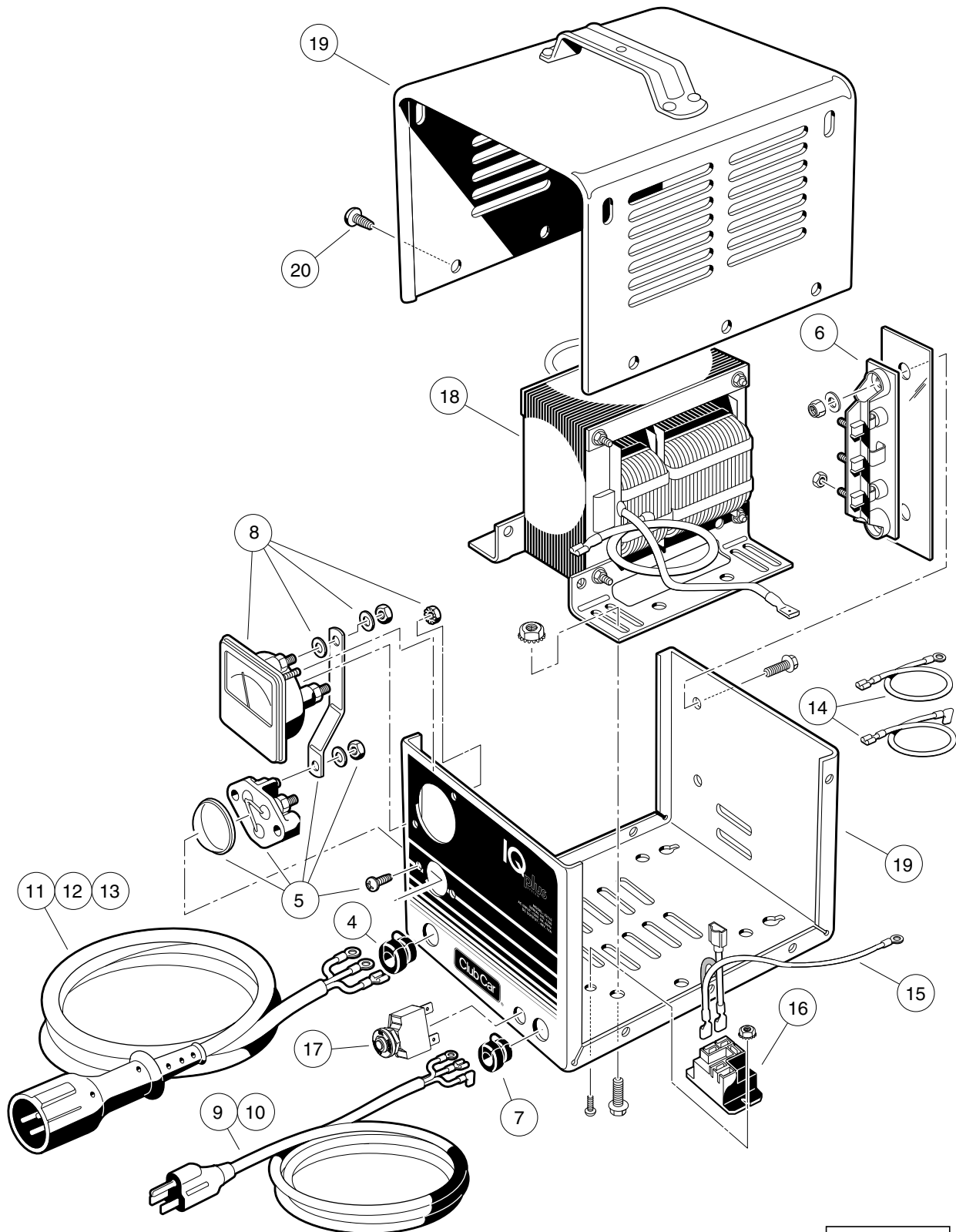
***E***

# BATTERY CHARGERS

---

16

E



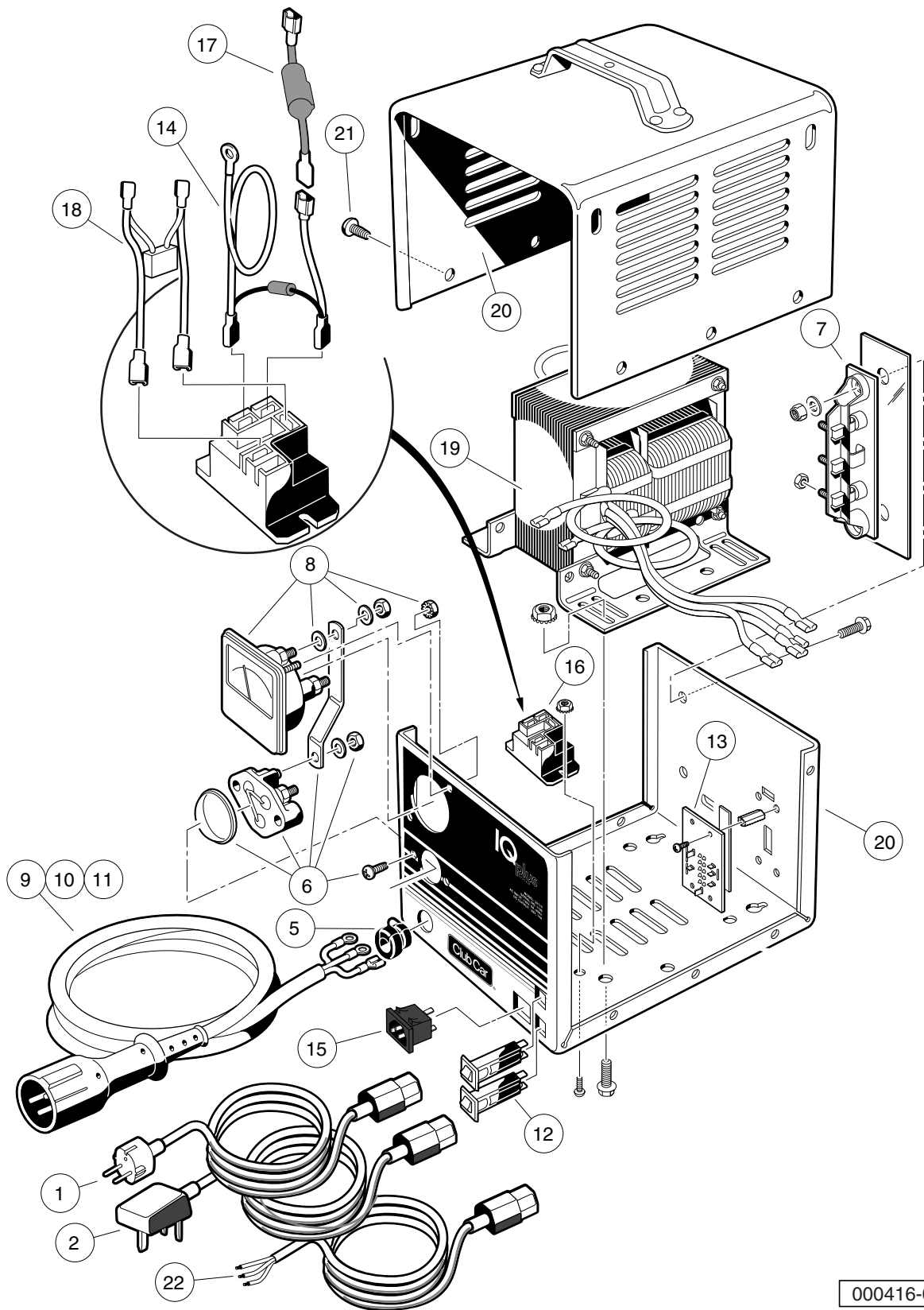
000414-001

# IQ PLUS BATTERY CHARGER (MODELS 25730-11,-18,-19), DOMESTIC

ITEM	PART NO.	DESCRIPTION	QTY
		1 2 3 4	
1	102847801	Charger, IQ Plus, Domestic (9-ft. DC Cord, 6-ft. AC Cord) .....	1
2	102847802	Charger, IQ Plus, Domestic (12-ft. DC Cord, 9-ft. AC Cord) .....	1
3	102847803	Charger, IQ Plus, Domestic (20-ft. DC Cord, 9-ft. AC Cord) (includes items 4 through 20)	1
4	1012098	Bushing, DC Cord .....	1
5	1012101	Fuse Assembly .....	1
6	1015914	Rectifier with Heatsink Assembly .....	1
7	1015917	Bushing, AC Cord .....	1
8	101828501	Ammeter .....	1
9	101828801	Cord, AC, 80-Inch (203 cm) .....	1
10	101828802	Cord, AC, 108-Inch (274 cm) .....	1
11	101828901	Cord, DC, 113-Inch (287 cm) .....	1
12	101828902	Cord, DC, 154-Inch (391 cm) .....	1
13	101828903	Cord, DC, 250-Inch (635 cm) .....	1
14	101831101	Wire Assembly Kit .....	1
15	101914401	Assembly, Voltage Suppressor .....	1
16	102275401	Relay, 48-VDC .....	1
17	102838101	Circuit Breaker 250vac-50vdc .....	1
18	N/A	Transformer, Battery Charger .....	1
19	N/A	Case, Battery Charger .....	1
20	7577	Screw, #10 X 0.50 Phillips Pan-Head .....	10

16

E



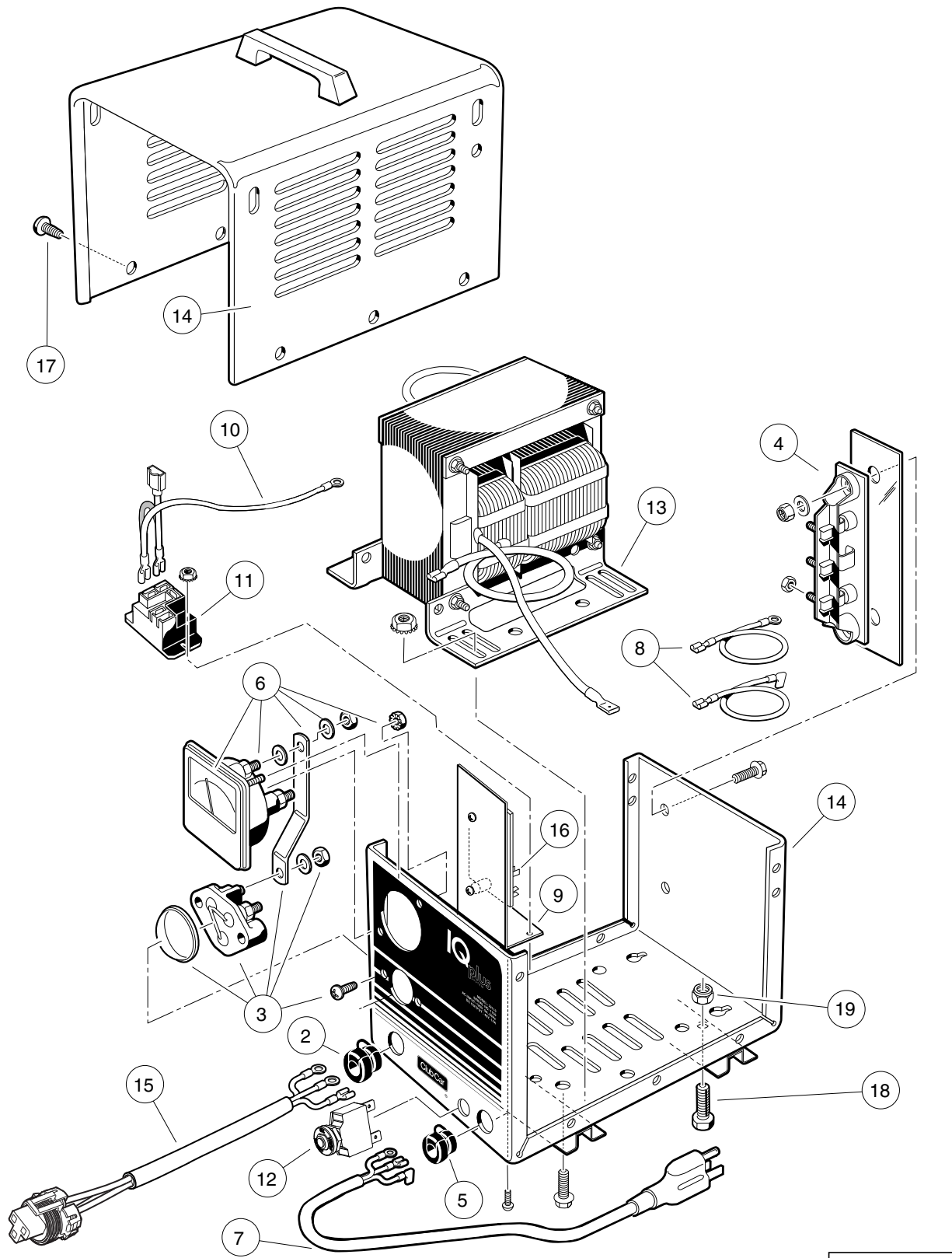
000416-002

# IQ PLUS BATTERY CHARGER (MODELS 25880-11 AND -18), INTERNATIONAL

ITEM	PART NO.	DESCRIPTION	QTY
		1 2 3 4	
1	101958201	Cord, UK, AC, Battery Charger .....	1
2	101958301	Cord, European AC, Battery Charger .....	1
3	102892901	Charger, IQ Plus, International (9-ft. DC Cord) .....	1
4	102892902	Charger, IQ Plus, International (12-ft. DC Cord) (includes items 5 through 21) .....	1
5	1012098	Bushing, DC Cord .....	1
6	1012101	Fuse Assembly .....	1
7	1015914	Rectifier with Heatsink Assembly .....	1
8	101828501	Ammeter .....	1
9	101828901	Cord, DC, 113-Inch (287 cm) .....	1
10	101828902	Cord, DC, 154-Inch (391 cm) .....	1
11	101828903	Cord, DC, 250-Inch (635 cm) .....	1
12	101838401	Circuit Breaker .....	2
13	101838601	Four-Position Switch .....	1
14	101914401	Assembly, Voltage Suppressor .....	1
15	101973501	Receptacle, AC Cord .....	1
16	102275401	Relay, 48-VDC .....	1
17	N/A	Limiter, Current .....	1
18	N/A	Wire Assembly, Battery Charger .....	1
19	N/A	Transformer, Battery Charger .....	1
20	N/A	Case, Battery Charger .....	1
21	7577	Screw, #10 X 0.50 Phillips Pan-Head .....	10
22	102939501	Cord, European AC, Battery Charger .....	1

16

E



000415-002

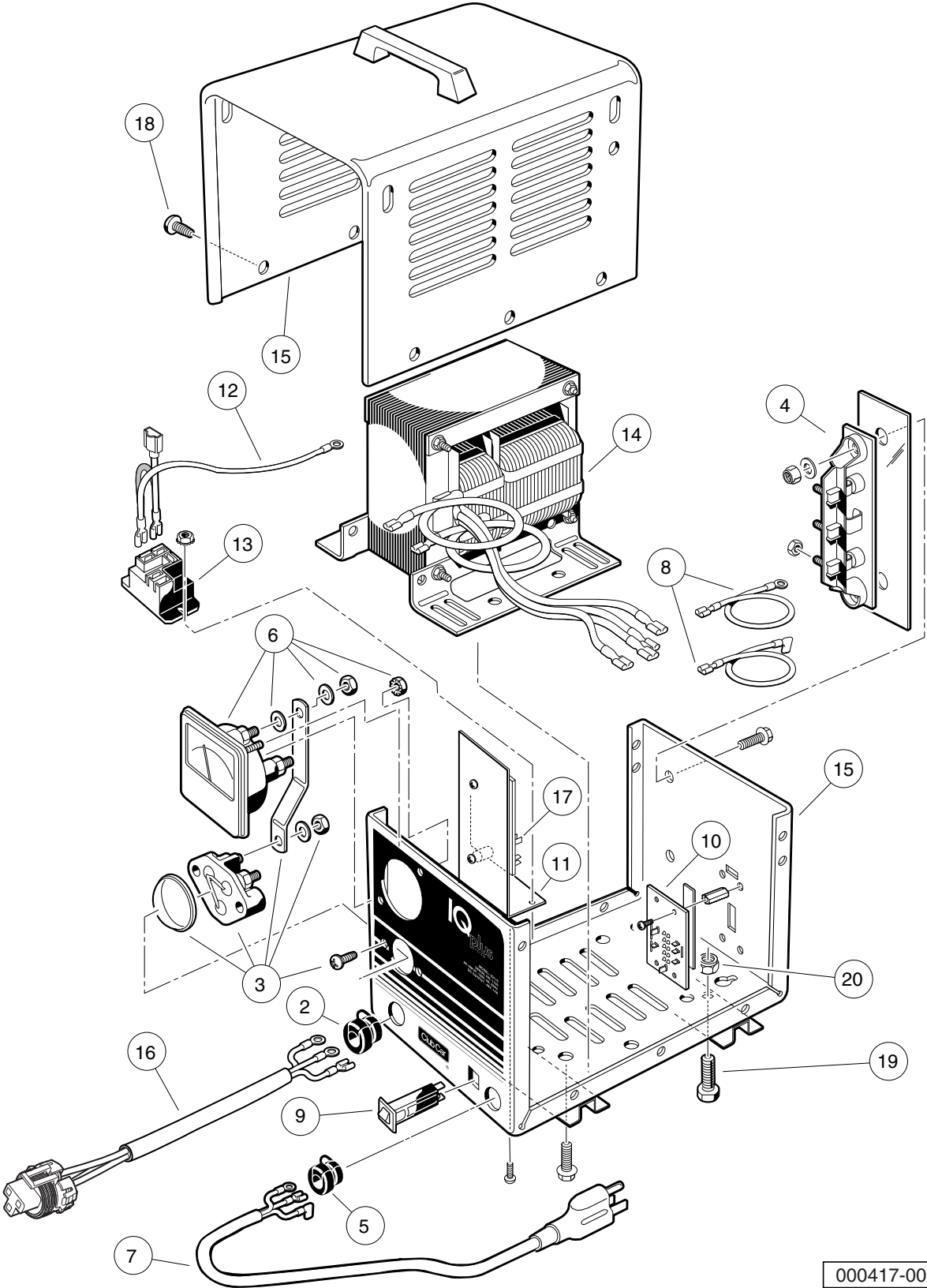


# ONBOARD IQ PLUS BATTERY CHARGER (MODEL 25260-50), DOMESTIC

ITEM	PART NO.	DESCRIPTION	QTY
		1 2 3 4	
1	103772401	Charger, IQ Plus, Onboard, Domestic (includes items 2 through 19) .....	1
2	1012098	Bushing, DC Cord .....	1
3	1012101	Fuse Assembly .....	1
4	1015914	Rectifier with Heatsink Assembly .....	1
5	1015917	Bushing, AC Cord .....	1
6	101828501	Ammeter .....	1
7	101829001	Cord, AC, 22-Inch (56 cm) .....	1
8	101831101	Wire Assembly Kit .....	1
9	101838701	Mounting Bracket, Relay .....	1
10	101914401	Assembly, Voltage Suppressor .....	1
11	102275401	Relay, 48-VDC .....	1
12	102838101	Circuit Breaker, 20 Amp .....	1
13	N/A	Transformer, Battery Charger .....	1
14	N/A	Case, Battery Charger .....	1
15	103832001	Cord, DC, 20", Charger .....	1
16	103869401	Control Board, Potted .....	1
17	7577	Screw, #10 X 0.50 Phillips Pan-Head .....	12
18	7847	Screw, 1/4-20 X 0.75 Hex-Head Cap .....	4
19	8233	Locknut, 1/4-20, Nylon Insert .....	4

16

E



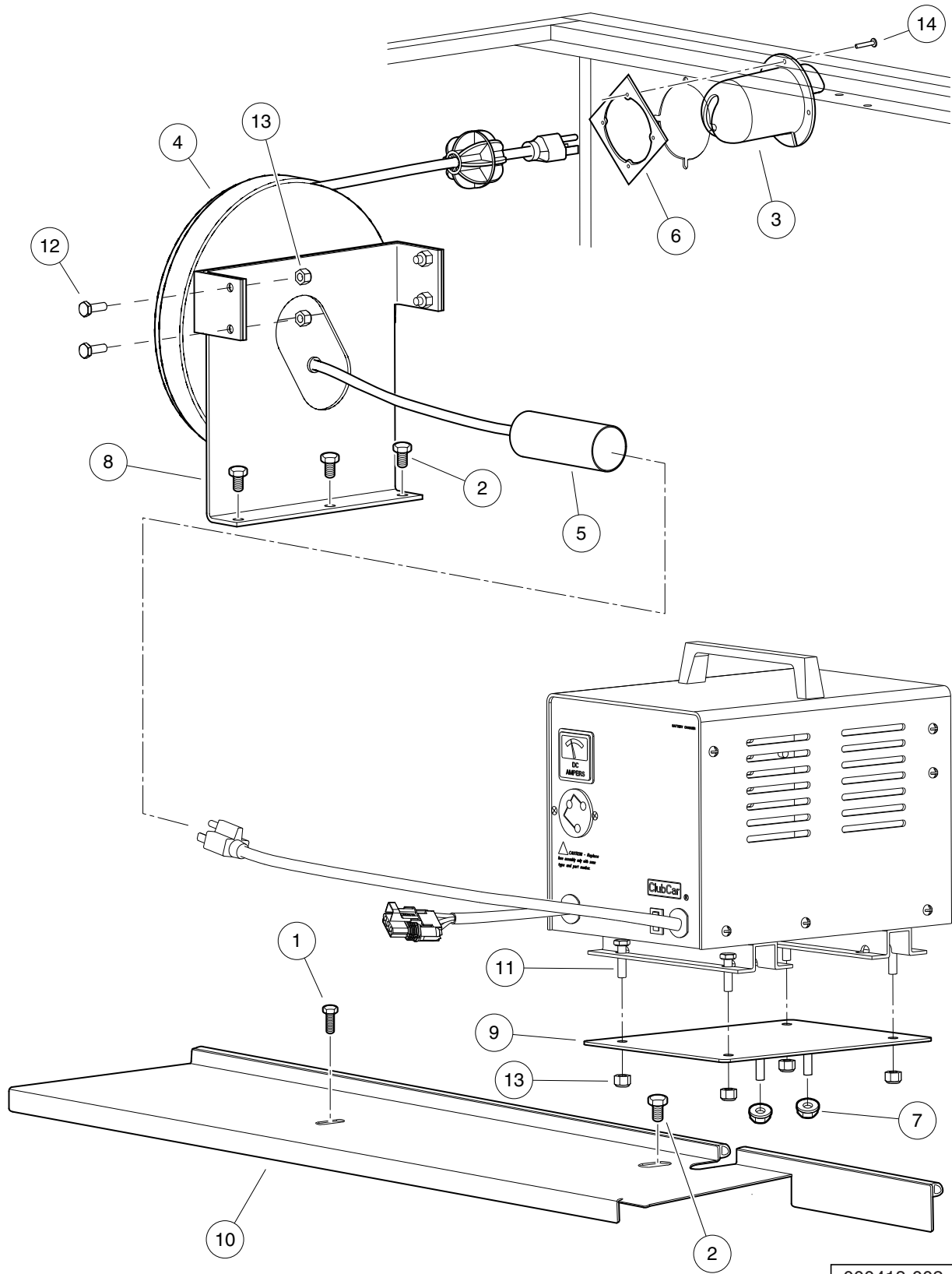
000417-002

# ONBOARD IQ PLUS BATTERY CHARGER (MODEL 25660-50), INTERNATIONAL

ITEM	PART NO.	DESCRIPTION	QTY
		1 2 3 4	
1	103771601	Charger, IQ Plus, Onboard, International (includes items 2 through 20) .....	1
2	1012098	Bushing, DC Cord .....	1
3	1012101	Fuse Assembly .....	1
4	1015914	Rectifier with Heatsink Assembly .....	1
5	1015917	Bushing, AC Cord .....	1
6	101828501	Ammeter .....	1
7	101829001	Cord, AC, 22-Inch (56 cm) .....	1
8	101831101	Wire Assembly Kit .....	1
9	101838401	Circuit Breaker .....	1
10	101838601	Four-Position Switch .....	1
11	101838701	Mounting Bracket, Relay .....	1
12	101914401	Assembly, Voltage Suppressor .....	1
13	102275401	Relay, 48-VDC .....	1
14	N/A	Transformer, Battery Charger .....	1
15	N/A	Case, Battery Charger .....	1
16	103832001	Cord, DC, 20", Charger .....	1
17	103869401	Control Board, Potted .....	1
18	7577	Screw, #10 X 0.50 Phillips Pan-Head .....	12
19	7847	Screw, 1/4-20 X 0.75 Hex-Head Cap .....	4
20	8233	Locknut, 1/4-20, Nylon Insert .....	4

16

E



000418-002

# ONBOARD IQ PLUS CHARGER AND CORD REEL MOUNTING

ITEM	PART NO.	DESCRIPTION	QTY
		1 2 3 4	
1	1014063	Screw, 1/4-20 X 1.00, Hex Head .....	1
2	1014288	Screw, 5/16-18 X 0.75, Thread-Forming .....	4
3	1016673	Housing, Cord Reel .....	1
4	1017187	Retractable Cord Reel .....	1
5	1017189	Heat Shrink Tube 1.5" X 3" .....	1
6	101801001	Plate, Receptacle Backing .....	1
7	101832901	Nut, M10-1.25 Hex Flange .....	2
8	102770701	Bracket, Reel, Tabbed .....	1
9	102942601	Asm, Plate, Charger Mounting .....	1
10	103352701	Asm, Shield, Iq Plus Ob Chgr, .....	1
11	304	Screw, 1/4-20 X 1.0 Hex-Head Cap .....	4
12	7847	Screw, 1/4-20 X 0.75 Hex-Head Cap .....	4
13	8233	Locknut, 1/4-20, Nylon Insert .....	8
14	8796	Screw, #7-19 X 0.75 Pan-Head Type AB .....	4

16

E

**16**

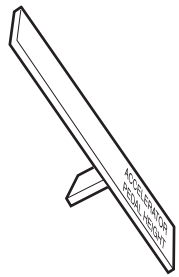
***E***

# MAINTENANCE AND SERVICE TOOLS

---

**17**  
**G**  
**E**

**17**  
**G**  
**E**



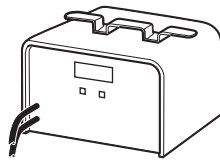
1



2



3



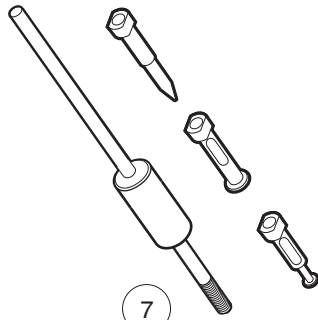
4



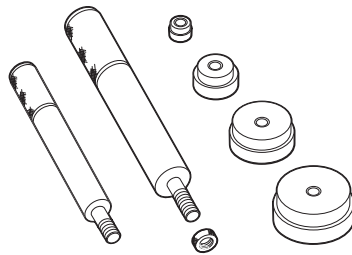
5



6



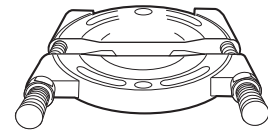
7



8



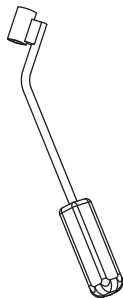
9



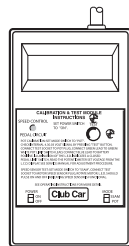
10



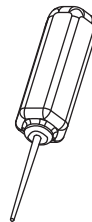
11



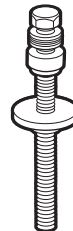
12



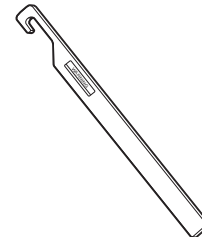
13



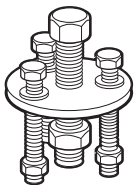
14



15



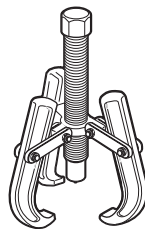
16



17



18



19



20



21

001600-001



# MAINTENANCE AND SERVICE TOOLS

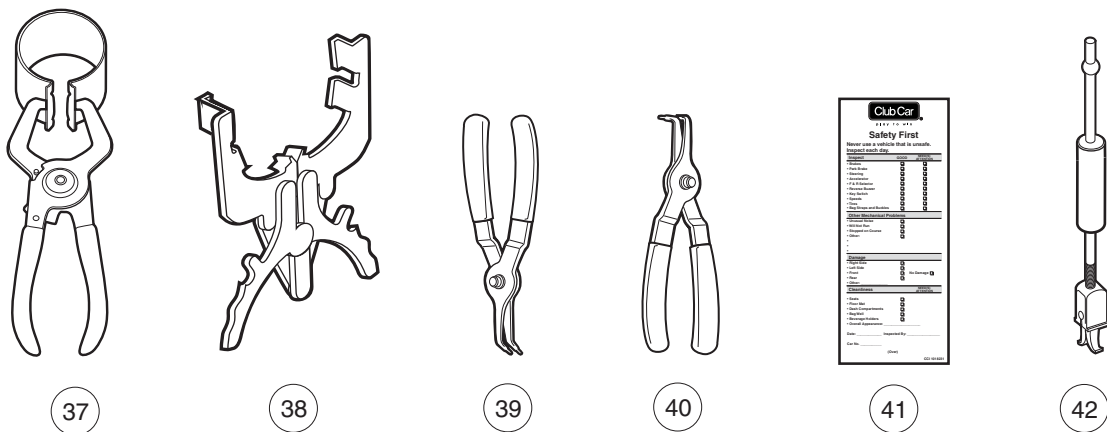
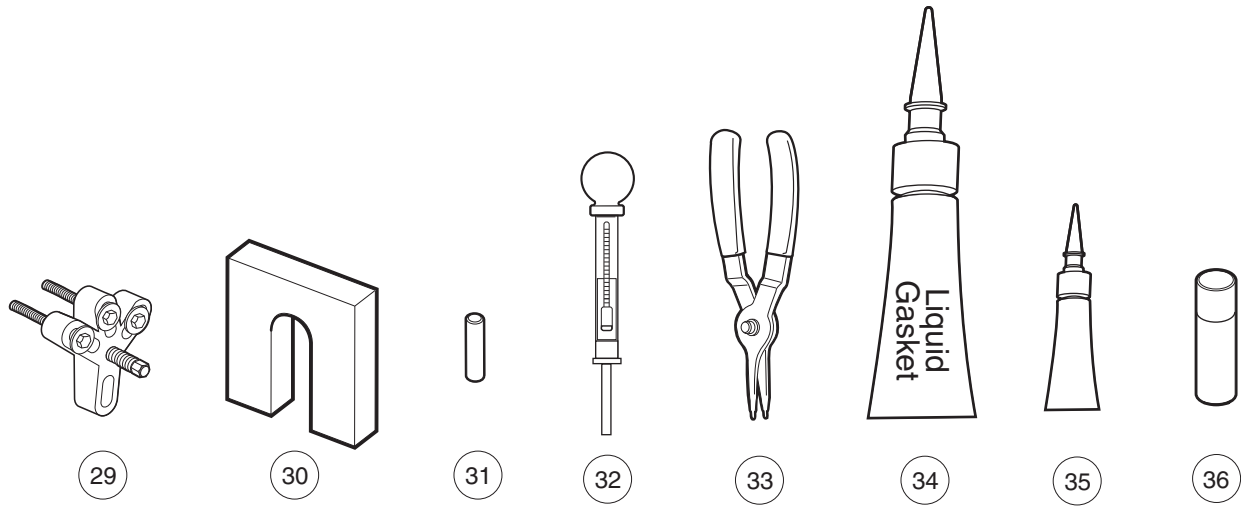
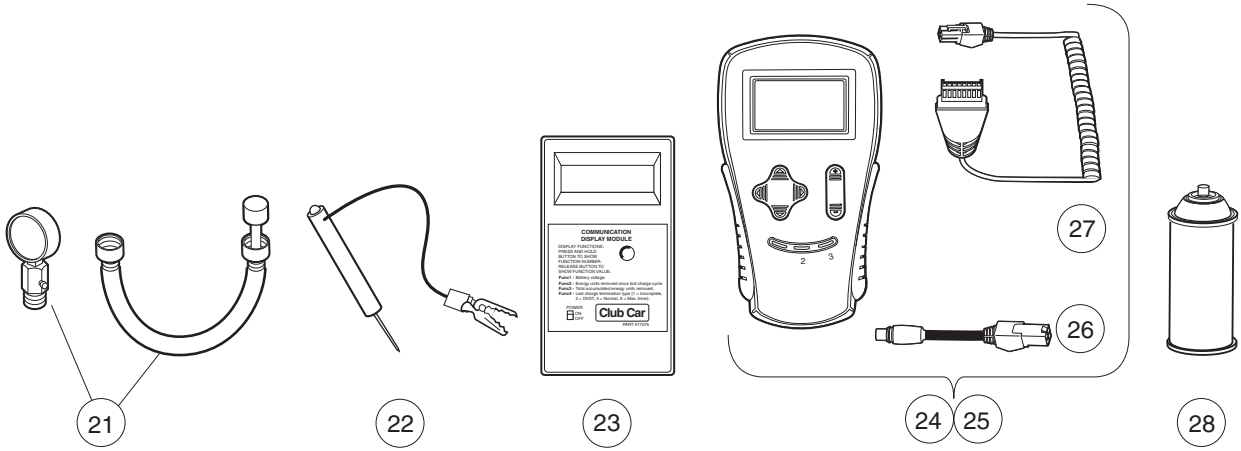
ITEM	PART NO.	DESCRIPTION	QTY GAS	QTY ELEC
		<p><b>1 2 3 4</b></p> <p>The following tool list includes all tools available from Club Car to perform maintenance and service procedures on all electric utility vehicles and all gasoline utility vehicles equipped with Kawasaki FE-series engines. Be sure to carefully examine the tool list for applicability to your vehicle before ordering.</p>		
1	101871001	Accelerator Pedal Adjustment Tool (Utility Vehicles).....	1	1
2	101813202	Adhesive, Guide Ring, 3-Gram Tube .....		1
3	101641202	Arbor .....	1	
4	101831901	Battery Discharge Machine, 36/48 Volt .....		1
5	1014305	Battery Terminal Protector Spray .....	1	1
6	1011767	Battery Thermometer .....	1	1
7	1016417	Bearing and Oil Seal Remover Assembly .....	1	1
8	1016416	Bearing Driver Set .....	1	1
9	1012811	Bearing Puller .....	1	1
10	1012812	Bearing Puller Wedge Attachment .....	1	1
11	1013582	Brake Adjustment Tool (used only on vehicles with manually adjusted mechanical brakes) .....	1	1
12	102555501	Brake Cable Release Tool .....	1	1
13	101887101	Calibration Test Module .....		1
14	102562401	Charger Bezel Tool .....		1
		Clutch Tools (items 14 - 20) .....	1	
15	101808401	Clutch Cam Installation Tool (for Kawasaki engines) .....	1	
16	1015524	Drive Clutch Holder Tool Assembly (for Kawasaki engines) .....	1	
17	1014497	Drive Clutch Hub Puller (for Kawasaki engines) .....	1	
18	1014496	Drive Clutch Puller (for Kawasaki engines) .....	1	
19	1014508	Driven Clutch Cam Puller (for Kawasaki engines) .....	1	
20	1014507	Driven Clutch Puller Plug (for Kawasaki engines) .....	1	
21	101809101	Press Weldment (for Kawasaki engines) .....	1	
		<p>Please refer to the maintenance and service manual for proper tool application.</p>		

**17**

**G**

**E**

**17**  
**G**  
**E**



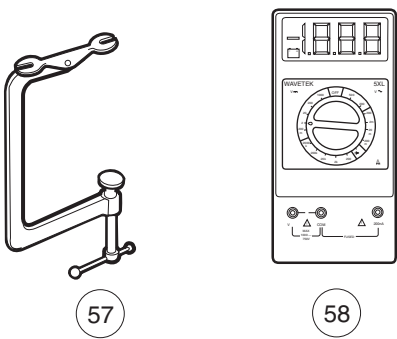
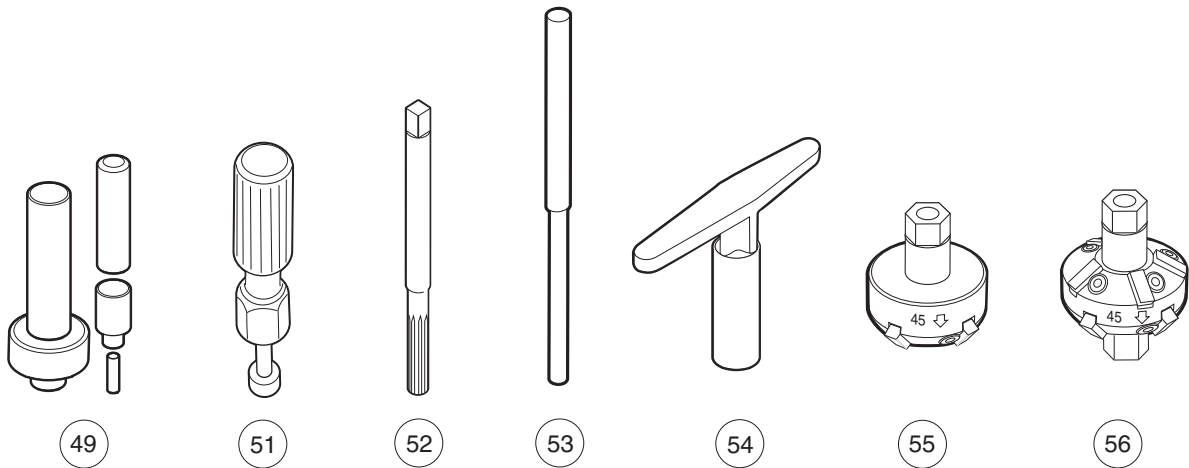
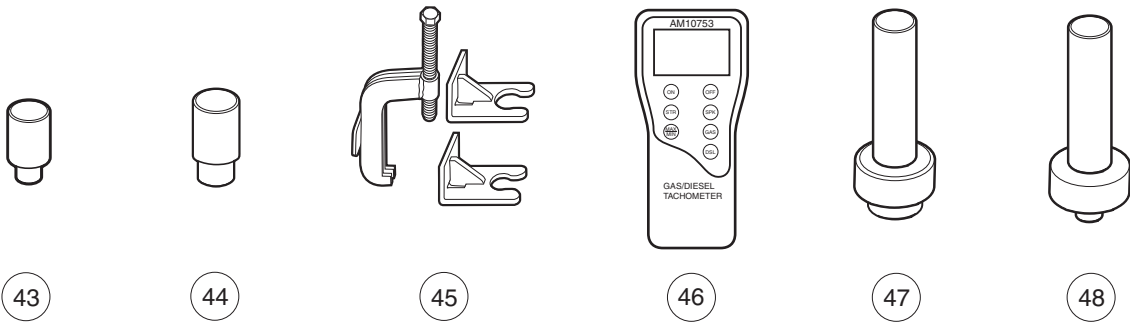
001601-001

## MAINTENANCE AND SERVICE TOOLS, CONTINUED

ITEM	PART NO.	DESCRIPTION	QTY GAS	QTY ELEC
		1 2 3 4		
21	101641002	Compression Gauge and Adapter .....	1	
22	1011273	Continuity Tester .....	1	1
23	101831801	Communication Display Module .....		1
24	102248803	IQ Display Module (IQDM) Kit (IQ System and IQ Plus vehicles) ..... (includes items 54 and 55)		1
25	102248804	IQ Display Module (IQDM-P) Kit (IQ System and IQ Plus vehicles) ..... (includes items 54 and 55)		1
26	102251501	Adaptor, Cable .....		1
27	102241502	IQDM Series 2 Cable .....		1
28	1012151	Dry Moly Lubricant .....	1	1
29	1016627	Flywheel Puller Kit (for Kawasaki Engines) .....	1	
30	1016418	Gear Yoke .....	1	1
31	101933101	Governor Shaft Installation Tool (for Kawasaki Engine Vehicles) .....	1	
32	1011478	Hydrometer .....	1	1
33	1013593	Internal Retaining Ring Pliers .....	1	1
34	101928701	Liquid Gasket (transaxle case) .....	1	1
35	102243402	Moly-Teflon Lubricant (4-oz. (113-gram) tube) .....		1
36	101997201	Paint, Touch-Up ,Äi Beige* .....	1	1
36	101997207	Paint, Touch-Up ,Äi Black* .....	1	1
36	101997212	Paint, Touch-Up ,Äi Burgundy* .....	1	1
36	101997211	Paint, Touch-Up ,Äi Classic Blue (Navy)* .....	1	1
36	101997205	Paint, Touch-Up ,Äi Dark Gray* .....	1	1
36	101997209	Paint, Touch-Up ,Äi Dark Green* .....	1	1
36	101997204	Paint, Touch-Up ,Äi Gray* .....	1	1
36	101997203	Paint, Touch-Up ,Äi Red* .....	1	1
36	101997206	Paint, Touch-Up ,Äi Royal Blue (Pacific Blue)* .....	1	1
36	101997202	Paint, Touch-Up ,Äi White* .....	1	1
37	1016414	Piston Ring Compressor Kit .....	1	
38	1016415	Piston Ring Pliers .....	1	
39	1012549	Retaining Ring Pliers, 45→ External .....	1	1
40	1012560	Retaining Ring Pliers, 90→ Internal .....	1	1
41	101823101	Safety First Card (50 per pack) .....	1	1
42	1012809	Seal Puller .....	1	1
		Please refer to the maintenance and service manual for proper tool application.		

**17**  
**G**  
**E**

**17**  
**G**  
**E**



001602-001

## MAINTENANCE AND SERVICE TOOLS, CONTINUED

ITEM	PART NO.	DESCRIPTION	QTY GAS	QTY ELEC
		1 2 3 4		
43	1014264	Steering Column Bearing Press Tool .....	1	1
44	1014259	Steering Column Retaining Ring Tool .....	1	1
45	102061201	Steering Wheel Puller Tool .....	1	1
46	AM10753	Tachometer (includes gasoline engine pick up lead only) .....	1	
47	1014162	Transaxle Axle Seal Tool (for electric vehicles) .....		1
48	1014161	Transaxle Pinion Seal Tool (for electric vehicles) .....		1
49	1014115	Transmission Tool Kit (for electric vehicles).....		1
50	101611003	Tune-Up Kit, All OHV (for FE290, FE350, FE400 only) (includes air filter, spark plug, oil filter, fuel filters) (not shown) .....	1	
51	1016413	Valve Clearance Adjuster Screw Holder (for FE290 engines only) .....	1	
52	101641201	Valve Guide Reamer (FE290, FE350, and FE400 only).....	1	
53	1016552	Valve Seat Cutter Guide .....	1	
54	1016551	Valve Seat Cutter T-Wrench .....	1	
55	1016553	Valve Seat Cutter, 45→× (32 mm diameter) (for FE290 engines only) .....	1	
56	1016554	Valve Seat Cutter, 45→×/30→× (35 mm diameter) .....	1	
57	101641101	Valve Spring Compressor .....	1	
58	1011480	Volt Ohm Meter .....	1	1
		Please refer to the maintenance and service manual for proper tool application.		

**17**  
**G**  
**E**



# INDEX

## Part Number and Page

AM10753	17-7	7473	1-3, 1-25, 1-27, 1-31, 1-37, 1-41, 1-43, 1-47, 1-55, 1-71, 4-5, 4-7, 5-3, 5-5, 5-7, 5-13, 5-15, 6-25, 7-15, 7-17, 7-21	101090801	13-11, 13-13
AM10080	12-9	7479	1-37	1010909	4-5, 4-29
AM10081	12-9	7561	1-41, 1-43	1010921	1-25, 1-27, 5-3
AM10419	11-9	7577	16-3, 16-5, 16-7, 16-9	1010927	5-3
AM1220301	8-3	7591	4-5, 4-7	1010932	5-3
AM1232301	8-3, 8-7	7716	5-3	1010933	5-3
AM1243501	4-35	7818	7-15, 7-17	1010934	1-37, 1-45, 1-51, 7-21, 14-3
AM1243701	4-31, 4-33, 4-35	7820	4-37	1010954	7-15, 7-17, 12-7, 12-13
AM1243801	4-31, 4-33, 4-35	7840	6-13	1010984	2-3
AM1264001	1-49	7847	1-9, 1-53, 10-3, 16-7, 16-9, 16-11	1011014	1-3
AM1290701	1-59	7893	4-5, 4-9, 4-11, 4-29, 7-15, 7-17, 12-5	1011017	1-3, 4-21
AM1300001	13-17	7910	6-13	1011084	5-9
AM1300101	13-17	7973	1-7, 9-13	1011114	5-11, 5-17
AM1300201	13-17	8057	7-15, 7-17, 7-19, 12-3	1011137	5-11
AM1300301	13-17	8058	7-15, 7-17, 7-19, 12-3	1011154	5-11, 5-17
SVP120402	1-41	8067	6-13	1011229	4-5, 4-7
SVP183302	1-43	8104	4-9, 4-11, 12-3	1011273	17-5
183	4-5, 4-7, 4-9, 4-11, 4-29, 4-35, 7-17, 9-3, 9-13, 11-5, 11-7, 12-7, 12-13	8233	1-25, 1-27, 1-33, 1-53, 4-31, 4-33, 4-37, 4-39, 5-5, 5-7, 6-25, 7-13, 9-11, 12-5, 12-7, 12-13, 16-7, 16-9, 16-11	1011280	4-5, 4-7
304	4-37, 12-5, 16-11	8248	1-11, 7-13	1011291	12-11
324	4-31, 4-33	8251	1-29	1011298	5-11, 5-17
332	1-13, 1-17, 1-33, 1-37, 1-53, 4-31, 4-33, 4-37, 7-13, 9-15, 10-3	8294	4-37	1011303	5-11, 5-17
334	5-5, 5-7, 6-3, 6-5, 8-17, 11-5, 11-7	8450	7-17, 11-5, 11-7	1011314	5-11, 5-17
357	1-45, 6-17, 6-19, 6-25	8639	4-35, 9-13, 12-5, 13-21	1011382	4-13, 4-15, 4-17
451	5-11, 5-17, 10-3, 14-3	8717	5-5, 5-7, 7-15, 7-17, 12-3, 12-7, 12-13	1011393	6-13
705	1-41, 1-43, 1-45, 8-17	8745	6-17	1011394	1-3
706	1-45, 6-17, 6-19	8754	1-33, 1-41, 1-43, 5-5, 5-7, 6-3, 6-5, 6-15, 6-17, 6-19, 6-21, 6-23, 7-11	1011402	5-3
808	6-25, 11-5, 11-7	8755	1-33, 6-17, 6-19, 6-21	1011415	6-21, 6-23
1016	4-5, 4-9, 4-11, 4-29, 7-17, 9-3	8796	16-11	1011418	5-3
1017	4-3, 7-17	8797	9-3	1011439	4-5, 4-7
1028	5-3	8861	6-15, 6-25	101146302	5-11, 5-17
1032	5-3	8963	1-25, 1-27	1011464	5-11, 5-17
1108	1-37	8990	1-41, 1-43, 4-9, 4-11, 4-25, 4-27, 4-33, 4-39, 6-3, 7-15, 7-17, 13-21	1011465	5-11, 5-17
1218	1-25, 1-27, 1-47	1010005	6-13	1011466	5-11, 5-17
1241	1-3, 1-25, 1-27, 1-45, 1-51, 4-5, 4-7, 5-3, 5-5, 5-7, 5-15, 7-11, 7-15, 7-17, 7-21, 10-3	1010028	12-3	1011467	5-11, 5-17
1242	1-45, 1-51, 5-13, 5-15, 7-11, 7-15, 7-17	1010086	1-37	1011478	17-5
1620	4-3	1010124	6-17, 6-19	1011480	17-7
1624	5-5, 5-7, 6-3, 7-11	1010138	6-15	1011494	5-11, 5-17
1631	9-13	1010145	6-21, 6-23	1011546	1-49
2402	6-15, 6-17, 6-19	1010150	6-17, 6-19	1011553	1-45, 1-51
4029	4-37	1010200	6-19	1011557	4-5, 4-7
7048	6-13	1010237	1-25, 1-27	1011578	6-5
7173	1-11, 4-5, 4-7, 6-25, 7-21	1010434	1-3, 1-5, 1-13	1011582	4-41
7174	1-45, 1-51, 6-7, 7-11, 9-11, 10-3, 14-3	1010435	1-3, 1-31, 1-41, 1-43	1011590	4-9
7251	1-3, 1-11	1010543	1-17	1011694	5-5, 5-7
7270	6-17	1010546	1-3	1011697	1-55, 6-5, 8-17, 9-11
7274	6-13	1010577	8-17	1011734	5-9
7308	6-13	1010805	5-3	1011767	17-3
7310	2-3	1010829	5-13, 5-15	1011779	5-13, 5-15
7311	1-25, 1-27, 6-25	1010850	5-11, 5-17	1011825	4-37
7330	12-11, 15-3	1010877	5-3	1011852	1-25, 1-27
7335	12-9, 15-3	1010878	1-33, 5-3	1011862	1-25, 1-27
7336	15-3			1011865	1-25, 1-27
				101187702	5-3
				1011878	1-11
				1011883	1-25, 1-27
				1011887	6-13

# INDEX

1011892	6-13	1013312	1-17	1014072	11-9
1011897	1-23	1013343	1-7	1014078	11-9
1011931	5-5, 5-7	1013344	1-7	1014080	11-9
1011937	1-25, 1-27	1013357	4-5, 4-7, 13-5	1014115	17-7
1011942	1-25, 1-27	1013413	1-33	1014116	9-3
1011964	1-25, 1-27	1013420	1-9	1014119	7-3, 7-5, 7-15, 7-17
1011990	1-41, 1-43, 1-45	1013422	1-9	1014125	6-5
1012008	1-25, 1-27	1013461	9-3	1014126	6-5
1012098	16-3, 16-5, 16-7, 16-9	1013462	9-3	1014145	7-15, 7-17
1012101	16-3, 16-5, 16-7, 16-9	1013483	1-45	1014153	5-11, 5-17
1012151	17-5	1013494	4-13, 4-15, 4-17	1014161	17-7
1012180	6-21	1013509	4-31, 4-33	1014162	17-7
1012181	6-23	1013531	5-15	1014201	14-3
1012182	6-23	1013579	4-39	1014207	12-11
1012285	1-53, 4-39, 9-3, 9-5, 9-11	1013582	17-3	1014213	6-5
1012295	7-15, 7-17	1013589	7-15, 7-17	1014214	6-5
1012303	1-33, 6-17, 6-19, 6-21, 6-23	1013593	17-5	1014217	6-5
1012304	6-21	1013609	7-15, 7-17	1014259	17-7
1012333	12-5	1013677	3-5	1014264	17-7
1012382	7-3, 7-5	1013687	9-3	1014276	6-17, 6-19
1012396	4-13, 4-15, 7-3, 7-5	1013700	9-11	1014287	11-5, 11-7
1012431	7-15, 7-17	1013734	10-3, 13-19	1014288	6-5, 7-21, 11-5, 11-7, 16-11
1012438	4-7, 4-35, 9-13	1013746	9-3, 9-5, 9-9	1014305	17-3
1012505	4-13, 4-15, 4-17	1013760	12-7	1014306	1-53, 4-39
1012528	10-3, 13-19	1013768	12-11	1014321	1-29
1012549	17-5	1013769	12-11	1014375	7-21
1012560	17-5	1013770	12-11	1014387	1-29
1012565	6-11	1013771	12-11	1014435	1-23
1012566	6-11	1013772	12-11	101444101	1-23
1012571	1-47, 8-17, 13-11, 13-13	1013773	12-11	1014453	11-5, 11-7
1012604	6-5	1013774	12-11	1014454	11-9
1012605	6-5	1013787	12-11	1014471	1-31
1012649	9-3, 9-5	1013792	12-11	1014496	17-3
1012711	12-7	1013794	12-11, 15-3	1014497	17-3
1012714	12-9	1013824	1-11	1014503	1-25, 1-27
1012740	12-9	1013825	1-11	1014506	1-25
1012741	12-9	1013846	1-11	101450698	1-27
1012747	12-9	1013869	5-3	1014507	17-3
1012748	12-9	1013870	5-3	1014508	17-3
1012752	12-7	1013872	1-33	1014530	4-37
1012809	17-5	1013876	5-3	1014555	6-21, 6-23
1012811	17-3	1013924	5-11, 5-17, 8-17	1014807	7-15, 7-17, 7-19, 12-3
1012812	17-3	1014007	5-5, 5-7, 9-11, 12-7, 12-13	1014808	7-15, 7-19, 12-3
1012830	7-11, 9-11, 10-3	1014049	11-5, 11-7	1014902	6-23
1012836	11-9	1014050	11-5, 11-7	1014948	7-15, 7-17
1012896	12-7	1014051	11-5	1015010	4-35
1013035	6-3	1014052	11-5, 11-7	1015072	13-11, 13-13
1013042	6-3, 6-15	1014055	11-5, 11-7	1015075	1-3
1013044	6-3	1014056	11-5, 11-7	1015137	9-3, 9-5, 9-9
1013052	6-3	1014057	11-5, 11-7	1015139	9-3, 9-13
1013061	12-3, 12-7, 12-13, 13-7	1014058	11-5, 11-7	1015153	4-31
101313402	9-5	1014059	11-5, 11-7	1015154	4-31
1013135	6-13	1014062	11-5, 11-7	1015156	4-31, 4-33, 4-35
1013207	6-21	1014063	11-5, 11-7, 16-11	1015157	4-31, 4-33
1013309	1-17	1014065	7-15, 7-17, 11-5, 11-7	1015160	4-31, 4-33
1013311	1-17	1014070	11-9	1015162	4-31



# INDEX

1015167	4-35	1015921	9-3	1016437	9-7
1015170	4-35	1015932	7-11	1016438	9-9
1015172	4-31, 4-33	1015969	8-5	1016440	8-11, 9-9
1015187	4-31, 4-33, 4-35	1016074	7-11	1016441	9-9
101524002	7-11	1016077	1-37	1016444	9-9
1015332	7-3, 7-5, 8-5	101609401	1-41, 1-43, 3-3, 3-7	1016449	8-11
1015345	7-15, 7-17	101611003	17-7	1016450	8-11
1015371	7-15	101611402	15-5	1016451	8-11
1015372	7-15, 7-17	1016154	6-11	1016452	8-11
1015373	7-15, 7-17	1016183	6-5	1016453	8-13
1015392	13-9	1016201	11-5, 11-7	1016454	8-13
1015399	1-71	1016214	6-11	1016455	8-7
1015405	1-3, 7-15, 7-17	1016230	4-35	1016456	8-5
1015426	9-15	1016267	4-35	1016457	8-9
1015445	1-45	1016269	6-5	1016458	8-11
1015453	6-25	1016287	4-35	1016470	8-15
1015457	6-25	1016289	11-5, 11-7	1016472	8-13
101547601	3-7	1016319	5-13	1016473	8-9
1015507	1-33	1016320	5-13	1016474	8-11
1015524	17-3	1016337	12-9	1016479	8-11
1015526	4-31, 4-33, 4-35	1016338	12-9	101648102	9-9
1015528	4-13, 4-15, 4-17	1016346	6-15	101648203	8-9
1015530	1-53	1016349	6-15	1016483	8-11
101553901	1-37, 3-3, 3-7	1016350	6-15	1016486	9-7
1015583	1-33, 6-17, 6-19	1016351	6-15	1016489	8-11
101558302	6-21, 6-23	1016353	6-15	101649002	9-9
1015597	6-13	1016356	4-5, 4-7, 13-5	1016494	8-13
1015613	6-25	1016363	4-7	1016496	8-13
1015614	6-25	1016365	4-25, 4-27	1016499	9-7
101562711	1-17	1016366	4-7	1016501	9-7
101562712	1-17	1016379	1-55	1016502	8-9
101562714	1-17	1016384	6-17, 6-19	1016506	8-13
101562715	1-17	1016385	6-15	1016507	8-5
101564501	1-17	1016386	6-17, 6-19	1016510	8-13
101564502	1-17	1016387	6-17, 6-19	1016513	12-7
101564503	1-17	1016389	6-17, 6-19	1016517	8-11
101564505	1-17	1016401	7-3, 7-15	1016519	8-11
1015649	8-5	101641002	17-5	1016521	8-13
1015654	1-37	101641101	17-7	1016531	8-5
1015656	1-37	101641201	17-7	1016535	8-13
101565703	1-37	101641202	17-3	1016537	8-9
101565704	1-37	1016413	17-7	1016538	8-13
1015720	13-19	1016414	17-5	1016539	8-5
1015727	1-33	1016415	17-5	1016541	8-15
1015737	7-3, 7-5, 7-15, 7-17	1016416	17-3	1016542	8-11
1015741	4-5, 4-7, 7-15, 7-17	1016417	17-3	1016544	8-7, 8-11, 8-13
1015752	4-41, 7-15, 7-17, 9-15	1016418	17-5	1016545	8-11
1015760	6-25	1016423	4-5, 4-7, 7-15, 7-17	1016546	9-11
1015765	4-31	101642575	9-7	1016547	8-5, 8-15, 9-9
1015768	4-35	101642578	9-7	1016549	8-11
1015770	4-35	101642580	9-7	1016551	17-7
1015814	10-3	101642582	9-7	1016552	17-7
101584502	9-11	101642585	9-7	1016553	17-7
1015878	7-15, 7-17, 7-19, 12-3	1016429	8-9	1016554	17-7
1015914	16-3, 16-5, 16-7, 16-9	1016432	8-9, 12-7	1016557	5-11, 5-17
1015917	16-3, 16-7, 16-9	1016436	8-11	1016560	8-11

# INDEX

1016561	8-7	101691401	1-31	1017378	5-5, 5-7
1016562	8-7, 8-15	1016916	1-37	1017380	5-5, 5-7
1016563	8-11	101692501	1-3	1017424	5-5, 5-7
1016564	8-13	101692502	1-3	1017434	8-11
1016566	8-11	101692506	1-3	1017442	8-9
1016569	8-11	101692509	1-3	1017443	8-11
1016570	8-9	101692510	1-3	1017445	8-11
1016571	8-15	101692511	1-3	1017448	8-7
1016572	9-9	101692512	1-3	101744901	8-15
1016573	5-11, 5-17	101692513	1-3	101744902	8-15
1016576	8-9	101692514	1-3	1017450	8-15
1016578	8-7	101692515	1-3	101745101	8-15
1016581	8-9	1016929	4-31, 4-33, 4-35	101745102	8-15
1016582	9-9	101693901	1-3	1017453	8-15
1016583	8-11	101693902	1-3	1017454	8-11
1016584	8-13	101693906	1-3	1017455	8-7
1016585	9-7	101693909	1-3	1017456	8-9
1016587	8-7	101693910	1-3	101745701	8-15
1016588	8-7	101693911	1-3	101745702	8-15
1016603	1-41, 1-43	101693912	1-3	1017458	8-9
1016627	17-5	101693913	1-3	1017460	8-9
1016630	4-13, 4-15	101693914	1-3	1017461	9-7
1016663	1-37	1016952	1-9	1017463	8-7
1016672	12-11	1016967	1-3, 13-19	1017466	9-9
1016673	16-11	1016997	7-17	1017471	8-15
1016679	1-53	1017006	7-5, 7-17	1017472	8-13
101670201	3-11, 3-13, 3-15	1017029	5-3	1017473	8-11
1016717	4-41	1017062	4-3	1017474	8-5
101674702	5-9	1017064	4-3	1017475	8-5
1016751	1-19	1017065	4-3	1017476	8-5
101675511	1-19	101707402	4-9	1017486	8-5
101675512	1-19	101707405	4-11	1017487	8-13
101675514	1-19	1017075	4-9, 4-11	1017490	8-7
101675515	1-19	1017077	1-31	1017501	8-15
101677701	1-19	101707801	3-5, 3-9	1017502	8-15
101677702	1-19	1017079	1-55	1017503	8-15
101677703	1-19	1017080	1-3	1017504	8-13
101677705	1-19	1017082	12-7, 12-13	1017507	8-9
1016801	11-5, 11-7	1017117	1-37	1017508	8-13
1016813	6-25	101711801	1-37	1017510	8-15
1016814	6-25	101711802	1-37	1017512	8-15
1016837	4-31, 4-33	1017187	16-11	1017513	8-13
1016849	4-13, 4-15, 4-17	1017188	11-3	1017514	8-13
1016851	4-13, 4-15, 4-17	1017189	16-11	101751801	8-13
1016855	1-25, 1-27	1017211	5-13	101751802	8-13
1016868	1-3	1017226	6-7	101751803	8-13
1016874	1-55	1017231	12-7	101754202	1-71
1016875	1-55	1017239	7-17	101754205	1-71
1016876	1-55	1017243	7-17	1017686	11-9
1016878	1-31	1017266	6-15	1017689	10-3
1016879	4-3	1017273	6-9, 6-11	101770201	1-35
1016880	4-3	1017313	6-5	1017705	13-7
1016881	1-31	1017314	6-5	1017721	4-5, 4-29
1016883	7-11	1017315	6-5	1017724	4-9, 4-11
1016901	11-7	1017317	6-5	101773301	8-15
1016904	8-11, 10-3	101734802	1-3	101773302	8-15

# INDEX

101773303	8-15	101832202	9-11	101880301	6-3
101773304	8-15	101832302	9-11	101880701	5-11, 5-17
101773305	8-15	101832601	8-17	101881501	4-39
101773306	8-15	101832701	8-17	101881601	4-39
101773307	8-15	101832901	16-11	101881701	9-15
101773308	8-15	101833101	8-17	101884801	8-17
101773309	8-15	101833401	11-9	101886101	9-11, 12-7, 12-13
101773310	8-15	101833601	12-7	101887101	17-3
101773311	8-15	101833902	11-5	101887601	8-5
1017774	1-41, 1-43	101833906	11-7	101889401	12-9
1017853	4-5, 4-7	101834001	11-9	101890001	12-9
101791101	5-17	101834502	4-13, 4-15, 4-17, 4-23	101890101	12-7
101796201	5-5, 5-7	101834601	8-17	101890201	12-7
101796501	13-7	101834801	9-11, 12-7, 12-13	101890501	12-7
101796801	13-7	101835601	4-25, 4-27	101890601	12-7
101801001	13-7, 16-11	101836201	11-9	101890901	12-11
101804301	4-13, 4-15, 9-13, 9-15	101837101	9-15	101891001	12-11
101806001	1-15	101837301	7-3, 7-5, 7-7, 7-9	101891301	12-7
101806002	1-15	101837401	1-39	101891401	12-11
101806005	1-15	101837501	1-39	101891501	12-11
101808401	17-3	101838401	16-5, 16-9	101891601	12-9
101809101	17-3	101838601	16-5, 16-9	101891901	12-9
101811301	9-13	101838701	16-7, 16-9	101892001	12-9
101811901	9-15	101839801	4-23	101892201	12-9
101812301	9-15	101839802	4-23	101892301	12-9
101813001	9-15	101839803	4-23	101892401	12-9
101813202	17-3	101839804	4-23	101892501	12-9
101814601	4-33	101839805	4-23	101892601	12-9
101817401	5-5, 5-7	101839806	4-23	101892701	12-11
101818801	5-7	101839807	4-23	101892901	12-7
101821501	9-15	101839808	4-23	101893201	12-9
101821601	4-35	101839809	4-23	101893801	12-7
101823101	17-5	101839810	4-23	101893901	12-9
101824401	9-3	101839811	4-23	101894303	1-17
101825101	3-5, 3-9	101839812	4-23	101894901	13-7
101825102	3-9	101850301	6-9, 6-11	101895401	15-3
101825103	4-21	101851101	4-13, 4-15, 4-17, 4-23	101895501	15-3
101825701	9-13	101856002	4-17	101897001	15-3
101826201	4-17	101856102	7-15, 7-17	101897201	15-3
101826301	4-13	101859401	10-3	101897401	15-3
101826401	4-15	101861901	5-5, 5-7	101897601	15-3
101827101	8-17	101862001	5-5	101898001	7-21
101828501	16-3, 16-5, 16-7, 16-9	101865301	5-13	101903601	15-3
101828801	16-3	101870401	1-3	101903701	15-3
101828802	16-3	101871001	17-3	101906901	15-3
101828901	16-3, 16-5	101874601	5-13	101908101	13-9
101828902	16-3, 16-5	101878201	5-3	101908401	7-13, 13-9
101828903	16-3, 16-5	101879401	6-3	101910501	12-11
101829001	16-7, 16-9	101879501	6-3	101914001	15-5
101830601	4-13, 4-15, 4-17	101879601	6-3	101914401	4-5, 4-7, 16-3, 16-5, 16-7, 16-9
101830701	4-13, 4-15, 4-17, 4-23	101879701	6-3	101915201	3-7
101831101	16-3, 16-7, 16-9	101879801	6-3	101916101	8-5
101831401	13-11, 13-13	101879901	6-3	101916301	8-7
101831801	17-5	101880001	6-3	101916701	7-11
101831901	17-3	101880101	6-3	101917601	9-15
101832001	13-7	101880201	6-3	101918501	5-3, 5-5, 5-7

# INDEX

101919801	5-5, 5-7	101972007	17-5	102158901	5-5, 5-7
101921501	9-15	101972009	17-5	102162601	5-15
101922101	15-3	101972011	17-5	102163001	1-21
101922201	15-3	101972012	17-5	102163101	1-21
101922501	7-13	101972101	15-3	102166901	5-15
101923001	15-3	101972201	15-3	102186401	14-3
101923201	15-3	101972801	9-15	102196901	4-17, 13-5
101923501	15-3	101973101	9-7	102198701	4-5
101923901	15-3	101973301	9-7	102199001	4-5
101925601	11-5	101973401	9-9	102199201	4-5
101925701	9-15	101973501	16-5	102199301	4-5
101926501	6-21	101974701	4-23	102199401	4-5
101926802	9-13	101974702	4-23	102226901	1-41, 1-43
101926901	12-7	101974703	4-23	102235201	14-3
101927101	12-7	101974704	4-23	102240501	13-19
101927201	12-7	101974705	4-23	102241502	17-5
101927301	12-7	101974706	4-23	102242101	11-9
101927501	12-9	101974707	4-23	102242401	1-25, 1-27
101927601	12-9	101974708	4-23	102243402	17-5
101927701	12-9	101974709	4-23	102243403	14-3
101927901	12-9	101974710	4-23	102248803	17-5
101928001	12-9	101974711	4-23	102251501	17-5
101928101	12-9	101974712	4-23	102259401	1-33
101928301	12-11	101978601	15-5	102275401	16-3, 16-5, 16-7, 16-9
101928601	12-7	101980801	12-9	102278001	6-5
101928701	12-7, 15-3, 17-5	101980901	12-9	102289201	6-3, 6-15
101929401	6-21	101981001	12-9	102292801	5-13, 5-15
101929501	9-3	101984801	6-5	102297230	13-3
101929802	11-5, 11-7	101987901	4-3	102304801	8-11
101932201	4-5, 4-7	101988001	4-3	102323101	5-3, 5-13, 5-15
101933101	17-5	101988002	4-3	102323201	5-3, 5-13, 5-15
101933701	9-13	101988101	4-3	102336001	9-11
101936101	15-5	101988201	4-3	102336101	9-11
101942301	14-3	101990801	5-15	102354901	4-25, 4-27
101946201	1-29	101997802	4-39	102355301	7-21
101953103	5-15	101997803	4-39	102356601	15-3
101953106	5-13	101997902	4-39	102356801	15-3
101954301	1-17	101997903	4-39	102376001	12-3
101955001	6-15	102002901	13-11, 13-13	102406701	9-3
101955101	4-37	102003201	8-3, 9-3	102430901	8-15
101957101	4-5	102005701	1-21	102440901	13-5
101958201	16-5	102006201	1-71	102453001	12-9
101958301	16-5	102022601	6-15	102453101	12-9
101960001	3-3, 3-7	102022602	6-3, 6-15	102508701	4-17
101960501	3-7, 7-7, 7-9	102026001	5-5, 5-7	102515401	12-7, 12-13
101963301	1-29	102031901	12-11	102517501	4-11
101963401	1-29, 8-17	102056001	1-51	102517601	4-37
101964001	1-29	102061201	17-7	102518301	3-5
101964601	3-5	102065103	1-51	102522001	9-3
101971301	9-15	102065901	1-33, 8-17	102526201	12-3
101972001	17-5	102066001	1-33	102529201	4-9, 4-11
101972002	17-5	102066201	6-23	102529203	4-37
101972003	17-5	102076701	1-25, 1-27	102540301	8-17
101972004	17-5	102154201	1-41, 1-43	102546401	4-11
101972005	17-5	102154801	1-41	102555501	17-3
101972006	17-5	102155801	11-9	102558201	8-3

# INDEX

102559901	2-5	102893601	1-43	102902801	12-17, 15-3
102559902	2-5	102897201	12-15	102912801	13-19
102562401	17-3	102897301	12-15	102915701	13-9
102564002	6-17, 6-19	102897401	12-13	102917101	6-23
102569302	2-3	102897601	12-13	102918701	4-25
102572401	4-17, 13-5	102897701	12-15	102918702	4-27
102616701	12-3	102897801	12-13	102938601	14-3
102684501	6-17, 6-19	102897901	12-13	102938701	14-3
102684602	12-3	102898001	12-15	102938801	14-3
102704901	14-3	102898101	12-15	102938901	14-3
102711001	7-7, 7-9	102898201	12-13	102939001	14-3
102711201	7-15	102898301	12-15	102939101	14-3
102753401	8-11	102898401	12-15	102939102	14-3
102764001	13-11, 13-13	102898501	12-15	102939501	16-5
102766201	13-11, 13-13	102898601	12-15	102942601	16-11
102766301	6-17, 6-19	102898701	12-15	102950301	4-21
102769701	13-19	102898801	12-15	102951701	14-3
102770701	16-11	102898901	12-15	102962303	4-21
102771701	15-3	102899001	12-15	102962602	4-21
102772402	13-19	102899101	12-13	102966401	1-29
102774501	13-19	102899201	12-13	102966501	1-29
102774701	13-19	102899301	12-15	102966502	1-29
102775101	14-3	102899401	12-13	102967601	3-5
102803401	7-17	102899501	12-15	102969401	12-3
102817101	13-19	102899601	12-15	102969801	12-3
102817201	13-19	102899701	12-13	102969901	12-3
102838101	13-9, 16-3, 16-7	102899801	12-13	102977001	4-13, 4-15
102838401	8-7	102899901	12-15	102977002	4-17
102838701	7-7, 7-9	102900001	12-13	102977901	9-3
102838801	7-7, 7-9	102900101	12-13	102978001	9-3
102838901	7-7, 7-9	102900201	12-13	102989501	1-29
102839001	7-7, 7-9	102900301	12-13	103010101	9-3
102839301	7-7, 7-9	102900401	12-15	103173301	12-3
102841101	7-7, 7-9	102900501	12-15	103174401	1-5
102844601	7-7, 7-9	102900601	12-13	103177401	12-3
102844701	7-7, 7-9	102900701	12-15	103180101	4-13, 4-15, 4-17
102845101	3-3	102900801	12-17	103192701	12-3
102845203	13-11	102900901	12-13	103198301	4-17
102845204	13-13	102901001	12-15	103198401	7-13
102847801	16-3	102901101	12-15	103199001	4-13, 4-15
102847802	16-3	102901201	12-17	103199101	4-13, 4-15
102847803	16-3	102901301	12-17	103205401	3-3, 3-7
102859501	13-19	102901401	12-17	103205501	3-9, 7-13
102865101	9-3	102901501	12-17	103210201	3-9
102869401	4-5, 4-7, 4-15, 4-17	102901601	12-17	103210301	3-5
102871801	6-21, 6-23	102901701	12-17	103218601	4-17, 13-5
102873401	13-11, 13-13	102901801	12-17	103234303	3-15
102882501	1-41, 1-43	102901901	12-17	103245201	1-29
102886301	15-3	102902001	12-17	103245301	1-29
102886401	15-3	102902101	12-17	103255601	4-5
102886501	15-3	102902201	12-17	103255701	4-7
102886601	15-3	102902301	12-17	103256801	4-5
102890201	4-25, 4-27	102902401	12-17	103257101	4-7
102891101	6-23	102902501	12-17	103260201	3-15
102892901	16-5	102902601	12-17	103270201	1-41, 1-43
102892902	16-5	102902701	12-17	103295101	12-5

# INDEX

103295203	12-5	103616401	8-13	103887901	8-3, 8-9
103306301	9-3	103616501	8-7	103888101	1-21
103345701	11-5, 11-7	103616601	8-7	103888301	1-21
103347101	7-7, 7-9	103616701	8-7	103902101	13-3
103347301	7-7, 7-9	103617101	9-7	103902301	13-3
103347601	7-7, 7-9	103618001	4-11	103902401	13-3
103347701	7-7, 7-9	103618101	4-37	103905201	9-3
103347801	7-7, 7-9	103628801	6-17	103910101	1-57
103347901	7-7, 7-9	103628901	6-19	103910201	1-57
103348202	4-17	103653401	6-3	103910301	1-57
103348204	4-13, 4-15	103653501	6-3, 6-15	103910401	1-57
103348501	4-13, 4-15, 7-3, 7-5	103657301	6-21, 6-23	103910501	1-57
103348602	4-13, 4-15	103658601	2-3	103910601	1-57
103350901	6-21	103677101	1-21	103910701	1-57
103351001	6-15	103678402	7-7	103910801	1-57
103351101	6-23	103678502	7-9	103910901	1-57
103352701	16-11	103686501	7-5	103911001	1-57
103354401	4-17	103694501	2-5	103911101	1-57
103354701	6-15	103698601	13-5	103911301	1-57
103369501	12-3	103700301	4-25	103911401	1-57
103372101	9-3	103709207	13-19	103911501	1-57
103372301	9-3	103717302	6-13	103911601	1-57
103372401	9-5	103717402	6-13	103911701	1-57
103372801	9-5	103718702	7-7	103912001	1-57
103386202	8-5	103722901	2-3	103912101	1-57
103397901	4-7, 13-19	103723003	2-3	103912201	1-57
103414901	4-7, 13-19	103724502	6-9, 6-11	103912301	1-57
103418601	9-5	103724601	6-11	103912501	1-57
103449501	13-21	103724602	6-9	103912601	1-57
103449601	13-21	103724901	6-11	103912701	1-57
103459104	2-3	103731001	1-13	103912801	1-57
103464801	3-11	103754901	1-21	103912901	1-57
103477901	6-13	103764801	7-3	103913001	1-57, 1-63
103496801	7-21	103771601	16-9	103913101	1-57
103497702	13-15	103771901	13-7	103913201	1-57
103502701	6-17	103772101	13-5	103913301	1-57
103502801	6-19	103772401	16-7	103925001	1-47
103507101	9-9	103781101	9-3	103925201	1-47
103507201	9-9	103783001	3-5	103930001	1-47
103507301	9-9	103783002	3-9	103939201	1-7
103509401	1-31	103783003	3-9	103940701	13-5
103509601	1-31	103787401	1-25, 1-27	103942601	13-15
103510001	4-39	103788001	9-3	103943401	13-3
103510301	4-39	103789601	1-25, 1-27	103951002	2-3
103510501	13-15	103802401	4-27	103951003	2-3
103515601	3-11, 3-13	103804003	1-25	103951004	2-3
103515701	3-11, 3-13	103804005	1-27	103951801	1-41, 1-43
103538701	1-33	103832001	16-7, 16-9	103953301	7-7, 7-9
103538901	1-33	103851201	9-5	103956801	9-3
103582801	15-3	103860501	4-19	103969601	13-11
103601501	6-3	103865101	5-5, 5-7	103969701	13-13
103601601	6-7	103869401	16-7, 16-9	104000901	1-61
103615601	8-11	103874201	12-13	104001001	1-61
103615801	8-15	103882001	12-15	104001101	1-59
103615901	8-13	103882101	12-13	104001201	1-59
103616301	8-11	103882301	12-13	104001401	1-69

# INDEX

- 104001601 1-59
  - 104001701 1-59
  - 104001901 1-65
  - 104002001 1-69
  - 104002101 1-67
  - 104002201 1-67
  - 104002301 1-67
  - 104002501 1-65
  - 104002601 1-63
  - 104002701 1-59
  - 104002801 1-59
  - 104002901 1-59
  - 104003001 1-59
  - 104003101 1-63
  - 104003201 1-67
  - 104003401 1-59
  - 104003501 1-61
  - 104003601 1-61
  - 104003901 1-63
  - 104004001 1-65
  - 104004101 1-61
  - 104004201 1-67
  - 104004301 1-69
  - 104004401 1-67
  - 104004501 1-67
  - 104004601 1-67
  - 104004701 1-67
  - 104004801 1-63
  - 104004901 1-59
  - 104005001 1-61
  - 104005901 13-17
  - 104006101 13-17
  - 104014701 1-65
  - 104014801 1-63
  - 104014901 1-59
  - 104015001 1-59
  - 104015101 1-63
  - 104015201 1-65
  - 104015301 1-63
  - 104015501 1-59
  - 104027501 1-59
  - 104027601 1-59
  - 104027701 1-59
  - 104027801 1-59
  - 104027901 1-67
  - 104028001 1-59
  - 104028101 1-59
  - 104028201 1-67
  - 104028301 1-65
  - 105002801 1-63
  - 105002901 1-67
  - 105003001 1-67
  - 105116301 13-3
  - 105142401 2-5
  - 105166801 13-17
  - 105166901 13-17
  - 105167001 13-17
  - 105167101 13-17
  - 105168501 13-17
  - 105168601 13-17
  - 96704416 8-17
- A**
- AC cord 16-3, 16-5, 16-7, 16-9
  - AC cord receptacle 16-5
  - accelerator bracket and bearing assembly 5-5, 5-7
  - accelerator cable 9-11
  - accelerator pedal adjustment tool 17-3
  - accelerator pivot rod 5-5, 5-7
  - accelerator return spring 5-5, 5-7
  - accelerator rod 5-9
  - access door hinge 1-31
  - actuator 1-41
  - acutator adapter 1-41, 1-43
  - adapter
    - cable (IQDM) 17-5
  - adapter, actuator 1-41, 1-43
  - adhesive, guide ring 17-3
  - air box 9-15
  - air box top 9-15
  - air filter 8-3, 9-15
  - air intake hose 9-15
  - ammeter 16-3, 16-5, 16-7, 16-9
  - anchor body 5-11, 5-17
  - anchor body kit 5-11, 5-17
  - anchor, piston 5-11, 5-17
  - anti-sway bar 6-25
  - A-plate strap 6-15
  - A-plate, delta 6-15
  - arbor 17-3
  - arm
    - governor 9-11, 12-7, 12-13
    - pivot 12-7
    - rocker 8-11
  - armature 14-3
  - assembly
    - accelerator bracket and bearing 5-5, 5-7
    - accelerator pivot rod 5-5, 5-7
    - air box 9-15
    - air box top 9-15
    - axle 12-11
    - bearing, steering shaft 6-5
    - bell crank and shaft 7-15, 7-17
    - connecting rod 8-15
    - cylinder head 8-11
    - delta A-plate 6-15
    - delta shock and gear support 6-15
    - drive hub 11-5, 11-7
    - driven clutch 11-9
    - driven clutch fixed-face 11-9
    - float 9-7
    - fuel cap 9-3
    - fuel pump 9-3
    - governor 12-9, 12-15
    - headlight 4-3
    - headlight harness 4-3
    - idle screw 9-7
    - inner ball joint 6-3
    - kingpin 6-17, 6-19
    - moveable-face 11-5, 11-7, 11-9
    - pilot air screw 9-7
    - plug cap 8-7
    - ratchet 5-3, 5-5, 5-7
    - secondary clutch weight 11-5, 11-7
    - steering shaft 6-5
    - turn signal lens 4-3
  - axle 12-7, 12-11, 12-13, 12-17, 15-3
  - axle guard 15-5
  - axle shaft oil seal 12-11, 12-17, 15-3
  - axle tube 12-11, 12-17, 15-3
- B**
- backing plate, brake 5-11, 5-17
  - ball bearing 7-7, 7-9, 8-13
  - ball joint 5-3, 5-9, 12-5
  - ball stud 7-15, 7-17, 12-7, 12-13
  - ball, shifter 12-9
  - ball, steel pressure relief 8-9
  - ball, trailer hitch 1-49
  - bar, stabilizer 6-25
  - barb, vent 9-3
  - barrel, plastic 1-3, 1-5, 1-13
  - battery
    - 12-volt, side-post 7-21
  - battery cap, 6-volt 13-11, 13-13
  - battery charger 16-3, 16-5
  - battery charger case 16-3, 16-5, 16-7, 16-9
  - battery charger receptacle 13-7
  - battery charger shield 16-11
  - battery charger transformer 16-3, 16-5, 16-7, 16-9
  - battery charger wire assembly 16-5
  - battery charger, onboard 16-7, 16-9
  - battery clamp 7-21
  - battery condition indicator 4-17
  - battery discharge machine 17-3
  - battery HD, 6-volt, Trojan T145 13-13
  - battery hold-down 13-11, 13-13
  - battery hold-down rod 13-11, 13-13
  - battery light 4-17
  - battery terminal protector spray 17-3
  - battery thermometer 17-3
  - battery, 6-volt, Trojan T105 13-11
  - bead, ferrite 13-21
  - bearing 15-3
    - ball 7-7, 7-9, 8-13
    - ball (motor) 14-3

# INDEX

- ball (steering pinion) 6-3
  - cage roller 12-15
  - front wheel hub 6-13
  - hub 6-13
  - idler 11-5, 11-7
  - inner axle tube 12-11, 15-3
  - lower pinion (steering) 6-3
  - needle 12-9
  - outer axle tube 12-11
  - pivot support 5-5, 5-7
  - steering shaft 6-5
  - thrust 6-17, 6-19
  - bearing and oil seal remover 17-3
  - bearing driver set 17-3
  - bearing puller 17-3
  - bearing puller wedge 17-3
  - bearing seat 6-5
  - bed assembly, long 1-37
  - bed floor plate, rear 1-31
  - bed frame, long 1-31
  - bed lift actuator 1-41, 1-43
  - bed lift, electric 1-41, 1-43
  - bed mat 1-35
  - bed seal 1-29
  - bell crank and shaft 7-15, 7-17
  - bellows 6-3
  - belt, drive 11-3
  - belt, starter/generator 7-11
  - belt, V 7-11
  - bezel, choke cable 9-13
  - bezel, headlight 4-3
  - block, brake-mounting 5-3
  - block, fuse 4-5, 4-7, 7-15, 7-17
  - block, terminal 4-5, 4-7, 13-5
  - body, anchor 5-11, 5-17
  - bolt, U- 6-23
  - boot, steering column 6-5
  - boot, switch 7-13, 13-9
  - bottom, air box 9-15
  - box
    - air 9-15
    - differential 12-17
    - electrical component 7-15, 7-17
    - steering gear 6-3
    - tool 1-39
  - box, tool 1-39
  - box, van 1-71
  - brace, trailer hitch 1-45
  - bracket 6-21
    - accelerator cable 9-11
    - adjustable starter/generator 7-11
    - brake cable guide 6-15
    - brake light switch 4-5
    - FNR shifter 12-3
    - governor cable 9-11
    - headlight mounting 4-3
  - horn 4-37
  - muffler mounting 10-3
  - oil filter mount 8-9
  - oil level switch 8-13
  - relay mounting 7-17, 16-7, 16-9
  - retaining 9-13
  - shock mounting, drv 6-23
  - shock mounting, pas 6-23
  - snubber 8-17
  - stabilizer bar mounting 6-25
  - stake side 1-37
  - starter/generator mounting 7-11
  - steering column 6-5
  - steering column mounting 6-5
  - throttle spring return 9-9
  - Tow/Run switch 7-13
  - bracket, carburetor intake manifold 9-9
  - bracket, hinge, bed 1-33
  - bracket, hour meter 4-39
  - brake actuator kit 5-11, 5-17
  - brake adjustment tool 17-3
  - brake backing plate 5-11, 5-17
  - brake cable 5-13, 5-15
  - brake cable equalizer 5-13, 5-15
  - brake cable hanger 6-21
  - brake cable release tool 17-3
  - brake cluster 5-11, 5-17
  - brake drum 5-11, 5-17
  - brake lever arm 5-11, 5-17
  - brake light switch bracket 4-5
  - brake mounting block 5-3
  - brake pedal 5-3
  - brake pedal pad 5-3
  - brake relay kit, 12-volt 4-5
  - brake return spring 5-15
  - brake shoe 5-11, 5-17
  - brake spring 5-11, 5-17
  - breaker, circuit 16-5, 16-9
  - breather 12-7, 12-13, 15-3
  - brush box assembly 14-3
  - brush cover kit, starter/generator 7-7, 7-9
  - brush inspection port cover 7-7, 7-9
  - brush kit, motor 14-3
  - brush rigging 14-3
  - brush spring 7-7, 7-9, 14-3
  - brush spring set 7-7, 7-9
  - brush spring, starter/generator 7-7, 7-9
  - brush terminal, starter/generator 7-7, 7-9
  - brush, motor 14-3
  - bulb, headlight 4-3
  - bulb, strobe light 4-31, 4-33, 4-35
  - bulb, tail light 4-41
  - bumper 1-23
    - drive unit (motor) 14-3
    - front 1-3
    - front, heavy duty 1-3
  - front, kit 1-3
  - rear 1-55
  - rubber 1-33, 5-3
  - seal, long 1-17
  - spring return 5-5, 5-7
  - bumper mounting 1-55
  - bumper, heavy-duty 1-3
  - bumper, seat 1-17
  - bushing 1-41, 1-43, 7-15, 7-17, 11-5, 11-7, 12-3
    - bronze 6-13
    - nylon 5-3
    - return line 9-3
    - spindle 6-13
    - stabilizer bar 6-25
    - steel 1-33, 6-17, 6-19, 6-21, 6-23
    - urethane 1-33, 6-15, 6-17, 6-19, 6-21, 6-23
  - bushing support 6-25
  - button, drive 11-9
  - buzzer, reverse 4-13, 4-15, 4-17
- ## C
- cab
    - fan 1-69
    - mirror 1-69
    - roof 1-57, 1-65
    - vent 1-65
  - cable
    - accelerator 9-11
    - brake 5-13, 5-15
    - choke 9-13
    - FNR shifter 12-5
    - governor 9-11
  - calibration test module 17-3
  - cam
    - driven clutch 11-9
    - electrical component box 7-15, 7-17
  - cam, FNR shifter 12-3
  - camshaft 8-13
  - camshaft shim 8-13
  - canister, carbon, fuel tank 9-5
  - canopy 1-25, 1-27
  - canopy brace 1-25, 1-27
  - canopy hardware 1-25, 1-27
  - canopy support 1-25, 1-27
  - canopy trim plate 1-25, 1-27
  - cap
    - battery, 6-volt 13-11, 13-13
    - corner 1-29
    - dust 4-17, 13-5
    - fuel, gas, ratchet 9-3
    - key switch 4-13, 4-15, 4-17, 4-23
    - plug 8-7
    - seat back 1-19
  - cap, hub, 7 prong 2-5
  - carbon canister 9-5
  - carburetor adapter 9-9



# INDEX

- carburetor gasket 9-9
  - carburetor insulator 9-9
  - carburetor mounting gasket 9-9
  - carburetor, FE350 S27 9-7
  - card, safety first 17-5
  - case
    - battery charger 16-3, 16-5, 16-7, 16-9
    - differential gear 12-11
    - gear 12-7, 15-3
    - rocker 8-11
  - CE mark ferrite bead, Fair-rite 13-21
  - CE mark ferrite bead, TDK 13-21
  - charger
    - wire assembly kit 16-3, 16-7, 16-9
  - charger bezel tool 17-3
  - charger info indicator 4-19
  - charger receptacle 13-7
  - charger, battery 16-3, 16-5
  - charger, battery, onboard 16-7, 16-9
  - charger, battery, shield 16-11
  - choke cable 9-13
  - choke cable bezel 9-13
  - choke valve 9-15
  - circuit breaker 13-9, 16-3, 16-5, 16-7, 16-9
  - clamp
    - battery 7-21
    - cable retaining 9-11
    - hose 9-3, 9-5, 9-9, 9-15
    - hose, green 9-5
    - muffler hose 10-3
  - clevis, upper delta 6-17, 6-19
  - clip, rod 1-33
  - clip, score card 6-11
  - cluster idler gear 12-9
  - cluster, brake 5-11, 5-17
  - clutch cam installation tool 17-3
  - clutch pulley 11-5, 11-7
  - clutch repair kit 11-9
  - clutch tool kit 17-3
  - clutch weight 11-5, 11-7
  - clutch, drive 11-5, 11-7
  - clutch, driven 11-9
  - collet 8-11
  - column, steering 6-5
  - communication display module 17-5
  - component box, electrical 7-15, 7-17
  - component mounting plate 13-19
  - component mounting plate cover 13-19
  - compression gauge 17-5
  - compression mount 6-25
  - compressor, piston ring 17-5
  - compressor, valve spring 17-7
  - conduit 4-35
  - connecting rod 8-15
  - continuity tester 17-5
  - control board, potted 16-7, 16-9
  - controller, speed 13-19
  - converter, DC/DC 4-25
  - cord connector 8-13
  - cord reel 16-11
  - cord, AC 16-3, 16-5, 16-7, 16-9
  - cord, DC 16-3, 16-5, 16-7, 16-9
  - counterbalance guide shaft 8-15
  - counterbalance weight 8-15
  - cover
    - brush inspection port 7-7, 7-9
    - crankcase 8-13
    - dust 5-11, 5-17, 6-13
    - electrical box 7-15, 7-17
    - fuse block 4-7
    - oil pump 8-9
    - rocker switch hole 4-13, 4-15, 4-17
    - screw head 4-13, 4-15, 4-17
    - steering column 6-5
  - cover, steering column 4-9, 4-11
  - cowl 1-3
  - crankcase 8-15
  - crankcase cover 8-13
  - crankcase vent tube 9-9
  - crankshaft 8-15
  - crankshaft rod 8-15
  - crankshaft shim 8-15
  - C-type stop ring 6-3
  - cup holder 1-9
  - cup, spring 5-5, 5-7
  - current limiter 16-5
  - cushion, shock absorber 6-21, 6-23
  - cutter, valve seat 17-7
  - cylinder head 8-11
- ## D
- dash component 1-7
  - dash panel 4-13, 4-15, 4-17
  - dc converter, 15A 4-25
  - dc converter, CE 4-27
  - DC cord 16-3, 16-5, 16-7, 16-9
  - DC/DC converter 4-25
  - decal
    - 4-gauge wire warning 3-5
    - battery danger 3-5
    - bed hold-down bolts 3-5, 3-9
    - bed load warning 1-37, 3-3, 3-7
    - Club Car name plate 3-11, 3-13, 3-15
    - crush area warning 1-41, 1-43, 3-3, 3-7
    - driver/passenger 3-7
    - electrical cover safety 3-5
    - filter log 13-17
    - FNR 3-5, 3-9
    - frame ground 3-7
    - inspect log 13-17
    - key switch 3-9
    - no ground warning 3-5
  - on/off 3-5, 3-9
  - operating instructions 3-5, 3-9
  - passcode 4-21
  - rollover warning 3-3, 3-7
  - rotating parts 3-7, 7-7, 7-9
  - run/service switch 3-9, 7-13
  - service warning 1-41, 1-43
  - Tow/Run switch 3-3
  - trailer hitch 1-45, 1-51
  - Turf 6 3-15
  - vehicle loading 1-37, 3-3, 3-7
- deionizer 13-17
    - cartridge 13-17
  - delta A-plate 6-15
  - delta A-plate sub-assembly 6-15
  - delta shock and gear support 6-15
  - diagnostic port 4-17, 13-5
  - differential drive unit 12-7, 12-13, 15-3
  - differential gear 12-11, 15-3
  - differential gear case 12-11, 12-17
  - differential guard 15-5
  - differential housing 15-3
  - differential idler gear 12-11
  - differential pin 12-11
  - diode 7-15, 7-17
  - dipstick 8-5
  - door 1-57
  - door latch 1-31
  - drain plug 8-9, 12-13
  - drain plug gasket 8-9, 12-7, 12-13
  - drain plug, rubber 7-7, 7-9
  - drive belt 11-3
  - drive button 11-9
  - drive clutch 11-5, 11-7
  - drive clutch button 11-5, 11-7
  - drive clutch fixed-face 11-5, 11-7
  - drive clutch holder tool 17-3
  - drive clutch hub puller 17-3
  - drive clutch puller 17-3
  - drive clutch spring 11-5, 11-7
  - drive clutch weight 11-5, 11-7
  - drive hub 11-5, 11-7
  - drive selector shaft 12-7, 12-13
  - drive unit bumper 14-3
  - drive unit guard 15-5
  - driven clutch 11-9
  - driven clutch button 11-9
  - driven clutch cam 11-9
  - driven clutch cam puller 17-3
  - driven clutch fixed-face assembly 11-9
  - driven clutch puller plug 17-3
  - driver, drive clutch 11-5, 11-7
  - drum, brake 5-11, 5-17
  - dry moly lubricant 17-5
  - duct, intake 9-13
  - dust cap 4-17, 13-5

# INDEX

dust cover 5-11, 5-17, 6-13

## E

eccentric adjustment screw 6-17  
E-clip 5-13, 5-15  
electrical box cover 7-15, 7-17  
electrical component box 7-15, 7-17  
end cap, motor 14-3  
end, tie rod 6-15  
engine  
    air filter 8-3  
engine mounting plate 8-17  
engine shroud 8-5  
engine tune-up kit 8-3  
engine, FE350 S27 8-5  
equalizer pivot 5-13  
equalizer rod 5-13, 5-15  
equalizer, brake cable 5-13, 5-15  
exhaust 1-57  
exhaust system 10-3  
exhaust valve 8-11  
extrusion, fender 1-3  
extrusion, plastic 1-23

## F

face, moveable 11-5, 11-7, 11-9  
fan 1-57, 1-69  
fan housing 8-5  
fan shroud 8-5  
fan, flywheel 8-7  
fender extrusion 1-3  
fender, rear 1-53  
ferrite bead (CE), Fair-rite 13-21  
ferrite bead (CE), TDK 13-21  
field coil housing 7-7, 7-9  
fill plug 12-7, 12-13  
fill plug gasket 12-13  
filter  
    air 8-3, 9-15  
    fuel 8-3, 9-3  
    oil 8-3, 8-9  
    oil pump 8-9  
fitting, thread-forming grease 6-13  
fixed-face, drive clutch 11-5, 11-7  
fixed-face, driven clutch 11-9  
flasher, turn signal, 12-volt 4-11  
float 9-7  
floor mat 1-7  
flywheel 8-7  
flywheel fan 8-7  
flywheel fan plate 8-7  
flywheel puller 17-5  
FNR closeout brush 4-13, 4-15  
FNR shift lever 12-7, 12-13  
FNR shifter 12-3

FNR shifter bracket 12-3  
FNR shifter cable 12-5  
FNR shifter cam 12-3  
FOPS 1-57  
fork, shift 12-9, 12-15  
frame and field, motor 14-3  
frame and field, starter/generator 7-7, 7-9  
front bumper 1-3  
front bumper kit 1-3  
front spring retainer plate 6-17, 6-19  
fuel filter 8-3, 9-3  
fuel gauge sending unit 9-3  
fuel line 9-3, 9-5, 9-9  
fuel pump 9-3  
fuel pump mount 9-3  
fuel tank 9-3  
fuel tank strap 9-3  
fuse 13-7, 16-3, 16-5, 16-7, 16-9  
    10-amp 7-15, 7-17  
    20-amp 4-5, 4-7, 7-15, 7-17  
    3/8-amp 13-7  
fuse block 1-57, 4-5, 4-7, 7-15, 7-17  
fuse block cover 4-7  
fuse holder 1-67

## G

gasket  
    carburetor 9-9  
    carburetor mounting 9-7, 9-9  
    crankcase cover 8-11, 8-13  
    drain plug 8-9, 12-7  
    drain plug, fill plug 12-13  
    exhaust 8-11, 10-3  
    head 8-11  
    insulator 8-11, 9-9  
    liquid 12-7, 15-3, 17-5  
    plug 15-3  
    rocker case 8-11  
    sending unit 9-3  
    strobe light 1-67  
gasket kit, FE350 8-11  
gauge, battery condition 4-17  
gauge, compression 17-5  
gear  
    25 tooth 12-15  
    28 tooth 12-15  
    cluster idler 12-9  
    differential 12-11, 12-17, 15-3  
    differential idler 12-11, 15-3  
    differential output 15-3  
    helical 8-15, 12-9, 12-11  
    planetary 12-17  
    speed governor 12-15  
    spur 8-15, 12-9  
    sun 12-17  
    synchro 12-9

gear yoke 17-5  
gearcase 12-7, 15-3  
governor 12-9, 12-15  
governor arm 9-11, 12-7, 12-13  
governor cable 9-11  
governor cable bracket 9-11  
governor shaft installation tool 17-5  
grip, pencil 6-11  
grommet 1-15, 1-25, 1-27, 9-3, 9-13  
    ignition 8-7  
guard, differential 15-5  
guard, splash 1-5  
guide  
    intake valve 8-11  
    valve seat cutter 17-7  
guide ring adhesive 17-3

## H

handle 1-71  
handle, tee 1-63  
hanger, brake cable 6-21  
harness  
    wire 4-37  
harness, headlight 4-5, 4-7  
harness, lighting 4-5, 4-7  
harness, wire 4-25, 4-27, 4-31, 4-33, 4-37, 7-3, 7-5, 13-5  
head gasket 8-11  
head, cylinder 8-11  
headband, sealed, motor 14-3  
headband, vented, motor 14-3  
headlight 4-3  
headlight assembly 4-3  
headlight bulb 4-3  
headlight harness 4-3  
headlight retainer 4-3  
headlight wire harness 4-5, 4-7  
headliner 1-57  
heat shrink tube 16-11  
heatsink and rectifier 16-3, 16-5, 16-7, 16-9  
heavy-duty bumper 1-3  
helical gear 8-15, 12-9, 12-11  
hill brake rod 5-3  
hill brake weld assembly 5-3  
hinge pin 1-37  
hinge, access door 1-31  
hinge, stake side 1-37  
hitch, trailer 1-45  
hitch, trailer, ball 1-49  
hold-down rod, battery 13-11, 13-13  
hold-down, battery 13-11, 13-13  
holder, cup 1-9  
hole plug 4-17  
horn 4-37  
horn bracket 4-37  
hose

# INDEX

fuel 9-3  
vent 9-5  
hose clamp, green 9-5  
hose, air intake 9-15  
hour meter 4-39  
hour meter bracket 4-39  
hour meter, 36-48 volt 4-39  
housing  
3-pin 14-3  
differential 15-3  
fan 8-5  
field coil 7-7, 7-9  
hub 6-13  
hub bearing 6-13  
hub cap 2-5  
hub cap, 7 prong 2-5  
hub, synchronizer clutch 12-9  
hydrometer 17-5

## I

idle screw assembly 9-7  
idler bearing 11-5, 11-7  
idler gear, differential 15-3  
ignition coil 8-7  
indicator  
charger info 4-19  
indicator, battery condition 4-17  
inner frame snubber 8-17  
input shaft 15-3  
insert, synchronizer 12-9  
instrument panel 4-13, 4-15, 4-17  
insulating washer 14-3  
insulator gasket 8-11, 9-9  
insulator, carburetor 9-9  
insulator, motor terminal 14-3  
intake duct 9-13  
intake valve 8-11  
intermediate shaft 15-3  
internal retaining ring pliers 17-5  
IQ display module (IQDM) 17-5

## J

jet, main 9-7  
jet, pilot 9-7  
joint  
ball 5-3, 5-9, 12-5

## K

key  
crankshaft 8-7, 8-15  
driven clutch 11-9  
On/Off 4-13, 4-15, 4-17  
square 11-9  
woodruff 12-7  
key switch 4-13, 4-15

key switch cap 4-13, 4-15, 4-17, 4-23  
key switch, On/Off 4-17  
key switch, uncommon 4-23  
keys 1-59  
kingpin 6-17, 6-19  
kit  
3-pin housing 14-3  
accelerator pivot rod 5-5, 5-7  
anchor body 5-11, 5-17  
beacon 1-57  
bed lift 1-41, 1-43  
brake actuator 5-11, 5-17  
brake cable 5-13  
brake pedal 5-3  
brake relay 4-5  
brake shoe 5-11, 5-17  
brake shoe retainer 5-11, 5-17  
canopy 1-25, 1-27  
clutch repair 11-9  
cup holder 1-9  
DC/DC converter 4-25  
differential gear case 12-11  
door-hold 1-57  
doors 1-57  
drive clutch button 11-5, 11-7  
drive clutch weight 11-5, 11-7  
driven clutch button 11-9  
driving-range 1-57  
equalizer, brake 5-13  
exhaust extension 1-57  
fan 1-57  
fixed-face drive 11-5, 11-7  
flywheel puller 17-5  
FOPS 1-57  
front bumper 1-3  
front window 1-57, 1-63  
front work lights 1-57  
fuse block 1-57  
gasket, FE350 8-11  
hand pump, SPWS 13-17  
heavy-duty front bumper 1-3  
hour meter 4-39  
hub cap 2-5  
IQ display module (IQDM) 17-5  
key set 1-59  
main switch 1-57  
mirror 1-11, 1-57  
motor brush 14-3  
motor brush lead assembly 14-3  
motor brush spring 14-3  
motor speed sensor 14-3  
name plate 3-11, 3-13, 3-15  
park brake latch 5-3  
park brake pedal 5-3  
piston ring compressor 17-5  
rear receiver hitch 1-51

rear window 1-57  
rear work light 1-57  
relay, 48V 4-7, 13-19  
roof 1-57  
roof liner 1-57  
ROPS 1-57  
seals 1-59, 1-63, 1-65  
seat belts 1-57  
shock absorber cushion 6-21, 6-23  
shoe retainer 5-11, 5-17  
side frames 1-57  
smartkey 4-21  
steering column mounting bracket 6-5  
strobe light 4-31, 4-33, 4-35  
trailer hitch 1-45, 1-47  
transmission tool 17-7  
tune up 8-3  
tune-up 17-7  
turn signal 4-9  
vent and seals 1-57  
windshield, hinged 1-21  
windshield, one-piece 1-23  
wire assembly, charger 16-3, 16-7, 16-9  
knob, forward/reverse 12-3

## L

lamp, strobe light 4-31, 4-33, 4-35  
lamp, turn signal and socket 4-9, 4-11  
latch, air box 9-15  
latch, door 1-31  
latch, park brake 5-3  
leaf spring 6-21, 6-23  
lens, headlight 4-3  
lens, strobe light 4-31, 4-33, 4-35  
lever  
choke 9-15  
drive selector 12-7  
speed governor 12-13  
transmission shift 12-7, 12-13  
light  
battery 4-17  
beacon 1-57  
CHMSL 1-67  
indicator 4-19  
oil 4-13, 4-15  
strobe 1-67  
tail 4-41  
water quality 13-17  
work 1-57  
light, strobe 4-31, 4-33, 4-35  
lighting wire harness 4-5, 4-7  
limit switch 4-5, 4-7, 7-15, 7-17, 7-19, 12-3  
limiter  
current 16-5  
voltage 4-5, 4-29  
line, fuel 9-3, 9-5, 9-9

# INDEX

link, stabilizer bar 6-25  
liquid gasket 12-7, 15-3, 17-5  
low oil warning light 4-13, 4-15  
lubricant, dry moly 17-5  
lubricant, moly-teflon 14-3, 17-5  
lug nut 2-3  
lug stud 12-11, 12-17, 15-3

## M

magnet, speed sensor 14-3  
main jet 9-7  
mat, bed 1-35  
MCOR 13-3  
meter, hour 4-39  
meter, volt ohm 17-7  
mirror 1-11, 1-57, 1-69  
mirror, rear view 1-11  
module  
    calibration test 17-3  
    communication display 17-5  
moly-teflon lubricant 17-5  
motor  
    48-volt IQ Plus 14-3  
    wiper 1-61  
motor brush 14-3  
motor brush kit 14-3  
motor brush lead assembly kit 14-3  
motor brush spring 14-3  
motor bumper 14-3  
motor controller 13-19  
motor end cap 14-3  
motor frame and field 14-3  
motor headband, sealed 14-3  
motor headband, vented 14-3  
motor magnet, speed sensor 14-3  
motor speed sensor 14-3  
motor speed sensor kit 14-3  
motor terminal and lead assembly 14-3  
motor terminal insulator 14-3  
mount, compression 6-25  
mount, fuel pump 9-3  
mounting block, brake 5-3  
moveable-face 11-5, 11-7, 11-9  
muffler hose clamp 10-3

## N

name plate 3-11, 3-13, 3-15  
needle bearing 12-9  
nozzle, main 9-7  
nut, lug 2-3

## O

oil conveyer 12-13  
oil filler tube 8-5  
oil filter 8-3, 8-9

oil filter mount bracket 8-9  
oil filter screen 8-13  
oil filter screen plate 8-13  
oil level sensor 8-13  
oil level switch bracket 8-13  
oil pump and rotor 8-9  
oil pump cover 8-9  
oil pump filter 8-9  
oil pump plate 8-9  
oil seal 8-11, 8-13, 8-15, 12-7, 12-9  
oil warning light, low 4-13, 4-15  
onboard battery charger 16-7, 16-9  
O-ring 8-5, 8-11, 8-13, 8-15

## P

pad  
    brake pedal 5-3  
    park brake 5-3  
paint, touch-up 17-5  
panel, instrument 4-13, 4-15, 4-17  
park brake latch 5-3  
park brake pedal 5-3  
park brake rod sleeve 5-3  
park brake spacer 5-3  
park brake torsion spring 5-3  
pawl 5-3  
pedal, brake 5-3  
pedal, park brake 5-3  
pencil grip 6-11  
pilot air screw assembly 9-7  
pilot jet 9-7  
pin  
    bow tie locking 5-13, 5-15  
    clevis 5-13, 5-15  
    differential 12-11  
    piston 8-15  
pin, hinge 1-37  
pinion, steering 6-3  
piston 8-15  
piston anchor 5-11, 5-17  
piston pin 8-15  
piston ring 8-15  
piston ring compressor 17-5  
piston ring pliers 17-5  
piston ring set 8-15  
pivot arm 12-7  
pivot support bearing 5-5, 5-7  
plate  
    bed floor 1-31  
    bumper mounting 1-55  
    component mounting 13-19  
    engine mounting 8-17  
    flywheel fan 8-7  
    front spring retainer 6-17, 6-19  
    name 3-11, 3-13, 3-15  
    oil filter screen 8-13

oil pump 8-9  
    receptacle backing 13-7, 16-11  
    spring mounting 6-17, 6-19  
    thrust 12-9, 12-11  
plate, canopy trim 1-25, 1-27  
plate, Tow/Run switch 13-9  
pliers  
    internal retaining ring 17-5  
    piston ring 17-5  
    retaining ring 17-5  
plug  
    drain 8-9, 12-13  
    drive clutch 11-5  
    driven clutch puller 17-3  
    fill 12-7, 12-13  
    hole 4-17  
    rubber drain 7-7, 7-9  
    spark 8-3, 8-7  
plug cap 8-7  
plug, carburetor intake manifold 9-9  
port, diagnostic 4-17, 13-5  
press weldment 17-3  
prop rod 1-33  
protector spray, battery terminal 17-3  
puller  
    bearing 17-3  
    drive clutch 17-3  
    drive clutch hub 17-3  
    driven clutch cam 17-3  
    flywheel 17-5  
    seal 17-5  
pulley  
    clutch 11-5, 11-7  
    starter-generator 7-7, 7-9  
    v-belt 7-7, 7-9  
pump  
    fuel 9-3  
push rod 8-11

## R

race, front hub bearing 6-13  
rack guide pressure spring 6-3  
rack, steering 6-3  
ratchet, park brake 5-3, 5-5, 5-7  
reamer, valve guide 17-7  
rear bumper 1-55  
rear fender 1-53  
rear spring shackle 6-21  
rear view mirror 1-11  
receiver hitch 1-51  
receptacle backing plate 13-7, 16-11  
receptacle, AC cord 16-5  
receptacle, battery charger 13-7  
rectifier with heatsink 16-3, 16-5, 16-7, 16-9  
reel bracket 16-11  
reel cord 16-11

# INDEX

- regulator, voltage 7-15, 7-17
- relay 4-7, 7-17, 13-19
- relay mounting bracket 7-17, 16-7, 16-9
- relay, 12-volt 4-5
- relay, 48V 4-7, 13-19
- relay, 48-volt 16-3, 16-5, 16-7, 16-9
- relay, brake, kit, 12-volt 4-5
- remover, bearing and oil seal 17-3
- retainer
  - accelerator pedal spring 5-5, 5-7
  - brake shoe 5-11, 5-17
  - headlight 4-3
  - shock absorber cushion 6-21, 6-23
  - spring (drive clutch) 11-5, 11-7
  - valve spring 8-11
- retaining bracket 9-13
- retaining ring 6-5
- retaining ring pliers 17-5
- return spring bumper 5-5, 5-7
- reverse buzzer 4-13, 4-15, 4-17
- rim (wheel) 2-3
- ring
  - C-type stop 6-3
  - piston 8-15
  - retaining 6-5, 7-15, 7-17, 11-5, 11-7, 11-9
  - snap 6-3, 8-11, 8-15
  - spiral backup 11-5, 11-7
  - synchronizer 12-9
- rivet, blind push 1-3, 13-19
- rock guard 15-5
- rocker arm 8-11
- rocker case 8-11
- rocker case gasket 8-11
- rocker shaft 8-11
- rocker switch 1-41, 1-43, 4-17
- rocker switch (lights) 4-5, 4-7, 4-15, 4-17
- rod
  - accelerator 5-9
  - accelerator pivot 5-5, 5-7
  - battery hold-down 13-11, 13-13
  - clip 1-33
  - connecting 8-15
  - crankshaft 8-15
  - equalizer 5-13, 5-15
  - hill brake 5-3
  - prop 1-33
  - push 8-11
  - shift 12-9
- roof 1-57, 1-65
- ROPS 1-57
- S**
- safety first card 17-5
- score card clip 6-11
- score card plate 6-11
- screen, oil filter 8-13
- screw, eccentric adjustment 6-17
- screw, valve clearance adjuster 17-7
- seal
  - intake 9-15
  - lip 15-3
  - oil 8-11, 8-13, 8-15, 12-7, 12-9, 12-11, 12-17, 15-3
  - steering pinion dust 6-3
- seal puller 17-5
- seal, bed 1-29
- sealant 12-7, 15-3
- seals 1-59
- seat
  - spring 8-11
  - valve 8-9
- seat back 1-19
- seat back assembly 1-19
- seat back cap 1-19
- seat back tube 1-29
- seat back, white 1-19
- seat bottom assembly 1-17
- seat bumper 1-17
- seat cover, vinyl 1-17
- seat strap 1-17
- seat, bearing 6-5
- sending unit, fuel gauge 9-3
- sensor, motor speed 14-3
- sensor, oil level 8-13
- shackle weldment 6-23
- shackle, rear spring 6-21
- shaft
  - counterbalance guide 8-15
  - drive selector 12-7, 12-13
  - input 15-3
  - intermediate 15-3
  - rocker 8-11
  - steering column 6-5
  - transmission 12-9, 12-15
- shaft, reverse gear 12-15
- shaft, secondary
  - transmission 12-15
- shield, battery charger 16-11
- shift fork 12-9, 12-15
- shift lever 12-7, 12-13
- shift rod 12-9
- shifter, FNR 12-3
- shim, camshaft 8-13
- shim, crankshaft 8-15
- shim, tilt bed pivot 1-33
- shock absorber 6-15, 6-21, 6-23
- shock absorber cushion 6-21, 6-23
- shock absorber cushion retainer 6-21, 6-23
- shock mounting bracket, drv 6-23
- shock mounting bracket, pas 6-23
- shoe retainer kit 5-11, 5-17
- shoe, brake 5-11, 5-17
- shroud 8-5
- shroud, engine 8-5
- shroud, fan 8-5
- signal, turn 4-9
- sleeve
  - delta A-plate 6-15
  - governor 12-9
  - park brake rod 5-3
  - synchronizer 12-9
- smartkey 4-21
- snap ring 6-3, 8-11, 8-15
- snubber bracket 8-17
- snubber, inner frame 8-17
- solenoid 13-19
- solenoid, 12-volt 7-15, 7-17
- spacer
  - accelerator pivot rod 5-5, 5-7
  - park brake 5-3
- spark plug 8-3, 8-7
- speed controller 13-19
- speed sensor 14-3
- speed sensor magnet 14-3
- speed sensor, motor 14-3
- spindle assembly 6-13
- spiral backup ring 11-5, 11-7
- splash guard 1-5
- spray, battery terminal protector 17-3
- spring
  - accelerator return 5-5, 5-7
  - brake 5-11, 5-17
  - brake return 5-15
  - brush 7-7, 7-9, 14-3
  - compression 6-11
  - drive button 11-5, 11-7
  - drive clutch 11-5, 11-7
  - driven clutch 11-9
  - extension return 9-15
  - leaf 6-21, 6-23
  - park brake torsion 5-3
  - rack guide pressure 6-3
  - shifter 12-9
  - steering shaft compression 6-5
  - synchronizer 12-9
  - throttle return 9-9
  - valve 8-11
- spring cup 5-5, 5-7
- spring mounting plate 6-17, 6-19
- spring, motor brush 14-3
- spur gear 8-15, 12-9
- SPWS manifold 13-15
- stabilizer bar 6-25
- stabilizer bar link 6-25
- stabilizer bar mounting bracket 6-25
- stake side 1-37
- stake side bracket 1-37
- stake side hinge 1-37

# INDEX

- stake side kit 1-37
  - starter/generator (bi-rotational) 7-9
  - starter/generator belt 7-11
  - starter/generator brush cover kit 7-7, 7-9
  - starter/generator brush spring 7-7, 7-9
  - starter/generator brush terminal 7-7, 7-9
  - starter/generator frame and field 7-7, 7-9
  - starter/generator pulley 7-7, 7-9
  - steel bushing 1-33, 6-17, 6-19, 6-21, 6-23
  - steel pressure relief ball 8-9
  - steering column 6-5
  - steering column bearing press tool 17-7
  - steering column cover 4-9, 4-11
  - steering column retaining ring tool 17-7
  - steering gear box 6-3
  - steering pinion 6-3
  - steering pinion dust seal 6-3
  - steering rack 6-3
  - steering shaft assembly 6-5
  - steering shaft compression spring 6-5
  - steering wheel 6-9, 6-11
  - steering wheel puller tool 17-7
  - stem, valve 2-3
  - stiffener 1-17
  - stiffener, flywheel side 8-17
  - stiffener, PTO side 8-17
  - strap, A-plate 6-15
  - strap, fuel tank 9-3
  - strap, seat 1-17
  - strobe light 1-67, 4-31, 4-33, 4-35
  - strobe light lens 4-31, 4-33, 4-35
  - stud 8-17
    - lug 12-11, 12-17, 15-3
  - stud, ball 7-15, 7-17, 12-7, 12-13
  - support yoke (steering) 6-3
  - support, bushing 6-25
  - suppressor, voltage 4-5, 4-7, 16-3, 16-5, 16-7, 16-9
  - switch plate cover 4-31, 4-33, 4-35
  - switch
    - four-position 16-5, 16-9
    - key 4-13, 4-15, 4-17
    - key, uncommon 4-23
    - light rocker 4-5, 4-7, 4-15, 4-17
    - limit 4-5, 4-7, 7-15, 7-17, 7-19, 12-3
    - rocker 1-41, 1-43, 4-17
    - Tow/Run 13-9
    - turn signal 4-9, 4-11
  - switch assembly 4-31, 4-33, 4-35
  - switch rubber boot 7-13, 13-9
  - switch, toggle 7-13
  - synchro gear 12-9
  - synchronizer clutch hub 12-9
  - synchronizer insert 12-9
  - synchronizer sleeve 12-9
  - synchronizer spring 12-9
  - synchronizer, complete 12-15
  - system, exhaust 10-3
- ## T
- 12-volt solenoid 7-15, 7-17
  - tachometer 17-7
  - tail light bulb 4-41
  - taillight 4-41
  - tailskirt 1-53
  - tank
    - fuel 9-3
  - tape, vinyl foam 1-31
  - tappet 8-13
  - tee handle 1-63
  - terminal block 4-5, 4-7, 13-5
  - tester, continuity 17-5
  - thermometer, battery 17-3
  - thread-forming grease fitting 6-13
  - throttle return spring 9-9
  - throttle spring return bracket 9-9
  - thrust bearing 6-17, 6-19
  - thrust plate 12-9, 12-11
  - tie rod 6-15
  - tie rod end 6-15
  - tie wrap 1-41, 1-43, 4-9, 4-11, 4-25, 4-27, 4-33, 4-35, 4-39, 6-3, 7-15, 7-17, 9-13, 12-5, 13-21
  - tire 2-3
  - toggle switch 7-13
  - tool
    - accelerator pedal adjustment 17-3
    - brake adjustment 17-3
    - brake cable release 17-3
    - charger bezel 17-3
    - clutch cam installation 17-3
    - drive clutch holder 17-3
    - governor shaft installation 17-5
    - steering column bearing press 17-7
    - steering column retaining ring 17-7
    - steering wheel puller 17-7
    - transaxle axle seal 17-7
    - transaxle pinion seal 17-7
    - transmission 17-7
  - tool box 1-39
  - tool kit, clutch 17-3
  - toolbox 1-39
  - touch-up paint 17-5
  - Tow/Run switch 13-9
  - Tow/Run switch bracket 7-13
  - Tow/Run switch plate 13-9
  - trailer hitch 1-45
  - trailer hitch ball 1-49
  - trailer hitch brace 1-45
  - trailer hitch kit 1-47
  - transaxle (Electric Vehicle) 15-3
  - transaxle axle seal tool 17-7
  - transaxle guard 15-5
  - transaxle pinion seal tool 17-7
  - transaxle, Gaziano (Gasoline Vehicle) 12-13
  - transaxle, Kawasaki (Gasoline Vehicle) 12-7
  - transformer, battery charger 16-3, 16-5, 16-7, 16-9
  - transmission secondary shaft 12-15
  - transmission shaft 12-9, 12-15
  - transmission tool 17-7
  - trim
    - cowl 1-3
    - seat bottom 1-29
  - tube
    - axle 12-11, 12-17, 15-3
    - crankcase vent 9-9
    - oil filler 8-5
    - seat back 1-29
  - tune-up kit 8-3, 17-7
  - turn signal 4-9
  - turn signal conversion kit 4-9
  - turn signal lens 4-3
  - turn signal socket and lamp 4-9, 4-11
  - turn signal switch 4-11
- ## U
- U-bolt 6-21, 6-23
  - upper delta clevis 6-17, 6-19
  - urethane bushing 1-33, 6-15, 6-17, 6-19, 6-21, 6-23
- ## V
- valve
    - choke 9-15
    - exhaust 8-11
    - reed 8-11
  - valve clearance adjuster screw 17-7
  - valve guide reamer 17-7
  - valve guide, intake 8-11
  - valve seat 8-9
  - valve seat cutter 17-7
  - valve seat cutter guide 17-7
  - valve seat t-wrench 17-7
  - valve spring 8-11
  - valve spring compressor 17-7
  - valve spring retainer 8-11
  - valve stem 2-3
  - van box 1-71
  - v-belt 7-11
  - vent 1-65
    - fuel tank 9-3
  - vent barb 9-3
  - vent, barb 9-5
  - volt ohm meter 17-7
  - voltage limiter 4-5, 4-29
  - voltage regulator 7-15, 7-17
  - voltage suppressor 4-5, 4-7, 16-3, 16-5, 16-7, 16-9

# INDEX

## W

warning light, low oil 4-13, 4-15  
washer, insulating 14-3  
water quality light 13-17  
wedge, bearing puller 17-3  
weight  
    clutch 11-5, 11-7  
    counterbalance 8-15  
    secondary clutch 11-5, 11-7  
weldment  
    press 17-3  
weldment, receiver hitch 1-51  
wheel 2-3  
    steering 6-9, 6-11  
window 1-59  
windshield 1-57, 1-63  
    one-piece 1-23  
windshield channel 1-21  
windshield frame pad 1-25, 1-27  
windshield, hinged 1-21  
wiper 1-61  
wire assembly, battery charger 16-5  
wire harness 4-25, 4-27, 4-31, 4-33, 4-37, 7-3,  
    7-5, 13-5  
    beacon 1-67  
    CHMSL light 1-67  
    fan 1-69  
    front work lights 1-67  
    fuse block to switch 1-67  
    main, CPL cab 1-67  
    rear work light 1-67  
    wiper jumper 1-61  
wire harness, headlight 4-5, 4-7  
wire harness, lighting 4-5, 4-7  
wire lead, ignition 8-7  
woodruff key 12-7  
wrap, tie 1-41, 1-43, 4-9, 4-11, 4-25, 4-27, 4-33,  
    4-35, 4-39, 6-3, 7-15, 7-17, 9-13, 12-5, 13-21

## Y

yoke, gear 17-5  
yoke, support (steering) 6-3













**Club Car, Inc.**  
P.O. Box 204658  
Augusta, GA 30917-4658  
USA

**Web** [www.clubcar.com](http://www.clubcar.com)  
**Phone** 1.706.863.3000  
1.800.ClubCar  
**Int'l** +1 706.863.3000  
**Fax** 1.706.863.5808