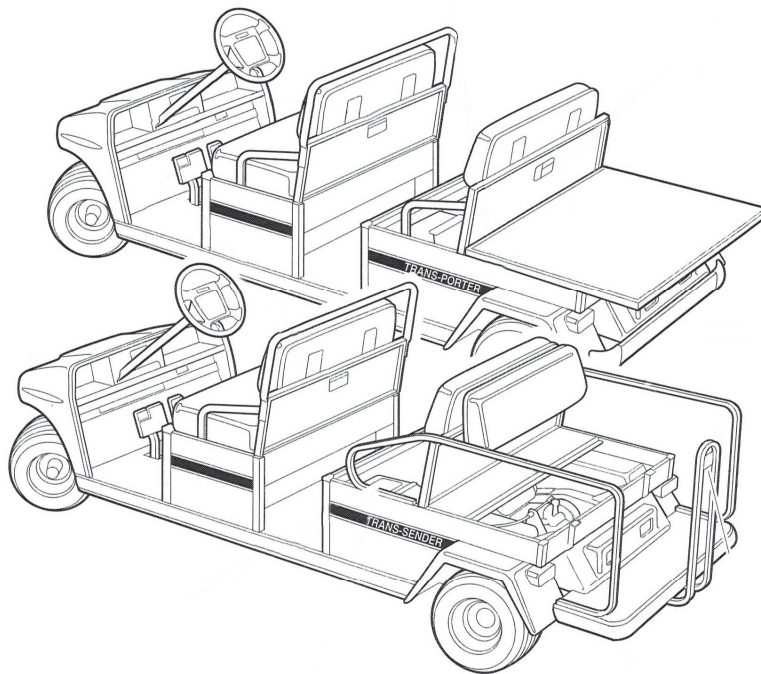


**1993  
TransPorter and  
TransSender  
Owner's Manual**



**Gasoline and Electric Vehicles**

Manual Number 1017102  
Edition Code 0892B1008A



## Safety Details:

### WARNING:

This instruction manual should be read completely and carefully before attempting to drive or service this vehicle. Failure to follow the instructions in this manual could result in adverse personal injury or death.

It is important to note that some statements throughout this manual are preceded by the words **DANGER**, **WARNING**, **CAUTION** or **NOTE**. We recommend that you take special notice of these safety procedures for your protection. Safety procedures are essential and must be followed.

### DANGER:

A danger indicates an immediate hazard which will result in severe personal injury or death.

### WARNING:

A warning indicates an immediate hazard which could result in severe personal injury or death.

### CAUTION:

A caution indicates hazards or unsafe practices which could result in minor personal injury or product or property damage.

**NOTE:** A note provides key information to make procedures easier or clearer.

The safety procedures listed below must be followed whenever the vehicle is being repaired or serviced. Other specific warnings appear throughout this manual.

### WARNING:

Only trained people should repair or service this vehicle. Everyone doing even simple repairs or service should follow correct procedures and obey the warnings listed in this manual as well as the maintenance and service manual.

Always wear safety glasses or eye protection when servicing the vehicle.

Remove key, place forward and reverse switch in neutral (straight up position) and disconnect batteries before working on vehicle.

Always use insulated tools when working around batteries or electrical connections.

Improper use of this vehicle or the failure to maintain it could result in decreased vehicle performance or severe personal injury.

Follow all procedures listed in manual for loading and unloading vehicle.

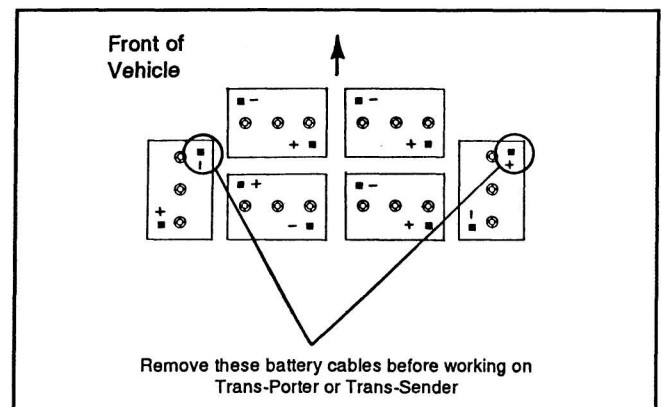
Any modification or change to the vehicle which affects the stability or increases the speed beyond the factory specifications could result in severe personal injury or death.

### DANGER:

Gasoline/Battery Vapors - Flammable - Explosive - Do not smoke. Keep sparks and flames away from the area of the vehicle. Only service in well-ventilated area.

Engines produce carbon monoxide which is an odorless, deadly poison. **DO NOT OPERATE IN AN ENCLOSED AREA WITHOUT PROPER VENTILATION.**

If any of the warning labels become damaged, have been removed or cannot be easily read, they should be replaced immediately. Contact your CLUB CAR Dealer.



---

# TABLE OF CONTENTS

	Page
Safety Details .....	1
Foreword .....	2
Vehicle Feature Identification .....	3-5
Model Identification .....	6
Pre-Operation Checklist .....	6
Controls .....	7
Driving Instructions .....	9
Loading and Unloading .....	11
Transporting On A Trailer .....	11
Storage .....	12
Maintenance .....	14
Periodic Service Schedule .....	14
Periodic Lubrication Schedule and Lubrication Chart - Gas .....	15
Engine Oil .....	16
Periodic Lubrication Schedule and Lubrication Chart - Electric .....	17
Capacities .....	18
Fueling Instructions .....	18
Battery .....	18
Batteries, Trans-porter and Trans-sender - Electric .....	20
Trouble Shooting Guide .....	22
Specifications .....	27

## Foreword

Congratulations! You have just chosen the finest light utility vehicle on the market today! Several years of the most advanced development, engineering and field experience known to this industry have gone into the manufacture of your CLUB CAR utility vehicle. With your choice of the CLUB CAR utility vehicle, you have joined a select group of discriminating owners who look for the very best, and who have shown their concern for safety, durability and long-term lasting value. This owner's manual is designed to instruct you, or anyone you may rent or loan your utility vehicle to, in the safe operation of the CLUB CAR utility vehicle. In addition, this manual will acquaint you within the normal preventive maintenance required in order to provide you safe, optimum vehicle performance.

Your CLUB CAR Dealer has checked your utility vehicle prior to delivery to you. If any repairs or service need to be performed, except in the Periodic Service Schedule, we advise that they be performed by an authorized CLUB CAR Dealer or factory representative using only original CLUB CAR parts. Should you require further information, please contact your nearest CLUB CAR Dealer who can provide you with technical advice, service, replacement parts, or any technical literature available. For the name and address of your nearest CLUB CAR Dealer, contact CLUB CAR, INC., P.O. Box 204658, Augusta, Georgia 30917-4658, U.S.A., Telephone: 706-863-3000, Technical Services Dept.

The CLUB CAR utility vehicle Limited Warranty appears on the inside back cover of this manual along with a postage paid warranty registration card for you to complete and mail to CLUB CAR, INC. No other warranties expressed or implied are contained herein.

CLUB CAR, INC., shall not be liable for errors contained herein or for incidental or consequential damages which result from the use of the material in this manual.

This manual should be considered a permanent part of this vehicle. It should stay with the vehicle when sold to provide the next owner with important operating, safety, and maintenance information.

# Vehicle Feature Identification

## VEHICLE LOADING

- Vehicle rated capacity - 1500 lbs. on level surface - See Owner's Manual.
- Maximum cargo bed load - 500 lbs.
- No more than two people in front and three people in each passenger seat.
- Cargo should be evenly spread over the floor of cargo bed as far forward as possible.
- Secure loads to prevent load shifting.
- For vehicle stability, drive slowly when loaded and avoid top heavy loads.
- Rated capacity is for level surfaces only. When driving up or down hills or on uneven terrain, vehicle speed and load must be reduced.

VEHICLE LOADING LABEL



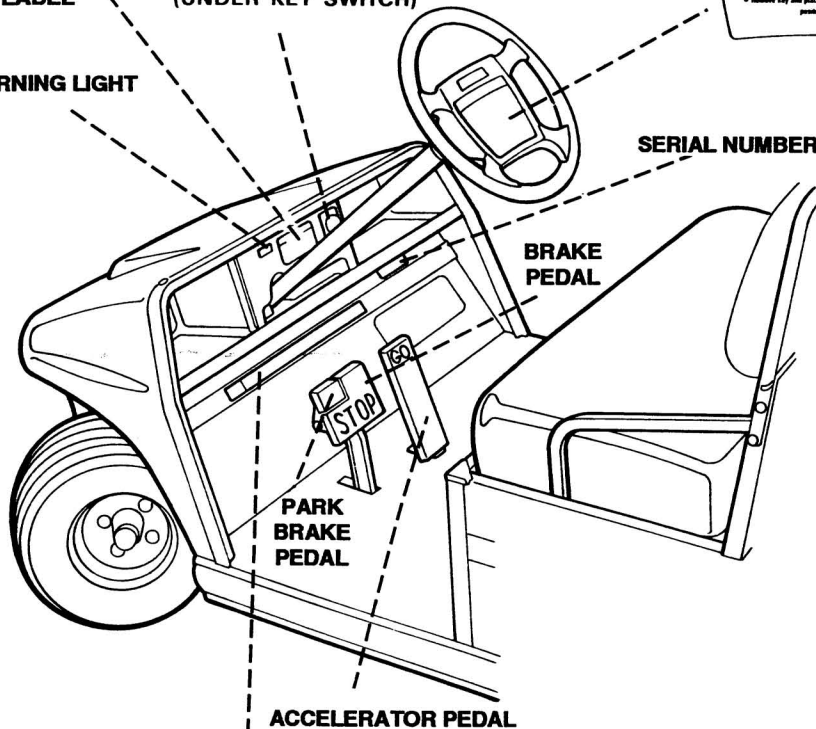
ON-OFF LABEL (UNDER KEY SWITCH)

## OPERATING INSTRUCTIONS DECAL

- OPERATING INSTRUCTIONS**
- Read owner's manual prior to operation.
  - Study and understand controls. Be sure everyone is seated.
  - Before driving, read safety warnings located above pedals.
  - Make sure wheels are turned in desired direction.
  - Turn key to ON position and be sure nothing is in your path.
  - Select direction by placing shift lever in desired position:  
F - Forward    N - Neutral    R - Reverse
  - Vehicle will start moving when accelerator is pushed.
  - Slowly push accelerator pedal to increase speed. Push brake and release when accelerator pedal is pushed.
  - To stop, release accelerator pedal and push brake pedal.
  - After stopping, firmly push park brake until it locks.
  - Remove key and place shift lever in the straight up neutral position when not in use.

OIL WARNING LIGHT

SERIAL NUMBER



BRAKE PEDAL

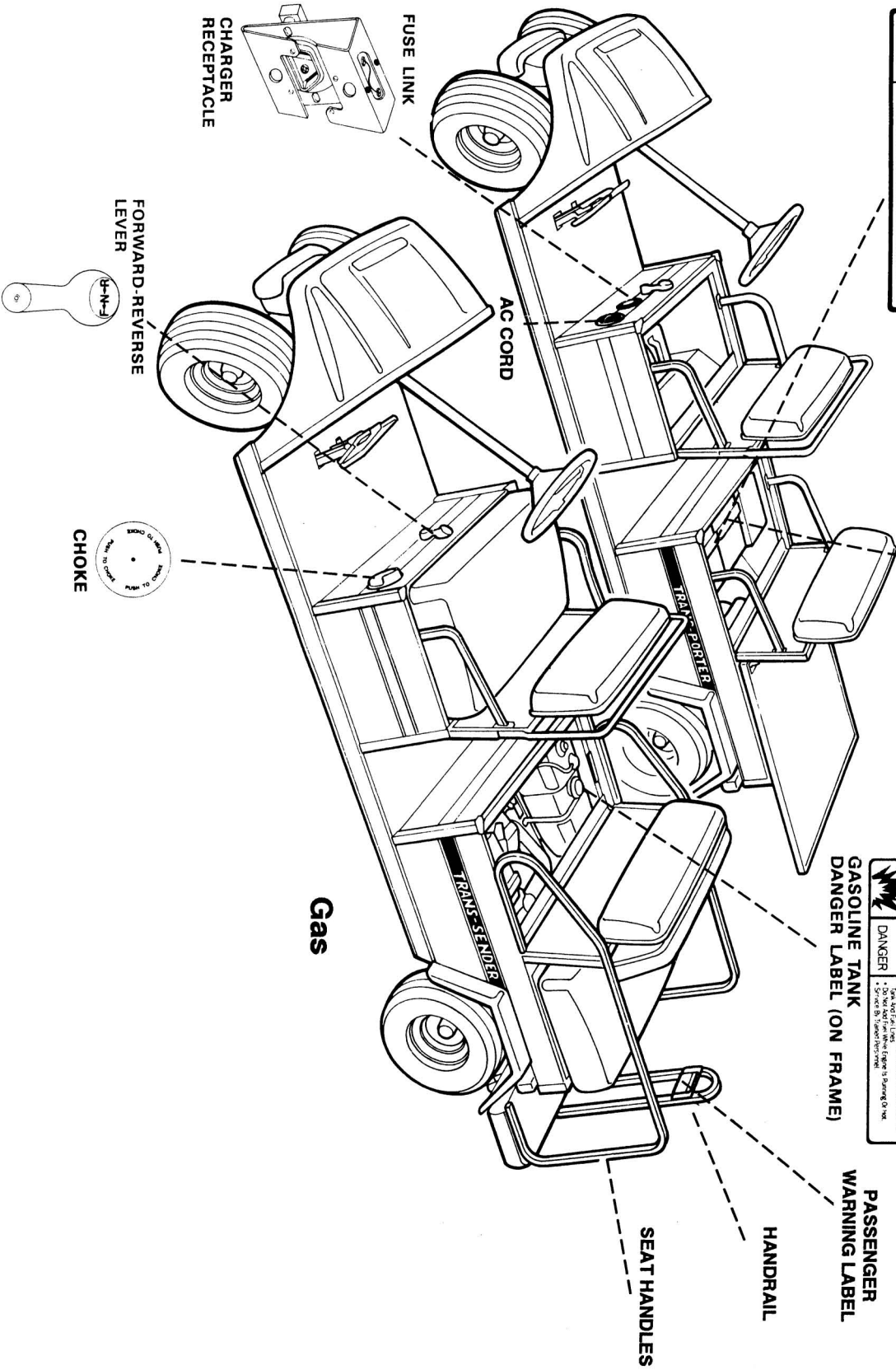
PARK BRAKE PEDAL

ACCELERATOR PEDAL

## SAFETY WARNING LABEL

- |   |   |   |   |  |
|---|---|---|---|--|
| <p><b>WARNING</b><br/>Failure to Follow These Instructions Can Cause Serious Injury or Death.</p> | <ul style="list-style-type: none"> <li>• Read Operating Instructions Before Using Vehicle.</li> <li>• Never Stand in Front Of Or Behind Vehicle.</li> <li>• Vehicle Should Be Driven Only In Specified Areas By Trained Persons.</li> </ul> | <ul style="list-style-type: none"> <li>• Do Not Use On Public Roads.</li> <li>• Only Two Persons Per Seat.</li> <li>• Operate Vehicle From Drivers Side Only.</li> <li>• Do Not Start Vehicle Until All People Are Seated.</li> </ul> | <ul style="list-style-type: none"> <li>• Remain Seated &amp; Hold On In Moving Vehicle.</li> <li>• Keep Arms, Legs, Feet &amp; Body Inside Vehicle.</li> <li>• Stop Vehicle Before Changing Direction. Buzzer Will Sound In Reverse.</li> <li>• Drive Slowly In Turns.</li> </ul> | <ul style="list-style-type: none"> <li>• Drive Slowly Straight Up &amp; Down Stoppes.</li> <li>• Set Park Brake Before Leaving Vehicle.</li> <li>• Remove Key When Vehicle Is Not In Use.</li> <li>• Place Shift Lever in Neutral When Vehicle Is Not In Use.</li> </ul> |
|   | <p>Failure to Follow These Instructions Can Cause Serious Injury or Death.</p>  |   |   |  |

# Vehicle Feature Identification



**SPEED SWITCH CAUTION LABEL**

**CAUTION**

- DO NOT OPERATE VEHICLE WITHOUT COVER IN PLACE
- DO NOT DIRECT WATER STREAM AT THIS SWITCH

**BATTERY DANGER LABEL (ON BODY)**

**⚠ DANGER/POISON**

<ul style="list-style-type: none"> <li>• FLAME</li> <li>• EXPLOSIVE</li> <li>• GASES CAN CAUSE BLINDNESS OR INJURY</li> </ul>	<ul style="list-style-type: none"> <li>• NO SMOKING</li> <li>• NO OPEN FLAMES</li> <li>• NO SPARKS</li> <li>• NO SMOULDERING</li> </ul>	<ul style="list-style-type: none"> <li>• FLUSH EYES IMMEDIATELY WITH WATER</li> <li>• GET MEDICAL HELP FAST</li> </ul>
---	---	--

**KEEP OUT OF THE REACH OF CHILDREN. DO NOT TIP. KEEP VENT CAPS TIGHT AND LEVEL.**

**Electric**

**⚠ DANGER**

**GASOLINE TANK DANGER LABEL (ON FRAME)**

- Release - Extinguishers
- Do Not Start From Fuel Tank Is Burning Or Hot
- Do Not Add Fuel While Engine Is Running Or Hot
- Do Not Smoke While Fuel Tank Is Burning Or Hot

**PASSENGER WARNING LABEL**

**Gas**

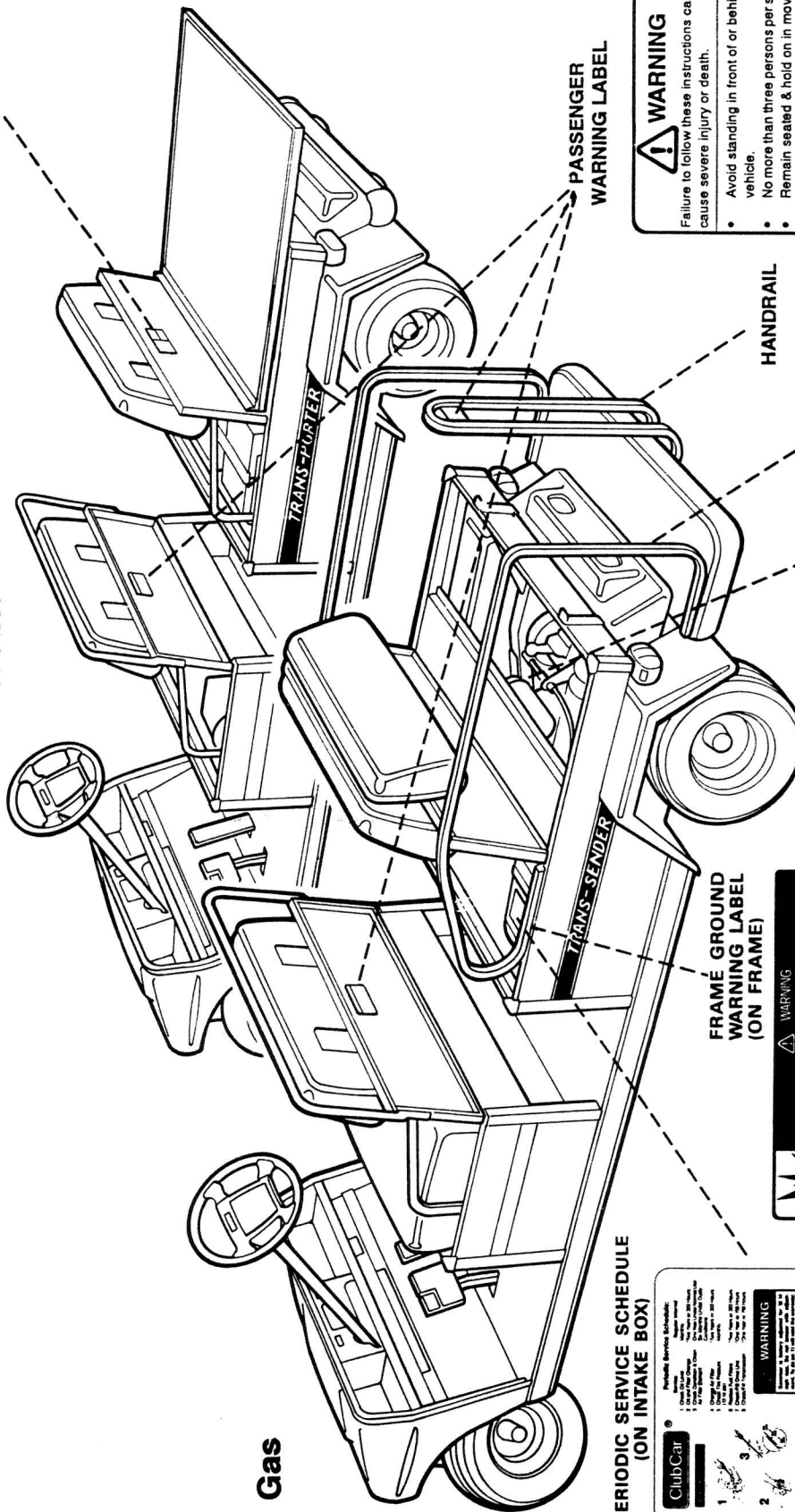
# Vehicle Feature Identification

**TILT BED WARNING DECAL**

**WARNING**

**No persons in cargo bed**

**Electric**



**WARNING**

Failure to follow these instructions can cause severe injury or death.

- Avoid standing in front of or behind vehicle.
- No more than three persons per seat.
- Remain seated & hold on in moving vehicle.
- Keep arms, legs & body inside vehicle.

**WARNING**

**MOVING PARTS**

**MOVING PARTS WARNING LABEL**

**WARNING**

**POISON • DANGER**

Negative Frame Ground Do Not Contact Positive (+) Terminals or Positive (+) Terminals of the Battery! Explosion, Electrical Shock, Arc Burns

**BATTERY DANGER LABEL (ON BODY)**

Shield Eyes  
Wear Eye Protection  
Caution: Acid  
Explosive  
Avoid  
Sparks/Flames

- In case of contact with eyes, flush with water for 15 minutes.
- **CAUSE SEVERE BURNS** - Avoid contact with skin, eyes or clothing. **KEEP OUT OF REACH OF CHILDREN**
- Charge in well-ventilated areas only. Do not charge, service or adjust battery in an enclosed space.
- Explosives: Remove or separate sealed carbon battery to explode.

**ClubCar**

**PERIODIC SERVICE SCHEDULE (ON INTAKE BOX)**

Periodic Service Schedule:

- 1 Check Oil
- 2 Check Battery
- 3 Check Brakes
- 4 Check Tires
- 5 Check Air Filter
- 6 Check Spark Plugs
- 7 Check Belts
- 8 Check Lights
- 9 Check Steering
- 10 Check Suspension

**WARNING**

Do not attempt to repair or modify the vehicle. Only qualified technicians should perform maintenance on this vehicle. For more information, contact your local ClubCar dealer.

**Gas**

## Model Identification:

The serial number of your TRANS-PORTER or TRANS-SENDER is stamped on a data plate mounted on the frame directly under the right dash (Example JG 9302-123456 or J 9302-123456)

NOTE: Always mention this number when ordering parts or making inquiries (See Figure 1).

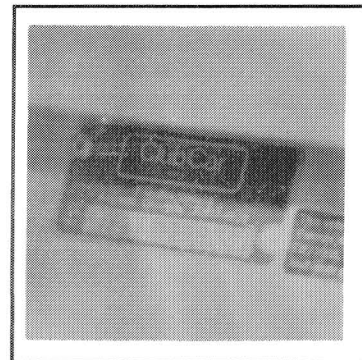


Figure 1

## Pre-Operation Checklist:

Your vehicle has been thoroughly inspected and adjusted at the factory and by your CLUB CAR Dealer. However, when receiving your new vehicle you should become familiar with its controls and operation and carefully inspect vehicle to be satisfied with its condition before accepting delivery.

### WARNING:

**Only trained people should repair or service this vehicle. Everyone doing even simple repairs or service should follow the correct procedures and obey the warnings listed in this manual as well as the maintenance and service manual.**

**Always wear safety glasses or eye protection when servicing the vehicle.**

Use this checklist as a guide to inspect your new vehicle. Any problems must be corrected only by your CLUB CAR Dealer or a trained mechanic.

**Visual Inspection** - Look for the following on your vehicle:

#### General:

All parts should be in place and properly installed. Be sure that all nuts, bolts and screws are tight.  
All hose clamps should be tight. Check the starter belt on Gas vehicle for tightness.

#### Warning Labels:

Check that all warning and operation labels are in place.

#### Tires - Gas or Electric Vehicle:

Check tire pressure. It should be 35-40 psi. It should be increased to 45-50 psi for heavy loads.

#### Engines - Gas vehicle:

Check for proper engine oil level (Page 16). Be sure spark plug wire is in clamp on top of engine.

#### Fuel - Gas vehicle:

Check fuel level (See Fueling Instructions - Page 18).

Electric Speed Switch - Be sure speed switch cover is in place prior to operating vehicle.

#### Batteries - Electric vehicle:

Check the electrolyte to insure if it is at its proper level (See Page 20). Check the battery posts for corrosion. Check all electrical wires for tightness or damage.

### CAUTION:

**Be sure the plastic has been removed from the bottom of the seats before operating vehicle. Failure to do so may result in a fire or property damage.**

**Performance Inspection** - After you have familiarized yourself with the vehicle's controls (See Page 7) and have read and understood the driving instructions (See Page 9), take the vehicle for a test drive. Check the following:

#### Brakes:

Be sure that the brakes work properly. Both rear wheels should brake properly and the pedal should not go more than halfway to the floor. If it does, have brakes adjusted.

#### Park Brake:

The park brake should lock the wheels when latched and should release when the accelerator or brake pedal is pushed.

#### Steering:

The vehicle should be easy to steer and should not have free play in the steering wheel.



---

**Accelerator Pedal:**

As the accelerator pedal is pushed, the vehicle should come smoothly up to full speed. When this pedal is released, it should return to the original position, and the engine or motor should stop gradually. The electric vehicle runs half speed in reverse.

**Governor:**

Check the speed of the vehicle. The Trans-Porter and Trans-Sender Gas and Electric should run 12-14 MPH on a level surface.

**General:**

Listen for any unusual noises such as squeaks or rattles. Check the vehicle's ride and performance. Have a CLUB CAR Dealer or a trained mechanic investigate anything unusual.

**WARNING:**

Any modification or change to the vehicle which affects the stability or increases the speed beyond the factory specifications could result in severe personal injury or death.

**Controls:****WARNING:**

If renting or loaning this vehicle, make sure the driver is familiar with all controls and operating instructions before allowing the vehicle to be driven.

**Key Switch** - The key switch is mounted on the dash to the right of the steering column (See Figure 2). It has two (2) positions, "On" and "Off" which are clearly labeled. Remove key in the "Off" position only.

Turn key switch to "Off" and remove key when leaving vehicle to avoid unintentional starting of the vehicle.

**Forward - Reverse Control** - The forward reverse shift lever is located below and to the right of the driver's knee on the seat support panel (See Figure 3). The lever has three (3) distinct positions: F (forward), N (neutral), and R (reverse). Rotate the lever toward the driver (F) the run vehicle in forward and toward the passenger (R) to run vehicle in reverse. When the lever is in the straight up or neutral position, the vehicle will not run, and the engine will stop if shifted to this position while running. The electric vehicle operates at half speed in reverse.

**WARNING:**

Do not shift forward and reverse lever while vehicle is in motion. Always bring vehicle to a full stop before shifting level to avoid injury to an unsuspecting passenger or damage to the vehicle.

Turn key switch to "Off" and place shift level in neutral when leaving vehicle to avoid unintentional starting of the vehicle.

Buzzer will sound as a warning when vehicle is in reverse.

**Accelerator Pedal** - The accelerator pedal is the pedal on the right with the word "Go" molded in it (See Figure 4). When the key switch is on, and the shift lever is in either forward or reverse, and the accelerator pedal is pushed, the parking brake will be automatically released and the engine/motor will start. As the pedal is pushed further, the engine/motor speeds up, and the vehicle will begin to move in the preselected direction (forward or reverse). Push the accelerator pedal still further to increase vehicle speed. When the accelerator pedal is released, power to the motor will be cut off or the engine will stop running.

The accelerator pedal differs from that of an automobile in the following way: Depressing the accelerator will release the parking brake if engaged. Depressing the accelerator automatically starts the vehicle moving. Each time the accelerator pedal is released, the engine/motor will stop running.

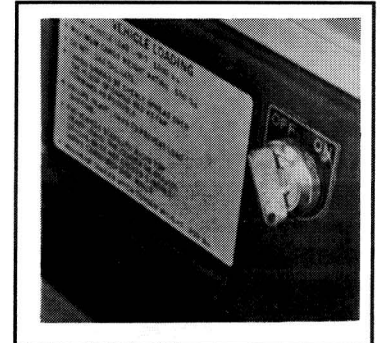


Figure 2

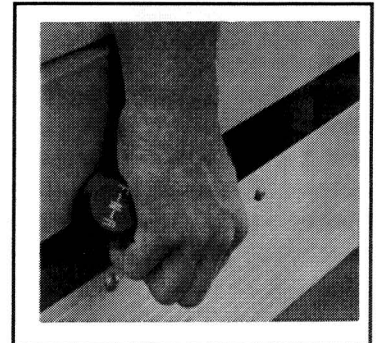


Figure 3

## WARNING:

Do not tamper with the gasoline vehicle's governor. To do so will void the limited warranty, result in damage to engine and other components, and may result in severe personal injury due to unsafe speeds.

**Brake Pedal** - The brake pedal is the large pedal on the left with the word "STOP" molded in (See Figure 5). To slow or stop the vehicle, push the brake pedal with your right foot.

**Parking Brake Pedal** - The parking or park brake pedal is the small raised portion in the upper left corner of the brake pedal with the work "PARK" molded in. The words "Park Brake" are marked above this pedal. To set the park brake, push the brake pedal firmly and tilt the park brake portion of the pedal forward with your right foot (See Figure 6).

The parking brake will release when the accelerator or brake pedal is pushed. The parking brake has multiple locking positions and should be firmly depressed to prevent vehicle from rolling.

## WARNING:

The park brake should be firmly depressed before leaving the vehicle to prevent the vehicle from rolling.

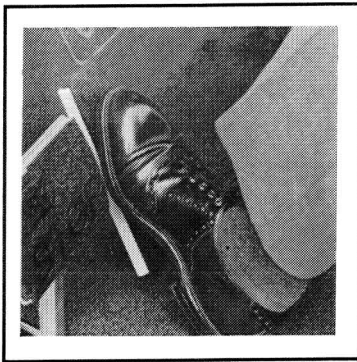


Figure 4

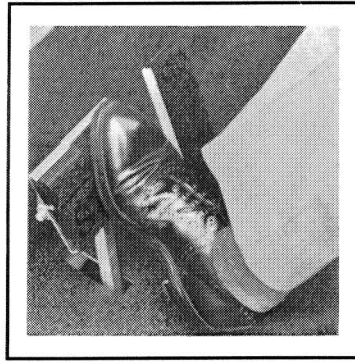


Figure 5

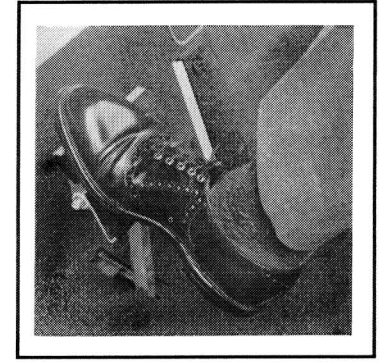


Figure 6

## Controls - Trans-Porter and Trans-Sender Gas:

**Neutral Lock Out** - The vehicle has a neutral lock-out circuit that prevents the driver from starting the vehicle in neutral. If the vehicle is started in forward or reverse and shifted to neutral, the engine stops running.

## DANGER:

Engines produce carbon monoxide which is an odorless, deadly poison. DO NOT OPERATE IN AN ENCLOSED AREA WITHOUT PROPER VENTILATION.

For the convenience of the trained and experienced mechanic, there is a neutral lock-out cam located on the back of the forward and reverse lever. If the neutral lock-out cam is pulled out approximately 3/8 of an inch and then rotated one-half turn until it snaps into place, the vehicle will be in the SERVICE position (See Figure 7). This will allow the mechanic to run the vehicle in neutral for certain maintenance procedures. With the cam in this position, the vehicle will not run if the forward and reverse lever is placed in the forward or reverse position. To put the vehicle back into the OPERATE position, pull the cam out approximately 3/8 of an inch and rotate it one-half turn until it snaps into place (See Figure 8).

NOTE: Be sure to return cam to OPERATE position.

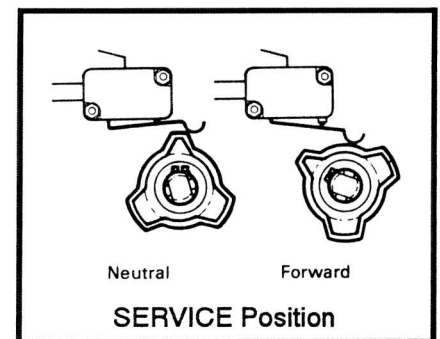


Figure 7

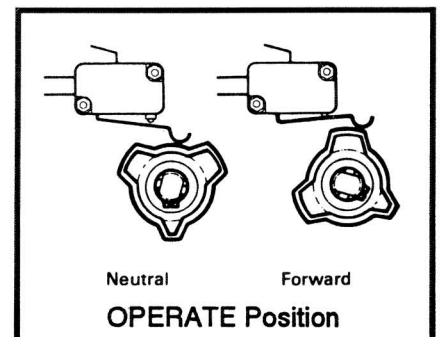


Figure 8

---

**WARNING:**

With cam in **SERVICE** position, vehicle may move suddenly if forward and reverse lever is shifted or accidentally bumped while engine is running.

**Block front and rear wheels to prevent vehicle movement.**

**Always firmly set the park brake before leaving the vehicle to prevent the vehicle from rolling.**

**Choke** - The choke is located below and to the left of the driver's left knee on the seat support panel (See Figure 9). If on a cool morning the vehicle is hard to start, simply push in the choke cover with your left hand to activate the choke. Release the choke after the engine starts and runs smoothly.

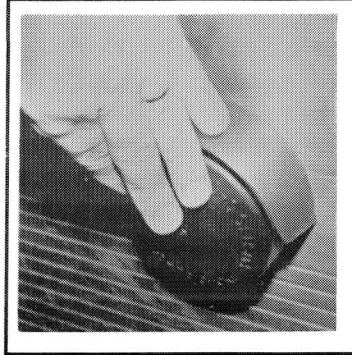


Figure 9

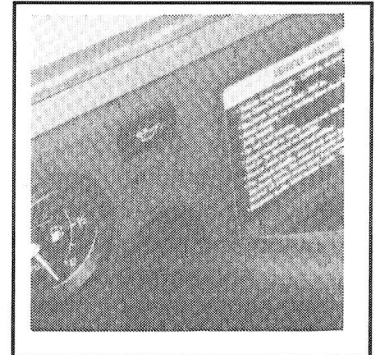


Figure 10

**Oil Light** - The Gasoline vehicle is equipped with a dash mounted oil light above the steering column (See Figure 10). When the oil light is on, it indicates low engine oil. Oil should be added before further use. The vehicle should never be driven if the oil light comes on and stays on. If the oil light goes on and off, you may proceed, but add oil at the first opportunity. If the oil level is correct and light stays on, have a trained and experienced mechanic check the vehicle.

## Driving Instructions - All Vehicles:

No one should drive the vehicle without first being instructed in the proper operation and use of the vehicle controls. An experienced operator should accompany each first-time driver on a test drive before they operate the vehicle alone. Only licensed drivers should be allowed to drive this vehicle. Do not drive under the influence of alcohol, drugs or medications.

---

**WARNING:**

**If renting or loaning this vehicle, make sure the driver is familiar with all controls and operating procedures before allowing the vehicle to be driven.**

**This vehicle is not specially equipped for handicapped persons. Be sure all persons can properly operate vehicle prior to allowing them to drive vehicle.**

To insure safe operation of the vehicle, follow all of the procedures listed below exactly and in order. Read and understand all instructions prior to driving the vehicle.

### Starting the Vehicle:

1. Be sure load (if any) is secure.
2. Enter the vehicle.
3. Be sure everyone is seated.
4. Study and understand controls.
5. Read safety warnings located above pedals.
6. Make sure wheels are turned in desired position.
7. Be sure nothing is in your path.
8. Turn key to "On" position.
9. Select direction by placing shift lever in desired position F=forward or R=reverse.
10. Slowly push accelerator pedal to increase speed. The park brake will release, the vehicle will move and the speed will increase as the accelerator is depressed until governed speed is reached. Electric vehicle has no governed speed. Operator must control speed when going down hill.

---

**WARNING:**

No more than two people in the front seat and three people in each passenger seat at one time. Do not allow people in cargo bed. Do not exceed vehicle rated capacity of 1500 lbs.

Do not shift forward and reverse lever while vehicle is in motion. Always bring vehicle to a full stop before shifting lever to avoid injury to an unsuspecting passenger or damage to the vehicle.

A buzzer will sound as a warning when the vehicle is in reverse.

---

**WARNING:****When Driving The Vehicle:**

- Operate the vehicle from the driver's seat only.
  - Remain seated in moving vehicle and hold on to prevent falls.
  - Keep arms, legs, feet and entire body inside vehicle to prevent getting them caught between the vehicle and the ground or other objects.
  - Drive slowly when loaded in turns and drive slowly straight up and down slopes to prevent turning the vehicle over.
  - Avoid stopping on hills when loaded since starting, rolling backwards, or sudden stops can cause vehicle to overturn or flip over backwards.
  - Reduce speed when backing and for poor driving conditions such as wet grass or rough terrain to avoid losing control of vehicle or turning vehicle over.
  - Do not use on public roads. This vehicle is not designed or intended for street use and should not be licensed for use on public roads.
- 

**Stopping the Vehicle:**

1. To stop the vehicle, release the accelerator pedal and push the brake pedal with your right foot.

**CAUTION:**

When stopped on a hill, use the brakes to hold your position, not the accelerator pedal.

**WARNING:**

Driving through deep water may affect the brakes. Check their effectiveness by pressing the brake pedal gently. If the vehicle does not slow down at the normal rate, continue to apply the brakes gently until they dry out and normal performance returns.

---

**Parking and Leaving the Vehicle:**

1. After stopping the vehicle, firmly push park brake pedal until it locks. This will prevent the vehicle from rolling.
2. Turn key to "Off" and place shift lever in the straight up "Neutral" position when the vehicle is not in use. This avoids unintentional starting of engine. Remove key when vehicle is not in use.

**WARNING:**

To avoid being struck by vehicle, do not stand in front of or behind vehicle.

---

---

## **Loading and Unloading:**

### **WARNING:**

---

**Firmly engage park brake prior to loading.**

**Do not allow people in cargo bed.**

**Do not exceed 500 lbs. in Trans-Porter cargo bed. Overloading can cause loss of vehicle control and severe personal injury by causing a vehicle component to fail or by affecting vehicle handling.**

**Do not exceed vehicle rated capacity of 1500 lbs. This includes all passengers and any load in cargo bed. Overloading can cause loss of vehicle control and severe personal injury by causing a vehicle component to fail or by affecting vehicle handling.**

**Rated capacity is for level surfaces only. When driving up or down hills or on uneven terrain, vehicle speed and load must be reduced.**

**When backing up, reduce speed and avoid sudden stops which can cause front wheels to lift off the ground and the vehicle to overturn.**

**If vehicle is equipped with tailgate, do not load tailgate. Tailgate should be in upright position and latched securely while vehicle is in motion.**

**When vehicle is loaded, make starts, stops and turns in a smooth manner to avoid shifting the load or overturning the vehicle or both. The cargo center of gravity may affect the handling, steering, and braking of the vehicle.**

**Loose cargo should be secured to keep it from being thrown about, which could affect handling and injure the driver or passenger if vehicle is suddenly stopped.**

**Avoid top heavy loads. The center of gravity of load should never exceed 15 inches above cargo bed bottom.**

---

1. Center cargo in cargo bed as far forward as possible and secure.

## **Transporting on a Trailer:**

**If your vehicle must be transported over long distances or on public highways, it should be done on an approved trailer observing all the following warnings and precautions.**

### **WARNING:**

---

**For use on public roads the trailer must meet all federal, state and local requirements such as taillights, brake lights, etc.**

**Always use an approved trailer that has a load rating of 1200 lbs. per vehicle. (Example: A 2-vehicle trailer should be rated at  $2 \times 1200 = 2400$  lbs.).**

**The vehicle should be securely tied down to the trailer. The vehicle's key switch should be Off, the shift lever in "neutral" and the park brake firmly applied and locked.**

**When towing a trailer, normal speeds should be reduced and care should be used when turning a corner due to the added length of the trailer.**

**Never tow behind a passenger vehicle or truck unless it is on an approved trailer.**

**Never transport on a trailer with a load in the cargo bed.**

---

---

## Storage - Trans-Porter and Trans-Sender Gas:

To prepare your vehicle for extended off season storage.

### WARNING:

Turn key switch to "Off", remove key and place forward and reverse lever in neutral position to avoid unintentional starting of the vehicle.

1. Store in a cool place. This will prevent self discharge of the battery. If the battery appears to be weak, have it charged by a trained mechanic.

### CAUTION:

Batteries in a low state of charge will freeze at low temperatures.

### WARNING:

Do not attempt to charge a battery if it is frozen or the case is bulged. Discard battery. Frozen batteries can explode.

### WARNING:

2. Using a siphon with a suction device (See Figure 11), drain all of the gasoline out of the tank into an approved gasoline container.

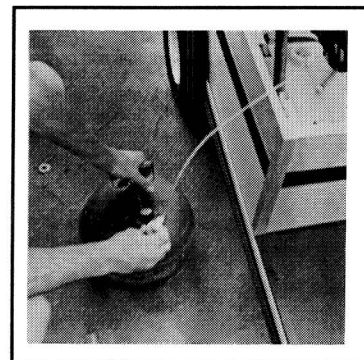


Figure 11

### WARNING:

Never attempt to siphon gasoline using a hose without a built-in suction device.

Never attempt to siphon gasoline using your mouth.

### DANGER:

Gasoline - Flammable - Explosive - Do Not Smoke. Keep sparks and flames away from area of vehicle.

Do not attempt to drain gasoline while engine is running or hot.

Store gasoline only in an approved gasoline container in a well-ventilated area. Keep out of reach of children. Keep sparks and flames away from area of gasoline.

Engines produce carbon monoxide which is an odorless, deadly poison. DO NOT OPERATE IN AN ENCLOSED AREA WITHOUT PROPER VENTILATION.

3. Be sure the tank has been drained and the stored gasoline has been removed from the area. Place the forward and reverse lever in "Neutral". Place the neutral lock-out cam in the SERVICE position. Run the engine until all of the gasoline has been drawn out of the fuel lines and carburetor and engine stalls. Return neutral lock-out cam to the OPERATE position. Turn the key to the "Off" position and remove key.
4. To protect the engine, remove the spark plug and pour 1/2 ounce of SAE 10 weight oil into the engine through the spark plug hole. Rotate the engine several times and then re-install the spark plug.

NOTE: When restarting engine, it may smoke excessively due to oil added in Step 4.

5. Adjust the tire pressure to 30-35 psi.

- 
6. Grease front suspension and do all quarterly periodic lubrication shown in lubrication chart on Pages 15 and 17.
  7. Thoroughly clean cowl, cargo bed, seats, engine compartment and underside of vehicle.
  8. Do not latch the park brake. Block the wheels to prevent the vehicle from rolling.

**To Return Stored Vehicle to Service:**

1. Fill the gas tank with regular or unleaded gasoline (See Fueling Instructions - Page 18).
2. Readjust tire pressure to 30-35 psi.
3. Perform the pre-operation checks (See Page 6).

**DANGER:**

**Gasoline - Flammable - Explosive - No smoking. Keep sparks and flames from the area of the vehicle. Only service or repair in well-ventilated area. Never pour gasoline into tank while engine is hot or running. Do not overfill. Be sure to clean up any spilled gas before operating vehicle.**

---

**Storage - Trans-Porter and Trans-Sender Electric:**

To prepare your vehicle for extended off season storage:

**WARNING:**

Turn key switch to "Off", remove key and place forward and reverse lever in neutral position to avoid unintentional starting of the vehicle.

1. Fully charge batteries.

**CAUTION:**

Batteries in a low state of charge will freeze at low temperatures.

When washing vehicle, do not direct water stream at speed switch.

**WARNING:**

Do not attempt to charge a battery if it is frozen or the case is bulged. Discard battery. Frozen batteries can explode.

2. Wash off any corrosion around the terminals with a solution of baking soda and water. Rinse, (NOTE: Do not allow this solution to enter the battery.) Let the terminals dry and coat them with grease or protective spray.
3. Store in cool, dry place. This will prevent self discharge of the batteries.
4. Recharge batteries every 6-8 weeks, as necessary (See Page 21).
5. Adjust the tire pressure to 35-35 psi, 45-50 psi for heavy loads.
6. Grease front suspension and do all quarterly periodic lubrication shown in lubrication chart (See Pages 15 and 17).
7. Thoroughly clean body, seats and underside of vehicle.
8. Do not latch the park brake. Block the wheels to prevent the vehicle from rolling.

### To Return Stored Vehicle To Service:

1. Fully charge batteries (See Page 21).
2. Readjust tire pressure to 30-35 psi, 45-50 psi for heavy loads.
3. Perform the pre-operation checks (See Page 6) before returning the vehicle to service.

### Maintenance:

**General Information** - To be sure you have a trouble-free vehicle, it is very important to follow an established preventive maintenance program. That is the least expensive maintenance requirement. Preventive maintenance means regularly scheduled services which include certain maintenance procedures that are performed on the vehicle even though the vehicle is functional. A good preventative maintenance program can prevent more expensive repairs from being required. Any vehicle that is not functioning correctly should be removed from use until it is properly repaired.

Contact your local CLUB CAR Dealer to perform all repairs and the semi-annual periodic service.

NOTE: If vehicle is constantly hauling heavy loads these preventive maintenance procedures should be performed more often than recommended in the periodic service schedule.

### WARNING:

Only trained people should repair or service this vehicle. Everyone doing even simple repairs or service should follow the correct procedures and obey the warnings listed in this manual as well as the maintenance and service manual.

Turn key switch to "Off", remove key, and place forward and reverse lever in neutral position prior to servicing.

Always wear safety glasses or eye protection when servicing this vehicle.

Moving parts - Do not attempt to service the vehicle with engine running.

Hot - Do not attempt to service hot engine or exhaust system. Can cause extreme burns.

Remove spark plug wire on gas vehicle to avoid unintentional starting of engine when servicing vehicle.

Disconnect batteries on electric vehicle before servicing vehicle (See Page 1).

Do not wear loose clothing and remove jewelry, such as rings, watches, chains, etc. before servicing vehicle.

Always use insulated tools when working around batteries or electrical connections.

### Periodic Service Schedule:

Regular Interval	Service	Vehicle	
		Gas	Elec.
Daily Service by Owner	Charge batteries after each use		•
	Check steering and linkages	•	•
	Check brake operation	•	•
	Check to be sure all warning labels are in place (Pages 3, 4 & 5)	•	•
	Check tires for wear and damage	•	•
	Check engine for proper operation	•	
	Check accelerator/governor linkage for free movement and return	•	•
	Check reverse warning buzzer for proper operation	•	•
	Check engine air intake screen to be sure it is not clogged	•	
	Check to be sure park brake latches and releases properly	•	•
	Check charger plug and receptacle for damage and snug fit		•



Regular Interval	Service	Gas	Elec.
Weekly Service by Owner	Check speed of vehicle Clean battery terminals and wash dirt off battery case Wash engine and underside of vehicle Check all electrical wires and ground wires for tightness or damage Inspect vehicle for loose hardware and tighten as required Check battery electrolyte level Check all daily items listed above	• • • • • • •	• • • • • • •
Monthly Service by Owner	Check exhaust systems for leaks Check brake pedal play Check tire pressure and adjust to 30-35 psi, 45-50 psi for heavy loads Check air intake hose for leaks Check engine oil level Check fuel tank, lines, cap, pump and carburetor for fuel leakage Check all daily and weekly items listed above	• • • • • • •	• • • • • • •
Quarterly Service by Owner or Trained Personnel	Do lubrication as shown in lubrication chart on Pages 15 and 17 Check all daily, weekly and monthly items listed above	• •	• •
50 Hour Service by Trained Personnel Only	Check, clean and adjust brakes Check wheel alignment and adjust as necessary Test batteries Check spark plug wire and boot for damage and proper routing Check head and exhaust header/pipe flange connection gaskets for leaks Check starter/generator belt tension and adjust as necessary Check condition of muffler Inspect drive belt, replace as required Do lubrication as shown in lubrication chart on Pages 15 and 17 Check all wire insulation for cracks and worn spots Check all daily, weekly, monthly, and quarterly items listed above	• • • • • • • • • • • • •	• • • • • • • • • • • • •
100 Hours Service by Trained Personnel Only	Check air filter (every six months or 50 hours under dusty conditions) Check starter/generator brush length Inspect spark plug, clean and regap Do lubrication as shown in lubrication chart on Pages 15 and 17 Check motor brushes and commutator Check accelerator switch adjustment Check all items listed above	• • • • • • •	• • • • • • •
300 Hours Service By Trained Personnel Only	Replace fuel filters Replace Air Filter Change oil and oil filter Inspect starter/generator brush length (Blow air under pressure to remove carbon)	• • • •	• • • •

## WARNING:

If your periodic service inspection reveals any problems, do not operate vehicle until repairs are made. Failure to make necessary repairs could result in fire, severe personal injury or death.

## Periodic Lubrication Schedule and Lubrication Chart - Trans-Porter and Trans-Sender Gas

Regular Interval	Service	Recommended Lubricant
Quarterly by Owner or Trained Personnel	1. Brake shaft bearing and hinges	Dry Moly Lube Club Car part # 1012151
	2. Brake linkage and pivots	Dry Moly Lube Club Car part # 1012151
	3. Accelerator push rod pivots and shifter cable pivots	Dry Moly Lube Club Car part # 1012151
	4. Front suspension (5 fittings)	Chassis Lube

Annually by Trained Personnel	5. Check/fill drive unit to plug level 6. Check/fill transmission to plug level	22 oz. SAE 30 WT. API Class SF, SE or SD Oil 80-90 WT. API Class GL-3 or 80-90 WT. AGMA Class 5 EP Gear
Lube	7. Inspect front wheel bearings Repack as necessary	Chassis Lube
First Change-100 HR Additional change - 2 yr. or 300 hours of operation by trained professional only	8. Change engine oil and oil filter	32 oz. (with filter) 38 oz. (without filter) SAE 30 above 32°F (0°C) or SAE 5W20 below 32°F (0°C) Classification SF, SE or SD

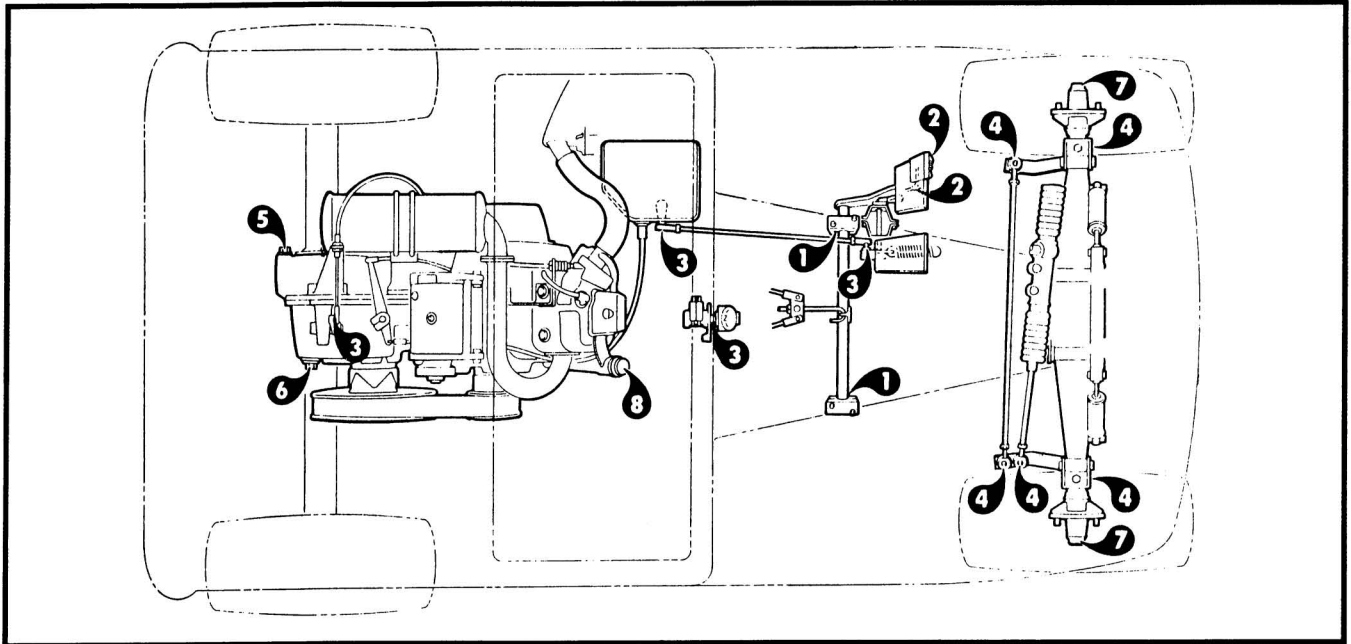


Figure 12

### Engine Oil:

Engine oil level should be checked at least monthly. (See Figure 13) The oil light on the dash should warn you if your oil is getting low.

#### CAUTION:

Engine must be in level position. Remove oil level dipstick by pulling from crankcase and clean. Check oil by inserting the dipstick and fully seating gauge into oil filler hole. If oil level is at or below "Add" mark on dipstick, add oil until level is between "Add" and "Full" (Safe Level). Do not overfill with oil. When oil is at proper level reinsert dipstick.

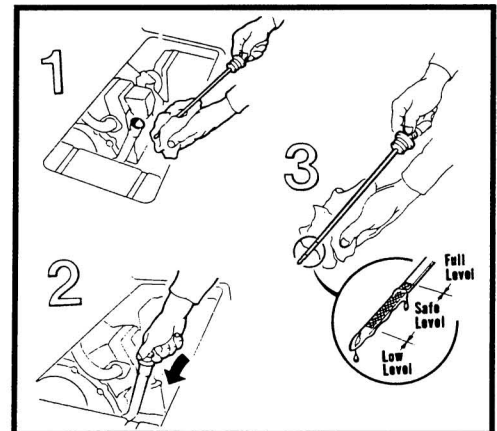


Figure 13

## Periodic Lubrication Schedule and Lubrication Chart - Trans-Porter and Trans-Sender Electric

Regular Interval	Service	Recommended Lubricant
Quarterly by Owner or Trained Personnel	1. Brake shaft bearing	Dry Moly Lube Club Car part # 1012151
	2. Brake linkage and pivots	Dry Moly Lube Club Car part # 1012151
	3. Accelerator push rod pivots	Dry Moly Lube Club Car part # 1012151
	4. Front suspension (5 fittings)	Chassis Lube
Annually by Trained Personnel Only	5. Check/fill drive unit to the level plug	22 oz. SAE 30 WT. API Class SF, SE or SD Oil
	6. Inspect front wheel bearings and repack as necessary.	Chassis Lube

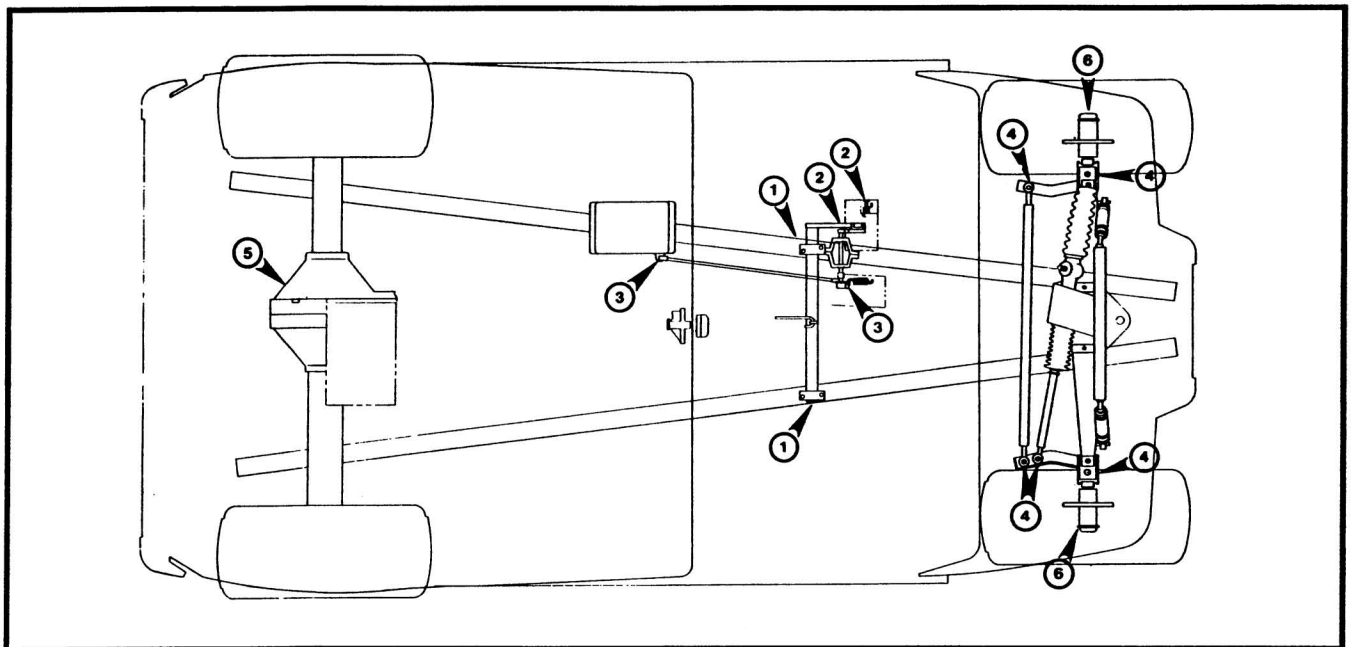


Figure 14

### Capacities:

Engine Crankcase without filter

\* Engine Crankcase with filter

Transmission

Drive Unit

Gasoline Tank

Tire Pressure

### Gas Vehicle

32 oz.

38 oz.

20 oz

22 oz.

7.0 U.S. Gal.

30-35 psi.  
(Heavy loads - 50 psi)

### Electric Vehicle

22 oz.

30-35 psi.  
(Heavy loads - 50 psi)

\* Note: Actual total capacity of engine crank case is 44 oz. Amount to be added is reduced to compensate for residual oil.

## Fueling Instructions - Trans-Porter and Trans-Sender Gas:

### **DANGER:**

**GASOLINE - FLAMMABLE - EXPLOSIVE - NO SMOKING**  
Keep sparks and flames from the area of the car. Only service or repair in well-ventilated area. Never pour gasoline into tank while engine is hot or running.

To avoid electric arc caused by static electricity, the fuel storage/pumping device must be grounded. If pump is not grounded, the vehicle must be grounded to the pump before and during the fueling operation.

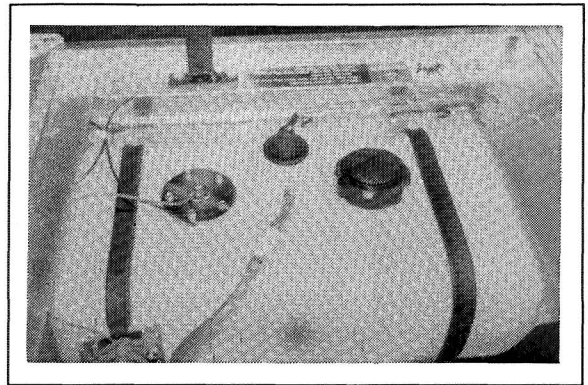


Figure 15

1. Remove seat bottom.
2. Fuel tank is located on passenger side of vehicle. Remove fuel cap and fill the fuel tank with regular or unleaded gasoline. Do not use gasohol or gasolines with methyl alcohol blends.

### **CAUTION:**

To allow for expansion, do not fill higher than one (1) inch from top of tank.

### **DANGER:**

Be sure to clean up any spilled gas before operating vehicle.

3. Replace fuel cap on tank, being sure cap is tightly sealed to tank.
4. Replace seat bottom.

## Battery - Trans-Porter and Trans-Sender Gas:

### **WARNING:**

Always wear safety glasses or eye protection when servicing the vehicle.

Always use insulated tools when working around batteries or electrical connections.

### **DANGER:**

**Battery - Explosive Gases.** Keep sparks, flames, and cigarettes away. Ventilate when charging in an enclosed space.

**Poison - Contains acid - Causes severe burns - Avoid contact with skin, eyes or clothing.**

#### Antidotes:

**External -** Flush with water. Call physician immediately.

**Internal -** Drink large quantities of milk or water, follow with milk of magnesia or vegetable oil. Call physician immediately.

**Eyes -** Flush with water for 15 minutes. Call physician immediately.

Do not jump start a vehicle with a "Dead" battery using another battery and jumper cables. Have it charged by a trained mechanic using a properly rated automotive type charger.

The battery in the Gasoline vehicle is a 12 volt, maintenance free battery that does not require periodic watering of the battery (See Figure 16).

Any corrosion around the positive (+) or negative (-) terminals should be washed off with a solution of baking soda and water. Rinse solution from batteries. Be sure terminals are tight. Let the terminals dry and then spray them with the Club Car battery protector spray, part # 1014305.

Be sure battery hold-downs are properly tightened. Torque to 9-14 in. - lbs. A loose hold-down may allow the battery to become damaged from vibration or jarring. A hold-down that is too tight may buckle or crack the battery case.

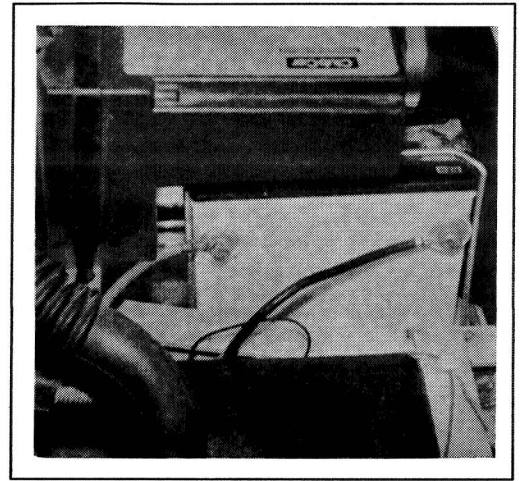


Figure 16

## **Batteries - Trans-Porter and Trans-Sender Electric:**

### **General**

Power is supplied by six batteries of 6 volts each. These batteries are deep cycle batteries, especially built for an electric vehicle application. Automotive batteries should never be used. New batteries will not deliver their full range until they have been run and recharged from 20 to 50 times. Restrict vehicle with new batteries to one (1) hour of use between charges in the first two months.

### **WARNING:**

**Always wear safety glasses or eye protection when servicing the vehicle.**

**Always use insulated tools when working around batteries or electrical connections.**

### **DANGER:**

**EXPLOSIVE GASES - Batteries emit hydrogen while being charged. Hydrogen is an EXPLOSIVE GAS. Keep sparks, flames, cigarettes away. Tools, wires and metal objects can cause sparks when "shorted" across a battery or batteries. Do not use without proper instructions. Ventilate when charging in an enclosed space.**

**POISONS - CONTAINS ACID - Causes severe burns - Avoid contact with skin, eyes or clothing.**

### **Antidotes:**

**External - Flush with water. Call physician immediately.**

**Internal - Drink large quantities of milk or water, follow with milk of magnesia or vegetable oil. Call physician immediately.**

**Eyes - Flush with water for 15 minutes. Call physician immediately.**

## Battery Care:

To keep your batteries in good condition, follow this maintenance program on a regular basis:

1. The batteries should be kept clean and free of corrosion. Wash tops and terminals of batteries with a solution of baking soda and water. (NOTE: Do not allow this solution to enter the battery.) Rinse. Be sure terminals are tight. Let the terminals dry and then spray them with CLUB CAR battery protector spray, part # 1014305.
2. The water level in the batteries should be checked weekly (See Figure 17) for proper level. Add water only after charging unless the water level is below the top of the plates. In this case, add just enough water to cover the plates, charge and then check the level again. For best battery life, add only distilled water to the batteries.

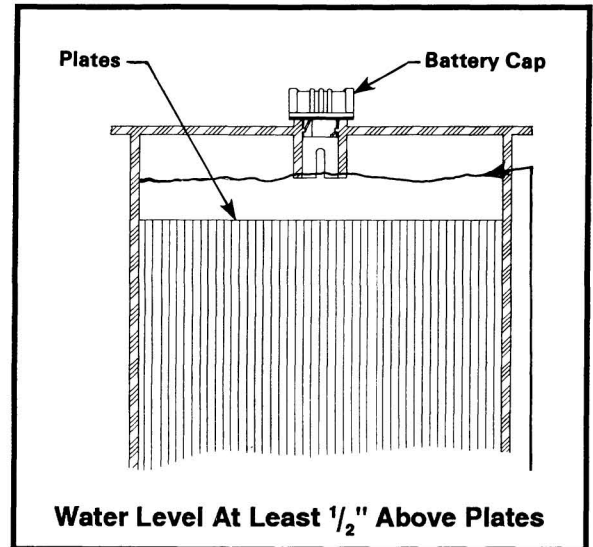


Figure 17

3. The hold down bars should be tight enough so the batteries do not move while the vehicle is in motion, but not so tight as to crack or buckle the battery case. Torque to 9-14 in.-lbs. The terminal connections should be clean and tight, and any worn or frayed wires should be replaced.
4. After use, the batteries should be placed on charge. The batteries should never be left discharged for any length of time.

## On-Board Battery Charger - Trans-Porter and Trans-Sender Electric

### General

Each electric vehicle is supplied with a fully automatic on-board battery charger as standard equipment. The AC line to which the charger is to be connected must be capable of supplying 10 amperes to the charger.

### **WARNING:**

**Each charger should have its own dedicated 20 ampere (maximum) branch circuit protection (circuit breaker or fuse), in accordance with the National Electrical Code, ANSI/NFPA 70, and local codes and ordinances.**

This battery charger must be grounded to reduce the risk of electrical shock. This charger is equipped with an AC electric cord having an equipment-grounding conductor and a grounding type plug and is for use on a nominal 115 Volt, 60 Hertz circuit. This plug must be connected to an appropriate dedicated receptacle that is properly installed and grounded in accordance with the National Electric Code, ANSI/NFPA 70, and all local codes and ordinances.

### **WARNING:**

**Improper connection of the equipment-grounding conductor can result in a risk of an electric shock.**

**Do not use an adaptor to plug this charger into a two-prong outlet. Extension cord or electrical outlet must have a three-prong outlet.**

The use of an extension cord with the charger should be avoided. If an extension cord must be used, use a three conductor No. 12 AWG heavy duty cord with ground in good electrical condition and keep it as short as possible (no more than twelve (12) feet). Locate all cords so that they will not be stepped on, tripped over, or otherwise subject to damage or stress.

---

**WARNING:**

The use of an improper extension cord could result in a fire or an electrical shock. Do not operate the charger if it has received a sharp blow, was dropped or otherwise damaged in any way; contact your nearest CLUB CAR Dealer. Only trained people should repair or service this charger.

To avoid unintentionally driving off with the AC cord plugged in always thread the AC cord through the steering wheel while the vehicle is on charge.

Replace worn, cut or damaged power cords or wires immediately.

Provide adequate ventilation for the charger.

---

**CAUTION:**

Slots and openings in the cabinet and the back or bottom are provided for ventilation; to ensure reliable operation of the charger and to protect it from overheating, these openings must not be blocked or covered.

Never push objects of any kind into the charger through cabinet slots, as they may touch dangerous voltage points or short out parts that could result in a risk of fire or electric shock. Never spill liquid of any kind on the charger.

Do not allow clothing, blankets or other materials to cover the charger.

---

**WARNING:**

Chargers can ignite flammable materials and vapors. Do not use near fuels, grain dust, solvents, thinners or other flammables.

Keep the charger dry - do not expose to rain.

---

**CAUTION:**

Do not leave AC plug plugged in while unattended for more than two (2) days in a row. Severe overcharging and damage to the batteries may result if the charger does not turn off.

---

Ventilating fans should be located at the highest point in the room, and must be capable of changing the total volume of air in the room five times per hour. Consult local HVAC engineer.

Connect the power supply cord to a 120 volt, 60 hertz outlet.

The charger will turn on three to five seconds later.

Monitor the ammeter for the correct charge rate. The initial charge rate will vary from 16 to 21 amperes depending upon the condition of the batteries and how much the batteries have been discharged.

Slight variations in the initial charge rate may also return from AC input line voltages which are higher or lower than nominal. Higher line voltages increase the initial charge rate while lower line voltages reduce the charge rate.

If the batteries are heavily discharged and the AC input line voltage is higher than nominal, the initial charge rate may exceed 21 amperes. Under normal conditions, the charge rate will taper to less than 21 amperes within 30 minutes. If the ammeter still reads 21 amperes or more after 30 minutes, turn the charger off by disconnecting the power supply cord from its outlet.

**CAUTION:**

To prevent overheating damage to the charger, do not allow the charger to operate for more than 30 minutes with the ammeter reading 21 amperes or more.

---

---

Batteries should be put on charge even if only used for a short period. If charger does not seem to be operating properly or the batteries seem weak, contact your nearest CLUB CAR Dealer.

NOTE: When night air temperatures fall below 65 ° F, batteries charged in unheated areas should be placed on charge as soon after use as possible. Batteries are warmest immediately after use and cold batteries require more time to fully charge.

## TROUBLE-SHOOTING GUIDE

To be able to use the trouble-shooting guide safely and effectively, it is important to read this guide completely before beginning any tests.

### CAUTION:

---

**DO NOT DISASSEMBLE THE CHARGER. TAKE IT TO A QUALIFIED SERVICEMAN WHEN SERVICE OR REPAIR IS REQUIRED.** Incorrect assembly may result in a risk of electric shock or fire. The following procedures are intended only to determine if a malfunction may exist in the charger.

---

### DANGER:

---

To reduce the risk of electric shock, always disconnect the power supply cord before attempting any maintenance or cleaning.

---

### WARNING:

---

**Do not operate the charger if it is malfunctioning. Personal injury or property damage could result.**

---

To determine if a charger malfunction exists, identify the problem from the following list and refer to the appropriate section for detailed instructions.

1. CHARGER DOES NOT TURN ON.
2. CHARGER FUSE BLOWS.
3. THE AMMETER NEEDLE REMAINS AT 21 AMPERES FOR MORE THAN ONE-HALF HOUR.
4. CHARGER DOES NOT TURN OFF.
5. AC LINE FUSE OR CIRCUIT BREAKER BLOWS.

If the problem is other than listed above, refer to a qualified serviceman for additional trouble-shooting procedures.

#### 1. CHARGER DOES NOT TURN ON

Connect the power supply cord securely to a live AC outlet, and listen for the power relay inside the charger to "click" on within 5 seconds.

If the "click" is not heard, remove the AC plug from the outlet. Connect the DC plug of a portable charger, which you know is operating properly, to the receptacle.

If still no "click" is heard, a malfunction in the batteries or receptacle wiring exists. If the "click" is heard, the batteries and receptacle are good, and a malfunction exists in the original charger.

If the relay "click" is heard, a hum from the transformer should be heard and the ammeter should indicate the charge rate. If no transformer hum is heard, check to be sure the AC power supply cord is securely connected to the live AC outlet. Check the AC line fuse or circuit breaker and, if possible, connect a functioning charger, utility light or other electrical appliance to the outlet to verify the presence of the AC power. If AC power is present and still no transformer hum is heard, the charger is malfunctioning. If the relay "click" and the transformer hums, but no charge rate is indicated on the ammeter, the charger is malfunctioning.



---

## 2. CHARGER FUSE BLOWS

The charger fuse assembly consists of a double ended fuse wire visible through a transparent cover mounted on the front panel. Each half of the fuse wire serves as an individual fuse link which protects the charger in the event one or both rectifier diodes fail, or a reverse polarity connection is made to the batteries.

If a battery has been replaced or battery wiring changed, the polarity of the batteries may be reversed. If no changes have been made, the charger is malfunctioning. If only one half link blows, the charger rate will be low and the charger is malfunctioning.

### CAUTION:

---

**Do not use the charger if the output is low. Batteries will not reach full charge, thereby increasing the possibility of a harmful deep discharge during the next use.**

## 3. AMMETER NEEDLE REMAINS AT 21 AMPERES FOR MORE THAN ONE-HALF HOUR

This condition normally results if the charger is connected to a battery system which is less than 36 volts. If connected to a 12, 18, 24 or 30 volt battery system, the charge rate will not taper below 21 amps within 30 minutes. This may also result if a 36 volt battery system is wired incorrectly or if the battery polarity markings are reversed. Have a qualified serviceman check the wiring of the batteries and the charging receptacle

### CAUTION:

---

**Do NOT connect the charger to battery packs which are not 36 volt systems. Overheating and transformer burn out will result.**

---

## 4. THE CHARGER DOES NOT TURN OFF

New batteries or batteries charged in cold temperatures may require an extended charge time to achieve full charge. However, if the charger runs for more than 18 hours without shutting off, the charge is malfunctioning.

## 5. AC LINE FUSE OR CIRCUIT BREAKER BLOWS

If this occurs, the charger may be malfunctioning or the AC line fuse/circuit breaker may be "weak". Connect another charger, which you know is operating properly, to the same AC outlet. If the fuse/circuit breaker still blows, have a qualified electrician check for a "weak" line fuse/circuit breaker. If the line fuse/circuit breaker works properly with the second charger, the original charger is malfunctioning.

## STORAGE

Batteries allowed to sit unmaintained will self-discharge, sulfate to various degrees and lose capacity. Charging weekly in warm temperatures or once every three weeks in cold temperatures will minimize this capacity loss.

### CAUTION:

---

**Do not leave AC plug plugged in while unattended for more than two (2) days in a row. Severe overcharging and damage to the batteries may result if the charger does not turn off.**

---

## Specifications

	<b>Model 14800</b>
<b>AC VOLTS:</b>	105-128
<b>FREQUENCY:</b>	60 Hz
<b>PHASE:</b>	Single
<b>AC AMPS:</b>	10 Maximum
<b>DC OUTPUT:</b>	36 Volts, DC, 21 Amps tapering to 6 Amps @ 45 Vdc.
<b>CONNECTIONS:</b>	6 $\frac{1}{2}$ ft. retractable AC cord
<b>DIMENSIONS:</b>	8 $\frac{3}{4}$ Height x 8 $\frac{11}{16}$ Width x 10 $\frac{1}{4}$ Depth

---

## Portable Charging Guidelines

### **DANGER:**

Batteries emit hydrogen while being charged. Hydrogen is an **EXPLOSIVE GAS**. Charging areas must be ventilated so the **TOTAL** volume of air in the building is changed **five (5) times per hour**. Exhaust fans should be located at the **highest point in the roof**.

### **CAUTION:**

Do not leave DC plug plugged in while unattended for more than **two consecutive days**.

Ventilating fans should be located at the **highest point in the room** and must be capable of changing the total volume of air in the room **five times per hour**. Consult local HVAC engineer.

To charge batteries with a portable charger, insert DC plug into receptacle and the charger will turn on two to five seconds later (See Figure 18). As long as the charger is allowed to shut off by itself, the batteries will be fully charged and overcharging or undercharging should be prevented. Batteries should be put on charge even if only used for 10 minutes. If charger does not seem to be operating properly or the batteries seem weak, contact your nearest CLUB CAR Dealer.

**NOTE:** When night air temperatures fall below 65°F, batteries charged in unheated areas should be placed on charge as soon after use as possible. Batteries are warmest immediately after use and cold batteries require more time to fully charge

### **Plug and Receptacle**

If the charger plug becomes difficult to insert or remove, the receptacle contacts should be lightly sprayed with WD-40® brand spray lubricant. Then the plug should be inserted and removed several times to ensure ease of insertion and removal and good firm electrical contact.

### **WARNING:**

If the receptacle is broken or damaged in any manner and does not make good electrical contact, have it replaced by a qualified serviceman immediately. **DO NOT CONNECT A PORTABLE CHARGER TO THE RECEPTACLE IF IT IS DAMAGED SINCE FIRE OR PERSONAL INJURY CAN RESULT.**

**Be sure all wire connections at the receptacle and fuse link are clean and tight.**

**To connect the charger plug to the vehicle receptacle, grasp the plug handle and push the plug straight into the receptacle. Do not rock or bend the plug (See Figure 18).**

**To disconnect the charger plug from the vehicle receptacle, grasp the plug by the handle and pull the plug straight out of the receptacle. Do not pull on the cord (See Figure 19). Do not twist, rock or bend the plug.**

**Failure to follow these instructions could result in damage to the charger cord, plug or vehicle receptacle. Do not use this charger if:**

- The plug is too loose or does not make a good connection.
- The plug and receptacle feel hotter than normal during charge.
- The plug blades or contacts are bent or corroded.
- The plug, receptacle or cords are cut, worn or have any exposed wires.
- The plug, cords, charger or receptacle are damaged in any way.

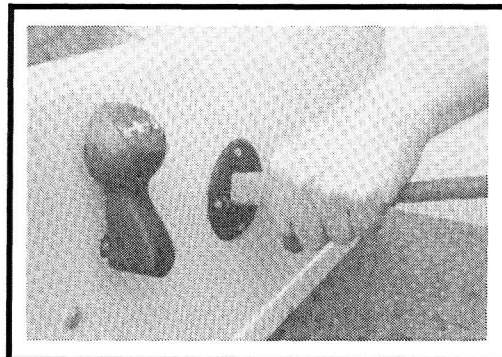


Figure 18

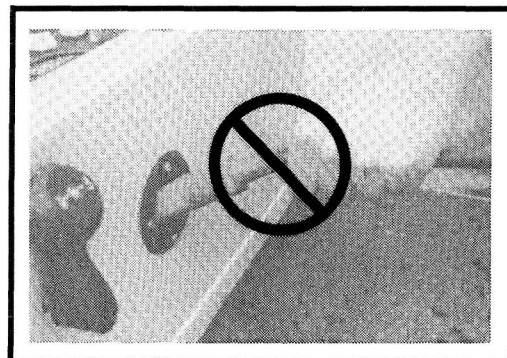


Figure 19

---

Using this charger with any of the above symptoms could result in a fire, property damage or personal injury.

The DC charger cord and plug are wear items and **must** be replaced when worn or damaged.

---

If warning tag has been removed from DC cord, have it replaced.

### Fuse Link

As an additional feature to help protect the batteries and charging circuit from an overload, the electric vehicle is equipped with a fuse link (See Figure 20). If the portable charger does not come on when the vehicle is placed on charge, visually inspect the fuse link.

### **WARNING:**

If fuse link is blown, contact your nearest CLUB CAR Dealer to determine source of the electrical problem and correct it before replacing fuse.

---

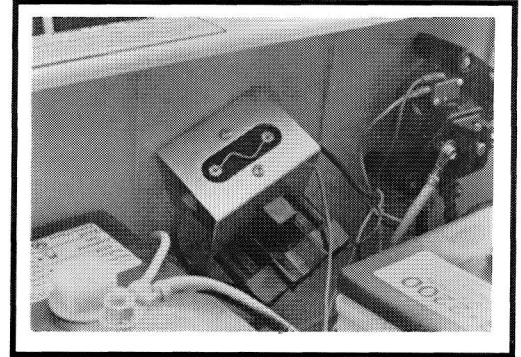


Figure 20

### Cleaning:

The vehicle is equipped with a injection molded thermoplastic oletin (TPO) cowl and an all aluminum cargo bed and body. Use only mild dishwashing liquid soap with a sponge or soft cloth for normal cleaning.

Minor scratches or blemishes in the body can be buffed out using most commercially available polishing compounds and polishes.

Your vehicle seats will last longer with proper cleaning. Mild soap or detergent with a sponge or soft cloth for normal cleaning is recommended. For stubborn or imbedded dirt, a soft bristle brush may be used.

Do not use any harsh detergents or cleaning solvents on the body, cowl or seat.

Battery acid, fertilizers, tars, asphalt, creosote, paint or chewing gum should be removed immediately to prevent possible stains.

### Subsequent Owner Registration:

In the event this vehicle has been bought as a used vehicle from another individual or from a distributor/dealer, re-registration is necessary. This will enable us to contact you if the need arises. Please send your name, address and serial number(s) of the vehicle (s) to CLUB CAR, INC., P.O. Box 204658, Augusta, GA 30917-4658, ATTN: Vehicle Registration.

# Specifications

Trans-Porter		Trans-Sender		POWER SOURCE
Electric	Gasoline	Electric	Gasoline	
	•		•	Engines ... 4- cycle, 286cc, 9.0 hp, single cylinder, air cooled, overhead valve
•		•		Drive Motor ... Direct drive, 36 volt DC, series wound, 2.97 hp
	•		•	Carburetor ... Float bowl with fixed jets and impulse fuel pump
	•		•	Governor ... Internally geared in trasmission
	•		•	Ignition TCI electronic ignition
	•		•	Transmission ... Fully synchronized 97:1 ratio forward and 1.03:1 ratio reverse
•	•	•	•	Drive unit ... Double reduction helical gear with 12.28:1 drive axle
•		•		Electrical System ... 36 volt DC, 18 volt reverse
	•		•	Electrical System ... 12 volt 325 cold-cranking amp battery and 35 amp charging capacity
•		•		Batteries ... High capacity T-105 batteries (107 minutes rated)
•		•		Charger ... 115 volt AC, 36 volt DC, 21 amp fully automatic line compensating charger
	•		•	Torque Converter ... Automatic, variable spped, dry type with overdrive
STEERING/SUSPENSION				
•	•	•	•	Steering ... Self-adjusting rack and pinion
•	•	•	•	Suspension ... Front and rear leaf springs with dual hydraulic shocks
•	•	•	•	Brakes ... Mechanical brake cable system to individual drum brakes on each rear wheel. Park brake is automatically released. Self-adjusting multi-latch ratchet & pawl.
BODY/CHASSIS				
•	•	•	•	Frame/Chassis ... All aluminum
•	•	•	•	Side and Rear Body ... All aluminum
•	•	•	•	Front Body ... Injection Molded Thermoplastic Olefin (TPO)
•	•	•	•	Paint ... Clear coat over molded in color
•	•	•	•	Tires ... 18.00 x 8.50-8.00 Tubeless, 6-ply rated load range
SEATING CAPACITY/FUEL CAPACITY				
up to 5	up to 5	up to 8	up to 8	Seating Capacity ... Seamless vinyl-covered foam seats and backs
	•		•	Fuel tank ... 7.0 gal. U.S. regular or unleaded gasoline
BODY/CHASSIS				
135.5"	135.5"	133"	133"	Overall Length
50"	50"	50"	50"	Overall Width
46"	46"	46"	46"	Overall Height (without top)
98.5"	98.5"	98.5"	98.5"	Wheelbase
4.5"	4.5"	4.5"	4.5"	Ground Clearance
34.5"	34.5"	34.5"	34.5"	Front Wheel Tread
38.5"	38.5"	38.5"	38.5"	Rear Wheel Tread
669	•	681	•	Weight (lbs.) ... Electric (without batteries)
•	773	•	804	Weight (lbs.) ... Gasoline (dry/flatbed)
12-14 mph	12-14 mph	12-14 mph	12-14 mph	Forward Speed (gasoline governed)
24'8"	24'8"	24'8"	24'8"	Clearance Circle (Diameter)
10'9"	10'9"	10'9"	10'9"	Turning Radius per SAE J 695
89 3/4	89 3/4	89 1/4	89 1/4	Intersecting Aisle Clearance
14 ft.	14 ft.	14 ft.	14 ft.	Braking Distance at 12 mph
11.75"	11.75"	11.75"	11.75"	Floorboard Height
34.75	34.75	-	-	Load Bed Height
•	•	-	-	Load Bed Size 36" x 49.5"
1500	1500	1500	1500	Vehicle Rated Capacity (level surface only, in lbs)
29"	29"	29"	29"	Seat Height

CLUB CAR, INC., reserves the right to change specifications and designs at any time without notice and without incurring any obligation or liability whatsoever.

**CLUB CAR LIMITED WARRANTY FOR 1993 TRANS-PORTER  
AND TRANS-SENDER VEHICLES IN THE UNITED STATES AND CANADA**

1. **WARRANTY: CLUB CAR, INC.** ("CLUB CAR") hereby warrants to the original retail purchaser that its new 1993 Model Trans-Porter or Trans-Sender vehicle purchased from CLUB CAR or an authorized dealer for use in the United States or Canada shall be free from defects in materials and workmanship under **normal use and service as a utility vehicle for the periods stated below, subject to the provisions, limitations and exclusions contained in this limited warranty.**

**LIMITED ONE (1) YEAR WARRANTY:** The engine assembly, motor, transmission assembly, drive unit assembly and main frame assembly are warranted with respect to parts and labor against defects in materials and workmanship for a period of one year from the date of purchase.

**LIMITED NINETY (90) DAY WARRANTY:** All remaining components of the vehicle not specified otherwise are warranted against defects in materials and workmanship with respect to parts and labor for a period of ninety days from the date of purchase.

This limited warranty covers materials, workmanship and repair labor costs as to those items specifically listed above for the periods specified. Such repair labor shall be performed only by CLUB CAR, its authorized dealers, or a service agency approved by CLUB CAR.

IF THE WARRANTY REGISTRATION FORM IS NOT COMPLETED AND RETURNED TO CLUB CAR AT THE TIME OF THE ORIGINAL RETAIL SALE, PURCHASER MUST PROVIDE PROOF OF DATE OF PURCHASE WITH ANY WARRANTY CLAIM.

2. **EXCLUSIONS:** Excluded from any CLUB CAR warranty are all fuses; filters; decals; spark plugs; lubricants; the body, cowl and trim pieces; seats; routine wear items such as the charger plug and receptacle, brake shoes, belts, brushes, bushings, engine mounts, mats and pads; maintenance adjustments; cosmetic deterioration; items which deteriorate or fall due to exposure or ordinary wear and tear; batteries; and the battery charger and tires (warranted by their respective manufacturers). The CLUB CAR battery charger is covered under a separate warranty. Also excluded from any CLUB CAR warranty is damage to a vehicle or component resulting from a cause other than a defect including unreasonable or unintended strain or use, improper installation of accessories, installation of parts or accessories that are not original equipment, overloading, accident, alteration, abuse or neglect.

Transportation expenses for warranty service are also excluded from this warranty.

3. **VOIDING OF WARRANTY:** THIS AND ANY OTHER WARRANTY SHALL BE VOID IF THE VEHICLE IS ABUSED OR USED IN AN UNINTENDED MANNER OR SHOWS INDICATIONS THAT IT HAS BEEN ALTERED IN ANY WAY INCLUDING, BUT NOT LIMITED TO, MODIFICATION OF THE SPEED GOVERNOR, BRAKING SYSTEM, STEERING, DRIVE UNIT OR OTHER OPERATING SYSTEMS OF THE VEHICLE TO CAUSE IT TO PERFORM OUTSIDE CLUB CAR SPECIFICATIONS. THE WARRANTY IS LIKEWISE VOID IF THE VEHICLE SHOWS INDICATIONS THAT REASONABLE OR NECESSARY MAINTENANCE AS OUTLINED IN THE OWNER'S MANUAL AND MAINTENANCE AND SERVICE MANUAL WAS NOT PERFORMED AT THE TIME AND MANNER SPECIFIED IN SUCH MANUALS.

4. **SOLE REMEDY:** CLUB CAR's only liability under this limited warranty, or in any action whether based upon warranty, contract, negligence, strict product liability or otherwise, is limited to the replacement or repair, at CLUB CAR's option, of a vehicle or component thereof that CLUB CAR deems to be defective. Replacement shall mean furnishing, during the applicable limited warranty period, a new or factory reconditioned vehicle or component thereof which is identical or reasonably equivalent to the warranted product at no cost to the purchaser. Repair shall mean remedying a defect in the vehicle or component thereof at no cost to the purchaser during the applicable limited warranty period. If CLUB CAR elects to repair the vehicle, it may provide factory reconditioned parts or components. All parts and components replace under warranty shall become the property of CLUB CAR.

5. **HOW TO MAKE A WARRANTY CLAIM:** To make a warranty claim under this limited warranty, you must present the vehicle or defective component to an authorized CLUB CAR dealer or send the defective component, freight prepaid, to WARRANTY ADMINISTRATION, CLUB, CAR, INC. 4152 Washington Road, P.O. Box 204658, Augusta, Georgia 30917-4658.

6. **DISCLAIMER:** THIS LIMITED WARRANTY IS EXCLUSIVE. CLUB CAR MAKES NO OTHER WARRANTY OF ANY KIND, EXPRESS OR IMPLIED. ANY IMPLIED WARRANTIES OF MERCHANTABILITY OR FITNESS FOR A PARTICULAR PURPOSE WHICH EXCEED THE OBLIGATIONS OR TIME LIMITS STATED IN THIS WARRANTY ARE HEREBY DISCLAIMED BY CLUB CAR AND EXCLUDED FROM THIS WARRANTY. THE PURCHASER AND CLUB CAR EXPRESSLY AGREE THAT THE REMEDY OF REPLACEMENT OR REPAIR OF THE DEFECTIVE VEHICLE OR COMPONENT IS THE EXCLUSIVE AND SOLE REMEDY OF THE PURCHASER. CLUB CAR MAKES NO OTHER REPRESENTATION OR WARRANTY OF ANY KIND, AND NO REPRESENTATIVE, EMPLOYEE, DISTRIBUTOR OR DEALER OF CLUB CAR HAS THE AUTHORITY TO MAKE OR IMPLY ANY REPRESENTATION, PROMISE OR AGREEMENT WHICH IN ANY WAY VARIES THE TERMS OF THIS WARRANTY.

7. **NO CONSEQUENTIAL DAMAGES:** IN NO EVENT SHALL CLUB CAR BE LIABLE FOR ANY INCIDENTAL OR CONSEQUENTIAL DAMAGES INCLUDING, BUT NOT LIMITED TO, LOSS RELATED TO PROPERTY OTHER THAN THE VEHICLE, LOSS OF USE, LOSS OF TIME, INCONVENIENCE, OR ANY OTHER ECONOMIC LOSS.

Some states allow neither limitations on the duration of an implied warranty nor exclusions or limitation of incidental or consequential damages. Therefore, the above limitations or exclusions may not apply to you.

This warranty gives you specific legal rights, and you may also have other rights which vary from state to state.

8. **INFORMATION:** For further information contact WARRANTY ADMINISTRATION, CLUB CAR, P.O. Box 204658, Augusta, Georgia 30817-4658, U.S.A., 706-863-3000.

9. **WARNING:** Any modification or alteration of any vehicle beyond factory specifications, including those that affect the weight, weight distribution, stability, or speed of the vehicle, can cause serious personal injury or death.







**Club Car, Inc.**  
P.O. Box 204658  
Augusta, GA 30917-4658  
USA

**Web** [www.clubcar.com](http://www.clubcar.com)  
**Phone** 1.706.863.3000  
1.800.ClubCar  
**Int'l** +1 706.863.3000  
**Fax** 1.706.863.5808