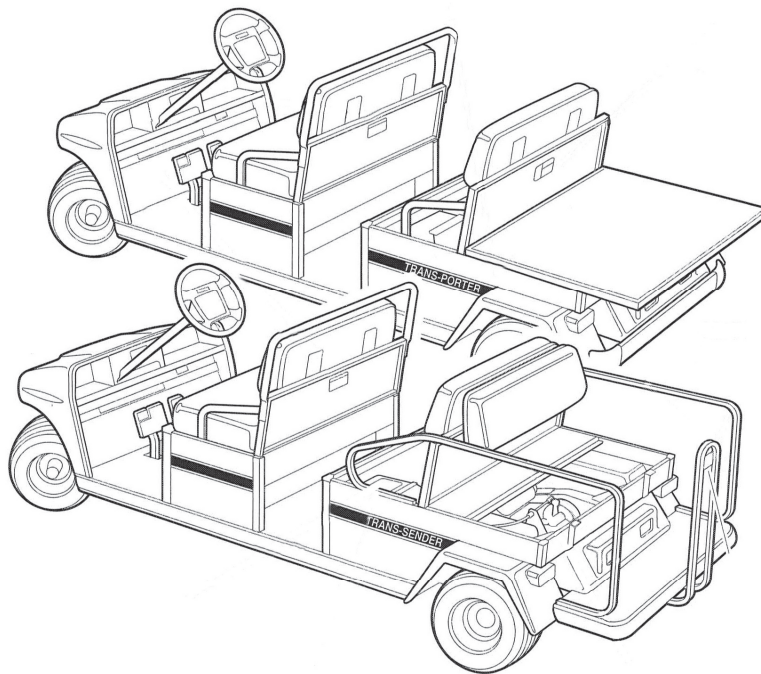


# 1995 Transportation Owner's Manual



**Trans-Porter, Trans-Sender, and Tourall  
Gasoline and Electric Vehicles**

Manual Number 101805303  
Edition Code 0894B1008A



## Notice

---

The Club Car Limited Warranty appears on the last page of this manual. No other warranties, express or implied, are contained herein. Please complete and return the warranty registration card included in this manual.

Club Car is not liable for errors in this manual or for incidental or consequential damages that result from the use of the material in this manual.

This manual contains proprietary information that is protected by copyright. All rights are reserved. No part of this manual may be photocopied, reproduced or translated to another language without the written consent of Club Car, Inc.

The information contained in this document is subject to change without notice.

Club Car reserves the right to make design changes to either gasoline or electric vehicles without obligation to make these changes on units previously sold.

These vehicles are designed and manufactured for off-road use only. They do not conform to Federal Motor Vehicle Safety Standards or EPA regulations and are not equipped for operation on public streets, roads, or highways.

©1994 Club Car Inc.

This manual effective August 1, 1994.

Manual print code: 0894A00000

## Foreword

---

Thank you for choosing Club Car. You have chosen the finest utility vehicle on the market -- the vehicle most widely recognized as the industry leader in vehicle efficiency and long-lasting value. Please protect your investment and ensure that your Club Car provides years of reliable, superior performance by filling out and returning your Warranty Registration Card (located between the last page and back cover of this manual), and by reading and following the maintenance instructions in this manual.

Your comfort and safety are important to us as well, so we urge you to read and follow the step-by-step operating instructions and safety procedures in this manual. These instructions must be followed in order to avoid the risk of severe personal injury. If you rent or loan your vehicle to others, we recommend that you ask them to read this manual before they operate the vehicle.

Club Car products are backed by a customer support system designed to offer you fast, courteous service. In the event that your utility vehicle needs repairs or services, we recommend that your local authorized Club Car representative perform them. For the name and address of the Club Car representative nearest you, call 706-863-3000, Ext. 261. If you would prefer to write to us, direct your letter to: Club Car, Attention: Product Development Department, P.O. Box 204658, Augusta, Ga. 30917-4658 USA. Your local authorized Club Car representative can also provide technical advice, parts, and service manuals.

We hope you will consider this owner's manual a permanent part of your utility vehicle. If you sell the vehicle, please include the manual so that the next owner will have the important operating, safety and maintenance information it contains.

## TABLE OF CONTENTS

---

Safety Details .....	1
Vehicle Feature Identification.....	3
Model Identification .....	10
Pre-Operation Checklist .....	10
Controls - Trans-Porter/Trans-Sender Electric, Tourall Gasoline, and Tourall Electric Vehicles .....	11
Driving Instructions - Trans-Porter/Trans-Sender Electric, Tourall Gasoline and Tourall Electric Vehicles .....	15
Controls - Trans-Porter/Trans-Sender Gasoline Vehicles .....	17
Driving Instructions - Trans-Porter/Trans-Sender Gasoline Vehicles .....	21
Loading and Unloading .....	23
Transporting on an Trailer.....	24
Storage - Gasoline Vehicle .....	25
Storage - Electric Vehicle .....	26
Maintenance .....	27
Periodic Service Schedule .....	29
Periodic Lubrication Schedule – Gasoline Vehicle.....	30
Periodic Lubrication Schedule – Electric Vehicle.....	31
Liquid Capacities.....	32
Tire Specifications.....	32
Engine Oil - Gasoline Vehicle .....	33
Fueling Instructions - Gasoline Vehicle .....	33
Battery - Gasoline Vehicle .....	34
Battery - Electric Vehicle .....	35
Battery Charger - Electric Vehicle .....	36
Cleaning .....	40
Vehicle Controllers.....	40
Accessories and Options .....	41
Subsequent Owner Registration .....	41
Specifications .....	42

# Practice Safety



**Safety signs like you see above may at first seem shocking, but their impact is mild compared with the reality of severe personal injury.**

**Your safety and satisfaction are of the utmost importance to Club Car. That is why we urge you to study this owner's manual, and to read, understand, and heed the warnings in this manual, as well as the safety signs on your vehicle, *before operating the vehicle.***

**Take time to understand the language of safety. It is a language that can save your life.**

## Safety Details:

---

### **WARNING**

- THIS OWNER'S MANUAL SHOULD BE READ COMPLETELY BEFORE ATTEMPTING TO DRIVE OR SERVICE THE VEHICLE. Failure to follow the instructions in this manual could result in severe personal injury, property damage or death.

It is important to note that some vital statements throughout this manual and on the labels affixed to the vehicle are preceded by the words DANGER, WARNING, CAUTION, or NOTE. For your protection, we recommend that you take special notice of these safety procedures. Safety procedures are essential and must be followed.

If any of the labels on the vehicle become damaged, have been removed or cannot be easily read, they should be replaced immediately to avoid possible personal injury, property damage or death. Contact your CLUB CAR distributor/dealer.

### **DANGER**

- A DANGER INDICATES AN IMMEDIATE HAZARD WHICH WILL RESULT IN SEVERE PERSONAL INJURY OR DEATH.

### **WARNING**

- A WARNING INDICATES AN IMMEDIATE HAZARD WHICH COULD RESULT IN SEVERE PERSONAL INJURY OR DEATH.

### **CAUTION**

- A CAUTION INDICATES HAZARDS OR UNSAFE PRACTICES WHICH COULD RESULT IN PRODUCT OR PROPERTY DAMAGE OR MINOR PERSONAL INJURY.

### **NOTE**

- A note provides key information to make procedures easily understood.

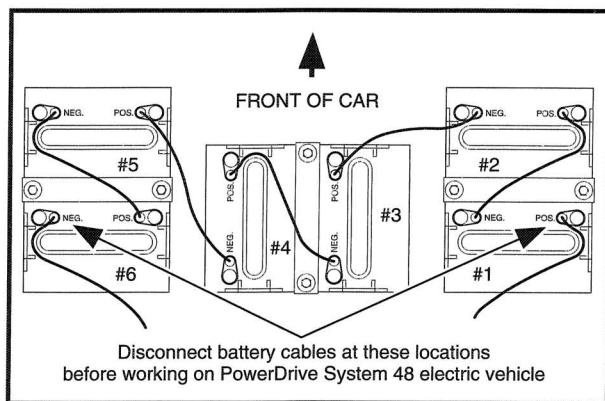
**The safety procedures listed must be followed whenever the vehicle is being repaired or serviced. Other specific warnings appear throughout this manual and on the vehicle.**

### **DANGER**

- GASOLINE VAPORS - FLAMMABLE - EXPLOSIVE - DO NOT SMOKE. Keep sparks and flames away from the area of the vehicle. Service only in well-ventilated areas.
- BATTERY VAPORS - FLAMMABLE - EXPLOSIVE - DO NOT SMOKE. Keep sparks and flames away from the area of the vehicle. Service only in well-ventilated areas.
- DO NOT OPERATE GASOLINE VEHICLE IN AN ENCLOSED AREA WITHOUT PROPER VENTILATION. Engine produces carbon monoxide which is an odorless, deadly poison.
- A UTILITY VEHICLE WILL *NOT* PROVIDE PROTECTION FROM LIGHTNING, FLYING OBJECTS, OR OTHER STORM RELATED HAZARDS. If caught in a storm while driving a utility vehicle, exit the vehicle and seek shelter in accordance with safety guidelines applicable to your location.

## **⚠ WARNING**

- ONLY TRAINED TECHNICIANS SHOULD REPAIR OR SERVICE THE VEHICLE. Anyone doing even simple repairs or service should follow the correct procedures and obey the warnings listed in this manual as well as those in the maintenance and service manual.
- ALWAYS WEAR SAFETY GLASSES OR EYE PROTECTION WHEN SERVICING THE VEHICLE.
- TURN KEY SWITCH TO “OFF”, REMOVE KEY, BLOCK TIRES, PLACE FORWARD/REVERSE LEVER IN “NEUTRAL”, AND DISCONNECT BATTERY(IES) PRIOR TO SERVICING (Figure 1).
- ALWAYS USE INSULATED TOOLS WHEN WORKING AROUND BATTERIES OR ELECTRICAL CONNECTIONS.
- IMPROPER USE OF THE VEHICLE, OR FAILURE TO PROPERLY MAINTAIN IT, COULD RESULT IN DECREASED VEHICLE PERFORMANCE OR SEVERE PERSONAL INJURY.
- FOLLOW ALL PROCEDURES LISTED IN THE MANUAL FOR LOADING AND UNLOADING VEHICLE.
- ANY MODIFICATION OR CHANGE TO THE VEHICLE WHICH AFFECTS THE STABILITY OR INCREASES THE SPEED BEYOND THE FACTORY SPECIFICATIONS COULD RESULT IN SEVERE PERSONAL INJURY OR DEATH.



**Figure 1**



# Vehicle Feature Identification Trans-Porter/Trans-Sender

## VEHICLE LOADING LABEL

**VEHICLE LOADING**

- Vehicle rated capacity - 1500 lbs. on level surface - See Owner's manual.
- Maximum cargo load limit - 500 lbs.
- No more than two people in front seat.
- Cargo should be evenly spread over the floor of cargo bed as far forward as possible.
- Secure loads to prevent load shifting.
- For vehicle stability, drive slowly when loaded and avoid big heavy loads.
- Rated capacity is for level surfaces only. When driving up or down hills or on uneven terrain, vehicle speed and load must be reduced.

## KEY SWITCH ("ON - OFF" MOLDED INTO DASH) ELECTRIC VEHICLE

## OFF - ON - START LABEL (AT KEY SWITCH) GASOLINE VEHICLE



## OPERATING INSTRUCTIONS GASOLINE

**OPERATING INSTRUCTIONS**

- Read owner's manual prior to operation.
- Study and understand controls. Do not operate in school, parking, or other restricted areas.
- Make sure vehicle is parked in desired location.
- Turn key to "OFF" position and do not holding it in your palm.
- Select direction by pulling shift lever in desired direction.
- To stop, release accelerator pedal and depress brake pedal.
- After stopping, bring down park brake and handle.
- Turn key to "OFF" position, remove key and place shift lever in the straight or neutral position when not in use.

## OPERATING INSTRUCTIONS ELECTRIC

**OPERATING INSTRUCTIONS**

- Read owner's manual prior to operation.
- Study and understand controls. Do not operate in school, parking, or other restricted areas.
- Make sure vehicle is parked in desired location.
- Turn key to "OFF" position and do not holding it in your palm.
- Select direction by pulling shift lever in desired direction.
- To stop, release accelerator pedal and depress brake pedal.
- After stopping, bring down park brake and handle.
- Turn key to "OFF" position, remove key and place shift lever in the straight or neutral position when not in use.

## OIL WARNING LIGHT (GAS VEHICLE) BATTERY/CHARGE TROUBLE LIGHT (ELECTRIC VEHICLE)

## SERIAL NUMBER

## PARK BRAKE PEDAL

## BRAKE PEDAL

## ACCELERATOR PEDAL

## SAFETY WARNING LABEL

<p><b>WARNING</b></p> <p>Failure to follow these instructions can cause severe injury or death.</p>	<ul style="list-style-type: none"> <li>• Read operating instructions before using vehicle.</li> <li>• Never stand in front or behind vehicle.</li> <li>• Vehicle should be driven only in specified areas by trained persons.</li> </ul>	<ul style="list-style-type: none"> <li>• Do not use on public roads.</li> <li>• Only two persons per seat.</li> <li>• Operate vehicle from driver's side only.</li> <li>• Do not start vehicle until all people are seated.</li> </ul>	<ul style="list-style-type: none"> <li>• Remain seated and hold on in moving vehicle.</li> <li>• Keep arms, legs, feet and body inside vehicle.</li> <li>• Stop vehicle before changing direction. Buzzer will sound in reverse.</li> <li>• Drive slowly in turns.</li> </ul>	<ul style="list-style-type: none"> <li>• Drive slowly straight up and down slopes.</li> <li>• Set park brake before leaving vehicle.</li> <li>• Remove key when vehicle is not in use.</li> <li>• Place shift lever in neutral when vehicle is not in use.</li> </ul>
---	--	--	---	---

# Trans-Porter/Trans-Sender

## PASSENGER WARNING LABEL

**WARNING**

- Avoid standing in front of or behind vehicle.
- No more than three persons per seat.
- Remain seated and hold on in moving vehicle.
- Keep arms, legs, feet and body inside vehicle.
- Do not leave children unattended on seat while vehicle is moving.

## BED BOLT WARNING LABEL

**WARNING**

Bed hold down bolts must be securely fastened before loading.

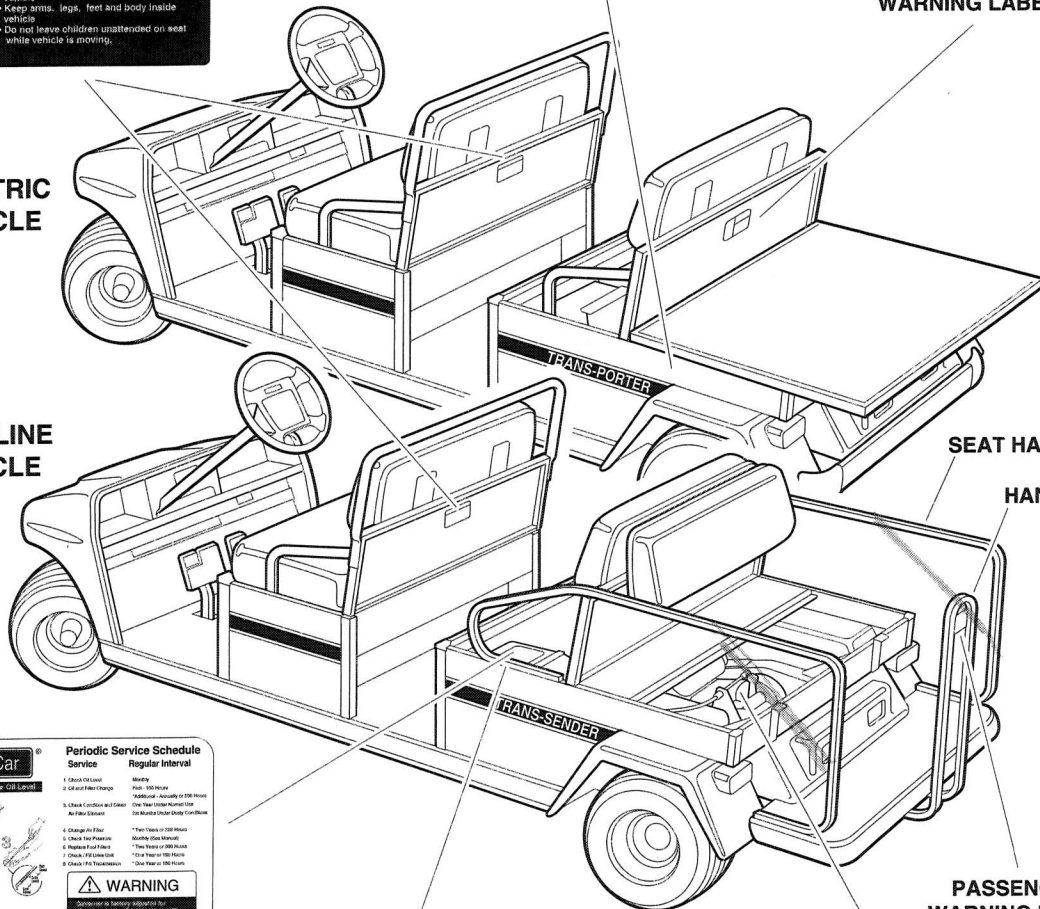
**WARNING**

No persons in cargo bed.

## TILT BED WARNING LABEL

**ELECTRIC VEHICLE**

**GASOLINE VEHICLE**



**SEAT HANDLE**

**HANDRAIL**

**PASSENGER WARNING LABEL (FACES SEAT)**

**ClubCar** Periodic Service Schedule

Service	Regular Interval
1. Check Oil Level	Monthly
2. Check Fluid Charge	First 100 Hours
3. Check Coolant and Oil	Monthly (Based on 100 Hours)
4. Check Tires and Grease	One Year (or 1000 Miles) OR One Year (or 100 Hours)
5. Change Air Filter	First Year (or 100 Hours)
6. Check Spark Plugs	Monthly (Gas Models)
7. Replace Fuel Filter	First Year (or 100 Hours)
8. Check PTO Clutch	First Year (or 100 Hours)
9. Check PTO Transmission	One Year (or 100 Hours)

**WARNING**

Operator is battery powered for 12-14 hrs. Do not use for transport when maintenance is required. Do not use if you have the maintenance. Do not use if you have the maintenance. Do not use if you have the maintenance.

## PERIODIC SERVICE SCHEDULE (ON INTAKE BOX)

**DANGER / POISON**

**SULFURIC ACID** CAN CAUSE SEVERE BURNS. FLUSH EYES IMMEDIATELY WITH WATER. GET MEDICAL HELP FAST.

**NO SPARKS, FLAMES, OR SMOKING**

KEEP OUT OF THE REACH OF CHILDREN - DO NOT TIP - KEEP VENT CAPS TIGHT AND LEVEL.

## BATTERY DANGER LABEL (ON FRAME)

**WARNING**

**MOVING PARTS**


**WARNING**

Negative frame ground. Do not contact positive (+) battery post or cable to frame as this can cause battery explosion, electrical shocks, and burns.

## FRAMEGROUND WARNING LABEL (ON FRAME)

## MOVING PARTS WARNING LABEL

# Vehicle Feature Identification

**CAUTION**  • DO NOT OPERATE VEHICLE WITHOUT COVER IN PLACE • DO NOT DIRECT WATER STREAM AT THIS SWITCH

**SPEED SWITCH CAUTION LABEL**



**BATTERY DANGER LABEL (ON FRAME)**

**WARNING**  HOT manifold and muffler can cause severe burns.

**HOT MANIFOLD AND MUFFLER LABEL (ON ENGINE)**

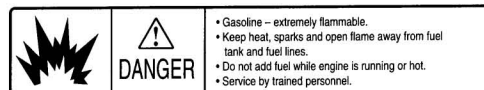
**FUSE LINK & CHARGER RECEPTACLE**

**AC CORD**

**ELECTRIC VEHICLE**

**GASOLINE VEHICLE**

**CHOKE**



**GASOLINE TANK DANGER LABEL (ON FRAME)**

**FORWARD AND REVERSE LEVER**



# Tourall Gasoline

## OPERATING INSTRUCTIONS LABEL

**OPERATING INSTRUCTIONS**

- Read owner's manual prior to operation.
- Study and understand controls. Be sure everyone is seated.
- Before driving, read safety warnings located above pedals.
- Make sure wheels are turned in desired direction.
- Turn key to "OFF" position and be sure nothing is in your path.
- Select direction by placing shift lever in desired direction.
- Turn key to "ON" position and be sure nothing is in your path.
- Select direction by placing shift lever in desired position.
  - Forward: "D" (Neutral: "N")
  - Reverse: "R"
- Vehicle will start moving when accelerator pedal is depressed.
- Slowly depress accelerator pedal to increase speed. Park brake will release when accelerator pedal is depressed.
- To stop, release accelerator pedal and depress brake pedal.
- After stopping, firmly depress park brake until it locks.
- Turn key to "OFF" position, remove key and place shift lever in the upright up neutral position when not in use.

**PASSENGER WARNING LABEL**

**KEY SWITCH ("ON - OFF" MOLDED INTO DASH)**

**OIL WARNING LIGHT**

**PARK BRAKE PEDAL**

**BRAKE PEDAL**

**SEAT HANDLES**

**HANDRAIL**

**PASSENGER WARNING LABEL (ON CENTER DASH & REAR HANDRAIL FACING SEAT)**

**WARNING**

- No more than four persons should be on the vehicle at one time.
- Passengers should remain seated and hold onto seat handles or handrail at all times.
- Stop vehicle before shifting forward and reverse lever. Failure to do so could result in injury to passengers and damage to vehicle.
- Slower speeds should be observed when transporting passengers.

**SERIAL NUMBER**

**ACCELERATOR PEDAL**

**SAFETY WARNING LABEL**

<p><b>WARNING</b></p> <p>Failure to follow these instructions can cause severe injury or death.</p>	<ul style="list-style-type: none"> <li>• Read operating instructions before using vehicle.</li> <li>• Never stand in front or behind vehicle.</li> <li>• Vehicle should be driven only in specified areas by trained persons.</li> </ul>	<ul style="list-style-type: none"> <li>• Do not use on public roads.</li> <li>• Only two persons per seat.</li> <li>• Operate vehicle from driver's side only.</li> <li>• Do not start vehicle until all people are seated.</li> </ul>	<ul style="list-style-type: none"> <li>• Remain seated and hold on in moving vehicle.</li> <li>• Keep arms, legs, feet and body inside vehicle.</li> <li>• Stop vehicle before changing direction. Buzzer will sound in reverse.</li> <li>• Drive slowly in turns.</li> </ul>	<ul style="list-style-type: none"> <li>• Drive slowly straight up and down slopes.</li> <li>• Set park brake before leaving vehicle.</li> <li>• Remove key when vehicle is not in use.</li> <li>• Place shift lever in neutral when vehicle is not in use.</li> </ul>
---	--	--	---	---

# Vehicle Feature Identification

## PERIODIC SERVICE SCHEDULE LABEL

Service	Regular Interval
1. Check Oil Level	Every 100 Hours
2. Check and Filter Change	Every 100 Hours or 1 Year, Whichever Comes First
3. Check Spark and Choke	Every 100 Hours or 1 Year, Whichever Comes First
4. Change Air Filter	Every 200 Hours or 1 Year, Whichever Comes First
5. Check Fuel Filter	Every 100 Hours or 1 Year, Whichever Comes First
6. Check Water Pump	Every 100 Hours or 1 Year, Whichever Comes First
7. Check Tire Pressure	Every 100 Hours or 1 Year, Whichever Comes First
8. Check Battery	Every 100 Hours or 1 Year, Whichever Comes First

**WARNING**  
SAE 30 above 32°F (0°C) or SAE 150 below 32°F (0°C) Classification SE, SF, SG or higher. \*Whichever comes first.

## GASOLINE TANK DANGER LABEL

**DANGER**

- Gasoline - extremely flammable.
- Keep heat, sparks and open flame away from fuel tank and fuel lines.
- Do not add fuel while engine is running or hot.
- Service by trained personnel.

## MOVING PARTS LABEL

**WARNING**  
MOVING PARTS

## HOT MANIFOLD AND MUFFLER LABEL

**WARNING**  
HOT manifold and muffler can cause severe burns.

OIL FILL

FORWARD - REVERSE LEVER

NEUTRAL LOCK - OUT CAM

CHOKE

## FRAME GROUND WARNING LABEL

**WARNING**  
Negative frame ground. Do not contact positive (+) battery post or cable to frame as this can cause battery explosion, electrical shocks, and burns.

## DANGER / POISON LABEL

**DANGER / POISON**

NO SMOKING, NO OPEN FLAMES, NO SPARKS

WASH EYES IMMEDIATELY WITH WATER

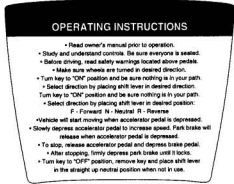
DO NOT DRINK

KEEP OUT OF THE REACH OF CHILDREN - DO NOT TIP - KEEP VENT CAPS TIGHT AND LEVEL

DANGER LABEL

# Tourall Electric

## OPERATING INSTRUCTIONS LABEL



**PASSENGER WARNING LABEL**

**KEY SWITCH ("ON - OFF" MOLDED INTO DASH)**

**BATTERY/CHARGE TROUBLE LIGHT**

**PARK BRAKE PEDAL**

**BRAKE PEDAL**

**SEAT HANDLES**

**HANDRAIL**

**PASSENGER WARNING LABEL (ON CENTER DASH & REAR HANDRAIL FACING SEAT)**

**WARNING**

- No more than four persons should be on the vehicle at one time.
- Passengers should remain seated and hold onto seat handle or handrail at all times.
- Stop vehicle before shifting forward and reverse lever. Failure to do so could result in injury to passengers and damage to vehicle.
- Slowly speeds should be observed when transporting passengers.

**ACCELERATOR PEDAL**

**SERIAL NUMBER**

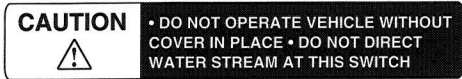
**SAFETY WARNING LABEL**

<p><b>WARNING</b></p> <p>Failure to follow these instructions can cause severe injury or death.</p>	<ul style="list-style-type: none"> <li>• Read operating instructions before using vehicle.</li> <li>• Never stand in front or behind vehicle.</li> <li>• Vehicle should be driven only in specified areas by trained persons.</li> </ul>	<ul style="list-style-type: none"> <li>• Do not use on public roads.</li> <li>• Only two persons per seat.</li> <li>• Operate vehicle from driver's side only.</li> <li>• Do not start vehicle until all people are seated.</li> </ul>	<ul style="list-style-type: none"> <li>• Remain seated and hold on in moving vehicle.</li> <li>• Keep arms, legs, feet and body inside vehicle.</li> <li>• Stop vehicle before changing direction. Buzzer will sound in reverse.</li> <li>• Drive slowly in turns.</li> </ul>	<ul style="list-style-type: none"> <li>• Drive slowly straight up and down slopes.</li> <li>• Set park brake before leaving vehicle.</li> <li>• Remove key when vehicle is not in use.</li> <li>• Place shift lever in neutral when vehicle is not in use.</li> </ul>
---	--	--	---	---

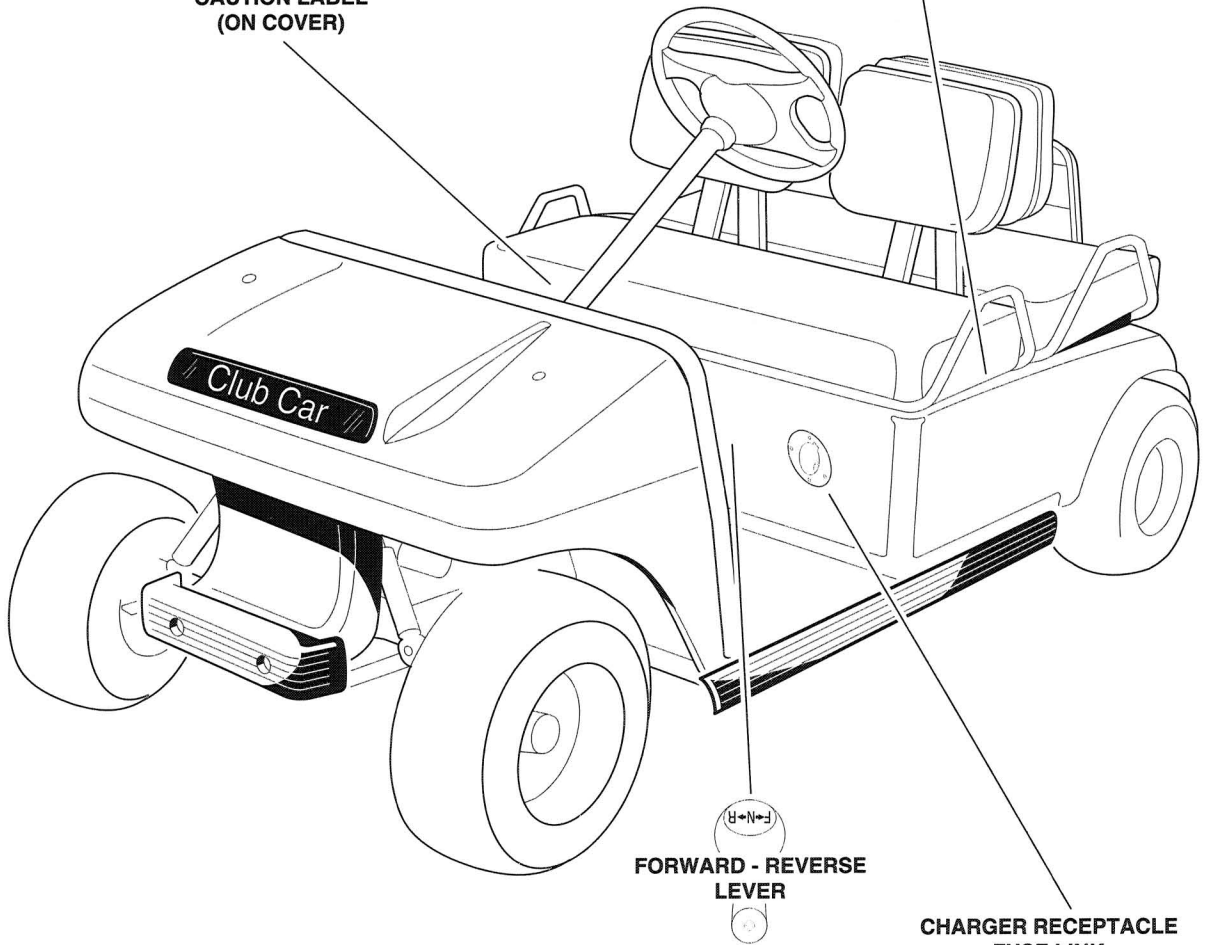
# Vehicle Feature Identification



**DANGER LABEL  
(ON BODY UNDER SEAT)**



**SPEED SWITCH  
CAUTION LABEL  
(ON COVER)**



## Model Identification:

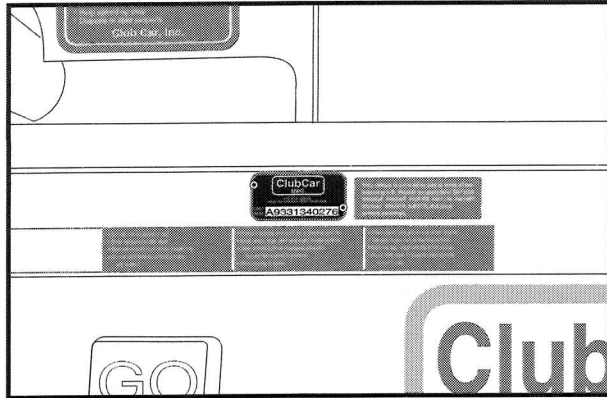


Figure 2

The serial number of your vehicle is stamped on the data plate mounted on the frame directly above the accelerator pedal (Example: J9502-123456 for electric vehicles and JG9502-123456 for gasoline vehicles).

### NOTE

- Always mention this number when ordering parts or making inquiries. (See Figure 2.)

## Pre-Operation Checklist:

Your vehicle has been thoroughly inspected and adjusted at the factory and also by your CLUB CAR distributor/dealer. However, upon arrival of your new vehicle(s), you should become familiar with its controls and operation, and carefully inspect each vehicle to be satisfied that it is in proper working condition before accepting delivery.

Use the following checklist as a guide to inspect your new vehicle. Any problems should be corrected by only your CLUB CAR distributor/dealer or a trained mechanic.

- **General:** All parts should be in place and properly installed. Be sure that all nuts, bolts and screws are tight. On the gasoline vehicle, check all hose clamps for tight fit as well as the starter belt for tightness.
- **Warning Labels:** Check to ensure that all warning and operation labels are in place. (See Pages 3-9)
- **Tires:** Check for proper tire pressure. (See Tire Specifications, Page 32)
- **Batteries - Electric Vehicle:** Check the electrolyte to ensure that it is at its proper level. (See Figure 27, Page 36) Check battery posts. Wires should be tight and free of corrosion. **Charge batteries fully before first use of vehicle.**
- **Speed Switch - Electric Vehicle:** Be sure speed switch cover is properly secured prior to operating vehicle.
- **Engine - Gasoline Vehicle:** Check for proper engine oil level. (See Engine Oil, Page 33)
- **Fuel - Gasoline Vehicle:** Check fuel level. (See Fueling Instructions, Page 33)

## ⚠ WARNING

- BE SURE THE PLASTIC HAS BEEN REMOVED FROM THE SEAT BOTTOM BEFORE OPERATING VEHICLE. Failure to do so may result in a fire, property damage, personal injury, or death.

## Performance Inspection:

After you have familiarized yourself with the vehicle's controls, and have read and understood the driving instructions, take the vehicle for a test drive. Check the following:

- **Brakes:** Be sure that the brakes work properly. Both rear wheels should brake simultaneously. The pedal should not go more than halfway to the floor. If it does, have the brakes adjusted.



- **Park Brake:** The park brake should lock the wheels when latched, and should release when either the accelerator or brake pedal is depressed.
- **Steering:** The vehicle should be easy to steer and should not have any play in the steering wheel.
- **Accelerator:** As the accelerator pedal is depressed, the vehicle should come up smoothly to full speed. When the pedal is released, it should return to the original position. The electric vehicle runs at reduced speed in reverse.
- **Governor:** Check the speed of the vehicle. The electric vehicles and the Tourall gasoline vehicle should run at 19-23 KPH (12-15 MPH) on a level surface. The Trans-Porter/Trans-Sender gasoline vehicles should run at 23-26 KPH (14-16 MPH) on a level surface.
- **General:** Listen for any unusual noises such as squeaks or rattles. Check the vehicle's ride and performance. Have a CLUB CAR distributor/dealer or a trained mechanic investigate anything unusual.

## Controls - Trans-Porter/Trans-Sender Electric, Tourall Gasoline and Tourall Electric Vehicles:

---

### DANGER

- DO NOT OPERATE GASOLINE VEHICLE IN AN ENCLOSED AREA WITHOUT PROPER VENTILATION. Gasoline engines produce carbon monoxide gas which is an odorless, deadly poison.

### WARNING

- BEFORE ASSIGNING THE VEHICLE TO AN EMPLOYEE, MAKE SURE THE DRIVER IS FAMILIAR WITH ALL CONTROLS AND OPERATING INSTRUCTIONS BEFORE ALLOWING THE VEHICLE TO BE DRIVEN.
- DO NOT TAMPER WITH THE GASOLINE VEHICLE'S GOVERNOR. Doing so will void the warranty, as well as damage the engine and other components, and could result in property damage, personal injury or death due to unsafe speeds.
- DO NOT MODIFY OR CHANGE THE VEHICLE IN ANY WAY WHICH MAY AFFECT THE STABILITY OR INCREASE THE SPEED BEYOND THE FACTORY SPECIFICATIONS. Property damage, personal injury, or death could result.
- DO NOT SHIFT FORWARD/REVERSE LEVER WHILE THE VEHICLE IS IN MOTION. Always bring the vehicle to a full stop before shifting lever to avoid injury to an unsuspecting passenger or damage to the vehicle. Buzzer(s) will sound as a warning when the vehicle is in reverse.
- DEPRESS THE BRAKE PEDAL FIRMLY UNTIL STOPPED. SET THE PARK BRAKE, TURN KEY SWITCH "OFF" AND REMOVE THE KEY WHEN LEAVING THE VEHICLE TO AVOID UNINTENTIONAL STARTING OR ROLLING OF THE VEHICLE.



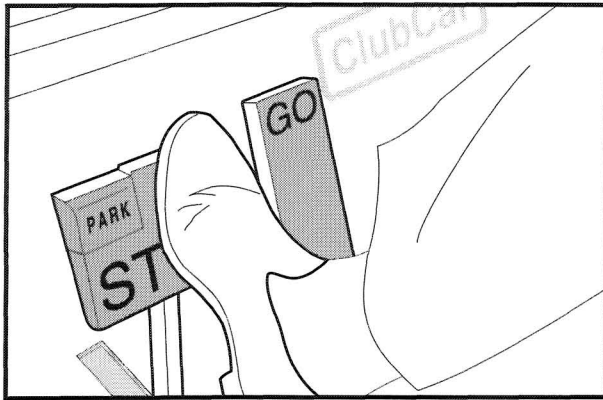


Figure 6

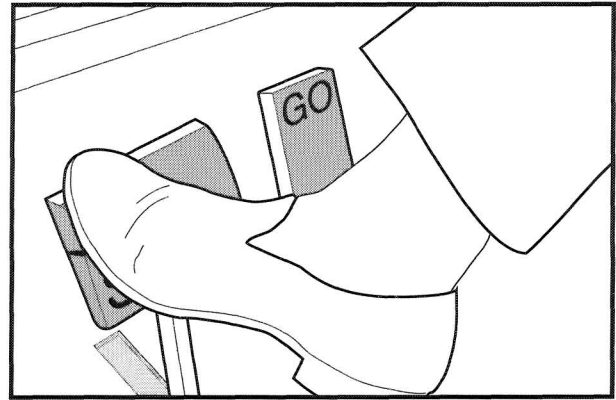


Figure 7

### Brake Pedal -

The brake pedal is the large pedal on the left with the word STOP molded into it (See Figure 6). To slow or stop the vehicle, depress the brake pedal with your right foot.

### Park Brake Pedal -

The park brake pedal is the small raised portion in the upper left corner of the brake pedal. It has the word PARK molded into it and the words PARK BRAKE marked above it (See Figure 6). To set the park brake, depress the brake pedal firmly and tilt the park brake portion of the pedal forward with your foot (See Figure 7).

## ⚠ WARNING

- THE PARK BRAKE WILL RELEASE AUTOMATICALLY WHEN EITHER THE ACCELERATOR OR BRAKE PEDAL IS DEPRESSED. **The park brake has multiple locking positions and should be firmly pressed to prevent the vehicle from rolling.**

## TOURALL GASOLINE VEHICLES ONLY:

### Neutral Lock-Out -

This vehicle has a neutral lock-out circuit that prevents the driver from starting the vehicle in "NEUTRAL". If the vehicle is started in forward or reverse and then shifted to neutral, the engine will stop running.

For the convenience of the trained mechanic, there is a neutral lock-out cam (yellow knob) located on the back of the forward/reverse lever inside engine compartment. If the neutral lock-out cam is pulled out approximately 10 millimeters (3/8 inch) and then rotated one-half turn until it snaps into place, the vehicle will be in the SERVICE position. (See Figure 8, Page 14) This will allow the mechanic to run the engine in NEUTRAL for certain maintenance procedures. With the cam in this position, the vehicle will not operate if the forward/reverse lever is placed in either the forward or reverse position. To put the vehicle back into the OPERATE position, pull the cam out approximately 10 millimeters (3/8 inch) and rotate it one-half turn until it snaps into place. (See Figure 9, Page 14)

## NOTE

- Be sure to return the cam to the OPERATE position after servicing the vehicle, or it will not run with the direction selector in either the forward or reverse position.

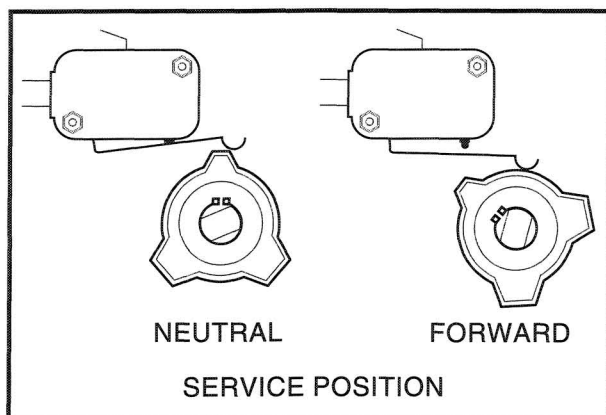


Figure 8

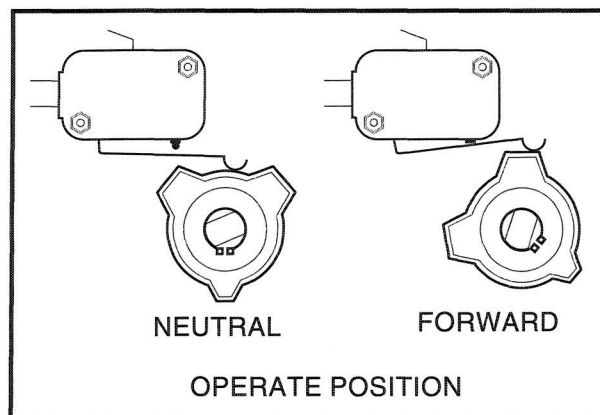


Figure 9

## ⚠ WARNING

- WITH THE CAM IN THE SERVICE POSITION AND THE ENGINE RUNNING, THE VEHICLE MAY MOVE SUDDENLY IF THE FORWARD/REVERSE LEVER IS SHIFTED OR ACCIDENTALLY BUMPED. To prevent this, block the front and rear tires and always firmly set the park brake before servicing or leaving the vehicle.

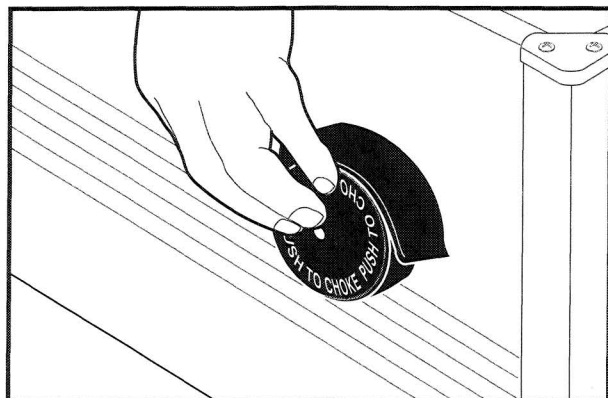


Figure 10

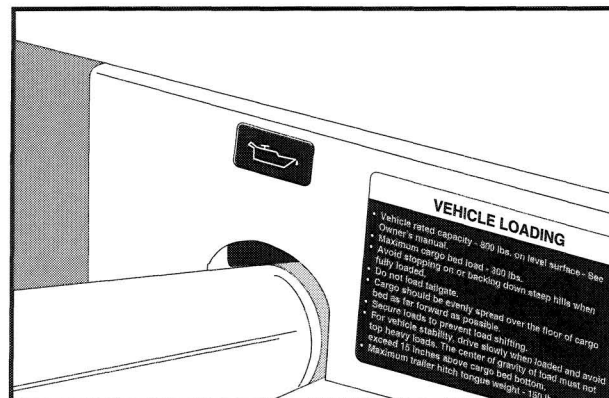


Figure 11

### Choke -

The choke is located on the seat support panel below and to the left of the driver's left knee (See Figure 10). If the vehicle is hard to start in cool or cold temperatures, simply push in the choke button with your left hand to activate it. Hold it during start up and release the choke button after the engine starts and runs smoothly.

### Oil Light -

The vehicle is equipped with a low oil warning light, located on the dash panel just above the steering column (See Figure 11). If the oil warning light comes on, oil level should be checked and oil added, if necessary, to the engine before continuing to use the vehicle. The vehicle should never be driven with the oil warning light remaining on. If the oil warning light goes on and off, you may proceed, but oil should be added at the first opportunity. If the oil level is correct and the light stays on, have a trained mechanic check the vehicle.

## CAUTION

- FAILURE TO ADD OIL IMMEDIATELY WHEN LIGHT STAYS ON MAY RESULT IN PERMANENT ENGINE DAMAGE.

### **ELECTRIC VEHICLES ONLY:**

#### **Battery/Charging Trouble Light -**

PowerDrive System 48 vehicles, including all electric Trans-Porter/Trans-Sender and Tourall models, feature a dash mounted warning light (above steering column) that, when the vehicle is in operation, indicates low battery voltage, or, when the vehicle is being charged, indicates a charging problem. The battery trouble light is controlled by the PowerDrive System 48 on-board computer.

When the vehicle is in operation, the trouble light will come on and remain illuminated if:

- Batteries voltage drops below 48 when there is no load on the batteries (the vehicle is stopped and there are no accessories on).
- Batteries have discharged to less than 25% of rated capacity.

If the trouble light comes on during normal vehicle operation, there should be enough power remaining to drive the vehicle for approximately 1/2 hour. However, the vehicle should be charged at the first opportunity. If the trouble light comes on and the vehicle is unable to operate 1/2 hour, have your Club Car distributor/dealer check the vehicle for a possible battery or electrical system problem.

When the batteries receive an incomplete charge because 1) the DC power cord is disconnected, 2) AC power to the charger is interrupted, 3) automatic charger shut-off occurs after 16 hours of operation, or 4) the charger malfunctions, the trouble light will indicate as follows:

- The trouble light will not come on if the charge is 90% or more complete. The on-board computer will retain in memory the amount of charge needed to fully replenish the batteries and will complete the charge during the next charge cycle.
- When the charger is unplugged, the trouble light will come on and remain illuminated for 10 seconds if the charge is less than 90% complete but the car has enough power for 1/2 hour of operation. This will alert the operator that the vehicle may be used, but that it must be charged to completion as soon as possible.
- The trouble light will come on and remain illuminated if the charger times out at 16 hours (see charger manual) and the batteries are not sufficiently charged. This indicates an abnormal charge cycle. The charger and batteries should be checked by your Club Car distributor/dealer.
- The trouble light will come on during a charge cycle (DC plug is still connected) if AC power to the charger is interrupted. The light will go out when AC power is restored.

### **Driving Instructions - Trans-Porter/Trans-Sender Electric, Tourall Gasoline and Tourall Electric Vehicles:**

---

## WARNING

- BEFORE ASSIGNING THE VEHICLE TO A DRIVER, MAKE SURE THE DRIVER IS FAMILIAR WITH ALL CONTROLS AND OPERATING PROCEDURES BEFORE ALLOWING THE VEHICLE TO BE DRIVEN.
- THE VEHICLE IS NOT SPECIALLY EQUIPPED FOR HANDICAPPED PERSONS. Be sure all persons can properly operate vehicle prior to allowing them to drive vehicle.

## **WARNING**

- **TRANS-PORTER:** DO NOT ALLOW PASSENGERS IN THE CARGO BED. NO MORE THAN TWO PEOPLE ON THE DRIVER SEAT AND THREE PEOPLE ON THE PASSENGER SEAT AT ONE TIME.
- **TRANS-SENDER:** NO MORE THAN TWO PEOPLE ON THE DRIVER SEAT AND THREE PEOPLE ON EACH PASSENGER SEAT AT ONE TIME.
- **TOURALL:** NO MORE THAN TWO PEOPLE ON EACH SEAT.
- **FOR NIGHT USE,** VEHICLE MUST BE EQUIPPED WITH HEADLIGHTS, TAILLIGHTS, AND REFLECTORS.
- **STOP VEHICLE BEFORE SHIFTING THE FORWARD/REVERSE LEVER.** Failure to do so may result in injury to an unsuspecting passenger and (or) damage to the vehicle. Buzzer(s) will sound as a warning when the vehicle is in reverse.

### **WHEN DRIVING THE VEHICLE:**

- OPERATE THE VEHICLE FROM THE DRIVER'S SEAT ONLY.
- REMAIN SEATED IN A MOVING VEHICLE AND HOLD ON TO SEAT HANDLES OR HANDRAILS AT ALL TIMES TO PREVENT FALLS.
- KEEP ALL BODY PARTS INSIDE THE VEHICLE TO PREVENT THEM FROM GETTING CAUGHT BETWEEN THE VEHICLE AND THE GROUND OR OTHER OBJECTS.
- DO NOT LEAVE CHILDREN UNATTENDED ON REAR SEAT WHILE VEHICLE IS MOVING.
- WHEN LOADED, DRIVE SLOWLY IN TURNS AND DRIVE STRAIGHT UP OR DOWN SLOPES TO PREVENT OVERTURNING OF THE VEHICLE.
- AVOID STOPPING ON HILLS WHEN LOADED. When stopped on a hill, avoid sudden starts or rolling backwards and stopping suddenly. This can cause the vehicle to overturn or flip over backwards.
- AVOID SUDDEN STARTS, STOPS, AND TIGHT TURNS TO AVOID INJURY TO AN UNSUSPECTING PASSENGER AND DAMAGE TO THE VEHICLE.
- TO AVOID THE POSSIBILITY OF LOSING CONTROL OR OVERTURNING OF THE VEHICLE, REDUCE SPEED FOR DRIVING CONDITIONS SUCH AS WET GRASS OR ROUGH TERRAIN.
- DO NOT USE ON PUBLIC ROADS. This vehicle is not designed or intended for street use and should not be licensed for use on public roads.
- VEHICLES SHOULD ONLY BE DRIVEN IN SPECIFIED AREAS BY TRAINED DRIVERS.
- TO AVOID BEING STRUCK, DO NOT STAND IN FRONT OF OR BEHIND VEHICLE.
- DO NOT DRIVE WHILE UNDER THE INFLUENCE OF ALCOHOL, DRUGS, OR MEDICATIONS.

No one should drive the vehicle without first being instructed in the proper operation and use of the vehicle's controls. An experienced operator should accompany each first-time driver on a test drive before allowing him (her) to operate the vehicle alone. Only licensed drivers should be allowed to drive this vehicle.

To ensure safe operation of the vehicle, follow, exactly and in order, all of the procedures listed below. Read and understand all instructions prior to driving the vehicle.

### **Starting the vehicle:**

1. Be sure load, if any, is secure.
2. Enter the vehicle.

3. Study and understand controls.
4. Be sure everyone is seated and holding onto seat handles or handrails.
5. Read safety warnings located above pedals.
6. Make sure wheels are turned in the desired direction.
7. Turn the key to the "ON" position and be sure nothing is in your path.
8. Select direction by placing shift lever in desired position (F = forward or R = reverse).
9. Slowly depress accelerator pedal. The park brake will release automatically and the vehicle will start to move. As the accelerator pedal is depressed, speed will increase until full speed is reached.

### **WARNING**

- Operator must control speed when going downhill.
- **Gasoline Vehicle Only:** Depress both accelerator and brake when descending a hill. The engine governor will cause the engine to control downhill speed..

### **Stopping the vehicle:**

To stop the vehicle, release the accelerator pedal fully and depress the brake pedal with your right foot until the vehicle comes to a complete stop.

### **WARNING**

- **DRIVING THROUGH WATER MAY AFFECT THE BRAKES.** Check their effectiveness by depressing the brake pedal gently. If the vehicle does not slow down at the normal rate, continue to depress the brakes until they dry out and normal performance returns.

### **CAUTION**

- **WHEN STOPPED ON A HILL, USE THE BRAKE PEDAL TO HOLD YOUR POSITION. DO NOT USE THE ACCELERATOR PEDAL.**

### **Parking and leaving the vehicle:**

1. After stopping the vehicle, firmly depress the park brake pedal until it locks. This will prevent the vehicle from rolling.
2. Place shift lever in the straight up "NEUTRAL" position, turn key to "OFF". This avoids unintentional starting of the vehicle. Remove the key when the vehicle is not is use.

### **Controls - Trans-Porter/Trans-Sender Gasoline Vehicles:**

### **DANGER**

- **DO NOT OPERATE GASOLINE VEHICLE IN AN ENCLOSED AREA WITHOUT PROPER VENTILATION.** Gasoline engines produce carbon monoxide gas, which is an odorless, deadly poison.

## **⚠ WARNING**

- BEFORE ASSIGNING THE VEHICLE TO A DRIVER, MAKE SURE THE DRIVER IS FAMILIAR WITH ALL CONTROLS AND OPERATING INSTRUCTIONS BEFORE ALLOWING THE VEHICLE TO BE DRIVEN.
- DO NOT TAMPER WITH THE GASOLINE VEHICLE'S GOVERNOR. Doing so will void the warranty as well as damage the engine and other components, and could result in property damage, personal injury or death due to unsafe speeds.
- DO NOT MODIFY OR CHANGE THE VEHICLE IN ANY WAY WHICH MAY AFFECT THE STABILITY OR INCREASE THE SPEED BEYOND THE FACTORY SPECIFICATIONS. Property damage, personal injury, or death could result.
- DO NOT SHIFT FORWARD/REVERSE LEVER WHILE THE VEHICLE IS IN MOTION. Always bring the vehicle to a full stop before shifting lever to avoid possible injury to an unsuspecting passenger, and (or) damage to the vehicle. Buzzer(s) will sound as a warning when the vehicle is in reverse.
- DEPRESS THE BRAKE PEDAL FIRMLY UNTIL STOPPED. SET THE PARK BRAKE, TURN KEY SWITCH "OFF", AND REMOVE THE KEY WHEN LEAVING THE VEHICLE. THIS WILL PREVENT UNINTENTIONAL STARTING OR ROLLING OF THE VEHICLE.

### **Key Switch -**

The key switch is mounted on the dash to the right of the steering column (See Figure 12). It has three (3) positions, "OFF", "ON", and "START", which are clearly labeled.

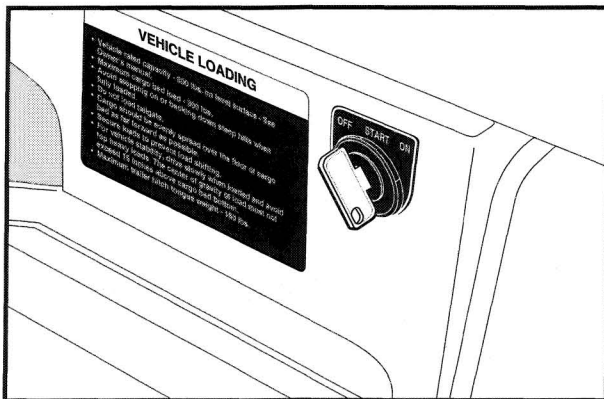
## **NOTE**

- Key is removable in the "OFF" position only.

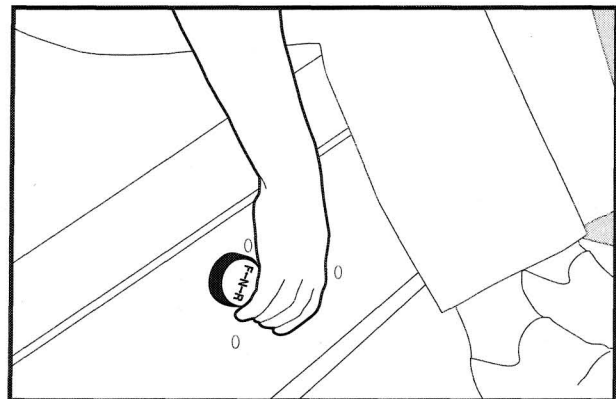
To start the vehicle, turn the key past the "ON" position to the "START" position and hold until the engine is running smoothly. Release the key and it will return to the "ON" position.

### **Forward/Reverse Control -**

The forward/reverse shift lever is located below and to the right of the driver's right knee on the seat support panel (See Figure 13). The lever has three (3) distinct positions: F (forward), N (neutral), and R (reverse). Rotate the lever towards the driver, F (forward), to run the vehicle in the forward direction, or towards the passenger, R (reverse), to run the vehicle in reverse. When the lever is in the straight up, or N (neutral) position, the vehicle will idle.



**Figure 12**



**Figure 13**



## NOTE

- The engine will stop running if the accelerator is depressed while the forward/reverse lever is in the neutral position.
- The reverse buzzer(s) will sound as a warning when the vehicle is in reverse.

### Accelerator Pedal -

The accelerator pedal is the pedal on the right with the word GO molded into it (See Figure 14).

- The operation of the accelerator pedal differs from that of an automobile.
- When the engine is running, and the shift lever is in either forward or reverse, depressing the accelerator pedal will automatically release the park brake and start the vehicle moving in the selected direction (forward or reverse). As the accelerator pedal is depressed, speed will increase until full speed is reached. When the accelerator pedal is released, it will return to the original position and the engine will drop back to idle.

### Brake Pedal -

The brake pedal is the large pedal on the left with the word STOP molded into it (See Figure 14). To slow or stop the vehicle, depress the brake pedal with your right foot (See Figure 15).



Figure 14



Figure 15

### Park Brake Pedal -

The park brake pedal is the small raised portion in the upper left corner of the brake pedal with the word PARK molded into it (See Figure 15). The words PARK BRAKE are marked on top of the pedal.

To set the park brake, depress the brake pedal firmly and tilt the park brake portion of the pedal forward with your foot (See Figure 16).

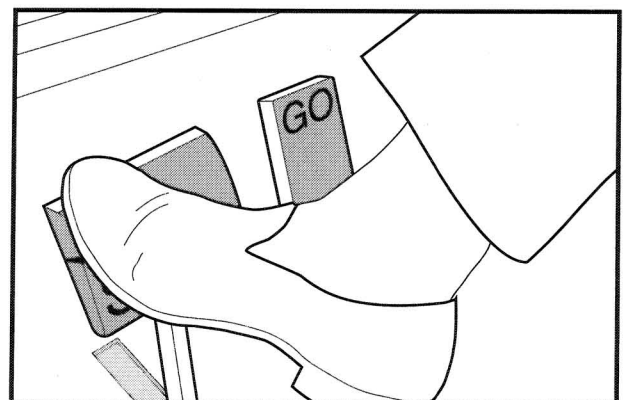


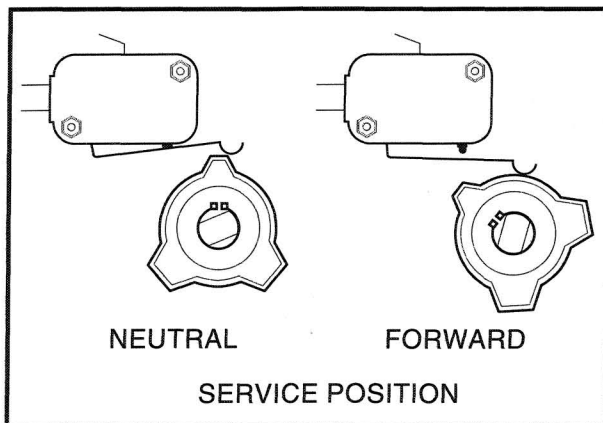
Figure 16

## **⚠ WARNING**

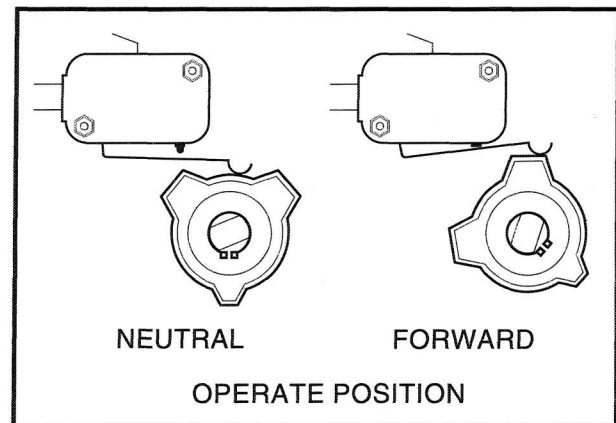
- THE PARK BRAKE WILL AUTOMATICALLY RELEASE WHEN EITHER THE ACCELERATOR OR BRAKE PEDAL IS DEPRESSED. **The park brake has multiple locking positions and should be firmly pressed to prevent the vehicle from rolling.**

### **Neutral Lock-Out -**

For the convenience of the trained mechanic, there is a neutral lock-out cam (yellow knob) located on the back of the forward/reverse lever inside engine compartment. If the neutral lock-out cam is pulled out approximately 10 millimeters (3/8 inch) and then rotated one-half turn until it snaps into place, the vehicle will be in the SERVICE position (See Figure 17). This will allow the mechanic to run the engine for certain maintenance procedures. With the cam in this position, the vehicle will not operate if the forward/reverse lever is placed in the forward or reverse position. To put the vehicle back into the OPERATE position, pull the cam out approximately 10 millimeters (3/8 inch) and rotate it one-half turn until it snaps into place (See Figure 18).



**Figure 17**



**Figure 18**

## **NOTE**

- Be sure to return cam to the OPERATE position after servicing the vehicle, or it will not run with the direction selector in the forward or the reverse position.

## **⚠ WARNING**

- WITH THE CAM IN THE SERVICE POSITION AND THE ENGINE RUNNING, THE VEHICLE MAY MOVE SUDDENLY IF THE FORWARD/REVERSE LEVER IS SHIFTED OR ACCIDENTLY BUMPED. To prevent this, block the front and rear tires and always firmly set the park brake before servicing or leaving the vehicle.

### **Choke -**

The choke is located on the seat support panel and to the left of the driver's left knee (See Figure 19, Page 21). If the vehicle is hard to start in cool or cold temperatures, simply push in the choke button with your left hand to activate it. Hold it during start up and release the choke button after the engine starts and runs smoothly.

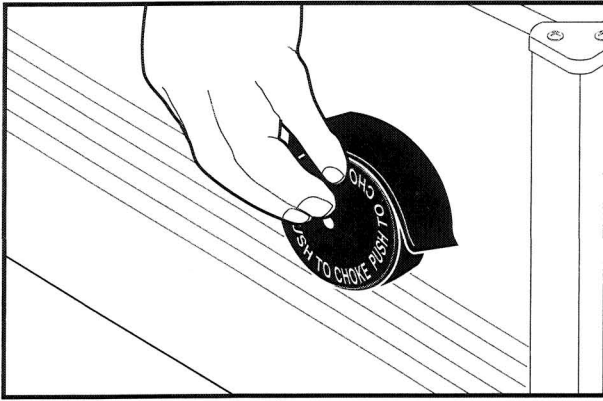


Figure 19

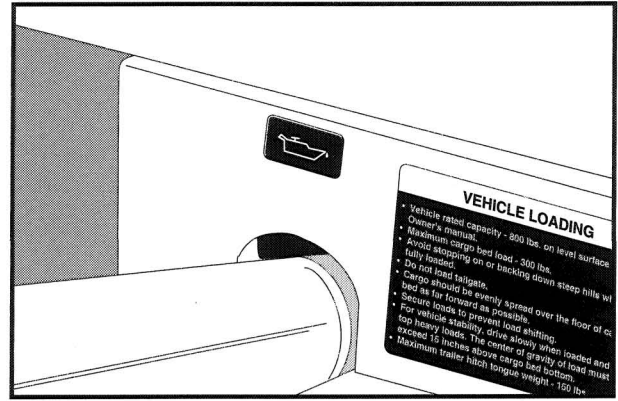


Figure 20

### Oil Light -

The vehicle is equipped with a low oil warning light, located on the dash panel just above the steering column (See Figure 20). If the oil warning light comes on, oil level should be checked and oil added, if necessary, to the engine before continuing to use the vehicle. The vehicle should never be driven with the oil warning light remaining on. If the oil warning light goes on and off, you may proceed, but oil should be added at the first opportunity. If the oil level is correct and the light stays on, have a trained mechanic check the vehicle.

### **CAUTION**

- FAILURE TO ADD OIL IMMEDIATELY WHEN LIGHT STAYS ON MAY RESULT IN PERMANENT ENGINE DAMAGE.

## Driving Instructions - Trans-Porter/Trans-Sender

### Gasoline Vehicles:

### **WARNING**

- BEFORE ASSIGNING THE VEHICLE TO A DRIVER, MAKE SURE THE DRIVER IS FAMILIAR WITH ALL CONTROLS AND OPERATING PROCEDURES BEFORE ALLOWING THE VEHICLE TO BE DRIVEN.
- THE VEHICLE IS NOT SPECIALLY EQUIPPED FOR HANDICAPPED PERSONS. Be sure all persons can properly operate vehicle prior to allowing them to drive vehicle.
- DO NOT ALLOW PASSENGERS IN THE CARGO BED. NO MORE THAN TWO PEOPLE IN THE FRONT SEAT AND THREE PEOPLE IN EACH PASSENGER SEAT AT ONE TIME. Do not exceed vehicle's rated capacity.
- FOR NIGHT USE, VEHICLE MUST BE EQUIPPED WITH HEADLIGHTS, TAILLIGHTS, AND REFLECTORS.
- STOP VEHICLE BEFORE SHIFTING THE FORWARD/REVERSE LEVER. Failure to do so may result in injury to an unsuspecting passenger and (or) damage to the vehicle. Buzzer(s) will sound as a warning when the vehicle is in reverse.
- OPERATOR MUST CONTROL SPEED WHEN GOING DOWNHILL. Depress both accelerator and brake when descending a hill. The engine governor will cause the engine to control downhill speed.

## **WARNING**

### **WHEN DRIVING THE VEHICLE:**

- OPERATE THE VEHICLE FROM THE DRIVER'S SIDE ONLY.
- REMAIN SEATED IN A MOVING VEHICLE AND HOLD ON TO SEAT HANDLES OR HANDRAILS AT ALL TIMES TO PREVENT FALLS.
- KEEP ALL BODY PARTS INSIDE THE VEHICLE TO PREVENT THEM FROM GETTING CAUGHT BETWEEN THE VEHICLE AND THE GROUND OR OTHER OBJECTS.
- DO NOT LEAVE CHILDREN UNATTENDED ON SEATS WHILE VEHICLE IS MOVING.
- WHEN LOADED, DRIVE SLOWLY IN TURNS AND DRIVE STRAIGHT UP OR DOWN SLOPES TO PREVENT OVERTURNING OF THE VEHICLE.
- OPERATOR MUST CONTROL SPEED WHEN GOING DOWNHILL. Depress both accelerator and brake when descending a hill. The engine governor will cause the engine to control downhill speed.
- AVOID STOPPING ON HILLS WHEN LOADED. When stopped on a hill, avoid sudden starts or rolling backwards and stopping suddenly. This can cause the vehicle to overturn or flip over backwards.
- AVOID SUDDEN STARTS, STOPS AND TIGHT TURNS TO AVOID INJURY TO AN UNSUSPECTING PASSENGER AND DAMAGE TO THE VEHICLE.
- TO AVOID THE POSSIBILITY OF LOSING CONTROL OR OVERTURNING OF THE VEHICLE, REDUCE SPEED FOR DRIVING CONDITIONS SUCH AS WET GRASS OR ROUGH TERRAIN.
- DO NOT USE ON PUBLIC ROADS. This vehicle is not designed or intended for street use and should not be licensed for use on public roads.
- VEHICLES SHOULD ONLY BE DRIVEN IN SPECIFIED AREAS BY TRAINED DRIVERS.
- TO AVOID BEING STRUCK, DO NOT STAND IN FRONT OF OR BEHIND VEHICLE.
- DO NOT DRIVE WHILE UNDER THE INFLUENCE OF ALCOHOL, DRUGS, OR MEDICATIONS.

No one should drive the vehicle without first being instructed in the proper operation and use of the vehicle's controls. An experienced operator should accompany each first-time driver on a test drive before he or she is allowed to operate the vehicle alone. Only licensed drivers should be allowed to drive the vehicle.

To ensure safe operation of the vehicle, follow all of the procedures listed below exactly and in order. Read and understand all instructions prior to driving the vehicle.

### **Starting the vehicle:**

1. Be sure load, if any, is secure.
2. Enter vehicle.
3. Study and understand controls.
4. Be sure everyone is seated and holding onto seat handles or handrails.
5. Read safety warnings located above pedals.
6. Place shifter in neutral position.
7. Make sure wheels are turned in desired direction.
8. Be sure nothing is in your path.

9. Depress and hold brake pedal.
10. Turn key all the way to the "START" position and release after engine is started. Engine will Idle.
11. While keeping brake engaged, select direction of travel by placing shifter lever in desired position (F = forward or R = reverse).
12. Release brake completely, and then slowly depress the accelerator pedal. As the accelerator is depressed, speed will increase until full speed is reached.

## NOTE

- **If the accelerator pedal is depressed while shifter is in neutral, or if you try to shift from forward to reverse while the accelerator pedal is depressed, the engine will shut off. To keep the engine running, the accelerator pedal must be released completely before shifting the vehicle to neutral or from forward to reverse.**

### Stopping the vehicle:

To stop the vehicle, release the accelerator pedal and then depress the brake pedal with your right foot until the vehicle comes to a complete stop.

## WARNING

- **DRIVING THROUGH WATER MAY AFFECT THE BRAKES.** Check their effectiveness by depressing the brake pedal gently. If the vehicle does not slow down at the normal rate, continue to depress the brakes until they dry out and normal performance returns.

## CAUTION

- **WHEN STOPPED ON A HILL, USE THE BRAKE PEDAL TO HOLD YOUR POSITION. DO NOT THE USE THE ACCELERATOR PEDAL.**

### Parking and leaving the vehicle:

1. After stopping the vehicle, firmly depress the park brake pedal until it locks. This will prevent the vehicle from rolling.
2. Place shift lever in the straight up "NEUTRAL" position, turn key to "OFF". Engine will shut off. Remove key when the vehicle is not in use.

### Loading and Unloading:

## WARNING

- **FIRMLY ENGAGE THE PARK BRAKE PRIOR TO LOADING.**
- **DO NOT ALLOW PEOPLE IN THE CARGO BED.**
- **DO NOT BE EXCEED THE VEHICLE'S RATED CAPACITY: 680 kg. (1500 lbs.) for the Trans-Porter/Trans-Sender. This includes all passengers, the tongue weight of a trailer, and the load in the cargo bed; 227 kg. (500 lbs.) maximum. Tongue weight of any trailer should not exceed 68 kg. (150 lbs.). Overloading can cause loss of vehicle control and severe personal injury by causing a vehicle component to fail or by affecting the vehicle's handling.**

WARNING CONTINUED

## **WARNING**

### CONTINUED

- VEHICLE LOAD AND SPEED MUST BE REDUCED WHEN DRIVING UP OR DOWN SLOPES OR ON UNEVEN TERRAIN. Rated capacity is for level surfaces only.
- REDUCE SPEED AND AVOID SUDDEN STOPS WHEN BACKING UP. Failure to do so may cause the vehicle to overturn or flip over backwards.
- DO NOT LOAD TAILGATE. Tailgate should be in upright position and latched securely while vehicle is in motion.
- MAKE STARTS, STOPS AND TURNS IN A SMOOTH MANNER TO AVOID SHIFTING THE VEHICLE'S LOAD OR OVERTURNING THE VEHICLE. The cargo's center of gravity may affect the handling, steering and braking of the vehicle.
- SECURE LOOSE CARGO TO KEEP IT FROM SHIFTING, WHICH COULD AFFECT THE VEHICLE'S HANDLING AND (OR) INJURE THE DRIVER OR PASSENGER.
- AVOID TOP HEAVY LOADS. The center of gravity of a load should never exceed 38 centimeters (15 inches) above the cargo bed bottom.

Center cargo in the cargo bed as far forward as possible and secure.

## **Transporting on a Trailer:**

---

If your vehicle must be transported over long distances or on public highways, it should be done on an approved trailer. Observe all the following warnings:

## **WARNING**

- FOR USE ON PUBLIC ROADS, THE TRAILER MUST MEET ALL FEDERAL, STATE, AND LOCAL REQUIREMENTS SUCH AS TAILLIGHTS, BRAKE LIGHTS, ETC.
- ALWAYS USE AN APPROVED TRAILER THAT HAS A LOAD RATING OF 544 kg. (1200 lbs.) PER VEHICLE (Example: A 2-vehicle trailer should be rated at  $2 \times 544 = 1088$  kg ( $2 \times 1200 = 2400$  lbs)).
- NEVER TOW A VEHICLE BEHIND A PASSENGER VEHICLE OR TRUCK UNLESS IT IS ON AN APPROVED TRAILER.
- THE VEHICLE SHOULD BE SECURELY TIED DOWN TO THE TRAILER, WITH THE SHIFT LEVER IN "NEUTRAL", KEY SWITCH "OFF" AND THE PARK BRAKE COMPLETELY DEPRESSED AND LOCKED.
- WHEN TOWING A TRAILER, SPEED SHOULD BE REDUCED. AND DUE TO THE ADDED LENGTH OF THE TRAILER, CARE SHOULD BE USED WHEN TURNING A CORNER.
- NEVER TRANSPORT THE VEHICLE ON A TRAILER WITH A LOAD IN THE VEHICLE'S CARGO BED.
- REMOVE THE VEHICLE'S WINDSHIELD BEFORE TRANSPORTING A VEHICLE ON A TRAILER.

## Storage - Gasoline Vehicle:

---

To prepare your vehicle for extended storage:

1. Completely unload the vehicle so that only minimum vehicle weight will be placed on the tires.
2. Store vehicle in a cool place. This will prevent self discharge of the battery. If the battery appears to be weak, have it charged using an automotive type 12 volt battery charger rated at 10 amps or less.

### DANGER

- GASOLINE - FLAMMABLE - EXPLOSIVE - DO NOT SMOKE. Keep sparks and flames away from the area of the vehicle.
- NEVER ATTEMPT TO DRAIN OR POUR GASOLINE WHEN THE ENGINE IS HOT OR WHILE RUNNING. Be sure to clean up any spilled gasoline before operating the vehicle.
- STORE GASOLINE IN AN APPROVED GASOLINE CONTAINER ONLY. Store in a well-ventilated area away from sparks, open flames, heaters, or heat sources.
- SERVICE OR REPAIR ONLY IN A WELL-VENTILATED AREA.
- DO NOT SERVICE, REPAIR, OR OPERATE IN AN ENCLOSED AREA WITHOUT PROPER VENTILATION. Engine produces carbon monoxide which is an odorless, deadly poison.
- KEEP GASOLINE OUT OF THE REACH OF CHILDREN.
- DO NOT SIPHON GASOLINE FROM THE VEHICLE.

### WARNING

- TURN KEY SWITCH "OFF", REMOVE KEY, AND LEAVE THE FORWARD/REVERSE LEVER IN "NEUTRAL" POSITION DURING STORAGE. This is to prevent unintentional starting of the vehicle.
- DO NOT ATTEMPT TO CHARGE A BATTERY IF IT IS FROZEN OR IF THE CASE IS BULGED. Discard battery. Frozen batteries can explode.

### CAUTION

- BATTERIES IN A LOW STATE OF CHARGE WILL FREEZE AT LOW TEMPERATURES.

3. Drain carburetor and seal the fuel tank.
  - 3.1. Disconnect fuel line from the *inlet* side of the fuel pump.
  - 3.2. Place the Forward and Reverse Lever in the "NEUTRAL" position and the neutral lock-out cam in the "SERVICE" position. Run the engine until fuel remaining in the carburetor and fuel lines is used up and the engine stalls. Return the neutral lock-out cam to "OPERATE" position.
  - 3.3. Loosen (do not remove) the carburetor drain screw and drain fuel remaining in bowl into a small container, then pour the fuel from the container into vehicle fuel tank.
  - 3.4. Reconnect fuel line to fuel pump.
  - 3.5. Disconnect fuel vent line from fuel tank vent nipple.
  - 3.6. Plug the fuel tank vent nipple so that it is air tight. We recommend using a slip-on vinyl cap.

4. To protect the engine, remove the spark plug and pour 1/2 ounce of SAE 10 weight oil into the engine through the spark plug hole. Rotate the engine's crankshaft several times and then re-install the spark plug.
5. Inflate tires to rated capacities. (See Tire Specifications, Page 32)
6. Grease front suspension and do all quarterly periodic lubrication. (See Periodic Lubrication Schedule, Page 30.)
7. Thoroughly clean front body, cargo bed, seats, engine compartment, and underside of vehicle.
8. Do not latch park brake. Block tires to prevent the vehicle from rolling.

**To return the stored vehicle to service:**

1. Restore fuel system to operation.
  - 1.1. Remove plug from the fuel tank vent nipple and reconnect vent line to tank.
  - 1.2. Place the Forward and Reverse Lever in the "NEUTRAL" position and the neutral lock-out cam in the "SERVICE" position. Crank the engine until fuel is pumped into the carburetor and fuel lines and the engine starts. Turn engine off and return neutral lock-out cam to "OPERATE" position.
2. Readjust tire pressure. (See Tire Specifications, Page 32)
3. Perform the Pre-Operation Checklist. (See page 10)

**NOTE**

- When running the engine for the first time after storage, it may smoke excessively due to the oil added to the engine.

**Storage - Electric Vehicle:**

**⚠ WARNING**

- TURN KEY SWITCH "OFF", REMOVE KEY, AND LEAVE THE FORWARD/REVERSE LEVER IN "NEUTRAL" POSITION DURING STORAGE. This is to prevent unintentional starting of the vehicle.
- DO NOT ATTEMPT TO CHARGE FROZEN BATTERIES OR BATTERIES WITH BULGED CASES. Discard batteries. Frozen batteries can explode.

**⚠ CAUTION**

- BATTERIES IN A LOW STATE OF CHARGE WILL FREEZE AT LOW TEMPERATURES.
- WHEN WASHING VEHICLE, DO NOT DIRECT WATER STREAM AT THE SPEED SWITCH.
- IF BATTERY WIRE TERMINALS ARE DAMAGED OR CORRODED, REPLACE OR CLEAN THEM AS NECESSARY. Failure to do so may cause them to overheat during operation.

1. Completely unload the vehicle so that only minimum vehicle weight will be placed on the tires.
2. Fully charge batteries. (See Battery - Electric Vehicle, Page 35.)
3. Wash off any corrosion around the terminals with a solution of baking soda and water, then rinse.



## NOTE

- Do not allow this solution to enter the batteries. Let the terminals dry and coat them with battery terminal spray, CLUB CAR part #1014305.
4. Store in a cool, dry place. This will prevent self discharge of the batteries.
  5. Leave PowerDrive System 48 vehicles with PowerDrive chargers plugged in during storage. The PowerDrive storage charge feature will automatically charge the batteries as needed (See Battery - Electric Vehicle. Page 35).
    - 5.1. Recharge batteries in all other vehicles every 6-8 weeks, as necessary.
  6. Inflate tires to rated capacities. (See Tire Specifications, Page 32)
  7. Grease front suspension and do all quarterly periodic lubrication. (See Periodic Lubrication Schedule, Page 31.)
  8. Thoroughly clean front body, cargo bed, seats, battery compartment and underside of vehicle.
  9. Do not latch park brake. Block tires to prevent the vehicle from rolling.

### To return the stored vehicle to service:

1. Fully charge batteries. (See Battery - Electric Vehicle, Page 35)
2. Readjust tire pressure. (See Tire Specifications, Page 32)
3. Perform the Pre-Operation Checklist. (See Page 10)

## Maintenance:

---

### GENERAL INFORMATION -

To ensure trouble-free vehicle performance, it is very important to follow an established preventive maintenance program (regularly scheduled services, even though the vehicle is functional). Regular and consistent vehicle maintenance can prevent the vehicle down-time and expensive repairs that result from neglect. Any vehicle not functioning correctly should be removed from use until it is properly repaired. This will prevent further damage to the vehicle and avoid the possibility of injury due to unsafe conditions.

Contact your local CLUB CAR distributor/dealer to perform all repairs and the semi-annual and annual periodic service.

## WARNING

- ONLY TRAINED TECHNICIANS SHOULD REPAIR OR SERVICE THE VEHICLE. Anyone doing even simple repairs or service should follow the correct procedures and obey the warnings listed in this manual as well as those in the maintenance and service manual.
- ALWAYS WEAR SAFETY GLASSES OR EYE PROTECTION WHEN SERVICING THE VEHICLE.

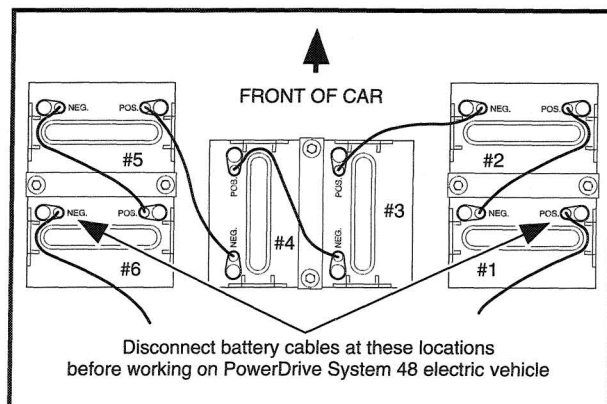
WARNING CONTINUED

## **⚠ WARNING**

- DO NOT WEAR LOOSE CLOTHING OR JEWELRY, SUCH AS RINGS, WATCHES, CHAINS, ETC., WHEN SERVICING THE VEHICLE.
- ALWAYS USE INSULATED TOOLS WHEN WORKING AROUND BATTERIES OR ELECTRICAL CONNECTIONS.
- TURN KEY SWITCH "OFF", REMOVE KEY, PLACE FORWARD/REVERSE LEVER IN "NEUTRAL" POSITION, AND BLOCK TIRES PRIOR TO SERVICING.
- MOVING PARTS - DO NOT ATTEMPT TO SERVICE GASOLINE VEHICLE WHILE THE ENGINE IS RUNNING.
- HOT - DO NOT ATTEMPT TO SERVICE HOT ENGINE, MOTOR, RESISTORS, OR EXHAUST SYSTEM. Attempting to do so could cause severe burns.
- REMOVE THE SPARK PLUG WIRE AND DISCONNECT THE BATTERY TO AVOID UNINTENTIONAL STARTING OF THE ENGINE WHEN SERVICING THE GASOLINE VEHICLE.
- DISCONNECT THE BATTERIES BEFORE SERVICING THE ELECTRIC VEHICLE. (See Figure 21)
- REMOVE CARGO BED BEFORE SERVICING. DO NOT PROP OPEN. Failure to follow these instructions can cause severe personal injury.
- DO NOT WORK ON THE POWERTRAIN OR UNDER CARGO BED WHILE BED OR BOX IS LOADED.

## **NOTE**

- If the vehicle is constantly hauling heavy loads or hauling a trailer, these preventive maintenance procedures should be performed more often than recommended in the periodic service schedule.



**Figure 21**

# Periodic Service Schedule

Regular Interval	Service	Gas	Elec
Daily Service by owner	<ul style="list-style-type: none"> <li>Check steering and linkages</li> <li>Check brake operation</li> <li>Check to be sure all warning labels are in place (Pages 3-9)</li> <li>Check tires for wear and damage</li> <li>Check engine for proper operation</li> <li>Check accelerator/governor linkage for free movement and return</li> <li>Check reverse warning buzzer for proper operation</li> <li>Check engine air intake screen to be sure it is not clogged</li> <li>Check to be sure park brake latches and releases properly</li> <li>Check charger plug and receptacle for damage and snug fit</li> <li>Charge batteries after each use</li> <li>Check fuel tank, lines, cap, pump, and carburetor for fuel leakage</li> </ul>	<ul style="list-style-type: none"> <li>•</li> <li>•</li> <li>•</li> <li>•</li> <li>•</li> <li>•</li> <li>•</li> <li>•</li> <li>•</li> <li>•</li> <li>•</li> </ul>	<ul style="list-style-type: none"> <li>•</li> <li>•</li> <li>•</li> <li>•</li> <li>•</li> <li>•</li> <li>•</li> <li>•</li> <li>•</li> <li>•</li> <li>•</li> </ul>
Weekly Service By Owner	<ul style="list-style-type: none"> <li>Check speed of vehicle</li> <li>Clean battery terminals and wash dirt off battery case(s)</li> <li>Wash engine/battery compartment and underside of vehicle</li> <li>Check all electrical wires and ground wires for tightness or damage</li> <li>Inspect vehicle for loose hardware and tighten as required</li> <li>Check battery electrolyte level</li> <li>Check all daily items listed above</li> </ul>	<ul style="list-style-type: none"> <li>•</li> <li>•</li> <li>•</li> <li>•</li> <li>•</li> <li>•</li> <li>•</li> </ul>	<ul style="list-style-type: none"> <li>•</li> <li>•</li> <li>•</li> <li>•</li> <li>•</li> <li>•</li> <li>•</li> </ul>
Monthly Service By Owner	<ul style="list-style-type: none"> <li>Check exhaust system for leaks</li> <li>Check brake pedal for play</li> <li>Check tire pressure and adjust (Capacities, page 32)</li> <li>Check brake cables for damage and replace as required</li> <li>Check all daily and weekly items listed above</li> </ul>	<ul style="list-style-type: none"> <li>•</li> <li>•</li> <li>•</li> <li>•</li> <li>•</li> </ul>	<ul style="list-style-type: none"> <li>•</li> <li>•</li> <li>•</li> <li>•</li> <li>•</li> </ul>
Quarterly Service By Owner or Trained Personnel	<ul style="list-style-type: none"> <li>Lubricate as shown in lubrication chart on Page 30 or 31</li> <li>Check air intake hose for leaks</li> <li>Check engine oil level</li> <li>Check all daily, weekly, and monthly items listed above</li> </ul>	<ul style="list-style-type: none"> <li>•</li> <li>•</li> <li>•</li> <li>•</li> </ul>	<ul style="list-style-type: none"> <li>•</li> <li>•</li> <li>•</li> <li>•</li> </ul>
Semi-Annual Service by Trained Personnel Only (Or every 50 hours of operation)	<ul style="list-style-type: none"> <li>Check, clean and adjust brakes</li> <li>Check front wheel alignment and camber; adjust as necessary</li> <li>Test batteries</li> <li>Check battery electrolyte level</li> <li>Check spark plug wire and boot for damage and proper routing</li> <li>Check head and exhaust header/pipe flange connection gasket for leaks</li> <li>Check starter/generator belt tension and adjust as necessary</li> <li>Check condition of muffler</li> <li>Inspect drive belt, replace as required</li> <li>Lubricate as shown on chart on Page 30 or 31</li> <li>Check all wire insulation for cracks and worn insulation</li> <li>Check all daily, weekly, monthly, and quarterly items listed above</li> </ul>	<ul style="list-style-type: none"> <li>•</li> <li>•</li> <li>•</li> <li>•</li> <li>•</li> <li>•</li> <li>•</li> <li>•</li> <li>•</li> <li>•</li> <li>•</li> <li>•</li> <li>•</li> <li>•</li> <li>•</li> </ul>	<ul style="list-style-type: none"> <li>•</li> <li>•</li> <li>•</li> <li>•</li> <li>•</li> <li>•</li> <li>•</li> <li>•</li> <li>•</li> <li>•</li> <li>•</li> <li>•</li> <li>•</li> <li>•</li> <li>•</li> </ul>
Annual Service by Trained Personnel Only (Or every 100 Hours of Operation)	<ul style="list-style-type: none"> <li>Check air filter (every 6 months or 50 hours in dusty environment)</li> <li>Inspect starter/generator brush length (remove excess carbon)</li> <li>Inspect spark plugs; clean and regap</li> <li>Lubricate as shown on chart on Page 30 or 31</li> <li>Check motor brushes and commutator</li> <li>Check accelerator switch adjustment</li> <li>Check all scheduled items listed above</li> <li>Replace fuel filters</li> <li>Change air filter</li> </ul>	<ul style="list-style-type: none"> <li>•</li> <li>•</li> <li>•</li> <li>•</li> <li>•</li> <li>•</li> <li>•</li> <li>•</li> <li>•</li> <li>•</li> </ul>	<ul style="list-style-type: none"> <li>•</li> <li>•</li> <li>•</li> <li>•</li> <li>•</li> <li>•</li> <li>•</li> <li>•</li> <li>•</li> <li>•</li> </ul>
First Change 100 Hours - Additional Change - Every 200 Hours of Operation, or Annually - Whichever Comes First	<ul style="list-style-type: none"> <li>Change engine oil and oil filter</li> </ul>	<ul style="list-style-type: none"> <li>•</li> </ul>	

# Periodic Lubrication Schedule - Gasoline Vehicle

Regular Interval	Service	Recommended Lubricant
Quarterly by Owner or Trained Personnel Only	1. Brake shaft bearings	Dry Moly Lube - Club Car P/N 1012151
	2. Brake linkage and pivots	Dry Moly Lube - Club Car P/N 1012151
	3. Accelerator push rod pivots and shifter cable pivots	Dry Moly Lube - Club Car P/N 1012151
	4. Front suspension (5 fittings)	Chassis Lube
Annually by Trained Personnel Only	5. Check/fill drive unit to plug level	.67 liters (22 Oz.) SAE 30 WT. API Class SE, SF, or SG Oil or higher
	6. Inspect front wheel bearings (Repack as necessary)	Chassis Lube
	7. Check/fill transmission to plug level	80-90 WT. API Class GL-3 or 80-90 WT. AGMA Class EP Gear Lube
First Change 100 Hours - Additional Change - Every 200 Hours of Operation, or Annually - Whichever Comes First	8. Change engine oil and oil filter	.97 liters (32 oz.) without filter; 1.16 liter (38 oz.) with filter. 10W30 above 32°F (0°C) or SAE 5W20 below 32°F (0°C) API Class SE, SF, SG Oil or higher

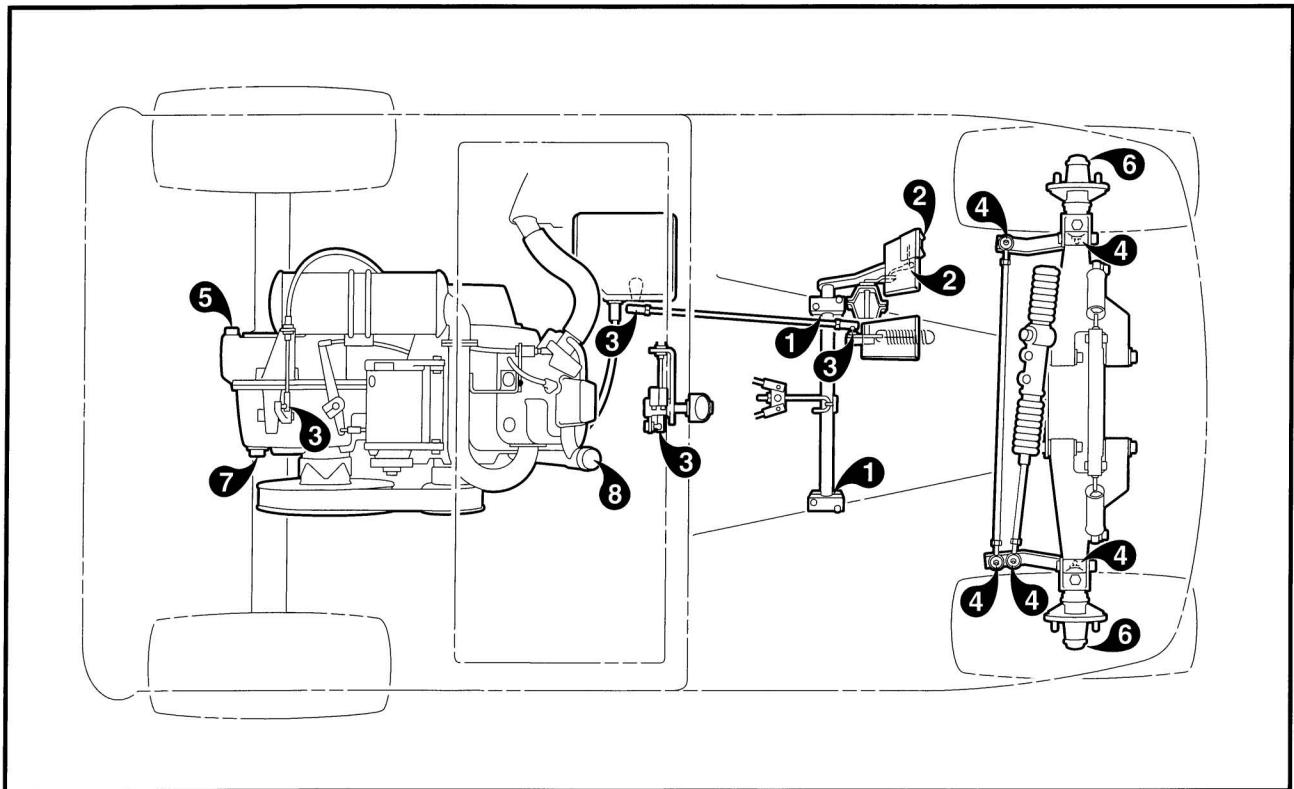


Figure 25

# Periodic Lubrication Schedule - Electric Vehicle

Regular Interval	Service	Recommended Lubricant
Quarterly by Owner or Trained Personnel Only	1. Brake shaft bearings	Dry Moly Lube - Club Car P/N 1012151
	2. Brake linkage and pivots	Dry Moly Lube - Club Car P/N 1012151
	3. Accelerator push rod pivots and shifter cable pivots	Dry Moly Lube - Club Car P/N 1012151
	4. Front suspension (5 fittings)	Chassis Lube
Annually by Trained Personnel Only	5. Check/fill drive unit to plug level	.67 liters (22 Oz.) SAE 30 WT. API Class SE, SF, or SG Oil or higher
	6. Inspect front wheel bearings (Repack as necessary)	Chassis Lube

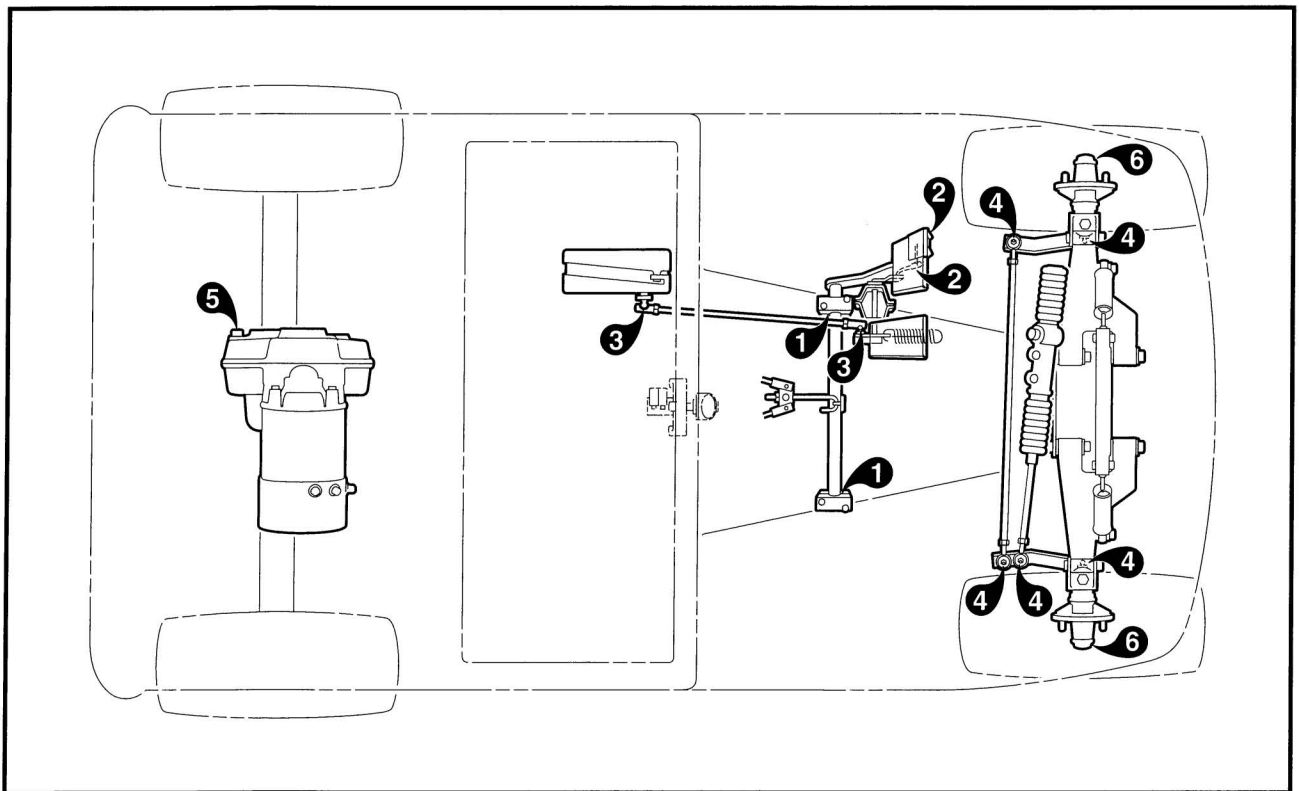


Figure 26

## Liquid Capacities

	GASOLINE	ELECTRIC
Engine Crankcase without Filter	.98 liters (32 oz.)	
Engine Crankcase with Filter	1.16 liters (38 Oz.)	
Transmission	.61 liters (20 oz.)	
Drive Unit	.67 liters (22 oz.)	.67 liters (22 oz.)
Gasoline Tank	26.5 liters (7 U.S. gallons)	

## Tire Specifications

	Gasoline	Electric	Gasoline (Heavy Load)	Electric (Heavy Load)
Trans-Porter	35-40 psi	35-40 psi	45-50 psi	45-50 psi
Trans-Sender	35-40 psi	35-40 psi	45-50 psi	45-50 psi
Tourall	12-14 psi	12-14 psi	18-20 psi	18-20 psi

## Engine Oil - Gasoline Vehicles:

Even though the low oil warning light on the dash should warn you if your oil is getting low, engine oil level should be checked monthly (See Figure 24).

### NOTE

- **ENGINE MUST BE IN LEVEL POSITION.** Remove oil level dipstick by pulling from oil filler tube and wipe oil from it with a clean cloth or paper towel. Check oil by inserting the dipstick fully into the oil filler tube and immediately removing it again. If oil level is at or below "Add" mark on gauge, add oil until level is between "Add" and "Full" (safe level). Do not overfill with oil. Overfilling will cause engine and (or) fuel problems. Reinsert dipstick into oil filler tube.

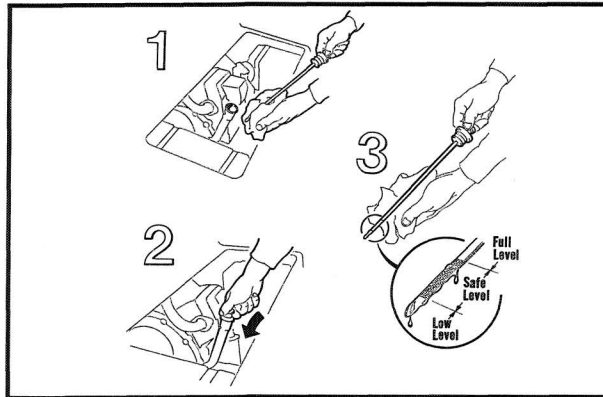


Figure 24

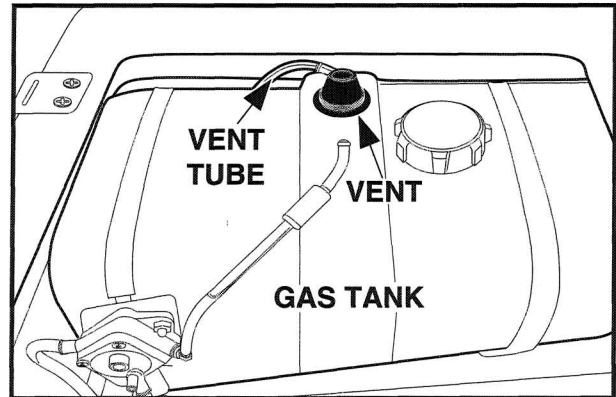


Figure 25

## Fueling Instructions - Gasoline Vehicles:

### **⚠ DANGER**

- **GASOLINE - FLAMMABLE - EXPLOSIVE - DO NOT SMOKE.** Keep sparks and flames away from the area of the vehicle.
- **SERVICE OR REPAIR IN A WELL-VENTILATED AREA ONLY.**
- **NEVER POUR GASOLINE INTO GAS TANK WHILE ENGINE IS HOT OR RUNNING.** Be sure to clean up any spilled gasoline before operating the vehicle.
- **TO AVOID ELECTRIC ARC CAUSED BY STATIC ELECTRICITY, THE FUEL STORAGE/PUMPING DEVICE MUST BE GROUNDED.** If the pump is not grounded, the vehicle must be grounded to the pump before and during the fueling operation.
- **IF THE VEHICLE HAS A CUSTOM CAB ASSEMBLY OR AN ALL WEATHER ENCLOSURE INSTALLED, THE GAS TANK MUST BE PROPERLY VENTED AS SHOWN IN FIGURE 25.**

### **⚠ CAUTION**

- **TO ALLOW FOR EXPANSION, DO NOT FILL HIGHER THAN ONE (1) INCH FROM TOP OF TANK.**

1. Lift and remove: rear seat bottom for Trans-Porter; middle seat bottom for Trans-Sender; front seat bottom for Tourall.
2. The fuel tank is located on passenger side of vehicle. Remove fuel cap and fill the fuel tank with fresh unleaded gasoline only. Clean up any spilled gasoline.

## NOTE

- Gasoline quality and chemical additives can affect vehicle performance. We do not recommend gasolines blended with alcohol. Avoid the use of these fuels whenever possible. Vehicles that will be stored for extended periods should be prepared for storage as outlined in this owner's manual.
3. Replace fuel cap on tank, being sure cap is tightened securely to tank.
  4. Replace seat bottom.

## Battery - Gasoline Vehicle

---

### DANGER

- BATTERY - EXPLOSIVE GASES - DO NOT SMOKE. Keep sparks and flames away from the area of the vehicle. Tools, wires, and metal objects can cause sparks when "shorted" across batteries. Follow all instructions carefully when dealing with batteries.
- VENTILATE WHEN CHARGING IN AN ENCLOSED SPACE.
- POISON - CONTAINS ACID - CAUSES SEVERE BURNS - AVOID CONTACT WITH SKIN, EYES, OR CLOTHING.

#### ANTIDOTES:

- EXTERNAL - FLUSH WITH WATER FOR 15 MINUTES. Call physician immediately.
- INTERNAL - DRINK LARGE QUANTITIES OF MILK OR WATER, FOLLOW WITH MILK OF MAGNESIA OR VEGETABLE OIL. Call physician immediately.
- EYES - FLUSH WITH WATER FOR 15 MINUTES. Call physician immediately.

### WARNING

- DO NOT JUMP START VEHICLE. To charge battery, use an automotive type 12 volt battery charger rated at 10 amps or less.
- ALWAYS WEAR SAFETY GLASSES OR EYE PROTECTION WHEN SERVICING THE VEHICLE.
- ALWAYS USE INSULATED TOOLS WHEN WORKING AROUND BATTERIES OR ELECTRICAL CONNECTIONS.



The battery in the vehicle is a 12 volt, low maintenance battery that requires infrequent watering. (See Figure 26)

Any corrosion around the positive (+) or negative (-) terminals should be washed off with a solution of baking soda and water. Rinse solution off the battery. Be sure terminals are tight. Let the terminals dry and then spray them with CLUB CAR battery protector, part #1014305.

Be sure battery hold-down brackets are properly tightened. Torque to 1.6/1.8 N-m (14-16 in. lbs). A loose hold-down bracket may allow the battery to become damaged from vibration or jarring. A hold-down bracket that is too tight may buckle or crack the battery case.

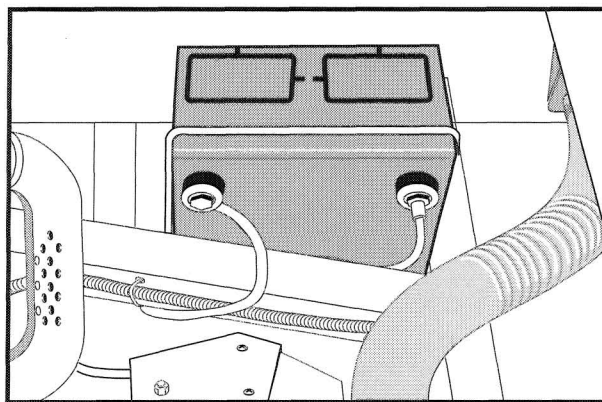


Figure 26

## Battery - Electric Vehicle:

### **⚠ DANGER**

- **BATTERY - EXPLOSIVE GASES - DO NOT SMOKE.** Keep sparks and flames away from the area of the vehicle. Tools, wires, and metal objects can cause sparks when "shorted" across batteries. Follow all instructions carefully when dealing with batteries.
- **VENTILATE WHEN CHARGING IN AN ENCLOSED SPACE.**
- **POISON - CONTAINS ACID - CAUSES SEVERE BURNS - AVOID CONTACT WITH SKIN, EYES, OR CLOTHING.**

#### **ANTIDOTES:**

- **EXTERNAL - FLUSH WITH WATER FOR 15 MINUTES.** Call physician immediately.
- **INTERNAL - DRINK LARGE QUANTITIES OF MILK OR WATER, FOLLOW WITH MILK OF MAGNESIA OR VEGETABLE OIL.** Call physician immediately.
- **EYES - FLUSH WITH WATER FOR 15 MINUTES.** Call physician immediately.

### **⚠ WARNING**

- **ALWAYS WEAR SAFETY GLASSES OR EYE PROTECTION WHEN SERVICING THE VEHICLE.**
- **ALWAYS USE INSULATED TOOLS WHEN WORKING AROUND BATTERIES OR ELECTRICAL CONNECTIONS.**

### **⚠ CAUTION**

- **TURN OFF ALL ACCESSORIES on PowerDrive System 48 vehicles before charging batteries.**

### The batteries in the PowerDrive System 48 Electric Vehicle are 8 volts each.

These batteries are deep cycle batteries, specially built for an electric vehicle application. Automotive batteries should never be used. New batteries will not deliver their full range until they have been run and recharged from 20 to 50 times. To obtain the maximum service life from new batteries, restrict vehicle with new batteries to one (1) hour of use between charges in the first two months of operation.

#### Battery Care:

To keep batteries in good working condition, follow this maintenance program on a regular basis:

1. The batteries should be clean and free of corrosion. Wash tops and terminals of batteries with a solution of baking soda and water. Rinse solution off batteries (NOTE: Do not allow this solution to enter the batteries.) Be sure terminals are tight. Let the terminals dry and then spray them with CLUB CAR battery protector, part # 1014305.
2. The water level in the batteries should be checked weekly. (See Figure 27 for proper level.) Add water only after charging unless the water level is below the top of the plates. In this case, add just enough water to cover the plates, charge and then check the level again. For maximum battery life, add only distilled water to the batteries.

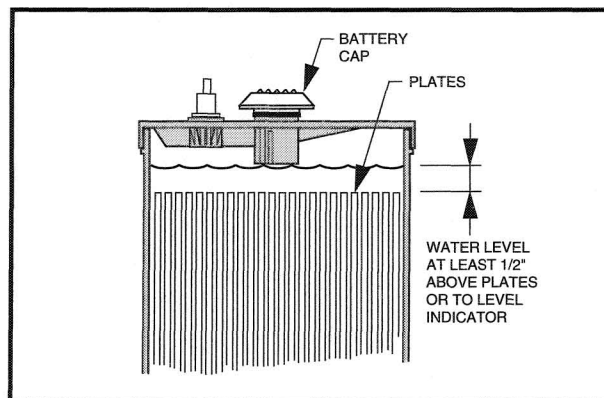


Figure 27

3. The hold-down brackets or straps should be tight enough so that the batteries do not move while the vehicle is in motion, but not so tight as to crack or buckle the battery case. Torque hold-down retaining nuts to 1.7/2.8 N-m (15-25 in.lbs). The terminal connections should be clean and tight, and any worn insulation or frayed wires should be replaced. Torque battery terminals to 10.2/11.3 N-m (90-100 in.lbs.).
4. After use, the batteries should be placed on charge. The batteries should never be left discharged any longer than absolutely necessary (do not leave discharged overnight).

#### **⚠ CAUTION**

- IF BATTERY WIRE TERMINALS ARE DAMAGED OR CORRODED, THEY SHOULD BE REPLACED OR CLEANED AS NECESSARY. Failure to do so may cause them to overheat during operation.

### Battery Charger - Electric Vehicle:

#### **⚠ DANGER**

- BATTERIES EMIT HYDROGEN WHILE BEING CHARGED. HYDROGEN IS AN EXPLOSIVE GAS. If the vehicle is equipped with a weatherproof enclosure or cab, it should be opened to allow air to circulate freely while the batteries are being charged. This is to avoid accumulation of hydrogen gas inside enclosure.
- CHARGING AREAS MUST BE VENTILATED. The total volume of air in the building must be changed five (5) times per hour. Exhaust fans should be located at the highest point of the roof. Contact a local HVAC engineer.

## WARNING

- EACH CHARGER SHOULD HAVE ITS OWN DEDICATED 20 AMPERE (15 AMPERE IN CANADA) MAXIMUM BRANCH CIRCUIT PROTECTION (CIRCUIT BREAKER OR FUSE), IN ACCORDANCE WITH THE NATIONAL ELECTRICAL CODE, ANSI/NFPA 70, AND LOCAL CODES AND ORDINANCES.
- INSTALL SURGE ARRESTORS ON INCOMING AC POWER LINES. Surge arrestors will protect electrical/electronic components in the charger and on the vehicle from all but direct or very close lightning strikes.
- DO NOT USE AN ADAPTOR TO PLUG THE CHARGER WITH A THREE-PRONG PLUG INTO A TWO-PRONG OUTLET. Improper connection of the equipment-grounding conductor can result in a fire or an electrical shock.
- AN EXTENSION CORD OR ELECTRICAL OUTLET MUST ACCEPT A THREE-PRONG PLUG. The use of an improper extension cord could result in fire or an electrical shock.
- ONLY TRAINED TECHNICIANS SHOULD SERVICE OR REPAIR THE CHARGER. Contact your nearest CLUB CAR distributor/dealer.
- DO NOT OPERATE THE CHARGER IF IT HAS RECEIVED A SHARP BLOW, WAS DROPPED, OR OTHERWISE DAMAGED IN ANY WAY.
- HAVE WORN, CUT, OR DAMAGED POWER CORDS OR WIRES REPLACED IMMEDIATELY.
- DO NOT USE NEAR FUELS, GRAIN DUST, SOLVENTS, THINNERS OR OTHER FLAMMABLES. Chargers can ignite flammable materials and vapors.
- DO NOT EXPOSE TO RAIN OR ANY LIQUID. Keep the charger dry.
- NEVER PUSH OBJECTS OF ANY KIND INTO THE CHARGER THROUGH CABINET SLOTS. They may touch dangerous voltage points or cause an electrical short that could result in a risk of fire or electrical shock.
- WHEN THE CHARGER IS ON, DISCONNECT THE DC OUTPUT PLUG FROM THE BATTERY RECEPTACLE **SLOWLY**. Jerking or pulling the plug out quickly could cause arcing and burning that could damage the plug and receptacle and could cause batteries to explode.

## CAUTION

- DO NOT BLOCK OR COVER SLOTS AND OPENINGS IN THE BACK AND BOTTOM OF CABINET. They provide ventilation and protect the charger from overheating.
- DO NOT ALLOW CLOTHING, BLANKETS, OR OTHER MATERIAL TO COVER THE CHARGER.
- PROVIDE ADEQUATE VENTILATION FOR THE CHARGER.

## NOTE

- Because the **PowerDrive Charger** has a storage charge feature that automatically recharges the batteries every 15 days, it can remain plugged to a PowerDrive vehicle (includes all electric Trans-Porter/Trans-Sender and Tourall models) throughout the storage period.
- Shortly after charging has begun, the **PowerDrive Charger** will shut off in order to run a self-diagnostic program (ammeter will drop to 0). Charging will resume in a few moments (ammeter will return to current state of charge).

## General Information:

Each electric vehicle is supplied with a PowerDrive battery charger, controlled by the vehicle's on-board computer, as standard equipment. The AC cord to each charger is to be connected to a source capable of supplying 10 amperes minimum per charger.

The battery charger must be grounded to reduce the risk of electrical shock. The charger is equipped with an AC electric cord having an equipment grounding conductor and a grounding type plug and is for use on a nominal 115 Volt, 60 Hertz circuit, unless noted otherwise on the charger. This plug must be grounded to an appropriate dedicated receptacle that is properly installed and grounded in accordance with the National Electrical Code, ANSI/NFPA 70, and all local codes and ordinances.

Do not use an extension cord with an on-board charger.

For portable chargers, the use of an extension cord should be avoided. If an extension cord must be used, use a three conductor No. 12 AWG heavy duty cord with a ground conductor in good electrical condition and keep it as short as possible (no more than twelve (12) feet). Locate all cords so that they will not be stepped on, tripped over, or otherwise subject to damage or stress.

Ventilation fans should be located at the highest point in the room, and must be capable of changing the total volume of air in the room five (5) times per hour. Consult a local HVAC engineer.

Provide adequate ventilation for the charger. Keep all charger ventilation openings at least two (2) inches away from the walls and others objects.

## To charge batteries with an on-board charger:

Connect the charger power supply cord to a 115 Volt, 60 Hertz outlet. For a portable charger, insert the DC plug into the receptacle. The charger will turn on two to ten seconds later.

As long as the charger is allowed to shut off by itself, the batteries will be fully charged. Overcharging and undercharging should be prevented.

Batteries should be put on charge even if they have only been used for a short period (10 minutes). Charger is automatic, and will cut off when batteries are fully charged. If charger does not seem to be operating properly or the batteries seem weak, contact your nearest CLUB CAR Authorized Representative.

## NOTE

- To charge a vehicle that has an on-board charger with a portable charger, insert the DC plug into the receptacle located on the seat support panel. (See Figure 28, Page 39).
- When night air temperatures fall below 18.3°C (65°F), batteries charged in unheated areas should be placed on charge as soon after use as possible. Batteries are warmest immediately after use and cold batteries require more time to fully charge.

## Plug and Receptacle (Portable Chargers):

### WARNING

- BE SURE ALL WIRE CONNECTIONS AT THE RECEPTACLE AND THE FUSE LINK ARE CLEAN AND TIGHT.
- DO NOT ROCK OR BEND THE PLUG. To connect the charger plug to the vehicle receptacle, grasp the plug handle, align raised portion of plug with recess in receptacle, and push the plug straight into the receptacle. (See Figure 28, Page 39.)

WARNING CONTINUED

## **⚠ WARNING**

CONTINUED

- DO NOT PULL ON THE CORD. (See Figure 29.) DO NOT TWIST, ROCK OR BEND THE PLUG. To disconnect the charger plug from the vehicle receptacle, grasp the plug by the handle and pull the plug straight out of the receptacle.
- DO NOT CONNECT A PORTABLE CHARGER TO THE RECEPTACLE IF THE CHARGER CORD, PLUG OR THE VEHICLE RECEPTACLE IS BROKEN, DAMAGED IN ANY MANNER, OR DOES NOT MAKE A GOOD ELECTRICAL CONNECTION. Fire or personal injury can result. Have it replaced by a qualified service person immediately.
- FAILURE TO FOLLOW THESE INSTRUCTIONS COULD RESULT IN DAMAGE TO THE CHARGER CORD, THE PLUG, AND (OR) THE VEHICLE'S RECEPTACLE.

### **DO NOT USE A PORTABLE CHARGER IF:**

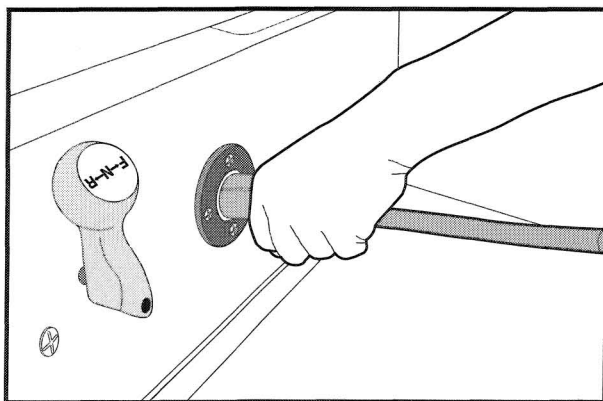
- THE PLUG IS TOO LOOSE OR DOES NOT MAKE A GOOD CONNECTION.
- THE PLUG AND RECEPTACLE FEEL HOTTER THAN NORMAL DURING CHARGE.
- THE PLUG PINS OR CONTACTS ARE BENT OR CORRODED.
- THE PLUG, RECEPTACLE OR CORDS ARE CUT, WORN, HAVE ANY EXPOSED WIRES OR ARE DAMAGED IN ANY WAY.

**Using the charger with any of the above symptoms could result in fire, property damage, personal injury, or death.**

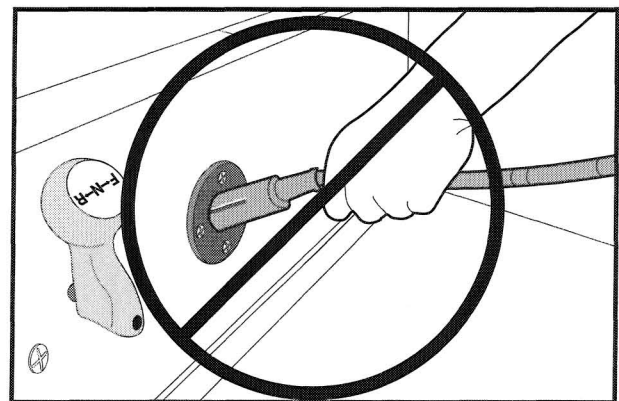
**The DC charger cord and plug are wear items and must be replaced when worn or damaged.**

## **⚠ CAUTION**

- DO NOT CONNECT A PORTABLE CHARGER TO RECEPTACLE OF A VEHICLE EQUIPPED WITH AN ON-BOARD CHARGER WHILE THE ON-BOARD CHARGER IS FUNCTIONING. Charging overload will damage the On-Board Computer and may cause battery damage.



**Figure 28**



**Figure 29**

If the charger plug becomes difficult to insert or remove, the receptacle contacts should be lightly sprayed with WD-40® brand spray lubricant. Then the plug should be inserted and removed several times to ensure ease of insertion, ease of removal and a good firm electrical contact.

## NOTE

- If warning tag has been removed from the DC cord or damaged, have it replaced immediately.

### Fuse Link:

As an additional feature to protect the batteries and charging circuit from an overload, the electrical vehicle is equipped with a fuse link. (See Figure 30.) If a portable charger does not come on when the vehicle is placed on charge, visually inspect the fuse link.

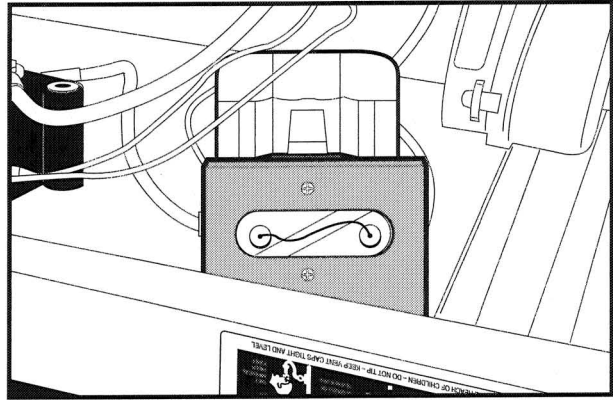


Figure 30

## ⚠ WARNING

- IF THE FUSE LINK IS BLOWN, DETERMINE THE SOURCE OF THE ELECTRICAL PROBLEM AND CORRECT IT BEFORE REPLACING THE FUSE. Contact your nearest CLUB CAR distributor/dealer.

### Cleaning:

The vehicle is equipped with an Armorflex® front body and an all aluminum cargo bed. Use only mild dish-washing liquid soap with a sponge or soft cloth for normal cleaning.

Minor scratches or blemishes in the front body or rear body (Tourall) can be buffed out using most commercially available polishing compounds and polishes.

The seats of the vehicle will last longer with proper cleaning. Mild soap or detergent with a sponge or soft cloth for normal cleaning is recommended. For stubborn or imbedded dirt, a soft bristle brush may be used.

Do not use harsh detergents or cleaning solvents on the front body or the seats.

Battery acid, fertilizers, tars, asphalt, creosote, paint, or chewing gum should be removed immediately to prevent possible stains. Use commercial automotive products because the finish on the vehicle is the same as the finish on today's automobiles.

### Vehicle Controllers:

The Trans-Porter/Trans-Sender and Tourall are equipped with Solid State Speed Controllers. In order to properly service and maintain the Solid State Controller Vehicle, it is necessary to understand the electrical circuitry and the functions of all components in the system. Therefore, if any repairs or service need be performed, we recommend that they be performed by a CLUB CAR distributor/dealer using CLUB CAR OEM parts.

## **Accessories and Options:**

---

The vehicle has a complete line of optional equipment items and accessories available. Contact your distributor/dealer for an Optional Equipment book.

Care should be taken that these accessories and options are properly installed by trained technicians and that the accessories are used for the purpose for which they were designed.

### **WARNING**

- CUSTOM CAB ASSEMBLIES, ALL WEATHER ENCLOSURES, VINYL DOOR KITS, SOLID DOOR KITS, AND TINTED WINDSHIELDS WILL NOT PROTECT OCCUPANTS FROM FLYING OBJECTS (GOLF BALLS, ETC.).

## **Subsequent Owner Registration:**

---

In the event a vehicle is bought from a distributor/dealer, we strongly urge the new owner to re-register the vehicle with Club Car. This will enable us to contact you if the need arises. Please send your name, address, and serial number(s) of the vehicle(s) to CLUB CAR, INC., P.O. Box 204658, Augusta, GA 30917-4658, ATTN: Vehicle Registration.

# Specifications

SPECIFICATIONS	Trans-Porter		Trans-Sender		Tourall	
	Gasoline	Electric	Gasoline	Electric	Gasoline	Electric
<b>POWER SOURCE</b>						
Engine...4 cycle OHV, 286cc, 9.0 hp rated, single cylinder, air cooled, pressure lubricated system					•	
Engine...4 cycle OHV, 351cc, 11.0 hp rated, single cylinder, air cooled, pressure lubricated system	•		•			
Drive Motor...Direct Drive, 48 Volts DC Series Wound, 3.1 hp.		•		•		•
Fuel System...Side draft carburetor with float bowl, fixed jets, fuel filter, and impulse fuel pump	•		•		•	
Governor...Automatic ground speed sensing, internally geared in transmission	•		•		•	
Ignition...Transistor electronic ignition with electronic RPM limiter	•		•		•	
Transmission...Fully synchronized forward and reverse with neutral (.97:1 forward ratio, 1.03:1 reverse ratio)	•		•		•	
Drive Unit...Double reduction helical gear with 12.28:1 direct drive axle	•	•	•	•	•	•
Electrical System...48 Volts DC, reduced speed reverse		•		•		•
Electrical System...12 Volts 325 cold cranking amp battery and 35 amp charging capacity	•		•		•	
Batteries...High capacity Trojan PowerDrive 8 volt (110 minutes rated)		•		•		•
Charger...PowerDrive automatic 17 amp, UL and CSA listed		•		•		•
Torque Converter...Automatic, variable speed, dry type	•		•		•	
<b>STEERING/SUSPENSION</b>						
Steering...Self-adjusting rack and pinion	•	•	•	•	•	•
Suspension...Front and rear leaf springs with dual hydraulic shocks	•	•	•	•	•	•
Brakes...Mechanical brake cable system to self-adjusting drum brakes on each rear wheel. Park brake is automatically released.	•	•	•	•	•	•
<b>BODY/CHASSIS</b>						
Frame Chassis...All aluminum	•	•	•	•	•	•
Side and Rear Body...All aluminum	•	•	•	•		
Front Body...Armorflex®	•	•	•	•	•	•
Rear Body...Armorflex®					•	•
Paint...UV protective coat over molded in color	•	•	•	•	•	•
Tires...18.00 x 8.50-8.00 Tubeless, 6-ply rated load range	•	•	•	•		
Tires...18.00 x 8.50-8.00 Tubeless, 4-ply rated load range					•	•
<b>SEATING CAPACITY/FUEL CAPACITY</b>						
Seating capacity...Seamless vinyl covered foam seats and backs	up to 5	up to 5	up to 8	up to 8	up to 4	up to 4
Fuel tank...26.5 liters (7.0 U.S. gal.) unleaded gasoline only	•		•		•	

## NOTE

- CLUB CAR, INC., reserves the right to change specifications and design of either gasoline or electric vehicles at any time without notice and without obligation to make these changes on units previously sold.



# Specifications

SPECIFICATIONS	Trans-Porter		Trans-Sender		Tourall	
	Gasoline	Electric	Gasoline	Electric	Gasoline	Electric
Overall Length	344 cm (133-1/2")	344 cm (133-1/2")	338 cm (133")	338 cm (133")	254 cm (100")	254 cm (100")
Overall Width	125 cm (49-1/4")	125 cm (49-1/4")	125 cm (49-1/4")	125 cm (49-1/4")	120 cm (47-1/4")	120 cm (47-1/4")
Overall Height at Steering Wheel	122 cm (48")	122 cm (48")	122 cm (48")	122 cm (48")	122 cm (48")	122 cm (48")
Wheelbase	250 cm (98-1/2")	250 cm (98-1/2")	250 cm (98-1/2")	250 cm (98-1/2")	166 cm (65-1/2")	166 cm (65-1/2")
Ground Clearance	11 cm (4-1/2")	11 cm (4-1/2")	11 cm (4-1/2")	11 cm (4-1/2")	11 cm (4-1/2")	11 cm (4-1/2")
Front Wheel Tread	88 cm (34-1/2")	88 cm (34-1/2")	88 cm (34-1/2")	88 cm (34-1/2")	88 cm (34-1/2")	88 cm (34-1/2")
Rear Wheel Tread	98 cm (38-1/2")	98 cm (38-1/2")	98 cm (38-1/2")	98 cm (38-1/2")	98 cm (38-1/2")	98 cm (38-1/2")
Weight...Electric (without batteries)		305 kg. (672 lbs.)		310 kg. (684 lbs.)		223 kg. (491 lbs.)
Weight...Gasoline (dry)	370 kg. (814 lbs.)		383 kg. (845 lbs.)		287 kg. (633 lbs.)	
Forward Speed KPH (MPH)	23-26 (14-16)	19-23 (12-15)	23-26 (14-16)	19-23 (12-15)	19-23 (12-15)	19-23 (12-15)
Clearance Circle (diameter)	752 cm (24' 8")	752 cm (24' 8")	752 cm (24' 8")	752 cm (24' 8")	533 cm (17' 6")	533 cm (17' 6")
Braking Distance at 19 KPH (12 MPH)		427 cm (14')		427 cm (14')	427 cm (14')	427 cm (14')
Braking Distance at 23 KPH (14 MPH)	488 cm (16')		488 cm (16')			
Turning Radius per SAE J 695	328 cm (10' 9")	328 cm (10' 9")	328 cm (10' 9")	328 cm (10' 9")	173 cm (5' 8")	173 cm (5' 8")
Intersecting Aisle Clearance	228 cm (89-3/4")	228 cm (89-3/4")	228 cm (89-3/4")	228 cm (89-3/4")		
Floorboard Height	30 cm (11-3/4")	30 cm (11-3/4")	30 cm (11-3/4")	30 cm (11-3/4")	30 cm (11-3/4")	30 cm (11-3/4")
Load Bed Height	69 cm (27")	69 cm (27")				
Load Bed Size...91 cm. x 112 cm. (35-3/4" x 44-1/4") Flatbed	•	•				
Vehicle Rated Capacity (level surface only) in kilograms (pounds)	680 (1500)	680 (1500)	680 (1500)	680 (1500)	FOUR PEOPLE	FOUR PEOPLE
Seat Height	76 cm (30")	76 cm (30")	76 cm (30")	76 cm (30")	75 cm (29-1/2")	75 cm (29-1/2")

# **CLUB CAR LIMITED WARRANTY FOR 1995 TRANS-PORTER, TRANS-SENDER, AND TOURALL VEHICLES IN THE UNITED STATES AND CANADA**

---

**1. WARRANTY:** CLUB CAR, INC. ("CLUB CAR") hereby warrants to the original retail purchaser that its new 1995 Model Trans-Porter/Trans-Sender, or Tourall vehicle purchased from CLUB CAR or an authorized distributor/dealer for use in the United States or Canada shall be free from defects in materials and workmanship under normal use and service as a utility vehicle for the periods stated below, subject to the provisions, limitations and exclusions contained in this limited warranty.

**LIMITED ONE (1) YEAR WARRANTY:** The engine assembly, motor, transmission assembly, drive unit assembly, main frame assembly, Custom Cab assembly and doors are warranted with respect to parts and labor against defects in materials and workmanship for a period of one year from the date of purchase.

**LIMITED NINETY (90) DAY WARRANTY:** All remaining components of the vehicle not specified otherwise are warranted with respect to parts and labor against defects in materials and workmanship for a period of ninety days from the date of purchase.

This limited warranty covers materials, workmanship and repair labor costs as to those items specifically listed above for the periods specified. Such repair labor shall be performed only by CLUB CAR, its authorized distributors/dealers, or a service agency approved by CLUB CAR.

IF THE WARRANTY REGISTRATION FORM IS NOT COMPLETED AND RETURNED TO CLUB CAR AT THE TIME OF THE ORIGINAL RETAIL SALE, PURCHASER MUST PROVIDE PROOF OF DATE OF PURCHASE WITH ANY WARRANTY CLAIM.

**2. EXCLUSIONS:** Excluded from any CLUB CAR warranty are all fuses; filters; decals; spark plugs; lubricants; the front body and trim pieces; seats; routine wear items such as the charger plug and receptacle, brake shoes, belts, brushes, bushings, engine mounts, mats and pads; maintenance adjustments; cosmetic deterioration; items which deteriorate or fail due to exposure or ordinary wear and tear, and tires. Batteries and the battery charger are covered by separate Club Car warranties. Tires are warranted by their manufacturer. Also excluded from any CLUB CAR warranty is damage to a vehicle or component resulting from a cause other than a defect including unreasonable or unintended strain or use, improper installation of accessories, installation of parts or accessories that are not original equipment, overloading, accident, alteration, abuse or neglect.

Transportation expenses for warranty service are also excluded from this warranty.

**3. VOIDING OF WARRANTY:** THIS AND ANY OTHER WARRANTY SHALL BE VOID IF THE VEHICLE IS ABUSED OR USED IN AN UNINTENDED MANNER OR SHOWS INDICATIONS THAT IT HAS BEEN ALTERED IN ANY WAY INCLUDING, BUT NOT LIMITED TO, MODIFICATION OF THE SPEED GOVERNOR, BRAKING SYSTEM, STEERING, DRIVE UNIT OR OTHER OPERATING SYSTEMS OF THE VEHICLE TO CAUSE IT TO PERFORM OUTSIDE CLUB CAR SPECIFICATIONS. THE WARRANTY IS LIKEWISE VOID IF THE VEHICLE SHOWS INDICATIONS THAT REASONABLE OR NECESSARY MAINTENANCE AS OUTLINED IN THE OWNER'S MANUAL AND MAINTENANCE AND SERVICE MANUAL WAS NOT PERFORMED AT THE TIME AND IN THE MANNER SPECIFIED IN SUCH MANUALS.

**4. SOLE REMEDY:** CLUB CAR's only liability under this limited warranty, or in any action whether based upon warranty, contract, negligence, strict product liability or otherwise, is limited to the replacement or repair, at CLUB CAR's option, of a vehicle or component thereof that CLUB CAR deems to be defective. Replacement shall mean furnishing, during the applicable limited warranty period, a new or factory reconditioned vehicle or component thereof which is identical or reasonably equivalent to the warranted product or component at no cost to the purchaser. Repair shall mean remedying a defect in the vehicle or component thereof at no cost to the purchaser during the applicable limited warranty period. If CLUB CAR elects to repair the vehicle, it may provide factory reconditioned parts or components. All parts and components replaced under warranty shall become the property of CLUB CAR.

**5. HOW TO MAKE A WARRANTY CLAIM:** To make a warranty claim under this limited warranty, you must present the vehicle or defective component to an authorized CLUB CAR distributor/dealer or send the defective component, freight prepaid, to WARRANTY ADMINISTRATION, CLUB CAR, INC., 4152 Washington Road, P.O. Box 204658, Augusta, Georgia 30917-4658.

**6. DISCLAIMER: THIS LIMITED WARRANTY IS EXCLUSIVE. CLUB CAR MAKES NO OTHER WARRANTY OF ANY KIND, EXPRESS OR IMPLIED. ANY IMPLIED WARRANTIES OF MERCHANTABILITY OR FITNESS FOR A PARTICULAR PURPOSE WHICH EXCEED THE OBLIGATIONS OR TIME LIMITS STATED IN THIS WARRANTY ARE HEREBY DISCLAIMED BY CLUB CAR AND EXCLUDED FROM THIS WARRANTY. THE PURCHASER AND CLUB CAR EXPRESSLY AGREE THAT THE REMEDY OF REPLACEMENT OR REPAIR OF THE DEFECTIVE VEHICLE OR COMPONENT THEREOF IS THE EXCLUSIVE AND SOLE REMEDY OF THE PURCHASER. CLUB CAR MAKES NO OTHER REPRESENTATION OR WARRANTY OF ANY KIND, AND NO REPRESENTATIVE, EMPLOYEE, DISTRIBUTOR OR DEALER OF CLUB CAR HAS THE AUTHORITY TO MAKE OR IMPLY ANY REPRESENTATION, PROMISE, OR AGREEMENT WHICH IN ANY WAY VARIES THE TERMS OF THIS WARRANTY.**

**7. NO CONSEQUENTIAL DAMAGES: IN NO EVENT SHALL CLUB CAR BE LIABLE FOR ANY INCIDENTAL OR CONSEQUENTIAL DAMAGES INCLUDING, BUT NOT LIMITED TO, LOSS RELATED TO PROPERTY OTHER THAN THE VEHICLE, LOSS OF USE, LOSS OF TIME, INCONVENIENCE, OR ANY OTHER ECONOMIC LOSS.**

Some states allow neither limitations on the duration of an implied warranty nor exclusions or limitations of incidental or consequential damages. Therefore, the above limitations or exclusions may not apply to you.

This warranty gives you specific legal rights, and you may also have other rights which vary from state to state.

**8. INFORMATION:** For further information contact WARRANTY ADMINISTRATION, CLUB CAR, INC., P.O. Box 204658, Augusta, Georgia 30917-4658, U.S.A., 706-863-3000.

**9. WARNING:** Any modification or alteration of any vehicle beyond factory specifications, including those that affect the weight, weight distribution, stability, or speed of the vehicle, can cause serious personal injury or death.





**Club Car, Inc.**  
P.O. Box 204658  
Augusta, GA 30917-4658  
USA

**Web** [www.clubcar.com](http://www.clubcar.com)  
**Phone** 1.706.863.3000  
1.800.ClubCar  
**Int'l** +1 706.863.3000  
**Fax** 1.706.863.5808