



# Owner's Manual

---

---

## 1997 Trans-Porter, Trans-Sender, Resort Villager, and Tourall Vehicles

Manual Number 1019063-03  
Print Code 0796A00000

 **WARNING**

- THE ENGINE EXHAUST FROM THIS PRODUCT CONTAINS CHEMICALS KNOWN TO THE STATE OF CALIFORNIA TO CAUSE CANCER, BIRTH DEFECTS, OR OTHER REPRODUCTIVE HARM.

## NOTICE

---

The Club Car Limited Warranty appears on the last pages of this manual. No other warranties, express or implied, are contained herein. Please complete and return the warranty registration card included in this manual.

Club Car is not liable for errors in this manual or for incidental or consequential damages that result from the use of the material in this manual.

This manual contains proprietary information that is protected by copyright. All rights are reserved. No part of this manual may be photocopied, reproduced, or translated to another language without the written consent of Club Car, Inc.

The information contained in this document is subject to change without notice.

Club Car reserves the right to make design changes to either gasoline or electric vehicles without obligation to make these changes on units previously sold.

These vehicles are designed and manufactured for off-road use only. They do not conform to Federal Motor Vehicle Safety Standards or EPA regulations and are not equipped for operation on public streets, roads, or highways.

©1996 Club Car, Inc.

*Club Car, Armorflex, PowerDrive, and Tranquility*  
are registered trademarks of Club Car, Inc.

This manual effective August 1, 1996

## FOREWORD

---

Thank you for choosing Club Car. You have chosen the finest utility vehicle on the market; the vehicle most widely recognized as the industry leader in vehicle efficiency and long-lasting value. Please protect your investment and ensure that your Club Car vehicle provides years of reliable, superior performance by filling out and returning your Warranty Registration Card (located between the last page and back cover of this manual), and by reading and following the maintenance instructions in this manual.

Your comfort and safety are important to us as well, so we urge you to read and follow the step-by-step operating instructions and safety procedures in this manual. These instructions must be followed in order to avoid the risk of severe personal injury. If you rent or loan your vehicle to others, we recommend that you ask them to read this manual before they operate the vehicle.

Club Car products are backed by a customer support system designed to offer you fast, courteous service. In the event that your vehicle needs repairs or services, we recommend that your local authorized Club Car representative perform them. For the name and address of the Club Car representative nearest you, call 706-863-3000, Ext. 822. If you would prefer to write to us, direct your letter to: Club Car, Attention: Product Development Department, P.O. Box 204658, Augusta, Ga. 30917-4658 USA. Your local authorized Club Car representative can also provide technical advice, parts, and service manuals.

We hope you will consider this owner's manual a permanent part of your vehicle. If you sell the vehicle, please include the manual so that the next owner will have the important operating, safety, and maintenance information it contains.

# TABLE OF CONTENTS

---

Safety Details .....	1
General Warnings .....	2
Feature Identification - Tourall Gasoline Vehicle .....	4
Feature Identification - Tourall Electric Vehicle .....	6
Feature Identification - Resort Villager Gasoline Vehicle .....	8
Feature Identification - Resort Villager Electric Vehicle .....	10
Feature Identification - Trans-Porter/Trans-Sender Gasoline and Electric Vehicles .....	12
Model Identification .....	15
Pre-Operation Checklist .....	15
Controls - Trans-Porter/Trans-Sender Electric, Resort Villager Electric, Tourall Gasoline, and Tourall Electric Vehicles .....	16
Driving Instructions - Trans-Porter/Trans-Sender Electric, Resort Villager Electric, Tourall Gasoline, and Tourall Electric Vehicles .....	21
Controls - Trans-Porter/Trans-Sender Gasoline and Resort Villager Gasoline Vehicles .....	23
Driving Instructions - Trans-Porter/Trans-Sender Gasoline and Resort Villager Gasoline Vehicles .....	27
Loading and Unloading .....	30
Transporting on a Trailer .....	30
Storage - Gasoline Vehicle .....	31
Storage - Electric Vehicle .....	33
Maintenance .....	34
Periodic Service Schedule - Gasoline Vehicle .....	36
Periodic Service Schedule - Electric Vehicle .....	38
Periodic Lubrication Schedule - Gasoline Vehicle .....	41
Periodic Lubrication Schedule - Electric Vehicle .....	42
Liquid Capacities .....	43
Tire Capacities .....	43
Engine Oil - Gasoline Vehicle .....	43
Fueling Instructions - Gasoline Vehicle .....	44
Battery - Gasoline Vehicle .....	44
Batteries - Electric Vehicle .....	46
Battery Charger - Electric Vehicle .....	47
Cleaning The Vehicle .....	51
Vehicle Controller - Electric Vehicle .....	51
Accessories and Options .....	52
Subsequent Owner Registration .....	52
Vehicle Specifications .....	52

# Practice Safety



Safety signs like you see above may at first seem shocking, but their impact is mild compared with the reality of severe personal injury.

Your safety and satisfaction are of the utmost importance to Club Car. That is why we urge you to study this owner's manual, and to read, understand, and heed the warnings in this manual, as well as the safety decals on your vehicle, before operating the vehicle.

Take time to understand the language of safety. It is a language that can save your life.

## SAFETY DETAILS

---

### **WARNING**

- THIS OWNER'S MANUAL SHOULD BE READ COMPLETELY BEFORE ATTEMPTING TO DRIVE OR SERVICE THE VEHICLE. FAILURE TO FOLLOW THE INSTRUCTIONS IN THIS MANUAL COULD RESULT IN PROPERTY DAMAGE, SEVERE PERSONAL INJURY, OR DEATH.

It is important to note that some vital statements throughout this manual and on the decals affixed to the vehicle are preceded by the words DANGER, WARNING, CAUTION, or NOTE. For your protection, we recommend that you take special notice of these safety procedures. Safety procedures are essential and must be followed.

If any of the operation or warning decals on the vehicle become damaged, have been removed or cannot be easily read they should be replaced immediately to avoid possible personal injury, property damage, or death. Contact your CLUB CAR distributor/dealer.

### **DANGER**

- A DANGER INDICATES AN IMMEDIATE HAZARD WHICH WILL RESULT IN SEVERE PERSONAL INJURY OR DEATH.

### **WARNING**

- A WARNING INDICATES AN IMMEDIATE HAZARD WHICH COULD RESULT IN SEVERE PERSONAL INJURY OR DEATH.

### **CAUTION**

- A CAUTION INDICATES HAZARDS OR UNSAFE PRACTICES WHICH COULD RESULT IN PRODUCT OR PROPERTY DAMAGE OR MINOR PERSONAL INJURY.

### **NOTE**

- A NOTE PROVIDES KEY INFORMATION TO MAKE PROCEDURES MORE EASILY UNDERSTOOD.

## GENERAL WARNINGS

The safety procedures listed must be followed whenever the vehicle is being operated, repaired, or serviced. Other specific warnings appear throughout this manual and on the vehicle.

### DANGER

- **GASOLINE VAPORS - FLAMMMABLE! EXPLOSIVE! DO NOT SMOKE. KEEP SPARKS AND FLAMES AWAY FROM THE AREA OF THE VEHICLE. SERVICE ONLY IN WELL-VENTILATED AREAS.**
- **BATTERY VAPORS - FLAMMMABLE! EXPLOSIVE! DO NOT SMOKE. KEEP SPARKS AND FLAMES AWAY FROM THE AREA OF THE VEHICLE. SERVICE ONLY IN WELL-VENTILATED AREAS.**
- **DO NOT OPERATE GASOLINE VEHICLE IN ENCLOSED AREA WITHOUT PROPER VENTILATION. ENGINE PRODUCES CARBON MONOXIDE WHICH IS AN ODORLESS, DEADLY POISON.**
- **A UTILITY VEHICLE WILL *NOT* PROVIDE PROTECTION FROM LIGHTNING, FLYING OBJECTS, OR OTHER STORM RELATED HAZARDS. IF CAUGHT IN A STORM WHILE DRIVING A CLUB CAR VEHICLE, EXIT THE VEHICLE AND SEEK SHELTER IN ACCORDANCE WITH APPLICABLE SAFETY GUIDELINES FOR YOUR LOCATION.**

### WARNING

- ONLY TRAINED MECHANICS SHOULD REPAIR OR SERVICE THE VEHICLE. ANYONE DOING EVEN SIMPLE REPAIRS OR SERVICE SHOULD FOLLOW THE PROCEDURES EXACTLY AS STATED IN THIS MANUAL, AND OBEY ALL **DANGERS, WARNINGS, AND CAUTIONS** LISTED IN THIS MANUAL AS WELL AS THOSE AFFIXED TO THE VEHICLE.
- ALWAYS WEAR SAFETY GLASSES OR APPROVED EYE PROTECTION WHEN SERVICING THE VEHICLE. WEAR A FULL FACE SHIELD WHEN WORKING WITH BATTERIES.
- ALWAYS USE INSULATED TOOLS WHEN WORKING AROUND BATTERIES OR ELECTRICAL CONNECTIONS.
- IMPROPER USE OF THE VEHICLE OR FAILURE TO PROPERLY MAINTAIN IT, COULD RESULT IN DECREASED VEHICLE PERFORMANCE OR SEVERE PERSONAL INJURY.
- ANY MODIFICATION OR CHANGE TO THE VEHICLE WHICH AFFECTS THE STABILITY OR HANDLING OF THE VEHICLE, OR INCREASES MAXIMUM VEHICLE SPEED BEYOND FACTORY SPECIFICATIONS COULD RESULT IN SEVERE PERSONAL INJURY OR DEATH.
- FOLLOW ALL PROCEDURES LISTED IN THIS MANUAL FOR LOADING AND UNLOADING THE VEHICLE.

#### **GASOLINE VEHICLES ONLY:**

- TO AVOID UNINTENTIONAL STARTING OF THE VEHICLE, BEFORE SERVICING ALWAYS:
  - DISCONNECT THE BATTERY CABLES, NEGATIVE (-) FIRST.
  - DISCONNECT THE SPARK PLUG WIRE FROM THE SPARK PLUG.
- **FRAME GROUND - DO NOT ALLOW WRENCH OR OTHER METAL OBJECTS TO CONTACT FRAME WHEN DISCONNECTING BATTERIES OR OTHER ELECTRICAL WIRING. NEVER ALLOW A POSITIVE WIRE TO TOUCH THE VEHICLE FRAME, ENGINE, INNER FRAME, OR OTHER METAL COMPONENT.**
- THE ENGINE EXHAUST FROM THIS PRODUCT CONTAINS CHEMICALS KNOWN TO THE STATE OF CALIFORNIA TO CAUSE CANCER, BIRTH DEFECTS, OR OTHER REPRODUCTIVE HARM.

**Warnings continued on next page.**



General Warnings, Continued:

**⚠ WARNING**

**ELECTRIC VEHICLES ONLY:**

- TO AVOID UNINTENTIONAL STARTING OF THE VEHICLE, DISCONNECT THE BATTERIES AS SHOWN (SEE FIGURES 1 AND 2) AND DISCHARGE THE CONTROLLER AS FOLLOWS:
  - TURN THE KEY SWITCH TO ON AND PLACE THE FORWARD AND REVERSE SWITCH IN THE REVERSE POSITION.
  - SLOWLY DEPRESS THE ACCELERATOR PEDAL AND KEEP IT DEPRESSED UNTIL THE REVERSE WARNING BUZZER CAN NO LONGER BE HEARD. WHEN THE BUZZER STOPS SOUNDING, THE CONTROLLER IS DISCHARGED.

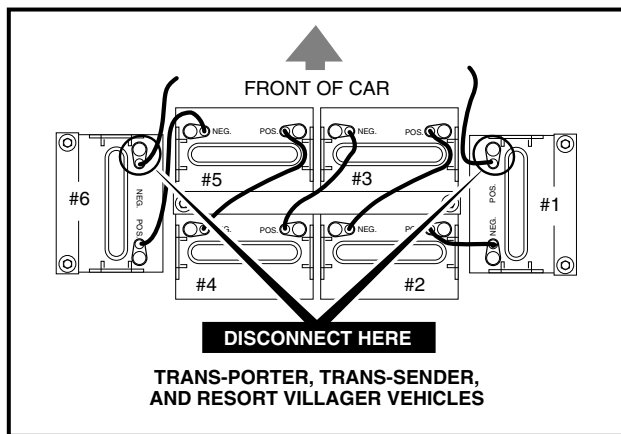


FIGURE 1

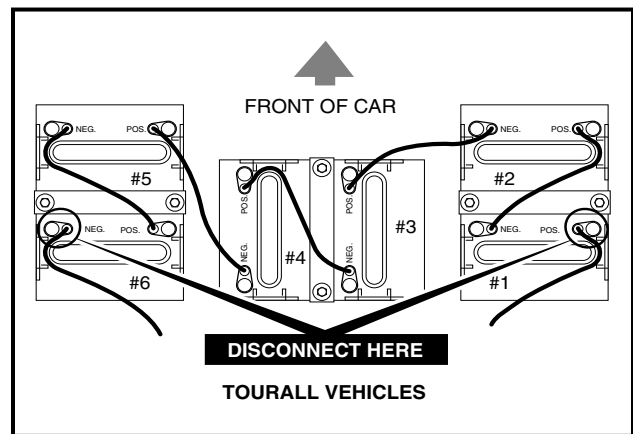
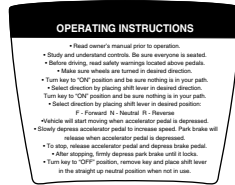


FIGURE 2

# TOURALL GASOLINE VEHICLE

## OPERATING INSTRUCTIONS LABEL



## PASSENGER WARNING LABEL

OIL WARNING LIGHT

KEY SWITCH



PARK BRAKE PEDAL

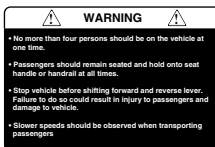
BRAKE PEDAL

ARM RESTS

HAND RAILS

SERIAL NUMBER

## PASSENGER WARNING LABEL (ON CENTER DASH & REAR HANDRAIL FACING SEAT)



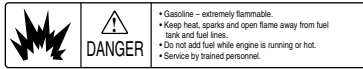
ACCELERATOR PEDAL

## SAFETY WARNING LABEL

<p><b>WARNING</b></p> <p>Failure to follow these instructions can cause severe injury or death.</p>	<ul style="list-style-type: none"> <li>• Read operating instructions before using vehicle.</li> <li>• Never stand in front or behind vehicle.</li> <li>• Vehicle should be driven only in specified areas by trained persons.</li> </ul>	<ul style="list-style-type: none"> <li>• Do not use on public roads.</li> <li>• Only two persons per front seat.</li> <li>• Operate vehicle from driver's side only.</li> <li>• Do not start vehicle until all people are seated.</li> </ul>	<ul style="list-style-type: none"> <li>• Remain seated and hold on in moving vehicle.</li> <li>• Keep arms, legs, feet and body inside vehicle.</li> <li>• Stop vehicle before changing direction. Buzzer will sound in reverse.</li> <li>• Drive slowly in turns.</li> </ul>	<ul style="list-style-type: none"> <li>• Drive slowly straight up and down slopes.</li> <li>• Set park brake before leaving vehicle.</li> <li>• Remove key when vehicle is not in use.</li> <li>• Place shift lever in neutral when vehicle is not in use.</li> </ul>
---	--	--	---	---

# FEATURE IDENTIFICATION

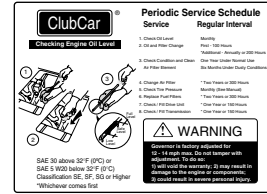
## GASOLINE TANK DANGER LABEL



**DANGER**

- Gasoline - extremely flammable.
- Keep heat, sparks and open flame away from fuel tank and fuel lines.
- Do not add fuel while engine is running or hot.
- Service by trained personnel.

## PERIODIC SERVICE SCHEDULE LABEL



**ClubCar** Periodic Service Schedule

Service	Regular Interval
1. Check Oil Level	Months
2. Oil and Filter Change	After 100 Hours
3. Check Fuel System	Monthly or 200 Hours
4. Check Spark Plugs	After 100 Hours or 50 Hours Under Daily Conditions
5. Check Tire Pressure	After 100 Hours
6. Check P/T Transmission	After 100 Hours
7. Fuel Filter or 200 Hours	After 200 Hours
8. Spark Plug Filter	After 200 Hours
9. Check Air Filter	After 100 Hours
10. Check P/T Transmission	After 100 Hours

**WARNING**

Consult an authorized dealer for:  
 1. Oil grade, type, oil temperature and  
 2. Fuel filter. To do so,  
 consult the manual. It may result in  
 damage to the engine. It could result in serious personal injury.  
 \*Always consult first.

SAE 30 above 32° F (0°C) or  
 SAE 5 W/90 below 32° F (0°C)  
 Classification SE, SF, SG or Higher  
 \*Whichever comes first.

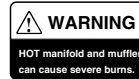
## MOVING PARTS LABEL



**WARNING**

MOVING PARTS

## HOT MANIFOLD AND MUFFLER LABEL



**WARNING**

HOT manifold and muffler can cause severe burns.

OIL FILL

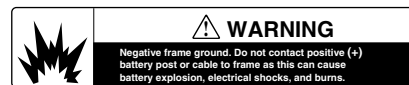


FORWARD - REVERSE LEVER

CHOKE

NEUTRAL LOCK - OUT CAM

## FRAME GROUND WARNING LABEL



**WARNING**

Negative frame ground. Do not contact positive (+) battery post or cable to frame as this can cause battery explosion, electrical shocks, and burns.



**DANGER / POISON**

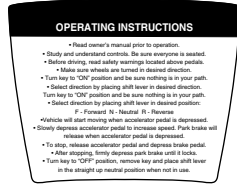
NO BURNS, FLAMES, FROSTING. AVOID CONTACT WITH SKIN. WASH EYES IMMEDIATELY WITH WATER. GET MEDICAL HELP FAST.

KEEP OUT OF THE REACH OF CHILDREN - DO NOT TIP - KEEP VENT CAPS TIGHT AND LEVEL.

DANGER LABEL

# TOURALL ELECTRIC VEHICLE

## OPERATING INSTRUCTIONS LABEL



## PASSENGER WARNING LABEL

### KEY SWITCH



### BATTERY WARNING LIGHT

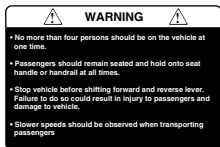
### PARK BRAKE PEDAL

### BRAKE PEDAL

### ARM RESTS

### HAND RAILS

### PASSENGER WARNING LABEL (ON CENTER DASH & REAR HANDRAIL FACING SEAT)



### SERIAL NUMBER

### ACCELERATOR PEDAL

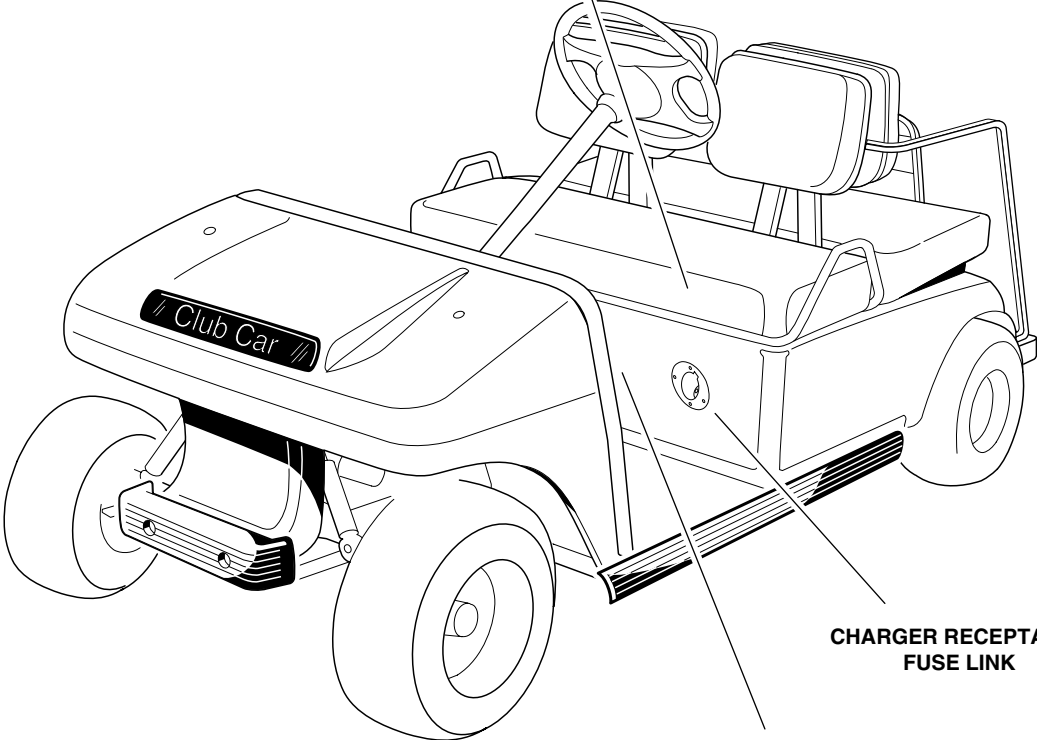
### SAFETY WARNING LABEL

<p><b>WARNING</b></p> <p>Failure to follow these instructions can cause severe injury or death.</p>	<ul style="list-style-type: none"> <li>• Read operating instructions before using vehicle.</li> <li>• Never stand in front or behind vehicle.</li> <li>• Vehicle should be driven only in specified areas by trained persons.</li> </ul>	<ul style="list-style-type: none"> <li>• Do not use on public roads.</li> <li>• Only two persons per front seat.</li> <li>• Operate vehicle from driver's side only.</li> <li>• Do not start vehicle until all people are seated.</li> </ul>	<ul style="list-style-type: none"> <li>• Remain seated and hold on in moving vehicle.</li> <li>• Keep arms, legs, feet and body inside vehicle.</li> <li>• Stop vehicle before changing direction. Buzzer will sound in reverse.</li> <li>• Drive slowly in turns.</li> </ul>	<ul style="list-style-type: none"> <li>• Drive slowly straight up and down slopes.</li> <li>• Set park brake before leaving vehicle.</li> <li>• Remove key when vehicle is not in use.</li> <li>• Place shift lever in neutral when vehicle is not in use.</li> </ul>
---	--	--	---	---

# FEATURE IDENTIFICATION



**DANGER LABEL  
(ON BODY UNDER SEAT)**

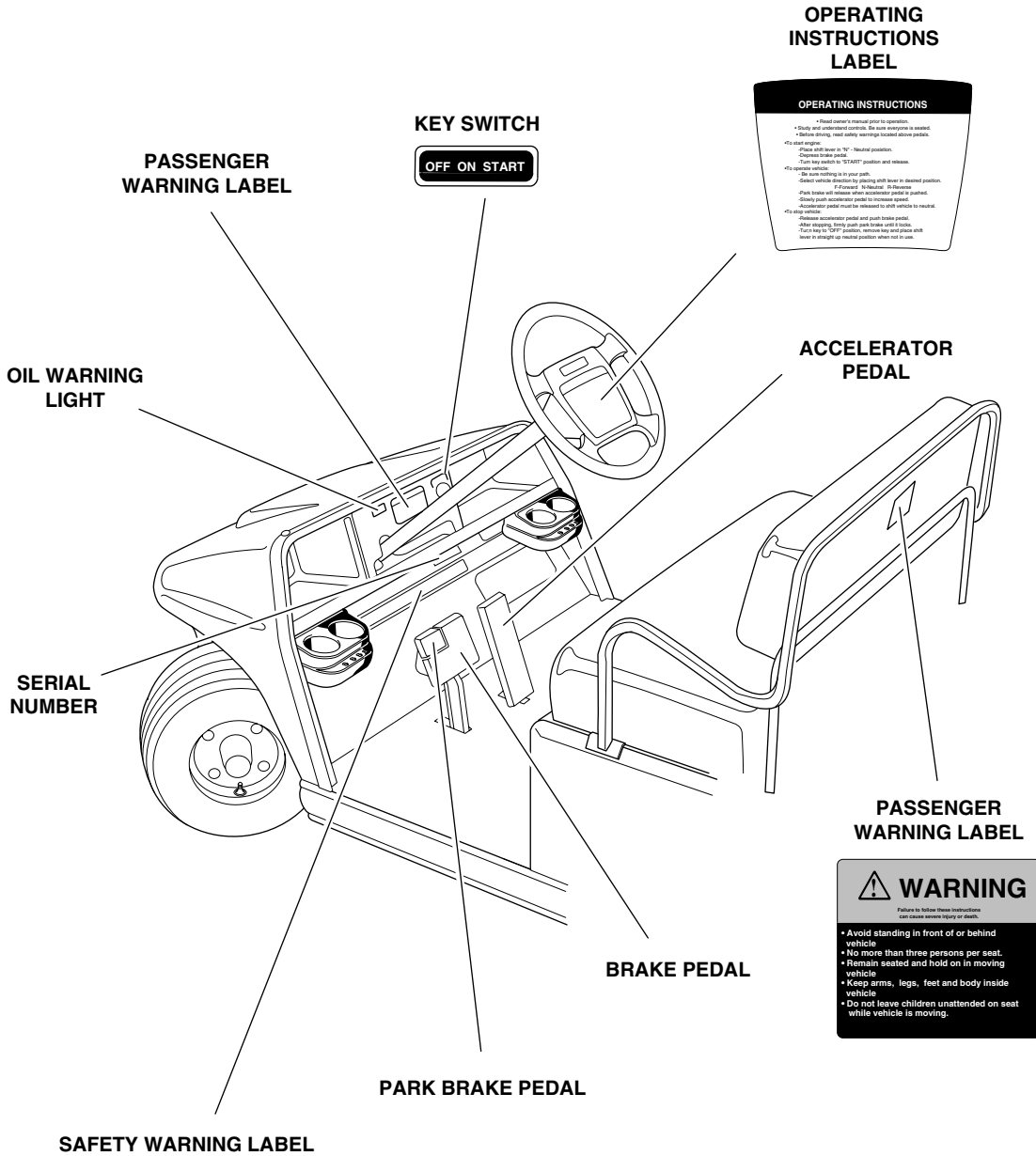


**CHARGER RECEPTACLE  
FUSE LINK**



**FORWARD - REVERSE  
LEVER**

# RESORT VILLAGER GASOLINE



## OPERATING INSTRUCTIONS LABEL

**OPERATING INSTRUCTIONS**

- Read owner's manual prior to operation.
- Study and understand controls. Do not, whenever seated.
- Always sitting, seat safety warnings located above pedals.
- **Start engine.**
  - Turn shift lever to "N" - Neutral position.
  - Depress brake pedal.
  - Turn key switch to "START" position and release.
- **Operate vehicle.**
  - Do not walking in or your path.
  - Select vehicle direction by pushing push lever in desired position.
  - Push lever up to increase speed. Push lever down to decrease speed.
  - Push accelerator pedal to increase speed.
  - Push brake pedal to decrease speed.
  - Push park brake pedal to increase speed.
  - Push park brake pedal to increase speed.
- **Stop vehicle.**
  - Release accelerator pedal and push brake pedal.
  - When stopping, bring push lever back to "N".
  - Turn key to "OFF" position. Release key and push both lever in straight up neutral position when not in use.

## PASSENGER WARNING LABEL

**WARNING**

Failure to follow these instructions can cause severe injury or death.

- Avoid standing in front of or behind vehicle.
- No more than three persons per seat.
- Remain seated and hold on in moving vehicle.
- Keep arms, legs, feet and body inside vehicle.
- Do not leave children unattended on seat while vehicle is moving.

## SAFETY WARNING LABEL

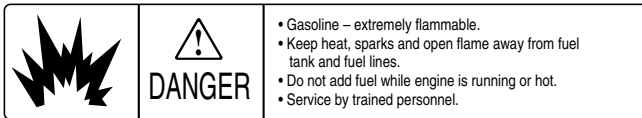
**WARNING**

Failure to follow these instructions can cause severe injury or death.

- Read operating instructions before using vehicle.
- Never stand in front or behind vehicle.
- Vehicle should be driven only in specified areas by trained persons.
- Do not use on public roads.
- Only two persons per front seat.
- Operate vehicle from driver's side only.
- Do not start vehicle until all people are seated.
- Remain seated and hold on in moving vehicle.
- Keep arms, legs, feet and body inside vehicle.
- Stop vehicle before changing direction. Buzzer will sound in reverse.
- Drive slowly in turns.
- Drive slowly straight up and down slopes.
- Set park brake before leaving vehicle.
- Remove key when vehicle is not in use.
- Place shift lever in neutral when vehicle is not in use.

# VEHICLE FEATURE IDENTIFICATION

## GASOLINE TANK DANGER LABEL

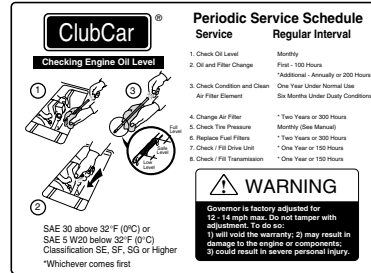


**DANGER**

- Gasoline – extremely flammable.
- Keep heat, sparks and open flame away from fuel tank and fuel lines.
- Do not add fuel while engine is running or hot.
- Service by trained personnel.

ON BODY

## PERIODIC SERVICE SCHEDULE LABEL



**ClubCar**  
Checking Engine Oil Level

**Periodic Service Schedule**

Service	Regular Interval
1. Check Oil Level	Monthly
2. Oil and Filter Change	First: 100 Hours Additional: Annually or 200 Hours
3. Check Condition and Clean Air Filter Element	One Year Under Normal Use Six Months Under Dually Conditions
4. Change Air Filter	* Two Years or 200 Hours
5. Check Tire Pressure	Monthly (See Manual)
6. Replace Fuel Filter	* Two Years or 200 Hours
7. Check / Fill Drive Unit	* One Year or 150 Hours
8. Check / Fill Transmission	* One Year or 150 Hours

**WARNING**  
Governor is factory adjusted for 15 - 14 mph max. Do not tamper with adjustment. To do so: 1) will void the warranty; 2) may result in damage to the engine or components; 3) could result in severe personal injury.

SAE 30 above 32° F (0° C) or SAE 5 W20 below 32° F (0° C) Classification SE, SF, SG or higher  
\*Whichever comes first

ON INTAKE BOX

## MOVING PARTS LABEL



**WARNING**  
MOVING PARTS

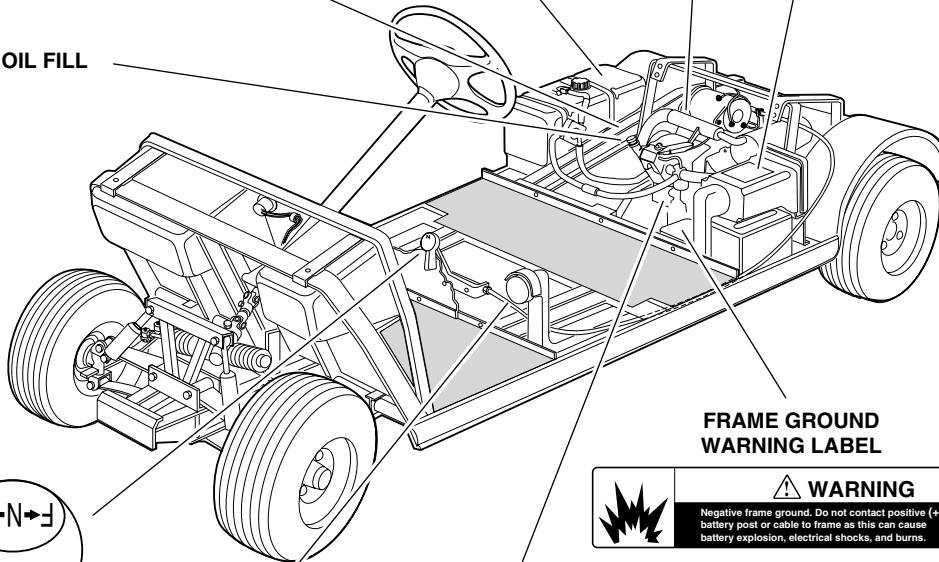
ON FRAME AND ON BODY

## HOT MANIFOLD AND MUFFLER LABEL

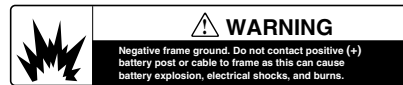


**WARNING**  
HOT manifold and muffler can cause severe burns.

OIL FILL



## FRAME GROUND WARNING LABEL



**WARNING**  
Negative frame ground. Do not contact positive (+) battery post or cable to frame as this can cause battery explosion, electrical shocks, and burns.

ON FRAME

FORWARD - REVERSE LEVER



CHOKE



DANGER LABEL ON BODY



**DANGER / POISON**

EXPLOSIVE GASES CAN CAUSE BLINDNESS OR INJURY

SHIELD EYES

NO SPARKS • FLAMES • SMOKING

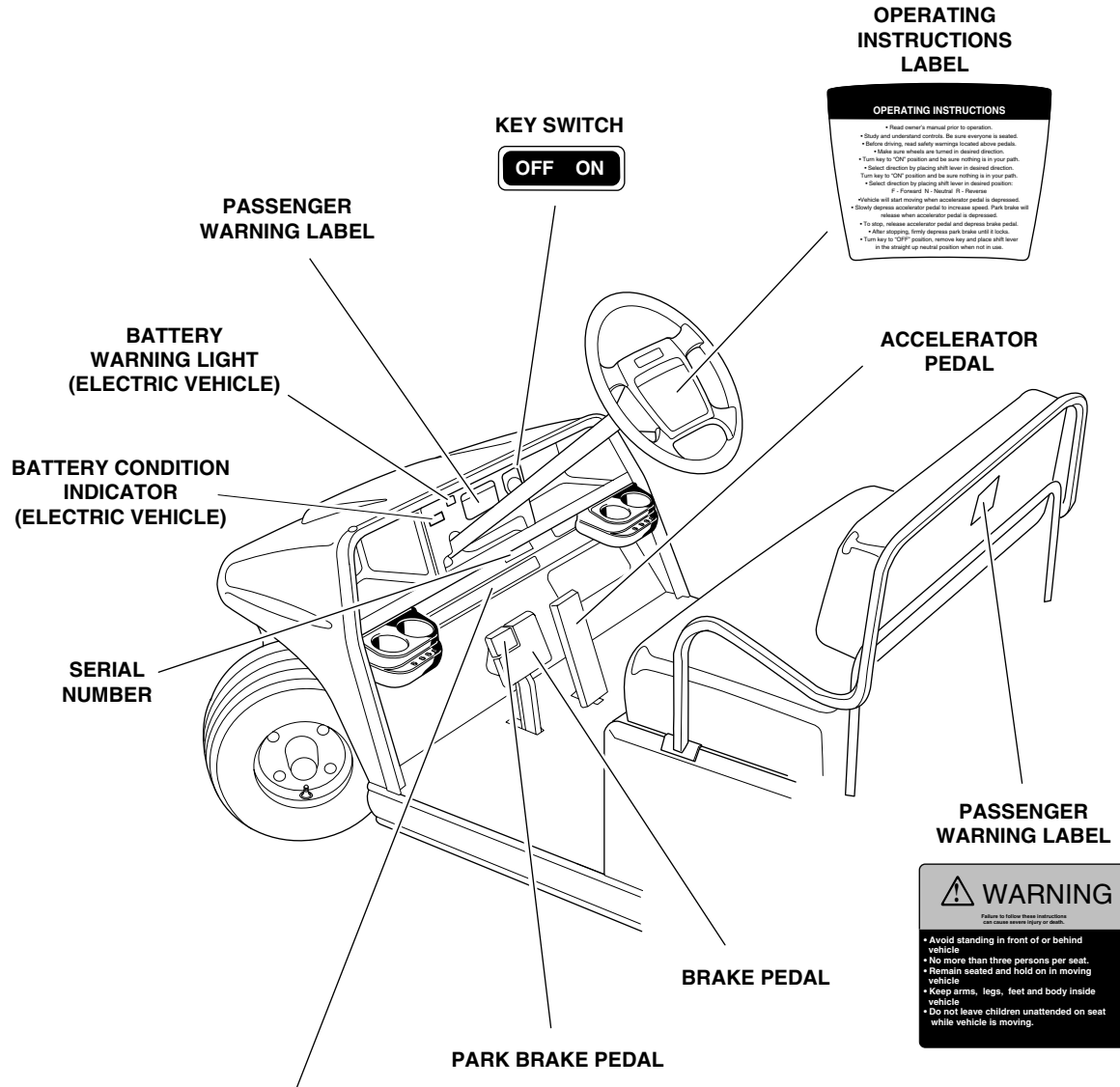
SULFURIC ACID CAN CAUSE BLINDNESS OR SEVERE BURNS

FLUSH EYES IMMEDIATELY WITH WATER

GET MEDICAL HELP FAST

KEEP OUT OF THE REACH OF CHILDREN - DO NOT TIP - KEEP VENT CAPS TIGHT AND LEVEL

# RESORT VILLAGER ELECTRIC



## OPERATING INSTRUCTIONS LABEL

**OPERATING INSTRUCTIONS**

- Read owner's manual prior to operation.
- Study and understand controls. Be sure everyone is seated.
- Before driving, read safety warnings located above pedals.
- Make sure wheels are turned in desired direction.
- Turn key to "OFF" position and be sure nothing is in your path.
- Select direction by placing shift lever in desired direction. Turn key to "ON" position and be sure nothing is in your path.
- Select direction by placing shift lever in desired position:
  - Forward (D) - Drive
  - Reverse (R) - Reverse
- Vehicle will start moving when accelerator pedal is depressed.
- Steadily depress accelerator pedal to increase speed. Park brake will release when accelerator pedal is depressed.
- To stop, release accelerator pedal and depress brake pedal.
- After stopping, firmly depress park brake until it locks.
- Turn key to "OFF" position, remove key and place shift lever in the straight up neutral position when not in use.

## PASSENGER WARNING LABEL

**WARNING**

Failure to follow these instructions can result in severe injury or death.

- Avoid standing in front of or behind vehicle.
- No more than three persons per seat.
- Remain seated and hold on in moving vehicle.
- Keep arms, legs, feet and body inside vehicle.
- Do not leave children unattended on seat while vehicle is moving.

## SAFETY WARNING LABEL

<p><b>WARNING</b></p> <p><small>Failure to follow these instructions can cause severe injury or death.</small></p>	<ul style="list-style-type: none"> <li>• Read operating instructions before using vehicle.</li> <li>• Never stand in front or behind vehicle.</li> <li>• Vehicle should be driven only in specified areas by trained persons.</li> </ul>	<ul style="list-style-type: none"> <li>• Do not use on public roads.</li> <li>• Only two persons per front seat.</li> <li>• Operate vehicle from driver's side only.</li> <li>• Do not start vehicle until all people are seated.</li> </ul>	<ul style="list-style-type: none"> <li>• Remain seated and hold on in moving vehicle.</li> <li>• Keep arms, legs, feet and body inside vehicle.</li> <li>• Stop vehicle before changing direction. Buzzer will sound in reverse.</li> <li>• Drive slowly in turns.</li> </ul>	<ul style="list-style-type: none"> <li>• Drive slowly straight up and down slopes.</li> <li>• Set park brake before leaving vehicle.</li> <li>• Remove key when vehicle is not in use.</li> <li>• Place shift lever in neutral when vehicle is not in use.</li> </ul>
--	--	--	---	---



# VEHICLE FEATURE IDENTIFICATION

## DANGER LABEL

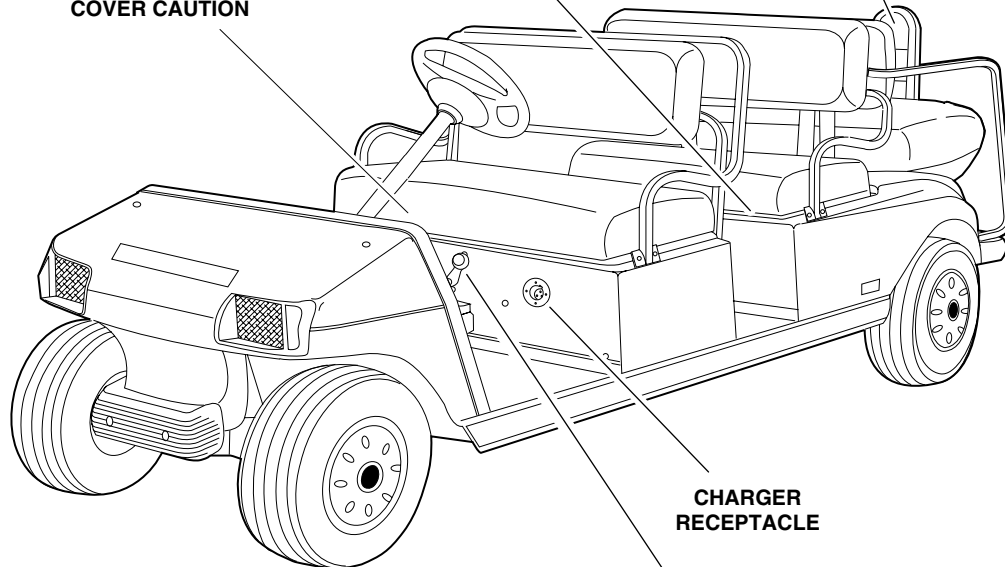


ON BODY

## PASSENGER WARNING LABEL



ELECTRICAL COMPONENT COVER CAUTION



CHARGER RECEPTACLE



FORWARD - REVERSE LEVER

# TRANS-PORTER/TRANS-SENDER

## OPERATING INSTRUCTIONS GASOLINE VEHICLE

### OPERATING INSTRUCTIONS

- Read owner's manual prior to operation.
- Study and understand controls. Be sure everyone is seated.
- Before driving, read safety warnings located above pedals.
- Do not engage.
- Check shift lever in "N" - Neutral position.
- Depress brake pedal.
- Turn key switch to "START" position and release.
- Do not operate vehicle.
- Do not rotate in your path.
- Select vehicle direction by placing shift lever in desired position.
- If Forward: Release "N" Release.
- Park brake will release when accelerator pedal is pushed.
- Slowly push accelerator pedal to increase speed.
- Accelerator pedal must be released to stop vehicle in neutral.
- Do not operate.
- Release accelerator pedal and push brake pedal.
- After stopping, firmly push park brake until it locks.
- Turn key to "OFF" position, remove key and place shift lever in straight up neutral position when not in use.

## OPERATING INSTRUCTIONS ELECTRIC VEHICLE

### OPERATING INSTRUCTIONS

- Read owner's manual prior to operation.
- Study and understand controls. Be sure everyone is seated.
- Before driving, read safety warnings located above pedals.
- Make sure wheels are turned in desired direction.
- Turn key to "ON" position and be sure shifting is in your path.
- Select direction by placing shift lever in desired direction.
- Turn key to "ON" position and be sure shifting is in your path.
- Select direction by placing shift lever in desired position.
- If Forward: Release "N" Release.
- Vehicle will start moving when accelerator pedal is depressed.
- Slowly depress accelerator pedal to increase speed. Park brake will release when accelerator pedal is depressed.
- To stop, release accelerator pedal and depress brake pedal.
- After stopping, firmly depress park brake until it locks.
- Turn key to "OFF" position, remove key and place shift lever in the straight up neutral position when not in use.

## KEY SWITCH GASOLINE VEHICLE

OFF ON START

## KEY SWITCH ELECTRIC VEHICLE

OFF ON

## VEHICLE LOADING LABEL

### VEHICLE LOADING

- Vehicle rated capacity - 1500 lbs. on level surface - See Owner's manual.
- Maximum cargo bed load - 500 lbs.
- No more than two people in front seat.
- Cargo should be evenly spread over the floor of cargo bed as far forward as possible.
- Secure loads to prevent load shifting.
- For vehicle stability, drive slowly when loaded and avoid top heavy loads.
- Rated capacity is for level surfaces only. When driving up or down hills or on uneven terrain, vehicle speed and load must be reduced.

OIL WARNING LIGHT  
(GAS VEHICLE)

BATTERY WARNING LIGHT  
(ELECTRIC VEHICLE)

BATTERY CONDITION INDICATOR  
(ELECTRIC VEHICLE)

SERIAL NUMBER

PARK BRAKE PEDAL

BRAKE PEDAL

ACCELERATOR PEDAL

## SAFETY WARNING LABEL



- Read operating instructions before using vehicle.
- Never stand in front or behind vehicle.
- Vehicle should be driven only in specified areas by trained persons.

- Do not use on public roads.
- Only two persons per front seat.
- Operate vehicle from driver's side only.
- Do not start vehicle until all people are seated.

- Remain seated and hold on in moving vehicle.
- Keep arms, legs, feet and body inside vehicle.
- Stop vehicle before changing direction. Buzzer will sound in reverse.
- Drive slowly in turns.

- Drive slowly straight up and down slopes.
- Set park brake before leaving vehicle.
- Remove key when vehicle is not in use.
- Place shift lever in neutral when vehicle is not in use.

# VEHICLE FEATURE IDENTIFICATION

## PASSENGER WARNING LABEL

**WARNING**

Follow to follow these instructions can cause severe injury or death.

- Avoid standing in front of or behind vehicle
- No more than three persons per seat.
- Remain seated and hold on in moving vehicle
- Keep arms, legs, feet and body inside vehicle
- Do not leave children unattended on seat while vehicle is moving.

## BED BOLT WARNING LABEL

**WARNING**

Bed hold down bolts must be securely fastened before loading.

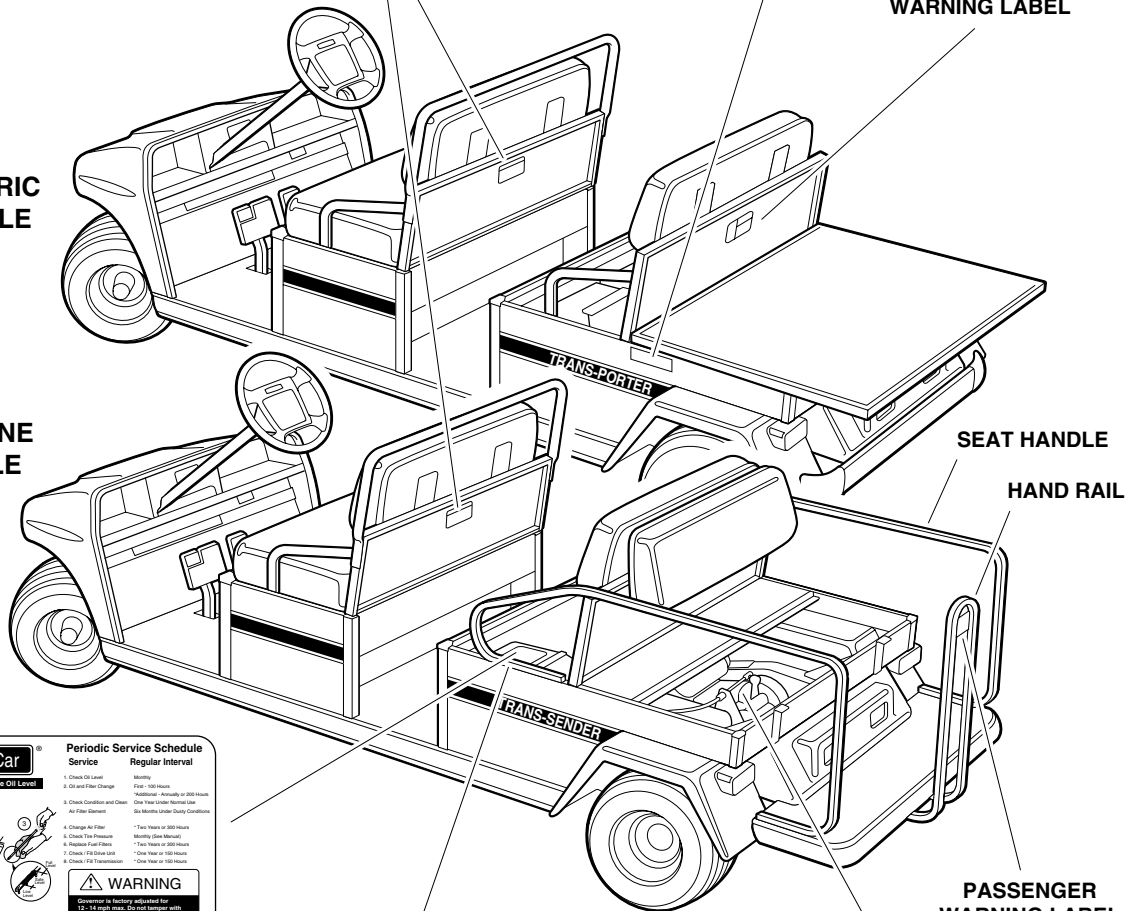
**WARNING**

No persons in cargo bed.

## TILT BED WARNING LABEL

ELECTRIC VEHICLE

GASOLINE VEHICLE



**ClubCar**® Periodic Service Schedule

Service	Regular Interval
1. Check Oil Level	Monthly
2. Oil and Filter Change	First - 100 Hours Regular - Annually or 200 Hours One Year Under Normal Use
3. Check Condition and Clean Air Filter	See Manual Under Heavy Conditions
4. Check Air Filter	*Two Hours or 200 Hours Monthly (See Manual)
5. Check Tire Pressure	*Two Hours or 200 Hours
6. Replace Fuel Filter	*One Year or 100 Hours
7. Check / Fill Coolant	*One Year or 100 Hours
8. Check / Fill Transmission	*One Year or 100 Hours

**WARNING**

Governor is factory adjusted for 13.2 mph (max). Do not tamper with adjustment. To do so, it will void the warranty. It may result in damage to the engine or components. Always wear your seat belt for personal safety.

SAE 30 above 32°F (0°C) or SAE 5 W/20 below 32°F (0°C)  
Classification: SE, SF, SG or Higher  
\*Whichever comes first

## PERIODIC SERVICE SCHEDULE (ON INTAKE BOX)

**DANGER / POISON**

**SULFURIC ACID**  
CAN CAUSE BURNS OR SEVERE BURNS

**FLUSH EYES IMMEDIATELY WITH WATER**

**GET MEDICAL HELP FAST**

NO SPARKS, FLAMES, SMOKING

EXPLOSIVE GASES CAN CAUSE BURNING OR BURNS

KEEP OUT OF THE REACH OF CHILDREN - DO NOT TIP - KEEP VENT CAPS TIGHT AND LEVEL

## BATTERY DANGER LABEL (ON FRAME)

**WARNING**

MOVING PARTS

## MOVING PARTS WARNING LABEL

**WARNING**

Negative frame ground. Do not contact positive (+) battery post or cable to frame as this can cause battery explosion, electrical shocks, and burns.

## FRAME GROUND WARNING LABEL (ON FRAME)

# TRANS-PORTER/TRANS-SENDER VEHICLE FEATURE IDENTIFICATION

**CAUTION**  
Do not operate vehicle without this cover properly installed.  
See vehicle Maintenance and Service Manual before servicing.

## ELECTRICAL COMPONENT COVER CAUTION



**BATTERY DANGER  
LABEL  
(ON FRAME)**

**WARNING**  
HOT manifold and muffler  
can cause severe burns.

**HOT MANIFOLD  
AND  
MUFFLER LABEL  
(ON ENGINE)**

**FUSE LINK  
&  
CHARGER RECEPTACLE**

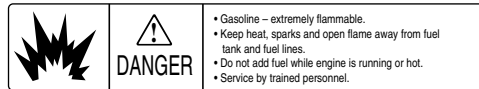
**CHARGER  
AC CORD  
REEL**

**ELECTRIC  
VEHICLE**

**GASOLINE  
VEHICLE**

**CHOKE**

**FORWARD AND  
REVERSE  
LEVER**



**GASOLINE TANK  
DANGER LABEL  
(ON FRAME)**



## PERFORMANCE INSPECTION

After you have familiarized yourself with the vehicle's controls and have read and understood the driving instructions, take the vehicle for a test drive. Use the following checklist as a guide to inspect your new vehicle, and in conjunction with the Periodic Service Manual. Any problems should be corrected only by your CLUB CAR distributor/dealer or a trained technician.

### All vehicles:

- **Brakes:** Be sure the brakes function properly. When brake pedal is fully depressed under moderate pressure, it should **not** go more than halfway to the floor, and vehicle should come to a smooth, straight stop. Tourall vehicles should stop within 14 feet. Trans-Porter/Trans-Sender and Resort Villager vehicles should stop within 16 feet. If the brake pedal goes more than halfway to the floor, or if the vehicle swerves or fails to stop within the appropriate braking distance for your vehicle (see preceding sentences), have the brake system checked and adjusted as required. Brake adjustment must be maintained so that the brake pedal **cannot** be depressed to the floor under any circumstances.
- **Park Brake:** When latched, the park brake should lock the wheels and hold the vehicle stationary (on incline of 20% or less). It should release when either the accelerator or brake pedal is depressed.
- **Steering:** The vehicle should be easy to steer and should not have any play in the steering wheel.
- **Accelerator:**
  - Electric Trans-Porter/Trans-Sender, Electric Resort Villager, Gasoline and Electric Tourall vehicles:** As the accelerator pedal is depressed, the engine or motor should start and the vehicle should come up smoothly to full speed. When the pedal is released it should return to the original position and the engine or motor should stop. The electric vehicle should run at reduced speed in reverse.
  - Gasoline powered Trans-Porter/Trans-Sender and Resort Villager vehicles:** After the engine has been started with the keyswitch, the vehicle will accelerate smoothly to full speed as the accelerator pedal is depressed. When the accelerator pedal is released it should return to the original position and the engine should idle.
- **Governor (gasoline vehicles):** Check maximum speed of the vehicle. All electric vehicles and the gasoline powered Tourall should run at 12-15 MPH (19-24 KPH) on a level surface. The Trans-Porter/Trans-Sender and Resort Villager gasoline powered vehicles should run at 14-16 MPH (23-26 KPH) on a level surface.
- **General:** Listen for any unusual noises such as squeaks or rattles. Check the vehicle's ride and performance. Have a CLUB CAR distributor/dealer or a trained mechanic investigate anything unusual.

## CONTROLS - TRANS-PORTER/TRANS-SENDER ELECTRIC, RESORT VILLAGER ELECTRIC, TOURALL GASOLINE, AND TOURALL ELECTRIC VEHICLES

### DANGER

- DO NOT OPERATE GASOLINE VEHICLE IN AN ENCLOSED AREA WITHOUT PROPER VENTILATION. GASOLINE ENGINES PRODUCE CARBON MONOXIDE GAS, WHICH IS AN ODORLESS, DEADLY POISON.

### WARNING

- DO NOT TAMPER WITH THE GASOLINE VEHICLE GOVERNOR. DOING SO WILL VOID THE WARRANTY, AS WELL AS DAMAGE THE ENGINE AND OTHER COMPONENTS, AND COULD RESULT IN PROPERTY DAMAGE, PERSONAL INJURY, OR DEATH DUE TO UNSAFE SPEEDS.

**Warnings Continued on Page 17.**

## Controls - Trans-Porter/Trans-Sender Electric, Resort Villager Electric, Tourall Gasoline and Tourall Electric Vehicles, Continued:

### **⚠ WARNING**

- DO NOT MODIFY OR CHANGE THE VEHICLE IN ANY WAY WHICH MIGHT AFFECT ITS STABILITY OR HANDLING, OR INCREASE MAXIMUM VEHICLE SPEED BEYOND FACTORY SPECIFICATIONS. PROPERTY DAMAGE, PERSONAL INJURY, OR DEATH COULD RESULT.
- DO NOT SHIFT THE FORWARD/REVERSE SWITCH WHILE THE VEHICLE IS IN MOTION. TO AVOID INJURY TO AN UNSUSPECTING PASSENGER OR DAMAGE TO THE VEHICLE, ALWAYS BRING THE VEHICLE TO A FULL STOP BEFORE SHIFTING THE LEVER. A BUZZER WILL SOUND AS A WARNING WHEN THE VEHICLE IS IN REVERSE.
- RELEASE THE ACCELERATOR PEDAL AND THEN DEPRESS THE BRAKE PEDAL FIRMLY UNTIL THE VEHICLE STOPS. TO AVOID UNINTENTIONAL STARTING OR ROLLING OF THE VEHICLE, SET THE PARK BRAKE, TURN THE KEY SWITCH TO **OFF**, AND REMOVE THE KEY WHEN LEAVING THE VEHICLE.

### KEY SWITCH

The key switch is mounted on the dash to the right of the steering column (**See Figure 4**). It has two positions, OFF and ON, which are clearly labeled.

### NOTE

- THE KEY CAN BE REMOVED WHEN THE KEY SWITCH IS IN THE **OFF** POSITION ONLY.

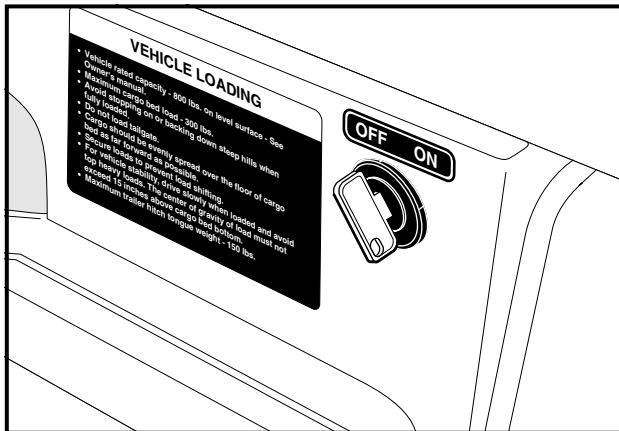


FIGURE 4

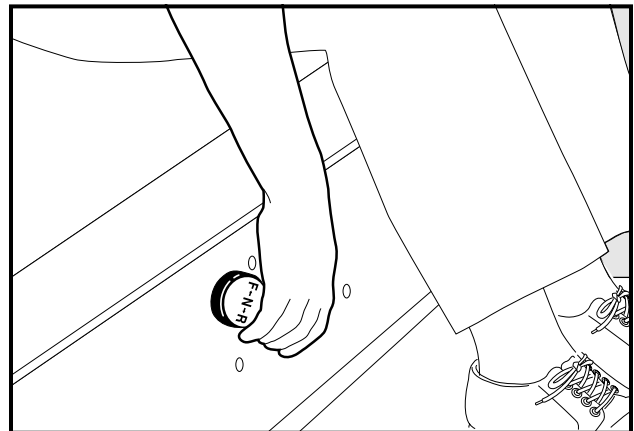


FIGURE 5

### FORWARD/REVERSE CONTROL

The forward/reverse shift lever is located on the seat support panel, below and to the right of the driver's right knee (**See Figure 5**). The lever has three distinct positions: **F** (forward), **N** (neutral), and **R** (reverse). Rotate the lever towards the driver, **F** (forward), to run the vehicle in the forward direction, or towards the passenger, **R** (reverse), to run the vehicle in reverse. When the lever is in the straight up, or **N** (neutral) position, the vehicle will not run. The engine in a gasoline powered Tourall will stop if the vehicle is shifted to neutral while the engine is running. Vehicles run at reduced speed in reverse.

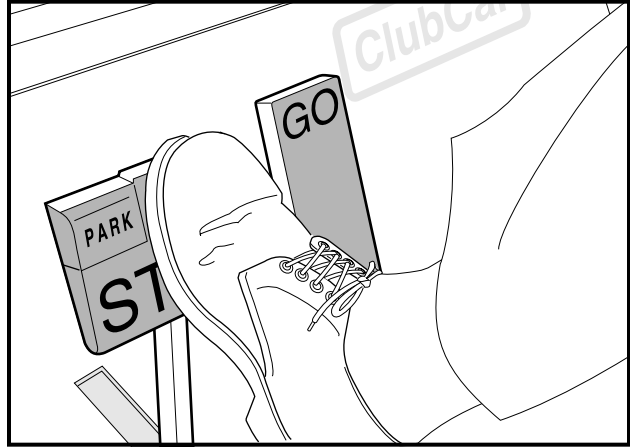
### NOTE

- THE REVERSE BUZZER(S) WILL SOUND AS A WARNING WHEN THE VEHICLE IS IN REVERSE.

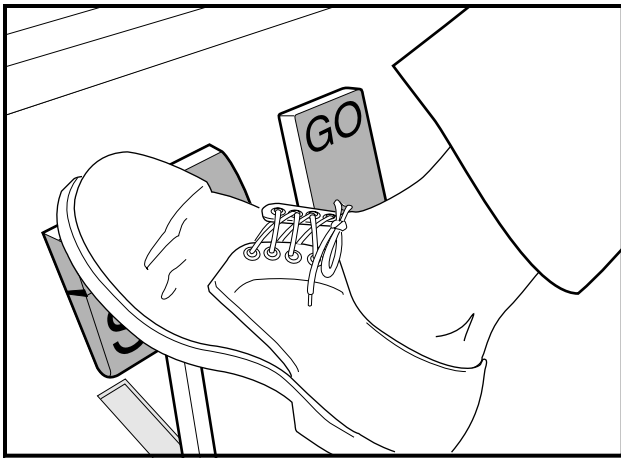
**Controls - Trans-Porter/Trans-Sender Electric, Resort Villager Electric, Tourall Gasoline and Tourall Electric Vehicles, Continued:**



**FIGURE 6**



**FIGURE 7**



**FIGURE 8**

**ACCELERATOR PEDAL**

The accelerator pedal is the pedal on the right, with the word **GO** molded into it (See Figure 6).

**NOTE**

- **THE OPERATION OF THE ACCELERATOR PEDAL DIFFERS FROM THAT OF AN AUTOMOBILE. WHEN THE KEY SWITCH IS ON, AND THE SHIFT LEVER IS IN EITHER FORWARD OR REVERSE, DEPRESSING THE ACCELERATOR PEDAL WILL AUTOMATICALLY RELEASE THE PARK BRAKE AND START THE VEHICLE MOVING IN THE DIRECTION SELECTED (FORWARD OR REVERSE). AS THE ACCELERATOR PEDAL IS DEPRESSED, SPEED WILL INCREASE UNTIL FULL SPEED IS REACHED. WHEN THE ACCELERATOR IS RELEASED, POWER WILL BE CUT OFF AND THE ENGINE OR MOTOR WILL STOP RUNNING.**

**BRAKE PEDAL**

The brake pedal is the large pedal on the left with the word **STOP** molded into it (See Figure 6). To slow or stop the vehicle, depress the brake pedal with your right foot (See Figure 7).



## PARK BRAKE PEDAL

The park brake pedal is the small raised portion in the upper left corner of the brake pedal. It has the word **PARK** molded into it and the words **PARK BRAKE** marked on top of it (See Figure 6). To set the park brake, depress the brake pedal firmly and tilt the park brake portion of the pedal forward with your foot (Figure 8).

### **⚠ WARNING**

- THE PARK BRAKE WILL RELEASE AUTOMATICALLY WHEN EITHER THE ACCELERATOR OR BRAKE PEDAL IS DEPRESSED. THE PARK BRAKE HAS MULTIPLE LOCKING POSITIONS AND SHOULD BE FIRMLY PRESSED TO PREVENT THE VEHICLE FROM ROLLING.

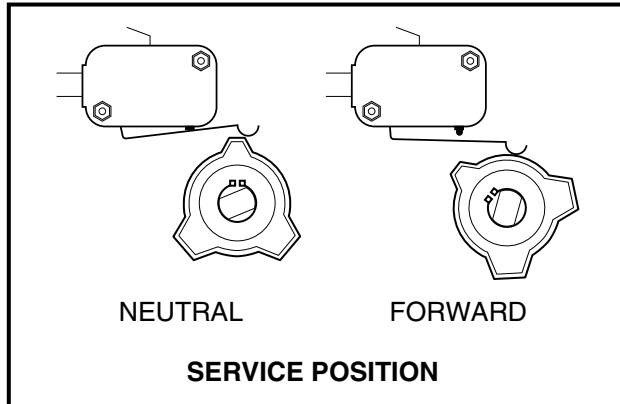


FIGURE 9

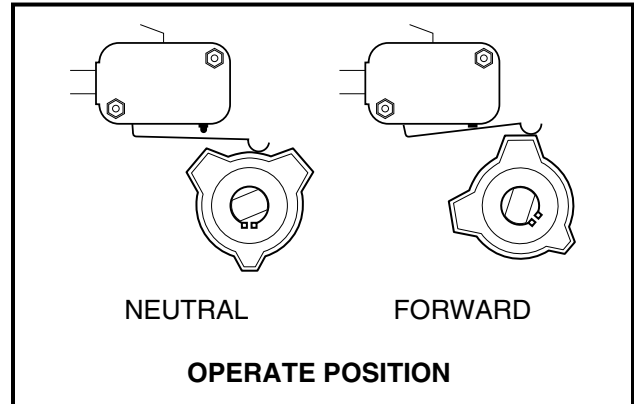


FIGURE 10

## GASOLINE VEHICLES ONLY:

### Neutral Lock-out

This vehicle has a neutral lock-out circuit that prevents the driver from starting the vehicle in NEUTRAL. If the vehicle is started in forward or reverse and then shifted to neutral, the engine will stop running.

For the convenience of the trained mechanic, there is a neutral lock-out cam (yellow knob) located on the back of the forward/reverse lever. If the neutral lock-out cam is pulled out approximately 3/8 inch (10 millimeters) and then rotated one-half turn until it snaps into place, the vehicle will be in the SERVICE position (See Figure 9). This will allow the mechanic to run the engine in NEUTRAL for certain maintenance procedures. With the cam in this position, the vehicle will not operate if the forward/reverse lever is placed in either the forward or reverse position. To put the vehicle back into the OPERATE position, pull the cam out approximately 3/8 inch (10 millimeters) and rotate it one-half turn until it snaps into place (See Figure 10). See **WARNING** and **NOTE** below.

### **⚠ WARNING**

- WITH THE CAM IN THE SERVICE POSITION AND THE ENGINE RUNNING, THE VEHICLE MAY MOVE SUDDENLY IF THE FORWARD/REVERSE LEVER IS SHIFTED OR ACCIDENTALLY BUMPED. TO PREVENT THIS, CHOCK THE FRONT AND REAR WHEELS AND ALWAYS FIRMLY SET THE PARK BRAKE BEFORE SERVICING OR LEAVING THE VEHICLE.

### **NOTE**

- BE SURE TO RETURN THE CAM TO THE OPERATE POSITION AFTER SERVICING THE VEHICLE, OR IT WILL NOT RUN WITH THE FORWARD AND REVERSE SWITCH IN EITHER THE FORWARD OR REVERSE POSITION.

## Controls - Gasoline Vehicles Only, Continued:

### Choke

The choke is located on the seat support panel below and to the left of the driver's left knee (**See Figure 11**). If the vehicle is hard to start in cool or cold temperatures, simply push in the choke cover with your left hand to activate it. Hold it during start up and release the choke cover after the engine starts and runs smoothly.

### Oil Light

The gasoline powered vehicle is equipped with a low oil warning light, located on the dash panel just above the steering column (**See Figure 12**). If the oil warning light comes on, oil should be checked and added to the engine as necessary before continuing to use the vehicle. The vehicle should never be driven with the oil warning light remaining on. If the oil warning light goes on and off, you may proceed, but oil should be added at the first opportunity. If the oil level is correct and the light stays on, have a trained mechanic check the vehicle.

## **CAUTION**

- FAILURE TO ADD OIL IMMEDIATELY WHEN THE OIL WARNING LIGHT STAYS ON MAY RESULT IN PERMANENT ENGINE DAMAGE.

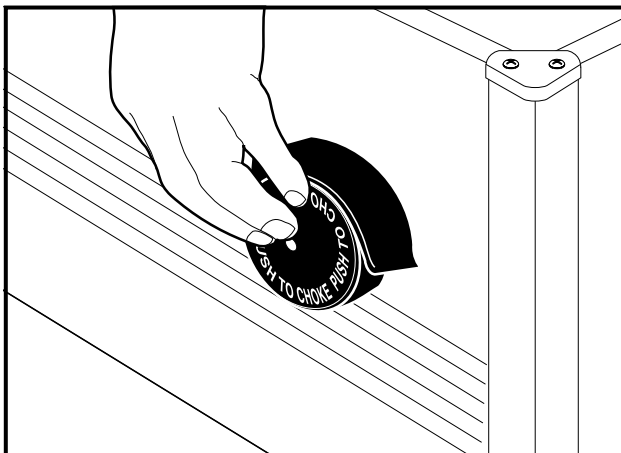


FIGURE 11

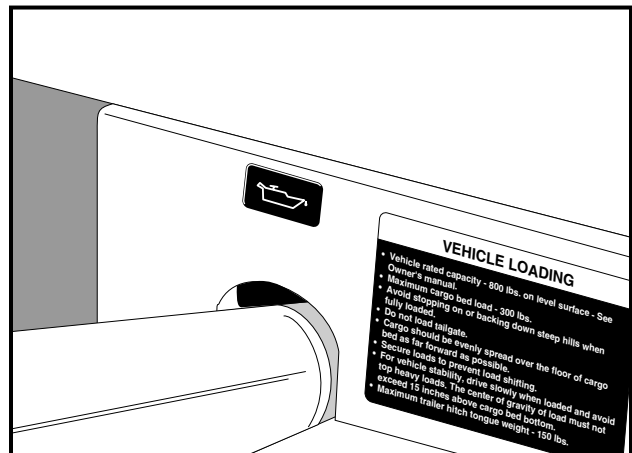


FIGURE 12

## ELECTRIC VEHICLES ONLY:

### Battery Warning Light

PowerDrive System 48 vehicles, including all electric Trans-Porter/Trans-Sender, Resort Villager, and Tourall models, feature a dash mounted warning light (above steering column) that, when the vehicle is in operation, indicates low battery voltage, or, when the vehicle is being charged, indicates a charging problem. The battery warning light is controlled by the PowerDrive on-board computer.

When the vehicle is in operation, the warning light will come on and remain illuminated if:

- Batteries voltage drops below 48 when there is no load on the batteries (the vehicle is stopped and there are no accessories on).
- Batteries have discharged to less than 25% of rated capacity.

If the warning light comes on when the vehicle is operating, there will be enough power remaining to drive the vehicle for approximately 30 minutes. However, the vehicle should be charged at the first opportunity. If the warning light comes on and the vehicle is unable to operate for 30 minutes, have your Club Car distributor/dealer check the vehicle for a possible battery or electrical system problem.

When the batteries receive an incomplete charge because 1) the DC power cord is disconnected, 2) AC power to the charger is interrupted, 3) automatic charger shut-off occurs after 16 hours of operation, or 4) the charger malfunctions, the warning light will indicate as follows:

- The warning light will not come on if the charge is 90% or more complete. The on-board computer will retain in memory the amount of charge needed to fully replenish the batteries and will complete the charge during the next charge cycle.
- When the charger is unplugged, the warning light will come on and remain illuminated for 10 seconds if the charge is less than 90% complete but the car has enough power for approximately 30 minutes of operation. This will alert the operator that the vehicle may be used, but that it must be charged to completion as soon as possible.
- The warning light will come on and remain illuminated if the charger times out at 16 hours (**see Power-Drive Charger Owner Manual**) and the batteries are not sufficiently charged. This indicates an abnormal charge cycle. The charger and batteries should be checked by your Club Car distributor/dealer.
- The warning light will come on during a charge cycle (DC plug is still connected) if AC power to the charger is interrupted. The light will go out when AC power is restored.

## **DRIVING INSTRUCTIONS - TRANS-PORTER/TRANS-SENDER ELECTRIC, RESORT VILLAGER ELECTRIC, TOURALL GASOLINE, AND TOURALL ELECTRIC VEHICLES**

No one should drive the vehicle without first being instructed in the proper operation and use of the vehicle's controls. An experienced operator should accompany each first-time driver on a test drive before allowing him(her) to operate the vehicle alone. Only licensed drivers should be allowed to drive this vehicle.

To ensure safe operation of the vehicle, follow exactly and in order, all of the following procedures. Read and understand all instructions prior to driving the vehicle.

### **WARNING**

- MAKE SURE THE DRIVER IS FAMILIAR WITH ALL CONTROLS AND OPERATING PROCEDURES BEFORE ALLOWING THE VEHICLE TO BE DRIVEN.
- NO MORE THAN TWO PERSONS PER SEAT AT ONE TIME.
- DO NOT ALLOW PASSENGERS IN THE CARGO BED.
- THE VEHICLE IS NOT SPECIALLY EQUIPPED FOR HANDICAPPED PERSONS. BE SURE ALL PASSENGERS ARE CAPABLE OF SECURING THEMSELVES IN A MOVING CLUB CAR VEHICLE BEFORE ALLOWING THEM TO RIDE IN ONE.
- FOR NIGHT USE, THE VEHICLE MUST BE EQUIPPED WITH HEADLIGHTS, TAILLIGHTS, AND REFLECTORS.
- STOP THE VEHICLE BEFORE SHIFTING THE FORWARD AND REVERSE LEVER. FAILURE TO DO SO MAY RESULT IN INJURY TO AN UNSUSPECTING PASSENGER AND (OR) DAMAGE TO THE VEHICLE. A BUZZER WILL SOUND AS A WARNING WHEN THE VEHICLE IS IN REVERSE.

#### **WHEN DRIVING THE VEHICLE:**

- OPERATE THE VEHICLE FROM THE DRIVER'S SEAT ONLY.  
TO PREVENT FALLS FROM THE VEHICLE, REMAIN SEATED IN A MOVING VEHICLE AND HOLD ON TO SEAT HANDLES OR HANDRAILS AT ALL TIMES. DRIVER SHOULD KEEP BOTH HANDS ON THE STEERING WHEEL WHEN THE VEHICLE IS IN MOTION.

**WARNINGS CONTINUED ON PAGE 22.**

**Driving Instructions - Trans-Porter/Trans-Sender Electric, Resort Villager Electric, Tourall Gasoline, and Tourall Electric Vehicles, Continued:**

**⚠ WARNING**

**WHEN DRIVING THE VEHICLE:**

- KEEP ALL BODY PARTS INSIDE THE VEHICLE TO PREVENT THEM FROM GETTING CAUGHT BETWEEN THE VEHICLE AND THE GROUND OR OTHER OBJECTS.
- DO NOT LEAVE CHILDREN UNATTENDED ON THE VEHICLE.
- TO PREVENT OVERTURNING OF THE VEHICLE, DRIVE SLOWLY IN TURNS.
- TO PREVENT OVERTURNING OF THE VEHICLE, DRIVE SLOWLY STRAIGHT UP AND DOWN SLOPES. **DO NOT DRIVE THE VEHICLE ON SLOPES EXCEEDING 20% INCLINE.**
- AVOID STOPPING A LOADED VEHICLE ON A HILL. IF A LOADED VEHICLE MUST BE STOPPED ON A HILL, AVOID SUDDEN STARTS OR ROLLING BACKWARDS AND STOPPING SUDDENLY. FAILURE TO HEED THIS WARNING COULD RESULT IN OVERTURNING OF THE VEHICLE.
- TO AVOID POSSIBLE INJURY TO AN UNSUSPECTING PASSENGER AND (OR) DAMAGE TO THE VEHICLE, AVOID SUDDEN STARTS, SUDDEN STOPS, AND ABRUPT TURNS.
- TO AVOID THE POSSIBILITY OF LOSING CONTROL OF OR OVERTURNING THE VEHICLE, REDUCE SPEED FOR ADVERSE DRIVING CONDITIONS SUCH AS WET GRASS OR ROUGH TERRAIN.
- DO NOT USE THE VEHICLE ON PUBLIC ROADS. IT IS NOT DESIGNED OR INTENDED FOR STREET USE AND SHOULD NOT BE LICENSED FOR USE ON PUBLIC ROADS.
- THE VEHICLE SHOULD BE DRIVEN IN ONLY SPECIFIED AREAS BY TRAINED DRIVERS.
- TO AVOID BEING STRUCK, DO NOT STAND IN FRONT OF OR BEHIND THE VEHICLE.
- DO NOT DRIVE WHILE UNDER THE INFLUENCE OF ALCOHOL, DRUGS, OR MEDICATIONS.
- OPERATOR MUST CONTROL VEHICLE SPEED WHEN GOING DOWNHILL.
- **GASOLINE VEHICLE ONLY:** DEPRESS THE BRAKE PEDAL AS NECESSARY AND DEPRESS THE ACCELERATOR PARTIALLY WHEN DESCENDING A HILL. WITH THE ACCELERATOR PEDAL PARTIALLY DEPRESSED, THE GOVERNOR WILL CAUSE THE ENGINE TO ASSIST THE BRAKES IN CONTROLLING DOWNHILL SPEED.

**STARTING THE VEHICLE**

1. Be sure load, if any, is secure.
2. Enter the vehicle.
3. Study and understand controls.
4. Be sure everyone is seated and holding onto seat handles or handrails. Driver should have both hands on the steering wheel.
5. Read safety warnings located above pedals.
6. Make sure wheels are turned in desired direction.
7. Turn key to the ON position and be sure nothing is in your path.
8. Select direction by placing shift lever in desired position (F = forward or R = reverse).
9. Slowly depress accelerator pedal. The park brake will release automatically and the vehicle will start to move. As the accelerator pedal is depressed, speed will increase until full speed is reached. See WARNING at top of next page.

## **WARNING**

- VEHICLE OPERATOR MUST CONTROL SPEED WHEN GOING DOWNHILL.
- **GASOLINE VEHICLE ONLY:** DEPRESS THE BRAKE PEDAL AS NECESSARY AND PARTIALLY DEPRESS THE ACCELERATOR WHEN DESCENDING A HILL. WITH THE ACCELERATOR PEDAL PARTIALLY DEPRESSED, THE GOVERNOR WILL CAUSE THE ENGINE TO ASSIST THE BRAKES IN CONTROLLING DOWNHILL SPEED.

## **STOPPING THE VEHICLE**

### **WARNING**

- DRIVING THROUGH WATER MAY AFFECT THE BRAKES. AFTER DRIVING THROUGH WATER, CHECK EFFECTIVENESS OF THE BRAKES BY GENTLY DEPRESSING THE BRAKE PEDAL. IF THE VEHICLE DOES NOT SLOW DOWN AT THE NORMAL RATE, CONTINUE TO DEPRESS THE BRAKES UNTIL THEY DRY OUT AND NORMAL PERFORMANCE RETURNS.

### **CAUTION**

- WHEN STOPPED ON A HILL, USE THE BRAKE PEDAL TO HOLD YOUR POSITION. DO NOT USE THE ACCELERATOR PEDAL.

To stop the vehicle, release the accelerator pedal and depress the brake pedal with your right foot until the vehicle comes to a complete stop.

## **PARKING AND LEAVING THE VEHICLE**

1. After stopping the vehicle, firmly depress the park brake pedal until it locks. This will prevent the vehicle from rolling.
2. Turn the key switch to OFF and place the shift lever in the NEUTRAL position. Remove the key when the vehicle is not in use.

## **CONTROLS - TRANS-PORTER/TRANS-SENDER GASOLINE AND RESORT VILLAGER GASOLINE VEHICLES**

### **DANGER**

- **DO NOT OPERATE GASOLINE VEHICLE IN AN ENCLOSED AREA WITHOUT PROPER VENTILATION. GASOLINE ENGINES PRODUCE CARBON MONOXIDE GAS, WHICH IS AN ODORLESS, DEADLY POISON.**

### **WARNING**

- BEFORE ASSIGNING THE VEHICLE TO A DRIVER, MAKE SURE THE DRIVER IS FAMILIAR WITH ALL CONTROLS AND OPERATING PROCEDURES BEFORE ALLOWING THE VEHICLE TO BE DRIVEN.
- BEFORE ALLOWING ANYONE TO DRIVE THE VEHICLE, BE SURE HE OR SHE IS FAMILIAR WITH ALL CONTROLS AND OPERATING PROCEDURES.

**WARNINGS CONTINUED ON PAGE 24.**

## Controls - Trans-Porter/Trans-Sender Gasoline and Resort Villager Gasoline Vehicles, Continued:

### **WARNING**

- DO NOT TAMPER WITH THE GASOLINE VEHICLE GOVERNOR. DOING SO WILL VOID THE WARRANTY, AS WELL AS DAMAGE THE ENGINE AND OTHER COMPONENTS, AND COULD RESULT IN PROPERTY DAMAGE, PERSONAL INJURY, OR DEATH DUE TO UNSAFE SPEEDS.
- DO NOT MODIFY OR CHANGE THE VEHICLE IN ANY WAY WHICH MIGHT AFFECT ITS STABILITY OR HANDLING, OR INCREASE MAXIMUM VEHICLE SPEED BEYOND FACTORY SPECIFICATIONS. PROPERTY DAMAGE, PERSONAL INJURY, OR DEATH COULD RESULT.
- DO NOT SHIFT THE FORWARD/REVERSE SWITCH WHILE THE VEHICLE IS IN MOTION. TO AVOID INJURY TO AN UNSUSPECTING PASSENGER OR DAMAGE TO THE VEHICLE, ALWAYS BRING THE VEHICLE TO A FULL STOP BEFORE SHIFTING THE LEVER. A BUZZER WILL SOUND AS A WARNING WHEN THE VEHICLE IS IN REVERSE.
- RELEASE THE ACCELERATOR PEDAL AND THEN DEPRESS THE BRAKE PEDAL FIRMLY WITH RIGHT FOOT UNTIL THE VEHICLE STOPS. TO AVOID UNINTENTIONAL STARTING OR ROLLING OF THE VEHICLE, SET THE PARK BRAKE, TURN THE KEY SWITCH TO **OFF**, AND REMOVE THE KEY WHEN LEAVING THE VEHICLE.

### **KEY SWITCH**

The key switch is mounted on the dash to the right of the steering column (**See Figure 13**). It has three positions, OFF, ON, and START, which are clearly labeled.

### **NOTE**

- THE KEY CAN BE REMOVED WHEN THE KEY SWITCH IS IN THE **OFF** POSITION ONLY.

To start the vehicle, turn the key past the ON position to the START position and hold until the engine is running smoothly. Release the key and it will return to the ON position.

### **FORWARD/REVERSE CONTROL**

The forward/reverse shift lever is located on the seat support panel, below and to the right of the driver's right knee (**See Figure 14**). The lever has three distinct positions: **F** (forward), **N** (neutral), and **R** (reverse). Rotate the lever towards the driver, **F** (forward), to run the vehicle in the forward direction, or towards the passenger, **R** (reverse), to run the vehicle in reverse. When the lever is in the straight up, or **N** (neutral) position, the vehicle will idle.

### **NOTE**

- THE ENGINE WILL STOP RUNNING IF THE ACCELERATOR IS DEPRESSED WHILE THE FORWARD/REVERSE LEVER IS IN THE NEUTRAL POSITION.
- THE REVERSE BUZZER WILL SOUND AS A WARNING WHEN THE VEHICLE IS IN REVERSE.

### **ACCELERATOR PEDAL**

The accelerator pedal is the pedal on the right, with the word **GO** molded into it (**See Figure 15**). **See NOTE at top of next page.**

## NOTE

- **THE OPERATION OF THE ACCELERATOR PEDAL DIFFERS FROM THAT OF AN AUTOMOBILE.** WHEN THE ENGINE IS RUNNING, AND THE SHIFT LEVER IS IN EITHER FORWARD OR REVERSE, DEPRESSING THE ACCELERATOR PEDAL WILL AUTOMATICALLY RELEASE THE PARK BRAKE AND START THE VEHICLE MOVING IN THE SELECTED DIRECTION (FORWARD OR REVERSE). AS THE ACCELERATOR PEDAL IS DEPRESSED, SPEED WILL INCREASE UNTIL FULL SPEED IS REACHED. WHEN THE ACCELERATOR PEDAL IS RELEASED, IT WILL RETURN TO THE ORIGINAL POSITION AND THE ENGINE WILL DROP BACK TO IDLE.

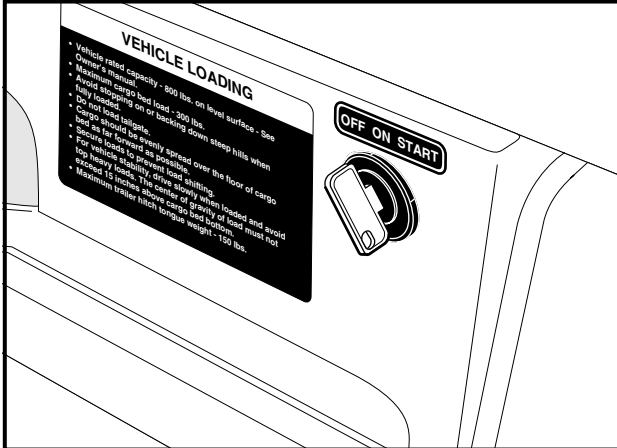


FIGURE 13

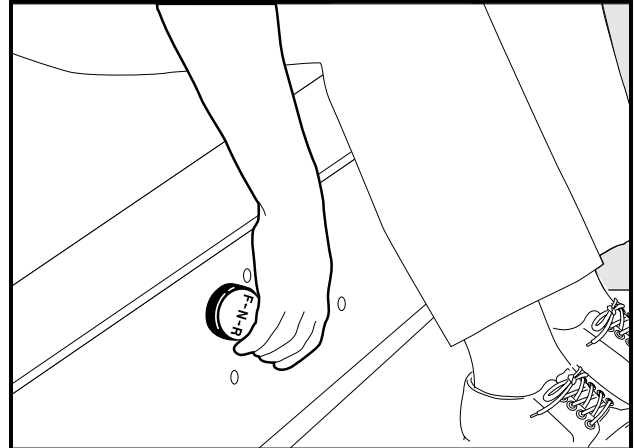


FIGURE 14

## BRAKE PEDAL

The brake pedal is the large pedal on the left with the word **STOP** molded into it (See Figure 15). To slow or stop the vehicle, depress the brake pedal with your right foot (See Figure 16).

## ⚠ WARNING

- THE PARK BRAKE WILL RELEASE AUTOMATICALLY WHEN EITHER THE ACCELERATOR OR BRAKE PEDAL IS DEPRESSED. THE PARK BRAKE HAS MULTIPLE LOCKING POSITIONS AND SHOULD BE FIRMLY PRESSED TO PREVENT THE VEHICLE FROM ROLLING.



FIGURE 15



FIGURE 16

## PARK BRAKE PEDAL

The park brake pedal is the small raised portion in the upper left corner of the brake pedal. It has the word **PARK** molded into it and the words **PARK BRAKE** marked on top of it (See Figure 15). To set park brake, depress the brake pedal firmly and tilt the park brake portion of the pedal forward with your foot (Figure 17). The park brake will release when either the brake pedal or accelerator pedal is depressed.

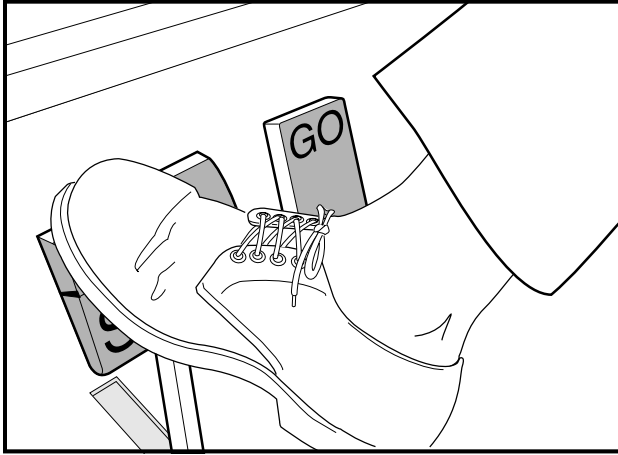


FIGURE 17

## NEUTRAL LOCK-OUT

For the convenience of the trained mechanic, there is a neutral lock-out cam (yellow knob) located on the back of the forward/reverse lever inside the engine compartment. If the neutral lock-out cam is pulled out approximately 3/8 inch (10 millimeters) and then rotated one-half turn until it snaps into place, the vehicle will be in the SERVICE position (See Figure 18). This will allow the mechanic to run the engine for certain maintenance procedures. With the cam in this position, the vehicle will not operate if the forward/reverse lever is placed in either the forward or reverse position. To put the vehicle back into the OPERATE position, pull the cam out approximately 3/8 inch (10 millimeters) and rotate it one-half turn until it snaps into place (See Figure 19). See WARNING and NOTE below.

### **⚠ WARNING**

- WITH THE CAM IN THE SERVICE POSITION AND THE ENGINE RUNNING, THE VEHICLE MAY MOVE SUDDENLY IF THE FORWARD/REVERSE LEVER IS SHIFTED OR ACCIDENTALLY BUMPED. TO PREVENT THIS, CHOCK THE FRONT AND REAR WHEELS AND ALWAYS FIRMLY SET THE PARK BRAKE BEFORE SERVICING OR LEAVING THE VEHICLE.

### **NOTE**

- BE SURE TO RETURN THE CAM TO THE OPERATE POSITION AFTER SERVICING THE VEHICLE, OR IT WILL NOT RUN WITH THE FORWARD AND REVERSE SWITCH IN EITHER THE FORWARD OR REVERSE POSITION.

## Choke

The choke is located on the seat support panel below and to the left of the driver's left knee (See Figure 20). If the vehicle is hard to start in cool or cold temperatures, simply push in the choke cover with your left hand to activate it. Hold it during start up and release the choke cover after the engine starts and runs smoothly.

## Oil Light

The gasoline powered vehicle is equipped with a low oil warning light, located on the dash panel just above the steering column (See Figure 21). If the oil warning light comes on, oil should be checked and added to



the engine as necessary before continuing to use the vehicle. The vehicle should never be driven with the oil warning light remaining on. If the oil warning light goes on and off, you may proceed, but oil should be added at the first opportunity. If the oil level is correct and the light stays on, have a trained mechanic check the vehicle.

**⚠ CAUTION**

- FAILURE TO ADD OIL IMMEDIATELY WHEN THE OIL WARNING LIGHT STAYS ON MAY RESULT IN PERMANENT ENGINE DAMAGE.

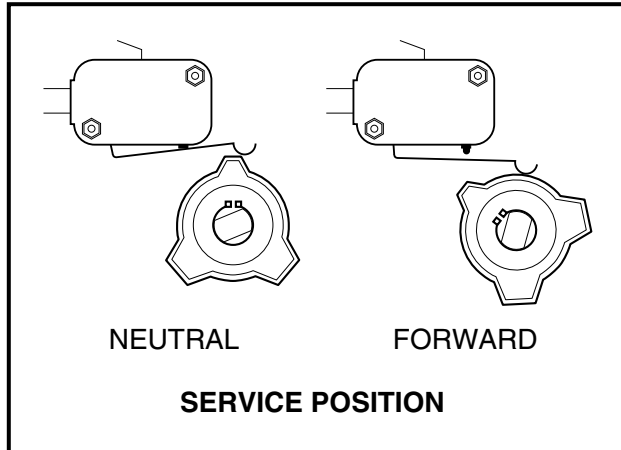


FIGURE 18

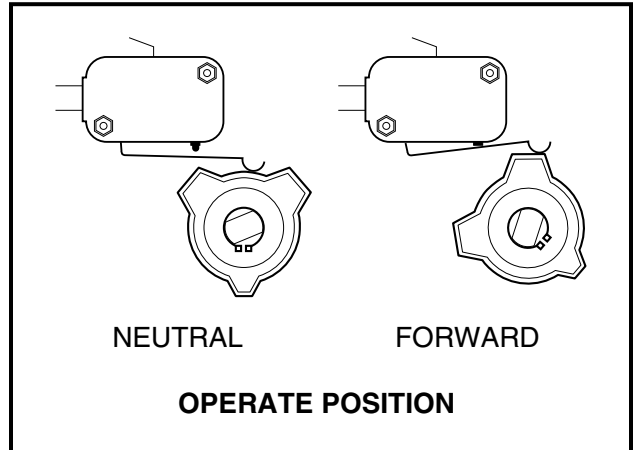


FIGURE 19

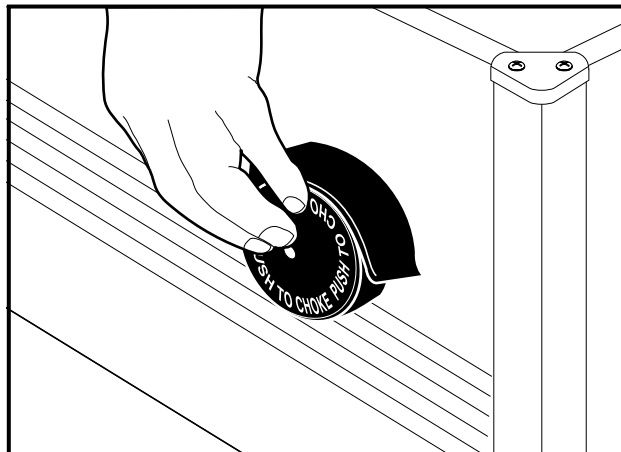


FIGURE 20

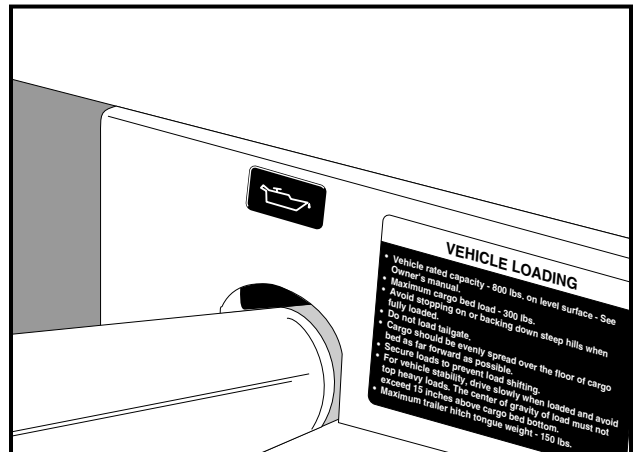


FIGURE 21

**DRIVING INSTRUCTIONS - TRANS-PORTER/TRANS-SENDER GASOLINE AND RESORT VILLAGER GASOLINE VEHICLES**

No one should drive the vehicle without first being instructed in the proper operation and use of the vehicle's controls. An experienced operator should accompany each first-time driver on a test drive before allowing him(her) to operate the vehicle alone. Only licensed drivers should be allowed to drive this vehicle.

To ensure safe operation of the vehicle, follow exactly and in order, all of the following procedures. Read and understand all instructions prior to driving the vehicle. **See WARNINGS at top of page 28.**

**⚠ WARNING**

- MAKE SURE THE DRIVER IS FAMILIAR WITH ALL CONTROLS AND OPERATING PROCEDURES BEFORE ALLOWING THE VEHICLE TO BE DRIVEN.
- NO MORE THAN TWO PEOPLE PER SEAT AT ONE TIME.
- DO NOT ALLOW PASSENGERS IN THE CARGO BED.
- THE VEHICLE IS NOT SPECIALLY EQUIPPED FOR HANDICAPPED PERSONS. BE SURE ALL PASSENGERS ARE CAPABLE OF SECURING THEMSELVES IN A MOVING CLUB CAR UTILITY VEHICLE BEFORE ALLOWING THEM TO RIDE IN ONE.
- FOR NIGHT USE, THE VEHICLE MUST BE EQUIPPED WITH HEADLIGHTS, TAILLIGHTS, AND REFLECTORS.
- STOP THE VEHICLE BEFORE SHIFTING THE FORWARD AND REVERSE LEVER. FAILURE TO DO SO MAY RESULT IN INJURY TO AN UNSUSPECTING PASSENGER AND (OR) DAMAGE TO THE VEHICLE. A BUZZER WILL SOUND AS A WARNING WHEN THE VEHICLE IS IN REVERSE.

**WHEN DRIVING THE VEHICLE:**

- OPERATE THE VEHICLE FROM THE DRIVER'S SEAT ONLY.
- TO PREVENT FALLS FROM THE VEHICLE, REMAIN SEATED IN A MOVING VEHICLE AND HOLD ON TO SEAT HANDLES OR HANDRAILS AT ALL TIMES. DRIVER SHOULD KEEP BOTH HANDS ON THE STEERING WHEEL WHEN THE VEHICLE IS IN MOTION.
- DO NOT LEAVE CHILDREN UNATTENDED ON THE VEHICLE.
- KEEP ALL BODY PARTS INSIDE THE VEHICLE TO PREVENT THEM FROM GETTING CAUGHT BETWEEN THE VEHICLE AND THE GROUND OR OTHER OBJECTS.
- TO PREVENT OVERTURNING OF THE VEHICLE, DRIVE SLOWLY IN TURNS.
- TO PREVENT OVERTURNING OF THE VEHICLE, DRIVE SLOWLY STRAIGHT UP AND DOWN SLOPES. **DO NOT DRIVE THE VEHICLE ON SLOPES EXCEEDING 20% INCLINE.**
- AVOID STOPPING A LOADED VEHICLE ON A HILL. IF A LOADED VEHICLE MUST BE STOPPED ON A HILL, AVOID SUDDEN STARTS OR ROLLING BACKWARDS AND STOPPING SUDDENLY. FAILURE TO HEED THIS WARNING COULD RESULT IN OVERTURNING OF THE VEHICLE.
- TO AVOID POSSIBLE INJURY TO AN UNSUSPECTING PASSENGER AND (OR) DAMAGE TO THE VEHICLE, AVOID SUDDEN STARTS, SUDDEN STOPS, AND ABRUPT TURNS.
- TO AVOID THE POSSIBILITY OF LOSING CONTROL OF OR OVERTURNING THE VEHICLE, REDUCE SPEED FOR ADVERSE DRIVING CONDITIONS SUCH AS WET GRASS OR ROUGH TERRAIN.
- DO NOT USE THE VEHICLE ON PUBLIC ROADS. IT IS NOT DESIGNED OR INTENDED FOR STREET USE AND SHOULD NOT BE LICENSED FOR USE ON PUBLIC ROADS.
- THE VEHICLE SHOULD BE DRIVEN IN ONLY SPECIFIED AREAS BY TRAINED DRIVERS.
- TO AVOID BEING STRUCK, DO NOT STAND IN FRONT OF OR BEHIND THE VEHICLE.
- DO NOT DRIVE WHILE UNDER THE INFLUENCE OF ALCOHOL, DRUGS, OR MEDICATIONS.
- OPERATOR MUST CONTROL VEHICLE SPEED WHEN GOING DOWNHILL.
- **GASOLINE VEHICLE ONLY:** DEPRESS THE BRAKE PEDAL AS NECESSARY AND DEPRESS THE ACCELERATOR PARTIALLY WHEN DESCENDING A HILL. WITH THE ACCELERATOR PEDAL PARTIALLY DEPRESSED, THE GOVERNOR WILL CAUSE THE ENGINE TO ASSIST THE BRAKES IN CONTROLLING DOWNHILL SPEED.

## STARTING THE VEHICLE

1. Be sure load, if any, is secure.
2. Enter the vehicle.
3. Study and understand controls.
4. Be sure everyone is seated and holding onto seat handles or handrails. Driver should have both hands on the steering wheel.
5. Read safety warnings located above pedals.
6. Place the shifter in the NEUTRAL position.
7. Make sure wheels are turned in desired direction.
8. Make sure nothing is in your path.
9. Depress and hold the brake pedal.
10. Turn the key all the way to the START position and release after the engine is started. The engine will idle.
11. While keeping the brake engaged, select direction of travel by placing shift lever in desired position (F = forward or R = reverse).
12. Release the brake pedal completely, and then slowly depress the accelerator pedal. As the accelerator pedal is depressed, speed will increase until full speed is reached.

### NOTE

- IF THE ACCELERATOR PEDAL IS DEPRESSED WHILE THE SHIFTER IS IN NEUTRAL, OR IF YOU TRY TO SHIFT FROM FORWARD TO REVERSE WHILE THE ACCELERATOR PEDAL IS DEPRESSED, THE ENGINE WILL SHUT OFF. TO KEEP THE ENGINE RUNNING, THE ACCELERATOR PEDAL MUST BE RELEASED COMPLETELY BEFORE SHIFTING THE VEHICLE TO NEUTRAL OR FROM FORWARD TO REVERSE.

## STOPPING THE VEHICLE

### WARNING

- DRIVING THROUGH WATER MAY AFFECT THE BRAKES. AFTER DRIVING THROUGH WATER, CHECK EFFECTIVENESS OF THE BRAKES BY GENTLY DEPRESSING THE BRAKE PEDAL. IF THE VEHICLE DOES NOT SLOW DOWN AT THE NORMAL RATE, CONTINUE TO DEPRESS THE BRAKES UNTIL THEY DRY OUT AND NORMAL PERFORMANCE RETURNS.

### CAUTION

- WHEN STOPPED ON A HILL, USE THE BRAKE PEDAL TO HOLD YOUR POSITION. DO NOT USE THE ACCELERATOR PEDAL.

To stop the vehicle, release the accelerator pedal and depress the brake pedal with your right foot until the vehicle comes to a complete stop.

## PARKING AND LEAVING THE VEHICLE

1. After stopping the vehicle, firmly depress the park brake pedal until it locks. This will prevent the vehicle from rolling.
2. Turn the key switch to OFF and place the shift lever in the NEUTRAL position. Remove the key when the vehicle is not in use.

## LOADING AND UNLOADING

---

Center cargo as far forward as possible in the cargo bed and secure it. See WARNINGS below.

### WARNING

- FIRMLY ENGAGE THE PARK BRAKE BEFORE LOADING THE VEHICLE.
- DO NOT ALLOW PEOPLE IN THE CARGO BED.
- DO NOT EXCEED THE RATED CAPACITY OF THE VEHICLE. THIS INCLUDES ALL PASSENGERS, THE LOAD IN THE CARGO BED (500 LBS. (227 KG) MAXIMUM, ALL VEHICLES), AND THE SUM OF THE GROSS WEIGHT AND TONGUE WEIGHT OF A TRAILER. THE TONGUE WEIGHT OF ANY TRAILER SHOULD NEVER EXCEED 150 LBS (68 KG). MAXIMUM RATED CAPACITY FOR TRANS-PORTER/TRANS-SENDER VEHICLES IS 1500 LBS. (680 KG). MAXIMUM RATED CAPACITY FOR RESORT VILLAGER IS 1500 LBS. (680 KG). MAXIMUM RATED CAPACITY FOR TOURALL IS 800 LBS. (363 KG). OVERLOADING CAN AFFECT VEHICLE HANDLING OR CAUSE COMPONENT FAILURE, RESULTING IN LOSS OF CONTROL OF VEHICLE AND POSSIBLE SEVERE PERSONAL INJURY OR DEATH.
- VEHICLE LOAD AND SPEED MUST BE REDUCED WHEN DRIVING UP OR DOWN SLOPES OR ON UNEVEN TERRAIN. RATED CAPACITY IS FOR LEVEL SURFACES ONLY.
- REDUCE SPEED AND AVOID SUDDEN STOPS WHEN BACKING UP. FAILURE TO DO SO MAY CAUSE THE VEHICLE TO OVERTURN OR FLIP OVER BACKWARDS.
- DO NOT LOAD THE TAILGATE. THE TAILGATE SHOULD BE IN THE UPRIGHT POSITION AND LATCHED SECURELY WHILE THE VEHICLE IS IN MOTION.
- TO AVOID SHIFTING THE VEHICLE LOAD AND POSSIBLY OVERTURNING THE VEHICLE, AVOID SUDDEN STARTS, SUDDEN STOPS, AND ABRUPT TURNS. THE CARGO'S CENTER OF GRAVITY MAY AFFECT THE HANDLING, STEERING, AND BRAKING OF THE VEHICLE.
- TO PREVENT CARGO FROM SHIFTING AND POSSIBLY INJURING A PASSENGER OR AFFECTING THE VEHICLE'S HANDLING, MAKE SURE CARGO IS WELL SECURED.
- AVOID TOP-HEAVY LOADS. THE CENTER OF GRAVITY OF A LOAD SHOULD NEVER EXCEED 15 INCHES (38 CM) ABOVE THE BOTTOM OF THE CARGO BED.

## TRANSPORTING ON A TRAILER

---

If your vehicle must be transported over long distances or on public highways, it should be done on an approved trailer observing all the following warnings:

### WARNING

- DO NOT ALLOW PEOPLE IN THE TRAILER BEING TOWED.
- AVOID SUDDEN STARTS, SUDDEN STOPS, AND TIGHT TURNS WHEN TOWING.
- AVOID STOPPING ON A HILL WHEN TOWING. IF YOU MUST STOP ON A HILL, AVOID SUDDEN STARTS, OR ROLLING BACKWARDS AND STOPPING SUDDENLY. FAILURE TO HEED THIS WARNING COULD CAUSE THE VEHICLE TO OVERTURN, POSSIBLY RESULTING IN SEVERE PERSONAL INJURY.
- NORMAL VEHICLE OPERATING SPEED SHOULD BE REDUCED WHEN TOWING A TRAILER.
- FOR USE ON PUBLIC ROADS, THE TRAILER MUST MEET ALL FEDERAL, STATE, AND LOCAL REQUIREMENTS SUCH AS TAILLIGHTS, BRAKE LIGHTS, ETC.

**WARNINGS CONTINUED ON NEXT PAGE.**

## **WARNING**

- ALWAYS USE AN APPROVED TRAILER THAT HAS THE PROPER LOAD RATING FOR THE VEHICLE(S) TO BE TOWED: 1200 LBS. (727 KG.) PER TOURALL; 1600 LBS. (727 KG.) PER RESORT VILLAGER; AND 2000 LBS. (909 KG.) PER TRANS-PORTER/TRANS-SENDER. (EXAMPLE: A TRAILER TO CARRY TWO RESORT VILLAGERS SHOULD BE RATED AT 2 X 1600 = 3200 LBS (2 X 727 = 1454 KG.)).
- NEVER TOW A CLUB CAR VEHICLE BEHIND A PASSENGER VEHICLE OR TRUCK ON A PUBLIC ROAD UNLESS IT IS ON AN APPROVED TRAILER.
- THE VEHICLE TO BE TOWED SHOULD BE TIED SECURELY TO THE TRAILER, WITH THE FORWARD AND REVERSE SWITCH IN NEUTRAL, THE KEY SWITCH OFF, AND THE PARK BRAKE FIRMLY DEPRESSED AND LOCKED.
- WHEN TOWING ON A TRAILER, NORMAL ROAD SPEED OF THE TOW VEHICLE SHOULD BE REDUCED.
- BECAUSE OF THE ADDED LENGTH OF THE TRAILER, CAUTION SHOULD BE USED WHEN TURNING A CORNER.
- NEVER TRANSPORT THE VEHICLE ON A TRAILER WITH A LOAD IN THE VEHICLE CARGO BED.
- REMOVE THE VEHICLE WINDSHIELD BEFORE TRANSPORTING ON A TRAILER.

## **STORAGE - GASOLINE VEHICLE**

To prepare your vehicle for extended off season storage:

1. Unload the vehicle completely, so that only minimum vehicle weight will be placed on the tires.
2. Store vehicle in a cool place. This will prevent self-discharge of the battery. If the battery appears to be weak, have it charged using an automotive-type 12-volt battery charger rated 10 amps or less.

## **DANGER**

- **GASOLINE - FLAMMABLE! EXPLOSIVE! DO NOT SMOKE. KEEP SPARKS AND FLAMES AWAY FROM THE AREA OF THE VEHICLE.**
- **NEVER ATTEMPT TO DRAIN GASOLINE WHEN THE ENGINE IS HOT OR WHILE IT IS RUNNING. BE SURE TO CLEAN UP ANY SPILLED GASOLINE BEFORE OPERATING THE VEHICLE.**
- **STORE GASOLINE IN AN APPROVED GASOLINE CONTAINER ONLY. STORE IN A WELL-VENTILATED AREA AWAY FROM SPARKS, OPEN FLAMES, HEATERS, OR HEAT SOURCES.**
- **DO NOT SERVICE, REPAIR, OR OPERATE IN AN ENCLOSED AREA WITHOUT PROPER VENTILATION. THE ENGINE PRODUCES CARBON MONOXIDE WHICH IS AN ODORLESS, DEADLY POISON.**
- **KEEP GASOLINE OUT OF THE REACH OF CHILDREN.**
- **DO NOT SIPHON GASOLINE FROM THE VEHICLE.**

## **WARNING**

- TURN THE KEY SWITCH OFF, REMOVE THE KEY, AND LEAVE THE FORWARD AND REVERSE SWITCH IN THE NEUTRAL POSITION DURING STORAGE. THIS IS TO PREVENT UNINTENTIONAL STARTING OF THE VEHICLE.

## Storage - Gasoline Vehicle, Continued:

### **WARNING**

- DO NOT ATTEMPT TO CHARGE A BATTERY IF IT IS FROZEN OR IF THE CASE IS BULGED. DISCARD THE BATTERY. FROZEN BATTERIES CAN EXPLODE.

### **CAUTION**

- BATTERIES IN A LOW STATE OF CHARGE WILL FREEZE AT LOW TEMPERATURES.

3. Drain carburetor and seal the fuel tank.
  - 3.1. Place the Forward and Reverse Lever in the NEUTRAL position and the neutral lock-out cam in the SERVICE position. Disconnect the fuel line from *the inlet side* of the fuel pump and run the engine until fuel remaining in the carburetor and fuel lines is used up and the engine stalls. Return the neutral lock-out cam to OPERATE position.
  - 3.2. Loosen (do not remove) the carburetor drain screw and drain fuel remaining in bowl into a small container, then pour the fuel from the container into vehicle fuel tank.
  - 3.3. Reconnect fuel line to fuel pump.
  - 3.4. Disconnect fuel vent line from fuel tank vent nipple.
  - 3.5. Plug the fuel tank vent nipple so that it is air tight. We recommend using a slip-on vinyl cap.
4. To protect the engine, remove the spark plug and pour 1/2 ounce of SAE 10 weight oil into the engine through the spark plug hole. Rotate the engine crank shaft several times and then re-install the spark plug.
5. Inflate tires to rated capacities (**See Tire Capacities, Page 43**).
6. Grease front suspension and do all quarterly periodic lubrication (**See Periodic Lubrication Schedule, Page 41**).
7. Thoroughly clean front body, rear body, seats, cargo bed, engine compartment, and underside of vehicle.
8. Do not latch the park brake. Block tires to prevent the vehicle from rolling.

## **TO RETURN THE STORED VEHICLE TO SERVICE:**

1. Restore fuel system to operation.
  - 1.1. Remove plug from the fuel tank vent nipple and reconnect fuel vent line to tank.
  - 1.2. Place the Forward and Reverse Lever in the NEUTRAL position and the neutral lock-out cam in the SERVICE position. Crank the engine until fuel is pumped into the carburetor and fuel lines and the engine starts. Turn the engine off and return the neutral lock-out cam to the OPERATE position.
2. Readjust tire pressure (**See Tire Capacities, Page 43**).
3. Perform the Pre-Operation Checklist (**See pages 15 and 16**).

### **NOTE**

- WHEN RUNNING THE ENGINE FOR THE FIRST TIME AFTER STORAGE, IT MAY SMOKE EXCESSIVELY FOR A SHORT WHILE DUE TO THE OIL ADDED TO THE ENGINE IN PREPARATION FOR STORAGE.

## STORAGE - ELECTRIC VEHICLE

### WARNING

- TURN THE KEY SWITCH OFF, REMOVE THE KEY, AND LEAVE THE FORWARD AND REVERSE SWITCH IN THE NEUTRAL POSITION DURING STORAGE. THIS IS TO PREVENT UNINTENTIONAL STARTING OF THE VEHICLE.
- DO NOT ATTEMPT TO CHARGE FROZEN BATTERIES OR BATTERIES WITH BULGED CASES. DISCARD THE BATTERY. FROZEN BATTERIES CAN EXPLODE.

### CAUTION

- BATTERIES IN LOW STATE OF CHARGE WILL FREEZE AT LOW TEMPERATURES.
- WHEN WASHING THE VEHICLE, DO NOT DIRECT WATER STREAM AT THE SPEED SWITCH, FORWARD AND REVERSE SWITCH, OR OTHER ELECTRONIC COMPONENT.
- IF BATTERY WIRE TERMINALS ARE DAMAGED OR CORRODED, THEY SHOULD BE REPLACED OR CLEANED AS NECESSARY. FAILURE TO DO SO MAY CAUSE THEM TO OVERHEAT DURING OPERATION.

1. Unload the vehicle completely, so that only minimum vehicle weight will be on the tires.
2. Fully charge batteries (**See Batteries - Electric Vehicle, Page 46**).
3. Wash off any corrosion around the terminals with a solution of baking soda and water, then rinse the baking soda solution from the batteries. Do not allow this solution to enter the batteries. Let the terminals dry and coat them with CLUB CAR battery terminal spray, Part No. 1014305.

### CAUTION

- DO NOT ALLOW BAKING SODA SOLUTION TO ENTER THE BATTERIES.

4. Store in a cool, dry place. This will prevent self-discharge of the batteries.
5. Inflate tires to rated capacities (**See Tire Capacities, Page 43**).
6. Grease front suspension and do all quarterly periodic lubrication (**See Periodic Lubrication Schedule, Page 42**).
7. Thoroughly clean front body, rear body, seats, cargo bed, battery compartment, and underside of the vehicle.
8. Do not latch the park brake. Block tires to prevent the vehicle from rolling.
9. Leave PowerDrive System 48 vehicles with PowerDrive chargers plugged in during storage. The PowerDrive storage charge feature will automatically charge the batteries as needed (**See Batteries - Electric Vehicle, Page 46**).

### NOTE

- A POWERDRIVE SYSTEM 48 VEHICLE WILL NOT OPERATE WHILE PLUGGED TO A CHARGER.

## TO RETURN THE STORED VEHICLE TO SERVICE:

1. Fully charge batteries (**See Batteries - Electric Vehicle, Page 46**).
2. Readjust tire pressure to rated capacities (**See Tire Capacities, Page 43**).
3. Perform the Pre-Operation Checklist (**See pages 15 and 16**).

## MAINTENANCE

---

### GENERAL INFORMATION:

To ensure trouble-free vehicle performance, it is very important to follow an established preventive maintenance program (regularly scheduled service, even though the vehicle is functional). Regular and consistent vehicle maintenance can prevent vehicle down-time and expensive repairs that result from neglect. Any vehicle not functioning correctly should be removed from use until it is properly repaired. This will prevent further damage to the vehicle and avoid the possibility of injury due to unsafe conditions.

Contact your local Club Car distributor/dealer to perform all repairs and semi-annual and annual periodic service.

- **See Page 36 for Gasoline Vehicle Periodic Service Schedule.**
- **See Page 38 for Electric Vehicle Periodic Service Schedule.**
- **See Page 41 for Gasoline Vehicle Periodic Lubrication Schedule.**
- **See Page 42 for Electric Vehicle Periodic Lubrication Schedule.**
- **See Page 43 for Vehicle Capacities.**

### **WARNING**

- ONLY TRAINED MECHANICS SHOULD REPAIR OR SERVICE THE VEHICLE. ANYONE DOING EVEN SIMPLE REPAIRS OR SERVICE SHOULD FOLLOW THE PROCEDURES EXACTLY AS STATED IN THIS MANUAL, AND OBEY THE **DANGERS, WARNINGS, AND CAUTIONS** LISTED IN THIS MANUAL, AS WELL AS THOSE AFFIXED TO THE VEHICLE.
- IF ANY PROBLEMS ARE FOUND DURING SCHEDULED INSPECTION OR SERVICE, DO NOT OPERATE THE VEHICLE UNTIL REPAIRS ARE MADE. FAILURE TO MAKE NECESSARY REPAIRS COULD RESULT IN FIRE, PROPERTY DAMAGE, SEVERE PERSONAL INJURY, OR DEATH.
- ALWAYS WEAR SAFETY GLASSES OR APPROVED EYE PROTECTION WHEN SERVICING THE VEHICLE. WEAR A FULL-FACE SHIELD WHEN WORKING WITH BATTERIES.
- DO NOT WEAR LOOSE CLOTHING OR JEWELRY, SUCH AS RINGS, WATCHES, CHAINS, ETC., WHEN SERVICING THE VEHICLE.
- ALWAYS USE INSULATED TOOLS WHEN WORKING AROUND BATTERIES OR ELECTRICAL CONNECTIONS.
- TURN KEY SWITCH TO OFF, REMOVE THE KEY, PLACE THE FORWARD AND REVERSE SWITCH IN THE NEUTRAL POSITION, AND CHOCK TIRES PRIOR TO SERVICING.
- MOVING PARTS - DO NOT ATTEMPT TO SERVICE GASOLINE VEHICLE WHILE THE ENGINE IS RUNNING.
- HOT! DO NOT ATTEMPT TO SERVICE HOT ENGINE, MOTOR, OR EXHAUST SYSTEM. ATTEMPTING TO DO SO COULD CAUSE SEVERE BURNS.
- REMOVE CARGO BED BEFORE SERVICING. DO NOT PROP OPEN. FAILURE TO HEED THIS WARNING COULD RESULT IN SEVERE PERSONAL INJURY.

**WARNINGS CONTINUED ON PAGE 35.**



Maintenance, Continued:

**⚠ WARNING**

- DO NOT WORK ON THE VEHICLE POWERTRAIN OR UNDER THE CARGO BED WHEN IT IS LOADED.

**GASOLINE VEHICLES ONLY:**

- TO AVOID UNINTENTIONAL STARTING OF THE VEHICLE, BEFORE SERVICING ALWAYS:
  - DISCONNECT THE BATTERY CABLES, NEGATIVE (-) FIRST.
  - DISCONNECT THE SPARK PLUG WIRE FROM THE SPARK PLUG.
- FRAME GROUND - DO NOT ALLOW WRENCH OR OTHER METAL OBJECTS TO CONTACT FRAME WHEN DISCONNECTING BATTERIES OR OTHER ELECTRICAL WIRING. NEVER ALLOW A POSITIVE WIRE TO TOUCH THE VEHICLE FRAME, ENGINE, INNER FRAME, OR OTHER METAL COMPONENT.

**⚠ WARNING**

**ELECTRIC VEHICLES ONLY:**

- TO AVOID UNINTENTIONAL STARTING OF THE VEHICLE, DISCONNECT THE BATTERIES AS SHOWN (SEE FIGURES 22 AND 23) AND DISCHARGE THE CONTROLLER AS FOLLOWS:
  - TURN THE KEY SWITCH TO ON AND PLACE THE FORWARD AND REVERSE SWITCH IN THE REVERSE POSITION.
  - SLOWLY DEPRESS THE ACCELERATOR PEDAL AND KEEP IT DEPRESSED UNTIL THE REVERSE WARNING BUZZER CAN NO LONGER BE HEARD. WHEN THE BUZZER STOPS SOUNDING, THE CONTROLLER IS DISCHARGED.

**NOTE**

- IF THE VEHICLE IS CONSTANTLY HAULING HEAVY LOADS OR HAULING A TRAILER, THESE PREVENTIVE MAINTENANCE PROCEDURES SHOULD BE PERFORMED MORE OFTEN THAN RECOMMENDED IN THE PERIODIC SERVICE SCHEDULE.

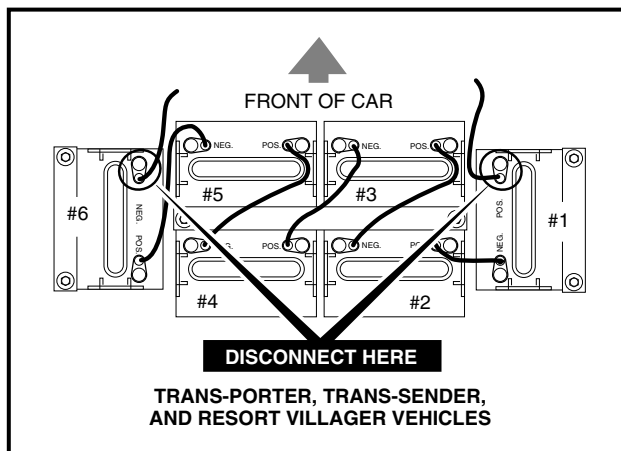


FIGURE 22

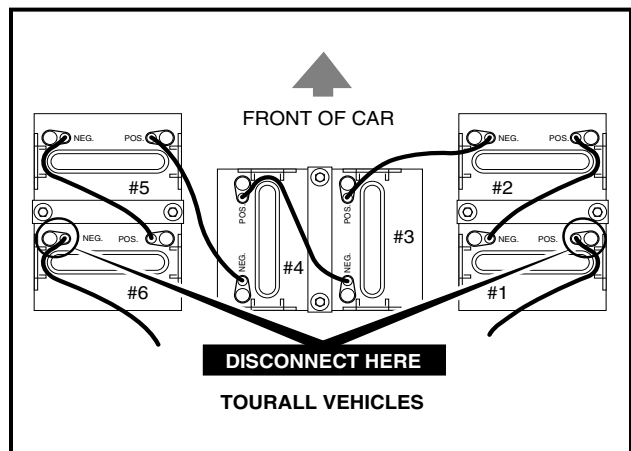


FIGURE 23

# PERIODIC SERVICE SCHEDULES

## WARNING

- IF ANY PROBLEMS ARE FOUND, DO NOT OPERATE THE VEHICLE UNTIL REPAIRS ARE MADE. FAILURE TO MAKE NECESSARY REPAIRS COULD RESULT IN FIRE, PROPERTY DAMAGE, SEVERE PERSONAL INJURY, OR DEATH.
- ALL SERVICE, REPAIRS, AND ADJUSTMENTS MUST BE MADE PER INSTRUCTIONS IN THE TRANSPORTATION MAINTENANCE AND SERVICE MANUAL, PUBLICATION PART NO. 1019051-03.

## PERIODIC SERVICE SCHEDULE - GASOLINE VEHICLE

REGULAR INTERVAL	SERVICE		
<b>Daily Service by Owner</b>	Accelerator pedal/rod	Check for proper operation (See Performance Inspection, Page 16). Adjust as necessary.	
	Accelerator/governor linkage and cables	Check for proper operation (See Performance Inspection, Page 16). Adjust as necessary.	
	Brake System	Check for proper operation (See Performance Inspection, Page 16). Adjust as necessary.	
	Choke	Check for proper operation (See Page 20).	
	Engine	Check for proper operation.	
	Engine air intake system	Check air filter element, clean as necessary.	
	Engine cooling air intake	Check for clogging, clean as necessary.	
	Fuel System	Check fuel tank, lines, cap, pump, and carburetor for fuel leakage.	
	Park Brake	Check for proper operation (See Page 16).	
	Reverse Warning Buzzer	Check for proper operation (See NOTE, Page 18).	
	Steering and linkages	Check for proper operation (See Performance Inspection, Page 16).	
	Tires	Check for wear and damage.	
	Unitized Transaxle	Check shift linkage for proper operation.	
	Vehicle warning decals	Make sure all are in place (See Gasoline Vehicle Feature Identification, Pages 5, 8-9, and 12-14).	
<b>Weekly Service by Owner</b>	Battery	Clean terminals and wash dirt from casing, check electrolyte level (See Page 45).	
	Electrical wiring and connections	Check for tightness and damage.	
	Torque Converter	Rinse with water.	
	General Vehicle		Check for loose hardware and tighten as required.
			Check maximum speed of vehicle (See Performance Inspection, Page 16).
			Wash engine compartment and underside of vehicle.
	Check all daily items listed above.		
<b>Periodic Service Schedule Continued on Next Page.</b>			

## PERIODIC SERVICE SCHEDULE - GASOLINE VEHICLE

REGULAR INTERVAL	SERVICE	
<b>Monthly Service by Owner or Trained Mechanic</b>	Battery	Wash battery top with baking soda/water solution (See Page 45).
	Brake System	Check brake cables for damage; replace as required.
		Check for proper operation (See Performance Inspection, Page 16). Check brake pedal free play. Adjust as necessary (See Maintenance & Service Manual).
	Engine	Make sure that both ground wires are tight and properly connected.
		Check engine oil level - change as required (See Gas Vehicle Lubrication Chart, Page 41).
	Exhaust System	Check for leaks.
	Tires	Check for wear and damage.
Check air pressure and adjust as necessary (See Capacities Chart on Page 43).		
Check all daily and weekly items listed above.		
<b>Quarterly Service by Owner or Trained Mechanic</b>	Engine	Check engine oil level - change as required (See Gas Vehicle Lubrication Chart, Page 41).
	Engine air intake hose	Check clamps for tightness; check hose for cracks.
	Accelerator pedal/rod	Check for proper operation, adjust as necessary (See NOTE, Page 18).
	Accelerator/governor linkage and cables	Check for proper operation, adjust as necessary.
	Steering	Lubricate per Gas Vehicle Lubrication Chart on Page 41.
	General Vehicle	Lubricate per Gas Vehicle Lubrication Chart on Page 41.
	Check all daily, weekly, and monthly items listed above.	
<b>Semi-annual Service by Trained Mechanic Only (Every 50 hours of operation)</b>	Brake System	Check for proper operation (See Performance Inspection, Page 16). Check brake pedal free play. Clean, and adjust as necessary (See Maintenance & Service Manual).
		Check brake shoes, replace if necessary.
		Lubricate slide plates with graphite (See Maintenance & Service Manual).
	Drive Belt	Check for cracks, wear, and glazing, replace if necessary.
	Electrical Wiring	Check for cracked or worn insulation.
	Engine	Check spark plug wire and boot for damage and proper routing.
		Exhaust System
	Check muffler condition.	
Front Wheel Alignment and Camber	Check and adjust as required. See Maintenance & Service Manual.	
<b>Periodic Service Schedule Continued on Next Page.</b>		

## PERIODIC SERVICE SCHEDULE - GASOLINE VEHICLE

REGULAR INTERVAL	SERVICE	
<b>Semi-annual Service by Trained Mechanic Only (Every 50 hours of operation)</b>	Starter/Generator Belt	Check for cracks, wear, and glazing, replace if necessary.
		Check belt tension, adjust as required.
	Torque Converter/Drive Belt	Check for proper operation. Inspect belt and replace as required.
	General Vehicle	Lubricate per Gas Vehicle Lubrication Chart, Page 41.
Check all daily, weekly, monthly, and quarterly items listed above.		
<b>Annual Service by Trained Mechanic Only (Every 100 hours of operation)</b>	Engine	Check engine oil level - change as require (See Gas Vehicle Lubrication Chart, Page 41).
		Check for leaks around gaskets, fill plugs, etc.
		Inspect, clean, and regap spark plug; replace if necessary.
	Engine Air Intake	Check air filter element, clean or replace.
	Fuel Filters	Replace.
	Front Wheel Bearings	Inspect and check for free play; repack with chassis lube and adjust as necessary.
	Starter/Generator	Check brush length (remove excess carbon dust); replace as necessary.
	Unitized Transaxle	Check/fill transaxle to plug level (See Gas Vehicle Lubrication Chart on Page 41).
	General Vehicle	Lubricate per Gas Vehicle Lubrication Chart on Page 41.
Check all daily, weekly, monthly, quarterly, and semi-annual items listed above.		

## PERIODIC SERVICE SCHEDULES

### WARNING

- IF ANY PROBLEMS ARE FOUND, DO NOT OPERATE THE VEHICLE UNTIL REPAIRS ARE MADE. FAILURE TO MAKE NECESSARY REPAIRS COULD RESULT IN FIRE, PROPERTY DAMAGE, SEVERE PERSONAL INJURY, OR DEATH.
- ALL SERVICE, REPAIRS, AND ADJUSTMENTS MUST BE MADE PER INSTRUCTIONS IN THE TRANSPORTATION MAINTENANCE AND SERVICE MANUAL, PUBLICATION PART NO. 1019051-03.

## PERIODIC SERVICE SCHEDULE - ELECTRIC VEHICLE

REGULAR INTERVAL	SERVICE	
<b>Daily Service by Owner</b>	Accelerator pedal/rod	Check for proper operation (See Performance Inspection, Page 16). Adjust as necessary.
	Accelerator Switch (Continuously Variable Potentiometer)	Check for proper operation (See Maintenance and Service Manual).
	Batteries	Charge batteries.

## PERIODIC SERVICE SCHEDULE - ELECTRIC VEHICLE

REGULAR INTERVAL	SERVICE	
<b>Periodic Service Schedule Continued on Next Page.</b>		
<b>Daily Service by Owner, Continued:</b>	Brake System	Check for proper operation (See Performance Inspection, Page 16). Adjust as necessary.
	Charger and Receptacle	Check for damage and snug fit.
	Park Brake	Check for proper operation (See Performance Inspection, Page 16).
	Reverse Warning Buzzer	Check for proper operation (See NOTE, Page 17).
	Steering and linkages	Check for proper operation.
	Tires	Check for wear and damage.
	Vehicle warning decals	Make sure all are in place (See Electric Vehicle Feature Identification, Pages 6-7 and 10-14).
<b>Weekly Service by Owner</b>		
<b>Weekly Service by Owner</b>	Batteries	Clean terminals and wash dirt from casing, check electrolyte level (See Page 45).
	Electrical wiring and connections	Check for tightness and damage.
	General Vehicle	Check for loose hardware and tighten as required.
		Check maximum speed of vehicle (See Performance Inspection, Page 16).
Check all daily items listed above.		
<b>Monthly Service by Owner or Trained Mechanic</b>		
<b>Monthly Service by Owner or Trained Mechanic</b>	Batteries	Wash battery tops with baking soda/water solution.
	Brake System	Check for proper operation (See Performance Inspection, Page 16). Check brake pedal free play. Adjust as necessary (See Maintenance & Service Manual).
		Check brake cables for damage and replace as required.
	Tires	Check for wear and damage.
	Tires	Check air pressure and adjust as necessary (See Capacities Chart on Page 43).
	Accelerator Switch (Continuously Variable Potentiometer)	Check for cracks or other damage; make sure switch is securely fastened to frame.
	Check all daily and weekly items listed above.	
<b>Quarterly Service by Owner or Trained Mechanic</b>		
<b>Quarterly Service by Owner or Trained Mechanic</b>	Accelerator pedal/rod	Check for proper operation, adjust as necessary (See NOTE, Page 18).
	Steering	Lubricate per Electric Vehicle Lubrication Chart on Page 42.
	General Vehicle	Lubricate per Electric Vehicle Lubrication Chart on Page 42.
	Check all daily, weekly, and monthly items listed above.	
<b>Semi-annual Service by Trained Mechanic Only (Every 50 hours of operation)</b>		
<b>Semi-annual Service by Trained Mechanic Only (Every 50 hours of operation)</b>	Batteries	Check specific gravity, electrolyte level, and on-charge voltage.

## PERIODIC SERVICE SCHEDULE - ELECTRIC VEHICLE

REGULAR INTERVAL	SERVICE	
<b>Periodic Service Schedule Continued on Page 40.</b>		
<b>Semi-annual Service by Trained Mechanic Only (Every 50 hours of operation), Continued:</b>	Brake System	Check for proper operation (See Performance Inspection, Page 16). Check brake pedal free play. Clean, and adjust as necessary (See Maintenance & Service Manual).
		Check brake shoes, replace if necessary.
		Lubricate slide plates with graphite (See Maintenance & Service Manual).
	Electrical Wiring	Check for cracked or worn insulation.
	Forward and Reverse Switch	Check condition of contacts and wire connections; Make sure connections are tight.
	Front Wheel Alignment and Camber	Check and adjust as required (See Maintenance & Service Manual).
	General Vehicle	Lubricate per Electric Vehicle Lubrication Chart on Page 42.
	Check all daily, weekly, monthly, and quarterly items listed above.	
<b>Annual Service by Trained Mechanic Only (Every 100 hours of operation)</b>	Accelerator Switch (Continuously Variable Potentiometer)	Check for proper operation, remove cover and inspect for wear and damage ( See Maintenance & Service Manual).
	Batteries	Perform discharge test.
	Motor	Check motor brushes; replace as necessary.
	Front Wheel Bearings	Inspect and check for free play; repack with chassis lube and adjust as necessary.
	Transaxle	Check/fill transaxle to plug level (See Electric Vehicle Lubrication Chart on Page 42).
	General Vehicle	Lubricate per Electric Vehicle Lubrication Chart on Page 42.
	Check all daily, weekly, monthly, quarterly, and semi-annual items listed above.	

### WARNING

- IF ANY PROBLEMS ARE FOUND, DO NOT OPERATE THE VEHICLE UNTIL REPAIRS ARE MADE. FAILURE TO MAKE NECESSARY REPAIRS COULD RESULT IN FIRE, PROPERTY DAMAGE, SEVERE PERSONAL INJURY, OR DEATH.
- ALL SERVICE, REPAIRS, AND ADJUSTMENTS MUST BE MADE PER INSTRUCTIONS IN THE TRANSPORTATION MAINTENANCE AND SERVICE MANUAL, PUBLICATION PART NO. 1019051-03.

# PERIODIC LUBRICATION SCHEDULES

PERIODIC LUBRICATION SCHEDULE - GASOLINE VEHICLE			
REGULAR INTERVAL	SERVICE	PLACE*	RECOMMENDED LUBRICANT
Quarterly by Owner or Trained Technician	Brake shaft bearings	1.	Dry Moly Lube - Club Car Part No. 1012151
	Brake Linkage and Pivots	2.	Dry Moly Lube - Club Car Part No. 1012151
	Accelerator push rod pivots and shifter cable pivots	3.	Dry Moly Lube - Club Car Part No. 1012151
	Front Suspension (5 fittings)	4.	Chassis Lube
Annually by Trained Technician Only (Every 100 hours of operation)	Check/fill unitized transaxle to plug level	5.	27 oz. (.8 liter) 80-90 WT. API Class GL-3 or 80-90 WT. AGMA Class EP Gear Lube
	Inspect front wheel bearings (Repack as necessary)	6.	Chassis Lube
First Change 100 Hours - Additional Change Every 200 Hours of Operation, or Annually - Whichever Comes First	Change engine oil and oil filter	7.	32 oz. (.97 liter) without filter; 38 oz. (1.16 liters) with filter. 10W30 above 32°F (0°C) or SAE 5W20 below 32°F (0°C) API Class SE, SF, or SG Oil (or higher)

\*See Figure 27 below.

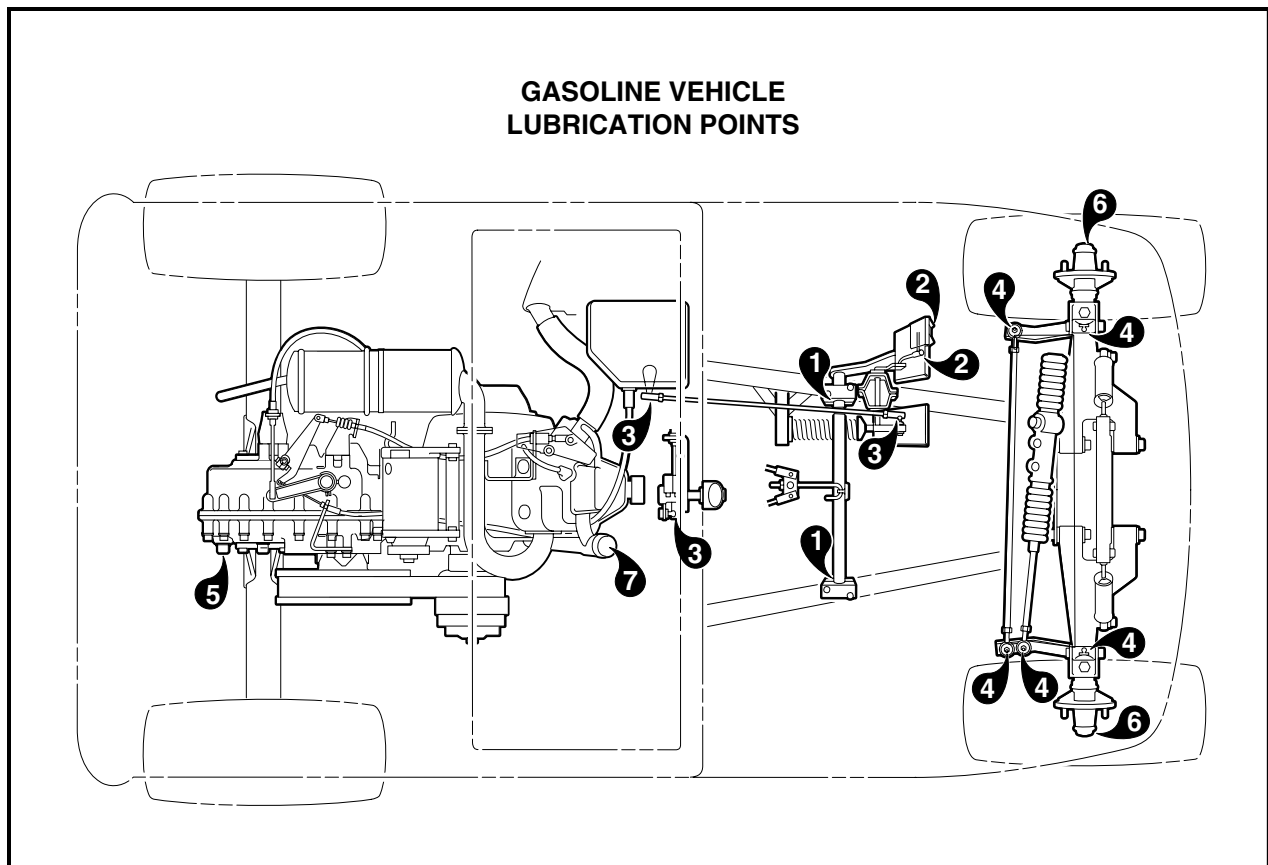


FIGURE 24

# PERIODIC LUBRICATION SCHEDULE

PERIODIC LUBRICATION SCHEDULE - ELECTRIC VEHICLE			
REGULAR INTERVAL	SERVICE	PLACE*	RECOMMENDED LUBRICANT
<b>Quarterly by Owner or Trained Technician</b>	Brake shaft bearings	1.	Dry Moly Lube - Club Car Part No. 1012151
	Brake Linkage and Pivots	2.	Dry Moly Lube - Club Car Part No. 1012151
	Accelerator pivots	3.	Dry Moly Lube - Club Car Part No. 1012151
	Forward and reverse switch contacts and charger receptacle	4.	WD-40®
	Front Suspension (5 fittings)	5.	Chassis Lube
<b>Annually by Trained Technician Only (Every 100 hours of operation)</b>	Check/fill transaxle to plug level	6.	22 oz. (.67 liter) SAE 30 WT. API Class SE, SF, or SG Oil (or higher)
	Inspect front wheel bearings (Repack as necessary)	7.	Chassis Lube

\*See Figure 28 below.

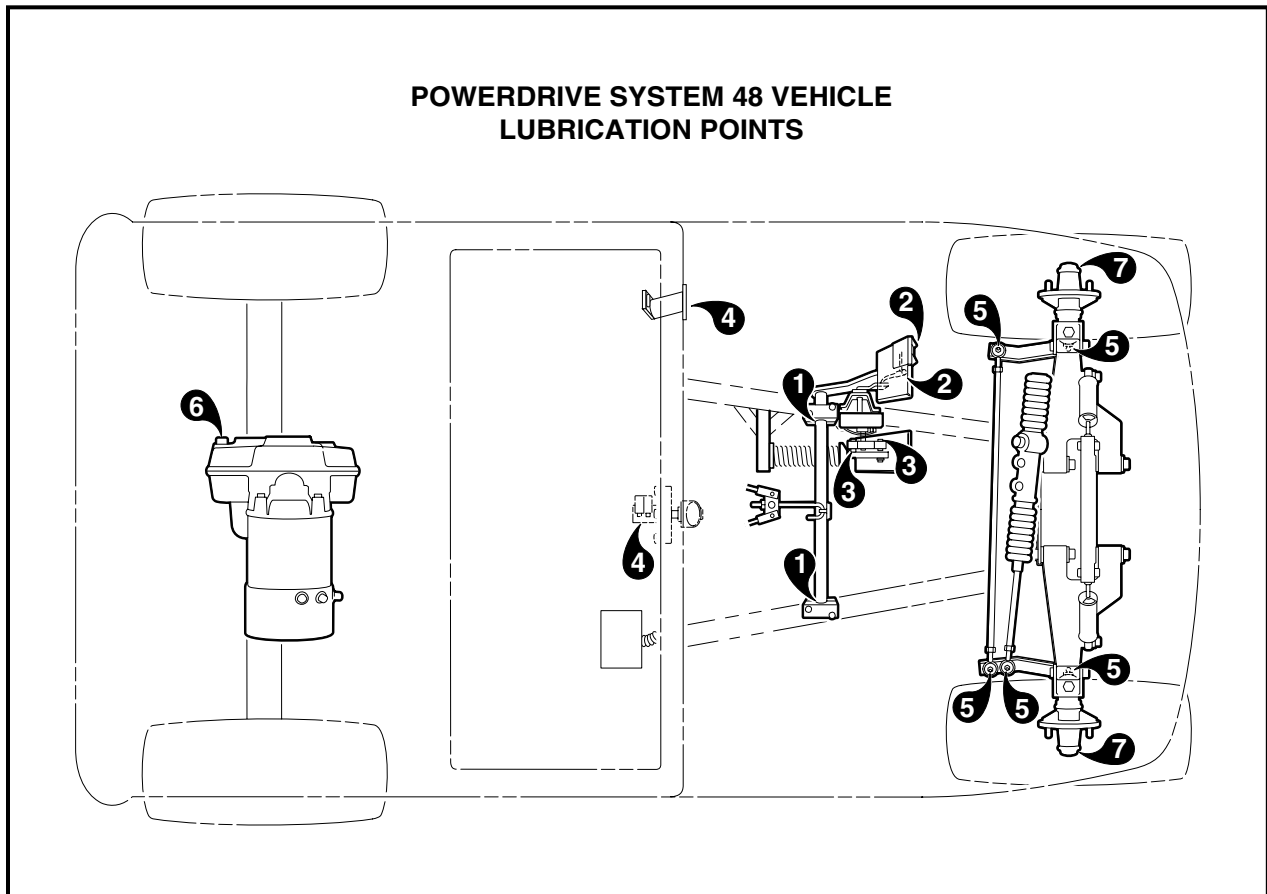


FIGURE 25



## VEHICLE CAPACITIES

LIQUID CAPACITIES		
	GASOLINE VEHICLES	ELECTRIC VEHICLES
Engine Crankcase without filter	32 oz. (.98 liters)	
Engine Crankcase with filter	38 oz. (1.16 liters)	
Unitized Transaxle (gas vehicle)	27 oz. (.8 liters)	
Transaxle (electric vehicle)		22 oz. (.67 liters)
Gasoline Tank	7 gallons (26.5 liters)	

TIRE CAPACITIES		
	GASOLINE VEHICLES	ELECTRIC VEHICLES
Tourall	12-14 psi. (83-96 kPa)	18-20 psi. (124-138 kPa)
Resort Villager	30-34 psi. (207-234 kPa)	30-34 psi. (207-234 kPa)
Trans-Porter	30-34 psi. (207-234 kPa)	30-34 psi. (207-234 kPa)
Trans-Sender	30-34 psi. (207-234 kPa)	30-34 psi. (207-234 kPa)

## ENGINE OIL - GASOLINE VEHICLE

Even though the oil warning light on the dash should warn you if your oil is getting low, engine oil level should be checked monthly (See Figure 26).

### NOTE

- TO CHECK ENGINE OIL, THE ENGINE MUST BE IN LEVEL POSITION. REMOVE THE OIL LEVEL DIPSTICK FROM THE OIL FILLER TUBE AND WIPE OIL FROM IT WITH A CLEAN DRY CLOTH OR PAPER TOWEL. CHECK OIL BY INSERTING THE DIPSTICK FULLY INTO THE OIL FILLER TUBE AND IMMEDIATELY REMOVING IT AGAIN. IF THE OIL LEVEL IS AT OR BELOW THE **ADD** MARK ON THE DIPSTICK GAUGE, ADD OIL UNTIL THE LEVEL IS BETWEEN **ADD** AND **FULL** (SAFE LEVEL). **DO NOT OVERFILL!** REINSERT DIPSTICK INTO THE OIL FILLER TUBE.

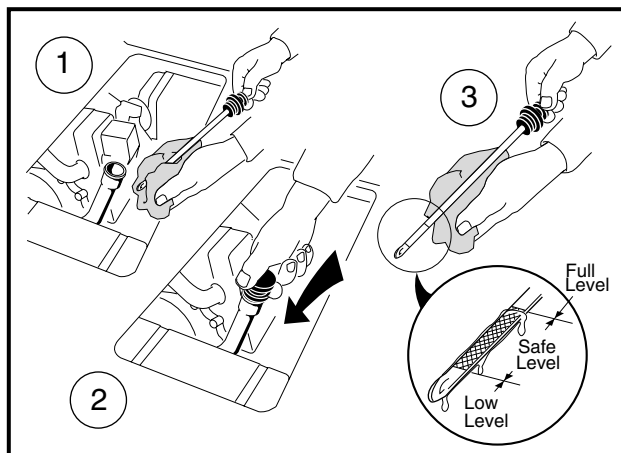


FIGURE 26

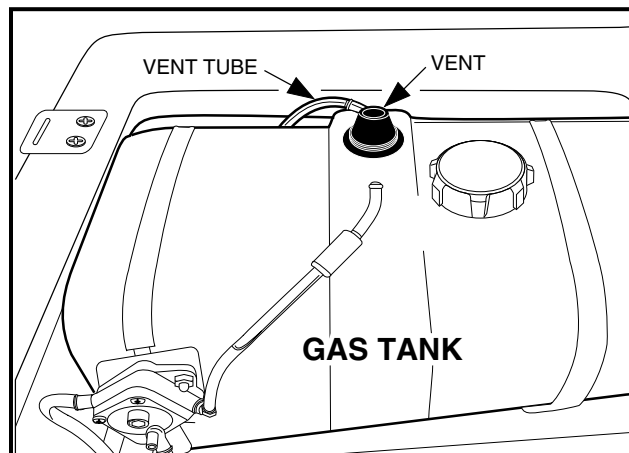


FIGURE 27

## FUELING INSTRUCTIONS - GASOLINE VEHICLE

---

### DANGER

- **GASOLINE - FLAMMABLE! EXPLOSIVE! DO NOT SMOKE. KEEP SPARKS AND FLAMES AWAY FROM THE AREA OF THE VEHICLE.**
- **SERVICE OR REPAIR IN WELL VENTILATED AREA ONLY.**
- **NEVER ATTEMPT TO POUR GASOLINE INTO THE FUEL TANK WHEN THE ENGINE IS HOT OR WHILE IT IS RUNNING.**
- **TO AVOID ELECTRIC ARC CAUSED BY STATIC ELECTRICITY, THE FUEL STORAGE/PUMPING DEVICE MUST BE GROUNDED. IF THE PUMP IS NOT GROUNDED, THE VEHICLE MUST BE GROUNDED TO THE PUMP BEFORE AND DURING THE FUELING OPERATION.**
- **IF THE VEHICLE HAS AN ALL-WEATHER ENCLOSURE INSTALLED, THE GAS TANK MUST BE PROPERLY VENTED AS SHOWN (FIGURE 27, PAGE 43).**
- **TO AVOID THE POSSIBILITY OF FIRE, BE SURE TO CLEAN UP ANY SPILLED GASOLINE BEFORE OPERATING THE VEHICLE.**

### CAUTION

- TO ALLOW FOR EXPANSION, DO NOT FILL HIGHER THAN ONE INCH FROM TOP OF THE FUEL TANK. AVOID FUEL SPILLAGE.

1. Lift and remove seat bottom.
  - **Tourall Vehicles:** Lift and remove the driver seat bottom.
  - **Trans-Porter/Trans-Sender and Resort Villager:** Lift and remove the second forward-facing seat.
2. The fuel tank is located on passenger side of vehicle. Remove fuel cap and fill the fuel tank with fresh unleaded gasoline only. See CAUTION above and NOTE below.

### NOTE

- WHENEVER POSSIBLE, AVOID USING OXYGENATED FUELS AND FUELS THAT ARE BLENDED WITH ALCOHOL. VEHICLES TO BE STORED FOR EXTENDED PERIODS SHOULD BE PREPARED FOR STORAGE AS INSTRUCTED ON PAGE 31 OF THIS MANUAL.

3. Replace fuel cap on tank, being sure cap is tightened securely.
4. Replace seat bottom.

## BATTERY - GASOLINE VEHICLE

---

### DANGER

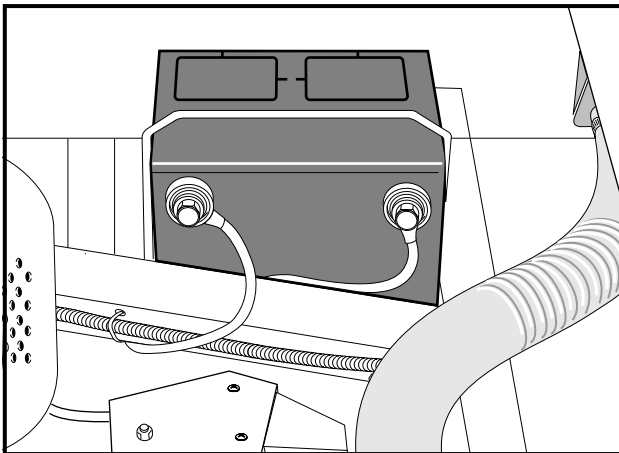
- **BATTERY - EXPLOSIVE GASSES! DO NOT SMOKE! KEEP SPARKS AND FLAMES AWAY FROM THE AREA OF THE VEHICLE. TOOLS, WIRES, AND METAL OBJECTS CAN CAUSE SPARKS WHEN SHORTED ACROSS A BATTERY. FOLLOW ALL INSTRUCTIONS CAREFULLY WHEN WORKING WITH BATTERIES.**
  - **CHARGE BATTERY IN A WELL-VENTILATED AREA ONLY.**
- DANGERS CONTINUED ON NEXT PAGE.**

## **⚠ DANGER**

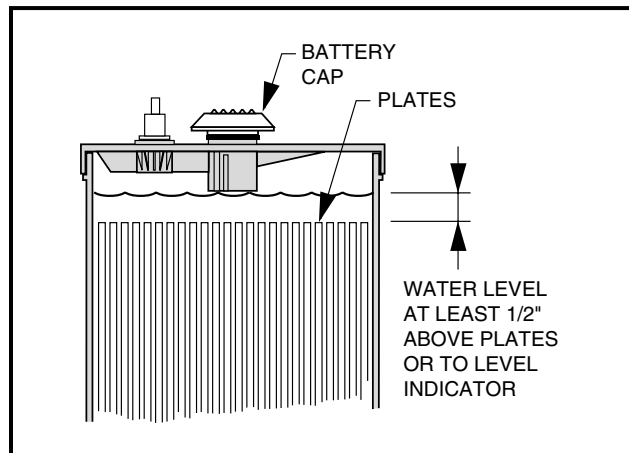
- **POISON! CONTAINS ACID! CAUSES SEVERE BURNS - AVOID CONTACT WITH SKIN, EYES, OR CLOTHING. ANTIDOTES:**
  - **EXTERNAL: FLUSH WITH WATER FOR 15 MINUTES. CALL A PHYSICIAN IMMEDIATELY.**
  - **INTERNAL: DRINK LARGE QUANTITIES OF MILK OR WATER FOLLOWED WITH MILK OF MAGNESIA OR VEGETABLE OIL. CALL A PHYSICIAN IMMEDIATELY.**
  - **EYES: FLUSH WITH WATER FOR 15 MINUTES. CALL A PHYSICIAN IMMEDIATELY.**

## **⚠ WARNING**

- **DO NOT JUMP START THE VEHICLE. TO CHARGE THE BATTERY, USE AN AUTOMOTIVE-TYPE 12-VOLT CHARGER RATED AT 10 AMPS OR LESS.**
- **ALWAYS WEAR SAFETY GLASSES OR APPROVED EYE PROTECTION WHEN SERVICING THE VEHICLE.**
- **ALWAYS USE INSULATED TOOLS WHEN WORKING AROUND BATTERIES OR ELECTRICAL CONNECTIONS.**



**FIGURE 28**



**FIGURE 29**

The battery in the gasoline vehicle is a 12 volt, low maintenance battery that requires infrequent watering (**Figure 28**).

Any corrosion around the positive (+) or negative (-) terminals should be washed off with a solution of baking soda and water (1 cup per gallon of water), and then the baking soda solution rinsed off the battery. Do not allow the solution to get into the battery. Be sure terminals are tight. Let the terminals dry and then spray them with CLUB CAR battery terminal spray (Club Car Part No.1014305). **See CAUTION below.**

## **⚠ CAUTION**

- **DO NOT ALLOW BAKING SODA SOLUTION TO ENTER THE BATTERIES.**
- **IF BATTERY WIRE TERMINALS ARE DAMAGED OR CORRODED, THEY SHOULD BE REPLACED OR CLEANED AS NECESSARY. FAILURE TO DO SO MAY CAUSE THEM TO OVERHEAT DURING OPERATION.**

### **Battery - Gasoline Vehicle, Continued:**

Be sure battery hold-down bracket is properly tightened. Torque to 15-25 in.lbs. (1.7/2.9 N-m). A loose hold-down bracket may allow the battery to become damaged from vibration or jarring. A hold-down bracket that is too tight may buckle or crack the battery case.

If battery appears weak, have it charged by a trained mechanic. The battery should never be left discharged any longer than absolutely necessary (do not leave discharged overnight).

## **BATTERIES - ELECTRIC VEHICLE**

### **⚠ DANGER**

- **BATTERY - EXPLOSIVE GASSES! DO NOT SMOKE! KEEP SPARKS AND FLAMES AWAY FROM THE AREA OF THE VEHICLE. TOOLS, WIRES, AND METAL OBJECTS CAN CAUSE SPARKS WHEN SHORTED ACROSS A BATTERY. FOLLOW ALL INSTRUCTIONS CAREFULLY WHEN DEALING WITH BATTERIES.**
- **CHARGE BATTERIES IN A WELL-VENTILATED AREA ONLY. BATTERIES EMIT HYDROGEN WHILE BEING CHARGED. HYDROGEN IS AN EXPLOSIVE GAS AND MUST NEVER EXCEED A LEVEL OF 2% OF THE AIR.**
- **POISON! CONTAINS ACID! CAUSES SEVERE BURNS - AVOID CONTACT WITH SKIN, EYES, OR CLOTHING. ANTIDOTES:**
  - **EXTERNAL: FLUSH WITH WATER FOR 15 MINUTES. CALL A PHYSICIAN IMMEDIATELY.**
  - **INTERNAL: DRINK LARGE QUANTITIES OF MILK OR WATER FOLLOWED WITH MILK OF MAGNESIA OR VEGETABLE OIL. CALL A PHYSICIAN IMMEDIATELY.**
  - **EYES: FLUSH WITH WATER FOR 15 MINUTES. CALL A PHYSICIAN IMMEDIATELY.**

### **⚠ WARNING**

- ALWAYS WEAR SAFETY GLASSES OR APPROVED EYE PROTECTION WHEN SERVICING THE VEHICLE. WEAR A FULL-FACE SHIELD WHEN WORKING WITH BATTERIES.
- ALWAYS USE INSULATED TOOLS WHEN WORKING AROUND BATTERIES OR ELECTRICAL CONNECTIONS.

### **⚠ CAUTION**

- ON ALL VEHICLES, TURN OFF ALL ACCESSORIES BEFORE CHARGING BATTERIES.

The batteries in PowerDrive System 48 Electric Vehicles are 8 volt, deep cycle batteries, specially built for electric vehicle application. Automotive batteries should never be used.

New batteries will not deliver their full capabilities until they have been discharged and recharged 20 to 50 times. To obtain the maximum service life from new batteries, restrict vehicle with new batteries to one hour of operation between charges for the first two months the vehicle is in service. Batteries should be fully charged before first use of new vehicle, before first use of a vehicle after storage, and before releasing vehicle for use each day.

## **BATTERY CARE**

To keep batteries in good working condition, follow this maintenance program on a regular basis:

1. The batteries should be kept clean and free of corrosion. Wash tops and terminals of batteries with a solution of baking soda and water (1 cup baking soda per gallon of water). Rinse solution off batteries (NOTE: Do not allow this solution to enter the battery). Be sure terminals are tight. Let the terminals dry and then spray them with CLUB CAR battery protector spray (Club Car Part No. 1014305).

2. The water level in the batteries should be checked weekly (**See Figure 29, Page 45, for proper level**). Add water only after charging unless the water level is below the top of the plates. In this case, add just enough water to cover the plates, charge and then check the level again. Never charge batteries if plates are exposed above water level. For best battery life, add only distilled water.

## NOTE

- A BATTERY WATERING GUN IS AVAILABLE AT MANY AUTO PARTS DEALERS.

3. The hold-down straps should be tight enough so that the batteries do not move while the vehicle is in motion, but not so tight as to crack or buckle the battery case. Torque hold-down retaining nuts to 15-25 in.lbs. (1.7/2.8 N-m). The terminal connections should be clean and tight, and any worn insulation or frayed wires should be replaced. Torque battery terminals to 90-100 in.lbs. (10/11.3 N-m).

## ⚠ CAUTION

- IF BATTERY WIRE TERMINALS ARE DAMAGED OR CORRODED, THEY SHOULD BE REPLACED OR CLEANED AS NECESSARY. FAILURE TO DO SO MAY CAUSE THEM TO OVERHEAT DURING OPERATION.

4. After use, the batteries should be placed on charge. The batteries should never be left discharged any longer than absolutely necessary (do not leave discharged overnight).

## BATTERY CHARGER - ELECTRIC VEHICLE

## ⚠ DANGER

- BATTERIES EMIT HYDROGEN WHILE BEING CHARGED. HYDROGEN IS AN EXPLOSIVE GAS. IF THE VEHICLE IS EQUIPPED WITH A WEATHERPROOF ENCLOSURE, IT SHOULD BE UNZIPPED AND PULLED BACK WHILE BATTERIES ARE BEING CHARGED. THIS IS TO AVOID THE ACCUMULATION OF HYDROGEN GAS INSIDE THE ENCLOSURE.
- THE CHARGING AREA MUST BE VENTILATED. TO PREVENT A BUILD-UP OF EXPLOSIVE GAS, HYDROGEN LEVEL IN THE AIR MUST NEVER EXCEED 2%. THE TOTAL VOLUME OF AIR IN THE BUILDING MUST BE CHANGED FIVE TIMES PER HOUR. EXHAUST FANS SHOULD BE LOCATED AT THE HIGHEST POINT OF THE ROOF. CONTACT A LOCAL HVAC ENGINEER.

## ⚠ WARNING

- ONLY TRAINED TECHNICIANS SHOULD REPAIR OR SERVICE THE CHARGER. CONTACT YOUR NEAREST CLUB CAR DISTRIBUTOR/DEALER.
- EACH CHARGER SHOULD HAVE ITS OWN DEDICATED 15 OR 20 AMPERE SEPARATELY PROTECTED (CIRCUIT BREAKER OR FUSE) SINGLE PHASE BRANCH CIRCUIT, IN ACCORDANCE WITH ALL APPLICABLE ELECTRICAL CODES FOR THE LOCATION.
- ONLY TRAINED TECHNICIANS SHOULD REPAIR OR SERVICE THE CHARGER. CONTACT YOUR NEAREST CLUB CAR DISTRIBUTOR/DEALER.
- HAVE WORN, CUT, OR DAMAGED POWER CORDS OR WIRES REPLACED IMMEDIATELY.
- BE SURE THAT ALL WIRE CONNECTIONS AT THE RECEPTACLE AND FUSE LINK ARE CLEAN AND TIGHT.

**WARNINGS CONTINUED ON PAGE 48.**

## Battery Charger - Electric Vehicle, Continued:

### **WARNING**

- DO NOT EXPOSE TO RAIN OR ANY LIQUID. KEEP THE CHARGER DRY.
- DO NOT USE NEAR FUELS, GRAIN DUST, SOLVENTS, THINNERS, OR OTHER FLAMMABLES. CHARGERS CAN IGNITE FLAMMABLE MATERIALS AND VAPORS.
- CONNECT THE CHARGER AC SUPPLY CORD TO A PROPERLY GROUNDED, THREE-WIRE OUTLET OF THE PROPER VOLTAGE AND FREQUENCY AS SHOWN ON THE CHARGER.
- DO NOT USE AN ADAPTER TO PLUG THE CHARGER WITH A THREE-PRONG PLUG INTO A TWO-PRONG OUTLET. IMPROPER CONNECTION OF THE EQUIPMENT-GROUNDING CONDUCTOR CAN RESULT IN A FIRE OR AN ELECTRICAL SHOCK.
- AN EXTENSION CORD OR ELECTRICAL OUTLET MUST ACCEPT A THREE-PRONG PLUG. THE USE OF IMPROPER EXTENSION CORD COULD RESULT IN FIRE OR AN ELECTRICAL SHOCK.
- DO NOT OPERATE THE CHARGER IF IT HAS RECEIVED A SHARP BLOW, WAS DROPPED, OR OTHERWISE DAMAGED IN ANY WAY.
- NEVER PUSH OBJECTS OF ANY KIND INTO THE CHARGER THROUGH CABINET SLOTS. THEY MAY TOUCH DANGEROUS VOLTAGE POINTS OR CAUSE AN ELECTRICAL SHORT CIRCUIT THAT COULD RESULT IN FIRE OR ELECTRICAL SHOCK.
- DO NOT CONNECT A STATIONARY CHARGER TO THE RECEPTACLE IF THE CHARGER CORD, PLUG, OR THE VEHICLE RECEPTACLE IS BROKEN, DAMAGED IN ANY MANNER, OR DOES NOT MAKE A GOOD ELECTRICAL CONNECTION. FIRE OR PERSONAL INJURY CAN RESULT. HAVE A QUALIFIED TECHNICIAN REPAIR OR REPLACE IT IMMEDIATELY.
- WHEN USING AN EXTERNAL STATIONARY CHARGER, DO NOT PULL ON THE DC CORD (**FIGURE 31, PAGE 50**). DO NOT TWIST, ROCK, OR BEND THE PLUG. TO DISCONNECT THE PLUG FROM THE RECEPTACLE, GRASP THE PLUG, *NOT THE CORD*, AND PULL IT SLOWLY STRAIGHT OUT OF THE RECEPTACLE (**FIGURE 30, PAGE 50**).
- WHEN THE CHARGER IS ON, THE CHARGER DC CORD MAY BE DISCONNECTED FROM THE VEHICLE RECEPTACLE **SLOWLY**. JERKING OR PULLING THE DC CORD OUT QUICKLY COULD CAUSE ARCING AND BURNING THAT COULD DAMAGE THE PLUG AND RECEPTACLE AND COULD CAUSE BATTERIES TO EXPLODE.
- **DO NOT USE A CHARGER IF:**
  - THE PLUG IS TOO LOOSE OR DOES NOT MAKE A GOOD CONNECTION.
  - THE PLUG AND RECEPTACLE FEEL HOTTER THAN NORMAL DURING CHARGE.
  - THE PLUG PINS OR CONTACTS ARE BENT OR CORRODED.
  - THE PLUG, RECEPTACLE OR CORDS ARE CUT, WORN, HAVE ANY EXPOSED WIRES, OR ARE DAMAGED IN ANY WAY.

**USING A CHARGER WITH ANY OF THE ABOVE SYMPTOMS COULD RESULT IN FIRE, PROPERTY DAMAGE, PERSONAL INJURY, OR DEATH.**

### **CAUTION**

- DO NOT BLOCK OR COVER SLOTS AND OPENINGS IN THE BACK AND BOTTOM OF CHARGER CABINET. THEY PROVIDE VENTILATION AND PROTECT THE CHARGER FROM OVERHEATING.

**CAUTIONS CONTINUED ON NEXT PAGE.**

## **⚠ CAUTION**

- DO NOT ALLOW CLOTHING, BLANKETS, OR OTHER MATERIAL TO COVER THE CHARGER.
- PROVIDE ADEQUATE VENTILATION FOR THE CHARGER.
- INSTALL SURGE ARRESTORS ON INCOMING AC POWER LINES. SURGE ARRESTORS WILL HELP PROTECT ELECTRICAL/ELECTRONIC COMPONENTS IN THE CHARGER AND ON THE VEHICLE FROM ALL BUT DIRECT OR VERY CLOSE LIGHTNING STRIKES.

## **NOTE**

- BECAUSE THE **POWERDRIVE** CHARGER HAS A STORAGE CHARGE FEATURE THAT AUTOMATICALLY CHECKS AND RECHARGES THE BATTERIES AS NECESSARY EVERY 15 DAYS, IT CAN REMAIN PLUGGED TO A POWERDRIVE VEHICLE THROUGHOUT THE STORAGE PERIOD.
- SHORTLY AFTER CHARGING HAS BEGUN, THE **POWERDRIVE** CHARGER WILL SHUT OFF IN ORDER TO RUN A SELF-DIAGNOSTIC PROGRAM (AMMETER WILL DROP TO 0). CHARGING WILL RESUME IN A FEW MOMENTS (AMMETER WILL RETURN TO CURRENT STATE OF CHARGE).

Each electric vehicle is supplied with either a fully automatic, external, stationary battery charger (Tourall and Resort Villager) or fully automatic on-board charger (Trans-Porter/Trans-Sender) as standard equipment. The AC cord from the charger is to be connected to a source capable of supplying 10 amperes minimum per charger.

The battery charger must be grounded to reduce the risk of electrical shock. The charger is equipped with an AC electric cord having an equipment-grounding conductor and a grounding type plug and is for use on a nominal 115 Volt 60 Hertz circuit, unless otherwise noted on the charger. The plug must be grounded to an appropriate dedicated receptacle that is properly installed and grounded in accordance with the National Electrical Code, ANSI/NFPA 70, and all local codes and ordinances.

The use of an extension cord with the charger should be avoided. If an extension cord must be used, a three conductor No. 12 AWG heavy duty cord with a ground conductor in good electrical condition must be used. Keep it as short as possible (no more than twelve feet). Locate all cords so that they will not be stepped on, tripped over, or otherwise subject to damage or stress.

The charging area must be well-ventilated. To prevent a build-up of explosive gas, the hydrogen level in the air must never exceed 2%. The total volume of air in an enclosed charging area must be changed at least five times per hour. Consult a local HVAC engineer. **See DANGER, page 47.**

If the on-board charger in a vehicle should become non-functional, an external stationary charger can be plugged into the vehicle charger receptacle to charge the batteries. When an external stationary charger is used to charge the batteries, the on-board charger is by-passed altogether. See the WARNINGS on page 48.

## **TO CHARGE BATTERIES**

### **NOTE**

- WHEN TEMPERATURES FALL BELOW 65° F (18.3 C), BATTERIES CHARGED IN UNHEATED AREAS SHOULD BE PLACED ON CHARGE AS SOON AS POSSIBLE AFTER USE. BATTERIES ARE WARMEST IMMEDIATELY AFTER USE, AND COLD BATTERIES REQUIRE MORE TIME TO FULLY CHARGE.

## To Charge Batteries, Continued:

- **Tourall and Resort Villager (External stationary charger):**

Insert the charger AC plug into a dedicated AC receptacle that is properly grounded and wired in accordance with the National Electric Code, ANSI/NFPA 70, and all local codes and ordinances. Then insert the charger DC plug into the vehicle receptacle. The charger will turn on two to ten seconds later (**Figure 30**).

- **Trans-Porter/Trans-Sender (On-board charger):**

Insert the on-board charger AC plug into a dedicated AC receptacle that is properly grounded and wired in accordance with the National Electric Code, ANSI/NFPA 70, and all local codes and ordinances. The charger will turn on two to ten seconds later.

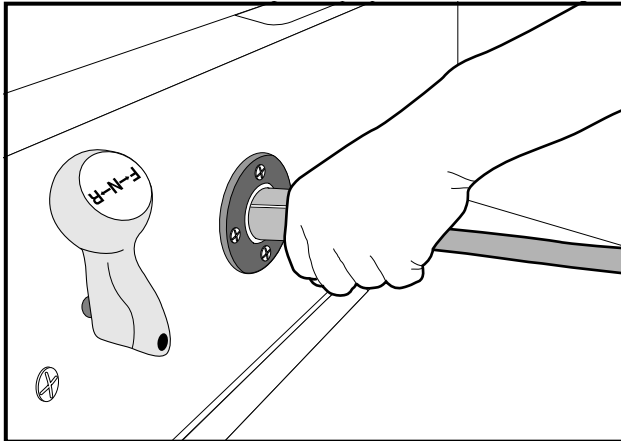


FIGURE 30

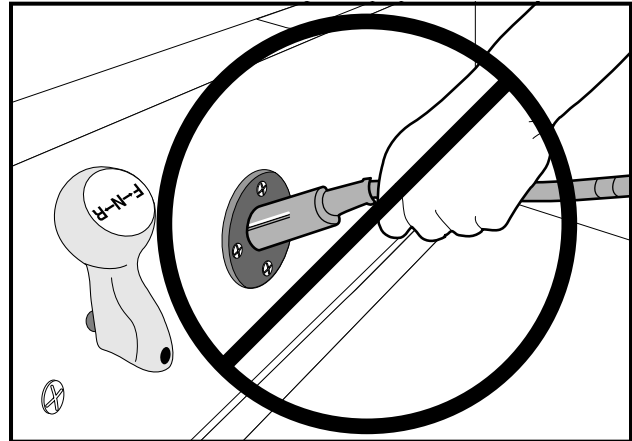


FIGURE 31

The **PowerDrive Charger** interacts with an on-board computer on the PowerDrive System 48 vehicle. The computer records the amount of energy consumed during vehicle use. While the charger is plugged in, the vehicle's control circuit is locked out, preventing operation of the vehicle, as well as the possibility of consequent damage to the charger and the vehicle.

Once the lock-out is actuated, the charger turns on. The on-board computer then records the amount of energy being returned to the batteries. When the optimum amount of energy needed to replenish the batteries is returned, the charger will shut off. The control circuit lock-out remains activated until the charger plug is disconnected from the vehicle.

Because of these unique features, **only PowerDrive System 48 vehicles are compatible with the PowerDrive Charger** (Neither vehicles made by other manufacturers, nor other Club Car models are compatible).

As long as the charger is allowed to shut off by itself, the batteries will be fully charged. Overcharging and undercharging will normally be prevented.

Batteries should be put on charge even if they have been used for only a short period (10 minutes). The charger is automatic and will turn off when batteries are fully charged. If the charger does not seem to be operating properly, or if the batteries seem weak, contact your local CLUB CAR distributor/dealer.

### Receptacle Fuse Link

As an additional feature to protect the batteries and charging circuit from an overload, the electric vehicle is equipped with a receptacle fuse link (**Figure 32**). If the charger does not come on when the vehicle is placed on charge, visually inspect the fuse link. See WARNINGS below and at top of next page.

#### **⚠ WARNING**

- IF THE RECEPTACLE FUSE LINK IS BLOWN, DETERMINE THE SOURCE OF THE ELECTRICAL PROBLEM AND CORRECT IT BEFORE REPLACING THE FUSE.



## **⚠ WARNING**

- NEVER MODIFY WIRING TO BY-PASS THE GREY SENSE LEAD FUSE (FIGURE 32).

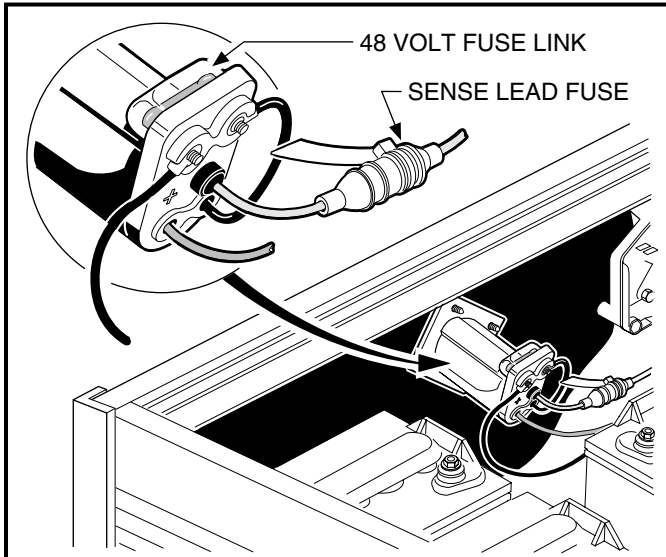


FIGURE 32

## **CLEANING THE VEHICLE**

The vehicle is equipped with an Armorflex® front body and either an Amorflex or all-aluminum rear body. Some models have aluminum cargo beds also. Use only mild dishwashing liquid soap with a sponge or soft cloth for normal cleaning. See CAUTION below.

## **⚠ CAUTION**

- IF A PRESSURE WASHER IS USED, DO NOT EXCEED 500 PSI (3448 KPA). NOZZLE SHOULD BE SET TO WIDE ANGLE SPRAY.

Minor scratches or blemishes in either the Armorflex or aluminum body panels can be buffed out using most commercially available polishing compounds and polishes.

The seats of the vehicle will last longer with proper cleaning. Mild soap or detergent with a sponge or soft cloth for normal cleaning is recommended. For stubborn or imbedded dirt, a soft bristle brush may be used.

Do not use harsh detergents or cleaning solvents on the front body or the seats.

Battery acid, fertilizers, tars, asphalt, creosote, paint, or chewing gum should be removed immediately to prevent possible stains. Use commercial automotive products because the finish on the vehicle is the same as the finish on today's automobiles.

## **VEHICLE CONTROLLER - ELECTRIC VEHICLE**

Electric vehicles are equipped with Solid State Speed Controllers.

In order to properly service and maintain the Solid State Controller Vehicle, it is necessary to understand the electrical circuitry and the functions of all components in the system. Therefore, if any repair or servicing needs to be performed, we recommend that it be performed by an authorized Club Car distributor/dealer using CLUB CAR OEM parts.

## ACCESSORIES AND OPTIONS

A complete line of optional equipment items and accessories is available for the vehicle. Contact your distributor/dealer for an Optional Equipment book. Care should be taken that these accessories and options are properly installed by trained technicians, and that they are used in the manner for which they were designed.

### WARNING

- CUSTOM CAB ASSEMBLIES, WEATHER-PROOF ENCLOSURES, DOOR KITS, AND TINTED WINDSHIELDS WILL **NOT** PROTECT OCCUPANTS FROM FLYING OBJECTS (GOLF BALLS, ETC.).

## SUBSEQUENT OWNER REGISTRATION

In the event a vehicle is bought used from another individual or from a distributor/dealer, we strongly urge the new owner to re-register the vehicle with Club Car. This will enable us to contact you if the need arises. Please send your name, address, and serial number(s) of the vehicle(s) to CLUB CAR, INC., P.O. Box 204658, Augusta. GA 30917-4658, ATTN: Vehicle Registration.

## VEHICLE SPECIFICATIONS

SPECIFICATIONS	Tourall		Resort Villager		Trans-Porter		Trans-Sender	
	Gasoline	Electric	Gasoline	Electric	Gasoline	Electric	Gasoline	Electric
<b>POWER SOURCE</b>								
<b>Engine:</b> 4 cycle, OHV, 286 cc, 9.0 hp rated, single cylinder, air cooled, with pressure lubrication system.	•							
<b>Engine:</b> 4 cycle, OHV, 351 cc, 11.0 hp rated, single cylinder, air cooled, with pressure lubrication system.			•		•		•	
<b>Drive Motor:</b> Direct drive, 48 volts DC, series wound, 3.1 hp.		•		•		•		•
<b>Fuel System:</b> Side draft carburetor with float bowl, fixed jets, fuel filter, and impulse fuel pump.	•		•		•		•	
<b>Governor:</b> Automatic ground speed sensing, internally geared in unitized transaxle.	•		•		•		•	
<b>Ignition:</b> Transistor electronic ignition with electronic RPM limiter.	•		•		•		•	
<b>Unitized Transaxle:</b> Fully synchronized forward and reverse with neutral (11.8:1 forward, 17.1:1 reverse).	•		•		•		•	
<b>Transaxle:</b> Double reduction helical gear with 12.28:1 direct drive axle.		•		•		•		•
<b>Electrical System:</b> 12 volt, 460 cold cranking amp battery and 35 amp charging capacity.	•		•		•		•	
<b>Electrical System:</b> 48 volts DC, reduced speed reverse.		•		•		•		•
<b>Batteries:</b> High capacity, deep cycle, Trojan PowerDrive 8 volt, 117 min. capacity.		•		•		•		•
<b>Charger:</b> Automatic, 17 amp PowerDrive; UL and CSA listed.		•		•		•		•
<b>Torque Converter:</b> Automatic, variable speed, dry type.	•		•		•		•	
<b>STEERING/SUSPENSION/BRAKES</b>								
<b>Steering:</b> Self-adjusting rack and pinion.	•	•	•	•	•	•	•	•
<b>Suspension:</b> Front mono-leaf and rear multi-leaf springs with dual hydraulic shocks.	•	•	•	•	•	•	•	•
<b>Specifications continued on next page.</b>								

<b>SPECIFICATIONS</b>	<b>Tourall</b>		<b>Resort Villager</b>		<b>Trans-Porter</b>		<b>Trans-Sender</b>	
<b>STEERING/SUSPENSION/BRAKES, continued:</b>	Gasoline	Electric	Gasoline	Electric	Gasoline	Electric	Gasoline	Electric
<b>Brakes:</b> Mechanical brake cable system to self-adjusting drum brakes on each rear wheel. Park brake is automatically released. Self-adjusting multi-latch ratchet and pawl.	•	•						
<b>Brakes:</b> Mechanical brake cable system to manually adjusted drum brakes on all four wheels. Park brake is automatically released. Self-adjusting multi-latch ratchet and pawl.			•	•	•	•	•	•
<b>BODY/CHASSIS</b>								
<b>Frame/Chassis:</b> Twin I-Beam welded aluminum.	•	•	•	•	•	•	•	•
<b>Side and Rear Body:</b> All aluminum.					•	•	•	•
<b>Front Body:</b> Armorflex®.	•	•	•	•	•	•	•	•
<b>Front Body Finish:</b> Protective coat over molded-in color.	•	•	•	•	•	•	•	•
<b>Tires:</b> 18.00 x 8.50 - 8.00 tubeless, 4 ply rated load range front and rear.	•	•						
<b>Tires:</b> 18.00 x 8.50 - 8.00 tubeless, 6 ply rated load range front and rear.			•	•	•	•	•	•
<b>SEATING CAPACITY/FUEL CAPACITY</b>								
<b>Standard Seating Capacity (persons):</b>	4	4	6	6	4	4	6	6
<b>Fuel Tank:</b> 7 gallons (26.5 liters), unleaded gasoline only.	•		•		•		•	
<b>DIMENSIONS/WEIGHT</b>								
<b>Overall Length:</b>	100" (254 cm)	100" (254 cm)	124" (315 cm)	124" (315 cm)	134" (340 cm)	134" (340 cm)	133" (338 cm)	133" (338 cm)
<b>Overall Width</b>	47-1/4" (120 cm)	47-1/4" (120 cm)	47-1/4" (120 cm)	47-1/4" (120 cm)	49-1/4" (120 cm)	49-1/4" (120 cm)	49-1/4" (120 cm)	49-1/4" (120 cm)
<b>Overall Height:</b> At Steering Wheel.	48" (122 cm)	48" (122 cm)	48" (122 cm)	448" (122 cm)	48" (122 cm)	48" (122 cm)	48" (122 cm)	48" (122 cm)
<b>Wheelbase</b>	65-1/2" (166 cm)	65-1/2" (166 cm)	98-1/2" (250 cm)	98-1/2" (250 cm)	98-1/2" (250 cm)	98-1/2" (250 cm)	98-1/2" (250 cm)	98-1/2" (250 cm)
<b>Ground Clearance</b>	4-1/2" (11 cm)	4-1/2" (11 cm)	4-1/2" (11 cm)	4-1/2" (11 cm)	4-1/2" (11 cm)	4-1/2" (11 cm)	4-1/2" (11 cm)	4-1/2" (11 cm)
<b>Front Wheel Tread</b>	34-1/2" (88 cm)	34-1/2" (88 cm)	34-1/2" (88 cm)	34-1/2" (88 cm)	34-1/2" (88 cm)	34-1/2" (88 cm)	34-1/2" (88 cm)	34-1/2" (88 cm)
<b>Rear Wheel Tread</b>	38-1/2" (98 cm)	38-1/2" (98 cm)	38-1/2" (98 cm)	38-1/2" (98 cm)	38-1/2" (98 cm)	38-1/2" (98 cm)	38-1/2" (98 cm)	38-1/2" (98 cm)
<b>Weight:</b> Standard electric vehicle (without batteries).		520 lbs. (236 kg)		590 lbs. (268 kg)		700 lbs. (317 kg)		717 lbs. (325 kg)
<b>Weight:</b> Standard gasoline powered vehicle (dry).	633 lbs. (287 kg)		745 lbs. (338 kg)		825 lbs. (374 kg)		842 lbs. (381 kg)	
<b>Forward Speed</b>	12 - 15 mph (19 - 23 kph)	12 - 15 mph (19 - 23 kph)	14 - 16 mph (23 - 26 kph)	12 - 15 mph (19 - 23 kph)	14 - 16 mph (23 - 26 kph)	12 - 15 mph (19 - 23 kph)	14 - 16 mph (23 - 26 kph)	12 - 15 mph (19 - 23 kph)
<b>Braking Distance:</b> At 12 mph (19 kph).	14' (427 cm)	14' (427 cm)	16' (488 cm)	16' (488 cm)	16' (488 cm)	16' (488 cm)	16' (488 cm)	16' (488 cm)
<b>Clearance Circle (diameter)</b>	17'-6" (533 cm)	17'-6" (533 cm)	24'-8" (752 cm)	24'-8" (752 cm)	24'-8" (752 cm)	24'-8" (752 cm)	24'-8" (752 cm)	24'-8" (752 cm)
<b>Turning Radius per SAE J 695</b>	68" (173 cm)	68" (173 cm)	129" (328 cm)	129" (328 cm)	129" (328 cm)	129" (328 cm)	129" (328 cm)	129" (328 cm)
<b>Intersecting Aisle Clearance:</b>	72" (183 cm)	72" (183 cm)	89 3/4" (228 cm)	89 3/4" (228 cm)	89 3/4" (228 cm)	89 3/4" (228 cm)	89 3/4" (228 cm)	89 3/4" (228 cm)
<b>Floorboard Height:</b>	11 3/4" (30 cm)	11 3/4" (30 cm)	11 3/4" (30 cm)	11 3/4" (30 cm)	11 3/4" (30 cm)	11 3/4" (30 cm)	11 3/4" (30 cm)	11 3/4" (30 cm)
<b>Specifications continued on next page.</b>								

SPECIFICATIONS	Tourall		Resort Villager		Trans-Porter		Trans-Sender	
	Gasoline	Electric	Gasoline	Electric	Gasoline	Electric	Gasoline	Electric
<b>DIMENSIONS/WEIGHT</b> , continued:								
<b>Seat Height:</b>	29 1/2" (75 cm)	29 1/2" (75 cm)	30" (76 cm)	30" (76 cm)	30" (76 cm)	30" (76 cm)	30" (76 cm)	30" (76 cm)
<b>Load Bed Height:</b> Box bed inside dimensions.					27" (69 cm)	27" (69 cm)		
<b>Load Bed Size:</b> Flat bed inside dimensions.					35 3/4" x 44 1/4" (91 x 112 cm)	35 3/4" x 44 1/4" (91 x 112 cm)		
<b>Vehicle rated capacity:</b> Level surface only.	800 lbs (363 kg)	800 lbs (363 kg)	1500 lbs (680 kg)	1500 lbs (680 kg)	1500 lbs (680 kg)	1500 lbs (680 kg)	1500 lbs (680 kg)	1500 lbs (680 kg)

## NOTE

- CLUB CAR, INC. RESERVES THE RIGHT TO CHANGE SPECIFICATIONS AND DESIGN OF EITHER GASOLINE OR ELECTRIC VEHICLES AT ANY TIME WITHOUT NOTICE AND WITHOUT OBLIGATION TO MAKE THESE CHANGES ON UNITS PREVIOUSLY SOLD.

# **CLUB CAR LIMITED WARRANTY FOR 1997 TRANS-PORTER, TRANS-SENDER, RESORT VILLAGER, AND TOURALL VEHICLES IN THE UNITED STATES AND CANADA**

---

## **1. WARRANTY:**

CLUB CAR, INC. ("CLUB CAR") hereby warrants to the original retail purchaser that its new 1997 Model Trans-Porter/Trans-Sender, Resort Villager, or Tourall vehicle purchased from CLUB CAR or an authorized distributor/dealer for use in the United States or Canada shall be free from defects in materials and workmanship under normal use and service as a utility vehicle for the periods stated below, subject to the provisions, limitations and exclusions contained in this limited warranty.

### **LIMITED ONE (1) YEAR WARRANTY:**

The engine assembly, unitized transaxle assembly (gasoline vehicle), motor, transaxle assembly (electric vehicle), main frame assembly, Custom Cab assembly and doors are warranted with respect to parts and labor against defects in materials and workmanship for a period of one year from the date of purchase.

### **LIMITED NINETY (90) DAY WARRANTY:**

All remaining components of the vehicle not specified otherwise are warranted with respect to parts and labor against defects in materials and workmanship for a period of ninety days from the date of purchase.

This limited warranty covers materials, workmanship and repair labor cost as to those items specifically listed above for the periods specified. Such repair labor shall be performed only by CLUB CAR, its authorized distributors or dealers, or a service agency approved by CLUB CAR.

IF THE WARRANTY REGISTRATION FORM IS NOT COMPLETED AND RETURNED TO CLUB CAR AT THE TIME OF THE ORIGINAL RETAIL SALE, PURCHASER MUST PROVIDE PROOF OF DATE OF PURCHASE WITH ANY WARRANTY CLAIM.

## **2. EXCLUSIONS:**

Excluded from any CLUB CAR warranty are all optional equipment and accessories, fuses, filters, decals (except safety decals), spark plugs, lubricants, trim pieces, seats, routine wear items such as the charger plug and receptacle, brake shoes, belts, brushes, bushings, engine mounts, mats and pads, maintenance adjustments, cosmetic deterioration, and items which deteriorate or fail due to exposure or ordinary wear and tear. Batteries, the battery charger, on-board computer, and solid-state speed controller are covered under separate CLUB CAR warranties. Tires are warranted by their manufacturer. Also excluded from any CLUB CAR warranty is damage to a vehicle or component resulting from a cause other than a defect including unreasonable or unintended strain or use, improper installation of accessories, installation of parts or accessories that are not original equipment, overloading, accident, alteration, abuse or neglect.

Transportation expenses for warranty service are also excluded from this warranty.

## **3. VOIDING OF WARRANTY:**

THIS AND ANY OTHER WARRANTY SHALL BE VOID IF THE VEHICLE IS ABUSED OR USED IN AN UNINTENDED MANNER OR SHOWS INDICATIONS THAT IT HAS BEEN ALTERED IN ANY WAY, INCLUDING, BUT NOT LIMITED TO, MODIFICATION OF THE SPEED GOVERNOR, BRAKING SYSTEM, STEERING, TRANSAXLE, OR OTHER OPERATING SYSTEMS OF THE VEHICLE TO CAUSE IT TO PERFORM OUTSIDE CLUB CAR SPECIFICATIONS. THE WARRANTY IS LIKEWISE VOID IF THE VEHICLE SHOWS INDICATIONS THAT REASONABLE OR NECESSARY MAINTENANCE AS OUTLINED IN THE OWNER'S MANUAL AND MAINTENANCE AND SERVICE MANUAL WAS NOT PERFORMED AT THE TIME AND IN THE MANNER SPECIFIED IN SUCH MANUALS.

**Warranty continued on page 56.**

## **Warranty, Continued:**

### **4. SOLE REMEDY:**

CLUB CAR'S ONLY LIABILITY UNDER THIS LIMITED WARRANTY, OR IN ANY ACTION WHETHER BASED UPON WARRANTY, CONTRACT, NEGLIGENCE, STRICT PRODUCT LIABILITY OR OTHERWISE, IS LIMITED TO THE REPAIR OR REPLACEMENT, AT CLUB CAR'S OPTION, OF A VEHICLE OR COMPONENT THEREOF THAT CLUB CAR DEEMS TO BE DEFECTIVE. REPLACEMENT SHALL MEAN FURNISHING, DURING THE APPLICABLE LIMITED WARRANTY PERIOD, A NEW VEHICLE OR FACTORY RECONDITIONED VEHICLE OR COMPONENT THEREOF WHICH IS IDENTICAL OR REASONABLY EQUIVALENT TO THE WARRANTED PRODUCT OR COMPONENT AT NO COST TO THE PURCHASER. REPAIR SHALL MEAN REMEDYING A DEFECT IN THE VEHICLE OR COMPONENT THEREOF AT NO COST TO THE PURCHASER DURING THE APPLICABLE LIMITED WARRANTY PERIOD. IF CLUB CAR ELECTS TO REPAIR THE VEHICLE, IT MAY PROVIDE FACTORY RECONDITIONED PARTS OR COMPONENTS. ALL PARTS AND COMPONENTS REPLACED UNDER WARRANTY SHALL BECOME THE PROPERTY OF CLUB CAR.

### **5. HOW TO MAKE A WARRANTY CLAIM:**

To make a warranty claim under this limited warranty, you must present the vehicle or defective component to an authorized CLUB CAR distributor or dealer or send the defective component, freight prepaid, to WARRANTY ADMINISTRATION, CLUB CAR, INC., 4152 Washington Road, P.O. Box 204658, Augusta, Georgia 30917-4658.

### **6. DISCLAIMER:**

**THIS LIMITED WARRANTY IS EXCLUSIVE. CLUB CAR MAKES NO OTHER WARRANTY OF ANY KIND, EXPRESS OR IMPLIED. ANY IMPLIED WARRANTIES OF MERCHANTABILITY OR FITNESS FOR A PARTICULAR PURPOSE WHICH EXCEED THE OBLIGATIONS OR TIME LIMITS STATED IN THIS WARRANTY ARE HEREBY DISCLAIMED BY CLUB CAR AND EXCLUDED FROM THIS WARRANTY. THE PURCHASER AND CLUB CAR EXPRESSLY AGREE THAT THE REMEDY OF REPAIR OR REPLACEMENT OF THE DEFECTIVE VEHICLE OR COMPONENT THEREOF IS THE EXCLUSIVE AND SOLE REMEDY OF THE PURCHASER. CLUB CAR MAKES NO OTHER REPRESENTATION OR WARRANTY OF ANY KIND, AND NO REPRESENTATIVE, EMPLOYEE, DISTRIBUTOR, OR DEALER OF CLUB CAR HAS THE AUTHORITY TO MAKE OR IMPLY ANY REPRESENTATION, PROMISE, OR AGREEMENT WHICH IN ANY WAY VARIES THE TERMS OF THIS WARRANTY.**

### **7. NO CONSEQUENTIAL DAMAGES:**

**IN NO EVENT SHALL CLUB CAR BE LIABLE FOR ANY INCIDENTAL OR CONSEQUENTIAL DAMAGES INCLUDING, BUT NOT LIMITED TO, LOSS RELATED TO PROPERTY OTHER THAN THE VEHICLE, LOSS OF USE, LOSS OF TIME, INCONVENIENCE, OR ANY OTHER ECONOMIC LOSS.**

Some states allow neither limitation on the duration of an implied warranty nor exclusions or limitation of incidental or consequential damages. Therefore, the above limitations or exclusions may not apply to you.

This warranty gives you specific legal rights, and you may also have other rights which vary from state to state.

### **8. INFORMATION:**

For further information, contact WARRANTY ADMINISTRATION, CLUB CAR, INC., P.O. Box 204658, Augusta, Georgia 30917-4658, U.S.A., 706-863-3000.

### **9. WARNING:**

Any modification or alteration of any vehicle beyond factory specifications, including those that affect the weight distribution, stability, handling, or speed of the vehicle, can cause serious personal injury or death.





**Club Car, Inc. / P.O. Box 204658  
Augusta, Georgia 30917-4658 USA  
706-863-0080  
© CLUB CAR, INC. 1996**