



Owner's Manual

1998 Trans-Porter, Trans-Sender, Resort Villager, and Tourall Vehicles

Manual Number 1019682-03

Print Code 0897B1297A

 **WARNING**

- THE ENGINE EXHAUST FROM THIS PRODUCT CONTAINS CHEMICALS KNOWN TO THE STATE OF CALIFORNIA TO CAUSE CANCER, BIRTH DEFECTS, OR OTHER REPRODUCTIVE HARM.

NOTICE

The Club Car Limited Warranty for 1998 transportation and utility vehicles appears on the last pages of this manual. No other warranties, express or implied, are contained herein. Please complete and return the warranty registration card included in this manual.

Club Car is not liable for errors in this manual or for incidental or consequential damages that result from the use of the material in this manual.

This manual contains proprietary information that is protected by copyright. All rights are reserved. No part of this manual may be photocopied, reproduced, or translated to another language without the written consent of Club Car, Inc.

The information contained in this document is subject to change without notice.

Club Car reserves the right to make design changes to either gasoline or electric vehicles without obligation to make these changes on units previously sold.

These vehicles are designed and manufactured for off-road use only. They do not conform to Federal Motor Vehicle Safety Standards or EPA regulations and are not equipped for operation on public streets, roads, or highways.

©1997 Club Car, Inc.

Club Car, Trans-Porter, Trans-Sender, Resort Villager, Tourall, Armorflex, PowerDrive, PowerDrive Plus, and Tranquility are registered trademarks of Club Car, Inc.

This manual effective August 18, 1997

FOREWORD

Thank you for choosing Club Car. You have chosen the finest transportation vehicle on the market; the vehicle most widely recognized as the industry leader in vehicle efficiency and long-lasting value. Please protect your investment and ensure that your Club Car transportation vehicle provides years of reliable, superior performance by filling out and returning your Warranty Registration Card (located between the last page and back cover of this manual), and by reading and following the maintenance instructions in this manual.

Your comfort and safety are important to us as well, so we urge you to read and follow the step-by-step operating instructions and safety procedures in this manual. These instructions must be followed in order to avoid the risk of severe personal injury. If you rent or loan your vehicle to others, we recommend that you ask them to read this manual before they operate the vehicle.

Club Car products are backed by a customer support system designed to offer you fast, courteous service. In the event that your vehicle needs repairs or service, we recommend that your local authorized Club Car representative perform them. For the name and address of the Club Car representative nearest you, call 706-863-3000, Ext. 2601. If you would prefer to write to us, direct your letter to: Club Car, Attention: Product Development Department, P.O. Box 204658, Augusta, Ga. 30917-4658 USA. Your local authorized Club Car representative can also provide technical advice, parts, and service manuals.

We hope you will consider this owner's manual a permanent part of your vehicle. If you sell the vehicle, please include the manual so that the next owner will have the important operating, safety, and maintenance information it contains.

TABLE OF CONTENTS

| | |
|--|----|
| Safety Details | 1 |
| General Warnings | 2 |
| Feature Identification - Tourall Gasoline Vehicle | 4 |
| Feature Identification - Tourall Electric Vehicle | 6 |
| Feature Identification - Resort Villager Gasoline Vehicle | 8 |
| Feature Identification - Resort Villager Electric Vehicle | 10 |
| Feature Identification - Trans-Porter/Trans-Sender Gasoline and Electric Vehicles | 12 |
| Model Identification | 15 |
| Pre-Operation Checklist | 15 |
| Controls - Trans-Porter/Trans-Sender Electric, Resort Villager Electric, Tourall Gasoline, and Tourall Electric Vehicles | 17 |
| Driving Instructions - Trans-Porter/Trans-Sender Electric, Resort Villager Electric, Tourall Gasoline, and Tourall Electric Vehicles | 22 |
| Controls - Trans-Porter/Trans-Sender Gasoline and Resort Villager Gasoline Vehicles | 24 |
| Driving Instructions - Trans-Porter/Trans-Sender Gasoline and Resort Villager Gasoline Vehicles | 28 |
| Loading and Unloading | 30 |
| Transporting on a Trailer | 31 |
| Storage - Gasoline Vehicle | 32 |
| Storage - Electric Vehicle | 33 |
| Maintenance | 34 |
| Periodic Service Schedule - Gasoline Vehicle | 37 |
| Periodic Service Schedule - Electric Vehicle | 39 |
| Periodic Lubrication Schedule - Gasoline Vehicle | 42 |
| Periodic Lubrication Schedule - Electric Vehicle | 43 |
| Liquid Capacities | 44 |
| Tire Capacities | 44 |
| Engine Oil - Gasoline Vehicle | 45 |
| Fueling Instructions - Gasoline Vehicle | 45 |
| Battery - Gasoline Vehicle | 46 |
| Batteries - Electric Vehicle | 47 |
| Battery Charger - Electric Vehicle | 49 |
| Cleaning The Vehicle | 52 |
| Vehicle Controller - Electric Vehicle | 53 |
| Accessories and Options | 53 |
| Subsequent Owner Registration | 53 |
| Vehicle Specifications | 54 |

Practice Safety



Safety signs like you see above may at first seem shocking, but their impact is mild compared with the reality of severe personal injury.

Your safety and satisfaction are of the utmost importance to Club Car. That is why we urge you to study this owner's manual, and to read, understand, and heed the warnings in this manual, as well as the safety decals on your vehicle, before operating the vehicle.

Take time to understand the language of safety. It is a language that can save your life.

SAFETY DETAILS

WARNING

- THIS OWNER'S MANUAL SHOULD BE READ COMPLETELY BEFORE ATTEMPTING TO DRIVE OR SERVICE THE VEHICLE. FAILURE TO FOLLOW THE INSTRUCTIONS IN THIS MANUAL COULD RESULT IN PROPERTY DAMAGE, SEVERE PERSONAL INJURY, OR DEATH.

It is important to note that some vital statements throughout this manual and on the decals affixed to the vehicle are preceded by the words **DANGER, WARNING, CAUTION, or NOTE**. For your protection, we recommend that you take special notice of these safety procedures. Safety procedures are essential and must be followed.

Any operating or warning decals on the vehicle that are damaged, have been removed or cannot be easily read should be replaced immediately to avoid possible personal injury, property damage, or death. Contact your CLUB CAR distributor/dealer.

DANGER

- A DANGER INDICATES AN IMMEDIATE HAZARD WHICH WILL RESULT IN SEVERE PERSONAL INJURY OR DEATH.

WARNING

- A WARNING INDICATES AN IMMEDIATE HAZARD WHICH COULD RESULT IN SEVERE PERSONAL INJURY OR DEATH.

CAUTION

- A CAUTION INDICATES HAZARDS OR UNSAFE PRACTICES WHICH COULD RESULT IN PRODUCT OR PROPERTY DAMAGE OR MINOR PERSONAL INJURY.

NOTE

- A NOTE PROVIDES KEY INFORMATION TO MAKE PROCEDURES MORE EASILY UNDERSTOOD.

GENERAL WARNINGS

The safety procedures listed must be followed whenever the vehicle is being operated, repaired, or serviced. Other specific warnings appear throughout this manual and on the vehicle.

DANGER

- **GASOLINE VAPORS - FLAMMABLE! EXPLOSIVE! DO NOT SMOKE. KEEP SPARKS AND FLAMES AWAY FROM THE AREA OF THE VEHICLE. SERVICE ONLY IN WELL-VENTILATED AREAS.**
- **BATTERY VAPORS - FLAMMABLE! EXPLOSIVE! DO NOT SMOKE. KEEP SPARKS AND FLAMES AWAY FROM THE AREA OF THE VEHICLE. SERVICE ONLY IN WELL-VENTILATED AREAS.**
- **DO NOT OPERATE GASOLINE VEHICLE IN ENCLOSED AREA WITHOUT PROPER VENTILATION. ENGINE PRODUCES CARBON MONOXIDE WHICH IS AN ODORLESS, DEADLY POISON.**
- **A TRANSPORTATION VEHICLE WILL *NOT* PROVIDE PROTECTION FROM LIGHTNING, FLYING OBJECTS, OR OTHER STORM RELATED HAZARDS. IF CAUGHT IN A STORM WHILE DRIVING A TRANSPORTATION VEHICLE, EXIT THE VEHICLE AND SEEK SHELTER IN ACCORDANCE WITH APPLICABLE SAFETY GUIDELINES FOR YOUR LOCATION.**

WARNING

- ONLY TRAINED MECHANICS SHOULD REPAIR OR SERVICE THE VEHICLE. ANYONE DOING EVEN SIMPLE REPAIRS OR SERVICE SHOULD FOLLOW THE PROCEDURES EXACTLY AS STATED IN THIS MANUAL, AND OBEY ALL **DANGERS, WARNINGS, AND CAUTIONS** LISTED IN THIS MANUAL AS WELL AS THOSE AFFIXED TO THE VEHICLE.
- ALWAYS WEAR SAFETY GLASSES OR APPROVED EYE PROTECTION WHEN SERVICING THE VEHICLE. WEAR A FULL FACE SHIELD WHEN WORKING WITH BATTERIES.
- ALWAYS USE INSULATED TOOLS WHEN WORKING AROUND BATTERIES OR ELECTRICAL CONNECTIONS.
- IMPROPER MAINTENANCE OR USE OF THE VEHICLE COULD RESULT IN DECREASED VEHICLE PERFORMANCE OR SEVERE PERSONAL INJURY.
- ANY MODIFICATION OR CHANGE TO THE VEHICLE WHICH AFFECTS THE STABILITY OR HANDLING OF THE VEHICLE, OR INCREASES MAXIMUM VEHICLE SPEED BEYOND FACTORY SPECIFICATIONS COULD RESULT IN SEVERE PERSONAL INJURY OR DEATH.
- FOLLOW ALL PROCEDURES LISTED IN THIS MANUAL FOR LOADING AND UNLOADING THE VEHICLE. DO NOT EXCEED VEHICLE RATED WEIGHT CAPACITY.

GASOLINE VEHICLES ONLY:

- TO AVOID UNINTENTIONALLY STARTING THE VEHICLE WHILE PERFORMING MAINTENANCE OR SERVICE TASKS ALWAYS:
 - DISCONNECT THE BATTERY CABLES, NEGATIVE (-) FIRST.
 - DISCONNECT THE SPARK PLUG WIRE FROM THE SPARK PLUG.
- FRAME GROUND - DO NOT ALLOW TOOLS OR OTHER METAL OBJECTS TO CONTACT FRAME WHEN DISCONNECTING BATTERIES OR OTHER ELECTRICAL WIRING. NEVER ALLOW A POSITIVE WIRE TO TOUCH THE VEHICLE FRAME, ENGINE, OR OTHER METAL COMPONENTS.
- THE ENGINE EXHAUST FROM THIS PRODUCT CONTAINS CHEMICALS KNOWN TO THE STATE OF CALIFORNIA TO CAUSE CANCER, BIRTH DEFECTS, OR OTHER REPRODUCTIVE HARM.

Warning continued on next page.

⚠ WARNING

ELECTRIC VEHICLES ONLY:

- TO AVOID UNINTENTIONALLY STARTING THE VEHICLE, DISCONNECT THE BATTERIES AS SHOWN (SEE FIGURES 1 AND 2) AND DISCHARGE THE CONTROLLER AS FOLLOWS:
 - TURN THE KEY SWITCH TO **ON** AND PLACE THE FORWARD/REVERSE HANDLE IN THE **REVERSE** POSITION.
 - DEPRESS THE ACCELERATOR PEDAL AND KEEP IT DEPRESSED UNTIL THE REVERSE WARNING BUZZER CAN NO LONGER BE HEARD. WHEN THE BUZZER STOPS SOUNDING, THE CONTROLLER IS DISCHARGED.
- **TOURALL POWERDRIVE PLUS VEHICLE:** BEFORE DISCONNECTING BATTERIES, PLACE TOW/RUN SWITCH IN THE **TOW** POSITION.

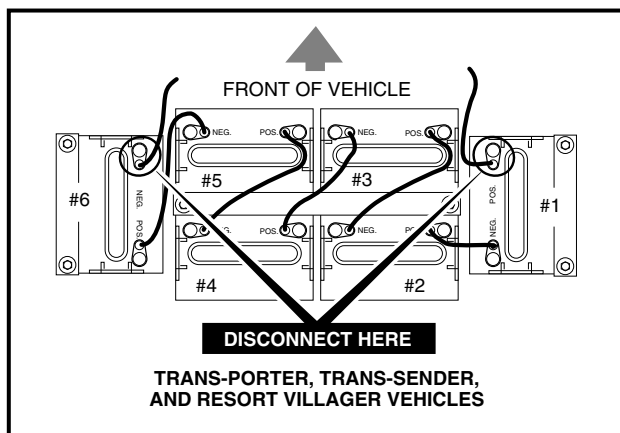


FIGURE 1

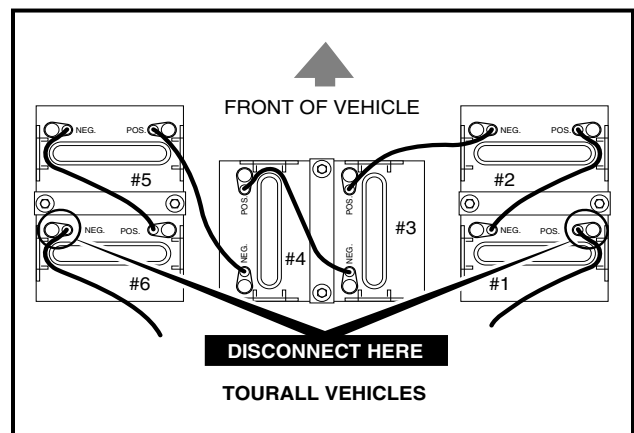


FIGURE 2

TOURALL GASOLINE VEHICLE

OPERATING INSTRUCTIONS

- Read Owner's Manual and safety warnings located on dash panel prior to driving.
 - Study and understand controls.
- Make sure wheels are turned in desired direction.
- Turn key to "ON" position and be sure nothing is in your path.
- While vehicle is stopped, select direction by placing shift lever or switch in desired position:
 F - Forward N - Neutral R - Reverse (Buzzer will sound)
- Vehicle will start moving when accelerator pedal is depressed.
- Slowly depress accelerator pedal to increase speed. Park brake will release when accelerator pedal is depressed.
- To stop, release accelerator pedal and depress brake pedal.
 - After stopping, firmly depress park brake until it locks.
 - Place forward and reverse switch in neutral position.

Turn key "OFF" and remove key when not in use.

CCI 1010216-01

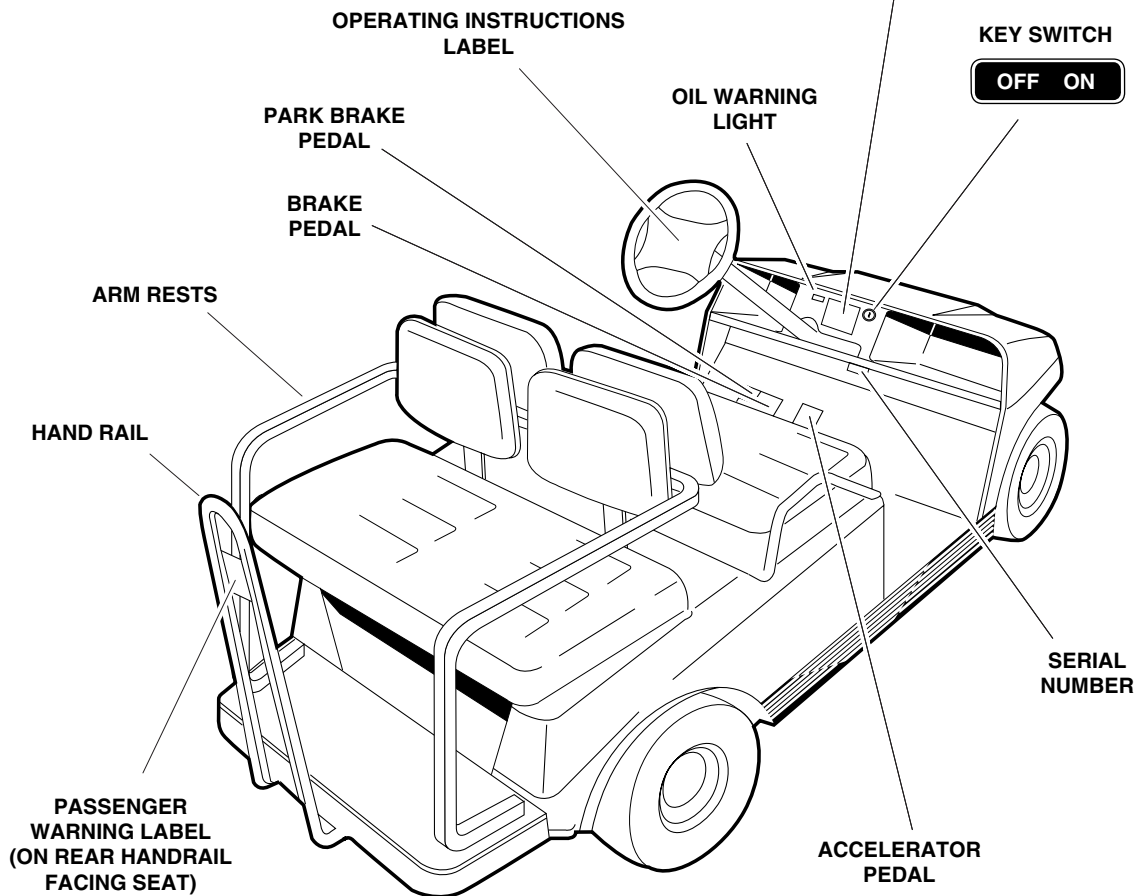
WARNING

READ AND FOLLOW THESE WARNINGS AND THE OPERATING INSTRUCTIONS BEFORE USING VEHICLE. FAILURE TO DO SO CAN CAUSE SEVERE INJURY OR DEATH.

- Operate from driver side by authorized persons only and only in designated areas - not on public roads.
- DO NOT start vehicle until all occupants (two (2) per seat maximum) are seated.
- Remain seated with entire body inside vehicle and hold on to seat handle or handrail at all times.
- Drive slowly in turns and straight up and down slopes.
- Never stand in front of or behind vehicle.
- DO NOT operate while under the influence of alcohol or drugs.
- DO NOT leave children unattended on vehicle at any time.

CCI 1019806-01

DRIVER/PASSENGER WARNING LABEL



WARNING

Failure to follow these instructions can cause severe injury or death.

- Remain seated with entire body inside vehicle and hold onto seat handle or handrail at all times.
- No more than two persons per seat.
- Do not leave children unattended on vehicle at anytime.
- Never stand in front of or behind vehicle.

CCI 1017057-01

FEATURE IDENTIFICATION



FRAME GROUND AND GOVERNOR WARNING DECAL (ON VEHICLE FRAME NEAR BATTERY)



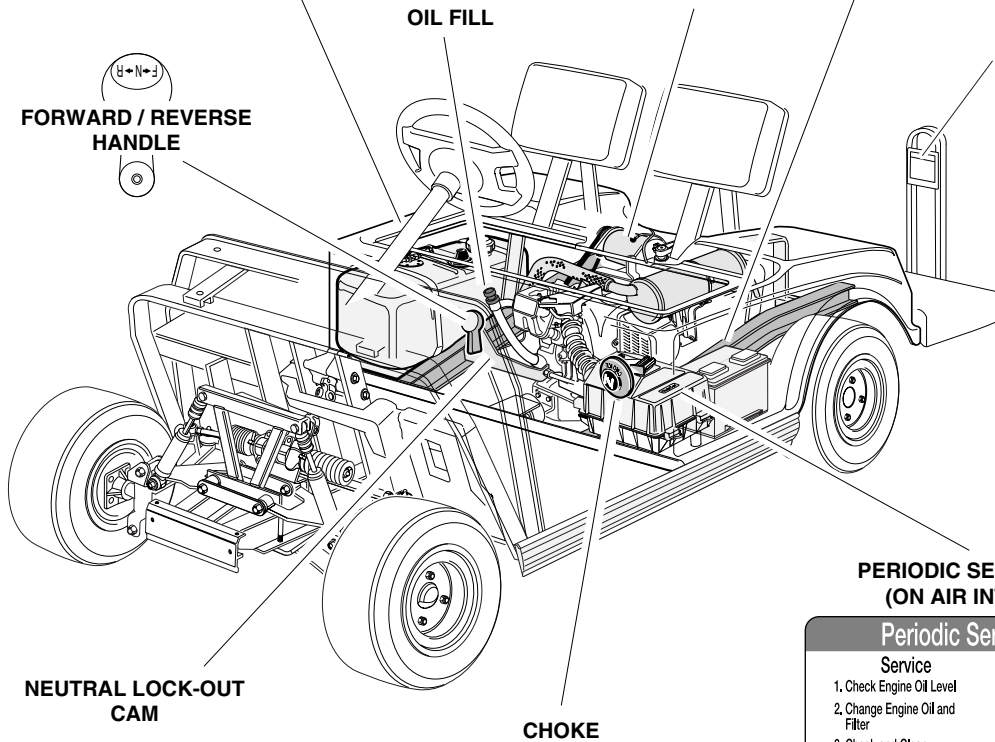
GASOLINE WARNING DECAL (ON VEHICLE FRAME NEAR FUEL TANK)



MOVING PARTS AND HOT MANIFOLD DECAL (ON STARTER/GENERATOR AND ENGINE)



PASSENGER WARNING DECAL (ON REAR HANDRAIL FACING SEAT)



PERIODIC SERVICE DECAL (ON AIR INTAKE BOX)

| Periodic Service Schedule | |
|--|---|
| Service | Regular Interval |
| 1. Check Engine Oil Level | Monthly |
| 2. Change Engine Oil and Filter | First 100 Hours - * Then One Year or 200 hours. |
| 3. Check and Clean Air Filter Element [†] | One Year Under Normal Use Six Months Under Dusty Conditions |
| 4. Change Air Filter [†] | *Two Years or 300 Hours |
| 5. Check Tire Pressure | Monthly (See Manual) |
| 6. Replace Fuel Filters | *Two Years or 300 Hours |
| 7. Check / Fill Transaxle | *One Year or 150 Hours |

*Whichever comes first
[†]For easy access to air filter housing, remove the intake hose from the front of the housing.

TOURALL ELECTRIC VEHICLE

OPERATING INSTRUCTIONS

- Read Owner's Manual and safety warnings located on dash panel prior to driving.
 - Study and understand controls.
 - Make sure wheels are turned in desired direction.
- Turn key to "ON" position and be sure nothing is in your path.
 - While vehicle is stopped, select direction by placing shift lever or switch in desired position:
 - F – Forward N – Neutral R – Reverse (Buzzer will sound)
- Vehicle will start moving when accelerator pedal is depressed.
- Slowly depress accelerator pedal to increase speed. Park brake will release when accelerator pedal is depressed.
- To stop, release accelerator pedal and depress brake pedal.
 - After stopping, firmly depress park brake until it locks.
 - Place forward and reverse switch in neutral position.
- Turn key "OFF" and remove key when not in use.

CCI 1016216-01

**OPERATING INSTRUCTIONS
DECAL**

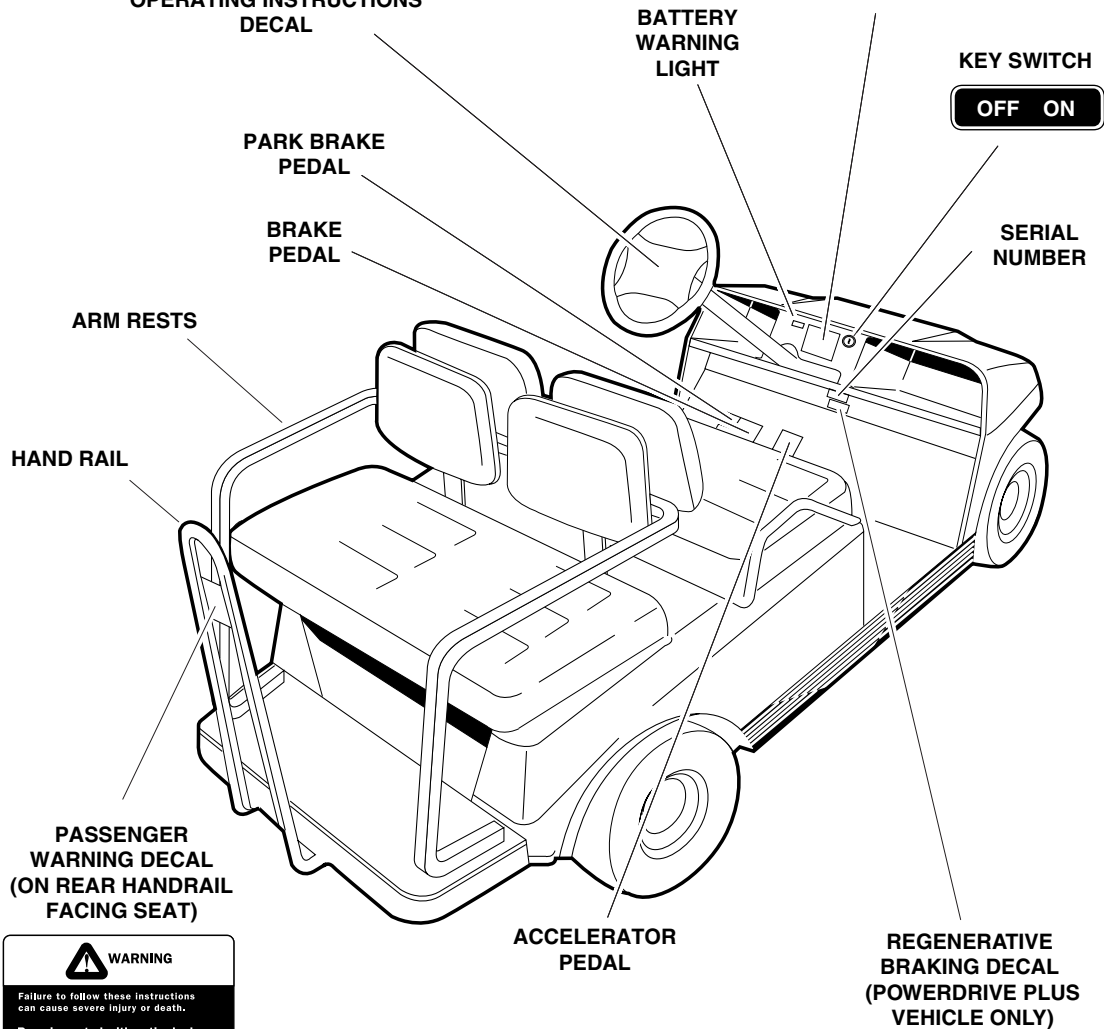
WARNING

READ AND FOLLOW THESE WARNINGS AND THE OPERATING INSTRUCTIONS BEFORE USING VEHICLE. FAILURE TO DO SO CAN CAUSE SEVERE INJURY OR DEATH.

- Operate from driver side by authorized persons only and only in designated areas - not on public roads.
- DO NOT start vehicle until all occupants (two (2) per seat maximum) are seated.
- Remain seated with entire body inside vehicle and hold on to seat handle or handrail at all times.
- Drive slowly in turns and straight up and down slopes.
- Never stand in front of or behind vehicle.
- DO NOT operate while under the influence of alcohol or drugs.
- DO NOT leave children unattended on vehicle at any time.

CCI 1019606-01

**DRIVER / PASSENGER
WARNING DECAL**



WARNING

Failure to follow these instructions can cause severe injury or death.

- Remain seated with entire body inside vehicle and hold onto seat handle or handrail at all times.
- No more than two persons per seat.
- Do not leave children unattended on vehicle at anytime.
- Never stand in front of or behind vehicle.

CCI 1017067-01

IMPORTANT NOTICE

VEHICLE EQUIPPED TO LIMIT DOWNHILL SPEED

- Maximum vehicle speed is limited during downhill operation with accelerator pedal depressed.
- Vehicle will brake gently when accelerator pedal is released.
- System is activated only when tow switch is in the "RUN" position.
- When towing vehicle, tow switch must be in the "TOW" position.

CCI 1019589-01

FEATURE IDENTIFICATION

NOTICE DO NOT USE AS GROUND
CCI 1019646-01

ELECTRICAL COMPONENT MOUNTING PLATE NOTICE (ON PLATE)

WARNING HOT RESISTORS (COILED WIRE) CAN CAUSE SEVERE BURNS.

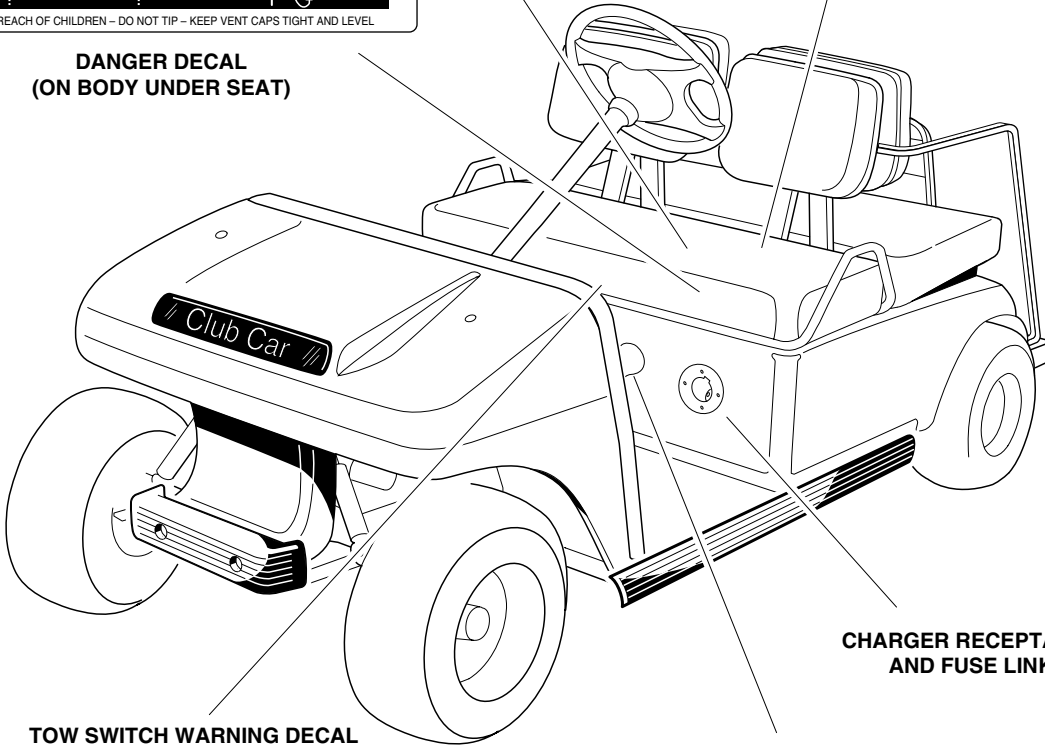
RESISTOR WARNING DECAL (ON BODY UNDER ACCESS PANEL) (FOR POWERDRIVE PLUS 48 VOLT VEHICLE)

DANGER / POISON

| | | | | |
|---|-------------|-------------------------------|---|---|
| EXPLOSIVE GASES CAN CAUSE BLINDNESS OR INJURY | SHIELD EYES | NO SPARKS, FLAMES, OR SMOKING | SULFURIC ACID CAN CAUSE BLINDNESS OR SEVERE BURNS | FLUSH EYES IMMEDIATELY WITH WATER. GET MEDICAL HELP FAST. |
|---|-------------|-------------------------------|---|---|

KEEP OUT OF THE REACH OF CHILDREN - DO NOT TIP - KEEP VENT CAPS TIGHT AND LEVEL

DANGER DECAL (ON BODY UNDER SEAT)



TOW SWITCH WARNING DECAL (ON TOW SWITCH BRACKET UNDER SEAT) (FOR POWERDRIVE PLUS 48 VOLT VEHICLE ONLY)

CHARGER RECEPTACLE AND FUSE LINK



WARNING **TOW** **RUN**

PLACE TOW SWITCH IN "TOW" POSITION BEFORE:

- TOWING
- EXTENDED STORAGE
- SERVICING
- DISCONNECTING BATTERIES

FAILURE TO DO SO COULD RESULT IN DAMAGE TO VEHICLE OR BATTERY EXPLOSION.

CCI 1019086-01

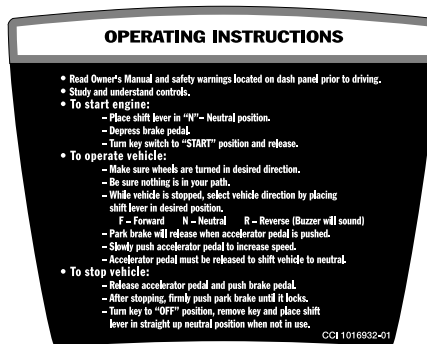
RESORT VILLAGER GASOLINE



**DRIVER / PASSENGER
WARNING
DECAL**



KEY SWITCH



**OPERATING INSTRUCTIONS
DECAL**

**OIL WARNING
LIGHT**

**ACCELERATOR
PEDAL**

**SERIAL
NUMBER**

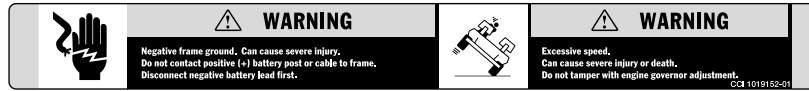
PARK BRAKE PEDAL

BRAKE PEDAL

**PASSENGER
WARNING
DECAL**



VEHICLE FEATURE IDENTIFICATION



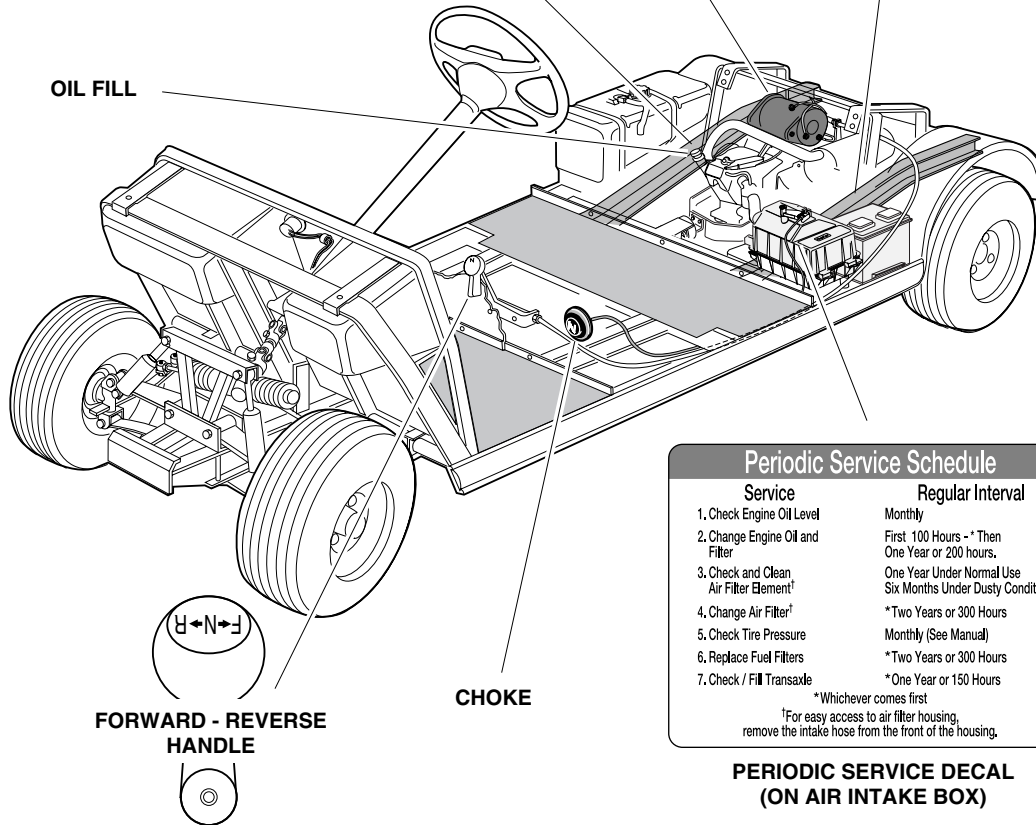
FRAME GROUND AND GOVERNOR WARNING DECAL (ON VEHICLE FRAME NEAR BATTERY)



GASOLINE WARNING DECAL (ON VEHICLE FRAME NEAR FUEL TANK)



MOVING PARTS AND HOT MANIFOLD DECAL (ON STARTER/GENERATOR AND ENGINE)



PERIODIC SERVICE DECAL (ON AIR INTAKE BOX)

RESORT VILLAGER ELECTRIC

⚠ WARNING

READ AND FOLLOW THESE WARNINGS AND THE OPERATING INSTRUCTIONS BEFORE USING VEHICLE. FAILURE TO DO SO CAN CAUSE SEVERE INJURY OR DEATH.

- Operate from driver side by authorized persons only and only in designated areas - not on public roads.
- DO NOT start vehicle until all occupants (two (2) per seat maximum) are seated.
- Remain seated with entire body inside vehicle and hold on to seat handle or handrail at all times.
- Drive slowly in turns and straight up and down slopes.
- Never stand in front of or behind vehicle.
- DO NOT operate while under the influence of alcohol or drugs.
- DO NOT leave children unattended on vehicle at any time.

CCI 1019806-01

**DRIVER/PASSENGER
WARNING DECAL**

KEY SWITCH



OPERATING INSTRUCTIONS

- Read Owner's Manual and safety warnings located on dash panel prior to driving.
 - Study and understand controls.
- Make sure wheels are turned in desired direction.
- Turn key to "ON" position and be sure nothing is in your path.
 - While vehicle is stopped, select direction by placing shift lever or switch in desired position:
 - F - Forward N - Neutral R - Reverse (Buzzer will sound)
- Vehicle will start moving when accelerator pedal is depressed.
- Slowly depress accelerator pedal to increase speed. Park brake will release when accelerator pedal is depressed.
- To stop, release accelerator pedal and depress brake pedal.
 - After stopping, firmly depress park brake until it locks.
 - Place forward and reverse switch in neutral position.

Turn key "OFF" and remove key when not in use.

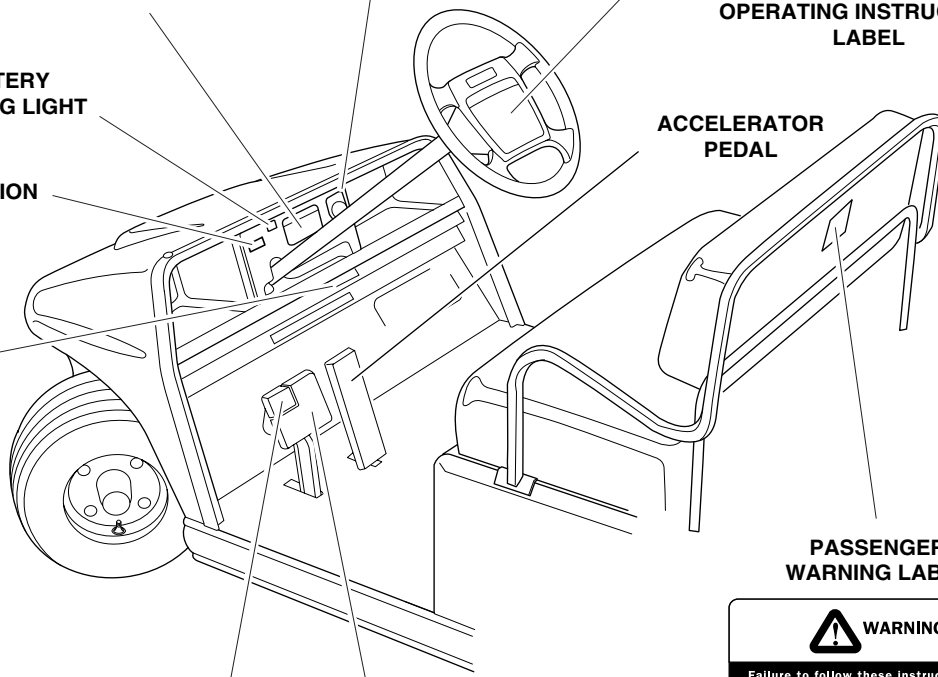
CCI 1016216-01

**OPERATING INSTRUCTIONS
LABEL**

**BATTERY
WARNING LIGHT**

**BATTERY CONDITION
INDICATOR**

**SERIAL
NUMBER**



**ACCELERATOR
PEDAL**

PARK BRAKE PEDAL

BRAKE PEDAL

**PASSENGER
WARNING LABEL**

⚠ WARNING

Failure to follow these instructions can cause severe injury or death.

- Remain seated with entire body inside vehicle and hold onto seat handle or handrail at all times.
- No more than two persons per seat.
- Do not leave children unattended on vehicle at anytime.
- Never stand in front of or behind vehicle.

CCI 1017057-01

VEHICLE FEATURE IDENTIFICATION



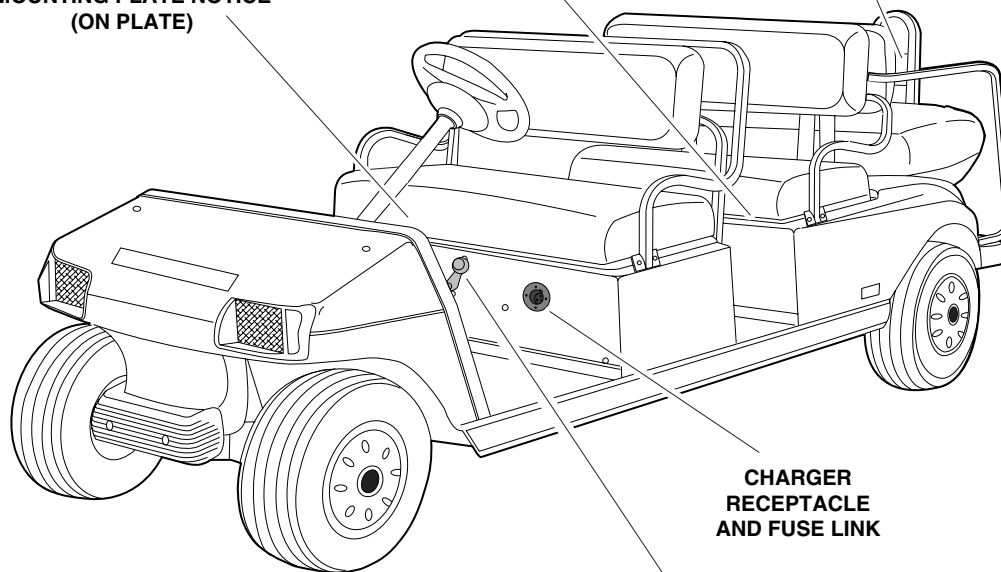
**DANGER DECAL
(ON BODY)**



**PASSENGER
WARNING LABEL**



**ELECTRICAL COMPONENT
MOUNTING PLATE NOTICE
(ON PLATE)**



**CHARGER
RECEPTACLE
AND FUSE LINK**



**FORWARD - REVERSE
HANDLE**

TRANS-PORTER/TRANS-SENDER

COMMON FEATURES - GASOLINE AND ELECTRIC VEHICLES

WARNING

READ AND FOLLOW THESE WARNINGS AND THE OPERATING INSTRUCTIONS BEFORE USING VEHICLE. FAILURE TO DO SO CAN CAUSE SEVERE INJURY OR DEATH.

- Operate from driver side by authorized persons only and only in designated areas - not on public roads.
- DO NOT start vehicle until all occupants (two (2) per seat maximum) are seated.
- Remain seated with entire body inside vehicle and hold on to seat handle or handrail at all times.
- Drive slowly in turns and straight up and down slopes.
- Never stand in front of or behind vehicle.
- DO NOT operate while under the influence of alcohol or drugs.
- DO NOT leave children unattended on vehicle at any time.

CCI 1019606-01

DRIVER/PASSENGER WARNING DECAL

OFF ON START

KEY SWITCH GASOLINE VEHICLE

OFF ON

KEY SWITCH ELECTRIC VEHICLE

OPERATING INSTRUCTIONS GASOLINE VEHICLE

OPERATING INSTRUCTIONS

- Read Owner's Manual and safety warnings located on dash panel prior to driving.
- Study and understand controls.
- To start engine:
 - Place shift lever in "N" - Neutral position.
 - Depress master pedal.
 - Turn key switch to "START" position and release.
- To operate vehicle:
 - Make sure wheels are turned in desired direction.
 - Be sure nothing is in your path.
 - With vehicle in stopped, select vehicle direction by placing shift lever in desired position.
 - F - Forward N - Neutral R - Reverse (Buzzer will sound)
 - Park brake will engage when accelerator pedal is pushed.
 - Slowly push accelerator pedal to increase speed.
 - Accelerator pedal must be released to shift vehicle to neutral.
- To stop vehicle:
 - Release accelerator pedal and push brake pedal.
 - After stopping, firmly push park brake until it locks.
 - Turn key to "OFF" position, remove key and place shift lever in straight up neutral position when not in use.

CCI 1016932-01

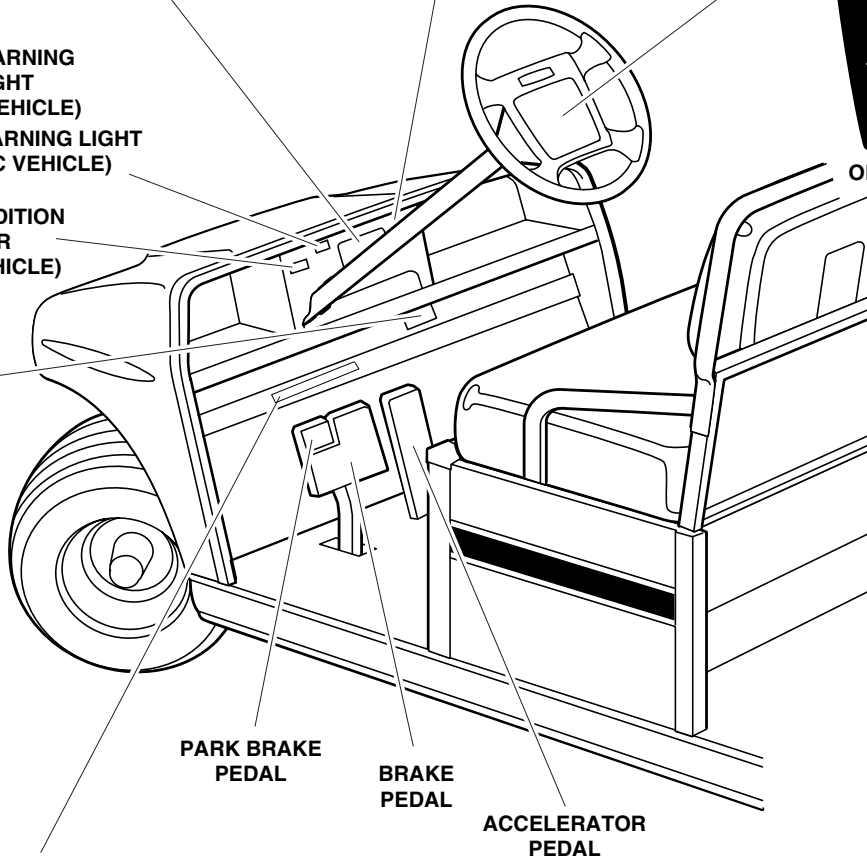
OPERATING INSTRUCTIONS

- Read Owner's Manual and safety warnings located on dash panel prior to driving.
- Study and understand controls.
- Make sure wheels are turned in desired direction.
- Turn key to "ON" position and be sure nothing is in your path.
- While vehicle is stopped, select direction by placing shift lever or switch in desired position:
 - F - Forward N - Neutral R - Reverse (Buzzer will sound)
- Vehicle will start moving when accelerator pedal is depressed.
- Slowly depress accelerator pedal to increase speed. Park brake will release when accelerator pedal is depressed.
- To stop, release accelerator pedal and depress brake pedal.
- After stopping, firmly depress park brake until it locks.
- Place forward and reverse switch in neutral position.
- Turn key "OFF" and remove key when not in use.

CCI 1016216-01

OPERATING INSTRUCTIONS ELECTRIC VEHICLE

- OIL WARNING LIGHT (GAS VEHICLE)
- BATTERY WARNING LIGHT (ELECTRIC VEHICLE)
- BATTERY CONDITION INDICATOR (ELECTRIC VEHICLE)

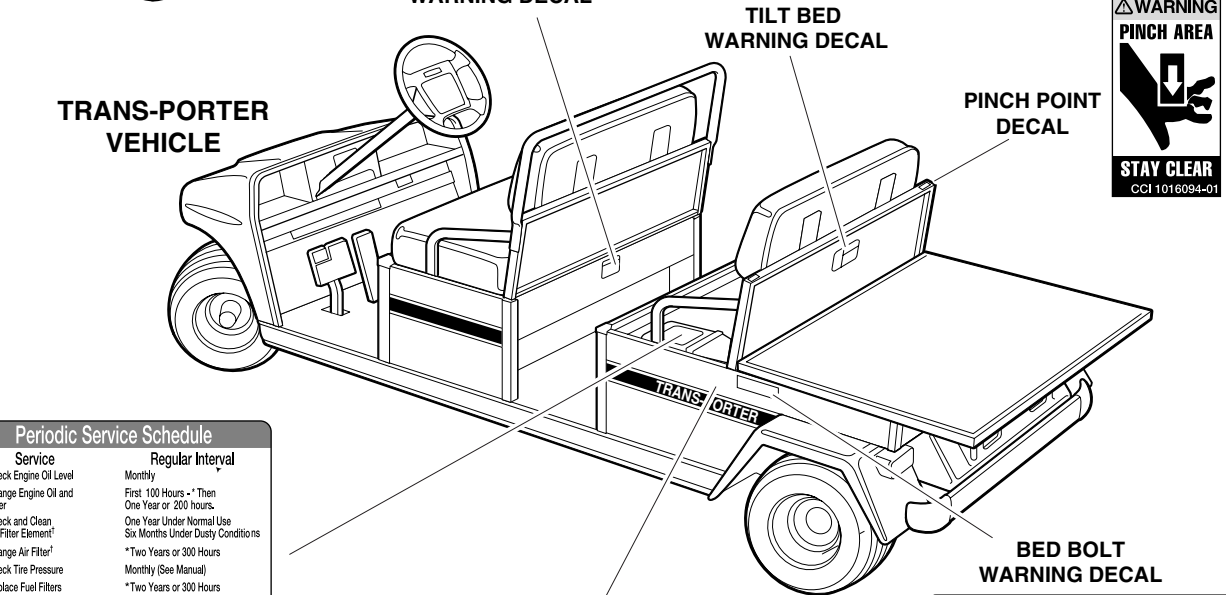
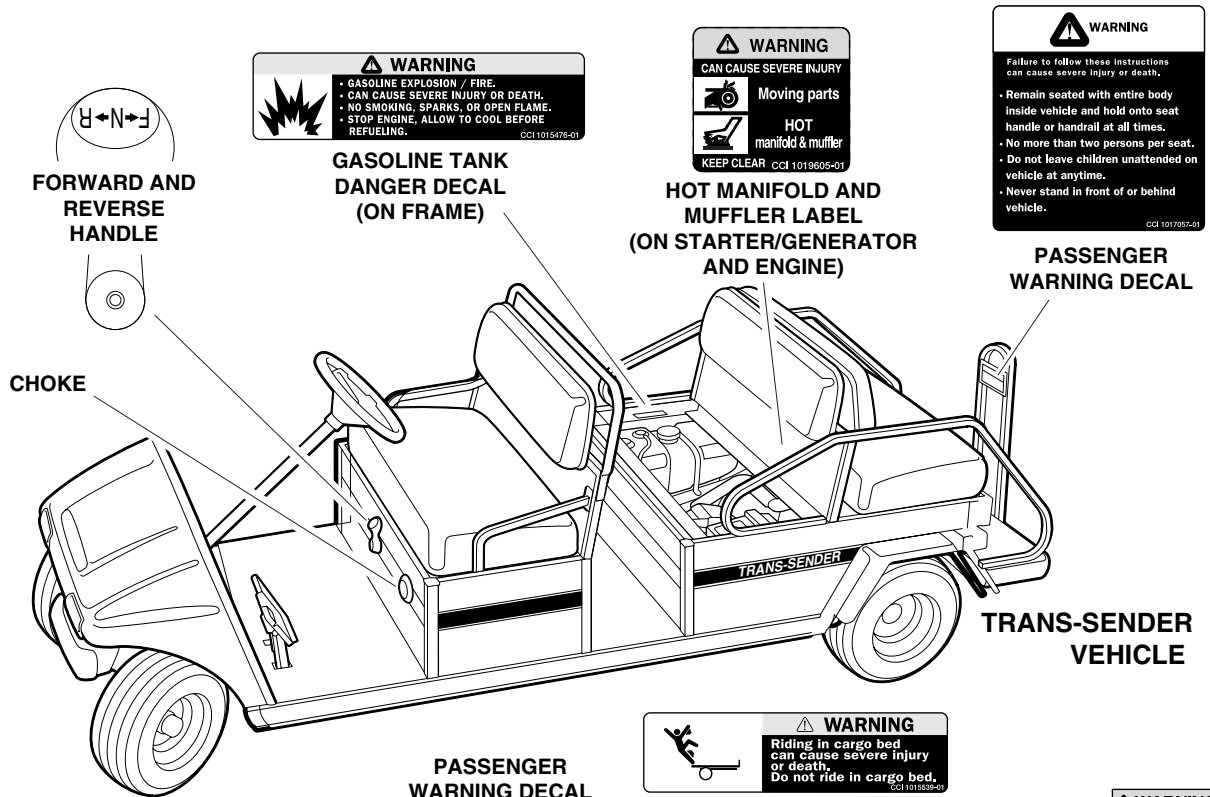


VEHICLE LOADING DECAL

| | | |
|--|--|--|
| <p>VEHICLE LOADING</p> <p>Read Owner's Manual and warnings on dash.</p> | <ul style="list-style-type: none"> • Vehicle rated capacity - 1500 lbs. on level surface only. Weight to include passengers, cargo bed load, and gross trailer weight. See Owner's Manual. • Maximum cargo load - 1000 lbs. Weight to include cargo bed load and gross trailer weight. • Maximum trailer hitch tongue weight - 150 lbs. | <ul style="list-style-type: none"> • Cargo should be evenly spread over the floor of the cargo bed as far forward as possible and secured. • For vehicle stability, when fully loaded, drive slowly and avoid stopping on or backing down steep hills. • Avoid top heavy loads. See Owner's Manual. • When driving on uneven terrain or down steep hills, reduce speed and load. <p>CCI 1019600-01</p> |
|--|--|--|

VEHICLE FEATURE IDENTIFICATION

GASOLINE VEHICLE FEATURES



| Periodic Service Schedule | |
|--|---|
| Service | Regular Interval |
| 1. Check Engine Oil Level | Monthly |
| 2. Change Engine Oil and Filter | First 100 Hours * Then One Year or 200 hours. |
| 3. Check and Clean Air Filter Element [†] | One Year Under Normal Use Six Months Under Dusty Conditions |
| 4. Change Air Filter [†] | * Two Years or 300 Hours |
| 5. Check Tire Pressure | Monthly (See Manual) |
| 6. Replace Fuel Filters | * Two Years or 300 Hours |
| 7. Check / Fill Transaxle | * One Year or 150 Hours |

* Whichever comes first.
[†]For easy access to air filter housing, remove the intake hose from the front of the housing.

PERIODIC SERVICE SCHEDULE (ON INTAKE BOX)

| | | | |
|--|---|--|---|
| | WARNING Negative frame ground. Can cause severe injury. Do not contact positive (+) battery post or cable to frame. Disconnect negative battery lead first. | | WARNING Excessive speed. Can cause severe injury or death. Do not tamper with engine governor adjustment. |
|--|---|--|---|

WARNING
Failure to follow these instructions can cause severe injury or death.

- Remain seated with entire body inside vehicle and hold onto seat handle or handrail at all times.
- No more than two persons per seat.
- Do not leave children unattended on vehicle at anytime.
- Never stand in front of or behind vehicle.

CCI 1017027-01

WARNING
CAN CAUSE SEVERE INJURY

Moving parts
HOT
manifold & muffler

KEEP CLEAR CCI 1019605-01

HOT MANIFOLD AND MUFFLER LABEL (ON STARTER/GENERATOR AND ENGINE)

WARNING
Riding in cargo bed can cause severe injury or death. Do not ride in cargo bed.

CCI 1015539-01

TILT BED WARNING DECAL

WARNING
PINCH AREA

STAY CLEAR

CCI 1016094-01

WARNING
Bed can tip up unexpectedly. Can cause severe injury. Bed hold down bolts must be fastened.

CCI 1017026-01

TRANS-PORTER/TRANS-SENDER VEHICLE FEATURE IDENTIFICATION

ELECTRIC VEHICLE FEATURES

NOTICE

Do not operate vehicle without this cover properly installed. See vehicle Maintenance and Service Manual before servicing. CCI 1019646-01

**ELECTRICAL COMPONENT COVER CAUTION
(ON COVER)**

NOTICE

DO NOT USE AS GROUND

CCI 1019646-01

**ELECTRICAL COMPONENT
MOUNTING PLATE NOTICE
(ON PLATE)**

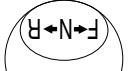
⚠ DANGER / POISON



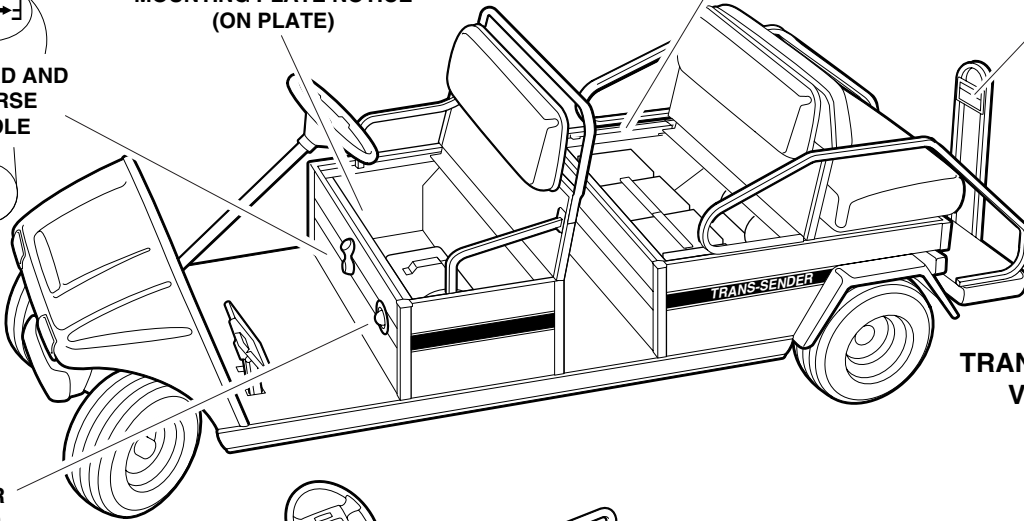
KEEP OUT OF THE REACH OF CHILDREN — DO NOT TIP — KEEP VENT CAPS TIGHT AND LEVEL

**BATTERY DANGER
DECAL
(ON FRAME)**

**PASSENGER
WARNING DECAL**

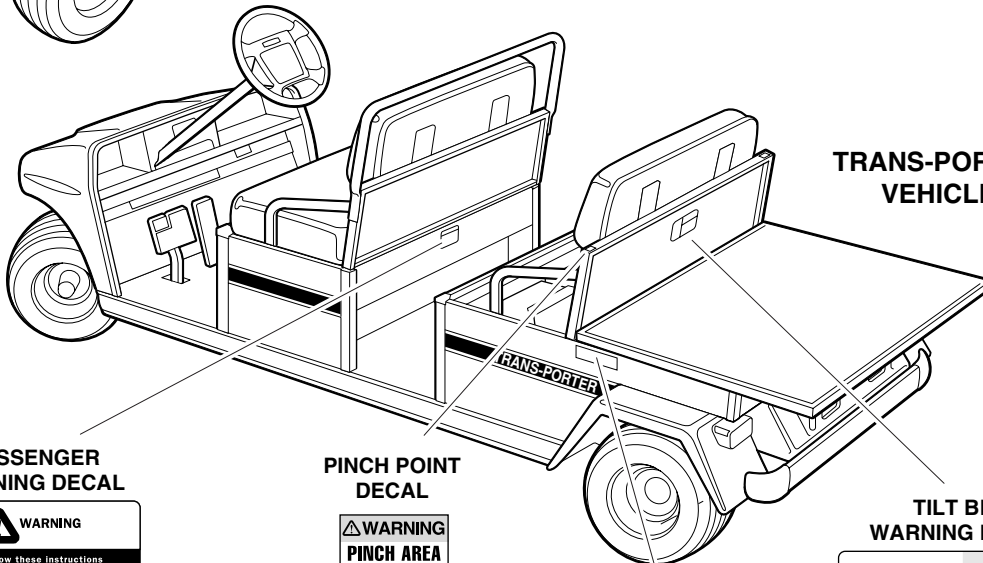


**FORWARD AND
REVERSE
HANDLE**



**TRANS-SENDER
VEHICLE**

**CHARGER
AC CORD
REEL**



**TRANS-PORTER
VEHICLE**

**PASSENGER
WARNING DECAL**

⚠ WARNING

Failure to follow these instructions can cause severe injury or death.

- Remain seated with entire body inside vehicle and hold onto seat handle or handrail at all times.
- No more than two persons per seat.
- Do not leave children unattended on vehicle at anytime.
- Never stand in front of or behind vehicle.

CCI 1017067-01

**PINCH POINT
DECAL**

**⚠ WARNING
PINCH AREA**

STAY CLEAR

CCI 1016094-01

**BED BOLT
WARNING DECAL**

⚠ WARNING

Bed can tip up unexpectedly. Can cause severe injury. Bed hold down bolts must be fastened.

CCI 1017078-01

**TILT BED
WARNING DECAL**

⚠ WARNING

Riding in cargo bed can cause severe injury or death. Do not ride in cargo bed.

CCI 1016093-01

MODEL IDENTIFICATION

The serial number of your transportation vehicle is printed on a bar code decal mounted on the frame directly above the accelerator pedal (Example: J9801-123456 for Electric or JG9801-123456 for Gasoline) (**Figure 3**). There is also a second serial number decal mounted on the front body frame behind the center dash panel. The center dash panel must be removed to access this serial number.

NOTE

- ALWAYS HAVE THE VEHICLE SERIAL NUMBER AT HAND WHEN ORDERING PARTS OR MAKING INQUIRIES. **SEE FIGURE 3.**

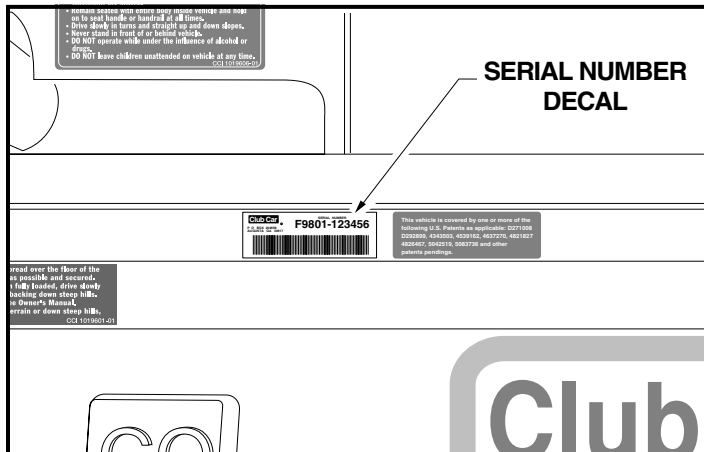


FIGURE 3

PRE-OPERATION CHECKLIST

Your transportation vehicle has been thoroughly inspected and adjusted at the factory and by your CLUB CAR distributor/dealer. However, upon receiving your new transportation vehicle(s), you should become familiar with its controls and operation. Carefully inspect each vehicle to be satisfied that it is in proper working condition before accepting delivery. Use the following checklist as a guide to inspect your new vehicle. This same checklist should also be used in conjunction with the Periodic Service Schedules, pages 37 through 41. Any problems should be corrected by your CLUB CAR distributor/dealer or a trained technician only.

- **General:** All the parts should be in place and properly installed. Be sure that all nuts, bolts, and screws are tight. On gasoline vehicles, check all hose clamps for tight fit as well as the starter belt for tightness.
- **Warning Decals:** Check to ensure that all warning and operation decals are in place (**See Pages 4 through 14**).
- **Tires:** Check for proper tire pressure (**See Tire Capacities, Page 44**).
- **Batteries (electric vehicle):** Before using vehicle for the first time check electrolyte to ensure it is at the proper level (**Figure 32, Page 47**). Check battery posts. Wires should be tight and free of corrosion and batteries should be fully charged.
- **Multi-Step Potentiometer (Electric Tourall Only):** Be sure potentiometer (wiper switch) cover is properly secured prior to operating the vehicle.
- **Engine (gasoline vehicle):** Check for proper engine oil level (**See Engine Oil, Page 45**).
- **Fuel (gasoline vehicle):** Check fuel level (**See Fueling Instructions, Page 45**).

WARNING

- **BE SURE THE PLASTIC HAS BEEN REMOVED FROM THE SEAT BOTTOM BEFORE OPERATING THE VEHICLE. FAILURE TO DO SO MAY RESULT IN FIRE, PROPERTY DAMAGE, PERSONAL INJURY, OR DEATH.**

PERFORMANCE INSPECTION

After you have familiarized yourself with the vehicle controls and have read and understood the driving instructions, take the vehicle for a test drive. Use the following checklist as a guide to inspect your new vehicle. Any problems should be corrected only by your CLUB CAR distributor/dealer or a trained technician.

All vehicles:

- **Brakes:** Be sure the brakes function properly. When brake pedal is fully depressed under moderate pressure, it should *not* go more than halfway to the floor, and vehicle should come to a smooth, straight stop. Tourall vehicles should stop within 14 feet. Trans-Porter/Trans-Sender and Resort Villager vehicles should stop within 16 feet. If the brake pedal goes more than halfway to the floor or if the vehicle swerves or fails to stop within the appropriate braking distance for your vehicle (see preceding sentences), have the brake system checked and adjusted as required. Brake adjustment must be maintained so that the brake pedal *cannot* be depressed to the floor under any circumstances.
- **Park Brake:** When latched, the park brake should lock the wheels and hold the vehicle stationary (on incline of 20% or less). It should release when either the accelerator or brake pedal is depressed.
- **Reverse Buzzer:** The reverse buzzer should sound as a warning when vehicle is in reverse.
- **Steering:** The vehicle should be easy to steer and should not have any play in the steering wheel.

• **Accelerator:**

Electric Trans-Porter/Trans-Sender, Electric Resort Villager, Gasoline and Electric Tourall vehicles: As the accelerator pedal is depressed, the engine or motor should start and the vehicle should accelerate smoothly to full speed. When the pedal is released it should return to the original position and the engine or motor should stop. Both the electric and gasoline vehicles should run at a reduced speed when in reverse.

Gasoline powered Trans-Porter/Trans-Sender and Resort Villager vehicles: After starting the engine, the vehicle should accelerate smoothly to full speed as the accelerator pedal is depressed. When the accelerator pedal is released it should return to the original position and the engine should idle.

- **Governor (gasoline vehicles):** Check maximum speed of the vehicle. All electric vehicles and the gasoline powered Tourall should run at 12-15 mph (19-24 kph) on a level surface. The Trans-Porter/Trans-Sender and Resort Villager gasoline powered vehicles should run at 14-16 mph (23-26 kph) on a level surface.
- **General:** Listen for any unusual noises such as squeaks or rattles. Check the vehicle ride and performance. Have a CLUB CAR distributor/dealer or a trained mechanic investigate anything unusual.
- **Tourall Electric Vehicles with PowerDrive Plus (Motor Braking):**
 - **Zero Speed Detect:** With the vehicle parked on level ground, the Forward/Reverse handle in any position and the park brake disengaged, place the tow switch in the RUN position and attempt to push the vehicle. It should resist rolling (moving at no more than 1 or 2 mph). A warning buzzer should sound two seconds after the vehicle begins to move.
 - **Pedal Up Motor Braking:** Accelerate the vehicle to full speed and release the accelerator pedal. Motor braking should quickly and smoothly slow the vehicle to approximately 9 mph. Motor braking will disengage when vehicle slows to 9 mph.
 - **Pedal Down Motor Braking:** Accelerate down an incline with the accelerator pedal depressed. When the vehicle reaches approximately 15 mph, motor braking should engage and moderate vehicle speed between 15 and 16 mph, depending on the grade of the hill.

CONTROLS - TRANS-PORTER/TRANS-SENDER ELECTRIC, RESORT VILLAGER ELECTRIC, TOURALL GASOLINE, AND TOURALL ELECTRIC VEHICLES:

⚠ DANGER

- DO NOT OPERATE GASOLINE VEHICLE IN AN ENCLOSED AREA WITHOUT PROPER VENTILATION. GASOLINE ENGINES PRODUCE CARBON MONOXIDE GAS, WHICH IS AN ODORLESS, DEADLY POISON.

⚠ WARNING

- DO NOT TAMPER WITH THE GASOLINE VEHICLE GOVERNOR. DOING SO WILL VOID THE WARRANTY, AS WELL AS DAMAGE THE ENGINE AND OTHER COMPONENTS, AND COULD RESULT IN PROPERTY DAMAGE, PERSONAL INJURY, OR DEATH DUE TO UNSAFE SPEEDS.
- DO NOT MODIFY OR CHANGE THE VEHICLE IN ANY WAY WHICH MIGHT AFFECT ITS STABILITY OR HANDLING, OR INCREASE MAXIMUM VEHICLE SPEED BEYOND FACTORY SPECIFICATIONS. PROPERTY DAMAGE, PERSONAL INJURY, OR DEATH COULD RESULT.
- DO NOT SHIFT THE FORWARD/REVERSE HANDLE WHILE THE VEHICLE IS MOVING. TO AVOID INJURY TO PASSENGER(S) OR DAMAGE TO THE VEHICLE, ALWAYS BRING THE VEHICLE TO A FULL STOP BEFORE SHIFTING THE HANDLE. A BUZZER WILL SOUND AS A WARNING WHEN THE VEHICLE IS IN **REVERSE**.
- RELEASE THE ACCELERATOR PEDAL AND THEN DEPRESS THE BRAKE PEDAL FIRMLY UNTIL THE VEHICLE STOPS. TO AVOID UNINTENTIONALLY STARTING OR ROLLING THE VEHICLE, SET THE PARK BRAKE, TURN THE KEY SWITCH TO **OFF**, AND REMOVE THE KEY WHEN LEAVING THE VEHICLE.

KEY SWITCH

The key switch is mounted on the dash to the right of the steering column (**Figure 4**). It has two positions, OFF and ON, which are clearly labeled.

NOTE

- THE KEY CAN BE REMOVED WHEN THE KEY SWITCH IS IN THE **OFF** POSITION ONLY.

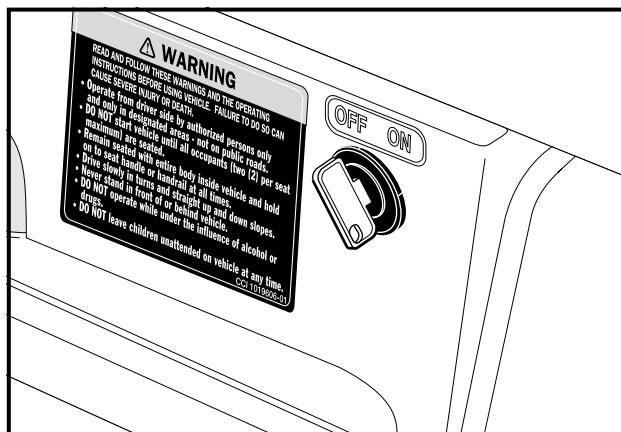


FIGURE 4

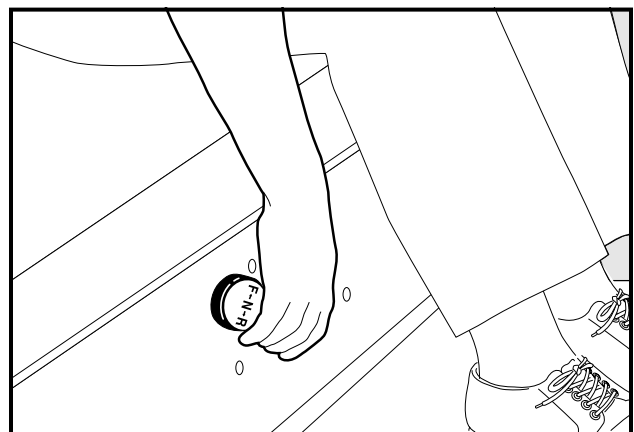


FIGURE 5

FORWARD/REVERSE CONTROL

The Forward/Reverse shift handle is located on the seat support panel, below and to the right of the driver's right knee (**Figure 5, Page 17**). The handle has three distinct positions: **F** (forward), **N** (neutral), and **R** (reverse). Rotate the handle towards the driver, **F** (forward), to operate the vehicle in the FORWARD direction, or towards the passenger, **R** (reverse), to operate the vehicle in REVERSE. When the handle is in the straight up, or **N** (neutral) position, the vehicle will not operate. The engine in a gasoline powered Tourall will shut down if the vehicle is shifted to NEUTRAL while the engine is running. All Club Car transportation vehicles operate at reduced speed in REVERSE.

NOTE

- THE REVERSE BUZZER(S) WILL SOUND AS A WARNING WHEN THE VEHICLE IS IN REVERSE.

Tourall Electric Vehicles with PowerDrive Plus (Motor Braking)

The Forward/Reverse switch shifter is located on the seat support panel below and to the right of the driver's right knee (**Figure 6**). The FORWARD (**F**) and REVERSE (**R**) positions are clearly marked on the switch. Push down the (**F**) side of the switch to operate the vehicle in the FORWARD direction, or push down on the (**R**) side of the switch to operate the vehicle in REVERSE. When neither side is depressed, the vehicle is in the NEUTRAL position and will not operate if the accelerator pedal is depressed.

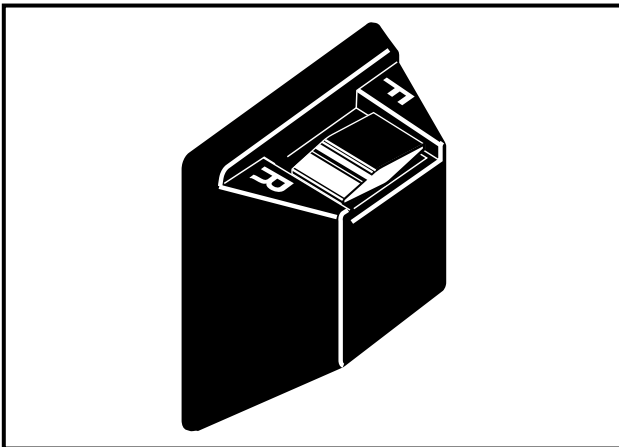


FIGURE 6

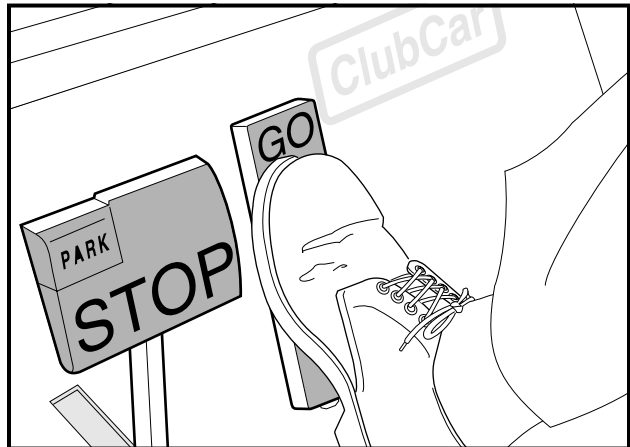


FIGURE 7

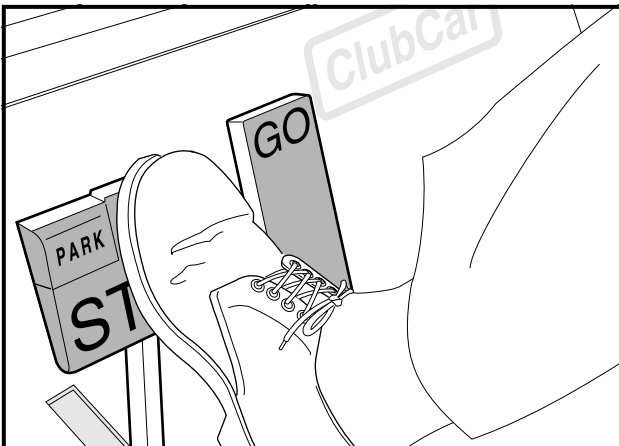


FIGURE 8

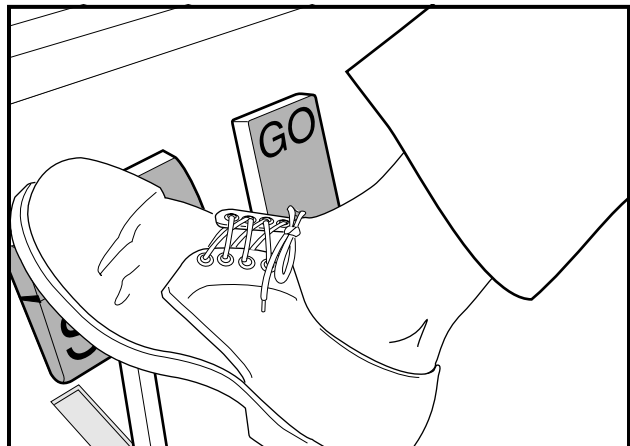


FIGURE 9

ACCELERATOR PEDAL

The accelerator pedal is the pedal on the right, with the word **GO** molded into it (**Figure 7**).

NOTE

- **THE OPERATION OF THE ACCELERATOR PEDAL DIFFERS FROM THAT OF AN AUTOMOBILE.** WHEN THE KEY SWITCH IS **ON**, AND THE FORWARD/REVERSE HANDLE IS IN EITHER **FORWARD** OR **REVERSE**, DEPRESSING THE ACCELERATOR PEDAL WILL AUTOMATICALLY RELEASE THE PARK BRAKE AND START THE VEHICLE MOVING IN THE DIRECTION SELECTED (FORWARD OR REVERSE). AS THE ACCELERATOR PEDAL IS DEPRESSED, SPEED WILL INCREASE UNTIL FULL SPEED IS REACHED. WHEN THE ACCELERATOR PEDAL IS RELEASED, POWER WILL BE CUT OFF AND THE ENGINE OR MOTOR WILL STOP RUNNING.
- **TOURALL ELECTRIC VEHICLES WITH POWERDRIVE PLUS (MOTOR BRAKING):** SEE *PEDAL UP* AND *PEDAL DOWN* MOTOR BRAKING ON PAGE 16.

BRAKE PEDAL

The brake pedal is the large pedal on the left with the word **STOP** molded into it (**Figure 7**). To slow or stop the vehicle, depress the brake pedal with your foot.

PARK BRAKE PEDAL

The park brake pedal is the small raised portion in the upper left corner of the brake pedal. It has the word **PARK** molded into it and the words **PARK BRAKE** marked on top (**Figure 7**). To set the park brake, depress the brake pedal firmly and tilt the park brake portion of the pedal forward (**Figure 9**).

⚠ WARNING

- THE PARK BRAKE WILL RELEASE AUTOMATICALLY WHEN EITHER THE ACCELERATOR OR BRAKE PEDAL IS DEPRESSED. THE PARK BRAKE HAS MULTIPLE LOCKING POSITIONS AND SHOULD BE FIRMLY PRESSED AND LOCKED TO PREVENT THE VEHICLE FROM ROLLING.

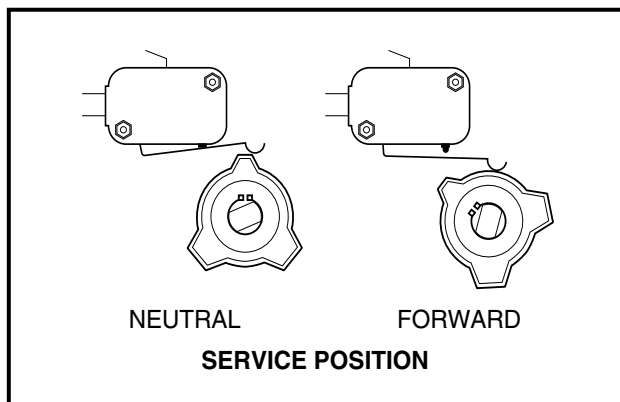


FIGURE 10

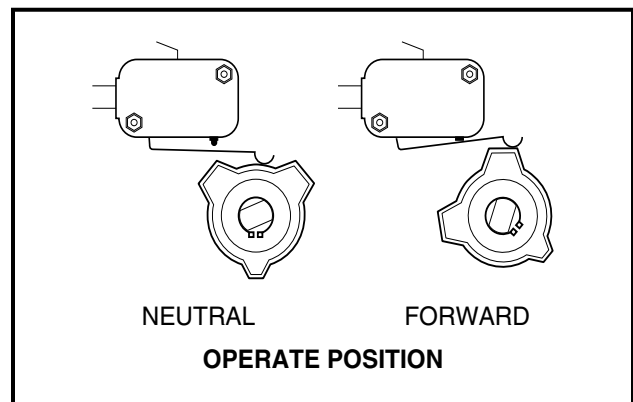


FIGURE 11

GASOLINE VEHICLES ONLY:

Neutral Lock-out

The gasoline vehicle has a neutral lock-out circuit that prevents the driver from starting the vehicle in NEUTRAL. If the vehicle is started in FORWARD or REVERSE and then shifted to NEUTRAL, the engine will stop running.

Neutral Lock-out, Continued:

For the convenience of the trained mechanic, there is a neutral lock-out cam (yellow knob) located on the back of the Forward/Reverse shifter, inside the engine compartment. If the neutral lock-out cam is pulled out approximately 3/8 inch (10 millimeters) and then rotated one-half turn until it snaps into place, the cam will be in the SERVICE position (**Figure 10, Page 19**). This will allow the mechanic to run the engine in NEUTRAL for certain maintenance procedures. With the cam in this position, the vehicle will not operate if the Forward/Reverse handle is placed in either the FORWARD or REVERSE position. To put the cam back into the OPERATE position, pull the cam out approximately 3/8 inch (10 millimeters) and rotate it one-half turn until it snaps into place (**Figure 11, Page 19**). See **WARNING** and **NOTE** below.

⚠ WARNING

- WITH THE CAM IN THE SERVICE POSITION AND THE ENGINE RUNNING, THE VEHICLE MAY MOVE SUDDENLY IF THE FORWARD/REVERSE HANDLE IS SHIFTED OR ACCIDENTALLY BUMPED. TO PREVENT THIS, CHOCK THE FRONT AND REAR WHEELS AND ALWAYS FIRMLY SET THE PARK BRAKE BEFORE SERVICING OR LEAVING THE VEHICLE.

NOTE

- BE SURE TO RETURN THE CAM TO THE **OPERATE** POSITION AFTER SERVICING THE VEHICLE, OR THE VEHICLE WILL NOT RUN.

Choke

The choke is located on the seat support panel below and to the left of the driver's left knee (**Figure 12**). If the vehicle is hard to start in cool or cold temperatures, activate the choke by depressing the choke cover. Hold choke cover in during start up and release it after the engine starts and runs smoothly.

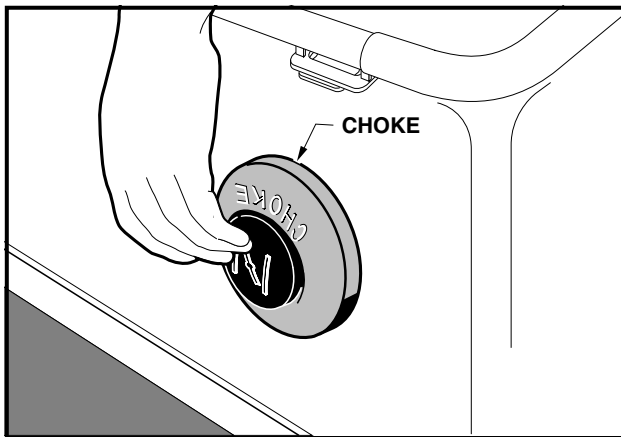


FIGURE 12

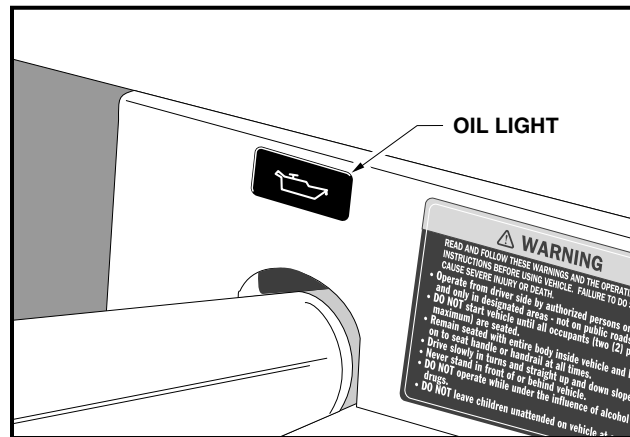


FIGURE 13

Oil Light

The gasoline powered vehicle is equipped with a low oil warning light, located on the dash panel just above the steering column (**Figure 13**). If the oil warning light comes on, oil should be checked and added to the engine as necessary before continuing to use the vehicle. The vehicle should never be driven when the oil warning light remains on. If the oil warning light goes on and off, the vehicle may be driven, but oil should be added at the first opportunity. If the oil level is correct and the light stays on, have a trained mechanic check the vehicle. See **CAUTION** top of page 21.

CAUTION

- FAILURE TO ADD OIL IMMEDIATELY WHEN THE OIL WARNING LIGHT STAYS ON MAY RESULT IN PERMANENT ENGINE DAMAGE.

ELECTRIC VEHICLES ONLY:

Battery Warning Light

PowerDrive System 48 and PowerDrive Plus vehicles, including all electric Trans-Porter/Trans-Sender, Resort Villager, and Tourall models, feature a dash mounted warning light (above steering column) that, when the vehicle is in operation, indicates low battery voltage, or, when the vehicle is being charged, indicates a charging problem. The battery warning light is controlled by the PowerDrive on-board computer.

When the vehicle is in operation, the warning light will come on and remain illuminated if:

- Batteries voltage drops below 48 when there is no load on the batteries (the vehicle is stopped and there are no accessories on).
- Batteries have discharged to less than 25% of rated capacity.

If the warning light comes on when the vehicle is operating, there will be enough power remaining to drive the vehicle for approximately 30 minutes. However, the vehicle should be charged at the first opportunity. If the warning light comes on and the vehicle is unable to operate for 30 minutes, have your Club Car distributor/dealer check the vehicle for a possible battery or electrical system problem.

When the batteries receive an incomplete charge because 1) the DC power cord is disconnected, 2) AC power to the charger is interrupted, 3) automatic charger shut-off occurs after 16 hours of operation, or 4) the charger malfunctions, the warning light will indicate as follows:

- The warning light will not come on if the charge is 90% or more complete. The on-board computer will retain in memory the amount of charge needed to fully replenish the batteries and will complete the charge during the next charge cycle.
- When the charger is unplugged, the warning light will come on and remain illuminated for 10 seconds if the charge is less than 90% complete but the vehicle has enough power for approximately 30 minutes of operation. This will alert the operator that the vehicle may be used, but that it must be charged to completion as soon as possible.
- The warning light will repeatedly illuminate for 10 seconds, with 4 second intervals if the charger times out at 16 hours and the batteries are not sufficiently charged (**see PowerDrive Charger Owner's Manual**). This indicates an abnormal charge cycle. The charger and batteries should be checked by your Club Car distributor/dealer.
- The warning light will repeatedly illuminate for 10 seconds, with 4 second intervals during a charge cycle (DC plug is still connected) if AC power to the charger is interrupted. The light will go out when AC power is restored.

TOURALL ELECTRIC VEHICLE WITH POWERDRIVE PLUS (MOTOR BRAKING) ONLY:

Tow/Run Switch:

CAUTION

- TO AVOID POSSIBLE BATTERY EXPLOSION, THE TOW/RUN SWITCH MUST BE IN THE **TOW** POSITION BEFORE DISCONNECTING OR CONNECTING BATTERY WIRES.
- WHEN THE TOW/RUN SWITCH IS IN THE **TOW** POSITION, ALL MOTOR BRAKING FUNCTIONS, INCLUDING ZERO-SPEED DETECT, ARE DISABLED.
- AFTER PLACING THE TOW/RUN SWITCH IN THE **TOW** POSITION, ALLOW 10 SECONDS BEFORE PLACING SWITCH BACK TO THE **RUN** POSITION.

CAUTION CONTINUED AT TOP OF PAGE 22.

⚠ CAUTION

- AFTER PLACING THE TOW/RUN SWITCH IN THE **RUN** POSITION, ALLOW 10 SECONDS BEFORE OPERATING THE VEHICLE.

The Tourall electric vehicle with PowerDrive Plus (motor braking) is equipped with a TOW/RUN switch, located under the seat just above the Forward/Reverse switch (**Figure 14**). The TOW/RUN switch must be in the RUN position in order to operate the vehicle. When the switch is in the TOW position, power to the vehicle electrical components is turned off and the vehicle will not operate.

The TOW/RUN switch should be placed in the TOW position under the following conditions:

- **Before Towing the vehicle** - Place the TOW/RUN switch in the TOW position to disable all motor braking functions. This will prevent possible damage to the vehicle or electrical components.
- **Before Connecting or Disconnecting Battery Wires** - Place the TOW/RUN switch in the TOW position to turn off power to the vehicle electrical system. This will prevent severe arcing and possible battery explosion as battery wires are connected or disconnected.
- **For Long Term Storage** - Place the TOW/RUN switch in the TOW position to turn off power to the vehicle electrical system. This will prevent the electrical components from discharging the batteries.

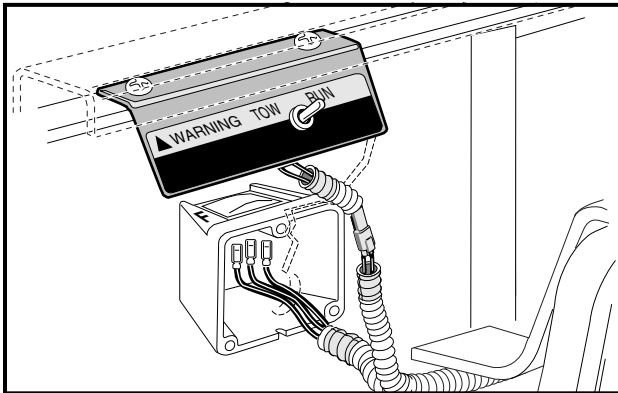


FIGURE 14

DRIVING INSTRUCTIONS - TRANS-PORTER/TRANS-SENDER ELECTRIC, RESORT VILLAGER ELECTRIC, TOURALL GASOLINE, AND TOURALL ELECTRIC VEHICLES

No one should operate the vehicle without first being instructed in the proper use of the vehicle's controls. An experienced operator should accompany each first-time driver on a test drive before allowing him(her) to operate the vehicle alone. Only licensed drivers should be allowed to drive this vehicle.

To ensure safe operation of the vehicle, follow all procedures exactly as written. Read and understand all instructions prior to driving the vehicle. **See WARNING below.**

⚠ WARNING

- MAKE SURE THE DRIVER IS FAMILIAR WITH ALL CONTROLS AND OPERATING PROCEDURES BEFORE ALLOWING THE VEHICLE TO BE DRIVEN.
- NO MORE THAN TWO PEOPLE PER SEAT AT ONE TIME.
- DO NOT ALLOW PASSENGERS IN THE CARGO BED.

WARNING CONTINUED AT TOP OF PAGE 23.

WARNING

- THE VEHICLE IS NOT SPECIALLY EQUIPPED FOR HANDICAPPED PERSONS. MAKE SURE ALL PASSENGERS ARE CAPABLE OF SECURING THEMSELVES IN A MOVING TRANSPORTATION VEHICLE BEFORE ALLOWING THEM TO RIDE IN ONE.
- FOR NIGHT USE, THE VEHICLE MUST BE EQUIPPED WITH HEADLIGHTS, TAILLIGHTS, AND REFLECTORS.
- STOP THE VEHICLE BEFORE SHIFTING THE FORWARD/REVERSE HANDLE. FAILURE TO DO SO MAY RESULT IN INJURY TO INATTENTIVE PASSENGERS AND (OR) DAMAGE TO THE VEHICLE. A BUZZER WILL SOUND AS A WARNING WHEN THE VEHICLE IS IN **REVERSE**.

WHEN DRIVING THE VEHICLE:

- OPERATE THE VEHICLE FROM THE DRIVER'S SEAT ONLY.
TO PREVENT FALLS FROM THE VEHICLE, REMAIN SEATED AND HOLD ON TO SEAT HANDLES OR HANDRAILS AT ALL TIMES. DRIVER SHOULD KEEP BOTH HANDS ON THE STEERING WHEEL WHEN THE VEHICLE IS IN MOTION.
- TO PREVENT THE POSSIBILITY OF SERIOUS INJURY, KEEP ENTIRE BODY INSIDE VEHICLE.
- DO NOT LEAVE CHILDREN UNATTENDED IN THE VEHICLE.
- TO PREVENT VEHICLE FROM OVERTURNING, DRIVE SLOWLY IN TURNS.
- TO PREVENT VEHICLE FROM OVERTURNING, DRIVE SLOWLY STRAIGHT UP AND DOWN SLOPES. **DO NOT DRIVE THE VEHICLE ON SLOPES EXCEEDING 20% INCLINE.**
- AVOID STOPPING A LOADED VEHICLE ON A HILL. IF A LOADED VEHICLE MUST BE STOPPED ON A HILL, AVOID SUDDEN STARTS OR ROLLING BACKWARDS AND STOPPING SUDDENLY. FAILURE TO HEED THIS WARNING COULD RESULT IN THE VEHICLE OVERTURNING.
- TO AVOID POSSIBLE INJURY TO INATTENTIVE PASSENGERS AND (OR) DAMAGE TO THE VEHICLE, AVOID SUDDEN STARTS, SUDDEN STOPS AND ABRUPT TURNS.
- TO AVOID THE POSSIBILITY OF LOSING CONTROL OF OR OVERTURNING THE VEHICLE, REDUCE SPEED FOR ADVERSE DRIVING CONDITIONS SUCH AS WET GRASS OR ROUGH TERRAIN.
- DO NOT USE THE VEHICLE ON PUBLIC ROADS. IT IS NEITHER DESIGNED NOR INTENDED FOR STREET USE AND SHOULD NOT BE LICENSED FOR USE ON PUBLIC ROADS.
- THE VEHICLE SHOULD BE DRIVEN IN ONLY SPECIFIED AREAS BY TRAINED OPERATORS.
- DO NOT STAND IN FRONT OF OR BEHIND THE VEHICLE.
- DO NOT DRIVE WHILE UNDER THE INFLUENCE OF ALCOHOL, DRUGS OR MEDICATIONS.
- OPERATOR MUST CONTROL VEHICLE SPEED WHEN GOING DOWNHILL.
- **GASOLINE VEHICLE ONLY:** DEPRESS THE BRAKE PEDAL AS NECESSARY AND DEPRESS THE ACCELERATOR PEDAL PARTIALLY WHEN DESCENDING A HILL. WITH THE ACCELERATOR PEDAL PARTIALLY DEPRESSED, THE GOVERNOR WILL CAUSE THE ENGINE TO ASSIST THE BRAKES IN CONTROLLING DOWNHILL SPEED.

STARTING THE VEHICLE

1. Be sure load is secure.
2. Be sure everyone is seated and holding onto seat handles or handrails. Driver should have both hands on the steering wheel.
3. Read safety warnings located on dash and (or) above pedals.
4. Make sure wheels are turned in desired direction, turn key to the ON position and be sure nothing is in your path.
5. Select direction by placing Forward/Reverse handle in desired position (F = forward or R = reverse).

Starting The Vehicle, Continued:

6. Slowly depress accelerator pedal. The park brake will release automatically and the vehicle will start to move. As the accelerator pedal is depressed, speed will increase until full speed is reached. **See WARNING below.**

WARNING

- VEHICLE OPERATOR MUST CONTROL SPEED WHEN GOING DOWNHILL.
- **GASOLINE VEHICLES ONLY:** DEPRESS THE BRAKE PEDAL AS NECESSARY AND PARTIALLY DEPRESS THE ACCELERATOR WHEN DESCENDING A HILL. WITH THE ACCELERATOR PEDAL PARTIALLY DEPRESSED, THE GOVERNOR WILL CAUSE THE ENGINE TO ASSIST THE BRAKES IN CONTROLLING DOWNHILL SPEED.
- **TOURALL POWERDRIVE PLUS VEHICLE (MOTOR BRAKING) ONLY:**
- PEDAL DOWN OR PEDAL UP MOTOR BRAKING MAY BE USED TO CONTROL SPEED WHEN GOING DOWNHILL. HOWEVER, TERRAIN OR OTHER CONDITIONS MAY REQUIRE THAT PEDAL BRAKING BE USED IN CONJUNCTION WITH MOTOR BRAKING.

STOPPING THE VEHICLE

WARNING

- DRIVING THROUGH WATER MAY AFFECT THE BRAKES. AFTER DRIVING THROUGH WATER, CHECK EFFECTIVENESS OF THE BRAKES BY GENTLY DEPRESSING THE BRAKE PEDAL. IF THE VEHICLE DOES NOT SLOW DOWN AT THE NORMAL RATE, CONTINUE TO DEPRESS THE BRAKE PEDAL UNTIL THE BRAKES DRY OUT AND NORMAL PERFORMANCE RETURNS.

CAUTION

- WHEN STOPPED ON A HILL, USE THE BRAKE PEDAL TO HOLD YOUR POSITION. DO NOT USE THE ACCELERATOR PEDAL.

To stop the vehicle, release the accelerator pedal and depress the brake pedal until the vehicle comes to a complete stop.

PARKING AND LEAVING THE VEHICLE

1. After coming to a complete stop, firmly depress the park brake pedal until it locks. This will prevent the vehicle from rolling.
2. Turn the key switch to OFF and place the Forward/Reverse handle in the NEUTRAL position. Remove the key when the vehicle is not in use.
 - **Tourall PowerDrive Plus Vehicle (Motor Braking) Only:** When the vehicle TOW/RUN switch is in the RUN position, the *zero speed detect* function will prevent the vehicle from rolling at more than 1 or 2 mph unless the accelerator is depressed. This prevents the possibility of a parked vehicle (with park brake disengaged) rolling away too fast to be overtaken on foot. **See Zero Speed Detect, Page 16.**

CONTROLS - TRANS-PORTER/TRANS-SENDER GASOLINE AND RESORT VILLAGER GASOLINE VEHICLES

DANGER

- DO NOT OPERATE GASOLINE VEHICLE IN AN ENCLOSED AREA WITHOUT PROPER VENTILATION. GASOLINE ENGINES PRODUCE CARBON MONOXIDE GAS, WHICH IS AN ODORLESS, DEADLY POISON.

WARNING

- BEFORE ASSIGNING A DRIVER TO THE VEHICLE, MAKE SURE THE DRIVER IS FAMILIAR WITH ALL CONTROLS AND OPERATING PROCEDURES BEFORE ALLOWING THE VEHICLE TO BE DRIVEN.
- BEFORE ALLOWING ANYONE TO DRIVE THE VEHICLE, BE SURE HE OR SHE IS FAMILIAR WITH ALL CONTROLS AND OPERATING PROCEDURES.
- DO NOT TAMPER WITH THE GASOLINE VEHICLE GOVERNOR. DOING SO WILL VOID THE WARRANTY, AS WELL AS, DAMAGE THE ENGINE AND OTHER COMPONENTS AND COULD RESULT IN PROPERTY DAMAGE, PERSONAL INJURY, OR DEATH DUE TO UNSAFE SPEEDS.
- DO NOT MODIFY OR CHANGE THE VEHICLE IN ANY WAY WHICH MIGHT AFFECT ITS STABILITY OR HANDLING, OR INCREASE MAXIMUM VEHICLE SPEED BEYOND FACTORY SPECIFICATIONS. PROPERTY DAMAGE, PERSONAL INJURY, OR DEATH COULD RESULT.
- DO NOT SHIFT THE FORWARD/REVERSE HANDLE WHILE THE VEHICLE IS MOVING. TO AVOID INJURY TO INATTENTIVE PASSENGERS OR DAMAGE TO THE VEHICLE, ALWAYS BRING THE VEHICLE TO A FULL STOP BEFORE SHIFTING THE HANDLE. A BUZZER WILL SOUND AS A WARNING WHEN THE VEHICLE IS IN REVERSE.
- RELEASE THE ACCELERATOR PEDAL AND THEN DEPRESS THE BRAKE PEDAL FIRMLY UNTIL THE VEHICLE STOPS. TO AVOID UNINTENTIONALLY STARTING OR ROLLING THE VEHICLE, SET THE PARK BRAKE, TURN THE KEY SWITCH TO **OFF**, AND REMOVE THE KEY WHEN LEAVING THE VEHICLE.

KEY SWITCH

The key switch is mounted on the dash to the right of the steering column (**Figure 15, Page 26**). It has three positions, OFF, ON, and START, which are clearly labeled.

NOTE

- THE KEY CAN BE REMOVED WHEN THE KEY SWITCH IS IN THE **OFF** POSITION ONLY.

To start the vehicle, turn the key past the ON position to the START position and hold until the engine is running smoothly. Release the key and it will return to the ON position and the engine should idle.

FORWARD/REVERSE CONTROL

The Forward/Reverse handle is located on the seat support panel below and to the right of the driver's right knee (**Figure 16, Page 26**). The handle has three distinct positions: **F** (forward), **N** (neutral), and **R** (reverse). Rotate the handle towards the driver, **F** (forward), to operate the vehicle in the FORWARD direction, or towards the passenger, **R** (reverse), to operate the vehicle in REVERSE. When the handle is in the straight up, or **N** (neutral) position, the vehicle will idle. **See NOTE below.**

NOTE

- THE ENGINE WILL STOP RUNNING IF THE ACCELERATOR IS DEPRESSED WHILE THE FORWARD/REVERSE HANDLE IS IN THE **NEUTRAL** POSITION.
- THE REVERSE BUZZER WILL SOUND AS A WARNING WHEN THE VEHICLE IS IN **REVERSE**.

ACCELERATOR PEDAL

The accelerator pedal is the pedal on the right, with the word **GO** molded into it (**Figure 18**). See **NOTE** below.

NOTE

- **THE OPERATION OF THE ACCELERATOR PEDAL DIFFERS FROM THAT OF AN AUTOMOBILE.** WHEN THE ENGINE IS RUNNING, AND THE SHIFT HANDLE IS IN EITHER FORWARD OR REVERSE, DEPRESSING THE ACCELERATOR PEDAL WILL AUTOMATICALLY RELEASE THE PARK BRAKE AND START THE VEHICLE MOVING IN THE SELECTED DIRECTION (FORWARD OR REVERSE). AS THE ACCELERATOR PEDAL IS DEPRESSED, SPEED WILL INCREASE UNTIL FULL SPEED IS REACHED. WHEN THE ACCELERATOR PEDAL IS RELEASED, IT WILL RETURN TO THE ORIGINAL POSITION AND THE ENGINE WILL DROP BACK TO IDLE.

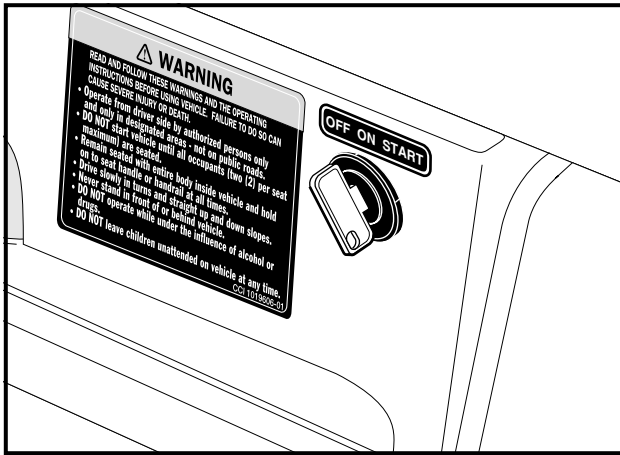


FIGURE 15

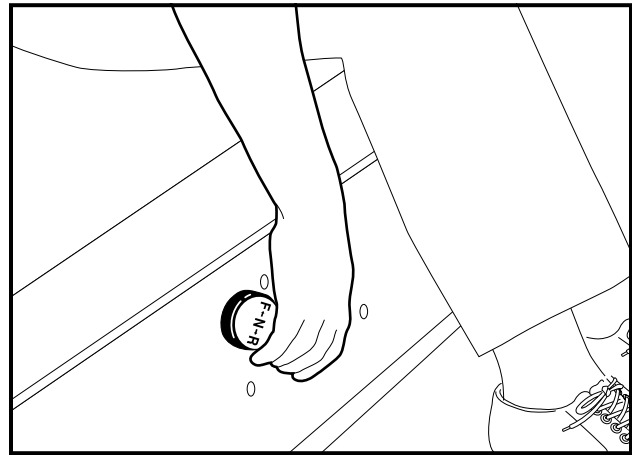


FIGURE 16

BRAKE PEDAL

The brake pedal is the large pedal on the left with the word **STOP** molded into it (**Figure 17**). To slow or stop the vehicle, depress the brake pedal with your right foot.

WARNING

- THE PARK BRAKE WILL RELEASE AUTOMATICALLY WHEN EITHER THE ACCELERATOR OR BRAKE PEDAL IS DEPRESSED. THE PARK BRAKE HAS MULTIPLE LOCKING POSITIONS AND SHOULD BE FIRMLY PRESSED TO PREVENT THE VEHICLE FROM ROLLING.

PARK BRAKE PEDAL

The park brake pedal is the small raised portion in the upper left corner of the brake pedal. It has the word **PARK** molded into it and the words **PARK BRAKE** marked on top of it (**Figure 18**). To set park brake, depress the brake pedal firmly and tilt the park brake portion of the pedal forward with your foot (**Figure 19**). The park brake will release when either the brake pedal or accelerator pedal is depressed.

NEUTRAL LOCK-OUT

For the convenience of the trained mechanic, there is a neutral lock-out cam (yellow knob) located on the back of the Forward/Reverse shifter inside the engine compartment. If the neutral lock-out cam is pulled out approximately 3/8 inch (10 millimeters) and then rotated one-half turn until it snaps into place, the cam will be in the **SERVICE** position (**Figure 20, Page 28**). This will allow the mechanic to run the engine for certain maintenance procedures. With the cam in this position, the vehicle will not operate if the Forward/Reverse

handle is placed in either the FORWARD or REVERSE position. To put the cam back into the OPERATE position, pull the cam out approximately 3/8 inch (10 millimeters) and rotate it one-half turn until it snaps into place (Figure 21, Page 28). See **WARNING** and **NOTE** below.

⚠ WARNING

- WITH THE CAM IN THE **SERVICE** POSITION AND THE ENGINE RUNNING, THE VEHICLE MAY MOVE SUDDENLY IF THE FORWARD/REVERSE HANDLE IS SHIFTED OR ACCIDENTALLY BUMPED. TO PREVENT THIS, CHOCK THE FRONT AND REAR WHEELS AND ALWAYS FIRMLY SET THE PARK BRAKE BEFORE SERVICING OR LEAVING THE VEHICLE.

NOTE

- BE SURE TO RETURN THE CAM TO THE **OPERATE** POSITION AFTER SERVICING THE VEHICLE, OR IT WILL NOT RUN WITH THE FORWARD/REVERSE HANDLE IN EITHER THE FORWARD OR REVERSE POSITION.

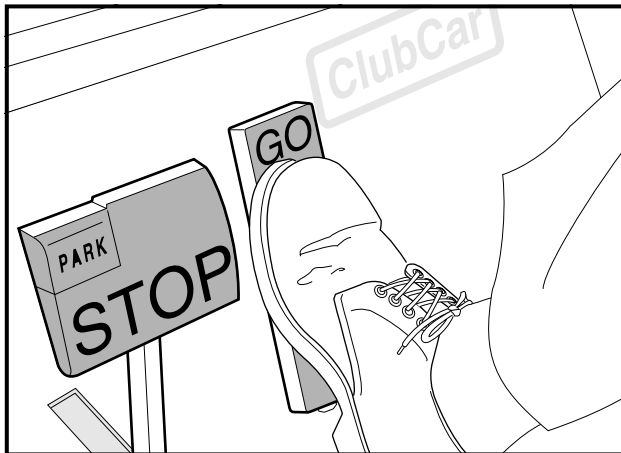


FIGURE 17

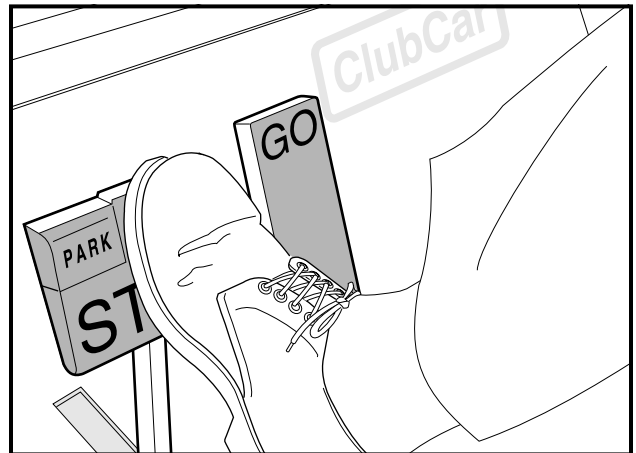


FIGURE 18

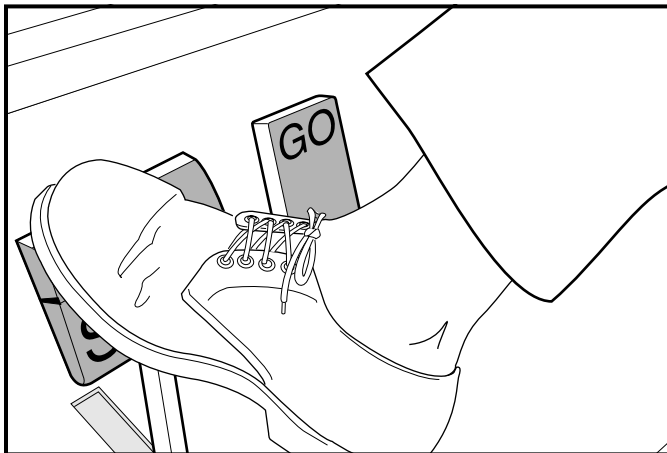


FIGURE 19

CHOCKE

The choke is located on the seat support panel below and to the left of the driver's left knee. If the vehicle is hard to start in cool or cold temperatures, activate the choke. Pull out the choke handle to activate it. Push the handle back in when the engine begins to run smoothly (Figure 22, Page 28).

OIL LIGHT

The gasoline powered vehicle is equipped with a low oil warning light, located on the dash panel just above the steering column (**Figure 23**). If the oil warning light comes on, oil should be checked and added to the engine as necessary before continuing to use the vehicle. The vehicle should never be driven when the oil warning light remains on. If the oil warning light goes on and off, the vehicle may be driven but oil should be added at the first opportunity. If the oil level is correct and the light stays on, have a trained mechanic check the vehicle.

CAUTION

- FAILURE TO ADD OIL IMMEDIATELY WHEN THE OIL WARNING LIGHT STAYS ON MAY RESULT IN PERMANENT ENGINE DAMAGE.

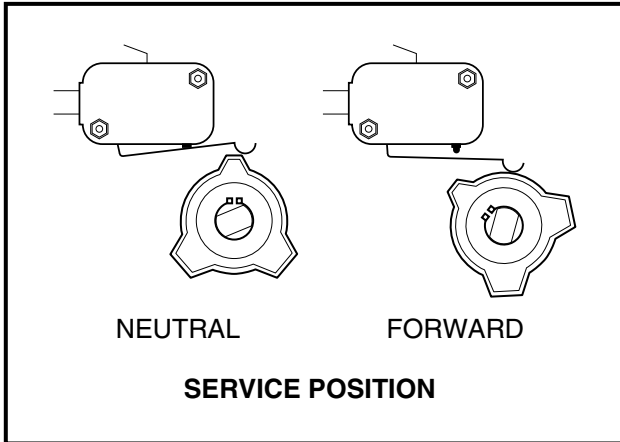


FIGURE 20

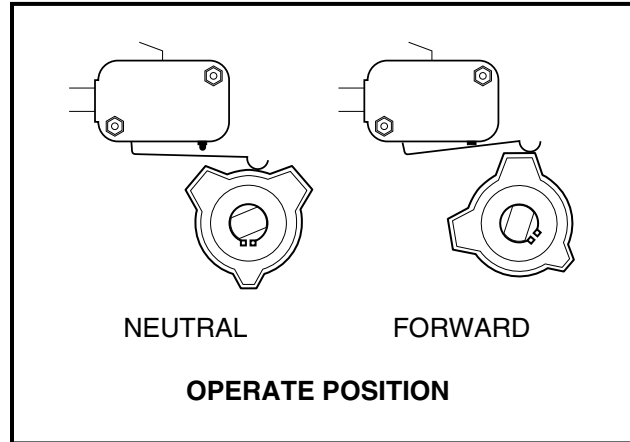


FIGURE 21

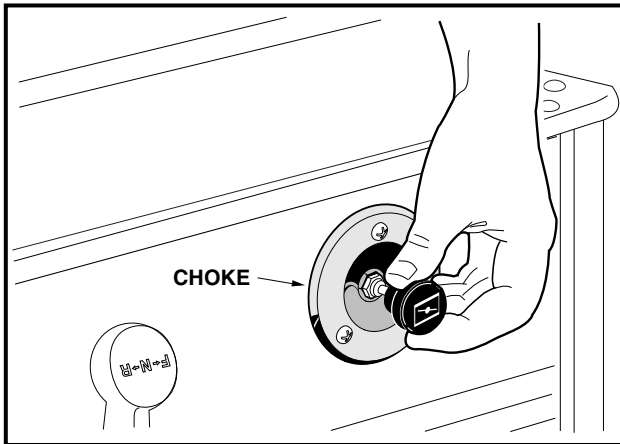


FIGURE 22

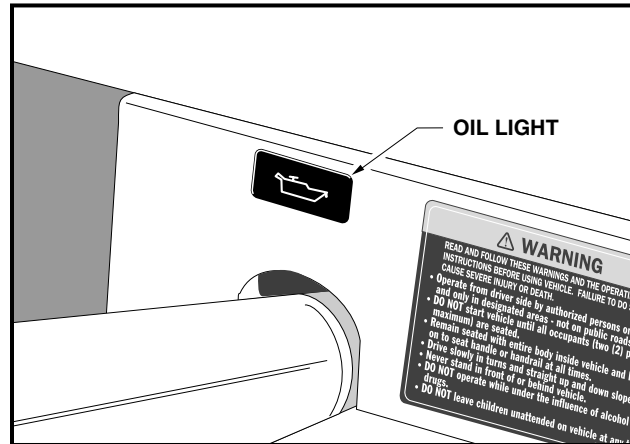


FIGURE 23

DRIVING INSTRUCTIONS - TRANS-PORTER/TRANS-SENDER GASOLINE AND RESORT VILLAGER GASOLINE VEHICLES

No one should drive the vehicle without first being instructed in the proper operation and use of the vehicle's controls. An experienced operator should accompany each first-time driver on a test drive before allowing him(her) to operate the vehicle alone. Only licensed drivers should be allowed to drive this vehicle.

To ensure safe operation of the vehicle, follow exactly and in order, all of the following procedures. Read and understand all instructions prior to driving the vehicle. **See WARNING on page 29.**

WARNING

- MAKE SURE THE DRIVER IS FAMILIAR WITH ALL CONTROLS AND OPERATING PROCEDURES BEFORE ALLOWING THE VEHICLE TO BE DRIVEN.
- NO MORE THAN TWO PEOPLE PER SEAT AT ONE TIME.
- DO NOT ALLOW PASSENGERS IN THE CARGO BED.
- THE VEHICLE IS NOT SPECIALLY EQUIPPED FOR HANDICAPPED PERSONS. MAKE SURE ALL PASSENGERS ARE CAPABLE OF SECURING THEMSELVES IN A MOVING TRANSPORTATION VEHICLE BEFORE ALLOWING THEM TO RIDE IN ONE.
- FOR NIGHT USE, THE VEHICLE MUST BE EQUIPPED WITH HEADLIGHTS, TAILLIGHTS, AND REFLECTORS.
- STOP THE VEHICLE BEFORE SHIFTING THE FORWARD/REVERSE HANDLE. FAILURE TO DO SO MAY RESULT IN INJURY TO INATTENTIVE PASSENGERS AND (OR) DAMAGE TO THE VEHICLE. A BUZZER WILL SOUND AS A WARNING WHEN THE VEHICLE IS IN **REVERSE**.

WHEN DRIVING THE VEHICLE:

- OPERATE THE VEHICLE FROM THE DRIVER'S SEAT ONLY.
- TO PREVENT FALLS FROM THE VEHICLE, REMAIN SEATED AND HOLD ON TO SEAT HANDLES OR HANDRAILS AT ALL TIMES. DRIVER SHOULD KEEP BOTH HANDS ON THE STEERING WHEEL WHEN THE VEHICLE IS IN MOTION.
- TO PREVENT THE POSSIBILITY OF SERIOUS INJURY, KEEP ENTIRE BODY INSIDE VEHICLE.
- DO NOT LEAVE CHILDREN UNATTENDED IN THE VEHICLE.
- TO PREVENT VEHICLE FROM OVERTURNING, DRIVE SLOWLY AROUND TURNS.
- TO PREVENT VEHICLE FROM OVERTURNING, DRIVE SLOWLY STRAIGHT UP AND DOWN SLOPES. **DO NOT DRIVE THE VEHICLE ON SLOPES EXCEEDING 20% GRADE.**
- AVOID STOPPING A LOADED VEHICLE ON A HILL. IF A LOADED VEHICLE MUST BE STOPPED ON A HILL, AVOID SUDDEN STARTS OR ROLLING BACKWARDS AND STOPPING SUDDENLY. FAILURE TO HEED THIS WARNING COULD RESULT IN THE VEHICLE OVERTURNING.
- TO AVOID POSSIBLE INJURY TO INATTENTIVE PASSENGERS AND (OR) DAMAGE TO THE VEHICLE, AVOID SUDDEN STARTS, SUDDEN STOPS AND ABRUPT TURNS.
- TO AVOID THE POSSIBILITY OF LOSING CONTROL OF OR OVERTURNING THE VEHICLE, REDUCE SPEED FOR ADVERSE DRIVING CONDITIONS SUCH AS WET GRASS OR ROUGH TERRAIN.
- DO NOT USE THE VEHICLE ON PUBLIC ROADS. IT IS NEITHER DESIGNED NOR INTENDED FOR STREET USE AND SHOULD NOT BE LICENSED FOR USE ON PUBLIC ROADS.
- THE VEHICLE SHOULD BE DRIVEN IN ONLY SPECIFIED AREAS BY TRAINED OPERATORS.
- DO NOT STAND IN FRONT OF OR BEHIND THE VEHICLE.
- DO NOT DRIVE WHILE UNDER THE INFLUENCE OF ALCOHOL, DRUGS OR MEDICATIONS.
- OPERATOR MUST CONTROL VEHICLE SPEED WHEN GOING DOWNHILL.
- **GASOLINE VEHICLE ONLY:** DEPRESS THE BRAKE PEDAL AS NECESSARY AND DEPRESS THE ACCELERATOR PEDAL PARTIALLY WHEN DESCENDING A HILL. WITH THE ACCELERATOR PEDAL PARTIALLY DEPRESSED, THE GOVERNOR WILL CAUSE THE ENGINE TO ASSIST THE BRAKES IN CONTROLLING DOWNHILL SPEED.

STARTING THE VEHICLE

1. Be sure load is secure.
2. Be sure everyone is seated and holding onto seat handles or handrails. Driver should have both hands on the steering wheel.

Starting the Vehicle, Continued:

3. Read safety warnings located above pedals.
4. Place the Forward/Reverse handle in the NEUTRAL position. Make sure wheels are turned in desired direction and nothing is in your path.
5. Depress and hold the brake pedal. Turn the key all the way to the START position and release after the engine is started. The engine will idle.
6. While keeping the brake engaged, place the Forward/Reverse handle in desired position (F = forward or R = reverse).
7. Release the brake pedal completely, and then slowly depress the accelerator pedal. As the accelerator pedal is depressed, speed will increase until full speed is reached.

NOTE

- IF THE ACCELERATOR PEDAL IS DEPRESSED WHILE THE FORWARD/REVERSE HANDLE IS IN **NEUTRAL**, OR IF YOU TRY TO SHIFT FROM **FORWARD** TO **REVERSE** WHILE THE ACCELERATOR PEDAL IS DEPRESSED, THE ENGINE WILL SHUT OFF. TO KEEP THE ENGINE RUNNING, THE ACCELERATOR PEDAL MUST BE RELEASED COMPLETELY BEFORE SHIFTING THE VEHICLE TO **NEUTRAL** OR FROM **FORWARD** TO **REVERSE**.

STOPPING THE VEHICLE

WARNING

- DRIVING THROUGH WATER MAY AFFECT THE BRAKES. AFTER DRIVING THROUGH WATER, CHECK EFFECTIVENESS OF THE BRAKES BY GENTLY DEPRESSING THE BRAKE PEDAL. IF THE VEHICLE DOES NOT SLOW DOWN AT THE NORMAL RATE, CONTINUE TO DEPRESS THE BRAKE PEDAL UNTIL THE BRAKES DRY OUT AND NORMAL PERFORMANCE RETURNS.

CAUTION

- WHEN STOPPED ON A HILL, USE THE BRAKE PEDAL TO HOLD YOUR POSITION. DO NOT USE THE ACCELERATOR PEDAL.

To stop the vehicle, release the accelerator pedal and depress the brake pedal until the vehicle comes to a complete stop.

PARKING AND LEAVING THE VEHICLE

1. After stopping the vehicle, firmly depress the park brake pedal until it locks. This will prevent the vehicle from rolling.
2. Turn the key switch to OFF and place the shift handle in the NEUTRAL position. Remove the key when the vehicle is not in use.

LOADING AND UNLOADING

Center and secure cargo as far forward as possible in the cargo bed. **See WARNING below.**

WARNING

- FIRMLY ENGAGE THE PARK BRAKE BEFORE LOADING THE VEHICLE.
- DO NOT ALLOW PASSENGERS IN THE CARGO BED.

WARNING CONTINUED AT TOP OF PAGE 31.

WARNING

- DO NOT EXCEED THE RATED CAPACITY OF THE VEHICLE. THIS INCLUDES ALL PASSENGERS, THE LOAD IN THE CARGO BED (500 LBS. (227 KG) MAXIMUM, ALL VEHICLES), AND THE SUM OF THE GROSS WEIGHT AND TONGUE WEIGHT OF A TRAILER. THE TONGUE WEIGHT OF ANY TRAILER SHOULD NEVER EXCEED 150 LBS (68 KG). MAXIMUM RATED CAPACITY FOR TRANS-PORTER/TRANS-SENDER VEHICLES IS 1500 LBS. (680 KG). MAXIMUM RATED CAPACITY FOR RESORT VILLAGER IS 1500 LBS. (680 KG). MAXIMUM RATED CAPACITY FOR TOURALL IS 800 LBS. (363 KG). OVERLOADING CAN AFFECT VEHICLE HANDLING OR CAUSE COMPONENT FAILURE, RESULTING IN LOSS OF CONTROL OF VEHICLE AND POSSIBLE SEVERE PERSONAL INJURY OR DEATH.
- VEHICLE LOAD AND SPEED MUST BE REDUCED WHEN DRIVING UP OR DOWN SLOPES OR ON UNEVEN TERRAIN. RATED CAPACITY IS FOR LEVEL SURFACES ONLY.
- REDUCE SPEED AND AVOID SUDDEN STOPS WHEN BACKING UP. FAILURE TO DO SO MAY CAUSE THE VEHICLE TO OVERTURN OR FLIP OVER BACKWARDS.
- DO NOT LOAD THE TAILGATE. THE TAILGATE SHOULD BE IN THE UPRIGHT POSITION AND LATCHED SECURELY WHILE THE VEHICLE IS IN MOTION.
- TO AVOID SHIFTING THE VEHICLE LOAD AND POSSIBLY OVERTURNING THE VEHICLE, AVOID SUDDEN STARTS, SUDDEN STOPS, AND ABRUPT TURNS. THE CARGO'S CENTER OF GRAVITY MAY AFFECT THE HANDLING, STEERING, AND BRAKING OF THE VEHICLE.
- TO PREVENT CARGO FROM SHIFTING AND POSSIBLY INJURING A PASSENGER OR AFFECTING THE VEHICLE'S HANDLING, MAKE SURE CARGO IS WELL SECURED.
- AVOID TOP-HEAVY LOADS. THE CENTER OF GRAVITY OF A LOAD SHOULD NEVER EXCEED 15 INCHES (38 CM) ABOVE THE BOTTOM OF THE CARGO BED.
- ALWAYS UNLOAD CARGO BED BEFORE RAISING VEHICLE WITH HOIST, JACK, OR OTHER LIFTING DEVICE.

TRANSPORTING ON A TRAILER

If the vehicle must be transported over long distances or on public highways, it should be transported on an approved trailer observing all the following:

WARNING

- DO NOT ALLOW PEOPLE IN THE TRAILER BEING TOWED.
- AVOID SUDDEN STARTS, SUDDEN STOPS, AND TIGHT TURNS WHEN TOWING.
- AVOID STOPPING ON A HILL WHEN TOWING. IF YOU MUST STOP ON A HILL, AVOID SUDDEN STARTS, OR ROLLING BACKWARDS AND STOPPING SUDDENLY. FAILURE TO HEED THIS WARNING COULD CAUSE THE VEHICLE TO OVERTURN, POSSIBLY RESULTING IN SEVERE PERSONAL INJURY.
- REDUCE NORMAL DRIVING SPEED WHEN TOWING A CLUB CAR VEHICLE ON A TRAILER.
- FOR USE ON PUBLIC ROADS, THE TRAILER MUST MEET ALL FEDERAL, STATE, AND LOCAL REQUIREMENTS SUCH AS TAILLIGHTS, BRAKE LIGHTS, ETC.
- ALWAYS USE AN APPROVED TRAILER THAT HAS THE PROPER LOAD RATING FOR THE VEHICLE(S) TO BE TOWED: 1600 LBS (726 KG) PER RESORT VILLAGER, 2000 LBS. (909 KG) PER TRANS-PORTER/TRANS-SENDER. (EXAMPLE: A TRAILER TO CARRY TWO RESORT VILLAGERS SHOULD BE RATED AT $2 \times 1600 = 3200$ LBS. ($2 \times 727 = 1454$ KG.).)

WARNING CONTINUED AT TOP OF PAGE 32.

WARNING

- NEVER TOW A CLUB CAR VEHICLE BEHIND A PASSENGER VEHICLE OR TRUCK ON A PUBLIC ROAD UNLESS IT IS ON AN APPROVED TRAILER.
- THE VEHICLE TO BE TOWED SHOULD BE TIED SECURELY TO THE TRAILER, WITH THE FORWARD/REVERSE HANDLE IN **NEUTRAL**, THE KEY SWITCH **OFF**, AND THE PARK BRAKE FIRMLY DEPRESSED AND LOCKED.
- BECAUSE OF THE ADDED LENGTH OF THE TRAILER, USE CAUTION WHEN MAKING TURNS.
- NEVER TRANSPORT THE VEHICLE ON A TRAILER WITH A LOAD IN THE VEHICLE CARGO BED.
- IF VEHICLE IS EQUIPPED WITH A WINDSHIELD REMOVE THE WINDSHIELD BEFORE TRANSPORTING ON A TRAILER.
- **GASOLINE VEHICLES ONLY:** TURN FUEL SHUT-OFF VALVE TO **OFF**.

STORAGE - GASOLINE VEHICLE

To prepare your vehicle for extended storage:

1. Unload the vehicle completely, so that only minimum vehicle weight will be placed on the tires.
2. Store vehicle in a cool place. This will prevent self-discharge of the battery. If the battery appears to be weak, have it charged using an automotive-type 12-volt battery charger rated 10 amps or less.

DANGER

- **GASOLINE - FLAMMABLE! EXPLOSIVE! DO NOT SMOKE. KEEP SPARKS AND FLAMES AWAY FROM THE AREA OF THE VEHICLE.**
- **NEVER ATTEMPT TO DRAIN GASOLINE WHEN THE ENGINE IS HOT OR WHILE IT IS RUNNING. BE SURE TO CLEAN UP ANY SPILLED GASOLINE BEFORE OPERATING THE VEHICLE.**
- **STORE GASOLINE IN AN APPROVED GASOLINE CONTAINER ONLY. STORE IN A WELL-VENTILATED AREA AWAY FROM SPARKS, OPEN FLAMES, HEATERS, OR HEAT SOURCES.**
- **DO NOT SERVICE, REPAIR, OR OPERATE IN AN ENCLOSED AREA WITHOUT PROPER VENTILATION. THE ENGINE PRODUCES CARBON MONOXIDE WHICH IS AN ODORLESS, DEADLY POISON.**
- **KEEP GASOLINE OUT OF THE REACH OF CHILDREN.**
- **DO NOT SIPHON GASOLINE FROM THE VEHICLE.**

WARNING

- TURN THE KEY SWITCH **OFF**, REMOVE THE KEY, AND LEAVE THE FORWARD/REVERSE HANDLE IN THE **NEUTRAL** POSITION DURING STORAGE. THIS IS TO PREVENT UNINTENTIONALLY STARTING THE VEHICLE.

WARNING

- DO NOT ATTEMPT TO CHARGE A BATTERY IF IT IS FROZEN OR IF THE CASE IS BULGED. DISCARD THE BATTERY. FROZEN BATTERIES CAN EXPLODE.

CAUTION

- BATTERIES IN A LOW STATE OF CHARGE WILL FREEZE AT LOW TEMPERATURES.

3. Drain carburetor and seal the fuel tank.
 - 3.1. Place the Forward/Reverse handle in the NEUTRAL position and the neutral lock-out cam in the SERVICE position. Turn the fuel shut-off valve to the OFF position and run the engine until fuel remaining in the carburetor and fuel lines is used up and the engine stalls. Return the neutral lock-out cam to the OPERATE position.
 - 3.2. Loosen (do not remove) the carburetor drain screw and drain fuel remaining in bowl into a small container, then pour the fuel from the container into vehicle fuel tank.
 - 3.3. Disconnect fuel vent line from fuel tank vent nipple.
 - 3.4. Plug the fuel tank vent nipple so that it is air tight. Club Car recommends using a slip-on vinyl cap.
4. To protect the engine, remove the spark plug and pour 1/2 ounce SAE 10 weight oil into the engine through the spark plug hole. Rotate the engine crank shaft several times and then re-install the spark plug.
5. Inflate tires to rated capacities (**See Tire Capacities, Page 44**).
6. Grease front suspension and do all quarterly periodic lubrication (**See Periodic Lubrication Schedule, Page 42**).
7. Thoroughly clean front body, rear body, seats, cargo bed, engine compartment, and underside of vehicle.
8. Do not latch the park brake. Chock wheels to prevent the vehicle from rolling.

TO RETURN THE STORED VEHICLE TO SERVICE:

1. Restore fuel system to operation.
 - 1.1. Remove plug from the fuel tank vent nipple and reconnect fuel vent line to nipple. Open the fuel shut-off valve.
 - 1.2. Place the Forward/Reverse handle in the NEUTRAL position and the neutral lock-out cam in the SERVICE position. Crank the engine until fuel is pumped into the carburetor and fuel lines and the engine starts. Turn the engine off and return the neutral lock-out cam to the **OPERATE** position.
2. Readjust tire pressure (**See Tire Capacities, Page 44**).
3. Perform the Pre-Operation Checklist (**See pages 15 and 16**).

NOTE

- WHEN STARTING THE ENGINE FOR THE FIRST TIME AFTER IT HAS BEEN STORED, IT MAY SMOKE EXCESSIVELY FOR A SHORT WHILE. THIS IS DUE TO THE OIL THAT WAS ADDED TO THE ENGINE TO PREPARE IT FOR STORAGE.

STORAGE - ELECTRIC VEHICLE

WARNING

- TURN THE KEY SWITCH **OFF**, REMOVE THE KEY, AND LEAVE THE FORWARD/REVERSE HANDLE IN THE **NEUTRAL** POSITION DURING STORAGE. THIS IS TO PREVENT UNINTENTIONALLY STARTING THE VEHICLE.
- **POWERDRIVE PLUS VEHICLES WITH MOTOR BRAKING ONLY:** PLACE TOW SWITCH IN THE **TOW** POSITION.
- DO NOT ATTEMPT TO CHARGE FROZEN BATTERIES OR BATTERIES WITH BULGED CASES. DISCARD THE BATTERY. FROZEN BATTERIES CAN EXPLODE.

Storage - Electric Vehicle, Continued:

CAUTION

- BATTERIES IN LOW STATE OF CHARGE WILL FREEZE AT LOW TEMPERATURES.
- WHEN WASHING THE VEHICLE, DO NOT DIRECT WATER STREAM AT THE SPEED SWITCH, FORWARD/REVERSE HANDLE, OR OTHER ELECTRONIC COMPONENT.
- IF BATTERY WIRE TERMINALS ARE DAMAGED OR CORRODED, THEY SHOULD BE REPLACED OR CLEANED AS NECESSARY. FAILURE TO DO SO MAY CAUSE THEM TO OVERHEAT DURING OPERATION.

1. Unload the vehicle completely so that only minimum vehicle weight will be on the tires.
2. Fully charge batteries (**See Batteries - Electric Vehicle, Page 47**).
3. Wash off any corrosion around the terminals with a solution of baking soda and water, then rinse the baking soda solution from the batteries. Do not allow this solution to enter the batteries. Let the terminals dry and coat them with CLUB CAR battery terminal spray, Part No. 1014305.

CAUTION

- DO NOT ALLOW BAKING SODA SOLUTION TO ENTER THE BATTERIES.

4. Store in a cool, dry place. This will prevent self-discharge of the batteries.
5. Inflate tires to rated capacities (**See Tire Capacities, Page 44**).
6. Grease front suspension and do all quarterly periodic lubrication (**See Periodic Lubrication Schedule, Page 43**).
7. Thoroughly clean front body, rear body, seats, cargo bed, battery compartment, and underside of the vehicle.
8. Do not latch the park brake. Block tires to prevent the vehicle from rolling.
9. Leave PowerDrive System 48 vehicles with PowerDrive chargers plugged in during storage. The PowerDrive storage charge feature will automatically charge the batteries as needed (**See Batteries - Electric Vehicle, Page 47**).

NOTE

- A POWERDRIVE SYSTEM 48 VEHICLE WILL NOT OPERATE WHILE PLUGGED TO A CHARGER.
- IF CHARGER CANNOT REMAIN PLUGGED IN DURING LONGTERM STORAGE, DISCONNECT BATTERY CABLES AS SHOWN IN FIGURES 1 AND 2, PAGE 3.

TO RETURN THE STORED VEHICLE TO SERVICE:

1. Fully charge batteries (**See Batteries - Electric Vehicle, Page 47**).
2. Readjust tire pressure to rated capacities (**See Tire Capacities, Page 44**).
3. Perform the Pre-Operation Checklist (**See pages 15 and 16**).

MAINTENANCE

GENERAL INFORMATION:

To ensure trouble-free vehicle performance, it is very important to follow an established preventive maintenance program. Regular and consistent vehicle maintenance can prevent vehicle down-time and expensive repairs that result from neglect. Any vehicle not functioning correctly should be removed from use until it is properly repaired. This will prevent further damage to the vehicle and avoid the possibility of injury due to unsafe conditions.

Contact your local Club Car distributor/dealer to perform all repairs and semi-annual and annual periodic service.

- See Page 37 for Gasoline Vehicle Periodic Service Schedule.
- See Page 39 for Electric Vehicle Periodic Service Schedule.
- See Page 42 for Gasoline Vehicle Periodic Lubrication Schedule.
- See Page 43 for Electric Vehicle Periodic Lubrication Schedule.
- See Page 44 for Vehicle Capacities.

WARNING

- ONLY TRAINED MECHANICS SHOULD REPAIR OR SERVICE THE VEHICLE. ANYONE DOING EVEN SIMPLE REPAIRS OR SERVICE SHOULD FOLLOW THE PROCEDURES EXACTLY AS STATED IN THIS MANUAL, AND OBEY THE **DANGERS, WARNINGS, AND CAUTIONS** LISTED IN THIS MANUAL, AS WELL AS THOSE AFFIXED TO THE VEHICLE.
- IF ANY PROBLEMS ARE FOUND DURING SCHEDULED INSPECTION OR SERVICE, DO NOT OPERATE THE VEHICLE UNTIL REPAIRS ARE MADE. FAILURE TO MAKE NECESSARY REPAIRS COULD RESULT IN FIRE, PROPERTY DAMAGE, SEVERE PERSONAL INJURY, OR DEATH.
- ALWAYS WEAR SAFETY GLASSES OR APPROVED EYE PROTECTION WHEN SERVICING THE VEHICLE. WEAR A FULL FACE SHIELD WHEN WORKING WITH BATTERIES.
- DO NOT WEAR LOOSE CLOTHING OR JEWELRY, SUCH AS RINGS, WATCHES, CHAINS, ETC., WHEN SERVICING THE VEHICLE.
- ALWAYS USE INSULATED TOOLS WHEN WORKING AROUND BATTERIES OR ELECTRICAL CONNECTIONS.
- TURN KEY SWITCH TO **OFF**, REMOVE THE KEY, PLACE THE FORWARD/REVERSE HANDLE IN THE **NEUTRAL** POSITION, AND CHOCK WHEELS PRIOR TO SERVICING.
- MOVING PARTS - DO NOT ATTEMPT TO SERVICE GASOLINE VEHICLE WHILE THE ENGINE IS RUNNING.
- DO NOT WORK ON THE VEHICLE POWERTRAIN OR UNDER THE CARGO BED WHEN IT IS LOADED.

GASOLINE VEHICLES ONLY:

- TURN FUEL SHUT-OFF VALVE TO **OFF**.
- TO AVOID UNINTENTIONALLY STARTING THE VEHICLE ALWAYS:
 - DISCONNECT THE BATTERY CABLES, NEGATIVE (-) FIRST.
 - DISCONNECT THE SPARK PLUG WIRE FROM THE SPARK PLUG.
- FRAME GROUND - DO NOT ALLOW TOOLS OR OTHER METAL OBJECTS TO CONTACT FRAME WHEN DISCONNECTING BATTERIES OR OTHER ELECTRICAL WIRING. NEVER ALLOW A POSITIVE WIRE TO TOUCH THE VEHICLE FRAME, ENGINE, OR OTHER METAL COMPONENT.
- HOT! DO NOT ATTEMPT TO SERVICE HOT ENGINE, MOTOR, OR EXHAUST SYSTEM. ATTEMPTING TO DO SO COULD CAUSE SEVERE BURNS.
- REMOVE CARGO BED BEFORE SERVICING. DO NOT PROP OPEN. FAILURE TO HEED THIS WARNING COULD RESULT IN SEVERE PERSONAL INJURY.

WARNING CONTINUED TOP OF PAGE 36.

⚠ WARNING

ELECTRIC VEHICLES ONLY:

- **POWERDRIVE PLUS VEHICLES ONLY:** PLACE TOW SWITCH IN THE **TOW** POSITION.
- TO AVOID UNINTENTIONALLY STARTING THE VEHICLE, DISCONNECT THE BATTERIES AS SHOWN (**SEE FIGURES 24 AND 25**) AND DISCHARGE THE CONTROLLER AS FOLLOWS:
 - TURN THE KEY SWITCH TO **ON** AND PLACE THE FORWARD/REVERSE HANDLE IN THE **REVERSE** POSITION.
 - SLOWLY DEPRESS THE ACCELERATOR PEDAL AND KEEP IT DEPRESSED UNTIL THE REVERSE WARNING BUZZER CAN NO LONGER BE HEARD. WHEN THE BUZZER STOPS SOUNDING, THE CONTROLLER IS DISCHARGED.

NOTE

- IF THE VEHICLE IS CONSTANTLY HAULING HEAVY LOADS OR HAULING A TRAILER, THESE PREVENTIVE MAINTENANCE PROCEDURES SHOULD BE PERFORMED MORE OFTEN THAN RECOMMENDED IN THE PERIODIC SERVICE SCHEDULE.

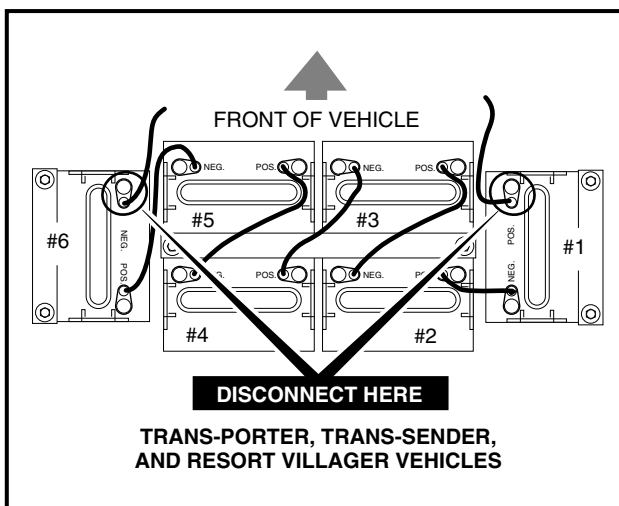


FIGURE 24

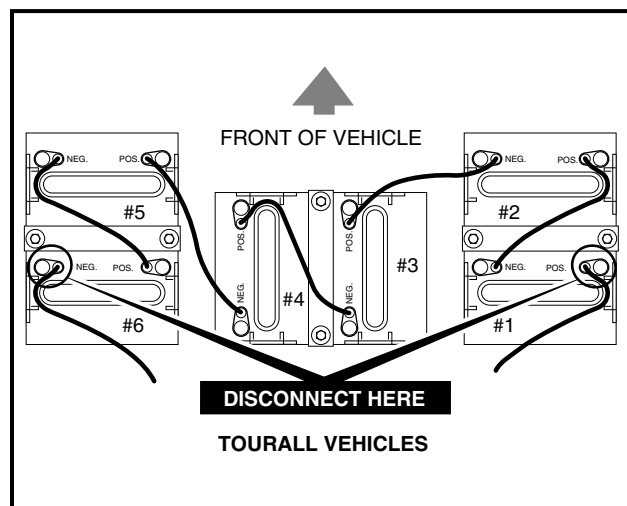


FIGURE 25

PERIODIC SERVICE SCHEDULES

⚠ WARNING

- IF ANY PROBLEMS ARE FOUND, DO NOT OPERATE THE VEHICLE UNTIL REPAIRS ARE MADE. FAILURE TO MAKE NECESSARY REPAIRS COULD RESULT IN FIRE, PROPERTY DAMAGE, SEVERE PERSONAL INJURY, OR DEATH.
- ALL SERVICE, REPAIRS, AND ADJUSTMENTS MUST BE MADE PER INSTRUCTIONS IN THE TRANSPORTATION MAINTENANCE AND SERVICE MANUAL, PUBLICATION PART NO. 1019051-03.

PERIODIC SERVICE SCHEDULE - GASOLINE VEHICLE

| REGULAR INTERVAL | SERVICE | |
|---|---|--|
| Daily Service by Owner | Accelerator pedal/rod | Check for proper operation (See Performance Inspection, Page 16). Adjust as necessary. |
| | Accelerator/governor linkage and cables | Check for proper operation (See Performance Inspection, Page 16). Adjust as necessary. |
| | Brake System | Check for proper operation (See Performance Inspection, Page 16). Adjust as necessary. |
| | Choke | Check for proper operation (See Page 20 or 28). |
| | Engine | Check for proper operation. Check engine oil level. |
| | Engine air intake system | Check air filter element, clean as necessary. |
| | Engine cooling air intake | Check for clogging, clean as necessary. |
| | Fuel System | Check fuel tank, lines, cap, pump, and carburetor for fuel leakage. |
| | Park Brake | Check for proper operation (See Page 16). |
| | Reverse Warning Buzzer | Check for proper operation (See Page 16). |
| | Steering and linkages | Check for proper operation (See Performance Inspection, Page 16). |
| | Tires | Check for wear and damage. |
| | Unitized Transaxle | Check shift linkage for proper operation. |
| | Vehicle warning decals | Make sure all are in place (See Gasoline Vehicle Feature Identification, Pages 4-5, 8-9, and 12-13). |
| Weekly Service by Owner | Battery | Clean terminals and wash dirt from case, check electrolyte level (See page 47). |
| | Electrical wiring and connections | Check for tightness and damage. |
| | Torque Converter | Rinse with water. |
| | General Vehicle | Check for loose hardware and tighten as required. |
| | | Check maximum speed of vehicle (See Performance Inspection, Page 16). |
| | | Wash engine compartment and underside of vehicle. Dispose of waste water properly. |
| Check all daily items listed above. | | |
| Monthly Service by Owner or Trained Mechanic | Battery | Wash battery & terminals with baking soda/water solution (See Page 46). Dispose of waste water properly. |
| | Brake System | Check brake cables for damage; replace as required. |
| | | Check for proper operation (See Performance Inspection, Page 16). Check brake pedal free play. Adjust as necessary (See Maintenance & Service Manual). |
| | Engine | Make sure that ground wires are tight and properly connected. |
| Check engine oil level - change as required. (See Gas Vehicle Lubrication Chart, Page 41). Check for oil leaks around gaskets and fill plug. Dispose of used oil properly. | | |
| Periodic Service Schedule Continued on Next Page. | | |

PERIODIC SERVICE SCHEDULE - GASOLINE VEHICLE

| REGULAR INTERVAL | SERVICE | |
|---|--|---|
| Monthly Service by Owner or Trained Mechanic, Continued | Exhaust System | Check for leaks. |
| | Tires | Check for wear and damage. |
| | | Check air pressure and adjust as necessary (See Capacities Chart on Page 44). |
| | Check all daily and weekly items listed above. | |
| Quarterly Service by Owner or Trained Mechanic | Engine | Check engine oil level and oil filter - change as required (See Gas Vehicle Lubrication Chart, Page 42). Dispose of used oil properly. |
| | Engine air intake hose | Check clamps for tightness; check hose for cracks. |
| | Accelerator pedal/rod | Check for proper operation, adjust as necessary (See NOTE, Page 19). |
| | Accelerator/governor linkage and cables | Check for proper operation, adjust as necessary. |
| | Front Suspension | Lubricate per Gas Vehicle Lubrication Chart on Page 42. |
| | General Vehicle | Lubricate per Gas Vehicle Lubrication Chart on Page 42. |
| | Check all daily, weekly, and monthly items listed above. | |
| Semi-annual Service by Trained Mechanic Only (Every 50 hours of operation) | Brake System | Check for proper operation (See Performance Inspection, Page 16). Check brake pedal free play. Clean, and adjust as necessary (See Maintenance & Service Manual). |
| | | Check brake shoes and drums, replace if necessary. |
| | | Lubricate slide plates with graphite (See Maintenance & Service Manual). |
| | Electrical Wiring | Check for cracked or worn insulation. |
| | Engine | Check spark plug wire and boot for damage and proper routing. |
| | Exhaust System | Check head and exhaust/header pipe flange connection gasket for leaks. |
| | | Check muffler condition. |
| | Front Wheel Alignment and Camber | Check and adjust as required. See Maintenance & Service Manual. |
| | Starter/Generator Belt | Check for cracks, wear, and glazing, replace if necessary. |
| | | Check belt tension, adjust as required. |
| | Torque Converter & Drive Belt | Check for proper operation. |
| General Vehicle | Lubricate per Gas Vehicle Lubrication Chart, Page 42). | |
| Check all daily, weekly, monthly, and quarterly items listed above. | | |
| Periodic Service Schedule Continued on Next Page. | | |

| PERIODIC SERVICE SCHEDULE - GASOLINE VEHICLE | | |
|--|--|--|
| REGULAR INTERVAL | SERVICE | |
| Annual Service by Trained Mechanic Only (Every 100 hours of operation) | Engine | Check engine oil level and filter - change as require (See Gas Vehicle Lubrication Chart, Page 42). Dispose of used oil properly. |
| | | Check for leaks around gaskets, fill plugs, etc. |
| | | Inspect, clean, and regap spark plug; replace if necessary. |
| | Engine Air Intake | Check air filter element, clean or replace. Dispose of used filter element properly. |
| | Fuel Filters | Replace. Dispose of used filters properly. |
| | Front Wheel Bearings | Inspect and check for free play; repack with chassis lube and adjust as necessary. Check seals. |
| | Starter/Generator | Check brush length (remove excess carbon dust); replace as necessary. |
| | Unitized Transaxle | Check/fill transaxle to plug level (See Gas Vehicle Lubrication Chart on Page 42). |
| | General Vehicle | Lubricate per Gas Vehicle Lubrication Chart on Page 42. |
| | Check all daily, weekly, monthly, quarterly, and semi-annual items listed above. | |

PERIODIC SERVICE SCHEDULES

WARNING

- IF ANY PROBLEMS ARE FOUND, DO NOT OPERATE THE VEHICLE UNTIL REPAIRS ARE MADE. FAILURE TO MAKE NECESSARY REPAIRS COULD RESULT IN FIRE, PROPERTY DAMAGE, SEVERE PERSONAL INJURY, OR DEATH.
- ALL SERVICE, REPAIRS, AND ADJUSTMENTS MUST BE MADE PER INSTRUCTIONS IN THE TRANSPORTATION MAINTENANCE AND SERVICE MANUAL, PUBLICATION PART NO. 1019051-03.

| PERIODIC SERVICE SCHEDULE - ELECTRIC VEHICLE | | |
|---|--|--|
| REGULAR INTERVAL | SERVICE | |
| Daily Service by Owner | Accelerator pedal/rod (rod for Tourall only) | Check for proper operation (See Performance Inspection, Page 16). Adjust as necessary. |
| | Continuously Variable or Multi-Step (wiper switch) Potentiometer | Check for proper operation (See Maintenance and Service Manual). |
| | Batteries | Charge batteries. |
| | Brake System | Check for proper operation (See Performance Inspection, Page 16). Adjust as necessary. |
| | Charger and Receptacle | Check for damage and snug fit. |
| | Park Brake | Check for proper operation (See Performance Inspection, Page 16). |
| | Reverse Warning Buzzer | Check for proper operation (See Page 16). |
| | Steering and linkages | Check for proper operation. |
| Periodic Service Schedule Continued on Next Page. | | |

PERIODIC SERVICE SCHEDULE - ELECTRIC VEHICLE

| REGULAR INTERVAL | SERVICE | |
|---|--|---|
| Daily Service by Owner, Continued: | Tires | Check for wear and damage. |
| | Vehicle warning decals | Make sure all are in place (See Electric Vehicle Feature Identification, Pages 6-7 and 10-12 & 14). |
| Weekly Service by Owner | Batteries | Clean terminals and wash dirt from case, check electrolyte level (See Page 48). Dispose of waste water properly. |
| | Electrical wiring and connections | Check for tightness and damage. |
| | General Vehicle | Check for loose hardware and tighten as required. |
| | | Check maximum speed of vehicle (See Performance Inspection, Page 16). |
| Check all daily items listed above. | | |
| Monthly Service by Owner or Trained Mechanic | Batteries | Wash battery tops with baking soda/water solution. Dispose of waste water properly. |
| | Brake System | Check for proper operation (See Performance Inspection, Page 16). Check brake pedal free play. Adjust as necessary (See Maintenance & Service Manual). |
| | | Check brake cables for damage and replace as required. |
| | Tires | Check air pressure and adjust as necessary (See Capacities Chart on Page 44). |
| | Accelerator Switch-Continuously Variable Potentiometer (Multi-step for Tourall only) | Check for cracks or other damage; make sure switch is securely fastened to frame. Check moveable contact for correct operation. |
| Check all daily and weekly items listed above. | | |
| Quarterly Service by Owner or Trained Mechanic | Accelerator pedal/rod | Check for proper operation, adjust as necessary (See NOTE, Page 19). |
| | Front Suspension | Lubricate per Electric Vehicle Lube Chart on Page 43. |
| | General Vehicle | Lubricate per Electric Vehicle Lube Chart on Page 43. |
| | Check all daily, weekly, and monthly items listed above. | |
| Semi-annual Service by Trained Mechanic Only (Every 50 hours of operation) | Batteries | Check specific gravity, electrolyte level, and on-charge voltage. |
| | Brake System | Check for proper operation (See Performance Inspection, Page 16). Check brake pedal free play. Clean, and adjust as necessary (See Maintenance & Service Manual). |
| | | Check brake shoes and drums, replace if necessary. |
| | | Lubricate slide plates with graphite (See Maintenance & Service Manual). |
| Forward/Reverse Switch | Check condition of contacts and wire connections; Make sure connections are tight. | |
| Periodic Service Schedule Continued on Next Page. | | |

PERIODIC SERVICE SCHEDULE - ELECTRIC VEHICLE

| REGULAR INTERVAL | SERVICE | |
|---|--|--|
| Semi-annual Service by Trained Mechanic Only (Every 50 hours of operation) | Electrical Wiring | Check for cracked or worn insulation. |
| | Front Wheel Alignment and Camber | Check and adjust as required (See Maintenance & Service Manual). |
| | General Vehicle | Lubricate per Electric Vehicle Lubrication Chart on Page 43. |
| | Check all daily, weekly, monthly, and quarterly items listed above. | |
| Annual Service by Trained Mechanic Only (Every 100 hours of operation) | Accelerator Switch-Continuously Variable Potentiometer (Multi-step for Tourall only) | Check for proper operation, remove cover and inspect for wear and damage (See Maintenance & Service Manual). Check movable contact for proper operation. |
| | Batteries | Perform discharge test. |
| | Motor | Check motor brushes; replace as necessary. |
| | Front Wheel Bearings | Inspect and check for free play; repack with chassis lube and adjust as necessary. |
| | Transaxle | Check/fill transaxle to plug level (See Electric Vehicle Lubrication Chart on Page 43). |
| | General Vehicle | Lubricate per Electric Vehicle Lubrication Chart on Page 43. |
| | Check all daily, weekly, monthly, quarterly, and semi-annual items listed above. | |

WARNING

- IF ANY PROBLEMS ARE FOUND, DO NOT OPERATE THE VEHICLE UNTIL REPAIRS ARE MADE. FAILURE TO MAKE NECESSARY REPAIRS COULD RESULT IN FIRE, PROPERTY DAMAGE, SEVERE PERSONAL INJURY, OR DEATH.
- ALL SERVICE, REPAIRS, AND ADJUSTMENTS MUST BE MADE PER INSTRUCTIONS IN THE TRANSPORTATION MAINTENANCE AND SERVICE MANUAL, PUBLICATION PART NO. 1019051-03.

PERIODIC LUBRICATION SCHEDULES

| PERIODIC LUBRICATION SCHEDULE - GASOLINE VEHICLE | | | |
|--|--|--------|--|
| REGULAR INTERVAL | SERVICE | PLACE* | RECOMMENDED LUBRICANT |
| Quarterly by Owner or Trained Technician | Brake shaft bearings | 1. | Dry Moly Lube - Club Car Part No. 1012151 |
| | Brake Linkage and Pivots | 2. | Dry Moly Lube - Club Car Part No. 1012151 |
| | Accelerator push rod pivots and shifter cable pivots | 3. | Dry Moly Lube - Club Car Part No. 1012151 |
| | Front Suspension (5 fittings) | 4. | Chassis Lube - NLGI Grade 2 |
| Annually by Trained Technician Only (Every 100 hours of operation) | Check/fill unitized transaxle to plug level | 5. | 27 oz. (.8 liter) 80-90 WT. API Class GL-3 or 80-90 WT. AGMA Class EP Gear Lube |
| | Inspect front wheel bearings (Repack as necessary) | 6. | Chassis Lube - NLGI Grade 2 |
| First Change 100 Hours - Additional Change Every 200 Hours of Operation, or Annually - Whichever Comes First | Change engine oil and oil filter | 7. | 32 oz. (.97 liter) without filter; 38 oz. (1.16 liters) with filter. 10W30 above 32°F (0°C) or SAE 5W20 below 32°F (0°C) API Class SE, SF, or SG Oil (or higher) |

*See Figure 26.

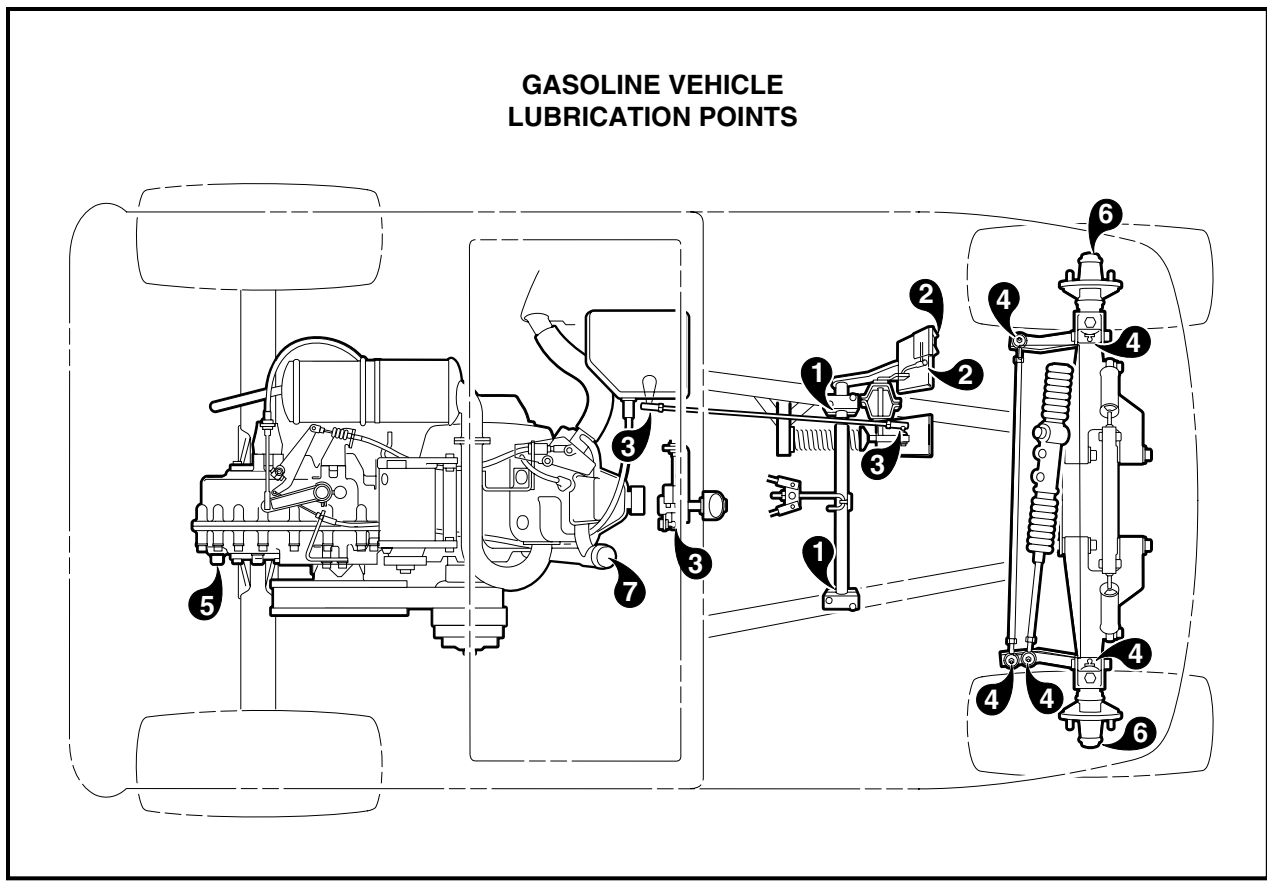


FIGURE 26

PERIODIC LUBRICATION SCHEDULE

| PERIODIC LUBRICATION SCHEDULE - ELECTRIC VEHICLE | | | |
|--|--|--------|---|
| REGULAR INTERVAL | SERVICE | PLACE* | RECOMMENDED LUBRICANT |
| Quarterly by Owner or Trained Technician | Brake shaft bearings | 1. | Dry Moly Lube - Club Car Part No. 1012151 |
| | Brake Linkage and Pivots | 2. | Dry Moly Lube - Club Car Part No. 1012151 |
| | Accelerator pivots | 3. | Dry Moly Lube - Club Car Part No. 1012151 |
| | Forward/Reverse switch contacts and charger receptacle | 4. | WD-40® |
| | Front Suspension (5 fittings) | 5. | Chassis Lube - NLGI Grade 2 |
| Annually by Trained Technician Only (Every 100 hours of operation) | Check/fill transaxle to plug level | 6. | 22 oz. (.67 liter) SAE 30 WT. API Class SE, SF, or SG Oil (or higher) |
| | Inspect front wheel bearings (Repack as necessary) | 7. | Chassis Lube - NLGI Grade 2 |

*See Figure 27, for the Tourall electric vehicle. See Figure 28, Page 44 for Trans-Porter, Trans-Sender and Resort Villager electric vehicles.

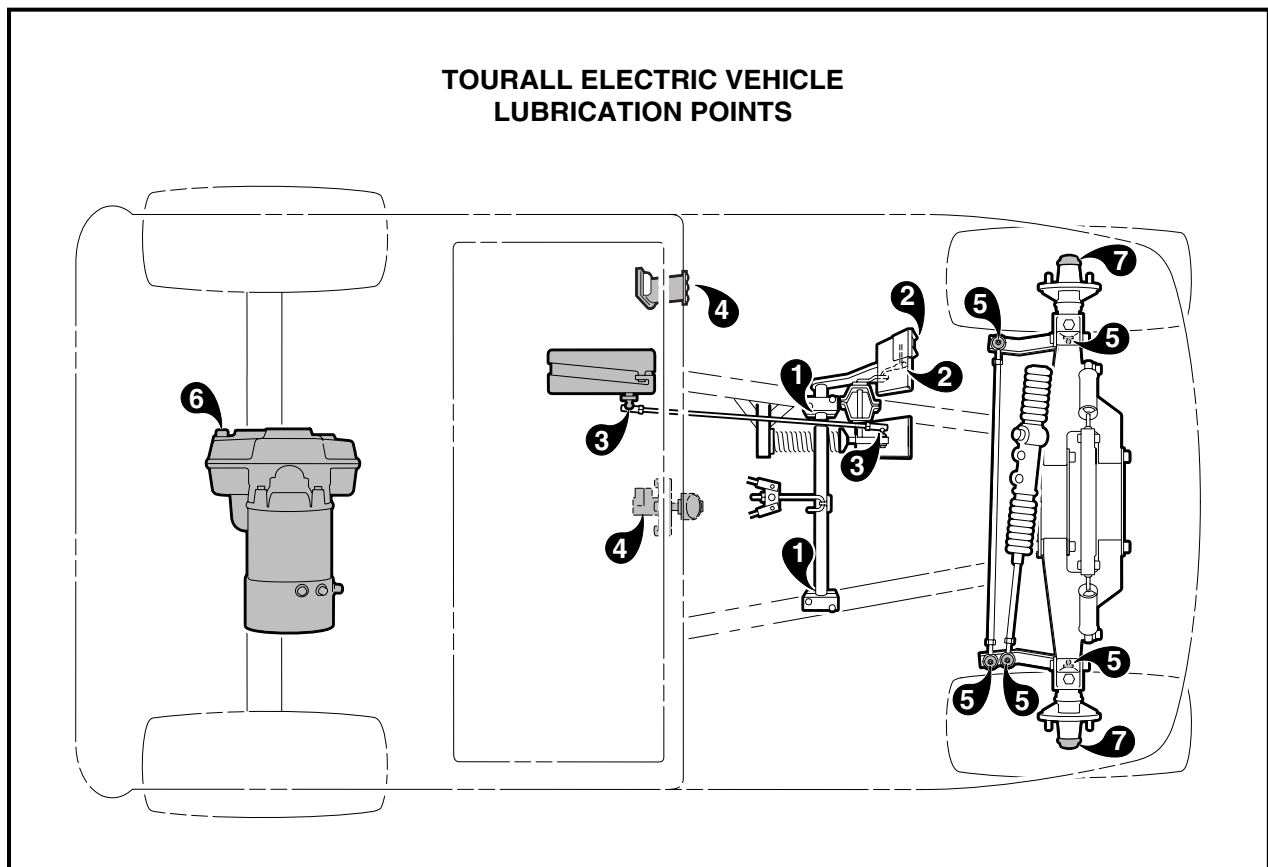


FIGURE 27

**TRANS-PORTER, TRANS-SENDER AND RESORT VILLAGER
ELECTRIC VEHICLE LUBRICATION POINTS
(WITH CONTINUOUSLY VARIABLE POTENTIOMETER)**

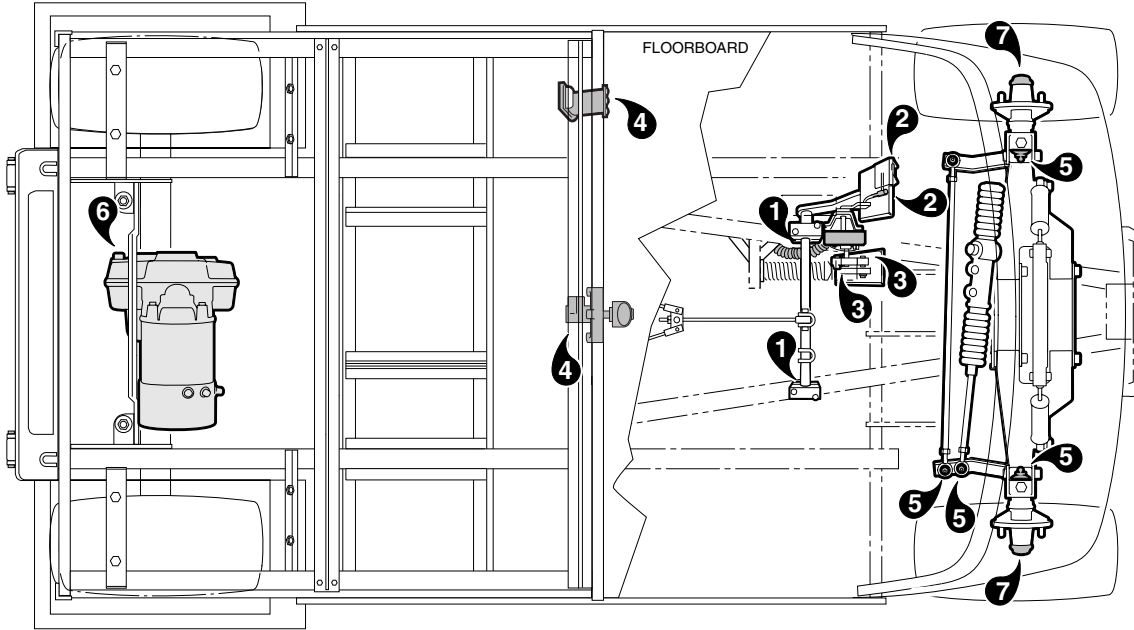


FIGURE 28

VEHICLE CAPACITIES

| LIQUID CAPACITIES | | |
|---|--------------------------|--------------------------|
| | GASOLINE VEHICLES | ELECTRIC VEHICLES |
| Engine Crankcase without filter | 32 oz. (.98 liters) | |
| Engine Crankcase with filter | 38 oz. (1.16 liters) | |
| Unitized Transaxle (gas vehicle) | 27 oz. (.8 liters) | |
| Transaxle (electric vehicle) | | 22 oz. (.67 liters) |
| Gasoline Tank | 7 gallons (26.5 liters) | |

| TIRE CAPACITIES | | |
|------------------------|--------------------------|--------------------------|
| | GASOLINE VEHICLES | ELECTRIC VEHICLES |
| Tourall | 12-14 psi. (83-96 kPa) | 18-20 psi. (124-138 kPa) |
| Resort Villager | 30-34 psi. (207-234 kPa) | 30-34 psi. (207-234 kPa) |
| Trans-Porter | 30-34 psi. (207-234 kPa) | 30-34 psi. (207-234 kPa) |
| Trans-Sender | 30-34 psi. (207-234 kPa) | 30-34 psi. (207-234 kPa) |

ENGINE OIL - GASOLINE VEHICLE

Even though the oil warning light on the dash should warn you if your oil is getting low, engine oil level should be checked monthly (**Figure 29**).

NOTE

- TO CHECK ENGINE OIL, THE ENGINE MUST BE IN A LEVEL POSITION. REMOVE THE OIL LEVEL DIPSTICK FROM THE OIL FILLER TUBE AND WIPE OIL FROM STICK. CHECK OIL BY FULLY INSERTING THE DIPSTICK INTO THE OIL FILLER TUBE AND IMMEDIATELY REMOVING IT AGAIN. IF THE OIL LEVEL IS AT OR BELOW THE **ADD** MARK ON THE DIPSTICK GAUGE, ADD OIL UNTIL THE LEVEL IS BETWEEN **ADD** AND **FULL** (SAFE LEVEL). **DO NOT OVERFILL!** REINSERT DIPSTICK INTO THE OIL FILLER TUBE.

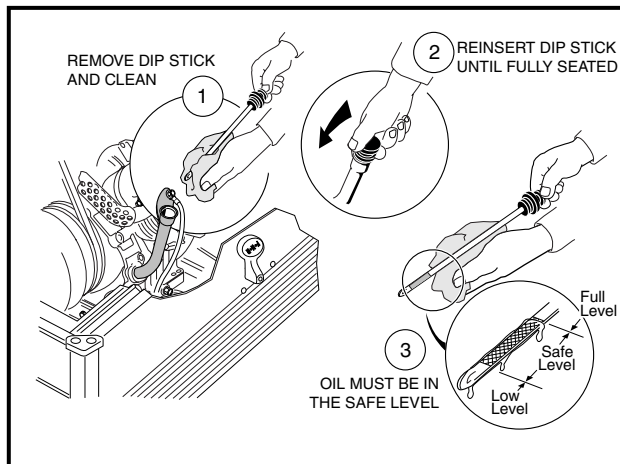


FIGURE 29

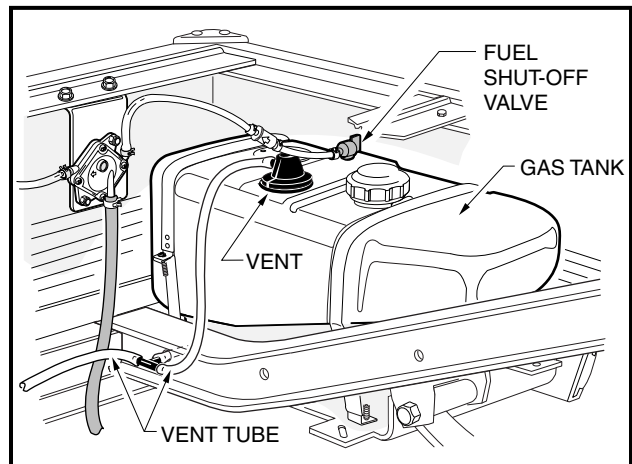


FIGURE 30

FUELING INSTRUCTIONS - GASOLINE VEHICLE

⚠ DANGER

- **GASOLINE - FLAMMABLE! EXPLOSIVE! DO NOT SMOKE. KEEP SPARKS AND FLAMES AWAY FROM THE AREA OF THE VEHICLE.**
- **SERVICE OR REPAIR IN WELL VENTILATED AREA ONLY.**
- **NEVER ATTEMPT TO POUR GASOLINE INTO THE FUEL TANK WHEN THE ENGINE IS HOT OR WHILE IT IS RUNNING.**
- **TO AVOID ELECTRIC ARC CAUSED BY STATIC ELECTRICITY, THE FUEL STORAGE/PUMPING DEVICE MUST BE GROUNDED. IF THE PUMP IS NOT GROUNDED, THE VEHICLE MUST BE GROUNDED TO THE PUMP BEFORE AND DURING THE FUELING OPERATION.**
- **IF THE VEHICLE HAS AN ALL-WEATHER ENCLOSURE INSTALLED, THE GAS TANK MUST BE PROPERLY VENTED AS SHOWN (FIGURE 30).**
- **TO AVOID THE POSSIBILITY OF FIRE, BE SURE TO CLEAN UP ANY SPILLED GASOLINE BEFORE OPERATING THE VEHICLE.**

CAUTION

- TO ALLOW FOR EXPANSION, DO NOT FILL HIGHER THAN ONE INCH FROM TOP OF THE FUEL TANK. AVOID FUEL SPILLAGE.

1. Lift and remove seat bottom.
 - **Tourall Vehicles:** Lift and remove the driver seat bottom.
 - **Trans-Porter/Trans-Sender and Resort Villager:** Lift and remove the second forward-facing seat.
2. The fuel tank is located on passenger side of vehicle. Remove fuel cap and fill the fuel tank with fresh unleaded gasoline only. **See CAUTION above and NOTE below.**

NOTE

- WHENEVER POSSIBLE, AVOID USING OXYGENATED FUELS AND FUELS THAT ARE BLENDED WITH ALCOHOL. VEHICLES TO BE STORED FOR EXTENDED PERIODS SHOULD BE PREPARED FOR STORAGE AS INSTRUCTED ON PAGE 32 OF THIS MANUAL.

3. Replace fuel cap on tank. Make sure cap is securely tightened.
4. Replace seat bottom.

BATTERY - GASOLINE VEHICLE

DANGER

- **BATTERY - EXPLOSIVE GASES! DO NOT SMOKE! KEEP SPARKS AND FLAMES AWAY FROM THE AREA OF THE VEHICLE. TOOLS, WIRES, AND METAL OBJECTS CAN CAUSE SPARKS WHEN SHORTED ACROSS A BATTERY. FOLLOW ALL INSTRUCTIONS CAREFULLY WHEN WORKING WITH BATTERIES.**
- **CHARGE BATTERY IN A WELL-VENTILATED AREA ONLY.**
- **POISON! CONTAINS ACID! CAUSES SEVERE BURNS - AVOID CONTACT WITH SKIN, EYES, OR CLOTHING. ANTIDOTES:**
 - **EXTERNAL: FLUSH WITH WATER FOR 15 MINUTES. CALL A PHYSICIAN IMMEDIATELY.**
 - **INTERNAL: DRINK LARGE QUANTITIES OF MILK OR WATER FOLLOWED WITH MILK OF MAGNESIA OR VEGETABLE OIL! CALL A PHYSICIAN IMMEDIATELY.**
 - **EYES: FLUSH WITH WATER FOR 15 MINUTES. CALL A PHYSICIAN IMMEDIATELY.**

WARNING

- DO NOT JUMP START THE VEHICLE. TO CHARGE THE BATTERY, USE AN AUTOMOTIVE-TYPE 12-VOLT CHARGER RATED AT 10 AMPS OR LESS.
- ALWAYS WEAR SAFETY GLASSES OR APPROVED EYE PROTECTION WHEN SERVICING THE VEHICLE.
- ALWAYS USE INSULATED TOOLS WHEN WORKING AROUND BATTERIES OR ELECTRICAL CONNECTIONS.

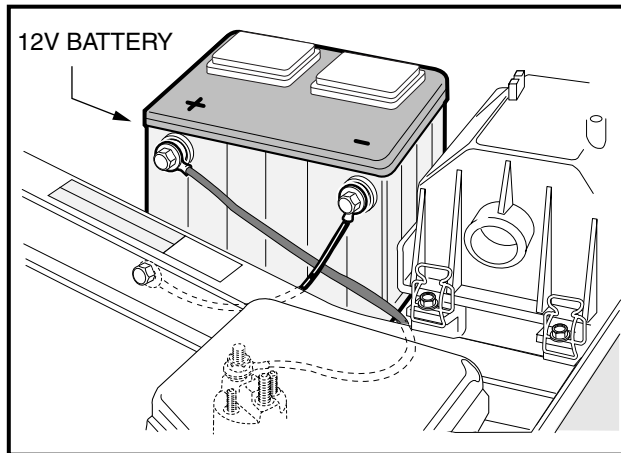


FIGURE 31

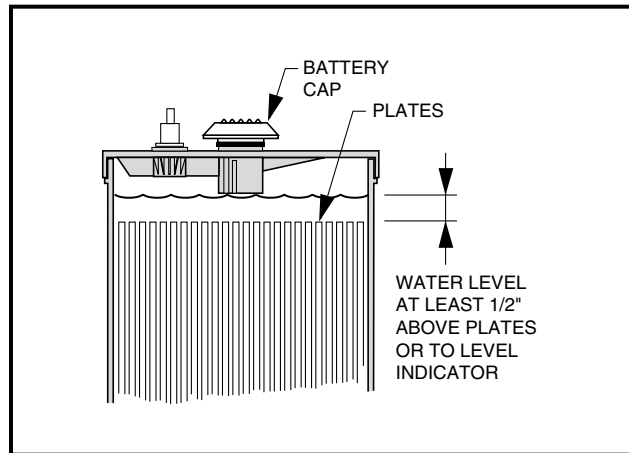


FIGURE 32

The gasoline vehicle battery is a 12 volt, low maintenance battery that requires infrequent watering (**Figure 32**).

Any corrosion around the positive (+) or negative (-) terminals should be washed off with a solution of baking soda and water (1 cup per gallon of water), and then the baking soda solution rinsed off the battery. Do not allow the solution to get into the battery. Be sure terminals are tight. Let the terminals dry and then spray them with CLUB CAR battery terminal spray (Club Car Part No.1014305). **See WARNING on page 46 and CAUTION below.**

⚠ CAUTION

- DO NOT ALLOW BAKING SODA SOLUTION TO ENTER THE BATTERIES.
- IF BATTERY WIRE TERMINALS ARE DAMAGED OR CORRODED, THEY SHOULD BE REPLACED OR CLEANED AS NECESSARY. FAILURE TO DO SO MAY CAUSE THEM TO OVERHEAT DURING OPERATION.

Be sure battery hold-down bracket is properly tightened. Torque to 10-13 ft.lbs. (13.6/17.6 N-m). A loose hold-down bracket may allow the battery to become damaged from vibration or jarring.

If battery appears weak, have it charged by a trained mechanic. The battery should never be left discharged any longer than absolutely necessary (do not leave battery discharged overnight).

BATTERIES - ELECTRIC VEHICLE

⚠ DANGER

- **BATTERY - EXPLOSIVE GASES! DO NOT SMOKE! KEEP SPARKS AND FLAMES AWAY FROM AREA OF VEHICLE. TOOLS, WIRES, AND METAL OBJECTS CAN CAUSE SPARKS WHEN SHORTED ACROSS A BATTERY. FOLLOW ALL INSTRUCTIONS CAREFULLY WHEN DEALING WITH BATTERIES.**
- **CHARGE BATTERIES IN A WELL-VENTILATED AREA ONLY. BATTERIES EMIT HYDROGEN WHILE BEING CHARGED. HYDROGEN IS AN EXPLOSIVE GAS AND MUST NEVER EXCEED A LEVEL OF 2% OF THE AIR.**

DANGER CONTINUED TOP OF PAGE 48.

⚠ DANGER

- **POISON! CONTAINS ACID! CAUSES SEVERE BURNS - AVOID CONTACT WITH SKIN, EYES, OR CLOTHING. ANTIDOTES:**
 - **EXTERNAL: FLUSH WITH WATER FOR 15 MINUTES. CALL A PHYSICIAN IMMEDIATELY.**
 - **INTERNAL: DRINK LARGE QUANTITIES OF MILK OR WATER FOLLOWED WITH MILK OF MAGNESIA OR VEGETABLE OIL. CALL A PHYSICIAN IMMEDIATELY.**
 - **EYES: FLUSH WITH WATER FOR 15 MINUTES. CALL A PHYSICIAN IMMEDIATELY.**

⚠ WARNING

- ALWAYS WEAR SAFETY GLASSES OR APPROVED EYE PROTECTION WHEN SERVICING THE VEHICLE. WEAR A FULL-FACE SHIELD WHEN WORKING WITH BATTERIES.
- ALWAYS USE INSULATED TOOLS WHEN WORKING AROUND BATTERIES OR ELECTRICAL CONNECTIONS.

⚠ CAUTION

- ON ALL VEHICLES, TURN OFF ALL ACCESSORIES BEFORE CHARGING BATTERIES.

The batteries in PowerDrive System 48 Electric Vehicles are 8 volt, deep cycle batteries, specially built for electric vehicle application. Automotive batteries should never be used.

New batteries will not deliver their full capabilities until they have been discharged and recharged 20 to 50 times. To obtain the maximum service life from new batteries, restrict vehicles with new batteries to one hour of operation between charges for the first two months the vehicle is in service. Batteries should be fully charged before first use of new vehicle, before first use of vehicle after storage, and before releasing vehicle for use each day.

BATTERY CARE

To keep batteries in good working condition, follow this maintenance program on a regular basis:

1. The batteries should be kept clean and free of corrosion. Wash tops and terminals of batteries with a solution of baking soda and water (1 cup baking soda per gallon of water). Rinse solution off batteries (NOTE: Do not allow this solution to enter the battery). Be sure terminals are tight. Let the terminals dry and then spray them with CLUB CAR battery protector spray (Club Car Part No. 1014305).
2. The water level in the batteries should be checked weekly (**See Figure 32, Page 47, for proper level**). Add water only after charging unless the water level is below the top of the plates. In this case, add just enough water to cover the plates, charge and then check the level again. Never charge batteries if plates are exposed above water level. For best battery life, use only distilled water.

NOTE

- CLUB CAR RECOMMENDS USING A BATTERY WATERING GUN OR BOTTLE. THESE ARE AVAILABLE AT MANY AUTO PARTS DEALERS.

3. The hold-down straps should be tight enough so that the batteries do not move while the vehicle is in motion, but not so tight as to crack or buckle the battery case. Torque hold-down retaining nuts to 35-45 in.lbs. (4/5 N-m). The terminal connections should be clean and tight, and any worn insulation or frayed wires should be replaced. Torque battery terminals to 125-145 in.lbs. (14/16.4 N-m).

⚠ CAUTION

- IF BATTERY WIRE TERMINALS ARE DAMAGED OR CORRODED, THEY SHOULD BE REPLACED OR CLEANED AS NECESSARY. FAILURE TO DO SO MAY CAUSE THEM TO OVERHEAT DURING OPERATION.

4. After use, the batteries should be placed on charge. The batteries should never be left discharged any longer than absolutely necessary (do not leave batteries discharged overnight).

BATTERY CHARGER - ELECTRIC VEHICLE

⚠ DANGER

- **BATTERIES EMIT HYDROGEN WHILE BEING CHARGED. HYDROGEN IS AN EXPLOSIVE GAS. IF THE VEHICLE IS EQUIPPED WITH A WEATHERPROOF ENCLOSURE, IT SHOULD BE UNZIPPED AND PULLED BACK WHILE BATTERIES ARE BEING CHARGED. THIS IS TO AVOID THE ACCUMULATION OF HYDROGEN GAS INSIDE THE ENCLOSURE.**
- **THE CHARGING AREA MUST BE VENTILATED. TO PREVENT A BUILD-UP OF EXPLOSIVE GAS, HYDROGEN LEVEL IN THE AIR MUST NEVER EXCEED 2%. THE TOTAL VOLUME OF AIR IN THE BUILDING MUST BE CHANGED FIVE TIMES PER HOUR. EXHAUST FANS SHOULD BE LOCATED AT THE HIGHEST POINT OF THE ROOF. CONTACT A LOCAL HVAC ENGINEER.**

⚠ WARNING

- ONLY TRAINED TECHNICIANS SHOULD REPAIR OR SERVICE THE CHARGER. CONTACT YOUR NEAREST CLUB CAR DISTRIBUTOR/DEALER.
- EACH CHARGER SHOULD HAVE ITS OWN DEDICATED 15 OR 20 AMPERE SEPARATELY PROTECTED (CIRCUIT BREAKER OR FUSE) SINGLE PHASE BRANCH CIRCUIT, IN ACCORDANCE WITH ALL APPLICABLE ELECTRICAL CODES FOR THE LOCATION.
- ONLY TRAINED TECHNICIANS SHOULD REPAIR OR SERVICE THE CHARGER. CONTACT YOUR NEAREST CLUB CAR DISTRIBUTOR/DEALER.
- HAVE WORN, CUT, OR DAMAGED POWER CORDS OR WIRES REPLACED IMMEDIATELY.
- BE SURE THAT ALL WIRE CONNECTIONS AT THE RECEPTACLE AND FUSE LINK ARE CLEAN AND TIGHT.
- DO NOT EXPOSE TO RAIN OR ANY LIQUID. KEEP THE CHARGER DRY.
- DO NOT USE NEAR FUELS, GRAIN DUST, SOLVENTS, THINNERS, OR OTHER FLAMMABLES. CHARGERS CAN IGNITE FLAMMABLE MATERIALS AND VAPORS.
- CONNECT THE CHARGER AC SUPPLY CORD TO A PROPERLY GROUNDED, THREE-WIRE OUTLET OF THE PROPER VOLTAGE AND FREQUENCY AS SHOWN ON THE CHARGER.
- DO NOT USE AN ADAPTER TO PLUG THE CHARGER WITH A THREE-PRONG PLUG INTO A TWO-PRONG OUTLET. IMPROPER CONNECTION OF THE EQUIPMENT-GROUNDING CONDUCTOR CAN RESULT IN A FIRE OR AN ELECTRICAL SHOCK.
- USE ONLY AN EXTENSION CORD OR ELECTRICAL OUTLET THAT WILL ACCEPT A THREE-PRONG PLUG. EXTENSION CORD SHOULD BE THREE-WIRE NO. 12 AWG, AND BE AS SHORT AS POSSIBLE. THE USE OF AN IMPROPER EXTENSION CORD COULD RESULT IN FIRE OR AN ELECTRICAL SHOCK.

WARNING CONTINUED ON PAGE 50.

WARNING

- DO NOT OPERATE THE CHARGER IF IT HAS RECEIVED A SHARP BLOW, WAS DROPPED, OR OTHERWISE DAMAGED IN ANY WAY.
- NEVER PUSH OBJECTS OF ANY KIND INTO THE CHARGER THROUGH CABINET SLOTS. THEY MAY TOUCH DANGEROUS VOLTAGE POINTS OR CAUSE AN ELECTRICAL SHORT CIRCUIT THAT COULD RESULT IN FIRE OR ELECTRICAL SHOCK.
- DO NOT CONNECT A STATIONARY CHARGER TO THE RECEPTACLE IF THE CHARGER CORD, PLUG, OR THE VEHICLE RECEPTACLE IS BROKEN, DAMAGED, OR DOES NOT MAKE A GOOD ELECTRICAL CONNECTION. FIRE OR PERSONAL INJURY CAN RESULT. HAVE A QUALIFIED TECHNICIAN REPAIR OR REPLACE DEFECTIVE PARTS IMMEDIATELY.
- WHEN USING AN EXTERNAL STATIONARY CHARGER, DO NOT PULL ON THE DC CORD (**FIGURE 34, PAGE 52**). DO NOT TWIST, ROCK, OR BEND THE PLUG. TO DISCONNECT THE PLUG FROM THE RECEPTACLE, GRASP THE PLUG, *NOT THE CORD*, AND PULL IT SLOWLY STRAIGHT OUT OF THE RECEPTACLE (**FIGURE 33, PAGE 52**).
- WHEN THE CHARGER IS ON, THE CHARGER DC CORD MAY BE DISCONNECTED FROM THE VEHICLE RECEPTACLE **SLOWLY**. JERKING OR PULLING THE DC CORD OUT QUICKLY COULD CAUSE ARCING AND BURNING WHICH COULD DAMAGE THE PLUG AND RECEPTACLE AND COULD CAUSE BATTERIES TO EXPLODE.
- **DO NOT USE A CHARGER IF:**
 - THE PLUG IS TOO LOOSE OR DOES NOT MAKE A GOOD CONNECTION.
 - THE PLUG AND RECEPTACLE FEEL HOTTER THAN NORMAL DURING CHARGE.
 - THE PLUG PINS OR CONTACTS ARE BENT OR CORRODED.
 - THE PLUG, RECEPTACLE OR CORDS ARE CUT, WORN, HAVE ANY EXPOSED WIRES, OR ARE DAMAGED IN ANY WAY.
- **USING A CHARGER WITH ANY OF THE ABOVE SYMPTOMS COULD RESULT IN FIRE, PROPERTY DAMAGE, PERSONAL INJURY, OR DEATH.**

CAUTION

- DO NOT BLOCK OR COVER SLOTS AND OPENINGS IN THE BACK AND BOTTOM OF CHARGER CABINET. THEY PROVIDE VENTILATION AND PROTECT THE CHARGER FROM OVERHEATING.
- DO NOT ALLOW CLOTHING, BLANKETS, OR OTHER MATERIAL TO COVER THE CHARGER.
- PROVIDE ADEQUATE VENTILATION FOR THE CHARGER.
- INSTALL SURGE ARRESTORS ON INCOMING AC POWER LINES. SURGE ARRESTORS WILL HELP PROTECT ELECTRICAL/ELECTRONIC COMPONENTS IN THE CHARGER AND ON THE VEHICLE FROM ALL BUT DIRECT OR VERY CLOSE LIGHTNING STRIKES.

Each electric vehicle is supplied with either a fully automatic, external, battery charger (Tourall and Resort Villager) or fully automatic on-board charger (Trans-Porter/Trans-Sender) as standard equipment. The AC cord from the charger should be connected to a source capable of supplying 10 amperes minimum per charger.

The battery charger must be grounded to reduce the risk of electrical shock. The charger is equipped with an AC electric cord having an equipment-grounding conductor and a grounding type plug and is for use on a nominal 115 Volt 60 Hertz circuit, unless otherwise noted on the charger. The plug must be grounded to an appropriate dedicated receptacle that is properly installed and grounded in accordance with the National Electrical Code, ANSI/NFPA 70, and all local codes and ordinances.

NOTE

- BECAUSE THE **POWERDRIVE** CHARGER HAS A STORAGE CHARGE FEATURE THAT AUTOMATICALLY CHECKS AND RECHARGES THE BATTERIES AS NECESSARY EVERY 15 DAYS, IT CAN REMAIN PLUGGED TO A POWERDRIVE VEHICLE THROUGHOUT THE STORAGE PERIOD.
- SHORTLY AFTER CHARGING HAS BEGUN, THE **POWERDRIVE** CHARGER WILL SHUT OFF IN ORDER TO RUN A SELF-DIAGNOSTIC PROGRAM (AMMETER WILL DROP TO 0). CHARGING WILL RESUME IN A FEW MOMENTS (AMMETER WILL RETURN TO CURRENT STATE OF CHARGE).

The use of an extension cord with the charger should be avoided. If an extension cord must be used, then only use a three conductor No. 12 AWG heavy duty cord with a ground conductor in good electrical condition. Keep cord as short as possible (no more than twelve feet). Position all cords so they will not be stepped on, tripped over, or otherwise subject to damage or stress.

The charging area must be well-ventilated. To prevent a build-up of explosive gas, the hydrogen level in the air must never exceed 2%. The total volume of air in an enclosed charging area must be changed at least five times per hour. Consult a local HVAC engineer. **See DANGER, page 47.**

TO CHARGE BATTERIES

NOTE

- WHEN TEMPERATURES FALL BELOW 65° F (18.3 C), BATTERIES CHARGED IN UNHEATED AREAS SHOULD BE PLACED ON CHARGE AS SOON AS POSSIBLE AFTER USE. BATTERIES ARE WARMEST IMMEDIATELY AFTER USE, WHILE COLD BATTERIES REQUIRE MORE TIME TO FULLY CHARGE.

- **Tourall and Resort Villager (External charger):**

Insert the charger AC plug into a dedicated AC receptacle that is properly grounded and wired in accordance with the National Electric Code, ANSI/NFPA 70, and all local codes and ordinances. Then insert the charger DC plug into the vehicle receptacle. The charger will activate two to ten seconds later (**Figure 33, Page 52**).

Trans-Porter/Trans-Sender (On-board charger):

Insert the on-board charger AC plug into a dedicated AC receptacle that is properly grounded and wired in accordance with the National Electric Code, ANSI/NFPA 70, and all local codes and ordinances. The charger will activate two to ten seconds later.

The **PowerDrive Charger** interacts with an on-board computer on the PowerDrive System 48 vehicle. The computer records the amount of energy consumed during vehicle use. While the charger is plugged in the vehicle's control circuit is locked out, preventing operation, as well as, subsequent damage to the charger and the vehicle.

Once the lock-out is actuated, the charger turns on. The on-board computer then records the amount of energy being returned to the batteries. When the amount of energy required to replenish the batteries is returned, the charger will shut off. The control circuit lock-out remains activated until the charger plug is disconnected from the vehicle.

Because of these unique features, **only PowerDrive System 48 vehicles are compatible with the PowerDrive Charger** (neither vehicles made by other manufacturers, nor other Club Car models are compatible).

As long as the charger is allowed to shut off by itself, the batteries will be fully charged. Overcharging and undercharging will normally be prevented

To Charge Batteries, Continued:.

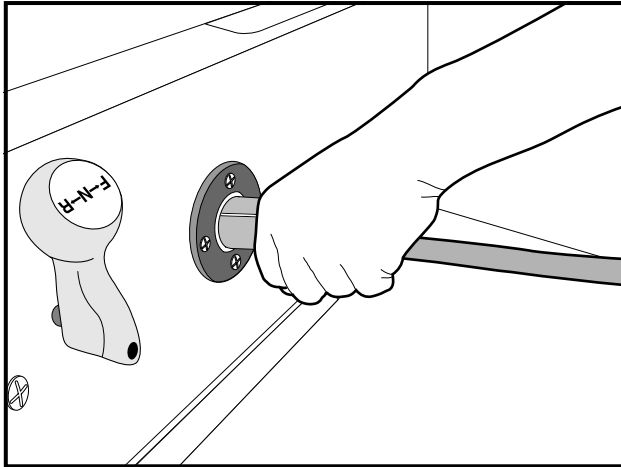


FIGURE 33

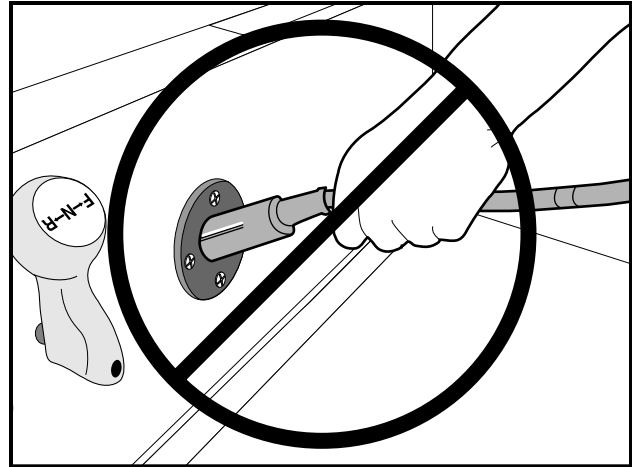


FIGURE 34

Batteries should be put on charge even if they have been used for only a short period (10 minutes). The charger is automatic and will turn off when batteries are fully charged. If the charger does not seem to be operating properly, or if the batteries seem weak, contact your local CLUB CAR distributor/dealer.

Receptacle Fuse Link

As an additional feature to protect the batteries and charging circuit from an overload, the electric vehicle is equipped with a receptacle fuse link (**Figure 35**). If the charger does not come on when the vehicle is placed on charge, visually inspect the fuse link. **See WARNING below.**

⚠ WARNING

- IF THE RECEPTACLE FUSE LINK IS BLOWN, DETERMINE THE SOURCE OF THE PROBLEM AND CORRECT IT BEFORE REPLACING THE FUSE.
- NEVER MODIFY WIRING TO BY-PASS THE GREY SENSE LEAD FUSE (**FIGURE 35**).

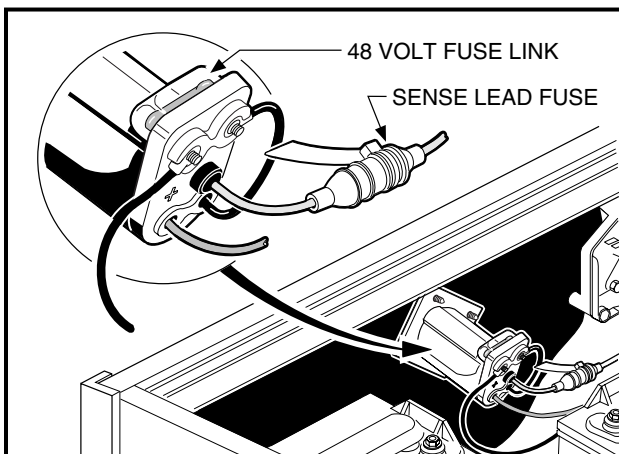


FIGURE 35

CLEANING THE VEHICLE

The vehicle is equipped with an Armorflex® front body and either an Amorflex or all-aluminum rear body. Some models also have aluminum cargo beds. Use only mild dishwashing liquid soap with a sponge or soft cloth for normal cleaning. **See CAUTION top of page 53.**

⚠ CAUTION

- IF A PRESSURE WASHER IS USED, DO NOT EXCEED 500 PSI (3448 KPA). NOZZLE SHOULD BE SET TO WIDE ANGLE SPRAY.

Minor scratches or blemishes in either the Armorflex or aluminum body panels can be buffed out using most commercially available polishing compounds and polishes.

The seats of the vehicle will last longer with proper cleaning. Mild soap or detergent with a sponge or soft cloth for normal cleaning is recommended. For stubborn or imbedded dirt, a soft bristle brush may be used.

Do not use harsh detergents or cleaning solvents on the front body or the seats.

Battery acid, fertilizers, tars, asphalt, creosote, paint, or chewing gum should be removed immediately to prevent possible stains. Use commercial automotive products because the finish on the vehicle is the same as the finish on today's automobiles.

VEHICLE CONTROLLER - ELECTRIC VEHICLE

Electric vehicles are equipped with Solid State Speed Controllers. In order to properly service and maintain the Solid State Speed Controller vehicle, it is necessary to understand the electrical circuitry and the functions of all components in the system. Therefore, if any repair or service is required, Club Car recommends that it be performed by an authorized Club Car distributor/dealer using CLUB CAR OEM parts.

ACCESSORIES AND OPTIONS

A complete line of optional equipment items and accessories is available. Contact your distributor/dealer for an Optional Equipment book. Care should be taken that these accessories and options are properly installed by trained technicians, and that they are used in the manner for which they were designed.

⚠ WARNING

- CUSTOM CAB ASSEMBLIES, WEATHER-PROOF ENCLOSURES, DOOR KITS, AND TINTED WINDSHIELDS WILL **NOT** PROTECT OCCUPANTS FROM FLYING OBJECTS (GOLF BALLS, ETC.).

SUBSEQUENT OWNER REGISTRATION

In the event a vehicle is bought used from another individual or from a distributor/dealer, we strongly urge the new owner to re-register the vehicle with Club Car. This will enable us to contact you if the need arises. Please send your name, address, and serial number(s) of the vehicle(s) to CLUB CAR, INC., P.O. Box 204658, Augusta, GA 30917-4658, ATTN: Vehicle Registration.

NOTE

- CLUB CAR, INC. RESERVES THE RIGHT TO CHANGE SPECIFICATIONS AND DESIGN OF GASOLINE OR ELECTRIC VEHICLES AT ANY TIME WITHOUT NOTICE AND WITHOUT OBLIGATION TO MAKE THESE CHANGES ON UNITS PREVIOUSLY SOLD.

VEHICLE SPECIFICATIONS

| SPECIFICATIONS | Tourall | | | Resort Villager | | Trans-Porter | | Trans-Sender | |
|--|----------|-------------------------------|--------------------------|-----------------|----------|--------------|----------|--------------|----------|
| | Gasoline | PowerDrive System 48 Electric | PowerDrive Plus Electric | Gasoline | Electric | Gasoline | Electric | Gasoline | Electric |
| POWER SOURCE | | | | | | | | | |
| Engine: 4 cycle, OHV, 286 cc, 9.0 hp rated, single cylinder, air cooled, with pressure lubrication system. | • | | | | | | | | |
| Engine: 4 cycle, OHV, 351 cc, 11.0 hp rated, single cylinder, air cooled, with pressure lubrication system. | | | | • | | • | | | |
| Drive Motor: Direct drive, 48 volts DC, series wound, 3.1 hp. | | • | | | • | | • | | • |
| Drive Motor: Direct drive, 48 volts DC, shunt wound, 3.2 hp. | | | • | | • | | • | | • |
| Fuel System: Side draft carburetor with float bowl, fixed jets, fuel filter, and impulse fuel pump. | • | | | • | | • | | • | |
| Governor: Automatic ground speed sensing, internally geared in unitized transaxle. | • | | | • | | • | | • | |
| Ignition: Transistor electronic ignition with electronic RPM limiter. | • | | | • | | • | | • | |
| Unitized Transaxle: Fully synchronized Forward/Reverse with neutral (11.8:1 forward, 17.1:1 reverse). | • | | | • | | • | | • | |
| Transaxle: Double reduction helical gear with 12.28:1 direct drive axle. | | • | • | | • | | • | | • |
| Electrical System: 12 volt, 500 cca at 0°, 650 at 32°. 85 minute reserve capacity and 35 amp charging capacity. | • | | | • | | • | | • | |
| Electrical System: 48 volts DC, reduced speed reverse. | | • | • | | • | | • | | • |
| Batteries: High capacity, deep cycle, Trojan PowerDrive 8 volt, 117 min. capacity. | | • | • | | • | | • | | • |
| Charger: Automatic, 17 amp PowerDrive, UL and CSA listed. | | • | • | | • | | • | | • |
| Torque Converter: Automatic, variable speed, dry type. | • | | | • | | • | | • | |
| STEERING/SUSPENSION/BRAKES | | | | | | | | | |
| Steering: Self-adjusting rack and pinion. | • | • | • | • | • | • | • | • | • |
| Suspension: Front mono-leaf and rear multi-leaf springs with dual hydraulic shocks. | • | • | • | • | • | • | • | • | • |
| Brakes: Mechanical brake cable system to self-adjusting drum brakes on each rear wheel. Park brake is automatically released. Self-adjusting multi-latch ratchet and pawl. | • | • | • | • | • | • | • | • | • |
| Brakes: Mechanical brake cable system to manually adjusted drum brakes on all four wheels. Park brake is automatically released. Self-adjusting multi-latch ratchet and pawl. | | | | • | • | • | • | • | • |
| Vehicle Specifications Continued Next Page. | | | | | | | | | |

| SPECIFICATIONS | | Tourrail | Resort Villager | Trans-Porter | Trans-Sender |
|--|------------------------------|------------------------------|------------------------------|------------------------------|------------------------------|
| BODY/CHASSIS | | | | | |
| Frame/Chassis: Twin I-Beam welded aluminum. | • | • | • | • | • |
| Side and Rear Body: All aluminum. | | | | | |
| Front Body: Armorflex®. | • | • | • | • | • |
| Front Body Finish: Protective coat over molded-in color. | • | • | • | • | • |
| Tires: 18.00 x 8.50 - 8.00 tubeless, 4 ply rated load range front and rear. | • | • | • | • | • |
| Tires: 18.00 x 8.50 - 8.00 tubeless, 6 ply rated load range front and rear. | | | | | |
| SEATING CAPACITY/FUEL CAPACITY | | | | | |
| Standard Seating Capacity (persons): | 4 | 4 | 6 | 4 | 6 |
| Fuel Tank: 7 gallons (26.5 liters), unleaded gasoline only. | • | | • | | • |
| DIMENSIONS/WEIGHT | | | | | |
| Overall Length: | 100" (254 cm) | 100" (254 cm) | 124" (315 cm) | 134" (340 cm) | 133" (338 cm) |
| Overall Width | 47-1/4" (120 cm) | 47-1/4" (120 cm) | 47-1/4" (120 cm) | 49-1/4" (120 cm) | 49-1/4" (120 cm) |
| Overall Height: At Steering Wheel. | 48" (122 cm) | 48" (122 cm) | 48" (122 cm) | 48" (122 cm) | 48" (122 cm) |
| Wheelbase | 65-1/2" (166 cm) | 65-1/2" (166 cm) | 98-1/2" (250 cm) | 98-1/2" (250 cm) | 98-1/2" (250 cm) |
| Ground Clearance | 4-1/2" (11 cm) | 4-1/2" (11 cm) | 4-1/2" (11 cm) | 4-1/2" (11 cm) | 4-1/2" (11 cm) |
| Front Wheel Tread | 34-1/2" (88 cm) | 34-1/2" (88 cm) | 34-1/2" (88 cm) | 34-1/2" (88 cm) | 34-1/2" (88 cm) |
| Rear Wheel Tread | 38-1/2" (98 cm) | 38-1/2" (98 cm) | 38-1/2" (98 cm) | 38-1/2" (98 cm) | 38-1/2" (98 cm) |
| Weight: Standard electric vehicle (without batteries). | 495 lbs. (225 kg) | 517 lbs. (235 kg) | 590 lbs. (268 kg) | 700 lbs. (317 kg) | 717 lbs. (325 kg) |
| Weight: Standard gasoline powered vehicle (dry). | 638 lbs. (289 kg) | | 745 lbs. (338 kg) | 825 lbs. (374 kg) | 842 lbs. (381 kg) |
| Forward Speed | 12 - 15 mph (19 - 23 kph) | 12 - 15 mph (19 - 23 kph) | 14 - 16 mph (23 - 26 kph) | 14 - 16 mph (23 - 26 kph) | 12 - 15 mph (19 - 23 kph) |
| Braking Distance: At 12 mph (19 kph). | 14' (427 cm) | 14' (427 cm) | 16' (488 cm) | 16' (488 cm) | 16' (488 cm) |
| Clearance Circle (diameter) | 17'-6" (533 cm) | 17'-6" (533 cm) | 24'-8" (752 cm) | 24'-8" (752 cm) | 24'-8" (752 cm) |
| Vehicle Specifications Continued Next Page. | | | | | |

| SPECIFICATIONS | Tourall | | | Resort Villager | | Trans-Porter | | Trans-Sender | |
|--|---------------------|-------------------------------|--------------------------|----------------------|----------------------|---------------------------------------|---------------------------------------|----------------------|----------------------|
| | Gasoline | PowerDrive System 48 Electric | PowerDrive Plus Electric | Gasoline | Electric | Gasoline | Electric | Gasoline | Electric |
| Turning Radius per SAE J 695 | 68" (173 cm) | 68" (173 cm) | 68" (173 cm) | 129" (328 cm) | 129" (328 cm) | 129" (328 cm) | 129" (328 cm) | 129" (328 cm) | 129" (328 cm) |
| Intersecting Aisle Clearance: | 72" (183 cm) | 72" (183 cm) | 72" (183 cm) | 89 3/4" (228 cm) | 89 3/4" (228 cm) | 89 3/4" (228 cm) | 89 3/4" (228 cm) | 89 3/4" (228 cm) | 89 3/4" (228 cm) |
| Floorboard Height: | 11 3/4" (30 cm) | 11 3/4" (30 cm) | 11 3/4" (30 cm) | 11 3/4" (30 cm) | 11 3/4" (30 cm) | 11 3/4" (30 cm) | 11 3/4" (30 cm) | 11 3/4" (30 cm) | 11 3/4" (30 cm) |
| Seat Height: | 29 1/2" (75 cm) | 29 1/2" (75 cm) | 29 1/2" (75 cm) | 30" (76 cm) | 30" (76 cm) | 30" (76 cm) | 30" (76 cm) | 30" (76 cm) | 30" (76 cm) |
| Load Bed Height: Box bed inside dimensions. | | | | | | 27" (69 cm) | 27" (69 cm) | | |
| Load Bed Size: Flat bed inside dimensions. | | | | | | 35 3/4" x 44 1/4" (91 x 112 cm) | 35 3/4" x 44 1/4" (91 x 112 cm) | | |
| Vehicle rated capacity: Level surface only. | 800 lbs (363 kg) | 800 lbs (363 kg) | 800 lbs (363 kg) | 1500 lbs (680 kg) | 1500 lbs (680 kg) | 1500 lbs (680 kg) | 1500 lbs (680 kg) | 1500 lbs (680 kg) | 1500 lbs (680 kg) |

LIMITED WARRANTY FOR 1998 TRANSPORTATION AND UTILITY VEHICLES IN THE UNITED STATES AND CANADA

1. WARRANTY:

CLUB CAR, INC. ("CLUB CAR") hereby warrants to the original retail purchaser that its new 1998 Model Transportation or Utility vehicle purchased from CLUB CAR or an authorized Transportation/Utility Vehicle dealer for use in the United States or Canada shall be free from defects in materials and workmanship under normal use and service as a transportation/utility vehicle for the periods stated below, subject to the provisions, limitations and exclusions contained in this limited warranty.

LIMITED TWO (2) YEAR / 2000 HOUR WARRANTY:

The engine assembly, unitized transaxle assembly (gasoline vehicle), motor, transaxle assembly (electric vehicle), main frame assembly, hydraulic dump kit, Custom Cab assembly and doors, and Driving Range Protective Enclosure are warranted with respect to parts and labor against defects in materials and workmanship for a period of two years from the date of purchase, or for 2000 hours of operation; whichever occurs first.

LIMITED ONE (1) YEAR / 1000 HOUR WARRANTY:

All remaining components of the vehicle not specified otherwise, the Portable Refreshment Center, and all other optional equipment and accessories are warranted with respect to parts and labor against defects in materials and workmanship for a period of one year from the date of purchase, or for 1000 hours of operation; whichever occurs first.

This limited warranty covers materials, workmanship and repair labor cost as to those items specifically listed above for the periods specified. Such repair labor shall be performed only by CLUB CAR, its authorized dealers, or a service agency approved by CLUB CAR.

IF THE WARRANTY REGISTRATION FORM IS NOT COMPLETED AND RETURNED TO CLUB CAR AT THE TIME OF THE ORIGINAL RETAIL SALE, PURCHASER MUST PROVIDE PROOF OF DATE OF PURCHASE WITH ANY WARRANTY CLAIM.

2. EXCLUSIONS:

Excluded from any Transportation/Utility vehicle warranty are all fuses, filters, decals (except safety decals), spark plugs, lubricants, trim pieces, seats, routine wear items such as the charger plug and receptacle, brake shoes, belts, brushes, bushings, light bulbs, mats and pads, maintenance adjustments, cosmetic deterioration, and items which deteriorate or fail due to exposure or ordinary wear and tear. Batteries, the battery charger, on-board computer, and solid-state speed controller are covered under separate CLUB CAR warranties. Tires are warranted by their manufacturer. Also excluded from any Transportation/Utility warranty is damage to a vehicle or component resulting from a cause other than a defect including unreasonable or unintended strain or use, improper installation of accessories, installation of parts or accessories that are not original equipment, overloading, accident, alteration, abuse or neglect.

Transportation expenses for warranty service are also excluded from this warranty.

3. VOIDING OF WARRANTY:

THIS AND ANY OTHER WARRANTY SHALL BE VOID IF THE VEHICLE IS ABUSED OR USED IN AN UNINTENDED MANNER OR SHOWS INDICATIONS THAT IT HAS BEEN ALTERED IN ANY WAY, INCLUDING, BUT NOT LIMITED TO, MODIFICATION OF THE SPEED GOVERNOR, BRAKING SYSTEM, STEERING, TRANSAXLE, OR OTHER OPERATING SYSTEMS OF THE VEHICLE TO CAUSE IT TO PERFORM OUTSIDE CLUB CAR SPECIFICATIONS. THE WARRANTY IS LIKEWISE VOID IF THE VEHICLE SHOWS INDICATIONS THAT REASONABLE OR NECESSARY MAINTENANCE AS OUTLINED IN THE OWNER'S MANUAL AND MAINTENANCE AND SERVICE MANUAL WAS NOT PERFORMED AT THE TIME AND IN THE MANNER SPECIFIED IN SUCH MANUALS.

4. SOLE REMEDY:

CLUB CAR'S ONLY LIABILITY UNDER THIS LIMITED WARRANTY, OR IN ANY ACTION WHETHER BASED UPON WARRANTY, CONTRACT, NEGLIGENCE, STRICT PRODUCT LIABILITY OR OTHERWISE, IS LIMITED TO THE REPAIR OR REPLACEMENT, AT CLUB CAR'S OPTION, OF A VEHICLE OR COMPONENT THEREOF THAT CLUB CAR DEEMS TO BE DEFECTIVE. REPLACEMENT SHALL MEAN FURNISHING, DURING THE APPLICABLE LIMITED WARRANTY PERIOD, A NEW VEHICLE OR FACTORY RECONDITIONED VEHICLE OR COMPONENT THEREOF WHICH IS IDENTICAL OR REASONABLY EQUIVALENT TO THE WARRANTED PRODUCT OR COMPONENT AT NO COST TO THE PURCHASER. REPAIR SHALL MEAN REMEDYING A DEFECT IN THE VEHICLE OR COMPONENT THEREOF AT NO COST TO THE PURCHASER DURING THE APPLICABLE LIMITED WARRANTY PERIOD. IF CLUB CAR ELECTS TO REPAIR THE VEHICLE, IT MAY PROVIDE FACTORY RECONDITIONED PARTS OR COMPONENTS. ALL PARTS AND COMPONENTS REPLACED UNDER WARRANTY SHALL BECOME THE PROPERTY OF CLUB CAR.

5. HOW TO MAKE A WARRANTY CLAIM:

To make a warranty claim under this limited warranty, you must present the vehicle or defective component to an authorized Transportation/Utility vehicle dealer or send the defective component, freight prepaid, to WARRANTY ADMINISTRATION, CLUB CAR, INC., 4152 Washington Road, Augusta, Georgia 30907-4658.

6. DISCLAIMER:

THIS LIMITED WARRANTY IS EXCLUSIVE. CLUB CAR MAKES NO OTHER WARRANTY OF ANY KIND, EXPRESS OR IMPLIED. ANY IMPLIED WARRANTIES OF MERCHANTABILITY OR FITNESS FOR A PARTICULAR PURPOSE WHICH EXCEED THE OBLIGATIONS OR TIME LIMITS STATED IN THIS WARRANTY ARE HEREBY DISCLAIMED BY CLUB CAR AND EXCLUDED FROM THIS WARRANTY. THE PURCHASER AND CLUB CAR EXPRESSLY AGREE THAT THE REMEDY OF REPAIR OR REPLACEMENT OF THE DEFECTIVE VEHICLE OR COMPONENT THEREOF IS THE EXCLUSIVE AND SOLE REMEDY OF THE PURCHASER. CLUB CAR MAKES NO OTHER REPRESENTATION OR WARRANTY OF ANY KIND, AND NO REPRESENTATIVE, EMPLOYEE, OR DEALER OF CLUB CAR HAS THE AUTHORITY TO MAKE OR IMPLY ANY REPRESENTATION, PROMISE, OR AGREEMENT WHICH IN ANY WAY VARIES THE TERMS OF THIS WARRANTY.

7. NO CONSEQUENTIAL DAMAGES:

IN NO EVENT SHALL CLUB CAR BE LIABLE FOR ANY INCIDENTAL OR CONSEQUENTIAL DAMAGES INCLUDING, BUT NOT LIMITED TO, LOSS RELATED TO PROPERTY OTHER THAN THE VEHICLE, LOSS OF USE, LOSS OF TIME, INCONVENIENCE, OR ANY OTHER ECONOMIC LOSS.

Some states allow neither limitation on the duration of an implied warranty nor exclusions or limitation of incidental or consequential damages. Therefore, the above limitations or exclusions may not apply to you.

This warranty gives you specific legal rights, and you may also have other rights which vary from state to state.

8. INFORMATION:

For further information, contact WARRANTY ADMINISTRATION, CLUB CAR, INC., P.O. Box 204658, Augusta, Georgia 30917-4658, U.S.A., 706-863-3000.

9. WARNING:

Any modification or alteration of any vehicle beyond factory specifications, including those that affect the weight distribution, stability, or speed of the vehicle, can cause serious personal injury or death.

CLUB CAR

INGERSOLL-RAND

Transportation and Utility Vehicles
Club Car Inc.
P.O. Box 204658
Augusta, GA 30917-4658