

Carryall 1

Carryall 2

Carryall 6

**Electric
Industrial
Truck**

2002 Owner's Manual

NOTICE

The Club Car Limited Warranties for 2002 Transportation and Utility Vehicles, 2002 PowerDrive 8-Volt Batteries, 2002 PowerDrive Battery Chargers, and 2002 Onboard Computers and Solid State Speed Controllers appear on the last pages of this manual. No other warranties, express or implied, are contained herein. Your authorized representative checked this vehicle before it was delivered to you and will provide you a copy of the completed vehicle warranty registration form.

Club Car is not liable for errors in this manual or for incidental or consequential damages that result from the use of the material in this manual.

This manual contains proprietary information that is protected by copyright. All rights are reserved. No part of this manual may be photocopied, reproduced, or translated to another language without the written consent of Club Car, Inc.

The information contained in this document is subject to change without notice.

Club Car reserves the right to make design changes to vehicles without obligation to make these changes on units previously sold.

These vehicles do not conform to Federal Motor Vehicle Safety Standards for automobiles or to FMVSS 500 for low-speed vehicles, and are not equipped for operation on public streets, roads, or highways.



**P. O. Box 204658
Augusta, Georgia 30917-4658 USA
Telephone 706-863-3000
Service Parts Fax 706-855-7413
www.clubcar.com**

©2001 Club Car, Inc.

Club Car, Carryall, PowerDrive, and ArmorFlex
are registered trademarks of Club Car, Inc.

This manual effective July 23, 2001.

FOREWORD

Thank you for choosing Club Car. You have chosen the finest utility vehicle on the market; the vehicle most widely recognized as the industry leader in vehicle efficiency and long-lasting value. Please protect your investment and ensure that your Carryall vehicle(s) provides years of reliable, superior performance by reading and following the maintenance instructions in this manual.

Your comfort and safety are important to us as well, so we urge you to read and follow the step-by-step operating instructions and safety precautions in this manual. These instructions must be followed in order to avoid the risk of severe personal injury. If you rent or loan your vehicle to others, we recommend that you ask them to read this manual before they operate the vehicle.

Club Car products are backed by a customer support system designed to offer you fast, courteous service. In the event that your Carryall vehicle needs repairs or service, we recommend that your local authorized Club Car representative perform them. For the name and address of the Club Car representative nearest you, logon to our web site at www.clubcar.com or call 1-800-ClubCar (258-2227) or 1-706-863-3000. If you would prefer to write to us, direct your letter to: Club Car, Attention: Marketing Services, P.O. Box 204658, Augusta, Georgia 30917-4658, U.S.A. Your local authorized Club Car representative can also provide technical advice, parts, and service manuals.

We hope you will consider this owner's manual a permanent part of your Carryall vehicle and keep it in the storage tube provided for it on the passenger side dash. If you sell the vehicle, please include the manual so that the next owner will have the important operating, safety, and maintenance information it contains.

Practice Safety



Safety signs like you see above may at first seem shocking, but their impact is mild compared with the reality of severe personal injury.

Your safety and satisfaction are of the utmost importance to Club Car. That is why before operating the vehicle, we urge you to review the information in this manual. Understand and become familiar with the DANGER, WARNING and CAUTION statements and procedures it contains, along with the safety decals that are affixed to your vehicle.

Take time to understand the language of safety. It is a language that can save your life.

TABLE OF CONTENTS

| | |
|--|----|
| General Information | 6 |
| Vehicle Specifications | 6 |
| Accessories | 7 |
| Model Identification | 9 |
| Safety Symbols | 9 |
| Safety Details | 9 |
| Vehicle Feature Identification – Carryall 1 and Carryall 2 | 18 |
| Vehicle Feature Identification – Carryall 6 | 20 |
| Controls and Indicators | 22 |
| Pre-Operation and Daily Safety Checklist | 25 |
| Driving Instructions | 26 |
| Bed Latch | 27 |
| Prop Rod | 28 |
| Loading and Unloading | 30 |
| Towing with the Vehicle | 30 |
| Transporting on a Trailer | 30 |
| Storage | 31 |
| Batteries | 32 |
| Battery Charger | 33 |
| Maintenance | 36 |
| Vehicle Controller | 36 |
| Periodic Service Schedule | 36 |
| Periodic Lubrication Schedule | 38 |
| Cleaning the Vehicle | 39 |
| Subsequent Owner Registration | 39 |
| Warranties | 40 |

GENERAL INFORMATION

There are three electric Carryall models: the Carryall 1, Carryall 2, and Carryall 6.

The Carryall electric industrial truck is produced for commercial use; it has been designed for transportation of cargo and passengers in both indoor and outdoor settings. Its construction allows for operation on turf, paved, and prepared surfaces on inclines not to exceed 20%. The vehicle is not intended for use on public streets, roads, or highways or for operation in flammable or explosive atmospheres. The charts that follow provide a complete listing of vehicle specifications and capacities.

Throughout this manual, important features unique to each model are highlighted. We urge the owner/operator to read and understand this manual, and to pay special attention to the features specific to their vehicle(s).

VEHICLE SPECIFICATIONS

| SPECIFICATIONS | Carryall 1 | Carryall 2 | Carryall 6 |
|---|-----------------------|----------------------|----------------------|
| POWER SOURCE | | | |
| Drive motor: Direct drive, 48 volts DC, series wound, 3.1 hp | • | • | • |
| Transaxle: Double reduction helical gear with 12.28:1 direct drive axle | • | • | • |
| Electrical system: 48 volts DC, reduced speed reverse | • | • | • |
| Batteries: High capacity, deep cycle, Trojan PowerDrive 8 volt, 117 min. capacity | • | • | • |
| Charger: Automatic, 17 amp PowerDrive; UL and CSA listed | • | • | • |
| STEERING/SUSPENSION/BRAKES | | | |
| Steering: Self-adjusting rack and pinion | • | • | • |
| Suspension: Front mono-leaf and rear multi-leaf springs with dual hydraulic shocks | • | • | • |
| Brakes: Mechanical brake cable system to self-adjusting drum brakes on each rear wheel with separate hand-operated park brake | • | | |
| Brakes: Mechanical brake cable system to manually adjusted drum brakes on all four wheels with separate hand-operated park brake | | • | • |
| BODY/CHASSIS | | | |
| Frame/chassis: Twin I-Beam welded aluminum | • | • | • |
| Side and rear body: All aluminum | • | • | • |
| Front body: ArmorFlex® | • | • | • |
| Front body finish: Matched paint finish over molded-in color | • | • | • |
| Tires: 18 x 8.5 - 8 tubeless, 4 ply rated load range front and rear | • | | |
| Tires: 18 x 8.5 - 8 tubeless, 6 ply rated load range front and rear | | • | • |
| DIMENSIONS/WEIGHT | | | |
| Overall length (Carryall 1 and 2: cargo bed; Carryall 6: flatbed configuration) | 263 cm (103.5 in.) | 282 cm (111 in.) | 340 cm (134 in.) |
| Overall width | 122 cm (48 in.) | 127 cm (50 in.) | 125 cm (49.3 in.) |
| Overall height (at steering wheel) | 122 cm (48 in.) | 122 cm (48 in.) | 122 cm (48 in.) |
| Wheelbase | 166 cm (65.5 in.) | 197 cm (77.5 in.) | 250 cm (98.5 in.) |
| Ground clearance | 11 cm (4.5 in.) | 11 cm (4.5 in.) | 11 cm (4.5 in.) |
| Specifications continued on next page . . . | | | |

| SPECIFICATIONS | Carryall 1 | Carryall 2 | Carryall 6 |
|--|--|--|--|
| Front wheel tread | 88 cm (34.5 in.) | 88 cm (34.5 in.) | 88 cm (34.5 in.) |
| Rear wheel tread | 98 cm (38.5 in.) | 98 cm (38.5 in.) | 98 cm (38.5 in.) |
| Weight (standard electric industrial truck (without batteries)) | 279 kg (616 lb.) | 326 kg (718 lb.) | 349 kg (770 lb.) |
| Forward speed | 19-24 km/h (12-15 mph) | 19-24 km/h (12-15 mph) | 19-24 km/h (12-15 mph) |
| Curb clearance circle (diameter) | 533 cm (17 ft. 6 in.) | 630 cm (20 ft. 8 in.) | 752 cm (24 ft. 8 in.) |
| Turning radius per SAE J 695 | 257 cm (101 in.) | 305 cm (120 in.) | 366 cm (144 in.) |
| Intersecting aisle clearance | 183 cm (72 in.) | 196 cm (77 in.) | 228 cm (89.8 in.) |
| Floorboard height | 30 cm (11.8 in.) | 30 cm (11.8 in.) | 30 cm (11.8 in.) |
| Load bed height | 69 cm (27 in.) | 70 cm (27.6 in.) | 69 cm (27 in.) |
| Seat height | 72 cm (28.4 in.) | 73 cm (28.7 in.) | 72 cm (28.4 in.) |
| Load bed size (box bed dimensions) | 96 x 115 x 23 cm (37.6 x 45.1 x 9.3 in.) | 124 x 126 x 28 cm 48.8 x 49.8 x 10.9 in.) | 179 x 115 x 23 cm (70.5 x 45.1 x 9.3 in.) |
| Load bed size (flat bed dimensions) | 91 x 112 cm (35.8 x 44.3 in.) | 119 x 126 cm 46.9 x 48.3 in.) | 172 x 112 cm (67.6 x 44.3 in.) |
| Maximum payload capacity (cargo load and gross trailer weight (level surface only)) | 136 kg (300 lb.) | 363 kg (800 lb.) | 453 kg (1000 lb.) |
| Maximum vehicle capacity (passengers, cargo load, and gross trailer weight) | 363 kg (800 lb.) | 544 kg (1200 lb.) | 680 kg (1500 lb.) |
| Maximum gross vehicle weight (fully loaded, accessories included) | 815 kg (1796 lb.) | 1042 kg (2298 lb.) | 1202 kg (2650 lb.) |
| Maximum drawbar pull | 3728 N (838 lb.) | 3906 N (878 lb.) | 4083 N (918 lb.) |
| Standard seating capacity (persons) | 2 | 2 | 2 |
| VIBRATION SPECIFICATIONS | | | |
| Vibration at seat bottom | 0.4 m/sec ³ | 0.4 m/sec ³ | 0.4 m/sec ³ |
| Vibration at driver's hands | 1.5 to 2.1 m/sec ³ | 1.5 to 2.1 m/sec ³ | 1.5 to 2.1 m/sec ³ |
| CLIMATIC EXTREMES | | | |
| Operating temperature range | -20 to 40 °C (4 to 104 °F) | -20 to 40 °C (4 to 104 °F) | -20 to 40 °C (4 to 104 °F) |
| LIQUID CAPACITIES | | | |
| Transaxle (SAE 30 WT. API Class SE, SF, or SG oil or higher) | .65 L (22 oz.) | .65 L (22 oz.) | .65 L (22 oz.) |
| TIRE PRESSURE | | | |
| Front and rear | 1.24-1.38 Bars (18-20 psi) | 2.07-2.34 Bars (30-34 psi) | 2.07-2.34 Bars (30-34 psi) |

ACCESSORIES

There is a complete line of accessory equipment available from Club Car and our dealers. Care should be taken that these accessories are properly installed by trained technicians, and they are used in the manner for which they were designed. **See following WARNING.**

WARNING

- Custom cab assemblies, weatherproof enclosures, door kits, and tinted windshields will not protect occupants from flying objects.
- If the vehicle has a portable refreshment center option installed in the bed, it must be removed before unlatching and lifting the bed.
- If the vehicle is equipped with an electric powered bed lift, remove the bed before servicing the bed lift system.

ACCESSORY EQUIPMENT

| ACCESSORY | Carryall 1 | Carryall 2 | Carryall 6 |
|---|------------|------------|------------|
| 3-sided enclosure | • | • | • |
| 3.75 HP electric motor | • | • | • |
| Accent stripe | • | • | • |
| Ambulance kit | • | | • |
| Ashtray | • | • | • |
| Battery capacity indicator | • | • | standard |
| Bed mat | • | • | • |
| Cab assembly | • | • | • |
| Communication display module | • | • | • |
| Custom van box | • | • | • |
| DC converter | | • | standard |
| Differential guard | • | • | • |
| Electric lift | | • | • |
| Fold-down seat | • | • | |
| Glove box with lock | • | • | • |
| Heavy-duty front bumper | • | standard | standard |
| Hour meter | • | • | • |
| Lighting package | | • | standard |
| Mirror, sport | • | | |
| Mirror, west coast style | • | • | • |
| Portable refreshment center | • | • | |
| Radio/beverage holder | • | • | • |
| Safety strobe light | • | • | • |
| Stake side kit | • | • | • |
| Tires: 6-ply premium and extra traction | • | • | • |
| Toolbox (cargo bed and flatbed) | • | • | |
| Trailer hitch | • | standard | • |
| Turn signals | • | • | • |
| Wheel covers | • | • | • |
| Windshield, safety glass with wiper | • | • | • |
| Windshield, tinted fold-down | • | • | • |
| Windshield, tinted one-piece | • | • | • |

MODEL IDENTIFICATION

The serial number (1) of the vehicle is printed on a bar code decal mounted on the frame directly above the accelerator pedal (Example: FA0201-123456) (**Figure 1, Page 9**). There is also a second serial number decal mounted on the front body frame behind the center dash panel. The center dash panel must be removed to view this decal.

NOTE: Always have the vehicle serial number at hand when ordering parts or making inquiries.

The specifications decal containing the CE mark is located on the frame below the dash and directly above the brake pedal. **See Vehicle Feature Identification beginning on page 18.**

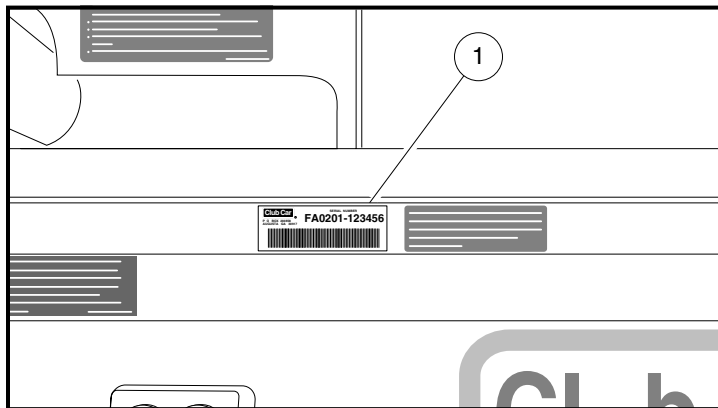










Figure 1 Serial Number Decal

SAFETY SYMBOLS

-  Safety alert
-  Reverse (Forward/Reverse handle)
-  Forward (Forward/Reverse handle)
-  Neutral (Forward/Reverse handle)
-  Emergency stop switch
-  Horn
-  Light switch (Carryall 6 only)
-  Front of vehicle (illustration reference only)

SAFETY DETAILS

⚠ WARNING

- This owner's manual should be read completely before attempting to drive or service the vehicle. Failure to follow the instructions in this manual could result in property damage, severe personal injury, or death.

It is important to note that some vital statements throughout this manual and on the decals affixed to the vehicle are preceded by the words DANGER, WARNING, or CAUTION. For your protection, we recommend that you take special notice of these safety precautions. Safety precautions are essential and must be followed.

If any of the operation or warning decals on the vehicle become damaged, have been removed, or cannot be easily read, they should be replaced immediately to avoid possible property damage, personal injury, or death. Contact your Club Car dealer.

DANGER

- A DANGER indicates an immediate hazard that will result in severe personal injury or death.

WARNING

- A WARNING indicates an immediate hazard that could result in severe personal injury or death.

CAUTION

- A CAUTION indicates hazards or unsafe practices that could result in minor personal injury or product or property damage.

The safety precautions listed must be followed whenever the vehicle is being operated, repaired, or serviced. Vehicle feature identification information is also included on pages 18 through 21.

The following pages contain DANGER/WARNING/CAUTION statements for operation and maintenance for this vehicle. Other warnings for specific procedures appear throughout this manual and on the vehicle. Descriptions of vehicle features and operating instructions follow these warning statements.

DRIVING INSTRUCTION WARNINGS

The following warnings should be observed when driving the vehicle. **See Driving Instructions on page 26.**

DANGER

- A utility vehicle will not provide protection from lightning, flying objects, or other storm related hazards. If caught in a storm while driving a Carryall utility vehicle, exit the vehicle and seek shelter in accordance with applicable safety guidelines for your location.

WARNING

- Only licensed drivers should be allowed to drive this vehicle.
- Before allowing anyone to drive the vehicle, make sure the driver is familiar with all controls and operating procedures.
- No more than two people (one person per seat) should be on the vehicle at one time.
- Do not leave children unattended on vehicle.
- Do not allow riders in the cargo bed.
- The vehicle is not specially equipped for handicapped persons:

- Be sure all passengers are capable of securing themselves in a moving Carryall vehicle before allowing them to ride in one.
- Be sure all persons can properly operate the vehicle prior to allowing them to drive the vehicle.
- For night use, the vehicle must be equipped with headlights, taillights, and reflectors.
- To avoid being struck, do not stand in front of or behind the vehicle.
- Operate the vehicle from the driver seat only. A seat switch, located under the driver seat, will prevent operation of vehicle when seat is unoccupied.
- To prevent falls from the vehicle, remain seated in a moving vehicle and hold on to armrest or handrails at all times. Driver should keep both hands on the steering wheel when the vehicle is in motion.
- To prevent the possibility of serious injury, keep entire body inside the vehicle.
- Release the accelerator pedal, then depress the brake pedal firmly until the vehicle stops. To avoid unintentionally starting or rolling the vehicle, or when leaving the vehicle:
 - Set the park brake.
 - Place the Forward/Reverse handle in NEUTRAL.
 - Turn the key switch to OFF and remove the key.
- Stop the vehicle before shifting the Forward/Reverse handle. Failure to do so may result in injury to inattentive passengers and (or) damage to the vehicle.
- To prevent overturning the vehicle, drive slowly around turns.
- To prevent overturning the vehicle, drive slowly straight up and down slopes, never across them. Avoid driving the vehicle on slopes exceeding 20% incline.
- Avoid stopping a loaded vehicle on a hill. If a loaded vehicle must be stopped on a hill, avoid sudden starts or rolling backwards and stopping suddenly. Failure to heed this warning could result in overturning the vehicle.
- To avoid possible injury to inattentive passengers and (or) damage to the vehicle, avoid sudden starts, sudden stops, and abrupt turns.
- To avoid the possibility of losing control of or overturning the vehicle, reduce speed for adverse driving conditions such as wet grass or rough terrain.
- Do not use the vehicle on public roads. It is neither designed nor intended for street use and should not be licensed for use on public roads.
- The vehicle should be driven by trained drivers in specified areas only.
- Do not drive while under the influence of alcohol, drugs, or medications.
- Use brakes to reduce speed when coasting downhill.
- Improper use of the vehicle or failure to properly maintain it could result in decreased vehicle performance or severe personal injury.

LOADING AND UNLOADING WARNINGS

The following warnings should be observed when loading and unloading the vehicle. **See Loading and Unloading on page 30.**

WARNING

- Follow all procedures listed in this manual for loading and unloading the vehicle. Do not exceed vehicle rated weight capacity.
- Firmly engage the park brake before loading the vehicle.
- Do not allow riders in the cargo bed.
- Do not exceed the rated capacity of the vehicle. Rated capacity is for level surfaces only.
- Overloading can affect vehicle handling or cause component failure, resulting in loss of control of vehicle and possible severe personal injury.
- Vehicle load and speed must be reduced when driving up or down slopes or on uneven terrain.
- Reduce speed and avoid sudden stops when backing up. Failure to do so may cause the vehicle to overturn or flip over backwards.
- Do not load the tailgate. The tailgate should be in the upright position and latched securely while the vehicle is in motion.
- To avoid shifting the vehicle load and possibly overturning the vehicle, avoid sudden starts, sudden stops, and abrupt turns. The cargo's center of gravity may affect the handling, steering, and braking of the vehicle.
- To prevent cargo from shifting and possibly injuring a passenger or affecting the vehicle's handling, cargo should be evenly spread over the floor of the cargo bed as far forward as possible and well secured.
- Exercise caution when operating in high winds; vehicle can become unstable under certain loading conditions.
- Avoid top-heavy loads. The center of gravity of a load should never exceed 38 cm (15 inches) above the bottom of the cargo bed.
- Always unload cargo bed before raising vehicle with a lift, hoist, or jack.

TOWING WARNINGS

The following warnings should be observed when towing the vehicle. **See Towing with the Vehicle on page 30.**

WARNING

- Never tow a vehicle or trailer on public streets or highways.
- Normal vehicle operating speed should be reduced when towing.
- Extreme caution should be used when towing.
- Total vehicle capacity, including the tow vehicle load rating and the gross weight of the vehicle or trailer being towed should not exceed the weight previously specified.
- Do not allow riders in the vehicle or trailer being towed.
- Avoid sudden starts, sudden stops, and tight turns when towing.
- Avoid stopping on a hill when towing. If you must stop on a hill, avoid sudden starts, or rolling backwards and stopping suddenly. Failure to heed this warning could cause the vehicle to overturn, possibly resulting in severe personal injury.

TRANSPORTING ON A TRAILER WARNINGS

The following warnings should be observed when transporting the vehicle on a trailer. **See Transporting on a Trailer on page 30.**

WARNING

- Do not allow riders in the trailer being towed.
- Avoid sudden starts, sudden stops, and tight turns when towing a trailer.
- Avoid stopping on a hill when towing. If you must stop on a hill, avoid sudden starts, or rolling backwards and stopping suddenly. Failure to heed this warning could cause the vehicle to overturn, possibly resulting in severe personal injury.
- For use on public roads, the trailer must meet all governmental requirements such as taillights, brake lights, etc.
- Reduce normal driving speed when transporting a Club Car vehicle on a trailer.
- Never tow a Club Car vehicle behind a passenger vehicle or truck on a public road unless it is on an approved trailer.
- The vehicle to be transported should be tied securely to the trailer, with the park brake firmly depressed and locked, the Forward/Reverse handle in NEUTRAL, and the key switch OFF.
- Because of the added length of the trailer, use caution when making turns.
- Never transport the vehicle on a trailer with a load in the vehicle cargo bed.
- Remove the vehicle windshield before transporting on a trailer.

STORAGE WARNINGS

The following warnings should be observed when preparing a vehicle for storage. **See Storage on page 31.**

WARNING

- Turn the key switch **OFF**, remove the key, and leave the Forward/Reverse handle in the **NEUTRAL** position during storage. This is to prevent unintentionally starting the vehicle or a fire hazard.
- Do not attempt to charge frozen batteries or batteries with bulged cases. Discard the batteries. Frozen batteries can explode.

BATTERY WARNINGS

The following warnings should be observed when working with batteries. **See Batteries on page 32.**

DANGER

- **Battery – Explosive gases! Do not smoke! Keep sparks and flames away from vehicle and service area. Tools, wires, and metal objects can cause sparks when shorted across a battery. Follow all instructions carefully when dealing with batteries.**
- **Poison! Contains acid! Causes severe burns – avoid contact with skin, eyes, or clothing. Antidotes:**
 - **External: Flush with water for 15 minutes. Call a physician immediately.**
 - **Internal: Drink large quantities of milk or water followed with milk of magnesia or vegetable oil. Call a physician immediately.**
 - **Eyes: Flush with water for 15 minutes. Call a physician immediately.**

WARNING

- **Wear safety glasses or approved eye protection when servicing the vehicle. Wear a full face shield and rubber gloves when working with batteries.**
- **Use insulated tools when working around batteries or electrical connections.**

BATTERY CHARGER WARNINGS

The following warnings should be observed when using the battery charger. **See Battery Charger on page 33.**

DANGER

- **Batteries emit hydrogen while being charged. Hydrogen is an explosive gas. If the vehicle is equipped with a weatherproof enclosure, it should be unzipped and pulled back while batteries are being charged. This is to avoid the accumulation of hydrogen gas inside the enclosure.**
- **Charge batteries in a well-ventilated area only. To prevent a buildup of explosive gas, hydrogen level in the air must never exceed a level of 2%. The total volume of air in the building must be changed five times per hour. Exhaust fans should be located at the highest point of the roof. Contact a local HVAC engineer.**

⚠ WARNING

- Only trained technicians should repair or service the charger. Contact a Club Car dealer.
- Each charger should have its own dedicated, separately protected (circuit breaker or fuse), single phase branch circuit, in accordance with all applicable electrical codes for the location.
- Be sure wire connections at the receptacle and fuse link are clean and tight.
- Have worn, cut, or damaged power cords or wires replaced immediately.
- Do not expose charger to rain or any liquid. Keep the charger dry.
- Do not use near fuels, grain dust, solvents, thinners, or other flammables. Chargers can ignite flammable materials and vapors.
- Connect the charger AC supply cord to a properly grounded, three-wire outlet of the proper voltage and frequency as shown on the charger.
- Do not use an adapter to plug the charger with a three-prong plug into a two-prong outlet. Improper connection of the equipment-grounding conductor can result in a fire or an electrical shock.
- An extension cord or electrical outlet must accept a three-prong plug. Extension cord should be a three-wire No. 14 SWG (British Standard Wire Gauge), or No. 12 AWG (American Wire Gauge), and be as short as possible. The use of improper extension cord could result in fire or an electrical shock.
- Do not operate the charger if it has received a sharp blow, was dropped, or otherwise damaged in any way.
- Never push objects of any kind into the charger through cabinet slots. They may touch dangerous voltage points or cause an electrical short circuit that could result in fire or electrical shock.
- Do not connect a stationary charger to the receptacle if the charger cord, plug, or the vehicle receptacle is broken, damaged in any manner, or does not make a good electrical connection. Fire or personal injury can result. Have a qualified technician repair or replace it immediately.
- Do not pull on the charger DC cord (Figure 16, Page 34). Do not twist, rock, or bend the plug. To disconnect the plug from the receptacle, grasp the plug, not the cord, and slowly pull it straight out of the receptacle (Figure 15, Page 34).
- When the charger is on, the charger DC cord may be disconnected from the vehicle receptacle slowly. Jerking or pulling the DC cord out quickly could cause arcing and burning that could damage the plug and receptacle and could cause batteries to explode.
- Do not use a charger if the following conditions exist:
 - The plug is too loose or does not make a good connection.
 - The plug and receptacle feel hotter than normal during charge.
 - The plug pins or contacts are bent or corroded.
 - The plug, receptacle or cords are cut, worn, have any exposed wires, or are damaged in any way.
- Using a charger with any of the above symptoms could result in fire, property damage, personal injury, or death.

⚠ CAUTION

- Do not block or cover slots and openings in the back and bottom of charger cabinet. They provide ventilation and protect the charger from overheating.
- Do not allow clothing, blankets, or other material to cover the charger.
- Provide adequate ventilation for the charger.
- Turn off all vehicle accessories before charging batteries.

- Install surge arrestors on incoming AC power lines. Surge arrestors will help protect electrical/electronic components in the charger and on the vehicle from all but direct or very close lightning strikes.

MAINTENANCE WARNINGS

The following warnings should be observed when performing maintenance. **See Maintenance on page 36.**

DANGER

- **Battery vapors – Flammable! Explosive! Do not smoke. Keep sparks and flames away from the vehicle and service area. Service only in well-ventilated areas.**

WARNING

- Only trained technicians should repair or service the vehicle. Anyone doing even simple repairs or service should follow the procedures exactly as stated in this manual, and follow all DANGER, WARNING, and CAUTION precautions listed in this manual as well as those affixed to the vehicle.
- Do not modify or change the vehicle in any way that may affect its stability or handling, or increase maximum vehicle speed beyond factory specifications. Severe personal injury or death could result.
- When servicing the vehicle:
 - Chock the wheels.
 - Place the Forward/Reverse handle in NEUTRAL.
 - Turn the key switch to OFF and remove the key.
 - Disconnect the battery cables as shown (1) (Figure 2, Page 17 and Figure 3, Page 17), negative (-) cable first.
 - When reconnecting batteries, secure protective rubber boots (2) over battery terminals.
- To avoid unintentionally starting the vehicle, disconnect the batteries as shown and discharge the controller as follows:
 - Turn the key switch to ON and place the Forward/Reverse handle in the REVERSE position.
 - Slowly depress the accelerator pedal and keep it depressed until the reverse warning buzzer can no longer be heard. When the buzzer stops sounding, the controller is discharged.
- If any problems are found during scheduled inspection or service, do not operate the vehicle until repairs are made. Failure to make necessary repairs could result in fire, property damage, severe personal injury, or death.
- Be sure all persons are clear of the vehicle when lifting a cargo bed equipped with a tailgate ramp.
- Do not remove prop rod or close bed until all persons are clear of the bed area. Lower the bed gently, keeping entire body clear. Do not drop the bed. Failure to follow these instructions could result in severe personal injury.
- Do not work on vehicle powertrain or under the cargo bed when it is loaded.
- Hot! Do not attempt to service hot motor. Attempting to do so can cause severe burns.

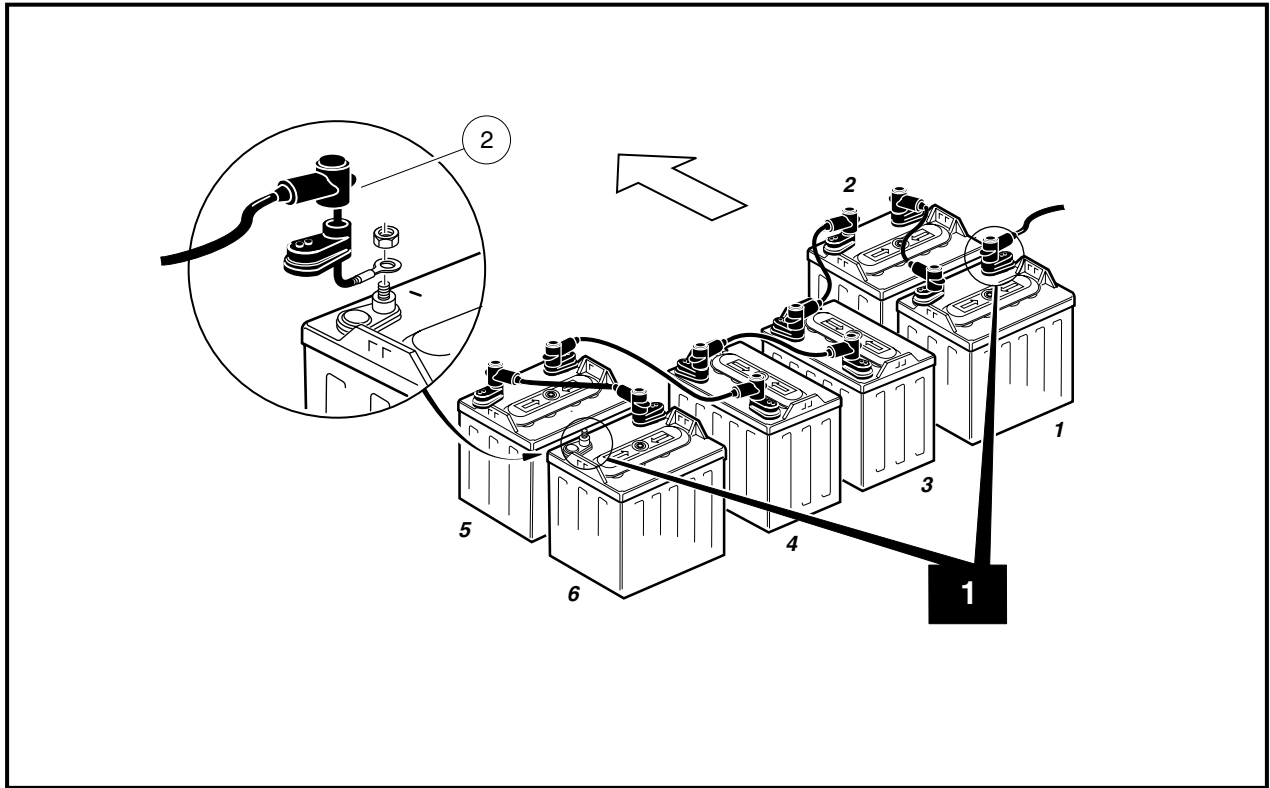


Figure 2 Carryall 1 PowerDrive Battery Configuration

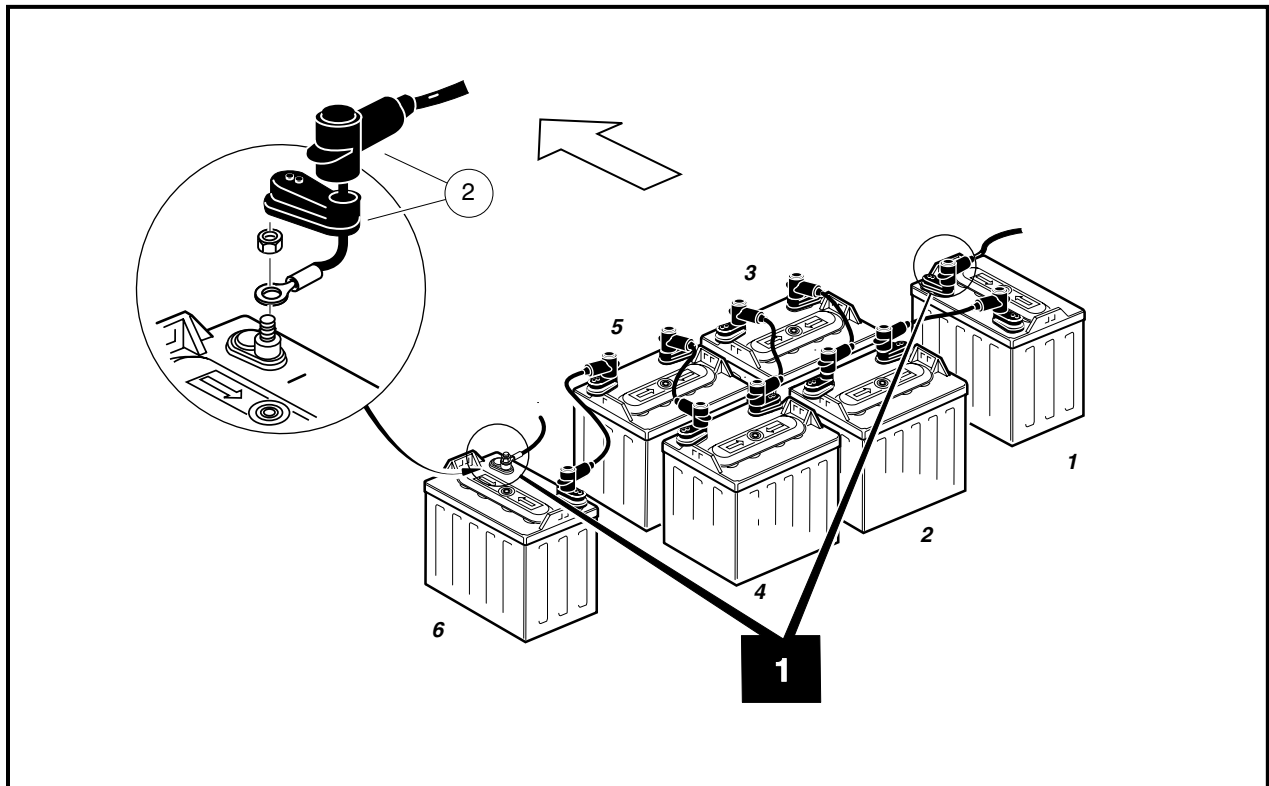


Figure 3 Carryall 2 and 6 PowerDrive Battery Configuration

CARRYALL 1 AND CARRYALL 2

⚠ WARNING

ROLLOVER OR FALLING OFF MAY CAUSE DEATH.

- Before using vehicle, read operating instructions.
- Remain seated and hold on to seat handle while moving.
- Do not start vehicle until all occupants are seated.
- One (1) person per seat maximum.
- Operate from driver side only and not on public roads.
- Keep entire body inside vehicle while moving.
- Drive slowly in turns and straight up and down slopes.
- Do not leave children unattended on vehicle.
- Never operate under the influence of alcohol or drugs.
- Use brakes to reduce speed when coasting downhill.
- Never stand in front of or behind vehicle.

CCI 102173301

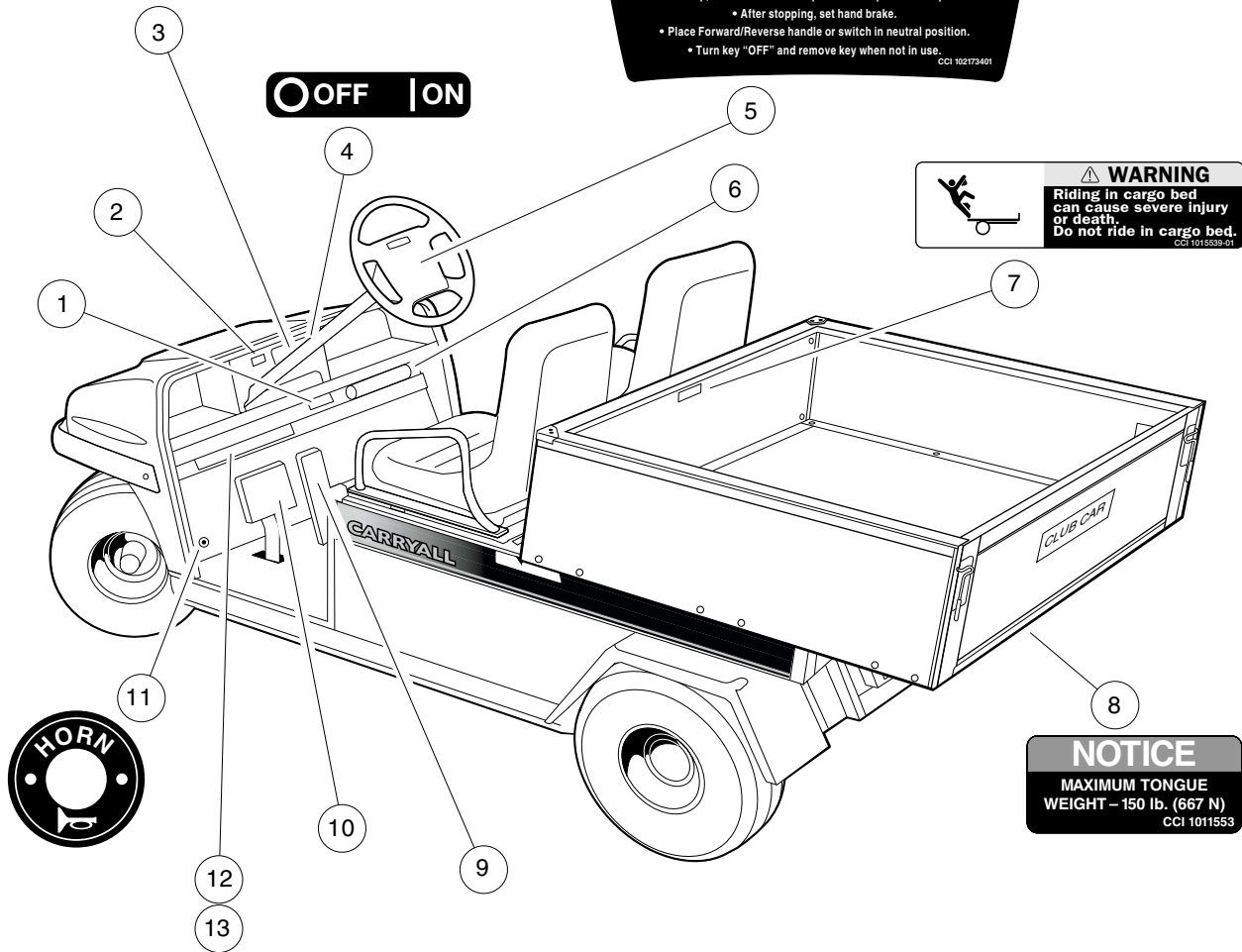
OPERATING INSTRUCTIONS

- Read Owner's Manual and safety warnings located on dash panel prior to driving.
- Study and understand controls.
- Make sure wheels are turned in desired direction.
- Press emergency stop button, then return to upright position.
- Turn key to "ON" position and be sure nothing is in your path.
 - While vehicle is stopped, select direction by placing Forward/Reverse handle or switch in desired position:

Forward/Reverse handle or switch in desired position:
 ◀ Forward ● Neutral ▶ Reverse (Buzzer will sound)
 • Release hand brake.

- Vehicle will start moving when accelerator pedal is depressed.
- Slowly depress accelerator pedal to increase speed.
- To stop, release accelerator pedal and depress brake pedal.
 - After stopping, set hand brake.
- Place Forward/Reverse handle or switch in neutral position.
 - Turn key "OFF" and remove key when not in use.

CCI 102173401



⚠ WARNING

Riding in cargo bed can cause severe injury or death. Do not ride in cargo bed.

CCI 1015539-01

NOTICE

MAXIMUM TONGUE WEIGHT – 150 lb. (667 N)

CCI 1011553

| | | |
|---|--|--|
| <p>CARRYALL 1 ELECTRIC INDUSTRIAL TRUCK</p> <p>Read Owner's Manual and warnings on dash.</p> | <ul style="list-style-type: none"> • Unladen vehicle mass—616 lb. (279 kg). • Total battery mass—380 lb. (172 kg). • Vehicle rated capacity—800 lb. (363 kg). • Maximum cargo load—300 lb. (136 kg). • Maximum trailer hitch supporting force—150 lb. (667 N). • Maximum drawbar pull on trailer hitch—838 lb. (3728 N). | <ul style="list-style-type: none"> • Normal voltage—48 Volts. • Tire pressure—18-24 PSI (1.24-1.38 Bars). • Nominal Power—3.1 HP (2.31kw). • Authorized max/min battery mass—360/400 lb. (163/181 kg). • Duty cycle—30 min. <p>CE CCI 102172501</p> |
|---|--|--|

| | | |
|---|---|--|
| <p>CARRYALL 2 ELECTRIC INDUSTRIAL TRUCK</p> <p>Read Owner's Manual and warnings on dash.</p> | <ul style="list-style-type: none"> • Unladen vehicle mass—718 lb. (326 kg). • Total battery mass—380 lb. (172 kg). • Vehicle rated capacity—1200 lb. (544 kg). • Maximum cargo load—800 lb. (363 kg). • Maximum trailer hitch supporting force—150 lb. (667 N). • Maximum drawbar pull on trailer hitch—878 lb. (3906 N). | <ul style="list-style-type: none"> • Normal voltage—48 Volts. • Tire pressure—30-34 PSI (2.07-2.34 Bars). • Nominal Power—3.1 HP (2.31kw). • Authorized max/min battery mass—360/400 lb. (163/181 kg). • Duty cycle—30 min. <p>CE CCI 102172601</p> |
|---|---|--|

CARRYALL 1 AND CARRYALL 2

NOTICE

Do not operate vehicle without this cover properly installed.
Do not direct water stream in this area; will cause damage to components.
See vehicle maintenance and service manual before servicing.
CCI 101931501

⚠ DANGER / POISON

EXPLOSIVE GASES CAN CAUSE BLINDNESS OR INJURY

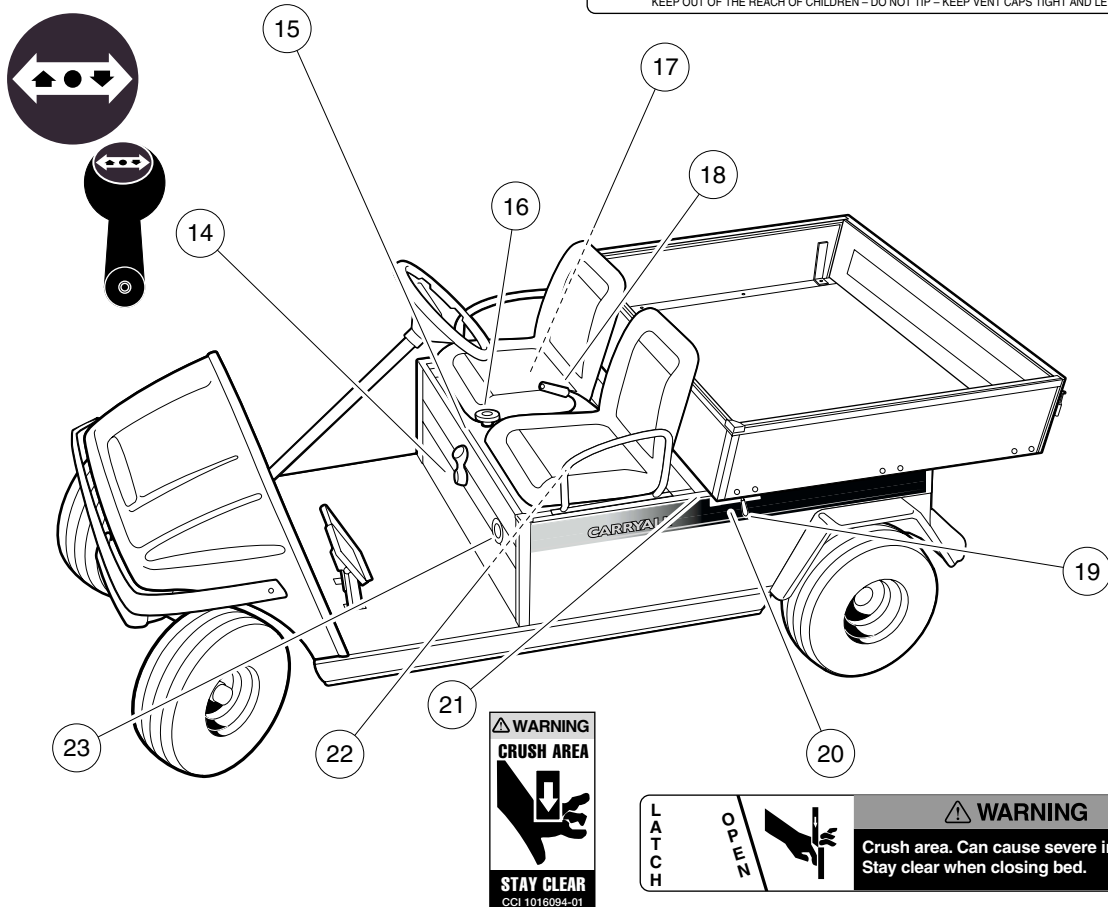
SHIELD EYES

NO SPARKS, FLAMES, SMOKING

SULFURIC ACID
CAN CAUSE BLINDNESS OR SEVERE BURNS

FLUSH EYES IMMEDIATELY WITH WATER
GET MEDICAL HELP FAST

KEEP OUT OF THE REACH OF CHILDREN - DO NOT TIP - KEEP VENT CAPS TIGHT AND LEVEL



⚠ WARNING
CRUSH AREA

STAY CLEAR
CCI 1016094-01

⚠ WARNING

Crush area. Can cause severe injury. Stay clear when closing bed.

CARRYALL 1 AND 2 VEHICLE IDENTIFICATION KEY

- | | | |
|---|--|--|
| (1) Serial number | (9) Accelerator pedal | (17) Battery danger decal (on body under seat) |
| (2) Battery warning light | (10) Brake pedal | (18) Park brake |
| (3) Driver/passenger warning decal | (11) Horn button | (19) Bed latch |
| (4) Key switch | (12) Carryall 1 Electric Industrial Truck decal | (20) Bed latch warning decal |
| (5) Operating instructions decal | (13) Carryall 2 Electric Industrial Truck decal | (21) Crush area decal (typical 2 places) |
| (6) Owner's manual storage tube | (14) Forward/Reverse handle | (22) Seat switch |
| (7) Bed load warning decal | (15) Electrical component cover caution (on cover) | (23) Charger receptacle |
| (8) Trailer hitch decal (Carryall 2) (on trailer hitch under cargo bed) | (16) Emergency stop switch | |

CARRYALL 6

⚠ WARNING

ROLLOVER OR FALLING OFF MAY CAUSE DEATH.

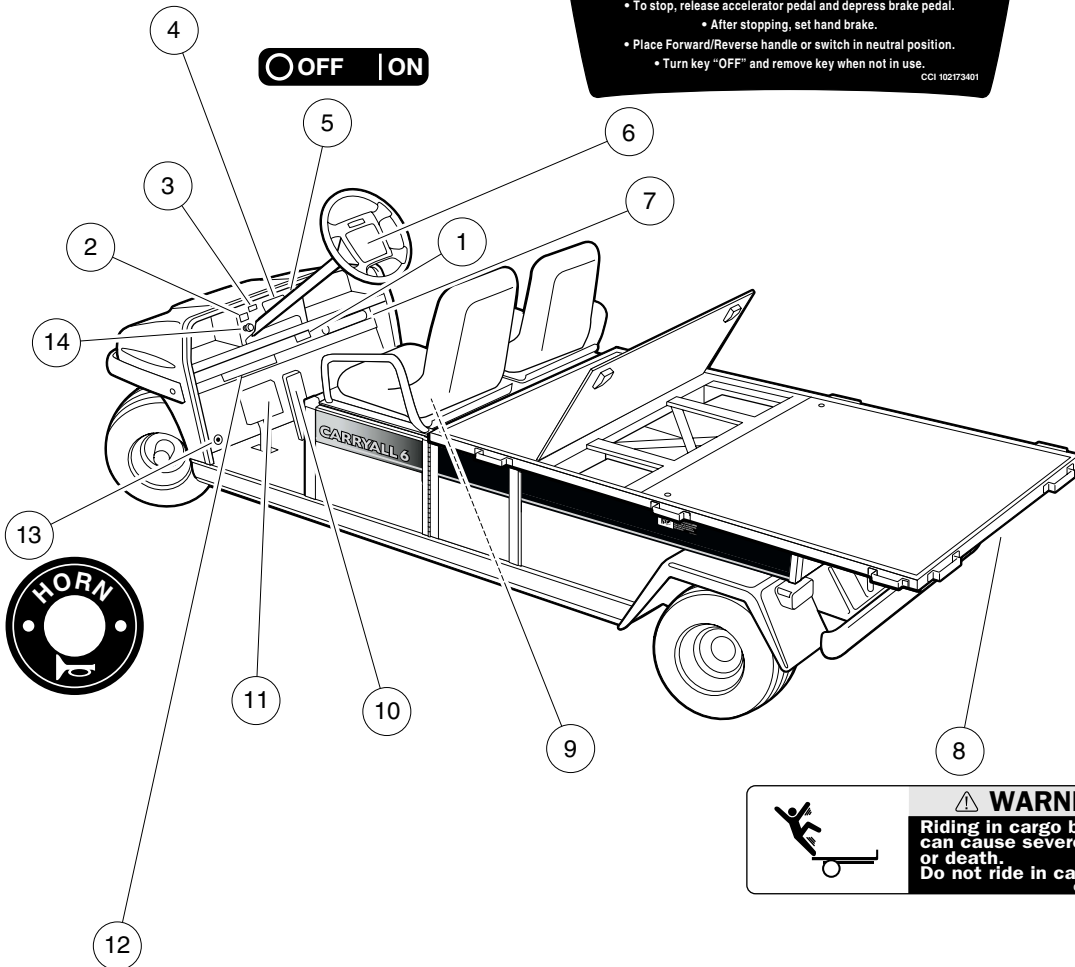
- Before using vehicle, read operating instructions.
- Remain seated and hold on to seat handle while moving.
- Do not start vehicle until all occupants are seated.
- One (1) person per seat maximum.
- Operate from driver side only and not on public roads.
- Keep entire body inside vehicle while moving.
- Drive slowly in turns and straight up and down slopes.
- Do not leave children unattended on vehicle.
- Never operate under the influence of alcohol or drugs.
- Use brakes to reduce speed when coasting downhill.
- Never stand in front of or behind vehicle.

CCI 102173301

OPERATING INSTRUCTIONS

- Read Owner's Manual and safety warnings located on dash panel prior to driving.
 - Study and understand controls.
 - Make sure wheels are turned in desired direction.
- Press emergency stop button, then return to upright position.
- Turn key to "ON" position and be sure nothing is in your path.
 - While vehicle is stopped, select direction by placing Forward/Reverse handle or switch in desired position:
 - ▲ Forward ● Neutral ▼ Reverse (Buzzer will sound)
 - Release hand brake.
 - Vehicle will start moving when accelerator pedal is depressed.
 - Slowly depress accelerator pedal to increase speed.
 - To stop, release accelerator pedal and depress brake pedal.
 - After stopping, set hand brake.
- Place Forward/Reverse handle or switch in neutral position.
 - Turn key "OFF" and remove key when not in use.

CCI 102173401



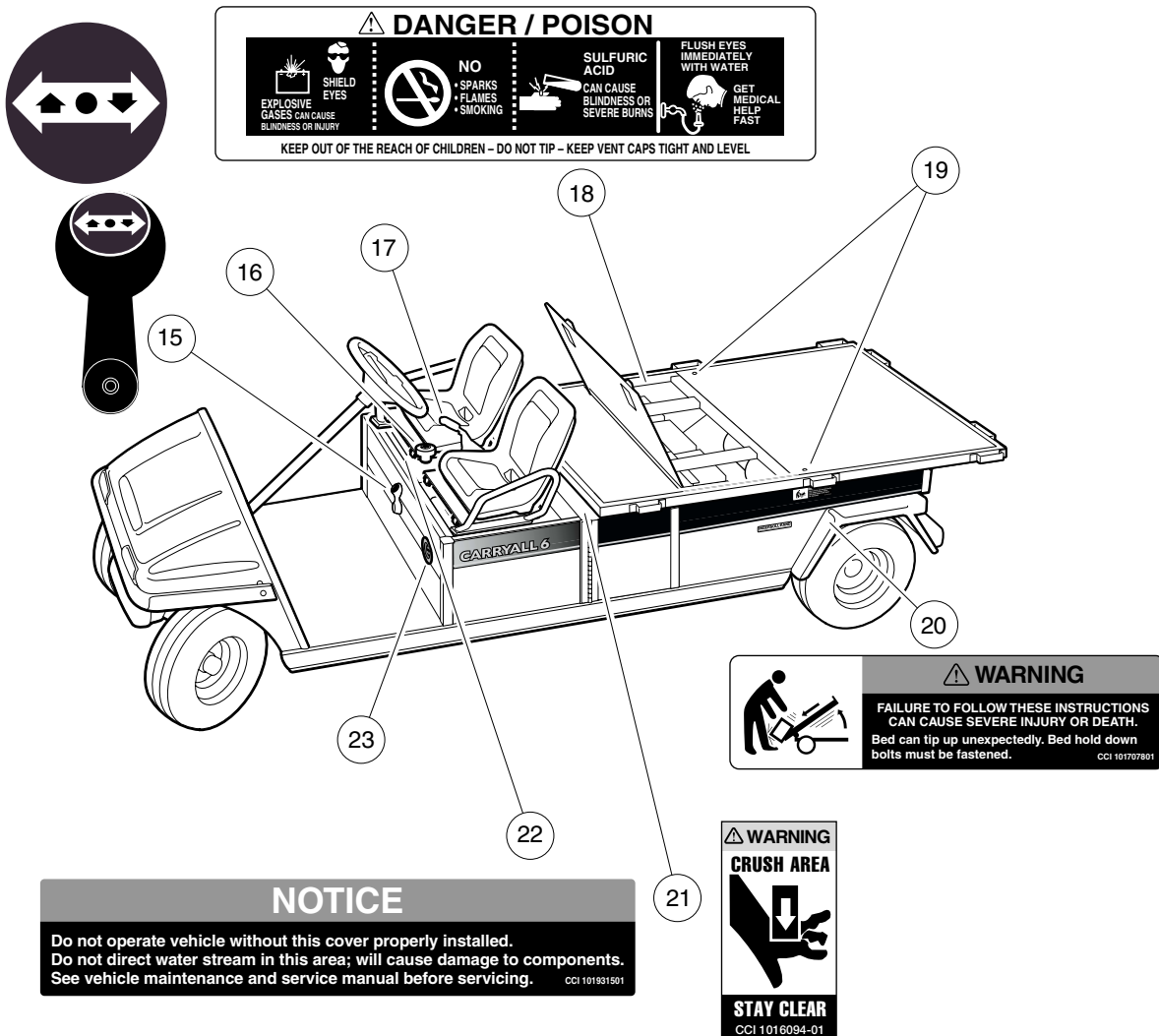
⚠ WARNING

Riding in cargo bed can cause severe injury or death. Do not ride in cargo bed.

CCI 1015539-01

| | | |
|---|--|---|
| <p>CARRYALL 6 ELECTRIC INDUSTRIAL TRUCK</p> <p>Read Owner's Manual and warnings on dash.</p> | <ul style="list-style-type: none"> • Unladen vehicle mass—770 lb. (349 kg). • Total battery mass—380 lb. (172 kg). • Vehicle rated capacity—1500 lb. (680 kg). • Maximum cargo load—1000 lb. (453 kg). • Maximum trailer hitch supporting force—150 lb. (667 N). • Maximum drawbar pull on trailer hitch—918 lb. (4083 N). | <ul style="list-style-type: none"> • Normal voltage—48 Volts. • Tire pressure—30-34 PSI (2.07-2.34 Bars). • Nominal Power—3.1 HP (2.31kw). • Authorized max/min battery mass—360/400 (163/181 kg). • Duty cycle—30 min. <p style="text-align: right;">CE CCI 102172701</p> |
|---|--|---|

CARRYALL 6



CARRYALL 6 VEHICLE IDENTIFICATION KEY

- | | | |
|------------------------------------|---|--|
| (1) Serial number | (9) Seat switch | (17) Park brake |
| (2) Battery condition indicator | (10) Accelerator pedal | (18) Battery danger decal (on frame) |
| (3) Battery warning light | (11) Brake pedal | (19) Bed hold down bolts |
| (4) Driver/passenger warning decal | (12) Carryall 6 Electric Industrial Truck decal | (20) Bed bolt warning decal |
| (5) Key switch | (13) Horn button | (21) Crush area decal (typical 2 places) |
| (6) Operating instructions decal | (14) Light switch | (22) Electrical component cover decal (on cover) |
| (7) Owner's manual storage tube | (15) Forward/Reverse handle | (23) Charger receptacle |
| (8) Bed load warning decal | (16) Emergency stop switch | |

CONTROLS AND INDICATORS

Read **DANGER** and **WARNING** on page 9.

EMERGENCY STOP SWITCH

The emergency stop switch is provided as an additional safety feature for the Carryall vehicle. It is intended for use only when normal controls do not function. **Do not use the emergency stop for routine braking.** When activated, the switch will bring vehicle to an immediate stop. If vehicle malfunction causes operator to activate emergency stop, have vehicle serviced before returning to service.

The emergency stop is located in front of the park brake between the driver and passenger seats (**Figure 4, Page 22**). To activate, push down firmly on the button (1). To return the vehicle to operation, place Forward/Reverse handle in NEUTRAL, then pull switch out to the upright position. The switch remains in the upright position for normal vehicle operation. **See following WARNING.**

⚠ WARNING

- **Activating the emergency switch does not disconnect all vehicle circuits. Disconnect the batteries when servicing the vehicle.**
- **Before each vehicle use, to ensure the emergency switch operates properly at all times, press the switch button in once, then return to upright position.**

KEY SWITCH

The key switch is mounted on the dash to the right of the steering column. It has two positions, OFF and ON, which are clearly labeled (**Figure 5, Page 22**).

NOTE: The key can be removed when the key switch is in the OFF position only.

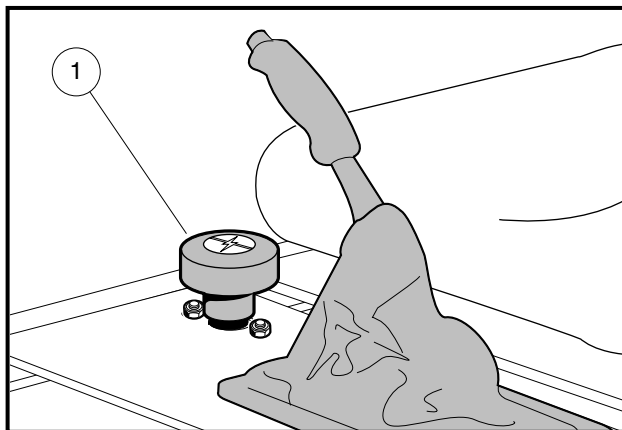


Figure 4 Emergency Stop Switch

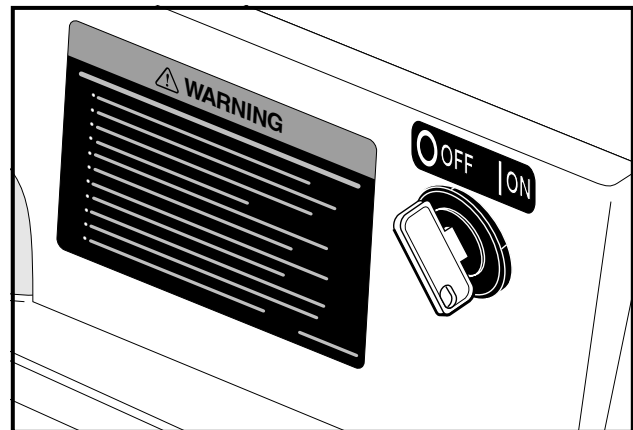


Figure 5 Key Switch

FORWARD/REVERSE CONTROL

The Forward/Reverse handle is located on the seat support panel, below and to the right of the driver's right knee (**Figure 6, Page 23**). The handle has three distinct positions: ▲ (FORWARD), ● (NEUTRAL), and ▼ (REVERSE). Rotate the handle towards the driver (FORWARD) to operate the vehicle in the forward direction, or towards the passenger (REVERSE) to operate the vehicle in reverse. When the handle is in the straight up position (NEUTRAL) the vehicle will not operate. Club Car vehicles operate at reduced speed in reverse.

ACCELERATOR PEDAL

The accelerator pedal is the pedal on the right with the word GO molded into it (**Figure 7, Page 23**).

The operation of the accelerator pedal differs from that of an automobile. When the key switch is ON, the Forward/Reverse handle is in either FORWARD or REVERSE, and the park brake is released, depressing the accelerator pedal will start the motor and the vehicle will begin moving in the direction selected. As the accelerator pedal is depressed, speed will increase until full speed is reached. When the accelerator is released, power will be cut off and the motor will stop running.

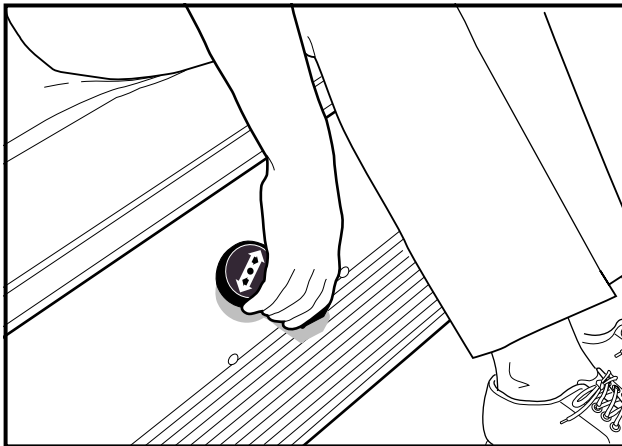


Figure 6 Forward/Reverse Handle

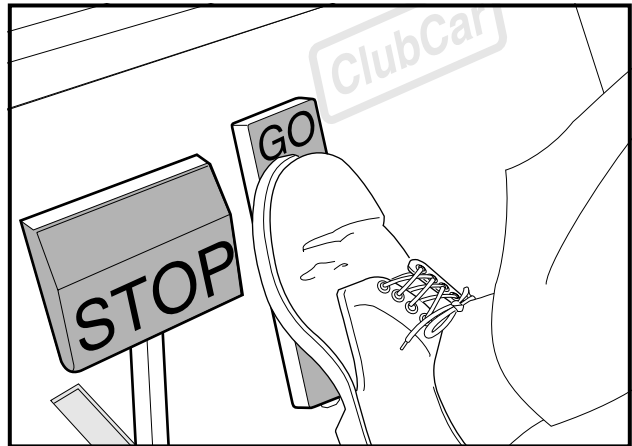


Figure 7 Accelerator and Brake Pedals

BRAKE PEDAL

The brake pedal is the large pedal on the left with the word STOP molded into it (**Figure 7, Page 23**). To slow or stop the vehicle, depress the brake pedal with your right foot (**Figure 8, Page 24**).

PARK BRAKE

The park brake handle is located between the driver and passenger seats (**Figure 9, Page 24**). To engage the park brake, apply pressure to the brake pedal and pull up on the park brake handle until handle latches into place. To disengage, pull up on the handle and depress the button on the end of the handle. Push handle down. **See following WARNING.**

⚠ WARNING

- The park brake has multiple locking positions. Make sure park brake is fully engaged before leaving the vehicle.

HEADLIGHT CONTROL

Carryall 6 only

The headlight control is located on the front dash between the battery condition indicator and steering column. Pull the headlight control knob out to turn headlights on and push the knob in to turn headlights off.

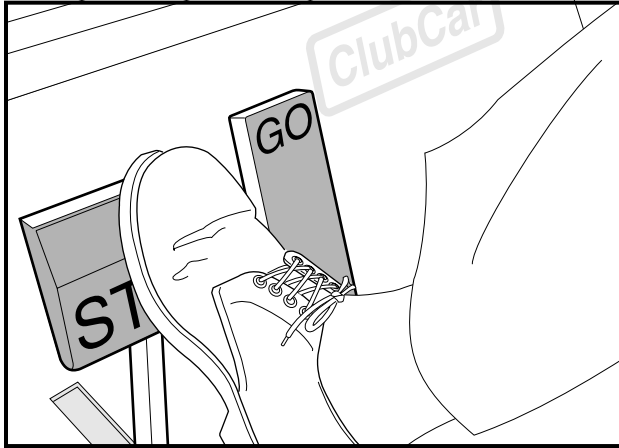


Figure 8 Brake Pedal

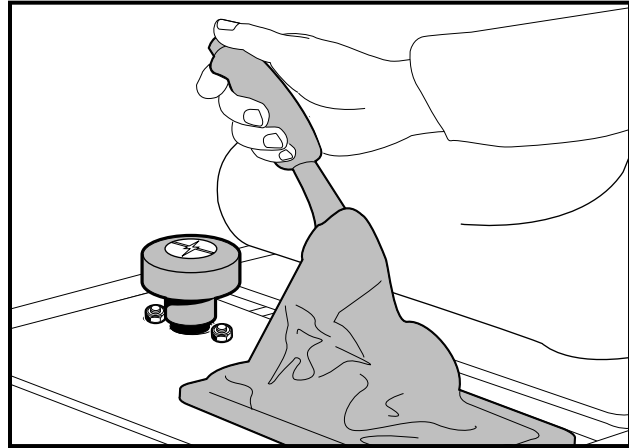


Figure 9 Park Brake

BATTERY CONDITION INDICATOR

Carryall 6 Only

The Carryall 6 electric vehicle features a battery condition indicator that features a 10-bar LED display. When the vehicle is in operation, the indicator displays the level of battery capacity, measuring battery voltage over a period of time.

When batteries are fully charged, all indicator lights will be on. When battery voltage drops below 75% of full discharge, the last two indicator lights will flash alternately. Continued use of vehicle after indicator lights begin flashing without recharging could result in decreased vehicle performance.

⚠ CAUTION

- If battery condition indicator moves rapidly (approximately 45 minutes) from full charge display to empty, there may be a problem with the wiring or with a battery cell. If indicator display does not reset back to full after recharging, there may be a problem with the battery charger or with one of the batteries. In either case the vehicle should be checked by a Club Car dealer or a trained technician.

BATTERY WARNING LIGHT

PowerDrive System 48 vehicles feature a dash mounted warning light (above steering column) that, when the vehicle is in operation, indicates low battery voltage or, when the vehicle is being charged, indicates a charging problem. The battery warning light is controlled by the PowerDrive onboard computer.

When the vehicle is in operation, the warning light will illuminate and remain illuminated if:

- Batteries voltage drops below 48 when there is no load on the batteries (the vehicle is stopped and there are no accessories on).
- Batteries have discharged to less than 25% of rated capacity.

If the warning light illuminates when the vehicle is operating, there will be enough power remaining to drive the vehicle for approximately 30 minutes. However, the vehicle should be charged at the first opportunity. If the warning light illuminates and the vehicle is unable to operate for 30 minutes, have your Club Car dealer check the vehicle for a possible battery or electrical system problem.

When the batteries receive an incomplete charge because 1) the DC power cord is disconnected, 2) AC power to the charger is interrupted, 3) automatic charger shut-off occurs after 16 hours of operation, or 4) the charger malfunctions, the warning light will indicate as follows:

- The warning light will not come on if the charge is 90% or more complete. The onboard computer will retain in memory the amount of charge needed to fully replenish the batteries and will complete the charge during the next charge cycle.
- When the charger is unplugged, the warning light will illuminate and remain illuminated for 10 seconds if the charge is less than 90% complete but the vehicle has enough power for approximately 30 minutes of operation. This will alert the operator that the vehicle may be used, but that it must be charged to completion as soon as possible.
- The warning light will repeatedly illuminate for 10 seconds, with 4 second intervals if the charger times out at 16 hours and the batteries are not sufficiently charged. **See PowerDrive Charger Owner's Manual.** This indicates an abnormal charge cycle. The charger and batteries should be checked by your Club Car dealer.
- The warning light will repeatedly illuminate for 10 seconds, with 4 second intervals during a charge cycle (DC plug is still connected) if AC power to the charger is interrupted. The light will go out when AC power is restored.

LED Light: In addition to the warning light, there is an infrared LED in the dash light assembly, which transmits an infrared signal from the onboard computer. This signal is received by the optional Communication Display Module, which provides information on the condition of the vehicle and batteries.

PRE-OPERATION AND DAILY SAFETY CHECKLIST

Read **DANGER** and **WARNING** on page 9.

All Carryall vehicle(s) are thoroughly inspected and adjusted at the factory. However, upon arrival of your new Carryall vehicle(s), you should become familiar with its controls and operation, and carefully inspect each vehicle to be satisfied that it is in proper working condition before accepting delivery.

Use the following checklist as a guide to inspect your new vehicle. This checklist should also be used daily to ensure vehicle is in proper working condition and in conjunction with the Periodic Service Schedule on page 36. Any problems should be corrected by your Club Car distributor/dealer or a trained technician only.

- **General:** All the parts should be in place and properly installed. Be sure all nuts, bolts, and screws are tight.
- **Warning Decals:** Check to ensure that all warning and operation decals are in place. **See pages 18 through 21.**
- **Tires:** Check for proper tire pressure. **See Vehicle Specifications on page 6.** Visually inspect for wear, damage, and proper inflation on a daily basis.
- **Batteries:** Check electrolyte to ensure that it is at its proper level (**Figure 14, Page 32**). Check battery posts. Wires should be tight and free of corrosion. Charge batteries fully before first use of vehicle.
- **Charger cord, plug, and receptacle:** Visually inspect for cracks, loose connections, and frayed wiring. **See Plug and Receptacle on page 35.**

WARNING

- **Be sure the plastic has been removed from the seat bottom before operating the vehicle. Failure to do so may result in a fire, property damage, personal injury, or death.**

PERFORMANCE INSPECTION

After you have familiarized yourself with the vehicle's controls and have read and understood the driving instructions, take the vehicle for a test drive. Use the following checklist as a guide to inspect your new vehicle and check daily for proper operation. Any problems should be corrected only by a Club Car dealer or a trained technician.

- **Forward/Reverse switch:** Check for proper operation. **See Controls and Indicators on page 22.**
- **Brakes:** Be sure the brakes function properly. When brake pedal is fully depressed under moderate pressure, it should not go more than halfway to the floor, and vehicle should come to a smooth, straight stop. If the brake pedal goes more than halfway to the floor, or if the vehicle swerves or fails to stop, have the brake system checked and adjusted as required. Brake adjustment must be maintained so that the brake pedal cannot be depressed to the floor under any circumstance.
- **Park Brake:** Apply moderate pressure to park brake handle. Tension should increase as the handle is pulled. When latched, the park brake should lock the wheels and hold the vehicle stationary (on an incline of 20% or less).
- **Emergency Stop Switch:** Press down on switch button, then return to upright position.
- **Reverse Buzzer:** The reverse buzzer will sound as a warning when the Forward/Reverse handle is in REVERSE.
- **Steering:** The vehicle should be easy to steer and should not have any play in the steering wheel.
- **Accelerator:** With the key switch ON and the Forward/Reverse handle in the FORWARD position, as the accelerator pedal is depressed, the motor should start and the vehicle should accelerate smoothly to full speed. When the pedal is released it should return to the original position and the motor should stop. All Club Car vehicles should operate at reduced speed in reverse.
- **General:** Listen for any unusual noises such as squeaks or rattles. Check the vehicle's ride and performance. Have a Club Car dealer or a trained technician investigate anything unusual.

DRIVING INSTRUCTIONS

Read DANGER and WARNING on page 9.

No one should drive the vehicle without first being instructed in the proper operation and use of the vehicle's controls. An experienced operator should accompany each first-time driver on a test drive before allowing the driver to operate the vehicle alone. Only licensed drivers should be allowed to operate the vehicle.

To ensure safe operation of the vehicle, follow exactly and in order, all of the following procedures. Read and understand all instructions prior to driving the vehicle.

STARTING THE VEHICLE

1. Be sure load, if any, is secure.
2. Study and understand controls.
3. Be sure everyone is seated and holding onto armrests or handrails. Driver should have both hands on the steering wheel.
4. Read safety warnings located on dash and (or) above pedals.
5. Make sure wheels are turned in desired direction and nothing is in your path.
6. Turn key to the ON position.

7. Select direction by placing the Forward/Reverse handle in desired position (▲ = forward or ▼ = reverse). A buzzer will sound as a warning when the Forward/Reverse handle is in REVERSE.
8. Release park brake and slowly depress the accelerator pedal. As the accelerator pedal is depressed, speed will increase until full speed is reached.

▲ WARNING

- Use brakes to reduce speed when coasting downhill.

STOPPING THE VEHICLE

To stop the vehicle, release the accelerator pedal and depress the brake pedal until the vehicle comes to a complete stop. **See following WARNING and CAUTION.**

▲ WARNING

- Driving through water may affect the brakes. After driving through water, check effectiveness of the brakes by gently depressing the brake pedal. If the vehicle does not slow down at the normal rate, continue to depress the brake pedal until the brakes dry out and normal performance returns.

▲ CAUTION

- When stopped on a hill, use the brake pedal to hold your position. Do not use the accelerator pedal.

PARKING AND LEAVING THE VEHICLE

1. After stopping vehicle, set the park brake. **Make sure it is fully engaged and locked.** This will prevent the vehicle from rolling.
2. Place the Forward/Reverse handle in the NEUTRAL position and turn the key switch to OFF. Remove the key when the vehicle is not in use.

BED LATCH

Read DANGER and WARNING on page 9.

The Carryall 1 and 2 are equipped with a bed latch (1) on the driver side of the vehicle as standard equipment (**Figure 10, Page 28**). To lift bed, pull latch handle toward back of the vehicle and lift the bed.

To close the bed, lower it gently until the bed latch engages. Do not drop the bed.

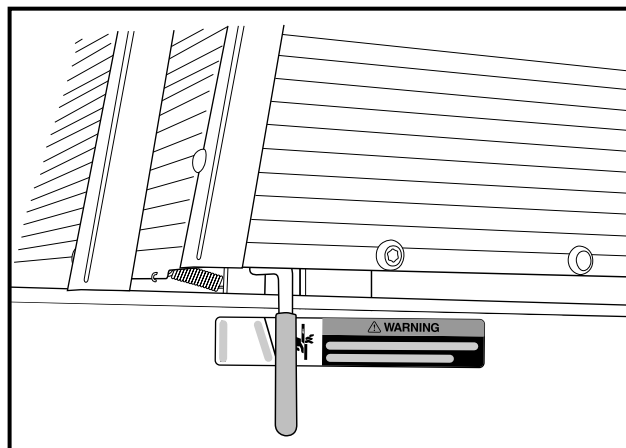


Figure 10 Bed Latch

⚠ WARNING

- Keep hands clear of crush area between bed and vehicle body.

NOTE: The Carryall 1 (Figure 11, Page 29) and Carryall 6 (Figure 13, Page 29) are equipped with manual prop rods, unless equipped with an electric bed lift option.

The Carryall 2 is equipped with an automatically engaging prop rod, unless equipped with an electric bed lift option (Figure 12, Page 29).

PROP ROD

Read **DANGER** and **WARNING** on page 9.

The Carryall 2 is equipped with an automatically engaging prop rod and prop rod track on the driver side of the rear body. The Carryall 1 and Carryall 6 are equipped with manual prop rods.

To Raise the Bed

Carryall 1 Only: When lifting the bed of a Carryall 1 vehicle, remove the prop rod from the clip (1) and insert into hole (2) in inner body (Figure 11, Page 29). See following **DANGER**.

Carryall 2 Only: When pulling the bed latch handle and lifting the bed, the prop rod will come to rest in one of the notches in the prop rod track (Figure 12, Page 29). See following **DANGER**.

Carryall 6 Only: Remove the two bed hold-down bolts (1) and close the access door. Lift the bed of the vehicle, remove the prop rod (2) from the clip and engage the prop rod as shown (3) (Figure 13, Page 29). See following **DANGER**.

⚠ DANGER

- Use caution when working under bed. Be sure prop rod is secure. Otherwise the bed will fall, resulting in severe personal injury or death.

To Lower the Bed

Carryall 1 Only: Secure the prop rod in the prop rod clip and lower the bed gently until the bed latch engages. DO NOT drop the bed. See following **WARNING**.

Carryall 2 Only: Lift the bed so that the prop rod is no longer supported in one of the track notches. Push the prop rod toward the front of the vehicle to free it from the track notch and gently lower the bed. **DO NOT** drop the bed. **See following WARNING.**

Carryall 6 Only: Secure the prop rod in the prop rod clip and gently lower the bed. **DO NOT** drop the bed. Install the bed hold-down bolts (1) and tighten them to 8 N·m (75 in·lb) (**Figure 13, Page 29**). **See following WARNING.**

⚠ WARNING

- Do not disengage prop rod until all persons are clear of cargo bed area.
- Do not drop tilt bed; lower gently and keep entire body clear. Failure to follow these instructions could result in severe injury.
- Keep hands clear of crush area between bed and seat back support.

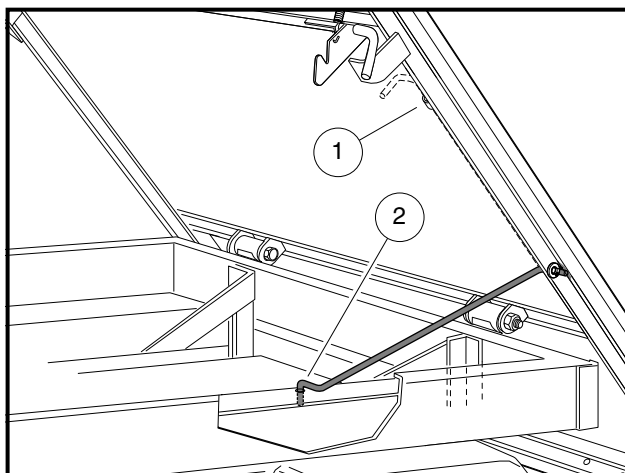


Figure 11 Carryall 1 Prop Rod

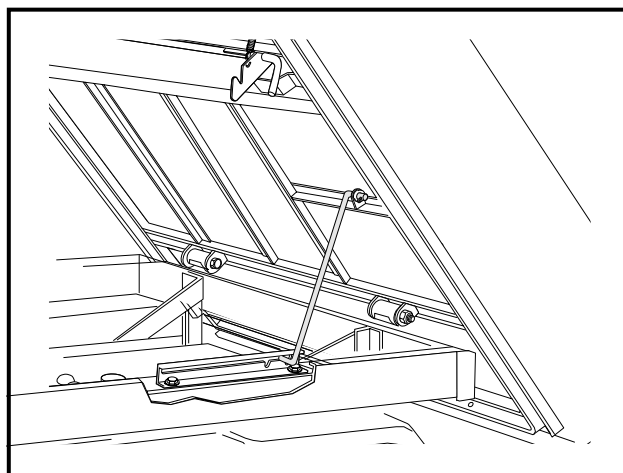


Figure 12 Carryall 2 Prop Rod

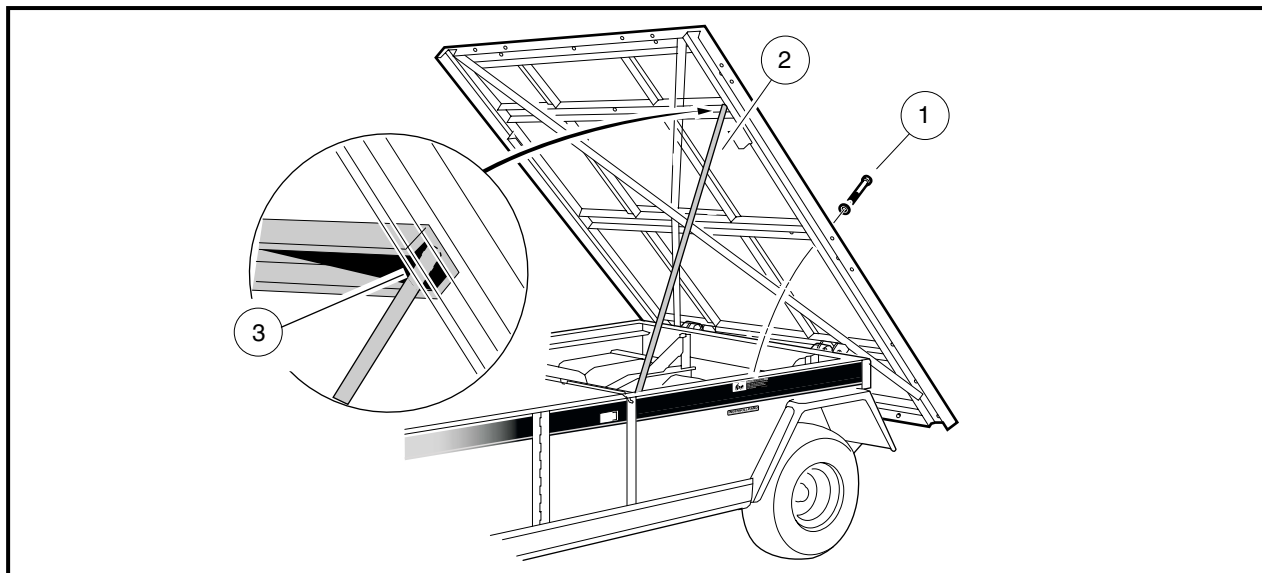


Figure 13 Carryall 6 Prop Rod

LOADING AND UNLOADING

Read WARNING on page 12.

When loading the vehicle, center and secure cargo as far forward as possible in the cargo bed. Do not overload the vehicle. **See the following chart for vehicle capacities.**

Compare the calculated value for the total load. Cargo load should never exceed maximum rated capacity.

| | CARRYALL 1 | CARRYALL 2 | CARRYALL 6 |
|---|----------------------|-----------------------|-----------------------|
| Maximum Payload Capacity (Cargo bed load and gross trailer weight) | 136 kg (300 lb.) | 363 kg (800 lb.) | 454 kg (1000 lb.) |
| Maximum Vehicle Capacity (Cargo load, passengers, and gross trailer weight) | 363 kg (800 lb.) | 544 kg (1200 lb.) | 680 kg (1500 lb.) |
| Maximum Gross Vehicle Weight | 815 kg (1796 lb.) | 1042 kg (2298 lb.) | 1202 kg (2650 lb.) |
| Drawbar Pull | 3728 N (838 lb.) | 3906 N (878 lb.) | 4083 N (918 lb.) |
| Trailer Tongue Weight | 667 N (150 lb.) | 667 N (150 lb.) | 667 N (150 lb.) |

TOWING WITH THE VEHICLE

Read WARNING on page 13.

Because towing a vehicle or trailer can have an adverse effect on vehicle handling, be especially cautious when towing with a Carryall vehicle. **See the above chart for vehicle capacities.**

Parking the vehicle with a trailer on a hill should be avoided. If you must park on a hill, apply the brakes and have someone chock the tires of the trailer. Brakes should be released to allow the chocks to absorb the load of the trailer. After the tires have been chocked, engage the park brake.

TRANSPORTING ON A TRAILER

Read WARNING on page 13.

If the vehicle must be transported over long distances or on public highways, it should be transported on an approved trailer that has the following approved load rating per vehicle being transported.

| | |
|------------|-------------------|
| Carryall 1 | 727 kg (1600 lb.) |
| Carryall 2 | 727 kg (1600 lb.) |
| Carryall 6 | 909 kg (2000 lb.) |

NOTE: A two-car trailer should be rated at $2 \times 727 \text{ kg} = 1454 \text{ kg}$ ($2 \times 1600 \text{ lb.} = 3200 \text{ lb.}$) for Carryall 1 and 2, or $2 \times 909 \text{ kg} = 1818 \text{ kg}$ ($2 \times 2000 = 4000 \text{ lb.}$) for Carryall 6.

STORAGE

Read **DANGER** and **WARNING** on page 14.

⚠ WARNING

- Turn the key switch **OFF**, remove the key, and leave the Forward/Reverse switch/handle in the **NEUTRAL** position during storage. This is to prevent unintentionally starting the vehicle or a fire hazard.
- Do not attempt to charge frozen batteries or batteries with bulged cases. Discard the battery. Frozen batteries can explode.

⚠ CAUTION

- Batteries in a low state of charge will freeze at low temperatures.
- When washing the vehicle, do not direct water stream at the speed switch, Forward/Reverse switch, or other electronic component.

PREPARING THE VEHICLE FOR EXTENDED STORAGE

1. Unload the vehicle so that tires are supporting only the weight of the vehicle.
2. Fully charge batteries. **See Charging Batteries on page 34.**
3. Batteries should be clean and free of corrosion. Wash tops and terminals of batteries with a solution of baking soda and water (1 cup (237 mL) baking soda per 1 gallon (3.8 L) of water). Rinse solution off batteries. Do not allow this solution to enter the batteries. Be sure terminals are tight. Let the terminals dry and then coat them with Battery Terminal Protector Spray (CCI 1014305).
4. Store vehicle in a cool, dry place. This will minimize battery self-discharge.
5. Adjust tires to recommended tire pressure. **See Vehicle Specifications on page 6.**
6. Lubricate front suspension and do all other semiannual periodic lubrication. **See Periodic Lubrication Schedule on page 38.**
7. Thoroughly clean front body, rear body, seats, cargo bed, battery compartment, and underside of vehicle.
8. Do not engage the park brake. Chock the wheels to prevent the vehicle from rolling.
9. Keep batteries fully charged during storage.
10. Leave PowerDrive chargers plugged in during storage. The onboard computer will automatically activate the charger when necessary. If charger cannot remain plugged in, or AC power will not be available during extended storage, disconnect the batteries for storage (**Figure 2, Page 17**).

RETURNING THE STORED VEHICLE TO SERVICE

1. If necessary connect batteries.
2. Fully charge batteries.
3. Adjust tires to recommended tire pressure. **See Vehicle Specifications on page 6.**
4. Perform the Pre-Operation and Daily Safety Checklist on page 25.

BATTERIES

Read **DANGER, WARNING, and CAUTION** on page 14.

NOTE: *Recycle or dispose of discarded batteries in accordance with governmental regulations.*

Refer to appropriate maintenance and service manual when servicing batteries.

The batteries in PowerDrive System 48 electric vehicles are 8-volt, deep-cycle batteries, specially built for electric vehicle application. Automotive batteries should never be used.

New batteries will not deliver their full capabilities until they have been discharged and recharged 20 to 50 times. To obtain the maximum service life from new batteries, restrict the use of vehicles with new batteries to one hour of operation between charges for the first two months the vehicle is in service. Batteries should be fully charged before first use of new vehicle, before first use of a vehicle after storage, and before releasing vehicle for use each day.

BATTERY CARE

To keep batteries in good working condition, follow this maintenance program on a regular basis:

1. Batteries should be kept clean and free of corrosion. Wash tops and terminals of batteries with a solution of baking soda and water (237 mL (1 cup) baking soda per 3.8 L (1 gallon) of water). Rinse solution off batteries. Do not allow this solution to enter the batteries. Be sure terminals are tight. Let the terminals dry and then coat them with Battery Terminal Protector Spray (CCI 1014305). Replace the battery boots.

NOTE: *Dispose of waste water properly.*

2. The electrolyte level in the batteries should be checked weekly. Add water only after charging unless the electrolyte level is below the top of the plates. In this case, add just enough water to cover the plates (1). Electrolyte level should be at least 13 mm (1/2 inch) above plates or to level indicator (2) (**Figure 14, Page 32**). Charge batteries and then check the level again. Never charge batteries if plates are exposed above electrolyte level. For best battery life, use only distilled water.

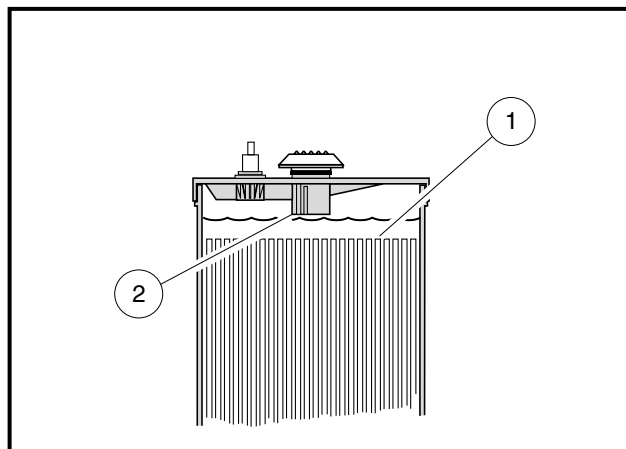


Figure 14 Battery Electrolyte Level

NOTE: *A battery watering gun or bottle is available at many auto parts dealers.*

3. The hold-down straps should be tight enough so that the batteries do not move while the vehicle is in motion, but not so tight as to crack or buckle the battery case. Tighten hold-down retaining nuts to 4.5 N·m (40 in-lb). The terminal connections should be clean and tight, and any worn insulation or frayed wires should be replaced. Tighten battery terminals to 12.4 N·m (110 in-lb). **See following CAUTION.**

CAUTION

- **If battery wire terminals are damaged or corroded, they should be replaced or cleaned as necessary. Failure to do so may cause them to overheat during operation.**
4. After use, the batteries should be placed on charge. The batteries should never be left discharged any longer than absolutely necessary (do not leave batteries discharged overnight).

BATTERY CHARGER

Read DANGER, WARNING, and CAUTION on page 14.

***NOTE:** Because the PowerDrive charger has a storage charge feature that automatically checks and recharges the batteries as necessary every 15 days, it can remain plugged to a PowerDrive vehicle throughout the storage period.*

Shortly after charging begins, the PowerDrive charger will shut off in order to run a self-diagnostic program (ammeter will drop to zero). Charging will resume in a few moments (ammeter returns to previous rate of charge). This will be repeated at one hour and at two hours into the charge cycle.

Each Carryall electric industrial truck is supplied with a fully automatic, stationary battery charger as standard equipment. The AC cord from the charger should be connected to a source capable of supplying the minimum amperes per charger necessary for your location.

The battery charger must be grounded to reduce the risk of electrical shock. The charger is equipped with an AC electric cord having an equipment-grounding conductor and a grounding type plug. The plug must be grounded to an appropriate dedicated receptacle that is properly installed and grounded in accordance with all applicable government codes and ordinances. See the owner's manual supplied with the battery charger for specific operating instructions before using the charger.

The use of an extension cord with the charger should be avoided. If an extension cord must be used, a three conductor No. 14 SWG (British Standard Wire Gauge), or No. 12 AWG (American Wire Gauge), heavy duty cord with a ground conductor in good electrical condition must be used. If using an extension cord, keep it as short as possible (no more than 3.7 meters (12 feet)). Position all cords so they will not be stepped on, tripped over, or otherwise subject to damage or stress.

The charging area must be well-ventilated. To prevent a buildup of explosive gas, the hydrogen level in the air must never exceed 2%. The total volume of air in an enclosed charging area must be changed at least five times per hour. Consult a local HVAC engineer.

WARNING

- **Never modify wiring in charger receptacle to bypass the gray sense lead fuse (2) (Figure 17, Page 35).**

CHARGING BATTERIES

NOTE: When temperatures fall below 18.3 °C (65 °F), batteries charged in unheated areas should be placed on charge as soon as possible after use. Batteries are warmest immediately after use, while cold batteries require more time to fully charge.

Insert charger AC plug into a dedicated AC receptacle that is properly grounded and wired in accordance with all applicable government codes and ordinances. Then insert charger DC plug into the vehicle receptacle (**Figure 15, Page 34**). The charger will turn on two to ten seconds later.

The PowerDrive Charger interacts with an onboard computer on the PowerDrive System 48 vehicle. The computer records the amount of energy consumed during vehicle use. While the charger is plugged in, the vehicle's control circuit is locked out, preventing operation of the vehicle, as well as the possibility of subsequent damage to the charger and vehicle.

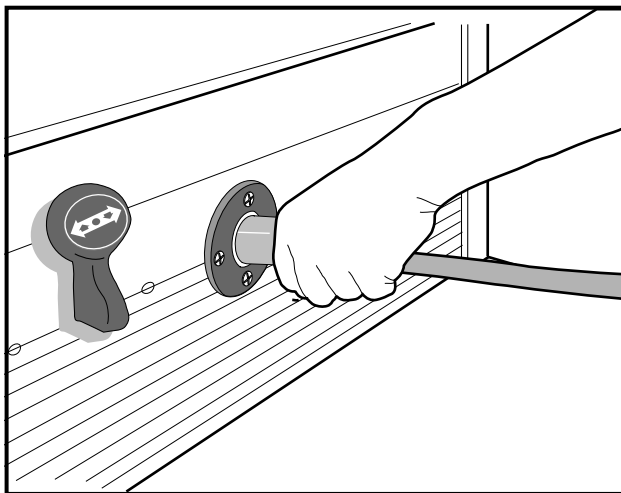


Figure 15 Charger Receptacle

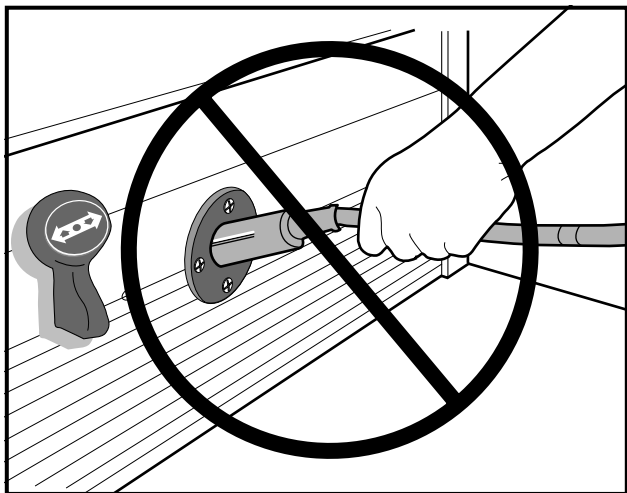


Figure 16 Charger Cord Removal

Once the lockout is actuated, the charger turns on. The onboard computer then records the amount of energy being returned to the batteries. When the optimum amount of energy needed to replenish the batteries is returned, the charger will turn off. The control circuit lockout remains activated until the charger plug is disconnected from the vehicle.

This vehicle is only compatible with a PowerDrive Charger. Other Club Car models or vehicles made by other manufacturers are not compatible.

As long as the charger is allowed to shut off by itself, the batteries will be fully charged. Overcharging and undercharging will normally be prevented.

Batteries should be put on charge even if they have been used for only a short time, i.e., 10 minutes. The charger is automatic and will turn off when batteries are fully charged. If the charger does not seem to be operating properly, or if the batteries seem weak, contact a local Club Car dealer.

PLUG AND RECEPTACLE

The charger DC cord, plug, and receptacle are wear items and should be inspected daily. Visually inspect them for cracks, loose connections, and frayed wiring; they must be replaced when worn or damaged. If charger plug and receptacle show signs of corrosion or the plug is difficult to insert and remove, the receptacle contacts and plug terminals should be cleaned with a good electrical contact cleaner or lightly sprayed with WD-40® brand spray lubricant. The plug should then be inserted and removed several times to ensure ease of insertion, ease of removal, and good electrical contact.

NOTE: If the warning tag has been damaged or removed from the DC cord, have it replaced immediately.

Receptacle Fuse Link

As an additional feature to protect the batteries and charging circuit from an overload, all Carryall electric vehicles are equipped with a receptacle fuse link (1) (**Figure 17, Page 35**). If the charger does not turn on when the vehicle is placed on charge, inspect the fuse link.

⚠ WARNING

- If the receptacle fuse link is blown, determine the source of the electrical problem and correct it before replacing the fuse (**Figure 17, Page 35**).

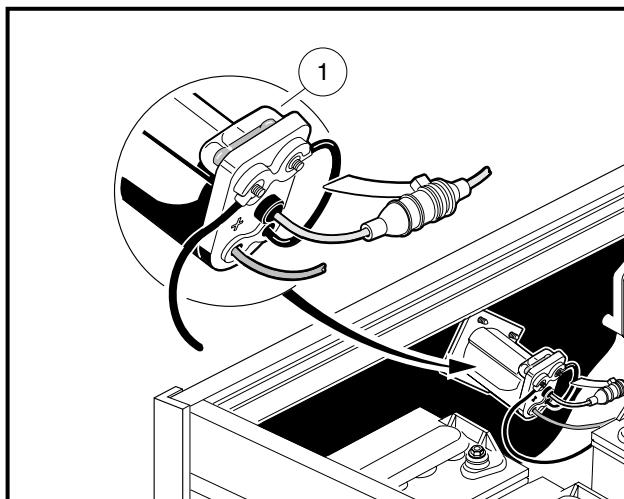


Figure 17 Sense Lead Fuse

MAINTENANCE

Read **DANGER** and **WARNING** on page 16.

GENERAL INFORMATION

To ensure trouble-free vehicle performance, it is very important to follow an established preventive maintenance program (regularly scheduled service, even though the vehicle is functional). Regular and consistent vehicle maintenance can prevent vehicle downtime and expensive repairs that result from neglect. Use the Pre-Operation and Daily Safety Checklist on page 25 and the following Periodic Service Schedule to keep the vehicle in proper working condition.

Any vehicle not functioning correctly should be removed from use until it is properly repaired. This will prevent further damage to the vehicle and avoid the possibility of injury due to unsafe conditions.

Contact a local Club Car dealer to perform all repairs and semiannual and annual periodic service.

VEHICLE CONTROLLER

The Carryall electric vehicle is equipped with a Solid State Speed Controller. In order to properly service and maintain the Solid State Speed controller vehicle, it is necessary to understand the electrical circuitry and the functions of all components in the system. Therefore, if any repair or service is required, Club Car recommends that it be performed by an authorized Club Car dealer using Club Car OEM parts.

PERIODIC SERVICE SCHEDULE

Read **DANGER** and **WARNING** on page 16.

WARNING

- **Service, repairs, and adjustments must be made per instructions in the appropriate maintenance and service manual.**

NOTE: *If the vehicle is constantly hauling heavy loads or towing a trailer, these preventive maintenance procedures should be performed more often than recommended in the periodic service schedule.*

Both the periodic service schedule and the periodic lubrication schedule must be followed to keep vehicle in optimum operating condition.

| PERIODIC SERVICE SCHEDULE | | |
|---|--|---|
| REGULAR INTERVAL | SERVICE | |
| Daily service by owner | Batteries | Charge batteries (after each use only). |
| Weekly service by owner | Batteries | Check electrolyte level. Add water as necessary per Section 13 – Batteries in the appropriate maintenance and service manual. |
| Monthly service by owner or trained technician | Batteries | Wash battery tops and clean terminals with baking soda/water solution. |
| | Tires | Check air pressure and adjust if necessary. See Vehicle Specifications on page 6. |
| | General vehicle | Wash battery compartment and underside of vehicle. |
| Semiannual service by trained technician only (every 50 hours of operation) | Brake system | Check brake shoes; replace if necessary. See Section 6 – Wheel Brake Assemblies in the appropriate maintenance and service manual. |
| | | Lubricate brake slides per Lubrication Schedule. See Section 6 – Wheel Brake Assemblies in the appropriate maintenance and service manual. |
| | | Check brake cables for damage; replace if necessary. |
| | Electrical wiring and connections | Check for tightness and damage. |
| | Forward/Reverse switch | Check condition of contacts and wire connections; make sure connections are tight. |
| | Front wheel alignment and camber | Check and adjust if necessary. See Section 7 – Steering and Front Suspension in the appropriate maintenance and service manual. |
| | Motor Controller Output Regulator (MCOR) | Check for loose hardware, cracks, or other damage. |
| Annual service by trained technician only (every 100 hours of operation) | Batteries | If batteries are not performing as expected, see Section 13 – Batteries in the maintenance and service manual. |

⚠ WARNING

- If any problems are found during scheduled inspection or service, do not operate the vehicle until repairs are made. Failure to make necessary repairs could result in fire, property damage, severe personal injury, or death.

PERIODIC LUBRICATION SCHEDULE

Read DANGER and WARNING on page 16.

| PERIODIC LUBRICATION SCHEDULE | | | |
|---|--|--------|--|
| REGULAR INTERVAL | SERVICE | PLACE* | RECOMMENDED LUBRICANT |
| Semiannually by owner or trained technician (every 50 hours of operation) | Brake pedal shaft bearings | 1 | Dry Moly Lube (CCI 1012151) |
| | Brake linkage and pivots | 2 | Dry Moly Lube (CCI 1012151) |
| | Accelerator pivot rod supports | 3 | Dry Moly Lube (CCI 1012151) |
| | Forward/Reverse switch contacts and charger receptacle | 4 | WD 40 |
| | Brake slides | 5 | Dry Moly Lube (CCI 1012151) |
| | Front suspension (5 fittings) | 6 | Chassis lube – EP NLGI Grade 2 |
| Annually by trained technician only (every 100 hours of operation) | Check/fill transaxle to plug level | 7 | .65 L (22 oz) SAE 30 WT. API Class SE, SF, or SG oil (or higher) |
| | Inspect front wheel bearings (Repack as necessary) | 8 | Chassis Lube (EP NLGI Grade 2) |

*See Figure 18, Page 38.

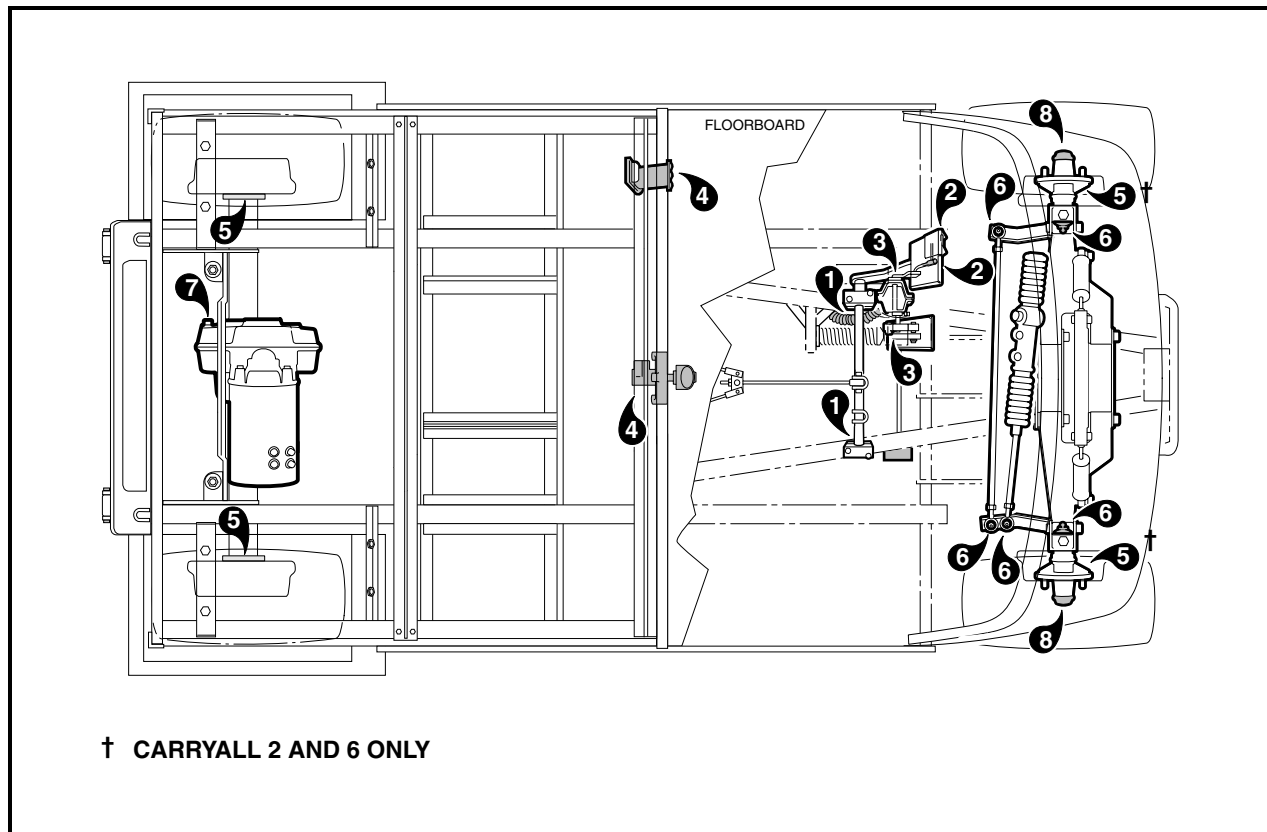


Figure 18 Lubrication Points

CLEANING THE VEHICLE

Read DANGER and WARNING on page 16.

The vehicle is equipped with an ArmorFlex® front body and an all-aluminum rear body and cargo bed. Use a commercially available automotive cleaning solution with a sponge or soft cloth for normal cleaning. A garden hose at normal residential pressure is adequate. To remove oxidation or discoloration from aluminum, use a commercially available aluminum cleaner paste and fine grade (No. 00) steel wool.

Club Car does not recommend any type of pressure washing or steam cleaning. Such a process will expose electrical components to moisture. Moisture entering electrical components can result in water damage and subsequent component failure.

Use non-abrasive wax products. Battery acid, fertilizers, tars, asphalt, creosote, paint or chewing gum should be removed immediately to prevent possible stains.

The seats of the vehicle will last longer with proper cleaning. Use a solution of 10% liquid soap and warm water applied with a soft cloth. For imbedded dirt, a soft bristle brush may be used. For heavy soiling, difficult stains or scratches, blemishes, or other body damage, see Section 4 of the appropriate maintenance and service manual.

NOTE: *Dispose of waste water properly.*

SUBSEQUENT OWNER REGISTRATION

In the event a vehicle is bought used from another individual or from a dealer, we strongly urge the new owner to register the vehicle with Club Car. This will enable us to contact you if the need arises. Please send your name, address, and serial number(s) of the vehicle(s) to Club Car, Inc., P.O. Box 204658, Augusta, Georgia, 30917-4658, U.S.A., Attention: Vehicle Registration.

CLUB CAR[®] LIMITED TWO YEAR WARRANTY FOR 2002 TRANSPORTATION AND UTILITY VEHICLES

1. WARRANTY:

CLUB CAR, INC., ("CLUB CAR") hereby warrants to the Original Retail Purchaser that its new 2002 Model Transportation and Utility Vehicles purchased from CLUB CAR or an authorized dealer shall be free from defects in material and workmanship under normal use and service as a transportation or utility vehicle for the periods stated below, subject to the provisions, limitations and exclusions contained in this limited warranty.

LIMITED TWO YEAR / 2000 HOUR WARRANTY: The engine assembly, unitized transaxle assembly (gasoline vehicle), motor, transaxle assembly (electric vehicle), main frame assembly, hydraulic dump kit, Custom Cab assembly and doors, and Driving Range Protective Enclosure are warranted with respect to parts and labor against defects in material and workmanship for a period of two years or 2000 hours of operation, whichever first occurs, from the date of purchase.

LIMITED ONE YEAR / 1000 HOUR WARRANTY: All remaining components of the vehicle not specified otherwise, the Portable Refreshment Center, and all other original equipment options and accessories supplied by CLUB CAR are warranted with respect to parts and labor against defects in material and workmanship for a period of one year or 1000 hours of operation, whichever first occurs, from the date of purchase.

This limited warranty covers material, workmanship and repair labor cost as to those items specifically listed above for the periods specified. Such repair labor shall be performed only by CLUB CAR, its authorized dealers, or a service agency approved by CLUB CAR.

IF THE WARRANTY REGISTRATION FORM IS NOT COMPLETED AND RETURNED TO CLUB CAR AT THE TIME OF THE ORIGINAL RETAIL SALE, PURCHASER MUST PROVIDE PROOF OF DATE OF PURCHASE WITH ANY WARRANTY CLAIM.

2. EXCLUSIONS:

Excluded from any CLUB CAR warranty are all fuses, filters, decals (except safety decals), spark plugs, light bulbs, lubricants, trim pieces, seats, routine wear items such as the charger plug and receptacle, brake shoes, belts, brushes, bushings, engine mounts, mats and pads, maintenance adjustments, cosmetic deterioration, and items which deteriorate or fail due to exposure or ordinary wear and tear. Batteries, battery charger, onboard computer, and solid-state speed controller are covered under separate CLUB CAR warranties. Also excluded from any CLUB CAR warranty is damage to a vehicle or component resulting from a cause other than a defect including unreasonable or unintended strain or use, improper installation of accessories, installation of parts or accessories that are not original equipment, overloading, accident, alteration, abuse or neglect.

Transportation expenses for warranty services are also excluded from this warranty.

3. VOIDING OF WARRANTY:

THIS AND ANY OTHER WARRANTY SHALL BE VOID IF THE VEHICLE IS ABUSED OR USED IN AN UNINTENDED MANNER OR SHOWS INDICATIONS THAT IT HAS BEEN ALTERED IN ANY WAY, INCLUDING, BUT NOT LIMITED TO, MODIFICATION OF THE SPEED GOVERNOR, BRAKING SYSTEM, STEERING, TRANSAXLE, OR OTHER OPERATING SYSTEMS OF THE VEHICLE TO CAUSE IT TO PERFORM OUTSIDE CLUB CAR SPECIFICATIONS. THE WARRANTY IS LIKEWISE VOID IF THE VEHICLE INVOLVED SHOWS INDICATIONS THAT REASONABLE OR NECESSARY MAINTENANCE AS OUTLINED IN THE OWNER'S MANUAL AND MAINTENANCE AND SERVICE MANUAL WAS NOT PERFORMED AT THE TIME AND IN THE MANNER SPECIFIED IN SUCH MANUALS.

4. SOLE REMEDY:

CLUB CAR's liability under this limited warranty, or in any action whether based upon warranty, contract, negligence, strict product liability or otherwise, shall be the repair or replacement, at CLUB CAR's option, of the vehicle or component thereof that CLUB CAR deems to be defective. Replacement shall mean furnishing, during the applicable limited warranty period, a new vehicle or factory-reconditioned vehicle or component thereof that is identical or reasonably equivalent to the warranted product or component at no cost to the purchaser. Repair shall mean remedying a defect in the vehicle or component thereof at no cost to the purchaser during the applicable limited warranty period. If CLUB CAR elects to repair the vehicle, it may provide factory-reconditioned parts or components. All parts and components replaced under warranty shall become the property of CLUB CAR.

5. HOW TO MAKE A WARRANTY CLAIM:

To make a warranty claim under this limited warranty, you must present the vehicle or defective component to an authorized CLUB CAR dealer or send the defective component, freight prepaid, to WARRANTY SERVICES, CLUB CAR, INC., 4125 Washington Road, Evans, Georgia 30809, U.S.A., 706-863-3000.

6. DISCLAIMER:

THIS LIMITED WARRANTY IS EXCLUSIVE. CLUB CAR MAKES NO OTHER WARRANTY OF ANY KIND, EXPRESSED OR IMPLIED. ANY IMPLIED WARRANTIES OF MERCHANTABILITY OR FITNESS FOR A PARTICULAR PURPOSE WHICH EXCEED THE OBLIGATIONS OR TIME LIMITS STATED IN THIS WARRANTY ARE HEREBY DISCLAIMED BY CLUB CAR AND EXCLUDED FROM THIS WARRANTY. THE PURCHASER AND CLUB CAR EXPRESSLY AGREE THAT THE REMEDY OF THE REPLACEMENT OR REPAIR OF THE DEFECTIVE VEHICLE OR COMPONENT THEREOF IS THE SOLE REMEDY OF THE PURCHASER. CLUB CAR MAKES NO OTHER REPRESENTATION OR WARRANTY OF ANY KIND, AND NO REPRESENTATIVE, EMPLOYEE, OR DEALER OF CLUB CAR HAS THE AUTHORITY TO MAKE OR IMPLY ANY REPRESENTATION, PROMISE OR AGREEMENT, WHICH IN ANY WAY VARIES THE TERMS OF THIS WARRANTY.

7. NO CONSEQUENTIAL DAMAGES:

IN NO EVENT SHALL CLUB CAR BE LIABLE FOR ANY INCIDENTAL OR CONSEQUENTIAL DAMAGES INCLUDING, BUT NOT LIMITED TO, LOSS RELATED TO PROPERTY OTHER THAN THE VEHICLE, LOSS OF USE, LOSS OF TIME, INCONVENIENCE, OR ANY OTHER ECONOMIC LOSS.

Some states allow neither limitation on the duration of an implied warranty nor exclusions or limitation of incidental or consequential damages. Therefore, the above limitations or exclusions may not apply to you.

This warranty gives you specific legal rights, and you may also have other rights, which vary from state to state.

8. INFORMATION:

For further information contact WARRANTY SERVICES, CLUB CAR, INC., P.O. Box 204658, Augusta, Georgia 30917-4658, U.S.A., 706-863-3000.

9. WARNING:

Any modification or alteration of any vehicle beyond factory specifications, including those that affect the weight distribution, stability, or speed of the vehicle, can cause serious personal injury or death.

CLUB CAR[®] LIMITED FOUR YEAR WARRANTY FOR 2002 POWERDRIVE[®] 8-VOLT BATTERIES

CLUB CAR, INC., ("CLUB CAR") hereby warrants to the original retail purchaser that the new PowerDrive 8-volt Battery installed in its new electric vehicle equipped with the PowerDrive System 48™, PowerDrive Plus[®], or IQ System™ purchased from CLUB CAR or an authorized distributor or dealer will be free from defects in material and workmanship and will provide 36-hole performance (60 minute discharge capacity) for a period of four years or 800 rounds, whichever first occurs, from the date of purchase subject to the terms and conditions contained herein.

This limited warranty only covers defects in material and workmanship for a period of four years or 800 golf car rounds from date of purchase. The terms of this four-year or 800 round limited warranty shall be as follows:

Vehicles used for golf, free replacement with respect to parts and labor within four years or 800 rounds, whichever first occurs, from date of purchase.

Vehicles used for purposes other than golf, free replacement with respect to parts and labor within four years or 16,000 energy units as recorded by the Onboard Computer, whichever first occurs, from the date of purchase.

The battery should be returned to an authorized CLUB CAR distributor or dealer with evidence of proof of purchase date and number of rounds, freight prepaid. CLUB CAR reserves the right to test and recharge any battery returned for adjustment, and to verify number of rounds played by accessing information contained in the PowerDrive System 48, PowerDrive Plus, or IQ System Onboard Computer.

LIMITED WARRANTY EXCLUSIONS

THE PROVISIONS OF THIS LIMITED WARRANTY SHALL NOT APPLY TO FAILURE DUE TO:

- 1) Abuse such as overcharging, undercharging, improper fluid levels, loose wiring, or rusted or corroded hardware;
- 2) Lack of proper maintenance as outlined in the electric vehicle owner's manual;
- 3) Damages caused by improper installation of the battery;
- 4) Neglect, breakage, freezing, fire, explosion, wreckage, the addition of any chemical, or the operation of the battery in an uncharged condition (below half charge – 1,200 specific gravity);

5) A battery damaged by a defective charger.

Without limiting the generality of the foregoing in any way, and as part of its limited warranty exclusion, CLUB CAR does not warrant that its PowerDrive battery is suitable for use in any application other than in its products. As in the use of any battery, a prudent owner will read and study the charger owner's manual, the electric vehicle owner's manual, the operator instructions, and the battery warning labels; and will exercise due care in working on or around batteries.

Transportation expenses for warranty services are also excluded from this warranty.

WARRANTY LIMITATIONS

CLUB CAR's liability under this limited warranty shall be to replace a defective battery. Replacement shall be furnishing a new or used battery with sufficient life to complete the remainder of the warranty term, that is identical or reasonably equivalent to the warranted product at no cost to the purchaser during the four-year, 800 round or 16,000 Energy Unit limited warranty period, whichever first occurs. All batteries, which are replaced under this limited warranty, become the property of CLUB CAR.

THIS LIMITED WARRANTY IS EXCLUSIVE. CLUB CAR MAKES NO OTHER WARRANTY OF ANY KIND, EXPRESSED OR IMPLIED. ANY IMPLIED WARRANTIES OF MERCHANTABILITY OR FITNESS FOR A PARTICULAR PURPOSE WHICH EXCEED THE OBLIGATIONS OR TIME LIMITS STATED IN THIS WARRANTY ARE HEREBY DISCLAIMED BY CLUB CAR AND EXCLUDED FROM THIS WARRANTY. THE PURCHASER AND CLUB CAR EXPRESSLY AGREE THAT THE REPLACEMENT OR REPAIR OF THE DEFECTIVE VEHICLE OR COMPONENT THEREOF IS THE SOLE REMEDY OF THE PURCHASER. CLUB CAR MAKES NO OTHER REPRESENTATION OR WARRANTY OF ANY KIND AND NO REPRESENTATIVE, EMPLOYEE, DISTRIBUTOR OR DEALER OF CLUB CAR HAS THE AUTHORITY TO MAKE OR IMPLY ANY REPRESENTATION, PROMISE OR AGREEMENT, WHICH IN ANY WAY VARIES THE TERMS OF THIS WARRANTY.

This battery is intended to be used by persons with training and experience with batteries and only in CLUB CAR electric vehicles. Any other use renders the Limited Warranties expressed herein and all implied warranties null and void and same are hereby excluded.

ALSO EXCLUDED FROM THIS LIMITED WARRANTY ARE ANY AND ALL INCIDENTAL OR CONSEQUENTIAL DAMAGES INCLUDING, BUT NOT LIMITED TO, LOSS OF USE OR REVENUE, LOSS OF TIME, INCONVENIENCE OR ANY OTHER ECONOMIC LOSS.

Damage not resulting from a defect in material or workmanship or that occurs due to abuse or neglect (including failure to provide reasonable and necessary maintenance), accident or alteration is excluded from this limited warranty.

Some states allow neither limitation on the duration of an implied warranty nor exclusions or limitations of incidental or consequential damages. Therefore, the above limitations or exclusions may not apply to you.

This warranty gives you specific legal rights, and you may also have other rights, which vary from state to state.

For further information contact WARRANTY SERVICES, CLUB CAR, INC., P.O. Box 204658, Augusta, Georgia, 30917-4658, U.S.A., 706-863-3000.

CLUB CAR[®] LIMITED FOUR YEAR WARRANTY FOR 2002 POWERDRIVE[®] AND IQ BATTERY CHARGERS

CLUB CAR, INC., ("CLUB CAR") hereby warrants to the original retail purchaser that its new PowerDrive and IQ Chargers purchased from CLUB CAR or an authorized distributor or dealer will be free from defects in material and workmanship under normal use and service for a period of four years from the date of purchase, subject to the terms, provisions, limitations, and exclusions contained herein.

The limited warranty with respect to parts and labor only covers defects in material and workmanship for a period of four years from the date of purchase. Such repair labor shall be performed only by CLUB CAR or by an authorized distributor or dealer. Purchaser shall be responsible for all freight costs to and from CLUB CAR's facility.

LIMITED WARRANTY EXCLUSIONS

THE PROVISIONS OF THIS LIMITED WARRANTY SHALL NOT APPLY TO FAILURE DUE TO:

- 1) Lack of normal maintenance services such as preventive maintenance checks and tightening loose wire connections;
- 2) Semiconductor parts such as diodes and fuses which are vulnerable to electrical overloads (including lightning) beyond the control of CLUB CAR;

3) Charger DC cord set with plug, which is a wear item and subject to user abuse.

Any warranty service, which includes labor during the first year, must be performed by CLUB CAR or by an authorized distributor or dealer. For repairs made by qualified technicians other than CLUB CAR's factory technicians or an authorized distributor or dealer, CLUB CAR will provide only the replacement parts or components.

The PowerDrive and IQ Chargers are intended to be used by persons with knowledge of the chargers and proper charging practices and only on CLUB CAR PowerDrive System 48™, PowerDrive Plus®, and IQ System™ vehicles. Any other use renders the Limited Warranties expressed herein and any implied warranties null and void and same are hereby excluded.

Without limiting the generality of the foregoing in any way, and as part of its limited warranty exclusion, CLUB CAR does not warrant that the PowerDrive or IQ Charger is suitable for use in any application other than its PowerDrive System 48, PowerDrive Plus, and IQ System products. As in the use of any electrical device, a prudent owner will read and study the charger owner's manual, the electric vehicle owner's manual, the operator instructions, and the battery warning labels; and will exercise due care in working on or around electrical devices.

Transportation expenses for warranty services are also excluded from this warranty.

WARRANTY LIMITATIONS

CLUB CAR's liability under this limited warranty, or in any action whether based upon warranty, contract, negligence, strict product liability or otherwise, shall be the replacement or repair of a charger or component thereof that CLUB CAR deems to be defective. Replacement shall mean furnishing, during the applicable limited warranty period, a new charger or component thereof that is identical or reasonably equivalent to the warranted product or defective component at no cost to the purchaser. Repair shall mean remedying a defect in the charger or component thereof at no cost to the purchaser during the applicable limited warranty period. If CLUB CAR elects to repair the charger, it may provide factory-reconditioned parts or components. All parts and components replaced under warranty shall become the property of CLUB CAR.

THIS LIMITED WARRANTY IS EXCLUSIVE. CLUB CAR MAKES NO OTHER WARRANTY OF ANY KIND, EXPRESSED OR IMPLIED. ANY IMPLIED WARRANTIES OF MERCHANTABILITY OR FITNESS FOR A PARTICULAR PURPOSE WHICH EXCEED THE OBLIGATIONS OR TIME LIMITS STATED IN THIS WARRANTY ARE HEREBY DISCLAIMED BY CLUB CAR AND EXCLUDED FROM THIS WARRANTY. THE PURCHASER AND CLUB CAR EXPRESSLY AGREE THAT THE REPLACEMENT OR REPAIR OF THE DEFECTIVE VEHICLE OR COMPONENT THEREOF IS THE SOLE REMEDY OF THE PURCHASER. CLUB CAR MAKES NO OTHER REPRESENTATION OR WARRANTY OF ANY KIND AND NO REPRESENTATIVE, EMPLOYEE, DISTRIBUTOR OR DEALER OF CLUB CAR HAS THE AUTHORITY TO MAKE OR IMPLY ANY REPRESENTATION, PROMISE OR AGREEMENT, WHICH IN ANY WAY VARIES THE TERMS OF THIS WARRANTY.

IN NO EVENT SHALL CLUB CAR BE LIABLE FOR ANY INCIDENTAL OR CONSEQUENTIAL DAMAGES INCLUDING, BUT NOT LIMITED TO, LOSS RELATED TO PROPERTY OTHER THAN THE BATTERY CHARGER, LOSS OF USE, LOSS OF TIME, INCONVENIENCE, OR ANY OTHER ECONOMIC LOSS.

Damage not resulting from a defect that occurs due to unreasonable use, abuse or neglect (including failure to provide reasonable or necessary maintenance), accident or alteration is excluded from the limited warranty.

Some states allow neither limitation on the duration of an implied warranty nor exclusions or limitations of incidental or consequential damages. Therefore, the above limitations or exclusions may not apply to you.

This warranty gives you specific legal rights, and you may also have other rights, which vary from state to state.

For further information contact WARRANTY SERVICES, CLUB CAR, INC., P.O. Box 204658, Augusta, Georgia 30917-4658, U.S.A., 706-863-3000.

CLUB CAR® LIMITED FOUR YEAR WARRANTY FOR 2002 ONBOARD COMPUTERS AND SOLID STATE SPEED CONTROLLERS

CLUB CAR, INC., ("CLUB CAR") hereby warrants to the original retail purchaser that the new Onboard Computer and the Solid State Speed Controller, hereinafter called "Computer" and "Controller" respectively, installed in its new electric vehicle equipped with the PowerDrive® System 48™, PowerDrive Plus®, or IQ System™ purchased from CLUB CAR or an authorized distributor or dealer will be free from defects in material and workmanship for a period of four years or 800 rounds, whichever first occurs, from the date of purchase subject to the terms and conditions contained herein.

This limited warranty only covers defects in material and workmanship for a period of four years or 800 golf car rounds from date of purchase. The terms of this four-year or 800 round limited warranty shall be as follows:

Vehicles used for golf, free replacement with respect to parts and labor within four years or 800 rounds, whichever first occurs, from date of purchase.

Vehicles used for purposes other than golf, free replacement with respect to parts and labor within four years or 16,000 energy units as recorded by the Computer, whichever first occurs, from date of purchase.

The Computer or Controller should be returned to an authorized CLUB CAR distributor or dealer with evidence of proof of purchase date and number of rounds, freight prepaid. CLUB CAR reserves the right to test any Computer returned for warranty and to verify number of rounds played by accessing information contained in the Computer.

LIMITED WARRANTY EXCLUSIONS

THE PROVISIONS OF THIS LIMITED WARRANTY SHALL NOT APPLY TO FAILURE DUE TO:

- 1) Abuse or neglect, such as improper battery fluid levels, loose wiring, or rusted or corroded hardware;
- 2) Lack of proper maintenance as outlined in the electric vehicle owner's manual;
- 3) Damages caused by improper installation of the Computer or Controller;
- 4) Vehicles charged by systems other than the CLUB CAR PowerDrive Charger or CLUB CAR IQ Charger.

Without limiting the generality of the foregoing in any way, and as part of its limited warranty exclusion, CLUB CAR does not warrant that the Computer or Controller is suitable for use in any application other than its PowerDrive System 48, PowerDrive Plus, and IQ System products. As in the use of any battery operated device, a prudent owner will read and study the charger owner's manual, the electric vehicle owner's manual, the operator instructions, and the battery warning labels; and will exercise due care in working on or around batteries.

Transportation expenses for warranty services are also excluded from this warranty.

WARRANTY LIMITATIONS:

CLUB CAR's liability under this limited warranty shall be to replace a defective Computer or Controller. Replacement shall be furnishing a new or reconditioned Computer or Controller that is identical or reasonably equivalent to the warranted product at no cost to the purchaser during the four-year or 800 round limited warranty period for golf use or 4 years or 16,000 energy units for use other than golf, whichever first occurs, except for transportation expenses. All parts and components replaced under this limited warranty become the property of CLUB CAR.

THIS LIMITED WARRANTY IS EXCLUSIVE. CLUB CAR MAKES NO OTHER WARRANTY OF ANY KIND, EXPRESSED OR IMPLIED. ANY IMPLIED WARRANTIES OF MERCHANTABILITY OR FITNESS FOR A PARTICULAR PURPOSE WHICH EXCEED THE OBLIGATIONS OR TIME LIMITS STATED IN THIS WARRANTY ARE HEREBY DISCLAIMED BY CLUB CAR AND EXCLUDED FROM THIS WARRANTY. THE PURCHASER AND CLUB CAR EXPRESSLY AGREE THAT THE REPLACEMENT OR REPAIR OF THE DEFECTIVE VEHICLE OR COMPONENT THEREOF IS THE SOLE REMEDY OF THE PURCHASER. CLUB CAR MAKES NO OTHER REPRESENTATION OR WARRANTY OF ANY KIND AND NO REPRESENTATIVE, EMPLOYEE, DISTRIBUTOR OR DEALER OF CLUB CAR HAS THE AUTHORITY TO MAKE OR IMPLY ANY REPRESENTATION, PROMISE OR AGREEMENT, WHICH IN ANY WAY VARIES THE TERMS OF THIS WARRANTY.

This computer or controller is intended to be used only in CLUB CAR PowerDrive System 48, PowerDrive Plus, and IQ System electric vehicles. Any other use renders the Limited Warranties expressed herein and all implied warranties null and void and same are hereby excluded.

ALSO EXCLUDED FROM THIS LIMITED WARRANTY ARE ANY AND ALL INCIDENTAL OR CONSEQUENTIAL DAMAGES INCLUDING, BUT NOT LIMITED TO, LOSS OF USE OR REVENUE, LOSS OF TIME, INCONVENIENCE OR ANY OTHER ECONOMIC LOSS.

Damage not resulting from a defect in material or workmanship or that occurs due to abuse or neglect (including failure to provide reasonable and necessary maintenance), accident or alteration is excluded from this limited warranty.

Some states allow neither limitation on the duration of an implied warranty nor exclusions or limitations of incidental or consequential damages. Therefore, the above limitations or exclusions may not apply to you.

This warranty gives you specific legal rights, and you may also have other rights, which vary from state to state.

For further information contact WARRANTY SERVICES, CLUB CAR, INC., P.O. Box 204658, Augusta, Georgia, 30917-4658, U.S.A., 706-863-3000.

Manual No. 102252015
Edition Code 0801A00000

Carryall/Electric
Club Car, Inc., P.O. Box 204658
Augusta, GA 30917-4658

