

Gasoline Vehicles:

- Carryall 2 XRT
- Turf 2 XRT
- Pioneer 900

2004 Owner's Manual

Club Car®

NOTICE

The Transportation and Utility Vehicle Limited Warranty appears on the last pages of this manual. No other warranties, express or implied, are contained herein. Your authorized representative checked this vehicle before it was delivered to you and will provide you a copy of the completed vehicle warranty registration form.

Club Car is not liable for errors in this manual or for incidental or consequential damages that result from the use of the material in this manual.

This manual contains proprietary information that is protected by copyright. All rights are reserved. No part of this manual may be photocopied, reproduced, or translated to another language without the written consent of Club Car, Inc.

The information contained in this document is subject to change without notice.

Club Car reserves the right to make design changes to vehicles without obligation to make these changes on units previously sold.

These vehicles do not conform to Federal Motor Vehicle Safety Standards for automobiles or to FMVSS 500 for low-speed vehicles, and are not equipped for operation on public streets, roads, or highways.



P. O. Box 204658
Augusta, Georgia 30917-4658 USA
Telephone 706-863-3000
Service Parts Fax 706-855-7413
www.clubcar.com

Copyright © 2003 Club Car, Inc.
Club Car and *ArmorFlex* are
registered trademarks of Club Car, Inc.
This manual effective July 28, 2003.

FOREWORD

Thank you for choosing Club Car. You have chosen the finest utility vehicle on the market; the vehicle most widely recognized as the industry leader in vehicle efficiency and long-lasting value. Please protect your investment and ensure that your Club Car vehicle(s) provides years of reliable, superior performance by reading and following the maintenance instructions in this manual.

Your comfort and safety are important to us, so we urge you to read and follow the step-by-step operating instructions and safety procedures in this manual. These instructions must be followed in order to avoid the risk of severe personal injury. If you rent or loan your vehicle to others, we recommend that you ask them to read this manual before they operate the vehicle.

Club Car products are backed by a customer support system designed to offer you fast, courteous service. In the event that your Club Car vehicle needs repairs or service, we recommend that your local authorized Club Car representative perform them. For the name and address of the Club Car representative nearest you, logon to our web site at www.clubcar.com or call 1-706-863-3000. If you would prefer to write to us, direct your letter to: Club Car, Attention: Marketing Services, P.O. Box 204658, Augusta, Georgia, 30917-4658 USA. Your local authorized Club Car representative can also provide technical advice, parts, and service manuals.

We hope you will consider this owner's manual a permanent part of your Club Car vehicle. If you sell the vehicle, please include the manual so that the next owner will have the important operating, safety, and maintenance information it contains.

TABLE OF CONTENTS

Vehicle Feature Identification	4
Safety Details	8
General Warnings	8
General Information	9
Model Identification	9
Controls and Indicators	10
Pre-Operation and Daily Safety Checklist	14
Driving Instructions	15
Loading and Unloading	17
Towing with the Vehicle	18
Transporting on a Trailer	19
Storage	19
Maintenance	21
Periodic Service Schedule	22
Periodic Lubrication Schedule	24
Engine Oil	25
Fueling Instructions	26
Battery	27
Cleaning the Vehicle	29
Accessories	29
Subsequent Owner Registration	29
Vehicle Specifications	30
Rear Fender Installation	32
Wheel and Tire Installation	34
Club Car [®] Limited Two Year Warranty for 2004 Transportation and Utility Vehicles	35

VEHICLE FEATURE IDENTIFICATION

⚠ WARNING

ROLLOVER OR FALLING OFF MAY CAUSE DEATH.

- Before using vehicle, read operating instructions.
- Remain seated and hold on to seat handle while moving.
- Do not start vehicle until all occupants are seated.
- Two (2) persons per seat maximum.
- Operate from driver side only and not on public roads.
- Keep entire body inside vehicle while moving.
- Drive slowly in turns and straight up and down slopes.
- Do not leave children unattended on vehicle.
- Never operate under the influence of alcohol or drugs.
- Use brakes to reduce speed when coasting downhill.
- Never stand in front of or behind vehicle.

CCI 1019606-01

OPERATING INSTRUCTIONS

- Read owner's manual and safety warnings located on dash panel prior to driving.
- Study and understand controls.

TO START ENGINE

- Place shift lever in - Neutral position.
- Depress brake pedal.
- Turn key switch to "START" position and hold, activating the choke as necessary, until engine starts.

TO OPERATE VEHICLE

- Make sure wheels are turned in desired direction.
- Be sure nothing is in your path.
- While vehicle is stopped, select vehicle direction by placing shift lever in desired position.

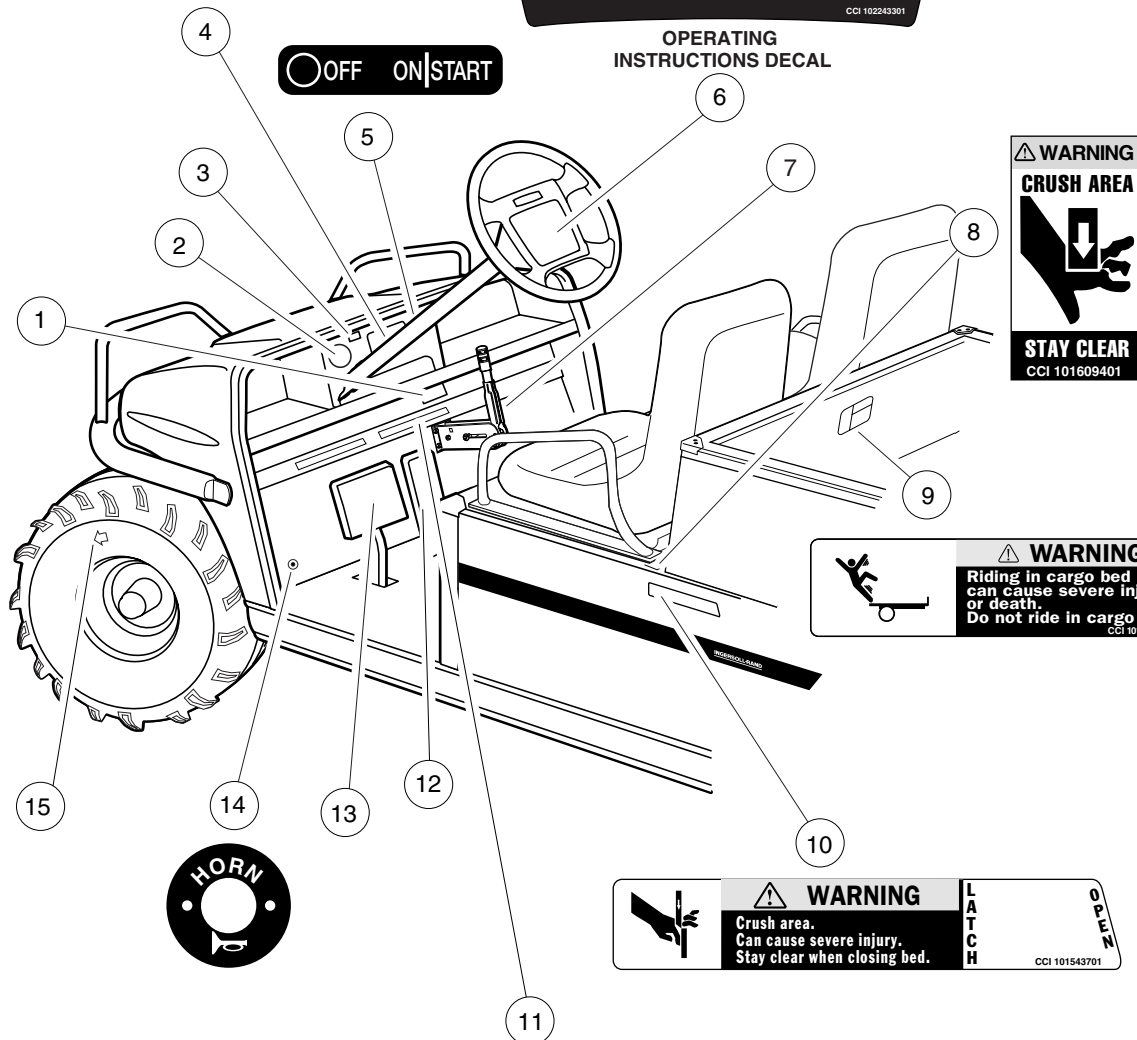
- Forward - Neutral - Reverse (Buzzer will sound)

- Release hand brake.
- Slowly push accelerator pedal to increase speed.
- Engine must be at idle before moving shift lever.

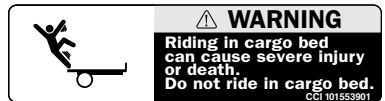
TO STOP VEHICLE

- Release accelerator pedal and push brake pedal.
- After stopping, firmly set hand brake.
- Turn key to "OFF" position, remove key and place shift lever in straight up neutral position when not in use.

CCI 102243301



OPERATING INSTRUCTIONS DECAL



⚠ WARNING

UNDER 16

YOUNG DRIVERS INCREASE CHANCE OF DEATH

- Young drivers may not be able to control vehicle.
- No drivers younger than 16 years old.

CCI 102075801

VEHICLE FEATURE IDENTIFICATION

Club Car, Inc.
4125 Washington Rd.
Augusta, GA, 30609, USA

Type: Pioneer 900 / Carryall 2 XRT
Year of Manufacture: 2004
Voltage: 12 V Power: 8.0 kW

Unladen Weight of Vehicle: 414 kg
Maximum Distributed Load "C": 227 kg



Allowance for Operator and Passenger: 180 kg
Gross Laden Weight: 850 kg
Supporting Force on Tow Hook: 667 N
Drawbar Pull: 2000 N
Maximum Load on Trailer: 227 kg

SEP184101

WARNING

• GASOLINE EXPLOSION / FIRE.
• CAN CAUSE SEVERE INJURY OR DEATH.
• NO SMOKING, SPARKS, OR OPEN FLAME.
• STOP ENGINE, ALLOW TO COOL BEFORE REFUELING.
• TURN FUEL VALVE () ON DURING OPERATION.
• () OFF DURING STORAGE OR TRANSPORT. CCI 101547601

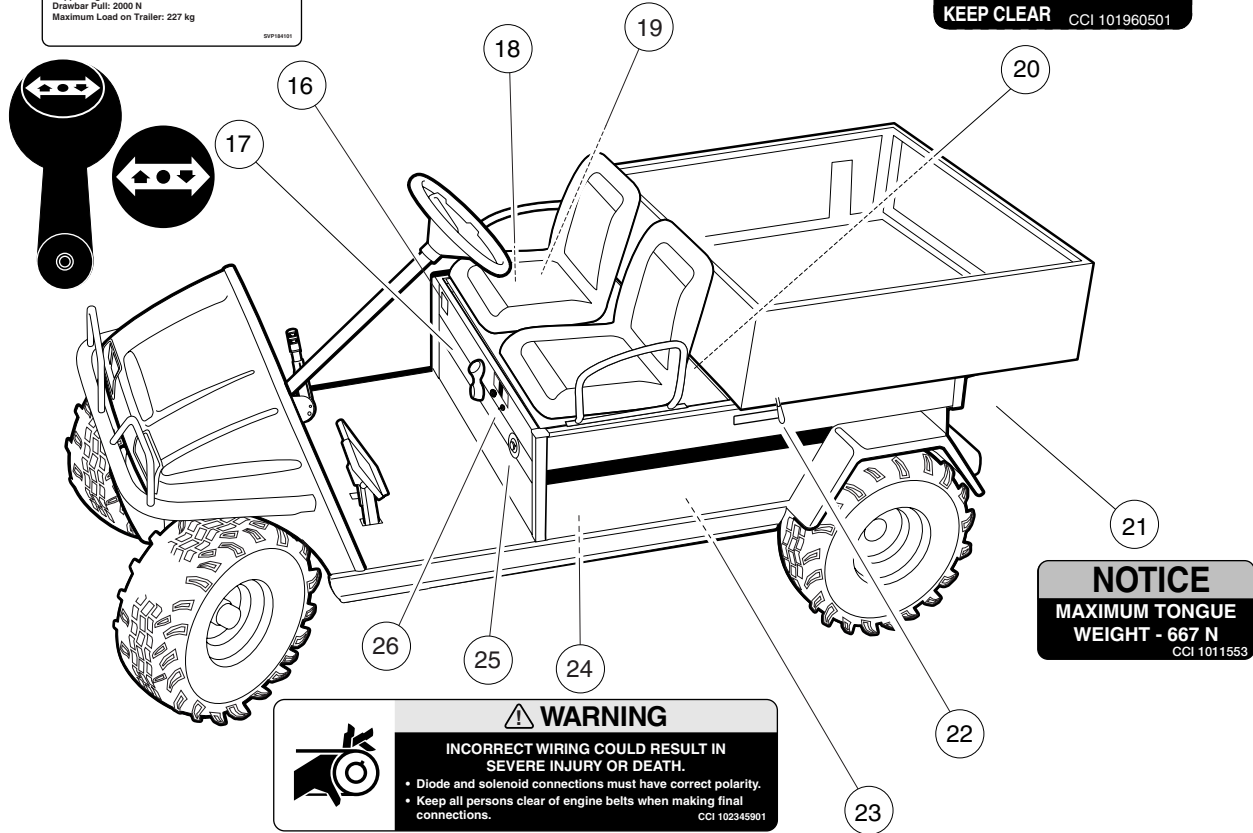
WARNING

CAN CAUSE SEVERE INJURY

Rotating parts

HOT manifold & muffler

KEEP CLEAR CCI 101960501



WARNING

Negative frame ground. Can cause severe injury. Do not contact positive (+) battery post or cable to frame. Disconnect negative battery lead first.

WARNING

Excessive speed. Can cause severe injury or death. Do not tamper with engine governor adjustment. CCI 101915201

IDENTIFICATION KEY

- | | | |
|------------------------------------|--------------------------------|--|
| (1) Serial number | (10) Bed latch warning decal | (18) Fuel shut-off valve (on fuel tank) |
| (2) Fuel gauge/hour meter | (11) Underage warning decal | (19) Gasoline warning decal (on frame) |
| (3) Low oil warning light | (12) Accelerator pedal | (20) Rotating parts and hot manifold decal (on starter/generator and engine) |
| (4) Driver/passenger warning decal | (13) Brake pedal | (21) Trailer hitch decal |
| (5) Key switch | (14) Horn | (22) Bed latch |
| (6) Operating instructions decal | (15) Directional arrow on tire | (23) Frame ground and governor warning decal (on frame) |
| (7) Park brake handle | (16) Vehicle information decal | (24) Diode wiring decal |
| (8) Crush area decal | (17) Forward/Reverse handle | (25) Choke |
| (9) Bed load warning decal | | (26) Electric bed lift |

Practice Safety



Safety signs like you see above may at first seem shocking, but their impact is mild compared with the reality of severe personal injury.

Your safety and satisfaction are of the utmost importance to Club Car. That is why before operating the vehicle, we urge you to review the information in this manual. Understand and become familiar with the DANGER, WARNING and CAUTION statements and procedures it contains, along with the safety decals that are affixed to your vehicle.

Take time to understand the language of safety. It is a language that can save your life.

PROPOSITION 65 – STATE OF CALIFORNIA

⚠ WARNING

This product contains or emits chemicals or substances that have been determined by the state of California to cause cancer and birth defects or other reproductive harm.

SAFETY DETAILS

⚠ WARNING

- This owner's manual should be read completely before attempting to drive or service the vehicle. Failure to follow the instructions in this manual could result in property damage, severe personal injury, or death.

It is important to note that some vital statements throughout this manual and on the decals affixed to the vehicle are preceded by the words DANGER, WARNING, or CAUTION. For your protection, we recommend that you take special notice of these safety precautions. Safety precautions are essential and must be followed.

If any of the operation or warning decals on the vehicle become damaged, have been removed, or cannot be easily read, they should be replaced immediately to avoid possible property damage, personal injury, or death. Contact your Pioneer dealer.

⚠ DANGER

- A DANGER indicates an immediate hazard that will result in severe personal injury or death.

⚠ WARNING

- A WARNING indicates an immediate hazard that could result in severe personal injury or death.

⚠ CAUTION

- A CAUTION indicates a hazard or unsafe practice that could result in minor personal injury or product or property damage.

CAUTION

- A CAUTION without the safety alert symbol indicates a hazardous situation that potentially could result in property damage.

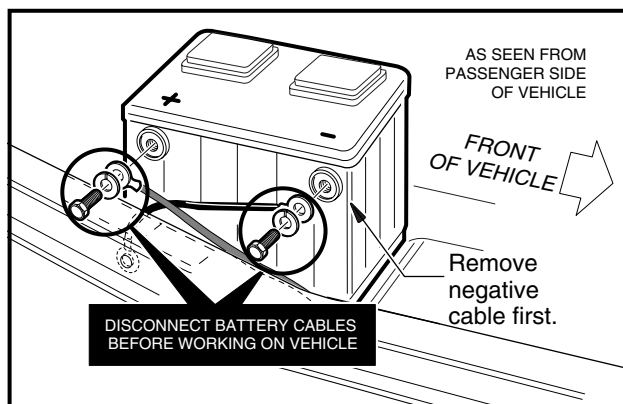


Figure 1 Battery Cable Removal

GENERAL WARNINGS

The following safety statements must be heeded whenever the vehicle is being operated, repaired, or serviced. Vehicle feature identification information is also included on pages 4 and 5. Other specific safety statements appear throughout this manual and on the vehicle.

DANGER

- **Battery – Explosive gases! Do not smoke. Keep sparks and flames away from the vehicle and service area. Ventilate when charging or operating vehicle in an enclosed area. Wear a full face shield and rubber gloves when working on or near batteries.**
- **Gasoline – Flammable! Explosive! Do not smoke. Keep sparks and flames away from the vehicle and service area. Service only in a well-ventilated area.**
- **Do not operate gasoline vehicle in an enclosed area without proper ventilation. The engine produces carbon monoxide, which is an odorless, deadly poison.**
- **A Club Car vehicle will not provide protection from lightning, flying objects, or other storm-related hazards. If caught in a storm while driving a Club Car vehicle, exit the vehicle and seek shelter in accordance with applicable safety guidelines for your location.**

WARNING

- **Follow the procedures exactly as stated in this manual, and heed all DANGER, WARNING, and CAUTION statements in this manual as well as those on the vehicle.**
- **Do not leave children unattended on vehicle.**
- **Prior to leaving the vehicle unattended or servicing the vehicle, turn the key switch OFF, remove the key, and place the Forward/Reverse handle in the NEUTRAL position. Chock the wheels when servicing the vehicle.**
- **Improper use of the vehicle or failure to properly maintain it could result in decreased vehicle performance, severe personal injury, or death.**
- **Any modification or change to the vehicle that affects the stability or handling of the vehicle, or increases maximum vehicle speed beyond factory specifications, could result in severe personal injury or death.**
- **Check the vehicle for proper location of all vehicle safety and operation decals and make sure they are in place and are easy to read.**
- **For vehicles with cargo beds, remove all cargo before raising the bed or servicing the vehicle. If the vehicle is equipped with a prop rod, ensure that it is securely engaged while bed is raised. Do not close bed until all persons are clear of cargo bed area. Keep hands clear of all crush areas. Do not drop cargo bed; lower gently and keep entire body clear. Failure to heed this warning could result in severe personal injury or death.**
- **Only trained technicians should service or repair the vehicle. Anyone doing even simple repairs or service should have knowledge and experience in electrical and mechanical repair. The appropriate instructions must be used when performing maintenance, service, or accessory installation.**
- **To avoid unintentionally starting the vehicle:**
 - **Disconnect battery cables, negative (–) cable first (Figure 1).**
 - **Disconnect the spark plug wire from the spark plug.**
- **Frame ground – Do not allow tools or other metal objects to contact frame when disconnecting battery cables or other electrical wiring. Do not allow a positive wire to touch the vehicle frame, engine, or any other metal component.**

- **Wear safety glasses or approved eye protection when servicing the vehicle. Wear a full face shield and rubber gloves when working on or near batteries.**
- **Do not wear loose clothing or jewelry such as rings, watches, chains, etc., when servicing the vehicle.**
- **Use insulated tools when working near batteries or electrical connections. Use extreme caution to avoid shorting of components or wiring.**

GENERAL INFORMATION

This utility vehicle is especially designed for off-road transportation of cargo and passengers. Its construction allows for operation on extremely rough terrain on inclines not exceeding 20%. The vehicle is not intended for use on public streets, roads, or highways or for operation in flammable or explosive atmospheres.

Throughout this manual, important vehicle information and features are highlighted. We urge the owner/operator to read and understand this manual.

MODEL IDENTIFICATION

The serial number of each vehicle is printed on a bar code decal (1) mounted on the frame directly above the accelerator pedal (Example: XG0401-123456) (**Figure 2**). There is also a second serial number decal mounted on the front body frame behind the center dash panel. The center dash panel must be removed to view this decal. **See following NOTE.**

NOTE: Have the vehicle serial number available when ordering parts or making inquiries.

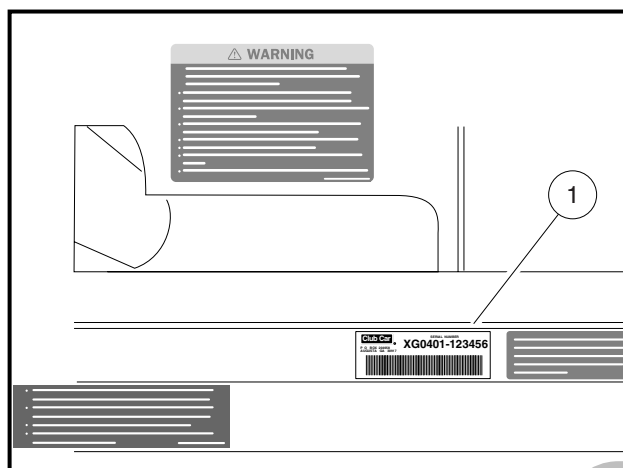


Figure 2 Serial Number

CONTROLS AND INDICATORS

Read **DANGER** and **WARNING** on page 8.

⚠ WARNING

- Before allowing anyone to drive the vehicle, make sure the driver is familiar with all controls and operating procedures.
- Do not tamper with the governor. Doing so will void the warranty, as well as damage the engine and other components, and could result in property damage, personal injury, or death due to unsafe speeds.
- Do not modify or change the vehicle in any way that might affect its stability or handling, or increase maximum vehicle speed beyond factory specifications. Property damage, personal injury, or death could result.
- Do not shift the Forward/Reverse handle while the vehicle is in motion.
- Engine must be at idle before shifting the Forward/Reverse handle. Failure to do so may result in injury to inattentive passengers and (or) damage to the vehicle.
- To avoid unintentionally starting or rolling the vehicle, set the park brake, turn the key switch to OFF, and remove the key when leaving the vehicle.

KEY SWITCH

The key switch is mounted on the dash to the right of the steering column (**Figure 3**). It has three positions, OFF, ON, and START. To start the vehicle, place the Forward/Reverse handle in the NEUTRAL position and turn the key past the ON position to the START position and hold until the engine is running smoothly. Release the key and it will return to the ON position and the engine should idle. The engine will continue to idle until the key is turned to the OFF position. **See following WARNING, CAUTION, and NOTE.**

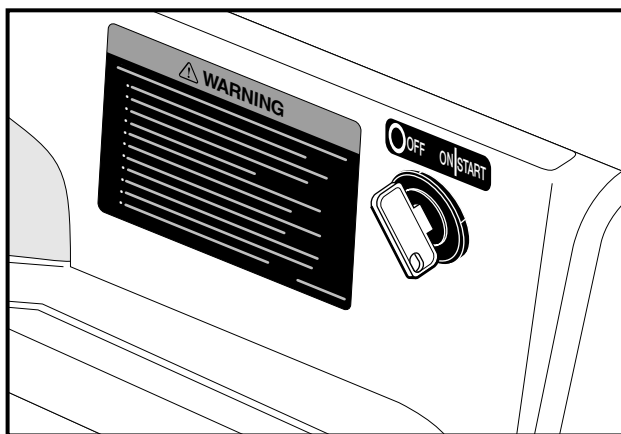


Figure 3 Key Switch

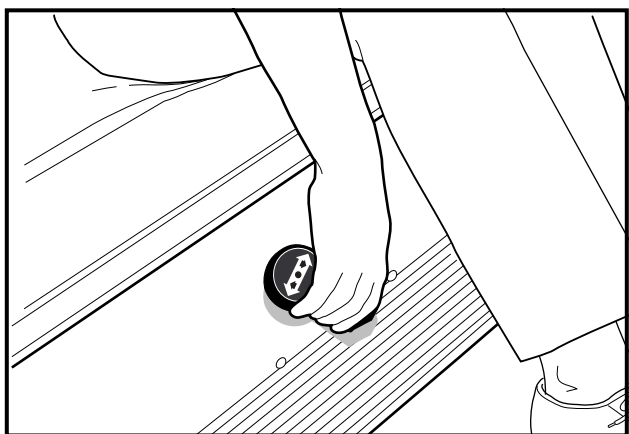


Figure 4 Forward/Reverse Handle

⚠ WARNING

- **Moving parts!** Keep clear of the engine compartment while the engine is running.

CAUTION

- Do not “rev” the engine for long periods of time while the Forward/Reverse handle is in the NEUTRAL position. Failure to heed this caution could result in damage to the unitized transaxle.
- Do not shift the Forward/Reverse handle while the accelerator pedal is pressed. Shift the handle only when the vehicle is at a complete stop and the engine is at idle. Failure to heed this caution could result in damage to the unitized transaxle.

NOTE: The key can be removed only when the key switch is in the OFF position.

FORWARD/REVERSE CONTROL

The Forward/Reverse handle is located on the seat support panel (**Figure 4**). The handle has three distinct positions: ▲ (FORWARD), ● (NEUTRAL), and ▼ (REVERSE). Rotate the handle to the FORWARD position, towards the driver, to operate the vehicle in the forward direction. Rotate the handle to the REVERSE position, towards the passenger, to operate the vehicle in the reverse direction. The engine can be started only when the handle is in the NEUTRAL, or straight up, position. **See WARNING and CAUTION on page 10.**

The vehicle operates at a reduced speed in reverse. The reverse buzzer will sound as a warning when the Forward/Reverse handle is in the REVERSE position.

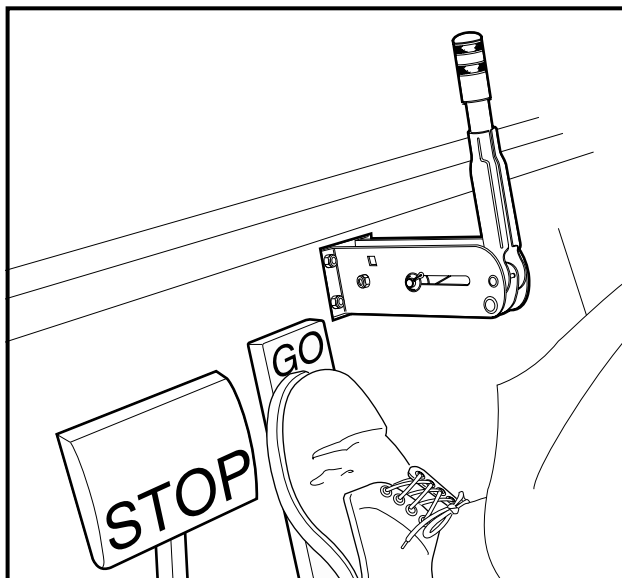


Figure 5 Accelerator and Brake Pedals

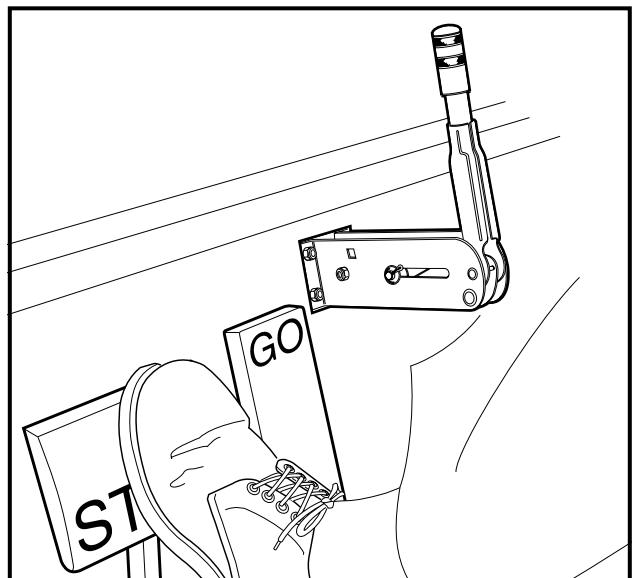


Figure 6 Brake Pedal

ACCELERATOR PEDALS

The accelerator pedal is the pedal on the right, with the word GO molded into it (**Figure 5**).

With the engine running and the Forward/Reverse handle in the FORWARD or REVERSE position, vehicle speed will increase as the accelerator pedal is pressed. When the accelerator pedal is released, it will return to the original position and the engine will drop back to idle. **See WARNING and CAUTION on page 10.**

BRAKE PEDAL

The brake pedal is the large pedal on the left with the word STOP molded into it (**Figure 5**). To slow or stop the vehicle, press the brake pedal (**Figure 6**).

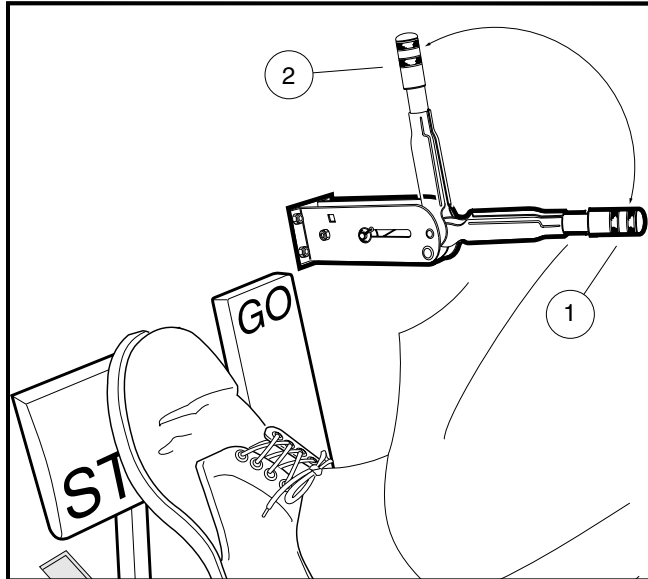


Figure 7 Hand Brake

PARK BRAKE

The park brake handle is located on the floorboard to the right of the accelerator pedal. To set the hand brake, pull the park brake handle down until park brake is fully engaged (1). To disengage, press the button on the end of the handle and return handle to upright position (2) (**Figure 7**).

CHOKE

The choke (1) is located on the seat support panel below and to the left of the driver's left knee. If the vehicle is hard to start in cool or cold temperatures, activate choke: press the accelerator pedal halfway to the floor, then pull the choke handle out to activate. Release the handle when the engine begins to run smoothly (**Figure 8**).

ELECTRIC BED LIFT

The electric bed lift switch is located on the seat support panel, to the left of the choke (**Figure 8**). The bed lift is equipped with a key switch that locks the lift switch, minimizing unauthorized access to moving parts of the engine compartment.

To lift the bed, insert the lift switch key (2), and turn it to the on (I) position. Pull up and hold the toggle switch (3) in the up (UP) (▲) position. Release switch to stop lifting operation. To close the bed, press down and hold switch in the down (DN) (▼) position. The bed lift will make a loud clicking sound to signal the bed is in the rest position. Turn the lift switch key to the locked (O) position and remove key.

WARNING

- Keep clear of moving parts when bed is in the raised position and the engine is running.

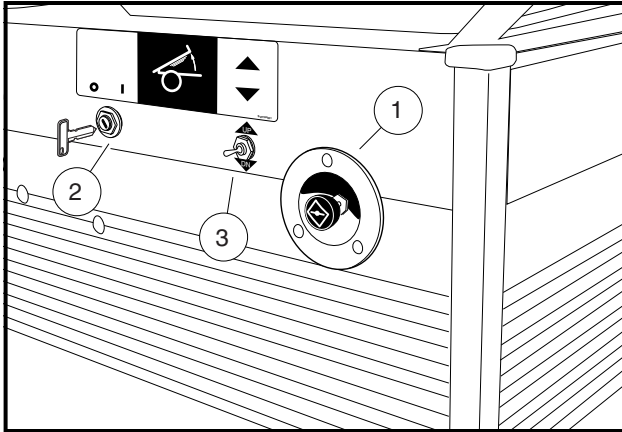


Figure 8 Choke and Bed Lift

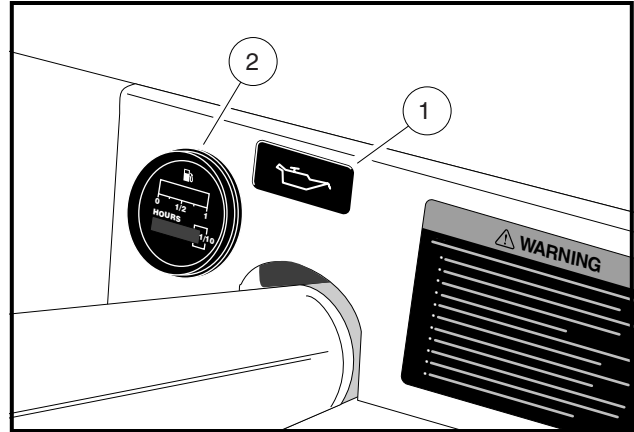


Figure 9 Oil Light

LOW OIL WARNING LIGHT

The vehicle is equipped with a low oil warning light (1), located on the dash panel just above the steering column (**Figure 9**). If the warning light comes on, oil should be checked and added to the engine as necessary before continuing to use the vehicle. The vehicle should never be driven when the low oil warning light remains on. If the warning light goes on and off, the vehicle may be driven, but oil should be added at the first opportunity. If the oil level is correct and the warning light stays on, have a trained technician check the vehicle. **See following CAUTION.**

CAUTION

- Failure to add oil immediately when the oil warning light stays on may result in permanent engine damage.

FUEL GAUGE/HOUR METER

The vehicle is equipped with a fuel gauge/hour meter (2), located on the dash panel (**Figure 9**). The fuel gauge allows the operator to monitor the fuel level in the vehicle. The hour meter should be used by the trained technician to track vehicle usage and determine when periodic service procedures are required. **See Periodic Service Schedule on page 22.**

HEADLIGHT CONTROL

The headlight control is located on the front dash between the fuel gauge/hour meter and steering column. Pull the headlight control knob out to turn headlights on and push the knob in to turn headlights off.

NOTE: Using the headlights for extended periods of time without the engine running, or with the engine idling, will discharge the battery.

PRE-OPERATION AND DAILY SAFETY CHECKLIST

Read DANGER and WARNING on page 8.

Each vehicle is thoroughly inspected and adjusted at the factory; however, upon receiving your new vehicle(s), you should become familiar with its controls, indicators, and operation. Carefully inspect each vehicle to ensure that it is in proper working condition before accepting delivery.

Use the following checklist as a guide to inspect the vehicle. This checklist should also be used daily to ensure that the vehicle is in proper working condition and in conjunction with the Periodic Service Schedule on page 22. Any problems should be corrected by a Pioneer dealer or a trained technician.

- **General:** All the parts should be in place and properly installed. Be sure that all nuts, bolts, and screws are tight. Check hose clamps for tight fit and the starter belt for tightness.
- **Safety and information decals:** Check to ensure that all safety and information decals are in place. **See pages 4 and 5.**
- **Tires:** Check for proper tire pressure on your new vehicle. Visually inspect tires for wear, damage, and proper inflation on a daily basis. **See Vehicle Specifications on page 30.**
- **Battery:** Before using vehicle for the first time check electrolyte to ensure it is at the proper level (**Figure 18, Page 28**). Check battery posts. Wires should be tight and free of corrosion and battery should be fully charged. Check that terminal covers are in place and in good condition.
- **Engine:** Check for proper engine oil level. **See Engine Oil on page 25.**
- **Fuel:** Check fuel level upon initial delivery. **See Fueling Instructions on page 26.** Check fuel tank, lines, cap, pump, fuel filters, and carburetor for fuel leakage on a daily basis.
- **Exhaust system:** Check for leaks.

WARNING

- **Be sure the plastic has been removed from the seat bottom before operating the vehicle. Failure to do so may result in a fire, property damage, personal injury or death.**

PERFORMANCE INSPECTION

After you have familiarized yourself with the vehicle's controls and have read and understood the driving instructions, take the vehicle for a test drive.

Use the following checklist as a guide to inspect the vehicle and check daily for proper operation. Any problems should be corrected by a Pioneer dealer or a trained technician.

- **Forward/Reverse shifter:** Check for proper operation. **See Controls and Indicators on page 10.**
- **Brakes:** Be sure the brakes function properly. When brake pedal is fully pressed under moderate pressure, it should not go more than halfway to the floor, and vehicle should come to a smooth, straight stop. If the brake pedal goes more than halfway to the floor, or if the vehicle swerves or fails to stop, have the brake system checked and adjusted as required. Brake adjustment must be maintained so the brake pedal cannot be pressed to the floor under any circumstance.
- **Park Brake:** Apply moderate pressure to park brake handle. Tension should increase as the handle is pulled. When latched, the park brake should lock the wheels and hold the vehicle stationary (on an incline of 20% or less).
- **Reverse Buzzer:** The reverse buzzer should sound as a warning when the Forward/Reverse handle is in the REVERSE position.

- **Steering:** The vehicle should be easy to steer and should not have any play in the steering wheel.
- **Accelerator:** After starting the engine with the key switch and placing the Forward/Reverse handle in the FORWARD position, the vehicle should accelerate smoothly to full speed as the accelerator pedal is pressed. When the pedal is released it should return to the original position and the engine should idle. Vehicles operate at reduced speed in reverse.
- **Governor:** Check the maximum speed of the vehicle on a level surface. Refer to Vehicle Specifications on page 30 for rated speed for the vehicle.
- **General:** Listen for any unusual noises such as squeaks or rattles. Check the vehicle's ride and performance. Have a Pioneer dealer or a trained technician investigate anything unusual.

DRIVING INSTRUCTIONS

WARNING

- Only licensed drivers should be allowed to drive this vehicle.
- Before allowing the vehicle to be driven, make sure the driver is familiar with all controls and operating procedures.
- No one under the age of 16 years should be allowed to drive the vehicle.
- No more than two people should be on the vehicle at one time.
- Do not allow riders in the cargo bed.
- For night use, the vehicle must be equipped with headlights, taillights, and reflectors.
- The vehicle is not specially equipped for handicapped persons:
 - Be sure all persons can properly operate the vehicle prior to allowing them to drive the vehicle.
 - Be sure all passengers are capable of securing themselves in a vehicle before allowing them to ride in one.
- Stop the vehicle before shifting the Forward/Reverse handle. Engine must be at idle before shifting the Forward/Reverse handle. Failure to do so may result in injury to inattentive passengers and (or) damage to the vehicle.
- To avoid being struck, do not stand in front of or behind the vehicle.
- Do not leave children unattended on vehicle.
- Operate the vehicle from the driver seat only.
- To prevent falls from the vehicle, remain seated and hold on to armrest at all times. Driver should keep both hands on the steering wheel when the vehicle is in motion.
- To prevent the possibility of serious injury, keep entire body inside the vehicle.
- To prevent overturning the vehicle, drive slowly in turns.
- To prevent overturning the vehicle, drive slowly straight up and down slopes, never across them. Avoid driving the vehicle on slopes exceeding 20% incline.
- Avoid stopping on a hill when loaded. If you must stop on a hill, avoid sudden starts, or rolling backwards and stopping suddenly. Failure to heed this warning may cause vehicle to overturn, possibly resulting in severe personal injury.
- To avoid possible injury to inattentive passengers and (or) damage to the vehicle, avoid sudden starts, sudden stops, and abrupt turns.

WARNING CONTINUED ON NEXT PAGE...

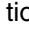

WARNING

- To avoid the possibility of losing control of or overturning the vehicle, reduce speed for adverse driving conditions such as wet grass or rough terrain.
- Do not use the vehicle on public roads. It is neither designed nor intended for street use and should not be licensed for use on public roads.
- The vehicle should be driven by trained drivers in specified areas only.
- Do not drive while under the influence of alcohol, drugs, or medications.
- Use brakes to reduce speed when coasting downhill.
- Never attempt jumps.

No one should drive the vehicle without first being instructed in the proper operation and use of vehicle controls. An experienced operator should accompany each first-time driver on a test drive before allowing the driver to operate the vehicle alone. Only licensed drivers should be allowed to operate the vehicle.

To ensure safe operation of the vehicle, follow exactly and in order, all of the following procedures. Read and understand all instructions prior to driving the vehicle.

STARTING THE VEHICLE

1. Read safety warnings on dash and vehicle loading information located above pedals.
2. Be sure load, if any, is secure.
3. Study and understand controls.
4. Be sure passenger is seated and holding on to armrest. Driver should have both hands on the steering wheel.
5. Make sure wheels are turned in desired direction and nothing is in your path.
6. Make sure the Forward/Reverse handle is in the NEUTRAL position.
7. Press and hold the brake pedal.
8. Turn the key all the way to the START position and hold, activating the choke as necessary, until the engine is running smoothly. The engine will idle in the NEUTRAL position.
9. Release the hand brake.
10. While keeping the brake pedal engaged, select direction of travel by placing shift handle in desired position ( = forward or  = reverse). A buzzer will sound as a warning when the Forward/Reverse handle is in the REVERSE position.
11. Release the brake pedal completely, then slowly press the accelerator pedal. The vehicle will start to move. As the accelerator is pressed, speed will increase until full speed is reached. **See following WARNING.**

WARNING

- The driver must control vehicle speed when going downhill.
- Never shift the vehicle out of the FORWARD position while going downhill. If you do, you will not be able to shift into the REVERSE position or back into the FORWARD position until stopped.
- Press the brake pedal as necessary and press the accelerator pedal partially when descending a hill. With the accelerator pedal partially pressed, the governor will cause the engine to assist the brakes in controlling downhill speed.

STOPPING THE VEHICLE

To stop the vehicle, release the accelerator pedal and press the brake pedal until the vehicle comes to a complete stop. See following **WARNING** and **CAUTION**.

⚠ WARNING

- Driving through water may affect the brakes. After driving through water, check effectiveness of the brakes by gently pressing the brake pedal. If the vehicle does not slow down at the normal rate, continue to press the brake pedal until the brakes dry out and normal performance returns.

⚠ CAUTION

- When stopped on a hill, use the brake pedal to hold your position. Do not use the accelerator pedal.

PARKING AND LEAVING THE VEHICLE

1. After stopping the vehicle, set hand brake until it locks. Make sure it is fully engaged. This will prevent the vehicle from rolling.
2. Turn the key switch to OFF and place the Forward/Reverse handle in the NEUTRAL position. Remove the key, and turn the fuel shut-off valve to closed (OFF) position when the vehicle is not in use (**Figure 10, Page 20**). See also **Figure 16, Page 27**.

LOADING AND UNLOADING

⚠ WARNING

- Firmly engage the park brake before loading the vehicle.
- Do not allow riders in the cargo bed.
- Reduce vehicle load and speed when driving up or down slopes or on uneven terrain.
- Do not exceed the maximum vehicle capacity. Rated capacity is for level surfaces only.
- Overloading can affect vehicle handling or cause component failure, resulting in loss of control of vehicle and possible severe personal injury.
- Reduce speed and avoid sudden stops when backing up. Failure to do so may cause the vehicle to overturn or flip over backwards.
- Avoid stopping on a hill when loaded. If you must stop on a hill, avoid sudden starts, or rolling backwards and stopping suddenly. Failure to heed this warning may cause vehicle to overturn, possibly resulting in severe personal injury.
- Do not load the tailgate. The tailgate should be in the upright position and latched securely while the vehicle is in motion.
- To avoid shifting the vehicle load and possibly overturning the vehicle, avoid sudden starts, sudden stops, and abrupt turns.
- The cargo's center of gravity may affect the handling, steering, and braking of the vehicle.
- To prevent cargo from shifting and possibly injuring a passenger or affecting the vehicle's handling, cargo should be evenly spread over the floor of the cargo bed as far forward as possible and well secured.

WARNING CONTINUED ON NEXT PAGE...

 WARNING

- Exercise caution when operating in high winds; vehicle can become unstable under certain loading conditions.
- Avoid top-heavy loads. The center of gravity of a load should never exceed 38 cm (15 inches) above the bottom of the cargo bed.
- Always unload cargo bed before raising vehicle with a lift, hoist, or jack.

Center and secure cargo as far forward as possible in the cargo bed. Do not overload the vehicle. **See the following chart for vehicle capacities.**

Compare the calculated value for the total load. Cargo load should never exceed maximum rated capacity.

Maximum payload capacity (Cargo bed load and gross trailer weight)	227 kg
Maximum vehicle capacity (Cargo bed load, passengers, and gross trailer weight)	414 kg
Maximum gross vehicle weight (Fully loaded vehicle, including accessories)	850 kg
Maximum passenger capacity (Operator and passenger)	180 kg
Trailer tongue weight	667 N
Drawbar pull	2000 N

TOWING WITH THE VEHICLE** WARNING**

- Never tow a vehicle or trailer on public streets or highways.
- Normal vehicle operating speed should be reduced when towing.
- Extreme caution should be used when towing.
- Do not exceed the maximum vehicle capacity. Rated capacity is for level surfaces only.
- Do not allow riders in the vehicle or trailer being towed.
- Avoid sudden starts, sudden stops, and tight turns when towing.
- Avoid stopping on a hill when towing. If you must stop on a hill, avoid sudden starts, or rolling backwards and stopping suddenly. Failure to heed this warning could cause vehicle to overturn, possibly resulting in severe personal injury.

Because towing another vehicle or a trailer can have adverse effects on vehicle handling, be especially cautious when towing with a the vehicle. The sum of the gross trailer weight and cargo bed load must never exceed rated capacity. **See the preceding chart for vehicle capacities.**

Parking the vehicle with a trailer on a hill should be avoided. If you must park on a hill, apply the park brake and have someone chock the tires of the trailer. Slowly release the park brake to allow the chocks to absorb the load of the trailer, then firmly set the park brake.

TRANSPORTING ON A TRAILER

WARNING

- Turn fuel shut-off valve to closed (OFF) position (Figure 10).
- Do not allow riders in the trailer being towed.
- Avoid sudden starts, sudden stops, and tight turns when transporting a vehicle on a trailer.
- Reduce normal driving speed when transporting a vehicle on a trailer.
- For use on public roads, the trailer must meet all governmental requirements such as taillights, brake lights, etc.
- Never tow the vehicle behind a passenger vehicle or truck on a public road unless it is on an approved trailer.
- The vehicle to be transported should be tied securely to the trailer, with the park brake firmly engaged, the Forward/Reverse handle in the NEUTRAL position, and the key switch OFF.
- Because of the added length of the trailer, use caution when making turns.
- Never transport the vehicle on a trailer with a load in the vehicle cargo bed.
- Remove the vehicle windshield before transporting on a trailer.

If the vehicle must be transported over long distances or on public highways, it should be transported on an approved trailer that has an approved load rating of 909 kg (2000 lb.) per vehicle being transported.

NOTE: A two-car trailer should be rated at $2 \times 909 = 1818$ kg ($2 \times 2000 = 4000$ lb.).

STORAGE

Read DANGER and WARNING on page 8.

DANGER

- Never attempt to drain gasoline when the engine is hot or while it is running.
- Be sure to clean up any spilled gasoline before operating the vehicle.
- Store gasoline in an approved gasoline container only. Store in a well-ventilated area away from sparks, open flames, heaters, or heat sources.
- Keep gasoline out of the reach of children.
- Do not siphon gasoline from the vehicle.

WARNING

- Turn the key switch OFF, remove the key, and leave the Forward/Reverse handle in the NEUTRAL position during storage. This is to prevent unintentionally starting the vehicle or a fire hazard.
- Turn fuel shut-off valve to closed (OFF) position (Figure 10).
- Do not attempt to charge a frozen battery or a battery with a bulged case. Discard the battery. Frozen batteries can explode.

CAUTION

- Batteries in a low state of charge will freeze at low temperatures.

TO PREPARE THE VEHICLE FOR EXTENDED STORAGE

1. Unload the vehicle so that tires are supporting only the weight of the vehicle.
2. Store vehicle in a cool, dry place. This will minimize battery self-discharge. If the battery appears to be weak, have it charged by a trained technician. Use an automotive-type 12-volt battery charger rated at 10 amps or less.
3. Drain carburetor and seal the fuel tank.
 - 3.1. Place the Forward/Reverse handle in the NEUTRAL position. Turn the fuel shut-off valve to the closed (OFF) position (**Figure 10**) and run the engine until fuel remaining in the carburetor and fuel lines is depleted and the engine stalls.
 - 3.2. Loosen, but do not remove, the carburetor drain screw and drain fuel remaining in bowl into a small clean container, then pour the fuel from the container into vehicle fuel tank. Tighten the carburetor drain screw.

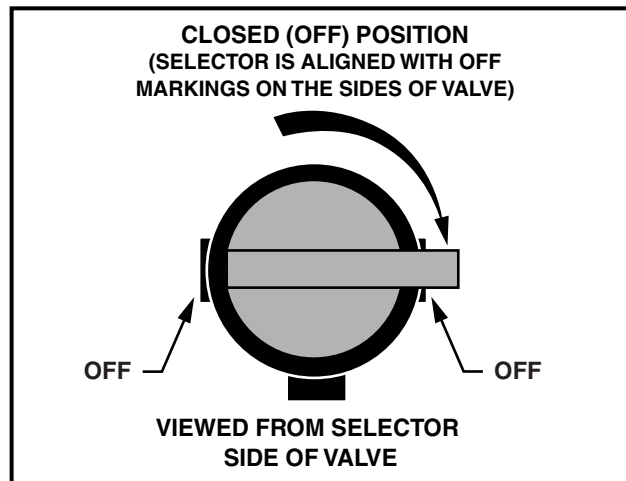


Figure 10 Fuel Shut-off Valve – Closed Position

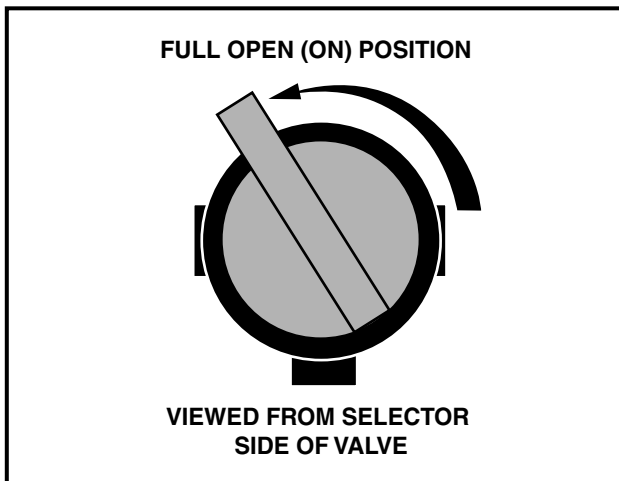


Figure 11 Fuel Shut-off Valve – Open Position

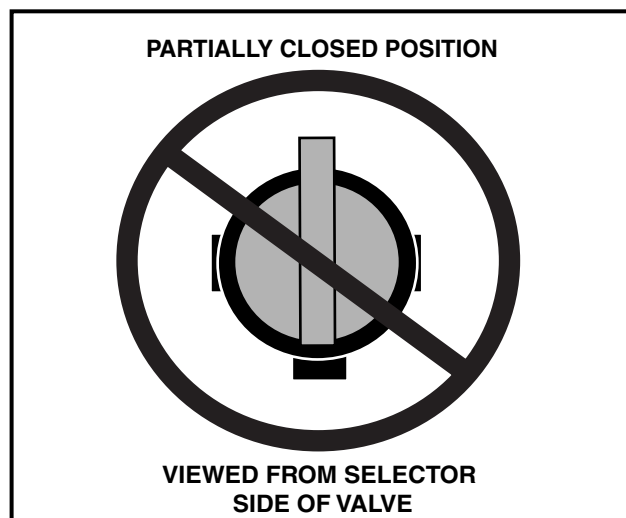


Figure 12 Incorrect Fuel Shut-off Valve Setting

- 3.3. Fill fuel tank to about 1 inch (2.5 cm) from top of fuel tank and, following manufacturer's directions, add a commercially available fuel stabilizer (such as Sta-Bil®).
- 3.4. Disconnect fuel vent line from fuel tank vent nipple.
- 3.5. Plug the fuel tank vent nipple so that it is air tight. We recommend using a slip-on vinyl cap.
4. Disconnect battery cables, negative (-) cable first.
5. Batteries should be clean and free of corrosion. Wash tops and terminals of batteries with a solution of baking soda and water (1 cup (237 mL) baking soda per 1 gallon (3.8 L) of water). Rinse solution off batteries. Do not allow this solution to enter the batteries. Be sure terminals are tight. Let the terminals dry and then coat them with Battery Terminal Protector Spray (CCI P/N 1014305).
6. To protect the engine, remove spark plug and pour 1/2 ounce (14.2 mL) of SAE 10 weight oil into the engine through the spark plug hole. Rotate engine crankshaft by hand several times and then install the spark plug.
7. Adjust tires to recommended tire pressure. **See Vehicle Specifications on page 30.**
8. Perform semiannual periodic lubrication. **See Periodic Lubrication Schedule on page 24.**
9. Thoroughly clean front body, rear body, seats, cargo bed, engine compartment, and underside of vehicle.
10. Do not engage the park brake. Chock the wheels to prevent the vehicle from rolling.

TO RETURN THE STORED VEHICLE TO SERVICE

1. Restore fuel system to operation.
 - 1.1. Remove plug from fuel tank vent.
 - 1.2. Connect vent tube to fuel tank vent.
2. Connect battery cables, positive (+) cable first.
3. Completely open the fuel shut-off valve (**Figure 11**). Make sure the valve is fully open. A partially closed fuel shut-off valve (**Figure 12**) combined with the use of the choke can result in a fouled spark plug and engine failure.
4. Place the Forward/Reverse handle in the NEUTRAL position. Crank the engine until fuel is pumped into the carburetor and fuel lines and the engine starts. Turn the engine off. **See following NOTE.**

NOTE: Due to the oil added to the engine in preparation for storage, engine may smoke excessively for a short while when running it for the first time after storage.

5. Adjust tires to recommended tire pressure. **See Vehicle Specifications on page 30.**
6. Perform the Pre-Operation and Daily Safety Checklist on page 14.

MAINTENANCE

Read DANGER and WARNING on page 8.

To ensure trouble-free vehicle performance, it is very important to follow an established preventive maintenance program. Regular and consistent vehicle maintenance can prevent vehicle downtime and expensive repairs that result from neglect. Use the Pre-Operation and Daily Safety Checklist on page 14 and the following Periodic Service Schedule and Periodic Lubrication Schedule to keep the vehicle in proper working condition.

Any vehicle not functioning correctly should be removed from use until it is properly repaired. This will prevent further damage to the vehicle and avoid the possibility of injury due to unsafe conditions.

Contact your local Pioneer dealer to perform all repairs and semiannual and annual periodic service.

WARNING

- If any problems are found during scheduled inspection or service, do not operate the vehicle until repairs are made. Failure to make necessary repairs could result in fire, property damage, severe personal injury, or death.
- Do not wear loose clothing or jewelry, such as rings, watches, chains, etc., when servicing the vehicle.
- Turn key switch to the OFF position, remove the key, place the Forward/Reverse handle in the NEUTRAL position, and chock wheels prior to servicing.
- Moving parts – do not attempt to service vehicle while the engine is running.
- Do not work on vehicle powertrain or under the cargo bed when it is loaded.
- Turn fuel shut-off valve to closed (OFF) position (Figure 10).
- Hot! Do not attempt to service hot engine or exhaust system. Attempting to do so could cause severe burns.
- For vehicles with cargo beds, remove all cargo before raising the bed or servicing the vehicle. If the vehicle is equipped with a prop rod, ensure that it is securely engaged. Do not close bed until all persons are clear of cargo bed area. Keep hands clear of all crush areas. Do not drop cargo bed; lower gently and keep entire body clear. Failure to heed this warning could result in severe personal injury or death.
- To avoid unintentionally starting the vehicle:
 - Disconnect battery cables, negative (–) cable first (Figure 1, Page 7).
 - Disconnect the spark plug wire from the spark plug.
- If wires are removed or replaced make sure wiring and wire harness are properly routed and secured. Failure to properly route and secure wiring could result in vehicle malfunction, property damage, personal injury, or death.
- Lift only one end of the vehicle at a time. Use a suitable lifting device (chain hoist or hydraulic floor jack) with 1000 lb. (454 kg) minimum lifting capacity. Do not use lifting device to hold vehicle in raised position. Use approved jack stands of proper weight capacity to support the vehicle and chock the wheels that remain on the floor. When not performing a test or service procedure that requires movement of the wheels, lock the brakes.

PERIODIC SERVICE SCHEDULE

Read DANGER and WARNING on page 8.

WARNING

- Service, repairs, and adjustments must be made per instructions in the appropriate maintenance and service manual.

NOTE: If the vehicle is constantly subjected to heavy use or severe operating conditions, the preventive maintenance procedures should be performed more often than recommended in the Periodic Service and Lubrication Schedules.

Both the Periodic Service Schedule and the Periodic Lubrication Schedule must be followed to keep vehicle in optimum operating condition.

PERIODIC SERVICE SCHEDULE		
REGULAR INTERVAL	SERVICE	
Monthly service by owner or trained technician	Engine	Check engine oil level; change if necessary. See Periodic Lubrication Schedule on page 24.
		Check engine cooling air intake; visually inspect unshrouded area around engine exhaust for grass and debris, and clean if necessary.
	Tires	Check air pressure and adjust if necessary. See Section 2 – Specifications in the appropriate maintenance and service manual.
	General vehicle	Wash engine compartment and underside of vehicle. Do not wash engine when hot.
Semiannual service by trained technician only (every 50 hours of operation)	Battery	Clean terminals and wash dirt from casing; check electrolyte level. See Figure 18, Page 28.
	Front wheel alignment and camber	See Section 7 – Steering and Front Suspension in the appropriate maintenance and service manual.
	Electrical wiring and connections	Check for tightness and damage.
	Brake system	Check brake shoes; replace if necessary. See Section 6 – Wheel Brake Assemblies in the appropriate maintenance and service manual.
		Lubricate brake slides per Lubrication Schedule. See Section 6 – Wheel Brake Assemblies in the appropriate maintenance and service manual.
Check brake cables for damage; replace if necessary.		
Annual service by trained technician only (every 100 hours of operation)	Engine	Check for leaks around gaskets, fill plugs, etc.
		Inspect, clean and gap spark plug; replace if necessary.
	Engine air intake system	Check air filter element; clean or replace if necessary.
		Check clamps for tightness; check hose for cracks.
General vehicle	Check for loose hardware and tighten if necessary.	
Two year service by trained technician only (every 200 hours of operation)	Fuel filters	Replace.

⚠ WARNING

- If any problems are found during scheduled inspection or service, do not operate the vehicle until repairs are made. Failure to make necessary repairs could result in fire, property damage, severe personal injury, or death.

PERIODIC LUBRICATION SCHEDULE

Read DANGER and WARNING on page 8.

PERIODIC LUBRICATION SCHEDULE			
REGULAR INTERVAL	SERVICE	LUBRICATION POINT	RECOMMENDED LUBRICANT
Semiannually by owner or trained technician (every 50 hours of operation)	Brake pedal shaft bearings	1	Dry Moly Lube (CCI P/N 1012151)
	Brake linkage and pivots	2	Dry Moly Lube (CCI P/N 1012151)
	Accelerator push rod pivots, mounts, and shifter cable pivots	3	Dry Moly Lube (CCI P/N 1012151)
	Front suspension (5 fittings)	4	Chassis Lube (EP NLGI Grade 2)
	Brake slides	5	Dry Moly Lube (CCI P/N 1012151)
Annually by trained technician only (every 100 hours of operation)	Check/fill unitized transaxle to plug level	6	00.8 L (27 oz.) 80-90 WT. API Class GL-3 or 80-90 WT. AGMA Class EP Gear Lube
	Inspect front wheel bearings (Repack as necessary)	7	Chassis Lube – EP NLGI Grade 2
First change 100 hours – additional change every 200 hours of operation or annually, whichever comes first.	Change engine oil and oil filter	8	.95 L (32 oz.) without filter; 1.12 L (38 oz.) with filter. See Oil Viscosity on page 26.

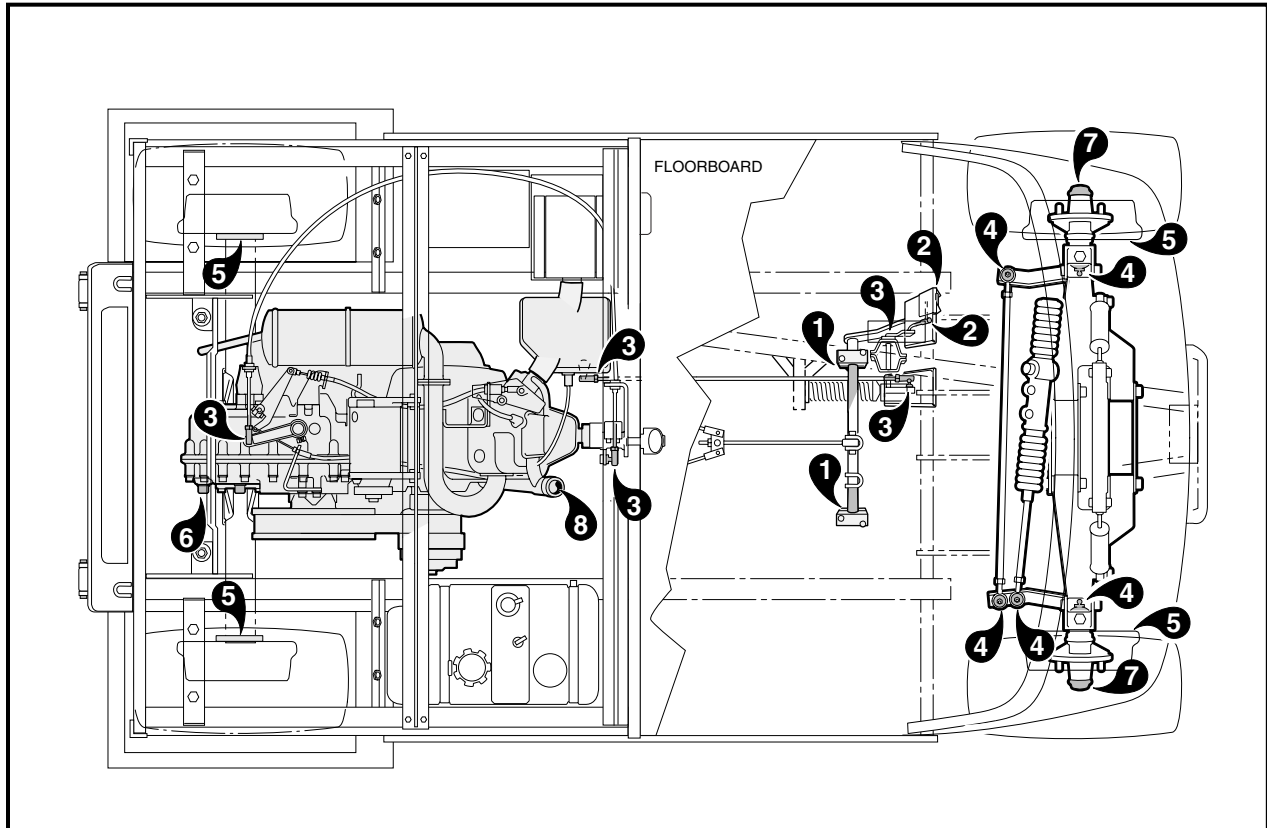


Figure 13 Vehicle Lubrication Points

ENGINE OIL

Even though the low oil warning light on the dash should illuminate if oil level is low, the engine oil level should be checked monthly. The vehicle should be on a level surface when checking oil (**Figure 14**). Do not overfill with oil.

1. Remove the oil level dipstick from the oil filler tube and wipe oil from stick.

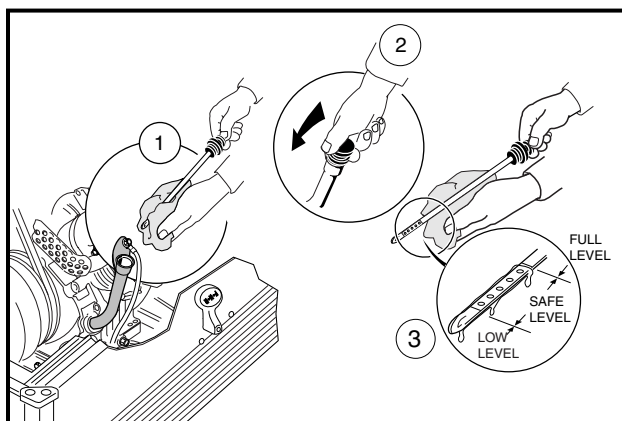


Figure 14 Check Oil Level

⚠ CAUTION

- Do not remove dipstick while engine is running.
2. Check oil by fully inserting the dipstick into the oil filler tube and immediately removing it again.
 3. If the oil level is at or below the low level mark on the dipstick gauge, add oil until the level is between low and full levels (safe level).
 4. Reinsert dipstick into the oil filler tube.

OIL VISCOSITY

Choose the viscosity according to the temperature as follows:

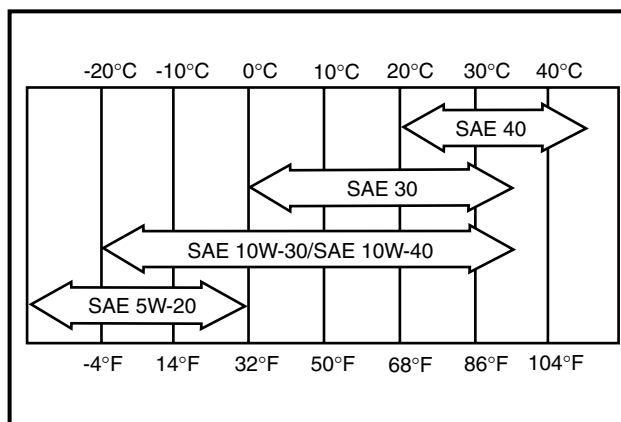


Figure 15 Oil Viscosity Chart

NOTE: Using multi-grade oils (5W-20, 10W-30, and 10W-40) will increase oil consumption. Check oil level more frequently when using them.

FUELING INSTRUCTIONS

Read **DANGER** and **WARNING** on page 8.

⚠ DANGER

- Gasoline vapors – Battery vapors – Flammable! Explosive! Do not smoke. Keep sparks and flames away from the vehicle and service area. Service only in well-ventilated areas.
- Turn key switch to the OFF position before fueling.
- Never pour gasoline into the fuel tank when the engine is hot or while it is running.
- To avoid electric arc caused by static electricity, the fuel storage/pumping device must be grounded. If the pump is not grounded, the vehicle must be grounded to the pump before and during the fueling operation.
- If the vehicle has an all-weather enclosure installed, be sure the fuel tank is properly vented as shown (Figure 16).
- To avoid the possibility of fire, clean up any spilled gasoline before operating the vehicle.

▲ CAUTION

- To allow for expansion, do not fill higher than 2.5 cm (one inch) from the top of the fuel tank. Avoid spilling fuel.

NOTE: Whenever possible, avoid using oxygenated fuels and fuels that are blended with alcohol. Vehicles to be stored for extended periods should be prepared for storage as instructed on page 19 of this manual.

1. Lift and remove seat bottom.
2. The fuel tank is located on passenger side of vehicle. Remove fuel cap and fill the fuel tank with fresh unleaded gasoline only. **See preceding DANGER, CAUTION, and NOTE.**
3. Replace fuel cap on tank. Make sure cap is tightened securely.
4. Replace seat bottom.

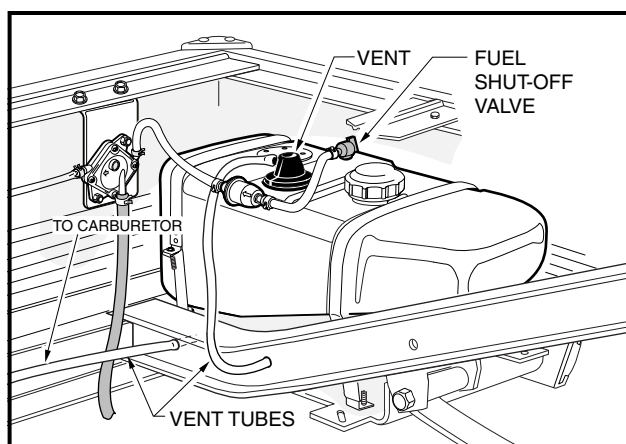


Figure 16 Fuel Tank

BATTERY

Read **DANGER** and **WARNING** on page 8.

▲ DANGER

- **Battery – Explosive gases! Do not smoke! Keep sparks and flames away from vehicle and service area.**
- Tools, wires, and metal objects can cause sparks when shorted across a battery.
- Follow all instructions carefully when working with batteries.
- Charge battery in a well-ventilated area only.
- **Poison! Contains acid! Causes severe burns – avoid contact with skin, eyes, or clothing.**
Antidotes:
 - External: Flush with water for 15 minutes. Call a physician immediately.
 - Internal: Drink large quantities of milk or water followed with milk of magnesia or vegetable oil. Call a physician immediately.
 - Eyes: Flush with water for 15 minutes. Call a physician immediately.

⚠ WARNING

- Do not jump start the vehicle. To charge the battery, use an automotive-type 12-volt charger rated at 10 amps or less.
- Wear safety glasses or approved eye protection when servicing the vehicle. Wear a full face shield and rubber gloves when working with batteries.
- Use insulated tools when working around battery or electrical connections.
- Frame ground – Do not allow tools or other metal objects to contact frame when disconnecting battery or other electrical wiring. Never allow a positive wire to touch the vehicle frame, engine, or other metal component.

The battery in the gasoline vehicle is a 12-volt, low-maintenance battery that requires infrequent watering (Figure 17).

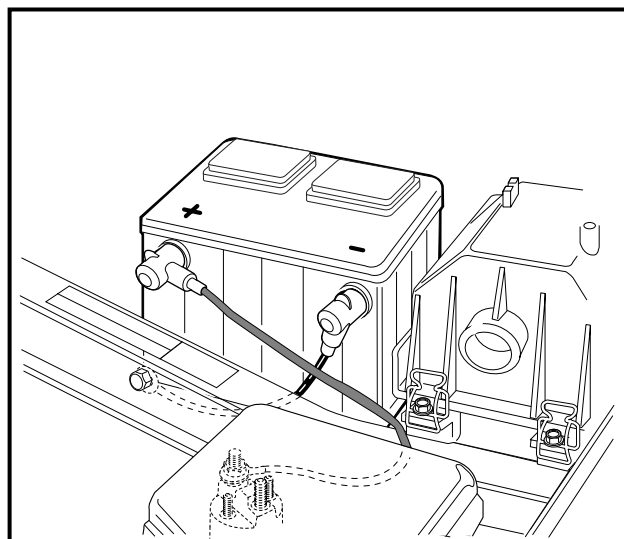


Figure 17 Battery

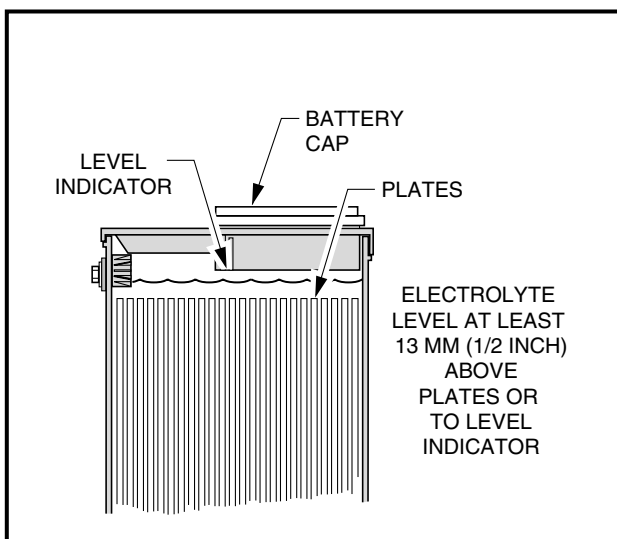


Figure 18 Battery Electrolyte Level

Any corrosion around the positive (+) or negative (–) terminals should be washed off with a solution of baking soda and water (237 mL (1 cup) per 3.8 L (one gallon) of water) and then the baking soda solution rinsed off the battery. Do not allow the solution to get into the battery. Be sure terminals are tight. Let the terminals dry and then spray them with Club Car Battery Terminal Spray (CCI P/N 1014305). **See following CAUTION.**

⚠ CAUTION

- If battery wire terminals are damaged or corroded, replace or clean them as necessary. Failure to do so may cause them to overheat during operation.

NOTE: Dispose of waste water properly.

Be sure battery clamp is properly tightened. Tighten to 16.3 N·m (12 ft-lb). A loose clamp may allow the battery to become damaged from vibration or jarring.

If battery appears weak, have it charged by a trained technician. The battery should never be left discharged any longer than absolutely necessary (do not leave discharged overnight).

CLEANING THE VEHICLE

The vehicle is equipped with an ArmorFlex® front body and an all-aluminum rear body. Use a commercially available automotive cleaning solution with a sponge or soft cloth for normal cleaning. A garden hose at normal residential water pressure is adequate. To remove oxidation or discoloration from aluminum, use a commercially available aluminum cleaner paste and fine grade (No. 00) steel wool.

Club Car does not recommend any type of pressure washing or steam cleaning. Such a process will expose electrical components to moisture. Moisture entering electrical components can result in water damage and subsequent component failure.

Use non-abrasive wax products. Battery acid, fertilizers, tars, asphalt, creosote, paint, or chewing gum should be removed immediately to prevent possible stains.

The seats of the vehicle will last longer with proper cleaning. Use a solution of 10% liquid soap and warm water applied with a soft cloth. For imbedded dirt, a soft bristle brush may be used. For heavy soiling, difficult stains, or scratches, blemishes, or other body damage, see Section 4 of the appropriate maintenance and service manual. **See following NOTE.**

NOTE: *Dispose of waste water properly.*

ACCESSORIES

There is a complete line of accessory equipment available from Club Car and our dealers/distributors. You can obtain the name and phone number of your closest Club Car contact by visiting our web site at www.clubcar.com and clicking the “Find a Dealer” link.

Care should be taken that these accessories are properly installed by trained technicians, and that they are used in the manner for which they were designed. **See following WARNING.**

WARNING

- **Custom cab assemblies, canopy tops, weatherproof enclosures, and windshields will NOT protect occupants from flying objects.**
- **If the vehicle is equipped with an electric powered or hydraulic bed lift, remove the bed before servicing the bed lift system.**

SUBSEQUENT OWNER REGISTRATION

In the event a vehicle is bought as a used vehicle from another individual or from a dealer, we strongly urge the new owner to register the vehicle with Club Car. This will enable us to contact you if the need arises. Please send your name, address, and serial number of the vehicle to Club Car, Inc., P.O. Box 204658, Augusta, Georgia 30917-4658, Attention: Vehicle Registration.

VEHICLE SPECIFICATIONS

SPECIFICATIONS	
POWER SOURCE	
Engine: 4-cycle OHV, 351 cc, 11 hp rated, single-cylinder, air-cooled, with pressure lubrication system	•
Fuel system: Side-draft carburetor with float bowl, fixed jets, fuel filters, and impulse fuel pump	•
Governor: Automatic ground-speed sensing, internally geared in unitized transaxle	•
Ignition: Transistor electronic ignition with electronic RPM limiter	•
Unitized transaxle: Fully synchronized forward and reverse with neutral (11.8:1 forward, 17.1:1 reverse)	•
Electrical system: 12 volt, 500 cca at -17.8 °C (0 °F), 650 at 0 °C (32 °F). 105-minute reserve capacity and 35-amp charging capacity	•
Torque converter: Automatic, variable-speed, dry type	•
STEERING/SUSPENSION/BRAKES	
Steering: Self-adjusting rack and pinion	•
Suspension: Front and rear multi-leaf springs with dual hydraulic shocks	•
Brakes: Mechanical brake cable system to manually adjusted drum brakes on each wheel with separate hand-operated park brake; self-adjusting multi-latch ratchet and pawl	•
BODY CHASSIS	
Frame/Chassis: Twin I-Beam welded aluminum	•
Side and rear body: All aluminum	•
Front body: ArmorFlex®	•
Front body finish: Matched paint finish over molded-in color	•
Tires: Heavy Duty All-Terrain: tubeless, 6-ply rated Turf: tubeless, 4-ply rated	22 x 11.00 x 10 in. 23 x 10.50 x 12 in.
DIMENSIONS/WEIGHT	
Overall length	305 cm (120.4 in.)
Overall width	130 cm (51.3 in.)
Overall height (at steering wheel)	129 cm (51.1 in.)
Overall height (at light bar)	191 cm (75.3 in.)
Wheelbase	199 cm (78.5 in.)
Ground clearance (under differential)	16 cm (6.4 in.)
Front wheel tread	92 cm (36.5 in.)
Rear wheel tread	104 cm (41.3 in.)
Weight (standard vehicle with all-terrain tires; dry)	413.6 kg (910 lb.)
Forward speed (Carryall / Turf 2 XRT)	24-27 km/h (15-17 mph)
Forward speed (Pioneer 900)	27-31 km/h (17-19 mph)
Governed RPM (Carryall / Turf 2 XRT)	2900 ± 30
Governed RPM (Pioneer 900)	3100 ± 30
Curb clearance circle (diameter)	660 cm (21 ft.-8 in.)
Turning radius (per SAE J 695)	330 cm (130 in.)
Load bed height	75 cm (29.8 in.)
Vehicle Specifications continued on next page...	

SPECIFICATIONS	
Load bed size (box bed inside dimensions)	124 x 126 x 28 cm (48.8 x 49.8 x 10.9 in.) (15.3 cubic feet)
Floorboard height	40 cm (16.0 in.)
Maximum vehicle capacity (passengers, cargo load, and gross trailer weight – level surface only)	414 kg (900 lb.)
Maximum payload capacity (cargo load and gross trailer weight – level surface only)	227 kg (500 lb.)
Maximum vehicle gross weight (fully loaded, accessories included)	850 kg (1900 lb.)
Standard seating capacity	2
Seat height (at seat bottom)	71 cm (28.0 in.)
CLIMATIC EXTREMES	
Operating temperature range	-20 to 40 °C (4 to 104 °F)
LIQUID CAPACITIES	
Engine crankcase without filter	.95 L (32 oz.)
Engine crankcase with filter	1.12 L (38 oz.)
Unitized transaxle: 80-90 WT. API Class GL-3 or 80-90 WT. AGMA Class EP Gear Lube	0.8 L (27 oz.)
Fuel tank (unleaded gasoline only)	26.5 L (7 gal.)
TIRE PRESSURE	
All-terrain tread	.96-1.24 Bars (14-18 psi)
Turf tread	1.24-1.38 Bars (18-20 psi)

REAR FENDER INSTALLATION

1. Unload the cargo bed.
2. Open the cargo bed and engage the prop rod.

⚠ WARNING

- Use caution when working under bed. Be sure prop rod is secure. Otherwise the bed could fall, resulting in severe personal injury or death.

NOTE: The rear fender with the warning decal should be installed on the passenger side of the vehicle. The decal should be plainly visible when the cargo bed is raised.

3. Position a fender in the vehicle, align the hole in the fender with the slot in the frame as shown and install bolt (1), flat washers (2), and locknut (3) (**Figure 19**). Finger-tighten only at this time.

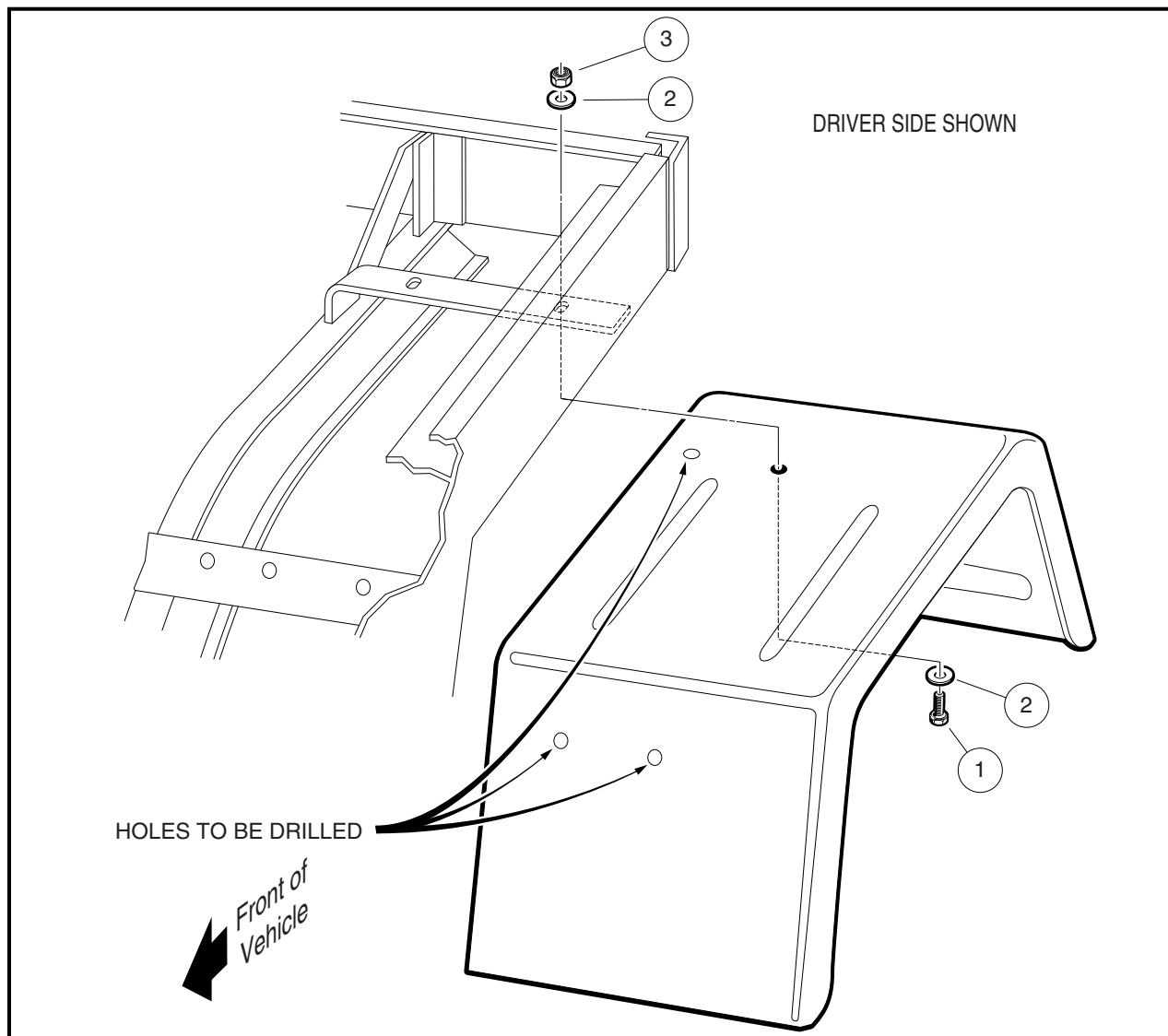


Figure 19 Install Hardware in Fender Hole

4. Make sure fender is correctly aligned in the vehicle by placing the outer fender rib to the outside of the upper side panel, and as far forward as possible, leaving no gap between the fender and side panel (**Figure 20**).
5. Drill three 5/16-inch holes through the fender: Two through the outside holes in the front mounting bracket, and one through the slotted hole in the top mounting bracket (**Figure 20**).
6. Loosely install bolts (1), large flat washers (2), small flat washers (4), and locknuts (3) in the front mounting bracket holes.
7. Install bolt (1), small flat washer (4), large flat washer (2) and locknut (3) in the top mounting bracket hole as shown (**Figure 20**).
8. Tighten mounting hardware at both front mounting bracket holes, then both top mounting bracket holes, to 35 in-lb (4.0 N·m).
9. Repeat steps 3-8 for the other rear fender.
10. Lower cargo bed.

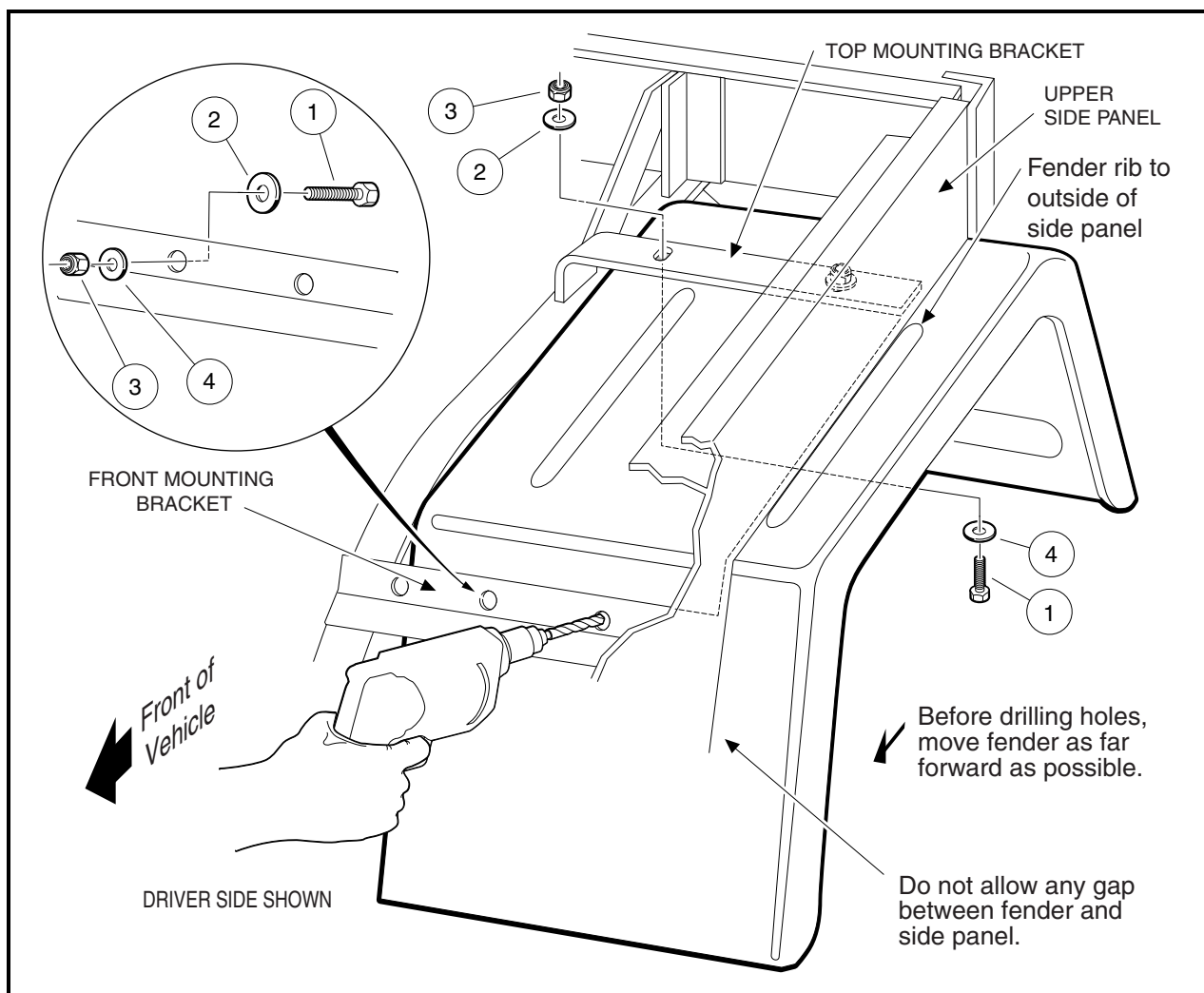


Figure 20 Drill Additional Mounting Holes

WHEEL AND TIRE INSTALLATION

NOTE: Upon vehicle delivery, the shipping wheel and tire assemblies must be replaced by the standard wheel and tire assemblies, which are delivered in the vehicle cargo bed.

Do not remove the warning tag attached to the steering wheel until the shipping wheel and tire assemblies have been replaced by standard wheel and tire assemblies.

Unlike some other vehicles, the front and rear wheels are NOT interchangeable. The rear wheels have a different offset than do the front wheels; the rear wheels must be installed with the deeper offset facing out.

A rectangular sticker on each wheel designates its correct location on the vehicle.

LF —Left Front (driver side)

RF—Right Front (passenger side)

LR—Left Rear

RR—Right Rear

Standard tires (off-road) for the vehicle are directional and must be installed according to the directional arrow mark on each tire, (arrow must indicate forward rotation of tire) or tread performance will be severely compromised. The optional turf tire is not directional, and installation is dictated only by correct wheel position, not tire direction.

1. Slightly loosen the lug nuts on all four wheels.
2. Raise one end of the vehicle until the tires are off the ground by approximately 15.2 cm (six inches). **See following WARNING.**

WARNING

- **Lift only one end of a vehicle at a time. Before lifting, set the park brake when lifting the front of the vehicle, unload the cargo bed, and chock the wheels that remain on the floor. Use a suitable lifting device (chain hoist or hydraulic floor jack) with 454 kg (1000 lb.) minimum lifting capacity. Do not use lifting device to hold vehicle in raised position. Use approved jack stands of proper weight capacity to support vehicle.**
3. Remove the lug nuts and the wheel.
 4. Install the correct wheel and tire assembly and tighten lug nuts (using a crisscross pattern) until they are snug. **Arrow must indicate forward rotation of tire.**
 5. Repeat steps 3 and 4 for the other side of the vehicle.
 6. Lower the vehicle to the ground and finish tightening lug nuts (using a crisscross pattern) to 74.6 N·m (55 ft-lb.).
 7. Repeat steps 2-6 for the other end of the vehicle.

CLUB CAR® LIMITED TWO YEAR WARRANTY FOR 2004 TRANSPORTATION AND UTILITY VEHICLES

1. WARRANTY:

CLUB CAR, INC., ("CLUB CAR") hereby warrants to the Original Retail Purchaser that its new 2004 Model Transportation and Utility Vehicles purchased from CLUB CAR or an authorized dealer shall be free from defects in material and workmanship under normal use and service as a transportation or utility vehicle for the periods stated below, subject to the provisions, limitations and exclusions contained in this limited warranty.

LIMITED TWO YEAR / 2000 HOUR WARRANTY: The engine assembly, unitized transaxle assembly (gasoline vehicle), motor, transaxle assembly (electric vehicle), main frame assembly, hydraulic dump kit, Custom Cab assembly and doors, and Driving Range Protective Enclosure are warranted with respect to parts and labor against defects in material and workmanship for a period of two years or 2000 hours of operation, whichever first occurs, from the date of purchase.

LIMITED ONE YEAR / 1000 HOUR WARRANTY: All remaining components of the vehicle not specified otherwise, the Portable Refreshment Center, and all other original equipment options and accessories supplied by CLUB CAR are warranted with respect to parts and labor against defects in material and workmanship for a period of one year or 1000 hours of operation, whichever first occurs, from the date of purchase.

This limited warranty covers material, workmanship and repair labor cost as to those items specifically listed above for the periods specified. Such repair labor shall be performed only by CLUB CAR, its authorized dealers, or a service agency approved by CLUB CAR.

IF THE WARRANTY REGISTRATION FORM IS NOT COMPLETED AND RETURNED TO CLUB CAR AT THE TIME OF THE ORIGINAL RETAIL SALE, PURCHASER MUST PROVIDE PROOF OF DATE OF PURCHASE WITH ANY WARRANTY CLAIM.

2. EXCLUSIONS:

Excluded from any CLUB CAR warranty are all fuses, filters, decals (except safety decals), spark plugs, light bulbs, lubricants, trim pieces, seats, routine wear items such as the charger plug and receptacle, brake shoes, belts, brushes, bushings, engine mounts, mats and pads, maintenance adjustments, cosmetic deterioration, and items which deteriorate or fail due to exposure or ordinary wear and tear. Batteries, battery charger, onboard computer, and solid-state speed controller are covered under separate CLUB CAR warranties. Also excluded from any CLUB CAR warranty is damage to a vehicle or component resulting from a cause other than a defect including unreasonable or unintended strain or use, improper installation of accessories, installation of parts or accessories that are not original equipment, overloading, accident, alteration, abuse or neglect.

Transportation expenses for warranty services are also excluded from this warranty.

3. VOIDING OF WARRANTY:

THIS AND ANY OTHER WARRANTY SHALL BE VOID IF THE VEHICLE IS ABUSED OR USED IN AN UNINTENDED MANNER OR SHOWS INDICATIONS THAT IT HAS BEEN ALTERED IN ANY WAY, INCLUDING, BUT NOT LIMITED TO, MODIFICATION OF THE SPEED GOVERNOR, BRAKING SYSTEM, STEERING, TRANSAXLE, OR OTHER OPERATING SYSTEMS OF THE VEHICLE TO CAUSE IT TO PERFORM OUTSIDE CLUB CAR SPECIFICATIONS. THE WARRANTY IS LIKEWISE VOID IF THE VEHICLE INVOLVED SHOWS INDICATIONS THAT REASONABLE OR NECESSARY MAINTENANCE AS OUTLINED IN THE OWNER'S MANUAL AND MAINTENANCE AND SERVICE MANUAL WAS NOT PERFORMED AT THE TIME AND IN THE MANNER SPECIFIED IN SUCH MANUALS.

4. SOLE REMEDY:

CLUB CAR's liability under this limited warranty, or in any action whether based upon warranty, contract, negligence, strict product liability or otherwise, shall be the repair or replacement, at CLUB CAR's option, of the vehicle or component thereof that CLUB CAR deems to be defective. Replacement shall mean furnishing, during the applicable limited warranty period, a new vehicle or factory-reconditioned vehicle or component thereof that is identical or reasonably equivalent to the warranted product or component at no cost to the purchaser. Repair shall mean remedying a defect in the vehicle or component thereof at no cost to the purchaser during the applicable limited warranty period. If CLUB CAR elects to repair the vehicle, it may provide factory-reconditioned parts or components. All parts and components replaced under warranty shall become the property of CLUB CAR.

5. HOW TO MAKE A WARRANTY CLAIM:

To make a warranty claim under this limited warranty, you must present the vehicle or defective component to an authorized CLUB CAR dealer or send the defective component, freight prepaid, to WARRANTY SERVICES, CLUB CAR, INC., 4125 Washington Road, Evans, Georgia 30809, U.S.A., 706-863-3000.

6. DISCLAIMER:

THIS LIMITED WARRANTY IS EXCLUSIVE. CLUB CAR MAKES NO OTHER WARRANTY OF ANY KIND, EXPRESSED OR IMPLIED. ANY IMPLIED WARRANTIES OF MERCHANTABILITY OR FITNESS FOR A PARTICULAR PURPOSE WHICH EXCEED THE OBLIGATIONS OR TIME LIMITS STATED IN THIS WARRANTY ARE HEREBY DISCLAIMED BY CLUB CAR AND EXCLUDED FROM THIS WARRANTY. THE PURCHASER AND CLUB CAR EXPRESSLY AGREE THAT THE REMEDY OF THE REPLACEMENT OR REPAIR OF THE DEFECTIVE VEHICLE OR COMPONENT THEREOF IS THE SOLE REMEDY OF THE PURCHASER. CLUB CAR MAKES NO OTHER REPRESENTATION OR WARRANTY OF ANY KIND, AND NO REPRESENTATIVE, EMPLOYEE, OR DEALER OF CLUB CAR HAS THE AUTHORITY TO MAKE OR IMPLY ANY REPRESENTATION, PROMISE OR AGREEMENT, WHICH IN ANY WAY VARIES THE TERMS OF THIS WARRANTY.

7. NO CONSEQUENTIAL DAMAGES:

IN NO EVENT SHALL CLUB CAR BE LIABLE FOR ANY INCIDENTAL OR CONSEQUENTIAL DAMAGES INCLUDING, BUT NOT LIMITED TO, LOSS RELATED TO PROPERTY OTHER THAN THE VEHICLE, LOSS OF USE, LOSS OF TIME, INCONVENIENCE, OR ANY OTHER ECONOMIC LOSS.

Some states allow neither limitation on the duration of an implied warranty nor exclusions or limitation of incidental or consequential damages. Therefore, the above limitations or exclusions may not apply to you.

This warranty gives you specific legal rights, and you may also have other rights, which vary from state to state.

8. INFORMATION:

For further information contact WARRANTY SERVICES, CLUB CAR, INC., P.O. Box 204658, Augusta, Georgia 30917-4658, U.S.A., 706-863-3000.

9. WARNING:

Any modification or alteration of any vehicle beyond factory specifications, including those that affect the weight distribution, stability, or speed of the vehicle, can cause serious personal injury or death.

Manual No. 102397413
Edition Code 0803A00000
English



Manufactured by
Club Car, Inc.
P.O. Box 204658
Augusta, GA 30917-4658
USA

Web www.clubcar.com
Phone 1.706.863.3000
1.800.ClubCar
Int'l +1 706.863.3000
Fax 1.706.863.5808