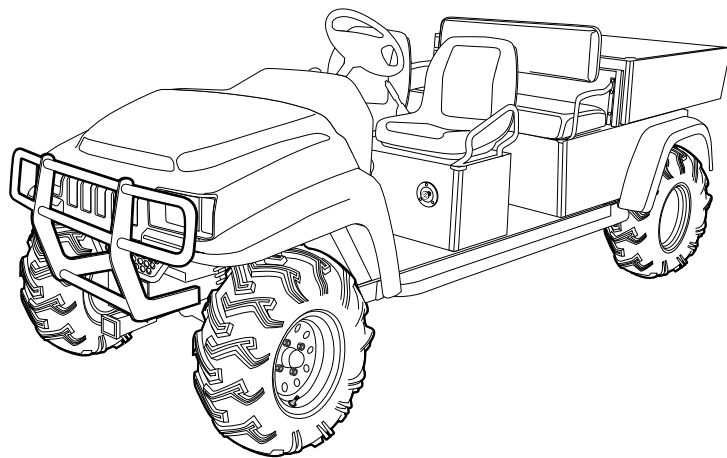
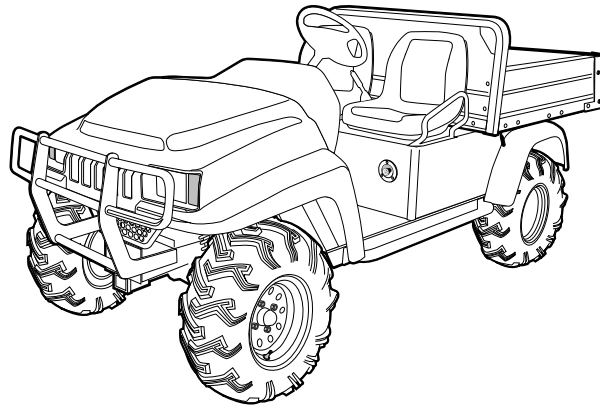


# 2004 Owner's Manual



## XRT 1200 and XRT 1200SE Gasoline Vehicles





# EMISSION CONTROL INFORMATION

## Fuel Information

THIS VEHICLE IS CERTIFIED TO OPERATE ON UNLEADED REGULAR GRADE GASOLINE ONLY. A minimum of 87 octane of the anti-knock index is recommended. The anti-knock index is posted on service station pumps in the U.S.A.

## Emission Control Information

To protect the environment in which we all live, Club Car has incorporated crankcase emission (1) and exhaust emission (2) control systems (EM) in compliance with applicable regulations of the U.S. Environmental Protection Agency and California Air Resources Board.

### 1. Crankcase Emission Control System

A sealed-type crankcase emission control system is used to eliminate blow-by gases. The blow-by gases are led to the breather chamber through the crankcase. Then, it is led to the air cleaner.

Oil is separated from the gases while passing through the inside of the breather chamber from the crankcase, and then returned back to the bottom of the crankcase.

### 2. Exhaust Emission Control System

The exhaust emission control system applied to this engine consists of a carburetor and an ignition system having optimum ignition timing characteristics.

The carburetors have been calibrated to provide lean air/fuel mixture characteristics and optimum fuel economy with a suitable air cleaner and exhaust system.

### Maintenance and Warranty

Proper maintenance is necessary to ensure that your engine will continue to have low emission levels. Those items identified by the Periodic Maintenance Chart are necessary to ensure compliance with the applicable standards.

The Club Car Limited Emission Control System Warranty requires that you return your engine to an authorized Club Car Dealer for remedy under warranty. Please read the warranty carefully, and keep it valid by complying with the owner's obligations it contains.

### Tampering with Emission Control System Prohibited

California State law prohibits the following

acts or the causing thereof: (1) the removal or rendering inoperative by any person other than for purposes of maintenance, repair, or replacement, of any device or element of design incorporated into any new engine for the purposes of emission control prior to its sale or delivery to the ultimate purchaser or while it is in use, or (2) the use of the engine after such device or element of design has been removed or rendered inoperative by any person.

Among those acts presumed to constitute tampering are the acts listed below:

Do not tamper with the original emission related parts:

- Carburetor and internal parts
- Spark plugs
- Magneto or electronic ignition system
- Fuel filter element
- Air cleaner element
- Crankcase
- Cylinder head
- Breather chamber and internal parts
- Intake pipe and tube

# FUEL AND OIL RECOMMENDATIONS

## Fuel

Use only clean, fresh, unleaded regular grade gasoline.

### Octane Rating

The octane rating of a gasoline is a measure of its resistance to "knocking". Use of a minimum of 87 octane of the anti-knock index is recommended. The anti-knock index is posted on service station pumps in the U.S.A.

### NOTE

- If "knocking or pinging" occurs, use a different brand of gasoline or higher octane rating.

## CAUTION

- Do not mix oil with gasoline.

## Oxygenated Fuel

If you use oxygenated fuel (either ethanol or MTBE added to gasoline), be sure it is unleaded and meets the minimum octane rating requirement.

The following are the EPA approved percentages of fuel oxygenates.

ETHANOL: (Ethyl or Grain Alcohol) You may use gasoline containing up to 10% ethanol by volume.

MTBE: (Methyl Tertiary Butyl Ether) You may use gasoline containing up to 15% MTBE by volume.

METHANOL: (Methanol or Wood Alcohol) 5% by volume.

You may use gasoline containing up to 5% methanol by volume, as long as it also contains cosolvents and corrosion inhibitors to protect the fuel system. Gasoline containing more than 5% methanol by volume may cause starting and/or performance problems. It may also damage metal, rubber, and plastic parts of your fuel system.

## WARNING

- Gasoline is extremely flammable and can be explosive under certain conditions. Turn the engine switch OFF. Do not smoke. Make sure the area is well ventilated and free from any source of flame or sparks; this includes any appliance with a pilot light. Never fill the tank so the fuel level rises into the filler neck. If the tank is overfilled, heat may cause the fuel to expand and overflow through the vent in the fuel tank.

## Engine Oil

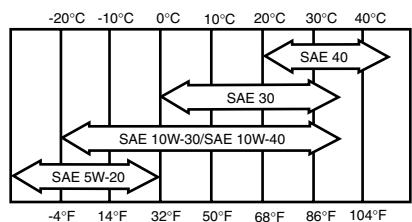
The following engine oils are recommended. API Service Classification: SC, SD, SE, SF, SG, or SH.

## WARNING

- After refueling, make sure the tank cap is closed securely.
- If gasoline is spilled on the fuel tank wipe it off immediately.

## Oil Viscosity

Choose the viscosity according to the temperature as follows:



## NOTE

- Using multi-grade oils (5W-20, 10W-30, and 10W-40) will increase oil consumption. Check oil level more frequently when using them.

## NOTICE

---

The Club Car Limited Warranty appears on the last pages of this manual. No other warranties, express or implied, are contained herein. Your authorized representative checked the vehicle before it was delivered to you and will provide you a copy of the completed vehicle warranty registration form.

Club Car is not liable for errors in this manual or for incidental or consequential damages that result from the use of the material in this manual.

This manual contains proprietary information that is protected by copyright. All rights are reserved. No part of this manual may be photocopied, reproduced, or translated to another language without the written consent of Club Car, Inc.

The information contained in this document is subject to change without notice.

Club Car, Inc. reserves the right to change specifications and designs at any time without notice and without the obligation of making changes to units previously sold.

These vehicles do not conform to Federal Motor Vehicle Safety Standards for automobiles or to FMVSS 500 for low-speed vehicles, and are not equipped for operation on public streets, roads, or highways.



**P. O. Box 204658  
Augusta, Georgia 30917-4658 USA  
Telephone 706-863-3000  
Service Parts Fax 706-855-7413  
[www.clubcar.com](http://www.clubcar.com)**

Copyright © 2004 Club Car, Inc.  
*Club Car* is a registered trademark of  
Club Car, Inc.  
This manual effective April 19, 2004.

## FOREWORD

---

Thank you for choosing Club Car, the vehicle most widely recognized as the industry leader in vehicle efficiency and long-lasting value. You have chosen the finest utility vehicle on the market. Please protect your investment and ensure that your Club Car vehicle provides years of reliable, superior performance by reading and following the maintenance instructions in this manual.

Your comfort and safety are important to us, so we urge you to read and follow the step-by-step operating instructions and safety precautions in this manual. These instructions must be followed in order to avoid the risk of severe personal injury. If you rent or loan your vehicle to others, we recommend that you ask them to read this manual before they operate the vehicle.

Club Car products are backed by a customer support system designed to offer you fast, courteous service. In the event that your Club Car vehicle needs repairs or service, we recommend that your local authorized Club Car representative perform them. For the name and address of the Club Car representative nearest you, logon to our web site at [www.clubcar.com](http://www.clubcar.com) or call 1-800-ClubCar (258-2227). If you would prefer to write to us, direct your letter to: Club Car, Attention: Marketing Services, P.O. Box 204658, Augusta, Georgia 30917-4658 USA. Your local authorized Club Car representative can also provide technical advice, parts, and service manuals.

We hope you will consider this owner's manual a permanent part of your Club Car vehicle. If you sell the vehicle, please include the manual so that the next owner will have the important operating, safety, and maintenance information it contains.

Below is a quick reference table of items that will help you maintain this vehicle. These parts can be purchased from your authorized Club Car dealer.

REGULAR MAINTENANCE ITEMS	PERIODIC MAINTENANCE ITEMS
<b>Engine Oil Filter</b> (CCI P/N 1016467)	<b>Battery</b> (CCI P/N 1012328)
<b>Engine Air Filter</b> (CCI P/N 1015426)	<b>Spark Plug O.H.V.</b> (CCI P/N 101881101)
<b>Engine Fuel Filter</b> (CCI P/N 102003201)	<b>Spring Tune-Up Kit</b> (CCI P/N 101611003)
<b>Battery Terminal Protector Spray</b> (CCI P/N 1014305)	<b>Vehicle Care Kit</b> (CCI P/N AM10021)
<b>Dry Moly Lube</b> (CCI P/N 1012151)	



## TABLE OF CONTENTS

---

Vehicle Feature Identification . . . . .	6
Safety Details . . . . .	11
General Warnings . . . . .	12
General Information . . . . .	13
Model Identification . . . . .	13
Controls and Indicators . . . . .	14
Seat Latch and Adjustment . . . . .	18
Pre-Operation and Daily Safety Checklist . . . . .	18
Driving Instructions . . . . .	20
Bed Latch and Prop Rod . . . . .	22
Front Shock Absorbers . . . . .	23
Loading and Unloading . . . . .	23
Towing with the Vehicle . . . . .	24
Transporting on a Trailer . . . . .	24
Storage . . . . .	25
Maintenance . . . . .	28
Periodic Service Schedule . . . . .	29
Periodic Lubrication Schedule . . . . .	31
Master Cylinder . . . . .	32
Engine Oil . . . . .	32
Fueling Instructions . . . . .	36
Battery . . . . .	37
Cleaning the Vehicle . . . . .	39
Accessories . . . . .	39
Subsequent Owner Registration . . . . .	40
Vehicle Specifications . . . . .	41
Club Car <sup>®</sup> Limited Two Year Warranty for 2004 Transportation And Utility Vehicles . . . . .	43

# XRT 1200

**⚠ WARNING**

**ROLLOVER OR FALLING OFF MAY CAUSE DEATH**

- Read operators manual and operating instructions.
- Remain seated and hold on to seat handle while moving.
- Drive slowly in turns and straight up and down slopes.
- Do not start vehicle until all occupants are seated.
- Front seats: One (1) person per seat maximum.
- Operate from driver side only and not on public roads.
- Keep entire body inside vehicle while moving.
- Do not operate while under the influence of alcohol or drugs.
- Never attempt jumps.

CCI 102029101

**DRIVER/PASSENGER WARNING DECAL**

**OPERATING INSTRUCTIONS**

- Read owner's manual and safety warnings located on dash panel prior to driving.
- Study and understand controls.

**TO START ENGINE**

- Place shift lever in "N"- Neutral position.
- Depress brake pedal.

• Turn key switch to "START" position and hold, activating the choke as necessary, until engine starts.

**TO OPERATE VEHICLE**

- Make sure wheels are turned in desired direction.
- Be sure nothing is in your path.

• While vehicle is stopped, and the engine is at idle, select vehicle direction by placing shift lever in desired position.

F - Forward    N - Neutral    R - Reverse (Buzzer will sound)

- Release hand brake.
- Slowly push accelerator pedal to increase speed.
- Engine must be at idle before moving shift lever.

**TO STOP VEHICLE**

- Release accelerator pedal and push brake pedal.
- After stopping, firmly set hand brake.

• Turn key to "OFF" position, remove key and place shift lever in straight up neutral position when not in use.

CCI 102224301

**OPERATING INSTRUCTIONS DECAL**

**⚠ WARNING**

**REDUCED STEERING CONTROL MAY CAUSE SERIOUS INJURY OR DEATH**

Disengage differential lock on paved surfaces.

CCI 102046601

**DIFFERENTIAL LOCK CONTROL DECAL**

**UNDER 16**

**⚠ WARNING**

**YOUNG DRIVERS INCREASE CHANCE OF DEATH**

- Young drivers may not be able to control vehicle.
- No drivers younger than 16 years old.
- Do not leave children unattended on vehicle.

CCI 102044601

**UNDERAGE WARNING DECAL**

**⚠ WARNING**

**Riding in cargo bed can cause severe injury or death. Do not ride in cargo bed.**

CCI 101553901

**BED LOAD WARNING DECAL**

**LIGHT SWITCH**

**FUEL GAUGE/HOUR METER**

**SERIAL NUMBER**

**BRAKE PEDAL**

**ACCELERATOR PEDAL**

**OFF ON START**  
**KEY SWITCH**

**LOW OIL WARNING LIGHT**

**CRUSH AREA DECAL**

**⚠ WARNING**

**CRUSH AREA**

**STAY CLEAR**

CCI 101609401

**(UNDER SEAT SUPPORT)**

**BED LATCH**

**ROTATING PARTS DECAL (TOP OF PASSENGER SIDE FENDER)**

**⚠ WARNING**

**Rotating Parts**

CCI 102224001

**FUEL SHUT-OFF VALVE (ON TOP OF FUEL TANK)**

**VEHICLE LOADING DECAL**

<p><b>VEHICLE LOADING</b></p> <p>Read Owner's Manual and warnings on dash.</p>	<ul style="list-style-type: none"> <li>• Vehicle rated capacity - 1200 lbs. on level surface only. Weight to include passengers, cargo bed load, and gross trailer weight. See Owner's Manual.</li> <li>• Maximum cargo load - 800 lbs. Weight to include cargo bed load and gross trailer weight.</li> <li>• Maximum trailer hitch tongue weight - 150 lbs.</li> </ul>	<ul style="list-style-type: none"> <li>• Cargo should be evenly spread over the floor of the cargo bed as far forward as possible and secured.</li> <li>• For vehicle stability, when fully loaded, drive slowly and avoid stopping on or backing down steep hills.</li> <li>• Avoid top heavy loads. See Owner's Manual.</li> <li>• When driving on uneven terrain or down steep hills, reduce speed and load.</li> </ul> <p>CCI 101960201</p>
--	---	---



# XRT 1200

## GASOLINE WARNING DECAL



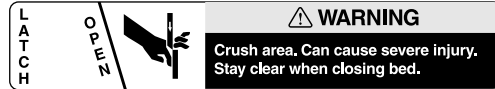
**WARNING**

- GASOLINE EXPLOSION / FIRE.
- CAN CAUSE SEVERE INJURY OR DEATH.
- NO SMOKING, SPARKS, OR OPEN FLAME.
- STOP ENGINE, ALLOW TO COOL BEFORE REFUELING.
- TURN FUEL VALVE (OFF) ON DURING OPERATION.
- (OFF) OFF DURING STORAGE OR TRANSPORT.

CCI 101547601

(ON PASSENGER SIDE SEAT SUPPORT)

## BED LATCH WARNING DECAL



**WARNING**

Crush area. Can cause severe injury. Stay clear when closing bed.

(F ← N → R)  
FORWARD/REVERSE HANDLE

PARK BRAKE

CHOKE

## TRAILER HITCH DECAL



**NOTICE**

MAXIMUM TONGUE WEIGHT - 150 lbs.

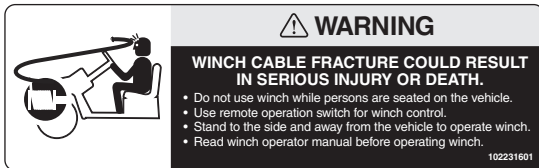
CCI 1011553

(ON FRONT AND REAR RECEIVER HITCHES)

RECEIVER HITCH

## WINCH CABLE WARNING DECAL

(FOR VEHICLES WITH WINCH ACCESSORY)



**WARNING**

WINCH CABLE FRACTURE COULD RESULT IN SERIOUS INJURY OR DEATH.

- Do not use winch while persons are seated on the vehicle.
- Use remote operation switch for winch control.
- Stand to the side and away from the vehicle to operate winch.
- Read winch operator manual before operating winch.

102231601

(ON SEAT SUPPORT PANEL)

## ROTATING PARTS AND HOT MANIFOLD DECAL



**WARNING**

CAN CAUSE SEVERE INJURY

Rotating parts

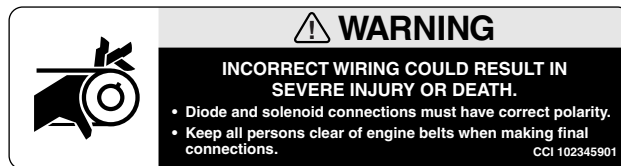
HOT manifold & muffler

KEEP CLEAR

CCI 1019605-01

(ON STARTER/GENERATOR AND ENGINE)

DIODE WIRING DECAL  
(ON FRAME ABOVE DIODE)



**WARNING**

INCORRECT WIRING COULD RESULT IN SEVERE INJURY OR DEATH.

- Diode and solenoid connections must have correct polarity.
- Keep all persons clear of engine belts when making final connections.

CCI 102345901

## FRAME GROUND AND GOVERNOR WARNING DECAL



**WARNING**

Negative frame ground. Can cause severe injury. Do not contact positive (+) battery post or cable to frame. Disconnect negative battery lead first.

**WARNING**

Excessive speed. Can cause severe injury or death. Do not tamper with engine governor adjustment.

CCI 1019152-01

(ON FRAME)

# XRT 1200SE

**⚠ WARNING**

**ROLLOVER OR FALLING OFF MAY CAUSE DEATH**

- Read operators manual and operating instructions.
- Remain seated and hold on to seat handle while moving.
- Drive slowly in turns and straight up and down slopes.
- Do not start vehicle until all occupants are seated.
- Front seats: One (1) person per seat maximum.
- Operate from driver side only and not on public roads.
- Keep entire body inside vehicle while moving.
- Do not operate while under the influence of alcohol or drugs.
- Never attempt jumps.

CCI 102029101

DRIVER/PASSENGER WARNING DECAL

**OPERATING INSTRUCTIONS**

- Read owner's manual and safety warnings located on dash panel prior to driving.
- Study and understand controls.

**TO START ENGINE**

- Place shift lever in "N" - Neutral position.
- Depress brake pedal.
- Turn key switch to "START" position and hold, activating the choke as necessary, until engine starts.

**TO OPERATE VEHICLE**

- Make sure wheels are turned in desired direction.
- Be sure nothing is in your path.
- While vehicle is stopped, and the engine is at idle, select vehicle direction by placing shift lever in desired position.
  - F - Forward
  - N - Neutral
  - R - Reverse (Buzzer will sound)
- Release hand brake.
- Slowly push accelerator pedal to increase speed.
- Engine must be at idle before moving shift lever.

**TO STOP VEHICLE**

- Release accelerator pedal and push brake pedal.
- After stopping, firmly set hand brake.
- Turn key to "OFF" position, remove key and place shift lever in straight up neutral position when not in use.

CCI 102224301

OPERATING INSTRUCTIONS DECAL

**⚠ WARNING**

**REDUCED STEERING CONTROL MAY CAUSE SERIOUS INJURY OR DEATH**

Disengage differential lock on paved surfaces.

CCI 102046601

DIFFERENTIAL LOCK CONTROL DECAL

**⚠ WARNING**

**YOUNG DRIVERS INCREASE CHANCE OF DEATH**

**UNDER 16**

- Young drivers may not be able to control vehicle.
- No drivers younger than 16 years old.
- Do not leave children unattended on vehicle.

CCI 102044501

UNDERAGE WARNING DECAL



KEY SWITCH

FUEL SHUT-OFF VALVE (ON TOP OF FUEL TANK)

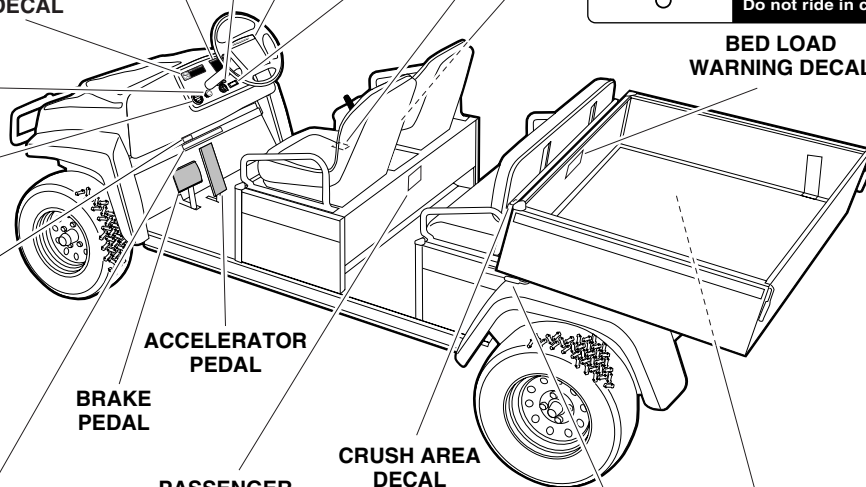
**⚠ WARNING**

**Riding in cargo bed can cause severe injury or death. Do not ride in cargo bed.**

CCI 101263001

BED LOAD WARNING DECAL

- LIGHT SWITCH
- FUEL GAUGE/HOUR METER
- SERIAL NUMBER



**⚠ WARNING**

**FALLING OFF COULD RESULT IN SEVERE INJURY OR DEATH**

- Remain seated with entire body inside vehicle and hold on to seat handle or handrail at all times.
- Two (2) persons per bench seat maximum.
- One (1) person per bucket seat maximum.
- Do not leave children unattended on vehicle at anytime.
- Never stand in front of or behind vehicle.

CCI 101780701

VEHICLE LOADING DECAL

**⚠ WARNING**

**CRUSH AREA**

**STAY CLEAR**

CCI 101609401

(UNDER SEAT SUPPORT)

**⚠ WARNING**

**Rotating Parts**

CCI 102245001

(TOP OF PASSENGER SIDE FENDER)

**VEHICLE LOADING**

Read Owner's Manual and warnings on dash.

- Vehicle rated capacity - 1300 lbs. on level surface only. Weight to include passengers, cargo bed load, and gross trailer weight. See owner's manual.
- Maximum cargo load - 500 lbs. Weight to include cargo bed load and gross trailer weight.
- Maximum trailer hitch tongue weight - 150 lbs.
- Cargo should be evenly spread over the floor of the cargo bed as far forward as possible and secured.
- For vehicle stability, when fully loaded, drive slowly and avoid stopping on or backing down steep hills.
- Avoid top heavy loads. See owner's manual.
- When driving on uneven terrain or down steep hills, reduce speed and load.

CCI 102274301

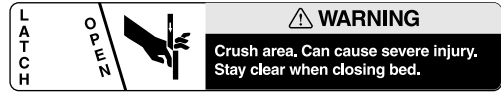
# XRT 1200SE

## GASOLINE WARNING DECAL



(ON PASSENGER SIDE SEAT SUPPORT)

## BED LATCH WARNING DECAL



## ROTATING PARTS AND HOT MANIFOLD DECAL



(ON STARTER/GENERATOR AND ENGINE)



FORWARD/REVERSE HANDLE

PARK BRAKE

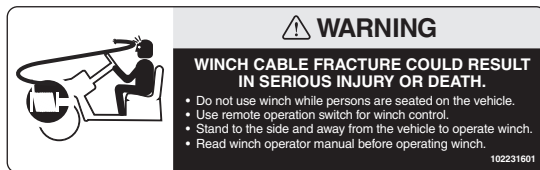
TRAILER HITCH DECAL



(ON FRONT AND REAR RECEIVER HITCHES)

RECEIVER HITCH

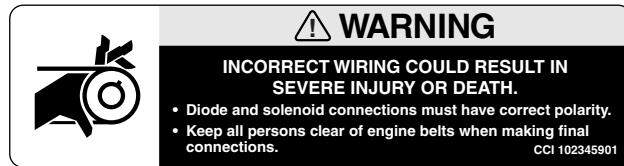
WINCH CABLE WARNING DECAL (FOR VEHICLES WITH WINCH ACCESSORY)



(ON SEAT SUPPORT PANEL)

CHOKE

DIODE WIRING DECAL



(ON FRAME ABOVE DIODE)

FRAME GROUND AND GOVERNOR WARNING DECAL



(ON FRAME)

# Practice Safety



Safety signs like you see above may at first seem shocking, but their impact is mild compared with the reality of severe personal injury.

Your safety and satisfaction are of the utmost importance to Club Car. That is why before operating the vehicle, we urge you to review the information in this manual. Understand and become familiar with the DANGER, WARNING and CAUTION statements and procedures it contains, along with the safety decals that are affixed to your vehicle.

Take time to understand the language of safety. It is a language that can save your life.

## PROPOSITION 65 – STATE OF CALIFORNIA

---

### **⚠ WARNING**

This product contains or emits chemicals or substances that have been determined by the state of California to cause cancer and birth defects or other reproductive harm.

## SAFETY DETAILS

### **⚠ WARNING**

- This owner's manual should be read completely before attempting to drive or service the vehicle. Failure to follow the instructions in this manual could result in property damage, severe personal injury, or death.

It is important to note that some vital statements throughout this manual and on the decals affixed to the vehicle are preceded by the words DANGER, WARNING, or CAUTION. For your protection, we recommend that you take special notice of these safety precautions. Safety precautions are essential and must be followed.

If any of the operation or warning decals on the vehicle become damaged, have been removed, or cannot be easily read, they should be replaced immediately to avoid possible property damage, personal injury, or death. Contact your Club Car dealer.

### **⚠ DANGER**

- A DANGER indicates an immediate hazard that will result in severe personal injury or death.

### **⚠ WARNING**

- A WARNING indicates an immediate hazard that could result in severe personal injury or death.

### **⚠ CAUTION**

- A CAUTION indicates a hazard or unsafe practice that could result in minor personal injury or product or property damage.

### **CAUTION**

- A CAUTION without the safety alert symbol indicates a situation that potentially could result in property damage.

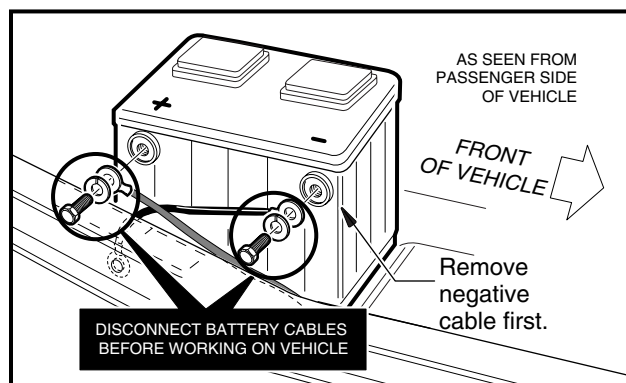


Figure 1 Battery Cable Removal

---

## GENERAL WARNINGS

---

The following safety statements must be heeded whenever the vehicle is being operated, repaired, or serviced. Vehicle feature identification information is also included beginning on page 6. Other specific safety statements appear throughout this manual and on the vehicle.

### **DANGER**

---

- **Battery – Explosive gases! Do not smoke. Keep sparks and flames away from the vehicle and service area. Ventilate when charging or operating vehicle in an enclosed area. Wear a full face shield and rubber gloves when working on or near batteries.**
- **Gasoline – Flammable! Explosive! Do not smoke. Keep sparks and flames away from the vehicle and service area. Service only in a well-ventilated area.**
- **Do not operate gasoline vehicle in an enclosed area without proper ventilation. The engine produces carbon monoxide, which is an odorless, deadly poison.**
- **A Club Car vehicle will not provide protection from lightning, flying objects, or other storm-related hazards. If caught in a storm while driving a Club Car vehicle, exit the vehicle and seek shelter in accordance with applicable safety guidelines for your location.**

### **WARNING**

---

- **Follow the procedures exactly as stated in this manual, and heed all DANGER, WARNING, and CAUTION statements in this manual as well as those on the vehicle.**
- **Do not leave children unattended on vehicle.**
- **Prior to leaving the vehicle unattended or servicing the vehicle, turn the key switch to the OFF position, remove the key, and place the Forward/Reverse handle in the NEUTRAL position. Chock the wheels when servicing the vehicle.**
- **Improper use of the vehicle or failure to properly maintain it could result in decreased vehicle performance, severe personal injury, or death.**
- **Any modification or change to the vehicle that affects the stability or handling of the vehicle, or increases maximum vehicle speed beyond factory specifications, could result in severe personal injury or death.**
- **Check the vehicle for proper location of all vehicle safety and operation decals and make sure they are in place and are easy to read.**
- **For vehicles with cargo beds, remove all cargo before raising the bed or servicing the vehicle. If the vehicle is equipped with a prop rod, ensure that it is securely engaged while bed is raised. Do not close bed until all persons are clear of cargo bed area. Keep hands clear of all crush areas. Do not drop cargo bed; lower gently and keep entire body clear. Failure to heed this warning could result in severe personal injury or death.**
- **Only trained technicians should service or repair the vehicle. Anyone doing even simple repairs or service should have knowledge and experience in electrical and mechanical repair. The appropriate instructions must be used when performing maintenance, service, or accessory installation.**
- **To avoid unintentionally starting the vehicle:**
  - **Disconnect battery cables, negative (–) cable first (Figure 1).**
  - **Disconnect the spark plug wire from the spark plug.**

WARNING CONTINUED ON NEXT PAGE...

- **Frame ground – Do not allow tools or other metal objects to contact frame when disconnecting battery cables or other electrical wiring. Do not allow a positive wire to touch the vehicle frame, engine, or any other metal component.**
- **Wear safety glasses or approved eye protection when servicing the vehicle. Wear a full face shield and rubber gloves when working on or near batteries.**
- **Do not wear loose clothing or jewelry such as rings, watches, chains, etc., when servicing the vehicle.**
- **Use insulated tools when working near batteries or electrical connections. Use extreme caution to avoid shorting of components or wiring.**

## GENERAL INFORMATION

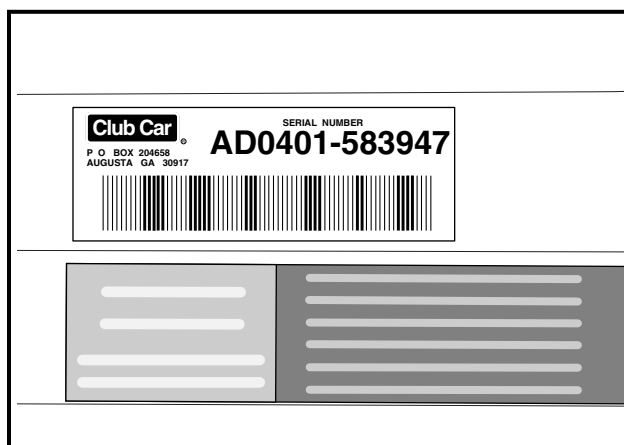
This manual is designed to include information on both the XRT 1200 and the XRT 1200SE. Both are key-start vehicles. They start and operate similar to an automobile. Each has a feature that allows the engine to run at idle or advanced RPM using the accelerator pedal when the Forward/Reverse handle is in NEUTRAL.

All operating procedures, maintenance, and regular servicing are identical to both vehicles unless otherwise noted. If any of these differ between vehicles, it will be noted for that specific procedure.

## MODEL IDENTIFICATION

The serial number of each XRT vehicle is printed on a bar code decal mounted on the frame directly above the accelerator pedal (Example: AD0401-583947) (**Figure 2**). There is also a second serial number decal mounted on the front body frame behind the dash panel. The center dash panel must be removed to view this decal. **See following NOTE.**

**NOTE:** Have the vehicle serial number available when ordering parts or making inquiries.



**Figure 2** Serial Number

---

## CONTROLS AND INDICATORS

---

See General Warnings on page 12.

### **⚠ WARNING**

- Before allowing anyone to drive the vehicle, make sure the driver is familiar with all controls and operating procedures.
- Do not tamper with the governor. Doing so will void the warranty, as well as damage the engine and other components, and could result in property damage, personal injury, or death due to unsafe speeds.
- Any modification or change to the vehicle that affects the stability or handling of the vehicle, or increases maximum vehicle speed beyond factory specifications, could result in severe personal injury or death.
- Do not shift the Forward/Reverse handle while the vehicle is in motion.
- Engine must be at idle before shifting the Forward/Reverse handle. Failure to do so may result in injury to inattentive passengers and (or) damage to the vehicle.
- To avoid unintentionally starting or rolling the vehicle, set the park brake, place the Forward/Reverse handle in the NEUTRAL position, turn the key switch to the OFF position, and remove the key when leaving the vehicle.
- With the differential lock engaged, vehicle turning functions are greatly reduced. To prevent loss of vehicle control when differential lock is engaged, do not operate vehicle at speeds greater than half throttle and use caution when attempting to turn vehicle.

### KEY SWITCH

The key switch is mounted on the dash to the right of the steering column (**Figure 3**). It has three positions: OFF, ON, and START. To start the vehicle, place the Forward/Reverse handle in the NEUTRAL position and turn the key past the ON position to the START position and hold until the engine is running smoothly. Release the key and it will return to the ON position and the engine should idle. The engine will continue to idle until the key is turned to the OFF position. **See following WARNING, CAUTION and NOTE.**

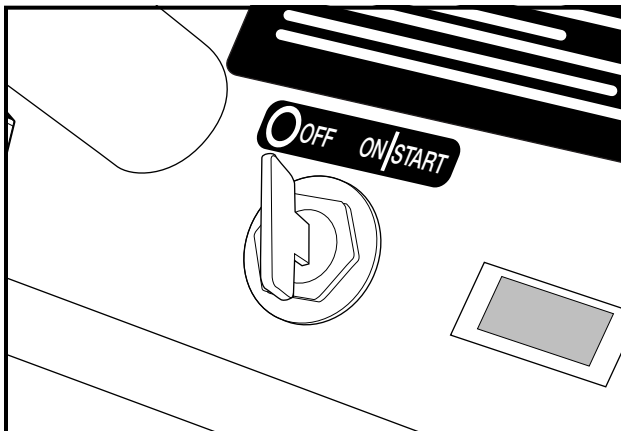


Figure 3 Key Switch



## **▲ WARNING**

- Moving parts! Keep clear of the engine compartment while the engine is running.

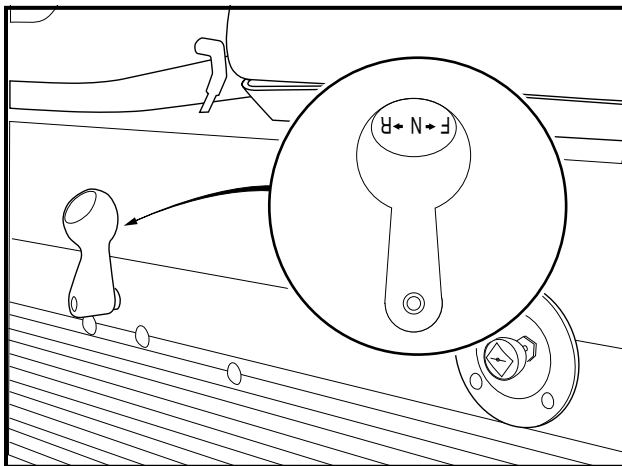
## **CAUTION**

- Do not “rev” the engine for long periods of time while the Forward/Reverse handle is in the NEUTRAL position. Failure to heed this caution could result in damage to the unitized transaxle.
- Do not shift the Forward/Reverse handle while the accelerator pedal is pressed. Shift the handle only when the vehicle is at a complete stop. Failure to heed this caution could result in damage to the unitized transaxle.

**NOTE:** The key can be removed only when the key switch is in the OFF position.

## **FORWARD/REVERSE CONTROL**

The Forward/Reverse handle is located on the seat support panel (**Figure 4**). The handle has three distinct positions: **F** (FORWARD), **N** (NEUTRAL), and **R** (REVERSE). Rotate the handle towards the driver (FORWARD) to operate the vehicle in the forward direction, or towards the passenger (REVERSE) to operate the vehicle in reverse. The engine can be started only when the handle is in the straight up position (NEUTRAL). The engine must be at idle before shifting the Forward/Reverse handle. See **WARNING** and **CAUTION** on page 15.



**Figure 4 Forward/Reverse Handle**

Club Car vehicles operate at a reduced speed in reverse. The reverse buzzer will sound as a warning when the Forward/Reverse handle is in the REVERSE position.

## **ACCELERATOR PEDAL**

The accelerator pedal is the pedal on the right, with the word GO molded into it (**Figure 5**).

With the engine running and the Forward/Reverse handle in the FORWARD or REVERSE position, vehicle speed will increase as the accelerator pedal is pressed. When the accelerator pedal is released, it will return to the original position and the engine will idle. See **WARNING** and **CAUTION** on page 15.

## BRAKE PEDAL

The brake pedal is the large pedal on the left with the word STOP molded into it (**Figure 5**). To slow or stop the vehicle, press the brake pedal (**Figure 6**).

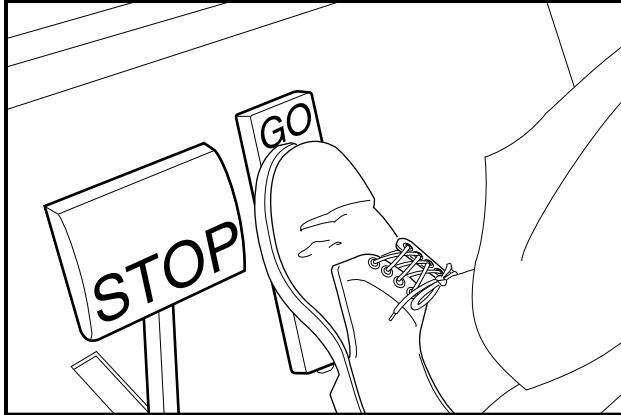


Figure 5 Accelerator and Brake Pedal

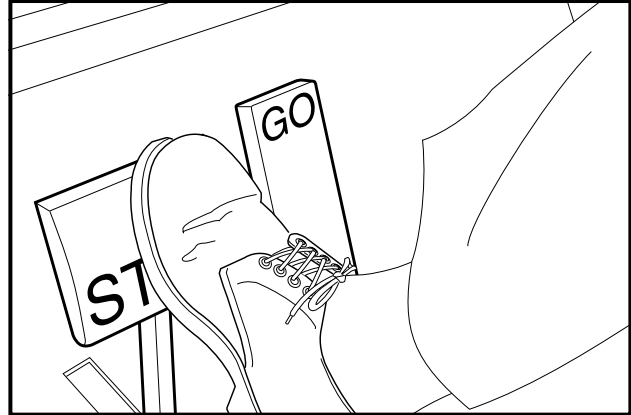


Figure 6 Brake Pedal

## PARK BRAKE

The park brake handle is located between the driver and passenger seats. To engage the park brake, first apply pressure to the brake pedal, and then pull up on the park brake handle until handle latches into place. To disengage, pull up on the handle and press the button on the end of the handle. Push handle down. **See following WARNING.**

### WARNING

- The park brake has multiple locking positions and should be firmly locked to prevent the vehicle from rolling.

## CHOKE

The choke is located on the seat support panel below and to the left of the driver's left knee. If the vehicle is hard to start in cool or cold temperatures, activate choke: Pull the choke handle out to activate. Release the handle when the engine begins to run smoothly (**Figure 7**).

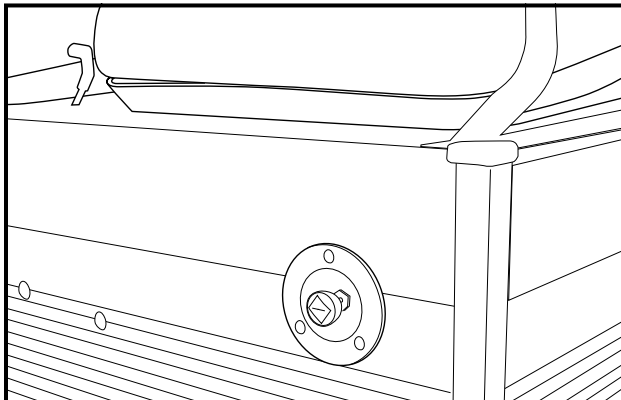


Figure 7 Choke



Figure 8 Differential Lock

## DIFFERENTIAL LOCK

### **▲ WARNING**

- With the differential lock engaged, vehicle turning functions are greatly reduced. To prevent loss of vehicle control when differential lock is engaged, do not operate vehicle at speeds greater than half throttle and use caution when attempting to turn vehicle.
- Disengage differential lock on paved surfaces.

The differential lock is used to provide better traction at the rear wheels when necessary. Engaging the differential lock will transfer power to both rear wheels simultaneously (**Figure 8**).

1. To engage the differential lock, slow the vehicle to no more than half throttle and pull differential lock handle toward the back of the vehicle. The differential lock will engage when power to both rear wheels is required.
2. To disengage the differential lock, come to a complete stop, then push lever toward front of vehicle.

## LOW OIL WARNING LIGHT

The vehicle is equipped with a low oil warning light, located on the dash panel just to the right of the steering column and key switch (**Figure 9**). If the warning light comes on, oil should be checked and added to the engine as necessary before continuing to use the vehicle. The vehicle should never be driven when the low oil warning light remains on. If the warning light goes on and off, the vehicle may be driven, but oil should be added at the first opportunity. If the oil level is correct and the warning light stays on, have a trained technician check the vehicle. **See following CAUTION.**

### **CAUTION**

- Failure to add oil immediately when the low oil warning light stays on may result in permanent engine damage.

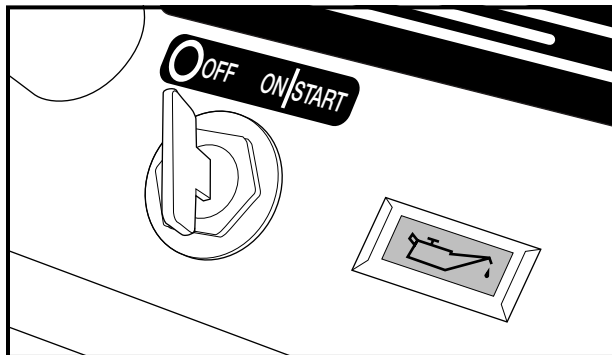


Figure 9 Low Oil Warning Light

## FUEL GAUGE/HOUR METER

The fuel gauge and hour meter are housed together at the lower left corner of the dash panel. The fuel gauge operates when the key switch is in the ON position, and allows the operator to monitor the fuel level in the vehicle. The hour meter operates only when the engine is running, and should be used by the trained technician to track vehicle usage and determine when periodic service procedures are required. **See Periodic Service Schedule on page 29.**

---

## HEADLIGHT CONTROL

The headlight control is located on the front dash between the fuel gauge/hour meter and steering column. Pull the headlight control knob out to turn headlights on and push the knob in to turn headlights off.

**NOTE:** Using the headlights for extended periods of time without the engine running, or with the engine idling, will discharge the battery.

---

## SEAT LATCH AND ADJUSTMENT

- **XRT 1200:**

The seats are hinged to allow easy access to the engine compartment. A latch at the rear of each seat bottom keeps the seat from moving on its hinges while the vehicle is in operation. To disengage the latch, grasp the seat back and pull firmly in a forward/upward direction until the latch releases. To engage the seat latch, push down firmly on the seat back until the seat locks into place. **See following WARNING.**

- **XRT 1200SE:**

The front seats are hinged to allow easy access to the fuel tank and master cylinder. A latch at the rear of each seat bottom keeps the seat from moving on its hinges while the vehicle is in operation. To disengage the latch, grasp the seat back and pull firmly in a forward/upward direction until the latch releases. To engage the seat latch, push down firmly on the seat back until the seat locks into place. The rear bench seat has a removable bottom cushion, which allows for access to the battery and engine oil check. To remove the bottom cushion, locate the pull tab at the center of the back edge and pull forward and up. When replacing the cushion, set the plastic strip on the underside front edge immediately behind the frame front edge, and gently push the back edge of the cushion down into position. **See following WARNING.**

The bucket seats on both vehicles are adjustable and can be moved forward or backward to accommodate the driver or passenger. To adjust a seat:

1. Remove the seat from the vehicle.
2. Remove the four bolts and washers from the bottom of the seat mounting plate.
3. Align the mounting plate holes with holes in the seat to achieve the desired seat position.
4. Install washers and bolts and tighten to 96 in-lb (10.8 N·m).
5. Install seat in the vehicle.

### **WARNING**

- **Make sure seat hinges and latch are securely engaged before operating vehicle.**

---

## PRE-OPERATION AND DAILY SAFETY CHECKLIST

Each Club Car vehicle has been thoroughly inspected and adjusted at the factory; however, upon receiving your new vehicle(s), you should become familiar with its controls, indicators, and operation. Carefully inspect each vehicle to ensure that it is in proper working condition before accepting delivery.

Use the following checklist as a guide to inspect the vehicle. This checklist should be used daily to ensure that the vehicle is in proper working condition and in conjunction with the Periodic Service Schedule on page 29. Any problems should be corrected by a Club Car distributor/dealer or a trained technician.

- **General:** All the parts should be in place and properly installed. Be sure that all nuts, bolts, and screws are tight. Check hose clamps for tight fit and the starter belt for tightness.

- **Safety and information decals:** Check to ensure that all safety and information decals are in place. **See pages 6 through 9.**
- **Tires:** Check for proper tire pressure on your new vehicle. Visually inspect tires for wear, damage, and proper inflation on a daily basis. **See Vehicle Specifications on page 41.**
- **Battery:** Before using vehicle for the first time, check electrolyte to ensure it is at the proper level (**Figure 30, Page 38**). Check battery posts. Wires should be tight and free of corrosion and battery should be fully charged.
- **Engine:** Check for proper engine oil level. **See Engine Oil on page 32.**
- **Fuel:** Check fuel level. **See Fueling Instructions on page 36.** Check fuel tank, lines, fuel cap, pump, fuel filters, and carburetor for fuel leakage on a daily basis.
- **Exhaust system:** Check for leaks.
- **Hydraulic brakes:** Check fluid level. **See Master Cylinder on page 32.**

## PERFORMANCE INSPECTION

After you have familiarized yourself with the vehicle controls and have read and understood the driving instructions, take the vehicle for a test drive.

Use the following checklist as a guide to inspect the vehicle and check daily for proper operation. Any problems should be corrected by a Club Car distributor/dealer or a trained technician.

- **Forward/Reverse shifter:** Check for proper operation. **See Controls and Indicators on page 14.**
- **Brakes:** Be sure the brakes function properly. When brake pedal is fully pressed under moderate pressure, it should not go more than halfway to the floorboard, and vehicle should come to a smooth, straight stop. If the brake pedal goes more than halfway to the floorboard, or if the vehicle swerves or fails to stop, have the brake system checked and adjusted as required. When brake pedal is fully pressed under heavy pressure, pedal should feel firm and foot pad should be a minimum of 2 inches (5.1 cm) from floorboard. Brake adjustment must be maintained so the brake pedal cannot be pressed to the floorboard under any circumstance.
- **Park brake:** Apply moderate pressure to park brake handle. Tension should increase as the handle is pulled. When latched, the park brake should lock the wheels and hold the vehicle stationary (on an incline of 20% or less).
- **Reverse buzzer:** The reverse buzzer should sound as a warning when the Forward/Reverse handle is in the REVERSE position.
- **Steering:** The vehicle should be easy to steer and should not have any play in the steering wheel.
- **Accelerator:** After starting the engine with the key switch and placing the Forward/Reverse handle in the FORWARD position, the vehicle should accelerate smoothly to full speed as the accelerator pedal is pressed. When the pedal is released it should return to the original position and the engine should idle. Club Car vehicles operate at reduced speed in reverse.
- **Governor:** Check maximum vehicle speed. It should operate in forward at 17-19 mph (27-31 km/h) on a level surface.
- **Differential lock cable:** With the wheels at rest, pull the differential lock handle toward the rear of the vehicle (locked position). The differential lock arm at the other end of the cable should move approximately one-half inch (12.7 mm) downward. When the differential lock handle is placed back into the unlocked position, the differential lock arm should move approximately one-half inch (12.7 mm) upward.
- **General:** Listen for any unusual noises such as squeaks or rattles. Check the vehicle's ride and performance. Have a Club Car dealer or a trained technician investigate anything unusual.

---

## DRIVING INSTRUCTIONS

---

### **WARNING**

- Only licensed drivers should be allowed to drive this vehicle.
- Before allowing anyone to drive the vehicle, make sure the driver is familiar with all controls and operating procedures.
- No one under the age of 16 years should be allowed to drive the vehicle.
- No more than one person per bucket seat at one time, or two persons per bench seat.
- Do not allow riders in the cargo bed.
- For night use, the vehicle must be equipped with headlights, taillights, and reflectors.
- The vehicle is not specially equipped for handicapped persons:
  - Be sure all passengers are capable of securing themselves in a moving XRT vehicle before allowing them to ride in one.
  - Be sure all persons can properly operate the vehicle prior to allowing them to drive the vehicle.
- Stop the vehicle before shifting the Forward/Reverse handle. Engine must be at idle before shifting the Forward/Reverse handle. Failure to do so may result in injury to inattentive passengers and (or) damage to the vehicle.
- To help avoid being struck, do not stand in front of or behind the vehicle.
- Do not leave children unattended on vehicle.
- Operate the vehicle from the driver seat only.
- To help prevent falls from the vehicle, remain seated and hold on to seat handles at all times. Driver should keep both hands on the steering wheel when the vehicle is in motion.
- To help prevent the possibility of serious injury, keep entire body inside the vehicle.
- To help prevent overturning the vehicle, drive slowly in turns.
- To help prevent overturning the vehicle, drive slowly straight up and down slopes. Avoid driving the vehicle on slopes exceeding 20% incline.
- Avoid stopping a loaded vehicle on a hill. If a loaded vehicle must be stopped on a hill, avoid sudden starts or rolling backwards and stopping suddenly. Failure to heed this warning could result in overturning the vehicle.
- To help avoid possible injury to inattentive passengers and (or) damage to the vehicle, avoid sudden starts, sudden stops, and abrupt turns.
- To help avoid the possibility of losing control of or overturning the vehicle, reduce speed for adverse driving conditions such as wet grass or rough terrain.
- Do not use the vehicle on public roads. It is neither designed nor intended for street use and should not be licensed for use on public roads.
- The vehicle should be driven in only specified areas by trained drivers.
- Do not drive while under the influence of alcohol, drugs, or medications.
- Use brakes to reduce speed when coasting downhill.
- Never attempt jumps.

No one should drive the vehicle without first being instructed in the proper operation and use of vehicle controls. An experienced operator should accompany each first-time driver on a test drive before allowing the driver to operate the vehicle alone.

To ensure safe operation of the vehicle, follow exactly and in order, all of the following procedures. Read and understand all instructions prior to driving the vehicle.

## STARTING THE VEHICLE

1. Read safety warnings on dash and vehicle loading information located above pedals.
2. Be sure load, if any, is secure.
3. Study and understand controls.
4. Be sure all passengers are seated and holding on to hand holds. Driver should have both hands on the steering wheel.
5. Make sure wheels are turned in desired direction and nothing is in your path.
6. Make sure the Forward/Reverse handle is in the NEUTRAL position.
7. Press and hold the brake pedal.
8. Turn the key all the way to the START position and hold, activating the choke as necessary, until the engine is running smoothly. The engine will idle in neutral.
9. Release hand brake.
10. While keeping the brake pedal engaged, select direction of travel by placing shift handle in desired position (F = forward or R = reverse). Engine must be at idle before moving shift handle. A buzzer will sound as a warning when the Forward/Reverse handle is in the REVERSE position.
11. Release the brake pedal completely, and then slowly press the accelerator pedal. As the accelerator pedal is pressed, the vehicle will begin to move, and speed will increase until full speed is reached. **See following WARNING.**

### **WARNING**

- Operator must control vehicle speed when going downhill.
- Never shift the vehicle out of the FORWARD position while going downhill. If you do, you will not be able to shift into the REVERSE position or back into the FORWARD position until stopped.
- Press the brake pedal as necessary and press the accelerator pedal partially when descending a hill. With the accelerator pedal partially pressed, the governor will cause the engine to assist the brakes in controlling downhill speed.

## STOPPING THE VEHICLE

To stop the vehicle, release the accelerator pedal and press the brake pedal until the vehicle comes to a complete stop. **See following WARNING and CAUTION.**

### **WARNING**

- Driving through water may affect the brakes. After driving through water, check effectiveness of the brakes by gently pressing the brake pedal. If the vehicle does not slow down at the normal rate, continue to press the brake pedal until the brakes dry out and normal performance returns.

### **CAUTION**

- When stopped on a hill, use the brake pedal to hold your position. Do not use the accelerator pedal to hold position.

## PARKING AND LEAVING THE VEHICLE

1. After stopping the vehicle, set hand brake until it locks. Make sure it is fully engaged. This will prevent the vehicle from rolling.
2. Turn the key switch to the OFF position and place the Forward/Reverse handle in the NEUTRAL position. Remove the key and turn the fuel shut-off valve to the closed (OFF) position when the vehicle is not in use (**Figure 14, Page 26**). See also **Figure 27** and **Figure 28** on page 37.

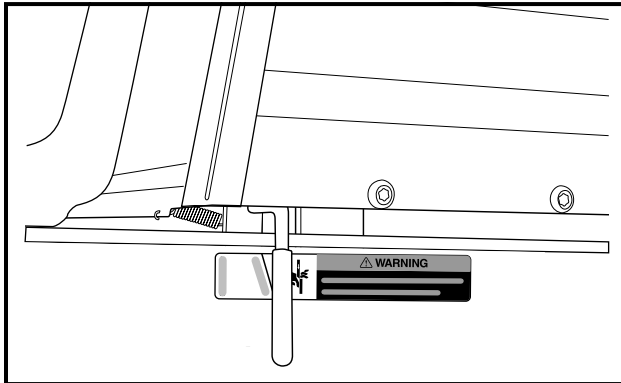


Figure 10 XRT 1200 Bed Latch

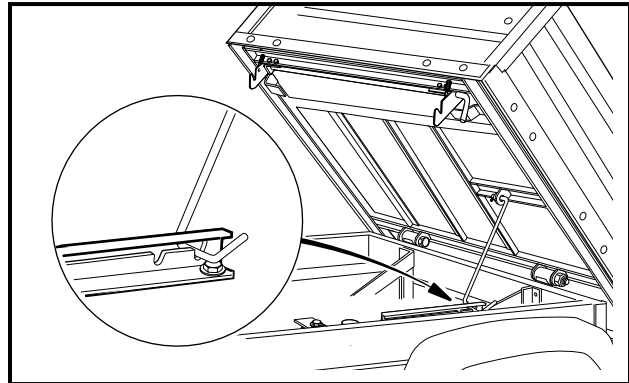


Figure 11 XRT 1200 Prop Rod

## BED LATCH AND PROP ROD

See General Warnings on page 12.

- **XRT 1200:**

The bed latch (**Figure 10**) has an automatically engaging prop rod and prop rod track (**Figure 11**) as standard features. To lift the bed, pull the bed latch handle toward the rear of the vehicle and lift the bed. The prop rod will come to rest in one of the notches in the prop rod track. To close the bed, lift the bed so that the prop rod is no longer supported in one of the track notches. Push the prop rod toward the front of the vehicle to free it from the track notch and gently lower the bed. **DO NOT** drop the bed. See following **DANGER**, **WARNING**, and **NOTE**.

- **XRT 1200SE:**

The bed latch (**Figure 12**) releases the bed. To lift the bed, push down on the latch handle while lifting up on the bed. The bed is balanced so as to stay in a raised position automatically (**Figure 13**). To close the bed, lower it gently until the bed latch engages. **DO NOT** drop the bed. See following **WARNING**.

### **⚠ DANGER**

- Use caution when working under bed. Be sure prop rod is secure. Otherwise the bed will fall, resulting in severe personal injury or death.

### **⚠ WARNING**

- For vehicles with cargo beds, remove all cargo before raising the bed or servicing the vehicle. If the vehicle is equipped with a prop rod, ensure that it is securely engaged. Do not close bed until all persons are clear of cargo bed area. Keep hands clear of all crush areas. Do not drop cargo bed; lower gently and keep entire body clear. Failure to heed this warning could result in severe personal injury or death.



**NOTE:** The XRT 1200 vehicle is equipped with an automatically engaging prop rod (**Figure 11**), unless equipped with the electric bed lift accessory.

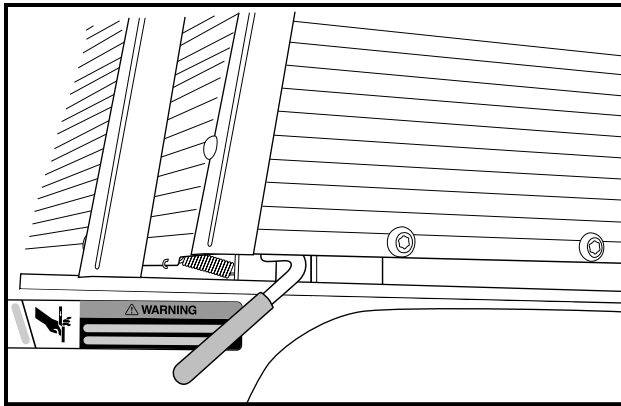


Figure 12 XRT 1200SE Bed Latch

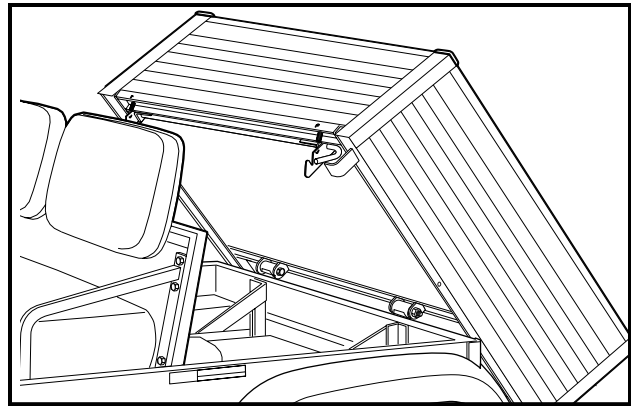


Figure 13 XRT 1200SE Raised Bed

## FRONT SHOCK ABSORBERS

The vehicle arrives from the factory with the front coil-over shocks pre-adjusted for optimum vehicle performance. We do not recommend adjusting the shock absorbers unless the vehicle will be equipped with a cab enclosure. In that event, please refer to the cab installation instructions for the shock absorber adjustment procedure.

## LOADING AND UNLOADING

### **▲ WARNING**

- Firmly engage park brake before loading vehicle.
- Do not allow riders in the cargo bed.
- Reduce vehicle load and speed when driving up or down slopes or on uneven terrain.
- Do not exceed rated vehicle capacity. Rated capacity is for level surfaces only.
- Overloading can affect vehicle handling or cause component failure, resulting in loss of control of vehicle and possible severe personal injury or death.
- Do not load tailgate. The tailgate should be in the upright position and latched securely while the vehicle is in motion.
- To help avoid shifting vehicle load and possibly overturning the vehicle, avoid sudden starts, sudden stops and abrupt turns. Make sure cargo is well secured.
- Avoid top-heavy loads. The center of gravity of load should never exceed 15 inches (38 cm) above the bottom of the cargo bed.
- The cargo's center of gravity may affect handling, steering, and braking of the vehicle.
- Unload cargo bed before raising vehicle with a lift, hoist, or jack.
- Avoid stopping on a hill when loaded. If you must stop on a hill, avoid sudden starts, or rolling backwards and stopping suddenly. Failure to heed this warning may cause vehicle to overturn, possibly resulting in severe personal injury.
- Reduce speed and avoid sudden stops when backing up. Failure to do so may cause the vehicle to overturn or flip over backwards.

Center and secure cargo as far forward as possible in the cargo bed. Do not overload the vehicle. **See the following chart for vehicle capacities.**

	XRT 1200	XRT 1200SE
<b>Maximum payload capacity</b> (Cargo bed load and gross trailer weight)	800 lb. (363 kg)	500 lb. (227 kg)
<b>Maximum vehicle capacity</b> (Cargo load, passengers, and gross trailer weight)	1200 lb. (545 kg)	1300 lb. (590 kg)
<b>Maximum gross vehicle weight</b> (Fully loaded vehicle, including accessories)	2381 lb. (1080 kg)	2500 lb. (1134 kg)
<b>Maximum passenger capacity</b> (Operator and passenger)	400 lb. (181 kg)	800 lb. (363 kg)
<b>Trailer tongue weight</b>	150 lb. force (667 N)	150 lb. force (667 N)

## TOWING WITH THE VEHICLE

### WARNING

- Do not tow a vehicle or trailer on public streets or highways.
- Normal vehicle operating speed should be reduced when towing.
- Extreme caution should be used when towing.
- Do not allow riders in the vehicle or trailer being towed.
- Avoid sudden starts, sudden stops, and tight turns when towing.
- Avoid stopping on a hill when towing. If you must stop on a hill, avoid sudden starts, or rolling backwards and stopping suddenly. Failure to heed this warning may cause vehicle to overturn, possibly resulting in severe personal injury.

Towing another XRT vehicle or a trailer can have adverse effects on vehicle handling. Be especially cautious when towing other equipment with a XRT vehicle. **See the preceding chart for vehicle capacities.**

Parking the vehicle with a trailer on a hill should be avoided. If you must park on a hill, apply brakes and have someone chock tires of trailer. Brakes should be released to allow chocks to absorb load of trailer. After tires have been chocked, engage park brake.

## TRANSPORTING ON A TRAILER

### WARNING

- Turn fuel shut-off valve to the closed (OFF) position (Figure 14).
- Do not allow riders in the trailer being towed.
- Avoid sudden starts, sudden stops, and tight turns when towing.
- Avoid stopping on a hill when towing. If you must stop on a hill, avoid sudden starts, or rolling backwards and stopping suddenly. Failure to heed this warning could cause the vehicle to overturn, possibly resulting in severe personal injury.
- Reduce normal driving speed when transporting a vehicle on a trailer.
- For use on public roads, the trailer must meet all federal, state, and local requirements such as taillights, brake lights, etc.

- Never tow a Club Car vehicle behind a passenger vehicle or truck on a public road unless it is on an approved trailer.
- The vehicle to be transported should be tied securely to the trailer, with the Forward/Reverse handle in the NEUTRAL position, the key switch in the OFF position, and the park brake firmly engaged.
- Because of the added length of the trailer, use caution when making turns.
- Do not transport the vehicle on a trailer with a load in the vehicle cargo bed.
- Remove the vehicle windshield before transporting on a trailer.

If the vehicle must be transported over long distances or on public highways, it should be transported on an approved trailer that has an approved load rating of 2000 lb. (908 kg) per vehicle being transported.

**NOTE:** A two-car trailer should be rated at  $2 \times 2000 \text{ lb.} = 4000 \text{ lb.}$  ( $2 \times 908 \text{ kg} = 1816 \text{ kg}$ ).

---

## STORAGE

---

See General Warnings on page 12.

### **DANGER**

- Do not attempt to drain gasoline when the engine is hot or while it is running.
- Be sure to clean up any spilled gasoline before operating the vehicle.
- Store gasoline in an approved gasoline container only. Store in a well-ventilated area away from sparks, open flames, heaters, or heat sources.
- Keep gasoline out of the reach of children.
- Do not siphon gasoline from the vehicle.

### **WARNING**

- Turn the key switch to the OFF position, remove the key, and leave the Forward/Reverse handle in the NEUTRAL position during storage. This is to prevent unintentionally starting the vehicle or a fire hazard.
- Turn fuel shut-off valve to the closed (OFF) position (Figure 12, Page 23).
- Do not attempt to charge frozen batteries or batteries with bulged cases. Discard the battery. Frozen batteries can explode.

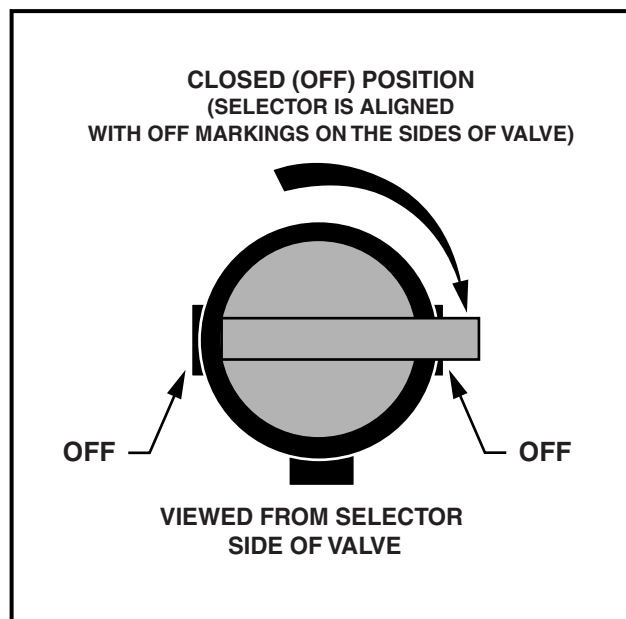
### **CAUTION**

- Batteries in a low state of charge will freeze at low temperatures.

## PREPARING THE VEHICLE FOR EXTENDED STORAGE

1. Unload the vehicle so that tires are supporting only the weight of the vehicle.
2. Store vehicle in a cool, dry place. This will minimize battery self-discharge. If the battery appears to be weak, have it charged by a trained technician. Use an automotive-type 12-volt battery charger rated at 10 amps or less. Check electrolyte level after charging and add distilled water if necessary.
3. Make sure the key switch is in the OFF position and the Forward/Reverse handle is in the NEUTRAL position. Chock the wheels.

4. Access the engine compartment. **See WARNING “For vehicles with cargo beds...” on page 12.**
  - **XRT 1200:**
    - 4.1. Tilt the bed and ensure that the prop rod is properly engaged.
  - **XRT 1200SE**
    - 4.2. Remove the rear bench seat.
5. Lift the front passenger side seat.
6. Drain carburetor and seal the fuel tank.
  - 6.1. Turn the fuel shut-off valve to the closed (OFF) position (**Figure 15**) and run the engine until fuel remaining in the carburetor and fuel line is depleted and the engine stalls.
  - 6.2. Loosen, but do not remove, the carburetor drain screw and drain fuel remaining in bowl into a small, clean container, then pour the fuel from the container into vehicle fuel tank. Tighten the carburetor drain screw.
  - 6.3. Fill fuel tank to about 1 inch (2.5 cm) from top of fuel tank and, following manufacturer's directions, add a commercially available fuel stabilizer (such as Sta-Bil®).
  - 6.4. Disconnect fuel vent line from fuel tank vent nipple.
  - 6.5. Plug the fuel tank vent nipple so that it is air tight. We recommend using a slip-on vinyl cap.



**Figure 14 Fuel Shut-off Valve – Closed Position**

7. Disconnect the battery cables, negative (–) cable first. **See WARNING “To avoid unintentionally starting...” on page 12.**
8. Batteries should be clean and free of corrosion. Wash tops and terminals of batteries with a solution of baking soda and water (1 cup (237 mL) baking soda per 1 gallon (3.8 L) of water). Rinse solution off batteries. Do not allow this solution to enter the batteries. Be sure terminals are tight. Let the terminals dry and then coat them with Battery Terminal Protector Spray (CCI P/N 1014305).

9. To protect the engine, remove spark plug and pour 1/2 ounce (14.2 mL) of SAE 10 weight oil into the engine through the spark plug hole. Rotate engine crankshaft by hand several times and then install the spark plug.
10. Lower the passenger side seat.
  - **XRT 1200:**
    - 10.1. Lower the cargo bed. **See WARNING “For vehicles with cargo beds...” on page 12.**
  - **XRT 1200SE:**
    - 10.2. Replace the rear bench seat.
    - 10.3. Lower the cargo bed. **See WARNING “For vehicles with cargo beds...” on page 12.**
11. Adjust tires to recommended tire pressure. **See Vehicle Specifications on page 41.**
12. Perform semiannual periodic lubrication. **See Periodic Lubrication Schedule on page 31.**
13. Thoroughly clean front body, rear body, seats, cargo bed, engine compartment, and underside of vehicle.
14. Do not engage the park brake. Chock the wheels to prevent the vehicle from rolling.

## RETURNING THE STORED VEHICLE TO SERVICE

1. Make sure the key switch is in the OFF position and the Forward/Reverse handle is in the NEUTRAL position. Chock the wheels.
2. Access the battery compartment. **See WARNING “For vehicles with cargo beds...” on page 12.**
  - **XRT 1200:**
    - 2.1. Tilt the bed and ensure that the prop rod is properly engaged. **See WARNING “For vehicles with cargo beds...” on page 12.**
  - **XRT 1200SE:**
    - 2.2. Remove the rear bench seat.
    - 2.3. Raise the cargo bed.
3. Lift the front passenger seat.
4. Restore fuel system to operation. **See Figure 27 or Figure 28 on page 37.**
  - 4.1. Remove plug from fuel tank vent.
  - 4.2. Connect vent tube to fuel tank vent.
5. Connect battery cables, positive (+) cable first, and tighten terminals to 20 ft-lb (27.1 N·m). Coat terminals with Battery Terminal Protector Spray (CCI P/N 1014305).
6. Completely open the fuel shut-off valve (**Figure 15**). Make sure the valve is fully open. A partially closed fuel shut-off valve combined with the use of the choke can result in a fouled spark plug and engine failure (**Figure 16**).

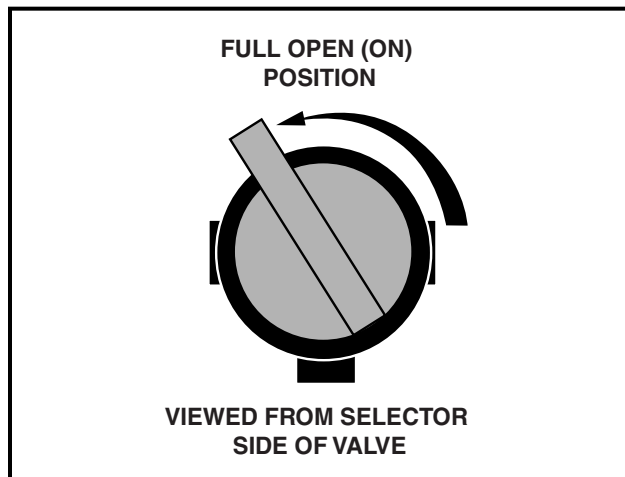


Figure 15 Fuel Shut-off Valve – Open Position

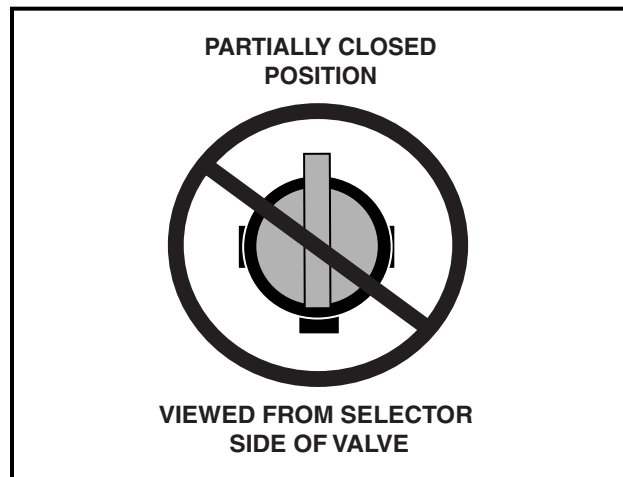


Figure 16 Fuel Valve – Partially Closed Position

7. Place the Forward/Reverse handle in the NEUTRAL position. Crank the engine until fuel is pumped into the carburetor and fuel lines and the engine starts. Turn the engine off. **See following NOTE.**

**NOTE:** Due to the oil added to the engine in preparation for storage, engine may smoke excessively for a short while when running it for the first time after storage.

8. Perform the Pre-Operation and Daily Safety Checklist on page 18.
9. Lower the passenger side seat.
  - **XRT 1200:**
    - 9.1. Lower the cargo bed. **See WARNING “For vehicles with cargo beds...” on page 12.**
  - **XRT 1200SE:**
    - 9.2. Replace the rear bench seat.
    - 9.3. Lower the cargo bed.

## MAINTENANCE

### See General Warnings on page 12.

To ensure trouble-free vehicle performance, follow an established preventive maintenance program. Regular and consistent maintenance can prevent vehicle downtime and expensive repairs. Use the Pre-Operation and Daily Safety Checklist on page 18 and the following Periodic Service Schedule and Periodic Lubrication Schedule to keep the vehicle in proper working condition.

Any vehicle not functioning correctly should not be used until it is properly repaired. This will prevent further damage to the vehicle and avoid the possibility of injury due to unsafe conditions.

Contact your local Club Car dealer for repairs and semiannual and annual periodic service.

### **⚠ WARNING**

- **Only trained technicians should service or repair the vehicle. Anyone doing even simple repairs or service should have knowledge and experience in electrical and mechanical repair. The appropriate instructions must be used when performing maintenance, service, or accessory installation.**

- If any problems are found during scheduled inspection or service, do not operate vehicle until repairs are made. Failure to make necessary repairs could result in fire, property damage, severe personal injury, or death.
- Do not wear loose clothing or jewelry, such as rings, watches, chains, etc., when servicing vehicle.
- Turn key switch to the OFF position, remove the key, place the Forward/Reverse handle in the NEUTRAL position and chock the wheels prior to servicing.
- Moving parts: Do not attempt to service vehicle while engine is running.
- Hot! Do not attempt to service hot engine or exhaust system. Failure to heed this warning could result in severe burns.
- For vehicles with cargo beds, remove all cargo before raising the bed or servicing the vehicle. If the vehicle is equipped with a prop rod, ensure that it is securely engaged. Do not close bed until all persons are clear of cargo bed area. Keep hands clear of all crush areas. Do not drop cargo bed; lower gently and keep entire body clear. Failure to heed this warning could result in severe personal injury or death.
- Do not work on vehicle powertrain or under cargo bed when it is loaded.
- Turn fuel shut-off valve to the closed (OFF) position (Figure 15).
- To help avoid unintentionally starting the vehicle:
  - Disconnect battery cables, negative (-) cable first (Figure 1, Page 11).
  - Disconnect the spark plug wire from the spark plug.
- If wires are removed or replaced make sure wiring and wire harness are properly routed and secured. Failure to properly route and secure wiring could result in vehicle malfunction, property damage, personal injury, or death.
- Lift only one end of the vehicle at a time. Use a suitable lifting device (chain hoist or hydraulic floor jack) with 1000 lb. (454 kg) minimum lifting capacity. Do not use lifting device to hold vehicle in raised position. Use approved jack stands of proper weight capacity to support the vehicle and chock the wheels that remain on the floor. When not performing a test or service procedure that requires movement of the wheels, lock the brakes.

## PERIODIC SERVICE SCHEDULE

---

See General Warnings on page 12.

### **WARNING**

---

- Service, repairs, and adjustments must be made per instructions in the appropriate maintenance and service manual.

**NOTE:** *If the vehicle is constantly subjected to heavy use or severe operating conditions, the preventive maintenance procedures should be performed more often than recommended in the Periodic Service and Lubrication Schedule.*

*Both the Periodic Service Schedule and the Periodic Lubrication Schedule must be followed to keep vehicle in optimum operating condition.*

PERIODIC SERVICE SCHEDULE		
REGULAR INTERVAL	SERVICE	
Monthly service by owner or trained technician	Engine	Check engine oil level; change if necessary. <b>See Periodic Lubrication Schedule on page 31.</b>
		Check engine cooling air intake; visually inspect unshrouded area around engine exhaust for grass and debris and clean if necessary.
	Tires	Check air pressure and adjust if necessary. <b>See Vehicle Specifications on page 41.</b>
	General vehicle	Wash engine compartment and underside of vehicle. Do not wash engine when hot.
Semiannual service by trained technician only (every 50 hours of operation)	Battery	Clean terminals and wash dirt from casing; check electrolyte level. Add distilled water if necessary. <b>See page 38.</b>
	Front wheel alignment and toe-in	Check and adjust if necessary. <b>See Section 7 – Steering and Front Suspension in the appropriate maintenance and service manual.</b>
	Electrical wiring and connections	Check for tightness and damage.
	Brake system	Inspect master cylinder, wheel cylinders, brake lines, and hoses for damage or leakage.
		Check park brake cables for damage; replace if necessary.
	Check brake shoes and drums; replace if necessary. <b>See Section 6 – Park Brake System and Wheel Brake Assemblies in the appropriate maintenance and service manual.</b>	
Annual service by trained technician only (every 100 hours of operation)	Engine	Check for leaks around gaskets, fill plugs, etc.
		Inspect, clean and gap spark plug; replace if necessary.
	Engine air intake system	Check air filter element; clean or replace if necessary.
		Check clamps for tightness; check hose for cracks.
General vehicle	Check for loose hardware and tighten if necessary.	
Two year service by trained technician only (every 200 hours of operation)	Fuel filters	Replace. Dispose of used filters properly. <b>See Engine Oil and Filter Change on page 33.</b>

**⚠ WARNING**

- If any problems are found during scheduled inspection or service, do not operate vehicle until repairs are made. Failure to make necessary repairs could result in fire, property damage, severe personal injury, or death.



## PERIODIC LUBRICATION SCHEDULE

PERIODIC LUBRICATION SCHEDULE			
REGULAR INTERVAL	SERVICE	LUBRICATION POINT	RECOMMENDED LUBRICANT
<b>Semiannually by owner or trained technician (every 50 hours of operation)</b>	Brake pedal shaft bearings	<b>1</b>	Dry Moly Lube (CCI P/N 1012151)
	Accelerator push rod pivots, mounts, and shifter cable pivots	<b>2</b>	Dry Moly Lube (CCI P/N 1012151)
	Front suspension (2 fittings)	<b>3</b>	Chassis Lube (EP NLGI Grade 2)
	Check/add brake fluid	<b>4</b>	Use only DOT 5 (silicone) brake fluid
<b>Annually by trained technician only (every 100 hours of operation)</b>	Check/fill transaxle to plug level	<b>5</b>	MC012C-AS00 – 29 oz. (.85 liters) 80-90 Wt. API Class GL-3 or 80-90 Wt. AGMA Class 5 EP gear lubricant
	Inspect front wheel bearings (Repack as necessary)	<b>6</b>	Chassis Lube (EP NLGI Grade 2)
<b>First change 100 hours – additional change every 200 hours of operation or annually, whichever comes first.</b>	Change engine oil and oil filter	<b>7</b>	32 oz. (.95 liters) without filter; 38 oz. (1.12 liters) with filter. <b>See Oil Viscosity on page 36.</b>

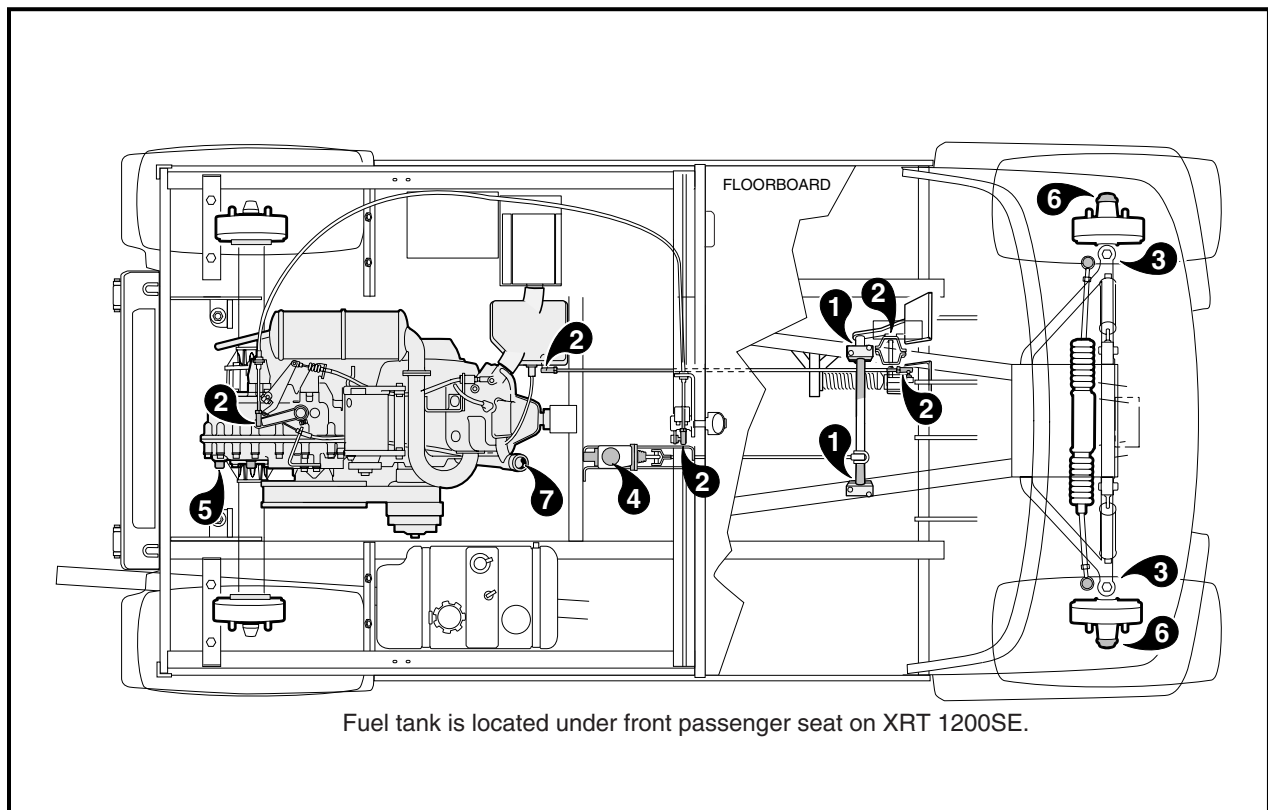
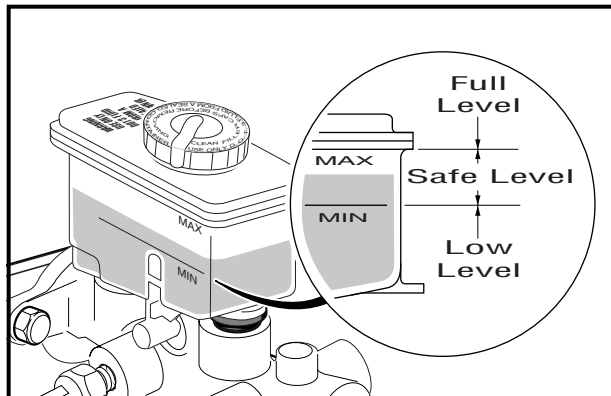


Figure 17 XRT 1200 Lubrication Points

## MASTER CYLINDER



**Figure 18 Brake Fluid Reservoir**

The master cylinder is located under the passenger bucket seat toward the center of the vehicle (**Figure 18**). Raise or remove the seat to check the brake fluid level.

When checking the brake fluid, also inspect the following:

- The presence of brake fluid on the exterior surface of the master cylinder indicates a leak.
- The vent holes in the reservoir cover should be clean and open.
- The reservoir diaphragm should not have holes or other damage.

## BRAKE FLUID

Brake fluid level should be within 1/4-inch (6 mm) from top of reservoir (**Figure 18**). Also, brake fluid should be clean with no residue in bottom of reservoir or other evidence of contamination.

### **⚠ CAUTION**

- Use only DOT 5 (silicone) brake fluid. Use of any other type brake fluid is not recommended.

## ENGINE OIL

Even though the low oil warning light on the dash should illuminate if oil is getting low, the engine oil level should be checked monthly. The vehicle should be on a level surface when checking oil. Do not overfill with oil.

## ENGINE OIL LEVEL CHECK

1. Remove the oil level dipstick from the oil filler tube and wipe oil from stick. **See Figure 19 or Figure 20. See following CAUTION.**

### **⚠ CAUTION**

- Do not remove dipstick while engine is running.
2. Check oil by fully inserting the dipstick into the oil filler tube and immediately remove it again.
  3. If the oil level is at or below the low level mark on the dipstick gauge, add oil until the level is between low and full levels (safe level).

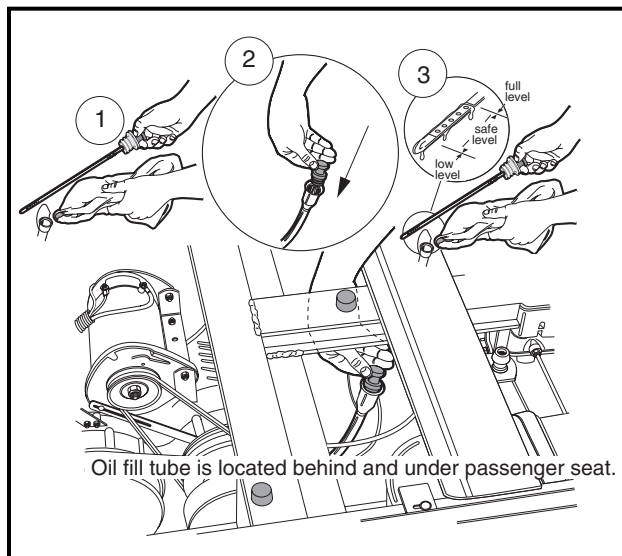


Figure 19 Engine Oil Level Check – XRT 1200

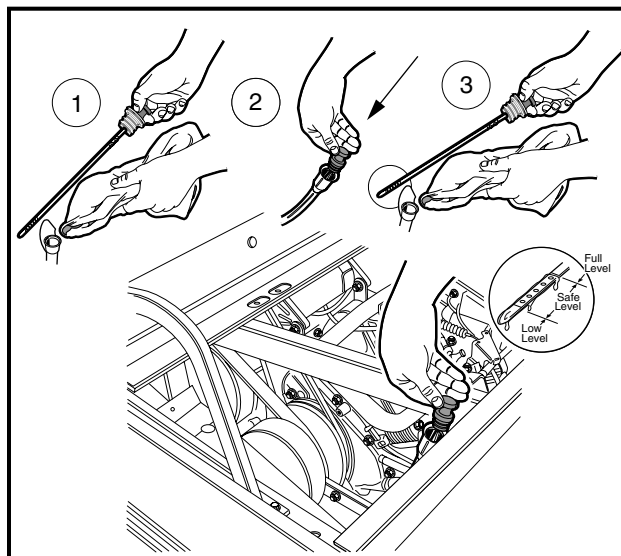


Figure 20 Engine Oil Level Check – XRT 1200SE

## ENGINE OIL AND FILTER CHANGE

Engine oil and oil filter should be changed after the first 100 hours of operation. After that, they should be changed every 200 hours of operation or annually, whichever comes first.

1. Turn the key switch to the OFF position then remove the key. Place the Forward/Reverse handle in the NEUTRAL position. Chock the front wheels.
2. Access the engine compartment. **See WARNING “For vehicles with cargo beds...” on page 12.**
  - **XRT 1200:**
    - 2.1. Tilt the bed and ensure that the prop rod is properly engaged.
  - **XRT 1200SE:**
    - 2.2. Remove the rear bench seat.
3. Disconnect the battery cables, negative (–) cable first. **See WARNING “To avoid unintentionally starting...” on page 14.**
4. Position a pan designed for oil changes under the front drain plug (**Figure 21**).
5. Use a 14 mm socket or box end (do not use an open end) wrench to remove the drain plug, turning it counterclockwise, and allow the engine oil to drain into the pan.

### **▲ WARNING**

- **Do not attempt to change engine oil when the engine is hot or even warm. Engine oil can cause skin burns.**
  - **Wear safety glasses or approved eye protection when servicing the vehicle. Wear rubber gloves when handling oil drain plug, oil filter, and oil drain pan.**
6. Clean the oil drain plug threads with solvent to remove oil and oil residue. Make sure that the compression washer remains on the drain plug.

- Use a 14 mm socket or box end (do not use an open end) wrench and replace the front oil drain plug, turning it clockwise, and tighten to 18 ft-lb (24.4 N-m).

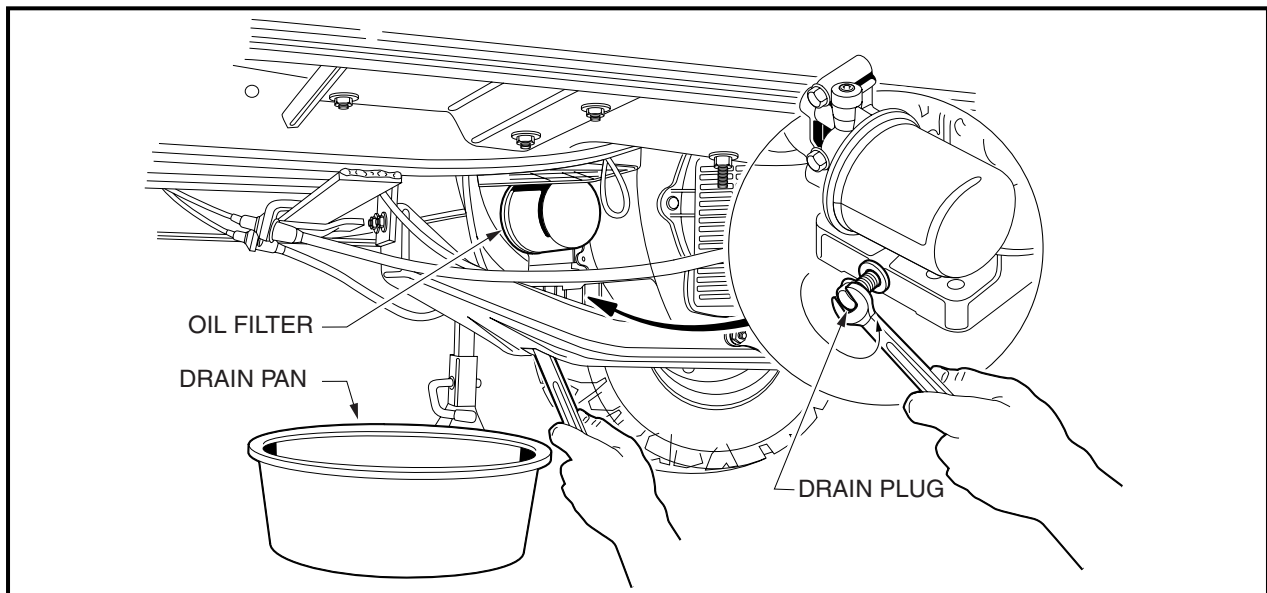


Figure 21 Engine Oil Drain Plug and Pan

- Place a floor jack under the rear receiver hitch where the hitch and body frame are fastened. Lift the vehicle body slightly, allowing the front of the engine to tilt slightly downward. This will allow the oil filter more clearance under the electrical component box (Figure 22).
- Relocate the oil drain pan to a position under the engine oil filter (Figure 22).
- Remove the engine oil filter, turning it counterclockwise, allowing the residual oil in the filter port and filter to drain into the oil drain pan (Figure 23). See following NOTE.

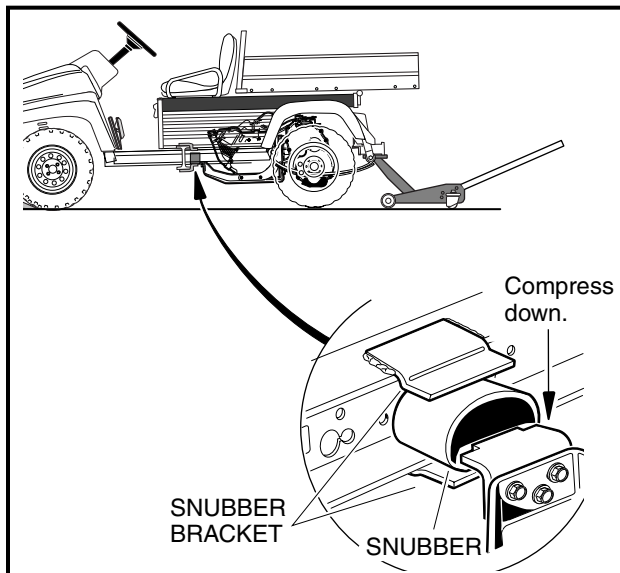


Figure 22 Compress Snubber Downward

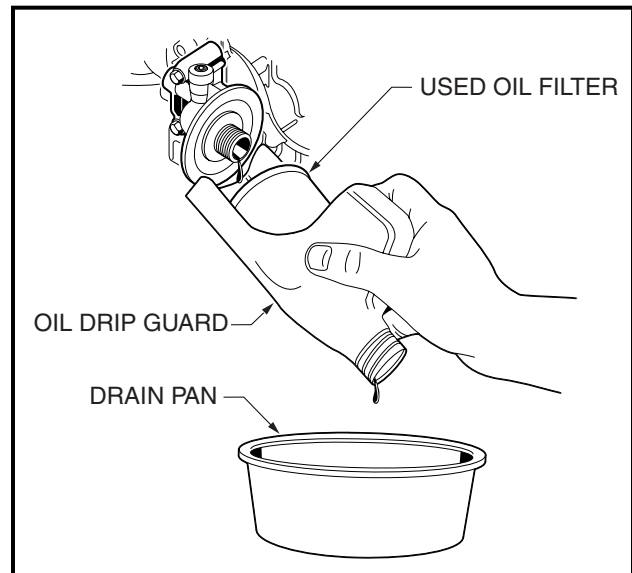
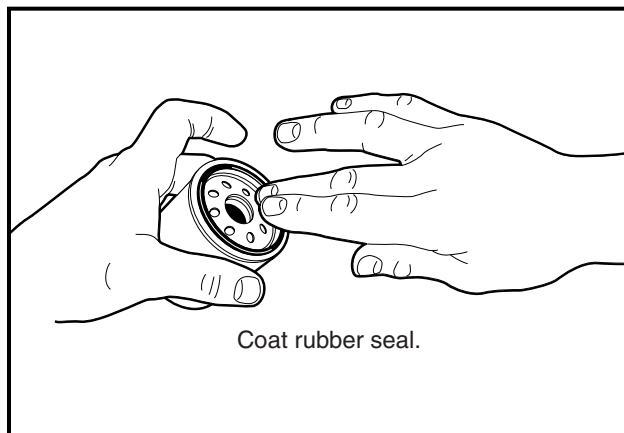
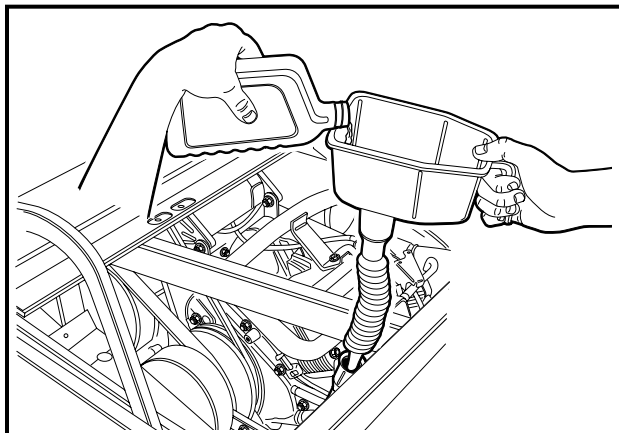


Figure 23 Remove Engine Oil Filter



**Figure 24** Replace Engine Oil Filter



**Figure 25** Add Engine Oil

**NOTE:** An oil drip guard can be used to prevent excess oil from dripping into the engine base place. Use an empty quart (.946 l) container and cut the bottom off at an angle, then slide the open area of the container up and under the oil filter prior to removing. Position the port of the plastic container so oil will be directed into the oil pan (**Figure 23**). Or, make a drip guard by folding a piece of cardboard, thin metal, or plastic under the oil filter forming a channel to direct the filter port oil into the drain pan.

Dispose of used oil according to the environmental laws and regulations for your area.

11. Use a clean rag and wipe the oil filter mounting bracket surface clean where the oil filter gasket seats.
12. Install a new oil filter (CCI P/N 1016467) onto the engine oil filter port. Apply a light coat of white lithium NLGI Number 2 grease (Dow Corning® BR2-Plus or equivalent) or new engine oil to the rubber seal around the outside surface of the filter before attaching it to the oil filter port (**Figure 24**). This will help seal the filter to the oil mounting bracket.

**NOTE:** Use only Club Car oil filters (CCI P/N 1016467) designed for this engine.

13. Tighten the oil filter by hand 2/3 turn after gasket contact. Do not use a band wrench or channel lock plier to tighten.
14. Lower the vehicle and remove the floor jack from under the rear of the vehicle.
15. Remove the dipstick and add engine oil into the dipstick port. Use a funnel or pour spout to direct the oil into the dipstick port (**Figure 25**). With filter change, the engine requires 38 ounces (1.12 liters) of oil per change. Refer to oil viscosity guidelines for selection of oil grade (**Figure 26**). Replace the dipstick.
16. Connect the battery cables, positive (+) cable first, and tighten terminals to 20 ft-lb (27.1 N·m). Coat terminals with Battery Terminal Protector Spray (CCI P/N 1014305).
  - **XRT 1200:**
    - 16.1. Lower the cargo bed. **See WARNING “For vehicles with cargo beds...” on page 12.**
  - **XRT 1200SE:**
    - 16.2. Replace the rear bench seat.
17. With the Forward/Reverse handle in the NEUTRAL position, start and run the engine for a few minutes. Observe both the drain plug and the oil filter from under the vehicle and watch for oil leaks. If leaks appear, begin with step 1 and repeat the appropriate step for either or both items to correct the problem.
18. Remove the dipstick and check the engine oil as a final step. Replace the dipstick.

## OIL VISCOSITY

Choose the viscosity according to the temperature as shown in the oil viscosity chart (Figure 26).

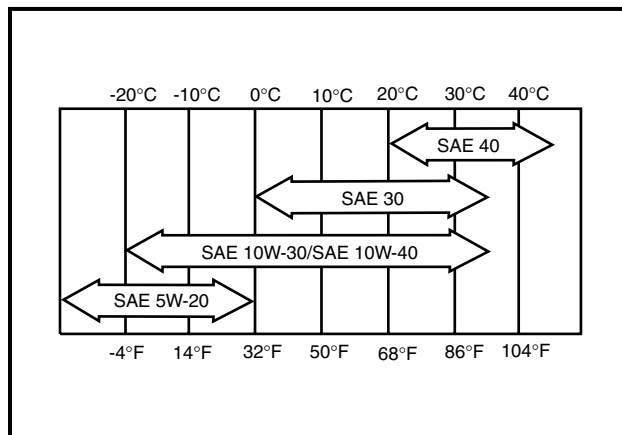


Figure 26 Oil Viscosity Chart

**NOTE:** Using multi-grade oils (5W-20, 10W-30, and 10W-40) will increase oil consumption. Check oil level more frequently when using them.

## FUELING INSTRUCTIONS

See General Warnings on page 12.

### **⚠ DANGER**

- Turn key switch to the OFF position before fueling.
- Never pour gasoline into the fuel tank when the engine is hot or while it is running.
- To avoid electric arc caused by static electricity, the fuel storage/pumping device must be grounded. If the pump is not grounded, the vehicle must be grounded to the pump before and during the fueling operation.
- If the vehicle has an all-weather enclosure installed, be sure the fuel tank is properly vented as shown (Figure 27, Page 37 or Figure 28, Page 37).
- To avoid the possibility of fire, clean up any spilled gasoline before operating the vehicle.

### **⚠ CAUTION**

- To allow for expansion, do not fill higher than one inch (2.54 cm) from the top of the fuel tank. Avoid spilling fuel.
1. Remove the passenger seat.
  2. Remove fuel cap and fill tank with fresh unleaded gasoline only. See preceding **DANGER** and **CAUTION**.

**NOTE:** Whenever possible, avoid using oxygenated fuels and fuels that are blended with alcohol. Vehicles to be stored for extended periods should be prepared for storage as instructed. **See *Preparing the Vehicle for Extended Storage on page 25.***

3. Replace fuel cap on the tank. Make sure cap is tightened securely.
4. Clean any spilled fuel from the tank top and around the tank area.
5. Replace passenger seat.

### **⚠ WARNING**

- **Make sure seat hinges and latch are securely engaged before operating vehicle.**

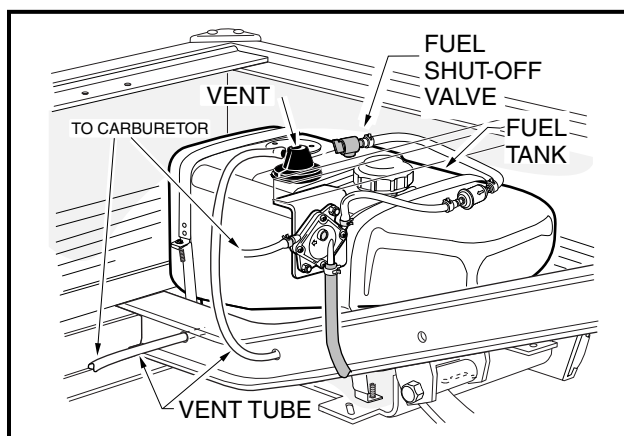


Figure 27 Fuel Tank – XRT 1200

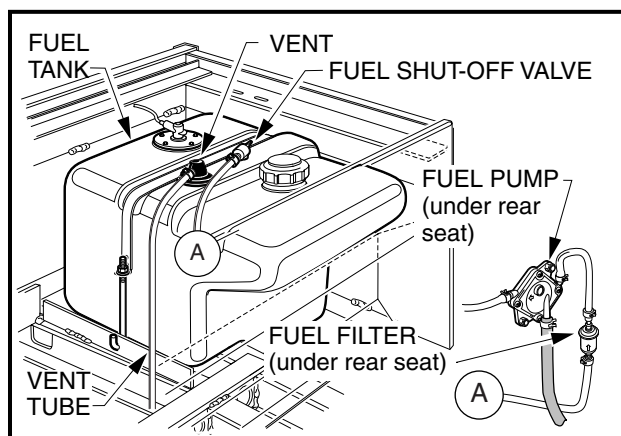


Figure 28 Fuel Tank – XRT 1200SE

## BATTERY

See General Warnings on page 12.

### **⚠ DANGER**

- **Battery – Explosive gases! Do not smoke. Keep sparks and flames away from the vehicle and service area. Ventilate when charging or operating vehicle in an enclosed area. Wear a full face shield and rubber gloves when working on or near batteries.**
- **Tools, wires, and metal objects can cause sparks when shorted across a battery.**
- **Follow all instructions carefully when working with batteries.**
- **Charge battery in a well-ventilated area only.**
- **Battery – Poison! Contains acid! Causes severe burns. Avoid contact with skin, eyes, or clothing. Antidotes:**
  - **External: Flush with water. Call a physician immediately.**
  - **Internal: Drink large quantities of milk or water followed with milk of magnesia or vegetable oil. Call a physician immediately.**
  - **Eyes: Flush with water for 15 minutes. Call a physician immediately.**

## **⚠ WARNING**

- Do not jump-start a dead battery using another battery and jumper cables.

The battery in a Club Car vehicle is a 12-volt, low-maintenance battery that requires infrequent checks (Figure 29). Electrolyte level should be checked semiannually.

1. Turn the key switch to the OFF position and remove the key. Place the Forward/Reverse handle in the NEUTRAL position. Chock the wheels.
2. Access the engine compartment. See WARNING “For vehicles with cargo beds...” on page 12.
  - XRT 1200:
    - 2.1. Tilt the bed and ensure that the prop rod is properly engaged.
  - XRT 1200SE:
    - 2.2. Remove the rear bench seat.
3. Disconnect the battery cables, negative (–) cable first. See WARNING “To avoid unintentionally starting...” on page 12.
4. Use a flat blade screwdriver, and carefully remove the battery cell caps from the battery (Figure 29). See following WARNING.

## **⚠ WARNING**

- Wear safety glasses or approved eye protection when servicing the vehicle. Wear a full face shield and rubber gloves when working on or near batteries.
5. Carefully check the electrolyte level and add distilled water if necessary. Do not fill above designated fill line. Replace battery cell caps.

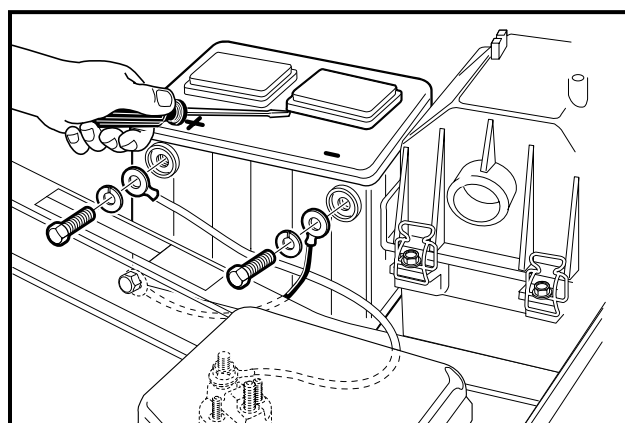


Figure 29 Battery

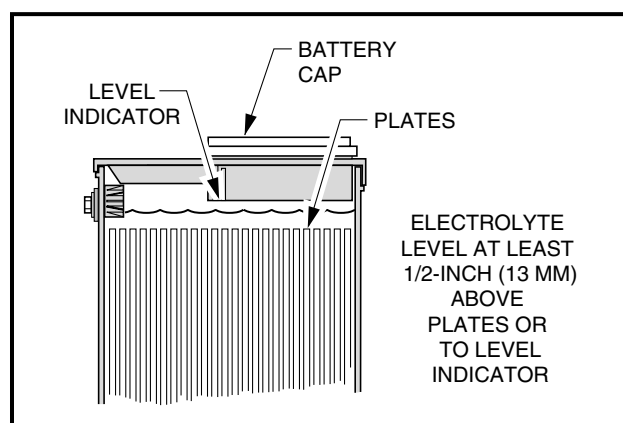


Figure 30 Battery Electrolyte Level

6. Clean both battery terminals with a solution of baking soda and water (1 cup (237 mL) baking soda per 1 gallon (3.8 L) of water). Rinse thoroughly. Do not allow this solution to enter the battery. Tighten battery terminals to 20 ft-lb (27.1 N·m). Let the terminals dry and then spray them with Battery Terminal Protector Spray (CCI P/N 1014305). See following CAUTION.



## **▲ CAUTION**

- **If battery wire terminals are damaged or corroded, replace or clean them as necessary. Failure to do so may cause them to overheat during operation.**

Be sure battery hold-down clamp is properly tightened. Tighten to 12 ft-lb (16.3 N·m). A loose clamp may allow the battery to become damaged from vibration or jarring.

If battery appears weak, have it charged by a trained technician. The battery should never be left discharged any longer than absolutely necessary (do not leave discharged overnight).

## **CLEANING THE VEHICLE**

Each vehicle is equipped with an ABS/DR acrylic front body and an all-aluminum rear body. The XRT 1200 has a powder-coated steel cargo bed and the XRT 1200SE has an aluminum cargo bed. Use Club Car's Vehicle Care Kit (CCI P/N AM10021) or commercial automotive cleaning solutions with a sponge or soft cloth for normal cleaning. A garden hose at normal residential water pressure is adequate. To remove oxidation or discoloration from aluminum, use a commercially available aluminum cleaner paste and fine grade (No. 00) steel wool.

Club Car does not recommend any type of pressure washing or steam cleaning. Such a process will expose electrical components to moisture. Moisture entering electrical components can result in water damage and subsequent component failure.

Use non-abrasive wax products or Club Car's Vehicle Care Kit (CCI P/N AM10021). Battery acid, fertilizers, tars, asphalt, creosote, paint, or chewing gum should be removed immediately to prevent possible stains.

The front body is made of an ABS/DR acrylic cap material similar to the material used to manufacture hot tubs and shower/tub units. Cleaning and repair techniques for the front body are the same as those used on conventional acrylic sheet. Use Club Car's Vehicle Care Kit (CCI P/N AM10021) or cleaning and polishing products available at any hardware store where ABS/DR acrylic (hot tubs and shower/tub units) are sold.

The seats of the vehicle will last longer with proper cleaning. Use a solution of 10% liquid soap and warm water applied with a soft cloth. For imbedded dirt, a soft bristle brush may be used. For heavy soiling, difficult stains, or scratches, blemishes, or other body damage, see the appropriate maintenance and service manual. **See following NOTE.**

***NOTE:** Dispose of waste water properly.*

## **ACCESSORIES**

There is a complete line of accessory equipment available from Club Car and our dealers/distributors. You can obtain the name and phone number of your closest Club Car contact by visiting our web site at [www.clubcar.com](http://www.clubcar.com) and clicking the "Find a Dealer" link.

Care should be taken that these accessories are properly installed by trained technicians, and that they are used in the manner for which they were designed. **See following WARNING.**

## **▲ WARNING**

- **Custom cab assemblies, canopy tops, weatherproof enclosures, and windshields will not protect occupants from flying objects.**
- **If the vehicle is equipped with an electric powered bed lift, remove the bed before servicing the bed lift system.**

## **ELECTRIC WINCH ACCESSORY**

If your vehicle is equipped with an electric winch, read and follow all manufacturer safety warnings and instructions in the winch operator manual, as well as the following WARNING and CAUTION statements. Make sure a winch warning decal is affixed to the vehicle on the seat support panel next to the receptacle for the remote operation switch. **See Vehicle Feature Identification on beginning page 6.**

The winch kit available from Club Car includes a remote operation switch, which enables the operator to move away from the vehicle and cable. **See following WARNING and CAUTION.**

### **WARNING**

- **Before beginning a winch operation:**
  - Turn key switch to the **OFF** position, put **Forward/Reverse** handle in the **NEUTRAL** position, and engage the park brake.
  - **Do not use winch while persons are seated on the vehicle.**
- **Stand to the side and away from the vehicle to operate winch.**

### **CAUTION**

- **Use of the winch for an extended period of time could discharge the battery. Keep winch operations as short as possible, and drive the vehicle for several minutes after the winch operation to recharge the battery.**

## **SUBSEQUENT OWNER REGISTRATION**

---

In the event a vehicle is bought as a used vehicle from another individual or from a dealer, we strongly urge the new owner to register the vehicle with Club Car. This will enable us to contact you if the need arises. Please send your name, address, and serial number of the vehicle to Club Car, Inc., P.O. Box 204658, Augusta, Georgia 30917-4658, Attention: Vehicle Registration.

## VEHICLE SPECIFICATIONS

SPECIFICATIONS	XRT 1200	XRT 1200SE
<b>POWER SOURCE</b>		
<b>Engine:</b> 4-cycle OHV, 400 cc, 13 hp rated, single-cylinder, air-cooled, with pressure lubrication system	•	•
<b>Fuel system:</b> Side-draft carburetor with float bowl, fixed jets, fuel filters, and impulse fuel pump	•	•
<b>Governor:</b> Automatic ground-speed sensing, internally geared in unitized transaxle	•	•
<b>Ignition:</b> Transistor electronic ignition with electronic RPM limiter	•	•
<b>Unitized transaxle, MC012C-AS00:</b> Fully synchronized forward and reverse with neutral (14.9:1 forward, 20.5:1 reverse) and differential lock feature	•	•
<b>Electrical system:</b> 12 volt, 500 cca at 0 °F (-17.8 °C), 650 at 32 °F (0 °C). 105-minute reserve capacity and 35-amp charging capacity	•	•
<b>Torque converter:</b> Automatic, variable-speed, dry type	•	•
<b>STEERING/SUSPENSION/BRAKES</b>		
<b>Steering:</b> Self-adjusting rack and pinion, Ackerman	•	•
<b>Suspension:</b> <b>Front:</b> Independent A-arms with coil-over shocks <b>Rear:</b> Semi-independent suspension with multi-leaf springs and dual hydraulic shocks	•	•
<b>Brakes:</b> Hydraulic brake system – self-adjusting drum brakes on each wheel with separate hand-operated park brake	•	•
<b>BODY/CHASSIS</b>		
<b>Frame/Chassis:</b> Twin I-Beam welded aluminum	•	•
<b>Side and rear body:</b> All aluminum	•	•
<b>Cargo bed:</b> All aluminum		•
<b>Cargo bed:</b> Powder-coated steel	•	
<b>Front body:</b> ABS/DR acrylic cap	•	•
<b>Tires:</b> 23 x 10.50 – 12 tubeless, 4 ply rated load range, front and rear	•	•
<b>DIMENSIONS/WEIGHT</b>		
<b>Overall length</b> (box bed configuration)	123.4 in. (313.4 cm)	144.4 in. (366.8 cm)
<b>Overall width</b>	54 in. (137 cm)	
<b>Overall height</b> (at steering wheel)	51 in. (130 cm)	
<b>Wheelbase</b>	80 in. (203 cm)	101 in. (256 cm)
<b>Ground clearance:</b> under differential under foot platform	6.6 in. (17 cm) 11.4 in. (29 cm)	6.6 in. (17 cm) 11.4 in. (29 cm)
<b>Front wheel tread</b>	43 in. (109 cm)	
<b>Rear wheel tread</b>	44.5 in. (111 cm)	
<b>Weight</b> (dry): with all-terrain tread with turf tread	1106 lb. (493.4 kg) 1066 lb. (477.2 kg)	1200 lb. (544.2 kg) 1160 lb. (526.0 kg)
<b>Forward speed</b>	17-19 mph (27-31 km/h)	
<b>Governed RPM:</b> FE400 Engine	3850 (±30) RPM	
<b>Curb clearance circle</b> (diameter)	24 ft. 1 in. (734 cm)	31 ft. 8 in. (965 cm)
<b>Turning radius</b> (per SAE J 695)	139.6 in. (355 cm)	15 ft. 6 in. (472.4 cm)
<b>Specifications continued on next page...</b>		

<b>SPECIFICATIONS</b>	<b>XRT 1200</b>	<b>XRT 1200SE</b>
<b>DIMENSIONS/WEIGHT, Continued</b>		
<b>Intersecting aisle clearance</b>	112.2 in (285 cm)	120 in. (304 cm)
<b>Floorboard height</b>	17 in. (43 cm)	
<b>Seat height</b>	35 in. (89 cm)	
<b>Load bed height</b>	31.1 in. (79 cm)	
<b>Load bed size</b> (box bed inside dimensions)	48.0 x 49.8 x 10.9 in. (121.4 x 126.4 x 27.6 cm) (15.3 cubic feet)	37.6 x 45.1 x 9.3 in. (96 x 115 x 23 cm) (9.13 cubic feet)
<b>Load bed size</b> (flat bed dimensions)	46.9 x 48.3 in. (119 x 123 cm)	35.8 x 44.3 in. (91 x 112 cm)
<b>Vehicle rated capacity</b> (level surface only)	1200 lb. (544 kg)	1300 lb. (590 kg)
<b>Bed load capacity</b> (level surface only)	800 lb. (363 kg)	500 lb. (227 kg)
<b>Standard seating capacity</b>	2	4
<b>LIQUID CAPACITIES</b>		
<b>Engine crankcase without filter</b>	32 oz. (.95 liters)	
<b>Engine crankcase with filter</b>	38 oz. (1.12 liters)	
<b>Unitized transaxle, MC012C-AS00</b>	29 oz. (.85 liters)	
<b>Master cylinder</b>	8 oz. (240 ml)	
<b>Fuel tank</b>	7 gallons (26.5 liters)	6.5 gallons (24.6 liters)
<b>TIRE PRESSURE</b>		
<b>All-terrain tread (standard)</b>	Front: 7-11 psi (.48-.76 Bars) Rear: 14-18 psi (.97-1.24 Bars)	Front: 7-11 psi (.48-.76 Bars) Rear: 14-18 psi (.97-1.24 Bars)
<b>Turf tread (optional)</b>	Front: 12-16 psi (.83-1.10 Bars) Rear: 16-20 psi (1.10-1.38 Bars)	Front: 12-16 psi (.83-1.10 Bars) Rear: 16-20 psi (1.10-1.38 Bars)
<b>Traks Max II tread (optional)</b>	Front: 14-16 psi (.97-1.10 Bars) Rear: 18-20 psi (1.24-1.38 Bars)	Front: 14-16 psi (.97-1.10 Bars) Rear: 18-20 psi (1.24-1.38 Bars)

# CLUB CAR® LIMITED TWO YEAR WARRANTY FOR 2004 TRANSPORTATION AND UTILITY VEHICLES

---

## 1. WARRANTY:

CLUB CAR, INC., ("CLUB CAR") hereby warrants to the Original Retail Purchaser that its new 2004 Model Transportation and Utility Vehicles purchased from CLUB CAR or an authorized dealer shall be free from defects in material and workmanship under normal use and service as a transportation or utility vehicle for the periods stated below, subject to the provisions, limitations and exclusions contained in this limited warranty.

**LIMITED TWO YEAR / 2000 HOUR WARRANTY:** The engine assembly, unitized transaxle assembly (gasoline vehicle), motor, transaxle assembly (electric vehicle), main frame assembly, hydraulic dump kit, Custom Cab assembly and doors, and Driving Range Protective Enclosure are warranted with respect to parts and labor against defects in material and workmanship for a period of two years or 2000 hours of operation, whichever first occurs, from the date of purchase.

**LIMITED ONE YEAR / 1000 HOUR WARRANTY:** All remaining components of the vehicle not specified otherwise, the Portable Refreshment Center, and all other original equipment options and accessories supplied by CLUB CAR are warranted with respect to parts and labor against defects in material and workmanship for a period of one year or 1000 hours of operation, whichever first occurs, from the date of purchase.

This limited warranty covers material, workmanship and repair labor cost as to those items specifically listed above for the periods specified. Such repair labor shall be performed only by CLUB CAR, its authorized dealers, or a service agency approved by CLUB CAR.

IF THE WARRANTY REGISTRATION FORM IS NOT COMPLETED AND RETURNED TO CLUB CAR AT THE TIME OF THE ORIGINAL RETAIL SALE, PURCHASER MUST PROVIDE PROOF OF DATE OF PURCHASE WITH ANY WARRANTY CLAIM.

## 2. EXCLUSIONS:

Excluded from any CLUB CAR warranty are all fuses, filters, decals (except safety decals), spark plugs, light bulbs, lubricants, trim pieces, seats, routine wear items such as the charger plug and receptacle, brake shoes, belts, brushes, bushings, engine mounts, mats and pads, maintenance adjustments, cosmetic deterioration, and items which deteriorate or fail due to exposure or ordinary wear and tear. Batteries, battery charger, onboard computer, and solid-state speed controller are covered under separate CLUB CAR warranties. Also excluded from any CLUB CAR warranty is damage to a vehicle or component resulting from a cause other than a defect including unreasonable or unintended strain or use, improper installation of accessories, installation of parts or accessories that are not original equipment, overloading, accident, alteration, abuse or neglect.

Transportation expenses for warranty services are also excluded from this warranty.

## 3. VOIDING OF WARRANTY:

THIS AND ANY OTHER WARRANTY SHALL BE VOID IF THE VEHICLE IS ABUSED OR USED IN AN UNINTENDED MANNER OR SHOWS INDICATIONS THAT IT HAS BEEN ALTERED IN ANY WAY, INCLUDING, BUT NOT LIMITED TO, MODIFICATION OF THE SPEED GOVERNOR, BRAKING SYSTEM, STEERING, TRANSAXLE, OR OTHER OPERATING SYSTEMS OF THE VEHICLE TO CAUSE IT TO PERFORM OUTSIDE CLUB CAR SPECIFICATIONS. THE WARRANTY IS LIKEWISE VOID IF THE VEHICLE INVOLVED SHOWS INDICATIONS THAT REASONABLE OR NECESSARY MAINTENANCE AS OUTLINED IN THE OWNER'S MANUAL AND MAINTENANCE AND SERVICE MANUAL WAS NOT PERFORMED AT THE TIME AND IN THE MANNER SPECIFIED IN SUCH MANUALS.

## 4. SOLE REMEDY:

CLUB CAR's liability under this limited warranty, or in any action whether based upon warranty, contract, negligence, strict product liability or otherwise, shall be the repair or replacement, at CLUB CAR's option, of the vehicle or component thereof that CLUB CAR deems to be defective. Replacement shall mean furnishing, during the applicable limited warranty period, a new vehicle or factory-reconditioned vehicle or component thereof that is identical or reasonably equivalent to the warranted product or component at no cost to the purchaser. Repair shall mean remedying a defect in the vehicle or component thereof at no cost to the purchaser during the applicable limited warranty period. If CLUB CAR elects to repair the vehicle, it may provide factory-reconditioned parts or components. All parts and components replaced under warranty shall become the property of CLUB CAR.

## 5. HOW TO MAKE A WARRANTY CLAIM:

To make a warranty claim under this limited warranty, you must present the vehicle or defective component to an authorized CLUB CAR dealer or send the defective component, freight prepaid, to WARRANTY SERVICES, CLUB CAR, INC., 4125 Washington Road, Evans, Georgia 30809, U.S.A., 706-863-3000.

**6. DISCLAIMER:**

THIS LIMITED WARRANTY IS EXCLUSIVE. CLUB CAR MAKES NO OTHER WARRANTY OF ANY KIND, EXPRESSED OR IMPLIED. ANY IMPLIED WARRANTIES OF MERCHANTABILITY OR FITNESS FOR A PARTICULAR PURPOSE WHICH EXCEED THE OBLIGATIONS OR TIME LIMITS STATED IN THIS WARRANTY ARE HEREBY DISCLAIMED BY CLUB CAR AND EXCLUDED FROM THIS WARRANTY. THE PURCHASER AND CLUB CAR EXPRESSLY AGREE THAT THE REMEDY OF THE REPLACEMENT OR REPAIR OF THE DEFECTIVE VEHICLE OR COMPONENT THEREOF IS THE SOLE REMEDY OF THE PURCHASER. CLUB CAR MAKES NO OTHER REPRESENTATION OR WARRANTY OF ANY KIND, AND NO REPRESENTATIVE, EMPLOYEE, OR DEALER OF CLUB CAR HAS THE AUTHORITY TO MAKE OR IMPLY ANY REPRESENTATION, PROMISE OR AGREEMENT, WHICH IN ANY WAY VARIES THE TERMS OF THIS WARRANTY.

**7. NO CONSEQUENTIAL DAMAGES:**

IN NO EVENT SHALL CLUB CAR BE LIABLE FOR ANY INCIDENTAL OR CONSEQUENTIAL DAMAGES INCLUDING, BUT NOT LIMITED TO, LOSS RELATED TO PROPERTY OTHER THAN THE VEHICLE, LOSS OF USE, LOSS OF TIME, INCONVENIENCE, OR ANY OTHER ECONOMIC LOSS.

Some states allow neither limitation on the duration of an implied warranty nor exclusions or limitation of incidental or consequential damages. Therefore, the above limitations or exclusions may not apply to you.

This warranty gives you specific legal rights, and you may also have other rights, which vary from state to state.

**8. INFORMATION:**

For further information contact WARRANTY SERVICES, CLUB CAR, INC., P.O. Box 204658, Augusta, Georgia 30917-4658, U.S.A., 706-863-3000.

**9. WARNING:**

Any modification or alteration of any vehicle beyond factory specifications, including those that affect the weight distribution, stability, or speed of the vehicle, can cause serious personal injury or death.













Publication Part Number 102397424  
Edition Code 0204A00000



**Club Car, Inc.**  
P.O. Box 204658  
Augusta, GA 30917-4658  
USA

**Web** [www.clubcar.com](http://www.clubcar.com)  
**Phone** 1.706.863.3000  
1.800.ClubCar  
**Int'l** +1 706.863.3000  
**Fax** 1.706.863.5808