



play to win

2004 OWNER'S MANUAL SUPPLEMENT FOR CAFE EXPRESS VEHICLE

The following pages are supplemental to the 2004 Turf Utility Vehicle Owner's Manual. If you do not have a Turf Utility Vehicle Owner's Manual for your vehicle, you may obtain one from your Club Car dealer or distributor.

This supplement contains the following information:

- Operating, maintenance, and cleaning procedures specific to the Cafe Express vehicle
- Installation instructions for the upper cabinet, canopy, and windshield

Supplement Part No. SVP202101

Edition Code 0803C1103B

NOTICE

It is intended that this supplement be used in conjunction with the Turf Utility Vehicle Owner's Manual shipped with this vehicle. Please feel free to make copies of this supplement; or you may order additional copies from your Club Car distributor or dealer.

The information contained in this document is subject to change without notice.

The Club Car Limited Warranty for Turf Utility vehicles appears at the end of the owner's manual. No other warranties, expressed or implied, are contained herein.

Club Car vehicles do not conform to Federal Motor Vehicle Safety Standards for automobiles or to FMVSS 500 for low-speed vehicles, and are not designed or equipped for use on public streets, roads, or highways.

A vehicle safety video is provided with the vehicle, as is the Turf Utility Vehicle Owner's Manual and this Owner's Manual Supplement. Have all operators view the safety video, and understand the safety warnings it illustrates, before operating the vehicle. If a safety video was not provided with your Cafe Express vehicle, you may obtain one through your service parts representative.

Copyright © 2003 Club Car, Inc.

TABLE OF CONTENTS

Safety Details	4
Safety Decals and Feature Identification	4
Vehicle Feature Identification – Cafe Express	5
Pre-Operation and Daily Safety Checklist	6
Controls and Indicators	6
Vehicle Operation	6
Tire Specifications	7
Prop Rod	7
Windshield	7
Refreshment Center	8
Maintenance	9
Periodic Service Schedule	9
Cleaning	9
Cafe Express Vehicle Specifications	10
Cafe Express Installation – General Information	11
Tools Required	12
Parts in this Kit	13
Upper Cabinet Installation	14
Windshield Frame Installation	14
Canopy Frame Installation	16
Canopy Cover Installation	17
Windshield Installation	18
Questions	18

SAFETY DETAILS

WARNING

- This supplement and the 2004 Turf Utility Vehicle Owner's Manual should be read completely before attempting to operate the vehicle. The safety video provided with the Cafe Express vehicle should also be viewed by all operators of the vehicle. Failure to heed the warnings or follow the instructions in this supplement, the owner's manual, and the safety video could result in severe personal injury or death.

See the Turf Utility Vehicle Owner's Manual for additional safety details.

SAFETY DECALS AND FEATURE IDENTIFICATION

The safety decals and feature identification contained on page 5 are specific to the Cafe Express unit. See the Turf Utility Vehicle Owner's Manual for the additional listing of safety decals and vehicle feature identification. All additional information in the Turf Utility Owner's Manual pertaining to the Turf 2 vehicle applies to the Cafe Express vehicle.

CAFE EXPRESS



WARNING

VEHICLE ROLLOVER COULD RESULT IN SERIOUS INJURY OR DEATH.

- Operate vehicle only:**
- On cart paths or improved surfaces.
 - With 6-ply rated, 18x8.50-8 tires.
 - With 30-34 psi (2.07-2.34 Bars) tire pressure checked daily.
 - With all compartment loads equally distributed.

CCI 102056401

VEHICLE LOAD WARNING DECAL (UNDER THE DASH)



WARNING

VEHICLE ROLLOVER COULD RESULT IN SERIOUS INJURY OR DEATH.

- Operate vehicle only:**
- On cart paths or improved surfaces.
 - With 6-ply, 18x8.50x8 tires.
 - With 30-34 psi tire pressure checked daily.
 - With all compartment loads equally distributed.

CCI 101940101

VEHICLE LOAD WARNING DECAL (EACH SIDE OF BASE UNIT)

NOTICE

Remove canopy pins before lifting bed.

CCI 102160601

PIN REMOVAL NOTICE DECAL (ON FRAME NEXT TO PINS)

DRY SNACK COMPARTMENT

BEVERAGE CONTAINER COMPARTMENT

CUP DISPENSER

DRY SNACK COMPARTMENT

CONSUMABLE ICE COMPARTMENTS

TRASH COMPARTMENT

DRAIN HOSES (3)
(VALVES INSIDE TRASH COMPARTMENT)

COLD STORAGE COMPARTMENT



WARNING

Riding in cargo bed can cause severe injury or death. Do not ride in cargo bed.

CCI 1015539-01

BED LOAD DECAL

CONSUMABLE ICE COMPARTMENT

CONSUMABLE ICE WARNING DECAL (EACH SIDE OF BASE UNIT)

IMPORTANT NOTICE

This vehicle is designed only for the conveyance of certain nonhazardous prepackaged foods and non-dairy products. In California, those foods not permitted are defined in Health & Safety Code section 113845. If you have any question concerning whether any particular prepackaged food complies with those standards, please consult the manufacturer or supplier of those foods before conveying them with this vehicle.

SVP20101

FOOD NOTICE DECAL (EACH SIDE OF BASE UNIT)



WARNING

FOOD POISONING CAN CAUSE SERIOUS ILLNESS OR DEATH.

- This bin is not intended to store ice for human consumption.
- Do not put unprotected food in this bin.

FOOD WARNING DECAL (EACH SIDE OF BASE UNIT)

VEHICLE LOADING

Read owner's manual, supplement, and warnings on vehicle.

- Vehicle rated capacity - 850 lbs. (385.6 kg) on level surface only. Weight to include driver, passenger, and total cargo load.
- Maximum cargo load - 450 lbs. (204.1 kg). Weight to include total cargo load in ALL storage locations.
- Avoid top heavy loads.

- Cargo should be evenly distributed in the beverage unit, as far forward as possible, and secured.
- For vehicle stability, when fully loaded, drive slowly and avoid stopping on or backing down steep hills.
- When driving on uneven terrain or down steep hills, reduce speed and load.

CCI 102278901

VEHICLE LOAD WARNING DECAL (UNDER THE DASH)

PRE-OPERATION AND DAILY SAFETY CHECKLIST

Do not operate the vehicle until the upper cabinet, canopy, and windshield have been installed. **See Cafe Express Installation – General Information on page 11.**

Have all operators view the safety video and understand the safety warnings it illustrates before operating the vehicle.

- **General:** Ensure that the windshield is installed before driving the vehicle.
- **Safety and information decals:** Check to be sure all safety and information decals are in place. See page 5 of this supplement and the Vehicle Feature Identification pages in the Turf Utility Vehicle Owner's Manual.
- **Tires:** Check for proper tire pressure upon delivery and on a daily basis when the vehicle is in service. **See Tire Specifications on page 7.**
- **Loading:** Before driving the vehicle, ensure that the load weight is evenly distributed in the Cafe Express refreshment center. Also, make sure the drain valves are open if the refreshment center is loaded with ice.

See the Turf Utility Owner's Manual for remaining Pre-Operation and Daily Safety Checklist items before driving the vehicle.

PERFORMANCE INSPECTION

- **Governor:** With the neutral lockout in the SERVICE position, check the engine RPM with a tachometer. The correct setting for safe operation is 3050 ± 30 .
- **Brakes:** Be sure the brakes function properly. When the brake pedal is fully pressed under moderate pressure, it should not go more than halfway to the floor, and the vehicle should come to a smooth, straight stop. If the brake pedal goes more than halfway to the floor, or if the vehicle swerves or fails to stop, have the brake system checked and adjusted as required. Brake adjustment must be maintained so the brake pedal cannot be pressed to the floor under any circumstance.

See the Turf Utility Owner's Manual for remaining Performance Inspection items.

CONTROLS AND INDICATORS

Controls for the Cafe Express vehicle are the same as described in the Turf Utility Vehicle Owner's Manual for the Turf 2 vehicle.

VEHICLE OPERATION

STABILITY

To maintain proper stability, the Cafe Express vehicle must not be driven over curbs, or on steep slopes, fairways, or extremely uneven terrain.

WARNING

- **Driving the vehicle over curbs, or on steep slopes, fairways, or extremely uneven terrain could cause vehicle rollover, resulting in serious injury or death.**

ENGINE SPEED

A Club Car vehicle with a Cafe Express refreshment center installed must have a maximum engine RPM of 3050 ± 30 . This is necessary to limit maximum level ground travel speed to 14 mph (23 km/h) or less.

TIRE SPECIFICATIONS

SPECIFICATIONS	CAFE EXPRESS VEHICLE
Tires	18 x 8.50 x 8 6-ply
Tire pressure	30-34 psi (2.07-2.34 Bars)

WARNING

- All Cafe Express vehicles must be equipped with 18 x 8.50 x 8 6-ply rated tires on all four wheels. Never install oversized tires on the vehicle. Oversized tires can increase the vehicle's maximum travel speed. Oversized tires can also raise the vehicle's center of gravity, reducing the vehicle stability.
- Never install tires that are rated below 6-ply on the vehicle. Less than 6-ply rated tires may not have sufficient side wall strength to adequately support the vehicle.
- Correct tire pressure is essential. Low air pressure will reduce vehicle travel speed and result in weakened tire sidewall strength. Tires with weakened sidewall strength will not adequately support the vehicle when making sharp turns.
- Tire pressure must be checked daily and adjusted as required on a regular basis.

PROP ROD

See the Turf Utility Owner's Manual for prop rod information.

WINDSHIELD

The Cafe Express vehicle is often driven in the opposite direction of play. This exposes the driver to the hazard of flying golf balls.

WARNING

- A Club Car vehicle with a Cafe Express refreshment center installed must be equipped with the one-piece windshield supplied with this kit to reduce the hazard of flying golf balls.

REFRESHMENT CENTER

LOADING

When stocking the Cafe Express refreshment center, make sure the load weights are approximately equal in all lower (cold storage) compartments containing ice and/or beverages.

WARNING

- **An unevenly distributed load can cause vehicle instability.**

REFRESHMENT CENTER COMPARTMENTS

Cold Storage Compartments

The cold storage compartments are designed to carry canned beverages and cooling ice. **See page 5.** Pre-packaged cold sandwiches and snacks can also be served from these compartments. We recommend they be kept on the snack shelves, or in a plastic container if placed directly on the ice, so that food will remain dry.

Pre-cooling the canned beverages will minimize the amount of ice required to keep the product cool. Maintaining ice in the cold storage compartments when they are not in service will help to maintain a colder temperature when the unit is put back into service.

WARNING

- **Do not use the cold storage compartments to store unprotected food, or ice that is intended for human consumption. Failure to heed this warning could result in food poisoning.**

Consumable Ice Compartments

The consumable ice compartments, located in the rear driver and passenger sides of the Cafe Express refreshment center should be used for consumable ice only. **See page 5.** In order to prevent contamination of consumable ice, do not place food in these compartments. Consumable ice should not be stored in any other compartment of the Cafe Express refreshment center.

Trash Compartment

The trash compartment is located in the rear of the base unit. The trash bin should be lined with a disposable plastic bag to maintain cleanliness. This compartment should not be used for storing or transporting consumable ice, drinks, or food.

WATER DRAIN VALVES

The three drain valves, located in the trash compartment of the base unit, are used to drain the ice compartments.

- The valve on the passenger side of the base unit drains the passenger side consumable ice compartment.
- The valve on the driver side of the base unit, nearest the rear of the vehicle, drains the driver side consumable ice compartment.
- The valve on the driver side of the base unit, toward the front of the vehicle, drains the cold storage compartment.

▲ WARNING

- All three drain valves must always be open while the Cafe Express refreshment center vehicle is in service. Leaving them closed will allow water from melting ice to collect in storage and beverage compartments. This water level will increase over time and the shifting weight of the water, when making turns, can cause reduced vehicle stability.

MAINTENANCE**REFRESHMENT CENTER**

The door latches and locks will require periodic tightening and adjusting. Periodically oiling the doors with a silicone spray lubricant is also recommended. The door locks should be lubricated on a monthly basis with a dry lubricant.

PERIODIC SERVICE SCHEDULE

PERIODIC SERVICE SCHEDULE		
REGULAR INTERVAL	SERVICE	
Daily service by owner or trained technician	Tires	Check air pressure and adjust as necessary to 30-34 psi (2.07-2.34 Bars).
Monthly service by owner or trained technician	Door locks	Lubricate with a dry lubricant.

See the Turf Utility Owner's Manual for all other items to be included in the Periodic Service Schedule.

CLEANING**WINDSHIELD**

Use only mild liquid dishwashing soap with a sponge or soft cloth for cleaning the windshield.

CAUTION

- Do not use glass-cleaning products on the windshield. See the Turf Utility Owner's Manual for all other cleaning instructions for the vehicle.

REFRESHMENT CENTER

Interior Aluminum Surfaces

The interior surfaces of the refreshment center should be cleaned and sanitized daily with an approved product before being used. Check with local Health Department for rules and regulations in your area.

Exterior Aluminum Surfaces

The exterior surfaces should be cleaned on a daily basis using a soap and water solution. Periodic cleaning with an aluminum or stainless steel cleaner is recommended.

CAUTION

- **Using abrasive cleaners on aluminum and stainless steel will damage or scratch the surfaces. Use a soft cloth with an industrial type stainless steel cleaner/polish to clean the aluminum and stainless steel surfaces.**

Drains

The drains should be flushed with a hose on a daily basis. Periodically, the drains should be cleaned and sanitized.

Clear Plastic Doors

The clear plastic panels on the doors should be cleaned daily with a mild soap and water solution. Dry with a clean, damp chamois. Do not use window cleaning sprays or paper towels.

Polypropylene

The polypropylene doors should be cleaned daily with a soap and water solution.

Canopy Cover

Periodically clean the canopy cover by spraying the fabric with water and allowing fabric to dry on the canopy frame.

CAFE EXPRESS VEHICLE SPECIFICATIONS

Cafe Express vehicles are equipped with four-wheel, manually-adjusted drum brakes.

The unloaded (empty) weight of the Cafe Express vehicle is 1076 lb. (144.7 kg). The combined weight of passengers and refreshment center must not exceed the vehicle rated capacity.

See the Turf Utility Vehicle Owner's Manual for a complete listing of Turf Utility vehicle specifications and vehicle rated capacity.

NOTE: *Club Car, Inc. reserves the right to change specifications and design of its vehicles at any time without notice and without obligation to make these changes on units previously sold.*

CAFE EXPRESS INSTALLATION – GENERAL INFORMATION

Review the following instructions and safety precautions before beginning installation procedures.

Installation of the upper cabinet, canopy frame and canopy will require the aid of an assistant.

Observe the following DANGER and WARNING statements and procedures. Failure to do so may result in severe personal injury and (or) damage to the vehicle or property:

⚠ DANGER

- Gasoline vapors – Flammable! Do not smoke! Keep sparks and flames away from vehicle and service area. Tools, wires, and metal objects can cause sparks when “shorted” across a battery. Use insulated tools. Extreme care should be taken when disconnecting batteries. When wires are disconnected, be sure to keep them away from battery posts and other wires. Service only in well-ventilated areas.
- Do not operate the gasoline vehicle in an enclosed area without proper ventilation. Gasoline engines produce carbon monoxide gas, which is an odorless, deadly poison.
- Batteries release explosive gases! Keep all sources of ignition (cigarettes, sparks, flames) away from charging and service areas. Charging and service areas should be well-ventilated to prevent build-up of explosive gases.

⚠ WARNING

- Only trained technicians should repair or service the vehicle. Anyone doing even simple repairs or service should have knowledge and experience in electrical and mechanical repair. Follow all procedures exactly and heed all warning statements in these instructions.
- Wear safety glasses or approved eye protection while servicing vehicle.
- Turn the key switch to the OFF position, place Forward/Reverse handle in the NEUTRAL position, and remove the key prior to servicing.
- Do not wear loose clothing or jewelry such as rings, watches, chains, etc. when servicing vehicle.
- To avoid unintentionally starting the vehicle:
 - Disconnect battery cables, negative (–) cable first (Figure 1).
 - Disconnect the spark plug wire from the spark plug.

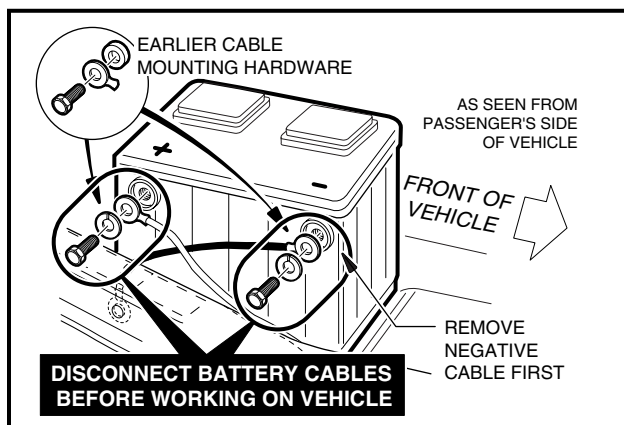
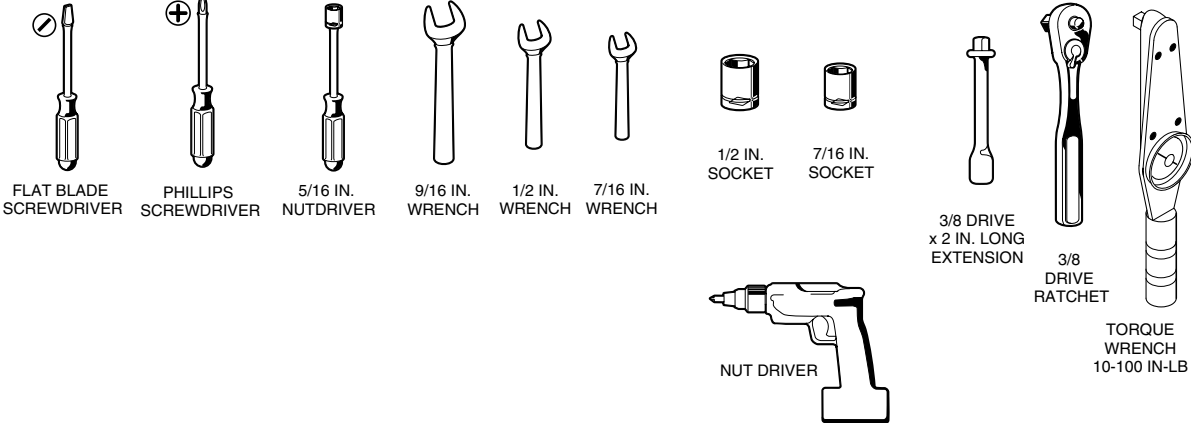
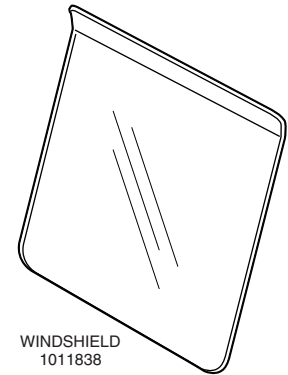
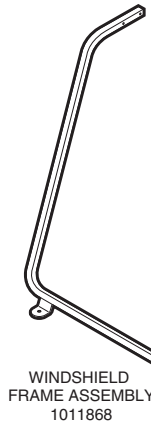
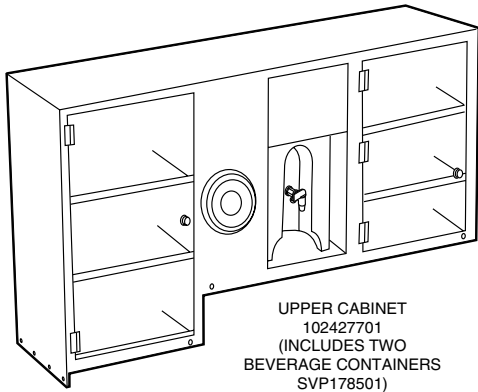
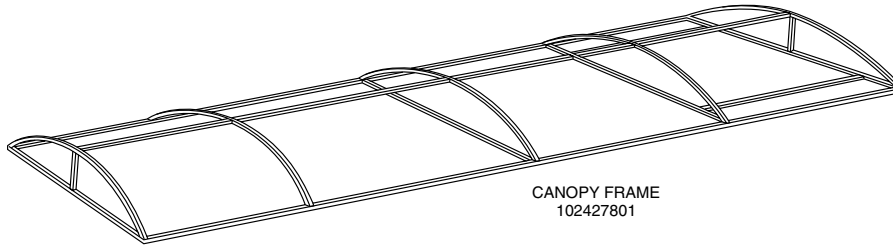


Figure 1 Battery Cable Removal

TOOLS REQUIRED



PARTS IN THIS KIT



CANOPY COVER
(CHOICE OF ONE)
Pacific Blue - 102427901
Classic Blue - 102428001
Blue/White - 102428101
Green - 102428201
Green/White - 102428301
Custom - 102428401



WINDSHIELD FRAME
MOUNTING PAD
1011883



PROTECTIVE
BUMPER
1011897



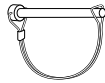
KNEE BRACE
(Passenger Side)
1011862



KNEE BRACE
(Driver Side)
1011865



CONSUMABLE ICE
DOOR CLIP



RETAINING PIN



CAPPED TEE NUT
1011878



BUSHING
1010237



1/4-20
HEX NUT



5/16-18 x 1-1/2
HEX HEAD BOLT
1010577



5/16-18 x 1-1/4
HEX HEAD
SCREW W/PATCH
1011937



1/4-20 x 1-1/2
HEX HEAD BOLT
1703



1/4-20 x 1-1/2
PHILLIPS PAN
HEAD SCREW
W/ PATCH



1/4-20 x 3/4
PHILLIPS PAN
HEAD SCREW
W/ PATCH



#10 x 5/8
PHILLIPS PAN
HEAD SCREW
W/ PATCH



1/4 WASHER
1011964



1/4 LOCK
WASHER
1011965

UPPER CABINET INSTALLATION

NOTE: The tallest end of the cabinet will be installed toward the rear of the vehicle as shown (**Figure 2**).

1. With the aid of an assistant, slide the upper cabinet (1) forward using the angle brackets (with nut inserts) on the base unit (2) as a guide. The upper cabinet must be on the outside of the angle brackets.
2. Align holes in upper cabinet with the nut inserts in angle brackets on base unit. Secure with three 1/4-20 x 3/4 phillips pan-head screws (with patch) (3) on each side, four at rear and four at front. Tighten all screws to 50 in-lb (5.6 N·m). **See following CAUTION.**
3. Locate the hole in the corner just above the consumable ice compartment door. **See Detail in Figure 2.** Slide the clip (5) in between the upper cabinet and base unit as shown. Secure the clip to the upper cabinet with a #10 x 5/8 phillips pan-head screw (with patch) (6). Tighten screw to 18 in-lb (2.0 N·m). Install remaining clip at opposite side of vehicle using same procedure. **See following CAUTION.**

CAUTION

- Do not overtighten screws.

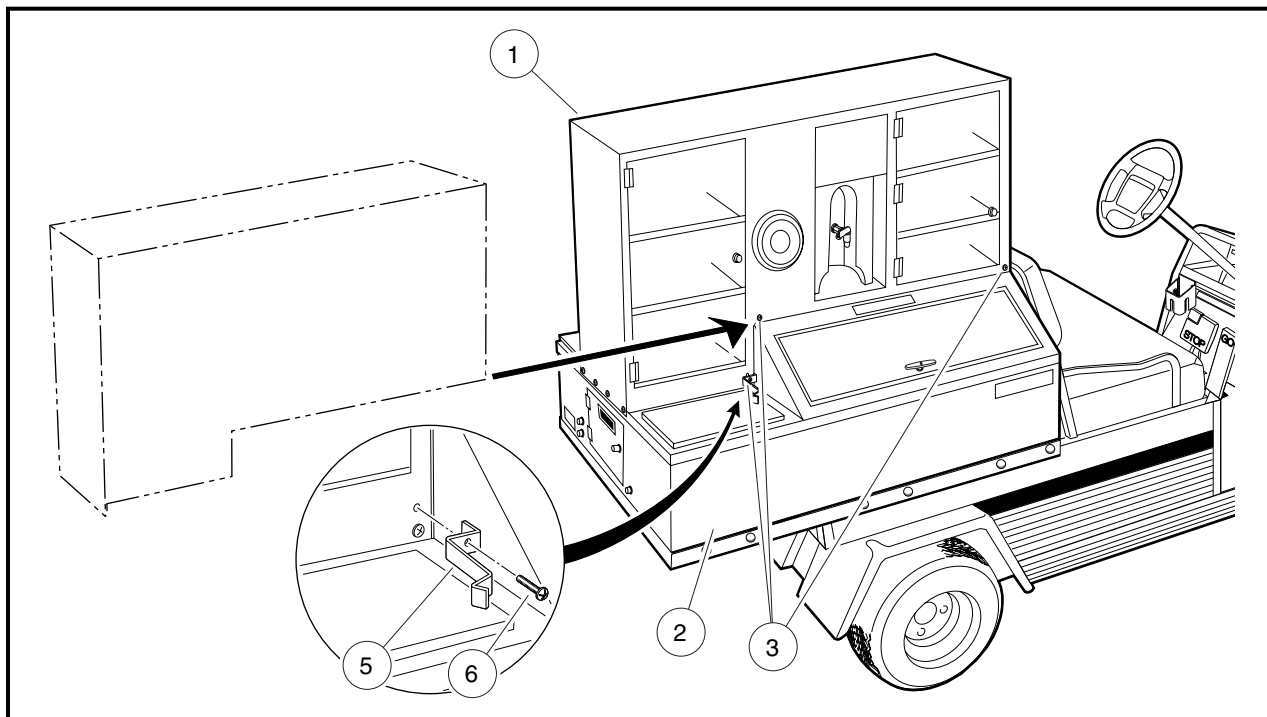


Figure 2 Upper Cabinet Installation

WINDSHIELD FRAME INSTALLATION

1. Remove nuts (1), washers (2), and bolts (3) holding the trim (4) to the front body (5) (**Figure 3**). Retain nuts and washers for later use. Discard bolts.
2. Remove the phillips-head screw (6) from each side of the front body (5).

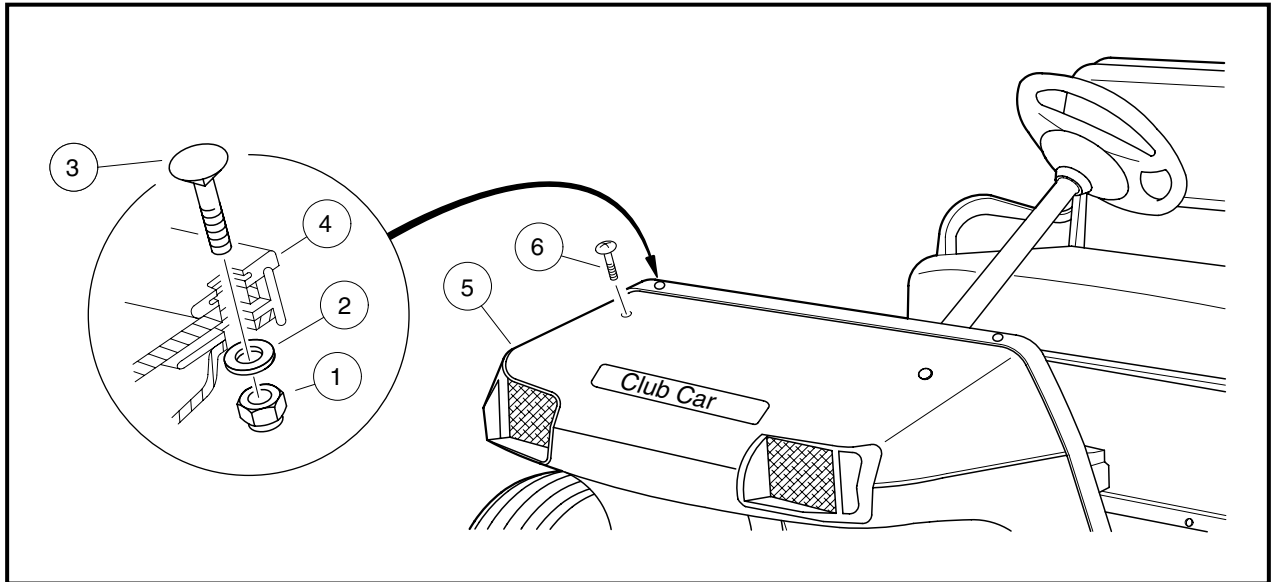


Figure 3 Remove Hardware from Front Body

3. Place a windshield frame mounting pad (3) between each lug (5) on the windshield frame (1) and front body (2) (**Figure 4**). Secure windshield frame (1) and two mounting pads (3) to front body with two 5/16 x 1-1/4 hex-head screws with patch (4). Tighten screws to 45 in-lb (5 N-m).
4. Secure the left and right knee braces (6 and 7) with new 5/16-18 x 1-1/2 hex-head cap bolts (8), and previously removed flat washers (9) and nuts (10) (**Figure 4**). Tighten bolts to 45 in-lb (5 N-m).

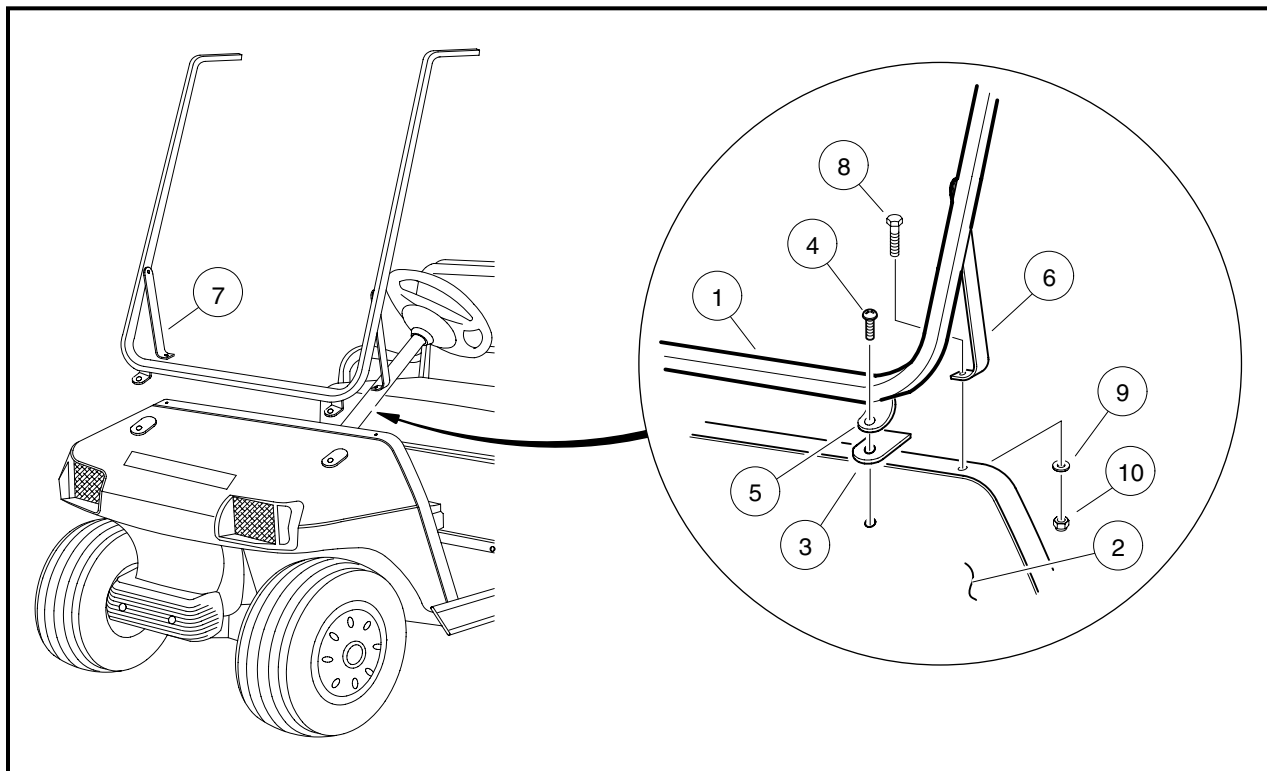


Figure 4 Mount Windshield Frame

CANOPY FRAME INSTALLATION

NOTE: Install the canopy frame with the channels toward the front of the vehicle.

1. Locate the four holes near the top edge of the upper cabinet (two in front and two in rear).
2. With the aid of an assistant, position the canopy frame (1) so that the cross tubes with pre-drilled holes align with the nut inserts in the front and rear of the upper cabinet (**Figure 5**).

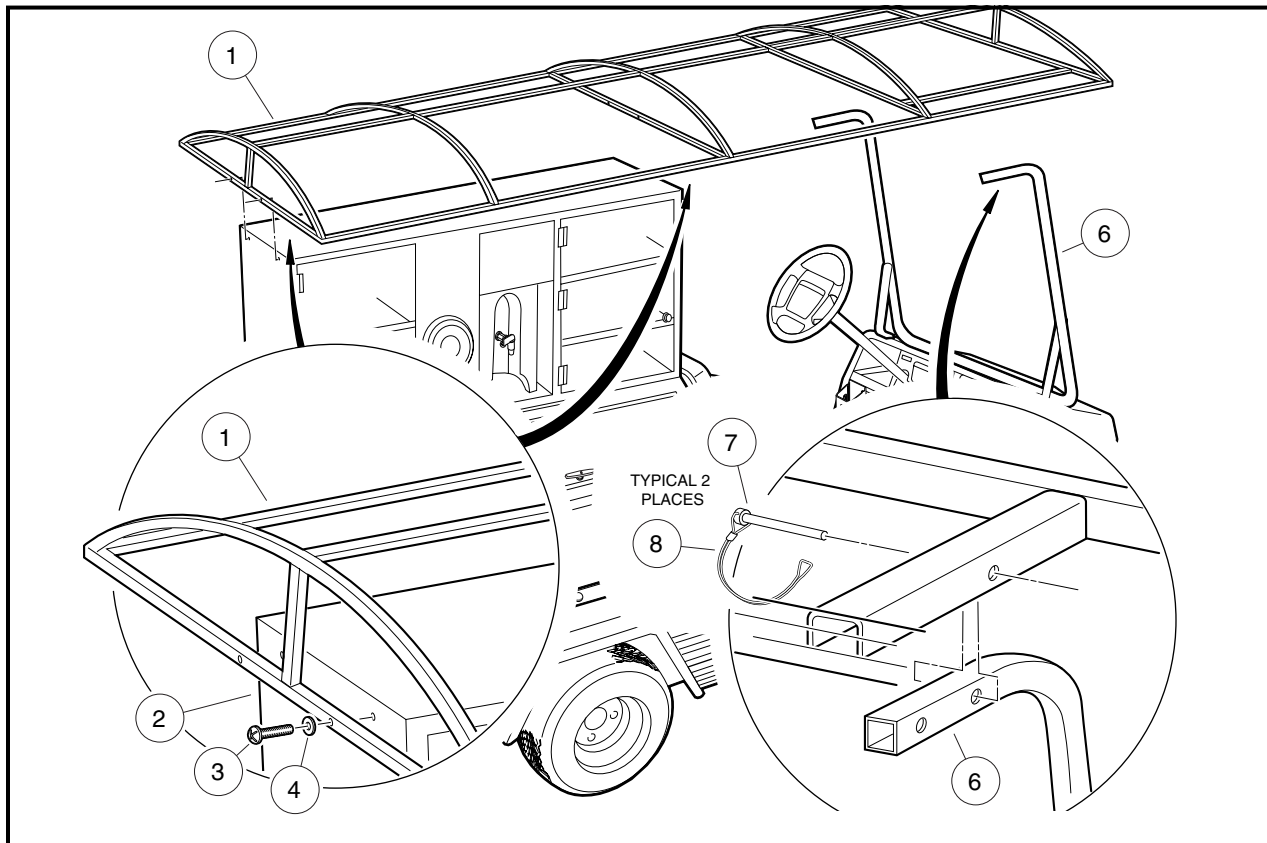


Figure 5 Canopy Frame Installation

3. Secure the canopy frame (1) to the upper cabinet (2) using four 1/4-20 x 1-1/2 phillips pan-head screws with patch (3) and stainless steel flat washers (4) (**Figure 5**). Tighten screws to 50 in-lb (5.6 N-m). **See following CAUTION.**

CAUTION

- Do not overtighten screws.
4. Adjust the windshield frame legs so that the holes in the windshield frame (6) align with the holes in the channels. Insert one retaining pin (7) in each side and place the retaining wires (8) over the ends of the pins (**Figure 5**).
 5. Making sure the surface is dry, clean and free of grease, apply velcro strip (2) all around the outside surface of the canopy frame (1) (**Figure 6**). Align the bottom edge of the velcro to the bottom edge of the tubing as shown.

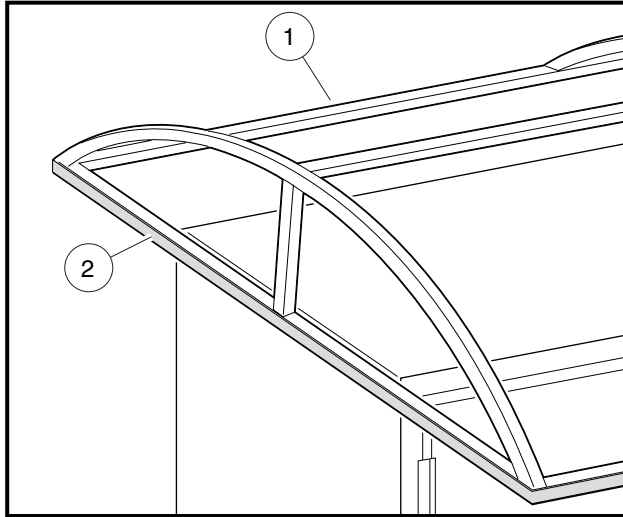


Figure 6 Velcro Installation

CANOPY COVER INSTALLATION

1. Spread the canopy cover (1) out over the canopy frame with the velcro strip facing inward toward the canopy frame (**Figure 7**).
2. Starting at one corner, align the bottom edge of the velcro strip on the cover with the bottom edge of the velcro strip on the frame. Continue working around vehicle until canopy cover is completely secured to canopy frame.

NOTE: Installation of the canopy cover will require some stretching of the cover material. Be careful not to stretch the canopy cover so tightly that the fabric tears.

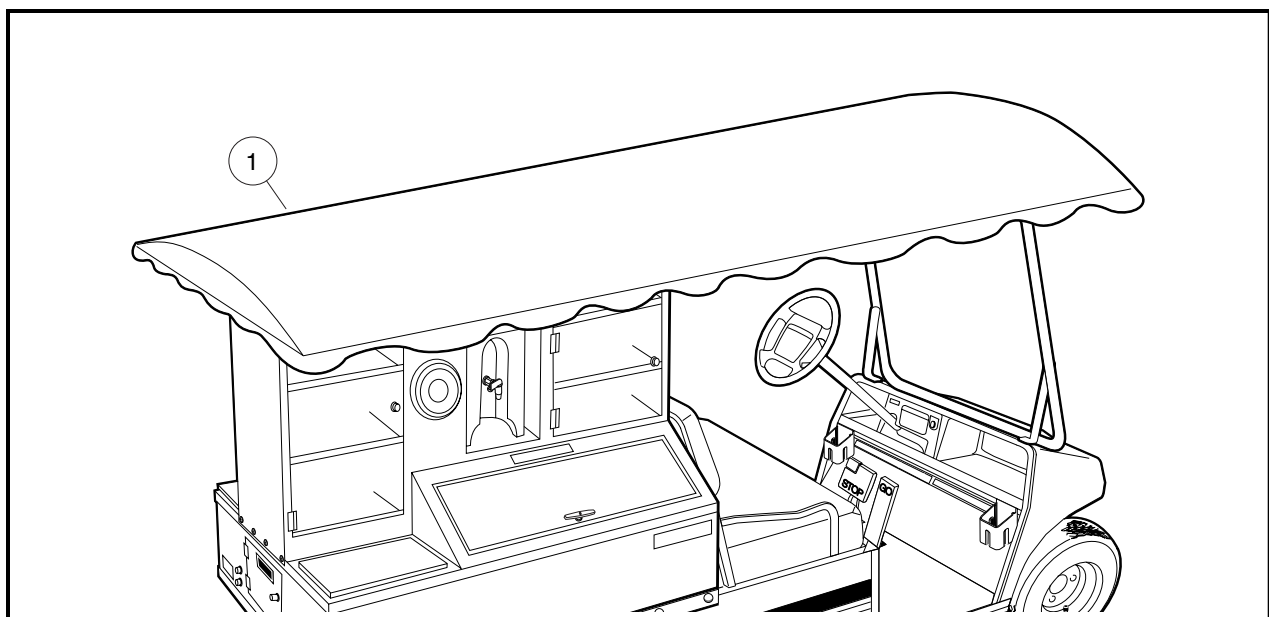


Figure 7 Canopy Cover Installation

WINDSHIELD INSTALLATION

1. Install the two rubber bumpers (2) on the frame side of the windshield (**Figure 8**).
2. Install the three mounting channels (1) onto the windshield as shown. Push all three channels onto the frame evenly until the channels are firmly attached to the frame.

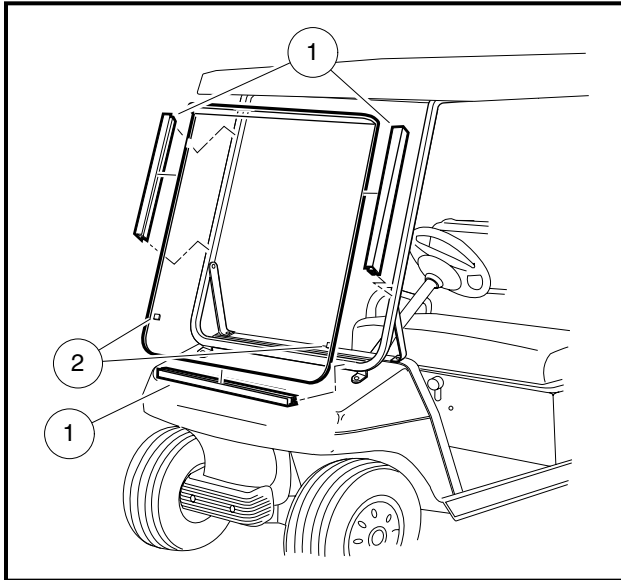


Figure 8 Install Windshield

QUESTIONS

Questions or comments regarding this kit instruction should be referred to your local Club Car dealer or distributor. Please know your vehicle model and have this kit instruction available when you call.

