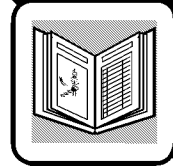


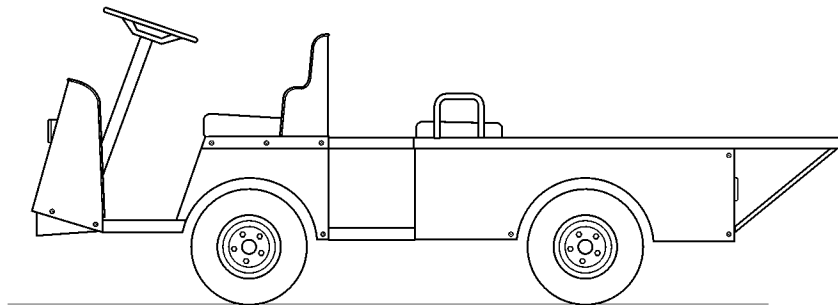
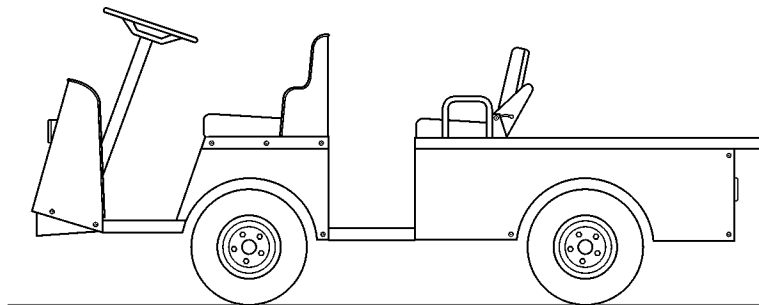
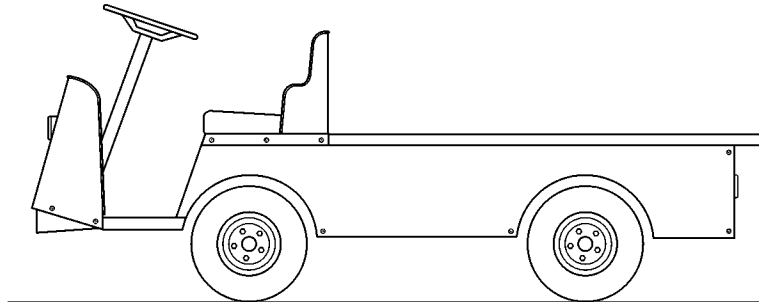
36067-G01



A Textron Company



SERVICE PARTS MANUAL



Ref Fcv 14

GASOLINE POWERED CARGO & PERSONNEL CARRIERS

STARTING MODEL YEAR: 2003

SERVICE PARTS MANUAL

GASOLINE POWERED CARGO & PERSONNEL CARRIERS

875G

875PG

875AG

The E-Z-GO Division of Textron, Inc. reserves the right to make design changes without obligation to make these changes on units previously sold and the information contained in this manual is subject to change without notice.

The E-Z-GO Division of Textron, Inc. is not liable for errors in this manual or for incidental or consequential damages that result from the use of the material in this manual.

CUSTOMER SERVICE DEPARTMENT IN USA PHONE: 1-800-241-5855 FAX: 1-800-448-8124

OUTSIDE USA PHONE: 010-1-706-798-4311, FAX: 010-1-706-771-4609

E-Z-GO Division of Textron, Inc., P.O.BOX 388, AUGUSTA, GEORGIA USA 30903-0388

GENERAL INFORMATION

To obtain a copy of the limited warranty applicable to the vehicle, call or write a local Distributor, authorized Branch or the Warranty Department with vehicle serial number and manufacture date code.

The use of non Original Equipment Manufacturer (OEM) parts may void the warranty.

When servicing engines, all adjustments and replacement components must be per original vehicle specifications in order to maintain the United States of America Federal and State emission certification applicable at the time of manufacture.

TABLE OF CONTENTS

SECTION	Page No.
HOW TO USE THE SERVICE PARTS MANUAL	v
ILLUSTRATED PARTS BREAKDOWN	vii
ACCELERATOR	A-1
AIR FILTER	B-1
BODY	C-1
BRAKES (HYDRAULIC)	D-1
CAB AND VAN BOX	E-1
CARBURETOR AND CHOKE	F-1
CLUTCH	G-1
DIRECTION SELECTOR	H-1
ELECTRICAL	J-1
ENGINE AND MUFFLER	K-1
ENGINE MOUNTING	L-1
FRONT SUSPENSION	M-1
FUEL SYSTEM	N-1
HITCHES	P-1
REAR AXLE	Q-1
REAR SUSPENSION	R-1
SEATS	S-1
SIDE PANELS & CARGO DECK (875G)	T-1
SIDE PANELS & CARGO DECK (875PG)	T-11
SIDE PANELS & CARGO DECK (875AG)	T-21
STARTER/GENERATOR	U-1
STEERING	V-1
WEATHER PROTECTION	W-1
WHEELS AND TIRES	X-1
SPECIALTY PRODUCTS	APPENDIX A-1
OPTIONS/ACCESSORIES	APPENDIX B-1
INDEX OF MAJOR COMPONENTS	INDEX-1

HOW TO USE THE SERVICE PARTS MANUAL

This manual is divided into several sections:

GENERAL INFORMATION

- TABLE OF CONTENTS
- HOW TO USE THE SERVICE PARTS MANUAL

ILLUSTRATED PARTS BREAKDOWN

- Contains illustrations and parts lists for all systems of the vehicle

APPENDIX

- Contains a listing of specialty products and options/accessories

INDEX OF MAJOR COMPONENTS

- Contains a listing of parts (excluding hardware) grouped by part number and description and indicates on which page(s) they can be found

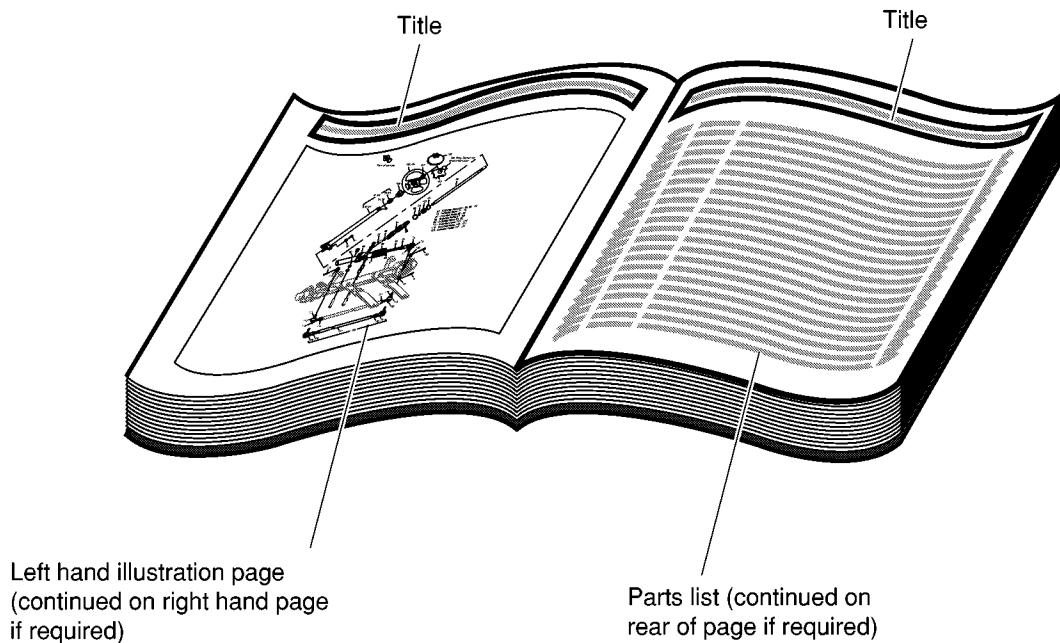
USE OF THE MANUAL

To use this manual, consult the TABLE OF CONTENTS (page iii) or the INDEX OF MAJOR COMPONENTS (located at rear of this manual) to locate the information or illustration required.

Introduction of some revisions varies due to supply of components; therefore, it is possible that various combinations of components may be found that are not directly reflected by each illustration. Consult the illustration that best suits your situation. Locate the serial number plate (see BODY located in the Illustrated Parts Breakdown section of this manual for its location) and note the complete number shown on the plate. It is important that the serial number of your vehicle and its model number be supplied to Service Parts when ordering any replacement components.

Locate the serial number plate (see BODY located in the Illustrated Parts Breakdown section of this manual for its location) and note the complete number shown on the plate.

HOW TO USE THE SERVICE PARTS MANUAL



1. WHEN THE PART NUMBER IS NOT KNOWN

- Determine the function and application of the part required. Turn to the INDEX OF MAJOR COMPONENTS and select the most appropriate component description.
- Turn to the page number indicated and locate the part description in the parts list. Read the full accompanying description for specific information regarding the part that was not shown in the index.
- From the parts list, obtain the item number assigned to it and confirm that the part selected is correct by verifying it with the pictorial representation on the illustrated page.

2. IF YOU KNOW THE PART NUMBER

- Use the INDEX OF MAJOR COMPONENTS to find the page(s) the part number appears on.
- Turn to the page number indicated and locate the part number in the parts list. Refer to the accompanying description for specific information regarding the part.
- From the parts list, obtain the item number assigned to it and confirm that the part selected is correct by verifying it with the pictorial representation on the illustrated page.

Should an asterisk (*) appear in the part number column on the parts list page, read upwards until a part number is found. The part number is the lowest assembly sold by Service Parts. The asterisk (*) indicates that the part depicted is not available for purchase.

NOTE: Descriptions are indented under the assembly that they are used on. That assembly is, in turn listed under the assembly that it is used on. This process is repeated until the highest final assembly is reached.

To facilitate the maintenance and repair of the vehicle, a Technician's Repair and Service Manual is available from the Service Parts Department.

ILLUSTRATED PARTS BREAKDOWN

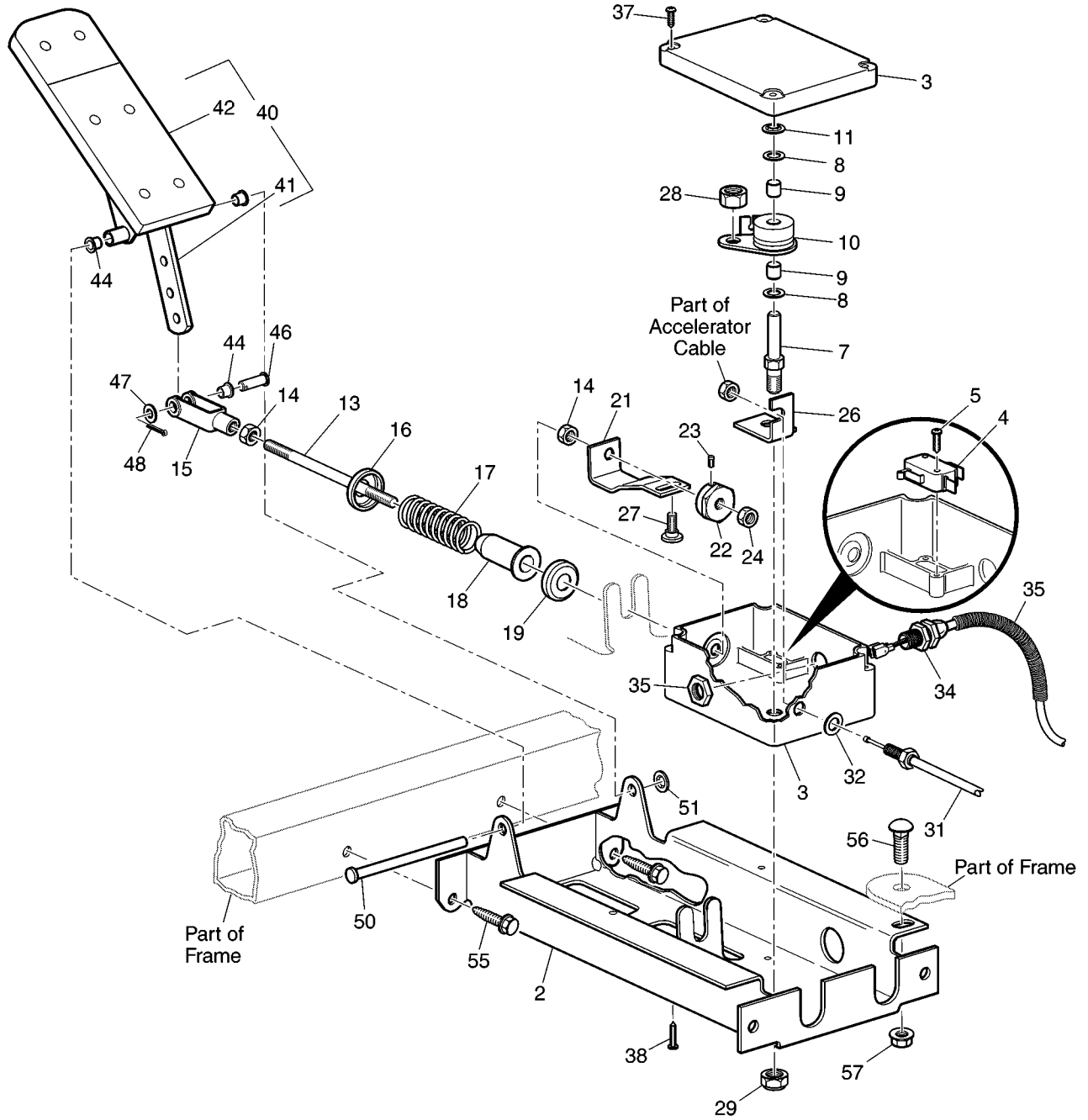
ILLUSTRATED PARTS BREAKDOWN

HOW TO USE THE SERVICE PARTS MANUAL



ACCELERATOR

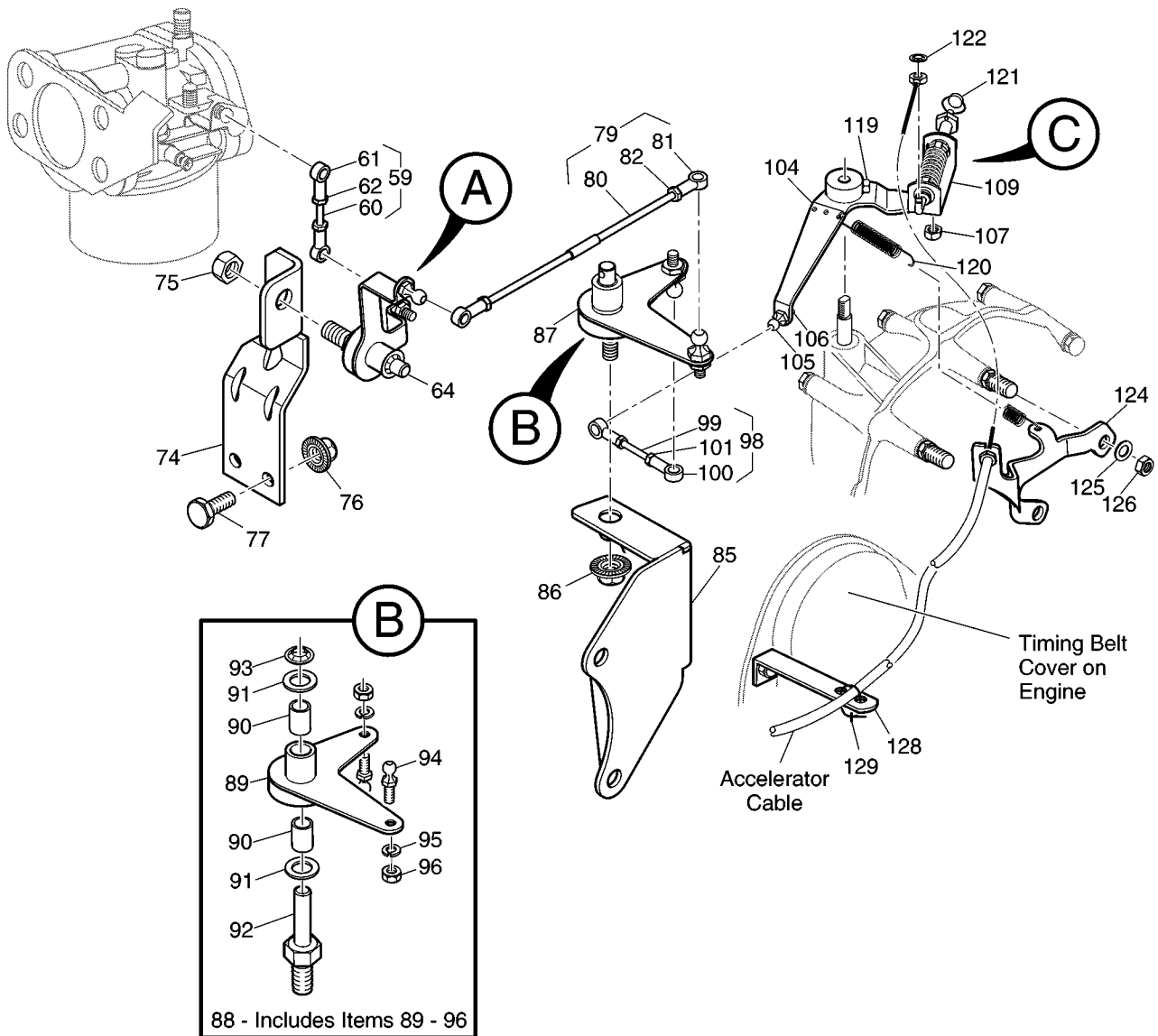
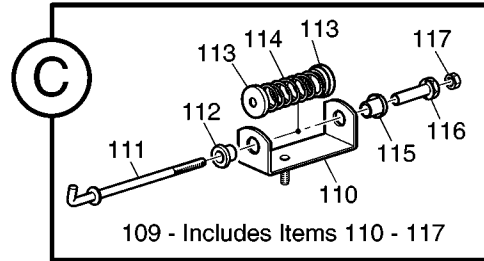
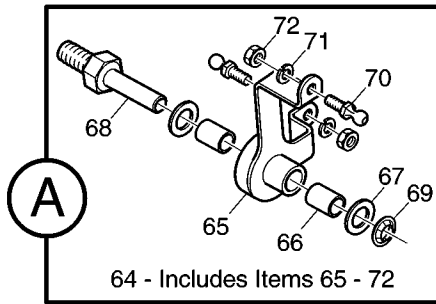
1 - Includes Items 2 - 53



Ref Acl 15-1

ACCELERATOR

84 - Includes Items 85 - 96
103 - Includes Items 104 - 117



ACCELERATOR

When ordering parts, please specify the model and serial number of the product.

* Indicates a component that is not available as a individual part.

G** Indicates consult Customer Service Department for additional information.

ITEM	PART NO.	1 2 3 4 5	DESCRIPTION	QTY.
1	72062-G04		PEDAL BOX ASSEMBLY (INCLUDES ITEMS 2 - 53)	1
2	70116-G01		ACCELERATOR PEDAL BRACKET.....	1
3	25853-G02		PEDAL BOX AND COVER	1
4	25861-G01		MICRO SWITCH.....	1
5	00982-G01		SCREW, #4 - 14 X 5/8" LG	2
6				
7	25768-G01		PIVOT ROD	1
8	24621-G1		NYLON WASHER, 5/16".....	2
9	23860-G1		BEARING.....	2
10	72066-G01		CONTROL ARM	1
11	12064-G1		PUSH NUT, 5/16".....	1
12				
13	72072-G01		ACCELERATOR ROD	1
14	00532-G4		NUT, 5/16 - 24.....	2
15	10385-G4		CLEVIS YOKE (ADJUSTABLE).....	1
16	17677-G2		SPRING RETAINER	1
17	73046-G01		COMPRESSION SPRING	1
18	17979-G1		ACCELERATOR ROD BUSHING	1
19	17677-G1		SPRING RETAINER	1
20				
21	72074-G01		CONTROL ARM LINK	1
22	72198-G03		MICRO SWITCH CAM.....	1
23	00487-G3		SETSCREW, 1/4 - 20 X 3/8" LG	1
24	00550-G4		LOCK NUT, 5/16 - 24	1
25				
26	72199-G01		PIVOT BRACKET	1
27	72225-G01		SHOULDER BOLT, #10 - 24 X 11/16" LG.....	1
28	14390-G10		LOCK NUT, #10 - 24.....	1
29	14390-G1		LOCK NUT, 3/8 - 24	1
30				

ACCELERATOR

When ordering parts, please specify the model and serial number of the product.

* Indicates a component that is not available as an individual part.

G** Indicates consult Customer Service Department for additional information.

ITEM	PART NO.	1	2	3	4	5	DESCRIPTION	QTY.
31	34043-G01						ACCELERATOR CABLE	1
32	00559-G8						WASHER, 5/16"	1
33								
34	34204-G02						WIRE HARNESS (PEDAL BOX)	1
35	17313-G1						FLEX LOOM, 3/8 X 12" LG.....	1
36								
37	00684-G6						SCREW, #8 - 32 X 3/4" LG (STAINLESS STEEL).....	4
38	01051-G01						SCREW, #8 - 16	4
39								
40	34437-G01						ACCELERATOR PEDAL ASSEMBLY (INCLUDES ITEMS 41 - 42).....	1
41	70125-G03						ACCELERATOR PEDAL	1
42	71764-G02						PEDAL PAD.....	1
43								
44	17838-G1						NYLON BUSHING	3
45								
46	10386-G3						CLEVIS PIN, 5/16" X 13/16" LG	1
47	17255-G1						TEFLON WASHER, 5/16"	1
48	10387-G3						COTTER PIN, 3/32 X 3/4" LG.....	1
49								
50	74432-G01						PEDAL PIVOT PIN	1
51	12064-G1						PUSH NUT, 5/16".....	1
52								
53	12730-G1						WHEEL BEARING GREASE (NOT ILLUSTRATED).....	A/R
54								
55	00715-G2						BOLT, 5/16 - 18 X 4/5" LG	2
56	00827-G8						CARRIAGE BOLT, 1/4 - 20 X 1" LG (STAINLESS STEEL).....	2
57	11027-G2						LOCK NUT, 1/4 - 20	2
58								
59	25737-G01						CARBURETOR LINKAGE ROD (INCLUDES ITEMS 60 - 62).....	1
60	23722-G1						ADJUSTING ROD (SHORT).....	1

ACCELERATOR

When ordering parts, please specify the model and serial number of the product.

* Indicates a component that is not available as a individual part.

G** Indicates consult Customer Service Department for additional information.

ITEM	PART NO.	1	2	3	4	5	DESCRIPTION	QTY.
61	24465-G1						BALL JOINT SOCKET	2
62	00526-G4						NUT, #10 - 32.....	2
63								
64	25760-G01						CARBURETOR LINKAGE BELLCRANK (INCLUDES ITEMS 65 - 72).....	1
65	25759-G01						CARBURETOR PIVOT	1
66	23860-G1						BEARING.....	2
67	24621-G1						NYLON WASHER, 5/16".....	2
68	25768-G01						PIVOT ROD	1
69	12064-G1						PUSH NUT, 5/16".....	1
70	24479-G1						BALL JOINT BALL	2
71	00565-G5						LOCK WASHER, #10	2
72	00526-G4						NUT, #10 - 32.....	2
73								
74	72197-G01						PIVOT BRACKET.....	1
75	14390-G1						LOCK NUT, 3/8 - 24	1
76	00661-G8						BOLT, 1/4 - 20 X 1" LG (STAINLESS STEEL).....	2
77	14390-G4						LOCK NUT, 1/4 - 20	2
78								
79	25737-G02						THROTTLE LINKAGE ROD ASSEMBLY (INCLUDES ITEMS 80 - 82).....	1
80	28250-G01						ADJUSTING ROD (LONG)	1
81	24465-G1						BALL JOINT SOCKET	2
82	00526-G4						NUT, #10 - 32.....	2
83								
84	25702-G01						GOVERNOR PIVOT BRACKET ASSEMBLY (INCLUDES ITEMS 85 - 96).....	1
85	25655-G01						BELLCRANK BRACKET.....	1
86	14390-G1						LOCK NUT, 3/8 - 24	1
87								
88	25763-G01						GOVERNOR PIVOT ASSEMBLY (INCLUDES ITEMS 89 - 96)	
89	25762-G01						GOVERNOR PIVOT.....	1
90	23860-G1						BEARING	2

ACCELERATOR

When ordering parts, please specify the model and serial number of the product.

* Indicates a component that is not available as an individual part.

G** Indicates consult Customer Service Department for additional information.

ITEM	PART NO.	1	2	3	4	5	DESCRIPTION	QTY.
91	24621-G1						NYLON WASHER, 5/16"	2
92	25768-G01						PIVOT ROD.....	1
93	12064-G1						PUSH NUT, 5/16"	1
94	24479-G1						BALL JOINT BALL	2
95	00565-G5						LOCK WASHER, #10	2
96	00526-G4						NUT, #10 - 32	2
97								
98	25737-G03						GOVERNOR LINKAGE ROD (INCLUDES ITEMS 99 - 101)	1
99	23722-G1						ADJUSTING ROD.....	1
100	24465-G1						BALL JOINT SOCKET	2
101	00526-G4						NUT, #10 - 32.....	2
102								
103	25690-G01						GOVERNOR BELLCRANK ASSEMBLY (INCLUDES ITEMS 104 - 117)	1
104	25765-G01						GOVERNOR BELLCRANK.....	1
105	24479-G1						BALL JOINT BALL	1
106	00734-G5						LOCK NUT, #10 - 32.....	1
107	14390-G4						LOCK NUT, 1/4 - 20	1
108								
109	22751-G2						GOVERNOR BRACKET ASSEMBLY (INCLUDES ITEMS 110 - 117).....	1
110	22752-G1						GOVERNOR BRACKET	1
111	25274-G1						GOVERNOR ROD	1
112	22754-G1						BUSHING	1
113	25661-G01						CUP WASHER	2
114	23578-G1						COMPRESSION SPRING.....	1
115	22754-G2						BUSHING	1
116	23859-G1						GOVERNOR ADJUSTER	1
117	00526-G4						NUT, #10 - 32	1
118								
119	00491-G4						SETSCREW, 1/4 - 20 X 1/2" LG.....	2
120	25738-G01						SPRING.....	1

ACCELERATOR

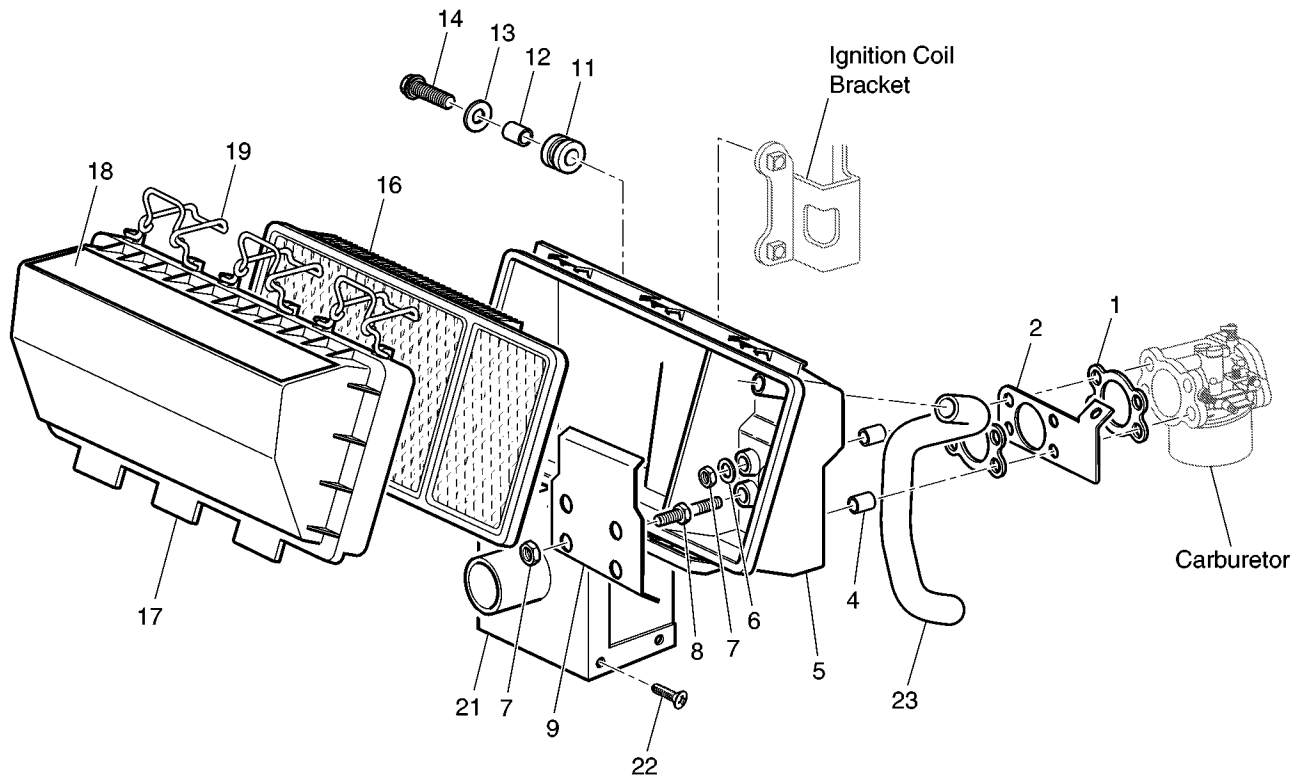
When ordering parts, please specify the model and serial number of the product.

* Indicates a component that is not available as a individual part.

G** Indicates consult Customer Service Department for additional information.

ITEM	PART NO.	1 2 3 4 5	DESCRIPTION	QTY.
121	25286-G1		SAFETY SEAL, 3/8"	1
122	12064-G3		PUSH NUT, 3/16"	1
123				
124	25653-G01		ACCELERATOR CABLE BRACKET	1
125	26826-G01		LOCK WASHER, M8	2
126	26827-G01		NUT, M8 X 1.25MM	2
127				
128	72055-G01		ACCELERATOR CABLE BRACKET	1
129	17618-G1		WIRE TIE	2

AIR FILTER



Ref Air 15

AIR FILTER

Where applicable, THE USE OF NON UL PARTS WILL VOID ANY UL LISTING.

When ordering parts, please specify the model and serial number of the product.

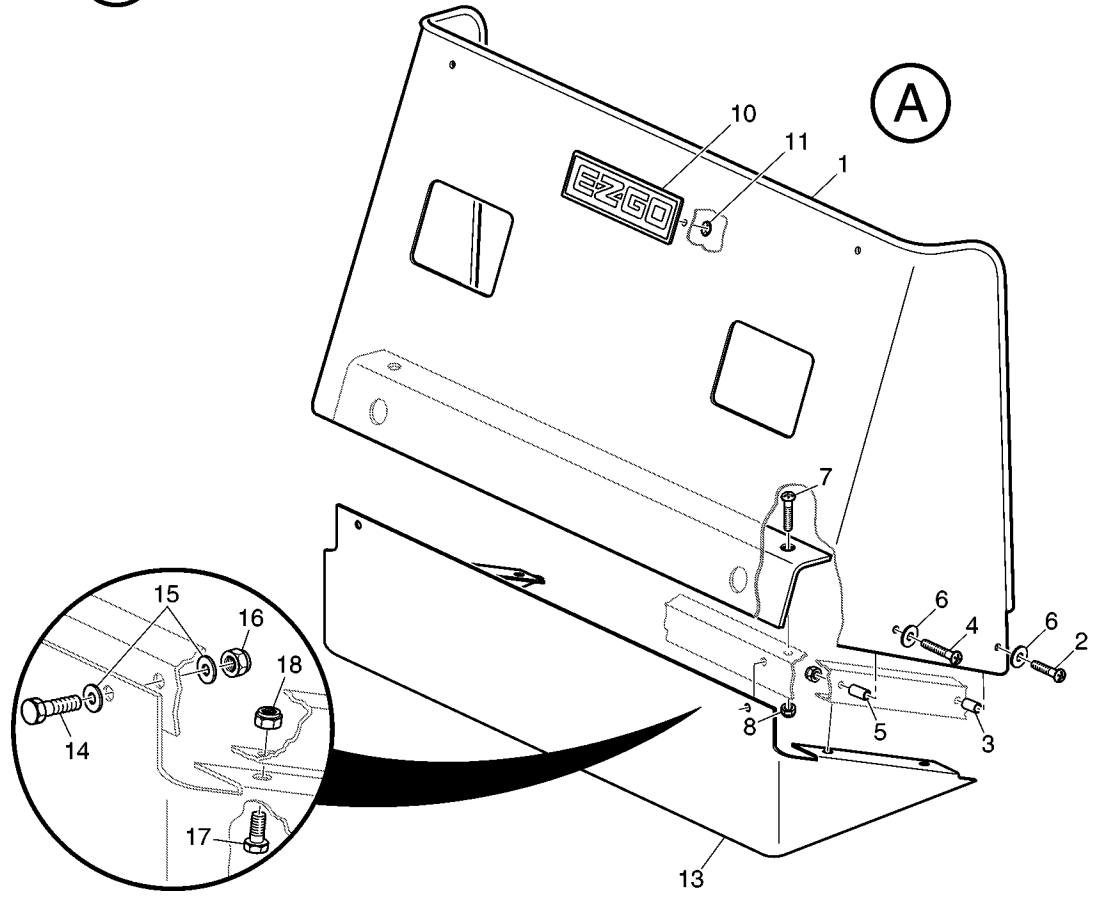
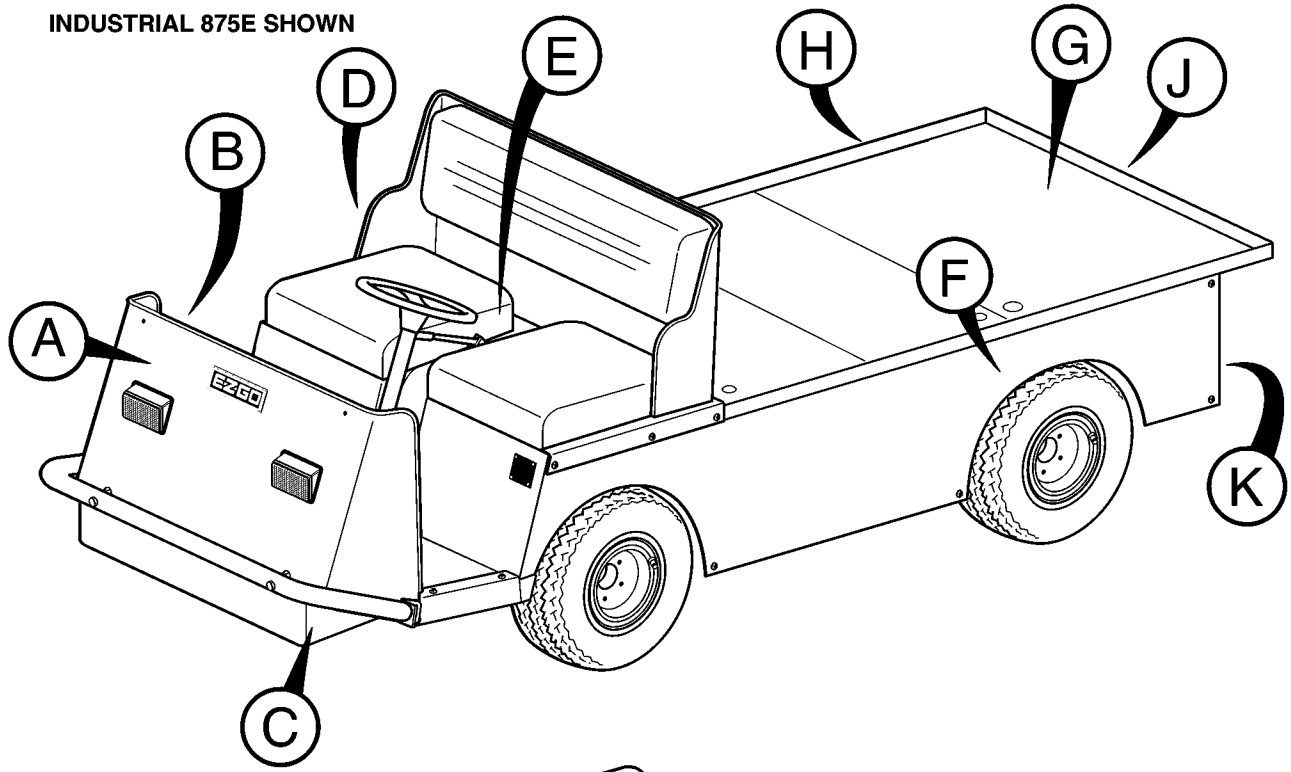
* Indicates a component that is not available as an individual part.

G** Indicates consult Customer Service Department for additional information.

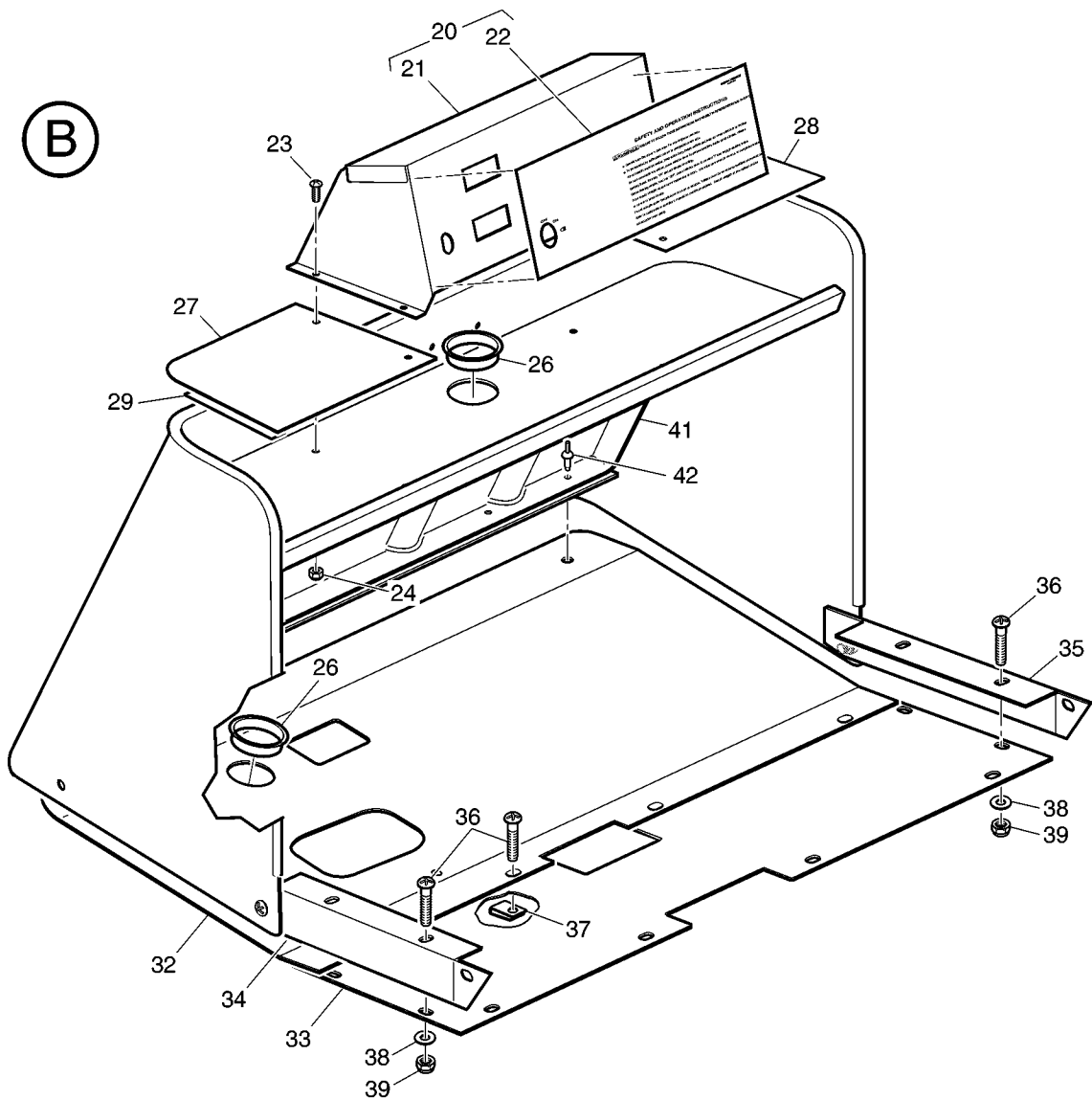
ITEM	PART NO.	1 2 3 4 5	DESCRIPTION	QTY.
1	26727-G01		CARBURETOR / AIR BOX GASKET	1
2	26728-G01		CHOKE BRACKET.....	1
3				
4	23726-G6		SPACER, 7/16".....	4
5	72178-G02		HOUSING.....	1
6	00664-G7		LOCK WASHER, 1/4" (STAINLESS STEEL)	2
7	13632-G1		NUT, M6 X 1	2
8	72514-G01		STUD, M6 X 1 X 39 MM LG	2
9	72529-G01		BAFFLE.....	1
10				
11	72147-G01		RUBBER GROMMET.....	2
12	23726-G7		SPACER, 9/16".....	2
13	26701-G01		WASHER, 6.5MM.....	2
14	26671-G01		BOLT AND WASHER, M6 X 1 X 30 MM LG	2
15				
16	72368-G01		AIR FILTER ELEMENT	1
17	72179-G02		AIR FILTER COVER.....	1
18	74093-G01		LABEL (WARNING).....	1
19	72145-G01		LATCH.....	3
20				
21	72146-G02		INLET COVER	1
22	00614-G5		SCREW, #8 - 18 X 5/8" LG.....	6
23	72151-G01		PCV HOSE.....	1

BODY

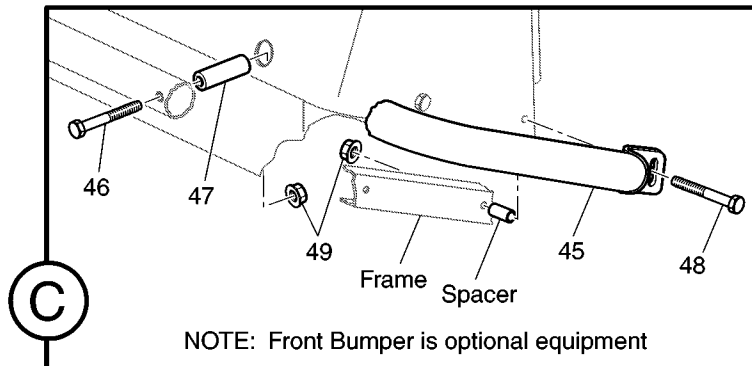
INDUSTRIAL 875E SHOWN



Ref Bod 15-1

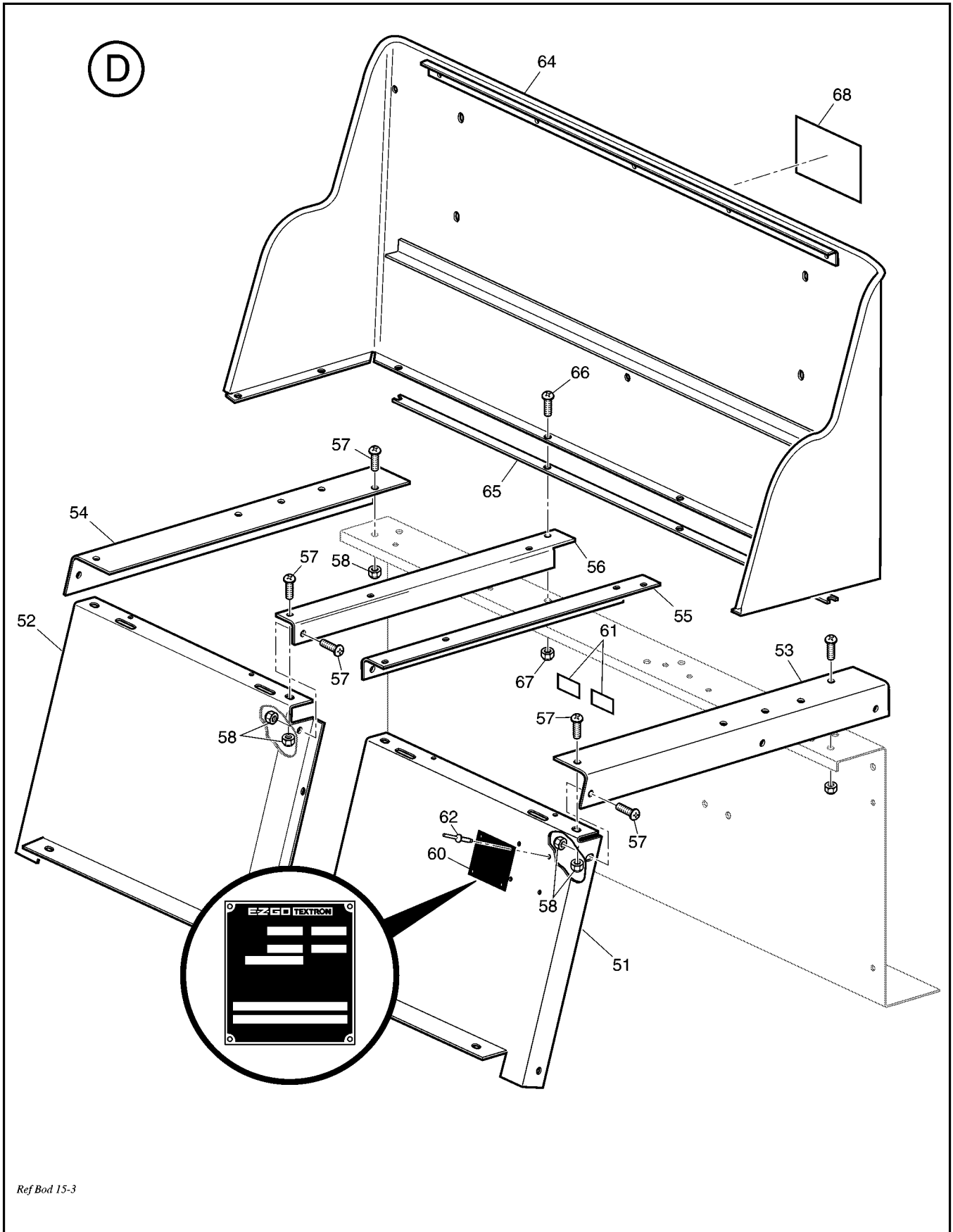


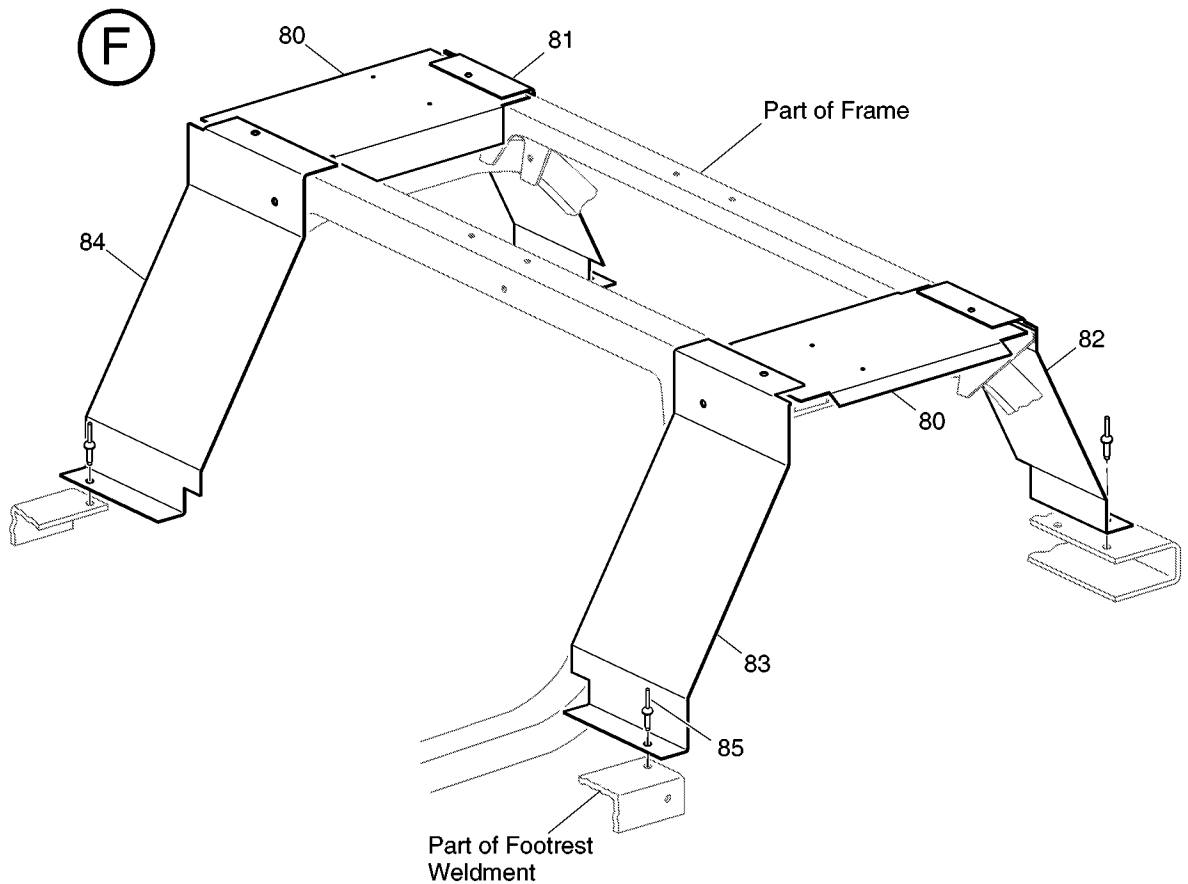
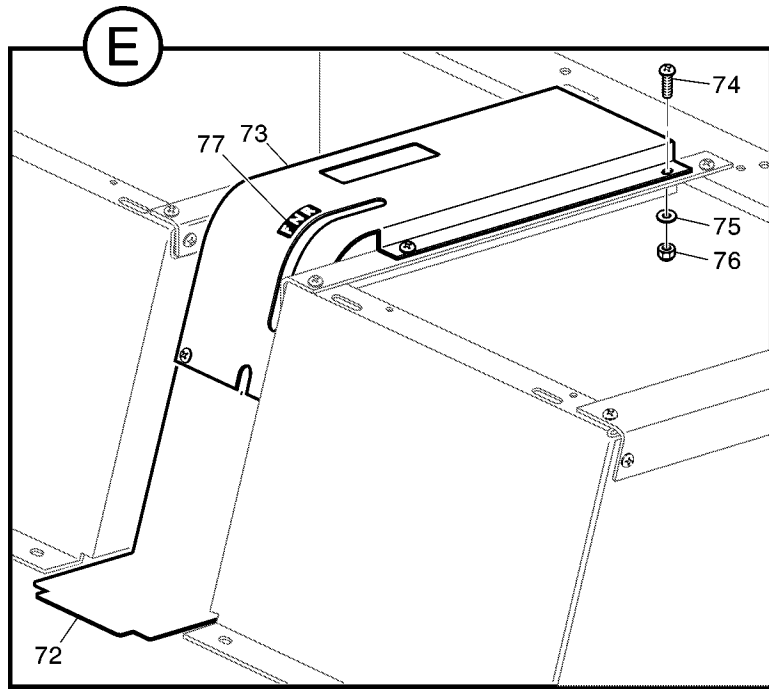
44 Includes Items 45 - 49
45 Includes Items 46 - 49



Ref Bod 15-2

BODY

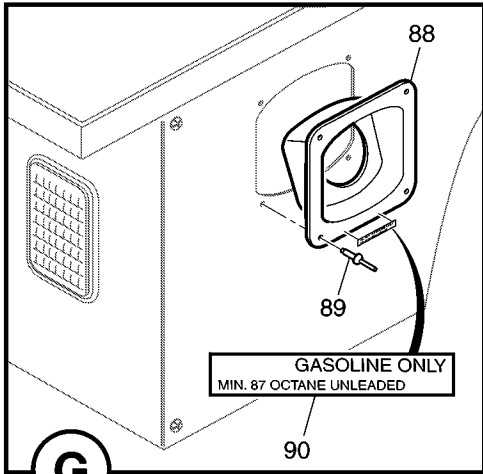




Ref Bod 15-4

BODY

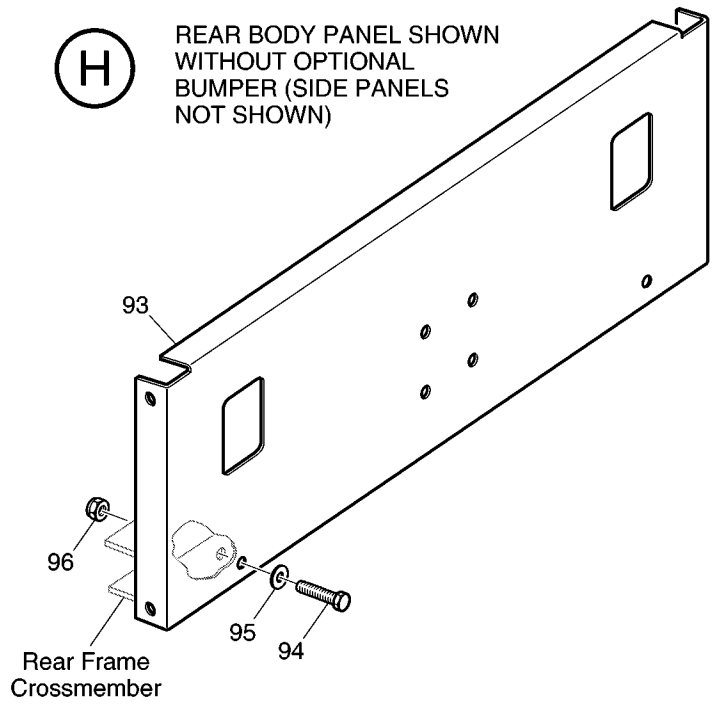
88 - Includes Items 89 - 90



G

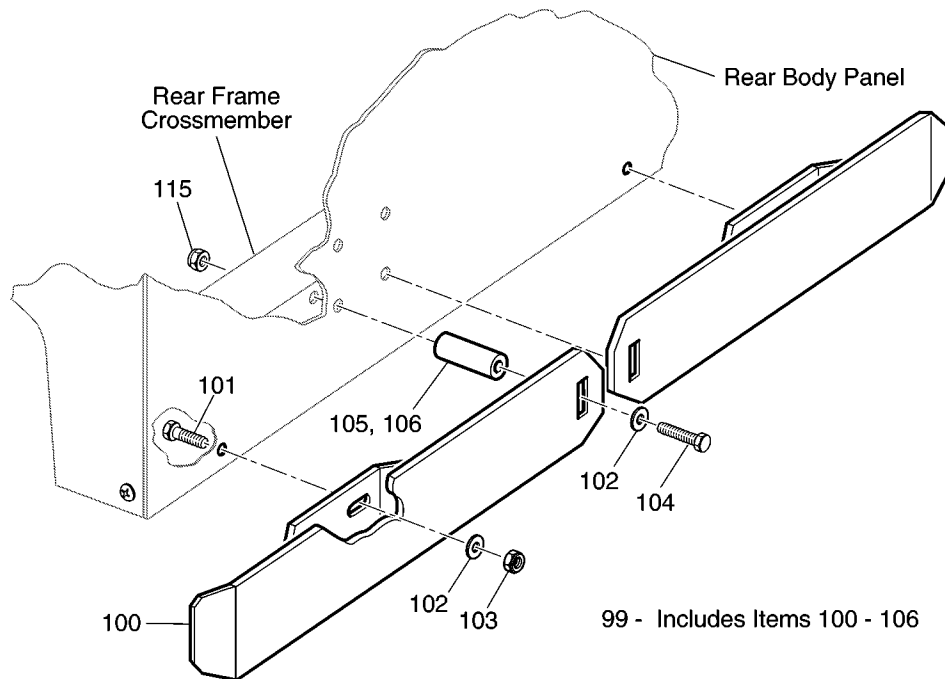
H

REAR BODY PANEL SHOWN WITHOUT OPTIONAL BUMPER (SIDE PANELS NOT SHOWN)



J

REAR BODY PANEL SHOWN WITH OPTIONAL BUMPER



99 - Includes Items 100 - 106

Ref Bod 15-5

Where applicable, THE USE OF NON U.L. PARTS WILL VOID ANY U.L. LISTING.

When ordering parts, please specify the model and serial number of the product.

* Indicates a component that is not available as an individual part.

G** Indicates consult Customer Service Department for additional information.

ITEM	PART NO.	1 2 3 4 5	DESCRIPTION	QTY.
1	35690-G01		COWL.....	1
2	00753-G6		SCREW, 1/4 - 20 X 2 1/4" LG (STAINLESS STEEL)	2
3	34472-G01		SPACER.....	2
4	00753-G7		SCREW, 1/4 - 20 X 2 1/2" LG (STAINLESS STEEL)	2
5	34472-G02		SPACER.....	2
6	00915-G1		BONDED WASHER, 1/4"	4
7	16705-G1		SCREW, 1/4 - 20 X 1" LG (STAINLESS STEEL)	2
8	00654-G2		LOCK NUT, 1/4 - 20 (STAINLESS STEEL)	6
9				
10	71037-G02		NAMEPLATE (E-Z-GO).....	1
11	12064-G3		PUSH NUT, 3/16"	3
12				
13	34354-G01		FRONT SHIELD	1
14	00438-G6		BOLT, 5/16 - 18 X 3/4" LG.....	2
15	00559-G8		LOCK WASHER, 5/16".....	4
16	01109-G01		LOCK NUT, 5/16 - 18 (STAINLESS STEEL)	2
17	00414-G6		BOLT, 1/4 - 20 X 3/4" LG.....	4
18	00654-G2		LOCK NUT, 1/4 - 20 (STAINLESS STEEL)	4
19				
20	34347-G01		DASH PANEL ASSEMBLY (INCLUDES ITEMS 21 - 22)	1
21	34843-G01		DASH PANEL	1
22	34396-G01		LABEL (INSTRUCTIONS AND SAFETY).....	1
23	16705-G2		SCREW, 1/4 - 20 X 5/8" LG (STAINLESS STEEL)	4
24	00654-G2		LOCK NUT, 1/4 - 20 (STAINLESS STEEL)	4
25				
26	22497-G2		SNAP BUSHING	2
27	34376-G01		DASH MAT (DRIVER SIDE).....	1
28	34376-G02		DASH MAT (PASSENGER SIDE)	1
29	27919-G04		DOUBLE SIDED TAPE (BULK).....	AR
30				

BODY

Where applicable, THE USE OF NON U.L. PARTS WILL VOID ANY U.L. LISTING.

When ordering parts, please specify the model and serial number of the product.

* Indicates a component that is not available as an individual part.

G** Indicates consult Customer Service Department for additional information.

ITEM	PART NO.	1	2	3	4	5	DESCRIPTION	QTY.
31								
32	35688-G01						FORWARD FLOORBOARD	1
33	34309-G01						FLOORBOARD	1
34	34311-G01						ROCKER PANEL (DRIVER SIDE)	1
35	34311-G02						ROCKER PANEL (PASSENGER SIDE).....	1
36	16705-G3						SCREW, 1/4 - 20 X 3/4" LG (STAINLESS STEEL)	14
37	14776-G1						RETAINER NUT ('J' TYPE).....	1
38	01110-G01						WASHER, 1/4" (STAINLESS STEEL)	13
39	00654-G2						LOCK NUT, 1/4 - 20 (STAINLESS STEEL)	13
40								
41	35628-G01						KICK PANEL	1
42	18436-G1						RIVET, 1/4" X 3/4" LG	6
43								
44	34591-G02						FRONT BUMPER KIT (INCLUDES ITEMS 45- 49)	1
45	34531-G01						FRONT BUMPER	1
46	00442-G2						BOLT, 5/16 - 18 X 4 1/4" LG.....	2
47	34528-G03						SPACER	2
48	00441-G2						BOLT, 5/16 - 18 X 3 1/4" LG.....	2
49	11027-G1						LOCK NUT, 5/16 - 18.....	4
50								
51	34314-G01						FRONT SEAT PANEL (DRIVER SIDE)	1
52	34314-G02						FRONT SEAT PANEL (PASSENGER SIDE)	1
53	34317-G01						SEAT FRAME SIDE (DRIVER SIDE)	1
54	34317-G02						SEAT FRAME SIDE (PASSENGER SIDE)	1
55	34318-G01						SEAT FRAME CONNECTOR (DRIVER SIDE)	1
56	34318-G02						SEAT FRAME CONNECTOR (PASSENGER SIDE).....	1
57	16705-G3						SCREW, 1/4 - 20 X 3/4" LG (STAINLESS STEEL)	16
58	00654-G2						LOCK NUT, 1/4 - 20 (STAINLESS STEEL)	16
59								
60	*						SERIAL NUMBER PLATE (EARLY PRODUCTION).....	1

Where applicable, THE USE OF NON U.L. PARTS WILL VOID ANY U.L. LISTING.

When ordering parts, please specify the model and serial number of the product.

* Indicates a component that is not available as an individual part.

G** Indicates consult Customer Service Department for additional information.

ITEM	PART NO.	1 2 3 4 5	DESCRIPTION	QTY.
61	70993-G01		SERIAL PLATE (LATE PRODUCTION)	2
62	10570-G9		RIVET, 1/8" X 11/32" (ALUMINUM)	4
63				
64	34332-G01		SEAT BACK SUPPORT	1
65	34407-G01		SPACER STRIP	1
66	16705-G3		SCREW, 1/4 - 20 X 3/4" LG (STAINLESS STEEL)	8
67	00654-G2		LOCK NUT, 1/4 - 20 (STAINLESS STEEL)	8
68	33599-G01		LABEL (BED LOAD WARNING, 1200 LB)	1
69				
70				
71				
72	34351-G01		ACCESS PANEL	1
73	34352-G01		CONTROL COVER	1
74	16705-G3		SCREW, 1/4 - 20 X 3/4" LG (STAINLESS STEEL)	6
75	01110-G01		WASHER, 1/4" (STAINLESS STEEL)	6
76	00654-G2		LOCK NUT, 1/4 - 20 (STAINLESS STEEL)	6
77	21976-G1		LABEL (FNR)	1
78				
79				
80	34397-G01		TOP REAR SHIELD	2
81	34398-G01		REAR SHIELD (PASSENGER SIDE).....	1
82	34398-G02		REAR SHIELD (DRIVER SIDE)	1
83	34399-G01		BATTERY SHIELD (DRIVER SIDE).....	1
84	34399-G02		BATTERY SHIELD (PASSENGER SIDE)	1
85	14601-G5		RIVET, 3/16" X 3/8" LG (STAINLESS STEEL)	6
86				
87				
88	33556-G01		FUEL INLET COVER (INCLUDES ITEMS 89 - 90)	1
89	14601-G8		RIVET, 3/16" X 7/16" LG (ALUMINUM)	4
90	26459-G01		LABEL (UNLEADED GASOLINE ONLY).....	1

BODY

Where applicable, THE USE OF NON U.L. PARTS WILL VOID ANY U.L. LISTING.

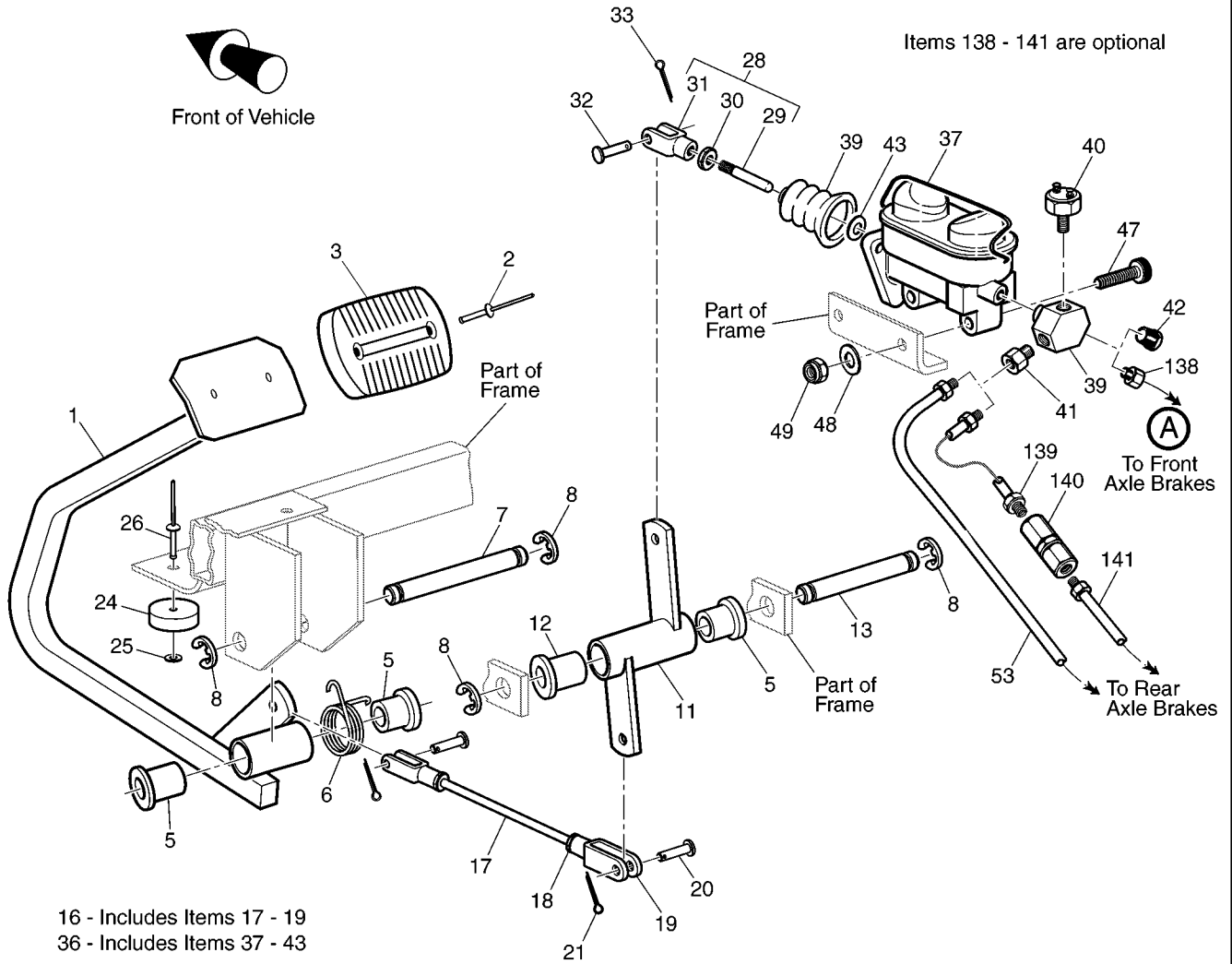
When ordering parts, please specify the model and serial number of the product.

* Indicates a component that is not available as an individual part.

G** Indicates consult Customer Service Department for additional information.

ITEM	PART NO.	1	2	3	4	5	DESCRIPTION	QTY.
91								
92								
93	34335-G01						REAR BODY PANEL.....	1
94	16705-G11						SCREW, 5/16 - 18 X 7/8" LG (STAINLESS STEEL)	2
95	00660-G8						WASHER, 5/16" (STAINLESS STEEL)	2
96	01109-G01						LOCK NUT, 5/16 - 18 (STAINLESS STEEL)	2
97								
98								
99	34547-G02						REAR BUMPER KIT (INCLUDES 100 - 106)	1
100	34525-G01						REAR BUMPER.....	2
101	00665-G2						BOLT, 3/8 - 16 X 1" LG (STAINLESS STEEL)	2
102	00653-G1						WASHER, 3/8" (STAINLESS STEEL).....	4
103	00891-G1						LOCK NUT, 3/8 - 16.....	4
104	00665-G3						BOLT, 3/8 - 16 X 2 1/2" LG (STAINLESS STEEL)	2
105	34528-G02						SPACER, LONG BUMPER.....	2
106	34528-G01						SPACER, SHORT BUMPER.....	2

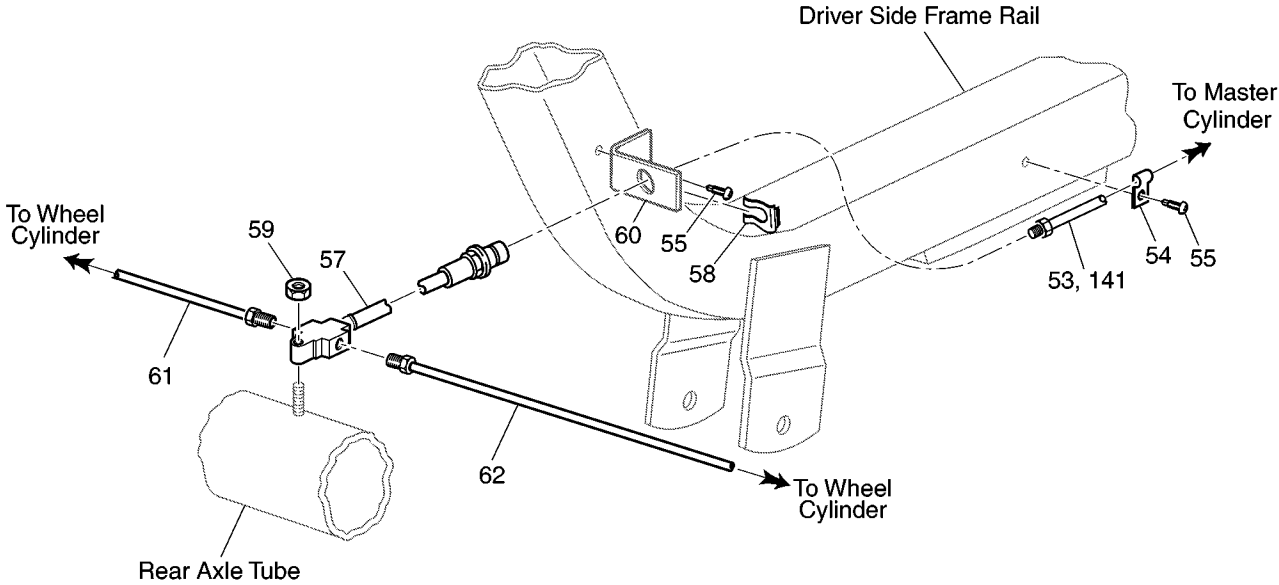
BRAKES (HYDRAULIC)



Ref Brh 15-1

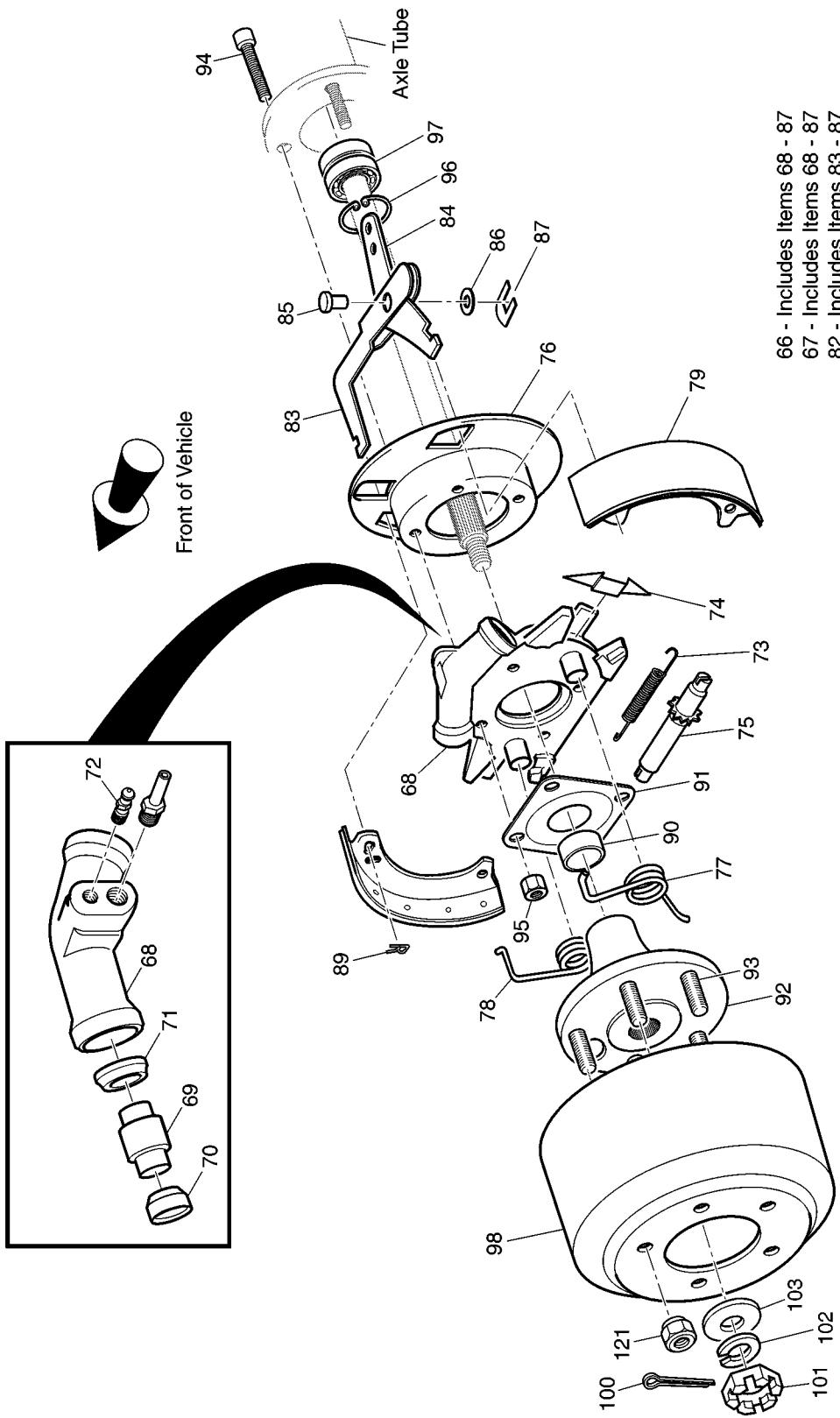
BRAKES (HYDRAULIC)

Front of Vehicle



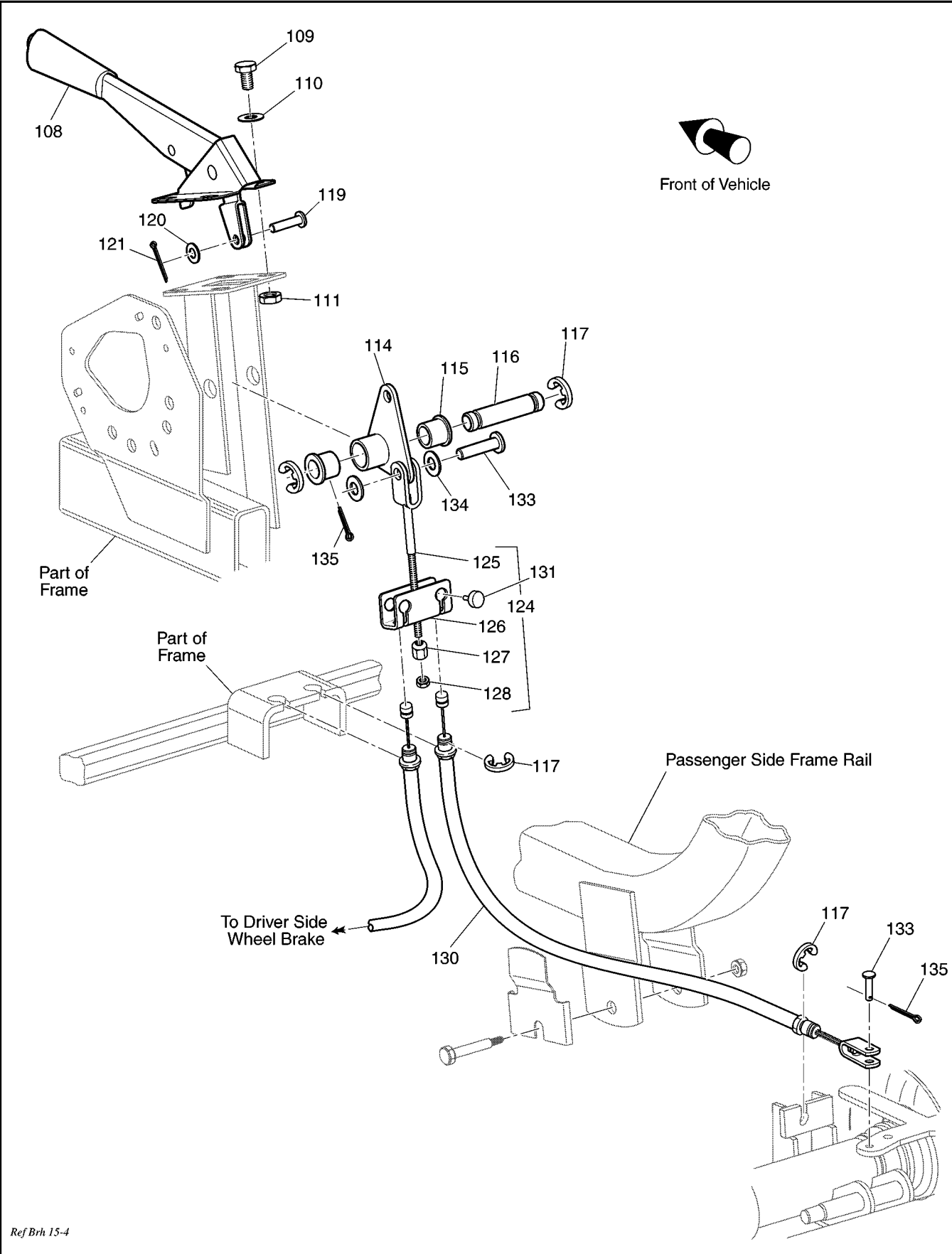
Ref Brh 15-2

BRAKES (HYDRAULIC)



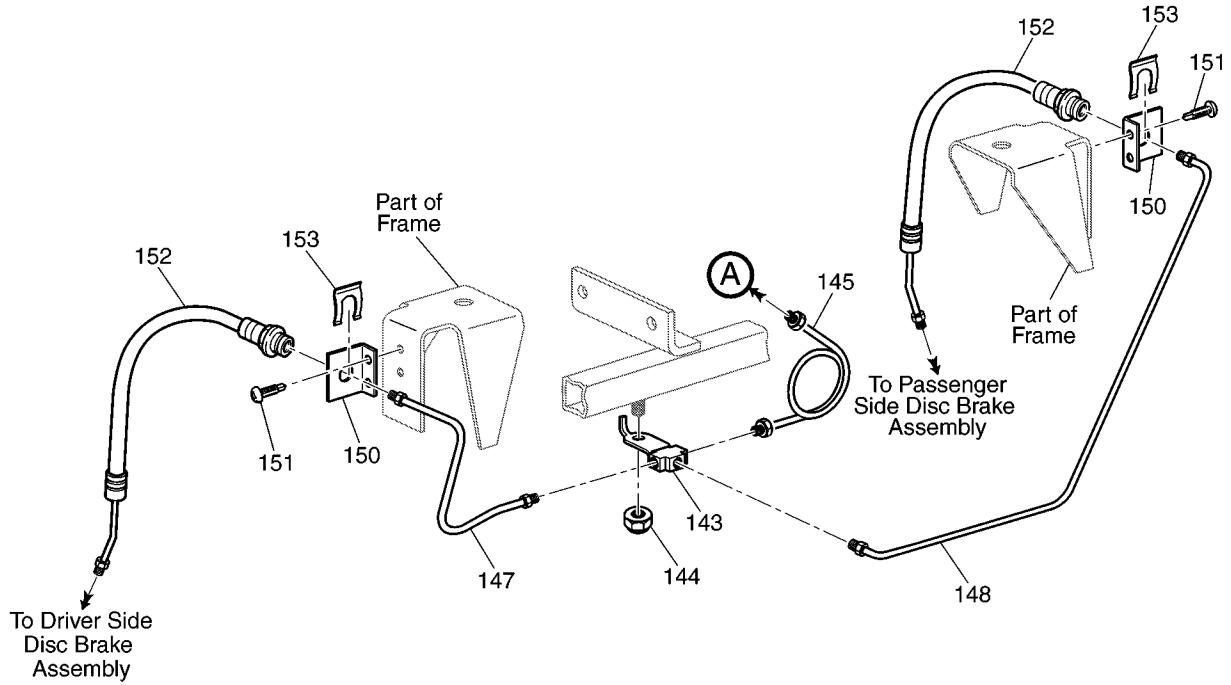
Ref Brh 15-3

BRAKES (HYDRAULIC)

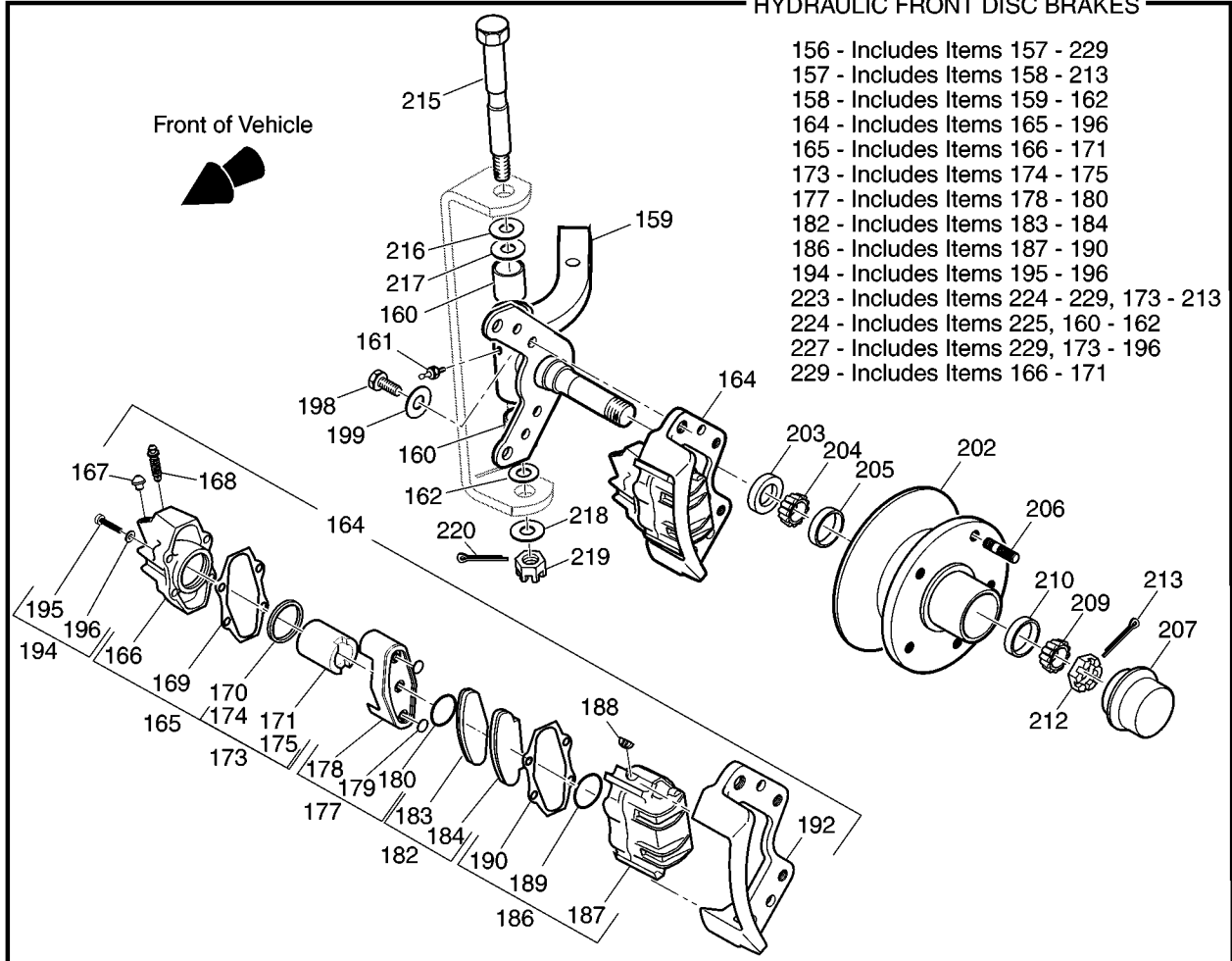


Ref Brh 15-4

BRAKES (HYDRAULIC)



HYDRAULIC FRONT DISC BRAKES



Ref Brh 15-5

BRAKES (HYDRAULIC)

Where applicable, THE USE OF NON UL PARTS WILL VOID ANY UL LISTING.

When ordering parts, please specify the model and serial number of the product.

* Indicates a component that is not available as an individual part.

G** Indicates consult Customer Service Department for additional information.

ITEM	PART NO.	1 2 3 4 5	DESCRIPTION	QTY.
1	33227-G02		BRAKE PEDAL	1
2	14269-G1		RIVET, 3/16" X 1/2" LG	2
3	11039-G1		PEDAL PAD	1
4				
5	70581-G02		FLANGED BUSHING	2
6	13197-G1		TORSION SPRING	1
7	34158-G02		SHAFT, 3 1/2" LG	1
8	01111-G01		RETAINING RING, 13/32" (STAINLESS STEEL)	4
9				
10				
11	34157-G01		BELLCRANK	1
12	70581-G02		FLANGED BUSHING	2
13	34158-G01		SHAFT, 4 7/8" LG	1
14				
15				
16	34124-G01		LINKAGE ROD ASSEMBLY (INCLUDES ITEMS 17 - 19)	1
17	30297-G3		THREADED ROD	1
18	00544-G4		NUT, 5/16 - 24	2
19	10385-G4		CLEVIS YOKE (ADJUSTABLE)	2
20	10386-G3		CLEVIS PIN, 5/16" X 13/16" LG	2
21	10387-G3		COTTER PIN, 3/32" X 3/4" LG	2
22				
23				
24	13728-G1		RUBBER BUMPER	1
25	00559-G5		WASHER, #10	1
26	14601-G1		RIVET, 3/16" X 13/16" LG (ALUMINUM)	1
27				
28	30298-G2		PUSH ROD ASSEMBLY (INCLUDES ITEMS 29 - 31)	1
29	30293-G2		PUSH ROD, 3 1/8" LG	1
30	00544-G6		JAM NUT, 3/8 - 24	2

BRAKES (HYDRAULIC)

Where applicable, THE USE OF NON UL PARTS WILL VOID ANY UL LISTING.

When ordering parts, please specify the model and serial number of the product.

* Indicates a component that is not available as a individual part.

G** Indicates consult Customer Service Department for additional information.

ITEM	PART NO.	1 2 3 4 5	DESCRIPTION	QTY.
31	21508-G1		CLEVIS YOKE	2
32	14443-G3		CLEVIS PIN, 5/16" X 1" LG.....	1
33	10387-G3		COTTER PIN, 3/32" X 3/4" LG	1
34				
35				
36	70643-G02		MASTER CYLINDER KIT (INCLUDES ITEMS 37 - 43).....	1
37	*		MASTER CYLINDER (INCLUDES ITEM 38).....	1
38	32768-G1		MASTER CYLINDER BOOT	1
39	26469-G01		BRANCH TEE (MALE).....	1
40	21510-G1		BRAKE LIGHT SWITCH	1
41	33724-G01		INVERTED FLARE FITTING	1
42	21503-G1		PLUG (STANDARD BRAKE SYSTEM)	1
43	00675-G1		WASHER, 3/8" (STAINLESS STEEL).....	1
44	22283-G1		TEFLON TAPE, 1/2" WIDE (NOT ILLUSTRATED)	A/R
45				
46				
47	00428-G4		BOLT, 3/8 - 16 X 2 1/2" LG	2
48	00560-G1		WASHER, 3/8"	2
49	11098-G5		LOCK NUT, 3/8 - 16	2
50	21504-G1		BRAKE FLUID (DOT 3) (NOT ILLUSTRATED).....	A/R
51				
52				
53	21104-G12		BRAKE LINE (55" COMPLETE WITH NUTS).....	1
54	11845-G5		INSULATED CABLE CLAMP, 3/8"	1
55	00100-G6		SCREW, #10 - 16 X 3/4" LG.....	3
56				
57	33534-G01		HYDRAULIC HOSE, 10 1/2" LG	1
58	11456-G1		CLIP	1
59	01109-G01		LOCK NUT, 5/16 - 18 (STAINLESS STEEL)	1
60	11332-G2		TUBE FASTENER BRACKET	1

BRAKES (HYDRAULIC)

Where applicable, THE USE OF NON UL PARTS WILL VOID ANY UL LISTING.
 When ordering parts, please specify the model and serial number of the product.
 * Indicates a component that is not available as an individual part.
 G** Indicates consult Customer Service Department for additional information.

ITEM	PART NO.	1 2 3 4 5	DESCRIPTION	QTY.
61	35856-G01		REAR BRAKE LINE	1
62	35855-G01		REAR BRAKE LINE	1
63				
64				
65				
66	33725-G01		BRAKE ASSEMBLY (DRIVER SIDE) (INCLUDES ITEMS 68 - 87)	1
67	33725-G02		BRAKE ASSEMBLY (PASSENGER SIDE) (INCLUDES ITEMS 68 - 87)	1
68	21086-G1		TORQUE SPIDER	1
69	21087-G1		WHEEL CYLINDER PISTON.....	2
70	21088-G1		HYDRAULIC CUP.....	2
71	21089-G1		SEAL.....	2
72	21094-G1		BLEEDER VALVE	1
73	21095-G1		LOWER SPRING	1
74	21096-G1		SHOE HOLD DOWN	1
75	21097-G1		ADJUSTER.....	1
76	21098-G1		DUST SHIELD	1
77	70669-G01		SPRING (BLUE)	1
78	70670-G01		SPRING (YELLOW).....	1
79	33726-G01		BRAKE SHOE.....	1
80				
81				
82	*		PARKING BRAKE LEVER ASSEMBLY (INCLUDES ITEMS 83 - 87)	1
83	13460-G1		CURVED LEVER.....	1
84	22604-G1		STRAIGHT LEVER	2
85	13462-G1		CLEVIS PIN.....	1
86	13463-G1		SPRING WASHER	1
87	13464-G1		CLEVIS PIN RETAINER.....	1
88				
89	13468-G1		CLIP	2
90	34287-G01		COLLAR.....	1

BRAKES (HYDRAULIC)

Where applicable, THE USE OF NON UL PARTS WILL VOID ANY UL LISTING.

When ordering parts, please specify the model and serial number of the product.

* Indicates a component that is not available as a individual part.

G** Indicates consult Customer Service Department for additional information.

ITEM	PART NO.	1 2 3 4 5	DESCRIPTION	QTY.
91	21559-G1		WIPER SEAL	1
92	33661-G01		FLANGE	1
93	*		WHEEL BOLT, 1/2 - 20.....	5
94	33662-G01		STUD, 5/16 - 24 X 1 5/8".....	4
95	21562-G1		LOCK NUT, 5/16 - 24	4
96	33687-G01		RETAINING RING	2
97	33686-G01		BALL BEARING	2
98	17953-G2		BRAKE DRUM	2
99				
100	10387-G1		COTTER PIN, 1/8" X 1 1/2" LG.....	2
101	00518-G8		CASTELLATED NUT, 3/4 - 16.....	1
102	00566-G6		LOCK WASHER, 3/4".....	1
103	33665-G01		WASHER, 3/4"	1
104				
105				
106	28066-G02		MASTER CYLINDER REPAIR KIT (NOT SHOWN).....	AR
107				
108	34380-G01		PARKING BRAKE	1
109	00276-G6		BOLT, 5/16" - 24 X 3/4" LG.....	4
110	00559-G8		WASHER, 5/16"	4
111	11098-G9		LOCK NUT, 5/16 - 24	4
112				
113				
114	34384-G01		BELLCRANK.....	1
115	70581-G02		FLANGED BUSHING	2
116	34158-G03		SHAFT, 2 5/8" LG.....	1
117	01111-G01		RETAINING RING, 13/32" (STAINLESS STEEL).....	6
118				
119	14443-G2		CLEVIS PIN, 5/16" X 5/8" LG.....	1
120	00559-G8		WASHER, 5/16"	4

BRAKES (HYDRAULIC)

Where applicable, THE USE OF NON UL PARTS WILL VOID ANY UL LISTING.

When ordering parts, please specify the model and serial number of the product.

* Indicates a component that is not available as an individual part.

G** Indicates consult Customer Service Department for additional information.

ITEM	PART NO.	1 2 3 4 5	DESCRIPTION	QTY.
121	10387-G3		COTTER PIN, 3/32" X 3/4" LG.....	1
122				
123				
124	34518-G01		PARKING BRAKE LINK (INCLUDES ITEMS 125 - 128).....	1
125	34389-G01		CLEVIS LINK.....	1
126	28082-G01		EQUALIZER BRACKET.....	1
127	00963-G01		SPHERICAL NUT, 5/16 - 24.....	1
128	00544-G4		JAM NUT, 5/16 - 24.....	1
129				
130	34034-G01		BRAKE CABLE.....	2
131	28083-G01		BRAKE COMPENSATOR BUMPER.....	2
132				
133	10386-G3		CLEVIS PIN, 5/16" X 13/16" LG.....	2
134	00559-G8		WASHER, 5/16".....	1
135	10387-G3		COTTER PIN, 3/32" X 3/4" LG.....	2
136				
137				
138	21505-G1		NIPPLE (MALE) (FRONT BRAKES OPTION).....	1
139	34986-G01		BRAKE LINE (8" COMPLETE WITH NUTS).....	1
140	34988-G01		PROPORTIONING VALVE.....	1
141	35884-G01		REAR BRAKE LINE WITH NUTS (50" COMPLETE WITH NUTS).....	1
142				
143	21103-G1		BRAKE LINE TEE.....	1
144	00654-G2		LOCK NUT, 1/4 - 20 (STAINLESS STEEL).....	1
145	34984-G01		BRAKE LINE - COILED (12" COMPLETE WITH NUTS).....	1
146				
147	34987-G01		BRAKE LINE (12" COMPLETE WITH NUTS).....	1
148	34985-G01		BRAKE LINE (20" COMPLETE WITH NUTS).....	1
149				
150	11332-G2		TUBE FASTENER BRACKET.....	2

BRAKES (HYDRAULIC)

Where applicable, THE USE OF NON UL PARTS WILL VOID ANY UL LISTING.

When ordering parts, please specify the model and serial number of the product.

* Indicates a component that is not available as a individual part.

G** Indicates consult Customer Service Department for additional information.

ITEM	PART NO.	1	2	3	4	5	DESCRIPTION	QTY.
151	00106-G6						SELF THREADING SCREW, #12 - 24 X 3/4" LG	5
152	34989-G01						FLEXIBLE HYDRAULIC HOSE.....	2
153	11456-G1						CLIP	2
154								
155								
156	34082-G03						FRONT AXLE ASSEMBLY WITH HYDRAULIC DISC BRAKES (INCLUDES ITEMS 157 - 229).....	1
157	34115-G02						SPINDLE AND DISC HUB ASSEMBLY (DRIVER SIDE) (INCLUDES ITEMS 158 - 213)	1
158	34119-G02						SPINDLE ASSEMBLY (DRIVER SIDE) (INCLUDES ITEMS 159 - 162).....	1
159	34104-G01						SPINDLE (DRIVER SIDE)	1
160	16623-G1						BEARING.....	2
161	10389-G3						GREASE FITTING, STRAIGHT	1
162	16626-G1						OIL SEAL	1
163								
164	36050-G01						DISC BRAKE ASSEMBLY (DRIVER SIDE) (INCLUDES ITEMS 165 - 196).....	1
165	34110-G01						PISTON AND COVER ASSEMBLY KIT (DRIVER SIDE) (INCLUDES ITEMS 166 - 171)	1
166	*						COVER.....	1
167	*						SEAT INSERT	1
168	*						BLEEDER SCREW	1
169	*						GASKET	1
170	*						PISTON SQUARE SEAL.....	1
171	*						PISTON	1
172								
173	34572-G01						DISC BRAKE PISTON AND SEAL KIT (INCLUDES ITEMS 174 - 175)	1
174	*						PISTON SQUARE SEAL.....	1
175	*						PISTON	1
176								

BRAKES (HYDRAULIC)

Where applicable, THE USE OF NON UL PARTS WILL VOID ANY UL LISTING.

When ordering parts, please specify the model and serial number of the product.

* Indicates a component that is not available as an individual part.

G** Indicates consult Customer Service Department for additional information.

ITEM	PART NO.	1	2	3	4	5	DESCRIPTION	QTY.
177	34573-G01						DISC BRAKE PISTON AND 'O' RING KIT (INCLUDES ITEMS 178 - 180)	1
178	*						PISTON	1
179	*						PISTON PLUG	2
180	*						PISTON 'O' RING.....	1
181								
182	36055-G01						DISC BRAKE PADS KIT (INCLUDES ITEMS 183 - 184)	1
183	*						BRAKE PAD (PISTON SIDE)	1
184	*						BRAKE PAD (HOUSING SIDE).....	1
185								
186	34112-G01						DISC BRAKE HOUSING KIT (INCLUDES ITEMS 187 - 190)	1
187	*						HOUSING.....	1
188	*						RUBBER SPRING.....	2
189	*						PISTON 'O' RING.....	1
190	*						GASKET	1
191								
192	34108-G01						DISC BRAKE MOUNTING BRACKET.....	1
193								
194	35222-G01						DISC BRAKE SCREW AND WASHER KIT (INCLUDES ITEMS 195 -196)	1
195	*						SCREW M5 X 0.8 X 25 MM LG.....	1
196	*						WASHER, #10.....	1
197								
198	34118-G01						BOLT, M8 X 1.25 X 20 MM LG	4
199	00565-G8						LOCK WASHER, 5/16".....	4
200								
201								
202	34105-G02						DISC HUB	1
203	25146-G1						GREASE SEAL	1
204	11750-G2						ROLLER BEARING (INNER)	1
205	51141-G1						BEARING RACE (INNER).....	1

BRAKES (HYDRAULIC)

Where applicable, THE USE OF NON UL PARTS WILL VOID ANY UL LISTING.

When ordering parts, please specify the model and serial number of the product.

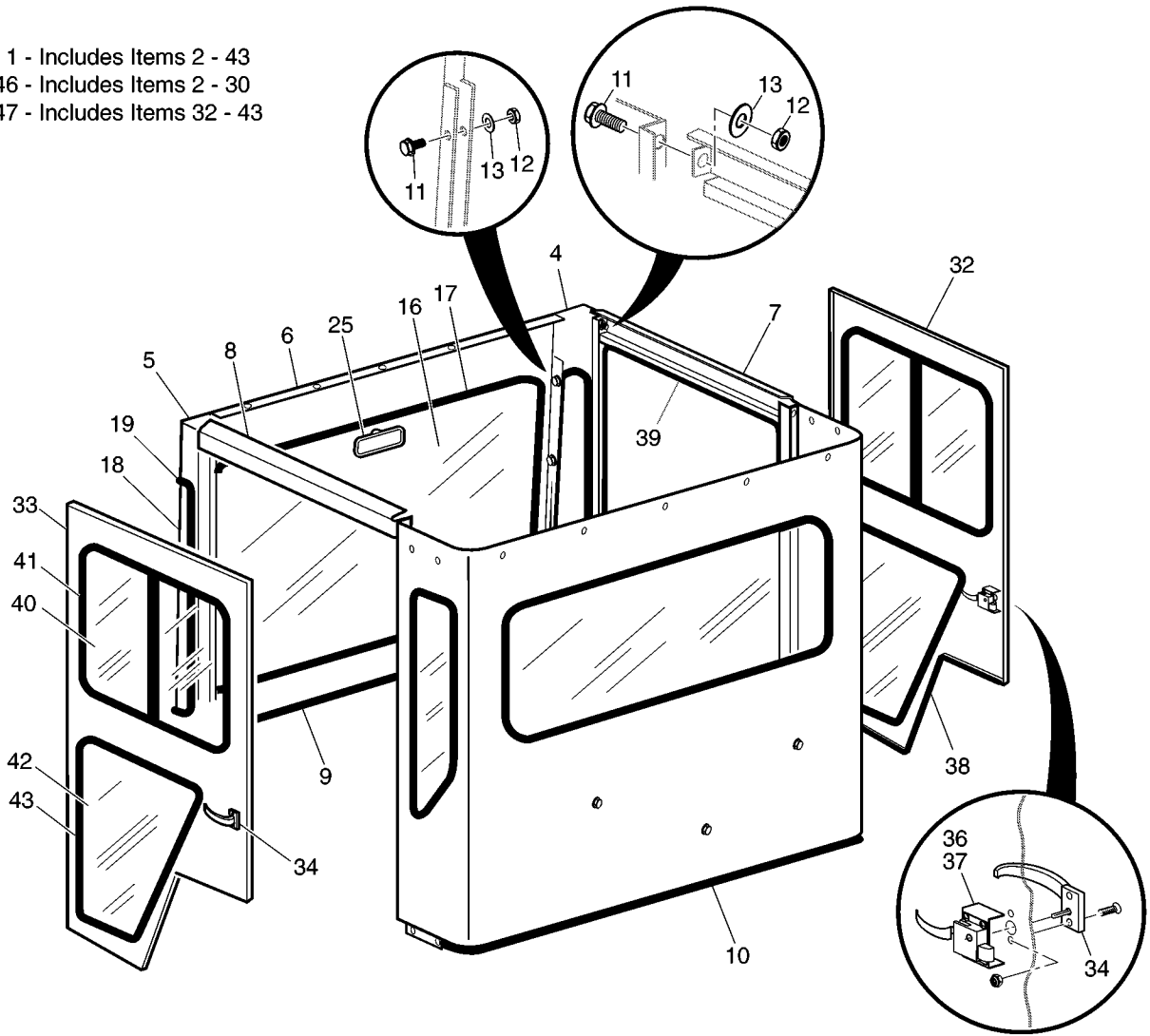
* Indicates a component that is not available as a individual part.

G** Indicates consult Customer Service Department for additional information.

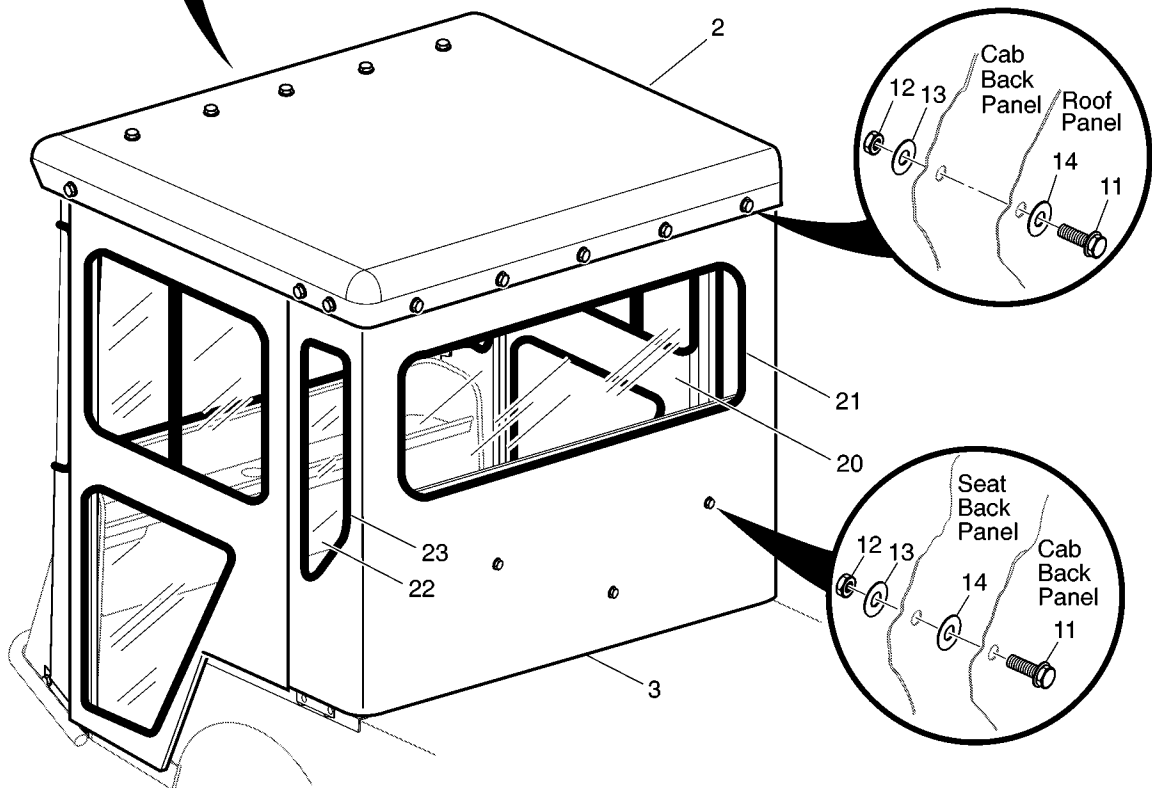
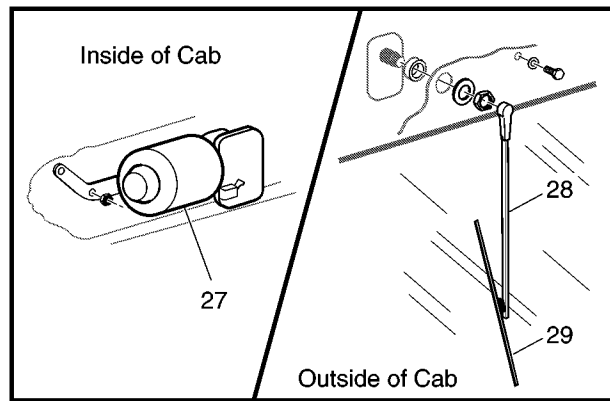
ITEM	PART NO.	1	2	3	4	5	DESCRIPTION	QTY.
206	36038-G01						WHEEL STUD, 2 1/2" LG.....	5
207	30146-G1						DUST CAP	1
208	12730-G1						WHEEL BEARING GREASE	A/R
209	11750-G1						ROLLER BEARING (OUTER).....	1
210	11752-G1						BEARING RACE (OUTER)	1
211								
212	00518-G8						CASTELLATED NUT, 3/4 - 16	1
213	00798-G8						COTTER PIN, 5/32" X 1 3/4" LG.....	1
214								
215	25177-G2						KING PIN	2
216	00879-G7						WASHER, 7/8"	2
217	16982-G1						THRUST WASHER, 7/8"	2
218	00560-G5						WASHER, 5/8"	2
219	14390-G2						LOCK NUT, 5/8 - 18.....	2
220	19060-G1						COTTER PIN, 1/8" X 1 1/4" LG	2
221								
222								
223	34114-G02						SPINDLE AND DISC HUB ASSEMBLY (PASSENGER SIDE) (INCLUDES ITEMS 224 - 229, AND 173 - 213)	1
224	34119-G01						SPINDLE ASSEMBLY (PASSENGER SIDE) (INCLUDES ITEMS 225 AND 160 - 162)	1
225	34103-G01						SPINDLE (PASSENGER SIDE).....	1
226								
227	36050-G02						DISC BRAKE ASSEMBLY (PASSENGER SIDE) (NOT SHOWN - OPPOSITE OF ITEM 164) (INCLUDES ITEM 229)	1
228								
229	34110-G02						PISTON AND COVER ASSEMBLY KIT (PASSENGER SIDE) (INCLUDES ITEMS 165 - 171) (ITEMS 167 AND 168 ARE MOUNTED OPPOSITE OF THEIR MOUNTED ORIENTATION IN 34110-G01)	1

CAB AND VAN BOX

- 1 - Includes Items 2 - 43
- 46 - Includes Items 2 - 30
- 47 - Includes Items 32 - 43



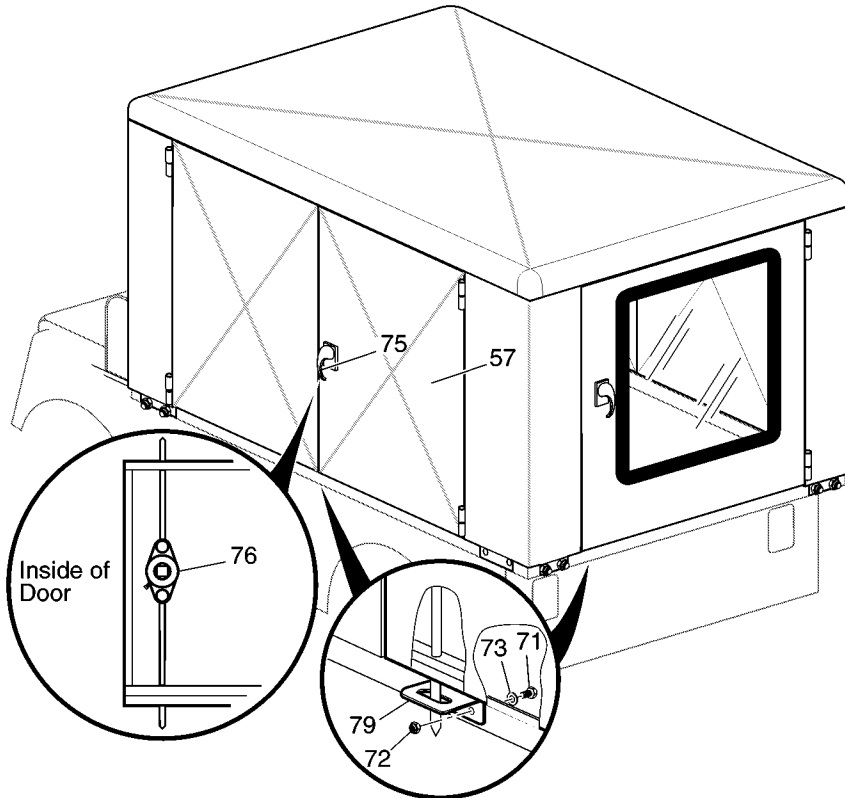
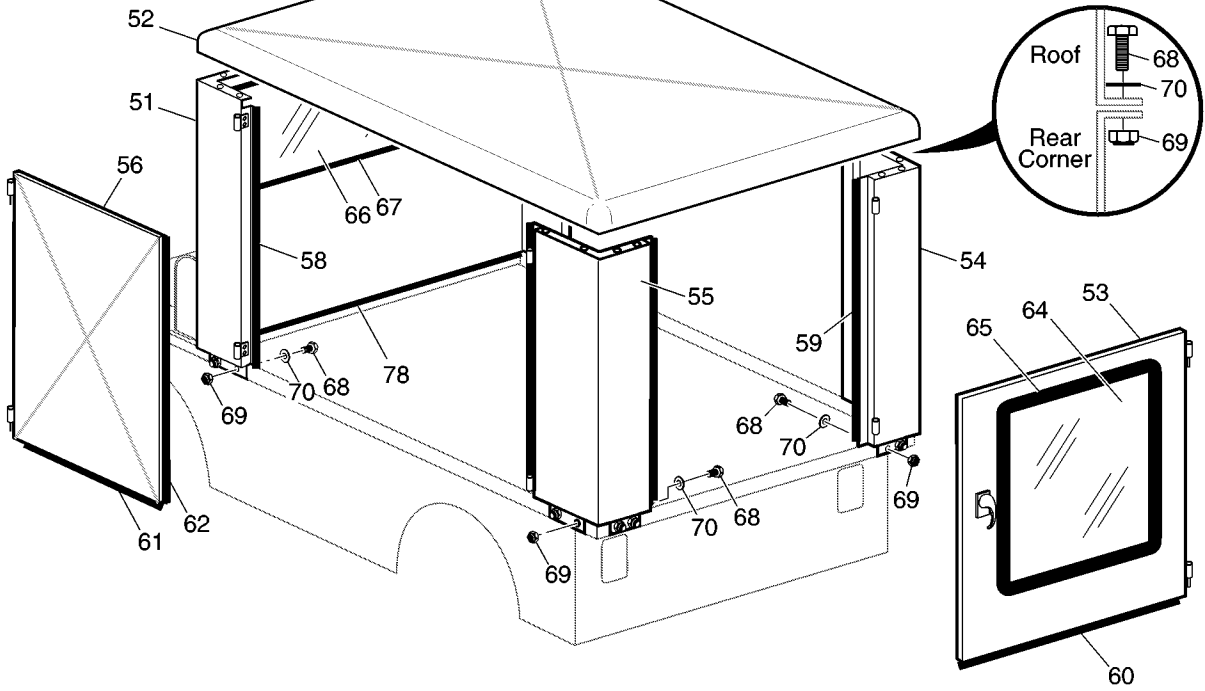
Ref Cab 15-1



Ref Cab 15-2

CAB AND VAN BOX

50 - Includes Items 51 - 79



Ref Cab 15-3

CAB AND VAN BOX

Where applicable, THE USE OF NON UL PARTS WILL VOID ANY UL LISTING.

When ordering parts, please specify the model and serial number of the product.

* Indicates a component that is not available as an individual part.

G** Indicates consult Customer Service Department for additional information.

ITEM	PART NO.	1	2	3	4	5	DESCRIPTION	QTY.
		Replacement parts may be obtained from Curtis Tractor Cab Inc., 111 Higgins Street, Worcester, MA 01606. Phone (508) 853-2200, or FAX (800) 876-9104.						
1	*	CAB KIT (INCLUDES ITEMS 2 - 43).....						1
2	34648-G0*A	ROOF PANEL						1
3	34648-G0*B	REAR PANEL						1
4	34648-G0*C	FRONT CORNER PANEL (PASSENGER SIDE).....						1
5	34648-G0*D	FRONT CORNER PANEL (DRIVER SIDE)						1
6	34648-G0*E	WINDSHIELD PANEL.....						1
7	34648-G0*H	DOOR RECEIVER (PASSENGER SIDE).....						1
8	34648-G0*I	DOOR RECEIVER (DRIVER SIDE)						1
9	1P004A	FRONT PANEL COWL SEAL GASKET (74" LG)						1
10	1P004D	REAR PANEL TRIM (46" LG)						2
11	6E03A	BOLT, 3/8 - 16 X 7/8" LG.....						32
12	6E03B	LOCK NUT, 3/8 - 16						32
13	6E03C	WASHER, 3/8"						32
14	6E03D	NYLON WASHER, 3/8".....						20
15								
16	6E03E	FRONT PANEL WINDOW						1
17	6E03F	FRONT PANEL MOUNTING GASKET						1
18	6E03G	FRONT CORNER PANEL WINDOW.....						2
19	6E03H	FRONT CORNER PANEL WINDOW GASKET						2
20	6E03I	REAR PANEL WINDOW.....						1
21	6E03J	REAR PANEL MOUNTING GASKET						1
22	6E03K	REAR PANEL SIDE WINDOW						2
23	6E03L	REAR PANEL SIDE WINDOW MOUNTING GASKET						2
24								
25	9PIRV	INTERIOR REAR VIEW MIRROR.....						1
26	9P115A	DOOR STRIKER PLATE KIT (NOT ILLUSTRATED).....						2
27	9P85AB	WINDSHIELD WIPER MOTOR						1
28	9WPA	WINDSHIELD WIPER ARM.....						1

CAB AND VAN BOX

Where applicable, THE USE OF NON UL PARTS WILL VOID ANY UL LISTING.

When ordering parts, please specify the model and serial number of the product.

* Indicates a component that is not available as a individual part.

G** Indicates consult Customer Service Department for additional information.

ITEM	PART NO.	1	2	3	4	5	DESCRIPTION	QTY.
29	9PWB						WINDSHIELD WIPER BLADE.....	1
30	9PWWEK						WINDSHIELD WIPER ELECTRICAL HARNESS	1
31								
32	34648-G0*F						DOOR (PASSENGER SIDE)	1
33	34648-G0*G						DOOR (DRIVER SIDE).....	1
34	9DHOS1						OUTSIDE DOOR HANDLE (KEY LOCKING).....	2
35	9P001A						REPLACEMENT DOOR HINGE KIT (NOT ILLUSTRATED)	1
36	9DHSLR						INSIDE DOOR LATCH (DRIVER SIDE)	1
37	9DHSLR						INSIDE DOOR LATCH (PASSENGER SIDE).....	1
38	1P004B						LOWER DOOR SEAL GASKET (36" LG).....	2
39	1P004C						DOOR SEAL GASKET (123" LG).....	2
40	6E03M						UPPER DOOR SLIDING WINDOW.....	2
41	6E03N						UPPER DOOR SIDE WINDOW MOUNTING GASKET	2
42	6E03O						LOWER DOOR WINDOW	2
43	6E03P						LOWER DOOR WINDOW MOUNTING GASKET	2
44								
45								
46	34648-G02						CAB KIT WITHOUT DOORS (INCLUDES ITEMS 2 - 30).....	1
47	34650-G01						DOOR KIT (INCLUDES ITEMS 32 - 43)	1
48								
49								
50	34649-G01						VAN BOX KIT (INCLUDES ITEMS 51 - 79)	1
51	34649-G0A						FRONT PANEL	1
52	34649-G0B						ROOF.....	1
53	34649-G0C						REAR DOOR	1
54	34649-G0D						REAR CORNER LEG (PASSENGER SIDE)	1
55	34649-G0E						REAR CORNER LEG (DRIVER SIDE).....	1
56	34649-G0F						SIDE DOOR PANEL (LEFT)	2
57	34649-G0G						SIDE DOOR PANEL (RIGHT).....	2
58	1P003A						SIDE DOOR SEAL GASKET (140" LG)	2

CAB AND VAN BOX

Where applicable, THE USE OF NON UL PARTS WILL VOID ANY UL LISTING.

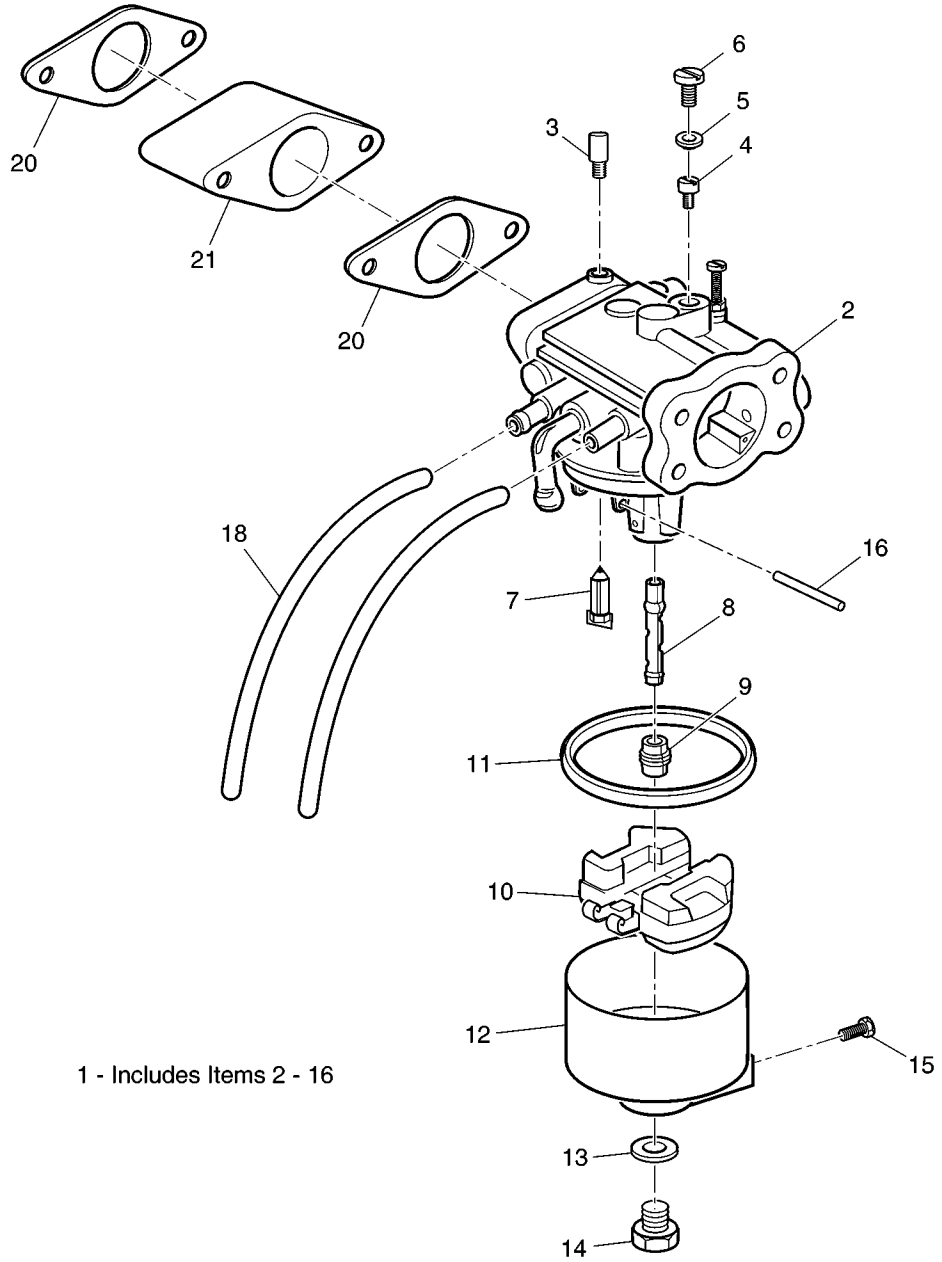
When ordering parts, please specify the model and serial number of the product.

* Indicates a component that is not available as an individual part.

G** Indicates consult Customer Service Department for additional information.

ITEM	PART NO.	1	2	3	4	5	DESCRIPTION	QTY.
59	1P003B						REAR DOOR SEAL GASKET (118" LG)	1
60	1P003C						LOWER REAR DOOR SEAL GASKET (35" LG).....	1
61	1P003D						LOWER SIDE DOOR SEAL GASKET (29" LG)	4
62	1P003E						VERTICAL GASKET SEAL (SIDE DOOR) (40" LG).....	2
63								
64	1P003F						REAR DOOR WINDOW	1
65	1P003G						REAR DOOR WINDOW MOUNTING GASKET	1
66	1P003H						FRONT PANEL WINDOW	1
67	1P003I						FRONT PANEL WINDOW GASKET.....	1
68	6E02A						BOLT, 3/8 - 16 X 7/8" LG.....	30
69	6E02B						LOCK NUT, 3/8 - 16	30
70	6E02C						WASHER, 3/8"	30
71	6E02D						BOLT, 1/4 - 20 X 1/2" LG.....	6
72	6E02E						LOCK NUT, 1/4 - 20	6
73	6E02F						WASHER, 1/4"	6
74								
75	9DHOS1						OUTSIDE DOOR HANDLE (KEY LOCKING).....	3
76	9DILM1						INSIDE LATCH MECHANISM	3
77	9P001A						REPLACEMENT DOOR HINGE KIT (NOT ILLUSTRATED)	5
78	9PTLR						LOWER FRONT PANEL GASKET SEAL	1
79	9P1A1						DOOR LOCKING ROD GUIDES	3

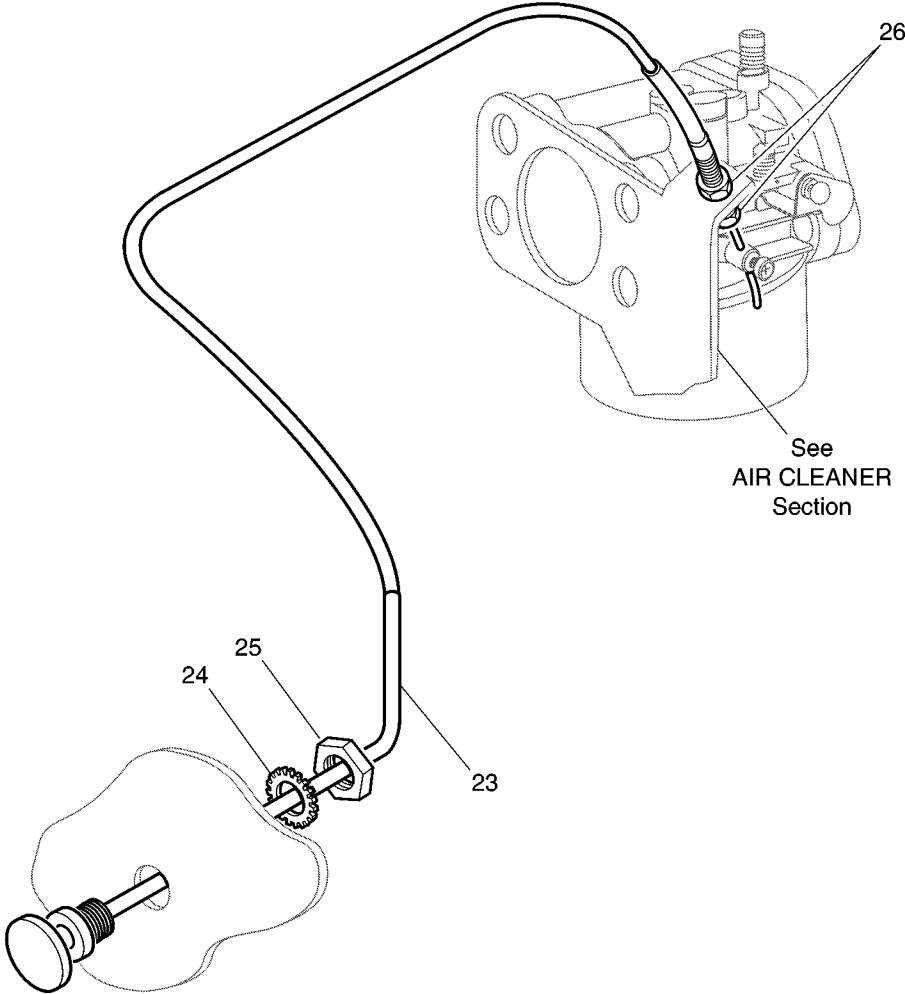
CARBURETOR AND CHOKE



1 - Includes Items 2 - 16

Ref Cac 15-1

CARBURETOR AND CHOKE



Ref Cac 15-2

CARBURETOR AND CHOKE

Where applicable, THE USE OF NON UL PARTS WILL VOID ANY UL LISTING.

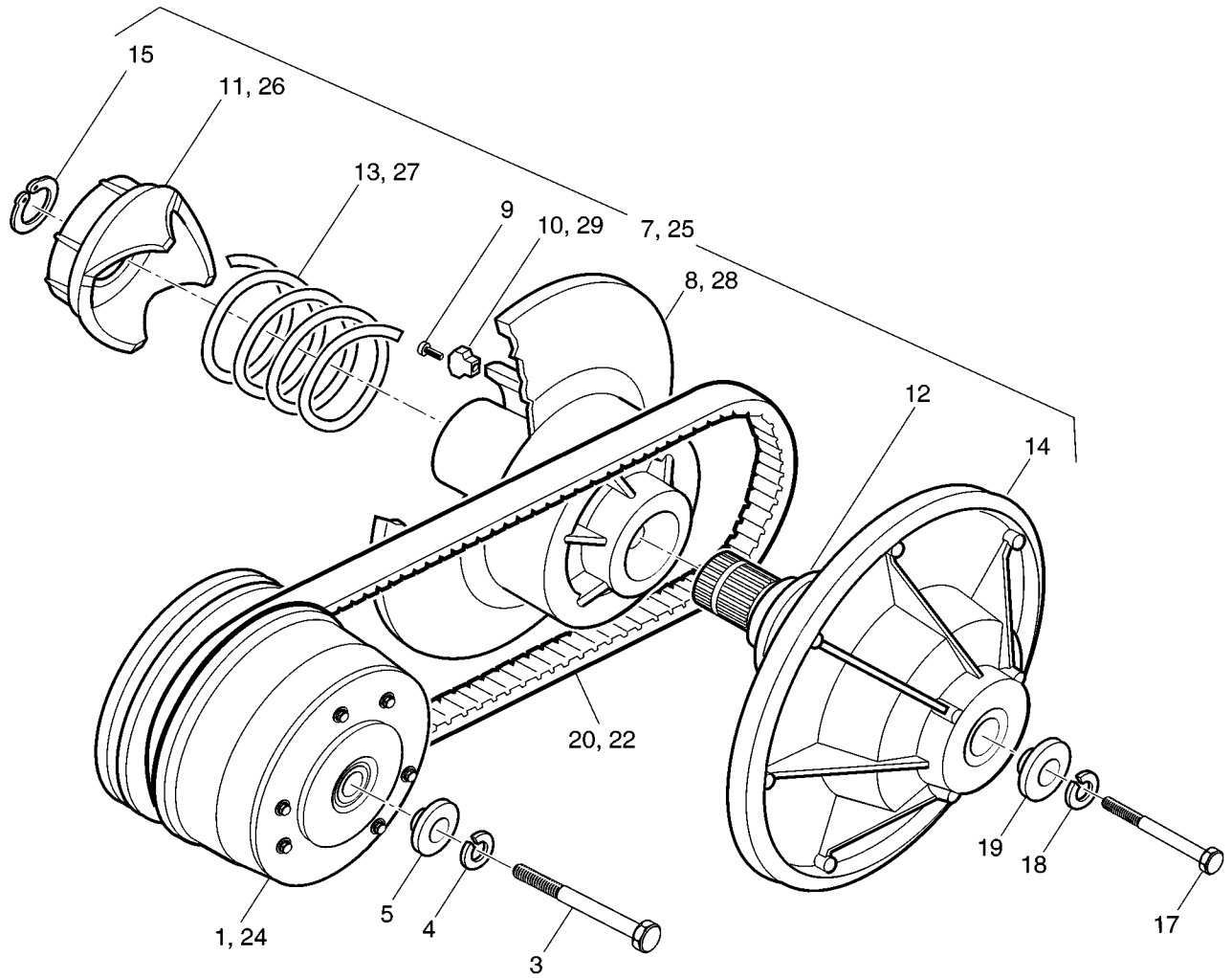
When ordering parts, please specify the model and serial number of the product.

* Indicates a component that is not available as a individual part.

G** Indicates consult Customer Service Department for additional information.

ITEM	PART NO.	1 2 3 4 5	DESCRIPTION	QTY.
1	72558-G05		CARBURETOR ASSEMBLY (INCLUDES ITEMS 2 - 16)	1
2	*		CARBURETOR BODY	1
3	*		PILOT SCREW	1
4	26649-G01		PILOT JET, #46P	1
5	72306-G01		GASKET	1
6	26841-G01		PLUG	1
7	72578-G01		NEEDLE VALVE	1
8	*		MAIN NOZZLE	1
9	26646-G07		MAIN JET, #90	1
10	26648-G01		FLOAT	1
11	26843-G01		FLOAT BOWL GASKET	1
12	26844-G01		FLOAT CHAMBER	1
13	26838-G01		BOWL GASKET	1
14	26839-G01		BOWL SCREW	1
15	*		DRAIN SCREW	1
16	26840-G01		FLOAT PIN	1
17				
18	26650-G01		VENT TUBE	2
19				
20	26726-G01		CARBURETOR MOUNT GASKET	2
21	72311-G01		CARBURETOR INSULATOR	1
22				
23	34042-G01		CHOKE CABLE (WITH NUTS)	1
24	00568-G4		LOCK WASHER, 9/16"	1
25	00545-G4		JAM NUT, 9/16 - 18	1
26	00544-G4		JAM NUT, 5/16 - 24	2

CARBURETOR AND CHOKE



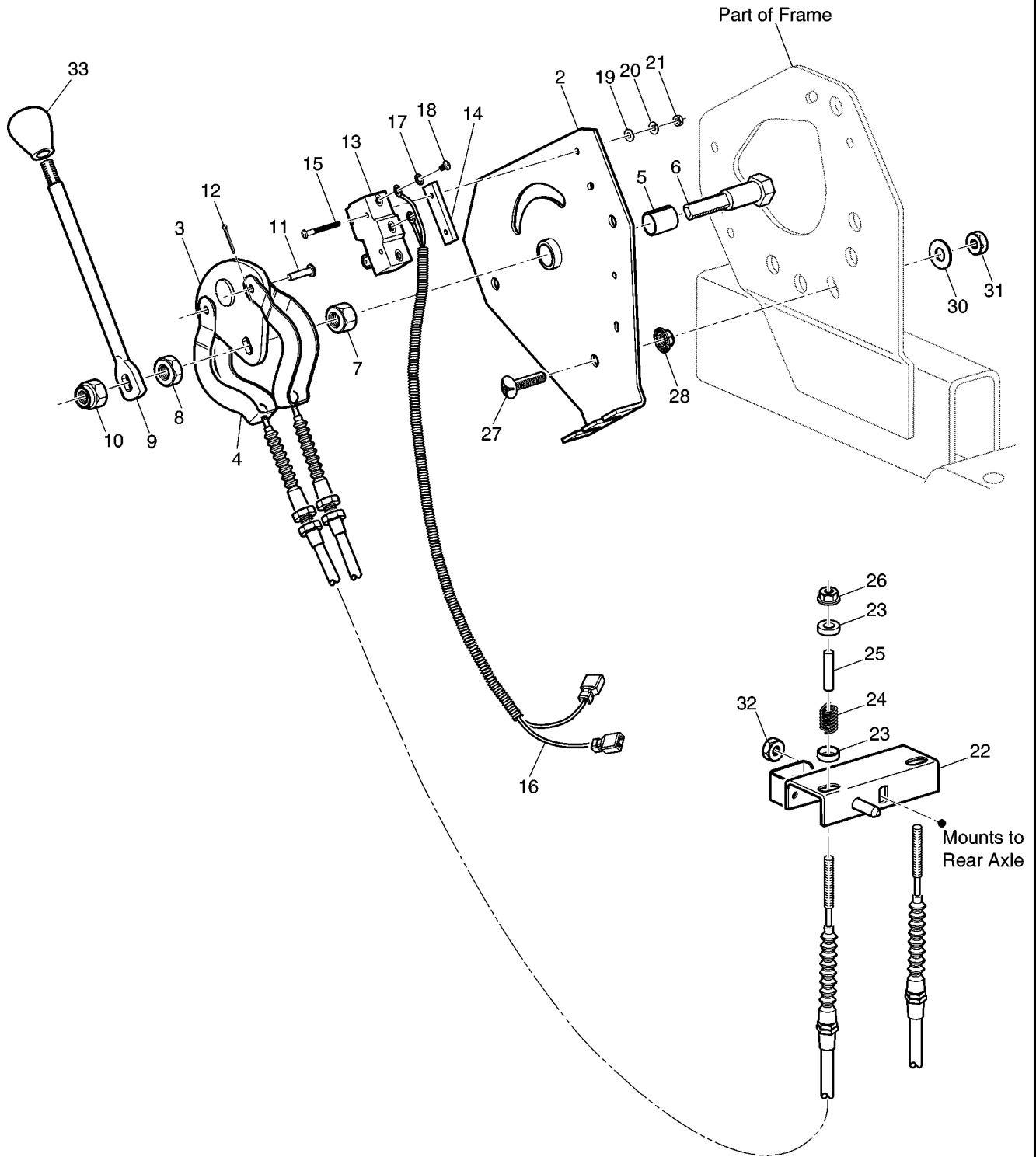
Ref Ch 15

Where applicable, THE USE OF NON UL PARTS WILL VOID ANY UL LISTING.
 When ordering parts, please specify the model and serial number of the product.
 * Indicates a component that is not available as an individual part.
 G** Indicates consult Customer Service Department for additional information.

ITEM	PART NO.	1 2 3 4 5	DESCRIPTION	QTY.
1	26952-G01		DRIVE CLUTCH	1
2				
3	00473-G9		BOLT, 7/16 - 20 X 6 1/2" LG	1
4	00566-G2		LOCK WASHER, 7/16".....	1
5	25757-G1		PILOT WASHER	1
6				
7	26301-G02		DRIVEN CLUTCH ASSEMBLY (INCLUDES ITEMS 8 - 15)	1
8	*		MOVABLE SHEAVE (INCLUDES ITEMS 9 -10).....	1
9	00979-G01		SCREW, #10 - 24 X 7/8" LG.....	3
10	26479-G01		RAMP BUTTON	3
11	*		CAM.....	1
12	24600-G1		SPACER, 1 1/2"	1
13	26304-G01		COMPRESSION SPRING	1
14	*		SHEAVE AND POST	1
15	27270-G01		HEAVY DUTY RETAINING RING	1
16				
17	00441-G8		BOLT, 5/16 - 18 X 4" LG	1
18	00565-G8		LOCK WASHER, 5/16".....	4
19	25756-G1		RETAINING WASHER	1
20	72054-G01		DRIVE BELT.....	1
21				
22	72328-G01		DRIVE BELT (HIGH ALTITUDE)	1
23				
24	26952-G01		DRIVE CLUTCH (HIGH ALTITUDE)	1
25	26301-G03		DRIVEN CLUTCH ASSEMBLY (HIGH ALTITUDE) (INCLUDES ITEMS 12, 14, 15, 26, 27, 28, 29).....	1
26	*		CAM.....	1
27	26304-G01		COMPRESSION SPRING	1
28	*		MOVABLE SHEAVE (INCLUDES ITEMS 9, 29)	1
29	72324-G01		RAMP BUTTON, 4 CYCLE	3

DIRECTION SELECTOR

1 - Includes Items 2 - 28



Ref Dsl 15

DIRECTION SELECTOR

Where applicable, THE USE OF NON UL PARTS WILL VOID ANY UL LISTING.

When ordering parts, please specify the model and serial number of the product.

* Indicates a component that is not available as an individual part.

G** Indicates consult Customer Service Department for additional information.

ITEM	PART NO.	1 2 3 4 5	DESCRIPTION	QTY.
1	34173-G01		DIRECTION SELECTOR ASSEMBLY (INCLUDES ITEMS 2 - 28)	1
2	70839-G01		DIRECTION SELECTOR BRACKET	1
3	25745-G01		DIRECTION SELECTOR CAM	1
4	72400-G01		SHIFTER CONTROL CABLE	2
5	25664-G1		BUSHING.....	1
6	34170-G01		SHAFT	1
7	00532-G6		NUT, 3/8 - 24.....	1
8	00544-G6		JAM NUT, 3/8 - 24.....	1
9	34168-G01		DIRECTION SELECTOR ARM.....	1
10	14390-G1		LOCK NUT, 3/8 - 24	1
11	23176-G1		CLEVIS PIN, 3/16" X 7/16"	2
12	10387-G8		COTTER PIN, 1/16" X 3/4" LG	2
13	10606-G6		MICRO SWITCH.....	1
14	27151-G01		SPACER	1
15	00645-G2		SCREW, #6 - 32 X 1 1/4" LG	2
16	34159-G01		WIRING HARNESS	1
17	00567-G3		LOCK WASHER, #6	2
18	13514-G1		SCREW AND LOCK WASHER, #6 - 32 X 1/4" LG (BRASS)	2
19	00559-G3		WASHER, #6	2
20	00565-G3		LOCK WASHER, #6	2
21	00525-G5		NUT, #6 - 32.....	2
22	25946-G01		PIVOT ARM	1
23	25727-G01		CUP WASHER, 1/4"	4
24	27764-G01		SPRING	2
25	23726-G5		SPACER, 1 1/8"	2
26	11098-G7		LOCK NUT, #10 - 24.....	2
27	16705-G1		SCREW, 1/4 - 20 X 1" LG (STAINLESS STEEL).....	3
28	11027-G2		LOCK NUT, 1/4 - 20.....	3
29				
30	01110-G01		WASHER, 1/4" (STAINLESS STEEL)	3

DIRECTION SELECTOR

Where applicable, THE USE OF NON UL PARTS WILL VOID ANY UL LISTING.

When ordering parts, please specify the model and serial number of the product.

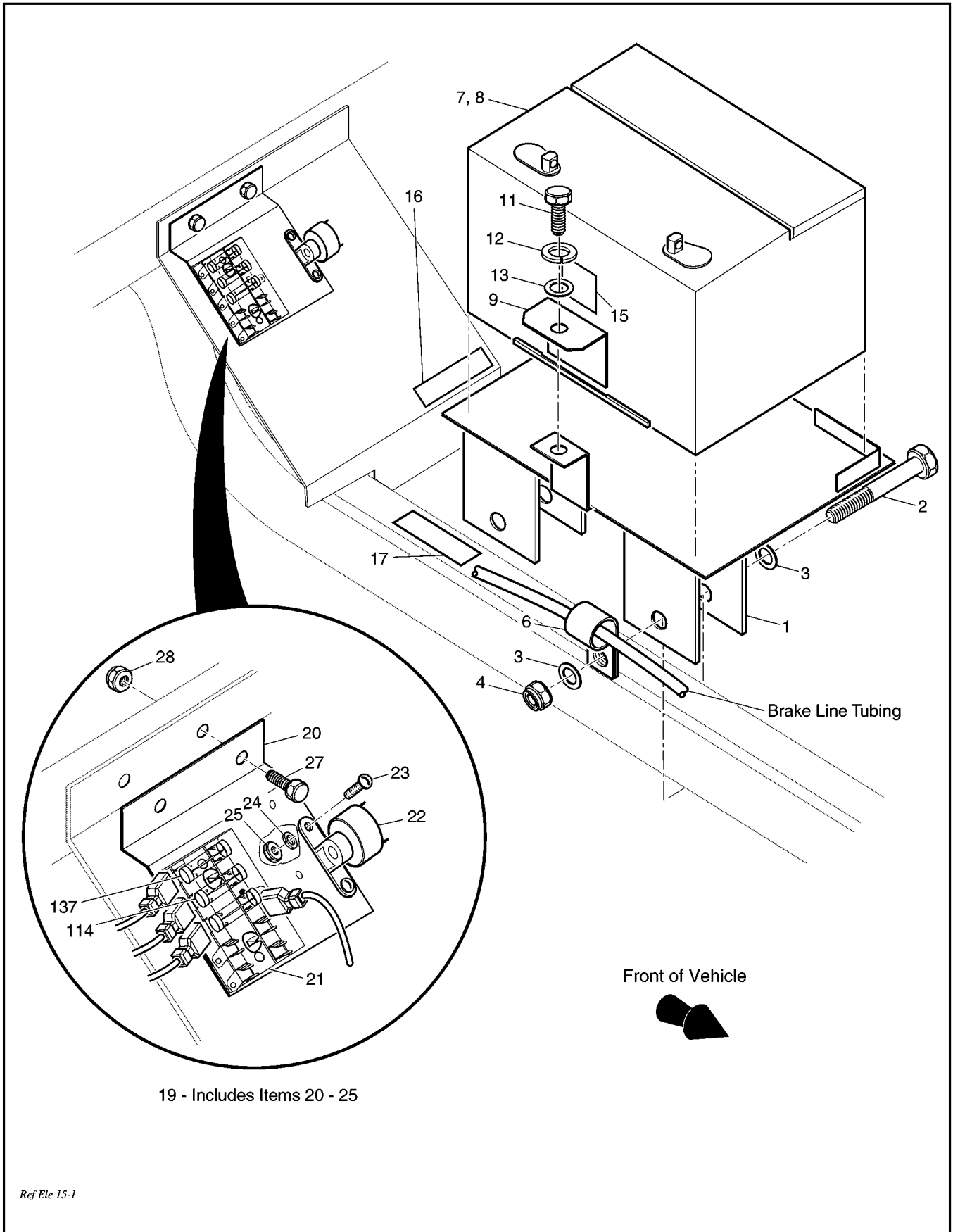
* Indicates a component that is not available as a individual part.

G** Indicates consult Customer Service Department for additional information.

ITEM	PART NO.	1	2	3	4	5	DESCRIPTION	QTY.
31	14390-G4						LOCK NUT, 1/4 - 20	3
32	26830-G01						LOCK NUT, M8 X 1.25MM	1
33	11989-G1						DIRECTION SELECTOR KNOB	1

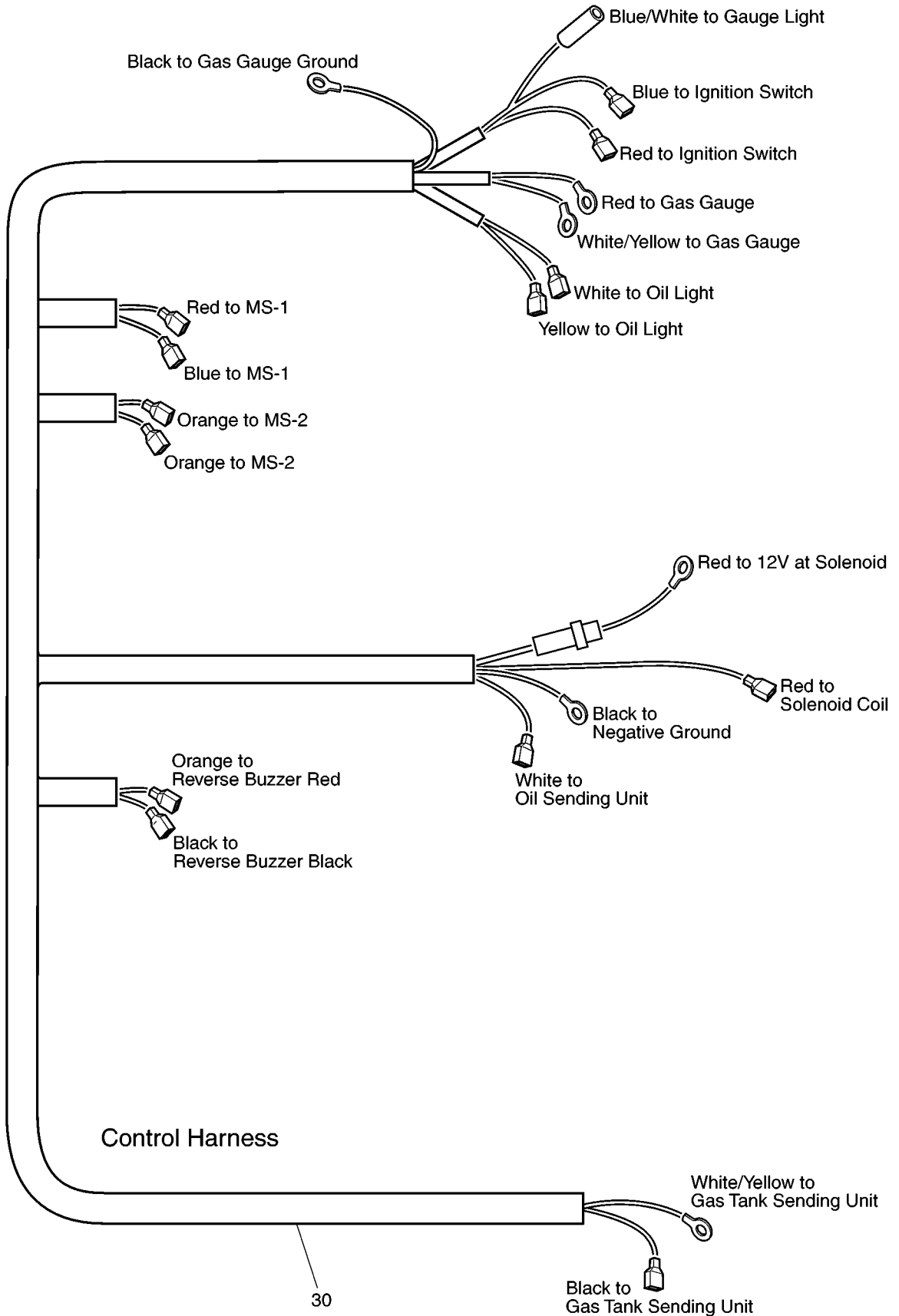
DIRECTION SELECTOR

ELECTRICAL



19 - Includes Items 20 - 25

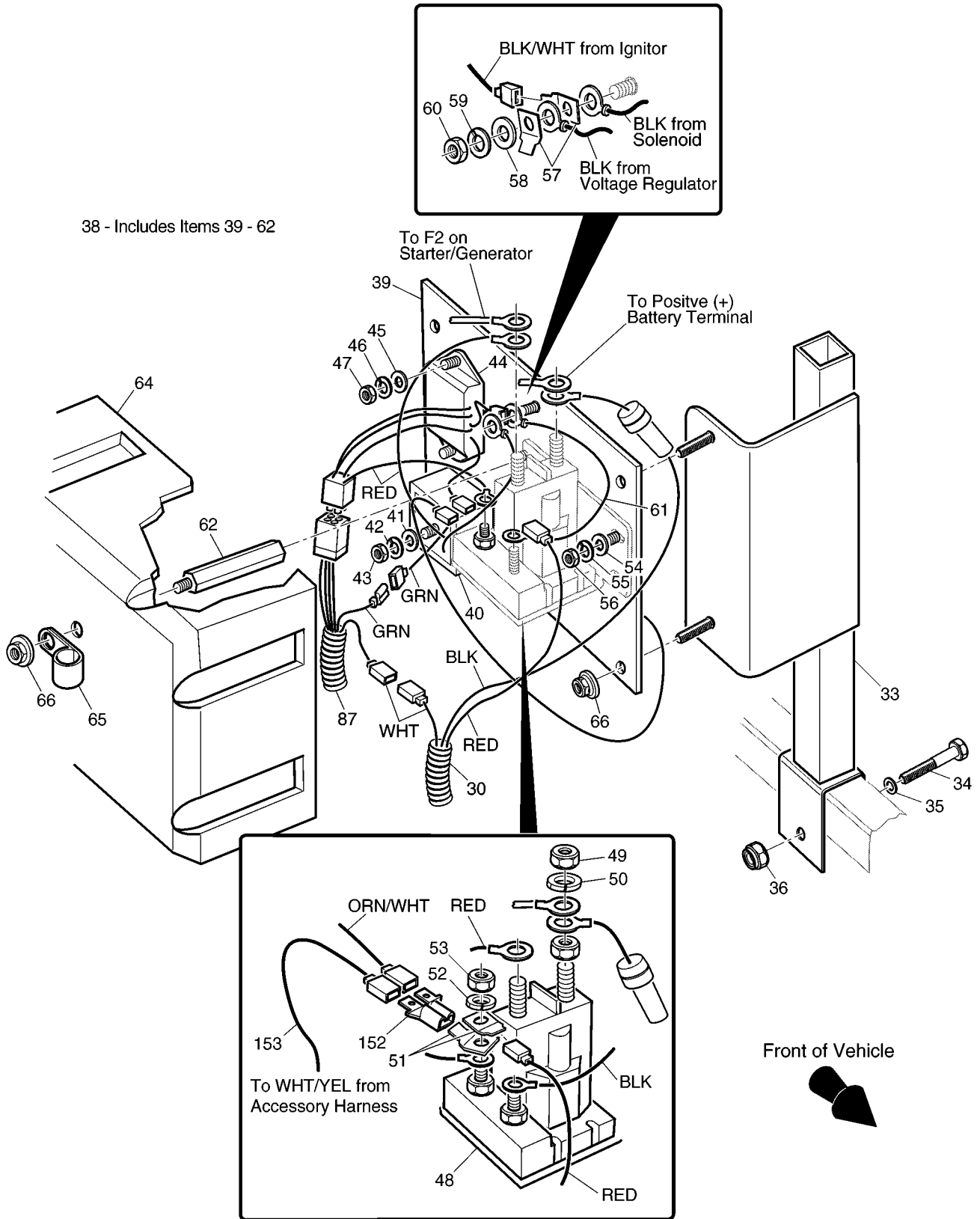
Ref Ele 15-1



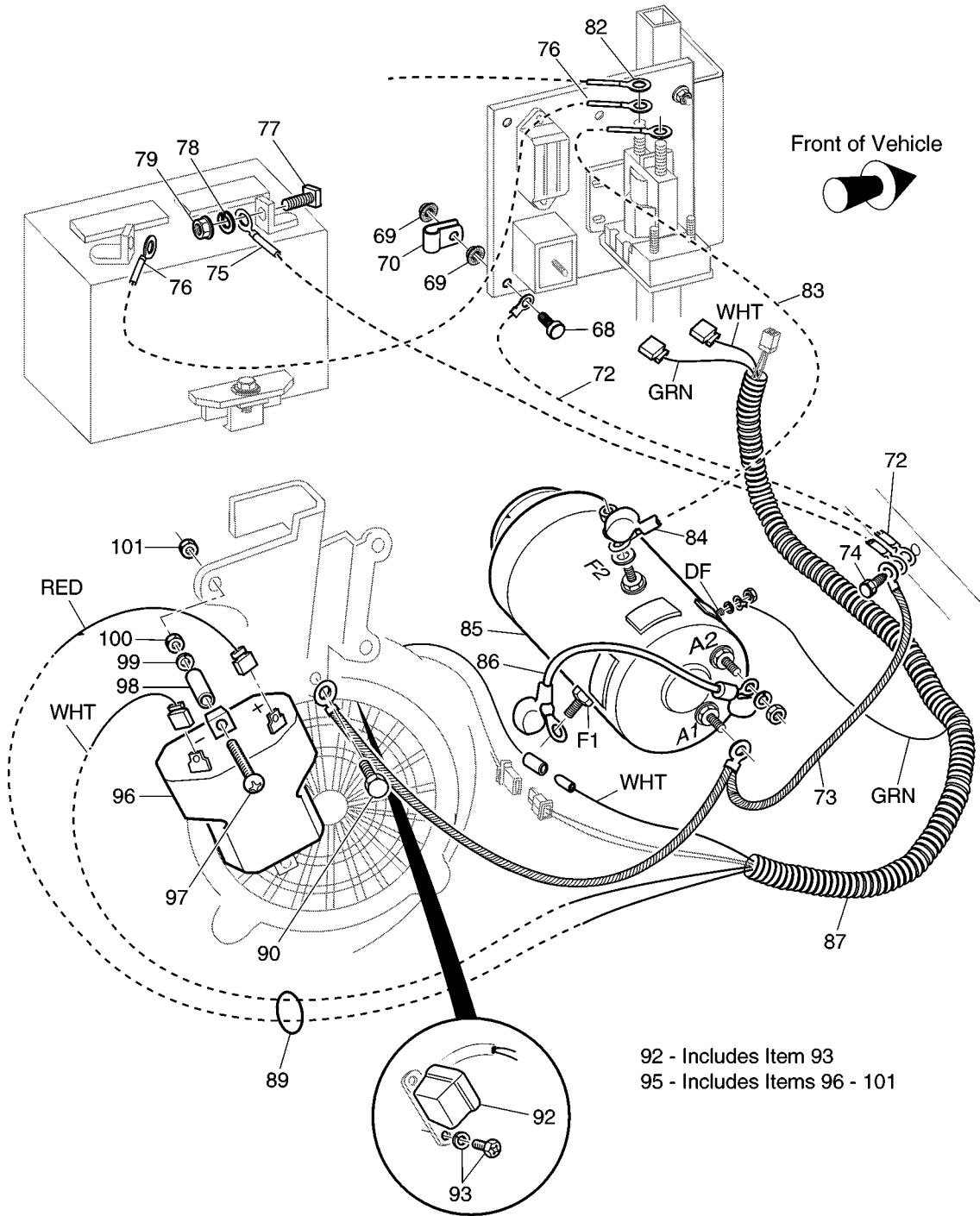
Ref Ele 15-2

ELECTRICAL

38 - Includes Items 39 - 62

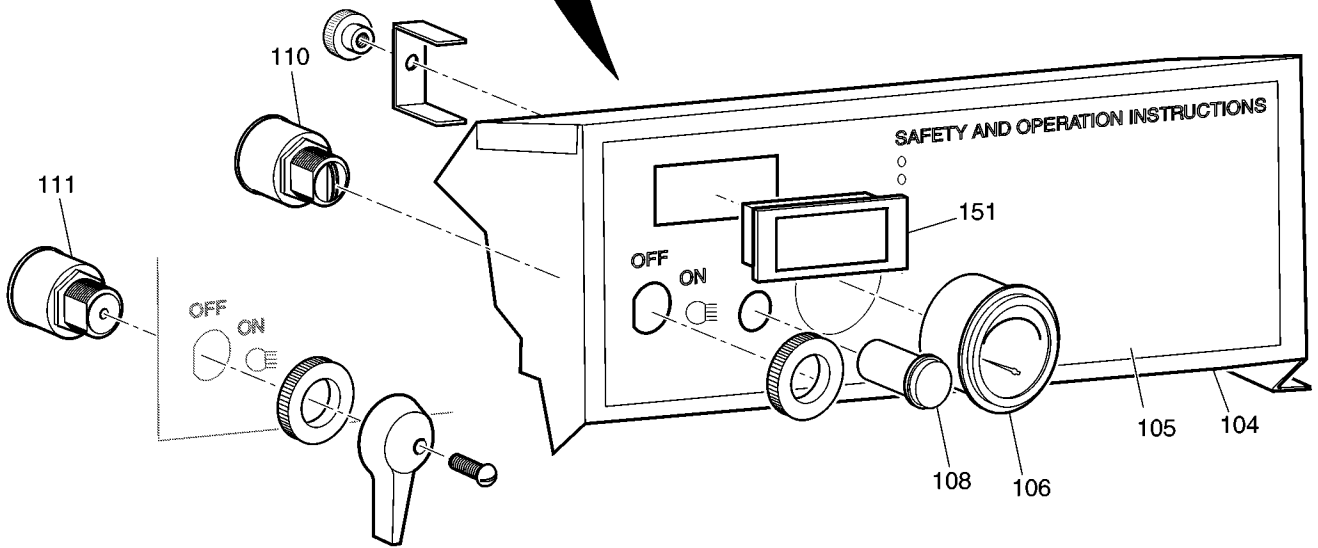
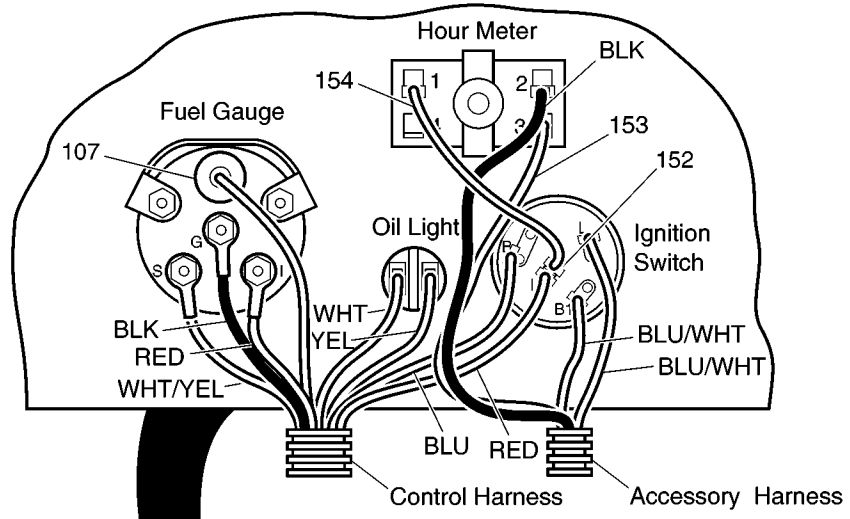


Ref Ele 15-3



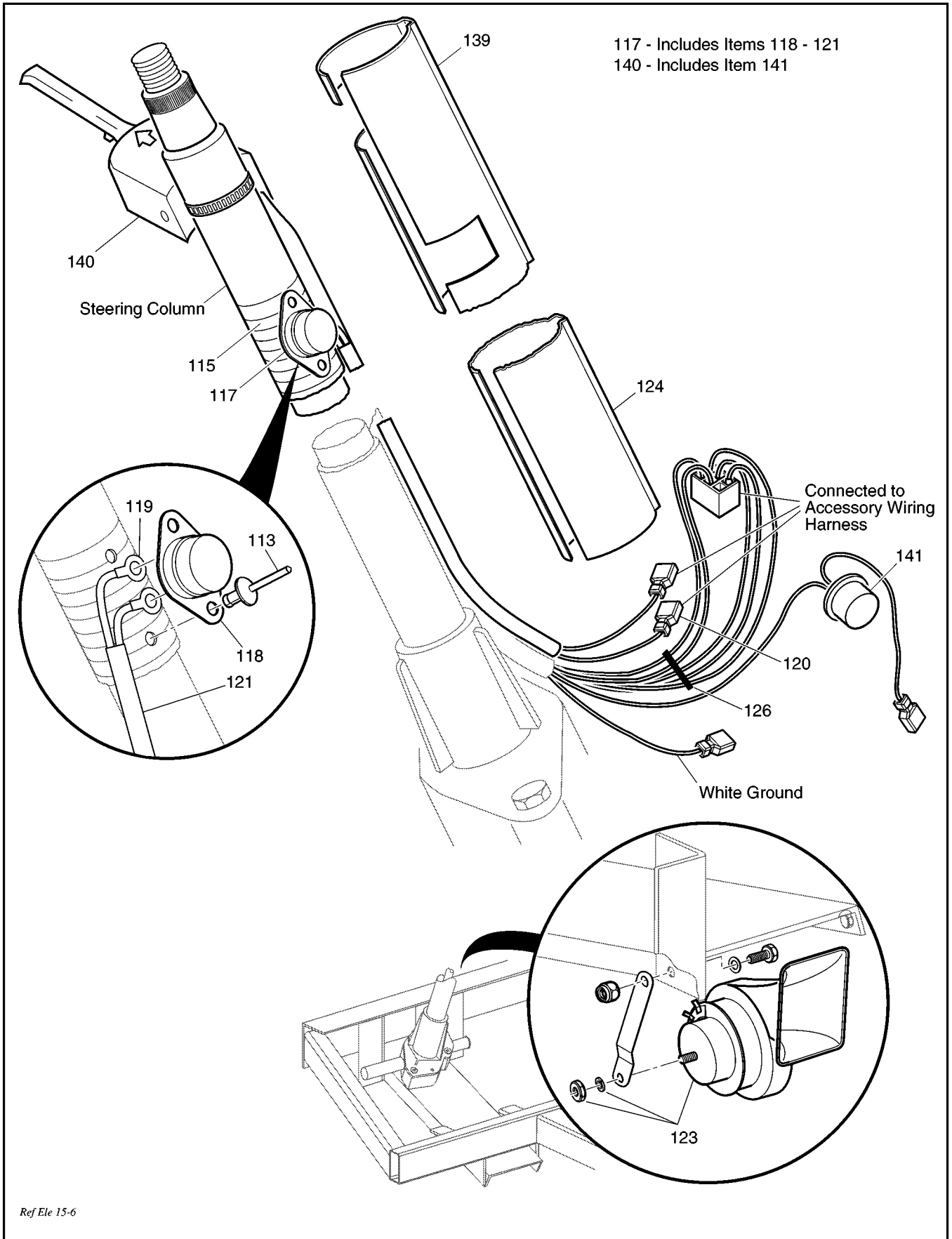
Ref Ele 15-4

ELECTRICAL



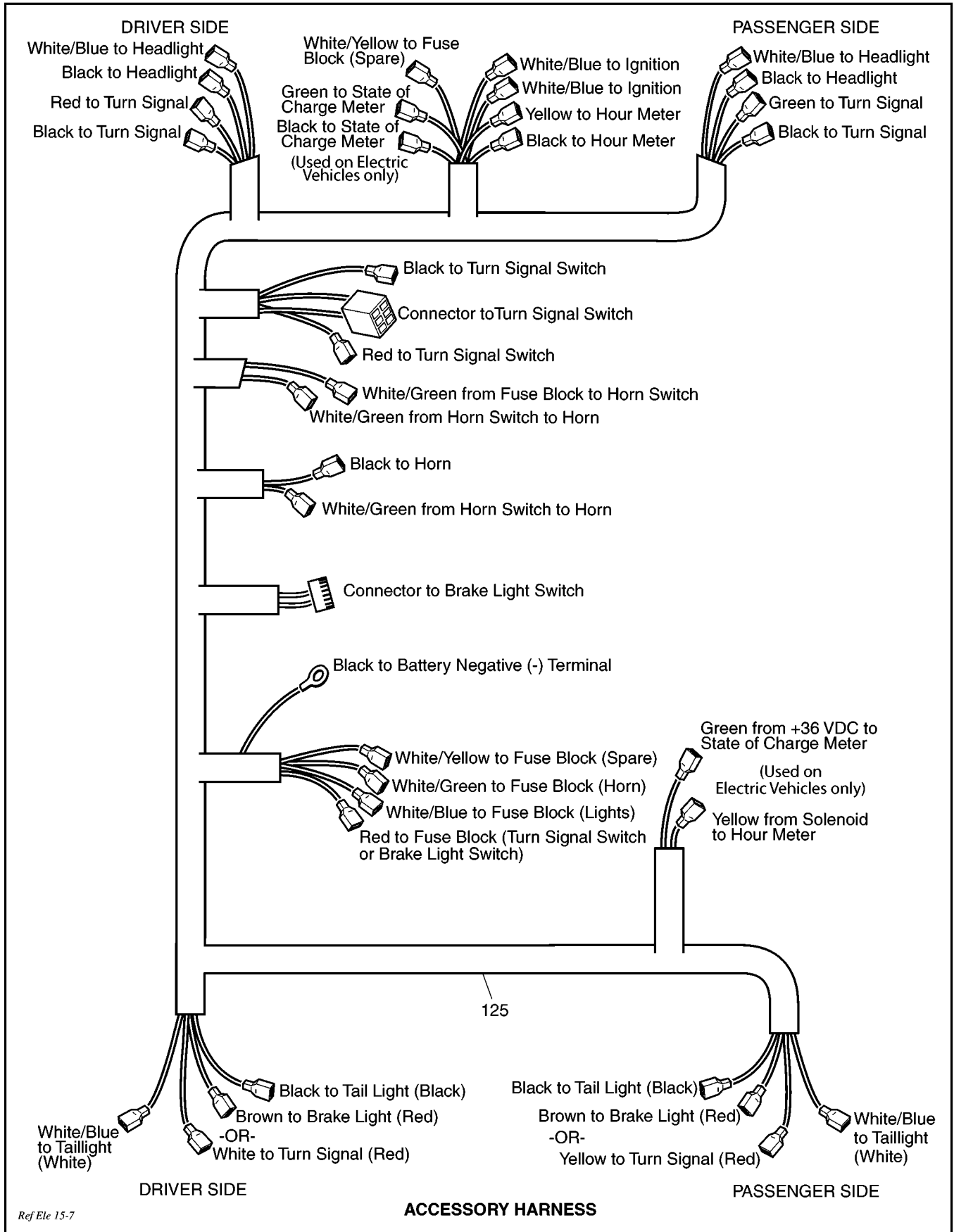
103 - Includes Items 104 - 108
 150 - Includes Items 151 - 154

Ref Ele 15-5

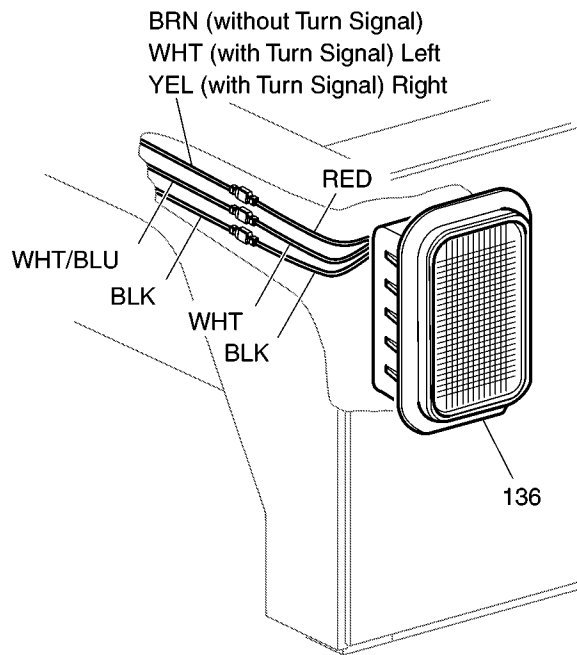
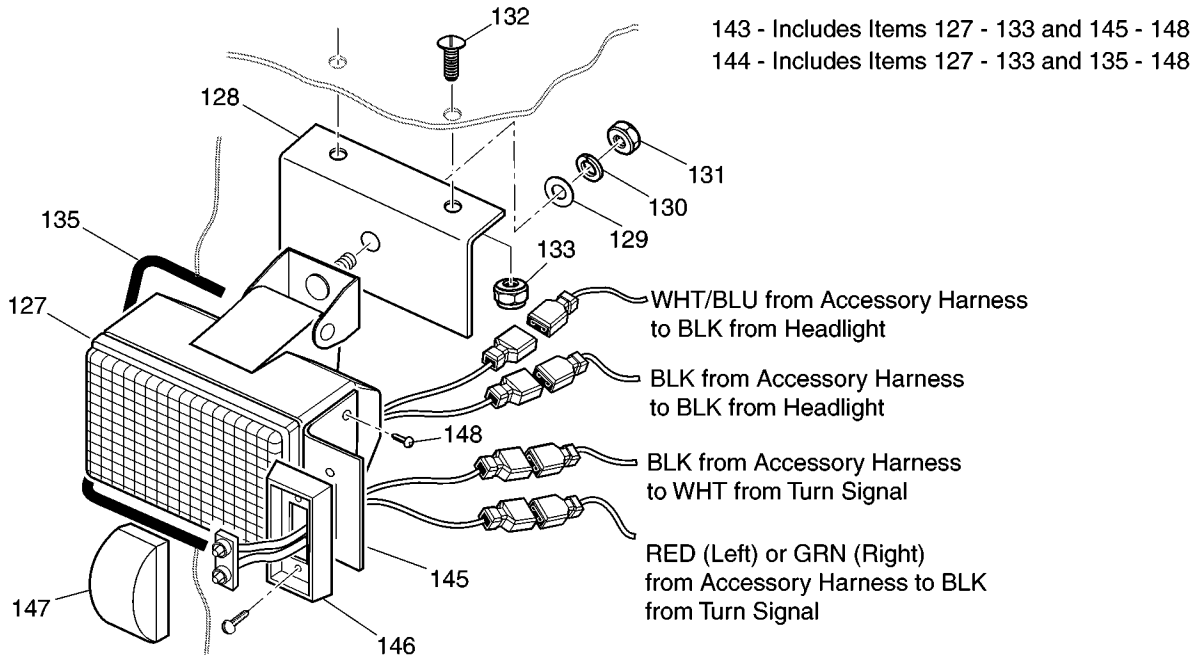


Ref Ele 15-6

ELECTRICAL



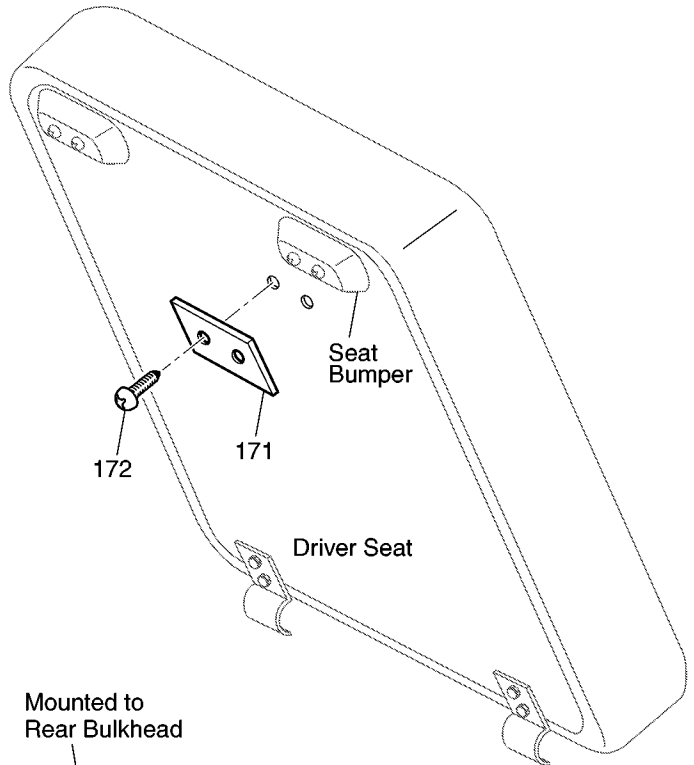
HEAD LIGHT AND TURN SIGNAL INSTALLATION



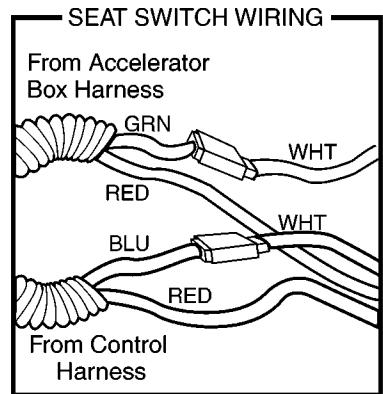
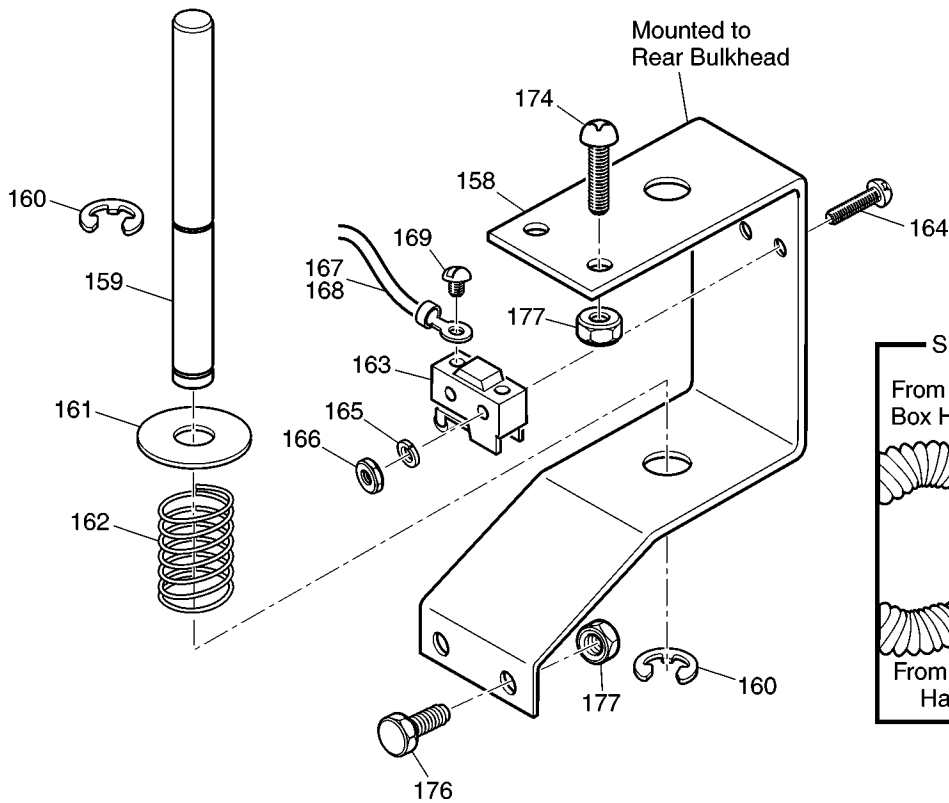
TAILLIGHT INSTALLATION

Ref Ele 15-8

ELECTRICAL



156 - Includes Items 157 - 169
157 - Includes Items 158 - 169



Ref Ele 15-9

ELECTRICAL

Where applicable, THE USE OF NON UL PARTS WILL VOID ANY UL LISTING.

When ordering parts, please specify the model and serial number of the product.

* Indicates a component that is not available as an individual part.

G** Indicates consult Customer Service Department for additional information.

ITEM	PART NO.	1	2	3	4	5	DESCRIPTION	QTY.
1	34037-G01						BATTERY TRAY	1
2	00428-G8						BOLT, 3/8 - 16 X 3" LG	2
3	00560-G1						WASHER, 3/8"	4
4	11098-G5						LOCK NUT, 3/8 - 16	2
5								
6	34750-G01						'J' CLIP	1
7	24775-G1						12 VOLT BATTERY (STANDARD)	1
8	24775-G2						12 VOLT HD BATTERY (HEAVY DUTY) (OPTIONAL)	1
9	72101-G01						BATTERY HOLD DOWN.....	1
10								
11	00438-G6						BOLT, 5/16 - 18 X 3/4" LG	1
12	00565-G8						LOCK WASHER, 5/16".....	1
13	00561-G8						WASHER, 5/16"	1
14								
15	35493-G01						LABEL, BATTERY DISPOSAL	1
16	24876-G01						LABEL, BATTERY WARNING.....	1
17	24880-G01						LABEL, GOVERNOR WARNING	1
18								
19	35673-G02						FUSE BLOCK ASSEMBLY (INCLUDES ITEMS 20 - 25).....	1
20	34221-G01						MOUNTING PLATE	1
21	22674-G1						FUSE BLOCK	1
22	73290-G02						BUZZER, CONTINUOUS TONE	1
23	00138-G4						SCREW, #6 - 32 X 1/2 LG	4
24	00565-G3						LOCK WASHER, #6	4
25	00525-G5						NUT, #6 - 32.....	4
26								
27	00414-G5						BOLT, 1/4 - 20 X 5/8" LG	2
28	00654-G2						LOCK NUT, 1/4 - 20 (STAINLESS STEEL)	2
29								
30	34464-G01						WIRE HARNESS (CONTROL).....	1

ELECTRICAL

Where applicable, THE USE OF NON UL PARTS WILL VOID ANY UL LISTING.

When ordering parts, please specify the model and serial number of the product.

* Indicates a component that is not available as an individual part.

G** Indicates consult Customer Service Department for additional information.

ITEM	PART NO.	1 2 3 4 5	DESCRIPTION	QTY.
31	31539-G1		WIRE TIE (NOT ILLUSTRATED)	10
32				
33	34324-G01		STANCHION.....	1
34	00428-G8		BOLT, 3/8 - 16 X 3" LG	1
35	00560-G1		WASHER, 3/8"	1
36	11098-G5		LOCK NUT, 3/8 - 16	1
37				
38	27740-G03		ELECTRICAL PLATE ASSEMBLY (INCLUDES ITEMS 39 - 62)	1
39	*		ELECTRONICS PLATE	1
40	27739-G01		VOLTAGE REGULATOR	1
41	00650-G7		WASHER, 1/4"	1
42	00664-G7		LOCK WASHER, 1/4" (STAINLESS STEEL).....	1
43	00532-G1		NUT, 1/4 - 20.....	1
44	72562-G01		IGNITOR	1
45	00650-G7		WASHER, 1/4"	2
46	00664-G7		LOCK WASHER, 1/4" (STAINLESS STEEL).....	2
47	00532-G1		NUT, 1/4 - 20.....	2
48	27153-G01		SOLENOID	1
49	*		LOCK WASHER, 5/16"	2
50	*		JAM NUT, 5/16 - 18.....	2
51	12914-G1		PUSH ON MALE TERMINAL.....	2
52	*		LOCK WASHER, 5/16"	2
53	*		NUT, #10 - 32.....	2
54	00650-G7		WASHER, 1/4"	2
55	00664-G7		LOCK WASHER, 1/4" (STAINLESS STEEL).....	2
56	00532-G1		NUT, 1/4 - 20.....	1
57	12914-G2		PUSH ON MALE TERMINAL.....	2
58	00650-G7		WASHER, 1/4"	1
59	00664-G7		LOCK WASHER, 1/4" (STAINLESS STEEL).....	1
60	00532-G1		NUT, 1/4 - 20.....	1

ELECTRICAL

Where applicable, THE USE OF NON UL PARTS WILL VOID ANY UL LISTING.

When ordering parts, please specify the model and serial number of the product.

* Indicates a component that is not available as an individual part.

G** Indicates consult Customer Service Department for additional information.

ITEM	PART NO.	1	2	3	4	5	DESCRIPTION	QTY.
61	25978-G56						18 GA WIRE (BLACK 5 3/4")	1
62	72003-G01						SPACER	1
63								
64	72004-G01						COVER.....	1
65	11845-G7						INSULATED CABLE CLAMP, 1/2"	1
66	11027-G2						LOCK NUT, 1/4 - 20	3
67								
68	00414-G6						SCREW, 1/4 - 20 X 3/4" LG.....	1
69	11027-G2						LOCK NUT, 1/4 - 20	2
70	11845-G7						INSULATED CABLE CLAMP, 1/2"	1
71								
72	25976-G12						14 GA WIRE (ELECTRICAL PLATE / GROUND)	1
73	20294-G3						GROUND CABLE.....	1
74	00715-G2						BOLT, 5/16 - 18 X 4/5" LG.....	1
75	25972-G54						6 GA WIRE (NEG TERMINAL / GROUND)	1
76	25972-G53						6 GA WIRE (POS TERMINAL / SOLENOID)	1
77	*						SCREW, 5/16 - 18 X 1 1/4" LG.....	2
78	*						LOCK WASHER, 5/16".....	2
79	*						NUT, 5/16 - 18	2
80								
81								
82	25977-G36						16 GA WIRE (SOLENOID / FUSE BLOCK)	1
83	25972-G52						6 GA WIRE (SOLENOID / F2).....	1
84	16563-G1						RUBBER BOOT	1
85	XXXXX-XX						SEE STARTER/GENERATOR SECTION	1
86	25887-G01						6 GA WIRE (BLACK 6", F1 - A2).....	1
87	34219-G01						WIRE HARNESS (ENGINE CONTROL).....	1
88								
89	17618-G1						WIRE TIE	4
90	26676-G01						FLANGED BOLT, M6 X 23MM LG.....	1

ELECTRICAL

Where applicable, THE USE OF NON UL PARTS WILL VOID ANY UL LISTING.

When ordering parts, please specify the model and serial number of the product.

* Indicates a component that is not available as an individual part.

G** Indicates consult Customer Service Department for additional information.

ITEM	PART NO.	1	2	3	4	5	DESCRIPTION	QTY.
91								
92	26651-G02						IGNITION PICKUP ASSEMBLY (INCLUDES ITEM 93).....	1
93	26707-G01						BOLT AND WASHER, M5 X 0.8 X10MM LG	2
94								
95	26652-G01						IGNITION COIL ASSEMBLY (INCLUDES ITEMS 96 - 101)	1
96	*						COIL.....	1
97	*						SCREW.....	1
98	*						SPACER	1
99	*						LOCK WASHER	1
100	*						NUT.....	1
101	*						NUT.....	1
102								
103	XXXXX-XX						DASH PANEL ASSEMBLY (INCLUDES ITEMS 104 - 108) (SEE BODY SECTION FOR PART NUMBER)	1
104	XXXXX-XX						DASH PANEL (SEE BODY SECTION FOR PART NUMBER)	1
105	XXXXX-XX						LABEL (SEE BODY SECTION FOR PART NUMBER).....	1
106	21553-G1						FUEL GAUGE.....	1
107	21235-G1						GAUGE LIGHT	1
108	23474-G1						INDICATOR LIGHT	1
109								
110	33639-G01						KEY SWITCH WITH LIGHTS (STANDARD)	1
111	33783-G01						KEYLESS SWITCH (OPTIONAL)	1
112								
113	14601-G8						RIVET, 3/16" X 7/16" LG (ALUMINUM)	2
114	18392-G1						15 AMP FUSE	1
115	19344-G1						ELECTRICAL TAPE	A/R
116								
117	32673-G1						HORN SWITCH ASSEMBLY (INCLUDES ITEMS 118 - 121)	1
118	20948-G1						HORN SWITCH	1
119	20949-G1						RING TERMINAL.....	2

ELECTRICAL

Where applicable, THE USE OF NON UL PARTS WILL VOID ANY UL LISTING.

When ordering parts, please specify the model and serial number of the product.

* Indicates a component that is not available as an individual part.

G** Indicates consult Customer Service Department for additional information.

ITEM	PART NO.	1	2	3	4	5	DESCRIPTION	QTY.
120	17064-G2						PUSH ON FEMALE TERMINAL	2
121	22982-G1						16 GA WIRE (GRAY)	1
122								
123	32860-G1						HORN	1
124	20961-G3						STEERING COLUMN COVER (STANDARD)	1
125	34370-G01						WIRE HARNESS (ACCESSORY)	1
126	31539-G1						WIRE TIE	10
127	20209-G2						HEADLIGHT (RECTANGULAR)	2
128	35689-G01						HEADLIGHT BRACKET	2
129	00560-G3						WASHER, 1/2"	2
130	00566-G3						LOCK WASHER, 1/2"	2
131	00533-G1						NUT, 1/2 - 13	2
132	16705-G3						SCREW, 1/4 - 20 X 3/4" LG (STAINLESS STEEL)	4
133	00654-G2						LOCK NUT, 1/4 - 20 (STAINLESS STEEL)	4
134	17618-G1						WIRE TIE (NOT ILLUSTRATED)	2
135	22281-G2						TRIM	2
136	32739-G2						TAILLIGHT	2
137	18392-G1						15 AMP FUSE	1
138								
139	32675-G3						STEERING COLUMN COVER (OPTIONAL - USED ON VEHICLES EQUIPPED WITH TURN SIGNALS)	1
140	17867-G1						TURN SIGNAL (WITH MOUNTING HARDWARE) (OPTIONAL) (INCLUDES ITEM 141)	1
141	21640-G1						TURN SIGNAL FLASHER	1
142								
143	34589-G01						HEADLIGHT AND TURN SIGNAL (PASSENGER SIDE - OPTIONAL) (INCLUDES ITEMS 127 - 133, 145 - 148)	1
144	34589-G02						HEADLIGHT AND TURN SIGNAL (DRIVER SIDE - OPTIONAL) (INCLUDES ITEMS 127 - 133, 145 - 148)	1
145	21806-G1						TURN SIGNAL LIGHT BRACKET	1
146	18927-G1						ADAPTER MOUNT	1

ELECTRICAL

Where applicable, THE USE OF NON UL PARTS WILL VOID ANY UL LISTING.

When ordering parts, please specify the model and serial number of the product.

* Indicates a component that is not available as an individual part.

G** Indicates consult Customer Service Department for additional information.

ITEM	PART NO.	1	2	3	4	5	DESCRIPTION	QTY.
147	19180-G2						TURN SIGNAL LIGHT	1
148	00598-G4						SCREW, #10 - 32 X 1/2" LG	2
149								
150	34548-G04						HOUR METER KIT (INCLUDES ITEMS 151 - 154).....	1
151	33633-G03						HOUR METER.....	1
152	17902-G1						ADAPTER TAB	1
153	25978-G231						18 GA WIRE (WHITE/YELLOW, 36" LG)	1
154	25978-G344						18 GA WIRE (RED/WHITE, 10" LG).....	1
155								
156	34582-G02						SEAT SWITCH KIT (INCLUDES 157 - 177).....	1
157	34576-G01						SEAT SWITCH ASSEMBLY (INCLUDES ITEMS 158 - 169).....	1
158	34577-G01						BRACKET	1
159	34578-G01						SHAFT.....	1
160	01111-G01						RETAINING RING, 13/32" (STAINLESS STEEL).....	2
161	34579-G01						WASHER, 2 3/16" O.D. 9/16" I.D.	1
162	32870-G1						COMPRESSION SPRING.....	1
163	10606-G1						MICRO SWITCH	1
164	00645-G1						SCREW, #6 - 32 X 1" LG.....	2
165	00565-G3						LOCK WASHER, #6	2
166	00525-G5						NUT, #6 - 32	2
167	34580-G01						18 GA WIRE (WHITE 24").....	1
168	34580-G02						18 GA WIRE (WHITE 24").....	1
169	13514-G1						SCREW AND LOCK WASHER, #6 - 32 X 7/32" LG (BRASS).....	2
170								
171	34587-G01						STRIKE PLATE.....	1
172	00130-G5						SCREW, #10 - 13 X 5/8" LG	2
173								
174	16705-G2						SCREW, 1/4 - 20 X 5/8" LG (STAINLESS STEEL).....	2
175								
176	00414-G5						BOLT, 1/4 - 20 X 5/8" LG.....	2

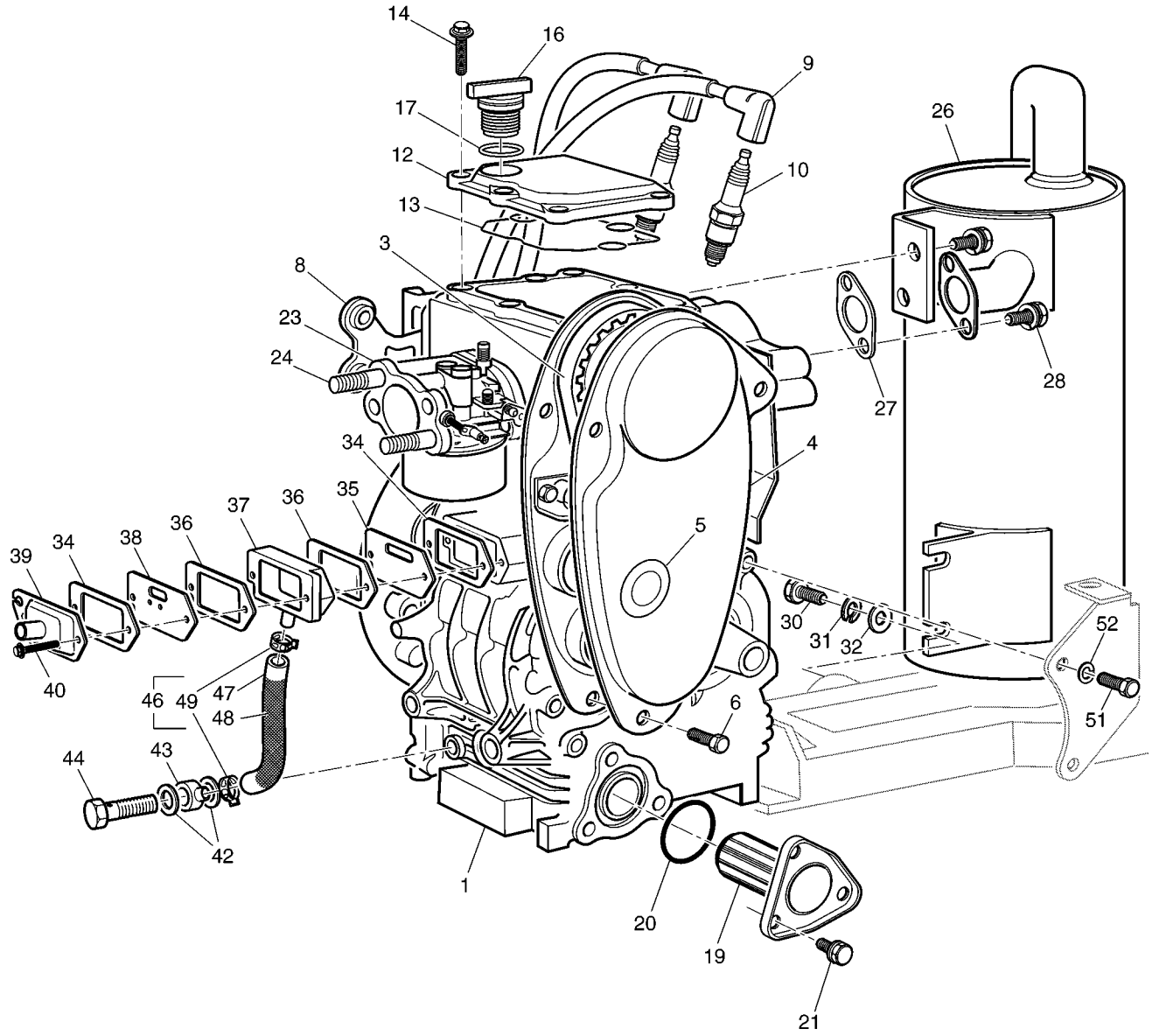
ELECTRICAL

Where applicable, THE USE OF NON UL PARTS WILL VOID ANY UL LISTING.
 When ordering parts, please specify the model and serial number of the product.
 * Indicates a component that is not available as an individual part.
 G** Indicates consult Customer Service Department for additional information.

ITEM	PART NO.	1 2 3 4 5	DESCRIPTION	QTY.
177	00654-G2		LOCK NUT, 1/4 - 20 (STAINLESS STEEL).....	4
178				
179	17618-G1		WIRE TIE (NOT ILLUSTRATED)	2

ENGINE AND MUFFLER

1 - Includes Items 2 - 44



Ref Emf 15

ENGINE AND MUFFLER

Where applicable, THE USE OF NON UL PARTS WILL VOID ANY UL LISTING.

When ordering parts, please specify the model and serial number of the product.

* Indicates a component that is not available as an individual part.

G** Indicates consult Customer Service Department for additional information.

ITEM	PART NO.	1 2 3 4 5	DESCRIPTION	QTY.
1	72650-G02		ENGINE, 350 CC	1
2				
3	26626-G01		TIMING BELT.....	1
4	26630-G01		TIMING BELT COVER.....	1
5	26631-G01		TIMING BELT COVER GROMMET	1
6	26678-G01		BOLT, M6 X 1 X 12 MM LG.....	3
7				
8	26657-G01		IGNITION COIL BRACKET.....	1
9	26733-G01		SPARK PLUG WIRE SET (2 WITH BOOTS).....	1
10	25523-G4		SPARK PLUG (NGK BPR5ES).....	2
11				
12	26600-G01		VALVE COVER	1
13	26719-G01		VALVE COVER GASKET	1
14	26676-G01		FLANGED BOLT, M6 X 1 X 23 MM LG.....	6
15				
16	26601-G01		OIL FILLER CAP.....	1
17	26720-G01		OIL FILLER 'O' RING.....	1
18				
19	26591-G01		OIL FILTER	1
20	26710-G01		OIL FILTER 'O' RING	1
21	26680-G01		BOLT AND WASHER, M6 X 1 X 12 MM LG.....	3
22				
23	XXXXX-XX		CARBURETOR (SEE CARBURETOR SECTION)	1
24	72307-G01		STUD, M6 X 1 X 115 MM LG.....	2
25				
26	72019-G01		MUFFLER.....	1
27	25531-G1		EXHAUST GASKET	1
28	25532-G1		BOLT AND WASHER, M8 X 1.25 X 18 MM LG.....	4
29				
30	00438-G8		BOLT, 5/16 - 18 X 1" LG.....	1

ENGINE AND MUFFLER

Where applicable, THE USE OF NON UL PARTS WILL VOID ANY UL LISTING.

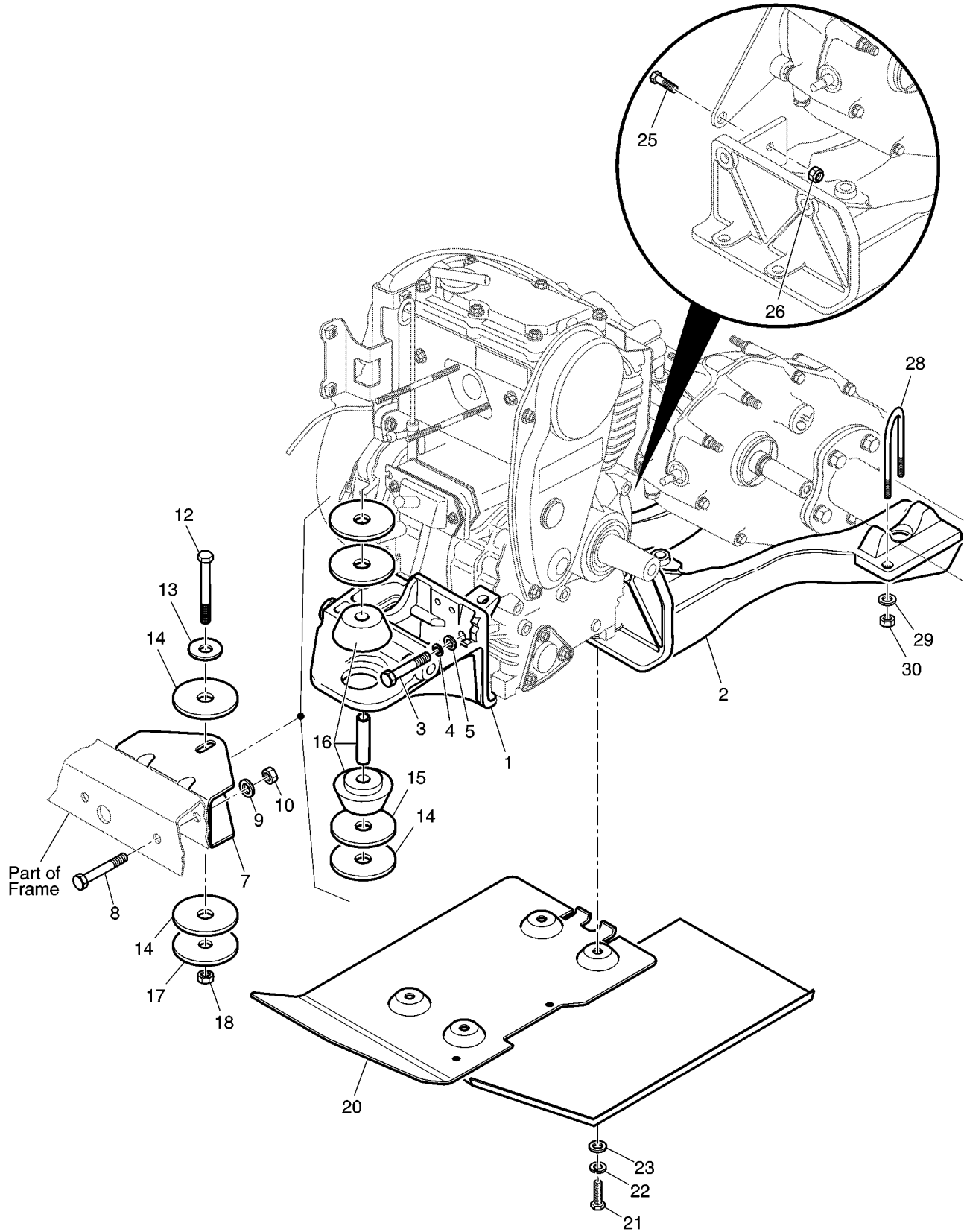
When ordering parts, please specify the model and serial number of the product.

* Indicates a component that is not available as a individual part.

G** Indicates consult Customer Service Department for additional information.

ITEM	PART NO.	1	2	3	4	5	DESCRIPTION	QTY.
31	00565-G8						LOCK WASHER, 5/16"	1
32	00642-G8						WASHER, 5/16"	1
33								
34	72555-G01						BREATHER COVER GASKET (THICK)	2
35	72657-G01						INNER BREATHER PLATE (LONG SLOT)	1
36	72554-G01						BREATHER COVER GASKET (THIN)	2
37	72658-G01						BREATHER BOX	1
38	72676-G01						OUTER BREATHER PLATE (SHORT SLOT).....	1
39	72659-G01						BREATHER COVER.....	1
40	72680-G01						FLANGED BOLT, M6 X 1 X 70 MM LG.....	2
41								
42	72656-G01						ALUMINUM GASKET	2
43	72655-G01						BANJO UNION	1
44	72654-G01						BANJO BOLT	1
45								
46	72653-G01						RUBBER RETURN HOSE (INCLUDES ITEMS 47 - 49)	1
47	72677-G01						RUBBER HOSE, 6 MM ID X 12 MM OD X 145 MM LG	1
48	72678-G01						MESH PROTECTIVE COVER.....	1
49	72679-G01						HOSE CLAMP	2
50								
51	00276-G6						BOLT, 5/16 - 24 X 3/4" LG	2
52	00565-G8						LOCK WASHER, 5/16"	2

ENGINE MOUNTING



Ref Emt 15

ENGINE MOUNTING

Where applicable, THE USE OF NON UL PARTS WILL VOID ANY UL LISTING.

When ordering parts, please specify the model and serial number of the product.

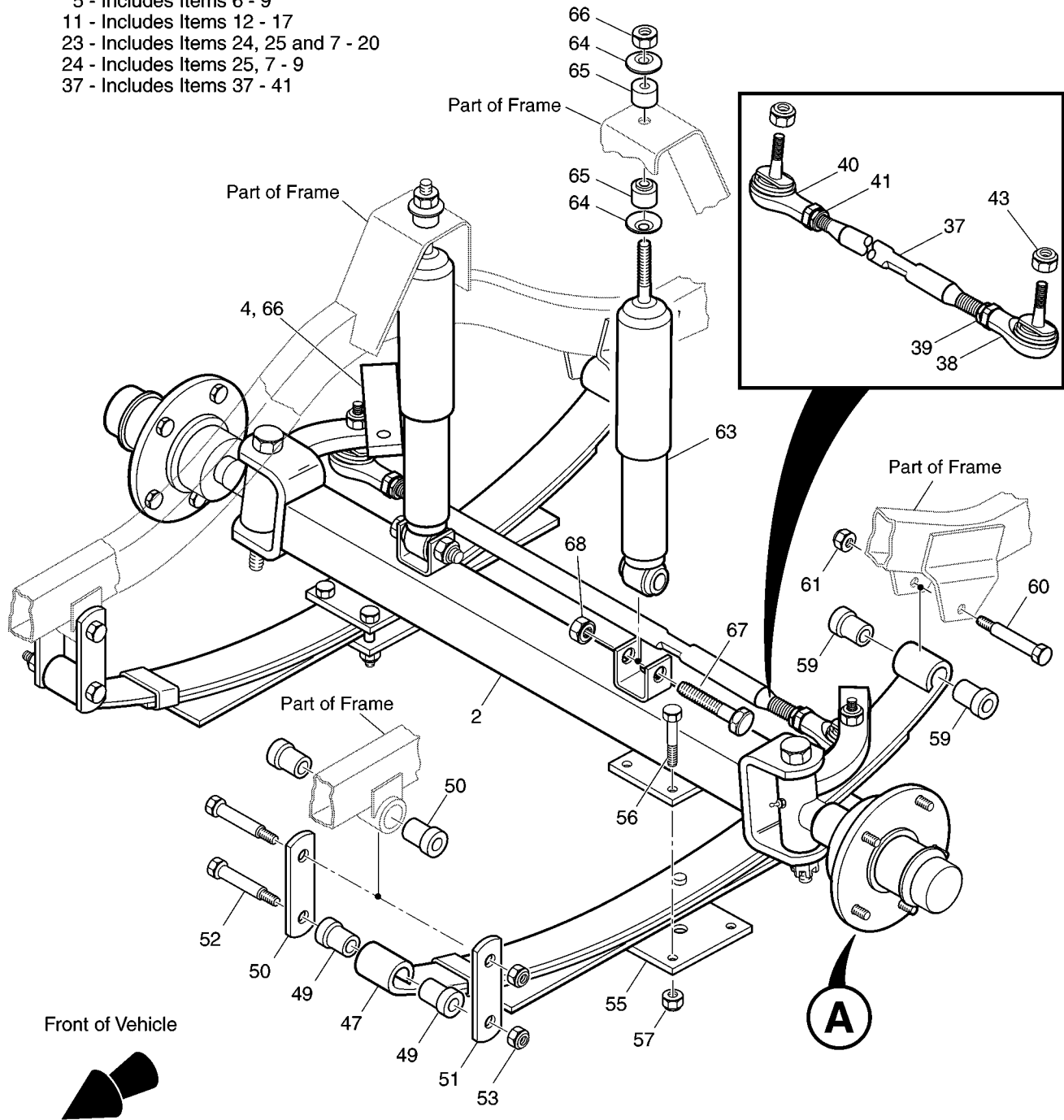
* Indicates a component that is not available as an individual part.

G** Indicates consult Customer Service Department for additional information.

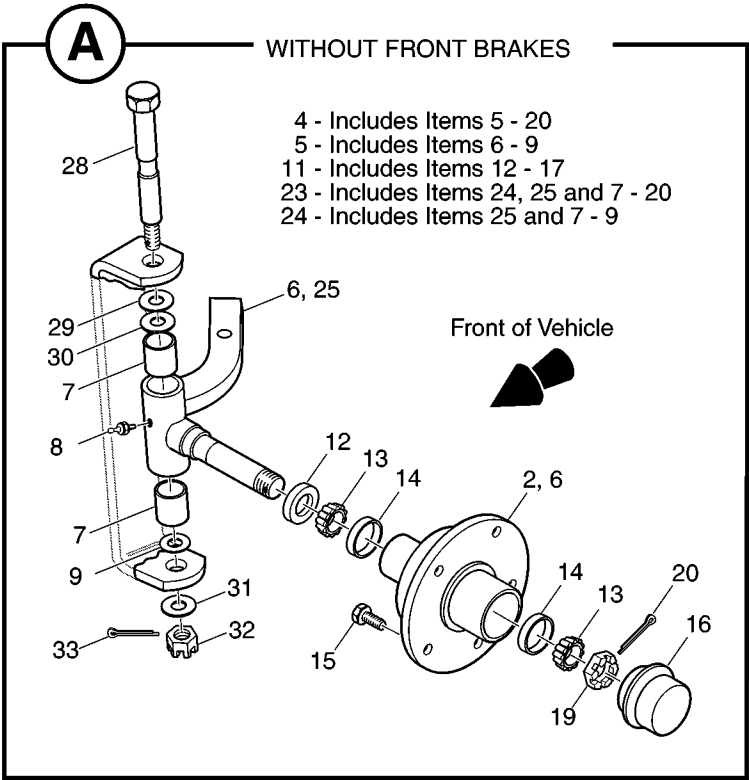
ITEM	PART NO.	1 2 3 4 5	DESCRIPTION	QTY.
1	72010-G01		FRONT ENGINE MOUNT	1
2	72011-G01		REAR ENGINE MOUNT	1
3	00463-G4		BOLT, 7/16 - 14 X 1 1/2" LG	4
4	00566-G2		LOCK WASHER, 7/16"	4
5	00922-G3		WASHER, 7/16"	4
6				
7	72044-G01		MOUNT BRACKET	1
8	00428-G6		BOLT, 3/8 - 16 X 2 3/4" LG	2
9	00643-G1		WASHER, 3/8"	2
10	11098-G5		LOCK NUT, 3/8 - 16	2
11				
12	00430-G4		BOLT, 3/8 - 16 X 4 1/2" LG	1
13	15121-G1		WASHER, 3/8"	1
14	72050-G01		PLASTIC WASHER, 5/8" X 2 1/4"	4
15	72051-G01		WASHER, 2 1/2" X 5/8"	2
16	72015-G01		ISOLATION MOUNT	1
17	72051-G02		WASHER, 3/8"	1
18	11098-G5		LOCK NUT, 3/8 - 16	1
19				
20	72719-G01		ENGINE GUARD.....	1
21	00463-G4		BOLT, 7/16 - 14 X 1 1/2" LG	4
22	00566-G2		LOCK WASHER, 7/16"	4
23	00922-G3		WASHER, 7/16"	4
24				
25	00439-G1		BOLT, 5/16 - 18 X 1 1/8" LG	1
26	01109-G01		LOCK NUT, 5/16 - 18 (STAINLESS STEEL)	1
27				
28	72035-G01		'U' BOLT, 7/16 - 14 X 3 7/16" X 3 9/16" LG	2
29	00922-G3		WASHER, 7/16"	4
30	00734-G1		LOCK NUT, 7/16 - 14	4

FRONT SUSPENSION

- 1 - Includes Items 2 - 44
- 4 - Includes Items 5 - 20
- 5 - Includes Items 6 - 9
- 11 - Includes Items 12 - 17
- 23 - Includes Items 24, 25 and 7 - 20
- 24 - Includes Items 25, 7 - 9
- 37 - Includes Items 37 - 41



Ref Esp 15-1



Ref Fsp 15-2

FRONT SUSPENSION

Where applicable, THE USE OF NON UL PARTS WILL VOID ANY UL LISTING.

When ordering parts, please specify the model and serial number of the product.

* Indicates a component that is not available as a individual part.

G** Indicates consult Customer Service Department for additional information.

ITEM	PART NO.	1 2 3 4 5	DESCRIPTION	QTY.
1	34082-G01		FRONT AXLE ASSEMBLY (INCLUDES ITEMS 2 - 44)	1
2	34081-G01		FRONT AXLE	1
3				
4	34286-G01		SPINDLE AND HUB ASSEMBLY (DRIVER SIDE) (INCLUDES ITEMS 5 - 20)	1
5	34285-G01		SPINDLE ASSEMBLY (DRIVER SIDE) (INCLUDES ITEMS 6 - 9).....	1
6	34284-G01		SPINDLE (DRIVER SIDE)	1
7	16623-G1		BEARING.....	2
8	10389-G3		GREASE FITTING, STRAIGHT	1
9	16626-G1		OIL SEAL.....	1
10				
11	32783-G1		HUB ASSEMBLY (INCLUDES ITEMS 12 - 17)	1
12	12092-G1		GREASE SEAL.....	1
13	11750-G2		ROLLER BEARING CONE	2
14	51141-G1		BEARING RACE.....	2
15	30143-G1		WHEEL BOLT, 1/2 - 20 X 1 7/32" LG.....	5
16	30146-G1		DUST CAP.....	1
17	12730-G1		WHEEL BEARING GREASE.....	A/R
18				
19	12093-G1		CASTELLATED NUT, 1 - 14.....	1
20	00798-G8		COTTER PIN, 5/32" X 1 3/4" LG.....	1
21				
22				
23	34088-G01		SPINDLE AND HUB ASSEMBLY (PASSENGER SIDE) (INCLUDES ITEMS 24, 25 AND 7 - 20).....	1
24	34089-G01		SPINDLE ASSEMBLY (PASSENGER SIDE) (INCLUDES ITEMS 25 AND 7 - 9)	1
25	34083-G01		SPINDLE (PASSENGER SIDE).....	1
26				
27				

FRONT SUSPENSION

Where applicable, THE USE OF NON UL PARTS WILL VOID ANY UL LISTING.

When ordering parts, please specify the model and serial number of the product.

* Indicates a component that is not available as an individual part.

G** Indicates consult Customer Service Department for additional information.

ITEM	PART NO.	1	2	3	4	5	DESCRIPTION	QTY.
28	25177-G2						KING PIN	2
29	00879-G7						WASHER, 7/8"	2
30	16982-G1						THRUST WASHER, 7/8"	2
31	00560-G5						WASHER, 5/8"	2
32	14390-G2						LOCK NUT, 5/8 - 18	2
33	19060-G1						COTTER PIN, 1/8" X 1 1/4" LG	2
34								
35								
36	70876-G03						TIE ROD ASSEMBLY (INCLUDES ITEMS 37 - 41)	1
37	70897-G03						THREADED TUBE WITH FLAT	1
38	70902-G01						TIE ROD END (LEFT HAND THREADS).....	1
39	01069-G01						JAM NUT, M12 X 1.25 - 05 (LEFT HAND THREADS)	1
40	70902-G02						TIE ROD END (RIGHT HAND THREADS)	1
41	01069-G02						JAM NUT, M12 X 1.25 - 05 (RIGHT HAND THREADS).....	1
42								
43	00734-G1						LOCK NUT, 7/16 - 20	2
44	12730-G1						WHEEL BEARING GREASE	A/R
45								
46								
47	35719-G01						LEAF SPRING (2 STAGE)	2
48								
49	20098-G1						RUBBER BUSHING	8
50	30035-G1						LEAF SPRING SHACKLE	2
51	30035-G2						LEAF SPRING SHACKLE	2
52	15727-G1						SHOULDER BOLT, 3/8 - 16 X 3 1/8" LG	4
53	13521-G4						LOCK NUT, 3/8 - 16	4
54								
55	34032-G02						SPRING MOUNTING PLATE	2
56	00428-G2						BOLT, 3/8 - 16 X 2 1/4" LG	8
57	11098-G5						LOCK NUT, 3/8 - 16	8

FRONT SUSPENSION

Where applicable, THE USE OF NON UL PARTS WILL VOID ANY UL LISTING.

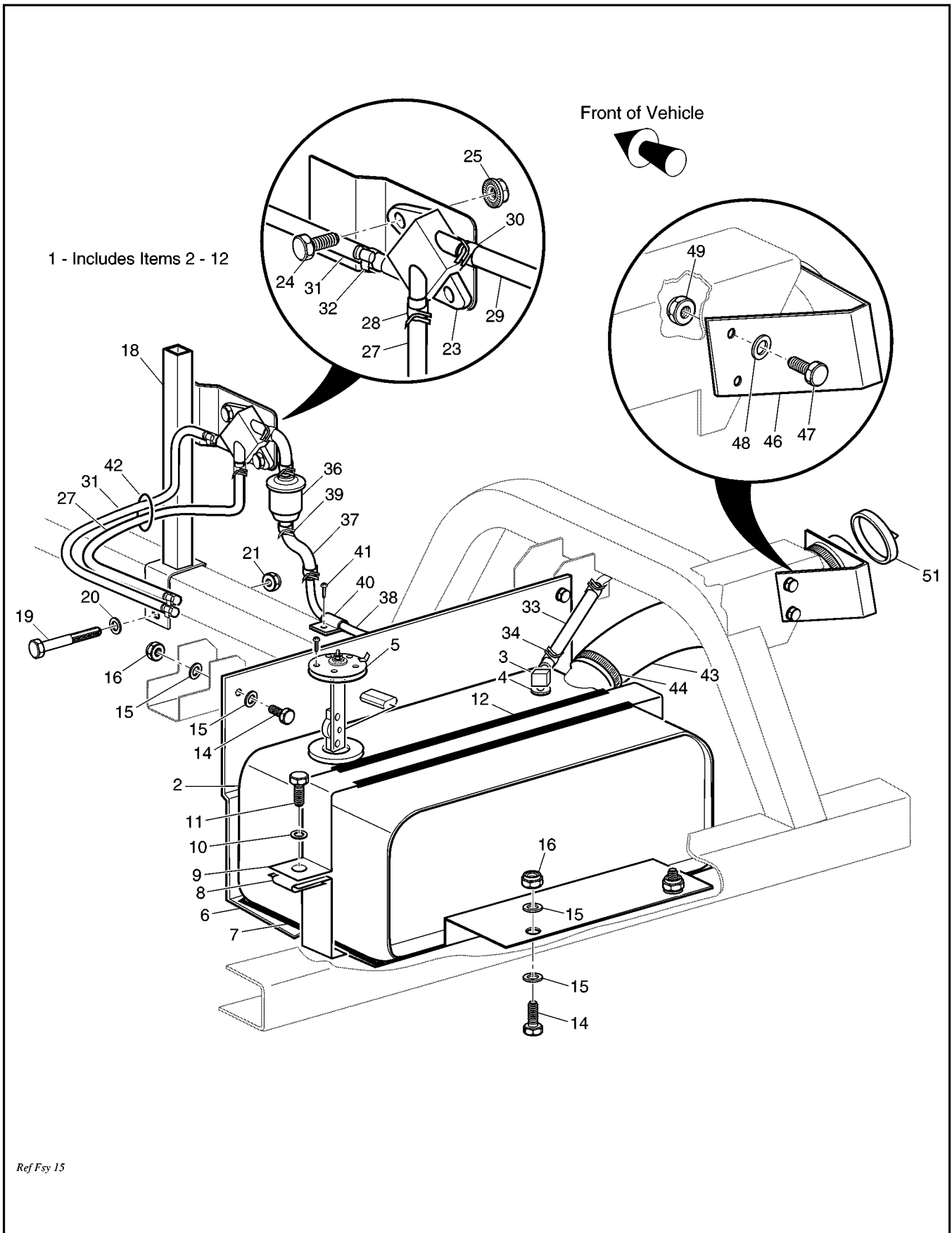
When ordering parts, please specify the model and serial number of the product.

* Indicates a component that is not available as a individual part.

G** Indicates consult Customer Service Department for additional information.

ITEM	PART NO.	1 2 3 4 5	DESCRIPTION	QTY.
58				
59	20098-G1		RUBBER BUSHING	4
60	14158-G1		SHOULDER BOLT, 3/8 - 16 X 3 1/4" LG	2
61	13521-G4		LOCK NUT, 3/8 - 16	2
62				
63	21781-G1		SHOCK ABSORBER.....	2
64	10435-G1		SHOCK ABSORBER WASHER	4
65	10194-G1		RUBBER BUSHING	4
66	00532-G6		NUT, 3/8 - 24	2
67	00458-G2		BOLT, 5/8 - 11 X 2 1/4" LG	2
68	14390-G7		LOCK NUT, 5/8 - 11	2

FUEL SYSTEM



Ref Fsy 15

FUEL SYSTEM

Where applicable, THE USE OF NON UL PARTS WILL VOID ANY UL LISTING.

When ordering parts, please specify the model and serial number of the product.

* Indicates a component that is not available as an individual part.

G** Indicates consult Customer Service Department for additional information.

ITEM	PART NO.	1 2 3 4 5	DESCRIPTION	QTY.
1	34196-G01		FUEL TANK ASSEMBLY (INCLUDES ITEMS 2 - 12).....	1
2	34070-G01		FUEL TANK	1
3	27210-G04		SIPHON TUBE.....	1
4	26060-G01		BUSHING.....	1
5	20048-G5		FUEL LEVEL SENDER.....	1
6	34130-G01		FUEL TANK SUPPORT	1
7	34131-G01		FUEL TANK MAT	1
8	14776-G1		RETAINER NUT ('J' TYPE)	2
9	34129-G02		FUEL TANK RETAINER	1
10	01110-G01		WASHER, 1/4" (STAINLESS STEEL).....	2
11	00414-G6		BOLT, 1/4 - 20 X 3/4" LG.....	2
12	14643-G4		VINYL EXTRUSION.....	1
13				
14	00438-G8		BOLT, 5/16 - 18 X 1" LG	4
15	00559-G8		WASHER, 5/16"	8
16	01109-G01		LOCK NUT, 5/16 - 18 (STAINLESS STEEL)	4
17				
18	34321-G01		FUEL PUMP STANCHION	1
19	00428-G8		BOLT, 3/8 - 16 X 3" LG	2
20	00560-G1		WASHER, 3/8"	2
21	11098-G5		LOCK NUT, 3/8 - 16	2
22				
23	72021-G01		FUEL PUMP	1
24	00414-G6		BOLT, 1/4 - 20 X 3/4" LG	2
25	11027-G2		LOCK NUT, 1/4 - 20	2
26				
27	27184-G08		TUBE, 20".....	1
28	18292-G1		CLAMP	1
29	17470-G1		FUEL SYSTEM TUBING, 1/4" ID X 1/2" OD (BULK).....	A/R
30	18292-G1		CLAMP	2

FUEL SYSTEM

Where applicable, THE USE OF NON UL PARTS WILL VOID ANY UL LISTING.

When ordering parts, please specify the model and serial number of the product.

* Indicates a component that is not available as a individual part.

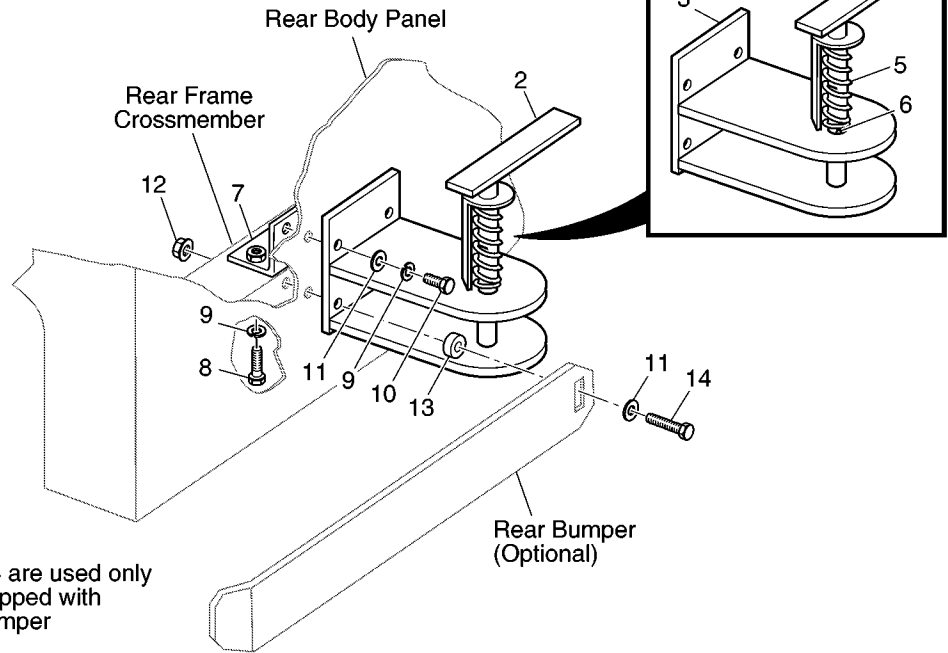
G** Indicates consult Customer Service Department for additional information.

ITEM	PART NO.	1 2 3 4 5	DESCRIPTION	QTY.
31	25346-G12		TUBE, 22".....	1
32	11391-G4		HOSE CLAMP, 1/4"	3
33	19702-G2		TUBE, 1/4" X 8" LG	1
34	18292-G1		CLAMP	2
35				
36	72084-G01		FUEL FILTER	1
37	17470-G1		FUEL SYSTEM TUBING, 1/4" ID X 1/2" OD (BULK).....	A/R
38	34160-G01		FUEL LINE TUBING.....	1
39	18292-G1		CLAMP	2
40	11845-G8		INSULATED CLAMP, 1/4"	4
41	00106-G6		SELF THREADING SCREW, #12 - 24 X 3/4" LG	4
42	17618-G1		WIRE TIE	1
43	34282-G01		FUEL INLET HOSE.....	1
44	11391-G2		HOSE CLAMP, 2 1/16"	2
45				
46	34194-G01		FUEL INLET	1
47	00438-G8		BOLT, 5/16 - 18 X 1" LG	2
48	00559-G8		WASHER, 5/16"	2
49	01109-G01		LOCK NUT, 5/16 - 18 (STAINLESS STEEL)	2
50				
51	33433-G01		FUEL CAP (VENTED).....	1

HITCHES

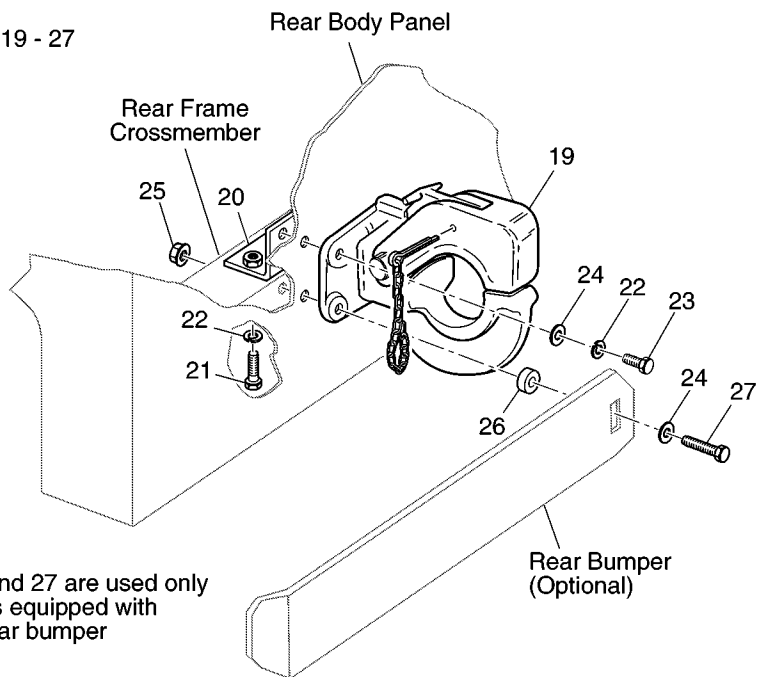
1 - Includes Items 2 - 14

2 - Includes Items 3 - 6



Note:
Items 13 and 14 are used only
if vehicle is equipped with
optional rear bumper

18 - Includes Items 19 - 27



Note:
Items 26 and 27 are used only
if vehicle is equipped with
optional rear bumper

Ref Hit 14

HITCHES

Where applicable, THE USE OF NON UL PARTS WILL VOID ANY UL LISTING.

When ordering parts, please specify the model and serial number of the product.

* Indicates a component that is not available as an individual part.

G** Indicates consult Customer Service Department for additional information.

ITEM	PART NO.	1 2 3 4 5	DESCRIPTION	QTY.
1	34543-G02		'E' HITCH KIT (INCLUDES ITEMS 2 - 14)	1
2	33731-G01		'E' HITCH ASSEMBLY (INCLUDES ITEMS 3 - 6)	1
3	33730-G01		HITCH	1
4	30838-G1		PIN	1
5	30843-G1		COMPRESSION SPRING.....	1
6	10686-G8		SLOTTED PIN, 3/16" X 1 1/2" LG	1
7	33805-G01		BACKING PLATE.....	1
8	00665-G2		BOLT, 3/8 - 16 X 1" LG (STAINLESS STEEL)	2
9	00670-G1		LOCK WASHER, 3/8" (STAINLESS STEEL) (VEHICLES WITHOUT BUMPER).....	6
			(VEHICLES WITH BUMPER)	4
10	00665-G4		BOLT, 3/8 - 16 X 1 1/2" LG (STAINLESS STEEL) (VEHICLES WITHOUT BUMPER).....	4
			(VEHICLES WITH BUMPER)	2
11	00653-G1		WASHER, 3/8" (STAINLESS STEEL) (VEHICLES WITHOUT BUMPER).....	4
			(VEHICLES WITH BUMPER)	2
12	11027-G5		LOCK NUT, 3/8 - 16.....	2
13	34528-G01		SPACER (USED ON VEHICLES WITH REAR BUMPERS).....	2
14	00665-G3		BOLT, 3/8 - 16 X 2 1/2" LG (STAINLESS STEEL) (USED ON VEHICLES WITH REAR BUMPERS)	2
15				
16				
17				
18	34544-G02		PINTLE HITCH KIT (INCLUDES ITEMS 19 - 27)	1
19	30817-G1		PINTLE HITCH	1
20	33805-G01		BACKING PLATE.....	1
21	00665-G2		BOLT, 3/8 - 16 X 1" LG (STAINLESS STEEL)	2
22	00670-G1		LOCK WASHER, 3/8" (STAINLESS STEEL) (VEHICLES WITHOUT BUMPER).....	6
			(VEHICLES WITH BUMPER)	4
23	00665-G4		BOLT, 3/8 - 16 X 1 1/2" LG (STAINLESS STEEL) (VEHICLES WITHOUT BUMPER).....	4
			(VEHICLES WITH BUMPER)	2

HITCHES

Where applicable, THE USE OF NON UL PARTS WILL VOID ANY UL LISTING.

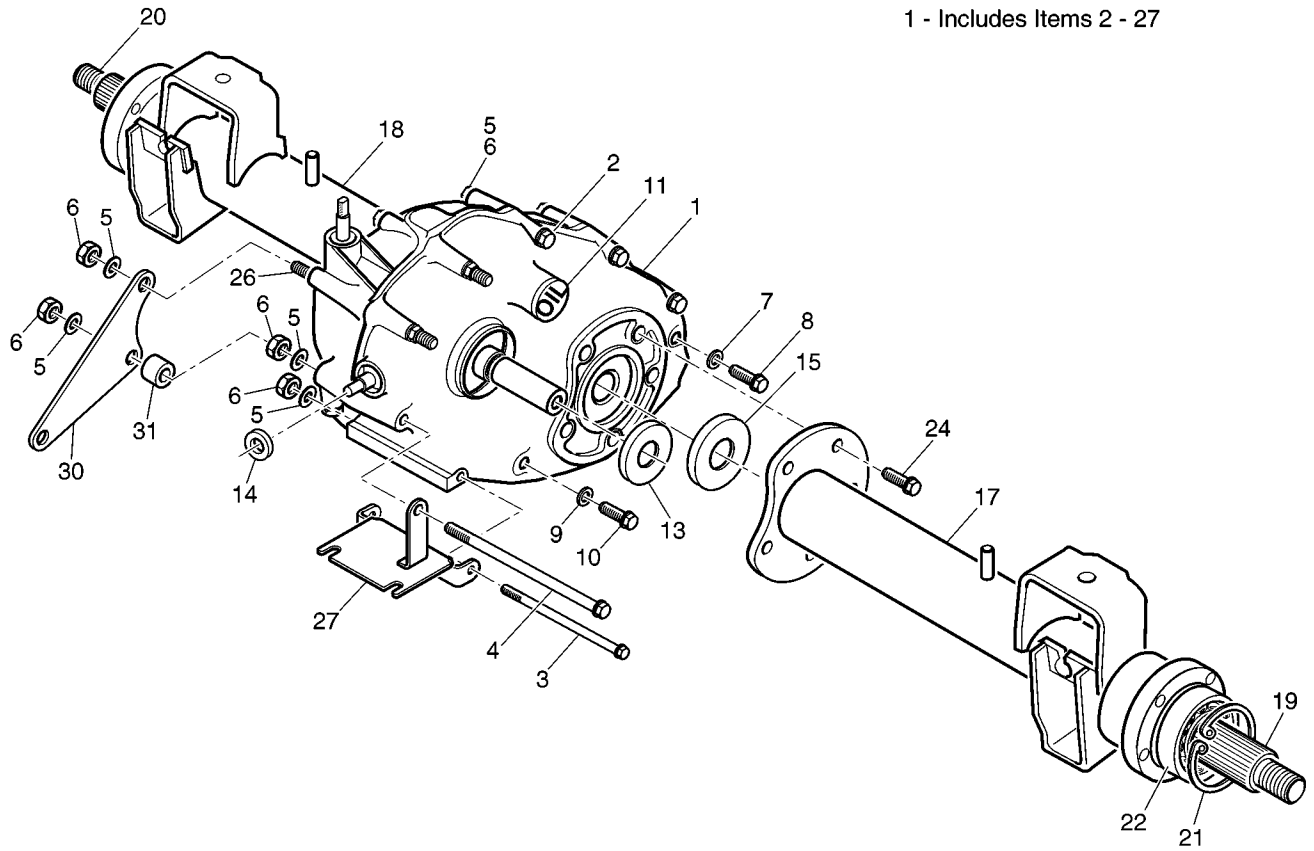
When ordering parts, please specify the model and serial number of the product.

* Indicates a component that is not available as a individual part.

G** Indicates consult Customer Service Department for additional information.

ITEM	PART NO.	1	2	3	4	5	DESCRIPTION	QTY.
24	00653-G1						WASHER, 3/8" (STAINLESS STEEL)	
							(VEHICLES WITHOUT BUMPER).....	4
							(VEHICLES WITH BUMPER)	2
25	11027-G5						LOCK NUT, 3/8 - 16	2
26	34528-G01						SPACER (USED ON VEHICLES WITH REAR BUMPERS)	2
27	00665-G3						BOLT, 3/8 - 16 X 2 1/2" LG (STAINLESS STEEL)	
							(USED ON VEHICLES WITH REAR BUMPERS)	2

REAR AXLE



Ref Rsh 15

REAR AXLE

Where applicable, THE USE OF NON UL PARTS WILL VOID ANY UL LISTING.

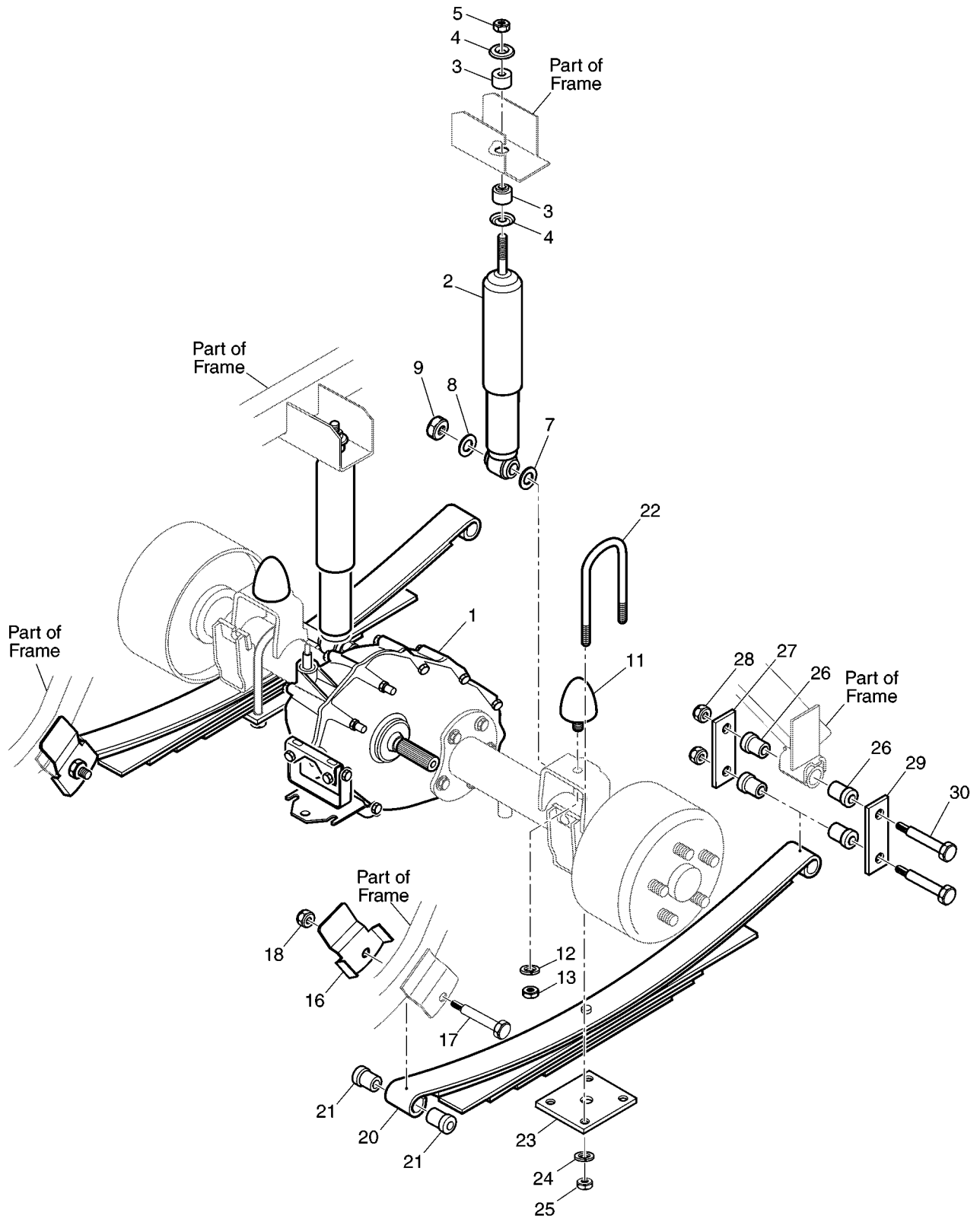
When ordering parts, please specify the model and serial number of the product.

* Indicates a component that is not available as an individual part.

G** Indicates consult Customer Service Department for additional information.

ITEM	PART NO.	1 2 3 4 5	DESCRIPTION	QTY.
1	34047-G01		REAR AXLE (13.32:1) (INCLUDES ITEMS 2 - 27)	1
2	26823-G01		FLANGED BOLT, M8 X 1.25 X 100MM LG.....	8
3	26824-G01		FLANGED BOLT, M8 X 1.25 X 110MM LG	1
4	72052-G01		FLANGED BOLT, M8 X 1.25 X 130MM LG.....	1
5	26826-G01		LOCK WASHER, 8MM	12
6	26827-G01		NUT, M8 X 1.25.....	4
7	26769-G01		GASKET, 8MM.....	1
8	26768-G01		OIL CHECK PLUG.....	1
9	26771-G01		GASKET, 14MM.....	1
10	26770-G01		OIL DRAIN PLUG	1
11	26772-G01		OIL FILLER PLUG	1
12				
13	26761-G01		INPUT SHAFT SEAL	1
14	26762-G01		SHIFTER SHAFT SEAL.....	1
15	26766-G01		AXLE SHAFT SEAL.....	2
16				
17	34138-G01		AXLE TUBE (DRIVER SIDE).....	1
18	34139-G01		AXLE TUBE (PASSENGER SIDE)	1
19	34136-G01		AXLE SHAFT (DRIVER SIDE).....	1
20	34137-G01		AXLE SHAFT (PASSENGER SIDE)	1
21	XXXXX-XX		RETAINING RING (SEE BRAKES SECTION FOR P/N).....	1
22	XXXXX-XX		SEALED BALL BEARING (SEE BRAKES SECTION FOR P/N)	1
23				
24	72260-G01		FLANGED BOLT, M10 X 1.5 X 23MM LG.....	10
25				
26	72745-G01		STUD, M8 X 1.25 X 146MM LG.....	1
27	26815-G01		SHIFTER CABLE BRACKET.....	1
28				
29				
30	72017-G01		AXLE BRACKET	1
31	75048-G01		SPACER, 1/2".....	1

REAR SUSPENSION



Ref Rsp 15

REAR SUSPENSION

Where applicable, THE USE OF NON UL PARTS WILL VOID ANY UL LISTING.

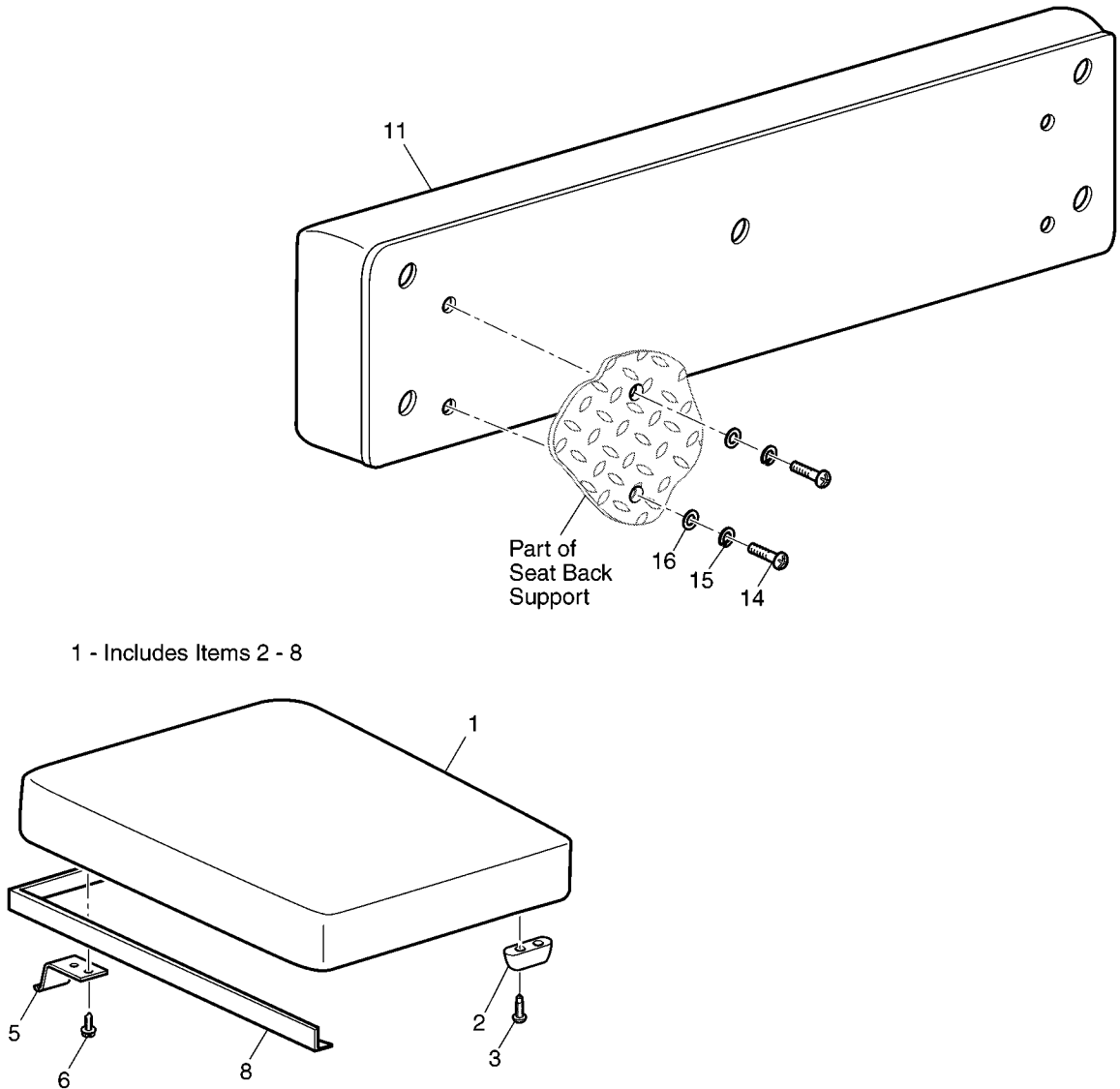
When ordering parts, please specify the model and serial number of the product.

* Indicates a component that is not available as an individual part.

G** Indicates consult Customer Service Department for additional information.

ITEM	PART NO.	1 2 3 4 5	DESCRIPTION	QTY.
1	XXXXX-XX		REAR AXLE (SEE REAR AXLE SECTION FOR PART NUMBER)	1
2	21782-G1		SHOCK ABSORBER.....	2
3	10194-G1		RUBBER BUSHING	4
4	10435-G1		SHOCK ABSORBER WASHER.....	4
5	00532-G6		NUT, 3/8 - 24	2
6				
7	70472-G01		SHOCK ABSORBER SPACER	2
8	00643-G3		WASHER, 1/2"	2
9	00551-G1		LOCK NUT, 1/2 - 13	2
10				
11	70492-G01		RUBBER BUMPER	2
12	00968-G01		LOCK WASHER, 10MM.....	2
13	00974-G01		NUT, M10 X 1.5.....	2
14				
15				
16	34031-G01		CABLE RETAINER BRACKET.....	2
17	14158-G1		SHOULDER BOLT, 3/8 - 16 X 3 1/4" LG.....	2
18	13521-G4		LOCK NUT, 3/8 - 16	2
19				
20	35720-G01		LEAF SPRING.....	2
21	20098-G1		RUBBER BUSHING	4
22	32195-G1		'U' BOLT, 3/8" - 16 X 2 1/2" X 5 3/8" LG	4
23	34011-G01		SPRING MOUNTING PLATE	2
24	00560-G1		WASHER, 3/8"	8
25	11098-G5		LOCK NUT, 3/8 - 16	8
26	20098-G1		RUBBER BUSHING	8
27	34135-G02		SHACKLE (INBOARD).....	2
28	13521-G4		LOCK NUT, 3/8 - 16	4
29	34135-G01		SHACKLE (OUTBOARD).....	2
30	15727-G1		SHOULDER BOLT, 3/8 - 16 X 3 1/8" LG.....	4

SEATS



Ref Sea 14

SEATS

Where applicable, THE USE OF NON UL PARTS WILL VOID ANY UL LISTING.

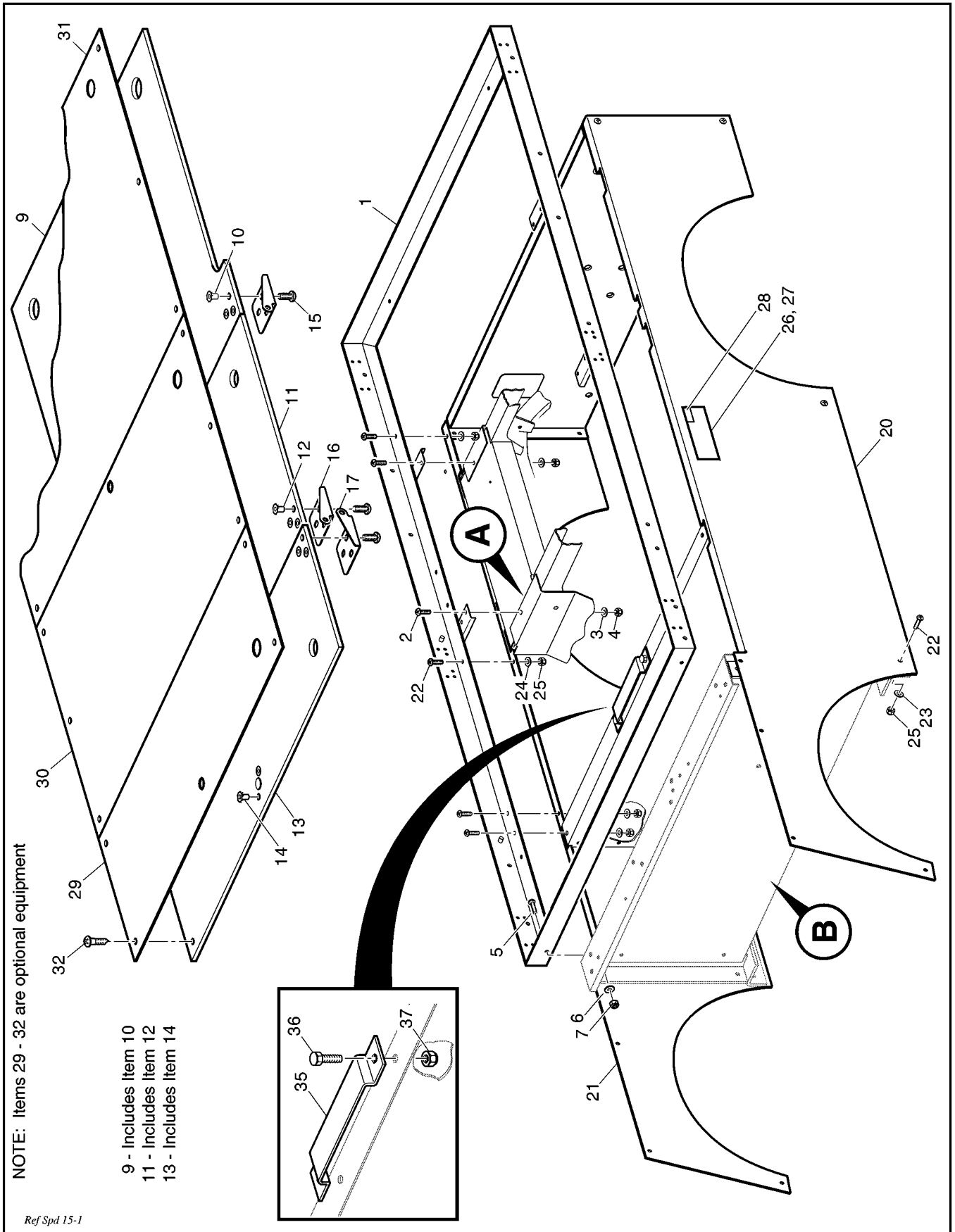
When ordering parts, please specify the model and serial number of the product.

* Indicates a component that is not available as an individual part.

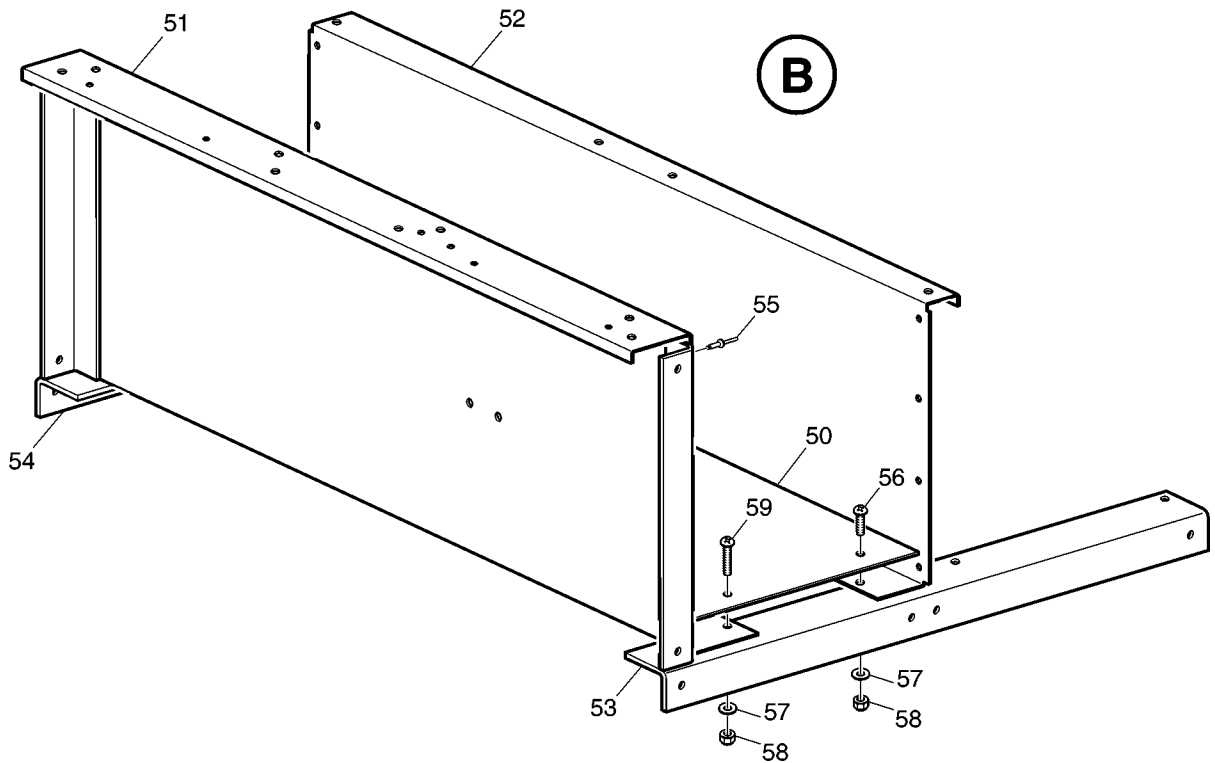
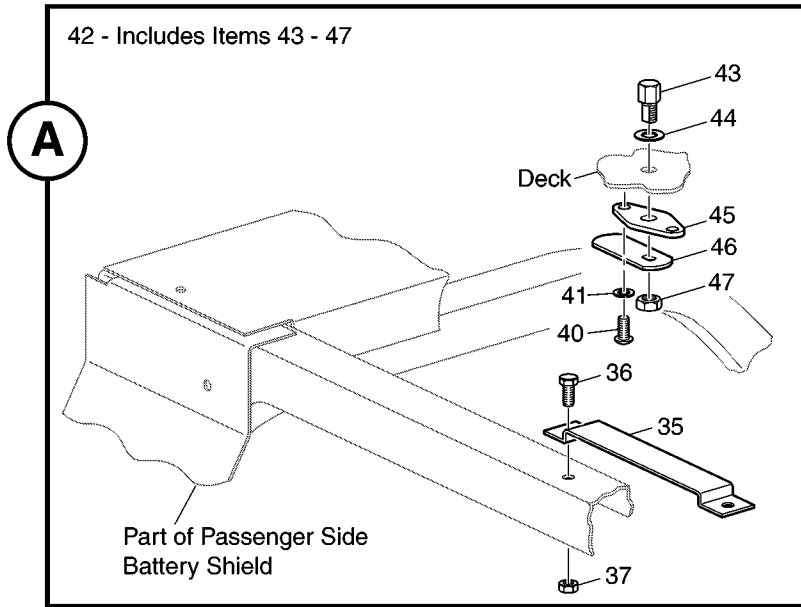
G** Indicates consult Customer Service Department for additional information.

ITEM	PART NO.	1 2 3 4 5	DESCRIPTION	QTY.
1	34660-G**		SEAT BOTTOM ASSEMBLY (INCLUDES ITEMS 2 - 8)	2
2	11097-G1		BUMPER PAD	2
3	00128-G8		SCREW, #5 - 20 X 1" LG	4
4				
5	18250-G2		HINGE.....	2
6	00115-G2		SCREW, 1/4 - 14 X 1 1/4" LG	4
7				
8	17113-G4		TRIM	1
9				
10				
11	35686-G**		SEAT BACK	1
12				
13				
14	16705-G1		SCREW, 1/4 - 20 X 1" LG (STAINLESS STEEL)	4
15	00664-G7		LOCK WASHER, 1/4" (STAINLESS STEEL)	4
16	00915-G1		BONDED WASHER, 1/4"	4

SIDE PANELS & CARGO DECK (875G)

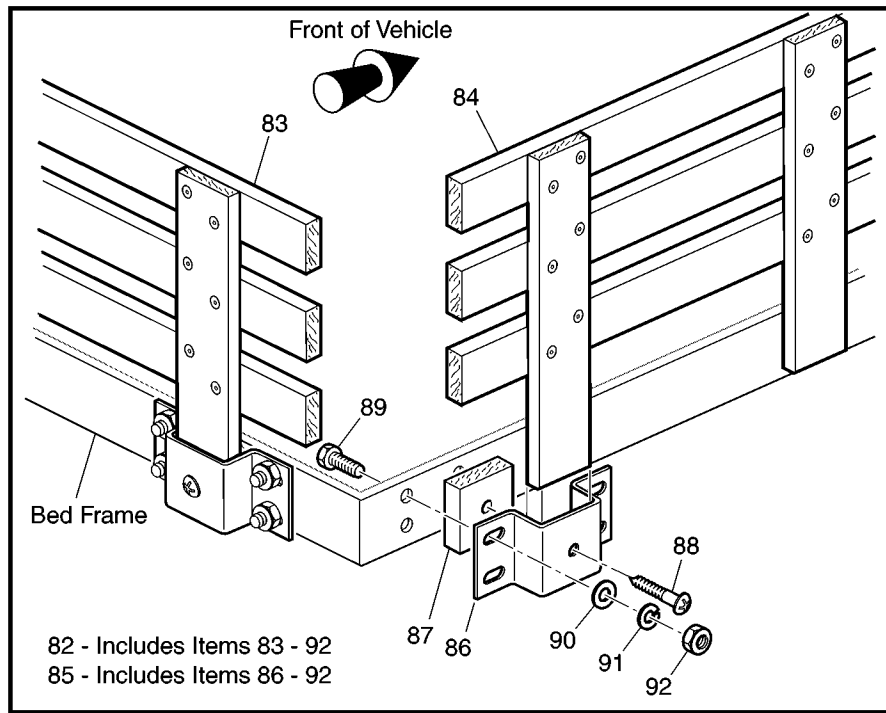
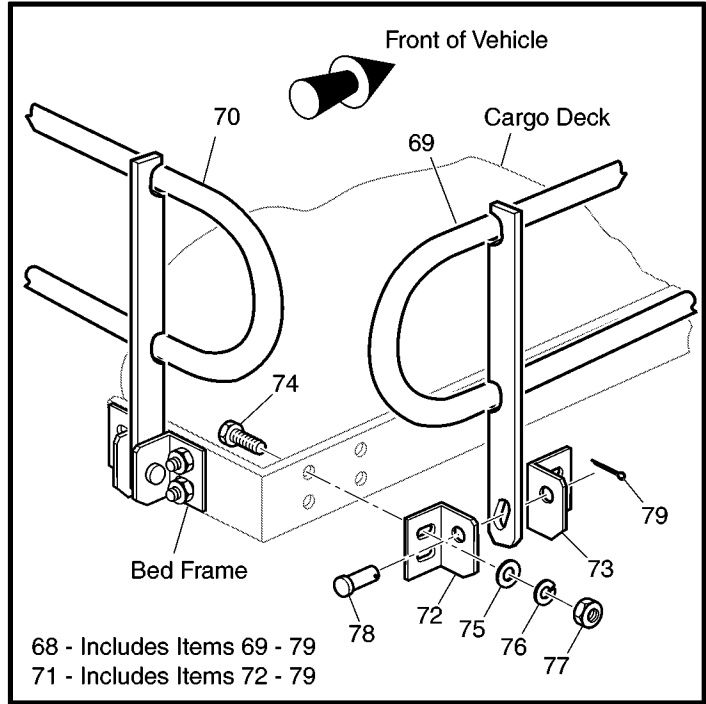
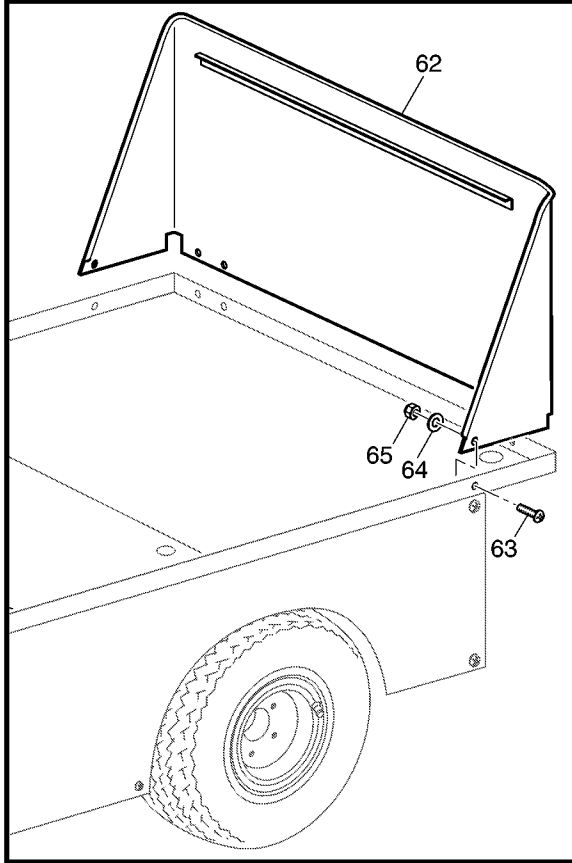


SIDE PANELS & CARGO DECK (875G)



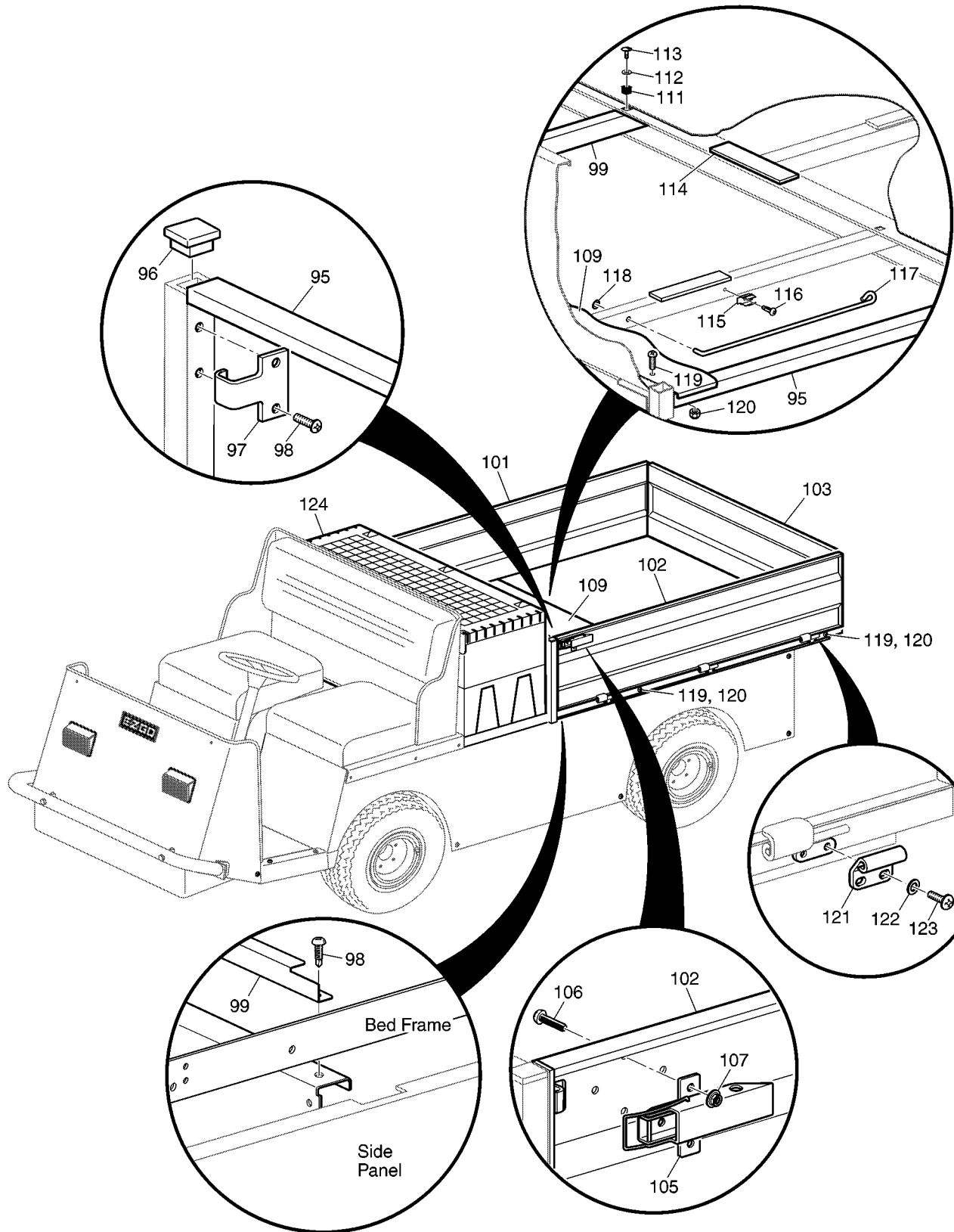
Ref Spd 15-2

SIDE PANELS & CARGO DECK (875G)



Ref Spd 15-3

SIDE PANELS & CARGO DECK (875G)



Ref Spd 15-4

SIDE PANELS & CARGO DECK (875G)

Where applicable, THE USE OF NON UL PARTS WILL VOID ANY UL LISTING.

When ordering parts, please specify the model and serial number of the product.

* Indicates a component that is not available as a individual part.

G** Indicates consult Customer Service Department for additional information.

ITEM	PART NO.	1	2	3	4	5	DESCRIPTION	QTY.
1	35765-G01						BED FRAME	1
2	16705-G3						SCREW, 1/4 - 20 X 3/4" LG (STAINLESS STEEL)	4
3	01110-G01						WASHER, 1/4" (STAINLESS STEEL)	4
4	00654-G2						LOCK NUT, 1/4 - 20 (STAINLESS STEEL)	4
5	00976-G08						SCREW, 5/16 - 18 X 1" LG (STAINLESS STEEL)	2
6	00660-G8						WASHER, 5/16" (STAINLESS STEEL)	2
7	01109-G01						LOCK NUT, 5/16 - 18 (STAINLESS STEEL)	2
8								
9	35612-G01						DECK (REAR) (INCLUDES ITEM 10)	1
10	01048-G01						TEE NUT, 1/4 - 20	8
11	35613-G01						DECK (INCLUDES ITEM 12)	1
12	01048-G01						TEE NUT, 1/4 - 20	8
13	35614-G01						DECK (STORAGE) (INCLUDES ITEM 14)	1
14	01048-G01						TEE NUT, 1/4 - 20	8
15	16705-G2						SCREW, 1/4 - 20 X 5/8" LG (STAINLESS STEEL)	18
16	34298-G03						HINGE (DRIVER SIDE)	3
17	34298-G04						HINGE (PASSENGER SIDE)	3
18								
19								
20	34337-G01						SIDE PANEL (DRIVER SIDE)	1
21	34337-G02						SIDE PANEL (PASSENGER SIDE)	1
22	16705-G3						SCREW, 1/4 - 20 X 3/4" LG (STAINLESS STEEL)	14
23	00915-G1						BONDED WASHER, 1/4"	8
24	01110-G01						WASHER, 1/4" (STAINLESS STEEL)	6
25	00654-G2						LOCK NUT, 1/4 - 20 (STAINLESS STEEL)	14
26	35062-G01						LABEL (IDENTIFICATION - WORKHORSE)	2
27	35432-G01						LABEL (IDENTIFICATION - INDUSTRIAL)	2
28	35430-G05						LABEL (IDENTIFICATION - 875)	2
29	34508-G01						STEEL DECK (STORAGE)	1
30	34509-G01						STEEL DECK	1

SIDE PANELS & CARGO DECK (875G)

Where applicable, THE USE OF NON UL PARTS WILL VOID ANY UL LISTING.

When ordering parts, please specify the model and serial number of the product.

* Indicates a component that is not available as an individual part.

G** Indicates consult Customer Service Department for additional information.

ITEM	PART NO.	1	2	3	4	5	DESCRIPTION	QTY.
31	34510-G01						STEEL DECK (REAR).....	1
32	00130-G5						SCREW, #10 - 13 X 5/8" LG.....	18
33								
34								
35	34435-G01						DECK SPACER.....	3
36	00414-G6						BOLT, 1/4 - 20 X 3/4" LG.....	6
37	14390-G4						LOCK NUT, 1/4 - 20	6
38								
39								
40	16705-G2						SCREW, 1/4 - 20 X 5/8" (STAINLESS STEEL)	6
41	00664-G7						LOCK WASHER, 1/4" (STAINLESS STEEL)	6
42	34430-G01						LATCH ASSEMBLY (INCLUDES ITEMS 43 - 47).....	3
43	34432-G01						LATCH PIN	1
44	34434-G01						WASHER, 3/8"	1
45	34431-G01						LATCH PLATE	1
46	34433-G01						LATCH	1
47	14390-G1						LOCK NUT, 3/8 - 24	1
48								
49								
50	34330-G01						FOOT REST.....	1
51	34379-G01						BULKHEAD SUPPORT.....	1
52	34378-G01						BED FRAME PANEL SUPPORT.....	1
53	34327-G01						FOOT REST SUPPORT (DRIVER SIDE)	1
54	34327-G02						FOOT REST SUPPORT (PASSENGER SIDE).....	1
55	14601-G9						RIVET, 3/16" X 9/16" LG (STAINLESS STEEL)	4
56	16705-G1						SCREW, 1/4 - 20 X 1" LG (STAINLESS STEEL)	4
57	01110-G01						WASHER, 1/4" (STAINLESS STEEL)	6
58	00654-G2						LOCK NUT, 1/4 - 20 (STAINLESS STEEL)	6
59	16705-G9						SCREW, 1/4 - 20 X 1 1/4" LG (STAINLESS STEEL)	2
60								

SIDE PANELS & CARGO DECK (875G)

Where applicable, THE USE OF NON UL PARTS WILL VOID ANY UL LISTING.

When ordering parts, please specify the model and serial number of the product.

* Indicates a component that is not available as a individual part.

G** Indicates consult Customer Service Department for additional information.

ITEM	PART NO.	1 2 3 4 5	DESCRIPTION	QTY.
61				
62	34540-G01		REAR BULKHEAD	1
63	16705-G3		SCREW, 1/4 - 20 X 3/4" LG (STAINLESS STEEL)	6
64	00660-G7		WASHER, 1/4" (STAINLESS STEEL)	6
65	00654-G2		LOCK NUT, 1/4 - 20 (STAINLESS STEEL)	6
66				
67				
68	34538-G08		DROP SIDE RAIL KIT (INCLUDES ITEMS 69 - 79)	1
69	32790-G1		SIDE RAIL, 67" (SIDE)	2
70	34296-G01		SIDE RAIL, 43 1/4" (REAR).....	1
71	33649-G01		HARDWARE KIT (INCLUDES 72 - 79).....	1
72	32795-G1		RAIL SUPPORT	8
73	32795-G2		RAIL SUPPORT	8
74	00414-G6		BOLT, 1/4 - 20 X 3/4" LG	32
75	01110-G01		WASHER, 1/4" (STAINLESS STEEL)	32
76	00664-G7		LOCK WASHER, 1/4" (STAINLESS STEEL)	32
77	00532-G1		NUT, 1/4 - 20	32
78	14443-G9		CLEVIS PIN, 3/8" X 15/16" LG	8
79	10387-G3		COTTER PIN, 3/32" X 3/4" LG	8
80				
81				
82	34522-G01		STAKE SIDE KIT (INCLUDES ITEMS 83 - 92)	1
83	34523-G03		STAKE SIDE, 44 1/2" (REAR)	1
84	32801-G8		STAKE SIDE, 70" (SIDES).....	2
85	33650-G01		HARDWARE KIT (INCLUDES ITEMS 86 - 92).....	1
86	32787-G1		RAIL POCKET.....	8
87	32802-G1		WOOD SPACER	8
88	00130-G9		SCREW, #10 - 13 X 1 1/4" LG.....	8
89	00414-G6		BOLT, 1/4 - 20 X 3/4" LG	32
90	01110-G01		WASHER, 1/4" (STAINLESS STEEL)	32

SIDE PANELS & CARGO DECK (875G)

Where applicable, THE USE OF NON UL PARTS WILL VOID ANY UL LISTING.

When ordering parts, please specify the model and serial number of the product.

* Indicates a component that is not available as an individual part.

G** Indicates consult Customer Service Department for additional information.

ITEM	PART NO.	1	2	3	4	5	DESCRIPTION	QTY.
91	00664-G7						LOCK WASHER, 1/4" (STAINLESS STEEL)	32
92	00532-G1						NUT, 1/4 - 20	32
93								
94								
95	34633-G01						BED FRAME	1
96	19853-G1						END CAP, 1"	2
97	35099-G01						BRACKET	2
98	00106-G6						SELF THREADING SCREW, #12 - 24 X 3/4" LG	6
99	34639-G01						DECK SUPPORT	1
100								
101	34751-G02						BED SIDE PANEL (PASSENGER SIDE)	1
102	34751-G01						BED SIDE PANEL (DRIVER SIDE)	1
103	34637-G01						TAILGATE	1
104								
105	35073-G01						TOGGLE LATCH	4
106	00740-G4						SCREW, #10 - 32 X 1/2" LG (STAINLESS STEEL)	16
107	11027-G6						LOCK NUT, #10 - 32	16
108								
109	34645-G01						FRONT DECK PLATE	1
110								
111	26096-G01						RECEPTACLE	2
112	26097-G01						RETAINER, 6MM	2
113	26098-G01						STUD, 1/4 TURN	2
114	14382-G4						NOISE SUPPRESSOR	4
115	21548-G1						FASTENER CLIP	1
116	00118-G3						SCREW, #6 - 18 X 3/8" LG	1
117	35092-G01						SUPPORT ROD	1
118	12064-G1						PUSH NUT, 5/16"	1
119	16705-G2						SCREW, 1/4 - 20 X 5/8" LG (STAINLESS STEEL)	10
120	11027-G2						LOCK NUT, 1/4 - 20	10

SIDE PANELS & CARGO DECK (875G)

Where applicable, THE USE OF NON UL PARTS WILL VOID ANY UL LISTING.

When ordering parts, please specify the model and serial number of the product.

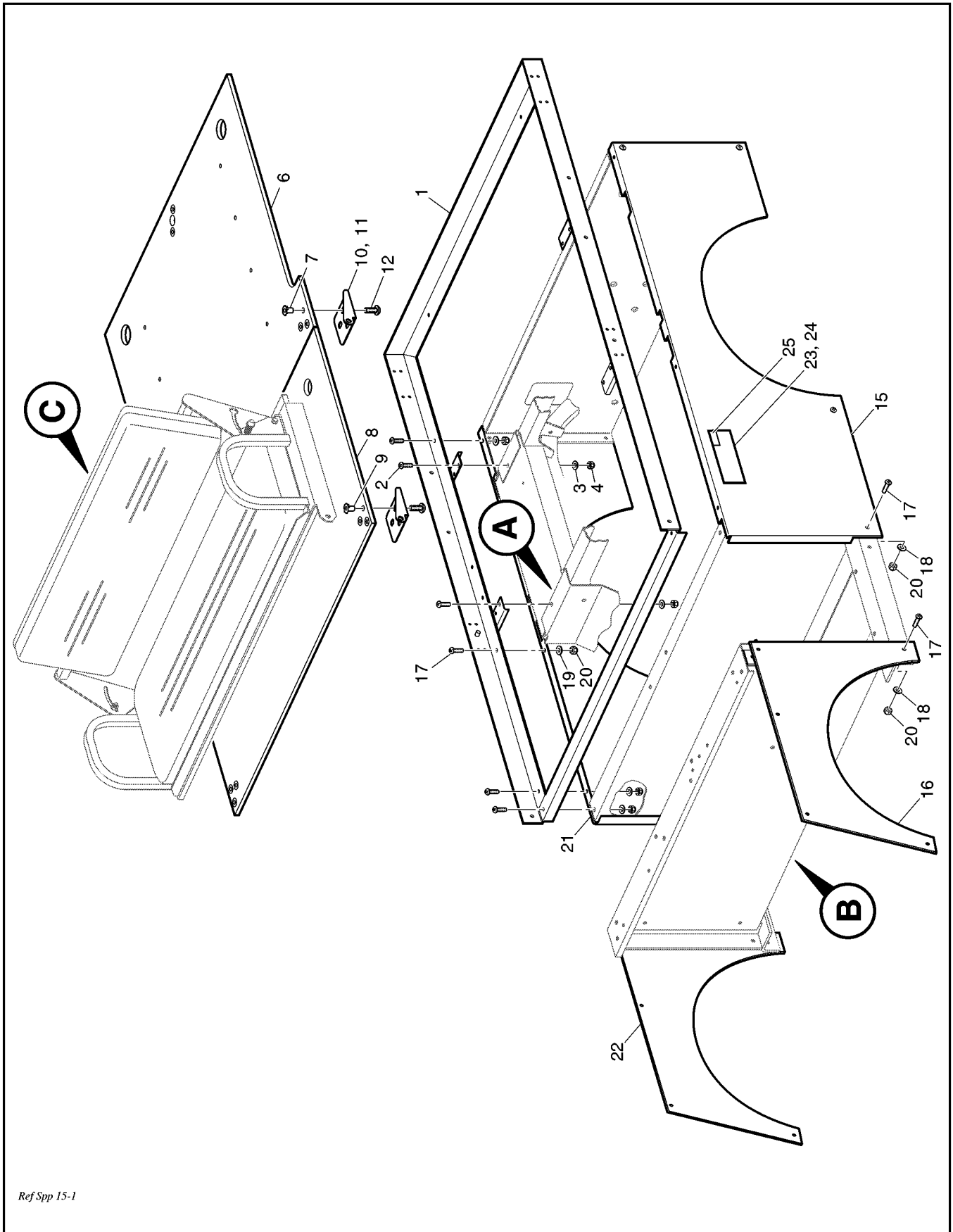
* Indicates a component that is not available as a individual part.

G** Indicates consult Customer Service Department for additional information.

ITEM	PART NO.	1 2 3 4 5	DESCRIPTION	QTY.
121	35083-G02		HINGE (FEMALE)	8
122	00642-G8		WASHER, 5/16"	16
123	00976-G03		SCREW, 5/16 - 18 X 1/2" LG (STAINLESS STEEL)	16
124	35096-G01		PLASTIC TOOL BOX (OPTIONAL).....	1

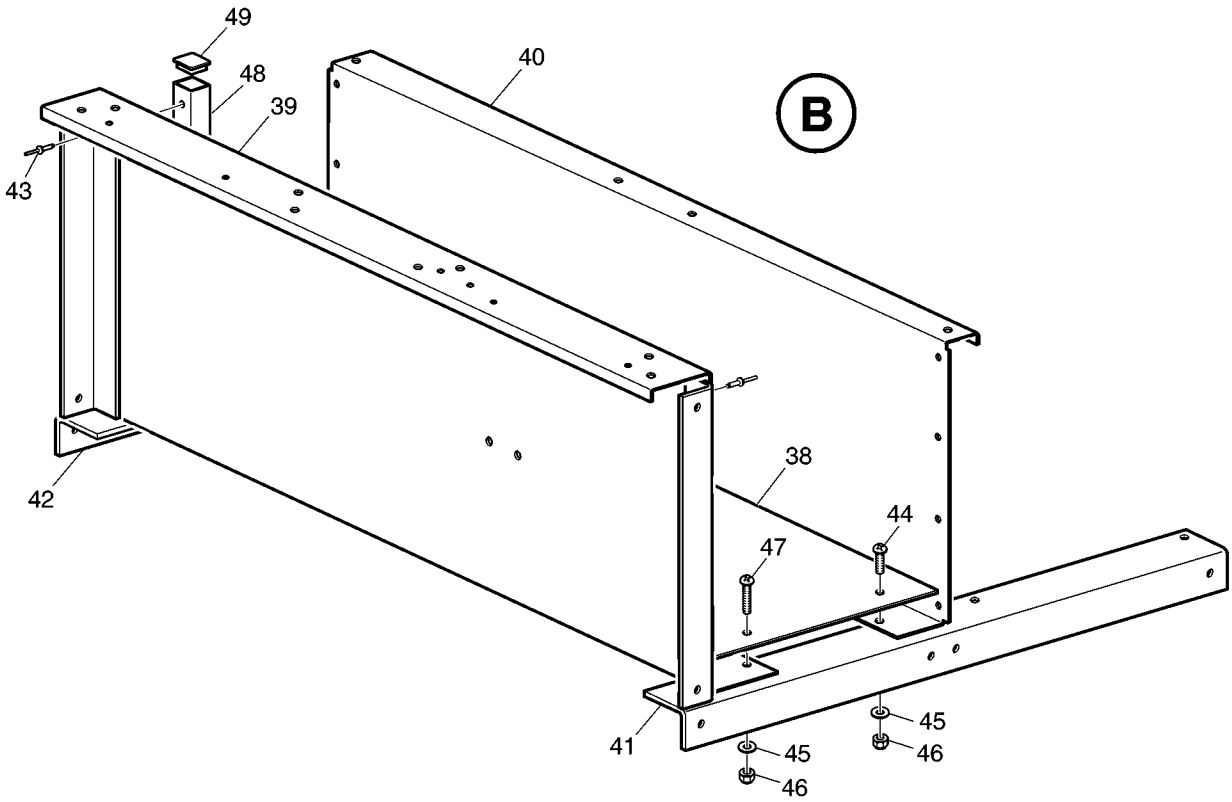
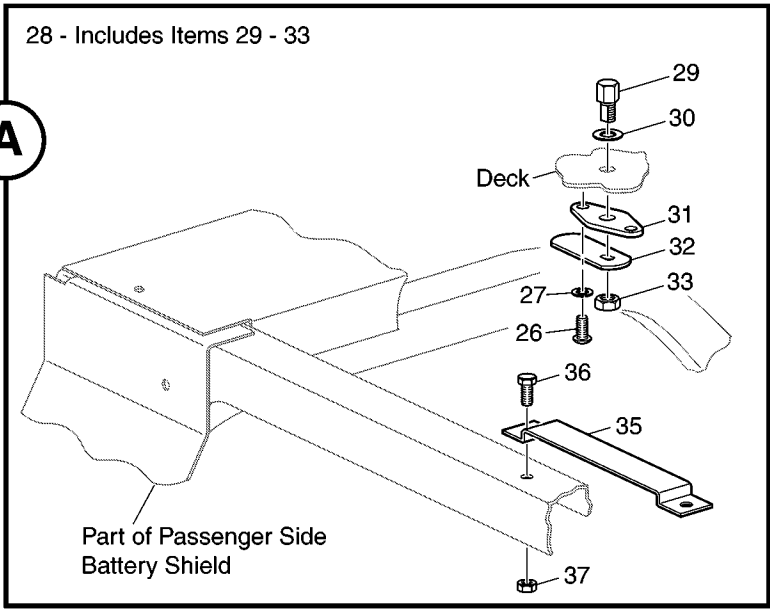
SIDE PANELS & CARGO DECK (875G)

SIDE PANELS & CARGO DECK (875PG)



Ref Spp 15-1

SIDE PANELS & CARGO DECK (875PG)

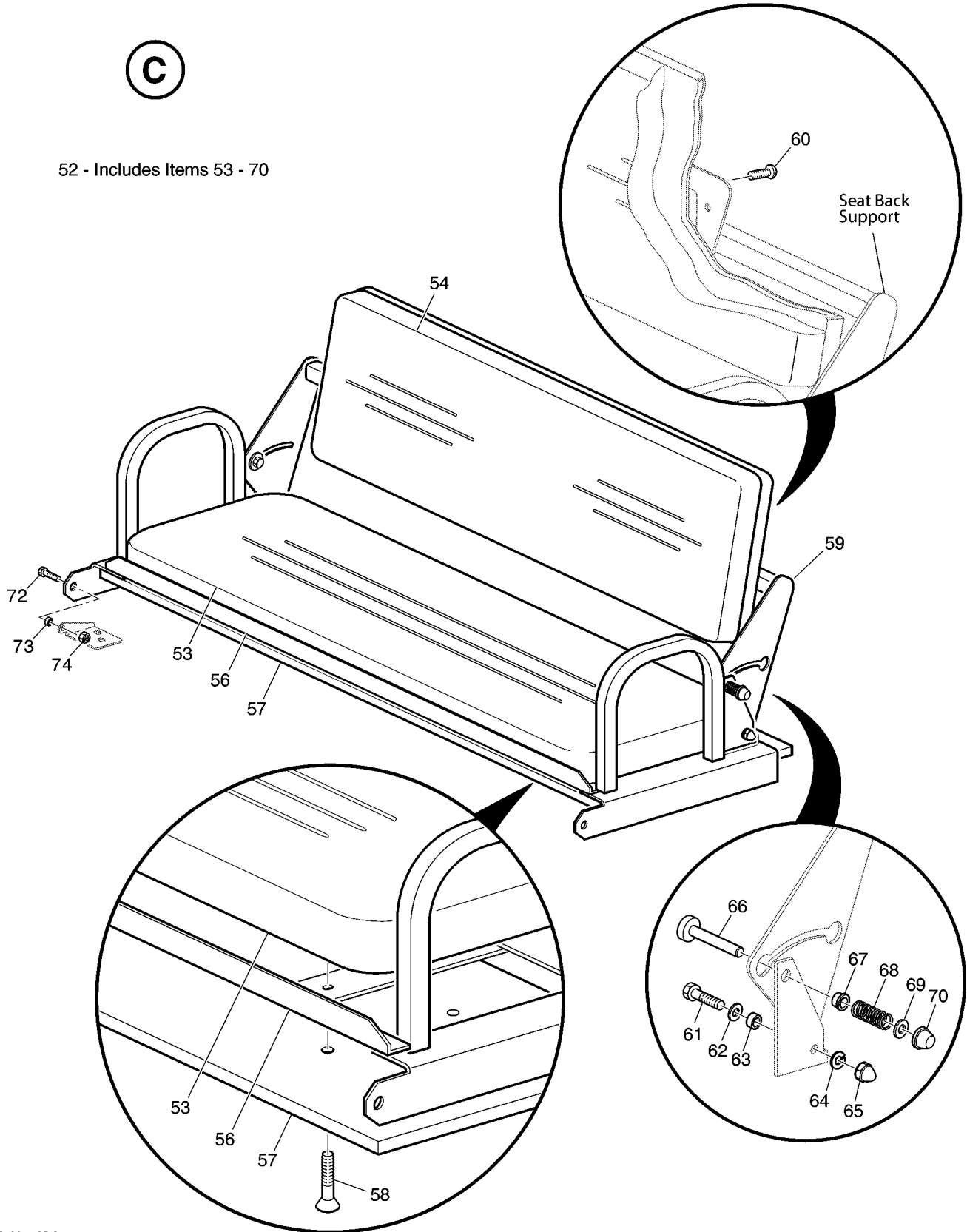


Ref Spp 15-2

SIDE PANELS & CARGO DECK (875PG)

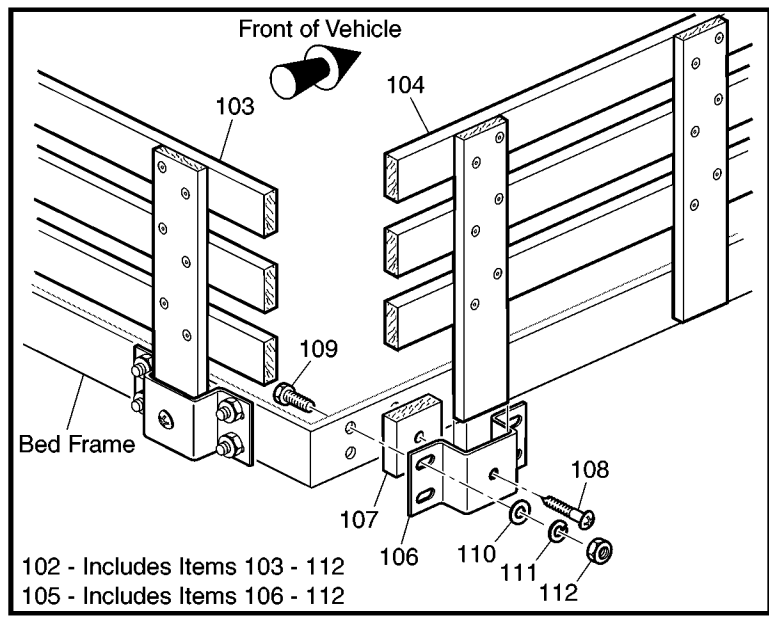
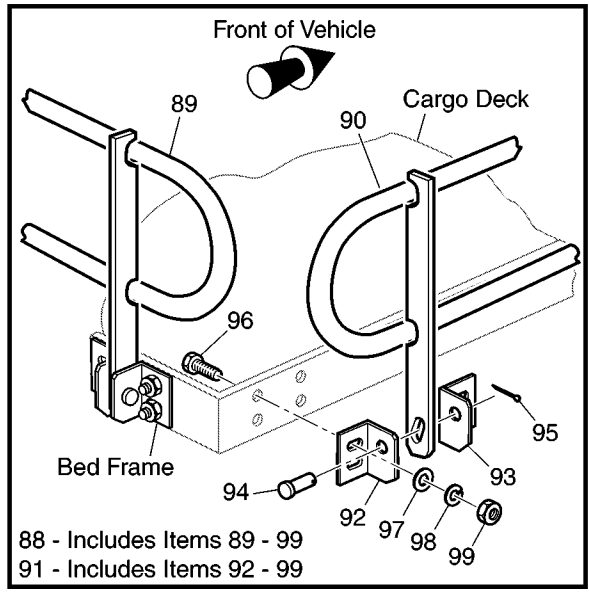
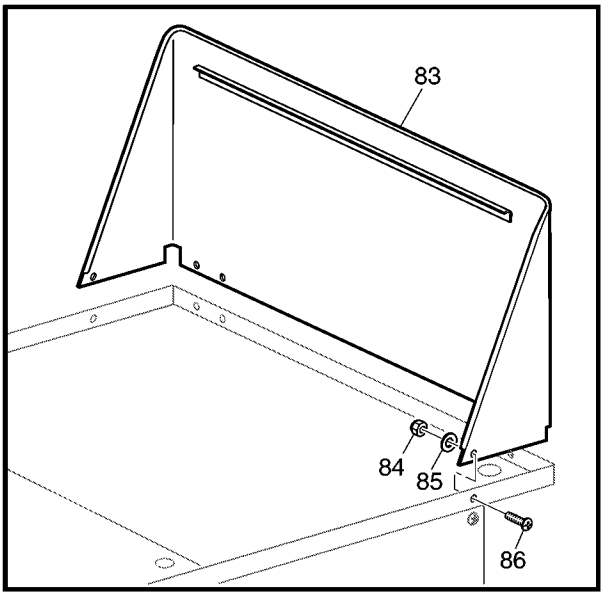
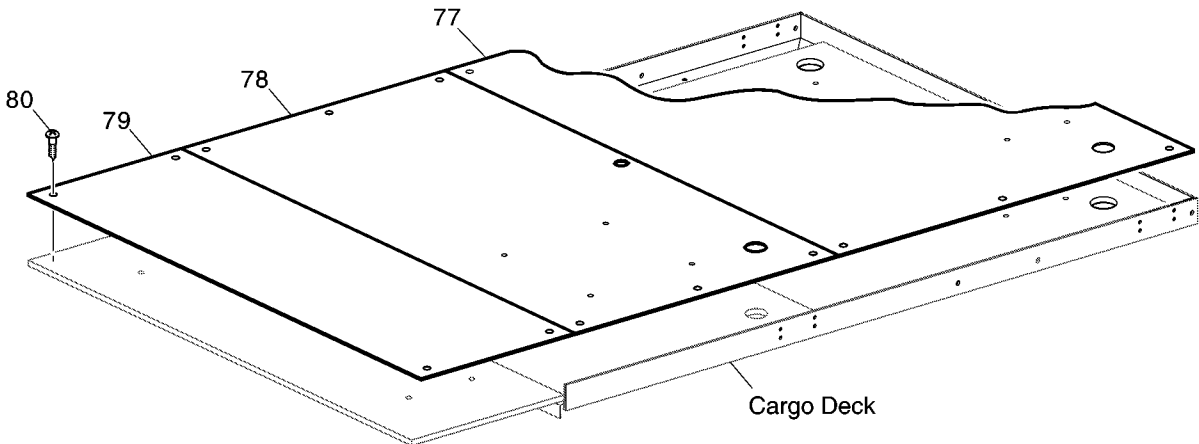
C

52 - Includes Items 53 - 70



Ref Spp 15-3

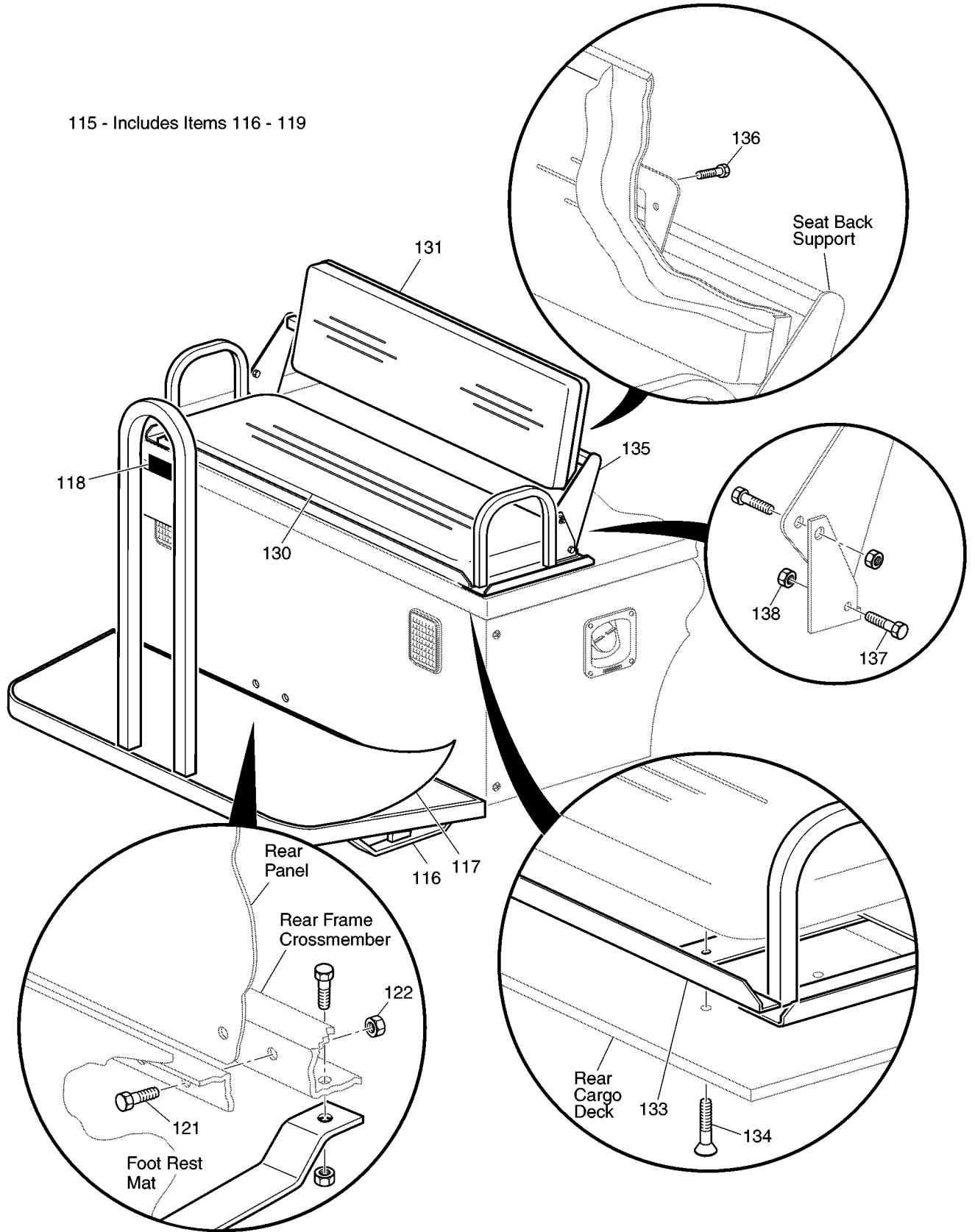
SIDE PANELS & CARGO DECK (875PG)



Ref Spp 15-4

SIDE PANELS & CARGO DECK (875PG)

115 - Includes Items 116 - 119



Ref Spp 15-5

SIDE PANELS & CARGO DECK (875PG)

Where applicable, THE USE OF NON UL PARTS WILL VOID ANY UL LISTING.

When ordering parts, please specify the model and serial number of the product.

* Indicates a component that is not available as an individual part.

G** Indicates consult Customer Service Department for additional information.

ITEM	PART NO.	1	2	3	4	5	DESCRIPTION	QTY.
1	35770-G01						BED FRAME	1
2	16705-G3						SCREW, 1/4 - 20 X 3/4" LG (STAINLESS STEEL)	6
3	01110-G01						WASHER, 1/4" (STAINLESS STEEL)	6
4	00654-G2						LOCK NUT, 1/4 - 20 (STAINLESS STEEL)	6
5								
6	35616-G01						DECK (REAR) (INCLUDES ITEM 7)	1
7	01048-G01						TEE NUT, 1/4 - 20	8
8	35613-G01						DECK (INCLUDES ITEM 9)	1
9	01048-G01						TEE NUT, 1/4 - 20	8
10	34298-G03						HINGE (DRIVER SIDE)	2
11	34298-G04						HINGE (PASSENGER SIDE)	2
12	16705-G2						SCREW, 1/4 - 20 X 5/8" LG (STAINLESS STEEL)	12
13								
14								
15	34416-G01						REAR SIDE PANEL (DRIVER SIDE)	1
16	34417-G01						FRONT SIDE PANEL (DRIVER SIDE)	1
17	16705-G3						SCREW, 1/4 - 20 X 3/4" LG (STAINLESS STEEL)	16
18	00915-G1						BONDED WASHER, 1/4"	10
19	01110-G01						WASHER, 1/4" (STAINLESS STEEL)	12
20	00654-G2						LOCK NUT, 1/4 - 20 (STAINLESS STEEL)	16
21	34416-G02						REAR SIDE PANEL (PASSENGER SIDE)	1
22	34417-G02						FRONT SIDE PANEL (PASSENGER SIDE)	1
23	35432-G01						LABEL (IDENTIFICATION - INDUSTRIAL)	2
24	35062-G01						LABEL (IDENTIFICATION - WORKHORSE)	2
25	35430-G05						LABEL (IDENTIFICATION - 875)	2
26	16705-G2						SCREW, 1/4 - 20 X 5/8" LG (STAINLESS STEEL)	4
27	00664-G7						LOCK WASHER, 1/4" (STAINLESS STEEL)	4
28	34430-G01						LATCH ASSEMBLY (INCLUDES ITEMS 29 - 33)	2
29	34432-G01						LATCH PIN	1
30	34434-G01						WASHER, 3/8"	1

SIDE PANELS & CARGO DECK (875PG)

Where applicable, THE USE OF NON UL PARTS WILL VOID ANY UL LISTING.

When ordering parts, please specify the model and serial number of the product.

* Indicates a component that is not available as a individual part.

G** Indicates consult Customer Service Department for additional information.

ITEM	PART NO.	1	2	3	4	5	DESCRIPTION	QTY.
31	34431-G01						LATCH PLATE	1
32	34433-G01						LATCH	1
33	14390-G1						LOCK NUT, 3/8 - 24.....	1
34								
35	34435-G01						DECK SPACER.....	2
36	00414-G6						BOLT, 1/4 - 20 X 3/4" LG.....	4
37	14390-G4						LOCK NUT, 1/4 - 20	4
38	34330-G01						FOOT REST.....	1
39	34379-G01						BULKHEAD SUPPORT.....	1
40	34378-G01						BED FRAME PANEL SUPPORT.....	1
41	34327-G01						FOOT REST SUPPORT (DRIVER SIDE)	1
42	34327-G02						FOOT REST SUPPORT (PASSENGER SIDE).....	1
43	14601-G9						RIVET, 3/16" X 9/16" LG (STAINLESS STEEL)	4
44	16705-G1						SCREW, 1/4 - 20 X 1" LG (STAINLESS STEEL)	4
45	01110-G01						WASHER, 1/4" (STAINLESS STEEL)	6
46	00654-G2						LOCK NUT, 1/4 - 20 (STAINLESS STEEL)	6
47	16705-G9						SCREW, 1/4 - 20 X 1 1/4" LG (STAINLESS STEEL)	2
48	34642-G01						SEAT BED SUPPORT.....	2
49	75261-G01						END CAP, 3/4".....	2
50								
51								
52	34491-G**						DECK/SEAT ASSEMBLY (INCLUDES ITEMS 53 - 70)	1
53	33704-G**						SEAT BACK ASSEMBLY (SEAT BOTTOM)	1
54	27546-G**						SEAT BACK ASSEMBLY.....	1
55								
56	34453-G01						SEAT FRAME	1
57	35615-G01						DECK (STORAGE)	1
58	00205-G4						SCREW, 1/4 - 20 X 1 1/2" LG	4
59	34450-G01						SEAT BACK SUPPORT.....	1
60	16705-G3						SCREW, 1/4 - 20 X 3/4" LG (STAINLESS STEEL).....	4

SIDE PANELS & CARGO DECK (875PG)

Where applicable, THE USE OF NON UL PARTS WILL VOID ANY UL LISTING.

When ordering parts, please specify the model and serial number of the product.

* Indicates a component that is not available as an individual part.

G** Indicates consult Customer Service Department for additional information.

ITEM	PART NO.	1	2	3	4	5	DESCRIPTION	QTY.
61	00685-G2						BOLT, 5/16 - 18 X 7/8" LG (STAINLESS STEEL)	3
62	00660-G8						WASHER, 5/16" (STAINLESS STEEL).....	3
63	34494-G01						SPACER	3
64	00565-G8						LOCK WASHER, 5/16"	3
65	00918-G3						ACORN NUT, 5/16 - 18.....	3
66	33179-G02						ACTUATION PIN	1
67	30215-G1						FLANGED NYLON BUSHING	1
68	33180-G01						COMPRESSION SPRING	1
69	00793-G2						WASHER, 1/4"	1
70	33178-G01						PLASTIC NUT CAP	1
71								
72	00976-G08						SCREW, 5/16 - 18 X 1" LG (STAINLESS STEEL)	2
73	20275-G2						PIVOT SPACER.....	2
74	01109-G01						LOCK NUT, 5/16 - 18 (STAINLESS STEEL)	2
75								
76								
77	34512-G01						STEEL DECK (REAR).....	1
78	34509-G01						STEEL DECK	1
79	34511-G01						STEEL DECK (STORAGE)	1
80	00130-G5						SCREW, #10 - 13 X 5/8" LG.....	16
81								
82								
83	34540-G01						REAR BULKHEAD	1
84	16705-G2						SCREW, 1/4 - 20 X 5/8" LG (STAINLESS STEEL)	6
85	00660-G7						WASHER, 1/4" (STAINLESS STEEL)	6
86	00654-G2						LOCK NUT, 1/4 - 20 (STAINLESS STEEL)	6
87								
88	34538-G01						DROP SIDE RAIL KIT (INCLUDES ITEMS 89 - 99)	1
89	34296-G01						DROP SIDE RAIL, 43 1/4" (REAR)	1
90	34524-G01						DROP SIDE RAIL, 31 1/4" (SIDES).....	2

SIDE PANELS & CARGO DECK (875PG)

Where applicable, THE USE OF NON UL PARTS WILL VOID ANY UL LISTING.

When ordering parts, please specify the model and serial number of the product.

* Indicates a component that is not available as a individual part.

G** Indicates consult Customer Service Department for additional information.

ITEM	PART NO.	1	2	3	4	5	DESCRIPTION	QTY.
91	33649-G02						HARDWARE KIT (INCLUDES ITEMS 92 - 99).....	1
92	32795-G1						RAIL SUPPORT (LEFT HAND).....	6
93	32795-G2						RAIL SUPPORT (RIGHT HAND)	6
94	14443-G9						CLEVIS PIN, 3/8" X 15/16" LG.....	6
95	10387-G3						COTTER PIN, 3/32" X 3/4" LG.....	6
96	00414-G6						BOLT, 1/4 - 20 X 3/4" LG.....	24
97	01110-G01						WASHER, 1/4" (STAINLESS STEEL)	24
98	00664-G7						LOCK WASHER, 1/4" (STAINLESS STEEL)	24
99	00532-G1						NUT, 1/4 - 20	24
100								
101								
102	34522-G02						STAKE SIDE KIT (INCLUDES ITEMS 103 - 112)	1
103	34523-G03						STAKE SIDE, 44 1/2" (REAR)	1
104	34523-G04						STAKE SIDE, 34" (SIDES).....	2
105	33650-G02						HARDWARE KIT (INCLUDES ITEMS 106 - 112).....	1
106	32787-G1						RAIL POCKET.....	6
107	32802-G1						WOOD SPACER	6
108	00130-G9						SCREW, #10 - 13 X 1 1/4" LG.....	6
109	00414-G6						BOLT, 1/4 - 20 X 3/4" LG.....	24
110	01110-G01						WASHER, 1/4" (STAINLESS STEEL)	24
111	00664-G7						LOCK WASHER, 1/4" (STAINLESS STEEL)	24
112	00532-G1						NUT, 1/4 - 20	24
113								
114								
115	34564-G01						FOOT REST ASSEMBLY (REAR) (INCLUDES ITEMS 116 - 119).....	1
116	34258-G01						FOOT REST	1
117	34267-G01						MAT.....	1
118	74132-G01						LABEL (WARNING)	1
119	18600-G1						RUBBER ADHESIVE (NOT ILLUSTRATED).....	A/R
120								

SIDE PANELS & CARGO DECK (875PG)

Where applicable, THE USE OF NON UL PARTS WILL VOID ANY UL LISTING.

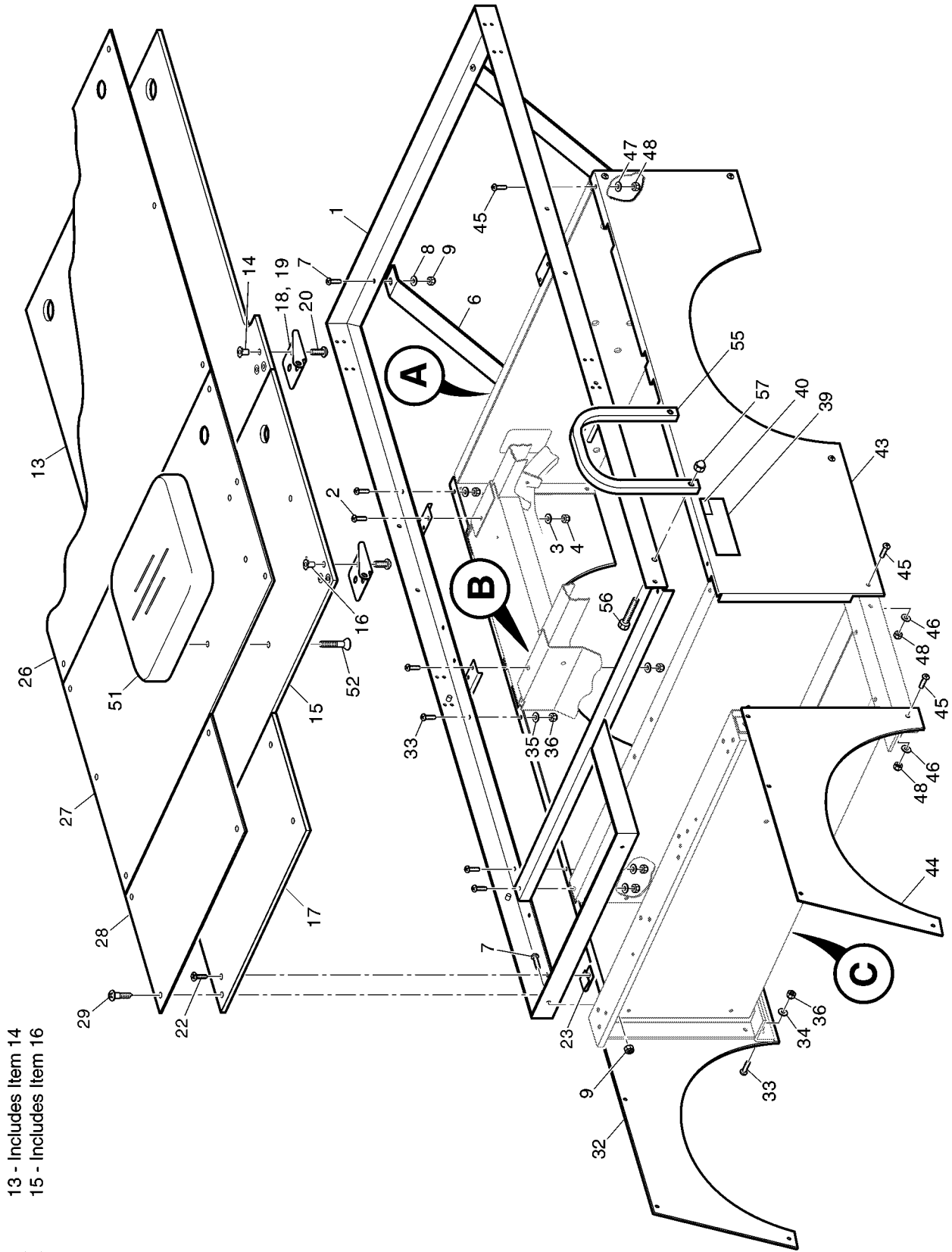
When ordering parts, please specify the model and serial number of the product.

* Indicates a component that is not available as an individual part.

G** Indicates consult Customer Service Department for additional information.

ITEM	PART NO.	1	2	3	4	5	DESCRIPTION	QTY.
121	00665-G2						BOLT, 3/8 - 16 X 1" LG (STAINLESS STEEL).....	4
122	11027-G5						LOCK NUT, 3/8 - 16	4
123								
124	33805-G01						BACKING PLATE (NOT ILLUSTRATED).....	2
125	00665-G4						BOLT, 3/8 - 16 X 1 1/2" LG (STAINLESS STEEL) (NOT ILLUSTRATED).....	4
126	00670-G1						LOCK WASHER, 3/8" (STAINLESS STEEL) (NOT ILLUSTRATED)	4
127	00653-G1						WASHER, 3/8" (STAINLESS STEEL) (NOT ILLUSTRATED)	4
128								
129								
130	33704-G**						BACK SEAT (SEAT BACK)	1
131	27546-G**						BACK SEAT (SEAT BACK)	1
132								
133	34568-G01						DECK SEAT FRAME (REAR FACING).....	1
134	00205-G4						SCREW, 1/4 - 20 X 1 1/2" LG.....	4
135	34569-G01						SEAT BACK SUPPORT	1
136	16705-G3						SCREW, 1/4 - 20 X 3/4" LG (STAINLESS STEEL)	4
137	00685-G2						BOLT, 5/16 - 18 X 7/8" LG (STAINLESS STEEL).....	4
138	00891-G3						LOCK NUT, 5/16 - 18	4

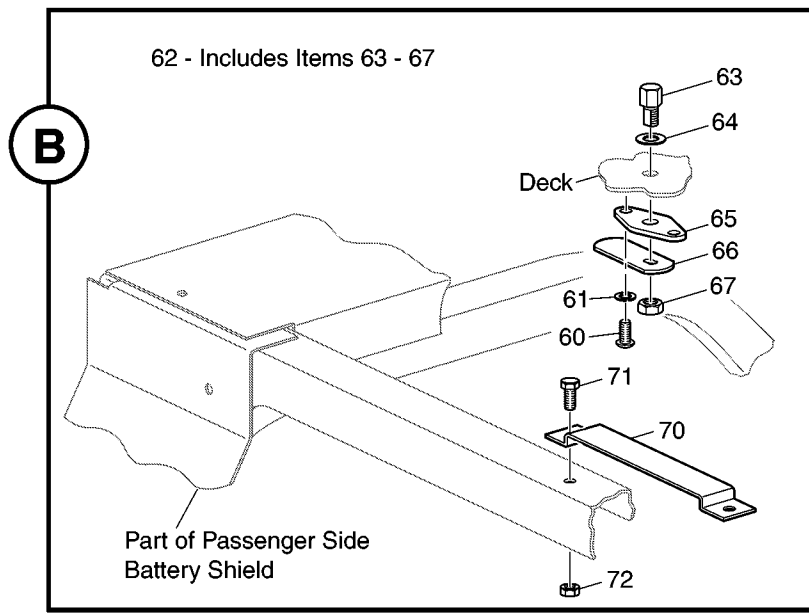
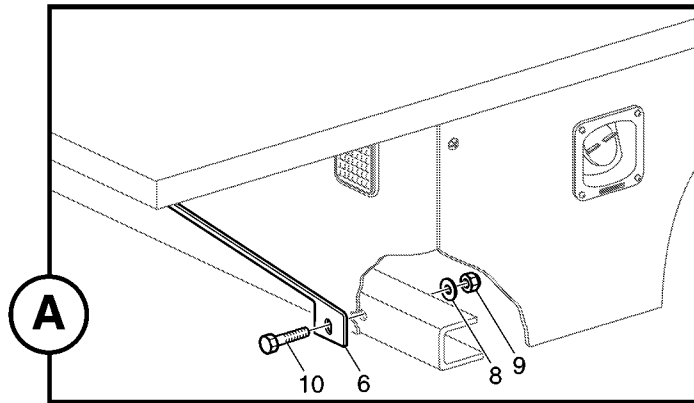
SIDE PANELS & CARGO DECK (875AG)



13 - Includes Item 14
15 - Includes Item 16

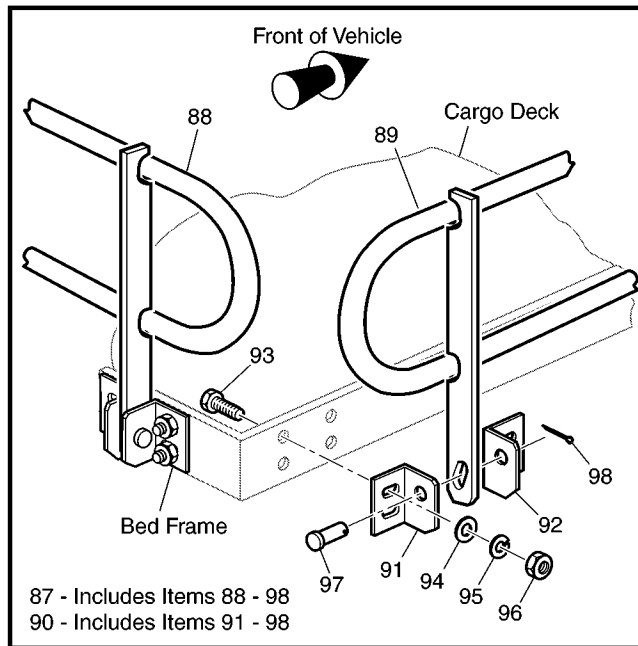
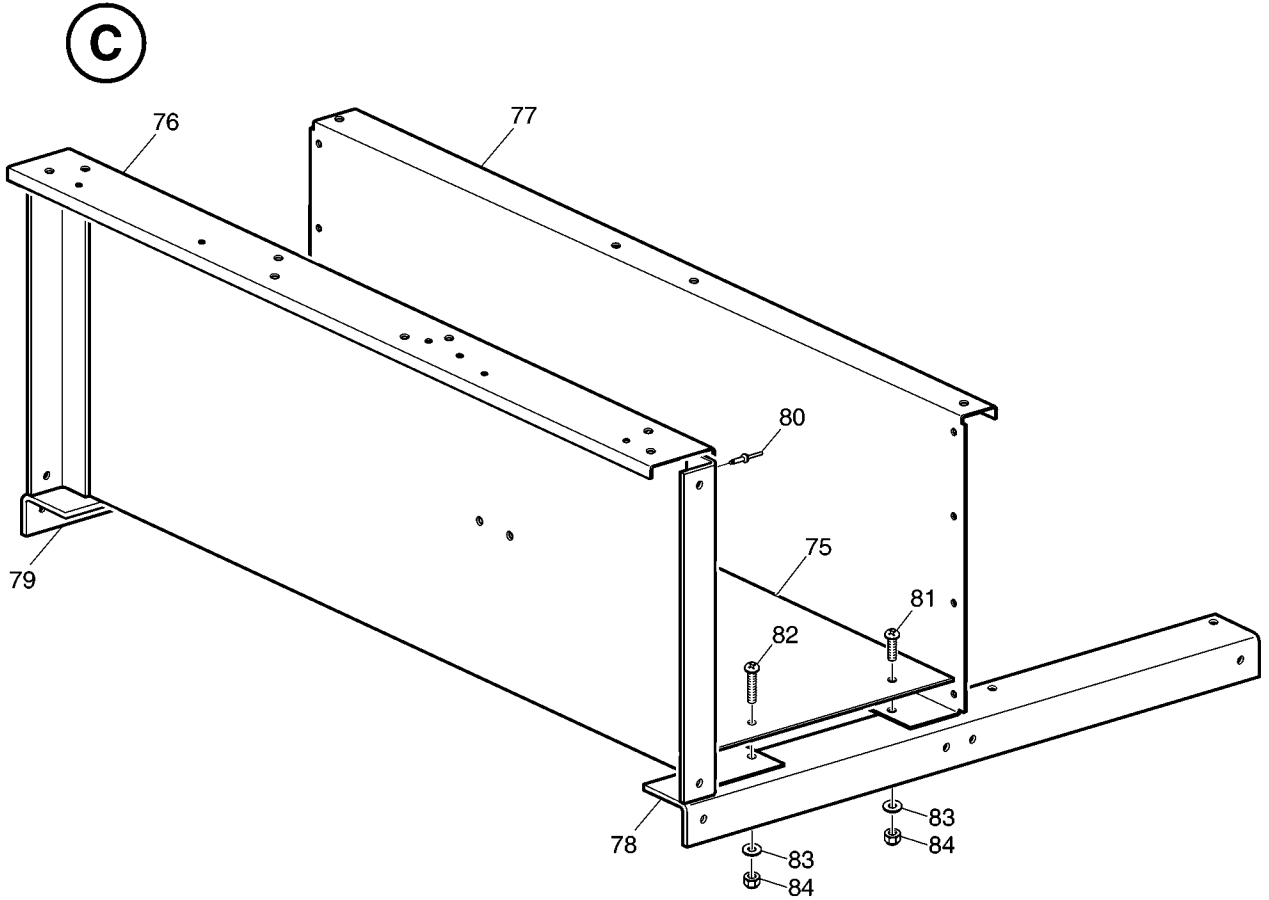
Ref Spa 15-1

SIDE PANELS & CARGO DECK (875AG)



Ref Spa 15-2

SIDE PANELS & CARGO DECK (875AG)



Ref Spa 15-3

SIDE PANELS & CARGO DECK (875AG)

Where applicable, THE USE OF NON UL PARTS WILL VOID ANY UL LISTING.

When ordering parts, please specify the model and serial number of the product.

* Indicates a component that is not available as an individual part.

G** Indicates consult Customer Service Department for additional information.

ITEM	PART NO.	1	2	3	4	5	DESCRIPTION	QTY.
1	35766-G01						BED FRAME	1
2	16705-G3						SCREW, 1/4 - 20 X 3/4" LG (STAINLESS STEEL)	6
3	01110-G01						WASHER, 1/4" (STAINLESS STEEL)	6
4	00654-G2						LOCK NUT, 1/4 - 20 (STAINLESS STEEL)	6
5								
6	34499-G01						BED SUPPORT	2
7	00976-G08						SCREW, 5/16 - 18 X 1" LG (STAINLESS STEEL)	4
8	00660-G8						WASHER, 5/16" (STAINLESS STEEL)	4
9	01109-G01						LOCK NUT, 5/16 - 18 (STAINLESS STEEL)	6
10	00685-G4						BOLT, 5/16 - 18 X 1 1/4" LG (STAINLESS STEEL).....	2
11								
12								
13	35619-G01						DECK (REAR) (INCLUDES ITEM 14)	1
14	01048-G01						TEE NUT, 1/4 - 20	8
15	35618-G01						DECK (INCLUDES ITEM 16)	1
16	01048-G01						TEE NUT, 1/4 - 20	8
17	35617-G01						DECK (FORWARD).....	1
18	34298-G03						HINGE (DRIVER SIDE).....	2
19	34298-G04						HINGE (PASSENGER SIDE)	2
20	16705-G2						SCREW, 1/4 - 20 X 5/8" LG (STAINLESS STEEL)	12
21								
22	00204-G8						SCREW, 1/4 - 20 X 1" LG.....	4
23	14776-G1						RETAINER NUT ('J' TYPE)	4
24								
25								
26	34514-G01						STEEL DECK (REAR).....	1
27	34509-G01						STEEL DECK	1
28	34513-G01						STEEL DECK (FORWARD)	1
29	00130-G5						SCREW, #10 - 13 X 5/8" LG.....	18
30								

SIDE PANELS & CARGO DECK (875AG)

Where applicable, THE USE OF NON UL PARTS WILL VOID ANY UL LISTING.

When ordering parts, please specify the model and serial number of the product.

* Indicates a component that is not available as a individual part.

G** Indicates consult Customer Service Department for additional information.

ITEM	PART NO.	1 2 3 4 5	DESCRIPTION	QTY.
31				
32	34337-G02		SIDE PANEL (PASSENGER SIDE).....	1
33	16705-G3		SCREW, 1/4 - 20 X 3/4" LG (STAINLESS STEEL)	7
34	00915-G1		BONDED WASHER, 1/4"	4
35	01110-G01		WASHER, 1/4" (STAINLESS STEEL)	3
36	00654-G2		LOCK NUT, 1/4 - 20 (STAINLESS STEEL)	7
37				
38				
39	35432-G01		LABEL (IDENTIFICATION - INDUSTRIAL).....	2
40	35430-G05		LABEL (IDENTIFICATION - 875)	2
41				
42				
43	34416-G01		REAR SIDE PANEL (DRIVER SIDE)	1
44	34417-G01		FRONT SIDE PANEL (DRIVER SIDE).....	1
45	16705-G3		SCREW, 1/4 - 20 X 3/4" LG (STAINLESS STEEL)	8
46	00915-G1		BONDED WASHER, 1/4"	5
47	01110-G01		WASHER, 1/4" (STAINLESS STEEL)	6
48	00654-G2		LOCK NUT, 1/4 - 20 (STAINLESS STEEL)	8
49				
50				
51	33014-G**		SEAT BOTTOM ASSEMBLY.....	1
52	16705-G9		SCREW, 1/4 - 20 X 1 1/4" LG (STAINLESS STEEL)	4
53				
54				
55	31880-G1		HAND RAIL	1
56	00685-G4		BOLT, 5/16 - 18 X 1 1/4" LG (STAINLESS STEEL).....	2
57	00520-G3		ACORN NUT, 5/16 - 18	2
58				
59				
60	16705-G2		SCREW, 1/4 - 20 X 5/8" LG (STAINLESS STEEL)	6

SIDE PANELS & CARGO DECK (875AG)

Where applicable, THE USE OF NON UL PARTS WILL VOID ANY UL LISTING.

When ordering parts, please specify the model and serial number of the product.

* Indicates a component that is not available as an individual part.

G** Indicates consult Customer Service Department for additional information.

ITEM	PART NO.	1	2	3	4	5	DESCRIPTION	QTY.
61	00664-G7						LOCK WASHER, 1/4" (STAINLESS STEEL)	6
62	34430-G01						LATCH ASSEMBLY (INCLUDES ITEMS 63 - 67)	3
63	34432-G01						LATCH PIN	1
64	34434-G01						WASHER, 3/8"	1
65	34431-G01						LATCH PLATE	1
66	34433-G01						LATCH	1
67	14390-G1						LOCK NUT, 3/8 - 24	1
68								
69								
70	34435-G01						DECK SPACER	2
71	00414-G6						BOLT, 1/4 - 20 X 3/4" LG	4
72	14390-G4						LOCK NUT, 1/4 - 20	4
73								
74								
75	34330-G01						FOOT REST	1
76	34379-G01						BULKHEAD SUPPORT	1
77	34378-G01						BED FRAME PANEL SUPPORT	1
78	34327-G01						FOOT REST SUPPORT (DRIVER SIDE)	1
79	34327-G02						FOOT REST SUPPORT (PASSENGER SIDE)	1
80	10570-G11						RIVET, 3/16" X 3/4" LG (STAINLESS STEEL)	4
81	16705-G1						SCREW, 1/4 - 20 X 1" LG (STAINLESS STEEL)	2
82	16705-G9						SCREW, 1/4 - 20 X 1 1/4" LG (STAINLESS STEEL)	2
83	01110-G01						WASHER, 1/4" (STAINLESS STEEL)	4
84	00654-G2						LOCK NUT, 1/4 - 20 (STAINLESS STEEL)	4
85								
86								
87	34538-G05						DROP SIDE RAIL KIT (INCLUDES ITEMS 88 - 98)	1
88	32790-G1						DROP SIDE RAIL, 70" (DRIVER SIDE)	1
89	34296-G01						DROP SIDE RAIL, 43 1/4" (PASSENGER SIDE AND REAR)	2
90	33649-G03						HARDWARE KIT (INCLUDES ITEMS 91 - 98)	1

SIDE PANELS & CARGO DECK (875AG)

Where applicable, THE USE OF NON UL PARTS WILL VOID ANY UL LISTING.

When ordering parts, please specify the model and serial number of the product.

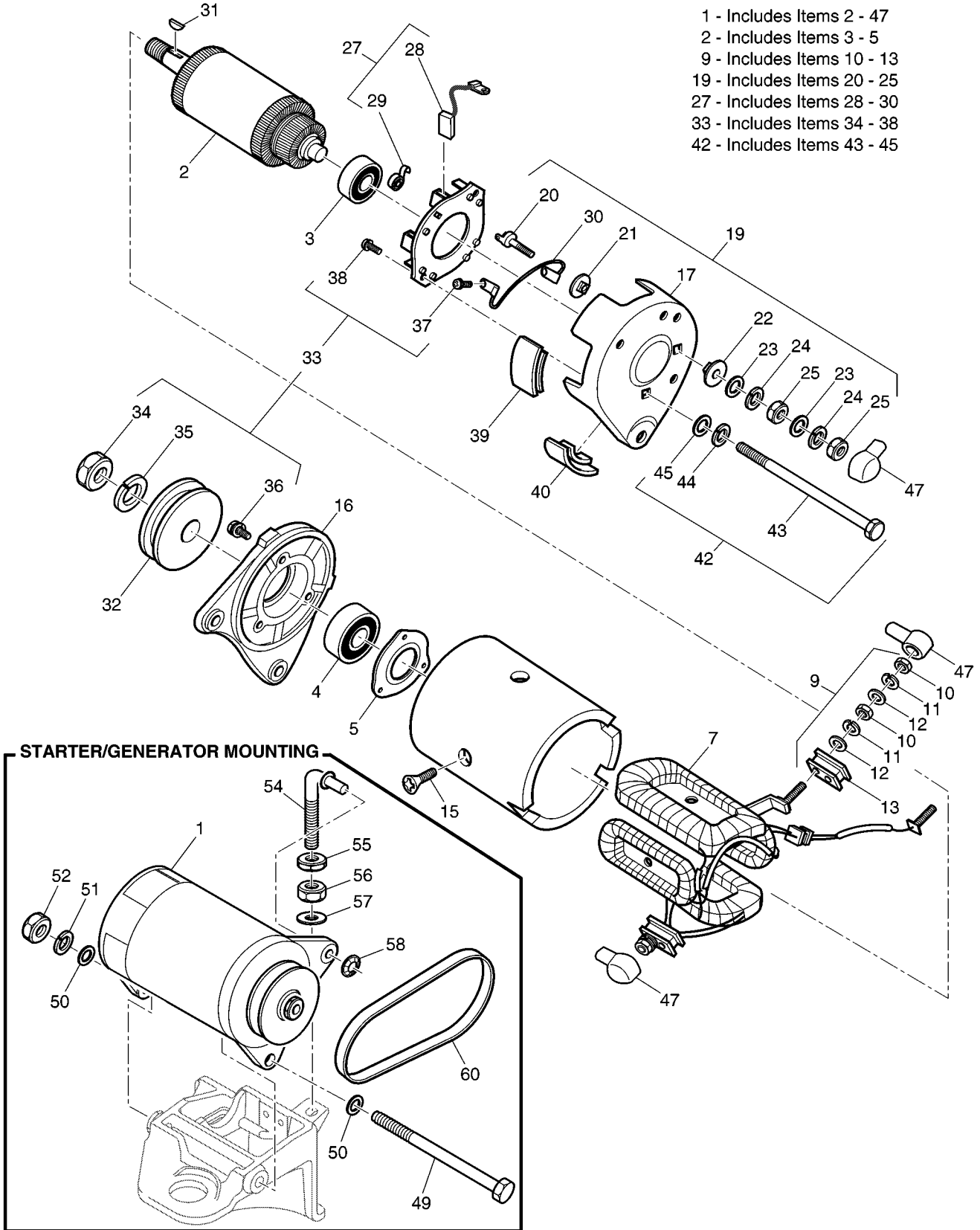
* Indicates a component that is not available as a individual part.

G** Indicates consult Customer Service Department for additional information.

ITEM	PART NO.	1	2	3	4	5	DESCRIPTION	QTY.
91	32795-G1						RAIL SUPPORT (LEFT HAND)	7
92	32795-G2						RAIL SUPPORT (RIGHT HAND)	7
93	00414-G6						BOLT, 1/4 - 20 X 3/4" LG	28
94	01110-G01						WASHER, 1/4" (STAINLESS STEEL)	28
95	00664-G7						LOCK WASHER, 1/4" (STAINLESS STEEL)	28
96	00532-G1						NUT, 1/4 - 20	28
97	14443-G9						CLEVIS PIN, 3/8" X 15/16" LG	7
98	10387-G3						COTTER PIN, 3/32" X 3/4" LG	7

SIDE PANELS & CARGO DECK (875AG)

STARTER/GENERATOR



Ref Stg 15

STARTER/GENERATOR

Where applicable, THE USE OF NON UL PARTS WILL VOID ANY UL LISTING.
 When ordering parts, please specify the model and serial number of the product.
 * Indicates a component that is not available as an individual part.
 G** Indicates consult Customer Service Department for additional information.

ITEM	PART NO.	1	2	3	4	5	DESCRIPTION	QTY.
1	27065-G01						STARTER/GENERATOR (INCLUDES ITEMS 2 - 47).....	1
2	26870-G01						ARMATURE (INCLUDES ITEMS 3 - 5)	1
3	26871-G01						REAR BALL BEARING	1
4	26872-G01						FRONT BALL BEARING	1
5	26873-G01						BEARING HOLDER	1
6								
7	26875-G01						FIELD COIL	1
8								
9	26876-G01						INSULATING BRUSH ASSEMBLY ('F') (INCLUDES ITEMS 10 - 13).....	2
10	*						NUT	2
11	*						LOCK WASHER.....	2
12	*						WASHER.....	2
13	*						INSULATOR	1
14								
15	26877-G01						POLE CORE SETSCREW.....	4
16	26878-G01						FRONT COVER.....	1
17	26879-G01						REAR COVER	1
18								
19	26880-G01						TERMINAL ASSEMBLY ('A') (INCLUDES ITEMS 20 - 25).....	2
20	*						TERMINAL	2
21	*						INSULATOR	2
22	*						INSULATOR	2
23	*						WASHER.....	4
24	*						LOCK WASHER.....	4
25	*						NUT	4
26								
27	26881-G01						BRUSH HOLDER ASSEMBLY (INCLUDES ITEMS 28 - 30)	1
28	26658-G01						BRUSH.....	4
29	26882-G01						BRUSH SPRING	4
30	26883-G01						BRUSH CONNECTOR.....	2

STARTER/GENERATOR

Where applicable, THE USE OF NON UL PARTS WILL VOID ANY UL LISTING.

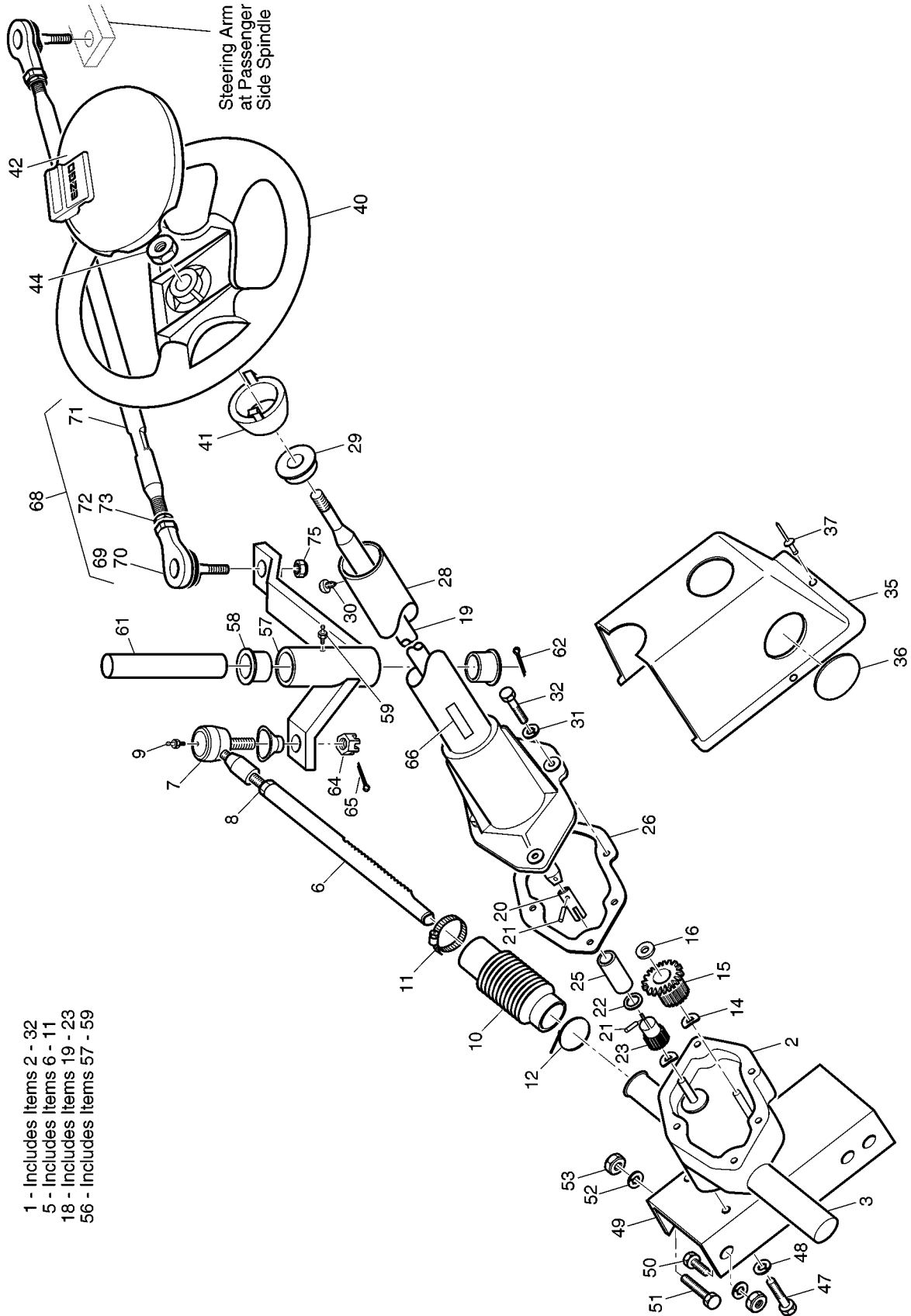
When ordering parts, please specify the model and serial number of the product.

* Indicates a component that is not available as a individual part.

G** Indicates consult Customer Service Department for additional information.

ITEM	PART NO.	1	2	3	4	5	DESCRIPTION	QTY.
31	26884-G01						KEY.....	1
32	26885-G01						PULLEY	1
33	26886-G01						BRUSH AND PULLEY HARDWARE KIT (INCLUDES ITEMS 34 - 38).....	1
34	*						NUT	1
35	*						LOCK WASHER.....	1
36	*						SCREW	3
37	*						SCREW	4
38	*						SCREW	2
39	26887-G01						BRUSH 1 COVER.....	3
40	26888-G01						BRUSH 2 COVER.....	1
41								
42	26889-G01						HOUSING HARDWARE KIT (INCLUDES ITEMS 43 - 45).....	2
43	*						BOLT	2
44	*						LOCK WASHER.....	2
45	*						WASHER.....	2
46								
47	25682-G01						TERMINAL COVER.....	3
48								
49	00938-G4						BOLT, 1/2 - 13 X 8" LG.....	1
50	00560-G3						WASHER, 1/2"	2
51	00566-G3						LOCK WASHER, 1/2".....	1
52	00533-G1						NUT, 1/2 - 13	1
53								
54	28617-G01						STARTER/GENERATOR ADJUSTER.....	1
55	00544-G5						JAM NUT, 3/8 - 16	1
56	00532-G5						NUT, 3/8 - 16	1
57	00560-G1						WASHER, 3/8"	1
58	12064-G1						PUSH NUT, 5/16"	1
59								
60	26414-G01						STARTER/GENERATOR BELT	1

STEERING



Ref Str 15

STEERING

Where applicable, THE USE OF NON UL PARTS WILL VOID ANY UL LISTING.

When ordering parts, please specify the model and serial number of the product.

* Indicates a component that is not available as an individual part.

G** Indicates consult Customer Service Department for additional information.

ITEM	PART NO.	1	2	3	4	5	DESCRIPTION	QTY.
1	19152-G8						STEERING UNIT (INCLUDES ITEMS 2 - 32).....	1
2	13097-G1						HOUSING (INCLUDES ITEM 3)	1
3	13570-G2						RACK COVER.....	1
4								
5	15407-G1						RACK AND ROD END ASSEMBLY (INCLUDES ITEMS 6 - 11)	1
6	*						STEERING RACK	1
7	23278-G1						BALL JOINT AND TIE ROD END	1
8	00532-G8						NUT, 7/16 - 20	1
9	18456-G1						GREASE FITTING, 90°	1
10	17617-G1						BELLOWS	1
11	11391-G5						HOSE CLAMP, 13/16"	1
12	17618-G1						WIRE TIE	1
13								
14	51294-G1						WAVE WASHER	2
15	23279-G1						REDUCTION GEAR	1
16	13059-G2						THRUST WASHER.....	1
17								
18	17163-G3						STEERING SHAFT ASSEMBLY (INCLUDES ITEMS 19 - 23).....	1
19	*						STEERING SHAFT	1
20	*						COUPLING.....	1
21	*						DOWEL PIN, 1/4" X 5/8" LG.....	2
22	*						THRUST WASHER	1
23	*						STEERING PINION.....	1
24								
25	17140-G1						SLEEVE	1
26	19154-G1						GASKET	1
27								
28	70722-G04						STEERING COLUMN	1
29	28569-G01						STEERING COLUMN BUSHING.....	1
30	01022-G01						SCREW, #6 - 20 X 5/16" LG	1

STEERING

Where applicable, THE USE OF NON UL PARTS WILL VOID ANY UL LISTING.

When ordering parts, please specify the model and serial number of the product.

* Indicates a component that is not available as a individual part.

G** Indicates consult Customer Service Department for additional information.

ITEM	PART NO.	1 2 3 4 5	DESCRIPTION	QTY.
31	00565-G8		LOCK WASHER, 5/16"	4
32	00444-G8		BOLT, 5/16 - 24 X 1" LG.....	4
33				
34				
35	35627-G01		STEERING COVER	1
36	20271-G3		HOLE PLUG.....	1
37	14601-G2		RIVET, 3/16" X 5/8" LG (ALUMINUM)	3
38				
39				
40	71948-G01		STEERING WHEEL	1
41	71949-G01		HUB COVER	1
42	71950-G01		CLIPBOARD.....	1
43				
44	14390-G2		LOCK NUT, 5/8 - 18	1
45				
46				
47	00276-G6		BOLT, 5/16 - 24 X 3/4" LG	3
48	00565-G8		LOCK WASHER, 5/16"	3
49	34056-G01		STEERING SUPPORT	1
50	00438-G7		BOLT, 5/16 - 18 X 7/8" LG	5
51	00439-G2		BOLT, 5/16 - 18 X 1 1/4" LG	1
52	00559-G8		WASHER, 5/16"	6
53	01109-G01		LOCK NUT, 5/16 - 18 (STAINLESS STEEL)	6
54				
55				
56	34093-G01		IDLER ASSEMBLY (INCLUDES ITEMS 57 - 59)	1
57	34094-G01		IDLER	1
58	15012-G1		FLANGED BEARING.....	2
59	10389-G3		GREASE FITTING, STRAIGHT	1
60				

STEERING

Where applicable, THE USE OF NON UL PARTS WILL VOID ANY UL LISTING.

When ordering parts, please specify the model and serial number of the product.

* Indicates a component that is not available as an individual part.

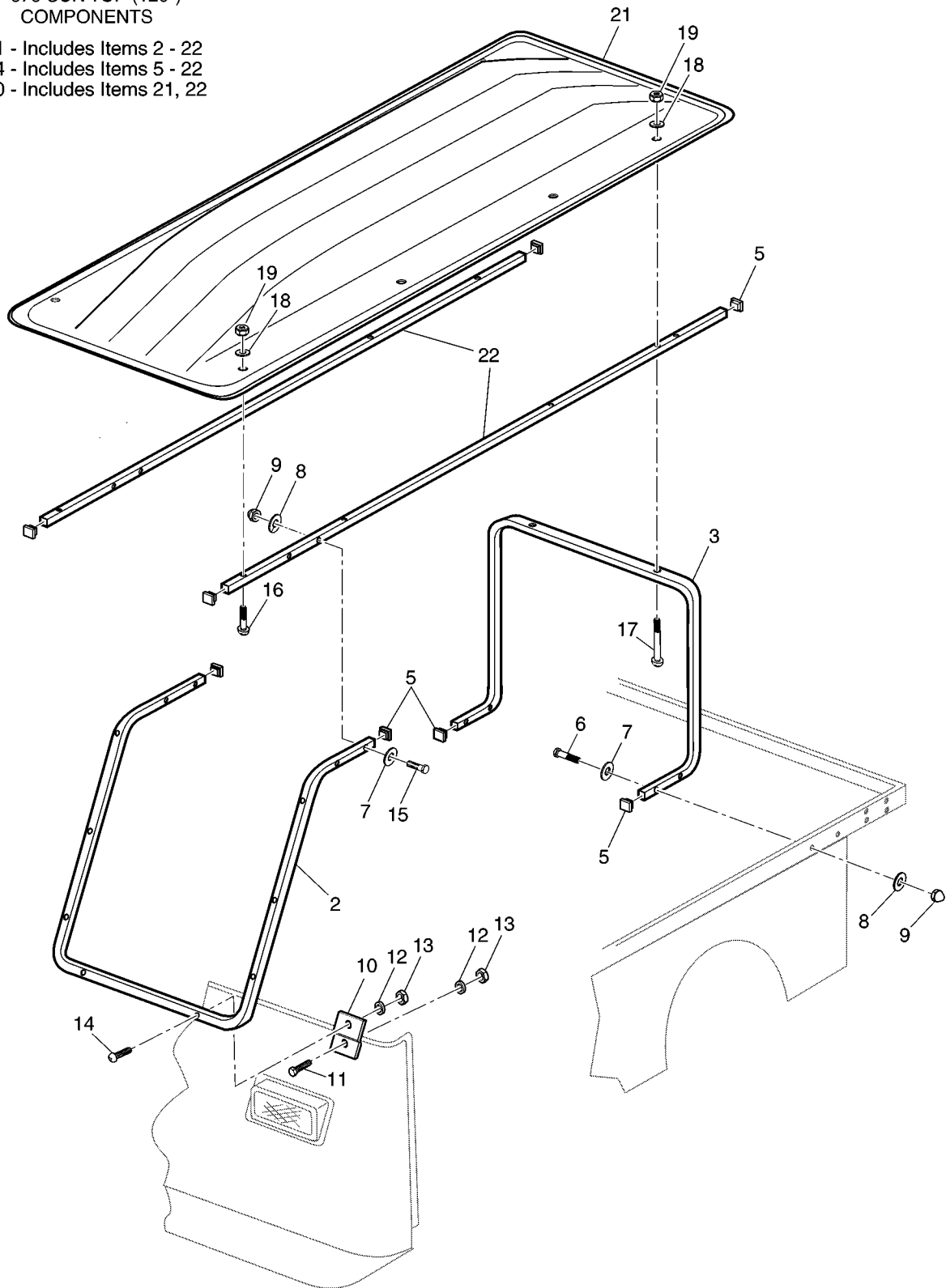
G** Indicates consult Customer Service Department for additional information.

ITEM	PART NO.	1 2 3 4 5	DESCRIPTION	QTY.
61	33264-G01		IDLER SHAFT	1
62	10387-G6		COTTER PIN, 3/16" X 1 1/2" LG	1
63				
64	50209-G1		CASTELLATED NUT, 7/16 - 20	1
65	10387-G2		COTTER PIN, 3/32" X 1" LG	1
66	70993-G01		SERIAL PLATE (LATE PRODUCTION)	1
67				
68	70876-G04		TIE ROD ASSEMBLY (INCLUDES ITEMS 69 - 73)	1
69	70902-G01		TIE ROD END (LEFT HAND THREADS)	1
70	70902-G02		TIE ROD END (RIGHT HAND THREADS)	1
71	70897-G04		THREADED TUBE WITH FLAT	1
72	01069-G01		JAM NUT, M12 X 1.25-05 (LEFT HAND THREADS)	1
73	01069-G02		JAM NUT, M12 X 1.25-05 (RIGHT HAND THREADS)	1
74				
75	00734-G1		LOCK NUT, 7/16 - 14	2

WEATHER PROTECTION

875 SUN TOP (120") COMPONENTS

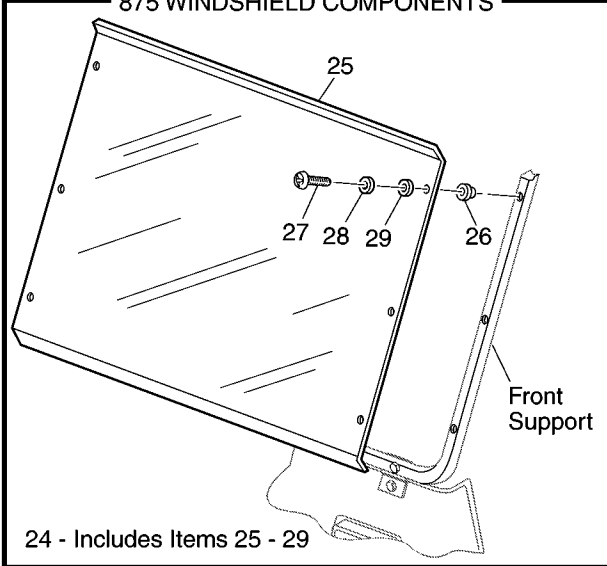
- 1 - Includes Items 2 - 22
- 4 - Includes Items 5 - 22
- 20 - Includes Items 21, 22



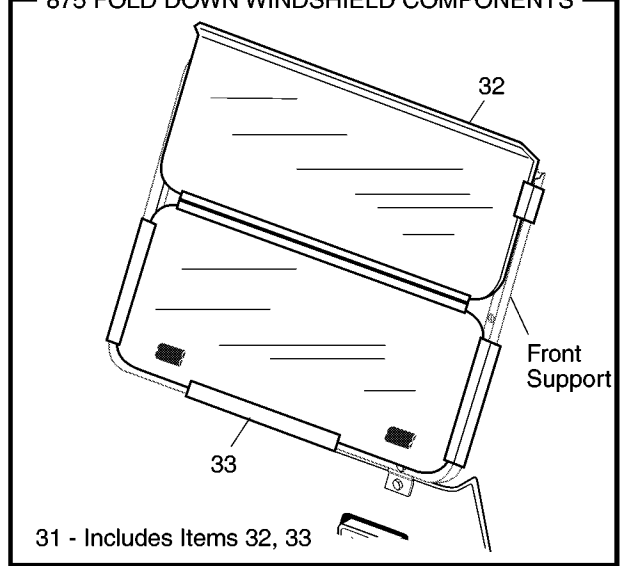
Ref Wea 14-1

WEATHER PROTECTION

875 WINDSHIELD COMPONENTS

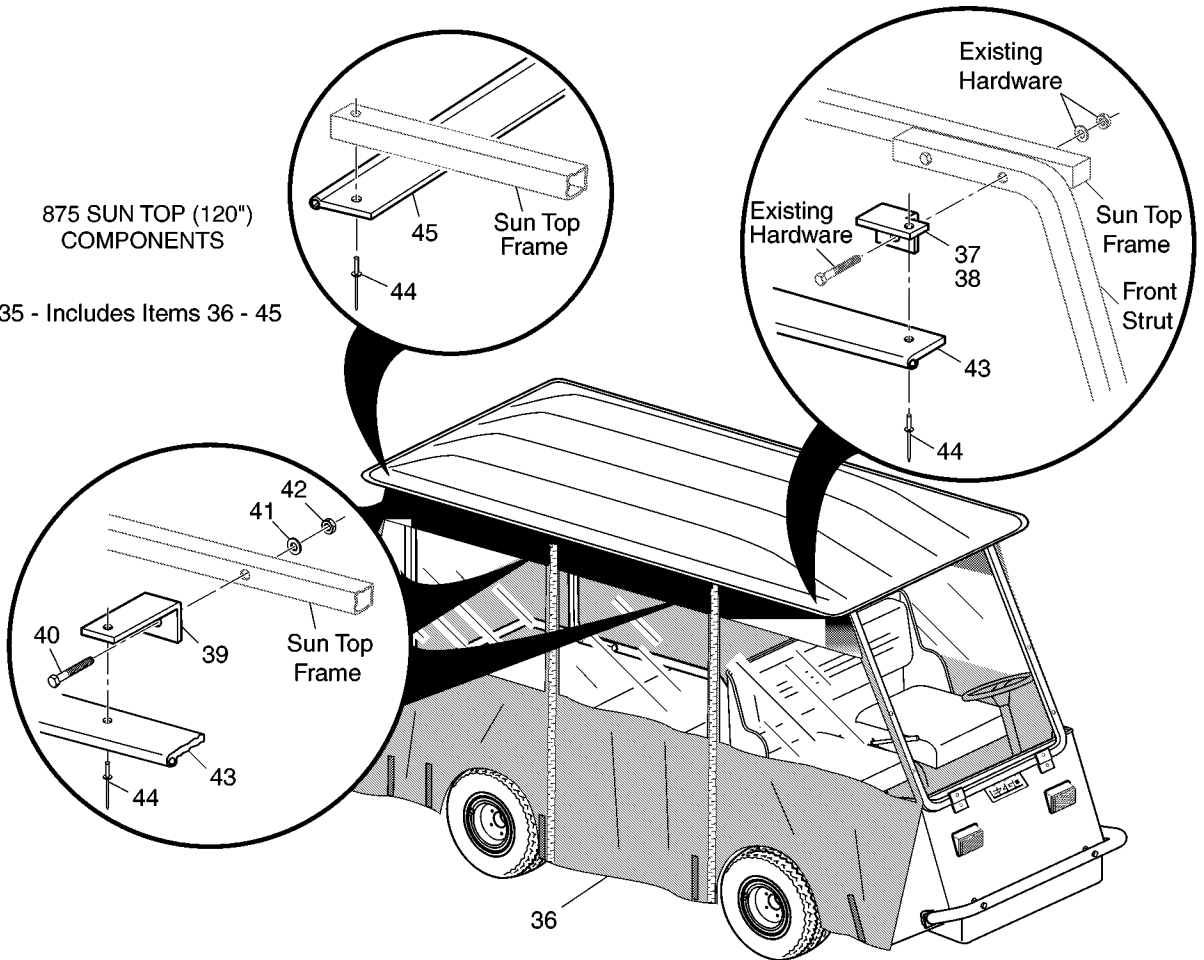


875 FOLD DOWN WINDSHIELD COMPONENTS



875 SUN TOP (120") COMPONENTS

35 - Includes Items 36 - 45

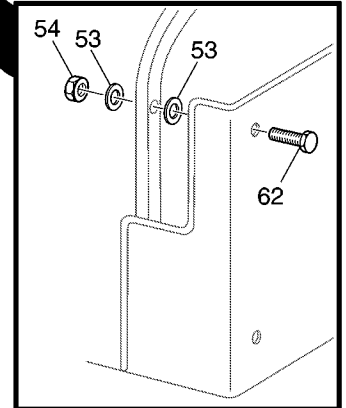
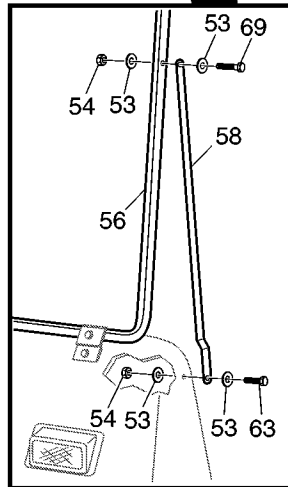
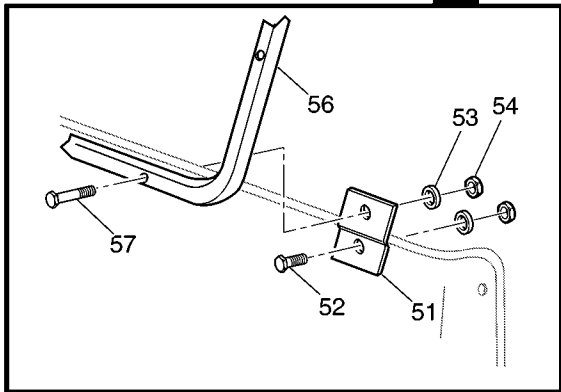
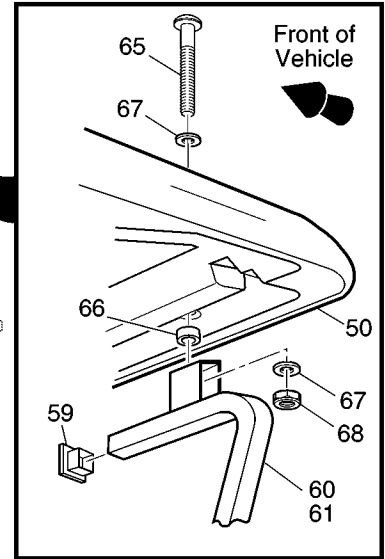
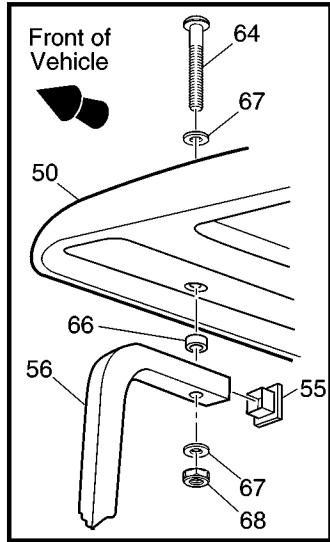


Ref Wea 14-2

WEATHER PROTECTION

875 SUN TOP COMPONENTS

49 - Includes Items 50 - 69



Ref Wea 14-3

WEATHER PROTECTION

Where applicable, THE USE OF NON UL PARTS WILL VOID ANY UL LISTING.

When ordering parts, please specify the model and serial number of the product.

* Indicates a component that is not available as an individual part.

G** Indicates consult Customer Service Department for additional information.

ITEM	PART NO.	1 2 3 4 5	DESCRIPTION	QTY.
1	35576-G**		SUN TOP KIT (875), 120" (INCLUDES ITEMS 2 - 22)	1
2	34562-G01		FRONT SUPPORT	1
3	35540-G01		REAR SUPPORT.....	1
4	35569-G01		HARDWARE KIT (INCLUDES ITEMS 5 - 22).....	1
5	19853-G1		END CAP, 1".....	8
6	01043-G04		BOLT, 5/16 - 18 X 1 3/4" LG, BLACK.....	4
7	01045-G01		FLAT WASHER, 5/16", BLACK	8
8	00905-G8		LOCK WASHER, 5/16", BLACK.....	8
9	01046-G01		ACORN NUT, 5/16 - 18, BLACK	8
10	34563-G01		SUPPORT MOUNT BRACKET	2
11	00438-G8		BOLT, 5/16 - 18 X 1" LG.....	2
12	00642-G8		WASHER, 5/16".....	4
13	01109-G01		LOCK NUT, 5/16 - 18 (STAINLESS STEEL)	4
14	00762-G4		SCREW, 5/16 - 18 X 1 1/2" LG (STAINLESS STEEL)	2
15	01043-G07		BOLT, 5/16 - 18 X 2 1/2" LG, BLACK.....	4
16	01044-G04		SCREW, 1/4 - 20 X 1 3/4" LG, BLACK	6
17	01044-G08		SCREW, 1/4 - 20 X 2 3/4" LG, BLACK	2
18	00915-G1		BONDED WASHER, 1/4"	8
19	14390-G4		LOCK NUT, 1/4 - 20	8
20	35552-G01		TOP KIT (INCLUDES ITEMS 21 - 22).....	1
21	75530-G0*		SUN TOP (120")	1
22	35539-G01		TOP FRAME	2
23				
24	34678-G01		WINDSHIELD KIT (875) (INCLUDES ITEMS 25 - 29)	1
25	34585-G01		WINDSHIELD	1
26	00739-G1		RUBBER NUT, #10 - 24.....	6
27	00789-G1		SCREW, #10 - 24 X 1" LG	6
28	00660-G5		WASHER, #10 (STAINLESS STEEL).....	6
29	00795-G1		RUBBER WASHER	6
30				

WEATHER PROTECTION

Where applicable, THE USE OF NON UL PARTS WILL VOID ANY UL LISTING.

When ordering parts, please specify the model and serial number of the product.

* Indicates a component that is not available as an individual part.

G** Indicates consult Customer Service Department for additional information.

ITEM	PART NO.	1	2	3	4	5	DESCRIPTION	QTY.	
31	35585-G01	SPLIT WINDSHIELD KIT (875) (INCLUDES ITEMS 32 - 33)							1
32	E875WSB3	SPLIT WINDSHIELD							1
33	EGWHC24	SASH, 14" LG							3
34									
35	35562-G02	WEATHER ENCLOSURE KIT (875) (120" TOP) (INCLUDES ITEMS 36 - 45)...							1
36	35586-G01	CURTAIN SET, WEATHER ENCLOSURE.....							1
37	35580-G02	FRONT SUPPORT BRACKET (PASSENGER SIDE)							1
38	35580-G01	FRONT SUPPORT BRACKET (DRIVER SIDE)							1
39	35579-G01	SIDE SUPPORT BRACKET							6
40	00415-G4	BOLT, 1/4 - 20 X 1 1/2" LG.....							6
41	01110-G01	WASHER, 1/4" (STAINLESS STEEL).....							6
42	14390-G4	LOCK NUT, 1/4 - 20.....							6
43	35953-G01	SIDE EXTRUSION.....							2
44	00852-G1	RIVET, 3/16" X 7/16" LG							10
45	35561-G01	REAR EXTRUSION							1
46									
47									
48									
49	34692-G01	SUN TOP KIT (INCLUDES ITEMS 50 - 69)							1
50	27069-G**	SUN TOP							2
51	34687-G01	MOUNTING BRACKET							2
52	00438-G8	BOLT, 5/16 - 18 X 1" LG.....							2
53	01110-G03	WASHER, 5/16" (STAINLESS STEEL).....							22
54	01109-G01	LOCK NUT, 5/16 - 18 (STAINLESS STEEL).....							12
55	19859-G1	END CAP, 3/4"							2
56	34664-G01	FRONT STRUT.....							1
57	00762-G6	SCREW, 5/16 - 18 X 1 3/4" LG (STAINLESS STEEL).....							2
58	35790-G01	SIDE SUPPORT STRUT							2
59	19853-G1	END CAP, 1"							2
60	35812-G01	REAR STRUT (DRIVER SIDE).....							1

WEATHER PROTECTION

Where applicable, THE USE OF NON UL PARTS WILL VOID ANY UL LISTING.

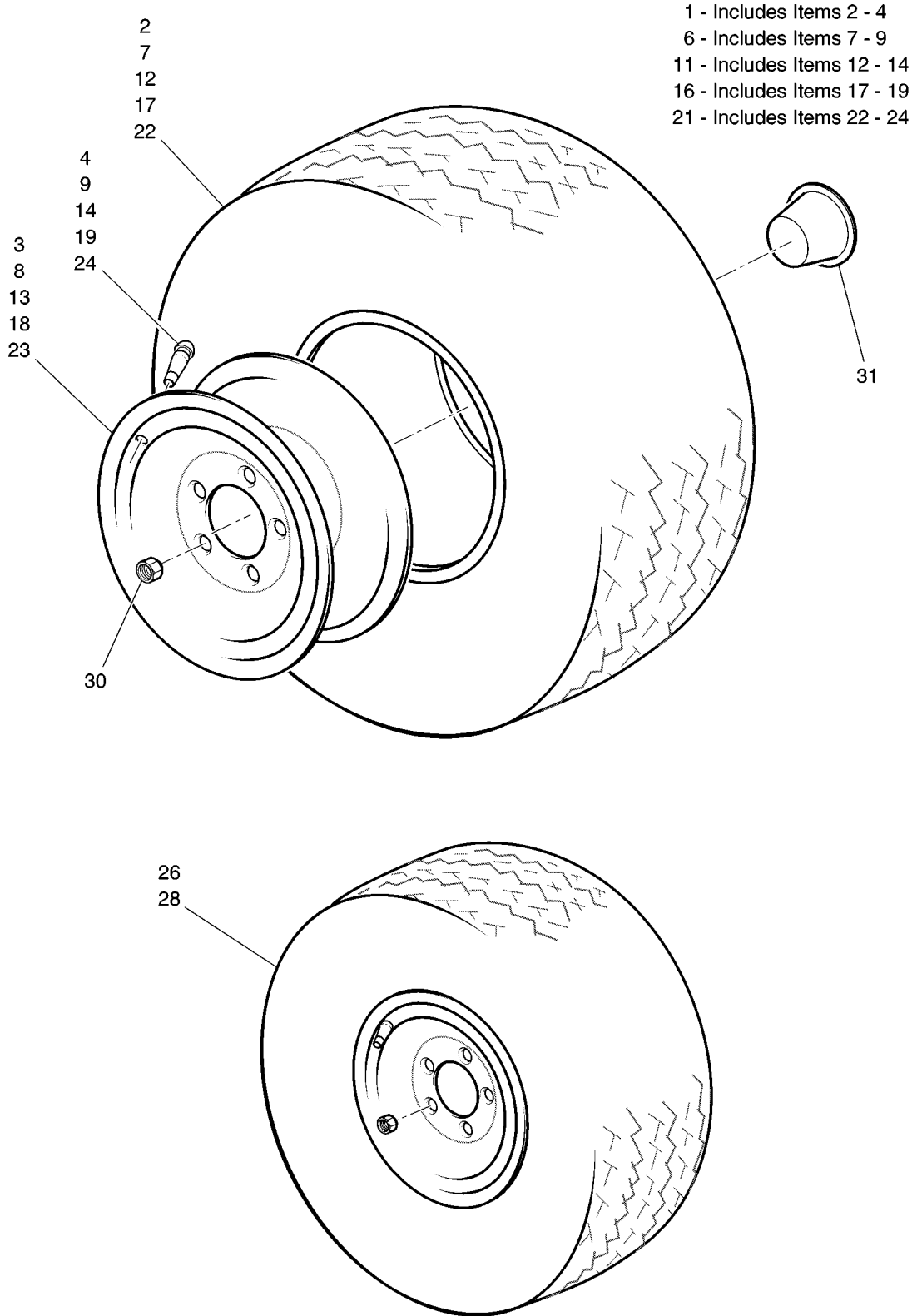
When ordering parts, please specify the model and serial number of the product.

* Indicates a component that is not available as an individual part.

G** Indicates consult Customer Service Department for additional information.

ITEM	PART NO.	1	2	3	4	5	DESCRIPTION	QTY.
61	35812-G02						REAR STRUT (PASSENGER SIDE)	1
62	00439-G08						BOLT, 5/16 - 18 X 2" LG.....	4
63	00976-G06						SCREW, 5/16 - 18 X 3/4" LG (STAINLESS STEEL).....	2
64	00753-G4						SCREW, 1/4 - 20 X 1 3/4" LG (STAINLESS STEEL).....	2
65	16705-G9						SCREW, 1/4 - 20 X 1 1/4" LG (STAINLESS STEEL).....	2
66	75051-G01						PLASTIC SPACER	4
67	01110-G01						WASHER, 1/4" (STAINLESS STEEL).....	8
68	00654-G2						LOCK NUT, 1/4 - 20 (STAINLESS STEEL).....	4
69	00762-G2						SCREW, 5/16 - 18 X 1 1/4" LG (STAINLESS STEEL).....	2

WHEELS AND TIRES



Ref Whl 15

WHEELS AND TIRES

Where applicable, THE USE OF NON UL PARTS WILL VOID ANY UL LISTING.

When ordering parts, please specify the model and serial number of the product.

* Indicates a component that is not available as an individual part.

G** Indicates consult Customer Service Department for additional information.

ITEM	PART NO.	1 2 3 4 5	DESCRIPTION	QTY.
1	32028-G1		WHEEL AND TIRE ASSEMBLY (DICO 8.5 X 8 - 8) (OPTIONAL) (INCLUDES ITEMS 2 - 4).....	4
2	18993-G1		TIRE (DICO 8.5 X 8 - 8) (LRC)	1
3	10641-G2		RIM (5 LUG).....	1
4	11657-G1		VALVE STEM (METAL).....	1
5				
6	32028-G2		WHEEL AND TIRE ASSEMBLY (USA TRAIL 18.5 X 8.5 - 8) (OPTIONAL) (INCLUDES ITEMS 7 - 9).....	4
7	28764-G06		TIRE (USA TRAIL 18.5 X 8.5 - 8) (LRC).....	1
8	10641-G2		RIM (5 LUG).....	1
9	11657-G2		VALVE STEM.....	1
10				
11	32153-G1		WHEEL AND TIRE ASSEMBLY (GOODYEAR 18.5 X 5.70 - 8) (LRC) (OPTIONAL - 875) (INCLUDES ITEMS 12 - 14).....	4
12	11933-G2		TIRE (GOODYEAR 18.5 X 5.70 - 8) (LRC)	1
13	23385-G1		RIM (5 LUG).....	1
14	26482-G01		VALVE STEM (METAL).....	1
15				
16	32153-G2		WHEEL AND TIRE ASSEMBLY (USA TRAIL 18.5 X 5.70 - 8) (LRC) (OPTIONAL - 875) (INCLUDES ITEMS 17 - 19).....	4
17	27784-G03		TIRE (USA TRAIL 18.5 X 5.70 - 8) (LRC).....	1
18	23385-G1		RIM (5 LUG).....	1
19	26482-G01		VALVE STEM (METAL).....	1
20				
21	32153-G1		WHEEL AND TIRE ASSEMBLY (GOODYEAR 18.5 X 5.7 - 8) (LRC) (INCLUDES ITEMS 22 - 24).....	4
22	11933-G2		TIRE (GOODYEAR 18 X 5.70 - 8) (LRC)	1
23	23385-G1		RIM (5 LUG).....	1
24	26482-G01		VALVE STEM (METAL).....	1
25				
26	35154-G01		WHEEL AND TIRE ASSEMBLY (FOAM FILLED 5.70 - 8) (LRC) (OPTIONAL) ..	4
27				

WHEELS AND TIRES

Where applicable, THE USE OF NON UL PARTS WILL VOID ANY UL LISTING.

When ordering parts, please specify the model and serial number of the product.

* Indicates a component that is not available as a individual part.

G** Indicates consult Customer Service Department for additional information.

ITEM	PART NO.	1	2	3	4	5	DESCRIPTION	QTY.
28	35155-G01						WHEEL AND TIRE ASSEMBLY (FOAM FILLED 18.5 X 8.5 - 8) (LRC).....	4
29								
30	14723-G1						LUG NUT, 1/2 - 20.....	2
31	74175-G01						SPINDLE CAP.....	2

SPECIALTY PRODUCTS

SPECIALTY PRODUCTS

SPECIALTY PRODUCTS

SPECIAL TOOLS	PART NO.
HIGH RESISTANCE SPARK PLUG WIRE SET	26733-G02
CLUTCH PULLER (DRIVE)	19779-G2
FLYWHEEL PULLER	27111-G01
CURRENT INDICATOR	16489-G2
DIGITAL MULTI-METER	27481-G01
SLIDE HAMMER (AXLE/HUB REMOVAL)	15947-G1
SLIDE HAMMER (AXLE REMOVAL ONLY)	18753-G1
COMPRESSION TESTER	72524-G01
FEELER GAUGE	72525-G01
TACHOMETER	72526-G01

ENGINE OIL	PART NO.
4 CYCLE ENGINE OIL, 5 GALLON (19 LITER)	25730-G03
4 CYCLE ENGINE OIL, 12 QUART CASE	25730-G04
4 CYCLE ENGINE OIL, 1 QUART BOTTLE (950 ML)	25730-G06

TOUCH UP PAINT	PART NO.
PEN 3 OUNCE (89 ML) - HUNTER GREEN	28432-G02
PEN 3 OUNCE (89 ML) - CHAMPAGNE BEIGE	28432-G01
PEN 3 OUNCE (89 ML) - WHITE	28432-G05
PEN 3 OUNCE (89 ML) - INDUSTRIAL YELLOW	28432-G03
PEN 3 OUNCE (89 ML) - ORANGE	28432-G04
PEN 3 OUNCE (89 ML) - STEEL BLUE PEARL	28432-G**
PEN 3 OUNCE (89 ML) - CAMOUFLAGE PAINT (THREE PENS)	75831-G01
AEROSOL 12 OUNCE (360 ML) - HUNTER GREEN	28140-G09
AEROSOL 12 OUNCE (360 ML) - CHAMPAGNE BEIGE	28140-G15
AEROSOL 12 OUNCE (360 ML) - WHITE	28140-G03
AEROSOL 12 OUNCE (360 ML) - INDUSTRIAL YELLOW	28140-G14
AEROSOL 12 OUNCE (360 ML) - ORANGE	28140-G13
AEROSOL 12 OUNCE (360 ML) - STEEL BLUE PEARL	28140-G**

SPECIALTY PRODUCTS

MAINTENANCE PRODUCTS	PART NO.
FORMULA 40 VINYL-COAT® - WHITE	28166-G01
PLEXUS® CLEANER, 7 OUNCE (210 ML) (FOR WINDSHIELDS)	28433-G01
PLEXUS® CLEANER, 13 OUNCE (380 ML) (FOR WINDSHIELDS)	28433-G02
BATTERY PROTECTOR, 14 OUNCE (410 ML) SPRAY	75500-G01
CARBURETOR & CHOKE CLEANER, 15 OUNCE (440 ML) SPRAY	75501-G01
WHITE LITHIUM GREASE, 14 OUNCE (410 ML) SPRAY	75502-G01
PENETRANT/LUBRICANT, 15 OUNCE (440 ML) SPRAY	75503-G01
MULTI-PURPOSE CLEANER & DEGREASER, 14 OUNCE (410 ML) SPRAY	75504-G01
MULTI-PURPOSE HAND CLEANER, 32 OUNCE (950 ML) LIQUID	75505-G01
BATTERY CLEANER, 32 OUNCE (950 ML) WITH TRIGGER SPRAYER.....	75506-G01
BIO-DEGRADABLE CLEANER, 32 OUNCE (950 ML) WITH TRIGGER SPRAYER.....	75507-G01
MULTI-PURPOSE VALUE PACK.....	75508-G01
• BATTERY PROTECTOR, 4 OUNCE (120 ML) SPRAY	
• PENETRANT/LUBRICANT, 4 OUNCE (120 ML) SPRAY	
• WHITE LITHIUM GREASE, 4 OUNCE (120 ML) SPRAY	
• CARBURETOR & CHOKE CLEANER, 4 OUNCE (120 ML) SPRAY	

OPTIONS/ACCESSORIES

OPTIONS/ACCESSORIES

OPTIONS/ACCESSORIES

ITEM	KIT NO.	COMMENTS
BULKHEAD (FOR 875 AND 875P)	34539-G01	SIDE PANELS & CARGO DECK (875)
CURTIS CAB MIRROR	25850-G01	CAB AND VAN BOX
CURTIS CAB DOOR SET	34650-G01	CAB AND VAN BOX
CURTIS CAB WITH DOORS	34648-G01	CAB AND VAN BOX
CURTIS CAB WITHOUT DOORS	34648-G02	CAB AND VAN BOX
CURTIS VAN BOX (875)	34649-G01	CAB AND VAN BOX
DROP SIDE RAIL KIT (FOR 875P ONLY)	34538-G02	SIDE PANELS & CARGO DECK (875P)
DROP SIDE RAIL KIT (FOR 875 ONLY)	34538-G03	SIDE PANELS & CARGO DECK (875)
DROP SIDE RAIL KIT (FOR 875A ONLY)	34538-G05	SIDE PANELS & CARGO DECK (875A)
'E' HITCH KIT	34543-G02	HITCHES
FRONT BUMPER KIT	34581-G02	BODY
FULL LENGTH SUN TOP KIT (875)	35576-G0*	WEATHER PROTECTION
HOUR METER KIT	34548-G04	ELECTRICAL SYSTEM
INTERIOR REAR VIEW MIRROR (875)	34651-G01	CAB AND VAN BOX
PINTLE HITCH KIT	34544-G02	HITCHES
PLASTIC TOOL BOX	35096-G01	SIDE PANELS & CARGO DECK (875)
REAR BULKHEAD (FOR 875 AND 875P)	34539-G01	SIDE PANELS & CARGO DECK (875)
REAR BUMPER KIT (875)	34547-G02	BODY
STAKE SIDE KIT (FOR 875 ONLY)	34522-G01	SIDE PANELS & CARGO DECK (875)
STAKE SIDE KIT (FOR 875P ONLY)	34522-G02	SIDE PANELS & CARGO DECK (875P)
SEAT SWITCH KIT (875, 875A, 875P)	34582-G02	ELECTRICAL SYSTEM
STEEL DECK KIT (FOR 875 ONLY)	34506-G01	SIDE PANELS & CARGO DECK (875)
STEEL DECK KIT (FOR 875P ONLY)	34506-G01	SIDE PANELS & CARGO DECK (875P)
SUN TOP KIT (FOR 875 ONLY)	34692-G01	WEATHER PROTECTION
SUN TOP & WEATHER ENCLOSURE KIT (875)	35571-G0*	WEATHER PROTECTION
WINDSHIELD, ONE-PIECE (875)	34678-G01	WEATHER PROTECTION
WINDSHIELD, FOLD DOWN (875)	35585-G01	WEATHER PROTECTION

INDEX OF MAJOR COMPONENTS

INDEX OF MAJOR COMPONENTS

INDEX OF MAJOR COMPONENTS

BY PART DESCRIPTION

A

ACCELERATOR PEDAL.....	A-4	AIR FILTER ELEMENT.....	B-2
ACCESS PANEL.....	C-8		

B

BACK SEAT.....	T-20	BELLCRANK.....	D-9
BATTERY SHIELD.....	C-8	BRAKE ASSEMBLY.....	D-8
BATTERY TRAY.....	J-10	BRAKE CABLE.....	D-10
BED FRAME.....	T-5, T-16, T-24	BRAKE LINE.....	D-7, D-10
BED FRAME PANEL SUPPORT.....	T-6, T-17, T-26	BRAKE LINE - COILED.....	D-10
BED SIDE PANEL.....	T-8	BRAKE PEDAL.....	D-6
BED SUPPORT.....	T-24	BULKHEAD SUPPORT.....	T-6, T-17, T-26
BELL CRANK.....	D-6		

C

CAB.....	E-4	CARBURETOR LINKAGE ROD.....	A-4
CAB KIT WITHOUT DOORS.....	E-5	CHOKE CABLE.....	F-3
CARBURETOR.....	F-3	COWL.....	C-6
CARBURETOR LINKAGE BELLCRANK.....	A-5		

D

DASH PANEL.....	C-6, J-13	DECK/SEAT ASSEMBLY.....	T-17
DECK.....	T-5, T-16	DIRECTION SELECTOR.....	H-2
DECK (FORWARD).....	T-24	DRIVE BELT.....	G-2
DECK (REAR).....	T-5, T-16, T-24	DRIVE CLUTCH.....	G-2
DECK (STORAGE).....	T-5	DRIVEN CLUTCH ASSEMBLY.....	G-2
DECK SEAT FRAME.....	T-20	DROP SIDE RAIL.....	T-7, T-18, T-26
DECK SPACER.....	T-6, T-17, T-26		

E

ELECTRICAL PLATE.....	J-11	ENGINE GUARD.....	L-2
ENGINE.....	K-2		

F

FLOORBOARD.....	C-7	FUEL FILTER.....	N-3
FOOT REST.....	T-6, T-17, T-26	FUEL INLET.....	N-3
FOOT REST ASSEMBLY.....	T-19	FUEL INLET COVER.....	C-8
FOOT REST SUPPORT.....	T-6, T-17, T-26	FUEL LINE TUBING.....	N-3
FORWARD FLOORBOARD.....	C-7	FUEL PUMP.....	N-2
FRONT AXLE.....	M-3	FUEL PUMP STANCHION.....	N-2
FRONT BUMPER.....	C-7	FUEL SYSTEM TUBING.....	N-2
FRONT ENGINE MOUNT.....	L-2	FUEL SYSTEM TUBING, 1/4" ID X 1/2" OD (BULK).....	N-3
FRONT SIDE PANEL.....	T-16, T-25	FUEL TANK.....	N-2

INDEX OF MAJOR COMPONENTS

FUSE BLOCK J-10

GOVERNOR BELLCRANK..... A-6
GOVERNOR LINKAGE ROD A-6

HEADLIGHT J-14
HEADLIGHT AND TURN SIGNAL..... J-14
HITCH..... P-2
HORN J-14

IDLER ASSEMBLY..... V-3
IGNITION COIL..... J-13
IGNITION PICKUP..... J-13

LATCH T-6
LATCH ASSEMBLY..... T-16, T-26
LEAF SPRING M-4

MASTER CYLINDER..... D-7

PARKING BRAKE..... D-9
PARKING BRAKE LINK..... D-10
PEDAL BOX ASSEMBLY A-3

REAR AXLE..... Q-2
REAR BODY PANEL..... C-9
REAR BRAKE LINE..... D-8, D-10
REAR BULKHEAD..... T-7, T-18

SEAT BACK..... S-2
SEAT BACK SUPPORT C-8
SEAT BOTTOM S-2
SEAT BOTTOM ASSEMBLY T-25
SEAT FRAME..... C-7
SEAT FRAME CONNECTOR..... C-7

G

GOVERNOR PIVOT ASSEMBLY A-5

H

HORN SWITCH J-13
HOUR METER J-15
HYDRAULIC HOSE D-7

I

IGNITION SWITCH J-13
INTERIOR REAR VIEW MIRROR E-4
ISOLATION MOUNT..... L-2

L

LEAF SPRING (881) R-2
LINKAGE ROD..... D-6

M

MUFFLER K-2

P

PINTLE HITCH..... P-2
PLASTIC TOOL BOX..... T-9
PUSH ROD D-6

R

REAR BUMPER..... C-9
REAR ENGINE MOUNT L-2
REAR SIDE PANEL T-16, T-25
ROCKER PANEL C-7

S

SEAT SWITCH..... J-15
SHOCK ABSORBER M-5, R-2
SIDE PANEL T-5, T-25
SPLIT WINDSHIELD KIT (875)..... W-5
STAKE SIDE T-7
STANCHION J-11

INDEX OF MAJOR COMPONENTS

STARTER/GENERATOR..... U-2	STEERING COVER..... V-3
STEEL DECK..... T-5, T-18, T-24	STEERING UNIT..... V-2
STEEL DECK (FORWARD)..... T-24	STEERING WHEEL..... V-3
STEEL DECK (REAR)..... T-6, T-18, T-24	SUN TOP KIT..... W-5
STEEL DECK (STORAGE)..... T-5	SUN TOP KIT (875)..... W-4

T

TAILLIGHT..... J-14	TOP REAR SHIELD..... C-8
THROTTLE LINKAGE ROD..... A-5	TURN SIGNAL..... J-14
TIE ROD ASSEMBLY..... V-4	

V

VAN BOX..... E-5	
------------------	--

W

WEATHER ENCLOSURE KIT (875)..... W-5	(LRC)..... X-2
WHEEL AND TIRE ASSEMBLY (DICO 18.5 X 8 - 8)..... X-2	WHEEL AND TIRE ASSEMBLY (USA TRAIL 18.5 X 8.5 - 8)...
WHEEL AND TIRE ASSEMBLY (FOAM FILLED 5.70 - 8) (LRC) X-2	X-2
WHEEL AND TIRE ASSEMBLY (GOODYEAR 18.5 X 5.7 - 8) (LRC)..... X-2	WINDSHIELD KIT (875)..... W-4
WHEEL AND TIRE ASSEMBLY (GOODYEAR 18.5 X 5.70 - 8) (LRC)..... X-2	WINDSHIELD WIPER BLADE..... E-5
WHEEL AND TIRE ASSEMBLY (USA TRAIL 18.5 X 5.70 - 8)	WINDSHIELD WIPER MOTOR..... E-4
	WIRE HARNESS..... J-12
	WIRE HARNESS (ACCESSORY)..... J-14
	WIRE HARNESS (CONTROL)..... J-10

BY PART NUMBER

17470-G1 FUEL SYSTEM TUBING..... N-2	32673-G1 HORN SWITCH..... J-13
17470-G1 TUBING (BULK) FUEL SYSTEM TUBING..... N-3	32739-G2 TAILLIGHT..... J-14
17867-G1 TURN SIGNAL..... J-14	32860-G1 HORN..... J-14
19152-G8 STEERING UNIT..... V-2	33014-G** SEAT BOTTOM ASSEMBLY..... T-25
20209-G2 HEADLIGHT..... J-14	33227-G02 BRAKE PEDAL..... D-6
21104-G12 BRAKE LINE..... D-7	33534-G01 HYDRAULIC HOSE..... D-7
21781-G1 SHOCK ABSORBER..... M-5	33556-G0 FUEL INLET COVER..... C-8
21782-G1 SHOCK ABSORBER..... R-2	33639-G01 IGNITION SWITCH..... J-13
25690-G01 GOVERNOR BELLCRANK..... A-6	33704-G** BACK SEAT..... T-20
25737-G01 CARBURETOR LINKAGE ROD..... A-4	33725-G01 BRAKE ASSEMBLY..... D-8
25737-G02 THROTTLE LINKAGE ROD..... A-5	33725-G02 BRAKE ASSEMBLY..... D-8
25737-G03 GOVERNOR LINKAGE ROD..... A-6	34034-G01 BRAKE CABLE..... D-10
25760-G01 CARBURETOR LINKAGE BELLCRANK..... A-5	34037-G01 BATTERY TRAY..... J-10
25763-G01 GOVERNOR PIVOT ASSEMBLY..... A-5	34042-G01 CHOKE CABLE..... F-3
26301-G02 DRIVEN CLUTCH ASSEMBLY..... G-2	34047-G01 REAR AXLE..... Q-2
26301-G03 DRIVEN CLUTCH ASSEMBLY..... G-2	34082-G01 FRONT AXLE..... M-3
26651-G02 IGNITION PICKUP..... J-13	34093-G01 IDLER ASSEMBLY..... V-3
26652-G01 IGNITION COIL..... J-13	34124-G01 LINKAGE ROD..... D-6
26952-G01 DRIVE CLUTCH..... G-2	34157-G01 BELL CRANK..... D-6
27065-G01 STARTER/GENERATOR..... U-2	34160-G01 FUEL LINE TUBING..... N-3
27546-G** BACK SEAT..... T-20	34173-G01 DIRECTION SELECTOR..... H-2
27740-G03 ELECTRICAL PLATE..... J-11	34194-G01 FUEL INLET..... N-3
30298-G2 PUSH ROD..... D-6	34196-G01 FUEL TANK..... N-2

INDEX OF MAJOR COMPONENTS

34219-G01 WIRE HARNESS	J-12	34582-G02 SEAT SWITCH.....	J-15
34309-G01 FLOORBOARD.....	C-7	34589-G01 HEADLIGHT AND TURN SIGNAL.....	J-14
34311-G01 ROCKER PANEL.....	C-7	34589-G02 HEADLIGHT AND TURN SIGNAL.....	J-14
34311-G02 ROCKER PANEL.....	C-7	34591-G02 FRONT BUMPER	C-7
34317-G01 SEAT FRAME	C-7	34633-G01 BED FRAME	T-8
34317-G02 SEAT FRAME	C-7	34642-G01 SEAT BED SUPPORT	T-17
34318-G01 SEAT FRAME CONNECTOR.....	C-7	34648-G02 CAB KIT WITHOUT DOORS	E-5
34318-G02 SEAT FRAME CONNECTOR.....	C-7	34649-G01 VAN BOX	E-5
34321-G01 FUEL PUMP STANCHION	N-2	34660-G** SEAT BOTTOM.....	S-2
34324-G01 STANCHION.....	J-11	34678-G01 WINDSHIELD KIT (875).....	W-4
34327-G01 FOOT REST SUPPORT	T-6, T-17, T-26	34692-G01 SUN TOP KIT.....	W-5
34327-G02 FOOT REST SUPPORT	T-6, T-17, T-26	34751-G01 BED SIDE PANEL.....	T-8
34330-G01 FOOT REST	T-6, T-17, T-26	34751-G02 BED SIDE PANEL.....	T-8
34332-G01 SEAT BACK SUPPORT	C-8	34984-G01 BRAKE LINE - COILED	D-10
34335-G01 REAR BODY PANEL.....	C-9	34985-G01 BRAKE LINE	D-10
34337-G01 SIDE PANEL.....	T-5	34986-G01 BRAKE LINE	D-10
34337-G02 SIDE PANEL.....	T-5, T-25	34987-G01 BRAKE LINE	D-10
34347-G01 DASH PANEL	C-6	35096-G01 PLASTIC TOOL BOX.....	T-9
34351-G01 ACCESS PANEL	C-8	35155-G01 WHEEL AND TIRE ASSEMBLY (FOAM FILLED 18.5 X 8.5 - 8) (LRC).....	X-3
34370-G01 WIRE HARNESS (ACCESSORY).....	J-14	35562-G02 WEATHER ENCLOSURE KIT (875).....	W-5
34378-G01 BED FRAME PANEL SUPPORT..	T-6, T-17, T-26	35576-G** SUN TOP KIT (875)	W-4
34379-G01 BULKHEAD SUPPORT	T-6, T-17, T-26	35585-G01 SPLIT WINDSHIELD KIT (875).....	W-5
34380-G01 PARKING BRAKE.....	D-9	35612-G01 DECK (REAR)	T-5
34384-G01 BELLCRANK.....	D-9	35613-G01 DECK	T-5, T-16
34397-G01 TOP REAR SHIELD.....	C-8	35614-G01 DECK (STORAGE)	T-5
34399-G01 BATTERY SHIELD	C-8	35616-G01 DECK (REAR).....	T-16
34399-G02 BATTERY SHIELD	C-8	35617-G01 DECK (FORWARD)	T-24
34416-G01 REAR SIDE PANEL.....	T-16, T-25	35618-G01 DECK	T-24
34416-G02 REAR SIDE PANEL.....	T-16	35619-G01 DECK (REAR).....	T-24
34417-G01 FRONT SIDE PANEL	T-16, T-25	35627-G01 STEERING COVER.....	V-3
34417-G02 FRONT SIDE PANEL	T-16	35673-G02 FUSE BLOCK	J-10
34430-G01 LATCH.....	T-6	35686-G** SEAT BACK	S-2
34430-G01 LATCH ASSEMBLY	T-16, T-26	35688-G01 FORWARD FLOORBOARD	C-7
34435-G01 DECK SPACER	T-6, T-17, T-26	35690-G01 COWL	C-6
34437-G01 ACCELERATOR PEDAL	A-4	35719-G01 LEAF SPRING	M-4
34464-G01 WIRE HARNESS (CONTROL).....	J-10	35720-G01 LEAF SPRING (881).....	R-2
34491-G** DECK/SEAT ASSEMBLY	T-17	35765-G01 BED FRAME	T-5
34499-G01 BED SUPPORT	T-24	35766-G01 BED FRAME	T-24
34508-G01 STEEL DECK (STORAGE).....	T-5	35770-G01 BED FRAME	T-16
34509-G01 STEEL DECK.....	T-5, T-18, T-24	35855-G01 REAR BRAKE LINE	D-8
34510-G01 STEEL DECK (REAR)	T-6	35856-G01 REAR BRAKE LINE	D-8
34512-G01 STEEL DECK (REAR)	T-18	35884-G01 REAR BRAKE LINE	D-10
34513-G01 STEEL DECK (FORWARD).....	T-24	70643-G02 MASTER CYLINDER	D-7
34514-G01 STEEL DECK (REAR)	T-24	70876-G04 TIE ROD ASSEMBLY	V-4
34518-G01 PARKING BRAKE LINK.....	D-10	71948-G01 STEERING WHEEL	V-3
34522-G01 STAKE SIDE.....	T-7	72010-G01 FRONT ENGINE MOUNT	L-2
34522-G02 STAKE SIDE.....	T-19	72011-G01 REAR ENGINE MOUNT	L-2
34538-G01 DROP SIDE RAIL	T-18	72015-G01 ISOLATION MOUNT	L-2
34538-G05 DROP SIDE RAIL	T-26	72019-G01 MUFFLER	K-2
34538-G08 DROP SIDE RAIL	T-7	72021-G01 FUEL PUMP.....	N-2
34540-G01 REAR BULKHEAD.....	T-7, T-18	72054-G01 DRIVE BELT	G-2
34543-G02 'E' HITCH	P-2	72062-G04 PEDAL BOX ASSEMBLY	A-3
34544-G02 PINTLE HITCH	P-2	72084-G01 FUEL FILTER.....	N-3
34547-G02 REAR BUMPER.....	C-9	72368-G01 AIR FILTER ELEMENT.....	B-2
34548-G04 HOUR METER.....	J-15	72558-G05 CARBURETOR.....	F-3
34564-G01 FOOT REST ASSEMBLY.....	T-19	72650-G02 ENGINE	K-2
34568-G01 DECK SEAT FRAME	T-20		

INDEX OF MAJOR COMPONENTS

72719-G01 ENGINE GUARD	L-2
9PIRV INTERIOR REAR VIEW MIRROR	E-4
9PWB WINDSHIELD WIPER BLADE	E-5
9P85AB WINDSHIELD WIPER MOTOR.....	E-4

INDEX OF MAJOR COMPONENTS

INDEX OF MAJOR COMPONENTS



A Textron Company

E-Z-GO Division of Textron, Inc.
P.O. Box 388 Augusta, Georgia 30903-0388 USA
Inside USA Phone: 1-800-241-5855, FAX: 1-800-448-8124
Outside USA Phone: 010-1-706-798-4311, FAX: 010-1-706-771-4609

Copyrighted Material
This manual may not be reproduced in whole or
in part without the express permission of
E-Z-GO Division of Textron, Inc.
Technical Communications Department