

608387



A Textron Company

**CUSHMAN**

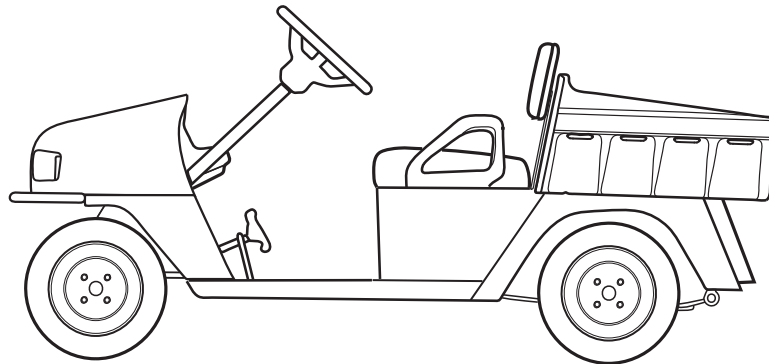
A Textron Company

**JACOBSEN**

A Textron Company



# SERVICE PARTS MANUAL



## ELECTRIC POWERED UTILITY VEHICLE

ISSUED: OCTOBER 2008

REVISED: SEPTEMBER 2009



# SERVICE PARTS MANUAL

## ELECTRIC UTILITY VEHICLES

### ST SPORT II

### STARTING MODEL YEAR 2008

DISCLAIMER: The E-Z-GO Division of Textron Inc. reserves the right to incorporate engineering and design changes to products in this Manual, without obligation to include these changes on units leased/sold previously.

The information contained in this Manual may be revised periodically by the E-Z-GO Division, and therefore is subject to change without notice. The E-Z-GO Division DISCLAIMS LIABILITY FOR ERRORS IN THIS MANUAL, and the E-Z-GO Division SPECIFICALLY DISCLAIMS LIABILITY FOR INCIDENTAL AND CONSEQUENTIAL DAMAGES resulting from the use of the information and materials in this Manual.

**CUSTOMER SERVICE DEPARTMENT IN USA PHONE: 1-800-241-5855 FAX: 1-800-448-8124**

**OUTSIDE USA PHONE: 001-706-798-4311, FAX: 001-706-771-4609**

**E-Z-GO DIVISION OF TEXTRON, INC., P.O.BOX 388, AUGUSTA, GEORGIA USA 30903-0388**

## NOTES

To obtain a copy of the limited warranty applicable to the vehicle, call or write a local Distributor, authorized Branch or the Warranty Department with vehicle serial number and manufacturer code.

The use of non Original Equipment Manufacturer (OEM) parts may void the warranty.

Tampering with or adjusting the governor to permit vehicle to operate at above factory specifications will void the vehicle warranty.

When servicing engines, all adjustments and replacement components must be per original vehicle specifications in order to maintain the United States of America Federal and State emission certification applicable at the time of manufacture.

### BATTERY PROLONGED STORAGE

All batteries will self discharge over time. The rate of self discharge varies depending on the ambient temperature and the age and condition of the batteries.

A fully charged battery will not freeze in winter temperatures unless the temperature falls below -75 F (-60 C).

As with all electric vehicles, the batteries must be checked and recharged as required or at a minimum of 30 day intervals.

# TABLE OF CONTENTS

<b>SECTION</b>	<b>Page No.</b>
HOW TO USE THE SERVICE PARTS MANUAL .....	v
ILLUSTRATED PARTS BREAKDOWN .....	vii
ACCELERATOR .....	A-1
BATTERY CHARGER, PORTABLE .....	B-1
BODY .....	C-1
BRAKES .....	D-1
ELECTRICAL SYSTEM .....	E-1
ELECTRONIC SPEED CONTROL .....	F-1
ELECTRIC MOTOR .....	G-1
FRONT SUSPENSION/STEERING .....	H-1
REAR AXLE .....	J-1
REAR SUSPENSION .....	K-1
SEATING .....	L-1
TRUCK BED, MANUAL LIFT .....	M-1
WEATHER PROTECTION .....	N-1
WHEELS AND TIRES .....	P-1
SPECIALTY PRODUCTS .....	APPENDIX A-1
OPTIONS/ACCESSORIES .....	APPENDIX B-1



# HOW TO USE THE SERVICE PARTS MANUAL

This manual is divided into several sections:

## **GENERAL INFORMATION**

- TABLE OF CONTENTS
- HOW TO USE THE SERVICE PARTS MANUAL

## **ILLUSTRATED PARTS BREAKDOWN**

- Contains illustrations and parts lists for all systems of the vehicle

## **APPENDIX**

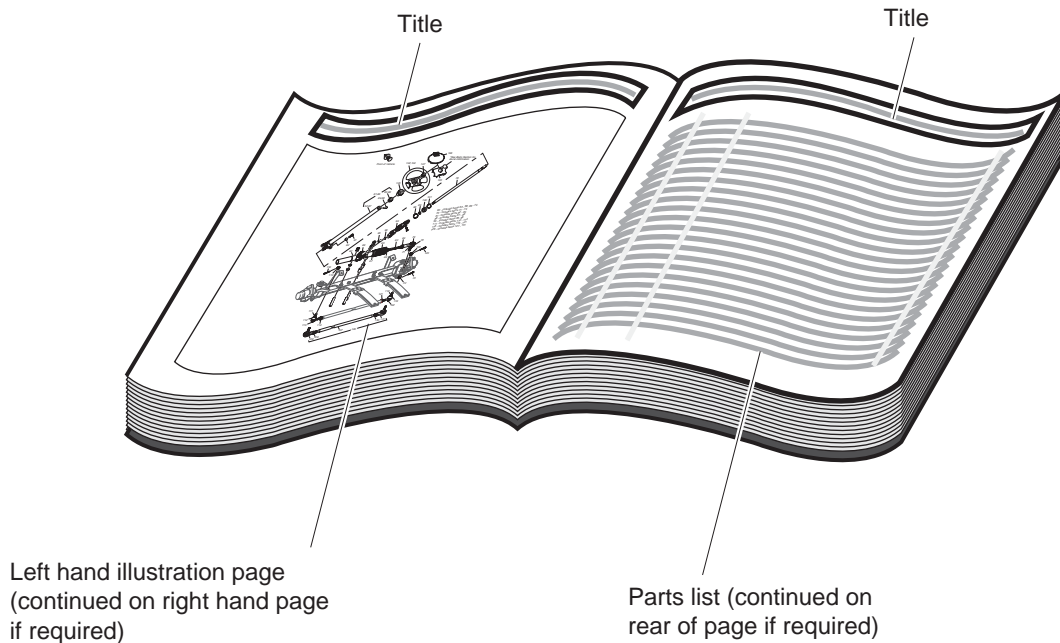
- Contains a listing of specialty products and options/accessories

## **USE OF THE MANUAL**

To use this manual, consult the TABLE OF CONTENTS (page iii) to locate the information or illustration required.

Introduction of some revisions varies due to supply of components; therefore, it is possible that various combinations of components may be found that are not directly reflected by each illustration. Consult the illustration that best suits your situation. Locate the serial number plate (see BODY located in the Illustrated Parts Breakdown section of this manual for its location) and note the complete number shown on the plate. It is important that the serial number of your vehicle and its model number be supplied to Service Parts when ordering any replacement components.

# HOW TO USE THE SERVICE PARTS MANUAL



## 1. WHEN THE PART NUMBER IS NOT KNOWN

- Determine the function and application of the part required. Turn to the INDEX OF MAJOR COMPONENTS and select the most appropriate component description.
- Turn to the page number indicated and locate the part description in the parts list. Read the full accompanying description for specific information regarding the part that was not shown in the index.
- From the parts list, obtain the item number assigned to it and confirm that the part selected is correct by verifying it with the pictorial representation on the illustrated page.

## 2. IF YOU KNOW THE PART NUMBER

- Use the INDEX OF MAJOR COMPONENTS to find the page(s) the part number appears on.
- Turn to the page number indicated and locate the part number in the parts list. Refer to the accompanying description for specific information regarding the part.
- From the parts list, obtain the item number assigned to it and confirm that the part selected is correct by verifying it with the pictorial representation on the illustrated page.

Should an asterisk (\*) appear in the part number column on the parts list page, read upwards until a part number is found. The part number is the lowest assembly sold by Service Parts. The asterisk (\*) indicates that the part depicted is not available for purchase.

NOTE: Descriptions are indented under the assembly that they are used on. That assembly is, in turn listed under the assembly that it is used on. This process is repeated until the highest final assembly is reached.

**To facilitate the maintenance and repair of the vehicle, a Technician's Repair and Service Manual is available from the Service Parts Department.**

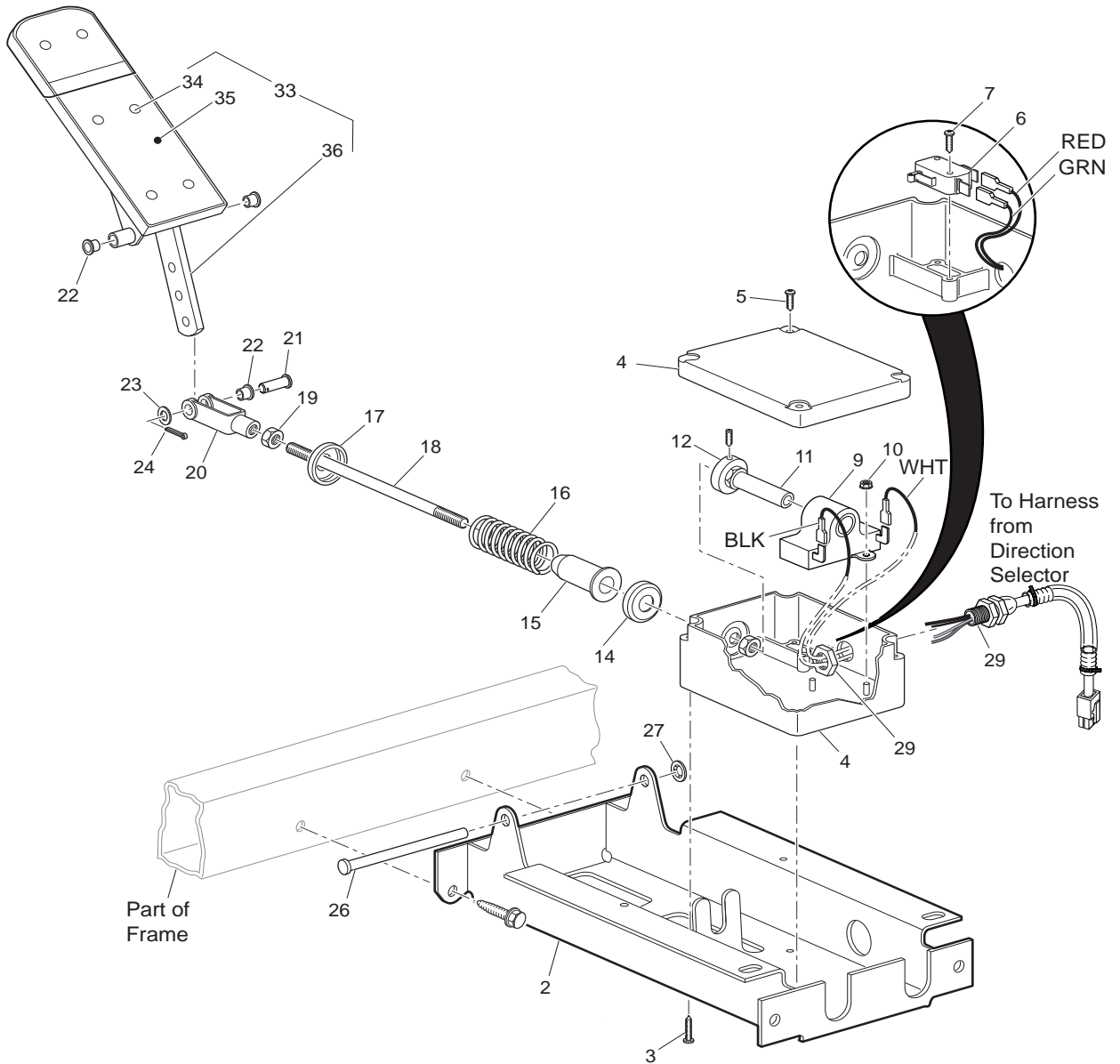


## ILLUSTRATED PARTS BREAKDOWN

# ILLUSTRATED PARTS BREAKDOWN

# ACCELERATOR

1 - Includes Items 2 - 36  
33 - Includes Items 34 - 36



# ACCELERATOR

When ordering parts, please specify the model and serial number of the product.

\* Indicates a component that is not available as an individual part.

G\*\* Indicates consult Customer Service Department for additional information.

ITEM	PART NO.	1 2 3 4 5	DESCRIPTION	QTY.
1	73333G10		PEDAL BOX ASSEMBLY (INCLUDES ITEMS 2 - 36) .....	1
2	70116G02		ACCELERATOR PEDAL BRACKET.....	1
3	01051G01		SCREW, #8 - 16 X 1/2" LG. ....	4
4	25853G01		PEDAL BOX AND COVER .....	1
5	00684G6		SCREW, #8 - 32 X 3/4" LG. ....	2
6	25861G02		MICRO SWITCH.....	1
7	01050G01		SCREW, #4 - 20 X 5/8" LG .....	2
8				
9	25854G01		INDUCTIVE THROTTLE SENSOR .....	1
10	00983G01		SELF THREADING NUT, 3/16" .....	2
11	602484		PLUNGER.....	1
12	28444G01		ACCELERATOR CAM ROD .....	1
13				
14	17677G1		SPRING RETAINER, 1/2" .....	1
15	17979G1		BUSHING.....	1
16	73046G01		COMPRESSION SPRING .....	1
17	17677G2		SPRING RETAINER, 3/8" .....	1
18	73332G01		ACCELERATOR ROD .....	1
19	00532G4		LOCK NUT, 5/16 - 24.....	1
20	10385G4		CLEVIS YOKE (ADJUSTABLE).....	1
21	10386G3		CLEVIS PIN, 5/16" X 1" LG .....	1
22	17838G1		NYLON BUSHING .....	3
23	17255G1		TEFLON WASHER, 5/16".....	1
24	10387G3		COTTER PIN, 3/32" X 3/4" LG .....	1
25				
26	74432G01		PEDAL PIVOT PIN .....	1
27	12064G6		PUSH NUT, 9/32".....	1
28				
29	25879G05		WIRING HARNESS (PEDAL BOX ASSEMBLY) .....	1
30				

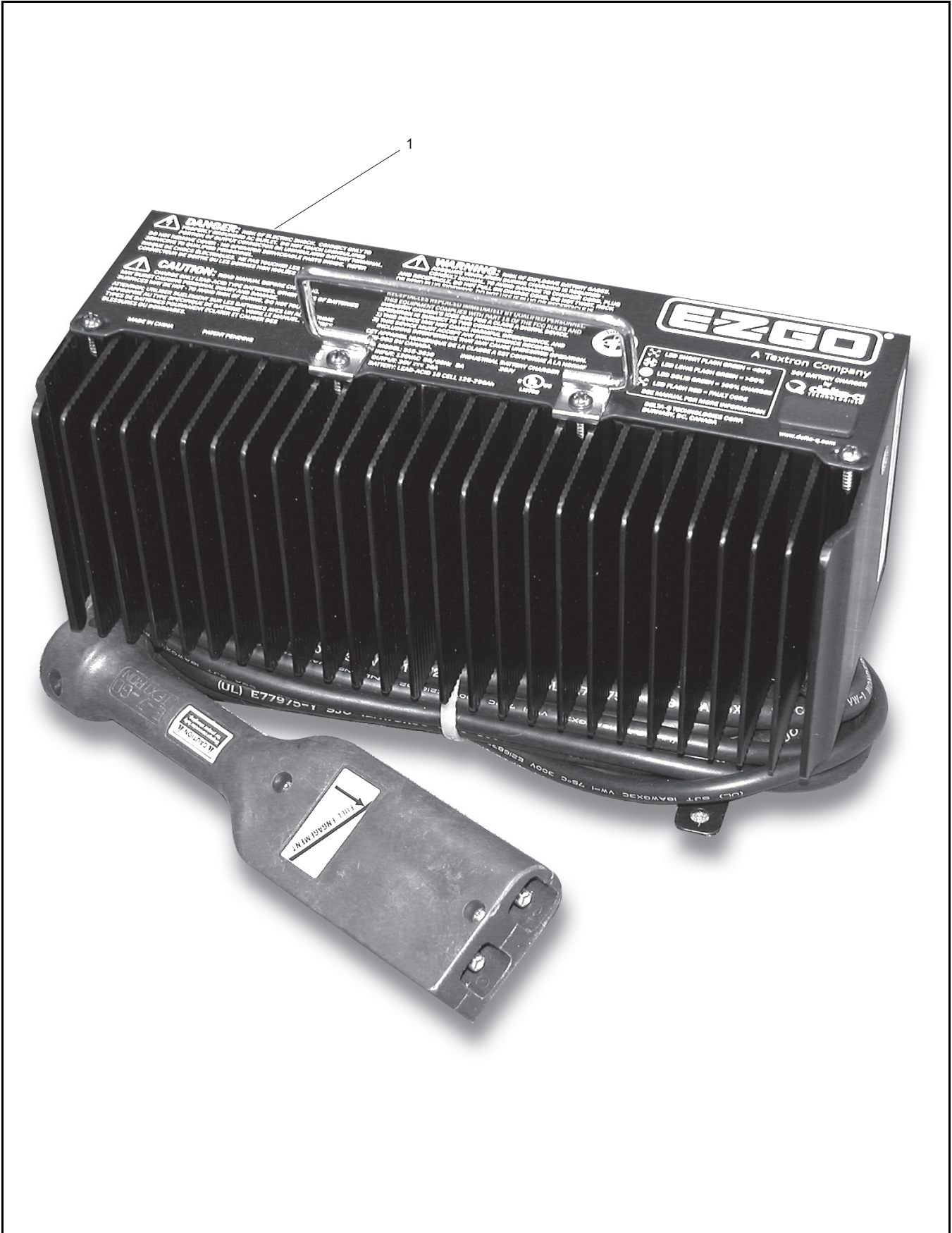
# ACCELERATOR

When ordering parts, please specify the model and serial number of the product.  
 \* Indicates a component that is not available as an individual part.  
 G\*\* Indicates consult Customer Service Department for additional information.

ITEM	PART NO.	1	2	3	4	5	DESCRIPTION	QTY.
31								
32								
33	25799G03						ACCELERATOR PEDAL ASSEMBLY (INCLUDES ITEMS 34 - 36).....	1
34	15766G1						OVAL RIVET, 3/16" X 3/8" LG .....	6
35	27512G01						ACCELERATOR PEDAL PAD .....	1
36	70125G04						ACCELERATOR PEDAL .....	1



# BATTERY CHARGER-PORTABLE 36 VOLT



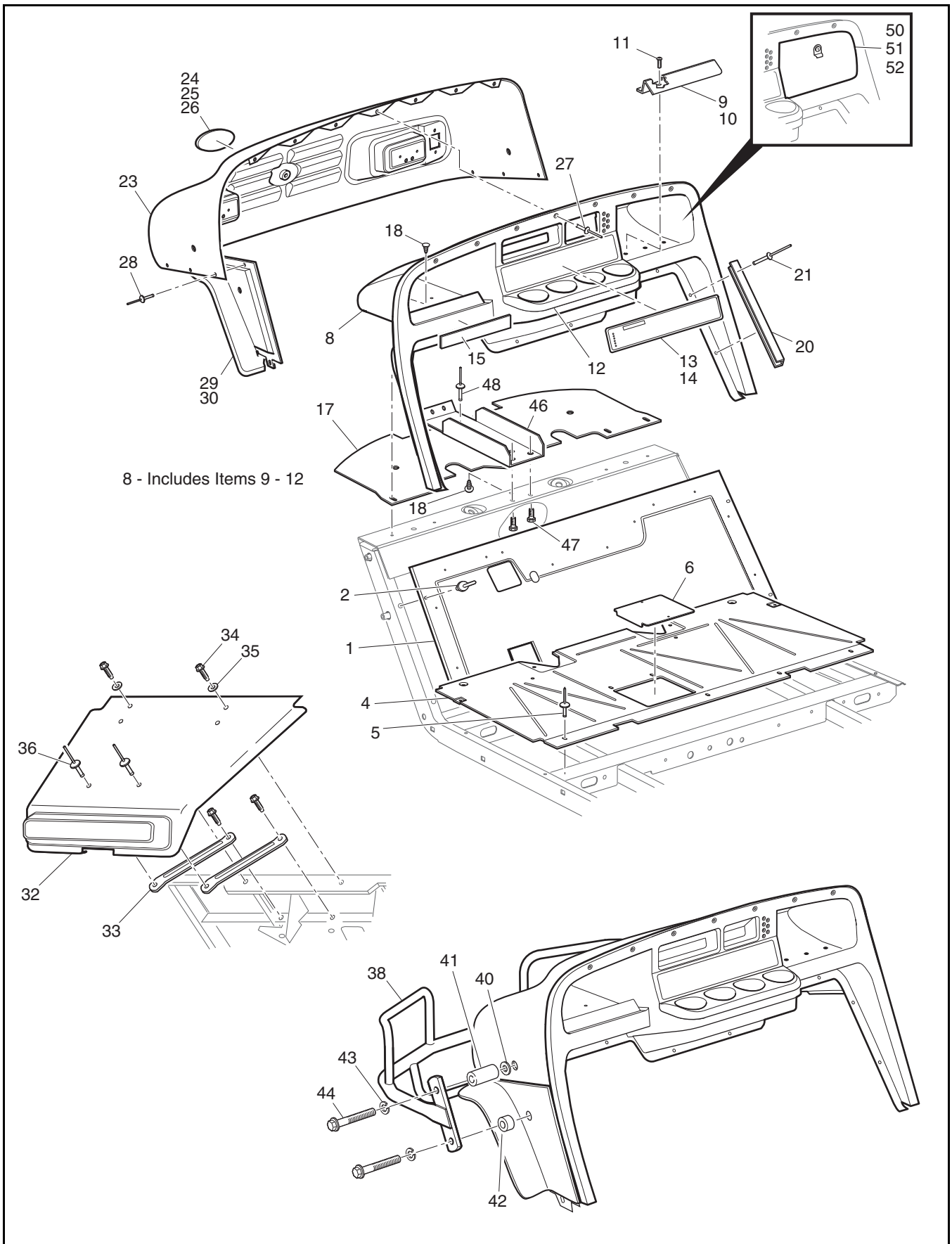
# BATTERY CHARGER-PORTABLE 36 VOLT

THE USE OF NON U.L. PARTS WILL VOID ANY U.L. LISTING.  
 When ordering parts, please specify the model and serial number of the product.  
 \* Indicates a component that is not available as an individual part.  
 G\*\* Indicates consult Customer Service Department for additional information.

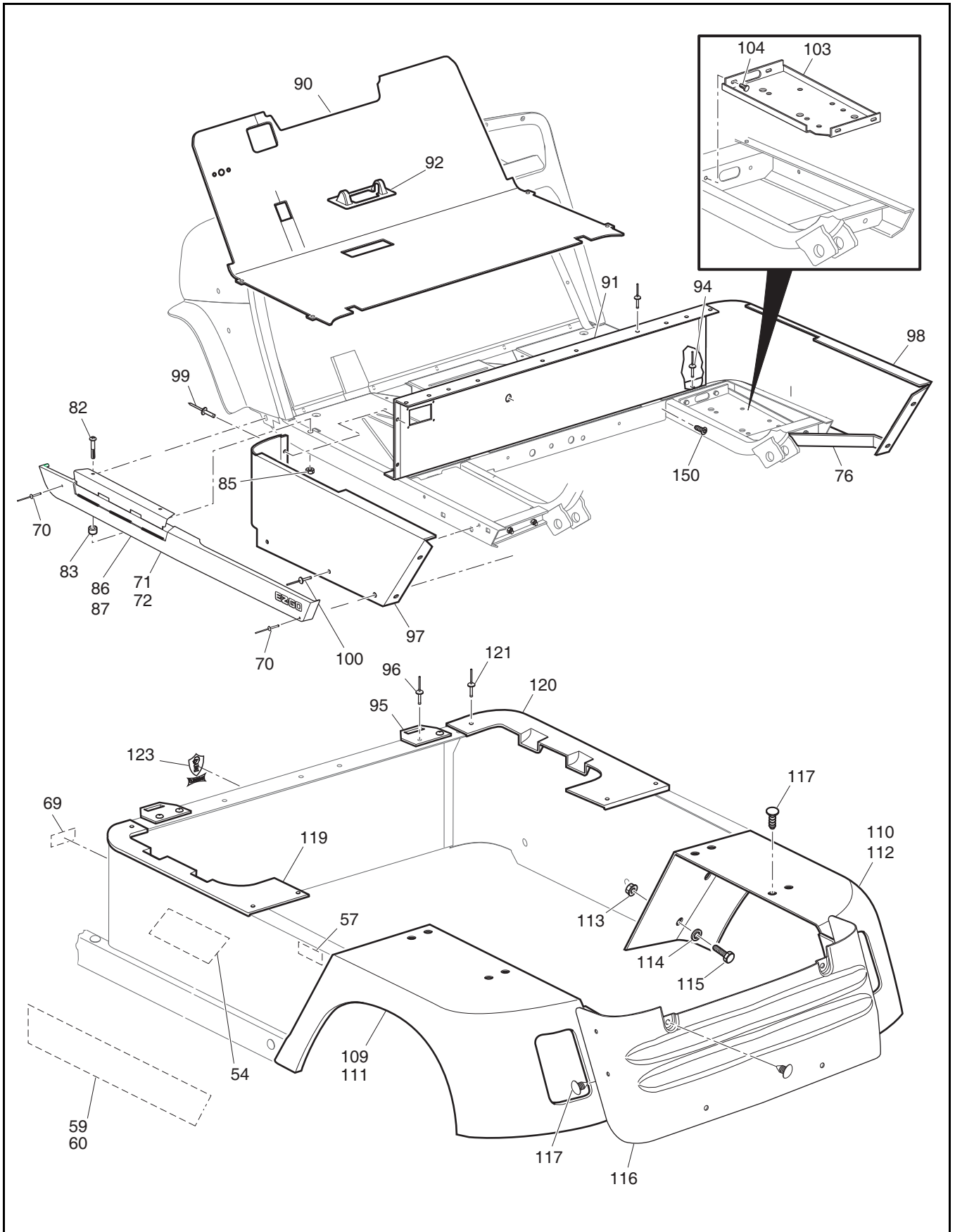
ITEM	PART NO.	1	2	3	4	5	DESCRIPTION	QTY.
1	605332						POWERWISE QE(DELTA), 36VOLT 10' CORD CHARGER.....	1
2	604320						KIT, AC CORD, 9', POWERWISE QE.....	1
3	605493						KIT, 10' DC CORD, 36V POWERWISE QE .....	1
4	605607						KIT, PCB/ EMI BRD, 36-48V PWISE QE .....	1
5	605608						KIT, CHARGER CVER/ HNDLE, 36V PW QE .....	1
6	606296						CHARGER HANDLE-POWERWISE QE .....	1

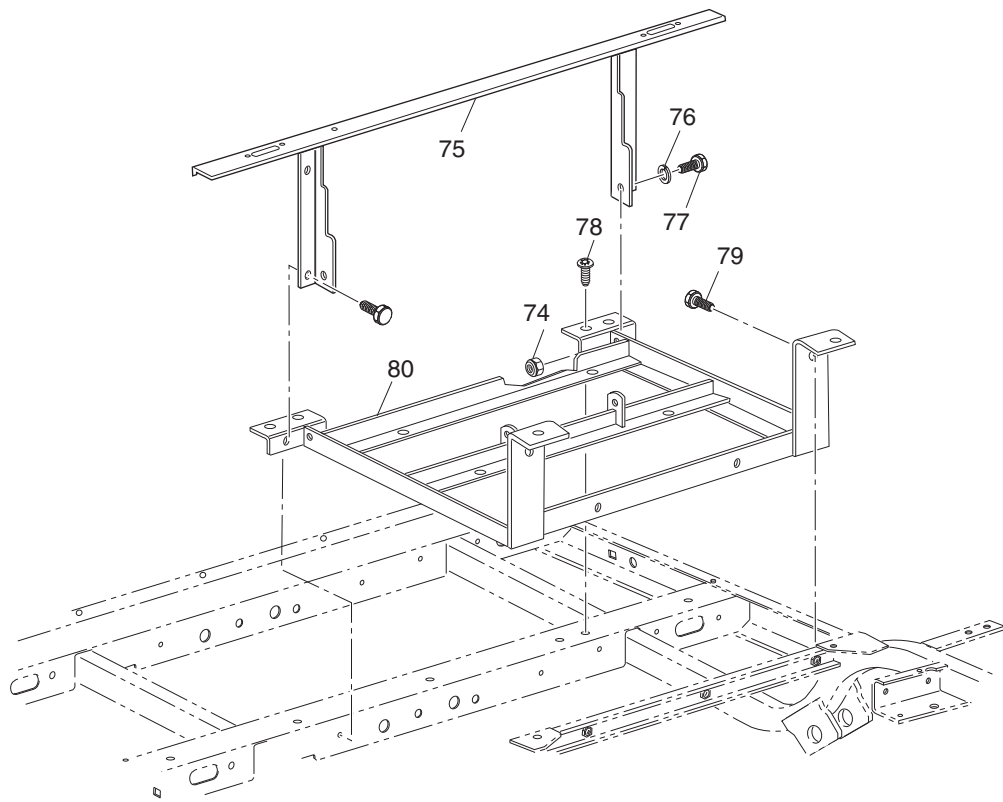






# BODY

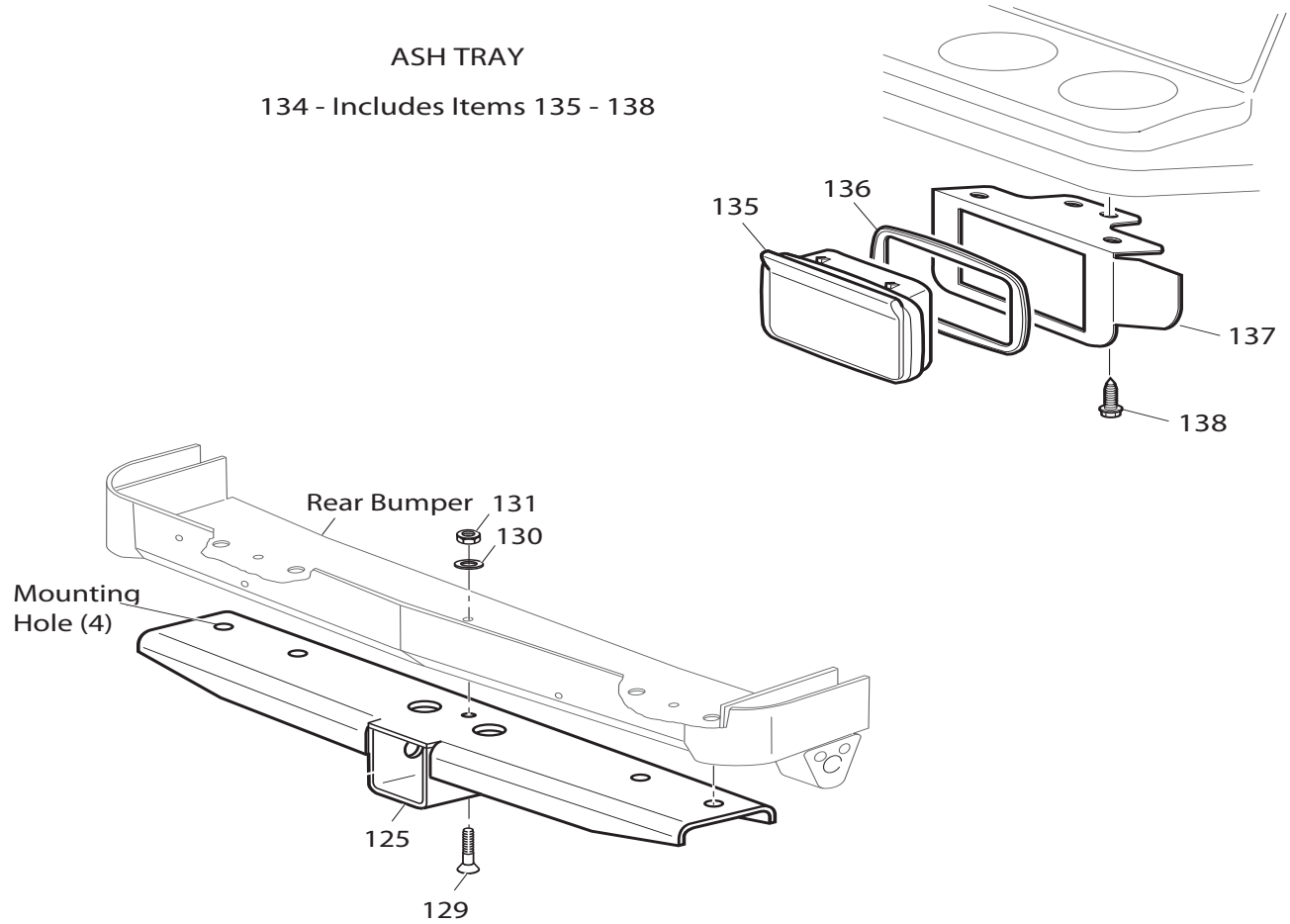




# BODY

## ASH TRAY

134 - Includes Items 135 - 138



Ref Bod 21-3

THE USE OF NON U.L. PARTS WILL VOID ANY U.L. LISTING.  
 When ordering parts, please specify the model and serial number of the product.  
 \* Indicates a component that is not available as an individual part.  
 G\*\* Indicates consult Customer Service Department for additional information.

ITEM	PART NO.	1 2 3 4 5	DESCRIPTION	QTY.
1	70662G01		UPPER FLOORPAN.....	1
2	14601G11		RIVET, 3/16" X 9/16" LG (ALUMINUM).....	9
3				
4	70451G01		LOWER FLOORPAN.....	1
5	14601G11		RIVET, 3/16" X 9/16" LG (ALUMINUM).....	7
6	70452G01		ACCESS COVER.....	1
7				
8	71151G01		INSTRUMENT PANEL ASSEMBLY (INCLUDES ITEMS 9 - 12) .....	1
9	71153G01		DEFLECTOR (PASSENGER SIDE) .....	1
10	71154G01		DEFLECTOR (DRIVER SIDE).....	1
11	00614G5		SCREW, #8 - 18 X 5/8" LG .....	6
12	71158G01		INSTRUMENT PANEL INSERT (FOUR CUP).....	1
13	35964G01		LABEL (SAFETY) (TEXT) .....	1
14	35962G01		LABEL (SAFETY) (PICTOGRAPH).....	1
15	74443G01		LABEL (ANTI-ROLLBACK) .....	1
16				
17	71413G01		SPLASH PANEL.....	1
18	16816G2		RATCHET FASTENER, 1/4" X 3/4" LG .....	1
19				
20	71115G01		VINYL TRIM .....	2
21	71055G01		RIVET, 3/16" X 1" LG (ALUMINUM).....	10
22				
23	606534G**		COWL..... 606534G002....ST COWL SPECIAL COLOR 606534G005....ST COWL FRONT JAC ORANGE 606534G006....ST COWL FRONT LIGHT GOLD PEARL 606534G007....ST COWL SILVER PEARL METAL 606534G011....ST COWL BLACK PAINT 606534G012....ST COWL EMERALD GREEN PEARL 606534G013....ST COWL CLOUD GREY 606534G014....ST COWL VIPER BLUE METAL 606534G019....ST COWL PATRIOT BLUE PEARL 606534G020....ST COWL INFERNO RED METAL 606534G023....ST COWL ADV CLASSICE CAMO	1

# BODY

THE USE OF NON U.L. PARTS WILL VOID ANY U.L. LISTING.  
 When ordering parts, please specify the model and serial number of the product.  
 \* Indicates a component that is not available as an individual part.  
 G\*\* Indicates consult Customer Service Department for additional information.

ITEM	PART NO.	1 2 3 4 5	DESCRIPTION	QTY.
			606534G024....ST COWL FRONT NATURAL 606534G025....ST COWL FRONT NEW HOLLAND BLUE 606534G026....ST COWL FRONT STEEL BLUE PEARL 606534G027....ST COWL BRIGHT SILVER METAL 606534G029....ST COWL PRIME 606534G030....ST COWL HD ADV CAMO 606534G031....ST COWL FRONT METALLIC CHARCOAL 606534G033....ST COWL TIMERLINE GREEN 606534G034....ST COWL DEEP MOLTEN RED 606534G035....ST COWL SAFETY YELLOW 606534G036....ST COWL CAMPAGNE BEIGE TEXT 606534G037....ST COWL HUNTER GREEN 606534G038....ST COWL BRIGHT WHITE 606534G039....ST COWL FLAME RED 606534G040....ST COWL BLACK 606534G041....ST COWL ELECTRIC BLUE 606534G042....ST COWL PLATINUM 606534G043....ST COWL BURGUNDY ON CH BG 606534G044....ST COWL ALMOND 606534G046....ST COWL BURGANDY ON BLACK 606534G047....ST COWL BURLINGTON GREEN 606534G048....ST COWL BLACK ON CHAM BEIGE 606534G049....ST COWL RED ON CHAM BEIGE	
24	74813G01		NAMEPLATE (E-Z-GO) (OVAL) .....	1
25				
26				
27	71055G01		RIVET, 3/16" X 1" LG .....	9
28	71055G01		RIVET, 3/16" X 1" LG .....	5
29	71338G01		FENDER FLARE (DRIVER SIDE).....	1
30	71338G02		FENDER FLARE (PASSENGER SIDE) .....	1
31				
32	27166G04		FRONT SHIELD .....	1
33	70725G02		FRONT SHIELD BRACE.....	2
34	01038G01		SCREW, 1/4 - 20 X 1/2" LG.....	4
35	16469G1		WASHER, 1/4" .....	2
36	01057G01		RIVET, KTR, 1/4" X 1" LG .....	2
37				
38	606107		BUMPER .....	1

THE USE OF NON U.L. PARTS WILL VOID ANY U.L. LISTING.  
 When ordering parts, please specify the model and serial number of the product.  
 \* Indicates a component that is not available as an individual part.  
 G\*\* Indicates consult Customer Service Department for additional information.

ITEM	PART NO.	1 2 3 4 5	DESCRIPTION	QTY.
39				
40	00570G2		WASHER, 5/16" .....	2
41	75048G04		SPACER, 1".....	2
42	75048G01		SPACER, 1/2".....	2
43	00905G8		LOCK WASHER, 5/16".....	4
44	01035G02		BOLT, 5/16 - 18 X 2 1/2" LG .....	4
45				
46	71101G02		COWL SUPPORT BRACKET .....	1
47	71102G02		SELF TAPPING SCREW, 1/4 - 20 X 1/2" LG .....	3
48	71055G01		RIVET, 3/16" X 1.0" LG .....	1
49				
50				
51				
52				
53				
54	620325		DECAL (ST-SPORT II E).....	2
55				
56				
57	74099G01		LABEL, TILT WARNING PICTOGRAPH .....	2
58				
59				
60				
61				
62				
63				
64				
65				
66				
67				
68				

# BODY

THE USE OF NON U.L. PARTS WILL VOID ANY U.L. LISTING.

When ordering parts, please specify the model and serial number of the product.

\* Indicates a component that is not available as an individual part.

G\*\* Indicates consult Customer Service Department for additional information.

ITEM	PART NO.	1 2 3 4 5	DESCRIPTION	QTY.
69	*		SERIAL NUMBER PLATE .....	1
70	15058G6		RIVET, BLACK (ALUMINUM).....	4
71	71502G01		ROCKER PANEL (DRIVER SIDE) .....	1
72	71501G01		ROCKER PANEL (PASSENGER SIDE).....	1
73				
74	11098G6		LOCK NUT, 5/16 - 18 .....	2
75	70441G01		SEAT FRAME.....	1
76	00559G8		WASHER, 5/16" .....	2
77	00438G6		BOLT, 5/16 - 18 X 3/4" LG .....	2
78	70200G01		SCREW, 3/8 - 16 X 1/4" LG.....	2
79	00715G2		BOLT, 5/16 - 18 X 13/16" LG .....	4
80	70046G02		BATTERY RACK .....	1
81				
82	16705G1		SCREW, 1/4 - 20 X 1" LG.....	4
83	23726G4		SPACER .....	4
84				
85	14390G4		LOCK NUT, 1/4 - 20 .....	4
86	71507G01		SILL PLATE TREAD (PASSENGER SIDE).....	1
87	71507G02		SILL PLATE TREAD (DRIVER SIDE) .....	1
88				
89				
90	70663G03		FLOORMAT (AXLE MOUNTED STEERING).....	1
91	71379G21		SEAT WRAP PANEL .....	1
92	70135G01		PEDAL PIVOT COVER .....	1
93				
94	10570G10		RIVET, 5/32" X 9/16" LG .....	8
95	71609G01		SEAT HINGE PLATE.....	2
96	10570G11		RIVET, 3/16" X 3/4" LG .....	4
97	71259G01		SIDE PANEL (DRIVER SIDE) .....	1
98	71259G02		SIDE PANEL (PASSENGER SIDE).....	1



THE USE OF NON U.L. PARTS WILL VOID ANY U.L. LISTING.  
 When ordering parts, please specify the model and serial number of the product.  
 \* Indicates a component that is not available as an individual part.  
 G\*\* Indicates consult Customer Service Department for additional information.

ITEM	PART NO.	1 2 3 4 5	DESCRIPTION	QTY.
99	10570G10		RIVET, 5/32" X 9/16" LG .....	4
100	10570G12		RIVET, 1/4" X 1/2" LG .....	4
101				
102				
103	70244G03		SPLASH PANEL.....	2
104	00715G2		BOLT, 5/16 - 18 X 13/16" LG .....	8
105				
106				
107				
108				
109	74892G01		FENDER (DRIVER SIDE) .....	1
110	74892G02		FENDER (PASSENGER SIDE).....	1
111				
112				
113	14390G4		LOCK NUT, 1/4 - 20 .....	4
114	00642G7		WASHER, 1/4" .....	8
115	00414G6		BOLT, 1/4 - 20 X 3/4" LG .....	4
116	74890G01		REAR PANEL.....	1
117	16816G2		RATCHET FASTENER, 1/4" X 3/4" LG .....	8
118				
119	74891G01		SEAT FILLER PANEL (DRIVER SIDE) .....	1
120	74891G02		SEAT FILLER PANEL (PASSENGER SIDE).....	1
121	10570G10		RIVET, 5/32" X 9/16" LG .....	6
122				
123				
124				
125	74348G02		HITCH RECEIVER .....	1
126				
127				
128				

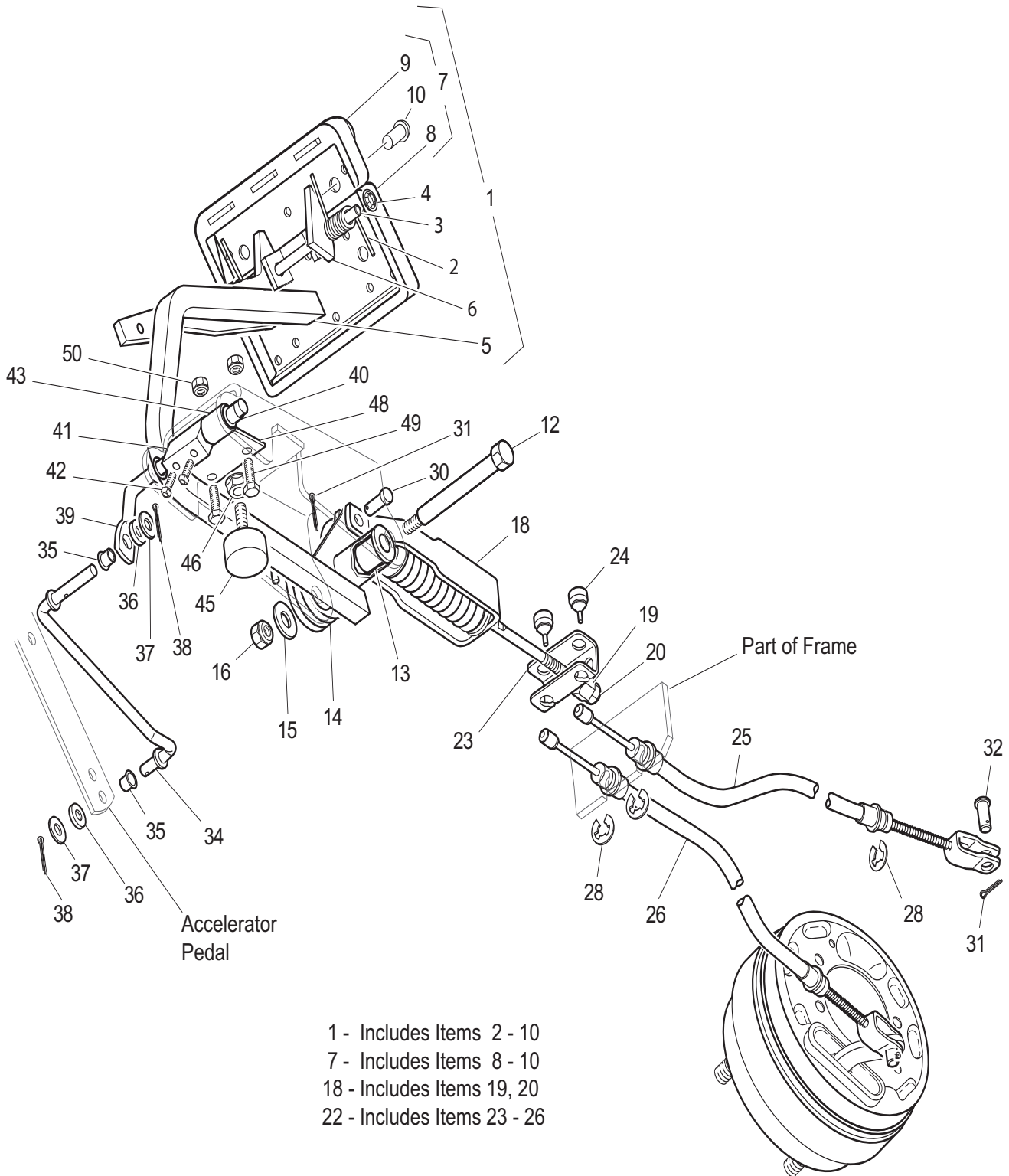
# BODY

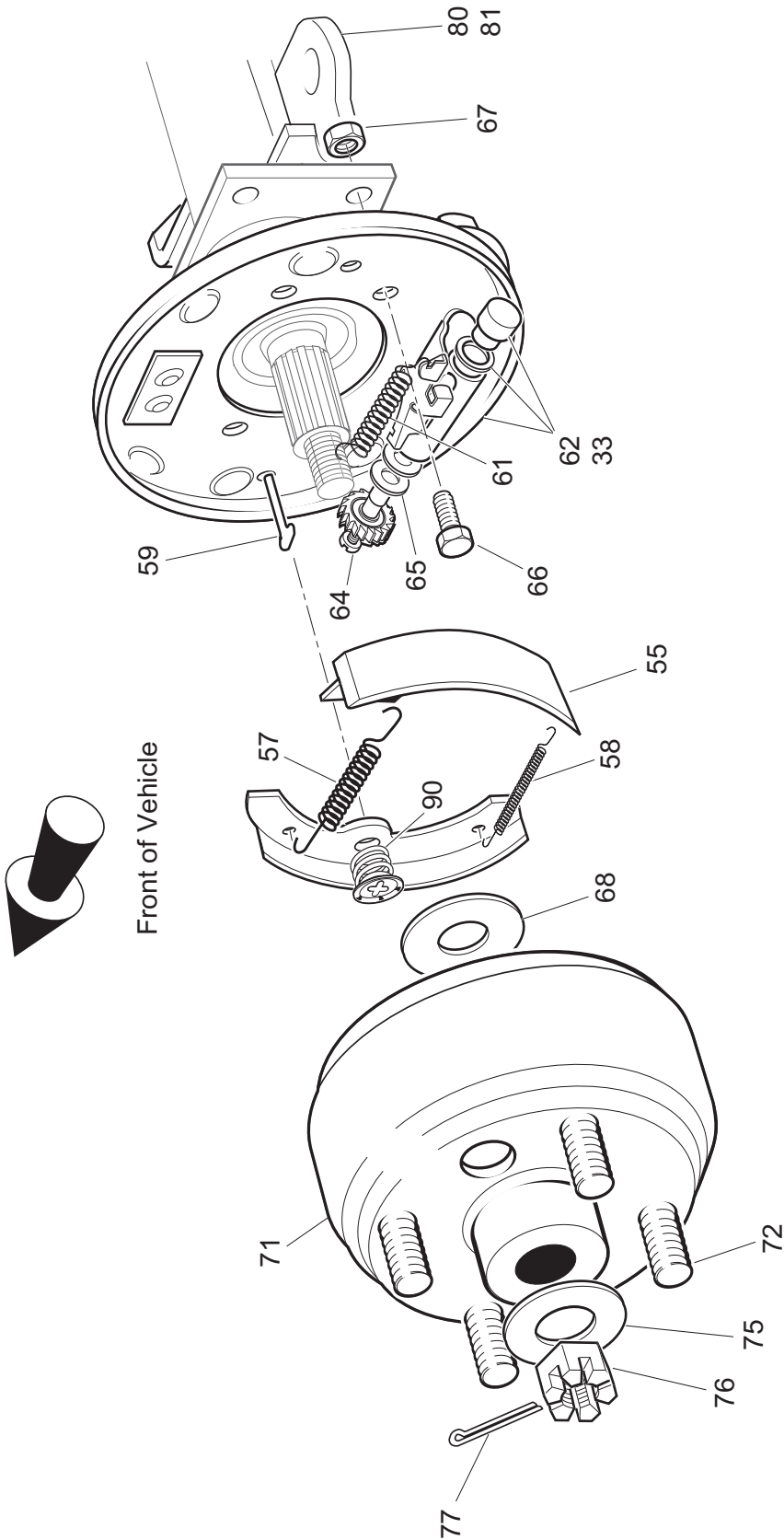
THE USE OF NON U.L. PARTS WILL VOID ANY U.L. LISTING.  
 When ordering parts, please specify the model and serial number of the product.  
 \* Indicates a component that is not available as an individual part.  
 G\*\* Indicates consult Customer Service Department for additional information.

ITEM	PART NO.	1 2 3 4 5	DESCRIPTION	QTY.
129	00198G8		SCREW, 5/16 - 18 X 1" LG.....	1
130	00571G2		WASHER, 5/16" .....	1
131	11098G6		LOCK NUT, 5/16 - 18 .....	1
132				
133				
134	75109G04		ASH TRAY KIT (INCLUDES ITEMS 135 - 138) .....	1
135	27731G01		ASH TRAY .....	1
136	27736G01		GASKET .....	1
137	75108G02		BRACKET .....	1
138	00100G4		SCREW, #10 - 16 X 1/2" LG .....	4



# BRAKES





- 52 - Includes Items 54, 55
- 53 - Includes Items 54, 55
- 54 - Includes Items 55
- 56 - Includes Items 57 - 61
- 62 - Includes Items 64, 65
- 63 - Includes Items 64, 65
- 70 - Includes Items 71, 72

# BRAKES

THE USE OF NON U.L. PARTS WILL VOID ANY U.L. LISTING.

When ordering parts, please specify the model and serial number of the product.

\* Indicates a component that is not available as an individual part.

G\*\* Indicates consult Customer Service Department for additional information.

ITEM	PART NO.	1 2 3 4 5	DESCRIPTION	QTY.
1	70612G02		BRAKE PEDAL ASSEMBLY (WITHOUT BRAKE LIGHTS) (INCLUDES ITEMS 2 - 10).....	1
2	70681G01		TORSION SPRING.....	2
3	70682G01		PIVOT PIN.....	1
4	01071G01		PUSHNUT, 5/16".....	1
5	70259G02		BRAKE PEDAL.....	1
6	70611G01		PARK BRAKE PEDAL.....	1
7	70274G01		BRAKE/PARK BRAKE PEDAL PAD KIT (INCLUDES ITEMS 8 - 10).....	1
8	70257G01		SERVICE BRAKE PAD.....	1
9	70256G01		PARK BRAKE PEDAL PAD.....	1
10	16409G1		OVAL RIVET, 3/16" X 7/16" LG.....	9
11				
12	70582G01		SHOULDER BOLT, 3/8 - 16 X 4" LG (STAINLESS STEEL).....	1
13	70581G01		FLANGED BUSHING.....	2
14	70676G01		TORSION SPRING.....	1
15	00643G1		WASHER, 3/8".....	1
16	11098G5		LOCK NUT, 3/8 - 16.....	1
17				
18	70272G04		COMPENSATOR ASSEMBLY (INCLUDES ITEMS 19, 20).....	1
19	00963G01		SPHERICAL NUT, 5/16 - 24.....	1
20	11098G9		LOCK NUT, 5/16 - 24.....	1
21				
22	70969G03		EQUALIZER AND BRAKE CABLE ASSEMBLY (INCLUDES ITEMS 23 - 26)....	1
23	28082G01		EQUALIZER BRACKET.....	1
24	28083G01		BRAKE COMPENSATOR BUMPER.....	2
25	70968G04		BRAKE CABLE (DRIVER SIDE).....	1
26	70968G03		BRAKE CABLE (PASSENGER SIDE).....	1
27				
28	01111G01		RETAINING RING, 13/32" (STAINLESS STEEL).....	4
29				

# BRAKES

THE USE OF NON U.L. PARTS WILL VOID ANY U.L. LISTING.

When ordering parts, please specify the model and serial number of the product.

\* Indicates a component that is not available as an individual part.

G\*\* Indicates consult Customer Service Department for additional information.

ITEM	PART NO.	1 2 3 4 5	DESCRIPTION	QTY.
30	10386G3		CLEVIS PIN, 5/16" X 13/16" LG .....	3
31	10387G3		COTTER PIN, 3/32" X 3/4" LG .....	3
32	14443G2		CLEVIS PIN, 5/16" X 5/8" LG .....	2
33				
34	70601G01		KICK-OFF LINK.....	1
35	17838G1		NYLON BUSHING.....	2
36	20835G1		TEFLON WASHER, 3/8" .....	2
37	00559G8		WASHER, 5/16" .....	2
38	10387G3		COTTER PIN, 3/32" X 3/4" LG .....	2
39	70098G01		KICK-OFF CAM PIVOT.....	1
40	10097G6		FLANGED BEARING .....	2
41	70587G01		KICK-OFF CAM.....	1
42	71215G01		SETSCREW, 1/4 - 20 X 1/2" LG.....	2
43	14134G4		SPACER.....	1
44				
45	70113G01		ADJUSTABLE BUMPER.....	1
46	11027G1		LOCK NUT, 5/16 - 18 .....	1
47				
48	70080G02		CATCH BRACKET .....	1
49	00414G6		BOLT, 1/4 - 20 X 3/4" LG .....	2
50	14390G4		LOCK NUT, 1/4 - 20 (STAINLESS STEEL).....	2
51				
52	70998G01		BRAKE ASSEMBLY (DRIVER SIDE) (INCLUDES ITEMS 54, 55).....	1
53	70998G02		BRAKE ASSEMBLY (PASSENGER SIDE) (INCLUDES ITEMS 54, 55).....	1
54	70794G01		BRAKE SHOE KIT (INCLUDES ITEM 55).....	2
55	70795G01		BRAKE SHOE .....	2
56	27944G01		BRAKE SPRING KIT (INCLUDES ITEMS 57 - 61).....	2
57	*		UPPER SPRING .....	1
58	*		LOWER SPRING .....	1
59	*		PIN .....	2

# BRAKES

THE USE OF NON U.L. PARTS WILL VOID ANY U.L. LISTING.  
 When ordering parts, please specify the model and serial number of the product.  
 \* Indicates a component that is not available as an individual part.  
 G\*\* Indicates consult Customer Service Department for additional information.

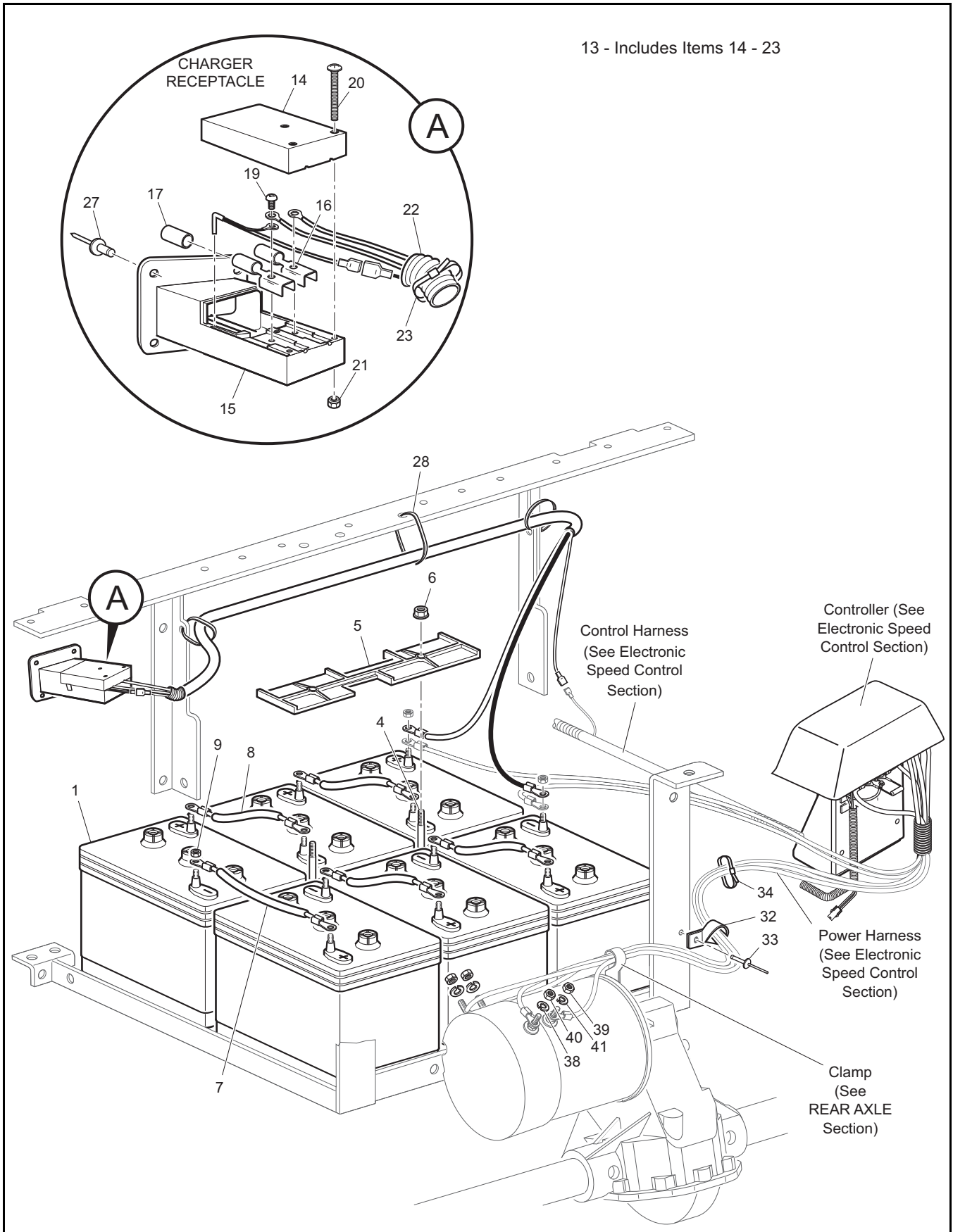
ITEM	PART NO.	1	2	3	4	5	DESCRIPTION	QTY.
60	*						CUP AND SPRING .....	2
61	*						ADJUSTER SPRING.....	1
62	72582G01						BRAKE ADJUSTER KIT (DRIVER SIDE) (INCLUDES ITEMS 64, 65) .....	1
63	72582G02						BRAKE ADJUSTER KIT (PASSENGER SIDE) (INCL. ITEMS 64, 65).....	1
64	*						ADJUSTER .....	1
65	*						TEFLON WASHER.....	2
66	17083G2						BOLT, 5/16 - 24 X 1" LG .....	8
67	15126G1						LOCK NUT, 5/16 - 24 .....	8
68	15485G1						WASHER, 13/16" .....	2
69								
70	19186G2						BRAKE DRUM ASSEMBLY (INCLUDES ITEMS 71, 72).....	2
71	*						BRAKE DRUM.....	1
72	19862G1						LUG BOLT, 1/2 - 20 X 1 3/16" LG .....	4
73								
74								
75	15487G1						WASHER, 1 3/8" O.D. X 21/32" .....	2
76	612928						CASTELLATED NUT, 5/8 - 18.....	2
77	10387G1						COTTER PIN, 1/8" X 1 1/2" LG.....	2
78								
79								
80	72036G03						BRAKE CABLE BRACKET (PASSENGER SIDE).....	1
81	72036G04						BRAKE CABLE BRACKET (DRIVER SIDE).....	1

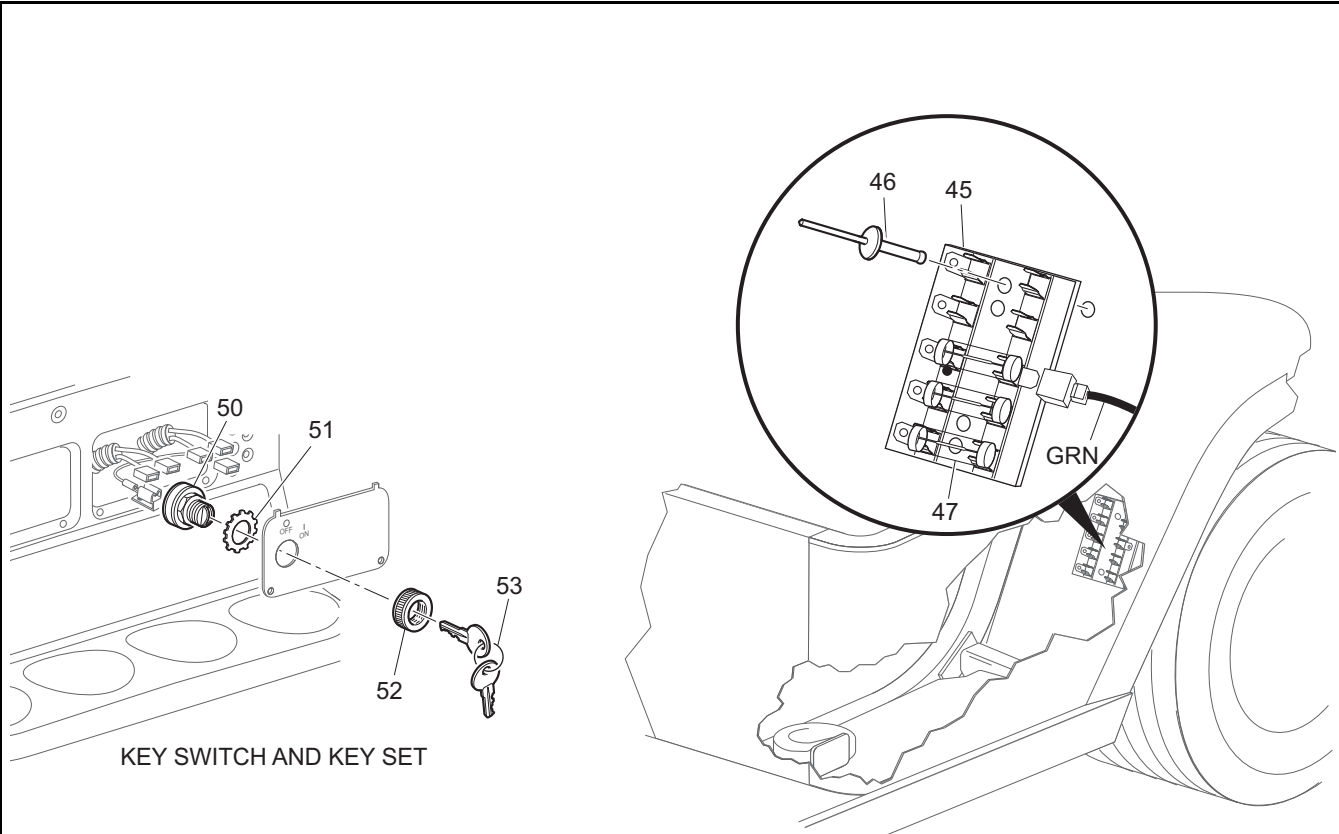




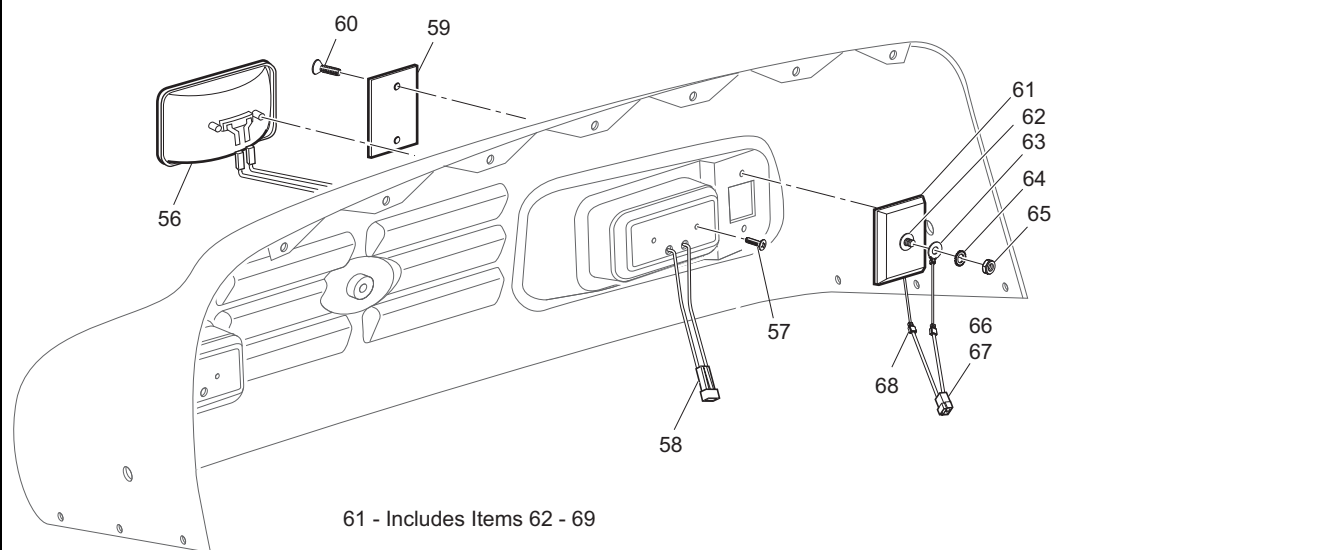
# ELECTRICAL SYSTEM

13 - Includes Items 14 - 23





KEY SWITCH AND KEY SET



61 - Includes Items 62 - 69

# ELECTRICAL SYSTEM

Where applicable, THE USE OF NON UL PARTS WILL VOID ANY UL LISTING.

When ordering parts, please specify the model and serial number of the product.

\* Indicates a component that is not available as an individual part.

G\*\* Indicates consult Customer Service Department for additional information.

ITEM	PART NO.	1 2 3 4 5	DESCRIPTION	QTY.
1	72824G01		6 VOLT BATTERY .....	6
2				
3				
4	01101G01		HOLD DOWN BOLT (STAINLESS STEEL).....	2
5	70045G01		BATTERY RETAINER .....	1
6	11027G1		LOCK NUT, 5/16 - 18.....	2
7	25971G13		6 GA WIRE (BATTERY INTERCONNECT, BLACK, 10 1/2") .....	1
8	25971G18		6 GA WIRE (BATTERY INTERCONNECT, 6") .....	4
9	00702G2		NUT, 5/16 - 18 .....	12
10				
11				
12				
13	73063G01		CHARGER RECEPTACLE ASSEMBLY (INCLUDES ITEMS 14 - 23) .....	1
14	73051G03		RECEPTACLE COVER.....	1
15	73051G29		RECEPTACLE BOTTOM .....	1
16	73051G05		FEMALE CONNECTOR.....	2
17	73051G06		INSULATOR SLEEVE .....	1
18				
19	73051G08		SCREW, #10 - 32 X 1/2" LG (BRASS).....	2
20	73051G09		SCREW, #6 - 32 X 1 3/4" LG (STAINLESS STEEL) .....	3
21	73051G10		LOCK NUT, #6 - 32 .....	3
22	602594		WIRE HARNESS (CHARGER) .....	1
23	17618G1		WIRE TIE .....	2
24				
25				
26				
27	71055G01		RIVET, 3/16" X 1" LG (ALUMINUM) .....	4
28	17618G1		WIRE TIE.....	3
29				
30				

# ELECTRICAL SYSTEM

Where applicable, THE USE OF NON UL PARTS WILL VOID ANY UL LISTING.  
 When ordering parts, please specify the model and serial number of the product.  
 \* Indicates a component that is not available as an individual part.  
 G\*\* Indicates consult Customer Service Department for additional information.

ITEM	PART NO.	1	2	3	4	5	DESCRIPTION	QTY.
31								
32	27327G01						CABLE CLAMP.....	1
33	10570G11						RIVET, 3/16" X 3/4" LG (STAINLESS STEEL) .....	1
34	17618G1						WIRE TIE.....	8
35								
36								
37								
38	00993G01						LOCK WASHER, 5/16" (SILICON BRONZE) .....	2
39	28418G01						NUT, 5/16 - 18 (BRASS).....	2
40	28418G02						BRASS NUT, 1/4 - 20 .....	2
41	00993G02						LOCK WASHER (SILICON BRONZE).....	2
42								
43								
44								
45	22674G1						FUSE BLOCK.....	1
46	01041G01						RIVET, 1/8" X 13/16" LG.....	2
47	18392G1						15 AMP FUSE .....	
							AR	
48								
49								
50	33639G**						KEY SWITCH (WITH LIGHTS).....	1
51	00568G6						LOCK WASHER, 3/4" .....	1
52	17137G1						FACE NUT, 3/4 - 20 .....	1
53	17063G1						KEY (SET) .....	1
54								
55								
56	22523G1						HEADLIGHTx'.....	2
57	00906G6						SCREW, #10 - 16 X 1" LG .....	2
58	74337G01						JUMPER WIRE (HEADLIGHT).....	2
59	20574G5						LENS, AMBER.....	1

# ELECTRICAL SYSTEM

Where applicable, THE USE OF NON UL PARTS WILL VOID ANY UL LISTING.

When ordering parts, please specify the model and serial number of the product.

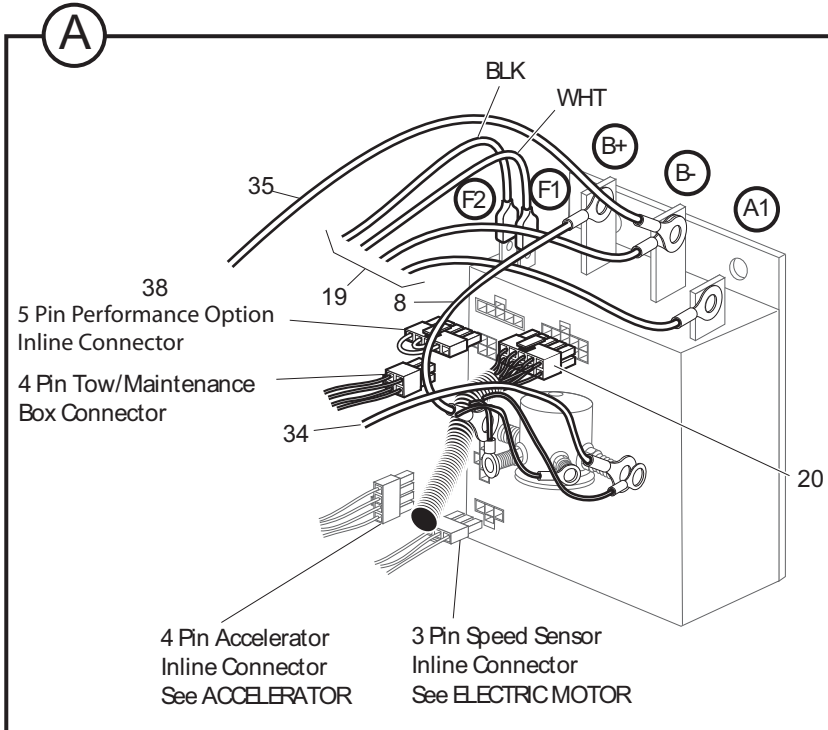
\* Indicates a component that is not available as an individual part.

G\*\* Indicates consult Customer Service Department for additional information.

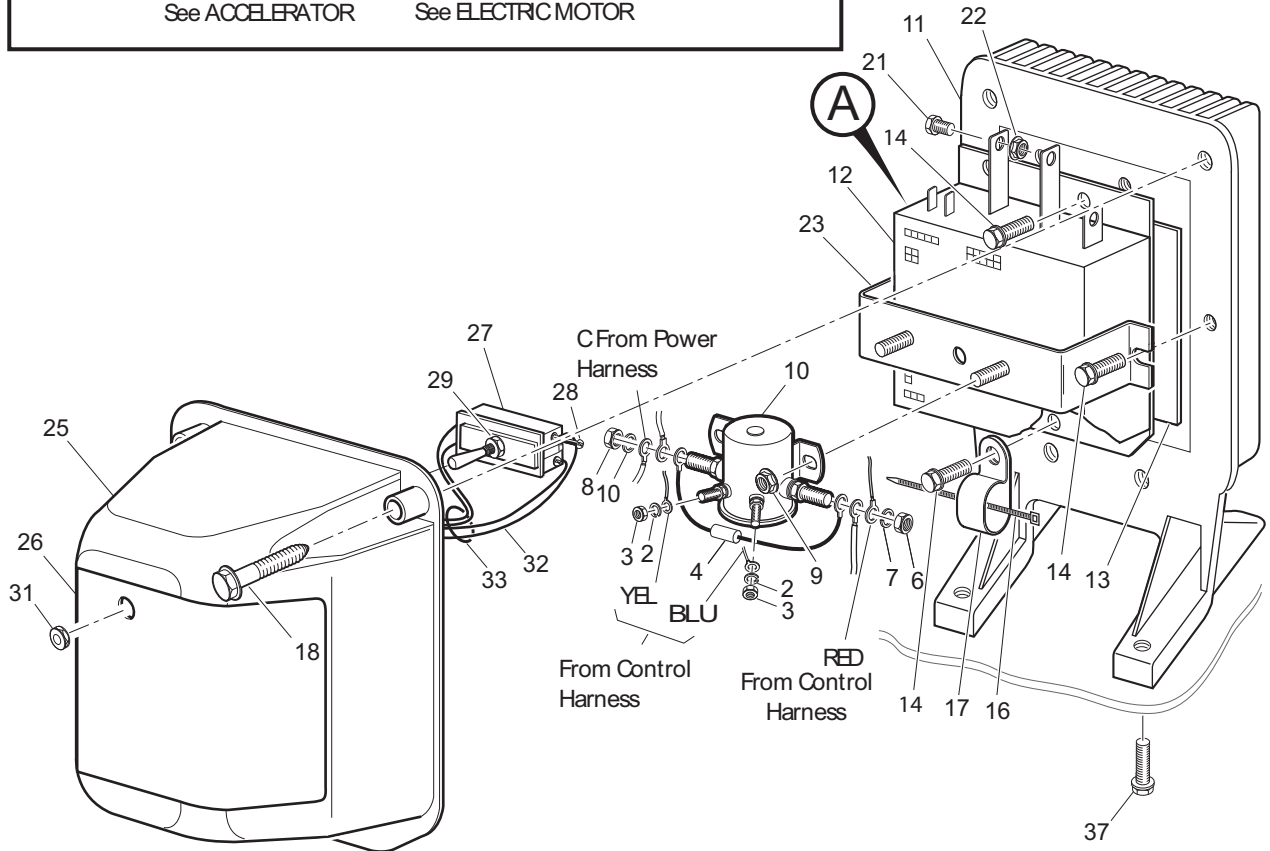
ITEM	PART NO.	1 2 3 4 5	DESCRIPTION	QTY.
61	20570-G3		TURN SIGNAL LIGHT ASSEMBLY (INCLUDES ITEMS 62 - 69) .....	2
62	20574-G3		TURN SIGNAL LIGHT .....	1
63	00660-G7		WASHER, 1/4" (STAINLESS STEEL) .....	1
64	20606-G1		WIRE ASSEMBLY .....	1
65	00567-G7		LOCK WASHER, 1/4" .....	1
66	11200532-G1		NUT, 1/4 - 20 .....	1
67	74056-G01		TURN SIGNAL JUMPER, RED/BLACK (PASSENGER SIDE) .....	1
68	74056-G02		TURN SIGNAL JUMPER, GREEN/BLACK (DRIVER SIDE) .....	1
69	18995-G1		PUSH-ON TERMINAL (MALE) .....	1



# ELECTRONIC SPEED CONTROL - PDS



- 1 - Includes Items 2 - 35
- 24 - Includes Items 25 - 33
- 27 - Includes Items 28 - 31



Ref Esp 1-1



## ELECTRONIC SPEED CONTROL - PDS

Where applicable, THE USE OF NON UL PARTS WILL VOID ANY UL LISTING.

When ordering parts, please specify the model and serial number of the product.

\* Indicates a component that is not available as an individual part.

G\*\* Indicates consult Customer Service Department for additional information.

ITEM	PART NO.	1	2	3	4	5	DESCRIPTION	QTY.
1	73276-G03						ELECTRONIC SPEED CONTROL ASSEMBLY (INCLUDES ITEMS 2 - 35) ....	1
2	00565G5						LOCK WASHER, #10 .....	2
3	00526G4						NUT, 10 - 32 .....	2
4	21764-G1						RESISTOR .....	1
5								
6	00544G4						NUT, 5/16 - 24 .....	2
7	00565G8						LOCK WASHER, 5/16" .....	2
8	25971-G18						4 GA WIRE ASSY BLACK 6" .....	1
9	800706						LOCK NUT, 1/4 - 20 .....	2
10	27855-G02						SOLENOID, 36 VOLT .....	1
11	73471-G01						HEATSINK.....	1
12	609083						ELECTRONIC SPEED CONTROLLER .....	1
13	73190-G01						THERMAL MOUNTING PAD .....	1
14	71102-G01						BOLT, 1/4 - 20 X 3/4" LG .....	3
15								
16	31539-G1						WIRE TIE .....	1
17	73053-G01						DOUBLE TUBE CLAMP.....	1
18	71102-G01						BOLT, 1/4 - 20 X 3/4" LG .....	4
19	73106-G01						WIRE HARNESS (POWER).....	1
20	74324-G02						WIRE HARNESS (CONTROL).....	1
21	00270-G5						BOLT, 5/16 - 18 X 5/8" LG .....	3
22	11027-G1						LOCK NUT, 5/16 - 18 .....	3
23	25866-G01						SOLENOID BRACKET .....	1
24	73089-G01						COVER ASSEMBLY (INCLUDES ITEMS 25 - 33).....	1
25	73028-G02						COVER (WITH GASKET) .....	1
26	73093-G01						LABEL (TOW SWITCH).....	1
27	73125-G01						TOGGLE SWITCH WITH SEAL (INCLUDES ITEMS 28 - 31).....	1
28	*						SCREW, #5 - 40 .....	4
29	*						NUT, 15/32 - 32 .....	1
30								

# ELECTRONIC SPEED CONTROL - PDS

Where applicable, THE USE OF NON UL PARTS WILL VOID ANY UL LISTING.

When ordering parts, please specify the model and serial number of the product.

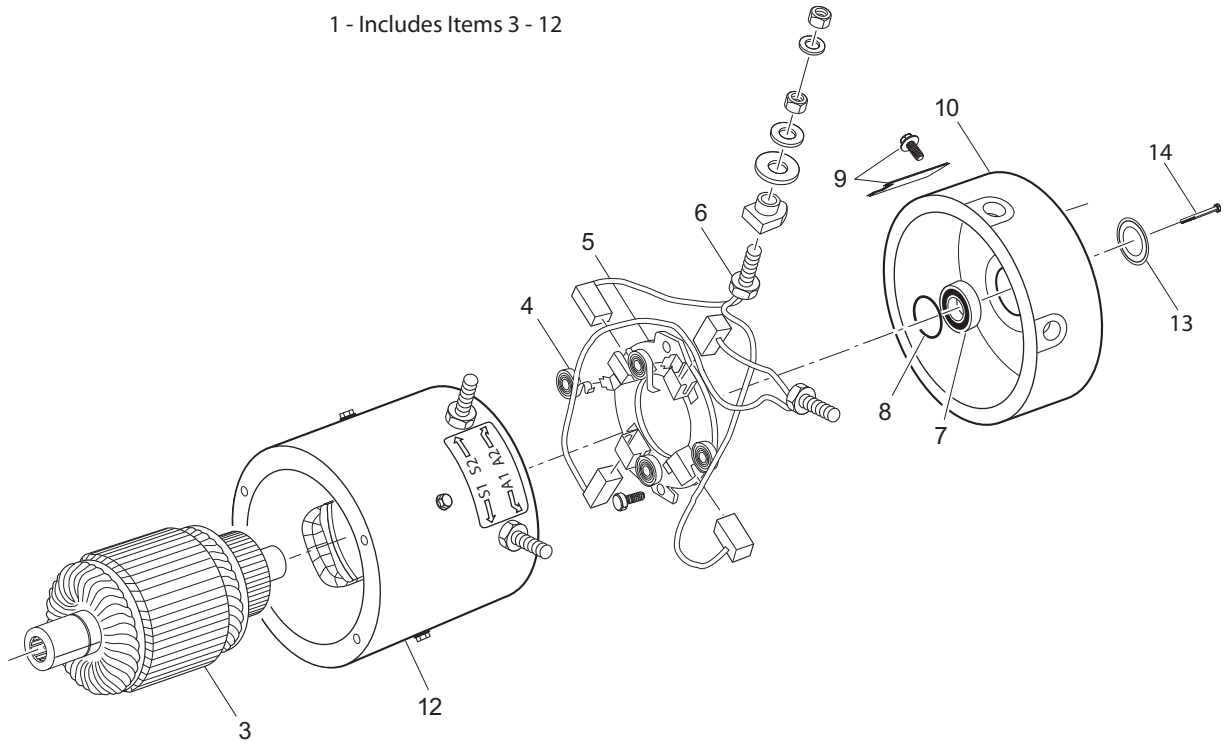
\* Indicates a component that is not available as an individual part.

G\*\* Indicates consult Customer Service Department for additional information.

ITEM	PART NO.	1	2	3	4	5	DESCRIPTION	QTY.
31	73139-G01						SEALED NUT, 15/32 - 32 .....	1
32	73138-G02						WIRE HARNESS (TOW SWITCH).....	1
33	17618-G1						WIRE TIE .....	1
34	602178						4 GA WIRE (BLACK 27", BL+ TO SOL) .....	1
35	602179						4 GA WIRE (BLACK 36", BL- TO B-).....	1
36								
37	71102-G01						BOLT, 1/4 - 20 X 3/4" LG .....	2
38	73272-G01						PERFORMANCE OPTION.....	1



# ELECTRIC MOTOR



Ref Mtr 3-1

# ELECTRIC MOTOR

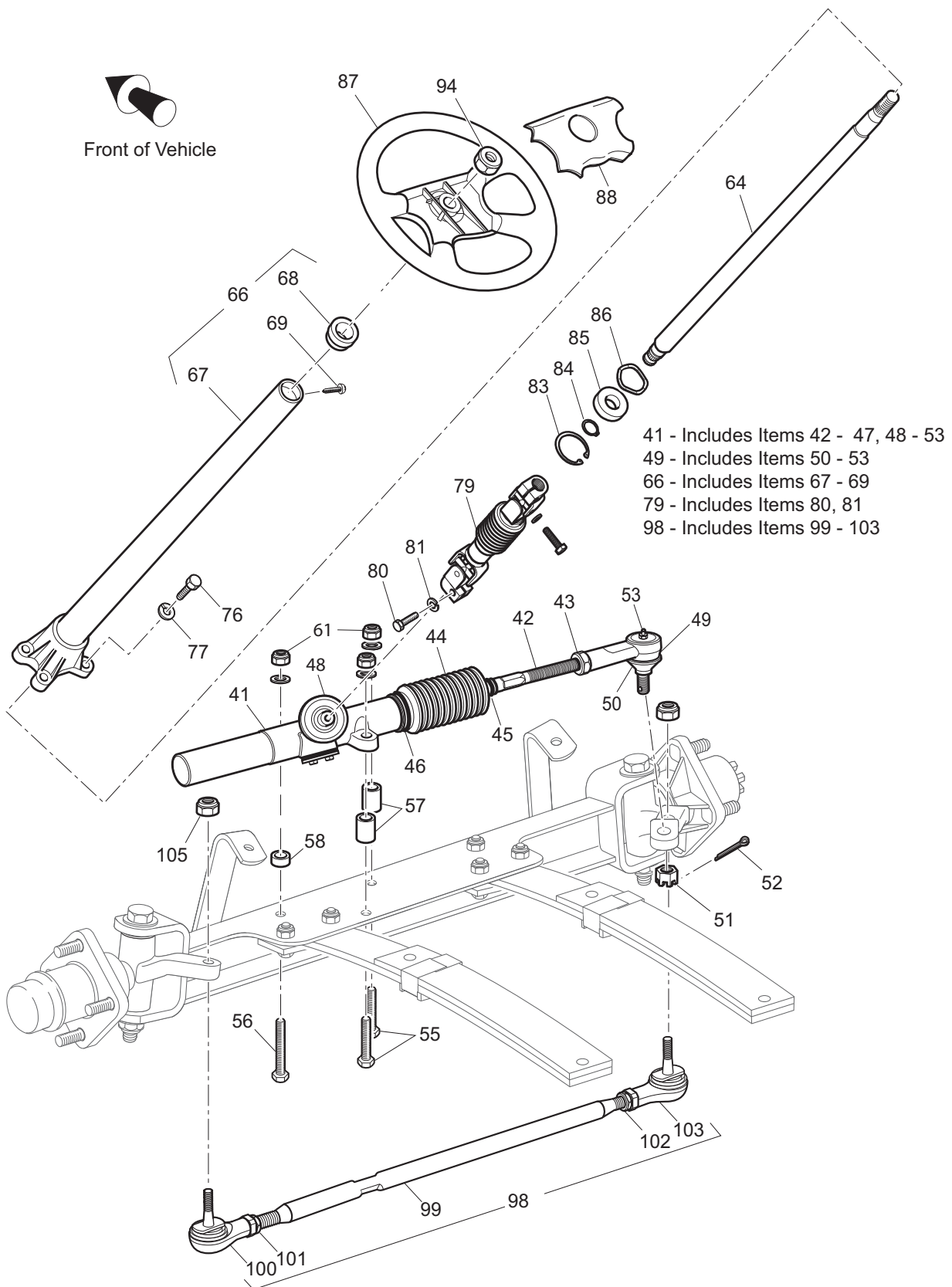
THE USE OF NON U.L. PARTS WILL VOID ANY U.L. LISTING.  
 When ordering parts, please specify the model and serial number of the product.  
 \* Indicates a component that is not available as an individual part.  
 G\*\* Indicates consult Customer Service Department for additional information.

ITEM	PART NO.	1	2	3	4	5	DESCRIPTION	QTY.
1	73445G02						MOTOR (SERIES, FLEET SPEED) (INCLUDES ITEMS 3 - 12) .....	1
2								
3	73120G18						ARMATURE.....	1
4	73120G03						BRUSH SPRING .....	4
5	73120G15						BRUSH PLATE AND BOX.....	1
6	73120G25						BRUSH REPLACEMENT KIT (INCLUDES HARDWARE) .....	1
7	73120G07						BEARING .....	1
8	73120G06						SNAP RING.....	1
9	73120G09						COVER PLATE AND SCREW.....	1
10	73120G19						COVER COMMUTATOR END.....	1
11								
12	73120G29						FRAME AND FIELD COIL (INCLUDES HARDWARE) .....	1
13	73328G01						SPEED SENSOR, MAGNET .....	1
14	01037G02						SCREW, TORX T-25.....	1





# FRONT SUSPENSION/STEERING





## FRONT SUSPENSION/STEERING

THE USE OF NON U.L. PARTS WILL VOID ANY U.L. LISTING.

When ordering parts, please specify the model and serial number of the product.

\* Indicates a component that is not available as an individual part.

G\*\* Indicates consult Customer Service Department for additional information.

ITEM	PART NO.	1	2	3	4	5	DESCRIPTION	QTY.
1	602512						FRONT AXLE .....	1
2								
3	70942G03						SPINDLE AND HUB ASSEMBLY, 4 LUG (PASSENGER SIDE) (INCLUDES ITEMS 4 - 10).....	1
4	70940G02						SPINDLE ASSEMBLY (PASSENGER SIDE).....	1
5	25146G1						GREASE SEAL.....	2
6	11750G2						ROLLER BEARING AND RACE ASSEMBLY.....	4
7	70589G01						WHEEL HUB ASSEMBLY WITH RACES, 4 LUG (INCLUDES ITEM 8) .....	2
8	19862G1						LUG BOLT, 1/2 - 20 X 1 7/32" LG.....	8
9	12093G1						SLOTTED NUT, 1 - 14 .....	2
10	00798G8						COTTER PIN, 5/32" X 1 3/4" LG .....	2
11								
12								
13								
14	70673G03						SPINDLE AND HUB ASSEMBLY, 4 LUG (DRIVER SIDE) (INCLUDES ITEMS 5 - 10, 15).....	1
15	70742G02						SPINDLE ASSEMBLY (DRIVER SIDE) .....	1
16								
17								
18	00407G6						BOLT, 1/2 - 13 X 6" LG .....	2
19	00560G3						WASHER, 1/2" .....	4
20	70745G01						KING PIN TUBE .....	2
21	70754G01						THRUST WASHER (STAINLESS STEEL).....	2
22	14390G6						LOCK NUT, 1/2 - 13 .....	2
23								
24								
25	76419G01						SHOCK ABSORBER.....	2
26								
27								
28	10435G1						SHOCK ABSORBER WASHER.....	8
29	10194G1						RUBBER SHOCK ABSORBER BUSHING .....	8

# FRONT SUSPENSION/STEERING

THE USE OF NON U.L. PARTS WILL VOID ANY U.L. LISTING.  
 When ordering parts, please specify the model and serial number of the product.  
 \* Indicates a component that is not available as an individual part.  
 G\*\* Indicates consult Customer Service Department for additional information.

ITEM	PART NO.	1 2 3 4 5	DESCRIPTION	QTY.
30	00532G6		NUT, 3/8 - 24 .....	4
31	10044G01		VINYL CAP .....	2
32				
33				
34	70989G03		LEAF SPRING (HEAVY DUTY).....	2
35	70163G03		SPRING PLATE .....	4
36				
37	00734G1		LOCK NUT, 7/16 - 14 .....	6
38	00463G11		BOLT, 7/16 - 14 X 1 3/4" LG .....	11
39				
40				
41				
42	70965G01		STEERING RACK COVERING & BEARING (INCLUDES ITEMS 42 - 47, 48 - 53) .....	1
43	70694G01		RACK EXTENSION .....	1
44	*		JAM NUT, 1/2 - 20.....	1
45	70961G01		RACK BOOT .....	1
46	12416G2		NYLON CLAMP .....	1
47	11391G8		HOSE CLAMP .....	1
48	70638G01		PINION SEAL .....	1
49	70695G01		RACK BALL JOINT (INCLUDES ITEMS 50 - 53) .....	1
50	50641G1		RUBBER BOOT .....	1
51	50209G2		SLOTTED NUT, 7/16 - 20.....	1
52	10387G2		COTTER PIN, 3/32" X 1" LG .....	1
53	10389G3		GREASE FITTING, STRAIGHT .....	1
54				
55	00464G6		BOLT, 7/16 - 14 X 2 3/4" LG .....	2
56	01068G01		BOLT, 7/16 - 14 X 3 1/2" LG .....	1
57	70667G02		SPACER .....	2
58	70667G03		SPACER (SHORT) .....	1

## FRONT SUSPENSION/STEERING

THE USE OF NON U.L. PARTS WILL VOID ANY U.L. LISTING.

When ordering parts, please specify the model and serial number of the product.

\* Indicates a component that is not available as an individual part.

G\*\* Indicates consult Customer Service Department for additional information.

ITEM	PART NO.	1	2	3	4	5	DESCRIPTION	QTY.
59								
60								
61	00734G1						LOCK NUT, 7/16 - 14 .....	16
62								
63								
64	70607G01						STEERING SHAFT .....	1
65								
66	70758G05						STEERING COLUMN KIT (INCLUDES ITEMS 67 - 69) .....	1
67	70610G03						STEERING COLUMN .....	1
68	28569G01						STEERING COLUMN BUSHING .....	1
69	01022G01						SCREW, #6 - 20 X 5/16" LG .....	1
70								
71								
72								
73								
74								
75								
76	01006G01						BOLT, 3/8 - 16 X 1 1/4" LG WITH PATCHLOCK .....	4
77	00879G1						LOCK WASHER, 3/8" .....	4
78								
79	70580G01						INTERMEDIATE SHAFT (INCLUDES ITEMS 80, 81) .....	1
80	01055G01						BOLT, M8 X 1 1/4" LG .....	2
81	00565G8						LOCK WASHER, 5/16" .....	2
82								
83	70751G01						RETAINING RING (INTERNAL) .....	1
84	70888G01						RETAINING RING (EXTERNAL) .....	1
85	15112G1						BALL BEARING .....	1
86	70887G01						WAVE WASHER .....	1
87	602980						STEERING WHEEL .....	1
88	71147G01						STEERING WHEEL COVER .....	1

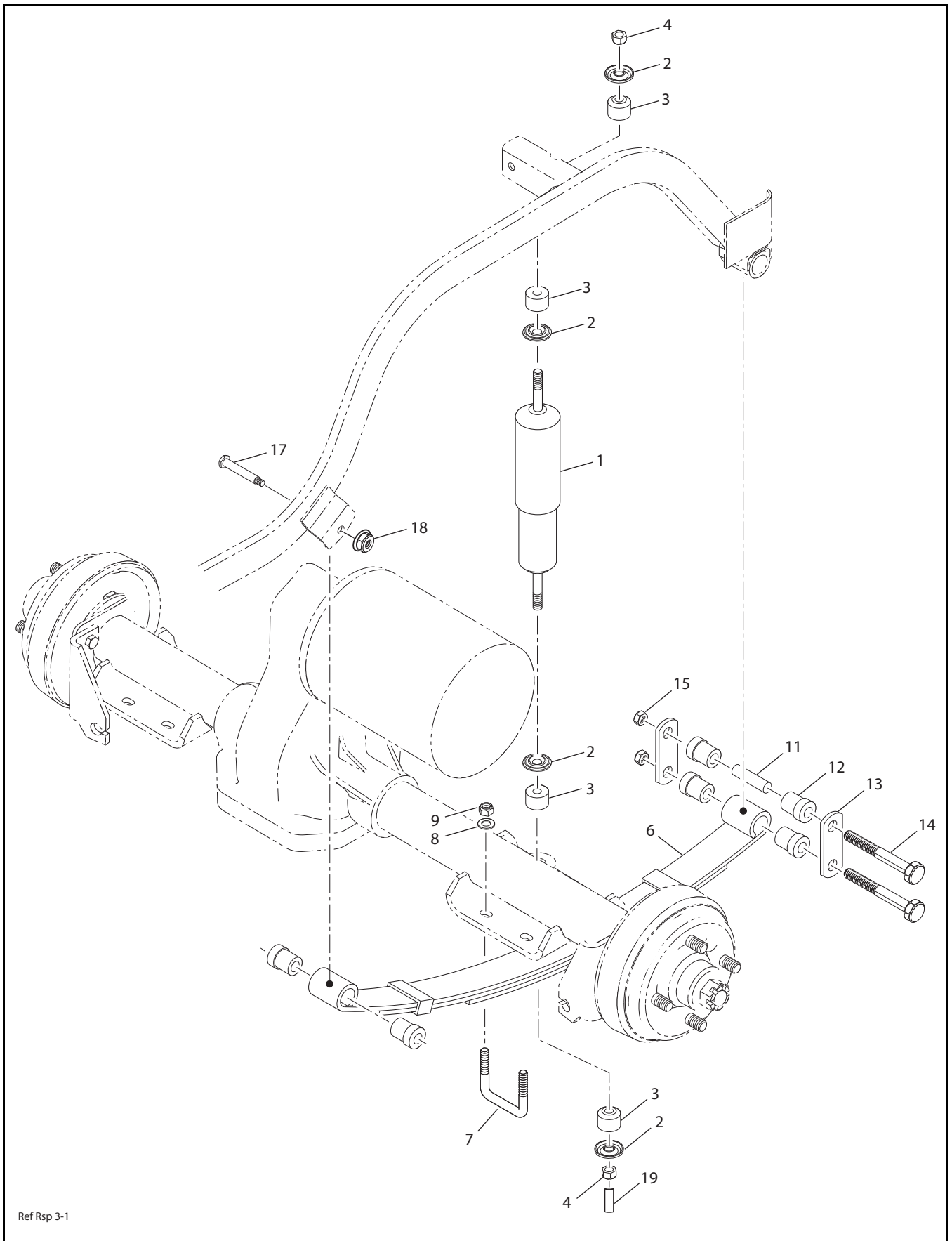
# FRONT SUSPENSION/STEERING

THE USE OF NON U.L. PARTS WILL VOID ANY U.L. LISTING.  
 When ordering parts, please specify the model and serial number of the product.  
 \* Indicates a component that is not available as an individual part.  
 G\*\* Indicates consult Customer Service Department for additional information.

ITEM	PART NO.	1 2 3 4 5	DESCRIPTION	QTY.
89				
90				
91				
92				
93				
94	14390G2		LOCK NUT, 5/8 - 18 .....	1
95				
96				
97				
98	74604G01		TIE ROD ASSEMBLY (INCLUDES ITEMS 99 - 103) .....	1
99	74603G01		THREADED ROD (24" LG) .....	1
100	70902G01		TIE ROD END (LEFT HAND THREADS) .....	1
101	01069G01		JAM NUT, M12 X 1.25-05 (LEFT HAND THREADS) .....	1
102	70902G02		TIE ROD END (RIGHT HAND THREADS) .....	1
103	01069G02		JAM NUT, M12 X 1.25-05 (RIGHT HAND THREADS) .....	1
104				
105	00734G1		LOCK NUT, 7/16 - 14 .....	2



# REAR SUSPENSION



Ref Rsp 3-1

# REAR SUSPENSION

THE USE OF NON U.L. PARTS WILL VOID ANY U.L. LISTING.

When ordering parts, please specify the model and serial number of the product.

\* Indicates a component that is not available as an individual part.

G\*\* Indicates consult Customer Service Department for additional information.

ITEM	PART NO.	1 2 3 4 5	DESCRIPTION	QTY.
1	70248-G01		SHOCK ABSORBER .....	2
2	10435-G1		SHOCK ABSORBER WASHER.....	8
3	10194-G1		RUBBER SHOCK ABSORBER BUSHING .....	8
4	00532-G6		NUT, 3/8 - 24 .....	4
5				
6	74207-G03		LEAF SPRING (HEAVY DUTY) .....	2
7	72618-G01		"U" BOLT, 3/8 - 16 X 2" X 2 1/2" LG .....	4
8	00560-G1		WASHER, 3/8" .....	8
9	11098-G5		LOCK NUT, 3/8 - 16 .....	8
10				
11	70289-G02		SPACER.....	4
12	70291-G01		RUBBER BUSHING .....	12
13	604961		SHACKLE PLATE .....	4
14	00665-G9		BOLT, 3/8 - 16 X 3 1/2" LG (STAINLESS STEEL) .....	4
15	11098-G5		LOCK NUT, 3/8 - 16 .....	4
16				
17	14158-G1		SHOULDER BOLT, 3/8 - 16 X 3 1/4" LG .....	2
18	12262-G1		LOCK NUT, 3/8 - 16 .....	2
19	10044-G01		VINYL CAP .....	2

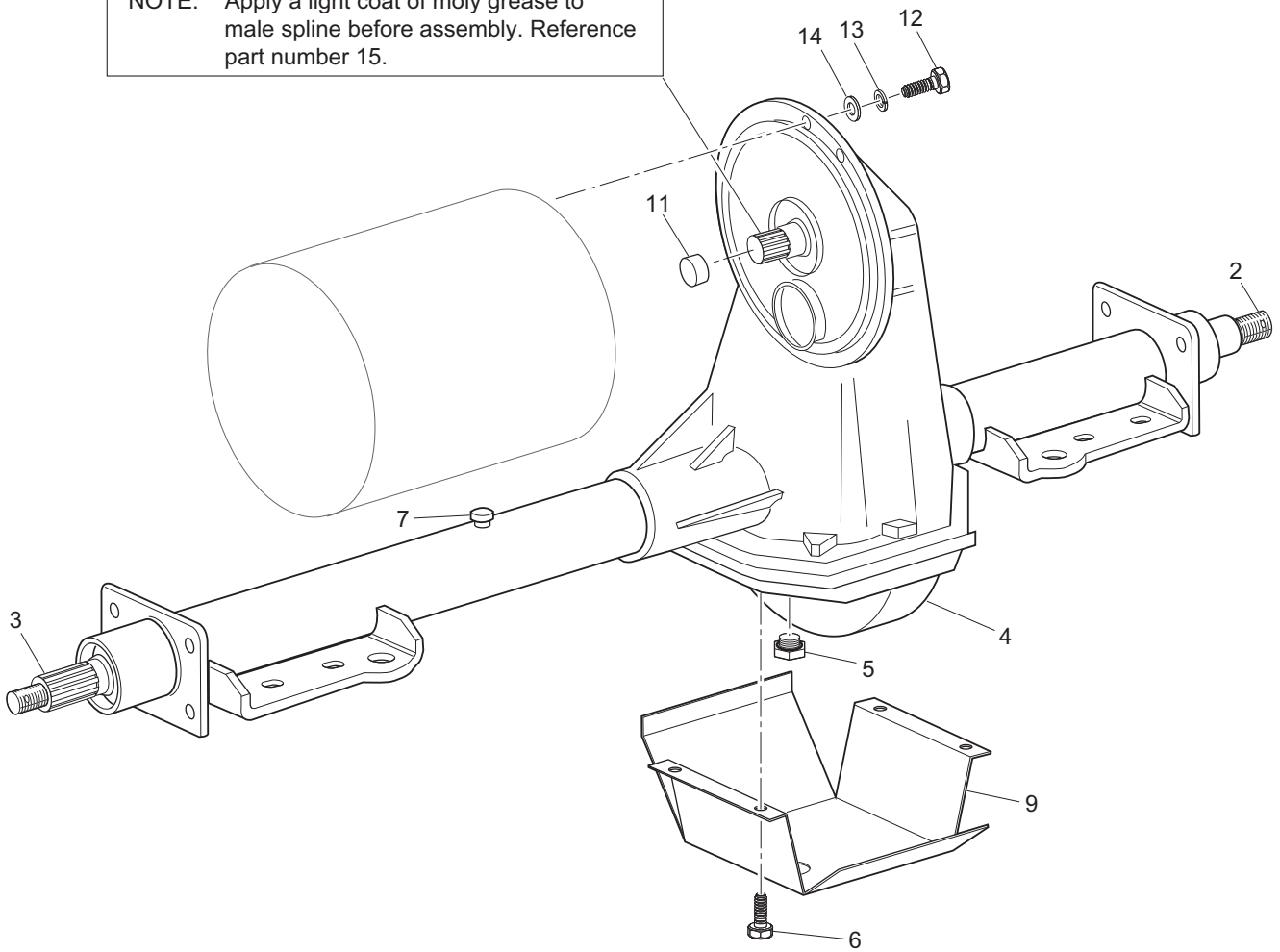




# REAR AXLE

1 - Includes Items 2 - 7

NOTE: Apply a light coat of moly grease to male spline before assembly. Reference part number 15.



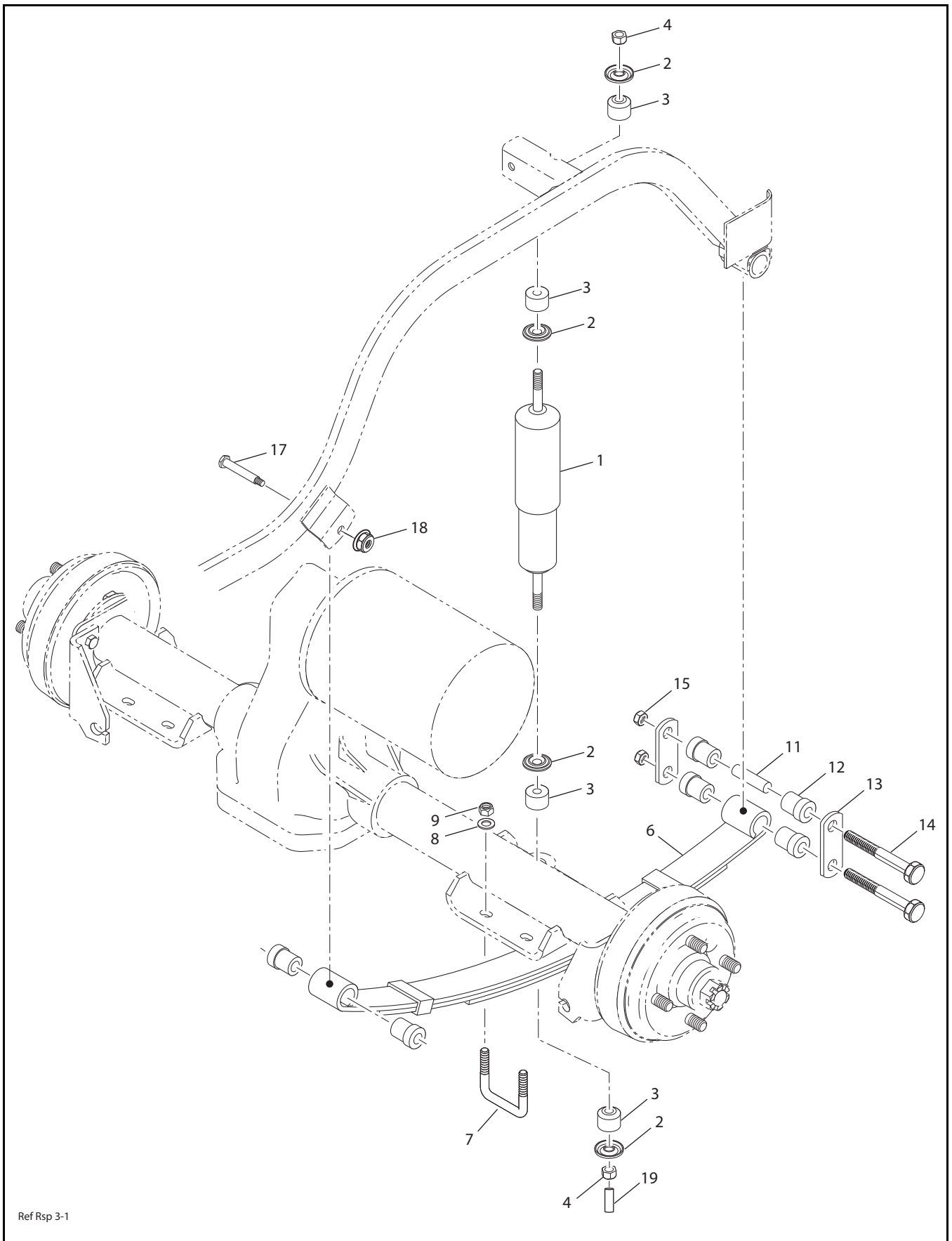
# REAR AXLE

THE USE OF NON U.L. PARTS WILL VOID ANY U.L. LISTING.  
 When ordering parts, please specify the model and serial number of the product.  
 \* Indicates a component that is not available as an individual part.  
 G\*\* Indicates consult Customer Service Department for additional information.

ITEM	PART NO.	1 2 3 4 5	DESCRIPTION	QTY.
1	73500-G01		REAR AXLE ASSEMBLY, 12.44:1 (INCLUDES ITEMS 3 - 7).....	1
2	20377-G12		AXLE SHAFT (PASSENGER SIDE).....	1
3	20377-G11		AXLE SHAFT (DRIVER SIDE) .....	1
4	25228-G1		DIFFERENTIAL COVER .....	1
5	28610-G01		FILL/CHECK PLUG .....	1
6	15558-G1		SCREW, 5/16 - 18 X 3/4" LG. ....	10
7	73050-G01		VENT .....	1
8				
9				
10				
11	24261-G1		BUMPER SPLINE .....	1
12	00797-G2		BOLT, 1/4 - 20 X 1 1/4" LG. ....	3
13	00565-G7		LOCK WASHER, 1/4" (STAINLESS STEEL) .....	3
14	00559-G7		WASHER, 1/4" (STAINLESS STEEL).....	3
15	28095-G01		MOLY LUBE, 2 OZ..... AR	



# REAR SUSPENSION



Ref Rsp 3-1

# REAR SUSPENSION

THE USE OF NON U.L. PARTS WILL VOID ANY U.L. LISTING.

When ordering parts, please specify the model and serial number of the product.

\* Indicates a component that is not available as an individual part.

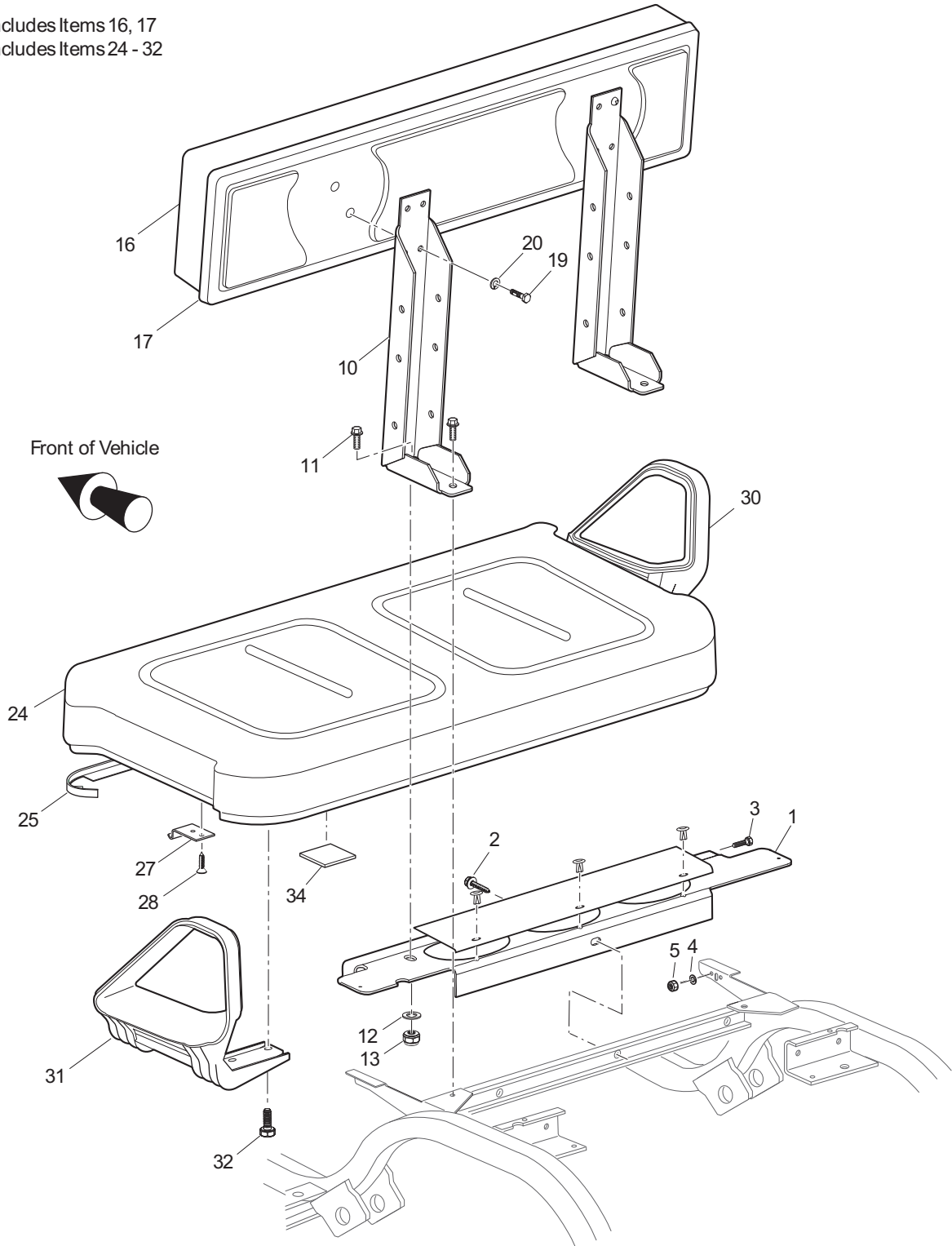
G\*\* Indicates consult Customer Service Department for additional information.

ITEM	PART NO.	1 2 3 4 5	DESCRIPTION	QTY.
1	70248-G01		SHOCK ABSORBER .....	2
2	10435-G1		SHOCK ABSORBER WASHER.....	8
3	10194-G1		RUBBER SHOCK ABSORBER BUSHING .....	8
4	00532-G6		NUT, 3/8 - 24 .....	4
5				
6	74207-G03		LEAF SPRING (HEAVY DUTY) .....	2
7	72618-G01		"U" BOLT, 3/8 - 16 X 2" X 2 1/2" LG .....	4
8	00560-G1		WASHER, 3/8" .....	8
9	11098-G5		LOCK NUT, 3/8 - 16 .....	8
10				
11	70289-G02		SPACER.....	4
12	70291-G01		RUBBER BUSHING .....	12
13	604961		SHACKLE PLATE .....	4
14	00665-G9		BOLT, 3/8 - 16 X 3 1/2" LG (STAINLESS STEEL) .....	4
15	11098-G5		LOCK NUT, 3/8 - 16 .....	4
16				
17	14158-G1		SHOULDER BOLT, 3/8 - 16 X 3 1/4" LG .....	2
18	12262-G1		LOCK NUT, 3/8 - 16 .....	2
19	10044-G01		VINYL CAP .....	2



# SEATING

15 - Includes Items 16, 17  
23 - Includes Items 24 - 32



Ref Sea 4-1 28812

# SEATING

THE USE OF NON U.L. PARTS WILL VOID ANY U.L. LISTING.

When ordering parts, please specify the model and serial number of the product.

\* Indicates a component that is not available as an individual part.

G\*\* Indicates consult Customer Service Department for additional information.

ITEM	PART NO.	1 2 3 4 5	DESCRIPTION	QTY.
1	71262G03		SEAT BACK SUPPORT .....	1
2	00715G2		BOLT, 5/16 - 18 X 13/16" LG .....	1
3	00438G8		BOLT, 5/16 - 18 X 3/4" LG .....	2
4	00642G8		WASHER, 5/16" .....	2
5	11098G6		LOCK NUT, 5/16 - 18 .....	2
6				
7				
8				
9				
10	75900G02		SEAT BACK SUPPORT BRACKET .....	2
11	01006G01		BOLT, 3/8 - 16 X 1 1/4" LG .....	4
12	00560G1		WASHER, 3/8" .....	2
13	11098G5		LOCK NUT, 3/8 - 16 .....	2
14				
15	71274G03		SEAT BACK ASSEMBLY (INCLUDES ITEMS 16, 17).....	1
16	18144G4		VINYL SEAT BACK COVER .....	1
17	74889G01		PLASTIC SEAT BACK COVER (BLACK) .....	1
18				
19	605056		SCREW, HEX HEAD 1/4 - 20 X 1" .....	4
20	00664G7		LOCK WASHER, 1/4" (STAINLESS STEEL) .....	4
21				
22				
23	71611G07		SEAT BOTTOM ASSEMBLY (INCLUDES ITEMS 24 - 32).....	1
24	71602G04		VINYL SEAT BOTTOM COVER .....	1
25	71012G01		VINYL TRIM (SEAT BOTTOM).....	1
26				
27	71610G01		SEAT HINGE .....	2
28	00720G08		SCREW, #12 - 14 X 1" LG .....	6
29				
30	71701G01		HIP RESTRAINT (PASSENGER SIDE).....	1



# SEATING

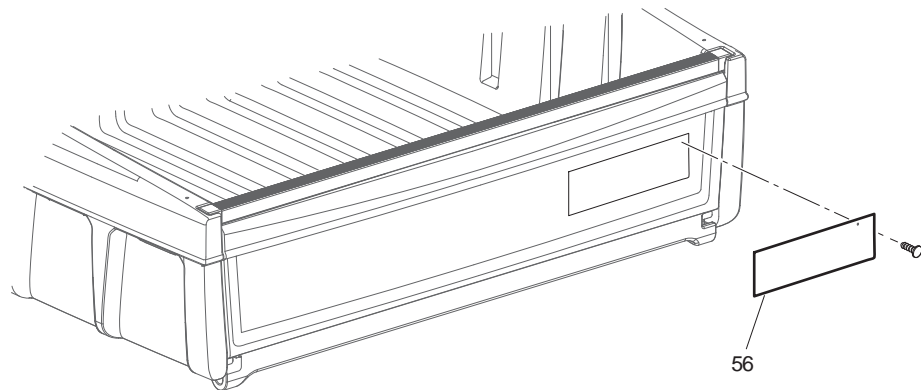
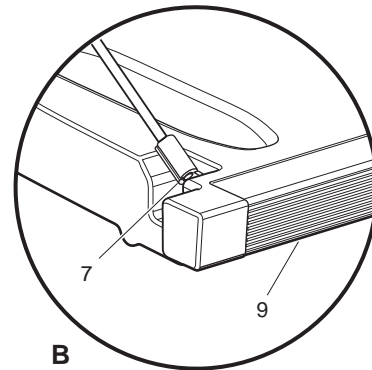
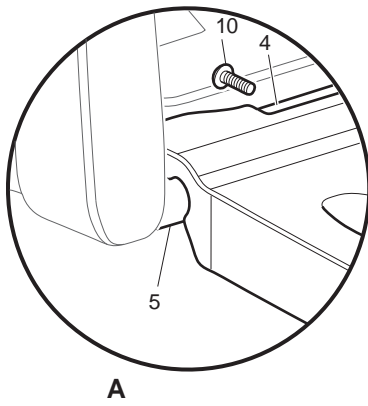
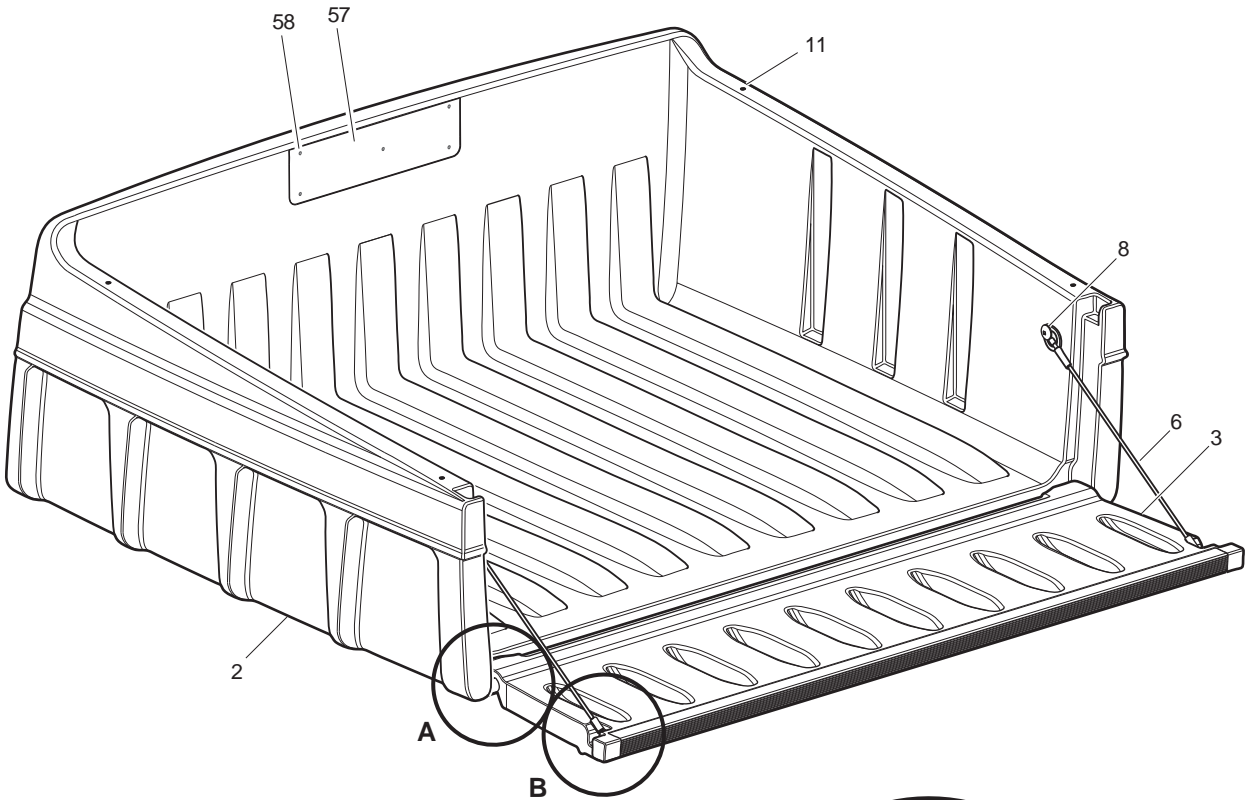
THE USE OF NON U.L. PARTS WILL VOID ANY U.L. LISTING.  
 When ordering parts, please specify the model and serial number of the product.  
 \* Indicates a component that is not available as an individual part.  
 G\*\* Indicates consult Customer Service Department for additional information.

ITEM	PART NO.	1	2	3	4	5	DESCRIPTION	QTY.
31	71702G01						HIP RESTRAINT (DRIVER SIDE) .....	1
32	71204G01						BOLT, 1/4 - 20 X 7/8" LG. ....	8
33								
34	17074G1						DROP SOLING SLAB .....	2

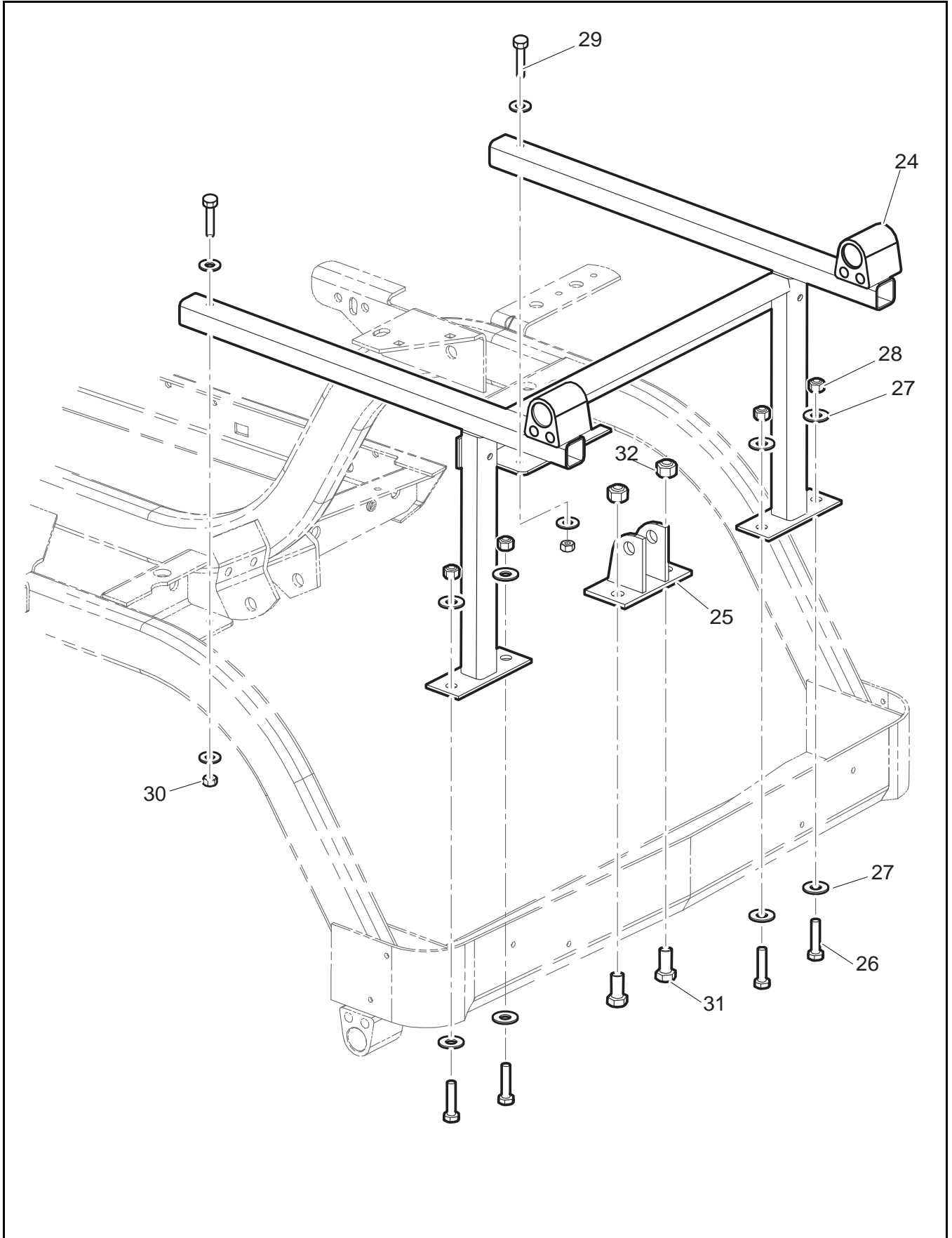


# TRUCK BED, MANUAL LIFT

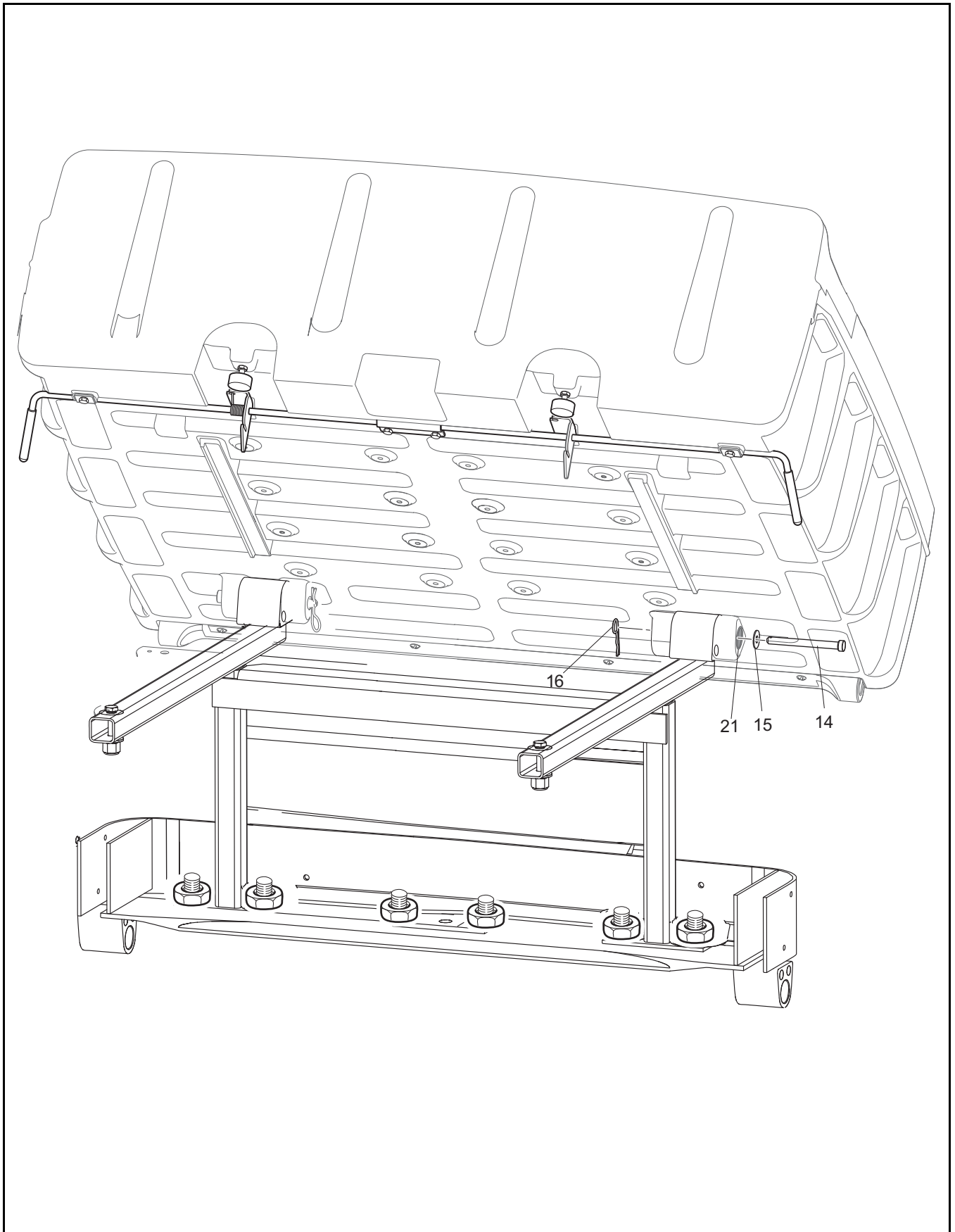
1 - Includes Items 2 - 11



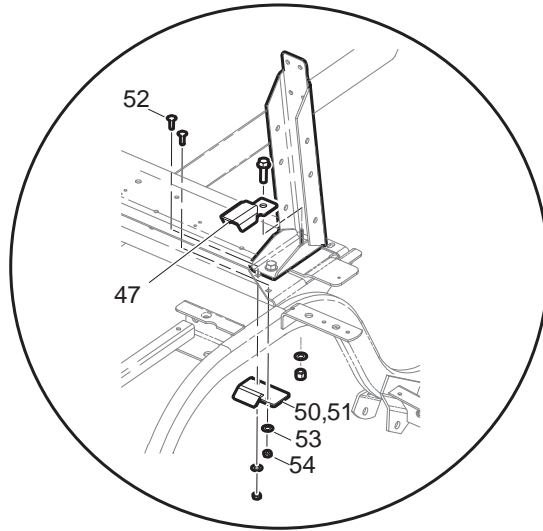
# TRUCK BED, MANUAL LIFT



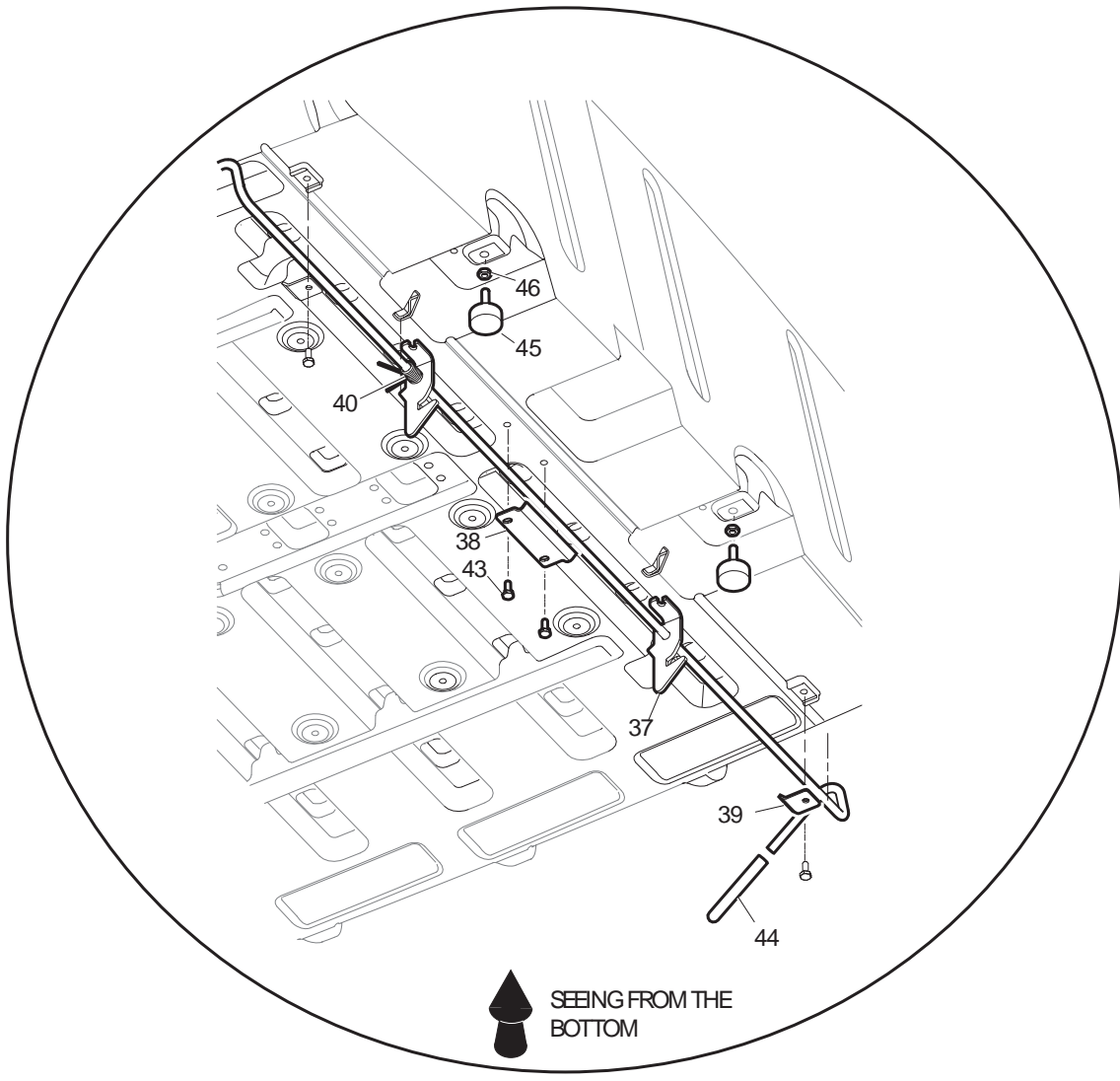
# TRUCK BED, MANUAL LIFT



# TRUCK BED, MANUAL LIFT



36 - Includes Items 37 - 54



# TRUCK BED, MANUAL LIFT

THE USE OF NON U.L. PARTS WILL VOID ANY U.L. LISTING.

When ordering parts, please specify the model and serial number of the product.

\* Indicates a component that is not available as an individual part.

G\*\* Indicates consult Customer Service Department for additional information.

ITEM	PART NO.	1 2 3 4 5	DESCRIPTION	QTY.
1	72647-G01		ASSEMBLY PLASTIC BED ( INCLUDES ITEMS 2 - 11 ) .....	1
2	72648-G01		PLASTIC BED 36" .....	1
3	72649-G01		TAILGATE 36", PLASTIC.....	1
4	73450-G01		ANGLE, BOWED .....	1
5	73454-G01		SHAFT, PIVOT.....	2
6	73455-G02		CABLE ASSEMBLY, TAILGATE .....	2
7	00415-G2		SCREW, 1/4 - 20 X 1 1/4" LG .....	2
8	73460-G01		BOLT, SHOULDER .....	2
9	73449-G01		CHANNEL, EXTRUSION.....	1
10	16705-G2		SCREW, 1/4 - 2 X 5/8" LG .....	4
11	16816-G5		RACHET FASTNER .....	4
12				
13				
14	71571-G01		CLEVIS PIN .....	2
15	00571-G5		WASHER, 1/2" .....	2
16	21683-G1		COTTER PIN .....	2
17				
18	01118-G01		SCREW, 1/4 - 20 X 5/8" LG .....	8
19	00642-G7		WASHER, 1/4" .....	8
20				
21	70291-G01		FLANGED BUSHING.....	4
22				
23				
24	76423-G01		BED FRAME .....	1
25				
26	00439-G2		SCREW, 5/16 - 18 X 1 1/4" LG .....	4
27	00642-G8		WASHER, 5/16" .....	8
28	11098-G6		LOCK NUT, 5/16 - 18 .....	4
29	00415-G6		SCREW, 4/4 - 20 X 1 3/4" LG .....	2
30	00891-G2		LOCK NUT, 1/4 - 20 .....	2

# TRUCK BED, MANUAL LIFT

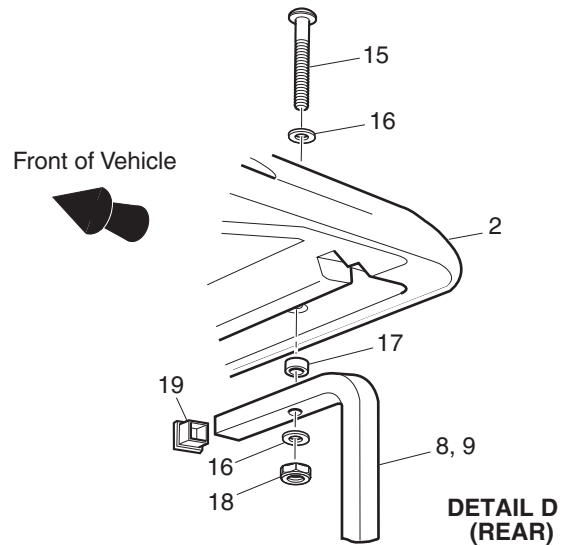
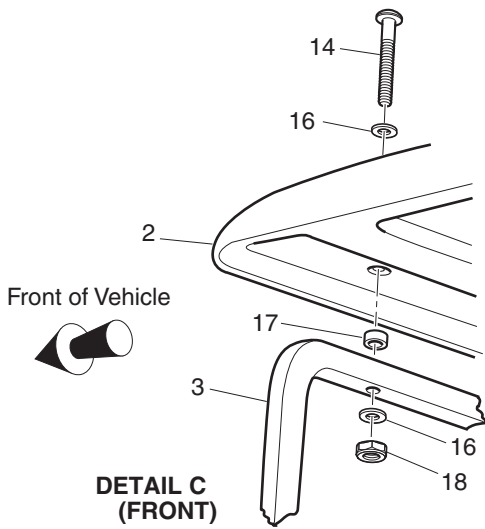
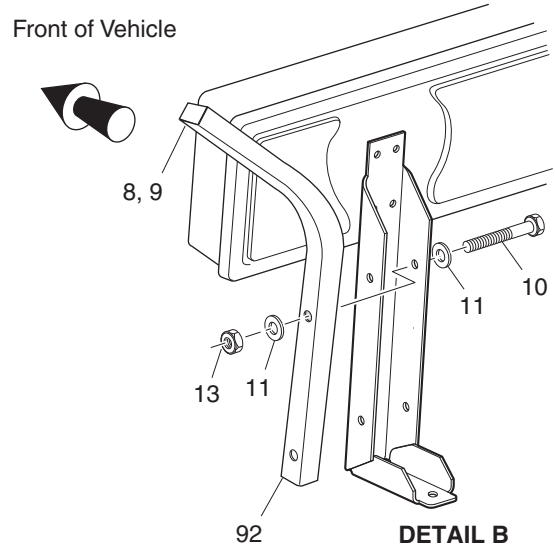
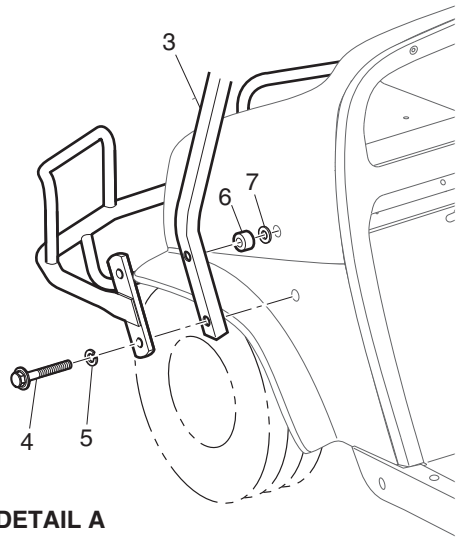
THE USE OF NON U.L. PARTS WILL VOID ANY U.L. LISTING.  
 When ordering parts, please specify the model and serial number of the product.  
 \* Indicates a component that is not available as an individual part.  
 G\*\* Indicates consult Customer Service Department for additional information.

31	00462-G7	SCREW, 7/16 - 14 X .875" LG .....	2
32	00734-G1	NUT, 7/16 - 14.....	2
33			
34			
35			
36	71095-G02	INSTALLATION LATCH ( INCLUDES ITEMS 37 - 54 ).....	1
37	74962-G01	WELDMENT LATCH BED.....	1
38	71477-G02	BRACKET .....	1
39	71099-G02	LATCH PLATE.....	2
40	71538-G01	TORSION SPRING .....	1
41			
42			
43	01118-G01	SCREW, 1/4 - 2 X 5/8" LG.....	4
44	71704-G01	HANDLE GRIP .....	2
45	70113-G01	BUMPER .....	2
46	11027-G1	LOCK NUT, 5/16 - 18 .....	2
47	74947-G01	BRACKET BUMPER.....	2
48			
49			
50	602977	LATCH PLATE (LEFT SIDE) .....	1
51	602978	LATCH PLATE (RIGHT SIDE).....	1
52	01014-G03	BOLT, 1/4 - 20 .....	4
53	00559-G7	WASHER, 1/4" .....	4
54	14390-G4	LOCK NUT, 1/4 - 20 .....	4
55			
56	600823	LABEL EZGO .....	2
57	74821-G06	BED CAPACITY LABEL (500 LB).....	1
58	71055-G01	RIVET, 3/16" .....	5



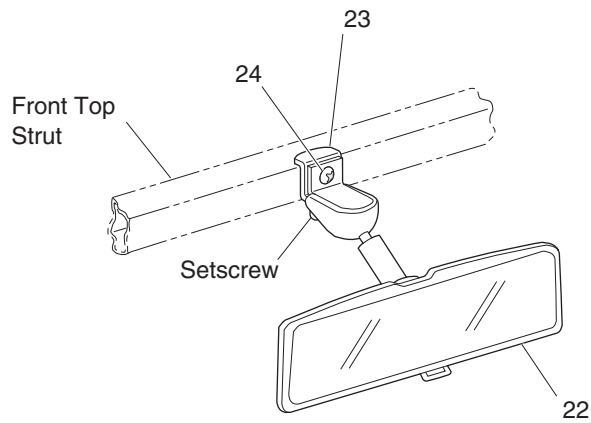


# WEATHER PROTECTION



Ref Wea 20-1

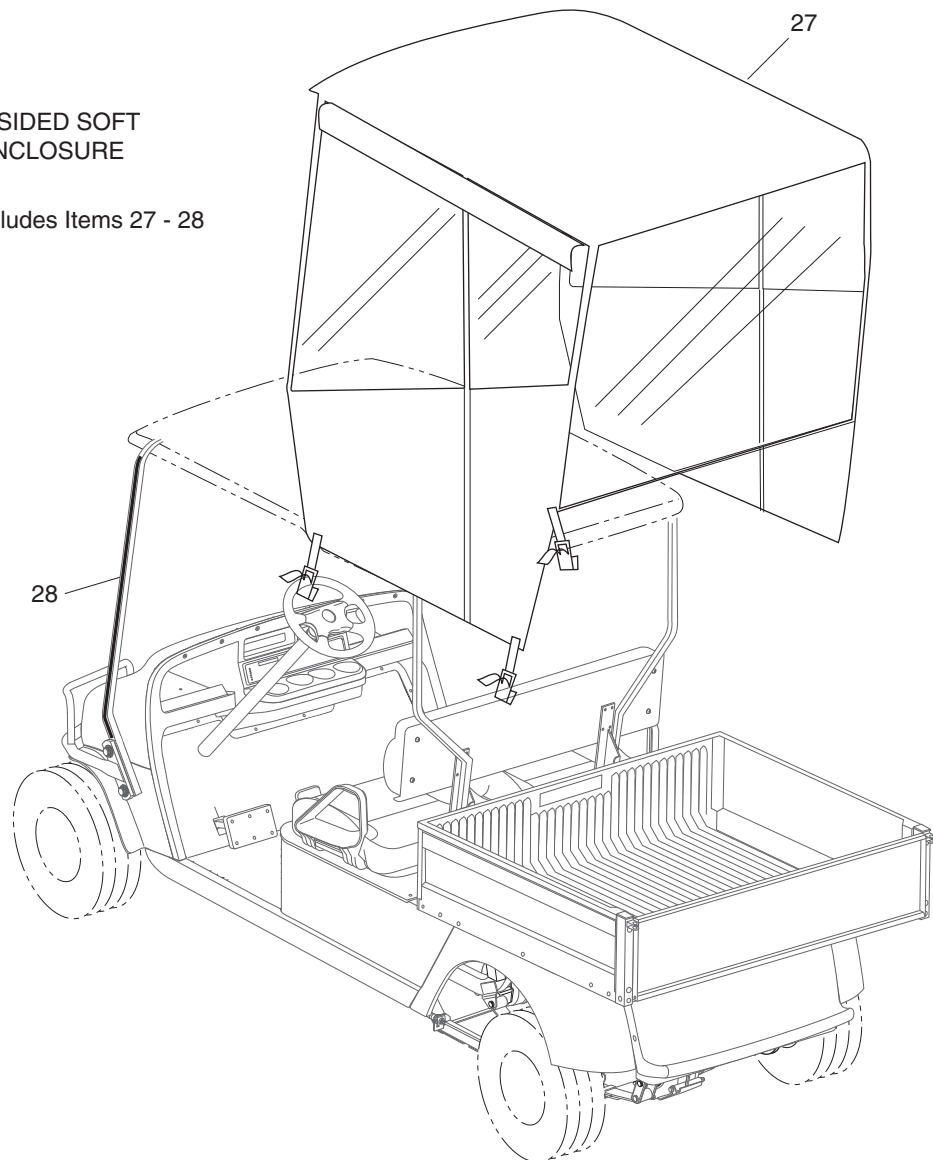
# WEATHER PROTECTION



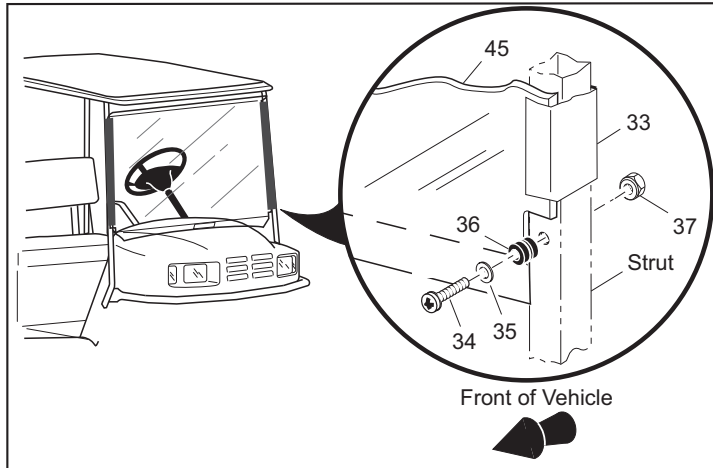
REAR VIEW MIRROR

21 - Includes Items 22 - 24

3-SIDED SOFT ENCLOSURE  
26 - Includes Items 27 - 28

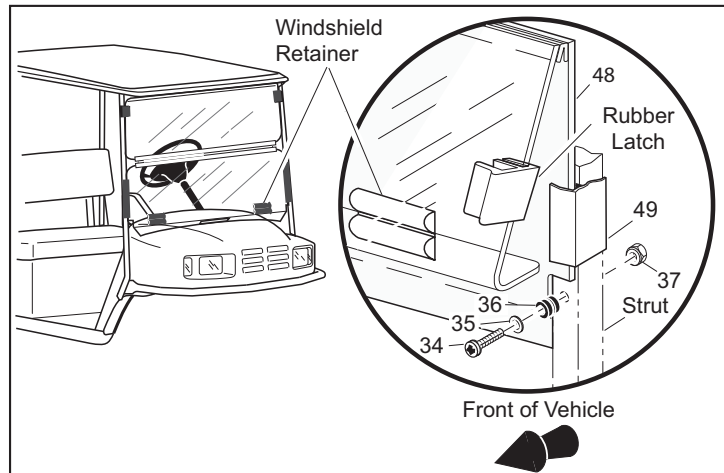


Ref Wea 20-2



44 - Includes Items 45, 46, 34 - 37

47 - Includes Items 48, 49, 34 - 37



# WEATHER PROTECTION

THE USE OF NON U.L. PARTS WILL VOID ANY U.L. LISTING.

When ordering parts, please specify the model and serial number of the product.

\* Indicates a component that is not available as an individual part.

G\*\* Indicates consult Customer Service Department for additional information.

ITEM	PART NO.	1 2 3 4 5	DESCRIPTION	QTY.
1	75040G**		SUN TOP KIT (INCLUDES ITEMS 2 - 19) .....	1
2	27069G**		SUN TOP .....	1
3	75045G05		FRONT STRUT.....	1
4	00440G2		BOLT, 5/16 - 18 X 2 1/4" LG.....	4
5	00905G8		LOCK WASHER, 5/16" .....	4
6	75048G01		SPACER, 1/2" .....	2
7	00570G2		WASHER, 5/16" .....	6
8	75838G04		REAR STRUT (PASSENGER SIDE).....	1
9	75838G03		REAR STRUT (DRIVER SIDE).....	1
10	00685G7		BOLT, 5/16 - 18 X 1 3/4" LG.....	4
11	0110G03		WASHER, 5/16" .....	8
12				
13	11098G6		LOCK NUT, 5/16 - 18 .....	4
14	00753G5		SCREW, 1/4 - 20 X 2" LG (STAINLESS STEEL).....	2
15	00753G6		SCREW, 1/4 - 20 X 2 1/4" LG (STAINLESS STEEL).....	2
16	01110G01		WASHER, 1/4" (STAINLESS STEEL).....	8
17	75051G01		SPACER .....	4
18	00891G2		LOCK NUT, 1/4 - 20 .....	4
19	19853G1		END CAP, 1" .....	2
20				
21	19528G2		REAR VIEW MIRROR KIT (REQUIRES SUN TOP) (INCLUDES ITEMS 22 - 24).....	1
22	19496G1		REAR VIEW MIRROR .....	1
23	19502G2		SUPPORT BRACKET.....	1
24	19527G1		SCREW, #8 - 32 X 5/8" LG (STAINLESS STEEL).....	1
25				
26	75367G**		3-SIDED SOFT ENCLOSURE (REQUIRES SUN TOP) (INCLUDES ITEMS 27 - 28) .....	1
27	*		ENCLOSURE.....	1
28	*		VELCRO .....	AR
29				

## WEATHER PROTECTION

Replacement parts for the windshield may be obtained from Eagle Parts, Inc. 1411 Marvin Griffin Rd. Augusta, GA 30906. Telephone (706) 790-6687.

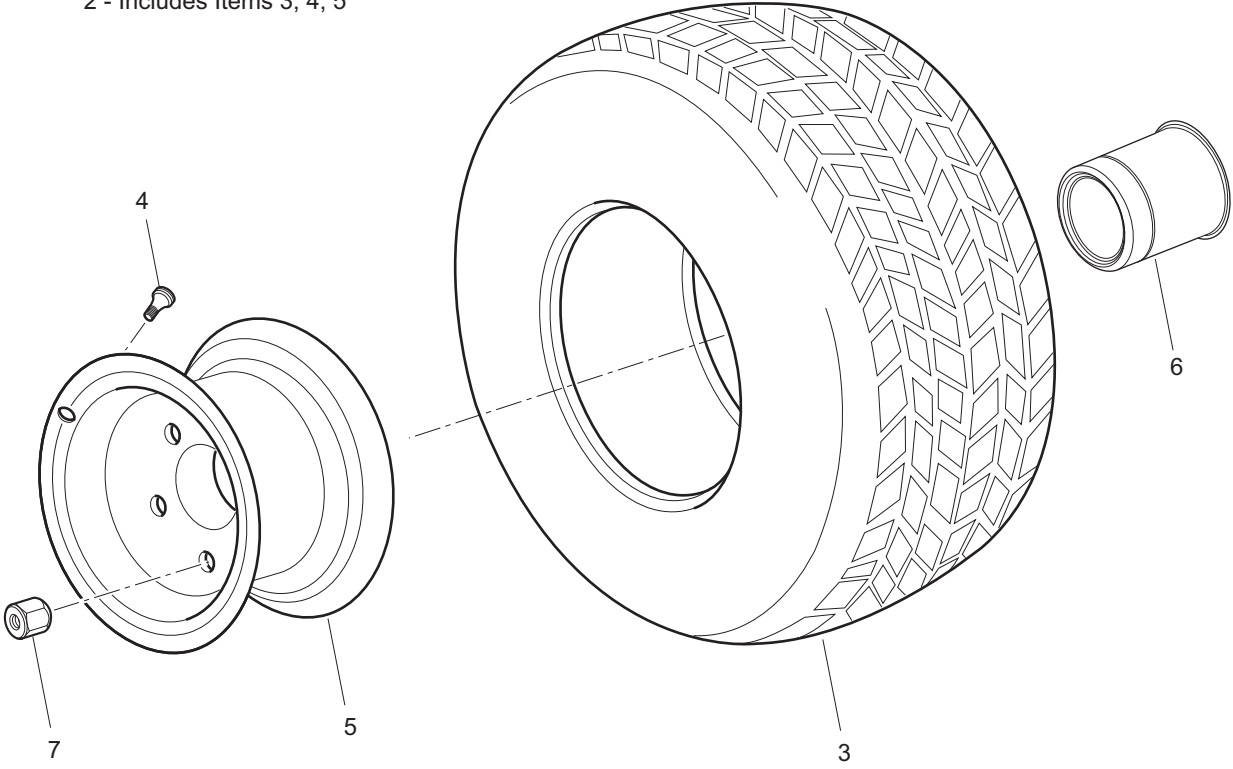
\* Indicates a component that is not available as an individual part.

G\*\* Indicates consult Customer Service Department for additional information.

ITEM	PART NO.	1	2	3	4	5	DESCRIPTION	QTY.
30								
31								
32								
33								
34	71956G03						BOLT, 1/4 - 20 X 1 3/4" LG. (STAINLESS STEEL) .....	2
35	71956G04						WASHER, 1/4" (STAINLESS STEEL) .....	4
36	71956G06						RUBBER GROMMET .....	2
37	71956G05						LOCK NUT, 1/4 - 20 (STAINLESS STEEL) .....	2
38	71963G01						SAFETY LABEL.....	1
39								
40								
41								
42								
43								
44	71966G03						WINDSHIELD KIT (FULL) (INCLUDES ITEMS 45, 46, 34 - 37) .....	1
45	71960G01						WINDSHIELD (FULL) .....	1
46	75528G01						SASH, 26" LG. ....	2
47	71966G04						WINDSHIELD KIT (SPLIT) (INCLUDES ITEMS 48, 49, 34 - 37) .....	1
48	71961G01						WINDSHIELD (SPLIT).....	1
49	75528G02						SASH, 12" LG. ....	2
50								



1 - Includes Items 3, 4, 5  
2 - Includes Items 3, 4, 5



(Style of tire may differ from tire shown)



# WHEELS AND TIRES

When ordering parts, please specify the model and serial number of the product.  
 \* Indicates a component that is not available as an individual part.  
 G\*\* Indicates consult Customer Service Department for additional information.

ITEM	PART NO.	1	2	3	4	5	DESCRIPTION	QTY.
1	74842-G03						WHEEL & TRAIL WOLF TIRE® ASSEMBLY DRIVER SIDE (INCLUDES ITEM 3, 4, 5) .....	AR
2	74842-G04						WHEEL & TRAIL WOLF TIRE® ASSEMBLY PASSENGER SIDE (INCLUDES ITEM 3, 4, 5) .....	AR
3	74842-G05						TIRE, 20 X 11 - 10 TRAIL WOLF® .....	1
4	012007						VALVE STEM .....	1
5	1015239014						WHEEL .....	1
6	12091G2						SPINDLE CAP .....	AR
7	14723-G1						LUG NUT, 1/2 -20 .....	AR



SPECIALTY PRODUCTS

# SPECIALTY PRODUCTS

## SPECIALTY PRODUCTS

<b>SPECIAL TOOLS</b>	<b>PART NO.</b>
BATTERY MAINTENANCE KIT .....	25587-G01
SEAL INSTALLATION TOOL (REAR AXLE SHAFT SEAL).....	18739-G1
BATTERY SET DISCHARGER, 36 VOLT, 75 AMP .....	28251-G01
CURRENT INDICATOR .....	16489-G2
DIGITAL MULTI-METER .....	27481-G01
CRIMPING TOOL .....	27765-G01
SLIDE HAMMER (AXLE/HUB REMOVAL) .....	15947-G1
SLIDE HAMMER (AXLE REMOVAL ONLY) .....	18753-G1

<b>TOUCH UP PAINT</b>	<b>PART NO.</b>
PEN 3 OUNCE (89 ML) - HUNTER GREEN .....	28432-G02
PEN 3 OUNCE (89 ML) - CHAMPAGNE BEIGE .....	28432-G01
PEN 3 OUNCE (89 ML) - WHITE.....	28432-G05
PEN 3 OUNCE (89 ML) - INDUSTRIAL YELLOW.....	28432-G03
PEN 3 OUNCE (89 ML) - ORANGE.....	28432-G04
PEN 3 OUNCE (89 ML) - STEEL BLUE PEARL.....	28432-G**
PEN 3 OUNCE (89 ML) - CAMOUFLAGE PAINT (THREE PENS) .....	75831-G01
AEROSOL 12 OUNCE (360 ML) - HUNTER GREEN .....	28140-G09
AEROSOL 12 OUNCE (360 ML) - CHAMPAGNE BEIGE .....	28140-G15
AEROSOL 12 OUNCE (360 ML) - WHITE.....	28140-G03
AEROSOL 12 OUNCE (360 ML) - INDUSTRIAL YELLOW.....	28140-G14
AEROSOL 12 OUNCE (360 ML) - ORANGE.....	28140-G13
AEROSOL 12 OUNCE (360 ML) - STEEL BLUE PEARL.....	28140-G**

<b>MAINTENANCE PRODUCTS</b>	<b>PART NO.</b>
FORMULA 40 VINYL-COAT® - WHITE .....	28166-G01
PLEXUS® CLEANER, 7 OUNCE (210 ML) (FOR WINDSHIELDS) .....	28433-G01
PLEXUS® CLEANER, 13 OUNCE (380 ML) (FOR WINDSHIELDS) .....	28433-G02
BATTERY PROTECTOR, 14 OUNCE (410 ML) SPRAY .....	75500-G01
WHITE LITHIUM GREASE, 14 OUNCE (410 ML) SPRAY .....	75502-G01
PENETRANT/LUBRICANT, 15 OUNCE (440 ML) SPRAY .....	75503-G01
MULTI-PURPOSE CLEANER & DEGREASER, 14 OUNCE (410 ML) SPRAY .....	75504-G01
MULTI-PURPOSE HAND CLEANER, 32 OUNCE (950 ML) LIQUID .....	75505-G01

## SPECIALTY PRODUCTS

BATTERY CLEANER, 32 OUNCE (950 ML) WITH TRIGGER SPRAYER.....	75506-G01
BIO-DEGRADABLE CLEANER, 32 OUNCE (950 ML) WITH TRIGGER SPRAYER.....	75507-G01
MULTI-PURPOSE VALUE PACK.....	75508-G01
• BATTERY PROTECTOR, 4 OUNCE (120 ML) SPRAY	
• PENETRANT/LUBRICANT, 4 OUNCE (120 ML) SPRAY	
• WHITE LITHIUM GREASE, 4 OUNCE (120 ML) SPRAY	
• CARBURETOR & CHOKE CLEANER, 4 OUNCE (120 ML) SPRAY	



# OPTIONS/ACCESSORIES

## OPTIONS/ACCESSORIES

<b>ITEM</b>	<b>KIT NO.</b>	<b>COMMENTS</b>
ASHTRAY KIT .....	75109-G04 .....	See BODY
BUMPER KIT .....	74292-G04 .....	See BODY
ELECTRIC DUMP KIT .....	74637-G01 .....	See TRUCKBED
REAR VIEW MIRROR KIT .....	19528-G2 .....	See WEATHER PROTECTION
SOFT ENCLOSURE .....	75367-G01 .....	See WEATHER PROTECTION
SUN TOP KIT .....	75040-G0* .....	See WEATHER PROTECTION
TURN SIGNAL KIT .....	75107-G02 .....	See ELECTRICAL SYSTEM
WINDSHIELDS .....	71966-G0* .....	See WEATHER PROTECTION









A Textron Company

E-Z-GO Division Of Textron, Inc.,  
1451 Marvin Griffin Road, Augusta, Georgia USA 30906-3852

**TO CONTACT US**

North America:

Technical Assistance & Warranty Phone: 1-800-774-3946, FAX: 1-800-448-8124  
Service Parts Phone: 1-888-GET-EZGO (1-888-438-3946), FAX: 1-800-752-6175

International:

Phone: 001-706-798-4311, FAX: 001-706-771-4609

Certified ISO 9001 / ISO 14001 by



Copyrighted Material  
This manual may not be reproduced in whole or  
in part without the express permission of  
E-Z-GO Division of Textron, Inc.  
Technical Communications Department