



A Textron Company

JACOBSEN[®]
A Textron Company

S E R V I C E P A R T S
M A N U A L



606916

G A S O L I N E P O W E R E D U T I L I T Y V E H I C L E S

ISSUED MARCH 2008

REVISED DECEMBER 2011

GASOLINE POWERED UTILITY VEHICLES

**MPT[®] 800; CARB
INDUSTRIAL 800; CARB
HAULER[™] 800; CARB**

Starting Model Year 2008

DISCLAIMER: The E-Z-GO Division of Textron Inc. reserves the right to incorporate engineering and design changes to products in this Manual, without obligation to include these changes on units leased/sold previously.

The information contained in this Manual may be revised periodically by the E-Z-GO Division, and therefore is subject to change without notice.

The E-Z-GO Division DISCLAIMS LIABILITY FOR ERRORS IN THIS MANUAL, and the E-Z-GO Division SPECIFICALLY DISCLAIMS LIABILITY FOR INCIDENTAL AND CONSEQUENTIAL DAMAGES resulting from the use of the information and materials in this Manual.

CUSTOMER SERVICE DEPARTMENT IN USA PHONE: 1-800-241-5855 FAX: 1-800-448-8124

OUTSIDE USA PHONE: 001-706-798-4311, FAX: 001-706-771-4609

E-Z-GO DIVISION OF TEXTRON, INC., 1451 MARVIN GRIFFIN ROAD, AUGUSTA, GEORGIA USA 30906

GENERAL INFORMATION

To obtain a copy of the limited warranty applicable to the vehicle, call or write a local Distributor, authorized Branch or the Warranty Department with vehicle serial number and manufacturer code.

The use of non Original Equipment Manufacturer (OEM) parts may void the warranty.

Tampering with or adjusting the governor to permit vehicle to operate at above factory specifications will void the vehicle warranty.

When servicing engines, all adjustments and replacement components must be per original vehicle specifications in order to maintain the United States of America Federal and State emission certification applicable at the time of manufacture.

BATTERY PROLONGED STORAGE

All batteries will self discharge over time. The rate of self discharge varies depending on the ambient temperature and the age and condition of the batteries.

A fully charged battery will not freeze in winter temperatures unless the temperature falls below -75 F (-60 C).

TABLE OF CONTENTS

| SECTION | Page No. |
|---|-----------------|
| HOW TO USE THE SERVICE PARTS MANUAL | v |
| ILLUSTRATED PARTS BREAKDOWN | vii |
| ACCELERATOR | A-1 |
| • Pedal Box Assembly | |
| • Actuator Pedal Assembly | |
| • Governor Cover/Decal | |
| AIR FILTER | B-1 |
| • Air Cleaner | |
| BODY | C-1 |
| • Instrument Panel Assembly | |
| • Cowl | |
| • Front Bracket Assembly | |
| • Rear Body | |
| • Foot Rest Assembly | |
| BRAKES | D-1 |
| • Brake Pedal Assembly | |
| • Brake Drum Assembly | |
| BRAKES FRONT DISC | E-1 |
| • Equalizer and Brake Cable Assembly | |
| • Spring Plate | |
| CAB | F-1 |
| • Steel Cab | |
| CARBURETOR AND CHOKE | G-1 |
| • Carburetor | |
| • Choke Cable | |
| CLUTCH | H-1 |
| • Drive Clutch | |
| • Driven Clutch Assembly | |
| DIRECTION SELECTOR | J-1 |
| • Direction Selector Handle | |
| ELECTRICAL SYSTEM | K-1 |
| • Battery | |
| • Ground Cable | |
| • Electrical Plate Assembly | |
| ENGINE AND MUFFLER | L-1 |
| • Engine | |

TABLE OF CONTENTS

| | |
|---------------------------------|--------------|
| • Muffler | |
| ENGINE MOUNTING..... | M-1 |
| • Front Engine Mount | |
| • Engine Pan Mount | |
| • Iso Mount | |
| FRONT SUSPENSION/STEERING..... | N-1 |
| • Front Axle | |
| • Spindle Assembly | |
| • Shock Absorber | |
| FUEL SYSTEM..... | P-1 |
| • CARB Fuel Tank Assembly | |
| • Fuel Pump | |
| • Carbon Canister | |
| REAR AXLE..... | Q-1 |
| • Axle Tube | |
| • Axle Shaft | |
| REAR SUSPENSION..... | R-1 |
| • Heavy Duty Leaf Spring | |
| • Flanged Bushing | |
| SEATING..... | S-1 |
| • Seat Bottom Assembly | |
| • Seat Back Assembly | |
| STARTER / GENERATOR..... | T-1 |
| • Insulating Brush Assembly | |
| • Starter/Generator Adjuster | |
| TRUCK BED MANUAL LIFT..... | U-1 |
| TRUCK BED ELECTRIC LIFT..... | V-1 |
| TRUCK BED REFRESHER COOLER..... | W-1 |
| WEATHER PROTECTION..... | X-1 |
| • Sun Top Kit | |
| • Windshield Kit | |
| WHEELS AND TIRES..... | Y-1 |
| SPECIALTY PRODUCTS..... | APPENDIX A-1 |
| OPTIONS AND ACCESSORIES..... | APPENDIX B-1 |

HOW TO USE THE SERVICE PARTS MANUAL

This manual is divided into several sections:

- GENERAL INFORMATION
- ILLUSTRATED PARTS BREAKDOWN
- APPENDIX

The first section, GENERAL INFORMATION, contains the following information:

- WARRANTY INFORMATION
- GENERAL INDEX
- HOW TO USE THE SERVICE PARTS MANUAL

The second section, ILLUSTRATED PARTS BREAKDOWN, contains illustrations and parts lists for all systems of your vehicle.

The third section, APPENDIX, contains a listing of specialty products and accessories.

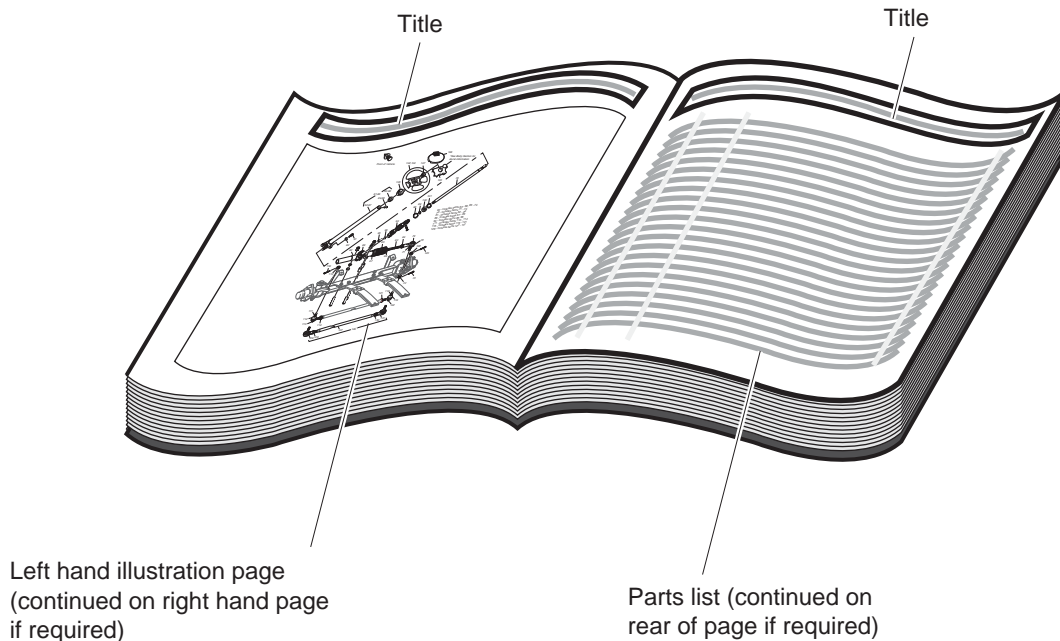
USE OF THE MANUAL

To use this manual, consult the GENERAL INDEX to locate the information or illustration required.

Introduction of some revisions varies due to supply of components; therefore, it is possible that various combinations of components may be found that are not directly reflected by each illustration. Consult the illustration that best suits your situation and then contact the Service Parts Department. It is important that the serial number of your vehicle and its model number be supplied to Service Parts when ordering any replacement components.

Locate the serial number plate (see BODY located in the Illustrated Parts Breakdown section of this manual for its location) and note the complete number shown on the plate.

HOW TO USE THE SERVICE PARTS MANUAL



1. WHEN THE PART NUMBER IS NOT KNOWN

- Determine the function and application of the part required. Turn to the General Index and select the most appropriate title.
- Turn to the page number indicated and locate the desired part on the illustration.
- From the illustration, obtain the item number assigned to the desired part. Refer to the accompanying description for specific information regarding the part.

2. IF YOU KNOW THE PART NUMBER

- Locate the part number or description in the appropriate column on the parts list page.

NOTE: It is suggested that you confirm that the part selected is correct by verifying it with the pictorial representation on the illustrated page.

Should an asterisk (*) appear in the part number column on the parts list page, read upwards until a part number is found. The part number is the lowest assembly sold by Service Parts and the asterisk (*) indicates that the part depicted is not available for purchase.

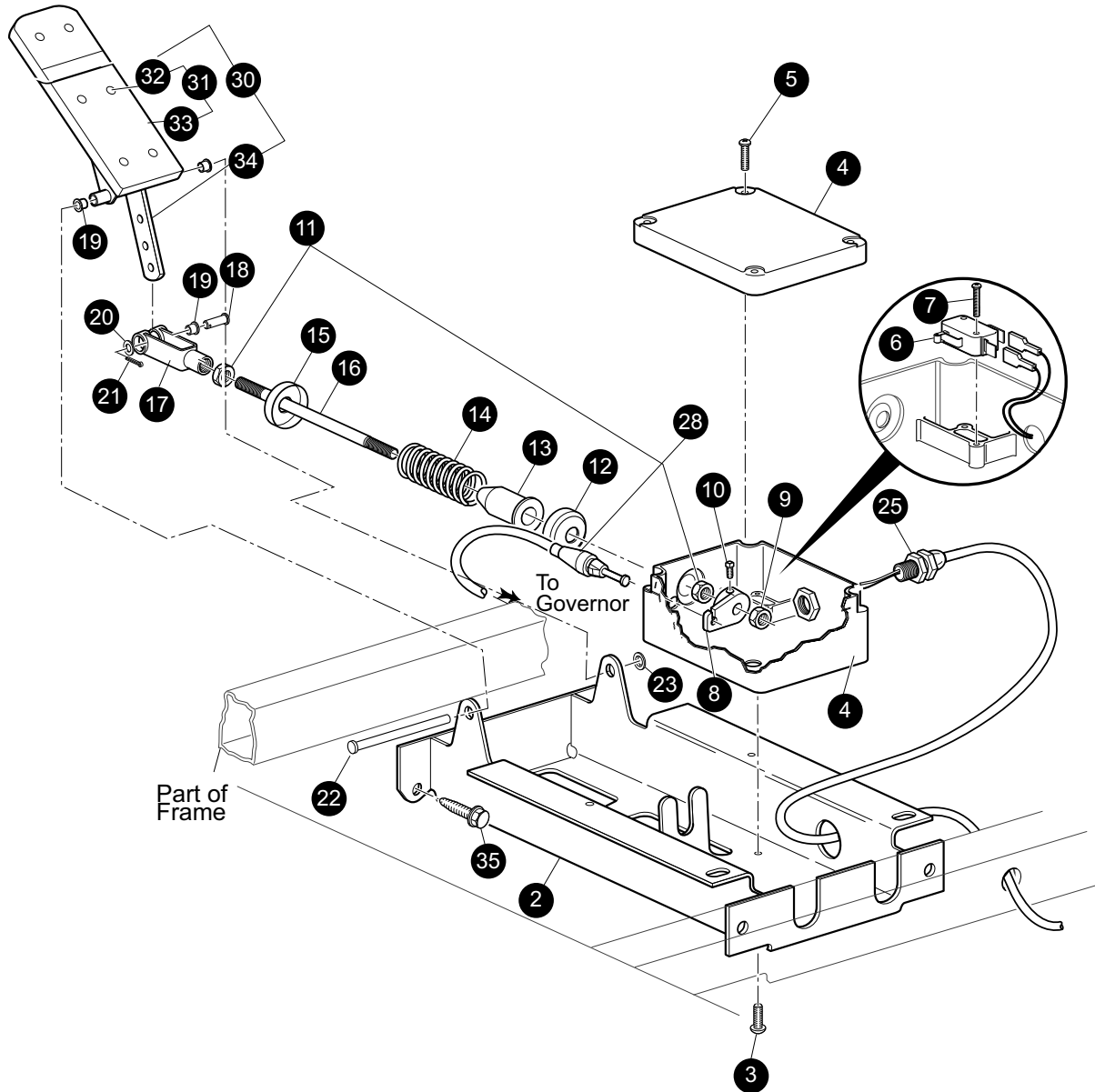
NOTE: Descriptions are indented under the assembly that they are used on. That assembly is, in turn listed under the assembly that it is used on. This process is repeated until the highest final assembly is reached.

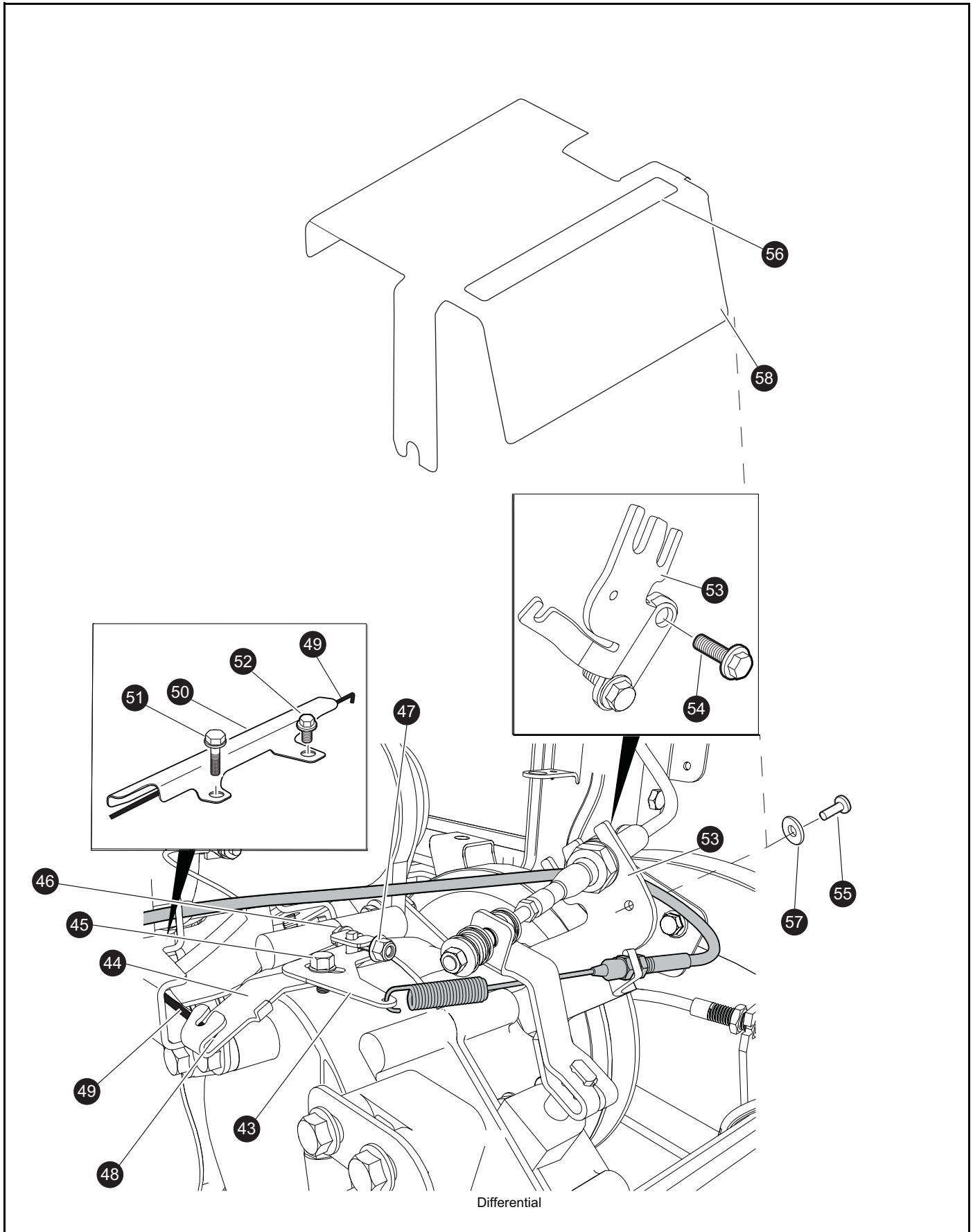
To facilitate the maintenance and repair of the vehicle, a Technician's Repair and Service Manual is available from the Service Parts Department.

ILLUSTRATED PARTS BREAKDOWN

ACCELERATOR

1 - Includes Items 3 - 34





ACCELERATOR

When ordering parts, please specify the model and serial number of the product.

* Indicates a component that is not available as an individual part.

*** Indicates consult Customer Service Department for additional information.

| ITEM | PART NO. | 1 2 3 4 5 | DESCRIPTION | QTY. |
|------|----------|-----------|--|------|
| 1 | 606990 | | PEDAL BOX ASSEMBLY (INCLUDES ITEMS 2 - 34) | 1 |
| 2 | 70116G02 | | ACCELERATOR PEDAL BRACKET | 1 |
| 3 | 01051G01 | | SCREW, #8 - 16 X 1/2" LG | 4 |
| 4 | 25853G03 | | PEDAL BOX AND COVER | 1 |
| 5 | 00684G6 | | SCREW, #8 - 32 X 3/4" LG (STAINLESS STEEL) | 2 |
| 6 | 25861G01 | | MICRO SWITCH | 1 |
| 7 | 01050G01 | | SCREW, #4 - 20 X 5/8" LG | 2 |
| 8 | 72716G01 | | MICRO SWITCH CAM | 1 |
| 9 | 15126G1 | | LOCK NUT, 5/16 - 24 | 1 |
| 10 | 00487G3 | | SETSCREW, 1/4 - 20 X 3/8" LG | 1 |
| 11 | 00532G4 | | NUT, 5/16 - 24 | 2 |
| 12 | 17677G1 | | SPRING RETAINER | 1 |
| 13 | 17979G1 | | ACCELERATOR ROD BUSHING | 1 |
| 14 | 73046G01 | | COMPRESSION SPRING | 1 |
| 15 | 17677G2 | | SPRING RETAINER | 1 |
| 16 | 72072G01 | | ACCELERATOR ROD | 1 |
| 17 | 10385G4 | | CLEVIS YOKE (ADJUSTABLE) | 1 |
| 18 | 10386G3 | | CLEVIS PIN, 5/16" X 13/16" LG | 1 |
| 19 | 17838G1 | | NYLON BUSHING | 3 |
| 20 | 17255G1 | | TEFLON WASHER, 5/16" | 1 |
| 21 | 10387G3 | | COTTER PIN, 3/32" X 3/4" LG | 1 |
| 22 | 74432G01 | | PEDAL PIVOT PIN | 1 |
| 23 | 12064G6 | | PUSH NUT, 9/32" | 1 |
| 24 | 12730G1 | | WHEEL BEARING GREASE (NOT ILLUSTRATED) | A/R |
| 25 | 72201G04 | | WIRE HARNESS (PEDAL BOX) | 1 |
| 26 | | | | |
| 27 | | | | |
| 28 | 608608 | | ACCELERATOR CABLE | 1 |
| 29 | | | | |
| 30 | 25799G03 | | ACCELERATOR PEDAL ASSEMBLY (INCLUDES ITEMS 31- 33) | 1 |
| 31 | 27844G01 | | ACCELERATOR PEDAL PAD KIT (INCLUDES ITEMS 32- 33) | 1 |

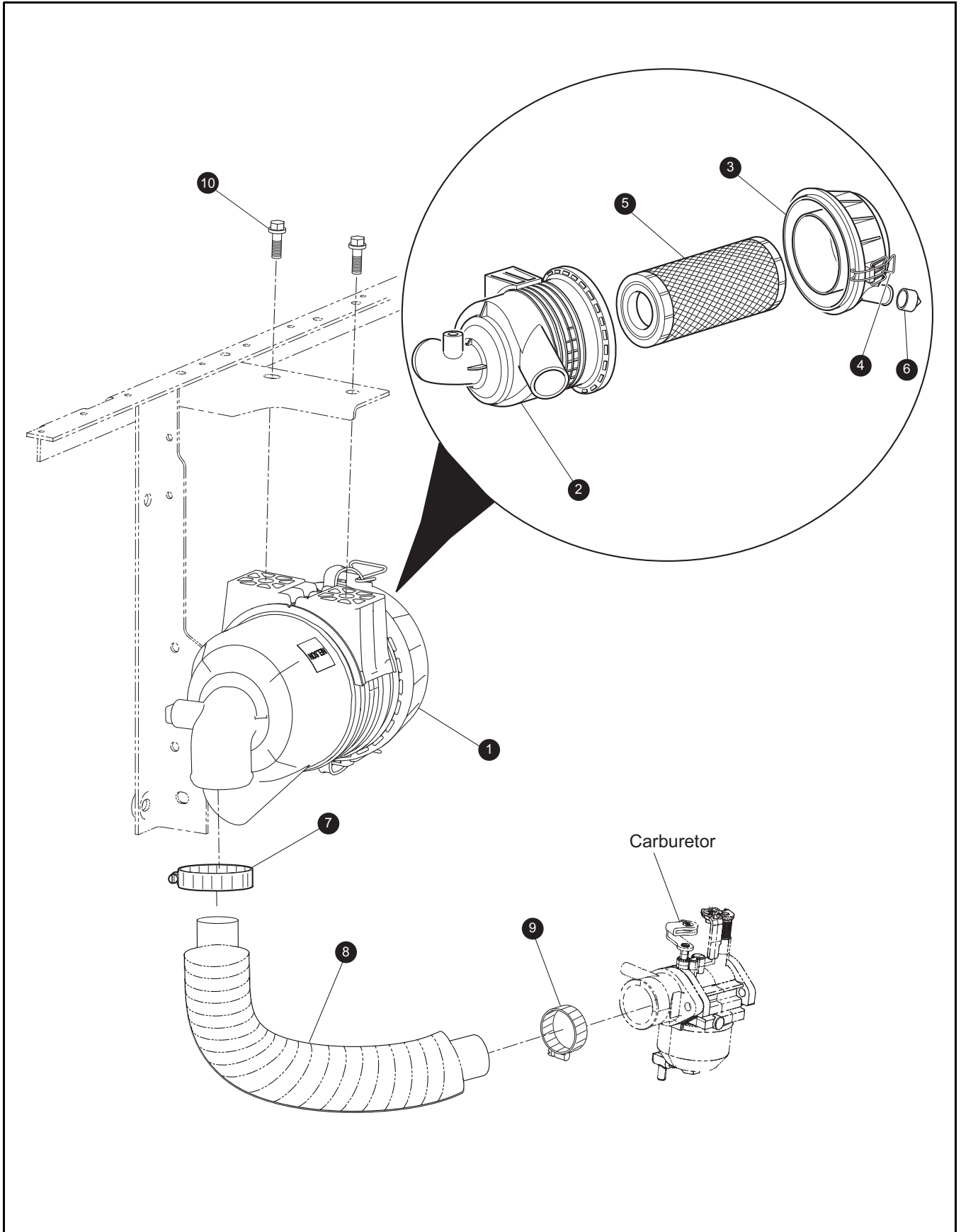
When ordering parts, please specify the model and serial number of the product.

* Indicates a component that is not available as an individual part.

*** Indicates consult Customer Service Department for additional information.

| ITEM | PART NO. | 1 | 2 | 3 | 4 | 5 | DESCRIPTION | QTY. |
|------|-----------|---|---|---|---|---|---|------|
| 32 | 16409G1 | | | | | | OVAL RIVET, 3/16" X 7/16" LG | 6 |
| 33 | 27512-G01 | | | | | | ACCELERATOR PEDAL PAD | 1 |
| 34 | * | | | | | | ACCELERATOR PEDAL | |
| 35 | 00715G2 | | | | | | BOLT, 5/16 -18 X 4/5" LG..... | 4 |
| 36 | | | | | | | | |
| 37 | | | | | | | | |
| 38 | | | | | | | | |
| 39 | | | | | | | | |
| 40 | | | | | | | | |
| 41 | | | | | | | | |
| 42 | | | | | | | | |
| 43 | 606083 | | | | | | UPPER GOVERNOR BRACKET..... | 1 |
| 44 | 606005 | | | | | | LOWER GOVERNOR BRACKET | 1 |
| 45 | 606265 | | | | | | BOLT, M6 - 1 X 12..... | 1 |
| 46 | 606421 | | | | | | BOLT, M6 - 1 X 30..... | 1 |
| 47 | 450452 | | | | | | NUT, M6 - 1.0..... | 1 |
| 48 | 606283 | | | | | | GOVERNOR LEVER BUSHING | 1 |
| 49 | 606284 | | | | | | GOVERNOR ROD | 1 |
| 50 | 603890 | | | | | | GOVERNOR ROD GUARD | 1 |
| 51 | 606264 | | | | | | BOLT, M6 - 1 X 20..... | 1 |
| 52 | 606262 | | | | | | BOLT, M8 - 1.25 X 16..... | 1 |
| 53 | 606074 | | | | | | GOVERNOR CABLE / DIRECTION SELECTOR BRACKET | 1 |
| 54 | 606256 | | | | | | BOLT, M10 - 1.25 X 16..... | 2 |
| 55 | 14601G11 | | | | | | RIVET..... | 1 |
| 56 | 608527 | | | | | | GOVERNOR WARNING DECAL..... | 1 |
| 57 | 00915G1 | | | | | | WASHER | 1 |
| 58 | 606199 | | | | | | GOVERNOR COVER | 1 |
| 59 | 17618G1 | | | | | | NYLON CLAMP | 2 |

AIR FILTER



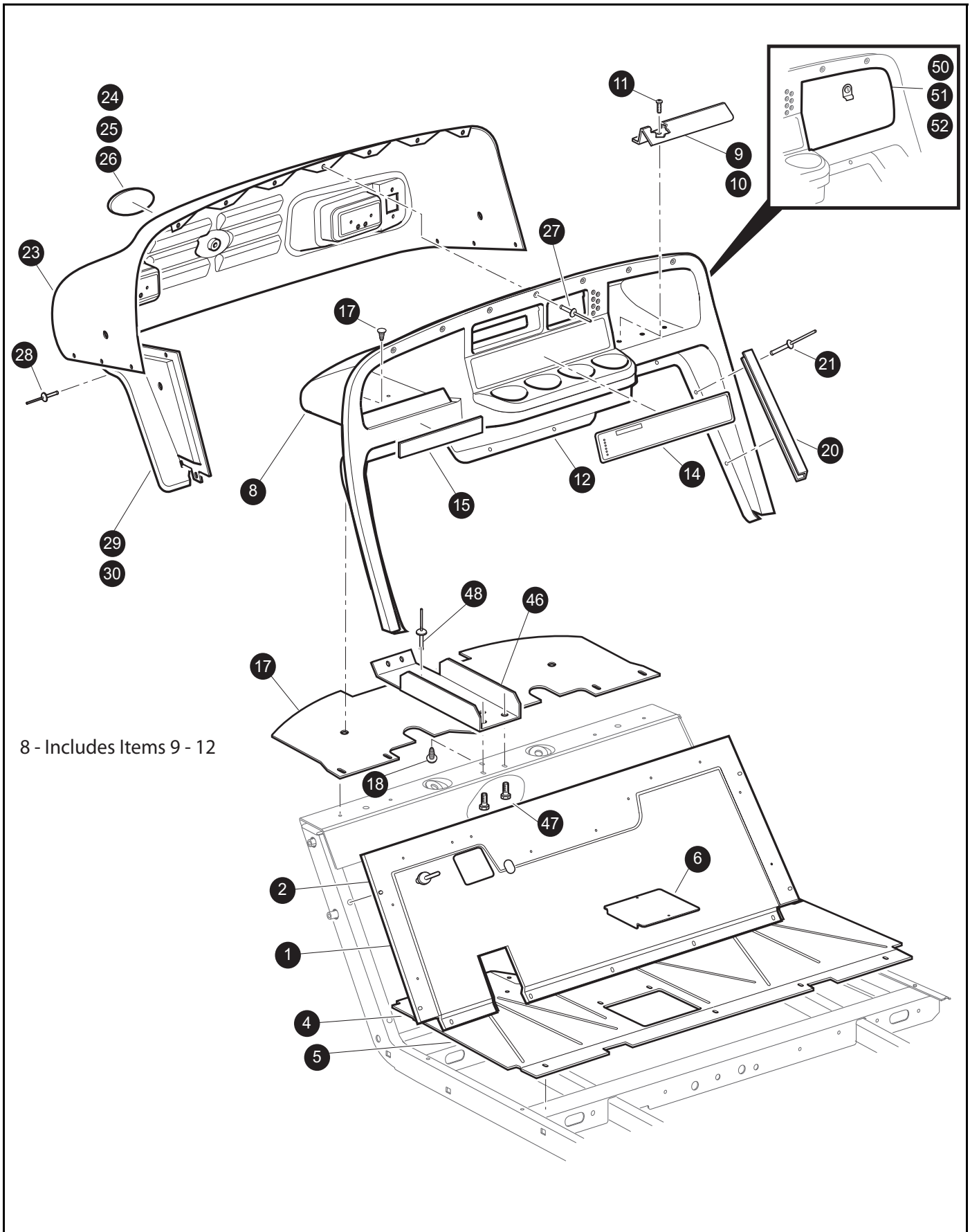
When ordering parts, please specify the model and serial number of the product.

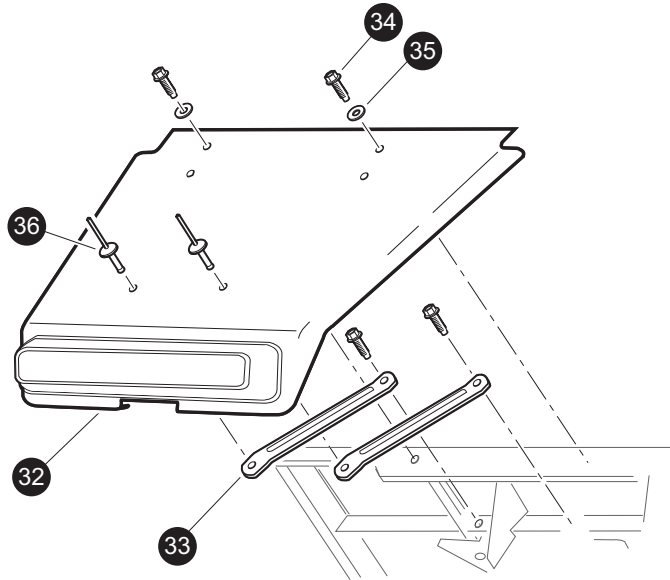
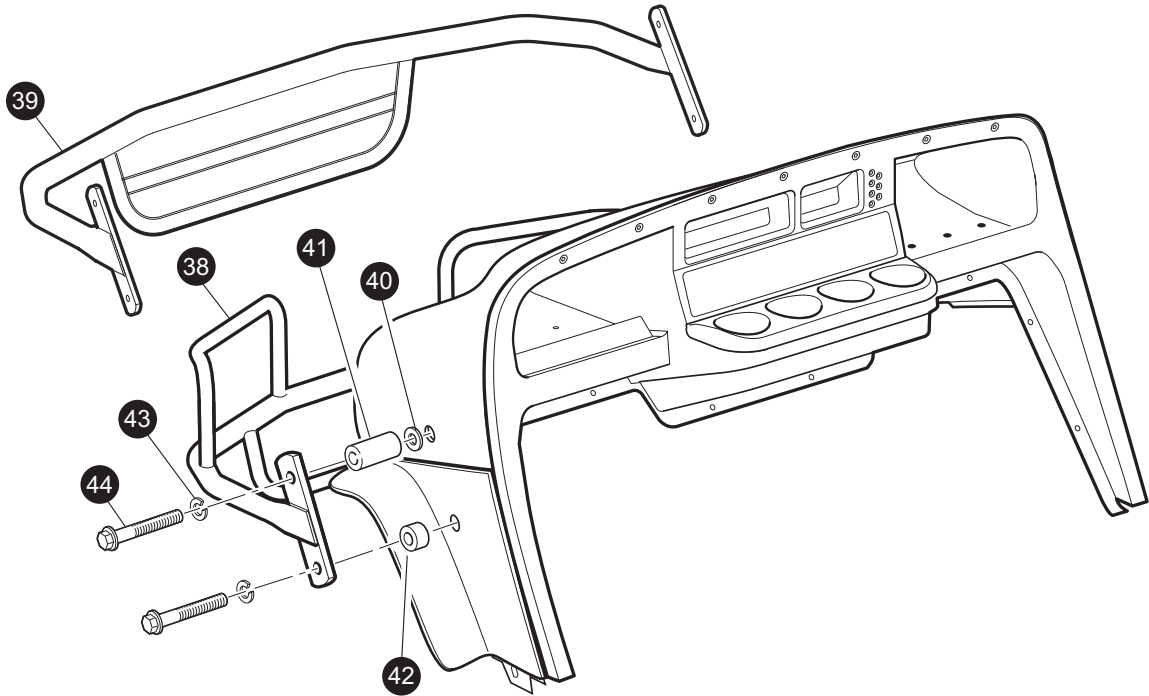
* Indicates a component that is not available as an individual part.

*** Indicates consult Customer Service Department for additional information.

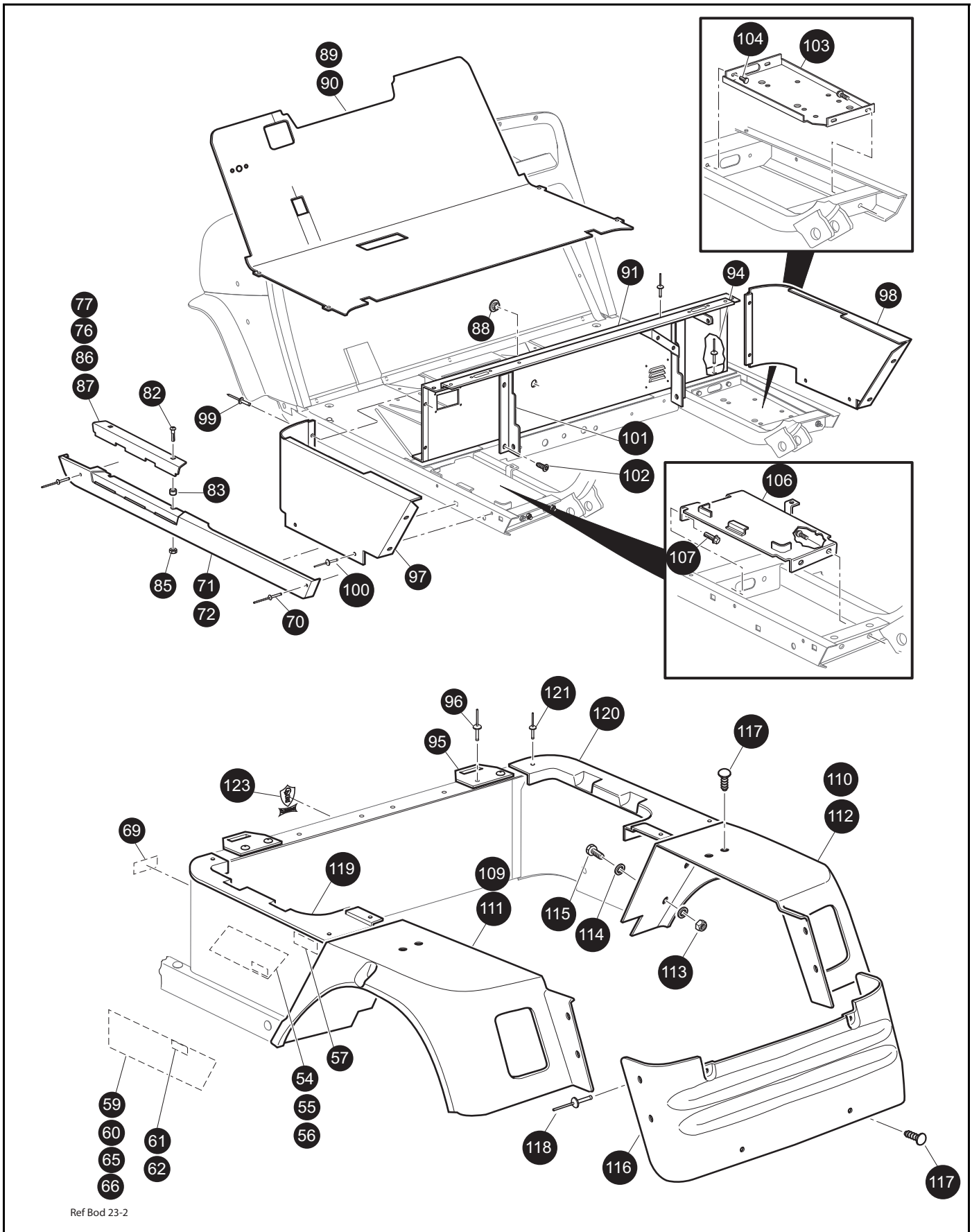
| ITEM | PART NO. | 1 2 3 4 5 | DESCRIPTION | QTY. |
|------|----------|-----------|--|------|
| 1 | 606952 | | AIR CLEANER (INCLUDES ITEMS 2 - 6) | 1 |
| 2 | 607269 | | BODY & BRACKET ASSEMBLY | 1 |
| 3 | 72599G01 | | AIR CLEANER COVER | 1 |
| 4 | 72604G01 | | AIR CLEANER CLIP | 2 |
| 5 | 28463G01 | | AIR FILTER | 1 |
| 6 | 28462G01 | | VALVE DUST EJECTOR | 1 |
| 7 | 11391G7 | | HOSE CLAMP | 1 |
| 8 | 607950 | | HOSE | 1 |
| 9 | 11391G1 | | HOSE CLAMP | 1 |
| 10 | 25532G1 | | BOLT AND WASHER, M8 X 1.25 X 18 MM | 2 |

BODY



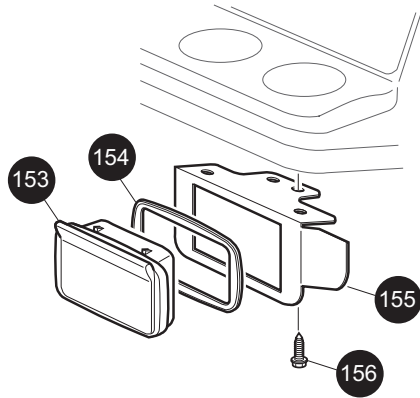


BODY

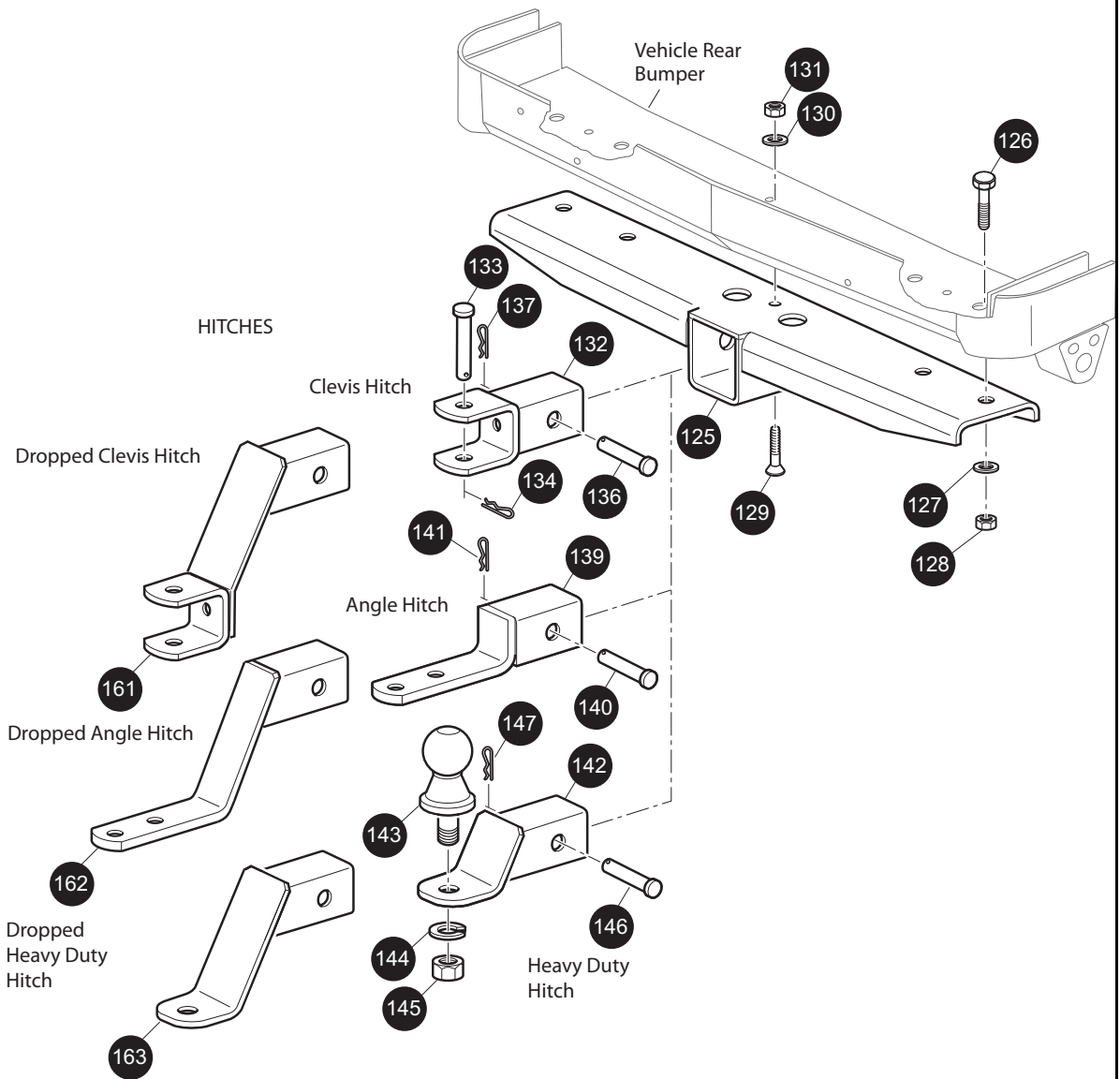


ASH TRAY

152 - Includes Items 153 - 156



HITCHES



Ref Bod 21-3

BODY

When ordering parts, please specify the model and serial number of the product.

* Indicates a component that is not available as an individual part.

*** Indicates consult Customer Service Department for additional information.

| ITEM | PART NO. | 1 2 3 4 5 | DESCRIPTION | QTY. |
|------|----------|-----------|---|------|
| 1 | 70662G01 | | UPPER FLOORPAN..... | 1 |
| 2 | 14601G11 | | RIVET, 3/16" X 9/16" LG (ALUMINUM)..... | 9 |
| 3 | | | | |
| 4 | 70451G01 | | LOWER FLOORPAN..... | 1 |
| 5 | 14601G11 | | RIVET, 3/16" X 9/16" LG (ALUMINUM)..... | 7 |
| 6 | 70452G01 | | ACCESS COVER..... | 1 |
| 7 | | | | |
| 8 | 71151G03 | | INSTRUMENT PANEL ASSEMBLY (INCLUDES ITEMS 9 - 12)..... | 1 |
| 9 | 71153G01 | | DEFLECTOR (PASSENGER SIDE)..... | 1 |
| 10 | 71154G01 | | DEFLECTOR (DRIVER SIDE)..... | 1 |
| 11 | 00614G5 | | SCREW, #8 - 18 X 5/8" LG..... | 6 |
| 12 | 71158G01 | | INSTRUMENT PANEL INSERT (FOUR CUP)..... | 1 |
| 13 | | | | |
| 14 | 35962G01 | | LABEL (SAFETY) (PICTOGRAPH)..... | 1 |
| 15 | 74443G01 | | LABEL (ANTI-ROLLBACK)..... | 1 |
| 16 | | | | |
| 17 | 71413G01 | | SPLASH PANEL..... | 1 |
| 18 | 16816G2 | | RATCHET FASTENER, 1/4" X 3/4" LG..... | 5 |
| 19 | | | | |
| 20 | 71115G01 | | VINYL TRIM..... | 2 |
| 21 | 71055G01 | | RIVET, 3/16" X 1" LG (ALUMINUM)..... | 10 |
| 22 | | | | |
| 23 | 71469G** | | COWL..... 71469G002....SPECIAL COLOR 71469G005....JACOBSEN ORANGE 71469G006....LIGHT GOLD PEARL 71469G013....CLOUD GREY 71469G019....PATRIOT BLUE PEARL 71469G020....INFERNO RED METAL 71469G023....CAMO ADV CLASSIC 71469G025....NEW HOLLAND BLUE 71469G026....STEEL BLUE PEARL 71469G030....CAMO HD ADV 71469G031....METALLIC CHARCOAL 71469G035....SAFETY YELLOW 71469G036....CAMPAGNE BEIGE 71469G038....BRIGHT WHITE | 1 |

When ordering parts, please specify the model and serial number of the product.

* Indicates a component that is not available as an individual part.

*** Indicates consult Customer Service Department for additional information.

| ITEM | PART NO. | 1 2 3 4 5 | DESCRIPTION | QTY. |
|------|----------|-----------|---|------|
| | | | 71469G039....FLAME RED 71469G041....ELECTRIC BLUE 71469G042....PLATINUM 71469G043....BURGUNDY ON CH BG 71469G044....ALMOND 71469G046....BURGANDY ON BLACK 71469G047....BURLINGTON GREEN 71469G048....BLACK ON CHAM BEIGE | |
| 24 | 71289G01 | | NAMEPLATE (E-Z-GO) (OVAL)..... | 1 |
| 25 | 28907G01 | | NAMEPLATE (JACOBSEN) (OVAL)..... | 1 |
| 26 | 74401G01 | | NAMEPLATE (CUSHMAN) (OVAL)..... | 1 |
| 27 | 71055G01 | | RIVET, 3/16" X 1" LG..... | 9 |
| 28 | 71055G01 | | RIVET, 3/16" X 1" LG..... | 6 |
| 29 | 71338G01 | | FENDER FLARE (DRIVER SIDE)..... | 1 |
| 30 | 71338G02 | | FENDER FLARE (PASSENGER SIDE)..... | 1 |
| 31 | | | | |
| 32 | 27166G04 | | FRONT SHIELD..... | 1 |
| 33 | 70725G02 | | FRONT SHIELD BRACE..... | 2 |
| 34 | 01038G01 | | SCREW, 1/4 - 20 X 1/2" LG..... | 4 |
| 35 | 16469G1 | | WASHER, 1/4"..... | 2 |
| 36 | 01057G01 | | RIVET, KTR, 1/4" X 1" LG..... | 2 |
| 37 | | | | |
| 38 | 74265G02 | | BUMPER..... | 1 |
| 39 | 604659 | | BRUSH GUARD (BLACK)..... | 1 |
| 40 | 00570G2 | | WASHER, 5/16"..... | 2 |
| 41 | 75048G04 | | SPACER, 1"..... | 2 |
| 42 | 75048G01 | | SPACER, 1/2"..... | 2 |
| 43 | 00905G8 | | LOCK WASHER, 5/16"..... | 4 |
| 44 | 01035G02 | | BOLT, 5/16 - 18 X 2 1/2" LG..... | 4 |
| 45 | | | | |
| 46 | 71101G02 | | COWL SUPPORT BRACKET..... | 1 |
| 47 | 71102G02 | | SELF TAPPING SCREW, 1/4 - 20 X 1/2" LG..... | 3 |
| 48 | 71055G01 | | RIVET, 3/16" X 1 1/8" LG..... | 1 |
| 49 | | | | |

BODY

When ordering parts, please specify the model and serial number of the product.

* Indicates a component that is not available as an individual part.

*** Indicates consult Customer Service Department for additional information.

| ITEM | PART NO. | 1 2 3 4 5 | DESCRIPTION | QTY. |
|------|-----------|-----------|---|------|
| 50 | 75459G01 | | GLOVE BOX DOORS (BOTH SIDES) | 1 |
| 51 | 75459G02 | | GLOVE BOX DOOR (DRIVER SIDE) | 1 |
| 52 | 75459G03 | | GLOVE BOX DOOR (PASSENGER SIDE) | 1 |
| 53 | | | | |
| 54 | 600823 | | LABEL (MPT™) | 2 |
| 55 | 600817 | | LABEL (800) | 2 |
| 56 | 604706 | | LABEL (ST SPORT II) | 2 |
| 57 | 74099-G01 | | LABEL, TILT WARNING PICTOGRAPH | 2 |
| 58 | | | | |
| 59 | 28915G01 | | LABEL (JACOBSEN HAULER™) (DRIVER SIDE) | 1 |
| 60 | 28915G02 | | LABEL (JACOBSEN HAULER™) (PASSENGER SIDE) | 1 |
| 61 | 74803G01 | | LABEL (800) | 2 |
| 62 | 28964G01 | | LABEL (280) | 2 |
| 63 | | | | |
| 64 | | | | |
| 65 | 28952G01 | | LABEL (CUSHMAN COMMANDER™) (DRIVER SIDE) | 1 |
| 66 | 28952G02 | | LABEL (CUSHMAN COMMANDER™) (PASSENGER SIDE) | 1 |
| 67 | | | | |
| 68 | | | | |
| 69 | * | | SERIAL NUMBER LABEL | 1 |
| 70 | 15058G6 | | RIVET, BLACK (ALUMINUM) | 4 |
| 71 | 71502G01 | | ROCKER PANEL (DRIVER SIDE) | 1 |
| 72 | 71501G01 | | ROCKER PANEL (PASSENGER SIDE) | 1 |
| 73 | | | | |
| 74 | | | | |
| 75 | | | | |
| 76 | | | | |
| 77 | | | | |
| 78 | | | | |
| 79 | | | | |
| 80 | | | | |

When ordering parts, please specify the model and serial number of the product.

* Indicates a component that is not available as an individual part.

*** Indicates consult Customer Service Department for additional information.

| ITEM | PART NO. | 1 2 3 4 5 | DESCRIPTION | QTY. |
|------|------------|-----------|--|------|
| 81 | | | | |
| 82 | 16705-G1 | | SCREW, 1/4 - 20 X 1" LG | 4 |
| 83 | 23726-G4 | | SPACER..... | 4 |
| 84 | | | | |
| 85 | 14390G4 | | LOCK NUT, 1/4 - 20 | 4 |
| 86 | 28971G01 | | SILL PLATE TREAD (PASSENGER SIDE) | 1 |
| 87 | 28971G02 | | SILL PLATE TREAD (DRIVER SIDE) | 1 |
| 88 | 20271G9 | | HOLE PLUG, 1/2"..... | 1 |
| 89 | 70663-G03 | | FLOORMAT | 1 |
| 90 | 70663-G04 | | FLOORMAT (AXLE MOUNTED STEERING) | 1 |
| 91 | 609045G** | | SEAT WRAP PANEL..... 609045G02....SPECIAL COLOR 609045G05....FRONT JAC ORANGE 609045G35....SAFETY YELLOW 609045G36....CHAMPAGNE BEIGE 609045G37....HUNTER GREEN 609045G38....BRIGHT WHITE 609045G39....FLAME RED 609045G40....BLACK | 1 |
| 92 | | | | |
| 93 | | | | |
| 94 | 10570G10 | | RIVET, 5/32" X 9/16" LG | 8 |
| 95 | 71609G01 | | SEAT HINGE PLATE | 2 |
| 96 | 10570G11 | | RIVET, 3/16" X 3/4" LG | 4 |
| 97 | 609047G1** | | SIDE PANEL (DRIVER SIDE)..... 609047G102....SPECIAL COLOR 609047G105....FRONT JAC ORANGE 609047G135....SAFETY YELLOW 609047G136....CHAMPAGNE BEIGE 609047G137....HUNTER GREEN 609047G138....BRIGHT WHITE 609047G139....FLAME RED 609047G140....BLACK | 1 |
| 98 | 609047G2** | | SIDE PANEL (PASSENGER SIDE) | 1 |
| | | | 609047G202....SPECIAL COLOR 609047G205....FRONT JAC ORANGE 609047G235....SAFETY YELLOW 609047G236....CHAMPAGNE BEIGE 609047G237....HUNTER GREEN | |

BODY

When ordering parts, please specify the model and serial number of the product.

* Indicates a component that is not available as an individual part.

*** Indicates consult Customer Service Department for additional information.

| ITEM | PART NO. | 1 2 3 4 5 | DESCRIPTION | QTY. |
|------|-----------|-----------|--|------|
| | | | 609047G238....BRIGHT WHITE 609047G239....FLAME RED 609047G240....BLACK | |
| 99 | 10570G10 | | RIVET, 5/32" X 9/16" LG..... | 4 |
| 100 | 10570G12 | | RIVET, 1/4" X 1/2" LG..... | 4 |
| 101 | 70440G04 | | SEAT FRAME..... | 1 |
| 102 | 00715G2 | | BOLT, 5/16 - 18 X 13/16" LG..... | 2 |
| 103 | 70244G03 | | SPLASH PANEL..... | 1 |
| 104 | 00715G2 | | BOLT, 5/16 - 18 X 13/16" LG..... | 4 |
| 105 | | | | |
| 106 | 600496 | | BATTERY TRAY..... | 1 |
| 107 | 00715G2 | | BOLT, 5/16 - 18 X 13/16" LG..... | 4 |
| 108 | | | | |
| 109 | 74892G01 | | FENDER (DRIVER SIDE)..... | 1 |
| 110 | 74892G02 | | FENDER (PASSENGER SIDE)..... | 1 |
| 111 | 74892G03 | | FENDER WITH TAILLIGHT (DRIVER SIDE)..... | 1 |
| 112 | 74892G04 | | FENDER WITH TAILLIGHT (PASSENGER SIDE)..... | 1 |
| 113 | 14390G4 | | LOCK NUT, 1/4 - 20..... | 4 |
| 114 | 00642G7 | | WASHER, 1/4"..... | 8 |
| 115 | 00414G6 | | BOLT, 1/4 - 20 X 3/4" LG..... | 4 |
| 116 | 74890G01 | | REAR PANEL..... | 1 |
| 117 | 16816G2 | | RATCHET FASTENER, 1/4" X 3/4" LG..... | 6 |
| 118 | 71055-G01 | | RIVET, 3/16..... | 4 |
| 119 | 74891G01 | | SEAT FILLER PANEL (DRIVER SIDE)..... | 1 |
| 120 | 74891G02 | | SEAT FILLER PANEL (PASSENGER SIDE)..... | 1 |
| 121 | 10570G10 | | RIVET, 5/32" X 9/16" LG..... | 6 |
| 122 | | | | |
| 123 | 74755G01 | | LABEL..... | 1 |
| 124 | | | | |
| 125 | 74348G02 | | HITCH RECEIVER..... | 1 |
| 126 | 00463G4 | | BOLT, 7/16 - 14 X 1 1/2" LG..... | 4 |
| 127 | 00922G3 | | WASHER, 7/16"..... | 4 |

When ordering parts, please specify the model and serial number of the product.

* Indicates a component that is not available as an individual part.

*** Indicates consult Customer Service Department for additional information.

| ITEM | PART NO. | 1 2 3 4 5 | DESCRIPTION | QTY. |
|------|-----------|-----------|---|------|
| 128 | 00734G1 | | LOCK NUT, 7/16 - 14 | 4 |
| 129 | 00198G8 | | SCREW, 5/16 - 18 X 1" LG | 1 |
| 130 | 00559G8 | | WASHER, 5/16" | 1 |
| 131 | 11098G6 | | LOCK NUT, 5/16 - 18 | 1 |
| 132 | 74338G02 | | CLEVIS HITCH | 1 |
| 133 | 14443G7 | | CLEVIS PIN, 1/2" X 2 1/2" LG | 1 |
| 134 | 19314G1 | | COTTER PIN, 2 1/2" LG | 1 |
| 135 | | | | |
| 136 | 21317G01 | | CLEVIS PIN, 5/8" X 3" LG | 1 |
| 137 | 21683G1 | | COTTER PIN, 15/32" X 2 11/16" LG | 1 |
| 138 | | | | |
| 139 | 74339G02 | | ANGLE HITCH | 1 |
| 140 | 21317G01 | | CLEVIS PIN, 5/8" X 3" LG | 1 |
| 141 | 21683G1 | | COTTER PIN, 15/32" X 2 11/16" LG | 1 |
| 142 | 74351G02 | | HEAVY DUTY HITCH | 1 |
| 143 | 31757G1 | | HITCH BALL, 1 7/8" | 1 |
| 144 | 00566G6 | | LOCK WASHER, 3/4" | 1 |
| 145 | 00702-G11 | | NUT, 3/4 - 16 | 1 |
| 146 | 21317G01 | | CLEVIS PIN, 5/8" X 3" LG | 1 |
| 147 | 21683G1 | | COTTER PIN, 15/32" X 2 11/16" LG | 1 |
| 148 | | | | |
| 149 | | | | |
| 150 | | | | |
| 151 | | | | |
| 152 | 75109G04 | | ASH TRAY KIT (INCLUDES ITEMS 153 - 156) | 1 |
| 153 | 27731G01 | | ASH TRAY | 1 |
| 154 | 27736G01 | | GASKET | 1 |
| 155 | 75108G02 | | BRACKET | 1 |
| 156 | 00100G4 | | SCREW, #10 - 16 X 1/2" LG | 4 |
| 157 | | | | |
| 158 | | | | |

BODY

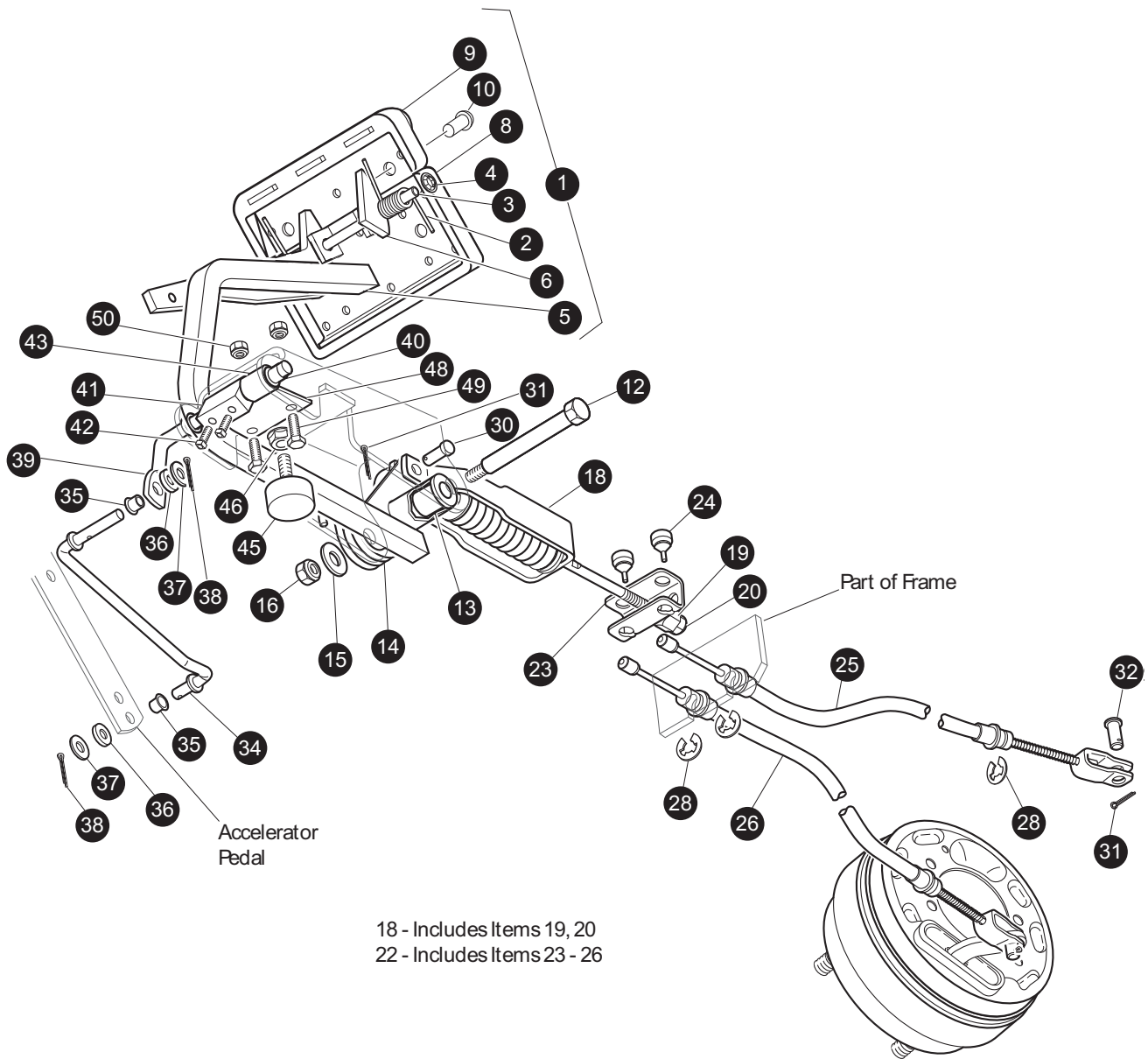
When ordering parts, please specify the model and serial number of the product.

* Indicates a component that is not available as an individual part.

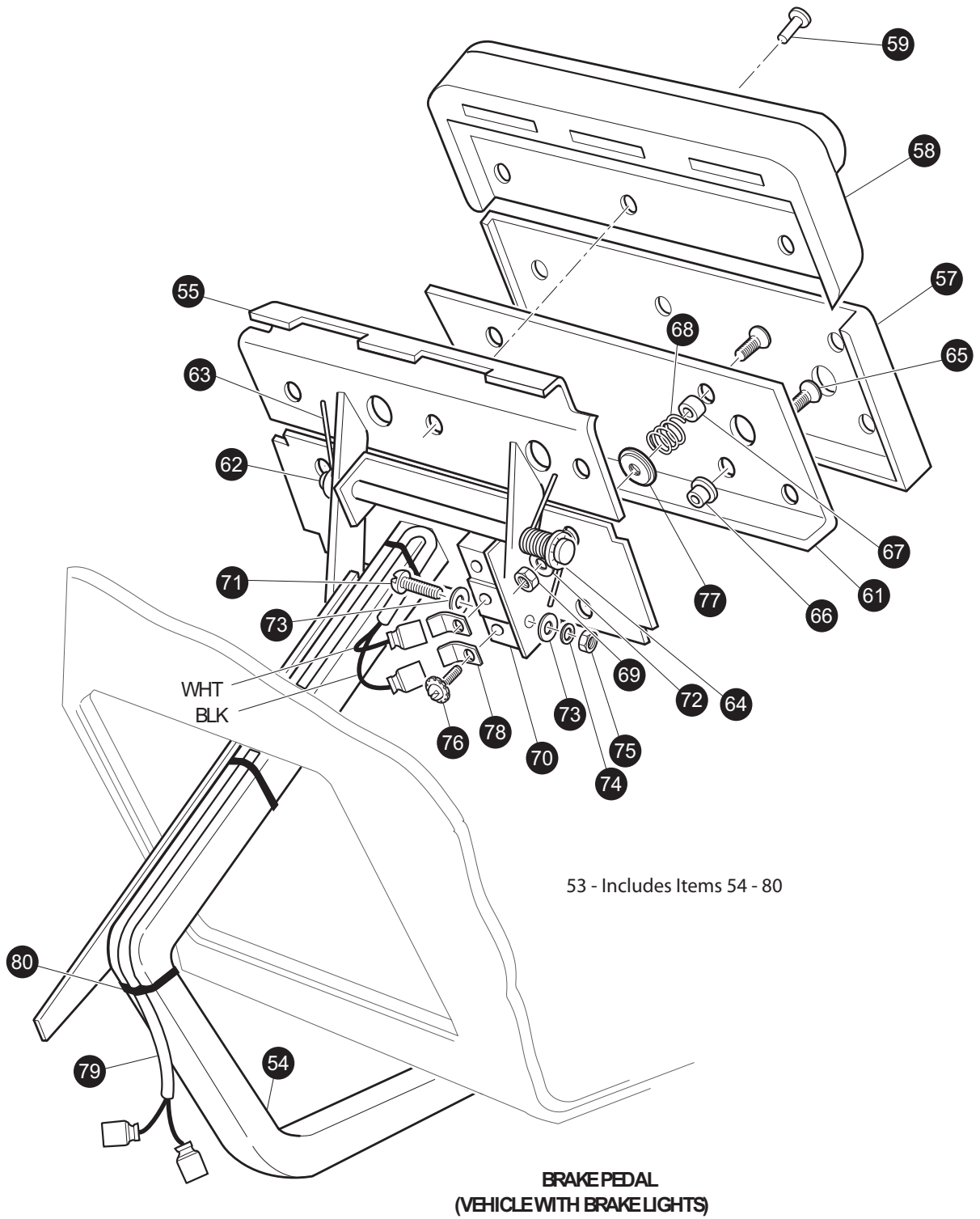
*** Indicates consult Customer Service Department for additional information.

| ITEM | PART NO. | 1 2 3 4 5 DESCRIPTION | QTY. |
|------|----------|----------------------------|------|
| 159 | | | |
| 160 | | | |
| 161 | 74495G02 | DROPPED CLEVIS HITCH | 1 |
| 162 | 74489G02 | DROPPED ANGLE HITCH..... | 1 |
| 163 | 74491G01 | DROPPED BALL HITCH | 1 |

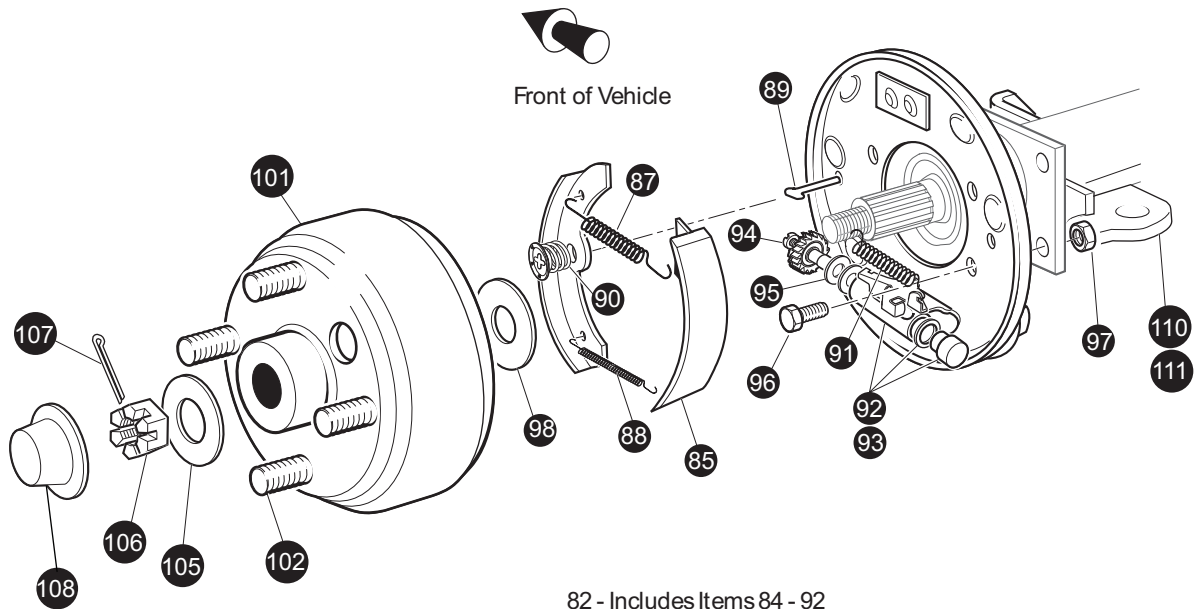
BRAKES



Ref Brk 6-1



BRAKES



- 82 - Includes Items 84 - 92
- 83 - Includes Items 84 - 93
- 84 - Includes Items 85
- 86 - Includes Items 87 - 91
- 92 - Includes Items 94, 95
- 93 - Includes Items 94, 95
- 100 - Includes Items 101, 102

Ref Brk 6-3

When ordering parts, please specify the model and serial number of the product.

* Indicates a component that is not available as an individual part.

*** Indicates consult Customer Service Department for additional information.

| ITEM | PART NO. | 1 2 3 4 5 | DESCRIPTION | QTY. |
|------|----------|-----------|--|------|
| 1 | 70612G02 | | BRAKE PEDAL ASSEMBLY (WITHOUT BRAKE LIGHTS) (INCLUDES ITEMS 2 - 10) | 1 |
| 2 | 70681G01 | | TORSION SPRING..... | 2 |
| 3 | 70682G01 | | PIVOT PIN..... | 1 |
| 4 | 01071G01 | | PUSHNUT, 5/16" | 1 |
| 5 | 70259G02 | | BRAKE PEDAL..... | 1 |
| 6 | 70611G02 | | PARK BRAKE PEDAL | 1 |
| 7 | | | | |
| 8 | 70257G01 | | SERVICE BRAKE PAD..... | 1 |
| 9 | 70256G01 | | PARK BRAKE PEDAL PAD | 1 |
| 10 | 16409G1 | | OVAL RIVET, 3/16" X 3/8" LG | 9 |
| 11 | | | | |
| 12 | 70582G01 | | SHOULDER BOLT, 3/8 - 16 X 4" LG..... | 1 |
| 13 | 70581G01 | | FLANGED BUSHING..... | 2 |
| 14 | 70676G01 | | TORSION SPRING | 1 |
| 15 | 00643G1 | | WASHER, 3/8" | 1 |
| 16 | 11098G5 | | LOCK NUT, 3/8 - 16 | 1 |
| 17 | | | | |
| 18 | 70272G04 | | COMPENSATOR ASSEMBLY (INCLUDES ITEMS 19, 20)..... | 1 |
| 19 | 00963G01 | | SPHERICAL NUT, 5/16 - 24 | 1 |
| 20 | 11098G9 | | LOCK NUT, 5/16 - 24..... | 1 |
| 21 | | | | |
| 22 | 70969G03 | | EQUALIZER AND BRAKE CABLE ASSEMBLY (INCLUDES ITEMS 23 - 26) | 1 |
| 23 | 28082G01 | | EQUALIZER BRACKET | 1 |
| 24 | 28083G01 | | BRAKE COMPENSATOR BUMPER | 2 |
| 25 | * | | BRAKE CABLE (DRIVER SIDE) | 1 |
| 26 | * | | BRAKE CABLE (PASSENGER SIDE)..... | 1 |
| 27 | | | | |
| 28 | 01111G01 | | RETAINING RING, S.S. | 4 |
| 29 | | | | |
| 30 | 10386G3 | | CLEVIS PIN, 5/16" X 1" LG..... | 3 |

BRAKES

When ordering parts, please specify the model and serial number of the product.

* Indicates a component that is not available as an individual part.

*** Indicates consult Customer Service Department for additional information.

| ITEM | PART NO. | 1 2 3 4 5 | DESCRIPTION | QTY. |
|------|----------|-----------|---|------|
| 31 | 10387G3 | | COTTER PIN, 3/32" X 3/4" LG | 3 |
| 32 | 14443G2 | | CLEVIS PIN, 5/16" X 3/4" LG | 2 |
| 33 | | | | |
| 34 | 70601G01 | | KICK-OFF LINK..... | 1 |
| 35 | 17838G1 | | NYLON BUSHING..... | 2 |
| 36 | 20835G1 | | TEFLON WASHER, 3/8" | 2 |
| 37 | 00559G8 | | WASHER, 5/16"..... | 2 |
| 38 | 10387G3 | | COTTER PIN, 3/32" X 3/4" LG | 2 |
| 39 | 70098G01 | | KICK-OFF CAM PIVOT | 1 |
| 40 | 10097G6 | | FLANGED BEARING | 2 |
| 41 | 70587G01 | | KICK-OFF CAM..... | 1 |
| 42 | 71215G01 | | SETSCREW, 1/4 - 20 X 1/2" LG..... | 2 |
| 43 | 14134G4 | | SPACER | 1 |
| 44 | | | | |
| 45 | 70113G01 | | ADJUSTABLE BUMPER | 1 |
| 46 | 11027G1 | | LOCK NUT, 5/16 - 18..... | 1 |
| 47 | | | | |
| 48 | 70080G02 | | CATCH BRACKET | 1 |
| 49 | 00414G6 | | BOLT, 1/4 - 20 X 3/4" LG | 2 |
| 50 | 14390G4 | | LOCK NUT, 1/4 - 20..... | 2 |
| 51 | | | | |
| 52 | | | | |
| 53 | 70690G02 | | BRAKE PEDAL ASSEMBLY (WITH BRAKE LIGHTS) (INCLUDES ITEMS 54 - 80)..... | 1 |
| 54 | 70686G02 | | BRAKE PEDAL | 1 |
| 55 | 70611G02 | | PARK BRAKE PEDAL..... | 1 |
| 56 | | | | |
| 57 | 70257G01 | | SERVICE BRAKE PAD | 1 |
| 58 | 70256G01 | | PARK BRAKE PAD | 1 |
| 59 | 16409G1 | | OVAL RIVET, 3/16" x 3/8" LG | 9 |
| 60 | | | | |
| 61 | 70258G03 | | BRAKE PEDAL PLATE | 1 |

When ordering parts, please specify the model and serial number of the product.

* Indicates a component that is not available as an individual part.

*** Indicates consult Customer Service Department for additional information.

| ITEM | PART NO. | 1 2 3 4 5 | DESCRIPTION | QTY. |
|------|----------|-----------|--|------|
| 62 | 70682G01 | | PIVOT PIN..... | 1 |
| 63 | 70681G01 | | TORSION SPRING..... | 2 |
| 64 | 01071G01 | | PUSHNUT, 5/16" | 1 |
| 65 | 00737G8 | | SCREW, #10 - 24 X 1" LG..... | 4 |
| 66 | 00739G1 | | RUBBER NUT, #10 - 24 | 2 |
| 67 | 74535G01 | | BRAKE PEDAL STANDOFF..... | 2 |
| 68 | 27137G01 | | CONICAL SPRING..... | 2 |
| 69 | 14390G10 | | LOCK NUT, #10 - 24..... | 2 |
| 70 | 10606G8 | | MICRO SWITCH | 1 |
| 71 | 00645-G2 | | SCREW, #6 - 32 X 1 1/4" LG..... | 2 |
| 72 | 00559G5 | | WASHER, #10 | 2 |
| 73 | 00559G3 | | WASHER, #6..... | 4 |
| 74 | 00565G3 | | LOCK WASHER, #6 | 2 |
| 75 | 00525G5 | | NUT, #6 - 32 | 2 |
| 76 | 13514G1 | | SCREW AND LOCK WASHER, #6 | 2 |
| 77 | 00642-G8 | | WASHER - 5/16" | 2 |
| 78 | 14628G1 | | FASTON TAB..... | 2 |
| 79 | 24605G1 | | WIRE HARNESS (BRAKE LIGHT)..... | 1 |
| 80 | 17618G1 | | WIRE TIE..... | 2 |
| 81 | | | | |
| 82 | 70998G01 | | BRAKE ASSEMBLY (DRIVER SIDE) (INCLUDES ITEMS 84 - 92)..... | 1 |
| 83 | 70998G02 | | BRAKE ASSEMBLY (PASSENGER SIDE) (INCL. ITEMS 84 - 91, 93)..... | 1 |
| 84 | 70794G01 | | BRAKE SHOE KIT (INCLUDES ITEM 85) | 2 |
| 85 | * | | BRAKE SHOE..... | 2 |
| 86 | 27944G01 | | BRAKE SPRING KIT (INCLUDES ITEMS 87 - 91) | 2 |
| 87 | * | | UPPER SPRING | 1 |
| 88 | * | | LOWER SPRING | 1 |
| 89 | * | | PIN | 2 |
| 90 | * | | CUP AND SPRING | 2 |
| 91 | * | | ADJUSTER SPRING | 1 |
| 92 | 72582G01 | | BRAKE ADJUSTER KIT (DRIVER SIDE) (INCLUDES ITEMS 94, 95).... | 1 |

BRAKES

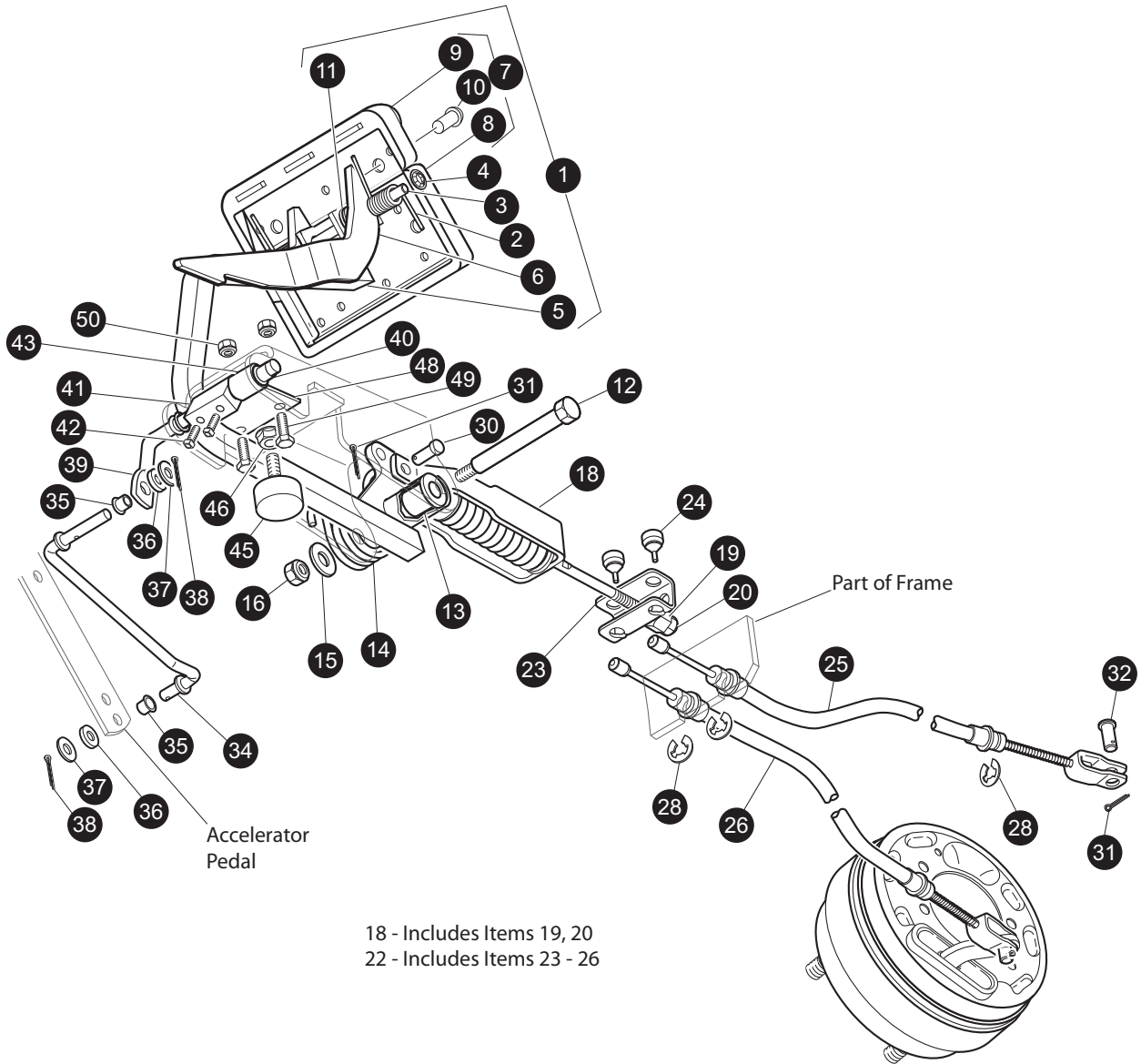
When ordering parts, please specify the model and serial number of the product.

* Indicates a component that is not available as an individual part.

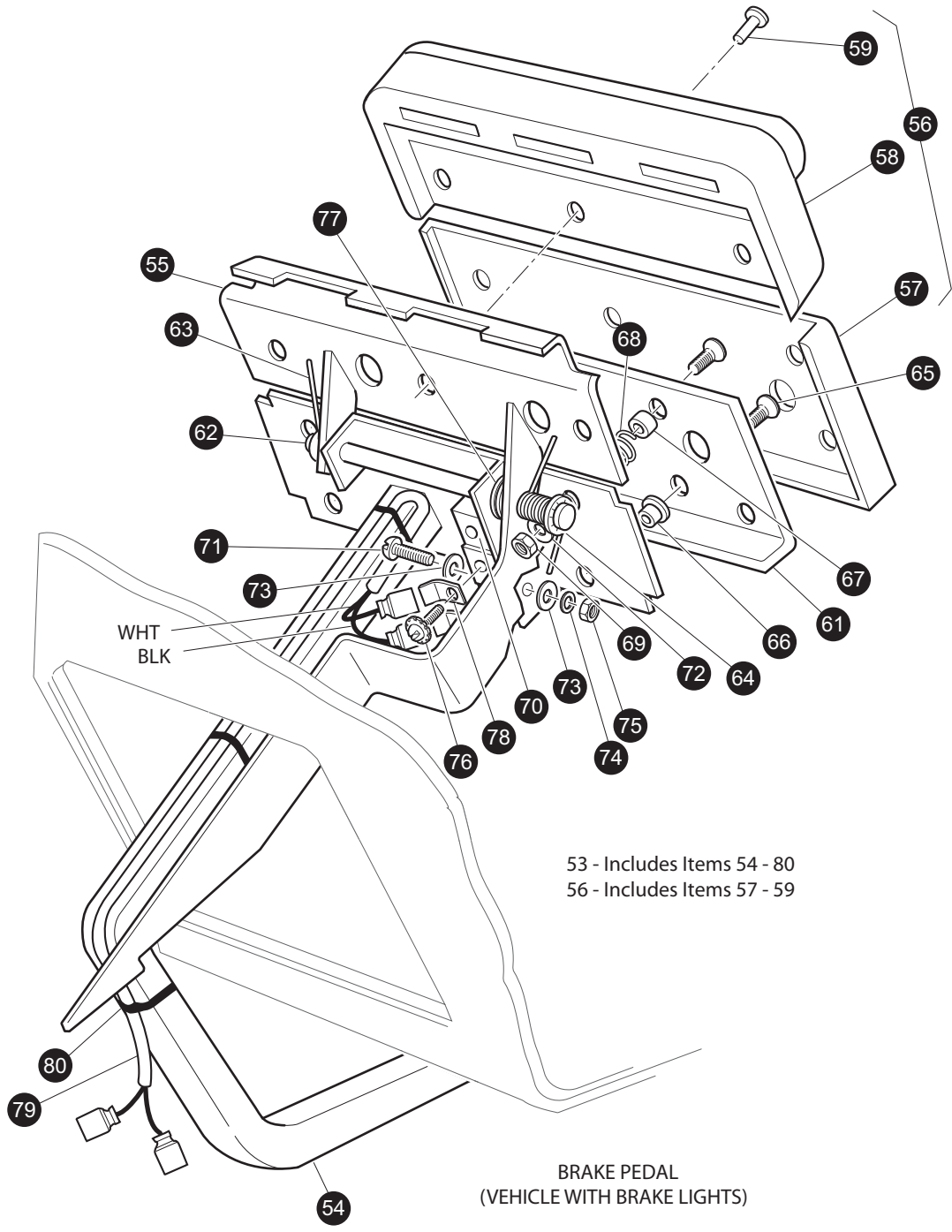
*** Indicates consult Customer Service Department for additional information.

| ITEM | PART NO. | 1 | 2 | 3 | 4 | 5 | DESCRIPTION | QTY. |
|------|----------|---|---|---|---|---|--|------|
| 93 | 72582G02 | | | | | | BRAKE ADJUSTER KIT (PASSENGER SIDE) (INCL ITEMS 94, 95)..... | 1 |
| 94 | * | | | | | | ADJUSTER..... | 1 |
| 95 | * | | | | | | TEFLON WASHER..... | 2 |
| 96 | 17083G2 | | | | | | BOLT, 5/16 - 24 X 1" LG | 8 |
| 97 | 15126G1 | | | | | | LOCK NUT, 5/16 - 24..... | 8 |
| 98 | 21809G1 | | | | | | INNER BRAKE DRUM WASHER, 1 5/16" OD X 1" ID X 1/32" | 2 |
| 99 | | | | | | | | |
| 100 | 21807G2 | | | | | | BRAKE DRUM ASSEMBLY (INCLUDES ITEMS 101 - 102)..... | 2 |
| 101 | * | | | | | | BRAKE DRUM | 1 |
| 102 | 19862G1 | | | | | | LUG BOLT, 1/2 - 20..... | 4 |
| 103 | | | | | | | | |
| 104 | | | | | | | | |
| 105 | 606945 | | | | | | OUTER BRAKE DRUM WASHER | 2 |
| 106 | 606403 | | | | | | SLOTTED NUT, 3/4 - 16..... | 2 |
| 107 | 10387G1 | | | | | | COTTER PIN, 1/8" X 1 1/2" LG | 2 |
| 108 | 74175G01 | | | | | | SPINDLE CAP..... | 2 |
| 109 | | | | | | | | |
| 110 | 608200 | | | | | | BRAKE CABLE BRACKET (PASSENGER SIDE)..... | 1 |
| 111 | 608201 | | | | | | BRAKE CABLE BRACKET (DRIVER SIDE) | 1 |

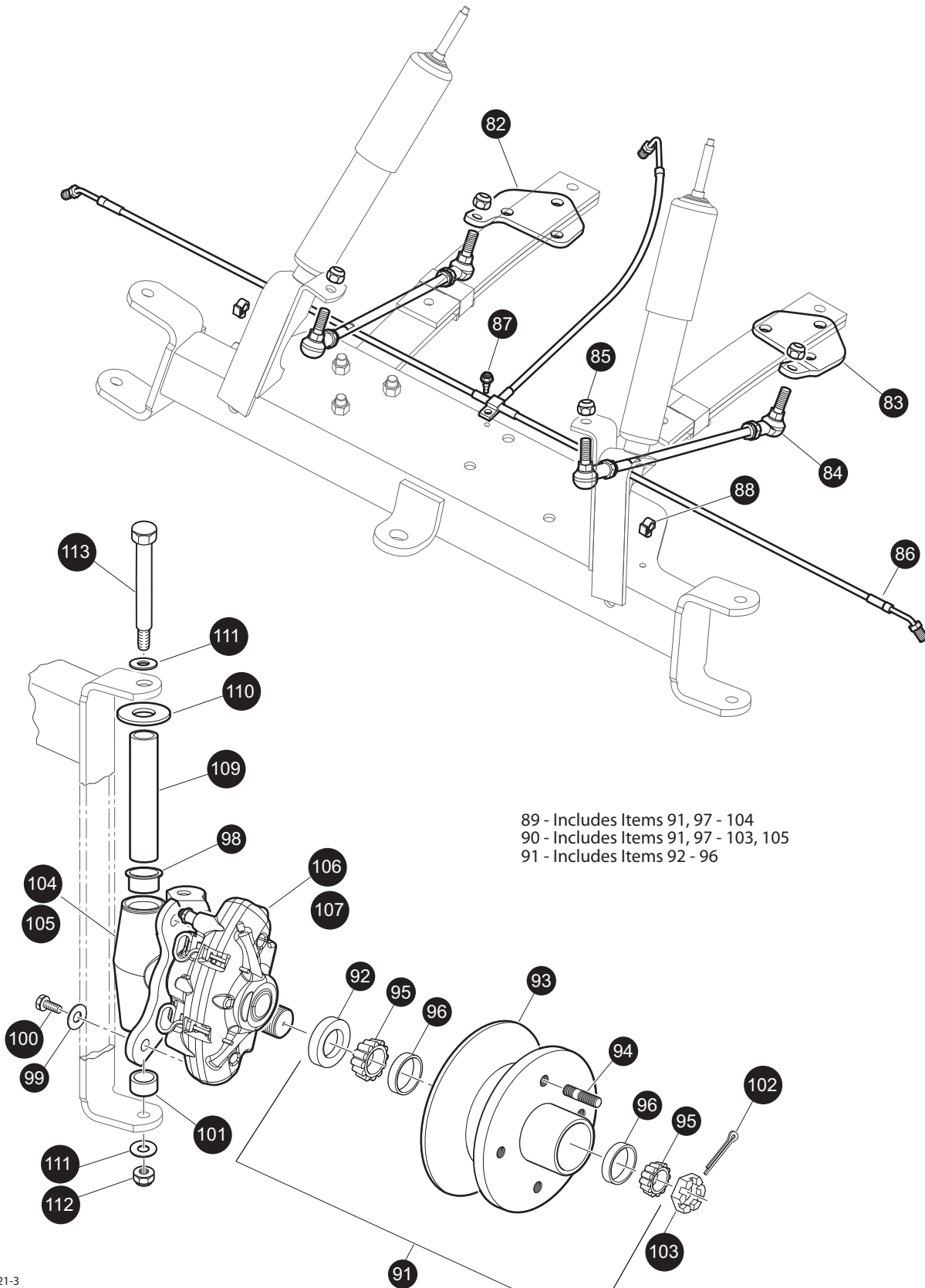
BRAKES - FRONT DISC



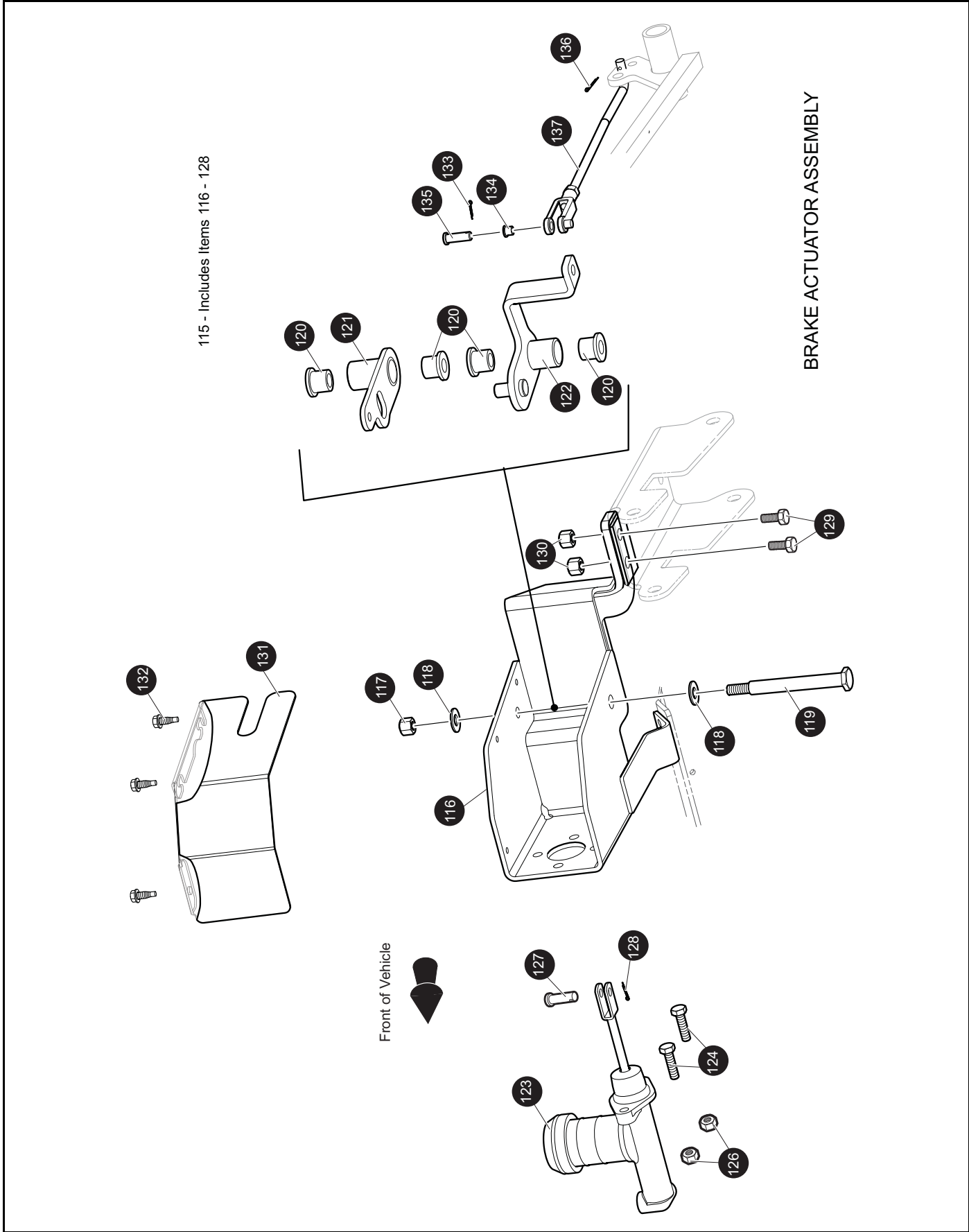
Ref Brh 21-1



BRAKES - FRONT DISC



Ref Brh 21-3



BRAKES - FRONT DISC

When ordering parts, please specify the model and serial number of the product.

* Indicates a component that is not available as an individual part.

*** Indicates consult Customer Service Department for additional information.

| ITEM | PART NO. | 1 2 3 4 5 | DESCRIPTION | QTY. |
|------|----------|-----------|--|------|
| 1 | 74723G01 | | BRAKE PEDAL ASSEMBLY (WITHOUT BRAKE LIGHTS) (INCLUDES ITEMS 2 - 11) | 1 |
| 2 | 70681G01 | | TORSION SPRING | 2 |
| 3 | 70682G01 | | PIVOT PIN | 1 |
| 4 | 01071G01 | | PUSHNUT, 5/16" | 2 |
| 5 | * | | BRAKE PEDAL | 1 |
| 6 | 74724G01 | | PARK BRAKE PEDAL..... | 1 |
| 7 | 70274G01 | | BRAKE/PARK BRAKE PEDAL PAD KIT (INCLUDES ITEMS 8 - 10) | 1 |
| 8 | * | | SERVICE BRAKE PAD..... | 1 |
| 9 | * | | PARK BRAKE PEDAL PAD | 1 |
| 10 | 15766G1 | | OVAL RIVET, 3/16" X 15/32" LG | 9 |
| 11 | 20835G1 | | WASHER, TEFLON, 3/8" | 2 |
| 12 | 70582G01 | | SHOULDER BOLT, 3/8 - 16 X 4" LG | 1 |
| 13 | 70581G01 | | FLANGED BUSHING | 2 |
| 14 | 70676G01 | | TORSION SPRING | 1 |
| 15 | 00643G1 | | WASHER, 3/8" | 1 |
| 16 | 11098G5 | | LOCK NUT, 3/8 - 16..... | 1 |
| 17 | | | | |
| 18 | 70272G04 | | COMPENSATOR ASSEMBLY (INCLUDES ITEMS 19, 20) | 1 |
| 19 | 00963G01 | | SPHERICAL NUT, 5/16 - 24..... | 1 |
| 20 | 11098G9 | | LOCK NUT, 5/16 - 24 | 1 |
| 21 | | | | |
| 22 | 70969G03 | | EQUALIZER AND BRAKE CABLE ASSEMBLY (INCLUDES ITEMS 23 - 26) | 1 |
| 23 | 28082G01 | | EQUALIZER BRACKET | 1 |
| 24 | 28083G01 | | BRAKE COMPENSATOR BUMPER..... | 2 |
| 25 | * | | BRAKE CABLE (DRIVER SIDE)..... | 1 |
| 26 | * | | BRAKE CABLE (PASSENGER SIDE) | 1 |
| 27 | | | | |
| 28 | 01111G01 | | RETAINING RING | 4 |
| 29 | | | | |
| 30 | 10386G3 | | CLEVIS PIN, 5/16" X 1" LG | 3 |

BRAKES - FRONT DISC

When ordering parts, please specify the model and serial number of the product.

* Indicates a component that is not available as an individual part.

*** Indicates consult Customer Service Department for additional information.

| ITEM | PART NO. | 1 2 3 4 5 | DESCRIPTION | QTY. |
|------|----------|-----------|--|------|
| 31 | 10387G3 | | COTTER PIN, 3/32" X 3/4" LG..... | 3 |
| 32 | 10386G3 | | CLEVIS PIN, 5/16" X 3/4" LG..... | 2 |
| 33 | | | | |
| 34 | 70601G01 | | KICK-OFF LINK | 1 |
| 35 | 17838G1 | | NYLON BUSHING | 2 |
| 36 | 20835G1 | | TEFLON WASHER, 3/8" | 2 |
| 37 | 00559G8 | | WASHER, 5/16" | 2 |
| 38 | 10387G3 | | COTTER PIN, 3/32" X 3/4" LG..... | 2 |
| 39 | 70098G01 | | KICK-OFF CAM PIVOT..... | 1 |
| 40 | 10097G6 | | FLANGED BEARING | 2 |
| 41 | 70587G01 | | KICK-OFF CAM | 1 |
| 42 | 71215G01 | | SETSCREW, 1/4 - 20 X 1/2" LG | 2 |
| 43 | 14134G4 | | SPACER..... | 1 |
| 44 | | | | |
| 45 | 70113G01 | | ADJUSTABLE BUMPER..... | 1 |
| 46 | 11027G1 | | LOCK NUT, 5/16 - 18 | 1 |
| 47 | | | | |
| 48 | 70080G01 | | CATCH BRACKET | 1 |
| 49 | 00414G6 | | BOLT, 1/4 - 20 X 3/4" LG..... | 2 |
| 50 | 14390G4 | | LOCK NUT, 1/4 - 20 | 2 |
| 51 | | | | |
| 52 | | | | |
| 53 | 74874G01 | | BRAKE PEDAL ASSEMBLY (WITH BRAKE LIGHTS) (INCLUDES ITEMS 54 - 80) | 1 |
| 54 | * | | BRAKE PEDAL..... | 1 |
| 55 | 74724G01 | | PARK BRAKE PEDAL | 1 |
| 56 | 70274G01 | | BRAKE/PARK BRAKE PEDAL PAD KIT (INCLUDES ITEMS 57 - 59) | 1 |
| 57 | * | | SERVICE BRAKE PAD | 1 |
| 58 | * | | PARK BRAKE PAD | 1 |
| 59 | 15766G1 | | OVAL RIVET, 3/16" X 15/32" LG..... | 9 |
| 60 | | | | |

BRAKES - FRONT DISC

When ordering parts, please specify the model and serial number of the product.

* Indicates a component that is not available as an individual part.

*** Indicates consult Customer Service Department for additional information.

| ITEM | PART NO. | 1 | 2 | 3 | 4 | 5 | DESCRIPTION | QTY. |
|------|----------|---|---|---|---|---|--|------|
| 61 | 70258G02 | | | | | | BRAKE PEDAL PLATE | 1 |
| 62 | 70682G01 | | | | | | PIVOT PIN | 1 |
| 63 | 70681G01 | | | | | | TORSION SPRING | 2 |
| 64 | 01071G01 | | | | | | PUSHNUT, 5/16" | 1 |
| 65 | 00737G8 | | | | | | SCREW, #10 - 24 X 1" LG | 4 |
| 66 | 00739G1 | | | | | | RUBBER NUT, #10 - 24 | 2 |
| 67 | 74535G01 | | | | | | BRAKE PEDAL STANDOFF | 2 |
| 68 | 27137G01 | | | | | | CONICAL SPRING | 2 |
| 69 | 14390G10 | | | | | | LOCK NUT, #10 - 24 | 2 |
| 70 | 10606G8 | | | | | | MICRO SWITCH | 1 |
| 71 | 00957G1 | | | | | | SCREW, #6 - 32 X 1 1/4" LG | 2 |
| 72 | 00559G5 | | | | | | WASHER, #10 | 2 |
| 73 | 00559G3 | | | | | | WASHER, #6 | 4 |
| 74 | 00565G3 | | | | | | LOCK WASHER, #6 | 2 |
| 75 | 00525G5 | | | | | | NUT, #6 - 32 | 2 |
| 76 | 13514G1 | | | | | | SCREW AND LOCK WASHER, #6 | 2 |
| 77 | 20835G1 | | | | | | WASHER, TEFLON, 3/8" | 2 |
| 78 | 14628G1 | | | | | | FASTON TAB | 2 |
| 79 | 24605G1 | | | | | | WIRE HARNESS (BRAKE LIGHT) | 1 |
| 80 | 17618G1 | | | | | | WIRE TIE | 3 |
| 81 | | | | | | | | |
| 82 | 74731G02 | | | | | | SPRING PLATE (PASSENGER SIDE) | 1 |
| 83 | 74731G01 | | | | | | SPRING PLATE (DRIVER SIDE) | 1 |
| 84 | 74730G01 | | | | | | FOUR LINK ROD | 2 |
| 85 | 01084G01 | | | | | | LOCK NUT, M10-1.25 | 4 |
| 86 | 74736G01 | | | | | | BRAKE LINE | 1 |
| 87 | 01038G01 | | | | | | SCREW, 1/4 - 20 X 4444" LG | 1 |
| 88 | 74875G01 | | | | | | WIRE RETAINER | 2 |
| 89 | 602288 | | | | | | SPINDLE ASSEMBLY, PASSENGER SIDE (INCLUDES ITEMS 91, 97 - 104) | 1 |
| 90 | 602281 | | | | | | SPINDLE ASSEMBLY, DRIVER SIDE (INCLUDES ITEMS 91, 97 - 103, 105) | 1 |
| 91 | 74948G01 | | | | | | FRONT DISC HUB ASSEMBLY (INCLUDES ITEMS 92 - 96) | 1 |

BRAKES - FRONT DISC

When ordering parts, please specify the model and serial number of the product.

* Indicates a component that is not available as an individual part.

*** Indicates consult Customer Service Department for additional information.

| ITEM | PART NO. | 1 2 3 4 5 | DESCRIPTION | QTY. |
|------|-----------|-----------|--|------|
| 92 | 25146G1 | | GREASE SEAL | 1 |
| 93 | 74995G01 | | DISC BRAKE HUB | 1 |
| 94 | 74864-G01 | | DRIVE FLANGE STUD | 4 |
| 95 | 11750-G2 | | ROLLER BEARING..... | 2 |
| 96 | 50892G1 | | BEARING RACE | 2 |
| 97 | 12093G1 | | SLOTTED NUT..... | 1 |
| 98 | 70648-G01 | | FLANGED BEARING | 1 |
| 99 | 00565-G8 | | WASHER, 3/8" | 2 |
| 100 | 00426-G6 | | BOLT, 3/8 - 16 X 3/4" LG | 2 |
| 101 | 70749-G01 | | BEARING | 1 |
| 102 | 00798-G8 | | COTTER PIN..... | 1 |
| 103 | 25146-G1 | | GREASE SEAL | 1 |
| 104 | 602158 | | DISC BRAKE SPINDLE, PASSENGER SIDE | 1 |
| 105 | 602176 | | DISC BRAKE SPINDLE, DRIVER SIDE | 1 |
| 106 | 74733G01 | | CALIPER, PASSENGER SIDE | 1 |
| 107 | 74733G02 | | CALIPER, DRIVER SIDE..... | 1 |
| 108 | | | | |
| 109 | 70745G01 | | KINGPIN TUBE..... | 2 |
| 110 | 70754G01 | | THRUST WASHER..... | 2 |
| 111 | 00560G3 | | WASHER, 1/2" | 4 |
| 112 | 14390G6 | | LOCKNUT, 1/2 - 13 | 2 |
| 113 | 00407G6 | | CAPSCREW, 1/2 - 13 X 6" LG | 2 |
| 114 | | | | |
| 115 | 608706 | | BRAKE ACTUATOR ASSEMBLY (INCLUDES ITEMS 116 - 128)..... | 1 |
| 116 | 612706 | | MASTER CYLINDER WELDMENT MOUNT..... | 1 |
| 117 | 11098G5 | | NYLON BUSHING..... | 1 |
| 118 | 00679G1 | | FLAT WASHER | 1 |
| 119 | 74711G01 | | SHOULDER BOLT..... | 1 |
| 120 | 70581-G02 | | ACETAL BUSHING..... | 4 |
| 121 | 608122 | | UPPER ACTUATOR PIVOT | 1 |

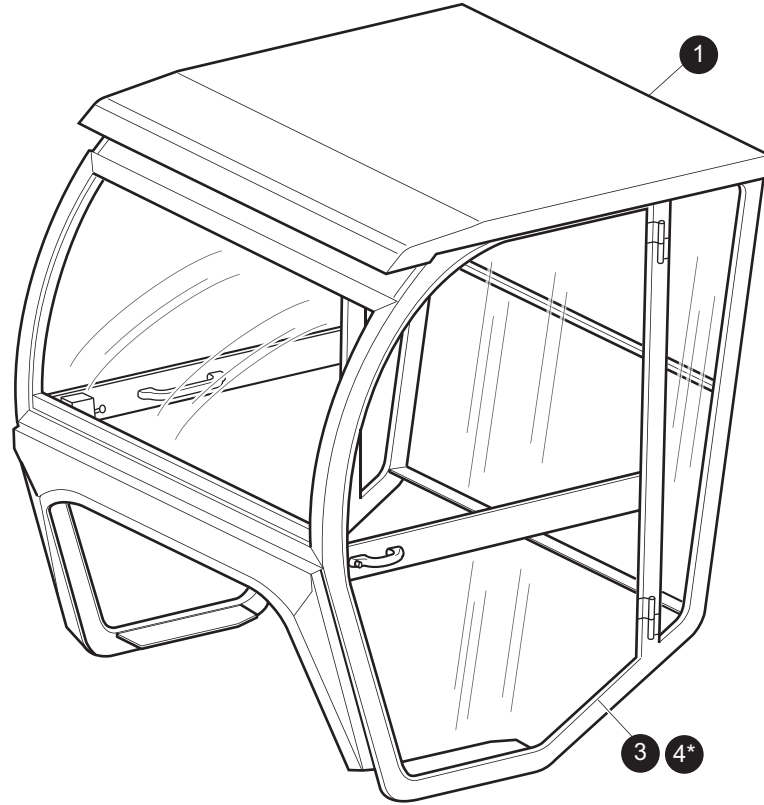
BRAKES - FRONT DISC

When ordering parts, please specify the model and serial number of the product.

* Indicates a component that is not available as an individual part.

*** Indicates consult Customer Service Department for additional information.

| ITEM | PART NO. | 1 | 2 | 3 | 4 | 5 | DESCRIPTION | QTY. |
|------|----------|---|---|---|---|---|---|------|
| 122 | 608118 | | | | | | LOWER ACTUATOR PIVOT..... | 1 |
| 123 | 887364 | | | | | | MASTER CYLINDER..... | 1 |
| 124 | 00439G1 | | | | | | CAPSCREW, 5/16 X 18..... | 2 |
| 125 | | | | | | | | |
| 126 | 11098G6 | | | | | | LOCK NUT..... | 2 |
| 127 | 10386G3 | | | | | | CLEVIS PIN..... | 1 |
| 128 | 10387G3 | | | | | | COTTER PIN 3/32 X 3/4..... | 1 |
| 129 | 00414G8 | | | | | | CAPSCREW, 1/4 - 20..... | 4 |
| 130 | 00891G2 | | | | | | NYLOCK NUT 1/4 - 20..... | 4 |
| 131 | 612704 | | | | | | ACTUATOR ASSEMBLY COVER..... | 1 |
| 132 | 01038G01 | | | | | | SCREW, SWARE FORM..... | 3 |
| 133 | 10387G3 | | | | | | COTTER PIN 3/32 X 3/4..... | 1 |
| 134 | 17838-G1 | | | | | | NYLON BUSHING..... | 1 |
| 135 | 10386G3 | | | | | | CLEVIS PIN..... | 1 |
| 136 | 10387G3 | | | | | | COTTER PIN 3/32 X 3/4..... | 1 |
| 137 | 608943 | | | | | | ACTUATOR LINKAGE..... | 1 |
| 138 | | | | | | | | |
| 139 | | | | | | | | |
| 140 | | | | | | | | |
| 141 | | | | | | | | |
| 142 | | | | | | | | |
| 143 | 74917G01 | | | | | | DISC BRAKE PAD AND PIN KIT (SERVICES ONE CORNER) (INCLUDES ITEMS 144 - 145)..... | 1 |
| 144 | * | | | | | | BRAKE PADS..... | 2 |
| 145 | * | | | | | | BRAKE PAD RETAINER PINS..... | 2 |



*Steel Doors Shown

For Cab Accessories, See ACCESSORIES LISTING in Appendix B

Ref Cab 5

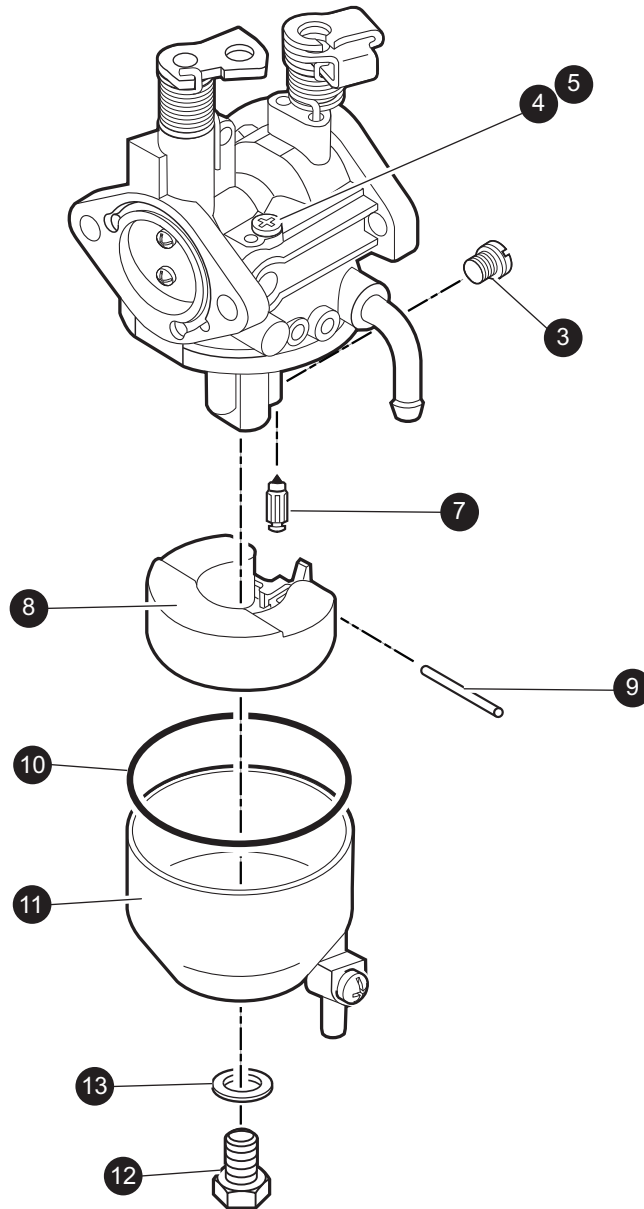
When ordering parts, please specify the model and serial number of the product.

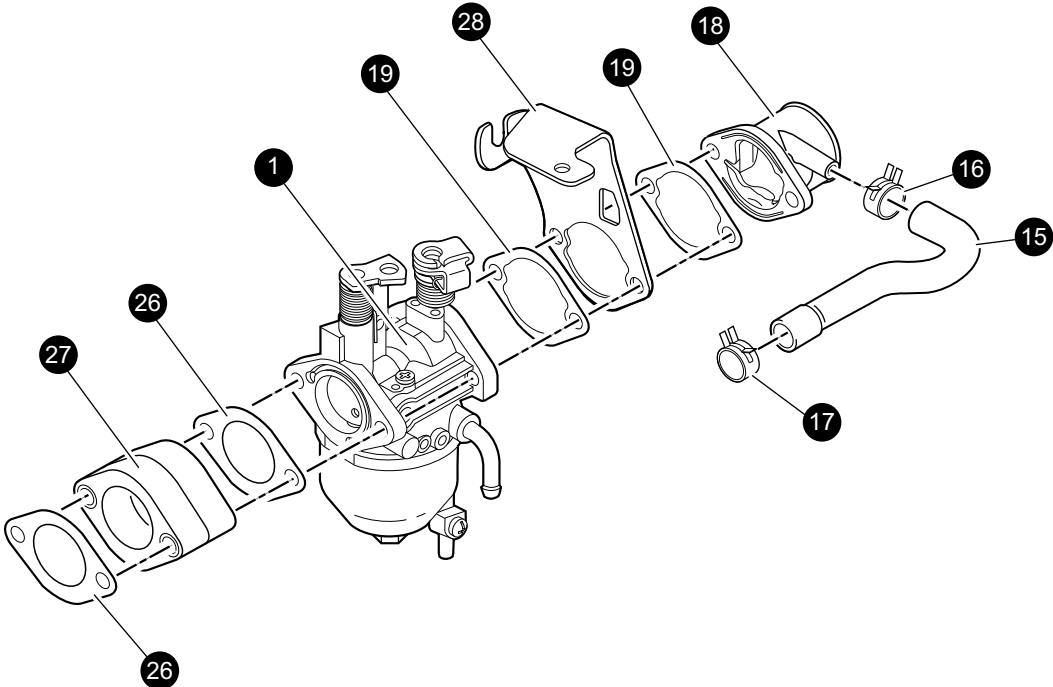
* Indicates a component that is not available as an individual part.

*** Indicates consult Customer Service Department for additional information.

| ITEM | PART NO. | 1 2 3 4 5 | DESCRIPTION | QTY. |
|---|----------|-----------|---|------|
| 1 | 75854G** | | STEEL CAB (WITHOUT DOORS) REPACEMENT PARTS AND ACCESSORIES MAY BE OBTAINED FROM CURTIS CAB, INC. | 1 |
| 2 | | | | |
| 3 | 75855G01 | | VINYL DOOR KIT | 1 |
| 4 | 75856G** | | STEEL DOOR KIT | 1 |
| <p>For Cab replacement parts and accessories, contact Curtis Cab at: Curtis Cab, Inc. 111 Higgins Street, Worcester, Massachusetts, 01606. Tel.: 508-853-2200. Toll free: 800-343-7676. www.curtiscab.com</p> | | | | |

CARBURETOR





CARBURETOR

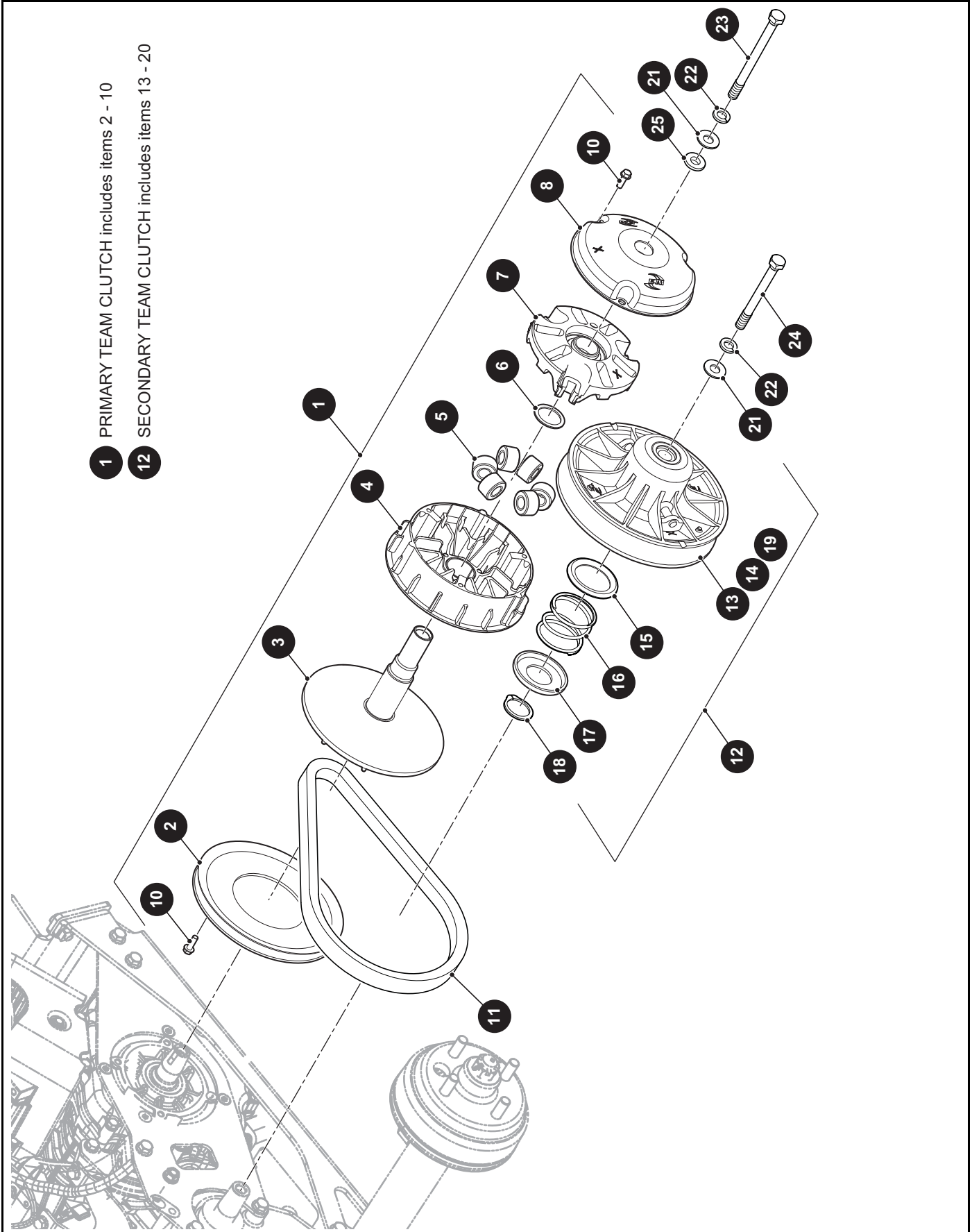
When ordering parts, please specify the model and serial number of the product.

* Indicates a component that is not available as an individual part.

*** Indicates consult Customer Service Department for additional information.

| ITEM | PART NO. | 1 | 2 | 3 | 4 | 5 | DESCRIPTION | QTY. |
|------|----------|---|---|---|---|---|---|------|
| 1 | 607954 | | | | | | CARBURETOR (INCLUDES ITEMS 3 - 21)..... | 1 |
| 2 | | | | | | | | |
| 3 | 607683 | | | | | | MAIN JET (#104) | 1 |
| 4 | 608021 | | | | | | PILOT JET (#44) | 1 |
| 5 | 603585 | | | | | | PLUG | 1 |
| 6 | | | | | | | | |
| 7 | 603586 | | | | | | NEEDLE VALVE..... | 1 |
| 8 | 603587 | | | | | | FLOAT..... | 1 |
| 9 | 603588 | | | | | | FLOAT PIN..... | 1 |
| 10 | 603589 | | | | | | FLOAT BOWL GASKET..... | 1 |
| 11 | 603590 | | | | | | FLOAT CHAMBER..... | 1 |
| 12 | 603592 | | | | | | BOWL SCREW | 1 |
| 13 | 603591 | | | | | | BOWL GASKET | 1 |
| 14 | | | | | | | | |
| 15 | 603598 | | | | | | BREATHER TUBE | 1 |
| 16 | 603596 | | | | | | CLAMP, INTAKE TUBE..... | 1 |
| 17 | 603597 | | | | | | CLAMP CYLINDER HEAD TUBE | 1 |
| 18 | 603594 | | | | | | INTAKE TUBE | 1 |
| 19 | 603593 | | | | | | CHOKE GASKET..... | 2 |
| 20 | 603595 | | | | | | NUT, M6 X 1.0..... | 2 |
| 21 | 608023 | | | | | | THROTTLE ROD ATTACHMENT BUSHING..... | 1 |
| 22 | | | | | | | | |
| 23 | 607684 | | | | | | MAIN JET (#102) (FOR ELEVATIONS OF 3000 FT - 6000 FT)..... | 1 |
| 24 | 607685 | | | | | | MAIN JET (#100) (FOR ELEVATIONS OF 6000 FT - 10000 FT)..... | 1 |
| 25 | | | | | | | | |
| 26 | 603580 | | | | | | CARBURETOR MOUNT GASKET..... | 2 |
| 27 | 603581 | | | | | | CARBURETOR INSULATOR | 1 |

CLUTCH



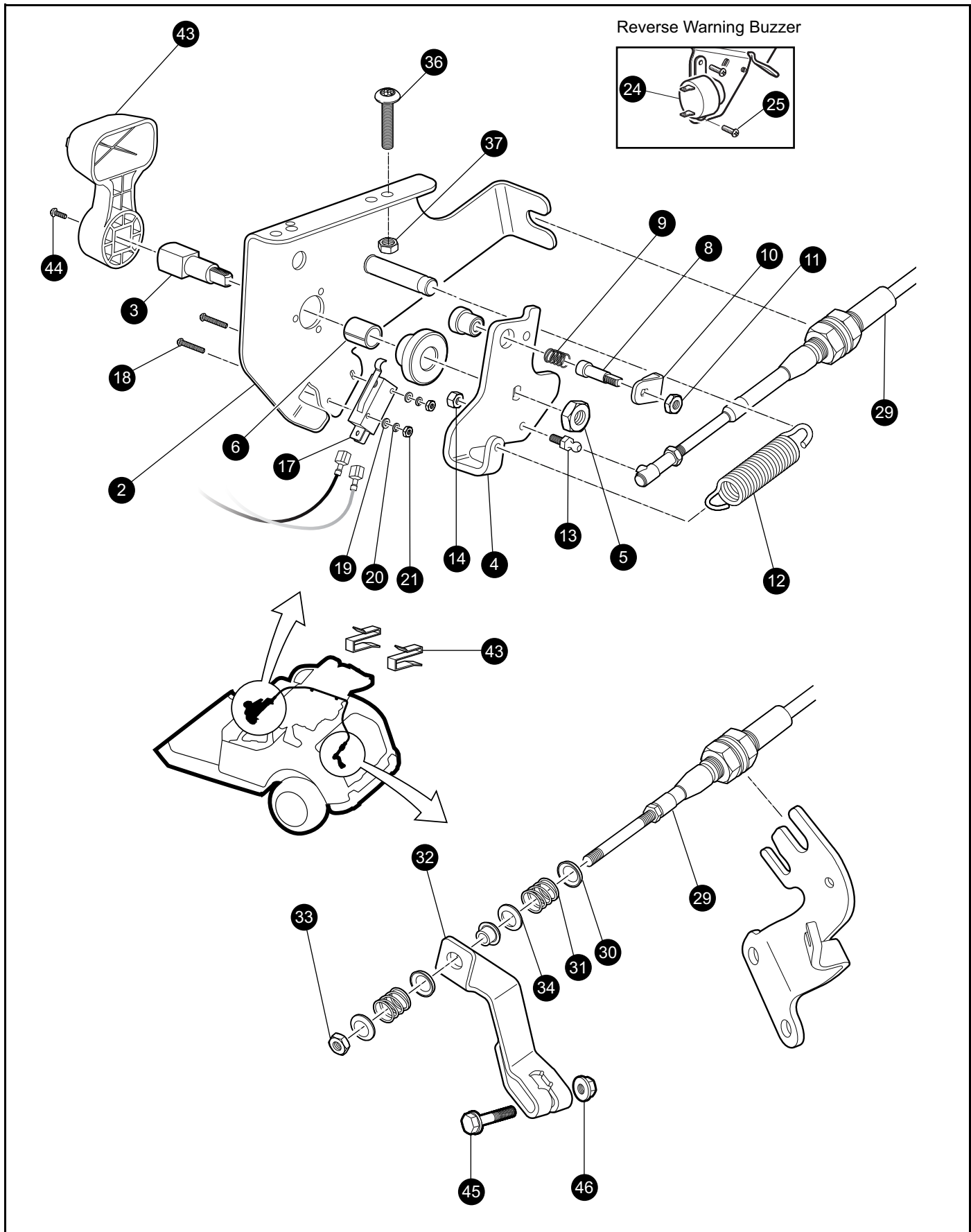
When ordering parts, please specify the model and serial number of the product.

* Indicates a component that is not available as an individual part.

*** Indicates consult Customer Service Department for additional information.

| ITEM | PART NO. | 1 2 3 4 5 | DESCRIPTION | QTY. |
|------|----------|-----------|--|------|
| 1 | 623948 | | PRIMARY TEAM CLUTCH (Includes items 2 - 10)..... | 1 |
| 2 | 619333 | | PRIMARY STARTER PULLY, 195 - SVC..... | 1 |
| 3 | 619334 | | STATIONARY ASSEMBLY | 1 |
| 4 | 619335 | | MOVEABLE PRIMARY ASSEMBLY | 1 |
| 5 | 624112 | | SHIFT ROLLER ASSEMBLY..... | 6 |
| 6 | 619337 | | SHIM, 39.5 X 31.75 | 1 |
| 7 | 619338 | | PRIMARY SPIDER ASSEMBLY | 1 |
| 8 | 619339 | | PRIMARY DUST COVER ASSEMBLY..... | 1 |
| 9 | | | | |
| 10 | 619332 | | BOLT, 1/4 - 20 X.75 | 7 |
| 11 | 618630 | | DRIVE BELT | 1 |
| 12 | 623949 | | SECONDARY TEAM CLUTCH (Includes items 13 - 20) | 1 |
| 13 | * | | SECONDARY STATIONARY, 9.5..... | 1 |
| 14 | * | | MOVEABLE SECONDARY, 9.5..... | 1 |
| 15 | 619327 | | INNER RETAINER SPRING..... | 1 |
| 16 | 624111 | | COMPRESSION SPRING, 2.70 OD..... | 1 |
| 17 | 619329 | | OUTER SPRING RETAINER | 1 |
| 18 | 619330 | | RETAINER RING..... | 1 |
| 19 | 619331 | | THRUST WASHER, 1.530 x 1.830 x 1..... | 1 |
| 20 | | | | |
| 21 | 606239 | | CONICAL WASHER, M12 | 2 |
| 22 | 00566G3 | | SPRING TYPE LOCK WASHER | 2 |
| 23 | 606245 | | HEX BOLT, M12 - 1.25 X 160 | 1 |
| 24 | 606243 | | HEX BOLT, M12 - 1.25 X 120 | 1 |
| 25 | 606230 | | CLUTCH WASHER..... | 1 |

DIRECTION SELECTOR



DIRECTION SELECTOR

When ordering parts, please specify the model and serial number of the product.

* Indicates a component that is not available as an individual part.

*** Indicates consult Customer Service Department for additional information.

| ITEM | PART NO. | 1 2 3 4 5 | DESCRIPTION | QTY. |
|------|-----------|-----------|---|------|
| 1 | 603614 | | DIRECTION SELECTOR ASSEMBLY (INCLUDES ITEMS 2 - 33) | 1 |
| 2 | 606077 | | DIRECTION SELECTOR BRACKET | 1 |
| 3 | 70233G01 | | DIRECTION SELECTOR SHAFT | 1 |
| 4 | 603700 | | DIRECTION SELECTOR CAM | 1 |
| 5 | 14390G1 | | LOCK NUT, 3/8 - 24 | 1 |
| 6 | 25664G2 | | BUSHING | 1 |
| 7 | | | | |
| 8 | 72724G01 | | NEUTRAL LOCK PIN | 1 |
| 9 | 72733G01 | | COMPRESSION SPRING, 3/8" X 5/8" LG | 1 |
| 10 | 72729G01 | | NEUTRAL LOCK LATCH | 1 |
| 11 | 00734G2 | | LOCK NUT, 1/4 - 28 | 1 |
| 12 | 28574G01 | | EXTENSION SPRING | 1 |
| 13 | 72732G01 | | BALL STUD, 1/4" | 1 |
| 14 | 00734G5 | | LOCK NUT, #10 - 32 | 1 |
| 15 | | | | |
| 16 | | | | |
| 17 | 72736G01 | | MICRO SWITCH | 1 |
| 18 | 01062G01 | | SCREW, #4 - 40 X 1" LG | 2 |
| 19 | 00559G1 | | WASHER, #4 | 2 |
| 20 | 00565G1 | | LOCK WASHER, #4 | 2 |
| 21 | 00526G2 | | NUT, #4 - 40 | 2 |
| 22 | | | | |
| 23 | | | | |
| 24 | 73290G03 | | REVERSE WARNING BUZZER | 1 |
| 25 | 01063G01 | | SCREW, #6 - 32 X 3/8" LG | 2 |
| 26 | 25978G345 | | 18 GA WIRE (RED 7") | 1 |
| 27 | | | | |
| 28 | | | | |
| 29 | 602891 | | SHIFTER CABLE | 1 |
| 30 | 25727G01 | | CUP WASHER, 1/4" | 4 |
| 31 | 72735G01 | | COMPRESSION SPRING, 19/32" X 1" LG | 2 |

DIRECTION SELECTOR

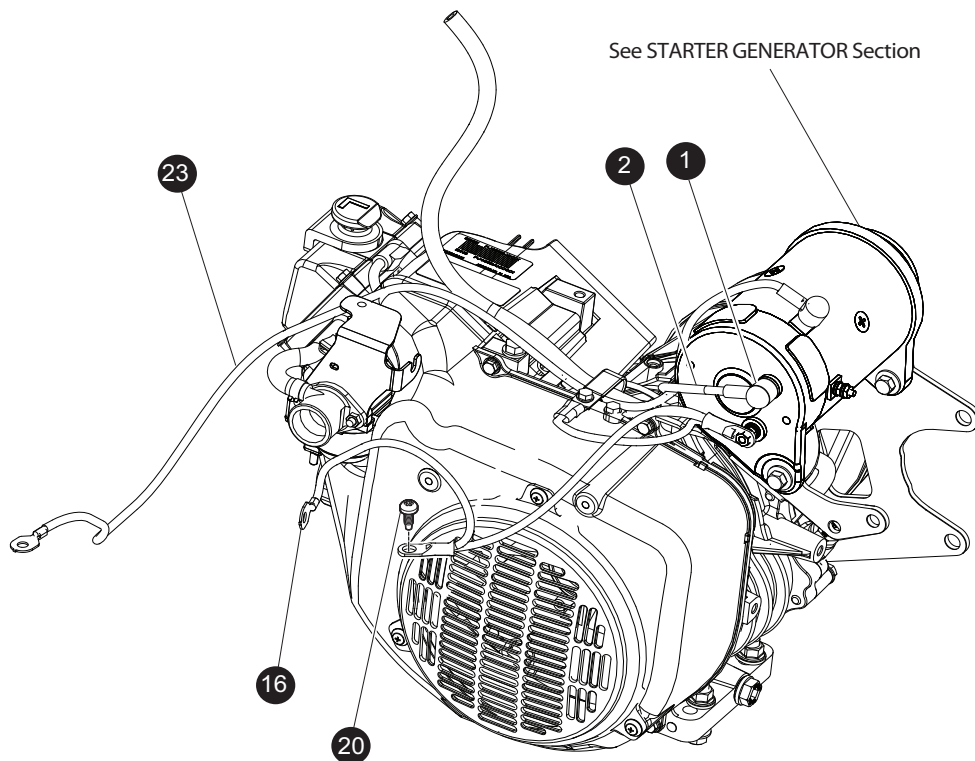
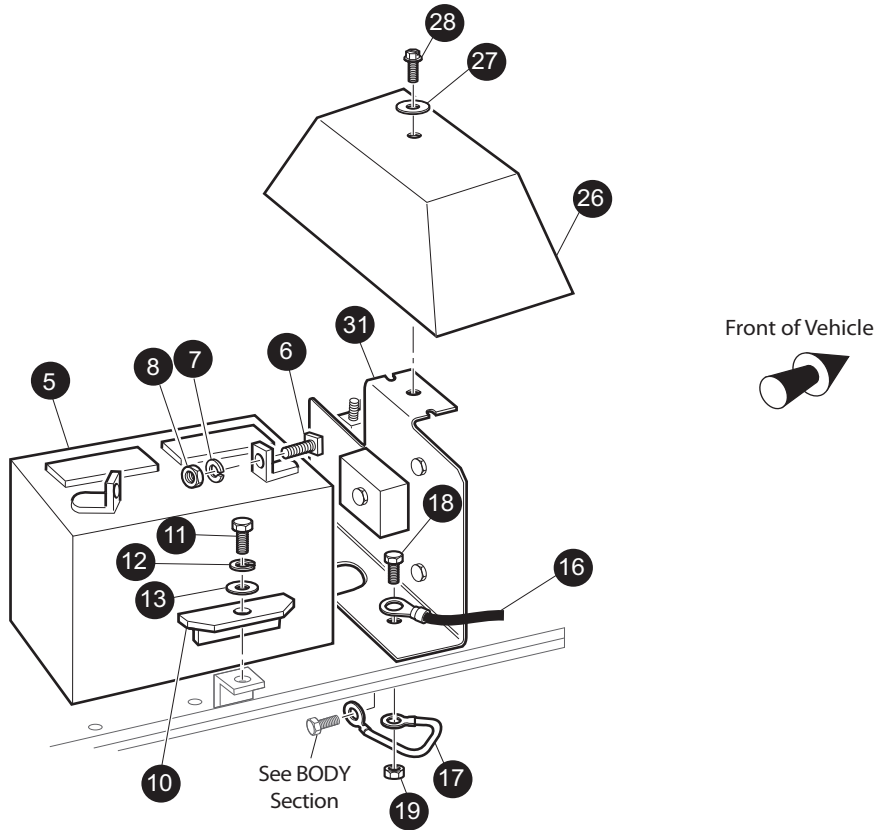
When ordering parts, please specify the model and serial number of the product.

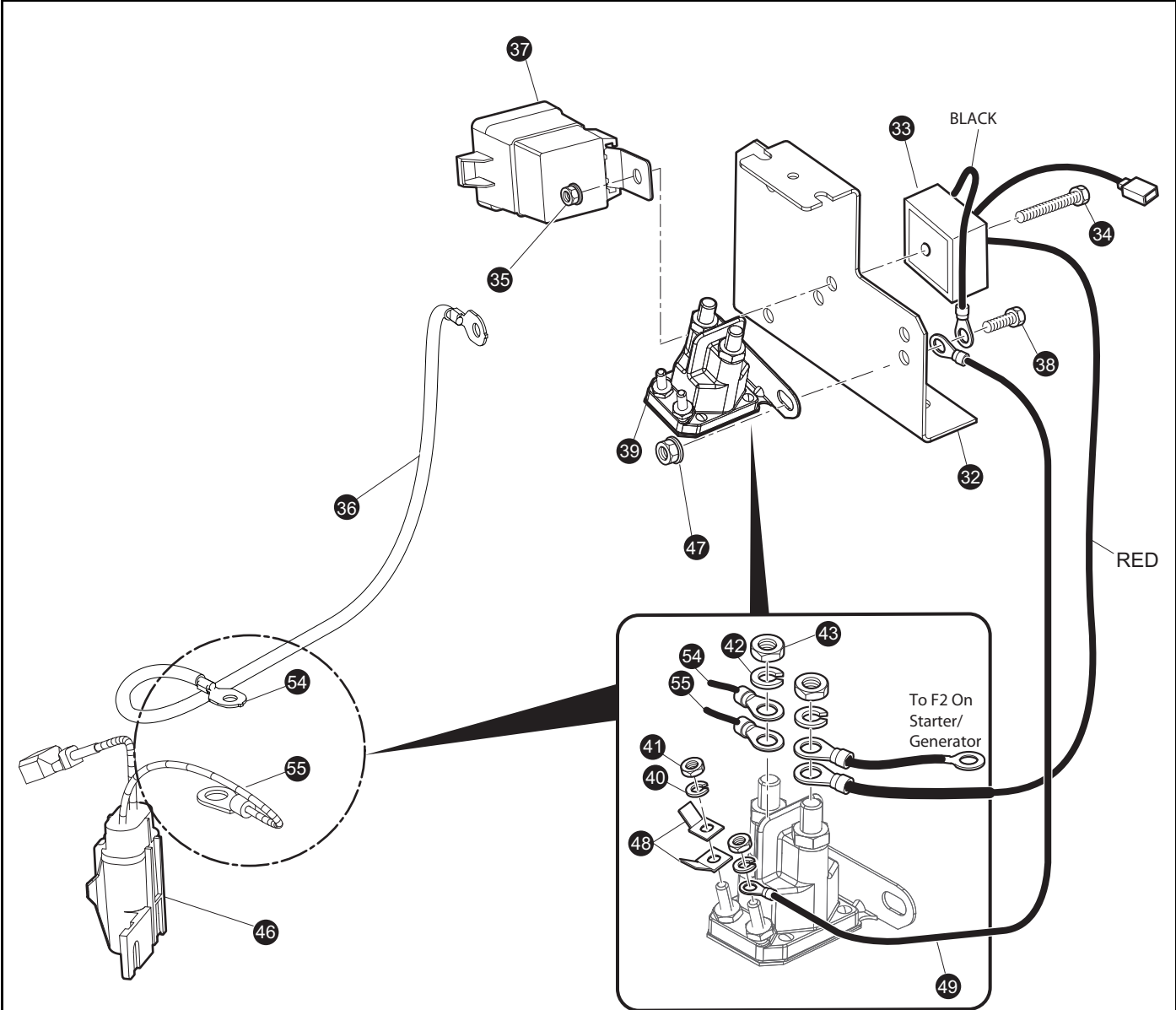
* Indicates a component that is not available as an individual part.

*** Indicates consult Customer Service Department for additional information.

| ITEM | PART NO. | 1 | 2 | 3 | 4 | 5 | DESCRIPTION | QTY. |
|------|----------|---|---|---|---|---|---|------|
| 32 | 74455G01 | | | | | | SHIFTER ARM WITH BUSHING | 1 |
| 33 | 00734G5 | | | | | | LOCK NUT, #10 - 32 | 1 |
| 34 | 22754G4 | | | | | | BUSHING, FLIP LOK, .250 | 1 |
| 35 | | | | | | | | |
| 36 | 70227G01 | | | | | | SCREW, 1/4 - 20 X 7/8" LG..... | 2 |
| 37 | 11027G2 | | | | | | LOCK NUT, 1/4 - 20..... | 2 |
| 38 | | | | | | | | |
| 39 | | | | | | | | |
| 40 | 26830G01 | | | | | | LOCK NUT, M8 X 1.25 MM | 1 |
| 41 | | | | | | | | |
| 42 | | | | | | | | |
| 43 | 71205G01 | | | | | | DIRECTION SELECTOR HANDLE | 1 |
| 44 | 00740G4 | | | | | | SCREW, #10 - 32 X 1/2" LG (STAINLESS STEEL) | 1 |
| 45 | 606421 | | | | | | BOLT | 1 |
| 46 | 450452 | | | | | | NUT | 1 |
| 47 | 17618G1 | | | | | | WIRE TIE..... | 1 |
| 48 | 01072G01 | | | | | | CABLE CLIP | 2 |

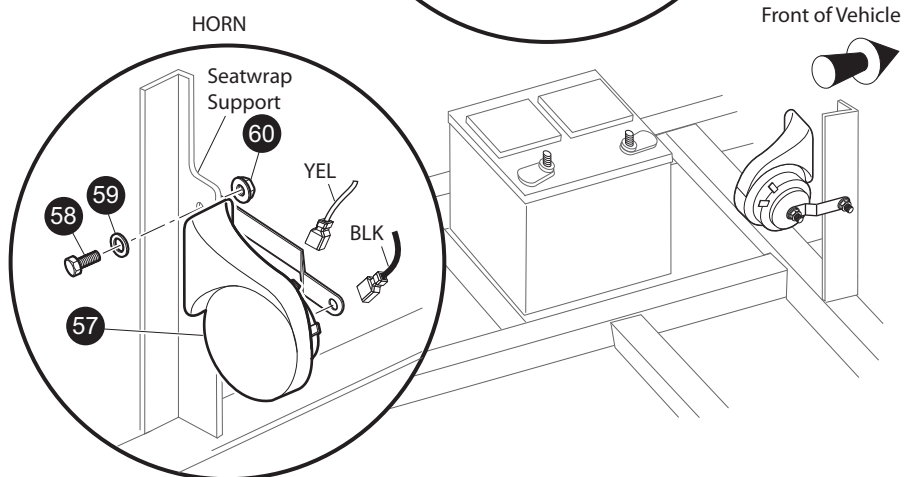
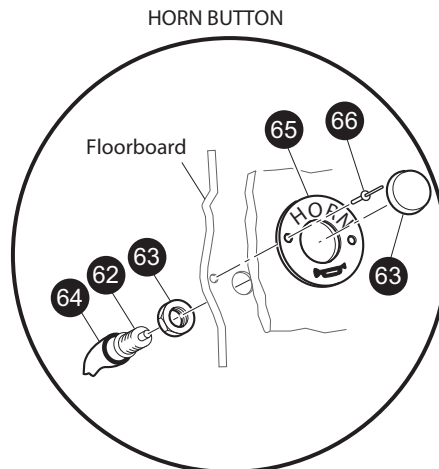
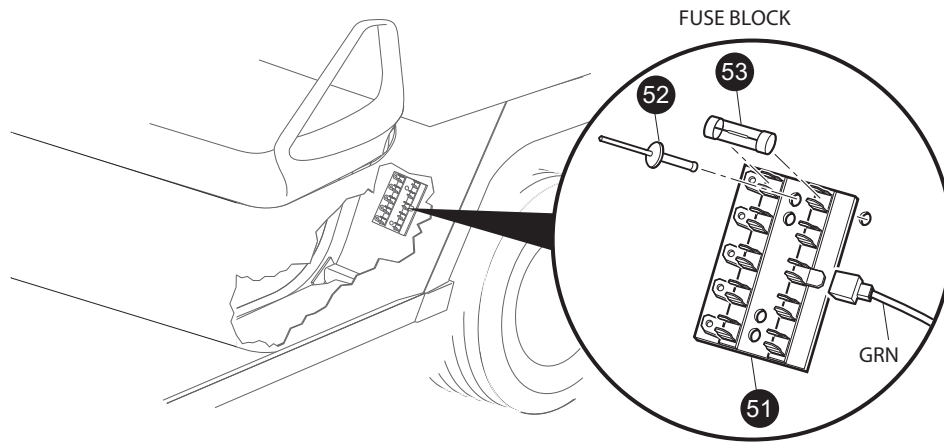
ELECTRICAL SYSTEM



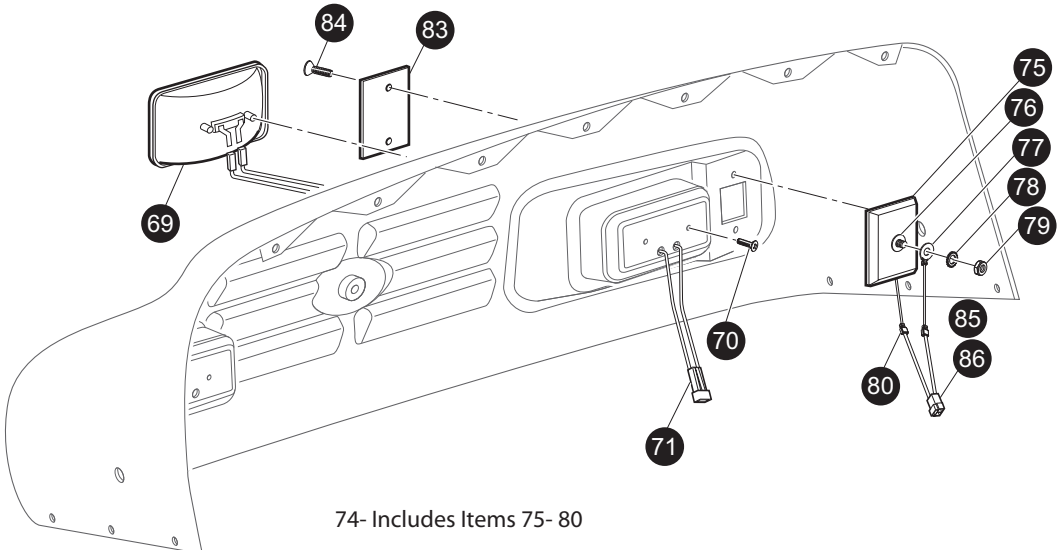


31- Includes Items 32 - 49

Ref Ele 2-2

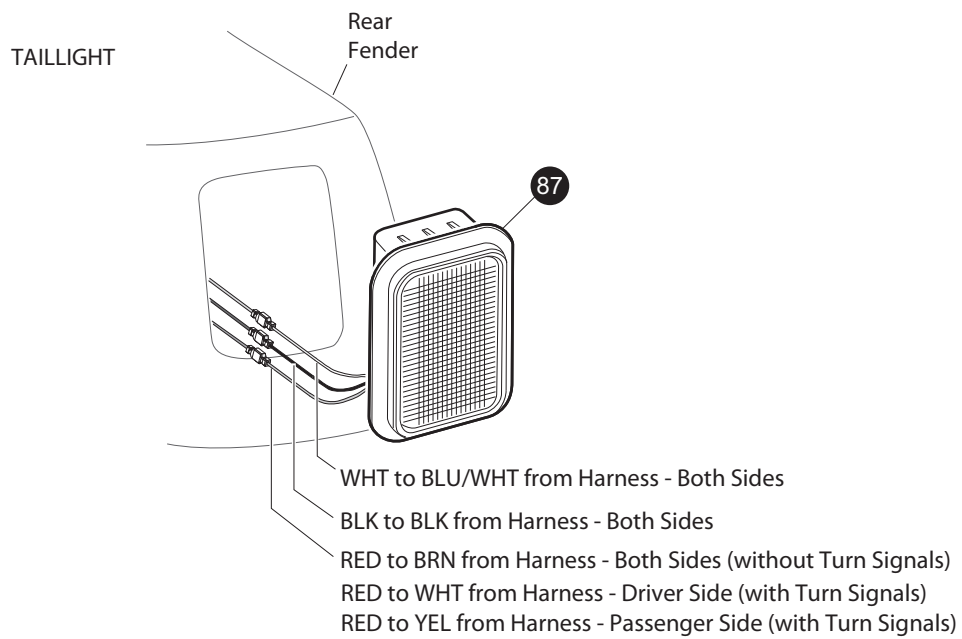


Ref Ele 11-3

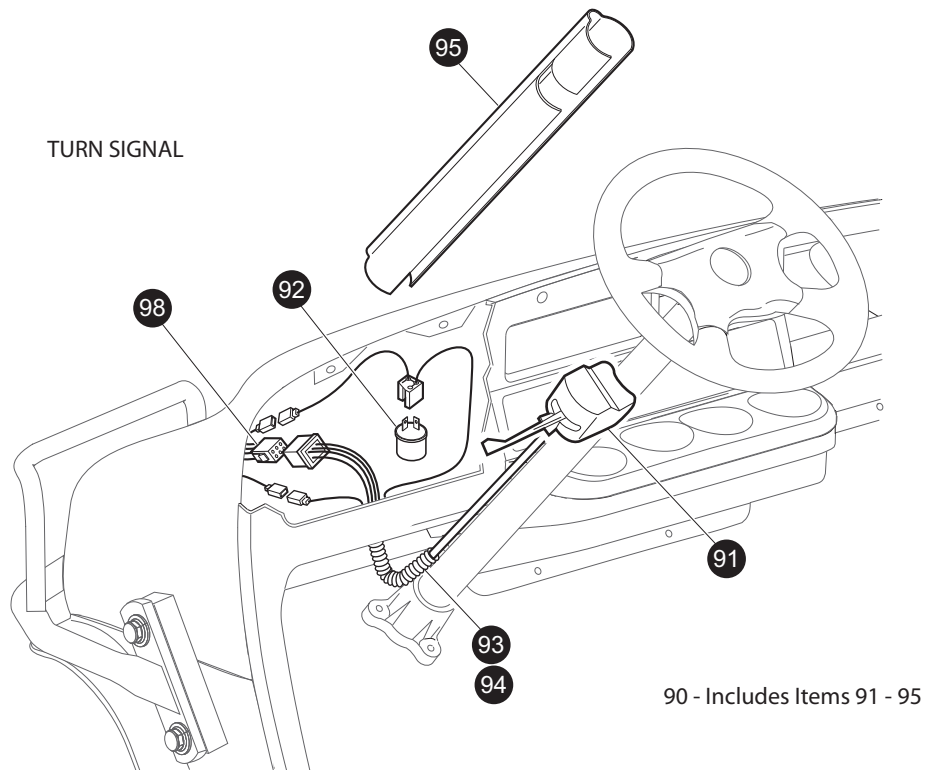


Ref Ele 11-4

ELECTRICAL SYSTEM

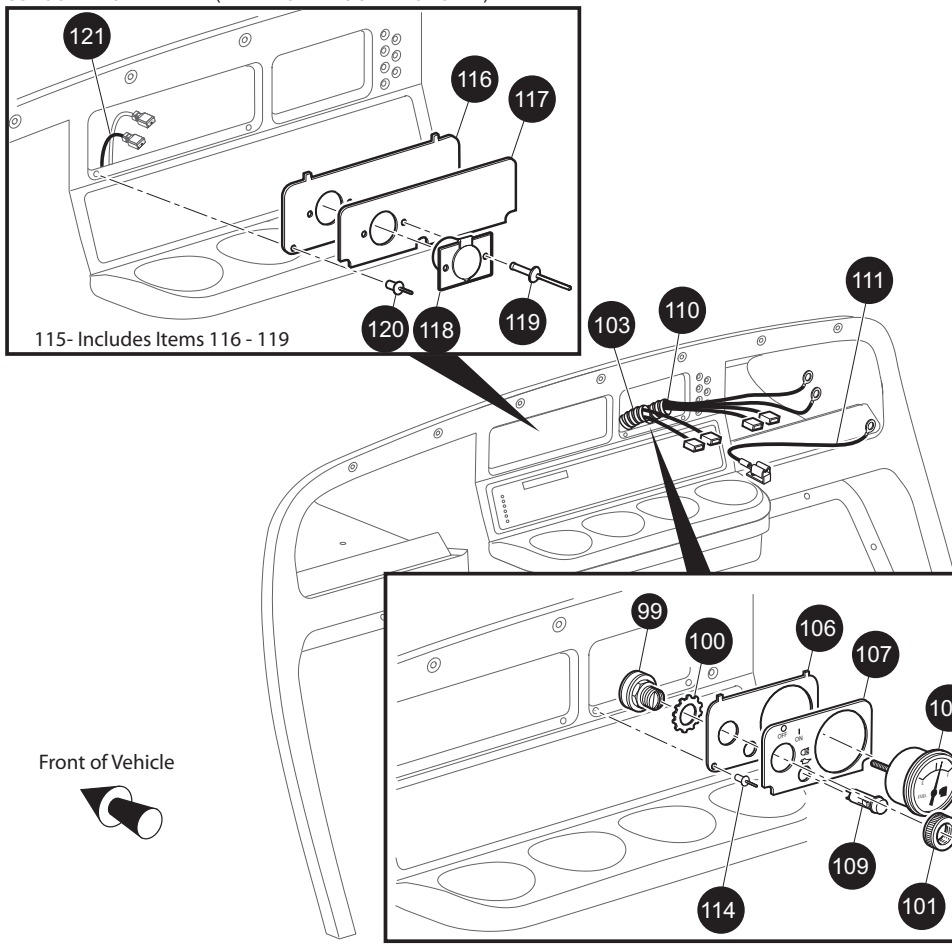


TURN SIGNAL

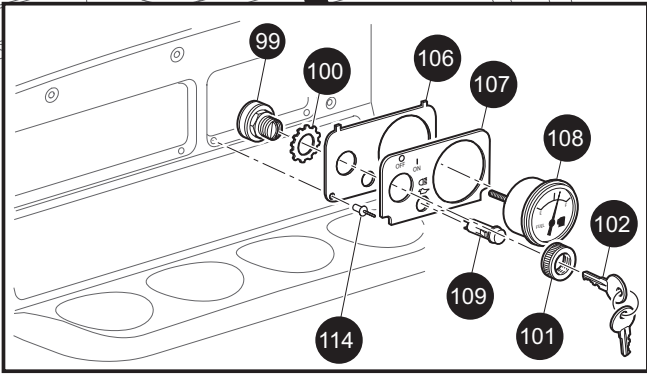


Ref Ele 11-5

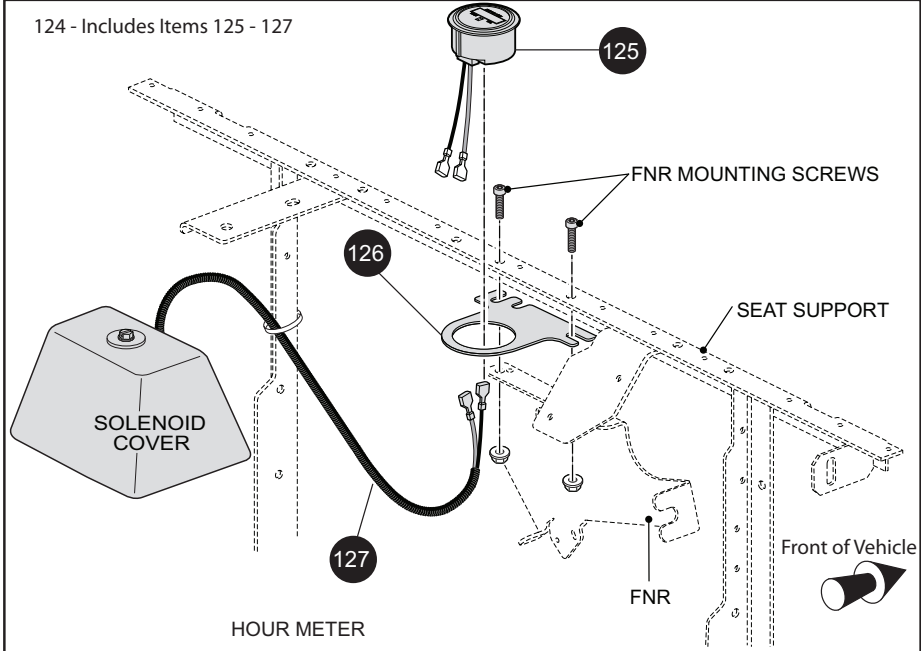
CONSOLE INSERT PLATE (WITH POWER OUTLET SHOWN)



Front of Vehicle



KEY SWITCH, INDICATOR LIGHT(S), AND FUEL GAUGE



Ref Ele 11-6

ELECTRICAL SYSTEM

When ordering parts, please specify the model and serial number of the product.

* Indicates a component that is not available as an individual part.

*** Indicates consult Customer Service Department for additional information.

| ITEM | PART NO. | 1 2 3 4 5 | DESCRIPTION | QTY. |
|------|----------|-----------|--|------|
| 1 | 607053 | | 6 GA WIRE (BLACK 6", F1 - A2)..... | 1 |
| 2 | 25682G1 | | TERMINAL COVER..... | 3 |
| 3 | | | | |
| 4 | | | | |
| 5 | 24775G* | | BATTERY, 12V | 1 |
| 6 | * | | BOLT, 5/16 - 18 X 1 1/4" LG..... | 2 |
| 7 | * | | LOCK WASHER, 5/16" (SILICON BRONZE)..... | 2 |
| 8 | * | | NUT, 5/16 - 18 (SILICON BRONZE) | 2 |
| 9 | | | | |
| 10 | 72101G02 | | BATTERY HOLD DOWN | 1 |
| 11 | 00438G6 | | BOLT, 5/16 - 18 X 3/4" LG | 3 |
| 12 | 00565G8 | | LOCK WASHER, 5/16" | 1 |
| 13 | 00571G2 | | WASHER, 5/16" (STAINLESS STEEL) | 1 |
| 14 | | | | |
| 15 | | | | |
| 16 | 27044G03 | | GROUND CABLE..... | 1 |
| 17 | 25976G19 | | 14 GA WIRE (BLACK 6")..... | 1 |
| 18 | 00438G6 | | BOLT, 5/16 - 18 X 3/4" LG | 2 |
| 19 | 11027G1 | | LOCK NUT, 5/16 - 18..... | 2 |
| 20 | 26676G01 | | FLANGED BOLT | 1 |
| 21 | | | | |
| 22 | | | | |
| 23 | 25972G85 | | 6 GA WIRE (BLACK 23", F2 - SOL)..... | 1 |
| 24 | 605560 | | WIRE HARNESS (CONTROL)..... | 1 |
| 25 | 17618G1 | | WIRE TIE (NOT ILLUSTRATED) | AR |
| 26 | 73049G01 | | COVER FNR | 1 |
| 27 | 16469G1 | | WASHER, 1/4" | 1 |
| 28 | 00114G6 | | SCREW, 1/4 - 14 X 3/4" LG..... | 1 |
| 29 | 31539G1 | | CLAMP, NYLON (NOT ILLUSTRATED) | 10 |
| 30 | | | | |
| 31 | 605563 | | ELECTRICAL PLATE ASSEMBLY (INCLUDES ITEMS 32 - 49) | 1 |

ELECTRICAL SYSTEM

When ordering parts, please specify the model and serial number of the product.

* Indicates a component that is not available as an individual part.

*** Indicates consult Customer Service Department for additional information.

| ITEM | PART NO. | 1 2 3 4 5 | DESCRIPTION | QTY. |
|------|-----------|-----------|-------------------------------------|------|
| 32 | 73057G01 | | BRACKET..... | 1 |
| 33 | 27739G01 | | VOLTAGE REGULATOR..... | 1 |
| 34 | 00415G4 | | BOLT, 1/4 - 20 X 1 1/4" LG..... | 1 |
| 35 | 11027G2 | | LOCK NUT, 1/4 - 20..... | 1 |
| 36 | 25972G33 | | WIRE ASSEMBLY 6 GA..... | 1 |
| 37 | 603282 | | RELAY..... | 1 |
| 38 | 00661G08 | | BOLT, 1/4 - 20 X 1" LG..... | 1 |
| 39 | 612813 | | SOLENOID..... | 1 |
| 40 | * | | LOCK WASHER, #10..... | 2 |
| 41 | * | | NUT, #10 - 32..... | 2 |
| 42 | * | | LOCK WASHER, 5/16"..... | 2 |
| 43 | * | | NUT, 5/16 - 24..... | 2 |
| 44 | | | | |
| 45 | | | | |
| 46 | 600418G01 | | FUSE HOLDER ASSEMBLY..... | 1 |
| 47 | 11027G2 | | LOCK NUT, 1/4 - 20..... | 1 |
| 48 | 73446G01 | | FASTON TAB, 90°..... | 2 |
| 49 | 25978G56 | | 18 GA WIRE (BLACK 5 3/4")..... | 1 |
| 50 | | | | |
| 51 | 22674G1 | | FUSE BLOCK..... | 1 |
| 52 | 01041G01 | | RIVET, 1/8" X 13/16" LG..... | 2 |
| 53 | 18392G1 | | 15 AMP FUSE..... | 3 |
| 54 | 25972G33 | | #6 GA WIRE ASSEMBLY..... | 1 |
| 55 | 20216G1 | | 16 GA WIRE (RED)..... | 1 |
| 56 | | | | |
| 57 | 32860G1 | | HORN..... | 1 |
| 58 | 00414G5 | | BOLT, 1/4 - 20 x 5/8" LG..... | 1 |
| 59 | 00559G7 | | WASHER, 1/4" (STAINLESS STEEL)..... | 1 |
| 60 | 14390G4 | | LOCK NUT, 1/4 - 20..... | 1 |
| 61 | | | | |
| 62 | 17318G1 | | HORN SWITCH..... | 1 |

ELECTRICAL SYSTEM

When ordering parts, please specify the model and serial number of the product.

* Indicates a component that is not available as an individual part.

*** Indicates consult Customer Service Department for additional information.

| ITEM | PART NO. | 1 2 3 4 5 | DESCRIPTION | QTY. |
|------|----------|-----------|--|------|
| 63 | 17318G2 | | HORN SWITCH CAP AND NUT | 1 |
| 64 | 27068G01 | | HORN SWITCH BOOT..... | 1 |
| 65 | 19233G1 | | HORN SWITCH LABEL..... | 1 |
| 66 | 71055G01 | | RIVET, 3/16" X 1" LG (ALUMINUM) | 2 |
| 67 | | | | |
| 68 | | | | |
| 69 | 22523G01 | | HEADLIGHT (INCLUDES ITEM 70)..... | 2 |
| 70 | 00906G6 | | SCREW, #10 - 16 X 1" LG | 4 |
| 71 | 74337G01 | | JUMPER WIRE (HEADLIGHT) | 2 |
| 72 | | | | |
| 73 | | | | |
| 74 | 20570G3 | | TURN SIGNAL LIGHT ASSEMBLY (INCLUDES ITEMS 75 - 80)..... | 2 |
| 75 | 20574G3 | | TURN SIGNAL LIGHT | 1 |
| 76 | 00660G7 | | WASHER, 1/4" (STAINLESS STEEL)..... | 1 |
| 77 | 20606G1 | | WIRE ASSEMBLY..... | 1 |
| 78 | 00567G7 | | LOCK WASHER, 1/4" | 1 |
| 79 | 00532G1 | | NUT, 1/4 - 20..... | 1 |
| 80 | 18995G1 | | PUSH-ON TERMINAL (MALE)..... | 1 |
| 81 | | | | |
| 82 | | | | |
| 83 | 20574G4 | | LENS, AMBER | 1 |
| 84 | 00118G5 | | SCREW, #6 - 18 X 5/8" LG..... | 4 |
| 85 | 74056G01 | | TURN SIGNAL JUMPER, RED/BLACK (PASSENGER SIDE) | 1 |
| 86 | 74056G02 | | TURN SIGNAL JUMPER, GREEN/BLACK (DRIVER SIDE)..... | 1 |
| 87 | 32739G2 | | TAILLIGHT ASSEMBLY (COMPLETE) | 2 |
| 88 | | | | |
| 89 | | | | |
| 90 | 606887 | | TURN SIGNAL KIT (INCLUDES ITEMS 91 - 95)..... | 1 |
| 91 | 17867G1 | | TURN SIGNAL (WITH MOUNTING HARDWARE) (INCLUDES ITEM 106) | 1 |
| 92 | 21640G1 | | TURN SIGNAL FLASHER..... | 1 |
| 93 | 32307G3 | | FLEX LOOM, 3/8 X 8" LG | 1 |

ELECTRICAL SYSTEM

When ordering parts, please specify the model and serial number of the product.

* Indicates a component that is not available as an individual part.

*** Indicates consult Customer Service Department for additional information.

| ITEM | PART NO. | 1 2 3 4 5 | DESCRIPTION | QTY. |
|------|-----------|-----------|---|------|
| 94 | 17618G1 | | WIRE TIE..... | 2 |
| 95 | 20965G3 | | STEERING COLUMN COVER..... | 1 |
| 96 | | | | |
| 97 | | | | |
| 98 | 606045 | | WIRE HARNESS (ACCESSORY) | 1 |
| 99 | 33639G01 | | IGNITION SWITCH (WITH LIGHTS, INDIVIDUALLY KEYED)..... | 1 |
| 100 | 00568G6 | | LOCK WASHER, 3/4" | 1 |
| 101 | 17137G1 | | FACE NUT, 3/4 - 20..... | 1 |
| 102 | 17063G1 | | IGNITION KEY | 1 |
| 103 | 605639 | | WIRE HARNESS (KEY SWITCH)..... | 1 |
| 104 | | | | |
| 105 | | | | |
| 106 | 73030G04 | | PLATE (FUEL GAUGE AND OIL LIGHT) | 1 |
| 107 | 71131G01 | | LABEL (OIL LIGHT AND FUEL GAUGE WITH HEADLIGHTS) | 1 |
| 108 | 21553G1 | | FUEL GAUGE | 1 |
| 109 | 23474G1 | | INDICATOR LIGHT | 1 |
| 110 | 74311G01 | | HARNESS (OIL LIGHT/FUEL GAUGE)..... | 1 |
| 111 | 25978G122 | | 18 GA WIRE (RED 6") | 1 |
| 112 | | | | |
| 113 | | | | |
| 114 | 33623G02 | | DRIVE RIVET, 3/16" X 3/8" LG | 2 |
| 115 | 74693G01 | | CONSOLE INSERT ASSEMBLY (INCLUDES ITEMS 116 - 119)..... | 1 |
| 116 | 73522G03 | | CONSOLE INSERT PLATE..... | 1 |
| 117 | 35962G01 | | LABEL (CONSOLE INSERT PLATE) | 1 |
| 118 | 71078G01 | | POWER OUTLET (12 VOLT) | 1 |
| 119 | 14601G10 | | RIVET, 3/16" X 7/16" LG (ALUMINUM) | 2 |
| 120 | 33623G02 | | DRIVE RIVET, 3/16" X 3/8" LG | 3 |
| 121 | 71081G01 | | WIRE HARNESS (POWER OUTLET) | 1 |
| 122 | | | | |
| 123 | | | | |
| 124 | 607285 | | HOUR METER KIT (INCLUDES ITEMS 125 - 127)..... | 1 |

ELECTRICAL SYSTEM

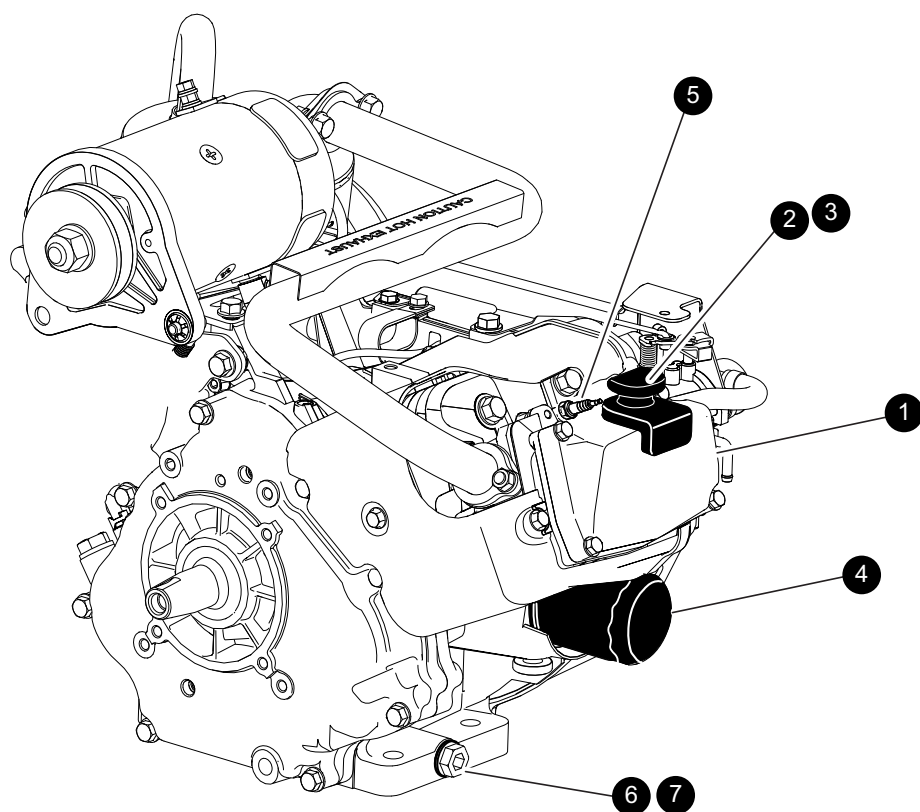
When ordering parts, please specify the model and serial number of the product.

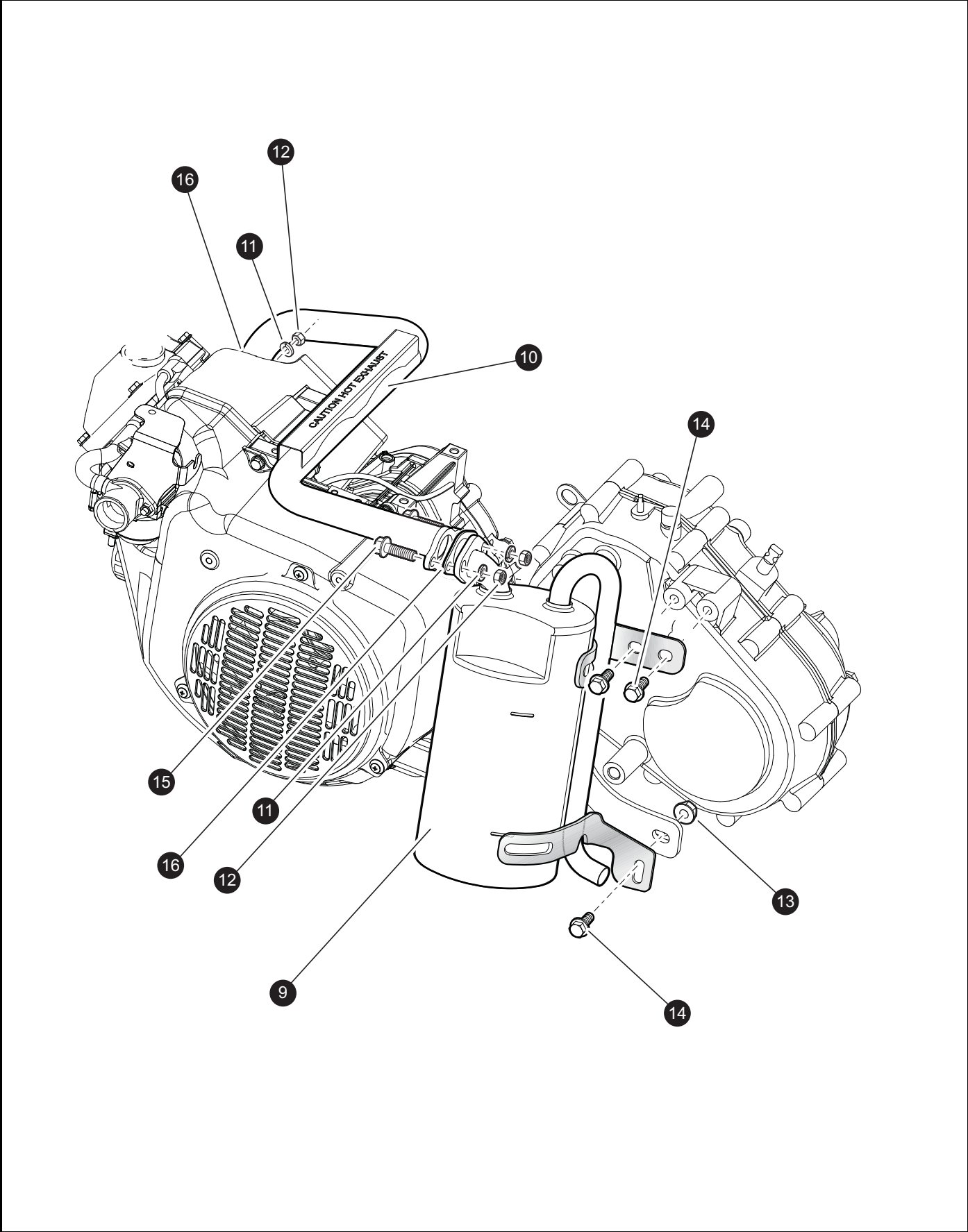
* Indicates a component that is not available as an individual part.

*** Indicates consult Customer Service Department for additional information.

| ITEM | PART NO. | 1 | 2 | 3 | 4 | 5 | DESCRIPTION | QTY. |
|------|----------|---|---|---|---|---|--------------------------------|------|
| 125 | 617074 | | | | | | HOUR METER..... | 1 |
| 126 | 603721 | | | | | | HOUR METER BRACKET | 1 |
| 127 | 606254 | | | | | | WIRE HARNESS (HOUR METER)..... | 1 |

ENGINE AND MUFFLER





ENGINE AND MUFFLER

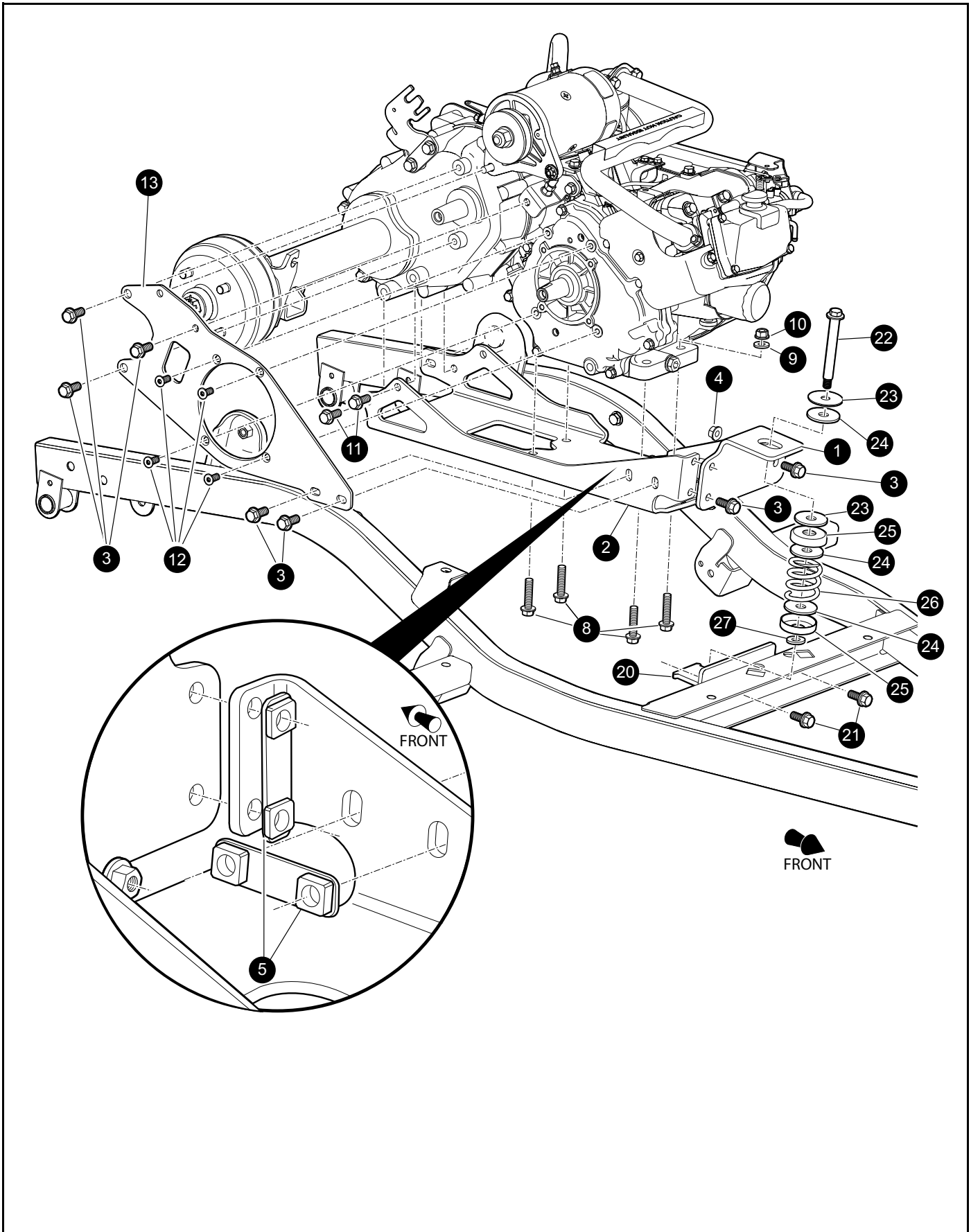
When ordering parts, please specify the model and serial number of the product.

* Indicates a component that is not available as an individual part.

*** Indicates consult Customer Service Department for additional information.

| ITEM | PART NO. | 1 2 3 4 5 | DESCRIPTION | QTY. |
|------|----------|-----------|-----------------------------------|------|
| 1 | 607154 | | ENGINE, GAS, 13HP, NON-GOLF | 1 |
| 2 | 606390 | | DIP STICK, LOW | 1 |
| 3 | | | | |
| 4 | 607454 | | OIL FILTER | 1 |
| 5 | 607462 | | SPARK PLUG (BPR2ES)..... | 1 |
| 6 | 603557 | | OIL DRAIN PLUG | 1 |
| 7 | 603562 | | 'O' RING, 16MM | 1 |
| 8 | | | | |
| 9 | 612266 | | MUFFLER..... | 1 |
| 10 | 606982 | | EXHAUST PIPE | 1 |
| 11 | 606272 | | WASHER, 8MM | 4 |
| 12 | 606267 | | NUT, M8 X 1.25 | 4 |
| 13 | 606279 | | NUT, M10 - 1.25 | 1 |
| 14 | 606256 | | BOLT, M10 - 1.25 X 25 | 3 |
| 15 | 602330 | | BOLT, M8 - 1.25 X 30 | 2 |
| 16 | 603599 | | EXHAUST GASKET | 2 |

ENGINE MOUNTING



ENGINE MOUNTING

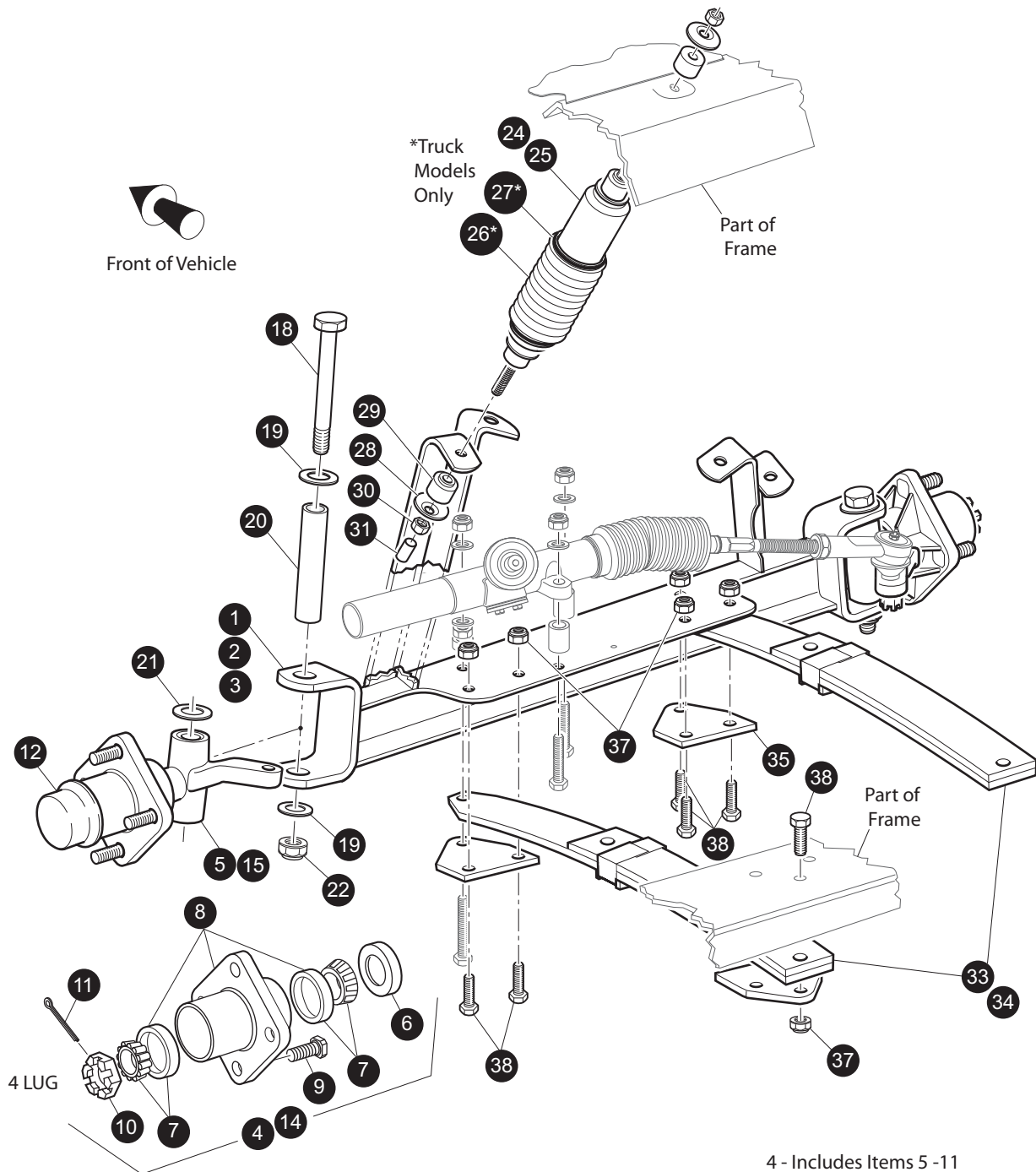
When ordering parts, please specify the model and serial number of the product.

* Indicates a component that is not available as an individual part.

*** Indicates consult Customer Service Department for additional information.

| ITEM | PART NO. | 1 2 3 4 5 | DESCRIPTION | QTY. |
|------|----------|-----------|-----------------------------------|------|
| 1 | 606007 | | FRONT ENGINE MOUNT | 1 |
| 2 | 603101 | | ENGINE PAN MOUNT | 1 |
| 3 | 606256 | | BOLT, M10 - 1.25 X 25 | 10 |
| 4 | 606279 | | NUT, M10 - 1.25 | 1 |
| 5 | 606096 | | NUT PLATE | 2 |
| 6 | | | | |
| 7 | | | | |
| 8 | 606259 | | BOLT, | 4 |
| 9 | 603823 | | FLAT WASHER, M10 X 22 - 2.5 | 4 |
| 10 | 606279 | | NUT, M10 - 1.25 | 4 |
| 11 | 608020 | | BOLT, M10 - 1.25 X 34 | 4 |
| 12 | 606246 | | FLAT HEAD SCREW, T40 | 4 |
| 13 | 602146 | | DIFFERENTIAL PLATE | 1 |
| 14 | | | | |
| 15 | | | | |
| 16 | | | | |
| 17 | | | | |
| 18 | | | | |
| 19 | | | | |
| 20 | 603683 | | ISO MOUNT | 1 |
| 21 | 603799 | | BOLT, M10 -1.0 X 25 | 2 |
| 22 | 607299 | | BOLT, M10 - 1.5 | 1 |
| 23 | 607297 | | RUBBER WASHER | 2 |
| 24 | 607298 | | DELTRIN WASHER | 3 |
| 25 | 24939G2 | | CAP ADAPTER | 2 |
| 26 | 606166 | | COMPRESSION SPRING | 1 |
| 27 | 604066 | | WASHER, M10 - 10.5 X 30 | 1 |

FRONT SUSPENSION/STEERING



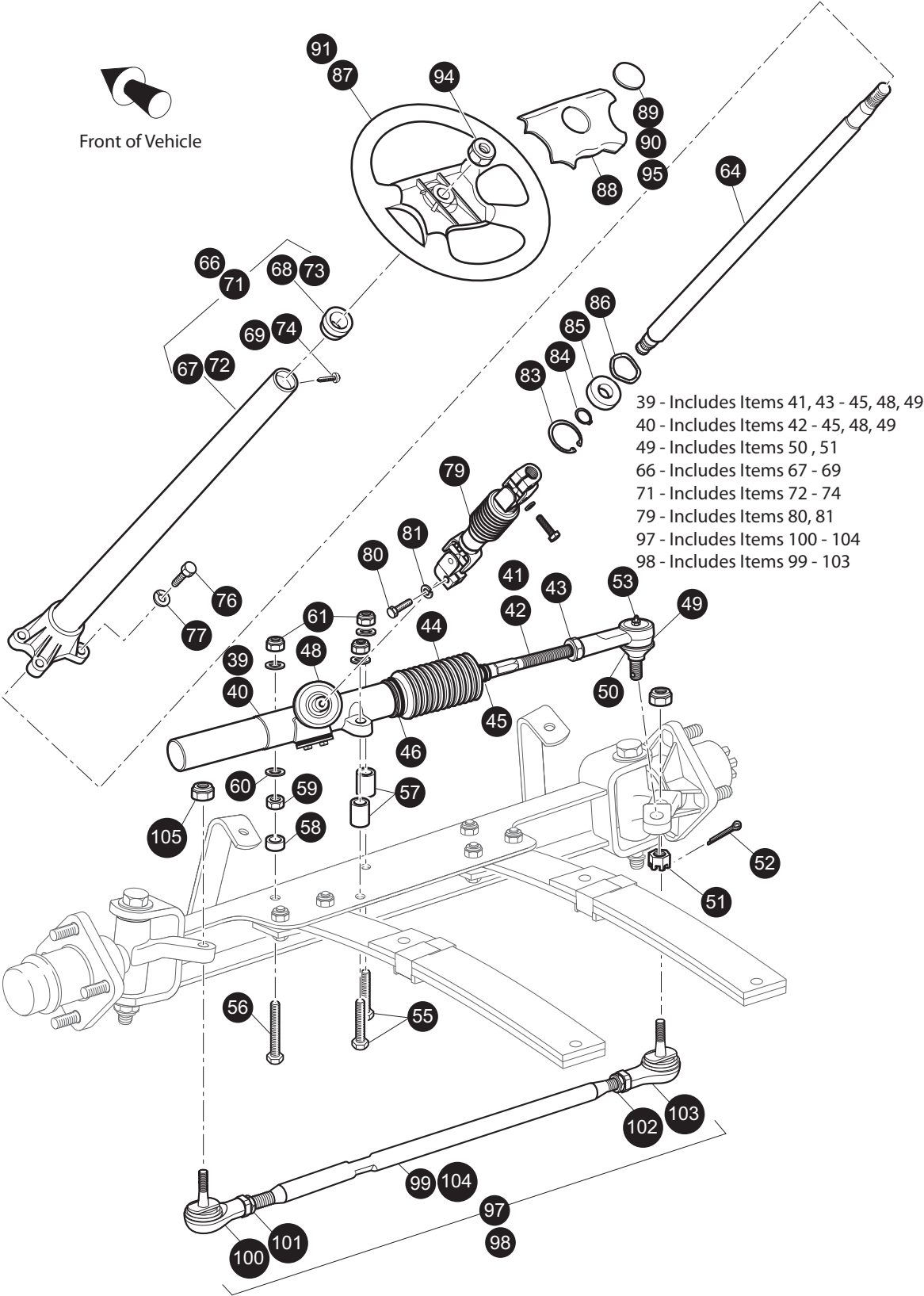
*NOTE: For Vehicles with Front Disc Brakes see page E-3

4 - Includes Items 5 - 11
 8 - Includes Item 9
 14 - Includes Items 5 - 10, 15

*NOTE: Tie Rod Not Shown for Clarity

Ref Fss 21-1

FRONT SUSPENSION/STEERING



Ref Fss 21-2

FRONT SUSPENSION/STEERING

When ordering parts, please specify the model and serial number of the product.

* Indicates a component that is not available as an individual part.

*** Indicates consult Customer Service Department for additional information.

| ITEM | PART NO. | 1 2 3 4 5 | DESCRIPTION | QTY. |
|------|----------|-----------|--|------|
| 1 | 602512 | | FRONT AXLE | 1 |
| 2 | 602513 | | FRONT AXLE | 1 |
| 3 | 602327 | | FRONT AXLE | 1 |
| 4 | 70942G03 | | SPINDLE AND HUB ASSEMBLY, 4 LUG (PASSENGER SIDE) (INCLUDES ITEMS 5 - 11) | 1 |
| 5 | 70942G04 | | SPINDLE ASSEMBLY (PASSENGER SIDE)..... | 1 |
| 6 | 25146G1 | | GREASE SEAL..... | 1 |
| 7 | 50892G1 | | ROLLER BEARING AND RACE ASSEMBLY..... | 2 |
| 8 | 70895G01 | | WHEEL HUB ASSEMBLY WITH RACES, 4 LUG (INCLUDES ITEM 8) .. | 1 |
| 9 | 19862-G1 | | LUG BOLT, 1/2 - 20 X 1 7/32" LG | 4 |
| 10 | 12093G1 | | SLOTTED NUT, 1 - 14 | 1 |
| 11 | 00798G8 | | COTTER PIN, 5/32" X 1 3/4" LG..... | 1 |
| 12 | 12091G2 | | SPINDLE CAP..... | 2 |
| 13 | | | | |
| 14 | 70673G03 | | SPINDLE AND HUB ASSEMBLY, 4 LUG (DRIVER SIDE) (INCLUDES ITEMS 6 - 11, 15) | 1 |
| 15 | 70673G04 | | SPINDLE ASSEMBLY (DRIVER SIDE) | 1 |
| 16 | | | | |
| 17 | | | | |
| 18 | 00407G6 | | BOLT, 1/2 - 13 X 6" LG | 2 |
| 19 | 00560G3 | | WASHER, 1/2"..... | 4 |
| 20 | 70745G01 | | KING PIN TUBE | 2 |
| 21 | 70754G01 | | THRUST WASHER (STAINLESS STEEL) | 2 |
| 22 | 14390G6 | | LOCK NUT, 1/2 - 13..... | 2 |
| 23 | | | | |
| 24 | 76418G01 | | SHOCK ABSORBER..... | 2 |
| 25 | 76419G01 | | SHOCK ABSORBER..... | 2 |
| 26 | 70509G01 | | SHOCK ABSORBER BOOT..... | 2 |
| 27 | 31539G1 | | WIRE TIE..... | 4 |
| 28 | 10435G1 | | SHOCK ABSORBER WASHER | 8 |
| 29 | 10194G1 | | RUBBER SHOCK ABSORBER BUSHING | 8 |
| 30 | 00532G6 | | NUT, 3/8 - 24 | 4 |

FRONT SUSPENSION/STEERING

When ordering parts, please specify the model and serial number of the product.

* Indicates a component that is not available as an individual part.

*** Indicates consult Customer Service Department for additional information.

| ITEM | PART NO. | 1 2 3 4 5 | DESCRIPTION | QTY. |
|------|-----------|-----------|---|------|
| 31 | 10044G01 | | VINYL CAP | 2 |
| 32 | | | | |
| 33 | 70989G03 | | LEAF SPRING (HEAVY DUTY) | 2 |
| 34 | 70664G03 | | LEAF SPRING (HEAVY DUTY) (SEE PART NUMBER ON SPRING)..... | 2 |
| 35 | 70163G03 | | SPRING PLATE | 4 |
| 36 | | | | |
| 37 | 00734G1 | | LOCK NUT, 7/16 - 14 | 9 |
| 38 | 00463G11 | | BOLT, 7/16 - 14 X 1 3/4" LG..... | 11 |
| 39 | 70964G02 | | RACK AND PINION UNIT (COMPLETE) (INCLUDES ITEMS 41-43, 45-47, 49-50) | 1 |
| 40 | 74605G01 | | RACK AND PINION UNIT (COMPLETE) (INCLUDES ITEMS 41-42, 44-47, 49-54) | 1 |
| 41 | 70965-G01 | | STEERING RACK & COVER BEARING | 1 |
| 42 | * | | STEERING BOX INSTALLATION TAG | 1 |
| 43 | 70694G01 | | RACK EXTENSION..... | 1 |
| 44 | 74602G01 | | RACK EXTENSION..... | 1 |
| 45 | * | | JAM NUT, 1/2 - 20 | 1 |
| 46 | 70675G01 | | RACK BOOT | 1 |
| 47 | 12416G2 | | WIRE TIE..... | 1 |
| 48 | 11391G8 | | HOSE CLAMP..... | 1 |
| 49 | 70638G01 | | PINION SEAL..... | 1 |
| 50 | 70695G01 | | RACK BALL JOINT (INCLUDES ITEMS 51 & 52) | 1 |
| 51 | 50641G1 | | RUBBER BOOT | 1 |
| 52 | 50209G2 | | SLOTTED NUT, 7/16 - 20 | 1 |
| 53 | 10387G2 | | COTTER PIN, 3/32" X 1" LG | 1 |
| 54 | 10389G3 | | GREASE FITTING, STRAIGHT..... | 1 |
| 55 | 00464G6 | | BOLT, 7/16 - 14 X 2 3/4" LG..... | 2 |
| 56 | 01068G01 | | BOLT, 7/16 - 14 X 3 1/2" LG..... | 1 |
| 57 | 70667G02 | | SPACER..... | 2 |
| 58 | 70667G03 | | SPACER (SHORT)..... | 1 |
| 59 | 00532G7 | | NUT, 7/16 - 14..... | 1 |
| 60 | 00560G2 | | FLAT WASHER, 7/16"..... | 7 |

FRONT SUSPENSION/STEERING

When ordering parts, please specify the model and serial number of the product.

* Indicates a component that is not available as an individual part.

*** Indicates consult Customer Service Department for additional information.

| ITEM | PART NO. | 1 2 3 4 5 | DESCRIPTION | QTY. |
|------|-----------|-----------|---|------|
| 61 | 00734G1 | | LOCK NUT, 7/16 - 14..... | 3 |
| 62 | | | | |
| 63 | | | | |
| 64 | 70607G01 | | STEERING SHAFT | 1 |
| 65 | | | | |
| 66 | 70758-G06 | | STEERING COLUMN KIT (INCLUDES ITEMS 67 - 69) | 1 |
| 67 | 70610G03 | | STEERING COLUMN | 1 |
| 68 | 28569G01 | | STEERING COLUMN BUSHING..... | 1 |
| 69 | 01022G01 | | SCREW, #6 - 20 X 5/16" LG | 1 |
| 70 | | | | |
| 71 | 70758G08 | | STEERING COLUMN KIT (HORN) (INCLUDES ITEMS 72 - 74) | 1 |
| 72 | 70610G04 | | STEERING COLUMN | 1 |
| 73 | 28569G01 | | STEERING COLUMN BUSHING..... | 1 |
| 74 | 01022G01 | | SCREW, #6 - 20 X 5/16" LG | 1 |
| 75 | | | | |
| 76 | 01006G01 | | BOLT, 3/8 - 16 X 1 1/4" LG WITH PATCHLOCK..... | 4 |
| 77 | 00879G1 | | WASHER, 3/8"..... | 4 |
| 78 | | | | |
| 79 | 70580G01 | | INTERMEDIATE SHAFT (INCLUDES ITEMS 80, 81)..... | 1 |
| 80 | 01055G01 | | BOLT, M8 X 1 1/4" LG | 2 |
| 81 | 00565G8 | | LOCK WASHER, 5/16" | 2 |
| 82 | | | | |
| 83 | 70751G01 | | RETAINING RING (INTERNAL) | 1 |
| 84 | 70888G01 | | RETAINING RING (EXTERNAL)..... | 1 |
| 85 | 15112G1 | | BALL BEARING..... | 1 |
| 86 | 70887G01 | | WAVE WASHER..... | 1 |
| 87 | 602980 | | STEERING WHEEL PREMIUM (OPTIONAL)..... | 1 |
| 88 | 71147G01 | | STEERING WHEEL COVER..... | 1 |
| 89 | 74815G01 | | LABEL (E-Z-GO) | 1 |
| 90 | 74954G01 | | LABEL (CUSHMAN)..... | 1 |
| 91 | 602979 | | STEERING WHEEL | 1 |

FRONT SUSPENSION/STEERING

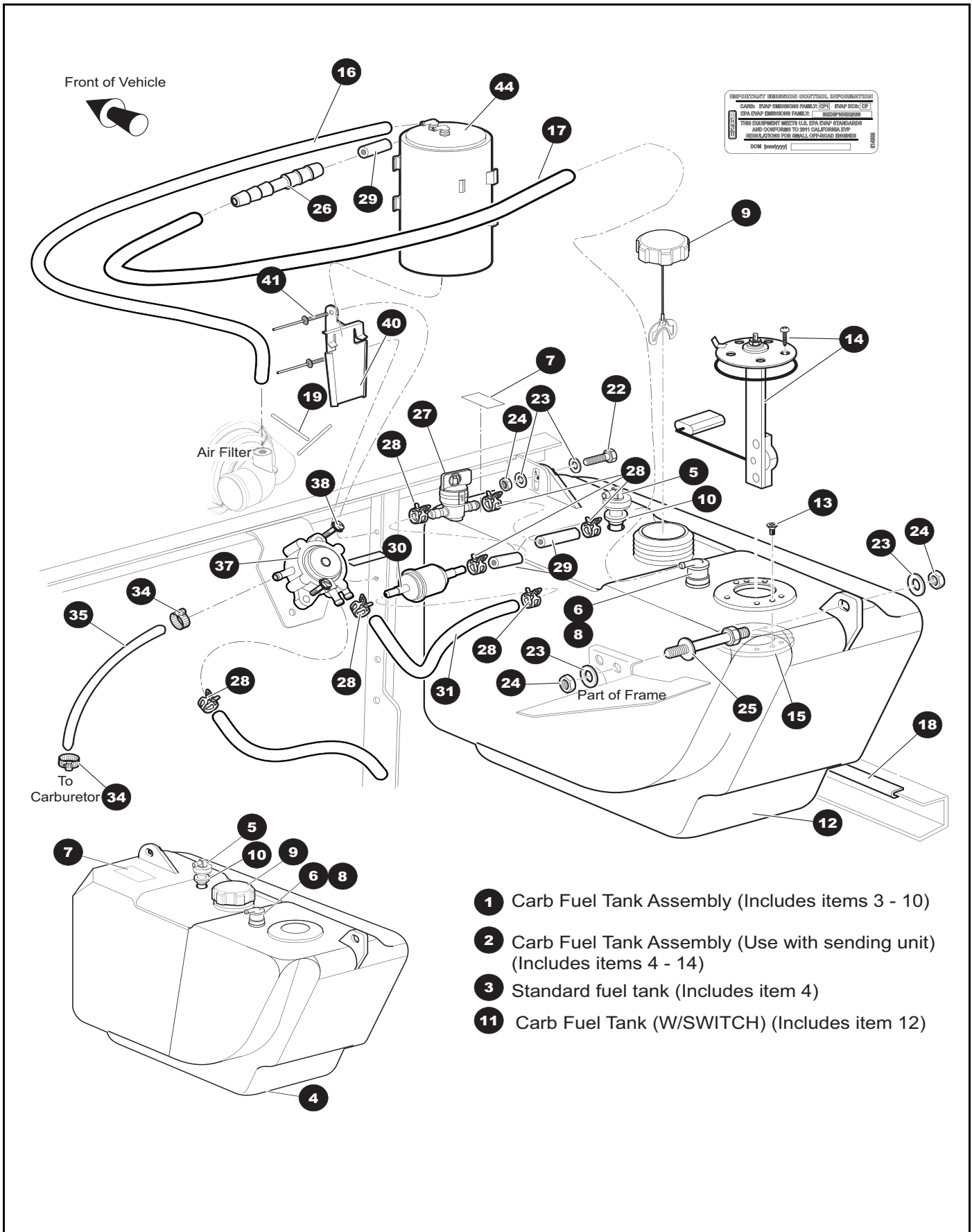
When ordering parts, please specify the model and serial number of the product.

* Indicates a component that is not available as an individual part.

*** Indicates consult Customer Service Department for additional information.

| ITEM | PART NO. | 1 2 3 4 5 | DESCRIPTION | QTY. |
|------|-----------|-----------|--|------|
| 92 | | | | |
| 93 | | | | |
| 94 | 14390-G2 | | LOCK NUT, 5/8 - 18 | 1 |
| 95 | 28909-G01 | | LABEL (JACOBSEN) | 1 |
| 96 | | | | |
| 97 | 74604G01 | | TIE ROD ASSEMBLY (INCLUDES ITEMS 100 - 104) | |
| 98 | 70876G02 | | TIE ROD ASSEMBLY (INCLUDES ITEMS 99 - 103)..... | 1 |
| 99 | 70897G02 | | THREADED ROD (24" LG) | 1 |
| 100 | 70902G01 | | TIE ROD END (LEFT HAND THREADS)..... | 1 |
| 101 | 01069G01 | | JAM NUT, M12 X 1.25-05 (LEFT HAND THREADS) | 1 |
| 102 | 70902G02 | | TIE ROD END (RIGHT HAND THREADS) | 1 |
| 103 | 01069G02 | | JAM NUT, M12 X 1.25-05 (RIGHT HAND THREADS)..... | 1 |
| 104 | 74603G01 | | THREADED ROD (27" LG) | 1 |
| 105 | 00734-G1 | | LOCK NUT, 7/16 - 14 | 2 |

FUEL SYSTEM



FUEL SYSTEM

When ordering parts, please specify the model and serial number of the product.

* Indicates a component that is not available as an individual part.

*** Indicates consult Customer Service Department for additional information.

| ITEM | PART NO. | 1 2 3 4 5 | DESCRIPTION | QTY. |
|------|----------|-----------|---|------|
| 1 | 620180 | | CARB FUEL TANK ASSEMBLY (Includes items 3 - 10) | 1 |
| 2 | 620181 | | CARB FUEL TANK ASSEMBLY (Use with sending unit) (Includes items 5 - 15) | 1 |
| 3 | 620179 | | STANDARD FUEL TANK (CARB III) (Includes item 4)..... | 1 |
| 4 | 618668 | | FUEL TANK, W/O SENDER UNIT | 1 |
| 5 | 18287G3 | | SIPHON TUBE ASSEMBLY | 1 |
| 6 | 606068 | | ROLLOVER VALVE GROMMET | 1 |
| 7 | 617886 | | EPA FUEL TANK LABEL | 1 |
| 8 | 606067 | | ROLLOVER VALVE | 1 |
| 9 | 617885 | | FUEL TANK CAP (RATCHET)..... | 1 |
| 10 | 70988G01 | | SIPHON TUBE GROMMET | 1 |
| 11 | 607479 | | CARB FUEL TANK, FLOUR (W/SWITCH) (Includes item 12) | 1 |
| 12 | 618669 | | NON-FLOUR FUEL TANK, W/ SENDER UNIT | 1 |
| 13 | 72230G01 | | FLAT HEAD MACHINE SCREW | 2 |
| 14 | 20048G2 | | FUEL LEVEL SENDER | 1 |
| 15 | 72229G01 | | FUEL TANK ADAPTER | 1 |
| 16 | 606966 | | LOW PRESSURE FUEL HOSE, 3/16 I.D. X 3/8 O.D. X 34.00 LONG (CARB) | 1 |
| 17 | 607546 | | LOW PRESSURE FUEL HOSE, 3/16 I.D. X 3/8 O.D. X 17.00 LONG (CARB) | 1 |
| 18 | 32372G6 | | BLACK TRIM, 6.25 LONG | 1 |
| 19 | 17618G1 | | NYLON CLAMP | 2 |
| 20 | | | | |
| 21 | | | | |
| 22 | 00438G8 | | HEX HEAD BOLT, 5/16 - 18 X 1 | 1 |
| 23 | 00559G8 | | FLAT WASHER, 5/16 | 4 |
| 24 | 11098G6 | | LOCK NUT, 5/16 - 18 | 3 |
| 25 | 70483G01 | | SPACER BOLT, 5/16 - 18..... | 1 |
| 26 | 615346 | | HOSE REDUCER-ID 1/4 X 3/16..... | 1 |
| 27 | 611181 | | FUEL SHUT-OFF VALVE | 1 |
| 28 | 18292G1 | | HOSE CLAMP,.50 DIAMETER | 7 |
| 29 | 615350 | | FUEL SYSTEM HOSE 2.00" | 3 |
| 30 | 72084G01 | | FUEL LINE FILTER..... | 1 |
| 31 | 606969 | | FUEL SYSTEM HOSE,.25 I.D. X.50 O.D. X 8.00 LONG | 1 |

FUEL SYSTEM

When ordering parts, please specify the model and serial number of the product.

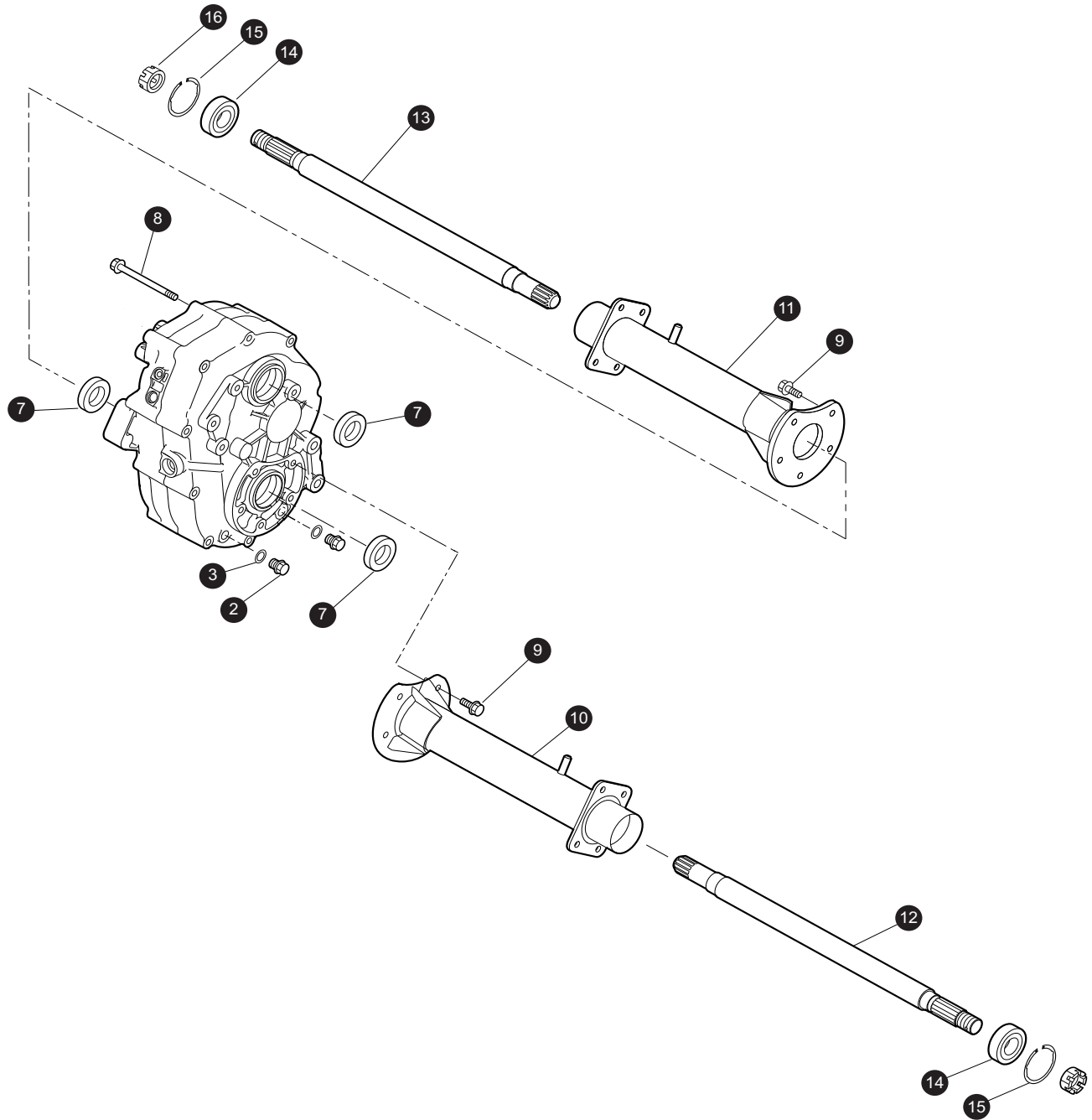
* Indicates a component that is not available as an individual part.

*** Indicates consult Customer Service Department for additional information.

| ITEM | PART NO. | 1 2 3 4 5 | DESCRIPTION | QTY. |
|------|----------|-----------|---|------|
| 32 | | | | |
| 33 | | | | |
| 34 | 11391G4 | | HOSE CLAMP, .25 - .63 DIA | 2 |
| 35 | 604597 | | CARB FUEL SYSTEM HOSE,.25 I.D. X.50 O.D. X 26.00 LONG | 1 |
| 36 | | | | |
| 37 | 602061 | | FUEL PUMP | 1 |
| 38 | 00114G6 | | HEX WASHER HEAD SLOTTED TAPPING SCREW, 1/4 - 14 X .75..... | 2 |
| 39 | | | | |
| 40 | 606310 | | CARBON CANISTER MOUNTING BRACKET (CARB ONLY)..... | 1 |
| 41 | 10570G11 | | RIVET, 3/16 DIA X .70 (CARB ONLY) | 2 |
| 42 | | | | |
| 43 | | | | |
| 44 | 606071 | | CARBON CANISTER (CARB ONLY) | 1 |

REAR AXLE

1 - Includes Items 2 - 16



REAR AXLE

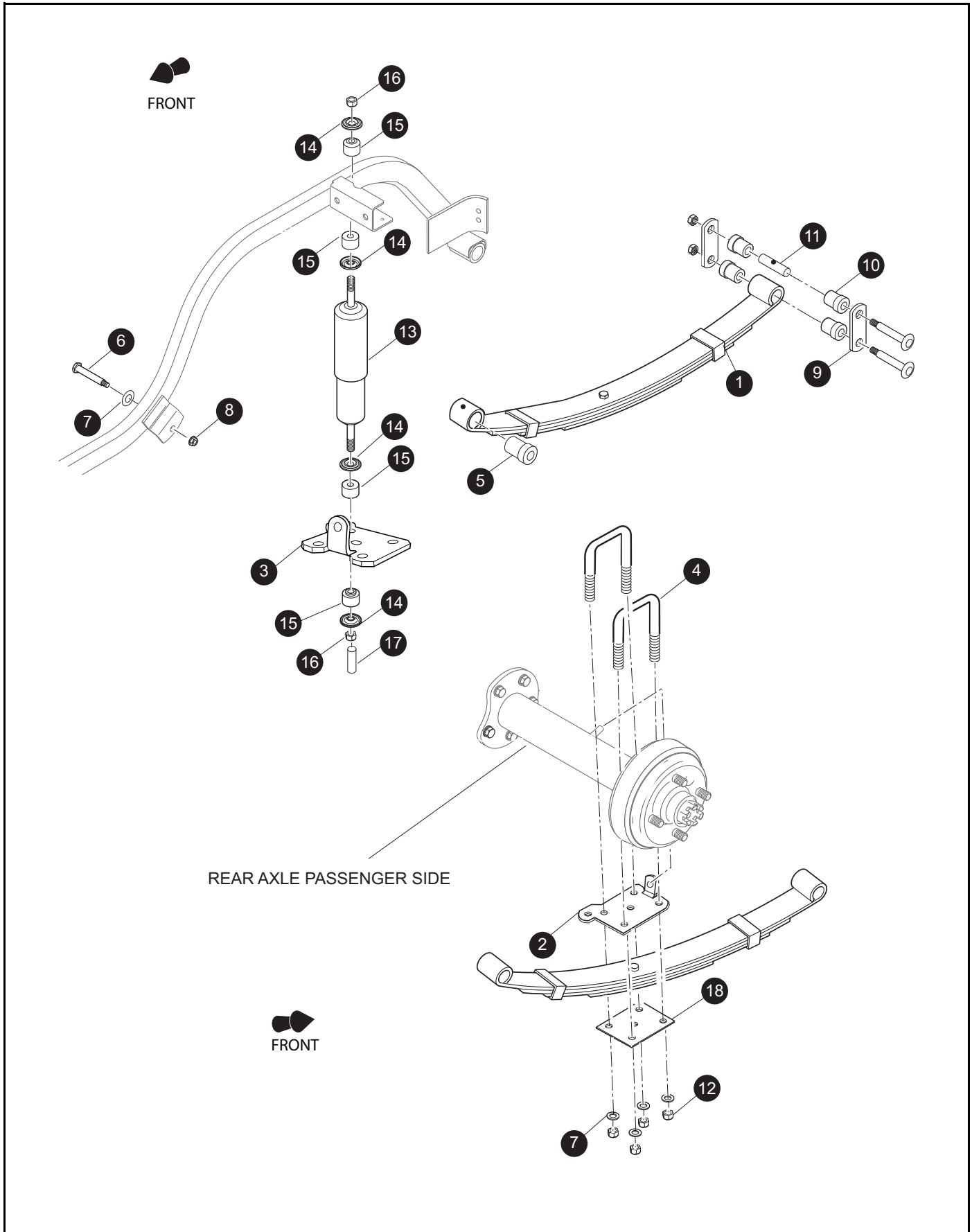
When ordering parts, please specify the model and serial number of the product.

* Indicates a component that is not available as an individual part.

*** Indicates consult Customer Service Department for additional information.

| ITEM | PART NO. | 1 2 3 4 5 | DESCRIPTION | QTY. |
|------|----------|-----------|-----------------------------------|------|
| 1 | 605891 | | REAR AXLE | 1 |
| 2 | 26770G01 | | OIL DRAIN PLUG | 2 |
| 3 | 26771G01 | | GASKET | 2 |
| 4 | | | | |
| 5 | | | | |
| 6 | | | | |
| 7 | 72259G01 | | OIL SEAL 28 X 47 X 9 | 3 |
| 8 | 26823G01 | | FLANGE BOLT M8 X 1.25 X 100 | 10 |
| 9 | 72260G01 | | FLANGE BOLT M10 X 1.5 X 23 | 10 |
| 10 | 607940 | | AXLE TUBE (PASSENGER SIDE) | 1 |
| 11 | 607939 | | AXLE TUBE (DRIVER SIDE) | 1 |
| 12 | 607988 | | AXLE SHAFT (PASSENGER SIDE) | 1 |
| 13 | 607987 | | AXLE SHAFT (DRIVER SIDE) | 1 |
| 14 | 26811G01 | | BALL BEARING | 2 |
| 15 | 26814G01 | | SNAP RING | 2 |
| 16 | 606403 | | SLOTTED NUT | 2 |

REAR SUSPENSION



REAR SUSPENSION

When ordering parts, please specify the model and serial number of the product.

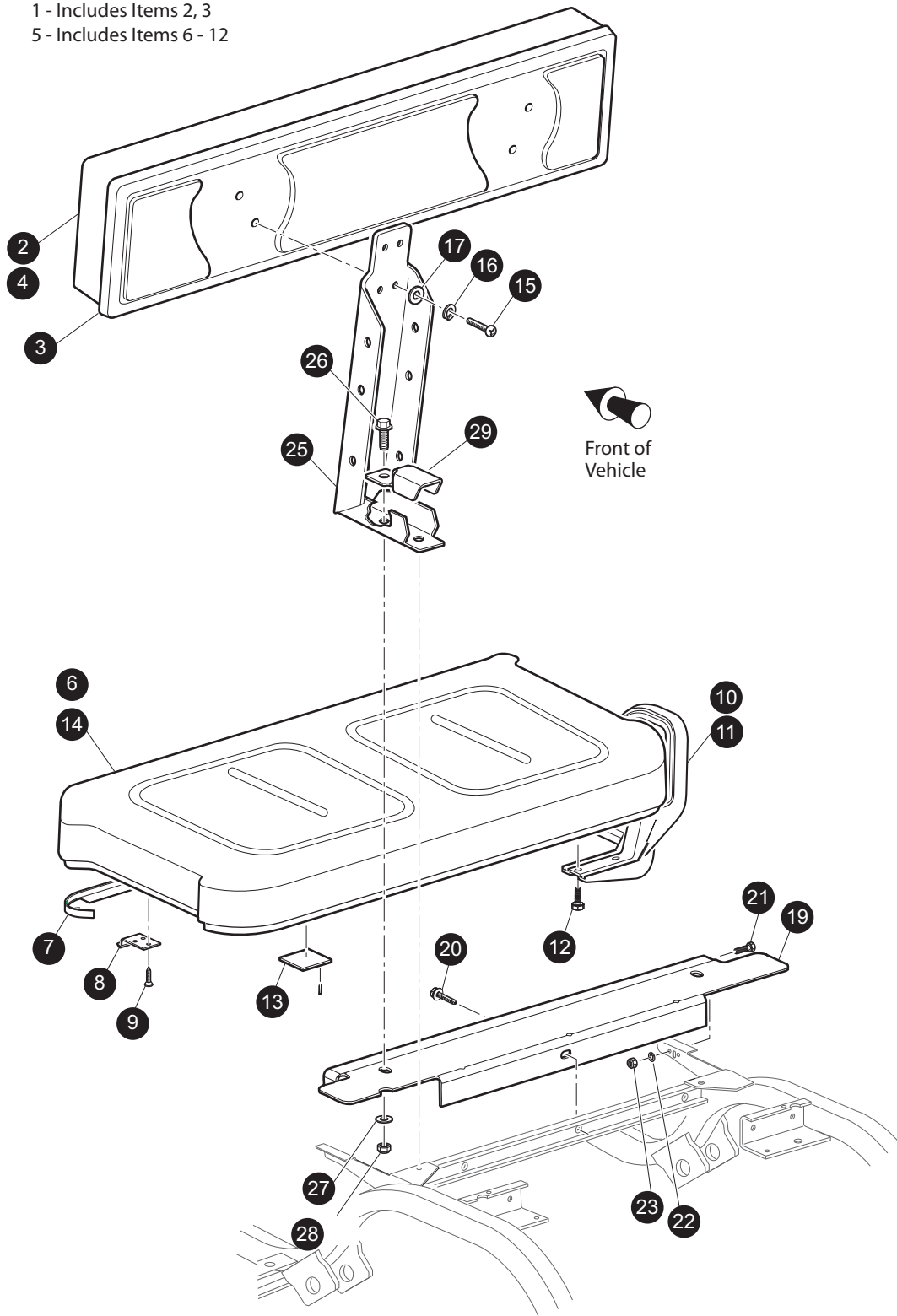
* Indicates a component that is not available as an individual part.

*** Indicates consult Customer Service Department for additional information.

| ITEM | PART NO. | 1 2 3 4 5 | DESCRIPTION | QTY. |
|------|----------|-----------|-----------------------------------|------|
| 1 | 605721 | | HEAVY DUTY LEAF SPRING..... | 1 |
| 2 | 605958 | | AXLE BRACKET PASSENGER SIDE | 1 |
| 3 | 605938 | | AXLE BRACKET DRIVER SIDE | 1 |
| 4 | 32195G3 | | 'U' BOLT | 4 |
| 5 | 605445 | | FRONT SPRING BUSH..... | 2 |
| 6 | 00665G9 | | SHOULDER BOLT, 3/8 - 16 | 6 |
| 7 | 00643G1 | | FLAT WASHER B TYPE 3/8 | 10 |
| 8 | 12262G1 | | LOCK NUT, 3/8 - 16 | 2 |
| 9 | 70290G02 | | SHACKLE PLATE | 4 |
| 10 | 70291G01 | | FLANGED BUSHING..... | 8 |
| 11 | 70289G02 | | SPACER..... | 4 |
| 12 | 11098G5 | | LOCK NUT, 3/8 - 16 | 12 |
| 13 | 70248G01 | | SHOCK ABSORBER | 2 |
| 14 | 10435G1 | | SHOCK ABSORBER WASHER..... | 8 |
| 15 | 10194G1 | | RUBBER BUSHING..... | 8 |
| 16 | 00532G6 | | NUT, 3/8 - 24 | 4 |
| 17 | 10044G01 | | VINYL CAP | 2 |
| 18 | 605956 | | REAR SUSPENSION PLATE | 2 |

SEATING

1 - Includes Items 2, 3
5 - Includes Items 6 - 12



Ref Sea 23

When ordering parts, please specify the model and serial number of the product.

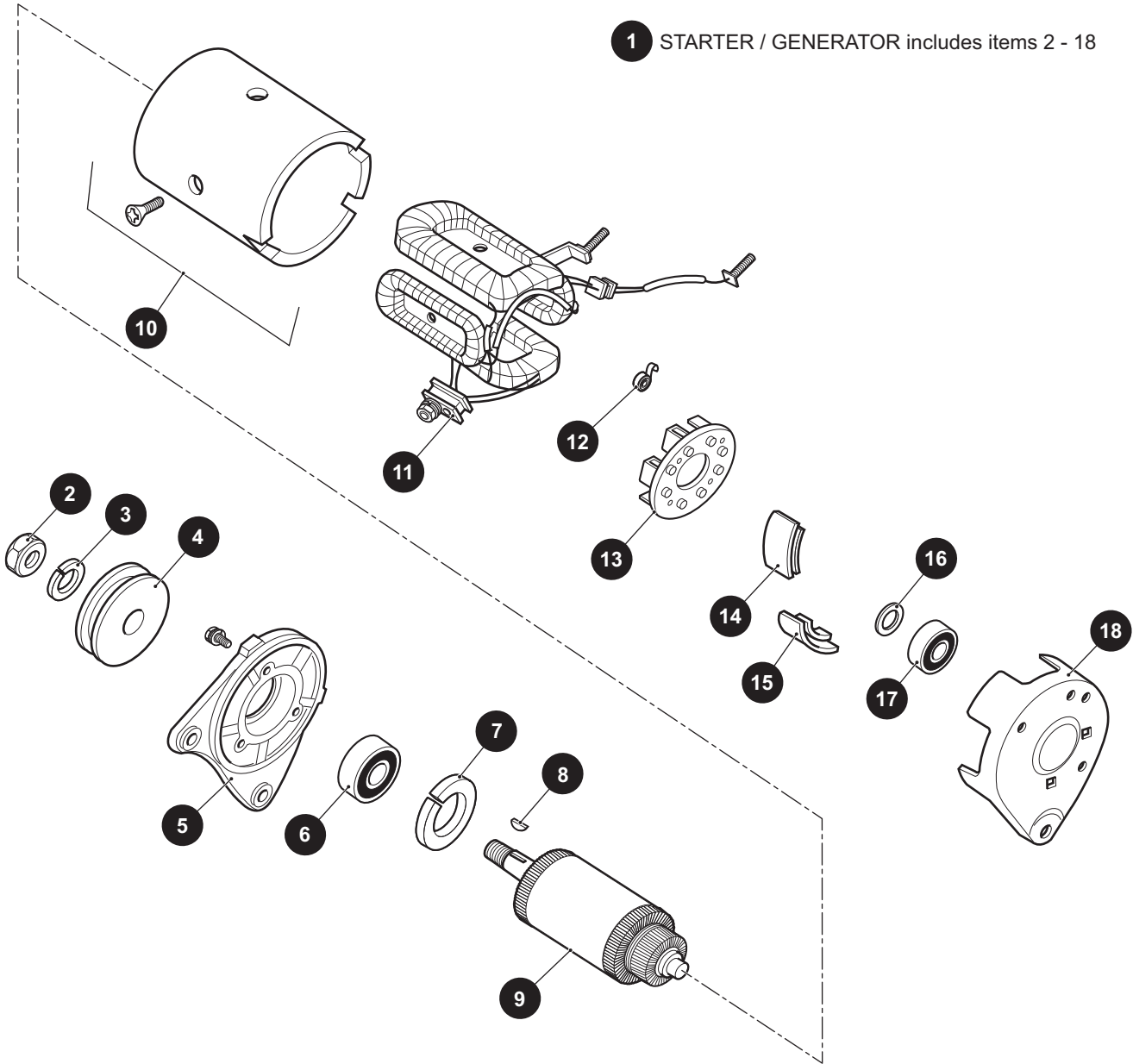
* Indicates a component that is not available as an individual part.

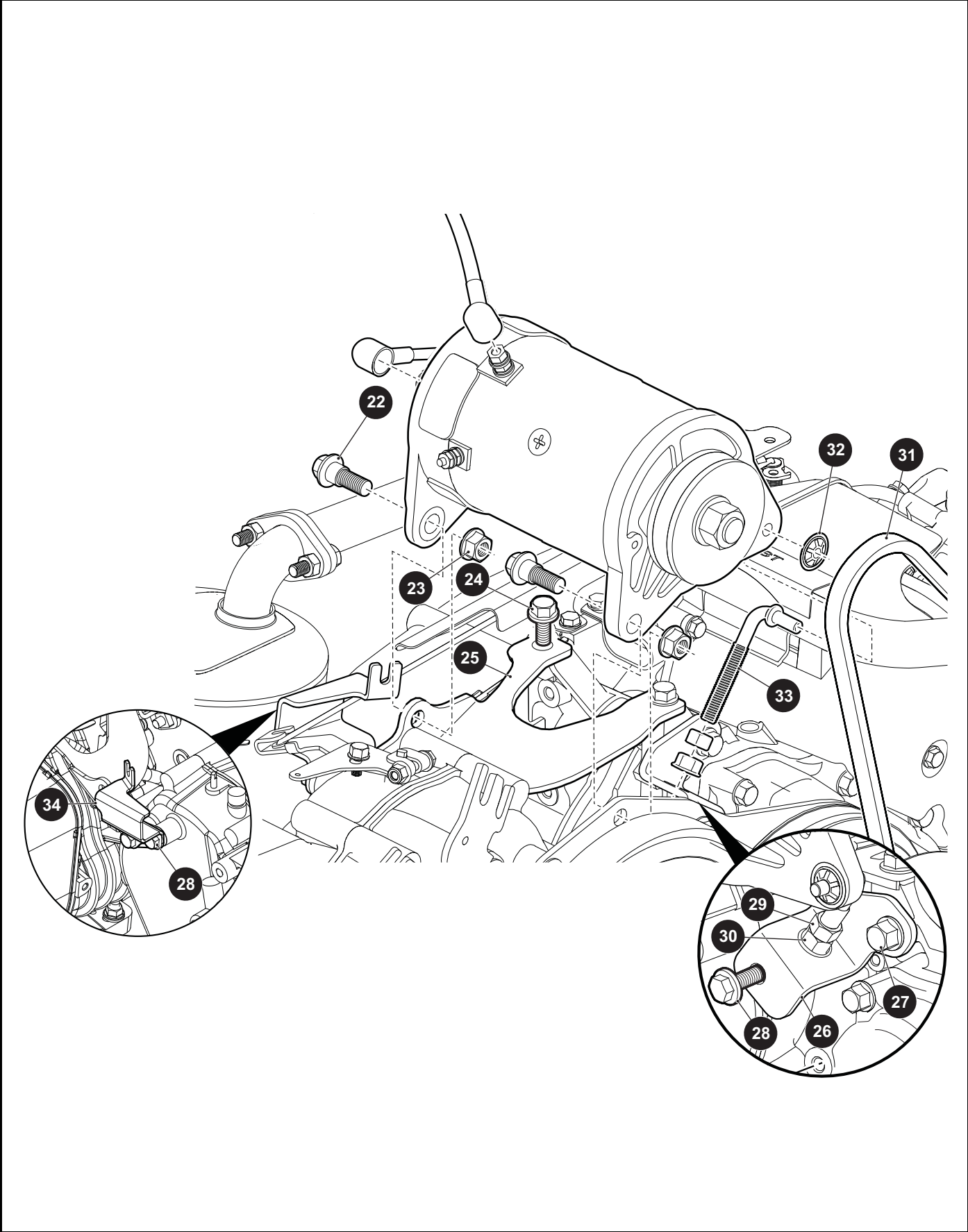
*** Indicates consult Customer Service Department for additional information.

| ITEM | PART NO. | 1 2 3 4 5 | DESCRIPTION | QTY. |
|------|-----------|-----------|---|------|
| 1 | 71274G** | | SEAT BACK ASSEMBLY (INCLUDES ITEMS 2, 3) | 1 |
| 2 | 18144G** | | VINYL SEAT BACK COVER | 1 |
| 3 | 74889G01 | | PLASTIC SEAT BACK COVER (BLACK) | 1 |
| 4 | 604916G** | | TWO TONE VINYL SEAT BACK | 1 |
| 5 | 71611G** | | SEAT BOTTOM ASSEMBLY (INCLUDES ITEMS 6 - 12)..... | 1 |
| 6 | 71602G** | | VINYL SEAT BOTTOM COVER | 1 |
| 7 | 71012G01 | | VINYL TRIM (SEAT BOTTOM)..... | 1 |
| 8 | 71610G01 | | SEAT HINGE | 2 |
| 9 | 00720G08 | | SCREW, #12 - 14 X 1" LG..... | 6 |
| 10 | 71701G01 | | HIP RESTRAINT (PASSENGER SIDE) | 1 |
| 11 | 71702G01 | | HIP RESTRAINT (DRIVER SIDE)..... | 1 |
| 12 | 71204G01 | | BOLT, 1/4 - 20 X 7/8" LG | 8 |
| 13 | 17074G1 | | RUBBER PAD | 2 |
| 14 | 604912G** | | TWO TONE VINYL SEAT BOTTOM..... | 1 |
| 15 | 16705G12 | | SCREW, 1/4 - 20 X 1" LG | 4 |
| 16 | 00664G7 | | LOCK WASHER, 1/4" (STAINLESS STEEL) | 4 |
| 17 | 01110G1 | | WASHER, 1/4" (STAINLESS STEEL)..... | 4 |
| 18 | | | | |
| 19 | 71262G03 | | SEAT BACK SUPPORT | 1 |
| 20 | 00715G2 | | BOLT, 5/16 - 18 X 13/16" LG..... | 1 |
| 21 | 00438G8 | | BOLT, 5/16 - 18 X 1" LG..... | 2 |
| 22 | 00642G8 | | WASHER, 5/16" | 2 |
| 23 | 11098G6 | | LOCK NUT, 5/16 - 18 | 2 |
| 24 | | | | |
| 25 | 75900G02 | | SEAT BACK SUPPORT BRACKET | 2 |
| 26 | 01006G1 | | BOLT, 3/8 - 16 X 1 1/4" LG..... | 4 |
| 27 | 00560G1 | | WASHER, 3/8" | 2 |
| 28 | 11098G5 | | LOCK NUT, 3/8 - 16 | 2 |
| 29 | 74947G01 | | BED BUMPER BRACKET | 2 |
| 30 | | | | |

STARTER / GENERATOR

1 STARTER / GENERATOR includes items 2 - 18





STARTER / GENERATOR

When ordering parts, please specify the model and serial number of the product.

* Indicates a component that is not available as an individual part.

*** Indicates consult Customer Service Department for additional information.

| ITEM | PART NO. | 1 2 3 4 5 | DESCRIPTION | QTY. |
|------|----------|-----------|--|------|
| 1 | 617120 | | STARTER / GENERATOR (INCLUDES 2 - 18)..... | 1 |
| 2 | 612029 | | NUT..... | 1 |
| 3 | 612030 | | LOCKWASHER..... | 1 |
| 4 | 617172 | | PULLEY | 1 |
| 5 | 612032 | | FRONT COVER..... | 1 |
| 6 | 612033 | | BEARING | 1 |
| 7 | 612034 | | RETAINING RING..... | 1 |
| 8 | 612035 | | KEY | 1 |
| 9 | 612036 | | ARMATURE ASSEMBLY | 1 |
| 10 | 612037 | | FRAME & FIELD ASSEMBLY | 1 |
| 11 | 612038 | | BRUSH LEAD & TERMINAL PKG..... | 1 |
| 12 | 612039 | | BRUSH SPRING..... | 1 |
| 13 | 612040 | | BRUSH BOX ASSEMBLY..... | 1 |
| 14 | 612041 | | BRUSH 1 COVER..... | 2 |
| 15 | 612042 | | BRUSH 2 COVER..... | 2 |
| 16 | 612043 | | WAVY WASHER | 1 |
| 17 | 612044 | | BEARING..... | 1 |
| 18 | 612045 | | REAR COVER | 1 |
| 19 | | | | |
| 20 | | | | |
| 21 | | | | |
| 22 | 606235 | | BOLT, HXFL SHLDR - M10 - 1.25 X 20..... | 2 |
| 23 | 606279 | | NUT, M10 - 1.25 | 2 |
| 24 | 606261 | | BOLT, M8 - 1.25 X 20 | 3 |
| 25 | 602141 | | STARTER / GENERATOR BRACKET..... | 1 |
| 26 | 602145 | | TENSIONER BRACKET..... | 1 |
| 27 | 606261 | | BOLT, M8 - 1.25 X 20 | 1 |
| 28 | 606256 | | BOLT, M10 - 1.25 X 25 | 9 |
| 29 | 606255 | | NUT, M10 - 1.25 | 1 |
| 30 | 606274 | | NUT, M10 - 1.25 | 1 |
| 31 | 16548G1 | | STARTER / GENERATOR BELT | 1 |

STARTER / GENERATOR

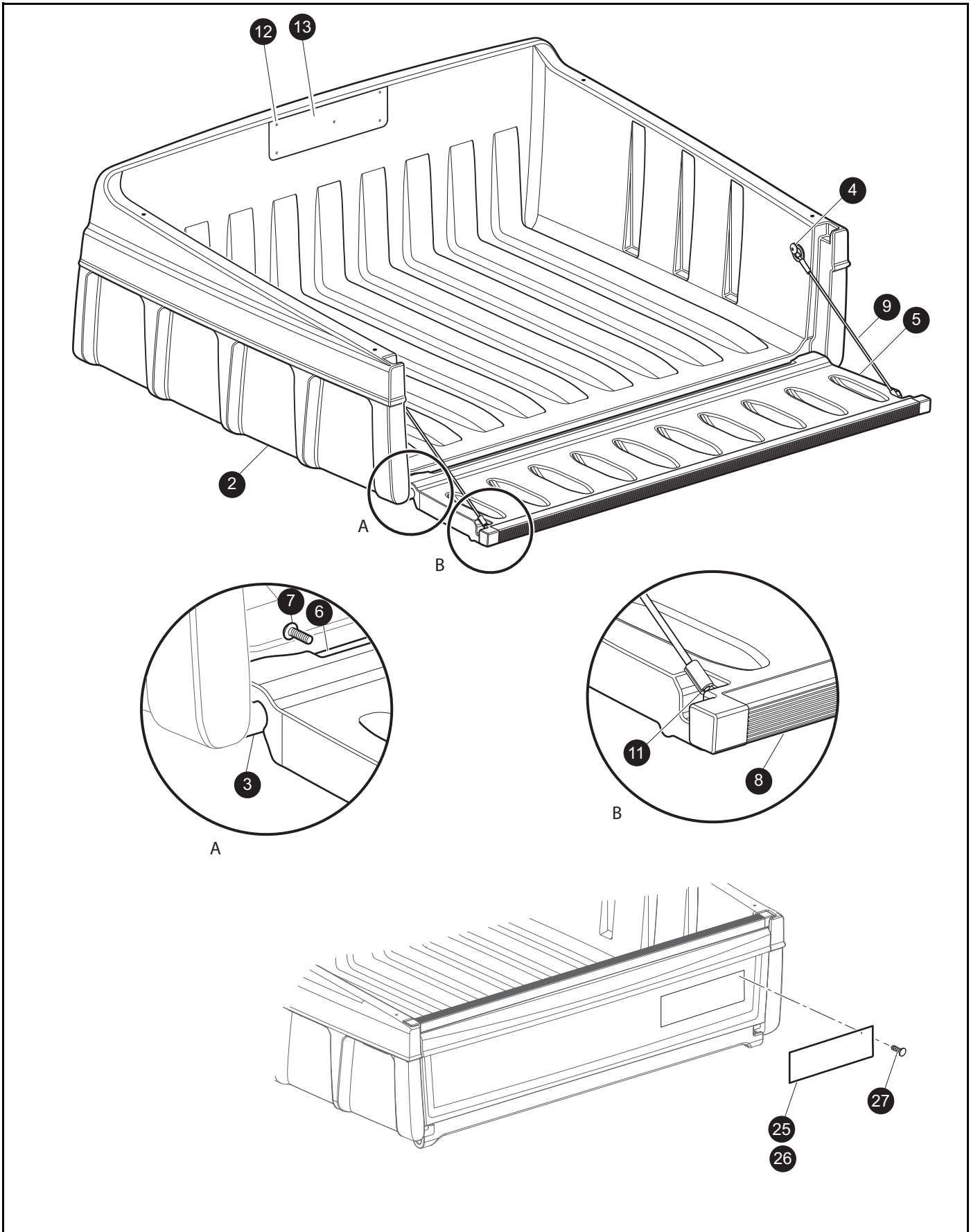
When ordering parts, please specify the model and serial number of the product.

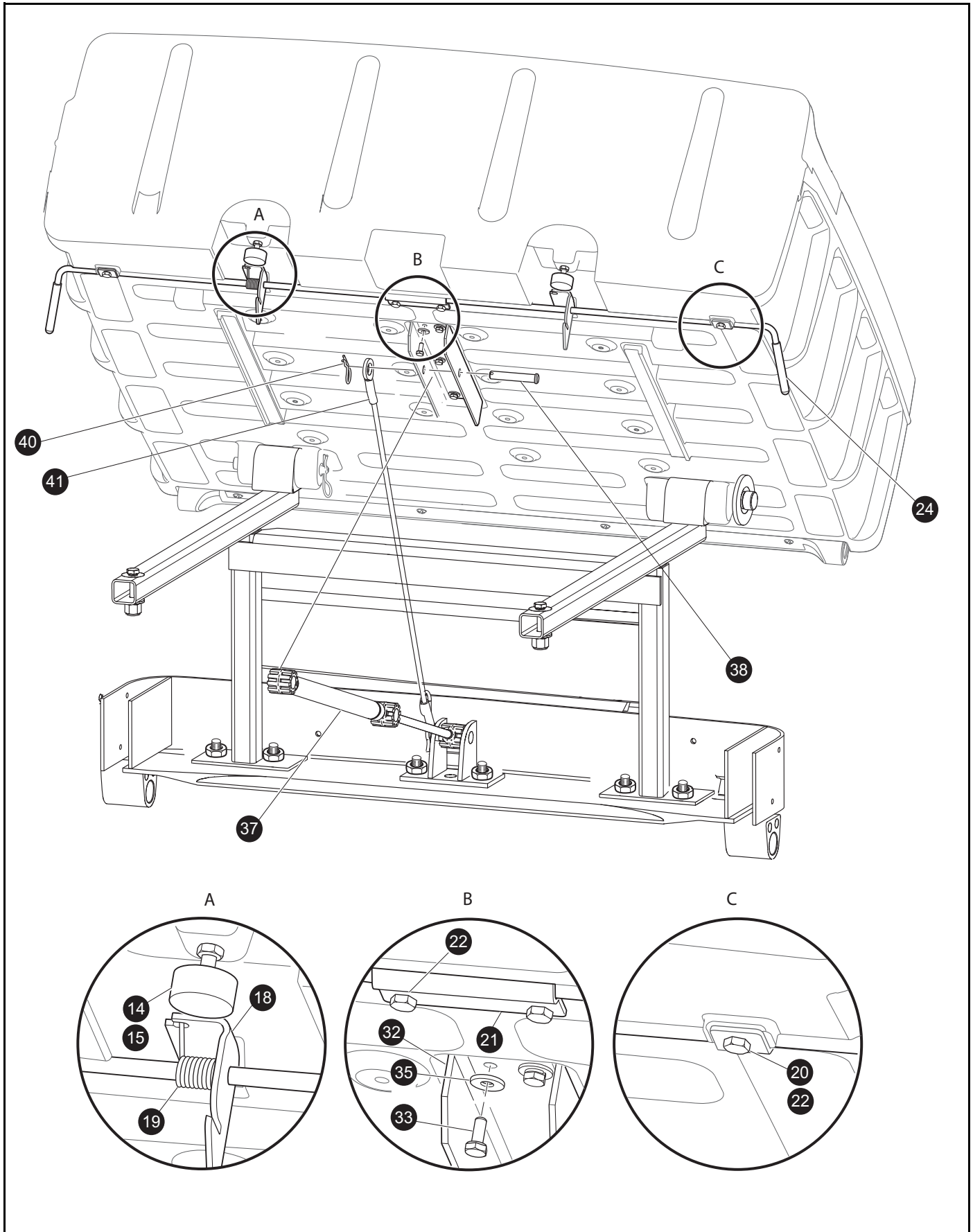
* Indicates a component that is not available as an individual part.

*** Indicates consult Customer Service Department for additional information.

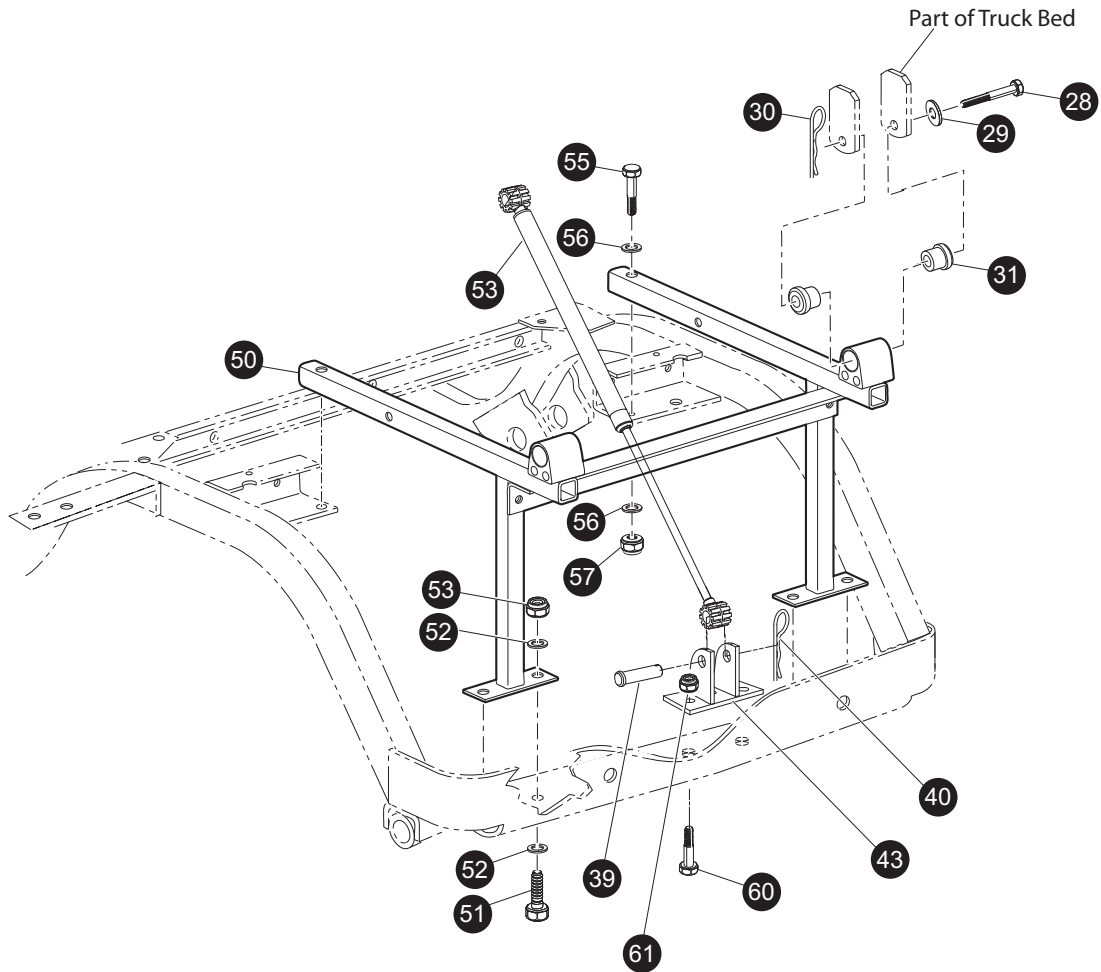
| ITEM | PART NO. | 1 2 3 4 5 | DESCRIPTION | QTY. |
|------|----------|-----------|---------------------------|------|
| 32 | 12064G6 | | PUSH NUT, 5/16" | 1 |
| 33 | 625705 | | TENSIONER BOLT | 1 |
| 34 | 603884 | | CABLE GUIDE BRACKET | 1 |

TRUCK BED, MANUAL LIFT





TRUCK BED, MANUAL LIFT



TRUCK BED, MANUAL LIFT

When ordering parts, please specify the model and serial number of the product.

* Indicates a component that is not available as an individual part.

*** Indicates consult Customer Service Department for additional information.

| ITEM | PART NO. | 1 2 3 4 5 | DESCRIPTION | QTY. |
|------|-----------|-----------|---|------|
| 1 | 72647G01 | | BED ASSEMBLY (INCLUDES ITEMS 2 -11) | 1 |
| 2 | 72648G01 | | PLASTIC BED, 36" | 1 |
| 3 | 73454G01 | | PIVOT SHAFT | 2 |
| 4 | 73460G01 | | SHOULDER BOLT, 1/4 - 20 X 3/4" LG | 2 |
| 5 | 72649G01 | | TAILGATE | 1 |
| 6 | 73450G01 | | BOWED ANGLE | 1 |
| 7 | 16705G2 | | SCREW, 1/4 - 20 X 5/8" LG (STAINLESS STEEL) | 4 |
| 8 | 73449G01 | | EXTRUSION CHANNEL | 1 |
| 9 | 73455G02 | | TAILGATE CABLE | 1 |
| 10 | | | | |
| 11 | 00415G2 | | SCREW, 1/4 - 20 X 1 1/4" LG | 2 |
| 12 | 74821G01 | | LOAD BED DECAL | 1 |
| 13 | 71055G01 | | RIVET | 5 |
| 14 | 70113G01 | | ADJUSTABLE RUBBER BUMPER | 2 |
| 15 | 11027G1 | | LOCK NUT, 5/16 - 18 | 2 |
| 16 | | | | |
| 17 | | | | |
| 18 | 74962G01 | | BED LATCH | 1 |
| 19 | 71538G01 | | LATCH TORSION SPRING | 1 |
| 20 | 71099G02 | | KEEPER PLATE | 2 |
| 21 | 71477G02 | | RETAINER BRACKET | 1 |
| 22 | 01118G01 | | SCREW, 1/4 - 20 X 5/8" LG | 4 |
| 23 | | | | |
| 24 | 71704G01 | | HANDLE GRIP | 2 |
| 25 | 600110 | | JACOBSEN NAME PLATE | 1 |
| 26 | 600108G01 | | CUSHMAN NAME PLATE | 1 |
| 27 | 16816G2 | | RATCHET FASTENER | 4 |
| 28 | 71571G01 | | CLEVIS PIN | 2 |
| 29 | 00571G5 | | WASHER, 1/2" | 2 |
| 30 | 21683G1 | | COTTER PIN | 2 |
| 31 | 70291G01 | | BUSHING | 4 |

TRUCK BED, MANUAL LIFT

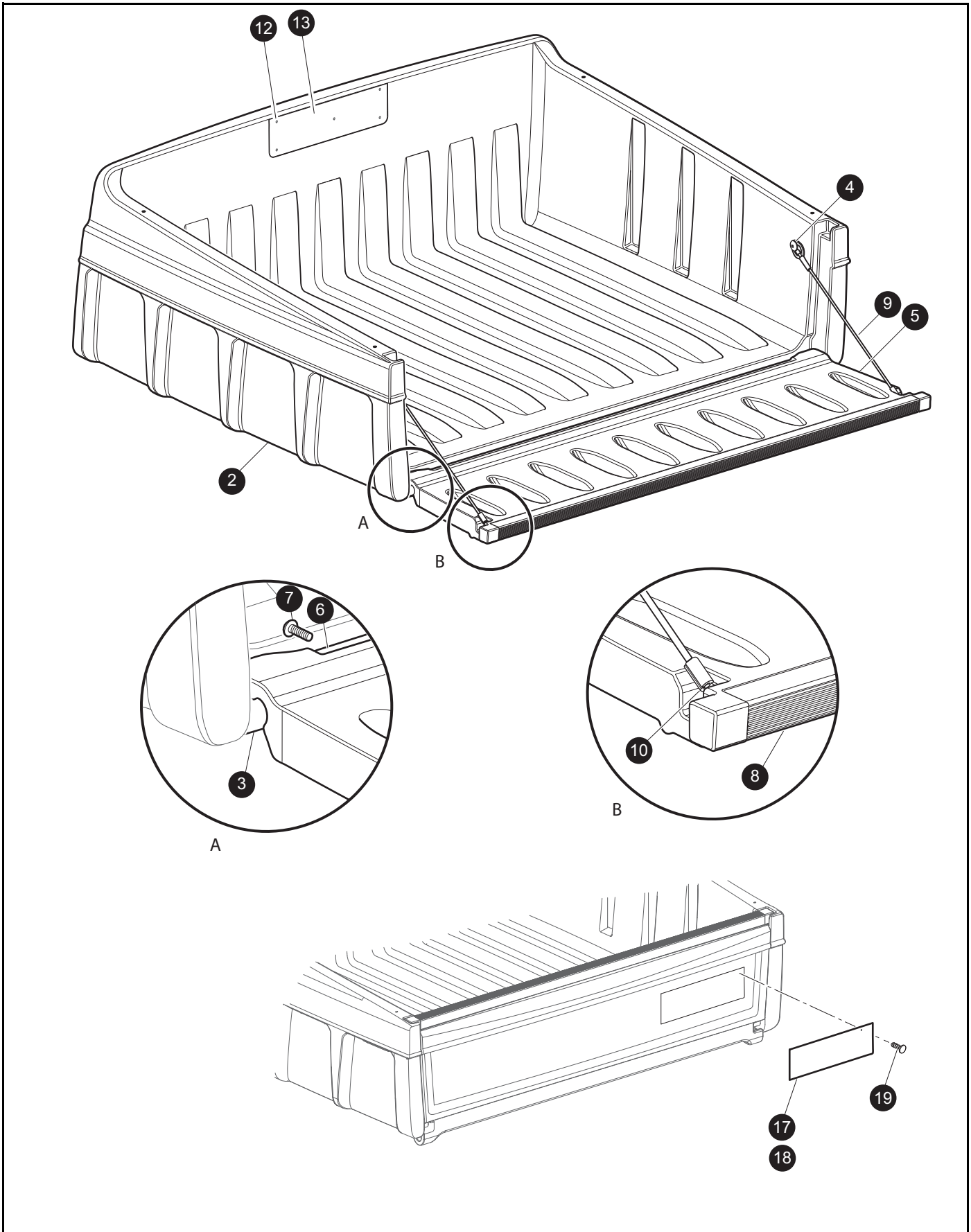
When ordering parts, please specify the model and serial number of the product.

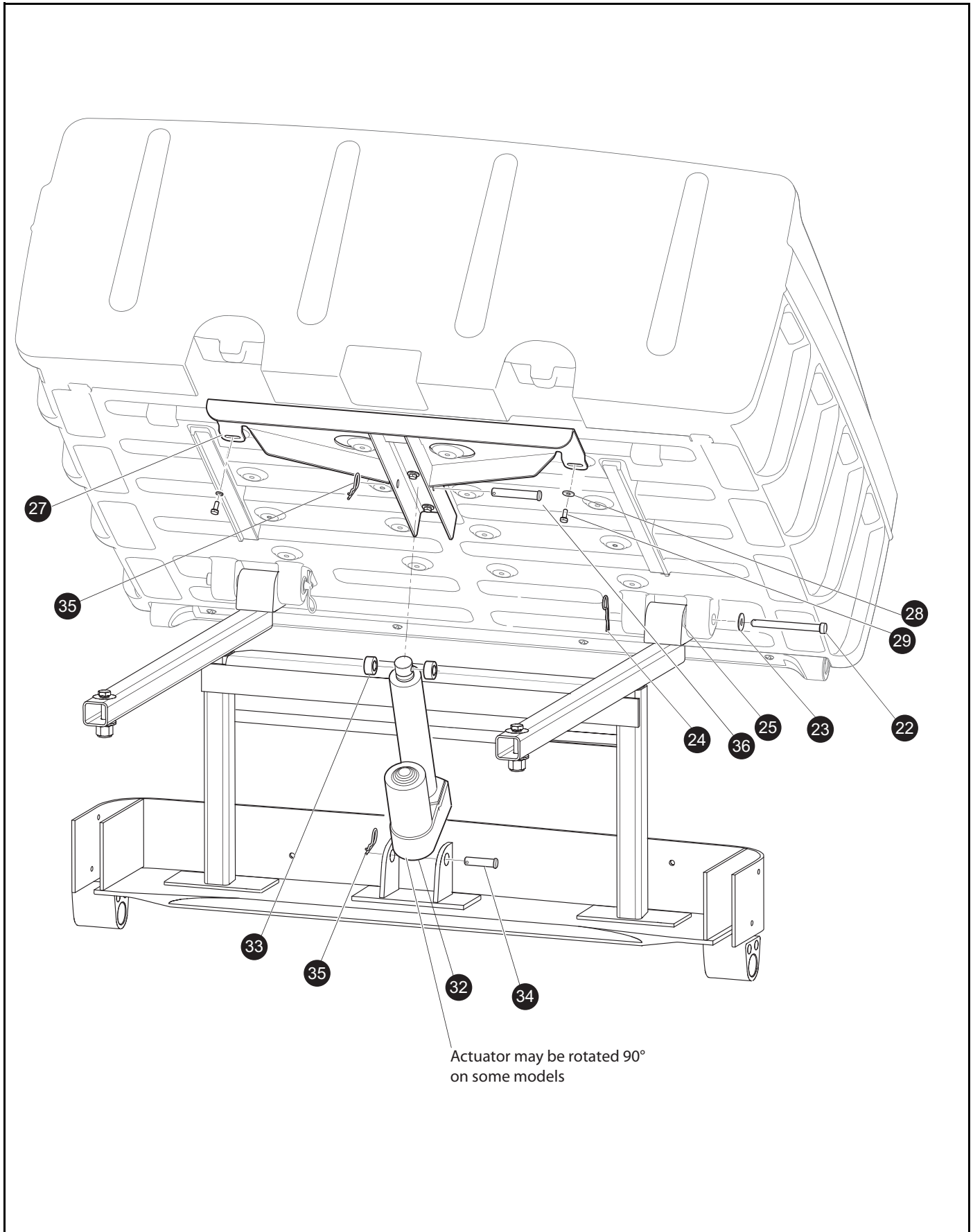
* Indicates a component that is not available as an individual part.

*** Indicates consult Customer Service Department for additional information.

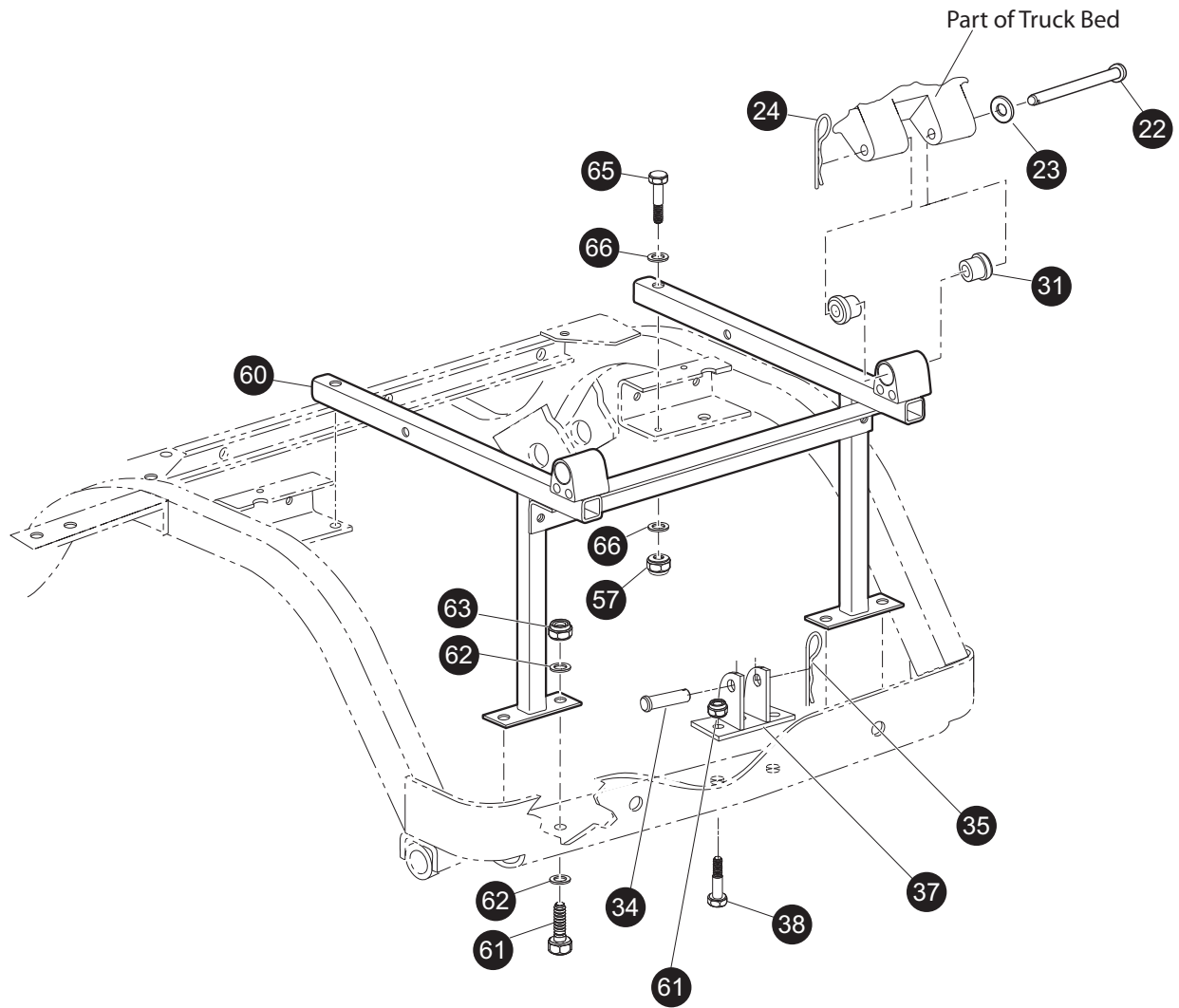
| ITEM | PART NO. | 1 2 3 4 5 | DESCRIPTION | QTY. |
|------|----------|-----------|---|------|
| 32 | 71569G02 | | SPRING CHANNEL..... | 1 |
| 33 | 01118G01 | | SCREW, 1/4 - 20 X 5/8" LG..... | 8 |
| 34 | | | | |
| 35 | 00642G7 | | WASHER, 1/4"..... | 8 |
| 36 | | | | |
| 37 | 71537G02 | | GAS SPRING | 2 |
| 38 | 14443G10 | | CLEVIS PIN, 1/2" X 2 27/32" LG | 1 |
| 39 | 14443G12 | | CLEVIS PIN, 1/2" X 2 1/4" LG | 1 |
| 40 | 21683G1 | | COTTER PIN, | 2 |
| 41 | 602904 | | BED TETHER CABLE | 1 |
| 42 | | | | |
| 43 | 71283G02 | | LIFT BRACKET | 1 |
| 44 | | | | |
| 45 | | | | |
| 46 | | | | |
| 47 | | | | |
| 48 | | | | |
| 49 | | | | |
| 50 | 76423G01 | | BED FRAME..... | 1 |
| 51 | 00439G2 | | SCREW, 5/16 - 18 X 1 1/4" LG..... | 4 |
| 52 | 00642G8 | | WASHER, 5/16"..... | 8 |
| 53 | 01109G01 | | LOCK NUT, 5/16 - 18 (STAINLESS STEEL) | 4 |
| 54 | | | | |
| 55 | 00415G6 | | BOLT, 1/4 - 20 X 1 3/4" LG | 2 |
| 56 | 00642G7 | | WASHER, 1/4"..... | 4 |
| 57 | 00654G2 | | LOCK NUT, 1/4 - 20 (STAINLESS STEEL) | 2 |
| 58 | | | | |
| 59 | | | | |
| 60 | 00462G7 | | SCREW, 7/16 - 14 X 7/8" LG..... | 2 |
| 61 | 00734G1 | | LOCK NUT, 7/16 - 14..... | 2 |
| 62 | | | | |

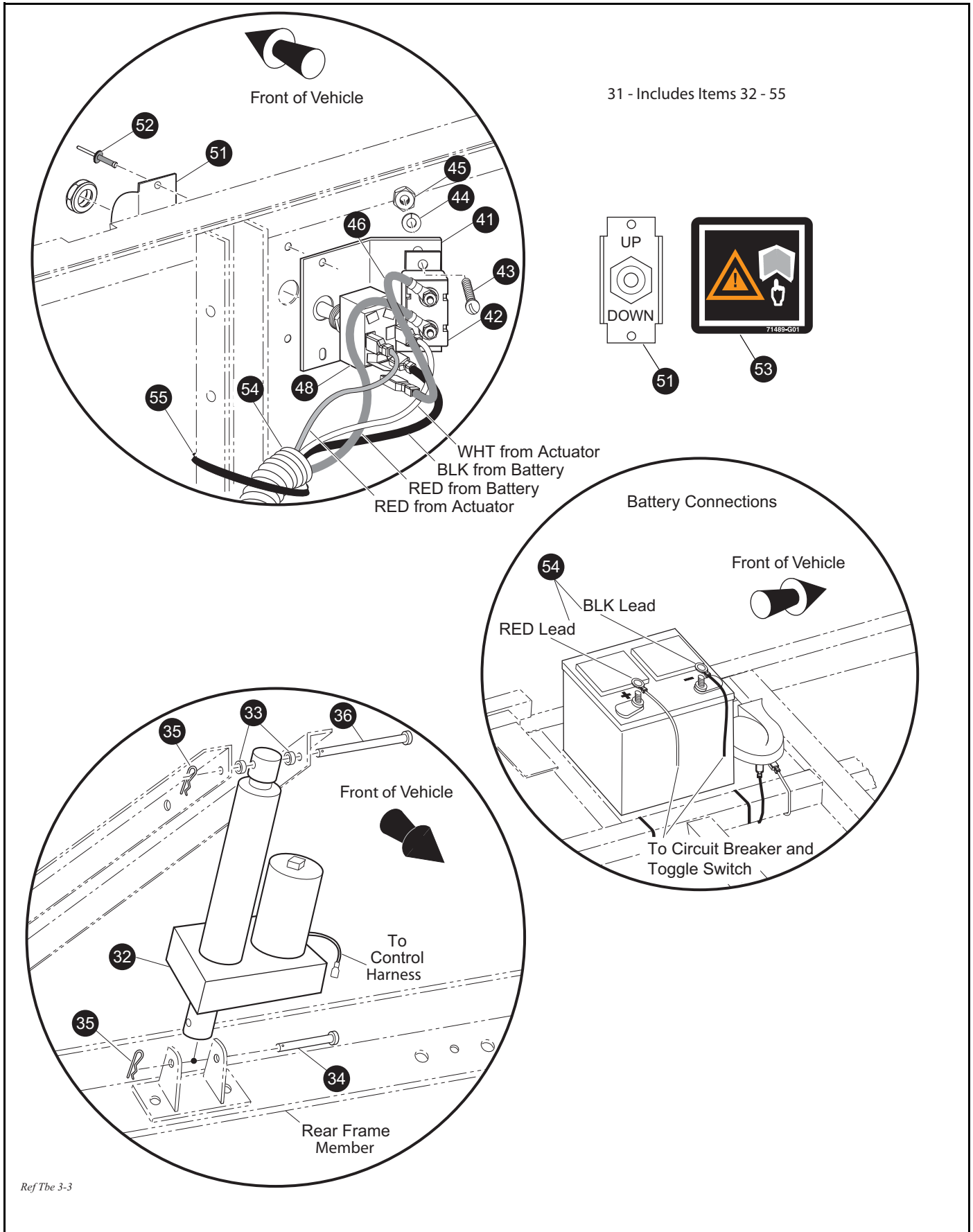
TRUCK BED, ELECTRIC LIFT





TRUCK BED, ELECTRIC LIFT





TRUCK BED, ELECTRIC LIFT

When ordering parts, please specify the model and serial number of the product.

* Indicates a component that is not available as an individual part.

*** Indicates consult Customer Service Department for additional information.

| ITEM | PART NO. | 1 2 3 4 5 | DESCRIPTION | QTY. |
|------|-----------|-----------|--|------|
| 1 | 72647G01 | | BED ASSEMBLY (INCLUDES ITEMS 2 - 11)..... | 1 |
| 2 | 72648G01 | | PLASTIC BED, 36" | 1 |
| 3 | 73454G01 | | PIVOT SHAFT..... | 2 |
| 4 | 73460G01 | | SHOULDER BOLT, 1/4 - 20 X 3/4" LG..... | 2 |
| 5 | 72649G01 | | TAILGATE | 1 |
| 6 | 73450G01 | | BOWED ANGLE | 1 |
| 7 | 16705G2 | | SCREW, 1/4 - 20 X 1 1/4" LG (STAINLESS STEEL)..... | 4 |
| 8 | 73449G01 | | EXTRUSION CHANNEL..... | 1 |
| 9 | 73455G02 | | TAILGATE CABLE | 1 |
| 10 | 00415G2 | | SCREW, 1/4 - 20 X 1 1/4" LG | 4 |
| 11 | | | | |
| 12 | 71055G01 | | LOAD BED DECAL | 1 |
| 13 | 71055G01 | | RIVET | 5 |
| 14 | 70113G01 | | ADJUSTABLE RUBBER BUMPER | 2 |
| 15 | 11027G1 | | LOCK NUT, 5/16 - 18..... | 2 |
| 16 | | | | |
| 17 | 600110 | | JACOBSEN NAME PLATE..... | 1 |
| 18 | 600108G01 | | CUSHMAN NAME PLATE | 1 |
| 19 | 16816G2 | | RATCHET FASTENR | 4 |
| 20 | | | | |
| 21 | | | | |
| 22 | 71571G01 | | CLEVIS PIN..... | 2 |
| 23 | 00571G5 | | WASHER, 1/2"..... | 2 |
| 24 | 21683G1 | | COTTER PIN..... | 2 |
| 25 | | | | |
| 26 | 70291G01 | | BUSHING | 4 |
| 27 | 71547G02 | | OUTRIGGER CHANNEL..... | 1 |
| 28 | 0118G01 | | SCREW, 1/4 - 20 X 5/8" LG..... | 8 |
| 29 | 00642G7 | | WASHER, 1/4"..... | 8 |
| 30 | | | | |
| 31 | 74164G04 | | ELECTRIC DUMP KIT (INCLUDES ITEMS 32- | 1 |

TRUCK BED, ELECTRIC LIFT

When ordering parts, please specify the model and serial number of the product.

* Indicates a component that is not available as an individual part.

*** Indicates consult Customer Service Department for additional information.

| ITEM | PART NO. | 1 2 3 4 5 | DESCRIPTION | QTY. |
|------|----------|-----------|---|------|
| 32 | 27612G02 | | ELECTRIC ACTUATOR..... | 1 |
| 33 | 27613G01 | | SPACER..... | 2 |
| 34 | 14443G11 | | CLEVIS PIN, 1/2" X 1 3/4" LG..... | 1 |
| 35 | 21683G1 | | COTTER PIN, 15/32" X 2 13/16" LG..... | 2 |
| 36 | 14443G10 | | CLEVIS PIN 1/2" X 2 7/8" LG..... | 1 |
| 37 | 71283G02 | | LIFT BRACKET..... | 1 |
| 38 | 00462G7 | | SCREW, 7/16 - 14 X 7/8" LG..... | 2 |
| 39 | 00734G1 | | LOCK NUT, 7/16 - 14..... | 2 |
| 40 | | | | |
| 41 | 74165G02 | | CIRCUIT BREAKER MOUNTING BRACKET..... | 1 |
| 42 | 21320G3 | | CIRCUIT BREAKER, 30 AMP, 12V..... | 1 |
| 43 | 00150G4 | | SCREW, #10 - 24 X 1/2" LG..... | 2 |
| 44 | 00565G5 | | LOCK WASHER, #10..... | 2 |
| 45 | 00526G3 | | NUT, #10 - 24..... | 2 |
| 46 | 25976G14 | | 14 GA WIRE (RED 5:)..... | 1 |
| 47 | | | | |
| 48 | 27680G01 | | TOGGLE SWITCH..... | 1 |
| 49 | | | | |
| 50 | | | | |
| 51 | 27447G01 | | TOGGLE GUARD..... | 1 |
| 52 | 10570G9 | | RIVET, 1/8" X 11/32" LG (ALUMINUM)..... | 2 |
| 53 | 71489G01 | | WARNING LABEL..... | 1 |
| 54 | 74163G01 | | WIRE HARNESS (CONTROL)..... | 1 |
| 55 | 17618G1 | | WIRE TIE..... | 8 |
| 56 | | | | |
| 57 | | | | |
| 58 | | | | |
| 59 | | | | |
| 60 | 76423G01 | | BED FRAME..... | 1 |
| 61 | 00439G2 | | SCREW, 5/16 - 18 X 1 1/4" LG..... | 2 |
| 62 | 00642G8 | | WASHER, 1/4"..... | 8 |

TRUCK BED, ELECTRIC LIFT

When ordering parts, please specify the model and serial number of the product.

* Indicates a component that is not available as an individual part.

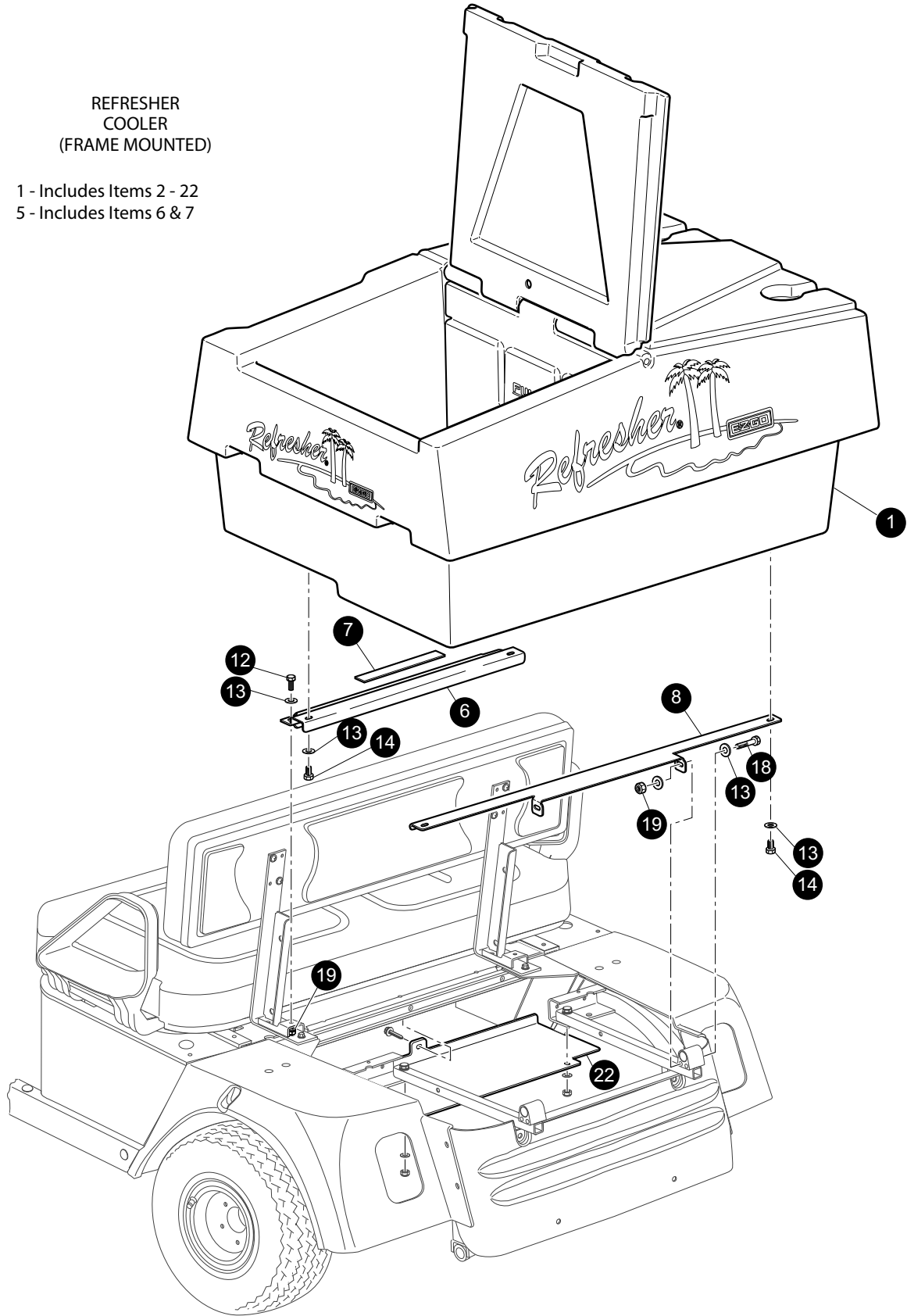
*** Indicates consult Customer Service Department for additional information.

| ITEM | PART NO. | 1 2 3 4 5 | DESCRIPTION | QTY. |
|------|----------|-----------|----------------------------------|------|
| 63 | 11098G6 | | LOCK NUT, 5/16 - 18..... | 4 |
| 64 | | | | |
| 65 | 00415G6 | | BOLT, 1/4 - 20 X 1 3/4" LG | 2 |
| 66 | 00642G7 | | WASHER, 1/4" | 4 |
| 67 | 00891G2 | | LOCK NUT, 1/4 - 20..... | 2 |

TRUCK BED, REFRESHER

REFRESHER COOLER (FRAME MOUNTED)

- 1 - Includes Items 2 - 22
- 5 - Includes Items 6 & 7



Ref Ref 5-2

TRUCK BED, REFRESHER

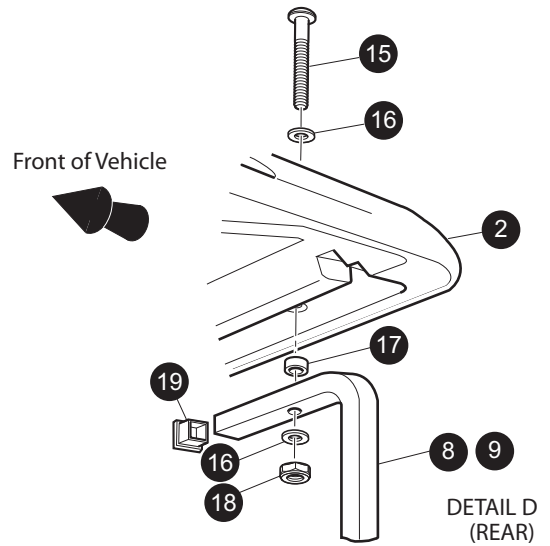
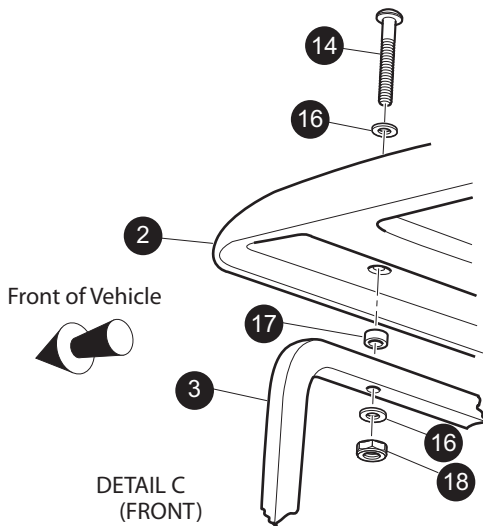
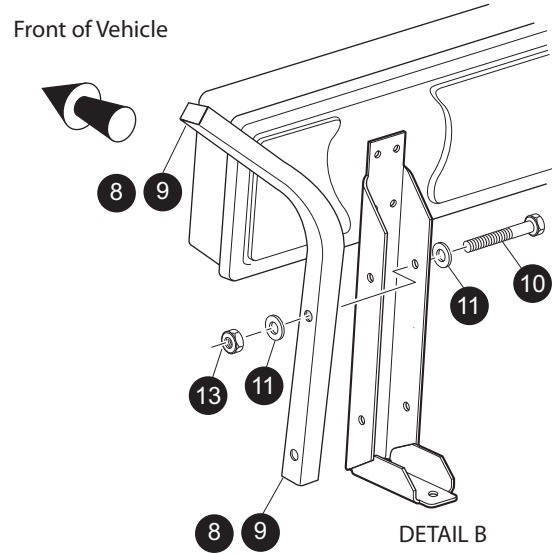
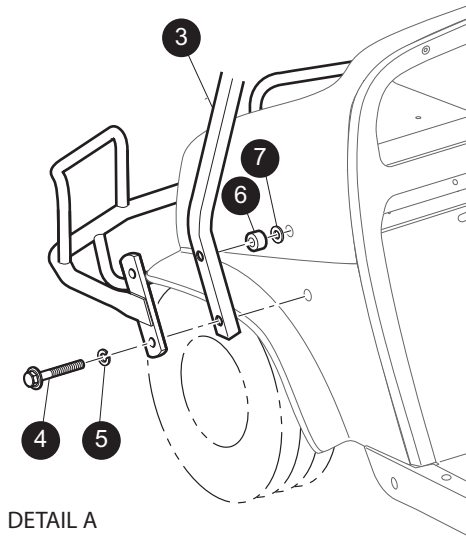
When ordering parts, please specify the model and serial number of the product.

* Indicates a component that is not available as an individual part.

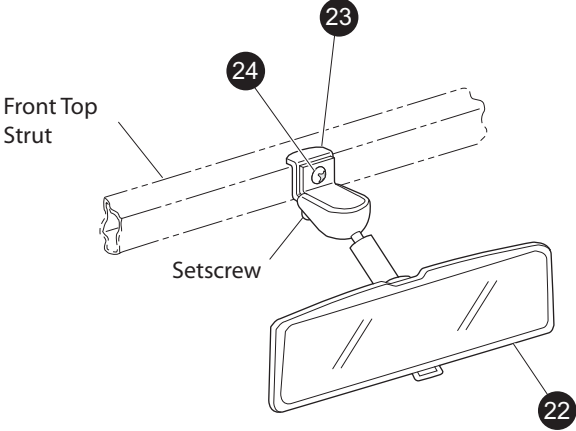
*** Indicates consult Customer Service Department for additional information.

| ITEM | PART NO. | 1 2 3 4 5 | DESCRIPTION | QTY. |
|------|----------|-----------|---|------|
| 1 | 75738G01 | | REFRESHER COOLER (FRAME MOUNTED) (INCLUDES ITEMS 1 - 22) .. | 1 |
| 2 | 75663G01 | | REFRESHER COOLER INSERT | 1 |
| 3 | | | | |
| 4 | | | | |
| 5 | 75752G01 | | SUPPORT / DECAL ASSEMBLY (INCLUDES ITEMS 21 - 22) | 1 |
| 6 | * | | REFRESHER FRONT SUPPORT | 1 |
| 7 | 75751G01 | | REFRESHER CAUTION DECAL..... | 1 |
| 8 | 75672G01 | | REFRESHER REAR SUPPORT | 1 |
| 9 | | | | |
| 10 | | | | |
| 11 | | | | |
| 12 | 00270G5 | | BOLT, 5/16 - 18 x 5/8" LG..... | 4 |
| 13 | 00559G8 | | WASHER, 5/16"..... | 10 |
| 14 | 00438G6 | | BOLT, 5/16 - 18 x 3/4" LG..... | 2 |
| 15 | | | | |
| 16 | | | | |
| 17 | | | | |
| 18 | 00440G4 | | BOLT, 5/16 - 18 x 2 1/2" LG..... | 2 |
| 19 | 11098G6 | | LOCK NUT, 5/16 - 18..... | 4 |
| 20 | | | | |
| 21 | | | | |
| 22 | 75749G01 | | HEAT SHIELD | 1 |

WEATHER PROTECTION



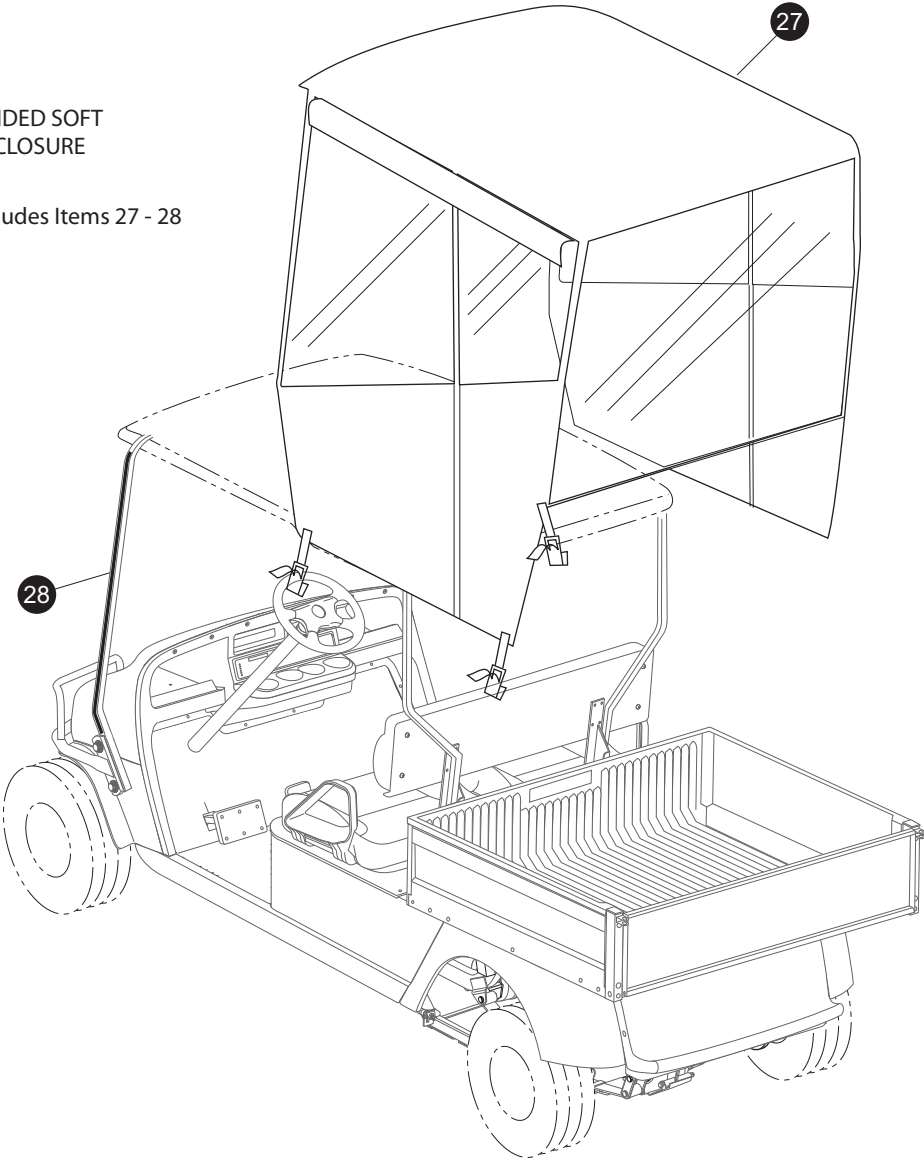
Ref Wea 20-1



REAR VIEW MIRROR

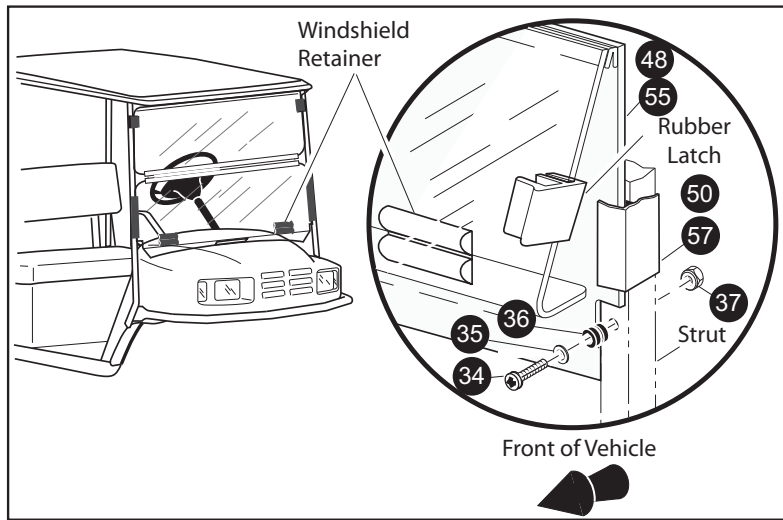
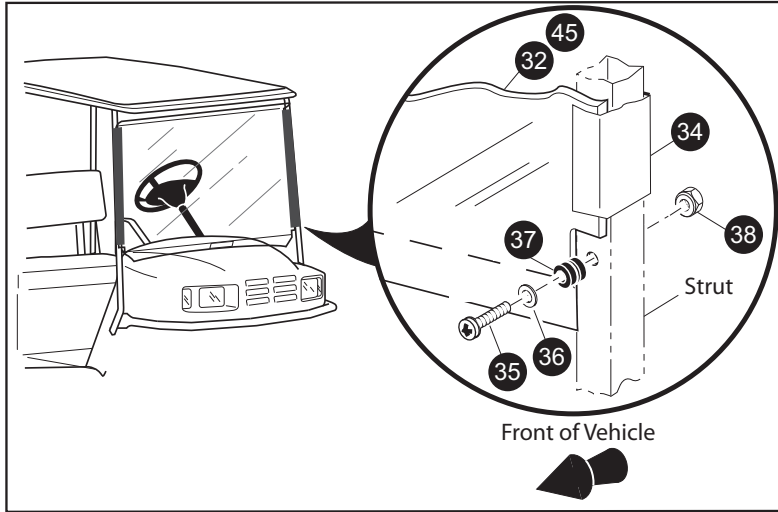
21 - Includes Items 22 - 24

3-SIDED SOFT ENCLOSURE
26 - Includes Items 27 - 28



Ref Wea 20-2

WEATHER PROTECTION



Ref Wea 20-3

WEATHER PROTECTION

When ordering parts, please specify the model and serial number of the product.

* Indicates a component that is not available as an individual part.

*** Indicates consult Customer Service Department for additional information.

| ITEM | PART NO. | 1 2 3 4 5 | DESCRIPTION | QTY. |
|------|----------|-----------|---|------|
| 1 | 75040G** | | SUN TOP KIT (INCLUDES ITEMS 2 - 19)..... | 1 |
| 2 | 27069G** | | SUN TOP..... | 1 |
| 3 | 75045G05 | | FRONT STRUT | 1 |
| 4 | 00440G2 | | BOLT, 5/16 - 18 X 2 1/4" LG | 4 |
| 5 | 00905G8 | | LOCK WASHER, 5/16" | 4 |
| 6 | 75048G01 | | SPACER, 1/2" | 2 |
| 7 | 00570G2 | | WASHER, 5/16" | 6 |
| 8 | 75838G04 | | REAR STRUT (PASSENGER SIDE)..... | 1 |
| 9 | 75838G03 | | REAR STRUT (DRIVER SIDE) | 1 |
| 10 | 00685G7 | | BOLT, 5/16 - 18 X 1 3/4" LG | 4 |
| 11 | 01110G03 | | WASHER, 5/16" (STAINLESS STEEL) | 8 |
| 12 | | | | |
| 13 | 11098G6 | | LOCK NUT, 5/16 - 18..... | 4 |
| 14 | 00753G5 | | SCREW, 1/4 - 20 X 2" LG (STAINLESS STEEL) | 2 |
| 15 | 00753G6 | | SCREW, 1/4 - 20 X 2 1/4" LG (STAINLESS STEEL) | 2 |
| 16 | 01110G01 | | WASHER, 1/4" (STAINLESS STEEL) | 8 |
| 17 | 75051G01 | | SPACER | 4 |
| 18 | 00891G2 | | LOCK NUT, 1/4 - 20..... | 4 |
| 19 | 19853G1 | | END CAP, 1" | 2 |
| 20 | | | | |
| 21 | 19528G2 | | REAR VIEW MIRROR KIT (REQUIRES SUN TOP) (INCLUDES ITEMS 22 - 24) | 1 |
| 22 | 19496G1 | | REAR VIEW MIRROR..... | 1 |
| 23 | 19502G2 | | SUPPORT BRACKET | 1 |
| 24 | 19527G1 | | SCREW, #8 - 32 X 5/8" LG (STAINLESS STEEL) | 1 |
| 25 | | | | |
| 26 | 75367G** | | 3-SIDED SOFT ENCLOSURE (REQUIRES SUN TOP) (INCL ITEMS 27 - 28) | 1 |
| 27 | * | | ENCLOSURE | 1 |
| 28 | * | | VELCRO..... | AR |
| 29 | | | | |
| 30 | | | | |

WEATHER PROTECTION

When ordering parts, please specify the model and serial number of the product.

* Indicates a component that is not available as an individual part.

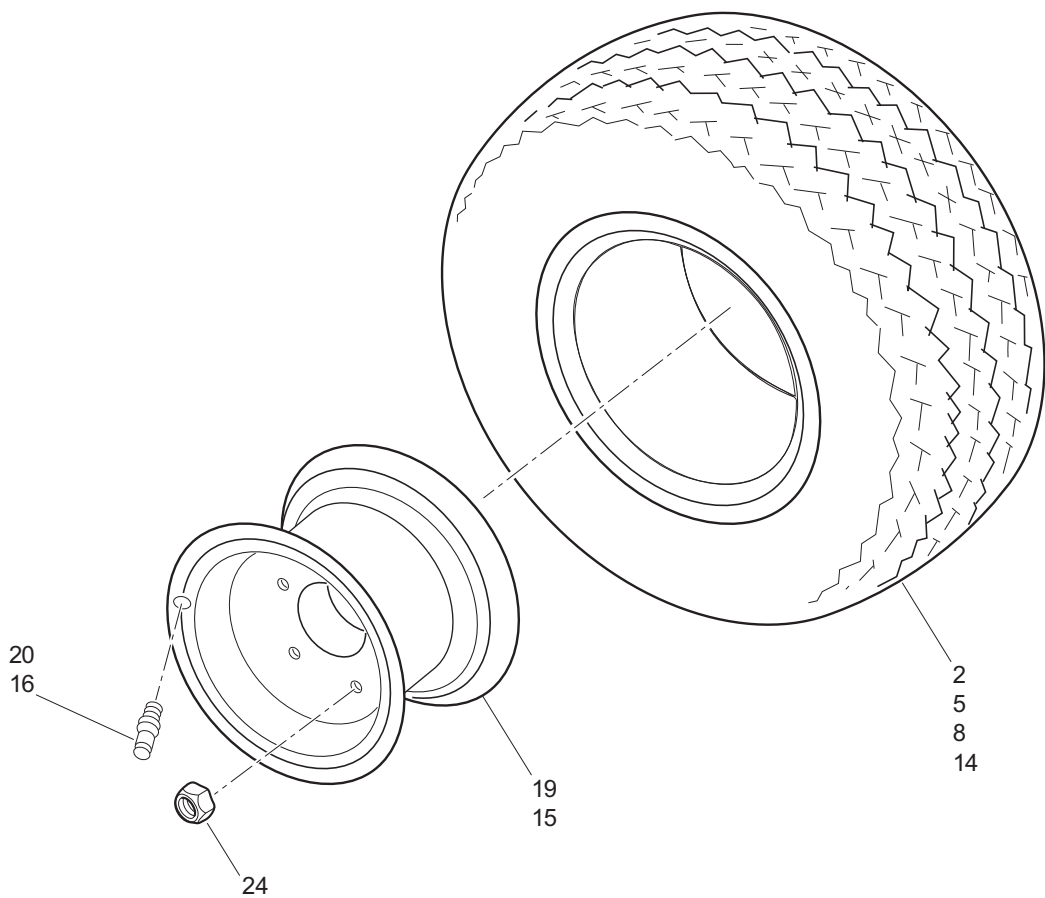
*** Indicates consult Customer Service Department for additional information.

| ITEM | PART NO. | 1 | 2 | 3 | 4 | 5 | DESCRIPTION | QTY. |
|------|----------|---|---|---|---|---|---|------|
| 31 | 71966G01 | | | | | | WINDSHIELD KIT (FULL) (INCLUDES ITEMS 32 - 38) | 1 |
| 32 | 71954G01 | | | | | | WINDSHIELD (FULL) (LEXAN) (INCLUDES ITEM 33) | 1 |
| 33 | 71963G01 | | | | | | WARNING DECAL | 1 |
| 34 | EGWHC12 | | | | | | SASH, 26" LG..... | 2 |
| 35 | EGWHS12 | | | | | | BOLT, 1/4 - 20 X 1 3/4" LG. (STAINLESS STEEL)..... | 2 |
| 36 | EGWHG12 | | | | | | WASHER, 1/4" (STAINLESS STEEL)..... | 4 |
| 37 | EGWHG13 | | | | | | RUBBER GROMMET | 2 |
| 38 | EGWHN12 | | | | | | LOCK NUT, 1/4 - 20 (STAINLESS STEEL)..... | 2 |
| 39 | | | | | | | | |
| 40 | | | | | | | | |
| 41 | | | | | | | | |
| 42 | | | | | | | | |
| 43 | | | | | | | | |
| 44 | 71966G03 | | | | | | WINDSHIELD KIT (FULL) (INCLUDES ITEMS 45, 34 - 38) | 1 |
| 45 | 71960G01 | | | | | | WINDSHIELD (FULL) (INCLUDES ITEM 46) | 1 |
| 46 | 71963G01 | | | | | | WARNING DECAL | 1 |
| 47 | 71966G04 | | | | | | WINDSHIELD KIT (SPLIT) (INCLUDES ITEMS 48, 49, 35 - 38) | 1 |
| 48 | 71961G01 | | | | | | WINDSHIELD (SPLIT) | 1 |
| 49 | EGWHC10 | | | | | | SASH, 12" LG..... | 2 |
| 50 | | | | | | | | |
| 51 | | | | | | | | |
| 52 | | | | | | | | |
| 53 | | | | | | | | |
| 54 | 71966G02 | | | | | | WINDSHIELD KIT (SPLIT) (INCLUDES ITEMS 55, 56, 35 - 38) | 1 |
| 55 | 71955G01 | | | | | | WINDSHIELD (SPLIT) (LEXAN) (INCLUDES ITEM 56)..... | 1 |
| 56 | 71963G01 | | | | | | WARNING DECAL | 1 |
| 57 | EGWHC10 | | | | | | SASH, 12" LG..... | 2 |

WHEELS AND TIRES

- 1 - Includes Items 2, 19, 20
- 4 - Includes Items 5, 19, 20
- 7 - Includes Items 8, 19, 20
- 13 - Includes Items 14, 15, 16

Tire design may vary by Part Number





GOLD / SILVER SPOKE HUBCAP
22, 23

WHEELS AND TIRES

When ordering parts, please specify the model and serial number of the product.

* Indicates a component that is not available as an individual part.

G** Indicates consult Customer Service Department for additional information.

| ITEM | PART NO. | 1 2 3 4 5 | DESCRIPTION | QTY. |
|------|-----------|-----------|--|------|
| 1 | 28757-G01 | | WHEEL AND TIRE ASSEMBLY, LINKS (INCLUDES ITEMS 2, 19, 20) | 1 |
| 2 | 28764-G01 | | CARLISLE TIRE (LINKS 18 X 8.5 - 8, 4 PLY RATED)..... | 1 |
| 3 | | | | |
| 4 | 28757-G03 | | WHEEL AND TIRE ASSEMBLY, TURF SAVER (INCLUDES ITEMS 5, 19, 20) .. | 1 |
| 5 | 28764-G03 | | CARLISLE TIRE (TURF SAVER 18 X 8.5 - 8, 4 PLY RATED) | 1 |
| 6 | | | | |
| 7 | 28842-G01 | | WHEEL AND TIRE ASSEMBLY, LINKS (INCLUDES ITEMS 8, 19, 20) | 1 |
| 8 | 28764-G08 | | CARLISLE TIRE (USA TRAIL LOAD RANGE C) | 1 |
| 9 | | | | |
| 10 | | | | |
| 11 | | | | |
| 12 | | | | |
| 13 | 27784-G06 | | WHEEL AND TIRE ASSEMBLY, USA TRAIL (INCLUDES ITEMS 14, 15 16) | 1 |
| 14 | 27784-G07 | | CARLISLE TIRE (USA TRAIL 5.70 X 8)..... | 1 |
| 15 | 33678-G02 | | WHEEL RIM (4 LUG)..... | 1 |
| 16 | 26482-G01 | | VALVE STEM..... | 1 |
| 17 | | | | |
| 18 | | | | |
| 19 | 28759-G01 | | WHEEL RIM (4 LUG)..... | 1 |
| 20 | 11657-G2 | | VALVE STEM..... | 1 |
| 21 | | | | |
| 22 | 19241-G* | | GOLD SPOKE HUBCAP (OPTIONAL) | A/R |
| 23 | 19241-G* | | SILVER SPOKE HUBCAP (OPTIONAL)..... | A/R |
| 24 | 14723-G1 | | NUT-LUG-ZP (1/2-20) | A/R |

SPECIALTY PRODUCTS

SPECIALTY PRODUCTS

| SPECIAL TOOLS | PART NO. |
|---|-----------------|
| HIGH RESISTANCE SPARK PLUG WIRE SET | 26733G02 |
| CLUTCH PULLER (DRIVE) | 19779G2 |
| FLYWHEEL PULLER | 27111G01 |
| CURRENT INDICATOR | 16489G2 |
| DIGITAL MULTI-METER | 27481G01 |
| TUBELESS TIRE REPAIR KIT | 606009 |
| TIRE PLUGGER REFIL PACK (50/BOX) | 606831 |

| TOUCH UP PAINT | PART NO. |
|---|-----------------|
| PEN 3 OUNCE (89 ML) - HUNTER GREEN | 28432G02 |
| PEN 3 OUNCE (89 ML) - CHAMPAGNE BEIGE | 28432G01 |
| PEN 3 OUNCE (89 ML) - WHITE | 28432G05 |
| PEN 3 OUNCE (89 ML) - INDUSTRIAL YELLOW | 28432G03 |
| PEN 3 OUNCE (89 ML) - ORANGE | 28432G04 |
| PEN 3 OUNCE (89 ML) - STEEL BLUE PEARL | 28432G24 |
| PEN 3 OUNCE (89 ML) - OLIVE GREEN | 28432G** |
| PEN 3 OUNCE (89 ML) - CAMOUFLAGE PAINT (THREE PENS) | 75831G01 |
| AEROSOL 12 OUNCE (360 ML) - HUNTER GREEN | 28140G09 |
| AEROSOL 12 OUNCE (360 ML) - CHAMPAGNE BEIGE | 28140G15 |
| AEROSOL 12 OUNCE (360 ML) - INDUSTRIAL YELLOW | 28140G14 |

| MAINTENANCE PRODUCTS | PART NO. |
|--|-----------------|
| PLEXUS® CLEANER, 13 OUNCE (380 ML) (FOR WINDSHIELDS) | 28433G02 |
| BATTERY PROTECTOR, 14 OUNCE (410 ML) SPRAY | 27619G02 |
| E-Z-GO ALLSURFACE CLEANER | 606311 |
| E-Z-GO FIBERGLASS/PLASTIC RESTORER | 606313 |
| WIND SHIELD AND PLASTIC PROTECTOR | 606314 |
| 64 OZ HAND CLEANER | 607636 |
| 4 OZ HAND CLEANER | 607637 |

OPTIONS/ACCESSORIES

OPTIONS/ACCESSORIES

| ITEM | KIT NO. | SECTION |
|--|--------------------|------------------------|
| ASHTRAY KIT | 75109G04 | See BODY |
| BALL HITCH KIT | 74492G02 | See BODY |
| BUMPER KIT | 74292G04 | See BODY |
| CAB, W/O DOORS | 75854G0* | See CAB |
| CAB SWITCH PANEL | 74250G01 | See CAB |
| CLEVIS HITCH KIT | 74492G06 | See BODY |
| DEFROSTER/COOLING FAN | 74248G01 | See CAB |
| DIFFERENTIAL GUARD | 72347G02 | See REAR AXLE |
| DOOR SET | 75856G0* | See CAB |
| DOOR SET (VINYL) | 75855G01 | See CAB |
| ELECTRIC DUMP KIT | 74164G04 | See TRUCKBED |
| GLOVE BOX DOOR | 75456G0* | See BODY |
| HOUR METER KIT | 75114G02 | See ELECTRICAL SYSTEM |
| INSIDE REAR VIEW MIRROR (CAB) | 27924G01 | See WEATHER PROTECTION |
| REAR VIEW MIRROR KIT | 19528G2 | See WEATHER PROTECTION |
| SOFT ENCLOSURE | 75367G0* | See WEATHER PROTECTION |
| STROBE LIGHT | 74245G01 | See CAB |
| SUN TOP KIT | 75040G0* | See WEATHER PROTECTION |
| TURN SIGNAL KIT | 75107G02 | See ELECTRICAL SYSTEM |
| GOLD SPOKE WHEEL COVERS | 19241G* | See WHEELS AND TIRES |
| SILVER SPOKE WHEEL COVERS | 19241G* | See WHEELS AND TIRES |
| WINDSHIELD (FULL) (LEXAN-POLYCARBONATE) | 71966G01 | See WEATHER PROTECTION |
| WINDSHIELD (SPLIT) (LEXAN-POLYCARBONATE) | 71966G02 | See WEATHER PROTECTION |
| WINDSHIELD (FULL) (PLEXIGLAS) | 71966G03 | See WEATHER PROTECTION |
| WINDSHIELD (SPLIT) (PLEXIGLAS) | 71966G04 | See WEATHER PROTECTION |
| WINDSHIELD WIPER | 74244G01 | See CAB |
| WORK LIGHTS | 74247G01 | See CAB |
| WORK LIGHT BAR WITH LIGHTS | 71323G01 | See ELECTRICAL SYSTEM |
| WORK LIGHT BAR WITH STROBE | 71323G02 | See ELECTRICAL SYSTEM |
| WORK LIGHT BAR WITH LIGHTS AND STROBE | 71323G03 | See ELECTRICAL SYSTEM |



A Textron Company



E-Z-GO Division Of Textron, Inc.,
1451 Marvin Griffin Road, Augusta, Georgia USA 30906-3852

TO CONTACT US

North America:

Technical Assistance & Warranty Phone: 1-800-774-3946, FAX: 1-800-448-8124
Service Parts Phone: 1-888-GET-EZGO (1-888-438-3946), FAX: 1-800-752-6175

International:

Phone: 001-706-798-4311, FAX: 001-706-771-4609

Certified ISO 9001 / ISO 14001 by



Copyrighted Material
This manual may not be reproduced in whole or
in part without the express permission of
E-Z-GO Division of Textron, Inc.
Technical Communications Department