



CUSHMAN™

Electric Service Parts Manual



628514

ISSUED APRIL 2012

REVISED SEPTEMBER 2014

SERVICE PARTS MANUAL

ELECTRIC POWERED UTILITY VEHICLE

LSV 800

STARTING MODEL YEAR 2012

DISCLAIMER: The E-Z-GO Division of Textron Inc. (E-Z-GO) reserves the right to incorporate engineering and design changes to products in this Manual, without obligation to include these changes on units leased/sold previously.

The information contained in this Manual may be revised periodically E-Z-GO, and therefore is subject to change without notice.

E-Z-GO DISCLAIMS LIABILITY FOR ERRORS IN THIS MANUAL, and E-Z-GO SPECIFICALLY DISCLAIMS LIABILITY FOR INCIDENTAL AND CONSEQUENTIAL DAMAGES RESULTING FROM THE USE OF THE INFORMATION AND MATERIALS IN THIS MANUAL.

TO CONTACT US

NORTH AMERICA:

TECHNICAL ASSISTANCE & WARRANTY PHONE: 1-800-774-3946, FAX: 1-800-448-8124

SERVICE PARTS PHONE: 1-888-GET-EZGO (1-888-438-3946), FAX: 1-800-752-6175

INTERNATIONAL: PHONE: 001-706-798-4311, FAX: 001-706-771-4609

E-Z-GO DIVISION OF TEXTRON INC., 1451 MARVIN GRIFFIN RD., AUGUSTA, GEORGIA USA 30906-3852

GENERAL INFORMATION

To obtain a copy of the limited warranty applicable to the vehicle, call or write a local Distributor, authorized Branch or the Warranty Department with vehicle serial number and manufacturer code.

The use of non Original Equipment Manufacturer (OEM) parts may void the warranty.

Overfilling of batteries may void the warranty.

BATTERY PROLONGED STORAGE

All batteries will self discharge over time. The rate of self discharge varies depending on the ambient temperature and the age and condition of the batteries.

A fully charged battery will not freeze in winter temperatures unless the temperature falls below -75° F (-60° C).

As with all electric vehicles, the batteries must be checked and recharged as required or at a minimum of 30 day intervals.

TABLE OF CONTENTS

SECTION	Page No.
HOW TO USE THE SERVICE PARTS MANUAL	V
ACCELERATOR PEDAL ASSEMBLY	A - 1
BATTERY CHARGER	B - 1
BODY	C - 1
BRAKES	D - 1
ELECTRICAL SYSTEM	E - 1
ELECTRONIC SPEED CONTROL	F - 1
FRAME	G - 1
FRONT SUSPENSION	H - 1
MOTOR	J - 1
REAR AXLE	K - 1
REAR SUSPENSION	L - 1
SEATING	M - 1
STEERING	N - 1
WEATHER PROTECTION	P - 1
WHEELS AND TIRES	Q - 1
TRUCK BED	T - 1

NOTES

A large grid of graph paper for taking notes, consisting of 20 columns and 30 rows of small squares.

HOW TO USE THE SERVICE PARTS MANUAL

This manual is divided into several sections:

- GENERAL INFORMATION
- ILLUSTRATED PARTS BREAKDOWN
- APPENDIX

The first section, GENERAL INFORMATION, contains the following information:

- WARRANTY INFORMATION
- GENERAL INDEX
- HOW TO USE THE SERVICE PARTS MANUAL

The second section, ILLUSTRATED PARTS BREAKDOWN, contains illustrations and parts lists for all systems of your vehicle.

The third section, APPENDIX, contains a listing of specialty products and accessories.

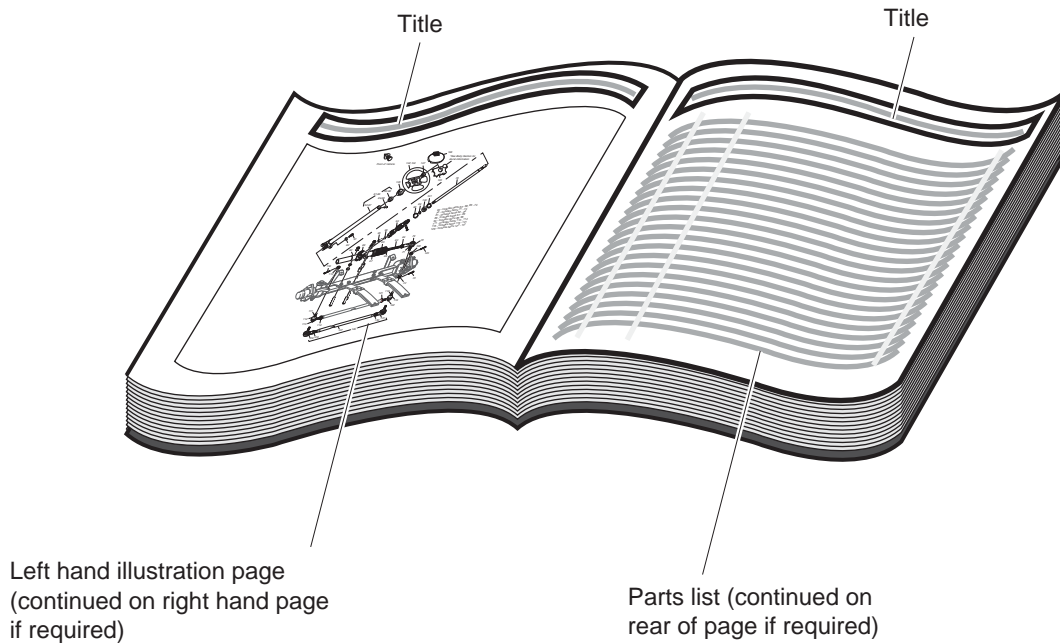
USE OF THE MANUAL

To use this manual, consult the GENERAL INDEX to locate the information or illustration required.

Introduction of some revisions varies due to supply of components; therefore, it is possible that various combinations of components may be found that are not directly reflected by each illustration. Consult the illustration that best suits your situation and then contact the Service Parts Department. It is important that the serial number of your vehicle and its model number be supplied to Service Parts when ordering any replacement components.

Locate the serial number plate (see BODY located in the Illustrated Parts Breakdown section of this manual for its location) and note the complete number shown on the plate.

HOW TO USE THE SERVICE PARTS MANUAL



1. WHEN THE PART NUMBER IS NOT KNOWN

- Determine the function and application of the part required. Turn to the General Index and select the most appropriate title.
- Turn to the page number indicated and locate the desired part on the illustration.
- From the illustration, obtain the item number assigned to the desired part. Refer to the accompanying description for specific information regarding the part.

2. IF YOU KNOW THE PART NUMBER

- Locate the part number or description in the appropriate column on the parts list page.

NOTE: It is suggested that you confirm that the part selected is correct by verifying it with the pictorial representation on the illustrated page.

Should an asterisk (*) appear in the part number column on the parts list page, read upwards until a part number is found. The part number is the lowest assembly sold by Service Parts and the asterisk (*) indicates that the part depicted is not available for purchase.

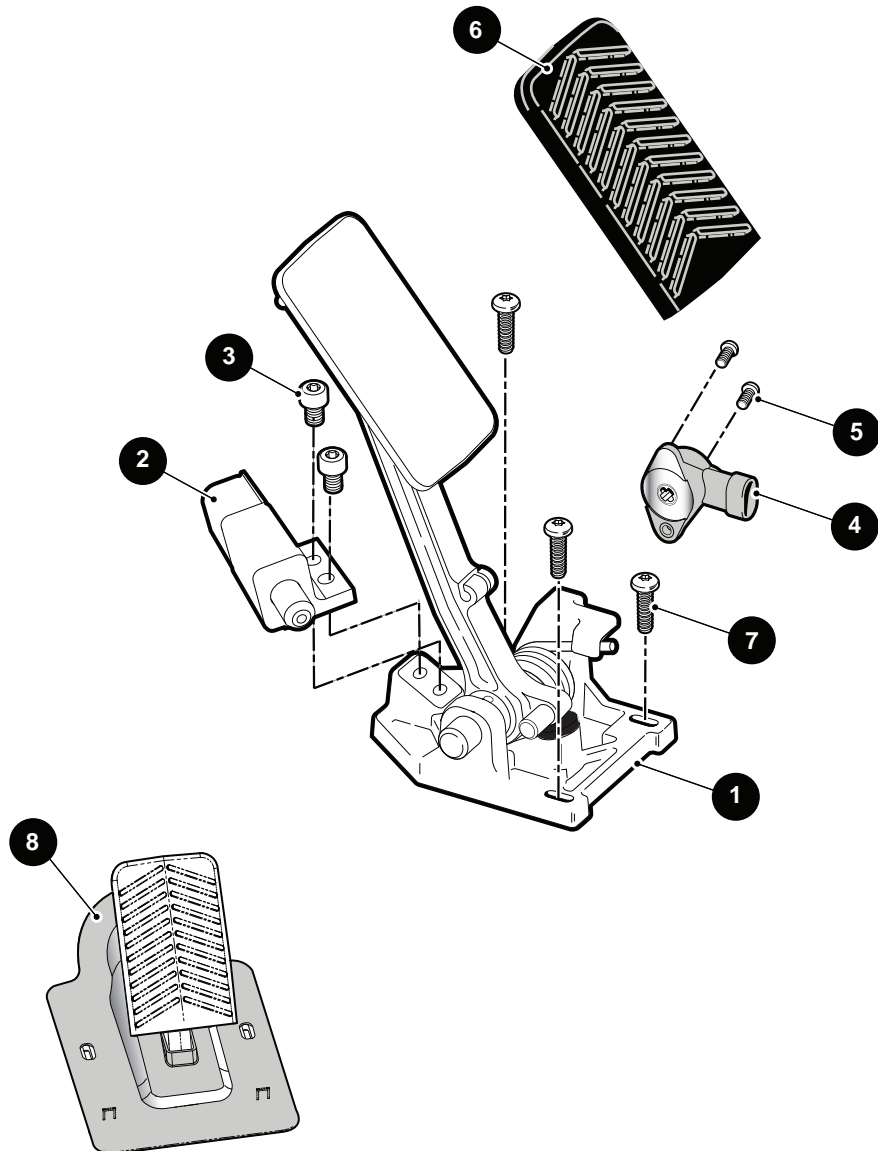
NOTE: Descriptions are indented under the assembly that they are used on. That assembly is, in turn listed under the assembly that it is used on. This process is repeated until the highest final assembly is reached.

To facilitate the maintenance and repair of the vehicle, a Technician's Repair and Service Manual is available from the Service Parts Department.

ILLUSTRATED PARTS BREAKDOWN

ACCELERATOR

1 ACCELERATOR PEDAL ASSEMBLY includes items 2 - 6



ACCELERATOR

When ordering parts, please specify the model and serial number of the product.

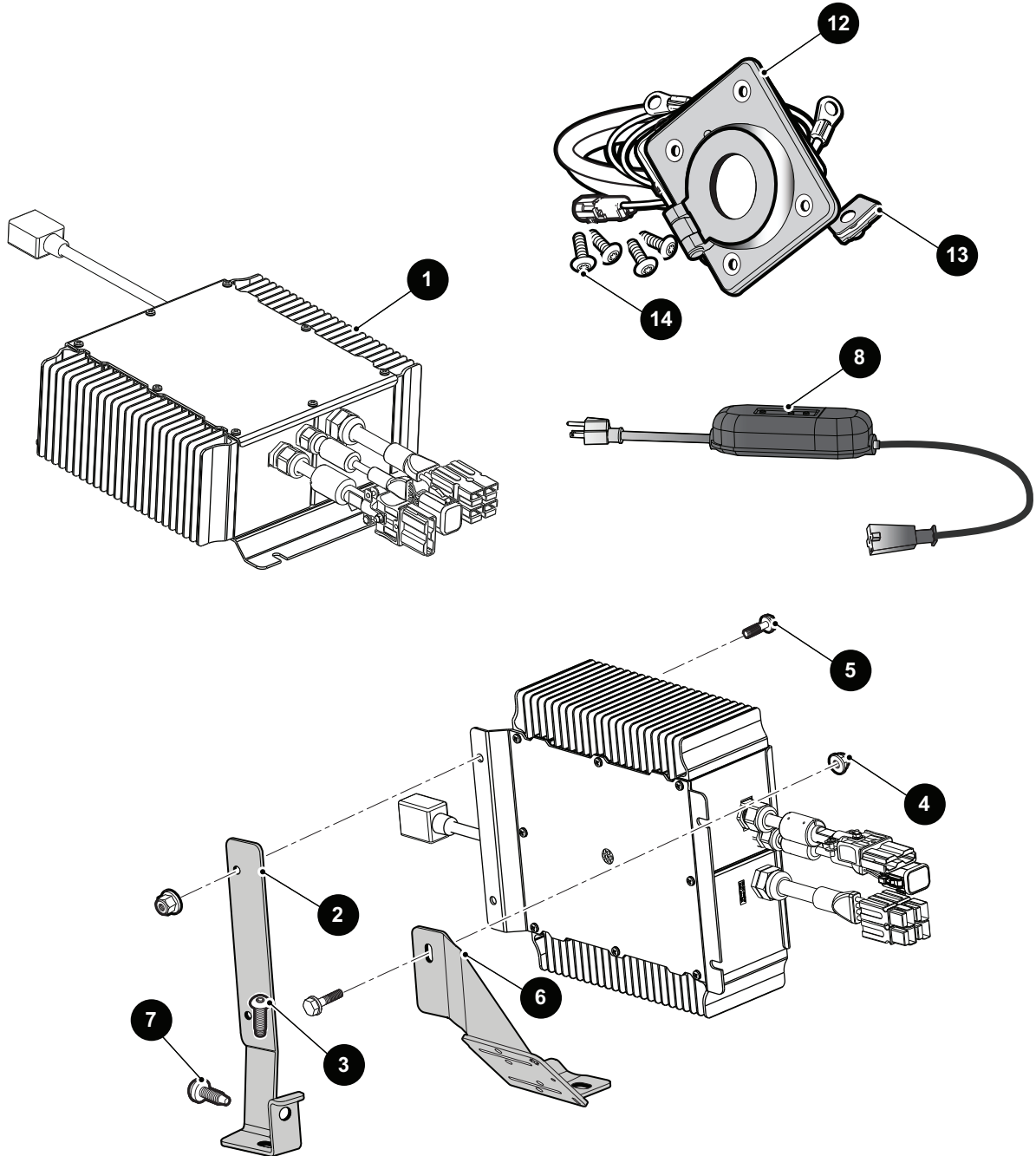
* Indicates a component that is not available as an individual part.

*** Indicates consult Customer Service Department for additional information.

ITEM	PART NO.	1 2 3 4 5	DESCRIPTION	QTY.
1	626138		ACCELERATOR PEDAL ASSEMBLY (INCLUDES ITEMS 2-6).....	1
2	612889		ACCELERATOR PEDAL MOLEX SWITCH	1
3	620030		SOCKET HEAD CAP SCREW, M5 - 0.8 X 10.....	2
4	600019		ROTARY POSITION SENSOR.....	1
5	600543		BUTTON HEAD TORX BOLT, M4 - 0.75 X 12	2
6	610529		ACCELERATOR PEDAL PAD	1
7	606277		BOSS SCREW, M6 - 1.0 X 25	3
8	614393		ACCELERATOR PEDAL INSERT.....	1

BATTERY CHARGER

48V ON-BOARD BATTERY CHARGER WITH DC TO DC CONVERTER



BATTERY CHARGER

When ordering parts, please specify the model and serial number of the product.

* Indicates a component that is not available as an individual part.

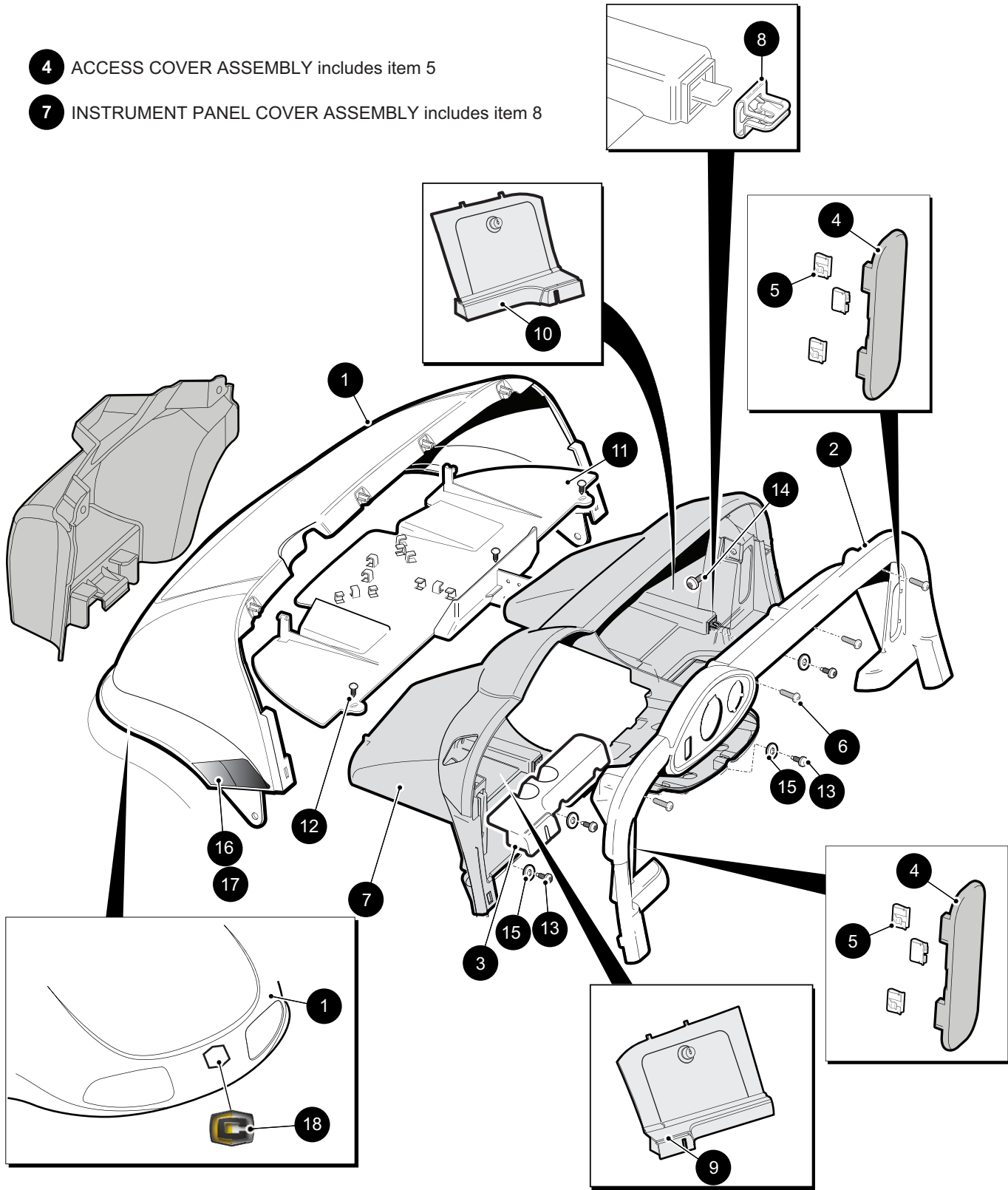
*** Indicates consult Customer Service Department for additional information.

ITEM	PART NO.	1 2 3 4 5	DESCRIPTION	QTY.
1	632862		48V ON-BOARD BATTERY CHARGER WITH DC TO DC CONVERTER	1
2	613145		CHARGER FRONT BRACKET	1
3	605957		BOSS HEAD TORX SCREW, M8 X 29MM LG	1
4	601476		LOCK NUT, M6 - 1	4
5	606264		HEX HEAD FLANGED BOLT, M6 - 1 X 20MM LG	4
6	613148		CHARGER SUPPORT BRACKET	1
7	602572		PAN HEAD TORX TAPTITE BOLT, M10 - 1.5 X 25MM LG	1
8	612170		48V BATTERY CHARGER, AC CHARGER CORD	1
9				
10				
11				
12	610536		CHARGER RECEPTACLE, 48V DELTA-Q	1
13	602409		BARREL CLIP, M6 - 1	1
14	601326		BUTTON HEAD TORX BOLT, M6 - 1 X 20MM LG	4

BODY

4 ACCESS COVER ASSEMBLY includes item 5

7 INSTRUMENT PANEL COVER ASSEMBLY includes item 8



When ordering parts, please specify the model and serial number of the product.

* Indicates a component that is not available as an individual part.

*** Indicates consult Customer Service Department for additional information.

ITEM	PART NO.	1 2 3 4 5	DESCRIPTION	QTY.
1	6XXXXX***		FRONT COWL, WITH HEADLIGHTS (SEE COLORS BELOW) 620227 IVORY 620228 FOREST GREEN 620229 PATRIOT BLUE 620230 BLACK 620231 BURGANDY 620232 BRIGHT WHITE 620233 FLAME RED 620234 STEEL BLUE 608478 PLATINUM 608479 ALMOND 608516 ELECTRIC BLUE 608517 INFERNO RED 617581 SUN BURST ORANGE 617579 BRITISH RACING GREEN 625013 YELLOW 630169 BARLEY GOLD 630171 OASIS GREEN 630173 JAVA BROWN 630175 METALLIC CHARCOAL	1
2	610621		INSTRUMENT PANEL TRIM, KS, SPEEDOMETER, & LIGHT SWITCH.....	1
3	600243		BALL HOLDER INSERT, DRIVER SIDE.....	1
4	602388		ACCESS COVER ASSEMBLY (INCLUDES ITEM 5)	2
5	602100		U-CLIP	6
6	606277		BOSS HEAD TORX SCREW, M6 - 1.0 X 25mm LG.....	4
7	602387		INSTRUMENT PANEL (INCLUDES ITEM 8).....	1
8	602184		SPRING CLIP	4
9	607533		GLOVE BOX, DRIVER SIDE	1
10	607131		GLOVE BOX, PASSENGER SIDE.....	1
11	601634		FRONT SPLASH GUARD.....	1
12	16816G2		CHRISTMAS TREE RIVET (.25" X .88")	3
13	602572		PAN HEAD TORX BOLT, M10 - 15 X 25mm LG	4
14	70200G01		TRUSS HEAD TORX 3 BOLT	2
15	604066		FLAT WASHER, M10.....	4

BODY

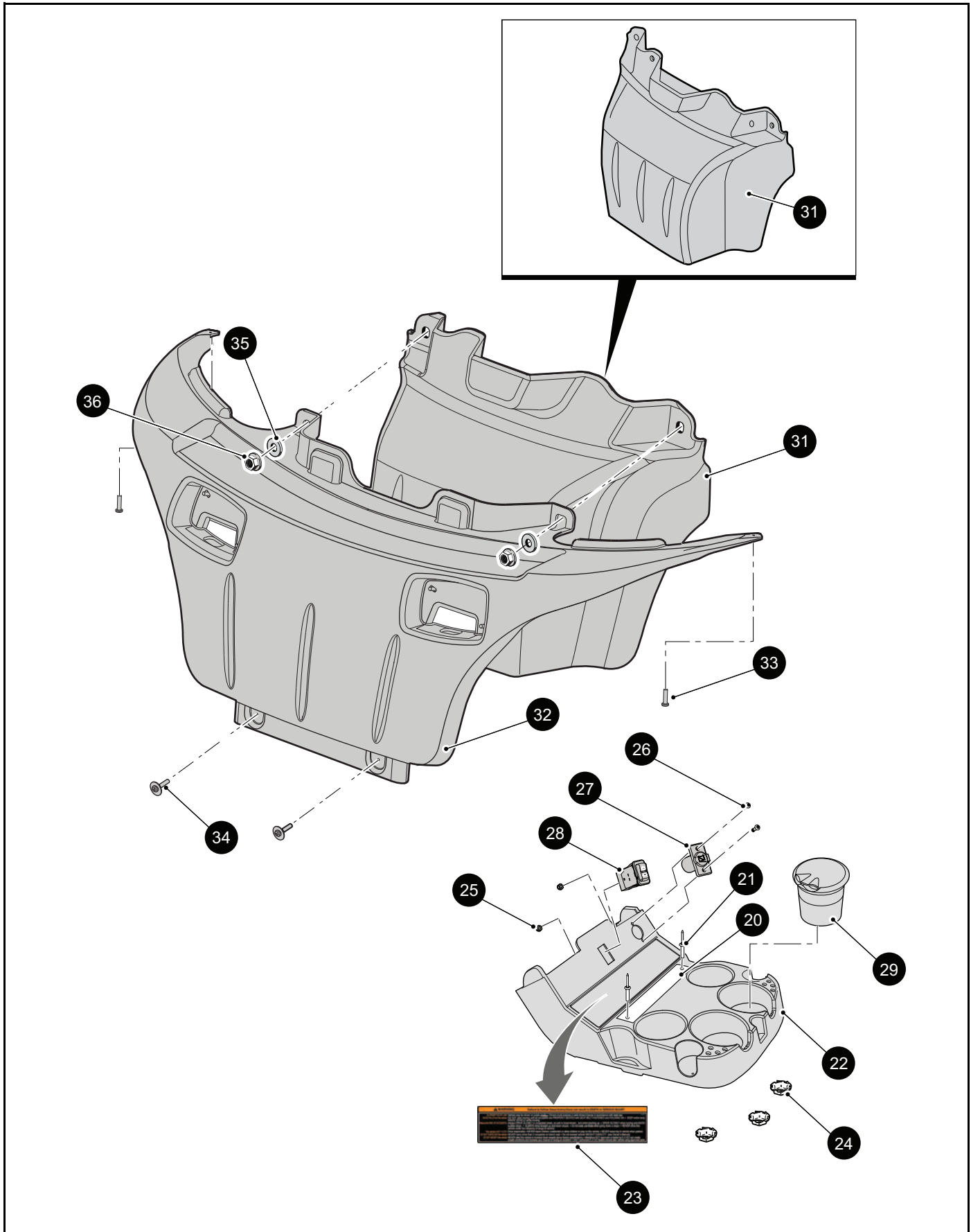
When ordering parts, please specify the model and serial number of the product.

* Indicates a component that is not available as an individual part.

*** Indicates consult Customer Service Department for additional information.

ITEM	PART NO.	1 2 3 4 5	DESCRIPTION	QTY.
16	609417		FRONT REFLECTOR (DRIVER SIDE)	1
17	609416		FRONT REFLECTOR (PASSENGER SIDE).....	1
18	619135		CUSHMAN COWL DECAL.....	1
19				

BODY



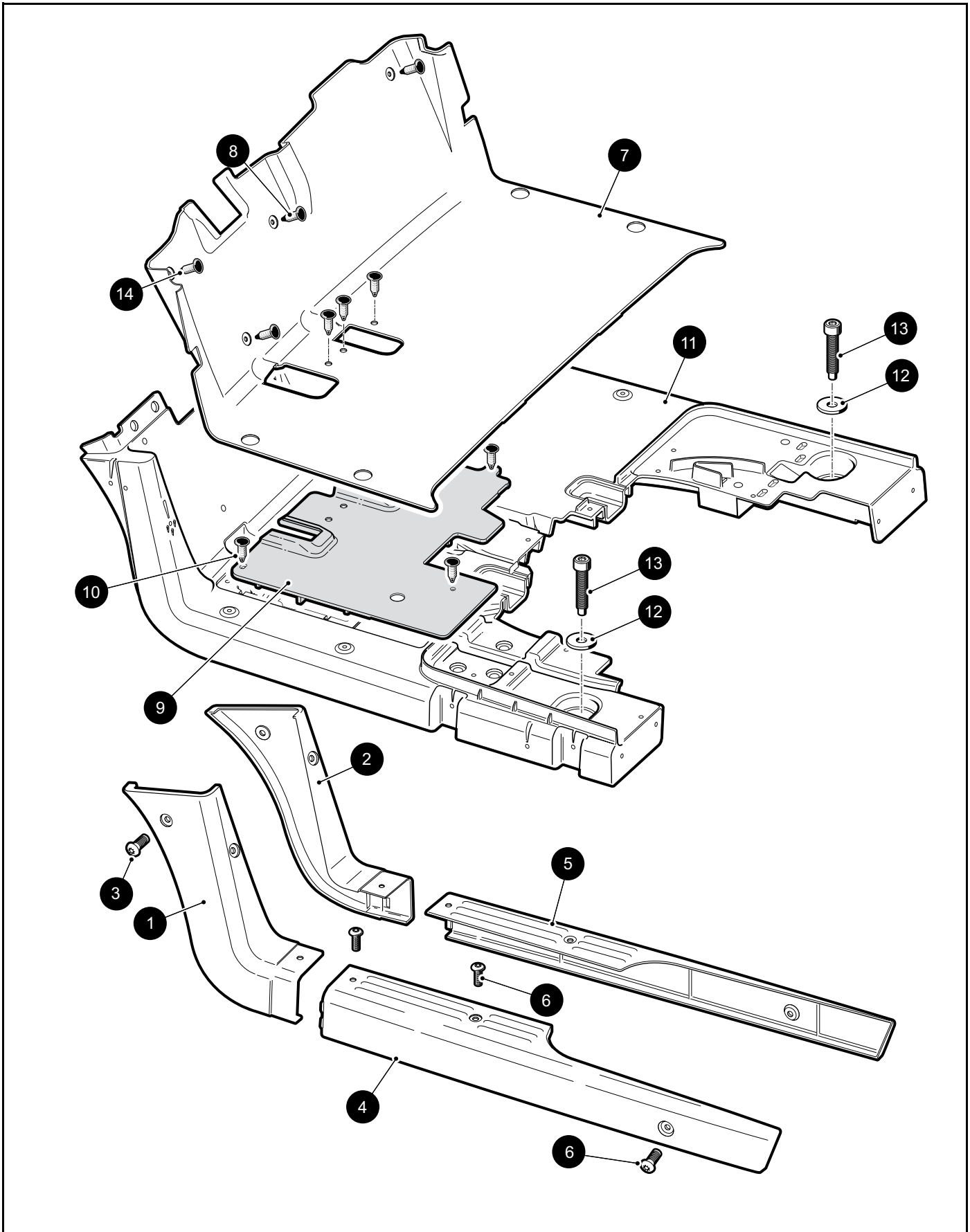
When ordering parts, please specify the model and serial number of the product.

* Indicates a component that is not available as an individual part.

*** Indicates consult Customer Service Department for additional information.

ITEM	PART NO.	1 2 3 4 5	DESCRIPTION	QTY.
20	624214		CUSHMAN CUP HOLDER DECAL	1
21	71055G01		RIVET, 3/16"	2
22	609203		CUPHOLDER ASSEMBLY (INCLUDES ITEM 23)	1
23	610793		WARNING AND INSTRUCTION DECAL	1
24	71597G01		SELF THREADING NUT.....	3
25	602053		LOCK NUT, M4 - 0.7	2
26	600543		BUTTON HEAD TORX BOLT, M4 - 0.75 X 12mm LG	2
27	71078G01		POWER OUTLET 12V	1
28	609380		SPEED SELECTOR SWITCH	1
29	603725		ASH TRAY	1
30				
31	605935		FRONT BUMPER	1
32	612104		FRONT FASCIA ASSEMBLY W/LIGHTS	1
33	608290		PAN HEAD PHILLIPS SELF TAPPING SCREW, #10 - 16 X .75" LG.....	2
34	613373		PAN HEAD TORX SCREW WITH WASHER, 4.8 - 16 X 22mm LG	2
35	604066		FLAT WASHER, M10 - 10.5 X 30	2
36	600525		FLANGED HEX NUT, M10 -1.5.....	2

BODY



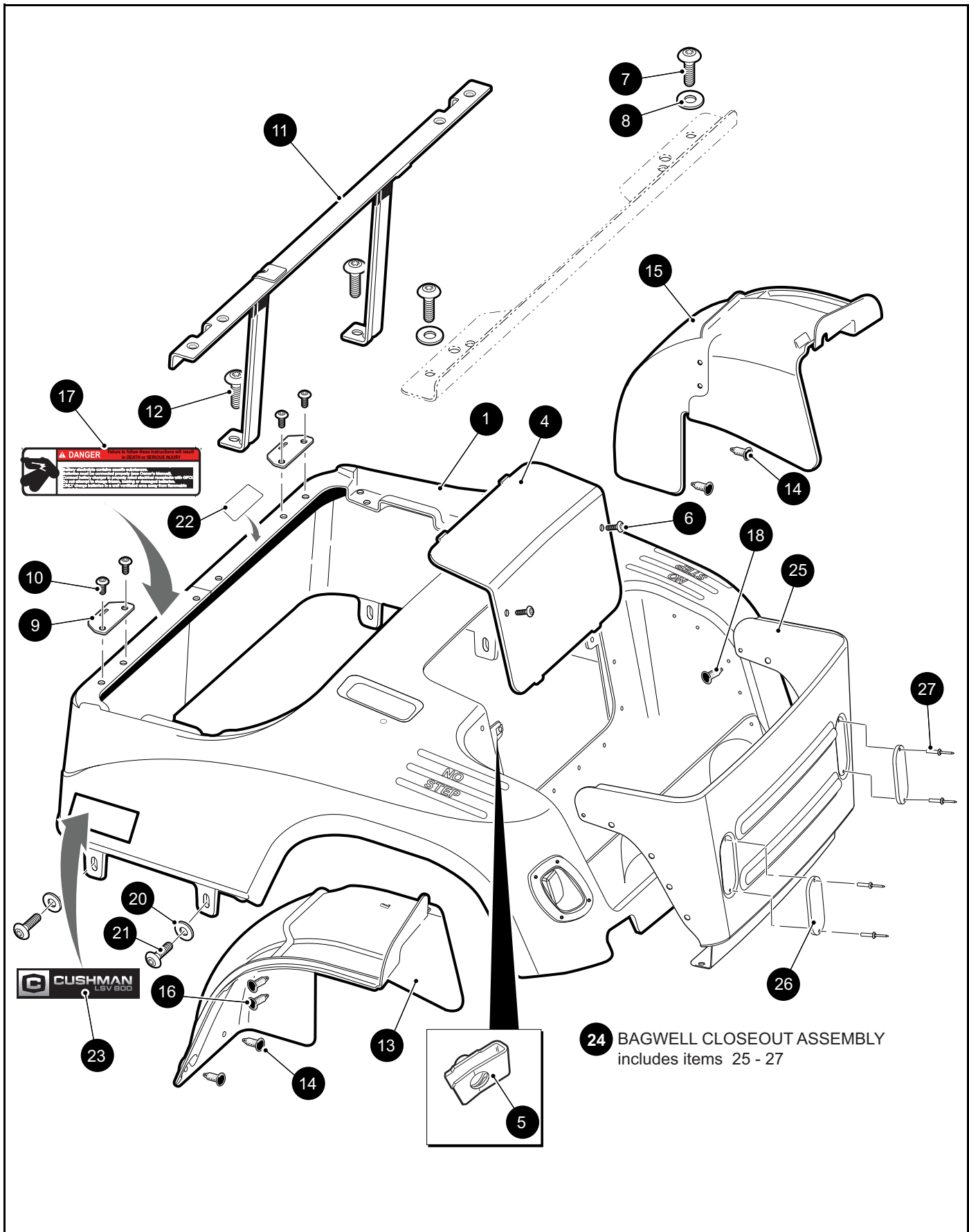
When ordering parts, please specify the model and serial number of the product.

* Indicates a component that is not available as an individual part.

*** Indicates consult Customer Service Department for additional information.

ITEM	PART NO.	1 2 3 4 5	DESCRIPTION	QTY.
1	601257		UPPER ROCKER PANEL (DRIVER SIDE)	1
2	601258		UPPER ROCKER PANEL (PASSENGER SIDE).....	1
3	605957		BUTTON HEAD TORX SCREW, M8 X 29mm LG	2
4	600253		LOWER ROCKER PANEL (DRIVER SIDE).....	1
5	600257		LOWER ROCKER PANEL (PASSENGER SIDE)	1
6	605957		BUTTON HEAD TORX SCREW, M8 X 29mm LG	3
7	601118		FLOORMAT	1
8	16816G2		CHRISTMAS TREE RIVET (.25" X .88")	5
9	605277		PEDAL COVER PLATE	1
10	16816G2		CHRISTMAS TREE RIVET (.25" X .88")	4
11	600225		FLOOR BOARD	1
12	604066		FLAT WASHER, M10	2
13	602020		TORX SOCKET HEAD CAP SCREW, M10 - 1.5 X 50mm LG	2
14	16816G1		CHRISTMAS TREE RIVET (.25" X .68")	2

BODY



When ordering parts, please specify the model and serial number of the product.

* Indicates a component that is not available as an individual part.

*** Indicates consult Customer Service Department for additional information.

ITEM	PART NO.	1 2 3 4 5	DESCRIPTION	QTY.
1	6XXXXX		REAR BODY ASSEMBLY WITH TAIL LIGHT OPENINGS (SEE COLORS BELOW, INCLUDES ITEM 2 & 3)	1
			615026 IVORY	
			615027 FOREST GREEN	
			615028 PATRIOT BLUE	
			615029 BLACK	
			615030 BURGANDY	
			615031 BRIGHT WHITE	
			615032 FLAME RED	
			615033 STEEL BLUE	
			615034 PLATINUM	
			615035 ALMOND	
			615036 ELECTRIC BLUE	
			615037 INFERNO RED	
			617595 SUN BURST ORNAGE	
			617597 BRITISH RACING GREEN	
			625016 YELLOW	
			630195 BARLEY GOLD	
			630201 OASIS GREEN	
			630207 JAVA BROWN	
			630213 METALLIC CHARCOAL	
2				
3				
4	600249		REAR BODY ACCESS PANEL.....	1
5	602409		BARREL CLIP, M6-1	2
6	601326		BUTTON HEAD TORX BOLT, M6 - 1 X 20	2
7	602572		PAN HEAD TORX BOLT, M10 - 1.5 X 25.....	2
8	604066		FLAT WASHER, M10 - 10.5 X 30	2
9	602558		SEAT HINGE PLATE	2
10	602572		PAN HEAD TORX BOLT, M10 - 1.5 X 25.....	4
11	601921		FRONT SEAT SUPPORT ASSEMBLY	1
12	602572		PAN HEAD TORX BOLT, M10 - 1.5 X 25.....	2
13	601621		REAR SPLASH GUARD, DRIVER SIDE	1
14	16816G2		CHRISTMAS TREE RIVET (.25" X .88")	4
15	601622		REAR SPLASH GUARD, PASSENGER SIDE	1

BODY

When ordering parts, please specify the model and serial number of the product.

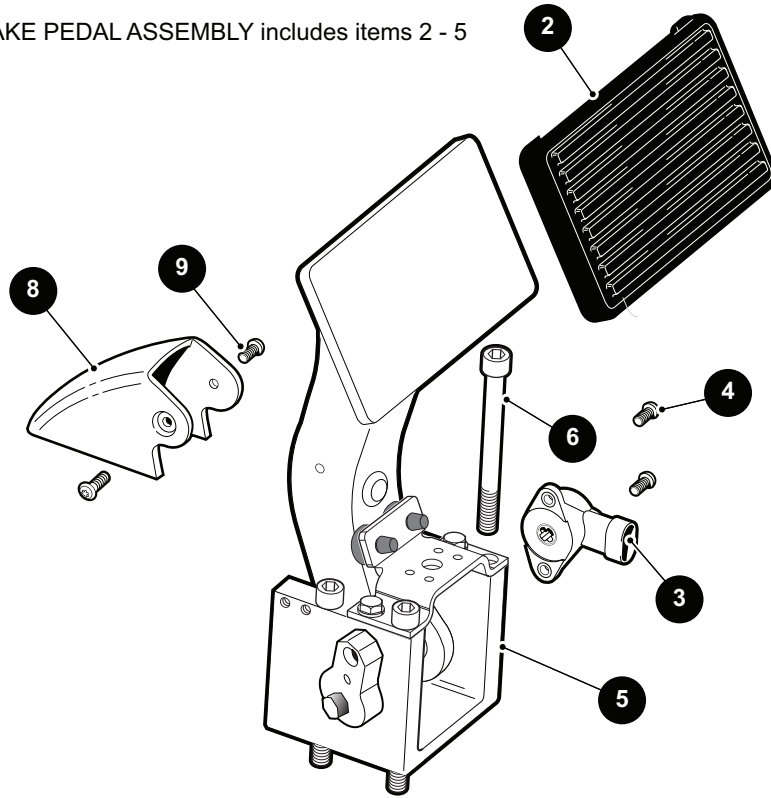
* Indicates a component that is not available as an individual part.

*** Indicates consult Customer Service Department for additional information.

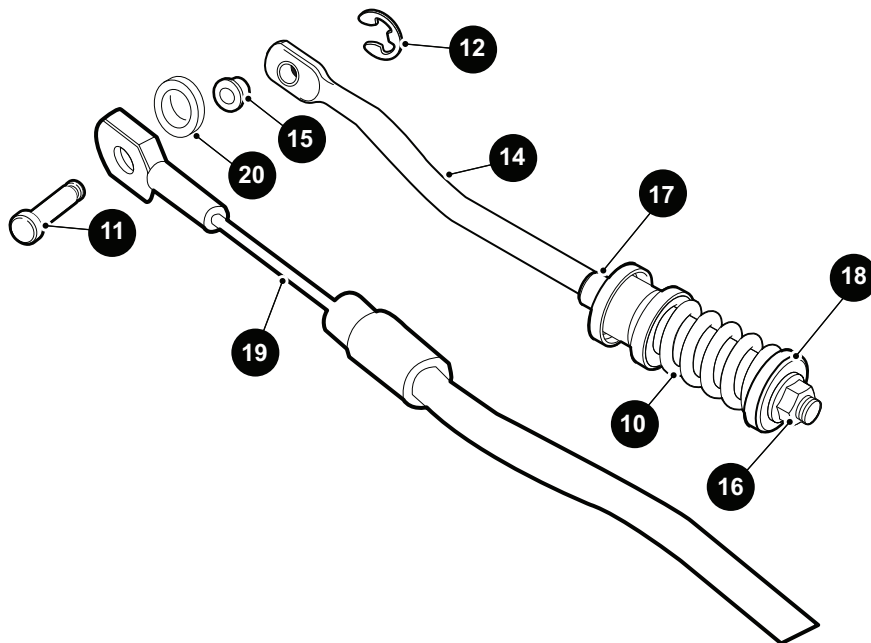
ITEM	PART NO.	1 2 3 4 5	DESCRIPTION	QTY.
16	16816G2		CHRISTMAS TREE RIVET (.25" X .88").....	4
17	610786		DANGER HIGH VOLTAGE, DECAL.....	1
18	16816G2		CHRISTMAS TREE RIVET (.25" X .88").....	10
19				
20	604066		FLAT WASHER, M10, 10.5 X 30.....	4
21	605957		BUTTON HEAD TORX SCREW, M8 X 29.....	4
22	617331		VEHICLE EMISSION CONTROL, LABEL.....	1
23	624210		CUSHMAN LSV 800 DECAL.....	2
24	611940		BAGWELL CLOSEOUT ASSEMBLY (INCLUDES ITEMS 25 - 27).....	1
25	609310		BAGWELL CLOSEOUT.....	1
26	614973		OVAL RED REFLECTOR WITH ADHESIVE.....	2
27	71055G02		RIVET 3/16".....	4

BRAKES

1 BRAKE PEDAL ASSEMBLY includes items 2 - 5



13 BRAKE PEDAL RETURN ASSEMBLY includes items 14 - 18



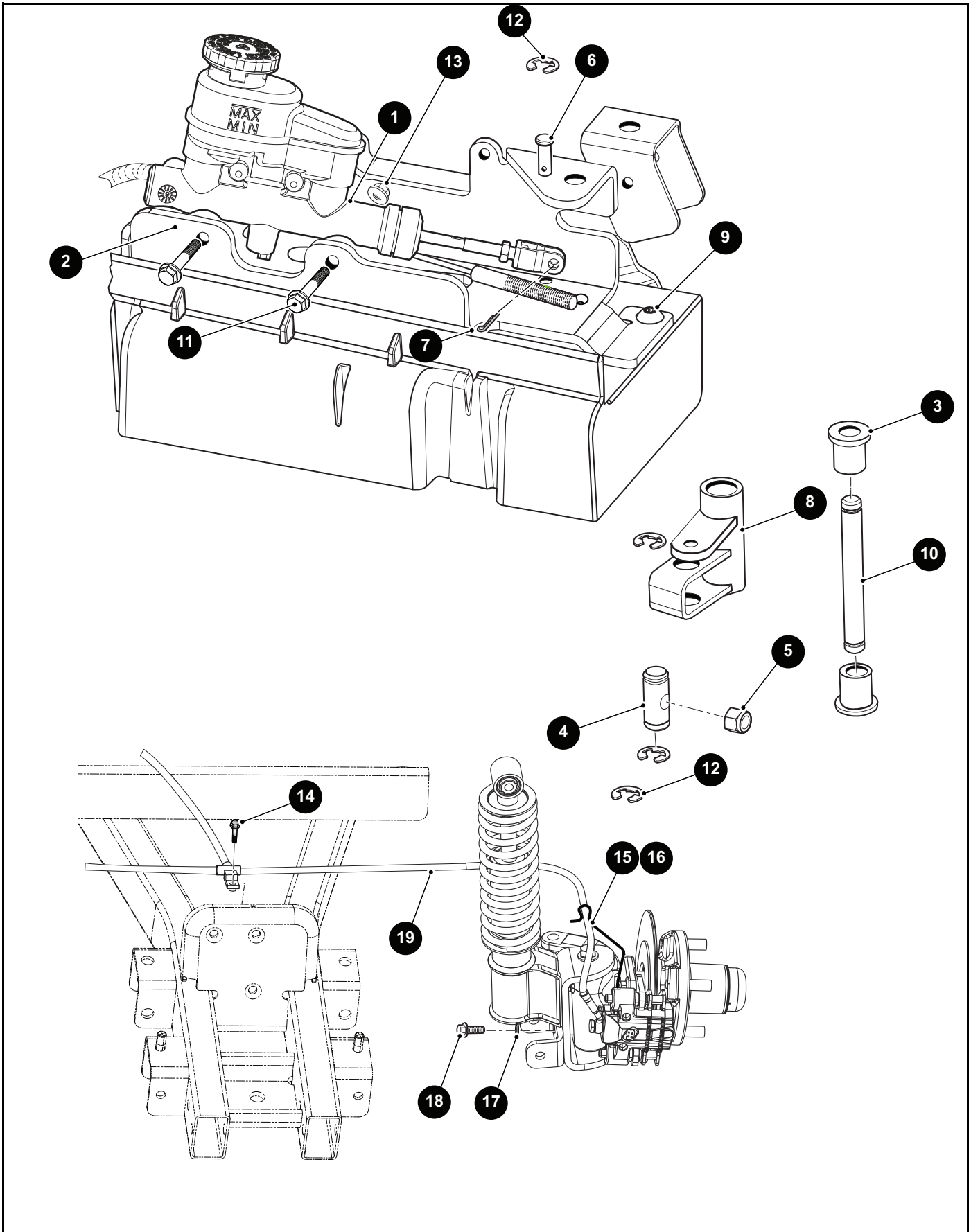
When ordering parts, please specify the model and serial number of the product.

* Indicates a component that is not available as an individual part.

*** Indicates consult Customer Service Department for additional information.

ITEM	PART NO.	1 2 3 4 5	DESCRIPTION	QTY.
1	626169		BRAKE PEDAL ASSEMBLY (HYDRAULIC), (INCLUDES ITEMS 2 - 5)	1
2	610471		BRAKE PEDAL PAD	1
3	600019		ROTARY POSITION SENSOR.....	1
4	600543		BUTTON HEAD TORX BOLT, M4 - .75 X 12MM LG.....	2
5	609226		SWITCH BUTTON BRACKET.....	1
6	605254		SOCKET HEAD CAP SCREW M8 - 1.25 X 90MM LG	4
7				
8	605688		BRAKE PEDAL COVER	1
9	600543		BUTTON HEAD TORX BOLT, M4 - .75 X 12MM LG	2
10	73046G01		COMPRESSION SPRING	1
11	614058		CLEVIS PIN, 8MM	1
12	601835		E-RING, 8MM.....	1
13	613309		BRAKE PEDAL RETURN ASSEMBLY (INCLUDES ITEMS 14 - 18)	1
14	605260		PARK BRAKE ROD	1
15	600706		FLANGED BUSHING, 8MM.....	1
16	604538		FLANGED HEX HEAD LOCK NUT, M10 X 1.5.....	1
17	601675		BUSHING, 10MM LG.....	1
18	604100		WASHER, 34MM X 10MM.....	2
19	613157		MASTER CYLINDER BRAKE CABLE	1
20	614763		SPACER, M13 X 25 OD X 5	1

BRAKES



BRAKES

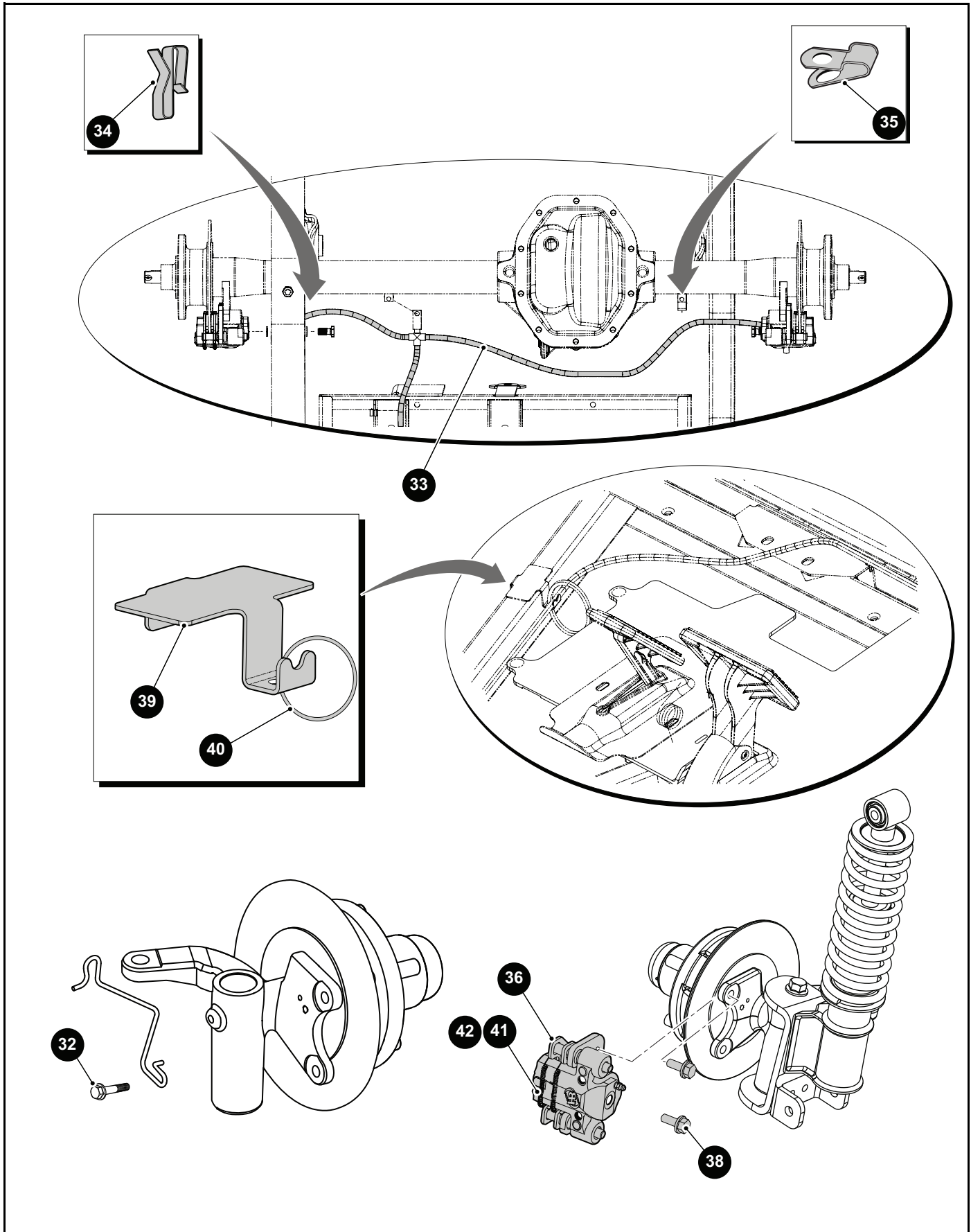
When ordering parts, please specify the model and serial number of the product.

* Indicates a component that is not available as an individual part.

*** Indicates consult Customer Service Department for additional information.

ITEM	PART NO.	1 2 3 4 5	DESCRIPTION	QTY.
1	631593		MASTER CYLINDER.....	1
2	613147		MASTER CYLINDER BRACKET.....	1
3	70581G01		ACETAL BUSHING, .5" DIA X 1" LG.....	2
4	613331		BELL CRANK BRAKE CABLE PIN, 29.5MM LG.....	1
5	614261		LOCK NUT, 3/8" - 24.....	1
6	10386G2		CLEVIS PIN, 8 X 24MM.....	1
7	01076G01		COTTER PIN.....	1
8	613154		BELL CRANK WELDMENT.....	1
9	605957		BOSS HEAD TORX SCREW, M8 X 29MM LG.....	2
10	613152		BELL CRANK SHAFT.....	1
11	00439G8		HEX HEAD CAP SCREW, 5/16" - 18 X 2.00" LG.....	2
12	01111G01		RETAINING RING.....	6
13	800697		CROWN LOCK NUT, 5/16" - 18.....	2
14	452695		TORX HEAD TAPTITE SCREW, M6 - 1.00 X 20MM LG.....	3
15	613365		FRONT BRAKE LINE WIRE FORM (DRIVER SIDE).....	1
16	613366		FRONT BRAKE LINE WIRE FORM (PASSENGER SIDE).....	1
17	613293		CRUSH WASHER, M10.....	12
18	613292		BANJO BOLT, M10 - 1.25 X 20MM LG.....	6
19	613289		FRONT BRAKE LINE.....	1
20				
21				
22				
23				
24				
25				
26				
27				
28				
29				
30				
31				

BRAKES



When ordering parts, please specify the model and serial number of the product.

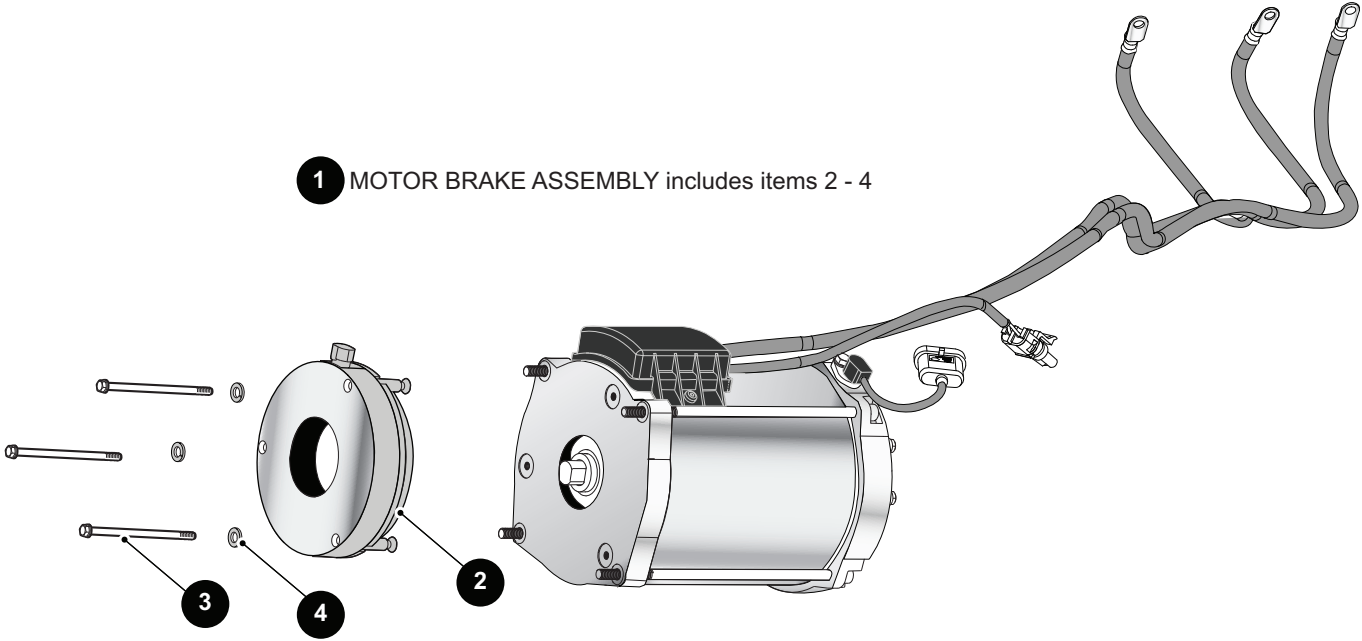
* Indicates a component that is not available as an individual part.

*** Indicates consult Customer Service Department for additional information.

ITEM	PART NO.	1 2 3 4 5	DESCRIPTION	QTY.
32	606264		FLANGED HEX HEAD BOLT, M6 - 1 X 20MM LG.....	2
33	613290		REAR BRAKE LINE	1
34	01072G01		CABLE CLIP	1
35	73053G01		DOUBLE TUBE CLAMP	1
36	614875		DRIVER SIDE CALIPER.....	1
37	614876		PASSENGER SIDE CALIPER (NOT ILLUSTRATED)	1
38	606261		FLANGED HEX HEAD BOLT, M8 - 1.25 X 20MM LG.....	4
39	613294		BRAKE LINE HANGER.....	1
40	17618G1		NYLON CLIP.....	1
41	614297		BRAKE PADS KIT (INCLUDES 4 PADS - 4 RATTLE SPRINGS)	1
42	614874		BRAKE PADS KIT (INCLUDES 2 PADS - 2 RATTLE SPRINGS)	1

BRAKES

1 MOTOR BRAKE ASSEMBLY includes items 2 - 4



When ordering parts, please specify the model and serial number of the product.

* Indicates a component that is not available as an individual part.

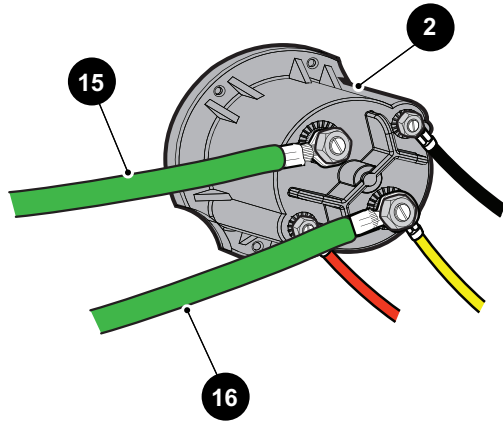
*** Indicates consult Customer Service Department for additional information.

ITEM	PART NO.	1 2 3 4 5	DESCRIPTION	QTY.
1	613176		6" MOTOR BRAKE ASSEMBLY (INCLUDES ITEMS 2 - 4)	1
2	613176		6" MOTOR BRAKE	1
3	73715G01		FLANGED HEX HEAD SCREW, M6 - 1 X 60MM LG.....	3
4	00664G7		LOCK WASHER (SS), 1/4"	3

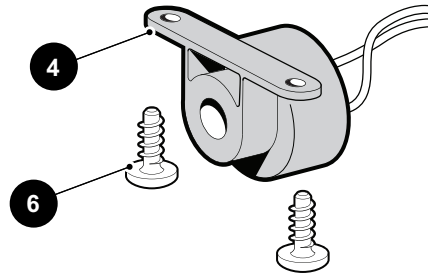
ELECTRICAL SYSTEM

- 1** MAIN ELECTRICAL HARNESS (NOT ILLUSTRATED) includes items 2, 3, 7 & 11

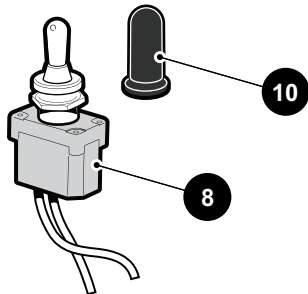
(RED, YELLOW, BLACK WIRES are from MAIN HARNESS)



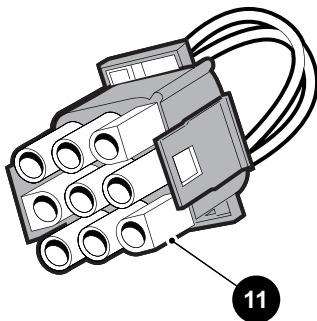
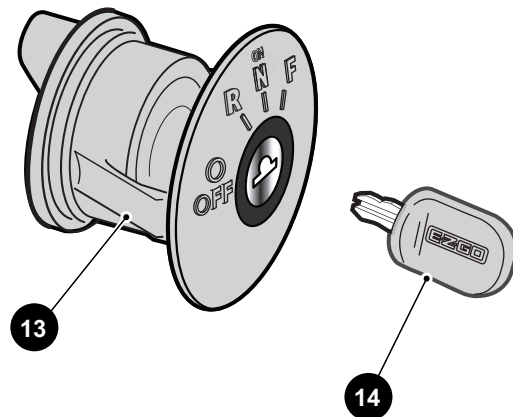
- 3** REVERSE WARNING INDICATOR REPLACEMENT KIT includes items 4 - 6



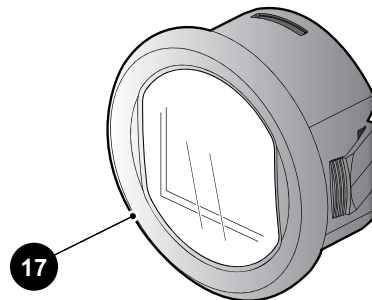
- 7** RUN TOW SWITCH REPLACEMENT KIT includes items 8 - 10



- 12** KEY SWITCH ASSEMBLY includes items 13 - 14



RUN PLUG



SPEEDOMETER

ELECTRICAL SYSTEM

When ordering parts, please specify the model and serial number of the product.

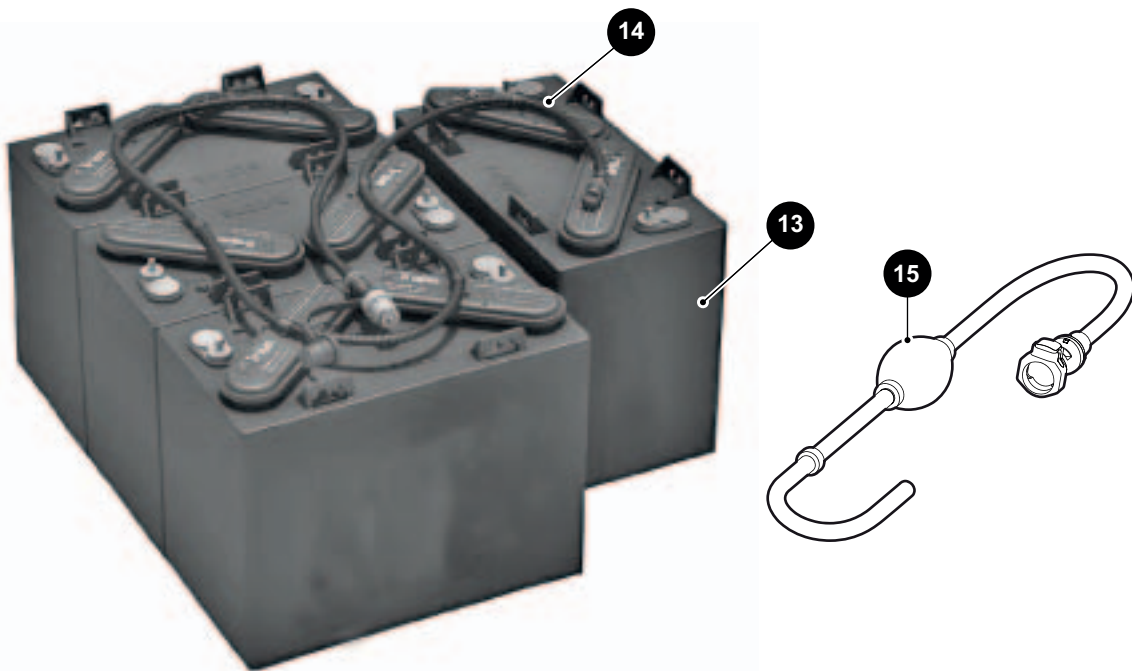
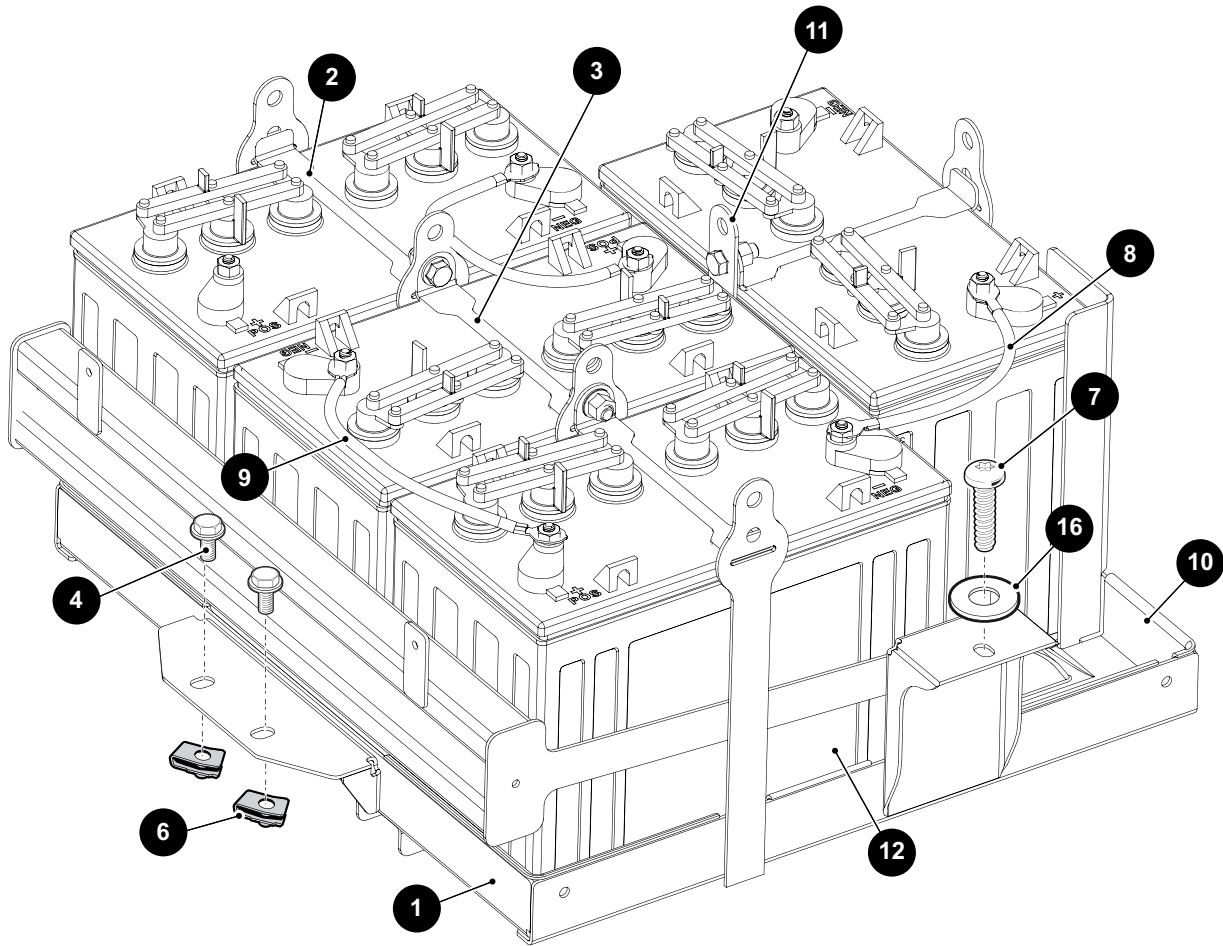
* Indicates a component that is not available as an individual part.

*** Indicates consult Customer Service Department for additional information.

ITEM	PART NO.	1 2 3 4 5	DESCRIPTION	QTY.
1	609397		MAIN ELECTRICAL HARNESS (NOT ILLUSTRATED) (INCLUDES ITEMS 2, 3, 7 & 11)	1
2	614012		36V HEAVY DUTY SOLENOID ASSEMBLY	1
3	608899		REVERSE WARNING INDICATOR REPLACEMENT KIT (INCLUDES ITEMS 4 - 6)	1
4	608882		REVERSE WARNING INDICATOR	1
5	608896		WATERPROOF BUTT SPLICE	2
6	01051G01		PAN HEAD PHILLIPS SCREW, # 8 - 16	2
7	608900		RUN/TOW SWITCH REPLACEMENT KIT (INCLUDES ITEMS 8 - 10)	1
8	620765		RUN TOW SWITCH	1
9	608896		WATERPROOF BUTT SPLICE	2
10	605969		RUBBER BOOT	1
11	620862		RUN PLUG	1
12	609692		KEY SWITCH ASSEMBLY (INCLUDES ITEMS 13 - 14)	1
13	609682		KEY SWITCH, F-N-R	1
14	609693		KEY	1
15	614010		GREEN WIRE ASSEMBLY, 4 AWG X 280MM	1
16	614011		GREEN WIRE ASSEMBLY, 4 AWG X 700MM	1
17	609401		SPEEDOMETER	1

ELECTRICAL SYSTEM

4 - 12V BATTERY SYSTEM



ELECTRICAL SYSTEM

When ordering parts, please specify the model and serial number of the product.

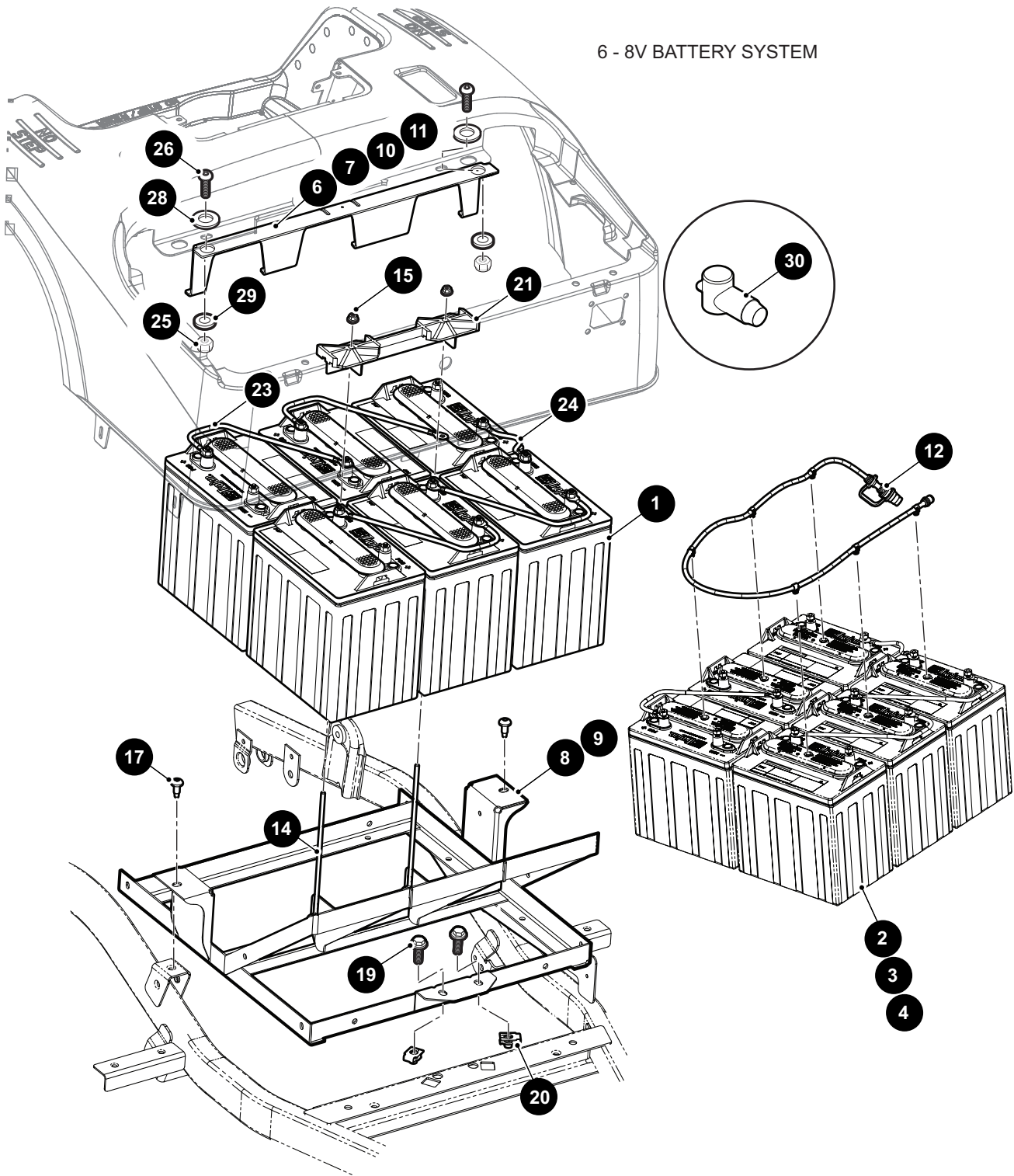
* Indicates a component that is not available as an individual part.

*** Indicates consult Customer Service Department for additional information.

ITEM	PART NO.	1 2 3 4 5	DESCRIPTION	QTY.
1	611364		HIGH SPEED BATTERY TRAY WELDMENT	1
2	614107		OUTTER BATTERY HOLD DOWN.....	3
3	609159		MIDDLE BATTERY HOLD DOWN	1
4	603799		HEX HEAD FLANGED BOLT, M10 - 1.5 X 25MM LG.....	5
5	600525		FLANGED HEX LOCK NUT, M10 - 1.5.....	3
6	603818		BARREL CLIP, M10 - 1.5.....	2
7	602572		PAN HEAD TORX BOLT, M10 - 1.5 X 25MM LG	2
8	602930		BLUE WIRE ASSEMBLY, 6 GA X 261MM	2
9	607057		BLUE WIRE ASSEMBLY, 6 GA X 325MM	1
10	611258		BATTERY TRAY LINER	1
11	614165		REMOVABLE UPRIGHT HOLDOWN	1
12	641824		BATTERY US, 12V	4
13	641825		US T - 1275 HYDROLINK BATTERY	4
14	620820		HYDROLINK SNAKE	1
15	614472		HAND PUMP, HYDROLINK	1
16	604066		FLAT WASHER, M10 - 10.5MM X 30MM	2

ELECTRICAL SYSTEM

6 - 8V BATTERY SYSTEM



ELECTRICAL SYSTEM

When ordering parts, please specify the model and serial number of the product.

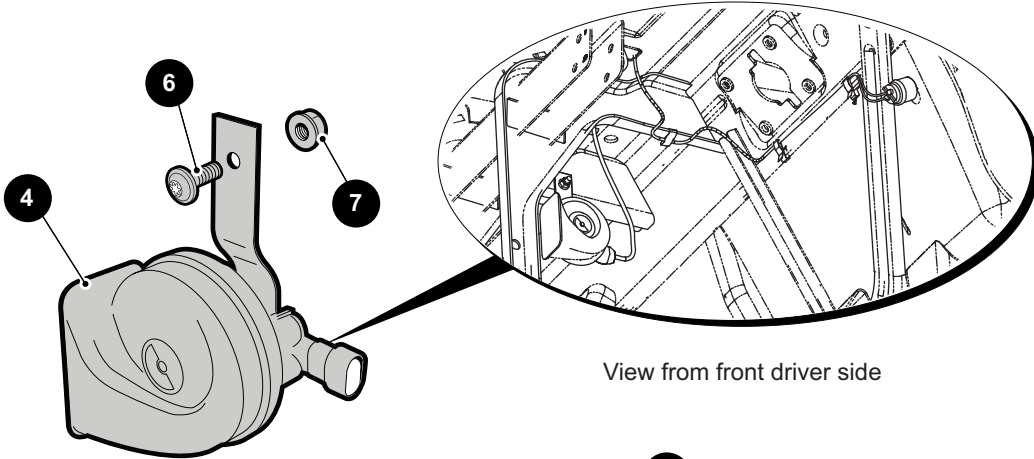
* Indicates a component that is not available as an individual part.

*** Indicates consult Customer Service Department for additional information.

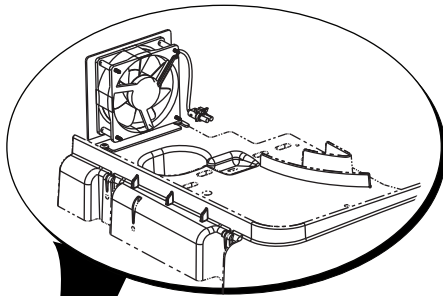
ITEM	PART NO.	1 2 3 4 5	DESCRIPTION	QTY.
1	618594		BATTERY, 8V	6
2	618595		BATTERY, 8V, HYDROLINK	6
3	641830		BATTERY US, 8V	6
4	641829		BATTERY US, 8V, FLOWRITE	6
5				
6	627782		BATTERY RETAINER - TALL	1
7	628618		BATTERY RETAINER - TALL, GALVANIZED	1
8	627656		BATTERY TRAY WELDMENT	1
9	628617		BATTERY TRAY WELDMENT - GALVANIZED	1
10	624288		BATTERY RETAINER - SHORT	1
11	628619		BATTERY RETAINER - SHORT, GALVANIZED	1
12	614457		SNAKE, HYDROLINK.....	1
13				
14	01101G01		TIE DOWN BOLT	2
15	11027G1		FLANGED LOCK NUT, 5/16" - 18.....	2
16	600525		LOCK NUT, M10 - 1.5 (NOT ILLUSTRATED)	2
17	602572		PAN HEAD TAPTITE BOLT, M10 - 1.5 X 25MM LG	2
18				
19	603799		HEX HEAD BOLT, M10 - 1.5 X 25MM LG.....	2
20	603818		BARREL CLIP, M10 - 1.5.....	2
21	612867		RETAINER	1
22				
23	613236		BLUE WIRE ASSEMBLY - 6AWG, 380MM.....	4
24	613237		BLUE WIRE ASSEMBLY - 6AWG, 150MM.....	1
25	616673		LOCK NUT, M8 X 1.25.....	2
26	628635		PAN HEAD TAPTITE BOLT, M8 - 1.25 X 30MM LG	2
27				
28	604066		FLAT WASHER, 30MM O.D. X 10.5MM I.D.....	2
29	00571G2		FLAT WASHER, 5/16".....	2
30	840177		TERMINAL BOOT.....	3

ELECTRICAL SYSTEM

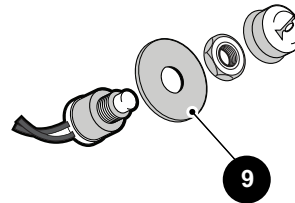
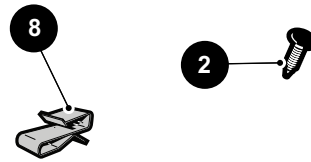
1 ACCESSORY HARNESS (NOT ILLUSTRATED)



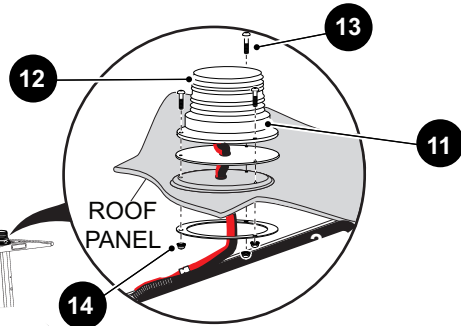
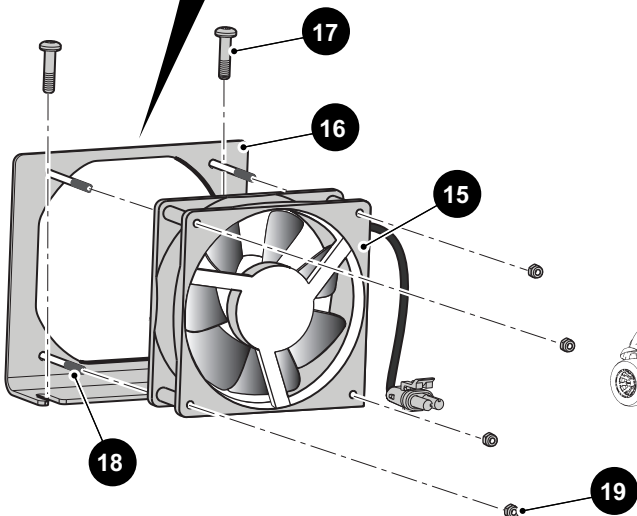
3 HORN ASSEMBLY KIT includes items 4 - 9



View from front driver side



5 HORN BUTTON SWITCH ASSEMBLY



10 STROBE LIGHT KIT includes items 11 - 14

ELECTRICAL SYSTEM

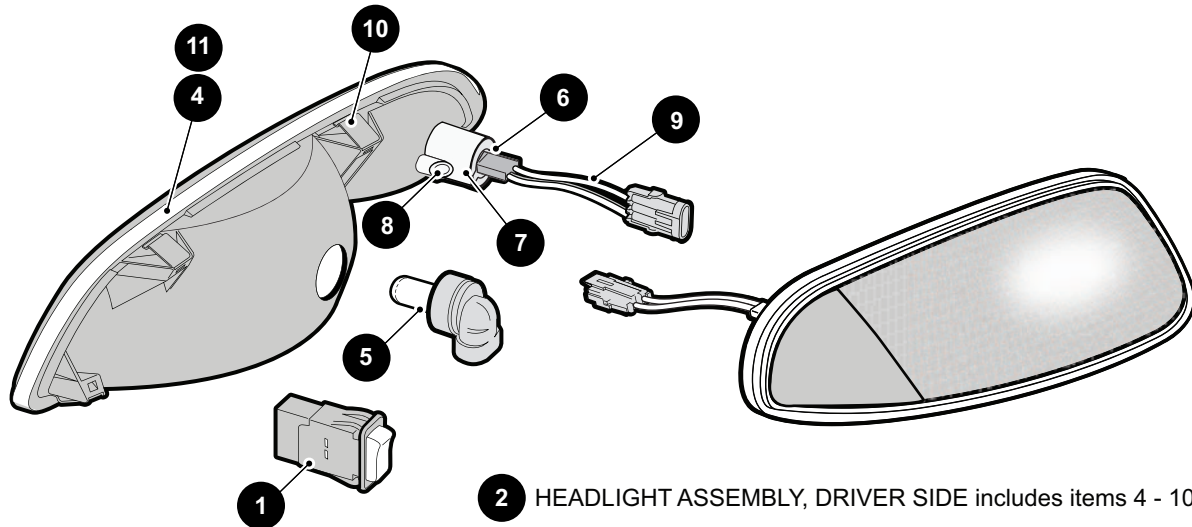
When ordering parts, please specify the model and serial number of the product.

* Indicates a component that is not available as an individual part.

*** Indicates consult Customer Service Department for additional information.

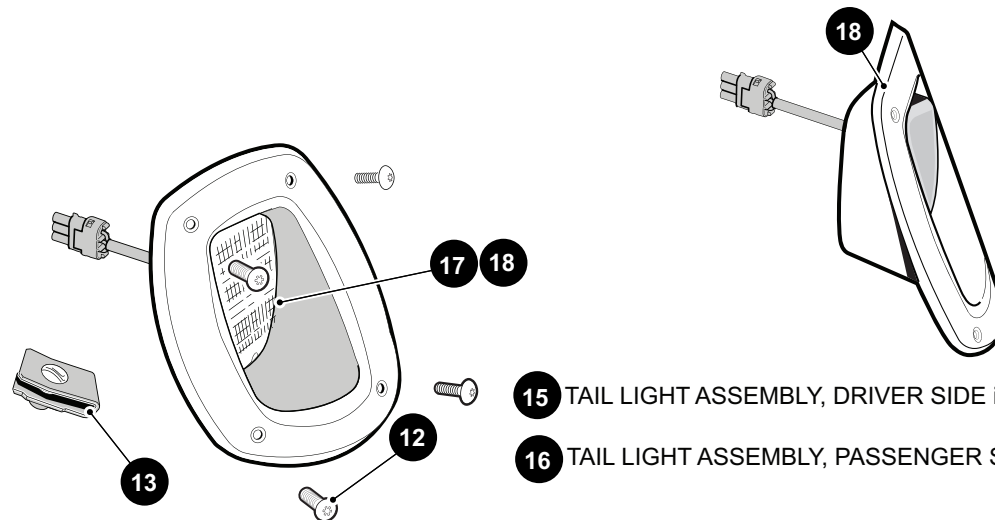
ITEM	PART NO.	1 2 3 4 5	DESCRIPTION	QTY.
1	632861		ACCESSORY HARNESS (NOT ILLUSTRATED)	1
2	16816G2		CHRISTMAS TREE RIVET, .25" X .88" LG	1
3	607528		HORN ASSEMBLY KIT (INCLUDES ITEMS 4 - 9)	1
4	604196		HORN ASSEMBLY	1
5	604193		HORN BUTTON SWITCH ASSEMBLY	1
6	601326		BUTTON HEAD TORX BOLT, M6 - 1 X 20MM LG	1
7	601476		LOCK NUT, M6 - 1	1
8	01072G01		CABLE CLIP	3
9	608397		HORN PLATE	1
10	609412		STROBE - LIGHT KIT (INCLUDES ITEMS 11 - 14)	1
11	611998		STROBE LIGHT ASSEMBLY	1
12	609309		AMBER STROBE LIGHT	1
13	14390G10		PLASTIC INSERT LOCK NUT, #10 - 24	3
14	00979G01		SOCKET HEAD CAP SCREW, # 10 - 24 X .875" LG.....	3
15	611977		A / C FAN CONTROLLER ASSEMBLY	1
16	609658		A / C FAN CONTROLLER BRACKET.....	1
17	606277		BOSS HEAD TORX SCREW, M6 - 1.0 X 25MM LG.....	2
18	610441		PAN HEAD TORX SCREW, M4 - .7 X 50MM LG	4
19	602053		LOCK NUT, M4 - .7	4
20	609320		STROBE LIGHT AND WIPER HARNESS (NOT ILLUSTRATED).....	1

ELECTRICAL SYSTEM



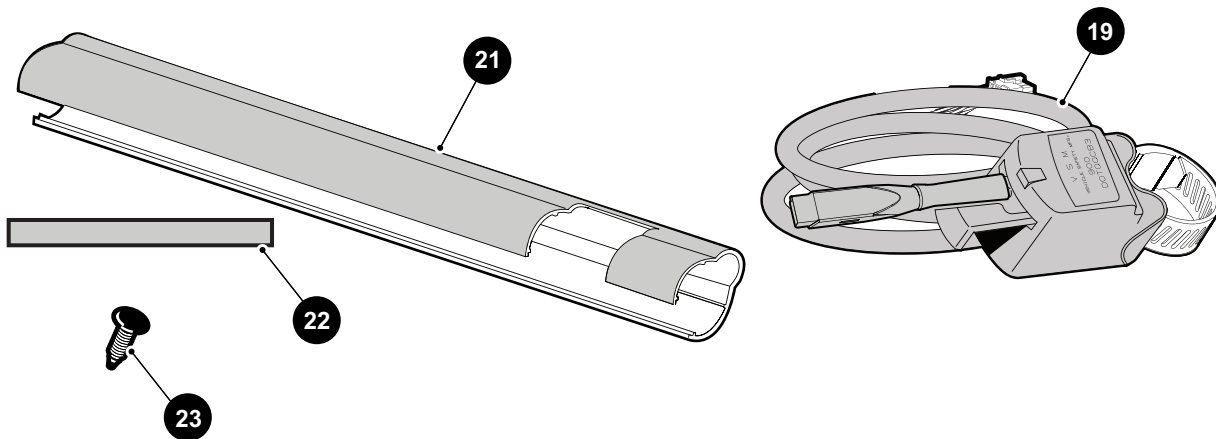
2 HEADLIGHT ASSEMBLY, DRIVER SIDE includes items 4 - 10

3 HEADLIGHT ASSEMBLY, PASSENGER SIDE includes items 5 - 11



15 TAIL LIGHT ASSEMBLY, DRIVER SIDE includes items 17 & 18

16 TAIL LIGHT ASSEMBLY, PASSENGER SIDE includes items 17 & 18



ELECTRICAL SYSTEM

When ordering parts, please specify the model and serial number of the product.

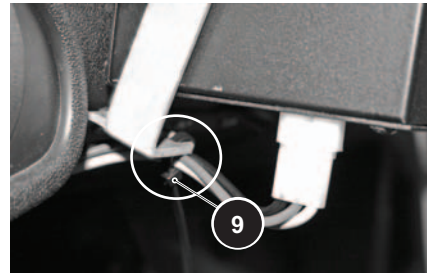
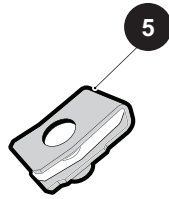
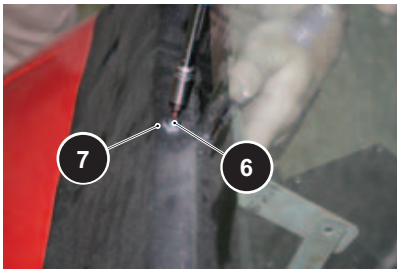
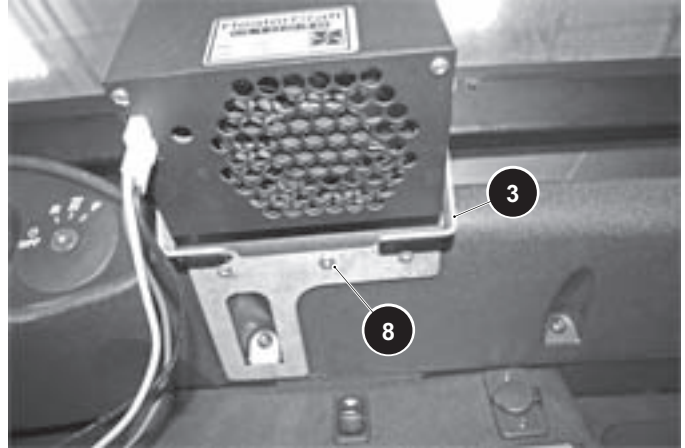
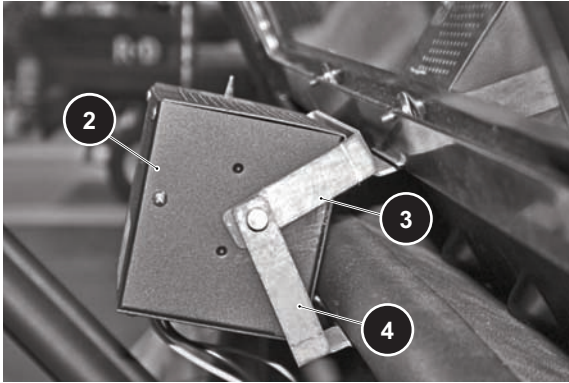
* Indicates a component that is not available as an individual part.

*** Indicates consult Customer Service Department for additional information.

ITEM	PART NO.	1 2 3 4 5	DESCRIPTION	QTY.
1	604019		HEADLIGHT SWITCH	1
2	607439		HEADLIGHT ASSEMBLY, DRIVER SIDE (INCLUDES ITEMS 4 - 10)	1
3	607438		HEADLIGHT ASSEMBLY, PASSENGER SIDE (INCLUDES ITEMS 5 - 11)...	1
4	607452		GASKET, DRIVER SIDE	1
5	74004G01		HEADLIGHT BULB.....	1
6	604539		TURN SIGNAL BULB	1
7	608322		BULB RETAINER	1
8	608328		BUTTON HEAD TORX SCREW, M3 - 1.3 X 14MM LG	1
9	607487		TURN SIGNAL WIRE HARNESS.....	1
10	607434		HEADLIGHT RETAINING CLIP.....	4
11	607437		GASKET, PASSENGER SIDE	1
12	601326		BUTTON HEAD TORX BOLT, M6 - 1 X 20MM LG	8
13	602409		BARRELL CLIP, M6	8
14				
15	603325		TAIL LIGHT ASSEMBLY, DRIVER SIDE (INCLUDES ITEMS 17 & 18).....	1
16	603326		TAIL LIGHT ASSEMBLY, PASSENGER SIDE (INCLUDES ITEMS 17 & 18).	1
17	604311		TAIL LIGHT BULB	1
18	604858		TAIL LIGHT LENS	1
19	615236		TURN SIGNAL SWITCH ASSEMBLY W/ HORN.....	1
20				
21	20965G3		STEERING COLUMN COVER	1
22	608771		RUBBER ISOLATION STRIP.....	1
23	16816G5		CHRISTMAS TREE RIVET, .18" X .55"	2

ELECTRICAL SYSTEM

1 DEFROSTER / HEATER KIT includes items 2 - 9



ELECTRICAL SYSTEM

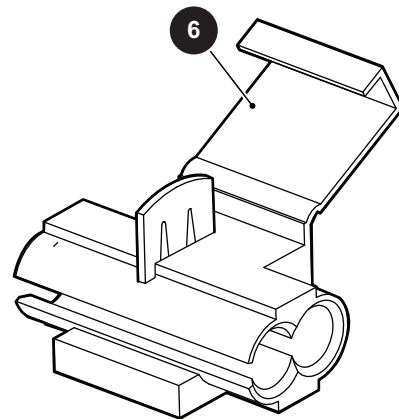
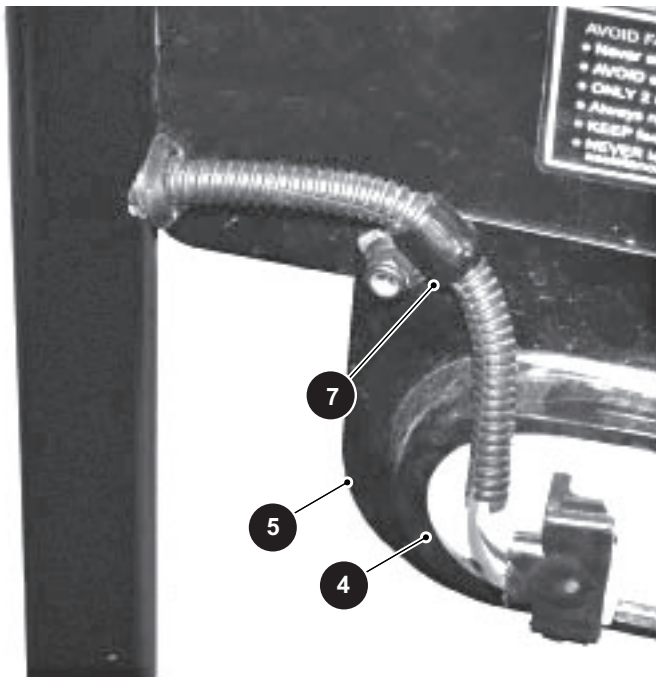
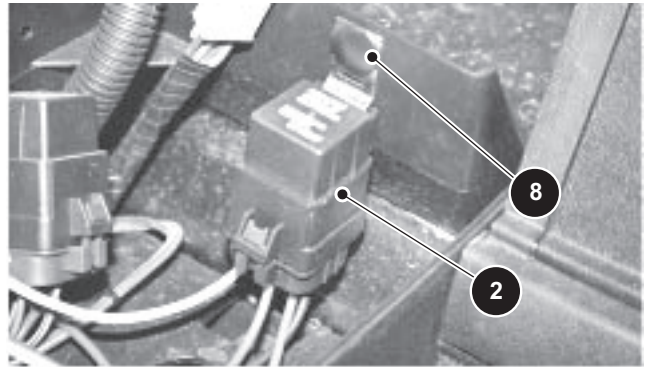
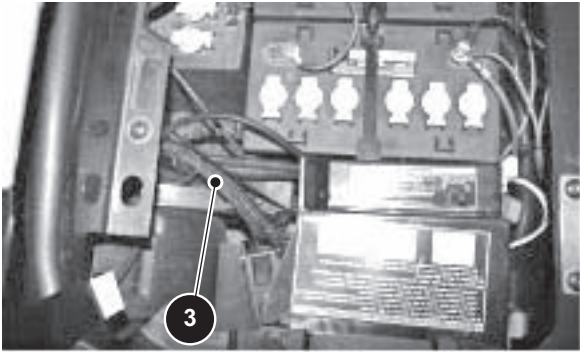
When ordering parts, please specify the model and serial number of the product.

* Indicates a component that is not available as an individual part.

*** Indicates consult Customer Service Department for additional information.

ITEM	PART NO.	1 2 3 4 5	DESCRIPTION	QTY.
1	614712		DEFROSTER / HEATER KIT (INCLUDES ITEMS 2 - 9)	1
2	614915		DEFROSTER / HEATER 48V	1
3	614835		DEFROSTER UPPER BRACKET	1
4	614833		DEFROSTER LOWER BRACKET	1
5	602409		BARREL CLIP, M6 - 1	1
6	601326		BUTTON HEAD TORX BOLT, M6 - 1 X 20MM LG	1
7	00559G6		FLAT TYPE A WASHER	1
8	608290		SELF TAPPING SCREW, # 10 - 16 X .75" LG	3
9	17618G1		NYLON CLAMP	1

ELECTRICAL SYSTEM



1 TRUCK BACKUP LIGHT KIT (NOT ILLUSTRATED) includes items 2 - 8

ELECTRICAL SYSTEM

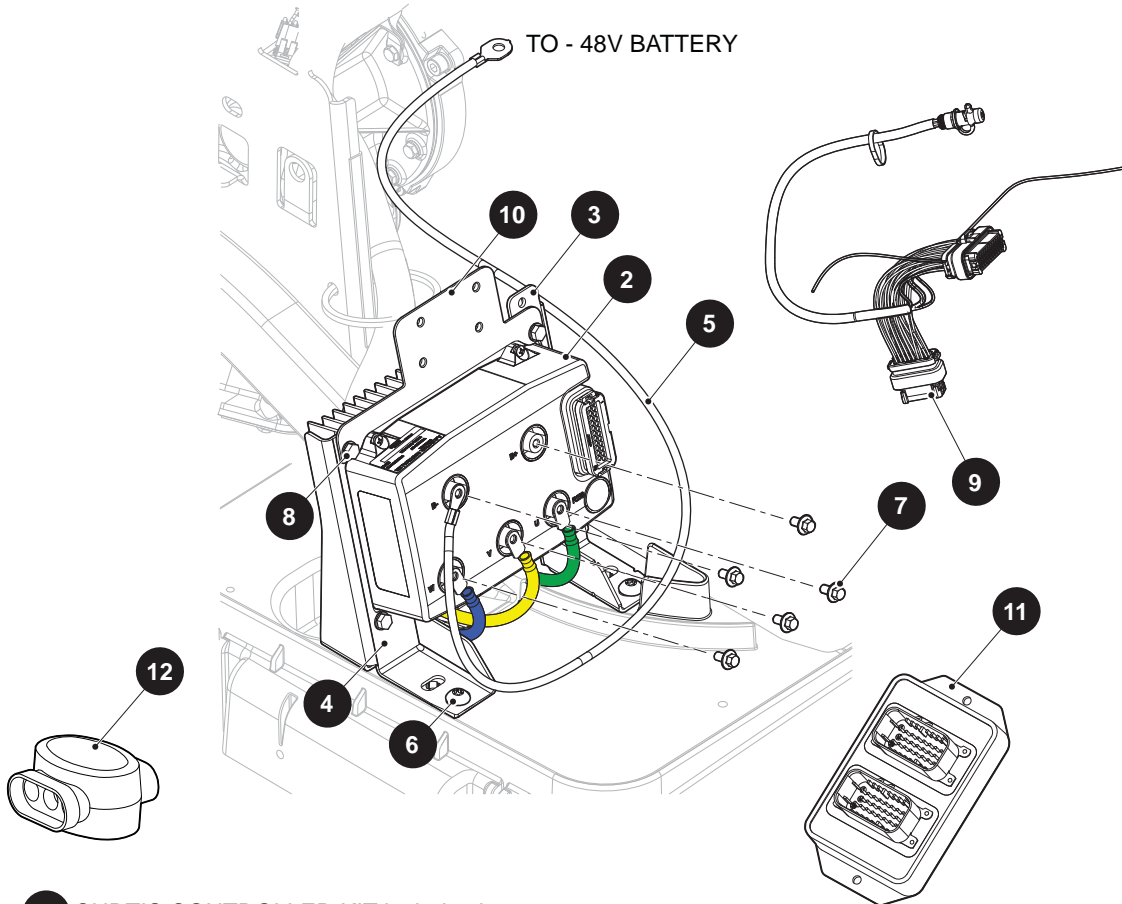
When ordering parts, please specify the model and serial number of the product.

* Indicates a component that is not available as an individual part.

*** Indicates consult Customer Service Department for additional information.

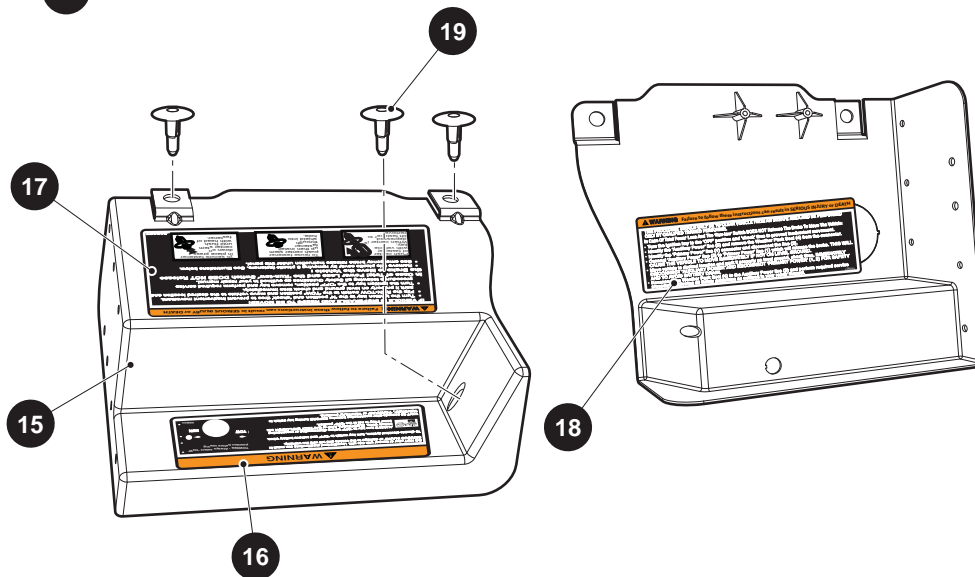
ITEM	PART NO.	1 2 3 4 5	DESCRIPTION	QTY.
1	625484		TRUCK BACKUP LIGHT KIT (NOT ILLUSTRATED) (INCLUDES ITEMS 2 - 8)	1
2	620831		BACKUP LIGHT HARNESS W / 48V RELAY.....	1
3	620830		BACKUP LIGHT HARNESS.....	1
4	614871		LED BACKUP LIGHT	1
5	614800		BACKUP LIGHT BRACKET	1
6	614901		SELF STRIPPING SPLICE	2
7	11845G5		INSULATED CABLE CLIP	1
8	16816G1		RATCHET RIVET. .25" X .680"	1

ELECTRONIC SPEED CONTROL



1 CURTIS CONTROLLER KIT includes items 2 - 13

14 CONTROLLER SPLASH SHIELD ASSMBLY includes items 15 - 18



ELECTRONIC SPEED CONTROL

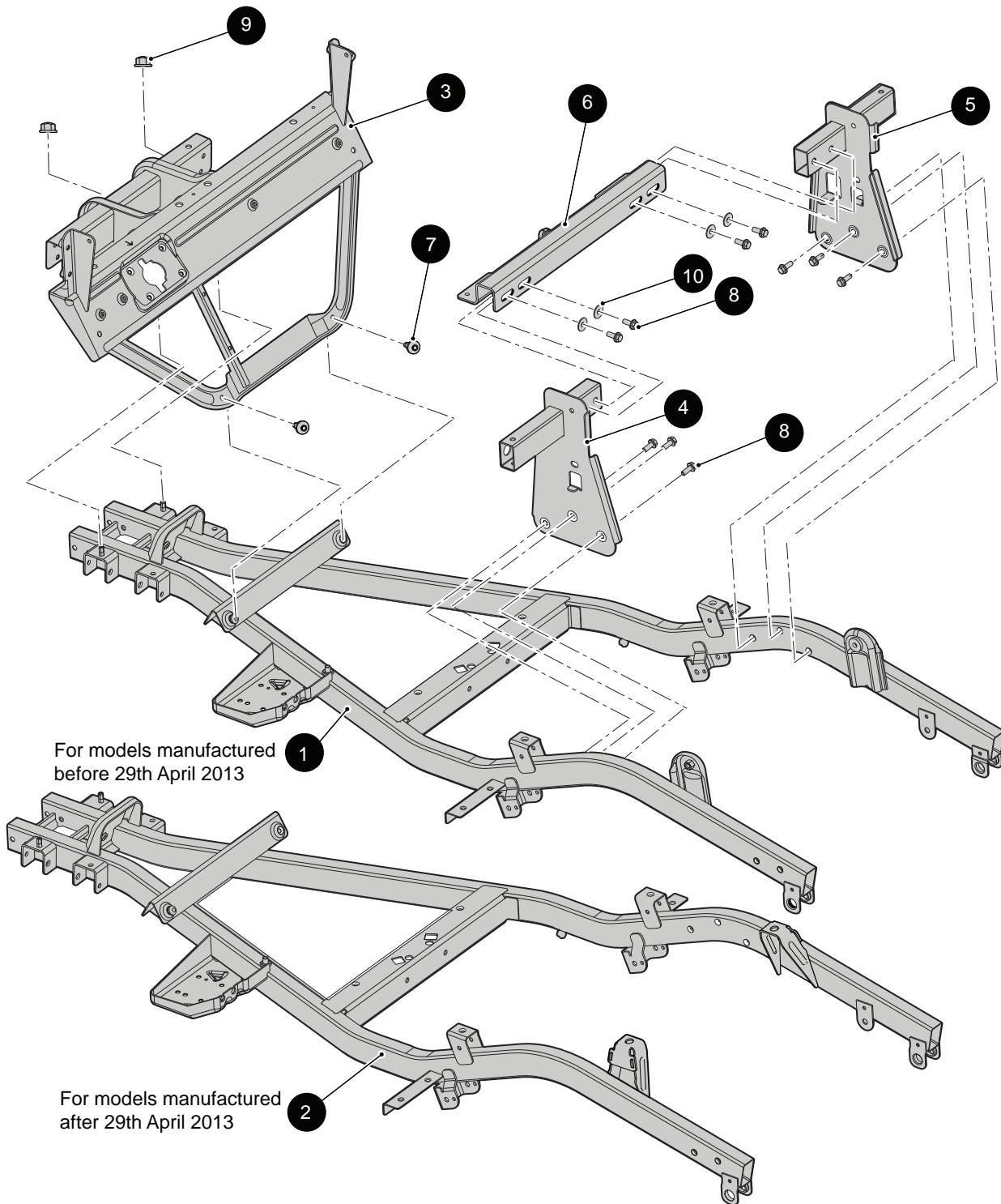
When ordering parts, please specify the model and serial number of the product.

* Indicates a component that is not available as an individual part.

*** Indicates consult Customer Service Department for additional information.

ITEM	PART NO.	1 2 3 4 5	DESCRIPTION	QTY.
1	629511		CURTIS CONTROLLER KIT (INCLUDES ITEMS 2 - 13).....	1
2	618373		CONTROLLER, 1206AC - 5202.....	1
3	623170		CONTROLLER BRACKET, LH.....	1
4	623213		CONTROLLER BRACKET, RH.....	1
5	624618		BLACK WIRE, 6AWG (830mm).....	1
6	605957		BOSS SCREW, M8.....	2
7	73876G01		FLANGED BOLT, M6 - 1.00" X 12mm LG.....	5
8	606264		HEX BOLT, M6 - 1" X 20mm LG.....	4
9	626124		ADAPTOR HARNESS ASSEMBLY.....	1
10	624316		SOLENOID BRACKET.....	1
11	626118		ADAPTOR, 23 PIN TO 23 PIN.....	1
12	614898		SPLICE, 2 / 3 WIRE.....	1
13	608290		SELF TAPPING SCREW, #10 - 16 (NOT ILLUSTRATED).....	2
14	612423		CONTROLLER SPLASH SHIELD ASSEMBLY (INCLUDES ITEMS 15 - 18)	1
15	612422		SPLASH SHIELD CONTROLLER.....	1
16	612594		RUN/TOW SWITCH DECAL.....	1
17	609987		MAINTENANCE/TOWING DECAL.....	1
18	609694		TOWING INSTRUCTION NOTICE DECAL.....	1
19	610487		PLASTIC RIVET.....	3

FRAME



When ordering parts, please specify the model and serial number of the product.

* Indicates a component that is not available as an individual part.

*** Indicates consult Customer Service Department for additional information.

ITEM	PART NO.	1 2 3 4 5	DESCRIPTION	QTY.
1	618726		FRAME WELDMENT (FOR MODELS MANUFACTURED AFTER 29TH APRIL 2013)	1
2	631180		FRAME WELDMENT (FOR MODELS MANUFACTURED AFTER 29TH APRIL 2013)	1
3	614597		IP SUPPORT WELDMENT	1
4	609290		SEAT SUPPORT DRIVER SIDE WELDMENT	1
5	609291		SEAT SUPPORT PASSENGER SIDE WELDMENT.....	1
6	609860		SEAT BELT FRONT CENTER WELDMENT	1
7	602572		PAN HEAD TORX BOLT, M10 - 1.5 X 25MM LG	2
8	603799		HEX HEAD FLANGED BOLT , M10 - 1.5 X 23MM LG	10
9	600525		FLANGED HEX NUT, M10 -1.5.....	2
10	604066		FLAT WASHER, M10	4

Notes:

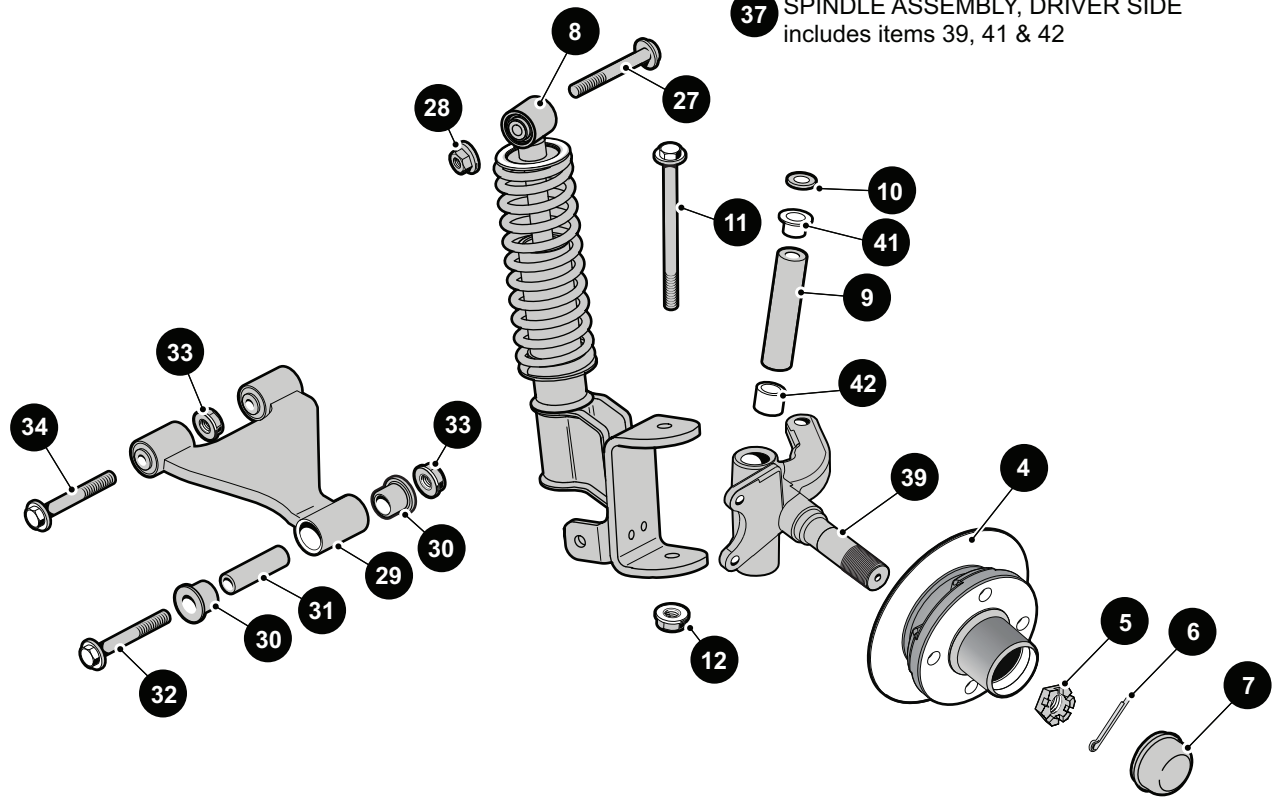
A large grid for taking notes, consisting of 30 columns and 30 rows of small squares.

FRONT SUSPENSION

- 1** SHOCK ABSORBER ASSEMBLY, DRIVER SIDE
includes items 2 - 12

- 2** SPINDLE HUB ASSEMBLY, DRIVER SIDE
includes items 4 - 7, 37

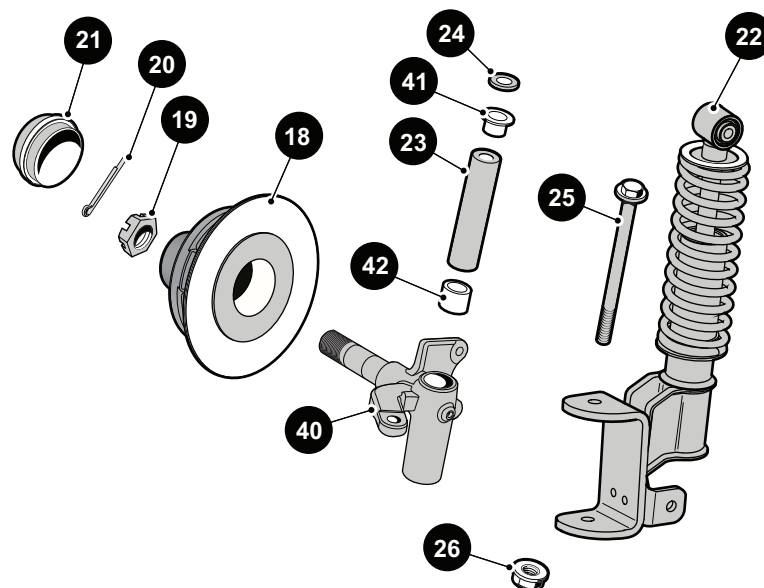
- 37** SPINDLE ASSEMBLY, DRIVER SIDE
includes items 39, 41 & 42



- 15** SHOCK ABSORBER ASSEMBLY, PASSENGER SIDE
includes items 16 - 26

- 16** SPINDLE HUB ASSEMBLY, PASSENGER SIDE
includes items 18 - 21, 38

- 38** SPINDLE ASSEMBLY, PASSENGER SIDE
includes items 40 - 42



FRONT SUSPENSION

When ordering parts, please specify the model and serial number of the product.

* Indicates a component that is not available as an individual part.

*** Indicates consult Customer Service Department for additional information.

ITEM	PART NO.	1 2 3 4 5	DESCRIPTION	QTY.
1	617117		SHOCK ABSORBER ASSEMBLY (DRIVER SIDE) (INCLUDES ITEMS 2 - 12)	1
2	617115		SPINDLE HUB ASSEMBLY (DRIVER SIDE) (INCLUDES ITEMS 4 - 7, 37)	1
3				
4	617107		DISC HUB ASSEMBLY	1
5	12093G1		HEX SLOTTED NUT, 1 - 14	1
6	00798G8		COTTER PIN, 5/32" X 1.75"	1
7	12091G2		SPINDLE CAP	1
8	639431		STRUT ASSEMBLY (DRIVER SIDE)	1
9	614034		KINGPIN TUBE	1
10	601920		THRUST WASHER (SS), 2.5MM	1
11	620380		HEX HEAD FLANGE BOLT, M12 - 1.25 X 145MM LG.....	1
12	600549		FLANGE HEX NUT, M12 - 1.25.....	1
13				
14				
15	617118		SHOCK ABSORBER ASSEMBLY (PASSENGER SIDE) (INCLUDES ITEMS 16 - 26)	1
16	617116		SPINDLE HUB ASSEMBLY (PASSENGER SIDE) (INCLUDES ITEMS 18 - 21, 38)	1
17				
18	617107		DISC HUB ASSEMBLY	1
19	12093G1		HEX SLOTTED NUT, 1 - 14	1
20	00798G8		COTTER PIN, 5/32" X 1.75"	1
21	12091G2		SPINDLE CAP	1
22	639432		STRUT ASSEMBLY (PASSENGER SIDE).....	1
23	614034		KINGPIN TUBE	1
24	601920		THRUST WASHER (SS), 2.5MM	1
25	620380		HEX HEAD FLANGE BOLT, M12 - 1.25 X 145MM LG.....	1
26	600549		HEX FLANGE NUT, M12 - 1.25.....	1
27	602415		HEX HEAD FLANGE BOLT, M10 - 1.5 X 80MM LG	2
28	600525		LOCK NUT, M10 -1.5	2

FRONT SUSPENSION

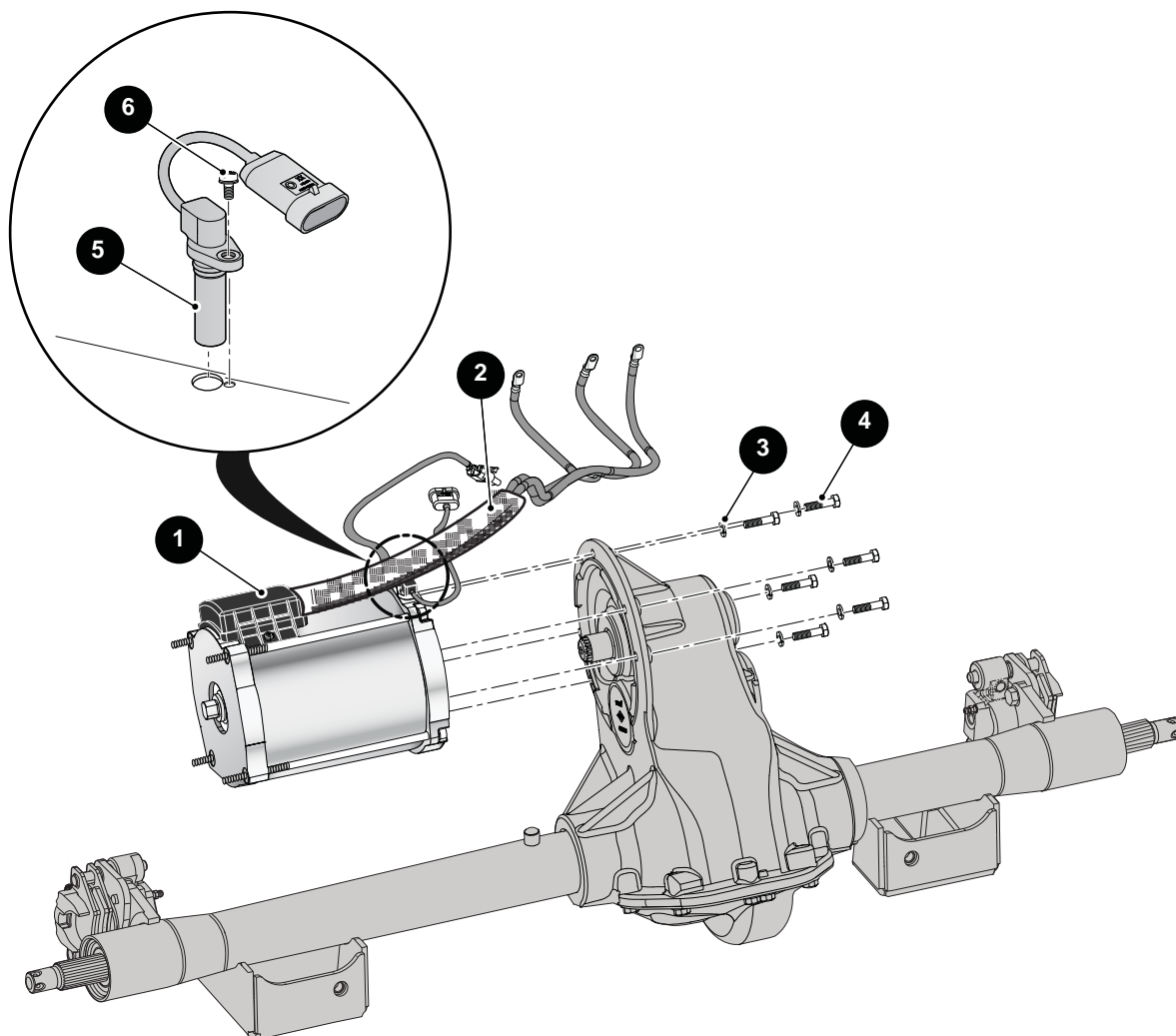
When ordering parts, please specify the model and serial number of the product.

* Indicates a component that is not available as an individual part.

*** Indicates consult Customer Service Department for additional information.

ITEM	PART NO.	1	2	3	4	5	DESCRIPTION	QTY.
29	608089						A - ARM ASSEMBLY	2
30	601340						A - ARM BUSHING	4
31	602085						A - ARM CARRIER TUBE	2
32	601754						HEX HEAD FLANGE BOLT, M10 - 1.5 X 100MM LG.....	2
33	600525						LOCK NUTS, M10 - 1.5.....	6
34	602415						HEX HEAD FLANGE BOLT, M10 - 1.5 X 80MM LG.....	4
35								
36								
37	613026						SPINDLE ASSEMBLY (DRIVER SIDE) (INCLUDES ITEMS 39, 41 & 42).....	1
38	613246						SPINDLE ASSEMBLY (PASSENGER SIDE) (INCLUDES ITEMS 40 - 42).....	1
39	613025						SPINDLE (DRIVER SIDE)	1
40	613242						SPINDLE (PASSENGER SIDE).....	1
41	632925						FLANGED BUSHING, 25MM, DP4	1
42	632926						BUSHING, 25MM, DP4	1

MOTOR



When ordering parts, please specify the model and serial number of the product.

* Indicates a component that is not available as an individual part.

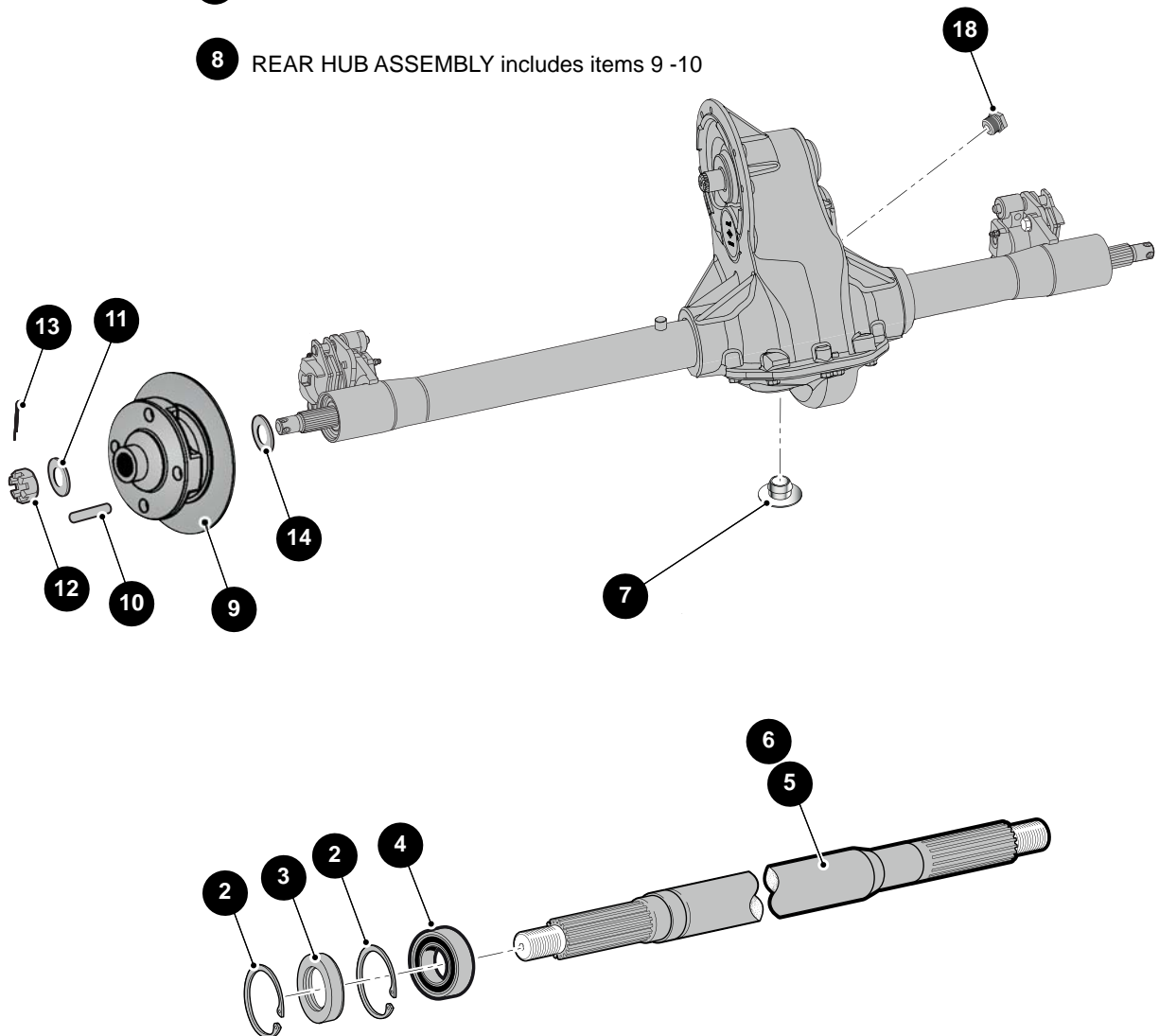
*** Indicates consult Customer Service Department for additional information.

ITEM	PART NO.	1 2 3 4 5	DESCRIPTION	QTY.
1	611355		48V AC ELECTRIC MOTOR.....	1
2	605714		FLEXLOOM SLEEVE.....	1
3	601327		LOCK WASHER, M6.....	6
4	605741		HEX HEAD BOLT, M6 - 1 X 25 (GRADE 10.9)	6
5	612741		SPEED SENSOR.....	1
6	614253		PAN HEAD PHILIPS SCREW M6X1, 12MM LG.....	1
7	27327G02		TWISTED CLAMP (NOT ILLUSTRATED)	1

REAR AXLE

1 HEAVY DUTY ELECTRIC AXLE ASSEMBLY includes items 2 - 7

8 REAR HUB ASSEMBLY includes items 9 -10



REAR AXLE

When ordering parts, please specify the model and serial number of the product.

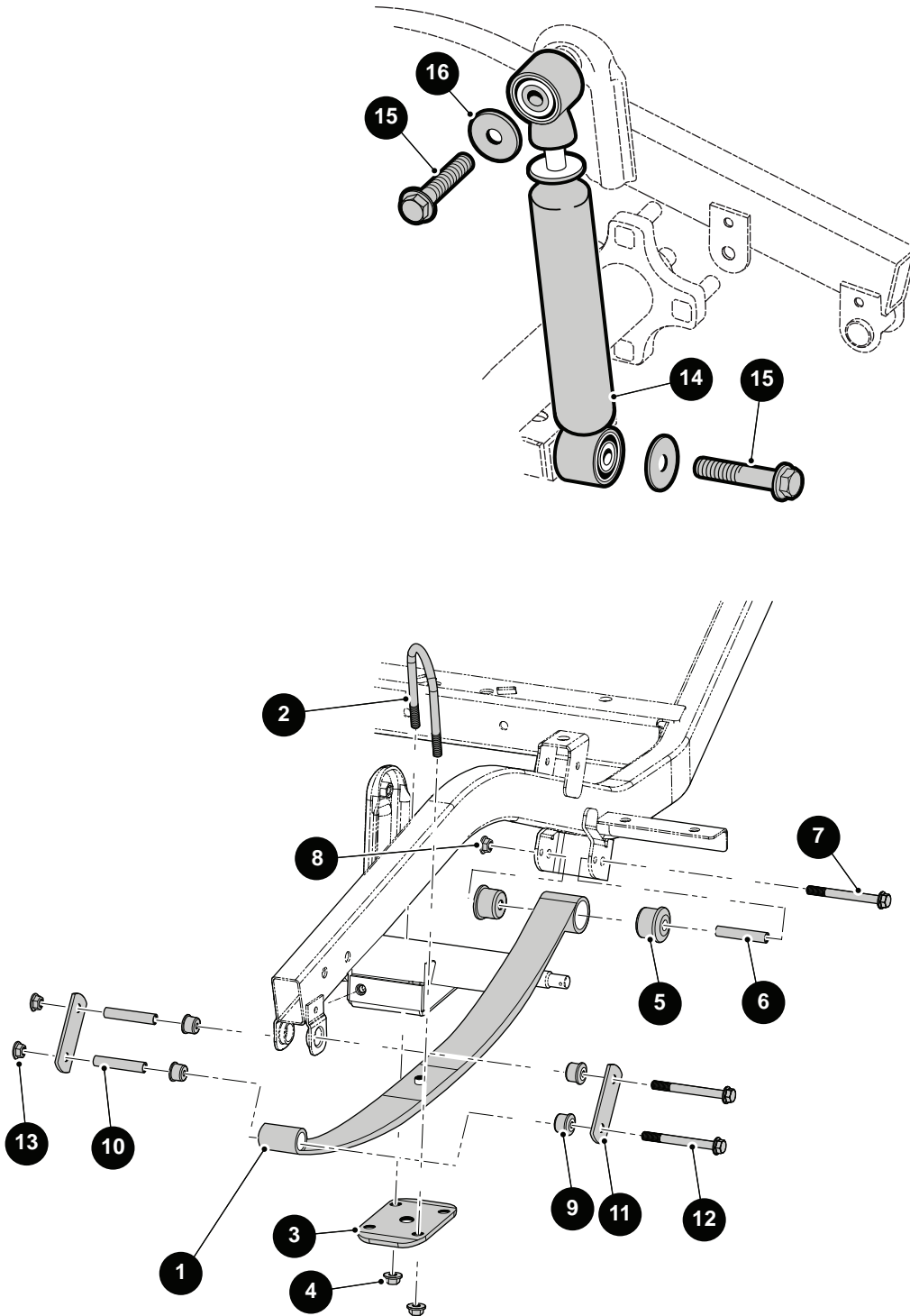
* Indicates a component that is not available as an individual part.

*** Indicates consult Customer Service Department for additional information.

ITEM	PART NO.	1 2 3 4 5	DESCRIPTION	QTY.
1	618150		HEAVY DUTY REAR AXLE ASSEMBLY 14.76:1 (INCLUDES ITEMS 2 - 7) .	1
2	620342		RETAINING RING	4
3	614748		BALL BEARING.....	2
4	612064		OIL SEAL.....	2
5	614750		AXLE SHAFT, DRIVER SIDE (LONG)	1
6	614749		AXLE SHAFT, PASSENGER SIDE (SHORT).....	1
7	620347		RUBBER PLUG	2
8	617121		REAR HUB ASSEMBLY (INCLUDES ITEMS 9, 10)	2
9	615388		DISC BRAKE REAR HUB	1
10	614820		WHEEL STUD	4
11	21830G1		BRAKE DRUM WASHER, .765" ID X 1.5" OD X .12"	2
12	613172		CASTLE NUT, 3/4" - 16.....	2
13	10387G1		COTTER PIN, .125" X 1.50"	2
14	21809G1		FLAT WASHER, 1.3" X .98"	2
15				
16				
17				
18	614188		FILL PLUG	1

REAR SUSPENSION

For models manufactured before 29th April 2013



REAR SUSPENSION

When ordering parts, please specify the model and serial number of the product.

* Indicates a component that is not available as an individual part.

*** Indicates consult Customer Service Department for additional information.

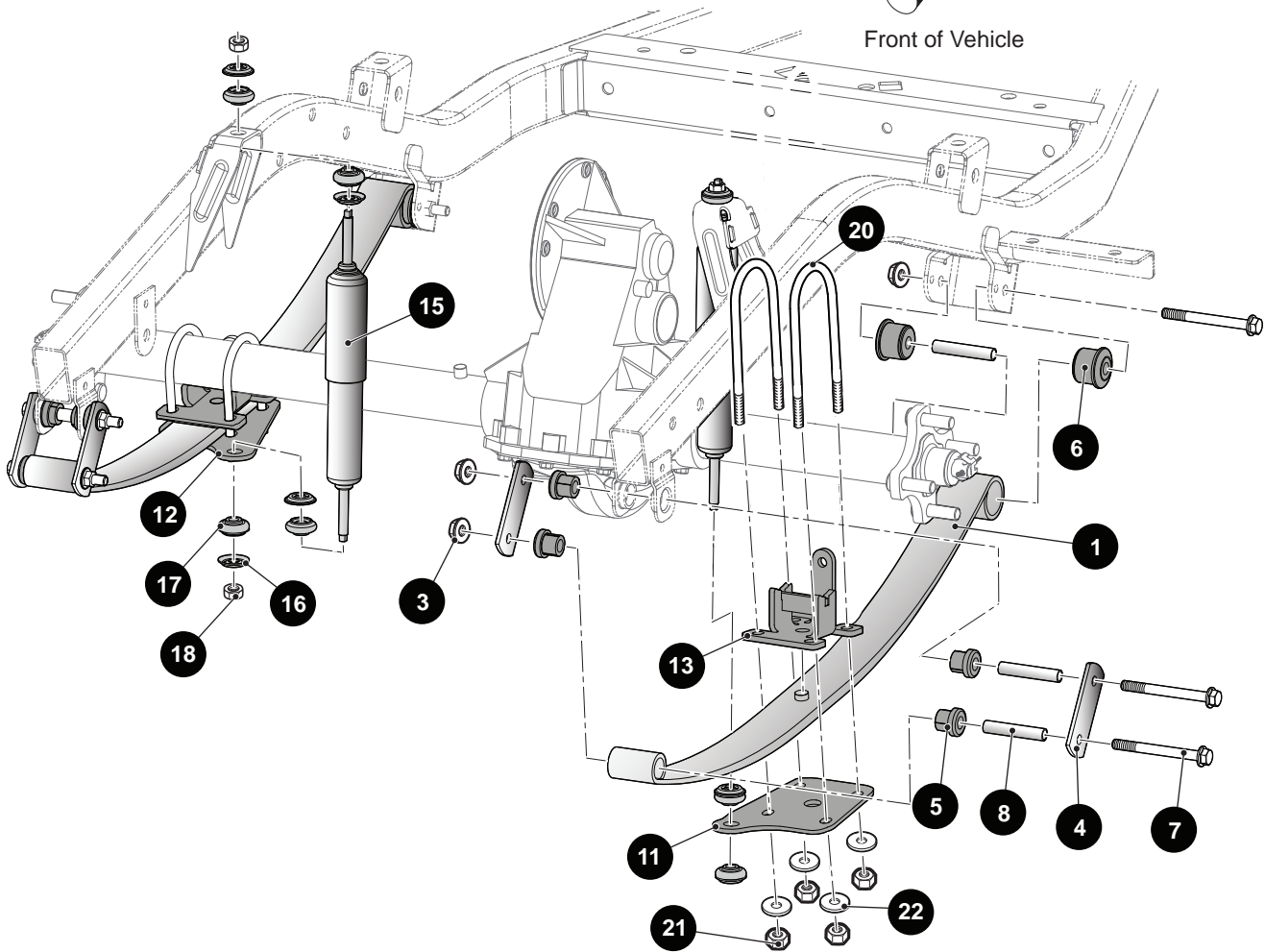
ITEM	PART NO.	1 2 3 4 5	DESCRIPTION	QTY.
1	604494		TAPERED HEAVY DUTY LEAF SPRING	2
2	612281		U-BOLT, M10 - 1.5 X 141.0MM LG	2
3	612765		LEAF SPRING PLATE	2
4	614974		FLANGED HEX NUT, M10 -1.5.....	4
5	620160		FLANGED BUSHING (LARGE)	4
6	620161		SPLIT STEEL SPACER, .394" I. D. X .51" O. D. X 2.65" LG.....	2
7	601754		HEX HEAD FLANGED BOLT , M10 - 1.5 X 100MM LG	2
8	614974		FLANGED HEX NUT, M10 -1.5.....	2
9	624030		FLANGED BUSHING (SMALL).....	8
10	620161		SPLIT STEEL SPACER, .394" I. D. X .51" O. D. X 2.65" LG.....	4
11	603648		SHACKLE PLATE	4
12	601754		HEX HEAD FLANGED BOLT, M10 - 1.5 X 100MM LG.....	4
13	614974		FLANGED HEX NUT, M10 -1.5.....	4
14	611724		SHOCK ABSORBER	2
15	601414		HEX HEAD FLANGED BOLT, M10 - 1.5 X 65MM LG.....	4
16	604066		FLAT WASHER, M10.....	4

REAR SUSPENSION

For models manufactured after 29th April 2013



Front of Vehicle



REAR SUSPENSION

When ordering parts, please specify the model and serial number of the product.

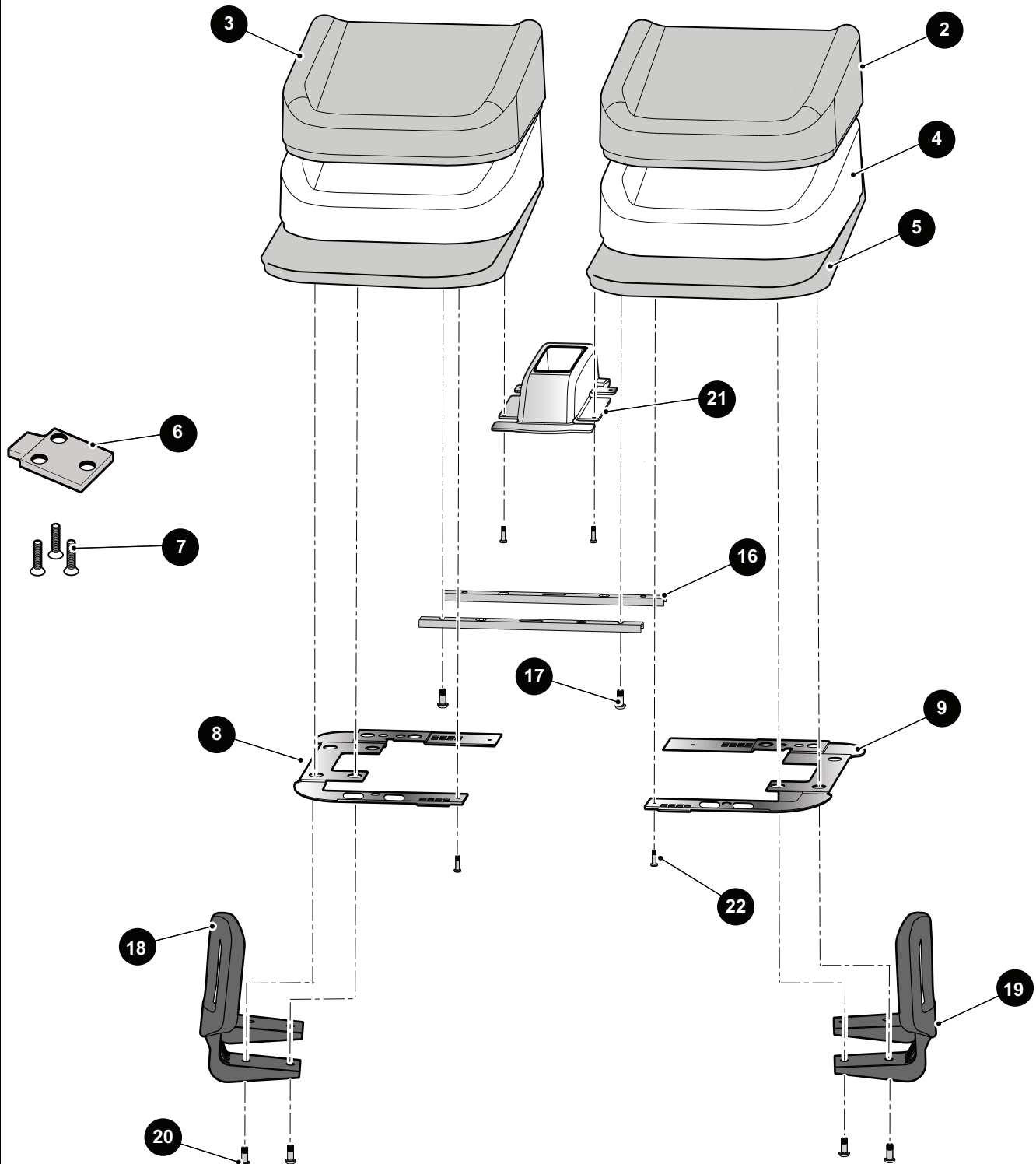
* Indicates a component that is not available as an individual part.

*** Indicates consult Customer Service Department for additional information.

ITEM	PART NO.	1 2 3 4 5	DESCRIPTION	QTY.
1	604494		HEAVY DUTY TAPERED LEAF SPRING	2
2				
3	614974		LOCK NUT, M10 - 1.5	6
4	603648		SHACKLE PLATE	4
5	624030		FLANGED BUSHING (small)	8
6	620160		FLANGED BUSHING (large)	4
7	601754		FLANGED HEX HEAD BOLT, M10 - 1.5 X 100MM LG.....	6
8	620161		SPLIT STEEL SPACER, .394" I. D. X .51" O. D. X 2.65" LG.....	6
9				
10				
11	625658		SHOCK MOUNT PLATE (PASSENGER SIDE)	1
12	625657		SHOCK MOUNT PLATE (DRIVER SIDE).....	1
13	633986		AXLE SUPPORT BRACKET.....	2
14				
15	76418G01		SHOCK ABSORBER	2
16	10435G1		SHOCK ABSORBER WASHER.....	8
17	10194G1		SHOCK RUBBER BUSHING	8
18	00532G6		HEX NUT	4
19				
20	630819		U-BOLT, 3/8" - 16 X 2 3/8" DIA X 5.75" LG	4
21	11098G4		PLASTIC LOCK NUT, 3/8" - 16.....	8
22	00571G2		FLAT WASHER	8

SEATING

- 1 BUCKET SEAT BOTTOM ASSEMBLY includes items 2 - 22
- 2 BUCKET SEAT BOTTOM SUB-ASSEMBLY (DRIVER SIDE) includes items 4 - 7, 9, 10
- 3 BUCKET SEAT BOTTOM SUB-ASSEMBLY (PASSENGER SIDE) includes items 4 - 8, 10



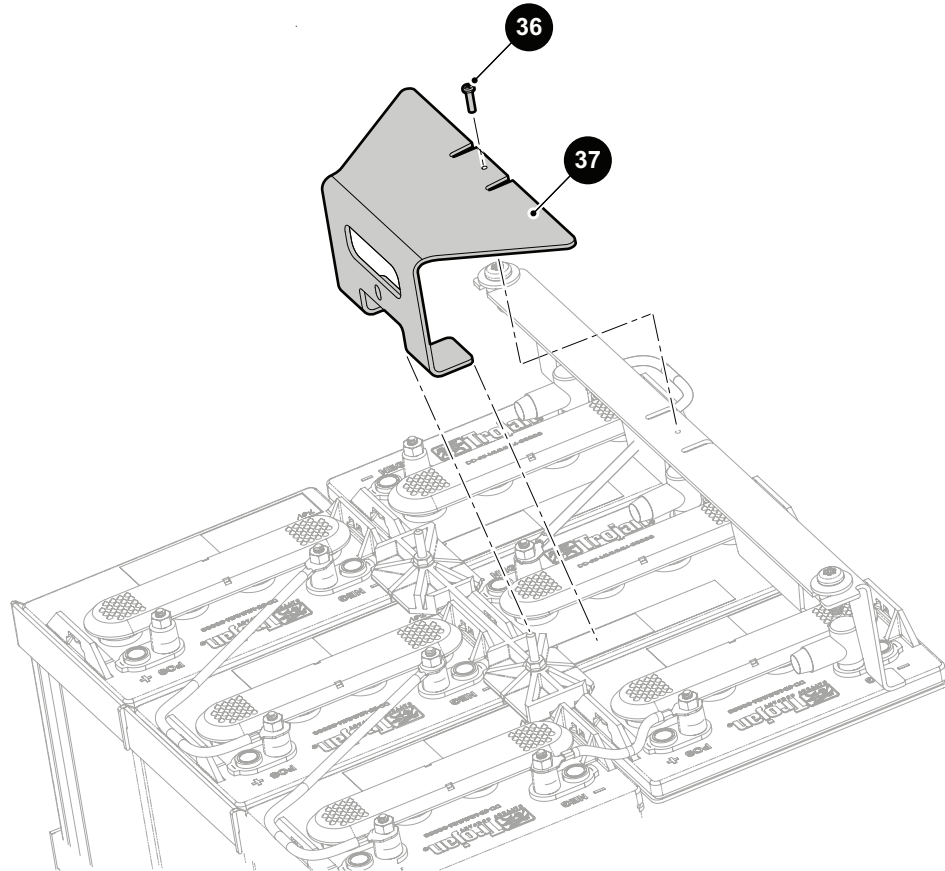
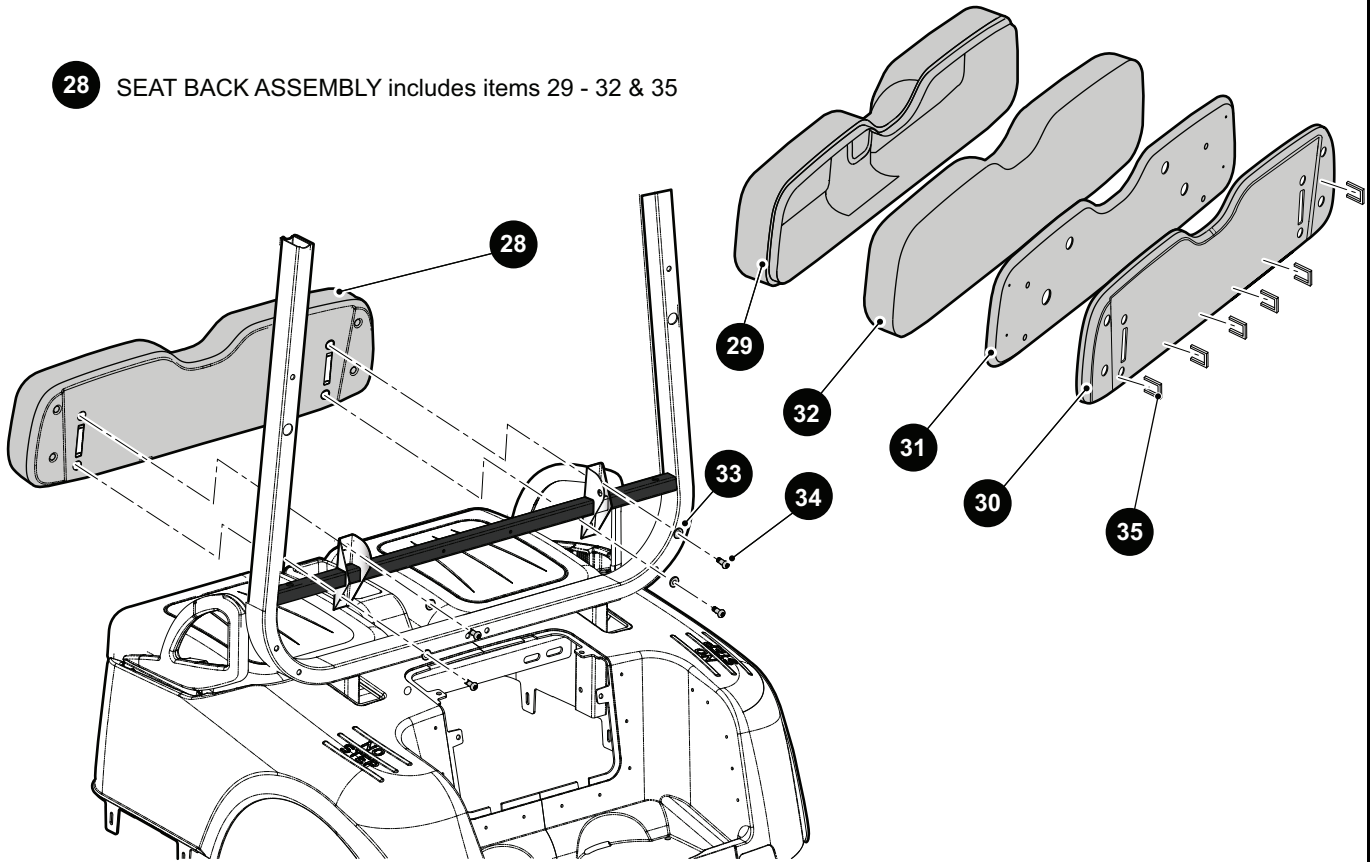
When ordering parts, please specify the model and serial number of the product.

* Indicates a component that is not available as an individual part.

*** Indicates consult Customer Service Department for additional information.

ITEM	PART NO.	1 2 3 4 5	DESCRIPTION	QTY.
1	***		BUCKET SEAT BTM ASSY (INCLUDES ITEMS 2 - 22) (SELECT COLOR BELOW)..... 629269G1102....STONE BIEGE 629269G1101....OYSTER	1
2	***		BUCKET SEAT BTM SUB-ASSY (DRIVER SIDE) (SELECT COLOR BELOW) (INCLUDES ITEMS 4 - 7, 9, 10)..... 614717....STONE BIEGE 614719....OYSTER	1
3	***		BUCKET SEAT BTM SUB-ASSY (PASSENGER SIDE) (SELECT COLOR BELOW) (INCLUDES ITEMS 4 - 8, 10)..... 614716....STONE BIEGE 614718....OYSTER	1
4	613253		BUCKET SEAT FOAM.....	1
5	614104		BUCKET SEAT BOTTOM BOARD	1
6	71610G01		SEAT HINGE.....	2
7	00720G08		FLAT HEAD PHILLIPS TAPPING SCREW, #12 - 14 X 1" LG	6
8	612659		BUCKET SEAT BOTTOM TRIM (PASSENGER SIDE)	1
9	612658		BUCKET SEAT BOTTOM TRIM (DRIVER SIDE).....	1
10	***		BUCKET SEAT BOTTOM VINYL COVER (SELECT COLOR BELOW)..... 613254....STONE BIEGE 614098....OYSTER	1
11				
12				
13				
14				
15				
16	613264		FRONT BUCKET SEAT STRAP.....	2
17	600530		BOSS HEAD TORX BOLT, M10 - 1.5 X 25 MM LG.....	8
18	617644		HIP RESTRAINT (PASSENGER SIDE)	1
19	617645		HIP RESTRAINT (DRIVER SIDE).....	1
20	600530		BOSS HEAD TORX BOLT, M10 - 1.5 X 25 MM LG.....	8
21	614233		FRONT BUCKET SEAT CENTER CONSOLE	1
22	608290		PAN HEAD PHILLIPS SELF TAPPING SCREW, #10 - 16 X .75" LG	8

28 SEAT BACK ASSEMBLY includes items 29 - 32 & 35



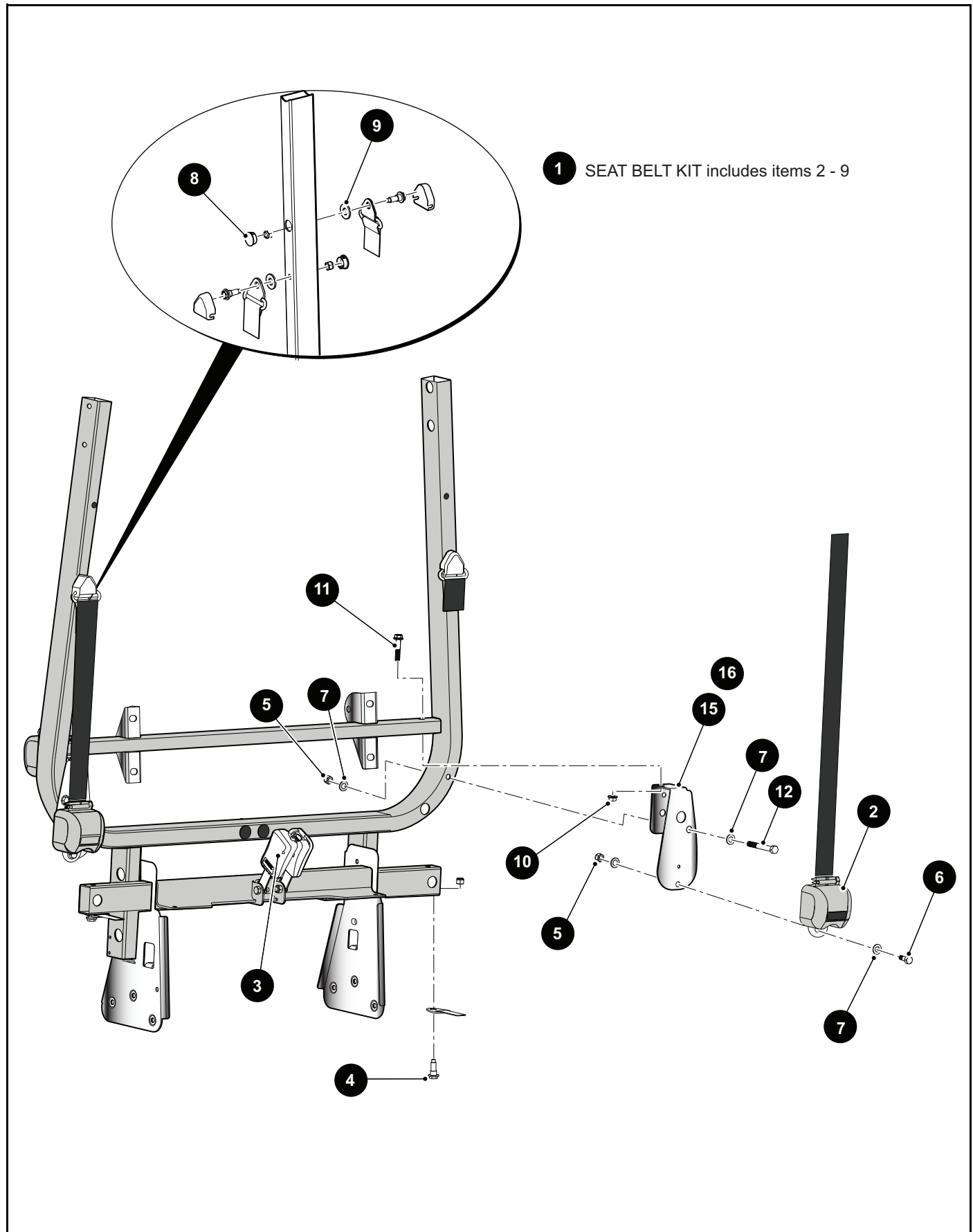
When ordering parts, please specify the model and serial number of the product.

* Indicates a component that is not available as an individual part.

*** Indicates consult Customer Service Department for additional information.

ITEM	PART NO.	1	2	3	4	5	DESCRIPTION	QTY.
23								
24								
25								
26								
27								
28	***						SEAT BACK ASSY (INCLUDES ITEMS 29 - 32 & 35) (SELECT COLOR BELOW)..... 605548....STONE BIEGE 608012....OYSTER	1
29	***						SEAT BACK VINYL COVER, (SELECT COLOR BELOW) 605537....STONE BIEGE 608006....OYSTER	1
30	605529						SEAT BACK COVER.....	1
31	605550						SEAT BACK BASE (WOOD) ASSY.....	1
32	71754G01						SEAT BACK PADDING (FOAM).....	1
33	604066						FLAT WASHER, M10 - 10.5.....	4
34	600530						BOSS HEAD TORX BOLT, M10 - 1.5 X 25 MM LG.....	4
35	23222G1						FLAT STAPLE (SS), 3/8".....	AR
36	608290						SELF TAPPING SCREW, #10 - 16.....	1
37	632527						CENTER CLOSEOUT CONSOLE.....	1

SEATING



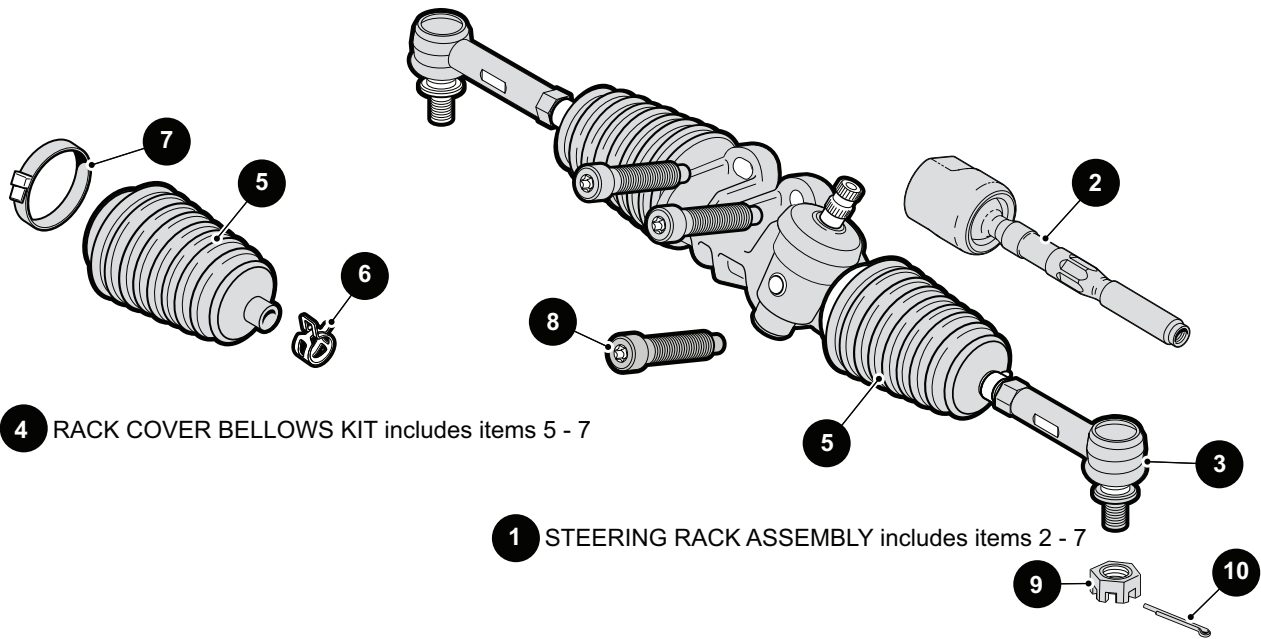
When ordering parts, please specify the model and serial number of the product.

* Indicates a component that is not available as an individual part.

*** Indicates consult Customer Service Department for additional information.

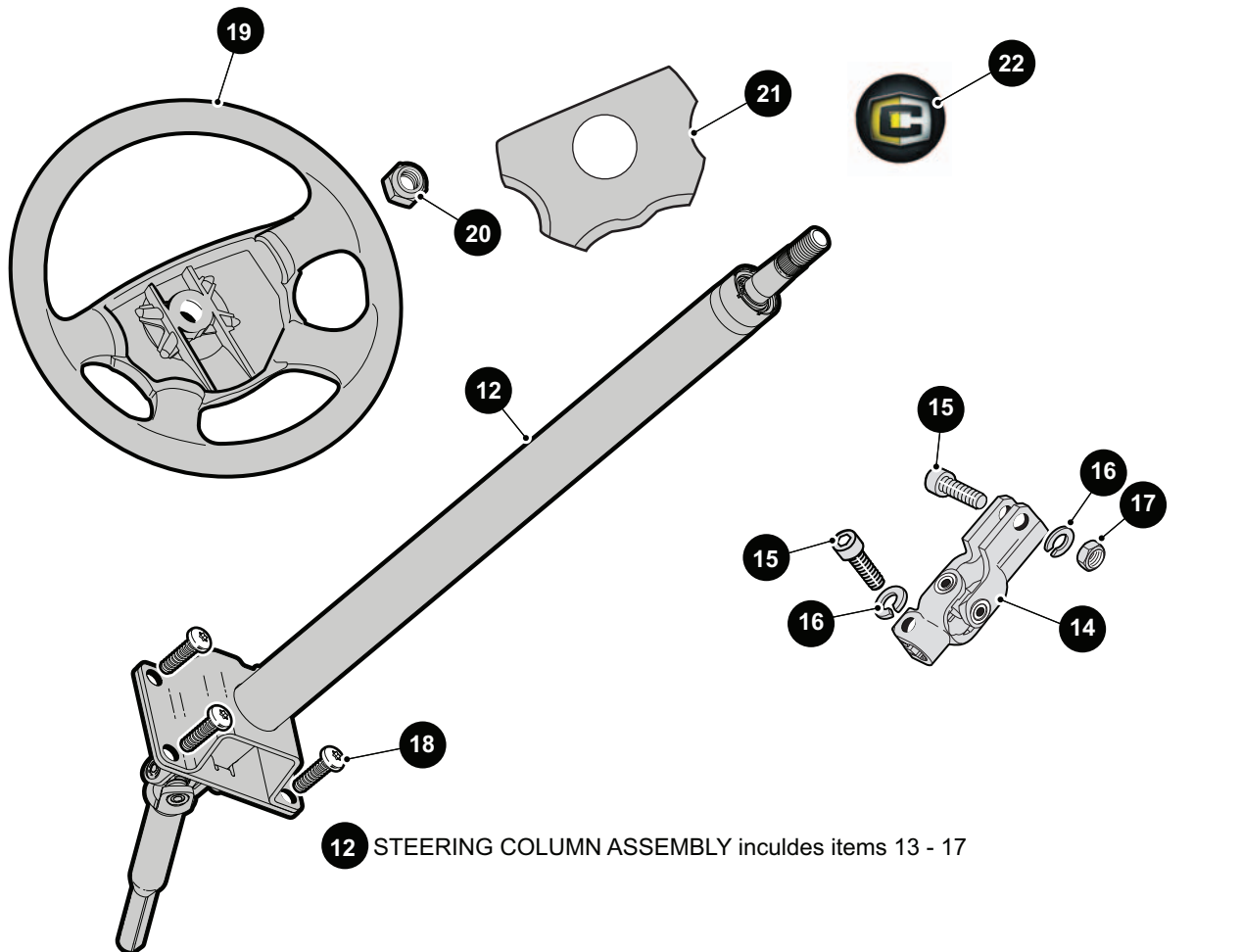
ITEM	PART NO.	1 2 3 4 5	DESCRIPTION	QTY.
1	613474		SEAT BELT KIT, (INCLUDES ITEMS 2 - 9)	1
2	*		SEAT BELT RETRACTOR ASSEMBLY	1
3	*		SEAT BELT BUCKLE LATCH, 6"	1
4	*		HEX HEAD SHOLDER BOLT, 7/16" - 20.....	2
5	*		PLASTIC INSERT LOCK NUT	4
6	*		HEX HEAD BOLT, 7/16" - 20 X 1" LG.....	2
7	*		FLAT WASHER, 1.25 X 500 X .084"	2
8	*		HOLE PLUG - 25.4 MM	1
9	*		FLAT WASHER, 1.313 X .615 X .145", EPDM	1
10	600525		FLANGED HEX LOCK NUT, M10 - 1.5.....	2
11	603800		HEX HEAD FLANGED BOLT, M10 - 1.5 X 50 MM LG.....	2
12	610755		HEX HEAD BOLT, 7/16" - 20 X 3/2" LG	1
13				
14				
15	612554		SEAT BELT BRACKET (PASSENGER SIDE)	1
16	612555		SEAT BELT BRACKET (DRIVER SIDE).....	1

STEERING



4 RACK COVER BELLOWS KIT includes items 5 - 7

1 STEERING RACK ASSEMBLY includes items 2 - 7



12 STEERING COLUMN ASSEMBLY includes items 13 - 17

STEERING

When ordering parts, please specify the model and serial number of the product.

* Indicates a component that is not available as an individual part.

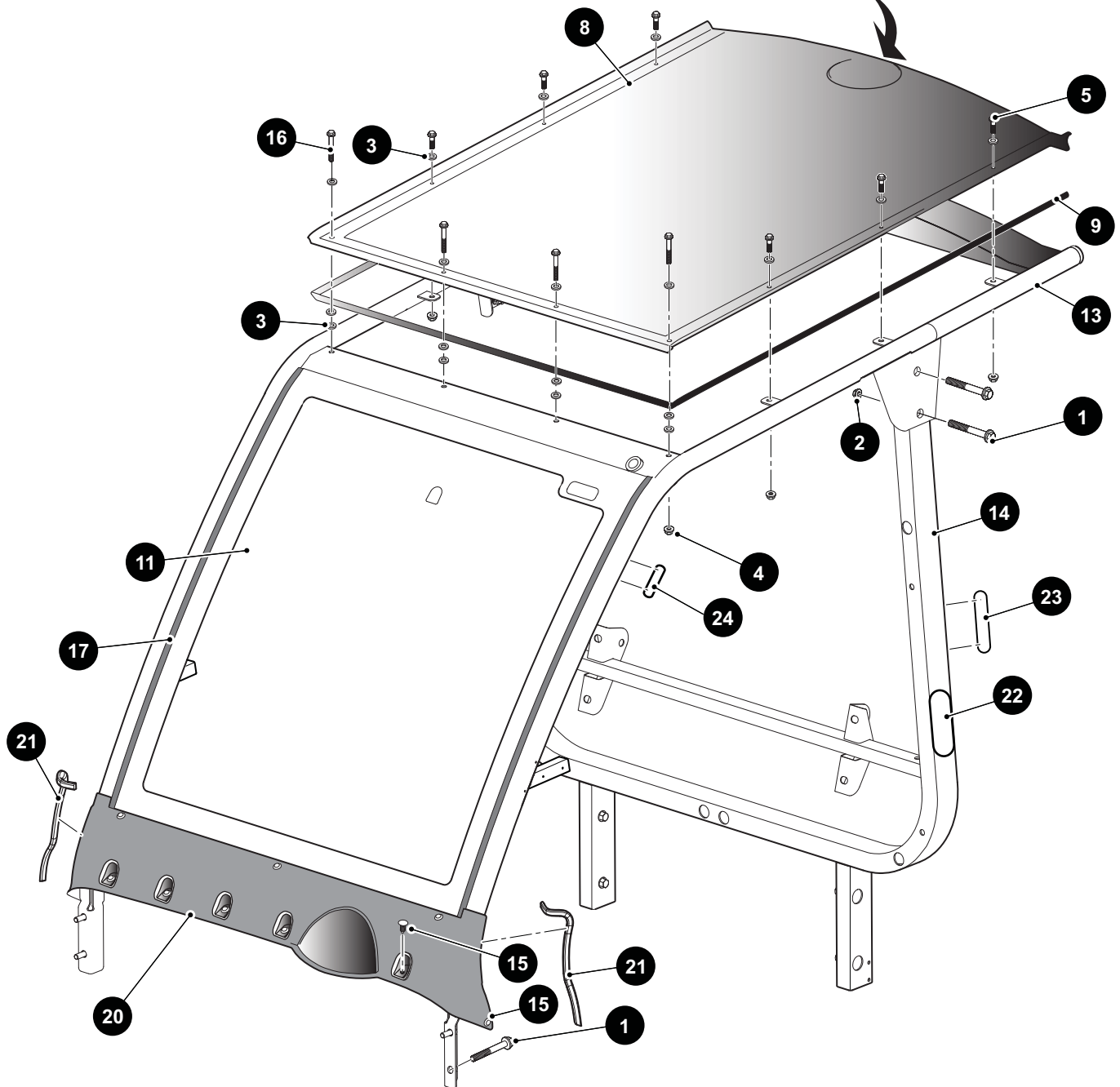
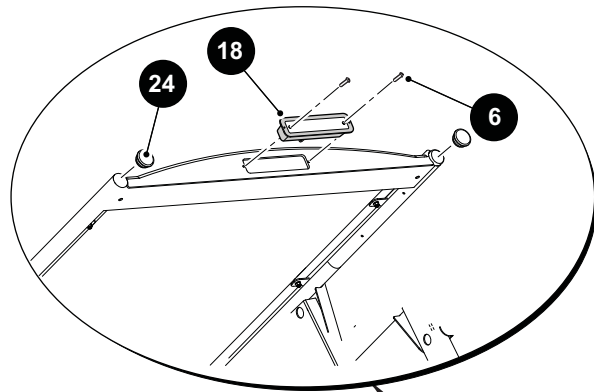
*** Indicates consult Customer Service Department for additional information.

ITEM	PART NO.	1 2 3 4 5	DESCRIPTION	QTY.
1	618330		STEERING RACK ASSEMBLY (INCLUDES ITEMS 2 - 7).....	1
2	*		STEERING ROD	2
3	*		ROD END	2
4	*		RACK COVER BELLOWS KIT (INCLUDES ITEMS 5 - 7)	2
5	*		BELLOWS.....	1
6	*		BELLOWS CLAMP (SMALL END).....	1
7	*		BELLOWS CLIP (LARGE END).....	1
8	602020		TORX SOCKET HEAD CAP SCREW, M10 - 1.5 X 50	3
9	608005		CASTLE HEX NUT, M12 - 1.25.....	2
10	10387G2		COTTER PIN	2
11				
12	600333		STEERING COLUMN ASSEMBLY (INCLUDES ITEMS 13 - 17)	1
13	608117		STEERING COLUMN SUB ASSEMBLY	1
14	608114		STEERING YOKE	1
15	608653		SOCKET HEAD BOLT, M10 - 1.5 X 35.....	2
16	608654		LOCK WASHER, M10.5	2
17	608655		HEX NUT, M10 - 1.5	1
18	602572		PAN HEAD TORX BOLT, M10 - 1.5 X 50.....	4
19	602980		STEERING WHEEL	1
20	601709		LOCK NUT, M16 - 2	1
21	71147G01		STEERING WHEEL COVER	1
22	618086		CUSHMAN DECAL, STEERING WHEEL ROUND.....	1

WEATHER PROTECTION

10 WINDSHIELD ASSEMBLY includes Items 11 - 12

19 WINDSHIELD TRIM ASSEMBLY includes items 20 - 21



WEATHER PROTECTION

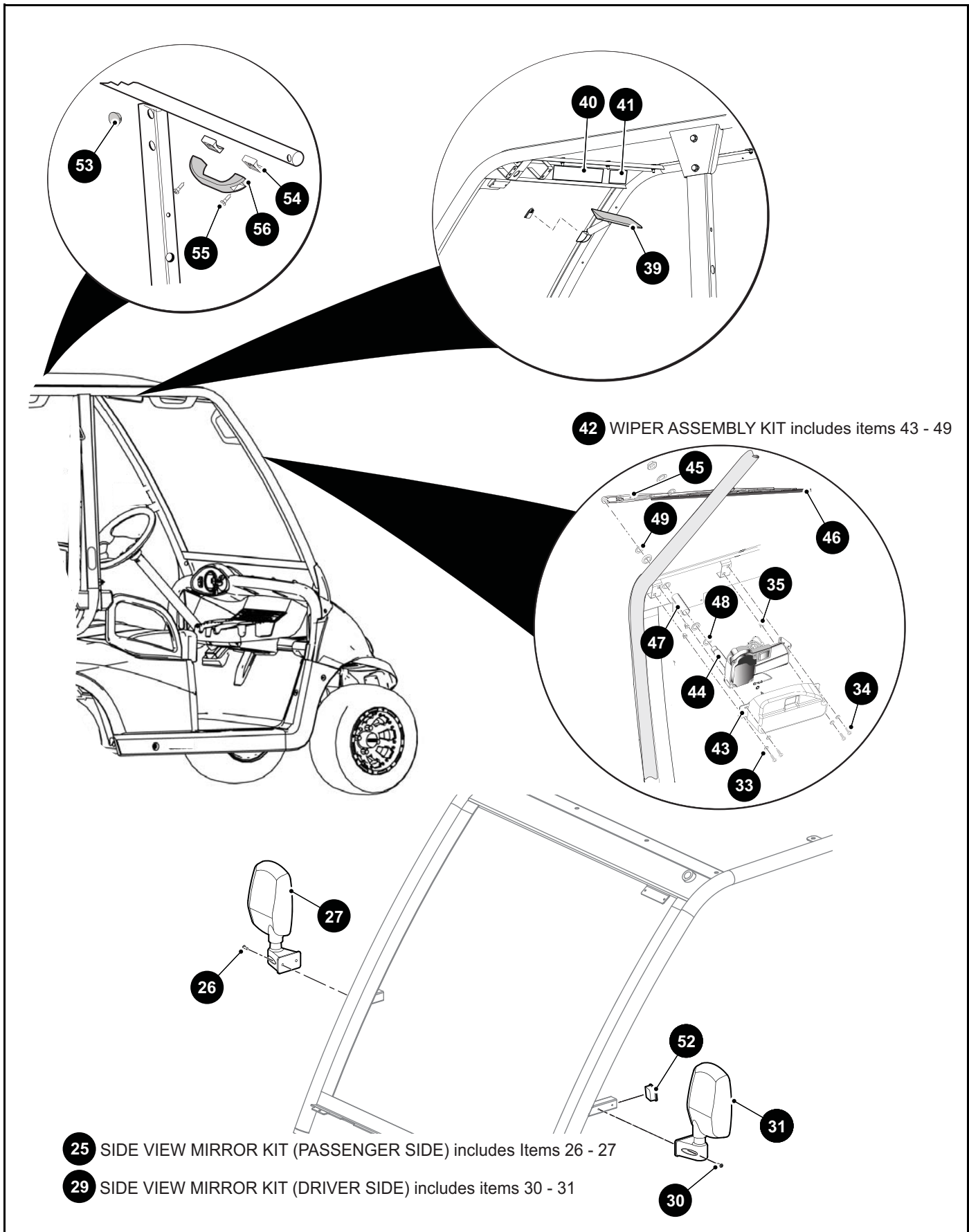
When ordering parts, please specify the model and serial number of the product.

* Indicates a component that is not available as an individual part.

*** Indicates consult Customer Service Department for additional information.

ITEM	PART NO.	1 2 3 4 5	DESCRIPTION	QTY.
1	603799		HEX HEAD FLANGED BOLT, M10 - 1.5 X 25MM LG.....	8
2	600525		FLANGED HEX LOCK NUT, M10 - 1.5.....	4
3	00915G1		BONDED SEAL WASHER, # 14.....	18
4	601476		LOCK NUT, M6 - 1	10
5	606264		HEX HEAD FLANGED BOLT, M6 - 1 X 20MM LG.....	6
6	00118G5		PAN HEAD PHILLIPS SELF TAPPING SCREW, #6 - 18 X .625" LG.....	2
7	613508		CANOPY KIT (INCLUDES ITEMS 8 & 9)	1
8	609233		SHORT CANOPY	1
9	609871		CANOPY WEATHER SEAL.....	1
10	611725		WINDSHIELD ASSEMBLY (INCLUDES ITEMS 11 - 12).....	1
11	609369		WINDSHIELD	1
12	611720		WINDSHIELD MIRROR MOUNT (NOT SHOWN)	1
13	626370		CANOPY W/MIRROR TUBE WELDED	1
14	609297		CANOPY WELDMENT, SUPPORT TUBE.....	1
15	18436G1		PLASTIC DRIVE RIVET, 3/16".....	10
16	606421		HEX HEAD FLANGED BOLT, M6 - 1 X 30MM LG.....	4
17	610105		WINDSHIELD SEAL	2
18	612021		CENTER BRAKE LIGHT ASSEMBLY	1
19	619351		WINDSHIELD TRIM ASSEMBLY (INCLUDES ITEMS 20 - 21).....	1
20	609313		WINDSHIELD TRIM	1
21	22280G1		BLACK TRIM, .52 SINGLE LIP - 10" LG	2
22	609418		REAR OVAL REFLEX REFLECTOR	2
23	609421		REAR REFLEX REFLECTOR	2
24	617679		TUBE PLUG (PLASTIC), 1.5" O.D.....	2
25	625785		SIDE VIEW MIRROR KIT (PASSENGER SIDE) (INCLUDES ITEMS 26 - 27)	1
26	00614G5		PAN HEAD SELF TAPPING SCREW, # 8 - 18 X 5/8" LG	2
27	621127		SIDE VIEW MIRROR (PASSENGER SIDE).....	1
28				
29	625786		SIDE VIEW MIRROR KIT (DRIVER SIDE) (INCLUDES ITEMS 30 - 31)	1
30	00614G5		PAN HEAD SELF TAPPING SCREW, # 8 - 18 X 5/8" LG	2
31	621147		SIDE VIEW MIRROR (DRIVER SIDE).....	1

WEATHER PROTECTION



WEATHER PROTECTION

When ordering parts, please specify the model and serial number of the product.

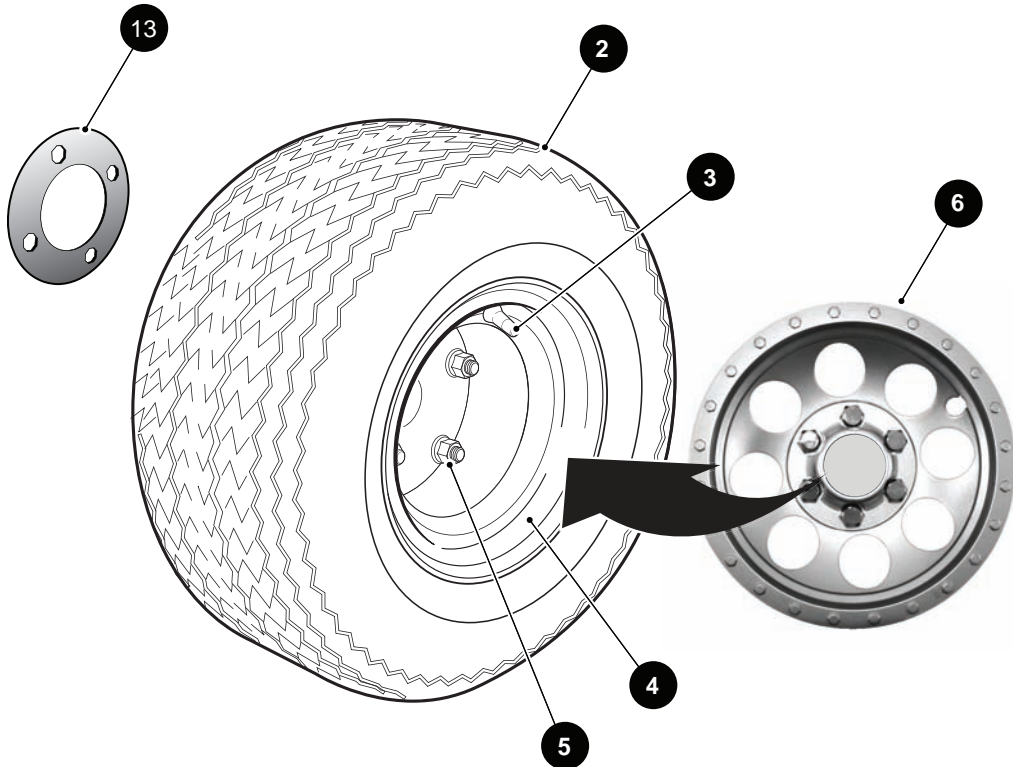
* Indicates a component that is not available as an individual part.

*** Indicates consult Customer Service Department for additional information.

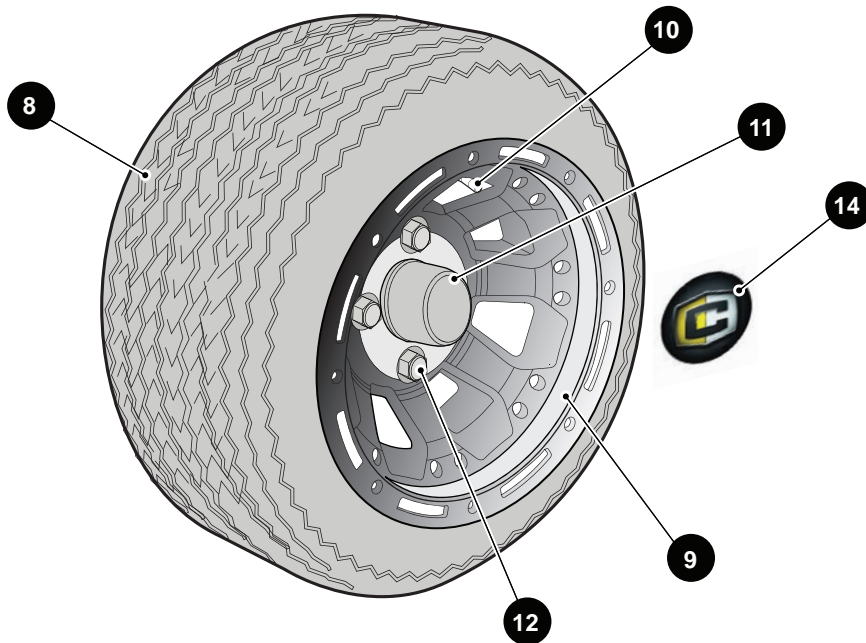
ITEM	PART NO.	1 2 3 4 5	DESCRIPTION	QTY.
32				
33	00559G4		FLAT WASHER, .18"	3
34	00614G4		PAN HEAD PHILLIPS SELF DRILL SCREW, #8 - 18 X 1/2" LG	4
35	609814		PLASTIC SCREW ANCHOR	4
36				
37				
38				
39	609376		REAR VIEW MIRROR	1
40	610798		OPERATING INSTRUCTIONS DECAL	1
41	611962		25MPH VEHICLE DECAL.....	1
42	611988		WIPER ASSEMBLY KIT (INCLUDES ITEMS 43 - 49).....	1
43	609204		WIPER MOTOR COVER.....	1
44	610695		WIPER MOTOR ASSEMBLY	1
45	609372		WIPER ARM.....	1
46	609427		WIPER BLADE, 22".....	1
47	612895		NYLON TUBE.....	1
48	21830G1		BRAKE DRUM WASHER, .76".....	1
49	613286		FLAT WASHER, 1.313" X .615 " X .145"	2
50				
51				
52	19853G1		TUBE CAP	2
53	604087		HOLE PLUG, 25.4MM.....	4
54	612254		GRAB HANDLE MOUNT	4
55	612255		PAN HEAD PHILLIPS TORX SCREW, 12" - 14 X 1" LG	4
56	611774		GRAB HANDLE	2

WHEELS AND TIRES

1 WHEEL & TIRE ASSEMBLY includes items 2, 3 & 4



7 WHEEL AND TIRE ASSEMBLY includes items 8, 9 & 10



WHEELS AND TIRES

When ordering parts, please specify the model and serial number of the product.

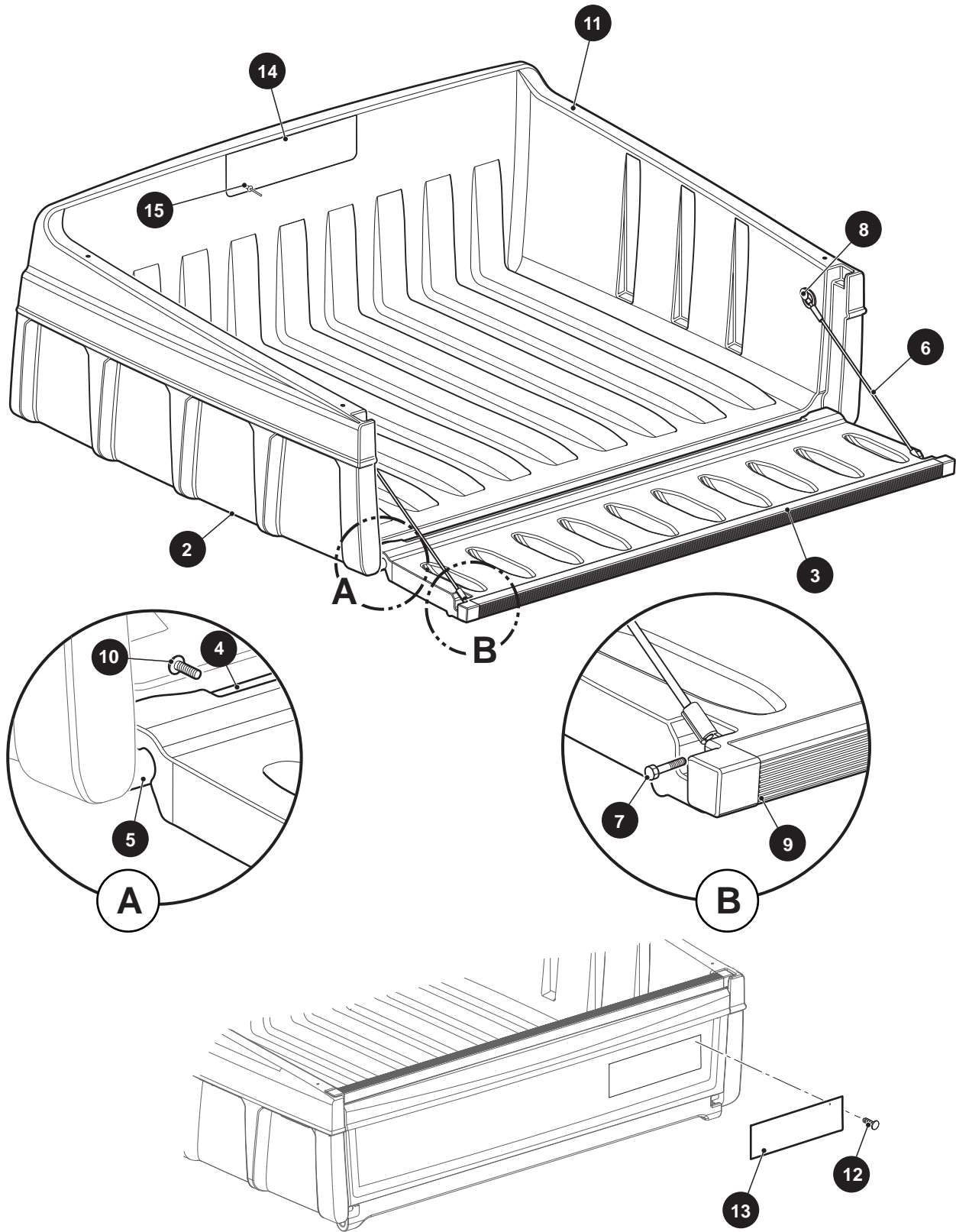
* Indicates a component that is not available as an individual part.

*** Indicates consult Customer Service Department for additional information.

ITEM	PART NO.	1 2 3 4 5	DESCRIPTION	QTY.
1	623904		WHEEL & TIRE ASSEMBLY (INCLUDES ITEMS 2, 3 & 4).....	1
2	614246		KENDA RADIAL PRO TOUR TIRE, 205/50 R10.....	1
3	620659		VALVE STEM.....	1
4	620658		SILVER CHROME WHEEL, 10 X 6.....	1
5	14723G1		LUG NUT, 1/2 - 20 UNF	4
6	608912		RALLY WHEEL COVER, 10"	1
7	623906		TIRE AND MAG WHEEL ASSEMBLY(INCLUDES ITEMS 8, 9 & 10)	1
8	614246		KENDA RADIAL PRO TOUR TIRE, 205/50 R10.....	1
9	606152		MAG WHEEL, 10" X 7"	1
10	604915		VALVE STEM, CHROME.....	1
11	624803		DIAMOND WHEEL CAP	1
12	605310		LUG NUT, CHROME 1/2 - 20 UNF	4
13	614837		WHEEL SPACER.....	4
14	624213		CUSHMAN HUB CAP DECAL.....	4

TRUCK BED MANUAL LIFT

1 36" PLASTIC BED ASSEMBLY includes items 2 - 11



TRUCK BED MANUAL LIFT

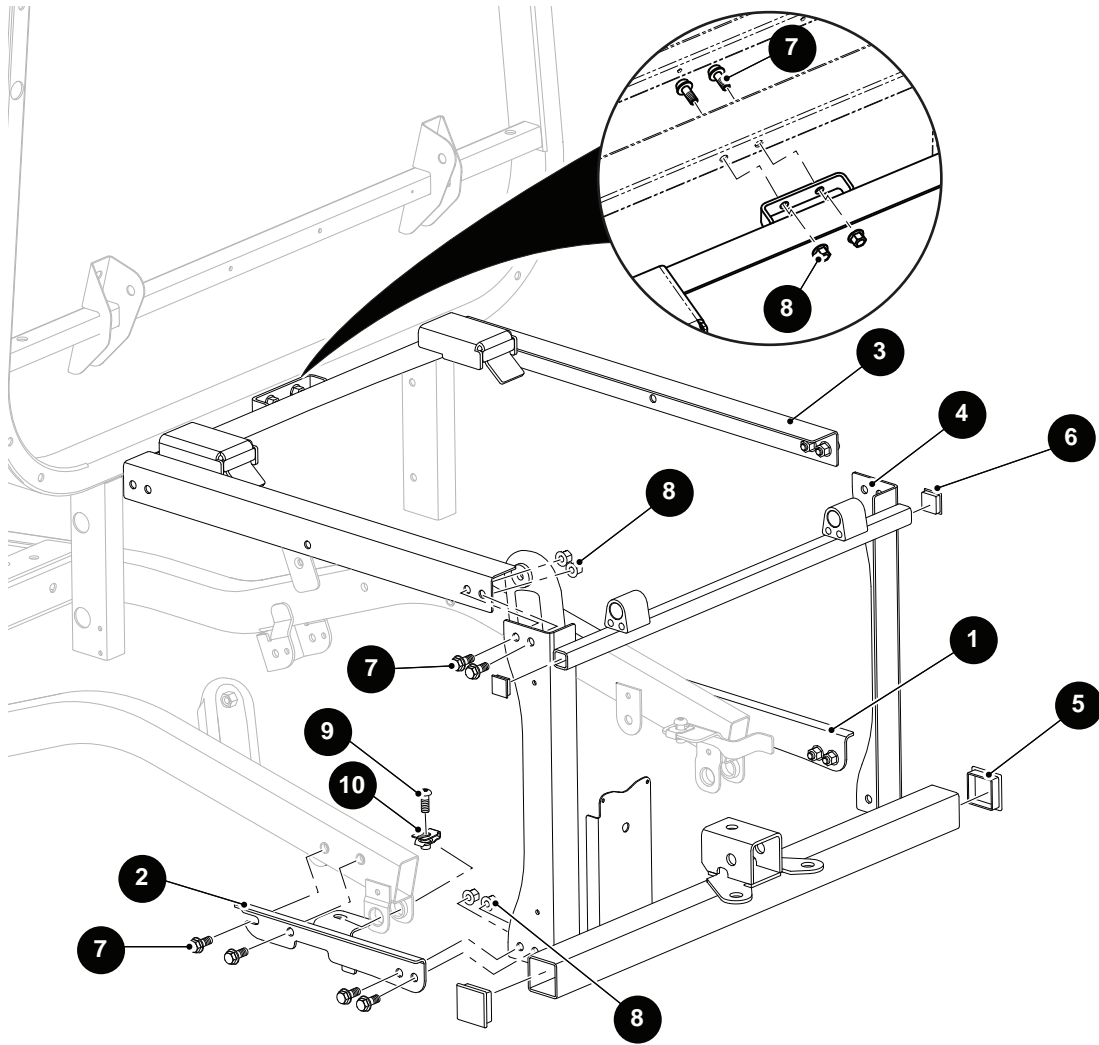
When ordering parts, please specify the model and serial number of the product.

* Indicates a component that is not available as an individual part.

*** Indicates consult Customer Service Department for additional information.

ITEM	PART NO.	1 2 3 4 5	DESCRIPTION	QTY.
1	72647G01		36" PLASTIC TRUCK BED ASSEMBLY (INCLUDES ITEMS 2 - 11)	1
2	72648G01		36" PLASTIC BED	1
3	72649G01		36" PLASTIC TAILGATE	1
4	73450G01		BOWED ANGLE	1
5	73454G01		PIVOT SHAFT	2
6	73455G02		TAILGATE CABLE ASSEMBLY	2
7	00415G2		HEX HEAD BOLT, 1/4 - 20 X 1.25" LG	2
8	73460G01		PHILLIPS SHOULDER SCREW, 1/4 - 20 X .75"	2
9	73449G01		TAILGATE CAP	1
10	16705G2		PAN HEAD PHILLIPS SCREW, 1/4 - 2 X .62" LG	4
11	16816G5		RACHET FASTENER	4
12	16816G02		RACHET FASTENER, 0.25" X 0.887"	4
13	619207		CUSHMAN TAILGATE DECAL	1
14	74821G07		BED CAPACITY LABEL, 300LB	1
15	710055G01		RIVET, 3/16"	6

TRUCK BED MANUAL LIFT



TRUCK BED MANUAL LIFT

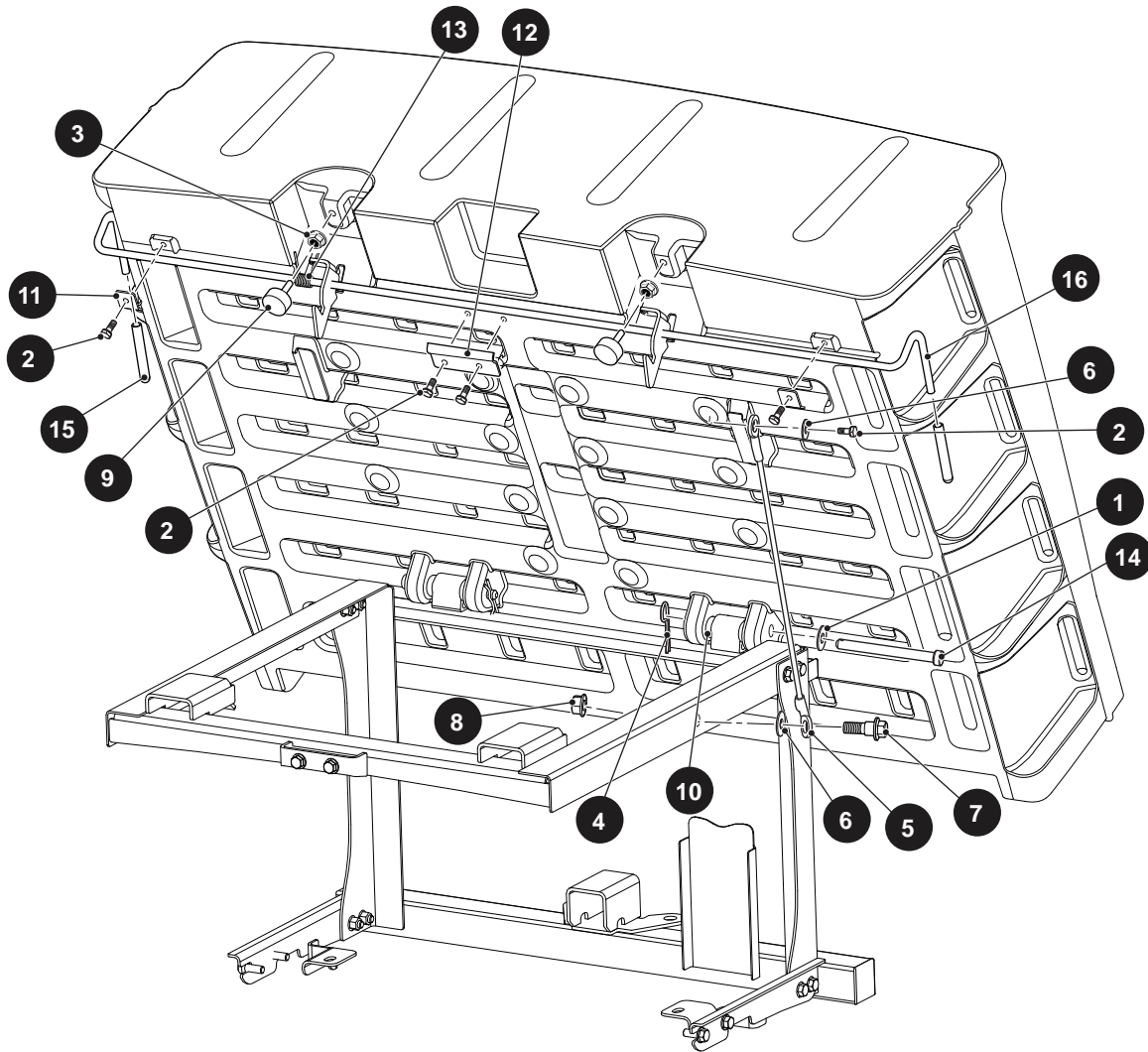
When ordering parts, please specify the model and serial number of the product.

* Indicates a component that is not available as an individual part.

*** Indicates consult Customer Service Department for additional information.

ITEM	PART NO.	1 2 3 4 5	DESCRIPTION	QTY.
1	624662		FRAME MOUNTED BED SUPPORT (PASSENGER SIDE).....	1
2	624660		FRAME MOUNTED BED SUPPORT (DRIVER SIDE)	1
3	624357		TOP RAILS	1
4	624358		REAR BED SUPPORT	1
5	626264		SQUARE TUBE, PLUG, 2".....	2
6	19853G1		SQUARE TUBE, CAP, 1"	2
7	603799		HEX HEAD FLANGED BOLT, M10 - 1.5 X 25	14
8	600525		FLANGED HEX LOCK NUT, M10 - 1.5.....	
9	600530		TORX HEAD BOLT, M10 - 1.5 X 25.....	2
10	603818		BARREL CLIP, M10 - 1.5.....	2

TRUCK BED MANUAL LIFT



TRUCK BED MANUAL LIFT

When ordering parts, please specify the model and serial number of the product.

* Indicates a component that is not available as an individual part.

*** Indicates consult Customer Service Department for additional information.

ITEM	PART NO.	1 2 3 4 5	DESCRIPTION	QTY.
1	00571G5		FLAT WASHER, 5/16".....	2
2	01118G01		HEX HEAD BOLT, 1/4 - 20 X 0.62"	5
3	11027G1		FLANGED HEX NUT, 5/16 - 18.....	2
4	21683G1		COTTER PIN, 2.9"	2
5	602904		BED TETHER CABLE ASSEMBLY	1
6	604066		FLAT WASHER, M10	2
7	606235		HEX HEAD FLANGED BOLT, M10 - 1.25 X 20	1
8	606274		FLANGED HEX NUT, M10 - 1.25.....	1
9	70113G01		ADJUSTABLE RUBBER BUMPER.....	2
10	70291G01		FLANGED BUSHING.....	4
11	71099G02		LATCH PLATE KEEPER.....	2
12	71477G02		BRACKET, LATCH RETAINER	1
13	71538G01		LATCH TORSION SPRING	1
14	71571G01		CLEVIS PIN, 5.25"	2
15	71704G01		HANDLE GRIP.....	2
16	74962G01		BED LATCH WELDMENT.....	1



CUSHMAN™

E-Z-GO Division of Textron Inc.,
1451 Marvin Griffin Road, Augusta, Georgia 30906 - 3852 USA

TO CONTACT US...

North America:

Technical Assistance & Warranty Phone: 1-800-774-3946, FAX: 1-800-448-8124

Service Parts Phone: 1-888-GET-E-Z-GO (1-888-438-3946), FAX: 1-800-752-6175

International: Phone: 001-706-798-4311, FAX: 001-706-771-4609

Service Parts Manuals, as well as Repair and Service Manuals
are available from a local Distributor, an authorized Branch,
Genuine E-Z-GO Parts & Accessories Department or at www.shopezgo.com.

Copyrighted Material
This manual may not be reproduced in whole or
in part without the express permission of
E-Z-GO Division of Textron Inc.
Technical Communications Department