



A Textron Company

# RXV GASOLINE SERVICE PARTS MANUAL



# 607976

ISSUED JANUARY 2008

REVISED MARCH 2009



# **SERVICE PARTS MANUAL**

## **GASOLINE POWERED GOLF CARS & PERSONAL VEHICLES**

**RXV GOLF CAR**

**RXV FREEDOM™**

**RXV SHUTTLE 2 + 2**

**Starting Model Year 2008**

E-Z-GO Division of TEXTRON Inc. reserves the right to incorporate engineering and design changes to products in this Manual, without obligation to include these changes on units leased/sold previously.

The information contained in this Manual may be revised periodically by the E-Z-GO Division, and therefore is subject to change without notice.

The E-Z-GO Division **DISCLAIMS LIABILITY FOR ERRORS IN THIS MANUAL**, and the E-Z-GO Division **SPECIFICALLY DISCLAIMS LIABILITY FOR INCIDENTAL AND CONSEQUENTIAL DAMAGES** resulting from the use of the information and materials in this Manual.

### **TO CONTACT US**

#### **NORTH AMERICA:**

**TECHNICAL ASSISTANCE & WARRANTY PHONE: 1-800-774-3946, FAX: 1-800-448-8124**

**SERVICE PARTS PHONE: 1-888-GET-EZGO (1-888-438-3946), FAX: 1-800-752-6175**

**INTERNATIONAL: PHONE: 001-706-798-4311, FAX: 001-706-771-4609**

**E-Z-GO DIVISION OF TEXTRON INC., 1451 MARVIN GRIFFIN ROAD, AUGUSTA, GEORGIA USA 30906-3852**

## **GENERAL INFORMATION**

**This vehicle has been designed and manufactured in the United States of America (USA) as a 'World Vehicle'. The Standards and Specifications listed in the following text originate in the USA unless otherwise indicated.**

**The use of non Original Equipment Manufacturer (OEM) approved parts may void the warranty.**

**Tampering with or adjusting the governor to permit vehicle to operate at above factory specifications will void the vehicle warranty.**

**When servicing engines, all adjustments and replacement components must be per original vehicle specifications in order to maintain the United States of America Federal and State emission certification applicable at the time of manufacture.**

### **BATTERY PROLONGED STORAGE**

**All batteries will self discharge over time. The rate of self discharge varies depending on the ambient temperature and the age and condition of the batteries.**

**A fully charged battery will not freeze in winter temperatures unless the temperature falls below -75° F (-60° C).**

# TABLE OF CONTENTS

| SECTION  | Page No. |
|--|----------|
| <b>HOW TO USE THE SERVICE PARTS MANUAL</b> ..... | Vii      |
| <b>ACCELERATOR PEDAL ASSEMBLY</b> .....          | A-1      |
| • Pedal Cover                                    |          |
| • Accelerator Pedal                              |          |
| • Accelerator Pedal Switch                       |          |
| <b>AIR FILTER</b> .....                          | B-1      |
| • Air Cleaner Element                            |          |
| • Air Filter Housing                             |          |
| • Air Cleaner Hose                               |          |
| <b>BODY - FRONT</b> .....                        | C-1      |
| • Front Bumper                                   |          |
| • Front Splash Shield                            |          |
| • Cowl   |          |
| • Nameplate                                      |          |
| • Instrument Panel                               |          |
| • Instrument Panel Trim                          |          |
| • Cup Holder                                     |          |
| <b>BODY - MID SECTION</b> .....                  | C-5      |
| • Pedal Cover                                    |          |
| • Floorboard                                     |          |
| • Floormat                                       |          |
| • Rocker Panels                                  |          |
| <b>BODY - REAR</b> .....                         | C-7      |
| • Rear Body                                      |          |
| • Rear Splash Shields                            |          |
| • Seat Support                                   |          |
| • Bagwell Liner                                  |          |
| • Access Panel                                   |          |
| <b>BODY - ACCESSORIES</b> .....                  | C-11     |
| • Sand Bottle                                    |          |
| • Cooler Jug                                     |          |
| • Scuff Guard                                    |          |
| • Soft Swipe                                     |          |
| <b>BODY - ACCESSORIES</b> .....                  | C-13     |
| • Divot Repair Kit                               |          |
| • Club & Ball Washer                             |          |
| • Four Bag Attachment                            |          |
| <b>BRAKES</b> .....                              | D-1      |
| • Brake Pedal Pad                                |          |
| • Brake Pedal                                    |          |
| • Brake Cable                                    |          |
| • Brake Drum Assembly                            |          |
| <b>CARBURETOR AND CHOKE</b> .....                | E-1      |
| • Carburetor                                     |          |
| • Main Jet                                       |          |
| • Choke Cable                                    |          |
| <b>CLUTCH</b> .....                              | F-1      |
| • Drive Clutch                                   |          |

# TABLE OF CONTENTS

| SECTION                                    | Page No.   |
|--|------------|
| • Driven Clutch                            |            |
| <b>DIRECTION SELECTOR</b> .....            | <b>G-1</b> |
| • Push/Pull Shifter Cable                  |            |
| • Compression Spring                       |            |
| • Neutral Lock Bracket                     |            |
| <b>ELECTRICAL SYSTEM</b> .....             | <b>H-1</b> |
| • Main Harness                             |            |
| • Battery                                  |            |
| • Hour Meter                               |            |
| • Ground Cable                             |            |
| • Turn Signal                              |            |
| • Headlight                                |            |
| • Key Switch                               |            |
| • Tail Lights                              |            |
| <b>ENGINE AND MUFFLER</b> .....            | <b>J-1</b> |
| • Engine                                   |            |
| • Muffler                                  |            |
| • Oil Dip Stick                            |            |
| • Oil Filter                               |            |
| <b>ENGINE MOUNTING</b> .....               | <b>K-5</b> |
| • Engine Pan Mount                         |            |
| • Front Engine Mount                       |            |
| <b>FRONT SUSPENSION AND STEERING</b> ..... | <b>L-1</b> |
| • Strut                                    |            |
| • Spindle                                  |            |
| • A-Arm                                    |            |
| • Steering Box                             |            |
| • Steering Column                          |            |
| • Steering Wheel                           |            |
| <b>FUEL SYSTEM</b> .....                   | <b>M-1</b> |
| • Fuel Tank                                |            |
| • Pulse Line                               |            |
| <b>REAR AXLE</b> .....                     | <b>N-1</b> |
| • Axle Shaft                               |            |
| • Axle Tube                                |            |
| • Oil Check Plug                           |            |
| <b>REAR SUSPENSION</b> .....               | <b>P-1</b> |
| • Shocks                                   |            |
| • Leaf Spring                              |            |
| • Shackles                                 |            |
| <b>SEATING - GOLF CAR</b> .....            | <b>Q-1</b> |
| • Seat Bottom                              |            |
| • Seat Back                                |            |
| • Hip Restraints                           |            |
| • Seat Back Support                        |            |
| <b>SEATING - SHUTTLE 2+2</b> .....         | <b>Q-5</b> |
| • Seat Bottom, Rear Facing Seat            |            |
| • Seat Back, Rear Facing Seat              |            |

# TABLE OF CONTENTS

| <b>SECTION</b>   | <b>Page No.</b> |
|--|-----------------|
| • Floorboard, Rear Facing Seat<br>• Arm Rest, Rear Facing Seat |                 |
| <b>STARTER / GENERATOR</b> .....                               | <b>R-5</b>      |
| • Starter<br>• Starter Belt<br>• Starter Tensioner             |                 |
| <b>TOW BAR</b> .....   | <b>S-1</b>      |
| <b>WEATHER PROTECTION - GOLF CAR</b> .....                     | <b>T-1</b>      |
| • Sun Top  |                 |
| <b>WEATHER PROTECTION - SHUTTLE 2+2</b> .....                  | <b>T-3</b>      |
| • Sun Top  |                 |
| <b>WEATHER PROTECTION - WINDHIELD</b> .....                    | <b>T-5</b>      |
| <b>WHEELS AND TIRES</b> .....                                  | <b>U-1</b>      |
| • Tire & Wheel Assembly<br>• Lug Nuts<br>• Dust Cap            |                 |

# TABLE OF CONTENTS

**SECTION**

**Page No.**



# HOW TO USE THE SERVICE PARTS MANUAL

This manual is divided into several sections:

## GENERAL INFORMATION

- TABLE OF CONTENTS
- HOW TO USE THE SERVICE PARTS MANUAL

## ILLUSTRATED PARTS BREAKDOWN

- Contains illustrations and parts lists for all systems of the vehicle.

## USE OF THE MANUAL

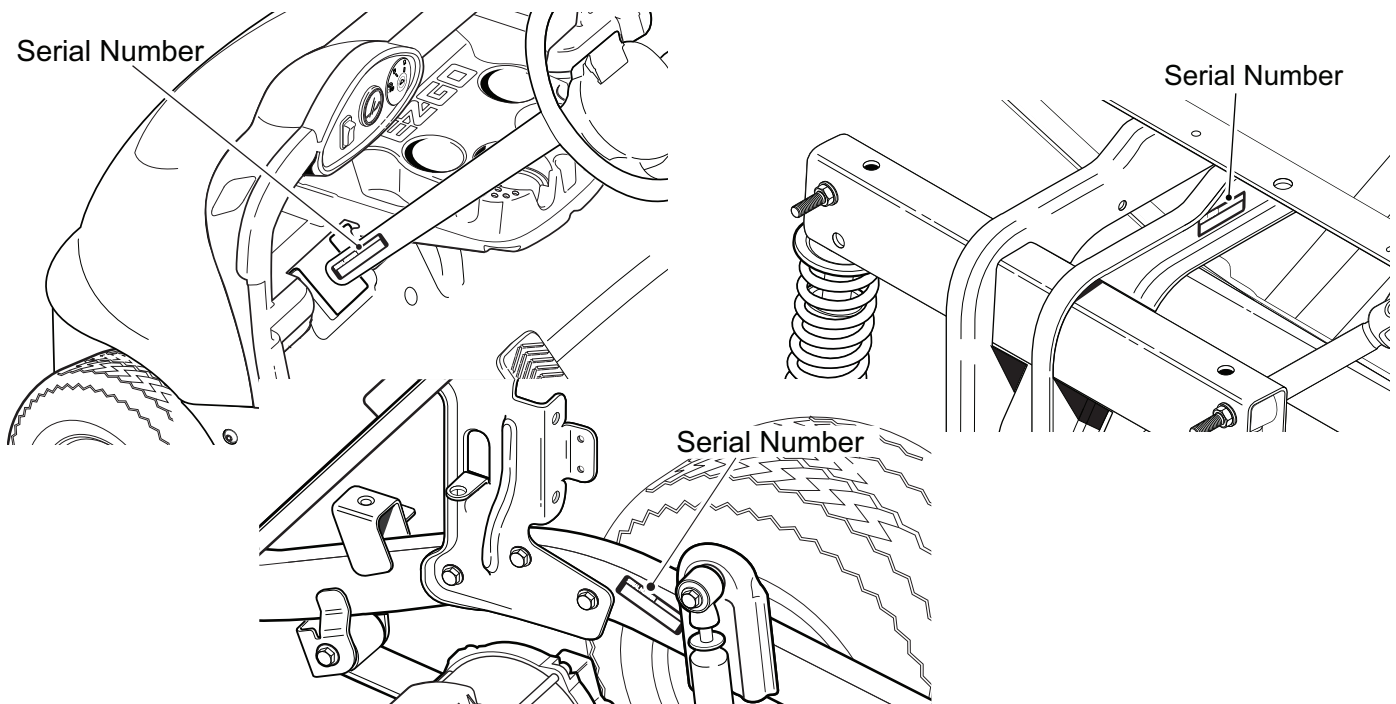
To use this manual, consult the TABLE OF CONTENTS (page iii) to locate the information or illustration required.

Introduction of some revisions varies due to supply of components; therefore, it is possible that various combinations of components may be found that are not directly reflected by each illustration. Consult the illustration that best suits your situation. Locate the serial number. It is important that the serial number of your vehicle and its model number be supplied to Service Parts when ordering any replacement components.

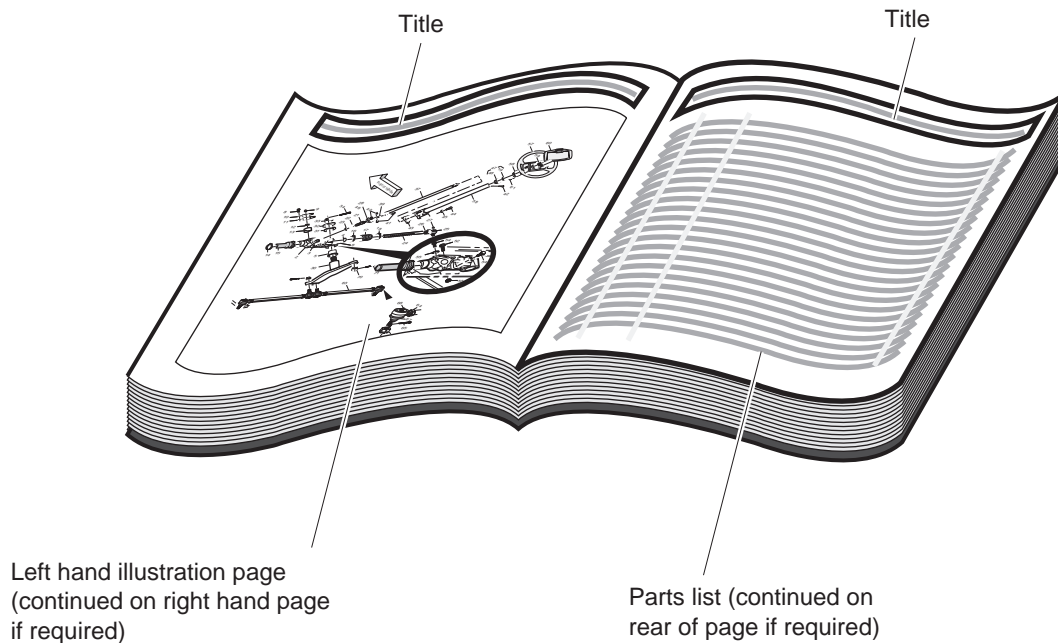
## SERIAL NUMBER LOCATION

Three serial number and manufacture date code labels are on the vehicle. One is placed on the steering column, the second is located on the frame member under the front splash shield on the driver side and the third is located on the passenger side frame rail at the rear of the vehicle.

In order to obtain correct components for the vehicle, the manufacture date code, serial number and vehicle model must be provided when ordering service parts.



# HOW TO USE THE SERVICE PARTS MANUAL



## 1. WHEN THE PART NUMBER IS NOT KNOWN

- Determine the function and application of the part required. Turn to the TABLE OF CONTENTS and select the most appropriate component description.
- Turn to the page number indicated and locate the part description in the parts list. Read the full accompanying description for specific information regarding the part that was not shown in the index.
- From the parts list, obtain the item number assigned to it and confirm that the part selected is correct by verifying it with the pictorial representation on the illustrated page.

Should an asterisk (\*) appear in the part number column on the parts list page, read upwards until a part number is found. The part number is the lowest assembly sold by Service Parts. The asterisk (\*) indicates that the part depicted is not available for purchase.

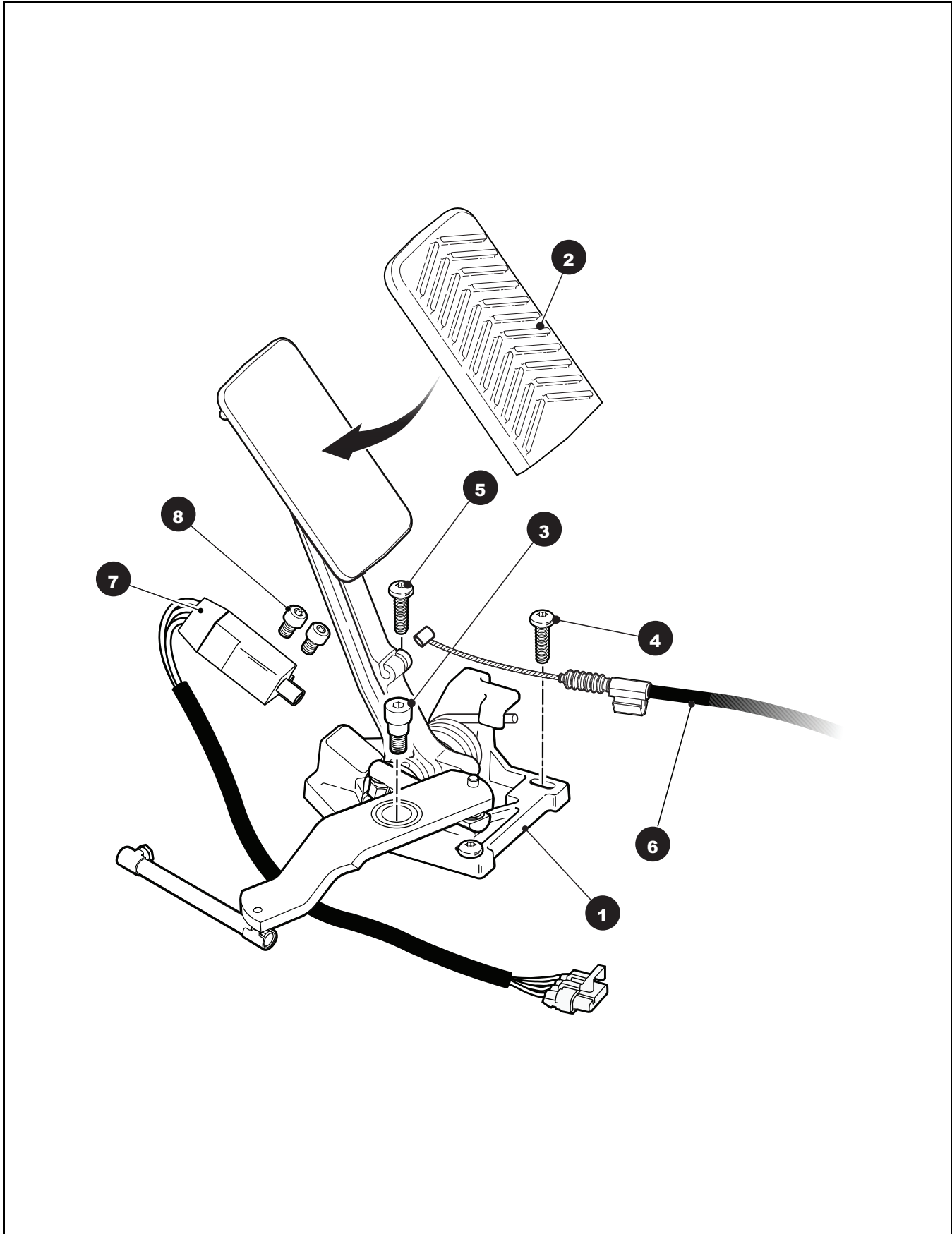
NOTE: Descriptions are indented under the assembly that they are used on. That assembly is, in turn listed under the assembly that it is used on. This process is repeated until the highest final assembly is reached.

**To facilitate the maintenance and repair of the vehicle, a Technician's Repair and Service Manual is available from the Service Parts Department.**

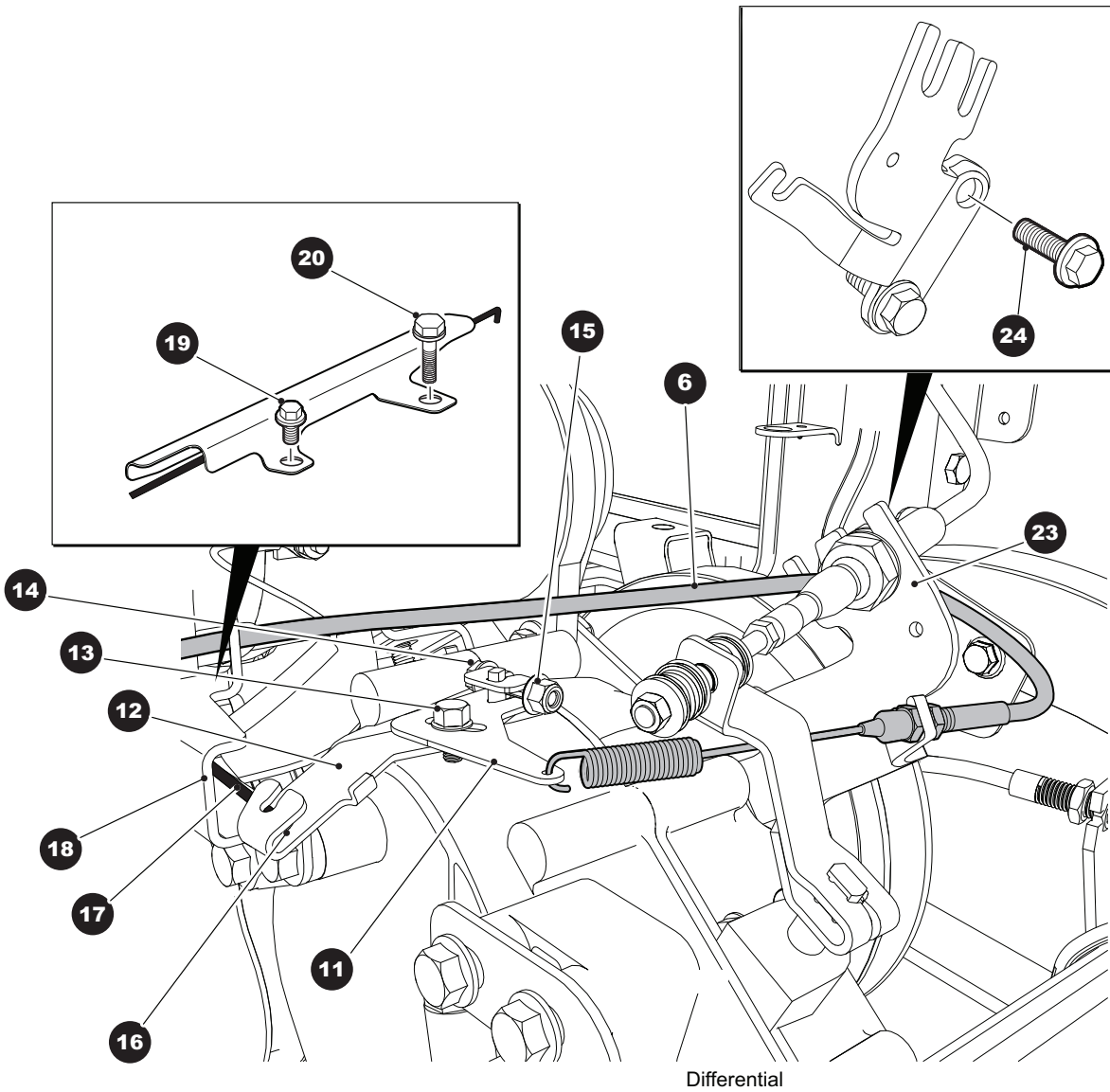
# **ILLUSTRATED PARTS BREAKDOWN**

## **ILLUSTRATED PARTS BREAKDOWN**

# ACCELERATOR



# ACCELERATOR



# ACCELERATOR

Where applicable, THE USE OF NON UL PARTS WILL VOID ANY UL LISTING.

When ordering parts, please specify the model and serial number of the product.

\* Indicates a component that is not available as an individual part.

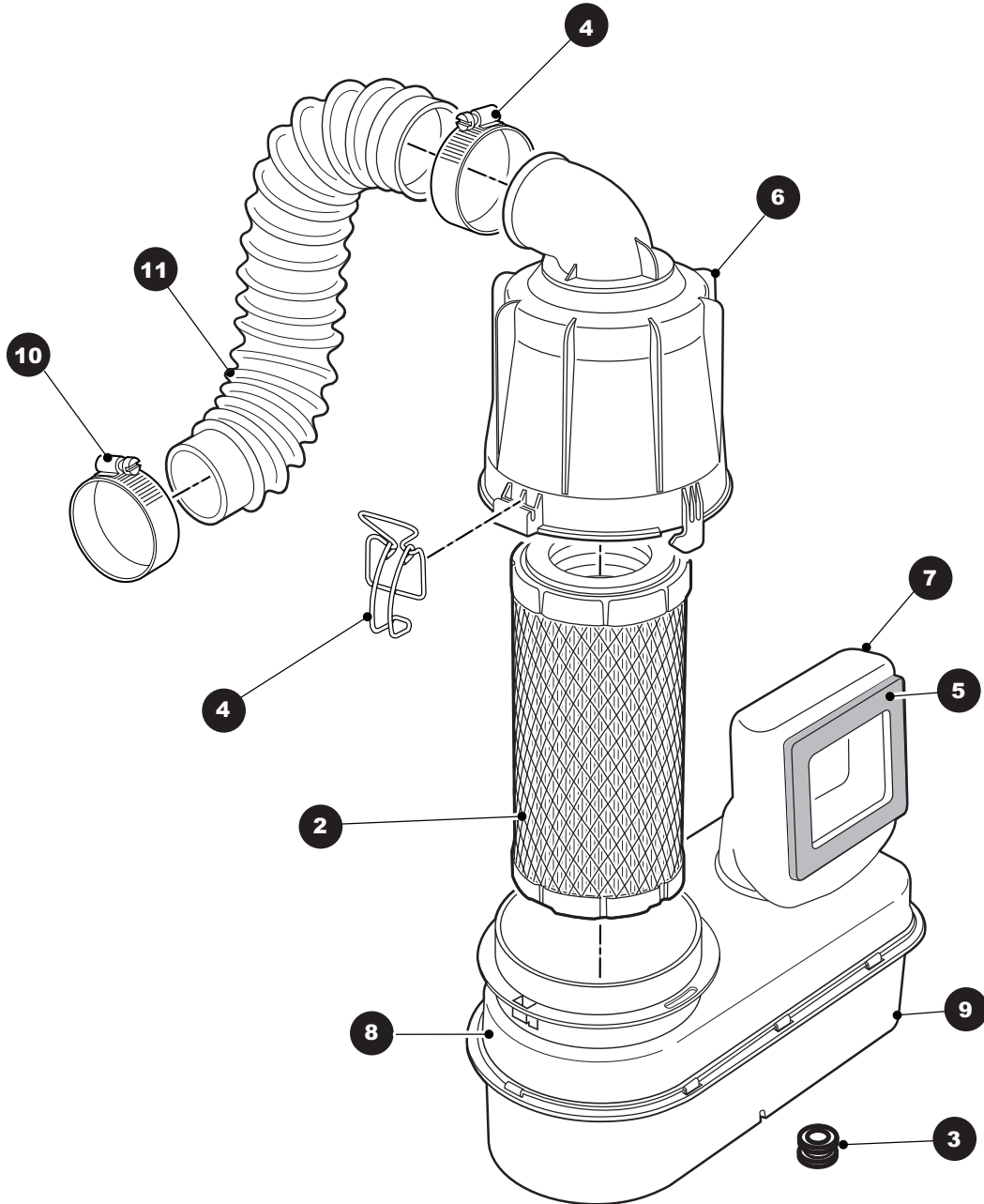
G\*\* Indicates consult Customer Service Department for additional information.

| ITEM | PART NO. | 1 2 3 4 5 | DESCRIPTION                                    | QTY. |
|------|----------|-----------|--|------|
| 1    | 604991   |           | ACCELERATOR PEDAL ASSEMBLY .....               | 1    |
| 2    | 600255   |           | ACCELERATOR PEDAL COVER .....                  | 1    |
| 3    | 604536   |           | BOLT, M8 - 1.25 X 20 .....                     | 1    |
| 4    | 606277   |           | BOLT, M6 .....                                 | 3    |
| 5    | 608290   |           | BOLT, .....                                    | 2    |
| 6    | 604099   |           | ACCELERATOR CABLE .....                        | 1    |
| 7    | 607605   |           | ACCELERATOR PEDAL SWITCH.....                  | 1    |
| 8    | 620030   |           | SOCKET HEAD SCREW, M5 X 0.8 .....              | 2    |
| 9    |          |           |  |      |
| 10   |          |           |  |      |
| 11   | 606083   |           | UPPER GOVERNOR BRACKET .....                   | 1    |
| 12   | 606005   |           | LOWER GOVERNOR BRACKET .....                   | 1    |
| 13   | 606265   |           | BOLT, M6 - 1 X 12 .....                        | 1    |
| 14   | 606421   |           | BOLT, M6 - 1 X 30 .....                        | 1    |
| 15   | 450452   |           | NUT, M6 - 1.0 .....                            | 1    |
| 16   | 606283   |           | GOVERNOR LEVER BUSHING .....                   | 1    |
| 17   | 606284   |           | GOVERNOR ROD .....                             | 1    |
| 18   | 603890   |           | GOVERNOR ROD GUARD .....                       | 1    |
| 19   | 606264   |           | BOLT, M6 - 1 X 20 .....                        | 1    |
| 20   | 606262   |           | BOLT, M8 - 1.25 X 16 .....                     | 1    |
| 21   |          |           |  |      |
| 22   |          |           |  |      |
| 23   | 606074   |           | GOVERNOR CABLE/DIRECTION SELECTOR BRACKET..... | 1    |
| 24   | 606256   |           | BOLT, M10 - 1.25 X 16 .....                    | 2    |



# AIR FILTER

**1** - Includes items 2 - 9



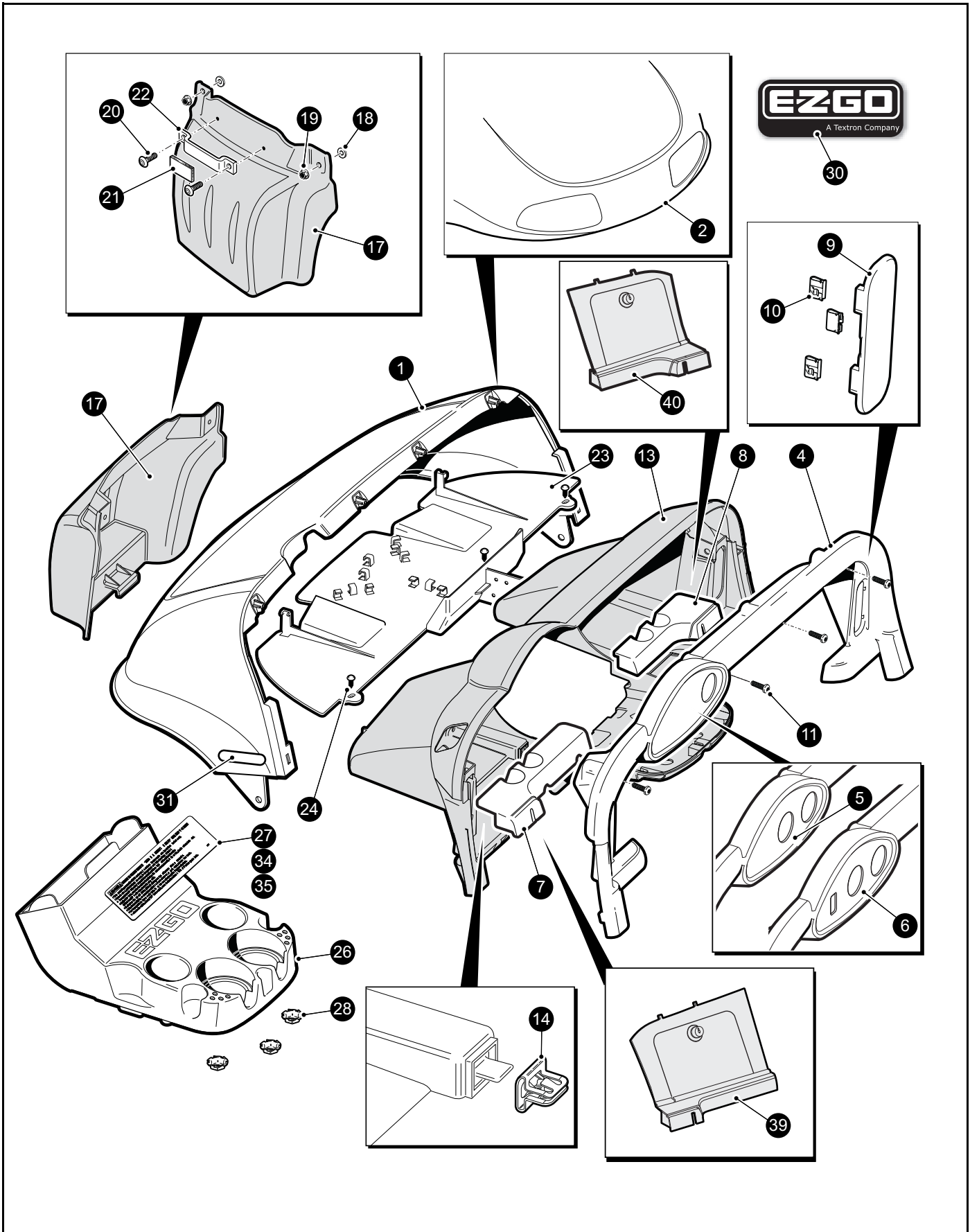


# AIR FILTER

THE USE OF NON U.L. PARTS WILL VOID ANY U.L. LISTING.  
 When ordering parts, please specify the model and serial number of the product.  
 \* Indicates a component that is not available as an individual part.  
 G\*\* Indicates consult Customer Service Department for additional information.

| ITEM | PART NO. | 1 2 3 4 5 | DESCRIPTION                    | QTY. |
|------|----------|-----------|--------------------------------|------|
| 1    | 601729   |           | AIR CLEANER ASSEMBLY .....     | 1    |
| 2    | 28463G01 |           | AIR CLEANER ELEMENT .....      | 1    |
| 3    | 603752   |           | AIR CLEANER BASE GROMMET ..... | 3    |
| 4    | 603750   |           | AIR FILTER LATCH .....         | 1    |
| 5    | 603749   |           | INTAKE TUBE GASKET .....       | 1    |
| 6    | 601728   |           | AIR FILTER HOUSING .....       | 1    |
| 7    | 601727   |           | AIR FILTER INTAKE TUBE .....   | 1    |
| 8    | 601726   |           | AIR FILTER COVER .....         | 1    |
| 9    | 601725   |           | AIR FILTER BASE .....          | 1    |
| 10   | 11391G7  |           | HOSE CLAMP .....               | 2    |
| 11   | 601910   |           | AIR CLEANER HOSE .....         | 1    |

# BODY



When ordering parts, please specify the model and serial number of the product.

\* Indicates a component that is not available as an individual part.

\*\*\* Indicates consult Customer Service Department for additional information.

| ITEM | PART NO.  | 1 2 3 4 5 | DESCRIPTION   | QTY. |
|------|-----------|-----------|---|------|
| 1    | 6XXXXX*** |           | FRONT COWL, WITHOUT HEADLIGH OPENING (see colors below) .....<br>606953 .... IVORY<br>606954 .... FORREST GREEN<br>606955 .... PATRIOT BLUE<br>606956 .... BLACK<br>606957 .... MOLTEN RED<br>606958 .... BRIGHT WHITE<br>606959 .... FLAME RED<br>606960 .... STEEL BLUE<br>608476 .... PLATINUM<br>608477 .... ALMOND<br>608493 .... ELECTRIC BLUE<br>608494 .... INFERNO RED | 1    |
| 2    | 6XXXXX*** |           | FRONT COWL, WITH HEADLIGHT OPENING (see colors below) .....<br>620227 .... IVORY<br>620228 .... FORREST GREEN<br>620229 .... PATRIOT BLUE<br>620230 .... BLACK<br>620231 .... MOLTEN RED<br>620232 .... BRIGHT WHITE<br>620233 .... FLAME RED<br>620234 .... STEEL BLUE<br>608478 .... PLATINUM<br>608479 .... ALMOND<br>608516 .... ELECTRIC BLUE<br>608517 .... INFERNO RED   | 1    |
| 3    |           |           |   |      |
| 4    | 600242    |           | INSTRUMENT PANEL TRIM, OPENING FOR KEY SWITCH ONLY .....  | 1    |
| 5    | 608808    |           | INSTRUMENT PANEL TRIM, OPENING FOR KEY SWITCH & SOC .....   | 1    |
| 6    | 608864    |           | INSTRUMENT PANEL TRIM, OPENING FOR KEY SW, SOC & LIGHT SW.  | 1    |
| 7    | 600243    |           | BALL HOLDER INSERT, DRIVER SIDE.....  | 1    |
| 8    | 600241    |           | BALL HOLDER INSERT, PASSENGER SIDE .....  | 1    |
| 9    | 602388    |           | ACCESS COVER ASSEMBLY .....   | 1    |
| 10   | 602100    |           | U-CLIP .....  | 1    |
| 11   |           |           |   |      |

# BODY

When ordering parts, please specify the model and serial number of the product.

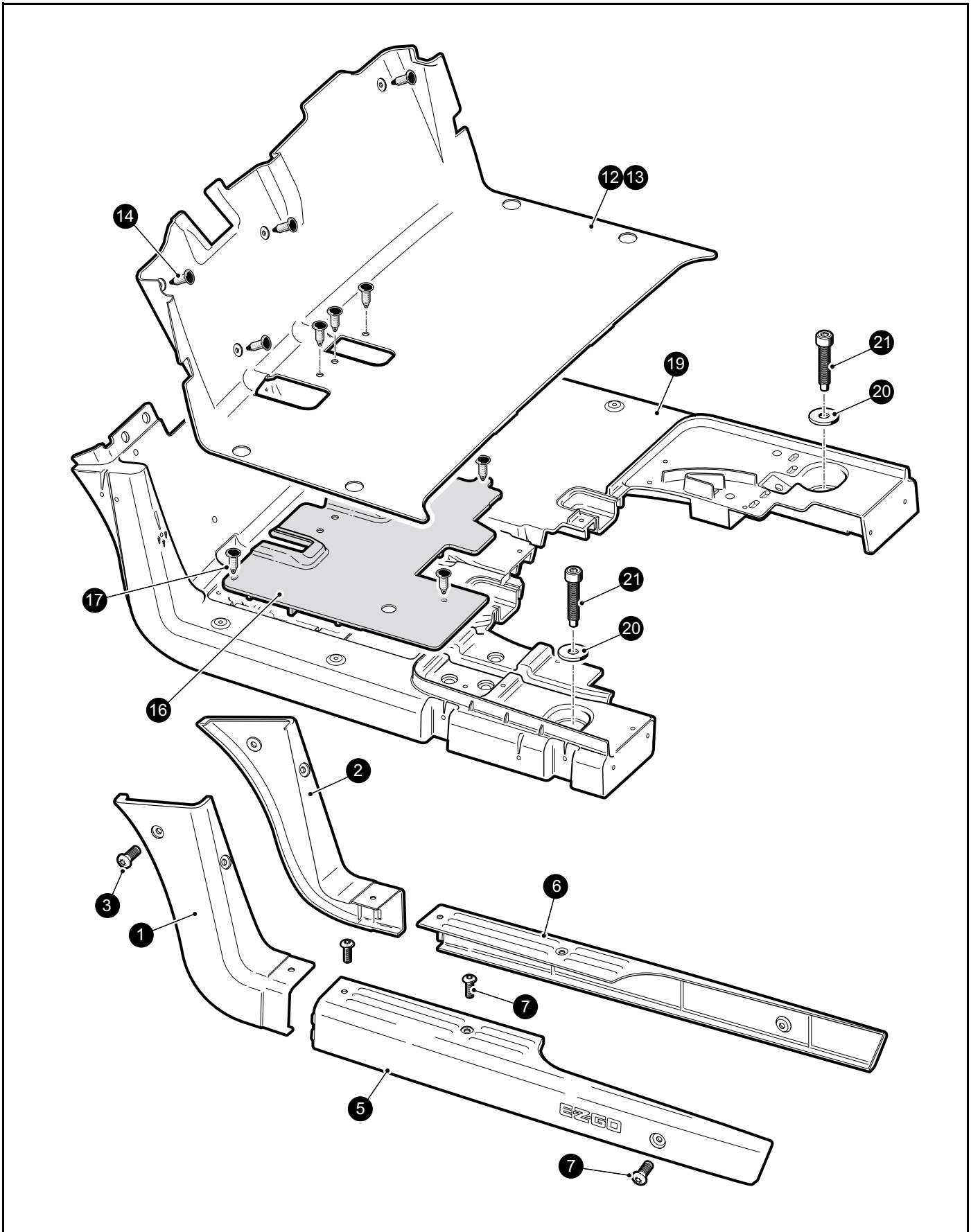
\* Indicates a component that is not available as an individual part.

\*\*\* Indicates consult Customer Service Department for additional information.

| ITEM | PART NO. | 1 2 3 4 5 | DESCRIPTION  | QTY. |
|------|----------|-----------|--|------|
| 12   |          |           |  |      |
| 13   | 602387   |           | INSTRUMENT PANEL .....                                       | 1    |
| 14   | 602184   |           | SPRING CLIP .....  | 1    |
| 15   |          |           |  |      |
| 16   |          |           |  |      |
| 17   | 605935   |           | FRONT BUMPER.....  | 1    |
| 18   | 604066   |           | FLAT WASHER, M10 (O.D. 30, I.D. 10.5, THK. 1.75).....        | 1    |
| 19   | 600525   |           | FLANGED HEX NUT WITH PLASTIC INSERT, M10-1.5.....            | 1    |
| 20   | 608290   |           | PAN HEAD PHILLIPS SCREW, #10 - 16 SELF TAPING .....          | 2    |
| 21   | 14382G7  |           | NOISE SUPPRESION STRIP .....                                 | 1    |
| 22   | 608469   |           | COWL SUPPORT .....   | 1    |
| 23   | 601634   |           | FRONT SPLASH GUARD .....                                     | 1    |
| 24   | 16816G2  |           | CHRISTMAS TREE RIVET .....                                   | 3    |
| 25   |          |           |  |      |
| 26   | 602101   |           | CUPHOLDER ASSEMBLY (includes item 27) .....                  | 1    |
| 27   | 608522   |           | WARNING AND INSTRUCTION DECAL.....                           | 1    |
| 28   | 71597G01 |           | SELF THREADING NUT .....                                     | 3    |
| 29   |          |           |  |      |
| 30   | 606405   |           | E - Z - GO NAMEPLATE .....                                   | 1    |
| 31   | 607545   |           | AMBER REFLEX REFLECTOR, FRON.....                            | 2    |
| 32   |          |           |  |      |
| 33   |          |           |  |      |
| 34   | 608528   |           | WARNING AND INSTRUCTION DECAL (Freedom vehicles) .....       | 1    |
| 35   | 608701   |           | WARNING AND INSTRUCTION DECAL, PICTOGRAMS (CE vehicles)..... | 1    |
| 36   |          |           |  |      |
| 37   |          |           |  |      |
| 38   |          |           |  |      |
| 39   | 607533   |           | GLOVE BOX, DRIVER SIDE.....                                  | 1    |
| 40   | 607131   |           | GLOVE BOX, PASSENGER SIDE .....                              | 1    |
| 41   |          |           |  |      |
| 42   |          |           |  |      |



# BODY



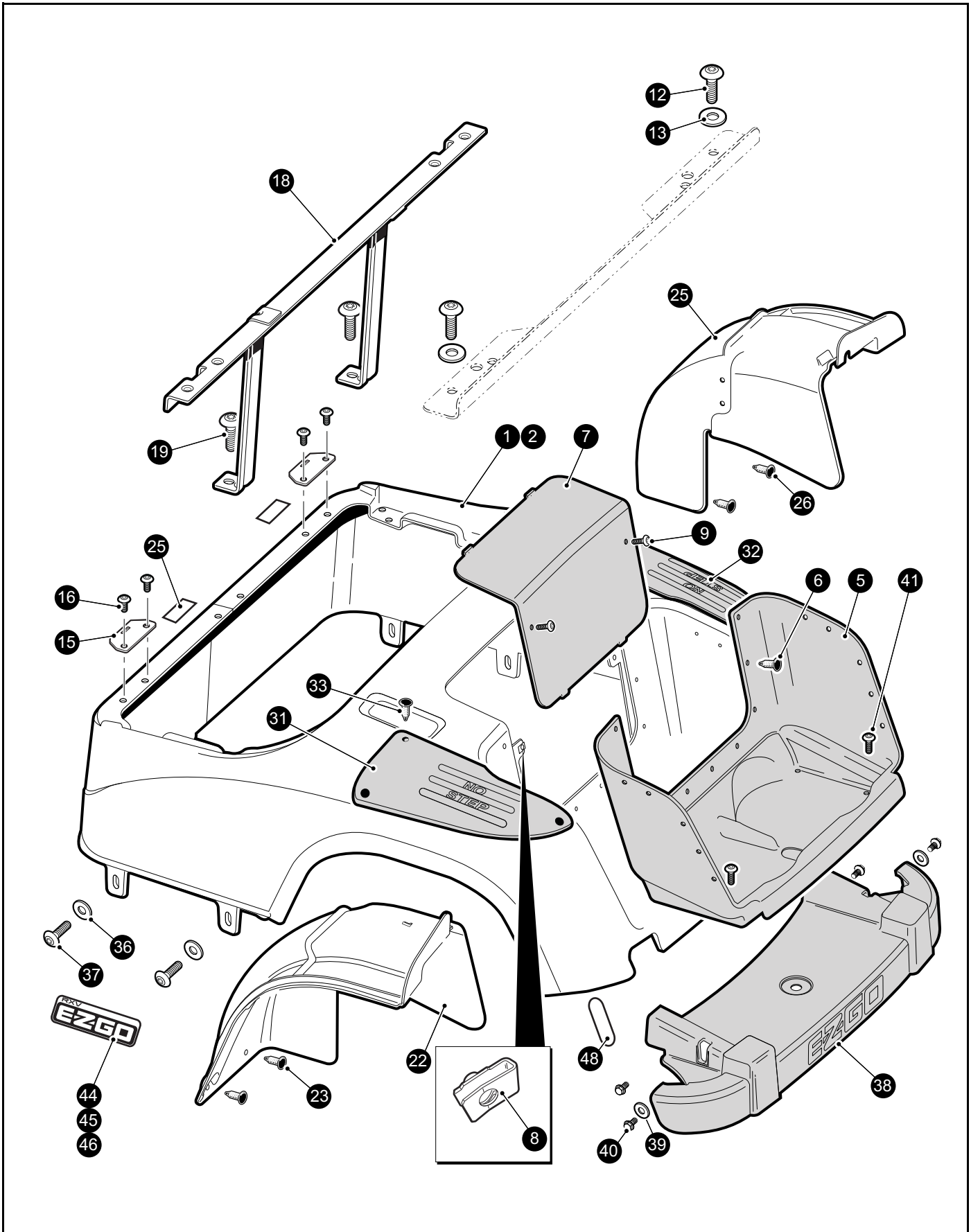
When ordering parts, please specify the model and serial number of the product.

\* Indicates a component that is not available as an individual part.

\*\*\* Indicates consult Customer Service Department for additional information.

| ITEM | PART NO. | 1 2 3 4 5 | DESCRIPTION  | QTY. |
|------|----------|-----------|--|------|
| 1    | 601257   |           | UPPER ROCKER PANEL, DRIVER SIDE .....                  | 1    |
| 2    | 601258   |           | UPPER ROCKER PANEL, PASSENGER SIDE .....               | 1    |
| 3    | 605957   |           | BUTTON HEAD TORX SCREW, THREAD FORMING, M8 .....       | 2    |
| 4    |          |           |  |      |
| 5    | 600253   |           | LOWER ROCKER PANEL, DRIVER SIDE .....                  | 1    |
| 6    | 600257   |           | LOWER ROCKER PANEL, PASSENGER SIDE .....               | 1    |
| 7    | 605957   |           | BUTTON HEAD TORX SCREW, THREAD FORMING, M8 .....       | 3    |
| 8    |          |           |  |      |
| 9    |          |           |  |      |
| 10   |          |           |  |      |
| 11   |          |           |  |      |
| 12   | 601118   |           | FLOORMAT WITHOUT HOLE FOR HORN.....                    | 1    |
| 13   | 603707   |           | FLOORMAT WITH HOLE FOR HORN .....                      | 1    |
| 14   | 16816G2  |           | CHRISTMAS TREE RIVET (.25 X .88).....                  | 5    |
| 15   | 168162G1 |           | CHRISTMAS TREE RIVET (.25 X .68).....                  | 2    |
| 16   | 605277   |           | PEDAL COVER PLATE .....                                | 1    |
| 17   | 16816G2  |           | CHRISTMAS TREE RIVET (.25 X .88).....                  | 4    |
| 18   |          |           |  |      |
| 19   | 603798   |           | FLOOR BOARD .....                                      | 1    |
| 20   | 604066   |           | FLAT WASHER, M10 (O.D. 30, I.D. 10.5, THK. 1.75) ..... | 2    |
| 21   | 602020   |           | TORX SOCKET HEAD CAP SCREW, M10 - 1.5 X 50 .....       | 2    |

# BODY





When ordering parts, please specify the model and serial number of the product.

\* Indicates a component that is not available as an individual part.

\*\*\* Indicates consult Customer Service Department for additional information.

| ITEM | PART NO. | 1 2 3 4 5 | DESCRIPTION   | QTY. |
|------|----------|-----------|---|------|
| 1    | 6XXXXX   |           | REAR BODY ASSEMBLY WITHOUT LIGHT OPENINGS (includes items 5 - 9)<br>(see colors below).....<br>620243 .... IVORY<br>620244 .... FORREST GREEN<br>620245 .... PATRIOT BLUE<br>620246 .... BLACK<br>620247 .... MOLTEN RED<br>620248 .... BRIGHT WHITE<br>620249 .... FLAME RED<br>620250 .... STEEL BLUE<br>608549 .... PLATINUM<br>608550 .... ALMOND<br>608551 .... ELECTRIC BLUE<br>608552 .... INFERNO RED | 1    |
| 2    | 6XXXXX   |           | REAR BODY ASSEMBLY WITH LIGHT OPENINGS (includes items 5-9)<br>(see colors below).....<br>620251 .... IVORY<br>620252 .... FORREST GREEN<br>620253 .... PATRIOT BLUE<br>620254 .... BLACK<br>620255 .... MOLTEN RED<br>620256 .... BRIGHT WHITE<br>620257 .... FLAME RED<br>620258 .... STEEL BLUE<br>608553 .... PLATINUM<br>608554 .... ALMOND<br>608555 .... ELECTRIC BLUE<br>608556 .... INFERNO RED      | 1    |
| 3    |          |           |   |      |
| 4    |          |           |   |      |
| 5    | 601679   |           | BAGWELL LINER INSERT.....   | 1    |
| 6    | 16816G2  |           | CHRISTMAS TREE RIVET .....  | 20   |
| 7    | 600249   |           | REAR BODY ACCESS PANEL .....  | 1    |
| 8    | 602409   |           | BARREL CLIP, M6-1 .....   | 2    |
| 9    | 601326   |           | BUTTON HEAD TORX BOLT, M6 - 1 X 20.....   | 2    |
| 10   |          |           |   |      |

# BODY

When ordering parts, please specify the model and serial number of the product.

\* Indicates a component that is not available as an individual part.

\*\*\* Indicates consult Customer Service Department for additional information.

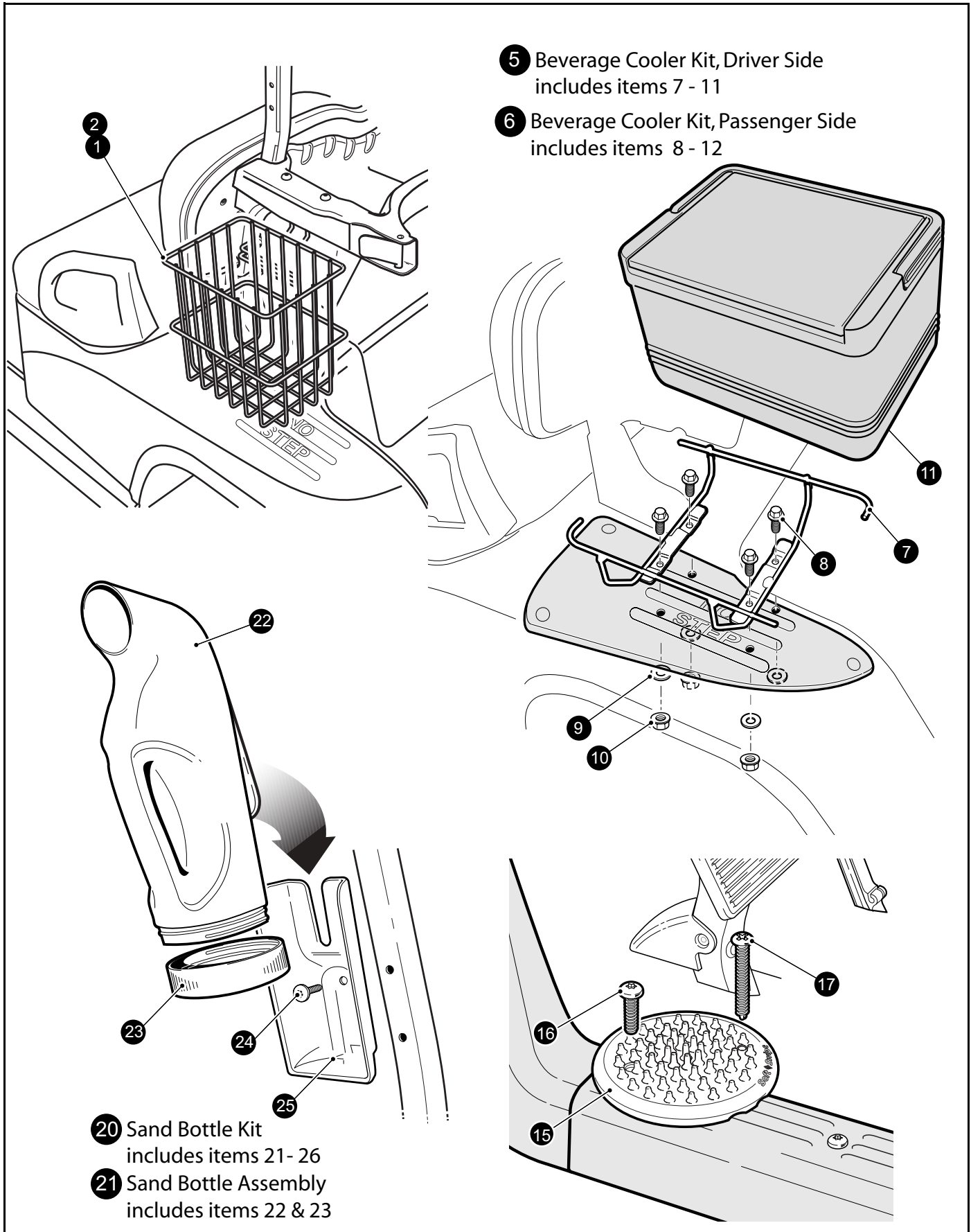
| ITEM | PART NO. | 1 2 3 4 5 | DESCRIPTION   | QTY. |
|------|----------|-----------|---|------|
| 11   |          |           |   |      |
| 12   | 602572   |           | PAN HEAD TORX BOLT, M10 - 1.5 X 25 .....              | 2    |
| 13   | 604066   |           | FLAT WASHER, M10 (O.D. 30, I.D. 10.5, THK. 1.75)..... | 2    |
| 14   |          |           |   |      |
| 15   | 602558   |           | SEAT HINGE PLATE .....                                | 1    |
| 16   | 602572   |           | PAN HEAD TORX BOLT, M10 - 1.5 X 25 .....              | 2    |
| 17   |          |           |   |      |
| 18   | 601921   |           | FRONT SEAT SUPPORT ASSEMBLY.....                      | 1    |
| 19   | 602572   |           | PAN HEAD TORX BOLT, M10 - 1.5 X 25 .....              | 2    |
| 20   |          |           |   |      |
| 21   |          |           |   |      |
| 22   | 601621   |           | REAR SPLASH GUARD, DRIVER SIDE .....                  | 1    |
| 23   | 16816G2  |           | CHRISTMAS TREE RIVET (.25 X .88) .....                | 4    |
| 24   |          |           |   |      |
| 25   | 601622   |           | REAR SPLASH GUARD, PASSENGER SIDE .....               | 1    |
| 26   | 16816G2  |           | CHRISTMAS TREE RIVET (.25 X .88) .....                | 4    |
| 27   |          |           |   |      |
| 28   | 608513   |           | RUBBER PAD .....                                      | 4    |
| 29   |          |           |   |      |
| 30   |          |           |   |      |
| 31   | 601865   |           | SCUFF GUARD, DRIVER SIDE.....                         | 1    |
| 32   | 601864   |           | SCUFF GUARD, PASSENGER SIDE .....                     | 1    |
| 33   | 16816G2  |           | CHRISTMAS TREE RIVET (.25 X .88) .....                | 6    |
| 34   |          |           |   |      |
| 35   |          |           |   |      |
| 36   | 604066   |           | FLAT WASHER, (O.D. 30, I.D. 10.5, THK. 1.75).....     | 4    |
| 37   | 605957   |           | BUTTON HEAD TORX SCREW, THREAD FORMING, M8 .....      | 4    |
| 38   | 603819   |           | REAR BUMPER .....                                     | 1    |
| 39   | 604266   |           | FLAT WASHER, M10 (O.D. 30, I.D. 10.5, THK. 1.75)..... | 2    |
| 40   | 603799   |           | HEX HEAD FLANGED BOLT, M10 - 1.5 X 25.....            | 4    |
| 41   | 608313   |           | BUTTON HEAD TORX BOLT, M10 - 1.5 X 25.....            | 2    |

When ordering parts, please specify the model and serial number of the product.

\* Indicates a component that is not available as an individual part.

\*\*\* Indicates consult Customer Service Department for additional information.

| ITEM | PART NO. | 1 2 3 4 5 DESCRIPTION                | QTY. |
|------|----------|--------------------------------------|------|
| 42   |          |                                      |      |
| 43   |          |                                      |      |
| 44   | 607859   | RXV DECAL.....                       | 2    |
| 45   | 610521   | E - Z - GO FREEDOM DECAL.....        | 2    |
| 46   | 607863   | E - Z - GO 2 + 2 SHUTTLE DECAL ..... | 2    |
| 47   |          |                                      |      |
| 48   | 607547   | RED REFLEX REFLECTOR, REAR.....      | 4    |



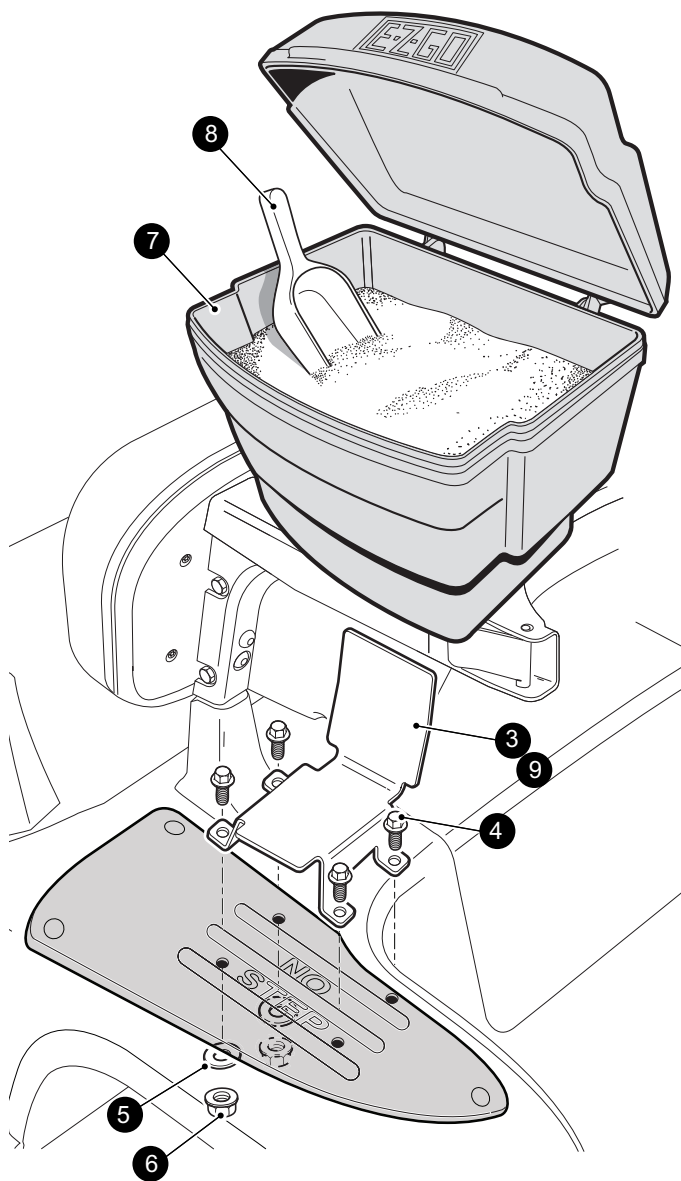
When ordering parts, please specify the model and serial number of the product.

\* Indicates a component that is not available as an individual part.

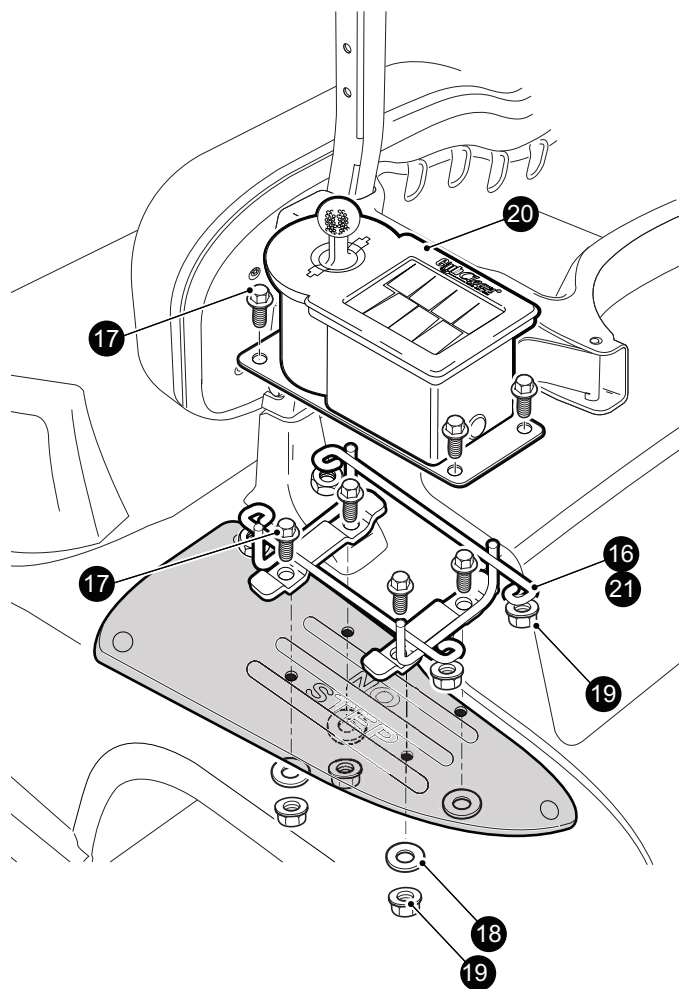
\*\*\* Indicates consult Customer Service Department for additional information.

| ITEM | PART NO. | 1 2 3 4 5 | DESCRIPTION   | QTY. |
|------|----------|-----------|---|------|
| 1    | 603846   |           | SIDE BASKET, DRIVER SIDE (use existing hardware).....           | 1    |
| 2    | 603702   |           | SIDE BASKET, PASSENGER SIDE (use existing hardware).....        | 1    |
| 3    |          |           |   |      |
| 4    |          |           |   |      |
| 5    | 603733   |           | BEVERAGE COOLER KIT, DRIVER SIDE (includes items 7 - .....      | 1    |
| 6    | 604215   |           | BEVERAGE COOLER KIT, PASSENGER SIDE (includes items 8 - ).....  | 1    |
| 7    | 603706   |           | MOUNTING BRACKET, DRIVER SIDE .....                             | 1    |
| 8    | 606256   |           | FLANGED HEX HEAD BOLT, M10 - 1.5 X 34.....                      | 4    |
| 9    | 608520   |           | POLYPROPYLENE WASHER.....                                       | 4    |
| 10   | 606274   |           | FLANGED HEX NUT, M10 - 1.25 .....                               | 4    |
| 11   | 601366   |           | BEVERAGE COOLER.....  | 1    |
| 12   | 603777   |           | MOUNTING BRACKET, PASSENGER SIDE (not shown in illustration) .. | 1    |
| 13   |          |           |   |      |
| 14   |          |           |   |      |
| 15   | 604360   |           | SOFTSWIPE.....  | 1    |
| 16   | 605957   |           | BUTTON HEAD TORX SCREW, THREAD FORMING, M8.....                 | 1    |
| 17   | 620209   |           | PAN HEAD PHILLIPS SCREW, #10 X 2" .....                         | 1    |
| 18   |          |           |   |      |
| 19   |          |           |   |      |
| 20   | 607104   |           | SAND BOTTLE KIT (includes items 21 - 25) .....                  | 1    |
| 21   | 607102   |           | SAND BOTTLE ASSEMBLY (includes items 22 & 23).....              | 1    |
| 22   | 605961   |           | SAND BOTTLE .....   | 1    |
| 23   | 605962   |           | SAND BOTTLE CAP .....   | 1    |
| 24   | 602572   |           | PAN HEAD TORX SCREW, TAPTITE M10 - 1.5 X 25 .....               | 1    |
| 25   | 606085   |           | SAND BOTTLE MOUNTING BRACKET .....                              | 1    |

- 1 Divot Repair Kit, Driver Side  
includes items 3 - 8
- 2 Divot Repair Kit, Passenger Side  
includes items 4 - 9



- 14 Club & Ball Washer Kit, Driver Side  
includes items 16 - 20
- 15 Club & Ball Washer Kit, Passenger Side  
includes items 17 - 21



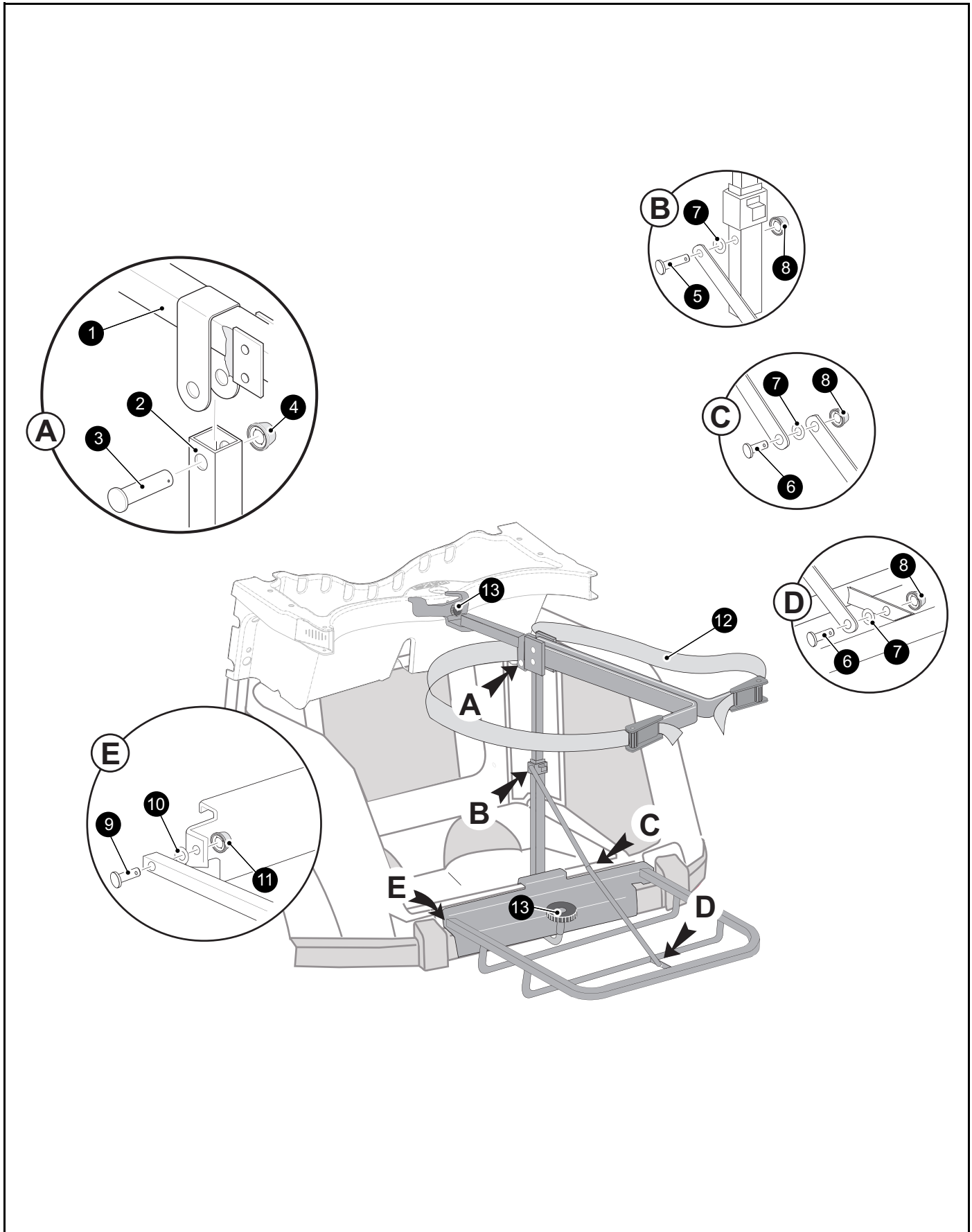
When ordering parts, please specify the model and serial number of the product.

\* Indicates a component that is not available as an individual part.

\*\*\* Indicates consult Customer Service Department for additional information.

| ITEM | PART NO. | 1 2 3 4 5 | DESCRIPTION  | QTY. |
|------|----------|-----------|--|------|
| 1    | 604214   |           | DIVOT REPAIR KIT, DRIVER SIDE (includes items 3 - 8) .....         | 1    |
| 2    | 603250   |           | DIVOT REPAIR KIT, PASSENGER SIDE (includes items 4 - 9).....       | 1    |
| 3    | 603825   |           | MOUNTING BRACKET, DRIVER SIDE .....                                | 1    |
| 4    | 606256   |           | FLANGED HEX HEAD BOLT, M10 - 1.5 X 34.....                         | 4    |
| 5    | 608520   |           | POLYPROPYLENE WASHER.....  | 4    |
| 6    | 606274   |           | FLANGED HEX NUT, M10 - 1.25 .....                                  | 4    |
| 7    | 601365   |           | DIVOT REPAIR BUCKET .....  | 1    |
| 8    | 604642   |           | SCOOP.....   | 1    |
| 9    | 603824   |           | MOUNTING BRACKET, PASSENGER SIDE .....                             | 1    |
| 10   |          |           |  |      |
| 11   |          |           |  |      |
| 12   |          |           |  |      |
| 13   |          |           |  |      |
| 14   | 604216   |           | CLUB & BALL WASHER KIT, DRIVER SIDE (includes items 16 - 20) ..... | 1    |
| 15   | 603252   |           | CLUB & BALL WASHER KIT, PASSENGER SIDE (includes items 17 - 21)... | 1    |
| 16   | 604576   |           | MOUNTING BRACKET, DRIVER SIDE .....                                | 1    |
| 17   | 606256   |           | FLANGED HEX HEAD BOLT, M10 - 1.5 X 34.....                         | 4    |
| 18   | 608520   |           | POLYPROPYLENE WASHER.....  | 4    |
| 19   | 606274   |           | FLANGED HEX NUT, M10 - 1.25 .....                                  | 4    |
| 20   | 603836   |           | CLUB & BALL WASHER .....   | 1    |
| 21   | 604577   |           | MOUNTING BRACKET, PASSENGER SIDE .....                             | 1    |

# BODY





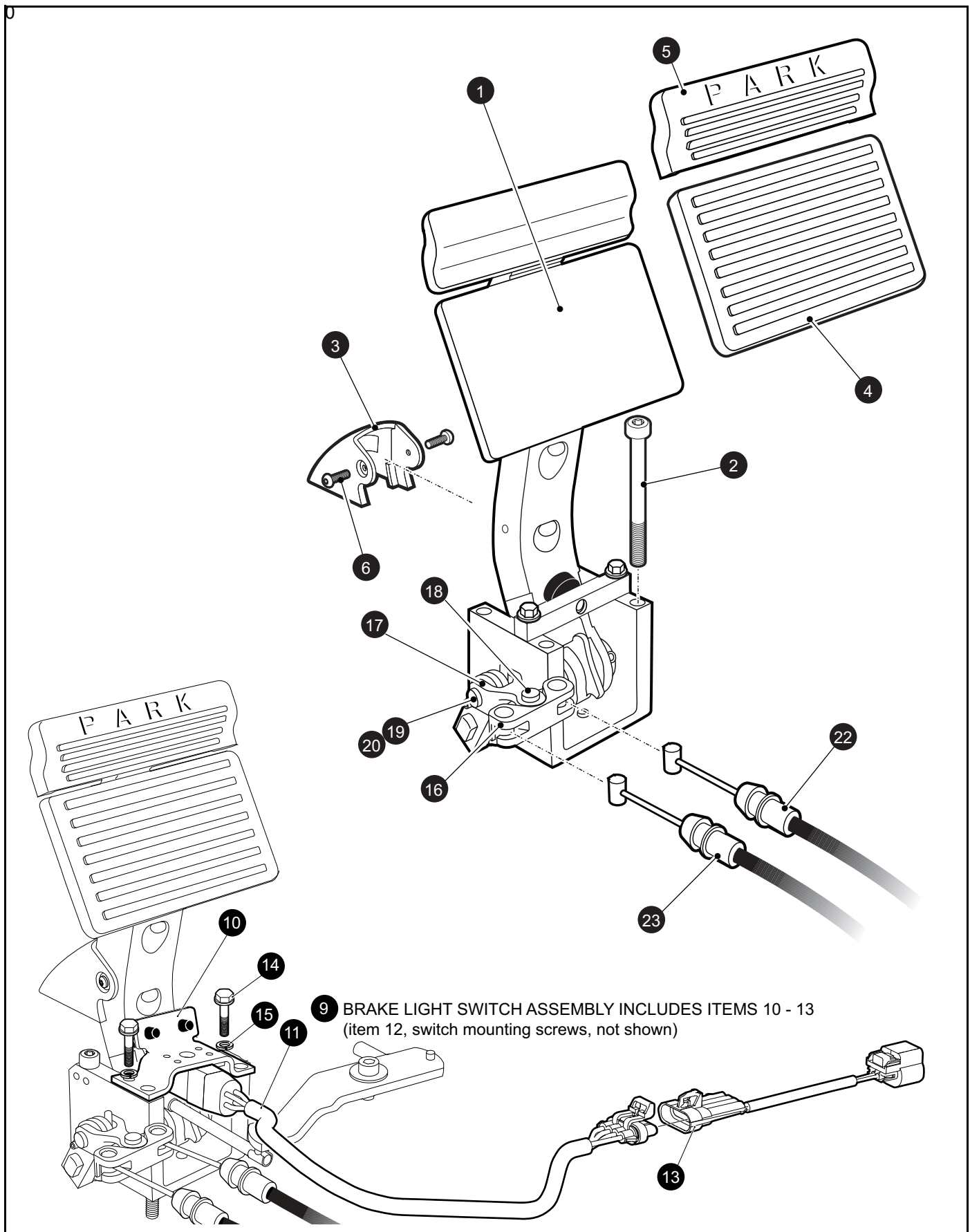
When ordering parts, please specify the model and serial number of the product.

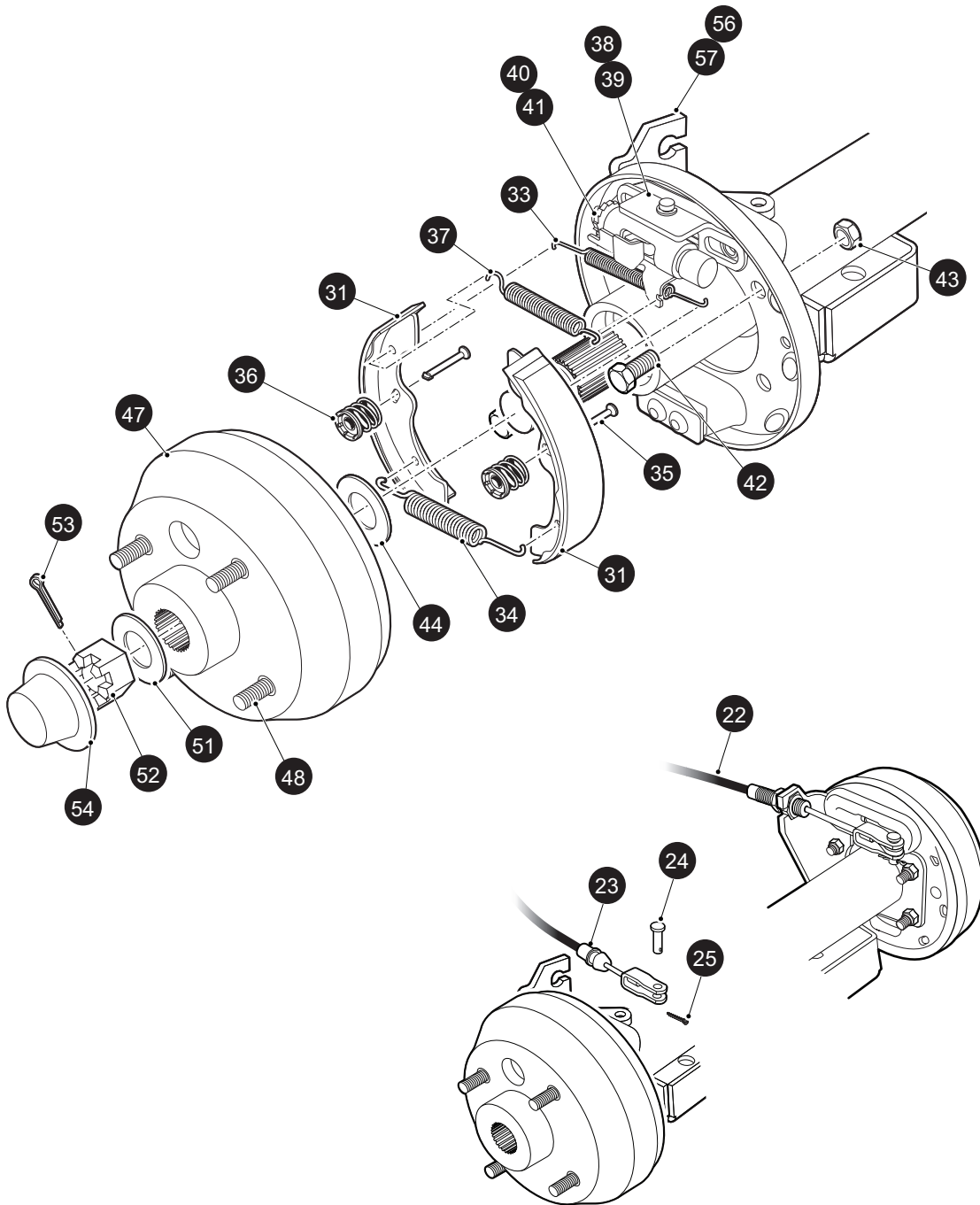
\* Indicates a component that is not available as an individual part.

\*\*\* Indicates consult Customer Service Department for additional information.

| ITEM | PART NO. | 1 2 3 4 5 | DESCRIPTION                     | QTY. |
|------|----------|-----------|---------------------------------|------|
| 1    | 608949   |           | TOP RACK ASSEMBLY .....         | 1    |
| 2    | 608956   |           | BOTTOM RACK ASSEMBLY .....      | 1    |
| 3    | 17651G2  |           | CLEVIS PIN 5\16" X 1.250" ..... | 1    |
| 4    | 28129G01 |           | CAP NUT 5\16" PLASTIC .....     | 1    |
| 5    | 17651G2  |           | CLEVIS PIN 5\16" X 1.250" ..... | 1    |
| 6    | 17651G3  |           | CLEVIS PIN 5\16" X 0.625" ..... | 2    |
| 7    | 00559G8  |           | FLAT WASHER 5\16" .....         | 3    |
| 8    | 28129G01 |           | CAP NUT 5\16" BLACK .....       | 3    |
| 9    | 17651G1  |           | CLEVIS PIN 3\8" X 1,250" .....  | 2    |
| 10   | 00560G1  |           | FLAT WASHER .....               | 2    |
| 11   | 28128G02 |           | CAP NUT 3\8" BLACK .....        | 2    |
| 12   | 17641G1  |           | STRAP .....                     | 2    |
| 13   | 75337G01 |           | KNOB 5\16 - 18 THRU HOLE .....  | 2    |

# BRAKES





# BRAKES

When ordering parts, please specify the model and serial number of the product.

\* Indicates a component that is not available as an individual part.

\*\*\* Indicates consult Customer Service Department for additional information.

| ITEM | PART NO.  | 1 2 3 4 5 | DESCRIPTION  | QTY. |
|------|-----------|-----------|--|------|
| 1    | 604990    |           | BRAKE PEDAL ASSEMBLY   |      |
| 2    | 605254    |           | SOCKET HEAD SCREW, M8 - 1.25 X 90 .....                        | 4    |
| 3    | 605688    |           | BRAKE PEDAL COVER.....   | 1    |
| 4    | 600252    |           | BRAKE PEDAL RUBBER COVER.....                                  | 1    |
| 5    | 601406    |           | PARK BRAKE PEDAL RUBBER COVER .....                            | 1    |
| 6    | 600543    |           | BOLT, M4 - .7 X 12 .....                                       | 2    |
| 7    |           |           | PARK BRAKE KICK-OFF LINKAGE .....                              | 1    |
| 8    |           |           |  |      |
| 9    | 609260    |           | BRAKE LIGHT SWITCH ASSEMBLY (includes items 11-15) .....       | 1    |
| 10   | 609226    |           | BRAKE LIGHT SWITCH BRACKET .....                               | 1    |
| 11   | 607605    |           | SWITCH.....  | 1    |
| 12   | 620030    |           | SOCKET HEAD CAP SCREW, M5 X 0.8 .....                          | 2    |
| 13   | 609181    |           | JUMPER HARNESS .....   | 1    |
| 14   | 800425    |           | HEX HEAD BOLT, M6 - 1.00 X 16.....                             | 2    |
| 15   | 601327    |           | LOCK WASHER, M6 .....  | 2    |
| 16   | 604458    |           | EQUALIZER .....  | 1    |
| 17   | 604459    |           | BRAKE CABLE CLIP.....  | 1    |
| 18   | 601894    |           | CLEVIS PIN, 8MM X 21.5MM .....                                 | 1    |
| 19   | 601835    |           | E CLIP RING, 8 MM.....   | 2    |
| 20   | 601895    |           | CLEVIS PIN, 8MM X 27.0MM .....                                 | 1    |
| 21   |           |           |  |      |
| 22   | 601286    |           | BRAKE CABLE, PASSENGER SIDE .....                              | 1    |
| 23   | 600323    |           | BRAKE CABLE, DRIVER SIDE.....                                  | 1    |
| 24   |           |           |  |      |
| 25   | 10386G3   |           | CLEVIS PIN.....  | 2    |
| 26   | 10387G3   |           | COTTER PIN .94 X .75 .....                                     | 2    |
| 27   |           |           |  |      |
| 28   |           |           |  |      |
| 29   | 70998-G01 |           | BRAKE ASSEMBLY (PASSENGER SIDE) (INCLUDES ITEMS 30 - 38).....  | 1    |
| 30   | 70998-G02 |           | BRAKE ASSEMBLY (DRIVER SIDE) (INCLUDES ITEMS 30 - 37, 39)..... | 1    |
| 31   | 70795G01  |           | BRAKE SHOE.....  | 4    |

When ordering parts, please specify the model and serial number of the product.

\* Indicates a component that is not available as an individual part.

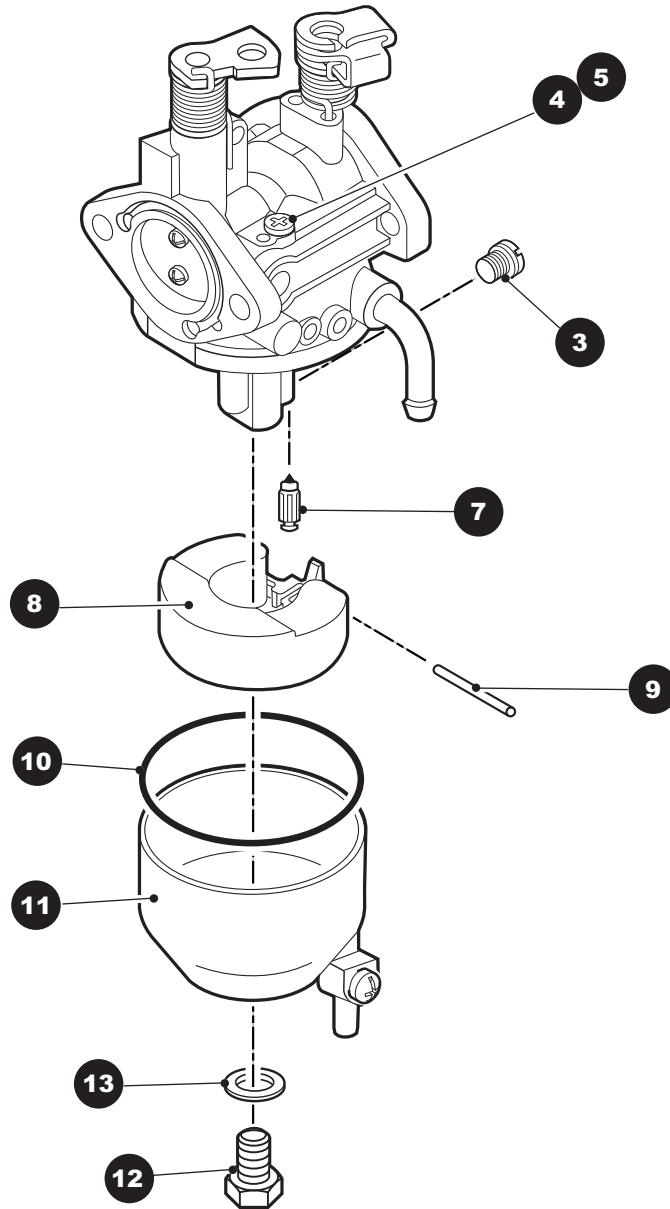
\*\*\* Indicates consult Customer Service Department for additional information.

| ITEM | PART NO.  | 1 2 3 4 5 | DESCRIPTION   | QTY. |
|------|-----------|-----------|---|------|
| 32   | *         |           | BRAKE SHOES .....   | 2    |
| 33   | 27944-G01 |           | BRAKE SPRING KIT (INCLUDES ITEMS 33 - 37) .....               | 2    |
| 34   | *         |           | UPPER SPRING .....  | 1    |
| 35   | *         |           | LOWER SPRING .....  | 1    |
| 36   | *         |           | PIN .....   | 2    |
| 37   | *         |           | CUP AND SPRING .....  | 2    |
| 38   | *         |           | ADJUSTER SPRING .....   | 1    |
| 39   | 72582-G01 |           | BRAKE ADJUSTER KIT (PASSENGER SIDE) (INCLUDES ITEMS 40, 41)   | 1    |
| 40   | 72582-G02 |           | BRAKE ADJUSTER KIT (DRIVER SIDE) (INCLUDES ITEMS 40, 41)....  | 1    |
| 41   | *         |           | ADJUSTER .....  | 1    |
| 42   | *         |           | TEFLON WASHER .....   | 2    |
| 43   | 17083-G2  |           | BOLT, 5/16 - 24 X 1" LG.....                                  | 8    |
| 44   | 15126-G1  |           | LOCK NUT, 5/16 - 24 .....                                     | 8    |
| 45   | 21809-G1  |           | INNER BRAKE DRUM WASHER, 1 5/16" O.D. X 1" I.D. X 1/32" ..... | 2    |
| 46   |           |           |   |      |
| 47   | 21807-G1  |           | BRAKE DRUM ASSEMBLY (INCLUDES ITEMS 47 - 48) .....            | 2    |
| 48   | *         |           | BRAKE DRUM.....   | 1    |
| 49   | 19862-G1  |           | LUG BOLT, 1/2 - 20 X 1 3/16" LG.....                          | 4    |
| 50   |           |           |   |      |
| 51   |           |           |   |      |
| 52   | 21830-G1  |           | OUTER BRAKE DRUM WASHER.....                                  | 2    |
| 53   | 00518-G8  |           | CASTELLATED NUT, 3/4 - 16.....                                | 2    |
| 54   | 10387-G1  |           | COTTER PIN, 1/8" X 1 1/2" LG.....                             | 2    |
| 55   | 74175-G01 |           | SPINDLE CAP .....   | 2    |
| 56   |           |           |   |      |
| 57   | 608200    |           | BRAKE CABLE BRACKET (PASSENGER SIDE) .....                    | 1    |
| 58   | 608201    |           | BRAKE CABLE BRACKET (DRIVER SIDE).....                        | 1    |



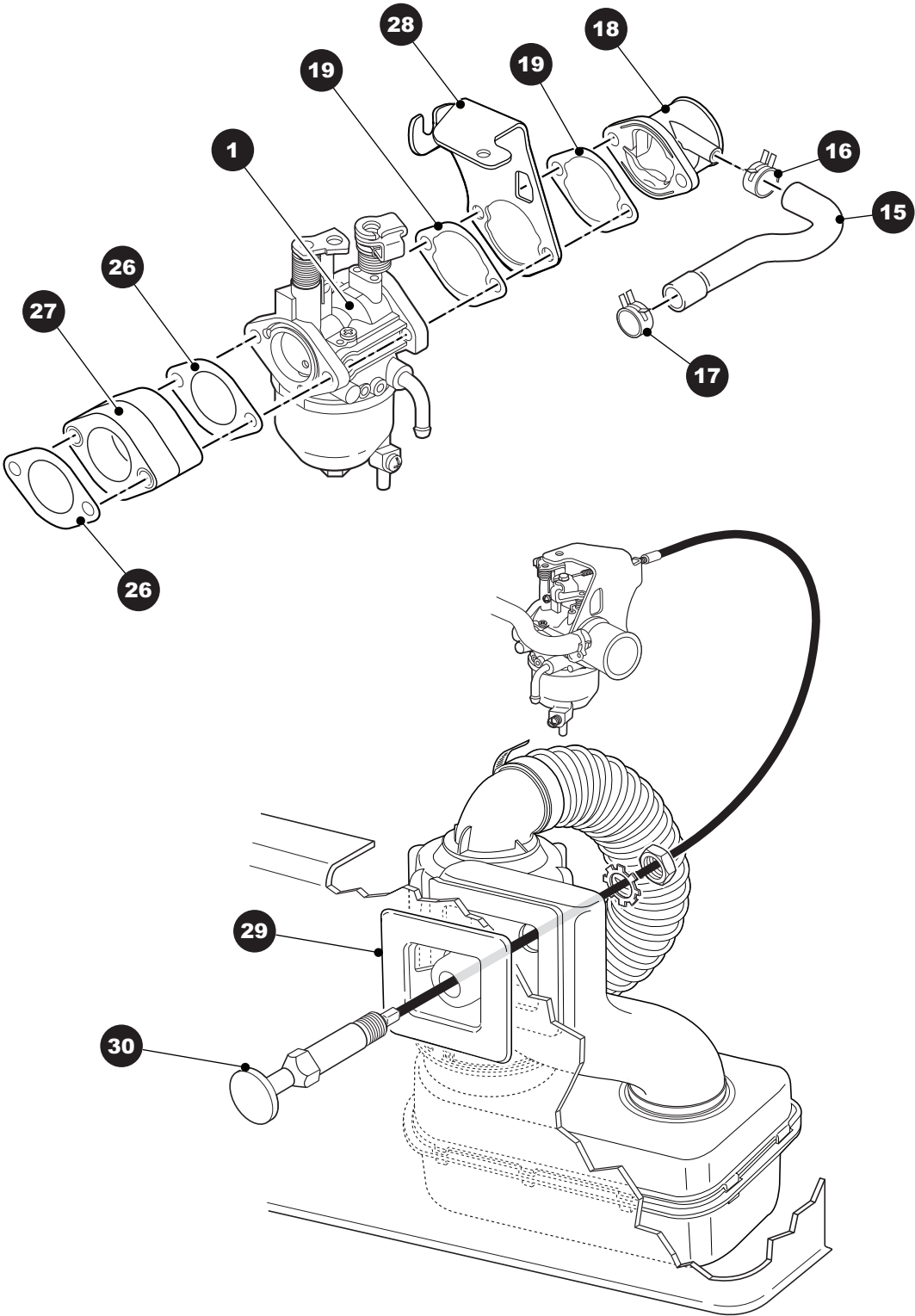


# CARBURETOR AND CHOKE





# CARBURETOR AND CHOKE



# CARBURETOR AND CHOKE

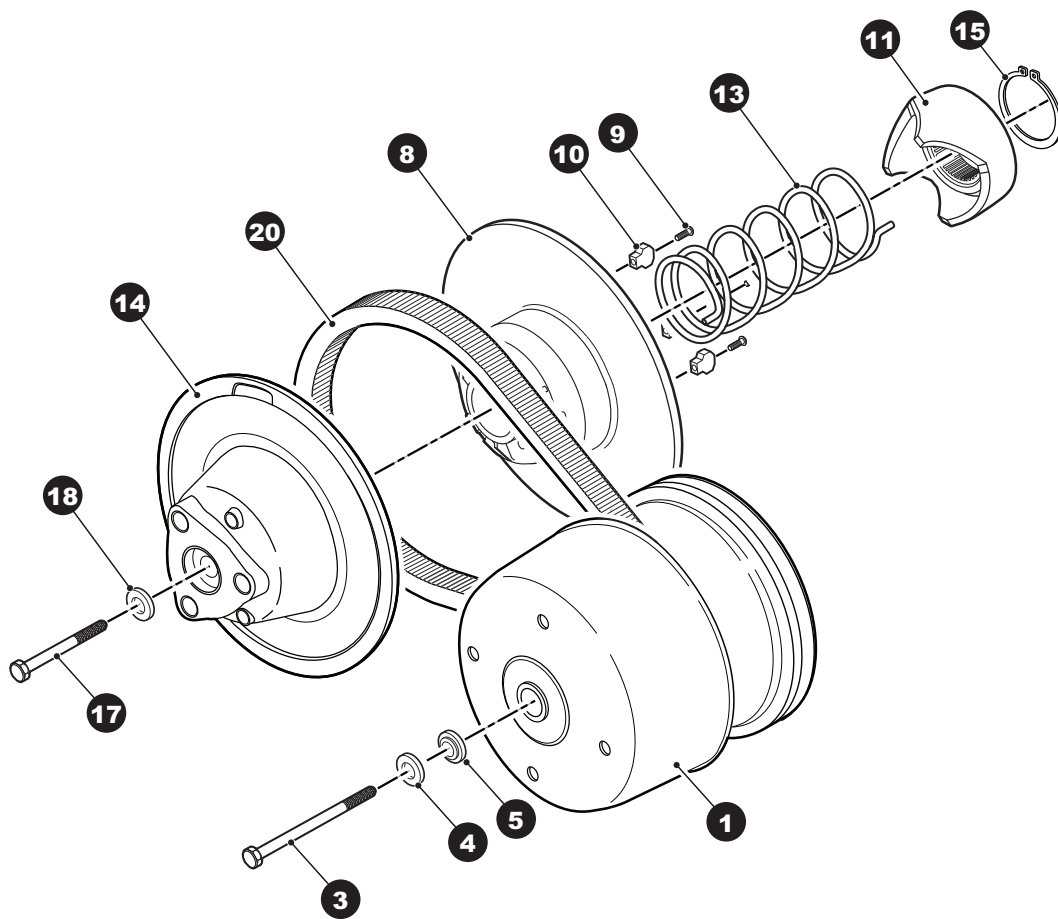
THE USE OF NON U.L. PARTS WILL VOID ANY U.L. LISTING.  
 When ordering parts, please specify the model and serial number of the product.  
 \* Indicates a component that is not available as an individual part.  
 G\*\* Indicates consult Customer Service Department for additional information.

| ITEM | PART NO. | 1 2 3 4 5 | DESCRIPTION   | QTY. |
|------|----------|-----------|---|------|
| 1    | 607954   |           | CARBURETOR (INCLUDES ITEMS 3 - 21).....                     | 1    |
| 2    |          |           |   |      |
| 3    | 607683   |           | MAIN JET (#104).....  | 1    |
| 4    | 608021   |           | PILOT JET (#44).....  | 1    |
| 5    | 603585   |           | PLUG.....   | 1    |
| 6    |          |           |   |      |
| 7    | 603586   |           | NEEDLE VALVE.....   | 1    |
| 8    | 603587   |           | FLOAT.....  | 1    |
| 9    | 603588   |           | FLOAT PIN.....  | 1    |
| 10   | 603589   |           | FLOAT BOWL GASKET.....                                      | 1    |
| 11   | 603590   |           | FLOAT CHAMBER.....  | 1    |
| 12   | 603592   |           | BOWL SCREW.....   | 1    |
| 13   | 603591   |           | BOWL GASKET.....  | 1    |
| 14   |          |           |   |      |
| 15   | 603598   |           | BREATHER TUBE.....  | 1    |
| 16   | 603596   |           | CLAMP, INTAKE TUBE.....                                     | 1    |
| 17   | 603597   |           | CLAMP CYLINDER HEAD TUBE.....                               | 1    |
| 18   | 603594   |           | INTAKE TUBE.....  | 1    |
| 19   | 603593   |           | CHOKE GASKET.....   | 2    |
| 20   | 603595   |           | NUT, M6 X 1.0.....  | 2    |
| 21   | 608023   |           | THROTTLE ROD ATTACHMENT BUSHING.....                        | 1    |
| 22   |          |           |   |      |
| 23   | 607684   |           | MAIN JET (#102) (FOR ELEVATIONS OF 3000 FT - 6000 FT).....  | 1    |
| 24   | 607685   |           | MAIN JET (#100) (FOR ELEVATIONS OF 6000 FT - 10000 FT)..... | 1    |
| 25   |          |           |   |      |
| 26   | 603580   |           | CARBURETOR MOUNT GASKET.....                                | 2    |
| 27   | 603581   |           | CARBURETOR INSULATOR.....                                   | 1    |
| 28   |          |           |   |      |
| 29   | 600209   |           | CHOKE/AIR INTAKE ADAPTER.....                               | 1    |
| 30   | 601986   |           | CHOKE CABLE (22 1/4" LG WITH NUTS).....                     | 1    |



# CLUTCH

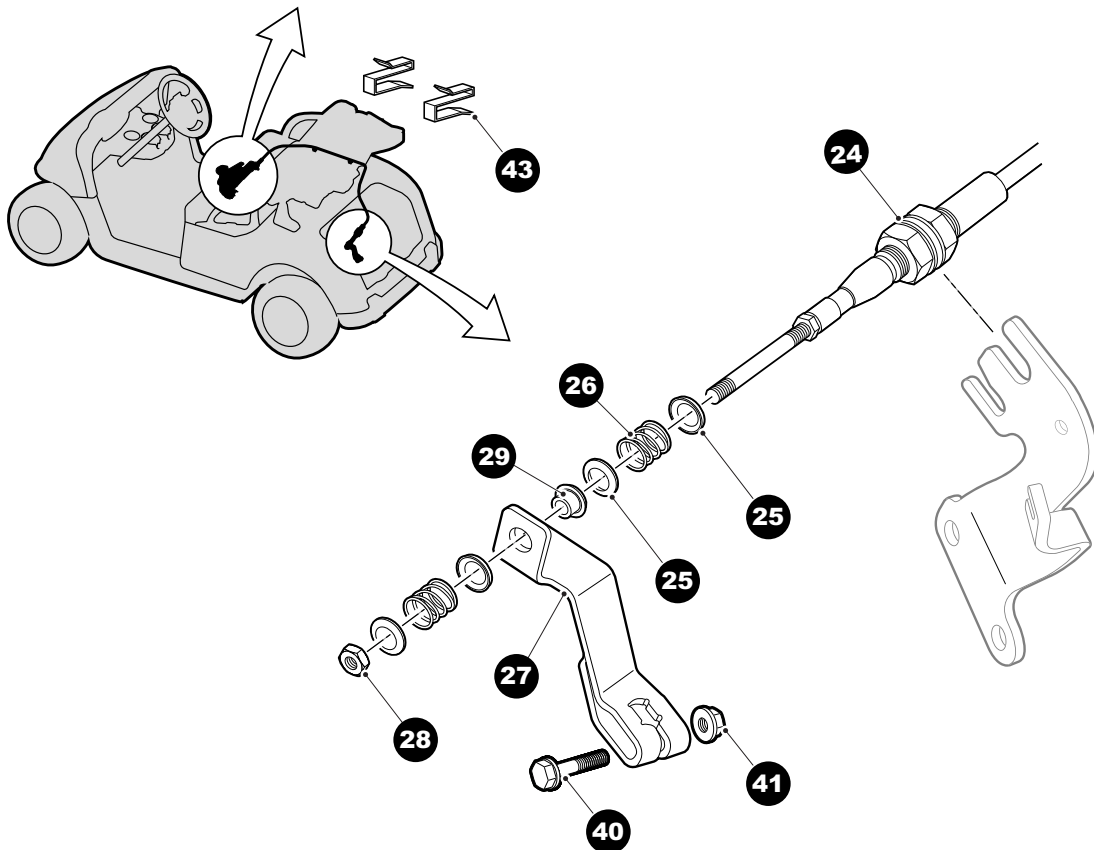
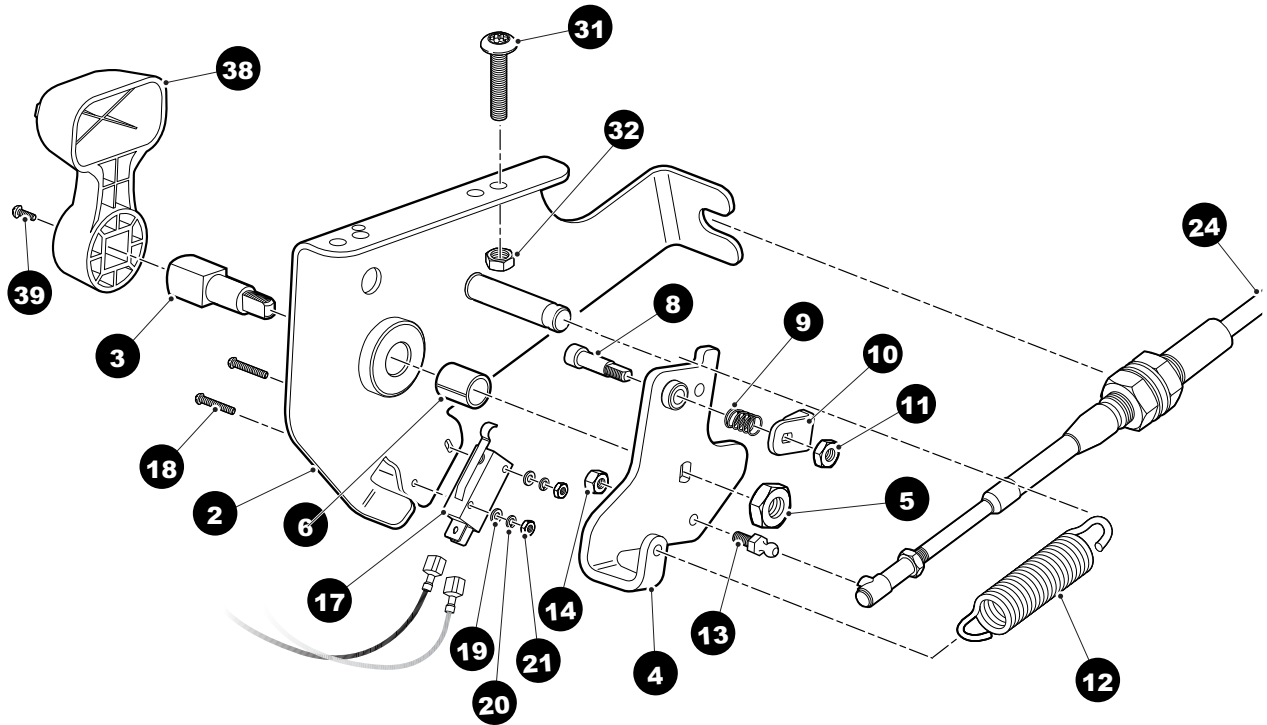
7 - Includes items 8 - 15



Where applicable, THE USE OF NON UL PARTS WILL VOID ANY UL LISTING.  
 When ordering parts, please specify the model and serial number of the product.  
 \* Indicates a component that is not available as an individual part.  
 G\*\* Indicates consult Customer Service Department for additional information.

| ITEM | PART NO. | 1 2 3 4 5 | DESCRIPTION  | QTY. |
|------|----------|-----------|--|------|
| 1    | 602000   |           | DRIVE CLUTCH .....                                   | 1    |
| 2    |          |           |  |      |
| 3    | 606245   |           | BOLT, M12 - 1.25 X 160MM LG .....                    | 1    |
| 4    | 606239   |           | WASHER, M12.....                                     | 1    |
| 5    | 606230   |           | WASHER.....  | 1    |
| 6    |          |           |  |      |
| 7    | 602001   |           | DRIVEN CLUTCH ASSEMBLY (INCLUDES ITEMS 8 - 15) ..... | 1    |
| 8    | *        |           | MOVABLE SHEAVE .....                                 | 1    |
| 9    | 608210   |           | SCREW, M4 X 25.....                                  | 3    |
| 10   | 608204   |           | RAMP BUTTON .....                                    | 3    |
| 11   | *        |           | CAM.....   | 1    |
| 12   |          |           |  |      |
| 13   | 608209   |           | COMPRESSION SPRING .....                             | 1    |
| 14   | *        |           | SHEAVE AND POST .....                                | 1    |
| 15   | 608211   |           | HEAVY DUTY RETAINING RING .....                      | 1    |
| 16   |          |           |  |      |
| 17   | 606243   |           | BOLT, M12 - 1.25 X 120MM LG .....                    | 1    |
| 18   | 606239   |           | WASHER, M12.....                                     | 1    |
| 19   |          |           |  |      |
| 20   | 606136   |           | DRIVE BELT.....                                      | 1    |

# DIRECTION SELECTOR



# DIRECTION SELECTOR

Where applicable, THE USE OF NON UL PARTS WILL VOID ANY UL LISTING.

When ordering parts, please specify the model and serial number of the product.

\* Indicates a component that is not available as an individual part.

G\*\* Indicates consult Customer Service Department for additional information.

| ITEM | PART NO.  | 1 2 3 4 5 | DESCRIPTION   | QTY. |
|------|-----------|-----------|---|------|
| 1    | 608161    |           | DIRECTION SELECTOR ASSEMBLY (INCLUDES ITEMS 2 - 28) ..... | 1    |
| 2    | 603627    |           | DIRECTION SELECTOR BRACKET WITH BUSHING .....             | 1    |
| 3    | 608150    |           | DIRECTION SELECTOR SHAFT .....                            | 1    |
| 4    | 603700    |           | DIRECTION SELECTOR CAM .....                              | 1    |
| 5    | 14390-G1  |           | LOCK NUT, 3/8 - 24 .....                                  | 1    |
| 6    | 25664-G2  |           | BUSHING.....  | 1    |
| 7    |           |           |   |      |
| 8    | 72724-G01 |           | NEUTRAL LOCK PIN .....                                    | 1    |
| 9    | 72733-G01 |           | COMPRESSION SPRING, 3/8" X 5/8" LG .....                  | 1    |
| 10   | 72729-G01 |           | NEUTRAL LOCK BRACKET .....                                | 1    |
| 11   | 00734-G2  |           | LOCK NUT, 1/4 - 28 .....                                  | 1    |
| 12   | 28574-G01 |           | EXTENSION SPRING .....                                    | 1    |
| 13   | 72732-G01 |           | BALL STUD, 1/4" .....                                     | 1    |
| 14   | 00734-G5  |           | LOCK NUT, #10 - 32 .....                                  | 1    |
| 15   |           |           |   |      |
| 16   |           |           |   |      |
| 17   | 72736-G01 |           | MICRO SWITCH.....   | 1    |
| 18   | 01062-G01 |           | SCREW, #4 - 40 X 1" LG .....                              | 2    |
| 19   | 00559-G1  |           | WASHER, #4 .....  | 2    |
| 20   | 00565-G1  |           | LOCK WASHER, #4 .....                                     | 2    |
| 21   | 00526-G2  |           | NUT, #4 - 40.....   | 2    |
| 22   |           |           |   |      |
| 23   |           |           |   |      |
| 24   | 603615    |           | PUSH / PULL SHIFTER CABLE.....                            | 1    |
| 25   | 25727-G01 |           | CUP WASHER, 1/4" .....                                    | 4    |
| 26   | 72735-G01 |           | COMPRESSION SPRING, 19/32" X 1" LG .....                  | 2    |
| 27   | 606014    |           | FNR PIVOT BRACKET.....                                    | 1    |
| 28   | 00734-G5  |           | LOCK NUT, #10 - 32.....                                   | 1    |
| 29   | 22754G4   |           | FLIP-LOK BUSHING, .25 DIA.....                            | 1    |
| 30   |           |           |   |      |

# DIRECTION SELECTOR

Where applicable, THE USE OF NON UL PARTS WILL VOID ANY UL LISTING.

When ordering parts, please specify the model and serial number of the product.

\* Indicates a component that is not available as an individual part.

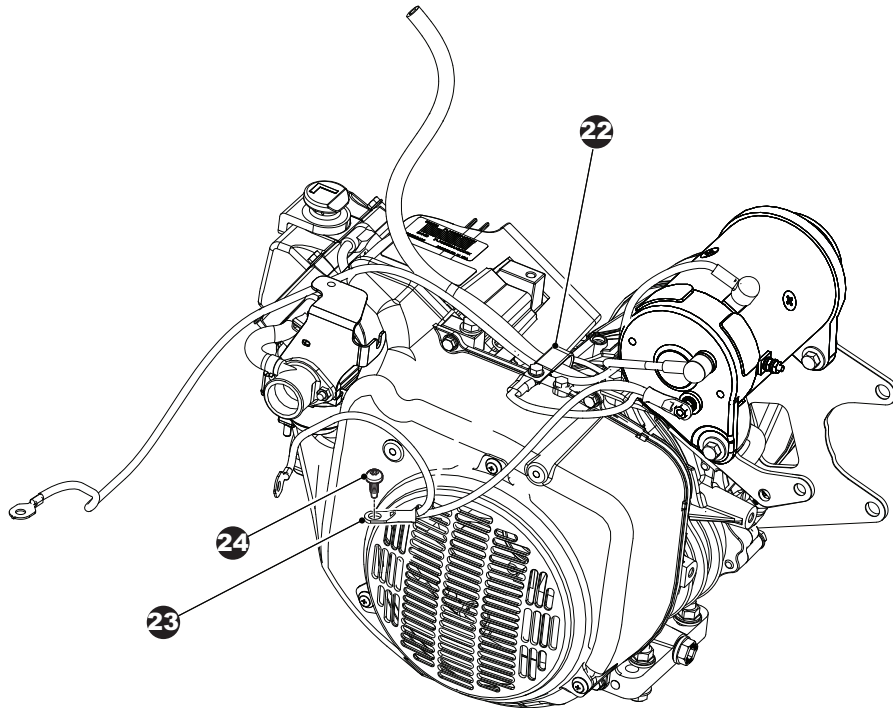
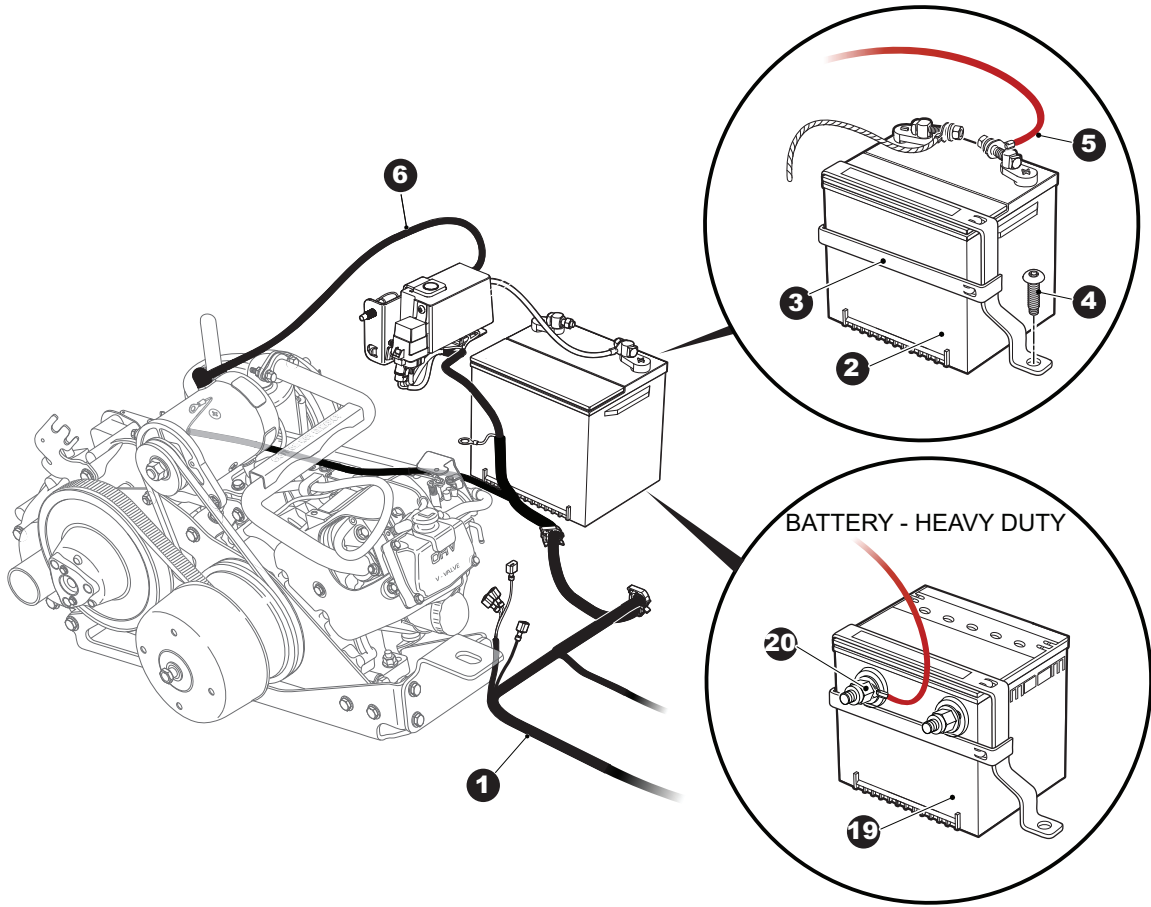
G\*\* Indicates consult Customer Service Department for additional information.

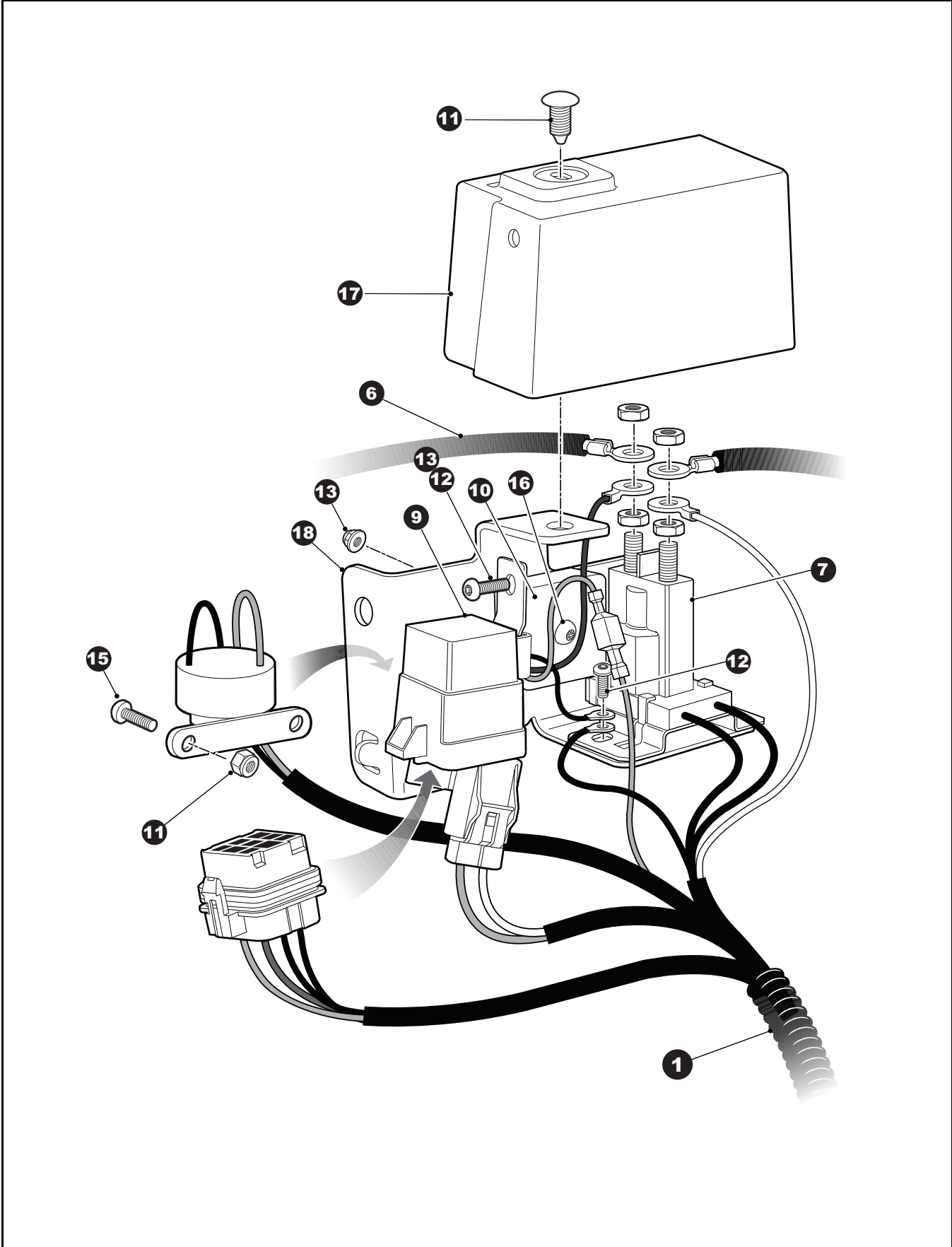
| ITEM | PART NO.  | 1 2 3 4 5 | DESCRIPTION                                       | QTY. |
|------|-----------|-----------|---|------|
| 31   | 601326    |           | BOLT, M6 - 1.00 X 20 .....                        | 2    |
| 32   | 450452    |           | NUT, M6 - 1.00 .....                              | 2    |
| 33   |           |           |   |      |
| 34   |           |           |   |      |
| 35   | 26830-G01 |           | LOCK NUT, M8 X 1.25 MM .....                      | 1    |
| 36   |           |           |   |      |
| 37   |           |           |   |      |
| 38   | 71205-G01 |           | DIRECTION SELECTOR HANDLE .....                   | 1    |
| 39   | 00740-G4  |           | SCREW, #10 - 32 X 1/2" LG (STAINLESS STEEL) ..... | 1    |
| 40   | 606421    |           | BOLT, M6 - 1.00 X 30 .....                        | 1    |
| 41   | 450452    |           | NUT, M6 - 1.00 .....                              | 1    |
| 42   |           |           |   |      |
| 43   | 01072-G01 |           | CABLE CLIP .....                                  | 2    |



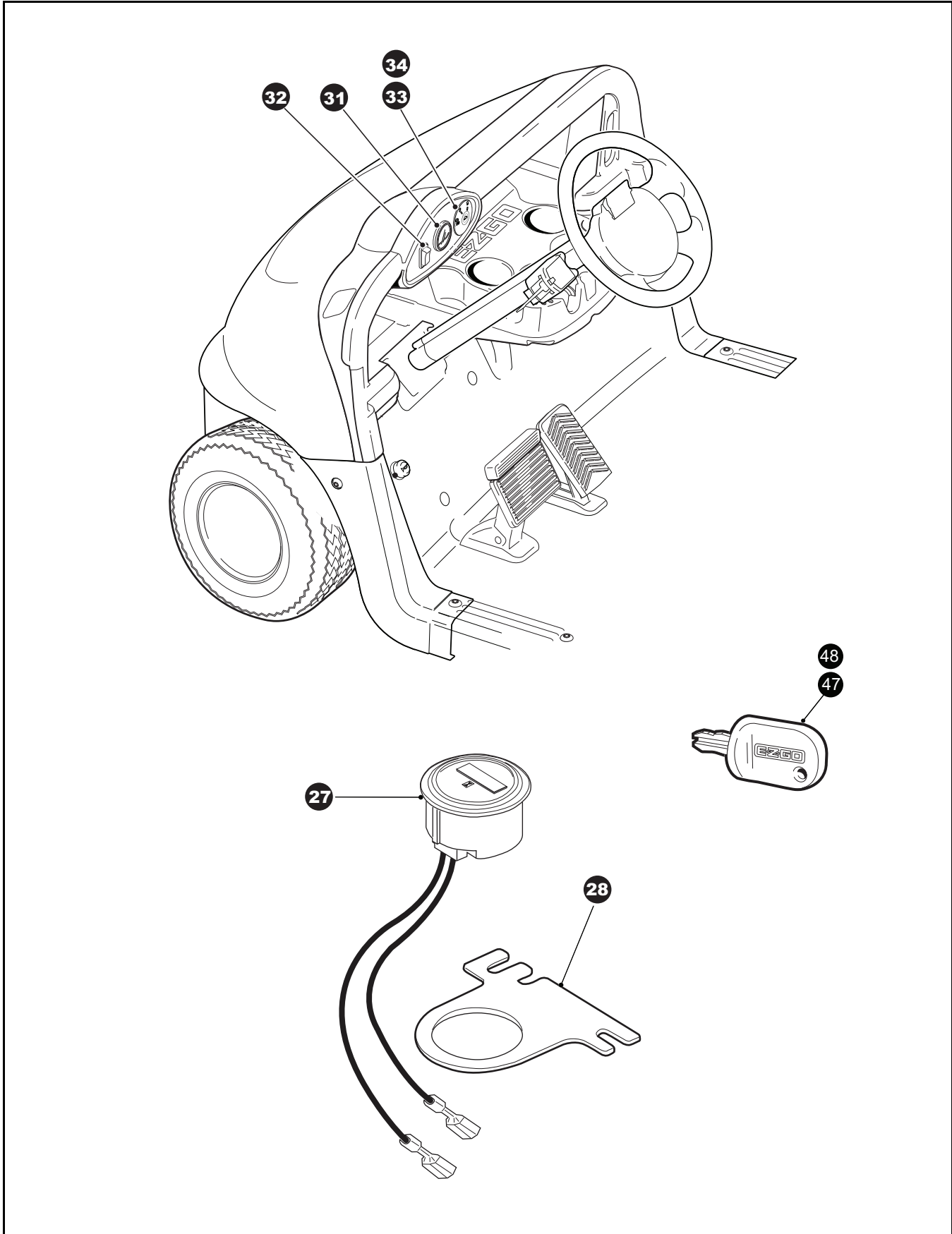


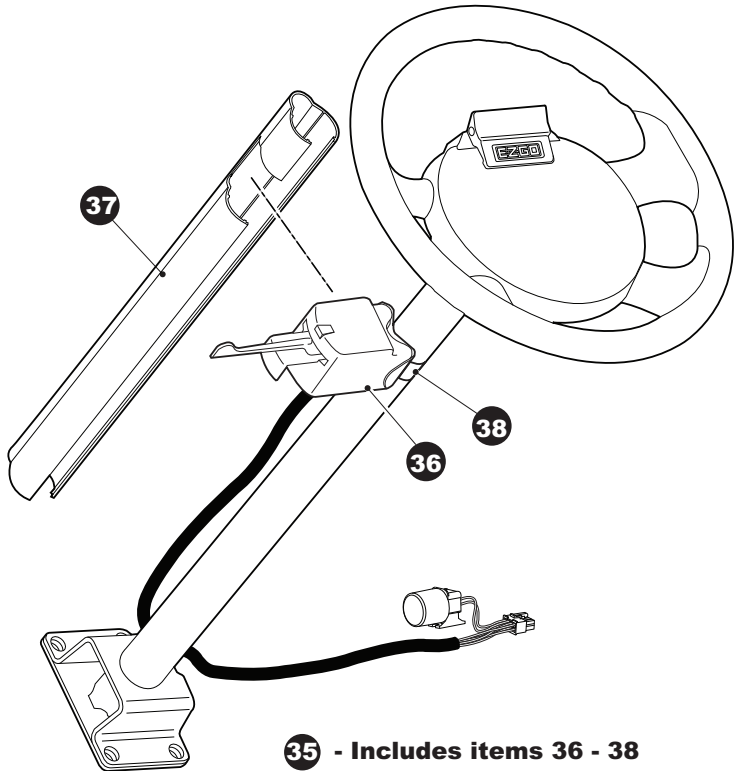
# ELECTRICAL SYSTEM



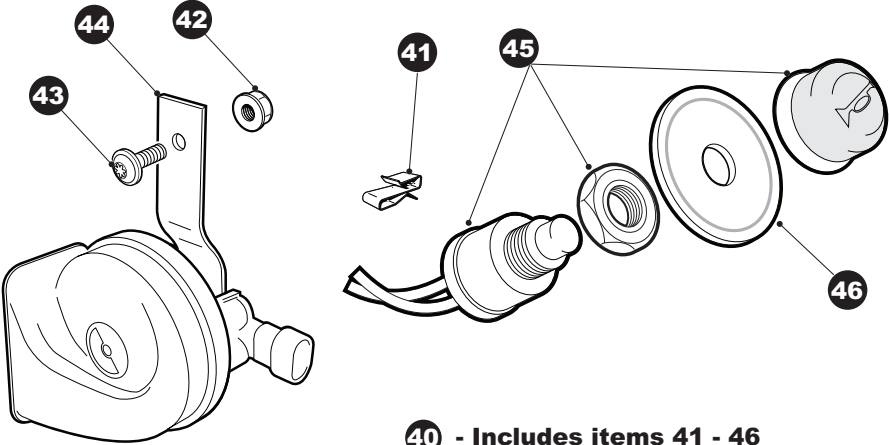


# ELECTRICAL SYSTEM



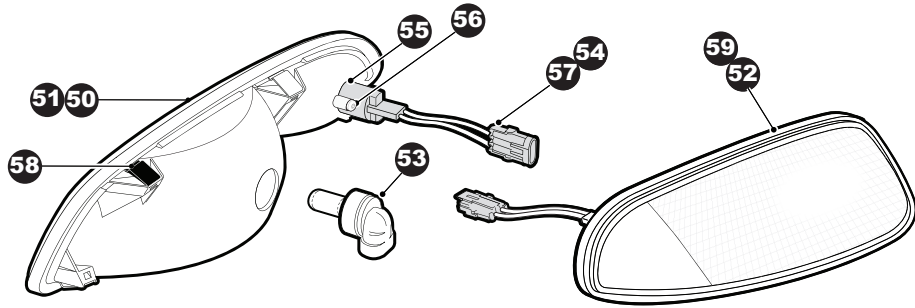


**35 - Includes items 36 - 38**

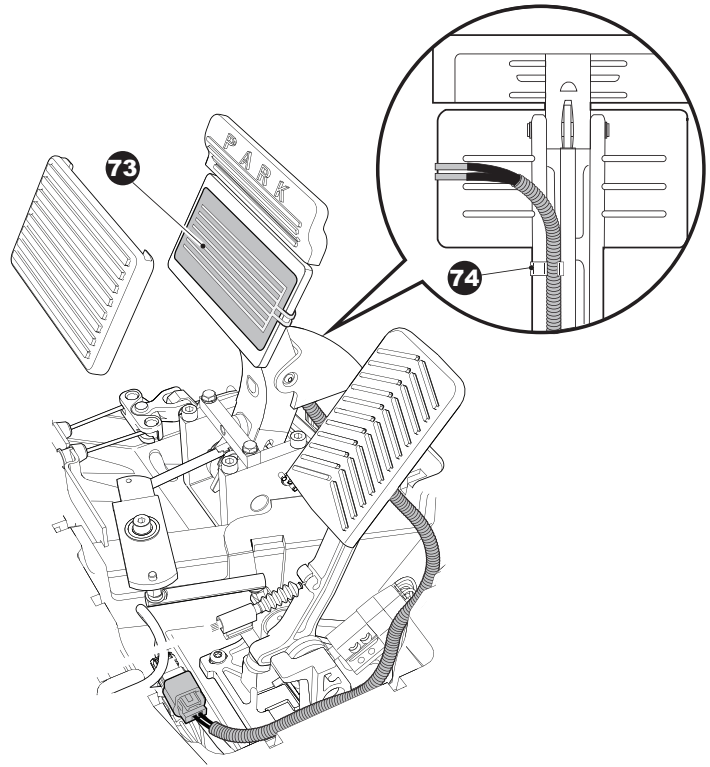


**40 - Includes items 41 - 46**

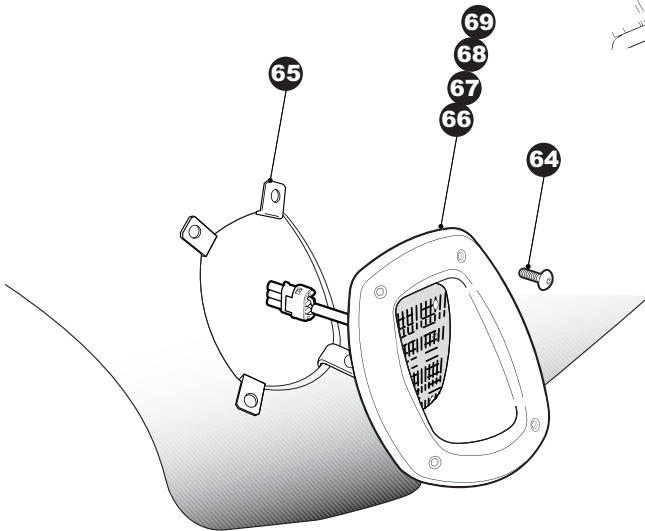
# ELECTRICAL SYSTEM

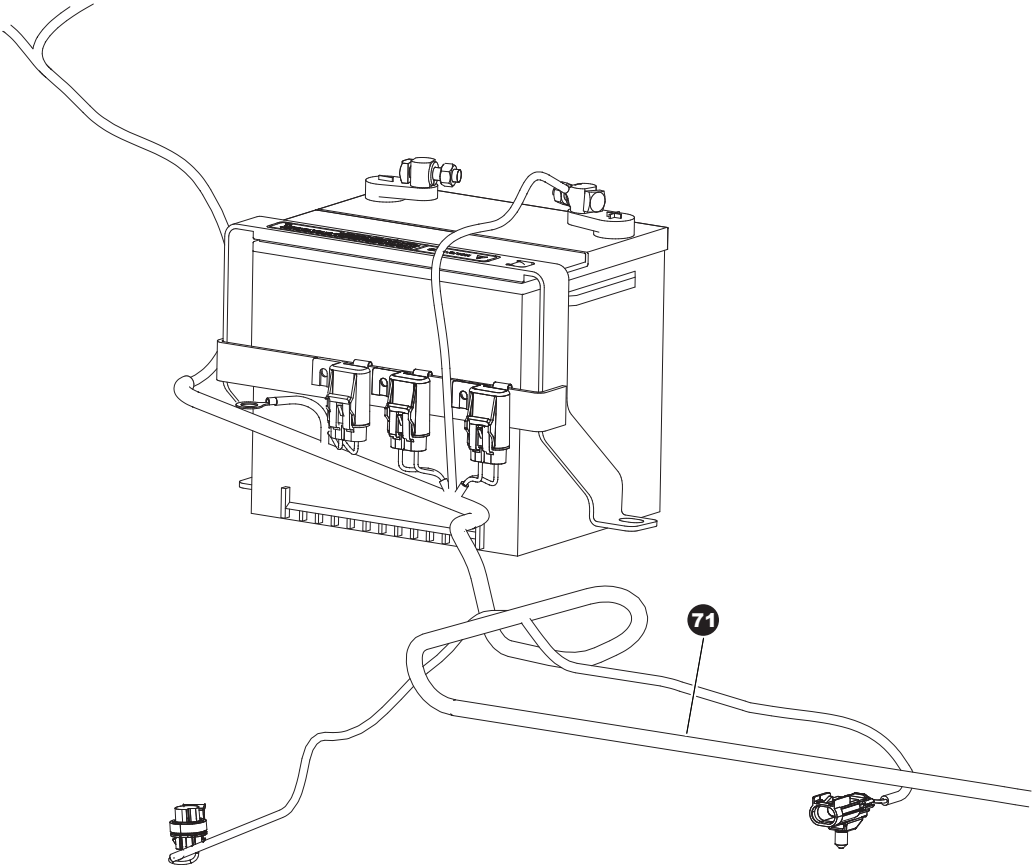


**49** - Includes items 50 - 59



**62** - Includes items 63 - 69





# ELECTRICAL SYSTEM

Where applicable, THE USE OF NON UL PARTS WILL VOID ANY UL LISTING.

When ordering parts, please specify the model and serial number of the product.

\* Indicates a component that is not available as an individual part.

G\*\* Indicates consult Customer Service Department for additional information.

| ITEM | PART NO. | 1 2 3 4 5 | DESCRIPTION                                | QTY. |
|------|----------|-----------|--|------|
| 1    | 602163   |           | MAIN HARNESS, FLEET .....                  | 1    |
| 2    | 24775G1  |           | BATTERY, 12V .....                         | 1    |
| 3    | 601832   |           | BATTERY TIE DOWN .....                     | 1    |
| 4    | 605957   |           | BOSS SCREW, M8 .....                       | 2    |
| 5    | 601462   |           | POSITIVE BATTERY CABLE (SOL - BATT+) ..... | 1    |
| 6    | 603874   |           | 6 GA. WIRE, (SOL - F2).....                | 1    |
| 7    | 608898   |           | SOLENOID KIT .....                         | 1    |
| 8    |          |           |  |      |
| 9    | 603282   |           | RELAY, 12V .....                           | 1    |
| 10   | 27739G01 |           | VOLTAGE REGULATOR.....                     | 1    |
| 11   | 16816G1  |           | RACHET FASTENER.....                       | 1    |
| 12   | 601326   |           | SCREW, M6 - 1.0 X 25.....                  | 3    |
| 13   | 601476   |           | NUT, M6 - 1 .....                          | 4    |
| 14   | 602053   |           | NUT, M4 .....                              | 3    |
| 15   | 600543   |           | SCREW, M4 - 0.7 X 12.....                  | 3    |
| 16   | 602063   |           | SCREW, M6 - 1.0 X 40.....                  | 1    |
| 17   | 603390   |           | COVER.....                                 | 1    |
| 18   | 600962   |           | BRACKET .....                              | 1    |
| 19   | 600497   |           | BATTERY, 12V HEAVY DUTY.....               | 1    |
| 20   | 610248   |           | BOLT EXTENDER, BATTERY .....               | 1    |
| 21   | 602070   |           | GROUND CABLE.....                          | 1    |
| 22   | 606962   |           | CLAMP .....                                | 1    |
| 23   | 606264   |           | BOLT, M6 - 1.0 X 20 .....                  | 1    |
| 24   | 602572   |           | BOLT, M10 - 1.5 - 25 .....                 | 1    |
| 25   |          |           |  |      |
| 26   |          |           |  |      |
| 27   | 607120   |           | HOUR METER .....                           | 1    |
| 28   | 603721   |           | HOUR METER BRACKET .....                   | 1    |
| 29   |          |           |  |      |
| 30   |          |           |  |      |



# ELECTRICAL SYSTEM

Where applicable, THE USE OF NON UL PARTS WILL VOID ANY UL LISTING.  
 When ordering parts, please specify the model and serial number of the product.  
 \* Indicates a component that is not available as an individual part.  
 G\*\* Indicates consult Customer Service Department for additional information.

| ITEM | PART NO. | 1 2 3 4 5 | DESCRIPTION  | QTY. |
|------|----------|-----------|--|------|
| 31   | 610191   |           | FUEL GAUGE .....   | 1    |
| 32   | 604019   |           | HEADLIGHT SWITCH.....  | 1    |
| 33   | 603623   |           | KEY SWITCH .....   | 1    |
| 34   | 609695   |           | KEY SWITCH .....   | 1    |
| 35   | 607530   |           | TURN SIGNAL SWITCH KIT (includes items 36 - 38) .....          | 1    |
| 36   | 604511   |           | TURN SIGNAL ASSEMBLY.....                                      | 1    |
| 37   | 20965G3  |           | COVER .....  | 1    |
| 38   | 608771   |           | RUBBER TAPE/INSULATION.....                                    | 1    |
| 39   |          |           |  |      |
| 40   | 607528   |           | HORN ASSEMBLY KIT (includes items 41- 46).....                 | 1    |
| 41   | 01072G01 |           | CLIP .....   | 3    |
| 42   | 601476   |           | LOCK NUT, M6 - 1 .....   | 1    |
| 43   | 601326   |           | BUTTON HEAD TORX BOLT, M6 - 1 X 20 .....                       | 1    |
| 44   | 604196   |           | HORN ASSEMBLY .....  | 1    |
| 45   | 604193   |           | HORN BUTTON SWITCH ASSEMBLY .....                              | 1    |
| 46   | 608397   |           | HORN PLATE .....   | 1    |
| 47   | 609680   |           | KEY .....  | 1    |
| 48   | 605946   |           | KEY .....  | 1    |
| 49   | 607445   |           | HEADLIGHT KIT (includes items 50 - 59).....                    | 1    |
| 50   | 607439   |           | HEADLIGHT ASSEMBLY, DRIVER SIDE (includes items 52 - 58) ..... | 1    |
| 51   | 607438   |           | HEADLIGHT ASSEMBLY, PASSENGER SIDE (includes items 53 - 59)..  | 1    |
| 52   | 604452   |           | GASKET, DRIVER SIDE .....                                      | 1    |
| 53   | 74004G01 |           | HEADLIGHT BULB .....   | 1    |
| 54   | 604539   |           | TURN SIGNAL BULB.....  | 1    |
| 55   | 608322   |           | BULB RETAINER .....  | 1    |
| 56   | 608328   |           | BUTTON HEAD TORX SCREW, PLASTITE.....                          | 1    |
| 57   | 607487   |           | TURN SIGNAL WIRE HARNESS .....                                 | 1    |
| 58   | 607434   |           | HEADLIGHT RETAINING CLIP.....                                  | 4    |
| 59   | 607437   |           | GASKET, PASSENGER SIDE.....                                    | 1    |
| 60   |          |           |  |      |

# ELECTRICAL SYSTEM

Where applicable, THE USE OF NON UL PARTS WILL VOID ANY UL LISTING.

When ordering parts, please specify the model and serial number of the product.

\* Indicates a component that is not available as an individual part.

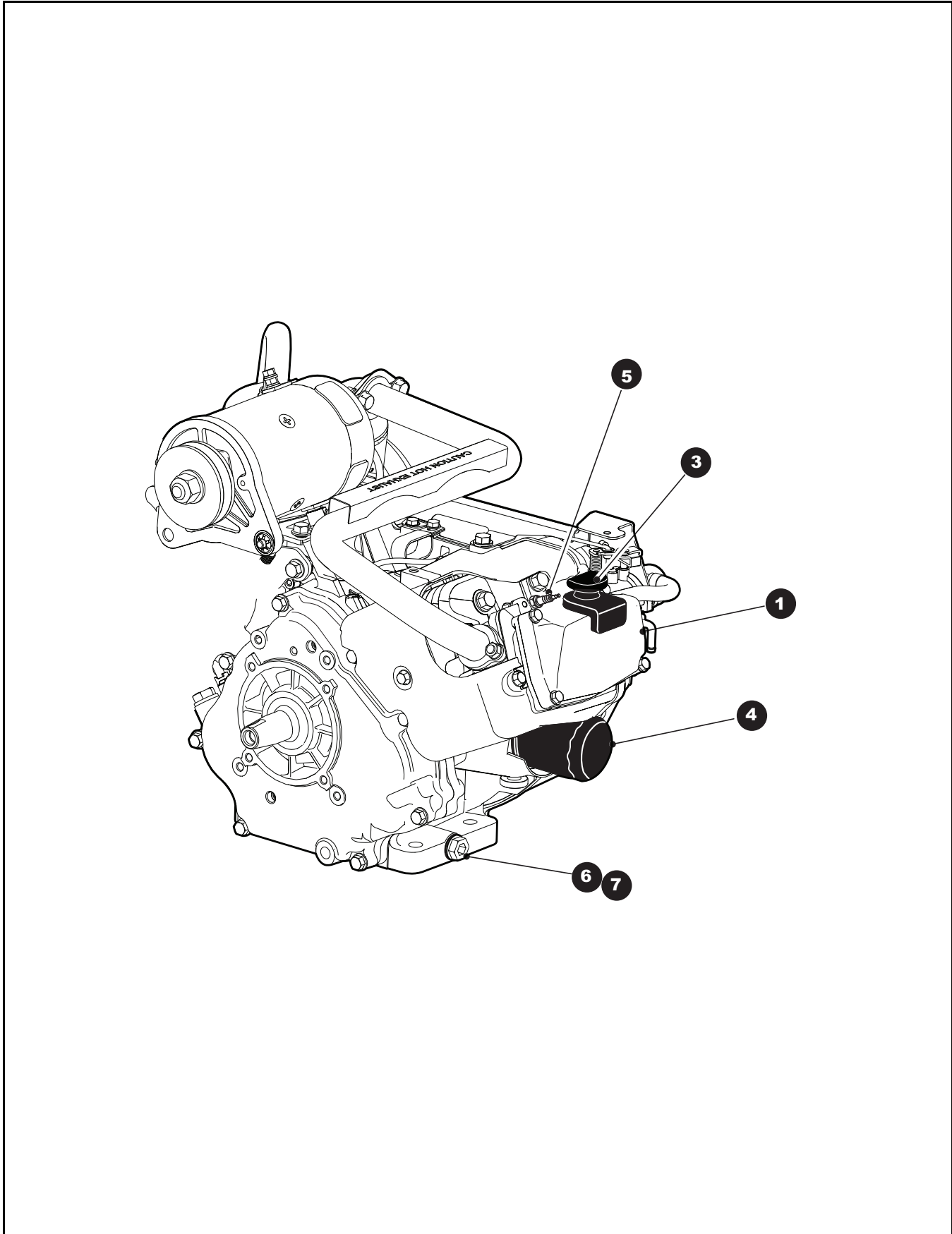
G\*\* Indicates consult Customer Service Department for additional information.

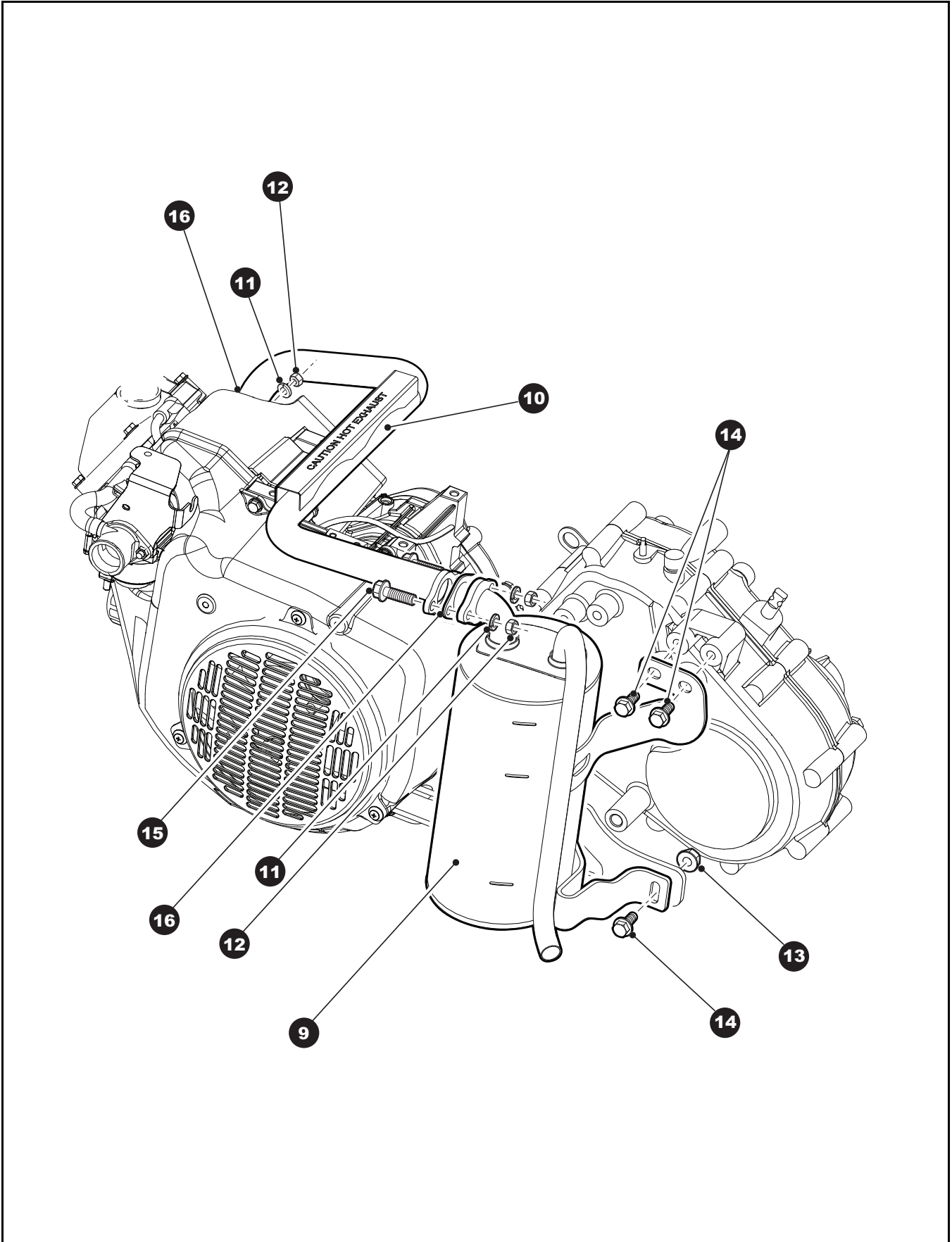
| ITEM | PART NO. | 1 | 2 | 3 | 4 | 5 | DESCRIPTION   | QTY. |
|------|----------|---|---|---|---|---|---|------|
| 61   |          |   |   |   |   |   |   |      |
| 62   | 607450   |   |   |   |   |   | TAIL LIGHT KIT (includes items 63 - 69).....                    | 1    |
| 63   | 607474   |   |   |   |   |   | TAIL LIGHT HARDWARE KIT (INCLUDES ITEMS 64 & 65 ).....          | 1    |
| 64   | 601326   |   |   |   |   |   | BUTTON HEAD TORX BOLT, M6 - 1 X 20 .....                        | 8    |
| 65   | 602409   |   |   |   |   |   | BARRELL CLIP, M6.....   | 8    |
| 66   | 603325   |   |   |   |   |   | TAIL LIGHT ASSEMBLY, DRIVER SIDE (includes items 68 & 69.....   | 1    |
| 67   | 603326   |   |   |   |   |   | TAIL LIGHT ASSEMBLY, PASSENGER SIDE (includes items 68 & 69) .. | 1    |
| 68   | 604311   |   |   |   |   |   | TAIL LIGHT BULB .....   | 1    |
| 69   | 604858   |   |   |   |   |   | TAIL LIGHT LENS .....   | 1    |
| 70   |          |   |   |   |   |   |   |      |
| 71   | 603848   |   |   |   |   |   | ACCESSORY HARNESS.....  | 1    |
| 72   |          |   |   |   |   |   |   |      |
| 73   | 606711   |   |   |   |   |   | BRAKE LIGHT SWITCH ASSEMBLY .....                               | 1    |
| 74   | 606814   |   |   |   |   |   | S-CLIP .....  | 1    |

**Notes:**

A large grid consisting of 25 columns and 25 rows of small squares, intended for handwritten notes.

# ENGINE AND MUFFLER





# ENGINE AND MUFFLER

Where applicable, THE USE OF NON UL PARTS WILL VOID ANY UL LISTING.

When ordering parts, please specify the model and serial number of the product.

\* Indicates a component that is not available as an individual part.

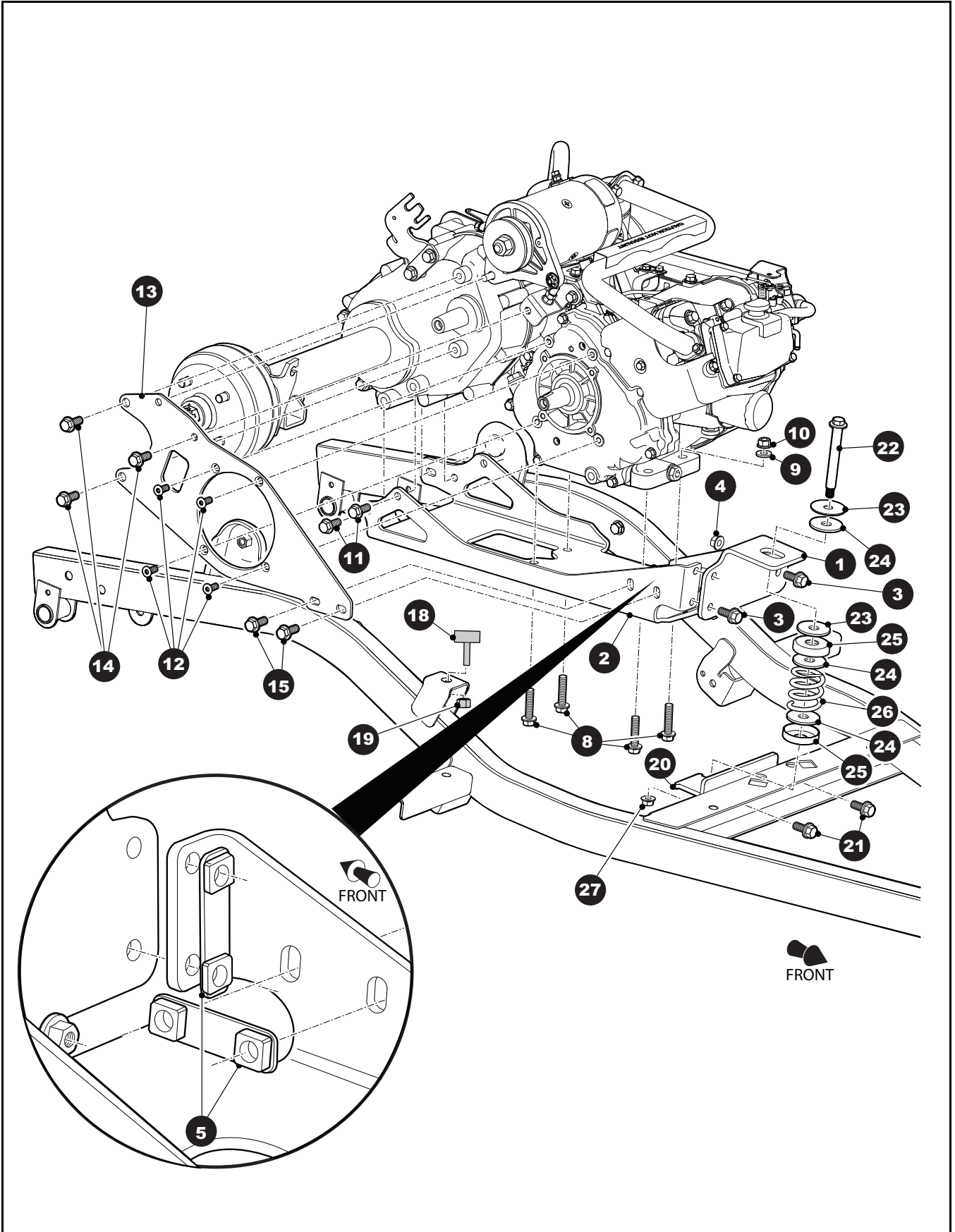
G\*\* Indicates consult Customer Service Department for additional information.

| ITEM | PART NO. | 1 | 2 | 3 | 4 | 5 | DESCRIPTION                 | QTY. |
|------|----------|---|---|---|---|---|-----------------------------|------|
| 1    | 602348   |   |   |   |   |   | ENGINE.....                 | 1    |
| 2    |          |   |   |   |   |   |                             |      |
| 3    | 606390   |   |   |   |   |   | DIP STICK .....             | 1    |
| 4    | 607454   |   |   |   |   |   | OIL FILTER.....             | 1    |
| 5    | 607462   |   |   |   |   |   | SPARK PLUG (BPR2ES).....    | 1    |
| 6    | 603557   |   |   |   |   |   | OIL DRAIN PLUG .....        | 1    |
| 7    | 603562   |   |   |   |   |   | 'O' RING, 16MM.....         | 1    |
| 8    |          |   |   |   |   |   |                             |      |
| 9    | 606984   |   |   |   |   |   | MUFFLER .....               | 1    |
| 10   | 606982   |   |   |   |   |   | EXHAUST PIPE .....          | 1    |
| 11   | 606272   |   |   |   |   |   | WASHER, 8MM.....            | 4    |
| 12   | 606267   |   |   |   |   |   | NUT, M8 X 1.25 .....        | 4    |
| 13   | 606279   |   |   |   |   |   | NUT, M10 - 1.25 .....       | 1    |
| 14   | 606256   |   |   |   |   |   | BOLT, M10 - 1.25 X 25 ..... | 3    |
| 15   | 602330   |   |   |   |   |   | BOLT, M8 - 1.25 X 30 .....  | 2    |
| 16   | 603599   |   |   |   |   |   | EXHAUST GASKET .....        | 2    |

**Notes:**

A large grid of graph paper for taking notes, consisting of 30 columns and 30 rows of small squares.

# ENGINE MOUNTING





# ENGINE MOUNTING

Where applicable, THE USE OF NON UL PARTS WILL VOID ANY UL LISTING.

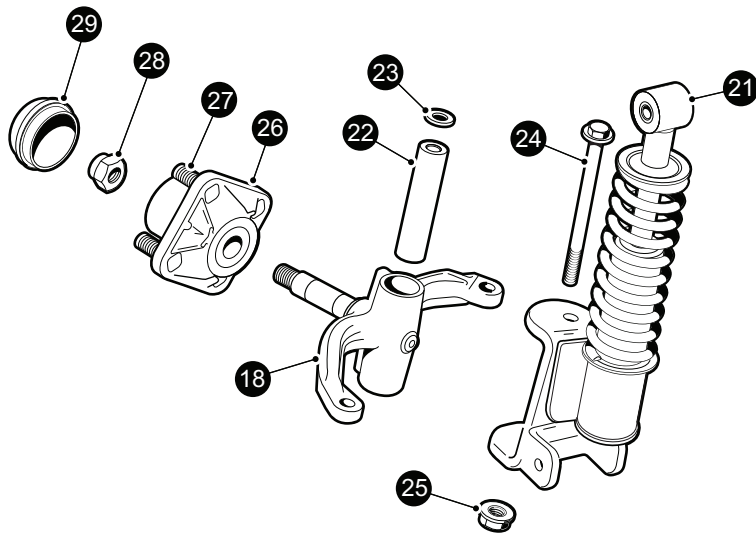
When ordering parts, please specify the model and serial number of the product.

\* Indicates a component that is not available as an individual part.

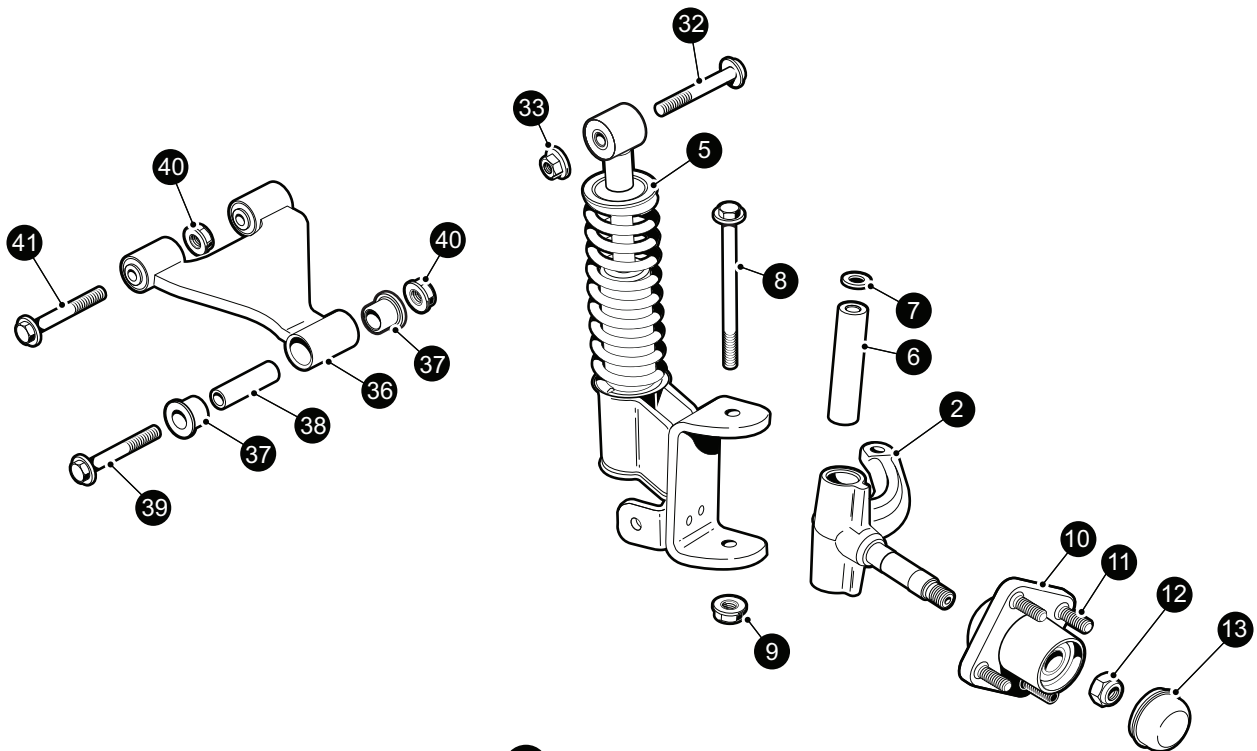
G\*\* Indicates consult Customer Service Department for additional information.

| ITEM | PART NO. | 1 2 3 4 5 | DESCRIPTION                       | QTY. |
|------|----------|-----------|-----------------------------------|------|
| 1    | 606007   |           | FRONT ENGINE MOUNT .....          | 1    |
| 2    | 603101   |           | ENGINE PAN MOUNT .....            | 1    |
| 3    | 606256   |           | BOLT, M10 - 1.25 X 25 .....       | 3    |
| 4    | 606279   |           | NUT, M10 - 1.25 .....             | 1    |
| 5    | 606096   |           | NUT PLATE .....                   | 2    |
| 6    |          |           |                                   |      |
| 7    |          |           |                                   |      |
| 8    | 606259   |           | BOLT, .....                       | 4    |
| 9    | 603823   |           | FLAT WASHER, M10 X 22 - 2.5 ..... | 4    |
| 10   | 606279   |           | NUT, M10 - 1.25 .....             | 4    |
| 11   | 608020   |           | BOLT, M10 - 1.25 X 34 .....       | 4    |
| 12   | 606246   |           | FLAT HEAD SCREW, T40 .....        | 4    |
| 13   | 602146   |           | DIFFERENTIAL PLATE .....          | 1    |
| 14   | 606256   |           | BOLT, M10 - 1.25 X 25 .....       | 3    |
| 15   | 606256   |           | BOLT, M10 - 1.25 X 25 .....       | 2    |
| 16   |          |           |                                   |      |
| 17   |          |           |                                   |      |
| 18   | 70113G01 |           | ADJUSTABLE RUBBER BUMPER .....    | 1    |
| 19   | 11098G6  |           | PLASTIC LOCK NUT .....            | 1    |
| 20   | 610882   |           | WELDMENT, ISO MOUNT .....         | 1    |
| 21   | 603800   |           | BOLT, M10 -1.0 X 25 .....         | 2    |
| 22   | 606392   |           | BOLT, M10 - 1.5 .....             | 1    |
| 23   | 607297   |           | RUBBER WASHER .....               | 2    |
| 24   | 607298   |           | DELTRIN WASHER .....              | 3    |
| 25   | 24939G2  |           | CAP ADAPTER .....                 | 2    |
| 26   | 606166   |           | COMPRESSION SPRING .....          | 1    |
| 27   | 600525   |           | NUT, PLS, LK, M10 - 1.5 .....     | 1    |

# FRONT SUSPENSION



**17** Front Suspension Assembly Passenger Side  
includes items 18, 21 - 29



**1** Front Suspension Assembly Diver Side  
includes items 2, 5 - 13

# FRONT SUSPENSION

When ordering parts, please specify the model and serial number of the product.

\* Indicates a component that is not available as an individual part.

\*\*\* Indicates consult Customer Service Department for additional information.

| ITEM | PART NO. | 1 2 3 4 5 | DESCRIPTION  | QTY. |
|------|----------|-----------|--|------|
| 1    | 609605   |           | SHOCK ABSORBER ASSEMBLY, DRIVER SIDE (includes items 2 - 13) ..... | 1    |
| 2    | 607413   |           | SPINDLE ASSEMBLY, DRIVER SIDE.....                                 | 1    |
| 3    |          |           |  |      |
| 4    |          |           |  |      |
| 5    | 601246   |           | STRUT ASSEMBLY, DRIVER SIDE .....                                  | 1    |
| 6    | 601707   |           | KINGPIN TUBE .....   | 1    |
| 7    | 601920   |           | THRUST WASHER .....  | 1    |
| 8    | 620380   |           | KINGPIN, HEX HEAD FLANGED BOLT, M12 - 1.25 X 145 .....             | 1    |
| 9    | 600549   |           | HEX NUT, FLANGED, M12 - 1.25 .....                                 | 1    |
| 10   | 609603   |           | HUB ASSEMBLY (includes item 11).....                               | 1    |
| 11   | 19862G1  |           | WHEEL STUD.....  | 4    |
| 12   | 601709   |           | LOCKING HEX NUT, M16 - 2.....                                      | 1    |
| 13   | 12091G2  |           | SPINDLE CAP.....   | 1    |
| 14   |          |           |  |      |
| 15   |          |           |  |      |
| 16   |          |           |  |      |
| 17   | 610845   |           | SHOCK ABSORBER ASSEMBLY, PASSENGER SIDE (inc items 18 - 29) ...    | 1    |
| 18   | 611271   |           | SPINDLE ASSEMBLY, PASSENGER SIDE .....                             | 1    |
| 19   |          |           |  |      |
| 20   |          |           |  |      |
| 21   | 603024   |           | STRUT ASSEMBLY, PASSENGER SIDE .....                               | 1    |
| 22   | 601707   |           | KINGPIN TUBE .....   | 1    |
| 23   | 601920   |           | THRUST WASHER .....  | 1    |
| 24   | 620380   |           | KINGPIN, HEX HEAD FLANGED BOLT, M12 - 1.25 X 145 .....             | 1    |
| 25   | 600549   |           | HEX NUT, FLANGED, M12 - 1.25 .....                                 | 1    |
| 26   | 609603   |           | HUB ASSEMBLY (includes item 27).....                               | 1    |
| 27   | 19862G1  |           | WHEEL STUD.....  | 4    |
| 28   | 601709   |           | LOCKING HEX NUT, M16 - 2.....                                      | 1    |
| 29   | 12091G2  |           | SPINDLE CAP.....   | 1    |
| 30   |          |           |  |      |
| 31   |          |           |  |      |

# FRONT SUSPENSION

When ordering parts, please specify the model and serial number of the product.

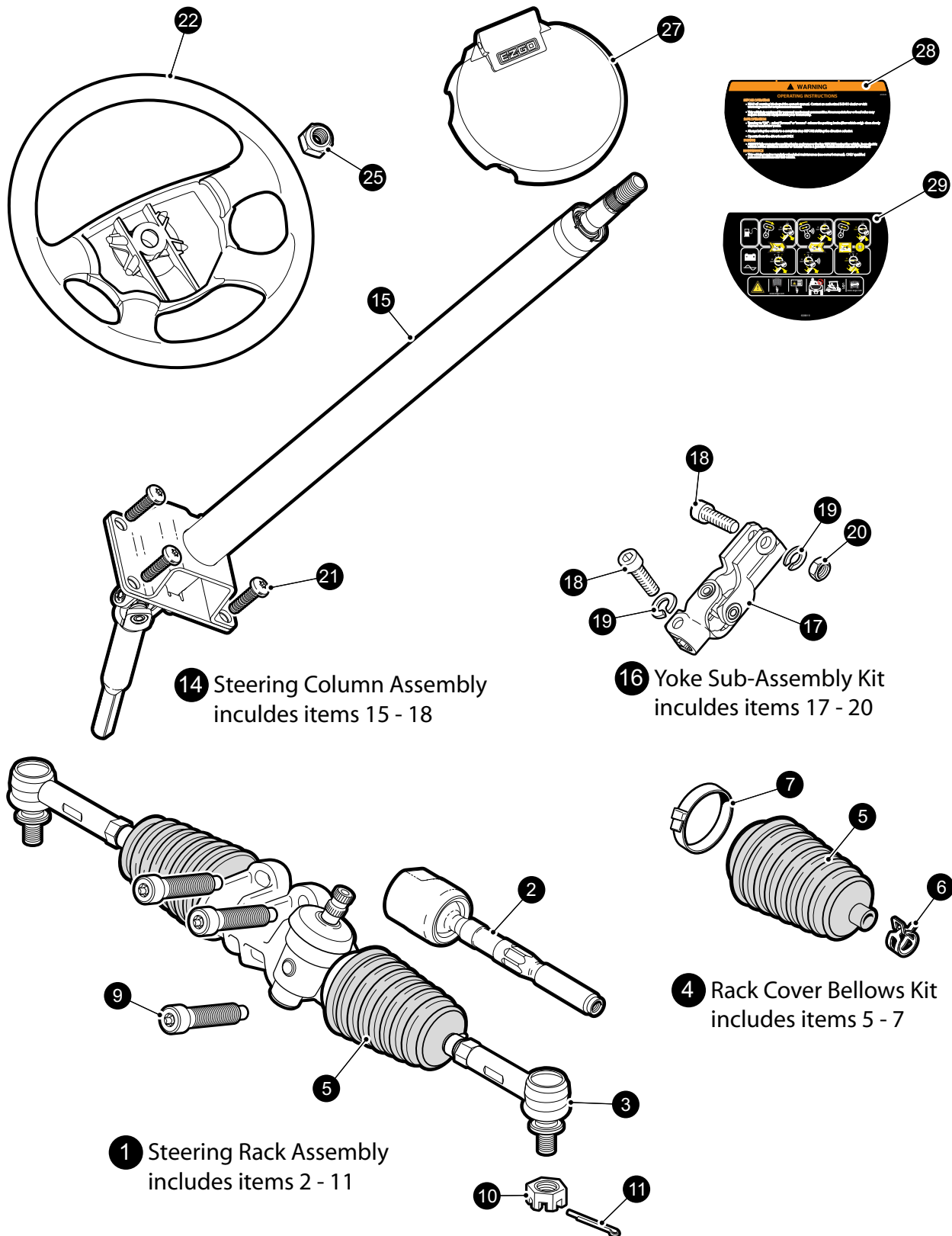
\* Indicates a component that is not available as an individual part.

\*\*\* Indicates consult Customer Service Department for additional information.

| ITEM | PART NO. | 1 2 3 4 5 | DESCRIPTION                                | QTY. |
|------|----------|-----------|--|------|
| 32   | 602415   |           | HEX HEAD FLANGED BOLT, M10 - 1.5 X 80..... | 2    |
| 33   | 600525   |           | HEX NUT, FLANGED LOCK, M10 - 1.5 .....     | 2    |
| 34   |          |           |  |      |
| 35   |          |           |  |      |
| 36   | 608089   |           | A-ARM ASSEMBLY .....                       | 2    |
| 37   | 601340   |           | A-ARM BUSHING.....                         | 4    |
| 38   | 602085   |           | A-ARM CARRIER TUBE .....                   | 2    |
| 39   | 601754   |           | HEX HEAD FLANGED BOLT, M10 - 1.5 X 90..... | 2    |
| 40   | 600525   |           | HEX NUT, FLANGED LOCK, M10 - 1.5 .....     | 6    |
| 41   | 602415   |           | HEX HEAD FLANGED BOLT, M10 - 1.5 X 80..... | 4    |



# FRONT SUSPENSION



# FRONT SUSPENSION

When ordering parts, please specify the model and serial number of the product.

\* Indicates a component that is not available as an individual part.

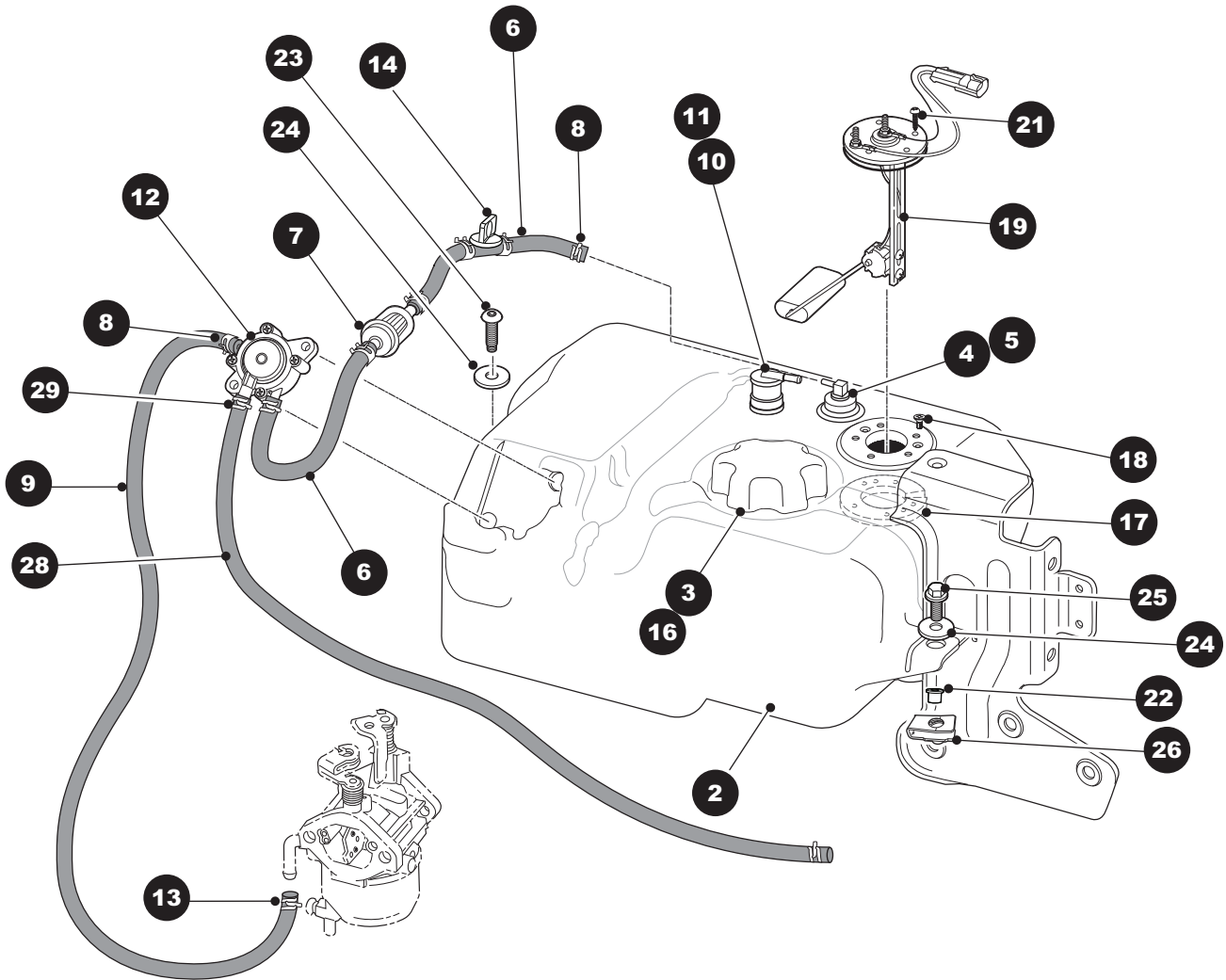
\*\*\* Indicates consult Customer Service Department for additional information.

| ITEM | PART NO. | 1 2 3 4 5 | DESCRIPTION  | QTY. |
|------|----------|-----------|--|------|
| 1    | 601500   |           | STEERING RACK ASSEMBLY (includes items 2 - 4) .....    | 1    |
| 2    | 603865   |           | STEERING ROD .....                                     | 2    |
| 3    | 604614   |           | ROD END .....  | 2    |
| 4    | 604615   |           | RACK COVER BELLOWS KIT (includes items 5 - 7) .....    | 2    |
| 5    | 608112   |           | BELLOWS.....   | 1    |
| 6    | 608108   |           | BELLOWS CLAMP (small end).....                         | 1    |
| 7    | 608109   |           | BELLOWS CLIP (large end) .....                         | 1    |
| 8    |          |           |  |      |
| 9    | 602020   |           | TORX SOCKET HEAD CAP SCREW, M10 - 1.5 X 80.....        | 3    |
| 10   | 608005   |           | CASTLE HEX NUT, M12 - 1.25 .....                       | 2    |
| 11   | 10387-G2 |           | COTTER PIN.....  | 2    |
| 12   |          |           |  |      |
| 13   |          |           |  |      |
| 14   | 600333   |           | STEERING COLUMN ASSEMBLY (includes items 15 - 18)..... | 1    |
| 15   | 608117   |           | STEERING COLUMN SUB ASSEMBLY .....                     | 1    |
| 16   | 604613   |           | YOKE SUB ASSEMBLY KIT (includes items 17 & 18).....    | 1    |
| 17   | 608114   |           | STEERING YOKE.....                                     | 1    |
| 18   | 608653   |           | SOCKET HEAD BOLT, M10 X 1.5 S 35.....                  | 2    |
| 19   | 608654   |           | LOCK WASHER, M10.5.....                                | 2    |
| 20   | 608655   |           | HEX NUT, M10 - 1.5.....                                | 1    |
| 21   | 602572   |           | PAN HEAD TORX SCREW, TAPTITE M10 - 1.5 X 25.....       | 4    |
| 22   | 602980   |           | STEERING WHEEL .....                                   | 1    |
| 23   |          |           |  |      |
| 24   |          |           |  |      |
| 25   | 601709   |           | LOCK NUT, M16 - 2 .....                                | 1    |
| 26   |          |           |  |      |
| 27   | 607925   |           | SCORECARD HOLDER ASSEMBLY .....                        | 1    |
| 28   | 608529   |           | STEERING WHEEL WARNING LABEL .....                     | 1    |
| 29   | 608819   |           | STEERING WHEEL WARNING LABEL, CE .....                 | 1    |

# FUEL SYSTEM

**1** - Includes Items 2 - 14

**15** - Includes Items 3 - 14 & 16 - 21





# FUEL SYSTEM

THE USE OF NON U.L. PARTS WILL VOID ANY U.L. LISTING.

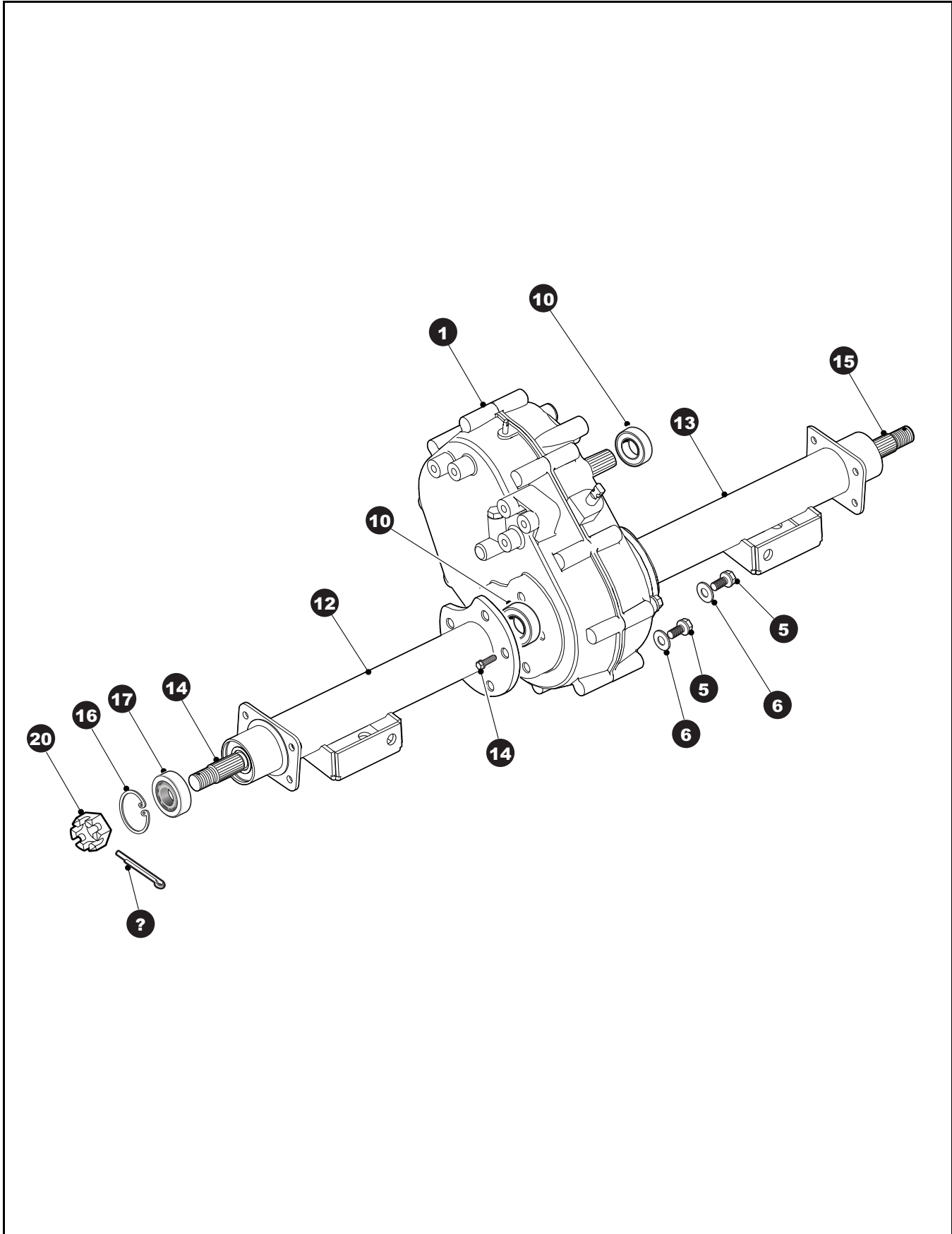
When ordering parts, please specify the model and serial number of the product.

\* Indicates a component that is not available as an individual part.

G\*\* Indicates consult Customer Service Department for additional information.

| ITEM | PART NO. | 1 2 3 4 5 | DESCRIPTION  | QTY.  |
|------|----------|-----------|--|-------|
| 1    | 611164   |           | FUEL TANK ASSEMBLY .....   | 1     |
| 2    | 600140   |           | FUEL TANK .....  | 1     |
| 3    | 620174   |           | FUEL TANK CAP .....  | 1     |
| 4    | 18287G03 |           | SIPHON TUBE.....   | 1     |
| 5    | 70988G01 |           | GROMMET .....  | 1     |
| 6    | 17470G1  |           | FUEL HOSE, .....   | 8"    |
| 7    | 72084G01 |           | FUEL FILTER.....   | 1     |
| 8    | 18292G1  |           | CLAMP, 1/2".....   | 5     |
| 9    | 17470G1  |           | FUEL HOSE, (BULK) (TO CARBURETOR) .....  | 22.5" |
| 10   | 606067   |           | ROLLOVER VALVE .....   | 1     |
| 11   | 606068   |           | ROLLOVER VALVE GROMMET.....  | 1     |
| 12   | 602061   |           | FUEL PUMP .....  | 1     |
| 13   | 11391G4  |           | CLAMP, 1/2".....   | 1     |
| 14   | 611181   |           | SHUT OFF VALVE .....   | 1     |
| 15   | 611182   |           | FUEL TANK ASSEMBLY WITH LEVEL SWITCH<br>(INCLUDES ITEMS 3 -14 & 16 - 21) ..... | 1     |
| 16   | 604251   |           | FUEL TANK (FOR VEHICLES WITH FUEL GUAGE) .....                                 | 1     |
| 17   | 72229G01 |           | FUEL LEVEL SENDER ADAPTER.....   | 1     |
| 18   | 72230G01 |           | SCREW, #6 - 32 X 1/2" LG .....   | 2     |
| 19   | 604188   |           | FUEL LEVEL SENDER (INCLUDES ITEM 13) .....                                     | 1     |
| 20   | *        |           | GASKET .....   | 1     |
| 21   | 72232G01 |           | SCREW, #10 x 3/4" LG .....   | 5     |
| 22   | 70581G01 |           | ACETAL BUSHING .....   | 1     |
| 23   | 605957   |           | BOSS SCREW TORX, M8 - 1.25 X 25.....   | 1     |
| 24   | 604066   |           | WASHER, WASHER M10, 10.5 X 30 .....  | 2     |
| 25   | 603800   |           | HEX BOLT, M10 - 1.5 X 25.....  | 1     |
| 26   | 603818   |           | BARREL CLIP NUT, M10 - 1.5.....  | 1     |
| 27   |          |           |  |       |
| 28   | 27183G01 |           | PULSE LINE (BULK), (BLACK WITH WHITE LINE MARKING) .....                       | 28"   |
| 29   | 18292G1  |           | CLAMP, 1/2".....   | 2     |

# REAR AXLE



# REAR AXLE

Where applicable, THE USE OF NON UL PARTS WILL VOID ANY UL LISTING.

When ordering parts, please specify the model and serial number of the product.

\* Indicates a component that is not available as an individual part.

G\*\* Indicates consult Customer Service Department for additional information.

| ITEM | PART NO.  | 1 2 3 4 5 | DESCRIPTION                              | QTY. |
|------|-----------|-----------|--|------|
| 1    | 606423    |           | REAR AXLE, (INCLUDES ITEMS 3 - 23) ..... | 1    |
| 2    |           |           |  |      |
| 3    | 26770-G01 |           | OIL CHECK PLUG.....                      | 1    |
| 4    | 26771-G01 |           | GASKET, 14 MM.....                       | 1    |
| 5    | 26770-G01 |           | OIL DRAIN PLUG .....                     | 1    |
| 6    | 26771-G01 |           | GASKET, 14 MM.....                       | 1    |
| 7    |           |           |  |      |
| 8    | 72259-G01 |           | INPUT SHAFT OIL SEAL .....               | 1    |
| 9    |           |           |  |      |
| 10   | 72259-G01 |           | AXLE SHAFT OIL SEAL.....                 | 2    |
| 11   |           |           |  |      |
| 12   | 607969    |           | AXLE TUBE (DRIVER SIDE).....             | 1    |
| 13   | 607960    |           | AXLE TUBE (PASSENGER SIDE) .....         | 1    |
| 14   | 607987    |           | AXLE SHAFT (DRIVER SIDE).....            | 1    |
| 15   | 607988    |           | AXLE SHAFT (PASSENGER SIDE).....         | 1    |
| 16   | 26814-G01 |           | RETAINING RING.....                      | 2    |
| 17   | 26811-G01 |           | BALL BEARING .....                       | 2    |
| 18   | 72260-G01 |           | FLANGED BOLT, M10 X 1.5 X 23 MM LG.....  | 10   |
| 19   |           |           |  |      |
| 20   | 606403    |           | SLOTTED NUT, M22 X 1.5 .....             | 2    |



# REAR SUSPENSION

When ordering parts, please specify the model and serial number of the product.

\* Indicates a component that is not available as an individual part.

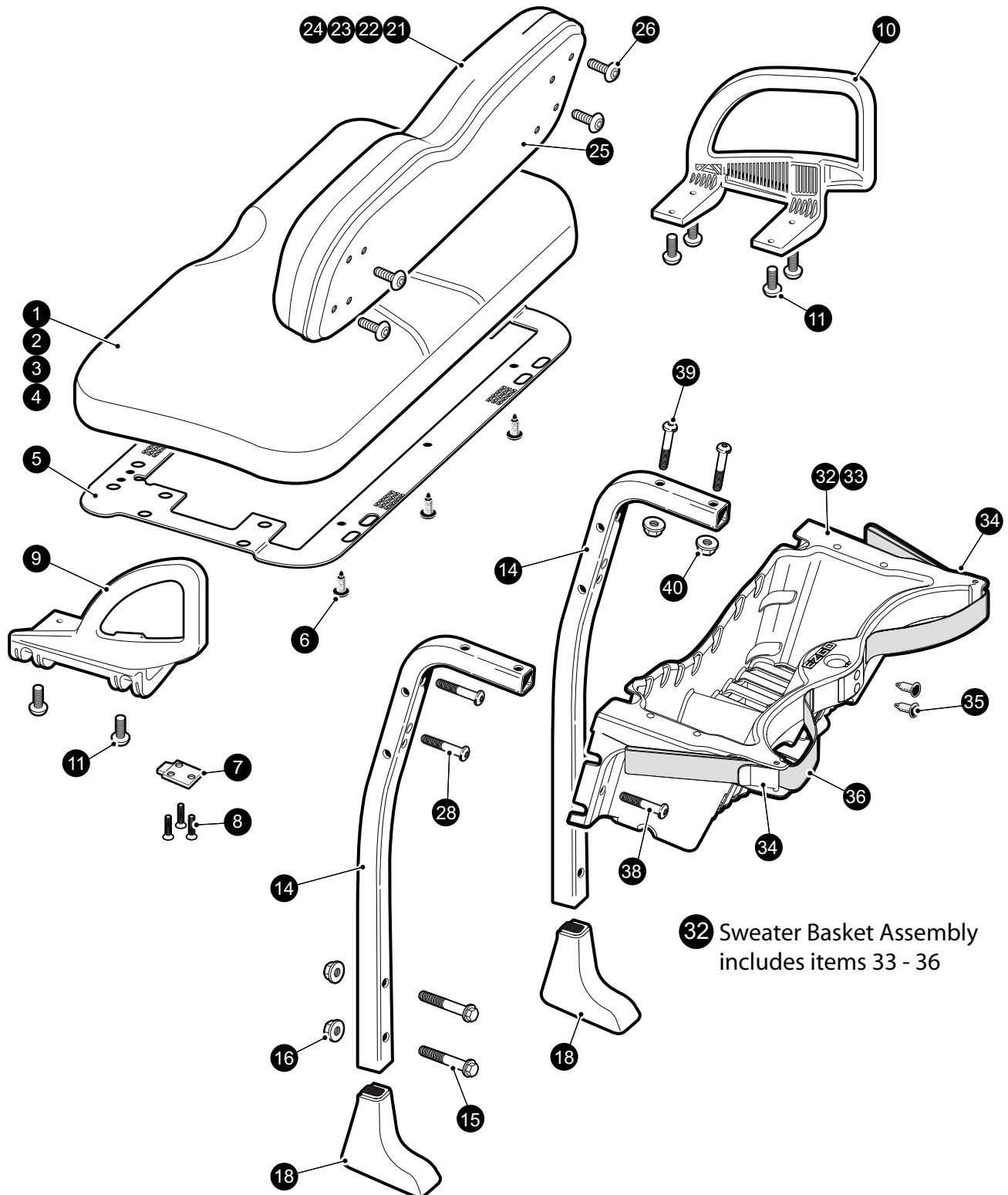
\*\*\* Indicates consult Customer Service Department for additional information.

| ITEM | PART NO.  | 1 2 3 4 5 | DESCRIPTION                                  | QTY. |
|------|-----------|-----------|--|------|
| 1    | 603498    |           | TAPERED LEAF SPRING.....                     | 2    |
| 2    | 604494    |           | HEAVY DUT TAPERED LEAF SPRING .....          | 2    |
| 3    |           |           |  |      |
| 4    |           |           |  |      |
| 5    | 603415    |           | U-BOLT .....                                 | 2    |
| 6    | 603495    |           | LEAF SPRING PLATE .....                      | 2    |
| 7    | 600525    |           | LOCK NUT, M10 - 1.5 .....                    | 4    |
| 8    |           |           |  |      |
| 9    | 605684    |           | FRONT SPRING BUSHING.....                    | 2    |
| 10   |           |           |  |      |
| 11   | 601754    |           | FLANGED HEX HEAD BOLT, M10 - 1.5.....        | 2    |
| 12   | 600525    |           | LOCK NUT, M10 - 1.5 .....                    | 2    |
| 13   |           |           |  |      |
| 14   |           |           |  |      |
| 15   | 70291-G01 |           | FLANGED URETHANE BUSHING (small).....        | 8    |
| 16   | 620161    |           | SPLIT STEEL SPACER .....                     | 4    |
| 17   | 603648    |           | SHACKLE PLATE .....                          | 4    |
| 18   | 601754    |           | FLANGED HEX HEAD BOLT, M10 - 1.5 X 100 ..... | 4    |
| 19   | 600525    |           | LOCK NUT, M10 - 1.5 .....                    | 4    |
| 20   |           |           |  |      |
| 21   |           |           |  |      |
| 22   | 603637    |           | SHOCK ABSORBER .....                         | 2    |
| 23   | 601414    |           | FLANGED HEX HEAD BOLT, M10 - 1.5 X 65 .....  | 4    |
| 24   | 604066    |           | FLAT WASHER, 10.5 X 30 X 2.5 .....           | 4    |

# SEATING & BASKET

1 Seat Bottom Assembly includes items 2 - 11

21 Seat Back Assembly includes items 22 - 26



# SEATING & BASKET

When ordering parts, please specify the model and serial number of the product.

\* Indicates a component that is not available as an individual part.

\*\*\* Indicates consult Customer Service Department for additional information.

| ITEM | PART NO.  | 1 2 3 4 5 | DESCRIPTION   | QTY. |
|------|-----------|-----------|---|------|
| 1    | 6XXXXX    |           | SEAT BOTTOM ASSEMBLY (select color below), (includes items 2 - 7) .....<br>605551 .... STONE BEIGE SEAT BOTTOM<br>608013 .... OYSTER SEAT BOTTOM              | 1    |
| 2    | 6XXXXX    |           | SEAT BOTTOM VINYL COVER (select color below) .....<br>600221 .... STONE BEIGE SEAT BOTTOM VINYL COVER<br>608007 .... OYSTER SEAT BOTTOM VINYL COVER           | 1    |
| 3    | 600503    |           | SEAT BOTTOM FOAM.....   | 1    |
| 4    | 600502    |           | SEAT BOTTOM WOODEN BASE ASSEMBLY.....   | 1    |
| 5    | 602551    |           | SEAT BOTTOM COVER PLATE .....   | 1    |
| 6    | 16816-G2  |           | CHRISTMAS TREE RIVET .....  | 4    |
| 7    | 71610-G01 |           | SEAT HINGE .....  | 2    |
| 8    | 00720-G08 |           | FLAT HEAD PHILLIPS TAPPING SCREW, #12 - 14 X 1.00 .....   | 6    |
| 9    | 607532    |           | HIP RESTRAINT, DRIVER SIDE.....   | 1    |
| 10   | 607653    |           | HIP RESTRAINT, PASSENGER SIDE .....   | 1    |
| 11   | 600530    |           | BUTTON HEAD TORX BOLT, M10 - 1.5 X 25.....  | 8    |
| 12   |           |           |   |      |
| 13   |           |           |   |      |
| 14   | 602413    |           | SEAT BACK SUPPORT STRUT .....   | 2    |
| 15   | 603800    |           | FLANGED HEX HEAD BOLT, M10 - 1.5 X 50 .....   | 4    |
| 16   | 600525    |           | LOCK NUT, M10 - 1.5 .....   | 4    |
| 17   |           |           |   |      |
| 18   | 602112    |           | SEAT BACK SUPPORT STRUT COVER.....  | 2    |
| 19   |           |           |   |      |
| 20   |           |           |   |      |
| 21   | 6XXXXX    |           | SEAT BACK ASSEMBLY (select color below), (includes items 22 - 26).....<br>605548 .... STONE BEIGE SEAT BACK ASSEMBLY<br>608012 .... OYSTER SEAT BACK ASSEMBLY | 1    |
| 22   | 6XXXXX    |           | SEAT BACK VINYL COVER (select color below).....<br>605537 .... STONE BEIGE SEAT BACK VINYL COVER<br>608006 .... OYSTER SEAT BACK VINYL COVER                  | 1    |
| 23   | 71754-G01 |           | SEAT BACK FOAM .....  | 1    |
| 24   | 605550    |           | SEAT BACK WOODEN BASE ASSEMBLY .....  | 1    |

# SEATING & BASKET

When ordering parts, please specify the model and serial number of the product.

\* Indicates a component that is not available as an individual part.

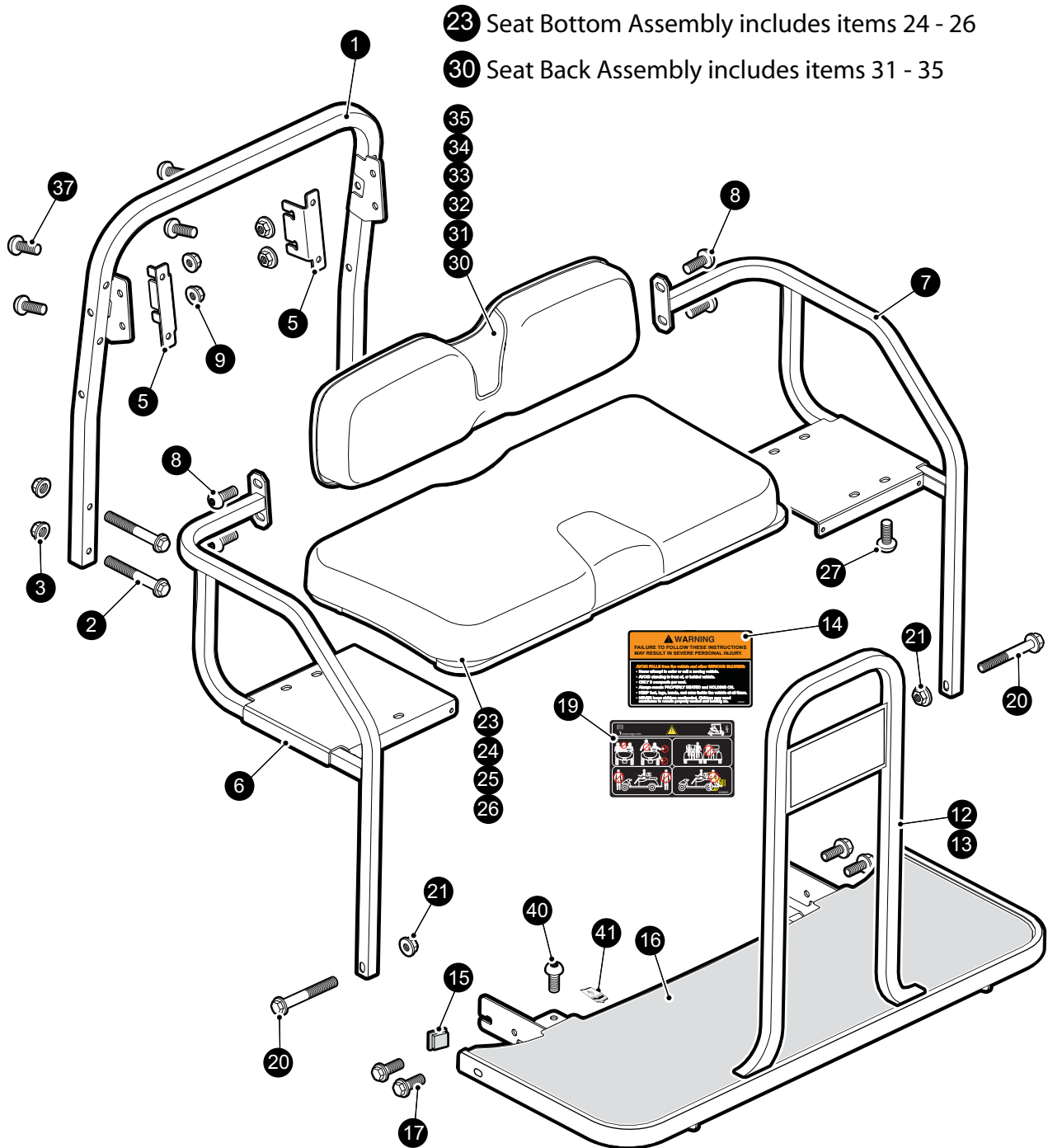
\*\*\* Indicates consult Customer Service Department for additional information.

| ITEM | PART NO. | 1 | 2 | 3 | 4 | 5 | DESCRIPTION   | QTY. |
|------|----------|---|---|---|---|---|---|------|
| 25   | 605529   |   |   |   |   |   | SEAT BACK BLACK PLASTIC COVER.....                      | 1    |
| 26   | 603000   |   |   |   |   |   | BUTTON HEAD TORX SCREW, PLASTITE THREAD FORMING, M6 - 1 | 4    |
| 27   |          |   |   |   |   |   |   |      |
| 28   | 600527   |   |   |   |   |   | BUTTON HEAD TORX BOLT, M10 - 1.5 X 60.....              | 4    |
| 29   |          |   |   |   |   |   |   |      |
| 30   |          |   |   |   |   |   |   |      |
| 31   |          |   |   |   |   |   |   |      |
| 32   | 602742   |   |   |   |   |   | SWEATER BASKET ASSEMBLY (includes items 33 - 36) .....  | 1    |
| 33   | 610607   |   |   |   |   |   | SWEATER BASKET .....                                    | 1    |
| 34   | 608051   |   |   |   |   |   | BAG STRAP CLAMP .....                                   | 2    |
| 35   | 16816-G1 |   |   |   |   |   | CHRISTMAS TREE RIVET.....                               | 2    |
| 36   | 604102   |   |   |   |   |   | BAG STRAP.....  | 1    |
| 37   |          |   |   |   |   |   |   |      |
| 38   | 600530   |   |   |   |   |   | BUTTON HEAD TORX BOLT, M10 - 1.5 X 25.....              | 2    |
| 39   | 600527   |   |   |   |   |   | BUTTON HEAD TORX BOLT, M10 - 1.5 X 60.....              | 4    |
| 40   | 600525   |   |   |   |   |   | LOCK NUT, M10 - 1.5.....                                | 4    |





# SEATING & BASKET



23 Seat Bottom Assembly includes items 24 - 26

30 Seat Back Assembly includes items 31 - 35

12 Floor Board Assembly includes items 13 - 16

# SEATING & BASKET

When ordering parts, please specify the model and serial number of the product.

\* Indicates a component that is not available as an individual part.

\*\*\* Indicates consult Customer Service Department for additional information.

| ITEM | PART NO.  | 1 2 3 4 5 | DESCRIPTION  | QTY. |
|------|-----------|-----------|--|------|
| 1    | 604473    |           | SEAT BACK SUPPORT, 2 + 2 SEAT .....  | 1    |
| 2    | 603800    |           | HEX HEAD FLANGED BOLT, M10 - 1.5 X 50 .....  | 4    |
| 3    | 600525    |           | LOCK NUT, M10 - 1.5 .....  | 4    |
| 4    |           |           |  |      |
| 5    | 606286    |           | REAR SEAT BACK MOUNTING BRACKET.....   | 2    |
| 6    | 604723    |           | ARM REST, DRIVER SIDE .....  | 1    |
| 7    | 604725    |           | ARM REST, PASSENGER SIDE .....   | 1    |
| 8    | 600530    |           | BUTTON HEAD TORX BOLT, M10 - 1.5 X 25 .....  | 4    |
| 9    | 600525    |           | LOCK NUT, M10 - 1.5 .....  | 4    |
| 10   |           |           |  |      |
| 11   |           |           |  |      |
| 12   | 604457    |           | REAR FACING SEAT FLOORBOARD ASSEMBLY (includes items 7 - 10)...  | 1    |
| 13   | 604398    |           | FOOTREST WELDMENT .....  | 1    |
| 14   | 74074-G01 |           | WARNING DECAL .....  | 1    |
| 15   | 19853-G1  |           | END CAP.....   | 2    |
| 16   | 604407    |           | RUBBER FLOORMAT .....  | 1    |
| 17   | 603799    |           | HEX HEAD FLANGED BOLT, M10 - 1.5 X 25 .....  | 4    |
| 18   |           |           |  |      |
| 19   | 608820    |           | 2 + 2 WARNING DECAL, CE.....   | 1    |
| 20   | 602415    |           | HEX HEAD FLANGED BOLT, M10 - 1.5 X 80 .....  | 2    |
| 21   | 600525    |           | LOCK NUT, M10 - 1.5 .....  | 2    |
| 22   |           |           |  |      |
| 23   | 6XXXXX    |           | SEAT BOTTOM ASSEMBLY (select color below) (includes items 24 - 26) ....<br>605501 .... STONE BEIGE SEAT BOTTOM ASSEMBLY<br>608010 .... OYSTER SEAT BOTTOM ASSEMBLY | 1    |
| 24   | 6XXXXX    |           | SEAT BOTTOM VINYL COVER (select color below).....<br>600221 .... STONE BEIGE SEAT BOTTOM VINYL COVER<br>608007 .... OYSTER SEAT BOTTOM VINYL COVER                 | 1    |
| 25   | 605503    |           | SEAT BOTTOM FOAM.....  | 1    |
| 26   | 605502    |           | SEAT BOTTOM WOODEN BASE ASSEMBLY.....  | 1    |
| 27   | 603799    |           | HEX HEAD FLANGED BOLT, M10 - 1.5 X 25 .....  | 4    |

# SEATING & BASKET

When ordering parts, please specify the model and serial number of the product.

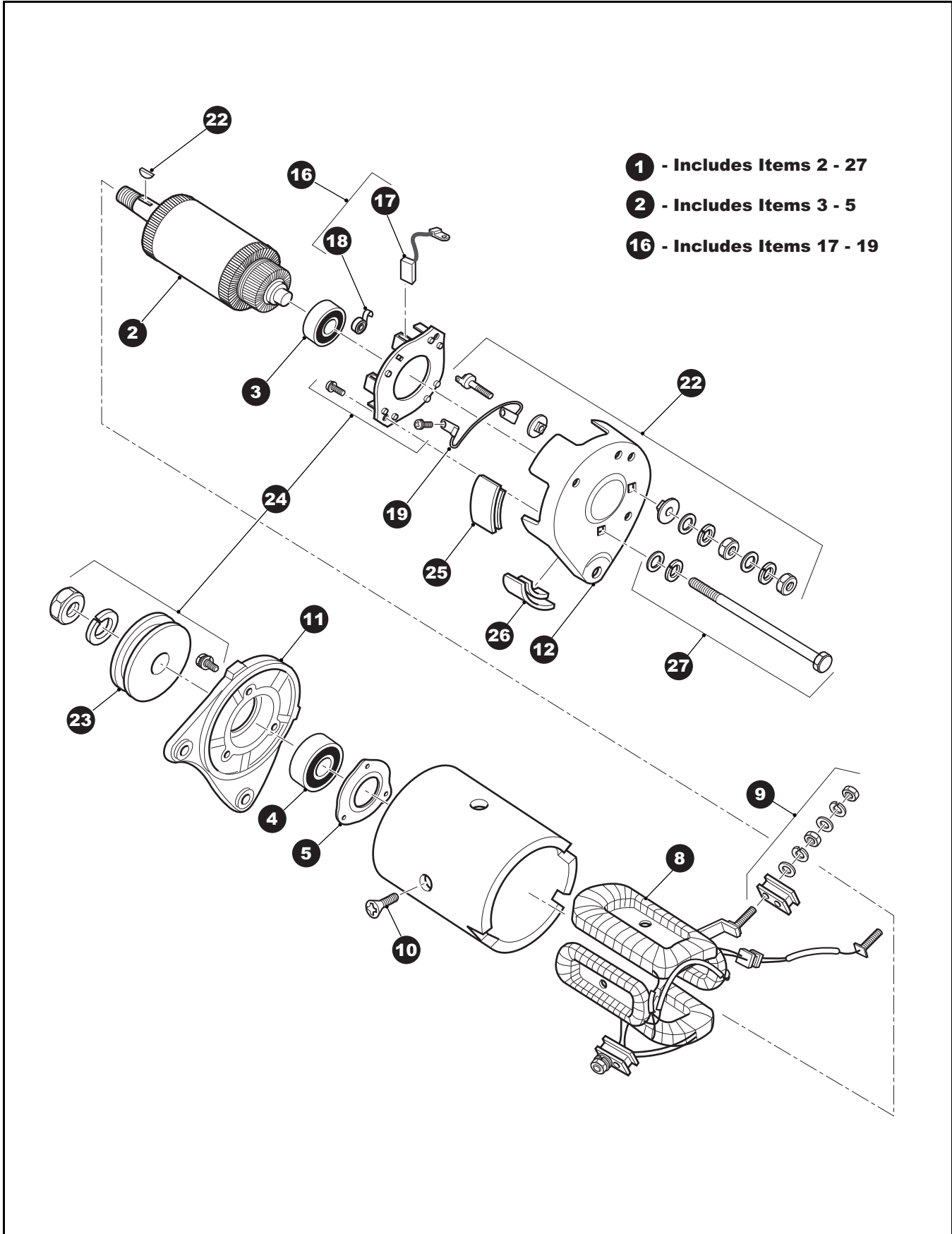
\* Indicates a component that is not available as an individual part.

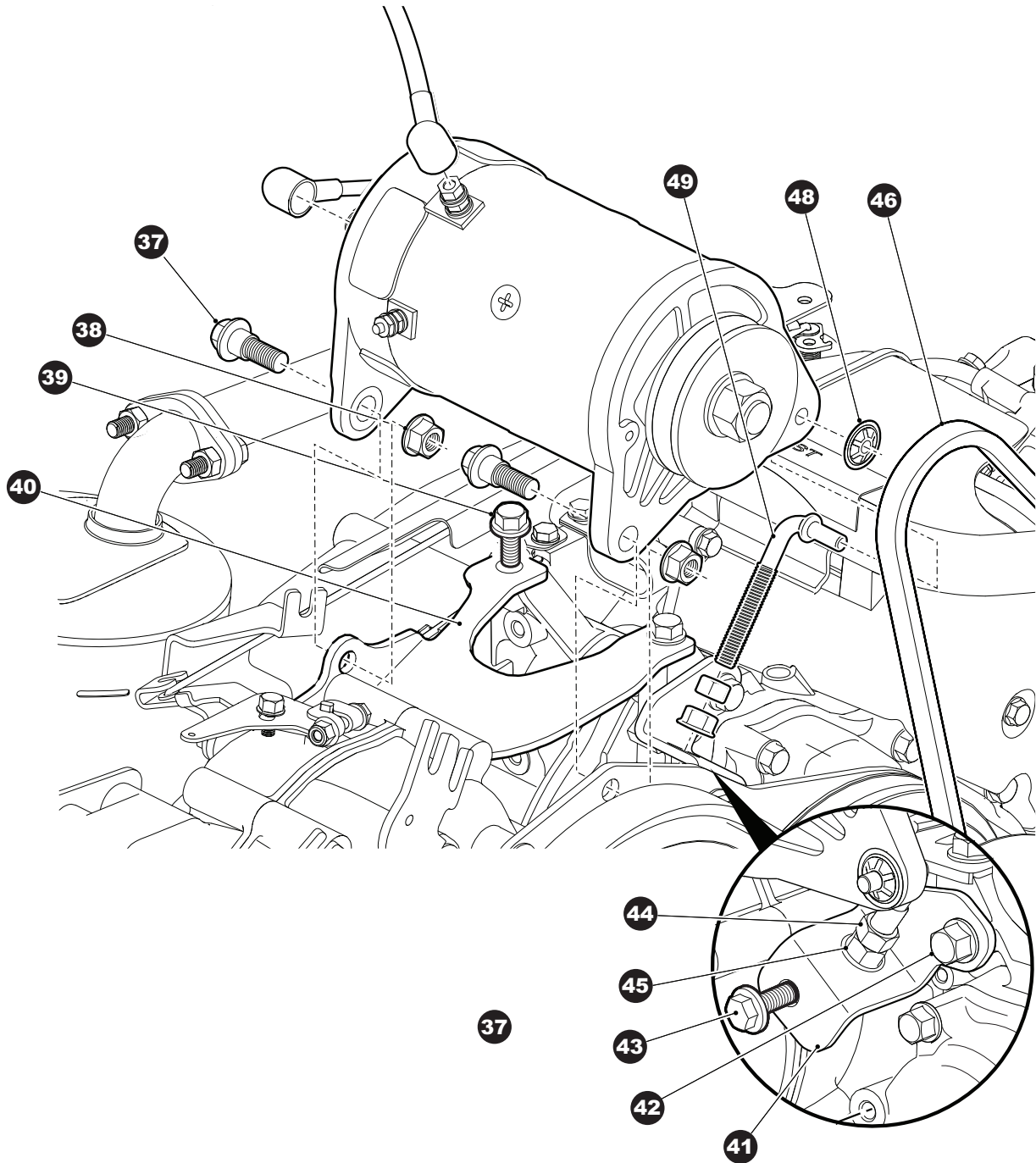
\*\*\* Indicates consult Customer Service Department for additional information.

| ITEM | PART NO.  | 1 | 2 | 3 | 4 | 5 | DESCRIPTION   | QTY. |
|------|-----------|---|---|---|---|---|---|------|
| 28   |           |   |   |   |   |   |   |      |
| 29   |           |   |   |   |   |   |   |      |
| 30   | 6XXXXX    |   |   |   |   |   | SEAT BACK ASSEMBLY (select color below).....            | 1    |
|      |           |   |   |   |   |   | 605548..... STONE BEIGE SEAT BACK ASSEMBLY              |      |
|      |           |   |   |   |   |   | 608012..... OYSTER SEAT BACK ASSEMBLY                   |      |
| 31   | 6XXXXX    |   |   |   |   |   | SEAT BACK VINYL COVER (select color below) .....        | 1    |
|      |           |   |   |   |   |   | 605537..... STONE BEIGE SEAT BACK VINYL COVER           |      |
|      |           |   |   |   |   |   | 608006..... OYSTER SEAT BACK VINYL COVER                |      |
| 32   | 71754-G01 |   |   |   |   |   | SEAT BACK FOAM.....                                     | 1    |
| 33   | 605550    |   |   |   |   |   | SEAT BACK WOODEN BASE ASSEMBLY .....                    | 1    |
| 34   | 605529    |   |   |   |   |   | SEAT BACK BLACK PLASTIC COVER.....                      | 1    |
| 35   | 603000    |   |   |   |   |   | BUTTON HEAD TORX SCREW, PLASTITE THREAD FORMING, M6 - 1 | 4    |
| 36   |           |   |   |   |   |   |   |      |
| 37   | 600530    |   |   |   |   |   | BUTTON HEAD TORX BOLT, M101 - 1.5 X 25.....             | 2    |
| 38   |           |   |   |   |   |   |   |      |
| 39   |           |   |   |   |   |   |   |      |
| 40   | 600530    |   |   |   |   |   | BUTTON HEAD TORX BOLT, M10 - 1.5 X 25.....              | 2    |
| 41   | 603818    |   |   |   |   |   | BARREL CLIP, M10 - 1.5 .....                            | 2    |



# STARTER / GENERATOR





# STARTER / GENERATOR

Where applicable, THE USE OF NON UL PARTS WILL VOID ANY UL LISTING.

When ordering parts, please specify the model and serial number of the product.

\* Indicates a component that is not available as an individual part.

G\*\* Indicates consult Customer Service Department for additional information.

| ITEM | PART NO.  | 1 | 2 | 3 | 4 | 5 | DESCRIPTION  | QTY. |
|------|-----------|---|---|---|---|---|--|------|
| 1    | 27065-G01 |   |   |   |   |   | STARTER / GENERATOR (INCLUDES ITEMS 2 - 27).....     | 1    |
| 2    | 26870-G01 |   |   |   |   |   | ARMATURE .....                                       | 1    |
| 3    | 26871-G01 |   |   |   |   |   | REAR BALL BEARING .....                              | 1    |
| 4    | 26872-G01 |   |   |   |   |   | FRONT BALL BEARING.....                              | 1    |
| 5    | 26873-G01 |   |   |   |   |   | BEARING HOLDER.....                                  | 1    |
| 6    |           |   |   |   |   |   |  |      |
| 7    |           |   |   |   |   |   |  |      |
| 8    | 26875-G01 |   |   |   |   |   | FIELD COIL .....                                     | 1    |
| 9    | 26876-G01 |   |   |   |   |   | INSULATING BRUSH ASSEMBLY ('F').....                 | 2    |
| 10   | 26877-G01 |   |   |   |   |   | POLE CORE SETSCREW.....                              | 4    |
| 11   | 26878-G01 |   |   |   |   |   | FRONT COVER.....                                     | 1    |
| 12   | 27879-G01 |   |   |   |   |   | REAR COVER .....                                     | 1    |
| 13   | 26880-G01 |   |   |   |   |   | TERMINAL ASSEMBLY ('A').....                         | 2    |
| 14   |           |   |   |   |   |   |  |      |
| 15   |           |   |   |   |   |   |  |      |
| 16   | 26881-G01 |   |   |   |   |   | BRUSH HOLDER ASSEMBLY (INCLUDES ITEMS 17 - 19) ..... | 1    |
| 17   | 26658-G01 |   |   |   |   |   | BRUSH.....   | 4    |
| 18   | 26882-G01 |   |   |   |   |   | BRUSH SPRING .....                                   | 4    |
| 19   | 26883-G01 |   |   |   |   |   | BRUSH CONNECTOR.....                                 | 2    |
| 20   |           |   |   |   |   |   |  |      |
| 21   |           |   |   |   |   |   |  |      |
| 22   | 26884-G01 |   |   |   |   |   | KEY.....   | 1    |
| 23   | 26885-G01 |   |   |   |   |   | PULLEY .....   | 1    |
| 24   | 26886-G01 |   |   |   |   |   | BRUSH AND PULLEY HARDWARE KIT.....                   | 1    |
| 25   | 26887-G01 |   |   |   |   |   | BRUSH 1 COVER.....                                   | 3    |
| 26   | 26888-G01 |   |   |   |   |   | BRUSH 2 COVER.....                                   | 2    |
| 27   | 26889-G01 |   |   |   |   |   | HOUSING HARDWARE KIT .....                           | 2    |
| 28   |           |   |   |   |   |   |  |      |
| 29   |           |   |   |   |   |   |  |      |
| 30   |           |   |   |   |   |   |  |      |



# STARTER / GENERATOR

Where applicable, THE USE OF NON UL PARTS WILL VOID ANY UL LISTING.

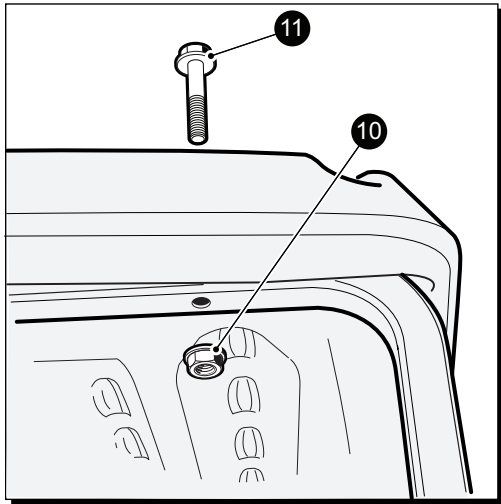
When ordering parts, please specify the model and serial number of the product.

\* Indicates a component that is not available as an individual part.

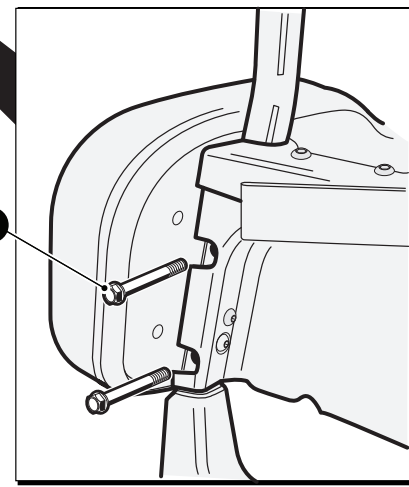
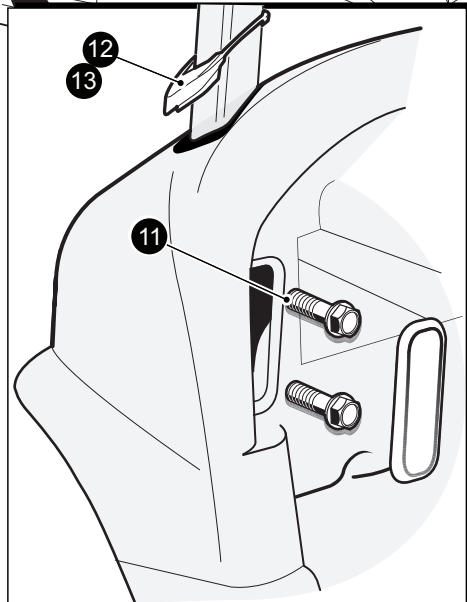
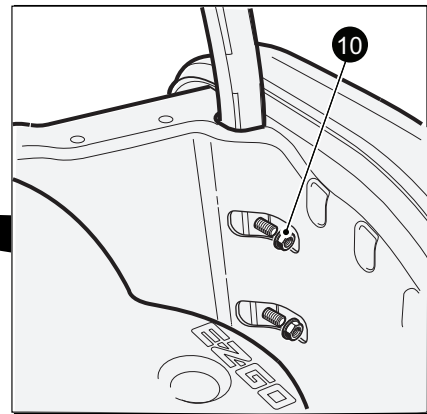
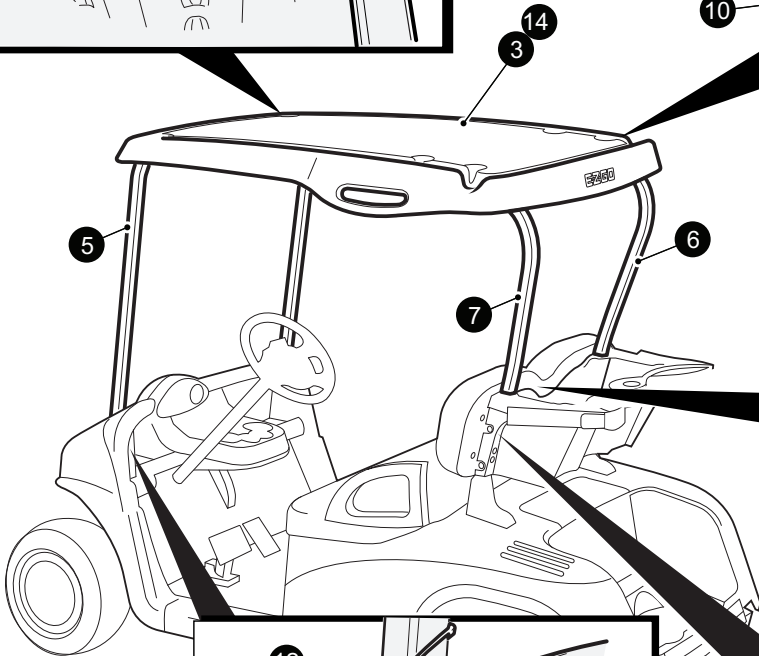
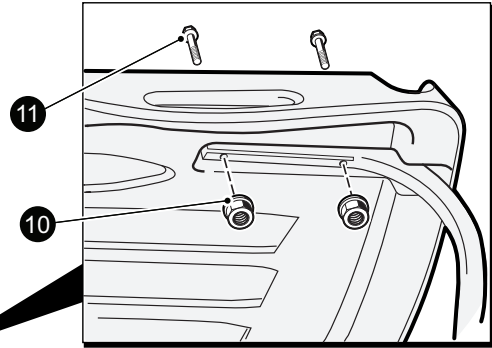
G\*\* Indicates consult Customer Service Department for additional information.

| ITEM | PART NO. | 1 2 3 4 5 | DESCRIPTION                     | QTY. |
|------|----------|-----------|---------------------------------|------|
| 31   | 00938-G4 |           | BOLT, 1/2 - 13 X 8" LG .....    | 1    |
| 32   | 00560-G3 |           | WASHER, 1/2" .....              | 2    |
| 33   | 00566-G3 |           | LOCK WASHER, 1/2".....          | 1    |
| 34   | 00533-G1 |           | NUT, 1/2 - 13 .....             | 1    |
| 35   |          |           |                                 |      |
| 36   |          |           |                                 |      |
| 37   | 606235   |           | BOLT, M10 - 1.25 X 20 .....     | 2    |
| 38   | 606279   |           | NUT, M10 - 1.25 .....           | 2    |
| 39   | 606261   |           | BOLT, M8 - 1.25 X 20 .....      | 3    |
| 40   | 602141   |           | STARTER/GENERATOR BRACKET ..... | 1    |
| 41   | 602145   |           | TENSIONER BRACKET .....         | 1    |
| 42   | 606261   |           | BOLT, M8 - 1.25 X 20 .....      | 1    |
| 43   | 606256   |           | BOLT, M10 - 1.25 X 25 .....     | 1    |
| 44   | 606255   |           | NUT, M10 - 1.25 .....           | 1    |
| 45   | 606274   |           | NUT, M10 - 1.25 .....           | 1    |
| 46   | 606138   |           | STARTER/GENERATOR BELT .....    | 1    |
| 47   |          |           |                                 |      |
| 48   | 12064-G4 |           | PUSH NUT, 5/16" .....           | 1    |
| 49   | 606236   |           | TENSIONER BOLT .....            | 1    |

# WEATHER PROTECTION



- 1 Stone Beige Sun Top Kit includes items 3 & 4
- 2 Oyster Sun Top Kit includes items 4 & 14
- 4 Strut Kit includes items 5 - 8
- 8 Sun Top Hardware Kit includes items 9 - 13



# WEATHER PROTECTION

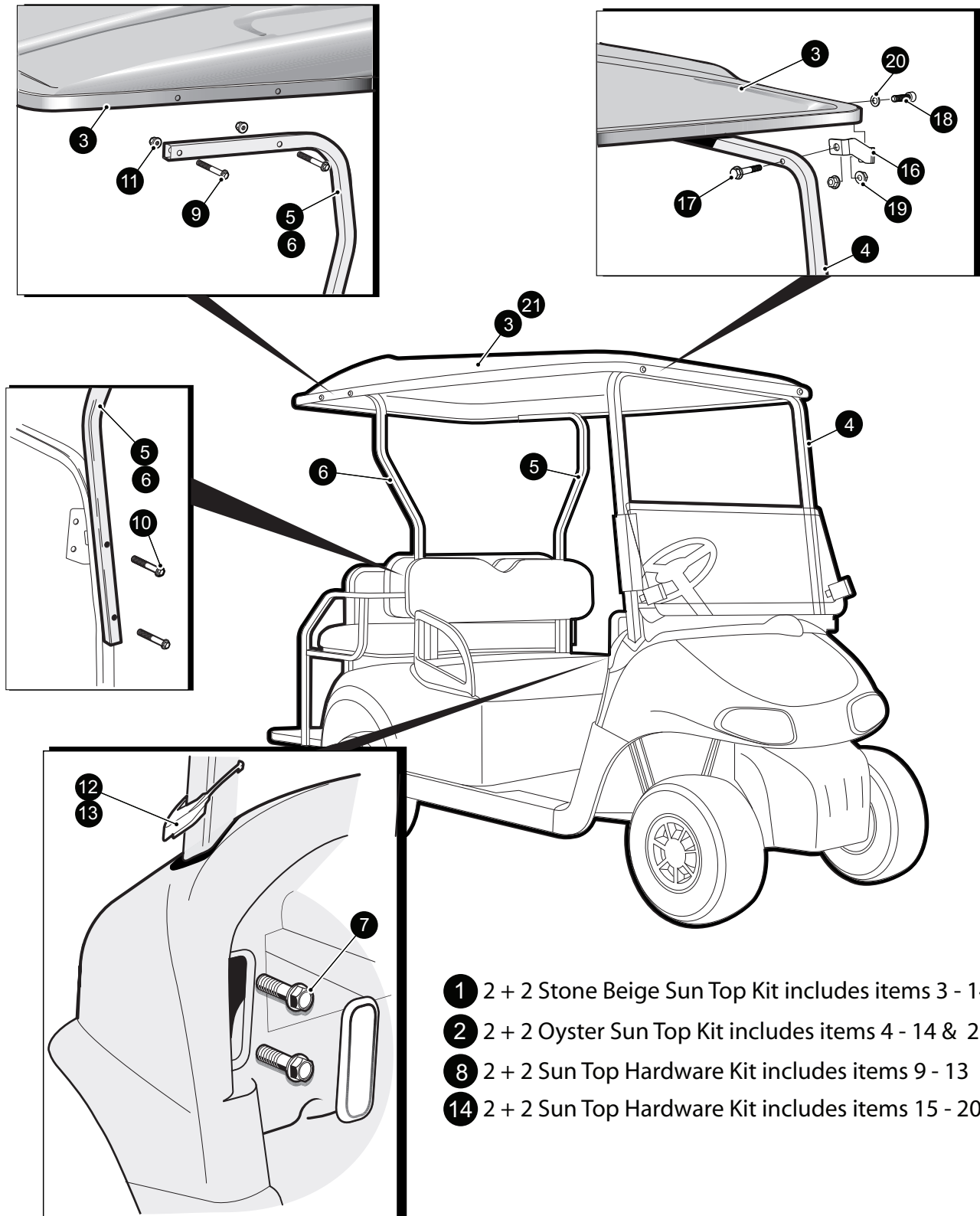
When ordering parts, please specify the model and serial number of the product.

\* Indicates a component that is not available as an individual part.

\*\*\* Indicates consult Customer Service Department for additional information.

| ITEM | PART NO. | 1 2 3 4 5 | DESCRIPTION   | QTY. |
|------|----------|-----------|---|------|
| 1    | 606354   |           | SUN TOP KIT, STONE BEIGE (includes items 3- 13) ..... | 1    |
| 2    | 608695   |           | SUN TOP KIT, OYSTER (includes items 4 - 14).....      | 1    |
| 3    | 608198   |           | SUN TOP, STONE BEIGE .....                            | 1    |
| 4    | 608677   |           | SUN TOP STRUT KIT (includes items 5 - 8.....          | 1    |
| 5    | 603203   |           | FRONT STRUT .....                                     | 1    |
| 6    | 603370   |           | REAR STRUT, PASSENGER SIDE .....                      | 1    |
| 7    | 603369   |           | REAR STRUT, DRIVER SIDE.....                          | 1    |
| 8    | 607013   |           | SUN TOP HARDWARE KIT (includes items 9 - 13) .....    | 1    |
| 9    | 602415   |           | HEX HEAD FLANGED BOLT, M10 - 1.5 X 80 .....           | 4    |
| 10   | 600525   |           | FLANGED LOCK NUT, M10 - 1.5.....                      | 10   |
| 11   | 603800   |           | HEX HEAD FLANGED BOLT, M10 - 1.5 X 50 .....           | 10   |
| 12   | 602770   |           | GROMMET, DRIVER SIDE .....                            | 1    |
| 13   | 602992   |           | GROMMET, PASSENGER SIDE .....                         | 1    |
| 14   | 60801569 |           | SUN TOP, OYSTER .....                                 | 1    |

# WEATHER PROTECTION



- 1 2 + 2 Stone Beige Sun Top Kit includes items 3 - 14
- 2 2 + 2 Oyster Sun Top Kit includes items 4 - 14 & 21
- 8 2 + 2 Sun Top Hardware Kit includes items 9 - 13
- 14 2 + 2 Sun Top Hardware Kit includes items 15 - 20

# WEATHER PROTECTION

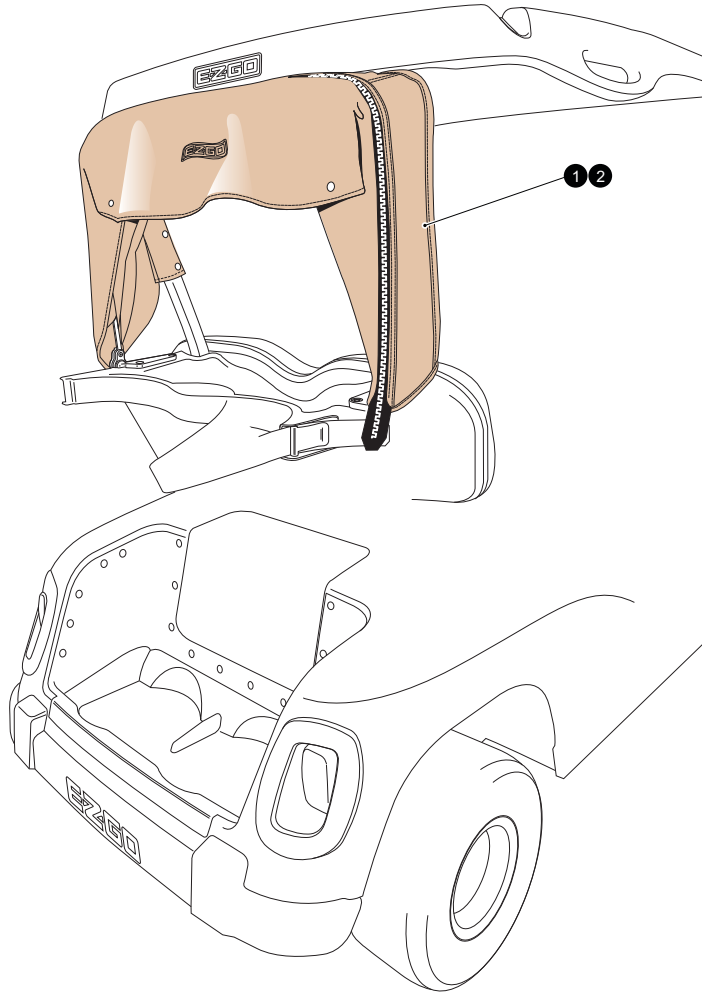
When ordering parts, please specify the model and serial number of the product.

\* Indicates a component that is not available as an individual part.

\*\*\* Indicates consult Customer Service Department for additional information.

| ITEM | PART NO. | 1 2 3 4 5 | DESCRIPTION  | QTY. |
|------|----------|-----------|--|------|
| 1    | 610461   |           | 2 + 2 SUN TOP KIT, STONE BEIGE (includes items 3 - 14) ..... | 1    |
| 2    | 610462   |           | 2 + 2 SUN TOP KIT, OYSTER (includes items 4 -14 & 21)        |      |
| 3    | 610434   |           | 2 + 2 SUN TOP, STONE BEIGE .....                             | 1    |
| 4    | 603203   |           | FRONT STRUT .....  | 1    |
| 5    | 604423   |           | 2 + 2 REAR STRUT, DRIVER SIDE .....                          | 1    |
| 6    | 604424   |           | 2 + 2 REAR STRUT, PASSENGER SIDE .....                       | 1    |
| 7    | 603800   |           | HEX HEAD FLANGED BOLT, M10 - 1.5 X 50 .....                  | 1    |
| 8    | 610468   |           | 2 + 2 SUN TOP HARDWARE KIT (includes items 9 - 13).....      | 1    |
| 9    | 601414   |           | HEX HEAD FLANGED BOLT, M10 - 1.5 X 65 .....                  | 4    |
| 10   | 602415   |           | HEX HEAD FLANGED BOLT, M10 - 1.5 X 80 .....                  | 4    |
| 11   | 600525   |           | FLANGED LOCK NUT, M10 - 1.5 .....                            | 4    |
| 12   | 602770   |           | STRUT GROMMET, DRIVER SIDE .....                             | 1    |
| 13   | 602992   |           | STRUT GROMMET, PASSENGER SIDE .....                          | 1    |
| 14   | 610472   |           | 2 + 2 SUN TOP HARDWARE KIT (includes items 15-20).....       | 1    |
| 15   | 610424   |           | BRACKET, DRIVER SIDE (NOT SHOWN).....                        | 1    |
| 16   | 610425   |           | BRACKET, PASSENGER SIDE .....                                | 1    |
| 17   | 603800   |           | HEX HEAD FLANGED BOLT, M10 - 1.5 X 50 .....                  | 2    |
| 18   | 608653   |           | SOCKET HEAD SCREW, M10 - 1.5 X 35.....                       | 2    |
| 19   | 600525   |           | FLANGED LOCK NUT, M10 - 1.5 .....                            | 4    |
| 20   | 00560G1  |           | FLAT WASHER .....  | 2    |
| 21   | 610433   |           | 2 + 2 SUN TOP, OYSTER .....                                  | 1    |

# WEATHER PROTECTION



# WEATHER PROTECTION

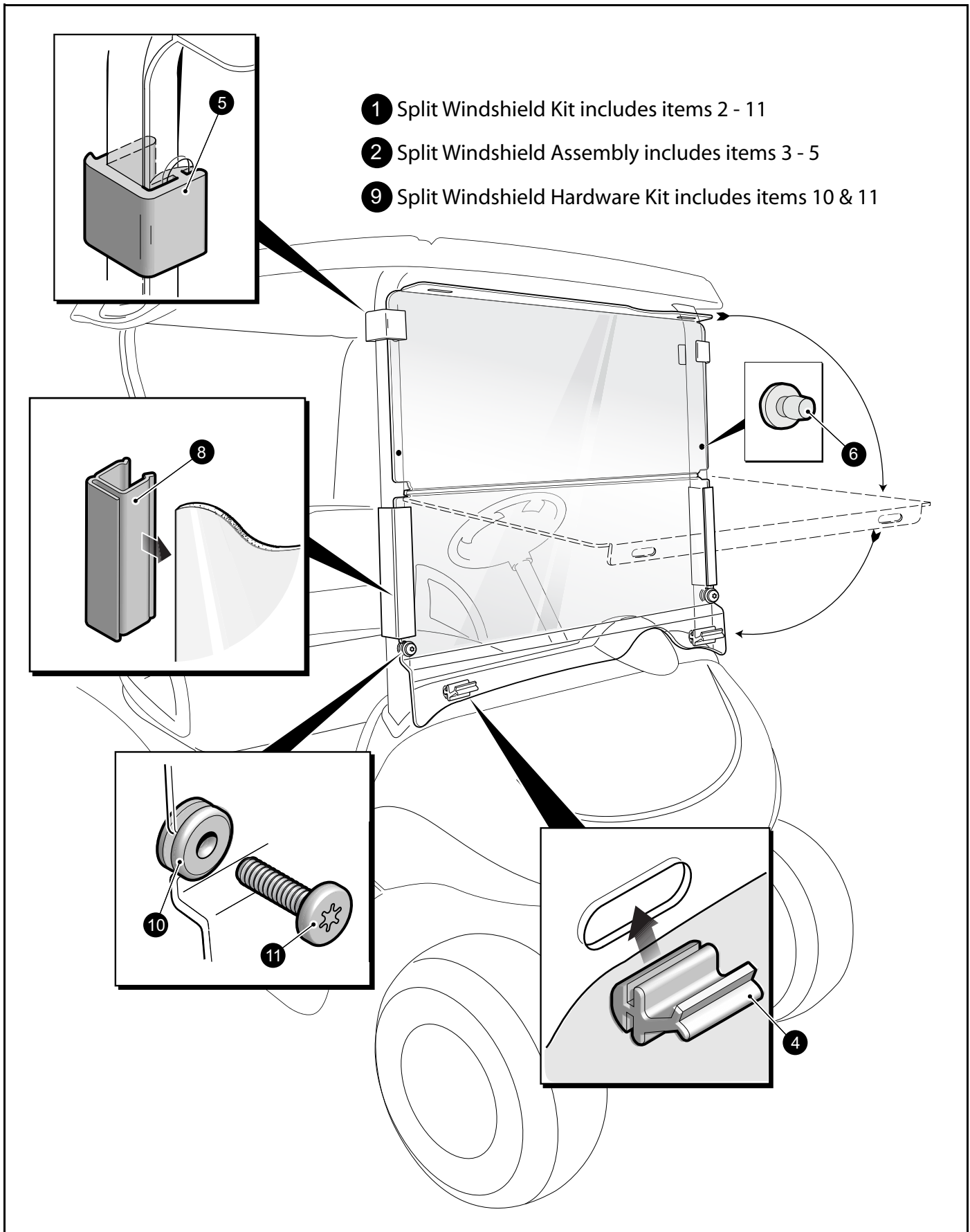
When ordering parts, please specify the model and serial number of the product.

\* Indicates a component that is not available as an individual part.

\*\*\* Indicates consult Customer Service Department for additional information.

| ITEM | PART NO. | 1 2 3 4 5 | DESCRIPTION                     | QTY. |
|------|----------|-----------|---------------------------------|------|
| 1    | 604666   |           | BAG COVER KIT,STONE BEIGE ..... | 1    |
| 2    | 620604   |           | BAG COVER KIT, OYSTER.....      | 1    |

# WEATHER PROTECTION



- 1 Split Windshield Kit includes items 2 - 11
- 2 Split Windshield Assembly includes items 3 - 5
- 9 Split Windshield Hardware Kit includes items 10 & 11



# WEATHER PROTECTION

When ordering parts, please specify the model and serial number of the product.

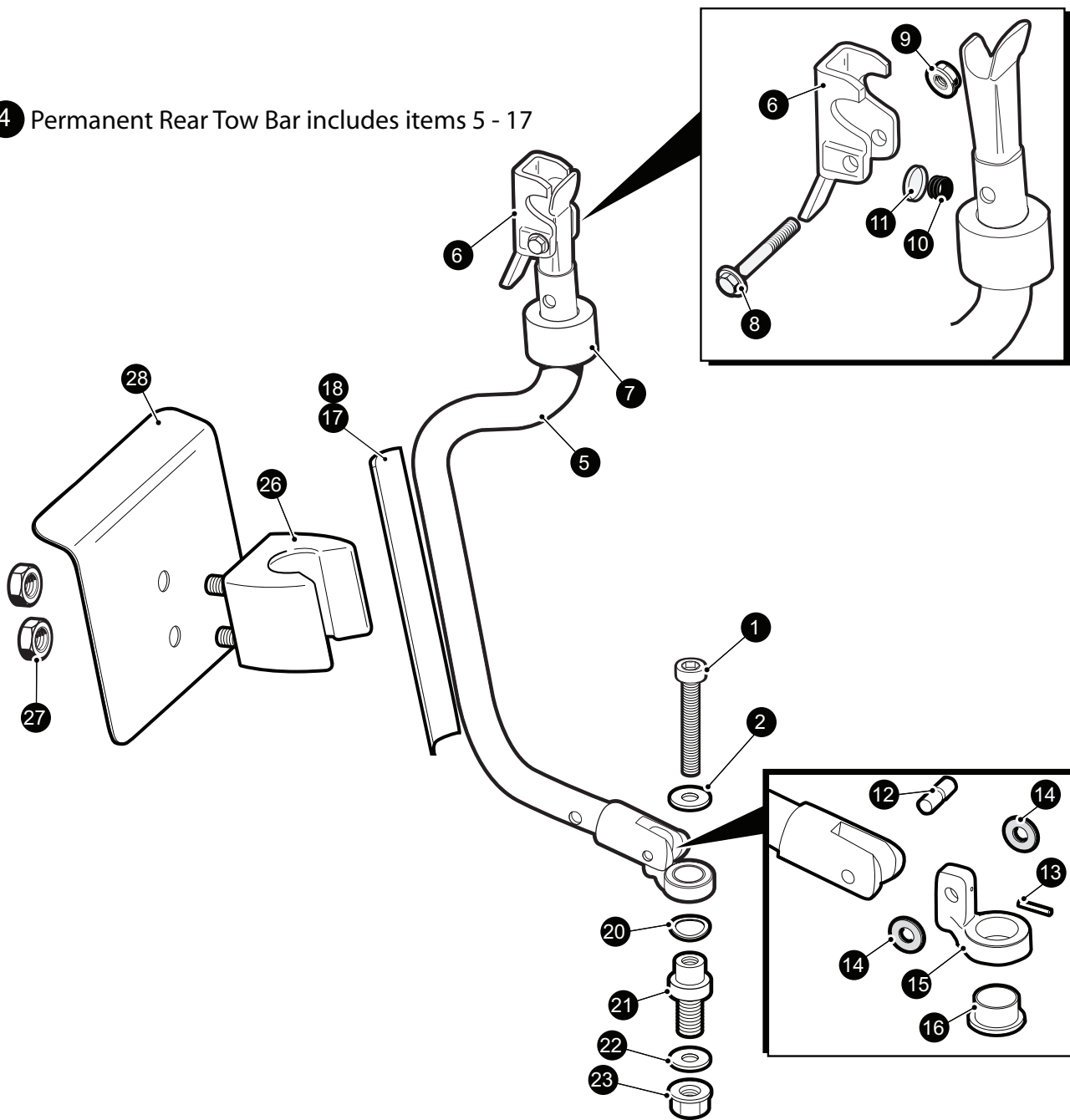
\* Indicates a component that is not available as an individual part.

\*\*\* Indicates consult Customer Service Department for additional information.

| ITEM | PART NO. | 1 2 3 4 5 | DESCRIPTION  | QTY. |
|------|----------|-----------|--|------|
| 1    | 606584   |           | SPLIT WINDSHIELD KIT (includes items 2 - 11).....            | 1    |
| 2    | 606623   |           | SPLIT WINDSHIELD ASSEMBLY (includes items 3 - 5).....        | 1    |
| 3    | 603738   |           | SPLIT WINDSHIELD.....  | 1    |
| 4    | 603201   |           | LOWER WINDSHIELD LATCH.....                                  | 2    |
| 5    | 603198   |           | UPPER WINDSHIELD LATCH.....                                  | 2    |
| 6    | 604115   |           | WINDSHIELD ISOLATOR.....                                     | 2    |
| 7    |          |           |  |      |
| 8    | 603852   |           | WINDSHIELD ATTACHMENT SASH .....                             | 2    |
| 9    | 607014   |           | SPLIT WINDSHIELD HARDWARE KIT (includes items 10 & 11) ..... | 1    |
| 10   | 604116   |           | GROMMET .....  | 2    |
| 11   | 602572   |           | PAN HEAD TORX BOLT, M10 - 1.5 X 25.....                      | 2    |

# TOW BAR

4 Permanent Rear Tow Bar includes items 5 - 17



When ordering parts, please specify the model and serial number of the product.

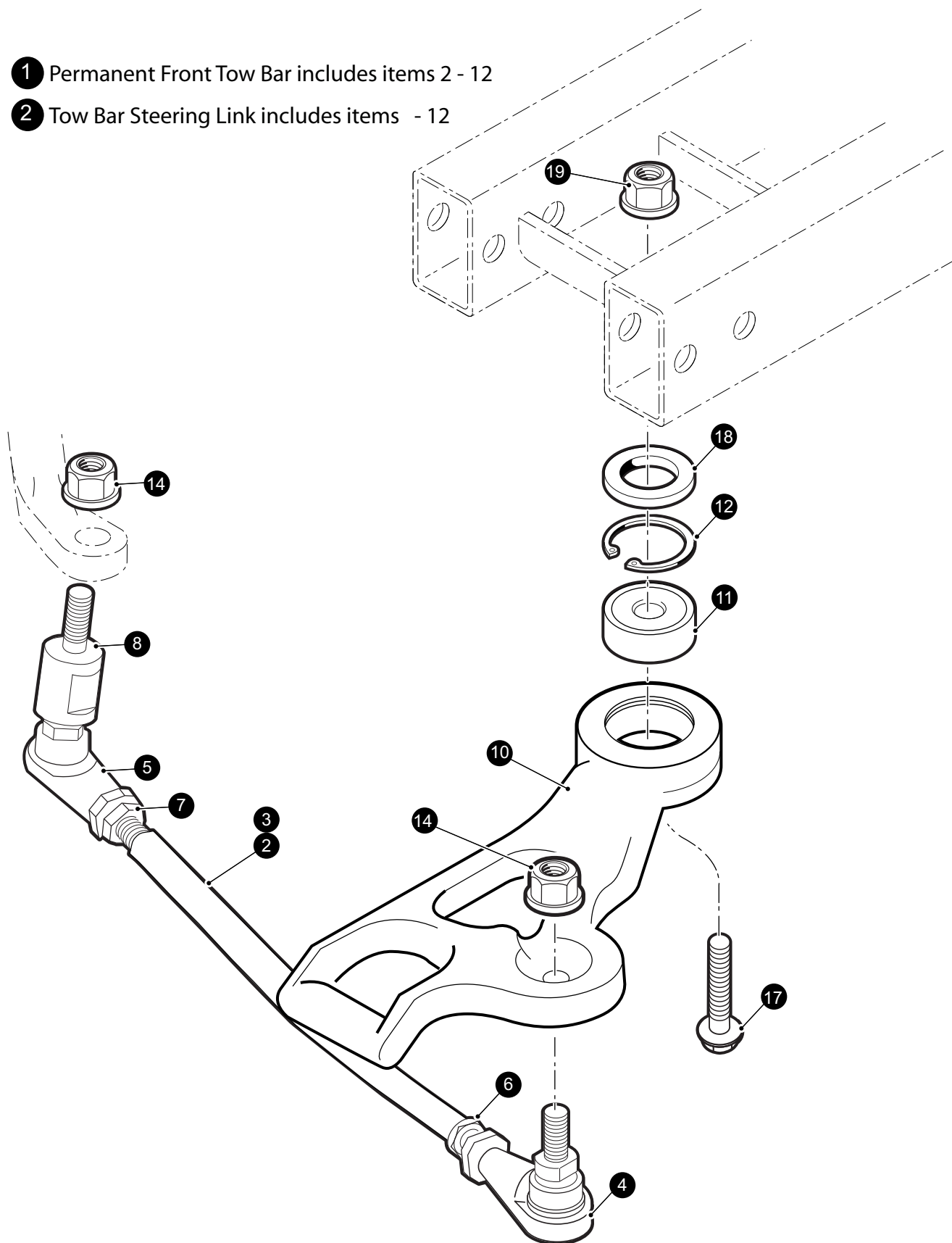
\* Indicates a component that is not available as an individual part.

\*\*\* Indicates consult Customer Service Department for additional information.

| ITEM | PART NO.  | 1 2 3 4 5 | DESCRIPTION   | QTY. |
|------|-----------|-----------|---|------|
| 1    | 603384    |           | SOCKET HEAD CAP SCREW, M12 - 1.25 X 100 .....                     | 1    |
| 2    | 603182    |           | FLAT WASHER, M12, 13.5 X 32 X 3 .....                             | 1    |
| 3    |           |           |   |      |
| 4    | 603476    |           | PERMANENT TOW BAR (towing vehicle), (includes items 5 - 17) ..... | 1    |
| 5    | 603316    |           | TOW BAR .....   | 1    |
| 6    | 603236    |           | LATCH .....   | 1    |
| 7    | 75362-G01 |           | LATCH STOP .....  | 1    |
| 8    | 601414    |           | HEX HEAD FLANGED BOLT, M10 - 1.5 X 65 .....                       | 1    |
| 9    | 600525    |           | FLANGED LOCK NUT, M10 - 1.5 .....                                 | 1    |
| 10   | 20852-G2  |           | COMPRESSION SPRING .....  | 1    |
| 11   | 25661-G02 |           | CUP WASHER .....  | 1    |
| 12   | 603494    |           | PIVOT PIN .....   | 1    |
| 13   | 608793    |           | SPRING PIN .....  | 1    |
| 14   | 75340-G01 |           | DELTRIN WASHER .....  | 2    |
| 15   | 602988    |           | TOW BAR SWIVEL .....  | 1    |
| 16   | 70648-G01 |           | FLANGED BUSHING .....   | 1    |
| 17   | 608525    |           | TOW BAR WARNING DECAL .....                                       | 1    |
| 18   | 608525    |           | TOW BAR WARNING DECAL, CE .....                                   | 1    |
| 19   |           |           |   |      |
| 20   | 603341    |           | WAVE SPRING WASHER, 32mm .....                                    | 1    |
| 21   | 602990    |           | TOW BAR PIVOT .....   | 1    |
| 22   | 603182    |           | FLAT WASHER, M12, 13.5 X 32 X 3 .....                             | 1    |
| 23   | 600549    |           | FLANGED HEX NUT, M12 - 1.25 .....                                 | 1    |
| 24   |           |           |   |      |
| 25   |           |           |   |      |
| 26   | 603020    |           | REAR TOW BAR RETAINER .....                                       | 1    |
| 27   | 600525    |           | FLANGED HEX NUT, M10 - 1.5 .....                                  | 2    |
| 28   | 608757    |           | RETAINER BACKING PLATE .....                                      | 1    |

# TOW BAR

- 1 Permanent Front Tow Bar includes items 2 - 12
- 2 Tow Bar Steering Link includes items - 12



When ordering parts, please specify the model and serial number of the product.

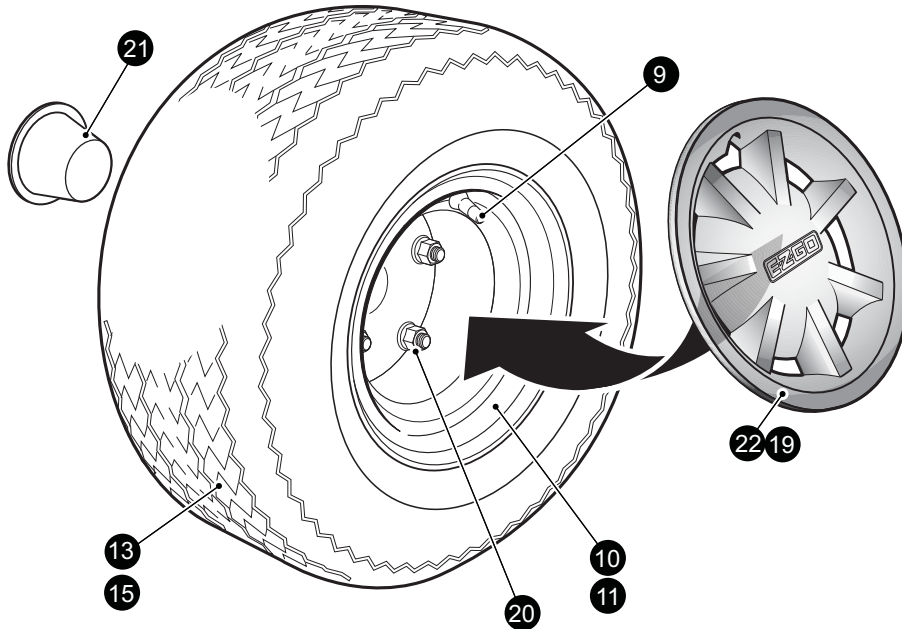
\* Indicates a component that is not available as an individual part.

\*\*\* Indicates consult Customer Service Department for additional information.

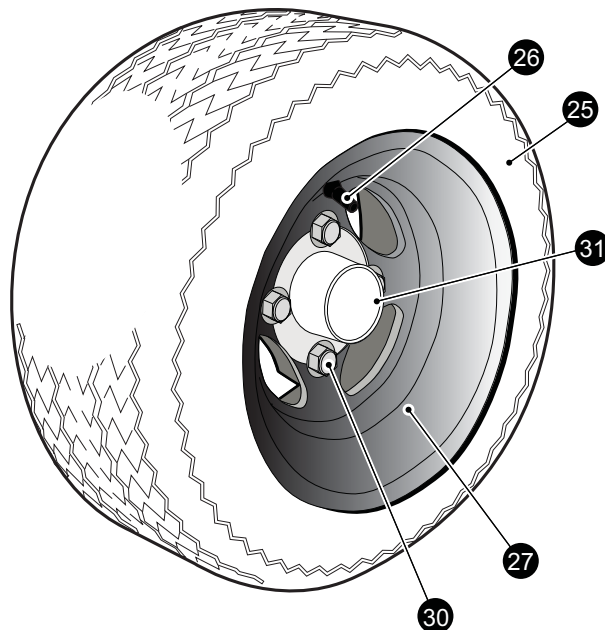
| ITEM | PART NO. | 1 2 3 4 5 | DESCRIPTION   | QTY. |
|------|----------|-----------|---|------|
| 1    | 603475   |           | PERMANENT TOW BAR (towed vehicle) (includes items 2 - 12) ..... | 1    |
| 2    | 601624   |           | TOW BAR STEERING LINK (includes items 3 - 8) .....              | 1    |
| 3    | 603297   |           | TOW BAR TIE ROD .....   | 1    |
| 4    | 603322   |           | LEFT HAND TIE ROD END .....                                     | 1    |
| 5    | 601266   |           | RIGHT HAND TIE ROD END .....                                    | 1    |
| 6    | 603487   |           | JAM NUT, M12 - 1.25 LH .....                                    | 1    |
| 7    | 603488   |           | JAM NUT, M12 - 1.25 RH .....                                    | 1    |
| 8    | 608739   |           | SPACER .....  | 1    |
| 9    |          |           |   |      |
| 10   | 601389   |           | FRONT TOW BAR CASTING .....                                     | 1    |
| 11   | 606073   |           | BEARING .....   | 1    |
| 12   | 607322   |           | INTERNAL SNAP RING .....  | 1    |
| 13   |          |           |   |      |
| 14   | 600549   |           | FLANGED HEX NUT, M12 - 1.25 .....                               | 2    |
| 15   |          |           |   |      |
| 16   |          |           |   |      |
| 17   | 607365   |           | HEX HEAD FLANGED BOLT, M16 - 2 X 70 .....                       | 1    |
| 18   | 606293   |           | FRONT TOW BAR SPACER .....                                      | 1    |
| 19   | 601709   |           | LOCKING HEX NUT, M16 - 2 .....                                  | 1    |

# WHEELS AND TIRES

- 1 LINKS STONE BEIGE WHEEL & TIRE ASSEMBLY (includes items 9, 10 & 13)
- 2 LINKS WHITE WHEEL & TIRE ASSEMBLY (includes items 9, 11 & 13)
- 5 USA STONE BEIGE WHEEL& TIRE ASSEMBLY (includes items 9, 10 & 15)
- 6 USA WHITE WHEEL& TIRE ASSEMBLY (includes items 9, 11 & 15)



- 24 ALLOY WHEEL AND TIRE ASSEMBLY (includes items 25 - 27)



# WHEELS AND TIRES

When ordering parts, please specify the model and serial number of the product.

\* Indicates a component that is not available as an individual part.

\*\*\* Indicates consult Customer Service Department for additional information.

| ITEM | PART NO.  | 1 2 3 4 5 | DESCRIPTION   | QTY. |
|------|-----------|-----------|---|------|
| 1    | 603173    |           | LINKS STONE BEIGE WHEEL & TIRE ASSEMBLY (includes items 9, 10 & 13) | 1    |
| 2    | 28757G01  |           | LINKS WHITE WHEEL & TIRE ASSEMBLY (includes items 9, 11 & 13) ..... | 1    |
| 3    |           |           |   |      |
| 4    |           |           |   |      |
| 5    | 603216    |           | USA STONE BEIGE WHEEL& TIRE ASSEMBLY (includes items 9, 10 & 15)    | 1    |
| 6    | 28842G01  |           | USA WHITE WHEEL& TIRE ASSEMBLY (includes items 9, 11 & 15) .....    | 1    |
| 7    |           |           |   |      |
| 8    |           |           |   |      |
| 9    | 11657G2   |           | VALVE STEM.....   | 1    |
| 10   | 603172    |           | STONE BEIGE WHEEL.....  | 1    |
| 11   | 28759G01  |           | WHITE WHEEL .....   | 1    |
| 12   |           |           |   |      |
| 13   | 28764G01  |           | CARLISLE LINKS TIRE, 18 X 8.5 - 8.....                              | 1    |
| 14   |           |           |   |      |
| 15   | 28764-G08 |           | CARLISLE USA TRAIL TIRE 18.5 X 8.5 - 8.....                         | 1    |
| 16   |           |           |   |      |
| 17   |           |           |   |      |
| 18   |           |           |   |      |
| 19   | 607096    |           | HUB CAP, SILVER .....   | 4    |
| 20   | 14723-G1  |           | LUG NUT, 1/2 - 20 UNF .....   | 4    |
| 21   | 74175-G01 |           | DUST CAP .....  | 1    |
| 22   | 603785    |           | HUB CAP, GOLD .....   | 4    |
| 23   |           |           |   |      |
| 24   | 600599    |           | ALLOY WHEEL AND TIRE ASSEMBLY (includes items 25 - 27) .....        | 1    |
| 25   | 601768    |           | TOUR MAX TIRE, 205 / 50 - 10 .....                                  | 1    |
| 26   | 601767    |           | VALVE STEM.....   | 1    |
| 27   | 601766    |           | ITP ALLOY WHEEL.....  | 1    |
| 28   |           |           |   |      |
| 29   |           |           |   |      |
| 30   | 605310    |           | CHROME LUG NUT, 1/20-020 UNF .....                                  | 4    |
| 31   | 601353    |           | ALLOY WHEEL CAP .....   | 1    |









A Textron Company

**E-Z-GO Division of Textron Inc.,**  
1451 Marvin Griffin Road, Augusta, Georgia 30906 - 3852 USA

TO CONTACT US...

North America:

**Technical Assistance & Warranty  
Service Parts**

Phone: 1-800-774-3946, FAX: 1-800-448-8124

Phone: 1-888-GET-E-Z-GO (1-888-438-3946), FAX: 1-800-752-6175

International:

Phone: 001-706-798-4311, FAX: 001-706-771-4609

ISO 9001  
ISO 14001

**BUREAU VERITAS**  
Certification



Copyrighted Material  
This manual may not be reproduced in whole or  
in part without the express permission of  
E-Z-GO Division of Textron, Inc.  
Technical Communications Department