



**CUSHMAN**<sup>®</sup>  
**LET'S WORK.**

# **48V AC TITAN XD**

## **Service Parts Manual**



# SERVICE PARTS MANUAL

## ELECTRIC POWERED UTILITY VEHICLES

**48V AC TITAN XD 2 PASS**

**48V AC TITAN XD 4 PASS**

**STARTING MODEL YEAR 2019**

Never modify the vehicle in any way that will alter the weight distribution of the vehicle, decrease its stability or increase the speed beyond the factory specifications. Such modifications can cause serious personal injury or death. Textron Specialized Vehicles prohibits and dis-claims responsibility for any such modifications or any other alteration which would adversely affect the safety of the vehicle. TSV reserves the right to incorporate engineering and design changes to products in this manual, without obligation to include these changes on units sold previously.

The information contained in this manual may be revised periodically by TSV, and therefore is subject to change without notice.

TSV DISCLAIMS LIABILITY FOR ERRORS IN THIS MANUAL, and SPECIFICALLY DISCLAIMS LIABILITY FOR INCIDENTAL AND CONSEQUENTIAL DAMAGES resulting from the use of the information and materials in this manual.

These are the original instructions as defined by 2006/42/EC.

### TO CONTACT US:

Textron Specialized Vehicles, Inc.  
1451 Marvin Griffin Road  
Augusta, Georgia, USA 30906-3852

### NORTH AMERICA:

Technical Assistance & Warranty PHONE: 1-800-774-3946, FAX: 1-800-448-8124

Service Parts PHONE: 1-888-438-3946, FAX: 1-800-752-6175

International: PHONE: 001-706-798-4311, FAX: 001-706-771-4609

## GENERAL INFORMATION

To obtain a copy of the limited warranty applicable to the vehicle, call or write a local Distributor, authorized Branch or the Warranty Department with vehicle serial number and manufacturer code.

The use of non Original Equipment Manufacturer (OEM) approved parts may void the warranty.

Tampering with or adjusting the governor to permit vehicle to operate at above factory specifications will void the vehicle warranty.

When servicing engines, all adjustments and replacement components must be per original vehicle specifications in order to maintain the United States of America Federal and State emission certification applicable at the time of manufacture.

### BATTERY PROLONGED STORAGE

All batteries will self discharge over time. The rate of self discharge varies depending on the ambient temperature and the age and condition of the batteries.

A fully charged battery will not freeze in winter temperatures unless the temperature falls below -75° F (-60° C).

### BATTERY DISPOSAL

Lead-acid batteries are recyclable. Return whole scrap batteries to distributor, manufacturer or lead smelter for recycling. For neutralized spills, place residue in acid-resistant containers with absorbent material, sand or earth and dispose of in accordance with local, state and federal regulations for acid and lead compounds. Contact local and/or state environmental officials regarding disposal information.

# TABLE OF CONTENTS

<b>SECTION</b>	<b>Page No.</b>
<b>HOW TO USE THE SERVICE PARTS MANUAL</b> .....	<b>V</b>
<b>ACCELERATOR</b> .....	<b>A - 1</b>
<b>BATTERY CHARGER</b> .....	<b>B - 1</b>
<b>BODY</b> .....	<b>C - 1</b>
<b>BRAKES</b> .....	<b>D - 1</b>
<b>ELECTRICAL</b> .....	<b>E - 1</b>
<b>ELECTRONIC SPEED CONTROL</b> .....	<b>F - 1</b>
<b>FRONT SUSPENSION</b> .....	<b>G - 1</b>
<b>MOTOR</b> .....	<b>H - 1</b>
<b>REAR AXLE</b> .....	<b>J - 1</b>
<b>REAR SUSPENSION</b> .....	<b>K - 1</b>
<b>SEATING</b> .....	<b>L - 1</b>
<b>STEERING</b> .....	<b>M - 1</b>
<b>WEATHER PROTECTION</b> .....	<b>N - 1</b>
<b>WHEELS AND TIRES</b> .....	<b>P - 1</b>
<b>DECALS AND LABELS</b> .....	<b>R - 1</b>



# HOW TO USE THE SERVICE PARTS MANUAL

This manual is divided into several sections:

- GENERAL INFORMATION
- ILLUSTRATED PARTS BREAKDOWN

The first section, GENERAL INFORMATION, contains the following information:

- WARRANTY INFORMATION
- TABLE OF CONTENT
- HOW TO USE THE SERVICE PARTS MANUAL

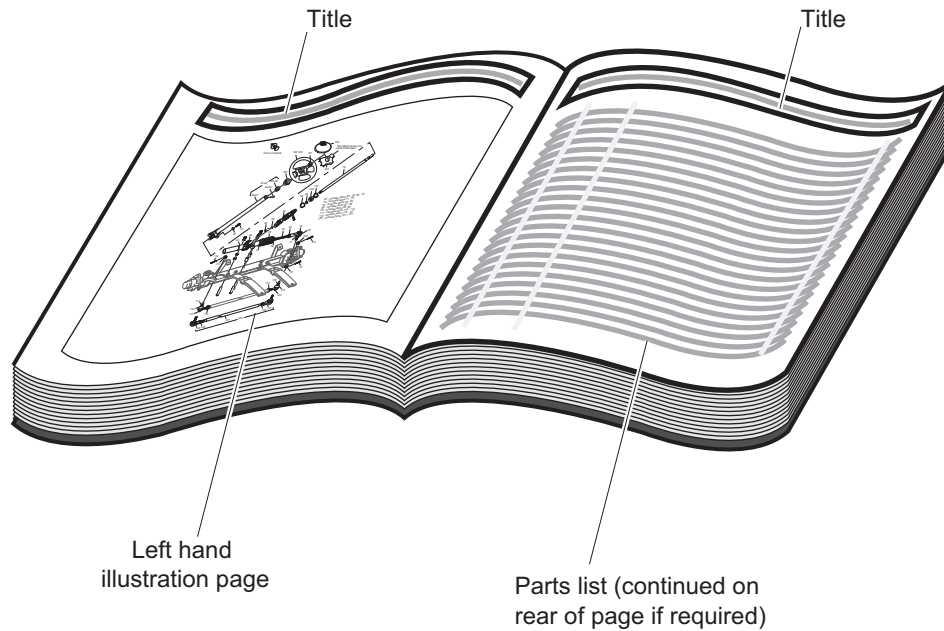
The second section, ILLUSTRATED PARTS BREAKDOWN, contains illustrations and parts lists for all systems of your vehicle.

## USE OF THE MANUAL

To use this manual, consult the TABLE OF CONTENT to locate the information or illustration required.

Introduction of some revisions varies due to supply of components; therefore, it is possible that various combinations of components may be found that are not directly reflected by each illustration. Consult the illustration that best suits your situation and then contact the Service Parts Department. It is important that the serial number or VIN of your vehicle and the model name be supplied to Service Parts when ordering any replacement components.

# HOW TO USE THE SERVICE PARTS MANUAL



## 1. WHEN THE PART NUMBER IS NOT KNOWN

- Determine the function and application of the part required. Turn to the Table of Content and select the most appropriate title.
- Turn to the page number indicated and locate the desired part on the illustration.
- From the illustration, obtain the item number assigned to the desired part. Refer to the accompanying description for specific information regarding the part.

## 2. IF YOU KNOW THE PART NUMBER

- Locate the part number or description in the appropriate column on the parts list page.

NOTE: It is suggested that you confirm that the part selected is correct by verifying it with the pictorial representation on the illustrated page.

Should an asterisk (\*) appear in the part number column on the parts list page, read upwards until a part number is found. The part number is the lowest assembly sold by Service Parts and the asterisk (\*) indicates that the part depicted is not available for purchase.

NOTE: Descriptions are indented under the assembly that they are used on. That assembly is, in turn listed under the assembly that it is used on. This process is repeated until the highest final assembly is reached.

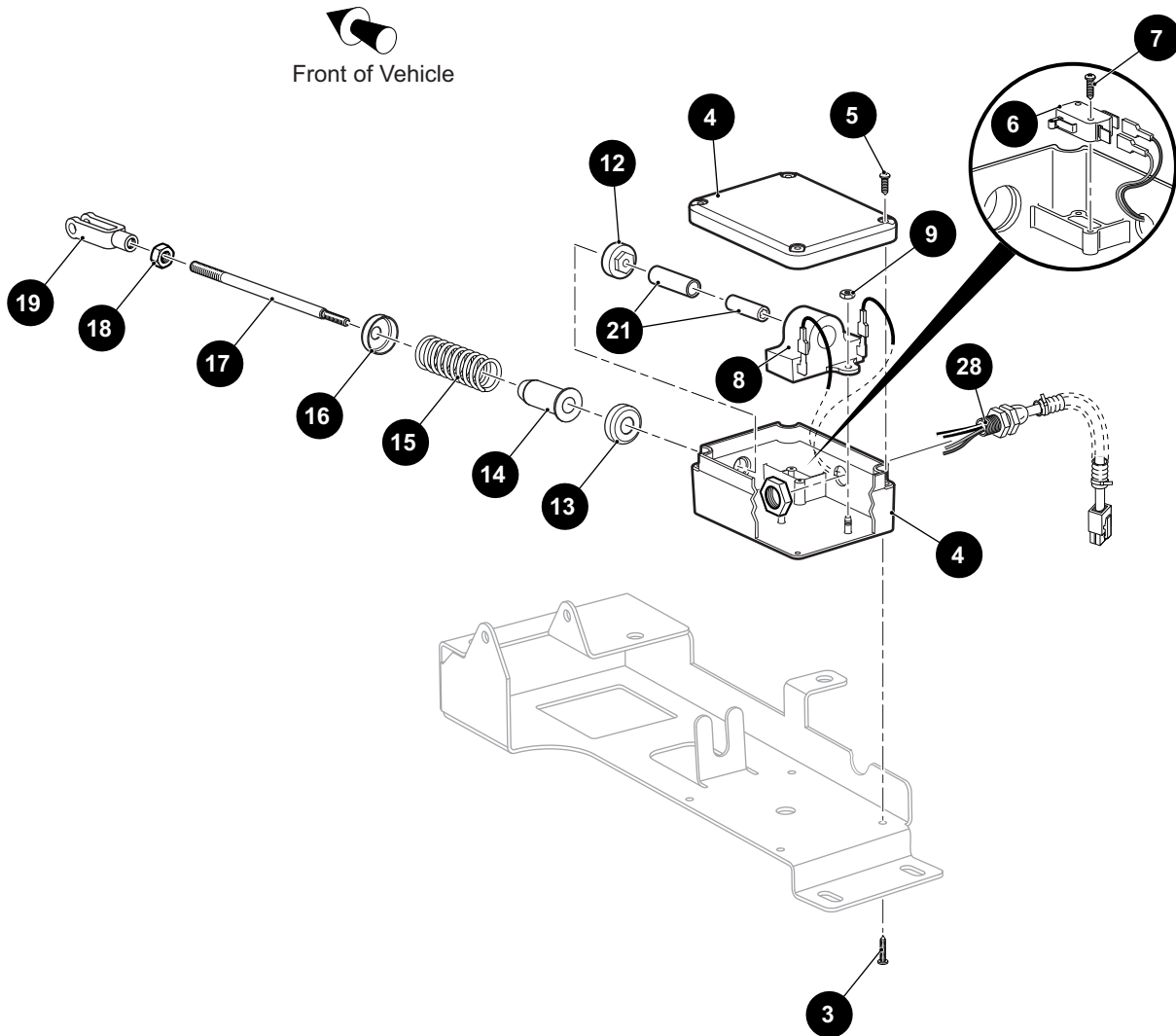
**To facilitate the maintenance and repair of the vehicle, a Technician's Repair and Service Manual is available from the Service Parts Department.**





# ACCELERATOR

1 Pedal Box Assembly includes items 3 - 39



THE USE OF NON U.L. PARTS WILL VOID ANY U.L. LISTING.

When ordering parts, please specify the model and serial number of the product.

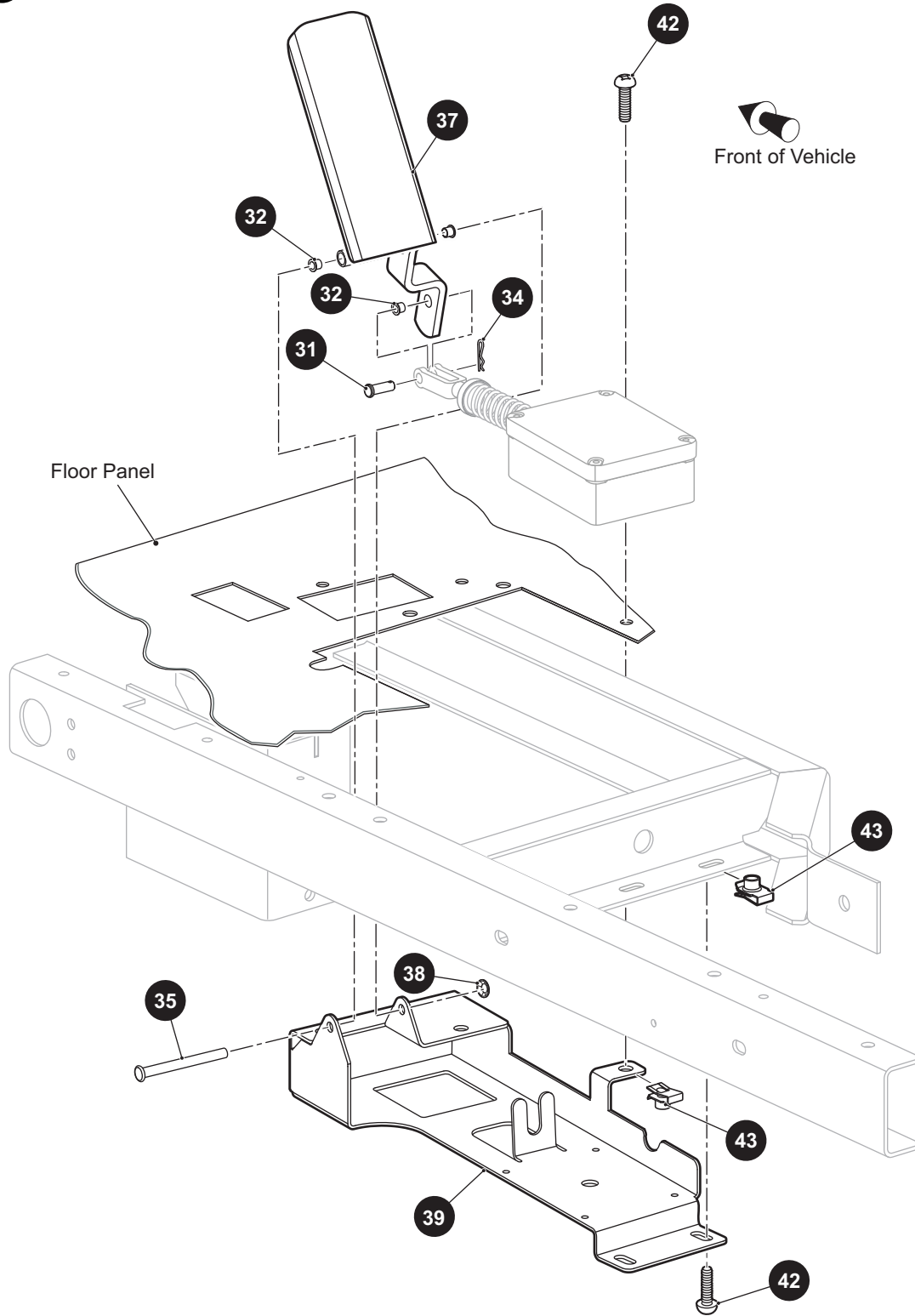
\* Indicates a component that is not available as an individual part.

\*\*\* Indicates consult Customer Service Department for additional information.

ITEM	PART NO.	1 2 3 4 5	DESCRIPTION	QTY.
1	600476		Pedal Box Assembly (Includes Items 3 - 39).....	1
2				
3	01051G01		Pan Head Phillips Screw, #8 - 16" x 1/2" Lg.....	4
4	25853G01		Pedal Box and Cover.....	1
5	00684G6		Truss Head Phillips Screw (SS), #8 - 32 x 3/4" Lg.....	2
6	25861G01		Micro Switch.....	1
7	01050G01		Pan Head Torx Screw, #4 - 20 x 5/8" Lg.....	2
8	25854G01		Inductive Throttle Sensor.....	1
9	00983G01		Self Threading Nut, 3/16".....	2
10				
11				
12	28444G01		Plunger Cam.....	1
13	17677G1		Spring Retainer, 1/2".....	1
14	17979G1		Accelerator Rod Bushing.....	1
15	73046G01		Compression Spring.....	1
16	17677G2		Spring Retainer, 3/8".....	1
17	73332G01		Accelerator Rod.....	1
18	00532G4		Lock Nut, 5/16" - 24.....	1
19	10385G4		Clevis Yoke (Adjustable).....	1
20				
21	602484		Plunger and Sleeve Assembly.....	1
22				
23				
24				
25				
26				
27				
28	35679G01		Wire Harness (Pedal Box).....	1
29				
30				

# ACCELERATOR

36 Accelerator Pedal Assembly includes item 37



THE USE OF NON U.L. PARTS WILL VOID ANY U.L. LISTING.

When ordering parts, please specify the model and serial number of the product.

\* Indicates a component that is not available as an individual part.

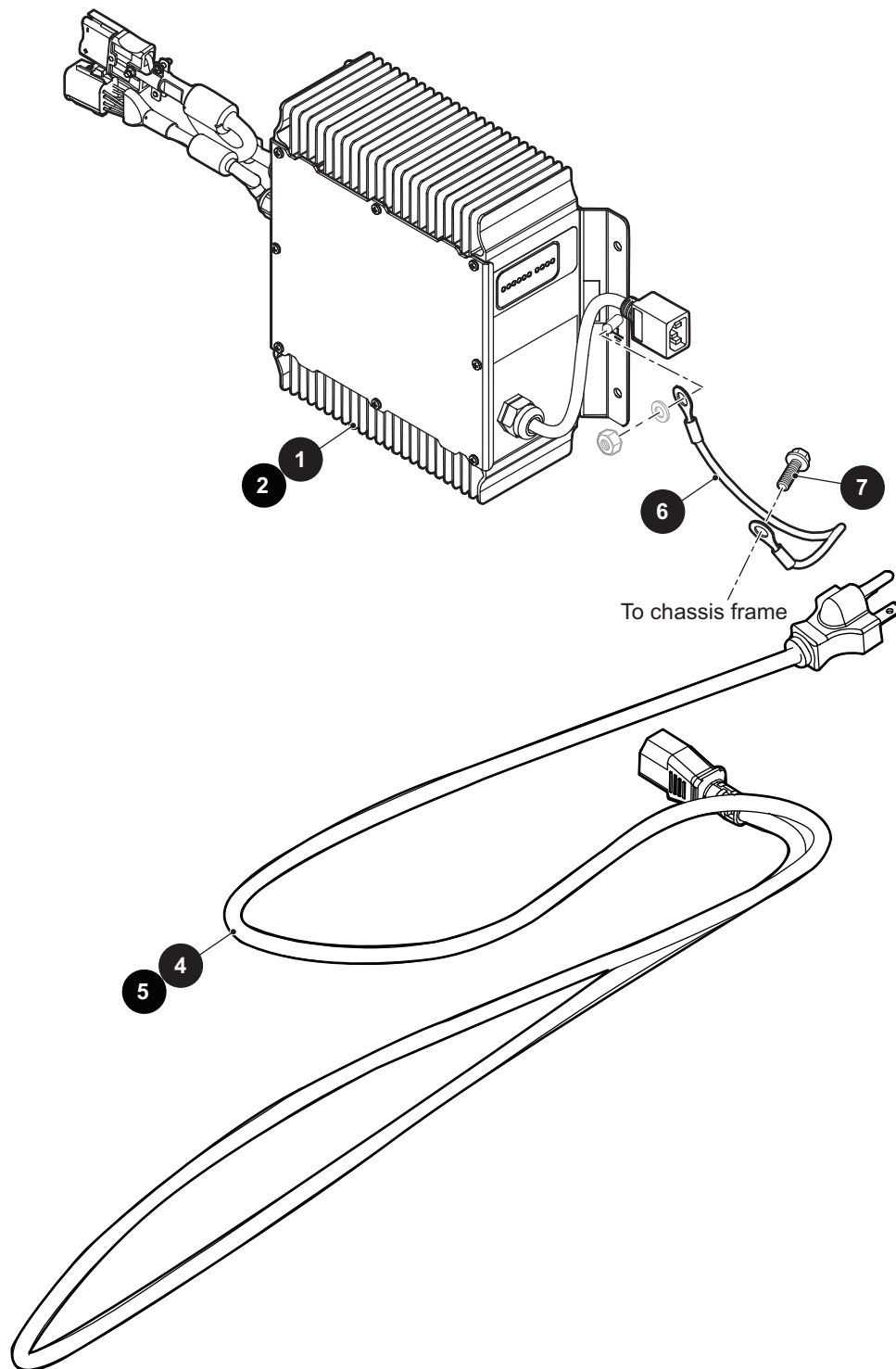
\*\*\* Indicates consult Customer Service Department for additional information.

ITEM	PART NO.	1 2 3 4 5	DESCRIPTION	QTY.
31	10386G3		Clevis Pin, 5/16" x 1" Lg .....	1
32	17838G1		Nylon Bushing .....	3
33				
34	01076G01		Cotter Pin.....	1
35	601093		Pedal Pivot Pin .....	1
36	601150		Accelerator Pedal Assembly (Includes Item 37) .....	1
37	601153		Pedal Pad.....	1
38	12064G6		Push Nut, 9/32" .....	1
39	601091		Pedal Box Bracket .....	1
40				
41				
42	71056G01		Truss Hex Head Socket Screw, 5/16" - 18 x 5/8" Lg, Grade 5 .....	5
43	01024G01		U-Nut, 5/16" - 18 .....	5





# BATTERY CHARGER





# BATTERY CHARGER

THE USE OF NON U.L. PARTS WILL VOID ANY U.L. LISTING.

When ordering parts, please specify the model and serial number of the product.

\* Indicates a component that is not available as an individual part.

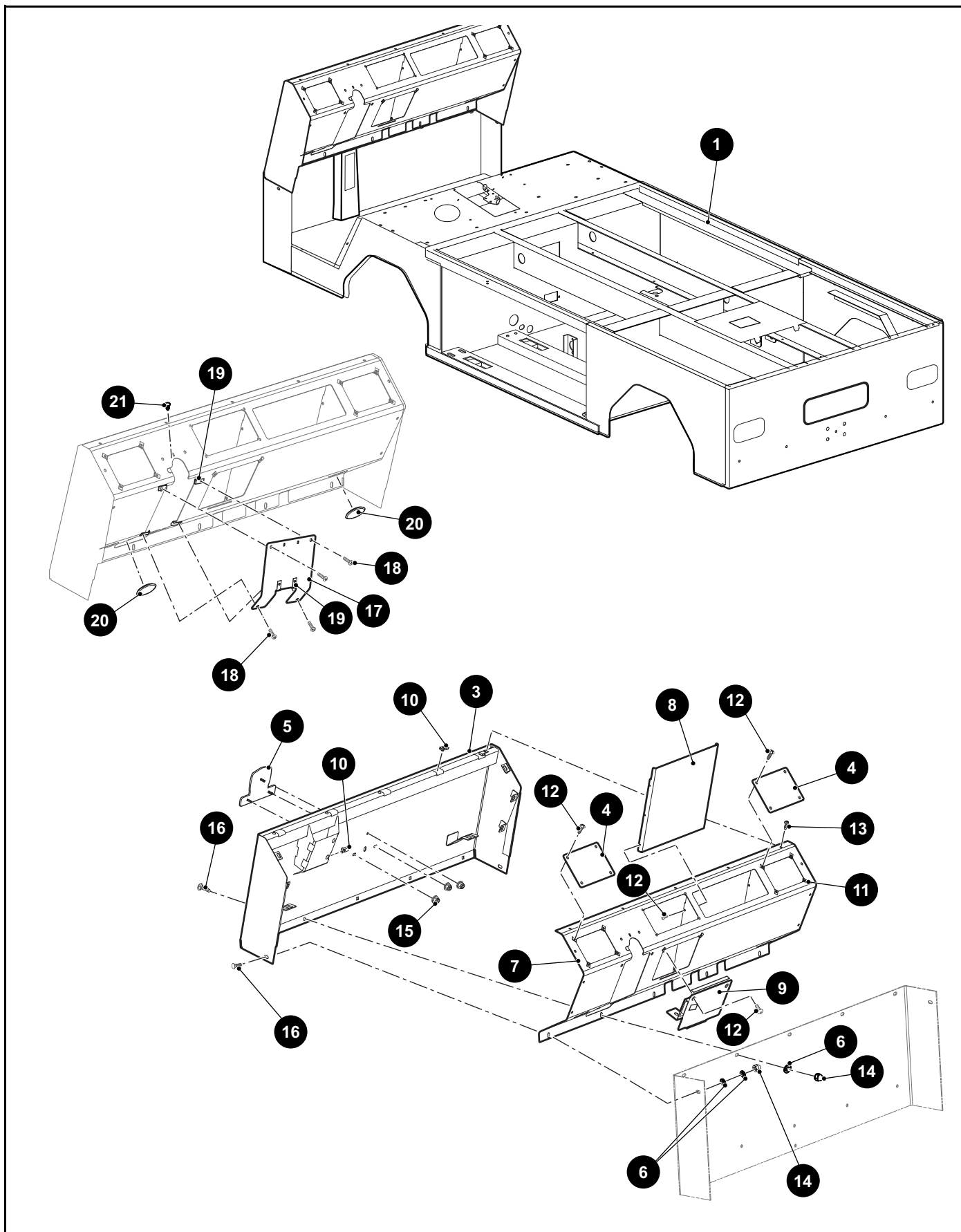
\*\*\* Indicates consult Customer Service Department for additional information.

ITEM	PART NO.	1 2 3 4 5	DESCRIPTION	QTY.
1	642629		On-board Charger, 48V, 1000W.....	1
2	642451		On-board Charger, 48V, 1500W.....	1
3				
4	600462G01		AC Charger Cord (Nema 5-15 Plug to C13) .....	1
5	600462G02		AC Charger Cord (Nema 6-15 Plug to C13) .....	1
6	668709		Charger Jumper, Bonding .....	1
7	71102G02		Hex Washer Head Bolt, 1/4" - 20 x 1/2" Lg, Grade 5 .....	1





# BODY - 2 PASSENGER



## BODY - 2 PASSENGER

THE USE OF NON U.L. PARTS WILL VOID ANY U.L. LISTING.

When ordering parts, please specify the model and serial number of the product.

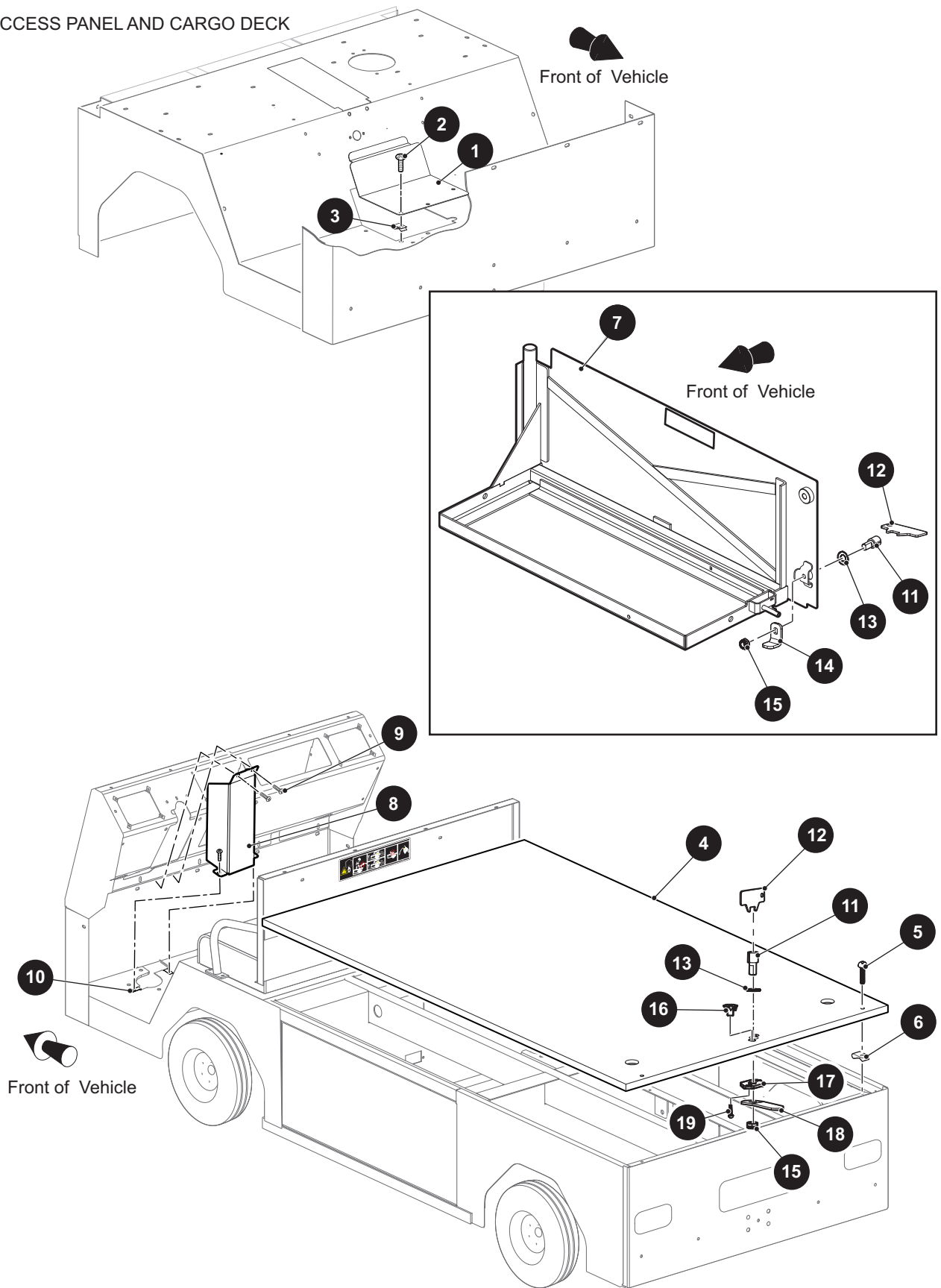
\* Indicates a component that is not available as an individual part.

\*\*\* Indicates consult Customer Service Department for additional information.

ITEM	PART NO.	1 2 3 4 5	DESCRIPTION	QTY.
1	672482GXX		Body Frame Weldment ..... 672482G43 Safety Yellow 672482G02 Forest Green 672482G10 Arctic White 672482G30 Flame Red	1
2				
3	***		Cowl ..... 628447 Safety Yellow 628448 Forest Green 628449 Arctic White 628450 Flame Red	1
4	628852		Switch Plate .....	2
5	624539		Cushman Name Plate .....	1
6	00565G8		Lock Washer, 5/16" .....	9
7	671554		Dash Panel.....	1
8	628167		Dash Pocket Plate.....	1
9	676349		Fuse Block Panel (See ELECTRICAL section for Fuse Part Numbers) .....	1
10	800279		U - Type Nut, 1/4" - 20 .....	15
11	635982		Speed Nut, #8 .....	10
12	18464G1		Self Tapping Screw, #8 - 18 x 1" Lg .....	16
13	16705G2		Truss Head Phillips Screw, 1/4" - 20 x 5/8" Lg.....	13
14	00520G3		Acorn Nut, 5/16" - 18.....	7
15	71597G01		Self Threading Nut, 5 x 10 x 15mm.....	3
16	800557		Carriage Bolt, 5/16" - 18 x .75" Lg, Grade 5.....	7
17	630558		Steering Column Access Cover .....	1
18	16705G3		Truss Head Phillips Screw (SS), 1/4" - 20 x 3/4" Lg.....	4
19	14776G1		'J' Type Retainer Nut, 1/4" - 20 .....	4
20	625026		Hole Plug, 2 - 7/16" .....	2
21	16816G5		Ratchet Rivet, .187" x .550" .....	3

# BODY - 2 PASSENGER

## ACCESS PANEL AND CARGO DECK



## BODY - 2 PASSENGER

THE USE OF NON U.L. PARTS WILL VOID ANY U.L. LISTING.

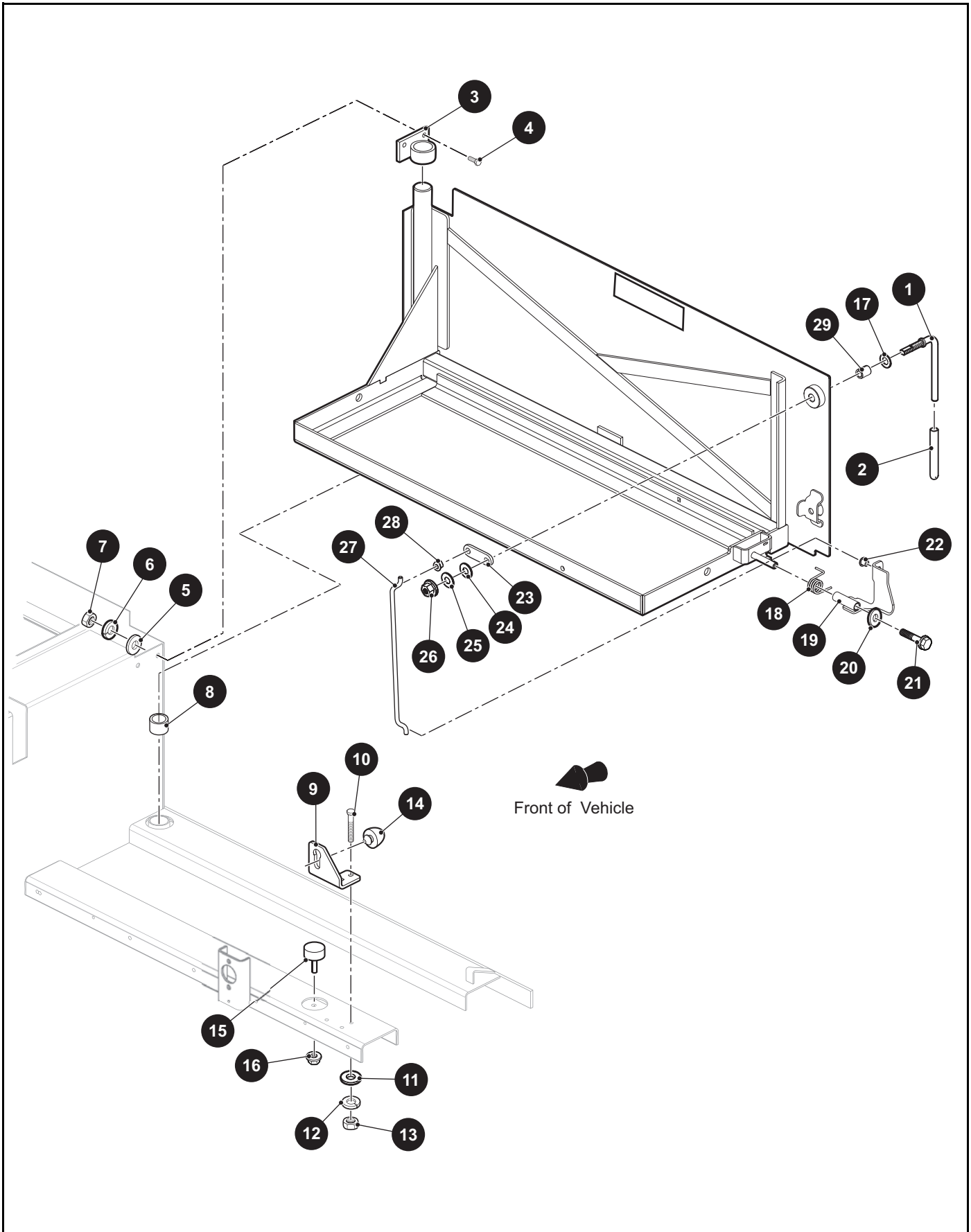
When ordering parts, please specify the model and serial number of the product.

\* Indicates a component that is not available as an individual part.

\*\*\* Indicates consult Customer Service Department for additional information.

ITEM	PART NO.	1 2 3 4 5	DESCRIPTION	QTY.
1	613042		Access Cover, Black .....	1
2	71056G01		Truss Hex Head Socket Screw, 5/16" - 18 X 5/8" Lg, Grade 5 .....	3
3	01024G01		'U' Nut, 5/16" - 18 .....	3
4	656572		Cargo Deck .....	1
5	800017		Pan Head Phillips Screw, 1/4" - 20 x 1" Lg, Grade 2 .....	2
6	800279		U - Type Nut, 1/4" - 20 .....	2
7	620458		Swing Out Battery Tray, Black.....	1
8	623717		Steering Column Cover.....	1
9	16705G3		Truss Head Phillips Screw (SS), 1/4" - 20 x 3/4" Lg.....	4
10	14776G1		'J' Type Retainer Nut, 1/4" - 20 .....	4
11	35244G01		Notched Latch Pin.....	3
12	601841		Latch Key, Type EE .....	1
13	34434G01		Belleville Washer.....	3
14	605005		Latch Plate .....	2
15	14390G1		Lock Nut, 3/8" - 24 .....	3
16	11782G2		Tee Nut, 1/4" - 20 .....	2
17	34431G01		Plate Latch .....	1
18	34433G01		Latch .....	1
19	16705G2		Truss Head Phillips Screw (SS), 1/4" - 20 x 5/8" Lg.....	2

# BODY - 2 PASSENGER





## BODY - 2 PASSENGER

THE USE OF NON U.L. PARTS WILL VOID ANY U.L. LISTING.

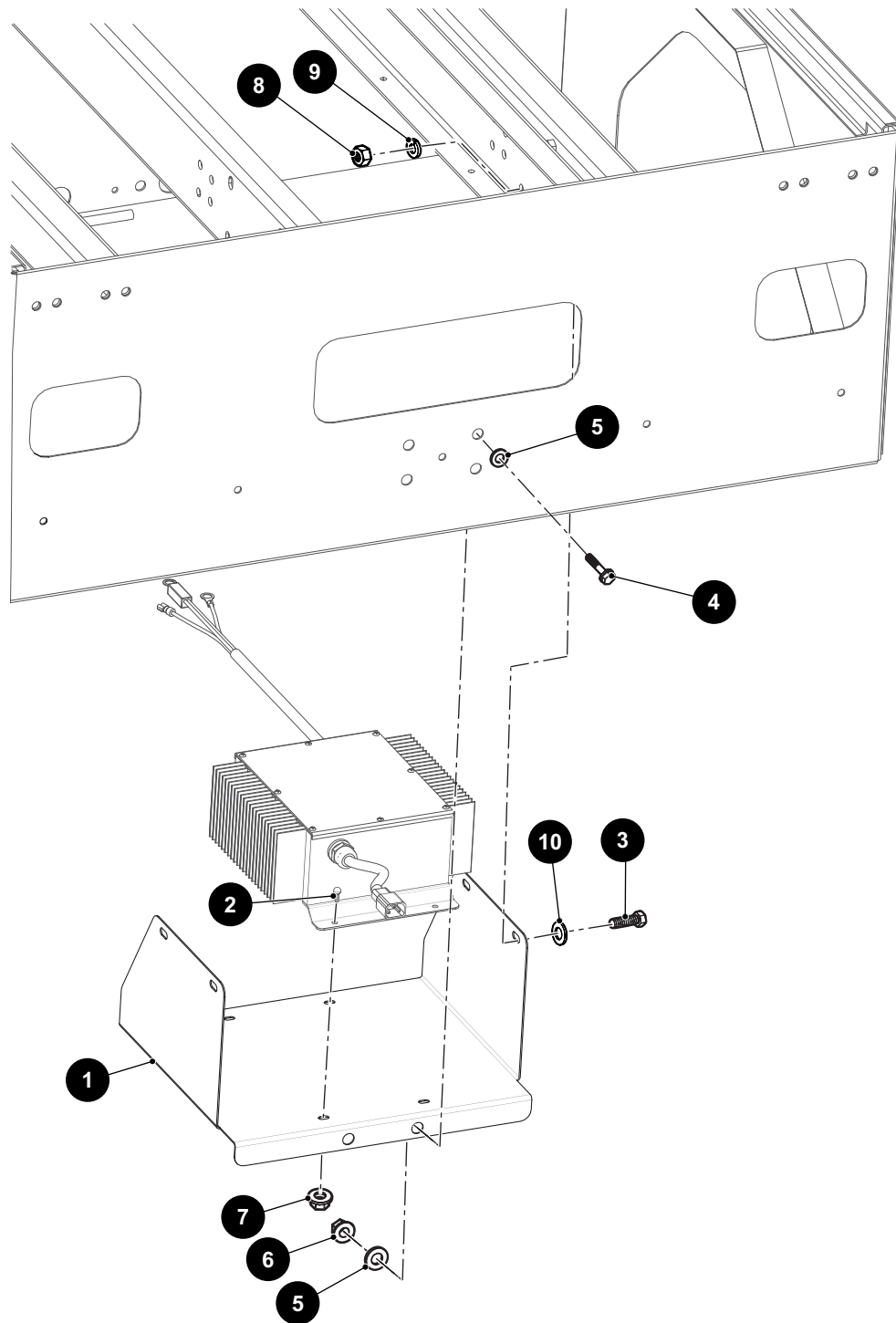
When ordering parts, please specify the model and serial number of the product.

\* Indicates a component that is not available as an individual part.

\*\*\* Indicates consult Customer Service Department for additional information.

ITEM	PART NO.	1 2 3 4 5	DESCRIPTION	QTY.
1	604999		Latch Handle .....	1
2	71704G01		Handle Grip .....	1
3	604737		Upper Pivot Assembly (Includes Bearing).....	1
4	306416		Hex Head Bolt, 5/16" - 18 x 1" Lg, Grade 5 .....	2
5	103867		Flat Washer, .31 x .69 x .06" .....	2
6	306325		Lock Washer, 5/16" .....	2
7	306932		Hex Nut, 5/16" - 18.....	2
8	633700		Pivot Bearing.....	1
9	604644		Stop Bracket.....	1
10	00661G8		Hex Head Bolt (SS), 1/4" - 20 x 7/16" Lg .....	3
11	308090		Flat Washer, 1/4" .....	3
12	306396		Lock Washer, 1/4" .....	3
13	306375		Hex Nut, 1/4" - 20.....	3
14	813850		Travel Limiting Bumper .....	1
15	70113G01		Adjustable Bumper.....	1
16	11027G1		Flanged Lock Nut, 5/16" - 18 .....	1
17	00560G2		Flat Washer, 7/16" .....	1
18	604228		Latch Spring .....	1
19	604993		Latch .....	1
20	00559G7		Flat Washer, 1/4" .....	1
21	00713G1		Hex Flange Head Bolt, #12 - 24 x 1/2" Lg.....	1
22	22754G4		Flip Lock Bushing.....	1
23	605001		Bell Crank Latch.....	1
24	00560G2		Flat Washer, 7/16" .....	1
25	34434G01		Belleville Washer, .750" O.D x .380" I.D. ....	1
26	11098G5		Flanged Lock Nut, 3/8" - 16 .....	1
27	605000		Latch Linkage Rod .....	1
28	22754G5		Flip Lock Bushing.....	1
29	605863G01		Pivot Tube Bushing .....	1

# BODY - 2 PASSENGER



## BODY - 2 PASSENGER

THE USE OF NON U.L. PARTS WILL VOID ANY U.L. LISTING.

When ordering parts, please specify the model and serial number of the product.

\* Indicates a component that is not available as an individual part.

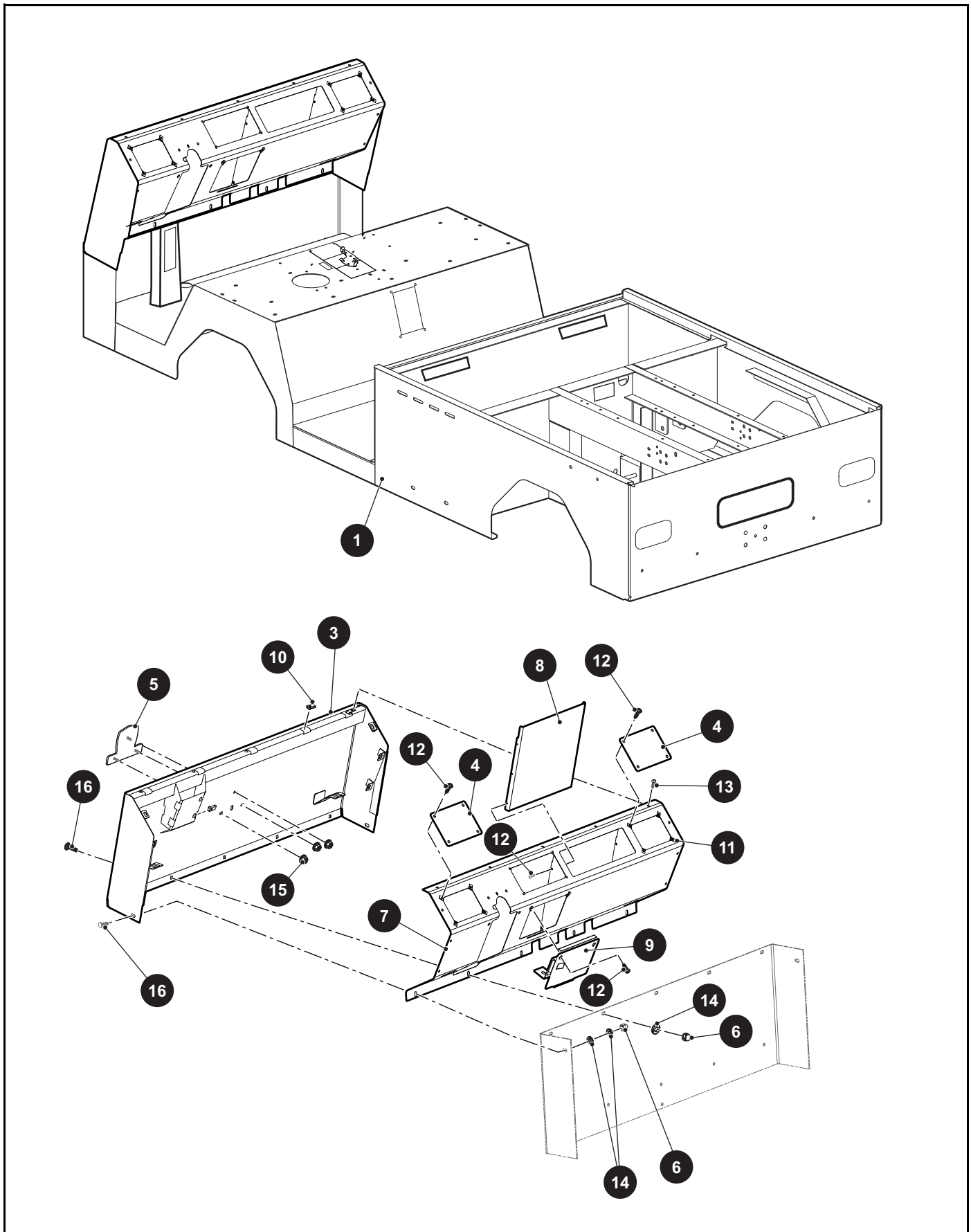
\*\*\* Indicates consult Customer Service Department for additional information.

ITEM	PART NO.	1 2 3 4 5	DESCRIPTION	QTY.
1	677114		Charger Bracket .....	1
2	00414G5		Hex Head Bolt, 1/4" - 20 x 1/2" Lg, Grade 5 .....	4
3	00438G6		Hex Head Bolt, 5/16" - 18 x 1/2" Lg, Grade 5 .....	4
4	800385		Flanged Hex Head Bolt, 3/8" - 16 x 3/4" Lg, Grade 5 .....	2
5	00922G2		Flat Washer, 3/8" .....	4
6	800698		Crown Flange Lock Nut, 3/8" - 16 .....	2
7	11027G2		Flange Lock Nut, 1/4" - 20 .....	4
8	00532G3		Hex Nut, 5/16" - 18 .....	4
9	306325		Lock Washer, 5/16" .....	4
10	00559G8		Flat Washer, 5/16" .....	4





# BODY - 4 PASSENGER



## BODY - 4 PASSENGER

THE USE OF NON U.L. PARTS WILL VOID ANY U.L. LISTING.

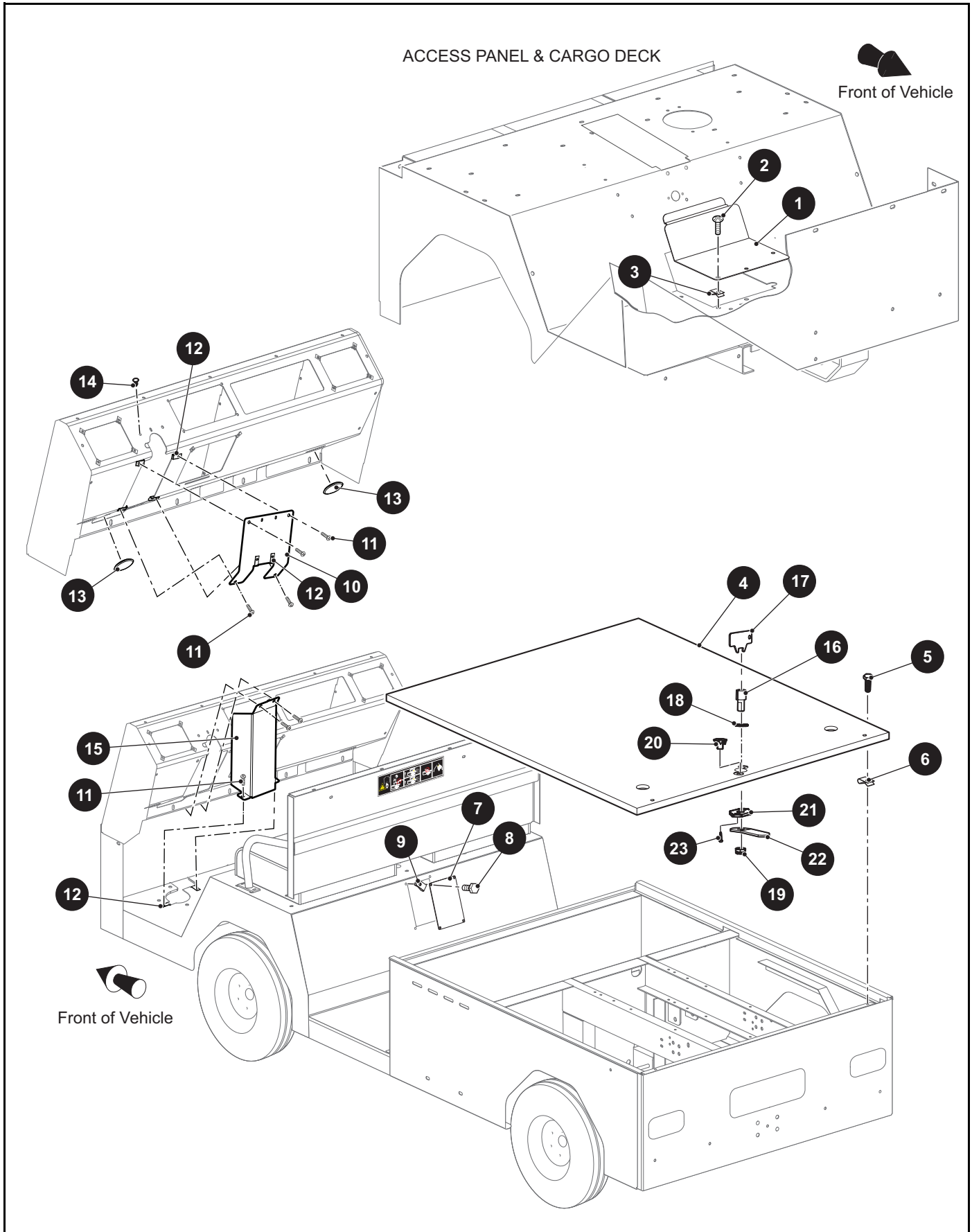
When ordering parts, please specify the model and serial number of the product.

\* Indicates a component that is not available as an individual part.

\*\*\* Indicates consult Customer Service Department for additional information.

ITEM	PART NO.	1 2 3 4 5	DESCRIPTION	QTY.
1	674442GXX		Body Frame Weldment (4 Passenger)..... 674442G43 Safety Yellow 674442G02 Forest Green 674442G10 Arctic White 674442G30 Flame Red	1
2				
3	***		Cowl..... 628447 Safety Yellow 628448 Forest Green 628449 Arctic White 628450 Flame Red	1
4	628852		Switch Plate .....	2
5	624539		Cushman Name Plate.....	1
6	00520G3		Acorn Nut, 5/16" - 18.....	7
7	671554		Dash Panel Weldment .....	1
8	628167		Pocket Plate Dash.....	1
9	676349		Fuse Block Panel (See ELECTRICAL section for Fuse Part Numbers) .....	1
10	800279		U Type Speed Nut, 1/4" - 20 .....	17
11	635982		Speed Nut, #8 .....	10
12	18464G1		Pan Head Thread Forming Screw, #8 - 18 x 1" Lg.....	16
13	16705G2		Truss Head Phillips Screw (SS), 1/4" - 20 x 5/8" Lg.....	13
14	00565G8		Lock Washer, 5/16" .....	9
15	71597G01		Self Threading Nut, 5 x 10 x 15mm.....	3
16	800557		Carriage Bolt, 5/16" - 18 x 3/4" Lg, Grade 5.....	7

# BODY - 4 PASSENGER





## BODY - 4 PASSENGER

THE USE OF NON U.L. PARTS WILL VOID ANY U.L. LISTING.

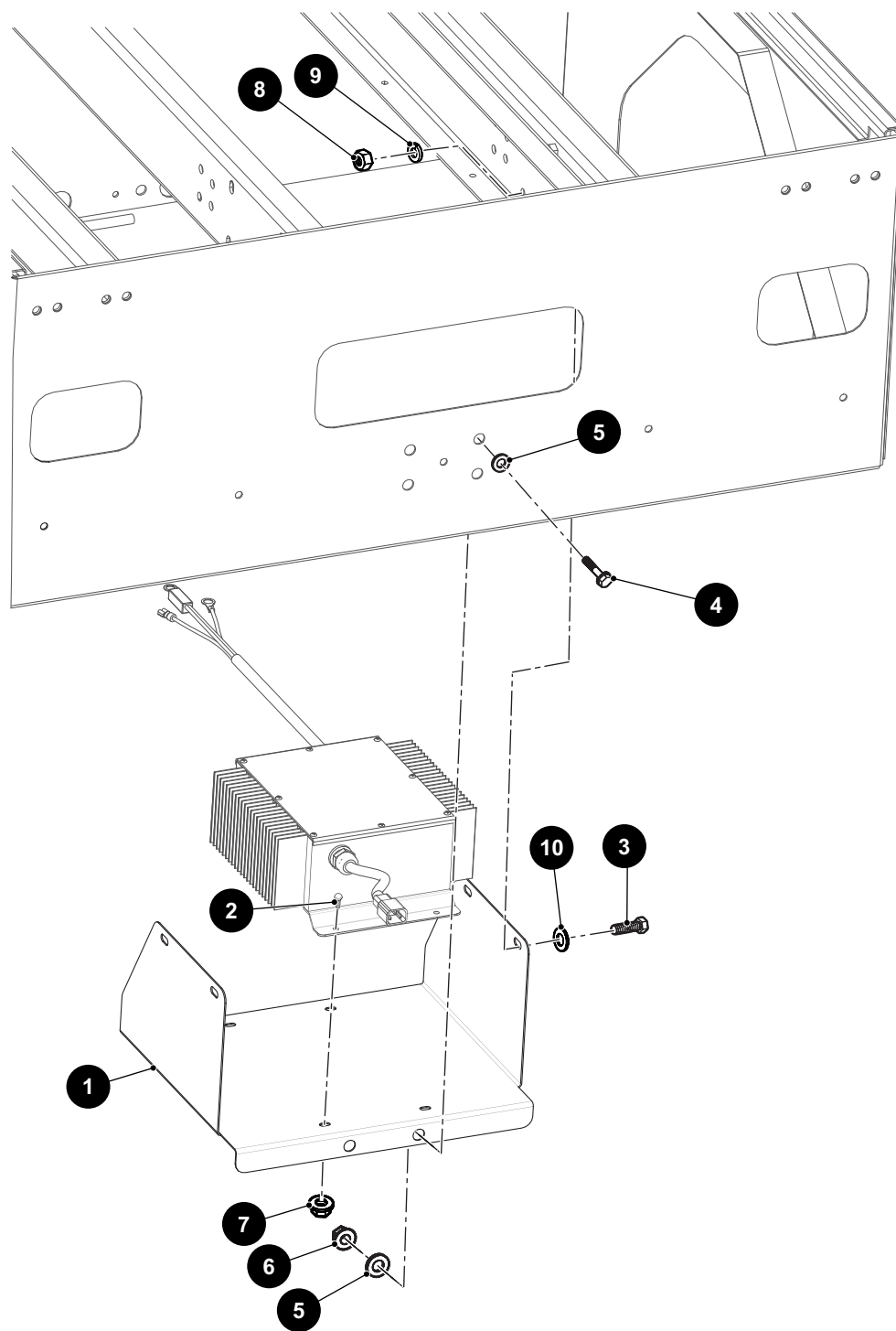
When ordering parts, please specify the model and serial number of the product.

\* Indicates a component that is not available as an individual part.

\*\*\* Indicates consult Customer Service Department for additional information.

ITEM	PART NO.	1 2 3 4 5	DESCRIPTION	QTY.
1	613042		Access Cover, Black .....	1
2	71056G01		Truss Head Bolt, 5/16" - 18 x 5/8" Lg, Grade 5 .....	3
3	01024G01		'J' Nut, 5/16" - 18 .....	3
4	656571		Deckboard .....	1
5	800017		Pan Head Phillips Screw, 1/4" - 20 x 1" Lg, Grade2 .....	2
6	800279		'U' Nut, 1/4" - 20 .....	2
7	613046		Park Brake Access Cover .....	1
8	306419		Hex Head Bolt, 1/4" - 20 x 1/2" Lg, Grade 5 .....	4
9	800279		'U' Nut, 1/4" - 20 .....	4
10	630558		Steering Column Access Cover .....	1
11	16705G3		Truss Head Phillips Screw (SS), 1/4" - 20 x 3/4" Lg .....	8
12	14776G1		'J' Type Retainer Nut, 1/4" - 20 .....	8
13	625026		Hole Plug, 2 - 7/16" Dia 2" .....	2
14	16816G5		Ratchet Rivet, .187" x .55" .....	3
15	623717		Steering Column Cover .....	1
16	35244G01		Notched Latch Pin .....	1
17	601841		Latch Key, Type EE .....	1
18	34434G01		Belleville Washer .....	1
19	14390G1		Lock Nut, 3/8" - 24 .....	1
20	11782G2		Tee Nut, 1/4" - 20 .....	2
21	34431G01		Plate Latch .....	1
22	34433G01		Latch .....	1
23	16705G2		Truss Head Phillips Screw, 1/4" - 20 x 5/8" Lg .....	2

# BODY - 4 PASSENGER



## BODY - 4 PASSENGER

THE USE OF NON U.L. PARTS WILL VOID ANY U.L. LISTING.

When ordering parts, please specify the model and serial number of the product.

\* Indicates a component that is not available as an individual part.

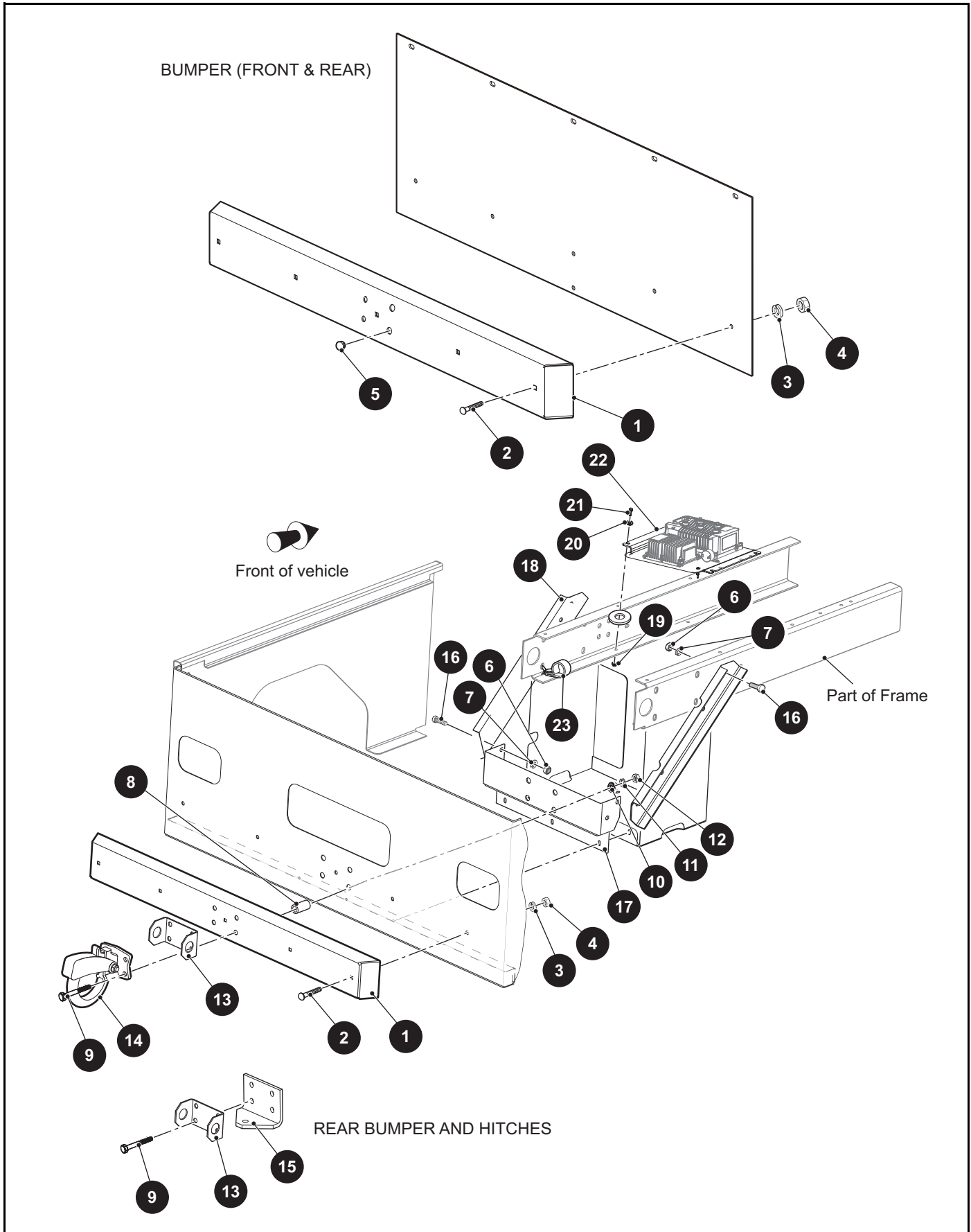
\*\*\* Indicates consult Customer Service Department for additional information.

ITEM	PART NO.	1 2 3 4 5	DESCRIPTION	QTY.
1	677114		Charger Bracket .....	1
2	00414G5		Hex Head Bolt, 1/4" - 20 x 1/2" Lg, Grade 5 .....	4
3	00438G6		Hex Head Bolt, 5/16" - 18, Grade 5 .....	4
4	800385		Flanged Hex Head Bolt, 3/8" - 16 x 3/4" Lg, Grade 5 .....	2
5	00922G2		Flat Washer, 3/8" .....	4
6	800698		Crown Lock Flange Nut, 3/8" - 16 .....	2
7	11027G2		Flange Lock Nut, 1/4" - 20 .....	4
8	00532G3		Hex Nut, 5/16" - 18.....	4
9	306325		Lock Washer, 5/16" .....	4
10	00559G8		Flat Washer, 5/16" .....	4





# BODY - ACCESSORIES



## BODY - ACCESSORIES

THE USE OF NON U.L. PARTS WILL VOID ANY U.L. LISTING.

When ordering parts, please specify the model and serial number of the product.

\* Indicates a component that is not available as an individual part.

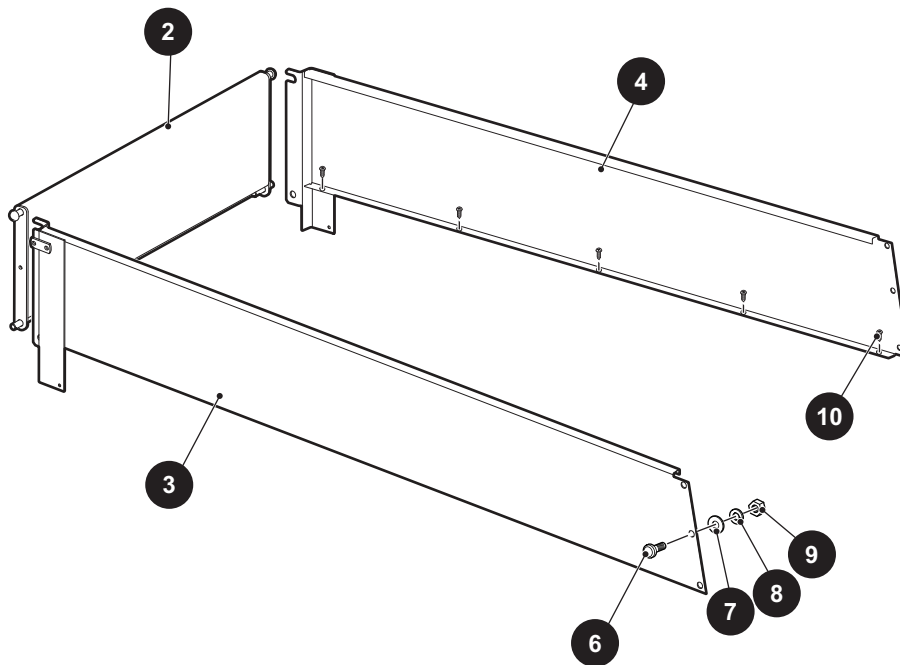
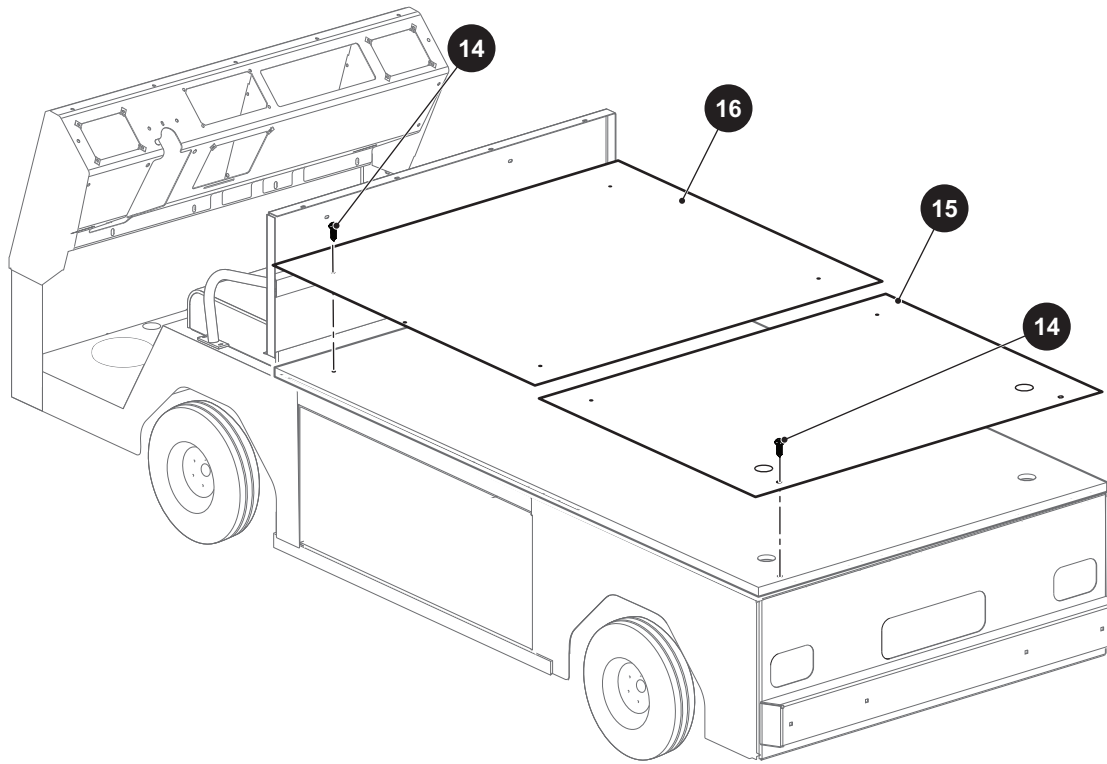
\*\*\* Indicates consult Customer Service Department for additional information.

ITEM	PART NO.	1 2 3 4 5	DESCRIPTION	QTY.
1	668124		Bumper.....	1
2	800352		Round Head Carriage Bolt, 5/16" - 18 x 3" Lg .....	5
3	306325		Lock Washer, 5/16" .....	5
4	306932		Hex Nut, 5/16" - 18.....	5
5	602328		Hole Plug (Plastic).....	4
6	306562		Hex Nut, 3/8" - 16.....	8
7	120177		Lock Washer, 3/8" .....	8
8	830023G01		Steel Tubing Spacer.....	4
9	00405G8		Hex Head Bolt, 1/2" - 13 x 3 1/4" Lg .....	4
10	308091		Flat Washer, 1/2" .....	4
11	120166		Lock Washer, 1/2" .....	4
12	308332		Hex Nut, 1/2" - 13.....	4
13	828197G01		Safety Chain Bracket .....	1
14	825153		Pintle Hook.....	1
15	822829		Clevis Hitch .....	1
16	306414		Hex Head Bolt, 3/8" - 16 x 1" Lg, Grade 5 .....	8
17	602164		Hitch Mounting Bracket.....	1
18	829648G01		Hitch Brace.....	2
19	11027G2		Flanged Lock Nut, 1/4" - 20 .....	4
20	16469G1		Fender Washer .....	4
21	00414G7		Hex Head Bolt, 1/4" - 20 x 7/16" Lg, Grade 5 .....	4
22	671670		Controller Plate .....	1
23	73864G2		Harness Clamp, 3/4" .....	1

# BODY - ACCESSORIES

1 Box Sides and Tailgate Kit includes items 2 - 13

5 Hardware Kit includes items 6 - 13





## BODY - ACCESSORIES

THE USE OF NON U.L. PARTS WILL VOID ANY U.L. LISTING.

When ordering parts, please specify the model and serial number of the product.

\* Indicates a component that is not available as an individual part.

\*\*\* Indicates consult Customer Service Department for additional information.

ITEM	PART NO.	1 2 3 4 5	DESCRIPTION	QTY.
1	886467G01		Box Sides and Tailgate Kit, Yellow (Includes Items 2 - 13) .....	1
2	886653G01		Tailgate .....	1
3	886654G01		Side Panel (Passenger Side) .....	1
4	886655G01		Side Panel (Driver Side) .....	1
5	886740G01		Hardware Kit (Includes Items 6 - 13) .....	1
6	800026		Round Head Phillips Screw, 1/4" - 20 x 3/4" Lg, Grade 2 .....	14
7	308090		Flat Washer, 1/4" .....	14
8	306396		Lock Washer, 1/4" .....	14
9	306375		Hex Nut, 1/4" - 20.....	14
10	112050		Tapping Screw, 1/4" - 20 x 5/8" Lg .....	10
11	808222		Connector Link (Not Illustrated) .....	2
12	820434		Tailgate Chain (Not Illustrated).....	2
13	809978		Chain Cover (Not Illustrated).....	2
14	00130G5		Round Head Phillips Screw, #10 - 13 x .62" Lg .....	8
15	829993		Rear Deck Plate .....	1
16	829863		Front Deck Plate .....	1

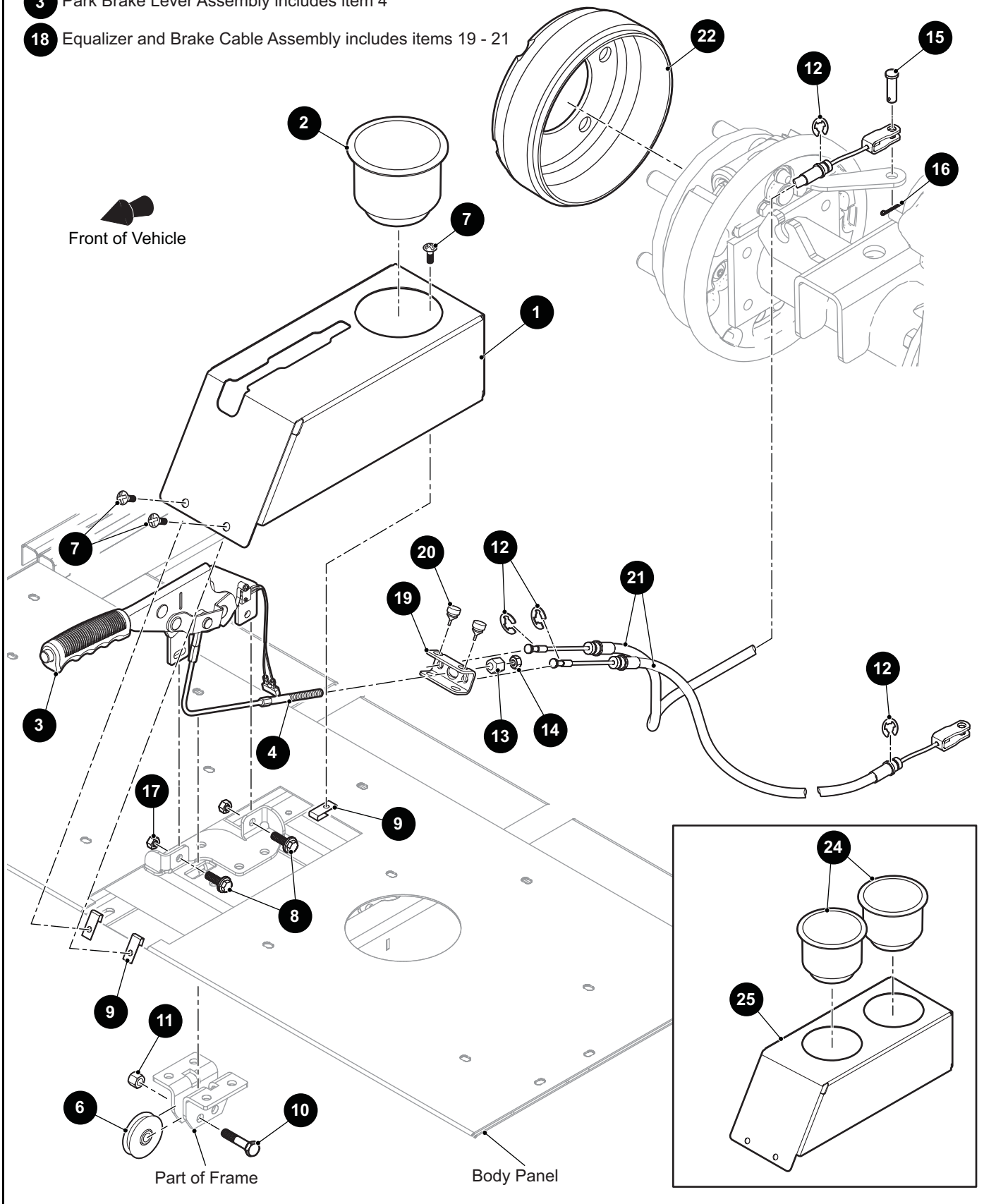




# BRAKES

**3** Park Brake Lever Assembly includes item 4

**18** Equalizer and Brake Cable Assembly includes items 19 - 21



THE USE OF NON U.L. PARTS WILL VOID ANY U.L. LISTING.

When ordering parts, please specify the model and serial number of the product.

\* Indicates a component that is not available as an individual part.

\*\*\* Indicates consult Customer Service Department for additional information.

ITEM	PART NO.	1 2 3 4 5	DESCRIPTION	QTY.
1	673542		Park Brake Console .....	1
2	651221		Cup Holder .....	1
3	652544		Park Brake Lever Assembly (Includes Item 4) .....	1
4	652546		Park Brake Cable .....	1
5				
6	75789G01		Brake Cable Pulley.....	1
7	16705G3		Truss Head Phillips Screw, 1/4" - 20 x 3/4" Lg.....	3
8	13437G3		Flanged Hex Head Serrated Bolt, 5/16" - 18 x 1" Lg.....	2
9	14776G1		J Type Retainer Nut .....	3
10	00427G4		Hex Head Bolt, 3/8" - 16 x 1 1/2" Lg, Grade 5 .....	1
11	11098G5		Lock Nut, 3/8" - 16 .....	1
12	01111G01		Retaining Ring.....	4
13	629486		Hex Crown Nut, 9/16" .....	1
14	00544-G4		Hex Jam Nut, 5/16" - 24 .....	1
15	10386G3		Clevis Pin .....	2
16	10387G3		Cotter Pin, .094" x .75" .....	2
17	800290		Hex Nut, 5/16" - 18.....	2
18	656402		Equalizer and Brake Cable Assembly (Includes Items 19 - 21) .....	1
19	28082G01		Equalizer Bracket .....	1
20	28083G01		Brake Compensator Bumper .....	2
21	627529		Park Brake Cable .....	2
22	629111		Rear Axle Drum, 5Lug.....	1
23				
24	651221		Cup Holder (For Vehicles without Park Brake).....	2
25	676334		Console without Park Brake (For Vehicles without Park Brake) .....	1



THE USE OF NON U.L. PARTS WILL VOID ANY U.L. LISTING.

When ordering parts, please specify the model and serial number of the product.

\* Indicates a component that is not available as an individual part.

\*\*\* Indicates consult Customer Service Department for additional information.

ITEM	PART NO.	1 2 3 4 5	DESCRIPTION	QTY.
1	810152		Pedal Pad .....	1
2	875212		Pedal .....	1
3	120177		Lock Washer, 3/8" .....	1
4	306414		Hex Head Bolt, 3/8" - 16 x 1" Lg, Grade 5 .....	1
5	306562		Hex Jam Nut, 3/8" - 16 .....	1
6				
7				
8	601097		Brake Pedal Lever.....	1
9				
10	01068G01		Hex Head Bolt, 7/16" - 14 x 3 1/2" Lg, Grade 5 .....	1
11	837612		Bushing, .45" I.d X .62" O.D. x 1.81" Lg.....	1
12	303269		Spring Lock Washer, 7/16" .....	1
13	304364		Hex Nut, 7/16" - 14.....	1
14				
15				
16	103867		Flat Washer, .31" x .69" x .06".....	1
17	306328		Cotter Pin, .9" X .75" .....	1
18				
19	632700		Mid Hydraulic Brake Line .....	1
20	632707		Front Hydraulic Brake Line.....	1
21	630363		Rear Hydraulic Brake Line .....	1
22				
23	12416G2		Nylon Clamp, 12" Lg (Not Illustrated).....	1
24	306832		Hex Head Bolt, 1/4" - 20 x 2" Lg .....	1
25	00559G7		Flat Washer, 1/4" .....	1
26	14390G4		Lock Nut, 1/4" - 20 .....	2
27	75048G01		Spacer, .75" O.D. x .32" I.D. X .5" Lg.....	1
28	75683G01		Banjo Bolt, 3/8" - 24 X 1.11" Lg.....	2
29	75684G01		Copper Gasket.....	8
30	00414G5		Hex Head Bolt, 1/4" - 20 X 5/8" Lg, Grade 5.....	2
31	00664G7		Lock Washer, 1/4" .....	2

# BRAKES

THE USE OF NON U.L. PARTS WILL VOID ANY U.L. LISTING.

When ordering parts, please specify the model and serial number of the product.

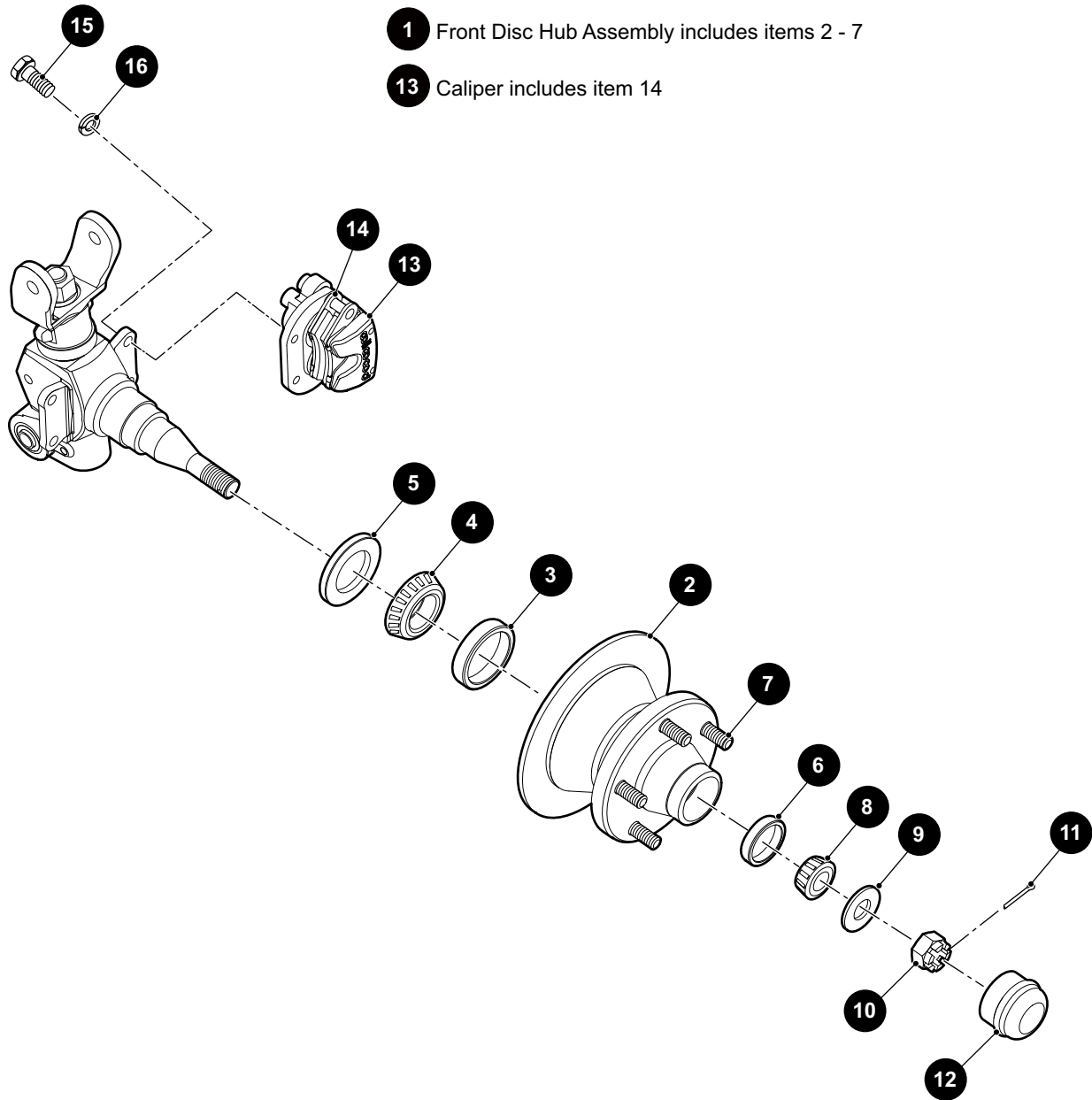
\* Indicates a component that is not available as an individual part.

\*\*\* Indicates consult Customer Service Department for additional information.

ITEM	PART NO.	1 2 3 4 5	DESCRIPTION	QTY.
32	630358		Bracket, Hydraulic Break Line Retainer.....	2
33	74875G01		Wire Retainer.....	2
34				
35				
36	616459		Banjo Bolt, M10 - 1 X 20mm Lg.....	2
37	829158		Control Rod .....	1
38				
39				
40				
41	809137		Brake Tube Clip.....	1
42	320107		Tie Strap - Rope (Not Illustrated).....	1
43	631273		Residual Pressure Valve .....	1







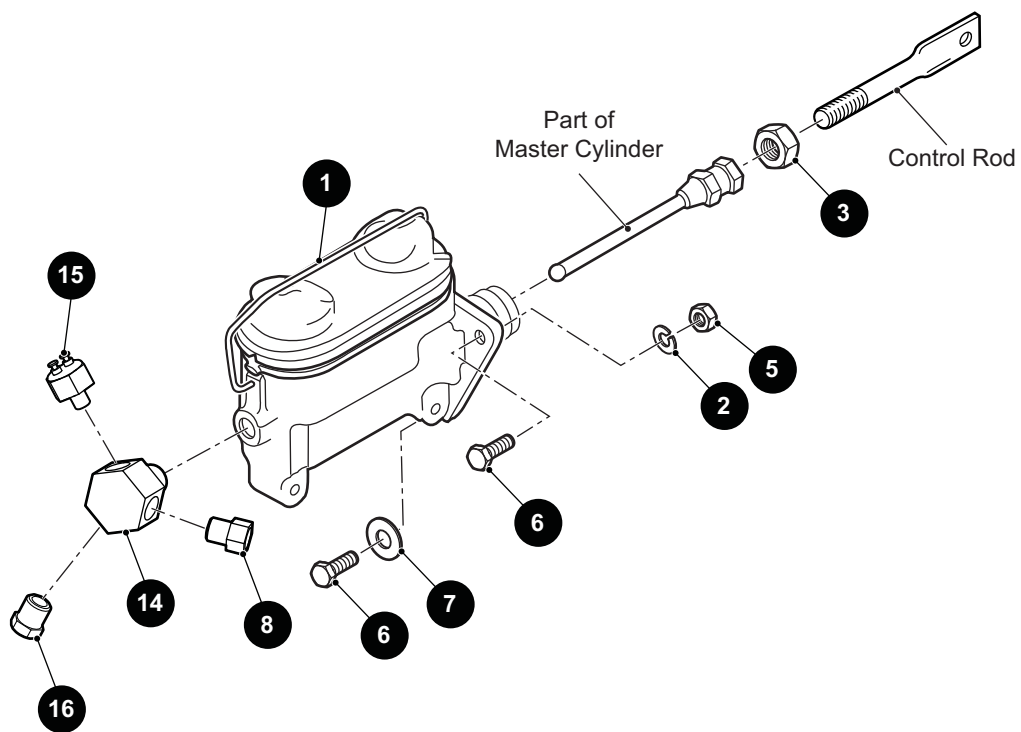
THE USE OF NON U.L. PARTS WILL VOID ANY U.L. LISTING.

When ordering parts, please specify the model and serial number of the product.

\* Indicates a component that is not available as an individual part.

\*\*\* Indicates consult Customer Service Department for additional information.

ITEM	PART NO.	1 2 3 4 5	DESCRIPTION	QTY.
1	624368		Front Disc Hub Assembly (Includes Items 2 - 7) .....	1
2	624262		Hub and Rotor Disc Brake .....	1
3	548135		Cup Bearing.....	1
4	548136		Tapered Roller Bearing, 1.38" I.D. ....	1
5	829256		Seal .....	1
6	11752G1		Bearing Race.....	1
7	36038G01		Flanged Drive Stud.....	5
8	385174		Cone Bearing .....	1
9	103960		Flat Washer, 3/4" .....	1
10	2702247		Hex Castle Nut, 3/4" - 16 .....	1
11	10387G1		Cotter Pin, 1/8" x 1 1/8" Lg.....	1
12	817250		Grease Cap.....	1
13	629681		Caliper (Includes Item 14).....	1
14	*		Brake Pads (Set of 2) .....	1
15	00426G6		Hex Head Bolt, 3/8" - 16 x 3/4" Lg .....	2
16	120177		Lock Washer, 3/8" .....	2



THE USE OF NON U.L. PARTS WILL VOID ANY U.L. LISTING.

When ordering parts, please specify the model and serial number of the product.

\* Indicates a component that is not available as an individual part.

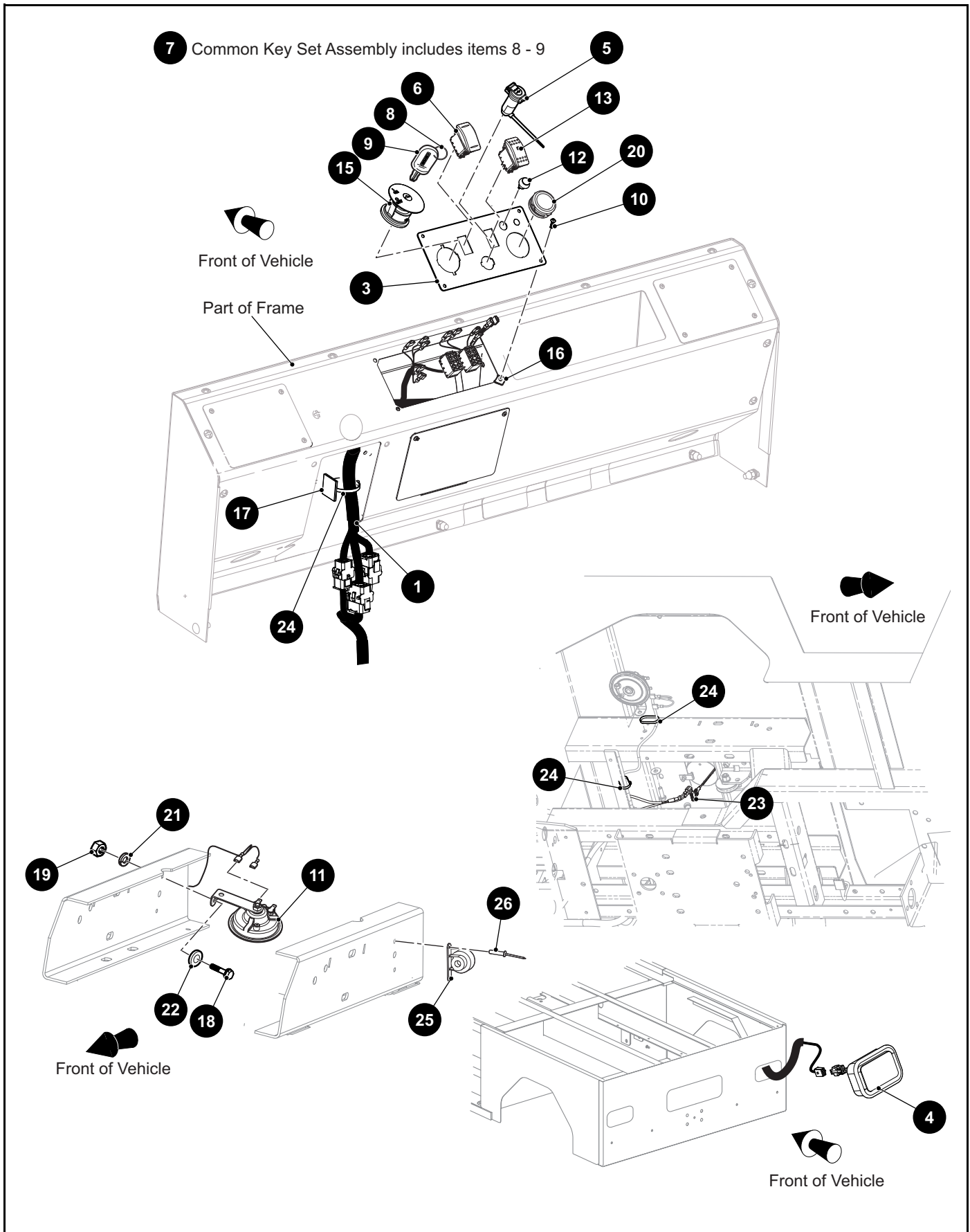
\*\*\* Indicates consult Customer Service Department for additional information.

ITEM	PART NO.	1 2 3 4 5	DESCRIPTION	QTY.
1	631193		Master Cylinder .....	1
2	120177		Lock Washer, 3/8" .....	3
3	00532G8		Hex Nut, 1/4" - 20.....	1
4				
5	306562		Hex Nut, 3/8" - 16.....	3
6	306835		Hex Head Bolt, 3/8" - 16 x 1 1/4" Lg .....	3
7	603620		Flat Washer, 3/8" .....	1
8	33724G01		Inverted Flare Fitting .....	1
9				
10				
11				
12				
13				
14	26469G01		Male Branch Tee .....	1
15	21510G1		Stoplight Switch.....	1
16	21503G1		Pipe Plug.....	1
17	22283G1		Teflon Tape, 6" (Not Illustrated).....	1





# ELECTRICAL SYSTEM





# ELECTRICAL SYSTEM

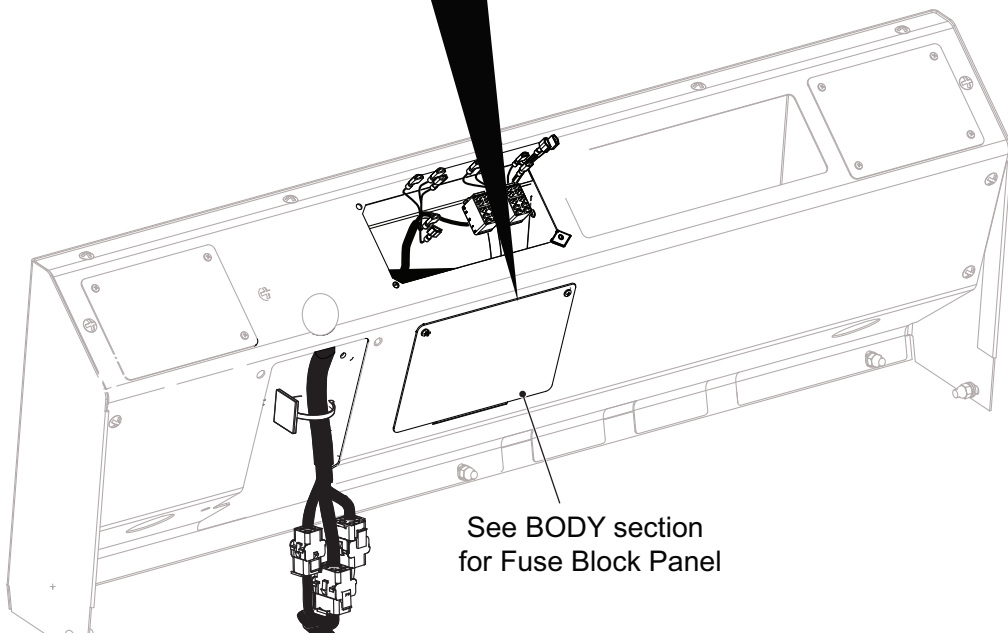
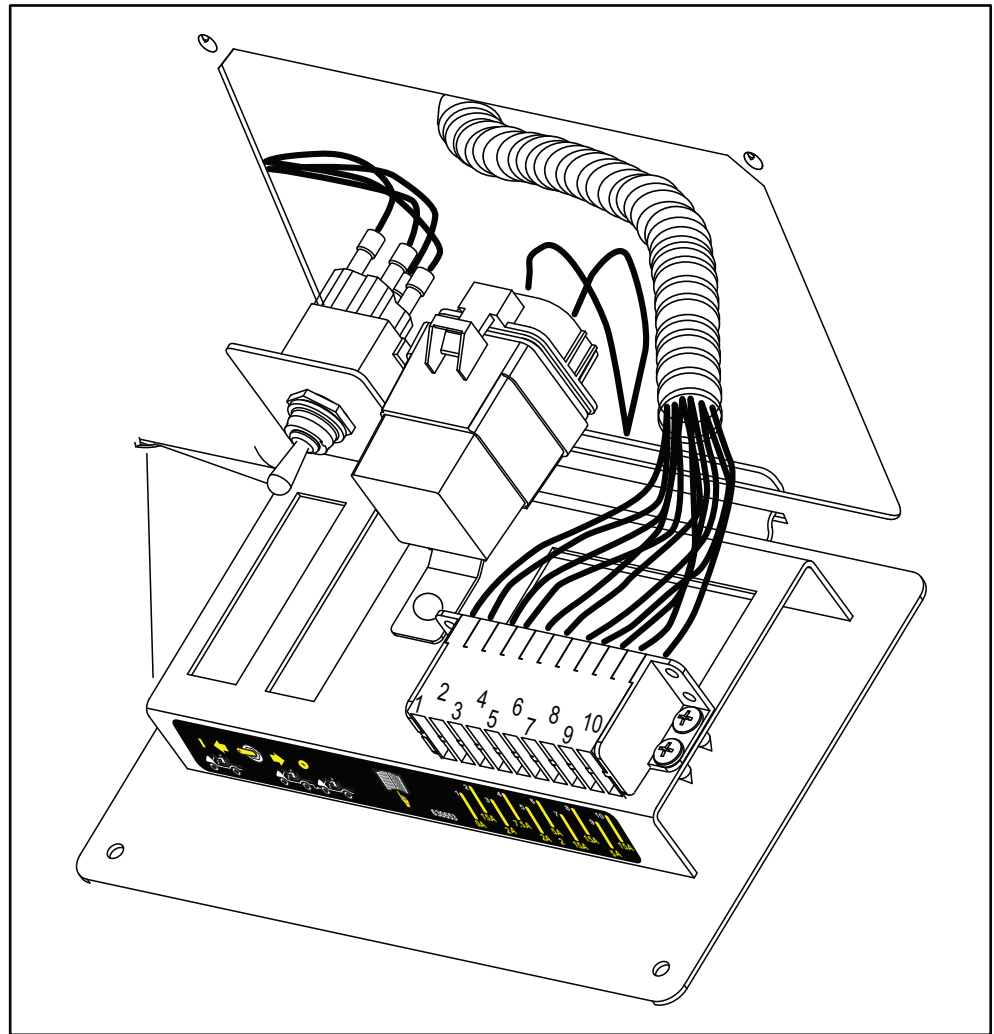
THE USE OF NON U.L. PARTS WILL VOID ANY U.L. LISTING.

When ordering parts, please specify the model and serial number of the product.

\* Indicates a component that is not available as an individual part.

\*\*\* Indicates consult Customer Service Department for additional information.

ITEM	PART NO.	1 2 3 4 5	DESCRIPTION	QTY.
1	669818		Front Harness, 48V .....	1
2	669516		Rear Harness, 48V (Not Illustrated) .....	1
3	671550		Instrument Panel .....	1
4	667007		LED Taillight .....	2
5	651901		Dual USB Port, 12V .....	1
6	651897G06		Rocker Speed Switch.....	1
7	611282		Common Key Set Assembly (Includes Items 8 - 9).....	1
8	607011		Key Ring .....	1
9	612956		Common Key .....	2
10	18464G1		Self Tapping Screw #8 - 18 x 7/8" Lg .....	6
11	629676		Horn with Bracket.....	1
12	624131		Horn Switch.....	1
13	618789		Headlight Switch, 2 Position.....	1
14	75711G01		Taillight Jumper Plug (Not Illustrated) .....	1
15	611283		Key Switch .....	1
16	635982		Speed Nut, #8 .....	4
17	20058G1		Nylon Mounting Base Clamp.....	1
18	00438G8		Hex Head Bolt, 5/16"-18 x 1/2" Lg, Grade 5 .....	1
19	00532G3		Hex Nut, 5/16" - 18.....	1
20	664766		Multi-functional Gauge .....	1
21	00664G8		Spring Lock Washer (SS), 5/16" .....	1
22	00642G8		Flat Washer, 5/16" .....	1
23	650304G01		Toggle Switch.....	1
24	17618G1		Nylon Clamp, 8" Lg .....	10
25	73290G01		Intermittent Buzzer .....	1
26	01041G01		Rivet (Bulbex), 5/32" .....	2



See BODY section  
for Fuse Block Panel

# ELECTRICAL SYSTEM

THE USE OF NON U.L. PARTS WILL VOID ANY U.L. LISTING.

When ordering parts, please specify the model and serial number of the product.

\* Indicates a component that is not available as an individual part.

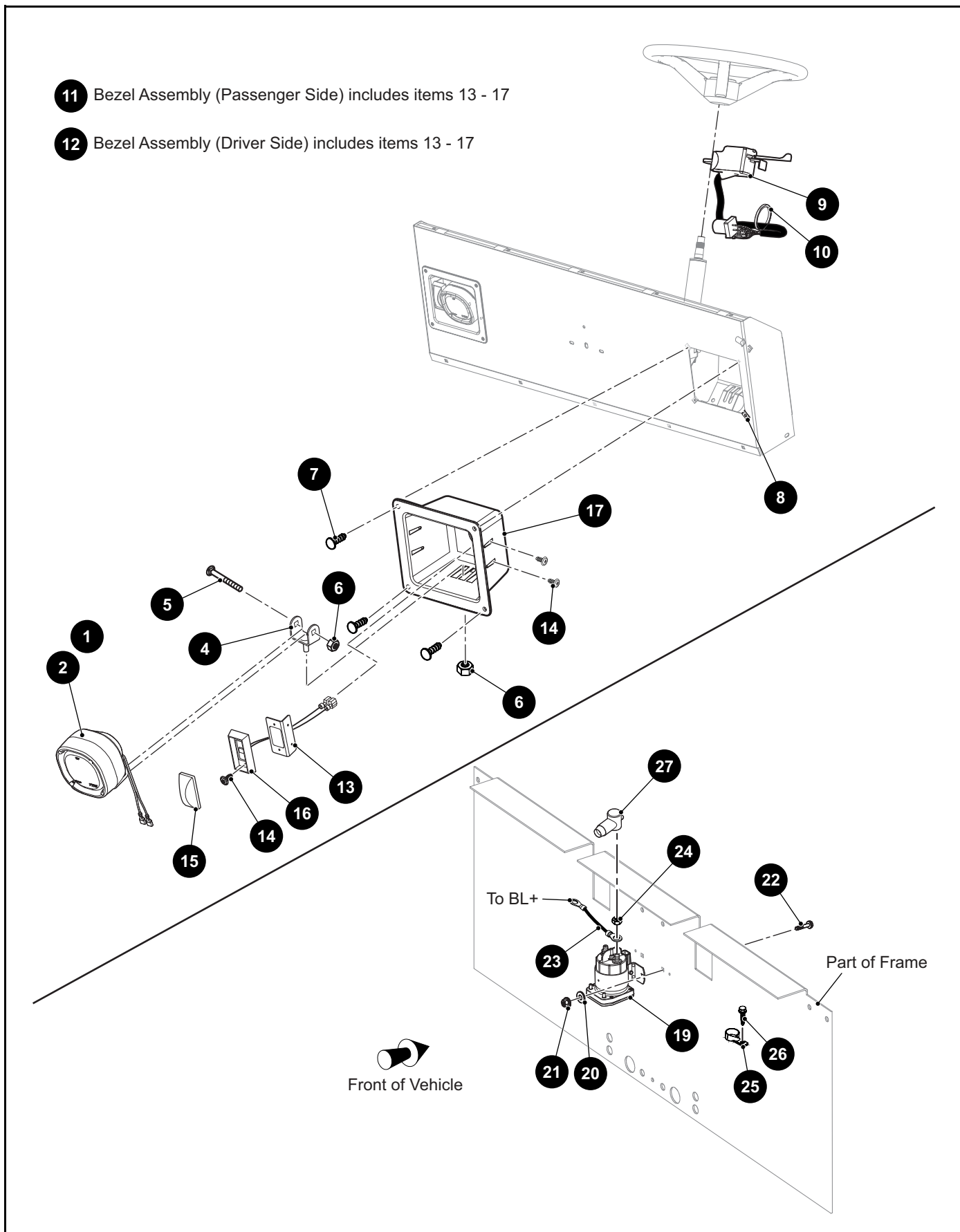
\*\*\* Indicates consult Customer Service Department for additional information.

ITEM	PART NO.	1 2 3 4 5	DESCRIPTION	QTY.
1	636455G17		58V, 2AMP Fuse for Run/Tow Switch, Heater, DC-DC Enable .....	1
2	636455G17		58V, 2AMP Fuse for E-Brake .....	1
3	636455G20		58V, 5AMP Fuse for Turn Signal, Strobe Light, Brake Light .....	1
4	636455G20		58V, 5AMP Fuse for USB Ports .....	1
5	636455G20		58V, 5AMP Fuse for Taillights .....	1
6	636455G20		58V, 5AMP Fuse for Wiper/Pump Motor .....	1
7	636455G21		58V, 7.5AMP Fuse for DC-DC 48V Input Line .....	1
8	636455G22		58V, 10AMP Fuse for Reverse Buzzer, Front Buzzer, Controller Power.....	1
9	636455G24		58V, 20AMP Fuse for DC-DC 12V Output Line.....	1
10	662004		6650HM Resistor for Current Throttle Sensor.....	1
11	647667		400V Diode for E-Brake Coil Suppression .....	1

# ELECTRICAL SYSTEM

**11** Bezel Assembly (Passenger Side) includes items 13 - 17

**12** Bezel Assembly (Driver Side) includes items 13 - 17



# ELECTRICAL SYSTEM

THE USE OF NON U.L. PARTS WILL VOID ANY U.L. LISTING.

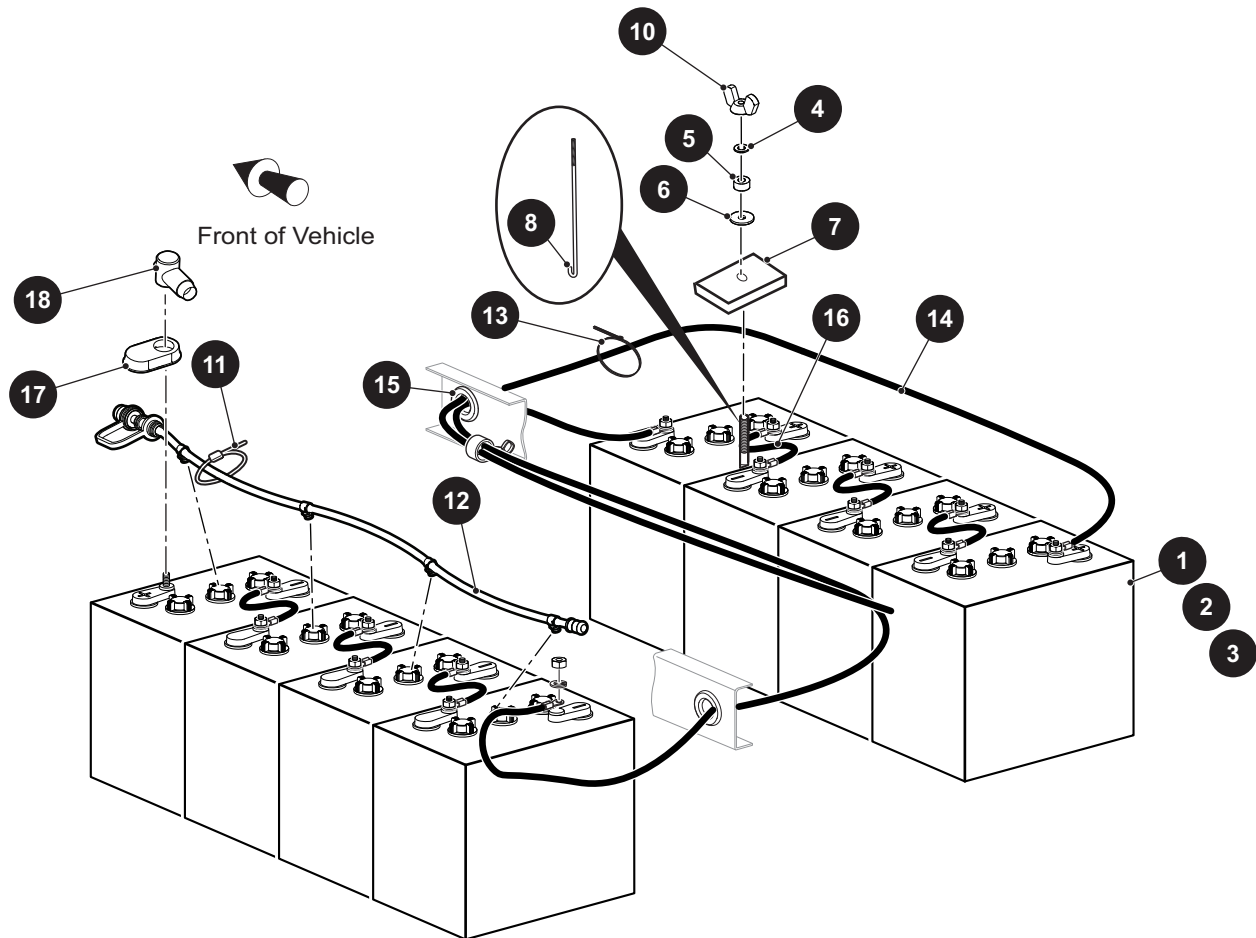
When ordering parts, please specify the model and serial number of the product.

\* Indicates a component that is not available as an individual part.

\*\*\* Indicates consult Customer Service Department for additional information.

ITEM	PART NO.	1 2 3 4 5	DESCRIPTION	QTY.
1	624549		LED Headlight .....	1
2	624546		Halogen Headlight.....	1
3				
4	627702		Headlight Bracket.....	1
5	00440G2		Hex Head Bolt, 5/16" - 18 x 1/2" Lg, Grade 5 .....	1
6	11098G6		Lock Nut, 5/16" - 18 .....	2
7	71425G01		Phillips Tapping Screw, #8 - 18 x 3/4" Lg .....	4
8	635982		Speed Nut, #8 .....	4
9	611810		Turn Signal Switch Assembly .....	1
10	31539G1		Nylon Clamp, 15.5" Lg .....	1
11	632393G01		Bezel Assembly (Passenger Side) (Includes Items 13 - 17) .....	1
12	632393G02		Bezel Assembly (Driver Side) (Includes Items 13 - 17).....	1
13	623947		Turn Signal Bracket .....	1
14	00614G4		Pan Head Phillips Screw, #8 - 18 x 1/2" Lg .....	4
15	19180G2		Signal Lamp, Yellow .....	1
16	18927G1		Adapter Mount .....	1
17	631003		Bezel.....	1
18				
19	621330		Solenoid .....	1
20	00559G7		Flat Washer, 1/4" .....	2
21	11027G2		Lock Nut, 1/4" - 20 .....	2
22	630763		Carriage Bolt, 1/4" - 20 x 3/4" Lg.....	2
23	600550		#4 AWG Wire Assembly (Solenoid to BL+) .....	1
24	*		Jam Nut, 5/16" .....	2
25	27327G02		Twisted Clamp Clip .....	1
26	00715G2		Hex Washed Head Bolt, 5/16 - 18 x .80" Lg.....	1
27	840177		Terminal Boot .....	1

## 2 PASSENGER BATTERY HOLD DOWN AND BATTERY CONNECTIONS



## ELECTRICAL SYSTEM - 2 PASSENGER

THE USE OF NON U.L. PARTS WILL VOID ANY U.L. LISTING.

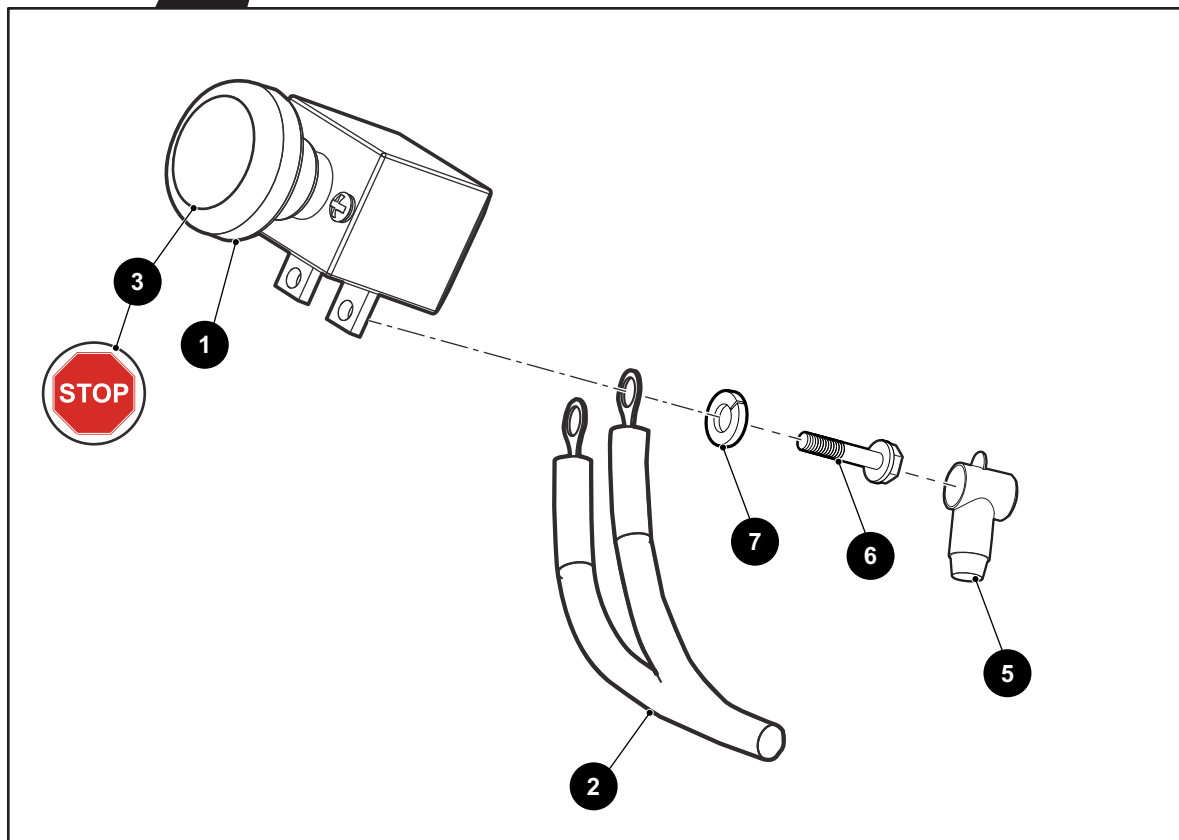
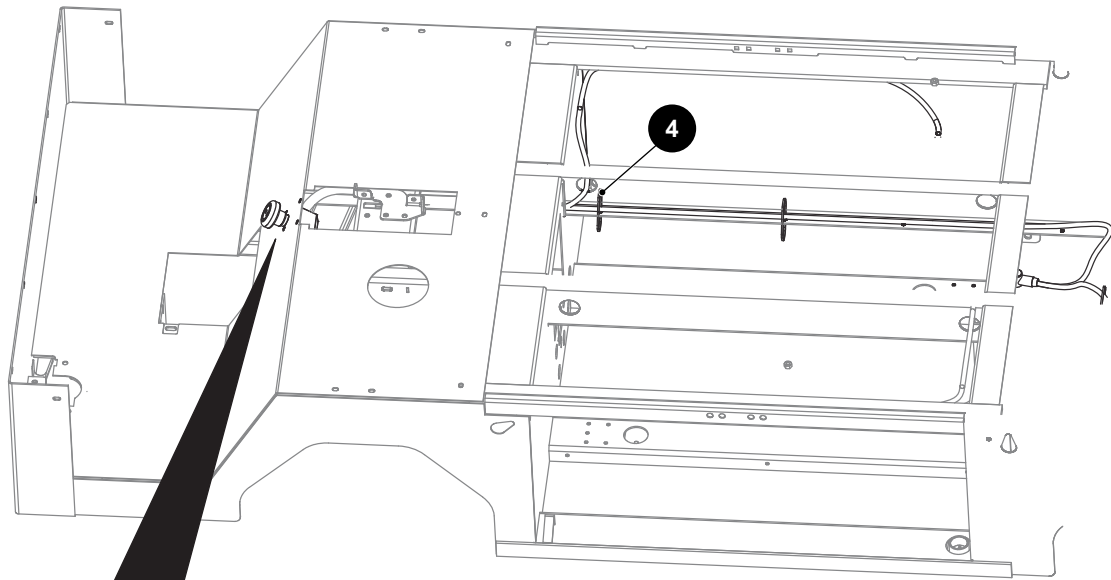
When ordering parts, please specify the model and serial number of the product.

\* Indicates a component that is not available as an individual part.

\*\*\* Indicates consult Customer Service Department for additional information.

ITEM	PART NO.	1 2 3 4 5	DESCRIPTION	QTY.
1	614430		Battery (Hydrolink), 6V T145.....	8
2	72826G01		Battery (Trojan), T145 .....	8
3	72824G01		Battery (Trojan), T105 .....	8
4	103867		Flat Washer, .31" x .69" x .06".....	4
5	818303		Rubber Spacer, .344" I.D. x .750" O.D.....	4
6	809152		Flat Washer .....	4
7	840695		Battery Hold Down Plate .....	4
8	806954		J - Bolt, 5/16" - 18 x 12 1/2" Lg .....	4
9				
10	800315		Wing Nut, 5/16" - 18.....	4
11	615352		Polypropylene Clamp.....	4
12	630974		Battery Fill System (Hydrolink).....	2
13	17618G1		Nylon Clamp, 8" Lg .....	2
14	600553		#4 AWG Battery Wire Assembly, 126" Lg.....	1
15	829997		Rubber Grommet .....	2
16	25971G13		#4 Wire Assembly, 10.5" Lg .....	6
17	631156		Terminal Protector .....	15
18	840177		Terminal Boot .....	17

# ELECTRICAL SYSTEM - 2 PASSENGER





## ELECTRICAL SYSTEM - 2 PASSENGER

THE USE OF NON U.L. PARTS WILL VOID ANY U.L. LISTING.

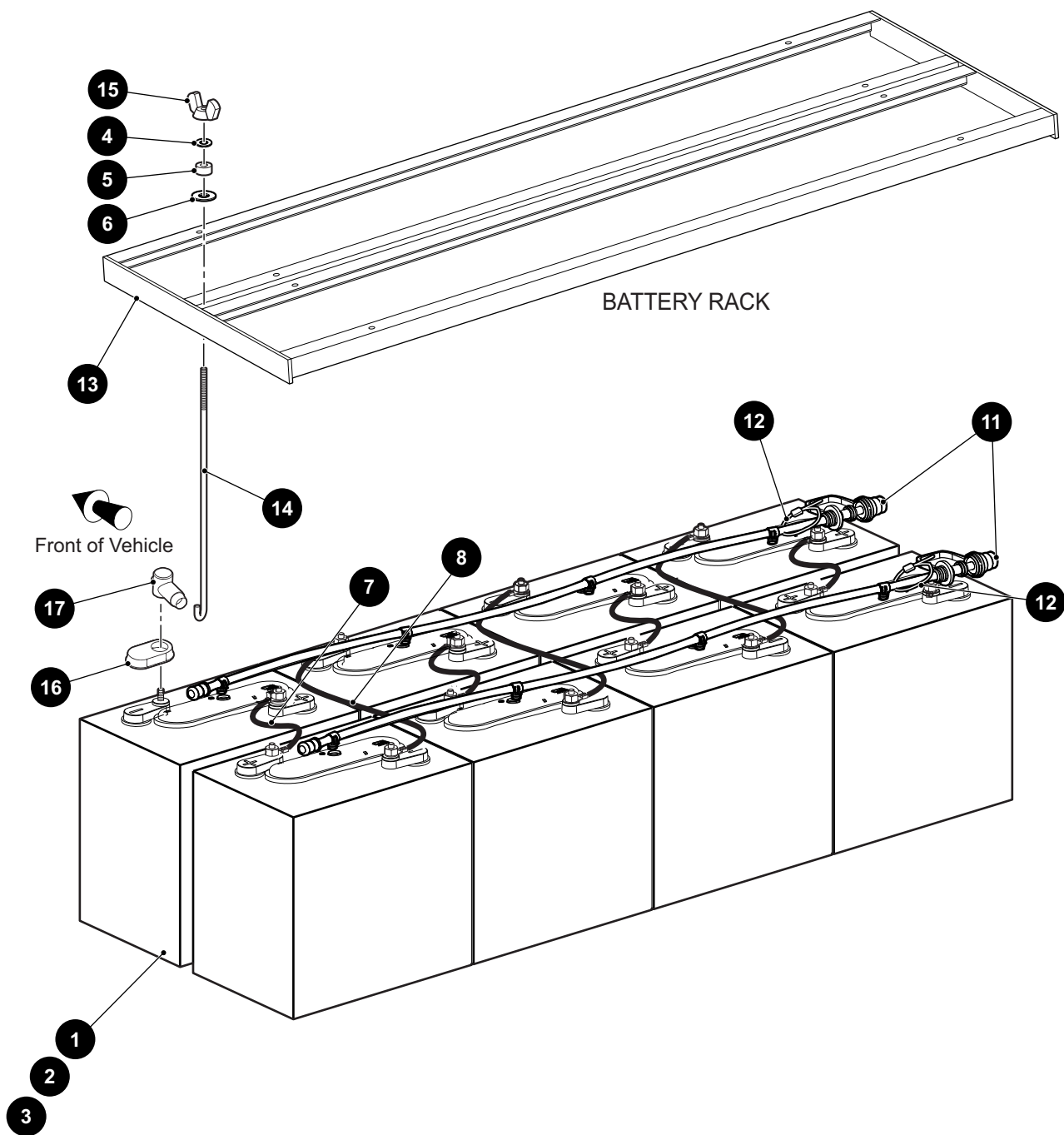
When ordering parts, please specify the model and serial number of the product.

\* Indicates a component that is not available as an individual part.

\*\*\* Indicates consult Customer Service Department for additional information.

ITEM	PART NO.	1 2 3 4 5	DESCRIPTION	QTY.
1	627286		Emergency Stop Button .....	1
2	629349		E-Stop Cable.....	1
3	630042		E-Stop Label .....	1
4	17618G1		Nylon Clamp, 8" Lg .....	2
5	840177		Terminal Boot .....	2
6	*		Hex Head Bolt, M8 .....	2
7	*		Lock Washer, #10 .....	2

## 4 PASSENGER BATTERY HOLD DOWN AND BATTERY CONNECTIONS



## ELECTRICAL SYSTEM - 4 PASSENGER

THE USE OF NON U.L. PARTS WILL VOID ANY U.L. LISTING.

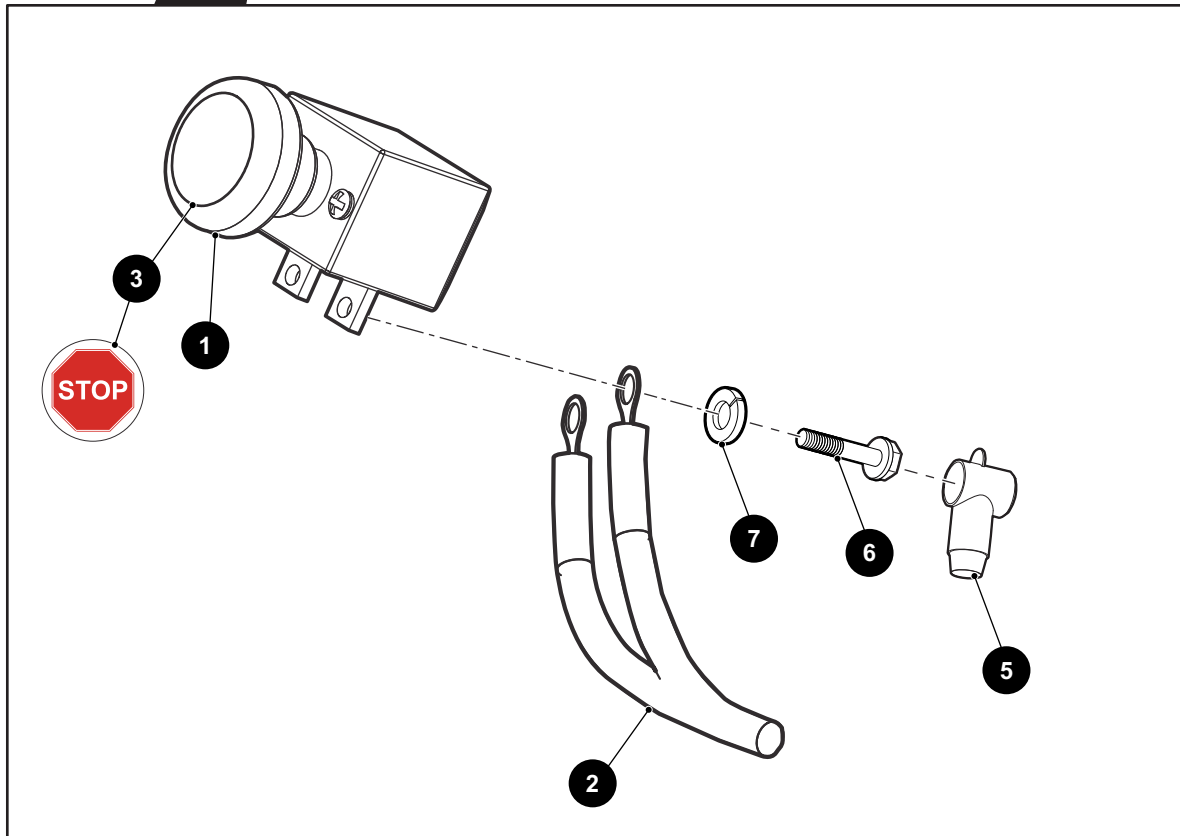
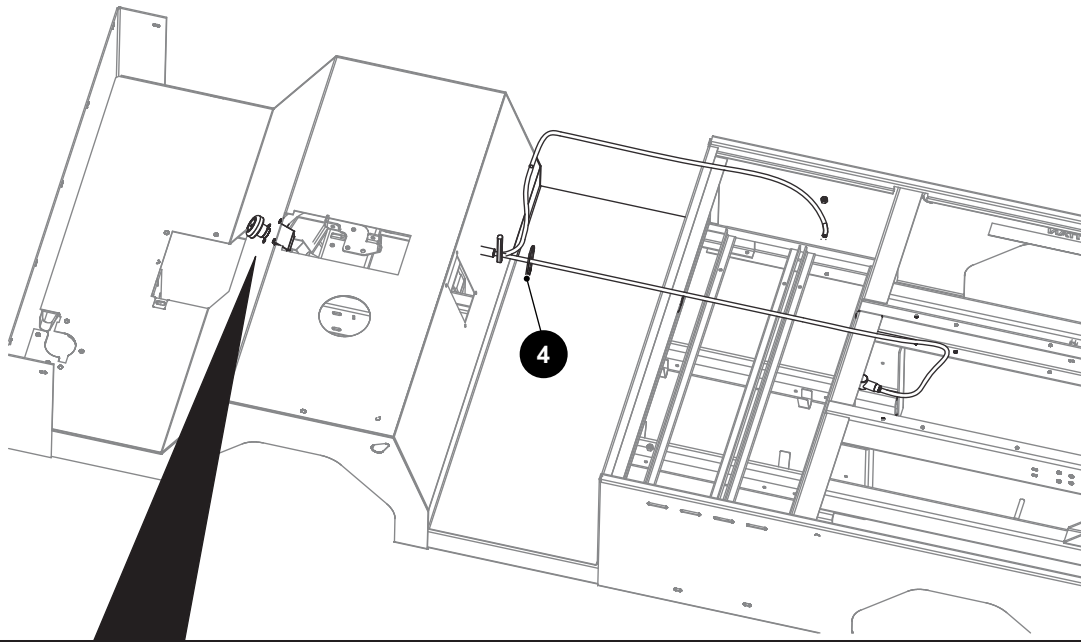
When ordering parts, please specify the model and serial number of the product.

\* Indicates a component that is not available as an individual part.

\*\*\* Indicates consult Customer Service Department for additional information.

ITEM	PART NO.	1 2 3 4 5	DESCRIPTION	QTY.
1	626759		Battery (Deka), 6V.....	8
2	614430		Battery (Hydrolink), 6V T145.....	8
3	72824G01		Battery (Trojan), T105.....	8
4	103867		Flat Washer, 5/16".....	2
5	818303		Rubber Spacer.....	2
6	809152		Flat Washer, 5/16".....	2
7	25971G13		#4 AWG Wire, 10.5" Lg.....	4
8	25971G14		#4 AWG Wire, 15" Lg.....	3
9				
10				
11	630974		Battery Fill System (Hydrolink).....	2
12	615352		Polypropylene Clamp.....	2
13	612633		Battery Frame.....	1
14	806954		Battery Hook Bolt.....	2
15	800315		Wing Nut, 5/16" - 18.....	2
16	631156		Terminal Protector.....	15
17	840177		Terminal Boot.....	17

# ELECTRICAL SYSTEM - 4 PASSENGER



## ELECTRICAL SYSTEM - 4 PASSENGER

THE USE OF NON U.L. PARTS WILL VOID ANY U.L. LISTING.

When ordering parts, please specify the model and serial number of the product.

\* Indicates a component that is not available as an individual part.

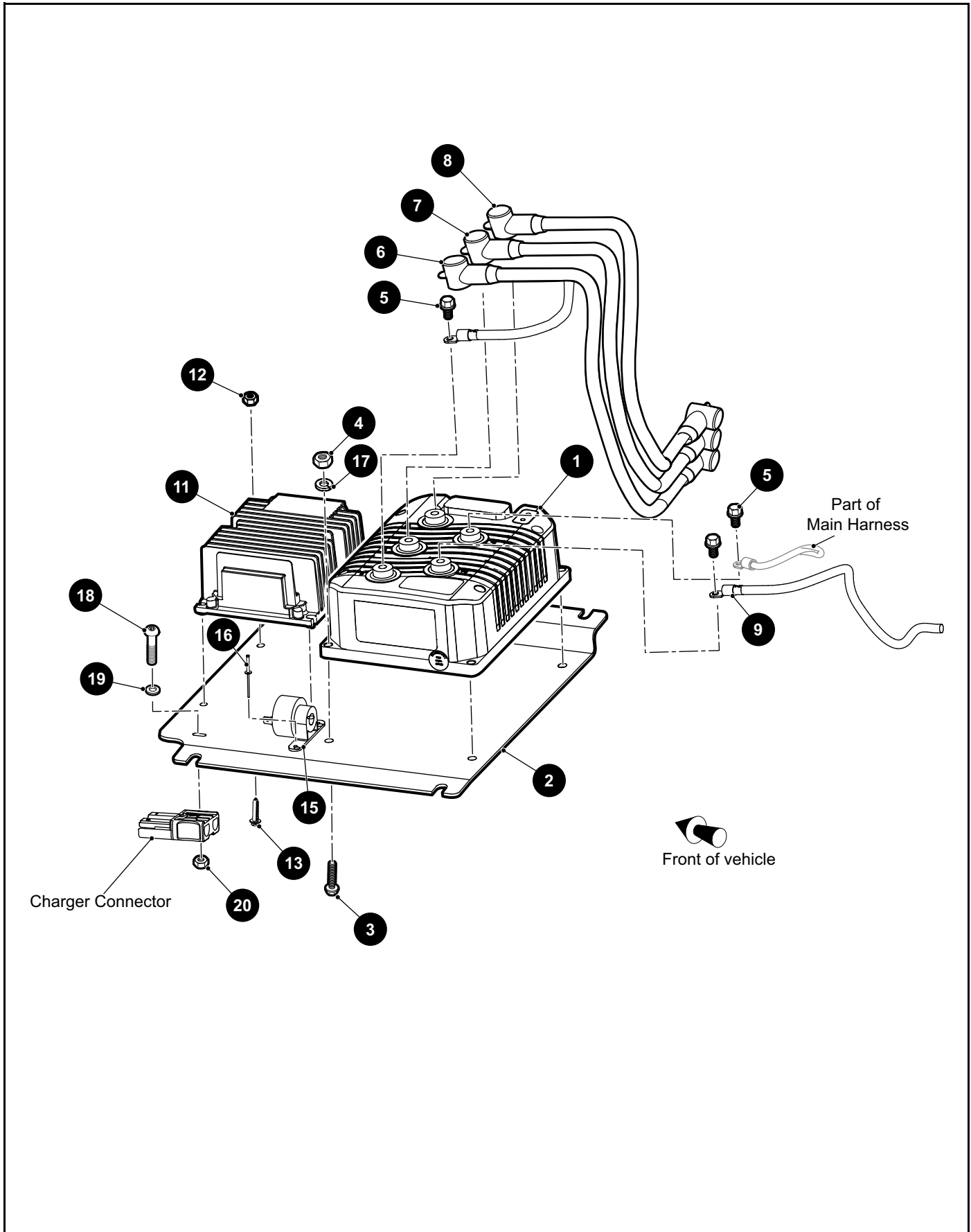
\*\*\* Indicates consult Customer Service Department for additional information.

ITEM	PART NO.	1 2 3 4 5	DESCRIPTION	QTY.
1	627286		Emergency Stop Button .....	1
2	630986		E-Stop Cable.....	1
3	630042		E-Stop Label .....	1
4	17618G1		Nylon Clamp, 8" Lg .....	2
5	840177		Terminal Boot .....	3
6	*		Hex Head Bolt, M8 .....	2
7	*		Lock Washer, #10 .....	2





# ELECTRONIC SPEED CONTROL





## ELECTRONIC SPEED CONTROL

THE USE OF NON U.L. PARTS WILL VOID ANY U.L. LISTING.

When ordering parts, please specify the model and serial number of the product.

\* Indicates a component that is not available as an individual part.

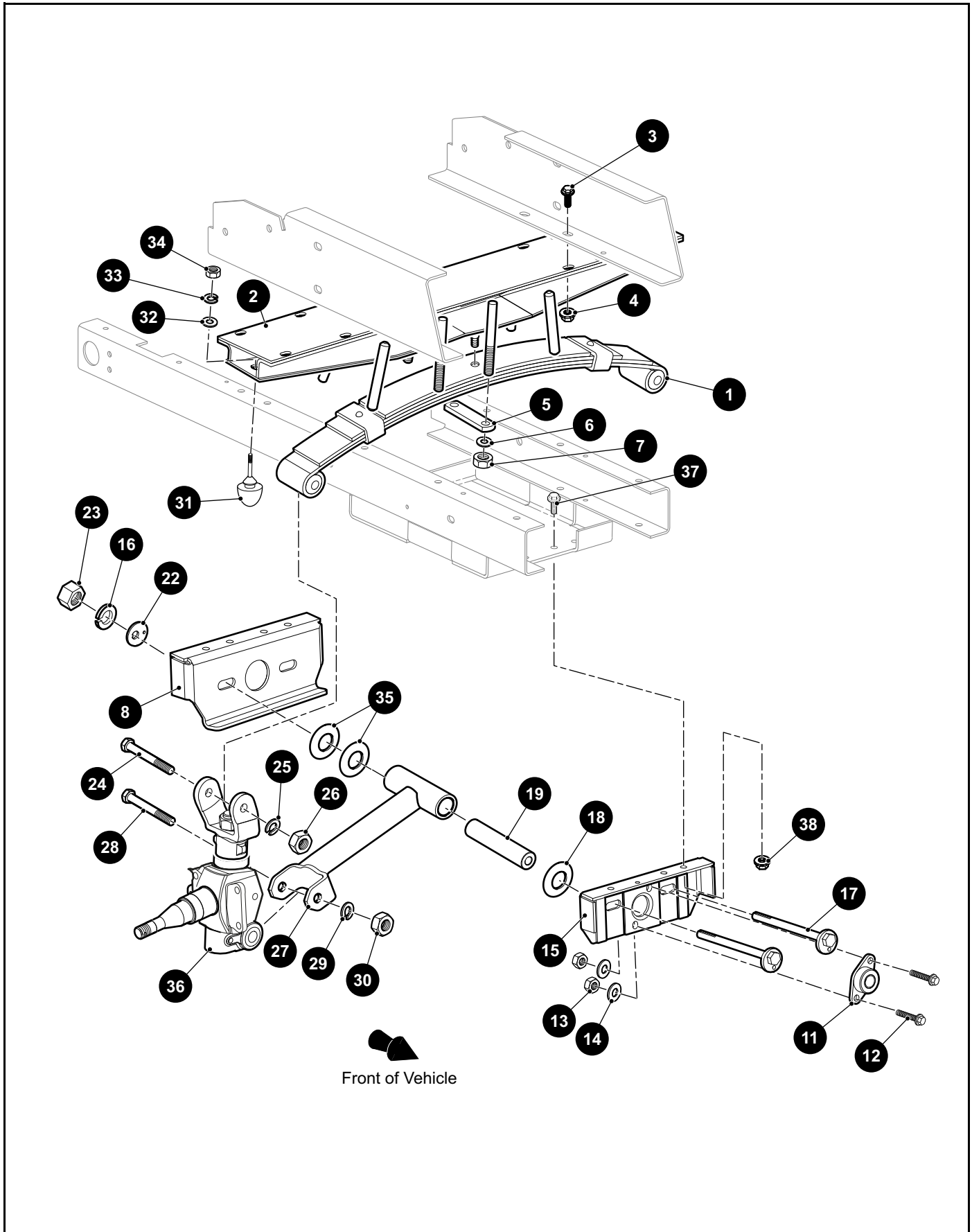
\*\*\* Indicates consult Customer Service Department for additional information.

ITEM	PART NO.	1 2 3 4 5	DESCRIPTION	QTY.
1	672599G004		Controller, 450A.....	1
2	671670		Controller Plate .....	1
3	00414G7		Hex Head Bolt, 1/4" - 20 x 7/8" Lg, Grade 5 .....	4
4	00532G1		Hex Nut, 1/4" - 20.....	4
5	73876G01		Flanged Hex Head Bolt, M6 - 1 x 12mm Lg .....	5
6	666101G01		Motor Wire, U .....	1
7	666101G02		Motor Wire, V .....	1
8	666101G03		Motor Wire, W .....	1
9	665902G01		Harness, Red (Solenoid To B+ Controller) .....	1
10				
11	632185		DC-DC Converter, 36V - 48V .....	1
12	00526G3		Hex Nut, #10 - 24 .....	4
13	800296		Pan Head Phillips Screw, #10 - 24 x 3/4" Lg.....	4
14				
15	73290G02		Intermittent Buzzer .....	1
16	01041G01		Bulbex Rivet, 5/32" Dia .....	2
17	00664G7		Lock Washer, 1/4" .....	4
18	00645G2		Pan Head Phillips Screw, #6 - 32 x 1.25" Lg.....	1
19	00559G3		Flat Washer, #6 .....	1
20	00525G5		Hex Nut, #6 - 32 Lg.....	1





# FRONT SUSPENSION



## FRONT SUSPENSION

THE USE OF NON U.L. PARTS WILL VOID ANY U.L. LISTING.

When ordering parts, please specify the model and serial number of the product.

\* Indicates a component that is not available as an individual part.

\*\*\* Indicates consult Customer Service Department for additional information.

ITEM	PART NO.	1 2 3 4 5	DESCRIPTION	QTY.
1	886234		Leaf Spring and Bushing.....	1
2	888203		Spring Mount.....	1
3	635450		Flanged Hex Head Bolt, 3/8" - 16 x 1 1/4" Lg, Grade 8 .....	4
4	635451		Flanged Hex Nut, 3/8" - 16 .....	4
5	830012		Shackle Plate .....	2
6	306982		Flat Washer, 7/16".....	4
7	800294		Lock Nut, 7/16" - 14 .....	4
8	632551		Lower Arm Rear Bracket.....	1
9				
10				
11	625696		Flanged Bearing, 3/4" .....	1
12	306835		Hex Head Bolt, 3/8" - 16 x 1 1/4" Lg, Grade 5 .....	2
13	11098G5		Lock Nut, 3/8" - 16 .....	2
14	306981		Flat Washer, 3/8".....	2
15	627647		Lower Arm Front Bracket .....	1
16	120166		Lock Washer, 1/2" .....	2
17	888322		Lower Arm Bolt, 1/2" - 13 .....	2
18	833105		Conical Washer, 1.125 x 2.25 x .148" .....	2
19	832998		Bushing, 1.117 O.D. x .502 I.D. x 5.405" Lg .....	2
20				
21				
22	830477		Lower Arm Washer, 1/2".....	2
23	308332		Hex Nut, 1/2" - 13.....	2
24	00406G4		Hex Head Bolt, 1/2" - 13 x 4 1/2" Lg, Grade 5 .....	2
25	120166		Lock Washer, 1/2" .....	2
26	308332		Hex Nut, 1/2" - 13.....	2
27	629686		Lower Arm and Bushing Assembly.....	2
28	00406G4		Hex Head Bolt, 1/2" - 13 x 4 1/2" Lg, Grade 5 .....	2
29	120166		Lock Washer, 1/2" .....	2
30	308332		Hex Nut, 1/2" - 13.....	2
31	70492G01		Rubber Bumper.....	2

# FRONT SUSPENSION

THE USE OF NON U.L. PARTS WILL VOID ANY U.L. LISTING.

When ordering parts, please specify the model and serial number of the product.

\* Indicates a component that is not available as an individual part.

\*\*\* Indicates consult Customer Service Department for additional information.

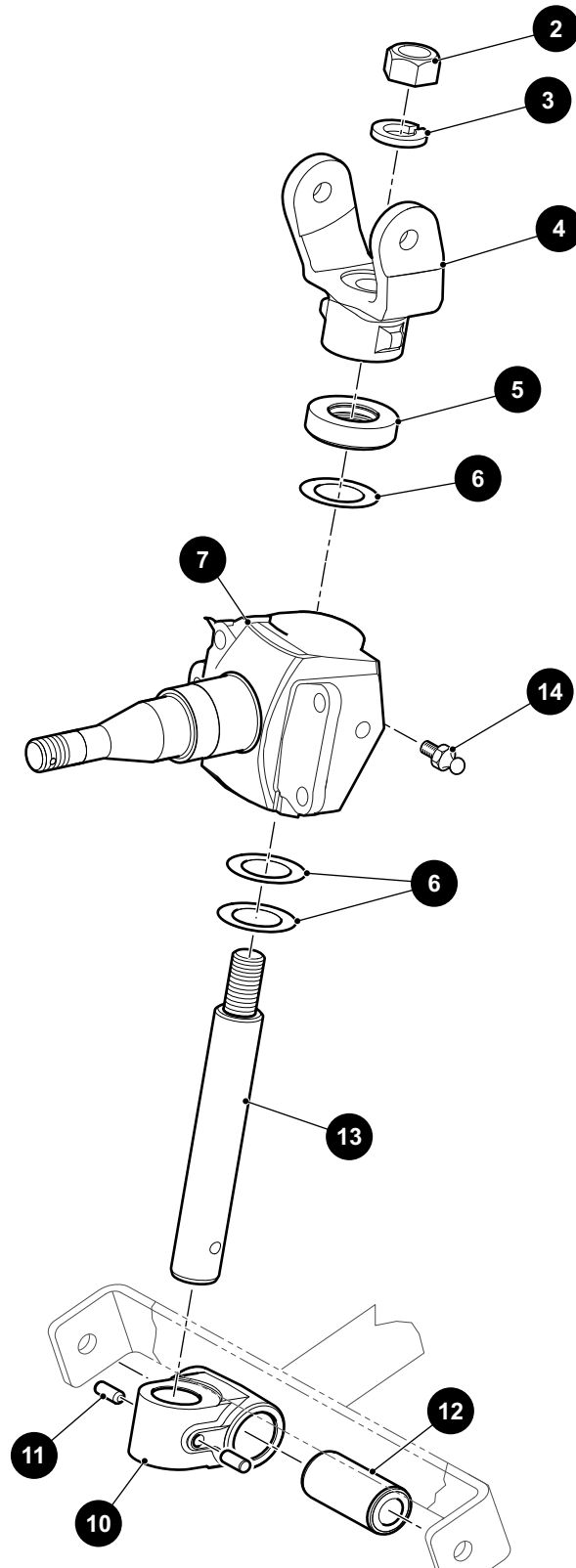
ITEM	PART NO.	1 2 3 4 5	DESCRIPTION	QTY.
32	604066		Flat Washer, M10.....	2
33	608654		Split Lock Washer, M10 .....	2
34	00974G01		Hex Nut, M10 - 1.5 .....	2
35	632538		Spacer, 1.7" O.D. x 1.2" I.D. x .075" .....	4
36	629652		King Pin and Spindle Assembly .....	2
37	635450		Flanged Hex Head Bolt, 3/8" - 16 x 1 1/4" Lg, Grade 8.....	6
38	635451		Flanged Hex Nut, 3/8" - 16 .....	6



# FRONT SUSPENSION

**1** King Pin and Spindle Assembly includes items 2 - 14

**9** King Pin Assembly includes items 10 - 13





## FRONT SUSPENSION

THE USE OF NON U.L. PARTS WILL VOID ANY U.L. LISTING.

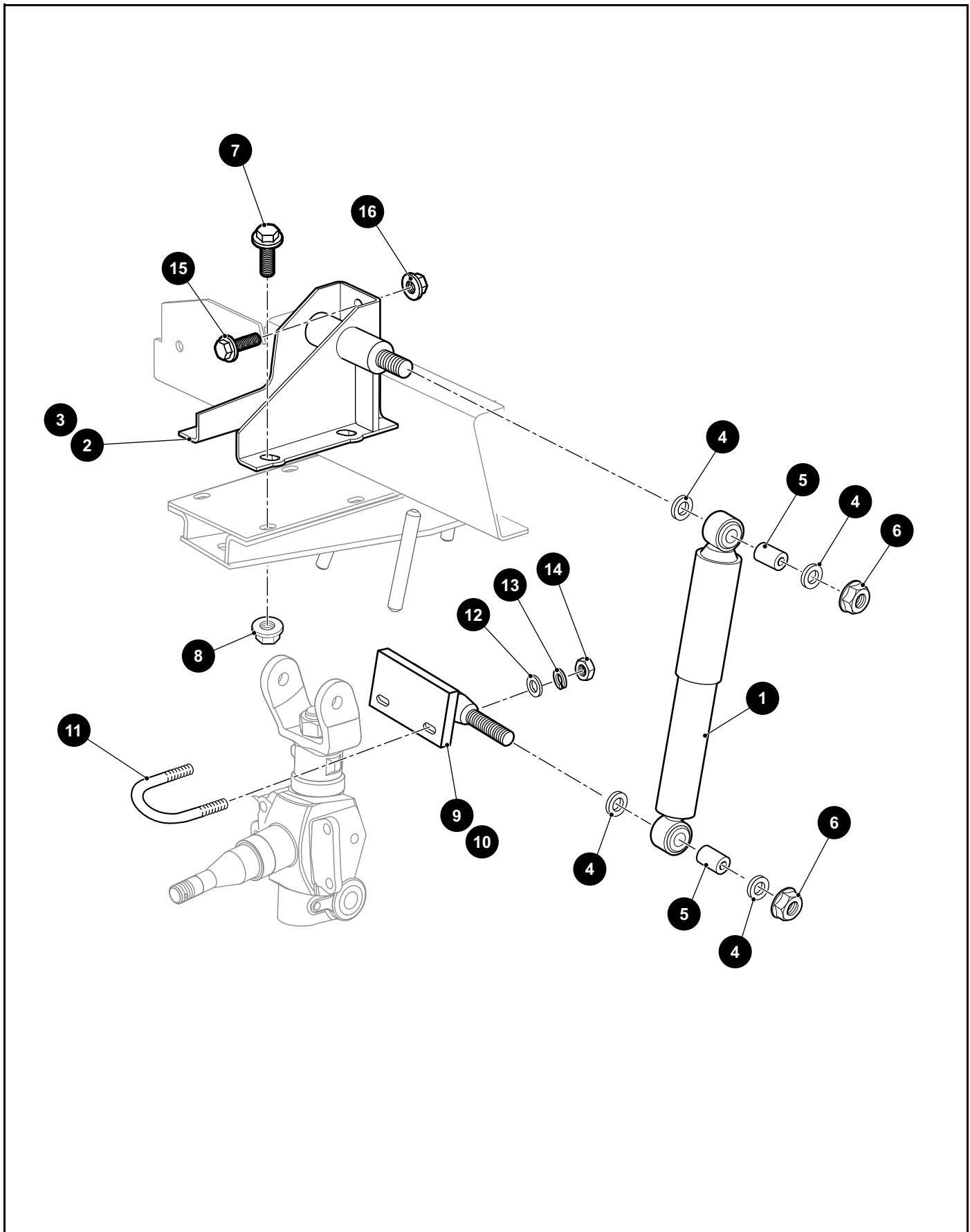
When ordering parts, please specify the model and serial number of the product.

\* Indicates a component that is not available as an individual part.

\*\*\* Indicates consult Customer Service Department for additional information.

ITEM	PART NO.	1 2 3 4 5	DESCRIPTION	QTY.
1	629652		King Pin and Spindle Assembly (Includes Items 2 - 14).....	2
2	311745		Hex Nut, 3/4" - 16 .....	1
3	312272		Lock Washer, 3/4" .....	1
4	630498		Retainer Spring and King Pin .....	1
5	817891		Bearing .....	1
6	827648		Shim, .010" Thick.....	3
7	629651		Spindle.....	1
8				
9	629621		King Pin Assembly (Includes Items 10 - 13) .....	1
10	629537		King Pin Support .....	1
11	829318		Pin .....	2
12	829229		Bushing, 1.255" O.D. x .564" I.D. x 2.75" Lg.....	1
13	630270		King Pin.....	1
14	2702168		Grease Fitting, 1/4" - 28.....	1

# FRONT SUSPENSION



## FRONT SUSPENSION

THE USE OF NON U.L. PARTS WILL VOID ANY U.L. LISTING.

When ordering parts, please specify the model and serial number of the product.

\* Indicates a component that is not available as an individual part.

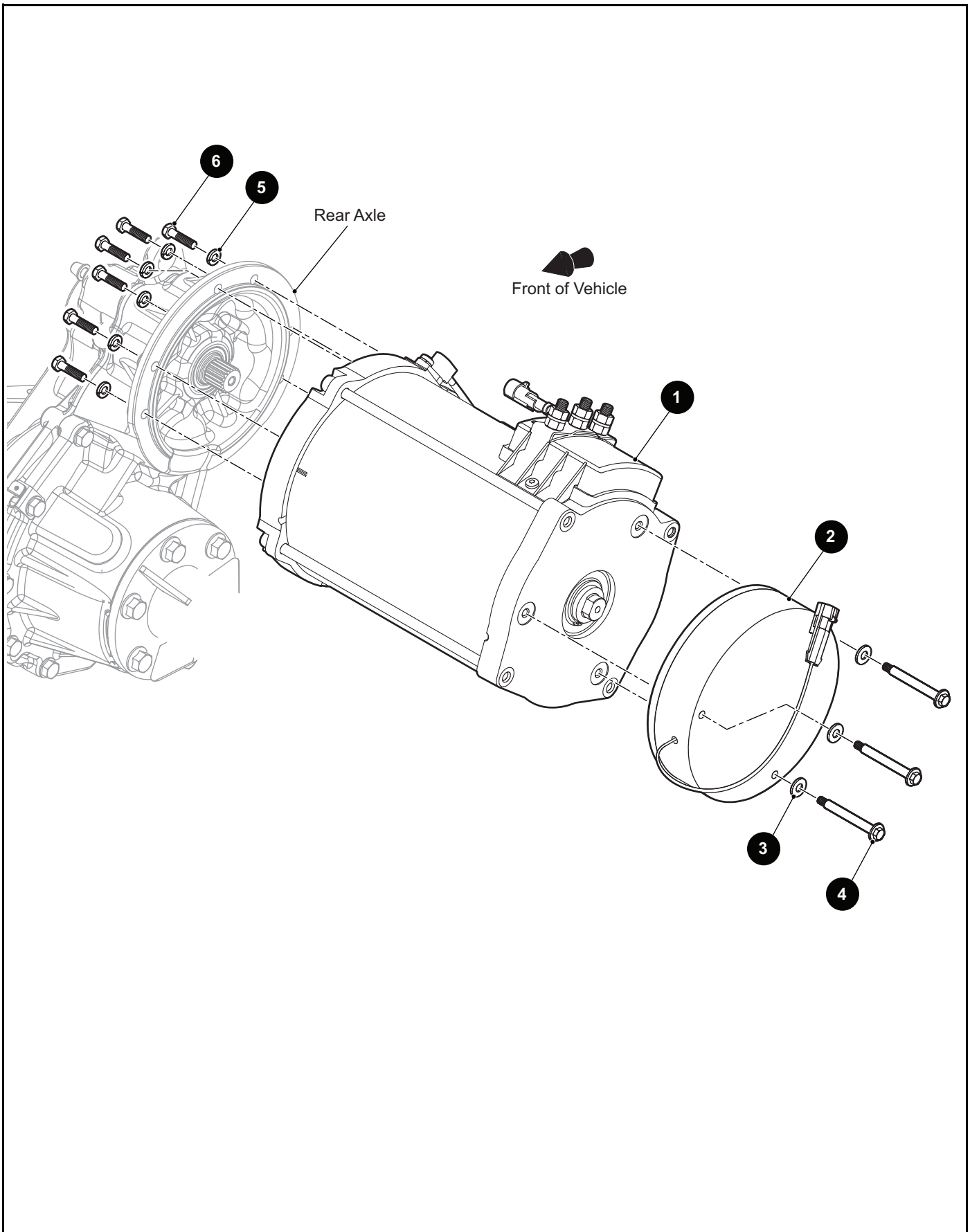
\*\*\* Indicates consult Customer Service Department for additional information.

ITEM	PART NO.	1 2 3 4 5	DESCRIPTION	QTY.
1	807332		Rear Shock Absorber .....	2
2	888200G01		Spring Perch Bracket (Passenger Side) .....	1
3	888201G01		Spring Perch Bracket (Driver Side) .....	1
4	825500		Cupped Washer, .453 x 1.25.....	8
5	823621		Bushing, 19/32" O.D. x 15/32" I.D. x 1 3/16" Lg.....	4
6	800294		Lock Nut, 7/16" - 14 .....	4
7	635450		Flanged Hex Head Bolt, 3/8" - 16 x 1 1/4" Lg, Grade 8 .....	8
8	635451		Flanged Hex Nut, 3/8" - 16.....	8
9	886458G01		Shock Mount Stud (Passenger Side) .....	1
10	886459G01		Shock Mount Stud (Driver Side).....	1
11	829756		U - Bolt, 3/8" - 16.....	2
12	306981		Flat Washer, 3/8" .....	4
13	120177		Lock Washer, 3/8" .....	4
14	306562		Hex Nut, 3/8" - 16.....	4
15	635450		Flanged Hex Head Bolt, 3/8" - 16 x 1 1/4" Lg, Grade 8 .....	2
16	635451		Flanged Hex Nut, 3/8" - 16.....	2





# MOTOR



THE USE OF NON U.L. PARTS WILL VOID ANY U.L. LISTING.

When ordering parts, please specify the model and serial number of the product.

\* Indicates a component that is not available as an individual part.

\*\*\* Indicates consult Customer Service Department for additional information.

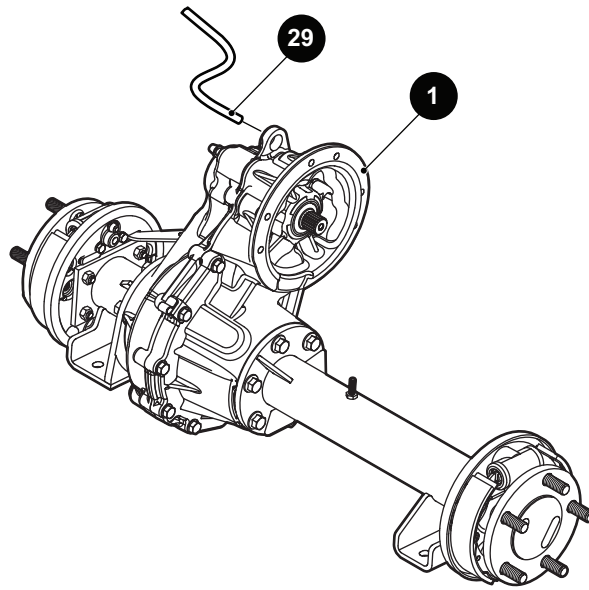
ITEM	PART NO.	1 2 3 4 5	DESCRIPTION	QTY.
1	681071		AC Motor .....	1
2	630894		E-Brake .....	1
3	00915G1		Bonded Seal Washer, 1/4" I.D.....	3
4	73715G01		Flanged Hex Head Bolt, M6 - 1 X 60mm Lg .....	3
5	601327		Lock Washer, 6mm .....	6
6	605741		Hex Head Bolt, M6 - 1 X 25mm Lg .....	6



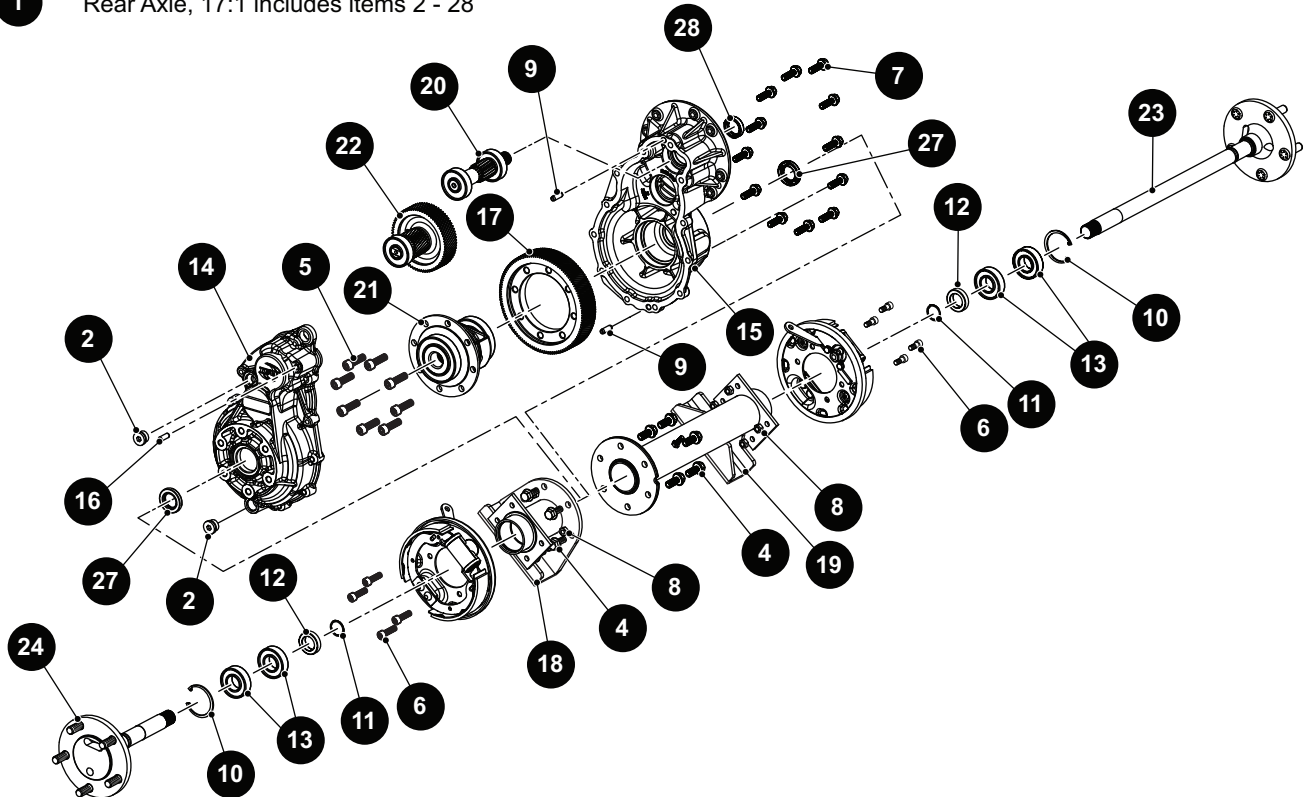




# REAR AXLE



1 Rear Axle, 17:1 includes items 2 - 28



THE USE OF NON U.L. PARTS WILL VOID ANY U.L. LISTING.

When ordering parts, please specify the model and serial number of the product.

\* Indicates a component that is not available as an individual part.

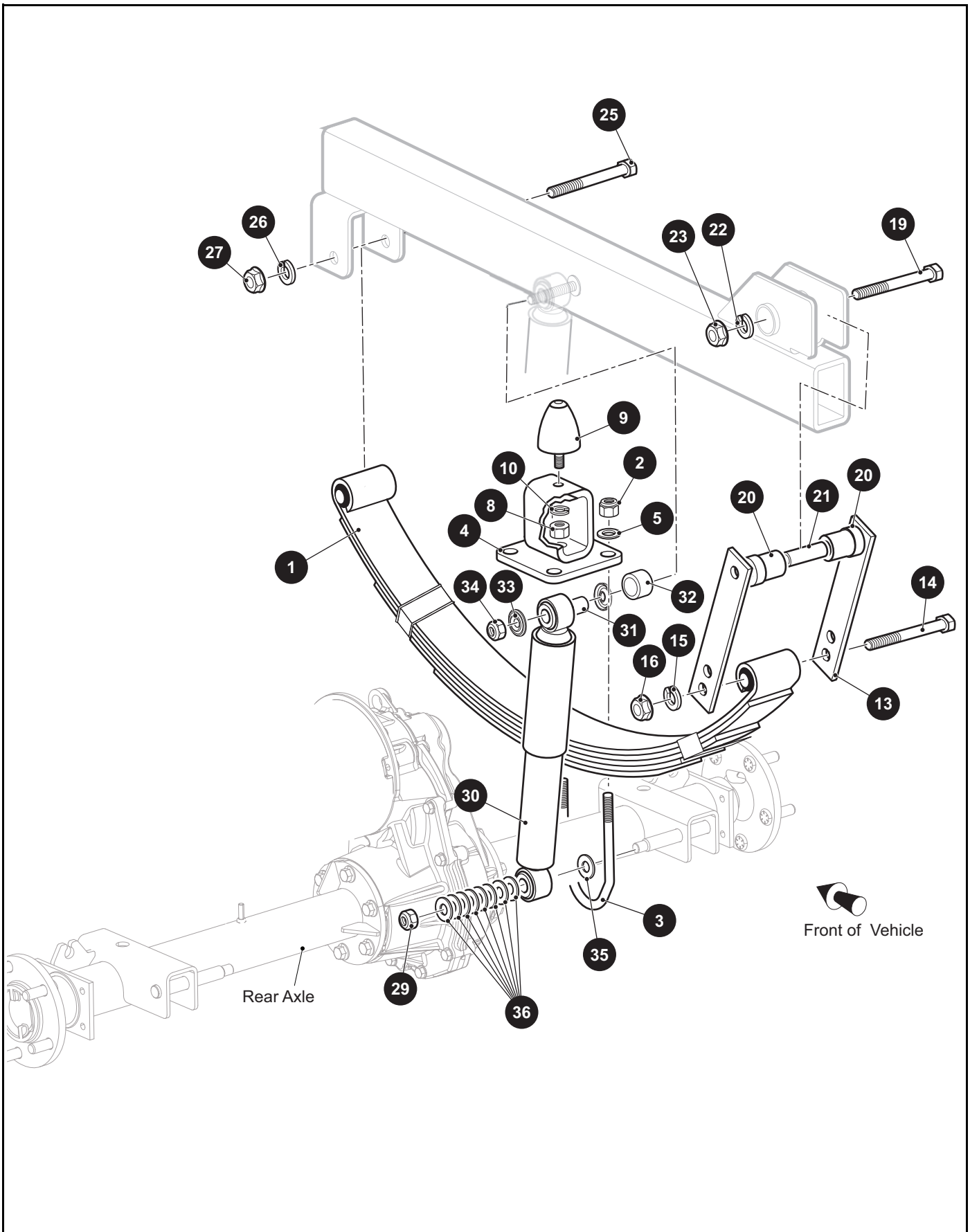
\*\*\* Indicates consult Customer Service Department for additional information.

ITEM	PART NO.	1 2 3 4 5	DESCRIPTION	QTY.
1	672817		Rear Axle, 17:1 (Includes Items 2 - 28).....	1
2	671430		Hallow Hex Plug, 3/4" - 16.....	2
3				
4	105123		Hex Head Bolt, 3/8" - 16 x 1" Lg.....	12
5	671433		Socket Head Bolt, 5/16" - 24 x .75" Lg.....	8
6	657094		Socket Head Bolt, 5/16" - 24 x 3/4" Lg.....	8
7	671434		Hex Washer Head Tapping Screw, 5/16" - 18 x 1.25" Lg.....	12
8	110060		Hex Lock Nut, 5/16" - 24.....	8
9	125064		Pin, 5/16" x 1".....	2
10	130111		Retaining Ring (Internal), 52mm.....	2
11	130290		Retaining Ring (External).....	2
12	150388		Spacer, 3/8" x 1.5 O.D. ....	2
13	180237		Ball Bearing, 25mmx 52mm x 15mm.....	4
14	246091		Gear Case (Passenger Side).....	1
15	671435		Gear Case (Driver Side).....	1
16	350395		Vent Hose Tube, 1/4".....	1
17	352852		Helical Output Gear.....	1
18	676052		Axle Tube Weldment (Passenger Side).....	1
19	676051		Axle Tube Weldment (Driver Side).....	1
20	411496		Input Motor Shaft Sub Assembly.....	1
21	411683		Differential Sub Assembly.....	1
22	411838		Intermediate Shaft Sub Assembly.....	1
23	676053		Axle Sub Assembly (Driver Side).....	1
24	676054		Axle Sub Assembly (Passenger Side).....	1
25				
26	460043		Vent Plug, 5/16" (Not Illustrated).....	1
27	560334		Lip Seal (Dual), 25mm x 42mm x 7mm.....	2
28	560335		Lip Seal (Triple), 25mm x 35mm x 7.8mm.....	1
29	631700		Vent Tube.....	1





# REAR SUSPENSION



## REAR SUSPENSION

THE USE OF NON U.L. PARTS WILL VOID ANY U.L. LISTING.

When ordering parts, please specify the model and serial number of the product.

\* Indicates a component that is not available as an individual part.

\*\*\* Indicates consult Customer Service Department for additional information.

ITEM	PART NO.	1 2 3 4 5	DESCRIPTION	QTY.
1	887004		Leaf Spring Assembly .....	1
2	548061		Lock Nut, 7/16" - 20 .....	4
3	829044		U - Bolt, 2", Grade 5.....	2
4	600182		Stop Plate .....	1
5	306982		Flat Washer, 7/16" .....	4
6				
7				
8	00974G01		Hex Nut, M10 - 1.5 .....	1
9	70492G01		Rubber Bumper.....	1
10	608654		Lock Washer, M10 .....	1
11				
12				
13	633426		Shackle Plate .....	2
14	00406G4		Hex Head Bolt, 1/2" - 13 x 4 1/2" Lg, Grade 5 .....	2
15	120166		Lock Washer, 1/2" .....	2
16	308332		Hex Nut, 1/2" - 13.....	2
17				
18				
19	00406G4		Hex Head Bolt, 1/2" - 13 x 4 1/2" Lg, Grade 5 .....	1
20	829142		Shackle Bushing .....	2
21	829258		Bushing .....	1
22	120166		Lock Washer, 1/2" .....	1
23	308332		Hex Nut, 1/2" - 13.....	1
24				
25	00406G4		Hex Head Bolt, 1/2" - 13 x 4 1/2" Lg, Grade5 .....	1
26	120166		Lock Washer, 1/2" .....	1
27	308332		Hex Nut, 1/2" - 13.....	1
28				
29	00551G1		Lock Nut, 5/8".....	2
30	807335		Shock Absorber.....	2
31	823621		Bushing, 1 3/16" .....	2

## REAR SUSPENSION

THE USE OF NON U.L. PARTS WILL VOID ANY U.L. LISTING.

When ordering parts, please specify the model and serial number of the product.

\* Indicates a component that is not available as an individual part.

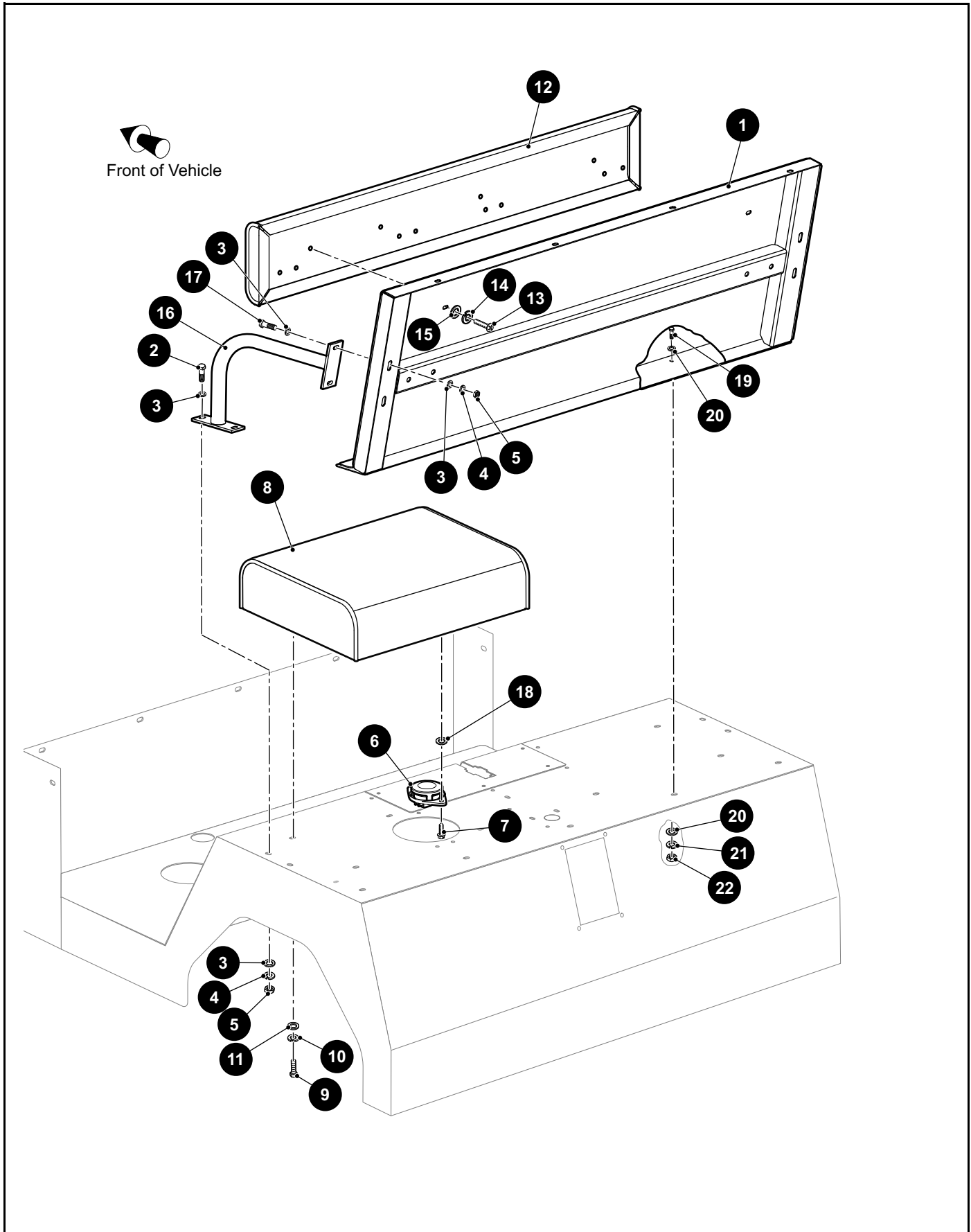
\*\*\* Indicates consult Customer Service Department for additional information.

ITEM	PART NO.	1 2 3 4 5	DESCRIPTION	QTY.
32	70667G04		Spacer, .69" .....	2
33	825500		Cupped Washer, .453" .....	4
34	800294		Lock Nut, 7/16" - 14 .....	2
35	00643G03		Flat Washer, 1/2" .....	2
36	00560G5		Flat Washer, 5/8" .....	16





# SEATING



THE USE OF NON U.L. PARTS WILL VOID ANY U.L. LISTING.

When ordering parts, please specify the model and serial number of the product.

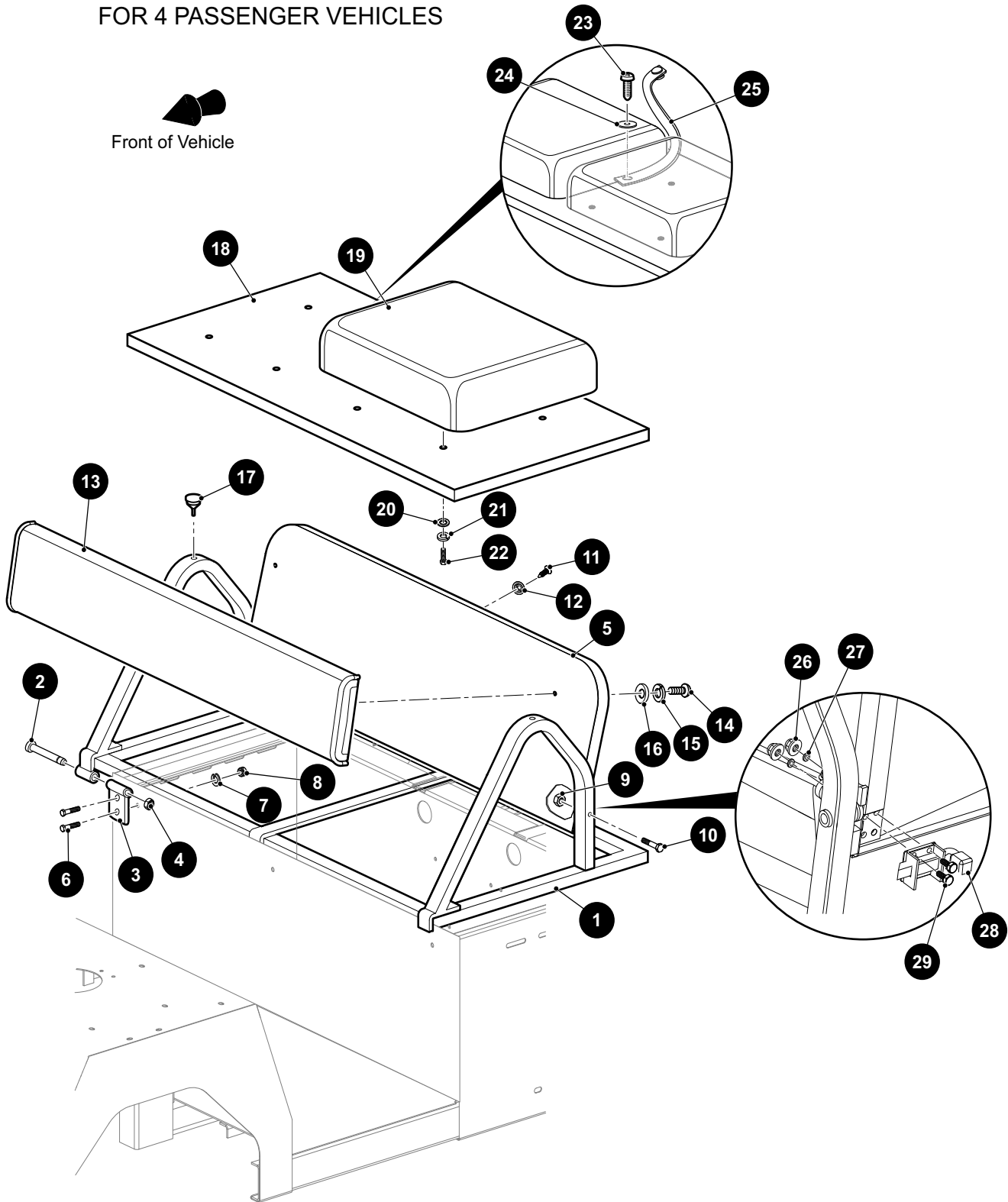
\* Indicates a component that is not available as an individual part.

\*\*\* Indicates consult Customer Service Department for additional information.

ITEM	PART NO.	1 2 3 4 5	DESCRIPTION	QTY.
1	633786G20		Backrest Panel .....	1
2	302288		Hex Head Bolt, 1/4" - 20 x 1" Lg .....	2
3	308090		Flat Washer, .25 x .62 x .05" .....	8
4	306396		Lock Washer, 1/4" .....	4
5	306375		Jam Nut, 1/4" - 20 .....	4
6	15813501		Seat Switch .....	1
7	00114G6		Flanged Hex Head Bolt, 1/4" - 14 x 3/4" Lg .....	2
8	886221		Seat Bottom Assembly .....	2
9	302288		Hex Head Bolt, 1/4" - 20 x 1" Lg .....	6
10	306396		Lock Washer, 1/4" .....	6
11	308090		Flat Washer, .25 x .62 x .05" .....	6
12	888464		Seat Back Assembly .....	1
13	800026		Pan Head Phillips Screw, 1/4" - 20 x 3/4" Lg, Grade 2 .....	2
14	306396		Lock Washer, 1/4" .....	2
15	308090		Flat Washer, .25 x .62 x .05" .....	2
16	620462		Hip Restraint, Black.....	2
17	306832		Hex Head Bolt, 1/4" - 20 x 2" Lg .....	4
18	01110G01		Flat Washer, 1/4" .....	2
19	302288		Hex Head Bolt, 1/4" - 20 x 1" Lg .....	5
20	308090		Flat Washer, .25 x .62 x .05" .....	10
21	306396		Lock Washer, 1/4" .....	5
22	306375		Jam Nut, 1/4" - 20 .....	5

FOR 4 PASSENGER VEHICLES

Front of Vehicle



THE USE OF NON U.L. PARTS WILL VOID ANY U.L. LISTING.

When ordering parts, please specify the model and serial number of the product.

\* Indicates a component that is not available as an individual part.

\*\*\* Indicates consult Customer Service Department for additional information.

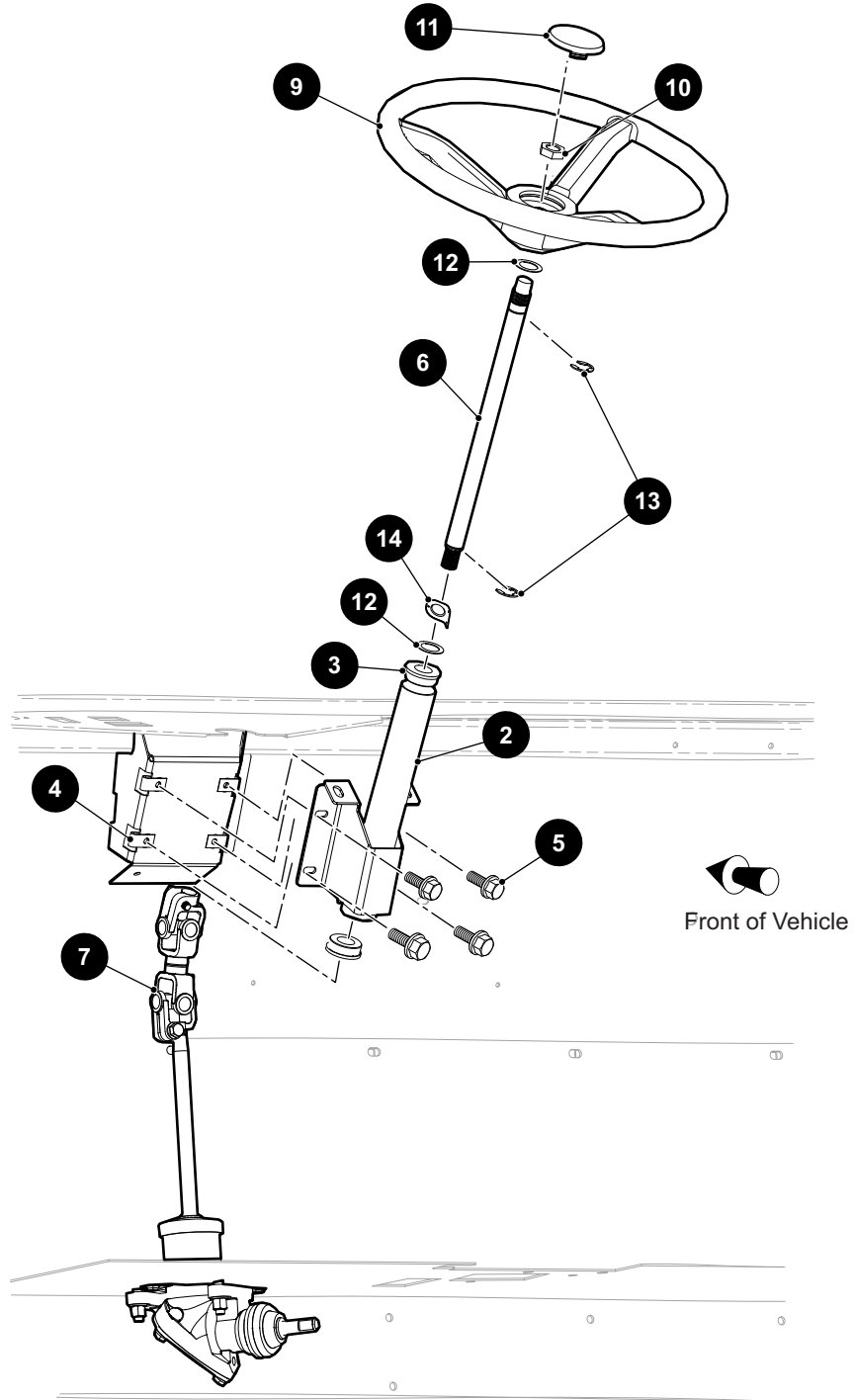
ITEM	PART NO.	1 2 3 4 5	DESCRIPTION	QTY.
1	630509		Rear Seat Frame .....	1
2	70582G01		Shoulder Bolt, .495 x 3.406" Lg .....	3
3	620501		Seat Bracket.....	3
4	800698		Lock Nut, 3/8" -16 .....	3
5	633858		Back Rest Weldment .....	1
6	306416		Hex Head Bolt, 5/16" - 18 x 1" Lg, Grade 5 .....	6
7	306325		Lock Washer, 5/16" .....	6
8	306932		Jam Nut, 5/16" - 18 .....	6
9	800290		Lock Nut, 5/16" - 18 .....	2
10	548958		Hex Head Bolt, 5/16" - 18 x 3 1/2" Lg, Grade 5 .....	2
11	800390		Rivet, .125 x .390" .....	1
12	809381		Durable Stud .....	1
13	888464		Seat Back Assembly .....	1
14	800026		Pan Head Phillips Screw, 1/4" - 20 x 3/4" Lg, Grade 2 .....	2
15	306396		Lock Washer, 1/4" .....	2
16	308090		Flat Washer, .25 x .62 x .05 Lg .....	2
17	820951		Rubber Bumper.....	2
18	656570		Seat Deck Board .....	1
19	886221		Seat Bottom .....	2
20	308090		Flat Washer, .25 x .62 x .05 .....	8
21	306396		Lock Washer, 1/4" .....	8
22	306832		Hex Head Bolt, 1/4" - 20 x 2" Lg .....	8
23	800296		Pan Head Phillips Screw, #10 - 24 x 3/4" Lg.....	1
24	00559G5		Flat Washer, #10 .....	1
25	891305		Strap Assembly .....	1
26	63 2236		Acorn Nut, #8 - 32 .....	4
27	00565G4		Lock Washer, #8 .....	4
28	629530		Latch Slider .....	1
29	800178		Pan Head Phillips Screw, #8 - 32 x 1/2" Lg.....	4





# STEERING

1 Steering Column Tube Assembly includes items 2 - 3





THE USE OF NON U.L. PARTS WILL VOID ANY U.L. LISTING.

When ordering parts, please specify the model and serial number of the product.

\* Indicates a component that is not available as an individual part.

\*\*\* Indicates consult Customer Service Department for additional information.

ITEM	PART NO.	1 2 3 4 5	DESCRIPTION	QTY.
1	645376		Steering Column Tube Assembly (Includes Items 2 - 3) .....	1
2	666373		Steering Column .....	1
3	647153		Steering Bushing .....	2
4	800279		U - Type Nut, 1/4" - 20 .....	4
5	13437G9		Flanged Hex Head Serrated Bolt, 1/4" - 20 x 3/4" Lg, Grade 5.....	4
6	628498		Steering Wheel Shaft .....	1
7	627780		Double U - Joint .....	1
8				
9	628523		Steering Wheel, 15" .....	1
10	628928		Steering Wheel Nut, M16 - 2.....	1
11	628565		Steering Wheel Hub Cover .....	1
12	15485G1		Flat Washer, 1.161 O.D. x .787 I.D. ....	2
13	628510		E - Clip, .625" .....	2
14	624231		Steering Column Bezel .....	1



THE USE OF NON U.L. PARTS WILL VOID ANY U.L. LISTING.

When ordering parts, please specify the model and serial number of the product.

\* Indicates a component that is not available as an individual part.

\*\*\* Indicates consult Customer Service Department for additional information.

ITEM	PART NO.	1 2 3 4 5	DESCRIPTION	QTY.
1	623381		Steering Gear Box.....	1
2	00560G1		Flat Washer, 3/8".....	3
3	00427G4		Hex Head Bolt, 3/8" - 16 x 1 1/2" Lg, Grade 5 .....	3
4				
5	624497		Intermediate Shaft Assembly .....	1
6	632500		Pinion Extender.....	1
7	629557		Steering Arm, Driver Side.....	1
8	629595		Steering Arm, Passenger Side.....	1
9	608005		Castle Nut, M12 - 1.25 .....	2
10	10387G2		Cotter Pin .....	2
11	120177		Lock Washer, 3/8" .....	6
12	306414		Flanged Hex Head Bolt, 3/8" - 16 x 1" Lg, Grade 5 .....	6
13	11098G5		Lock Nut, 3/8" - 16 .....	3
14				
15	625659		Steering Rack and Pinion Assembly .....	1
16	630064		Hex Head Bolt, 5/16" - 18 x 3 3/4" Lg, Grade 8 .....	4
17	00642G8		Flat Washer, 5/16".....	8
18	800290		Hex Nut, 5/16" - 18.....	4

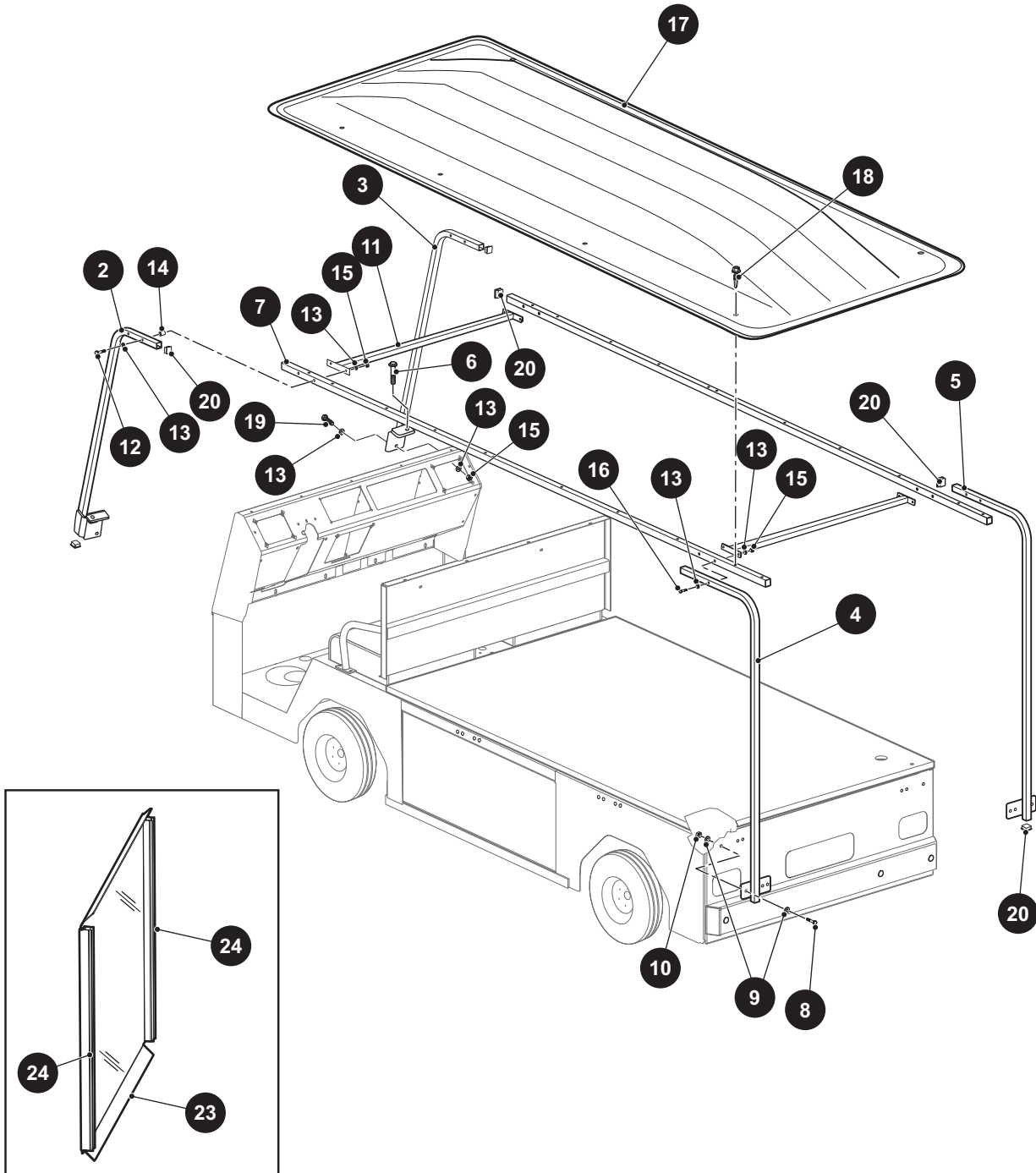




# WEATHER PROTECTION

1 Long Canopy Kit includes items 2 - 20

22 Long Canopy Windshield Assembly includes items 23 - 24



## WEATHER PROTECTION

THE USE OF NON U.L. PARTS WILL VOID ANY U.L. LISTING.

When ordering parts, please specify the model and serial number of the product.

\* Indicates a component that is not available as an individual part.

\*\*\* Indicates consult Customer Service Department for additional information.

ITEM	PART NO.	1 2 3 4 5	DESCRIPTION	QTY.
1	631139		Long Canopy Kit (Includes Items 2 - 20).....	1
2	631174		Front Strut (Driver Side) .....	1
3	631173		Front Strut (Passenger Side).....	1
4	602377		Rear Strut (Driver Side) .....	1
5	602378		Rear Strut (Passenger Side) .....	1
6	16705G1		Truss Head Phillips Screw (SS), 1/4" - 20 x 1" Lg .....	2
7	602321		Top Rail.....	2
8	00426G8		Hex Head Bolt, 3/8" - 16 x 1" Lg, Grade 5 .....	6
9	00571G2		Flat Washer, 5/16" .....	6
10	11098G5		Lock Nut, 3/8" - 16 .....	3
11	602363		Stiffener Bar Assembly .....	1
12	00441G8		Hex Head Bolt, 5/16" - 18 x 3 - 1/4" Lg.....	2
13	00559G8		Flat Washer, 5/16" .....	10
14	75048G04		Spacer, .328 x .75 x 1" Lg.....	2
15	11098G6		Lock Nut, 5/16" - 18 .....	5
16	306823		Hex Head Bolt, 5/16" - 18 x 2 3/4" Lg, Grade 5 .....	2
17	75530G01		Sun Top, 120" Lg .....	1
18	602662		Hex Head Self Drilling Screw with Seal, #12 - 14 x 3/4" Lg.....	4
19	00438G8		Hex Head Bolt, 5/16" - 18 x 1/2" Lg, Grade 5 .....	1
20	19853G1		End Cap, 1" Sq .....	6
21				
22	602908		Long Canopy Windshield Assembly (Includes Items 23 - 24).....	1
23	602455		Long Canopy Windshield.....	1
24	602456		Windshield Rubber Extrusion .....	2





# WEATHER PROTECTION

THE USE OF NON U.L. PARTS WILL VOID ANY U.L. LISTING.

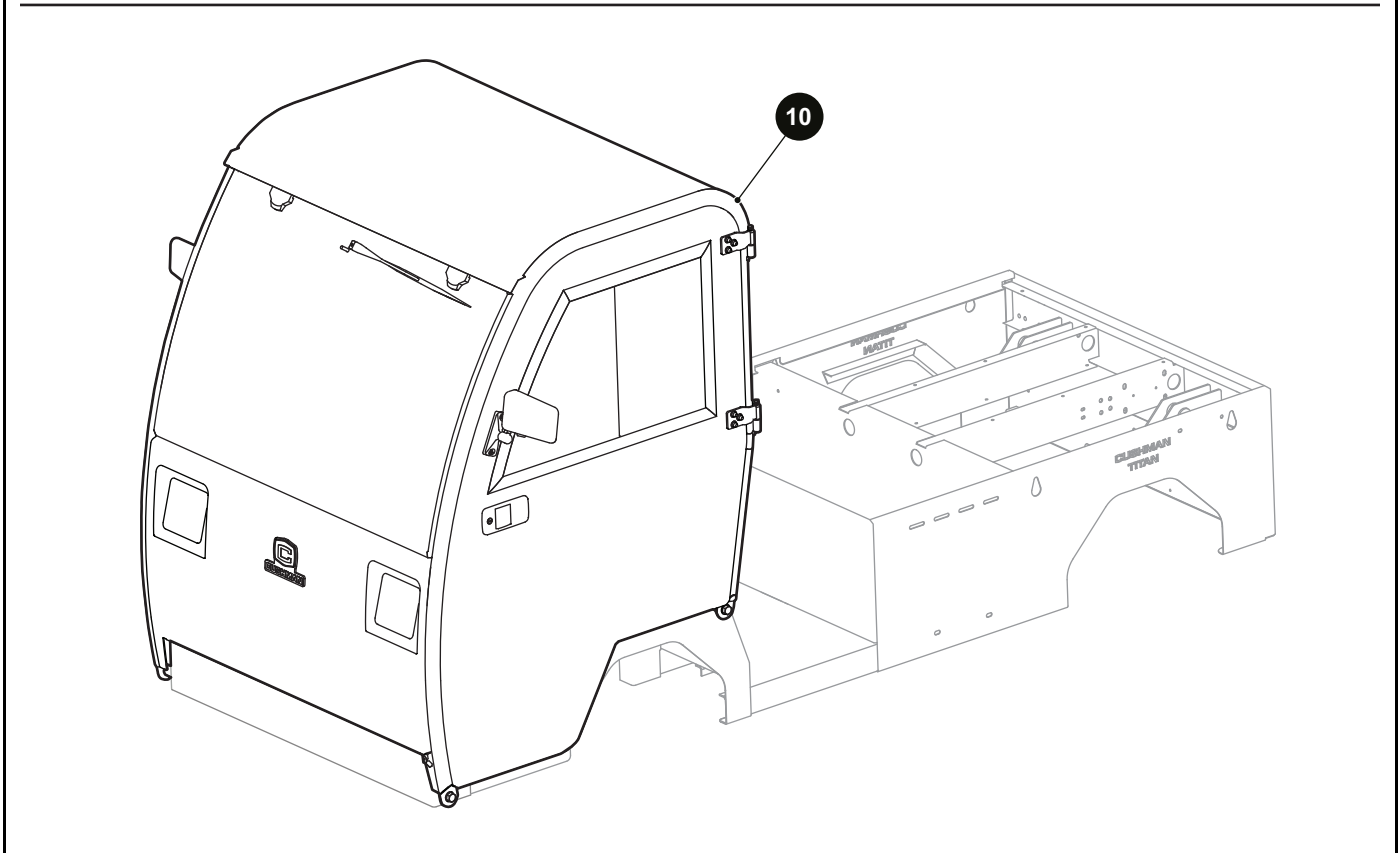
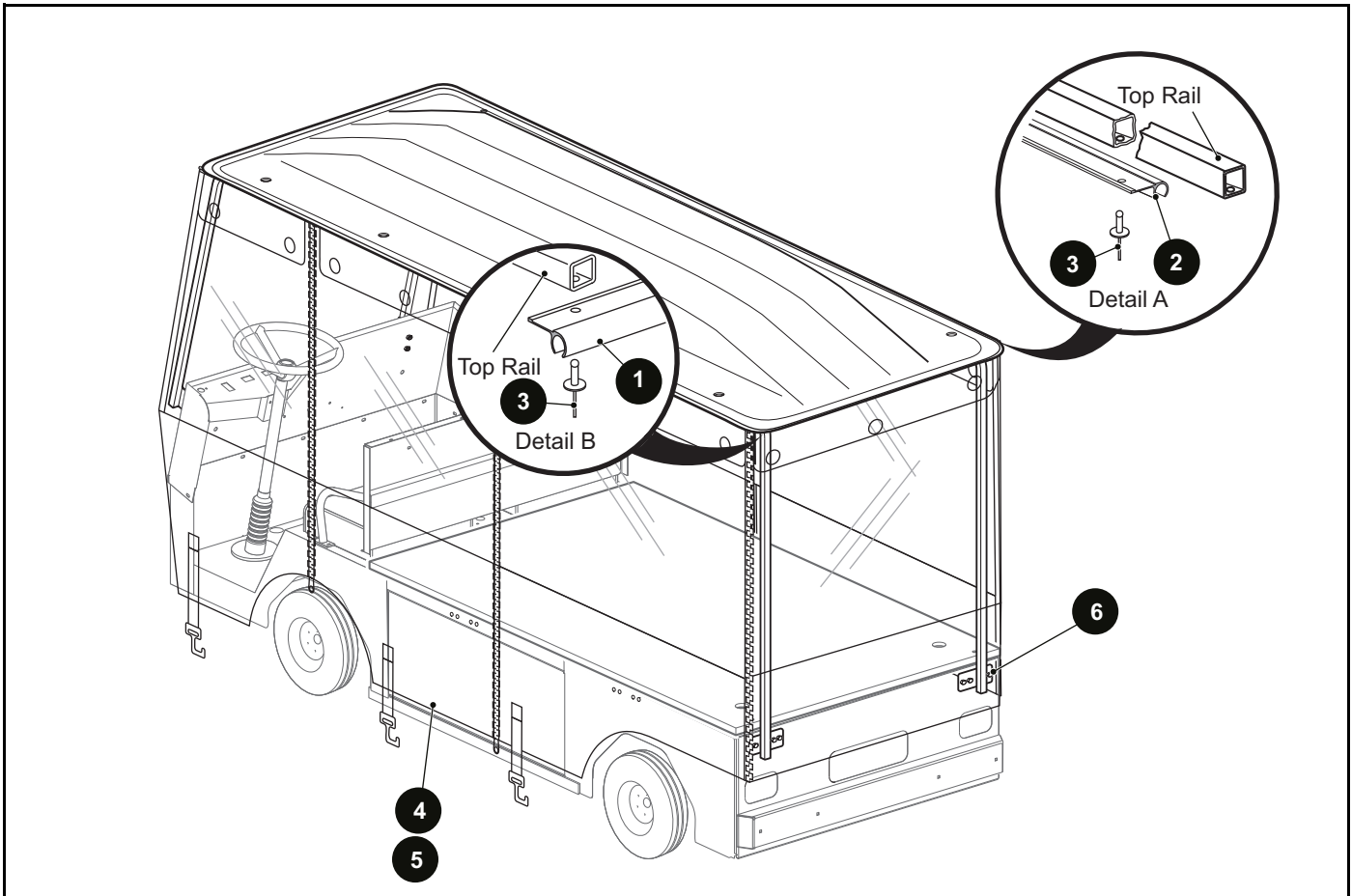
When ordering parts, please specify the model and serial number of the product.

\* Indicates a component that is not available as an individual part.

\*\*\* Indicates consult Customer Service Department for additional information.

ITEM	PART NO.	1 2 3 4 5	DESCRIPTION	QTY.
1	631138		Short Canopy Kit (Includes Items 2 - 20) .....	1
2	631171		Front Strut.....	1
3	19853G1		End Cap, 1" Sq.....	4
4	602284		Rear Strut (Driver Side) .....	1
5	602285		Rear Strut (Passenger Side) .....	1
6	00438G8		Hex Head Bolt, 5/16" - 18 x 1/2" Lg, Grade 5.....	2
7	00559G8		Flat Washer, 5/16" .....	20
8	11098G6		Lock Nut, 5/16" - 18.....	10
9	00440G2		Hex Head Bolt, 5/16" - 18 x 2 1/4" Lg, Grade 5.....	4
10	27069G01		Sun Top .....	1
11	00753G5		Truss Head Phillips Screw (SS), 1/4" - 20 x 2" Lg .....	2
12	01110G01		Flat Washer, 1/4" .....	8
13	75051G01		Spacer .....	4
14	14390G4		Lock Nut, 1/4" - 20 .....	4
15	00774G3		Truss Head Phillips Screw (SS), 1/4" - 20 x 3 1/4" Lg .....	2
16	602675		Angle Bracket .....	2
17	00439G6		Hex Head Bolt, 5/16" - 18 x 1 3/4" Lg, Grade 5.....	2
18	00952G6		Hex Head Bolt, 5/16" - 18 x 3/4" Lg.....	2
19	16705G1		Truss Head Phillips Screw, 1/4" - 20 x 1" Lg .....	2
20	19859G1		End Cap, 3/4" Sq.....	2
21				
22	74910G01		Short Canopy Split Windshield Kit (Includes Item 23).....	1
23	615661		Sash Windshield, 12" .....	2

# WEATHER PROTECTION



# WEATHER PROTECTION

THE USE OF NON U.L. PARTS WILL VOID ANY U.L. LISTING.

When ordering parts, please specify the model and serial number of the product.

\* Indicates a component that is not available as an individual part.

\*\*\* Indicates consult Customer Service Department for additional information.

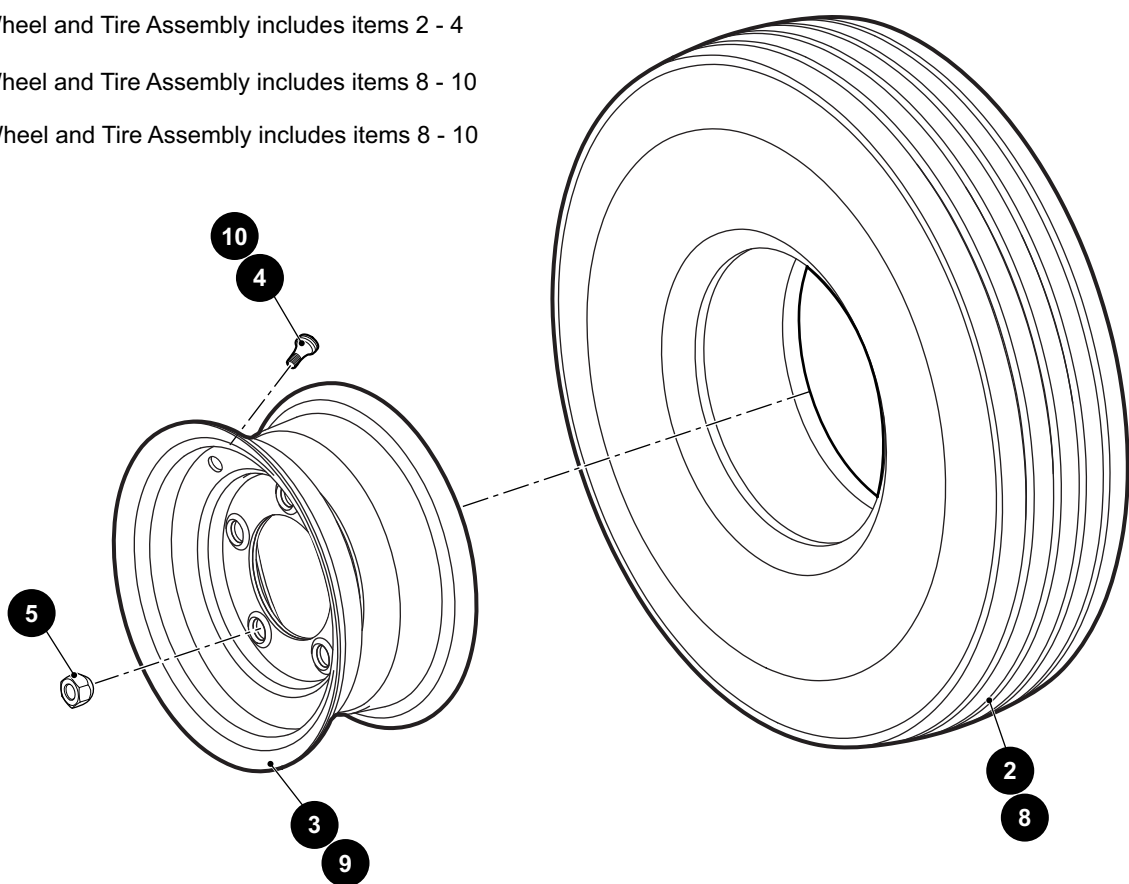
ITEM	PART NO.	1 2 3 4 5	DESCRIPTION	QTY.
1	602444		Extrusion (Short) .....	1
2	602443		Extrusion (Long).....	4
3	548247		Rivet, .188" Dia x .44" Lg .....	22
4	602899		Side Curtain (Driver Side) .....	1
5	602441		Side Curtain (Passenger Side).....	1
6	602753		Rear Curtain.....	1
7				
8				
9				
10	651795		Cab (DFK)..... <b>Replacement Parts and Accessories may be obtained from</b> <b>DFK AMERICA, INC. 2215 W. Curtiss Street, Downers Grove,</b> <b>IL 60515, U.S.A.</b> <b>PHONE: +1 630 324 6793</b> <b>E-MAIL: INFO@DFKCABS.COM</b> <b>WEBSITE: WWW.DFKCABS.COM</b>	1





# WHEELS AND TIRES

- 1 Wheel and Tire Assembly includes items 2 - 4
- 6 Wheel and Tire Assembly includes items 8 - 10
- 7 Wheel and Tire Assembly includes items 8 - 10



(Style of tire may differ from tire shown)

## WHEELS AND TIRES

THE USE OF NON U.L. PARTS WILL VOID ANY U.L. LISTING.

When ordering parts, please specify the model and serial number of the product.

\* Indicates a component that is not available as an individual part.

\*\*\* Indicates consult Customer Service Department for additional information.

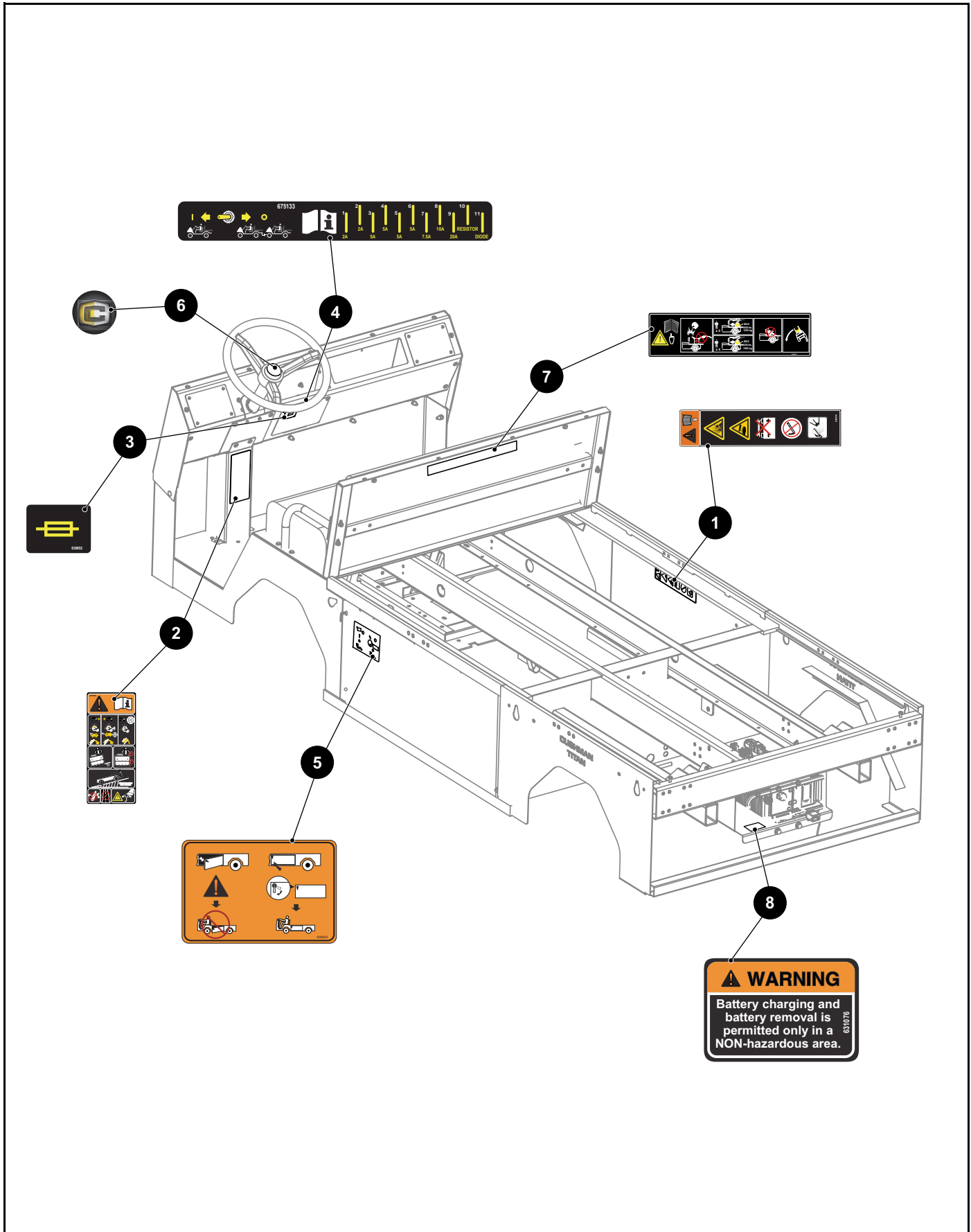
ITEM	PART NO.	1 2 3 4 5	DESCRIPTION	QTY.
1	887023		Wheel and Tire Assembly (Includes Items 2 - 4).....	1
2	674319		Tire, 5.70 x 8.....	1
3	829146		Wheel Rim.....	1
4	886735		Valve Stem.....	1
5	14723G1		Lug Nut, 1/2" - 20.....	5
6	640612		Wheel and Tire Assembly, 5 x 8 Non-marking (Includes Items 8 - 10).....	1
7	640611		Wheel and Tire Assembly, 5 x 8 Solid (Includes Items 8 - 10).....	1
8	***		Tire.....	1
9	***		Wheel Rim.....	1
10	***		Valve Stem.....	1







# DECALS AND LABELS - 2 PASSENGER



## DECALS AND LABELS - 2 PASSENGER

THE USE OF NON U.L. PARTS WILL VOID ANY U.L. LISTING.

When ordering parts, please specify the model and serial number of the product.

\* Indicates a component that is not available as an individual part.

\*\*\* Indicates consult Customer Service Department for additional information.

ITEM	PART NO.	1 2 3 4 5	DESCRIPTION	QTY.
1	630650		Battery Ventilation Label .....	2
2	675132		Dash Instruction Label .....	1
3	630652		Outside Fuse Door Decal.....	1
4	675133		Fuse Identification Label .....	1
5	606003		Swing Out Battery Tray Label .....	2
6	618086		Steering Wheel Decal .....	1
7	600947		Load Bed Label .....	1
8	631076		Battery Charging Label .....	1



## DECALS AND LABELS - 4 PASSENGER

THE USE OF NON U.L. PARTS WILL VOID ANY U.L. LISTING.

When ordering parts, please specify the model and serial number of the product.

\* Indicates a component that is not available as an individual part.

\*\*\* Indicates consult Customer Service Department for additional information.

ITEM	PART NO.	1 2 3 4 5	DESCRIPTION	QTY.
1	630650		Battery Ventilation Label .....	2
2	675132		Dash Instruction Label .....	1
3	630652		Outside Fuse Door Decal.....	1
4	675133		Fuse Identification Label .....	1
5	651671		Pinch Warning Label .....	2
6	618086		Steering Wheel Decal .....	1
7	600947		Load Bed Label .....	1
8	631076		Battery Charging Label .....	1







**CUSHMAN®**

**LET'S WORK!**

**Textron Specialized Vehicles, Inc.,**  
1451 Marvin Griffin Road  
Augusta, Georgia 30906 - 3852 USA

**CONTACT INFORMATION**

North America:

**Technical Assistance & Warranty**  
**Service Parts**

Phone: 1-800-774-3946, FAX: 1-800-448-8124

Phone: 1-888-438-3946, FAX: 1-800-752-6175

International:

Phone: 001-706-798-4311, FAX: 001-706-771-4609

Owner's Guides and Repair Manuals  
are available from a local Distributor, an authorized Branch,  
Parts & Accessories Department or at [www.cushman.txtsv.com](http://www.cushman.txtsv.com)

Copyrighted Material  
This manual may not be reproduced in whole or  
in part without the express permission of  
Textron Specialized Vehicles  
Technical Publications Department