



A Textron Company

TXT FREEDOM 72V

Service Parts Manual

SERVICE PARTS MANUAL

72V ELECTRIC POWERED GOLF CAR

TXT FREEDOM

STARTING MODEL YEAR 2017

CALIFORNIA Proposition 65 Warning

WARNING: Motor vehicles may contain fuels, oils and fluids, battery posts, terminals, and related accessories which contain lead and lead compounds and other chemicals identified by the State of California to potentially cause cancer, birth defects, and other reproductive harm. These chemicals are found in vehicles, vehicle parts and accessories, both new and replacements. During maintenance, these vehicles generate used oil, waste fluids, grease, fumes, and particulates, all identified by the State of California to potentially cause cancer, birth defects, and other reproductive harm.

Never modify the vehicle in any way that will alter the weight distribution of the vehicle, decrease its stability or increase the speed beyond the factory specifications. Such modifications can cause serious personal injury or death. Textron Specialized Vehicles prohibits and dis-claims responsibility for any such modifications or any other alteration which would adversely affect the safety of the vehicle. TSV reserves the right to incorporate engineering and design changes to products in this manual, without obligation to include these changes on units sold previously.

The information contained in this manual may be revised periodically by TSV, and therefore is subject to change without notice.

TSV DISCLAIMS LIABILITY FOR ERRORS IN THIS MANUAL, and SPECIFICALLY DISCLAIMS LIABILITY FOR INCIDENTAL AND CONSEQUENTIAL DAMAGES resulting from the use of the information and materials in this manual.

These are the original instructions as defined by 2006/42/EC.

TO CONTACT US:

Textron Specialized Vehicles, Inc.

1451 Marvin Griffin Road

Augusta, Georgia, USA 30906-3852

NORTH AMERICA:

Technical Assistance & Warranty PHONE: 1-800-774-3946, FAX: 1-800-448-8124

Service Parts PHONE: 1-888-438-3946, FAX: 1-800-752-6175

International: PHONE: 001-706-798-4311, FAX: 001-706-771-4609

www.shopezgo.com

GENERAL INFORMATION

This vehicle has been designed and manufactured in the United States of America (USA). The Standards and Specifications listed in the following text originate in the USA unless otherwise indicated.

The use of non-Original Equipment Manufacturer (OEM) approved parts may void the warranty.

Failure to properly maintain batteries may void the warranty. Refer to the battery manual for instructions on the proper maintenance and care of the batteries.

BATTERY PROLONGED STORAGE

Batteries self-discharge over time. The rate of self-discharge varies depending on the ambient temperature, the age and condition of the batteries.

Fully charged batteries will not freeze in winter temperatures unless the temperature falls below -75°F (-60°C).

For winter storage, the batteries must be clean, fully charged and disconnected from any source of electrical drain.

The battery charger may remain connected to the vehicle to maintain a full charge on the batteries, provided the charger is plugged into an active electrical source. If power to the electrical source is disconnected or interrupted, the battery charger continues to check the charge on the battery pack. This pulls power from the battery pack and eventually drains the batteries if power is not restored in a timely manner.

As with all electric vehicles, the batteries must be checked and recharged as required or at a minimum of 30 day intervals.

Check and maintain the proper fluid level in all battery cells during the storage period. Proper fluid level is required for maximum battery performance.

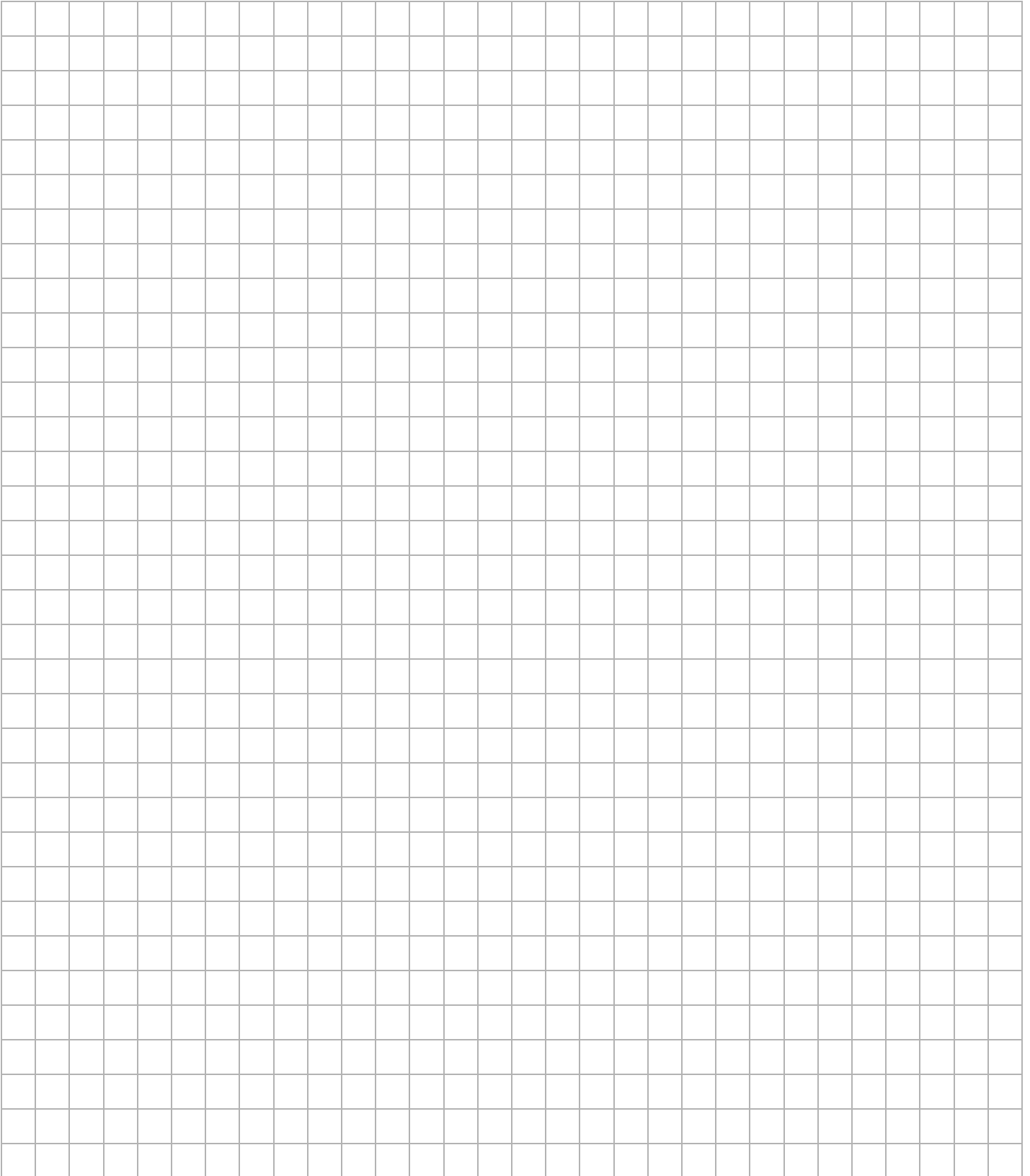
BATTERY DISPOSAL

Lead-acid batteries are recyclable. Return whole scrap batteries to distributor, manufacturer or lead smelter for recycling. For neutralized spills, place residue in acid-resistant containers with absorbent material such as sand. Dispose in accordance with local, state and federal regulations for acid and lead compounds. Contact local and/or state environmental officials regarding disposal information.

TABLE OF CONTENTS

SECTION	Page No.
HOW TO USE THE SERVICE PARTS MANUAL.....	V
ACCELERATOR.....	A
BATTERY CHARGER.....	B
BODY.....	C
BRAKES.....	D
ELECTRICAL.....	E
ELECTRONIC SPEED CONTROL.....	F
FRONT SUSPENSION AND STEERING.....	G
MOTOR.....	H
REAR AXLE.....	J
REAR SUSPENSION.....	K
SEATING.....	L
TOW BAR.....	M
WEATHER PROTECTION.....	N
WHEELS AND TIRES.....	P
DECALS AND LABELS.....	R

NOTES



HOW TO USE THE SERVICE PARTS MANUAL

This manual is divided into several sections:

- GENERAL INFORMATION
- ILLUSTRATED PARTS BREAKDOWN

The first section, GENERAL INFORMATION, contains the following information:

- WARRANTY INFORMATION
- GENERAL INDEX
- HOW TO USE THE SERVICE PARTS MANUAL

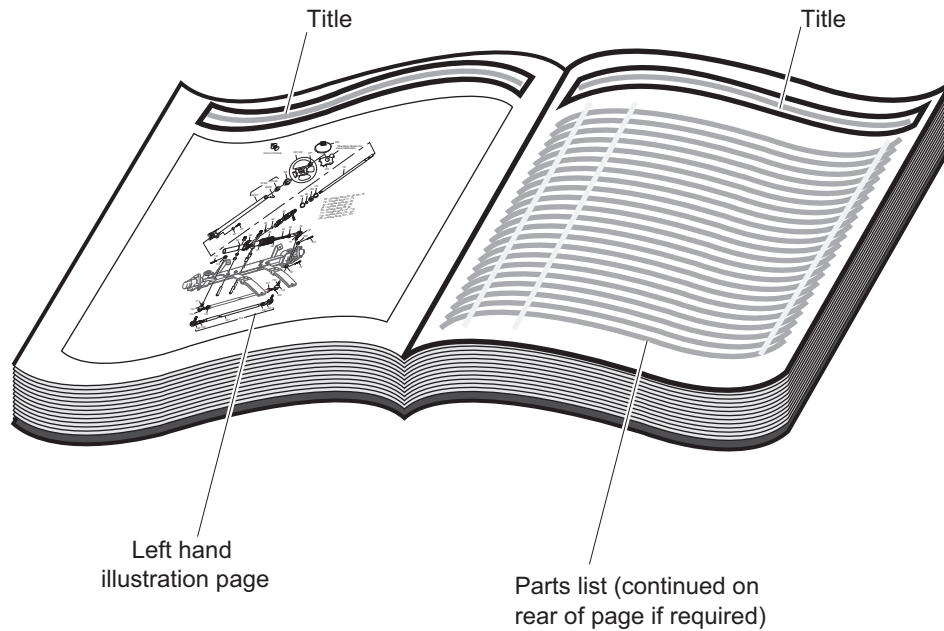
The second section, ILLUSTRATED PARTS BREAKDOWN, contains illustrations and parts lists for all systems of your vehicle.

USE OF THE MANUAL

To use this manual, consult the TABLE OF CONTENT to locate the information or illustration required.

Introduction of some revisions varies due to supply of components; therefore, it is possible that various combinations of components may be found that are not directly reflected by each illustration. Consult the illustration that best suits your situation and then contact the Service Parts Department. It is important that the serial number of your vehicle and its model number be supplied to Service Parts when ordering any replacement components.

HOW TO USE THE SERVICE PARTS MANUAL



1. WHEN THE PART NUMBER IS NOT KNOWN

- Determine the function and application of the part required. Turn to the TABLE OF CONTENT and select the most appropriate title.
- Turn to the page number indicated and locate the desired part on the illustration.
- From the illustration, obtain the item number assigned to the desired part. Refer to the accompanying description for specific information regarding the part.

2. IF YOU KNOW THE PART NUMBER

- Locate the part number or description in the appropriate column on the parts list page.

NOTE: Confirm the part selected is correct by verifying it with the illustration.

If an asterisk (*) appears in the part number column on the parts list page, read upward until a part number is found. The part number is the lowest assembly sold by Service Parts and the asterisk (*) indicates the part depicted is not available for purchase.

NOTE: Descriptions are indented under the assembly that they are used on. That assembly is, in turn listed under the assembly that it is used on. This process is repeated until the highest final assembly is reached.

To facilitate the maintenance and repair of the vehicle, a Technician's Repair and Service Manual is available from the Service Parts Department.

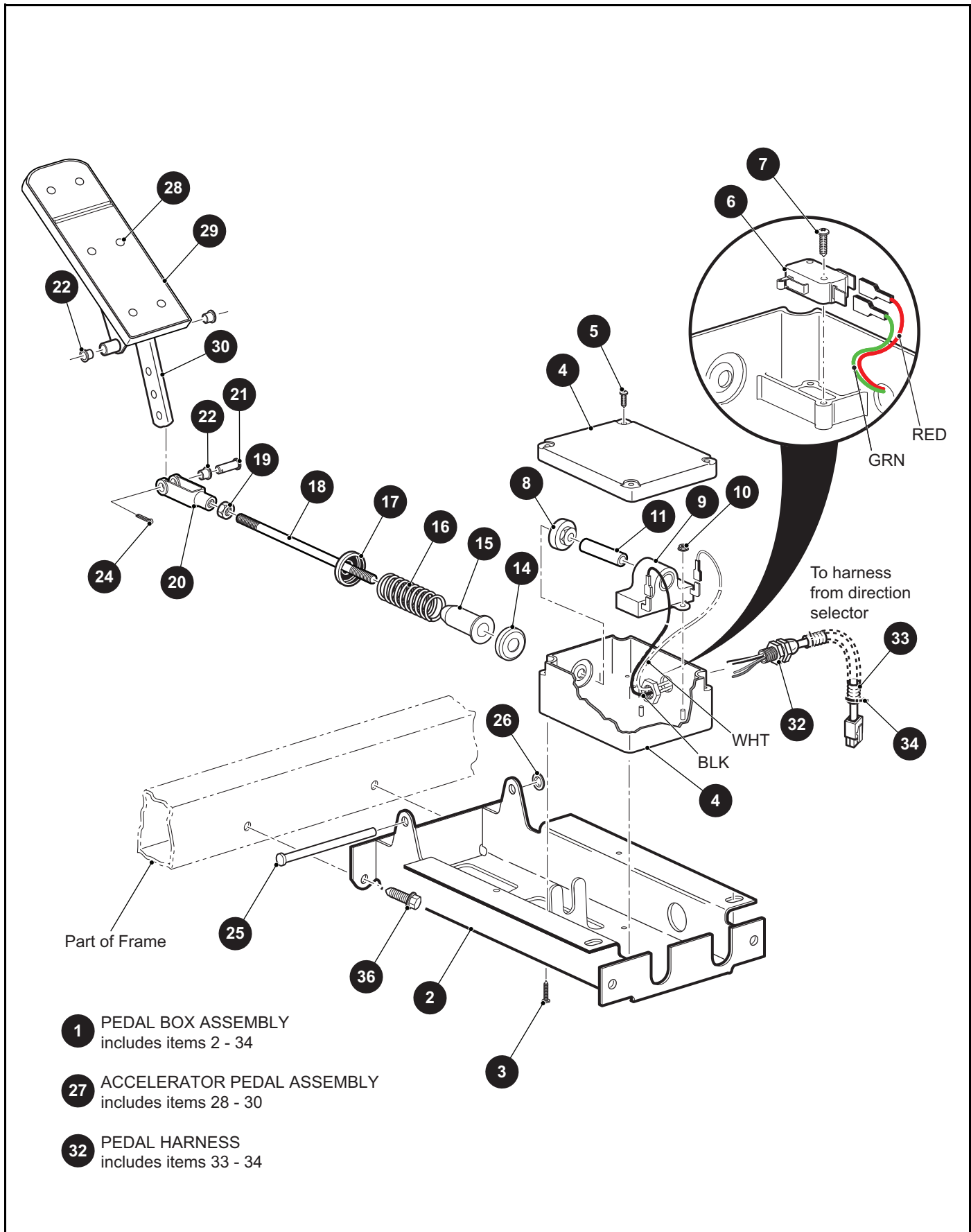
HOW TO USE THE SERVICE PARTS MANUAL

3. COLOR CODE FOR BODY COMPONENTS

The last two digits of the part number for the body part will denote the color code, locate the part number for the cowl, rear body, seat pod, side panel or seat wrap then locate your color in the list below, replace the last ** or XX with the two digit color code.

<u>CODE #</u>	<u>DESCRIPTION</u>
02	SPECIAL COLOR
11	BLACK
19	PATRIOT BLUE PEARL
20	INFERNO RED METALLIC
26	STEEL BLUE PEARL
31	METALLIC CHARCOAL
35	SAFETY YELLOW
36	IVORY
37	FOREST GREEN
38	BRIGHT WHITE
39	FLAME RED
41	ELECTRIC BLUE
42	PLATINUM
43	BURGUNDY
44	ALMOND
51	SUNBURST ORANGE
52	BRITISH RACING GREEN
69	MONSTER GREEN
74	BARLEY GOLD
75	OASIS GREEN
76	JAVA BROWN
79	JACOBSEN ORANGE 172

ACCELERATOR



1 PEDAL BOX ASSEMBLY
includes items 2 - 34

27 ACCELERATOR PEDAL ASSEMBLY
includes items 28 - 30

32 PEDAL HARNESS
includes items 33 - 34

ACCELERATOR

THE USE OF NON U.L. PARTS WILL VOID ANY U.L. LISTING.

When ordering parts, please specify the model and serial number of the product.

* Indicates a component that is not available as an individual part.

*** Indicates consult Customer Service Department for additional information.

ITEM	PART NO.	1 2 3 4 5	DESCRIPTION	QTY.
1	73333G11		PEDAL BOX ASSEMBLY (INCLUDES ITEMS 2 - 34)	1
2	652241G03		ACCELERATOR PEDAL BRACKET	1
3	01051G01		PAN HEAD PHILLIPS SCREW, #8 - 10 X 1/2" LG	4
4	25853G01		PEDAL BOX AND COVER	1
5	00684G6		TRUSS HEAD SCREW (SS), #8 - 32 X 3/4" LG	2
6	25861G01		MICRO SWITCH	1
7	01050G01		PAN HEAD TORX SCREW, #4 - 20 X 5/8" LG	2
8	28444G01		ACCELERATOR ROD CAM	1
9	25854G01		INDUCTIVE THROTTLE SENSOR	1
10	00983G01		SELF THREADING NUT, .38"	2
11	602484		PLUNGER	1
12				
13				
14	17677G1		SPRING RETAINER	1
15	17979G1		BUSHING, .75" X 2" LG	1
16	73046G01		COMPRESSION SPRING	1
17	17677G2		SPRING RETAINER, 3/8"	1
18	73332G01		ACCELERATOR ROD	1
19	00532G4		HEX NUT, 5/16" - 24	1
20	10385G4		CLEVIS YOKE (ADJUSTABLE)	1
21	10386G3		CLEVIS PIN, 5/16" X 13/16" LG	1
22	17838G1		NYLON BUSHING, .37" X .31" LG	3
23				
24	10387G3		COTTER PIN, 3/32" X 3/4" LG	1
25	74432G01		PEDAL PIVOT PIN	1
26	12064G6		PUSH NUT, 5/16"	1
27	25799G03		ACCELERATOR PEDAL ASSEMBLY (INCLUDES ITEMS 28 - 30)	1
28	16409G1		OVAL RIVET, 3/16" X 7/16" LG	6
29	27512G01		ACCELERATOR PEDAL PAD	1
30	652824		ACCELERATOR PEDAL	1
31				

ACCELERATOR

THE USE OF NON U.L. PARTS WILL VOID ANY U.L. LISTING.

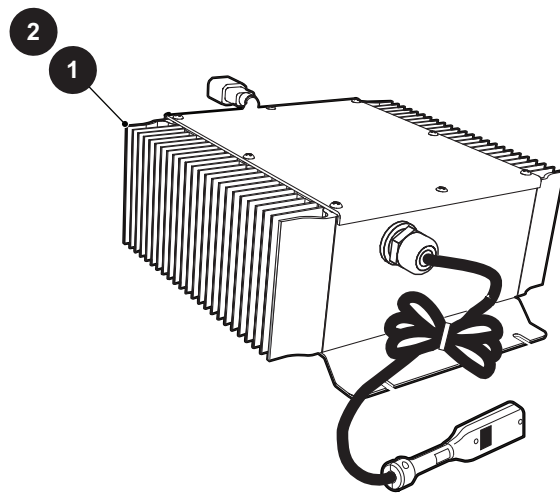
When ordering parts, please specify the model and serial number of the product.

* Indicates a component that is not available as an individual part.

*** Indicates consult Customer Service Department for additional information.

ITEM	PART NO.	1	2	3	4	5	DESCRIPTION	QTY.
32	25879G08						PEDAL HARNESS (INCLUDES ITEMS 33 - 34)	1
33	17313G1						LOOM FLEX (BULK), 3/8"	1
34	17618G1						NYLON CLAMP, 8" LG	2
35								
36	00715G2						HEX HEAD BOLT, 5/16" - 18 X 3/4" LG.....	4

BATTERY CHARGER



BATTERY CHARGER

THE USE OF NON U.L. PARTS WILL VOID ANY U.L. LISTING.

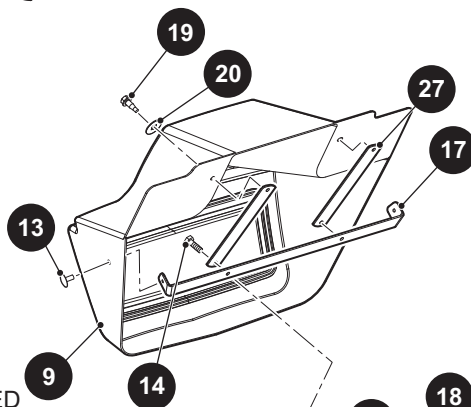
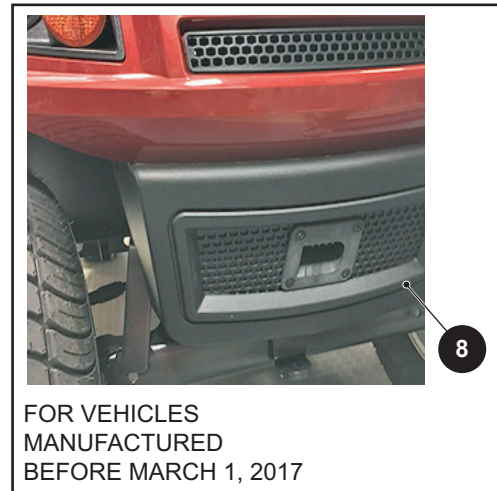
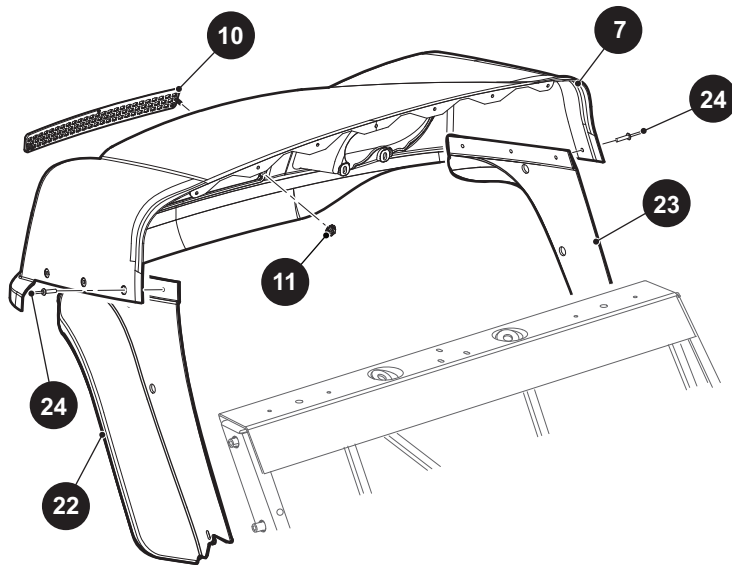
When ordering parts, please specify the model and serial number of the product.

* Indicates a component that is not available as an individual part.

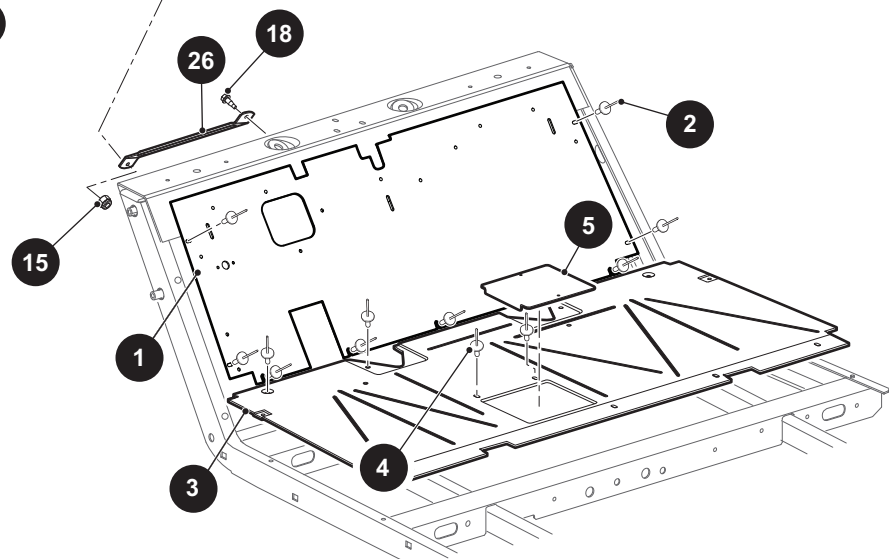
*** Indicates consult Customer Service Department for additional information.

ITEM	PART NO.	1 2 3 4 5	DESCRIPTION	QTY.
1	645743		72V BATTERY CHARGER, 1500W	1
2	634567		72V BATTERY CHARGER, 1000W	1

BODY



FOR VEHICLES
MANUFACTURED
AFTER MARCH 1, 2017



THE USE OF NON U.L. PARTS WILL VOID ANY U.L. LISTING.

When ordering parts, please specify the model and serial number of the product.

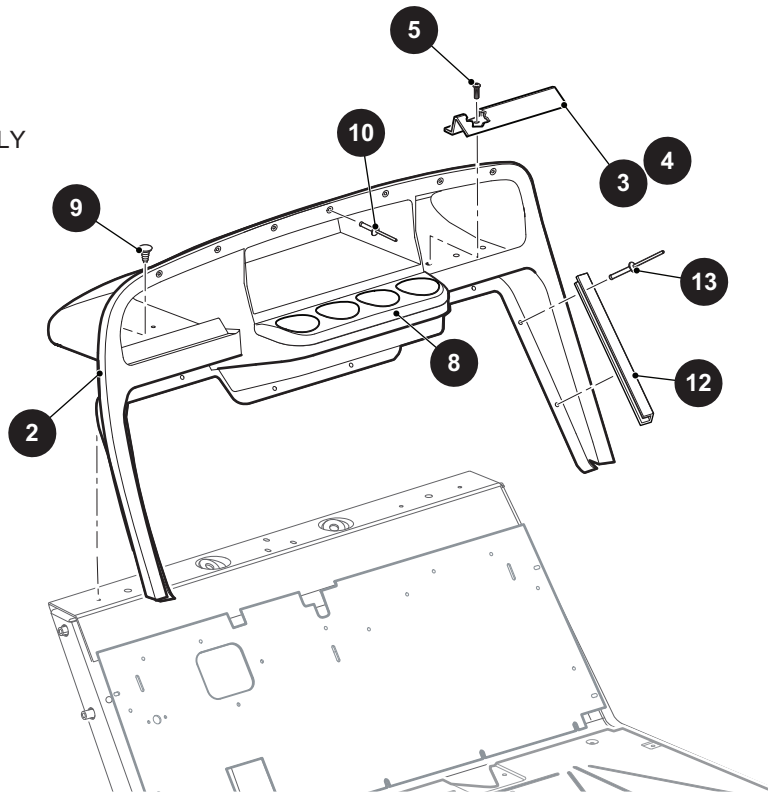
* Indicates a component that is not available as an individual part.

*** Indicates consult Customer Service Department for additional information.

ITEM	PART NO.	1 2 3 4 5	DESCRIPTION	QTY.
1	641260		UPPER FLOORPAN	1
2	14601G11		RIVET (ALUMINUM), 3/16" X 9/16" LG	7
3	70451G01		LOWER FLOORPAN	1
4	14601G11		RIVET (ALUMINUM), 3/16" X 9/16" LG	9
5	70452G01		ACCESS COVER.....	1
6				
7	613036G0XX		COWL (See COLOR CODE in HOW TO USE Section of Manual)	1
8	CU613273		FRONT FASCIA (FOR VEHICLES MANUFACTURED BEFORE MARCH 1, 2017)	1
9	613273		FRONT FASCIA.....	1
10	617643		COWL GRILL COVER	1
11	71597G01		SELF THREADING NUT, 5MM X 10MM X 15MM LG	2
12				
13	15058G1		RIVET (ALUMINUM), .87" LG	2
14	00414G6		HEX HEAD BOLT, 1/4" - 20 X 3/4" LG	2
15	14390G4		LOCK NUT, 1/4" - 20	2
16				
17	618653		FASCIA BRACKET.....	1
18	71102G03		HEX WASHER HEAD SCREW, 1/4" - 20 X 1.15" LG	2
19	01038G01		HEX WASHER HEAD SWAGEFORM SCREW WITH DOGPOINT, 1/4" - 20 X .7" LG	2
20	16469G1		FENDER WASHER, 9/32"	2
21				
22	614378		FENDER FLARE (DRIVER SIDE)	1
23	613274		FENDER FLARE (PASSENGER SIDE).....	1
24	71055G01		RIVET (ALUMINUM), 3/16" X 1" LG	3
25				
26	70725G02		FRONT SHIELD BRACE	2
27	662220		COWL STRAP	2

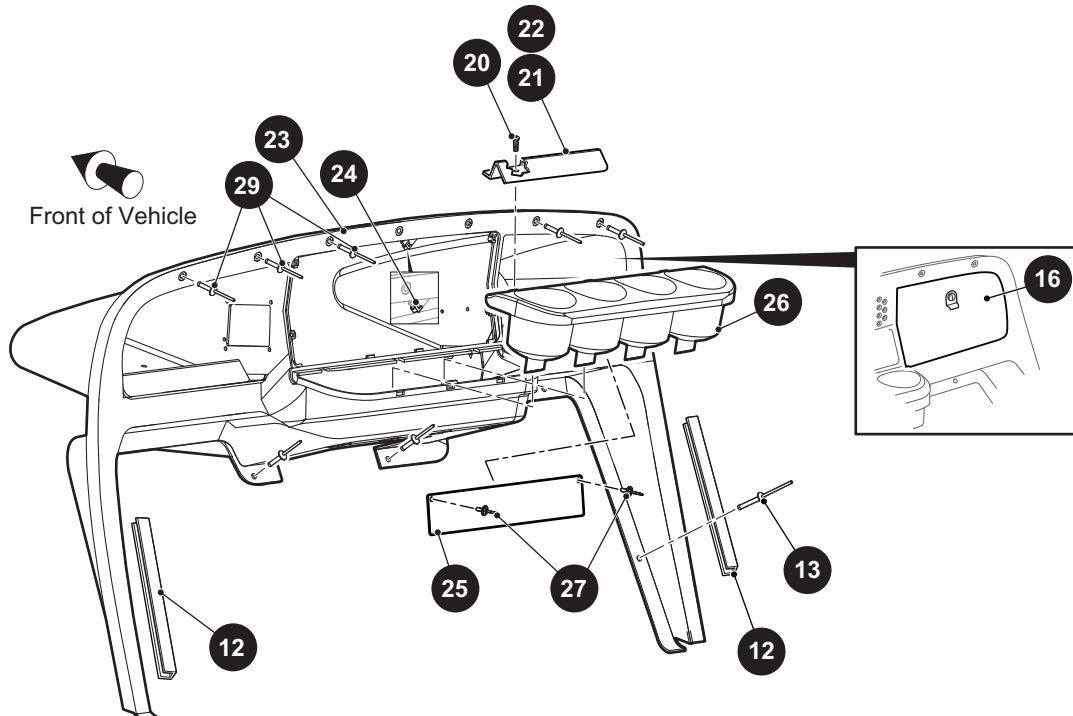
FOR VEHICLES MANUFACTURED
BEFORE MARCH 1, 2017

- 1** INSTRUMENT PANEL ASSEMBLY
includes items 2 - 6



FOR VEHICLES MANUFACTURED
AFTER MARCH 1, 2017

- 18** INSTRUMENT PANEL ASSEMBLY
includes items 19 - 27
- 19** INSTRUMENT PANEL ASSEMBLY WITH BALL DEFLECTOR
includes items 20 - 24



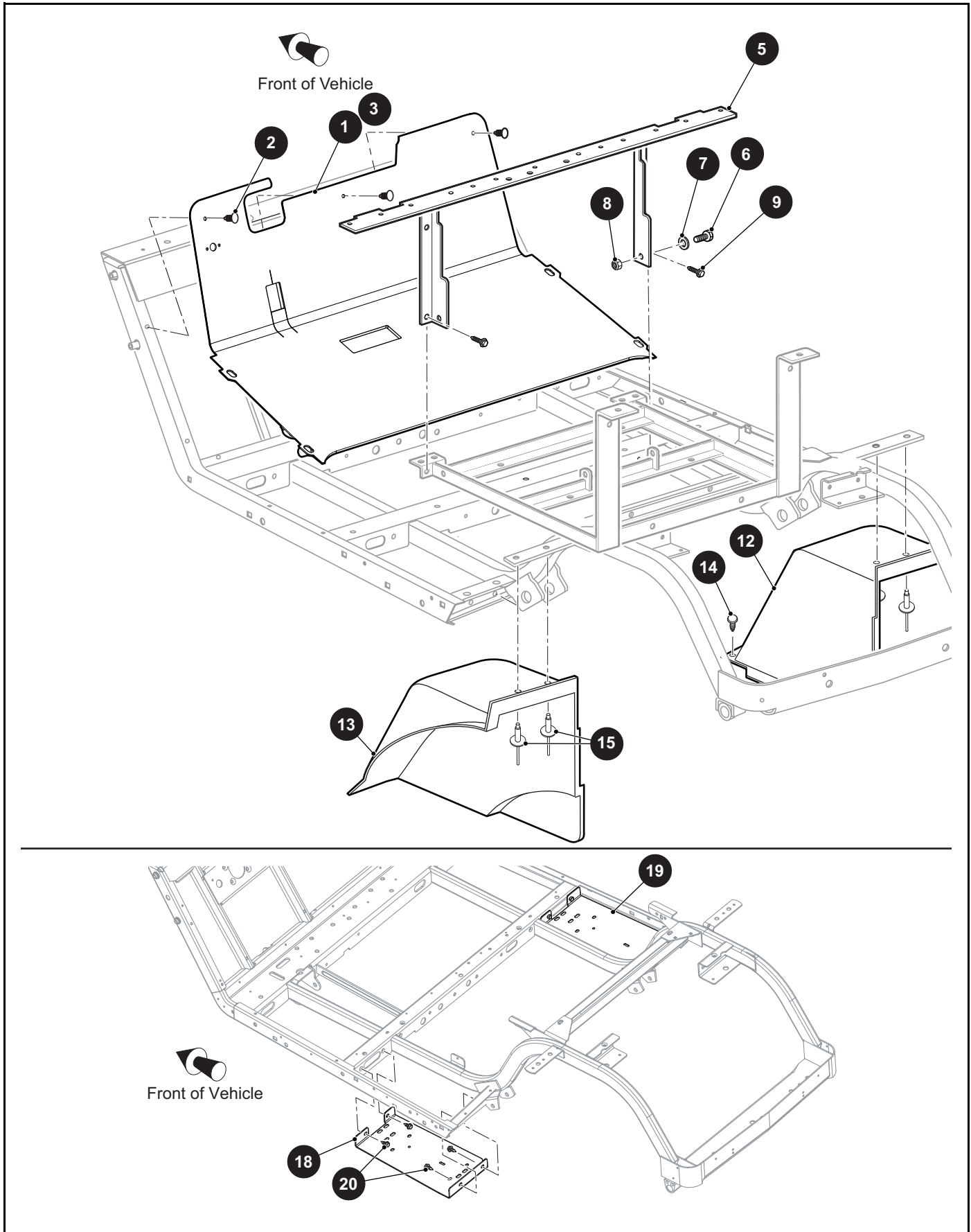
THE USE OF NON U.L. PARTS WILL VOID ANY U.L. LISTING.

When ordering parts, please specify the model and serial number of the product.

* Indicates a component that is not available as an individual part.

*** Indicates consult Customer Service Department for additional information.

ITEM	PART NO.	1 2 3 4 5	DESCRIPTION	QTY.
1	628017		INSTRUMENT PANEL ASSEMBLY (INCLUDES ITEM 2 - 6).....	1
2	628010		INSTRUMENT PANEL	1
3	641632G01		BALL HOLDER (DRIVER SIDE)	1
4	641632G02		BALL HOLDER (PASSENGER SIDE)	1
5	00614G3		PAN HEAD PHILLIPS SCREW, #8 - 15 X 3/8" LG.....	4
6	71364G02		SPEED NUT "J" TYPE, #8 (NOT ILLUSTRATED)	5
7				
8	71158G01		CUP HOLDER INSERT	1
9	16816G2		RATCHET FASTENER, 1/4" X 3/4" LG.....	2
10	71055G01		RIVET (ALUMINUM), 3/16" X 1" LG	7
11				
12	71115G01		VINYL TRIM	2
13	71055G01		RIVET (ALUMINUM), 3/16" X 1" LG	2
14				
15				
16	75459G03		GLOVE BOX DOOR (PASSENGER SIDE)	1
17				
18	662328		INSTRUMENT PANEL ASSEMBLY (INCLUDES ITEM 19 - 27).....	1
19	71917G01		INSTRUMENT PANEL ASSEMBLY WITH BALL DEFLECTOR (INCLUDES ITEM 20 - 24)	1
20	00614G3		PAN HEAD PHILLIPS SCREW, #8 - 15 X 3/8" LG	4
21	71153G01		BALL DEFLECTOR (PASSENGER SIDE)	1
22	71154G01		BALL DEFLECTOR (DRIVER SIDE)	1
23	628010		INSTRUMENT PANEL	1
24	71364G02		SPEED NUT "J" TYPE, #8	5
25	662223		SAFETY CONSOLE LABEL BRACKET	1
26	71158G01		CUP HOLDER INSERT	1
27	71055G01		RIVET (ALUMINUM), 3/16" X 1" LG	2
28				
29	71055G01		RIVET (ALUMINUM), 3/16" X 1" LG	7
30				



THE USE OF NON U.L. PARTS WILL VOID ANY U.L. LISTING.

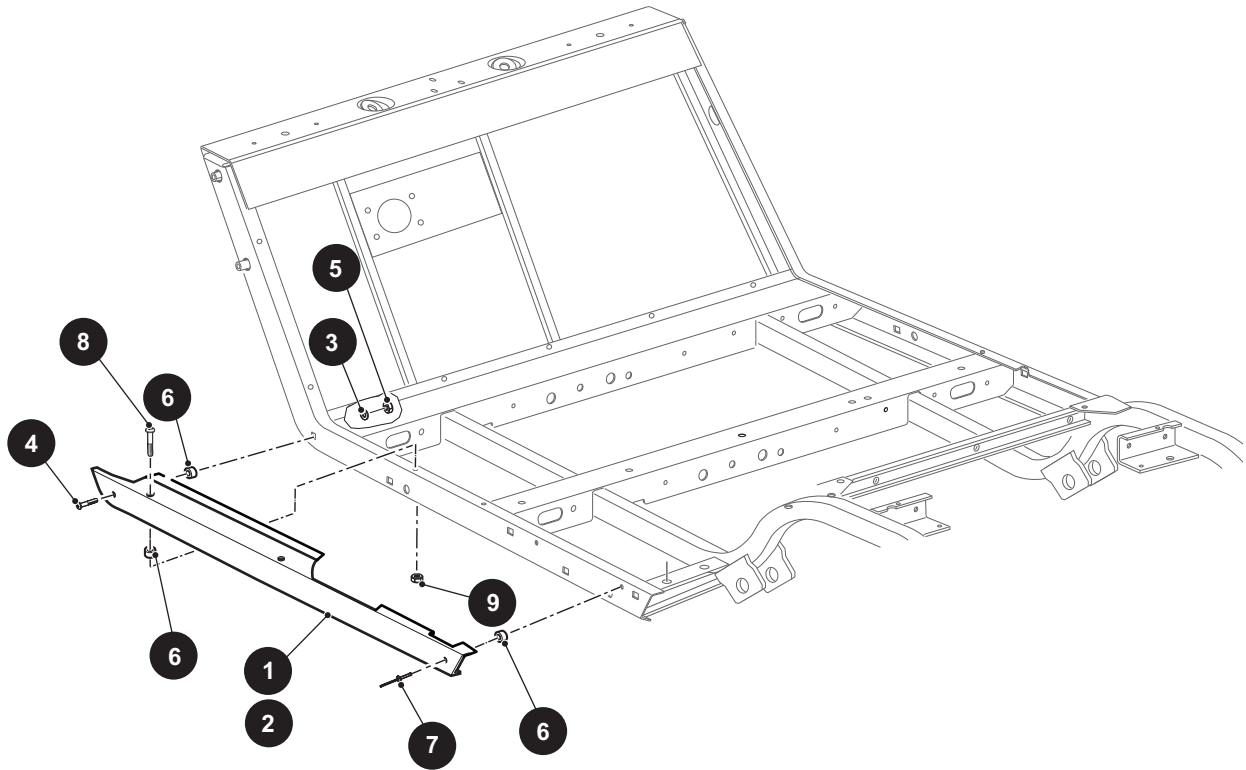
When ordering parts, please specify the model and serial number of the product.

* Indicates a component that is not available as an individual part.

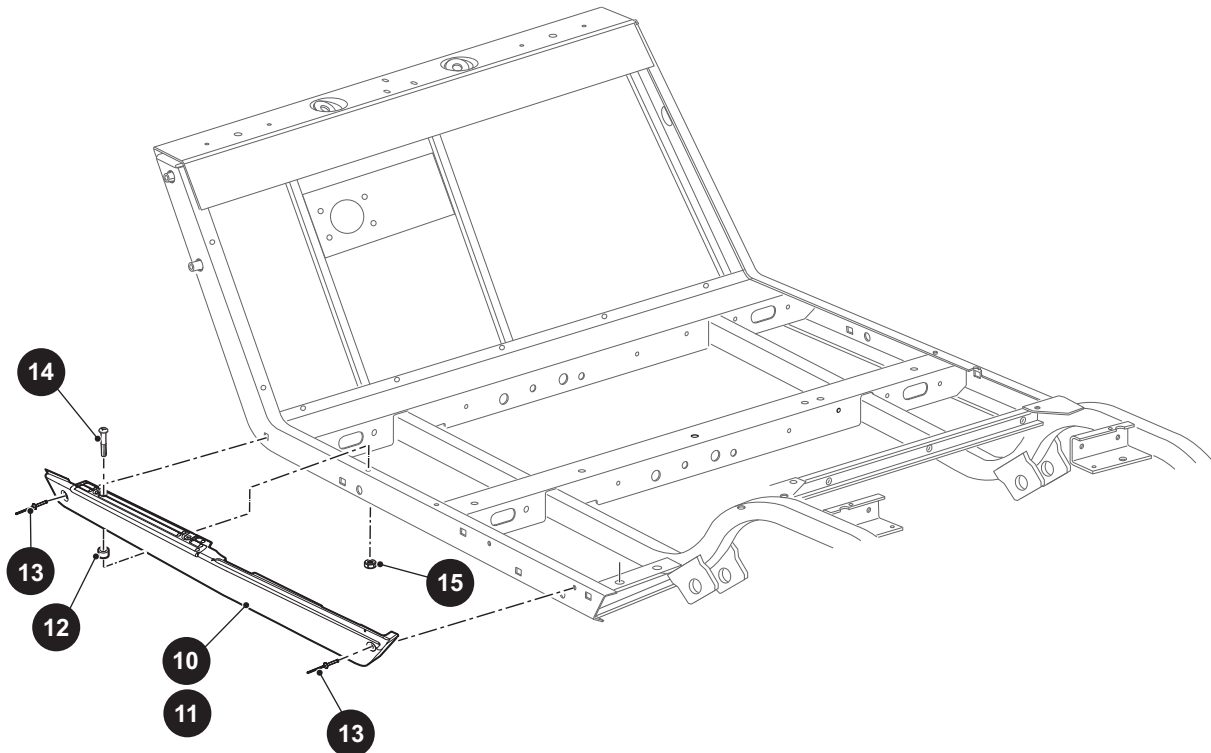
*** Indicates consult Customer Service Department for additional information.

ITEM	PART NO.	1 2 3 4 5	DESCRIPTION	QTY.
1	637535G02		FLOOR MAT WITH HORN HOLES (FOR VEHICLES MANUFACTURED BEFORE MARCH 1, 2017)	1
2	16816G1		RATCHET RIVET, .25" X .72"	3
3	70663G03		FLOOR MAT (FOR VEHICLES MANUFACTURED AFTER MARCH 1, 2017)	1
4				
5	70441G01		SEAT FRAME	1
6	00438G6		HEX HEAD BOLT, 5/16" - 18 X .625 LG	2
7	00559G8		FLAT WASHER, 5/16"	2
8	11098G6		LOCK NUT , 5/16" - 18	2
9	00715G2		HEX WASHER HEAD BOLT, 5/16" - 18 X .8" LG	2
10				
11				
12	658946		FENDER LINER (PASSENGER SIDE).....	1
13	658949		FENDER LINER (DRIVER SIDE)	1
14	16816G2		RATCHET FASTENER, 1/4" X .887" LG.....	4
15	10570G12		RIVET (ALUMINUM), .257" X .556" LG	2
16				
17				
18	652443G103		BATTERY TRAY BRACKET (DRIVER SIDE)	1
19	652443G203		BATTERY TRAY BRACKET (PASSENGER SIDE)	1
20	00715G2		HEX WASHER HEAD BOLT, 5/16" - 18 X .8" LG	4

FOR VEHICLES MANUFACTURED BEFORE JUNE 02, 2019



FOR VEHICLES MANUFACTURED AFTER JUNE 02, 2019



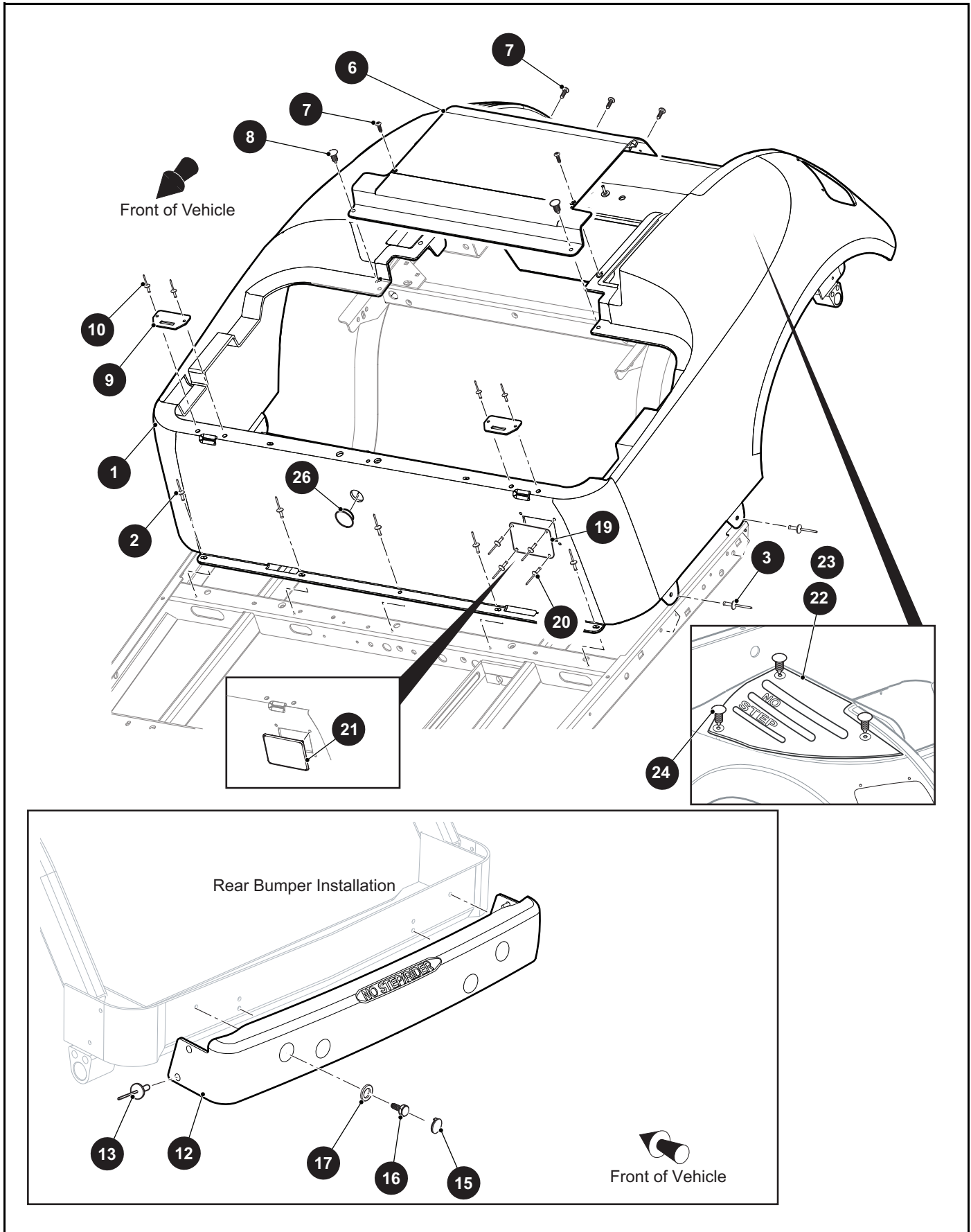
THE USE OF NON U.L. PARTS WILL VOID ANY U.L. LISTING.

When ordering parts, please specify the model and serial number of the product.

* Indicates a component that is not available as an individual part.

*** Indicates consult Customer Service Department for additional information.

ITEM	PART NO.	1 2 3 4 5	DESCRIPTION	QTY.
FOR VEHICLES MANUFACTURED BEFORE JUNE 02, 2019				
1	639948G01		ROCKER PANEL (DRIVER SIDE).....	1
2	639948G02		ROCKER PANEL (PASSENGER SIDE)	1
3	00660G5		FLAT WASHER, #10	2
4	00789G2		TRUSS HEAD PHILLIPS SCREW #10 - 24 X 1.25" LG	2
5	14390G10		LOCK NUT, #10 - 24	2
6	23726G4		SPACER, 0.25"	4
7	15058G6		RIVET (ALUMINUM), 3/16"	1
8	634161		FLANGED BUTTON HEAD TORX BOLT, M6 - 1 X 30MM LG	2
9	601476		LOCK NUT, 1/4" - 20	2
FOR VEHICLES MANUFACTURED AFTER JUNE 02, 2019				
10	689928G01		ROCKER PANEL (DRIVER SIDE).....	1
11	689928G02		ROCKER PANEL (PASSENGER SIDE)	1
12	23726G4		SPACER, 0.25"	2
13	15058G6		RIVET (ALUMINUM), 3/16"	2
14	645323		BUTTON HEAD TORX HEXALOBULAR SCREW, M6 - 1 X 23.4MM LG	2
15	601476		LOCK NUT, M6 - 1	2



THE USE OF NON U.L. PARTS WILL VOID ANY U.L. LISTING.

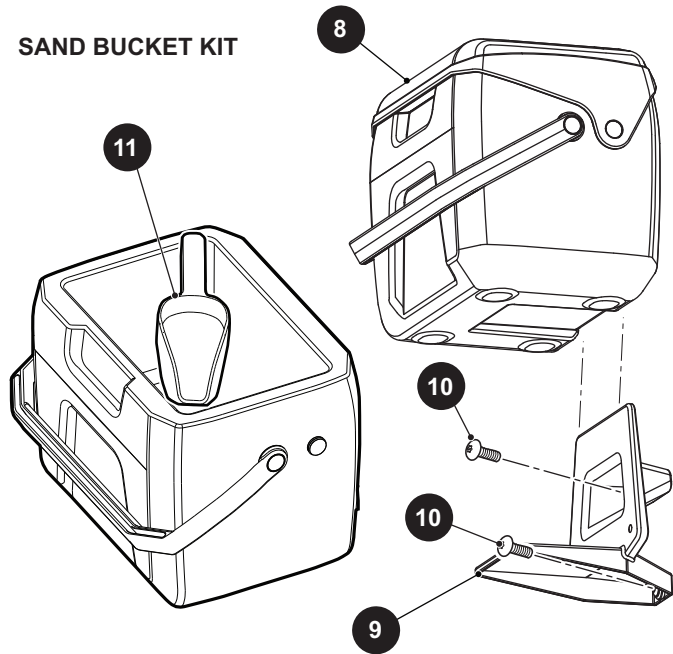
When ordering parts, please specify the model and serial number of the product.

* Indicates a component that is not available as an individual part.

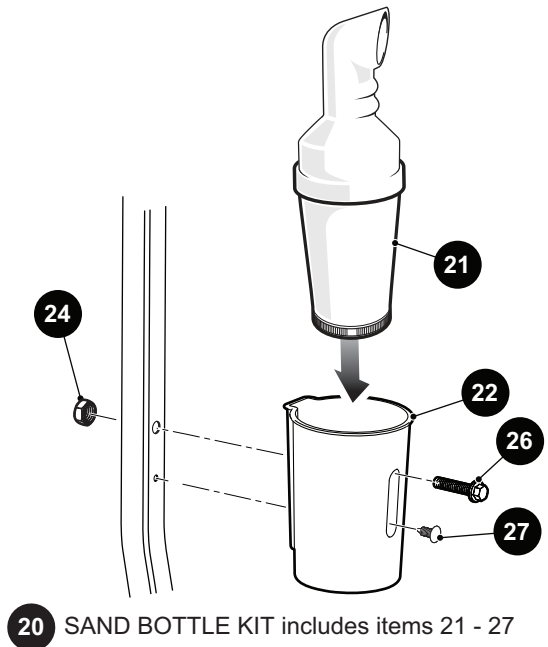
*** Indicates consult Customer Service Department for additional information.

ITEM	PART NO.	1 2 3 4 5	DESCRIPTION	QTY.
1	625272G1XX		REAR BODY (WITH TAILLIGHTS) (See COLOR CODE in HOW TO USE section)	1
2	10570G10		RIVET (SS), 5/32" X .55" LG	5
3	10570G12		RIVET (ALUMINUM), .257" X .556" LG	4
4	633917		RIVET (PLASTIC) (NOT ILLUSTRATED)	2
5				
6	71320G01		ACCESS PANEL.....	1
7	01107G01		PAN HEAD TORX SCREW (SS), #8 X .63" LG	5
8	16816G2		RATCHET RIVET, .25" X .887"	2
9	71609G01		SEAT HINGE PLATE.....	1
10	10570G11		RIVET (SS), 5/32" X .70" LG.....	2
11				
12	695282		REAR BUMPER.....	1
13	14601G17		RIVET (ALUMINUM), 3/16" X 9/16" LG	4
14				
15	71514G01		BUMPER PLUG	4
16	71102G01		HEX HEAD BOLT, 1/4" - 20 X 3/4" LG	4
17	00571G2		FLAT WASHER, 5/16".....	4
18				
19	73173G02		COVER PLATE (FOR VEHICLES MANUFACTURED BEFORE OCTOBER 29, 2018).....	1
20	71055G01		RIVET (ALUMINUM), 3/16" X 1" LG (FOR VEHICLES MANUFACTURED BEFORE OCTOBER 29, 2018).....	4
21	666066		RECEPTACLE COVER PLATE (FOR VEHICLES MANUFACTURED AFTER OCTOBER 29, 2018).....	1
22	625210		REAR SCUFF PAD (DRIVER SIDE)	1
23	625211		REAR SCUFF PAD (PASSENGER SIDE)	1
24	16816G2		RATCHET RIVET, .25" X .887"	3
25				
26	71316G01		PLUG	1

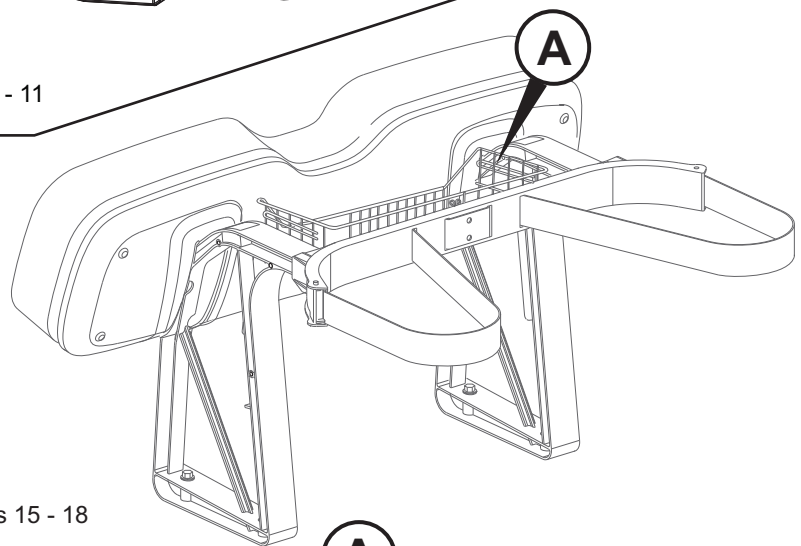
SAND BUCKET KIT



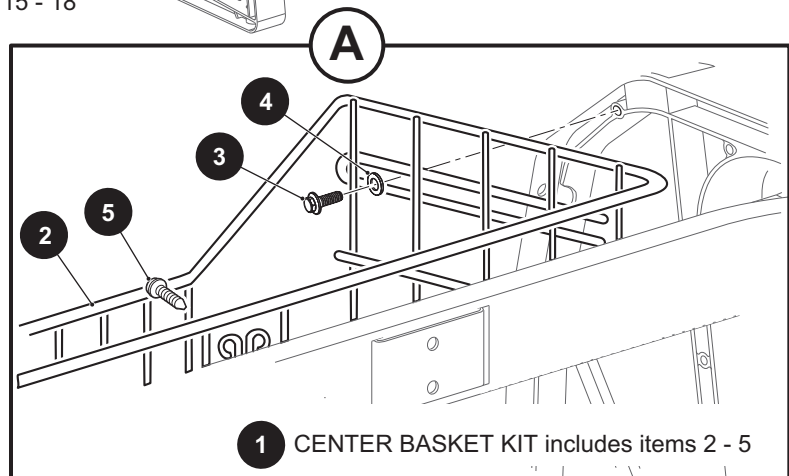
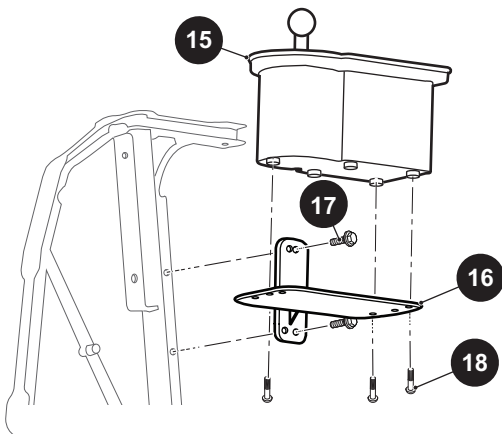
7 SAND BUCKET KIT includes items 8 - 11



20 SAND BOTTLE KIT includes items 21 - 27



14 CLUB & BALL WASHER KIT includes items 15 - 18



1 CENTER BASKET KIT includes items 2 - 5

THE USE OF NON U.L. PARTS WILL VOID ANY U.L. LISTING.

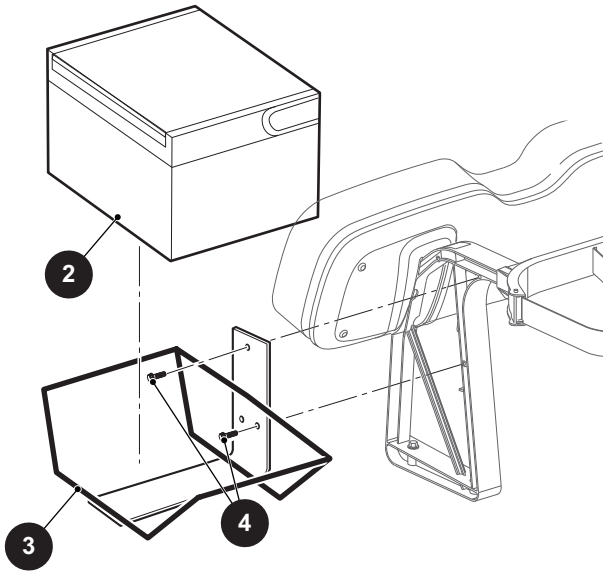
When ordering parts, please specify the model and serial number of the product.

* Indicates a component that is not available as an individual part.

*** Indicates consult Customer Service Department for additional information.

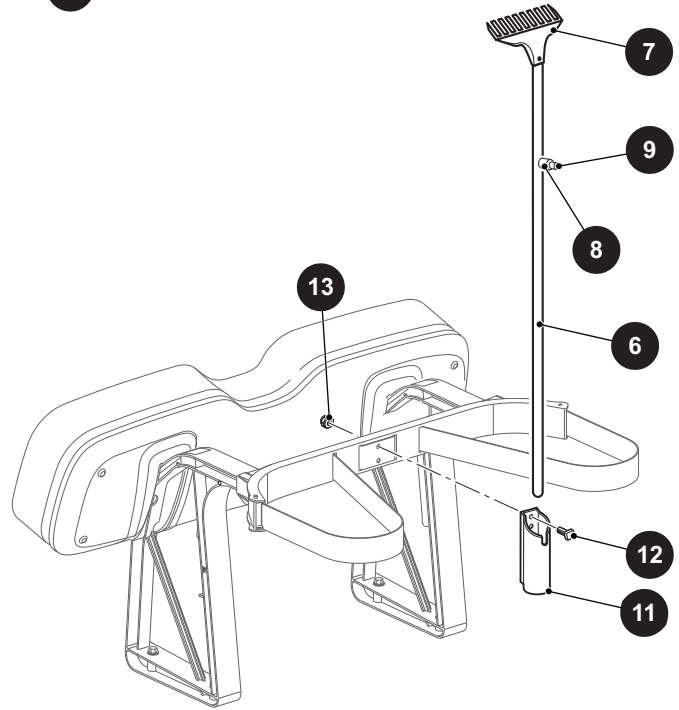
ITEM	PART NO.	1 2 3 4 5	DESCRIPTION	QTY.
1	75003G02		CENTER BASKET KIT (INCLUDES ITEMS 2 - 5)	1
2	75461G01		CENTER BASKET	1
3	71102G01		HEX HEAD BOLT, 1/4" - 20 X 3/4" LG.....	2
4	00793G2		FLAT WASHER (SS), 1/4"	2
5	01105G01		TORX SCREW (SS), #10 - 14 X 5/8" LG	2
6				
7	664402		SAND BUCKET KIT (INCLUDES ITEMS 8 - 11).....	1
8	662248		SAND BUCKET	1
9	658506		BRACKET.....	1
10	659155		TRUSS HEAD TORX SCREW, 1/4" - 20 X 3/4" LG	2
11	74848G01		SCOOP.....	1
12				
13				
14	627900		CLUB AND BALL WASHER KIT (INCLUDES ITEMS 15 - 18)	1
15	*		CLUB AND BALL WASHER	1
16	*		CLUB AND BALL WASHER WELDMENT.....	1
17	*		HEX HEAD BOLT, 1/4" - 20 X 3/4" LG.....	2
18	*		PAN HEAD PHILLIPS SELF TAPPING SCREW, #8 - 18 X 1" LG	3
19				
20	614179		SAND BOTTLE KIT (INCLUDES ITEMS 21 - 27).....	1
21	600612		SAND BOTTLE.....	1
22	28660G01		SAND BOTTLE HOLDER.....	1
23				
24	800706		LOCK NUT, M10 - 1.5.....	1
25				
26	603799		FLANGED HEX HEAD BOLT, M10 - 1.5 X 25MM LG	1
27	16816G2		RATCHET RIVET, .25" X .887" LG	1

1 COOLER KIT includes items 2 - 4

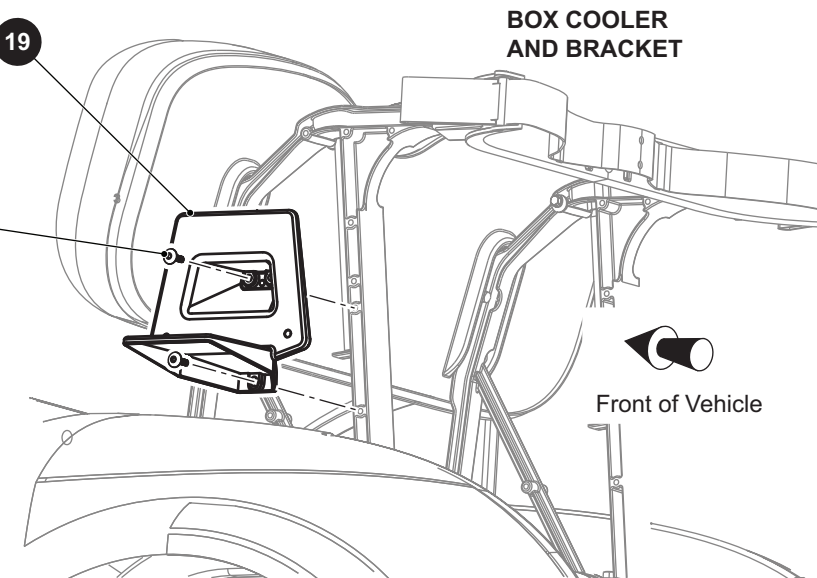
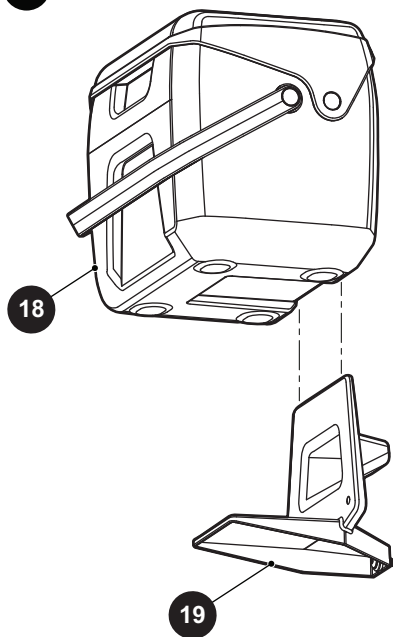


FOR VEHICLES MANUFACTURED
BEFORE AUGUST 13, 2017

5 RAKE ASSEMBLY includes items 6 - 10



17 COOLER KIT includes items 18 - 20



FOR VEHICLES MANUFACTURED
AFTER AUGUST 13, 2017

THE USE OF NON U.L. PARTS WILL VOID ANY U.L. LISTING.

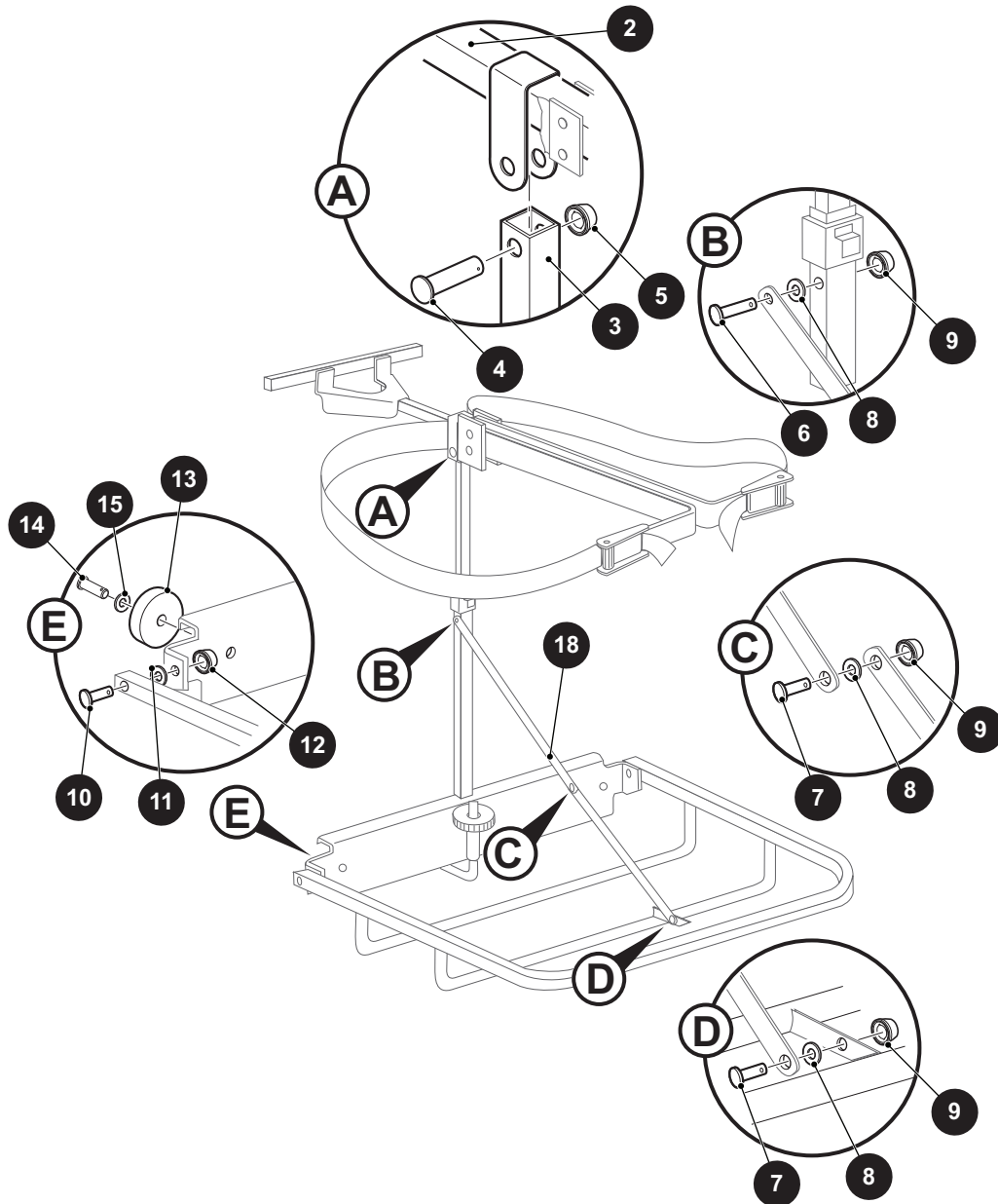
When ordering parts, please specify the model and serial number of the product.

* Indicates a component that is not available as an individual part.

*** Indicates consult Customer Service Department for additional information.

ITEM	PART NO.	1 2 3 4 5	DESCRIPTION	QTY.
1	634319		COOLER KIT (INCLUDES ITEMS 2 - 4) (FOR VEHICLES MANUFACTURED BEFORE AUGUST 13, 2017).....	1
2	601366		BEVERAGE COOLER.....	1
3	634154		COOLER BRACKET.....	1
4	71102G01		HEX HEAD BOLT, 1/4" - 20 X 3/4" LG.....	3
5	14735G1		RAKE ASSEMBLY (INCLUDES ITEMS 6 - 10)	1
6	14736G2		RAKE HANDLE	1
7	14737G1		RAKE.....	1
8	14934G1		SPACER	1
9	00130G8		ROUND HEAD PHILLIPS WOOD SCREW, #10 - 13 X 1" LG	1
10	14744G1		NAIL (NOT ILLUSTRATED)	1
11	25885G01		RAKE HOLDER	1
12	00989G06		SQUARE HEAD BOLT, 1/4" - 20 X 3/4" LG	2
13	11027G2		LOCK NUT, 1/4" - 20.....	2
14				
15				
16				
17	658509		COOLER KIT (INCLUDES ITEMS 18 - 20) (FOR VEHICLES MANUFACTURED AFTER AUGUST 13, 2017).....	1
18	658503		BEVERAGE COOLER.....	1
19	658506		COOLER BRACKET.....	1
20	659155		HEX HEAD BOLT, 1/4" - 20 X 3/4" LG.....	2

1 FOUR BAG ATTACHMENT KIT includes items 2 - 15



THE USE OF NON U.L. PARTS WILL VOID ANY U.L. LISTING.

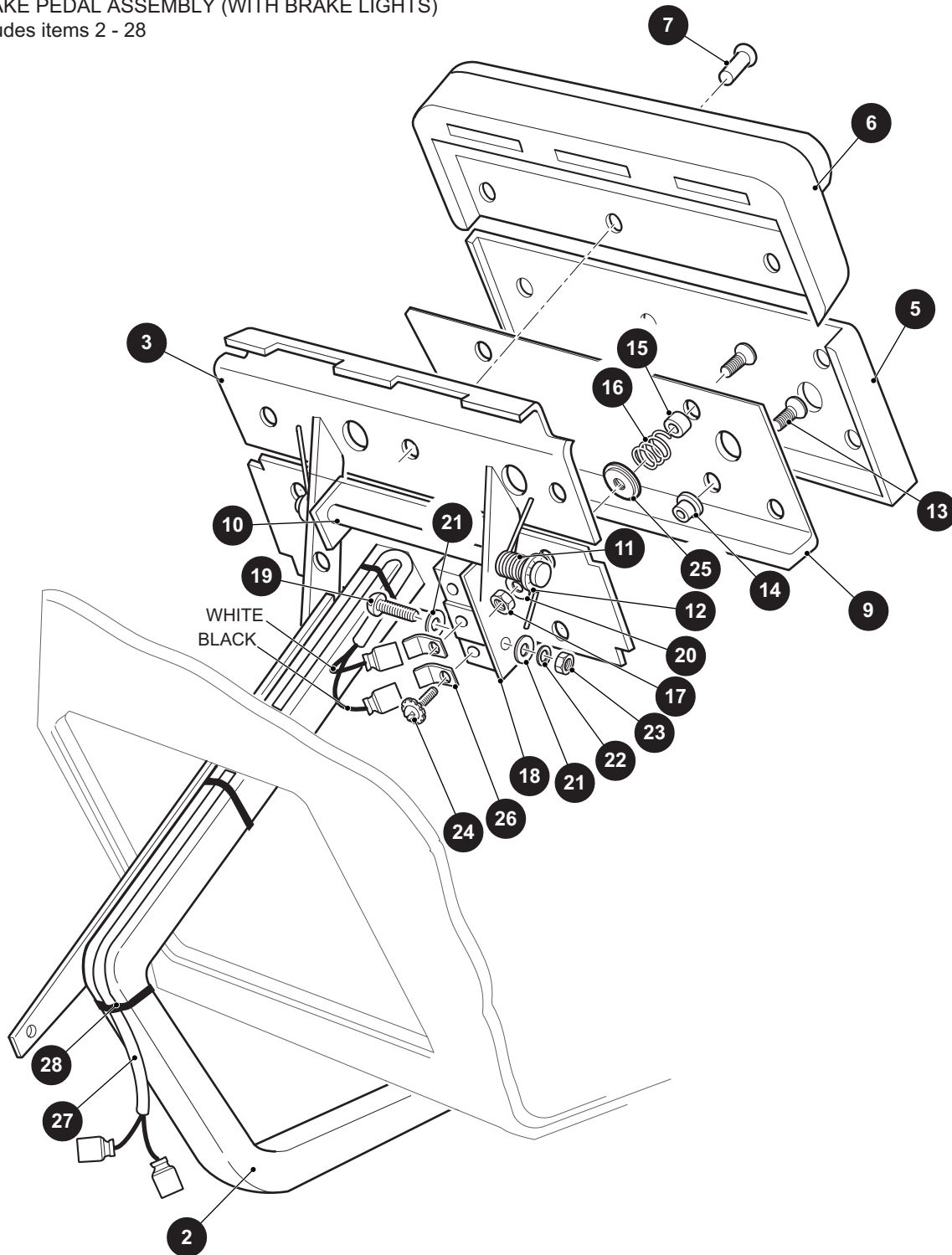
When ordering parts, please specify the model and serial number of the product.

* Indicates a component that is not available as an individual part.

*** Indicates consult Customer Service Department for additional information.

ITEM	PART NO.	1 2 3 4 5	DESCRIPTION	QTY.
1	75335G01		FOUR BAG ATTACHMENT KIT (INCLUDES ITEM 2 - 15)	1
2	*		TOP ASSEMBLY	1
3	*		BOTTOM ASSEMBLY	1
4	17651G2		CLEVIS PIN, 5/16" X 1 1/8" LG	1
5	28129G01		PUSH NUT, 5/16"	1
6	17651G2		CLEVIS PIN, 5/16" X 1 1/8" LG	1
7	17651G3		CLEVIS PIN, 5/16" X 1/2" LG	2
8	00559G8		FLAT WASHER, 5/16"	3
9	28129G01		PUSH NUT, 5/16"	3
10	17651G1		CLEVIS PIN, 3/8" X 1 1/4" LG	2
11	00560G1		FLAT WASHER, 3/8"	2
12	28129G02		PUSH NUT, 3/8"	2
13	13728G1		RUBBER BUMPER	2
14	14601G1		RIVET, 3/16"	2
15	00559G5		FLAT WASHER, #10	2
16				
17	17618G1		NYLON CLAMP, 8" LG (NOT ILLUSTRATED)	1
18	17632G1		BOTTOM LINK BRACE	1

1 BRAKE PEDAL ASSEMBLY (WITH BRAKE LIGHTS)
includes items 2 - 28



BRAKES

THE USE OF NON U.L. PARTS WILL VOID ANY U.L. LISTING.

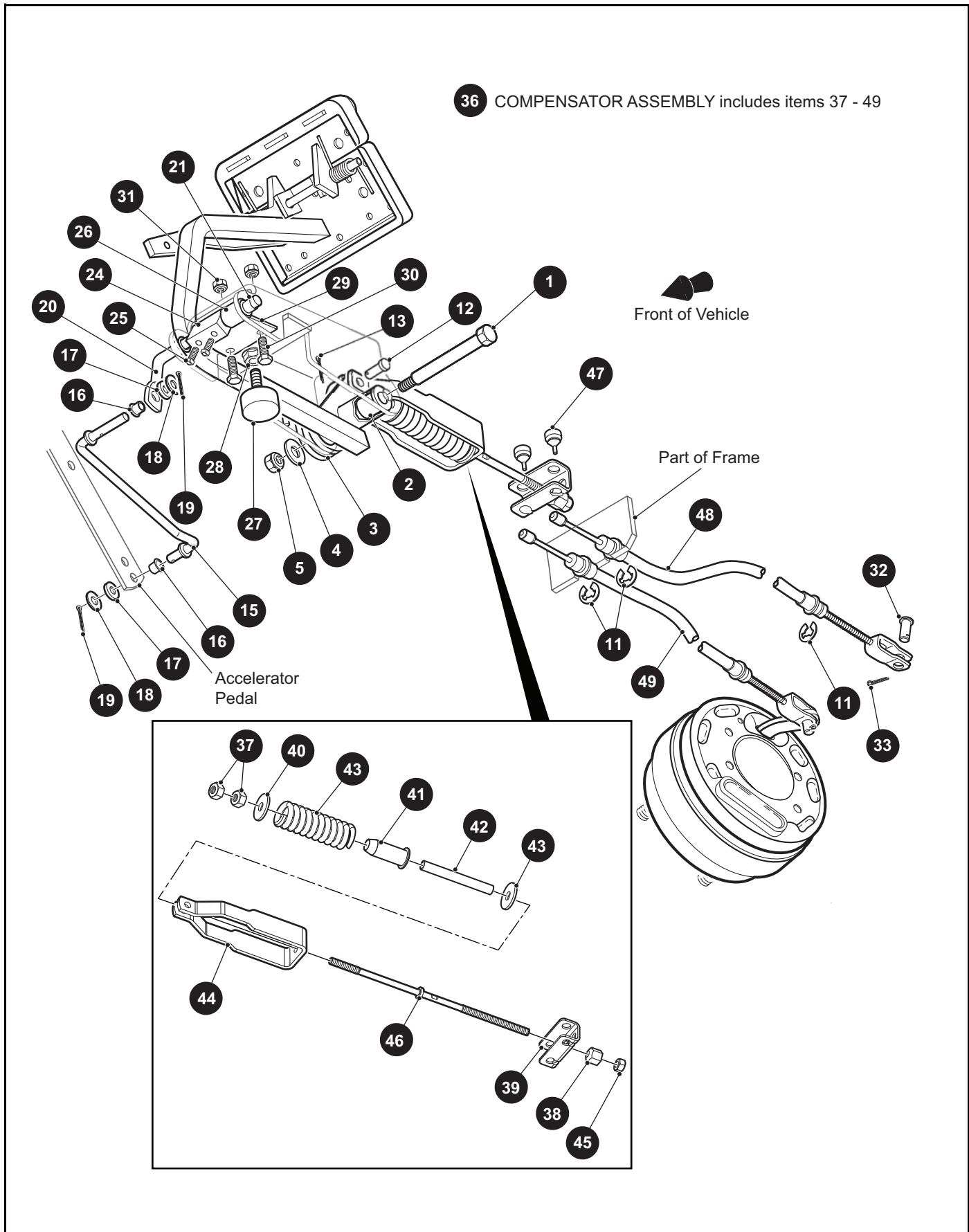
When ordering parts, please specify the model and serial number of the product.

* Indicates a component that is not available as an individual part.

*** Indicates consult Customer Service Department for additional information.

ITEM	PART NO.	1 2 3 4 5	DESCRIPTION	QTY.
1	70690G02		BRAKE PEDAL ASSEMBLY (WITH BRAKE LIGHTS) (INCLUDES ITEMS 2 - 28)	1
2	652791G03		BRAKE PEDAL.....	1
3	652253G03		PARK BRAKE PEDAL	1
4				
5	70257G01		SERVICE BRAKE PAD.....	1
6	70256G01		PARK BRAKE PAD.....	1
7	16409G1		OVAL RIVET, 3/8" X 15/32" LG	9
8				
9	652820		SERVICE BRAKE PEDAL PLATE	1
10	70682G01		PIVOT PIN.....	1
11	70681G01		TORSION SPRING, .408" DIA X .93" LG	2
12	658825		PUSH NUT, 5/16"	2
13	00737G8		FLAT HEAD PHILLIPS SCREW, #10 - 24 X 1" LG.....	4
14	00739G1		RUBBER NUT, #10 - 24	2
15	652355		BRAKE PEDAL SPACER	2
16	27137G01		CONICAL SPRING	2
17	14390G10		LOCK NUT, #10 - 24.....	2
18	10606G8		MICRO SWITCH	1
19	00645G2		PAN HEAD PHILLIPS SCREW, #6 - 32 X 1 1/4" LG.....	2
20	00559G5		FLAT WASHER, #10	2
21	00559G3		FLAT WASHER, #6	4
22	00565G3		LOCK WASHER, #6	2
23	00525G5		HEX NUT, #6 - 32	2
24	13514G1		PAN HEAD PHILLIPS SCREW WITH INTERNAL TOOTH LOCK WASHER, #6 - 32 X .22" LG	2
25	00642G8		FLAT WASHER, 5/16"	2
26	14628G1		FASTON TAB.....	2
27	24605G1		WIRE HARNESS, BRAKE LIGHT	1
28	17618G1		NYLON CLAMP, 7" LG	2

36 COMPENSATOR ASSEMBLY includes items 37 - 49



THE USE OF NON U.L. PARTS WILL VOID ANY U.L. LISTING.

When ordering parts, please specify the model and serial number of the product.

* Indicates a component that is not available as an individual part.

*** Indicates consult Customer Service Department for additional information.

ITEM	PART NO.	1 2 3 4 5	DESCRIPTION	QTY.
1	70582G01		HEX HEAD SHOULDER BOLT (SS), 3/4" X 4.03", 3/8" - 16 X .62" LG	1
2	70581G01		FLANGED BUSHING, .1.062" O.D. X .795" I.D.....	2
3	70676G01		TORSION SPRING	1
4	00643G1		LOCK WASHER, 3/8"	1
5	11098G5		LOCK NUT, 3/8" - 16.....	1
6	01038G01		HEX WASHER HEAD BOLT, 1/4" - 20 X .7" LG (NOT ILLUSTRATED)	1
7	12416G2		NYLON WEDGE LOCK CLAMP (NOT ILLUSTRATED).....	3
8				
9				
10				
11	01111G01		RETAINING RING (SS), DIA .8".....	4
12	10386G3		CLEVIS PIN, .438" X .938" LG.....	1
13	10387G3		COTTER PIN, .094" X .75" LG.....	1
14				
15	70601G01		KICK-OFF LINK	1
16	17838G1		NYLON BUSHING, .37" O.D. X .31" I.D.	2
17	20835G1		TEFLON WASHER, 3/8".....	2
18	00559G8		FLAT WASHER, 5/16".....	2
19	10387G3		COTTER PIN, .094" X .75" LG.....	2
20	70098G01		KICK-OFF CAM PIVOT.....	1
21	10097G6		FLANGED BEARING	2
22				
23				
24	70587G01		KICK-OFF CAM	1
25	71215G01		SET SCREW WITH PATCH LOCK, 1/4" - 20 X .5" LG	2
26	14134G4		SPACER, .76" O.D. X .395" I.D. X 1.25" LG	1
27	70113G01		ADJUSTABLE BUMPER.....	1
28	11027G1		LOCK NUT, 5/16 - 18"	1
29	70080G02		CATCH BRACKET	1
30	00414G6		HEX HEAD BOLT, 1/4" - 20 X .25" LG	2
31	14390G4		LOCK NUT (SS), 1/4" - 20	2

BRAKES

THE USE OF NON U.L. PARTS WILL VOID ANY U.L. LISTING.

When ordering parts, please specify the model and serial number of the product.

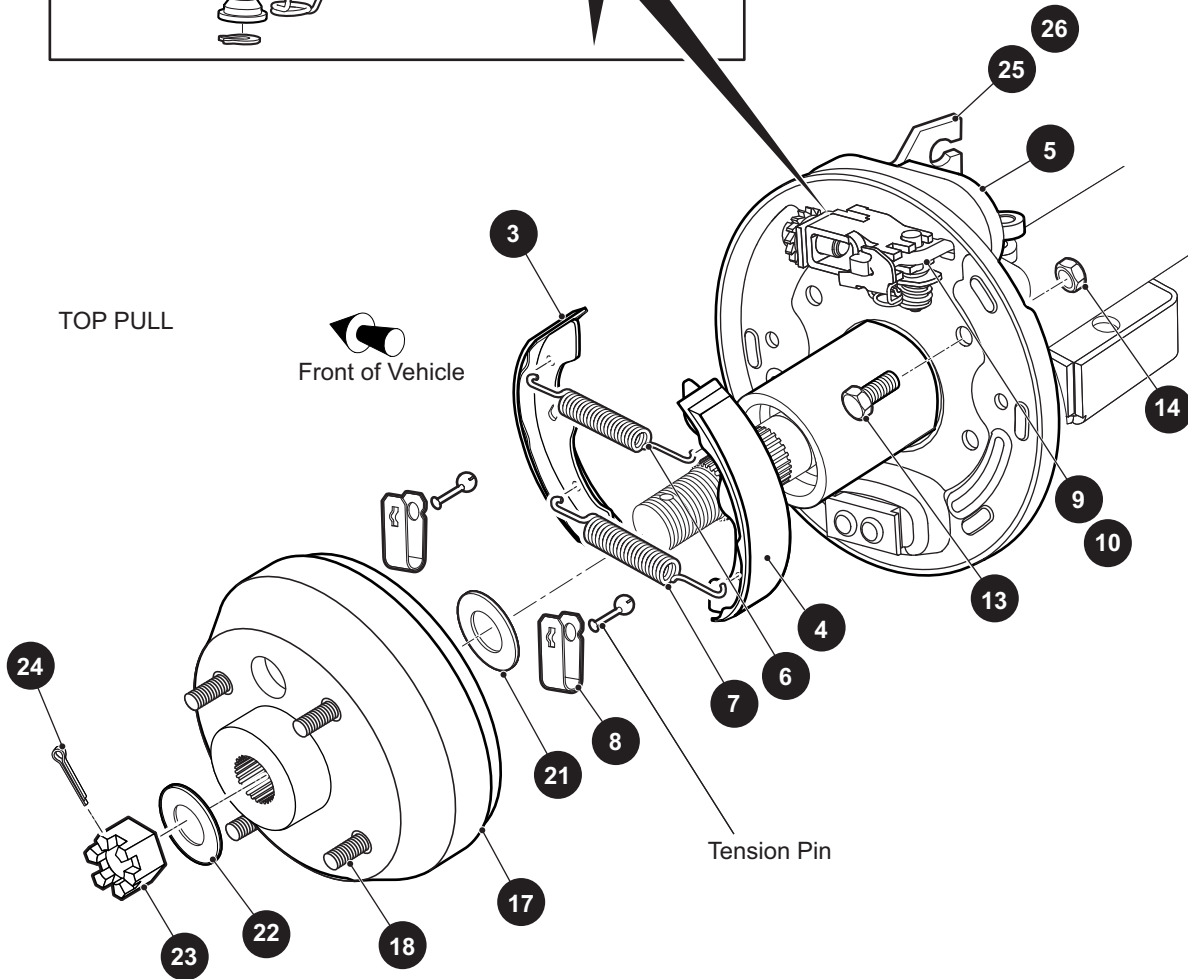
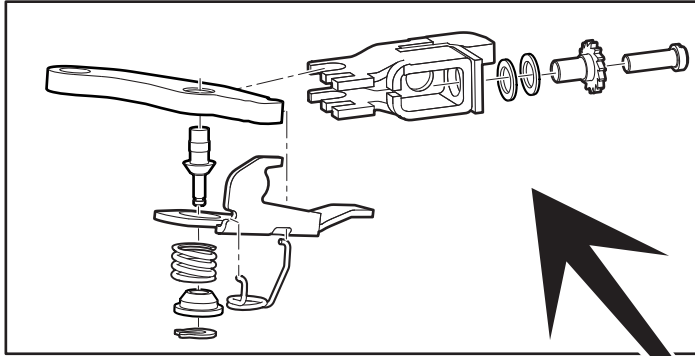
* Indicates a component that is not available as an individual part.

*** Indicates consult Customer Service Department for additional information.

ITEM	PART NO.	1	2	3	4	5	DESCRIPTION	QTY.
32	10386G3						CLEVIS PIN, .438" X .938" LG	1
33	10387G3						COTTER PIN, .094" X .75" LG	1
34								
35								
36	654663						COMPENSATOR ASSEMBLY (INCLUDES ITEMS 37 - 49)	1
37	00532G4						HEX NUT, 1/4" - 20	2
38	629486						SPHERICAL HEX NUT, 5/16" - 24	1
39	28082G01						EQUALIZER BRACKET	1
40	15121G1						FLAT WASHER, 5/16"	2
41	17979G1						ACCELERATOR ROD BUSHING, .464" I.D. X 1" O.D. X 2" LG.....	1
42	23061G2						TUBE.....	1
43	23463G1						COMPRESSION SPRING	1
44	652256						BRAKE YOKE	1
45	11098G9						HEX LOCK NUT, 5/16" - 24	1
46	612557						COMPENSATOR LINK ROD	1
47	28083G01						BRAKE COMPENSATOR BUMPER.....	2
48	624690						BRAKE CABLE (DRIVER SIDE).....	1
49	624691						BRAKE CABLE (PASSENGER SIDE)	1

BRAKES

- 1** BRAKE ASSEMBLY (DRIVER SIDE) includes items 3 - 9
- 2** BRAKE ASSEMBLY (PASSENGER SIDE) includes items 3 - 8, 10
- 16** BRAKE DRUM ASSEMBLY includes items 17, 18



THE USE OF NON U.L. PARTS WILL VOID ANY U.L. LISTING.

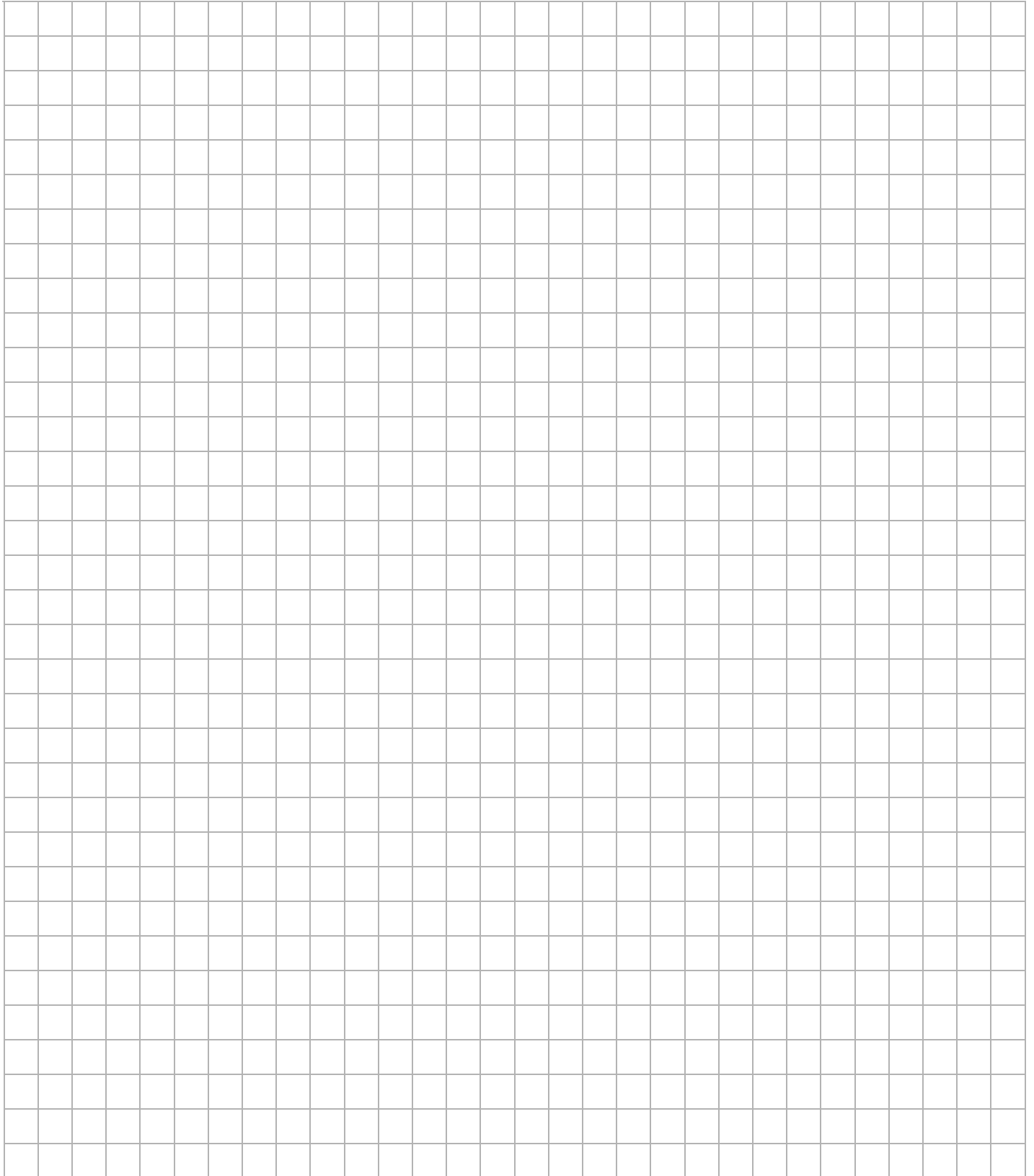
When ordering parts, please specify the model and serial number of the product.

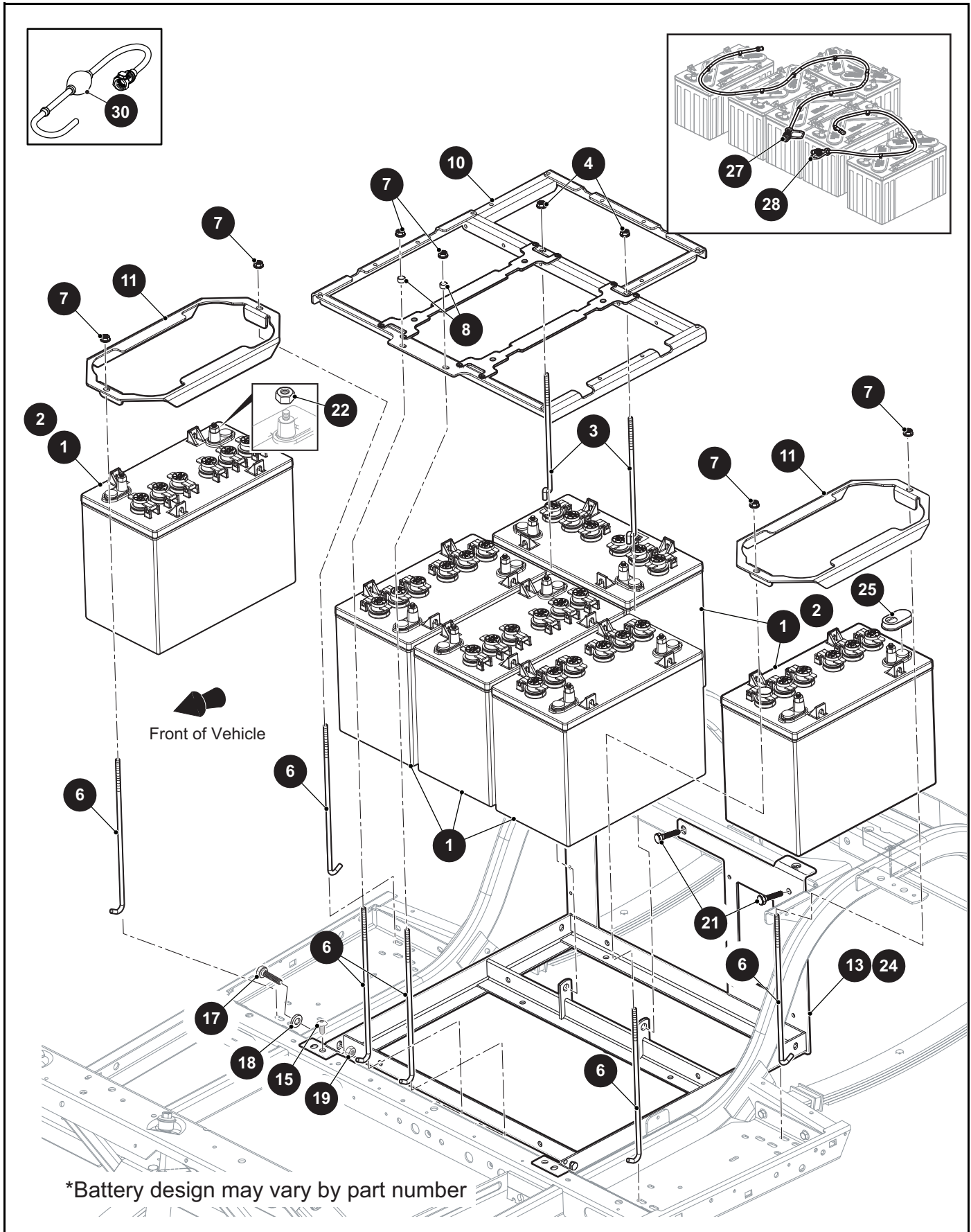
* Indicates a component that is not available as an individual part.

*** Indicates consult Customer Service Department for additional information.

ITEM	PART NO.	1 2 3 4 5	DESCRIPTION	QTY.
1	612189		BRAKE ASSEMBLY (DRIVER SIDE) (INCLUDES ITEMS 3 - 9).....	1
2	612211		BRAKE ASSEMBLY (PASSENGER SIDE) (INCLUDES ITEMS 3 - 8, 10)	1
3	612411		BRAKE SHOE, LEADING	1
4	612412		BRAKE SHOE, TRAILING.....	1
5	612413		DUST COVER	1
6	612415		BRAKE SPRING, TOP	1
7	612414		BRAKE SPRING, BOTTOM	1
8	612416		SHOE CLAMP	2
9	612418		GEAR ADJUSTER (DRIVER SIDE)	1
10	612417		GEAR ADJUSTER (PASSENGER SIDE).....	1
11				
12				
13	17083G2		HEX HEAD BOLT, 5/16" - 24 X 1" LG	4
14	15126G1		LOCK NUT, 5/16" - 24.....	4
15				
16	21807G2		BRAKE DRUM ASSEMBLY (INCLUDES ITEMS 17, 18).....	1
17	20947G1		BRAKE DRUM.....	1
18	19862G1		LUG BOLT, 1/2" - 20 X 1.218" LG.....	4
19				
20				
21	21809G1		FLAT WASHER (INNER WHEEL RIM), 1.31" O.D. X .85" I.D	1
22	21830G1		FLAT WASHER (BRAKE DRUM), 1.5" O.D. X .76" I.D.....	1
23	613172		CASTELLATED HEX NUT, 3/4" - 16	1
24	10387G1		COTTER PIN, 5/32" X 1 3/4" LG.....	1
25	652248		BRAKE CABLE BRACKET (PASSENGER SIDE)	1
26	652249		BRAKE CABLE BRACKET (DRIVER SIDE).....	1

Notes:

A large grid area for taking notes, consisting of many small squares. The grid is 24 columns wide and 30 rows high, providing a structured space for handwritten or typed notes.



*Battery design may vary by part number

THE USE OF NON U.L. PARTS WILL VOID ANY U.L. LISTING.

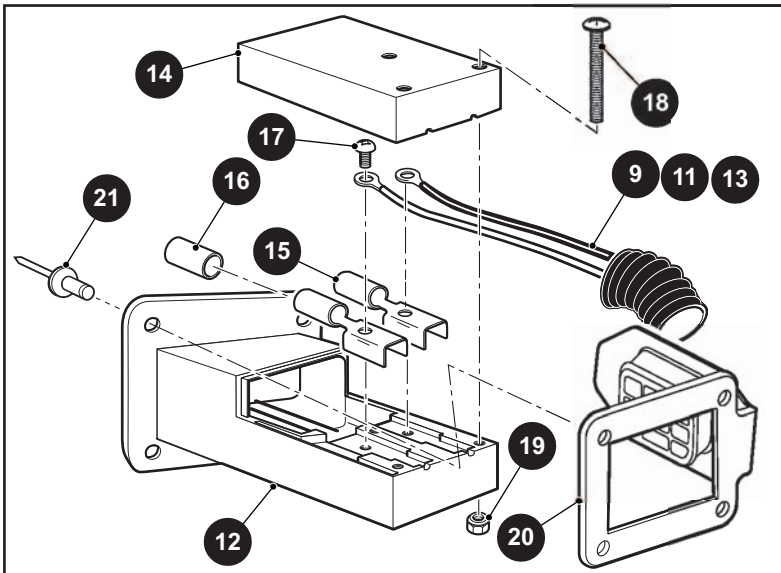
When ordering parts, please specify the model and serial number of the product.

* Indicates a component that is not available as an individual part.

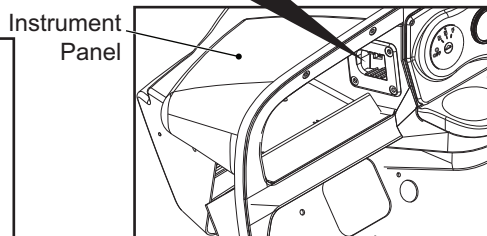
*** Indicates consult Customer Service Department for additional information.

ITEM	PART NO.	1 2 3 4 5	DESCRIPTION	QTY.
1	647050		BATTERY (12V) WITHOUT HYDROLINK.....	6
2	652295		BATTERY (12V) WITH HYDROLINK	6
3	01101G01		TIE DOWN BOLT	2
4	11027G1		FLANGED LOCK NUT, 5/16" - 18	2
5				
6	70386G01		BATTERY TIE DOWN BOLT, 5/16" - 18 X 2" LG	6
7	11027G1		FLANGED LOCK NUT, 5/16" - 18	6
8	23726G2		SPACER, .5" O.D. X .25" I.D. X .26" LG	2
9				
10	658565		BATTERY HOLD DOWN	1
11	631988		BATTERY HOLD DOWN	2
12				
13	659514		BATTERY RACK (FOR VEHICLES MANUFACTURED AFTER MARCH 1, 2017)	1
14				
15	70200G01		TRUSS HEAD TORX SCREW, 3/8" - 16 X 3/4" LG	2
16				
17	00438G6		HEX HEAD BOLT, 5/16" - 18 X 3/4" LG	2
18	00559G8		FLAT WASHER, 5/16"	2
19	11098G6		LOCK NUT, 5/16" - 18	2
20				
21	00715G2		HEX HEAD BOLT, 5/16" - 18 X 3/4" LG	3
22	00702G2		HEX NUT, 5/16" - 18	2
23				
24	70046G03		BATTERY RACK (FOR VEHICLES MANUFACTURED BEFORE MARCH 1, 2017)	1
25	631156		TERMINAL PROTECTOR	12
26				
27	620820		HYDRO-LINK SNAKE ASSEMBLY	1
28	630974		BATTERY FILL SNAKE	1
29				
30	676122		TROJAN HAND PUMP KIT	1

8 RECEPTACLE HARNESS ASSEMBLY
includes items 9, 12



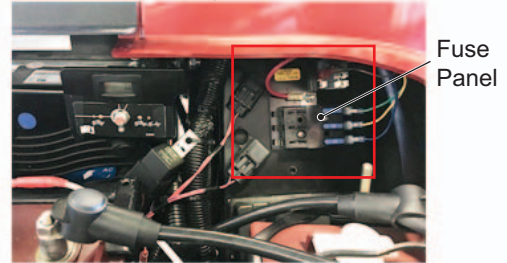
FOR VEHICLES
MANUFACTURED
BEFORE MARCH 1, 2017



FOR VEHICLES
MANUFACTURED
AFTER MARCH 1, 2017

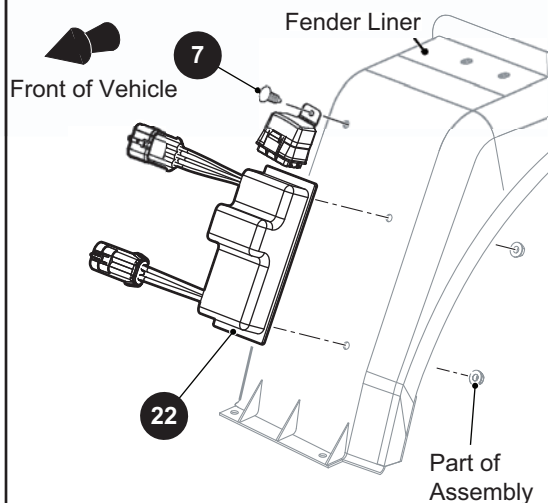
10 CHARGER RECEPTACLE ASSEMBLY
includes items 11 - 19

FOR VEHICLES MANUFACTURED
BEFORE MARCH 1, 2017



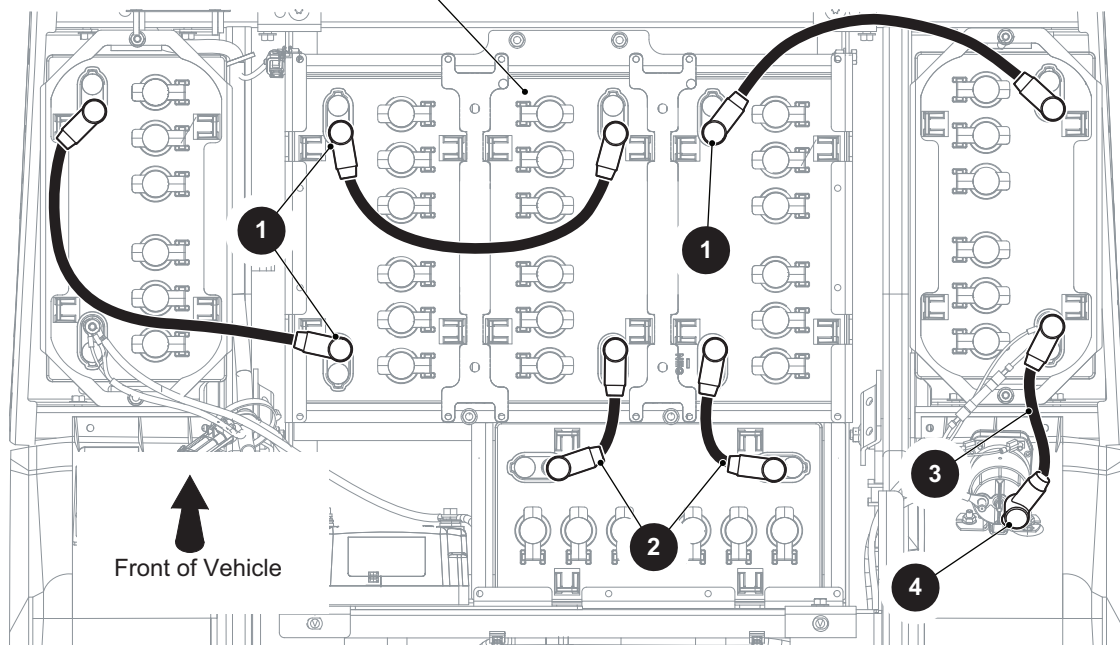
Fuse Panel

DC-DC Converter and Fuse Block Installation



FOR VEHICLES MANUFACTURED
AFTER MARCH 1, 2017

Battery Installation



THE USE OF NON U.L. PARTS WILL VOID ANY U.L. LISTING.

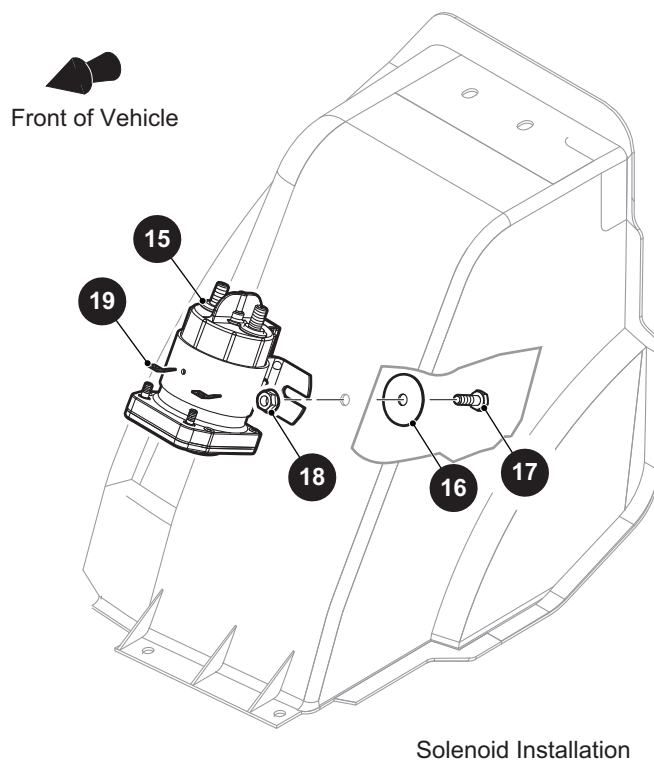
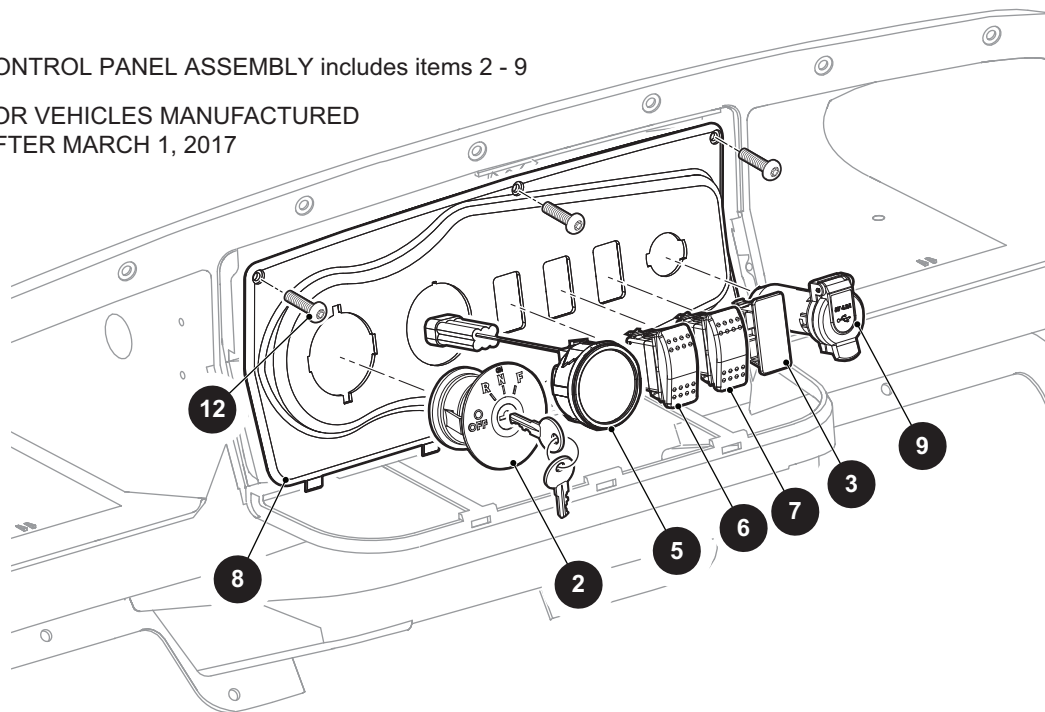
When ordering parts, please specify the model and serial number of the product.

* Indicates a component that is not available as an individual part.

*** Indicates consult Customer Service Department for additional information.

ITEM	PART NO.	1 2 3 4 5	DESCRIPTION	QTY.
1	634270G03		4 AWG BATTERY WIRE, 15" LG	3
2	634270G01		4 AWG BATTERY WIRE, 6" LG	2
3	634270G02		4 AWG BATTERY WIRE, 9" LG	1
4	840177		RUBBER BOOT	1
5	660812		FUSE, 30A (NOT ILLUSTRATED) (FOR VEHICLES MANUFACTURED BEFORE MARCH 1, 2017)	3
6	630034		FUSE PANEL (NOT ILLUSTRATED) (FOR VEHICLES MANUFACTURED BEFORE MARCH 1, 2017)	1
7	16816G2		RATCHET RIVET	1
8	663843		RECEPTACLE HARNESS ASSEMBLY (INCLUDES ITEMS 9, 12).....	1
9	663842		RECEPTACLE HARNESS (FOR VEHICLES MANUFACTURED BEFORE MARCH 1, 2017).....	1
10	658089		CHARGER RECEPTACLE ASSEMBLY (INCLUDES ITEMS 11 - 19)	1
11	658986		CHARGER WIRE HARNESS (FOR VEHICLES MANUFACTURED AFTER MARCH 1, 2017).....	1
12	663285		CHARGER RECEPTACLE	1
13	CU658986		CHARGER WIRE HARNESS (FOR VEHICLES MANUFACTURED BEFORE MARCH 1, 2017).....	1
14	*		RECEPTACLE COVER	1
15	*		FEMALE CONNECTOR	2
16	*		INSULATOR SLEEVE.....	1
17	*		BRASS SCREW, #10 - 32 X 1/2" LG.....	2
18	*		PAN HEAD SCREW (SS), #6 - 32 X 1 3/4" LG.....	3
19	*		LOCK NUT, #6 - 32.....	3
20	660162		RECEPTACLE COVER	1
21	71055G01		RIVET (ALUMINUM), 5/32".....	4
22	633778		DC-DC CONVERTER (72V)	1
23	636455G13		FUSE, 15A (NOT ILLUSTRATED) (FOR VEHICLES MANUFACTURED AFTER MARCH 1, 2017).....	3
24	636455G05		FUSE, 10A (NOT ILLUSTRATED) (FOR VEHICLES MANUFACTURED AFTER MARCH 1, 2017).....	3
25	633230G01		RELAY, 35A (NOT ILLUSTRATED) (FOR VEHICLES MANUFACTURED AFTER MARCH 1, 2017).....	3
26	662004		RESISTOR, 665 OHM (NOT ILLUSTRATED) (FOR VEHICLES MANUFACTURED AFTER MARCH 1, 2017).....	3

- 1** CONTROL PANEL ASSEMBLY includes items 2 - 9
FOR VEHICLES MANUFACTURED
AFTER MARCH 1, 2017



THE USE OF NON U.L. PARTS WILL VOID ANY U.L. LISTING.

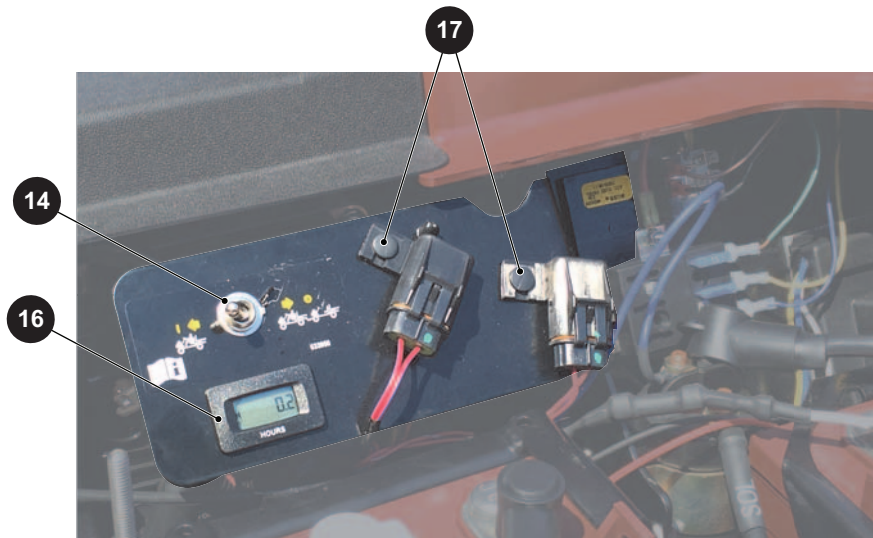
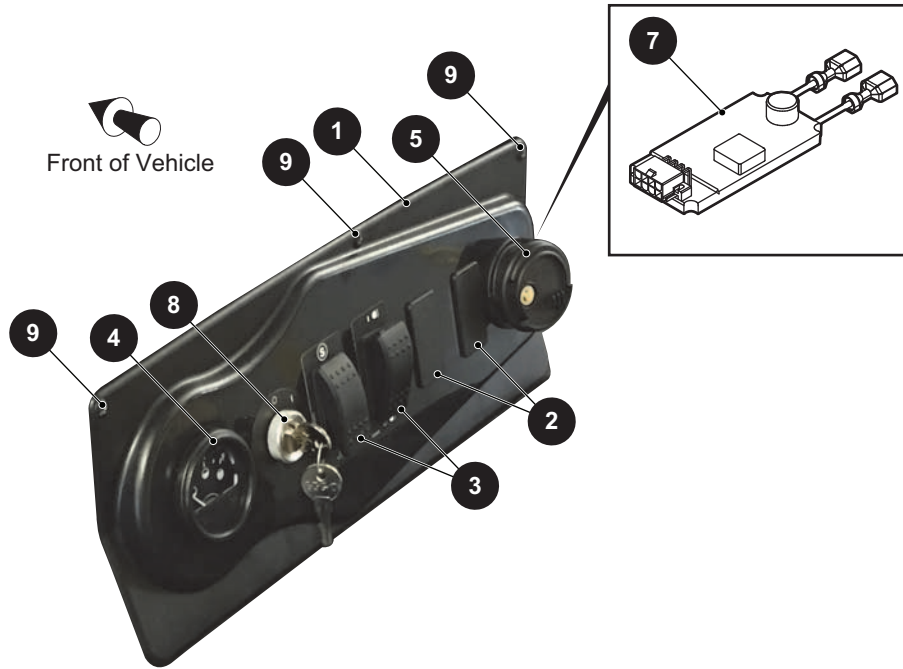
When ordering parts, please specify the model and serial number of the product.

* Indicates a component that is not available as an individual part.

*** Indicates consult Customer Service Department for additional information.

ITEM	PART NO.	1 2 3 4 5	DESCRIPTION	QTY.
1	628708G09		CONTROL PANEL ASSEMBLY (INCLUDES ITEMS 2 - 9) (FOR VEHICLES MANUFACTURED AFTER MARCH 1, 2017)	1
2	609692		KEY SWITCH	1
3	627035		SWITCH PANEL PLUG	1
4				
5	651033G01		STATE OF CHARGE METER	1
6	651897G06		SPEED ROCKER SWITCH	1
7	651897G05		LIGHTS ROCKER SWITCH	1
8	626655G06		CONTROL PANEL	1
9	651901		12V USB PORT	1
10				
11				
12	608290		SELF TAPPING SCREW, #10 - 16 X .780" LG	3
13				
14				
15	621330		SOLENOID	1
16	16469G1		FENDER WASHER	2
17	00414G6		HEX HEAD BOLT, 1/4" - 20 X .25" LG	2
18	11027G2		FLANGED LOCK NUT, 1/4" - 20	2
19	12914G1		FASTON TAB	2
20				
21	699417		JUMPER HARNESS, TURN SIGNAL HORN (NOT ILLUSTRATED).....	1

FOR VEHICLES MANUFACTURED BEFORE MARCH 1, 2017



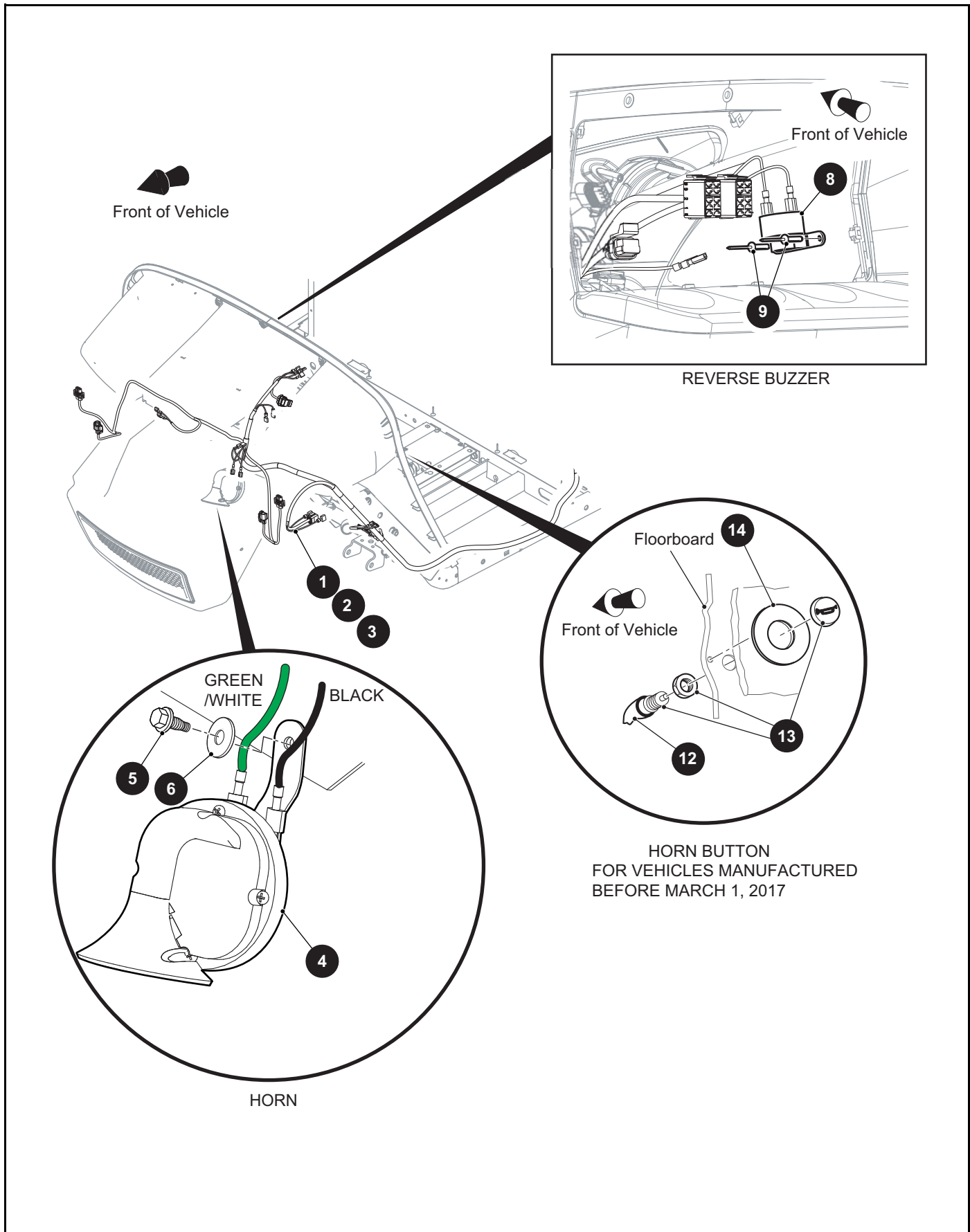
THE USE OF NON U.L. PARTS WILL VOID ANY U.L. LISTING.

When ordering parts, please specify the model and serial number of the product.

* Indicates a component that is not available as an individual part.

*** Indicates consult Customer Service Department for additional information.

ITEM	PART NO.	1 2 3 4 5	DESCRIPTION	QTY.
1	CU626655G05		CONTROL PANEL	1
2	627035		SWITCH PLUG	2
3	628931		SWITCH	2
4	631656		STATE OF CHARGE METER	1
5	639384		USB PORT HOUSING	1
6	637381		USB JUMPER (NOT ILLUSTRATED).....	1
7	638233		USB ELECTRONICS	1
8	18027G1		KEY SWITCH	1
9	608290		SELF TAPPING SCREW, #10 - 16 X .780" LG	3
10	71364G02		"J" TYPE NUT, #8 (NOT ILLUSTRATED)	3
11	00568G6		LOCK WASHER (STAR), 3/4" (NOT ILLUSTRATED)	1
12				
13				
14	650304G01		RUN/TOW SWITCH	1
15				
16	620133		HOUR METER	1
17	16816G2		RATCHET RIVET	2
18	634056G05		FUSE, 10A (NOT ILLUSTRATED) (FOR VEHICLES MANUFACTURED BEFORE MARCH 1, 2017)	2



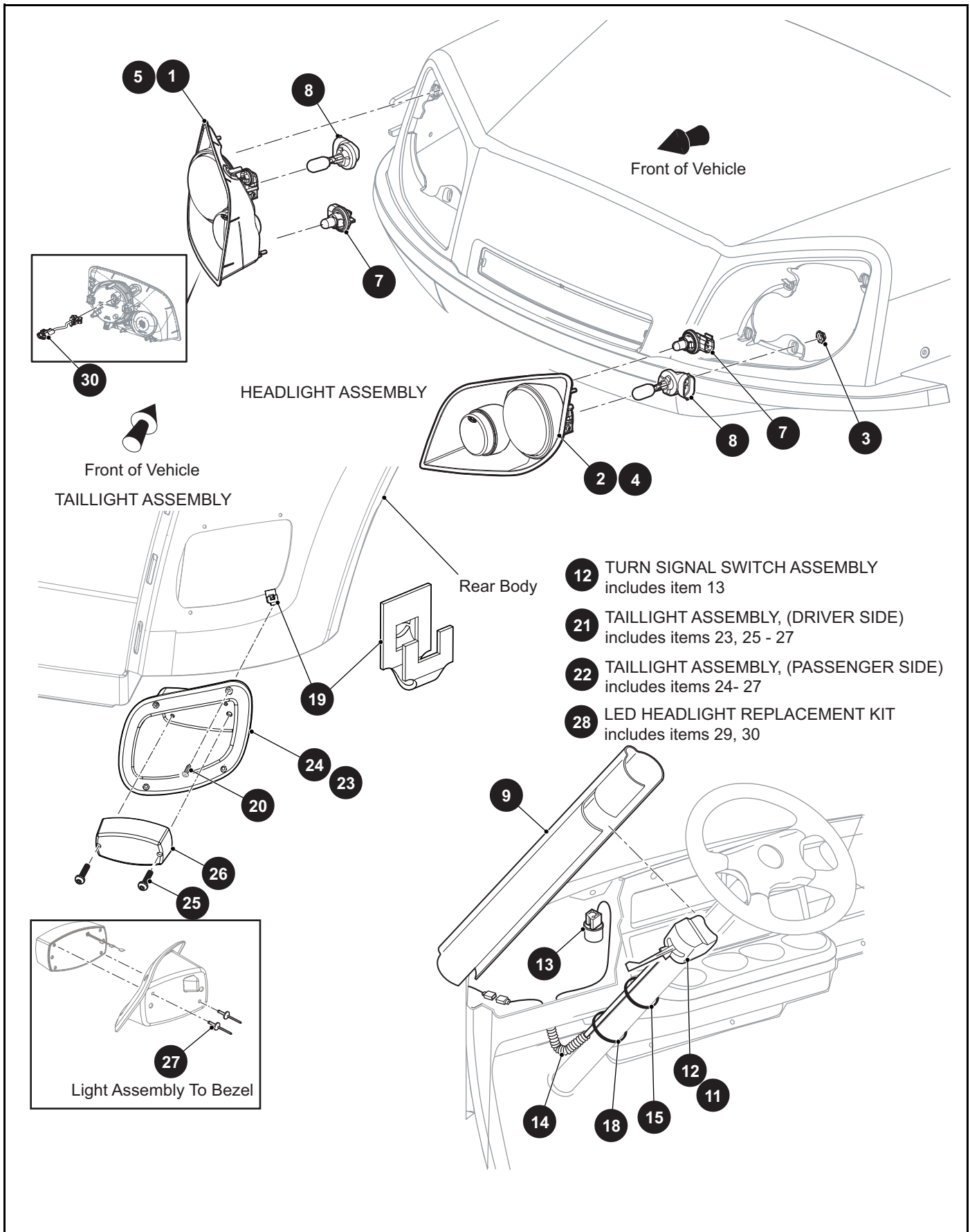
THE USE OF NON U.L. PARTS WILL VOID ANY U.L. LISTING.

When ordering parts, please specify the model and serial number of the product.

* Indicates a component that is not available as an individual part.

*** Indicates consult Customer Service Department for additional information.

ITEM	PART NO.	1 2 3 4 5	DESCRIPTION	QTY.
1	CU658554		CONTROL HARNESS (FOR VEHICLES MANUFACTURED BEFORE MARCH 1, 2017)	1
2	671776		CONTROL HARNESS (FOR VEHICLES MANUFACTURED AFTER MARCH 1, 2017 AND BEFORE JUNE 14, 2019).....	1
3	687518		CONTROL HARNESS (FOR VEHICLES MANUFACTURED AFTER JUNE 14, 2019)	1
4	32860G01		HORN	1
5	71102G03		HEX WASHER HEAD SWAGEFORM SCREW, 1/4" - 20 X .70" LG	1
6	16469G1		FENDER WASHER	1
7				
8	613271		REVERSE BUZZER.....	1
9	01041G01		RIVET (BULBEX), 5/32"	2
10	17618G1		NYLON CLAMP, 7" LG (NOT ILLUSTRATED).....	9
11				
12	17318G1		MOMENTARY SWITCH	1
13	27068G01		BOOT (HORN SWITCH)	1
14	608397		HORN PLATE	1



THE USE OF NON U.L. PARTS WILL VOID ANY U.L. LISTING.

When ordering parts, please specify the model and serial number of the product.

* Indicates a component that is not available as an individual part.

*** Indicates consult Customer Service Department for additional information.

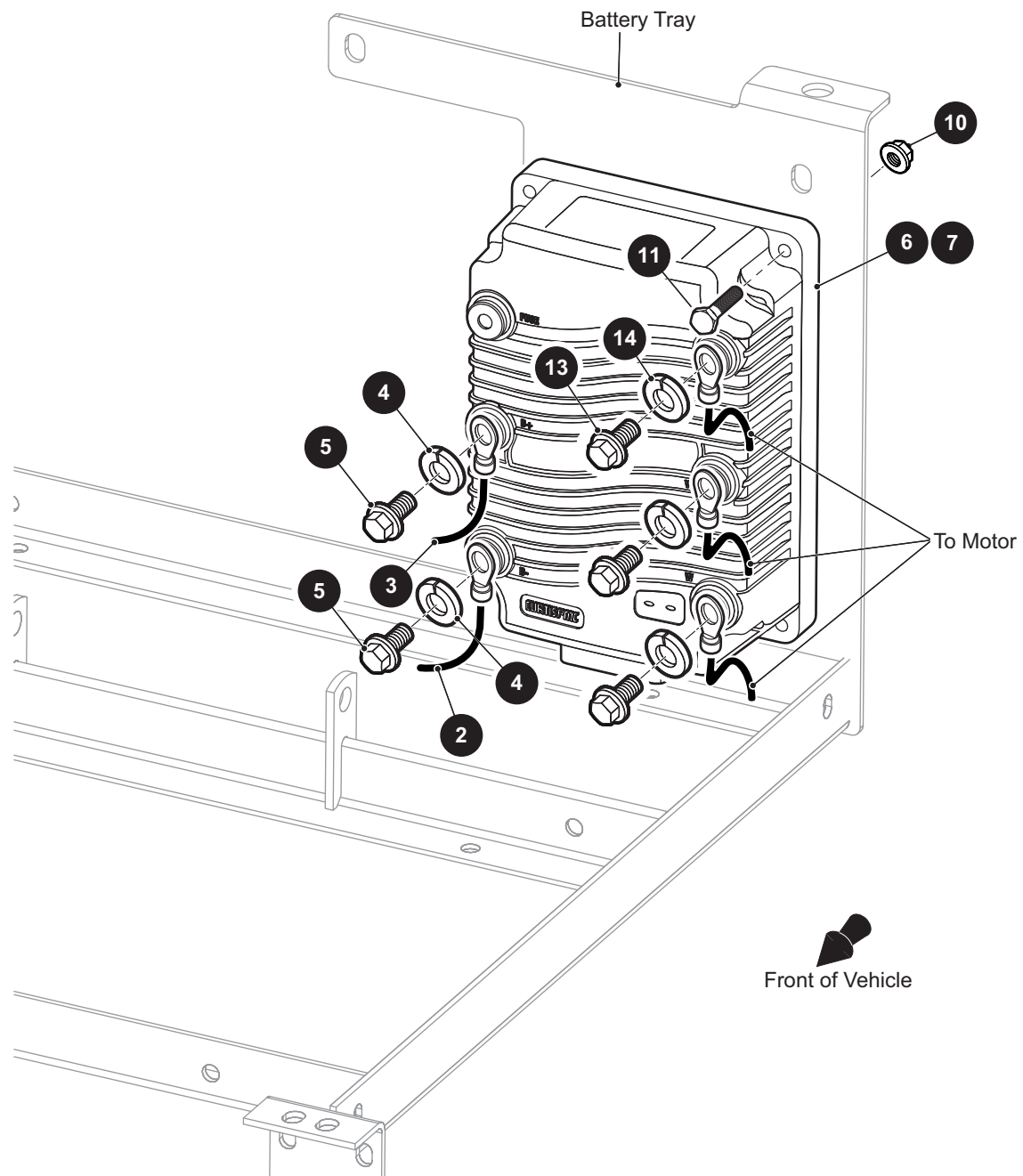
ITEM	PART NO.	1 2 3 4 5	DESCRIPTION	QTY.
1	644878		LED HEADLIGHT ASSEMBLY (PASSENGER SIDE).....	1
2	644879		LED HEADLIGHT ASSEMBLY (DRIVER SIDE)	1
3	71597G01		SELF THREADING NUT, 5MM X 10MM X 15MM	4
4	644877		HEADLIGHT ASSEMBLY (DRIVER SIDE)	1
5	644876		HEADLIGHT ASSEMBLY (PASSENGER SIDE).....	1
6				
7	619102		TURN SIGNAL BULB	1
8	619100		HEADLIGHT BULB (FOR NON LED LIGHTS ONLY)	1
9	20965G3		STEERING COLUMN COVER	1
10				
11	604511		TURN SIGNAL SWITCH ASSEMBLY (FOR VEHICLES MANUFACTURED BEFORE MARCH 1, 2017)	1
12	615236		TURN SIGNAL-HAZARD SWITCH WITH HORN BUTTON (INCLUDES ITEM 13) (FOR VEHICLES MANUFACTURED AFTER MARCH 1, 2017)	1
13	21640G1		FLASHER UNIT	1
14	17313G1		FLEX LOOM, 3/8" X 6" LG	1
15	17618G1		NYLON CLAMP, 7" LG	1
16				
17	16816G5		RATCHET RIVET, .187" X .550" LG (NOT ILLUSTRATED)	2
18	31539G1		CLAMP (NYLON), 5.5" LG	1
19	71364G02		"J" TYPE NUT, #8	4
20	71425G01		TAPPING SCREW, #8 - 18 X 3/4" LG.....	4
21	655150		TAILLIGHT ASSEMBLY (DRIVER SIDE) (INCLUDES ITEM 24, 26 - 28).....	1
22	655152		TAILLIGHT ASSEMBLY (PASSENGER SIDE) (INCLUDES ITEM 25 - 28)	1
23	625251		TAILLIGHT BEZEL (DRIVER SIDE).....	1
24	625252		TAILLIGHT BEZEL (PASSENGER SIDE).....	1
25	00513G4		PAN HEAD PHILLIPS SCREW, #8 - 18 X 3/4" LG.....	2
26	22288G1		TAILLIGHT ASSEMBLY.	1
27	14601G11		RIVET (ALUMINUM), 3/16" X 9/16".....	2
28	660993		LED HEADLIGHT REPLACEMENT KIT (INCLUDES ITEMS 29, 30)	1
29	651411G03		LED HEADLIGHT (NOT ILLUSTRATED).....	1
30	654465		LED JUMPER HARNESS	1

Notes:

Grid area for taking notes, consisting of a large empty grid of small squares.

ELECTRONIC SPEED CONTROL

1 CONTROLLER ASSEMBLY includes items 2 - 11



ELECTRONIC SPEED CONTROL

THE USE OF NON U.L. PARTS WILL VOID ANY U.L. LISTING.

When ordering parts, please specify the model and serial number of the product.

* Indicates a component that is not available as an individual part.

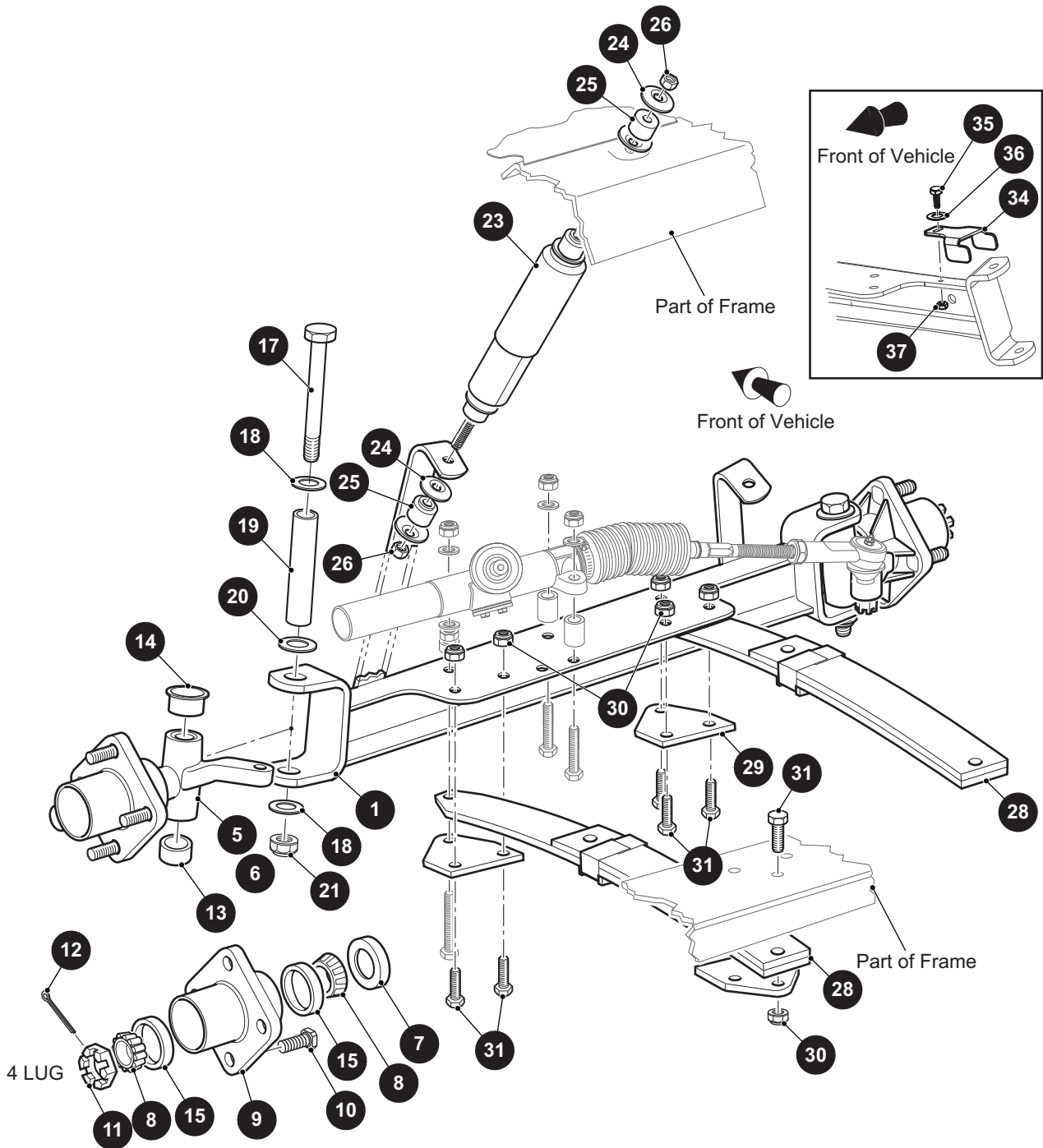
*** Indicates consult Customer Service Department for additional information.

ITEM	PART NO.	1 2 3 4 5	DESCRIPTION	QTY.
1	689935		CONTROLLER ASSEMBLY (INCLUDES ITEMS 2 - 11)	1
2	634270G04		#4 AWG, BATTERY WIRE, 22" LG.....	1
3	634210G13		#4 AWG, BATTERY WIRE, 34" LG.....	1
4	606272		LOCK WASHER, 8MM	2
5	606262		FLANGED HEX HEAD BOLT, M8 - 1.25 X 16MM LG	2
6	666996G04		CONTROLLER, 1236, 350A (FOR VEHICLES MANUFACTURED AFTER MARCH 5, 2018)	1
7	660254		CONTROLLER, 1236, 350A (FOR VEHICLES MANUFACTURED BEFORE MARCH 5, 2018).....	1
8				
9				
10	11027G2		FLANGED LOCK NUT, 1/4" - 20	4
11	00797G2		HEX HEAD BOLT, 1/4" - 20 X 1 1/4" LG.....	4
12				
13	73876G01		FLANGED HEX HEAD BOLT, M6 - 1 X 12MM LG.....	3
14	606272		LOCK WASHER, 8MM.....	3

Notes:

A large grid of graph paper for taking notes, consisting of 25 columns and 30 rows of small squares.

FRONT SUSPENSION AND STEERING



3 SPINDLE AND HUB ASSEMBLY (PASSENGER SIDE)
includes items 6 - 15

4 SPINDLE AND HUB ASSEMBLY (DRIVER SIDE)
includes items 5, 7 - 15

FRONT SUSPENSION AND STEERING

THE USE OF NON U.L. PARTS WILL VOID ANY U.L. LISTING.

When ordering parts, please specify the model and serial number of the product.

* Indicates a component that is not available as an individual part.

*** Indicates consult Customer Service Department for additional information.

ITEM	PART NO.	1 2 3 4 5	DESCRIPTION	QTY.
1	652822		FRONT AXLE.....	1
2				
3	70942G03		SPINDLE AND HUB ASSEMBLY (PASSENGER SIDE) (INCLUDES ITEMS 6 - 15)	1
4	70673G03		SPINDLE AND HUB ASSEMBLY (DRIVER SIDE) (INCLUDES ITEMS 5, 7 - 15)	1
5	70742G02		SPINDLE (DRIVER SIDE).....	1
6	70940G02		SPINDLE (PASSENGER SIDE)	1
7	25146G1		GREASE SEAL.....	1
8	11750G2		ROLLER BEARING	2
9	70589G01		WHEEL HUB	1
10	19862G1		LUG BOLT, 1/2" - 20 X 1.218" LG.....	4
11	12093G1		CASTELLATED NUT, 1" - 14.....	1
12	00798G8		COTTER PIN, 5/32" X 1 3/4" LG	1
13	632925		FLANGED BUSHING	1
14	632926		BEARING	1
15	51141G1		RACE BEARING	2
16				
17	00407G6		HEX HEAD BOLT 1/2" - 13 X 6" LG.....	2
18	00560G3		FLAT WASHER, 1/2"	4
19	70745G01		KING PIN TUBE.....	2
20	70754G01		THRUST WASHER (SS), 1"	2
21	14390G6		LOCK NUT, 1/2" - 13.....	2
22				
23	76419G01		SHOCK ABSORBER.....	1
24	10435G1		SHOCK ABSORBER WASHER.....	4
25	10194G1		RUBBER BUSHING.....	2
26	00532G6		HEX NUT, 3/8" - 24	2
27				
28	70989G03		LEAF SPRING	2
29	652258		SPRING PLATE	4
30	00734G1		LOCK NUT, 7/16" - 14.....	11

FRONT SUSPENSION AND STEERING

THE USE OF NON U.L. PARTS WILL VOID ANY U.L. LISTING.

When ordering parts, please specify the model and serial number of the product.

* Indicates a component that is not available as an individual part.

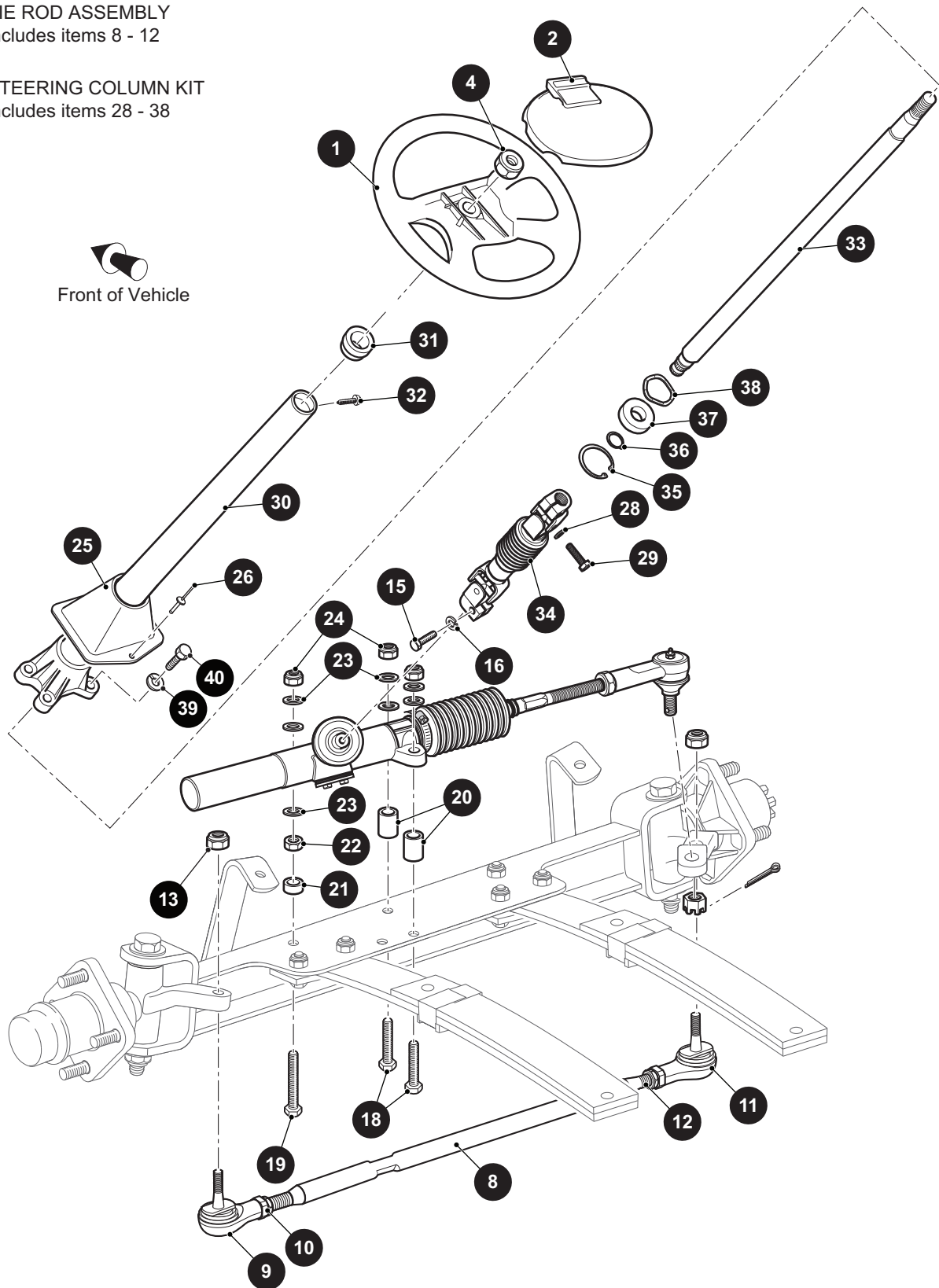
*** Indicates consult Customer Service Department for additional information.

ITEM	PART NO.	1 2 3 4 5	DESCRIPTION	QTY.
31	00463G11		HEX HEAD BOLT, 7/16" - 14 X 1 3/4" LG.....	11
32				
33				
34	613372		STEERING STOP BRACKET.....	2
35	00414G6		HEX HEAD BOLT, 1/4" - 20 X 1/2" LG	1
36	00559G8		FLAT WASHER, 5/16"	1
37	14390G4		LOCK NUT, 1/4" - 20	1

FRONT SUSPENSION AND STEERING

7 TIE ROD ASSEMBLY
includes items 8 - 12

27 STEERING COLUMN KIT
includes items 28 - 38



FRONT SUSPENSION AND STEERING

THE USE OF NON U.L. PARTS WILL VOID ANY U.L. LISTING.

When ordering parts, please specify the model and serial number of the product.

* Indicates a component that is not available as an individual part.

*** Indicates consult Customer Service Department for additional information.

ITEM	PART NO.	1 2 3 4 5	DESCRIPTION	QTY.
1	602979		STEERING WHEEL	1
2	607925		CLIPBOARD	1
3				
4	14390G2		LOCK NUT, 5/8" - 18	1
5				
6				
7	70876G02		TIE ROD ASSEMBLY (INCLUDES ITEMS 8 - 12).....	1
8	70897G02		THREADED ROD, 24" LG	1
9	70902G01		TIE ROD END	1
10	01069G01		JAM NUT, M12 X 1.25	1
11	70902G02		TIE ROD END	1
12	01069G02		JAM NUT, M12 X 1.25	1
13	00734G1		LOCK NUT, 7/16" - 14	2
14				
15	01055G01		HEX HEAD BOLT, M8 - 1.25 X 1.18" LG	1
16	00565G8		LOCK WASHER, 5/16"	1
17				
18	00464G8		HEX HEAD BOLT, 7/16" - 14 X 2 3/4" LG	2
19	01068G01		HEX HEAD BOLT, 7/16" - 14 X 3 1/2" LG	1
20	70667G02		SPACER, 1.21"	2
21	70667G04		SPACER (SHORT), 0.69"	1
22	00532G7		HEX NUT, 7/16" - 14	1
23	00560G2		FLAT WASHER, 7/16"	7
24	00734G1		LOCK NUT, 7/16" - 14	3
25	70997G01		COVER	1
26	71055G01		RIVET (ALUMINUM), 3/16" X 1" LG	1
27	70758G05		STEERING COLUMN KIT (INCLUDES ITEMS 28 - 38).....	1
28	00565G8		LOCK WASHER, 5/16"	1
29	01055G01		HEX HEAD BOLT, M8 - 1.25 X 1.18" LG	1
30	70610G03		STEERING COLUMN.....	1
31	28569G01		STEERING COLUMN BUSHING	1

FRONT SUSPENSION AND STEERING

THE USE OF NON U.L. PARTS WILL VOID ANY U.L. LISTING.

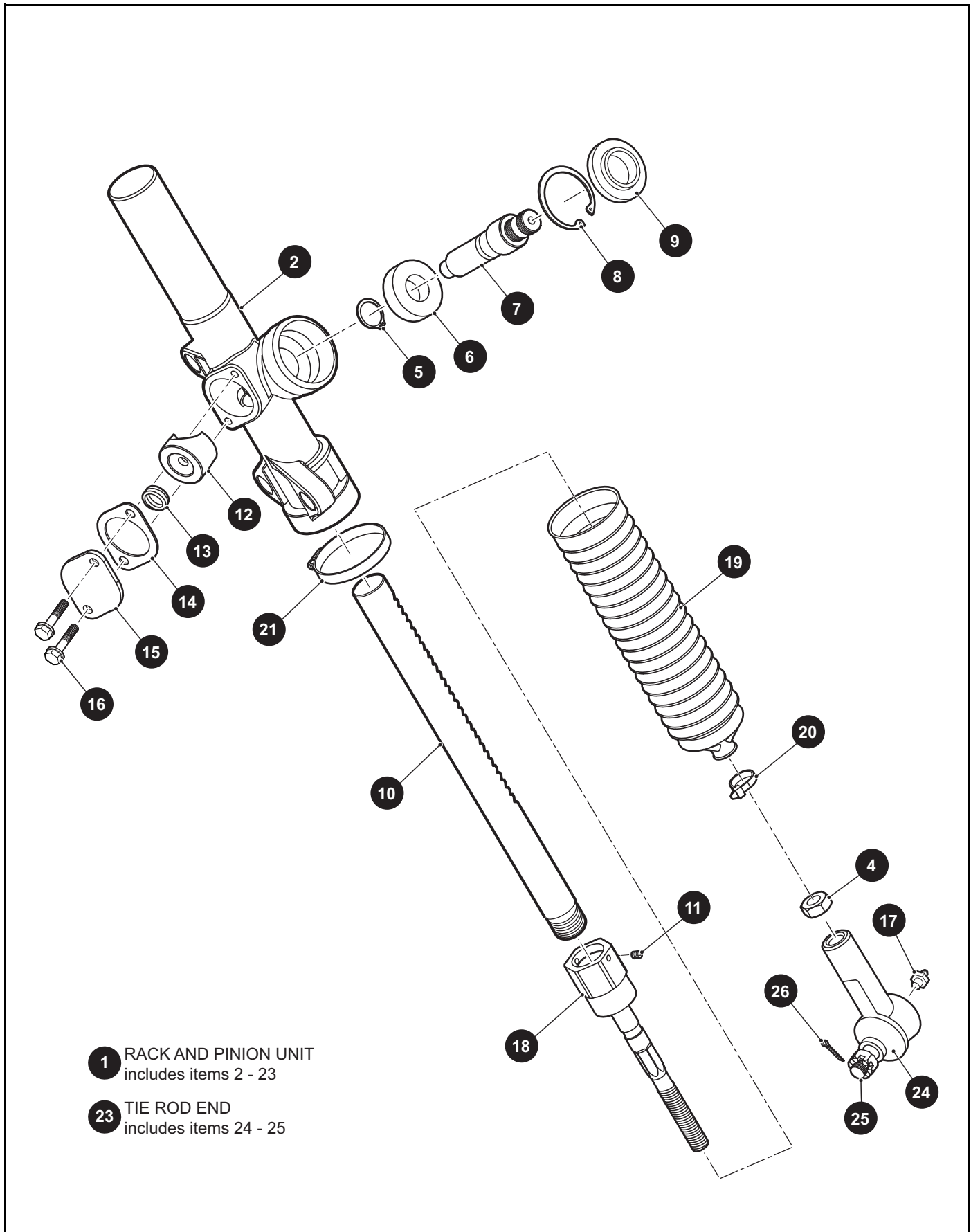
When ordering parts, please specify the model and serial number of the product.

* Indicates a component that is not available as an individual part.

*** Indicates consult Customer Service Department for additional information.

ITEM	PART NO.	1	2	3	4	5	DESCRIPTION	QTY.
32	01022G01						HEX WASHER HEAD SCREW, #6 - 20 X 5/16" LG	1
33	70607G01						STEERING SHAFT	1
34	70580G01						INTERMEDIATE SHAFT	1
35	70751G01						RETAINING RING (INTERNAL).....	1
36	70888G01						RETAINING RING (EXTERNAL)	1
37	15112G1						BALL BEARING	1
38	70887G01						WAVE WASHER	1
39	00879G1						LOCK WASHER, 3/8"	4
40	01006G01						HEX HEAD BOLT, 3/8" - 16 X 1 1/4" LG.....	4

FRONT SUSPENSION AND STEERING



FRONT SUSPENSION AND STEERING

THE USE OF NON U.L. PARTS WILL VOID ANY U.L. LISTING.

When ordering parts, please specify the model and serial number of the product.

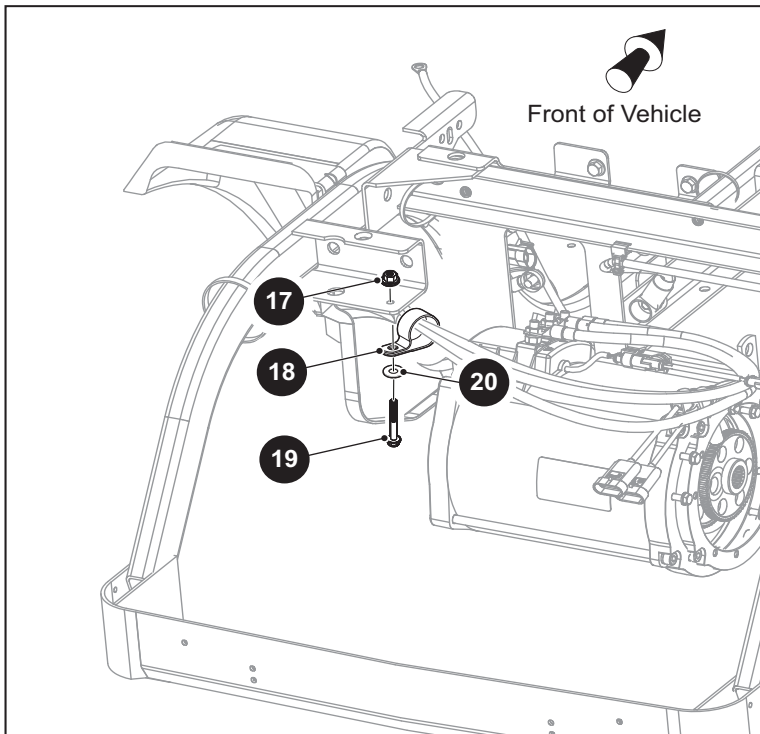
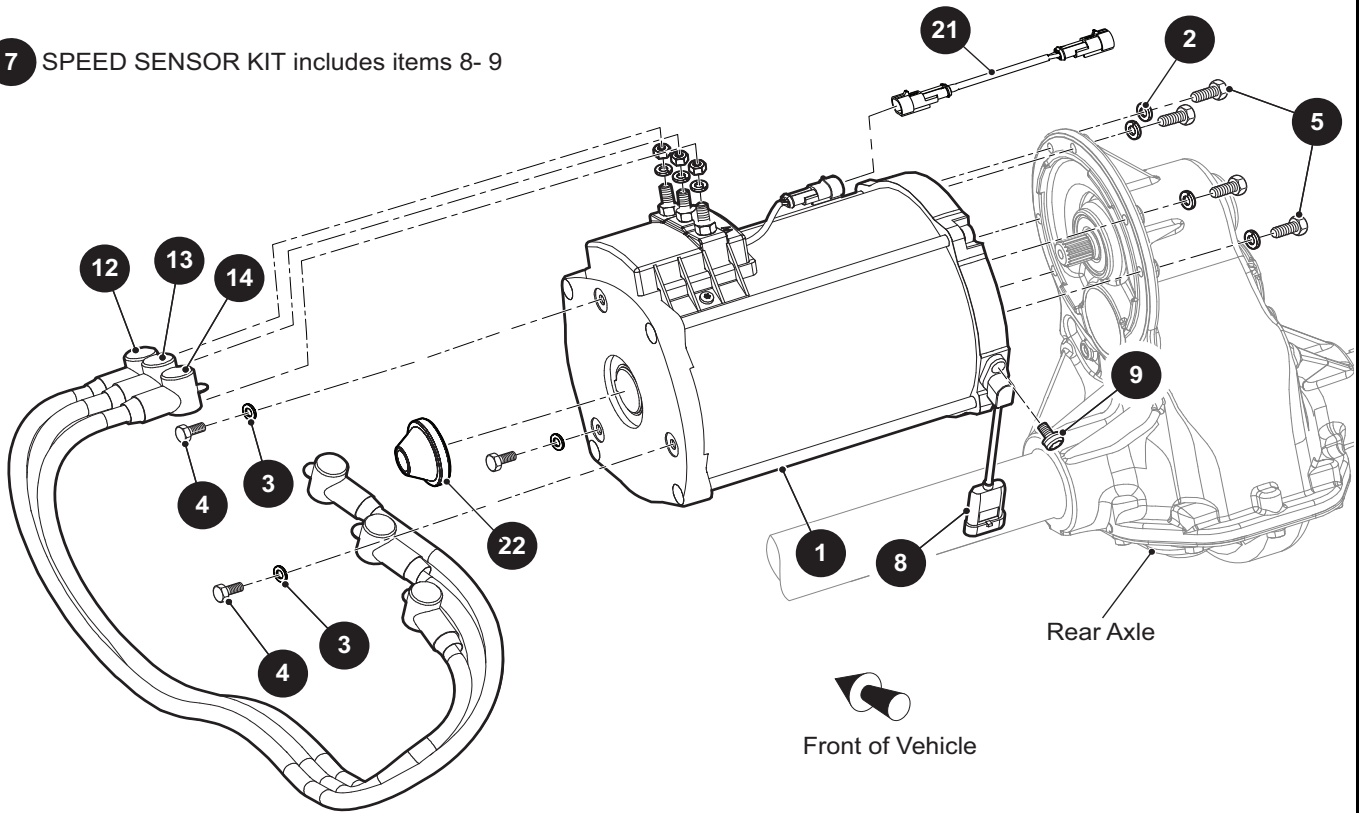
* Indicates a component that is not available as an individual part.

*** Indicates consult Customer Service Department for additional information.

ITEM	PART NO.	1 2 3 4 5	DESCRIPTION	QTY.
1	70964G01		RACK AND PINION UNIT (INCLUDES ITEMS 2 - 23)	1
2	70965G01		STEERING RACK COVER AND BEARING	1
3				
4	*		JAM NUT, 1/2" - 20	1
5	70750G01		RETAINING RING (EXTERNAL)	1
6	15112G1		BALL BEARING	1
7	70603G01		PINION	1
8	70751G01		RETAINING RING (INTERNAL)	1
9	70638G01		SEAL (PINION)	1
10	70604G01		STEERING RACK	1
11	*		SET SCREW, #10 - 32 X .25" LG	1
12	70590G01		RACK LOADER	1
13	70666G01		COMPRESSION SPRING	1
14	70645G01		GASKET (RACK LOADER COVER)	1
15	652259		COVER (RACK LOADER)	1
16	71102G01		HEX WASHER HEAD BOLT, 1/4" - 20 X 1 1/16" LG	2
17	10389G3		GREASE FITTING (STRAIGHT)	1
18	74694G01		ROD END (INNER)	1
19	70961G01		RACK BOOT	1
20	12416G2		NYLON CLAMP, 10"	1
21	11391G8		HOSE CLAMP, 1.81"	1
22				
23	70695G01		TIE ROD END (INCLUDES ITEMS 24 - 25)	1
24	50641G1		GROMMET	1
25	50209G2		HEX SLOTTED NUT, 7/16" - 20	1
26	10387G2		COTTER PIN, 3/32" X 1"	1

MOTOR

7 SPEED SENSOR KIT includes items 8-9



THE USE OF NON U.L. PARTS WILL VOID ANY U.L. LISTING.

When ordering parts, please specify the model and serial number of the product.

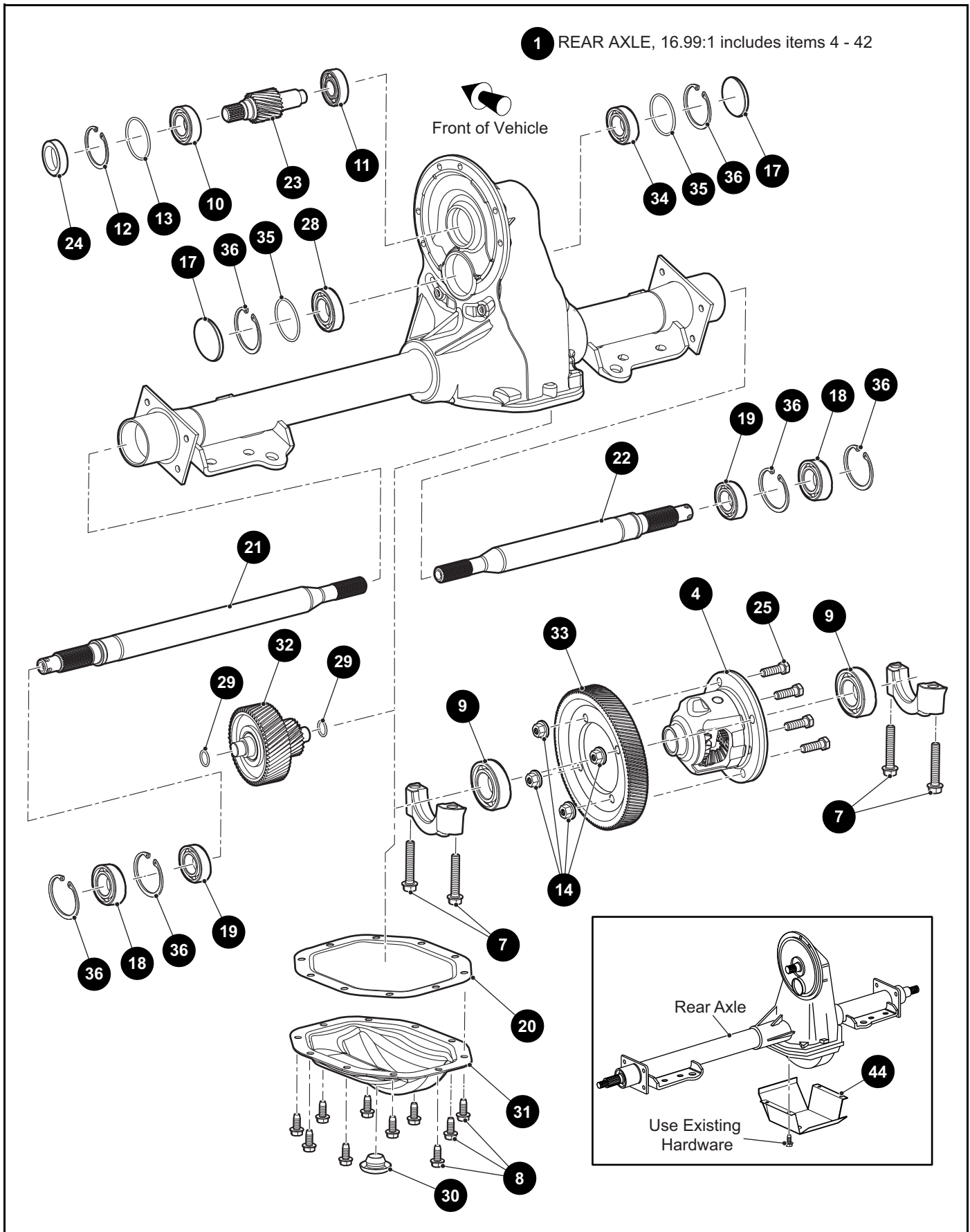
* Indicates a component that is not available as an individual part.

*** Indicates consult Customer Service Department for additional information.

ITEM	PART NO.	1 2 3 4 5	DESCRIPTION	QTY.
1	681071		MOTOR, 72V	1
2	601327		LOCK WASHER, 6MM.....	6
3	00915G1		BONDED SEAL WASHER, 1/4" I.D	3
4	616716		HEX HEAD BOLT, M6 - 1 X 16MM LG.....	3
5	605741		HEX HEAD BOLT, M6 - 1 X 25MM LG.....	6
6				
7	614252		SPEED SENSOR KIT (INCLUDES ITEMS 8 - 9)	1
8	612741		SPEED SENSOR	1
9	614253		PAN HEAD TORX SCREW, M6 - 1 X 12MM LG	1
10				
11				
12	635137G01		MOTOR WIRE (U), 2AWG, 44".....	1
13	635137G02		MOTOR WIRE (V), 2AWG, 41"	1
14	635137G03		MOTOR WIRE (W), 2AWG, 37"	1
15				
16				
17	11027G2		FLANGED LOCK NUT, 1/4" - 20.....	1
18	630761		LOOP CLAMP, CUSHIONED.....	1
19	00414G7		HEX HEAD BOLT, 1/4" - 20 X .875" LG	1
20	00559G7		FLAT WASHER, 1/4".....	1
21	667804		TEMPERATURE SENSOR JUMPER, 72V.....	1
22	668275		END CAP	1

REAR AXLE

1 REAR AXLE, 16.99:1 includes items 4 - 42



REAR AXLE

THE USE OF NON U.L. PARTS WILL VOID ANY U.L. LISTING.

When ordering parts, please specify the model and serial number of the product.

* Indicates a component that is not available as an individual part.

*** Indicates consult Customer Service Department for additional information.

ITEM	PART NO.	1 2 3 4 5	DESCRIPTION	QTY.
1	633599		REAR AXLE, 16.99:1 (INCLUDES ITEMS 4 - 42).....	1
2				
3				
4	601082		DIFFERENTIAL ASSEMBLY	1
5				
6				
7	15118G1		HEX HEAD BOLT, 3/8" - 16 X 2.125" LG.....	4
8	15558G1		HEX HEAD BOLT, 5/16" - 18 X .75" LG.....	10
9	17473G1		BEARING ASSEMBLY.....	2
10	23519G2		LIP SEAL BALL BEARING	1
11	23520G1		BALL BEARING.....	1
12	23530G1		RETAINER RING.....	1
13	24628G1		O-RING SEAL.....	1
14	601084		LOCK NUT, 3/8" - 24	4
15				
16				
17	608811		END CAP.....	2
18	611788		BALL BEARING.....	2
19	612064		OIL SEAL.....	2
20	612824		GASKET	1
21	617608		AXLE SHAFT (DRIVER SIDE)	1
22	617609		AXLE SHAFT (PASSENGER SIDE).....	1
23	620327		INPUT GEAR.....	1
24	620328		OIL SEAL.....	1
25	620335		FLANGED HEX HEAD BOLT, 3/8" - 24 X 1.25" LG.....	4
26				
27				
28	620340		BALL BEARING.....	1
29	620345		O-RING, 18MM.....	2
30	620347		RUBBER PLUG.....	1
31	620348		DIFFERENTIAL COVER PLATE	1

REAR AXLE

THE USE OF NON U.L. PARTS WILL VOID ANY U.L. LISTING.

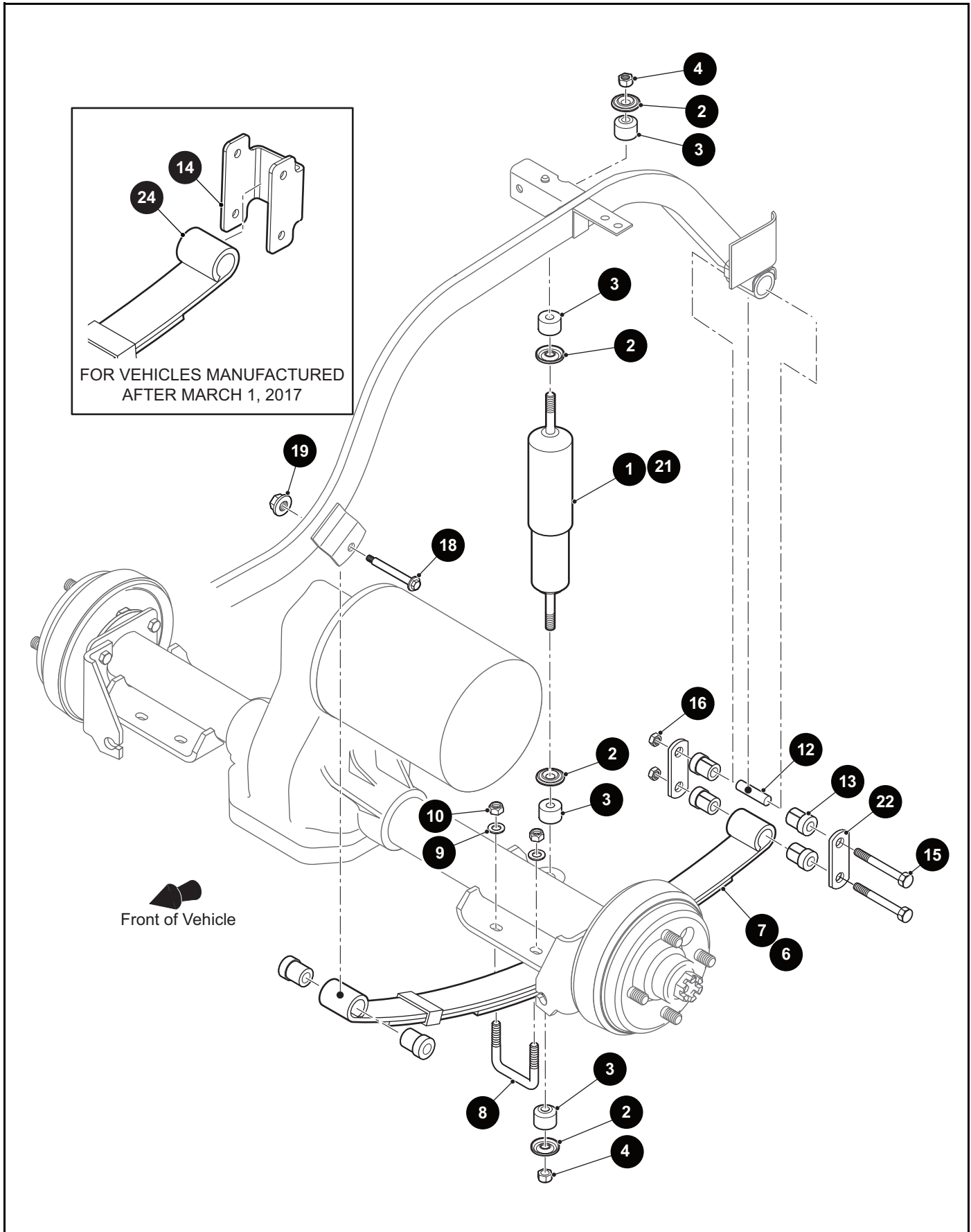
When ordering parts, please specify the model and serial number of the product.

* Indicates a component that is not available as an individual part.

*** Indicates consult Customer Service Department for additional information.

ITEM	PART NO.	1	2	3	4	5	DESCRIPTION	QTY.
32	620349						INTERMEDIATE GEAR	1
33	620350						DRIVE GEAR.....	1
34	620355						BALL BEARING	1
35	620358						O-RING, 18MM	2
36	620359						RETAINING RING.....	6
37								
38								
39	620329						INPUT GEARS KIT (NOT ILLUSTRATED)	1
40	620361						INTERNAL GEARS KIT (NOT ILLUSTRATED)	1
41	620362						BALL BEARING KIT (NOT ILLUSTRATED).....	1
42	620363						DIFFERENTIAL COVER ASSEMBLY KIT (NOT ILLUSTRATED)	1
43								
44	72763G02						SCUFF GUARD.....	1

REAR SUSPENSION



REAR SUSPENSION

THE USE OF NON U.L. PARTS WILL VOID ANY U.L. LISTING.

When ordering parts, please specify the model and serial number of the product.

* Indicates a component that is not available as an individual part.

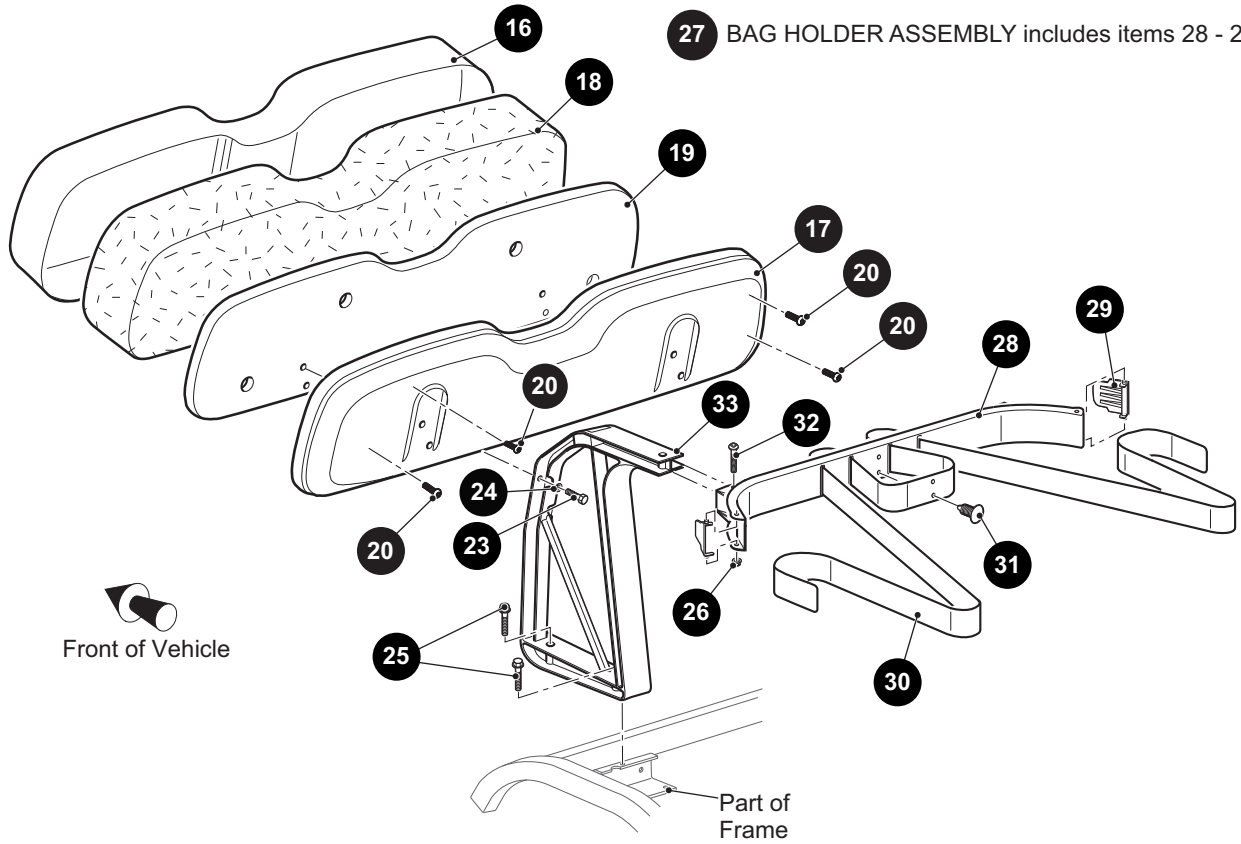
*** Indicates consult Customer Service Department for additional information.

ITEM	PART NO.	1 2 3 4 5	DESCRIPTION	QTY.
1	642085		SHOCK ABSORBER (FOR VEHICLES MANUFACTURED AFTER MARCH 1, 2017)	1
2	10435G1		SHOCK ABSORBER WASHER, .406" X 1.25" X .22"	4
3	10194G1		RUBBER BUSHING, 1"	4
4	00532G6		HEX JAM NUT, 3/8" - 24	2
5				
6	74207G03		LEAF SPRING (FOR VEHICLES MANUFACTURED BEFORE MARCH 1, 2017)	1
7	74345G03		HEAVY DUTY LEAF SPRING (FOR VEHICLES MANUFACTURED AFTER MARCH 1, 2017)	1
8	72618G01		U BOLT, 3/8" - 16 X 2" X 2 1/2" LG	2
9	00560G1		FLAT WASHER, 3/8"	4
10	11098G5		LOCK NUT, 3/8" - 16	4
11				
12	70289G02		SPLIT STEEL SPACER	2
13	624030		FLANGED BUSHING, 21.8MM	6
14	652252G03		SHACKLE BRACKET (FOR VEHICLES MANUFACTURED AFTER MARCH 1, 2017)	2
15	00665G9		HEX HEAD BOLT (SS), 3/8" - 16 X 3 1/2" LG	2
16	11098G5		LOCK NUT, 3/8" - 16	2
17				
18	14158G1		SHOULDER BOLT, 1/2" DIA X 3/8" - 16 THREAD X 3 1/4" LG	1
19	12262G1		LOCK NUT, 3/8" - 16	1
20				
21	76418G01		SHOCK ABSORBER (FOR VEHICLES MANUFACTURED BEFORE MARCH 1, 2017)	1
22	604961		SHACKLE PLATE (FOR VEHICLES MANUFACTURED BEFORE MARCH 1, 2017)	1
23				
24	74207G03		HEAVY DUTY LEAF SPRING (FOR VEHICLES MANUFACTURED BEFORE MARCH 1, 2017)	1

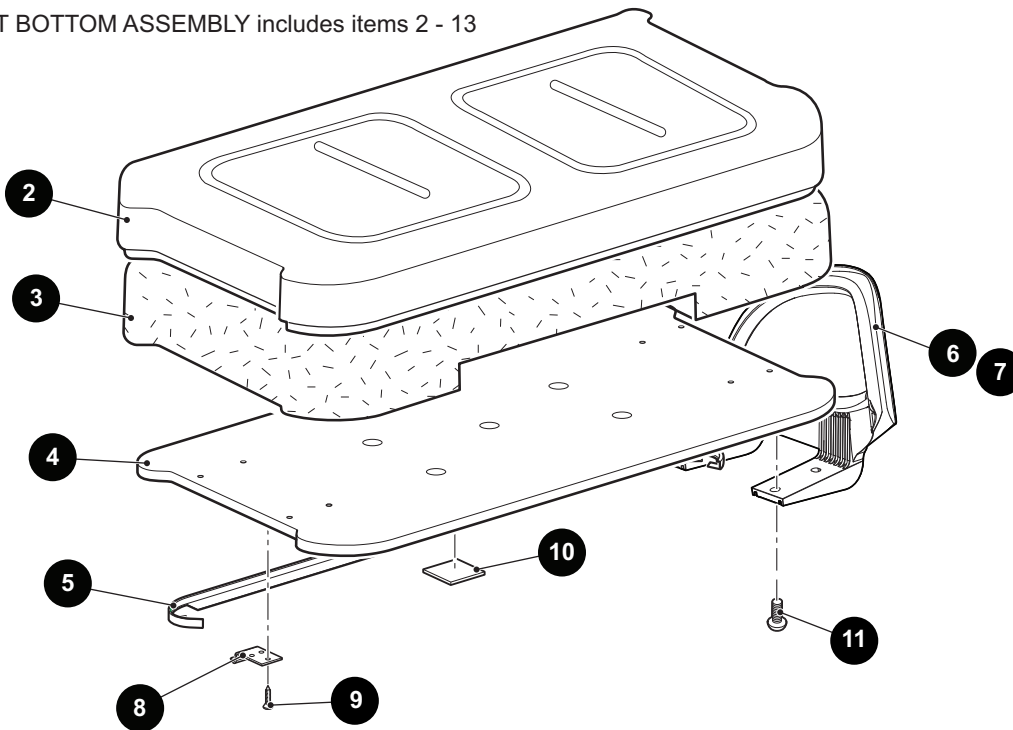
SEATING

15 SEAT BACK ASSEMBLY includes items 16 - 20

27 BAG HOLDER ASSEMBLY includes items 28 - 29



1 SEAT BOTTOM ASSEMBLY includes items 2 - 13



THE USE OF NON U.L. PARTS WILL VOID ANY U.L. LISTING.

When ordering parts, please specify the model and serial number of the product.

* Indicates a component that is not available as an individual part.

*** Indicates consult Customer Service Department for additional information.

ITEM	PART NO.	1 2 3 4 5	DESCRIPTION	QTY.
1	629269G0XXX		SEAT BOTTOM ASSEMBLY (INCLUDES ITEMS 2 - 13) 629269G0101 OYSTER 629269G0103 TAN 629269G0104 GRAY 629269G0106 BLACK 629269G0108 CUSTOM SOLID	1
2	71602GXX		SEAT BOTTOM COVER 71602G03 OYSTER 71602G02 GRAY 71602G04 TAN 71602G05 SPECIAL 71602G06 BLACK	1
3	71603G02		FOAM PADDING (SEAT BOTTOM)	1
4	645492		SEAT BOTTOM	1
5	71012G01		VINYL TRIM (SEAT BOTTOM).....	1
6	617644		HIP RESTRAINT (PASSENGER SIDE)	1
7	617645		HIP RESTRAINT (DRIVER SIDE).....	1
8	71610G01		SEAT HINGE	2
9	00720G08		PHILLIPS HEAD TAPPING SCREW, #12 -14 X 1" LG.....	6
10	17074G1		SOILING SLAB.....	2
11	615417		BUTTON HEAD TORX BOLT, M10 - 1.5 X 25MM LG.....	8
12				
13	17618G1		NYLON CLAMP (NOT ILLUSTRATED).....	1
14				
15	71751GXX		SEAT BACK ASSEMBLY (INCLUDES ITEMS 16 - 20)..... 71751G02 GRAY 71751G03 OYSTER 71751G04 TAN 71751G05 SPECIAL 71751G07 BLACK	1
16	71753GXX		VINYL SEAT BACK COVER 71753G02 GRAY 71753G03 OYSTER 71753G04 TAN 71753G05 SPECIAL 71753G07 BLACK	1
17	71752G01		PLASTIC SEAT BACK COVER.....	1
18	71754G01		FOAM PADDING (SEAT BACK).....	1
19	645021		SEAT BACK BASE	1

SEATING

THE USE OF NON U.L. PARTS WILL VOID ANY U.L. LISTING.

When ordering parts, please specify the model and serial number of the product.

* Indicates a component that is not available as an individual part.

*** Indicates consult Customer Service Department for additional information.

ITEM	PART NO.	1	2	3	4	5	DESCRIPTION	QTY.
20	01107G01						PAN HEAD TORX SCREW, #8 - 5/8 X .63" LG	4
21								
22								
23	605056						HEX HEAD BOLT (SS), 1/4" - 20 X 1" LG	4
24	00664G7						LOCK WASHER (SS), 1/4"	4
25	01075G01						HEX HEAD BOLT, 3/8" - 16 X 2 1/2" LG.....	4
26	11027G2						LOCK NUT, 1/4" - 20	2
27	618206						BAG HOLDER ASSEMBLY (INCLUDES ITEMS 28 - 29)	1
28	610642						BAG HOLDER BRACKET.....	1
29	608051						BAG RETAINER CLAMP	2
30	71853G01						BAG RETAINER STRAP	1
31	16816G1						RATCHET FASTENER, 1/4" X 9/16" LG	2
32	01102G01						CARRIAGE BOLT (SS), 1/4" - 20 X 1 1/2" LG.....	2
33	71811G03						SEAT SUPPORT BRACKET	2

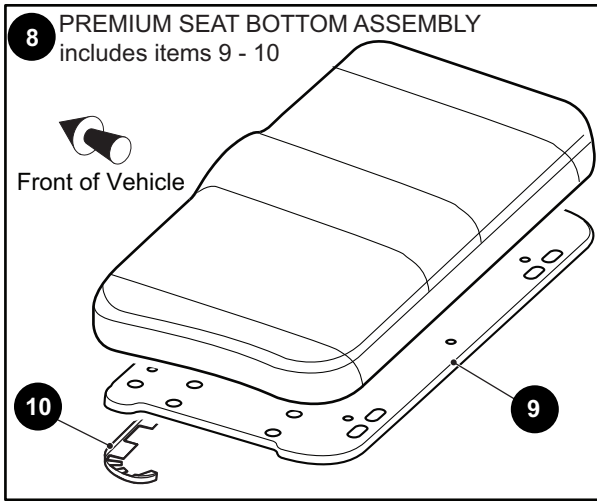
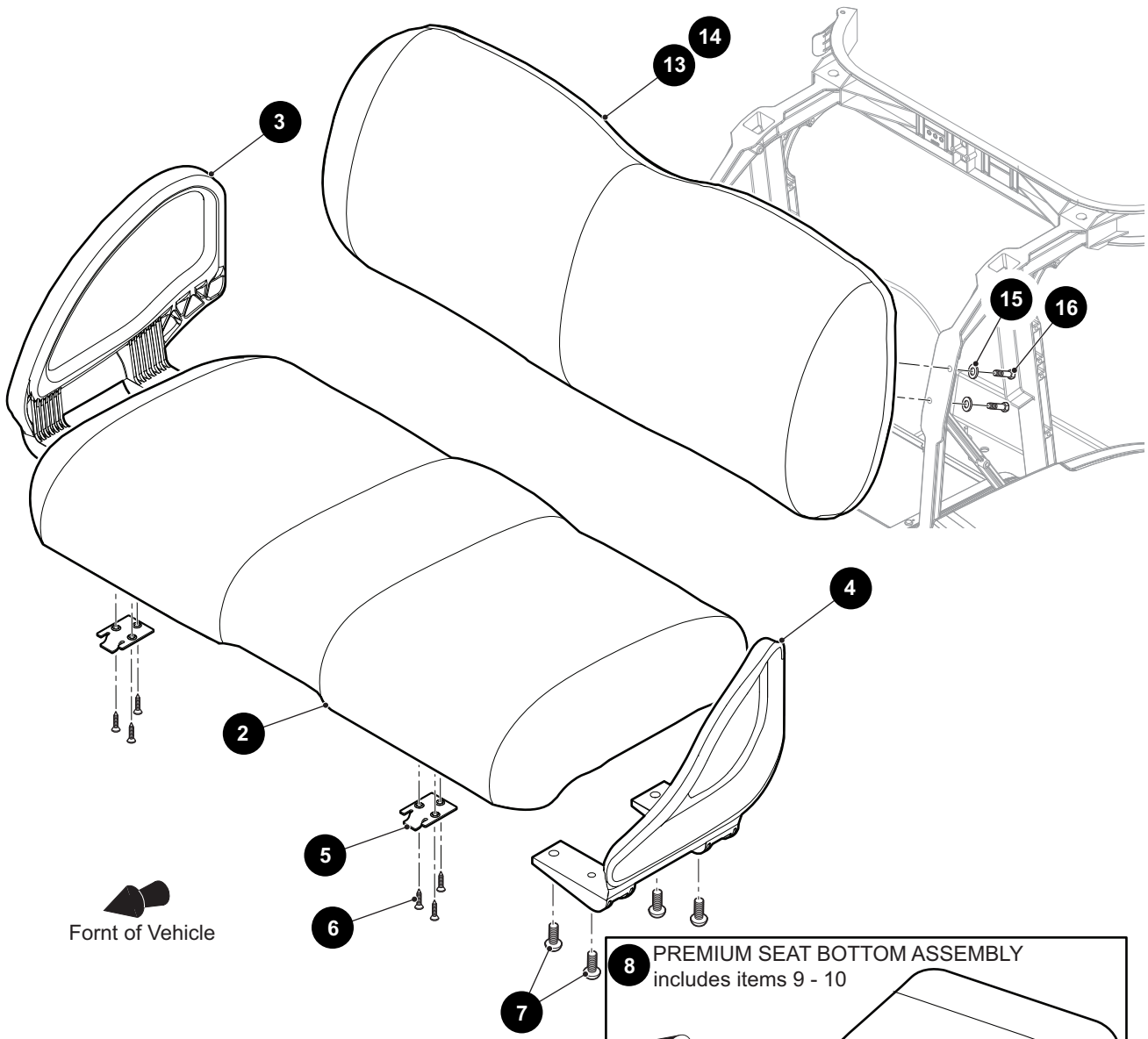
Notes:

A large grid of graph paper, consisting of approximately 30 columns and 35 rows of small squares, intended for taking notes.

SEATING

1 PREMIUM SEAT BOTTOM ASSEMBLY includes items 2 - 7

12 PREMIUM SEAT BOTTOM ASSEMBLY includes items 3 - 8



THE USE OF NON U.L. PARTS WILL VOID ANY U.L. LISTING.

When ordering parts, please specify the model and serial number of the product.

* Indicates a component that is not available as an individual part.

*** Indicates consult Customer Service Department for additional information.

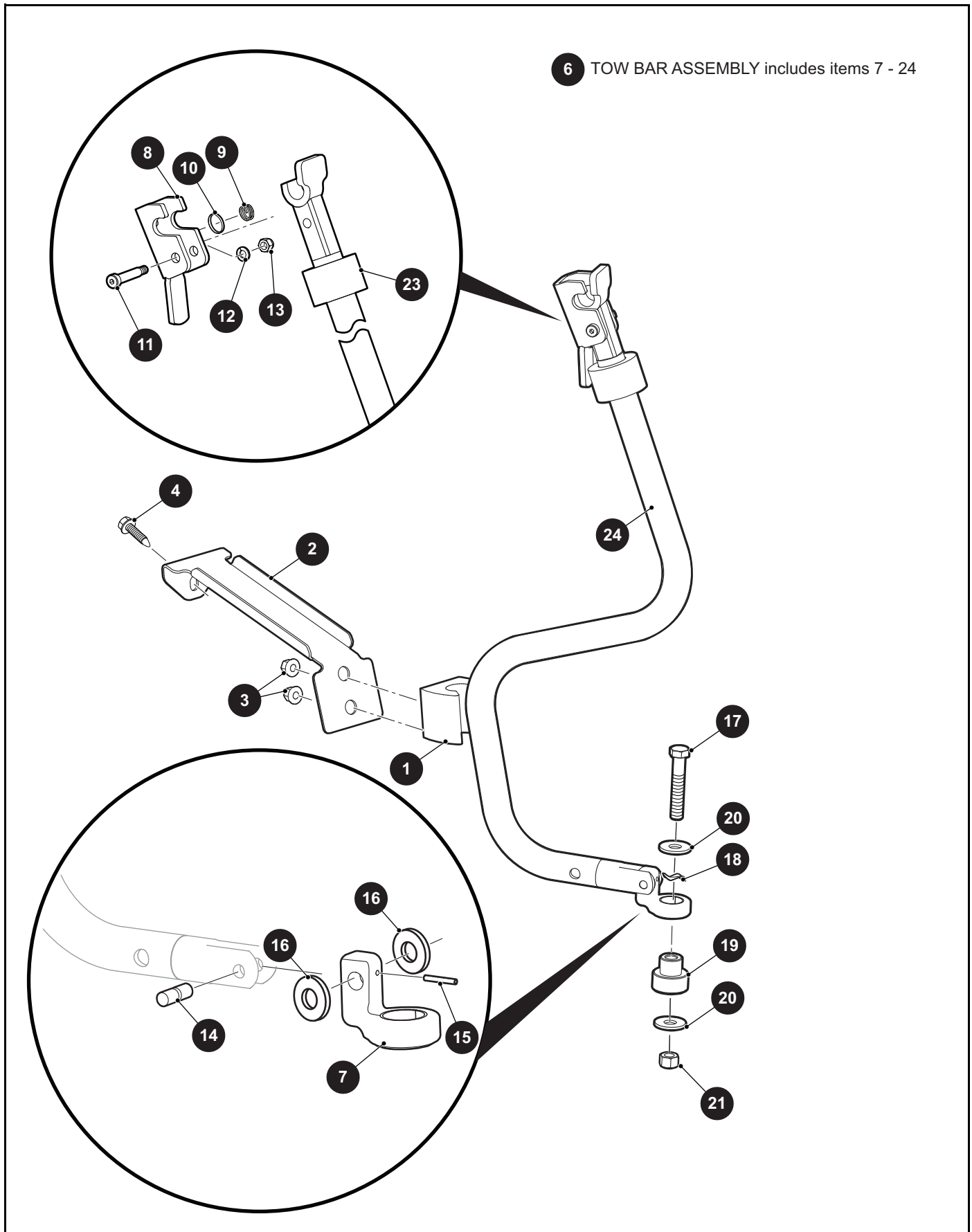
ITEM	PART NO.	1 2 3 4 5	DESCRIPTION	QTY.
1	***		PREMIUM SEAT BOTTOM ASSEMBLY (INCLUDES ITEMS 2 - 7) 629269G1917 LIGHT BEIGE	1
2	***		PREMIUM SEAT BOTTOM COVER 654085G17 LIGHT BEIGE	1
3	617644		HIP RESTRAINT (PASSENGER SIDE)	1
4	617645		HIP RESTRAINT (DRIVER SIDE)	1
5	71610G01		SEAT HINGE	2
6	00720G08		PHILLIPS HEAD TAPPING SCREW, #12 -14 X 1" LG.....	6
7	615417		BUTTON HEAD TORX BOLT, M10 - 1.5 X 25MM LG	8
8	***		PREMIUM SEAT BOTTOM (INCLUDES ITEMS 9 - 10)..... 686151G18 MUSHROOM 686151G19 PREMIUM GRAY 686151G20 PREMIUM CUSTOM	1
9	645492		SEAT BOTTOM.....	1
10	71012G01		VINYL TRIM (SEAT BOTTOM)	2
11				
12	***		PREMIUM SEAT BOTTOM ASSEMBLY (INCLUDES ITEMS 3 - 8) 629269G1918 MUSHROOM 629269G1919 GRAY 629269G1920 CUSTOM	1
13	***		PREMIUM SEAT BACK ASSEMBLY 654084G17 LIGHT BEIGE	1
14	***		PREMIUM SEAT BACK ASSEMBLY 686150G18 MUSHROOM 686150G19 GRAY 686150G20 CUSTOM	1
15	00664G7		LOCK WASHER (SS), 1/4"	4
16	605056		HEX HEAD BOLT (SS), 1/4" - 20 X 1" LG	4

Notes:

A large grid of graph paper for taking notes, consisting of 20 columns and 30 rows of squares.

TOW BAR

6 TOW BAR ASSEMBLY includes items 7 - 24



THE USE OF NON U.L. PARTS WILL VOID ANY U.L. LISTING.

When ordering parts, please specify the model and serial number of the product.

* Indicates a component that is not available as an individual part.

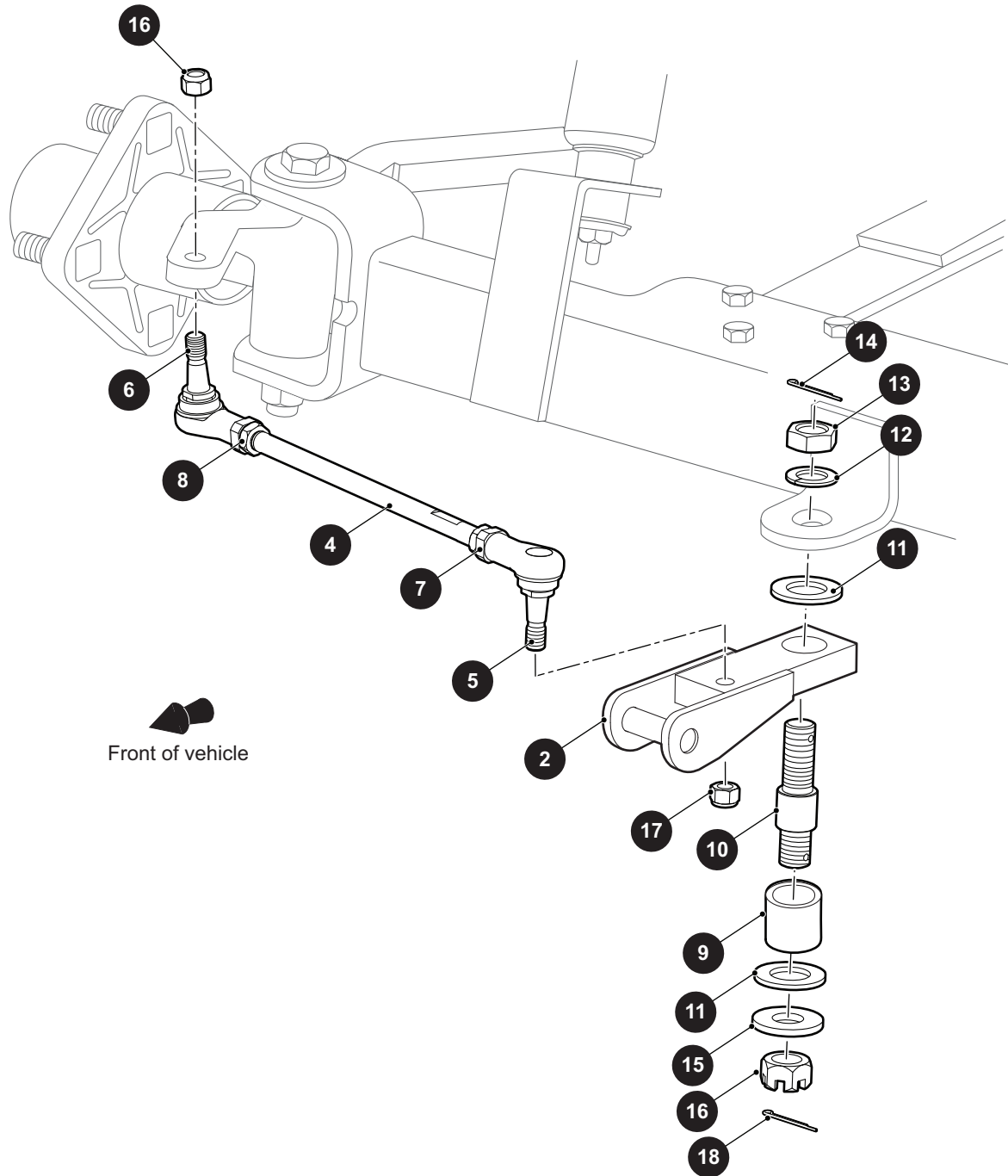
*** Indicates consult Customer Service Department for additional information.

ITEM	PART NO.	1 2 3 4 5	DESCRIPTION	QTY.
1	603020		TOW BAR RETAINER	1
2	637479		TOW BAR RETAINER BRACKET.....	1
3	600525		LOCK NUT, M10 - 1.50	2
4	00715G2		FLANGED HEX HEAD BOLT, 5/16" - 18 X .875" LG	1
5				
6	625813		TOW BAR ASSEMBLY (TOWING VEHICLE) (INCLUDES ITEMS 7 - 24)	1
7	625458		TOW BAR SWIVEL	1
8	617147		TOW BAR LATCH	1
9	20852G2		COMPRESSION SPRING (SS).....	1
10	25661G02		CUP WASHER, .84" O.D X .20" I.D.	1
11	13005G4		SOCKET HEAD BOLT, 5/16" - 18 X .406" LG	1
12	00565G8		LOCK WASHER, 5/16"	1
13	00520G3		ACORN NUT, 5/16" - 18	1
14	75360G01		PIVOT PIN.....	1
15	608793		SPIROL PIN, 3MM X 22MM	1
16	75340G01		FLAT WASHER, M10.....	2
17	00410G8		HEX HEAD BOLT, 1/2" - 20 X 3" LG.....	1
18	75339G01		SPRING WASHER	1
19	625582		TOW BAR PIVOT	1
20	00571G5		FLAT WASHER, 5/16"	2
21	11098G8		LOCK NUT, 1 3/8" - 12	1
22				
23	75362G01		LATCH STOP	1
24	625814		TOW BAR WELDMENT	1

TOW BAR

1 TOW BAR HITCH ASSEMBLY (TOWED VEHICLE) includes items 2 - 17

3 TIE ROD ASSEMBLY includes items 4 - 8



THE USE OF NON U.L. PARTS WILL VOID ANY U.L. LISTING.

When ordering parts, please specify the model and serial number of the product.

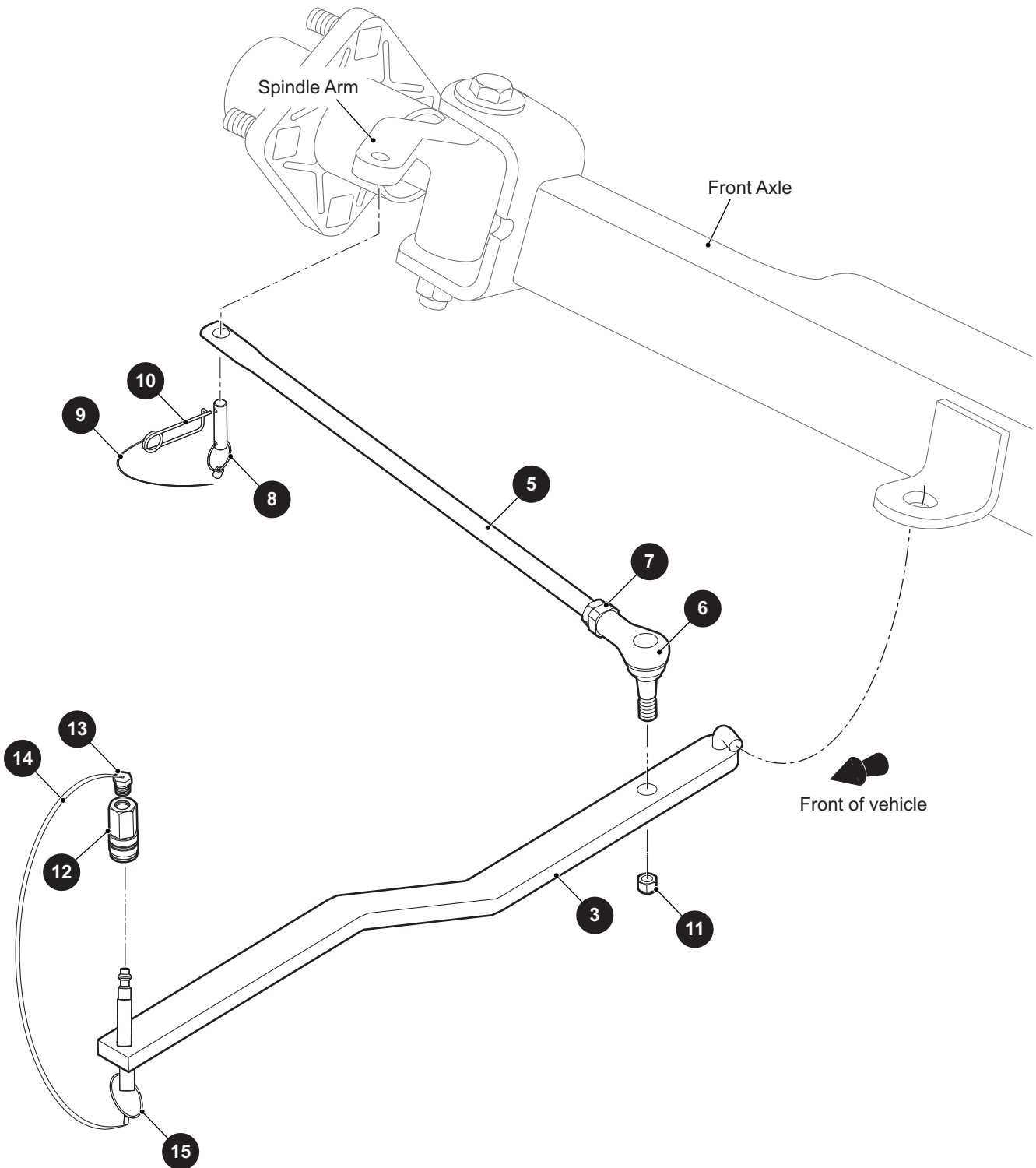
* Indicates a component that is not available as an individual part.

*** Indicates consult Customer Service Department for additional information.

ITEM	PART NO.	1 2 3 4 5	DESCRIPTION	QTY.
1	625812		TOW BAR HITCH ASSEMBLY (TOWED VEHICLE) (INCLUDES ITEMS 2 - 17)	1
2	640431		TOW BAR HITCH	1
3	625811		TIE ROD ASSEMBLY (INCLUDES ITEMS 4 - 8)	1
4	625646		TIE ROD LINK.....	1
5	70902G01		TIE ROD END (LEFT HAND).....	1
6	70902G02		TIE ROD END (RIGHT HAND)	1
7	01069G01		JAM NUT, M12 X 1.25" - 05 (DRIVER SIDE).....	1
8	01069G02		JAM NUT, M12 X 1.25" - 05 (PASSENGER SIDE)	1
9	75307G01		BEARING	1
10	75292G01		PIVOT BOLT	1
11	75309G01		THRUST BEARING	2
12	00566G6		SPRING LOCK WASHER, 3/8"	1
13	00533G8		HEX NUT, 1/2" - 13.....	1
14	10387G1		COTTER PIN, .125" X 1.50".....	1
15	75342G01		FLAT WASHER, 1.75" O.D X .781" I.D.....	1
16	00518G8		CASTLE NUT, 3/4" - 16	1
17	00734G1		LOCK NUT, 7/16" - 14	2
18	10387G1		COTTER PIN, .125" X 1.50"	1

TOW BAR

- 1 CASUAL TOW BAR KIT includes item 2
- 2 CASUAL TOW BAR ASSEMBLY includes items 3 - 15
- 4 TIE ROD ASSEMBLY includes items 5 - 7



THE USE OF NON U.L. PARTS WILL VOID ANY U.L. LISTING.

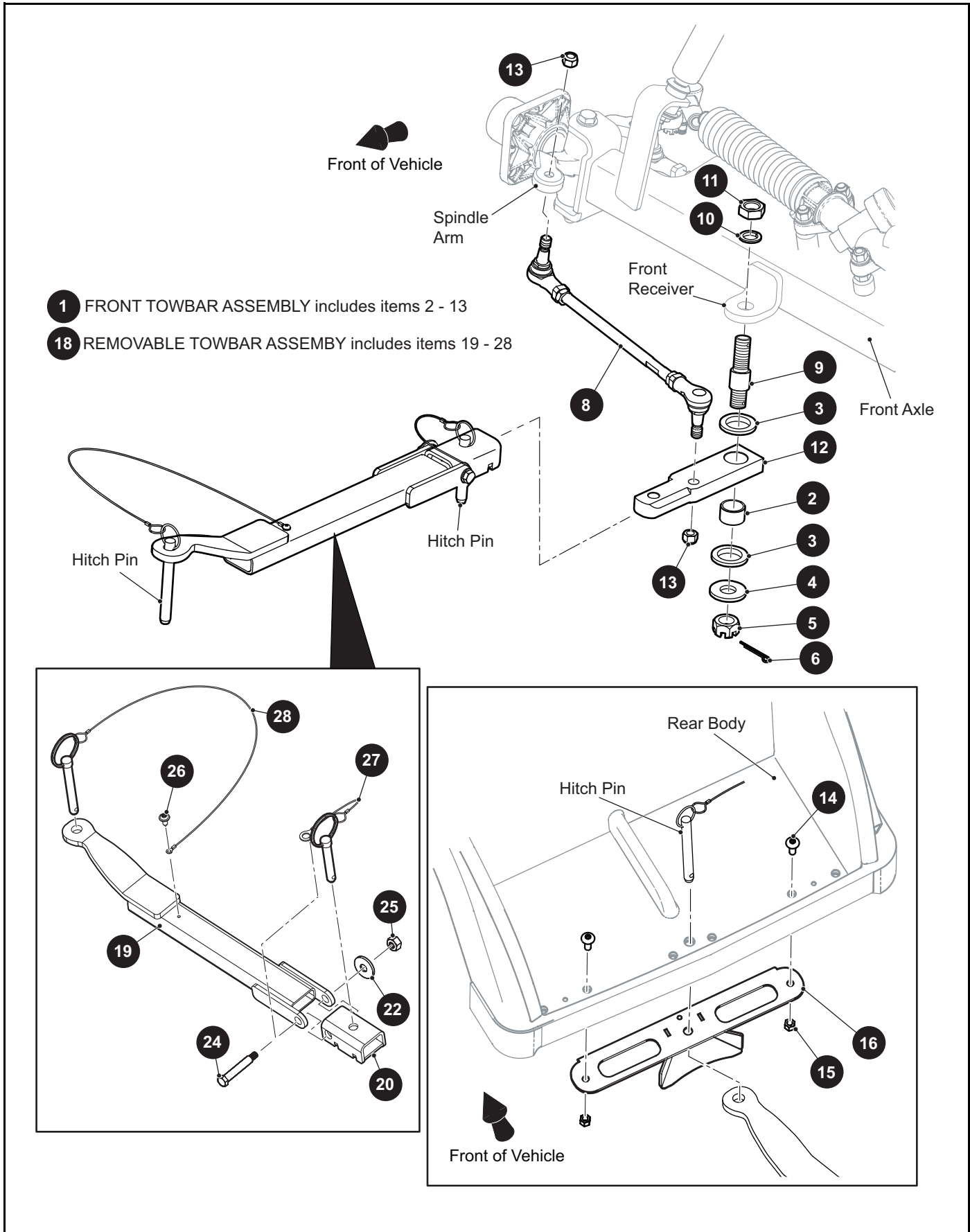
When ordering parts, please specify the model and serial number of the product.

* Indicates a component that is not available as an individual part.

*** Indicates consult Customer Service Department for additional information.

ITEM	PART NO.	1 2 3 4 5	DESCRIPTION	QTY.
1	625284		CASUAL TOW BAR KIT (INCLUDES ITEM 2)	1
2	625282		CASUAL TOW BAR ASSEMBLY (INCLUDES ITEMS 3 -15)	1
3	625327		TOW BAR WELDMENT	1
4	625328		TIE ROD ASSEMBLY (INCLUDES ITEMS 5 - 7).....	1
5	625329		TIE ROD WELDMENT.....	1
6	70902G01		TIE ROD END (DRIVER SIDE).....	1
7	01069G01		JAM NUT, M12 - 1.25	1
8	16783G1		FERRULE	1
9	14869G5		WIRE ROPE, 6" LG	1
10	75068G01		SAFETY PIN	1
11	00734G1		LOCK NUT, 7/16" - 14.....	1
12	75060G01		COUPLING	1
13	75035G02		HEX HEAD PLUG WITH HOLE, 1/4" - 18	1
14	14869G3		WIRE ROPE, 20" LG	1
15	75067G01		FERRULE, .157" O.D. X .93" I.D. X .31" LG	1

TOW BAR



THE USE OF NON U.L. PARTS WILL VOID ANY U.L. LISTING.

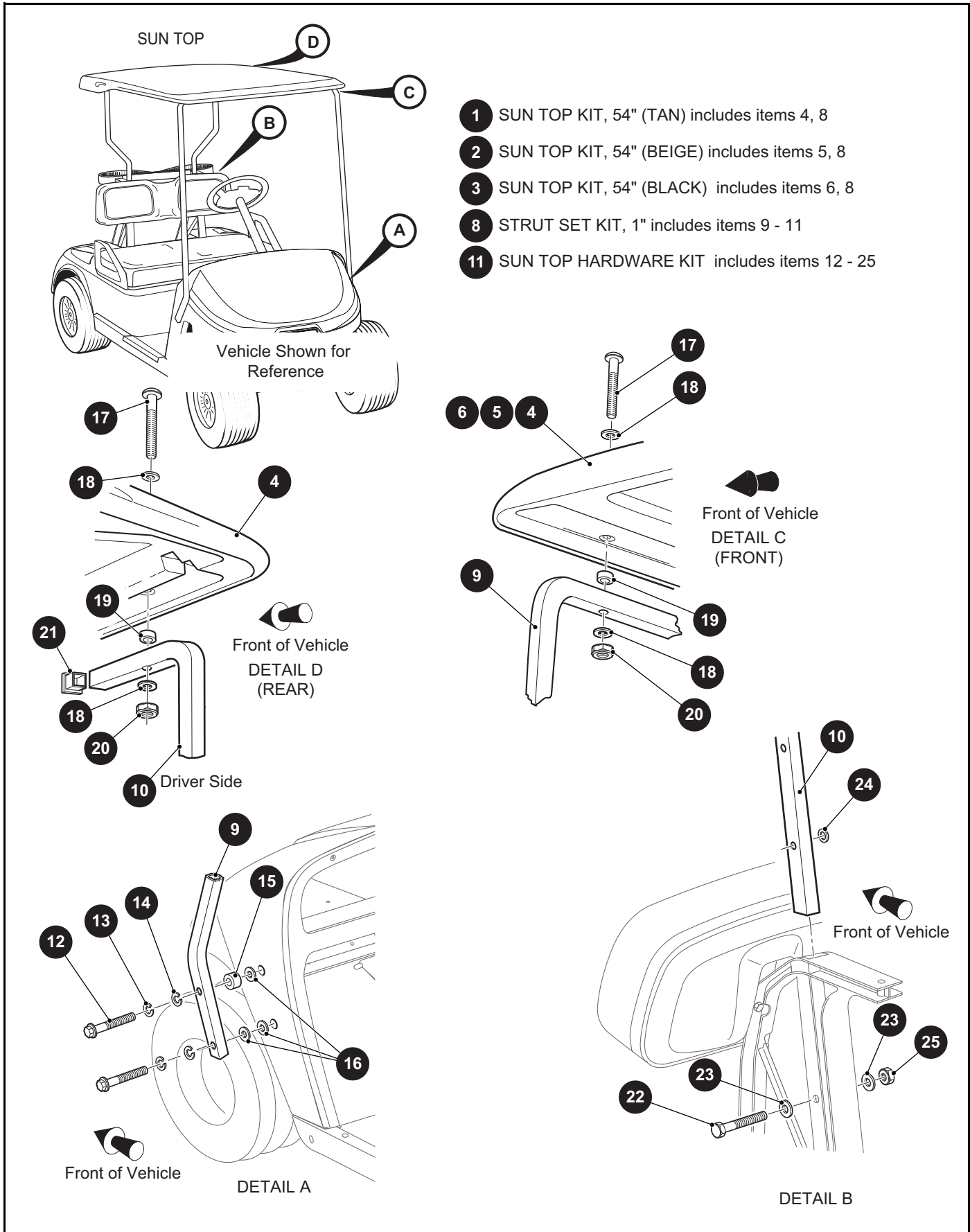
When ordering parts, please specify the model and serial number of the product.

* Indicates a component that is not available as an individual part.

*** Indicates consult Customer Service Department for additional information.

ITEM	PART NO.	1 2 3 4 5	DESCRIPTION	QTY.
1	637319		FRONT TOWBAR ASSEMBLY (INCLUDES ITEMS 2 - 13)	1
2	75307G01		BEARING	1
3	75309G01		THRUST BEARING	2
4	75342G01		FLAT WASHER, 1.7" O.D. X .781 I.D.	1
5	00518G8		CASTLE NUT, 3/4" - 16	1
6	10387G1		COTTER PIN, .125" X 1.50" LG	1
7				
8	625811		TIE ROD ASSEMBLY	1
9	75292G01		PIVOT BOLT, 3/4" - 16 X 3.71" LG	1
10	00566G6		LOCK WASHER, 3/4"	1
11	00533G8		HEX NUT, 1/2" - 13	1
12	635632		FRONT PIVOT BAR	1
13	00734G1		LOCK NUT, 7/16" - 14	2
14	73653G01		TRUSS HEAD TORX SCREW, 3/8" - 16 X 1.5" LG	2
15	11098G5		LOCK NUT, 3/8" - 16	2
16	635620		REAR TOWBAR RECEIVER	1
17				
18	635736		REMOVABLE TOWBAR ASSEMBLY (INCLUDES ITEMS 19 - 28).....	1
19	635428		TOWBAR TONGUE WELDMENT	1
20	635461		TOWBAR COUPLING WELDMENT.....	1
21				
22	00571G5		FLAT WASHER (SS), 1/2"	1
23				
24	14158G1		SHOULDER BOLT, 1/2" X 2 3/4", 3/8" - 16 X 1/2" LG	1
25	11098G5		LOCK NUT, 3/8" - 16	1
26	637563		SELF TAPPING SCREW, M4 - 1 X 14MM LG.....	1
27	685471		HITCH PIN ASSEMBLY (SHORT).....	1
28	641171		HITCH PIN ASSEMBLY (LONG)	1

WEATHER PROTECTION



WEATHER PROTECTION

THE USE OF NON U.L. PARTS WILL VOID ANY U.L. LISTING.

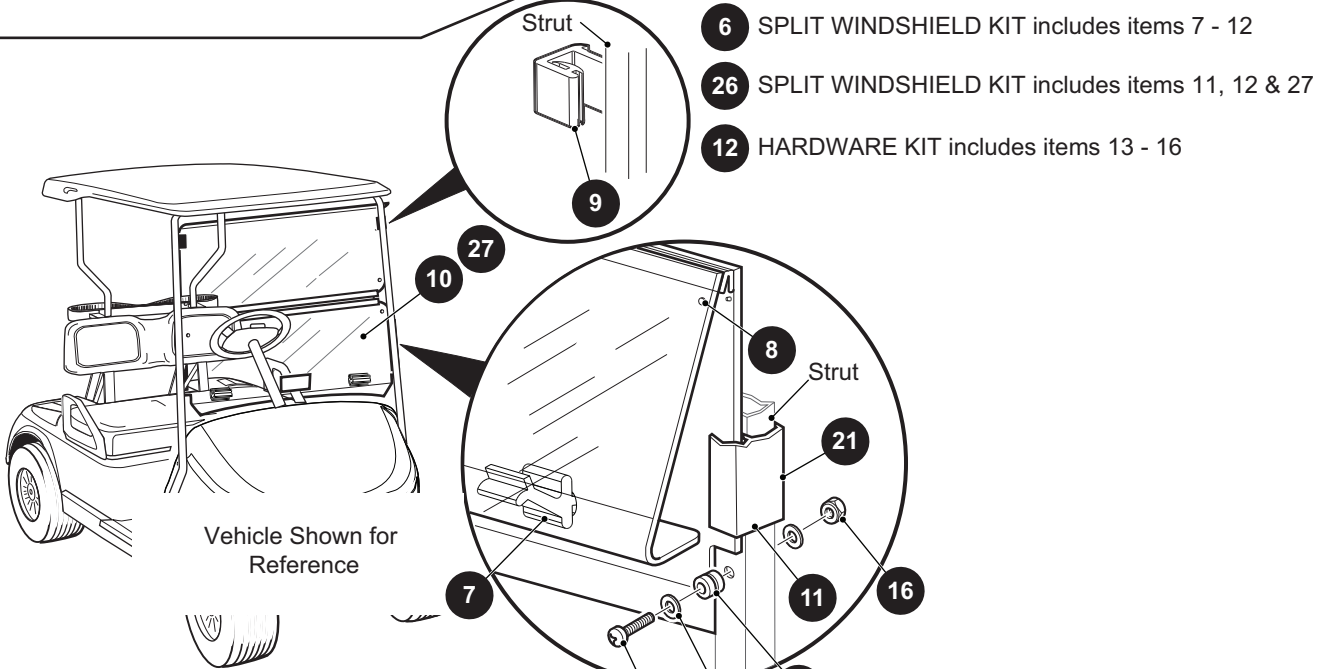
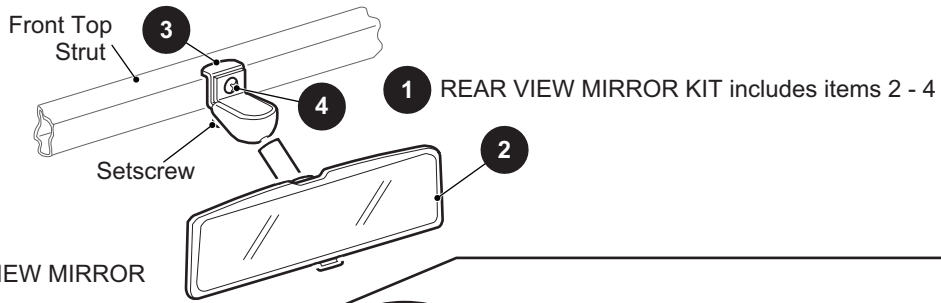
When ordering parts, please specify the model and serial number of the product.

* Indicates a component that is not available as an individual part.

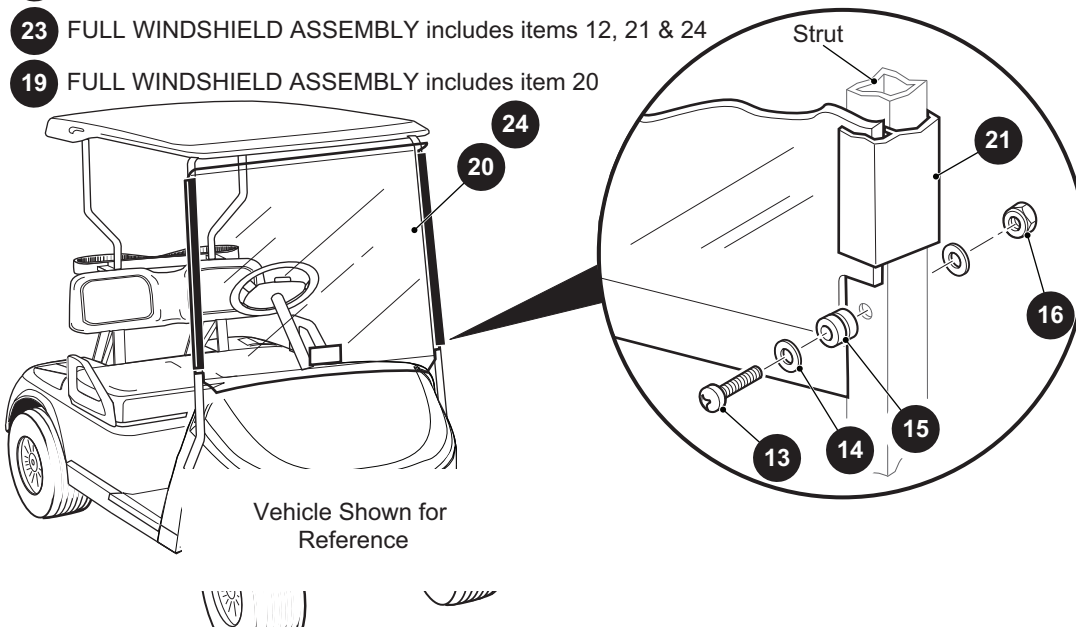
*** Indicates consult Customer Service Department for additional information.

ITEM	PART NO.	1 2 3 4 5	DESCRIPTION	QTY.
1	625299G01		SUN TOP KIT, 54" (TAN) (INCLUDES ITEMS 4, 8).....	1
2	625299G02		SUN TOP KIT, 54" (BEIGE) (INCLUDES ITEMS 5, 8).....	1
3	625299G03		SUN TOP KIT, 54" (BLACK) (INCLUDES ITEMS 6, 8).....	1
4	625290		SUN TOP (TAN)	1
5	625291		SUN TOP (BEIGE)	1
6	625292		SUN TOP (BLACK).....	1
7				
8	635005		STRUT SET KIT, 1" (INCLUDES ITEM 9 - 11)	1
9	625294G01		FRONT STRUT	1
10	75046G01		REAR STRUT	2
11	625296		SUN TOP HARDWARE KIT (INCLUDES ITEMS 12 - 25)	1
12	634809		HEX HEAD BOLT, 5/16" - 18 X 2 1/4" LG.....	4
13	634810		FLAT WASHER, 5/16"	4
14	634811		LOCK WASHER, 5/16"	4
15	634807		SPACER, .328" I.D. X .75" O.D. X 0.5" LG.....	2
16	634808		FLAT WASHER, 5/16"	6
17	627567		HEX HEAD BOLT, 1/4" - 20 X 2 1/2" LG.....	4
18	01110G01		FLAT WASHER (SS), 1/4"	8
19	625301		SPACER (PLASTIC), 0.28" I.D. X .56" O.D. X 0.74" LG	4
20	00654G2		LOCK NUT (SS), 1/4" - 20.....	4
21	19853G1		END CAP, 1" SQ.....	2
22	00685G7		HEX HEAD BOLT (SS), 5/16" - 18 X 1 3/4" LG	4
23	01110G03		FLAT WASHER (SS), 5/16"	8
24	17255G1		TEFLON WASHER, 5/16".....	4
25	11098G6		LOCK NUT (SS), 5/16" - 18.....	4

WEATHER PROTECTION



- 12 HARDWARE KIT includes items 13 - 16
- 18 FULL WINDSHIELD KIT includes items 12, 19 - 21
- 23 FULL WINDSHIELD ASSEMBLY includes items 12, 21 & 24
- 19 FULL WINDSHIELD ASSEMBLY includes item 20



WEATHER PROTECTION

THE USE OF NON U.L. PARTS WILL VOID ANY U.L. LISTING.

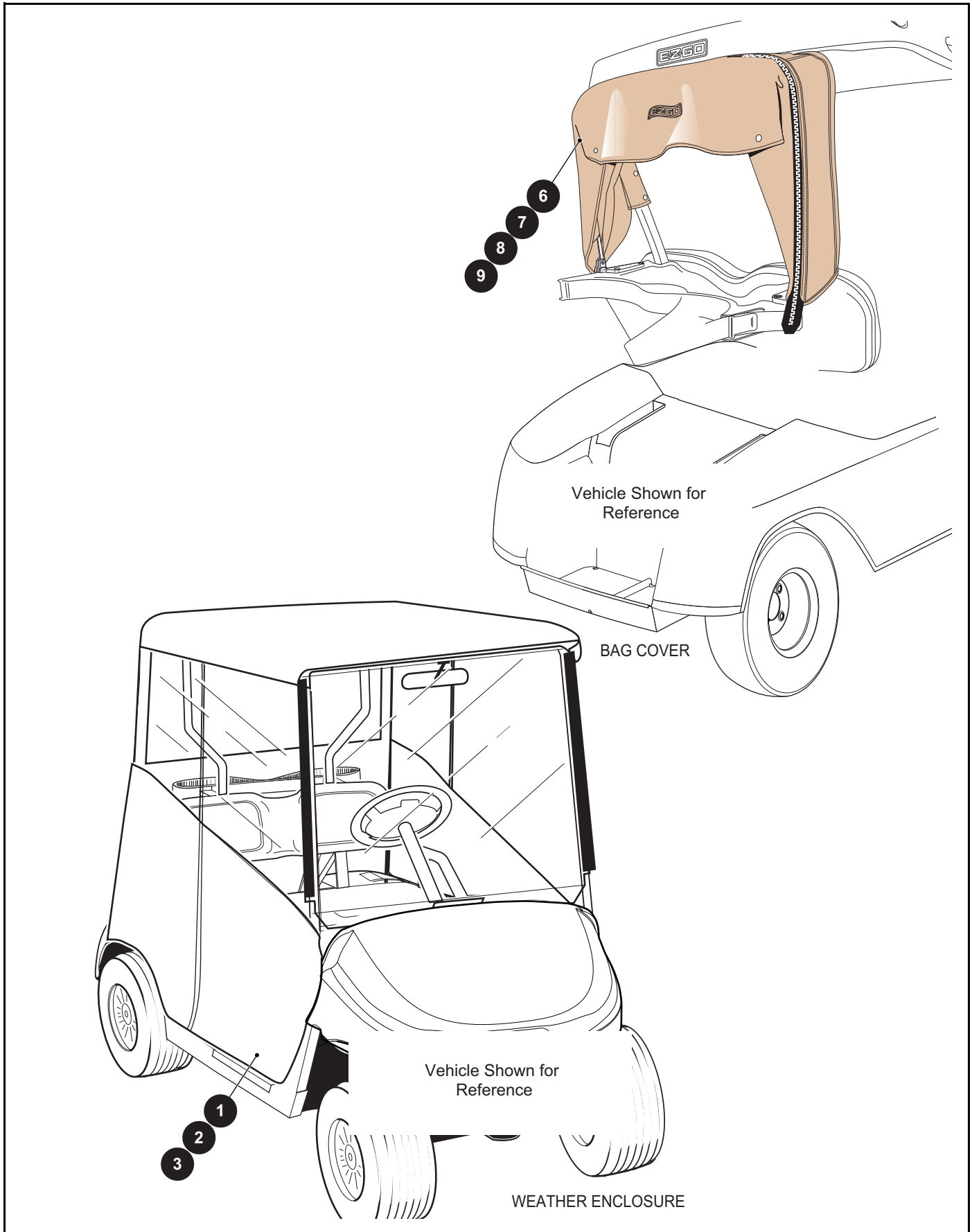
When ordering parts, please specify the model and serial number of the product.

* Indicates a component that is not available as an individual part.

*** Indicates consult Customer Service Department for additional information.

ITEM	PART NO.	1 2 3 4 5	DESCRIPTION	QTY.
1	19528G2		REAR VIEW MIRROR KIT (INCLUDES ITEMS 2 - 4)	1
2	19496G1		REAR VIEW MIRROR	1
3	19502G2		SUPPORT BRACKET	1
4	19527G1		PAN HEAD PHILLIPS SCREW, #8 - 32 X 5/8" LG	1
5				
6	625279G01		SPLIT WINDSHIELD KIT, (INCLUDES ITEMS 7 - 12)	1
7	603201		LOWER LATCH	2
8	604115		GROMMET	4
9	625230		UPPER LATCH	2
10	625275		SPLIT WINDSHIELD	1
11	625228		SASH, 9" LG	2
12	625271		HARDWARE KIT (INCLUDES ITEMS 13 - 16)	1
13	00753G5		TRUSS HEAD PHILLIPS SCREW, 1/4" - 20 X 2" LG	2
14	01110G01		FLAT WASHER (SS), 1/4"	4
15	625278		RUBBER GROMMET	2
16	00654G2		LOCK NUT (SS), 1/4" - 20	2
17				
18	625279G03		FULL WINDSHIELD KIT (INCLUDES ITEMS 12, 19 - 21)	1
19	*		FULL WINDSHIELD ASSEMBLY (INCLUDES ITEM 20)	1
20	*		FULL WINDSHIELD	1
21	625227		SASH, 26" LG	2
22				
23	625279G05		FULL WINDSHIELD KIT (INCLUDES ITEMS 12, 21 & 24)	1
24	664160		FULL WINDSHIELD	1
25				
26	625279G06		SPLIT WINDSHIELD KIT (INCLUDES ITEMS 11, 12 & 27)	1
27	664159		SPLIT WINDSHIELD	1

WEATHER PROTECTION



WEATHER PROTECTION

THE USE OF NON U.L. PARTS WILL VOID ANY U.L. LISTING.

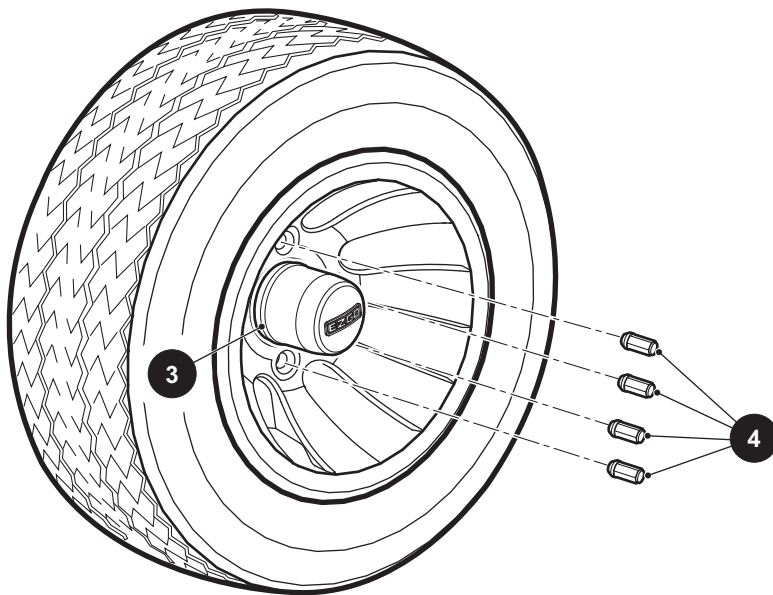
When ordering parts, please specify the model and serial number of the product.

* Indicates a component that is not available as an individual part.

*** Indicates consult Customer Service Department for additional information.

ITEM	PART NO.	1 2 3 4 5	DESCRIPTION	QTY.
1	634541		WEATHER ENCLOSURE (3 SIDED) (TAN) RECOMMENDED FOR VEHICLES WITH WINDSHIELDS.....	1
2	634542		WEATHER ENCLOSURE (3 SIDED) (OYSTER) RECOMMENDED FOR VEHICLES WITH WINDSHIELDS.....	1
3	634543		WEATHER ENCLOSURE (3 SIDED) (HUNTER GREEN) RECOMMENDED FOR VEHICLES WITH WINDSHIELDS.....	1
4				
5				
6	625581		BAG COVER KIT (OYSTER).....	1
7	625583		BAG COVER KIT (TAN).....	1
8	625585		BAG COVER KIT (GREEN).....	1
9	618430		BAG COVER KIT (BLACK).....	1

WHEELS AND TIRES



Tire design may vary by Part Number

WHEELS AND TIRES

THE USE OF NON U.L. PARTS WILL VOID ANY U.L. LISTING.

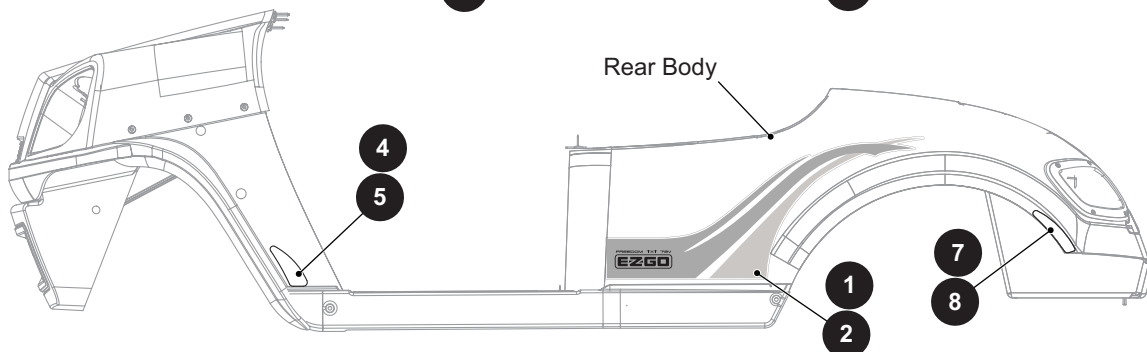
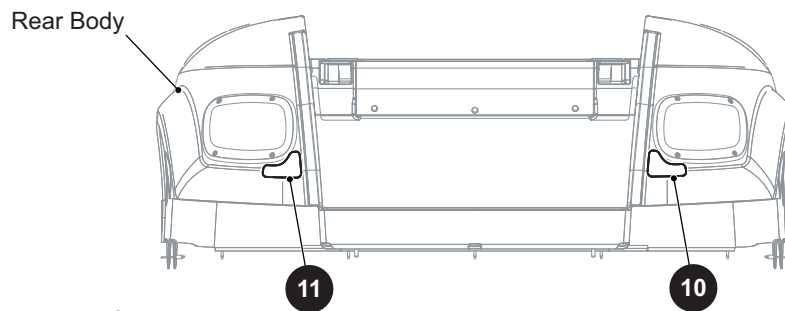
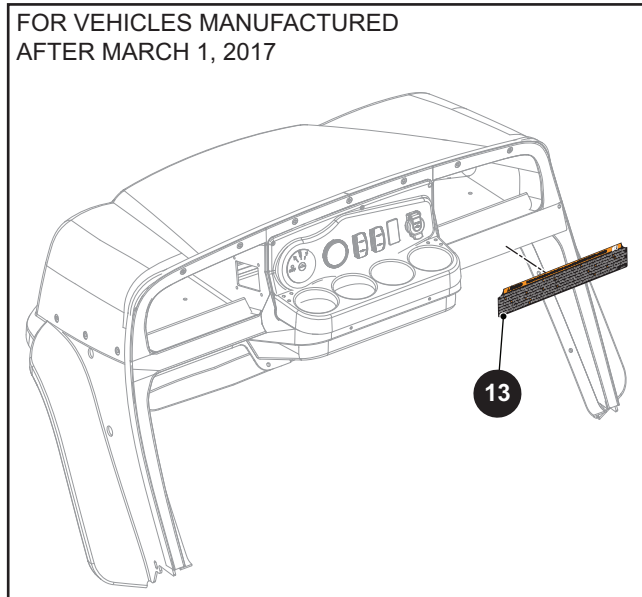
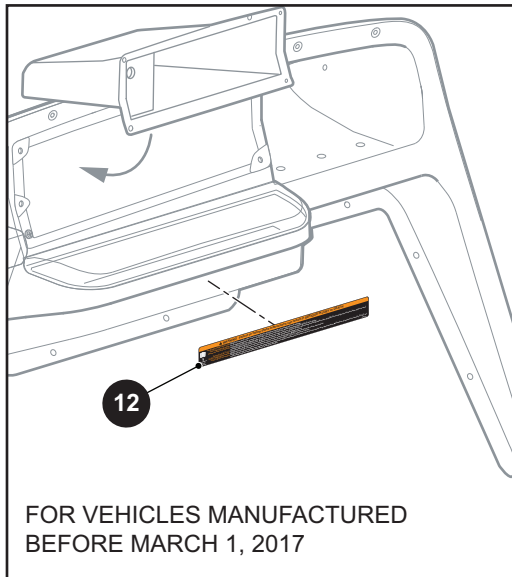
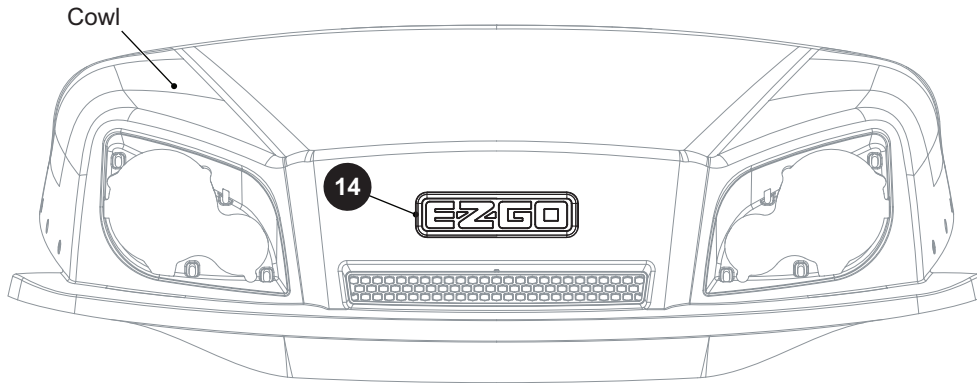
When ordering parts, please specify the model and serial number of the product.

* Indicates a component that is not available as an individual part.

*** Indicates consult Customer Service Department for additional information.

ITEM	PART NO.	1 2 3 4 5	DESCRIPTION	QTY.
1	653593		WHEEL, 10" X 7" (DAYTONA).....	1
2	653617		TIRE, 205" X 65" X 10" (LOADSTAR).....	1
3	608910		WHEEL CAP (DIAMOND).....	1
4	605310		LUG NUTS (CHROME).....	4

DECALS AND LABELS



DECALS AND LABELS

THE USE OF NON U.L. PARTS WILL VOID ANY U.L. LISTING.

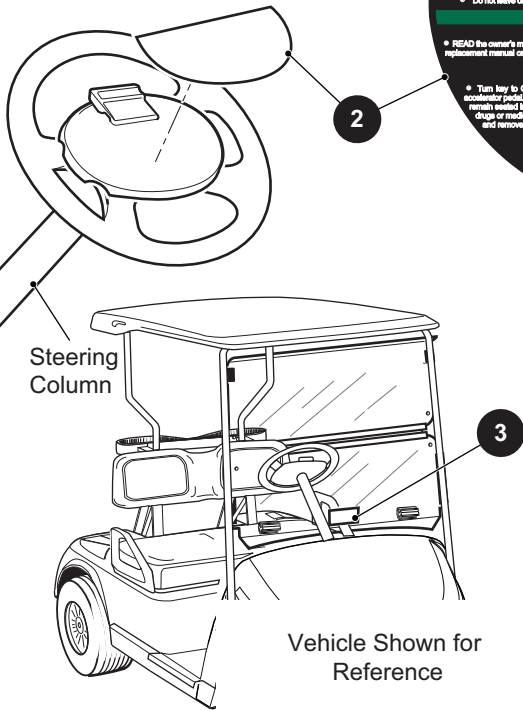
When ordering parts, please specify the model and serial number of the product.

* Indicates a component that is not available as an individual part.

*** Indicates consult Customer Service Department for additional information.

ITEM	PART NO.	1 2 3 4 5	DESCRIPTION	QTY.
1	658467G01		SIDE DECAL (PASSENGER SIDE)	1
2	658467G02		SIDE DECAL (DRIVER SIDE)	1
3				
4	627561		FRONT REFLECTOR (PASSENGER SIDE)	1
5	627562		FRONT REFLECTOR (DRIVER SIDE)	1
6				
7	627563		SIDE REFLECTOR (PASSENGER SIDE)	1
8	627564		SIDE REFLECTOR (DRIVER SIDE)	1
9				
10	625244		REAR REFLECTOR (PASSENGER SIDE)	1
11	625246		REAR REFLECTOR (DRIVER SIDE)	1
12	628019		CONSOLE SAFETY LABEL (FOR VEHICLES MANUFACTURED BEFORE MARCH 1, 2017)	1
13	662185		CONSOLE SAFETY LABEL (FOR VEHICLES MANUFACTURED AFTER MARCH 1, 2017)	1
14	612837		COWL DECAL	1

DECALS AND LABELS



WARNING READ AND OBEY THE FOLLOWING WARNINGS TO DECREASE RISK OF SEVERE INJURY OR DEATH.

Pressing the accelerator pedal releases the parking brake even when the key is in the OFF position; the vehicle may move when the accelerator pedal is pressed. Unintentional movement of the vehicle can cause injury or death. Do not allow anyone to stand directly in front or behind the vehicle. • Check seat belts have a valid driver's license. • Do not operate vehicle until all occupants are properly seated with their backs against the seat and feet flat on the floor. • Do not leave children unattended or allow them to play on a parked vehicle.

SAFETY INSTRUCTIONS

BEFORE OPERATING

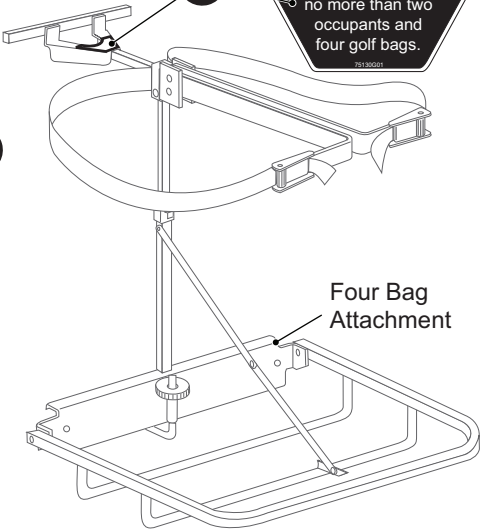
- READ the owner's manual and all warning labels. Contact an authorized dealer or go to the manufacturer's website for replacement manual or labels.
- This vehicle is equipped for personal use in most communities; however, state law or local rules may require additional equipment to your community.

SAFE OPERATION & PARKING

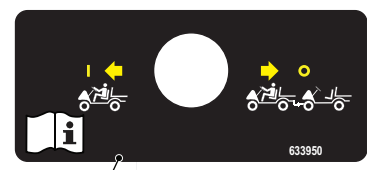
- Turn key to ON, select Forward or Reverse, release the parking brake (if required), and slowly press accelerator pedal. • Always bring vehicle to a complete stop before shifting the direction selector. • Always remain seated in a moving vehicle. • Operate from the driver's seat only. • Never drink alcohol or use drugs or medications before or during operation of the vehicle. • ALWAYS engage the parking brake and remove the key before leaving the vehicle. In an electric vehicle, put the direction selector in OFF or Neutral; in a gasoline vehicle, put the selector in Forward.

MAINTENANCE & TOWING

- This vehicle requires regularly scheduled maintenance (see the periodic service schedule in owner's manual). • ONLY qualified personnel should service this vehicle. • Vehicle is not to be towed; consult owner's manual for transport instructions.



FOR VEHICLES MANUFACTURED BEFORE MARCH 1, 2017



DECALS AND LABELS

THE USE OF NON U.L. PARTS WILL VOID ANY U.L. LISTING.

When ordering parts, please specify the model and serial number of the product.

* Indicates a component that is not available as an individual part.

*** Indicates consult Customer Service Department for additional information.

ITEM	PART NO.	1 2 3 4 5	DESCRIPTION	QTY.
1	635906		TOW BAR WARNING LABEL	1
2	664789		WARNING LABEL (STEERING WHEEL)	1
3	71963G01		WINDSHIELD CLIP-ON WARNING LABEL	1
4	75130G01		FOUR BAG ATTACHMENT WARNING LABEL	1
5				
6				
7	630044		ON - OFF LABEL (FOR VEHICLES MANUFACTURED BEFORE MARCH 1, 2017)	1
8	632907		LIGHT SWITCH LABEL (FOR VEHICLES MANUFACTURED BEFORE MARCH 1, 2017)	1
9	632910		SWITCH LABEL (FOR VEHICLES MANUFACTURED BEFORE MARCH 1, 2017)	1
10	633950		RUN/TOW LABEL (FOR VEHICLES MANUFACTURED BEFORE MARCH 1, 2017)	1
11				
12	685698		DECAL, MADE IN USA.....	1

Notes:

A large grid of 25 columns and 25 rows for taking notes. The grid is composed of thin black lines forming a uniform pattern of squares.



A Textron Company

Textron Specialized Vehicles, Inc.

1451 Marvin Griffin Road
Augusta, Georgia 30906 - 3852 USA

CONTACT US:

North America:

Technical Assistance & Warranty Phone: 1-800-774-3946, FAX: 1-800-448-8124
Service Parts Phone: 1-888-438-3946, FAX: 1-800-752-6175

International:

Phone: 001-706-798-4311, FAX: 001-706-771-4609

Owner's guides and repair manuals
are available from a local Distributor, or an authorized Branch,
Parts & Accessories Department or at www.shopezgo.com.

Copyrighted Material

This manual may not be reproduced in whole
or in part without the express permission of
TSV Technical Communications Department