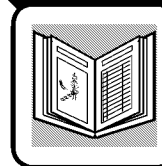


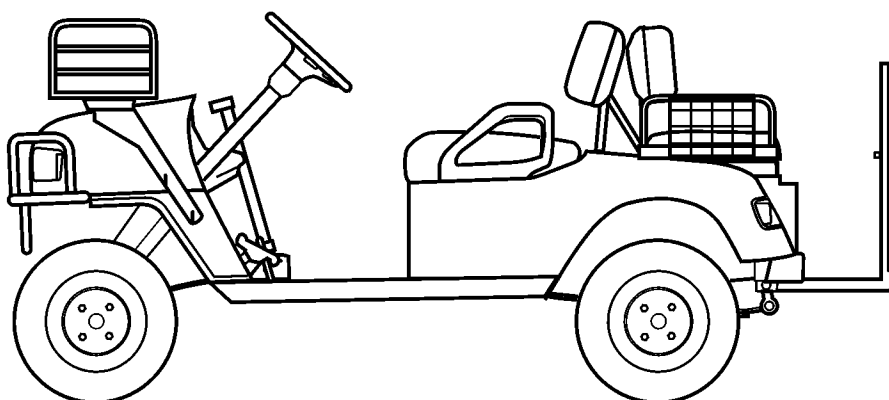
28763-G01



A Textron Company



SERVICE PARTS MANUAL



Ref Fcv 11

GASOLINE POWERED CLAYS CAR

STARTING MODEL YEAR: 2003

REVISED 1/2003

SERVICE PARTS MANUAL

GASOLINE POWERED CLAYS CAR™

TEXTRON Golf, Turf & Specialty Products reserves the right to make design changes without obligation to make these changes on units previously sold and the information contained in this manual is subject to change without notice.

TEXTRON Golf, Turf & Specialty Products is not liable for errors in this manual or for incidental or consequential damages that result from the use of the material in this manual.

CUSTOMER SERVICE DEPARTMENT IN USA PHONE: 1-800-241-5855 FAX: 1-800-448-8124

OUTSIDE USA PHONE: 010-1-706-798-4311, FAX: 010-1-706-771-4609

TEXTRON GOLF, TURF & SPECIALTY PRODUCTS, P.O.BOX 388, AUGUSTA, GEORGIA USA 30903-0388

GENERAL INFORMATION

To obtain a copy of the limited warranty applicable to the vehicle, call or write a local Distributor, authorized Branch or the Warranty Department with vehicle serial number and manufacture date code.

The use of non Original Equipment Manufacturer (OEM) parts may void the warranty.

When servicing engines, all adjustments and replacement components must be per original vehicle specifications in order to maintain the United States of America Federal and State emission certification applicable at the time of manufacture.

TABLE OF CONTENTS

SECTION	Page No.
HOW TO USE THE SERVICE PARTS MANUAL	v
ILLUSTRATED PARTS BREAKDOWN	vii
ACCELERATOR	A-1
AIR CLEANER	B-1
BODY	C-1
BRAKES	D-1
CARBURETOR AND CHOKE	E-1
CLUTCH	F-1
DIRECTION SELECTOR	G-1
ELECTRICAL SYSTEM	H-1
ENGINE AND MUFFLER	J-1
ENGINE MOUNTING	K-1
FRONT SUSPENSION	L-1
FUEL SYSTEM	M-1
REAR AXLE	N-1
REAR SUSPENSION	P-1
SEATING	Q-1
STARTER / GENERATOR	R-1
STEERING	S-1
WEATHER PROTECTION	T-1
WHEELS AND TIRES	U-1
SPECIALTY PRODUCTS	APPENDIX A-1
OPTIONS/ACCESSORIES	APPENDIX B-1

HOW TO USE THE SERVICE PARTS MANUAL

This manual is divided into several sections:

GENERAL INFORMATION

- TABLE OF CONTENTS
- HOW TO USE THE SERVICE PARTS MANUAL

ILLUSTRATED PARTS BREAKDOWN

- Contains illustrations and parts lists for all systems of the vehicle

APPENDIX

- Contains a listing of specialty products and options/accessories

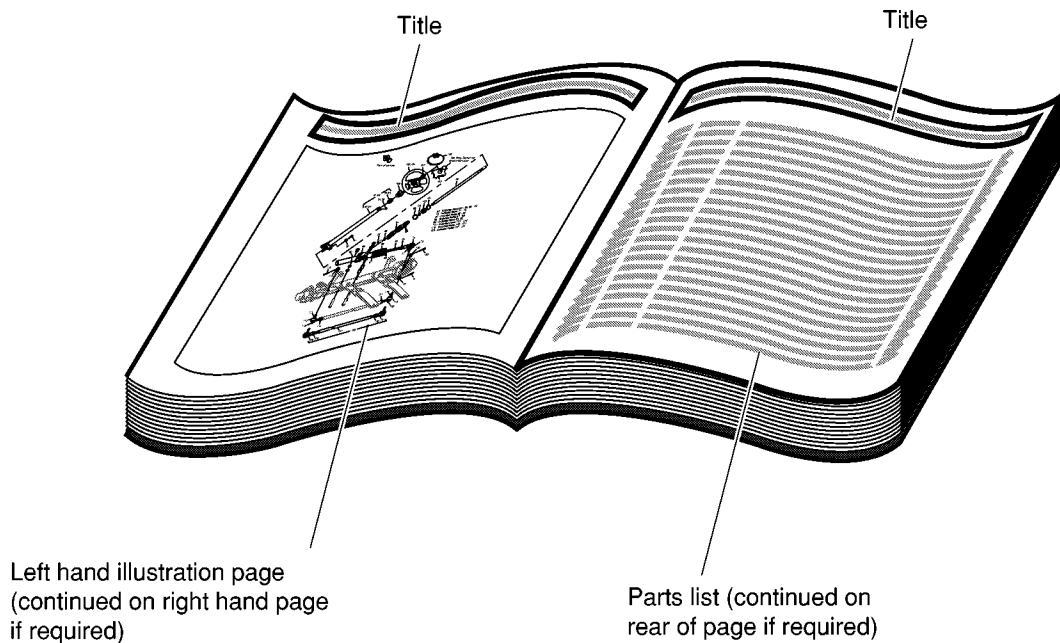
USE OF THE MANUAL

To use this manual, consult the TABLE OF CONTENTS (page iii) or the INDEX OF MAJOR COMPONENTS (located at rear of this manual) to locate the information or illustration required.

Introduction of some revisions varies due to supply of components; therefore, it is possible that various combinations of components may be found that are not directly reflected by each illustration. Consult the illustration that best suits your situation. Locate the serial number plate (see BODY located in the Illustrated Parts Breakdown section of this manual for its location) and note the complete number shown on the plate. It is important that the serial number of your vehicle and its model number be supplied to Service Parts when ordering any replacement components.

Locate the serial number plate (see BODY located in the Illustrated Parts Breakdown section of this manual for its location) and note the complete number shown on the plate.

HOW TO USE THE SERVICE PARTS MANUAL



1. WHEN THE PART NUMBER IS NOT KNOWN

- Determine the function and application of the part required. Turn to the INDEX OF MAJOR COMPONENTS and select the most appropriate component description.
- Turn to the page number indicated and locate the part description in the parts list. Read the full accompanying description for specific information regarding the part that was not shown in the index.
- From the parts list, obtain the item number assigned to it and confirm that the part selected is correct by verifying it with the pictorial representation on the illustrated page.

2. IF YOU KNOW THE PART NUMBER

- Use the INDEX OF MAJOR COMPONENTS to find the page(s) the part number appears on.
- Turn to the page number indicated and locate the part number in the parts list. Refer to the accompanying description for specific information regarding the part.
- From the parts list, obtain the item number assigned to it and confirm that the part selected is correct by verifying it with the pictorial representation on the illustrated page.

Should an asterisk (*) appear in the part number column on the parts list page, read upwards until a part number is found. The part number is the lowest assembly sold by Service Parts. The asterisk (*) indicates that the part depicted is not available for purchase.

NOTE: Descriptions are indented under the assembly that they are used on. That assembly is, in turn listed under the assembly that it is used on. This process is repeated until the highest final assembly is reached.

To facilitate the maintenance and repair of the vehicle, a Technician's Repair and Service Manual is available from the Service Parts Department.

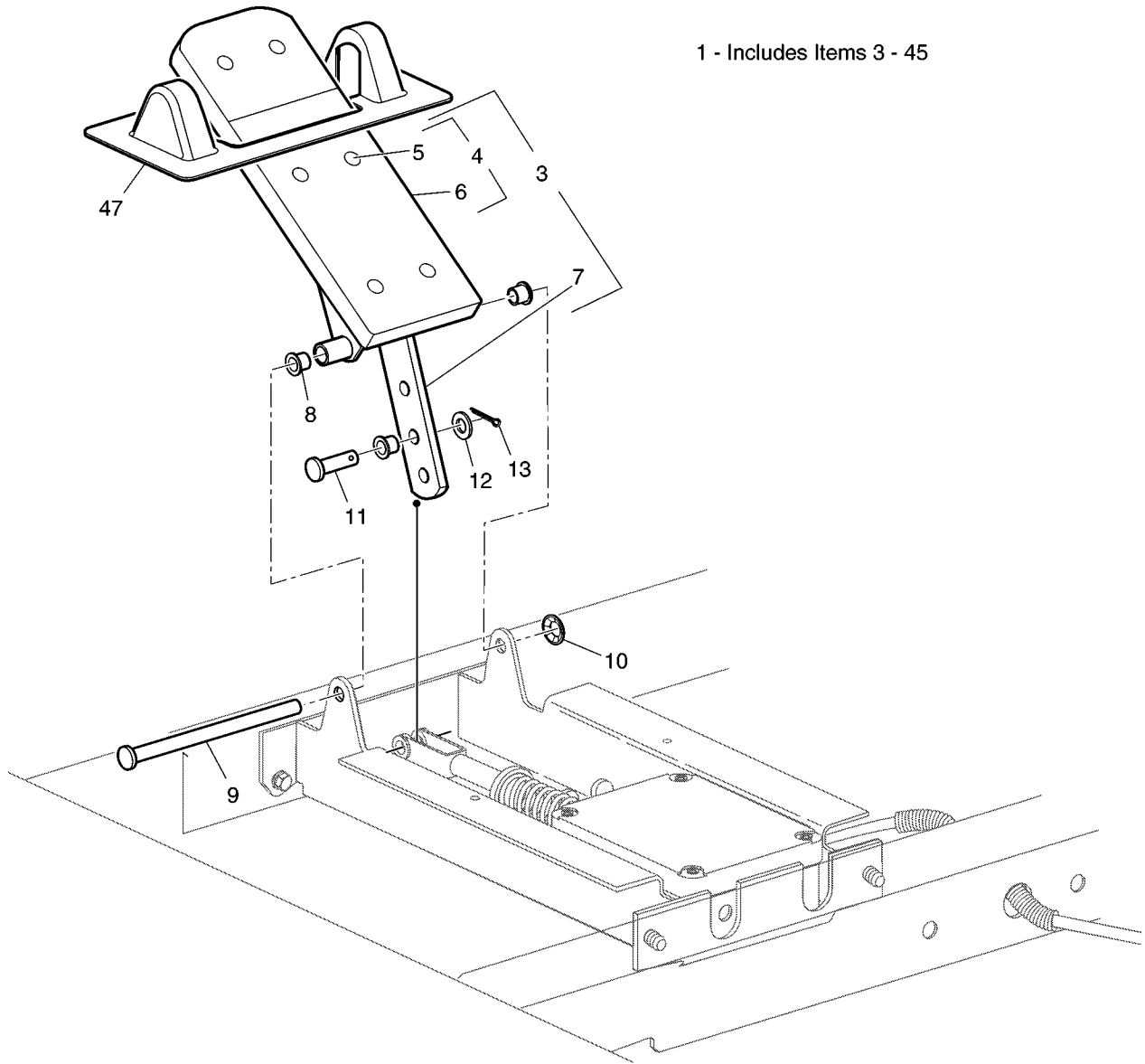
ILLUSTRATED PARTS BREAKDOWN

ILLUSTRATED PARTS BREAKDOWN

HOW TO USE THE SERVICE PARTS MANUAL

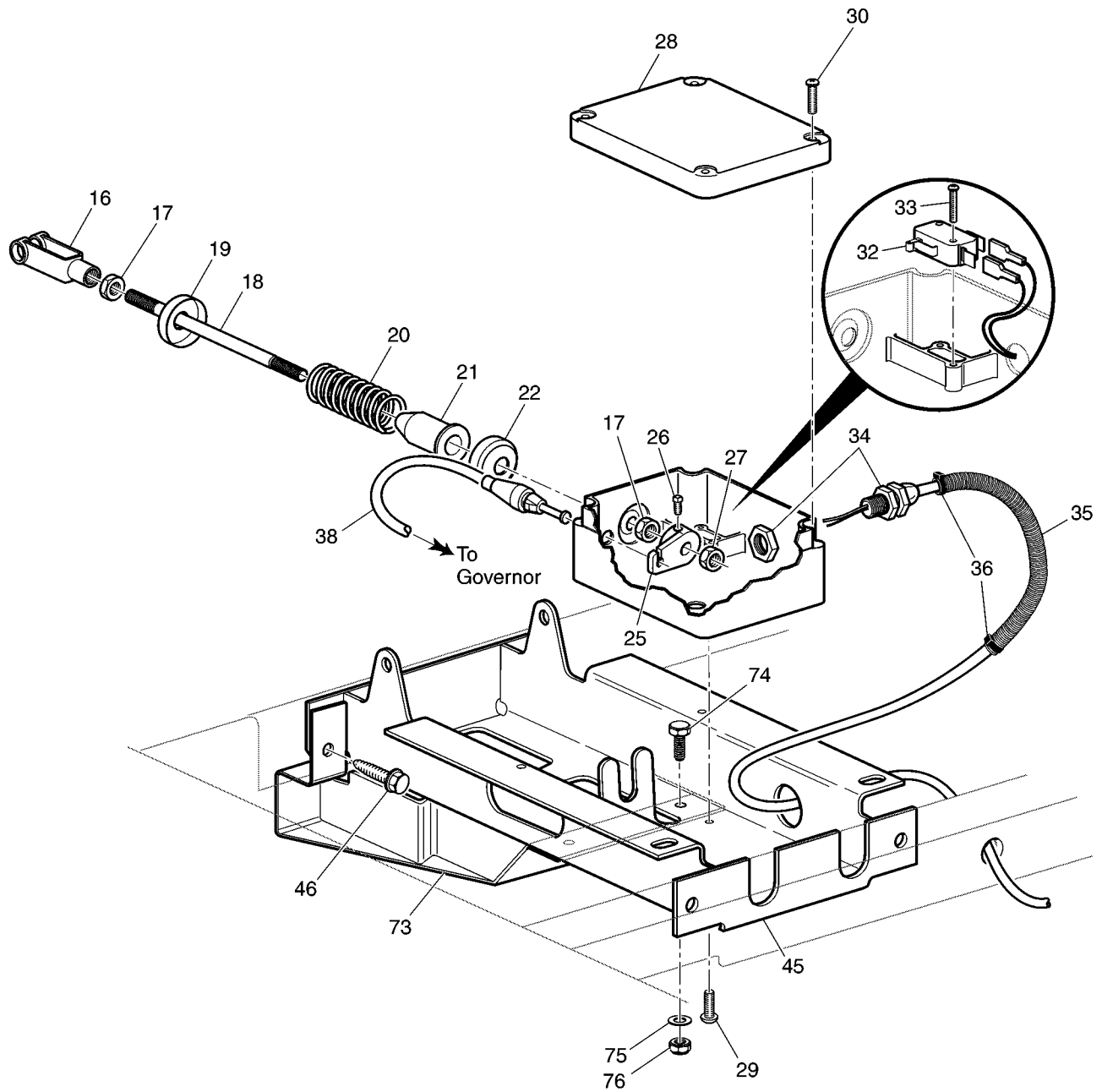


ACCELERATOR



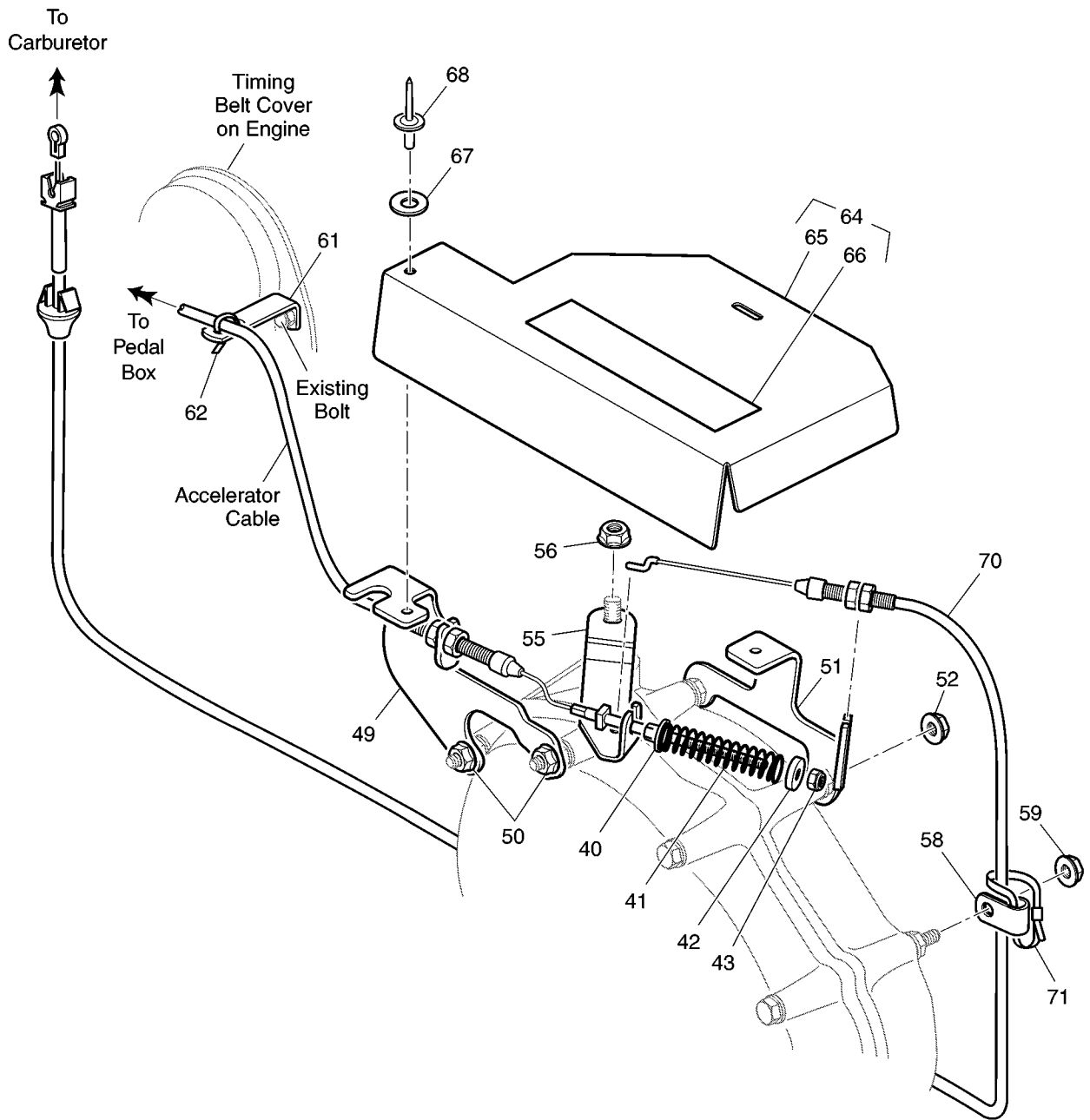
Ref Acl 11-1

ACCELERATOR



Ref Acl 11-2

ACCELERATOR



Ref Act 11-3

ACCELERATOR

When ordering parts, please specify the model and serial number of the product.

* Indicates a component that is not available as an individual part.

G** Indicates consult Customer Service Department for additional information.

ITEM	PART NO.	1 2 3 4 5	DESCRIPTION	QTY.
1	72717-G01		PEDAL BOX ASSEMBLY (INCLUDES ITEMS 3 - 45)	1
2				
3	25799-G01		ACCELERATOR PEDAL ASSEMBLY (INCLUDES ITEMS 4 - 7).....	1
4	27844-G01		ACCELERATOR PEDAL PAD KIT (INCLUDES ITEMS 5 - 6).....	1
5	15766-G1		OVAL RIVET, 3/16" X 7/16" LG.....	6
6	27512-G01		ACCELERATOR PEDAL PAD	1
7	*		ACCELERATOR PEDAL	1
8	17838-G1		NYLON BUSHING	3
9	74432-G01		PEDAL PIVOT PIN	1
10	12064-G6		PUSH NUT, 9/32"	1
11	10386-G3		CLEVIS PIN, 5/16" X 13/16" LG	1
12	17255-G1		TEFLON WASHER, 5/16"	1
13	10387-G3		COTTER PIN, 3/32" X 3/4" LG	1
14				
15				
16	10385-G4		CLEVIS YOKE (ADJUSTABLE).....	1
17	00532-G4		NUT, 5/16 - 24.....	2
18	72072-G01		ACCELERATOR ROD	1
19	17677-G2		SPRING RETAINER, 3/8"	1
20	73046-G01		COMPRESSION SPRING	1
21	17979-G1		ACCELERATOR ROD BUSHING.....	1
22	17677-G1		SPRING RETAINER, 1/2"	1
23				
24				
25	72716-G01		MICRO SWITCH CAM.....	1
26	00487-G3		SETSCREW, 1/4 - 20 X 3/8" LG.	1
27	00550-G4		LOCK NUT, 5/16 - 24.....	1
28	25853-G03		PEDAL BOX AND COVER	1
29	01051-G01		SCREW, #8 - 16 X 1/2" LG.	4
30	00684-G6		SCREW, #8 - 32 X 3/4" LG (STAINLESS STEEL).....	4

ACCELERATOR

When ordering parts, please specify the model and serial number of the product.

* Indicates a component that is not available as an individual part.

G** Indicates consult Customer Service Department for additional information.

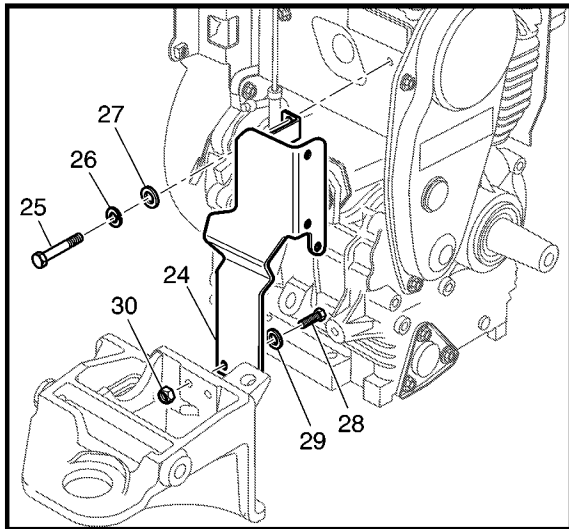
ITEM	PART NO.	1	2	3	4	5	DESCRIPTION	QTY.
31								
32	25861-G01						MICRO SWITCH.....	1
33	01050-G01						SCREW, #4 - 20 X 5/8" LG	2
34	72201-G04						WIRE HARNESS (PEDAL BOX)	1
35	17313-G1						FLEX LOOM (BULK).....	AR
36	17618-G1						WIRE TIE	2
37								
38	72713-G01						ACCELERATOR CABLE	1
39								
40	72706-G01						ACCELERATOR CABLE BUSHING	1
41	72809-G01						COMPRESSION SPRING	1
42	25727-G02						CUP WASHER, 1/5"	1
43	00734-G5						LOCK NUT, #10 - 32.....	1
44								
45	70116-G01						ACCELERATOR PEDAL BRACKET.....	1
46	00715-G2						BOLT, 5/16 - 18 X 4/5" LG	4
47	70135-G01						PEDAL PIVOT COVER.....	1
48								
49	72701-G01						ACCELERATOR CABLE MOUNTING BRACKET	1
50	26830-G01						LOCK NUT, M8 X 1.25 MM	2
51	72703-G01						THROTTLE CABLE MOUNTING BRACKET	1
52	26830-G01						LOCK NUT, M8 X 1.25 MM	2
53								
54								
55	72708-G01						GOVERNOR ARM	1
56	26830-G01						LOCK NUT, M8 X 1.25 MM	1
57								
58	11845-G3						INSULATED CABLE CLAMP, 11/16"	1
59	26830-G01						LOCK NUT, M8 X 1.25 MM	1
60								

ACCELERATOR

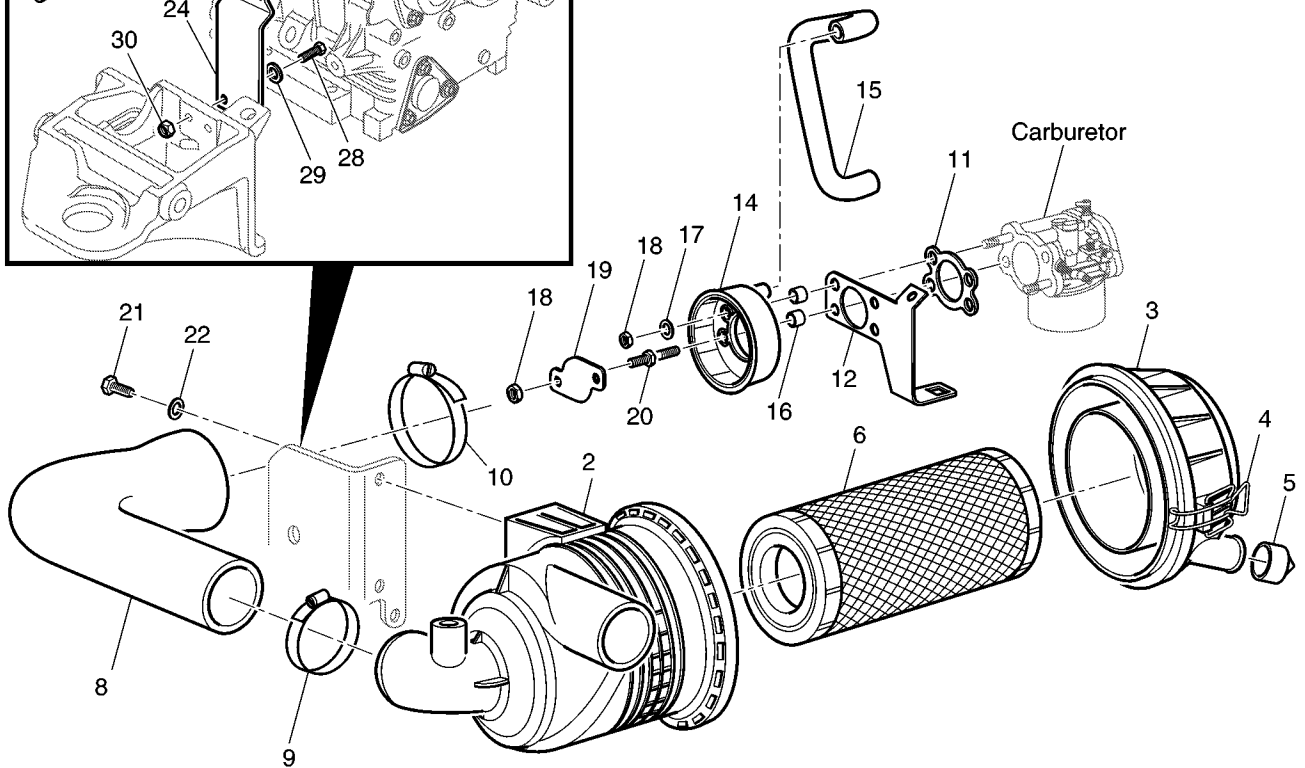
When ordering parts, please specify the model and serial number of the product.
 * Indicates a component that is not available as an individual part.
 G** Indicates consult Customer Service Department for additional information.

ITEM	PART NO.	1 2 3 4 5	DESCRIPTION	QTY.
61	72055-G01		ACCELERATOR CABLE BRACKET	1
62	17618-G1		WIRE TIE	1
63				
64	74457-G01		GOVERNOR COVER/DECAL ASSEMBLY (INCLUDES ITEMS 65, 66)	1
65	72705-G01		GOVERNOR COVER	1
66	24880-G01		LABEL (WARNING - GOVERNOR)	1
67	00915-G1		BONDED WASHER, 1/4"	2
68	14601-G11		RIVET, 3/16" X 9/16" LG (ALUMINUM)	2
69				
70	72714-G01		THROTTLE CABLE.....	1
71	17618-G1		WIRE TIE	1
72				
73	75757-G01		PEDAL GUARD.....	1
74	00414-G6		BOLT 1/4 - 20 X 3/4" LG.....	2
75	01110-G01		WASHER, 1/4" (STAINLESS STEEL)	2
76	00654-G2		LOCK NUT, 1/4 - 20 (STAINLESS STEEL)	2

AIR CLEANER



1 - Includes Items 2 - 5



Front of Vehicle



Ref Air 11

AIR CLEANER

THE USE OF NON U.L. PARTS WILL VOID ANY U.L. LISTING.

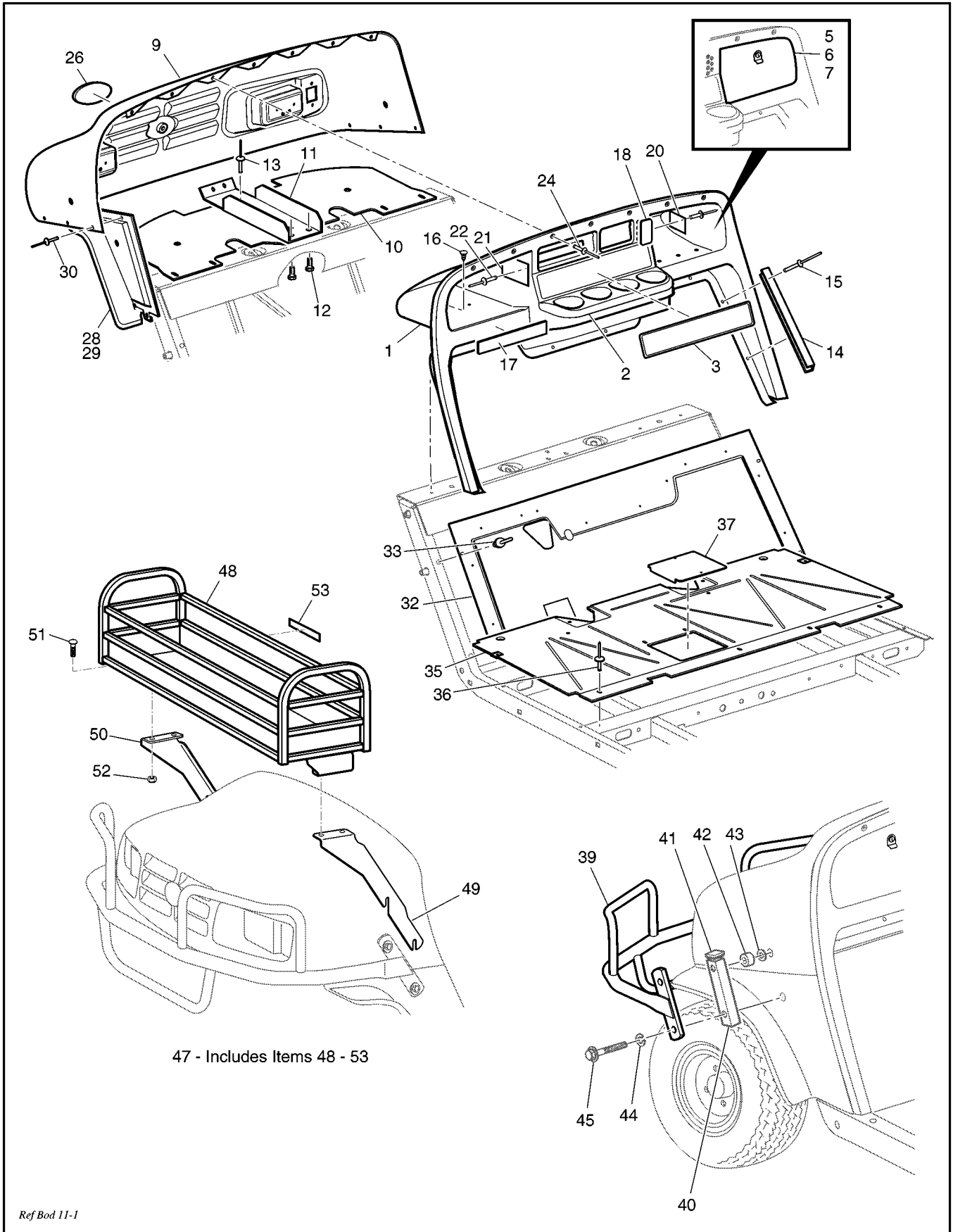
When ordering parts, please specify the model and serial number of the product.

* Indicates a component that is not available as an individual part.

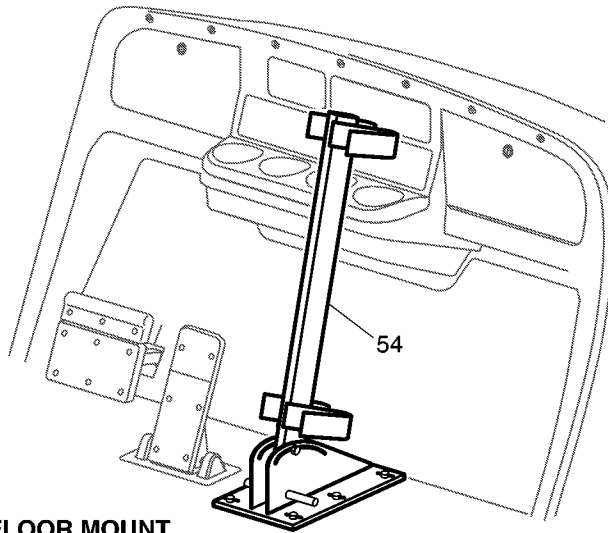
G** Indicates consult Customer Service Department for additional information.

ITEM	PART NO.	1	2	3	4	5	DESCRIPTION	QTY.	
1	72607-G01	AIR CLEANER CANISTER ASSEMBLY (INCLUDES ITEMS 2 - 5)							1
2	72598-G01	AIR CLEANER CANISTER							1
3	72599-G01	AIR CLEANER COVER.....							1
4	72604-G01	AIR CLEANER LATCH.....							2
5	28462-G01	AIR CLEANER DUST COLLECTOR.....							1
6	28463-G01	AIR CLEANER ELEMENT							1
7									
8	72592-G01	HOSE (AIR FILTER TO CARBURETOR).....							1
9	11391-G6	HOSE CLAMP, 2 1/8"							1
10	11391-G7	HOSE CLAMP, 1 9/16"							1
11	26727-G01	CARBURETOR GASKET							2
12	72739-G01	CHOKE / THROTTLE BRACKET.....							1
13	26728-G01	CHOKE BRACKET.....							1
14	72591-G01	CARBURETOR ADAPTER							1
15	72151-G01	PCV HOSE.....							1
16	23726-G11	SPACER, 5/16".....							4
17	00664-G7	LOCK WASHER, 1/4" (STAINLESS STEEL)							2
18	13632-G1	NUT, M6 X 1							4
19	72605-G01	CARBURETOR BAFFLE.....							1
20	72514-G01	STUD, M6 X 1 X 39 MM LG							2
21	26639-G01	BOLT AND WASHER, M8 X 1.25 X 20 MM LG							2
22	00565-G8	LOCK WASHER, 5/16".....							2
23									
24	75878-G01	AIR FILTER BRACKET							1
25	12547-G3	BOLT, M6 X 1 X 20MM LG							1
26	00664-G7	LOCK WASHER, 1/4" (STAINLESS STEEL)							1
27	01110-G01	WASHER, 1/4" (STAINLESS STEEL)							1
28	00415-G2	BOLT, 1/4 - 20 X 1 1/4" LG							2
29	01110-G01	WASHER, 1/4" (STAINLESS STEEL)							2
30	14390-G4	LOCK NUT, 1/4 - 20							2

BODY

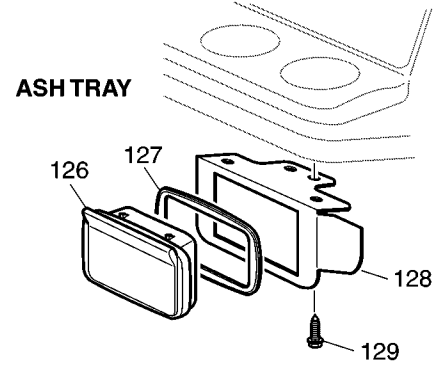


Ref Bod 11-1

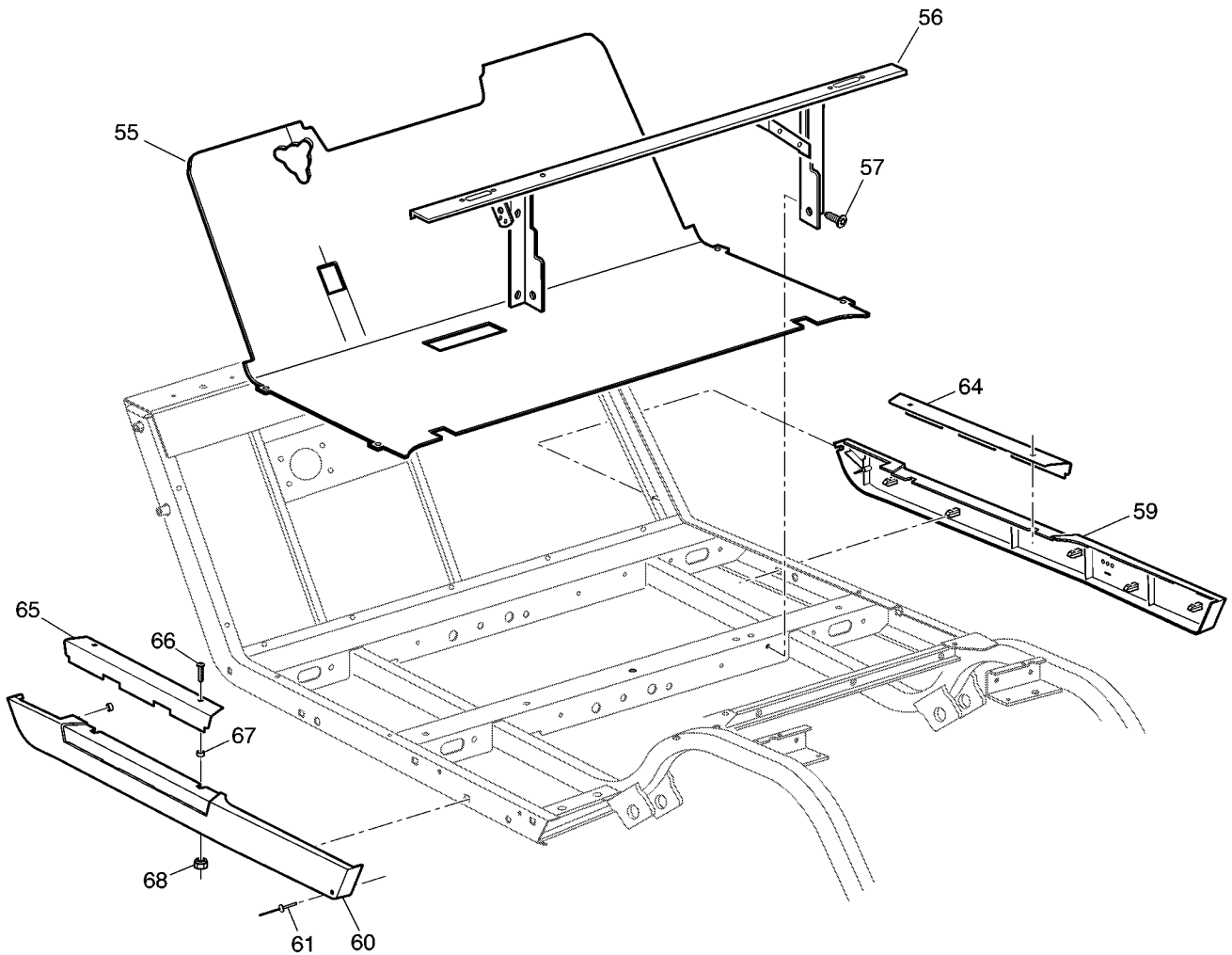


**FLOOR MOUNT
GUN HOLDER**

125 - Includes Items 126 - 129

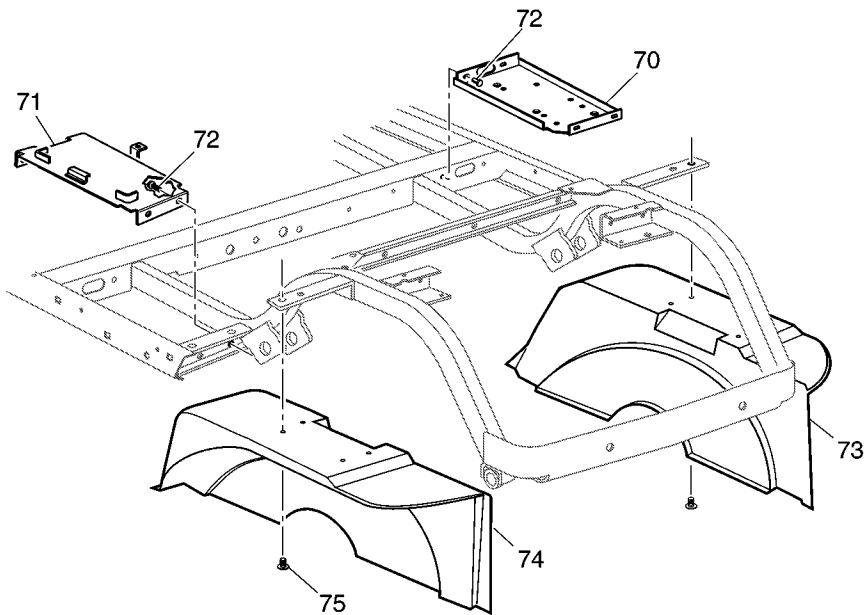
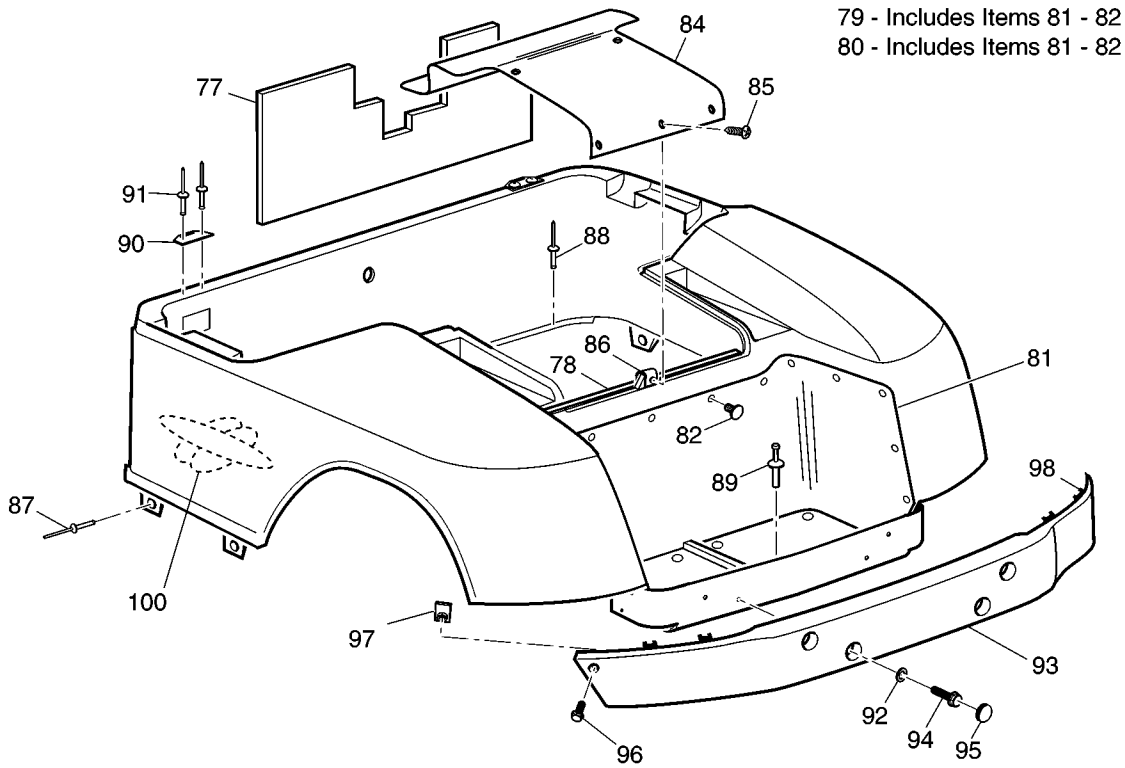


ASH TRAY

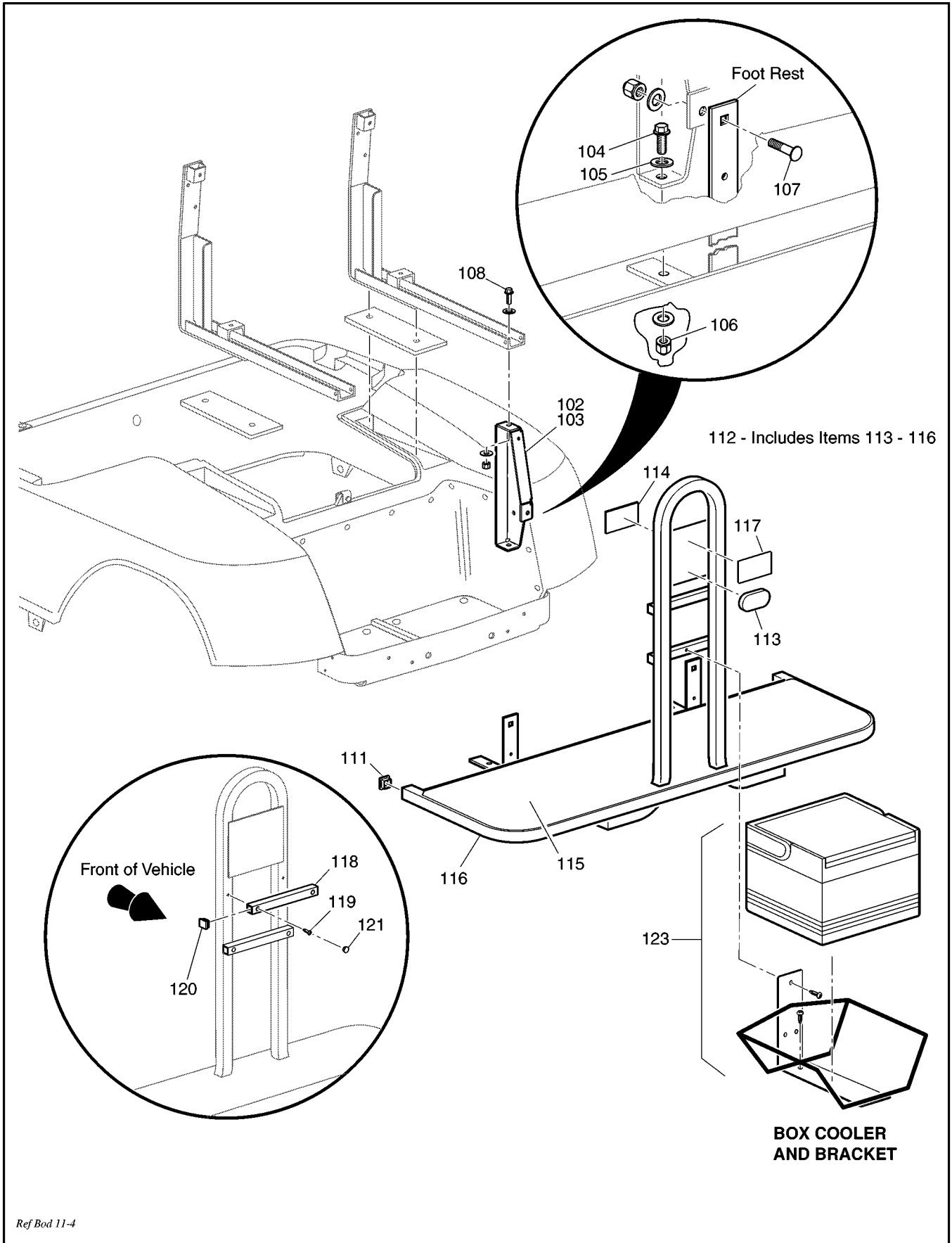


Ref Bod 11-2

BODY



Ref Bod 11-3



Ref Bod 11-4

BODY

THE USE OF NON U.L. PARTS WILL VOID ANY U.L. LISTING.

When ordering parts, please specify the model and serial number of the product.

* Indicates a component that is not available as an individual part.

G** Indicates consult Customer Service Department for additional information.

ITEM	PART NO.	1 2 3 4 5	DESCRIPTION	QTY.
1	71151-G03		INSTRUMENT PANEL ASSEMBLY	1
2	71158-G01		INSTRUMENT PANEL INSERT (FOUR CUP)	1
3	27826-G01		LABEL (SAFETY).....	1
4				
5	75459-G01		GLOVE BOX DOORS (BOTH SIDES)	1
6	75459-G02		GLOVE BOX DOOR (DRIVER SIDE)	1
7	75459-G03		GLOVE BOX DOOR (PASSENGER SIDE).....	1
8				
9	71468-G**		COWL.....	1
10	71413-G01		SPLASH PANEL.....	1
11	71101-G01		COWL SUPPORT BRACKET	1
12	71102-G02		BOLT, 1/4 - 20 X 1/2" LG	3
13	71055-G02		RIVET, 3/16" X 1 1/8" LG (ALUMINUM)	1
14	71115-G01		VINYL TRIM	2
15	71055-G01		RIVET, 3/16" X 1" LG (ALUMINUM)	10
16	16816-G2		RATCHET FASTENER, 1/4" X 3/4" LG	4
17	74443-G01		LABEL (ANTI-ROLLBACK)	1
18	35968-G01		LABEL (TEE HOLDER COVER)	1
19				
20	*		SERIAL NUMBER PLATE	1
21	*		CAPACITY PLATE.....	1
22	01041-G01		RIVET, 1/8" X 13/16" LG	4
23				
24	71055-G01		RIVET, 3/16" X 1" LG (ALUMINUM)	10
25				
26	71289-G01		NAMEPLATE (E-Z-GO) (OVAL)	1
27				
28	71338-G01		FENDER FLARE (DRIVER SIDE).....	1
29	71338-G02		FENDER FLARE (PASSENGER SIDE)	1
30	71055-G01		RIVET, 3/16" X 1" LG (ALUMINUM)	6

THE USE OF NON U.L. PARTS WILL VOID ANY U.L. LISTING.

When ordering parts, please specify the model and serial number of the product.

* Indicates a component that is not available as an individual part.

G** Indicates consult Customer Service Department for additional information.

ITEM	PART NO.	1 2 3 4 5	DESCRIPTION	QTY.
31				
32	71510-G01		UPPER FLOORPAN (FRAME MOUNTED STEERING)	1
33	14601-G11		RIVET, 3/16" X 9/16" LG (ALUMINUM)	9
34				
35	70451-G01		LOWER FLOORPAN.....	1
36	14601-G11		RIVET, 3/16" X 9/16" LG (ALUMINUM)	7
37	70452-G01		ACCESS COVER.....	1
38				
39	74265-G01		BUMPER	1
40	74037-G01		SPACER TUBE	2
41	19859-G1		END CAP, 3/4".....	2
42	75048-G01		SPACER, 1/2".....	2
43	00570-G2		WASHER, 5/16"	6
44	00905-G8		LOCK WASHER, 5/16".....	4
45	01035-G02		BOLT, 5/16 - 18 X 2 1/2" LG	4
46				
47	74521-G02		FRONT BASKET ASSEMBLY (INCLUDES ITEMS 48 - 53).....	1
48	74523-G01		FRONT BASKET	1
49	74522-G01		BASKET MOUNTING BRACKET (DRIVER SIDE).....	1
50	74522-G02		BASKET MOUNTING BRACKET (PASSENGER SIDE)	1
51	00725-G1		CARRIAGE BOLT, 3/8 - 16 X 1" LG (STAINLESS STEEL)	4
52	00891-G1		LOCK NUT, 3/8 - 16.....	4
53	71084-G01		LABEL, FRONT BASKET (WARNING).....	1
54	74365-G01		GUN HOLDER, FLOOR MOUNT.....	1
55	70048-G06		FLOORMAT WITH HORN HOLES (1/8")	1
56	70440-G03		SEAT FRAME (FOR SINGLE CABLE DIRECTION SELECTOR).....	1
57	00715-G2		BOLT, 5/16 - 18 X 4/5" LG	2
58				
59	71501-G01		ROCKER PANEL (PASSENGER SIDE).....	1
60	71502-G01		ROCKER PANEL (DRIVER SIDE)	1

BODY

THE USE OF NON U.L. PARTS WILL VOID ANY U.L. LISTING.

When ordering parts, please specify the model and serial number of the product.

* Indicates a component that is not available as an individual part.

G** Indicates consult Customer Service Department for additional information.

ITEM	PART NO.	1 2 3 4 5	DESCRIPTION	QTY.
61	15058-G6		RIVET, 3/16" X 15/16" LG (ALUMINUM)	4
62	23726-G4		SPACER, 5/16"	4
63				
64	71507-G01		SILL PLATE (PASSENGER SIDE)	1
65	71507-G02		SILL PLATE (DRIVER SIDE)	1
66	16705-G1		SCREW, 1/4 - 20 X 1" LG (STAINLESS STEEL)	4
67	23726-G4		SPACER, 5/16"	4
68	00654-G2		LOCK NUT, 1/4 - 20 (STAINLESS STEEL)	4
69				
70	70244-G02		SPLASH PANEL	1
71	70245-G01		BATTERY TRAY	1
72	00715-G2		BOLT, 5/16 - 18 X 4/5" LG	8
73	71551-G05		FENDER LINER, EXTENDED (PASSENGER SIDE)	1
74	71552-G05		FENDER LINER, EXTENDED (DRIVER SIDE)	1
75	16816-G2		RATCHET FASTENER, 1/4" X 3/4" LG	8
76				
77	74024-G01		SEAT WRAP NOISE SUPPRESSOR	1
78	22744-G1		BAGWELL NOISE SUPPRESSOR	1
79	71912-G4**		REAR BODY (WITHOUT TAILLIGHTS) (INCLUDES ITEMS 81, 82)	1
80	71334-G0**		REAR BODY (WITH TAILLIGHTS) (INCLUDES ITEMS 81, 82)	1
81	71318-G01		BAGWELL LINER	1
82	16816-G1		RATCHET FASTENER, 1/4" X 9/16" LG	26
83				
84	71320-G01		ACCESS PANEL	1
85	01107-G01		SCREW, #8 X 3/8" LG (STAINLESS STEEL)	5
86	71364-G02		"J" CLIP	1
87	10570-G12		RIVET, 1/4" X 9/16" LG (ALUMINUM)	4
88	10570-G10		RIVET, 5/32" X 9/16" LG (STAINLESS STEEL)	6
89	18436-G1		PLASTIC DRIVE RIVET, 1/4" X 3/4" LG	2
90	71609-G01		SEAT HINGE PLATE	2

THE USE OF NON U.L. PARTS WILL VOID ANY U.L. LISTING.
 When ordering parts, please specify the model and serial number of the product.
 * Indicates a component that is not available as an individual part.
 G** Indicates consult Customer Service Department for additional information.

ITEM	PART NO.	1 2 3 4 5	DESCRIPTION	QTY.
91	10570-G11		RIVET, 3/16" X 3/4" LG (STAINLESS STEEL)	4
92	00559-G8		WASHER, 5/16"	4
93	71456-G01		NOTCHED REAR BUMPER	1
94	71398-G01		BOLT, 1/4 - 20 X 1 1/4" LG	4
95	71455-G01		BUMPER PLUG	4
96	01038-G01		BOLT, 1/4 - 20 x 11/16" LG	2
97	01042-G01		J-TYPE NUT RETAINER, 1/4 - 20.....	2
98	71457-G01		BUMPER STAY	4
99				
100	74532-G01		LABEL (CLAYS CAR).....	2
101				
102	74126-G01		VERTICAL FRAME SUPPORT (PASSENGER SIDE)	1
103	74126-G02		VERTICAL FRAME SUPPORT (DRIVER SIDE).....	1
104	00427-G4		BOLT, 3/8 - 16 X 1 1/2" LG	2
105	00560-G1		WASHER, 3/8"	10
106	11098-G5		LOCK NUT, 3/8 - 16	10
107	00769-G2		CARRIAGE BOLT, 3/8 - 16 X 1 1/4" LG	2
108	00426-G8		BOLT, 3/8 - 16 X 1" LG	2
109				
110				
111	19853-G1		END CAP, 1".....	2
112	70361-G01		FOOTREST ASSEMBLY (INCLUDES ITEMS 113 - 116)	1
113	74129-G01		REFLECTOR	1
114	74132-G01		LABEL (WARNING)	1
115	70362-G01		FLOORMAT	1
116	70350-G01		FOOTREST	1
117	71093-G01		LABEL (LOAD BED LIMIT WARNING)	1
118	75268-G01		SUPPORT TUBE.....	2
119	00106-G6		SELF THREADING SCREW, #12 - 24 X 3/4" LG	4
120	19859-G1		END CAP, 3/4".....	4

BODY

THE USE OF NON U.L. PARTS WILL VOID ANY U.L. LISTING.

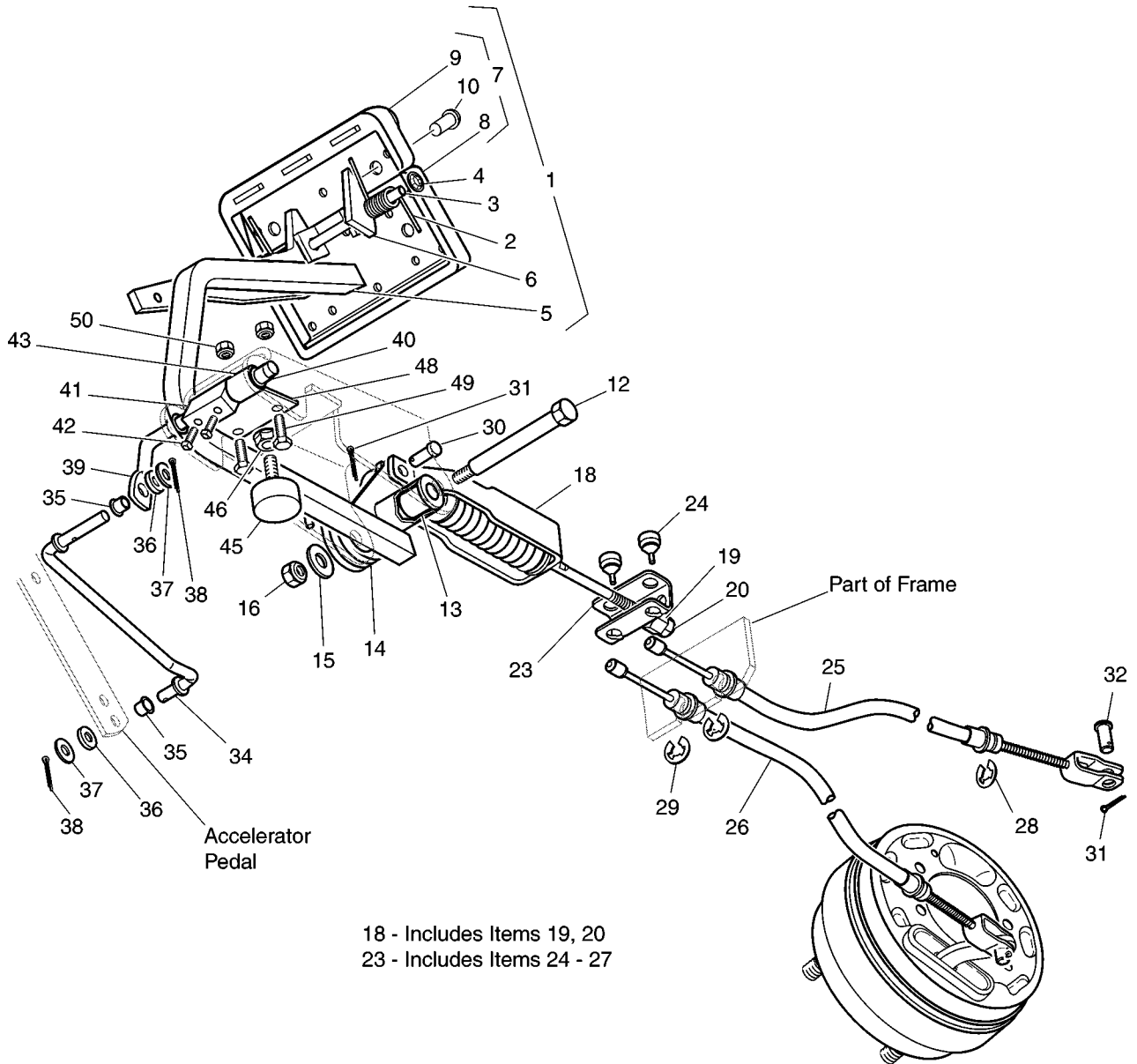
When ordering parts, please specify the model and serial number of the product.

* Indicates a component that is not available as an individual part.

G** Indicates consult Customer Service Department for additional information.

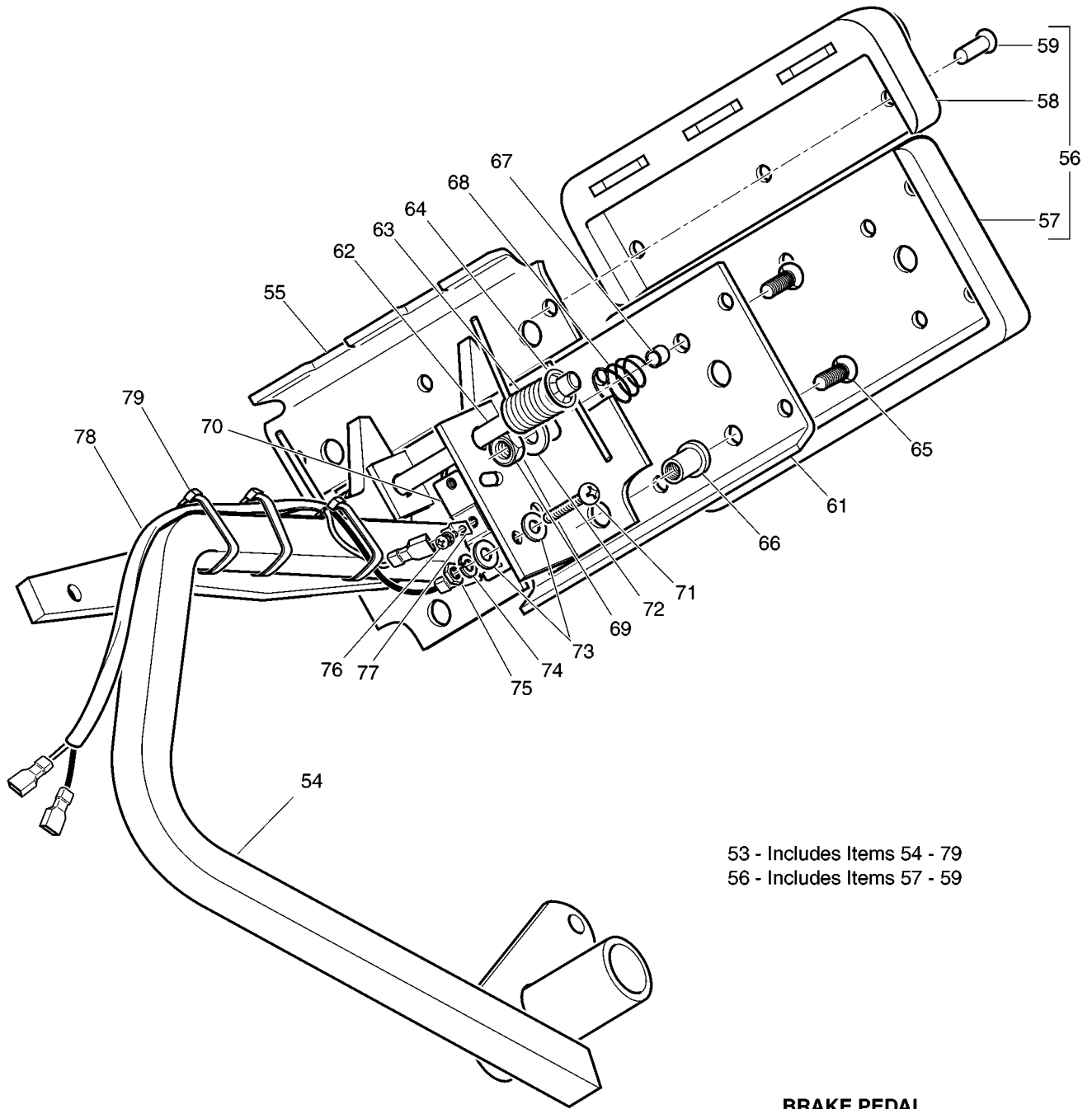
ITEM	PART NO.	1 2 3 4 5	DESCRIPTION	QTY.
121	20271-G2		HOLE PLUG, 1/2"	4
122				
123	71048-G01		BOX COOLER AND BRACKET (INCLUDES HARDWARE).....	1
124				
125	75109-G02		ASH TRAY KIT (INCLUDES ITEMS 126 - 129)	1
126	27731-G01		ASH TRAY	1
127	27736-G01		GASKET	1
128	75108-G02		BRACKET	1
129	00100-G4		SCREW, #10 - 16 X 1/2" LG	4
130				
131	74533-G01		GUN HOLDER (SWIVEL MOUNT) (NOT ILLUSTRATED)	1

BRAKES



BRAKES (VEHICLE WITHOUT BRAKE LIGHTS)

Ref Brk 11-1

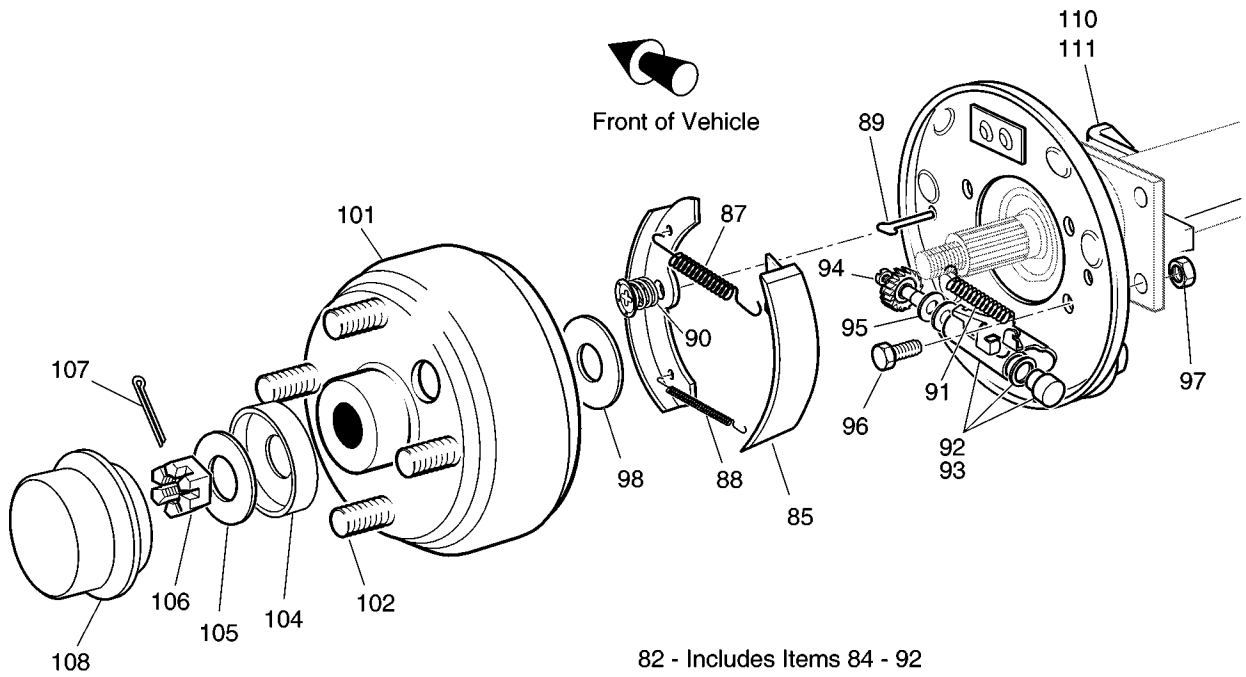


53 - Includes Items 54 - 79
56 - Includes Items 57 - 59

**BRAKE PEDAL
(VEHICLE WITH BRAKE LIGHTS)**

Ref Brk 11-2

BRAKES



- 82 - Includes Items 84 - 92
- 83 - Includes Items 84 - 91, 93
- 84 - Includes Items 85
- 86 - Includes Items 87 - 91
- 92 - Includes Items 94, 95
- 93 - Includes Items 94, 95
- 100 - Includes Items 101, 102

Ref Brk 11-3

BRAKES

THE USE OF NON U.L. PARTS WILL VOID ANY U.L. LISTING.

When ordering parts, please specify the model and serial number of the product.

* Indicates a component that is not available as an individual part.

G** Indicates consult Customer Service Department for additional information.

ITEM	PART NO.	1 2 3 4 5	DESCRIPTION	QTY.
1	70612-G01		BRAKE PEDAL ASSEMBLY (WITHOUT BRAKE LIGHTS) (INCLUDES ITEMS 2 - 10).....	1
2	70681-G01		TORSION SPRING.....	2
3	70682-G01		PIVOT PIN.....	1
4	01071-G01		PUSHNUT, 5/16".....	1
5	*		BRAKE PEDAL.....	1
6	70611-G01		PARK BRAKE PEDAL.....	1
7	70274-G01		BRAKE/PARK BRAKE PEDAL PAD KIT (INCLUDES ITEMS 8 - 10).....	1
8	*		SERVICE BRAKE PAD.....	1
9	*		PARK BRAKE PEDAL PAD.....	1
10	15766-G1		OVAL RIVET, 3/16" X 7/16" LG.....	9
11				
12	70582-G01		SHOULDER BOLT, 3/8 - 16 X 4" LG (STAINLESS STEEL).....	1
13	70581-G01		FLANGED BUSHING.....	2
14	70676-G01		TORSION SPRING.....	1
15	00643-G1		WASHER, 3/8".....	1
16	11098-G5		LOCK NUT, 3/8 - 16.....	1
17				
18	70272-G04		COMPENSATOR ASSEMBLY (INCLUDES ITEMS 19, 20).....	1
19	00963-G01		SPHERICAL NUT, 5/16 - 24.....	1
20	11098-G9		LOCK NUT, 5/16 - 24.....	1
21				
22				
23	70969-G03		EQUALIZER & BRAKE CABLE ASSEMBLY (INCL ITEMS 24 - 27).....	1
24	28082-G01		EQUALIZER BRACKET.....	1
25	28083-G01		BRAKE COMPENSATOR BUMPER.....	2
26	*		BRAKE CABLE (DRIVER SIDE).....	1
27	*		BRAKE CABLE (PASSENGER SIDE).....	1
28				
29	01111-G01		RETAINING RING, 13/32" (STAINLESS STEEL).....	4

BRAKES

THE USE OF NON U.L. PARTS WILL VOID ANY U.L. LISTING.

When ordering parts, please specify the model and serial number of the product.

* Indicates a component that is not available as an individual part.

G** Indicates consult Customer Service Department for additional information.

ITEM	PART NO.	1 2 3 4 5	DESCRIPTION	QTY.
30	10386-G3		CLEVIS PIN, 5/16" X 13/16" LG.....	1
31	10387-G3		COTTER PIN, 3/32" X 3/4" LG.....	3
32	14443-G2		CLEVIS PIN, 5/16" X 5/8" LG.....	2
33				
34	70601-G01		KICK-OFF LINK.....	1
35	17838-G1		NYLON BUSHING.....	2
36	20835-G1		TEFLON WASHER, 3/8".....	2
37	00559-G8		WASHER, 5/16".....	2
38	10387-G3		COTTER PIN, 3/32" X 3/4" LG.....	2
39	70098-G01		KICK-OFF CAM PIVOT.....	1
40	10097-G6		FLANGED BEARING.....	2
41	70587-G01		KICK-OFF CAM.....	1
42	71215-G01		SETSCREW, 1/4 - 20 X 1/2" LG.....	2
43	14134-G4		SPACER.....	1
44				
45	70113-G01		ADJUSTABLE BUMPER.....	1
46	11027-G1		LOCK NUT, 5/16 - 18.....	1
47				
48	70080-G01		CATCH BRACKET.....	1
49	00414-G6		BOLT, 1/4 - 20 X 3/4" LG.....	2
50	00654-G2		LOCK NUT, 1/4 - 20 (STAINLESS STEEL).....	2
51				
52				
53	70690-G01		BRAKE PEDAL ASSEMBLY (WITH BRAKE LIGHTS) (INCLUDES ITEMS 54 - 79).....	1
54	*		BRAKE PEDAL.....	1
55	70611-G01		PARK BRAKE PEDAL.....	1
56	70274-G01		BRAKE/PARK BRAKE PEDAL PAD KIT (INCLUDES ITEMS 57 - 59).....	1
57	*		SERVICE BRAKE PAD.....	1
58	*		PARK BRAKE PAD.....	1

BRAKES

THE USE OF NON U.L. PARTS WILL VOID ANY U.L. LISTING.

When ordering parts, please specify the model and serial number of the product.

* Indicates a component that is not available as an individual part.

G** Indicates consult Customer Service Department for additional information.

ITEM	PART NO.	1	2	3	4	5	DESCRIPTION	QTY.
59	15766-G1						OVAL RIVET, 3/16" x 7/16" LG.....	9
60								
61	70258-G02						BRAKE PEDAL PLATE.....	1
62	70682-G01						PIVOT PIN.....	1
63	70681-G01						TORSION SPRING.....	2
64	01071-G01						PUSHNUT, 5/16".....	1
65	00737-G8						SCREW, #10 - 24 X 7/8" LG.....	4
66	00739-G1						RUBBER NUT, #10 - 24.....	2
67	22362-G3						BRAKE PEDAL STANDOFF.....	2
68	27137-G01						CONICAL SPRING.....	2
69	11098-G7						LOCK NUT, #10 - 24.....	2
70	10606-G8						MICRO SWITCH.....	1
71	00957-G1						BOLT, #6 - 32 X 1 1/4" LG.....	2
72	00559-G5						WASHER, #10.....	2
73	00559-G3						WASHER, #6.....	4
74	00565-G3						LOCK WASHER, #6.....	2
75	00525-G5						NUT, #6 - 32.....	2
76	13514-G1						SCREW AND LOCK WASHER, #6.....	2
77	14628-G1						FASTON TAB.....	2
78	24605-G1						WIRE HARNESS (BRAKE LIGHT).....	1
79	17618-G1						WIRE TIE.....	3
80								
81								
82	70793-G01						BRAKE ASSEMBLY (DRIVER SIDE) (INCLUDES ITEMS 84 - 92).....	1
83	70793-G02						BRAKE ASSEMBLY (PASSENGER SIDE) (INCL. ITEMS 84 - 91, 93).....	1
84	70794-G01						BRAKE SHOE KIT (INCLUDES ITEM 85).....	2
85	*						BRAKE SHOE.....	2
86	27944-G01						BRAKE SPRING KIT (INCLUDES ITEMS 87 - 91).....	2
87	*						UPPER SPRING.....	1
88	*						LOWER SPRING.....	1

BRAKES

THE USE OF NON U.L. PARTS WILL VOID ANY U.L. LISTING.

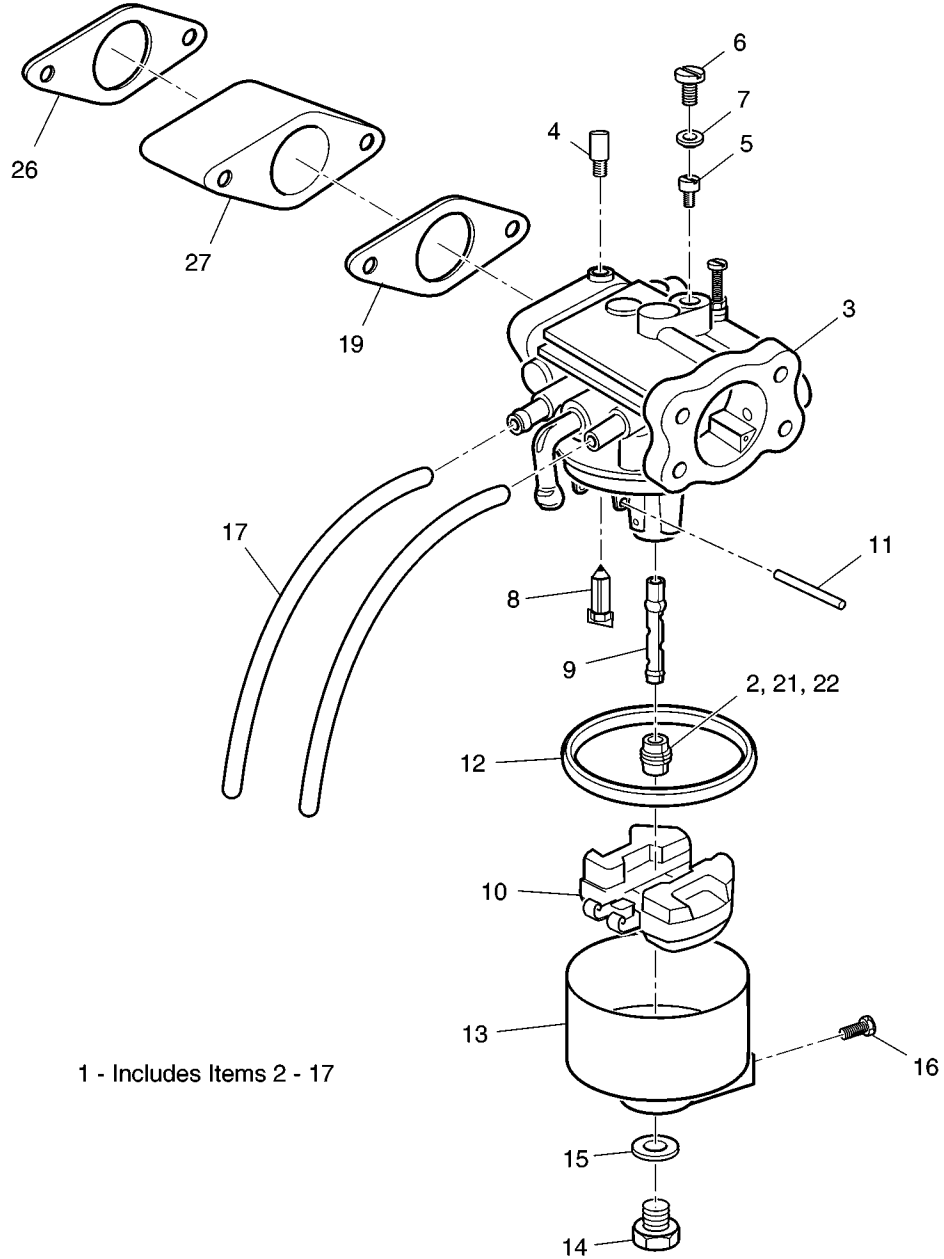
When ordering parts, please specify the model and serial number of the product.

* Indicates a component that is not available as an individual part.

G** Indicates consult Customer Service Department for additional information.

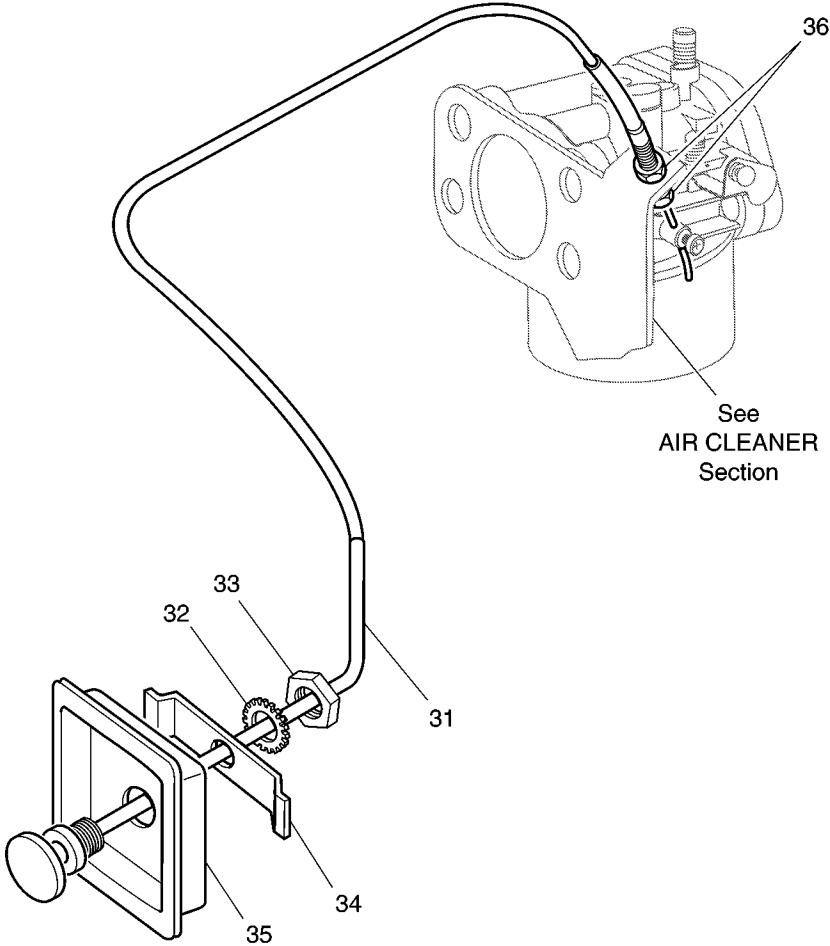
ITEM	PART NO.	1	2	3	4	5	DESCRIPTION	QTY.
89	*						PIN	2
90	*						CUP AND SPRING	2
91	*						ADJUSTER SPRING.....	1
92	72582-G01						BRAKE ADJUSTER KIT (DRIVER SIDE) (INCLUDES ITEMS 94, 95)	1
93	72582-G02						BRAKE ADJUSTER KIT (PASSENGER SIDE) (INCL ITEMS 94, 95).....	1
94	*						ADJUSTER	1
95	*						TEFLON WASHER.....	2
96	17083-G2						BOLT, 5/16 - 24 X 1" LG	8
97	15126-G1						LOCK NUT, 5/16 - 24	8
98	21809-G1						INNER BRAKE DRUM WASHER, 1 5/16" OD X 1" ID X 1/32"	2
99								
100	21807-G2						BRAKE DRUM ASSEMBLY (INCLUDES ITEMS 101 - 102).....	2
101	*						BRAKE DRUM.....	1
102	19862-G2						LUG BOLT, 1/2 - 20 X 1 11/16" LG	4
103								
104	24939-G2						SPINDLE CAP ADAPTER.....	1
105	21830-G1						OUTER BRAKE DRUM WASHER	2
106	00518-G8						SLOTTED NUT, 3/4 - 16.....	2
107	10387-G1						COTTER PIN, 1/8" X 1 1/2" LG.....	2
108	12091-G1						SPINDLE CAP.....	2
109								
110	75870-G01						BRAKE CABLE BRACKET (DRIVER SIDE)	1
111	75870-G02						BRAKE CABLE BRACKET (PASSENGER SIDE).....	1

CARBURETOR AND CHOKE



Ref Cac 11-1

CARBURETOR AND CHOKE



Ref Cac 11-2

CARBURETOR AND CHOKE

THE USE OF NON U.L. PARTS WILL VOID ANY U.L. LISTING.

When ordering parts, please specify the model and serial number of the product.

* Indicates a component that is not available as an individual part.

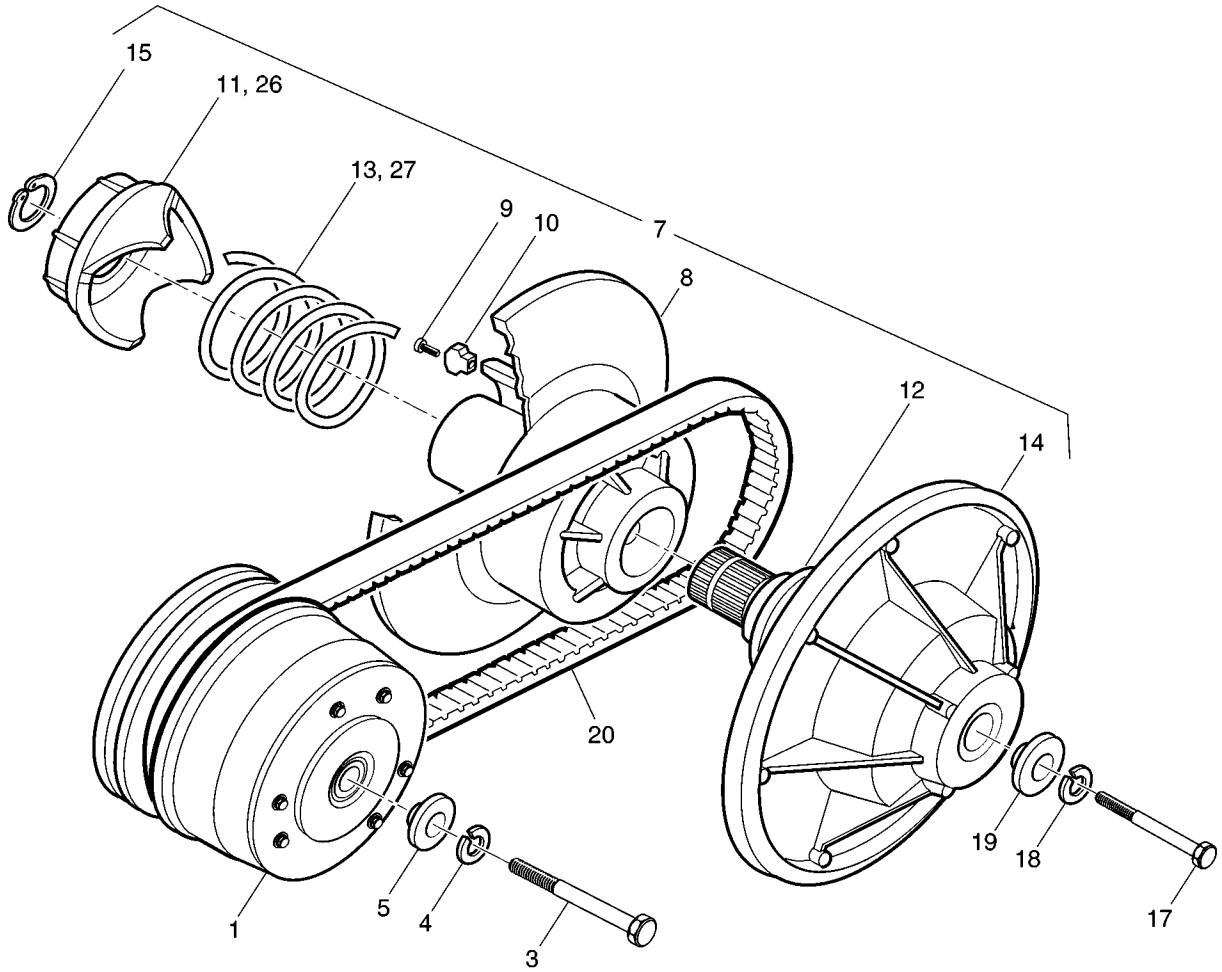
G** Indicates consult Customer Service Department for additional information.

ITEM	PART NO.	1 2 3 4 5	DESCRIPTION	QTY.
1	72558-G05		CARBURETOR ASSEMBLY (FOR FUJI ENGINE P/N EH35CPG5033) (INCLUDES ITEMS 2 - 17).....	1
2	26646-G07		MAIN JET (#90)	1
3	*		CARBURETOR BODY.....	1
4	*		PILOT SCREW	1
5	26649-G05		PILOT JET (#46).....	1
6	26841-G01		PLUG	1
7	72306-G01		GASKET	1
8	72578-G01		NEEDLE VALVE	1
9	*		MAIN NOZZLE.....	1
10	26648-G01		FLOAT.....	1
11	26840-G01		FLOAT PIN.....	1
12	26843-G01		FLOAT BOWL GASKET	1
13	26844-G01		FLOAT CHAMBER.....	1
14	26839-G01		BOWL SCREW	1
15	26838-G01		BOWL GASKET.....	1
16	*		DRAIN SCREW	1
17	26650-G01		VENT TUBE.....	2
18				
19				
20				
21	26646-G08		MAIN JET (#86) (HIGH ALTITUDE - 3,000 - 6,000 FT)	1
22	26646-G02		MAIN JET (#84) (HIGH ALTITUDE - 6,000 - 10,000 FT)	1
23				
24				
25				
26	26726-G01		CARBURETOR MOUNT GASKET.....	2
27	72311-G01		CARBURETOR INSULATOR	1
28				
29	25693-G04		CHOKE CABLE (WITH NUTS)	1

THE USE OF NON U.L. PARTS WILL VOID ANY U.L. LISTING.
 When ordering parts, please specify the model and serial number of the product.
 * Indicates a component that is not available as an individual part.
 G** Indicates consult Customer Service Department for additional information.

ITEM	PART NO.	1 2 3 4 5	DESCRIPTION	QTY.
30	00568-G4		LOCK WASHER, 9/16".....	1
31	00545-G4		JAM NUT, 9/16 - 18.....	1
32	72155-G01		RETAINER	1
33	72154-G01		CHOKE CABLE ADAPTER.....	1
34	00544-G4		JAM NUT, 5/16 - 24.....	2

CLUTCH



Ref Clt 11

CLUTCH

THE USE OF NON U.L. PARTS WILL VOID ANY U.L. LISTING.

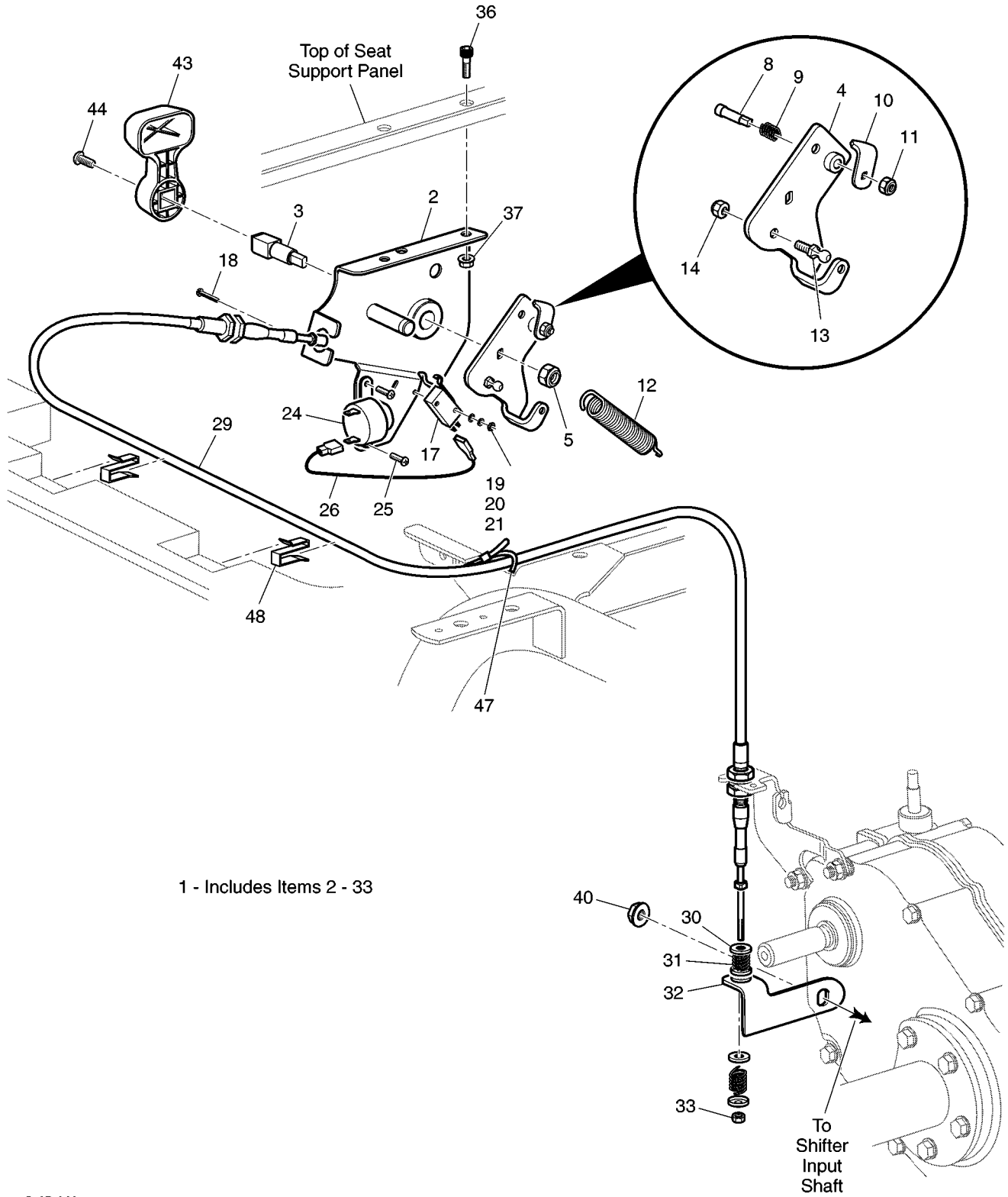
When ordering parts, please specify the model and serial number of the product.

* Indicates a component that is not available as an individual part.

G** Indicates consult Customer Service Department for additional information.

ITEM	PART NO.	1 2 3 4 5	DESCRIPTION	QTY.
1	26952-G01		DRIVE CLUTCH	1
2				
3	00473-G9		BOLT, 7/16 - 20 X 6 1/2" LG	1
4	00566-G2		LOCK WASHER, 7/16".....	1
5	25757-G1		PILOT WASHER	1
6				
7	26301-G03		DRIVEN CLUTCH ASSEMBLY (INCLUDES ITEMS 8 - 15)	1
8	*		MOVABLE SHEAVE (INCLUDES ITEMS 9 -10).....	1
9	00979-G01		SCREW, #10 - 24 X 7/8" LG.....	3
10	72324-G01		RAMP BUTTON	3
11	*		CAM.....	1
12	24600-G1		SPACER, 1 1/2"	1
13	26304-G01		COMPRESSION SPRING	1
14	*		SHEAVE AND POST	1
15	27270-G01		HEAVY DUTY RETAINING RING	1
16				
17	00441-G8		BOLT, 5/16 - 18 X 4" LG	1
18	00565-G8		LOCK WASHER, 5/16".....	4
19	25756-G1		RETAINING WASHER	1
20	72328-G01		DRIVE BELT (SEVERE DUTY).....	1

DIRECTION SELECTOR



Ref Dsl 11

DIRECTION SELECTOR

THE USE OF NON U.L. PARTS WILL VOID ANY U.L. LISTING.

When ordering parts, please specify the model and serial number of the product.

* Indicates a component that is not available as an individual part.

G** Indicates consult Customer Service Department for additional information.

ITEM	PART NO.	1	2	3	4	5	DESCRIPTION	QTY.
1	72721-G01						DIRECTION SELECTOR ASSEMBLY (INCLUDES ITEMS 2 - 33)	1
2	74456-G01						DIRECTION SELECTOR BRACKET WITH BUSHING	1
3	70233-G01						DIRECTION SELECTOR SHAFT	1
4	72738-G01						DIRECTION SELECTOR CAM	1
5	14390-G1						LOCK NUT, 3/8 - 24	1
6								
7								
8	72724-G01						NEUTRAL LOCK PIN	1
9	72733-G01						COMPRESSION SPRING, 3/8" X 5/8" LG	1
10	72729-G01						NEUTRAL LOCK LATCH	1
11	00734-G2						LOCK NUT, 1/4 - 28	1
12	28574-G01						EXTENSION SPRING	1
13	72732-G01						BALL STUD, 1/4"	1
14	00734-G5						LOCK NUT, #10 - 32	1
15								
16								
17	72736-G01						MICRO SWITCH	1
18	01062-G01						SCREW, #4 - 40 X 1" LG	2
19	00559-G1						WASHER, #4	2
20	00565-G1						LOCK WASHER, #4	2
21	00526-G2						NUT, #4 - 40	2
22								
23								
24	73290-G03						REVERSE WARNING BUZZER	1
25	01063-G01						SCREW, #6 - 32 X 3/8" LG	2
26	25978-G345						18 GA WIRE (RED 7")	1
27								
28								
29	72734-G01						SHIFTER CABLE	1
30	25727-G01						CUP WASHER, 1/4"	4

DIRECTION SELECTOR

THE USE OF NON U.L. PARTS WILL VOID ANY U.L. LISTING.

When ordering parts, please specify the model and serial number of the product.

* Indicates a component that is not available as an individual part.

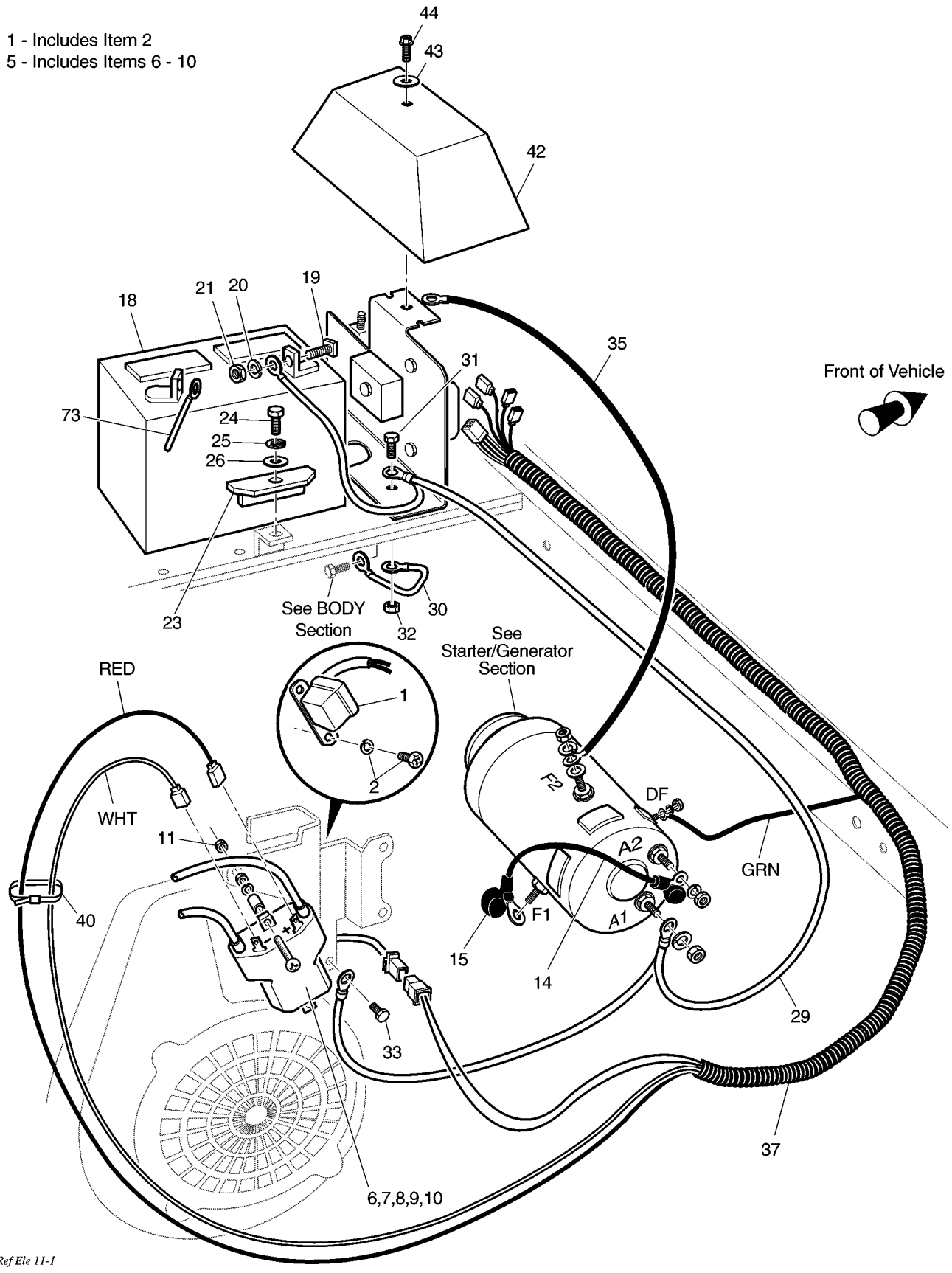
G** Indicates consult Customer Service Department for additional information.

ITEM	PART NO.	1 2 3 4 5	DESCRIPTION	QTY.
31	72735-G01		COMPRESSION SPRING, 19/32" X 1" LG.....	2
32	74455-G01		SHIFTER ARM WITH BUSHING.....	1
33	00734-G5		LOCK NUT, #10 - 32.....	1
34				
35				
36	70227-G01		SCREW, 1/4 - 20 X 7/8" LG.....	2
37	11027-G2		LOCK NUT, 1/4 - 20	2
38				
39				
40	26830-G01		LOCK NUT, M8 X 1.25 MM	1
41				
42				
43	71205-G01		DIRECTION SELECTOR HANDLE.....	1
44	00740-G4		SCREW, #10 - 32 X 1/2" LG (STAINLESS STEEL)	1
45				
46				
47	17618-G1		WIRE TIE	1
48	01072-G01		CABLE CLIP.....	2

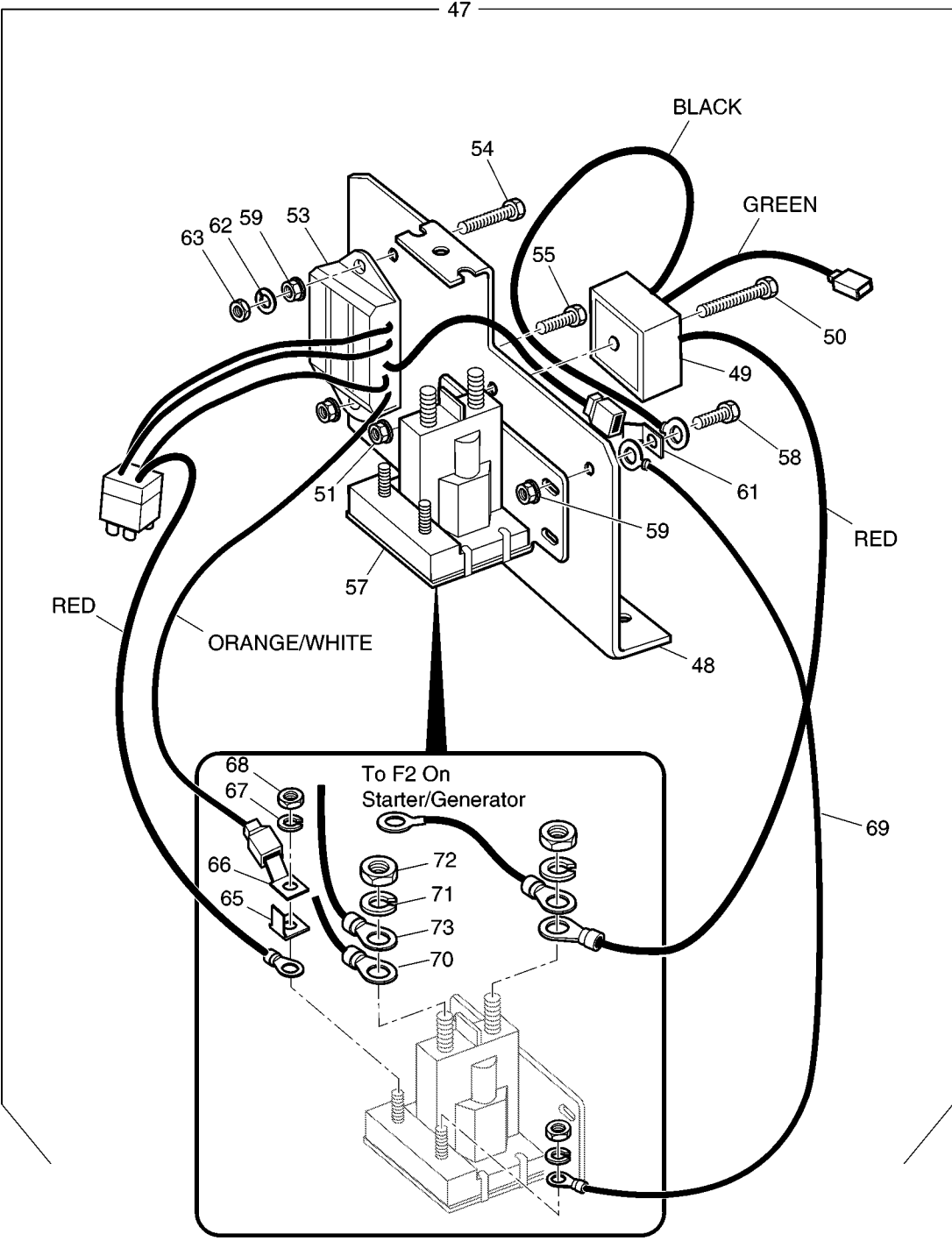
DIRECTION SELECTOR

ELECTRICAL SYSTEM

1 - Includes Item 2
 5 - Includes Items 6 - 10

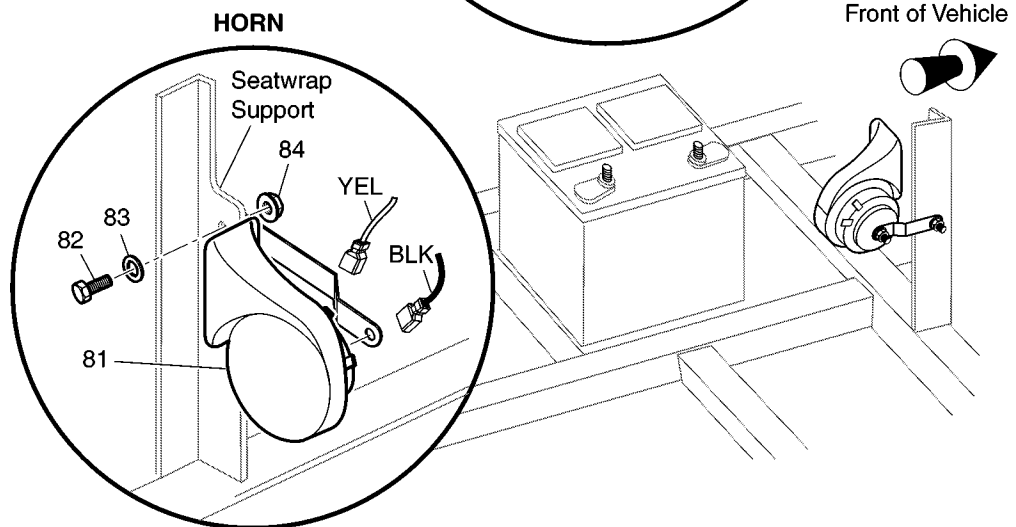
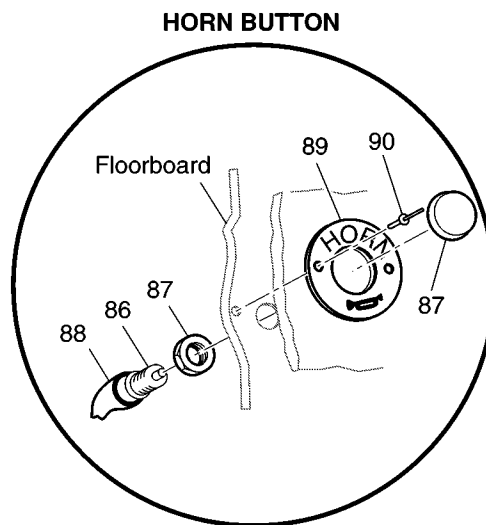
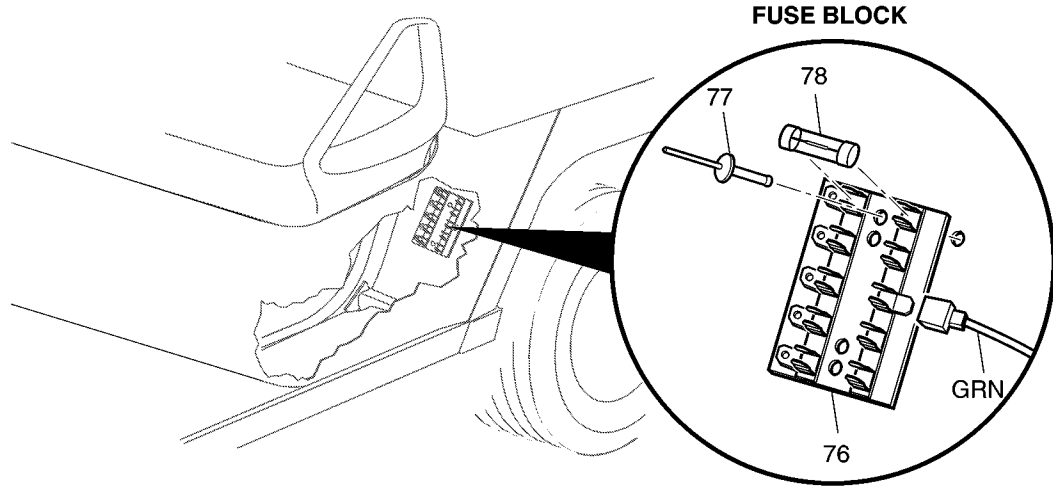


Ref Ele 11-1

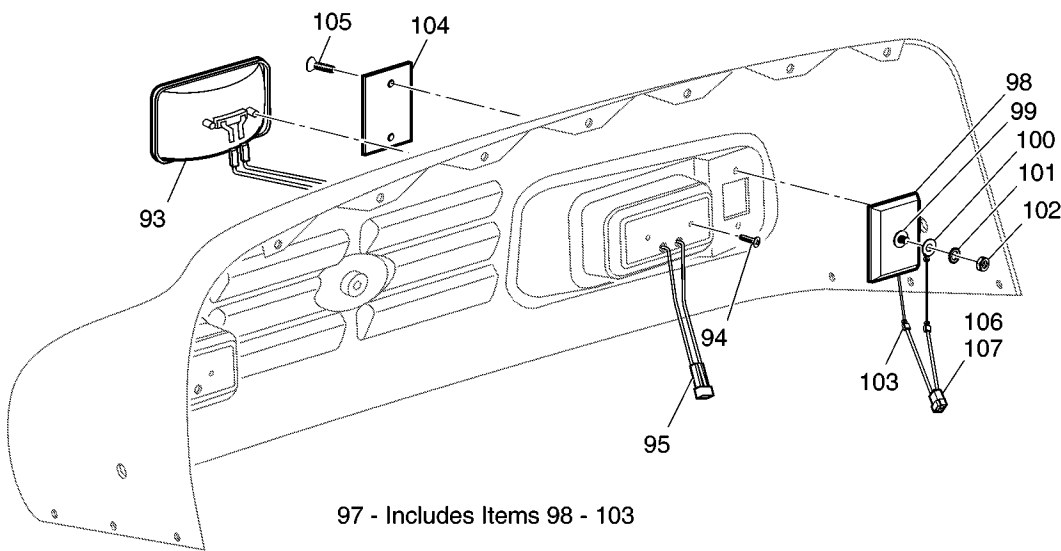


Ref Ele 11-2

ELECTRICAL SYSTEM



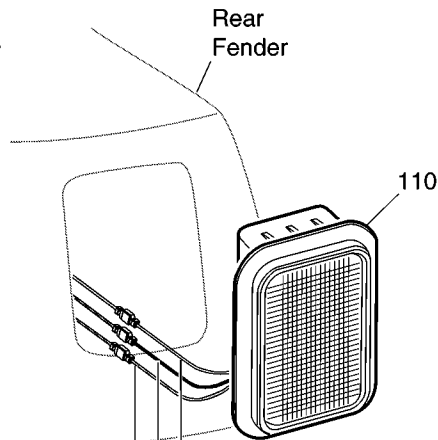
Ref Ele 11-3



Ref Ele 11-4

ELECTRICAL SYSTEM

TAILLIGHT



WHT to BLU/WHT from Harness - Both Sides

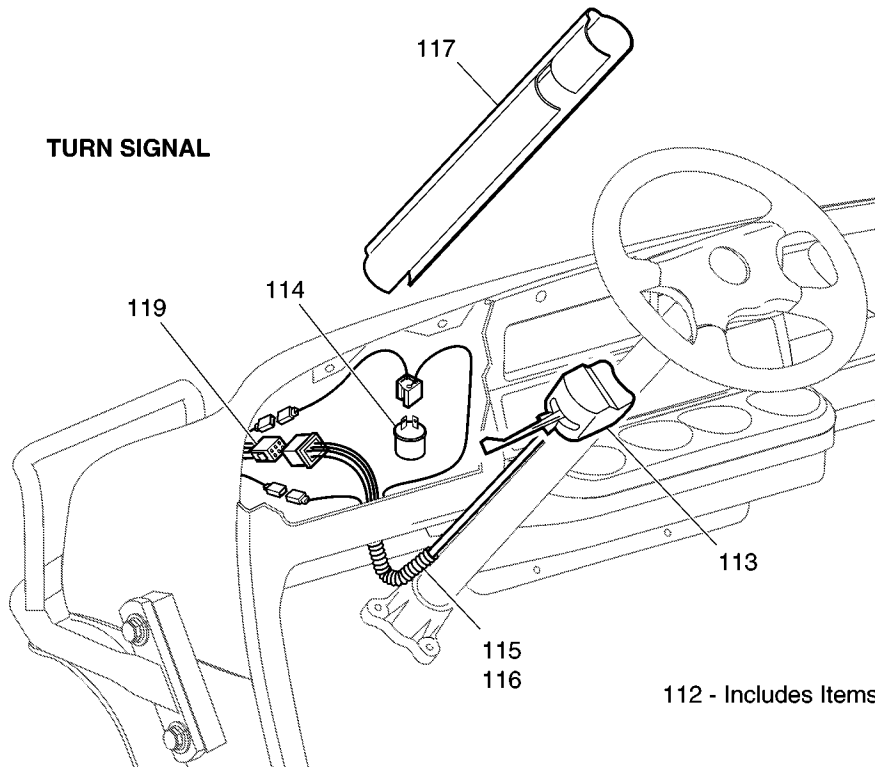
BLK to BLK from Harness - Both Sides

RED to BRN from Harness - Both Sides (without Turn Signals)

RED to WHT from Harness - Driver Side (with Turn Signals)

RED to YEL from Harness - Passenger Side (with Turn Signals)

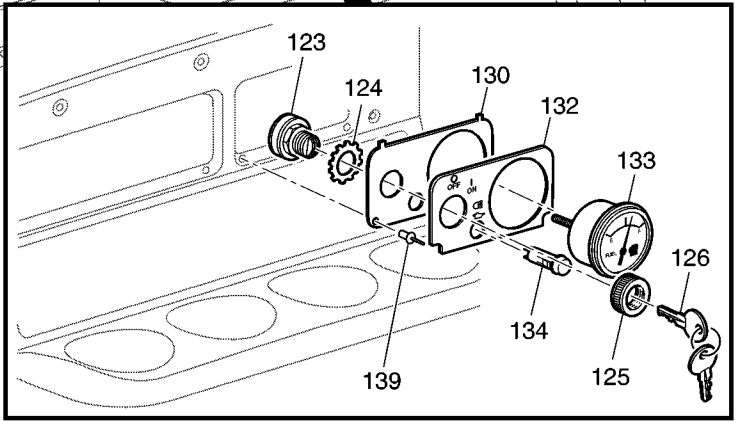
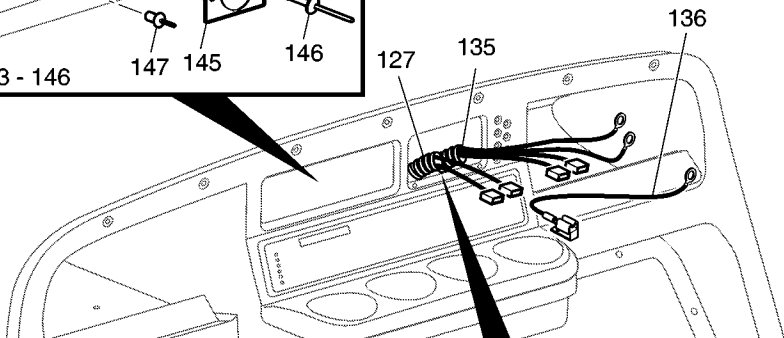
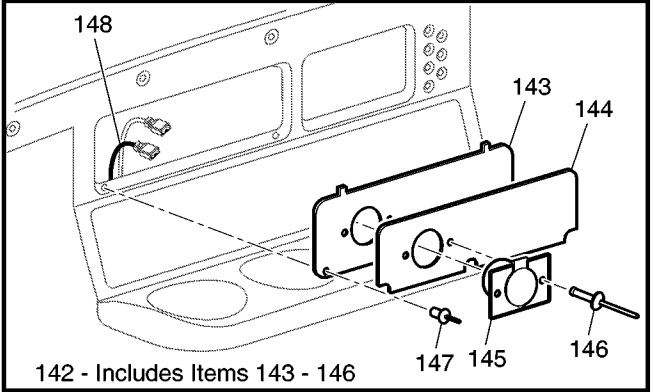
TURN SIGNAL



112 - Includes Items 113 - 117

Ref Ele 11-5

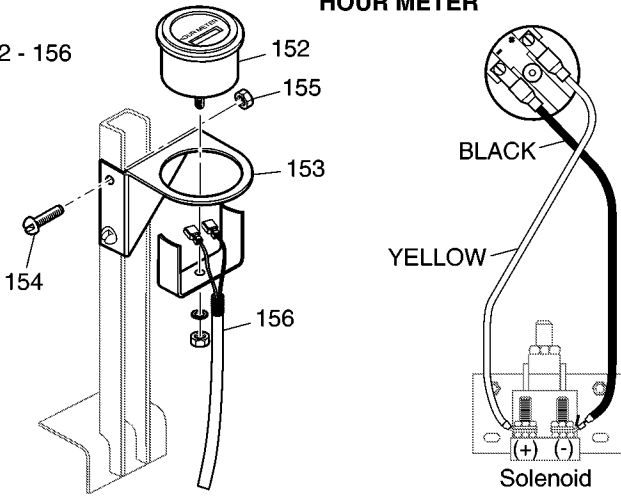
CONSOLE INSERT PLATE (WITH POWER OUTLET SHOWN)



KEY SWITCH, INDICATOR LIGHT(S), AND FUEL GAUGE

HOUR METER

151 - Includes Items 152 - 156



Ref Ele 11-6

ELECTRICAL SYSTEM

THE USE OF NON U.L. PARTS WILL VOID ANY U.L. LISTING.

When ordering parts, please specify the model and serial number of the product.

* Indicates a component that is not available as an individual part.

G** Indicates consult Customer Service Department for additional information.

ITEM	PART NO.	1 2 3 4 5	DESCRIPTION	QTY.
1	26651-G02		IGNITION PICKUP ASSEMBLY (INCLUDES ITEM 2).....	1
2	26707-G01		BOLT AND WASHER ASSEMBLY, M5 X 0.8 X 10 MM LG	1
3				
4				
5	26652-G01		IGNITION COIL ASSEMBLY (INCLUDES ITEMS 6 - 10)	1
6	*		IGNITION COIL.....	1
7	*		SPACER	1
8	*		LOCK WASHER	1
9	*		NUT.....	1
10	*		SCREW.....	1
11	13632-G1		NUT, M6 X 1	2
12				
13				
14	25887-G01		6 GA WIRE (BLACK 6", F1 - A2).....	1
15	25682-G1		TERMINAL COVER	3
16				
17				
18	24775-G*		BATTERY, 12V	1
19	00962-G1		BOLT, 5/16 - 18 X 1 1/4" LG	2
20	00993-G01		LOCK WASHER, 5/16" (SILICON BRONZE).....	2
21	00994-G01		NUT, 5/16 - 18 (SILICON BRONZE)	2
22				
23	72101-G01		BATTERY HOLD DOWN.....	1
24	00438-G6		BOLT, 5/16 - 18 X 3/4" LG	1
25	00565-G8		LOCK WASHER, 5/16".....	1
26	01110-G03		WASHER, 5/16" (STAINLESS STEEL)	1
27				
28				
29	27044-G03		GROUND CABLE.....	1
30	25976-G19		14 GA WIRE (BLACK 6")	1

ELECTRICAL SYSTEM

THE USE OF NON U.L. PARTS WILL VOID ANY U.L. LISTING.

When ordering parts, please specify the model and serial number of the product.

* Indicates a component that is not available as an individual part.

G** Indicates consult Customer Service Department for additional information.

ITEM	PART NO.	1	2	3	4	5	DESCRIPTION	QTY.
31	00438-G6						BOLT, 5/16 - 18 X 3/4" LG	2
32	11027-G1						LOCK NUT, 5/16 - 18	2
33	26676-G01						FLANGED BOLT, M6 X 1 X 23 MM LG	1
34								
35	25972-G85						6 GA WIRE (BLACK 23", F2 - SOL).....	1
36								
37	70899-G01						WIRE HARNESS (CONTROL) - SINGLE CABLE DIRECTION SELECTOR	1
38								
39								
40	17618-G1						WIRE TIE	AR
41								
42	73049-G01						COVER.....	1
43	16469-G1						WASHER, 1/4"	1
44	00114-G6						SCREW, 1/4 - 14 X 3/4" LG.....	1
45								
46								
47	73059-G01						ELECTRICAL PLATE ASSEMBLY (INCLUDES ITEMS 48 - 73)	1
48	73057-G01						BRACKET	1
49	27739-G01						VOLTAGE REGULATOR	1
50	00415-G2						BOLT, 1/4 - 20 X 1 1/4" LG.....	1
51	11027-G2						LOCK NUT, 1/4 - 20	1
52								
53	27746-G01						IGNITOR	1
54	00661-G8						BOLT, 1/4 - 20 X 1" LG (STAINLESS STEEL)	1
55	00414-G5						BOLT, 1/4 - 20 X 5/8" LG.....	1
56								
57	27153-G01						SOLENOID	1
58	00414-G5						BOLT, 1/4 - 20 X 5/8" LG.....	1
59	11027-G2						LOCK NUT, 1/4 - 20	3
60								

ELECTRICAL SYSTEM

THE USE OF NON U.L. PARTS WILL VOID ANY U.L. LISTING.

When ordering parts, please specify the model and serial number of the product.

* Indicates a component that is not available as an individual part.

G** Indicates consult Customer Service Department for additional information.

ITEM	PART NO.	1	2	3	4	5	DESCRIPTION	QTY.
61	12914-G2						FASTON TAB, 1/4" X 1/4"	1
62	00664-G7						LOCK WASHER, 1/4" (STAINLESS STEEL)	1
63	00532-G1						NUT, 1/4 - 20.....	1
64								
65	73446-G01						FASTON TAB, 90°	1
66	12914-G1						FASTON TAB, #10 X 1/4"	1
67	00565-G5						LOCK WASHER, #10	2
68	00526-G4						NUT, #10 - 32.....	2
69	25978-G56						18 GA WIRE (BLACK 5 3/4")	1
70	22585-G3						IN-LINE FUSE HOLDER	1
71	00565-G8						LOCK WASHER, 5/16"	2
72	00544-G4						NUT, 5/16 - 24.....	2
73	25972-G33						6 GA WIRE (BLACK 24", B+ - SOL)	1
74								
75								
76	22674-G1						FUSE BLOCK.....	1
77	01041-G01						RIVET, 1/8" X 13/16" LG	2
78	18392-G1						15 AMP FUSE	3
79								
80								
81	32860-G1						HORN.....	1
82	00414-G5						BOLT, 1/4 - 20 x 5/8" LG.....	1
83	01110-G01						WASHER, 1/4" (STAINLESS STEEL)	1
84	00654-G2						LOCK NUT, 1/4 - 20 (STAINLESS STEEL)	1
85								
86	17318-G1						HORN SWITCH.....	1
87	17318-G2						HORN SWITCH CAP AND NUT	1
88	27068-G01						HORN SWITCH BOOT	1
89	19233-G1						HORN SWITCH LABEL	1
90	71055-G01						RIVET, 3/16" X 1" LG (ALUMINUM)	2

ELECTRICAL SYSTEM

THE USE OF NON U.L. PARTS WILL VOID ANY U.L. LISTING.

When ordering parts, please specify the model and serial number of the product.

* Indicates a component that is not available as an individual part.

G** Indicates consult Customer Service Department for additional information.

ITEM	PART NO.	1	2	3	4	5	DESCRIPTION	QTY.
91								
92								
93	20209-G3						HEADLIGHT (INCLUDES ITEM 94).....	2
94	00906-G6						SCREW, #10 - 16 X 1" LG	2
95	74337-G01						JUMPER WIRE (HEADLIGHT)	2
96								
97	20570-G3						TURN SIGNAL LIGHT ASSEMBLY (INCLUDES ITEMS 98 - 103).....	2
98	20574-G3						TURN SIGNAL LIGHT	1
99	00660-G7						WASHER, 1/4" (STAINLESS STEEL).....	1
100	20606-G1						WIRE ASSEMBLY	1
101	00567-G7						LOCK WASHER, 1/4"	1
102	00532-G1						NUT, 1/4 - 20.....	1
103	18995-G1						PUSH-ON TERMINAL (MALE).....	1
104	20574-G5						LENS, AMBER	1
105	00118-G5						SCREW, #6 - 18 X 5/8" LG.....	2
106	74056-G01						TURN SIGNAL JUMPER, RED/BLACK (PASSENGER SIDE)	1
107	74056-G02						TURN SIGNAL JUMPER, GREEN/BLACK (DRIVER SIDE)	1
108								
109								
110	32739-G2						TAILLIGHT ASSEMBLY (COMPLETE)	2
111								
112	75107-G01						TURN SIGNAL KIT (INCLUDES ITEMS 113 - 117)	1
113	17867-G1						TURN SIGNAL (WITH MOUNTING HARDWARE) (INCLUDES ITEM 114).....	1
114	21640-G1						TURN SIGNAL FLASHER.....	1
115	32307-G3						FLEX LOOM, 3/8 X 8" LG	1
116	17618-G1						WIRE TIE	2
117	20965-G3						STEERING COLUMN COVER	1
118								
119	72228-G01						WIRE HARNESS (ACCESSORY).....	1
120								

ELECTRICAL SYSTEM

THE USE OF NON U.L. PARTS WILL VOID ANY U.L. LISTING.

When ordering parts, please specify the model and serial number of the product.

* Indicates a component that is not available as an individual part.

G** Indicates consult Customer Service Department for additional information.

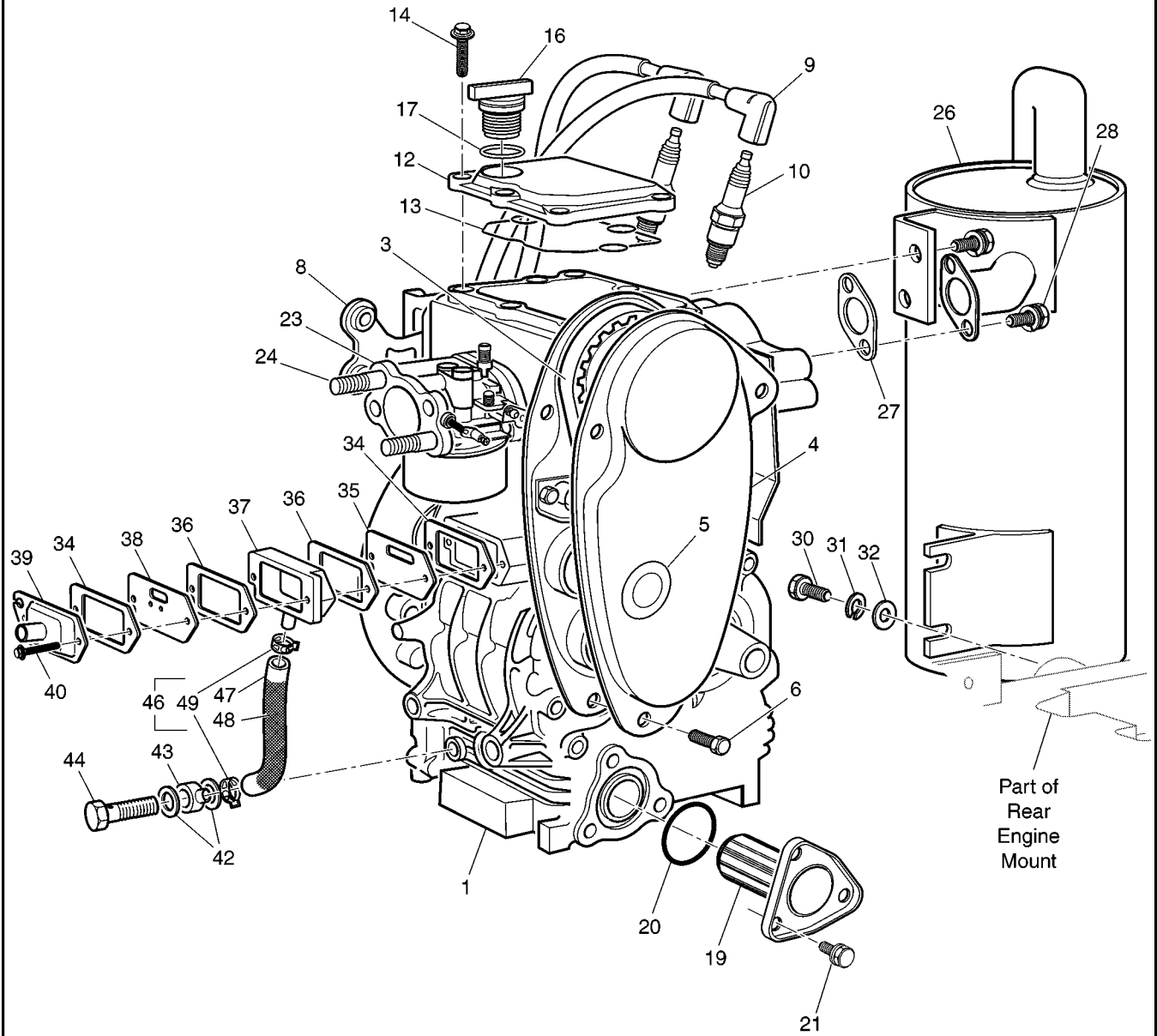
ITEM	PART NO.	1 2 3 4 5	DESCRIPTION	QTY.
121				
122				
123	33639-G03		IGNITION SWITCH (WITH LIGHTS, INDIVIDUALLY KEYPED)	1
124	00568-G6		LOCK WASHER, 3/4"	1
125	17137-G1		FACE NUT, 3/4 - 20	1
126	17063-G1		IGNITION KEY (SET)	1
127	73041-G01		WIRE HARNESS (KEY SWITCH)	1
128				
129				
130	73030-G04		PLATE (FUEL GAUGE AND OIL LIGHT)	1
131				
132	71131-G01		LABEL (OIL LIGHT AND FUEL GAUGE WITH HEADLIGHTS)	1
133	21553-G1		FUEL GAUGE	1
134	23474-G1		INDICATOR LIGHT	1
135	74311-G01		HARNESS (OIL LIGHT/FUEL GAUGE)	1
136	25978-G122		18 GA WIRE (RED 6")	1
137				
138				
139	33623-G02		DRIVE RIVET, 3/16" X 3/8" LG	2
140				
141				
142	74444-G01		CONSOLE INSERT ASSEMBLY (INCLUDES ITEMS 143 - 146)	1
143	71077-G03		CONSOLE INSERT PLATE	1
144	35966-G01		LABEL (CONSOLE INSERT PLATE)	1
145	71078-G01		POWER OUTLET (12 VOLT)	1
146	14601-G10		RIVET, 3/16" X 7/16" LG (ALUMINUM)	2
147	33623-G01		DRIVE RIVET, 3/16" X 3/8" LG	3
148	71081-G01		WIRE HARNESS (POWER OUTLET)	1
149				
150				

ELECTRICAL SYSTEM

THE USE OF NON U.L. PARTS WILL VOID ANY U.L. LISTING.
 When ordering parts, please specify the model and serial number of the product.
 * Indicates a component that is not available as an individual part.
 G** Indicates consult Customer Service Department for additional information.

ITEM	PART NO.	1	2	3	4	5	DESCRIPTION	QTY.
151	75114-G02						HOUR METER KIT (INCLUDES ITEMS 152 - 156).....	1
152	21573-G1						HOUR METER.....	1
153	74019-G02						HOUR METER BRACKET.....	1
154	00379-G4						SCREW, #10 - 24 X 1/2" LG.....	2
155	11098-G7						LOCK NUT, #10 - 24.....	2
156	75117-G01						WIRE HARNESS (HOUR METER).....	1

ENGINE AND MUFFLER



Ref Emf 11

ENGINE AND MUFFLER

THE USE OF NON U.L. PARTS WILL VOID ANY U.L. LISTING.

When ordering parts, please specify the model and serial number of the product.

* Indicates a component that is not available as an individual part.

G** Indicates consult Customer Service Department for additional information.

ITEM	PART NO.	1 2 3 4 5	DESCRIPTION	QTY.
1	72650-G02		ENGINE, 350 CC	1
2				
3	26626-G01		TIMING BELT	1
4	26630-G01		TIMING BELT COVER	1
5	26631-G01		TIMING BELT COVER GROMMET.....	1
6	26678-G01		BOLT, M6 X 1 X 12 MM LG	3
7				
8	26657-G01		IGNITION COIL BRACKET	1
9	26733-G01		SPARK PLUG WIRE SET (2 WITH BOOTS)	1
10	25523-G4		SPARK PLUG (NGK BPR5ES)	2
11				
12	26600-G01		VALVE COVER.....	1
13	26719-G01		VALVE COVER GASKET	1
14	26676-G01		FLANGED BOLT, M6 X 1 X 23 MM LG	6
15				
16	26601-G01		OIL FILLER CAP	1
17	26720-G01		OIL FILLER 'O' RING	1
18				
19	26591-G01		OIL FILTER	1
20	26710-G01		OIL FILTER 'O' RING	1
21	26680-G01		BOLT AND WASHER, M6 X 1 X 12 MM LG	3
22				
23	XXXXX-XX		CARBURETOR (SEE CARBURETOR SECTION).....	X
24	26667-G01		STUD, M6 X 1 X 105 MM LG	2
25				
26	72019-G01		MUFFLER	1
27	25531-G1		EXHAUST GASKET	1
28	25532-G1		BOLT AND WASHER, M8 X 1.25 X 18 MM LG	4
29				
30	00438-G8		BOLT, 5/16 - 18 X 1" LG	1

ENGINE AND MUFFLER

THE USE OF NON U.L. PARTS WILL VOID ANY U.L. LISTING.

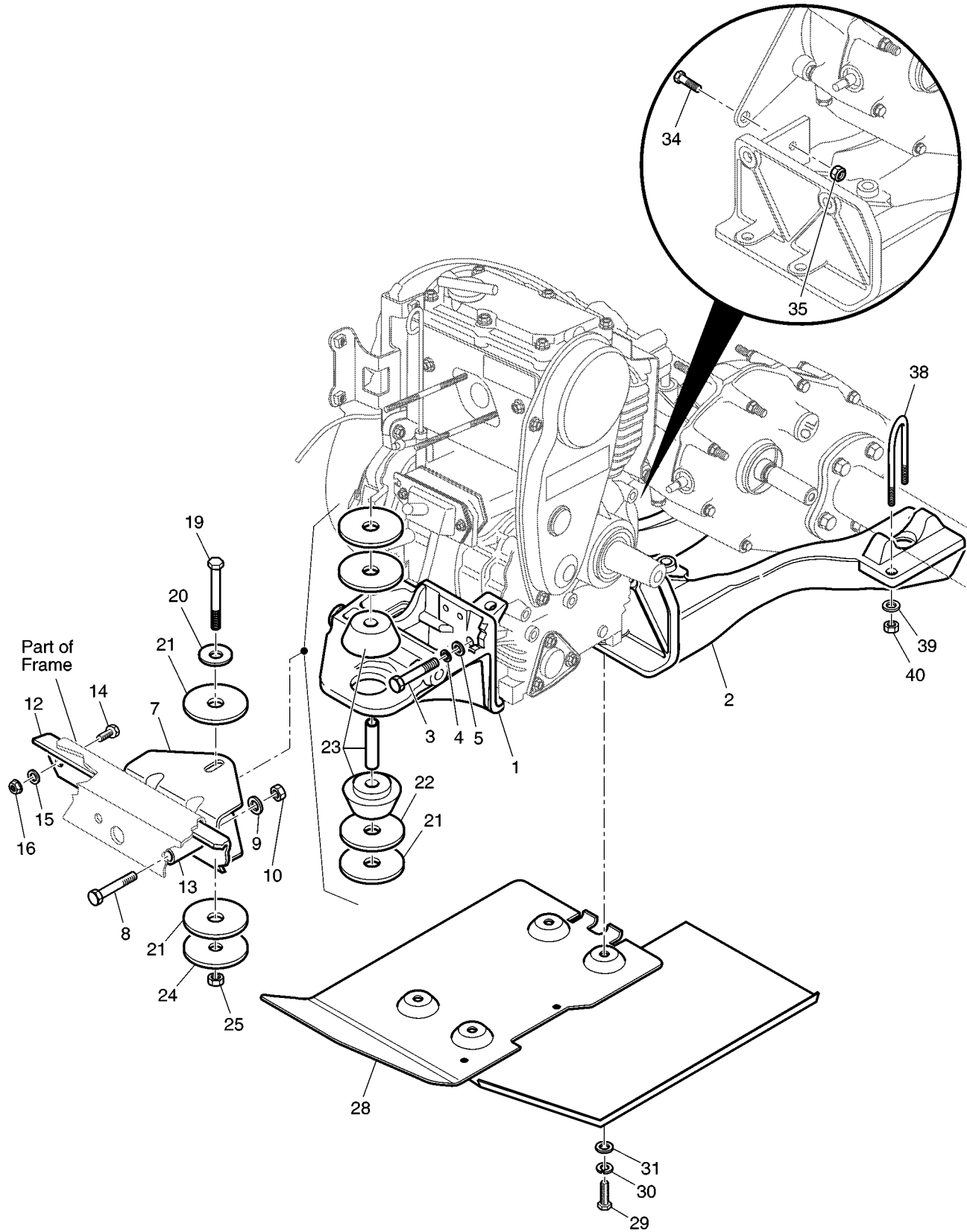
When ordering parts, please specify the model and serial number of the product.

* Indicates a component that is not available as an individual part.

G** Indicates consult Customer Service Department for additional information.

ITEM	PART NO.	1	2	3	4	5	DESCRIPTION	QTY.
31	00565-G8						LOCK WASHER, 5/16".....	1
32	00642-G8						WASHER, 5/16"	1
33								
34	72555-G01						BREATHER COVER GASKET (THICK).....	2
35	72657-G01						INNER BREATHER PLATE (LONG SLOT).....	1
36	72554-G01						BREATHER COVER GASKET (THIN).....	2
37	72658-G01						BREATHER BOX.....	1
38	72676-G01						OUTER BREATHER PLATE (SHORT SLOT)	1
39	72659-G01						BREATHER COVER	1
40	72680-G01						FLANGED BOLT, M6 X 1 X 70 MM LG	2
41								
42	72656-G01						ALUMINUM GASKET.....	2
43	72655-G01						BANJO UNION.....	1
44	72654-G01						BANJO BOLT	1
45								
46	72653-G01						RUBBER RETURN HOSE (INCLUDES ITEMS 47 - 49)	1
47	72677-G01						RUBBER HOSE, 6 MM ID X 12 MM OD X 145 MM LG	1
48	72678-G01						MESH PROTECTIVE COVER.....	1
49	72679-G01						HOSE CLAMP	2

ENGINE MOUNTING



Ref Emt 11

ENGINE MOUNTING

THE USE OF NON U.L. PARTS WILL VOID ANY U.L. LISTING.

When ordering parts, please specify the model and serial number of the product.

* Indicates a component that is not available as an individual part.

G** Indicates consult Customer Service Department for additional information.

ITEM	PART NO.	1 2 3 4 5	DESCRIPTION	QTY.
1	72010-G01		FRONT ENGINE MOUNT	1
2	72011-G01		REAR ENGINE MOUNT	1
3	00463-G4		BOLT, 7/16 - 14 X 1 1/2" LG	4
4	00566-G2		LOCK WASHER, 7/16"	4
5	00922-G3		WASHER, 7/16"	4
6				
7	72044-G01		MOUNT BRACKET	1
8	00428-G6		BOLT, 3/8 - 16 X 2 3/4" LG	2
9	00643-G1		WASHER, 3/8"	2
10	11098-G5		LOCK NUT, 3/8 - 16	2
11				
12	70269-G01		CROSSMEMBER BRACE	1
13	72016-G01		SPACER	2
14	00438-G7		BOLT, 5/16 - 18 X 7/8"	2
15	01110-G03		WASHER, 5/16" (STAINLESS STEEL)	2
16	01109-G01		LOCK NUT, 5/16 - 18 (STAINLESS STEEL)	2
17				
18				
19	00430-G4		BOLT, 3/8 - 16 X 4 1/2" LG	1
20	15121-G1		WASHER, 1 1/4" X 3/8"	1
21	72050-G01		PLASTIC WASHER, 5/8" X 2 1/4"	4
22	72051-G01		WASHER, 2 1/2" X 5/8"	2
23	72015-G01		ISOLATION MOUNT	1
24	72051-G02		WASHER, 3/8"	1
25	11098-G5		LOCK NUT, 3/8 - 16	1
26				
27				
28	72719-G01		ENGINE GUARD	1
29	00463-G4		BOLT, 7/16 - 14 X 1 1/2" LG	4
30	00566-G2		LOCK WASHER, 7/16"	4

ENGINE MOUNTING

THE USE OF NON U.L. PARTS WILL VOID ANY U.L. LISTING.

When ordering parts, please specify the model and serial number of the product.

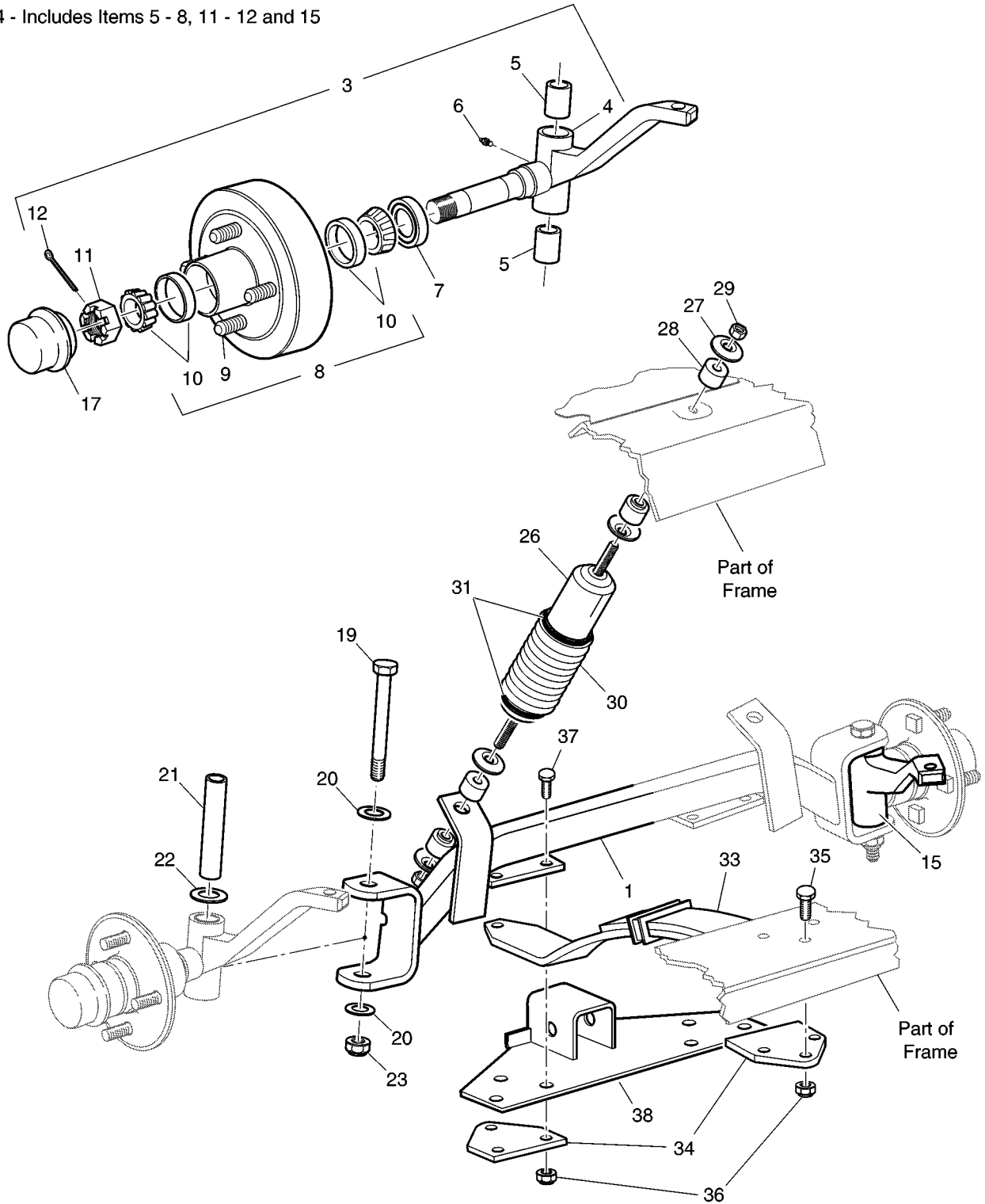
* Indicates a component that is not available as an individual part.

G** Indicates consult Customer Service Department for additional information.

ITEM	PART NO.	1 2 3 4 5	DESCRIPTION	QTY.
31	00922-G3		WASHER, 7/16"	4
32				
33				
34	00439-G1		BOLT, 5/16 - 18 X 1 1/8" LG	1
35	01109-G01		LOCK NUT, 5/16 - 18 (STAINLESS STEEL)	1
36				
37				
38	72035-G01		'U' BOLT, 7/16 - 14 X 3 7/16" X 3 9/16" LG	2
39	00922-G3		WASHER, 7/16"	4
40	00734-G1		LOCK NUT, 7/16 - 14	4

FRONT SUSPENSION

14 - Includes Items 5 - 8, 11 - 12 and 15



Ref Esp 11

FRONT SUSPENSION

THE USE OF NON U.L. PARTS WILL VOID ANY U.L. LISTING.

When ordering parts, please specify the model and serial number of the product.

* Indicates a component that is not available as an individual part.

G** Indicates consult Customer Service Department for additional information.

ITEM	PART NO.	1 2 3 4 5	DESCRIPTION	QTY.
1	70515-G01		FRONT AXLE	1
2				
3	70535-G02		SPINDLE ASSEMBLY (DRIVER SIDE) (INCLUDES ITEMS 4 - 8, 11 - 12).....	1
4	*		SPINDLE (DRIVER SIDE)	1
5	16623-G1		BEARING.....	2
6	10389-G3		GREASE FITTING, STRAIGHT	1
7	25146-G1		GREASE SEAL.....	1
8	72590-G01		WHEEL HUB ASSEMBLY (INCLUDES ITEMS 9, 10).....	1
9	36038-G01		DRIVE FLANGE STUD, 1/2 - 20 X 1 3/16" LG.....	4
10	50892-G1		BEARING AND RACE ASSEMBLY (COMPLETE)	2
11	12093-G1		SLOTTED NUT, 1 - 14	1
12	00798-G8		COTTER PIN, 5/32" X 1 3/4" LG	1
13				
14	70534-G02		SPINDLE ASSEMBLY (PASSENGER SIDE) (INCLUDES ITEMS 5 - 8, 11 - 12, 15)	1
15	*		SPINDLE (PASSENGER SIDE).....	1
16				
17	12091-G2		SPINDLE CAP.....	2
18				
19	01040-G01		BOLT, 1/2 - 13 X 5" LG	2
20	00571-G5		WASHER, 1/2"	4
21	70328-G01		KING PIN TUBE	2
22	16982-G1		THRUST WASHER, 7/8"	2
23	14390-G6		LOCK NUT, 1/2 - 13	2
24				
25				
26	70630-G01		SHOCK ABSORBER.....	2
27	10435-G1		SHOCK ABSORBER WASHER.....	8
28	10194-G1		RUBBER BUSHING	8
29	00532-G6		NUT, 3/8 - 24	4

FRONT SUSPENSION

THE USE OF NON U.L. PARTS WILL VOID ANY U.L. LISTING.

When ordering parts, please specify the model and serial number of the product.

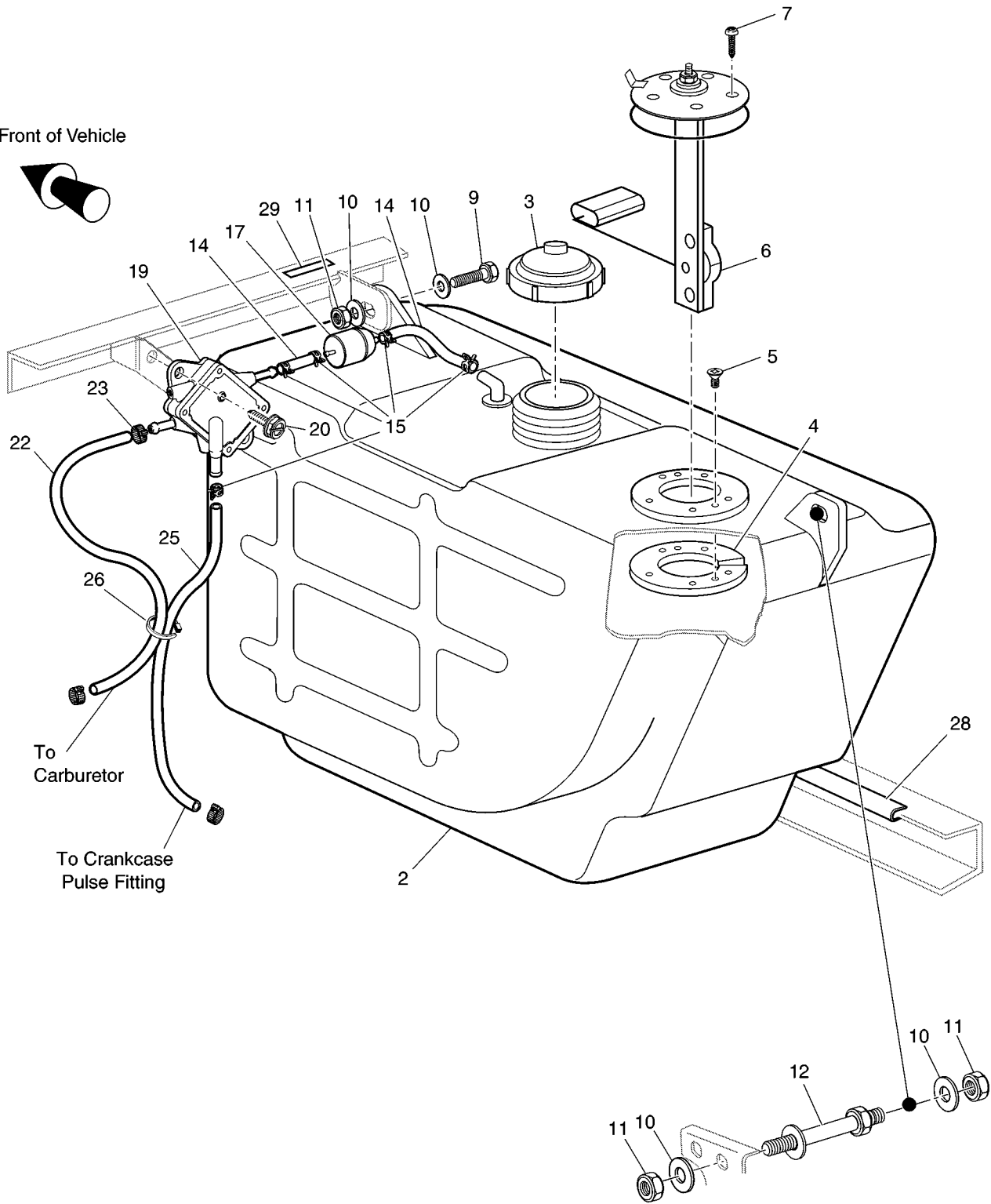
* Indicates a component that is not available as an individual part.

G** Indicates consult Customer Service Department for additional information.

ITEM	PART NO.	1 2 3 4 5	DESCRIPTION	QTY.
30	70509-G01		SHOCK ABSORBER BOOT	2
31	31539-G1		WIRE TIE	4
32				
33	70422-G01		LEAF SPRING (HEAVY DUTY).....	2
34	70163-G02		SPRING PLATE	4
35	00463-G6		BOLT, 7/16 - 14 X 1 3/4" LG	6
36	00734-G1		LOCK NUT, 7/16 - 14	12
37	00463-G4		BOLT, 7/16 - 14 X 1 1/2" LG (W/O WINCH RECEIVER).....	6
38	74255-G01		WINCH RECEIVER.....	1

FUEL SYSTEM

Front of Vehicle



Ref Fsy 11

FUEL SYSTEM

THE USE OF NON U.L. PARTS WILL VOID ANY U.L. LISTING.

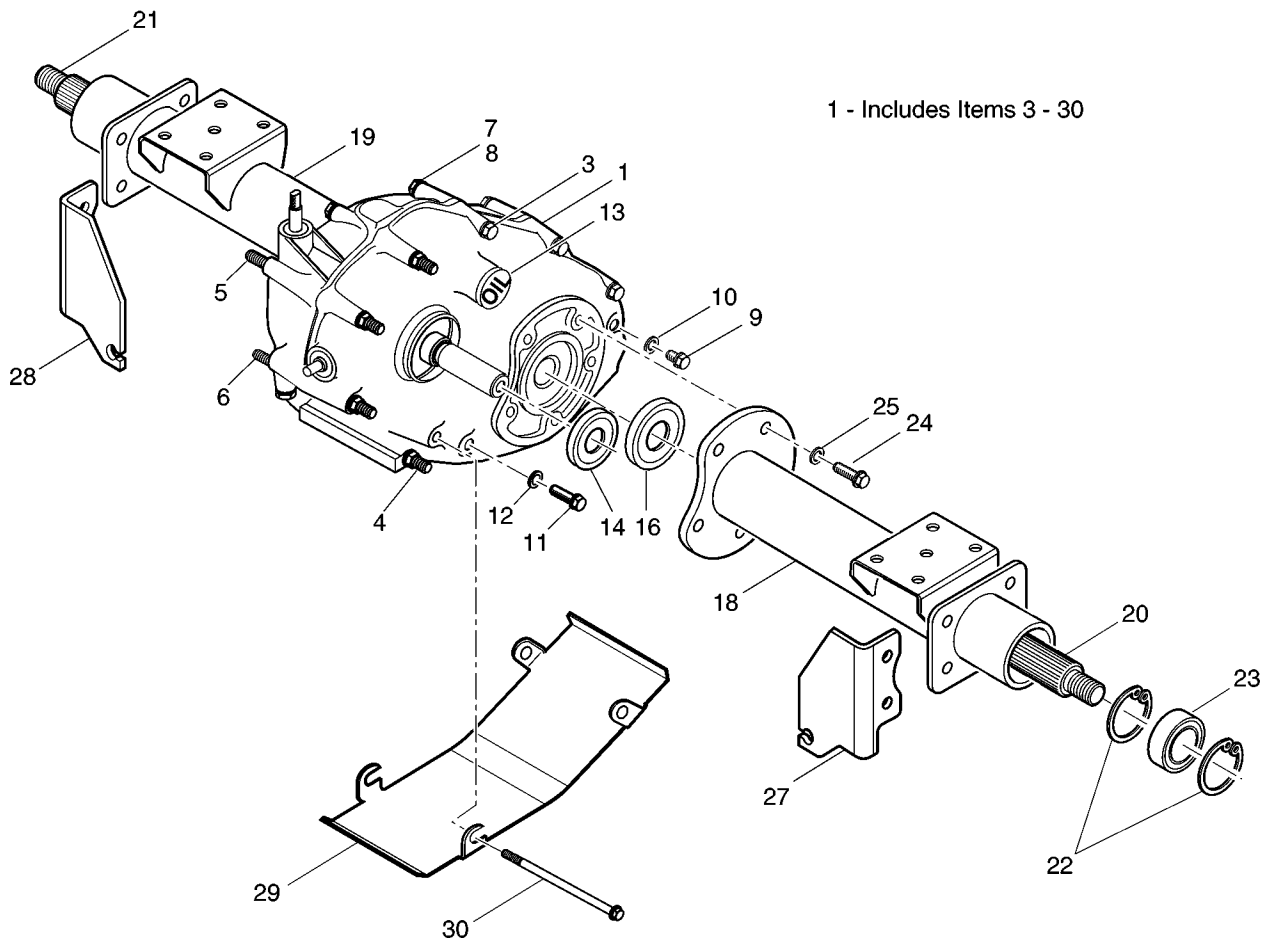
When ordering parts, please specify the model and serial number of the product.

* Indicates a component that is not available as an individual part.

G** Indicates consult Customer Service Department for additional information.

ITEM	PART NO.	1 2 3 4 5	DESCRIPTION	QTY.
1	72231-G01		FUEL TANK ASSEMBLY (INCLUDES ITEMS 2 - 7)	1
2	72092-G02		FUEL TANK (FOR ELECTRIC GAUGE / WARNING LIGHT)	1
3	72282-G01		FUEL TANK CAP	1
4	72229-G01		FUEL LEVEL SENDER ADAPTER.....	1
5	72230-G01		SCREW, #6 - 32 X 1/2" LG	2
6	20048-G2		FUEL LEVEL SENDER (ELECTRIC FUEL GAUGE)	1
7	72232-G01		SCREW, #10 - 32 X 3/4"	5
8				
9	00438-G8		BOLT, 5/16 - 18 X 1" LG	1
10	00559-G8		WASHER, 5/16"	4
11	01109-G01		LOCK NUT, 5/16 - 18 (STAINLESS STEEL)	3
12	70483-G01		SPACER.....	1
13				
14	17470-G1		FUEL SYSTEM TUBE, 3 1/4" LG (BULK)	2
15	18292-G1		CLAMP	5
16				
17	72084-G01		FUEL FILTER	1
18				
19	72021-G01		FUEL PUMP	1
20	00114-G6		SCREW, 1/4 - 14 X 3/4" LG.....	2
21				
22	17470-G1		FUEL SYSTEM TUBE, 16" LG (BULK)	1
23	11391-G4		HOSE CLAMP, 1/4"	3
24				
25	27183-G01		PULSE TUBE, 16" LG (BULK)	1
26	17618-G1		WIRE TIE	3
27				
28	22280-G1		VINYL TRIM, 6 1/4" LG (BULK)	1
29	26459-G01		LABEL (UNLEADED GASOLINE ONLY)	1

REAR AXLE



Ref Rax 11

REAR AXLE

THE USE OF NON U.L. PARTS WILL VOID ANY U.L. LISTING.

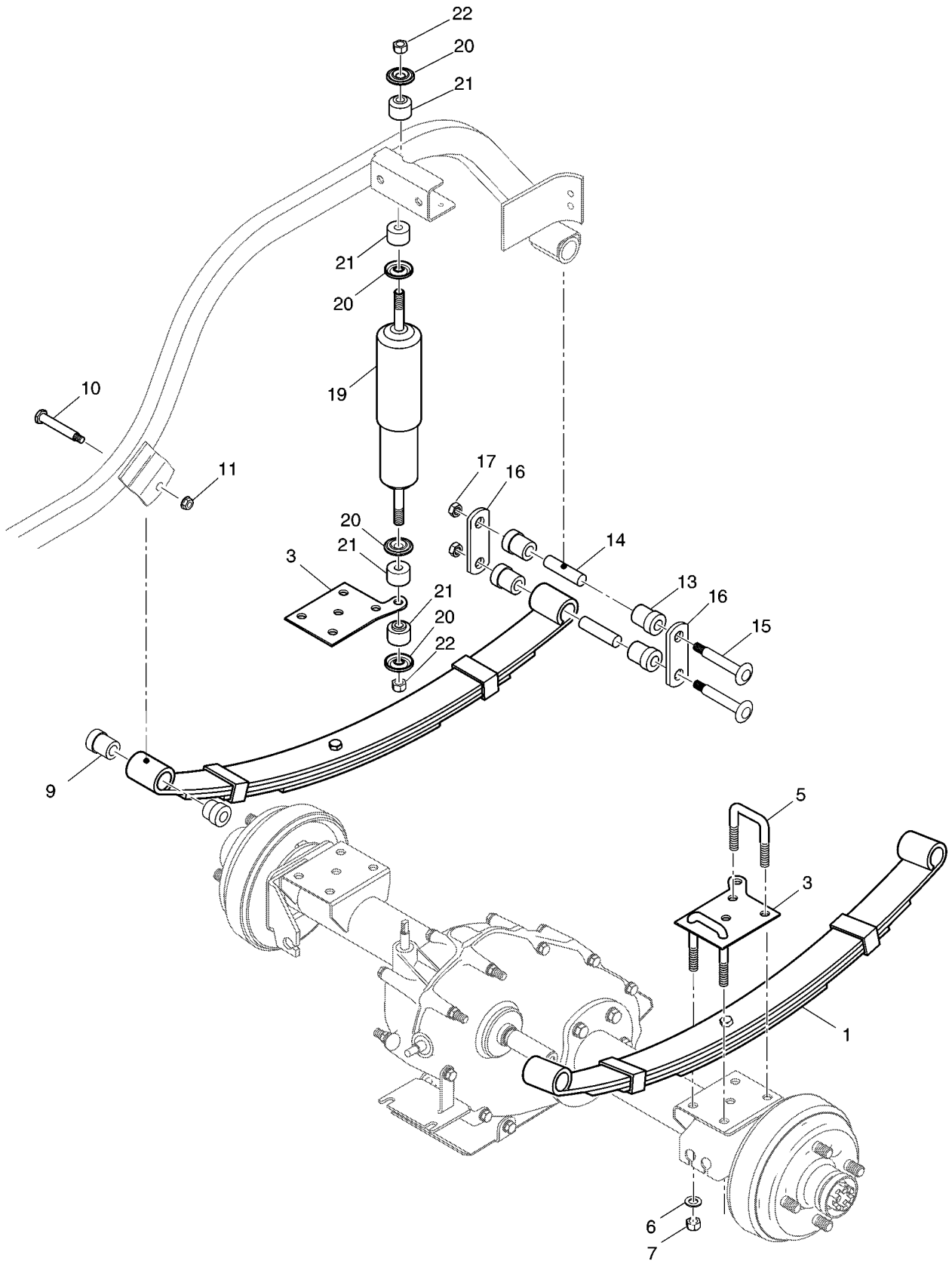
When ordering parts, please specify the model and serial number of the product.

* Indicates a component that is not available as an individual part.

G** Indicates consult Customer Service Department for additional information.

ITEM	PART NO.	1	2	3	4	5	DESCRIPTION	QTY.	
1	74545-G01	REAR AXLE ASSEMBLY (13.32:1) (INCLUDES ITEMS 3 - 30).....							1
2									
3	26823-G01	FLANGED BOLT, M8 X 1.25 X 100 MM LG.....							7
4	26824-G01	FLANGED BOLT, M8 X 1.25 X 110 MM LG.....							1
5	72053-G01	FLANGED BOLT, M8 X 1.25 X 120 MM LG.....							1
6	72052-G01	FLANGED BOLT, M8 X 1.25 X 130 MM LG.....							1
7	26826-G01	LOCK WASHER, 8 MM.....							4
8	26827-G01	NUT, M8 X 1.25 MM.....							4
9	26768-G01	OIL CHECK PLUG.....							1
10	26769-G01	GASKET, 8 MM.....							1
11	26770-G01	OIL DRAIN PLUG.....							1
12	26771-G01	GASKET, 14 MM.....							1
13	26772-G01	OIL FILLER PLUG.....							1
14	26761-G01	INPUT SHAFT SEAL.....							1
15	26762-G01	SHIFTER SHAFT SEAL.....							1
16	26766-G01	AXLE SHAFT SEAL.....							2
17									
18	72058-G01	AXLE TUBE (DRIVER SIDE).....							1
19	72059-G01	AXLE TUBE (PASSENGER SIDE).....							1
20	72056-G01	AXLE SHAFT (DRIVER SIDE).....							1
21	72057-G01	AXLE SHAFT (PASSENGER SIDE).....							1
22	26814-G01	RETAINING RING.....							4
23	26811-G01	BALL BEARING.....							2
24	72260-G01	FLANGED BOLT, M10 X 1.5 X 23 MM LG.....							10
25	26828-G01	WASHER, 10 MM.....							10
26									
27	75870-G01	BRAKE CABLE BRACKET (DRIVER SIDE).....							1
28	75870-G02	BRAKE CABLE BRACKET (PASSENGER SIDE).....							1
29	72349-G01	DIFFERENTIAL SKID PLATE.....							1
30	72053-G01	FLANGED BOLT, M8 X 1.25 X 120 MM LG.....							2

REAR SUSPENSION



Ref Rsp 11

REAR SUSPENSION

THE USE OF NON U.L. PARTS WILL VOID ANY U.L. LISTING.

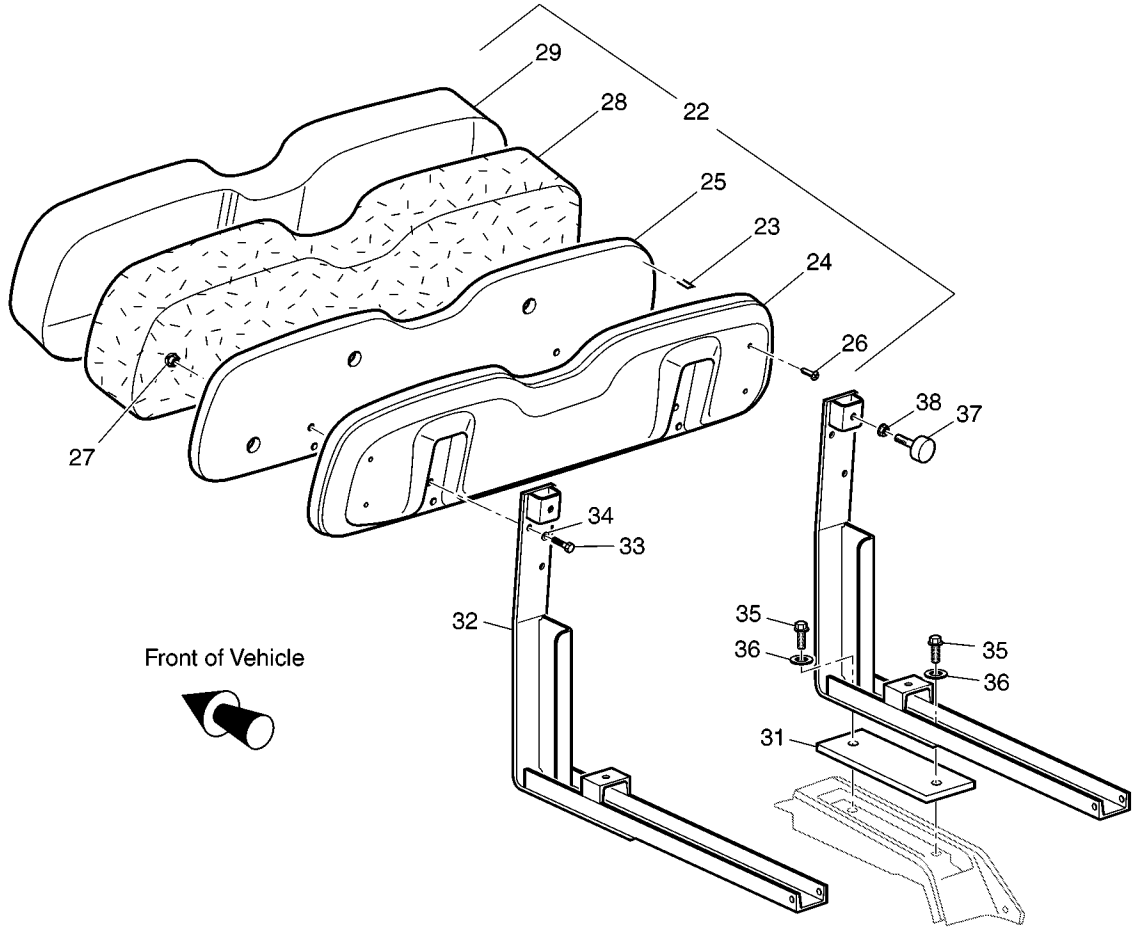
When ordering parts, please specify the model and serial number of the product.

* Indicates a component that is not available as an individual part.

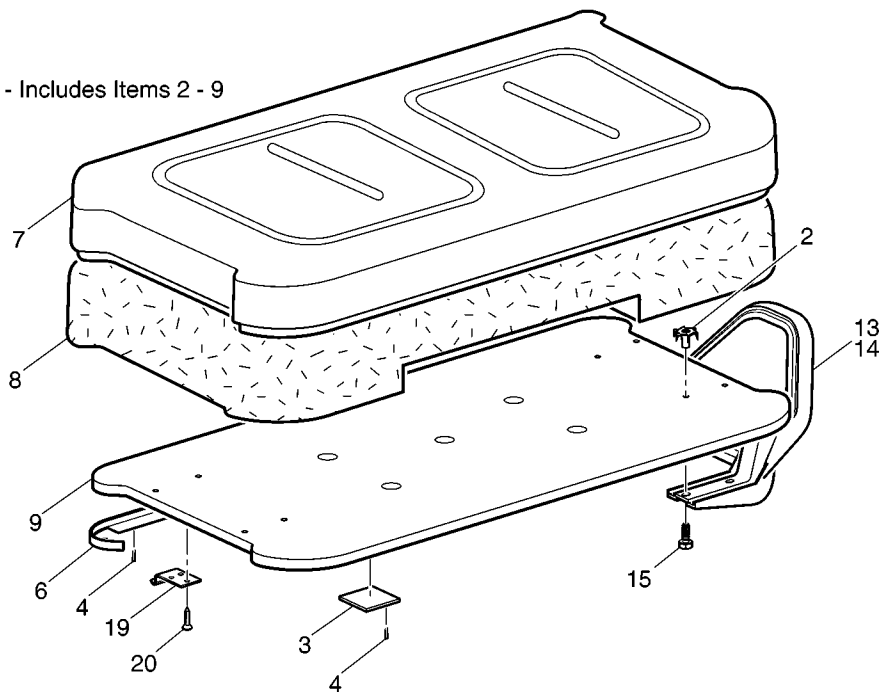
G** Indicates consult Customer Service Department for additional information.

ITEM	PART NO.	1 2 3 4 5	DESCRIPTION	QTY.
1	74207-G01		HEAVY DUTY LEAF SPRING	2
2				
3	72357-G02		SPRING PLATE	2
4				
5	72618-G02		'U' BOLT, 3/8 - 16 X 2" X 2 1/8" LG	4
6	00560-G1		WASHER, 3/8"	8
7	11098-G5		LOCK NUT, 3/8 - 16	8
8				
9	70291-G01		FLANGED BUSHING	4
10	14158-G1		SHOULDER BOLT, 3/8 - 16 X 3 1/4" LG	2
11	12262-G1		LOCK NUT, 3/8 - 16	2
12				
13	70291-G01		FLANGED BUSHING	8
14	70289-G02		SPACER	4
15	00665-G9		BOLT, 3/8 - 16 X 3 1/2" LG (STAINLESS STEEL).....	4
16	70290-G01		SHACKLE PLATE	4
17	11098-G5		LOCK NUT, 3/8 - 16	4
18				
19	70324-G01		SHOCK ABSORBER.....	2
20	10435-G1		SHOCK ABSORBER WASHER.....	8
21	10194-G1		RUBBER BUSHING	8
22	00532-G6		NUT, 3/8 - 24	4

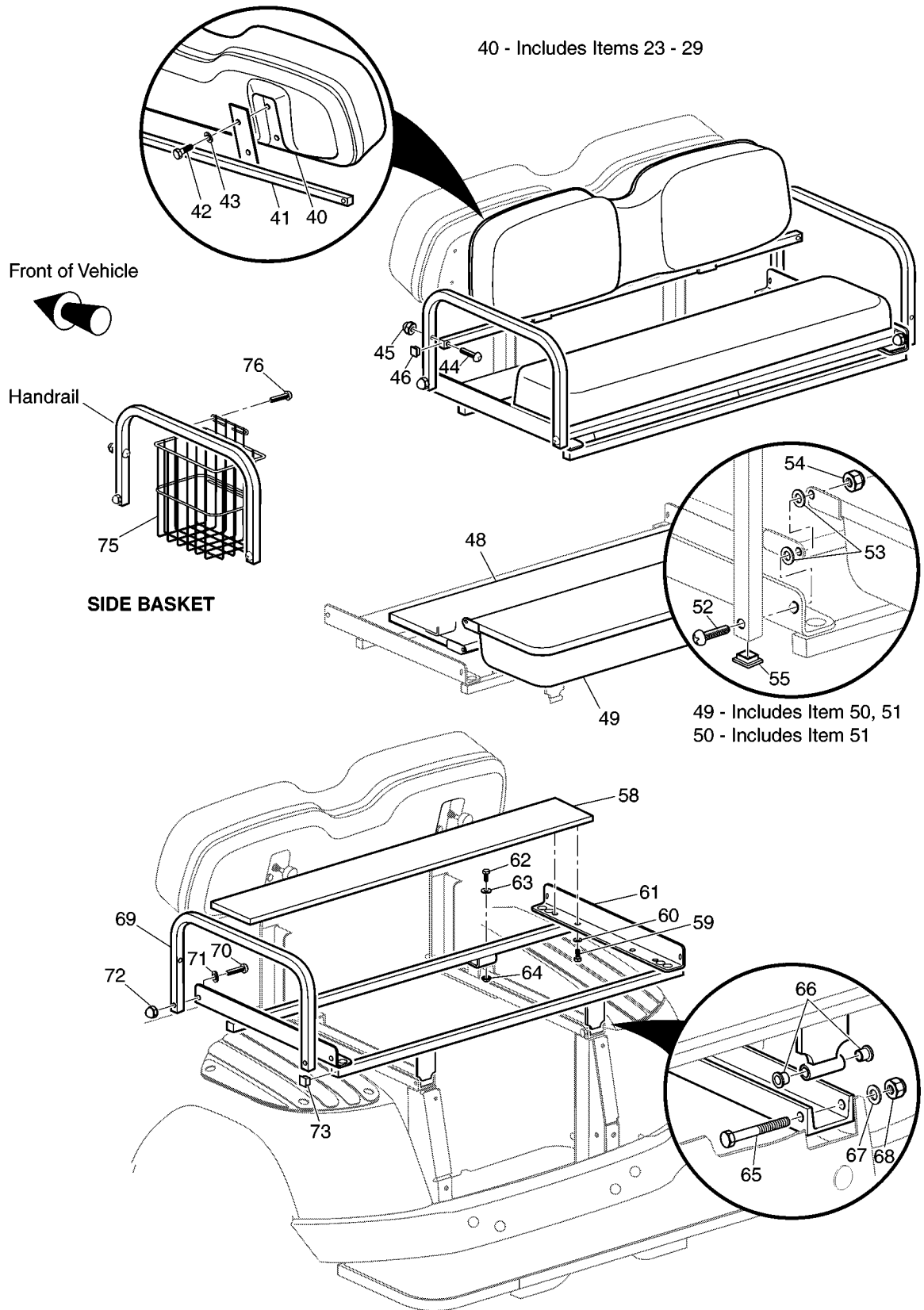
SEATING



1 - Includes Items 2 - 9



Ref Sea 11-1



Ref Sea 11-2

SEATING

THE USE OF NON U.L. PARTS WILL VOID ANY U.L. LISTING.

When ordering parts, please specify the model and serial number of the product.

* Indicates a component that is not available as an individual part.

G** Indicates consult Customer Service Department for additional information.

ITEM	PART NO.	1 2 3 4 5	DESCRIPTION	QTY.
1	71611-G**		SEAT BOTTOM ASSEMBLY (INCLUDES ITEMS 2 - 9)	1
2	*		TEE NUT.....	8
3	17074-G1		RUBBER PAD.....	2
4	*		FLAT STAPLE.....	110
5	*		FLAT STAPLE.....	46
6	71012-G01		VINYL TRIM (SEAT BOTTOM).....	1
7	71602-G**		VINYL SEAT BOTTOM COVER	1
8	*		FOAM PADDING (SEAT BOTTOM).....	1
9	*		SEAT BOTTOM (WOOD).....	1
10				
11				
12				
13	71701-G01		HIP RESTRAINT (PASSENGER SIDE)	1
14	71702-G01		HIP RESTRAINT (DRIVER SIDE).....	1
15	00661-G8		BOLT, 1/4 - 20 X 1" LG (STAINLESS STEEL).....	8
16				
17				
18				
19	71610-G01		SEAT HINGE.....	2
20	00720-G08		SCREW, #12 - 14 X 1" LG (STAINLESS STEEL)	4
21				
22	71751-G**		SEAT BACK ASSEMBLY (INCLUDES ITEMS 23 - 29).....	1
23	*		FLAT STAPLE.....	95
24	71752-G01		PLASTIC SEAT BACK COVER	1
25	*		SEAT BACK (WOOD)	1
26	01107-G01		SCREW, #8 X 3/8" LG (STAINLESS STEEL).....	4
27	*		TEE NUT.....	4
28	*		FOAM PADDING (SEAT BACK)	1
29	71753-G**		VINYL SEAT BACK COVER	1
30				

SEATING

THE USE OF NON U.L. PARTS WILL VOID ANY U.L. LISTING.

When ordering parts, please specify the model and serial number of the product.

* Indicates a component that is not available as an individual part.

G** Indicates consult Customer Service Department for additional information.

ITEM	PART NO.	1 2 3 4 5	DESCRIPTION	QTY.
31	70364-G01		SPACER.....	2
32	74111-G01		SEAT BACK SUPPORT	2
33	00661-G8		BOLT, 1/4 - 20 X 1" LG (STAINLESS STEEL).....	4
34	00664-G7		LOCK WASHER, 1/4" (STAINLESS STEEL)	4
35	01006-G02		BOLT, 3/8 - 16 X 1 1/2" LG.....	4
36	00560-G1		WASHER, 3/8"	4
37	70113-G01		ADJUSTABLE BUMPER.....	2
38	11027-G1		LOCK NUT, 5/16 - 18	2
39				
40	71751-G**		SEAT BACK ASSEMBLY (INCLUDES ITEMS 23 - 29).....	1
41	75258-G01		SEAT BACK SUPPORT	1
42	00661-G8		BOLT, 1/4 - 20 X 1" LG (STAINLESS STEEL).....	4
43	00664-G7		LOCK WASHER, 1/4" (STAINLESS STEEL)	4
44	16705-G6		SCREW, 1/4 - 20 X 1 3/4" LG (STAINLESS STEEL)	2
45	00520-G1		ACORN NUT, 1/4 - 20	2
46	19859-G1		END PLUG, 3/4"	2
47				
48	71062-G01		BED ASSEMBLY	1
49	71063-G**		SEAT BOTTOM ASSEMBLY (INCLUDES ITEM 50, 51).....	1
50	75197-G**		SEAT BOTTOM (INCLUDES ITEM 51)	1
51	75252-G**		VINYL SEAT BOTTOM COVER.....	1
52	00762-G4		SCREW, 5/16 - 18 X 1 1/2" LG (STAINLESS STEEL)	2
53	17255-G1		TEFLON WASHER, 5/16"	4
54	00654-G3		LOCK NUT, 5/16 - 18 (STAINLESS STEEL)	2
55	19859-G1		END CAP, 3/4".....	4
56				
57				
58	71064-G01		BED FRONT (INCLUDES MAT).....	1
59	00661-G6		BOLT, 1/4 - 20 X 3/4" LG (STAINLESS STEEL).....	4
60	00559-G8		WASHER, 5/16"	4

SEATING

THE USE OF NON U.L. PARTS WILL VOID ANY U.L. LISTING.

When ordering parts, please specify the model and serial number of the product.

* Indicates a component that is not available as an individual part.

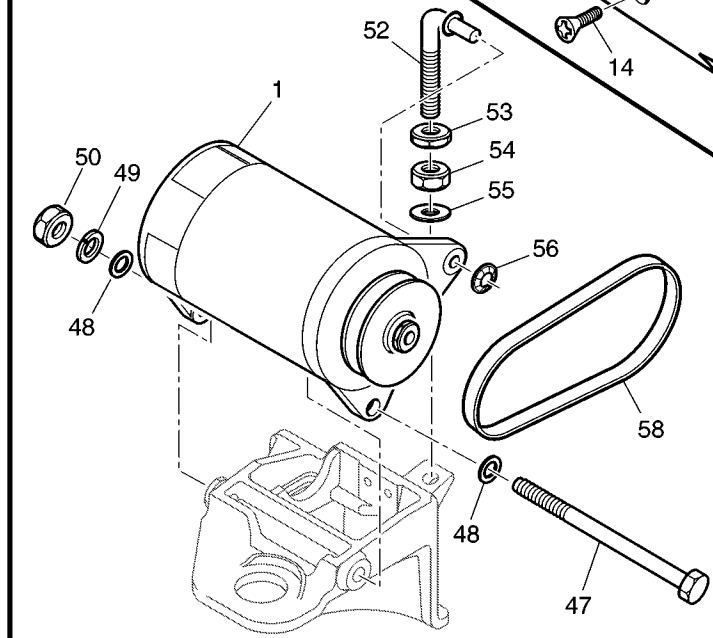
G** Indicates consult Customer Service Department for additional information.

ITEM	PART NO.	1 2 3 4 5	DESCRIPTION	QTY.
61	75193-G01		SUPPORT FRAME.....	1
62	00438-G8		BOLT, 5/16 - 18 X 1" LG.....	2
63	00559-G8		WASHER, 5/16".....	2
64	11027-G1		LOCK NUT, 5/16 - 18.....	2
65	00440-G4		BOLT, 5/16 - 18 X 2 1/2" LG.....	2
66	17838-G1		NYLON BUSHING.....	4
67	00559-G8		WASHER, 5/16".....	2
68	00654-G3		LOCK NUT, 5/16 - 18 (STAINLESS STEEL).....	2
69	75196-G01		HANDRAIL.....	2
70	00762-G2		SCREW, 5/16 - 18 X 1 1/4" LG (STAINLESS STEEL).....	2
71	00664-G8		LOCK WASHER, 5/16" (STAINLESS STEEL).....	2
72	00520-G3		ACORN NUT, 5/16 - 18.....	2
73	75261-G02		END CAP, 1".....	4
74				
75	75460-G01		SIDE BASKET (BLACK).....	2
76	00106-G6		SELF THREADING SCREW, #12 - 24 X 3/4" LG.....	4

STARTER / GENERATOR

- 1 - Includes Items 2 - 43
- 2 - Includes Items 3 - 5
- 9 - Includes Items 10 - 13
- 17 - Includes Items 18 - 23
- 25 - Includes Items 26 - 28
- 32 - Includes Items 33 - 37
- 40 - Includes Items 41 - 43

STARTER/GENERATOR MOUNTING



Ref Stg 11

STARTER / GENERATOR

THE USE OF NON U.L. PARTS WILL VOID ANY U.L. LISTING.
 When ordering parts, please specify the model and serial number of the product.
 * Indicates a component that is not available as an individual part.
 G** Indicates consult Customer Service Department for additional information.

ITEM	PART NO.	1	2	3	4	5	DESCRIPTION	QTY.
1	27065-G01						STARTER / GENERATOR (INCLUDES ITEMS 2 - 43).....	1
2	26870-G01						ARMATURE (INCLUDES ITEMS 3 - 5)	1
3	26871-G01						REAR BALL BEARING	1
4	26872-G01						FRONT BALL BEARING	1
5	26873-G01						BEARING HOLDER	1
6								
7								
8	26875-G01						FIELD COIL	1
9	26876-G01						INSULATING BRUSH ASSEMBLY ('F') (INCLUDES ITEMS 10 - 13).....	2
10	*						NUT	2
11	*						LOCK WASHER.....	2
12	*						WASHER.....	2
13	*						INSULATOR	1
14	26877-G01						POLE CORE SETSCREW.....	4
15	26878-G01						FRONT COVER.....	1
16	27879-G01						REAR COVER	1
17	26880-G01						TERMINAL ASSEMBLY ('A') (INCLUDES ITEMS 18 - 23).....	2
18	*						TERMINAL	2
19	*						INSULATOR	2
20	*						INSULATOR	2
21	*						WASHER.....	4
22	*						LOCK WASHER.....	4
23	*						NUT	4
24								
25	26881-G01						BRUSH HOLDER ASSEMBLY (INCLUDES ITEMS 26 - 28)	1
26	26658-G01						BRUSH.....	4
27	26882-G01						BRUSH SPRING	4
28	26883-G01						BRUSH CONNECTOR.....	2
29								
30	26884-G01						KEY.....	1

STARTER / GENERATOR

THE USE OF NON U.L. PARTS WILL VOID ANY U.L. LISTING.

When ordering parts, please specify the model and serial number of the product.

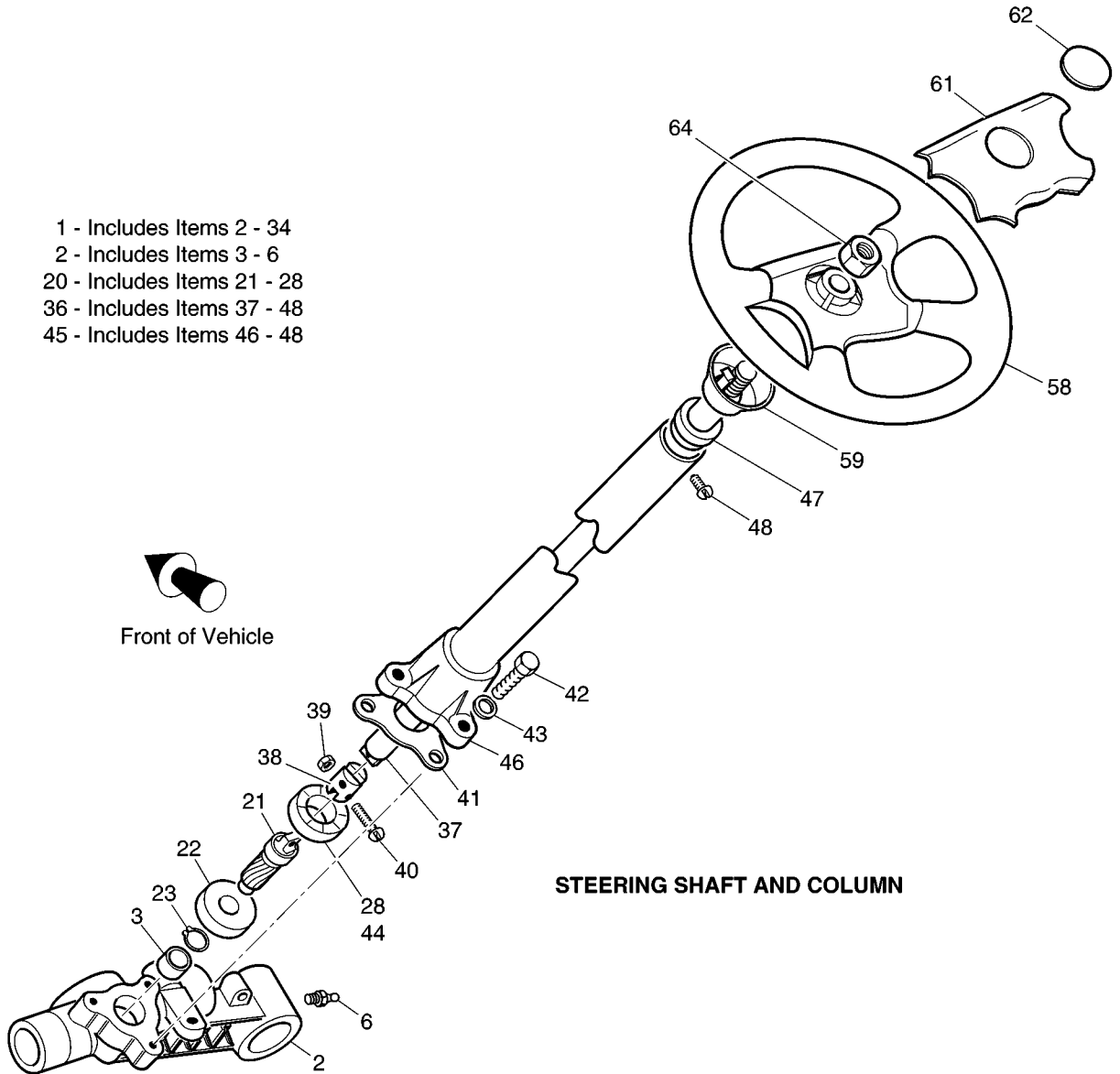
* Indicates a component that is not available as an individual part.

G** Indicates consult Customer Service Department for additional information.

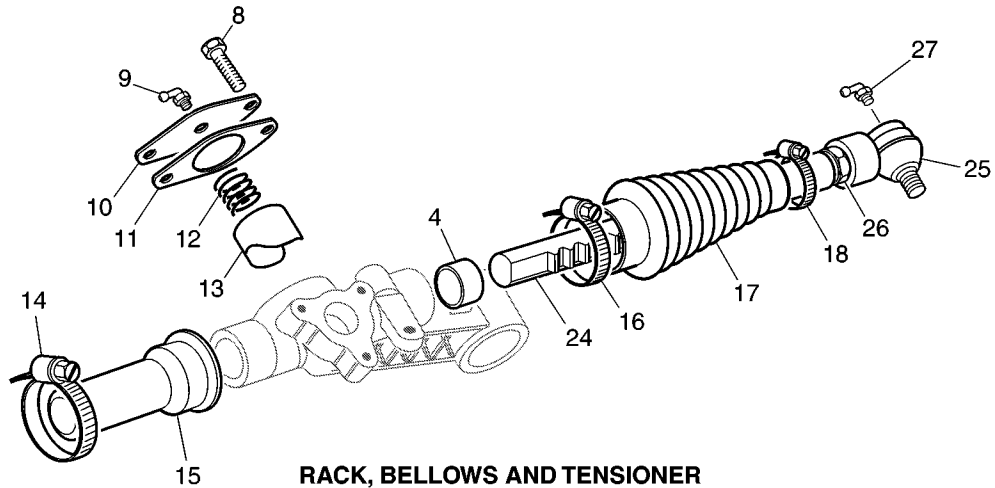
ITEM	PART NO.	1	2	3	4	5	DESCRIPTION	QTY.
31	*						PULLEY	1
32	26886-G01						BRUSH AND PULLEY HARDWARE KIT (INCLUDES ITEMS 33 - 37).....	1
33	*						NUT	1
34	*						LOCK WASHER.....	1
35	*						SCREW	3
36	*						SCREW	4
37	*						SCREW	2
38	26887-G01						BRUSH 1 COVER.....	3
39	26888-G01						BRUSH 2 COVER.....	2
40	26889-G01						HOUSING HARDWARE KIT (INCLUDES ITEMS 41 - 43).....	2
41	*						BOLT	2
42	*						LOCK WASHER.....	2
43	*						WASHER.....	2
44								
45								
46								
47	00938-G4						BOLT, 1/2 - 13 X 8" LG	1
48	00560-G3						WASHER, 1/2"	2
49	00566-G3						LOCK WASHER, 1/2".....	1
50	00533-G1						NUT, 1/2 - 13	1
51								
52	28617-G01						STARTER / GENERATOR ADJUSTER.....	1
53	00544-G5						JAM NUT, 3/8 - 16	1
54	00532-G5						NUT, 3/8 - 16	1
55	00560-G1						WASHER, 3/8"	1
56	12064-G4						PUSH NUT, 5/16"	1
57								
58	26414-G01						STARTER / GENERATOR BELT.....	1

STEERING

- 1 - Includes Items 2 - 34
- 2 - Includes Items 3 - 6
- 20 - Includes Items 21 - 28
- 36 - Includes Items 37 - 48
- 45 - Includes Items 46 - 48



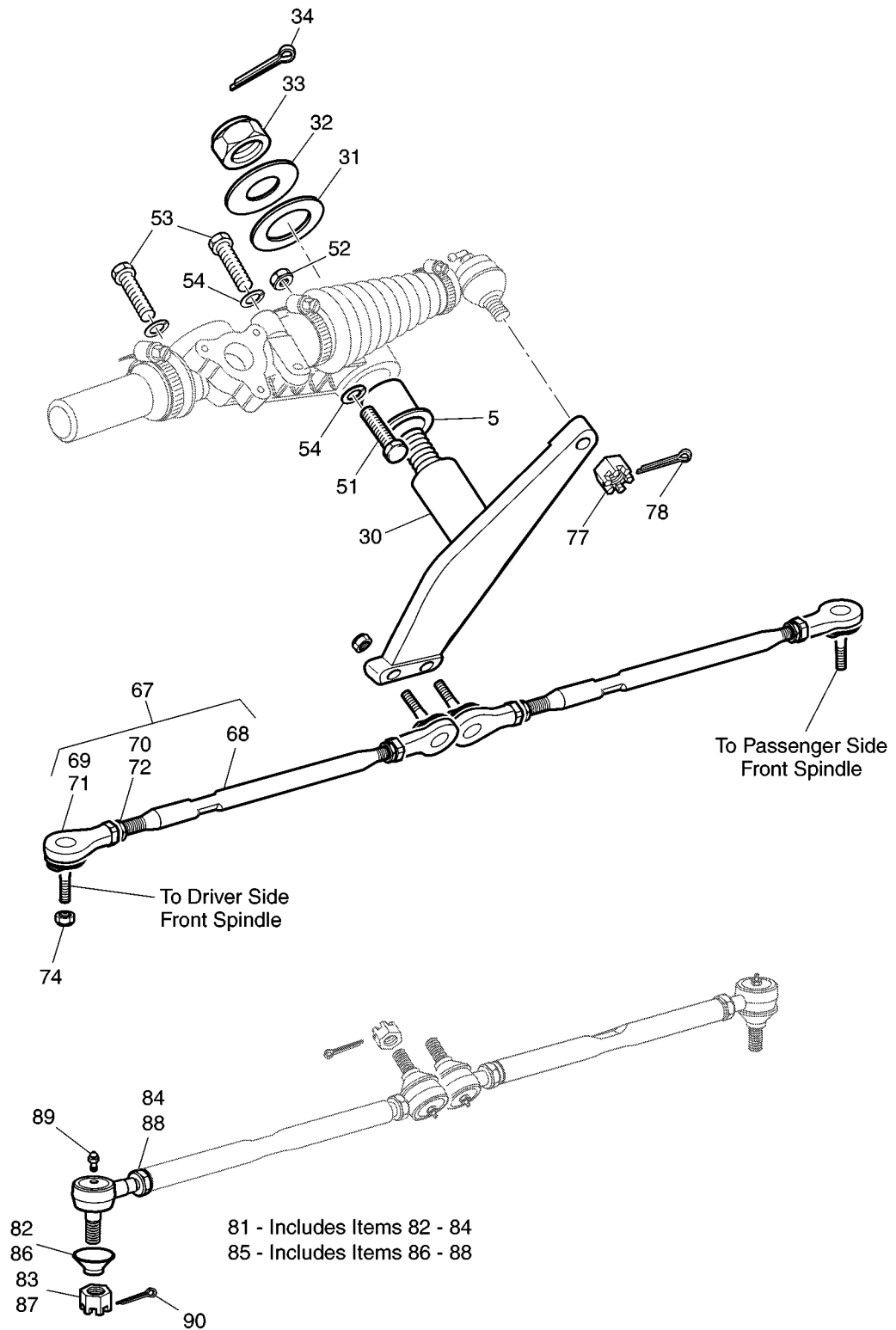
STEERING SHAFT AND COLUMN



RACK, BELLOWS AND TENSIONER

Ref Str 11-1

IDLER, TIE RODS AND MOUNTING



Ref Str 11-2

STEERING

THE USE OF NON U.L. PARTS WILL VOID ANY U.L. LISTING.

When ordering parts, please specify the model and serial number of the product.

* Indicates a component that is not available as an individual part.

G** Indicates consult Customer Service Department for additional information.

ITEM	PART NO.	1	2	3	4	5	DESCRIPTION	QTY.
1	70723-G02						STEERING BOX ASSEMBLY (COMPLETE) (INCLUDES ITEMS 2 - 34)	1
2	75364-G01						STEERING HOUSING (INCLUDES ITEMS 3 - 6)	1
3	*						SLEEVE BEARING	1
4	*						SLEEVE BEARING	1
5	*						FLANGED BEARING	1
6	10389-G3						GREASE FITTING, STRAIGHT	1
7								
8	00426-G6						BOLT, 3/8 - 16 X 3/4" LG.....	2
9	18456-G1						GREASE FITTING, 90°	1
10	70177-G01						RACK GUIDE COVER.....	1
11	70225-G01						GASKET	1
12	70178-G01						COMPRESSION SPRING	1
13	70179-G01						RACK GUIDE.....	1
14	11391-G1						HOSE CLAMP, 1 5/16"	1
15	70041-G01						RACK COVER	1
16	11391-G1						HOSE CLAMP, 1 5/16".....	1
17	70183-G01						BELLOWS.....	1
18	11391-G5						HOSE CLAMP, 13/16".....	1
19								
20	70724-G01						STEERING GEAR KIT (INCLUDES ITEMS 21 - 28)	1
21	70717-G01						GEAR PINION	1
22	15112-G1						BALL BEARING	1
23	70190-G01						EXTERNAL RETAINING RING	1
24	70718-G01						STEERING RACK	1
25	70192-G01						RACK BALL END	1
26	00544-G8						JAM NUT, 7/16 - 20	1
27	18456-G1						GREASE FITTING, 90°	1
28	70466-G01						RETAINER.....	1
29								
30	70184-G01						IDLER	1

STEERING

THE USE OF NON U.L. PARTS WILL VOID ANY U.L. LISTING.

When ordering parts, please specify the model and serial number of the product.

* Indicates a component that is not available as an individual part.

G** Indicates consult Customer Service Department for additional information.

ITEM	PART NO.	1	2	3	4	5	DESCRIPTION	QTY.
31	70216-G01						THRUST WASHER, 1 1/2"	1
32	70195-G01						THRUST WASHER, 7/8"	1
33	00734-G6						LOCK NUT, 7/8 - 9	1
34	00798-G8						COTTER PIN, 5/32" X 1 3/4" LG	1
35								
36	70360-G01						STEERING SHAFT/COLUMN KIT (INCLUDES ITEMS 37 - 48)	1
37	14322-G6						STEERING SHAFT	1
38	70558-G01						COUPLING	1
39	00550-G1						LOCK NUT, 1/4 - 20	2
40	70227-G01						SCREW, 1/4 - 20 X 7/8" LG	2
41	70223-G01						GASKET	1
42	00876-G2						BOLT, 3/8 - 16 X 1 1/4" LG WITH PATCHLOCK	3
43	00878-G1						LOCK WASHER, 3/8"	3
44	70466-G01						RETAINER	1
45	28633-G01						STEERING COLUMN KIT (INCLUDES ITEMS 46 - 48).....	1
46	*						STEERING COLUMN	1
47	28569-G01						STEERING COLUMN BUSHING	1
48	01022-G01						SCREW, #6 - 20 X 5/16" LG.....	1
49								
50								
51	00470-G4						BOLT, 7/16 - 20 X 2 1/2" LG	1
52	00734-G3						LOCK NUT, 7/16 - 20	1
53	01033-G01						BOLT, 7/16 - 14 X 1 1/4" LG WITH PATCHLOCK	2
54	00566-G2						LOCK WASHER, 7/16".....	3
55								
56								
57								
58	71146-G01						STEERING WHEEL	1
59	71949-G01						HUB COVER	1
60								

STEERING

THE USE OF NON U.L. PARTS WILL VOID ANY U.L. LISTING.

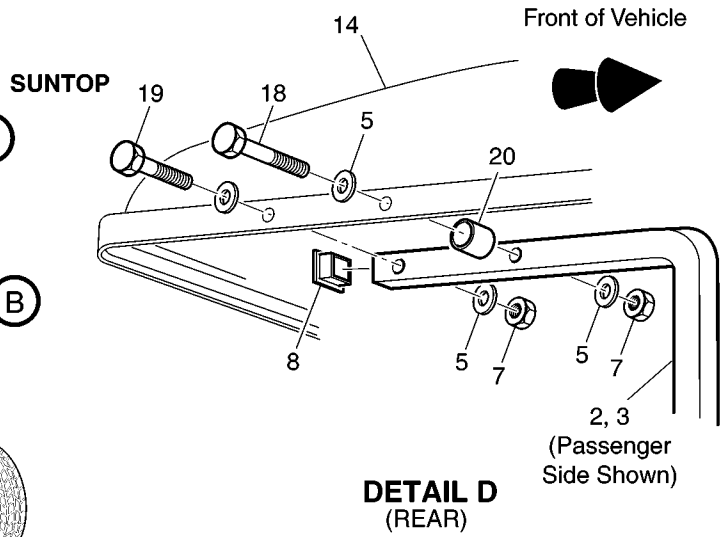
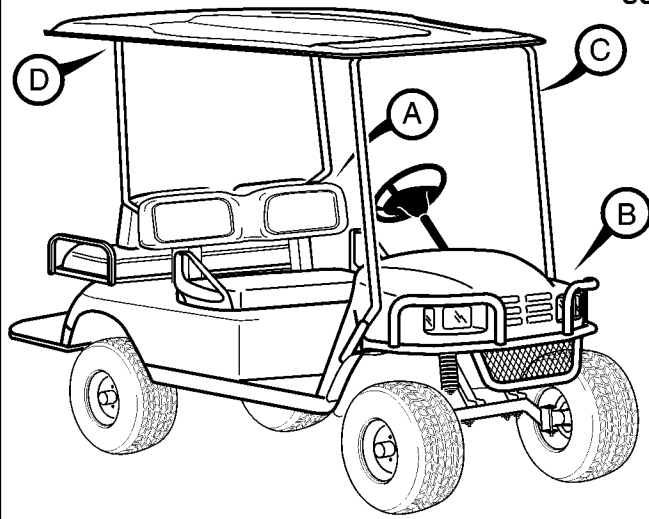
When ordering parts, please specify the model and serial number of the product.

* Indicates a component that is not available as an individual part.

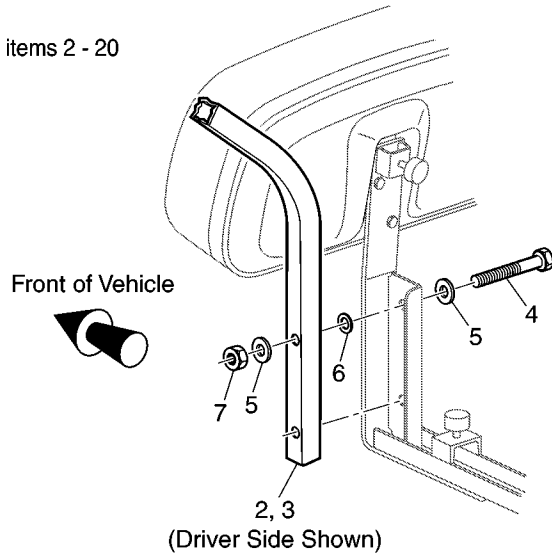
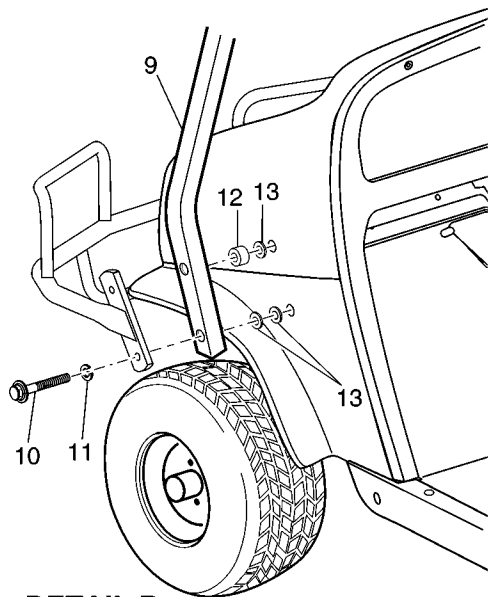
G** Indicates consult Customer Service Department for additional information.

ITEM	PART NO.	1 2 3 4 5	DESCRIPTION	QTY.
61	71147-G01		STEERING WHEEL COVER	1
62	71047-G01		LABEL (E-Z-GO)	1
63				
64	14390-G2		LOCK NUT, 5/8 - 18	1
65				
66				
67	70904-G04		TIE ROD ASSEMBLY (INCLUDES ITEMS 68 - 72).....	2
68	70855-G03		THREADED ROD (10 1/8" LG).....	1
69	70902-G01		TIE ROD END (LEFT HAND THREADS)	1
70	01069-G01		JAM NUT, M12 X 1.25-05 (LEFT HAND THREADS).....	1
71	70902-G02		TIE ROD END (RIGHT HAND THREADS).....	1
72	01069-G02		JAM NUT, M12 X 1.25-05 (RIGHT HAND THREADS)	1
73				
74	00734-G1		LOCK NUT, 7/16 - 14	4
75				
76				
77	50209-G2		CASTELLATED NUT, 7/16 - 20	1
78	10387-G2		COTTER PIN, 3/32" X 1" LG	1
79				
80				
81	27205-G01		TIE ROD END (LEFT HAND THREAD) (INCLUDES ITEMS 82 - 84)	1
82	50641-G1		RUBBER BOOT	1
83	50209-G2		CASTELLATED NUT, 7/16 - 20	1
84	18434-G3		JAM NUT, 9/16 - 18 (LEFT HAND THREAD)	1
85	27205-G02		TIE ROD END (RIGHT HAND THREAD) (INCLUDES ITEMS 86 - 88).....	1
86	50641-G1		RUBBER BOOT	1
87	50209-G2		CASTELLATED NUT, 7/16 - 20	1
88	18434-G4		JAM NUT, 9/16 - 18 (RIGHT HAND THREAD)	1
89	10389-G3		GREASE FITTING, STRAIGHT.....	2
90	10387-G2		COTTER PIN, 3/32" X 1" LG	4

WEATHER PROTECTION

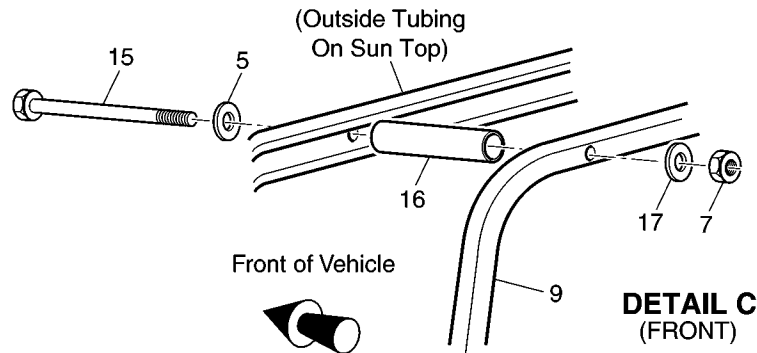


1 - Includes items 2 - 20



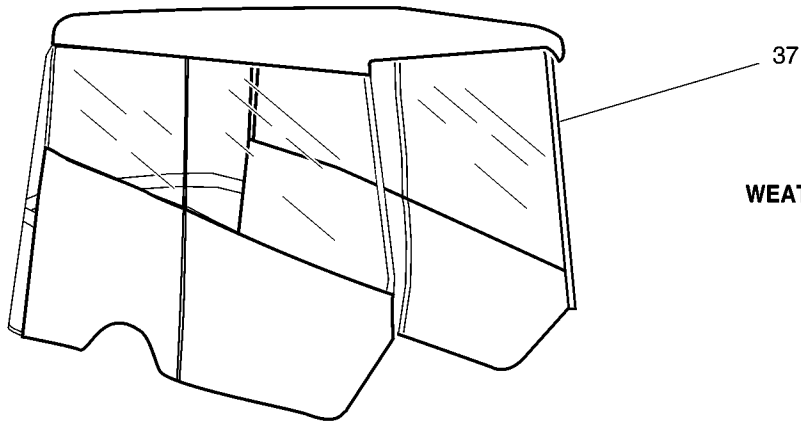
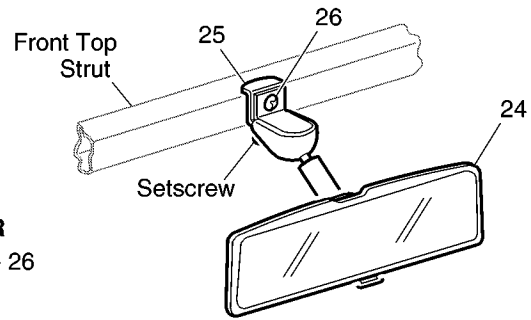
DETAIL B

DETAIL A

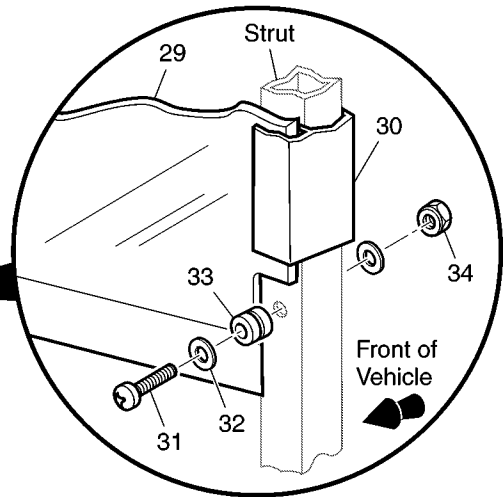
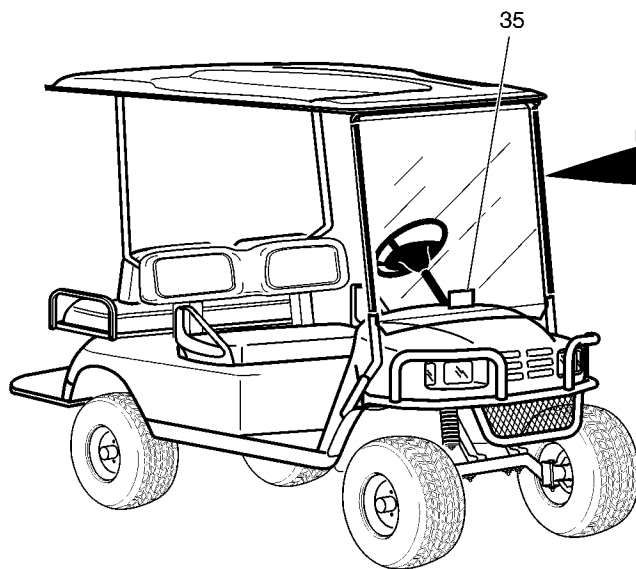


Ref Wea 11-1

REAR VIEW MIRROR
23 - Includes Items 24 - 26



WEATHER ENCLOSURE



28 - Includes Items 29 - 35

Ref Wea 11-2

WEATHER PROTECTION

THE USE OF NON U.L. PARTS WILL VOID ANY U.L. LISTING.

When ordering parts, please specify the model and serial number of the product.

* Indicates a component that is not available as an individual part.

G** Indicates consult Customer Service Department for additional information.

ITEM	PART NO.	1 2 3 4 5	DESCRIPTION	QTY.
1	75123-G01		SUN TOP KIT (INCLUDES ITEMS 2 - 20)	1
2	75074-G01		REAR STRUT (DRIVER SIDE).....	1
3	75074-G02		REAR STRUT (PASSENGER SIDE)	1
4	00665-G5		BOLT, 3/8 - 16 X 1 3/4" LG (STAINLESS STEEL)	4
5	00679-G1		WASHER, 3/8" (STAINLESS STEEL).....	18
6	00771-G5		NYLON WASHER, 3/8.....	4
7	00891-G5		LOCK NUT, 3/8 - 16.....	10
8	19853-G1		END CAP, 1"	2
9	75125-G01		FRONT STRUT.....	1
10	01035-G01		BOLT, 5/16 - 18 X 2 1/4" LG.....	4
11	00905-G8		LOCK WASHER, 5/16"	4
12	75048-G01		SPACER, 1/2"	2
13	00879-G1		LOCK WASHER, 3/8"	4
14	27604-G01		SUN TOP	1
15	00674-G8		BOLT, 3/8 - 16 X 5" LG (STAINLESS STEEL)	2
16	18716-G1		SPACER	2
17	00653-G1		WASHER, 3/8" (STAINLESS STEEL).....	2
18	00665-G3		BOLT, 3/8 - 16 X 2 1/2" LG (STAINLESS STEEL)	2
19	00665-G6		BOLT, 3/8 - 16 X 2" LG (STAINLESS STEEL)	2
20	24647-G1		SPACER, 1/4"	2
21				
22				
23	19528-G2		REAR VIEW MIRROR KIT (INCLUDES ITEMS 24 - 26)	1
24	19496-G1		REAR VIEW MIRROR	1
25	19502-G3		SUPPORT BRACKET.....	1
26	19527-G1		SCREW, #8 - 32 X 5/8" LG (STAINLESS STEEL).....	1
27				
28	71966-G01		WINDSHIELD KIT (LEXAN) (REQUIRES SUN TOP KIT) (INCLUDES ITEMS 29 - 35).....	1
29	*		WINDSHIELD	1

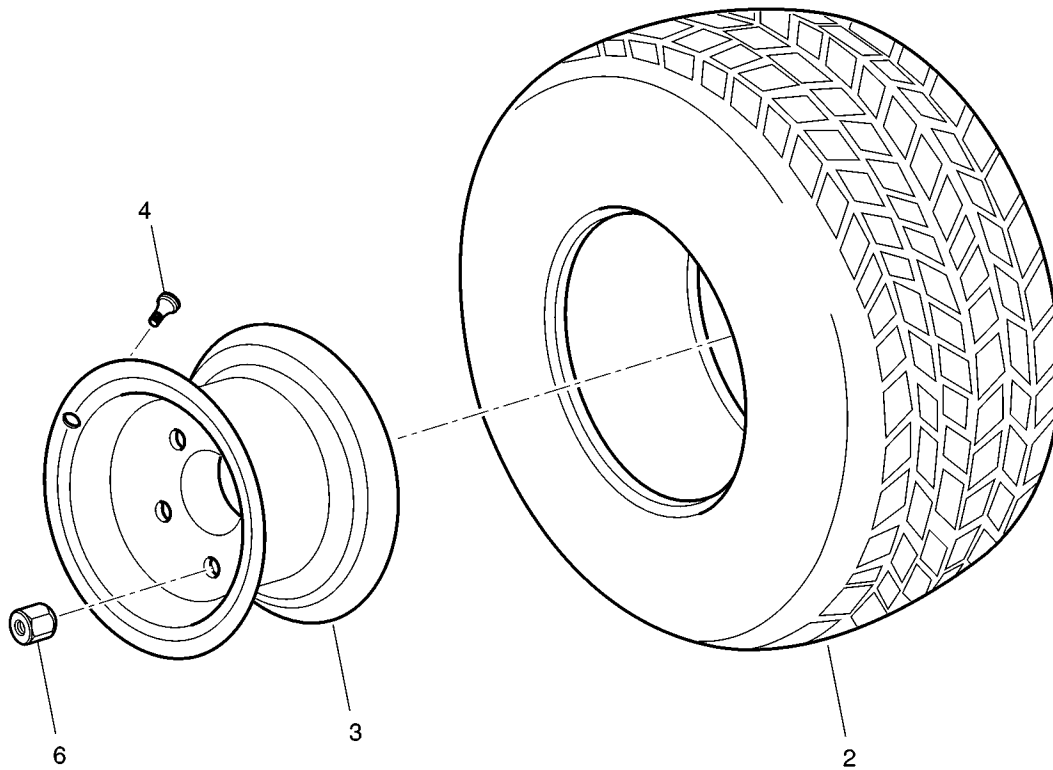
WEATHER PROTECTION

THE USE OF NON U.L. PARTS WILL VOID ANY U.L. LISTING.
 When ordering parts, please specify the model and serial number of the product.
 * Indicates a component that is not available as an individual part.
 G** Indicates consult Customer Service Department for additional information.

ITEM	PART NO.	1	2	3	4	5	DESCRIPTION	QTY.
30	EGWHC12						SASH, 26" LG	2
31	EGWHS12						SCREW, 1/4 - 20 X 1 3/4" LG (STAINLESS STEEL).....	2
32	EGWHW12						WASHER, 1/4" (STAINLESS STEEL).....	4
33	EGWHG13						RUBBER GROMMET	2
34	EGWHN12						LOCK NUT, 1/4 - 20 (STAINLESS STEEL).....	2
35	EGWHL14						LABEL (SAFETY)	1
36								
37	75492-G01						WEATHER ENCLOSURE (3 SIDED)	1

WHEELS AND TIRES

1 - Includes Items 2, 3, 4



(Style of tire may differ from tire shown)

Ref Whl 11

WHEELS AND TIRES

When ordering parts, please specify the model and serial number of the product.
 * Indicates a component that is not available as an individual part.
 G** Indicates consult Customer Service Department for additional information.

ITEM	PART NO.	1	2	3	4	5	DESCRIPTION	QTY.
1	28442-G04						SILVER WHEEL AND TURF SAVER® TIRE ASSEMBLY (INCLUDES ITEMS 2, 3, 4).....	AR
2	28442-G02						TIRE, 20 X 10 - 10 TURF SAVER®	1
3	15172-G03						WHEEL RIM, SILVER (4 LUG)	1
4	11657-G1						VALVE STEM.....	1
5								
6	14723-G1						LUG NUT, 1/2 -20.....	AR

WHEELS AND TIRES

SPECIALTY PRODUCTS

SPECIALTY PRODUCTS

SPECIALTY PRODUCTS

SPECIAL TOOLS	PART NO.
HIGH RESISTANCE SPARK PLUG WIRE SET	26733-G02
CLUTCH PULLER (DRIVE)	19779-G2
FLYWHEEL PULLER	27111-G01
CURRENT INDICATOR	16489-G2
DIGITAL MULTI-METER	27481-G01
SLIDE HAMMER (AXLE/HUB REMOVAL)	15947-G1
SLIDE HAMMER (AXLE REMOVAL ONLY)	18753-G1
COMPRESSION TESTER	72524-G01
FEELER GAUGE	72525-G01
TACHOMETER	72526-G01

ENGINE OIL	PART NO.
4 CYCLE ENGINE OIL, 5 GALLON (19 LITER)	25730-G03
4 CYCLE ENGINE OIL, 12 QUART CASE	25730-G04
4 CYCLE ENGINE OIL, 1 QUART BOTTLE (950 ML)	25730-G06

TOUCH UP PAINT	PART NO.
PEN 3 OUNCE (89 ML) - HUNTER GREEN	28432-G02
PEN 3 OUNCE (89 ML) - CHAMPAGNE BEIGE	28432-G01
PEN 3 OUNCE (89 ML) - WHITE	28432-G05
PEN 3 OUNCE (89 ML) - INDUSTRIAL YELLOW	28432-G03
PEN 3 OUNCE (89 ML) - ORANGE	28432-G04
PEN 3 OUNCE (89 ML) - STEEL BLUE PEARL	28432-G**
PEN 3 OUNCE (89 ML) - CAMOUFLAGE PAINT (THREE PENS)	75831-G01
AEROSOL 12 OUNCE (360 ML) - HUNTER GREEN	28140-G09
AEROSOL 12 OUNCE (360 ML) - CHAMPAGNE BEIGE	28140-G15
AEROSOL 12 OUNCE (360 ML) - WHITE	28140-G03
AEROSOL 12 OUNCE (360 ML) - INDUSTRIAL YELLOW	28140-G14
AEROSOL 12 OUNCE (360 ML) - ORANGE	28140-G13
AEROSOL 12 OUNCE (360 ML) - STEEL BLUE PEARL	28140-G**

SPECIALTY PRODUCTS

MAINTENANCE PRODUCTS	PART NO.
FORMULA 40 VINYL-COAT® - WHITE	28166-G01
PLEXUS® CLEANER, 7 OUNCE (210 ML) (FOR WINDSHIELDS)	28433-G01
PLEXUS® CLEANER, 13 OUNCE (380 ML) (FOR WINDSHIELDS)	28433-G02
BATTERY PROTECTOR, 14 OUNCE (410 ML) SPRAY	75500-G01
CARBURETOR & CHOKE CLEANER, 15 OUNCE (440 ML) SPRAY	75501-G01
WHITE LITHIUM GREASE, 14 OUNCE (410 ML) SPRAY	75502-G01
PENETRANT/LUBRICANT, 15 OUNCE (440 ML) SPRAY	75503-G01
MULTI-PURPOSE CLEANER & DEGREASER, 14 OUNCE (410 ML) SPRAY	75504-G01
MULTI-PURPOSE HAND CLEANER, 32 OUNCE (950 ML) LIQUID	75505-G01
BATTERY CLEANER, 32 OUNCE (950 ML) WITH TRIGGER SPRAYER.....	75506-G01
BIO-DEGRADABLE CLEANER, 32 OUNCE (950 ML) WITH TRIGGER SPRAYER.....	75507-G01
MULTI-PURPOSE VALUE PACK.....	75508-G01
<ul style="list-style-type: none"> • BATTERY PROTECTOR, 4 OUNCE (120 ML) SPRAY • PENETRANT/LUBRICANT, 4 OUNCE (120 ML) SPRAY • WHITE LITHIUM GREASE, 4 OUNCE (120 ML) SPRAY • CARBURETOR & CHOKE CLEANER, 4 OUNCE (120 ML) SPRAY 	

OPTIONS/ACCESSORIES

OPTIONS/ACCESSORIES

OPTIONS/ACCESSORIES

ITEM	KIT NO.	COMMENTS
ASHTRAY KIT	75109-G02	See BODY
BOX COOLER AND BRACKET KIT	71048-G01	See BODY
DIFFERENTIAL GUARD	72347-G01	See REAR AXLE
FRONT BASKET	74521-G02	See BODY
GLOVE BOX DOOR	75459-G0*	See BODY
GUN HOLDER (FLOOR MOUNT)	74365-G01	See BODY
GUN HOLDER (SWIVEL MOUNT)	74533-G01	See BODY
HOUR METER KIT	75114-G02	See ELECTRICAL SYSTEM
REAR VIEW MIRROR KIT	19528-G2	See WEATHER PROTECTION
SOFT ENCLOSURE	75492-G01	See WEATHER PROTECTION
SUN TOP KIT	75123-G01	See WEATHER PROTECTION
TURN SIGNAL KIT	75107-G01	See ELECTRICAL SYSTEM
WINDSHIELD (POLYCARBONATE)	71966-G01	See WEATHER PROTECTION



A Textron Company

E-Z-GO Division of Textron, Inc.
P.O. Box 388 Augusta, Georgia 30903-0388 USA
Inside USA Phone: 1-800-241-5855, FAX: 1-800-448-8124
Outside USA Phone: 010-1-706-798-4311, FAX: 010-1-706-771-4609

Copyrighted Material
This manual may not be reproduced in whole or
in part without the express permission of
E-Z-GO Division of Textron, Inc.
Technical Communications Department