

# **CUSHMAN<sup>®</sup>**

A Textron Company

## S E R V I C E P A R T S M A N U A L



**620382**

G A S O L I N E P O W E R E D U T I L I T Y V E H I C L E S

ISSUED APRIL 2008

REVISED JUNE 2012



# **GASOLINE POWERED UTILITY VEHICLES**

**CUSHMAN 280; CARB**

**Starting Model Year 2008**

DISCLAIMER: The E-Z-GO Division of Textron Inc. reserves the right to incorporate engineering and design changes to products in this Manual, without obligation to include these changes on units leased/sold previously.

The information contained in this Manual may be revised periodically by the E-Z-GO Division, and therefore is subject to change without notice.

The E-Z-GO Division DISCLAIMS LIABILITY FOR ERRORS IN THIS MANUAL, and the E-Z-GO Division SPECIFICALLY DISCLAIMS LIABILITY FOR INCIDENTAL AND CONSEQUENTIAL DAMAGES resulting from the use of the information and materials in this Manual.

**CUSTOMER SERVICE DEPARTMENT IN USA PHONE: 1-800-241-5855 FAX: 1-800-448-8124**

**OUTSIDE USA PHONE: 001-706-798-4311, FAX: 001-706-771-4609**

**E-Z-GO DIVISION OF TEXTRON, INC., 1451 MARVIN GRIFFIN ROAD, AUGUSTA, GEORGIA USA 30906**

## **GENERAL INFORMATION**

To obtain a copy of the limited warranty applicable to the vehicle, call or write a local Distributor, authorized Branch or the Warranty Department with vehicle serial number and manufacturer code.

The use of non Original Equipment Manufacturer (OEM) parts may void the warranty.

Tampering with or adjusting the governor to permit vehicle to operate at above factory specifications will void the vehicle warranty.

When servicing engines, all adjustments and replacement components must be per original vehicle specifications in order to maintain the United States of America Federal and State emission certification applicable at the time of manufacture.

### **BATTERY PROLONGED STORAGE**

All batteries will self discharge over time. The rate of self discharge varies depending on the ambient temperature and the age and condition of the batteries.

A fully charged battery will not freeze in winter temperatures unless the temperature falls below -75° F (-60° C).



# TABLE OF CONTENTS

<b>SECTION</b>	<b>Page No.</b>
HOW TO USE THE SERVICE PARTS MANUAL .....	v
ILLUSTRATED PARTS BREAKDOWN .....	vii
ACCELERATOR .....	A-1
• Pedal Box Assembly	
• Actuator Pedal Assembly	
• Governor Cover/Decal	
AIR FILTER .....	B-1
• Air Cleaner	
BODY .....	C-1
• Instrument Panel Assembly	
• Cowl	
• Front Bracket Assembly	
• Rear Body	
• Foot Rest Assembly	
BRAKES .....	D-1
• Brake Pedal Assembly	
• Brake Drum Assembly	
BRAKES FRONT DISC .....	E-1
• Equalizer and Brake Cable Assembly	
• Spring Plate	
CAB .....	F-1
• Steel Cab	
CARBURETOR AND CHOKE .....	G-1
• Carburetor	
• Choke Cable	
CLUTCH .....	H-1
• Drive Clutch	
• Driven Clutch Assembly	
DIRECTION SELECTOR .....	J-1
• Direction Selector Handle	
ELECTRICAL SYSTEM .....	K-1
• Battery	
• Ground Cable	
• Electrical Plate Assembly	
ENGINE AND MUFFLER .....	L-1
• Engine	

# TABLE OF CONTENTS

• Muffler	
ENGINE MOUNTING.....	M-1
• Front Engine Mount	
• Engine Pan Mount	
• Iso Mount	
FRONT SUSPENSION/STEERING.....	N-1
• Front Axle	
• Spindle Assembly	
• Shock Absorber	
FUEL SYSTEM .....	P-1
• CARB Fuel Tank Assembly	
• Fuel Pump	
• Carbon Canister	
REAR AXLE.....	Q-1
• Axle Tube	
• Axle Shaft	
REAR SUSPENSION .....	R-1
• Heavy Duty Leaf Spring	
• Flanged Bushing	
SEATING.....	S-1
• Seat Bottom Assembly	
• Seat Back Assembly	
STARTER / GENERATOR .....	T-1
• Insulating Brush Assembly	
• Starter/Generator Adjuster	
TRUCK BED MANUAL LIFT .....	U-1
TRUCK BED ELECTRIC LIFT.....	V-1
TRUCK BED REFRESHER COOLER.....	W-1
WEATHER PROTECTION .....	X-1
• Sun Top Kit	
• Windshield Kit	
WHEELS AND TIRES .....	Y-1
SPECIALTY PRODUCTS .....	APPENDIX A-1
OPTIONS AND ACCESSORIES .....	APPENDIX B-1

# HOW TO USE THE SERVICE PARTS MANUAL

This manual is divided into several sections:

- GENERAL INFORMATION
- ILLUSTRATED PARTS BREAKDOWN
- APPENDIX

The first section, GENERAL INFORMATION, contains the following information:

- WARRANTY INFORMATION
- GENERAL INDEX
- HOW TO USE THE SERVICE PARTS MANUAL

The second section, ILLUSTRATED PARTS BREAKDOWN, contains illustrations and parts lists for all systems of your vehicle.

The third section, APPENDIX, contains a listing of specialty products and accessories.

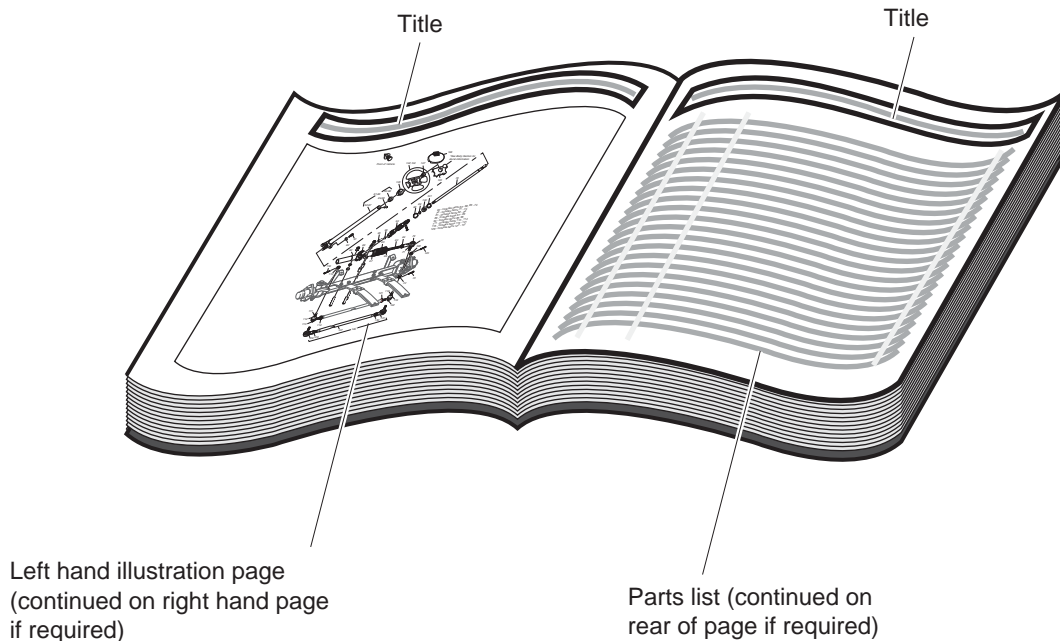
## USE OF THE MANUAL

To use this manual, consult the GENERAL INDEX to locate the information or illustration required.

Introduction of some revisions varies due to supply of components; therefore, it is possible that various combinations of components may be found that are not directly reflected by each illustration. Consult the illustration that best suits your situation and then contact the Service Parts Department. It is important that the serial number of your vehicle and its model number be supplied to Service Parts when ordering any replacement components.

Locate the serial number plate (see BODY located in the Illustrated Parts Breakdown section of this manual for its location) and note the complete number shown on the plate.

# HOW TO USE THE SERVICE PARTS MANUAL



## 1. WHEN THE PART NUMBER IS NOT KNOWN

- Determine the function and application of the part required. Turn to the General Index and select the most appropriate title.
- Turn to the page number indicated and locate the desired part on the illustration.
- From the illustration, obtain the item number assigned to the desired part. Refer to the accompanying description for specific information regarding the part.

## 2. IF YOU KNOW THE PART NUMBER

- Locate the part number or description in the appropriate column on the parts list page.

NOTE: It is suggested that you confirm that the part selected is correct by verifying it with the pictorial representation on the illustrated page.

Should an asterisk (\*) appear in the part number column on the parts list page, read upwards until a part number is found. The part number is the lowest assembly sold by Service Parts and the asterisk (\*) indicates that the part depicted is not available for purchase.

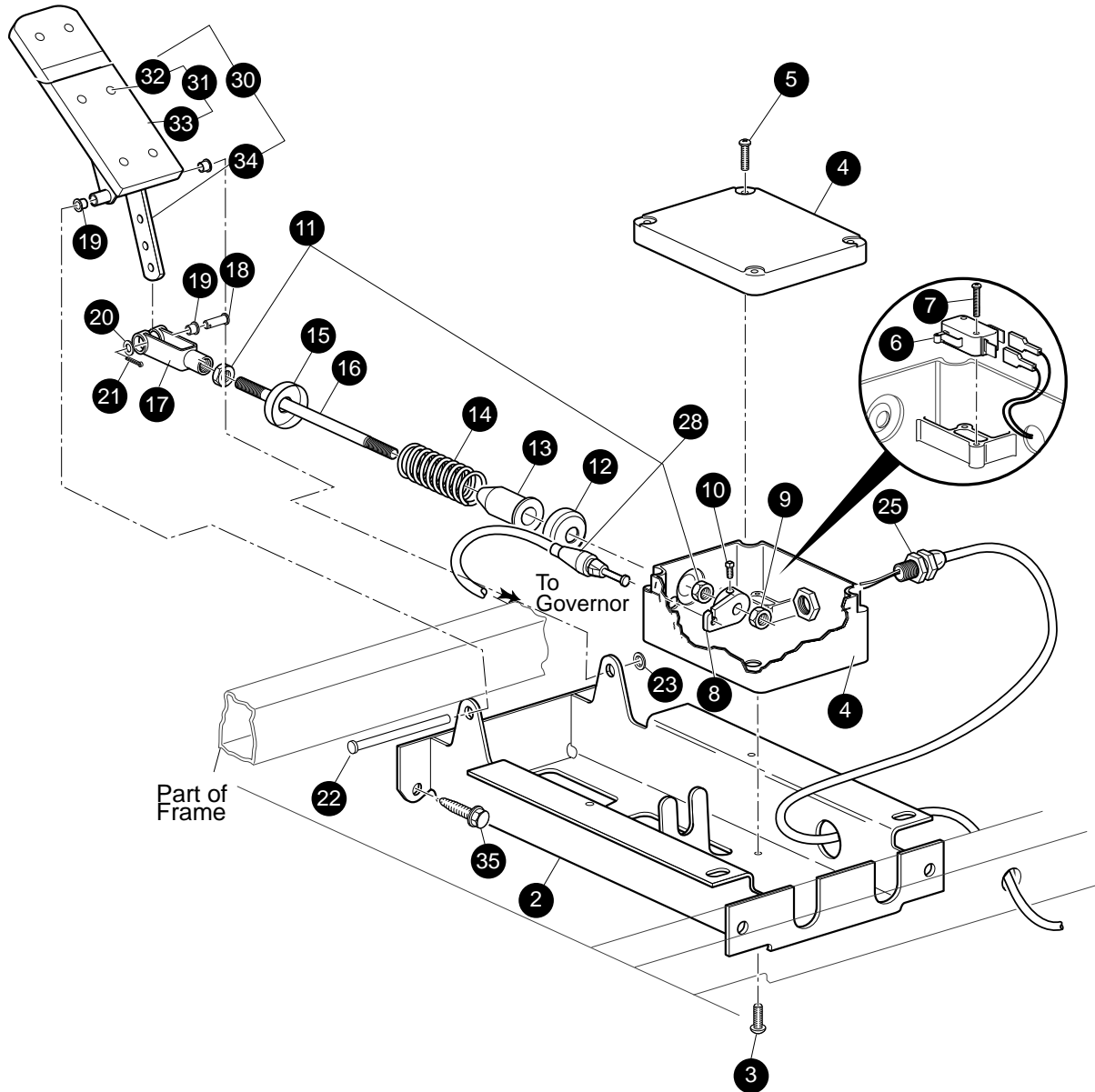
NOTE: Descriptions are indented under the assembly that they are used on. That assembly is, in turn listed under the assembly that it is used on. This process is repeated until the highest final assembly is reached.

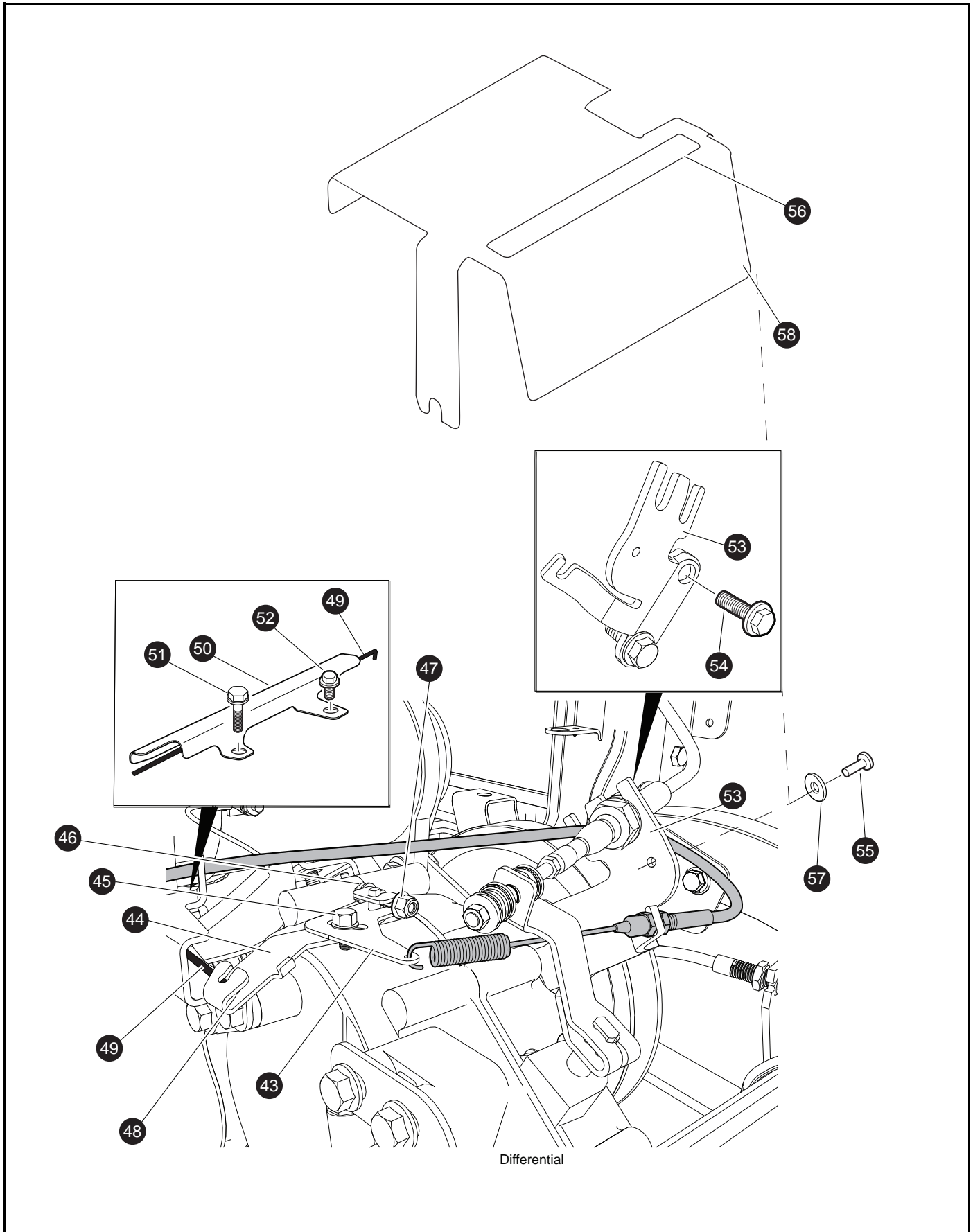
**To facilitate the maintenance and repair of the vehicle, a Technician's Repair and Service Manual is available from the Service Parts Department.**

# **ILLUSTRATED PARTS BREAKDOWN**

# ACCELERATOR

1 - Includes Items 3 - 34





# ACCELERATOR

When ordering parts, please specify the model and serial number of the product.

\* Indicates a component that is not available as an individual part.

\*\*\* Indicates consult Customer Service Department for additional information.

ITEM	PART NO.	1	2	3	4	5	DESCRIPTION	QTY.
1	606990						PEDAL BOX ASSEMBLY (INCLUDES ITEMS 2 - 34) .....	1
2	70116G02						ACCELERATOR PEDAL BRACKET .....	1
3	01051G01						SCREW, #8 - 16 X 1/2" LG .....	4
4	25853G03						PEDAL BOX AND COVER .....	1
5	00684G6						SCREW, #8 - 32 X 3/4" LG (STAINLESS STEEL) .....	2
6	25861G01						MICRO SWITCH .....	1
7	01050G01						SCREW, #4 - 20 X 5/8" LG .....	2
8	72716G01						MICRO SWITCH CAM .....	1
9	15126G1						LOCK NUT, 5/16 - 24 .....	1
10	00487G3						SETSCREW, 1/4 - 20 X 3/8" LG .....	1
11	00532G4						NUT, 5/16 - 24 .....	2
12	17677G1						SPRING RETAINER .....	1
13	17979G1						ACCELERATOR ROD BUSHING .....	1
14	73046G01						COMPRESSION SPRING .....	1
15	17677G2						SPRING RETAINER .....	1
16	72072G01						ACCELERATOR ROD .....	1
17	10385G4						CLEVIS YOKE (ADJUSTABLE) .....	1
18	10386G3						CLEVIS PIN, 5/16" X 13/16" LG .....	1
19	17838G1						NYLON BUSHING .....	3
20	17255G1						TEFLON WASHER, 5/16" .....	1
21	10387G3						COTTER PIN, 3/32" X 3/4" LG .....	1
22	74432G01						PEDAL PIVOT PIN .....	1
23	12064G6						PUSH NUT, 9/32" .....	1
24	12730G1						WHEEL BEARING GREASE (NOT ILLUSTRATED) .....	A/R
25	72201G04						WIRE HARNESS (PEDAL BOX) .....	1
26								
27								
28	608608						ACCELERATOR CABLE .....	1
29								
30	25799G03						ACCELERATOR PEDAL ASSEMBLY (INCLUDES ITEMS 31- 33) .....	1
31	27844G01						ACCELERATOR PEDAL PAD KIT (INCLUDES ITEMS 32- 33) .....	1



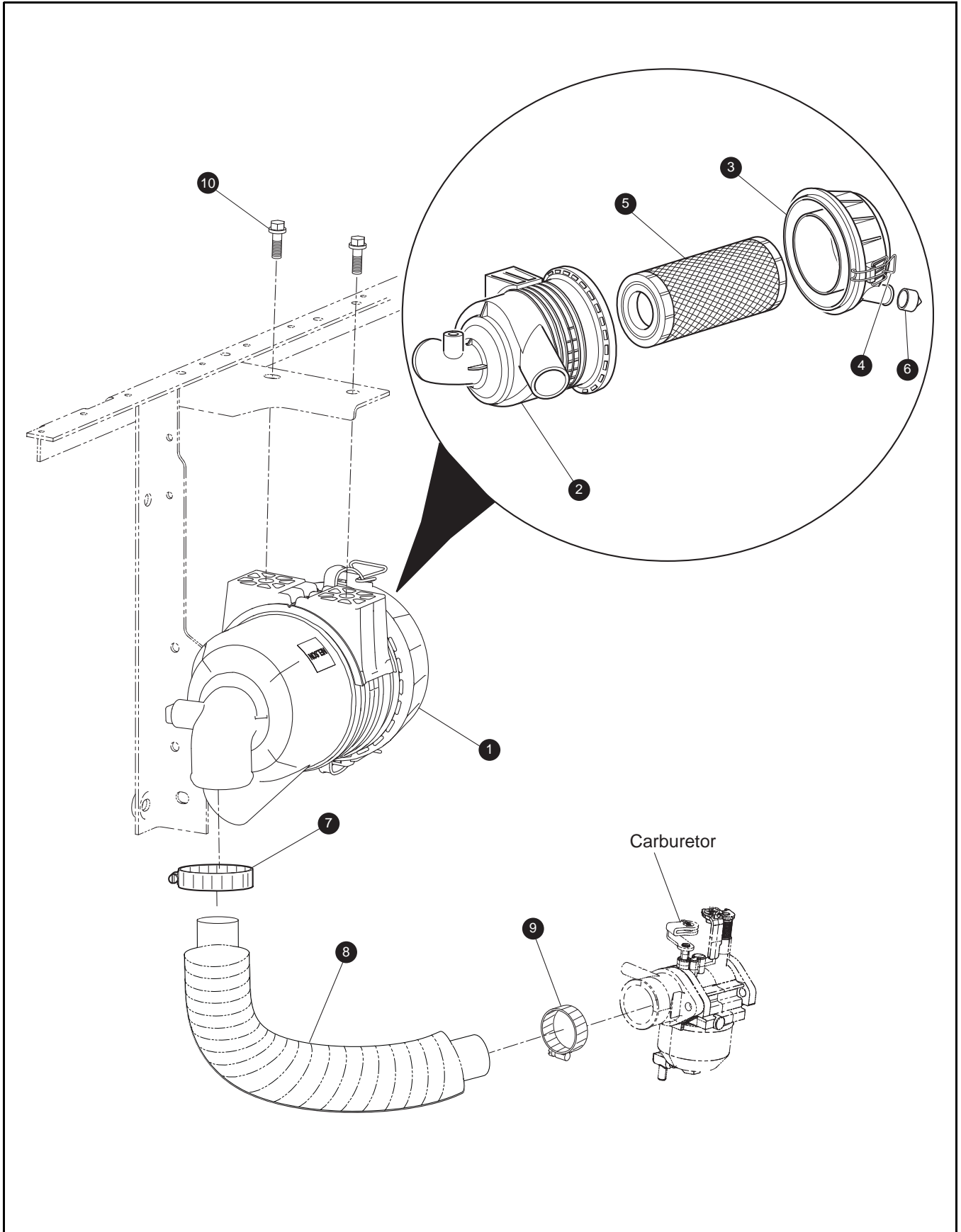
When ordering parts, please specify the model and serial number of the product.

\* Indicates a component that is not available as an individual part.

\*\*\* Indicates consult Customer Service Department for additional information.

ITEM	PART NO.	1	2	3	4	5	DESCRIPTION	QTY.
32	16409G1						OVAL RIVET, 3/16" X 7/16" LG .....	6
33	27512-G01						ACCELERATOR PEDAL PAD .....	1
34	*						ACCELERATOR PEDAL	
35	00715G2						BOLT, 5/16 -18 X 4/5" LG.....	4
36								
37								
38								
39								
40								
41								
42								
43	606083						UPPER GOVERNOR BRACKET.....	1
44	606005						LOWER GOVERNOR BRACKET .....	1
45	606265						BOLT, M6 - 1 X 12.....	1
46	606421						BOLT, M6 - 1 X 30.....	1
47	450452						NUT, M6 - 1.0.....	1
48	606283						GOVERNOR LEVER BUSHING .....	1
49	606284						GOVERNOR ROD .....	1
50	603890						GOVERNOR ROD GUARD .....	1
51	606264						BOLT, M6 - 1 X 20.....	1
52	606262						BOLT, M8 - 1.25 X 16.....	1
53	606074						GOVERNOR CABLE / DIRECTION SELECTOR BRACKET .....	1
54	606256						BOLT, M10 - 1.25 X 16.....	2
55	14601G11						RIVET.....	1
56	608527						GOVERNOR WARNING DECAL.....	1
57	00915G1						WASHER .....	1
58	606199						GOVERNOR COVER .....	1
59	17618G1						NYLON CLAMP .....	2

# AIR FILTER



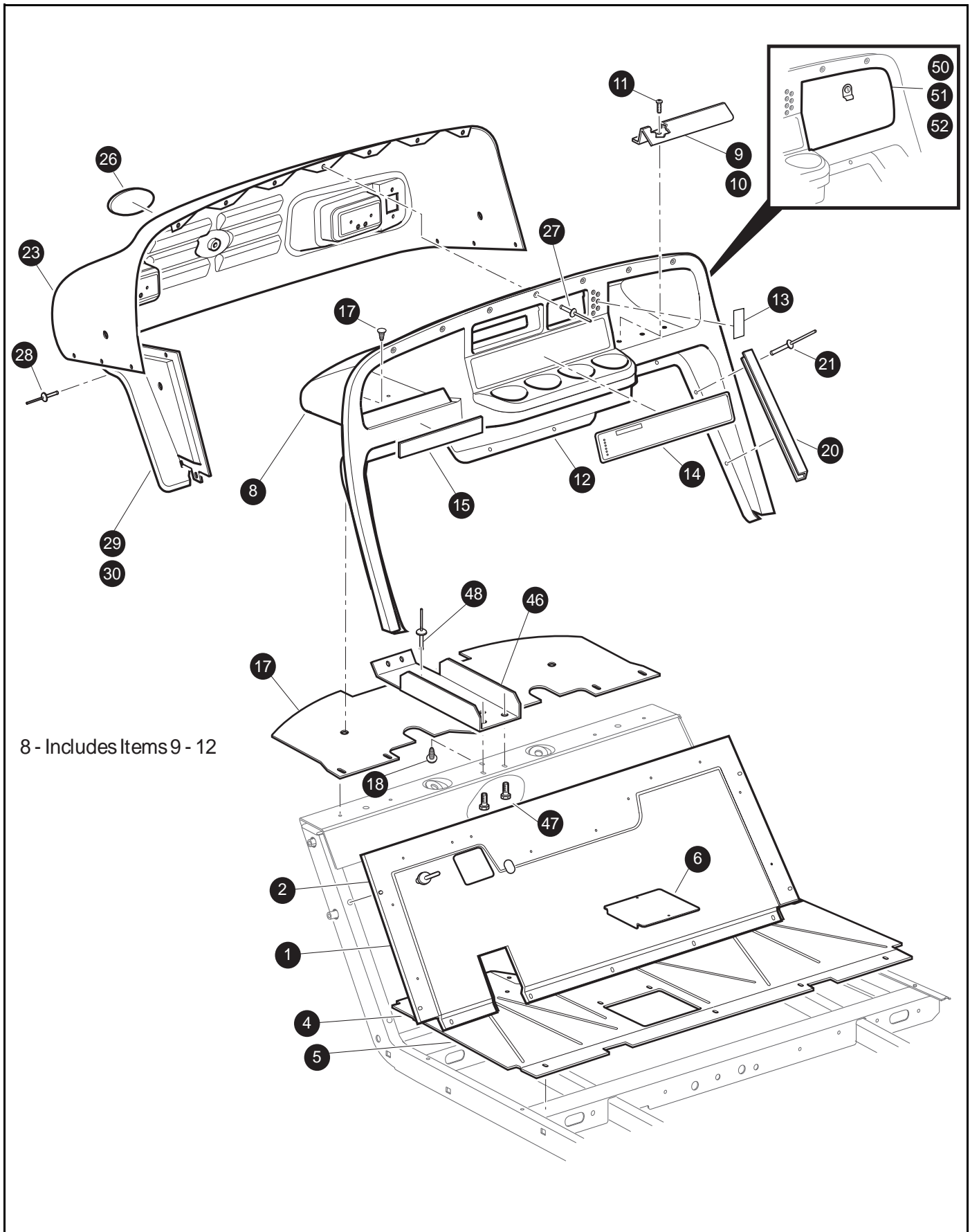
When ordering parts, please specify the model and serial number of the product.

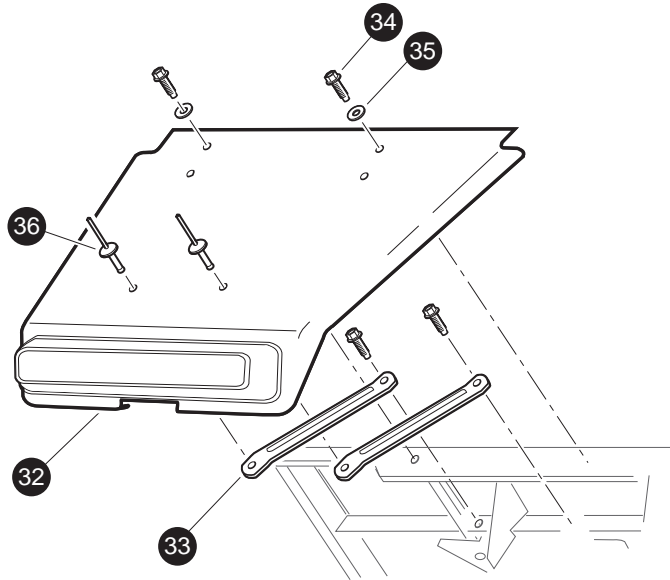
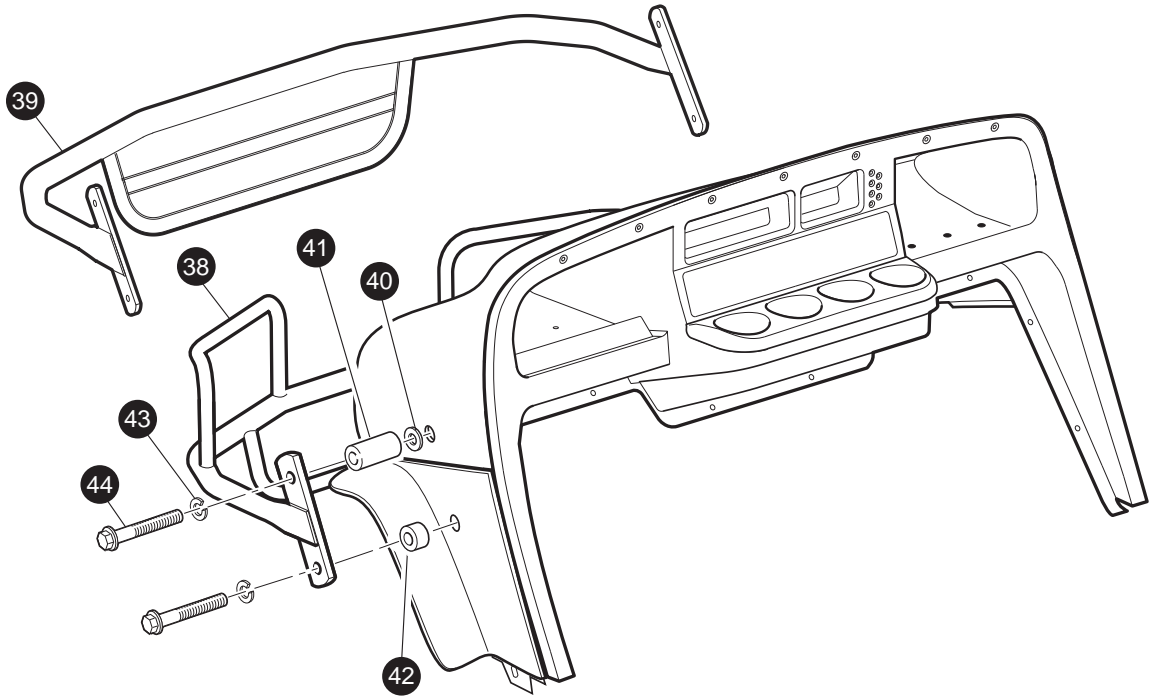
\* Indicates a component that is not available as an individual part.

\*\*\* Indicates consult Customer Service Department for additional information.

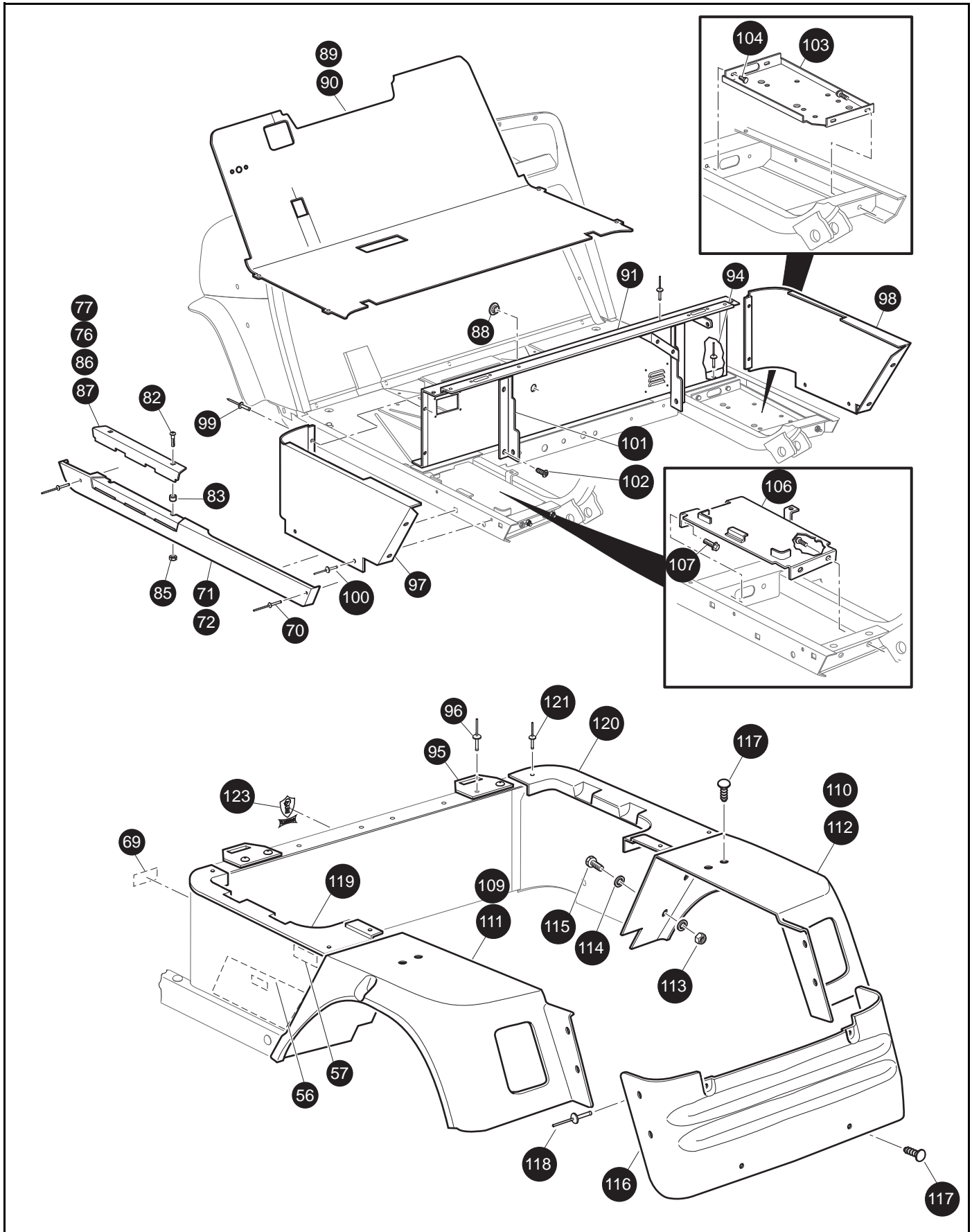
ITEM	PART NO.	1 2 3 4 5	DESCRIPTION	QTY.
1	606952		AIR CLEANER (INCLUDES ITEMS 2 - 6) .....	1
2	607269		BODY & BRACKET ASSEMBLY .....	1
3	72599G01		AIR CLEANER COVER .....	1
4	72604G01		AIR CLEANER CLIP .....	2
5	28463G01		AIR FILTER .....	1
6	28462G01		VALVE DUST EJECTOR .....	1
7	11391G7		HOSE CLAMP .....	1
8	607950		HOSE .....	1
9	11391G1		HOSE CLAMP .....	1
10	25532G1		BOLT AND WASHER, M8 X 1.25 X 18 MM .....	2

# BODY



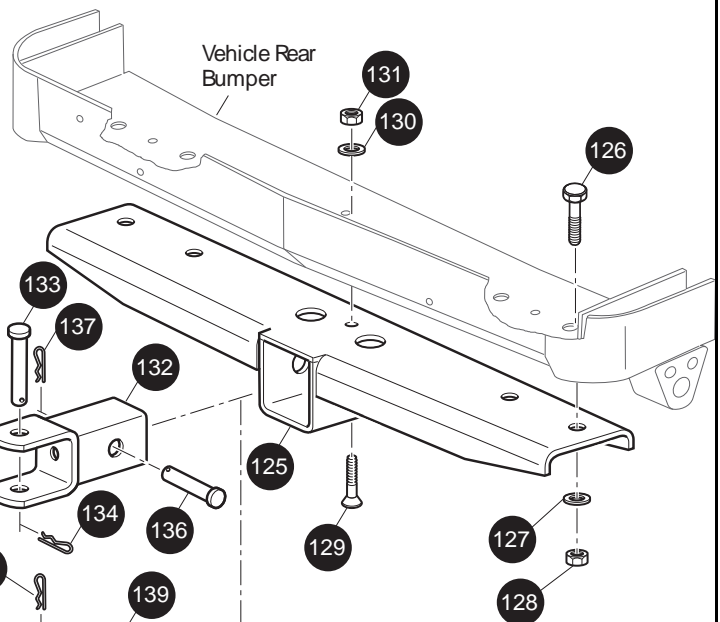
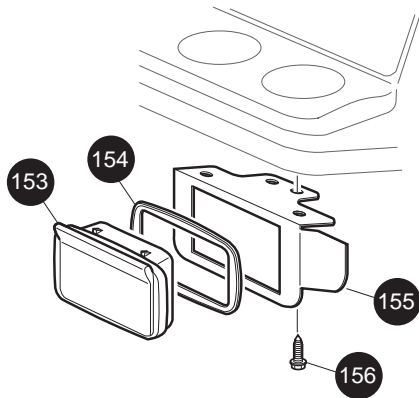


# BODY

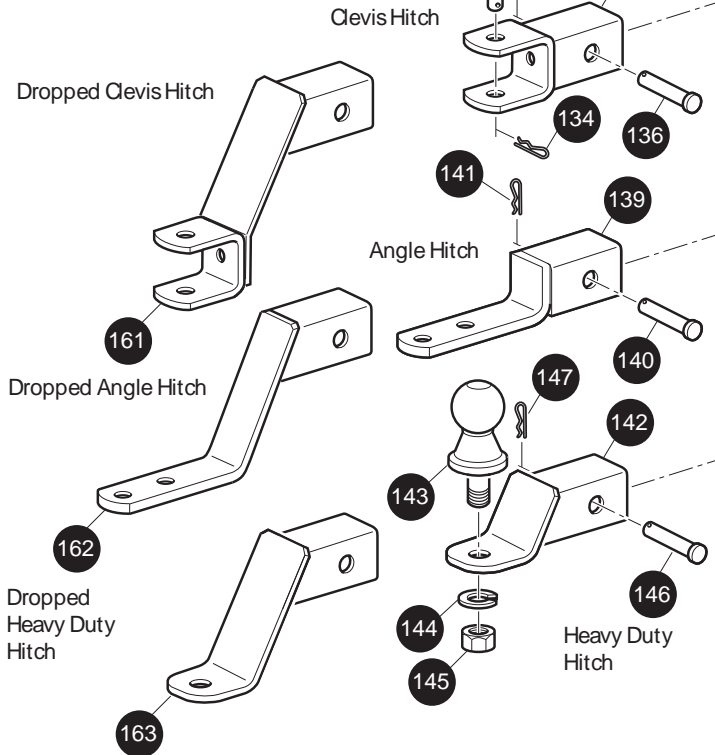


**ASH TRAY**

152 - Includes Items 153 - 156



**HITCHES**



Ref Bod 21-3

# BODY

When ordering parts, please specify the model and serial number of the product.

\* Indicates a component that is not available as an individual part.

\*\*\* Indicates consult Customer Service Department for additional information.

ITEM	PART NO.	1 2 3 4 5	DESCRIPTION	QTY.
1	70662G01		UPPER FLOORPAN.....	1
2	14601G11		RIVET, 3/16" X 9/16" LG (ALUMINUM) .....	9
3				
4	70451G01		LOWER FLOORPAN.....	1
5	14601G11		RIVET, 3/16" X 9/16" LG (ALUMINUM) .....	7
6	70452G01		ACCESS COVER .....	1
7				
8	71151G03		INSTRUMENT PANEL ASSEMBLY (INCLUDES ITEMS 9 - 12).....	1
9	71153G01		DEFLECTOR (PASSENGER SIDE) .....	1
10	71154G01		DEFLECTOR (DRIVER SIDE) .....	1
11	00614G5		SCREW, #8 - 18 X 5/8" LG .....	6
12	71158G01		INSTRUMENT PANEL INSERT (FOUR CUP).....	1
13	35968G01		DECAL, T - HOLDER .....	1
14	601781		LABEL (SAFETY PICTOGRAPH) .....	1
15	74443G01		LABEL (ANTI-ROLLBACK) .....	1
16				
17	71413G01		SPLASH PANEL.....	1
18	16816G2		RATCHET FASTENER, 1/4" X 3/4" LG .....	5
19				
20	71115G01		VINYL TRIM .....	2
21	71055G01		RIVET, 3/16" X 1" LG (ALUMINUM) .....	10
22				
23	71468G**		COWL.....	1
24				
25				
26	74952G01		NAMEPLATE (CUSHMAN) (OVAL).....	1
27	71055G01		RIVET, 3/16" X 1" LG.....	9
28	71055G01		RIVET, 3/16" X 1" LG.....	6
29	71338G01		FENDER FLARE (DRIVER SIDE).....	1
30	71338G02		FENDER FLARE (PASSENGER SIDE) .....	1
31				



When ordering parts, please specify the model and serial number of the product.

\* Indicates a component that is not available as an individual part.

\*\*\* Indicates consult Customer Service Department for additional information.

ITEM	PART NO.	1 2 3 4 5	DESCRIPTION	QTY.
32	27166G04		FRONT SHIELD.....	1
33	70725G02		FRONT SHIELD BRACE .....	2
34	01038G01		SCREW, 1/4 - 20 X 1/2" LG .....	4
35	16469G1		WASHER, 1/4" .....	2
36	01057G01		RIVET, KTR, 1/4" X 1" LG .....	2
37				
38	74265G02		BUMPER.....	1
39	604659		BRUSH GUARD (BLACK) .....	1
40	00570G2		WASHER, 5/16" .....	2
41	75048G04		SPACER, 1" .....	2
42	75048G01		SPACER, 1/2" .....	2
43	00905G8		LOCK WASHER, 5/16" .....	4
44	01035G02		BOLT, 5/16 - 18 X 2 1/2" LG.....	4
45				
46	71101G02		COWL SUPPORT BRACKET .....	1
47	71102G02		SELF TAPPING SCREW, 1/4 - 20 X 1/2" LG.....	3
48	71055G01		RIVET, 3/16" X 1 1/8" LG .....	1
49				
50	75459G01		GLOVE BOX DOORS (BOTH SIDES).....	1
51	75459G02		GLOVE BOX DOOR (DRIVER SIDE) .....	1
52	75459G03		GLOVE BOX DOOR (PASSENGER SIDE) .....	1
53				
54				
55				
56	600811		LABEL, CUSHMAN BELLHOP .....	1
57	74099-G01		LABEL, TILT WARNING PICTOGRAPH.....	2
58				
59				
60				
61				
62	28964G01		LABEL (280).....	2

# BODY

When ordering parts, please specify the model and serial number of the product.

\* Indicates a component that is not available as an individual part.

\*\*\* Indicates consult Customer Service Department for additional information.

ITEM	PART NO.	1	2	3	4	5	DESCRIPTION	QTY.
63								
64								
65								
66								
67								
68								
69	*						SERIAL NUMBER LABEL .....	1
70	15058G6						RIVET, BLACK (ALUMINUM) .....	4
71	71502G01						ROCKER PANEL (DRIVER SIDE) .....	1
72	71501G01						ROCKER PANEL (PASSENGER SIDE).....	1
73								
74								
75								
76								
77								
78								
79								
80								
81								
82	16705-G1						SCREW, 1/4 - 20 X 1" LG.....	4
83	23726-G4						SPACER .....	4
84								
85	14390G4						LOCK NUT, 1/4 - 20.....	4
86	28971G01						SILL PLATE TREAD (PASSENGER SIDE).....	1
87	28971G02						SILL PLATE TREAD (DRIVER SIDE) .....	1
88	20271G9						HOLE PLUG, 1/2" .....	1
89	70663-G03						FLOORMAT .....	1
90	70663-G04						FLOORMAT (AXLE MOUNTED STEERING).....	1
91	71844G01						SEAT WRAP PANEL .....	1
92								
93								

When ordering parts, please specify the model and serial number of the product.

\* Indicates a component that is not available as an individual part.

\*\*\* Indicates consult Customer Service Department for additional information.

ITEM	PART NO.	1 2 3 4 5	DESCRIPTION	QTY.
94	10570G10		RIVET, 5/32" X 9/16" LG .....	8
95	71609G01		SEAT HINGE PLATE .....	2
96	10570G11		RIVET, 3/16" X 3/4" LG .....	4
97	71259G01		SIDE PANEL (DRIVER SIDE).....	1
98	71259G02		SIDE PANEL (PASSENGER SIDE) .....	1
99	10570G10		RIVET, 5/32" X 9/16" LG .....	4
100	10570G12		RIVET, 1/4" X 1/2" LG .....	4
101	70440G04		SEAT FRAME .....	1
102	00715G2		BOLT, 5/16 - 18 X 13/16" LG.....	2
103	70244G03		SPLASH PANEL .....	1
104	00715G2		BOLT, 5/16 - 18 X 13/16" LG.....	4
105				
106	600496		BATTERY TRAY.....	1
107	00715G2		BOLT, 5/16 - 18 X 13/16" LG.....	4
108				
109	74892G01		FENDER (DRIVER SIDE).....	1
110	74892G02		FENDER (PASSENGER SIDE) .....	1
111	74892G03		FENDER WITH TAILLIGHT (DRIVER SIDE).....	1
112	74892G04		FENDER WITH TAILLIGHT (PASSENGER SIDE) .....	1
113	14390G4		LOCK NUT, 1/4 - 20 .....	4
114	00642G7		WASHER, 1/4" .....	8
115	00414G6		BOLT, 1/4 - 20 X 3/4" LG.....	4
116	74890G01		REAR PANEL.....	1
117	16816G2		RATCHET FASTENER, 1/4" X 3/4" LG.....	6
118	71055-G01		RIVET, 3/16.....	4
119	74891G01		SEAT FILLER PANEL (DRIVER SIDE).....	1
120	74891G02		SEAT FILLER PANEL (PASSENGER SIDE) .....	1
121	10570G10		RIVET, 5/32" X 9/16" LG .....	6
122				
123	74755G01		LABEL.....	1
124				

# BODY

When ordering parts, please specify the model and serial number of the product.

\* Indicates a component that is not available as an individual part.

\*\*\* Indicates consult Customer Service Department for additional information.

ITEM	PART NO.	1 2 3 4 5	DESCRIPTION	QTY.
125	74348G02		HITCH RECEIVER .....	1
126	00463G4		BOLT, 7/16 - 14 X 1 1/2" LG .....	4
127	00922G3		WASHER, 7/16" .....	4
128	00734G1		LOCK NUT, 7/16 - 14 .....	4
129	00198G8		SCREW, 5/16 - 18 X 1" LG .....	1
130	00559G8		WASHER, 5/16" .....	1
131	11098G6		LOCK NUT, 5/16 - 18 .....	1
132	74338G02		CLEVIS HITCH .....	1
133	14443G7		CLEVIS PIN, 1/2" X 2 1/2" LG .....	1
134	19314G1		COTTER PIN, 2 1/2" LG .....	1
135				
136	21317G01		CLEVIS PIN, 5/8" X 3" LG .....	1
137	21683G1		COTTER PIN, 15/32" X 2 11/16" LG .....	1
138				
139	74339G02		ANGLE HITCH .....	1
140	21317G01		CLEVIS PIN, 5/8" X 3" LG .....	1
141	21683G1		COTTER PIN, 15/32" X 2 11/16" LG .....	1
142	74351G02		HEAVY DUTY HITCH .....	1
143	31757G1		HITCH BALL, 1 7/8" .....	1
144	00566G6		LOCK WASHER, 3/4" .....	1
145	00702-G11		NUT, 3/4 - 16 .....	1
146	21317G01		CLEVIS PIN, 5/8" X 3" LG .....	1
147	21683G1		COTTER PIN, 15/32" X 2 11/16" LG .....	1
148				
149				
150				
151				
152	75109G04		ASH TRAY KIT (INCLUDES ITEMS 153 - 156) .....	1
153	27731G01		ASH TRAY .....	1
154	27736G01		GASKET .....	1
155	75108G02		BRACKET .....	1

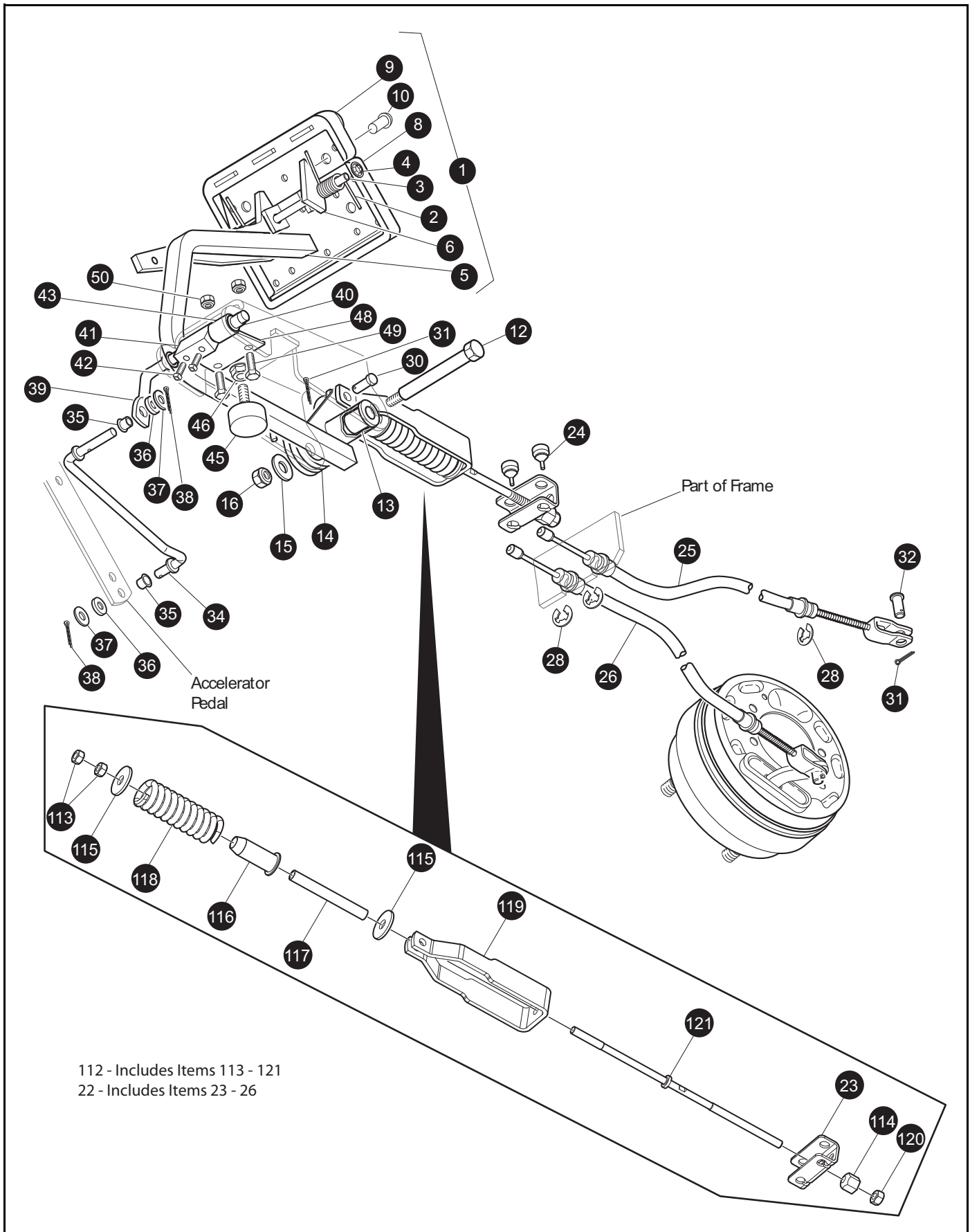
When ordering parts, please specify the model and serial number of the product.

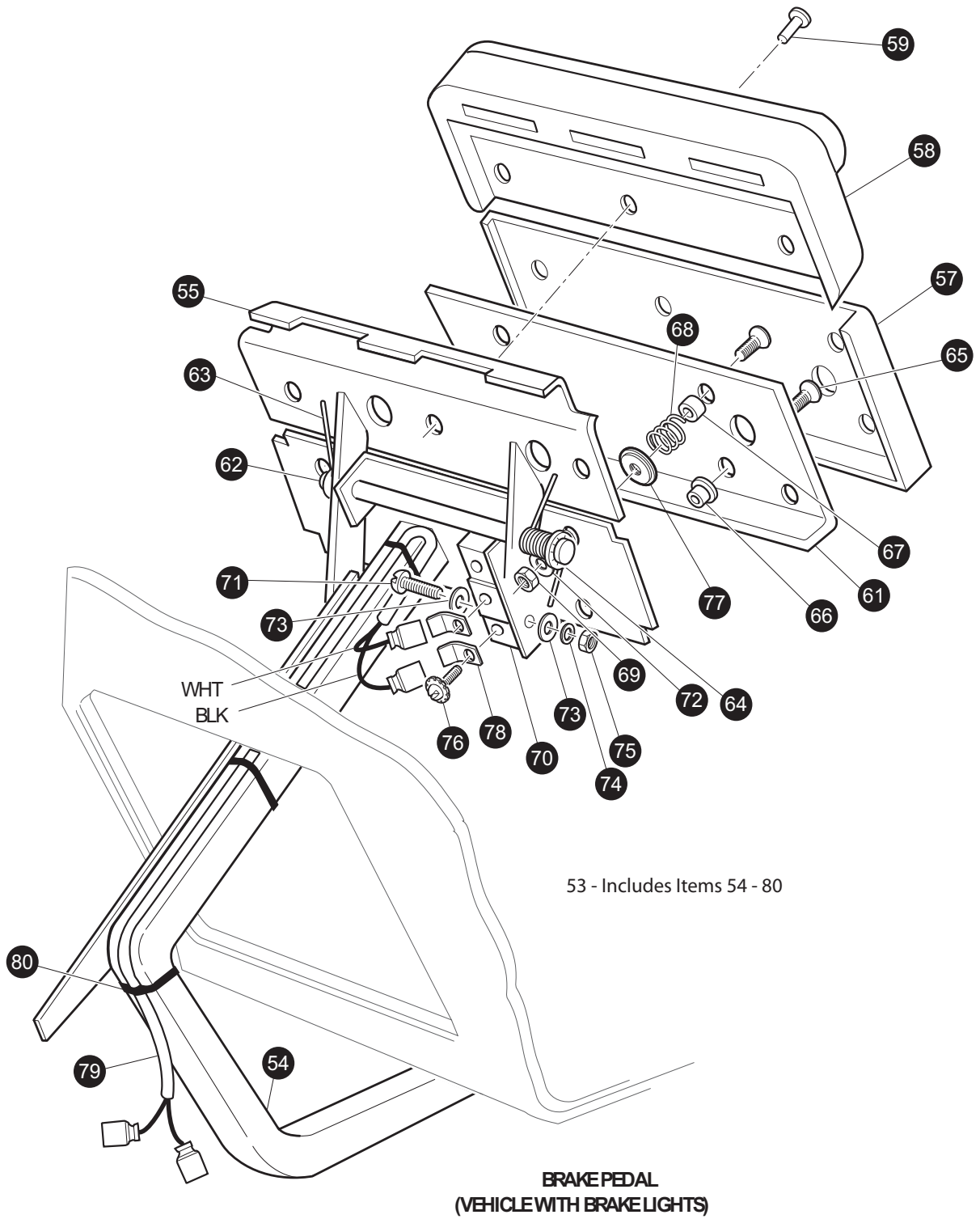
\* Indicates a component that is not available as an individual part.

\*\*\* Indicates consult Customer Service Department for additional information.

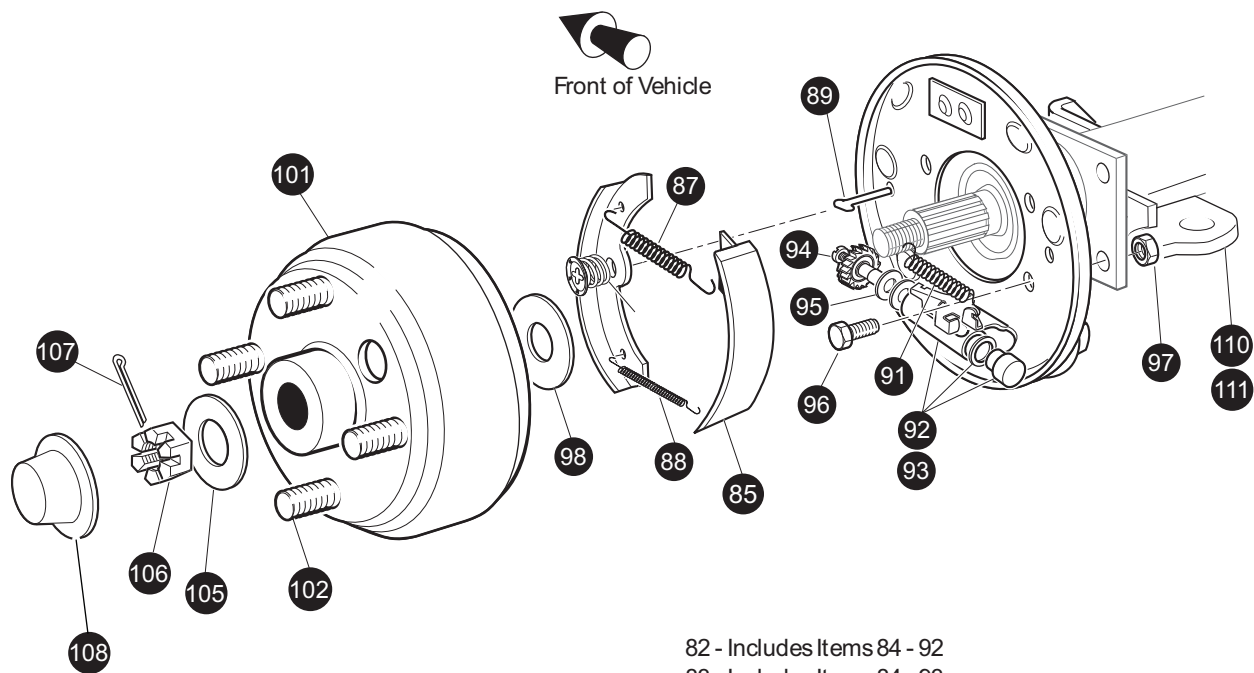
ITEM	PART NO.	1	2	3	4	5	DESCRIPTION	QTY.
156	00100G4						SCREW, #10 - 16 X 1/2" LG.....	4
157								
158								
159								
160								
161	74495G02						DROPPED CLEVIS HITCH.....	1
162	74489G02						DROPPED ANGLE HITCH .....	1
163	74491G01						DROPPED BALL HITCH.....	1

# BRAKES





# BRAKES



- 82 - Includes Items 84 - 92
- 83 - Includes Items 84 - 93
- 84 - Includes Items 85
- 86 - Includes Items 87 - 91
- 92 - Includes Items 94, 95
- 93 - Includes Items 94, 95
- 100 - Includes Items 101, 102

Ref Brk 6-3



When ordering parts, please specify the model and serial number of the product.

\* Indicates a component that is not available as an individual part.

\*\*\* Indicates consult Customer Service Department for additional information.

ITEM	PART NO.	1 2 3 4 5	DESCRIPTION	QTY.
1	70612G02		BRAKE PEDAL ASSEMBLY (WITHOUT BRAKE LIGHTS) (INCLUDES ITEMS 2 - 10) .....	1
2	70681G01		TORSION SPRING.....	2
3	70682G01		PIVOT PIN.....	1
4	01071G01		PUSHNUT, 5/16" .....	1
5	70259G02		BRAKE PEDAL.....	1
6	70611G02		PARK BRAKE PEDAL .....	1
7				
8	70257G01		SERVICE BRAKE PAD.....	1
9	70256G01		PARK BRAKE PEDAL PAD .....	1
10	16409G1		OVAL RIVET, 3/16" X 3/8" LG .....	9
11				
12	70582G01		SHOULDER BOLT, 3/8 - 16 X 4" LG.....	1
13	70581G01		FLANGED BUSHING.....	2
14	70676G01		TORSION SPRING .....	1
15	00643G1		WASHER, 3/8" .....	1
16	11098G5		LOCK NUT, 3/8 - 16 .....	1
17				
18	12416G2		NYLON WEDGE LOCK CLAMP (NOT ILLUSTRATED).....	3
19				
20				
21				
22	624711		EQUALIZER AND BRAKE CABLE ASSEMBLY (INCLUDES ITEMS 23 - 26)	1
23	28082G01		EQUALIZER BRACKET .....	1
24	28083G01		BRAKE COMPENSATOR BUMPER .....	2
25	624690		BRAKE CABLE (DRIVER SIDE) .....	1
26	624703		BRAKE CABLE (PASSENGER SIDE).....	1
27				
28	01111G01		RETAINING RING, S.S. ....	4
29				
30	10386G3		CLEVIS PIN, 5/16" X 1" LG.....	3

# BRAKES

When ordering parts, please specify the model and serial number of the product.

\* Indicates a component that is not available as an individual part.

\*\*\* Indicates consult Customer Service Department for additional information.

ITEM	PART NO.	1 2 3 4 5	DESCRIPTION	QTY.
31	10387G3		COTTER PIN, 3/32" X 3/4" LG .....	3
32	14443G2		CLEVIS PIN, 5/16" X 3/4" LG .....	2
33				
34	70601G01		KICK-OFF LINK.....	1
35	17838G1		NYLON BUSHING.....	2
36	20835G1		TEFLON WASHER, 3/8" .....	2
37	00559G8		WASHER, 5/16".....	2
38	10387G3		COTTER PIN, 3/32" X 3/4" LG .....	2
39	70098G01		KICK-OFF CAM PIVOT .....	1
40	10097G6		FLANGED BEARING .....	2
41	70587G01		KICK-OFF CAM.....	1
42	71215G01		SETSCREW, 1/4 - 20 X 1/2" LG.....	2
43	14134G4		SPACER .....	1
44				
45	70113G01		ADJUSTABLE BUMPER .....	1
46	11027G1		LOCK NUT, 5/16 - 18.....	1
47				
48	70080G02		CATCH BRACKET .....	1
49	00414G6		BOLT, 1/4 - 20 X 3/4" LG .....	2
50	14390G4		LOCK NUT, 1/4 - 20.....	2
51				
52				
53	70690G02		BRAKE PEDAL ASSEMBLY (WITH BRAKE LIGHTS) (INCLUDES ITEMS 54 - 80).....	1
54	70686G02		BRAKE PEDAL .....	1
55	70611G02		PARK BRAKE PEDAL.....	1
56				
57	70257G01		SERVICE BRAKE PAD .....	1
58	70256G01		PARK BRAKE PAD .....	1
59	16409G1		OVAL RIVET, 3/16" x 3/8" LG .....	9
60				
61	70258G03		BRAKE PEDAL PLATE .....	1

When ordering parts, please specify the model and serial number of the product.

\* Indicates a component that is not available as an individual part.

\*\*\* Indicates consult Customer Service Department for additional information.

ITEM	PART NO.	1	2	3	4	5	DESCRIPTION	QTY.
62	70682G01						PIVOT PIN.....	1
63	70681G01						TORSION SPRING.....	2
64	01071G01						PUSHNUT, 5/16" .....	1
65	00737G8						SCREW, #10 - 24 X 1" LG.....	4
66	00739G1						RUBBER NUT, #10 - 24 .....	2
67	74535G01						BRAKE PEDAL STANDOFF.....	2
68	27137G01						CONICAL SPRING.....	2
69	14390G10						LOCK NUT, #10 - 24.....	2
70	10606G8						MICRO SWITCH .....	1
71	00645-G2						SCREW, #6 - 32 X 1 1/4" LG.....	2
72	00559G5						WASHER, #10 .....	2
73	00559G3						WASHER, #6.....	4
74	00565G3						LOCK WASHER, #6 .....	2
75	00525G5						NUT, #6 - 32 .....	2
76	13514G1						SCREW AND LOCK WASHER, #6 .....	2
77	00642-G8						WASHER - 5/16" .....	2
78	14628G1						FASTON TAB.....	2
79	24605G1						WIRE HARNESS (BRAKE LIGHT).....	1
80	17618G1						WIRE TIE.....	2
81								
82	70998G01						BRAKE ASSEMBLY (DRIVER SIDE) (INCLUDES ITEMS 84 - 92).....	1
83	70998G02						BRAKE ASSEMBLY (PASSENGER SIDE) (INCL. ITEMS 84 - 91, 93).....	1
84	70794G01						BRAKE SHOE KIT (INCLUDES ITEM 85) .....	2
85	*						BRAKE SHOE.....	2
86	27944G01						BRAKE SPRING KIT (INCLUDES ITEMS 87 - 91) .....	2
87	*						UPPER SPRING .....	1
88	*						LOWER SPRING .....	1
89	*						PIN .....	2
90	*						CUP AND SPRING .....	2
91	*						ADJUSTER SPRING .....	1
92	72582G01						BRAKE ADJUSTER KIT (DRIVER SIDE) (INCLUDES ITEMS 94, 95)....	1

# BRAKES

When ordering parts, please specify the model and serial number of the product.

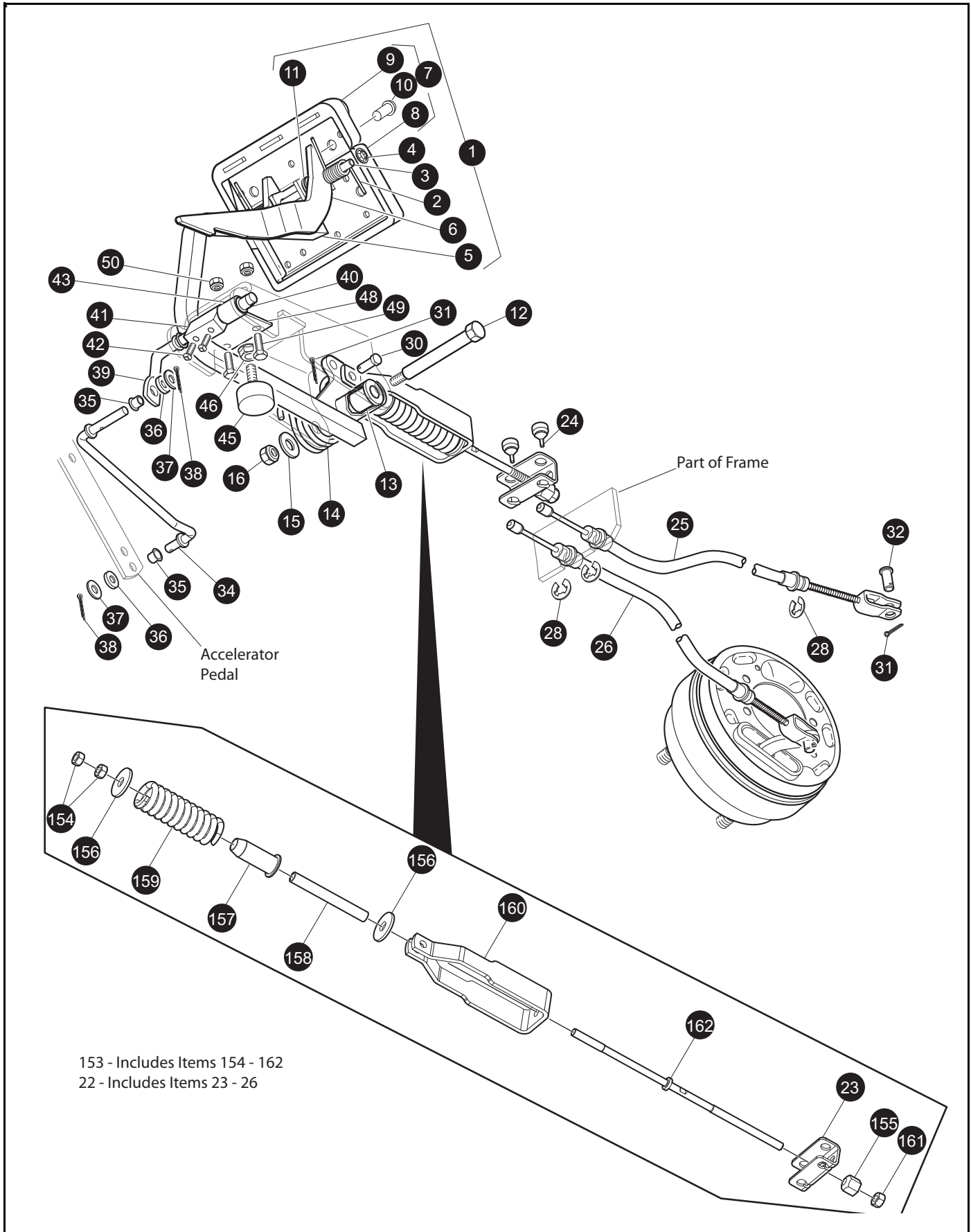
\* Indicates a component that is not available as an individual part.

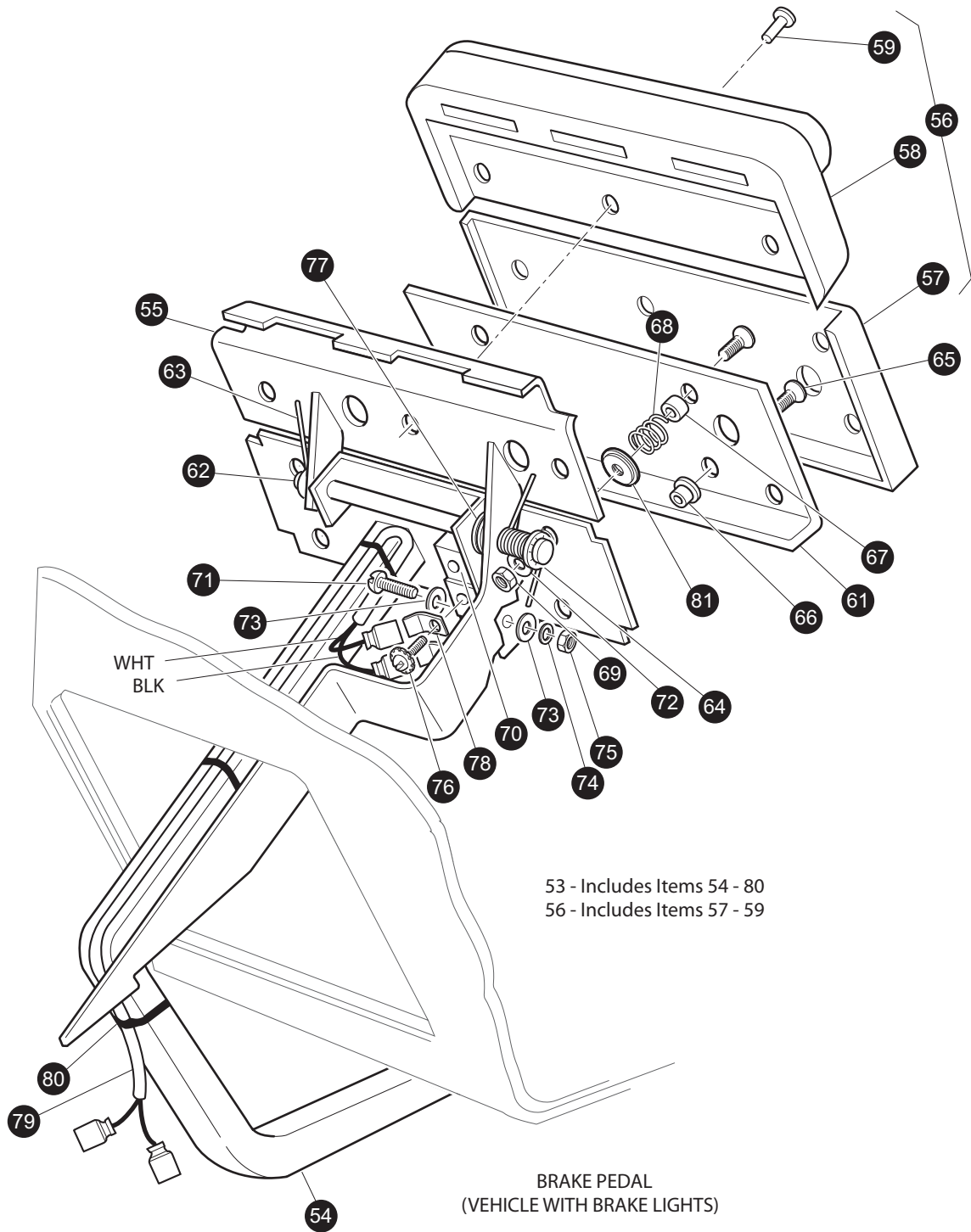
\*\*\* Indicates consult Customer Service Department for additional information.

ITEM	PART NO.	1	2	3	4	5	DESCRIPTION	QTY.
93	72582G02						BRAKE ADJUSTER KIT (PASSENGER SIDE) (INCL ITEMS 94, 95).....	1
94	*						ADJUSTER.....	1
95	*						TEFLON WASHER.....	2
96	17083G2						BOLT, 5/16 - 24 X 1" LG .....	8
97	15126G1						LOCK NUT, 5/16 - 24.....	8
98	21809G1						INNER BRAKE DRUM WASHER, 1 5/16" OD X 1" ID X 1/32" .....	2
99								
100	21807G2						BRAKE DRUM ASSEMBLY (INCLUDES ITEMS 101 - 102).....	2
101	*						BRAKE DRUM .....	1
102	19862G1						LUG BOLT, 1/2 - 20.....	4
103								
104								
105	606945						OUTER BRAKE DRUM WASHER .....	2
106	606403						SLOTTED NUT, 3/4 - 16.....	2
107	10387G1						COTTER PIN, 1/8" X 1 1/2" LG .....	2
108	74175G01						SPINDLE CAP.....	2
109								
110	608200						BRAKE CABLE BRACKET (PASSENGER SIDE).....	1
111	608201						BRAKE CABLE BRACKET (DRIVER SIDE) .....	1
112	612558						COMPENSATOR ASSEMBLY (INCLUDES ITEMS 113 - 121) .....	1
113	00532G4						HEX NUT .....	2
114	629486						HEX NUT, 5/16 - 24.....	1
115	15121G1						FLAT WASHER - 5/16.....	2
116	17979G1						ACCELERATOR ROD BUSHING .....	1
117	23061G2						TUBE.....	1
118	23463G1						COMPRESSION SPRING .....	1
119	27330G01						BRAKE YOKE .....	1
120	11098G9						HEX LOCK NUT, 5/16 - 24.....	1
121	612557						COMPENSATOR LINK ROD .....	1

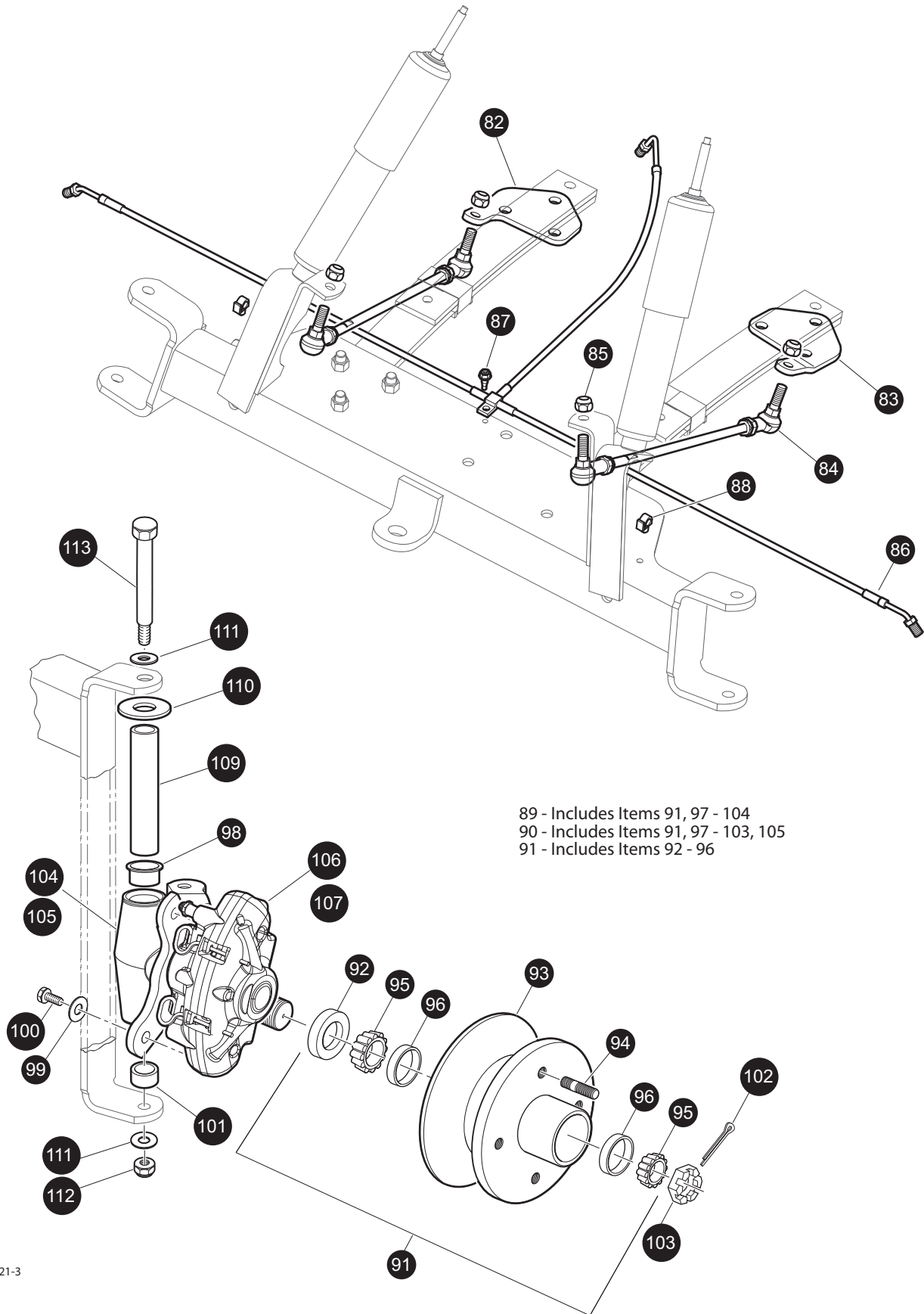


# BRAKES - FRONT DISC





# BRAKES - FRONT DISC







# BRAKES - FRONT DISC

When ordering parts, please specify the model and serial number of the product.

\* Indicates a component that is not available as an individual part.

\*\*\* Indicates consult Customer Service Department for additional information.

ITEM	PART NO.	1 2 3 4 5	DESCRIPTION	QTY.
1	74723G01		BRAKE PEDAL ASSEMBLY (WITHOUT BRAKE LIGHTS) (INCLUDES ITEMS 2 - 11) .....	1
2	70681G01		TORSION SPRING .....	2
3	70682G01		PIVOT PIN .....	1
4	01071G01		PUSHNUT, 5/16" .....	2
5	*		BRAKE PEDAL .....	1
6	74724G01		PARK BRAKE PEDAL.....	1
7	70274G01		BRAKE/PARK BRAKE PEDAL PAD KIT (INCLUDES ITEMS 8 - 10) .....	1
8	*		SERVICE BRAKE PAD.....	1
9	*		PARK BRAKE PEDAL PAD .....	1
10	15766G1		OVAL RIVET, 3/16" X 15/32" LG .....	9
11	20835G1		WASHER, TEFLON, 3/8" .....	2
12	70582G01		SHOULDER BOLT, 3/8 - 16 X 4" LG .....	1
13	70581G01		FLANGED BUSHING .....	2
14	70676G01		TORSION SPRING .....	1
15	00643G1		WASHER, 3/8" .....	1
16	11098G5		LOCK NUT, 3/8 - 16.....	1
17				
18	12416G2		NYLON WEDGE LOCK CLAMP (NOT ILLUSTRATED) .....	3
19				
20				
21				
22	624711		EQUALIZER AND BRAKE CABLE ASSEMBLY (INCLUDES ITEMS 23 - 26)	1
23	28082G01		EQUALIZER BRACKET .....	1
24	28083G01		BRAKE COMPENSATOR BUMPER.....	2
25	624690		BRAKE CABLE (DRIVER SIDE).....	1
26	624703		BRAKE CABLE (PASSENGER SIDE) .....	1
27				
28	01111G01		RETAINING RING .....	4
29				
30	10386G3		CLEVIS PIN, 5/16" X 1" LG .....	3

# BRAKES - FRONT DISC

When ordering parts, please specify the model and serial number of the product.

\* Indicates a component that is not available as an individual part.

\*\*\* Indicates consult Customer Service Department for additional information.

ITEM	PART NO.	1 2 3 4 5	DESCRIPTION	QTY.
31	10387G3		COTTER PIN, 3/32" X 3/4" LG.....	3
32	10386G3		CLEVIS PIN, 5/16" X 3/4" LG.....	2
33				
34	70601G01		KICK-OFF LINK .....	1
35	17838G1		NYLON BUSHING .....	2
36	20835G1		TEFLON WASHER, 3/8" .....	2
37	00559G8		WASHER, 5/16" .....	2
38	10387G3		COTTER PIN, 3/32" X 3/4" LG.....	2
39	70098G01		KICK-OFF CAM PIVOT.....	1
40	10097G6		FLANGED BEARING .....	2
41	70587G01		KICK-OFF CAM .....	1
42	71215G01		SETSCREW, 1/4 - 20 X 1/2" LG .....	2
43	14134G4		SPACER.....	1
44				
45	70113G01		ADJUSTABLE BUMPER.....	1
46	11027G1		LOCK NUT, 5/16 - 18 .....	1
47				
48	70080G01		CATCH BRACKET .....	1
49	00414G6		BOLT, 1/4 - 20 X 3/4" LG.....	2
50	14390G4		LOCK NUT, 1/4 - 20 .....	2
51				
52				
53	74874G01		BRAKE PEDAL ASSEMBLY (WITH BRAKE LIGHTS) (INCLUDES ITEMS 54 - 80) .....	1
54	*		BRAKE PEDAL.....	1
55	74724G01		PARK BRAKE PEDAL .....	1
56	70274G01		BRAKE/PARK BRAKE PEDAL PAD KIT (INCLUDES ITEMS 57 - 59) ....	1
57	*		SERVICE BRAKE PAD .....	1
58	*		PARK BRAKE PAD .....	1
59	15766G1		OVAL RIVET, 3/16" X 15/32" LG.....	9
60				

# BRAKES - FRONT DISC

When ordering parts, please specify the model and serial number of the product.

\* Indicates a component that is not available as an individual part.

\*\*\* Indicates consult Customer Service Department for additional information.

ITEM	PART NO.	1	2	3	4	5	DESCRIPTION	QTY.
61	70258G02						BRAKE PEDAL PLATE .....	1
62	70682G01						PIVOT PIN .....	1
63	70681G01						TORSION SPRING .....	2
64	01071G01						PUSHNUT, 5/16" .....	1
65	00737G8						SCREW, #10 - 24 X 1" LG .....	4
66	00739G1						RUBBER NUT, #10 - 24 .....	2
67	74535G01						BRAKE PEDAL STANDOFF .....	2
68	27137G01						CONICAL SPRING .....	2
69	14390G10						LOCK NUT, #10 - 24 .....	2
70	10606G8						MICRO SWITCH .....	1
71	00645-G2						SCREW, #6 - 32 X 1 1/4" LG .....	2
72	00559G5						WASHER, #10 .....	2
73	00559G3						WASHER, #6 .....	4
74	00565G3						LOCK WASHER, #6.....	2
75	00525G5						NUT, #6 - 32 .....	2
76	13514G1						SCREW AND LOCK WASHER, #6.....	2
77	20835G1						WASHER, TEFLON, 3/8" .....	2
78	14628G1						FASTON TAB .....	2
79	24605G1						WIRE HARNESS (BRAKE LIGHT) .....	1
80	17618G1						WIRE TIE .....	3
81	00642-G8						WASHER - 5/16" .....	2
82	74731G02						SPRING PLATE (PASSENGER SIDE) .....	1
83	74731G01						SPRING PLATE (DRIVER SIDE).....	1
84	74730G01						FOUR LINK ROD .....	2
85	01084G01						LOCK NUT, M10-1.25 .....	4
86	74736G01						BRAKE LINE .....	1
87	01038G01						SCREW, 1/4 - 20 X 4444" LG .....	1
88	74875G01						WIRE RETAINER.....	2
89	602288						SPINDLE ASSEMBLY, PASSENGER SIDE (INCLUDES ITEMS 91, 97 - 104)	1
90	602281						SPINDLE ASSEMBLY, DRIVER SIDE (INCLUDES ITEMS 91, 97 - 103, 105)	1
91	74948G01						FRONT DISC HUB ASSEMBLY (INCLUDES ITEMS 92 - 96).....	1

# BRAKES - FRONT DISC

When ordering parts, please specify the model and serial number of the product.

\* Indicates a component that is not available as an individual part.

\*\*\* Indicates consult Customer Service Department for additional information.

ITEM	PART NO.	1 2 3 4 5	DESCRIPTION	QTY.
92	25146G1		GREASE SEAL .....	1
93	74995G01		DISC BRAKE HUB.....	1
94	74864-G01		DRIVE FLANGE STUD.....	4
95	11750-G2		ROLLER BEARING.....	2
96	50892G1		BEARING RACE .....	2
97	12093G1		SLOTTED NUT.....	1
98	70648-G01		FLANGED BEARING .....	1
99	00565-G8		WASHER, 3/8" .....	2
100	00426-G6		BOLT, 3/8 - 16 X 3/4" LG .....	2
101	70749-G01		BEARING .....	1
102	00798-G8		COTTER PIN.....	1
103	25146-G1		GREASE SEAL .....	1
104	602158		DISC BRAKE SPINDLE, PASSENGER SIDE.....	1
105	602176		DISC BRAKE SPINDLE, DRIVER SIDE .....	1
106	74733G01		CALIPER, PASSENGER SIDE .....	1
107	74733G02		CALIPER, DRIVER SIDE.....	1
108				
109	70745G01		KINGPIN TUBE.....	2
110	70754G01		THRUST WASHER.....	2
111	00560G3		WASHER, 1/2" .....	4
112	14390G6		LOCKNUT, 1/2 - 13 .....	2
113	00407G6		CAPSCREW, 1/2 - 13 X 6" LG.....	2
114				
115	74702G01		FRONT DISC BRAKE BRAKE ACTUATOR ASSEMBLY (INCLUDES ITEMS 116 - 133).....	1
116	10387G3		COTTER PIN, 3/32 X 3/4" LG .....	1
117	17838G1		NYLON BUSHING.....	1
118	10386G3		CLEVIS PIN, 5/16 X 1" LG .....	1
119	74753G01		UPPER ACTUATOR PIVOT .....	1
120	70581G02		ACETAL BUSHING.....	4
121	74711G01		SHOULDER BOLT.....	1

# BRAKES - FRONT DISC

When ordering parts, please specify the model and serial number of the product.

\* Indicates a component that is not available as an individual part.

\*\*\* Indicates consult Customer Service Department for additional information.

ITEM	PART NO.	1	2	3	4	5	DESCRIPTION	QTY.
122	00560G3						WASHER, 1/2" .....	1
123	13437G3						BOLT, 1/2 - 13 X 6" LG.....	2
124								
125	800697						FLANGED LOCKNUT, 5/16 - 18 .....	2
126	74742G01						MASTER CYLINDER.....	1
127	606864						MASTER CYLINDER WELDMENT MOUNT .....	1
128	11098G5						LOCKNUT, 3/8 - 16 .....	1
129	00679G1						WASHER, 3/8" STAINLESS.....	1
130	74707G01						LOWER ACTUATOR PIVOT.....	1
131	10385G4						CLEVIS YOKE .....	1
132	606869						BRAKE ACTUATOR ASSEMBLY COVER.....	1
133	01038G01						SCREW, 1/4 -20 SWAGEFORM.....	4
134								
135	00414G8						BOLT, 1/4 - 20 X 1 1/4" LG .....	4
136	00891G2						LOCKNUT, 1/4 - 20.....	4
137								
138	10387G3						COTTER PIN, 3/32 X 3/4 .....	2
139	20835G1						WASHER, NYLON.....	1
140	17838G1						NYLON BUSHING.....	2
141	74865G01						ACTUATOR LINKAGE.....	1
142	00771G5						WASHER, 3/8".....	1
143	74917G01						DISC BRAKE PAD AND PIN KIT (SERVICES ONE CORNER) (INCLUDES ITEMS 144 - 145).....	1
144	*						BRAKE PADS .....	2
145	*						BRAKE PAD RETAINER PINS .....	2
146								
147								
148								
149								
150								
151								
152								

# BRAKES - FRONT DISC

When ordering parts, please specify the model and serial number of the product.

\* Indicates a component that is not available as an individual part.

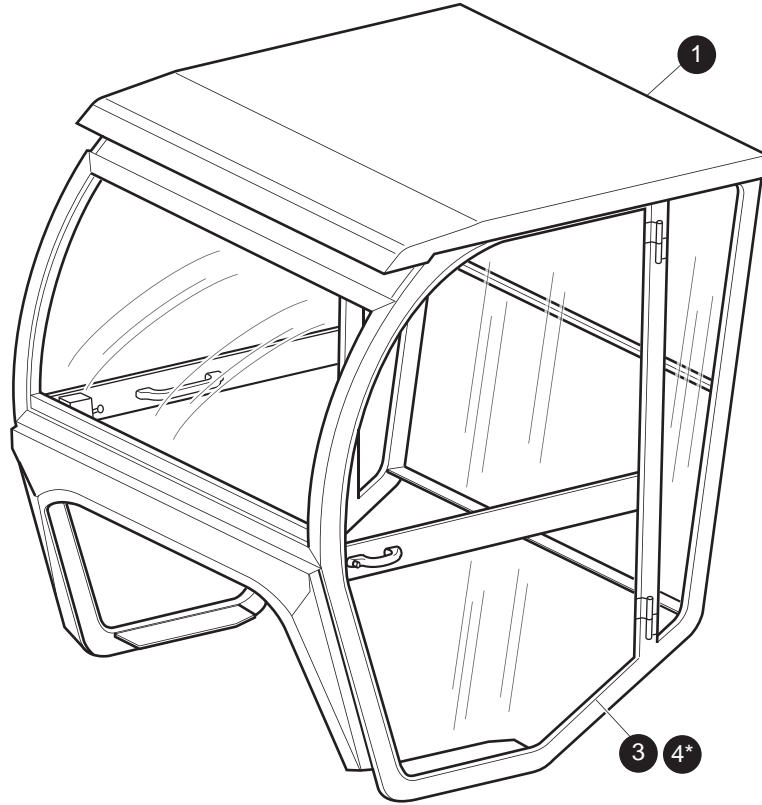
\*\*\* Indicates consult Customer Service Department for additional information.

ITEM	PART NO.	1 2 3 4 5	DESCRIPTION	QTY.
153	612558		COMPENSATOR ASSEMBLY (INCLUDES ITEMS 154 - 162) .....	1
154	00532G4		HEX NUT .....	2
155	629486		HEX NUT, 5/16 - 24 .....	1
156	15121G1		FLAT WASHER - 5/16 .....	2
157	17979G1		ACCELERATOR ROD BUSHING.....	1
158	23061G2		TUBE .....	1
159	23463G1		COMPRESSION SPRING .....	1
160	27330G01		BRAKE YOKE .....	1
161	11098G9		HEX LOCK NUT, 5/16 - 24 .....	1
162	612557		COMPENSATOR LINK ROD.....	1









\*Steel Doors Shown

For Cab Accessories, See ACCESSORIES LISTING in Appendix B

*Ref Cab 5*

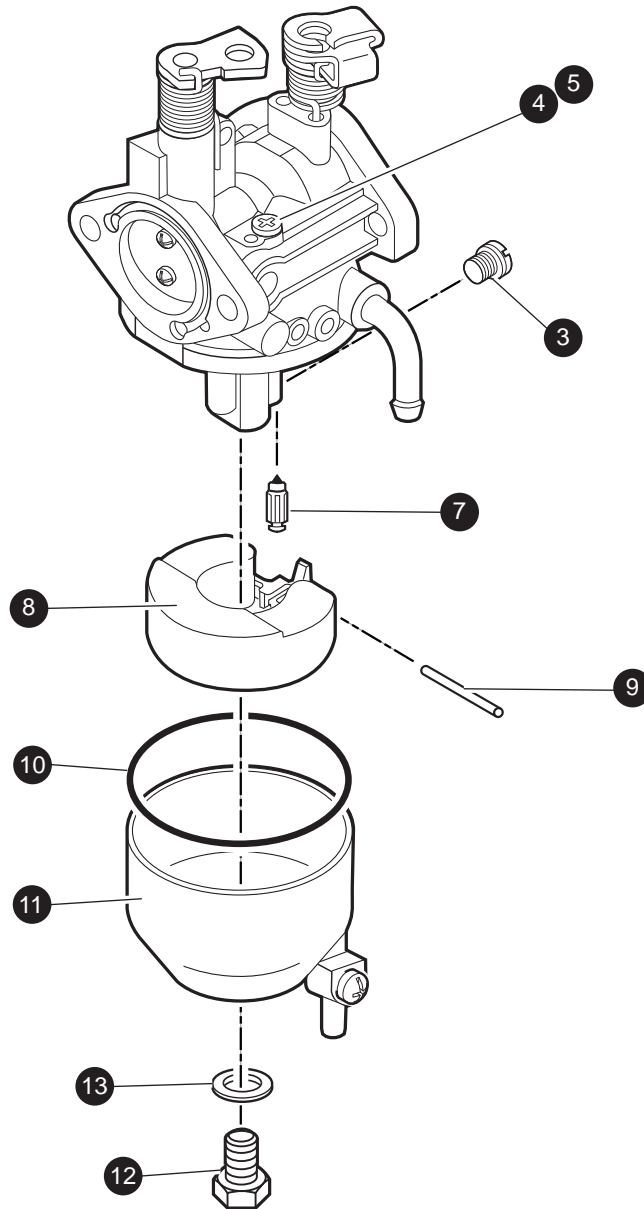
When ordering parts, please specify the model and serial number of the product.

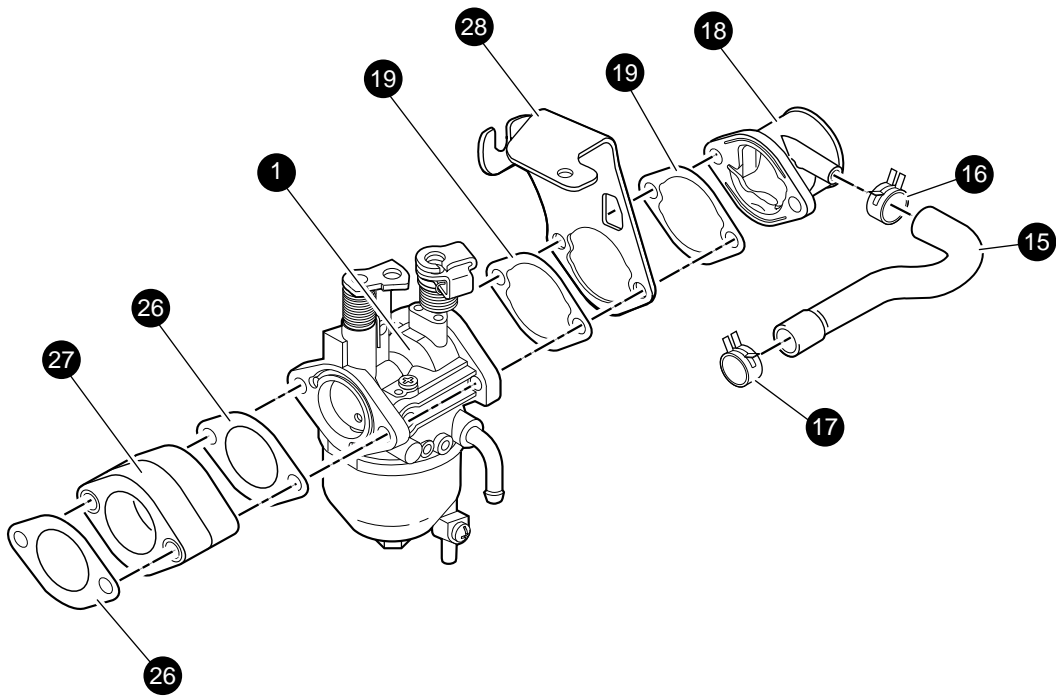
\* Indicates a component that is not available as an individual part.

\*\*\* Indicates consult Customer Service Department for additional information.

ITEM	PART NO.	1 2 3 4 5 DESCRIPTION	QTY.
1	75854G**	STEEL CAB (WITHOUT DOORS) REPACEMENT PARTS AND ACCESSORIES MAY BE OBTAINED FROM CURTIS CAB, INC. ....	1
2			
3	75855G01	VINYL DOOR KIT .....	1
4	75856G**	STEEL DOOR KIT .....	1
<p>For Cab replacement parts and accessories, contact Curtis Cab at:                      Curtis Cab, Inc. 111 Higgins Street, Worcester, Massachusetts, 01606.                      Tel.: 508-853-2200. Toll free: 800-343-7676.  <a href="http://www.curtiscab.com">www.curtiscab.com</a></p>			

# CARBURETOR





# CARBURETOR

When ordering parts, please specify the model and serial number of the product.

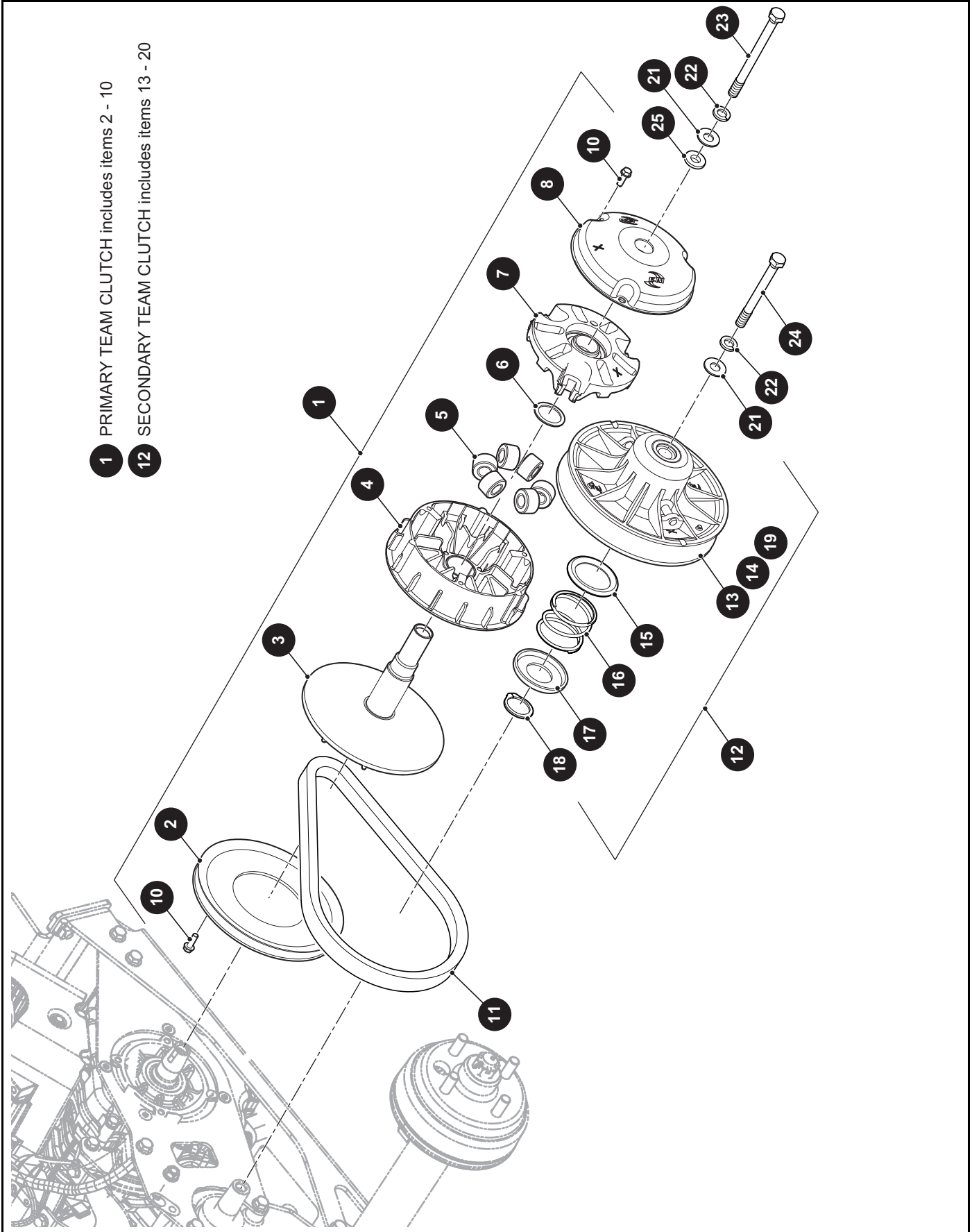
\* Indicates a component that is not available as an individual part.

\*\*\* Indicates consult Customer Service Department for additional information.

ITEM	PART NO.	1 2 3 4 5	DESCRIPTION	QTY.
1	607954		CARBURETOR (INCLUDES ITEMS 3 - 21).....	1
2				
3	607683		MAIN JET (#104) .....	1
4	608021		PILOT JET (#44) .....	1
5	603585		PLUG .....	1
6				
7	603586		NEEDLE VALVE.....	1
8	603587		FLOAT.....	1
9	603588		FLOAT PIN.....	1
10	603589		FLOAT BOWL GASKET.....	1
11	603590		FLOAT CHAMBER.....	1
12	603592		BOWL SCREW .....	1
13	603591		BOWL GASKET .....	1
14				
15	603598		BREATHER TUBE .....	1
16	603596		CLAMP, INTAKE TUBE.....	1
17	603597		CLAMP CYLINDER HEAD TUBE .....	1
18	603594		INTAKE TUBE.....	1
19	603593		CHOKE GASKET.....	2
20	603595		NUT, M6 X 1.0.....	2
21	608023		THROTTLE ROD ATTACHMENT BUSHING.....	1
22				
23	607684		MAIN JET (#102) (FOR ELEVATIONS OF 3000 FT - 6000 FT).....	1
24	607685		MAIN JET (#100) (FOR ELEVATIONS OF 6000 FT - 10000 FT).....	1
25				
26	603580		CARBURETOR MOUNT GASKET.....	2
27	603581		CARBURETOR INSULATOR .....	1



# CLUTCH





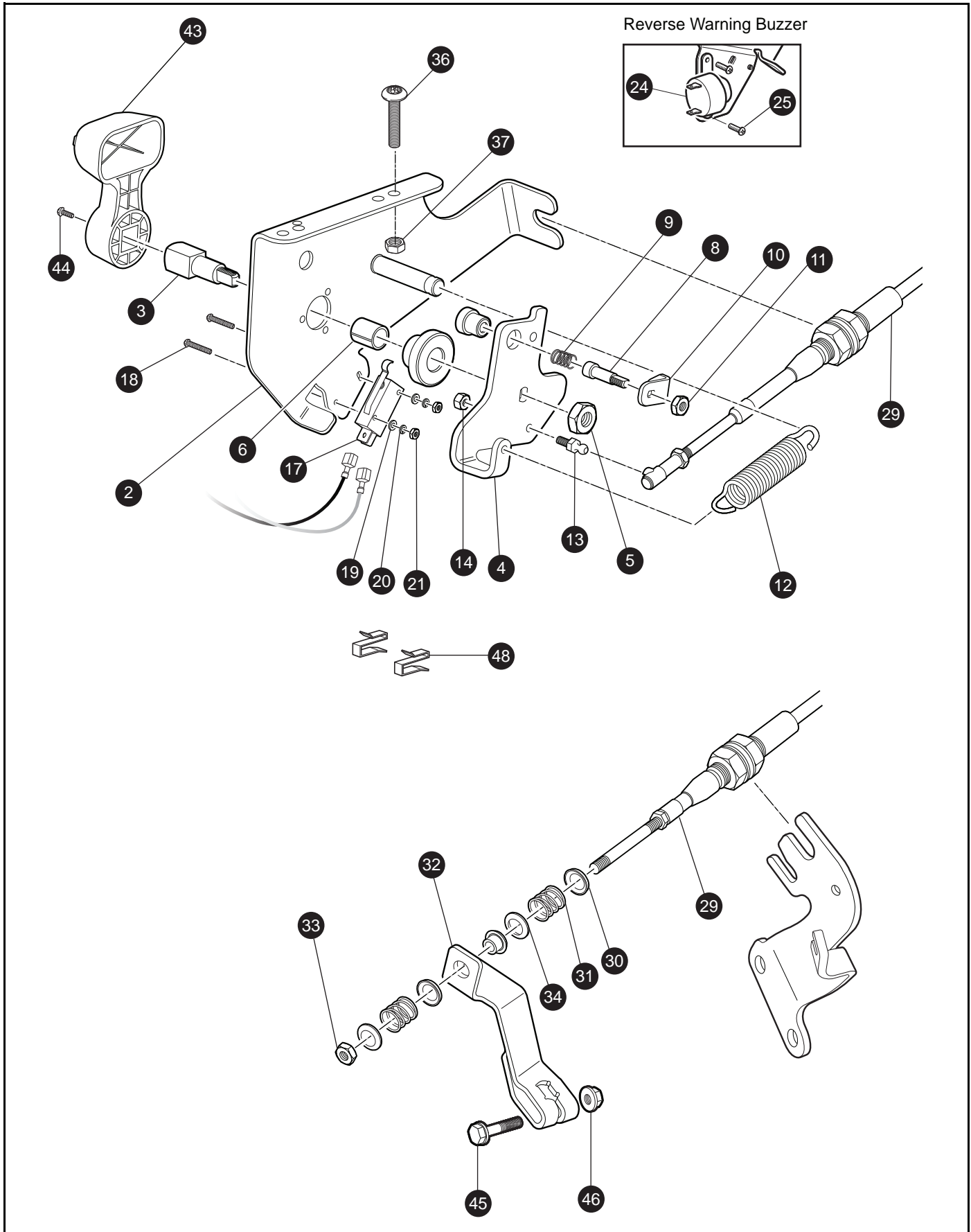
When ordering parts, please specify the model and serial number of the product.

\* Indicates a component that is not available as an individual part.

\*\*\* Indicates consult Customer Service Department for additional information.

ITEM	PART NO.	1 2 3 4 5	DESCRIPTION	QTY.
1	623948		PRIMARY TEAM CLUTCH (Includes items 2 - 10).....	1
2	619333		PRIMARY STARTER PULLY, 195 - SVC.....	1
3	619334		STATIONARY ASSEMBLY .....	1
4	619335		MOVEABLE PRIMARY ASSEMBLY .....	1
5	624112		SHIFT ROLLER ASSEMBLY.....	6
6	619337		SHIM, 39.5 X 31.75 .....	1
7	619338		PRIMARY SPIDER ASSEMBLY .....	1
8	619339		PRIMARY DUST COVER ASSEMBLY.....	1
9				
10	619332		BOLT, 1/4 - 20 X.75 .....	7
11	618630		DRIVE BELT .....	1
12	623949		SECONDARY TEAM CLUTCH (Includes items 13 - 20) .....	1
13	*		SECONDARY STATIONARY, 9.5.....	1
14	*		MOVEABLE SECONDARY, 9.5.....	1
15	619327		INNER RETAINER SPRING.....	1
16	624111		COMPRESSION SPRING, 2.70 OD.....	1
17	619329		OUTER SPRING RETAINER .....	1
18	619330		RETAINER RING.....	1
19	619331		THRUST WASHER, 1.530 x 1.830 x 1.....	1
20				
21	606239		CONICAL WASHER, M12 .....	2
22	00566G3		SPRING TYPE LOCK WASHER .....	2
23	606245		HEX BOLT, M12 - 1.25 X 160 .....	1
24	606243		HEX BOLT, M12 - 1.25 X 120 .....	1
25	606230		CLUTCH WASHER.....	1

# DIRECTION SELECTOR



# DIRECTION SELECTOR

When ordering parts, please specify the model and serial number of the product.

\* Indicates a component that is not available as an individual part.

\*\*\* Indicates consult Customer Service Department for additional information.

ITEM	PART NO.	1 2 3 4 5	DESCRIPTION	QTY.
1	603614		DIRECTION SELECTOR ASSEMBLY (INCLUDES ITEMS 2 - 33) .....	1
2	606077		DIRECTION SELECTOR BRACKET .....	1
3	70233G01		DIRECTION SELECTOR SHAFT .....	1
4	603700		DIRECTION SELECTOR CAM .....	1
5	14390G1		LOCK NUT, 3/8 - 24 .....	1
6	25664G2		BUSHING .....	1
7				
8	72724G01		NEUTRAL LOCK PIN .....	1
9	72733G01		COMPRESSION SPRING, 3/8" X 5/8" LG .....	1
10	72729G01		NEUTRAL LOCK LATCH .....	1
11	00734G2		LOCK NUT, 1/4 - 28 .....	1
12	28574G01		EXTENSION SPRING .....	1
13	72732G01		BALL STUD, 1/4" .....	1
14	00734G5		LOCK NUT, #10 - 32 .....	1
15				
16				
17	72736G01		MICRO SWITCH .....	1
18	01062G01		SCREW, #4 - 40 X 1" LG .....	2
19	00559G1		WASHER, #4 .....	2
20	00565G1		LOCK WASHER, #4 .....	2
21	00526G2		NUT, #4 - 40 .....	2
22				
23				
24	73290G03		REVERSE WARNING BUZZER .....	1
25	01063G01		SCREW, #6 - 32 X 3/8" LG .....	2
26	25978G345		18 GA WIRE (RED 7") .....	1
27				
28				
29	602891		SHIFTER CABLE .....	1
30	25727G01		CUP WASHER, 1/4" .....	4
31	72735G01		COMPRESSION SPRING, 19/32" X 1" LG .....	2

# DIRECTION SELECTOR

When ordering parts, please specify the model and serial number of the product.

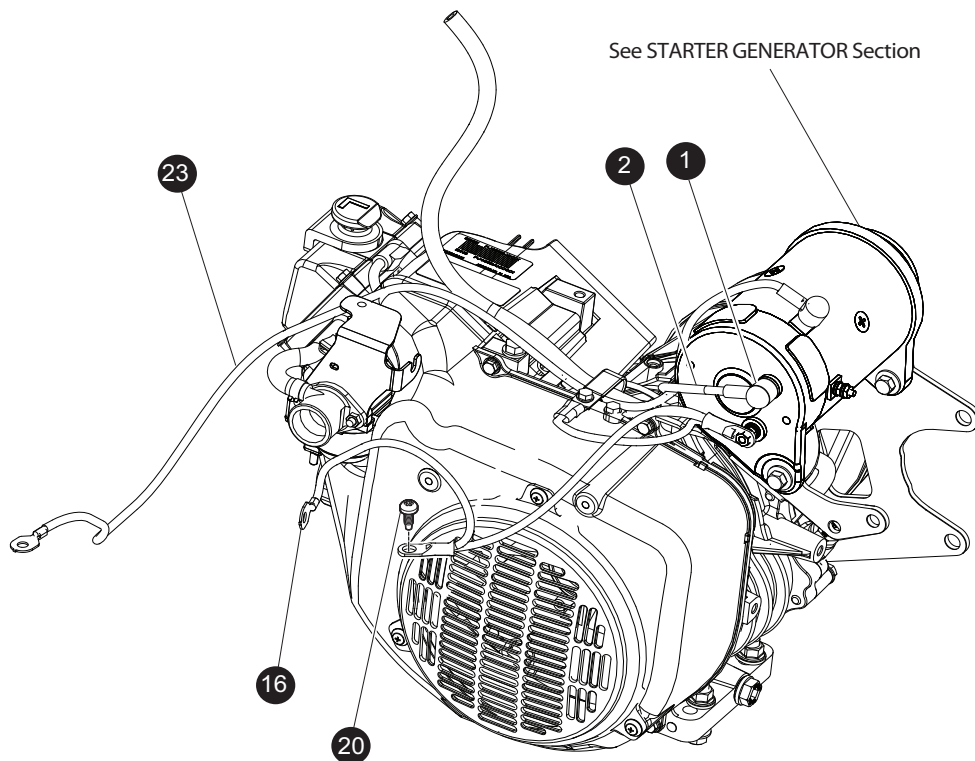
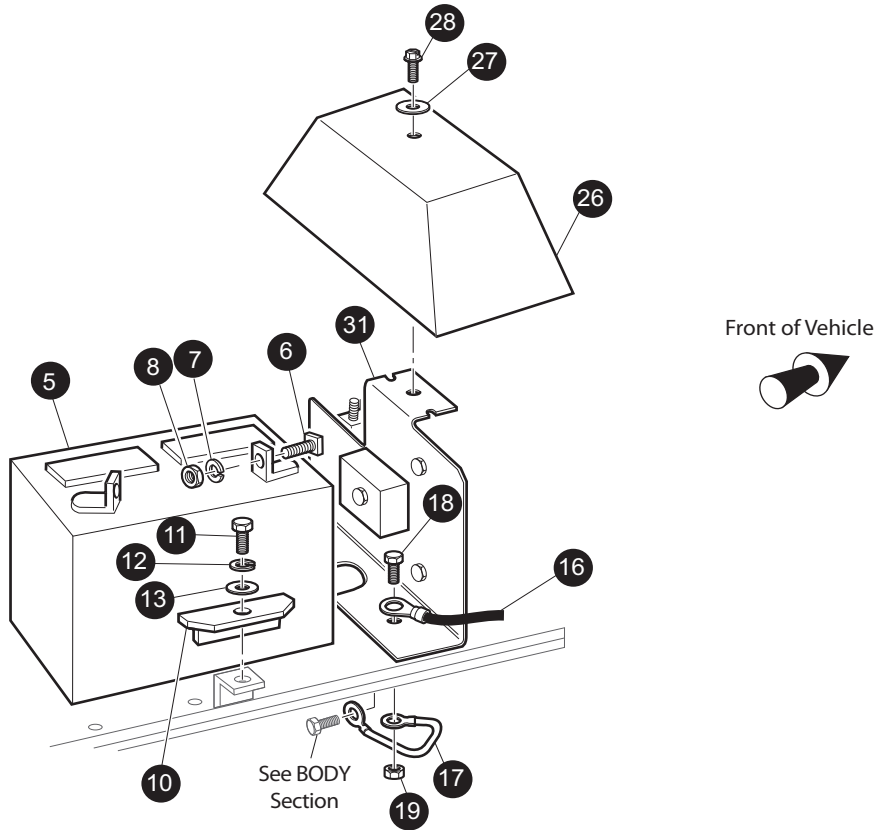
\* Indicates a component that is not available as an individual part.

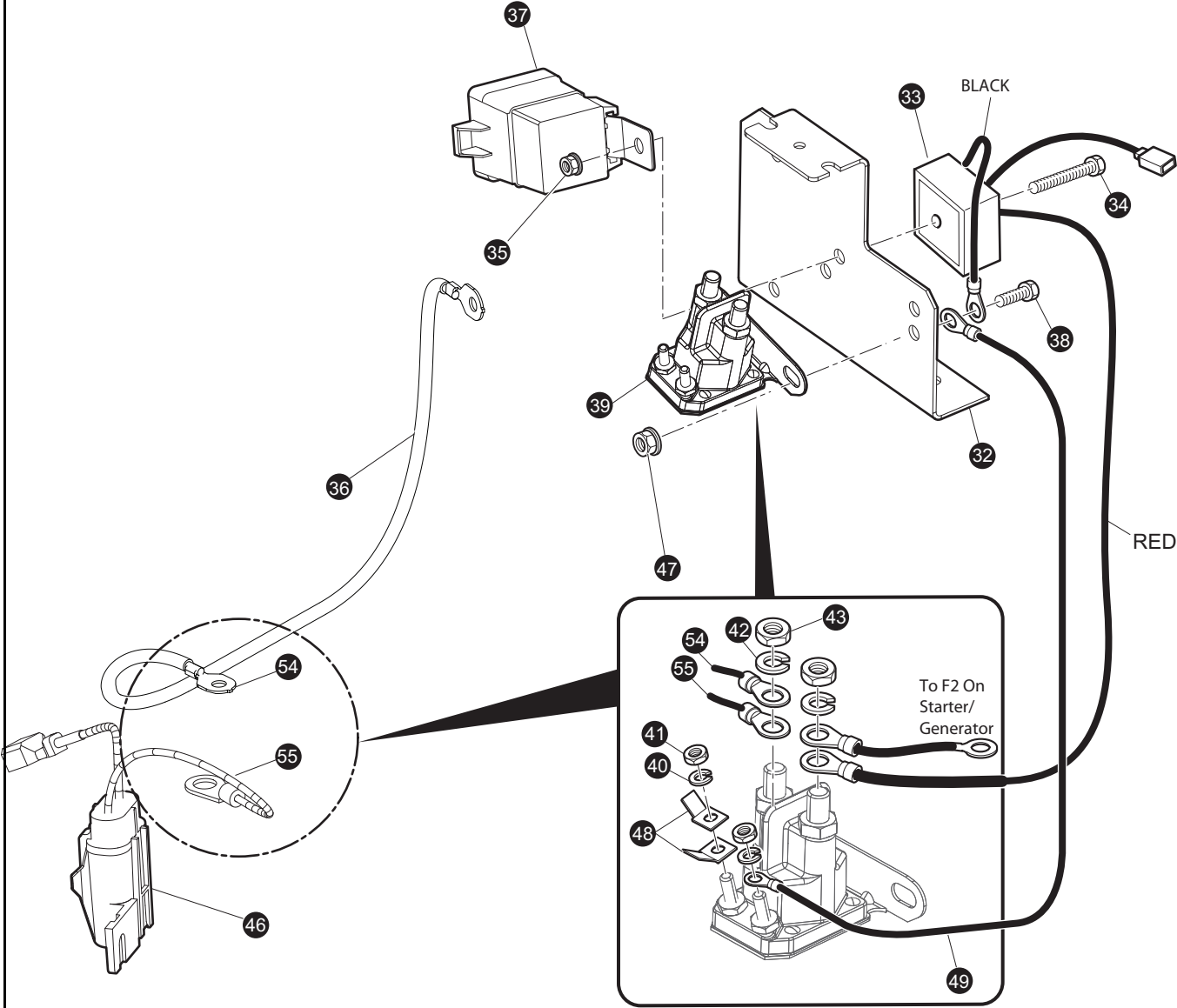
\*\*\* Indicates consult Customer Service Department for additional information.

ITEM	PART NO.	1	2	3	4	5	DESCRIPTION	QTY.
32	74455G01						SHIFTER ARM WITH BUSHING .....	1
33	00734G5						LOCK NUT, #10 - 32 .....	1
34	22754G4						BUSHING, FLIP LOK, .250 .....	1
35								
36	70227G01						SCREW, 1/4 - 20 X 7/8" LG.....	2
37	11027G2						LOCK NUT, 1/4 - 20.....	2
38								
39								
40	26830G01						LOCK NUT, M8 X 1.25 MM .....	1
41								
42								
43	71205G01						DIRECTION SELECTOR HANDLE .....	1
44	00740G4						SCREW, #10 - 32 X 1/2" LG (STAINLESS STEEL) .....	1
45	606421						BOLT .....	1
46	450452						NUT .....	1
47	17618G1						WIRE TIE.....	1
48	01072G01						CABLE CLIP.....	2



# ELECTRICAL SYSTEM

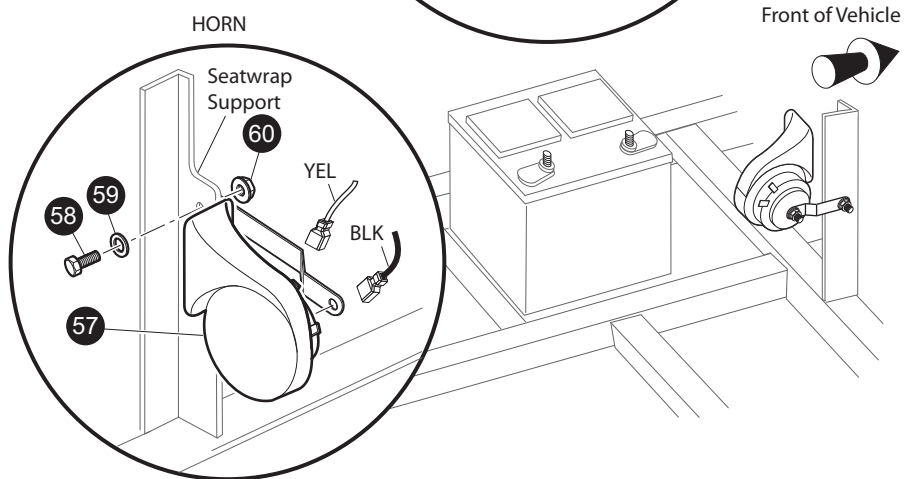
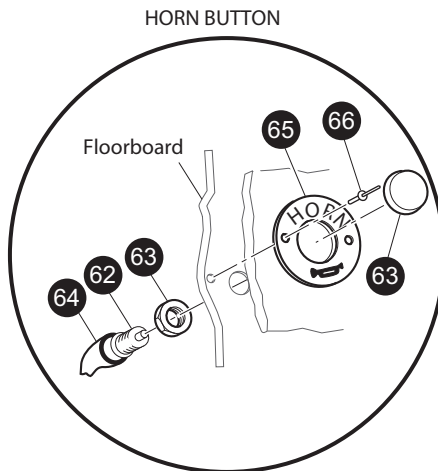
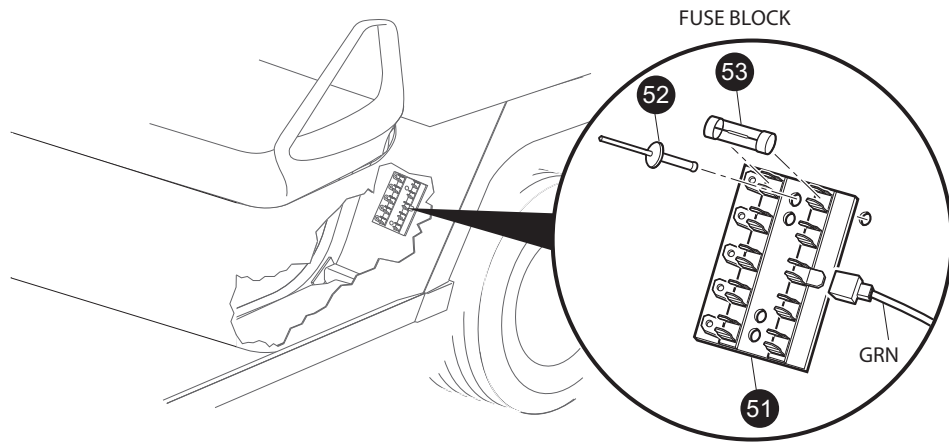




31- Includes Items 32 - 49

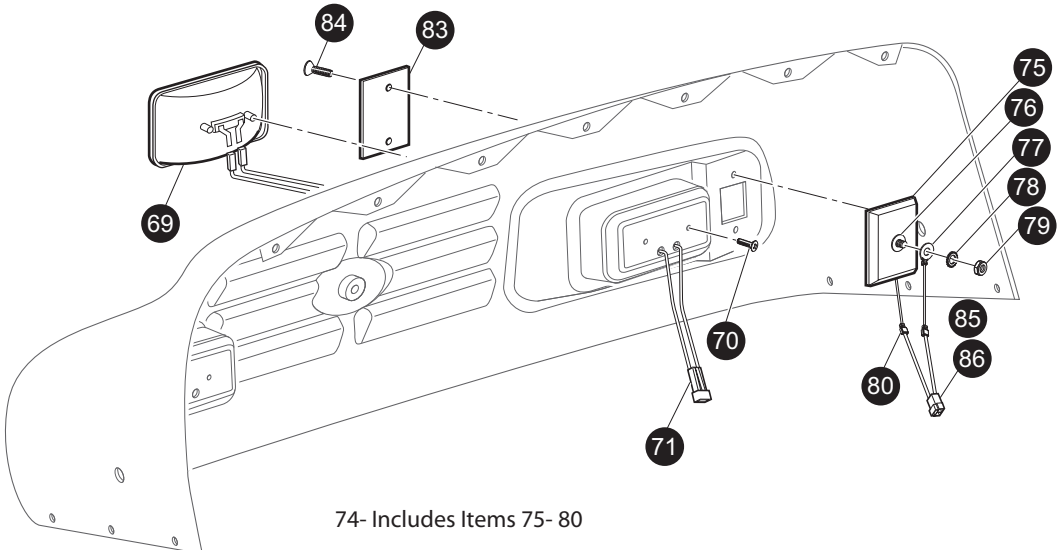
Ref Ele 2-2

# ELECTRICAL SYSTEM



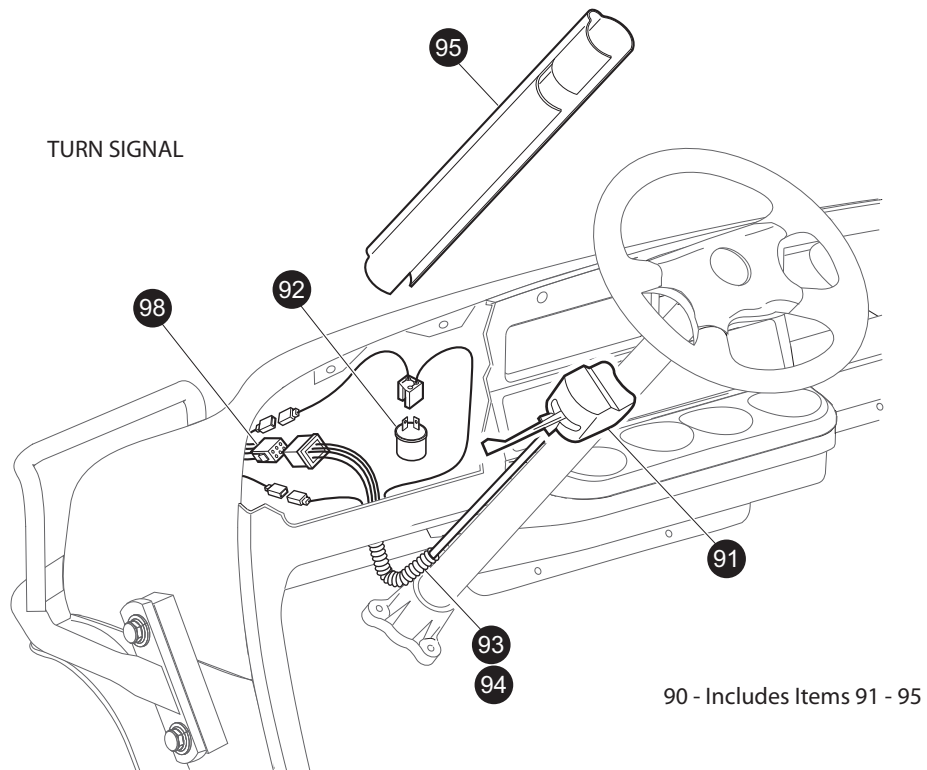
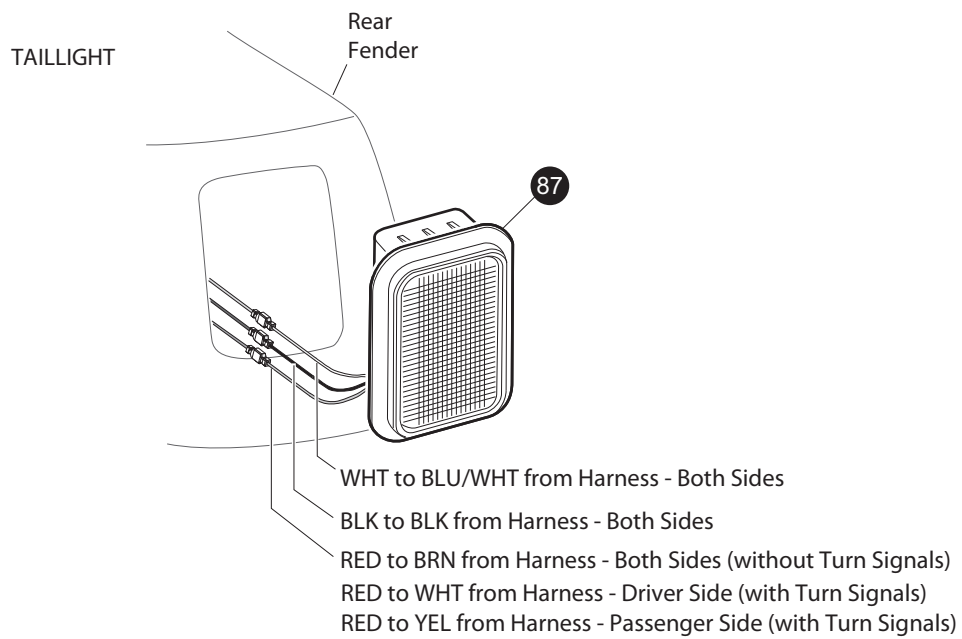
Ref Ele 11-3





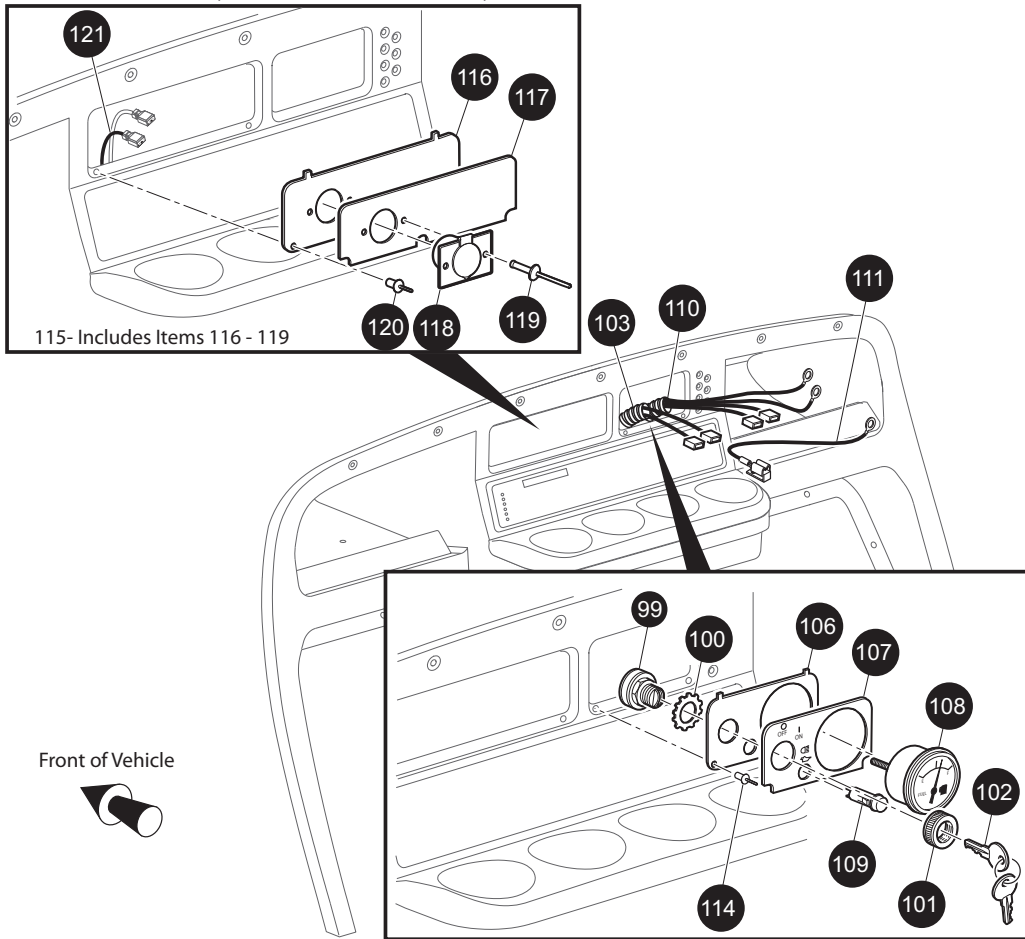
Ref Ele 11-4

# ELECTRICAL SYSTEM



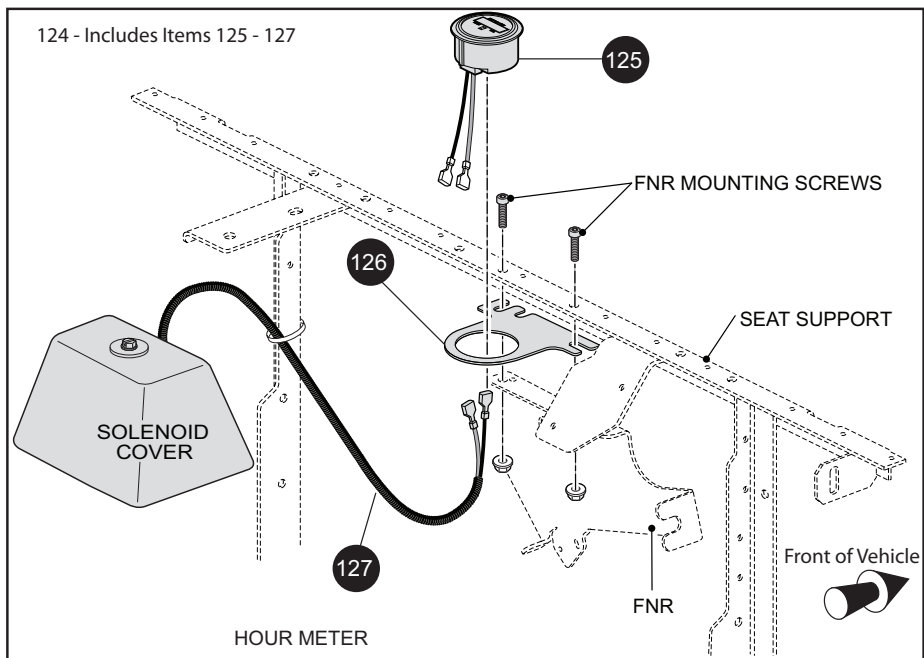
Ref Ele 11-5

CONSOLE INSERT PLATE (WITH POWER OUTLET SHOWN)



KEY SWITCH, INDICATOR LIGHT(S), AND FUEL GAUGE

124 - Includes Items 125 - 127



Ref Ele 11-6

# ELECTRICAL SYSTEM

When ordering parts, please specify the model and serial number of the product.

\* Indicates a component that is not available as an individual part.

\*\*\* Indicates consult Customer Service Department for additional information.

ITEM	PART NO.	1 2 3 4 5	DESCRIPTION	QTY.
1	607053		6 GA WIRE (BLACK 6", F1 - A2).....	1
2	25682G1		TERMINAL COVER.....	3
3				
4				
5	24775G*		BATTERY, 12V .....	1
6	*		BOLT, 5/16 - 18 X 1 1/4" LG.....	2
7	*		LOCK WASHER, 5/16" (SILICON BRONZE).....	2
8	*		NUT, 5/16 - 18 (SILICON BRONZE) .....	2
9				
10	72101G02		BATTERY HOLD DOWN .....	1
11	00438G6		BOLT, 5/16 - 18 X 3/4" LG .....	3
12	00565G8		LOCK WASHER, 5/16" .....	1
13	00571G2		WASHER, 5/16" (STAINLESS STEEL) .....	1
14				
15				
16	27044G03		GROUND CABLE.....	1
17	25976G19		14 GA WIRE (BLACK 6").....	1
18	00438G6		BOLT, 5/16 - 18 X 3/4" LG .....	2
19	11027G1		LOCK NUT, 5/16 - 18.....	2
20	26676G01		FLANGED BOLT .....	1
21				
22				
23	25972G85		6 GA WIRE (BLACK 23", F2 - SOL).....	1
24	605560		WIRE HARNESS (CONTROL).....	1
25	17618G1		WIRE TIE (NOT ILLUSTRATED ) .....	AR
26	73049G01		COVER FNR .....	1
27	16469G1		WASHER, 1/4".....	1
28	00114G6		SCREW, 1/4 - 14 X 3/4" LG.....	1
29				
30				
31	605563		ELECTRICAL PLATE ASSEMBLY (INCLUDES ITEMS 32 - 49) .....	1

# ELECTRICAL SYSTEM

When ordering parts, please specify the model and serial number of the product.

\* Indicates a component that is not available as an individual part.

\*\*\* Indicates consult Customer Service Department for additional information.

ITEM	PART NO.	1 2 3 4 5	DESCRIPTION	QTY.
32	73057G01		BRACKET.....	1
33	27739G01		VOLTAGE REGULATOR.....	1
34	00415G4		BOLT, 1/4 - 20 X 1 1/4" LG.....	1
35	11027G2		LOCK NUT, 1/4 - 20.....	1
36	25972G33		WIRE ASSEMBLY 6 GA.....	1
37	603282		RELAY.....	1
38	00661G08		BOLT, 1/4 - 20 X 1" LG.....	1
39	612813		SOLENOID.....	1
40	*		LOCK WASHER, #10.....	2
41	*		NUT, #10 - 32.....	2
42	*		LOCK WASHER, 5/16".....	2
43	*		NUT, 5/16 - 24.....	2
44				
45				
46	600418G01		FUSE HOLDER ASSEMBLY.....	1
47	11027G2		LOCK NUT, 1/4 - 20.....	1
48	73446G01		FASTON TAB, 90°.....	2
49	25978G56		18 GA WIRE (BLACK 5 3/4").....	1
50				
51	22674G1		FUSE BLOCK.....	1
52	01041G01		RIVET, 1/8" X 13/16" LG.....	2
53	18392G1		15 AMP FUSE.....	3
54	25972G33		#6 GA WIRE ASSEMBLY.....	1
55	20216G1		16 GA WIRE (RED).....	1
56				
57	32860G1		HORN.....	1
58	00414G5		BOLT, 1/4 - 20 x 5/8" LG.....	1
59	00559G7		WASHER, 1/4" (STAINLESS STEEL).....	1
60	14390G4		LOCK NUT, 1/4 - 20.....	1
61				
62	17318G1		HORN SWITCH.....	1

# ELECTRICAL SYSTEM

When ordering parts, please specify the model and serial number of the product.

\* Indicates a component that is not available as an individual part.

\*\*\* Indicates consult Customer Service Department for additional information.

ITEM	PART NO.	1 2 3 4 5	DESCRIPTION	QTY.
63	17318G2		HORN SWITCH CAP AND NUT .....	1
64	27068G01		HORN SWITCH BOOT.....	1
65	19233G1		HORN SWITCH LABEL.....	1
66	71055G01		RIVET, 3/16" X 1" LG (ALUMINUM) .....	2
67				
68				
69	22523G01		HEADLIGHT (INCLUDES ITEM 70).....	2
70	00906G6		SCREW, #10 - 16 X 1" LG .....	4
71	74337G01		JUMPER WIRE (HEADLIGHT) .....	2
72				
73				
74	20570G3		TURN SIGNAL LIGHT ASSEMBLY (INCLUDES ITEMS 75 - 80).....	2
75	20574G3		TURN SIGNAL LIGHT .....	1
76	00660G7		WASHER, 1/4" (STAINLESS STEEL).....	1
77	20606G1		WIRE ASSEMBLY.....	1
78	00567G7		LOCK WASHER, 1/4" .....	1
79	00532G1		NUT, 1/4 - 20.....	1
80	18995G1		PUSH-ON TERMINAL (MALE).....	1
81				
82				
83	20574G4		LENS, AMBER .....	1
84	00118G5		SCREW, #6 - 18 X 5/8" LG.....	4
85	74056G01		TURN SIGNAL JUMPER, RED/BLACK (PASSENGER SIDE) .....	1
86	74056G02		TURN SIGNAL JUMPER, GREEN/BLACK (DRIVER SIDE).....	1
87	32739G2		TAILLIGHT ASSEMBLY (COMPLETE) .....	2
88				
89				
90	606887		TURN SIGNAL KIT (INCLUDES ITEMS 91 - 95).....	1
91	17867G1		TURN SIGNAL (WITH MOUNTING HARDWARE) (INCLUDES ITEM 106)	1
92	21640G1		TURN SIGNAL FLASHER.....	1
93	32307G3		FLEX LOOM, 3/8 X 8" LG .....	1

# ELECTRICAL SYSTEM

When ordering parts, please specify the model and serial number of the product.

\* Indicates a component that is not available as an individual part.

\*\*\* Indicates consult Customer Service Department for additional information.

ITEM	PART NO.	1 2 3 4 5	DESCRIPTION	QTY.
94	17618G1		WIRE TIE.....	2
95	20965G3		STEERING COLUMN COVER.....	1
96				
97				
98	606045		WIRE HARNESS (ACCESSORY) .....	1
99	33639G01		IGNITION SWITCH (WITH LIGHTS, INDIVIDUALLY KEYED).....	1
100	00568G6		LOCK WASHER, 3/4" .....	1
101	17137G1		FACE NUT, 3/4 - 20.....	1
102	17063G1		IGNITION KEY .....	1
103	605639		WIRE HARNESS (KEY SWITCH).....	1
104				
105				
106	73030G04		PLATE (FUEL GAUGE AND OIL LIGHT) .....	1
107	71131G01		LABEL (OIL LIGHT AND FUEL GAUGE WITH HEADLIGHTS) .....	1
108	21553G1		FUEL GAUGE .....	1
109	23474G1		INDICATOR LIGHT .....	1
110	74311G01		HARNESS (OIL LIGHT/FUEL GAUGE).....	1
111	25978G122		18 GA WIRE (RED 6") .....	1
112				
113				
114	33623G02		DRIVE RIVET, 3/16" X 3/8" LG .....	2
115	74693G01		CONSOLE INSERT ASSEMBLY (INCLUDES ITEMS 116 - 119).....	1
116	73522G03		CONSOLE INSERT PLATE.....	1
117	35966G03		LABEL (CONSOLE INSERT PLATE) .....	1
118	71078G01		POWER OUTLET (12 VOLT) .....	1
119	14601G10		RIVET, 3/16" X 7/16" LG (ALUMINUM) .....	2
120	33623G02		DRIVE RIVET, 3/16" X 3/8" LG .....	3
121	71081G01		WIRE HARNESS (POWER OUTLET) .....	1
122				
123				
124	607285		HOUR METER KIT (INCLUDES ITEMS 125 - 127).....	1

# ELECTRICAL SYSTEM

When ordering parts, please specify the model and serial number of the product.

\* Indicates a component that is not available as an individual part.

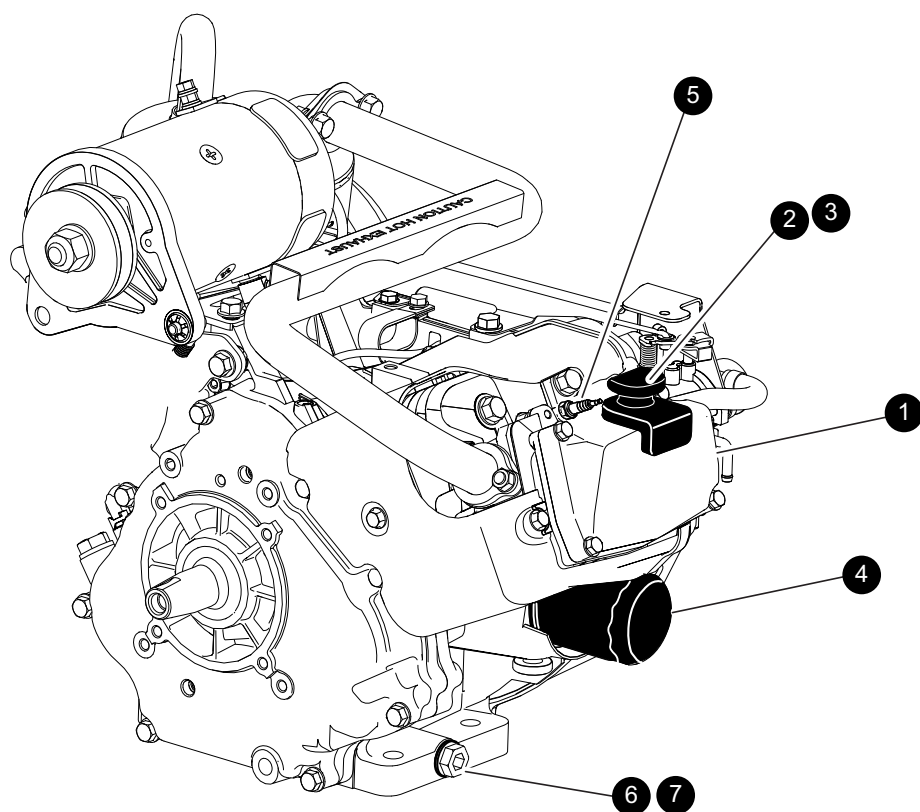
\*\*\* Indicates consult Customer Service Department for additional information.

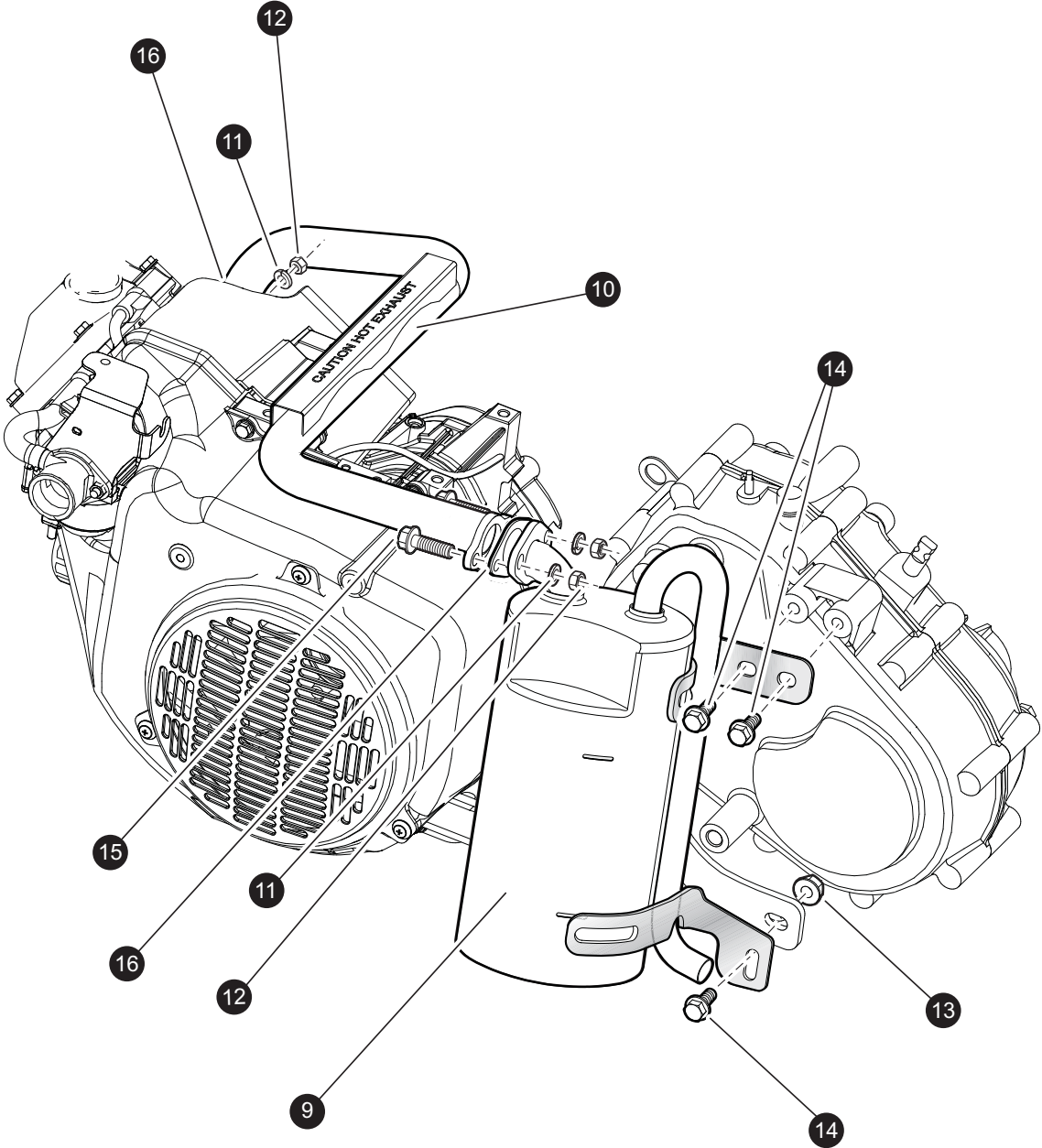
ITEM	PART NO.	1	2	3	4	5	DESCRIPTION	QTY.
125	617074						HOUR METER.....	1
126	603721						HOUR METER BRACKET.....	1
127	606254						WIRE HARNESS (HOUR METER).....	1





# ENGINE AND MUFFLER





# ENGINE AND MUFFLER

When ordering parts, please specify the model and serial number of the product.

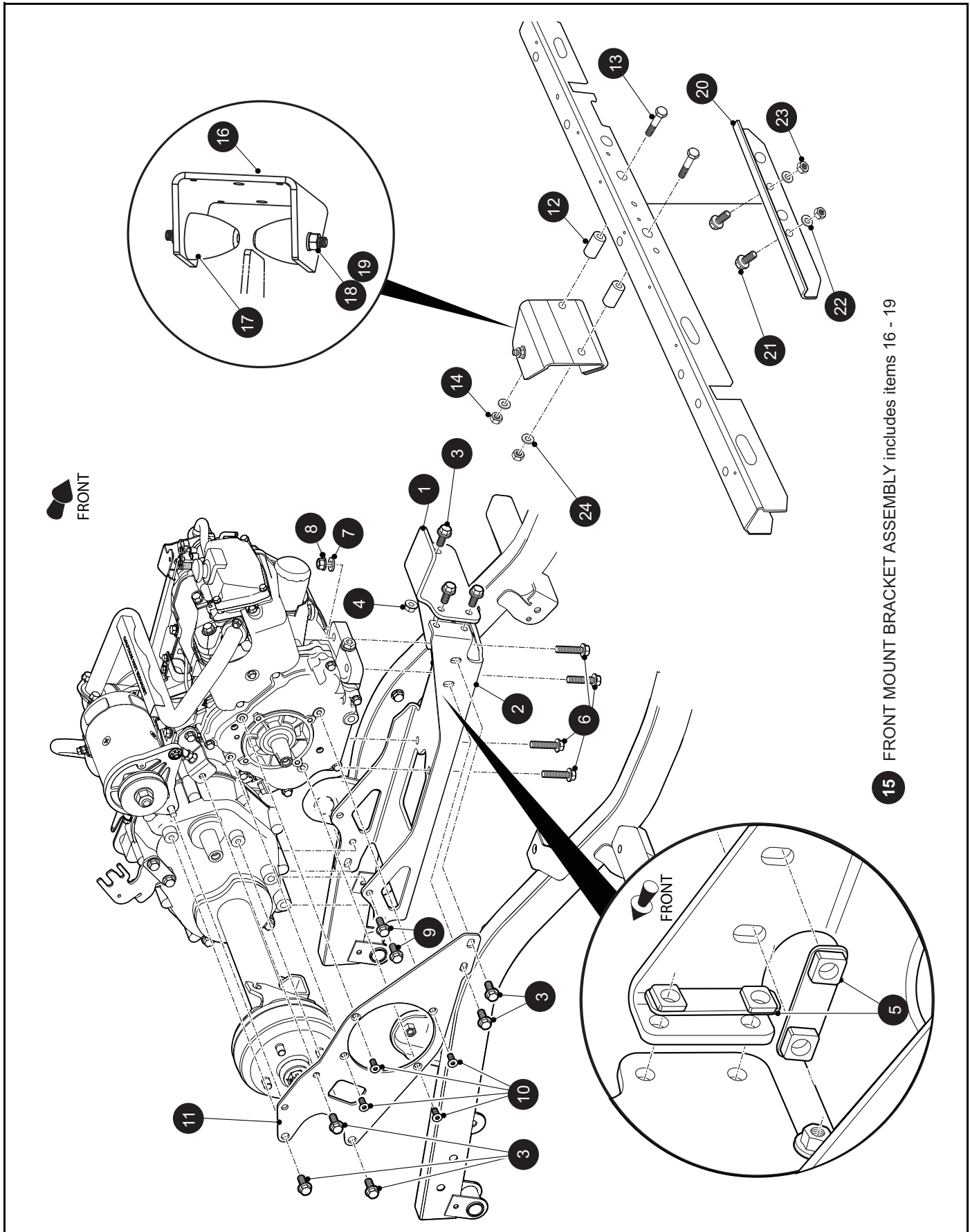
\* Indicates a component that is not available as an individual part.

\*\*\* Indicates consult Customer Service Department for additional information.

ITEM	PART NO.	1 2 3 4 5	DESCRIPTION	QTY.
1	607154		ENGINE, GAS, 13HP, NON-GOLF .....	1
2	606390		DIP STICK, LOW .....	1
3				
4	607454		OIL FILTER .....	1
5	607462		SPARK PLUG (BPR2ES).....	1
6	603557		OIL DRAIN PLUG .....	1
7	603562		'O' RING, 16MM .....	1
8				
9	612266		MUFFLER.....	1
10	606982		EXHAUST PIPE .....	1
11	606272		WASHER, 8MM .....	4
12	606267		NUT, M8 X 1.25 .....	4
13	606279		NUT, M10 - 1.25 .....	1
14	606256		BOLT, M10 - 1.25 X 25 .....	3
15	602330		BOLT, M8 - 1.25 X 30 .....	2
16	603599		EXHAUST GASKET .....	2



# ENGINE MOUNTING



# ENGINE MOUNTING

When ordering parts, please specify the model and serial number of the product.

\* Indicates a component that is not available as an individual part.

\*\*\* Indicates consult Customer Service Department for additional information.

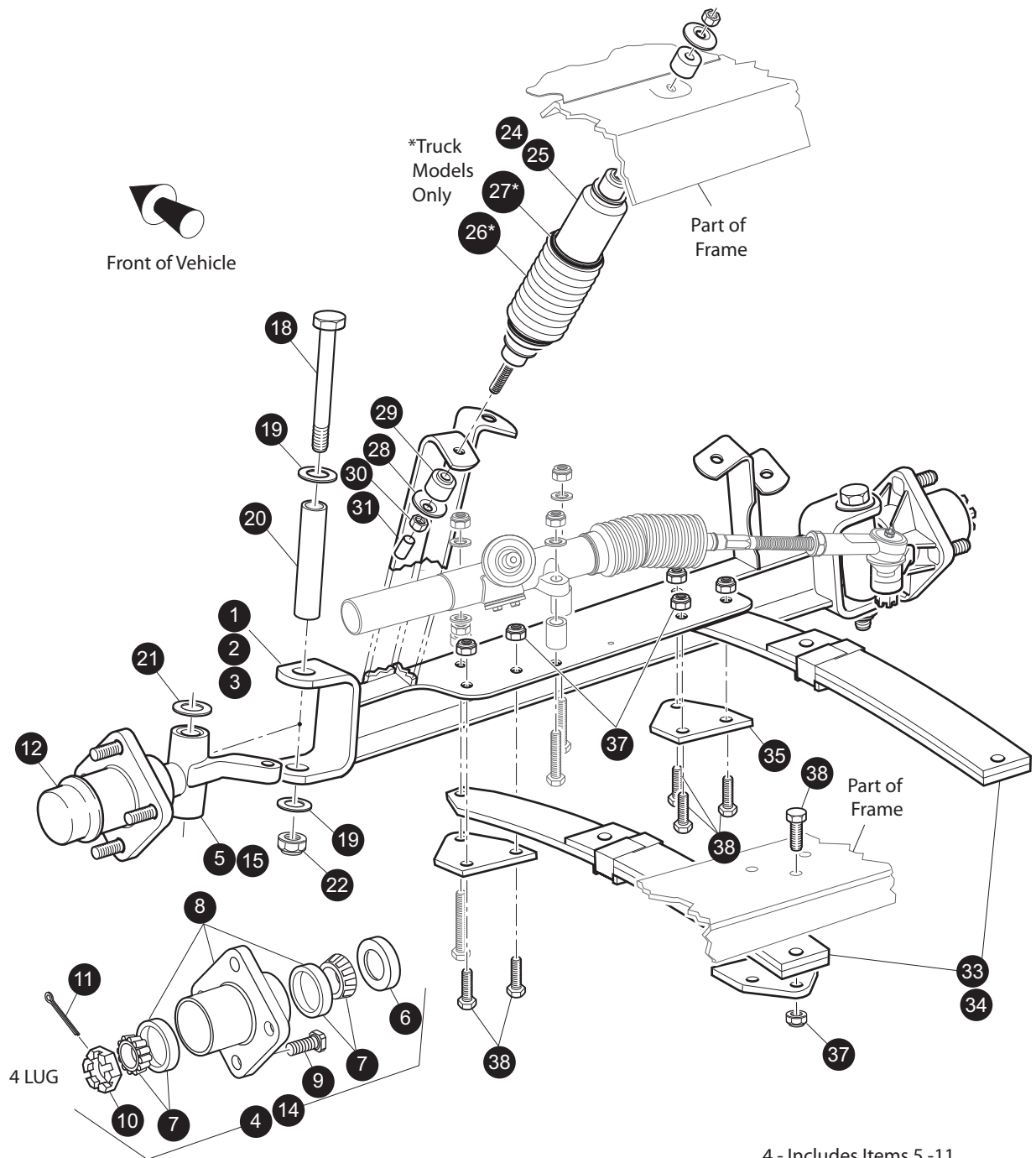
ITEM	PART NO.	1 2 3 4 5	DESCRIPTION	QTY.
1	606007		FRONT ENGINE MOUNT .....	1
2	603101		ENGINE PAN MOUNT .....	1
3	606256		BOLT, M10 - 1.25 X 25 .....	8
4	606279		NUT, M10 - 1.25 .....	1
5	606096		NUT PLATE .....	2
6	606259		BOLT, M10 - 1.25 X 45 .....	4
7	603823		FLAT WASHER, M10 X 22 - 2.5 .....	4
8	606279		NUT, M10 - 1.25 .....	4
9	608020		BOLT, M10 - 1.25 X 34 .....	4
10	606246		FLAT HEAD SCREW, T40 .....	4
11	602146		DIFFERENTIAL PLATE .....	1
12	72016G01		TUBE SPACER .....	2
13	00428G8		HEX HEAD 3/8 - 16, UNC X 2.75 .....	2
14	11098G5		PLASTIC INSERT LOCK NUT 3/8 - 16 .....	2
15	627627		FRONT MOUNT BRACKET ASSEMBLY (INCLUDES ITEMS 16 - 19) .....	1
16	625345		FRONT MOUNT BRACKET .....	1
17	605757		RUBBER BUMPER .....	2
18	00974G01		HEX - NUT .....	2
19	608654		SPLIT LOCK WASHER, 10MM .....	2
20	70269G02		CROSSMEMBER BRACE .....	1
21	00438G7		SCREW, CAP HEX HEAD 5/16 - 18 UNC .....	2
22	00559G8		FLAT WASHER, 5/16 .....	2
23	01109G01		PLASTIC INSERT LOCK NUT .....	2
24	00643G1		FLAT WASHER .....	2







# FRONT SUSPENSION/STEERING

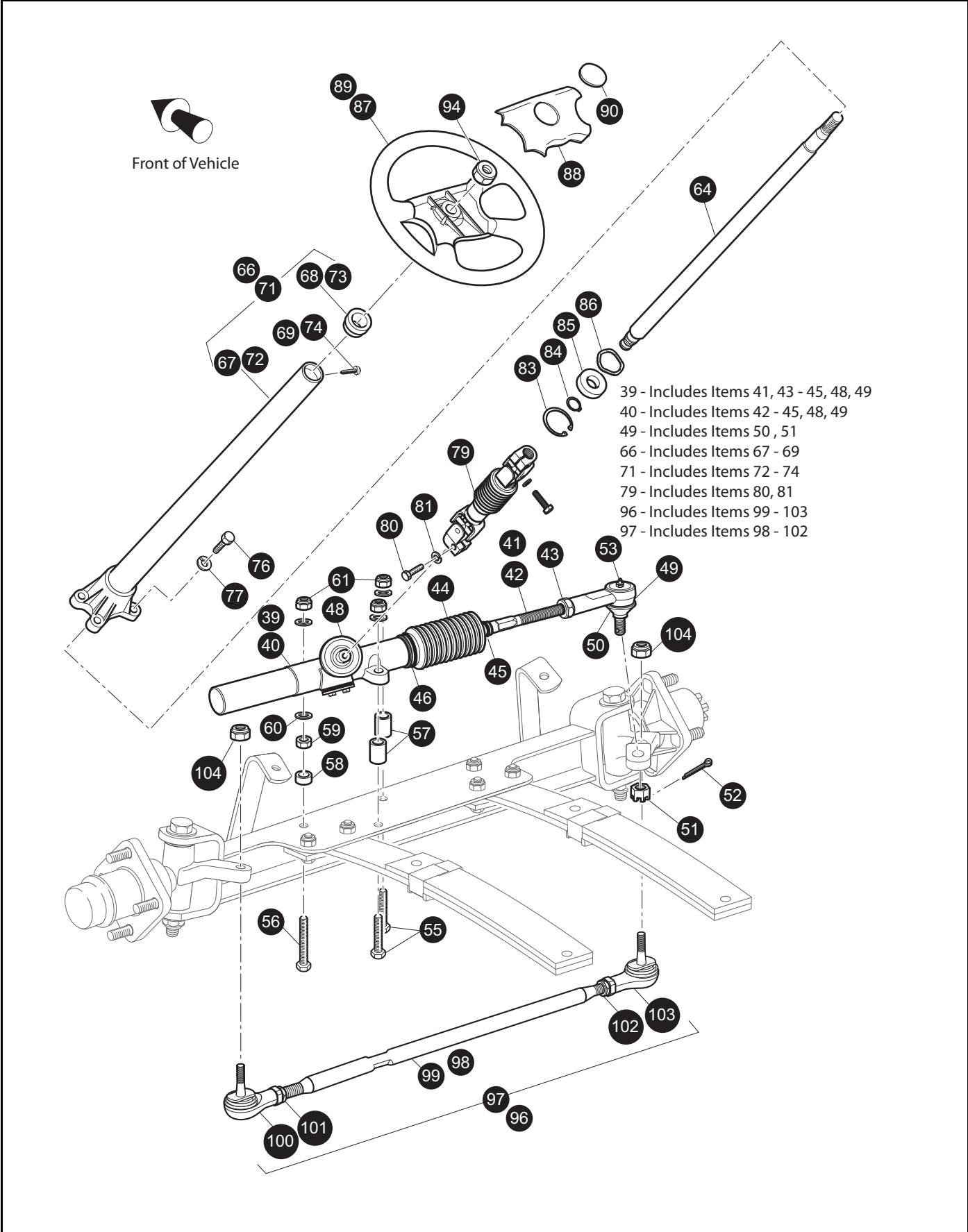


\*NOTE: For Vehicles with Front Disc Brakes see page E-3

4 - Includes Items 5 - 11  
 8 - Includes Item 9  
 14 - Includes Items 5 - 10, 15

\*NOTE: Tie Rod Not Shown for Clarity

# FRONT SUSPENSION/STEERING



# FRONT SUSPENSION/STEERING

When ordering parts, please specify the model and serial number of the product.

\* Indicates a component that is not available as an individual part.

\*\*\* Indicates consult Customer Service Department for additional information.

ITEM	PART NO.	1 2 3 4 5	DESCRIPTION	QTY.
1	602512		FRONT AXLE .....	1
2	602513		FRONT AXLE .....	1
3	602327		FRONT AXLE .....	1
4	70942G03		SPINDLE AND HUB ASSEMBLY, 4 LUG (PASSENGER SIDE) (INCLUDES ITEMS 5 - 11) .....	1
5	70942G04		SPINDLE ASSEMBLY (PASSENGER SIDE).....	1
6	25146G1		GREASE SEAL.....	1
7	50892G1		ROLLER BEARING AND RACE ASSEMBLY.....	2
8	70895G01		WHEEL HUB ASSEMBLY WITH RACES, 4 LUG (INCLUDES ITEM 8) ..	1
9	19862-G1		LUG BOLT, 1/2 - 20 X 1 7/32" LG .....	4
10	12093G1		SLOTTED NUT, 1 - 14 .....	1
11	00798G8		COTTER PIN, 5/32" X 1 3/4" LG.....	1
12	12091G2		SPINDLE CAP.....	2
13				
14	70673G03		SPINDLE AND HUB ASSEMBLY, 4 LUG (DRIVER SIDE) (INCLUDES ITEMS 6 - 11, 15) .....	1
15	70673G04		SPINDLE ASSEMBLY (DRIVER SIDE) .....	1
16				
17				
18	00407G6		BOLT, 1/2 - 13 X 6" LG .....	2
19	00560G3		WASHER, 1/2".....	4
20	70745G01		KING PIN TUBE .....	2
21	70754G01		THRUST WASHER (STAINLESS STEEL) .....	2
22	14390G6		LOCK NUT, 1/2 - 13.....	2
23				
24	76418G01		SHOCK ABSORBER.....	2
25	76419G01		SHOCK ABSORBER.....	2
26	70509G01		SHOCK ABSORBER BOOT.....	2
27	31539G1		WIRE TIE.....	4
28	10435G1		SHOCK ABSORBER WASHER .....	8
29	10194G1		RUBBER SHOCK ABSORBER BUSHING .....	8
30	00532G6		NUT, 3/8 - 24 .....	4

# FRONT SUSPENSION/STEERING

When ordering parts, please specify the model and serial number of the product.

\* Indicates a component that is not available as an individual part.

\*\*\* Indicates consult Customer Service Department for additional information.

ITEM	PART NO.	1 2 3 4 5	DESCRIPTION	QTY.
31	10044G01		VINYL CAP .....	2
32				
33	70989G03		LEAF SPRING (HEAVY DUTY) .....	2
34	70664G03		LEAF SPRING (HEAVY DUTY) (SEE PART NUMBER ON SPRING).....	2
35	70163G03		SPRING PLATE .....	4
36				
37	00734G1		LOCK NUT, 7/16 - 14 .....	9
38	00463G11		BOLT, 7/16 - 14 X 1 3/4" LG.....	11
39	70964G02		RACK AND PINION UNIT (COMPLETE) ..... (INCLUDES ITEMS 41-43, 45-47, 49-50)	1
40	74605G01		RACK AND PINION UNIT (COMPLETE) ..... (INCLUDES ITEMS 41-42, 44-47, 49-54)	1
41	70965-G01		STEERING RACK & COVER BEARING .....	1
42	*		STEERING BOX INSTALLATION TAG .....	1
43	70694G01		RACK EXTENSION.....	1
44	74602G01		RACK EXTENSION.....	1
45	*		JAM NUT, 1/2 - 20 .....	1
46	70675G01		RACK BOOT .....	1
47	12416G2		WIRE TIE.....	1
48	11391G8		HOSE CLAMP.....	1
49	70638G01		PINION SEAL .....	1
50	70695G01		RACK BALL JOINT (INCLUDES ITEMS 51 & 52) .....	1
51	50641G1		RUBBER BOOT .....	1
52	50209G2		SLOTTED NUT, 7/16 - 20 .....	1
53	10387G2		COTTER PIN, 3/32" X 1" LG .....	1
54	10389G3		GREASE FITTING, STRAIGHT .....	1
55	00464G6		BOLT, 7/16 - 14 X 2 3/4" LG.....	2
56	01068G01		BOLT, 7/16 - 14 X 3 1/2" LG.....	1
57	70667G02		SPACER.....	2
58	70667G03		SPACER (SHORT).....	1
59	00532G7		NUT, 7/16 - 14.....	1
60	00560G2		FLAT WASHER, 7/16".....	7

# FRONT SUSPENSION/STEERING

When ordering parts, please specify the model and serial number of the product.

\* Indicates a component that is not available as an individual part.

\*\*\* Indicates consult Customer Service Department for additional information.

ITEM	PART NO.	1 2 3 4 5	DESCRIPTION	QTY.
61	00734G1		LOCK NUT, 7/16 - 14.....	3
62				
63				
64	70607G01		STEERING SHAFT .....	1
65				
66	70758G06		STEERING COLUMN KIT (INCLUDES ITEMS 67 - 69) .....	1
67	70610G03		STEERING COLUMN .....	1
68	28569G01		STEERING COLUMN BUSHING.....	1
69	01022G01		SCREW, #6 - 20 X 5/16" LG .....	1
70				
71	70758G08		STEERING COLUMN KIT (HORN) (INCLUDES ITEMS 72 - 74) .....	1
72	70610G04		STEERING COLUMN .....	1
73	28569G01		STEERING COLUMN BUSHING.....	1
74	01022G01		SCREW, #6 - 20 X 5/16" LG .....	1
75				
76	01006G01		BOLT, 3/8 - 16 X 1 1/4" LG WITH PATCHLOCK.....	4
77	00879G1		WASHER, 3/8".....	4
78				
79	70580G01		INTERMEDIATE SHAFT (INCLUDES ITEMS 80, 81).....	1
80	01055G01		BOLT, M8 X 1 1/4" LG .....	2
81	00565G8		LOCK WASHER, 5/16" .....	2
82				
83	70751G01		RETAINING RING (INTERNAL) .....	1
84	70888G01		RETAINING RING (EXTERNAL).....	1
85	15112G1		BALL BEARING.....	1
86	70887G01		WAVE WASHER.....	1
87	602980		STEERING WHEEL PREMIUM (OPTIONAL).....	1
88	71147G01		STEERING WHEEL COVER.....	1
89	602979		STEERING WHEEL .....	1
90	74954G01		LABEL (CUSHMAN).....	1
91				

# FRONT SUSPENSION/STEERING

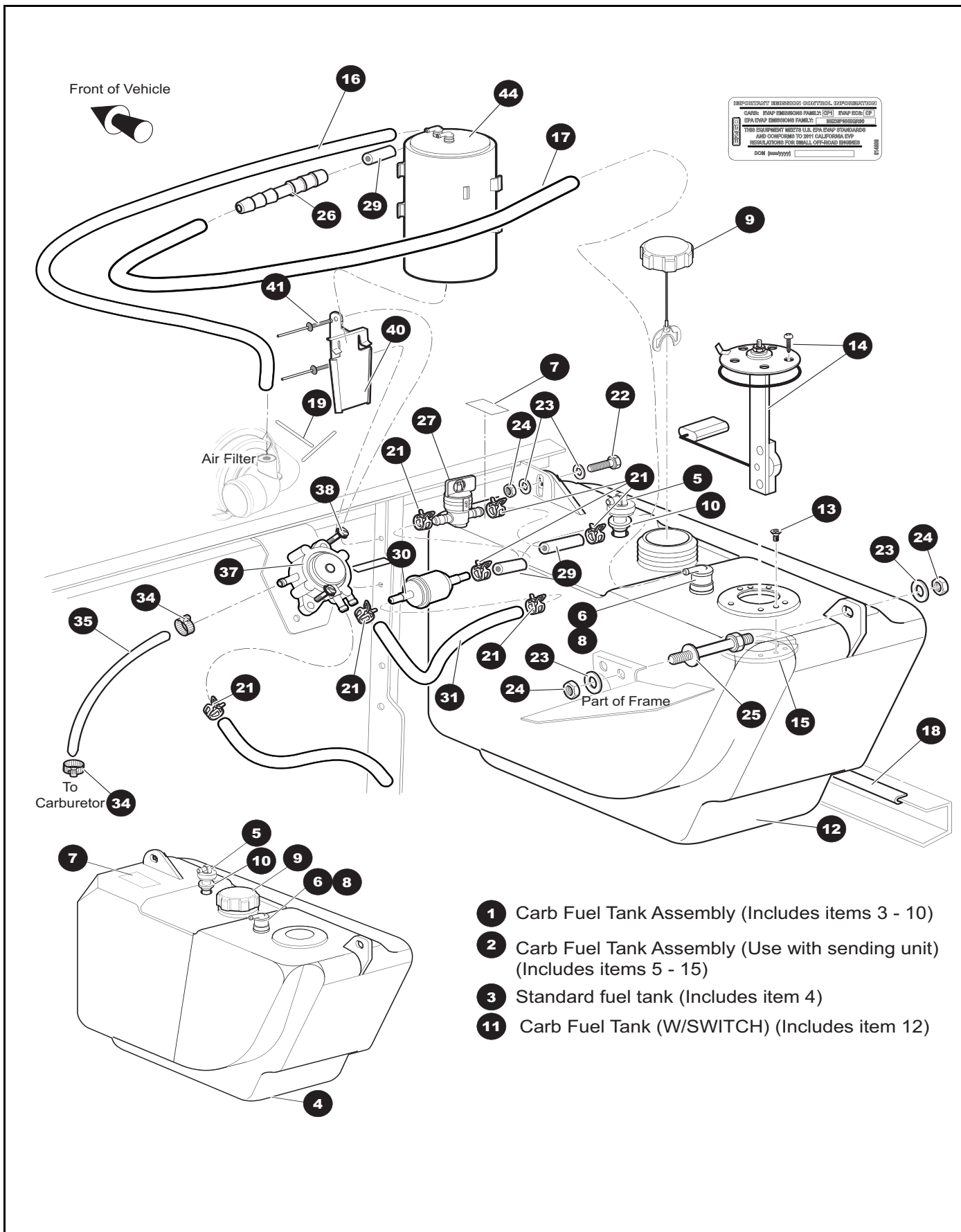
When ordering parts, please specify the model and serial number of the product.

\* Indicates a component that is not available as an individual part.

\*\*\* Indicates consult Customer Service Department for additional information.

ITEM	PART NO.	1 2 3 4 5	DESCRIPTION	QTY.
92				
93				
94	14390G2		LOCK NUT, 5/8 - 18 .....	1
95				
96	74604G01		TIE ROD ASSEMBLY (INCLUDES ITEMS 99 - 103).....	1
97	70876G02		TIE ROD ASSEMBLY (INCLUDES ITEMS 98 - 102).....	1
98	70897G02		THREADED ROD (24" LG) .....	1
99	70902G01		TIE ROD END (LEFT HAND THREADS).....	1
100	01069G01		JAM NUT, M12 X 1.25-05 (LEFT HAND THREADS) .....	1
101	70902G02		TIE ROD END (RIGHT HAND THREADS) .....	1
102	01069G02		JAM NUT, M12 X 1.25-05 (RIGHT HAND THREADS).....	1
103	74603G01		THREADED ROD (27" LG) .....	1
104	00734G1		LOCK NUT, 7/16 - 14 .....	2

# FUEL SYSTEM





# FUEL SYSTEM

When ordering parts, please specify the model and serial number of the product.

\* Indicates a component that is not available as an individual part.

\*\*\* Indicates consult Customer Service Department for additional information.

ITEM	PART NO.	1 2 3 4 5	DESCRIPTION	QTY.
1	620180		CARB FUEL TANK ASSEMBLY (Includes items 3 - 10) .....	1
2	620181		CARB FUEL TANK ASSEMBLY (Use with sending unit) (Includes items 5 - 15)	1
3	620179		STANDARD FUEL TANK (CARB III) (Includes item 4).....	1
4	618668		FUEL TANK, W/O SENDER UNIT .....	1
5	18287G3		SIPHON TUBE ASSEMBLY .....	1
6	606068		ROLLOVER VALVE GROMMET .....	1
7	617886		EPA FUEL TANK LABEL .....	1
8	606067		ROLLOVER VALVE .....	1
9	617885		FUEL TANK CAP (RATCHET).....	1
10	70988G01		SIPHON TUBE GROMMET .....	1
11	607479		CARB FUEL TANK, FLOUR (W/SWITCH) (Includes item 12) .....	1
12	618669		FUEL TANK, W/ SENDER UNIT .....	1
13	72230G01		FLAT HEAD MACHINE SCREW .....	2
14	20048G2		FUEL LEVEL SENDER .....	1
15	72229G01		FUEL TANK ADAPTER .....	1
16	606966		LOW PRESSURE FUEL HOSE, 3/16 I.D. X 3/8 O.D. X 34.00 LONG (CARB)	1
17	607546		LOW PRESSURE FUEL HOSE, 3/16 I.D. X 3/8 O.D. X 17.00 LONG (CARB)	1
18	32372G6		BLACK TRIM, 6.25 LONG .....	1
19	17618G1		NYLON CLAMP .....	2
20				
21	18292G1		HOSE CLAMP,.50 DIAMETER .....	7
22	00438G8		HEX HEAD BOLT, 5/16 - 18 X 1 .....	1
23	00559G8		FLAT WASHER, 5/16 .....	4
24	11098G6		LOCK NUT, 5/16 - 18 .....	3
25	70483G01		SPACER BOLT, 5/16 - 18.....	1
26	615346		HOSE REDUCER-ID 1/4 X 3/16.....	1
27	611181		FUEL SHUT-OFF VALVE .....	1
28				
29	615350		FUEL SYSTEM HOSE 2.00" .....	3
30	72084G01		FUEL LINE FILTER.....	1
31	606969		FUEL SYSTEM HOSE,.25 I.D. X.50 O.D. X 8.00 LONG .....	1

# FUEL SYSTEM

When ordering parts, please specify the model and serial number of the product.

\* Indicates a component that is not available as an individual part.

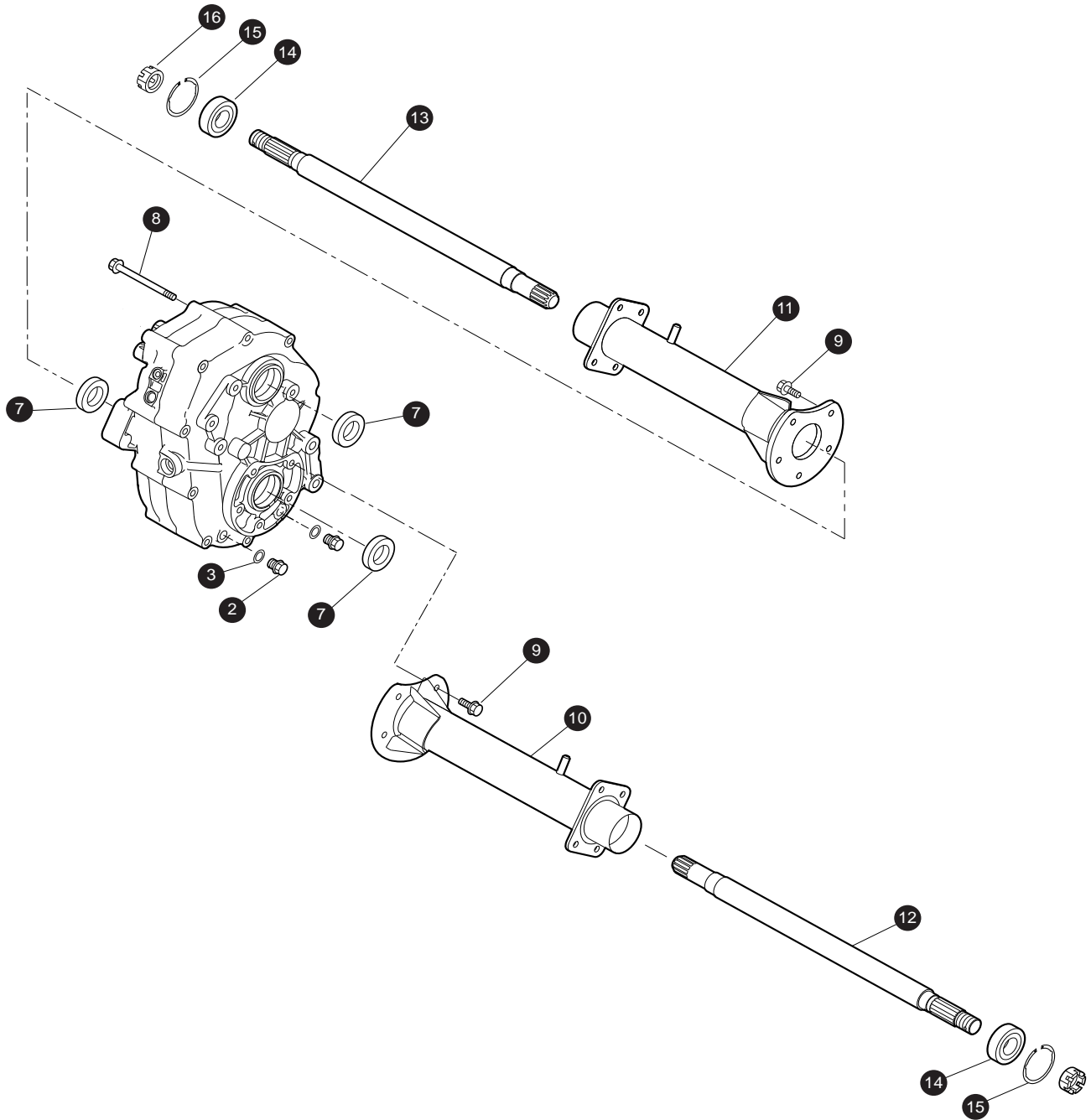
\*\*\* Indicates consult Customer Service Department for additional information.

ITEM	PART NO.	1 2 3 4 5	DESCRIPTION	QTY.
32				
33				
34	11391G4		HOSE CLAMP, .25 - .63 DIA .....	2
35	604597		CARB FUEL SYSTEM HOSE,.25 I.D. X.50 O.D. X 26.00 LONG .....	1
36				
37	602061		FUEL PUMP .....	1
38	00114G6		HEX WASHER HEAD SLOTTED TAPPING SCREW, 1/4 - 14 X .75.....	2
39				
40	606310		CARBON CANISTER MOUNTING BRACKET (CARB ONLY).....	1
41	10570G11		RIVET, 3/16 DIA X .70 (CARB ONLY) .....	2
42				
43				
44	606071		CARBON CANISTER (CARB ONLY) .....	1



# REAR AXLE

1 - Includes Items 2 - 16



# REAR AXLE

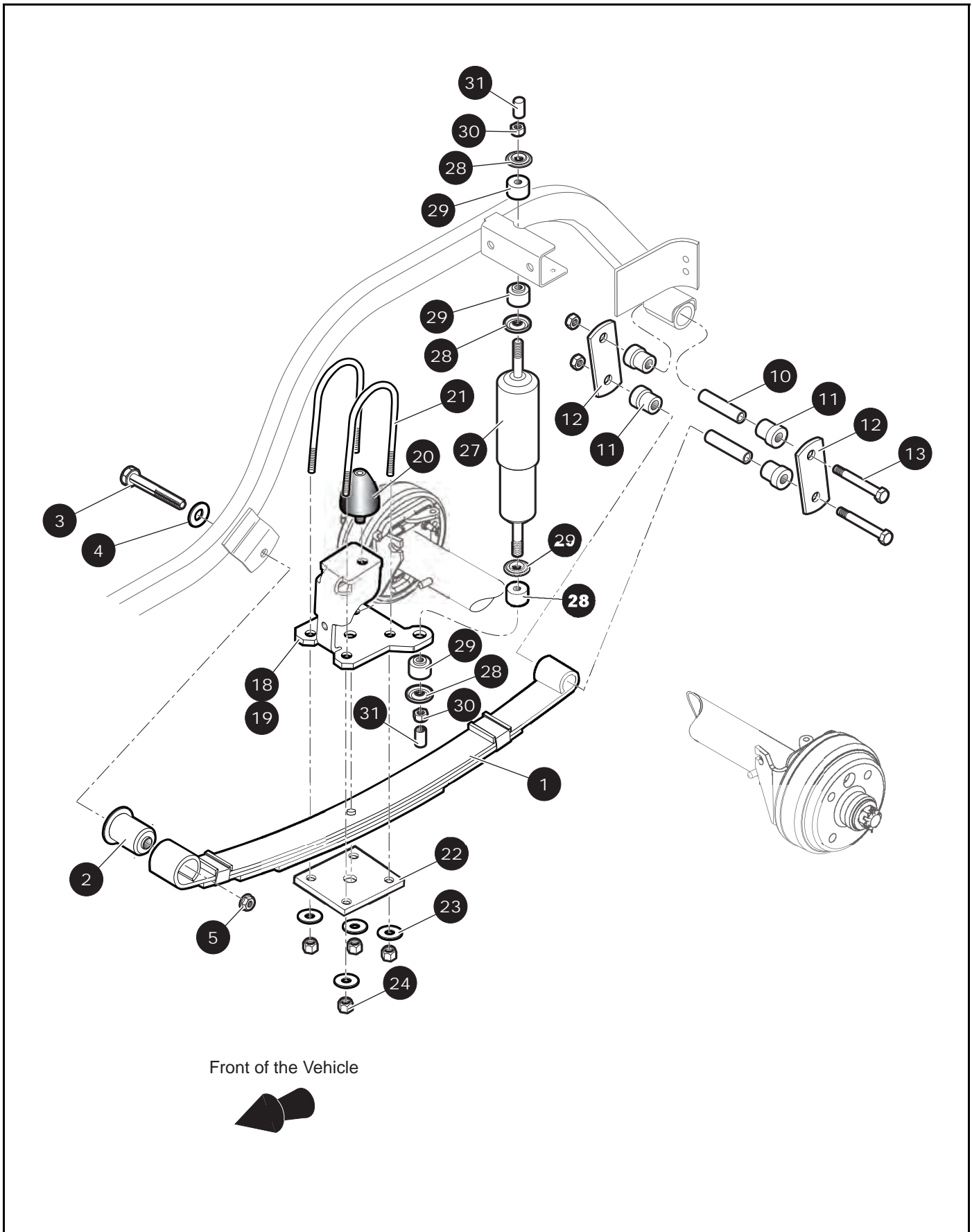
When ordering parts, please specify the model and serial number of the product.

\* Indicates a component that is not available as an individual part.

\*\*\* Indicates consult Customer Service Department for additional information.

ITEM	PART NO.	1 2 3 4 5	DESCRIPTION	QTY.
1	605891		REAR AXLE .....	1
2	26770G01		OIL DRAIN PLUG .....	2
3	26771G01		GASKET .....	2
4				
5				
6				
7	72259G01		OIL SEAL 28 X 47 X 9 .....	3
8	26823G01		FLANGE BOLT M8 X 1.25 X 100 .....	10
9	72260G01		FLANGE BOLT M10 X 1.5 X 23 .....	10
10	607940		AXLE TUBE (PASSENGER SIDE) .....	1
11	607939		AXLE TUBE (DRIVER SIDE) .....	1
12	607988		AXLE SHAFT (PASSENGER SIDE) .....	1
13	607987		AXLE SHAFT (DRIVER SIDE) .....	1
14	26811G01		BALL BEARING .....	2
15	26814G01		SNAP RING .....	2
16	606403		SLOTTED NUT .....	2

# REAR SUSPENSION



# REAR SUSPENSION

When ordering parts, please specify the model and serial number of the product.

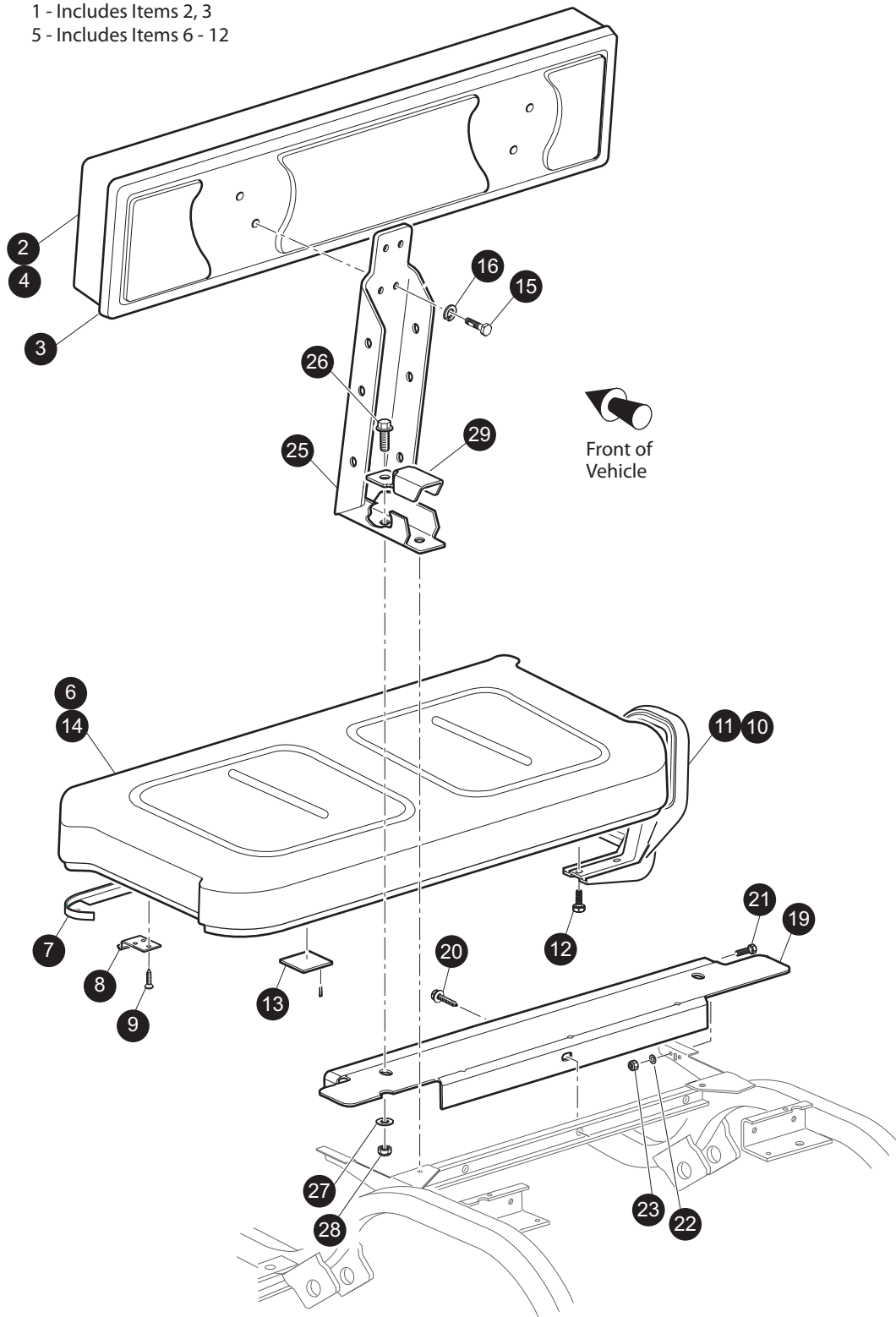
\* Indicates a component that is not available as an individual part.

\*\*\* Indicates consult Customer Service Department for additional information.

ITEM	PART NO.	1 2 3 4 5	DESCRIPTION	QTY.
1	605722		HEAVY DUTY LEAF SPRING.....	2
2	605445		LEAF SPRING BUSHING, FRONT.....	2
3	00665G9		HEX HEAD BOLT, SS 3/8 - 16 X 3.5 LG.....	2
4	00643G1		FLAT WASHER, .411 I.D. X 1.00 O.D. X .06.....	2
5	12262G1		FLANGED LOCK NUT, 3/8 - 16.....	2
6				
7				
8				
9				
10	70289G02		SPLIT STEEL SPACER.....	4
11	70291G01		FLANGED URETHANE BUSHING.....	8
12	70290G02		SHACKLE PLATE.....	4
13	00665G9		HEX HEAD BOLT, SS 3/8 - 16 X 3.5 LG.....	4
14	11098G5		LOCK NUT, 3/8 - 16.....	4
15				
16				
17				
18	605952		AXLE BRACKET, DRIVER SIDE.....	1
19	605959		AXLE BRACKET, PASSTENGER SIDE.....	1
20	70492G01		RUBBER BUMPER.....	2
21	32195G3		U-BOLT.....	4
22	605956		REAR SUSPENSION PLATE.....	2
23	00643G1		FLAT WASHER, .411 I.D. X 1.00 O.D. X .06.....	8
24	11098G5		LOCK NUT, 3/8 - 16.....	8
25				
26				
27	70248G01		SHOCK ABSORBER.....	2
28	10435G1		SHOCK ABSORBER WASHER.....	8
29	10194G1		RUBBER SHOCK BUSHING.....	8
30	00532G6		HEX NUT, 3/8 - 24.....	4
31	10044G01		VINYL CAP.....	4

# SEATING

1 - Includes Items 2, 3  
5 - Includes Items 6 - 12





When ordering parts, please specify the model and serial number of the product.

\* Indicates a component that is not available as an individual part.

\*\*\* Indicates consult Customer Service Department for additional information.

ITEM	PART NO.	1 2 3 4 5	DESCRIPTION	QTY.
1	71274G**		SEAT BACK ASSEMBLY (INCLUDES ITEMS 2, 3) .....	1
2	18144G**		VINYL SEAT BACK COVER .....	1
3	74889G01		PLASTIC SEAT BACK COVER (BLACK) .....	1
4	604916G**		TWO TONE VINYL SEAT BACK .....	1
5	71611G**		SEAT BOTTOM ASSEMBLY (INCLUDES ITEMS 6 - 12).....	1
6	71602G**		VINYL SEAT BOTTOM COVER .....	1
7	71012G01		VINYL TRIM (SEAT BOTTOM).....	1
8	71610G01		SEAT HINGE .....	2
9	00720G08		SCREW, #12 - 14 X 1" LG.....	6
10	71701G01		HIP RESTRAINT (PASSENGER SIDE) .....	1
11	71702G01		HIP RESTRAINT (DRIVER SIDE).....	1
12	71204G01		BOLT, 1/4 - 20 X 7/8" LG .....	8
13	17074G1		RUBBER PAD .....	2
14	604912G**		TWO TONE VINYL SEAT BOTTOM.....	1
15	605056		SCREW, HEX HEAD 1/4 - 20 X 1" .....	4
16	00664G7		LOCK WASHER, 1/4" (STAINLESS STEEL) .....	4
17				
18				
19	71262G03		SEAT BACK SUPPORT .....	1
20	00715G2		BOLT, 5/16 - 18 X 13/16" LG.....	1
21	00438G8		BOLT, 5/16 - 18 X 1" LG.....	2
22	00642G8		WASHER, 5/16" .....	2
23	11098G6		LOCK NUT, 5/16 - 18 .....	2
24				
25	624486		SEAT BACK SUPPORT BRACKET .....	2
26	01006G1		BOLT, 3/8 - 16 X 1 1/4" LG.....	4
27	00560G1		WASHER, 3/8" .....	2
28	11098G5		LOCK NUT, 3/8 - 16 .....	2
29	74947G01		BED BUMPER BRACKET .....	2
30				





# STARTER / GENERATOR

When ordering parts, please specify the model and serial number of the product.

\* Indicates a component that is not available as an individual part.

\*\*\* Indicates consult Customer Service Department for additional information.

ITEM	PART NO.	1 2 3 4 5	DESCRIPTION	QTY.
1	625715		STARTER / GENERATOR (INCLUDES 2 - 18).....	1
2	612029		NUT.....	1
3	612030		LOCKWASHER.....	1
4	625716		PULLEY .....	1
5	612032		FRONT COVER.....	1
6	612033		BEARING .....	1
7	612034		RETAINING RING.....	1
8	612035		KEY .....	1
9	612036		ARMATURE ASSEMBLY .....	1
10	612037		FRAME & FIELD ASSEMBLY .....	1
11	612038		BRUSH LEAD & TERMINAL PKG.....	1
12	612039		BRUSH SPRING.....	4
13	612040		BRUSH BOX ASSEMBLY.....	1
14	612041		BRUSH 1 COVER.....	3
15	612042		BRUSH 2 COVER.....	2
16	612043		WAVY WASHER .....	1
17	612044		BEARING.....	1
18	612045		REAR COVER .....	1
19				
20				
21				
22	606235		BOLT, HXFL SHLDR - M10 - 1.25 X 20.....	2
23	606279		NUT, M10 - 1.25 .....	2
24	606261		BOLT, M8 - 1.25 X 20 .....	3
25	602141		STARTER / GENERATOR BRACKET.....	1
26	602145		TENSIONER BRACKET.....	1
27	606261		BOLT, M8 - 1.25 X 20 .....	1
28	606256		BOLT, M10 - 1.25 X 25 .....	9
29	606255		NUT, M10 - 1.25 .....	1
30	606274		NUT, M10 - 1.25 .....	1
31	16548G1		STARTER / GENERATOR BELT .....	1

# STARTER / GENERATOR

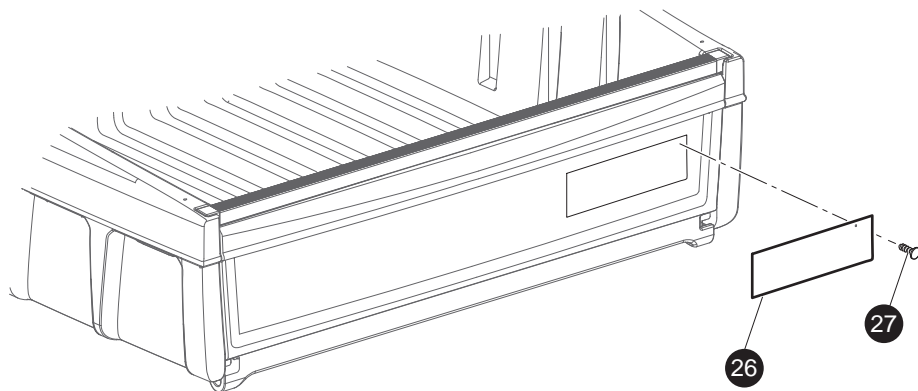
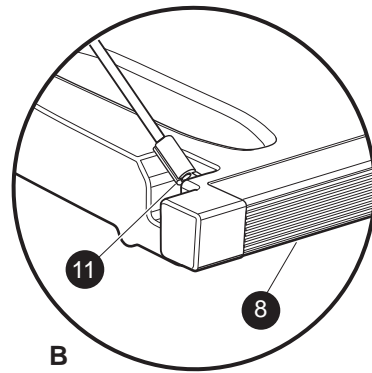
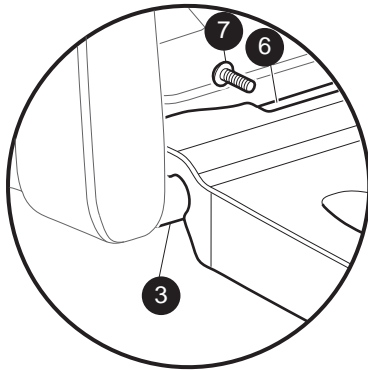
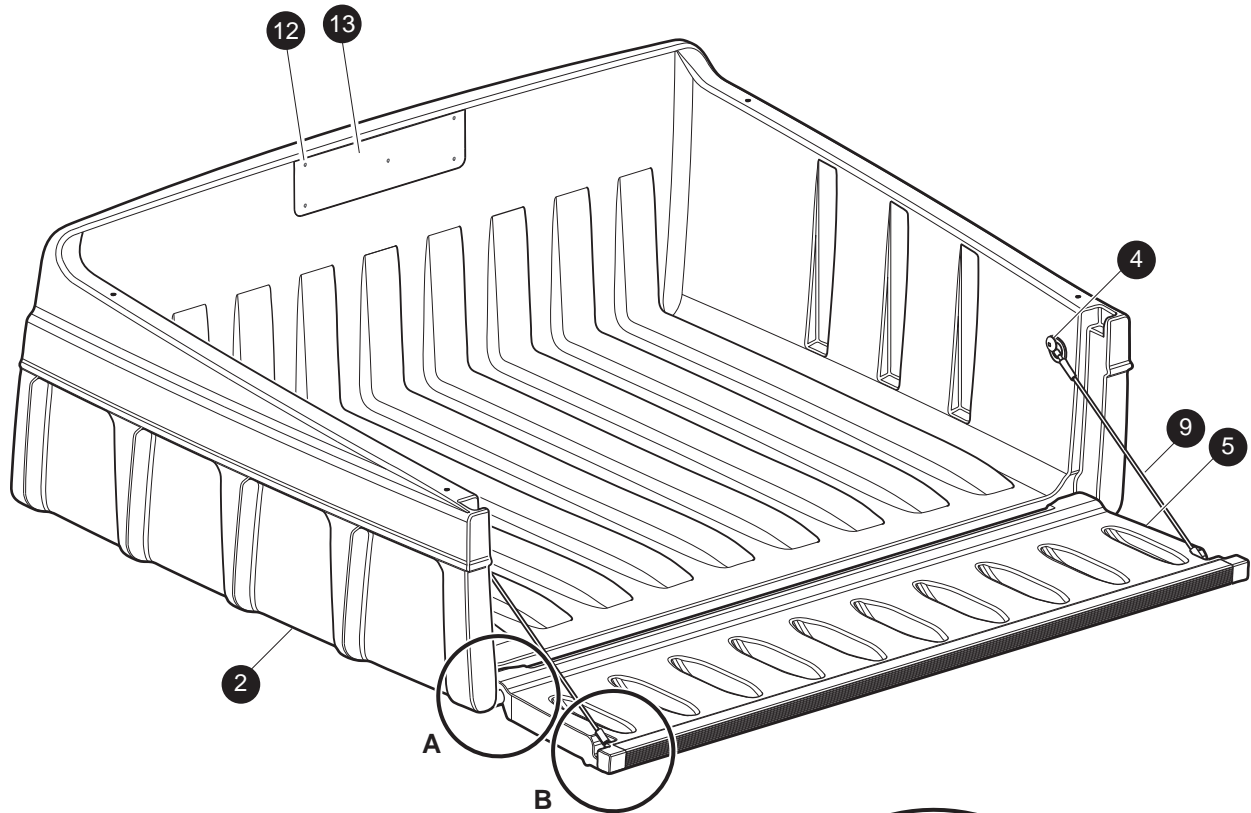
When ordering parts, please specify the model and serial number of the product.

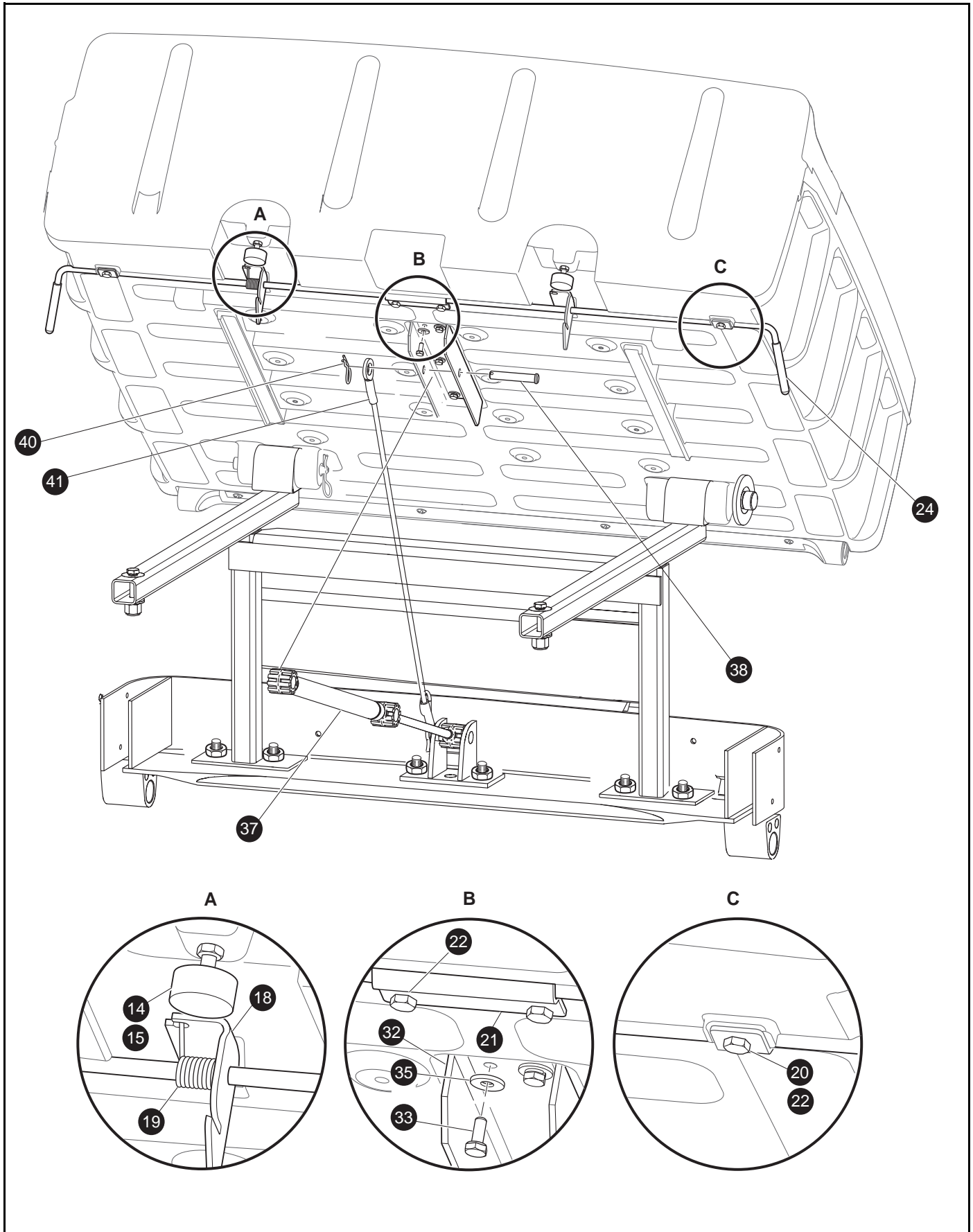
\* Indicates a component that is not available as an individual part.

\*\*\* Indicates consult Customer Service Department for additional information.

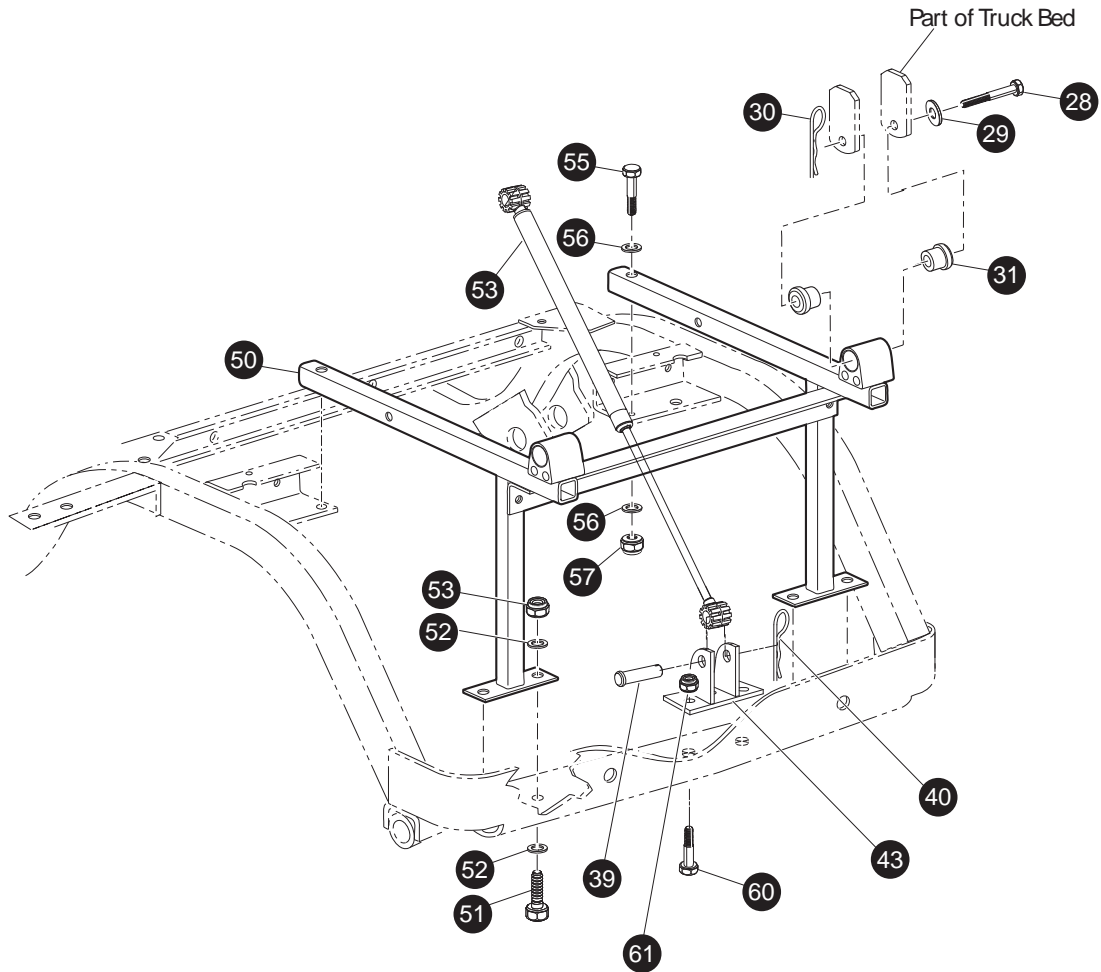
ITEM	PART NO.	1 2 3 4 5	DESCRIPTION	QTY.
32	12064G6		PUSH NUT, 5/16" .....	1
33	625705		TENSIONER BOLT .....	1
34	603884		CABLE GUIDE BRACKET .....	1

# TRUCK BED, MANUAL LIFT





# TRUCK BED, MANUAL LIFT





# TRUCK BED, MANUAL LIFT

When ordering parts, please specify the model and serial number of the product.

\* Indicates a component that is not available as an individual part.

\*\*\* Indicates consult Customer Service Department for additional information.

ITEM	PART NO.	1 2 3 4 5	DESCRIPTION	QTY.
1	72647G01		BED ASSEMBLY (INCLUDES ITEMS 2 -11) .....	1
2	72648G01		PLASTIC BED, 36" .....	1
3	73454G01		PIVOT SHAFT .....	2
4	73460G01		SHOULDER BOLT, 1/4 - 20 X 3/4" LG .....	2
5	72649G01		TAILGATE .....	1
6	73450G01		BOWED ANGLE .....	1
7	16705G2		SCREW, 1/4 - 20 X 5/8" LG (STAINLESS STEEL) .....	4
8	73449G01		EXTRUSION CHANNEL .....	1
9	73455G02		TAILGATE CABLE .....	1
10				
11	00415G2		SCREW, 1/4 - 20 X 1 1/4" LG .....	2
12	74821G01		LOAD BED DECAL .....	1
13	71055G01		RIVET .....	5
14	70113G01		ADJUSTABLE RUBBER BUMPER .....	2
15	11027G1		LOCK NUT, 5/16 - 18 .....	2
16				
17				
18	74962G01		BED LATCH .....	1
19	71538G01		LATCH TORSION SPRING .....	1
20	71099G02		KEEPER PLATE .....	2
21	71477G02		RETAINER BRACKET .....	1
22	01118G01		SCREW, 1/4 - 20 X 5/8" LG .....	4
23				
24	71704G01		HANDLE GRIP .....	2
25				
26	600108G01		CUSHMAN NAME PLATE .....	1
27	16816G2		RATCHET FASTENER .....	4
28	71571G01		CLEVIS PIN .....	2
29	00571G5		WASHER, 1/2" .....	2
30	21683G1		COTTER PIN .....	2
31	70291G01		BUSHING .....	4

# TRUCK BED, MANUAL LIFT

When ordering parts, please specify the model and serial number of the product.

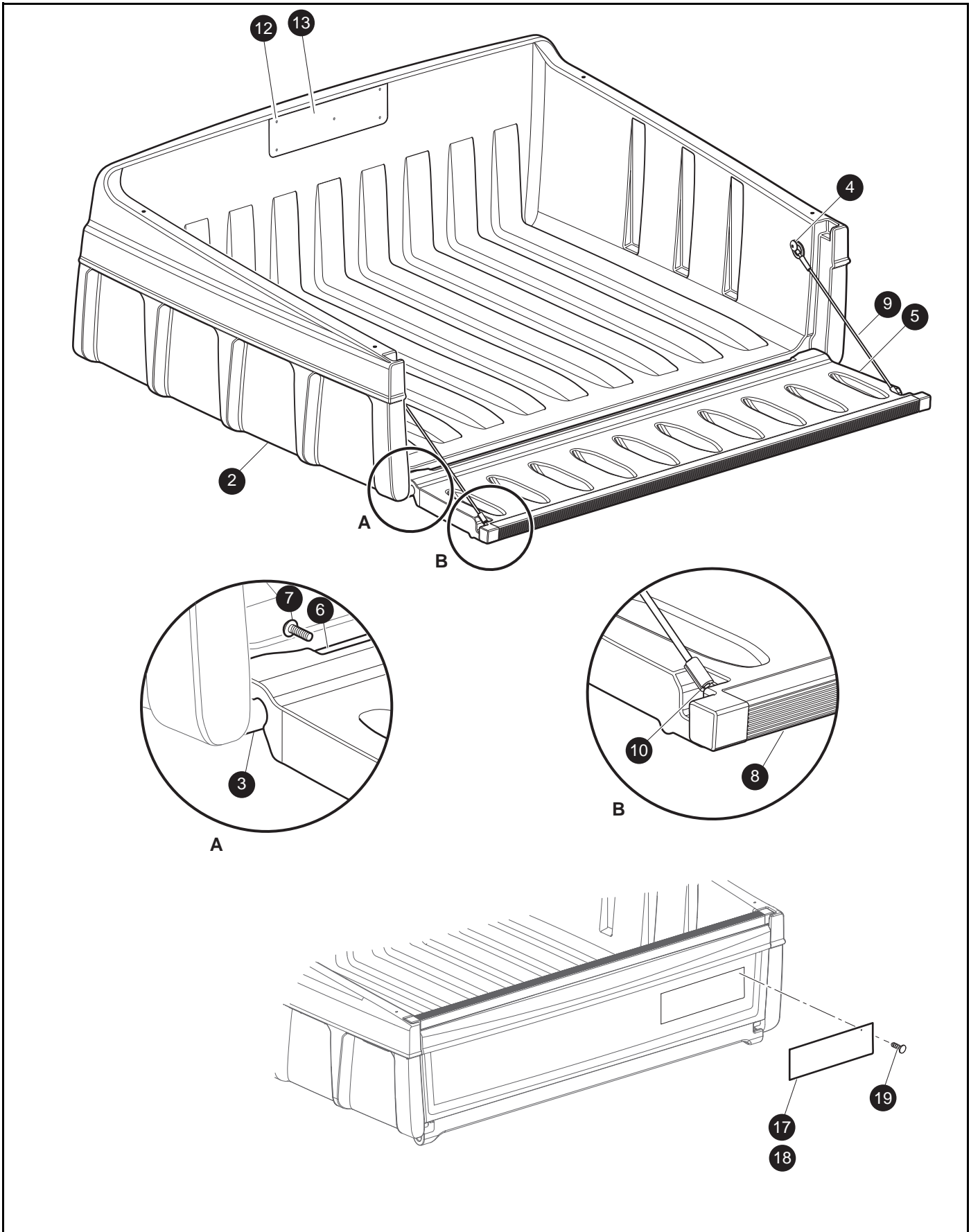
\* Indicates a component that is not available as an individual part.

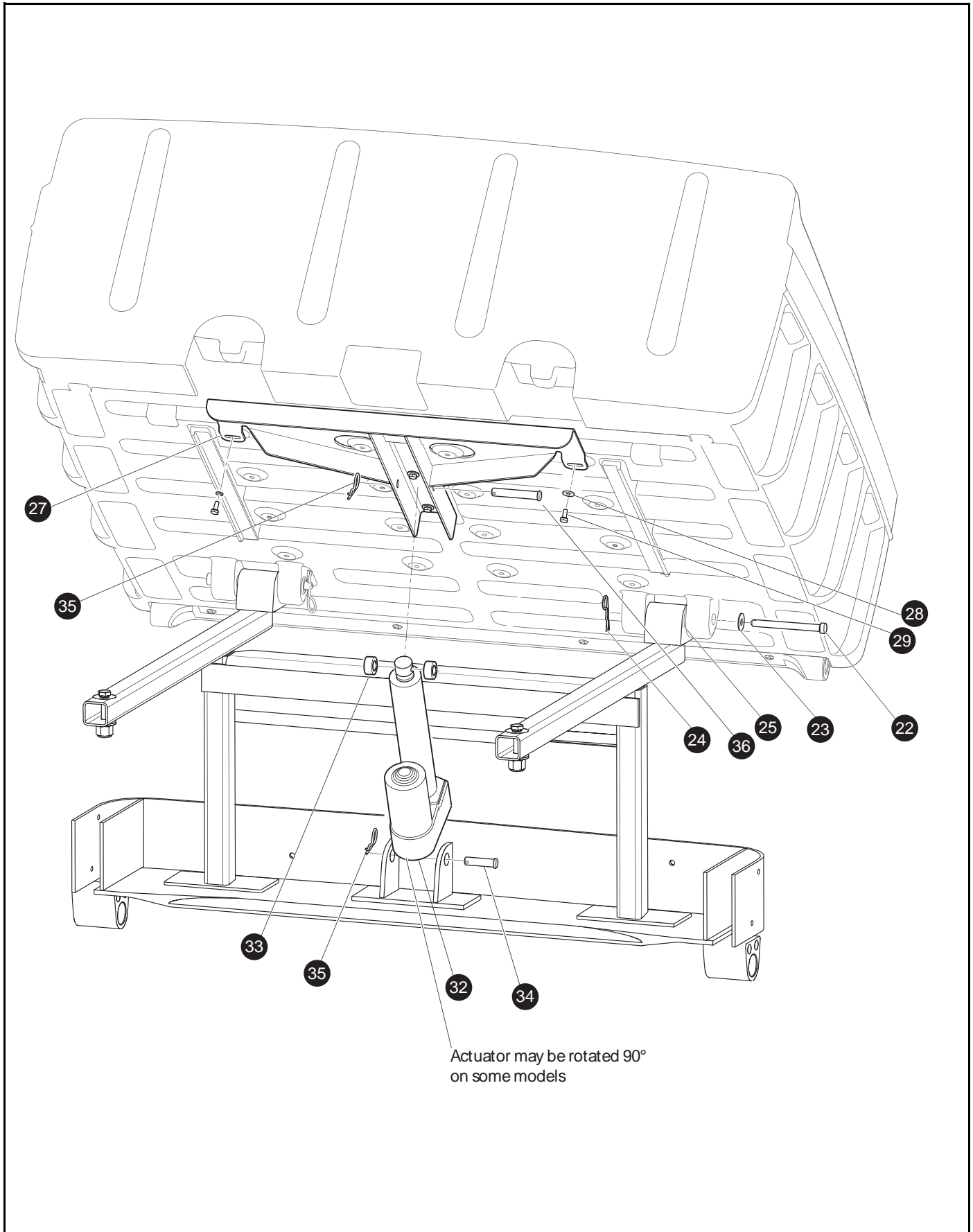
\*\*\* Indicates consult Customer Service Department for additional information.

ITEM	PART NO.	1 2 3 4 5	DESCRIPTION	QTY.
32	71569G02		SPRING CHANNEL.....	1
33	01118G01		SCREW, 1/4 - 20 X 5/8" LG.....	8
34				
35	00642G7		WASHER, 1/4".....	8
36				
37	71537G02		GAS SPRING .....	2
38	14443G10		CLEVIS PIN, 1/2" X 2 27/32" LG .....	1
39	14443G12		CLEVIS PIN, 1/2" X 2 1/4" LG .....	1
40	21683G1		COTTER PIN, .....	2
41	602904		BED TETHER CABLE .....	1
42				
43	71283G02		LIFT BRACKET .....	1
44				
45				
46				
47				
48				
49				
50	76423G01		BED FRAME.....	1
51	00439G2		SCREW, 5/16 - 18 X 1 1/4" LG.....	4
52	00642G8		WASHER, 5/16".....	8
53	01109G01		LOCK NUT, 5/16 - 18 (STAINLESS STEEL) .....	4
54				
55	00415G6		BOLT, 1/4 - 20 X 1 3/4" LG .....	2
56	00642G7		WASHER, 1/4".....	4
57	00654G2		LOCK NUT, 1/4 - 20 (STAINLESS STEEL) .....	2
58				
59				
60	00462G7		SCREW, 7/16 - 14 X 7/8" LG.....	2
61	00734G1		LOCK NUT, 7/16 - 14.....	2
62				

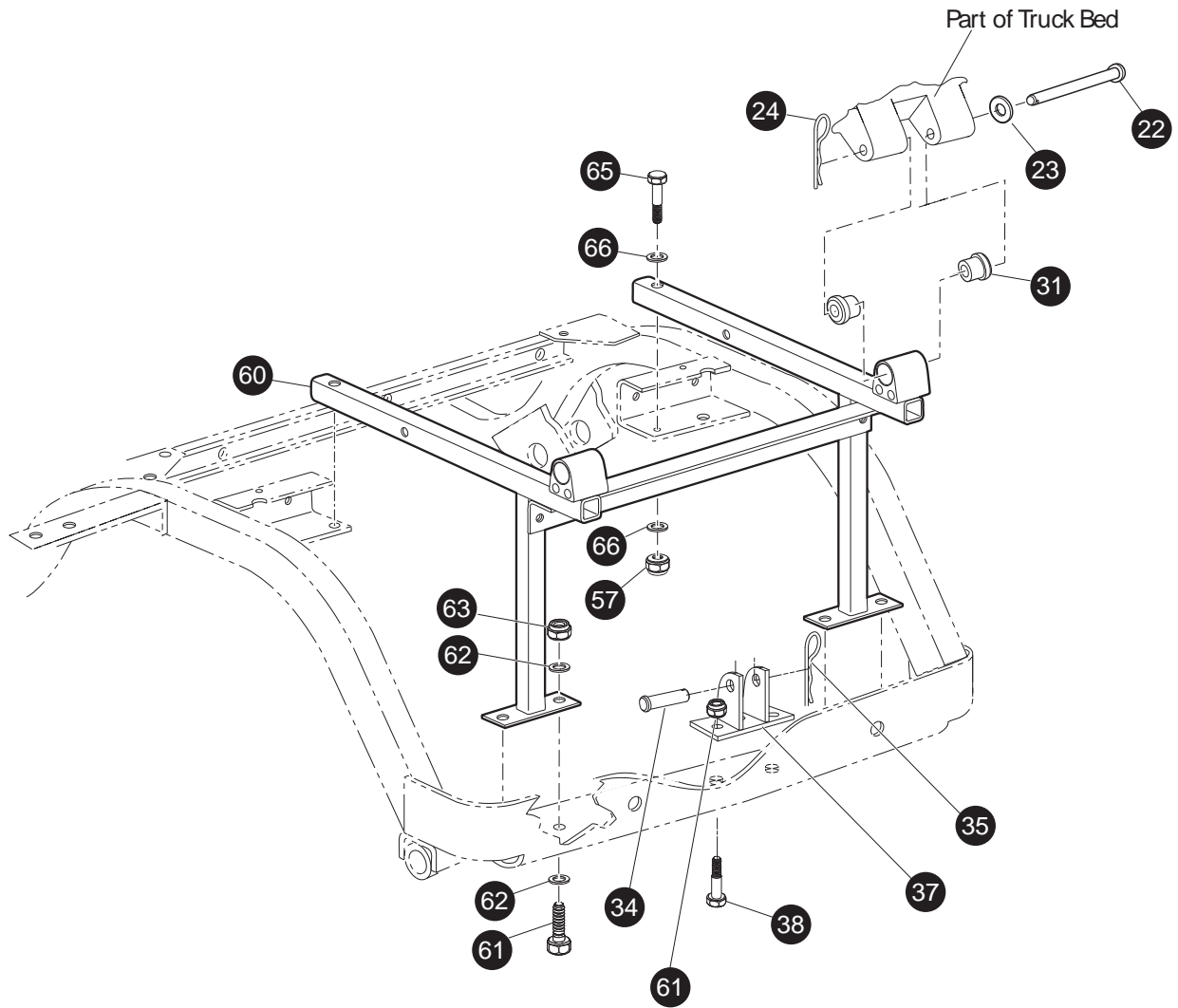


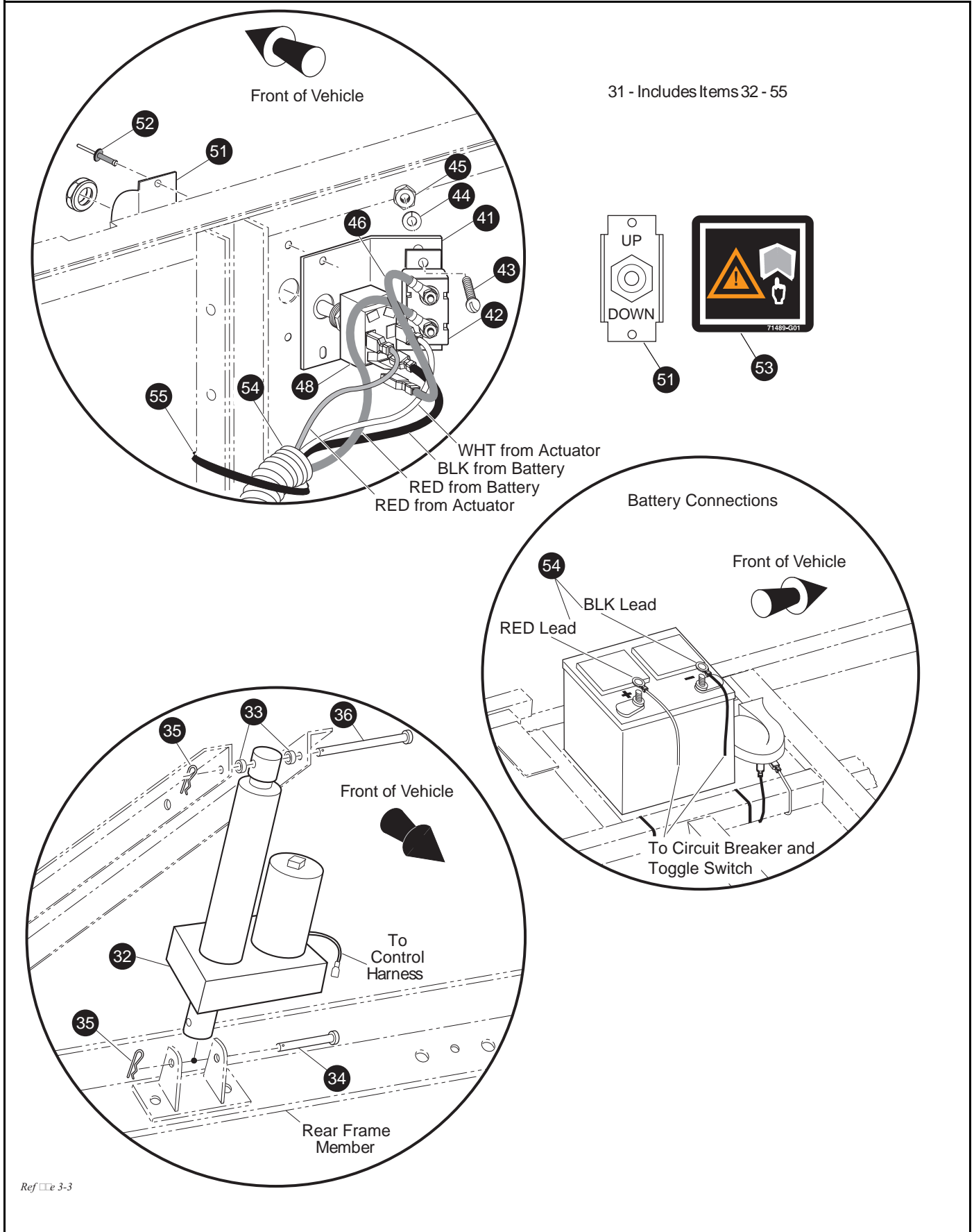
# TRUCK BED, ELECTRIC LIFT





# TRUCK BED, ELECTRIC LIFT





Ref □□e 3-3

# TRUCK BED, ELECTRIC LIFT

When ordering parts, please specify the model and serial number of the product.

\* Indicates a component that is not available as an individual part.

\*\*\* Indicates consult Customer Service Department for additional information.

ITEM	PART NO.	1 2 3 4 5	DESCRIPTION	QTY.
1	72647G01		BED ASSEMBLY (INCLUDES ITEMS 2 - 11).....	1
2	72648G01		PLASTIC BED, 36" .....	1
3	73454G01		PIVOT SHAFT.....	2
4	73460G01		SHOULDER BOLT, 1/4 - 20 X 3/4" LG.....	2
5	72649G01		TAILGATE .....	1
6	73450G01		BOWED ANGLE .....	1
7	16705G2		SCREW, 1/4 - 20 X 1 1/4" LG (STAINLESS STEEL).....	4
8	73449G01		EXTRUSION CHANNEL.....	1
9	73455G02		TAILGATE CABLE .....	1
10	00415G2		SCREW, 1/4 - 20 X 1 1/4" LG .....	4
11				
12	71055G01		LOAD BED DECAL .....	1
13	71055G01		RIVET .....	5
14	70113G01		ADJUSTABLE RUBBER BUMPER .....	2
15	11027G1		LOCK NUT, 5/16 - 18.....	2
16				
17	600110		JACOBSEN NAME PLATE.....	1
18	600108G01		CUSHMAN NAME PLATE .....	1
19	16816G2		RATCHET FASTENR .....	4
20				
21				
22	71571G01		CLEVIS PIN.....	2
23	00571G5		WASHER, 1/2".....	2
24	21683G1		COTTER PIN.....	2
25				
26	70291G01		BUSHING .....	4
27	71547G02		OUTRIGGER CHANNEL.....	1
28	0118G01		SCREW, 1/4 - 20 X 5/8" LG.....	8
29	00642G7		WASHER, 1/4".....	8
30				
31	74164G04		ELECTRIC DUMP KIT (INCLUDES ITEMS 32- .....	1



# TRUCK BED, ELECTRIC LIFT

When ordering parts, please specify the model and serial number of the product.

\* Indicates a component that is not available as an individual part.

\*\*\* Indicates consult Customer Service Department for additional information.

ITEM	PART NO.	1 2 3 4 5	DESCRIPTION	QTY.
32	27612G02		ELECTRIC ACTUATOR.....	1
33	27613G01		SPACER.....	2
34	14443G11		CLEVIS PIN, 1/2" X 1 3/4" LG.....	1
35	21683G1		COTTER PIN, 15/32" X 2 13/16" LG.....	2
36	14443G10		CLEVIS PIN 1/2" X 2 7/8" LG.....	1
37	71283G02		LIFT BRACKET.....	1
38	00462G7		SCREW, 7/16 - 14 X 7/8" LG .....	2
39	00734G1		LOCK NUT, 7/16 - 14 .....	2
40				
41	74165G02		CIRCUIT BREAKER MOUNTING BRACKET.....	1
42	21320G3		CIRCUIT BREAKER, 30 AMP, 12V .....	1
43	00150G4		SCREW, #10 - 24 X 1/2" LG.....	2
44	00565G5		LOCK WASHER, #10 .....	2
45	00526G3		NUT, #10 - 24 .....	2
46	25976G14		14 GA WIRE (RED 5:).....	1
47				
48	27680G01		TOGGLE SWITCH.....	1
49				
50				
51	27447G01		TOGGLE GUARD.....	1
52	10570G9		RIVET, 1/8" X 11/32" LG (ALUMINUM) .....	2
53	71489G01		WARNING LABEL .....	1
54	74163G01		WIRE HARNESS (CONTROL).....	1
55	17618G1		WIRE TIE.....	8
56				
57				
58				
59				
60	76423G01		BED FRAME .....	1
61	00439G2		SCREW, 5/16 - 18 X 1 1/4" LG .....	2
62	00642G8		WASHER, 1/4" .....	8

# TRUCK BED, ELECTRIC LIFT

When ordering parts, please specify the model and serial number of the product.

\* Indicates a component that is not available as an individual part.

\*\*\* Indicates consult Customer Service Department for additional information.

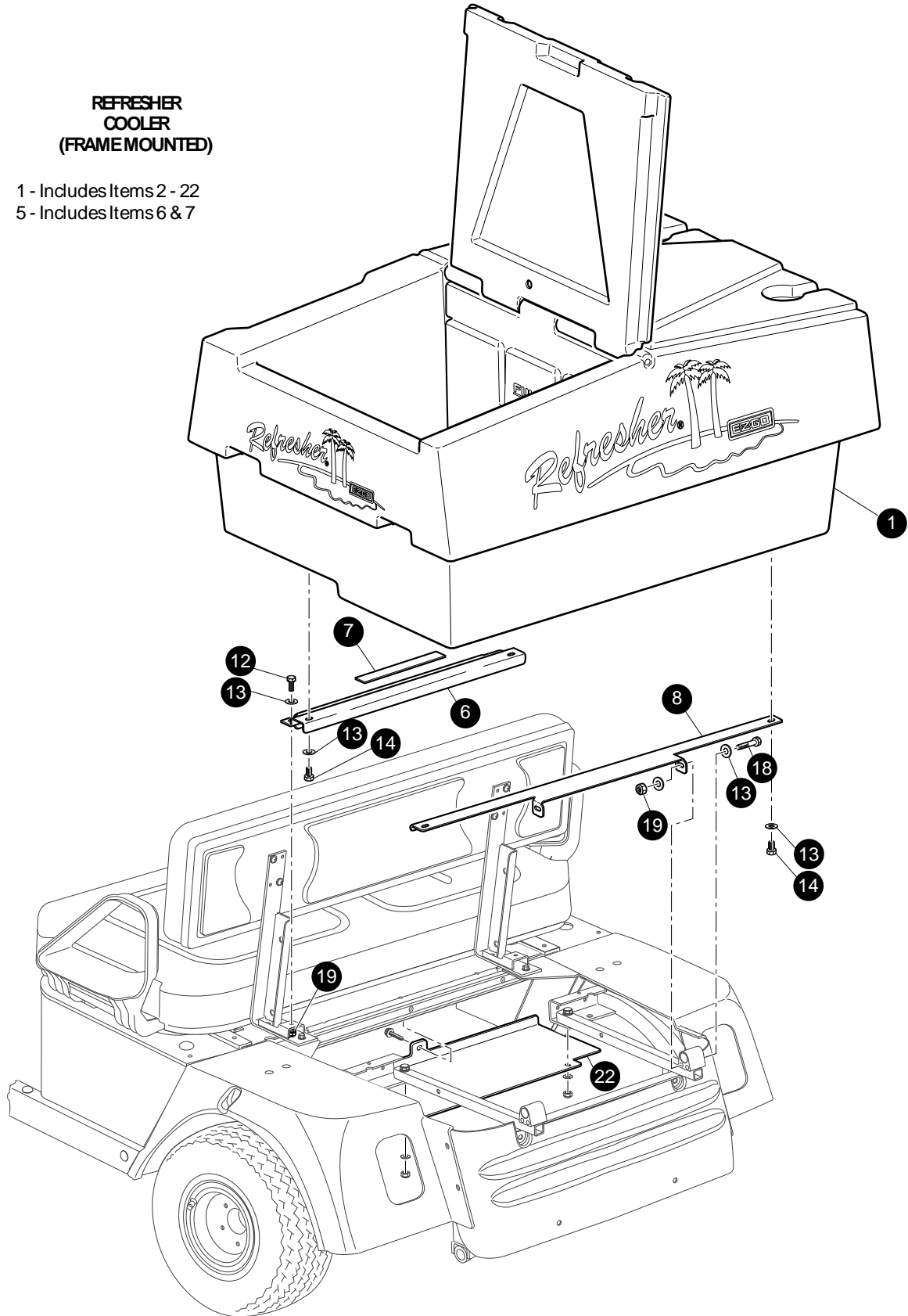
ITEM	PART NO.	1 2 3 4 5	DESCRIPTION	QTY.
63	11098G6		LOCK NUT, 5/16 - 18.....	4
64				
65	00415G6		BOLT, 1/4 - 20 X 1 3/4" LG .....	2
66	00642G7		WASHER, 1/4" .....	4
67	00891G2		LOCK NUT, 1/4 - 20.....	2



# TRUCK BED, REFRESHER

## REFRESHER COOLER (FRAME MOUNTED)

- 1 - Includes Items 2 - 22
- 5 - Includes Items 6 & 7



Ref Ref 5-2

# TRUCK BED, REFRESHER

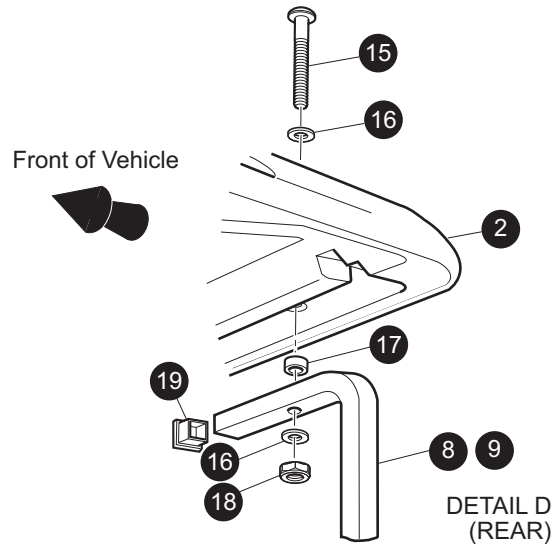
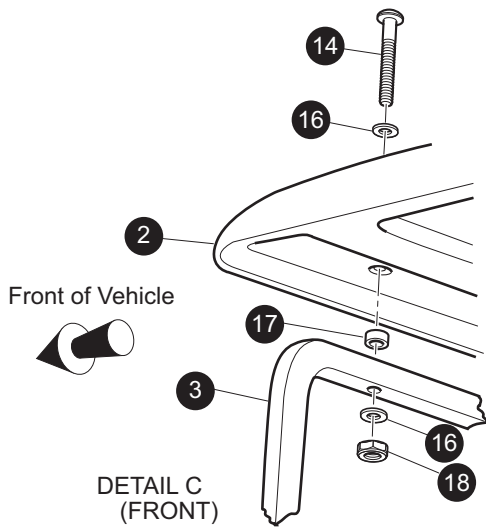
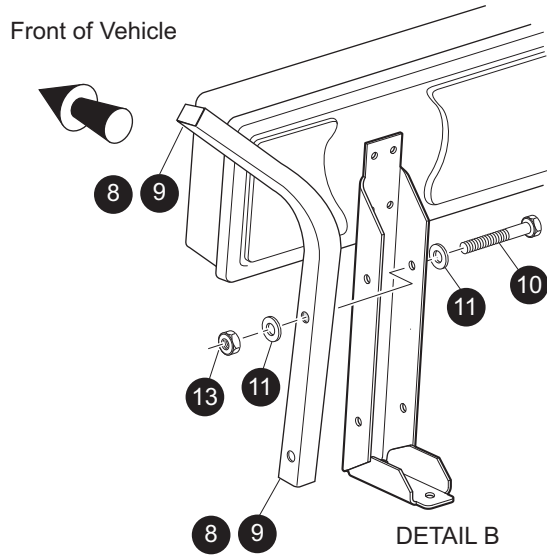
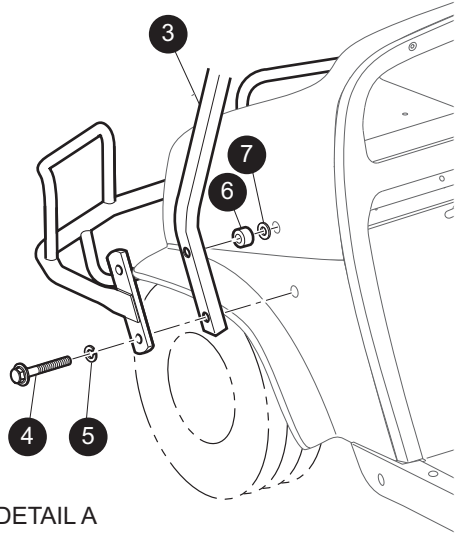
When ordering parts, please specify the model and serial number of the product.

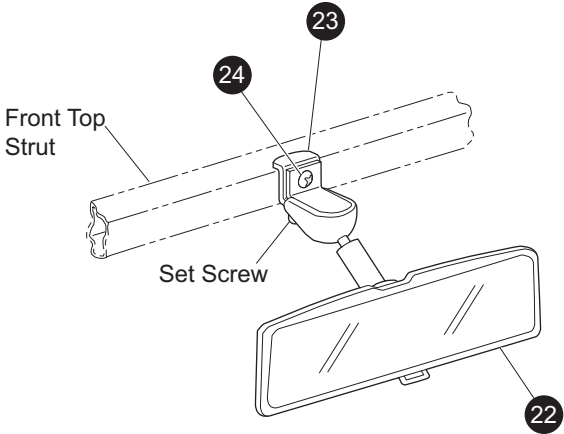
\* Indicates a component that is not available as an individual part.

\*\*\* Indicates consult Customer Service Department for additional information.

ITEM	PART NO.	1 2 3 4 5	DESCRIPTION	QTY.
1	75738G01		REFRESHER COOLER (FRAME MOUNTED) (INCLUDES ITEMS 1 - 22) ..	1
2	75663G01		REFRESHER COOLER INSERT .....	1
3				
4				
5	75752G01		SUPPORT / DECAL ASSEMBLY (INCLUDES ITEMS 21 - 22) .....	1
6	*		REFRESHER FRONT SUPPORT .....	1
7	75751G01		REFRESHER CAUTION DECAL.....	1
8	75672G01		REFRESHER REAR SUPPORT .....	1
9				
10				
11				
12	00270G5		BOLT, 5/16 - 18 x 5/8" LG.....	4
13	00559G8		WASHER, 5/16".....	10
14	00438G6		BOLT, 5/16 - 18 x 3/4" LG.....	2
15				
16				
17				
18	00440G4		BOLT, 5/16 - 18 x 2 1/2" LG.....	2
19	11098G6		LOCK NUT, 5/16 - 18.....	4
20				
21				
22	75749G01		HEAT SHIELD .....	1

# WEATHER PROTECTION

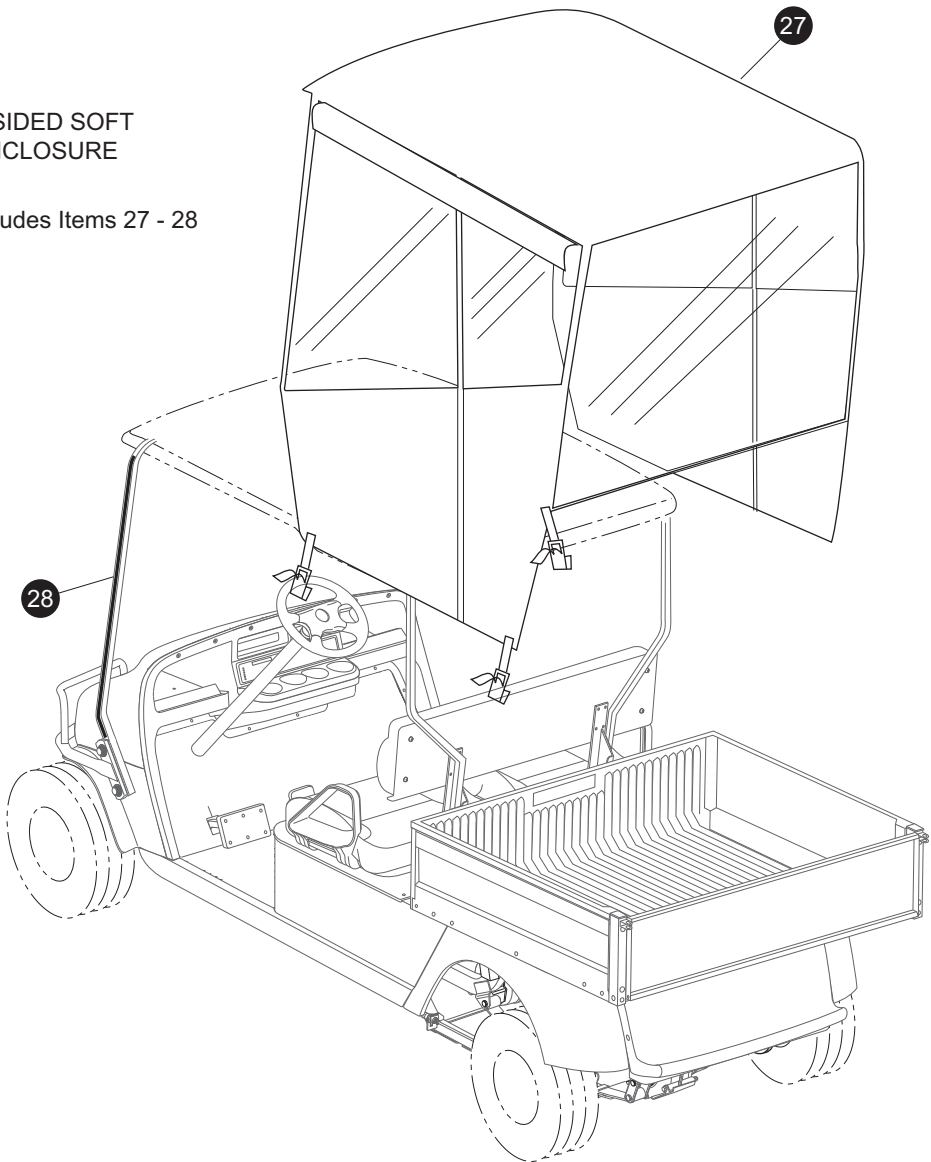




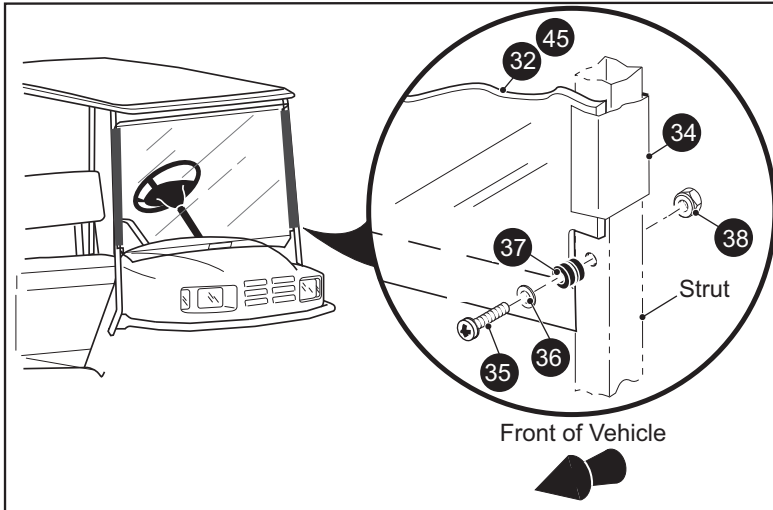
**REAR VIEW MIRROR**

21 - Includes Items 22 - 24

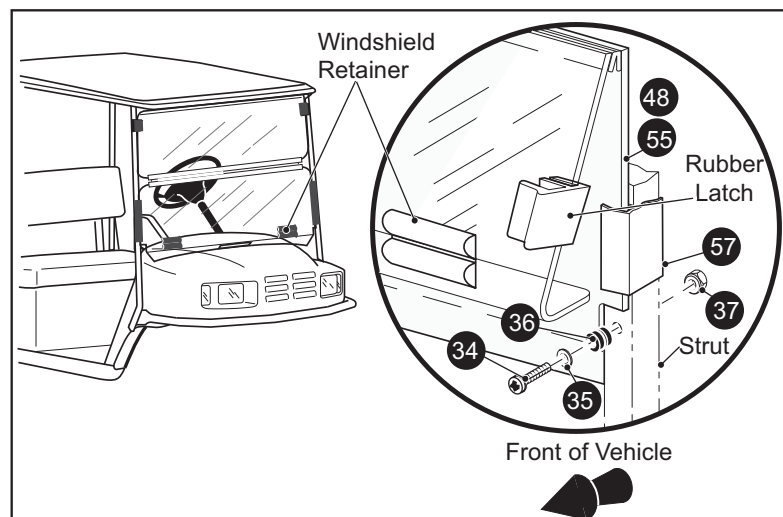
**3-SIDED SOFT ENCLOSURE**  
26 - Includes Items 27 - 28



# WEATHER PROTECTION



- 44 - Includes item 45, 46, 34 - 38
- 47 - Includes item 48, 49, 35 - 38
- 54 - Includes item 55 - 57, 35 - 38





# WEATHER PROTECTION

When ordering parts, please specify the model and serial number of the product.

\* Indicates a component that is not available as an individual part.

\*\*\* Indicates consult Customer Service Department for additional information.

ITEM	PART NO.	1 2 3 4 5	DESCRIPTION	QTY.
1	75040G**		SUN TOP KIT (INCLUDES ITEMS 2 - 19).....	1
2	27069G**		SUN TOP.....	1
3	75045G05		FRONT STRUT.....	1
4	00440G2		HEX HEAD BOLT, 5/16 - 18 X 2 1/4" LG.....	4
5	00905G8		LOCK WASHER, 5/16".....	4
6	75048G01		SPACER, 1/2".....	2
7	00570G2		FLAT WASHER, 5/16".....	6
8	75838G04		REAR STRUT (PASSENGER SIDE).....	1
9	75838G03		REAR STRUT (DRIVER SIDE).....	1
10	00685G7		HEX HEAD BOLT, 5/16 - 18 X 1 3/4" LG.....	4
11	01110G03		FLAT WASHER, 5/16".....	8
12				
13	11098G6		LOCK NUT, 5/16 - 18.....	4
14	00753G5		MACHINE TRUSS HEAD PHILLIP SCREW, 1/4 - 20 X 2" LG.....	2
15	00753G6		MACHINE TRUSS HEAD PHILLIP SCREW, 1/4 - 20 X 2 1/4" LG.....	2
16	01110G01		FLAT WASHER, 1/4".....	8
17	75051G01		SPACER.....	4
18	00891G2		LOCK NUT, 1/4 - 20.....	4
19	19853G1		END CAP, 1".....	2
20				
21	19528G2		REAR VIEW MIRROR KIT (REQUIRES SUN TOP) (INCLUDES ITEMS 22 - 24).....	1
22	19496G1		REAR VIEW MIRROR.....	1
23	19502G2		SUPPORT BRACKET.....	1
24	19527G1		PAN HEAD SCREW, #8 - 32 X 5/8" LG.....	1
25				
26	75367G**		3-SIDED SOFT ENCLOSURE (REQUIRES SUN TOP) (INCL ITEMS 27 - 28).....	1
27	*		ENCLOSURE.....	1
28	*		VELCRO.....	AR
29				
30				

# WEATHER PROTECTION

When ordering parts, please specify the model and serial number of the product.

\* Indicates a component that is not available as an individual part.

\*\*\* Indicates consult Customer Service Department for additional information.

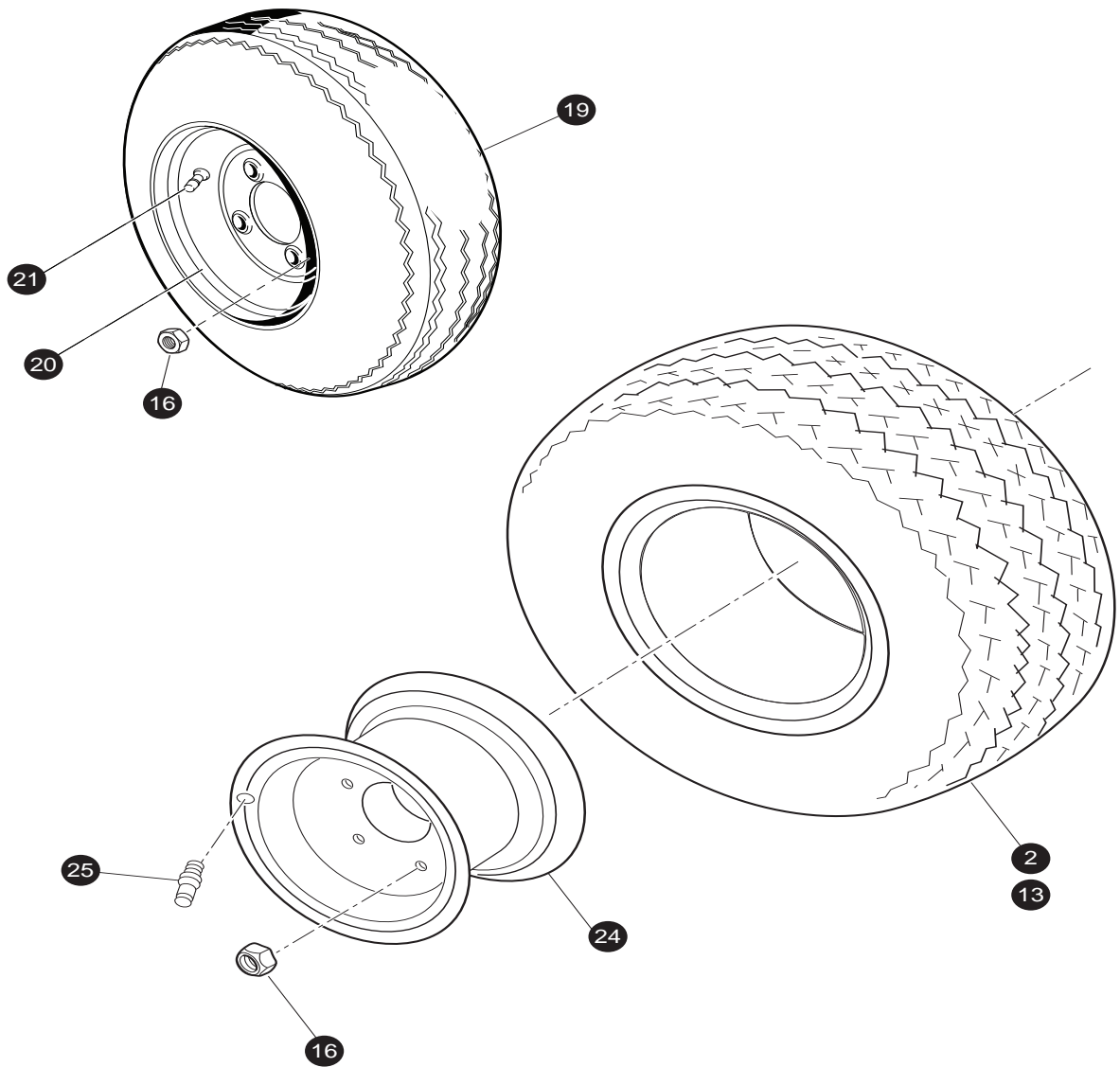
ITEM	PART NO.	1	2	3	4	5	DESCRIPTION	QTY.
31	71966G01						WINDSHIELD KIT (FULL) (INCLUDES ITEMS 32 - 38) .....	1
32	71954G01						WINDSHIELD (FULL) (LEXAN) (INCLUDES ITEM 33) .....	1
33	71963G01						WARNING DECAL .....	1
34	615662						SASH, 26" LG.....	2
35	71956G03						HEX HEAD BOLT, 1/4 - 20 X 1 3/4" LG.....	2
36	71956G04						STAINLESS STEEL WASHER, 1/4" .....	4
37	71956G06						RUBBER GROMMET .....	2
38	71956G05						STAINLESS STEEL LOCK NUT, 1/4 - 20 .....	2
39								
40								
41								
42								
43								
44	71966G03						WINDSHIELD KIT (FULL) (INCLUDES ITEMS 45, 46, 34 - 38) .....	1
45	71960G01						WINDSHIELD (FULL) (INCLUDES ITEM 46) .....	1
46	71963G01						WARNING DECAL .....	1
47	71966G04						WINDSHIELD KIT (SPLIT) (INCLUDES ITEMS 48, 49, 35 - 38) .....	1
48	617544						SPORT WINDSHIELD .....	1
49	615661						SASH, 12" LG .....	2
50								
51								
52								
53								
54	71966G02						WINDSHIELD KIT (SPLIT) (INCLUDES ITEMS 55 - 57, 35 - 38) .....	1
55	623903						WINDSHIELD (FLIP) (LEXAN) (INCLUDES ITEM 56) .....	1
56	71963G01						WARNING DECAL .....	1
57	615661						SASH, 12" LG .....	2



# WHEELS AND TIRES

- 1 - Includes Items 2, 24, 25
- 12 - Includes Items 13, 24, 25
- 18 - Includes Items 19, 20, 21

Tire design may vary by Part Number



# WHEELS AND TIRES

When ordering parts, please specify the model and serial number of the product.

\* Indicates a component that is not available as an individual part.

\*\*\* Indicates consult Customer Service Department for additional information.

ITEM	PART NO.	1 2 3 4 5	DESCRIPTION	QTY.
1	28757G01		TIRE AND WHEEL ASSEMBLY (LINKS 18 X 8.5 - 8) (INCLUDES ITEMS 2, 24, 25).....	1
2	28764G01		TIRE (LINKS 18 X 8.5 - 8) .....	1
3				
4				
5				
6				
7				
8				
9				
10				
11				
12	28842G01		WHEEL AND TIRE ASSEMBLY) ( USA TRAIL 18 X 8.5 - 8 ) (INCLUDES ITEMS 13 , 24, 25 ).....	1
13	28764G06		CARLISLE TIRE ( 18.5 X 8.5 - 8 LOAD RANGE C ).....	1
14				
15				
16	14723G1		LUG NUT .....	A/R
17				
18	27784G06		WHEEL AND TIRE ASSEMBLY, USA TRAIL (INCLUDES ITEMS 19 - 21) <b>INDUSTRIAL VEHICLE TIRE ONLY</b> .....	1
19	27784G07		CARLISLE TIRE (USA TRAIL 5.70 X 8).....	1
20	*		WHEEL RIM (4 LUG) .....	1
21	*		VALVE STEM.....	1
22				
23				
24	28759G01		WHEEL RIM (4 LUG) .....	1
25	11657G2		VALVE STEM.....	1



# **SPECIALTY PRODUCTS**

## SPECIALTY PRODUCTS

<b>SPECIAL TOOLS</b>	<b>PART NO.</b>
HIGH RESISTANCE SPARK PLUG WIRE SET .....	26733G02
CLUTCH PULLER (DRIVE) .....	19779G2
FLYWHEEL PULLER .....	27111G01
CURRENT INDICATOR .....	16489G2
DIGITAL MULTI-METER .....	27481G01
TUBELESS TIRE REPAIR KIT .....	606009
TIRE PLUGGER REFIL PACK (50/BOX) .....	606831

<b>TOUCH UP PAINT</b>	<b>PART NO.</b>
PEN 3 OUNCE (89 ML) - HUNTER GREEN .....	28432G02
PEN 3 OUNCE (89 ML) - CHAMPAGNE BEIGE .....	28432G01
PEN 3 OUNCE (89 ML) - WHITE .....	28432G05
PEN 3 OUNCE (89 ML) - INDUSTRIAL YELLOW .....	28432G03
PEN 3 OUNCE (89 ML) - ORANGE .....	28432G04
PEN 3 OUNCE (89 ML) - STEEL BLUE PEARL .....	28432G24
PEN 3 OUNCE (89 ML) - OLIVE GREEN .....	28432G**
PEN 3 OUNCE (89 ML) - CAMOUFLAGE PAINT (THREE PENS) .....	75831G01
AEROSOL 12 OUNCE (360 ML) - HUNTER GREEN .....	28140G09
AEROSOL 12 OUNCE (360 ML) - CHAMPAGNE BEIGE .....	28140G15
AEROSOL 12 OUNCE (360 ML) - INDUSTRIAL YELLOW .....	28140G14

<b>MAINTENANCE PRODUCTS</b>	<b>PART NO.</b>
PLEXUS® CLEANER, 13 OUNCE (380 ML) (FOR WINDSHIELDS) .....	28433G02
BATTERY PROTECTOR, 14 OUNCE (410 ML) SPRAY .....	27619G02
E-Z-GO ALLSURFACE CLEANER .....	606311
E-Z-GO FIBERGLASS/PLASTIC RESTORER .....	606313
WIND SHIELD AND PLASTIC PROTECTOR .....	606314
64 OZ HAND CLEANER .....	607636
4 OZ HAND CLEANER .....	607637



**OPTIONS/ACCESSORIES**

## OPTIONS/ACCESSORIES

ITEM	KIT NO.	SECTION
ASHTRAY KIT . . . . .	75109G04 . . . . .	See BODY
BALL HITCH KIT . . . . .	74492G02 . . . . .	See BODY
BUMPER KIT . . . . .	74292G04 . . . . .	See BODY
CAB, W/O DOORS . . . . .	75854G0* . . . . .	See CAB
CAB SWITCH PANEL . . . . .	74250G01 . . . . .	See CAB
CLEVIS HITCH KIT . . . . .	74492G06 . . . . .	See BODY
DEFROSTER/COOLING FAN . . . . .	74248G01 . . . . .	See CAB
DIFFERENTIAL GUARD . . . . .	72347G02 . . . . .	See REAR AXLE
DOOR SET . . . . .	75856G0* . . . . .	See CAB
DOOR SET (VINYL) . . . . .	75855G01 . . . . .	See CAB
ELECTRIC DUMP KIT . . . . .	74164G04 . . . . .	See TRUCKBED
GLOVE BOX DOOR . . . . .	75456G0* . . . . .	See BODY
HOUR METER KIT . . . . .	75114G02 . . . . .	See ELECTRICAL SYSTEM
INSIDE REAR VIEW MIRROR (CAB) . . . . .	27924G01 . . . . .	See WEATHER PROTECTION
REAR VIEW MIRROR KIT . . . . .	19528G2 . . . . .	See WEATHER PROTECTION
SOFT ENCLOSURE . . . . .	75367G0* . . . . .	See WEATHER PROTECTION
STROBE LIGHT . . . . .	74245G01 . . . . .	See CAB
SUN TOP KIT . . . . .	75040G0* . . . . .	See WEATHER PROTECTION
TURN SIGNAL KIT . . . . .	75107G02 . . . . .	See ELECTRICAL SYSTEM
GOLD SPOKE WHEEL COVERS . . . . .	19241G* . . . . .	See WHEELS AND TIRES
SILVER SPOKE WHEEL COVERS . . . . .	19241G* . . . . .	See WHEELS AND TIRES
WINDSHIELD (FULL) (LEXAN-POLYCARBONATE) . . . . .	71966G01 . . . . .	See WEATHER PROTECTION
WINDSHIELD (SPLIT) (LEXAN-POLYCARBONATE) . . . . .	71966G02 . . . . .	See WEATHER PROTECTION
WINDSHIELD (FULL) (PLEXIGLAS) . . . . .	71966G03 . . . . .	See WEATHER PROTECTION
WINDSHIELD (SPLIT) (PLEXIGLAS) . . . . .	71966G04 . . . . .	See WEATHER PROTECTION
WINDSHIELD WIPER . . . . .	74244G01 . . . . .	See CAB
WORK LIGHTS . . . . .	74247G01 . . . . .	See CAB
WORK LIGHT BAR WITH LIGHTS . . . . .	71323G01 . . . . .	See ELECTRICAL SYSTEM
WORK LIGHT BAR WITH STROBE . . . . .	71323G02 . . . . .	See ELECTRICAL SYSTEM
WORK LIGHT BAR WITH LIGHTS AND STROBE . . . . .	71323G03 . . . . .	See ELECTRICAL SYSTEM



E-Z-GO Division Of Textron, Inc.,  
1451 Marvin Griffin Road, Augusta, Georgia USA 30906-3852

TO CONTACT US

North America:

Technical Assistance & Warranty Phone: 1-800-774-3946, FAX: 1-800-448-8124  
Service Parts Phone: 1-888-GET-EZGO (1-888-438-3946), FAX: 1-800-752-6175

International:

Phone: 001-706-798-4311, FAX: 001-706-771-4609

Certified ISO 9001 / ISO 14001 by



Copyrighted Material  
This manual may not be reproduced in whole or  
in part without the express permission of  
E-Z-GO Division of Textron, Inc.  
Technical Communications Department