



A Textron Company

# **Electric Service Parts Manual**



## **625478-BC**

**ISSUED SEP 2011**

**REVISED AUGUST 2018**



# SERVICE PARTS MANUAL

## ELECTRIC POWERED VEHICLE

**EXPRESS S4**

**EXPRESS L4**

## STARTING MODEL YEAR 2012

DISCLAIMER: The E-Z-GO Division of Textron Inc. (E-Z-GO) reserves the right to incorporate engineering and design changes to products in this Manual, without obligation to include these changes on units leased/sold previously.

The information contained in this Manual may be revised periodically E-Z-GO, and therefore is subject to change without notice.

E-Z-GO DISCLAIMS LIABILITY FOR ERRORS IN THIS MANUAL, and E-Z-GO SPECIFICALLY DISCLAIMS LIABILITY FOR INCIDENTAL AND CONSEQUENTIAL DAMAGES RESULTING FROM THE USE OF THE INFORMATION AND MATERIALS IN THIS MANUAL.

### **TO CONTACT US**

#### **NORTH AMERICA:**

**TECHNICAL ASSISTANCE & WARRANTY PHONE: 1-800-774-3946, FAX: 1-800-448-8124**

**SERVICE PARTS PHONE: 1-888-GET-EZGO (1-888-438-3946), FAX: 1-800-752-6175**

**INTERNATIONAL: PHONE: 001-706-798-4311, FAX: 001-706-771-4609**

**E-Z-GO DIVISION OF TEXTRON INC., 1451 MARVIN GRIFFIN RD., AUGUSTA, GEORGIA USA 30906-3852**

## GENERAL INFORMATION

To obtain a copy of the limited warranty applicable to the vehicle, call or write a local Distributor, authorized Branch or the Warranty Department with vehicle serial number and manufacturer code.

The use of non Original Equipment Manufacturer (OEM) parts may void the warranty.

Overfilling of batteries may void the warranty.

### BATTERY PROLONGED STORAGE

All batteries will self discharge over time. The rate of self discharge varies depending on the ambient temperature and the age and condition of the batteries.

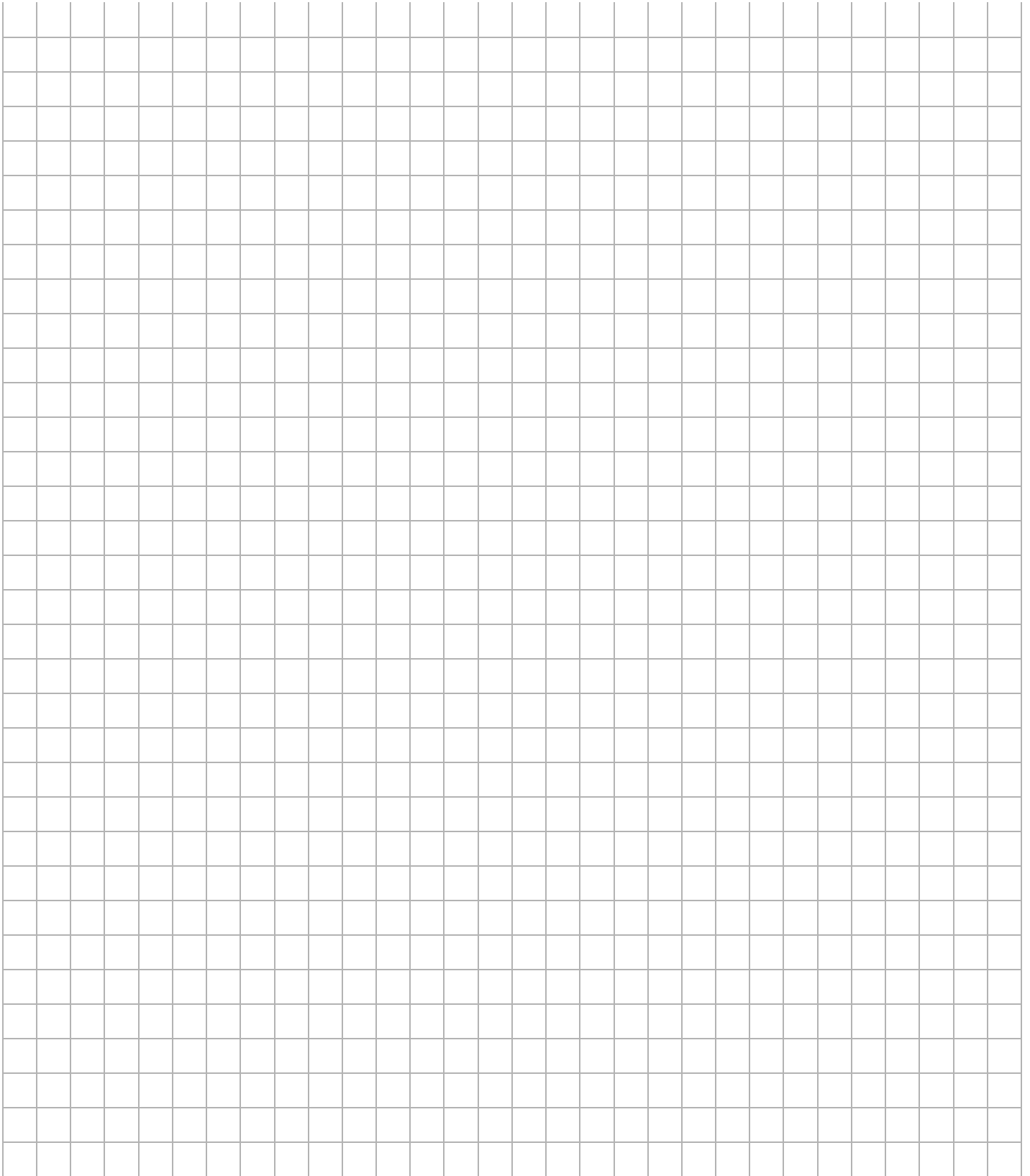
A fully charged battery will not freeze in winter temperatures unless the temperature falls below -75° F (-60° C).

As with all electric vehicles, the batteries must be checked and recharged as required or at a minimum of 30 day intervals.

# TABLE OF CONTENTS

<b>SECTION</b>	<b>Page No.</b>
<b>HOW TO USE THE SERVICE PARTS MANUAL</b> .....	<b>V</b>
<b>ACCELERATOR</b> .....	<b>A - 1</b>
<b>BATTERY CHARGER</b> .....	<b>B - 1</b>
<b>BODY</b> .....	<b>C - 1</b>
<b>BRAKES</b> .....	<b>D - 1</b>
<b>ELECTRICAL SYSTEM</b> .....	<b>E - 1</b>
<b>ELECTRONIC SPEED CONTROL</b> .....	<b>F - 1</b>
<b>FRONT SUSPENSION - STEERING</b> .....	<b>G - 1</b>
<b>MOTOR</b> .....	<b>H - 1</b>
<b>REAR AXLE</b> .....	<b>J - 1</b>
<b>REAR SUSPENSION</b> .....	<b>K - 1</b>
<b>SEATING</b> .....	<b>L - 1</b>
<b>WEATHER PROTECTION</b> .....	<b>M - 1</b>
<b>WHEELS AND TIRES</b> .....	<b>N - 1</b>

# NOTES



# HOW TO USE THE SERVICE PARTS MANUAL

This manual is divided into several sections:

- GENERAL INFORMATION
- ILLUSTRATED PARTS BREAKDOWN
- APPENDIX

The first section, GENERAL INFORMATION, contains the following information:

- WARRANTY INFORMATION
- GENERAL INDEX
- HOW TO USE THE SERVICE PARTS MANUAL

The second section, ILLUSTRATED PARTS BREAKDOWN, contains illustrations and parts lists for all systems of your vehicle.

The third section, APPENDIX, contains a listing of specialty products and accessories.

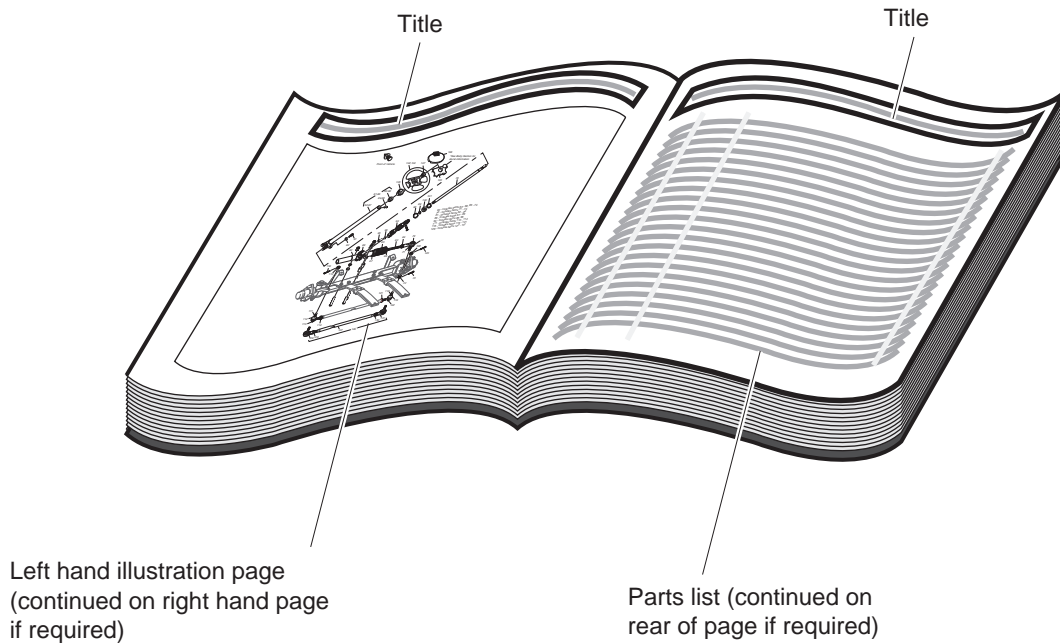
## USE OF THE MANUAL

To use this manual, consult the GENERAL INDEX to locate the information or illustration required.

Introduction of some revisions varies due to supply of components; therefore, it is possible that various combinations of components may be found that are not directly reflected by each illustration. Consult the illustration that best suits your situation and then contact the Service Parts Department. It is important that the serial number of your vehicle and its model number be supplied to Service Parts when ordering any replacement components.

Locate the serial number plate (see BODY located in the Illustrated Parts Breakdown section of this manual for its location) and note the complete number shown on the plate.

# HOW TO USE THE SERVICE PARTS MANUAL



## 1. WHEN THE PART NUMBER IS NOT KNOWN

- Determine the function and application of the part required. Turn to the General Index and select the most appropriate title.
- Turn to the page number indicated and locate the desired part on the illustration.
- From the illustration, obtain the item number as signed to the desired part. Refer to the accompanying description for specific information regarding the part.

## 2. IF YOU KNOW THE PART NUMBER

- Locate the part number or description in the appropriate column on the parts list page.

NOTE: It is suggested that you confirm that the part selected is correct by verifying it with the pictorial representation on the illustrated page.

Should an asterisk (\*) appear in the part number column on the parts list page, read upwards until a part number is found. The part number is the lowest assembly sold by Service Parts and the asterisk (\*) indicates that the part depicted is not available for purchase.

NOTE: Descriptions are indented under the assembly that they are used on. That assembly is, in turn listed under the assembly that it is used on. This process is repeated until the highest final assembly is reached.

**To facilitate the maintenance and repair of the vehicle, a Technician's Repair and Service Manual is available from the Service Parts Department.**



# HOW TO USE THE SERVICE PARTS MANUAL

## 3. COLOR CODE FOR BODY COMPONENTS

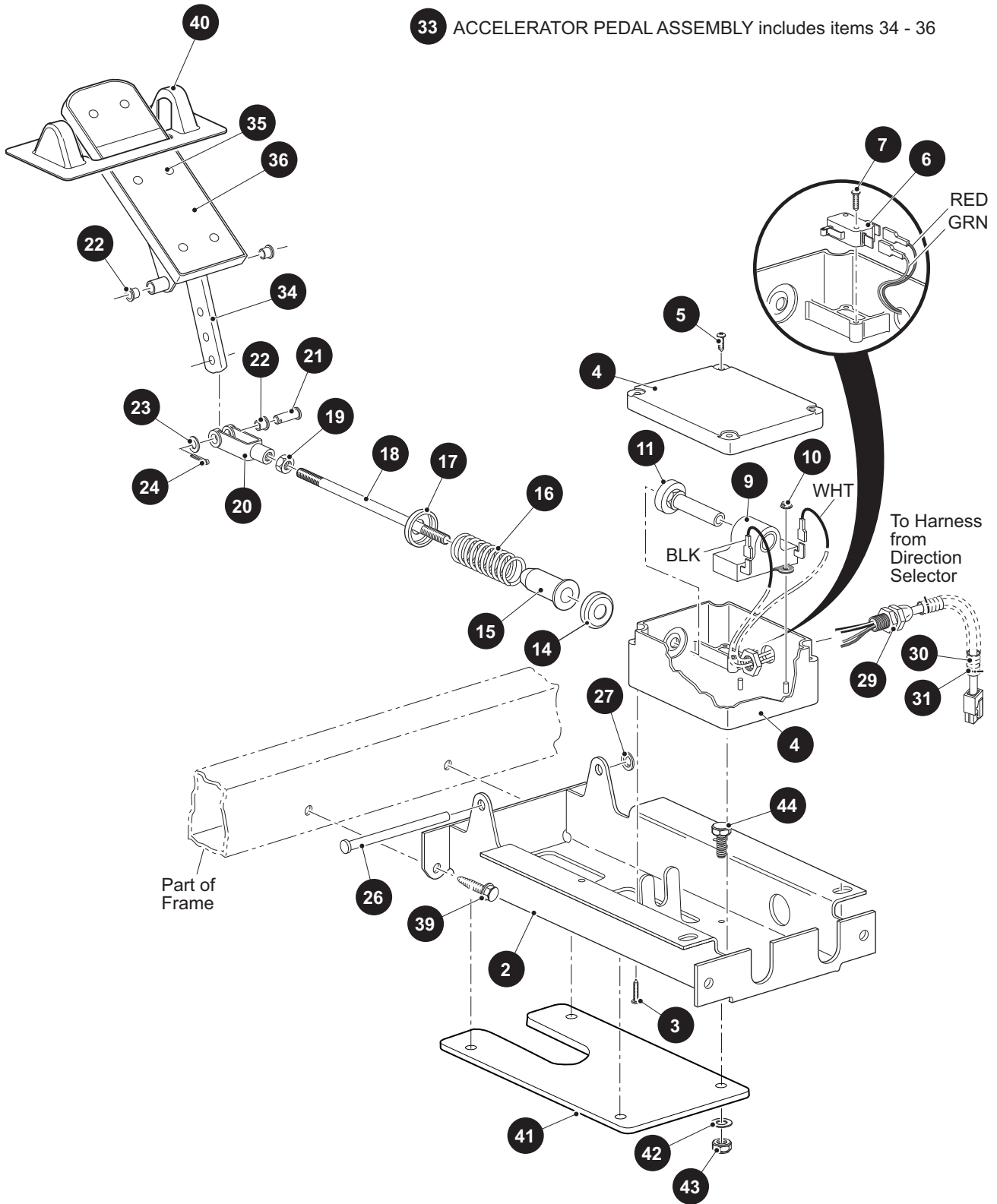
The last two digits of the part number for the body part will denote the color code, locate the part number for the cowl, rear body, seat pod, side panel or seat wrap then locate your color in the list below, replace the last \*\* or XX with the two digit color code.

<u>CODE #</u>	<u>DESCRIPTION</u>	<u>CODE #</u>	<u>DESCRIPTION</u>
01	NO PAINT	53	MOSSY OAK NEW BREAK UP - DIPPED
02	SPECIAL COLOR	54	MOSSY OAK OBSESSION - DIPPED
05	JACOBSEN ORANGE	55	REALTREE ADVANTAGE MAX 4 - DIPPED
06	LIGHT GOLD PEARL	56	REALTREE HARDWOOD BROWN - DIPPED
07	SILVER PEARL METALIC	57	REALTREE AP HOT PINK - DIPPED
11	BLACK	58	BLACK / SILVER MARBLE - DIPPED
12	EMERALD GREEN PEARL	59	RED / SILVER MARBLE - DIPPED
13	CLOUD GRAY	60	HOT PINK / SILVER MARBLE - DIPPED
14	VIPER BLUE METALLIC	61	REALTREE AP
19	PATRIOT BLUE PEARL	62	REALTREE MAX 4
20	INFERNO RED METALLIC	63	MOSSY OAK BREAKUP
23	ADVANTAGE CLASSIC CAMO	64	MOSSY OAK TREESTAND
24	NATURAL	65	REALTREE APG
25	VIVID NEW HOLLAND BLUE	66	REALTREE MAX 1
26	STEEL BLUE PEARL	67	REALTREE AP PINK
27	BRIGHT SILVER METALLIC	68	REALTREE AP - DIPPED
29	PRIMER ONLY	69	MONSTER GREEN
30	HD ADVANTAGE CAMO	74	BARLEY GOLD
31	METALLIC CHARCOAL	75	OASIS GREEN
32	LIGHT ALMOND PEARL	76	JAVA BROWN
33	TIMBERLINE GREEN		
34	DEEP MOLTEN RED		
35	SAFETY YELLOW		
36	IVORY		
37	FOREST GREEN		
38	BRIGHT WHITE		
39	FLAME RED		
40	BLACK		
41	ELECTRIC BLUE		
42	PLATINUM		
43	BURGUNDY		
44	ALMOND		
45	BLACK		
46	BURGUNDY		
47	BURLINGTON GREEN		
48	BLACK		
49	FLAME RED		
50	RECON GREEN		
51	SUNBURST ORANGE		
52	BRITISH RACING GREEN		

# ACCELERATOR

1 PEDAL BOX ASSEMBLY includes items 2 - 36

33 ACCELERATOR PEDAL ASSEMBLY includes items 34 - 36



# ACCELERATOR

When ordering parts, please specify the model and serial number of the product.

\* Indicates a component that is not available as an individual part.

\*\*\* Indicates consult Customer Service Department for additional information.

ITEM	PART NO.	1 2 3 4 5	DESCRIPTION	QTY.
1	613163		PEDAL BOX ASSEMBLY (INCLUDES ITEMS 2 - 36) .....	1
2	652241G03		ACCELERATOR PEDAL BRACKET .....	1
3	01051G01		SCREW, #8 - 10 X 1/2" LG.....	4
4	25853G01		PEDAL BOX AND COVER .....	1
5	00684G6		SCREW, #8 - 32 X 3/4" LG (SS).....	2
6	25861G02		MICRO SWITCH .....	1
7	01050G01		SCREW, #4 - 20 X 5/8" LG.....	2
8				
9	25854G01		INDUCTIVE THROTTLE SENSOR .....	1
10	00983G01		SELF THREADING NUT .....	2
11	602484		PLUNGER AND SLEEVE ASSEMBLY .....	1
12	28444G01		ACCELERATOR CAM ROD .....	1
13				
14	17677G1		SPRING RETAINER.....	1
15	17979G1		BUSHING .....	1
16	73046G01		COMPRESSION SPRING .....	1
17	17677G2		SPRING RETAINER, 3/8".....	1
18	73332G01		ACCELERATOR ROD .....	1
19	00532G4		NUT, 5/16 - 24 .....	1
20	10385G4		CLEVIS YOKE (ADJUSTABLE).....	1
21	10386G3		CLEVIS PIN, 5/16" X 13/16" LG .....	1
22	17838G1		NYLON BUSHING .....	3
23	17255G1		TEFLON WASHER, 5/16" .....	1
24	10387G3		COTTER PIN, 3/32" X 3/4" LG .....	1
25				
26	74432G01		PEDAL PIVOT PIN .....	1
27	12064G6		PUSH NUT, 5/16" .....	1
28				
29	620418		PEDAL HARNESS 48V .....	1
30	17313G1		LOOM FLEX, 3/8" X 6" LG (BULK) .....	1
31	17618G1		WIRE TIE.....	2

# ACCELERATOR

When ordering parts, please specify the model and serial number of the product.

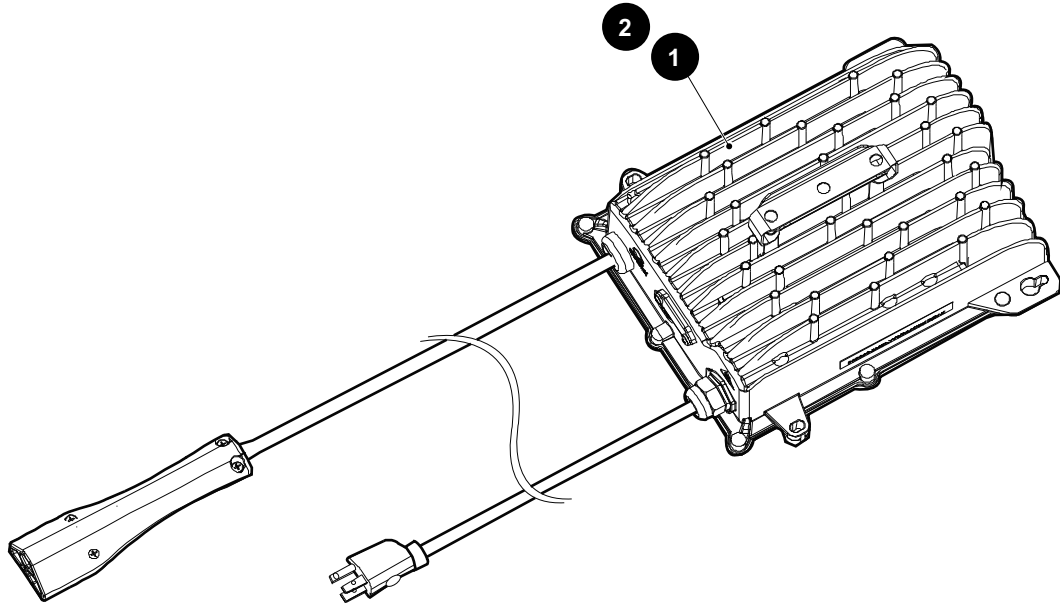
\* Indicates a component that is not available as an individual part.

\*\*\* Indicates consult Customer Service Department for additional information.

ITEM	PART NO.	1	2	3	4	5	DESCRIPTION	QTY.
32								
33	25799G03						ACCELERATOR PEDAL ASSEMBLY (INCLUDES ITEMS 34 - 36) .....	1
34	652824						ACCELERATOR PEDAL .....	1
35	16409G1						OVAL RIVET, 3/16" X 7/16" LG .....	6
36	27512G01						ACCELERATOR PEDAL PAD .....	1
37								
38								
39	00715G2						BOLT, 5/16 - 18 X 4/5" LG .....	4
40	70135G01						PEDAL PIVOT COVER .....	1
41	652780G03						BRACKET PLATE.....	1
42	01110G01						FLAT WASHER, 1/4 .....	4
43	00654G2						STAINLESS STEEL HEX NUT, 3/8 - 16 .....	4
44	00414G06						HEX HEAD BOLT, 1/4-20 X .75 LG .....	4



# BATTERY CHARGER



# BATTERY CHARGER

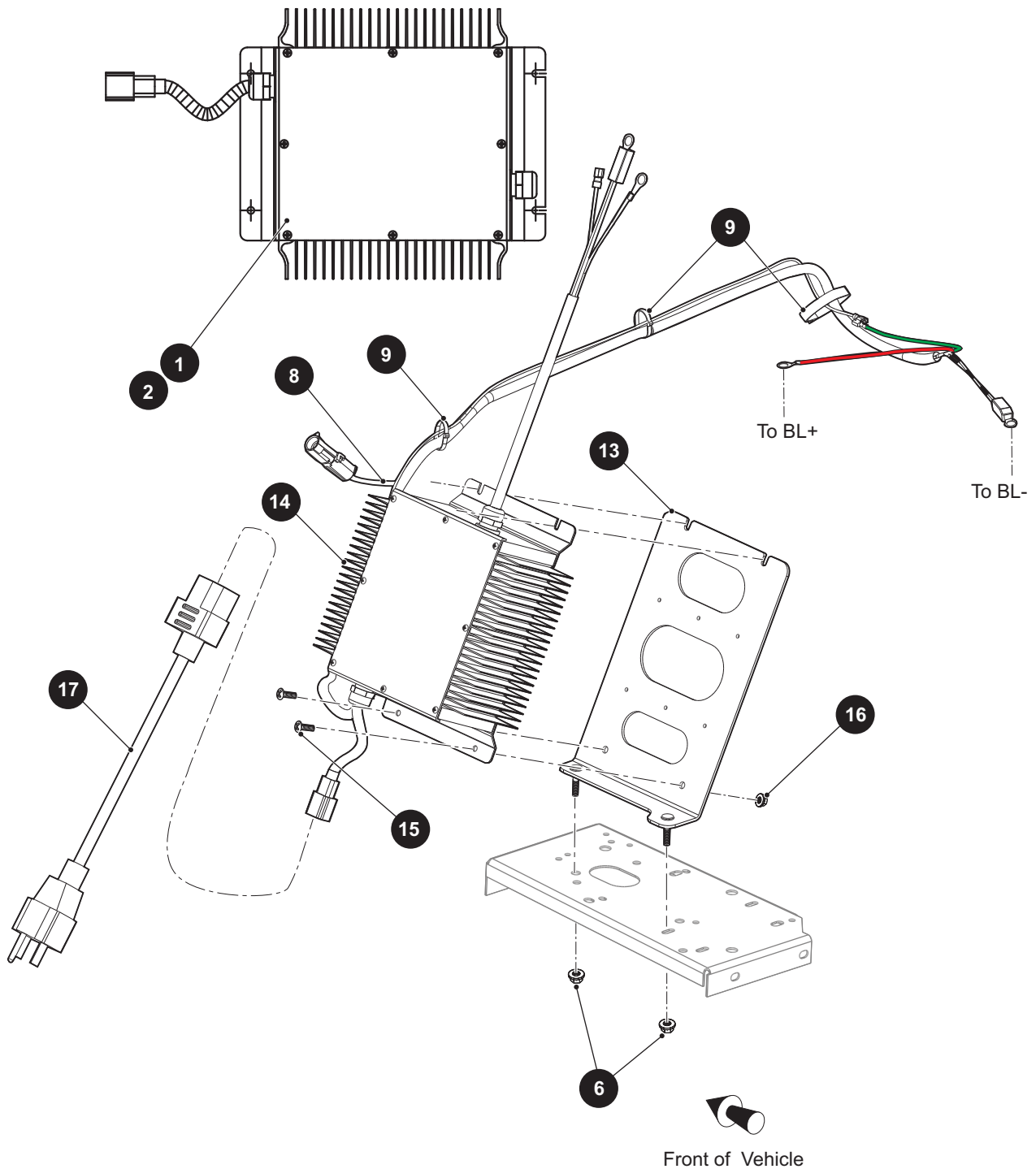
When ordering parts, please specify the model and serial number of the product.

\* Indicates a component that is not available as an individual part.

\*\*\* Indicates consult Customer Service Department for additional information.

ITEM	PART NO.	1 2 3 4 5	DESCRIPTION	QTY.
1	635669		BATTERY CHARGER , 3 METER CORD.....	1
2	635670		BATTERY CHARGER, 5.5 METER CORD.....	1

# BATTERY CHARGER



**12** ON-BOARD CHARGER ASSEMBLY includes items 13 - 17



# BATTERY CHARGER

When ordering parts, please specify the model and serial number of the product.

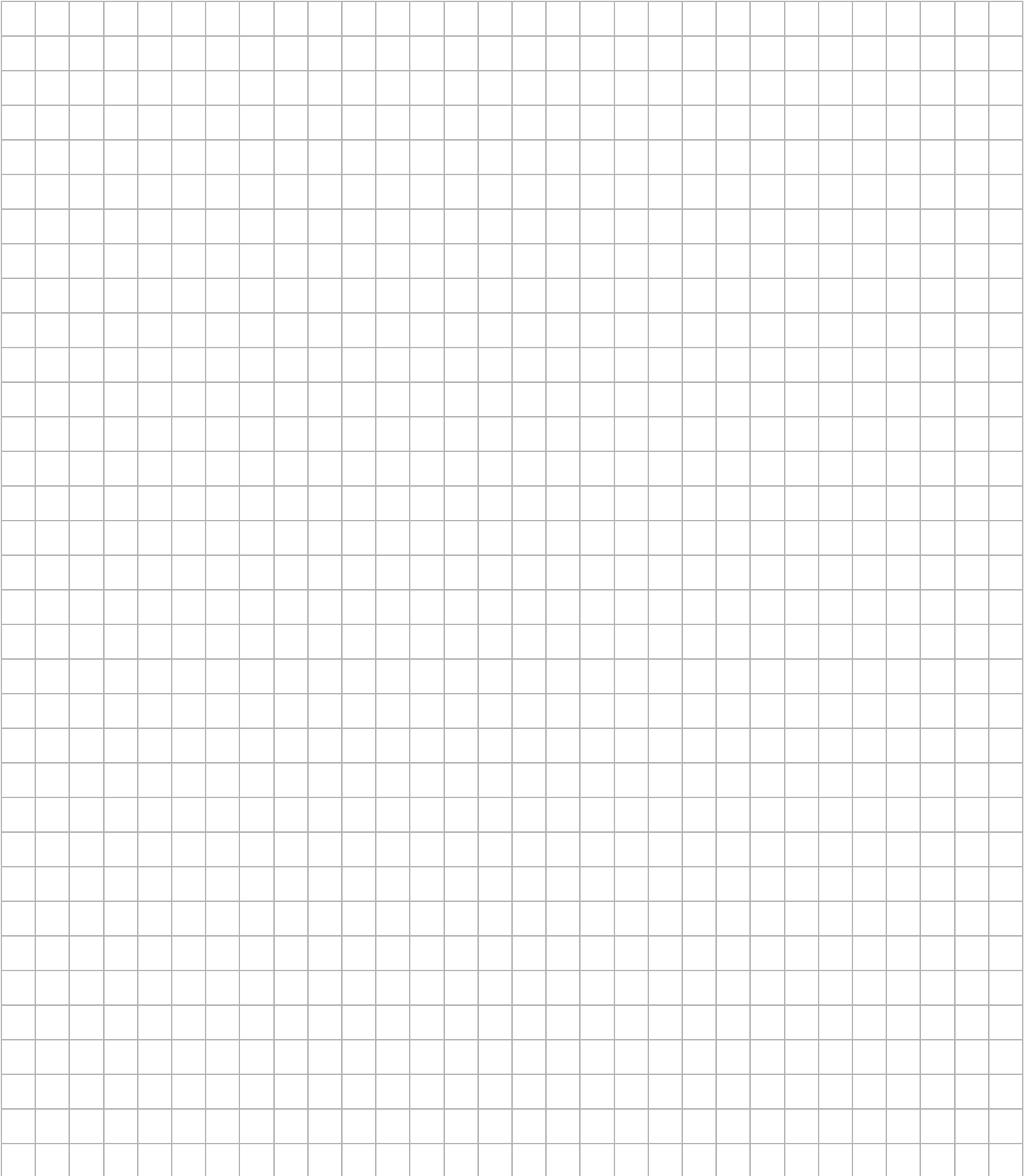
\* Indicates a component that is not available as an individual part.

\*\*\* Indicates consult Customer Service Department for additional information.

ITEM	PART NO.	1 2 3 4 5	DESCRIPTION	QTY.
1	622419		WORLD CHARGER, 48V, 3M CORD .....	1
2	622667		WORLD CHARGER, 48V, 5.5M CORD .....	1
3	605834		NYLON CLAMP 36" (NOT SHOWN IN ILLUSTRATION) .....	2
4				
5				
6	800706		FLANGED LOCK NUT, 1/4" - 20 .....	2
7				
8	631543		CHARGER INTERLOCK JUMPER .....	1
9	17618G1		NYLON CLAMP .....	3
10				
11				
12	638578		ON-BOARD CHARGER ASSEMBLY (INCLUDES ITEMS 13 - 17) .....	1
13	637104		CHARGER BRACKET .....	1
14	632744		ON-BOARD CHARGER, 48V .....	1
15	16705G3		TRUSS HEAD MACHINE SCREW (SS), 1/4" - 20 X 3/4" LG .....	4
16	11027G2		FLANGED LOCK NUT, 1/4" - 20 .....	4
17	600462G01		AC CORD, 6' 7" LG .....	1

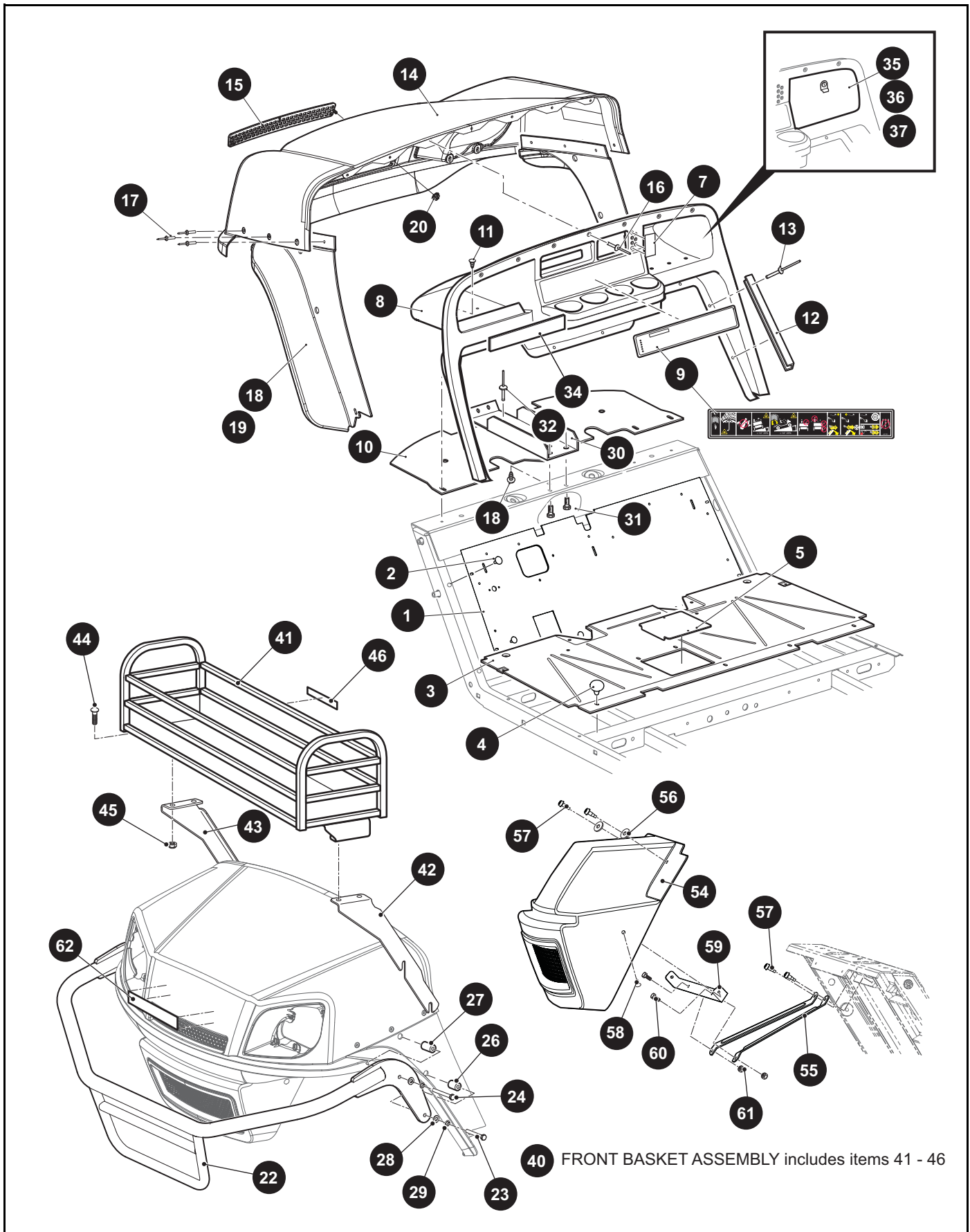
# BATTERY CHARGER

## Notes:





# BODY



When ordering parts, please specify the model and serial number of the product.

\* Indicates a component that is not available as an individual part.

\*\*\* Indicates consult Customer Service Department for additional information.

ITEM	PART NO.	1 2 3 4 5	DESCRIPTION	QTY.
1	637534		UPPER FLOORPAN (AXLE MOUNTED STEERING) .....	1
2	14601G11		RIVET, 3/16" X 9/16" LG .....	9
3	70451G01		LOWER FLOORPAN .....	1
4	14601G11		RIVET, 3/16" X 9/16" LG .....	7
5	70452G01		ACCESS COVER.....	1
6				
7	35968G01		T-HOLDER COVER .....	1
8	71151G03		INSTRUMENT PANEL ASSEMBLY .....	1
9	601781		WARNING DECAL.....	1
10	71413G01		SPLASH PANEL.....	1
11	16816G2		RATCHET FASTENER, 1/4" X 3/4" LG.....	5
12	71115G01		VINYL TRIM .....	2
13	71055G01		RIVET, 3/16" X 1" LG .....	10
14	613036GXXX		COWL (See COLOR CODES in HOW TO USE Section) .....	1
15	617643		GRILL COVER .....	1
16	71055G01		RIVET, 3/16" X 1" LG .....	7
17	71055G01		RIVET, 3/16" X 1" LG .....	6
18	614378		FENDER FLARE (DRIVER SIDE) .....	1
19	613274		FENDER FLARE (PASSENGER SIDE).....	1
20	71597G01		SELF-THREADING NUT, 3/16" X 19/32" .....	2
21				
22	617620		BRUSHGUARD.....	1
23	00440G2		HEX HEAD BOLT, 5/16" - 18 X 2 1/4" LG .....	2
24	00440G6		HEX HEAD BOLT, 5/16" - 18 X 2 3/4" LG .....	2
25				
26	75048G04		SPACER, .32" X 0.75" X 1" LG .....	2
27	75048G02		SPACER, .32" X 0.75" X 1.3" LG .....	2
28	00559G8		FLAT WASHER, 5/16".....	4
29	00565G8		SPRING TYPE LOCK WASHER, 5/16" .....	4
30	71101G02		COWL SUPPORT BRACKET .....	1
31	71102G02		SELF TAPPING SCREW, 1/4" - 20 X 1/2" LG .....	3

# BODY

When ordering parts, please specify the model and serial number of the product.

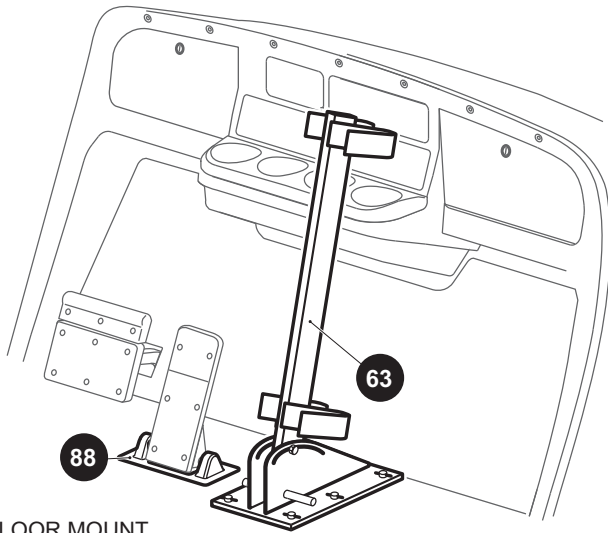
\* Indicates a component that is not available as an individual part.

\*\*\* Indicates consult Customer Service Department for additional information.

ITEM	PART NO.	1	2	3	4	5	DESCRIPTION	QTY.
32	71055G01						RIVET, 3/16" X 1 1/8" LG.....	1
33								
34	74443G01						ANTI-ROLLBACK LABEL.....	1
35	75459G01						GLOVE BOX DOORS (BOTH SIDES) .....	1
36	75459G02						GLOVE BOX DOOR (DRIVER SIDE) .....	1
37	75459G03						GLOVE BOX DOOR (PASSENGER SIDE).....	1
38								
39								
40	74521G02						FRONT BASKET ASSEMBLY (INCLUDES ITEMS 41 - 46) .....	1
41	74523G01						FRONT BASKET.....	1
42	74522G01						BASKET MOUNTING BRACKET (DRIVER SIDE) .....	1
43	74522G02						BASKET MOUNTING BRACKET (PASSENGER SIDE).....	1
44	00769G2						CARRIAGE BOLT (SS), 3/8" - 16 X 1.25" LG .....	4
45	11098G5						LOCK NUT, 3/8" - 16.....	4
46	71931G01						FRONT BASKET WARNING LABEL .....	1
47								
48								
49								
50								
51								
52								
53								
54	613273						FRONT FASCIA.....	1
55	70725G02						FRONT SHIELD BRACE .....	2
56	16469G1						FENDER WASHER, 9/32" I.D. X 1 1/4" O.D. ....	2
57	01038G01						HEX HEAD BOLT, 1/4" - 20 X 3/4" LG.....	4
58	15058G1						RIVET (ALUMINUM), 3/16" X 4/9" LG.....	2
59	618653						FASCIA BRACKET .....	1
60	00414G6						HEX HEAD BOLT, 1/4" - 20 X 3/4" LG.....	2
61	14390G4						PLASTIC INSERT LOCK NUT, 1/4" - 20 .....	2
62	619206						E-Z-GO COWL DECAL .....	1

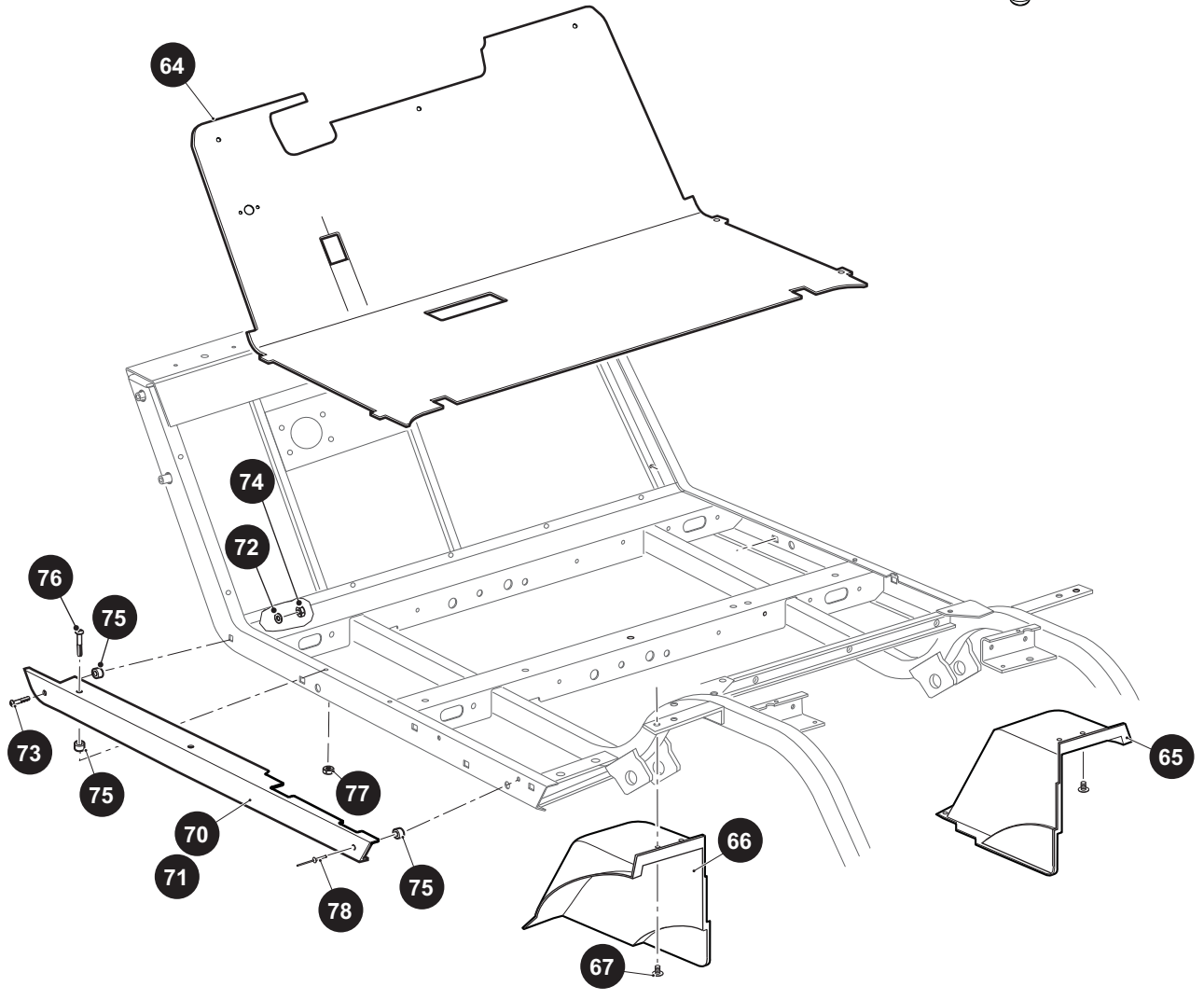
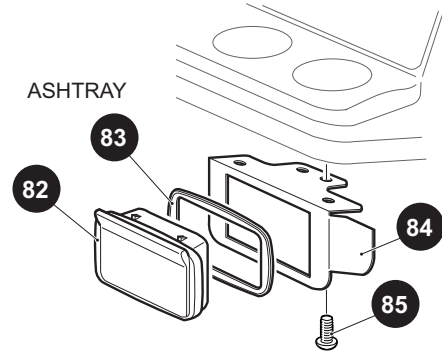


# BODY



FLOOR MOUNT  
GUN HOLDER

81 ASHTRAY ASSEMBLY includes items 82 - 85





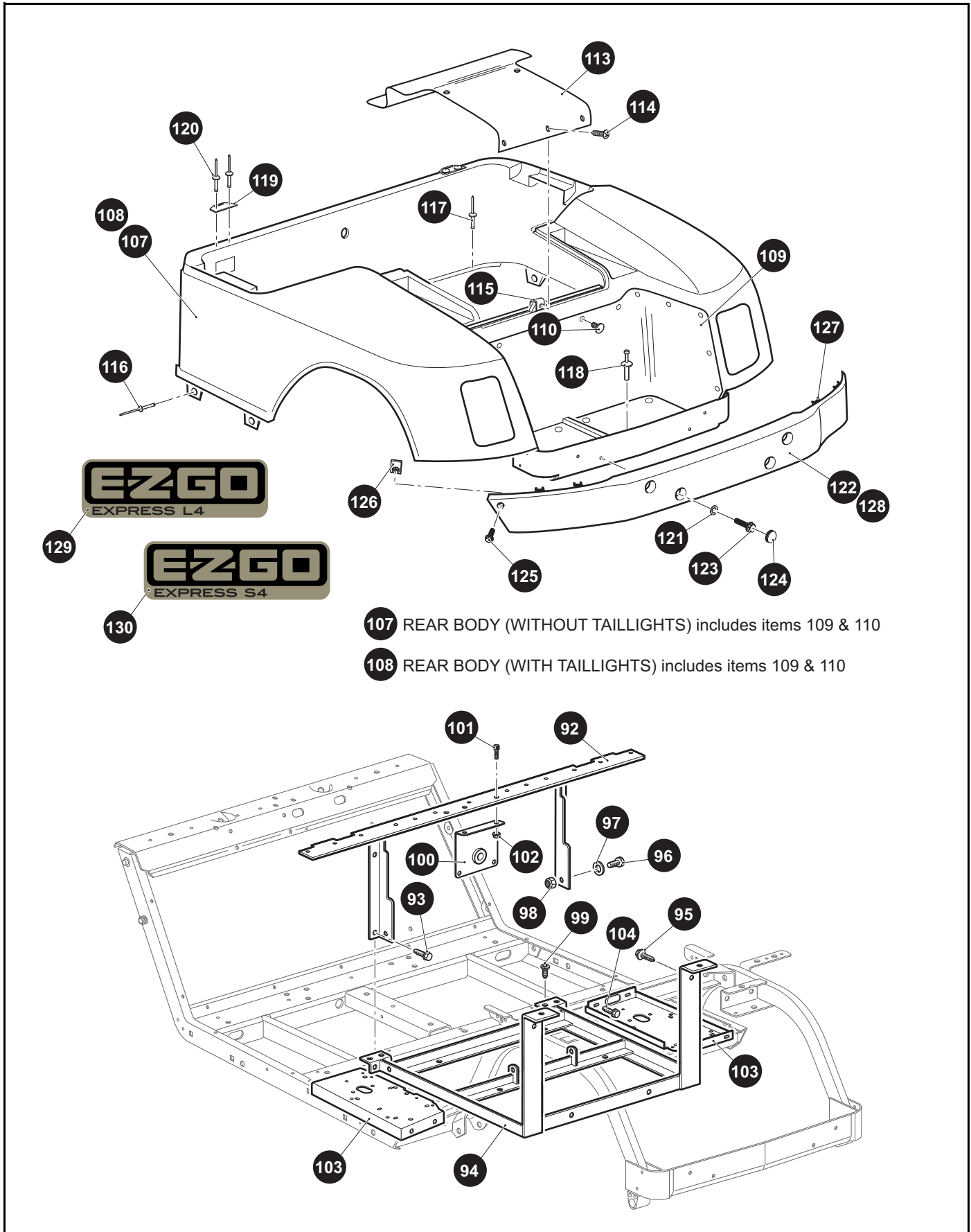
When ordering parts, please specify the model and serial number of the product.

\* Indicates a component that is not available as an individual part.

\*\*\* Indicates consult Customer Service Department for additional information.

ITEM	PART NO.	1 2 3 4 5	DESCRIPTION	QTY.
63	74365G01		GUN HOLDER, FLOOR MOUNT.....	1
64	637535G02		FLOORMAT WITH HORN HOLES .....	1
65	635054G02		FENDER LINER (PASSENGER SIDE).....	1
66	635054G01		FENDER LINER (DRIVER SIDE) .....	1
67	16816G2		RATCHET FASTENER, 1/4" X 3/4" LG.....	8
68				
69				
70	617867		ROCKER PANEL (DRIVER SIDE).....	1
71	617870		ROCKER PANEL (PASSENGER SIDE) .....	1
72	00660G5		FLAT WASHER, #10 .....	2
73	00789G2		TRUSS HEAD PHILLIPS SCREW #10 - 24 X1.25" LG .....	2
74	14390G10		LOCK NUT, #10-24 .....	2
75	23726G4		SPACER, .25" .....	8
76	16705G1		TRUSS HEAD PHILLIPS SCREW (SS), 1/4" - 20 X 1" LG.....	4
77	14390G4		LOCK NUT, 1/4" - 20.....	4
78	15058G6		RIVET (ALUMINUM), 3/16" .....	2
79				
80				
81	75109G04		ASH TRAY KIT (INCLUDES ITEMS 82 - 85) .....	1
82	27731G01		ASH TRAY .....	1
83	27736G01		GASKET .....	1
84	75108G02		BRACKET.....	1
85	00106G6		PAN HEAD PHILLIPS SCREW, #12 - 14 X .75" LG.....	4
86	74533G01		GUN HOLDER (SWIVEL MOUNT) (NOT ILLUSTRATED).....	1
87				
88	70135G01		PEDAL PIVOT COVER.....	1
89				
90				
91				

# BODY



**107** REAR BODY (WITHOUT TAILLIGHTS) includes items 109 & 110

**108** REAR BODY (WITH TAILLIGHTS) includes items 109 & 110

When ordering parts, please specify the model and serial number of the product.

\* Indicates a component that is not available as an individual part.

\*\*\* Indicates consult Customer Service Department for additional information.

ITEM	PART NO.	1 2 3 4 5	DESCRIPTION	QTY.
92	70441G01		SEAT FRAME .....	1
93	00715G2		HEX HEAD BOLT, 5/16" - 18 X 13/16" LG .....	2
94	652254G03		BATTERY RACK .....	1
95	00715G2		HEX HEAD BOLT, 5/16" - 18 X 13/16" LG .....	2
96	00438G6		HEX HEAD BOLT, 5/16" - 18 X 3/4" LG .....	2
97	00559G8		FLAT WASHER, 5/16" .....	2
98	11098G6		LOCK NUT (SS), 5/16" - 18 .....	2
99	70200G01		TRUSS HEAD TORX SCREW, 3/8" - 16 X 3/4" LG .....	2
100	70444G02		BRACKET .....	1
101	70227G01		SOCKET HEAD CAP SCREW, 1/4" - 20 X 7/8" LG .....	2
102	11027G2		LOCK NUT, 1/4" - 20 .....	2
103	70244G05		SPLASH PANEL .....	2
104	00715G2		HEX HEAD BOLT, 5/16" - 18 X 13/16" LG .....	8
105				
106				
107	71912G4**		REAR BODY (WITHOUT TAILLIGHTS) (INCLUDES ITEMS 109, 110) .....	1
108	71331G0**		REAR BODY (WITH TAILLIGHTS) (INCLUDES ITEMS 109, 110) .....	1
109	71318G01		BAGWELL LINER .....	1
110	16816G1		RATCHET FASTENER, 1/4" X 9/16" LG .....	20
111				
112				
113	71320G01		ACCESS PANEL .....	1
114	01107G01		PAN HEAD TORX SCREW (SS), #8 X 3/8" LG .....	5
115	71364G02		"J" CLIP .....	1
116	10570G12		RIVET (ALUMINUM), 1/4" X 9/16" LG .....	2
117	10570G10		RIVET (SS), 5/32" X 9/16" LG .....	5
118	18436G1		PLASTIC DRIVE RIVET, 1/4" X 3/4" LG .....	2
119	71609G01		SEAT HINGE PLATE .....	2
120	10570G11		RIVET (SS), 3/16" X 3/4" LG .....	4
121	00571G2		FLAT WASHER, 5/16" .....	2
122	71456G01		NOTCHED REAR BUMPER .....	1

# BODY

When ordering parts, please specify the model and serial number of the product.

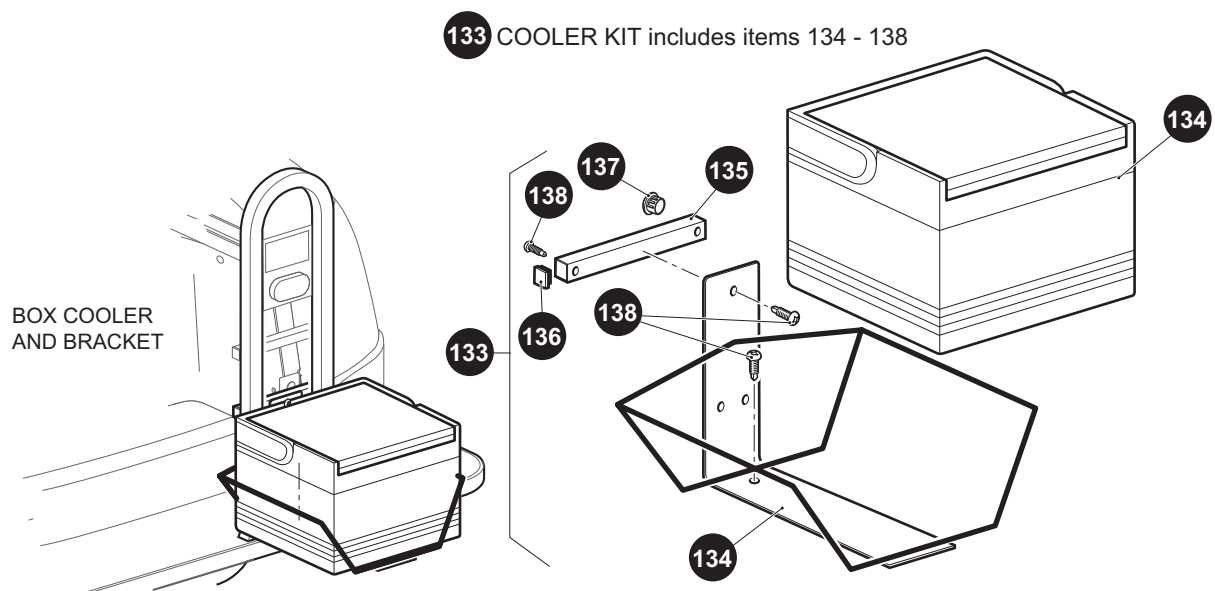
\* Indicates a component that is not available as an individual part.

\*\*\* Indicates consult Customer Service Department for additional information.

ITEM	PART NO.	1 2 3 4 5	DESCRIPTION	QTY.
123	71102G01		HEX HEAD BOLT, 1/4" - 20 X 3/4" LG.....	4
124	71455G01		BUMPER PLUG .....	4
125	71102G01		HEX HEAD BOLT, 1/4" - 20 X 3/4" LG.....	2
126	71554G01		J-TYPE NUT RETAINER, 1/4" - 20 .....	2
127	71457G01		BUMPER STAY .....	4
128	71451G02		REAR BUMPER .....	1
129	619186		E-Z-GO EXPRESS L4 DECAL .....	2
130	619184		E-Z-GO EXPRESS S4 DECAL.....	2
131				
132				



# BODY



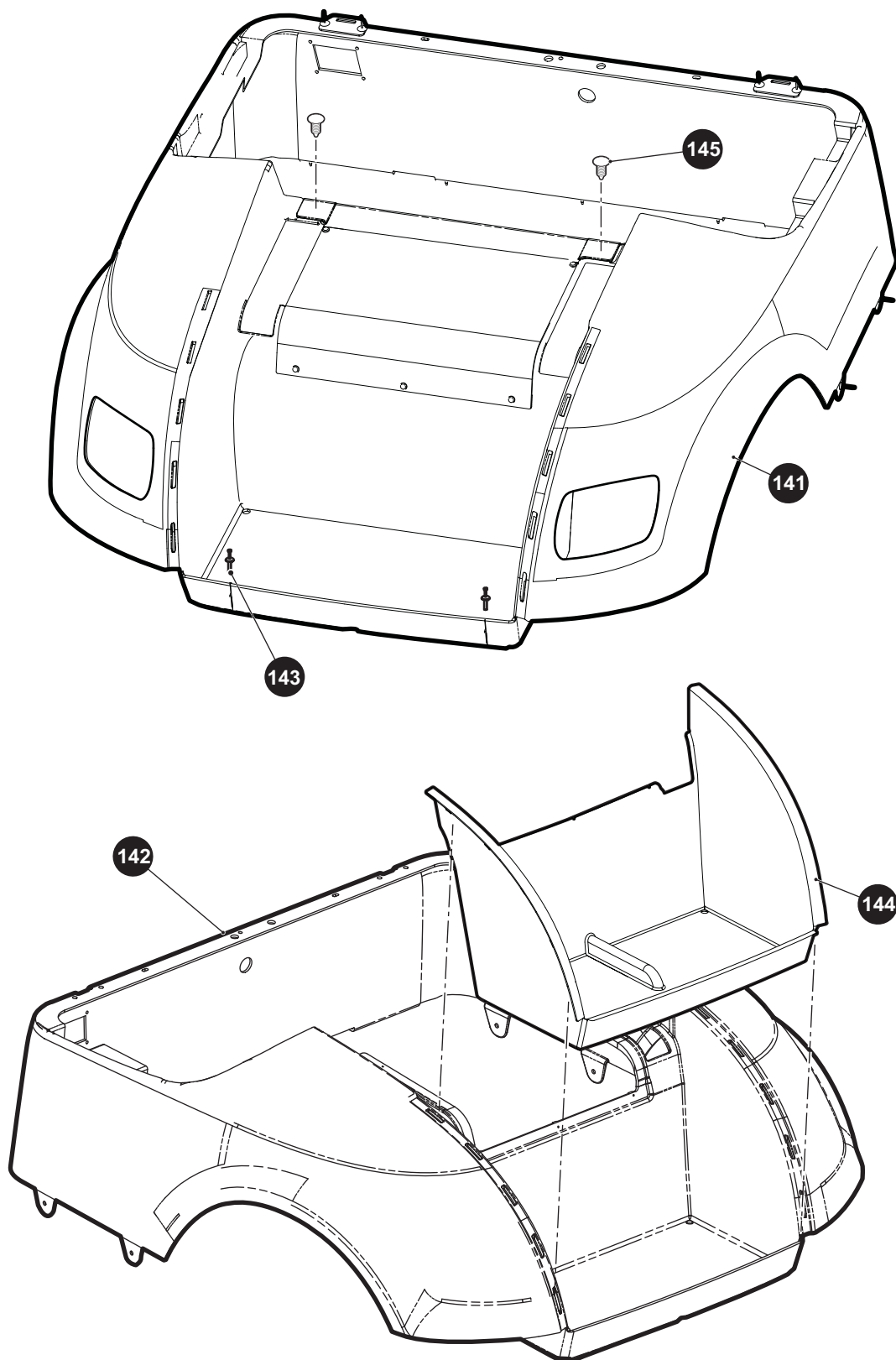
When ordering parts, please specify the model and serial number of the product.

\* Indicates a component that is not available as an individual part.

\*\*\* Indicates consult Customer Service Department for additional information.

ITEM	PART NO.	1 2 3 4 5	DESCRIPTION	QTY.
133	74581G01		COOLER KIT (INCLUDES ITEMS 134 - 138).....	1
134	71048G01		COOLER & BRACKET KIT.....	1
135	75268G01		SUPPORT TUBE.....	1
136	19859G1		END CAP, 3/4".....	2
137	20271G2		HOLE PLUG, 1/2".....	2
138	00106G6		PAN HEAD PHILLIPS SELF DRILLING SCREW, #12 - 24 X 3/4" LG .....	4
139				
140				

VEHICLES MANUFACTURED FROM MARCH 2014





When ordering parts, please specify the model and serial number of the product.

\* Indicates a component that is not available as an individual part.

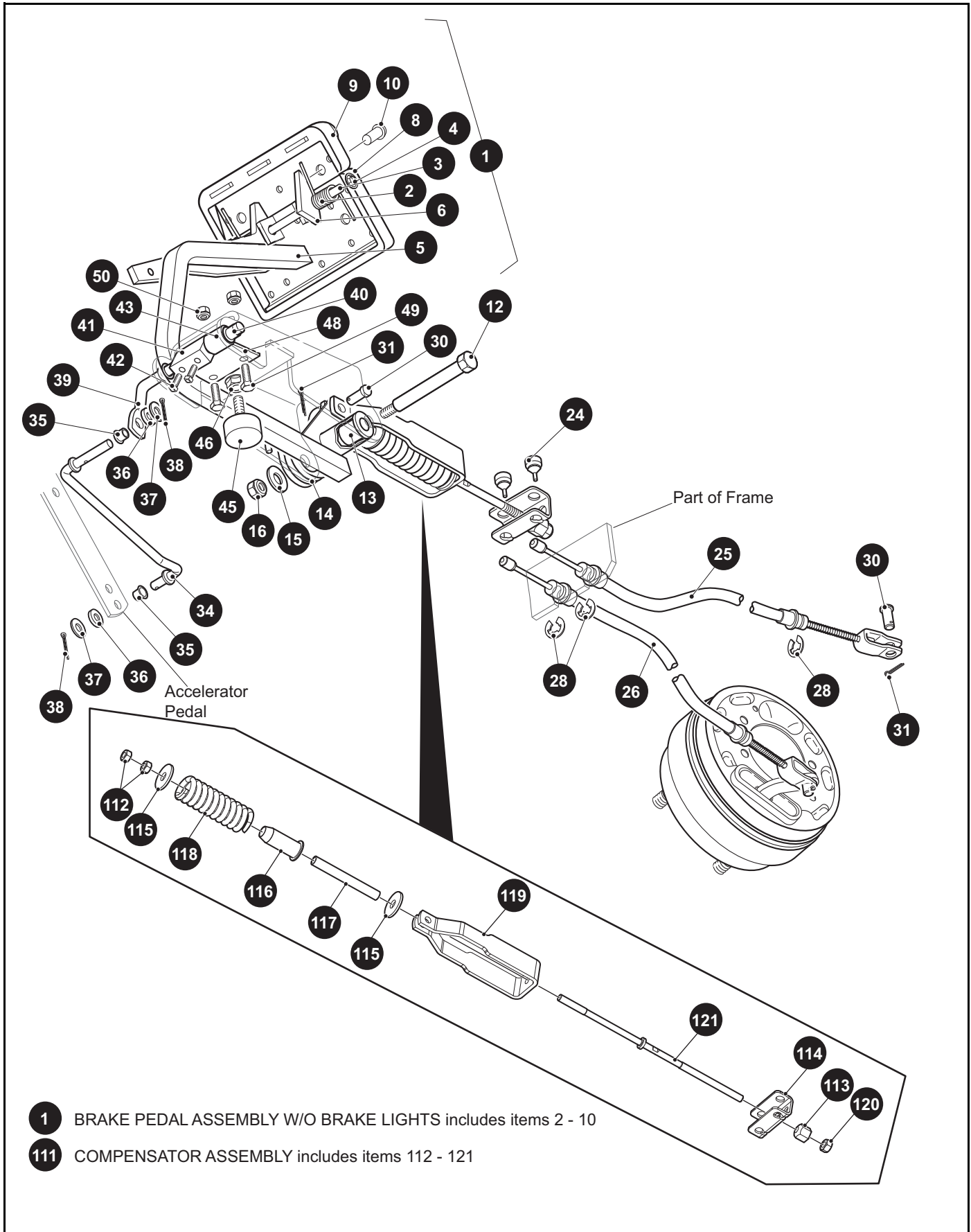
\*\*\* Indicates consult Customer Service Department for additional information.

ITEM	PART NO.	1 2 3 4 5	DESCRIPTION	QTY.
141	625272G0XX		REAR BODY (WITH LIGHTS) (FOR VEHICLES MANUFACTURED FROM MARCH 2014).....	1
142	619752G0XX		REAR BODY (FOR VEHICLES MANUFACTURED FROM MARCH 2014).....	1
143	633917		RIVET (FOR VEHICLES MANUFACTURED FROM MARCH 2014) .....	2
144	624374		BAGWHEEL LINER (FOR VEHICLES MANUFACTURED FROM MARCH 2014).....	1
145	16816G2		RATCHET RIVET, .25" X .887" (FOR VEHICLES MANUFACTURED FROM MARCH 2014).....	2





# BRAKES

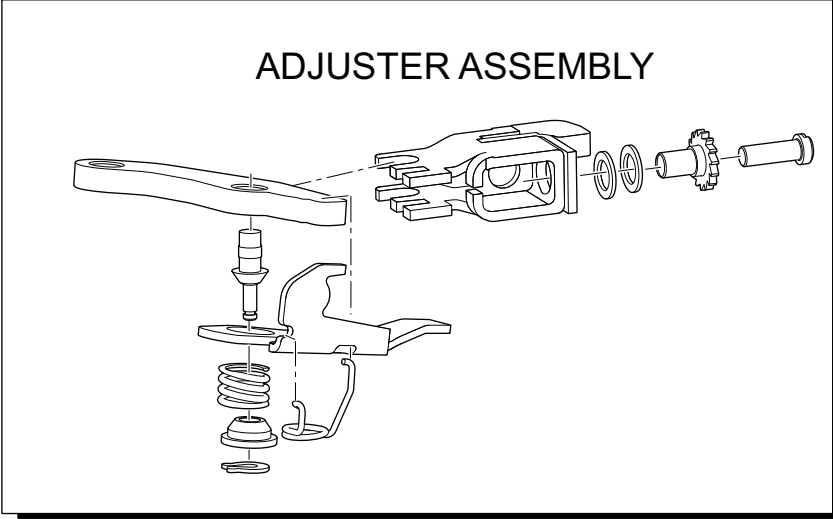
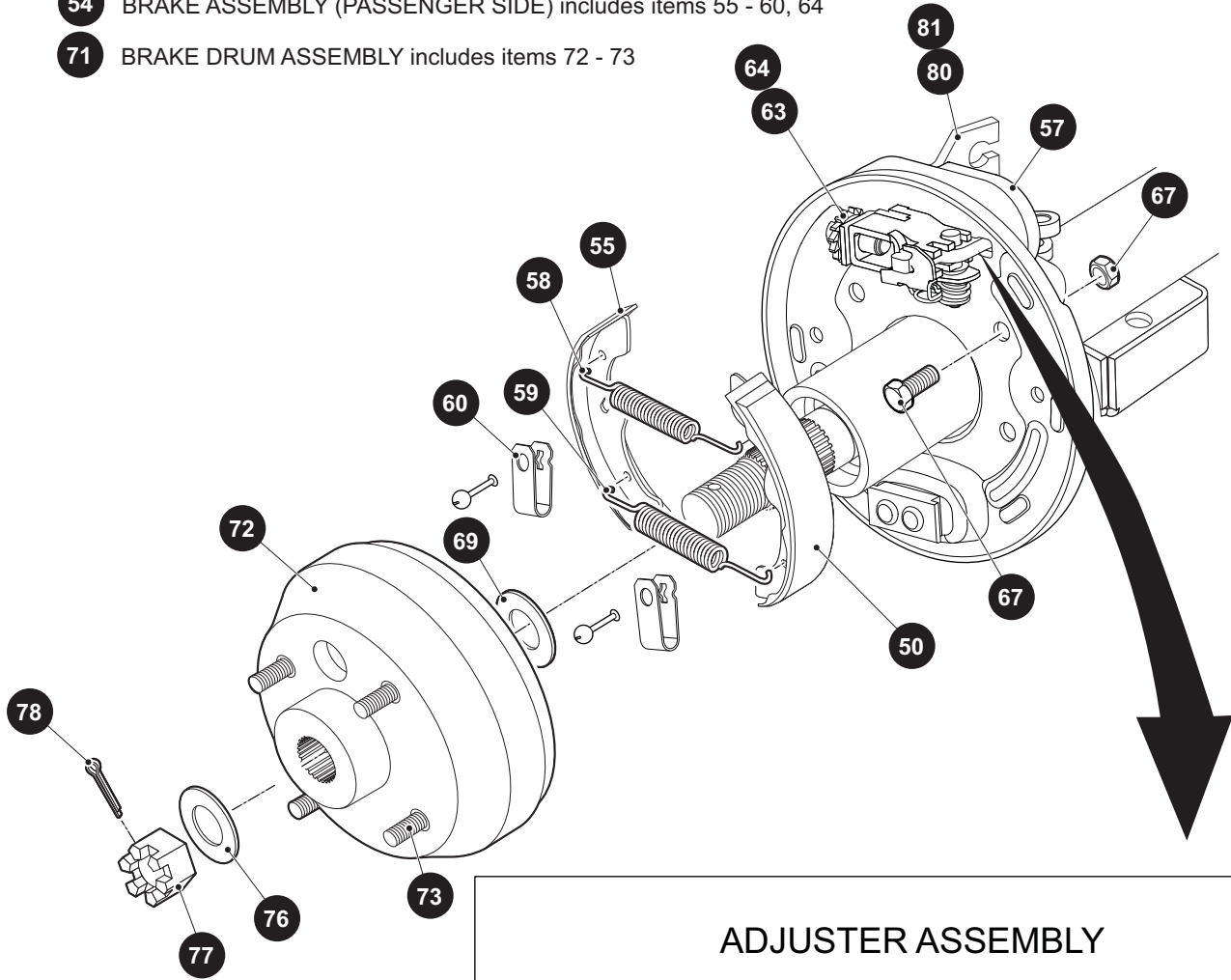


**1** BRAKE PEDAL ASSEMBLY W/O BRAKE LIGHTS includes items 2 - 10

**111** COMPENSATOR ASSEMBLY includes items 112 - 121

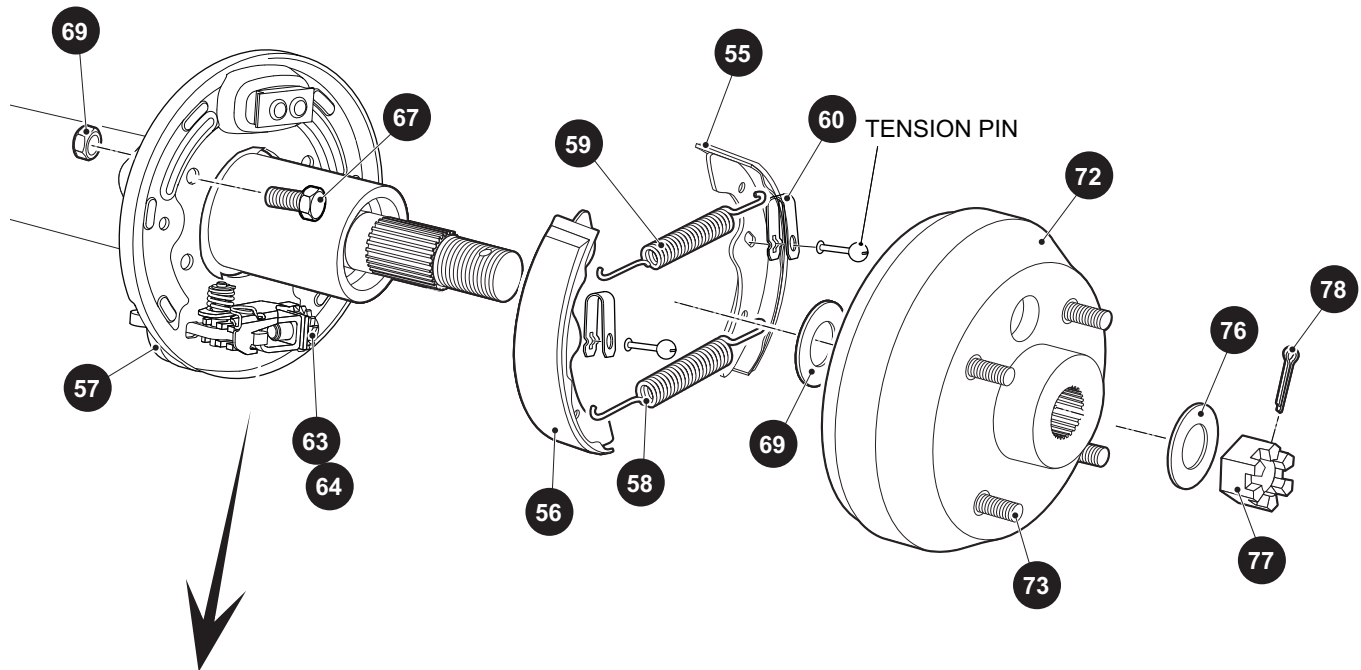
## TOP PULL

- 53** BRAKE ASSEMBLY (DRIVER SIDE) includes items 55 - 60, 63
- 54** BRAKE ASSEMBLY (PASSENGER SIDE) includes items 55 - 60, 64
- 71** BRAKE DRUM ASSEMBLY includes items 72 - 73

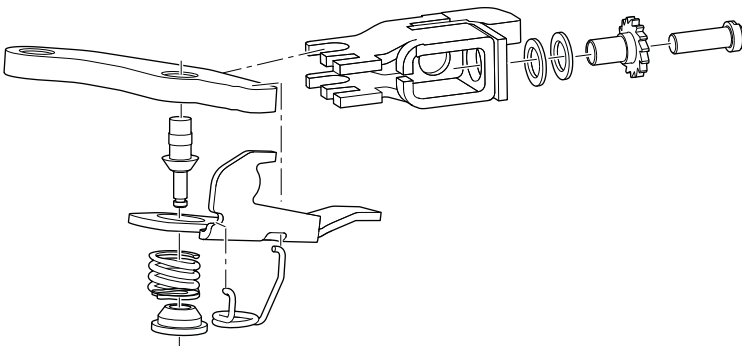


## BOTTOM PULL

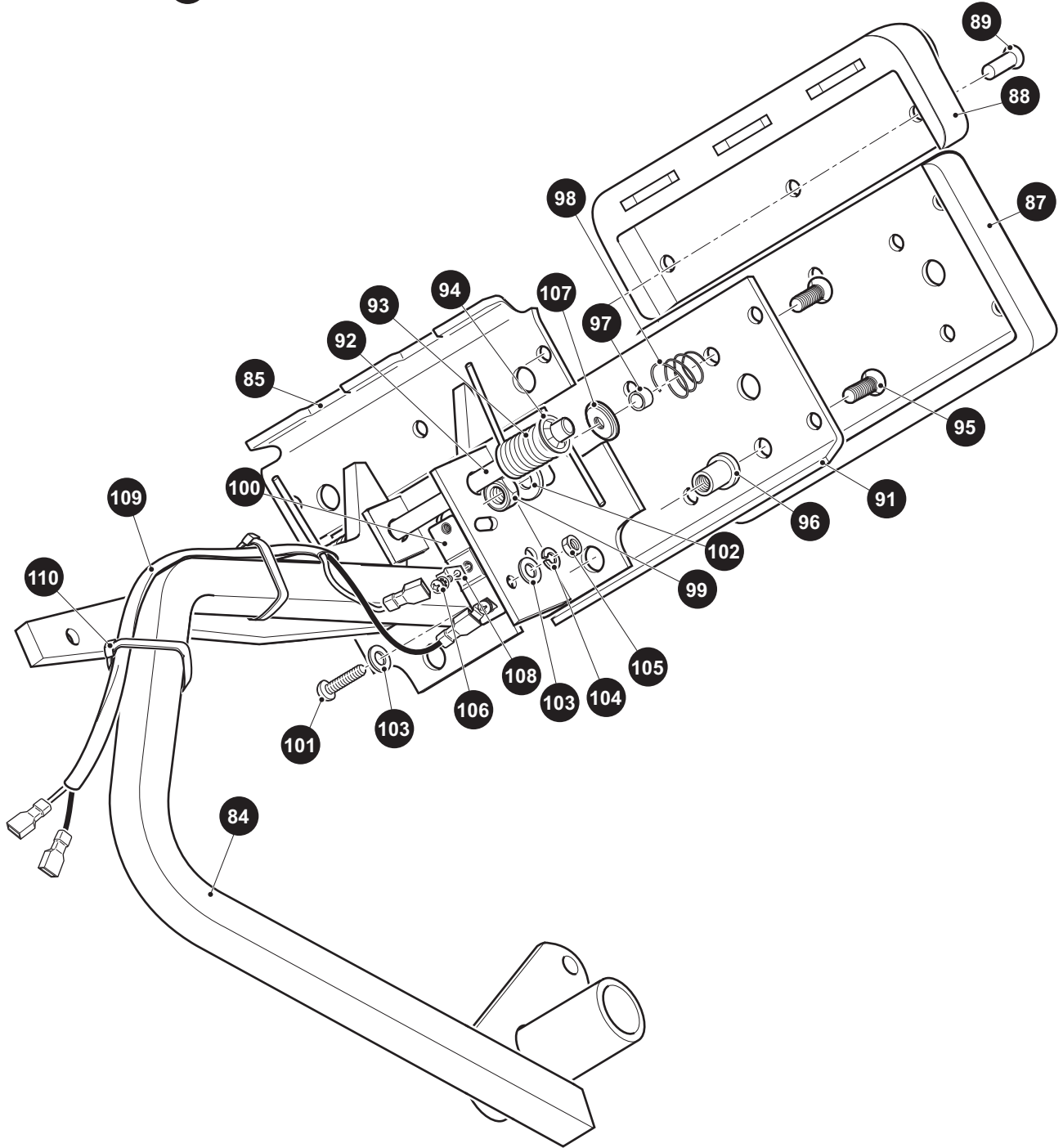
- 53 BRAKE ASSEMBLY (DRIVER SIDE) includes items 55 - 60, 63
- 54 BRAKE ASSEMBLY (PASSENGER SIDE) includes items 55 - 60, 64
- 71 BRAKE DRUM ASSEMBLY includes items 72 - 73



### ADJUSTER ASSEMBLY



**83** BRAKE PEDAL ASSEMBLY (WITH LIGHTS) includes items 84 - 110



# BRAKES

When ordering parts, please specify the model and serial number of the product.

\* Indicates a component that is not available as an individual part.

\*\*\* Indicates consult Customer Service Department for additional information.

ITEM	PART NO.	1 2 3 4 5	DESCRIPTION	QTY.
1	70612G02		BRAKE PEDAL ASSEMBLY (WITHOUT BRAKE LIGHTS) (INCLUDES ITEMS 2 - 10).....	1
2	70681G01		TORSION SPRING .....	2
3	70682G01		PIVOT PIN .....	1
4	658825		PUSHNUT, 5/16" .....	2
5	652251G03		BRAKE PEDAL .....	1
6	652253G03		PARK BRAKE PEDAL.....	1
7				
8	70257G01		SERVICE BRAKE PAD .....	1
9	70256G01		PARK BRAKE PEDAL PAD.....	1
10	16409G1		OVAL RIVET, 3/16" X 7/16" LG .....	9
11				
12	70582G01		SHOULDER BOLT (SS), 3/8" - 16 X 4" LG .....	1
13	70581G01		FLANGED BUSHING, 1" LG .....	2
14	70676G01		TORSION SPRING .....	1
15	00643G1		FLAT WASHER, 3/8" .....	1
16	11098G5		LOCK NUT, 3/8" - 16 .....	1
17				
18	01038G01		SWAGEFORM SCREW, 1/4" - 20 (NOT ILLUSTRATED) .....	1
19				
20	12416G2		NYLON WEDGE LOCK CLAMP (NOT ILLUSTRATED) .....	1
21				
22				
23				
24	28083G01		BRAKE COMPENSATOR BUMPER .....	2
25	624690		BRAKE CABLE (DRIVER SIDE) .....	1
26	624691		BRAKE CABLE (PASSENGER SIDE).....	1
27				
28	01111G01		RETAINING RING (SS), 13/32" .....	4
29				
30	10386G3		CLEVIS PIN, 5/16" X 13/16" LG .....	3
31	10387G3		COTTER PIN, 3/32" X 3/4" LG .....	3



When ordering parts, please specify the model and serial number of the product.

\* Indicates a component that is not available as an individual part.

\*\*\* Indicates consult Customer Service Department for additional information.

ITEM	PART NO.	1 2 3 4 5	DESCRIPTION	QTY.
32				
33				
34	70601G01		KICK-OFF LINK .....	1
35	17838G1		NYLON BUSHING, .3" LG .....	2
36	20835G1		TEFLON WASHER, 3/8" .....	2
37	00559G8		FLAT WASHER, 5/16" .....	2
38	10387G3		COTTER PIN, 3/32" X 3/4" LG.....	2
39	70098G01		KICK-OFF CAM PIVOT.....	1
40	10097G6		FLANGED BEARING .....	2
41	70587G01		KICK-OFF CAM .....	1
42	71215G01		SETSCREW, 1/4" - 20 X 1/2" LG .....	2
43	14134G4		SPACER, 1.25" .....	1
44				
45	70113G01		ADJUSTABLE BUMPER.....	1
46	11027G1		LOCK NUT, 5/16" - 18.....	1
47				
48	70080G02		CATCH BRACKET .....	1
49	00414G6		HEX HEAD BOLT, 1/4" - 20 X 3/4" LG .....	2
50	14390G4		LOCK NUT (SS), 1/4" - 20 .....	2
51				
52				
53	612211		BRAKE ASSEMBLY (DRIVER SIDE) (INCLUDES ITEMS 55 - 60, 63).....	1
54	612189		BRAKE ASSEMBLY (PASSENGER SIDE) (INCLUDES ITEMS 55 - 60, 64) .	1
55	612411		BRAKE SHOE, L .....	1
56	612412		BRAKE SHOE, T .....	1
57	612413		DUST COVER .....	1
58	612415		BRAKE SPRING.....	1
59	612414		BRAKE SPRING.....	1
60	612416		SHOE CLAMP .....	2
61				
62				

# BRAKES

When ordering parts, please specify the model and serial number of the product.

\* Indicates a component that is not available as an individual part.

\*\*\* Indicates consult Customer Service Department for additional information.

ITEM	PART NO.	1	2	3	4	5	DESCRIPTION	QTY.
63	612418						GEAR ADJUSTER .....	1
64	612417						GEAR ADJUSTER .....	1
65								
66								
67	17083G2						HEX HEAD BOLT, 5/16" - 24 X 1" LG.....	8
68	15126G1						LOCK NUT, 5/16" - 24 .....	8
69	21809G1						FLAT WASHER, 1/4" .....	2
70								
71	21807G1						BRAKE DRUM ASSEMBLY (INCLUDES ITEMS 72 - 73).....	2
72	20947G1						BRAKE DRUM .....	1
73	19862G1						LUG BOLT, 1/2" - 20 X 1 3/16" LG .....	4
74								
75								
76	21830G1						WASHER, 1 3/8" O.D. ....	2
77	613172						CASTELLATED NUT, 5/8 - 18 .....	2
78	10387G1						COTTER PIN, 1/8" X 1 1/2" LG .....	2
79								
80	652248						BRAKE CABLE BRACKET (PASSENGER SIDE).....	1
81	652249						BRAKE CABLE BRACKET (DRIVER SIDE) .....	1
82								
83	70690G02						BRAKE PEDAL ASSEMBLY (WITH BRAKE LIGHTS) (INCLUDES ITEMS 84 - 110) .....	1
84	652791G03						BRAKE PEDAL .....	1
85	652253G03						PARK BRAKE PEDAL.....	1
86								
87	70257G01						SERVICE BRAKE PAD .....	1
88	70256G01						PARK BRAKE PAD .....	1
89	160409G1						OVAL RIVET, 3/16" x 3/8" LG.....	9
90								
91	652820						SERVICE BRAKE PEDAL PLATE .....	1
92	70682G01						PIVOT PIN .....	1
93	70681G01						TORSION SPRING .....	2

When ordering parts, please specify the model and serial number of the product.

\* Indicates a component that is not available as an individual part.

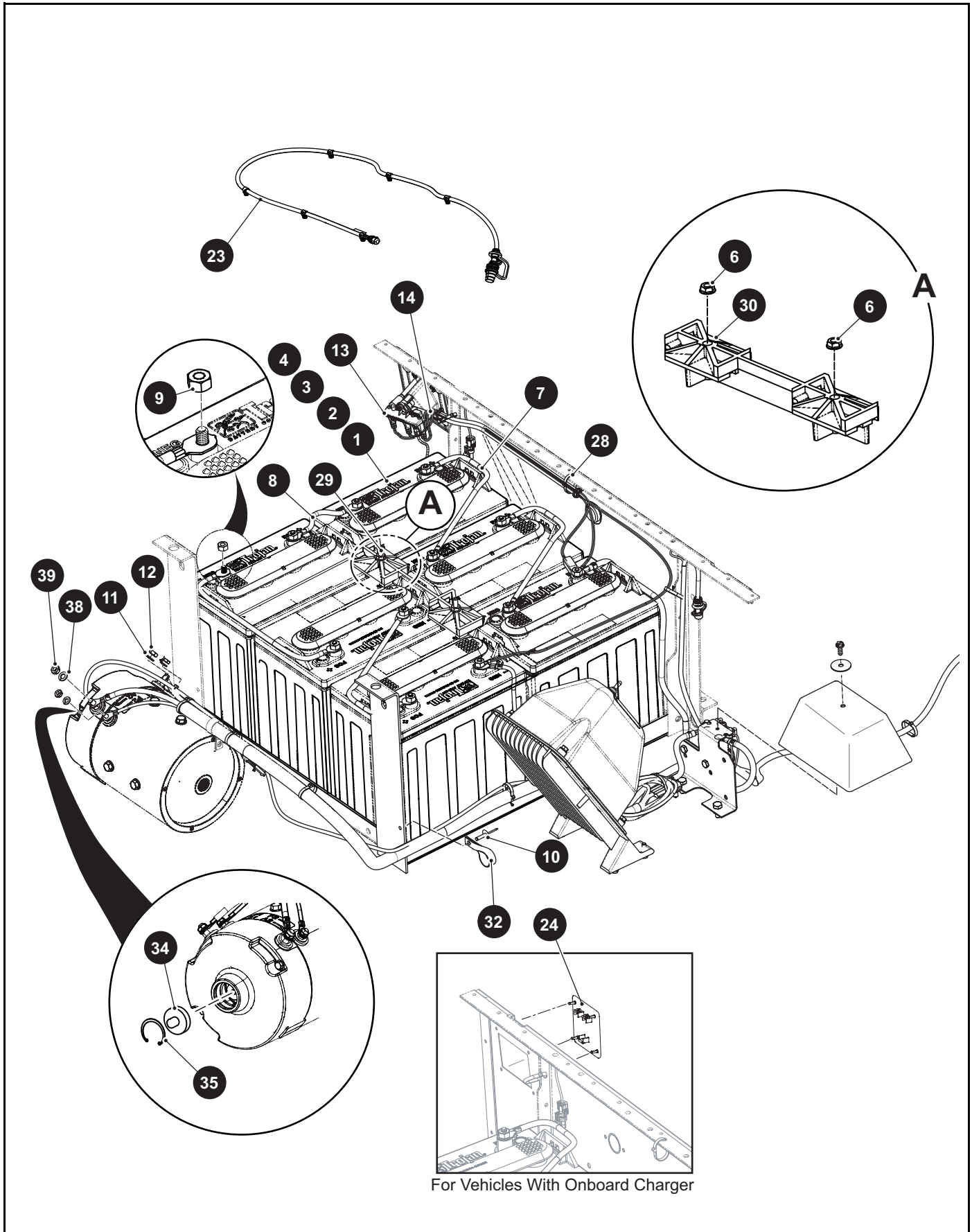
\*\*\* Indicates consult Customer Service Department for additional information.

ITEM	PART NO.	1 2 3 4 5	DESCRIPTION	QTY.
94	658825		PUSHNUT, 5/16" .....	1
95	00737G8		PHILLIPS FLAT HEAD MACHINE SCREW, #10 - 24 X 1" LG .....	4
96	00739G1		RUBBER NUT, #10 - 24 .....	2
97	652355		BRAKE PEDAL SPACER .....	2
98	27137G01		CONICAL SPRING .....	2
99	14390G10		LOCK NUT, #10 - 24.....	2
100	10606G8		MICRO SWITCH .....	1
101	00645G2		PHILLIPS PAN HEAD MACHINE SCREW, #6 - 32 X 1 1/4" LG .....	2
102	00559G5		FLAT WASHER, #10 .....	2
103	00559G3		FLAT WASHER, #6 .....	4
104	00565G3		LOCK WASHER, #6 .....	2
105	00525G5		HEX NUT, #6 - 32 .....	2
106	13514G1		SCREW AND LOCK WASHER, #6 .....	2
107	00642G8		FLAT WASHER, 5/16" .....	2
108	14628G1		FASTON TAB.....	2
109	24605G1		BRAKE LIGHT WIRE HARNESS .....	1
110	17618G1		WIRE TIE.....	2
111	612558		COMPENSATOR ASSEMBLY (INCLUDES ITEMS 112 - 121).....	1
112	00532G4		HEX NUT, 1/4" - 20.....	2
113	629486		HEX NUT, 5/16 - 24 .....	1
114	28082G01		EQUALIZER BRACKET .....	1
115	15121G1		FLAT WASHER - 5/16" .....	2
116	17979G1		ACCELERATOR ROD BUSHING.....	1
117	23061G2		TUBE .....	1
118	23463G1		COMPRESSION SPRING .....	1
119	652256		BRAKE YOKE .....	1
120	11098G9		HEX LOCK NUT, 5/16" - 24.....	1
121	612557		COMPENSATOR ROD LINK.....	1

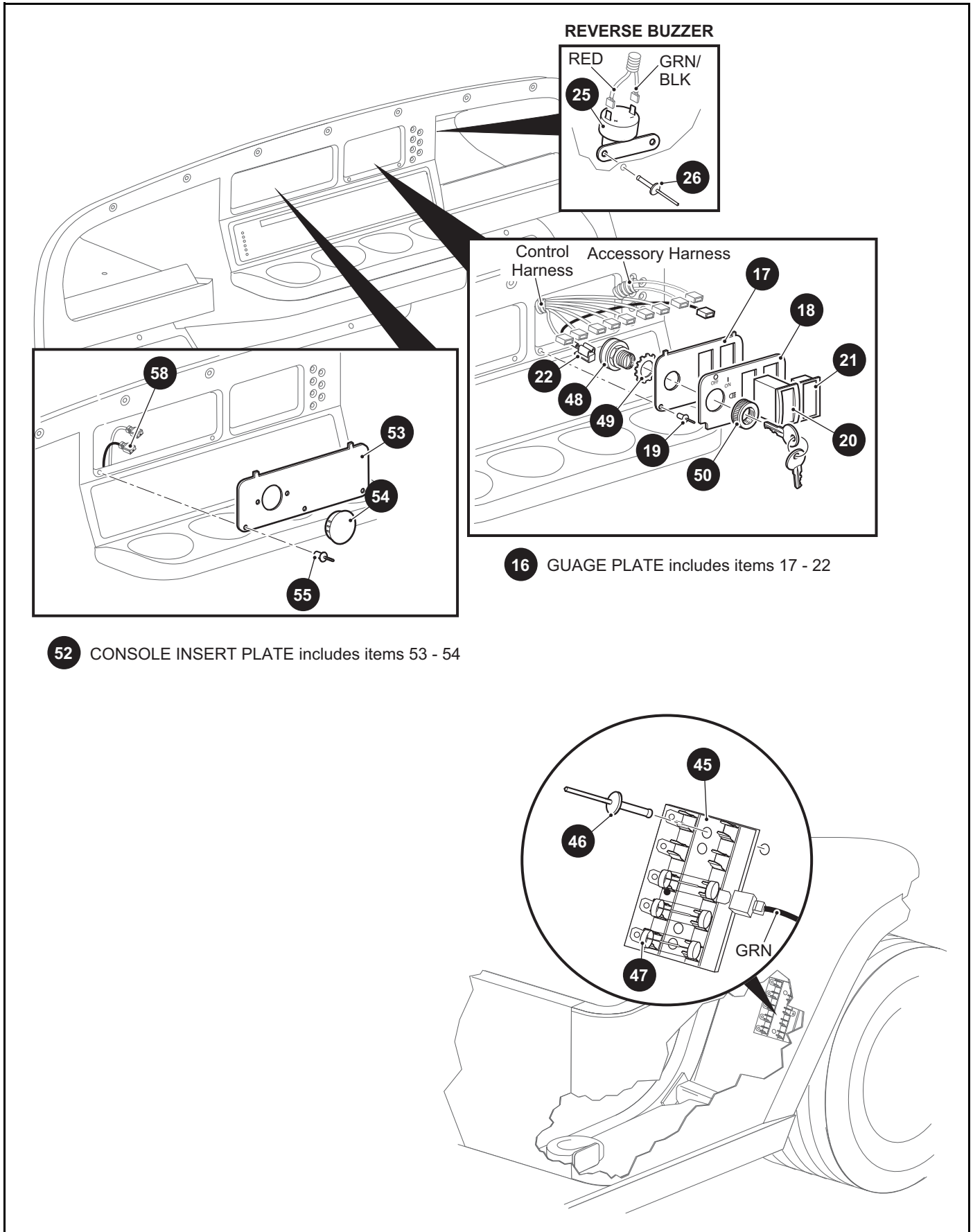




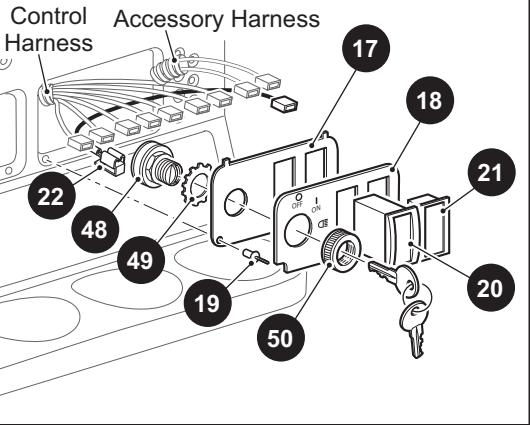
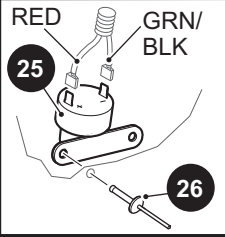
# ELECTRICAL SYSTEM



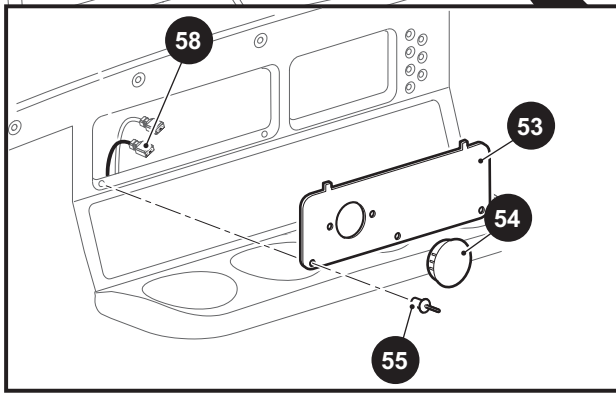
For Vehicles With Onboard Charger



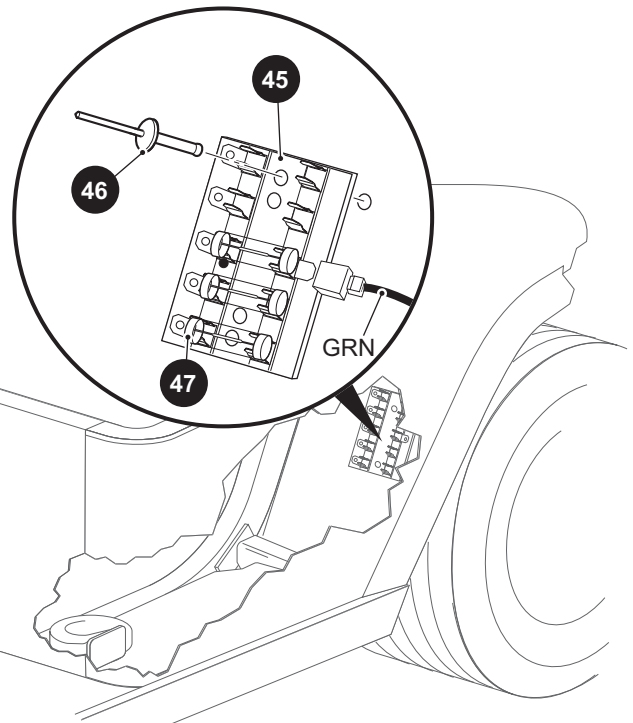
### REVERSE BUZZER



16 GAUGE PLATE includes items 17 - 22



52 CONSOLE INSERT PLATE includes items 53 - 54



# ELECTRICAL SYSTEM

When ordering parts, please specify the model and serial number of the product.

\* Indicates a component that is not available as an individual part.

\*\*\* Indicates consult Customer Service Department for additional information.

ITEM	PART NO.	1 2 3 4 5	DESCRIPTION	QTY.
1	618594		8 VOLT BATTERY .....	6
2	614015		8 VOLT BATTERY .....	6
3	618595		8 VOLT BATTERY .....	6
4	614381		8 VOLT BATTERY .....	6
5	615352		CLAMP - POLYPROPYLENE (NOT ILLUSTRATED).....	1
6	11027G1		LOCK NUT, 5/16" - 18 .....	2
7	613236		6 AWG WIRE, BLUE, 380mm (15").....	4
8	613237		6 AWG WIRE, BLUE, 150mm (5.90").....	1
9	00702G2		HEX NUT, 5/16" - 18.....	12
10	10570G11		RIVET, 3/16" X 0.70" .....	1
11	00993G02		LOCK WASHER (SILICON BRONZE), 1/4" .....	2
12	28418G02		LOCK NUT (BRASS), 1/4" - 20 .....	2
13	613304		CHARGER RECEPTACLE, 48V .....	1
14	*		CHARGER HARNESS.....	1
15				
16	618215		GUAGE PLATE, FNR, SOC, 48V W/LIGHTS (INCLUDES ITEMS 17 - 22)....	1
17	73030G12		CONSOLE PLATE .....	1
18	74322G01		CONSOLE PLATE DECAL.....	1
19	33623G02		DRIVE RIVET, 3/16" X 3/8" LG .....	2
20	624514G02		DIRECTION SELECTOR SWITCH (F-N-R).....	1
21	33636G05		STATE OF CHARGE METER (SOC).....	1
22	74018G01		WIRE HARNESS (SOC) .....	1
23	614457		SNAKE HYDROLINK, 6 - 6V OR 6 - 8V .....	1
24	666066		RECPTICAL COVER.....	1
25	613271		CONTINUOUS TONE BUZZER .....	1
26	01041G01		RIVET, 1/8" X 13/16" LG.....	2
27				
28	17618G1		WIRE TIE.....	9
29	01101G01		TIE DOWN BOLT.....	2
30	612867		BATTERY RETAINER .....	1
31				



# ELECTRICAL SYSTEM

When ordering parts, please specify the model and serial number of the product.

\* Indicates a component that is not available as an individual part.

\*\*\* Indicates consult Customer Service Department for additional information.

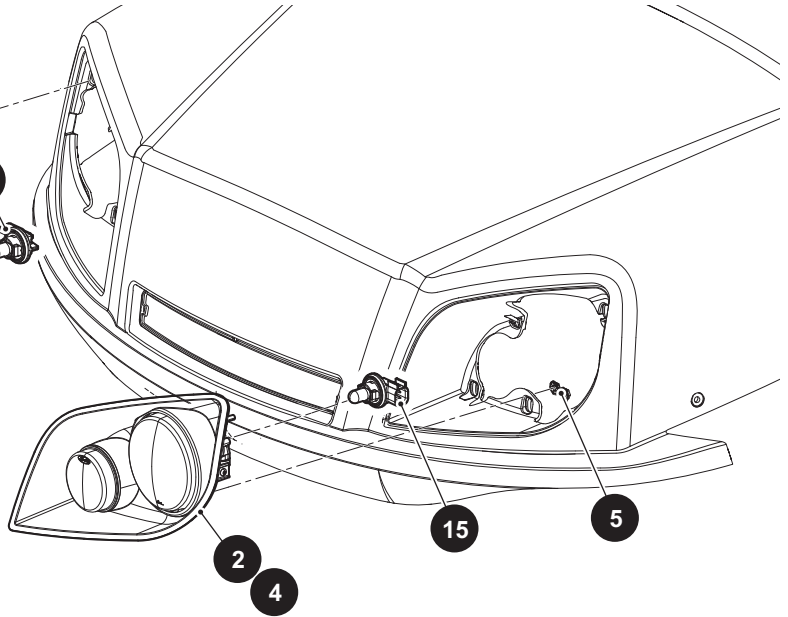
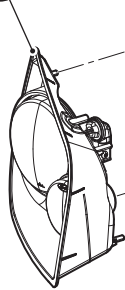
ITEM	PART NO.	1 2 3 4 5	DESCRIPTION	QTY.
32	27327G02		CABLE CLAMP .....	1
33				
34	620422		SPEED SENSOR.....	1
35	73277G01		RETAINING RING.....	1
36				
37				
38	00993G01		LOCK WASHER (SILICON BRONZE), 5/16".....	2
39	28418G01		LOCK NUT (BRASS), 5/16" - 18".....	2
40				
41				
42				
43				
44				
45	22674G1		FUSE BLOCK .....	1
46	01041G01		RIVET, 1/8" X 13/16" LG .....	2
47	18392G1		15 AMP FUSE .....	AR
48	33639G**		KEY SWITCH (WITH LIGHTS) .....	1
49	00568G6		LOCK WASHER, 3/4" .....	1
50	17137P1		FACE NUT, 3/4" - 20 .....	1
51				
52	74693G02		CONSOLE INSERT ASSEMBLY (INCLUDES ITEMS 53 - 54).....	1
53	73522G03		CONSOLE INSERT PLATE .....	1
54	20271G10		HOLE PLUG .....	1
55	33623G02		DRIVE RIVET, 3/16" X 3/8" LG .....	3
56				
57				
58	71081G01		WIRE HARNESS (POWER OUTLET) .....	1

# ELECTRICAL SYSTEM

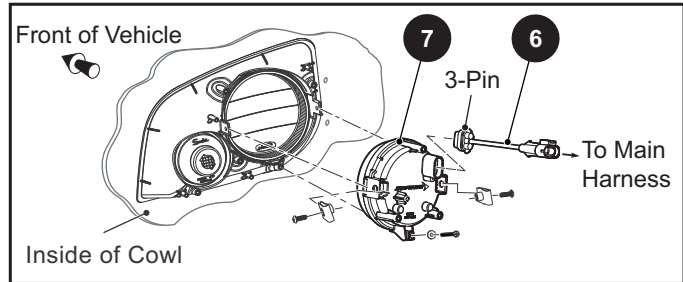
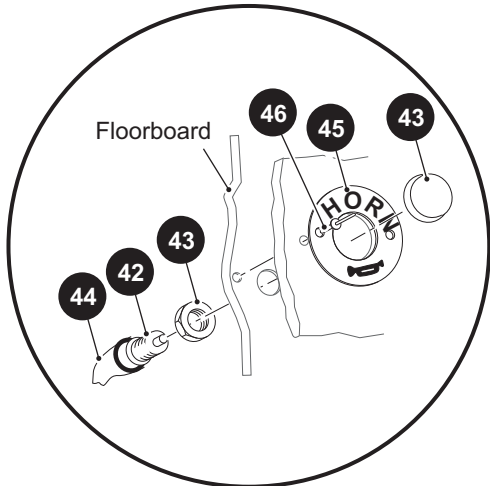
## HEAD LIGHT & TURN SIGNAL

1 3

15

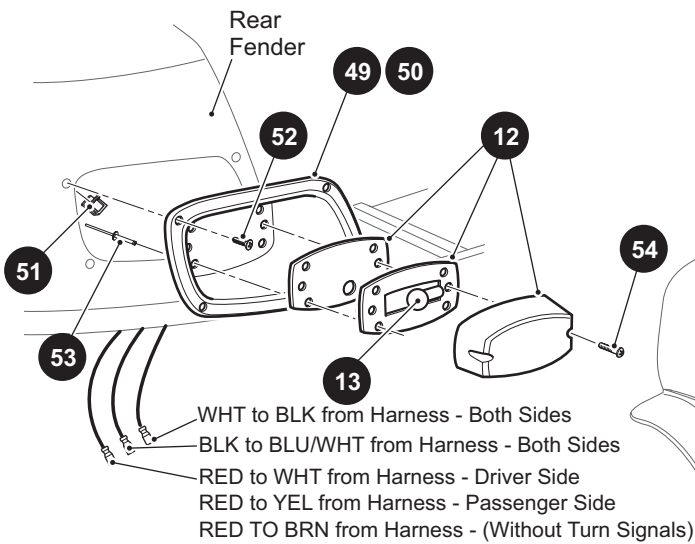


## FLOOR MOUNTED HORN BUTTON

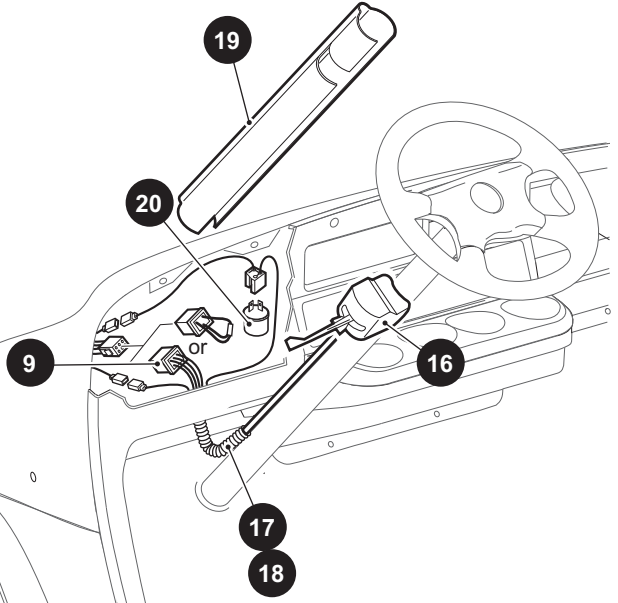


- 3 LED HEADLIGHT ASSEMBLY (PASSENGER SIDE) includes item 7
- 4 LED HEADLIGHT ASSEMBLY (DRIVER SIDE) includes item 7

## TAILLIGHTS

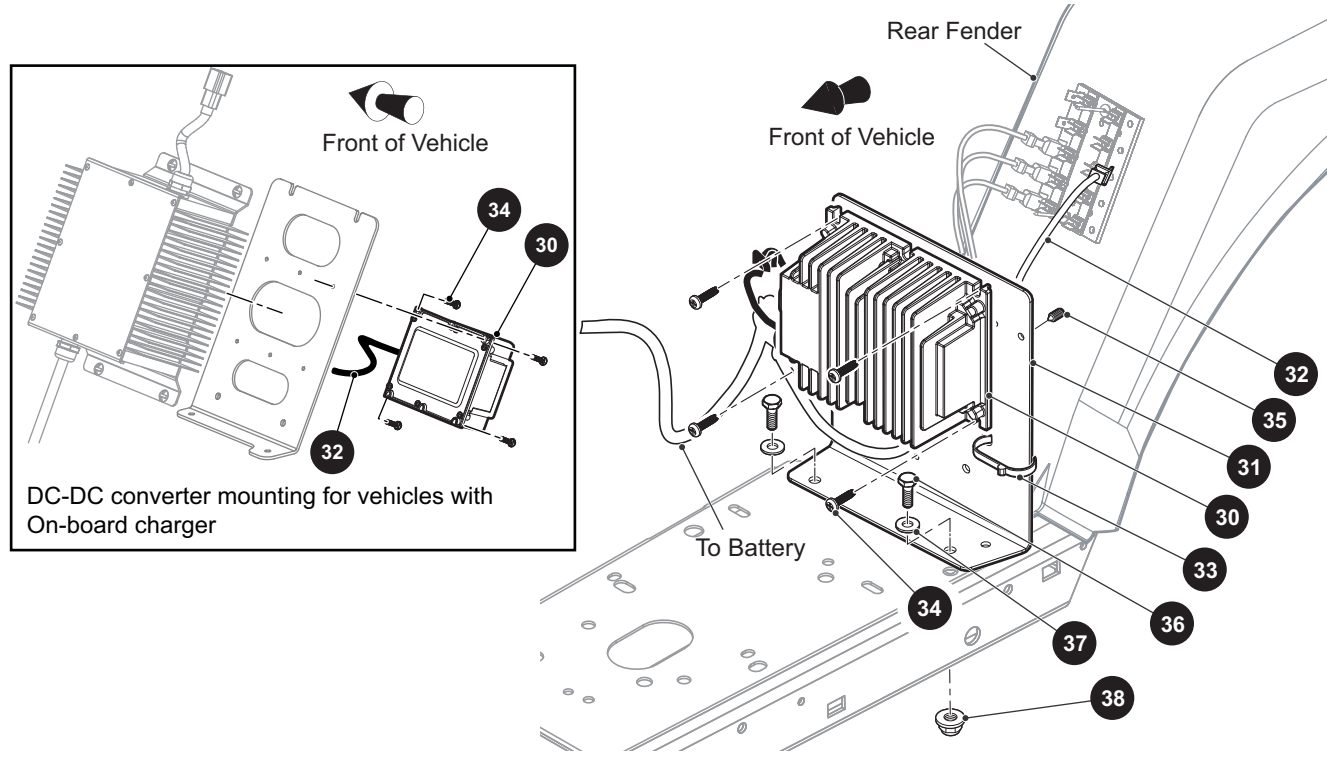
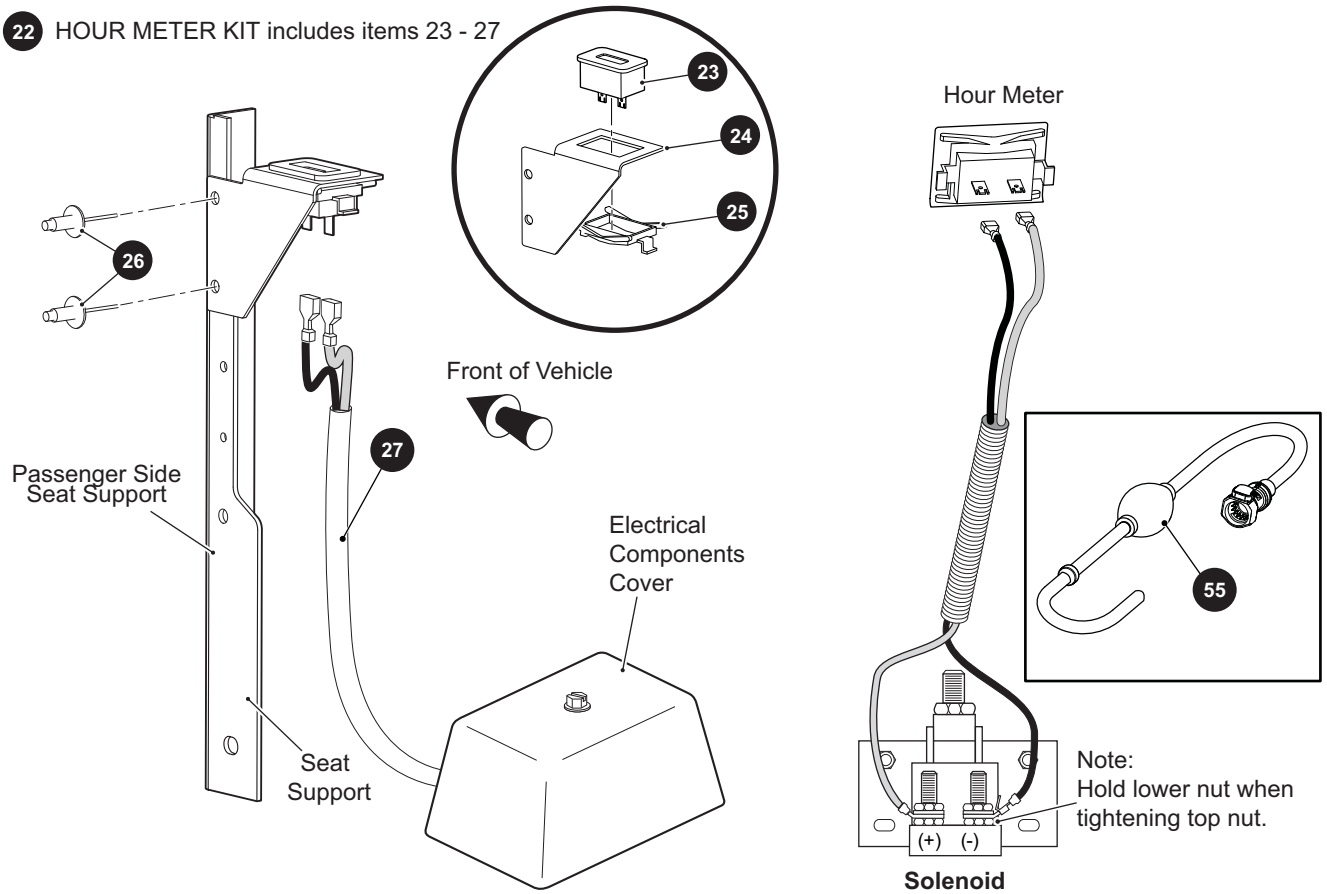


- WHT to BLK from Harness - Both Sides
- BLK to BLU/WHT from Harness - Both Sides
- RED to WHT from Harness - Driver Side
- RED to YEL from Harness - Passenger Side
- RED TO BRN from Harness - (Without Turn Signals)



- 14 TURN SIGNAL KIT includes items 15 - 20

22 HOUR METER KIT includes items 23 - 27



# ELECTRICAL SYSTEM

When ordering parts, please specify the model and serial number of the product.

\* Indicates a component that is not available as an individual part.

\*\*\* Indicates consult Customer Service Department for additional information.

ITEM	PART NO.	1 2 3 4 5	DESCRIPTION	QTY.
1	614497		HEADLIGHT WITHOUT TURN SIGNAL (PASSENGER SIDE) .....	1
2	614501		HEADLIGHT WITHOUT TURN SIGNAL (DRIVER SIDE) .....	1
3	659008		LED HEADLIGHT ASSEMBLY (PASSENGER SIDE) (INCLUDES ITEM 7) ...	1
4	659009		LED HEADLIGHT ASSEMBLY (DRIVER SIDE) (INCLUDES ITEM 7).....	1
5	71597G01		SELF THREADING NUT .....	8
6	654465		JUMPER HARNESS, LED HEADLIGHT .....	2
7	651411G03		LED HEADLIGHT.....	1
8				
9	618257		WIRE HARNESS (ACCESSORY) 48V DC,SWB .....	1
10				
11				
12	22288G1		COMPLETE TAIL LIGHT ASSEMBLY (INCLUDES ITEM 13) .....	2
13	21759G1		TAIL LIGHT BULB .....	1
14	622712		TURN SIGNAL KIT (INCLUDES ITEMS 15 - 20) .....	1
15	619102		TURN SIGNAL BULB.....	1
16	611810		TURN SIGNAL SWITCH ASSEMBLY .....	1
17	32307G3		FLEX LOOM, 3/8" X 8" LG .....	1
18	17618G1		WIRE TIE .....	2
19	20965G3		STEERING COLUMN COVER .....	1
20	21640G1		FLASHER UNIT .....	1
21				
22	75113G06		HOUR METER KIT (INCLUDES ITEMS 23 - 27) .....	1
23	74665G02		HOUR METER .....	1
24	74716G01		HOUR METER BRACKET .....	1
25	74696G01		RETAINER CLIP .....	1
26	10570G11		RIVET (SS), 3/16" X 3/4" LG.....	2
27	75117G04		WIRE HARNESS (HOUR METER).....	1
28				
29				
30	632185		DC TO DC CONVERTER .....	1
31	633303		DC TO DC CONVERTER BRACKET .....	1

# ELECTRICAL SYSTEM

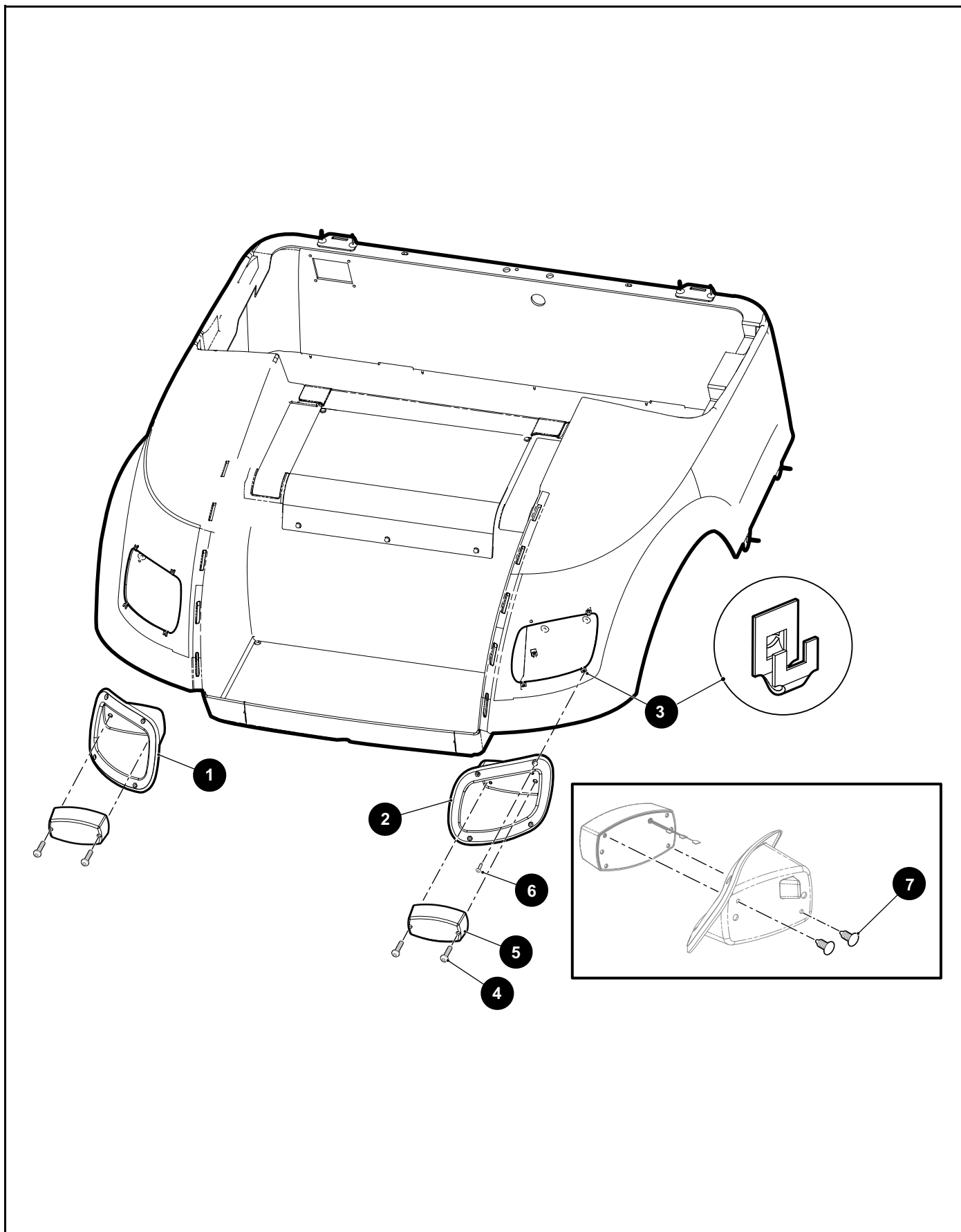
When ordering parts, please specify the model and serial number of the product.

\* Indicates a component that is not available as an individual part.

\*\*\* Indicates consult Customer Service Department for additional information.

ITEM	PART NO.	1 2 3 4 5	DESCRIPTION	QTY.
32	605888		DC TO DC WIRING HARNESS .....	1
33	17618G1		CLAMP (NYLON), 7" LG .....	4
34	632372		SELF TAPPING SCREW, #10 - 32 X .75" LG .....	4
35	16816G5		RATCHET RIVET, .187" X .550" LG .....	1
36	00414G6		HEX HEAD BOLT, 1/4" - 20 X .75" LG .....	2
37	00559G7		FLAT WASHER, 1/4" .....	2
38	11027G2		FLANGED LOCK NUT, 1/4" - 20 ' .....	2
39	19344G1		ELECTRICAL VINYL TAPE (NOT ILLUSTRATED).....	1
40				
41				
42	17318G1		HORN SWITCH .....	1
43	17318G2		HORN SWITCH CAP AND NUT .....	1
44	27068G01		HOR SWITCH BOOT.....	1
45	608397		HORN SWITCH LABEL .....	1
46	71055G01		RIVET (ALUMINUM), 3/16" X 1" LG .....	2
47				
48				
49	74371G01		BEZEL (DRIVER SIDE) .....	1
50	74371G02		BEZEL (PASSENGER SIDE).....	1
51	71364G02		J-CLIP .....	8
52	71425G01		FLAT HEAD PHILLIPS TAPPING SCREW, #8 - 18 X 0.75" LG.....	8
53	14601G11		ALUMINUM RIVET, 3/16" X 9/16" LG .....	4
54	00513G4		PAN HEAD SCREW, #8 - 18 X 1 1/2" LG .....	4
55	676122		TROJAN HAND PUMP KIT.....	1

# ELECTRICAL SYSTEM



# ELECTRICAL SYSTEM

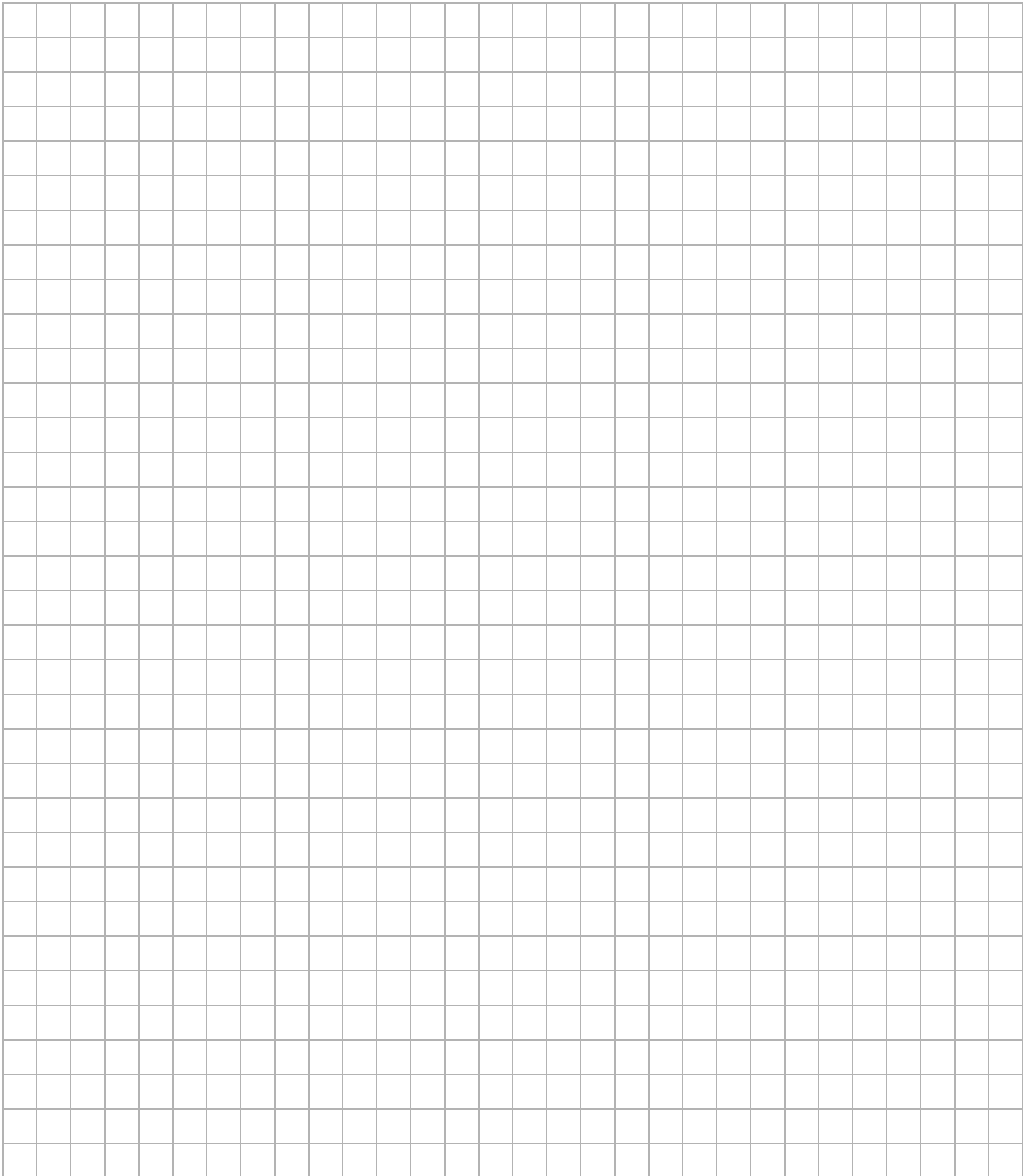
When ordering parts, please specify the model and serial number of the product.

\* Indicates a component that is not available as an individual part.

\*\*\* Indicates consult Customer Service Department for additional information.

ITEM	PART NO.	1 2 3 4 5	DESCRIPTION	QTY.
1	625251		BEZEL, TAILLIGHT (DRIVER SIDE) (FOR VEHICLES MANUFACTURED FROM MARCH 2014).....	1
2	625252		BEZEL, TAILLIGHT (PASSENGER SIDE) (FOR VEHICLES MANUFACTURED FROM MARCH 2014).....	1
3	71364G02		"J" TYPE NUT, #8 (FOR VEHICLES MANUFACTURED FROM MARCH 2014).....	8
4	00513G4		PAN HEAD PHILLIPS SCREW, #8 - 18 X 1.5" LG (FOR VEHICLES MANUFACTURED FROM MARCH 2014).....	4
5	22288G1		TAILLIGHT ASSEMBLY (FOR VEHICLES MANUFACTURED FROM MARCH 2014).....	2
6	71425G01		TAPPING SCREW, #8 - 18 X .75" LG (FOR VEHICLES MANUFACTURED FROM MARCH 2014).....	8
7	14601G11		RIVET, 3/16" X 9/16" (FOR VEHICLES MANUFACTURED FROM MARCH 2014).....	2

## Notes:

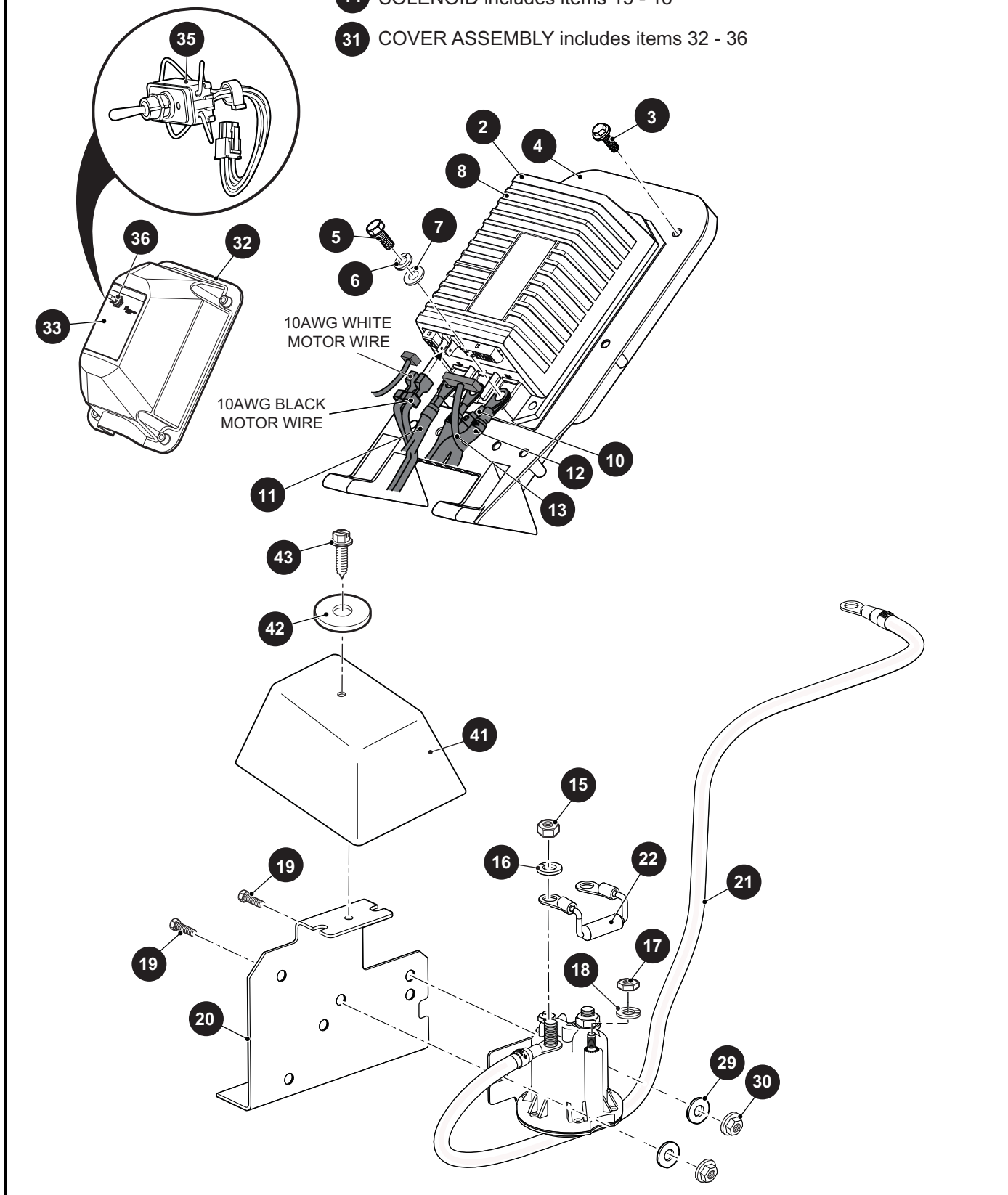
A large grid of 30 columns and 30 rows, intended for writing notes. The grid is empty.





# ELECTRONIC SPEED CONTROL

- 1 ELECTRONIC SPEED CONTROL ASSEMBLY includes items 2 - 30
- 14 SOLENOID includes items 15 - 18
- 31 COVER ASSEMBLY includes items 32 - 36



# ELECTRONIC SPEED CONTROL

When ordering parts, please specify the model and serial number of the product.

\* Indicates a component that is not available as an individual part.

\*\*\* Indicates consult Customer Service Department for additional information.

ITEM	PART NO.	1 2 3 4 5	DESCRIPTION	QTY.
1	654740		ELECTRONIC SPEED CONTROL ASSEMBLY, 48V (INCLUDES ITEMS 2 - 30) .....	1
2	612632		CONTROLLER, 48V.....	1
3	71102G01		HEX HEAD CAP SCREW, 1/4" - 20 X .90" LG.....	3
4	73471G01		HEATSINK.....	1
5	73296G01		HEX HEAD BOLT, M8 - 1.25 X 16MM.....	3
6	00565G8		LOCK WASHER, 5/16".....	3
7	00559G8		FLAT WASHER, 5/16".....	3
8	73190G01		THERMAL MOUNTING PAD.....	1
9	31539G1		NYLON CLAMP (NOT ILLUSTRATED).....	1
10	617612		POWER HARNESS.....	1
11	620437		WIRE ASSEMBLY (BLUE), 6AWG, 675MM.....	1
12	620432		WIRE ASSEMBLY (GREEN), 4AWG, 400MM.....	1
13	620964		MAIN WIRE HARNESS (VPS), 48V.....	1
14	612711		SOLENOID, 48V (INCLUDES ITEMS 15 - 18).....	1
15	00544G4		LOCK NUT, 5/16" - 24.....	2
16	00565G8		LOCK WASHER, 5/16".....	2
17	00526G4		LOCK NUT, #10 - 32.....	2
18	00565G5		LOCK WASHER, #10.....	2
19	00414G5		HEX HEAD BOLT, 1/4" - 20 X 5/8" LG.....	2
20	73057G02		BRACKET.....	1
21	607592		WIRE ASSEMBLY (GREEN), 4AWG, 28" LG.....	1
22	620430		RESISTOR ASSEMBLY, 500 OHM.....	1
23				
24				
25				
26				
27				
28				
29	01110G01		FLAT WASHER, 1/4".....	2
30	11027G2		FLANGED NUT, 5/16 - 18".....	2

# ELECTRONIC SPEED CONTROL

When ordering parts, please specify the model and serial number of the product.

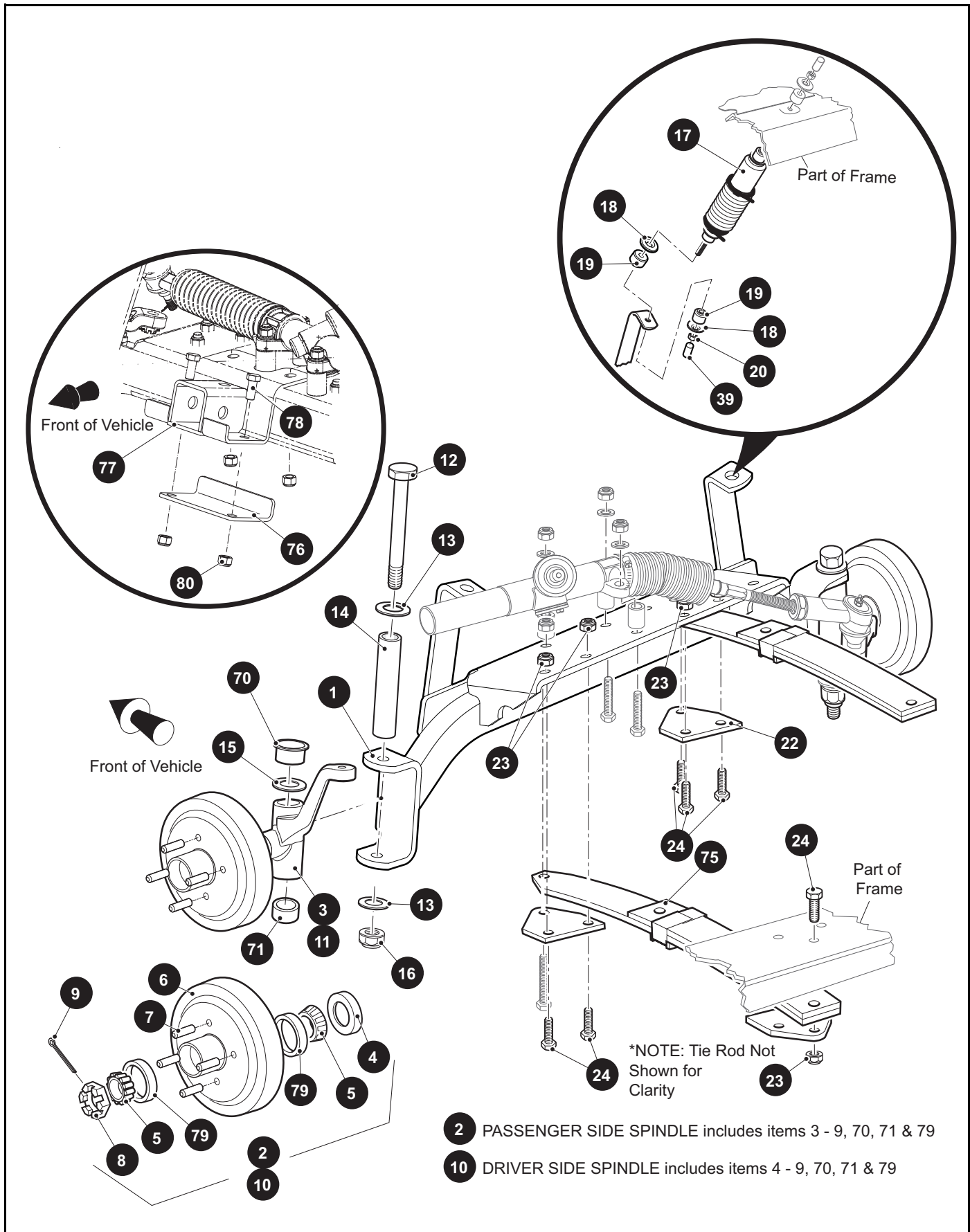
\* Indicates a component that is not available as an individual part.

\*\*\* Indicates consult Customer Service Department for additional information.

ITEM	PART NO.	1	2	3	4	5	DESCRIPTION	QTY.
31	612753						COVER ASSEMBLY (INCLUDES ITEMS 32 - 36) .....	1
32	73482G01						COVER .....	1
33	613048						LABEL .....	1
34								
35	633114						TOGGLE SWITCH .....	1
36	73139G01						SEALED NUT, 15/32" - 32 .....	1
37								
38								
39								
40								
41	73049G01						COVER .....	1
42	16469G1						FLAT WASHER, 1/4" .....	1
43	00114G6						TAPPING SCREW, 1/4" - 10 X 3/4" LG .....	1



# FRONT SUSPENSION/STEERING

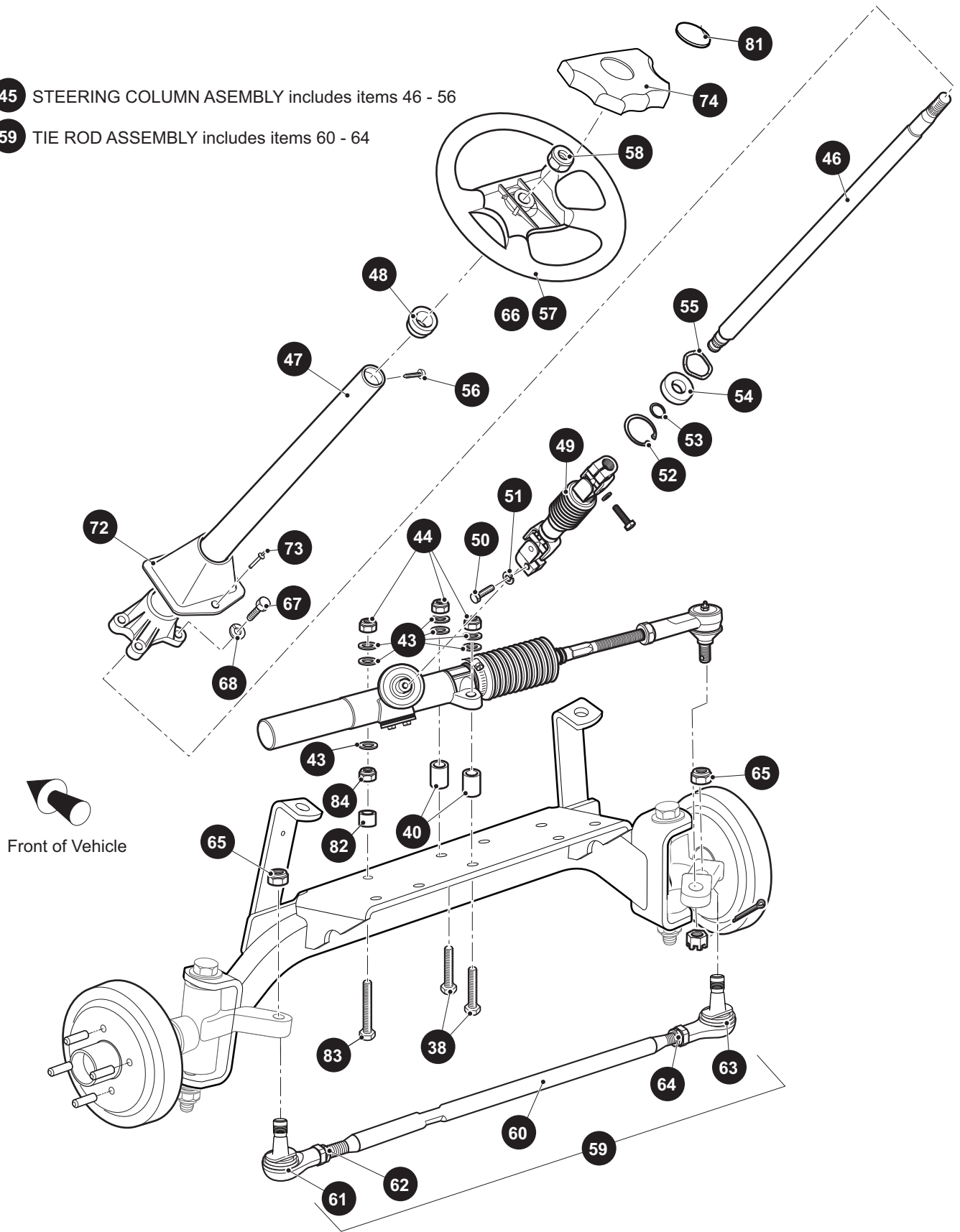


- 2** PASSENGER SIDE SPINDLE includes items 3 - 9, 70, 71 & 79
- 10** DRIVER SIDE SPINDLE includes items 4 - 9, 70, 71 & 79

# FRONT SUSPENSION/STEERING

45 STEERING COLUMN ASSEMBLY includes items 46 - 56

59 TIE ROD ASSEMBLY includes items 60 - 64



# FRONT SUSPENSION/STEERING

When ordering parts, please specify the model and serial number of the product.

\* Indicates a component that is not available as an individual part.

\*\*\* Indicates consult Customer Service Department for additional information.

ITEM	PART NO.	1 2 3 4 5	DESCRIPTION	QTY.
1	652823		FRONT AXLE .....	1
2	70930G02		SPINDLE AND HUB ASSEMBLY (PASSENGER SIDE) (INCLUDES ITEMS 3 - 9, 70, 71 & 79) .....	1
3	70802G01		SPINDLE ASSEMBLY (PASSENGER SIDE) .....	1
4	25146G1		GREASE SEAL .....	1
5	11750G2		ROLLER BEARING AND RACE ASSEMBLY .....	2
6	74332G01		WHEEL HUB ASSEMBLY .....	1
7	36038G01		STUD .....	4
8	12093G1		CASTELLATED NUT, 1" - 14 .....	1
9	00798G8		COTTER PIN, 5/32" X 1 3/4" LG.....	1
10	70931G02		SPINDLE AND HUB ASSEMBLY (DRIVER SIDE) (INCLUDES ITEMS 4 - 9, 11, 70, 71 & 79).....	1
11	70803G01		SPINDLE ASSEMBLY (DRIVER SIDE) .....	1
12	00407G6		KING PIN BOLT, 1/2" - 13 X 6" LG .....	2
13	00560G3		FLAT WASHER, 1/2" .....	4
14	70745G01		KING PIN TUBE .....	2
15	70754G01		THRUST WASHER, 1" (SS).....	2
16	14390G6		LOCK NUT, 1/2" - 13 .....	2
17	76419G01		SHOCK ABSORBER .....	2
18	10435G1		SHOCK ABSORBER WASHER .....	8
19	10194G1		RUBBER BUSHING .....	8
20	00532G6		HEX NUT, 1/4" - 20.....	4
21				
22	652258		SPRING PLATE.....	4
23	00734G1		LOCK NUT, 7/16" - 14 .....	11
24	00463G11		HEX HEAD BOLT, 7/16" - 14 X 1 1/2" LG.....	11
25				
26				
27				
28				
29				
30				



# FRONT SUSPENSION/STEERING

When ordering parts, please specify the model and serial number of the product.

\* Indicates a component that is not available as an individual part.

\*\*\* Indicates consult Customer Service Department for additional information.

ITEM	PART NO.	1 2 3 4 5	DESCRIPTION	QTY.
31				
32				
33				
34				
35				
36				
37				
38	00464G8		HEX HEAD BOLT, 7/16" - 14 X 2 3/4" LG .....	2
39	10044G01		VINYL CAP.....	4
40	70667G02		SPACER, O.D 1" X I.D .46" X 1.2" LG .....	2
41				
42				
43	00560G2		FLAT WASHER, 7/16".....	7
44	00734G1		LOCK NUT, 7/16" - 14.....	3
45	70758G05		STEERING COLUMN KIT (INCLUDES ITEMS 46 - 56).....	1
46	70607G01		STEERING SHAFT.....	1
47	70610G03		STEERING COLUMN.....	1
48	28569G01		STEERING COLUMN BUSHING .....	1
49	70580G01		INTERMEDIATE SHAFT .....	1
50	01055G01		METRIC BOLT, M8 X 1.25.....	1
51	00565G8		LOCK WASHER, 5/16".....	1
52	70751G01		RETAINING RING (INTERNAL) .....	1
53	70888G01		RETAINING RING (EXTERNAL) .....	1
54	15112G1		BALL BEARING .....	1
55	70887G01		WAVE WASHER.....	1
56	01022G01		HEX HEAD BOLT, #6 - 20 x 5/16" LG .....	1
57	602980		STEERING WHEEL (PREMIUM).....	1
58	14390G2		LOCK NUT, 5/8" - 18.....	1
59	70876G02		TIE ROD ASSEMBLY (INCLUDES ITEMS 60 - 64).....	1
60	70897G02		THREADED ROD (24" LG) .....	1
61	70902G01		TIE ROD END (LEFT HAND THREADS) .....	1

# FRONT SUSPENSION/STEERING

When ordering parts, please specify the model and serial number of the product.

\* Indicates a component that is not available as an individual part.

\*\*\* Indicates consult Customer Service Department for additional information.

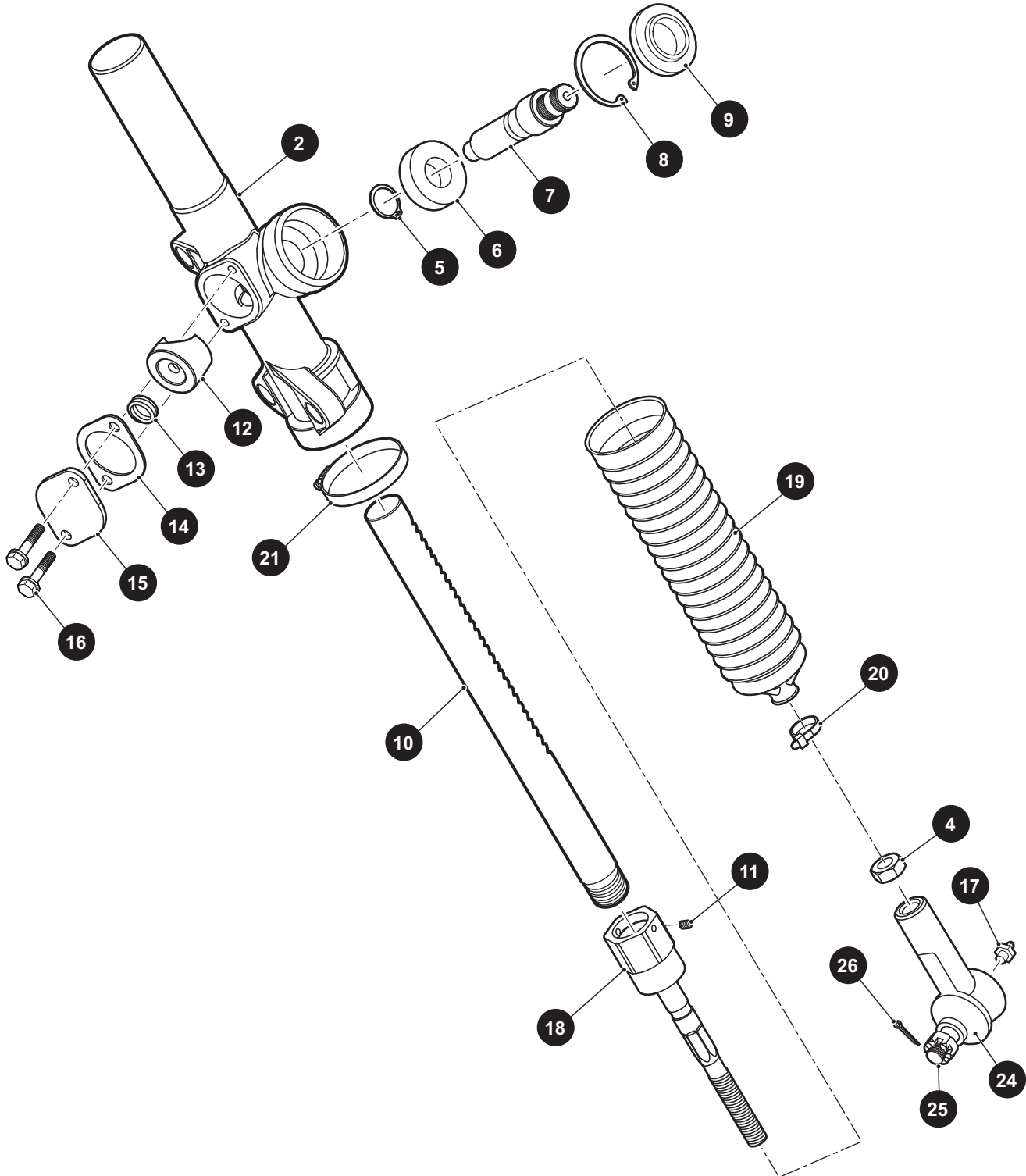
ITEM	PART NO.	1	2	3	4	5	DESCRIPTION	QTY.
62	01069G01						JAM NUT, M12 X 1.25 (LEFT HAND THREADS) .....	1
63	70902G02						TIE ROD END (RIGHT HAND THREADS) .....	1
64	01069G02						JAM NUT, M12 X 1.25 (RIGHT HAND THREADS) .....	1
65	00734G1						LOCK NUT, 7/16" - 14 .....	2
66	602979						STEERING WHEEL.....	1
67	01006G01						HEX HEAD BOLT, 3/8" - 16 x 1 1/4" LG .....	4
68	00879G1						LOCK WASHER, 3/8" .....	4
69								
70	632925						BUSHING, FLANGED .....	1
71	632926						BUSHING, SLEEVE .....	1
72	70997G01						STEERING COLUMN BASE COVER .....	1
73	71055G01						RIVET, 3/16" DIA .....	1
74	71147G01						STEERING WHEEL COVER .....	1
75	70990G03						CALTILEVER LEAF SPRING .....	2
76	604572						WINCH RECEIVER RETAINER PLATE .....	1
77	635202						WINCH RECEIVER WELDMENT .....	1
78	00462G8						HEX HEAD BOLT, 7/16" - 14 X 1" LG.....	4
79	51141G1						RACE BEARING .....	2
80	00734G1						LOCKNUT, 7/16" - 14 .....	4
81	605435						E-Z-GO STEERING WHEEL DECAL .....	1
82	70667G04						SPACER, O.D 1" X I.D .46" X .69" LG.....	1
83	01068G01						HEX HEAD BOLT, 7/16" - 14 X 3.5" LG.....	1
84	00532G7						HEX NUT, 1/4" - 20.....	1



# FRONT SUSPENSION/STEERING

**1** RACK AND PINION UNIT includes items 2 - 23

**23** RACK BALL JOINT includes items 24 - 25



# FRONT SUSPENSION/STEERING

When ordering parts, please specify the model and serial number of the product.

\* Indicates a component that is not available as an individual part.

\*\*\* Indicates consult Customer Service Department for additional information.

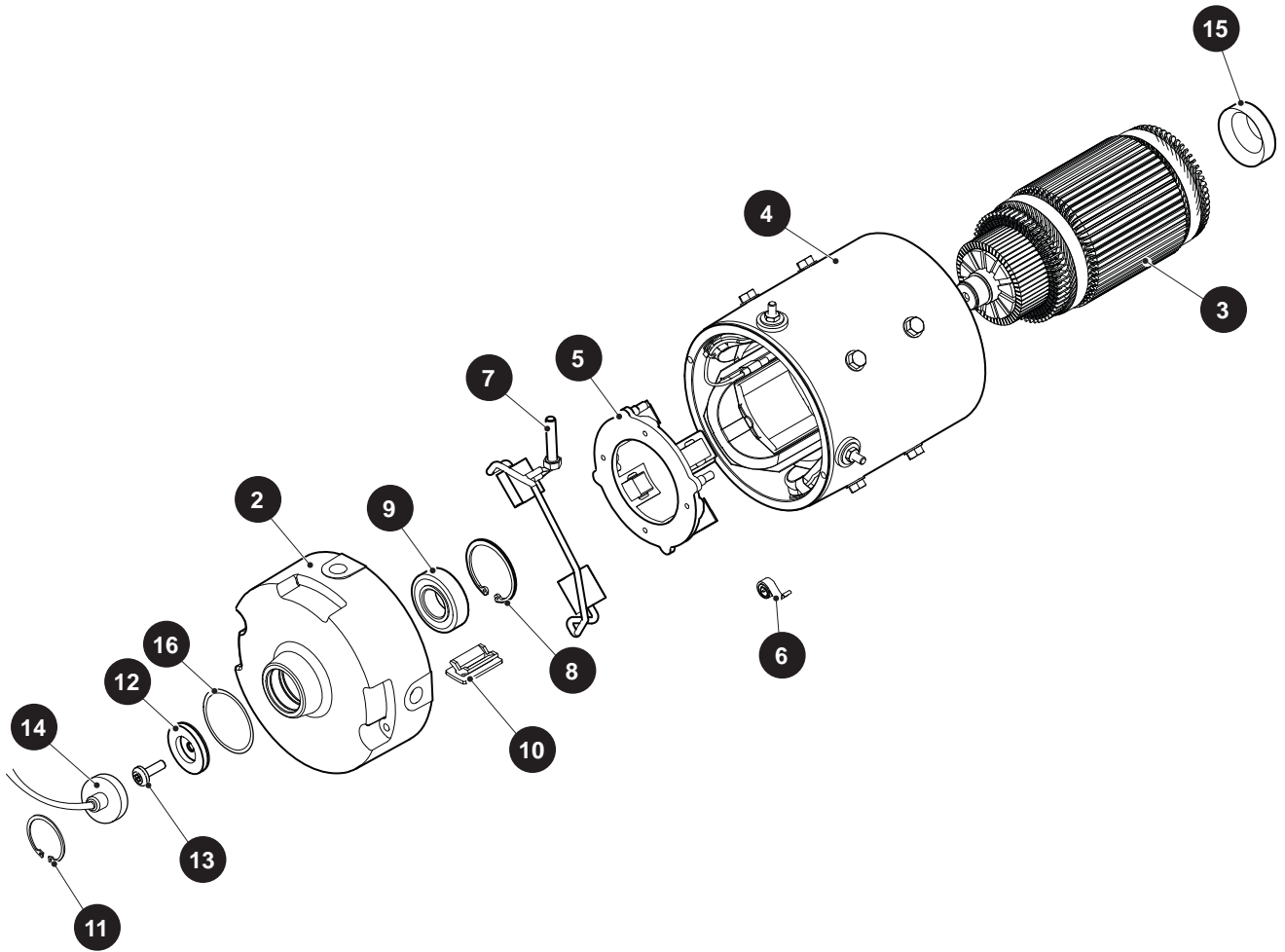
ITEM	PART NO.	1 2 3 4 5	DESCRIPTION	QTY.
1	70964G01		RACK AND PINION UNIT (INCLUDES ITEMS 2 - 23) .....	1
2	70965G01		STEERING RACK COVER & BEARING .....	1
3				
4	*		JAM NUT, 1/2" - 20 .....	1
5	70750G01		RETAINING RING (EXTERNAL) .....	1
6	15112G1		BALL BEARING .....	1
7	70603G01		PINION .....	1
8	70751G01		RETAINING RING (INTERNAL) .....	1
9	70638G01		SEAL (PINION) .....	1
10	70604G01		STEERING RACK .....	1
11	*		SET SCREW, #10 - 32 X .25" LG .....	1
12	70590G01		RACK LOADER .....	1
13	70666G01		COMPRESSION SPRING .....	1
14	70645G01		GASKET (RACK LOADER COVER) .....	1
15	652259		COVER (RACK LOADER) .....	1
16	71102G01		HEX WASHER HEAD BOLT, 1/4" - 20 X 11/16" LG .....	2
17	10389G3		GREASE FITTING (STRAIGHT) .....	1
18	74694G01		ROD END (INNER) .....	1
19	70961G01		RACK BOOT .....	1
20	12416G2		NYLON CLAMP, 10" .....	1
21	11391G8		HOSE CLAMP, 1.81" .....	1
22				
23	70695G01		TIE ROD END (OUTER) (INCLUDES ITEMS 24 - 25) .....	1
24	50641G1		GROMMET .....	1
25	50209G2		HEX SLOTTED NUT, 7/16" - 20 .....	1
26	10387G2		COTTER PIN, 3/32" X 1" .....	1





# MOTOR

**1** Motor Includes Items 2 - 10





When ordering parts, please specify the model and serial number of the product.

\* Indicates a component that is not available as an individual part.

\*\*\* Indicates consult Customer Service Department for additional information.

ITEM	PART NO.	1 2 3 4 5	DESCRIPTION	QTY.
1	624105		MOTOR 48V (INCLUDES ITEMS 2 - 10).....	1
2	625886		COMMUNTATOR END HEAD .....	1
3	626171		ARMATURE.....	1
4	626172		FRAME AND FILED ASSEMBLY .....	1
5	625884		BRUSH BOX ASSEMBLY .....	1
6	73120G03		BRUSH SPRING .....	4
7	73120G25		BRUSH AND TERMINAL SERVICE KIT .....	1
8	73120G06		RETAINING RING .....	1
9	73120G07		BEARING.....	1
10	625885		COVER .....	1
11	73277G01		RETAINING RING .....	1
12	73328G01		SPEED SENSOR MAGNET .....	1
13	01037G02		SCREW.....	1
14	620422		SPEED SENSOR HARNESS .....	1
15	24261G1		BUMPER SPLINE .....	1
16	624109		O-RING .....	1

Notes:

A large grid of graph paper for taking notes, consisting of 30 columns and 30 rows of small squares.

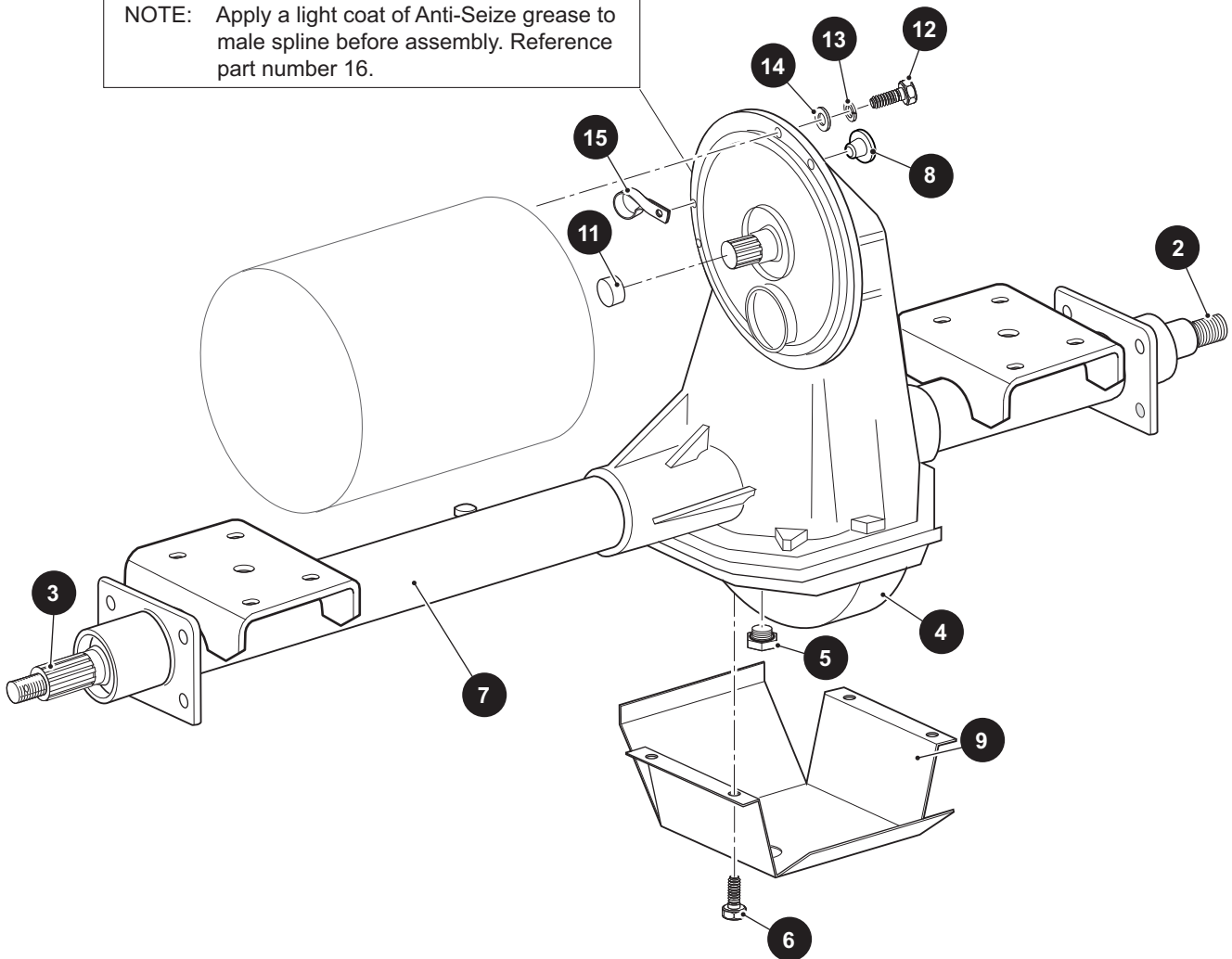


# REAR AXLE

**1** REAR AXLE ASSEMBLY includes items 2 - 7

**18** REAR AXLE ASSEMBLY includes items 2 - 7

NOTE: Apply a light coat of Anti-Seize grease to male spline before assembly. Reference part number 16.



# REAR AXLE

When ordering parts, please specify the model and serial number of the product.

\* Indicates a component that is not available as an individual part.

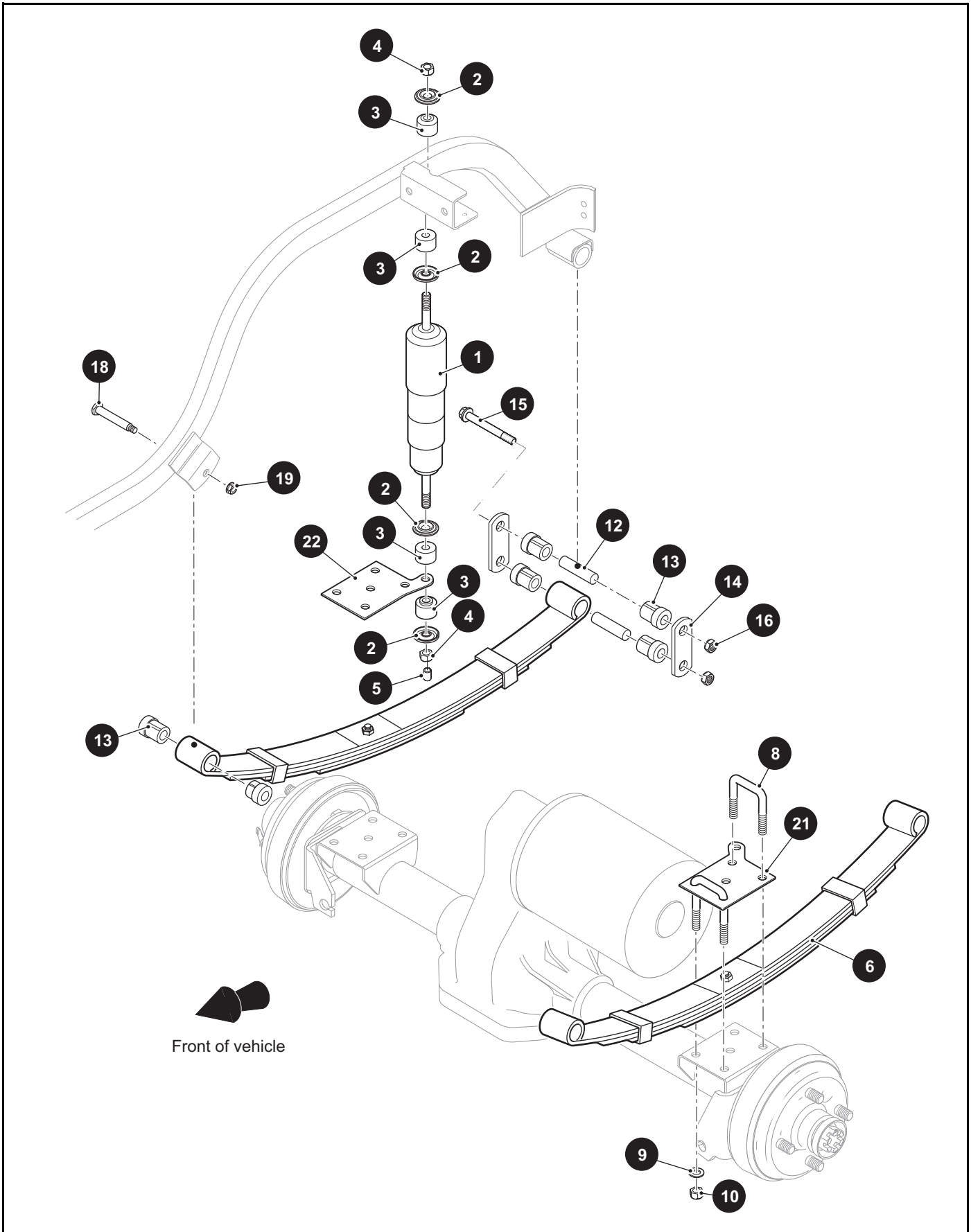
\*\*\* Indicates consult Customer Service Department for additional information.

ITEM	PART NO.	1 2 3 4 5	DESCRIPTION	QTY.
1	74776G01		REAR AXLE ASSEMBLY (INCLUDES ITEMS 2 - 7) .....	1
2	617609		AXLE SHAFT (PASSENGER SIDE).....	1
3	617608		AXLE SHAFT (DRIVER SIDE) .....	1
4	612823		DIFFERENTIAL COVER .....	1
5	28610G01		FILL PLUG WITH 'O' RING .....	1
6	15558G1		BOLT, 5/16 - 18 X 3/4" LG .....	10
7	73050G01		VENT .....	1
8	624110		PLUG .....	3
9	72764G02		SCUFF GUARD .....	1
10				
11	24261G1		SPLINE BUMPER .....	1
12	00797G2		BOLT, 1/4 - 20 X 1 1/4" LG.....	3
13	00664G7		LOCK WASHER, 1/4" (SS) .....	3
14	01110G01		FLAT WASHER, 1/4" (SS).....	3
15	27327G01		CLAMP .....	1
16	27023G01		MOLY LUBE, 2 OZ.....	AR
17				
18	617150		REAR AXLE ASSEMBLY W/LSD (INCLUDES ITEMS 2 - 7) .....	1





# REAR SUSPENSION





# REAR SUSPENSION

When ordering parts, please specify the model and serial number of the product.

\* Indicates a component that is not available as an individual part.

\*\*\* Indicates consult Customer Service Department for additional information.

ITEM	PART NO.	1 2 3 4 5	DESCRIPTION	QTY.
1	76418G01		SHOCK ABSORBER.....	2
2	10435G1		SHOCK ABSORBER WASHER.....	8
3	10194G1		RUBBER BUSHING.....	8
4	00532G6		HEX NUT, 3/8" - 24.....	4
5	10044G01		VINYL CAP.....	2
6	75721G01		LEAF SPRING.....	2
7				
8	72618G01		'U' BOLT, 3/8 - 16 X 2" X 2 1/2" LG.....	4
9	00560G1		FLAT WASHER, 3/8".....	8
10	11098G5		LOCK NUT, 3/8" - 16.....	8
11				
12	70289G02		SPLIT STEEL SPACER.....	4
13	624030		FLANGED BUSHING.....	12
14	652245		SHACKLE PLATE.....	4
15	00665G9		HEX HEAD BOLT, 3/8" - 16 X 3 1/2" LG (STAINLESS STEEL).....	4
16	11098G5		LOCK NUT, 3/8" - 16.....	4
17				
18	14158G1		SHOULDER BOLT, 3/8" - 16 X 3 1/4" LG.....	2
19	12262G1		LOCK NUT, 3/8" - 16.....	2
20				
21	620733		SHOCK ABSORBER MOUNTING PLATE (DRIVER SIDE).....	1
22	620736		SHOCK ABSORBER MOUNTING PLATE (PASSENGER SIDE).....	1

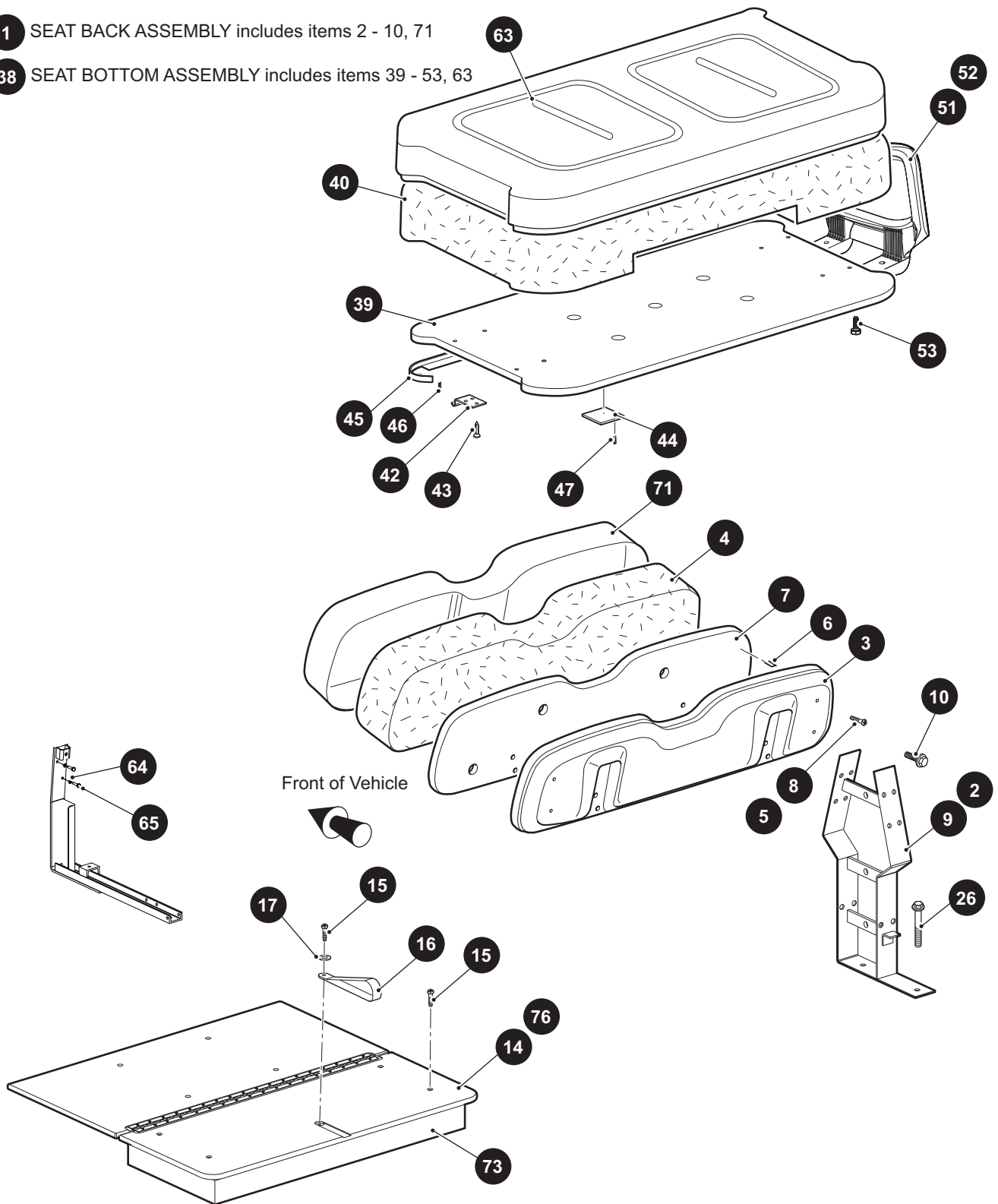




# SEATING

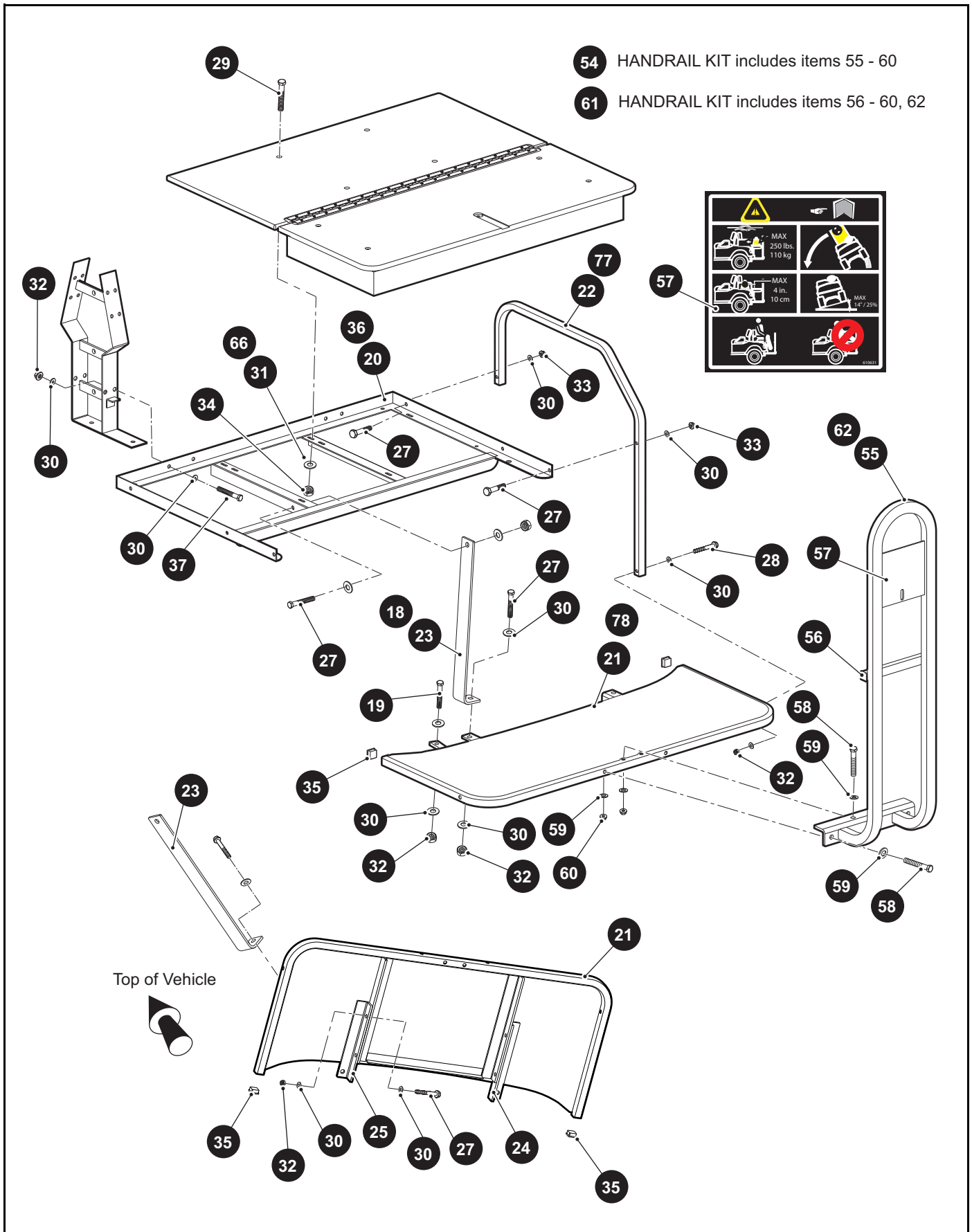
1 SEAT BACK ASSEMBLY includes items 2 - 10, 71

38 SEAT BOTTOM ASSEMBLY includes items 39 - 53, 63



12 FLIP FLOP SEAT BOTTOM ASSEMBLY includes items 14 - 17, 73

75 FLIP FLOP SEAT BOTTOM ASSEMBLY includes items 15 - 17, 73, 76



# SEATING

When ordering parts, please specify the model and serial number of the product.

\* Indicates a component that is not available as an individual part.

\*\*\* Indicates consult Customer Service Department for additional information.

ITEM	PART NO.	1	2	3	4	5	DESCRIPTION	QTY.	
1	***	SEAT BACK ASSEMBLY (INCLUDES ITEMS 2 - 10, 71) .....					1		1
							71751G02 GRAY		
							71751G03 OYSTER		
							71751G04 TAN		
							71751G07 BLACK		
							604908 WHITE/BLUE		
							604907 WHITE/RED		
							71751G06 BROWN		
							620794 WHITE/YELLOW		
							620796 GRAY/BLACK		
							606828 RED/BLACK		
							615838 WHITE/BLACK		
							615837 OYSTER/GARNET		
2	634178	SEAT BACK SUPPORT (FOR VEHICLES MANUFACTURED FROM MARCH 2014).....					2		2
3	71752G01	SEAT BACK REAR COVER .....					1		1
4	71754G01	FOAM PADDING.....					1		1
5	607535	PAN HEAD TORX SCREW, #8 - 20 X .99" LG (FOR VEHICLES MANUFACTURED FROM MARCH 2014).....					4		4
6	23222G01	FLAT STAPLE .....					95		95
7	645021	SEAT BACK BASE.....					1		1
8	01107G01	PAN HEAD TORX SCREW, #8 - 20 X .63" LG .....					4		4
9	615730	SEAT BACK SUPPORT .....					2		2
10	71204G01	HEX HEAD BOLT, 1/4" - 20 X .88" LG .....					8		8
11									
12	***	FLIP FLOP SEAT BOTTOM ASSEMBLY (INCLUDES ITEMS 14 - 17, 73).....					1		1
							621027 TAN		
							621026 OYSTER		
							621031 WHITE/BLUE		
							621036 BLACK		
							621032 WHITE/RED		
							621034 WHITE/YELLOW		
							621035 GRAY/BLACK		
							617895 GRAY		
							617897 BROWN		
13									
14	617137	DECK BOARD ASSEMBLY .....					1		1
15	16705G1	HEX HEAD BOLT (SS), 1/4" - 20 X 1" LG .....					5		5
16	617402	SEAT STRAP .....					1		1
17	00559G7	FLAT WASHER, 1/4" .....					1		1

When ordering parts, please specify the model and serial number of the product.

\* Indicates a component that is not available as an individual part.

\*\*\* Indicates consult Customer Service Department for additional information.

ITEM	PART NO.	1	2	3	4	5	DESCRIPTION	QTY.
18	634174						SEAT FRAME SUPPORT (FOR VEHICLES MANUFACTURED FROM MARCH 2014).....	2
19	00427G6						HEX HEAD BOLT, 3/8" - 16 X 1 1/4" LG (FOR VEHICLES MANUFACTURED FROM MARCH 2014).....	2
20	615712						SEAT FRAME WELDMENT .....	1
21	615714						FOOTREST WELDMENT .....	1
22	615729						ARMREST, REAR SEAT.....	2
23	615713						SEAT FRAME SUPPORT .....	2
24	615728						FOOTREST BRACKET (PASSENGER SIDE).....	1
25	615727						FOOTREST BRACKET (DRIVER SIDE) .....	1
26	01006G01						HEX HEAD BOLT, 3/8" - 16 X 1.25" LG .....	4
27	00427G4						HEX HEAD BOLT, 3/8" - 16 X 1.5" LG .....	6
28	00428G8						HEX HEAD BOLT, 3/8" - 16 X 2.25" LG .....	8
29	16705G9						HEX HEAD BOLT (SS), 1/4" - 20 X 1.25" LG .....	4
30	614221						FLAT WASHER, 3/8".....	24
31	01110G01						FLAT WASHER, 1/4".....	4
32	11098G5						PLASTIC LOCK NUT, 3/8" - 16.....	10
33	11027G5						FLANGED LOCK NUT, 3/8" - 16.....	4
34	14390G4						PLASTIC LOCK NUT, 1/4" - 20.....	4
35	19853G1						SQUARE CAP TUBE, 1".....	2
36	634180						SEAT FRAME WELDMENT (FOR VEHICLES MANUFACTURED FROM MARCH 2014).....	1
37	00427G2						HEX HEAD BOLT, 3/8" - 49 X 1.25" LG (FOR VEHICLES MANUFACTURED FROM MARCH 2014).....	4
38	***						SEAT BOTTOM ASSEMBLY (INCLUDES ITEMS 39 - 53, 63) .....	1
							629269G0103 TAN	
							629269G0101 OYSTER	
							629269G0104 GRAY	
							629269G0106 BLACK	
							629269G0107 BROWN	
							629269G0111 WHITE/RED	
							629269G0109 WHITE/BLUE	
							629269G0113 WHITE/YELLOW	
							629269G0114 GRAY/BLACK	
39	645492						SEAT BOTTOM .....	1
40	71603G02						FOAM PADDING (SEAT BOTTOM) .....	1

# SEATING

When ordering parts, please specify the model and serial number of the product.

\* Indicates a component that is not available as an individual part.

\*\*\* Indicates consult Customer Service Department for additional information.

ITEM	PART NO.	1	2	3	4	5	DESCRIPTION	QTY.
41								
42	71610G01						SEAT HINGE.....	2
43	00720G08						HEX HEAD BOLT (SS), #12 - 14 X 1" LG .....	6
44	17074G1						RUBBER PAD .....	2
45	71012G01						VINYL TRIM (SEAT BOTTOM) .....	1
46	23222G1						FLAT STAPLE .....	110
47	23223G1						FLAT STAPLE .....	36
48								
49								
50								
51	617644						HIP RESTRAINT (PASSENGER SIDE) .....	1
52	617645						HIP RESTRAINT (DRIVER SIDE) .....	1
53	615417						BUTTON HEAD TORX BOLT, M10 - 1.5 X 25MM LG .....	1
54	617901						HANDRAIL KIT, FLIP-FLOP SEAT (INCLUDES ITEMS 55 - 60) .....	1
55	615721						FOOTREST HANDLE WELDMENT .....	1
56	19859G1						SQUARE CAP TUBE, 3/4" .....	2
57	610631						DECAL .....	1
58	00427G8						HEX HEAD SCREW, 3/8" - 16 X 2" LG.....	4
59	614221						FLAT WASHER, 3/8" .....	8
60	11098G5						PLASTIC LOCK NUT, 3/8" - 16.....	4
61	634184						HANDRAIL KIT, FLIP-FLOP SEAT (INCLUDES ITEMS 56 - 60, 62) (FOR VEHICLES MANUFACTURED FROM MARCH 2014) .....	1
62	631485						FOOTREST HANDLE WELDMENT .....	1
63	***						VINYL SEAT BOTTOM COVER..... 604912G0103 WHITE/RED 604912G0102 WHITE/BLUE 604912G0108 WHITE/YELLOW 604912G0704 GRAY/BLACK 71602G02 GRAY 71602G03 OYSTER 71602G04 TAN 71602G06 BLACK 71602G07 BROWN	1
64	00664G7						LOCK WASHER, 1/4" .....	4
65	00661G8						HEX HEAD BOLT, 1/4" - 20 X 1" LG.....	4



When ordering parts, please specify the model and serial number of the product.

\* Indicates a component that is not available as an individual part.

\*\*\* Indicates consult Customer Service Department for additional information.

ITEM	PART NO.	1	2	3	4	5	DESCRIPTION	QTY.
66	00559G7						FLAT WASHER, 1/4" (FOR VEHICLES MANUFACTURED FROM MARCH 2014).....	4
67								
68								
69								
70								
71	***						VINYL SEAT BACK COVER..... 71753G03 OYSTER 71753G04 TAN 71753G07 BLACK 604916G0103 WHITE/RED 71753G02 GRAY 71753G06 BROWN 604916G0704 GRAY/BLACK 604916G0108 WHITE/YELLOW 604916G0304 RED/BLACK 604916G0104 WHITE/BLACK 604916G0506 OYSTER/GARNET	1
72								
73	***						FLIP FLOP VINYL SEAT BOTTOM COVER ..... 617892 GRAY 617893 BROWN 615646 OYSTER 615647 TAN 611125 WHITE/BLUE 611126 WHITE/RED 615648 BLACK 611127 WHITE/YELLOW 611137 GRAY/BLACK 611130 WHITE/BLACK 611135 RED/BLACK 611136 WHITE/BLACK	1
74								
75	***						FLIP FLOP SEAT BOTTOM ASSEMBLY (INCLUDES ITEMS 15 - 17, 73, 76) (FOR VEHICLES MANUFACTURED FROM MARCH 2014)..... 628058G01 OYSTER 628058G03 TAN 628058G04 GRAY 628058G06 BLACK 628058G07 BROWN 628058G09 WHITE/BLUE 628058G10 RED/BLACK	1

# SEATING

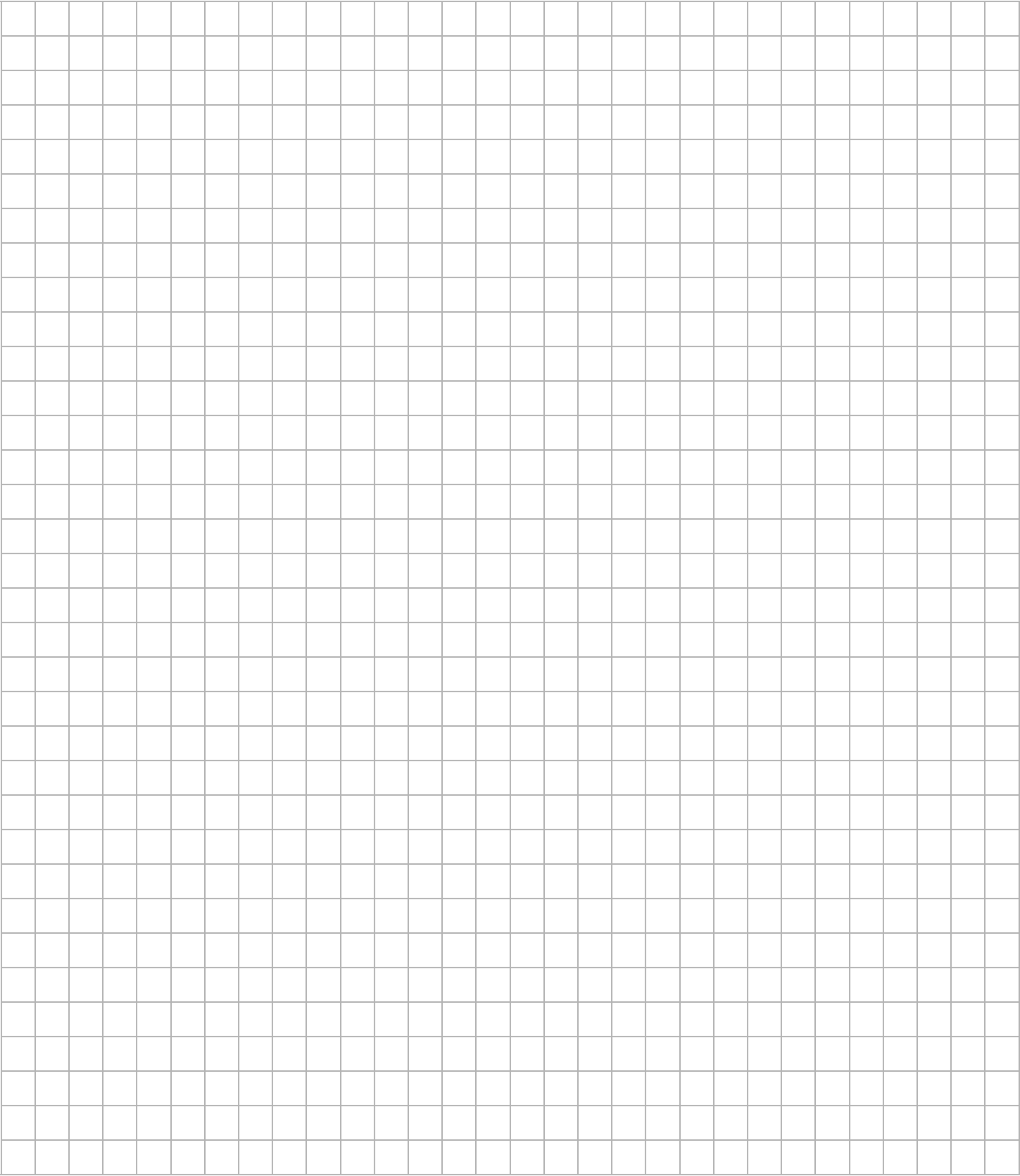
When ordering parts, please specify the model and serial number of the product.

\* Indicates a component that is not available as an individual part.

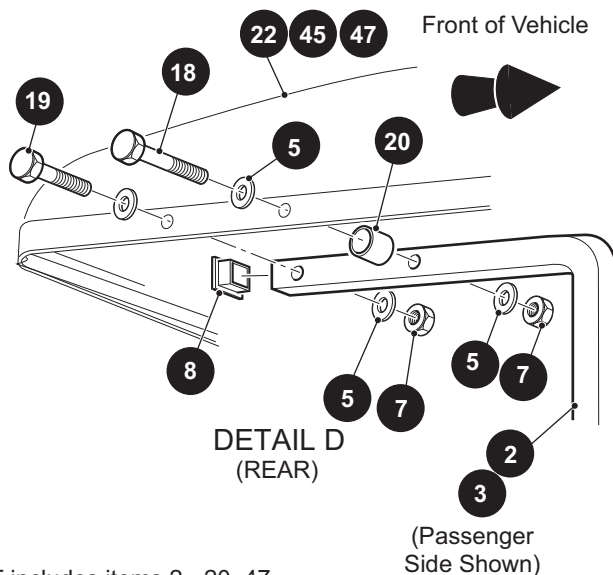
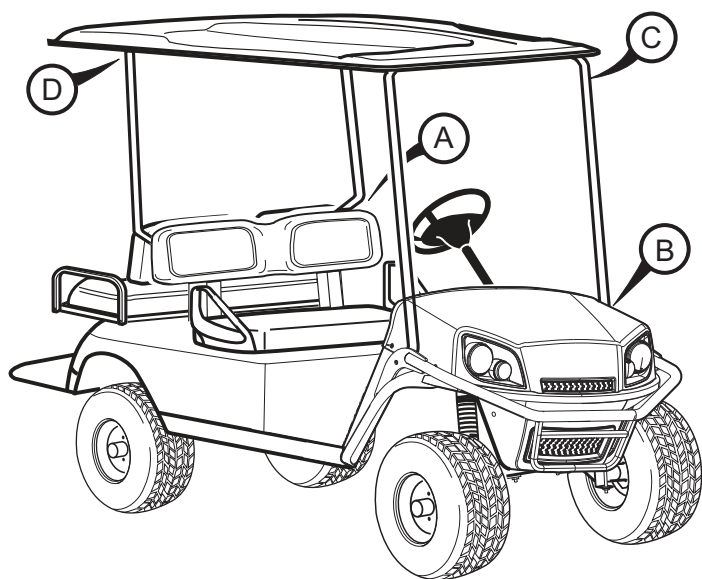
\*\*\* Indicates consult Customer Service Department for additional information.

ITEM	PART NO.	1	2	3	4	5	DESCRIPTION	QTY.
							628058G11 WHITE/RED 628058G12 WHITE/BLACK 628058G13 WHITE/YELLOW 628058G14 GRAY/BLACK 628058G15 OYSTER/GARNET	
76	634190						DECK BOARD ASSEMBLY (FOR VEHICLES MANUFACTURED FROM MARCH 2014).....	1
77	634175						REAR SEAT ARM REST (FOR VEHICLES MANUFACTURED FROM MARCH 2014).....	2
78	634179						FOOTREST WELDMENT (FOR VEHICLES MANUFACTURED FROM MARCH 2014).....	1

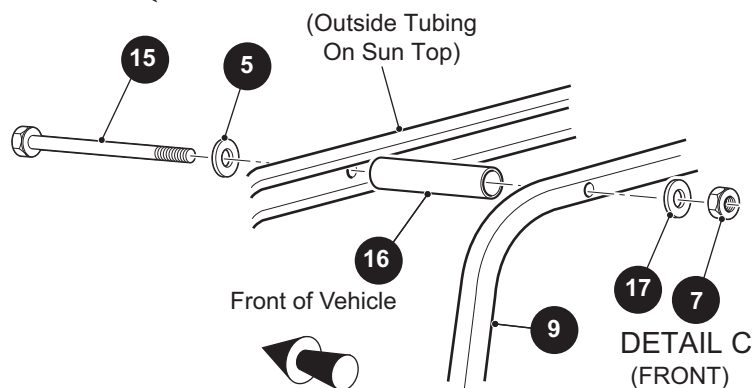
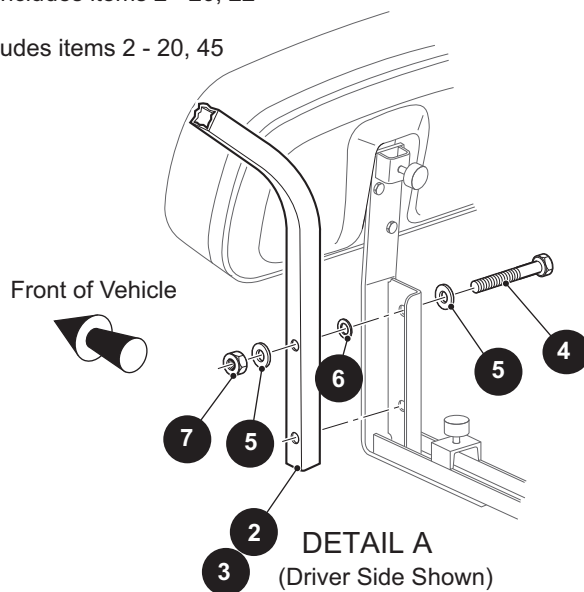
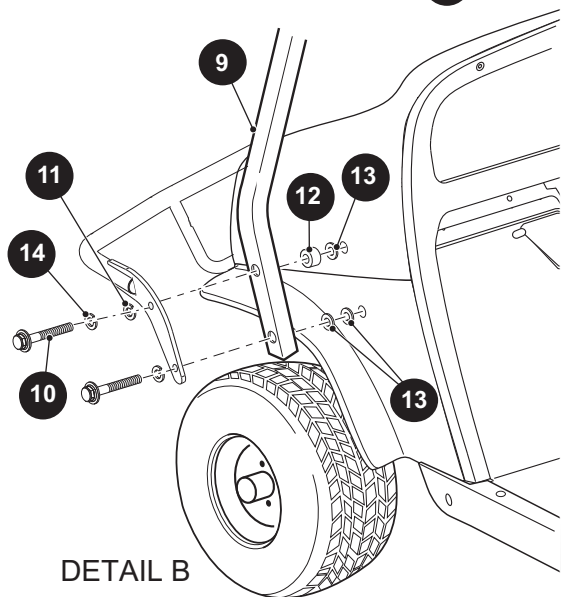
# Notes:

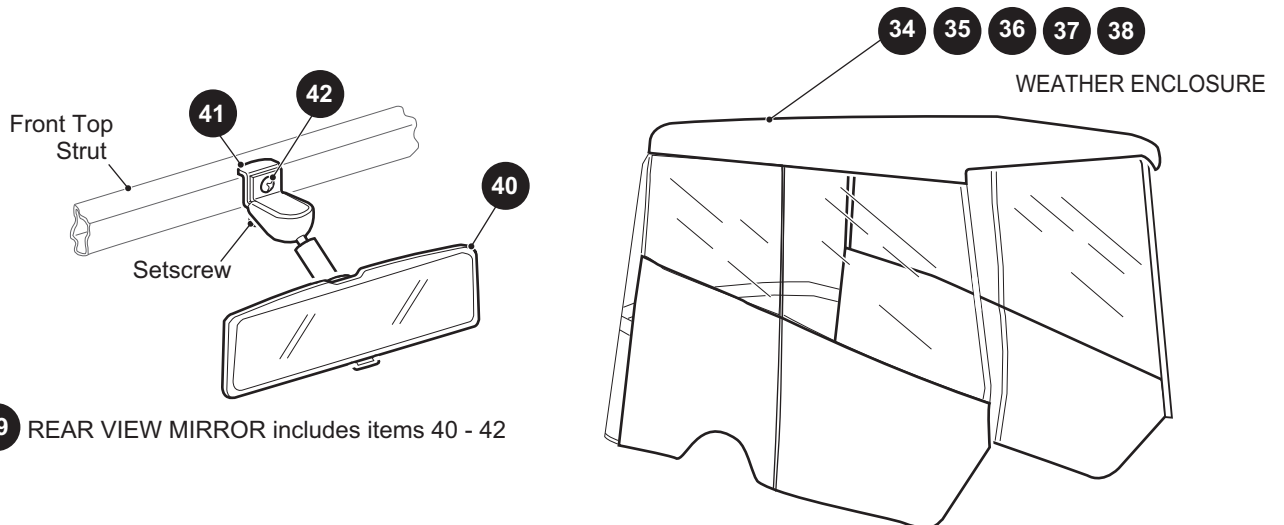
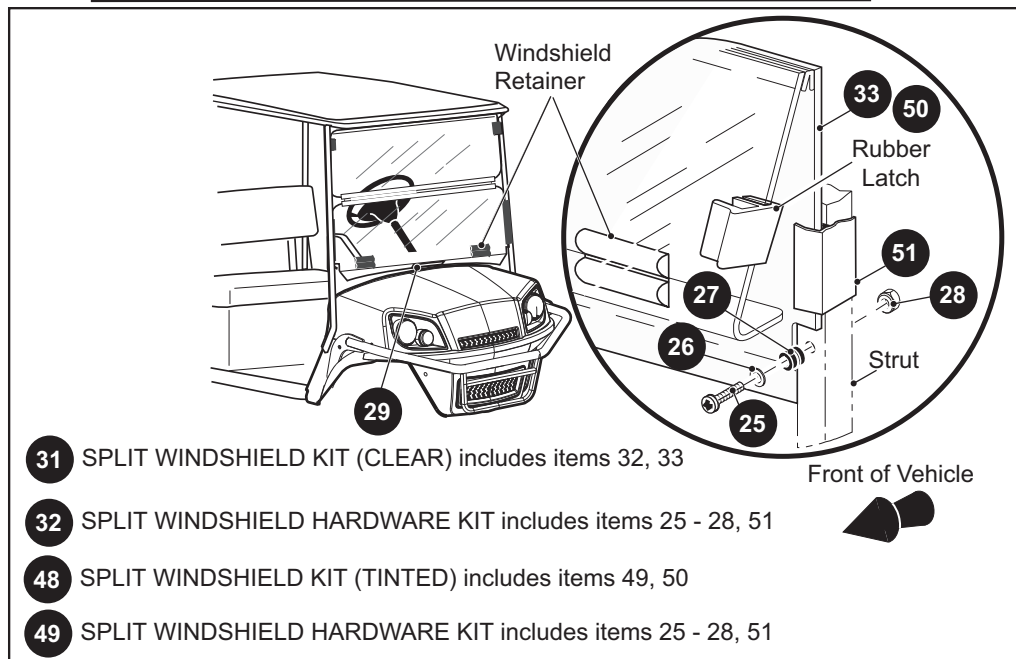
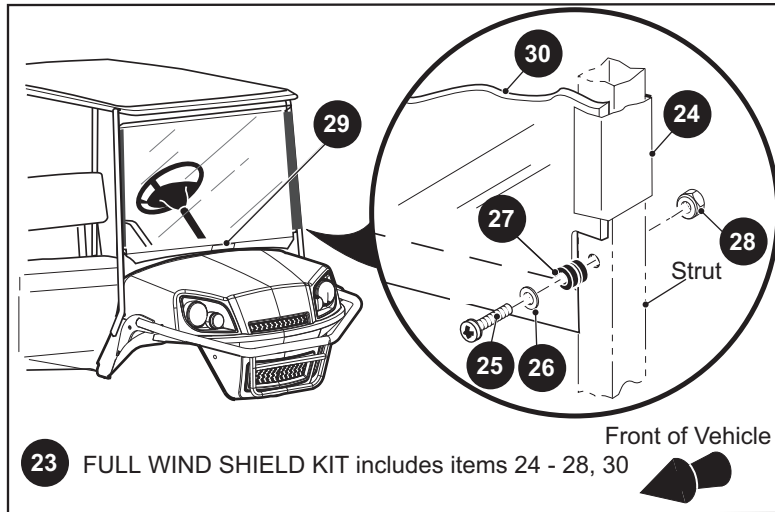


# WEATHER PROTECTION



- 1** BLACK SUN TOP KIT includes items 2 - 20, 47
- 21** WHITE SUN TOP KIT includes items 2 - 20, 22
- 44** TAN SUN TOP KIT includes items 2 - 20, 45





# WEATHER PROTECTION

When ordering parts, please specify the model and serial number of the product.

\* Indicates a component that is not available as an individual part.

\*\*\* Indicates consult Customer Service Department for additional information.

ITEM	PART NO.	1 2 3 4 5	DESCRIPTION	QTY.
1	606260		BLACK SUN TOP KIT, 80"LG (INCLUDES ITEMS 2 - 20, 47).....	1
2	602743		REAR STRUT (DRIVER SIDE) .....	1
3	602741		REAR STRUT (PASSENGER SIDE) .....	1
4	00665G5		HEX HEAD BOLT (SS), 3/8" - 16 X 1 3/4" LG .....	4
5	00679G1		FLAT WASHER (SS), 3/8" .....	18
6	00771G5		NYLON WASHER, 3/8" .....	4
7	00891G5		LOCK NUT, 3/8" - 16 .....	10
8	19853G1		END CAP, 1" .....	2
9	75125G01		FRONT STRUT.....	1
10	00440G2		HEX HEAD BOLT, 5/16" - 18 X 2 1/4" LG .....	4
11	00565G8		LOCK WASHER, 5/16" .....	4
12	75048G01		SPACER, 1/2" .....	2
13	00879G1		LOCK WASHER, 3/8" .....	4
14	00559G8		FLAT WASHER, 5/16" .....	4
15	00674G8		HEX HEAD BOLT, 3/8" - 16 X 5" LG.....	2
16	18716G1		SPACER .....	2
17	00653G1		FLAT WASHER (SS), 3/8" .....	2
18	00665G3		HEX HEAD BOLT (SS), 3/8" - 16 X 2 1/2" LG .....	2
19	00665G6		HEX HEAD BOLT (SS), 3/8" - 16 X 2" LG .....	2
20	24647G1		SPACER, 1/4" .....	2
21	603119		WHITE SUN TOP KIT, 80" LG (INCLUDES ITEMS 2 - 20, 22).....	1
22	27604G01		SUN TOP, WHITE .....	1
23	71966G03		FULL WINDSHIELD KIT (INCLUDES ITEMS 24 - 28, 30).....	1
24	615662		SASH, 26" LG .....	2
25	*		HEX HEAD BOLT (SS), 1/4" - 20 X 1 3/4" LG .....	2
26	*		FLAT WASHER (SS), 1/4" .....	2
27	*		RUBBER GROMMET .....	2
28	*		LOCK NUT (SS), 1/4" - 20 .....	2
29	71963G01		SAFETY LABEL .....	1
30	71960G01		FULL WINDSHIELD .....	1

# WEATHER PROTECTION

When ordering parts, please specify the model and serial number of the product.

\* Indicates a component that is not available as an individual part.

\*\*\* Indicates consult Customer Service Department for additional information.

ITEM	PART NO.	1 2 3 4 5	DESCRIPTION	QTY.
31	71966G05		SPLIT WINDSHIELD KIT (CLEAR) (INCLUDES ITEMS 32, 33) .....	1
32	71956G05		SPLIT WINDSHIELD HARDWARE KIT (INCLUDES ITEMS 25 - 28, 51) .....	1
33	630012		SPLIT WINDSHIELD (CLEAR).....	1
34	624829		BLACK WEATHER ENCLOSURE (3 SIDED) (REQUIRES SUN TOP KIT) ...	1
35	624830		GRAY WEATHER ENCLOSURE (3 SIDED) (REQUIRES SUN TOP KIT) .....	1
36	624831		GREEN WEATHER ENCLOSURE (3 SIDED) (REQUIRES SUN TOP KIT) ..	1
37	624832		WHITE WEATHER ENCLOSURE (3 SIDED) (REQUIRES SUN TOP KIT) ...	1
38	624833		TAN WEATHER ENCLOSURE (3 SIDED) (REQUIRES SUN TOP KIT) .....	1
39	195 28G2		REAR VIEW MIRROR KIT (INCLUDES ITEMS 40 - 42) .....	1
40	19496G1		REAR VIEW MIRROR.....	1
41	19502G2		SUPPORT BRACKET .....	1
42	19527G1		HEX HEAD BOLT (SS), #8 - 32 X 5/8" LG .....	1
43				
44	603120		TAN SUN TOP KIT, 80" LG (INCLUDES 2 - 20, 45) .....	1
45	602672		TAN SUN TOP, 80" LG .....	1
46				
47	606937		BLACK SUN TOP .....	1
48	71966G06		SPLIT WINDSHIELD KIT (TINTED) (INCLUDES ITEMS 49, 50) .....	1
49	71956G05		SPLIT WINDSHIELD HARDWARE KIT (INCLUDES ITEMS 25 - 28, 51) .....	1
50	630013		SPLIT WINDSHIELD (TINTED).....	1
51	615661		SASH, 12" LG .....	2







# WHEELS AND TIRES

- 1 BLACK WHEEL & TURF SAVERTIRE ASSEMBLY includes items 2 - 4
- 9 WHEEL & TRAIL WOLF TIRE ASSEMBLY DRIVER SIDE includes items 11
- 10 WHEEL & TRAIL WOLF TIRE ASSEMBLY PASSENGER SIDE includes items 11
- 13 BLACK WHEEL & STRYKER 1 TIRE ASSEMBLY DRIVER SIDE includes items 2, 4, 15
- 14 BLACK WHEEL & STRYKER 1 TIRE ASSEMBLY PASSENGER SIDE includes items 2, 4, 15
- 17 POLISHED WHEEL & PATHFINDER TIRE ASSEMBLY DRIVER SIDE includes items 19 - 21
- 18 POLISHED WHEEL & PATHFINDER TIRE ASSEMBLY PASSENGER SIDE includes items 19 - 21
- 35 POLISHED SPOKED WHEEL & TERRA TRAC TIRE ASSEMBLY includes items 36 - 38
- 45 WHEEL AND TIRE ASSEMBLY includes items 46 - 48
- 50 WHEEL & TIRE ASSEMBLY includes items 52 - 54
- 51 WHEEL & TIRE ASSEMBLY includes items 52 - 54

## VALVE STEMS

- 4
- 21
- 37
- 48
- 53

## LUG NUTS

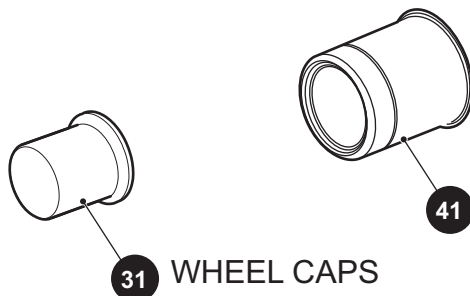
- 6
- 33
- 43
- 49

## WHEELS

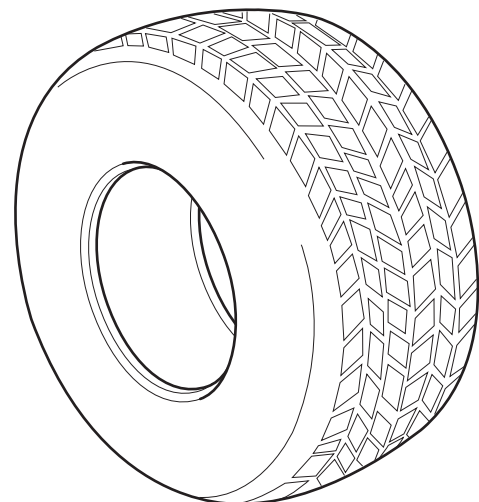
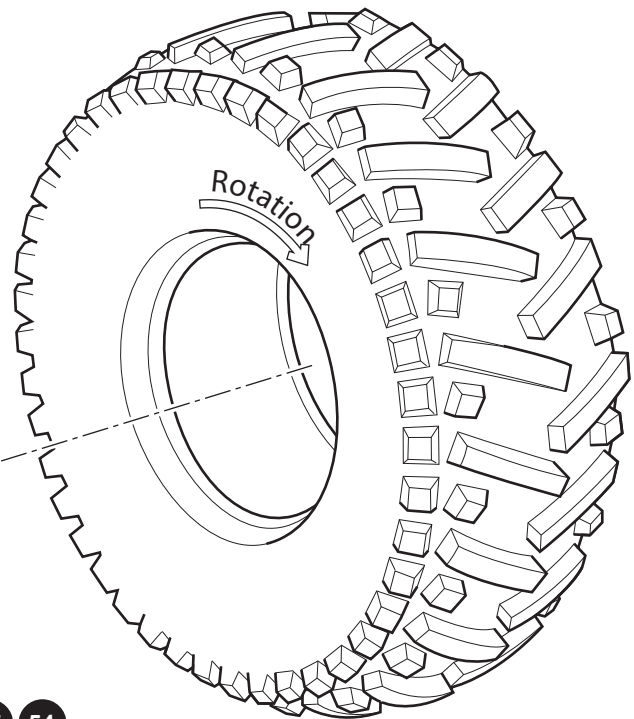
- 3
- 19
- 38
- 47
- 54

## TIRES

- 2
- 11
- 15
- 20
- 36
- 46
- 52



STYLE OF WHEEL & TIRES MAY DIFFER FROM THOSE SHOWN



# WHEELS AND TIRES

When ordering parts, please specify the model and serial number of the product.

\* Indicates a component that is not available as an individual part.

\*\*\* Indicates consult Customer Service Department for additional information.

ITEM	PART NO.	1 2 3 4 5	DESCRIPTION	QTY.
1	28442G03		BLACK WHEEL AND TURF SAVER® TIRE ASSEMBLY (INCLUDES ITEMS 2 - 4) (FOR VEHICLES MANUFACTURED UNTIL 14OCT2016) .....	AR
2	28442G02		TIRE, 20 X 10 - 10 TURF SAVER® .....	1
3	15172G02		BLACK WHEEL RIM, (4 LUG).....	1
4	11657-G1		VALVE STEM.....	1
5				
6	14723G1		LUG NUT, 1/2" -20 .....	AR
7				
8				
9	74842G03		WHEEL & TRAIL WOLF TIRE® ASSEMBLY (DRIVER SIDE) (INCLUDES ITEM 11) .....	AR
10	74842G04		WHEEL & TRAIL WOLF TIRE® ASSEMBLY (PASSENGER SIDE) (INCLUDES ITEM 11) .....	AR
11	74842G05		TIRE, 20 X 11 - 10 TRAIL WOLF®.....	1
12				
13	28630G04		BLACK WHEEL & STRYKER® 1 TIRE ASSEMBLY (DRIVER SIDE) (INCLUDES ITEMS 2, 4, 15).....	AR
14	28630G05		BLACK WHEEL & STRYKER® 1 TIRE ASSEMBLY (PASSENGER SIDE) (INCLUDES ITEMS 2, 4, 15).....	AR
15	28630G01		TIRE, 22 X 9 - 10 STRYKER 1 .....	1
16				
17	604930		POLISHED WHEEL & PATHFINDER TIRE® ASSEMBLY (DRIVER SIDE) (INCLUDES ITEM 19 - 21) .....	AR
18	605228		POLISHED WHEEL & PATHFINDER TIRE® ASSEMBLY (PASSENGER SIDE) (INCLUDES ITEM 19 - 21) .....	AR
19	604927		POLISHED CAST ALUMINUM WHEEL .....	1
20	604928		TIRE, 22 X 11 PATHFINDER TIRE®.....	1
21	604915		VALVE STEM.....	1
22				
23				
24				
25				
26				

# WHEELS AND TIRES

When ordering parts, please specify the model and serial number of the product.

\* Indicates a component that is not available as an individual part.

\*\*\* Indicates consult Customer Service Department for additional information.

ITEM	PART NO.	1 2 3 4 5	DESCRIPTION	QTY.
27				
28	606240		DIAMOND WHEEL & SPEEDRACER TIRE ASSY (DRIVER SIDE).....	AR
29	606179		DIAMOND WHEEL & SPEEDRACER TIRE ASSY (PASSENGER SIDE) .....	AR
30				
31	608910		DIAMOND WHEEL CAP.....	AR
32				
33	605310		CHROME LUG NUT, 1/2" - 20.....	AR
34				
35	608914		POLISHED SPOKED WHEEL & TERRA TRAC TIRE ASSEMBLY (INCLUDES ITEMS 36 - 38) (FOR VEHICLES MANUFACTURED BEFORE MAY 19, 2018).....	AR
36	606141		TERRA TRAC TIRE, 22 X 11 - 10.....	1
37	604915		CHROME VALVE STEM.....	1
38	604927		POLISHED SPOKED WHEEL, 10 X 7.....	1
39				
40				
41	601353		WHEEL CAP.....	AR
42				
43	605310		CHROME LUG NUT, 1/2" - 20.....	AR
44				
45	652263		WHEEL AND TIRE ASSEMBLY (INCLUDES ITEMS 46 - 48) (FOR VEHICLES MANUFACTURED FROM 15OCT2016).....	AR
46	652986		KENDA TIRE, K500, 20 X 8 - 10, 6PLY .....	1
47	643934		WHEEL, 10 X 6.....	1
48	643948		VALVE STEM.....	1
49	14723G1		LUG NUT, 1/2" - 20.....	AR
50	671955G01		DESERT EAGLE WHEEL AND TIRE ASSEMBLY, DRIVER SIDE (INCLUDES ITEMS 52 - 54).....	AR
51	671955G02		DESERT EAGLE WHEEL AND TIRE ASSEMBLY, PASSENGER SIDE (INCLUDES ITEMS 52 - 54).....	AR
52	671459		TIRE, 23 X 10 - 14 .....	1
53	604915		CHROME VALVE STEM.....	1
54	670078		WHEEL, 14 X 7 .....	1









A Textron Company

**E-Z-GO Division of Textron Inc.,**  
1451 Marvin Griffin Road, Augusta, Georgia 30906 - 3852 USA

**TO CONTACT US...**

North America:

**Technical Assistance & Warranty** Phone: 1-800-774-3946, FAX: 1-800-448-8124

**Service Parts** Phone: 1-888-GET-E-Z-GO (1-888-438-3946), FAX: 1-800-752-6175

International: Phone: 001-706-798-4311, FAX: 001-706-771-4609

Service Parts Manuals, as well as Repair and Service Manuals  
are available from a local Distributor, an authorized Branch,  
Genuine E-Z-GO Parts & Accessories Department or at [www.shopezgo.com](http://www.shopezgo.com).

Copyrighted Material  
This manual may not be reproduced in whole or  
in part without the express permission of  
E-Z-GO Division of Textron Inc.  
Technical Communications Department