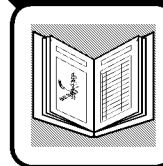


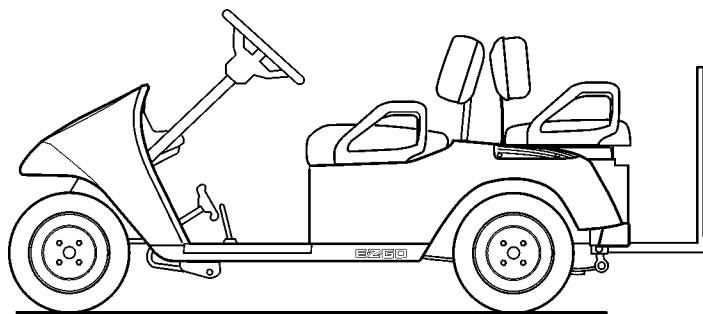
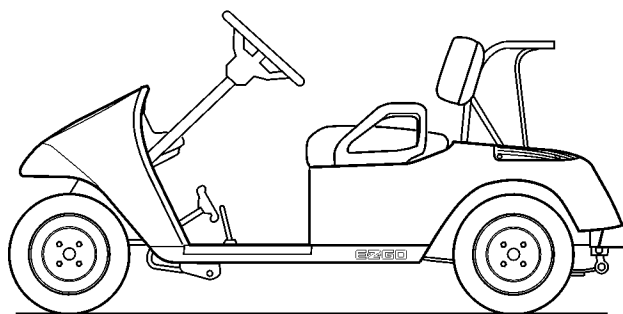
28477-G01



a **TEXTRON** Company



SERVICE PARTS MANUAL



GASOLINE POWERED TXT VEHICLES

MODEL YEARS: 1998 - 2000

REVISED: 12/2000

SERVICE PARTS MANUAL

**TXT
GASOLINE
VEHICLES**

VEHICLES

**TXT FLEET
TXT FREEDOM
TXT FREEDOM HP
TXT 4 CADDY**

E-Z-GO Division of Textron reserves the right to make design changes without obligation to make these changes on units previously sold and the information contained in this manual is subject to change without notice.

E-Z-GO Division of Textron is not liable for errors in this manual or for incidental or consequential damages that result from the use of the material in this manual.

CUSTOMER SERVICE DEPARTMENT IN USA PHONE: 1-800-241-5855 FAX: 1-800-448-8124

OUTSIDE USA PHONE: 010-1-706-798-4311, FAX: 010-1-706-771-4609

E-Z-GO DIVISION OF TEXTRON, INC., P.O.BOX 388, AUGUSTA, GEORGIA USA 30903-0388



NOTES

To obtain a copy of the limited warranty applicable to the vehicle, call or write a local distributor, E-Z-GO Branch or the E-Z-GO Warranty Department with vehicle serial number and manufacturer code.

The use of non E-Z-GO parts may void the warranty.

Tampering with or adjusting the governor to permit vehicle to operate at above factory specifications will void the vehicle warranty.

When servicing engines, all adjustments and replacement components must be per original vehicle specifications in order to maintain Federal and State emission certification.

BATTERY PROLONGED STORAGE

All batteries will self discharge over time. The rate of self discharge varies depending on the ambient temperature and the age and condition of the batteries.

A fully charged battery will not freeze in winter temperatures unless the temperature falls below -75° F (-60° C).

GENERAL INDEX

SECTION	Page No.
How to use the E-Z-GO Service Parts Manual.....	vii
ILLUSTRATED PARTS BREAKDOWN:	
ACCELERATOR	
• Accelerator Pedal, Accelerator Rod.....	A-1
• Governor Linkage Rod, Throttle Linkage Rod.....	A-2
AIR FILTER	
• Air Cleaner, Carburetor Baffle, Gasket.....	B-1
BODY	
• Front Cowl, Front Shield, Ashtray Kit, Instrument Panel.....	C-1
• Floorboard, Floormat, Rocker Panel.....	C-2
• Rear Body, Bumper, Access Lid, Scuff Guards, Sound Foam.....	C-3
• Rear Body-4 Caddy/Convertible Carrier, Footrest, Two Bag Attachment.....	C-4
• Sand Bottle and Basket Divot Repair Kit, Side Basket, Center Basket.....	C-5
• Message Holder, Cooler Jug, Cooler Box, Rake and Holder.....	C-6
• Four Bag Attachment.....	C-7
BRAKES	
• Brake Pedal With Lights.....	D-1
• Brake Pedal Without Lights.....	D-2
• Equalizer and Brake Cables.....	D-3
• Wheel Brake Assembly.....	D-4
CARBURETOR	
• Pilot Jet, Main Jet, Carburetor Mount Gasket.....	E-1
CLUTCHES.....	F-1
• Drive Belt, Drive Clutch, Driven Clutch.....	F-1
DIRECTION SELECTOR	
• Reverse Warning Buzzer, Neutral Lock Out Pivot, Direction Selector Handle.....	G-1
ELECTRICAL SYSTEM	
• Ground Strap, Control Harness, Voltage Regulator.....	H-1
• Electrical Plate Assembly.....	H-2
• Horn, Fuse Block.....	H-3
• Headlamp.....	H-4
• Rear Lamp Assembly.....	H-5
• Ignition Switch, Turn Signal Assembly.....	H-6
• Hour Meter.....	H-7
ENGINE AND MUFFLER	
• Engine, Muffler, Oil Filter, Spark Plugs.....	J-1



GENERAL INDEX

SECTION	Page No.
ENGINE AND STARTER MOUNTING	
• Belt, Starter/Generator, Adjuster, Starter/Generator, Engine Guard, Isolator	K-1
FRONT SUSPENSION	
• Front Axle, Leaf Springs and Idler Assembly, Hub and Spindle, Tie Rod	L-1
FUEL SYSTEM	
• Fuel Gauge, Fuel Pump, Fuel Tank Assembly	M-1
REAR AXLE	
• Axle Tube, Axle Shaft, Shifter Cable Bracket	P-1
REAR SUSPENSION	
• U-Bolt, Leaf Spring Set, Shock Absorber	Q-1
SEATING AND BAGHOLDER, GOLF CAR	
• Seat Bottom, Seat Back, Hip Restraint	R-1
SEATING, 4 CADDY	
• Front Seat Bottom, Front Seat Back, Hip Restraint	R-5
• Rear Seat Bottom, Rear Seat Back, Hip Restraint	R-6
SEATING, 4 CONVERTIBLE CARRIER	
• Front Seat Bottom, Front Seat Back, Hip Restraint	R-9
• Rear Seat Bottom, Rear Seat Back, Hip Restraint	R-10
STARTER/GENERATOR	
• Brush Holder Assembly, Pulley, Terminal Assembly	S-1
STEERING	
• Rack and Rod Assembly, Steering Wheel, Tie Rod Assembly	T-1
TOW BAR, PERMANENT	
• Tow Bar, Tow Bar Hitch	U-1
TOW BAR, CASUAL	
• Tow Bar, Tie Rod	U-5
WEATHER PROTECTION, GOLF CAR	
• Sun Top Kit	V-1
• Windshield Kit-Split Screen, Windshield Kit-Solid, Rear View Mirror Kit	V-2
• Weather Enclosures, Golf Bag Cover/Rain Curtain	V-3
WEATHER PROTECTION, 4 CADDY	
• Sun Top Kit	V-7
• Windshield Kit-Split Screen, Windshield Kit-Solid, Rear View Mirror Kit	V-8
WHEELS AND TIRES	
• Tire, Wheel Rim, Valve Stem, Chrome Hubcaps, Spoke Hubcaps	W-1

GENERAL INDEX

SECTION

Page No.

SPECIALTY PRODUCTS:

Special Tools Appendix - A

Engine Oil Appendix - A

Paint Appendix - A

Performance Products Appendix - A

ACCESSORIES:

Accessory Listing Appendix - B



GENERAL INDEX

HOW TO USE THE E-Z-GO SERVICE PARTS MANUAL

This manual is divided into several sections:

- GENERAL INFORMATION
- ILLUSTRATED PARTS BREAKDOWN
- APPENDIX

The first section, GENERAL INFORMATION, contains the following information:

- WARRANTY INFORMATION
- GENERAL INDEX
- HOW TO USE THE E-Z-GO SERVICE PARTS MANUAL

The second section, ILLUSTRATED PARTS BREAKDOWN, contains illustrations and parts lists for all systems of your vehicle.

The third section, APPENDIX, contains a listing of specialty products and accessories.

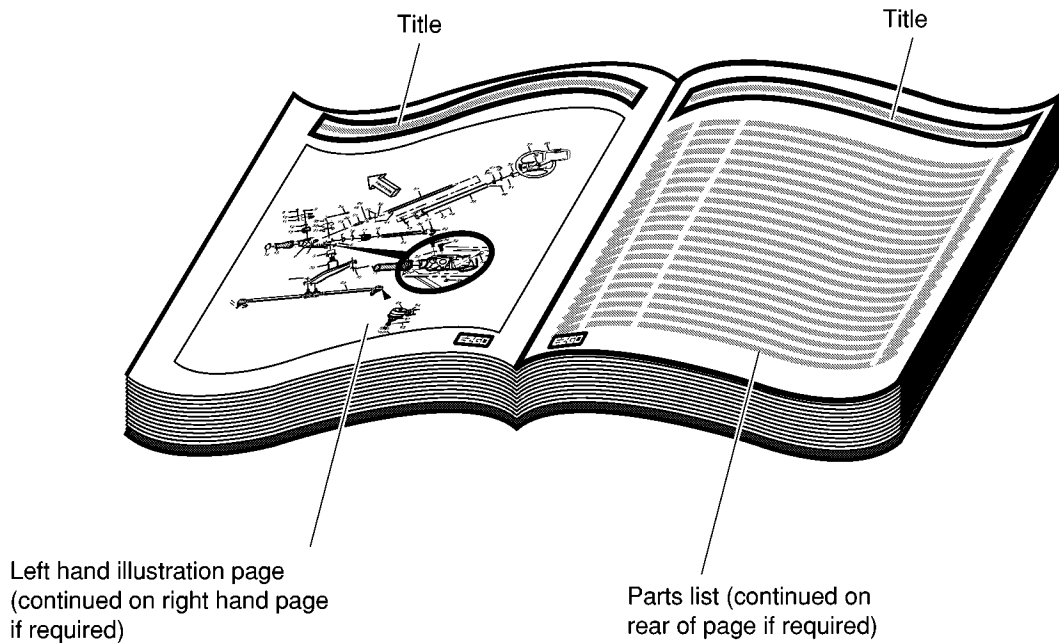
USE OF THE MANUAL

To use this manual, consult the GENERAL INDEX to locate the information or illustration required.

Introduction of some revisions varies due to supply of components; therefore, it is possible that various combinations of components may be found that are not directly reflected by each illustration. Consult the illustration that best suits your situation and then contact the Service Parts Department. It is important that the serial number of your vehicle and its model number be supplied to Service Parts when ordering any replacement components.

Locate the serial number plate (see BODY located in the Illustrated Parts Breakdown section of this manual for its location) and note the complete number shown on the plate.

HOW TO USE THE E-Z-GO SERVICE PARTS MANUAL



1. WHEN THE PART NUMBER IS NOT KNOWN

- Determine the function and application of the part required. Turn to the General Index and select the most appropriate title.
- Turn to the page number indicated and locate the desired part on the illustration.
- From the illustration, obtain the item number assigned to the desired part. Refer to the accompanying description for specific information regarding the part.

2. IF YOU KNOW THE PART NUMBER

- Locate the part number or description in the appropriate column on the parts list page.

NOTE: It is suggested that you confirm that the part selected is correct by verifying it with the pictorial representation on the illustrated page.

Should an asterisk (*) appear in the part number column on the parts list page, read upwards until a part number is found. The part number is the lowest assembly sold by E-Z-GO and the asterisk (*) indicates that the part depicted is not available for sale by E-Z-GO.

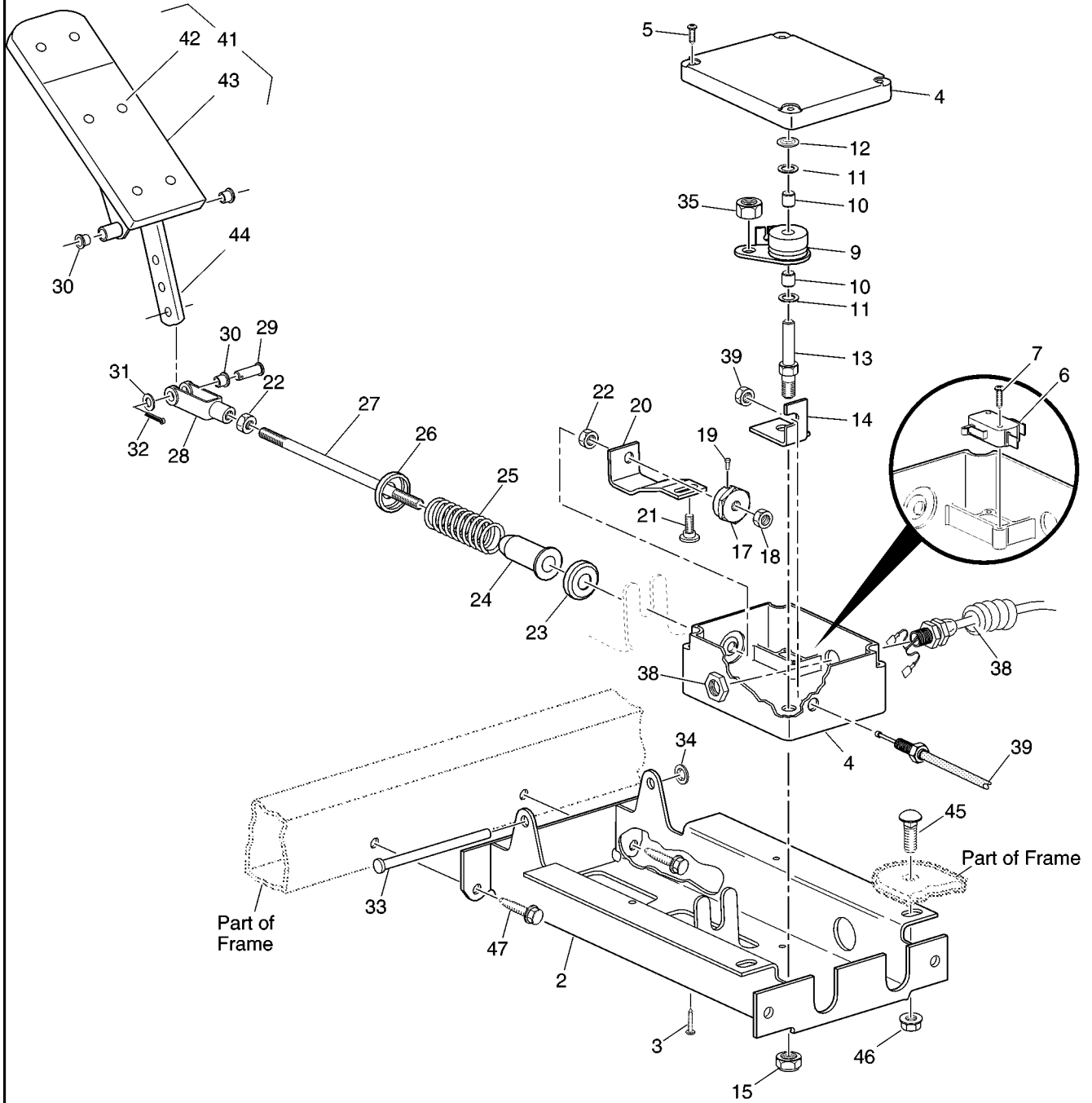
NOTE: Descriptions are indented under the assembly that they are used on. That assembly is, in turn listed under the assembly that it is used on. This process is repeated until the highest final assembly is reached.

To facilitate the maintenance and repair of the vehicle, a Technician's Repair and Service Manual is available from the E-Z-GO Service Parts Department.

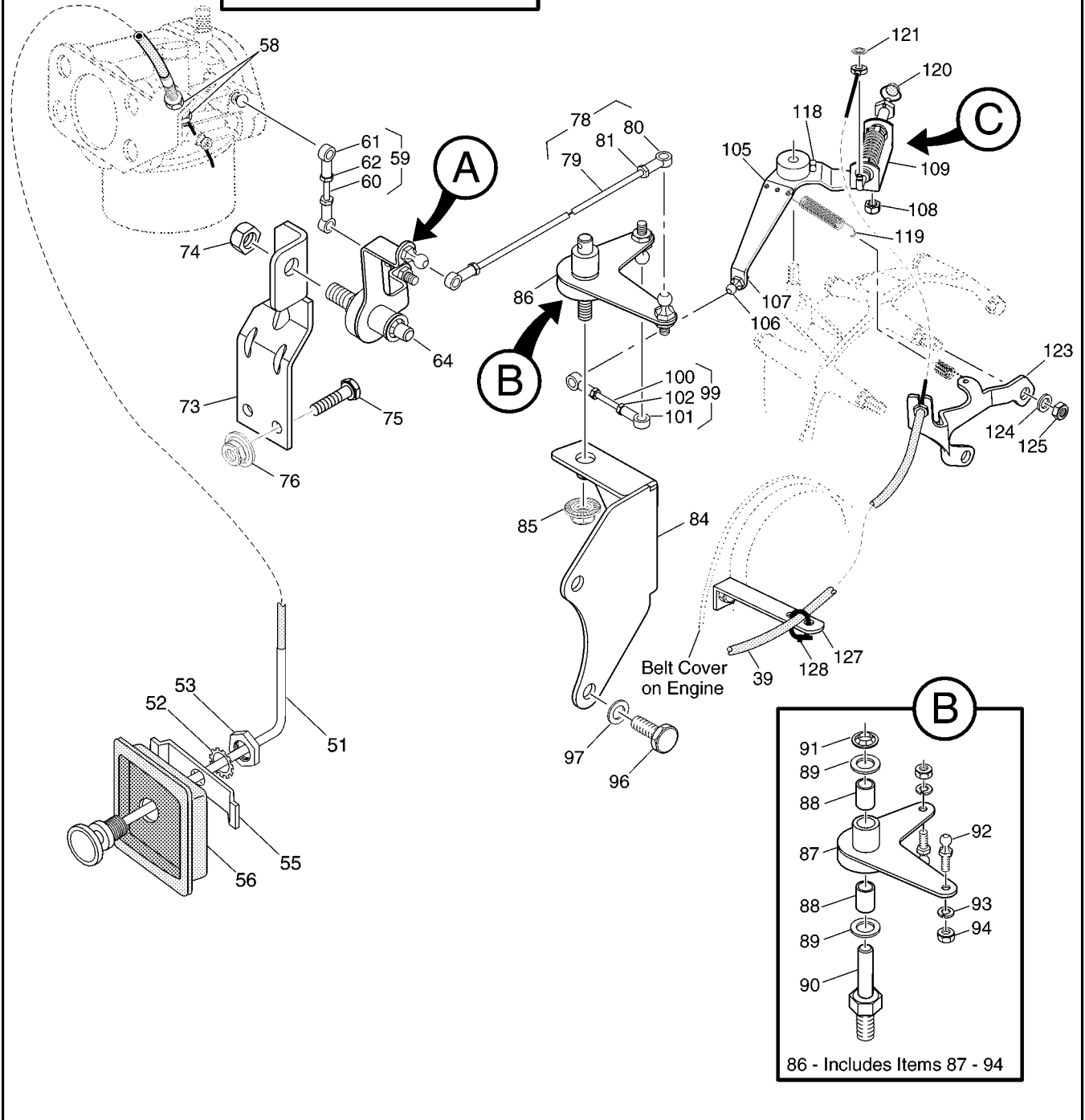
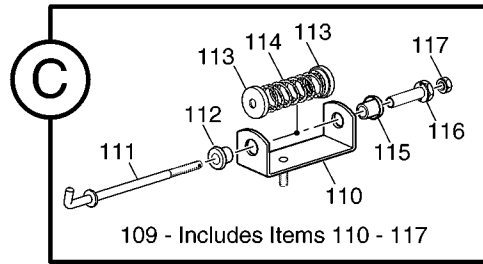
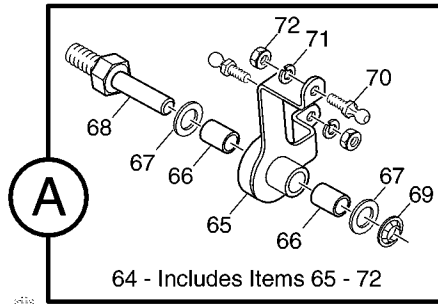


ILLUSTRATED PARTS BREAKDOWN

1 - Includes Items 2 - 43
40 - Includes items 41 - 44



83 - Includes Items 84 - 94
104 - Includes Items 105 - 117



ACCELERATOR**Gasoline Vehicle**

When ordering parts, please specify the model and serial number of the product.

* Indicates a component that is not available as an individual part.

G** Indicates consult Customer Service Department for additional information.

ITEM	PART NO.	1 2 3 4 5	DESCRIPTION	QTY.
1	72062-G01		PEDAL BOX ASSEMBLY (INCLUDES ITEMS 2 - 44)	1
2	70116-G01		ACCELERATOR PEDAL BRACKET.....	1
3	00684-G6		SCREW, #8-32 X 3/4" LG.	4
4	25853-G02		PEDAL BOX AND COVER	1
5	00684-G6		SCREW, #8-32 X 3/4" LG.	4
6	25861-G01		MICRO SWITCH.....	1
7	00982-G01		SCREW, 4-14 X 5/8" LG	2
8				
9	72066-G01		CONTROL ARM	1
10	23860-G1		BEARING.....	2
11	24621-G1		NYLON WASHER, 5/16".....	2
12	12064-G1		PUSH NUT, 5/16".....	1
13	25768-G01		PIVOT ROD	1
14	72199-G01		PIVOT BRACKET	1
15	14390-G1		LOCK NUT, 3/8-24	1
16				
17	72198-G03		MICRO SWITCH CAM.....	1
18	00550-G4		LOCK NUT, 5/16-24	3
19	00487-G3		SETSCREW, 1/4 - 20 X 3/8" LG.	1
20	72074-G01		CONTROL ARM LINK	1
21	72225-G01		SHOULDER BOLT, #10-24 X 11/16" LG.....	1
22	00532-G4		LOCKNUT, 5/16-24	2
23	17677-G1		SPRING RETAINER	1
24	17979-G1		ACCELERATOR ROD BUSHING	1
25	73046-G01		COMPRESSION SPRING	1
26	17677-G2		SPRING RETAINER	1
27	72072-G01		ACCELERATOR ROD	1
28	10385-G4		CLEVIS YOKE (ADJUSTABLE).....	1
29	10386-G3		CLEVIS PIN, 5/16" X 1" LG	1
30	17838-G1		NYLON BUSHING	3

When ordering parts, please specify the model and serial number of the product.
 * Indicates a component that is not available as an individual part.
 G** Indicates consult Customer Service Department for additional information.

ITEM	PART NO.	1	2	3	4	5	DESCRIPTION	QTY.
31	17255-G1						TEFLON WASHER, 5/16".....	1
32	10387-G3						COTTER PIN, 3/32" X 3/4" LG	1
33	70134-G01						PEDAL PIVOT PIN	1
34	00986-G01						PUSH NUT, 9/32"	1
35	14390-G10						LOCK NUT, #10-24.....	1
36	12730-G1						WHEEL BEARING GREASE (NOT ILLUSTRATED).....	A/R
37								
38	72201-G01						WIRE HARNESS (PEDAL BOX)	1
39	72065-G01						ACCELERATOR CABLE	1
40	25799-G01						ACCELERATOR PEDAL ASSEMBLY (INCLUDES ITEMS 41 - 44)	1
41	27844-G01						ACCELERATOR PEDAL PAD KIT (INCLUDES ITEMS 42 - 43)	1
42	15766-G1						OVAL RIVET, 3/16" X 3/8" LG	6
43	27512-G01						ACCELERATOR PADAL PAD	1
44	*						ACCELERATOR PEDAL	
45	00827-G8						CARRIAGE BOLT, 1/4-20 X 1" LG	2
46	11027-G2						LOCK NUT, 1/4-20	2
47	00715-G2						BOLT, 5/16-18 X 13/16" LG.....	2
48								
49								
50								
51	25693-G04						CHOKE CABLE (WITH NUTS)	1
52	00568-G4						LOCK WASHER, 9/16"	1
53	00545-G4						NUT, 9/16-18	1
54								
55	72155-G01						RETAINER	1
56	72154-G01						CHOKE CABLE ADAPTER.....	1
57								
58	00544-G4						JAM NUT, 5/16-24.....	2
59	25737-G01						CARBURETOR LINKAGE ROD (INCLUDES ITEMS 60 - 62).....	1
60	23722-G1						ADJUSTING ROD (SHORT)	1



When ordering parts, please specify the model and serial number of the product.

* Indicates a component that is not available as an individual part.

G** Indicates consult Customer Service Department for additional information.

ITEM	PART NO.	1	2	3	4	5	DESCRIPTION	QTY.
61	24465-G1						BALL JOINT SOCKET	2
62	00526-G4						NUT, #10-32.....	2
63								
64	25760-G01						CARBURETOR LINKAGE BELLCRANK (INCLUDES ITEMS 65 - 72).....	1
65	25759-G01						CARBURETOR PIVOT	1
66	23860-G1						BEARING.....	2
67	24621-G1						NYLON WASHER, 5/16".....	2
68	25768-G01						PIVOT ROD	1
69	12064-G1						PUSH NUT, 5/16".....	1
70	24479-G1						BALL JOINT BALL	2
71	00565-G5						LOCK WASHER, #10	2
72	00526-G4						NUT, #10-32.....	2
73	72197-G01						PIVOT BRACKET.....	1
74	14390-G1						LOCK NUT, 3/8-24	1
75	00414-G8						BOLT, 1/4-20 X 1" LG	2
76	14390-G4						LOCK NUT, 1/4-20	2
77								
78	72254-G01						THROTTLE LINKAGE ROD ASSEMBLY (INCLUDES ITEMS 79 - 81).....	1
79	72255-G01						ADJUSTING ROD (LONG).....	1
80	24465-G1						BALL JOINT SOCKET	2
81	00526-G4						NUT, #10-32.....	2
82								
83	25702-G01						GOVERNOR PIVOT BRACKET ASSEMBLY (INCLUDES ITEMS 84 - 94).....	1
84	25655-G01						BELLCRANK BRACKET.....	1
85	14390-G1						LOCK NUT, 3/8-24	1
86	25763-G01						GOVERNOR PIVOT ASSEMBLY (INCLUDES ITEMS 87 - 94)	1
87	25762-G01						GOVERNOR PIVOT.....	1
88	23860-G1						BEARING	2
89	24621-G1						NYLON WASHER, 5/16"	2
90	25768-G01						PIVOT ROD.....	1

When ordering parts, please specify the model and serial number of the product.

* Indicates a component that is not available as an individual part.

G** Indicates consult Customer Service Department for additional information.

ITEM	PART NO.	1	2	3	4	5	DESCRIPTION	QTY.
91	12064-G1						PUSH NUT, 5/16"	1
92	24479-G1						BALL JOINT BALL	2
93	00565-G5						LOCK WASHER, #10	2
94	00526-G4						NUT, #10-32	2
95								
96	00276-G6						BOLT, 5/16-24 X 3/4" LG	2
97	00565-G8						LOCK WASHER, 5/16"	2
98								
99	25737-G03						GOVERNOR LINKAGE ROD (INCLUDES ITEMS 100 - 102)	1
100	23722-G1						ADJUSTING ROD	1
101	24465-G1						BALL JOINT SOCKET	2
102	00526-G4						NUT, #10-32	2
103								
104	25690-G01						GOVERNOR BELLCRANK ASSEMBLY (INCLUDES ITEMS 105 - 117)	1
105	25765-G01						GOVERNOR BELLCRANK	1
106	24479-G1						BALL JOINT BALL	1
107	00734-G5						LOCK NUT, #10 - 32	1
108	14390-G4						LOCK NUT, 1/4-20	1
109	22751-G2						GOVERNOR BRACKET ASSEMBLY (INCLUDES ITEMS 110 - 117)	1
110	22752-G1						GOVERNOR BRACKET	1
111	25274-G1						GOVERNOR ROD	1
112	22754-G1						BUSHING	1
113	25661-G01						CUP WASHER	2
114	23578-G1						COMPRESSION SPRING	1
115	22754-G2						BUSHING	1
116	23859-G1						GOVERNOR ADJUSTER	1
117	00526-G4						NUT, #10-32	1
118	00491-G4						SETSCREW, 1/4-20 X 1/2" LG	2
119	25738-G01						SPRING	1
120	25286-G1						SAFETY SEAL, 3/8"	1

ACCELERATOR**Gasoline Vehicle**

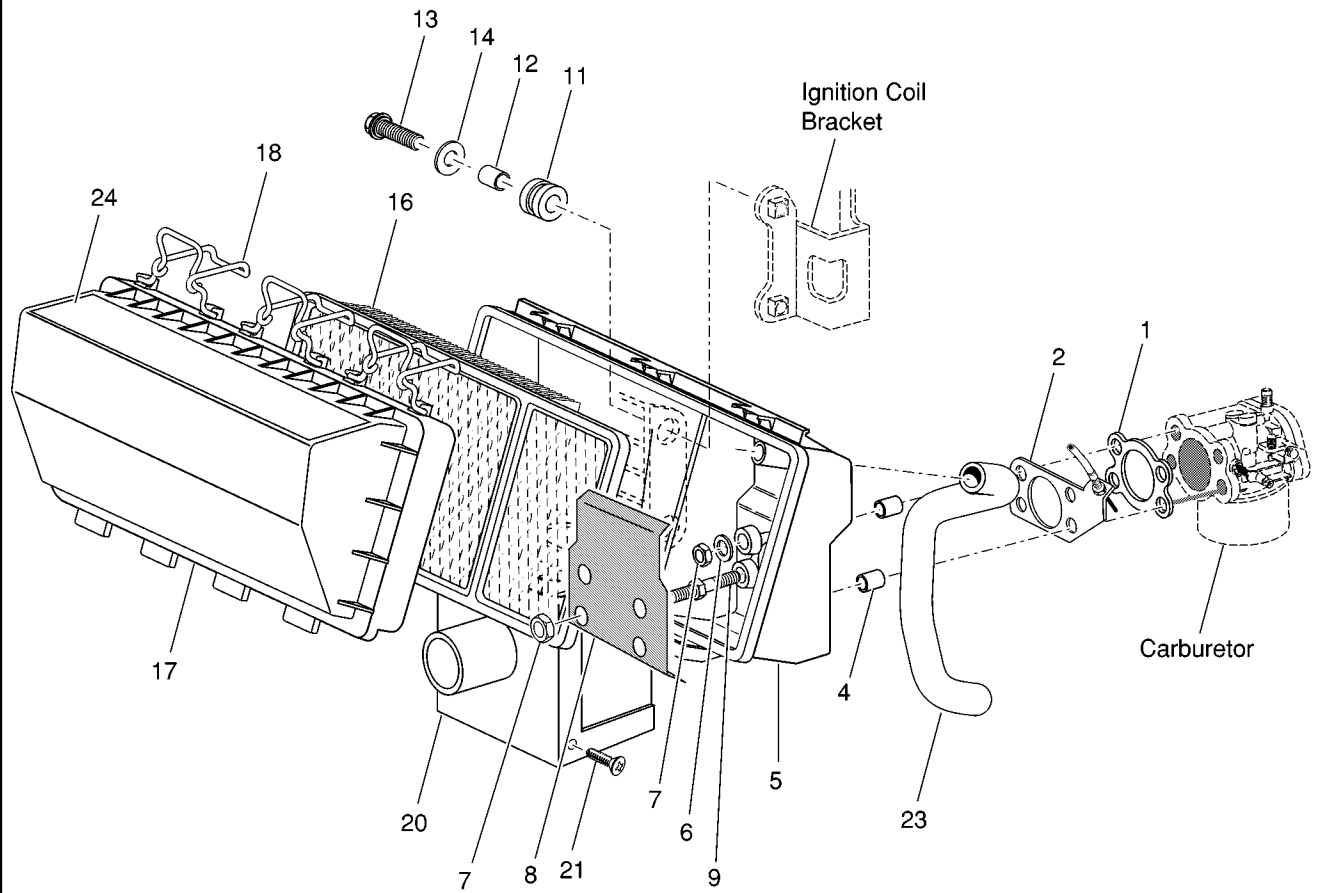
When ordering parts, please specify the model and serial number of the product.

* Indicates a component that is not available as an individual part.

G** Indicates consult Customer Service Department for additional information.

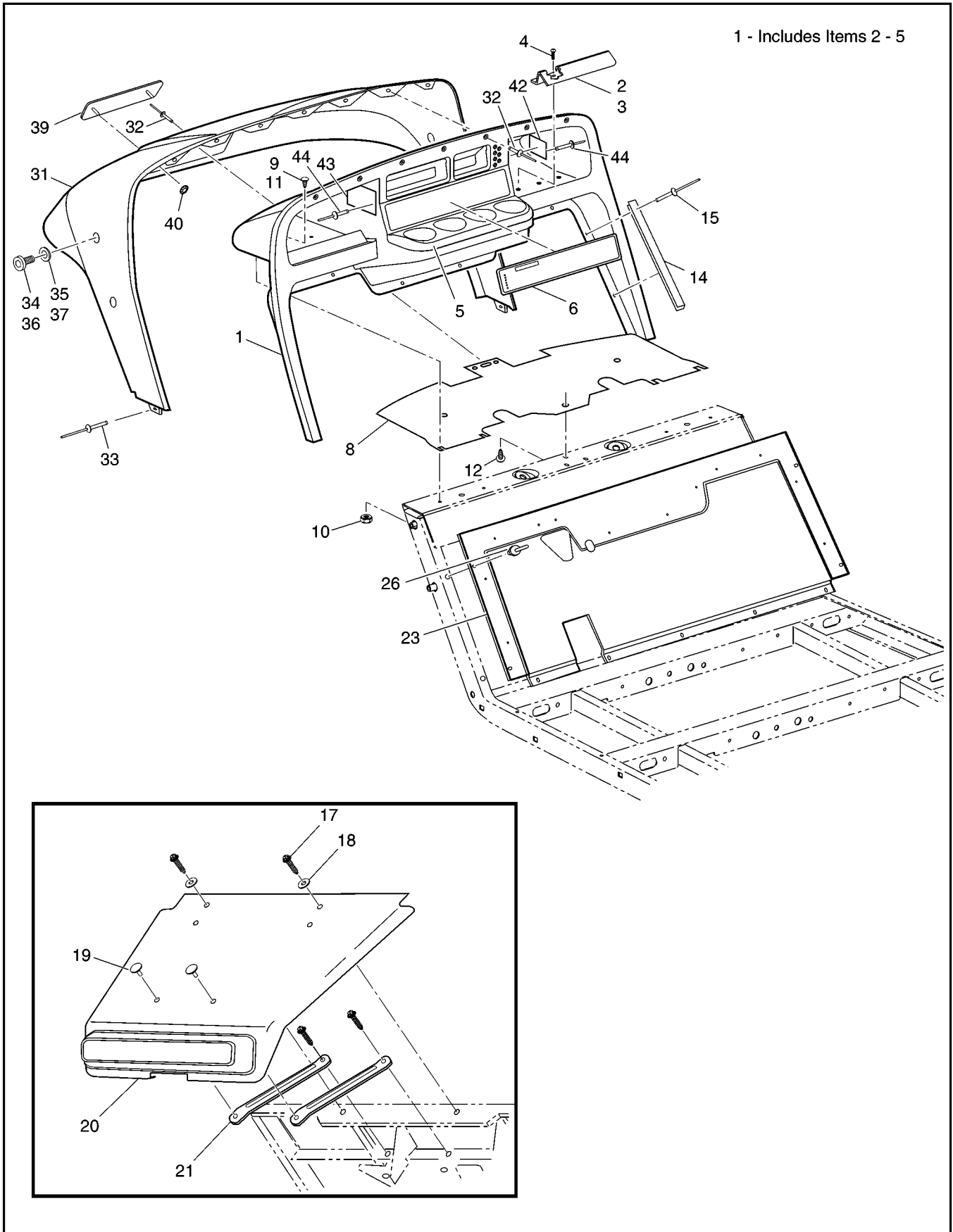
ITEM	PART NO.	1 2 3 4 5	DESCRIPTION	QTY.
121	12064-G3		PUSH NUT, 3/16"	1
122				
123	25653-G01		ACCELERATOR CABLE BRACKET	1
124	26826-G01		LOCK WASHER, 8MM	2
125	26827-G01		NUT, M8 X 1.25MM	2
126				
127	72055-G01		ACCELERATOR CABLE BRACKET	1
128	17618-G1		WIRE TIE	7

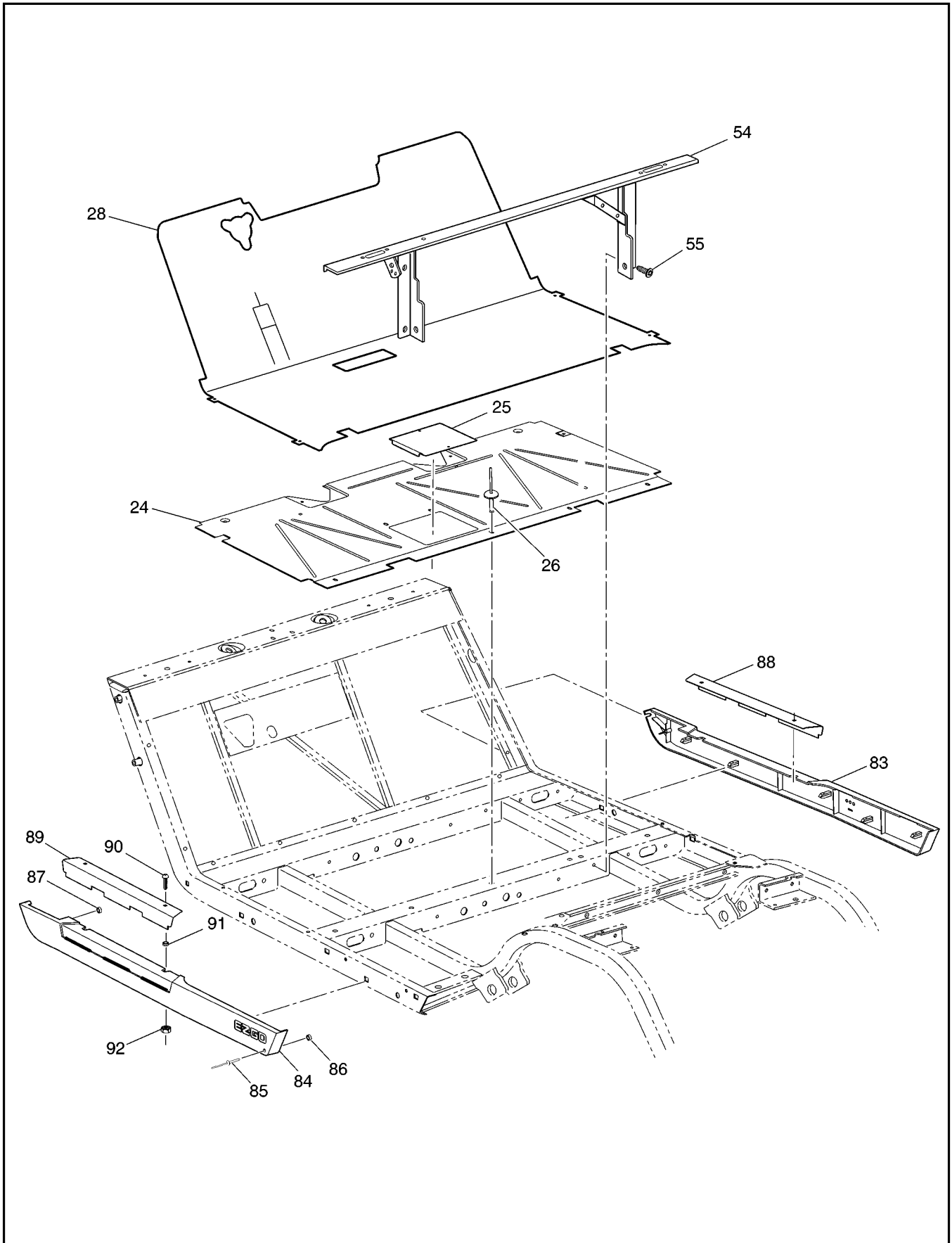




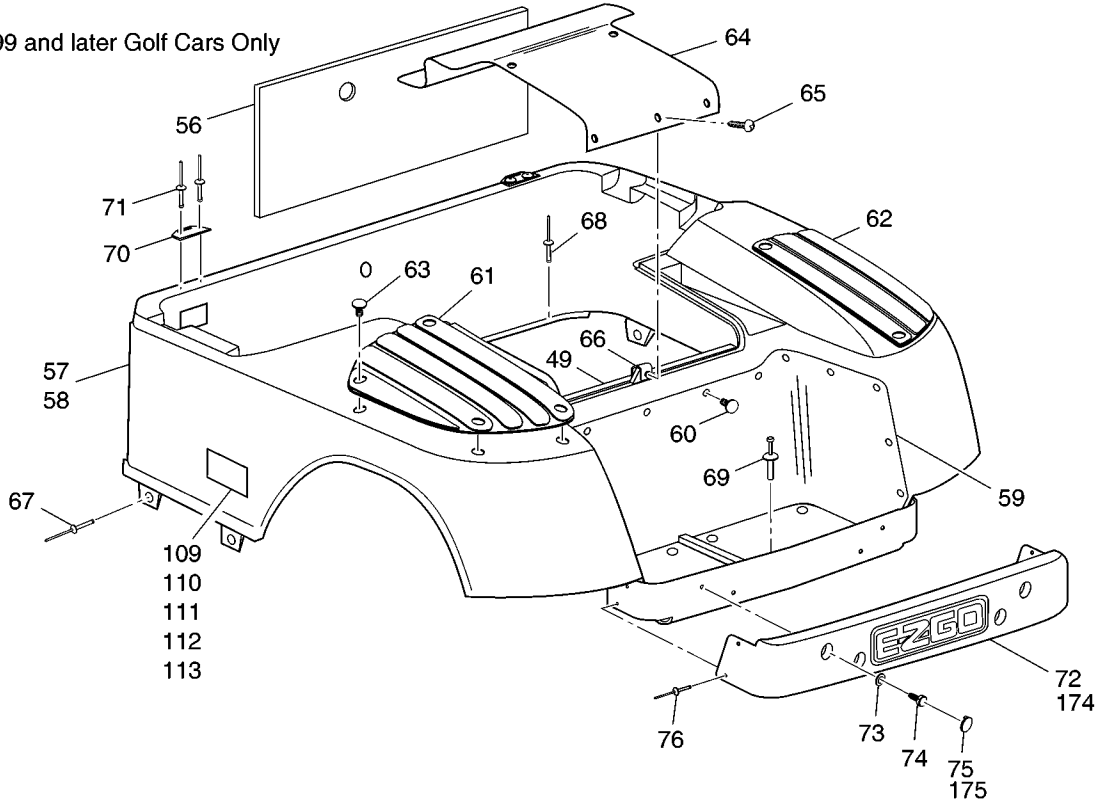
When ordering parts, please specify the model and serial number of the product.
 * Indicates a component that is not available as an individual part.
 G** Indicates consult Customer Service Department for additional information.

ITEM	PART NO.	1 2 3 4 5	DESCRIPTION	QTY.
1	26727-G01		CARBURETOR / AIR BOX GASKET	2
2	26728-G01		CHOKE BRACKET	1
3				
4	23726-G6		SPACER, 7/16"	4
5	72178-G01		HOUSING	1
6	51400-G1		LOCK WASHER, 6 MM.....	2
7	13632-G1		NUT, M6 X 1.....	4
8	72529-G01		BAFFLE	1
9	72514-G01		STUD, M6 X 1 X 39 MM LG.	2
10				
11	72147-G01		HOUSING MOUNT GROMMET	2
12	23726-G7		SPACER, 9/16"	2
13	26671-G01		BOLT AND WASHER, M6 X 1 X 30 MM LG.	2
14	26701-G01		WASHER, 6.5MM	2
15				
16	72368-G01		AIR FILTER ELEMENT.....	1
17	72179-G01		AIR FILTER COVER	1
18	72145-G01		LATCH	3
19				
20	72146-G01		INLET COVER.....	1
21	00614-G5		SCREW, #8 - 18 X 5/8" LG.....	6
22				
23	72151-G01		PCV HOSE	1
24	74093-G01		LABEL (WARNING)	1

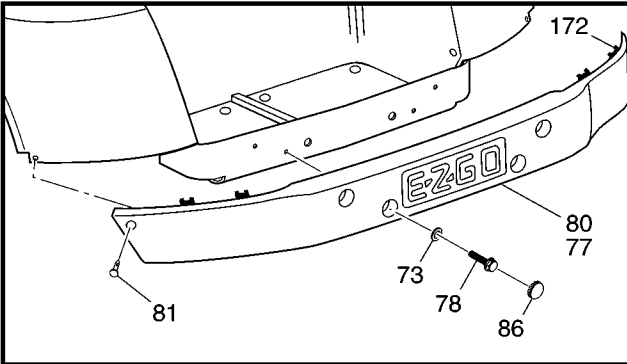




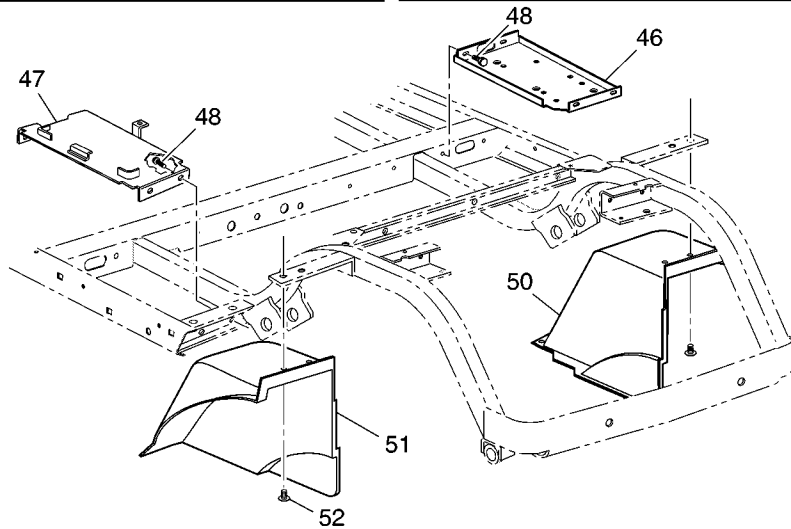
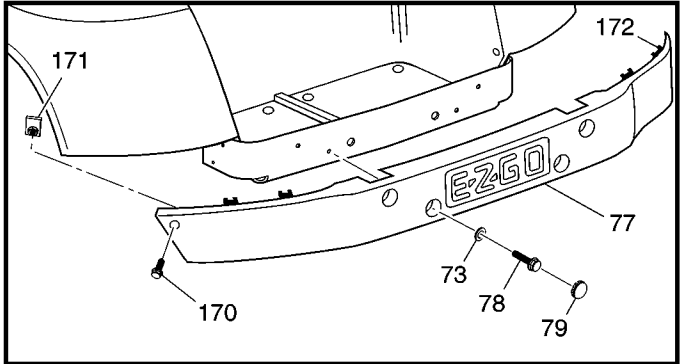
1999 and later Golf Cars Only



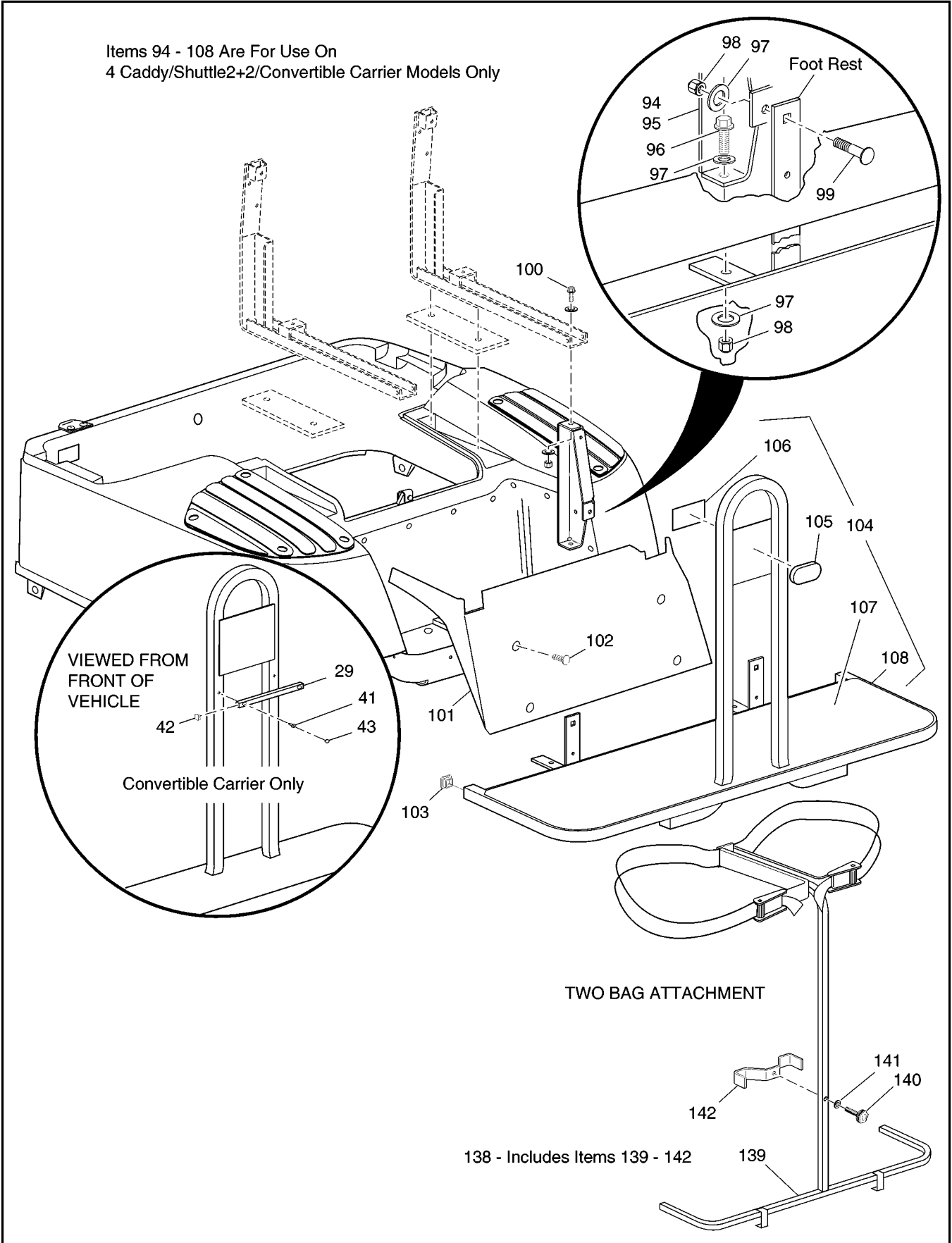
All 1998 Models Only

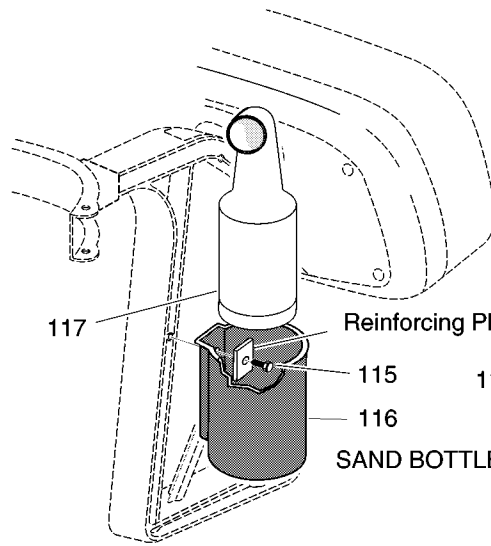


1999 and later 4 Caddy/Shuttle2+2/Convertible Carrier Only



Items 94 - 108 Are For Use On
4 Caddy/Shuttle2+2/Convertible Carrier Models Only

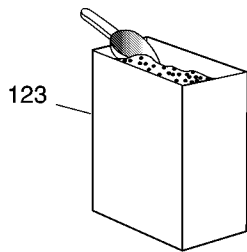




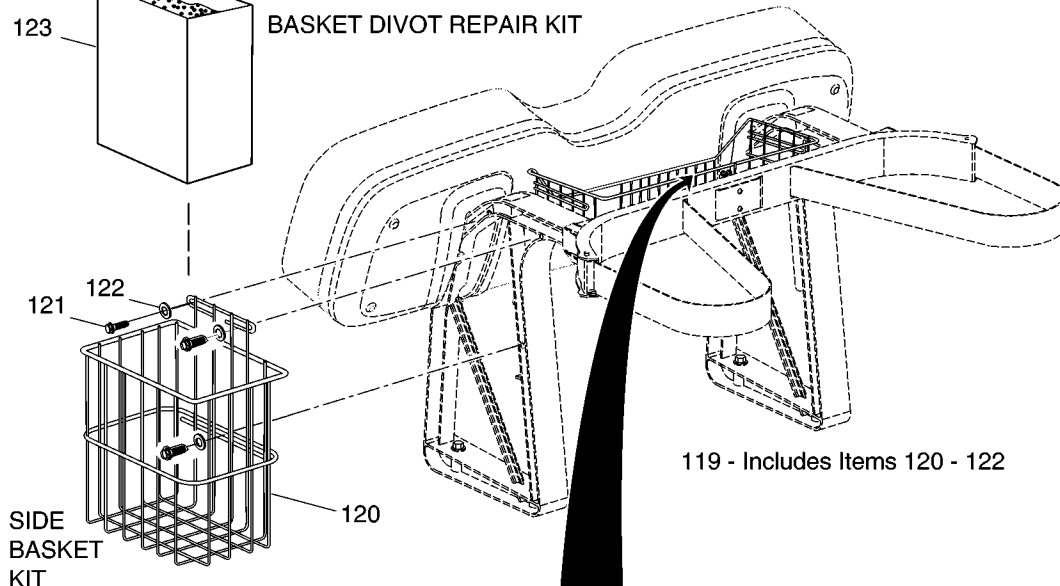
117 Reinforcing Plate

114 - Includes Items 115 - 117

116 SAND BOTTLE DIVOT REPAIR KIT

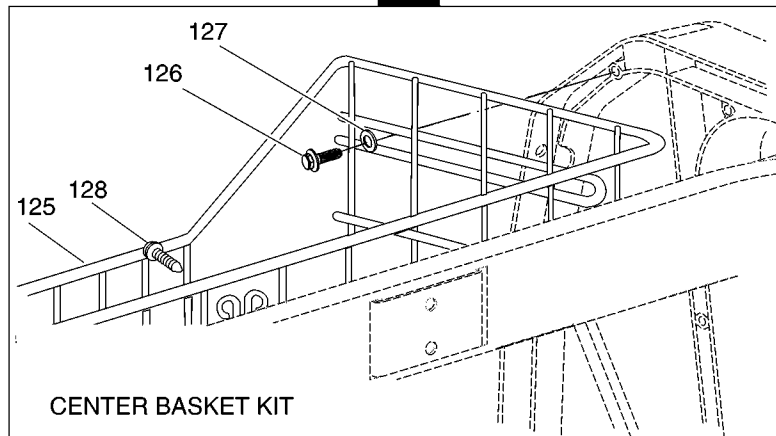


123 BASKET DIVOT REPAIR KIT



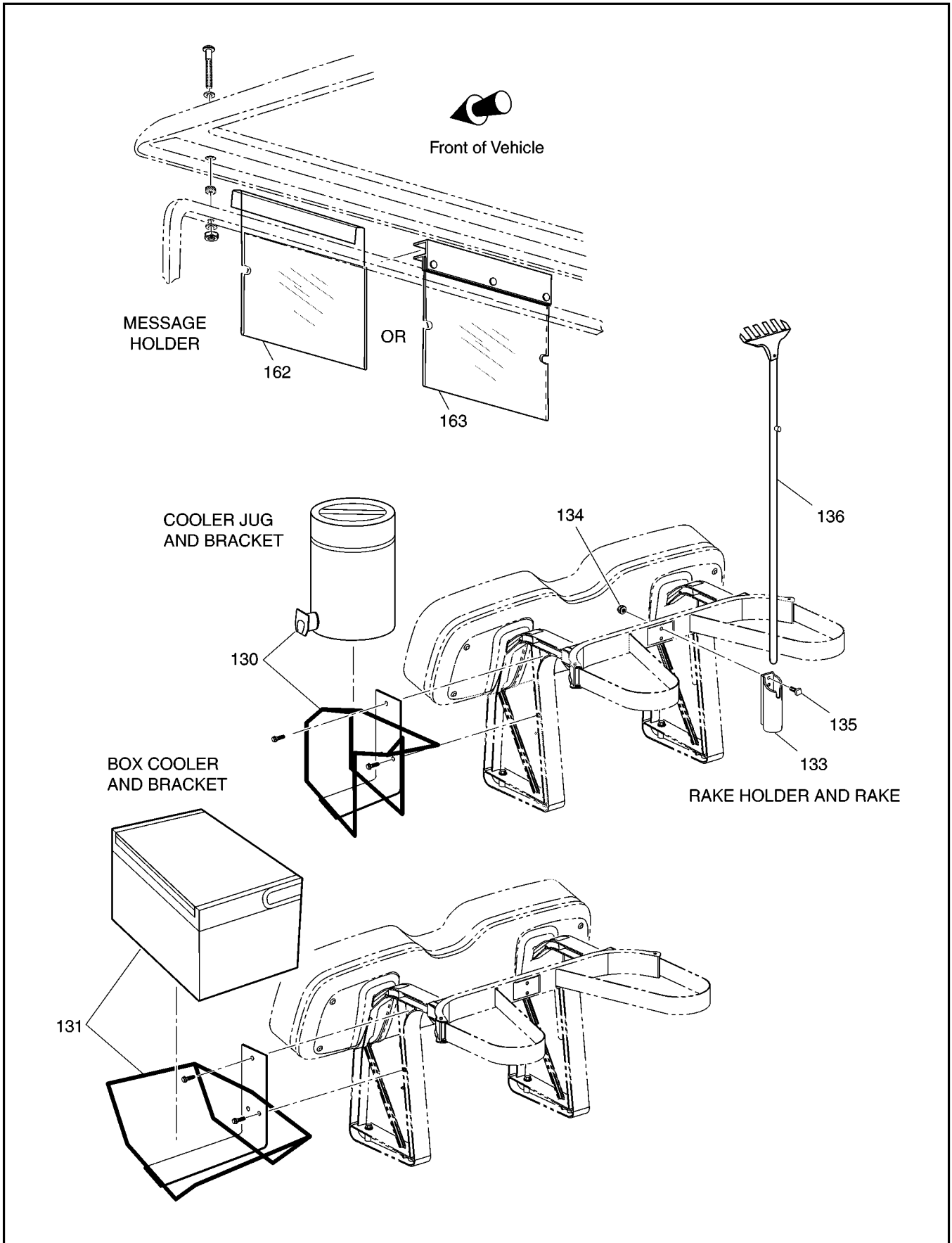
SIDE BASKET KIT

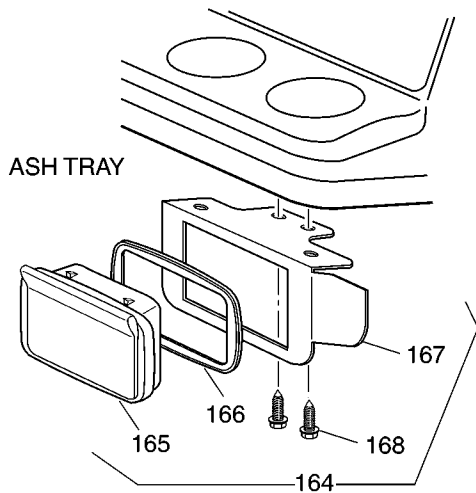
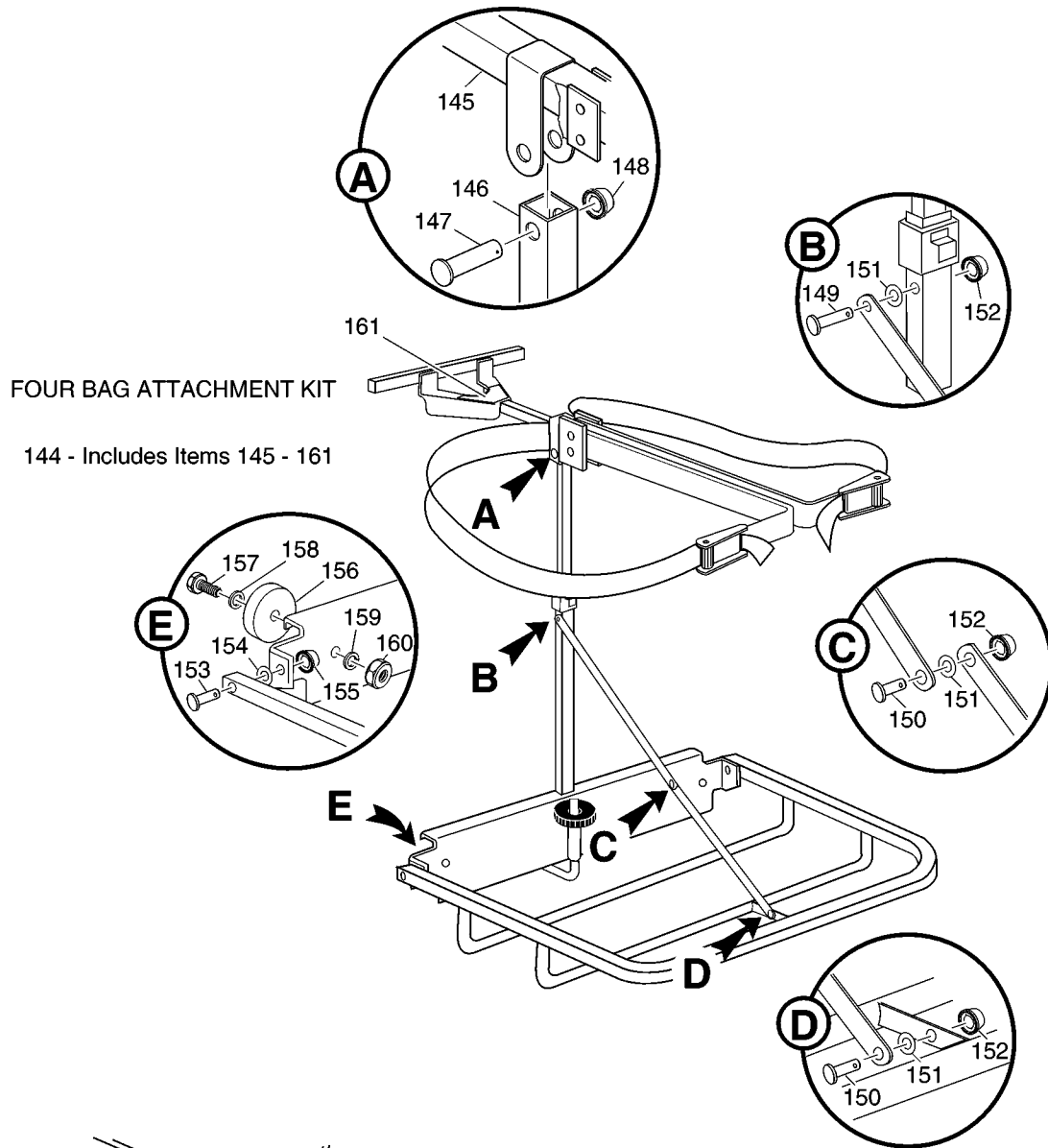
119 - Includes Items 120 - 122



CENTER BASKET KIT

124 - Includes Items 125 - 128





When ordering parts, please specify the model and serial number of the product.

* Indicates a component that is not available as an individual part.

G** Indicates consult Customer Service Department for additional information.

ITEM	PART NO.	1 2 3 4 5	DESCRIPTION	QTY.
1	71151-G01		INSTRUMENT PANEL ASSEMBLY (INCLUDES ITEMS 2 - 5)	1
2	71153-G01		BALL DEFLECTOR (PASSENGER SIDE)	1
3	71154-G01		BALL DEFLECTOR (DRIVER SIDE).....	1
4	00614-G5		SCREW, #8 - 18 X 5/8" LG.	6
5	71158-G01		INSTRUMENT PANEL INSERT (FOUR CUP)	1
6	27826-G01		LABEL (SAFETY).....	1
7				
8	71413-G01		SPLASH PANEL.....	1
9	01036-G01		SCREW, #10 - 24 X 3/4" LG. (TO EARLY 2000 PRODUCTION).....	4
10	11098-G7		LOCK NUT, #10 - 24 (TO EARLY 2000 PRODUCTION)	4
11	16816-G2		RATCHET FASTENER, 1/4" X 3/4" LG. (LATE 2000 PRODUCTION).....	4
12	16816-G2		RATCHET FASTENER, 1/4" X 3/4" LG.	1
13				
14	71115-G01		VINYL TRIM	2
15	71055-G01		RIVET, 3/16" X 3/8" LG.....	10
16				
17	01038-G01		SCREW, 1/4 - 20 X 1/2" LG.....	4
18	16469-G7		WASHER, 1/4"	2
19	16816-G2		RATCHET FASTENER, 1/4" X 3/4" LG.	2
20	27166-G02		FRONT SHIELD	1
21	71015-G01		FRONT SHIELD BRACE.....	2
22				
23	71510-G01		UPPER FLOORPAN	1
24	70451-G01		LOWER FLOORPAN.....	1
25	70452-G01		ACCESS COVER.....	1
26	14601-G11		RIVET, 3/16 X 9/16" LG.	16
27				
28	70048-G01		FLOORMAT.....	1
29				
30				



BODY AND ASSOCIATED PARTS

Gasoline Vehicle

When ordering parts, please specify the model and serial number of the product.

* Indicates a component that is not available as an individual part.

G** Indicates consult Customer Service Department for additional information.

ITEM	PART NO.	1 2 3 4 5	DESCRIPTION	QTY.
31	71051-G**		COWL	1
32	71055-G01		RIVET, 3/16" X 3/8" LG.....	9
33	10570-G11		RIVET, 3/16" X 3/4" LG.....	2
34	71056-G01		BOLT, 5/16 - 18 X 5/8" LG.	4
35	00570-G2		WASHER, 5/16.....	4
36	00438-G6		BOLT, 5/16 - 18 X 3/4" LG (WITH TOP)	2
37	00571-G2		WASHER, 5/16" (WITH TOP)	2
38				
39	71037-G02		E-Z-GO NAMEPLATE (GOLD).....	1
40	12064-G3		PUSHNUT, 3/16"	2
41				
42	*		SERIAL NUMBER PLATE.....	1
43	*		EC PLATE	1
44	01041-G01		RIVET, 5/32" X 7/8" LG	4
45				
46	70244-G02		SPLASH PANEL.....	1
47	70245-G01		BATTERY TRAY.....	1
48	00715-G2		BOLT, 5/16-18 X 13/16" LG.	8
49	22744-G1		BAGWELL NOISE SUPPRESSOR.....	1
50	71812-G01		FENDER LINER (PASSENGER SIDE)	1
51	71812-G02		FENDER LINER (DRIVER SIDE).....	1
52	16816-G2		RATCHET FASTENER, 1/4" X 3/4" LG.	8
53				
54	70440-G01		SEAT FRAME.....	1
55	00715-G2		BOLT, 5/16 - 18 X 13/16" LG.	2
56	72112-G01		SEAT WRAP NOISE SUPPRESSOR	1
57	71912-G**		REAR BODY (WITHOUT TAILLIGHTS) (INCLUDES ITEMS 59, 60)	1
58	71334-G**		REAR BODY (WITH TAILLIGHTS) (INCLUDES ITEMS 59, 60).....	1
59	71318-G01		BAGWELL LINER.....	1
60	16816-G1		RATCHET FASTENER, 1/4" X 5/8" LG.	26



When ordering parts, please specify the model and serial number of the product.

* Indicates a component that is not available as an individual part.

G** Indicates consult Customer Service Department for additional information.

ITEM	PART NO.	1 2 3 4 5	DESCRIPTION	QTY.
61	75126-G01		FENDER SCUFFGUARD (DRIVER SIDE)	1
62	75126-G02		FENDER SCUFFGUARD (PASSENGER SIDE).....	1
63	16816-G2		RATCHET FASTENER, 1/4" X 3/4" LG.	8
64	71320-G01		ACCESS PANEL	1
65	71002-G01		SCREW, #8 X 5/8" LG.	5
66	71364-G02		"J" CLIP	1
67	10570-G12		RIVET, 1/4" X 1/2" LG.....	4
68	10570-G10		RIVET, 5/32" X 9/16" LG.....	6
69	18436-G1		PLASTIC DRIVE RIVET, 1/4" X 5/8" LG.....	2
70	71609-G01		SEAT HINGE PLATE.....	2
71	10570-G11		RIVET, 3/16" X 3/4" LG.....	4
72	71336-G01		REAR BUMPER (EARLY 1999 GOLF CARS ONLY).....	1
73	00559-G8		WASHER, 5/16"	4
74	01039-G01		BOLT, 1/4 - 20 X 5/8" LG.	4
75	71945-G01		BUMPER PLUG (EARLY 1999 GOLF CARS ONLY).....	4
76	14601-G17		RIVET, 3/16" X 9/16" LG.....	4
77	71456-G01		NOTCHED REAR BUMPER (1998-99 4 CADDY/SHUTTLE2+2)	1
78	71398-G01		BOLT, 1/4 - 20 X 1 1/4" LG.	4
79	71455-G01		BUMPER PLUG	4
80	71451-G01		REAR BUMPER (1998 GOLF CARS ONLY)	1
81	16816-G4		RATCHET FASTENER.....	2
82				
83	71501-G01		ROCKER PANEL (PASSENGER SIDE)	1
84	71502-G01		ROCKER PANEL (DRIVER SIDE)	1
85	15058-G4		RIVET, 3/16" X 15/16" LG	2
86	23726-G7		SPACER.....	1
87	23726-G6		SPACER.....	1
88	71507-G01		SILL PLATE (PASSENGER SIDE).....	1
89	71507-G02		SILL PLATE (DRIVER SIDE)	1
90	16705-G1		BOLT,1/4 - 20 X 1" LG.(STAINLESS STEEL)	4

BODY AND ASSOCIATED PARTS

Gasoline Vehicle

When ordering parts, please specify the model and serial number of the product.

* Indicates a component that is not available as an individual part.

G** Indicates consult Customer Service Department for additional information.

ITEM	PART NO.	1 2 3 4 5	DESCRIPTION	QTY.
91	23726-G4		SPACER.....	4
92	00891-G2		LOCK NUT, 1/4 - 20	4
93				
94	74126-G01		VERTICAL FRAME SUPPORT (PASSENGER SIDE)	1
95	74126-G02		VERTICAL FRAME SUPPORT (DRIVER SIDE)	1
96	00427-G4		BOLT, 3/8 - 16 X 1 1/2" LG.	2
97	00560-G1		WASHER, 3/8"	10
98	11098-G5		LOCK NUT, 3/8 - 16	10
99	00769-G2		CARRIAGE BOLT, 3/8 - 16 X 1 1/4" LG.	2
100	00426-G8		BOLT, 3/8-16 X 1" LG.	2
101	74149-G01		VALANCE PANEL	1
102	16816-G2		RATCHET FASTENER, 1/4" X 3/4" LG.	4
103	19853-G1		END CAP, 1"	2
104	70361-G01		FOOTREST ASSEMBLY (INCLUDES ITEMS 105 - 108).....	1
105	74129-G01		REFLECTOR.....	1
106	74132-G01		LABEL (WARNING).....	1
107	70362-G01		FLOORMAT	1
108	70350-G01		FOOTREST	1
109	23676-G1		DECAL (FREEDOM)	AR
110	27504-G01		DECAL (FREEDOM HP).....	AR
111	35434-G01		DECAL (SHUTTLE).....	AR
112	35430-G19		DECAL (2+2).....	AR
113	75178-G01		DECAL (4 CADDY)	AR
114	75009-G01		SAND BOTTLE DIVOT REPAIR KIT.....	1
115	71102-G01		BOLT, 1/4 - 20 X 3/4" LG.....	1
116	27374-G01		SAND BOTTLE HOLDER.....	1
117	27373-G01		SAND BOTTLE.....	1
118				
119	75007-G02		SIDE BASKET KIT	1
120	75460-G01		SIDE BASKET	1



When ordering parts, please specify the model and serial number of the product.

* Indicates a component that is not available as an individual part.

G** Indicates consult Customer Service Department for additional information.

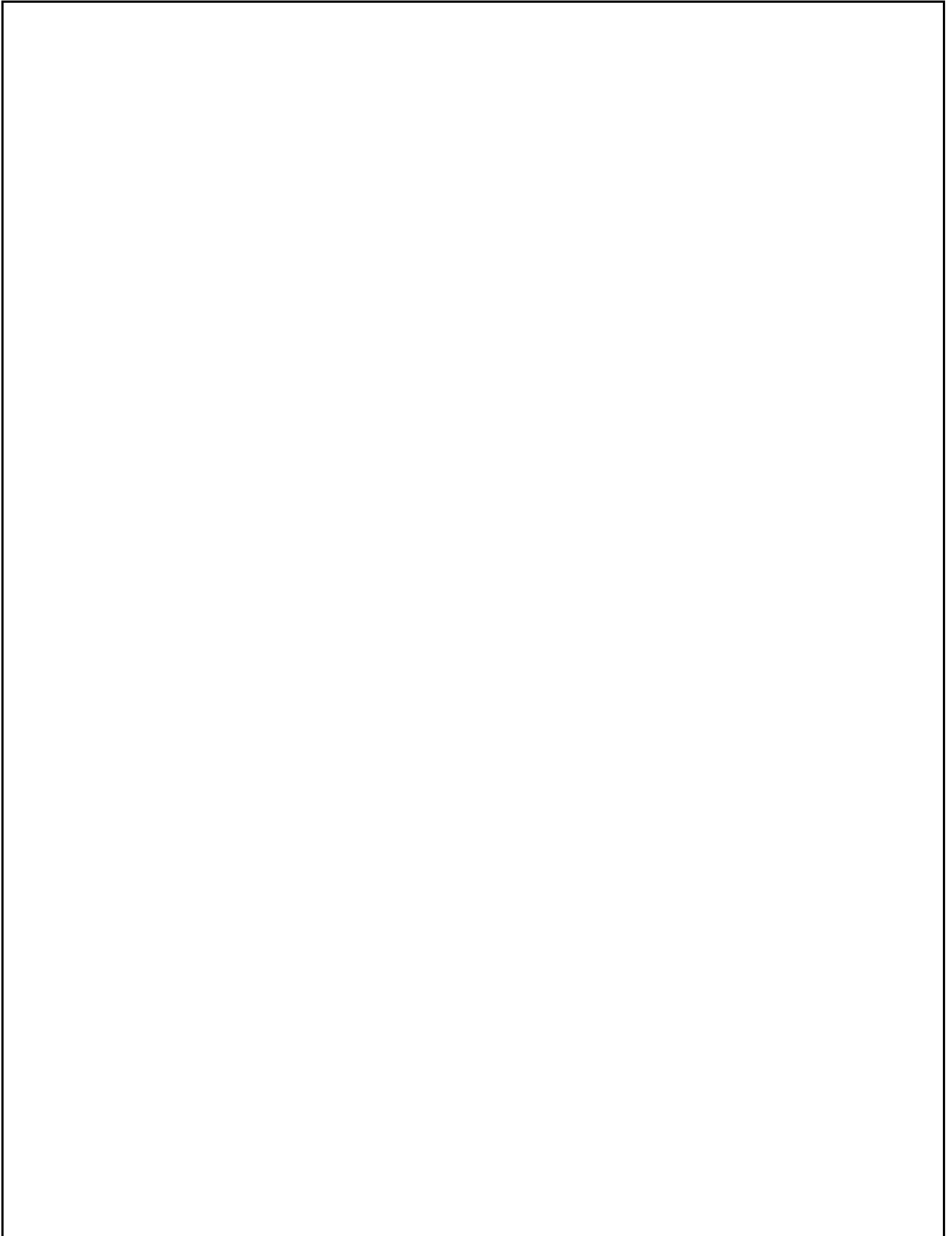
ITEM	PART NO.	1 2 3 4 5	DESCRIPTION	QTY.
121	71102-G01		BOLT, 1/4 - 20 X 3/4" LG.....	3
122	01031-G01		FLAT WASHER, 1/4"	3
123	23300-G01		BASKET DIVOT REPAIR KIT (INCLUDES SCOOP).....	1
124	75003-G02		CENTER BASKET KIT.....	1
125	75461-G01		CENTER BASKET.....	1
126	71102-G01		BOLT, 1/4 - 20 X 3/4" LG.....	3
127	01031-G01		FLAT WASHER, 1/4"	3
128	01032-G01		PLASTITE SCREW, #10 X 5/8" LG.	2
129				
130	75170-G01		COOLER JUG AND BRACKET KIT	1
131	75344-G01		BOX COOLER AND BRACKET KIT	1
132				
133	25885-G01		RAKE HOLDER	1
134	00989-G06		SQUARE HEAD BOLT, 1/4 - 20 X 3/4" LG.....	2
135	11027-G2		LOCK NUT, 1/4 - 20	2
136	14735-G1		RAKE	1
137				
138	75183-G01		TWO BAG ATTACHMENT KIT.....	1
139	75188-G01		BAG ATTACHMENT	1
140	22238-G2		KNOB, 3/8 - 16 X 1 1/2" LG.....	1
141	17255-G1		TEFLON WASHER, 5/16"	1
142	75187-G01		SUPPORT BRACKET	1
143				
144	75355-G01		FOUR BAG ATTACHMENT KIT.....	1
145	*		TOP ASSEMBLY	1
146	*		BOTTOM ASSEMBLY	1
147	17651-G2		CLEVIS PIN, 5/16 X 1 1/4" LG.....	1
148	28129-G01		PUSH NUT, 5/16"	1
149	17651-G2		CLEVIS PIN, 5/16 X 1 1/4" LG.....	1
150	17651-G3		CLEVIS PIN, 5/16 X 5/8" LG.....	2



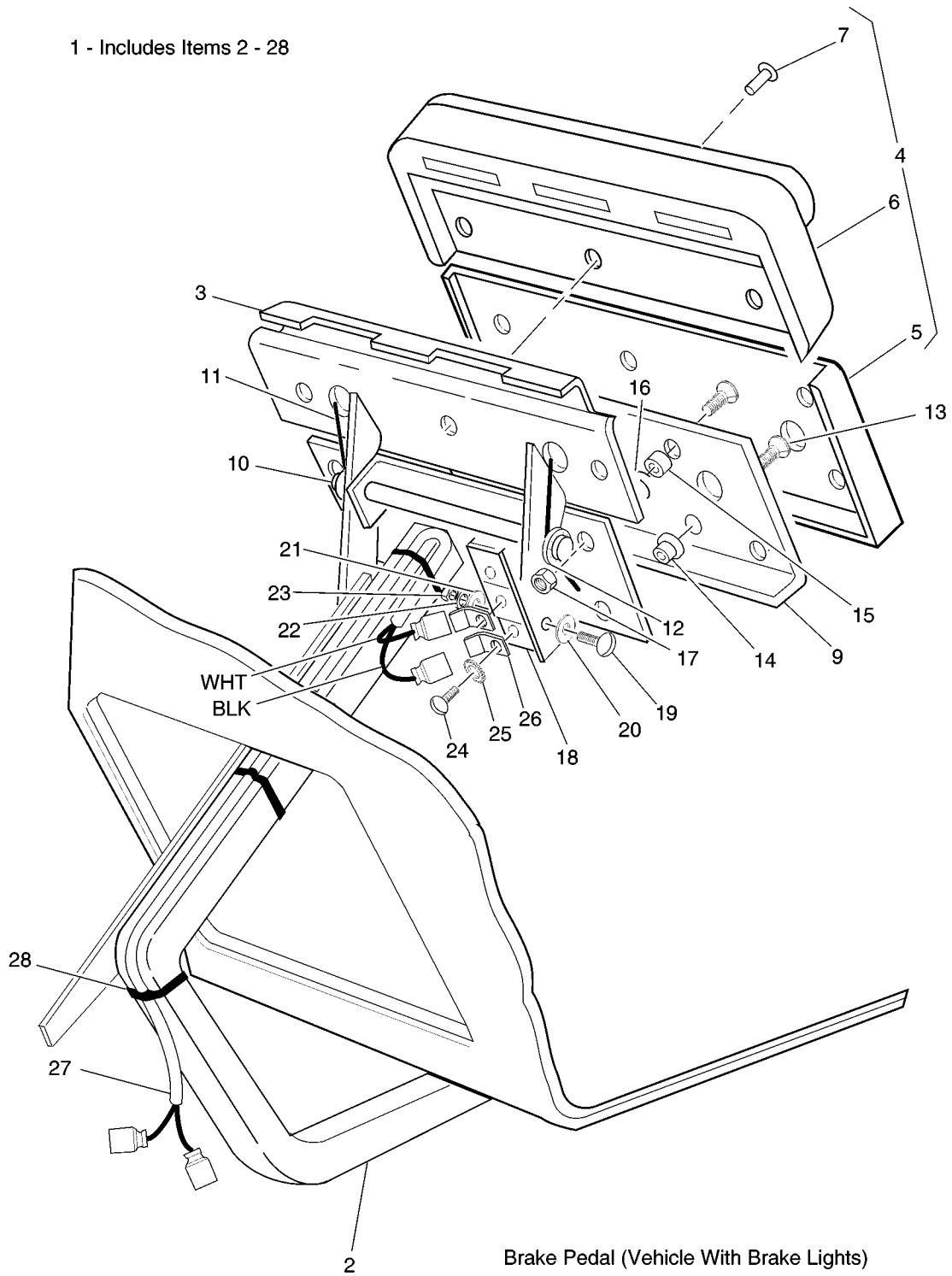
When ordering parts, please specify the model and serial number of the product.
 * Indicates a component that is not available as an individual part.
 G** Indicates consult Customer Service Department for additional information.

ITEM	PART NO.	1	2	3	4	5	DESCRIPTION	QTY.
151	00559-G8						WASHER, 5/16".....	3
152	28129-G01						PUSH NUT, 5/16"	3
153	*						CLEVIS PIN 3/8 X 1 1/4"LG	2
154	00560-G1						WASHER, 3/8".....	2
155	*						PUSH NUT, 3/8"	2
156	13728-G1						RUBBER BUMPER	2
157	00150-G6						SCREW, #10 - 24 X 3/4" LG	2
158	00559-G5						WASHER, #10.....	2
159	00565-G5						LOCK WASHER, #10	2
160	00526-G3						NUT, #10-24	2
161	*						WARNING LABEL	1
162	75509-G01						MESSAGE HOLDER (ONE PIECE).....	1
163	75496-G01						MESSAGE HOLDER.....	1
164	75109-G02						ASH TRAY KIT	1
165	27731-G01						ASH TRAY	1
166	27736-G01						GASKET	1
167	75108-G01						BRACKET.....	1
168	00100-G4						SCREW, #10-16 X 1/2" LG.....	4
169								
170	01038-G01						BOLT, 1/4 - 20 x 11/16" LG	2
171	01042-G01						J-TYPE NUT RETAINER.....	2
172	71457-G01						BUMPER STAY	4
173								
174	71515-G01						REAR BUMPER (LATE 1999 GOLF CARS ONLY)	1
175	71514-G01						BUMPER PLUG (LATE 1999 GOLF CARS ONLY).....	4



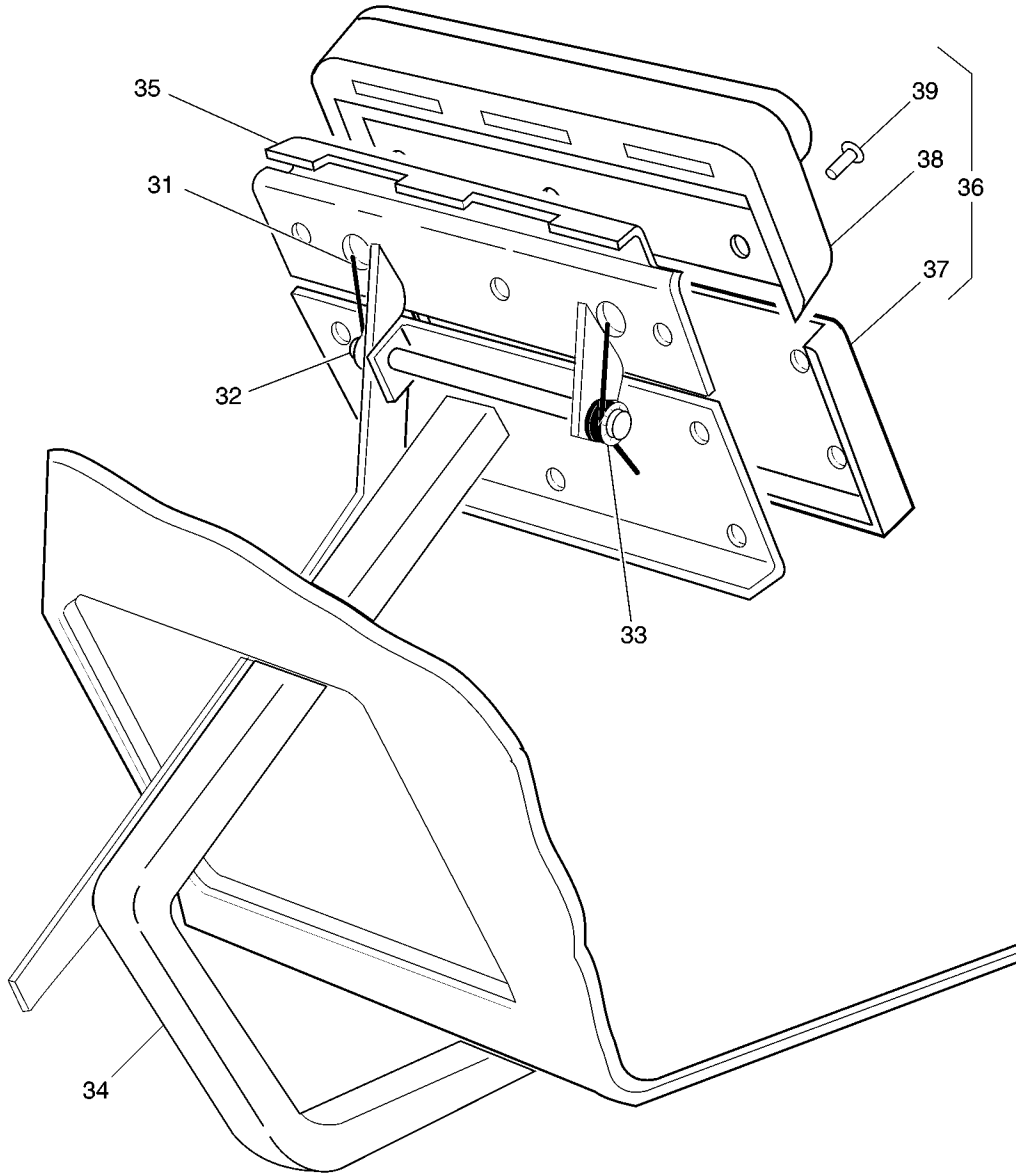


1 - Includes Items 2 - 28



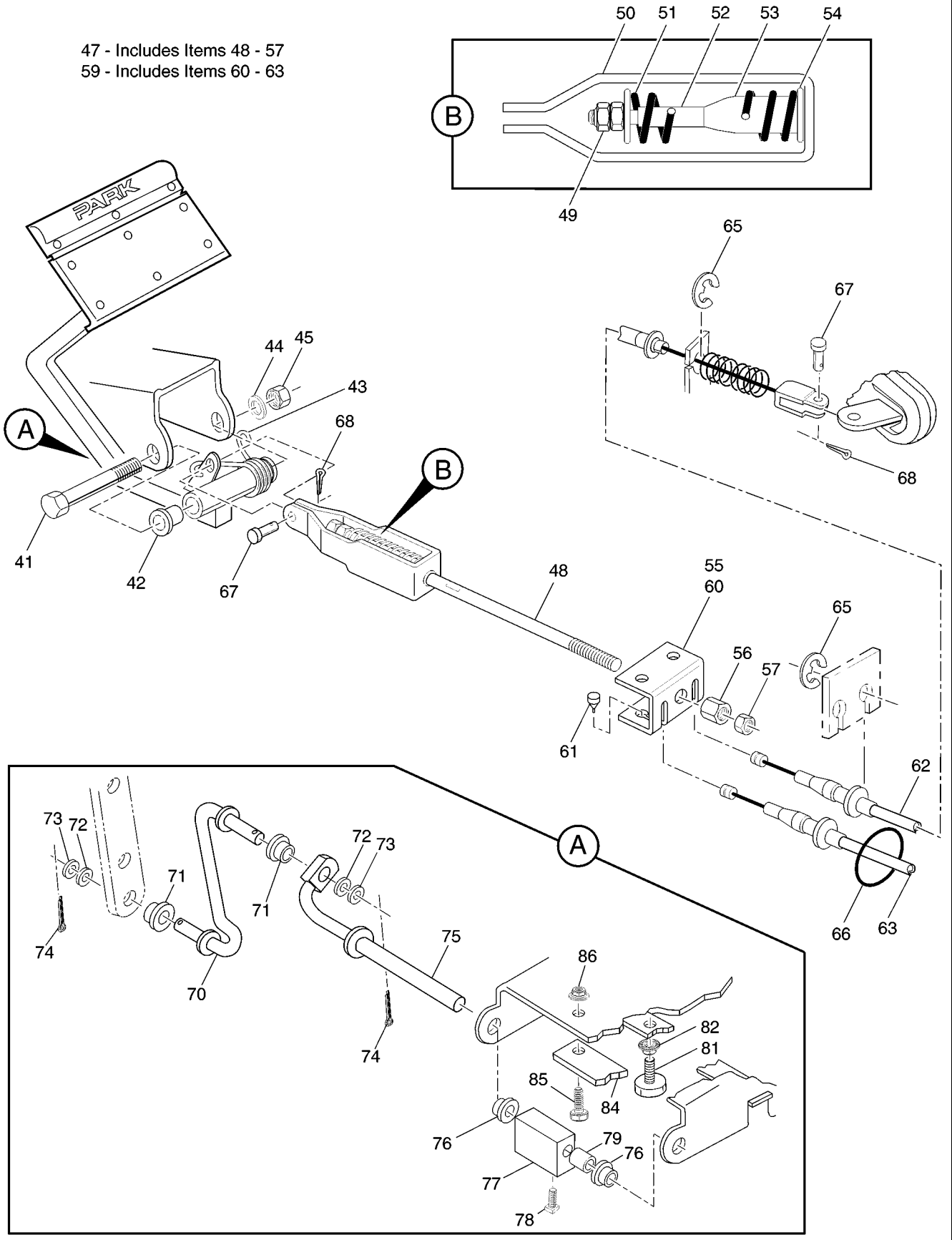
Brake Pedal (Vehicle With Brake Lights)

30 - Includes Items 31 - 39



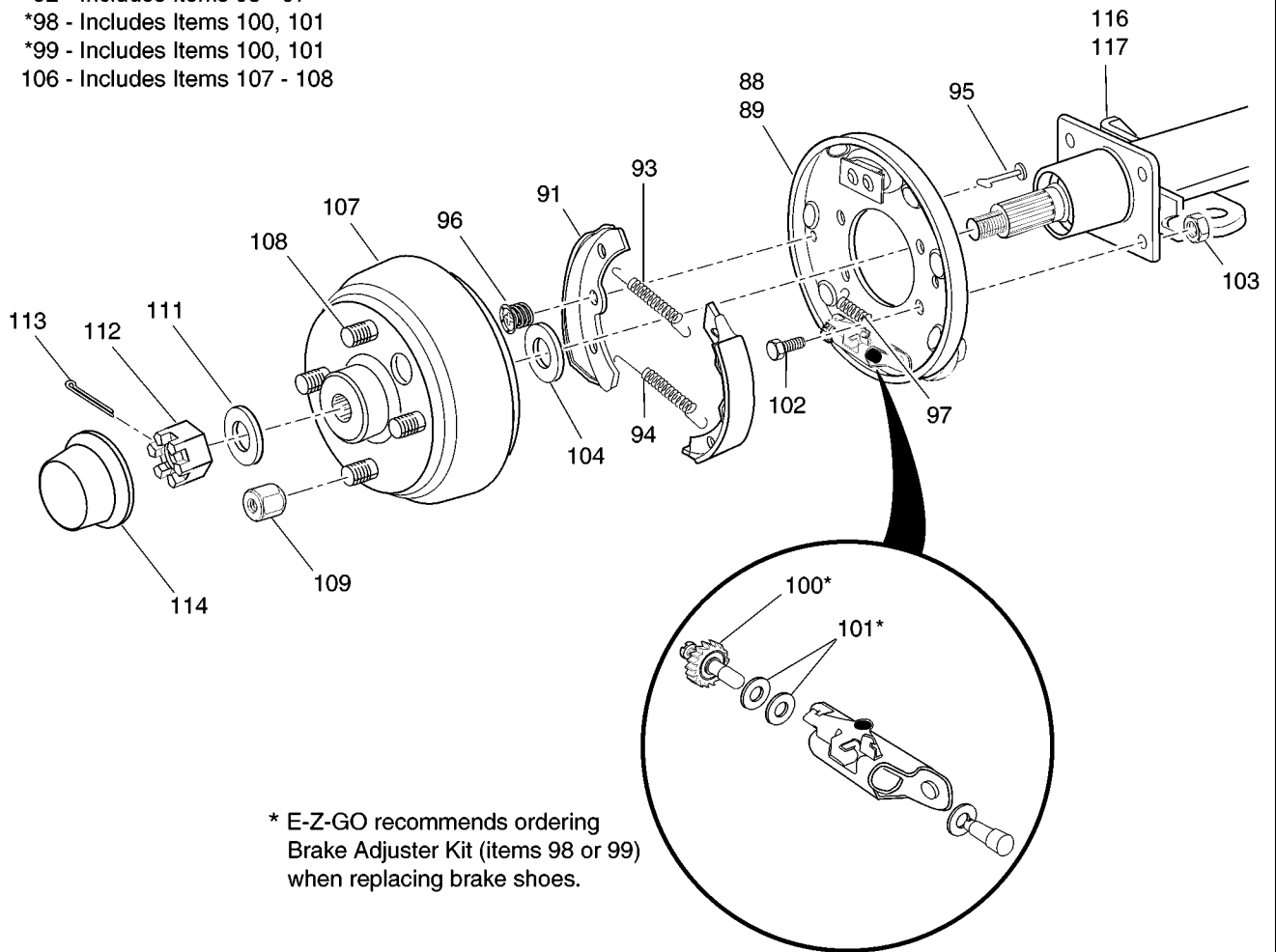
Brake Pedal (Vehicle Without Brake Lights)

47 - Includes Items 48 - 57
59 - Includes Items 60 - 63



- 88 - Includes Items 90 - 98, 100, 101
- 89 - Includes Items 90 - 97, 99 - 101
- 90 - Includes Item 91
- 92 - Includes Items 93 - 97
- *98 - Includes Items 100, 101
- *99 - Includes Items 100, 101
- 106 - Includes Items 107 - 108

Front of Vehicle



* E-Z-GO recommends ordering Brake Adjuster Kit (items 98 or 99) when replacing brake shoes.

BRAKES

Gasoline Vehicle

When ordering parts, please specify the model and serial number of the product.

* Indicates a component that is not available as an individual part.

G** Indicates consult Customer Service Department for additional information.

ITEM	PART NO.	1 2 3 4 5	DESCRIPTION	QTY.
1	70263-G01		BRAKE PEDAL ASSEMBLY (WITH BRAKE LIGHTS) (INCLUDES ITEMS 2 - 28)	1
2	*		BRAKE PEDAL.....	1
3	70265-G01		PARK BRAKE PEDAL	1
4	70274-G01		BRAKE/PARK BRAKE PEDAL PAD KIT (INCLUDES ITEMS 5 - 7)	1
5	*		SERVICE BRAKE PAD	1
6	*		PARK BRAKE PAD	1
7	15766-G1		OVAL RIVET, 3/16 x 3/8" LG	9
8				
9	*		SERVICE BRAKE PEDAL PLATE.....	1
10	15932-G2		PIVOT PIN.....	1
11	11737-G1		TORSION SPRING	2
12	12064-G1		PUSHNUT, 5/16"	1
13	00737-G8		SCREW, #10 - 24 X 1" LG.....	4
14	00739-G1		RUBBER NUT, #10 - 24	2
15	22362-G3		BRAKE PEDAL STANDOFF	2
16	27137-G01		CONICAL SPRING.....	2
17	11098-G7		LOCK NUT, #10 - 24.....	2
18	10606-G8		MICRO SWITCH	1
19	00645-G2		SCREW, #6 - 32 X 1 1/4" LG.....	2
20	00559-G5		WASHER, #10.....	2
21	00559-G3		WASHER, #6.....	2
22	00565-G3		LOCK WASHER, #6	2
23	00525-G5		NUT, #6 - 32	2
24	*		BRASS SCREW	2
25	00567-G3		LOCK WASHER, #6	6
26	14628-G1		FASTON TAB	2
27	24605-G1		WIRE HARNESS (BRAKE LIGHT).....	1
28	17618-G1		WIRE TIE.....	3
29				



When ordering parts, please specify the model and serial number of the product.

* Indicates a component that is not available as an individual part.

G** Indicates consult Customer Service Department for additional information.

ITEM	PART NO.	1 2 3 4 5	DESCRIPTION	QTY.
30	70264-G01		BRAKE PEDAL ASSEMBLY (WITHOUT BRAKE LIGHTS) (INCLUDES ITEMS 31 - 39)	1
31	11737-G1		TORSION SPRING	2
32	15932-G2		PIVOT PIN.....	1
33	12064-G1		PUSHNUT, 5/16"	1
34	*		BRAKE PEDAL.....	1
35	70265-G01		PARK BRAKE PEDAL	1
36	70274-G01		BRAKE/PARK BRAKE PEDAL PAD KIT (INCLUDES ITEMS 37 - 39)	1
37	*		SERVICE BRAKE PAD	1
38	*		PARK BRAKE PEDAL PAD.....	1
39	15766-G1		OVAL RIVET, 3/16" X 3/8" LG	9
40				
41	70582-G01		SHOULDER BOLT, 3/8 - 16 X 4" LG	1
42	70581-G01		FLANGED BUSHING	2
43	70676-G01		TORSION SPRING	1
44	00643-G1		WASHER, 3/8"	1
45	11098-G5		LOCK NUT, 3/8 - 16	1
46				
47	70272-G04		COMPENSATOR ASSEMBLY (INCLUDES ITEMS 48 - 57).....	1
48	25882-G04		LINKAGE ROD	1
49	00532-G4		NUT, 5/16 - 24	2
50	*		YOKE.....	1
51	23463-G1		COMPRESSION SPRING.....	1
52	23061-G2		COMPENSATOR STOP TUBE	1
53	17979-G1		BUSHING	1
54	15121-G1		WASHER, 3/8".....	2
55	28082-G01		EQUALIZER BRACKET	1
56	00963-G01		SPHERICAL NUT, 5/16 - 24.....	1
57	11098-G9		LOCK NUT, 5/16 - 24.....	1
58				

BRAKES**Gasoline Vehicle**

When ordering parts, please specify the model and serial number of the product.

* Indicates a component that is not available as an individual part.

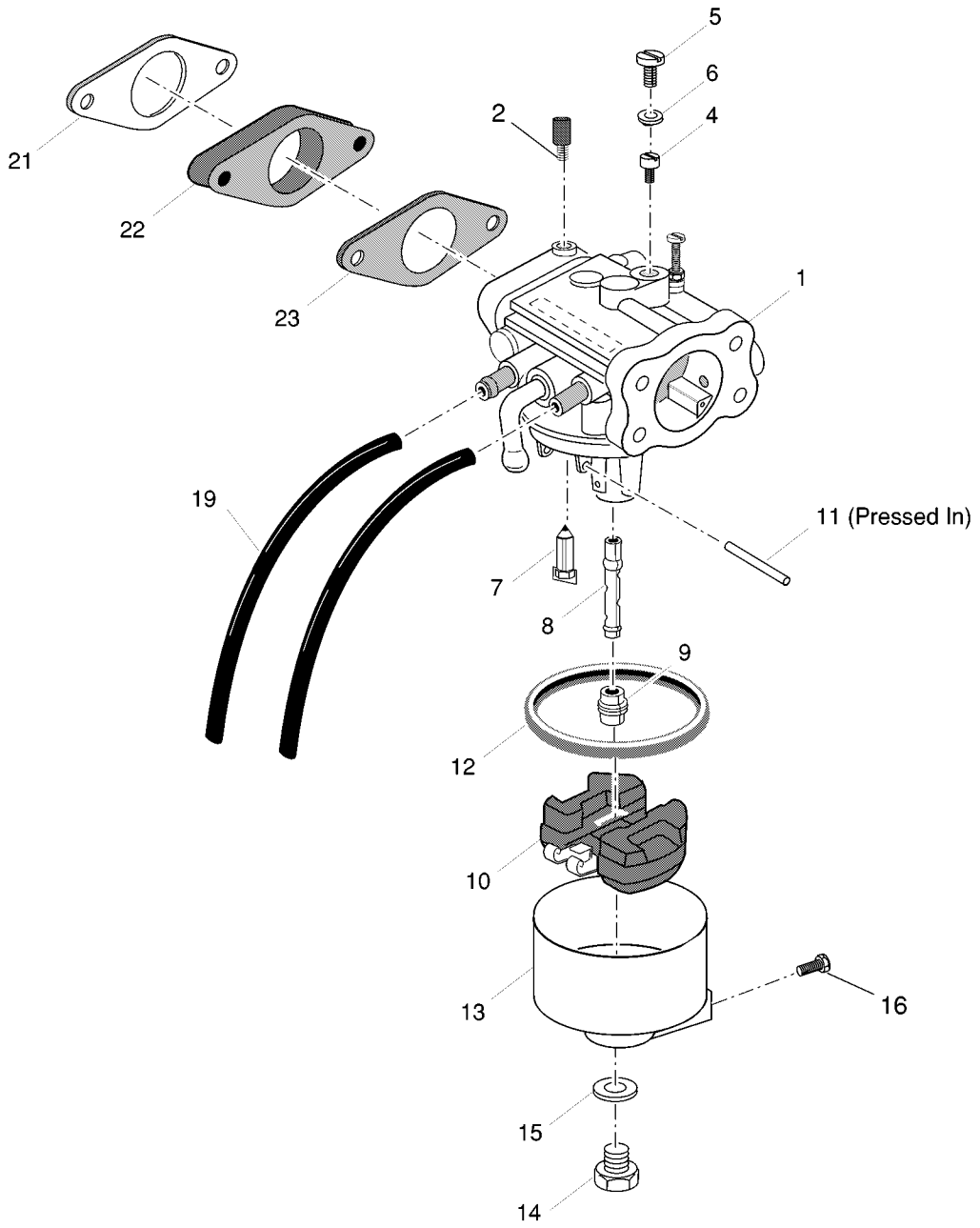
G** Indicates consult Customer Service Department for additional information.

ITEM	PART NO.	1 2 3 4 5	DESCRIPTION	QTY.
59	70716-G03		EQUALIZER AND BRAKE CABLE ASSEMBLY (INCLUDES ITEMS 60 - 63) ...	1
60	28082-G01		EQUALIZER BRACKET	1
61	28083-G01		BRAKE COMPENSATOR BUMPER	2
62	*		BRAKE CABLE (PASSENGER SIDE).....	1
63	*		BRAKE CABLE (DRIVER SIDE)	1
64				
65	12305-G1		RETAINING RING	4
66	12416-G2		WIRE TIE	2
67	10386-G3		CLEVIS PIN, 5/16" X 1" LG.....	3
68	10387-G3		COTTER PIN, 3/32" X 3/4" LG.....	3
69				
70	70601-G01		KICK-OFF LINK	1
71	17838-G1		NYLON BUSHING.....	2
72	20835-G1		TEFLON WASHER, 3/8"	2
73	00559-G8		WASHER, 5/16"	2
74	10387-G3		COTTER PIN, 3/32" X 3/4" LG.....	2
75	70098-G01		KICK OFF CAM PIVOT.....	1
76	10097-G6		FLANGED BEARING	2
77	25103-G1		KICK-OFF CAM.....	1
78	71215-G01		SETSCREW, 1/4 - 20 X 1/2" LG	2
79	14134-G4		SPACER.....	1
80				
81	70113-G01		ADJUSTABLE BUMPER.....	1
82	11027-G1		LOCK NUT, 5/16 - 18	1
83				
84	70080-G01		CATCH BRACKET	1
85	00414-G6		BOLT, 1/4 - 20 X 3/4" LG.....	2
86	11027-G2		LOCK NUT, 1/4 - 20	2
87				
88	72422-G01		BRAKE ASSEMBLY (DRIVER SIDE) (INCLUDES ITEMS 90 - 98, 100, 101)....	1

When ordering parts, please specify the model and serial number of the product.
 * Indicates a component that is not available as an individual part.
 G** Indicates consult Customer Service Department for additional information.

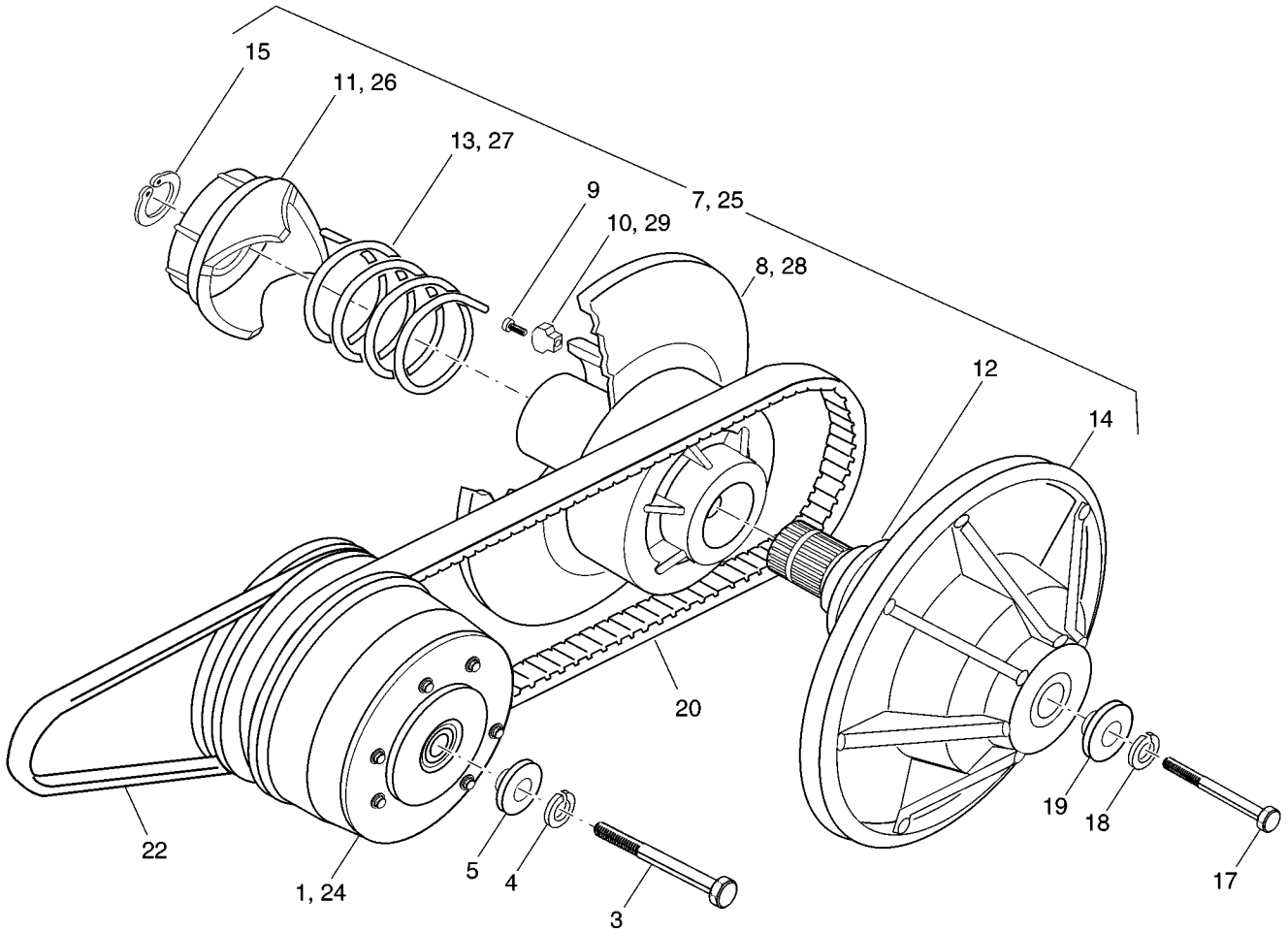
ITEM	PART NO.	1	2	3	4	5	DESCRIPTION	QTY.
89	72422-G02						BRAKE ASSEMBLY (PASSENGER SIDE) (INCL. ITEMS 90 - 97, 99 - 101)	1
90	27945-G01						BRAKE SHOE KIT (INCLUDES ITEM 91)	2
91	*						BRAKE SHOE	2
92	27944-G01						BRAKE SPRING KIT (INCLUDES ITEMS 93 - 97)	2
93	*						UPPER SPRING	1
94	*						LOWER SPRING	1
95	*						PIN	2
96	*						CUP AND SPRING	2
97	*						ADJUSTER SPRING.....	1
98	72582-G01						BRAKE ADJUSTER KIT (DRIVER SIDE) (INCLUDES ITEMS 100 - 101)....	1
99	72582-G02						BRAKE ADJUSTER KIT (PASSENGER SIDE) (INCL. ITEMS 100 - 101)	1
100	*						ADJUSTER	1
101	*						TEFLON WASHER	2
102	17083-G2						BOLT, 5/16 - 24 X 1" LG.....	8
103	15126-G1						LOCK NUT, 5/16 - 24	8
104	21809-G1						INNER BRAKE DRUM WASHER	2
105								
106	21807-G1						BRAKE DRUM ASSEMBLY (INCLUDES ITEMS 107 - 108)	2
107	*						BRAKE DRUM.....	1
108	19862-G1						LUG BOLT, 1/2 - 20	4
109	14723-G1						LUG NUT, 1/2 - 20.....	8
110								
111	21830-G1						OUTER BRAKE DRUM WASHER.....	2
112	00518-G8						SLOTTED NUT, 3/4 - 16	2
113	10387-G1						COTTER PIN, 1/8" x 1 1/2" LG	2
114	74175-G01						SPINDLE CAP	2
115								
116	72036-G01						BRAKE CABLE BRACKET (PASSENGER SIDE)	1
117	72036-G02						BRAKE CABLE BRACKET (DRIVER SIDE).....	1





When ordering parts, please specify the model and serial number of the product.
 * Indicates a component that is not available as an individual part.
 G** Indicates consult Customer Service Department for additional information.

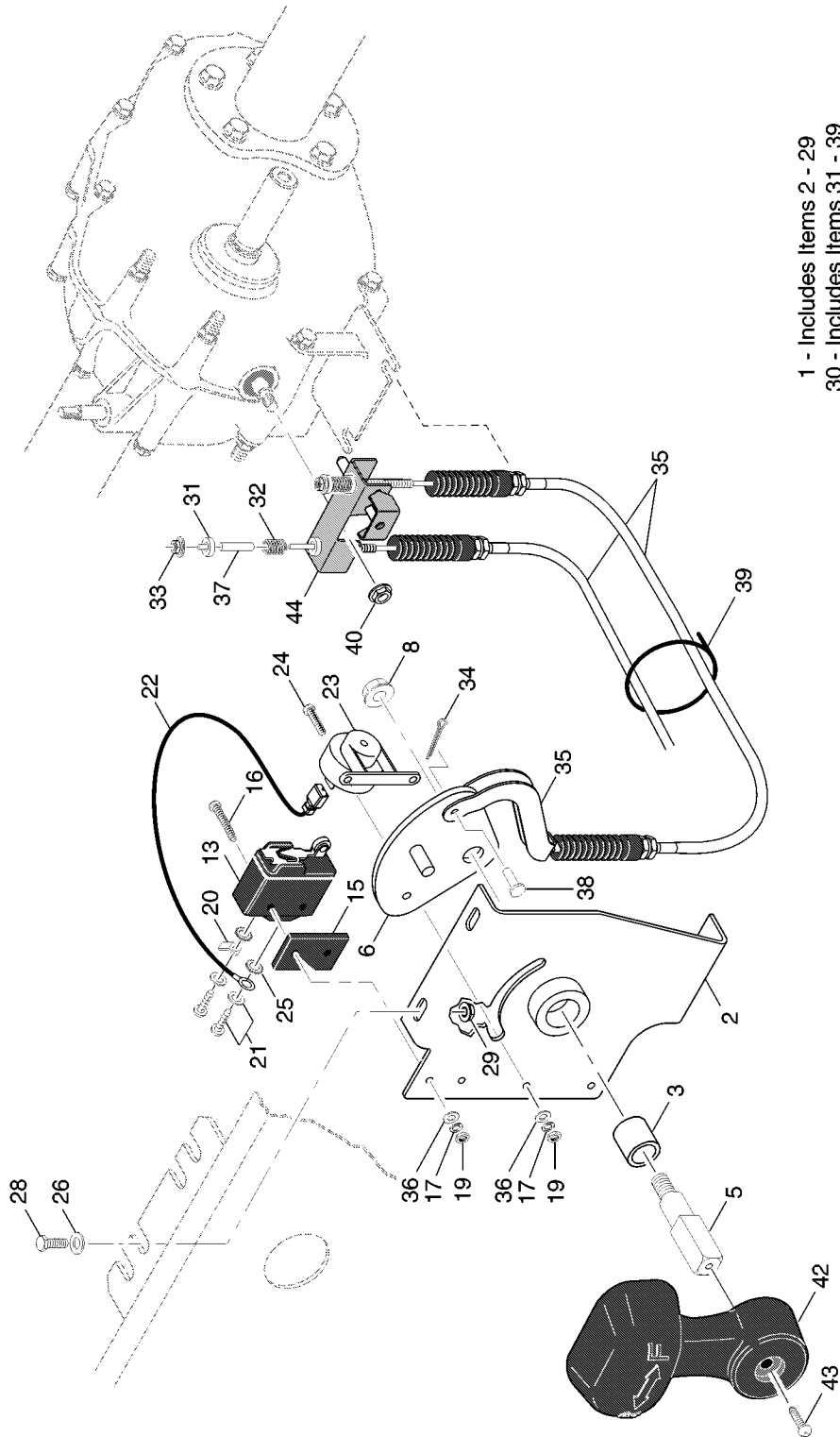
ITEM	PART NO.	1	2	3	4	5	DESCRIPTION	QTY.
1	26645-G04						CARBURETOR ASSEMBLY (INCLUDES ITEMS 2 - 19)	1
2	*						PILOT SCREW	1
3								
4	26649-G03						PILOT JET (#50).....	1
5	26841-G01						PLUG	1
6	26842-G01						GASKET	1
7	26647-G01						NEEDLE VALVE	1
8	26837-G01						MAIN NOZZLE.....	1
9	26646-G04						MAIN JET (#92)	1
10	26648-G01						FLOAT	1
11	26840-G01						FLOAT PIN	1
12	26843-G01						FLOAT BOWL GASKET	1
13	26844-G01						FLOAT CHAMBER	1
14	26839-G01						BOWL SCREW.....	1
15	26838-G01						BOWL GASKET.....	1
16	*						DRAIN SCREW	1
17								
18								
19	26650-G01						VENT TUBE.....	2
20								
21	26726-G01						CARBURETOR MOUNT GASKET	1
22	26637-G01						CARBURETOR INSULATOR.....	1
23	26725-G01						CARBURETOR MOUNT GASKET	1



When ordering parts, please specify the model and serial number of the product.
 * Indicates a component that is not available as an individual part.
 G** Indicates consult Customer Service Department for additional information.

ITEM	PART NO.	1 2 3 4 5	DESCRIPTION	QTY.
1	26952-G01		DRIVE CLUTCH	1
2				
3	00473-G9		BOLT, 7/16 - 20 X 6 1/2" LG	1
4	00566-G2		LOCK WASHER, 7/16"	1
5	25757-G1		PILOT WASHER	1
6				
7	26301-G02		DRIVEN CLUTCH ASSEMBLY (INCLUDES ITEMS 8 - 15)	1
8	*		MOVABLE SHEAVE (INCLUDES ITEMS 9 -10)	1
9	00979-G01		SCREW, #10 - 24 X 7/8" LG	3
10	26479-G01		RAMP BUTTON	3
11	*		CAM.....	1
12	24600-G1		SPACER	1
13	26304-G01		COMPRESSION SPRING	1
14	*		SHEAVE AND POST	1
15	27270-G01		HEAVY DUTY RETAINING RING	1
16				
17	00441-G8		BOLT, 5/16 - 18 X 4" LG.....	1
18	00565-G8		LOCK WASHER, 5/16"	4
19	25756-G1		RETAINING WASHER	1
20	72054-G01		DRIVE BELT	1
21				
22	26414-G01		STARTER/GENERATOR BELT.....	1
23				
24	26952-G01		DRIVE CLUTCH (HIGH ALTITUDE)	1
25	26301-G03		DRIVEN CLUTCH ASSEMBLY (HIGH ALTITUDE) (INCLUDES ITEMS 12, 14, 15, 26, 27, 28, 29).....	1
26	*		CAM.....	1
27	26304-G01		COMPRESSION SPRING	1
28	*		MOVABLE SHEAVE (INCLUDES ITEMS 9, 29).....	1
29	72324-G01		RAMP BUTTON, 4 CYCLE	3





1 - Includes Items 2 - 29
30 - Includes Items 31 - 39

When ordering parts, please specify the model and serial number of the product.

* Indicates a component that is not available as an individual part.

G** Indicates consult Customer Service Department for additional information.

ITEM	PART NO.	1 2 3 4 5	DESCRIPTION	QTY.
1	70594-G01		DIRECTION SELECTOR ASSEMBLY (INCLUDES ITEMS 2 - 29)	1
2	25684-G01		DIRECTION SELECTOR BRACKET	1
3	25664-G1		BUSHING	1
4				
5	27537-G01		DIRECTION SELECTOR SHAFT	1
6	25745-G01		DIRECTION SELECTOR CAM	1
7				
8	14390-G1		LOCK NUT, 3/8 - 24.....	1
9				
10				
11				
12				
13	10606-G1		MICRO SWITCH	1
14				
15	27151-G01		SPACER.....	1
16	00645-G2		SCREW, #6 - 32 X 1 1/4" LG.	2
17	00565-G3		LOCK WASHER, #6	4
18				
19	00525-G5		NUT, #6 - 32	4
20	14628-G1		FASTON TAB	1
21	*		SCREW AND WASHER ASSEMBLY.....	2
22	25978-G234		18 GA. WIRE (RED 6").....	1
23	73290-G03		REVERSE WARNING BUZZER.....	1
24	00138-G5		SCREW, #6 - 32 X 5/8" LG.	2
25	00567-G3		LOCK WASHER, #6	2
26	00559-G7		WASHER, 1/4.....	2
27				
28	00414-G6		SCREW, 1/4 - 20 X 3/4" LG.	2
29	11027-G2		LOCK NUT, 1/4 - 20.....	2
30	27170-G01		CABLE KIT (INCLUDES ITEMS 31 - 39)	2



DIRECTION SELECTOR

Gasoline Vehicle

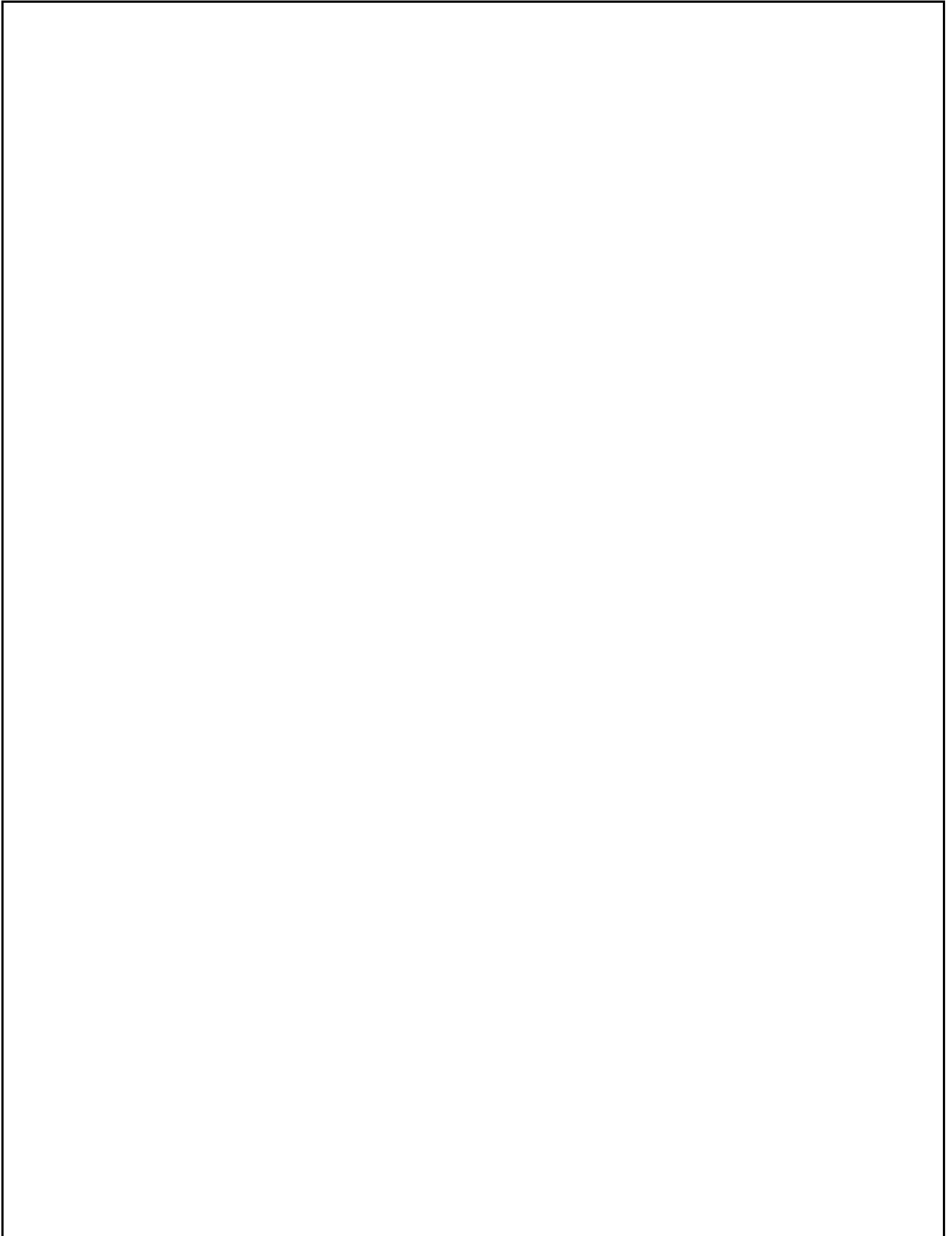
When ordering parts, please specify the model and serial number of the product.

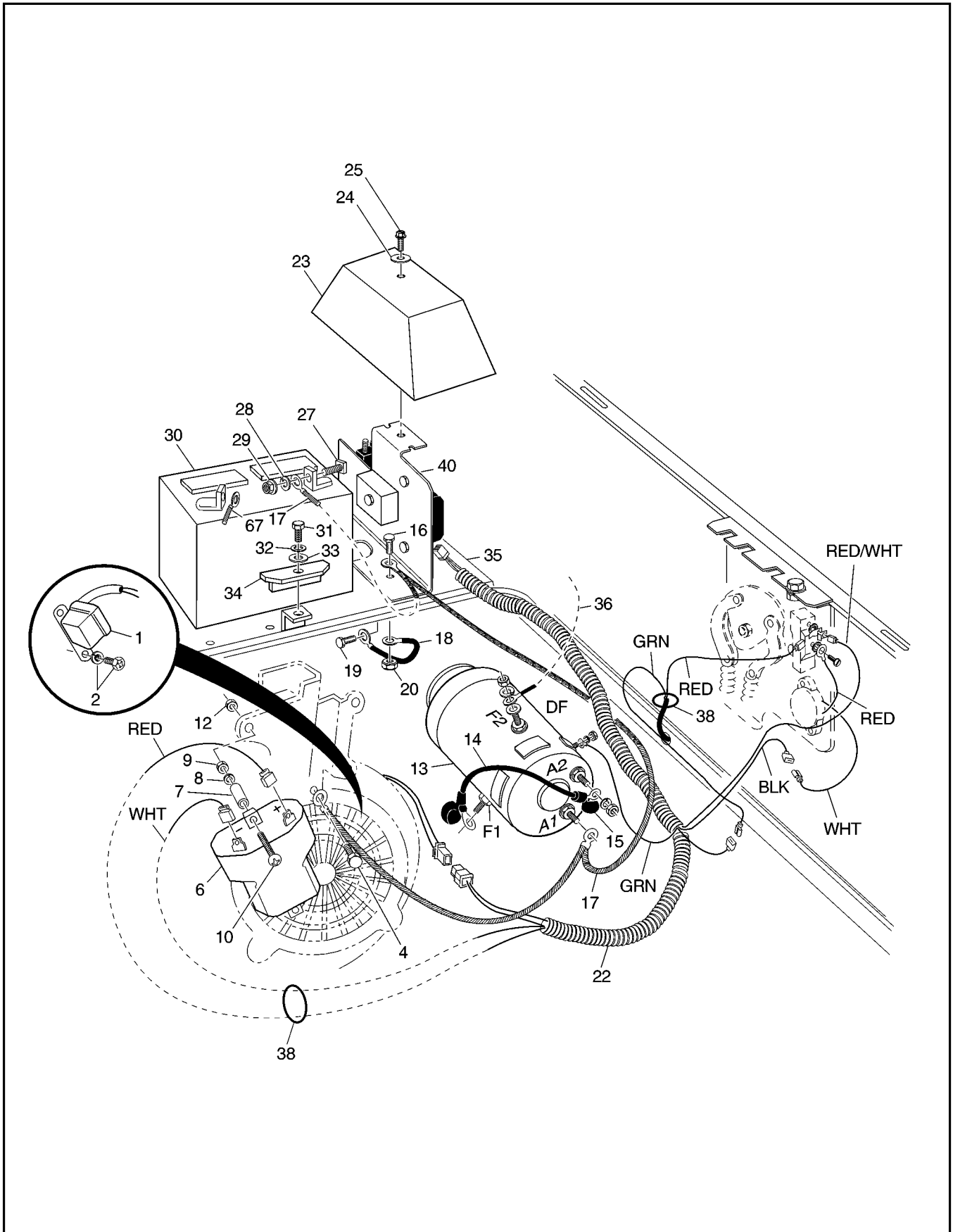
* Indicates a component that is not available as an individual part.

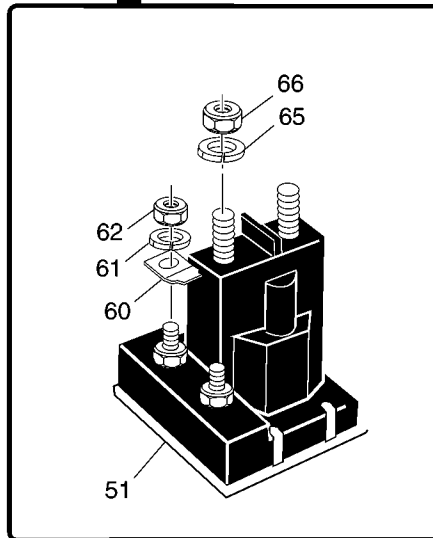
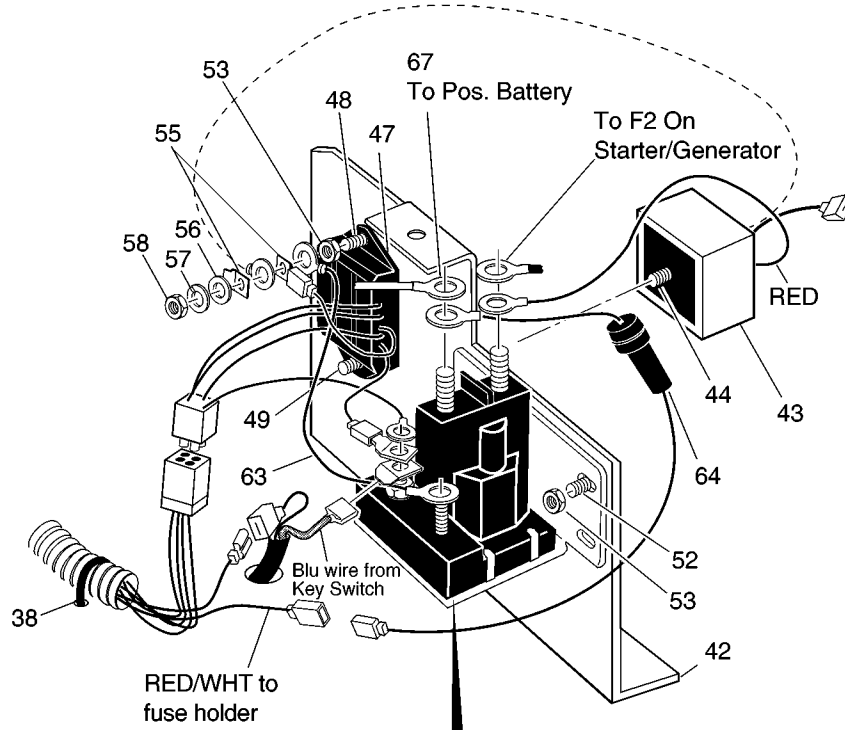
G** Indicates consult Customer Service Department for additional information.

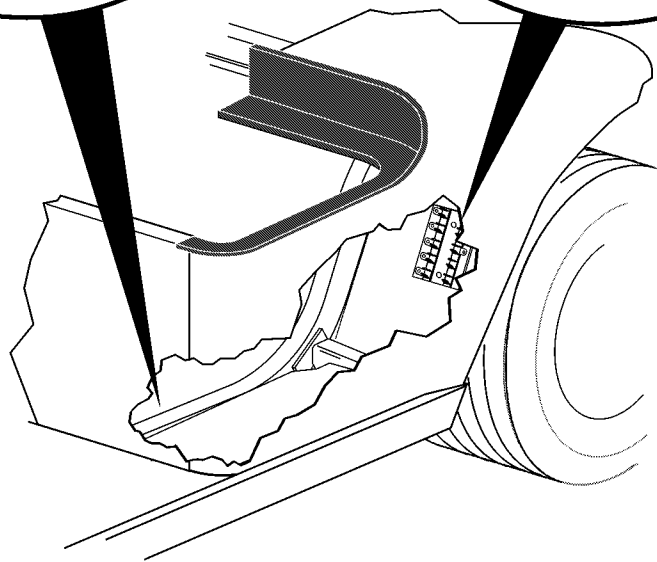
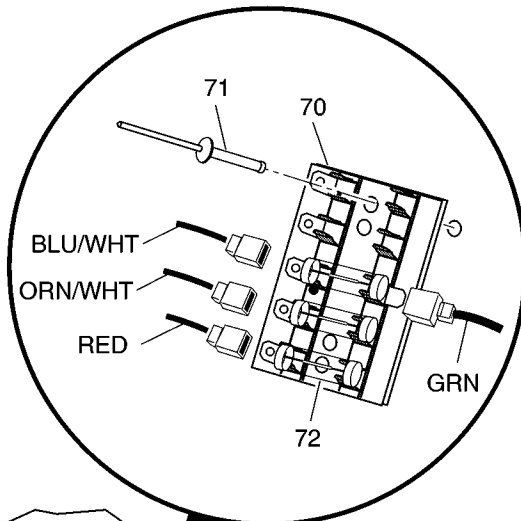
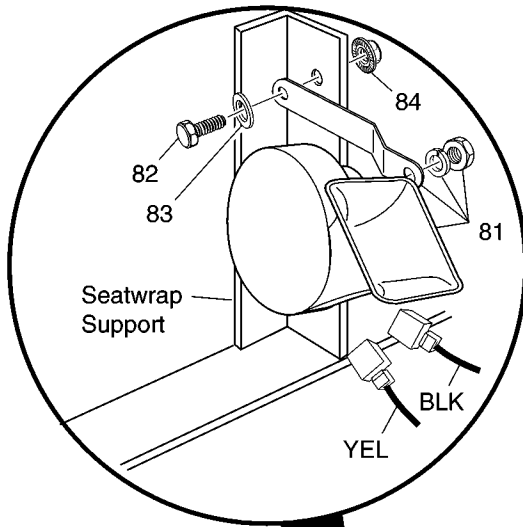
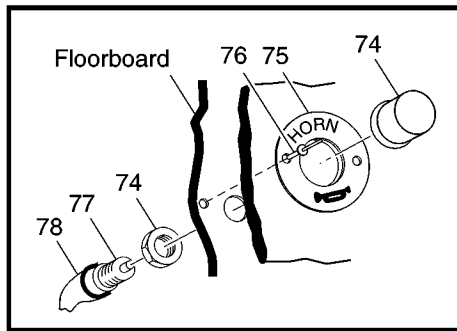
ITEM	PART NO.	1	2	3	4	5	DESCRIPTION	QTY.
31	25727-G01						CUP WASHER	4
32	27764-G01						SPRING.....	2
33	11098-G7						NUT, #10 - 24	2
34	10387-G8						COTTER PIN, 1/16 X 3/4" LG.....	2
35	25691-G01						SHIFTER CONTROL CABLE.....	2
36								
37	23726-G5						SPACER.....	2
38	23176-G1						CLEVIS PIN, 5/16" X 1/2" LG.	2
39	17618-G1						WIRE TIE.....	1
40	26830-G01						SHIFTER LEVER NUT, M8 X 1.25 MM.....	1
41								
42	71205-G01						DIRECTION SELECTOR HANDLE.....	1
43	00740-G4						SCREW, #10 - 32 X 1/2" LG. (STAINLESS STEEL)	1
44	72619-G01						SHIFTER CONTROL PIVOT.....	1

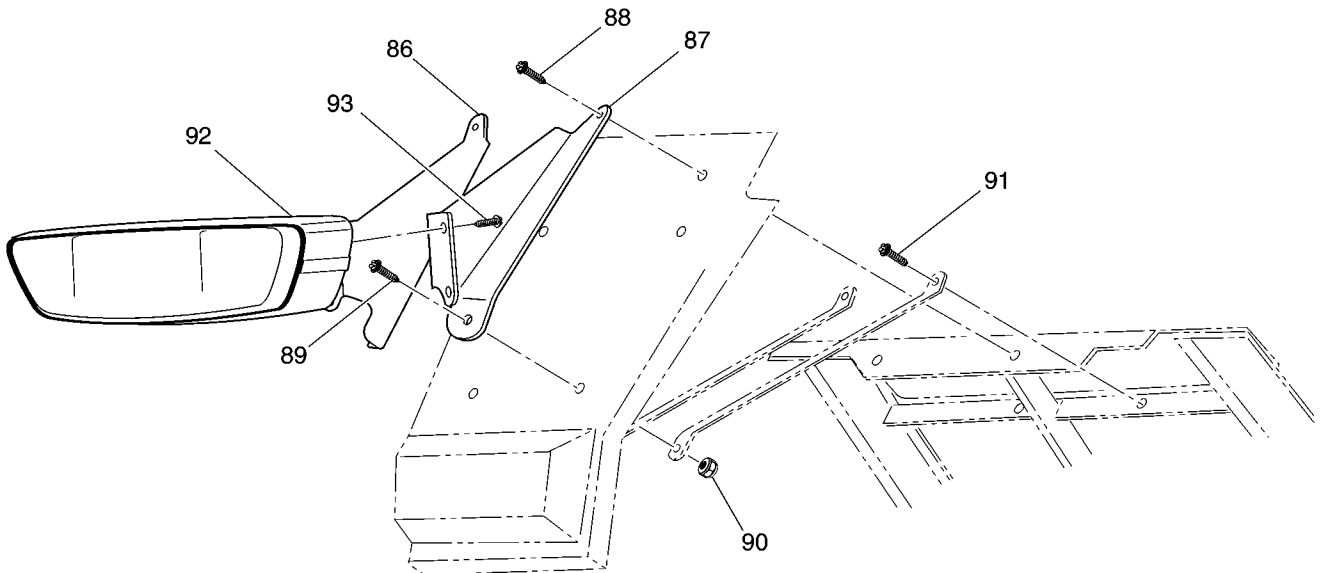
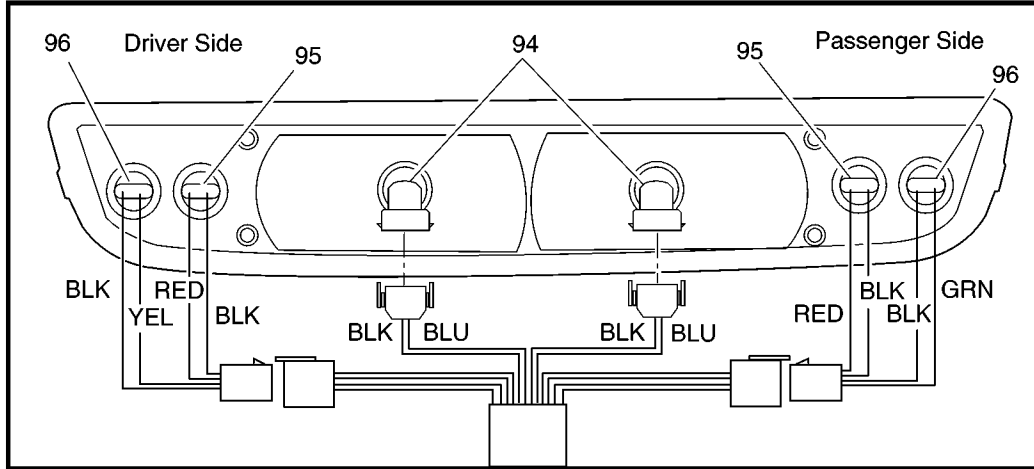


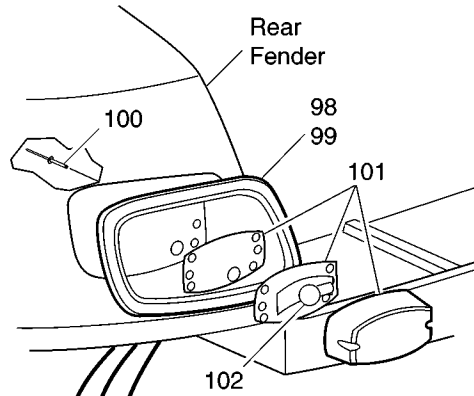




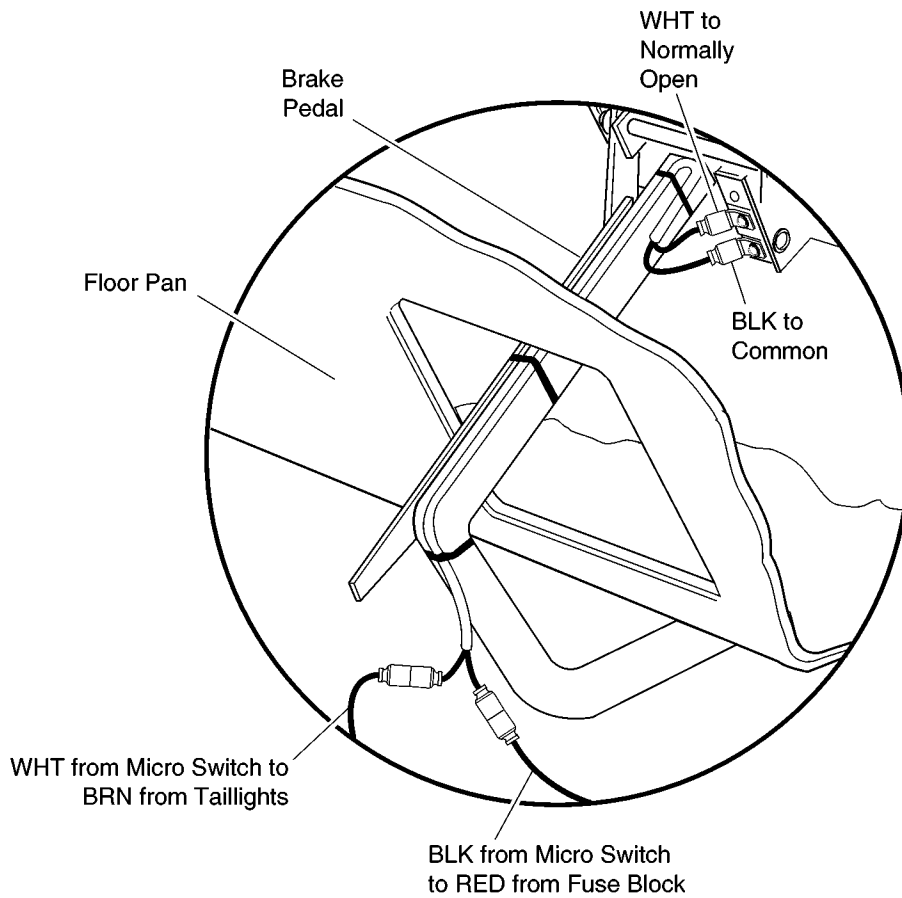




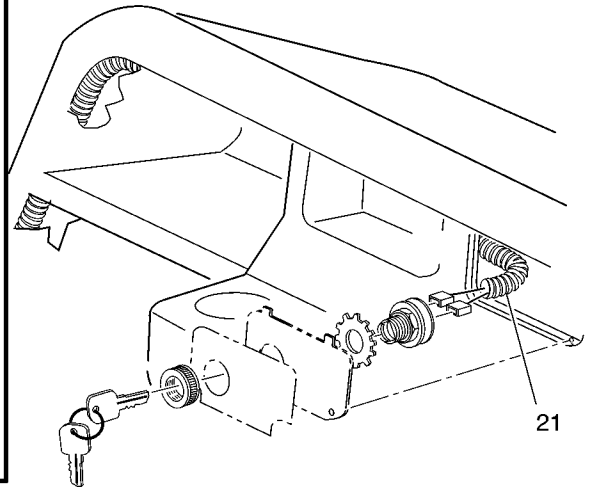
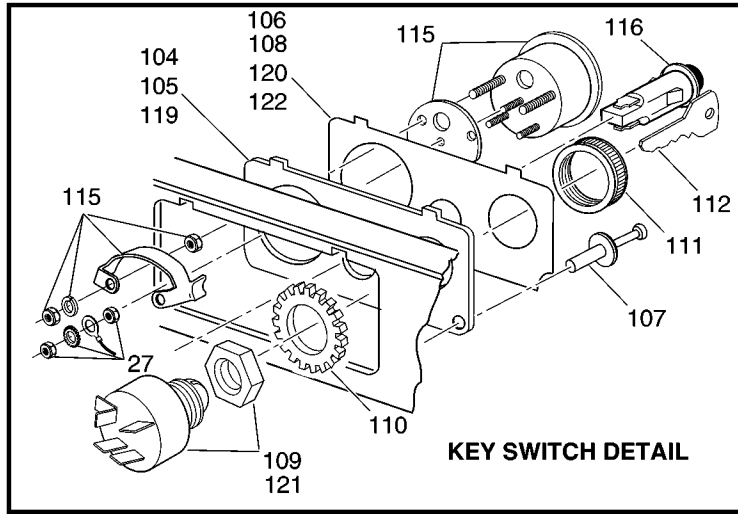




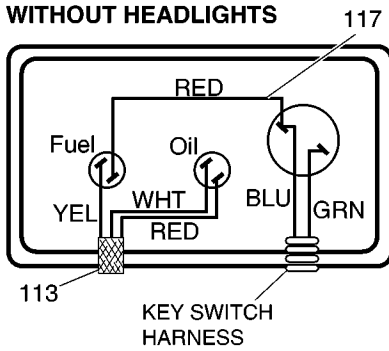
- WHT to BLK from Harness - Both Sides
- BLK to BLU/WHT from Harness - Both Sides
- RED to WHT from Harness - Driver Side
- RED to YEL from Harness - Passenger Side
- RED TO BRN from Harness - (W/O Turn Signals)



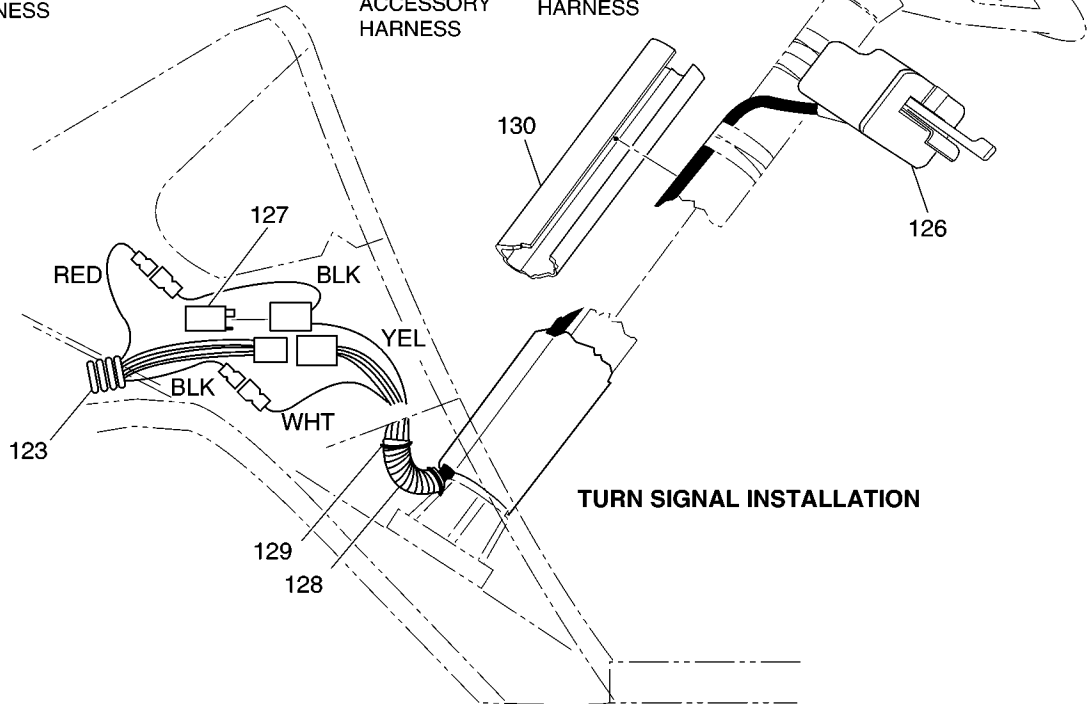
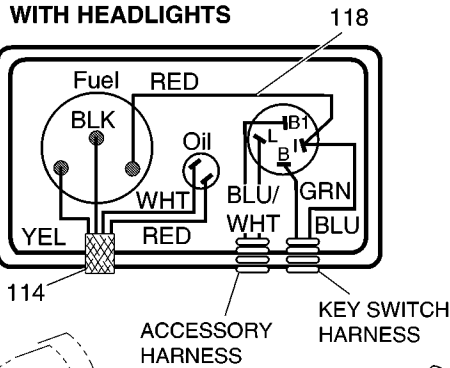
BRAKE LIGHTS MICRO SWITCH CONNECTION

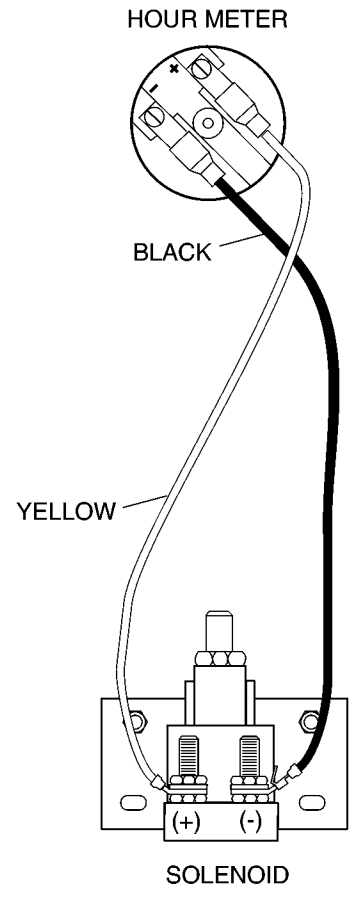
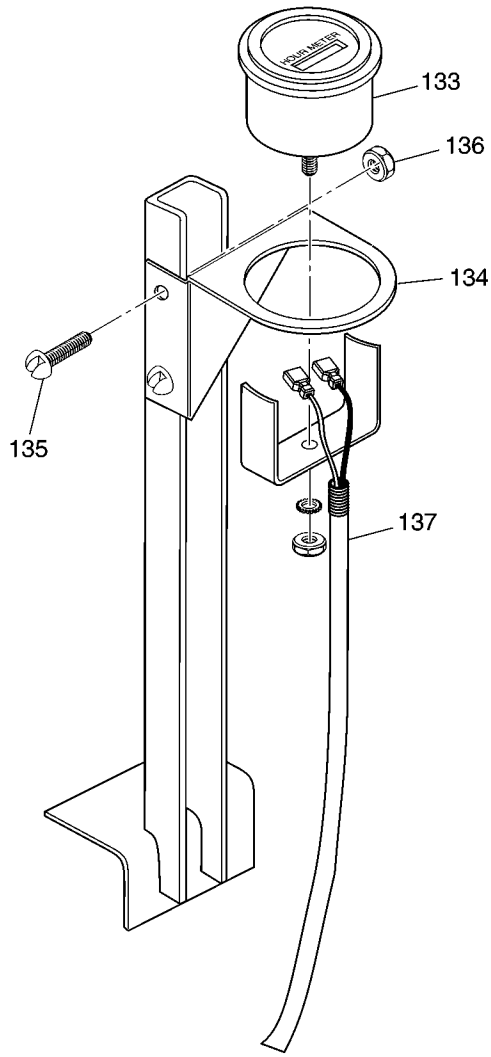


**KEY SWITCH WIRING
FUEL / OIL INDICATORS
WITHOUT HEADLIGHTS**



**KEY SWITCH WIRING
FUEL GAUGE / OIL INDICATOR
WITH HEADLIGHTS**





When ordering parts, please specify the model and serial number of the product.
 * Indicates a component that is not available as an individual part.
 G** Indicates consult Customer Service Department for additional information.

ITEM	PART NO.	1 2 3 4 5	DESCRIPTION	QTY.
1	26651-G02		IGNITION PICKUP ASSEMBLY (INCLUDES ITEM 2).....	1
2	26707-G01		BOLT AND WASHER ASSEMBLY, M5 X .8 X 10 MM LG.....	1
3				
4	26676-G01		SCREW, M6 X 1 X 23 MM LG	1
5	26652-G01		IGNITION COIL ASSEMBLY (INCLUDES ITEMS 6 - 10).....	1
6	*		IGNITION COIL	1
7	*		SPACER.....	1
8	*		LOCK WASHER.....	1
9	*		NUT.....	1
10	*		SCREW.....	1
11				
12	13632-G1		NUT, M6 X 1 LG	2
13	XXXXX-XX		STARTER / GENERATOR (SEE STARTER / GENERATOR SECTION FOR PARTS LIST AND QUANTITY).....	X
14	25887-G01		6 GA WIRE (BLACK 6", F1 - A2)	1
15	25682-G1		TERMINAL COVER	3
16	00438-G6		SCREW, 5/16 - 18 X 3/4" LG	2
17	27044-G03		GROUND CABLE	1
18	25976-G19		14 GA WIRE (BLACK 6")	1
19	00715-G2		SCREW, 5/16 - 18 X 13/16" LG	2
20	11027-G1		LOCKNUT, 5/16 - 18	2
21	73041-G01		WIRE HARNESS (KEY SWITCH).....	1
22	73058-G01		WIRE HARNESS (CONTROL).....	1
23	73049-G01		COVER	1
24	16469-G7		WASHER, 1/4"	1
25	00114-G6		SCREW, 1/4 - 14 X 3/4" LG	1
26	73041-G01		WIRE HARNESS (KEY SWITCH).....	1
27	00962-G1		SCREW, 5/16 - 18 X 1 1/4" LG	2
28	00993-G01		LOCK WASHER, 5/16" (SILICON BRONZE).....	2
29	00994-G01		NUT, 5/16 - 18 (SILICON BRONZE)	2



ELECTRICAL SYSTEM

Gasoline Vehicle

When ordering parts, please specify the model and serial number of the product.

* Indicates a component that is not available as an individual part.

G** Indicates consult Customer Service Department for additional information.

ITEM	PART NO.	1 2 3 4 5	DESCRIPTION	QTY.
30	24775-G**		BATTERY, 12V	1
31	00438-G6		BOLT, 5/16 - 18 X 3/4" LG.....	1
32	00565-G8		LOCK WASHER, 5/16".....	1
33	00571-G2		WASHER, 5/16"	1
34	72101-G01		BATTERY HOLD DOWN.....	1
35	70245-G01		BATTERY TRAY.....	1
36	25972-G85		6 GA WIRE (BLACK 23", F2 - SOL).....	1
37				
38	17618-G1		WIRE TIE	AR
39				
40				
41	73059-G01		ELECTRICAL PLATE ASSEMBLY (INCLUDES ITEMS 42 - 67)	1
42	73057-G01		BRACKET.....	1
43	27739-G01		VOLTAGE REGULATOR	1
44	00415-G2		SCREW, 1/4 - 20 X 1 1/4" LG.....	1
45	11027-G2		LOCK NUT, 1/4 - 20.....	1
46				
47	27746-G01		IGNITOR.....	1
48	00414-G8		SCREW, 1/4 - 20 X 1"LG.....	1
49	00414-G5		SCREW, 1/4 - 20 X 5/8" LG.....	1
50				
51	27153-G01		SOLENOID	1
52	00414-G5		SCREW, 1/4 - 20 X 5/8" LG.....	1
53	11027-G2		LOCK NUT, 1/4 - 20.....	4
54				
55	12914-G2		FASTON TAB	2
56	00650-G7		WASHER, 1/4".....	1
57	00565-G7		LOCK WASHER, 1/4"	1
58	00532-G1		NUT, 1/4 - 20	1
59				



When ordering parts, please specify the model and serial number of the product.

* Indicates a component that is not available as an individual part.

G** Indicates consult Customer Service Department for additional information.

ITEM	PART NO.	1 2 3 4 5	DESCRIPTION	QTY.
60	12914-G1		FASTON TAB	2
61	00565-G5		LOCK WASHER, #10	2
62	00526-G4		NUT, #10 - 32	2
63	25978-G56		18 GA WIRE (BLACK 5 3/4")	1
64	22585-G3		IN LINE FUSE HOLDER	1
65	00565-G8		LOCK WASHER, 5/16"	2
66	00544-G4		NUT, 5/16 - 24	2
67	25972-G33		6 GA WIRE (BLACK 24", B+ - SOL).....	1
68				
69				
70	22674-G1		FUSE BLOCK	1
71	01041-G01		RIVET, 5/32" X 3/8" LG	2
72	18392-G1		15 AMP FUSE.....	3
73				
74	17318-G2		HORN SWITCH CAP AND NUT	1
75	19233-G1		HORN SWITCH PLATE	1
76	71055-G01		RIVET, 3/16" X 3/8" LG	2
77	17318-G1		HORN SWITCH	1
78	27068-G01		HORN SWITCH BOOT	1
79				
80				
81	32860-G1		HORN.....	1
82	00414-G5		BOLT, 1/4 - 20 x 5/8" LG	1
83	00559-G7		WASHER, 1/4"	1
84	00891-G2		LOCK NUT, 1/4 - 20	1
85				
86	74236-G01		LIGHT BRACKET (PASSENGER SIDE).....	1
87	74236-G02		LIGHT BRACKET (DRIVER SIDE)	1
88	00114-G6		SCREW, 1/4-14 X 3/4" LG	4
89	00414-G6		BOLT, 1/4 - 20 X 3/4" LG.....	2



ELECTRICAL SYSTEM

Gasoline Vehicle

When ordering parts, please specify the model and serial number of the product.

* Indicates a component that is not available as an individual part.

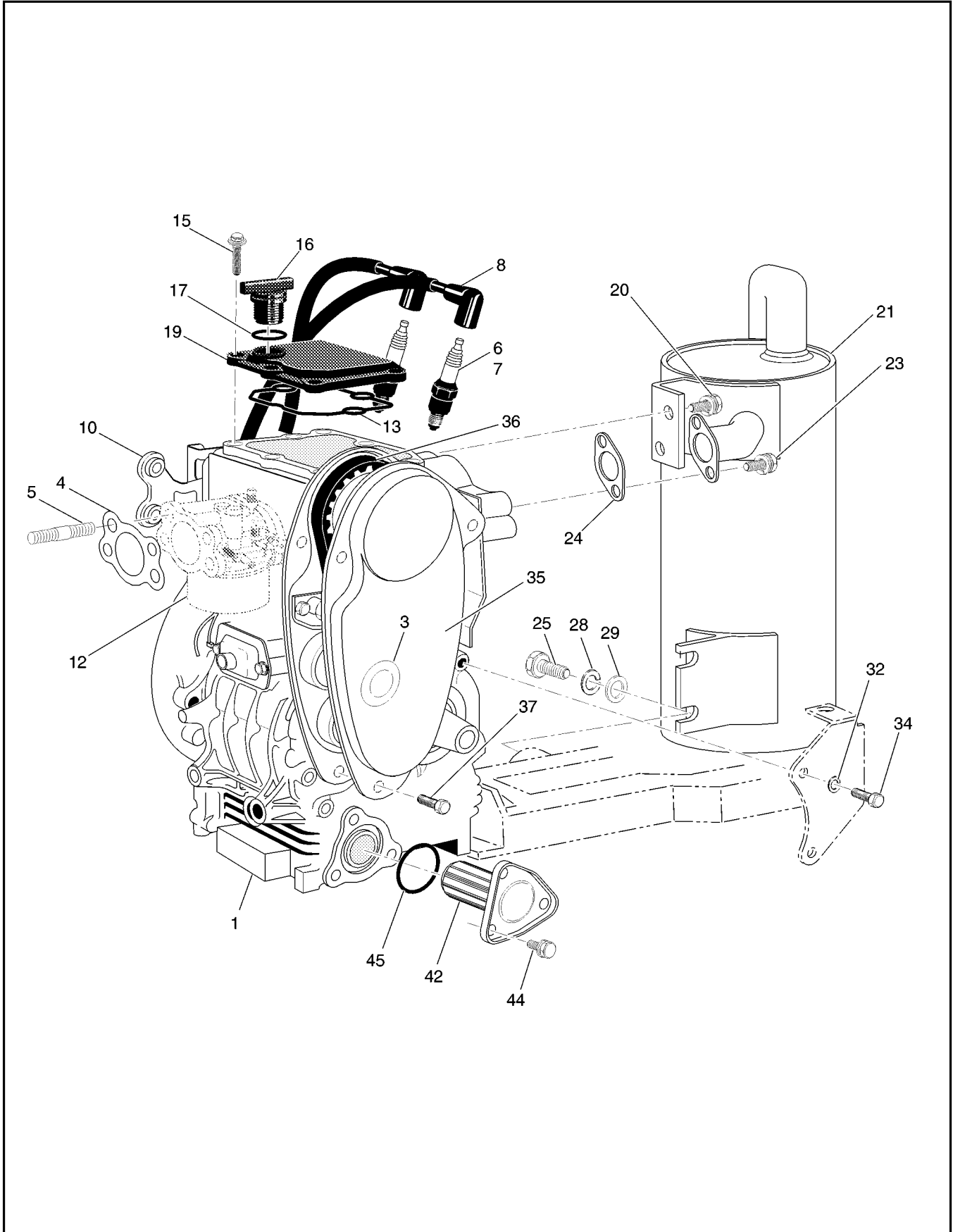
G** Indicates consult Customer Service Department for additional information.

ITEM	PART NO.	1 2 3 4 5	DESCRIPTION	QTY.
90	11027-G2		LOCK NUT, 1/4 - 20	2
91	01038-G01		SCREW, 1/4 - 14 X 1/2" LG	2
92	74001-G01		LIGHT BAR	1
93	00114-G6		SCREW, 1/4 - 14 X 3/4" LG	4
94	74004-G01		HEADLIGHT BULB	AR
95	74005-G01		MARKER LIGHT BULB	AR
96	74006-G01		TURN SIGNAL BULB	AR
97				
98	74371-G01		BEZEL (DRIVER SIDE)	1
99	74371-G02		BEZEL (PASSENGER SIDE)	1
100	14601-G11		RIVET, 3/16" X 9/16" LG	2
101	22288-G1		TAILLIGHT ASSEMBLY	1
102	21759-G1		TAILLIGHT BULB	AR
103				
104	73030-G03		PLATE (LOW FUEL AND OIL LIGHT INDICATOR)	1
105	73030-G04		PLATE (FUEL GAUGE AND OIL LIGHT)	1
106	71127-G01		DECAL (OIL LIGHT AND FUEL GAUGE, WITHOUT LIGHTS)	1
107	33623-G02		RIVET, 3/16" X 3/8" LG	2
108	71125-G01		DECAL (LOW FUEL AND LOW OIL WITHOUT LIGHTS)	1
109	18602-G1		IGNITION SWITCH (WITHOUT LIGHTS)	1
110	00568-G6		LOCK WASHER, 3/4"	1
111	17137-G1		FACE NUT, 3/4 - 20	1
112	17063-G1		IGNITION KEY (SET)	1
113	74309-G01		HARNESS, FUEL / OIL INDICATOR LIGHTS	1
114	74311-G01		HARNESS, FUEL GAUGE / OIL INDICATOR LIGHT	1
115	21553-G1		FUEL GAUGE	1
116	23474-G1		INDICATOR LIGHT	1
117	25978-G74		18 GA WIRE (RED 6")	1
118	25978-G122		18 GA WIRE (RED 6")	1
119	73030-G01		PLATE (IGNITION SWITCH ONLY)	1

When ordering parts, please specify the model and serial number of the product.
 * Indicates a component that is not available as an individual part.
 G** Indicates consult Customer Service Department for additional information.

ITEM	PART NO.	1 2 3 4 5	DESCRIPTION	QTY.
120	71131-G01		DECAL (FUEL GAUGE AND LOW OIL INDICATOR, WITH LIGHTS)	1
121	33639-G*		IGNITION SWITCH (WITH LIGHTS).....	1
122	71145-G01		DECAL (IGNITION SWITCH ONLY)	1
123	72228-G01		WIRE HARNESS (ACCESSORY).....	1
124				
125				
126	17867-G1		TURN SIGNAL (WITH MOUNTING HARDWARE)	1
127	21640-G1		TURN SIGNAL FLASHER.....	1
128	32307-G3		FLEX LOOM, 3/8 X 8" LG	1
129	17618-G1		WIRE TIE	2
130	20965-G3		STEERING COLUMN COVER.....	1
131				
132	75114-G02		HOUR METER KIT	1
133	21573-G1		HOUR METER	1
134	74019-G01		HOUR METER BRACKET	1
135	00150-G4		SCREW, #10 - 24 X 1" LG.....	2
136	11098-G7		NUT, #10- 24	2
137	75117-G01		WIRE HARNESS (HOUR METER)	1





When ordering parts, please specify the model and serial number of the product.
 * Indicates a component that is not available as an individual part.
 G** Indicates consult Customer Service Department for additional information.

ITEM	PART NO.	1 2 3 4 5	DESCRIPTION	QTY.
1	25660-G3		ENGINE	1
2				
3	26631-G01		TIMING BELT COVER GROMMET	1
4	26727-G01		CARBURETOR/AIR BOX GASKET	1
5	26667-G01		STUD	2
6	25523-G3		SPARK PLUG (NGK BPR4ES - RESISTOR).....	AR
7	25523-G2		SPARK PLUG (NGK BP4ES).....	2
8	26733-G01		SPARK PLUG WIRE SET (2 WITH BOOTS).....	1
9				
10	26657-G01		IGNITION COIL BRACKET	1
11				
12	XXXXX-XX		CARBURETOR (SEE SECTION E FOR PART NUMBER AND QUANTITY)	X
13	26719-G01		VALVE COVER GASKET.....	1
14				
15	26676-G01		FLANGED BOLT, M6 X 1 X 23 MM LG.	6
16	26601-G01		OIL FILLER CAP.....	1
17	26720-G01		OIL FILTER "O" RING.....	1
18				
19	26600-G01		VALVE COVER	1
20	25532-G1		BOLT AND WASHER, M8 X 1.25 X 18 MM LG.....	2
21	72019-G01		MUFFLER	1
22				
23	25532-G1		BOLT AND WASHER, M8 X 1.25 X 18 MM LG.....	2
24	25531-G1		EXHAUST GASKET.....	1
25	00438-G8		BOLT, 5/16 - 18 X 1" LG.	1
26				
27				
28	00565-G8		LOCK WASHER, 5/16"	1
29	00642-G8		WASHER, 5/16"	1

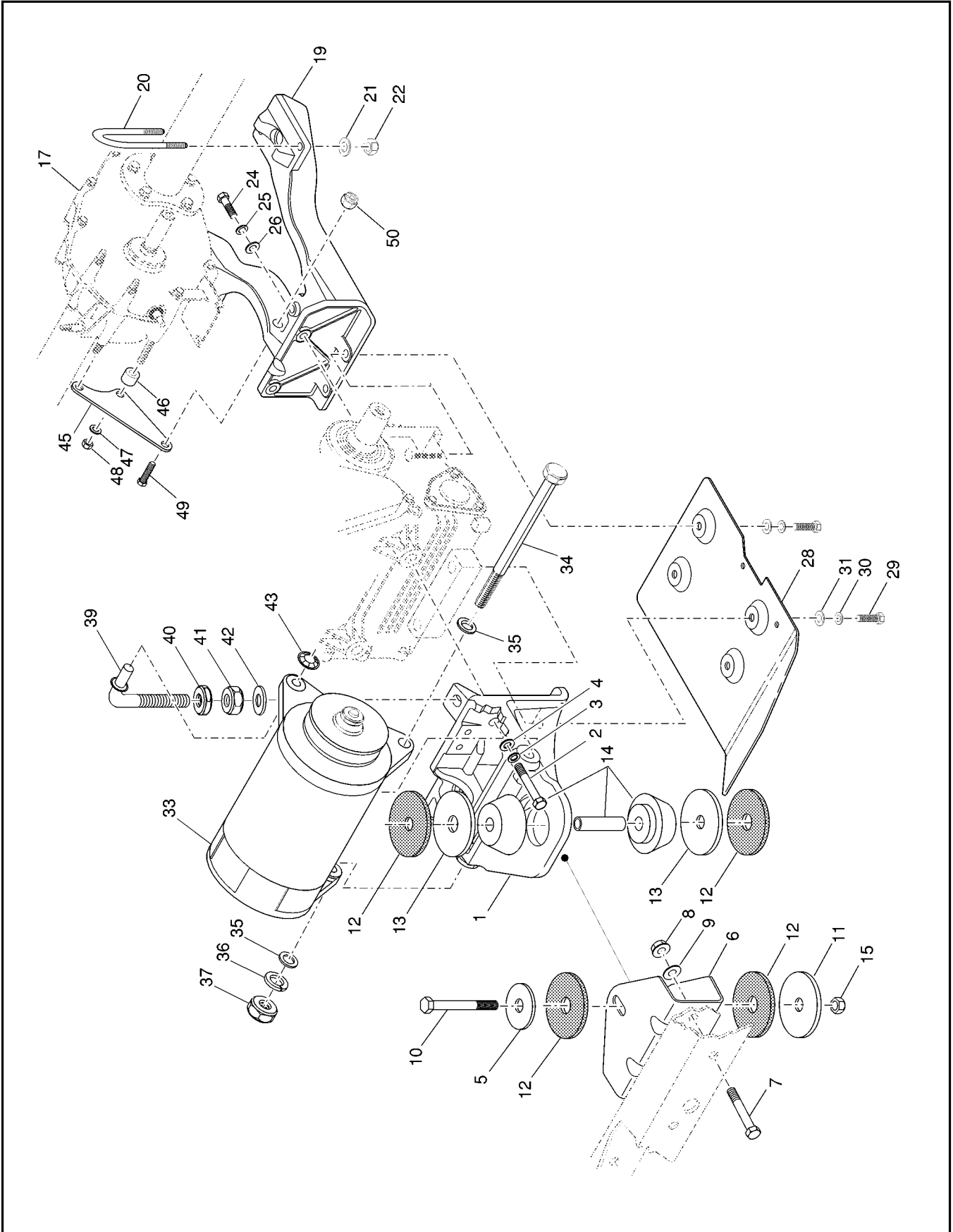
ENGINE AND MUFFLER**Gasoline Vehicle**

When ordering parts, please specify the model and serial number of the product.

* Indicates a component that is not available as an individual part.

G** Indicates consult Customer Service Department for additional information.

ITEM	PART NO.	1 2 3 4 5	DESCRIPTION	QTY.
30				
31				
32	00565-G8		LOCK WASHER, 5/16".....	2
33				
34	00276-G6		SCREW, 5/16 - 24 X 3/4" LG.....	2
35	26630-G01		TIMING BELT COVER	1
36	26626-G01		TIMING BELT	1
37	26678-G01		BOLT, M6 X 1 X 12 MM LG.	3
38				
39				
40				
41				
42	26591-G01		OIL FILTER	1
43				
44	26680-G01		BOLT AND WASHER, M6 X 1 X 12 MM LG.....	3
45	26710-G01		OIL FILTER "O" RING	1



When ordering parts, please specify the model and serial number of the product.

* Indicates a component that is not available as an individual part.

G** Indicates consult Customer Service Department for additional information.

ITEM	PART NO.	1 2 3 4 5	DESCRIPTION	QTY.
1	72010-G01		FRONT ENGINE MOUNT	1
2	00463-G4		BOLT, 7/16 - 14 X 1 1/2" LG.	2
3	00566-G2		LOCK WASHER, 7/16"	2
4	00922-G3		WASHER, 7/16"	2
5	15121-G1		WASHER, 1 1/4" X 3/8"	1
6	72044-G01		MOUNT BRACKET	1
7	00428-G6		BOLT, 3/8 - 16 X 2 3/4" LG.	2
8	11098-G5		LOCK NUT, 3/8 - 16	2
9	00643-G1		WASHER, 3/8"	2
10	00430-G4		BOLT, 3/8 - 16 X 4 1/2" LG.	1
11	72051-G02		WASHER, 2 1/2" X 11/32"	1
12	72050-G01		PLASTIC WASHER, 2 1/2" x 5/8"	4
13	72051-G01		WASHER, 2 1/2" X 5/8"	2
14	72015-G01		ISOLATION MOUNT	1
15	11098-G5		LOCK NUT, 3/8 - 16	1
16				
17	XXXXX-XX		DIFFERENTIAL (SEE SECTION P).....	X
18				
19	72011-G01		REAR ENGINE MOUNT	1
20	72035-G01		"U" BOLT, 7/16 - 14	2
21	00922-G3		WASHER, 7/16"	4
22	00734-G1		LOCK NUT, 7/16 - 14	4
23				
24	00463-G4		BOLT, 7/16 - 14 X 1 1/2" LG.	2
25	00566-G2		LOCK WASHER, 7/16"	2
26	00922-G3		WASHER, 7/16"	2
27				
28	27432-G02		ENGINE GUARD	1
29	00463-G4		BOLT, 7/16 - 14 X 1 1/2" LG.	4
30	00566-G2		LOCK WASHER, 7/16"	4

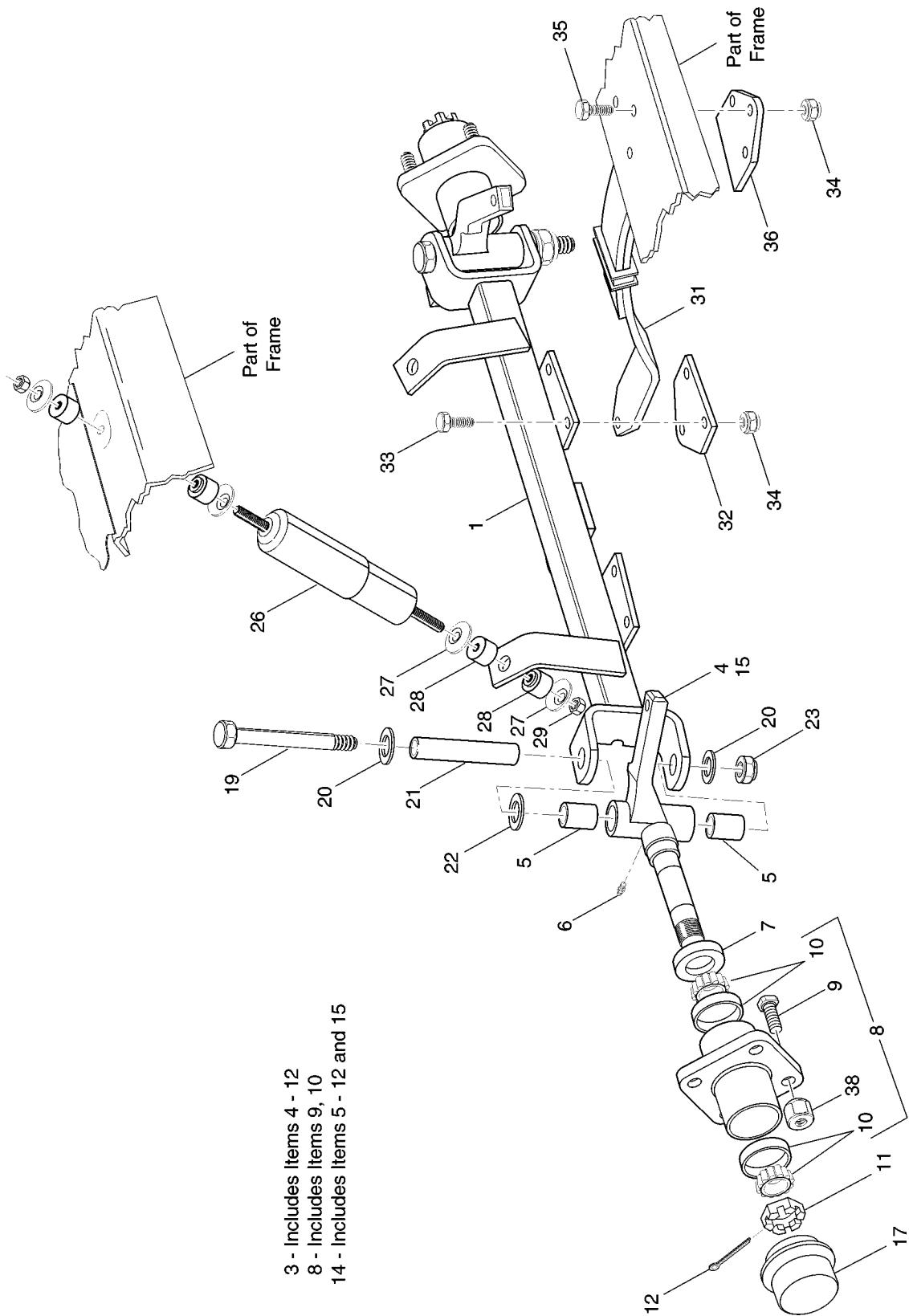
ENGINE AND STARTER MOUNTING

Gasoline Vehicle

When ordering parts, please specify the model and serial number of the product.
 * Indicates a component that is not available as an individual part.
 G** Indicates consult Customer Service Department for additional information.

ITEM	PART NO.	1 2 3 4 5	DESCRIPTION	QTY.
31	00922-G3		WASHER, 7/16"	4
32				
33	XXXXX-XX		STARTER / GENERATOR (SEE SECTION S).....	1
34	00938-G4		BOLT, 1/2 - 13 X 8" LG.	1
35	00560-G3		WASHER, 1/2"	2
36	00566-G3		LOCK WASHER, 1/2".....	1
37	00533-G1		NUT, 1/2 - 13	1
38				
39	72045-G01		STARTER / GENERATOR ADJUSTER.....	1
40	00544-G5		JAM NUT, 3/8 - 16	1
41	00532-G5		NUT, 3/8 - 16	1
42	00560-G1		WASHER, 3/8"	1
43	12064-G1		PUSH NUT, 5/16"	1
44				
45	72017-G01		AXLE BRACKET	1
46	75048-G01		SPACER.....	1
47	26826-G01		LOCK WASHER, M8	2
48	26827-G01		NUT, M8 X 1.25 MM	2
49	00439-G2		BOLT, 5/16 - 18 X 1 1/4" LG.	1
50	11098-G6		LOCK NUT, 5/16 - 18	1





When ordering parts, please specify the model and serial number of the product.
 * Indicates a component that is not available as an individual part.
 G** Indicates consult Customer Service Department for additional information.

ITEM	PART NO.	1 2 3 4 5	DESCRIPTION	QTY.
1	70536-G01		FRONT AXLE.....	1
2				
3	70220-G01		SPINDLE ASSEMBLY (DRIVER SIDE) (INCLUDES ITEMS 4 - 12).....	1
4	*		SPINDLE (DRIVER SIDE).....	1
5	16623-G1		BEARING	2
6	10389-G3		GREASE FITTING, STRAIGHT	1
7	25146-G1		GREASE SEAL	1
8	19932-G1		WHEEL HUB ASSEMBLY (INCLUDES ITEMS 9, 10)	1
9	19862-G1		LUG BOLT, 1/2 - 20 X 1 7/32" LG.....	4
10	50892-G1		BEARING AND RACE ASSEMBLY (COMPLETE)	2
11	12093-G1		SLOTTED NUT, 1 - 14.....	1
12	00798-G8		COTTER PIN, 5/32" X 1 3/4" LG.	1
13				
14	70221-G01		SPINDLE ASSEMBLY (PASSENGER SIDE) (INCLUDES ITEMS 5 - 12, 15) ...	1
15	*		SPINDLE (PASSENGER SIDE)	1
16				
17	12091-G2		SPINDLE CAP	2
18				
19	01040-G01		KING PIN, 1/2 - 13 X 5" LG.	2
20	00571-G5		WASHER, 1/2"	4
21	70328-G01		KING PIN TUBE.....	2
22	16982-G1		THRUST WASHER, 7/8".....	2
23	14390-G6		LOCK NUT, 1/2 - 13	2
24				
25				
26	70324-G01		SHOCK ABSORBER	2
27	10435-G1		SHOCK ABSORBER WASHER.....	8
28	10194-G1		RUBBER SHOCK ABSORBER BUSHING	8
29	00532-G6		NUT, 3/8 - 24	4
30				



FRONT SUSPENSION

Gasoline Vehicle

When ordering parts, please specify the model and serial number of the product.
 * Indicates a component that is not available as an individual part.
 G** Indicates consult Customer Service Department for additional information.

ITEM	PART NO.	1 2 3 4 5	DESCRIPTION	QTY.
31	70049-G01		LEAF SPRING	2
32	70540-G02		SPRING PLATE	2
33	00463-G4		BOLT, 7/16 - 14 X 1 1/2" LG.	6
34	00734-G1		LOCK NUT, 7/16 - 14	12
35	00463-G6		BOLT, 7/16 - 14 X 1 3/4" LG.	6
36	70163-G02		SPRING PLATE	2
37				
38	14723-G1		LUG NUT, 1/2 - 20.....	8



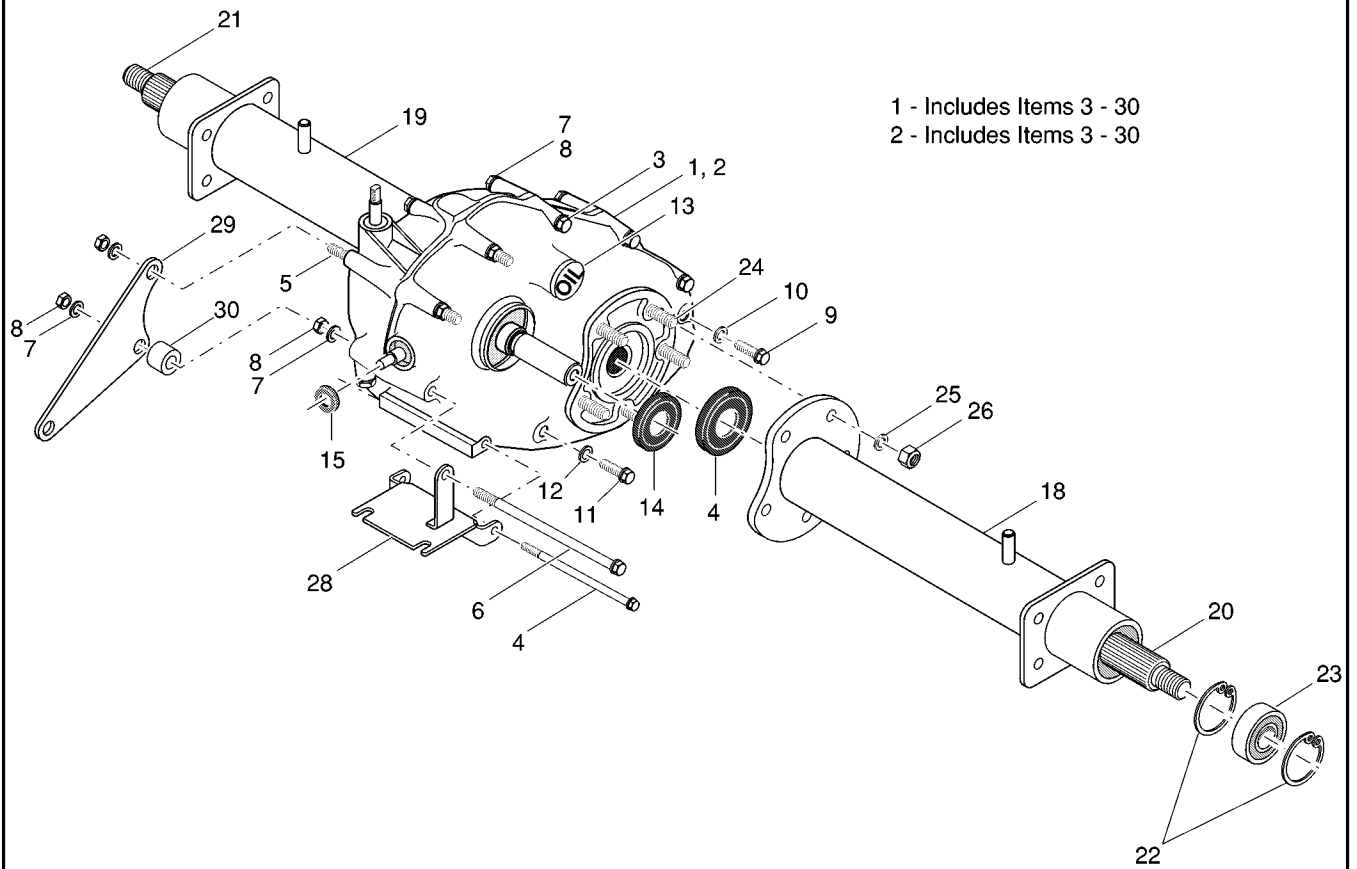
When ordering parts, please specify the model and serial number of the product.

* Indicates a component that is not available as an individual part.

G** Indicates consult Customer Service Department for additional information.

ITEM	PART NO.	1 2 3 4 5	DESCRIPTION	QTY.
1	72092-G01		FUEL TANK (FOR VEHICLES WITHOUT GAUGES).....	1
2	72282-G01		FUEL TANK CAP	1
3	72229-G01		FUEL LEVEL SENDER ADAPTER.....	1
4	72230-G01		SCREW, #6 - 32 X 1/2" LG.....	2
5	20048-G2		FUEL LEVEL SENDER (ELECT. FUEL GAUGE) (INCLUDES ITEMS 7, 8).....	1
6	20048-G4		FUEL LEVEL SENDER (LOW FUEL WARN. LIGHT) (INCLUDES ITEMS 7, 8)	1
7	*		GASKET	1
8	72232-G01		SCREW, #10 - 32 x 3/4" LG.....	5
9	72092-G02		FUEL TANK (FOR ELECTRIC GAUGE / WARNING LIGHT)	1
10	00438-G8		BOLT, 5/16 - 18 X 1" LG.	1
11	00559-G8		WASHER, 5/16"	4
12	70483-G01		SPACER.....	1
13	11098-G6		LOCK NUT, 5/16 - 18	3
14	72281-G01		FUEL GAUGE (MECHANICAL)	1
15	72280-G01		GROMMET	1
16	72092-G04		FUEL TANK (FOR MECHANICAL GAUGE)	1
17				
18	72084-G01		FUEL FILTER	1
19	17470-G1		TUBING, 3 1/4" LG. (BULK).....	2
20	18292-G1		CLAMP	5
21	72021-G01		FUEL PUMP.....	1
22	00114-G6		SCREW, 1/4 - 14 X 3/4" LG.....	2
23				
24	17470-G1		TUBING, 16" LG. (BULK)	A/R
25	11391-G4		HOSE CLAMP.....	3
26	27183-G01		PULSE TUBING, 16" LG. (BULK).....	A/R
27				
28	17618-G1		WIRE TIE	3
29	22280-G1		VINYL TRIM, 6 1/4" LG. (BULK).....	A/R
30	26459-G01		LABEL (UNLEADED GASOLINE ONLY)	1



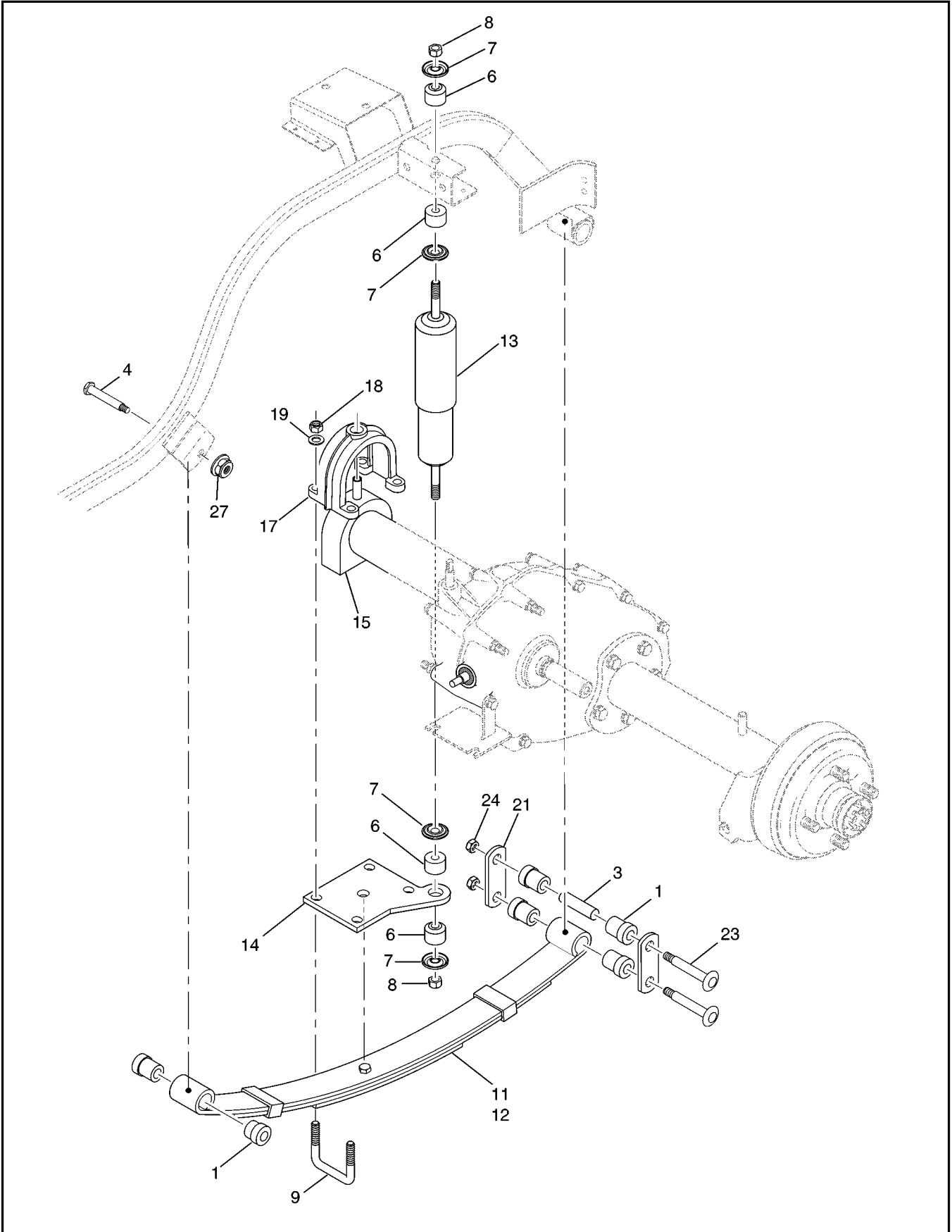


When ordering parts, please specify the model and serial number of the product.

* Indicates a component that is not available as an individual part.

G** Indicates consult Customer Service Department for additional information.

ITEM	PART NO.	1 2 3 4 5	DESCRIPTION	QTY.
1	72031-G01		REAR AXLE (13.32:1) (INCLUDES ITEMS 3 - 30)	1
2	72031-G02		REAR AXLE, HP (10.67:1) (INCLUDES ITEMS 3 - 30) FOR USE ON FREEDOM HP VEHICLES ONLY.....	1
3	26823-G01		FLANGED BOLT, M8 X 1.25 X 100 MM LG.....	7
4	26824-G01		FLANGED BOLT, M8 X 1.25 X 110 MM LG.....	1
5	72053-G01		BOLT, M8 X 1.25 X 120 MM LG.....	1
6	72052-G01		FLANGED BOLT, M8 X 1.25 X 130 MM LG.....	1
7	26826-G01		LOCK WASHER, M8	14
8	26827-G01		NUT, M8 X 1.25 MM	14
9	26768-G01		OIL CHECK PLUG.....	1
10	26769-G01		GASKET, 8 MM.....	1
11	26770-G01		OIL DRAIN PLUG	1
12	26771-G01		GASKET, 14 MM.....	1
13	26772-G01		OIL FILLER PLUG.....	1
14	26761-G01		INPUT SHAFT SEAL	1
15	26762-G01		SHIFTER SHAFT SEAL	1
16	26766-G01		AXLE SHAFT SEAL.....	2
17				
18	72115-G01		AXLE TUBE (DRIVER SIDE).....	1
19	72116-G01		AXLE TUBE (PASSENGER SIDE)	1
20	72056-G01		AXLE SHAFT (DRIVER SIDE)	1
21	72057-G01		AXLE SHAFT (PASSENGER SIDE).....	1
22	26814-G01		RETAINING RING	4
23	26811-G01		BALL BEARING.....	2
24	26667-G01		STUD, M10 X 1.5 X 40 MM LG.....	5
25	26828-G01		WASHER, 10 MM	10
26	26829-G01		NUT, 10 MM X 1.5 MM	10
27				
28	26815-G01		SHIFTER CABLE BRACKET.....	1
29	72017-G01		AXLE BRACKET.....	1
30	75048-G01		SPACER	1

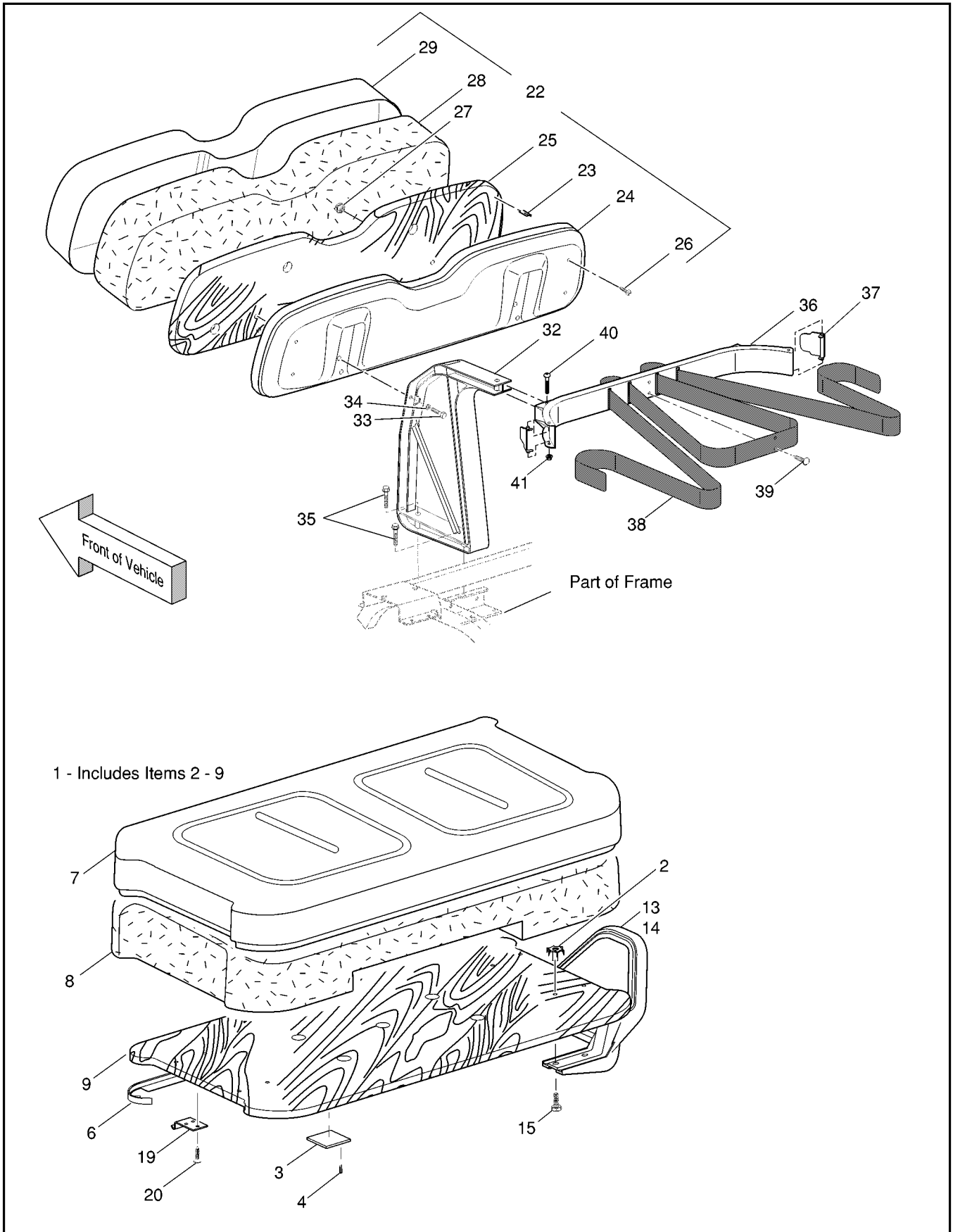


When ordering parts, please specify the model and serial number of the product.

* Indicates a component that is not available as an individual part.

G** Indicates consult Customer Service Department for additional information.

ITEM	PART NO.	1 2 3 4 5	DESCRIPTION	QTY.
1	70291-G01		RUBBER BUSHING (LEAF SPRING).....	12
2				
3	70289-G02		SPACER.....	4
4	14158-G1		SHOULDER BOLT, 3/8 - 3/16 x 3 1/4" LG.....	2
5				
6	10194-G1		RUBBER BUSHING (SHOCK ABSORBER).....	8
7	10435-G1		WASHER (SHOCK ABSORBER)	8
8	00532-G6		NUT, 3/8 - 24	4
9	72618-G01		U-BOLT, 3/8 - 16	4
10				
11	70506-G01		LEAF SPRING SET, (USE ON 4 CADDY AND CONVERTIBLE CARRIER ONLY) (CONTAINS 2 SPRINGS).....	1
12	70505-G01		LEAF SPRING SET (CONTAINS 2 SPRINGS).....	1
13	70324-G01		SHOCK ABSORBER	2
14	72028-G01		ISOMOUNT BASE PLATE	2
15	72117-G01		ISOMOUNT BUSHING	2
16				
17	72037-G01		ISOMOUNT CAP	2
18	11098-G5		LOCK NUT, 3/8 - 16	8
19	00560-G1		WASHER, 3/8"	8
20				
21	70290-G01		SHACKLE PLATE	4
22				
23	00429-G4		SCREW, 3/8 - 16 X 3 1/2" LG.....	4
24	11098-G5		LOCK NUT, 3/8 - 16	1
25				
26				
27	12262-G1		LOCK NUT, 3/8 - 16	2



When ordering parts, please specify the model and serial number of the product.

* Indicates a component that is not available as an individual part.

G** Indicates consult Customer Service Department for additional information.

ITEM	PART NO.	1	2	3	4	5	DESCRIPTION	QTY.
1	71611-G**						SEAT BOTTOM ASSEMBLY (INCLUDES ITEMS 2 - 9)	1
2	*						TEE NUT	8
3	17074-G1						BUMPER	2
4	*						FLAT STAPLE.....	110
5								
6	71012-G01						VINYL TRIM (SEAT BOTTOM).....	1
7	71602-G**						VINYL SEAT BOTTOM COVER	1
8	*						FOAM PADDING (SEAT BOTTOM)	1
9	*						SEAT BOTTOM (WOOD)	1
10								
11								
12								
13	71701-G01						HIP RESTRAINT (PASSENGER SIDE).....	1
14	71702-G01						HIP RESTRAINT (DRIVER SIDE)	1
15	71204-G01						BOLT, 1/4 - 20 X 1" LG.	8
16								
17								
18								
19	71610-G01						SEAT HINGE.....	2
20	00720-G08						SCREW, #12 - 14 X 1" LG.....	4
21								
22	71751-G**						SEAT BACK ASSEMBLY (INCLUDES ITEMS 23 - 29)	1
23	*						FLAT STAPLE.....	95
24	71752-G01						PLASTIC SEAT BACK COVER	1
25	*						SEAT BACK (WOOD).....	1
26	71002-G01						SCREW, #8 X 5/8" LG.	4
27	*						TEE NUT	4
28	*						FOAM PADDING (SEAT BACK)	1
29	71753-G**						VINYL SEAT BACK COVER	1
30								

SEATING AND BAG HOLDER, GOLF CAR

Gasoline Vehicle

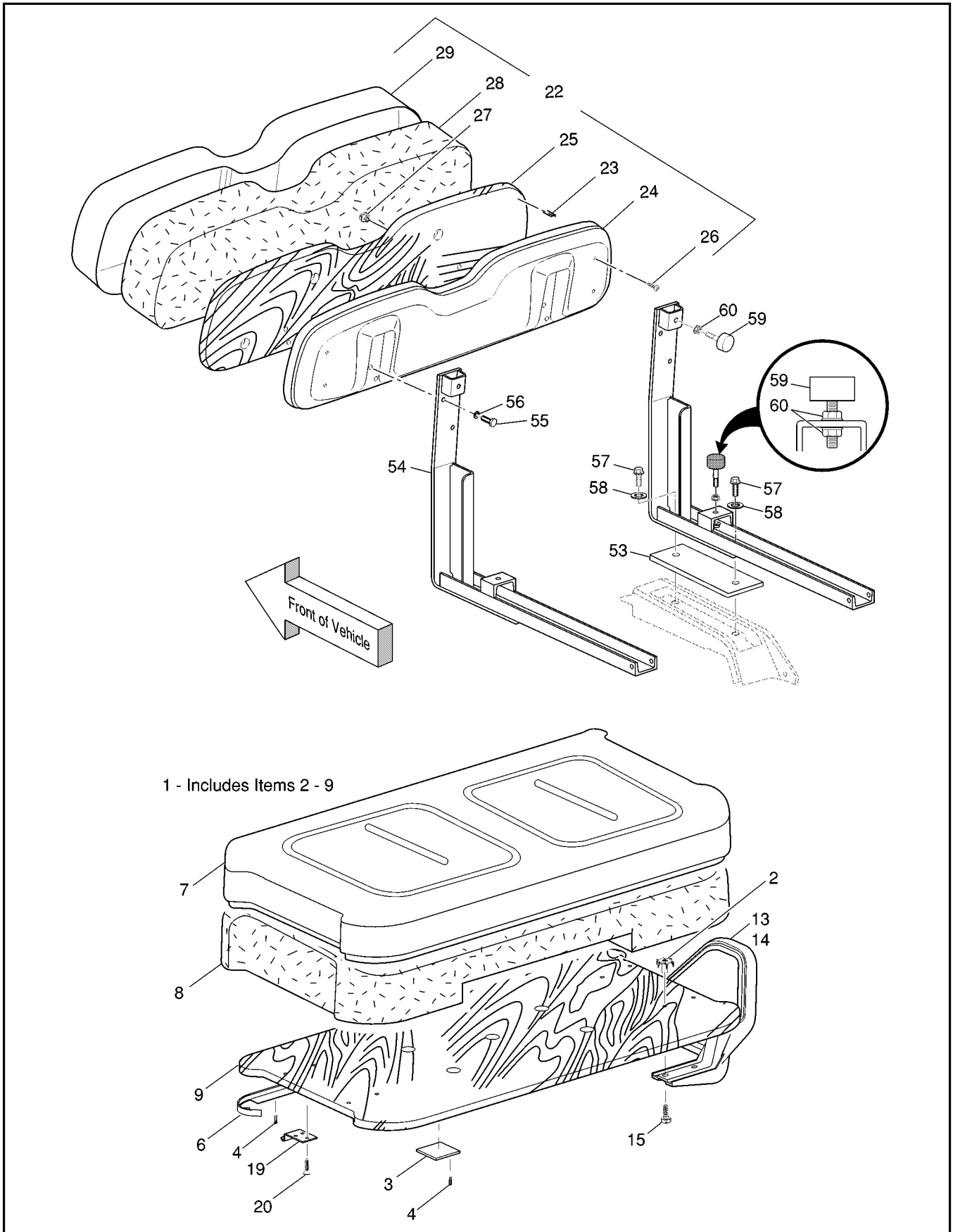
When ordering parts, please specify the model and serial number of the product.

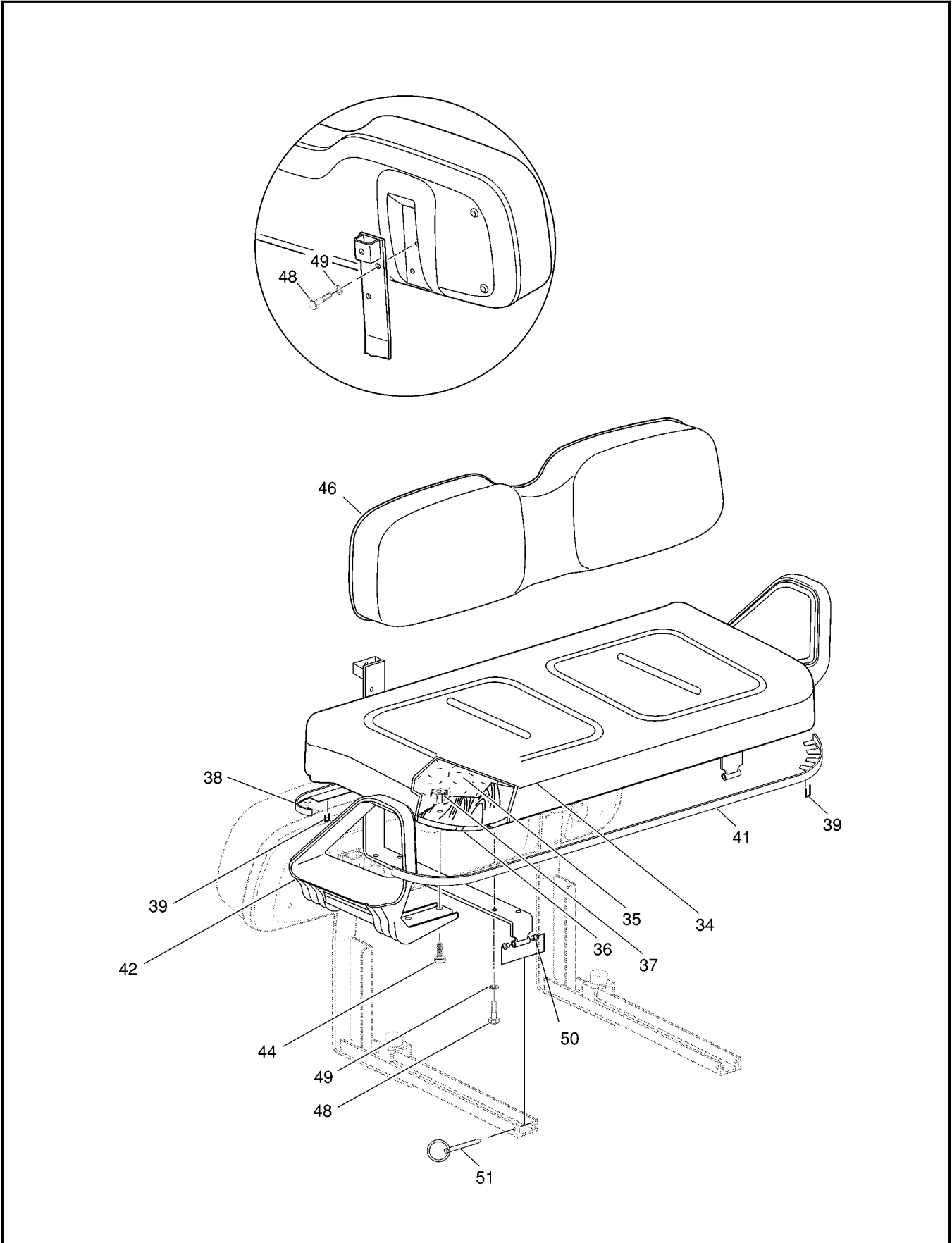
* Indicates a component that is not available as an individual part.

G** Indicates consult Customer Service Department for additional information.

ITEM	PART NO.	1 2 3 4 5	DESCRIPTION	QTY.
31				
32	71811-G02		SEAT SUPPORT BRACKET	2
33	00414-G8		BOLT, 1/4 - 20 X 1" LG.	4
34	00565-G7		LOCK WASHER, 1/4"	4
35	71802-G01		BOLT, 3/8 - 16 X 2 1/4" LG.	4
36	71851-G01		BAG HOLDER BRACKET	1
37	71856-G01		BAG RETAINER CLAMP	2
38	71853-G01		BAG RETAINER STRAP	1
39	16816-G1		RATCHET FASTENER, 1/4" x 5/8" LG.	2
40	71821-G01		CARRIAGE BOLT, 1/4 - 20 X 1 1/2" LG.	2
41	11027-G2		LOCK NUT, 1/4 - 20	2







SEATING, 4 CADDY

Gasoline Vehicle

When ordering parts, please specify the model and serial number of the product.

* Indicates a component that is not available as an individual part.

G** Indicates consult Customer Service Department for additional information.

ITEM	PART NO.	1 2 3 4 5	DESCRIPTION	QTY.
1	71611-G**		SEAT BOTTOM ASSEMBLY (INCLUDES ITEMS 2 - 9)	1
2	*		TEE NUT.....	8
3	17074-G1		BUMPER.....	2
4	*		FLAT STAPLE	110
5				
6	71012-G01		VINYL TRIM (SEAT BOTTOM)	1
7	71602-G**		VINYL SEAT BOTTOM COVER	1
8	*		FOAM PADDING (SEAT BOTTOM).....	1
9	*		SEAT BOTTOM (WOOD).....	1
10				
11				
12				
13	71701-G01		HIP RESTRAINT (PASSENGER SIDE)	1
14	71702-G01		HIP RESTRAINT (DRIVER SIDE).....	1
15	71204-G01		BOLT, 1/4 - 20 X 1" LG.	8
16				
17				
18				
19	71610-G01		SEAT HINGE	2
20	00720-G08		SCREW, #12 - 14 X 1" LG.	6
21				
22	71751-G**		SEAT BACK ASSEMBLY (INCLUDES ITEMS 23 - 29).....	1
23	*		FLAT STAPLE	95
24	71752-G01		PLASTIC SEAT BACK COVER	1
25	*		SEAT BACK (WOOD)	1
26	71002-G01		SCREW, #8 X 5/8" LG.....	4
27	*		TEE NUT.....	4
28	*		FOAM PADDING (SEAT BACK)	1
29	71753-G**		VINYL SEAT BACK COVER	1
30				

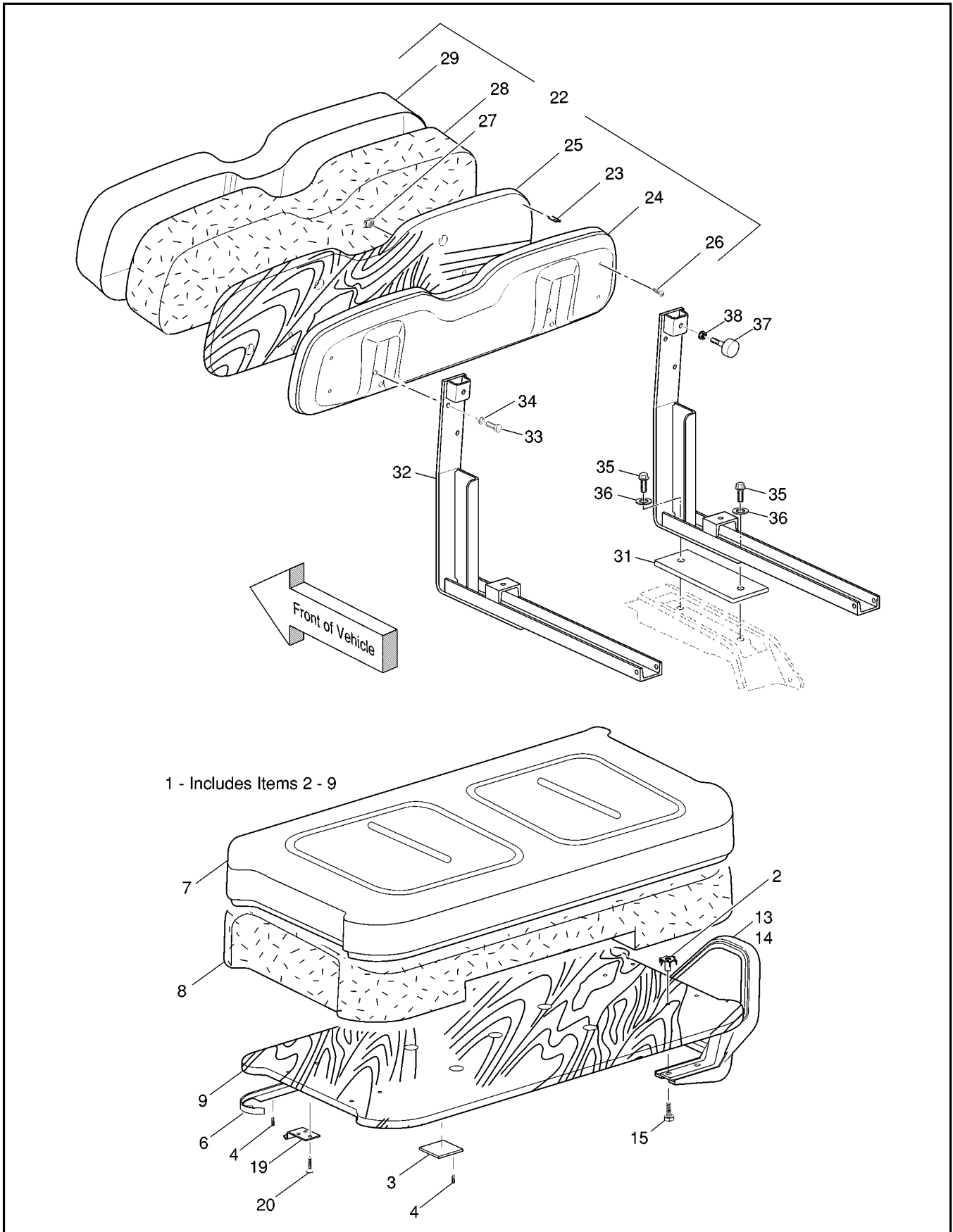


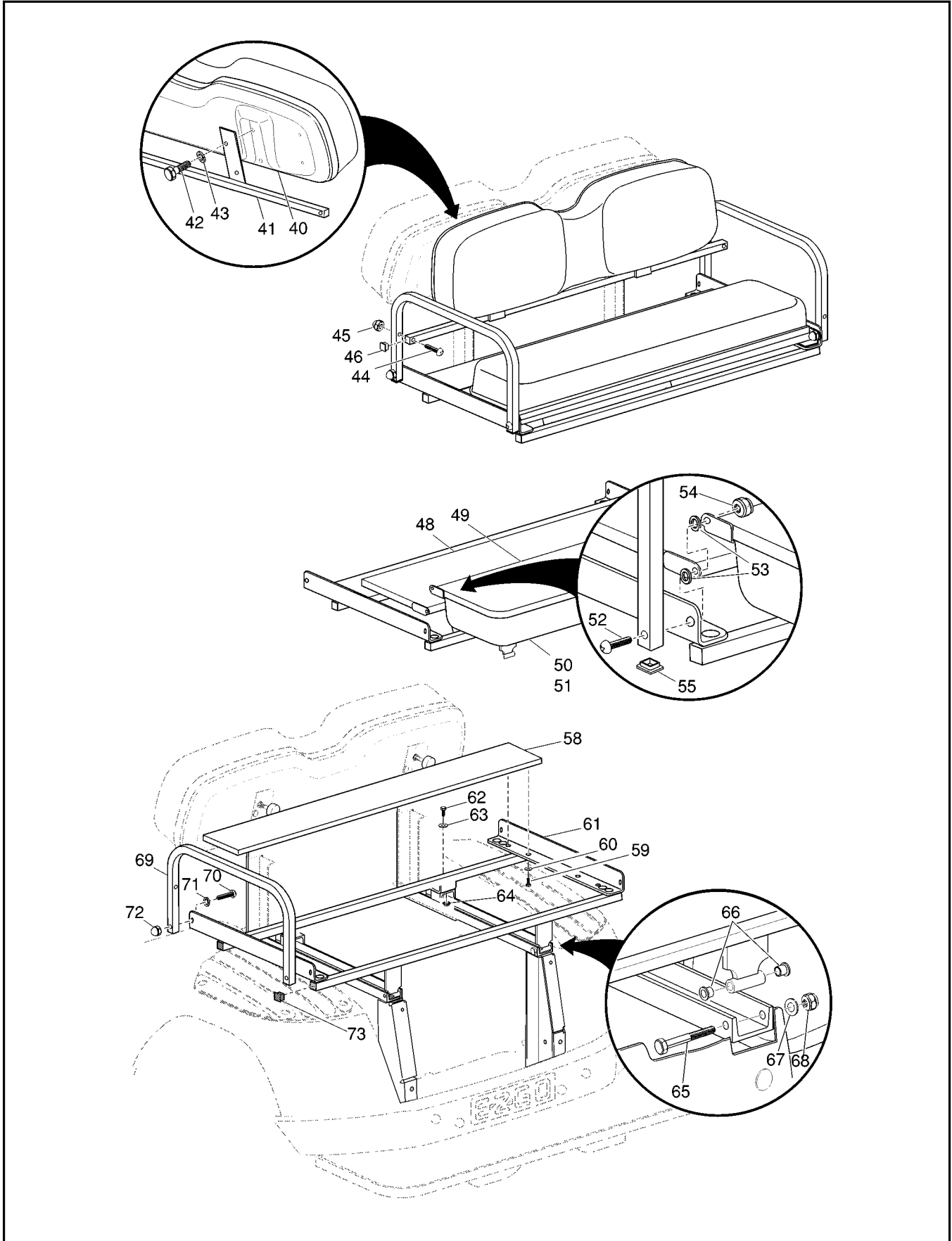
When ordering parts, please specify the model and serial number of the product.

* Indicates a component that is not available as an individual part.

G** Indicates consult Customer Service Department for additional information.

ITEM	PART NO.	1	2	3	4	5	DESCRIPTION	QTY.
31								
32								
33	74139-G**						SEAT BOTTOM ASSEMBLY (INCLUDES ITEMS 34 - 44).....	1
34	71602-G**						VINYL COVER (SEAT BOTTOM).....	1
35	*						FOAM PADDING (SEAT BOTTOM)	1
36	*						SEAT BOTTOM (WOOD)	1
37	*						TEE NUT	16
38	74140-G01						TRIM.....	1
39	*						FLAT STAPLE.....	110
40								
41	71012-G01						VINYL TRIM (SEAT BOTTOM).....	1
42	71702-G01						HIP RESTRAINT (DRIVER SIDE)	1
43	71701-G01						HIP RESTRAINT (PASSENGER SIDE)	1
44	00414-G8						BOLT, 1/4 - 20 X 1" LG.....	8
45								
46	71751-G**						SEAT BACK ASSEMBLY (INCLUDES ITEMS 23 - 29)	1
47	74117-G01						SEAT SUPPORT BRACKET.....	2
48	00414-G8						BOLT, 1/4 - 20 X 1" LG	12
49	00565-G7						LOCK WASHER, 1/4"	12
50	17838-G1						BUSHING.....	4
51	74134-G01						QUICK RELEASE PIN	2
52								
53	70364-G01						SPACER.....	2
54	74111-G01						SEAT BACK SUPPORT	2
55	00414-G8						BOLT, 1/4 - 20 X 1" LG	4
56	00565-G7						LOCK WASHER, 1/4"	4
57	01006-G02						BOLT, 3/8 - 16 X 1 1/2" LG	4
58	00560-G1						WASHER, 3/8"	4
59	70113-G01						ADJUSTABLE BUMPER.....	4
60	11027-G1						LOCK NUT, 5/16 - 18	6





SEATING, CONVERTIBLE CARRIER

Gasoline Vehicle

When ordering parts, please specify the model and serial number of the product.

* Indicates a component that is not available as an individual part.

G** Indicates consult Customer Service Department for additional information.

ITEM	PART NO.	1 2 3 4 5	DESCRIPTION	QTY.
1	71611-G**		SEAT BOTTOM ASSEMBLY (INCLUDES ITEMS 2 - 9)	1
2	*		TEE NUT.....	8
3	17074-G1		BUMPER.....	2
4	*		FLAT STAPLE	110
5	*		FLAT STAPLE	46
6	71012-G01		VINYL TRIM (SEAT BOTTOM)	1
7	71602-G**		VINYL SEAT BOTTOM COVER	1
8	*		FOAM PADDING (SEAT BOTTOM).....	1
9	*		SEAT BOTTOM (WOOD).....	1
10				
11				
12				
13	71701-G01		HIP RESTRAINT (PASSENGER SIDE)	1
14	71702-G01		HIP RESTRAINT (DRIVER SIDE).....	1
15	00414-G8		BOLT, 1/4 - 20 X 1" LG.	8
16				
17				
18				
19	71610-G01		SEAT HINGE	2
20	00720-G08		SCREW, #12 - 14 X 1" LG.	4
21				
22	71751-G**		SEAT BACK ASSEMBLY (INCLUDES ITEMS 23 - 29).....	1
23	*		FLAT STAPLE	95
24	71752-G01		PLASTIC SEAT BACK COVER	1
25	*		SEAT BACK (WOOD)	1
26	71002-G01		SCREW, #8 X 5/8" LG.....	4
27	*		TEE NUT.....	4
28	*		FOAM PADDING (SEAT BACK)	1
29	71753-G**		VINYL SEAT BACK COVER	1
30				

When ordering parts, please specify the model and serial number of the product.

* Indicates a component that is not available as an individual part.

G** Indicates consult Customer Service Department for additional information.

ITEM	PART NO.	1 2 3 4 5	DESCRIPTION	QTY.
31	70364-G01		SPACER.....	2
32	74111-G01		SEAT BACK SUPPORT	2
33	00414-G8		BOLT, 1/4 - 20 X 1" LG	4
34	00565-G7		LOCK WASHER, 1/4"	4
35	01006-G02		BOLT, 3/8 - 16 X 1 1/2" LG.	4
36	00560-G1		WASHER, 3/8"	4
37	70113-G01		ADJUSTABLE BUMPER.....	2
38	11027-G1		LOCK NUT, 5/16 - 18	2
39				
40	71751-G**		SEAT BACK ASSEMBLY (INCLUDES ITEMS 23 - 29)	1
41	75258-G01		SEAT BACK SUPPORT.....	1
42	00414-G8		BOLT, 1/4 - 20 X 1" LG	4
43	00565-G7		LOCK WASHER, 1/4"	4
44	16705-G6		BOLT, 1/4 - 20 X 1 3/4" LG.	2
45	00520-G1		ACORN NUT, 1/4 - 20	2
46	19859-G1		END CAP, 3/4"	2
47				
48	75229-G01		BED (INCLUDES HINGE AND MAT)	1
49	75263-G01		SEAT BOTTOM ASSEMBLY (INCLUDES ITEM 50, HINGE AND MAT)	1
50	75197-G**		SEAT BOTTOM (INCLUDES ITEM 51)	1
51	75252-G01		VINYL SEAT BOTTOM COVER.....	1
52	00762-G4		BOLT, 5/16 - 18 X 1 1/2"LG.	2
53	17255-G1		TEFLON WASHER, 5/16"	4
54	00654-G3		LOCK NUT, 5/16 - 18	2
55	19859-G1		END CAP, 3/4"	4
56				
57				
58	75273-G01		BED FRONT (INCLUDES MAT).....	1
59	00661-G6		BOLT, 1/4 - 20 X 3/4" LG.	4
60	00559-G8		WASHER, 5/16"	4

SEATING, CONVERTIBLE CARRIER

Gasoline Vehicle

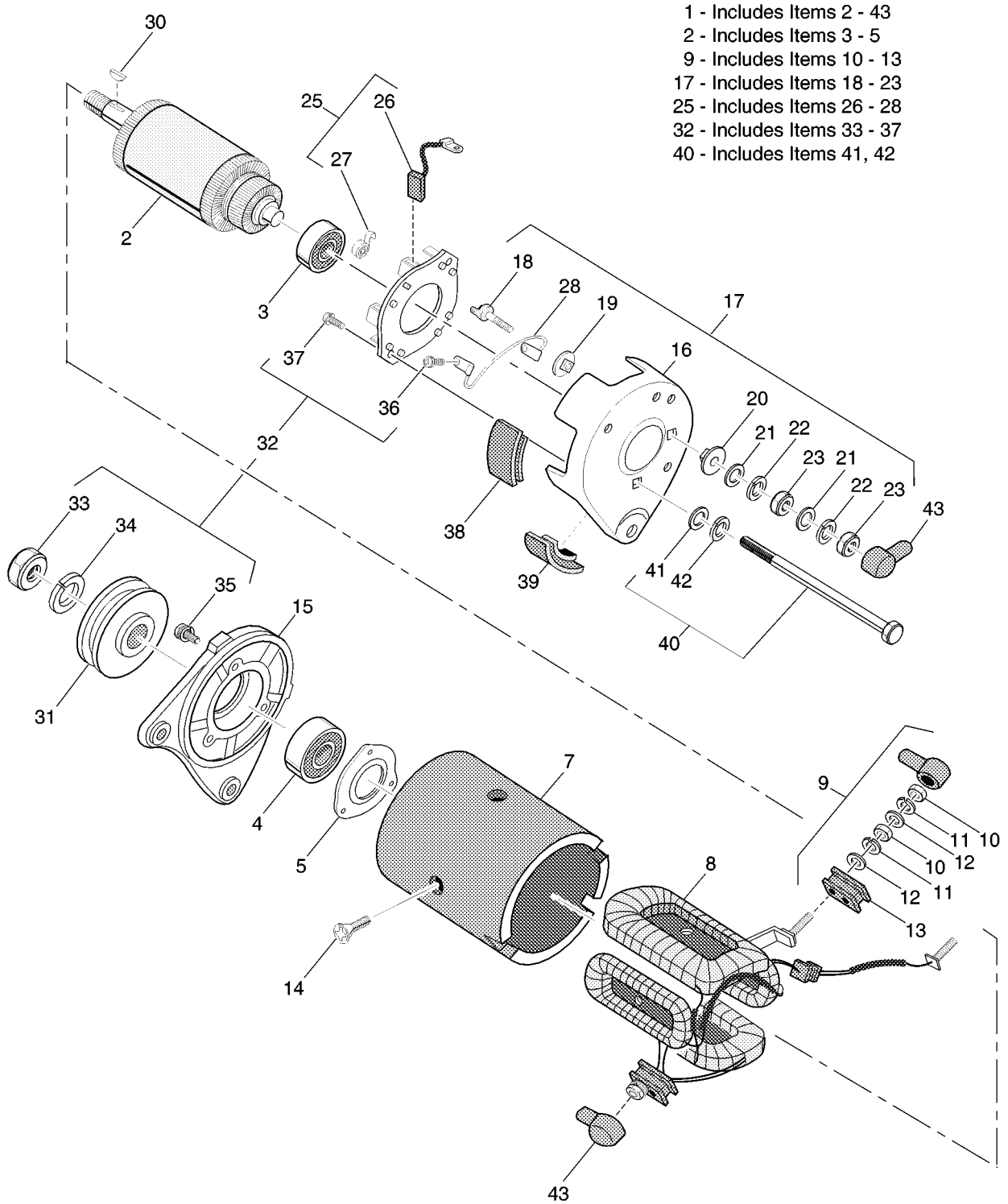
When ordering parts, please specify the model and serial number of the product.

* Indicates a component that is not available as an individual part.

G** Indicates consult Customer Service Department for additional information.

ITEM	PART NO.	1 2 3 4 5	DESCRIPTION	QTY.
61	75193-G01		SUPPORT FRAME.....	1
62	00438-G8		BOLT, 5/16 -18 X 1" LG.	2
63	00559-G8		WASHER, 5/16"	2
64	11027-G1		LOCK NUT, 5/16 - 18	2
65	00440-G4		BOLT, 5/16 -18 X 2 1/2" LG.	2
66	17838-G1		BUSHING	4
67	00559-G8		WASHER, 5/16"	2
68	00654-G3		LOCK NUT, 5/16 - 18	2
69	75196-G01		HANDRAIL	2
70	00762-G02		BOLT, 5/16 -18 X 1 1/4" LG.	2
71	00664-G8		LOCK WASHER, 5/16".....	2
72	00520-G3		ACORN NUT, 5/16 - 18	2
73	75261-G02		END CAP, 1".....	4





When ordering parts, please specify the model and serial number of the product.

* Indicates a component that is not available as an individual part.

G** Indicates consult Customer Service Department for additional information.

ITEM	PART NO.	1	2	3	4	5	DESCRIPTION	QTY.
1	27065-G01	STARTER / GENERATOR, COMPLETE (INCLUDES ITEMS 2 - 43).....					1	
2	26870-G01	ARMATURE ASSEMBLY (INCLUDES ITEMS 3 - 5).....					1	
3	26871-G01	REAR BALL BEARING					1	
4	26872-G01	FRONT BALL BEARING.....					1	
5	26873-G01	BEARING HOLDER					1	
6								
7								
8	26875-G01	FIELD COIL					1	
9	26876-G01	INSULATING BRUSH ASSEMBLY ('F') (INCLUDES ITEMS 10 - 13).....					2	
10	*	NUT.....					2	
11	*	LOCK WASHER.....					2	
12	*	WASHER.....					2	
13	*	INSULATOR					1	
14	26877-G01	POLE CORE SET SCREW					4	
15	26878-G01	FRONT COVER.....					1	
16	26879-G01	REAR COVER.....					1	
17	26880-G01	TERMINAL ASSEMBLY ('A') (INCLUDES ITEMS 18 - 23).....					2	
18	*	TERMINAL					2	
19	*	INSULATOR					2	
20	*	INSULATOR					2	
21	*	WASHER.....					4	
22	*	LOCK WASHER.....					4	
23	*	NUT.....					4	
24								
25	26881-G01	BRUSH HOLDER ASSEMBLY (INCLUDES ITEMS 26 - 28)					1	
26	26658-G01	BRUSH.....					4	
27	26882-G01	BRUSH SPRING.....					4	
28	26883-G01	BRUSH CONNECTOR.....					2	
29								
30	26884-G01	KEY.....					1	



STARTER / GENERATOR**Gasoline Vehicle**

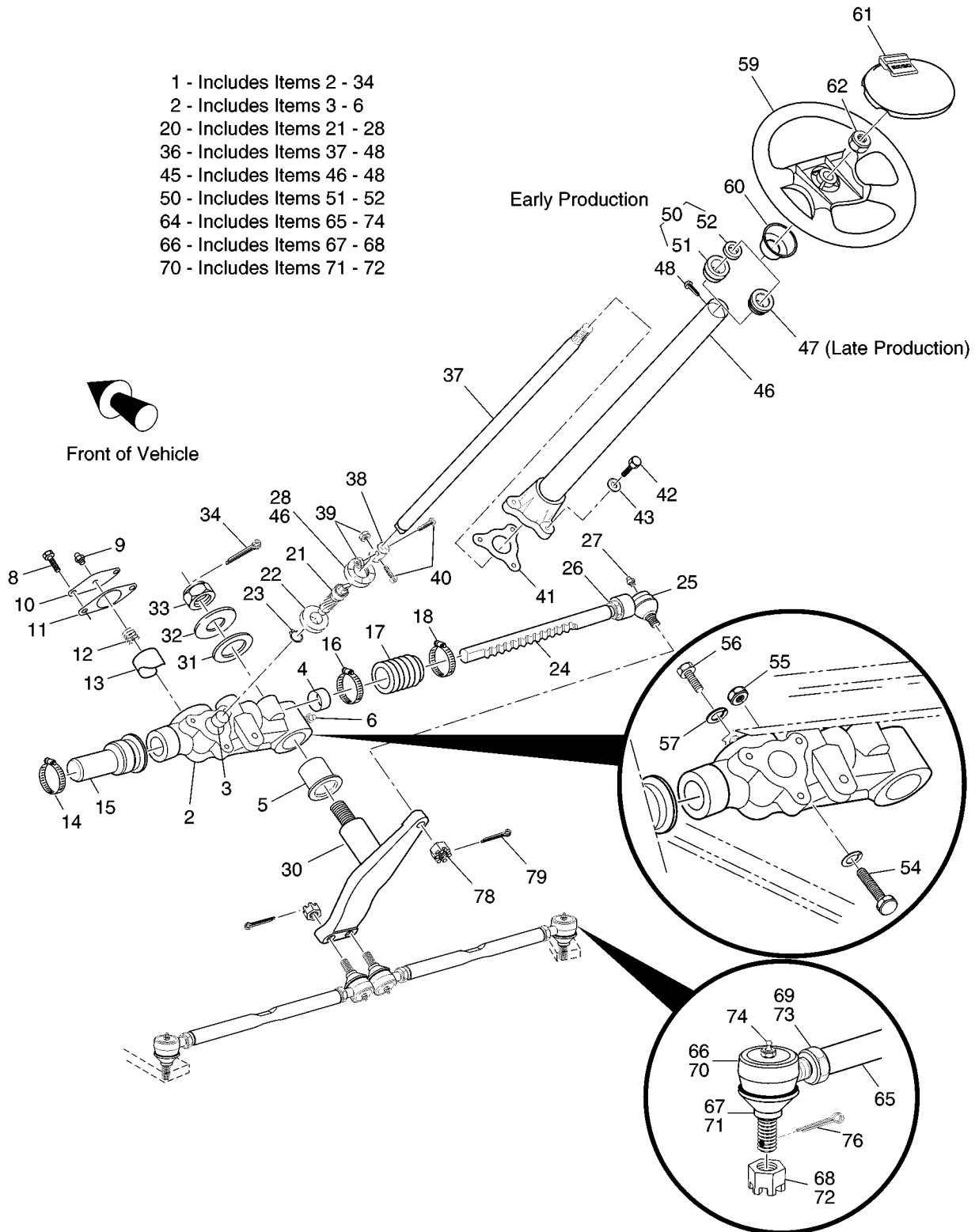
When ordering parts, please specify the model and serial number of the product.

* Indicates a component that is not available as an individual part.

G** Indicates consult Customer Service Department for additional information.

ITEM	PART NO.	1	2	3	4	5	DESCRIPTION	QTY.
31	26885-G01						PULLEY	1
32	26886-G01						NUT/SCREW ASSEMBLY (INCLUDES ITEMS 33 - 37)	1
33	*						NUT	1
34	*						LOCK WASHER	1
35	*						SCREW	3
36	*						SCREW	4
37	*						SCREW	2
38	26887-G01						BRUSH 1 COVER.....	2
39	26888-G01						BRUSH 2 COVER.....	3
40	26889-G01						BOLT AND WASHER ASSEMBLY (INCLUDES ITEMS 41, 42)	2
41	*						WASHER.....	2
42	*						LOCK WASHER.....	2
43	16896-G1						TERMINAL COVER.....	4

- 1 - Includes Items 2 - 34
- 2 - Includes Items 3 - 6
- 20 - Includes Items 21 - 28
- 36 - Includes Items 37 - 48
- 45 - Includes Items 46 - 48
- 50 - Includes Items 51 - 52
- 64 - Includes Items 65 - 74
- 66 - Includes Items 67 - 68
- 70 - Includes Items 71 - 72



When ordering parts, please specify the model and serial number of the product.

* Indicates a component that is not available as an individual part.

G** Indicates consult Customer Service Department for additional information.

ITEM	PART NO.	1 2 3 4 5	DESCRIPTION	QTY.
1	70314-G02		STEERING BOX ASSEMBLY (COMPLETE) (INCLUDES ITEMS 2 - 34)	1
2	75364-G01		STEERING HOUSING (INCLUDES ITEMS 3 - 6).....	1
3	*		SLEEVE BEARING	1
4	*		SLEEVE BEARING	1
5	*		FLANGED BEARING	1
6	10389-G3		GREASE FITTING, STRAIGHT.....	1
7				
8	00426-G6		BOLT, 3/8 - 16 X 3/4" LG	2
9	18456-G1		GREASE FITTING, 90°	1
10	70177-G01		RACK GUIDE COVER	1
11	70225-G01		GASKET	1
12	70178-G01		COMPRESSION SPRING.....	1
13	70179-G01		RACK GUIDE	1
14	11391-G1		CLAMP, 1 1/4"	1
15	70041-G01		RACK COVER.....	1
16	11391-G1		CLAMP, 1 1/4"	1
17	70183-G01		BELLOWS	1
18	11391-G5		CLAMP, 3/4"	1
19				
20	70299-G01		STEERING GEAR KIT (INCLUDES ITEMS 21 - 28).....	1
21	70297-G01		GEAR PINION.....	1
22	15112-G1		BALL BEARING	1
23	70190-G01		EXTERNAL RETAINING RING	1
24	70298-G01		STEERING RACK	1
25	70192-G01		RACK BALL END	1
26	00532-G8		NUT, 7/16 - 20	1
27	18456-G1		GREASE FITTING, 90°	1
28	70466-G01		RETAINER	1
29				
30	70184-G01		IDLER.....	1

When ordering parts, please specify the model and serial number of the product.

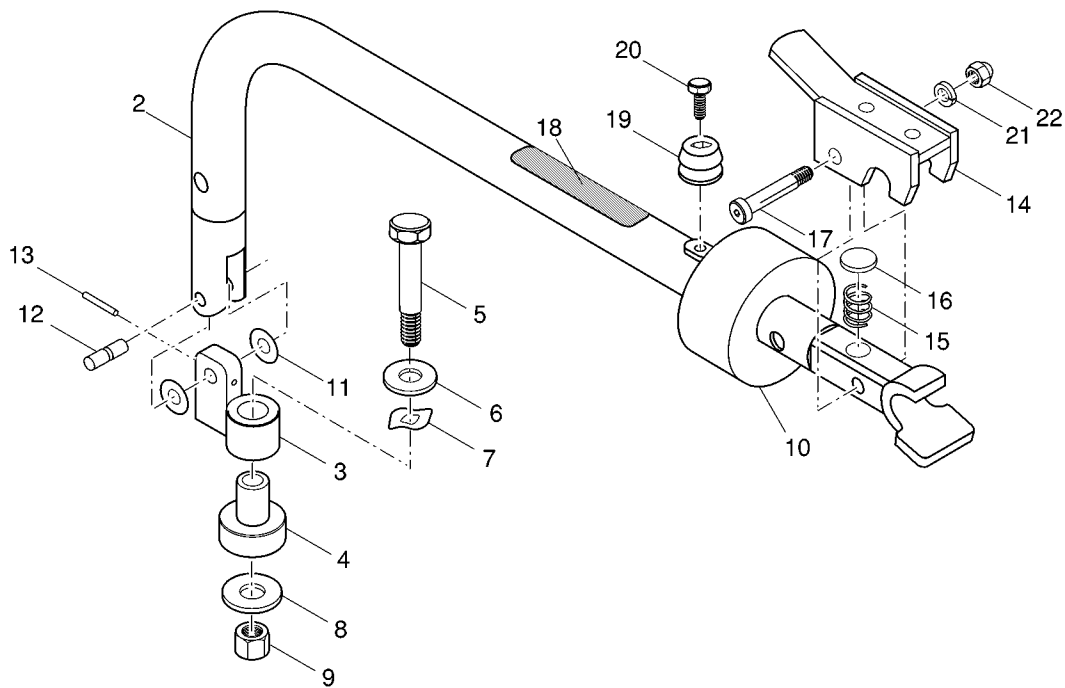
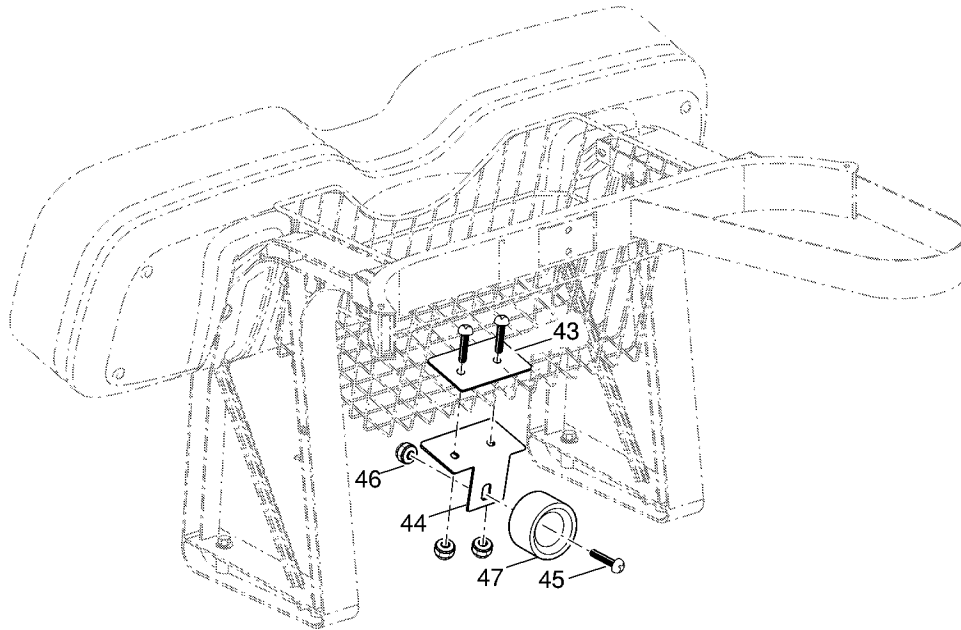
* Indicates a component that is not available as an individual part.

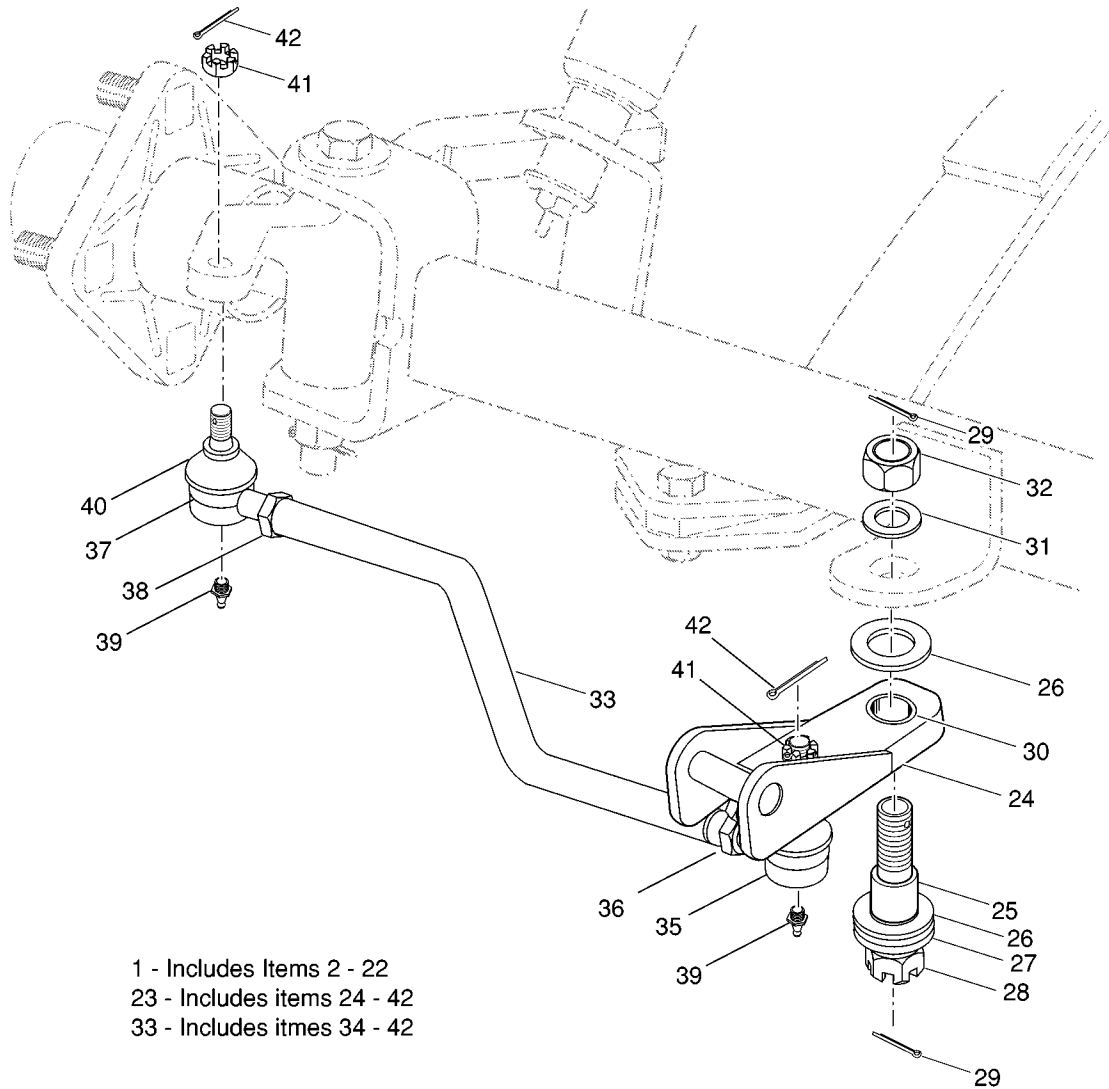
G** Indicates consult Customer Service Department for additional information.

ITEM	PART NO.	1 2 3 4 5	DESCRIPTION	QTY.
31	70216-G01		THRUST WASHER, 1 1/2"	1
32	70195-G01		THRUST WASHER, 7/8"	1
33	00734-G6		LOCK NUT, 7/8 - 9.....	1
34	00798-G8		COTTER PIN, 5/32" X 1 3/4" LG	1
35				
36	70360-G01		STEERING SHAFT/COLUMN KIT (INCLUDES ITEMS 37 - 48)	1
37	14322-G3		STEERING SHAFT	1
38	70558-G01		COUPLING.....	1
39	00550-G1		LOCK NUT, 1/4 - 20.....	2
40	70227-G01		BOLT, 1/4 - 20 X 7/8" LG	2
41	70223-G01		GASKET	1
42	01034-G01		BOLT, 3/8 - 16 X 1 1/2" LG WITH PATCHLOCK	3
43	00878-G1		LOCK WASHER, 3/8".....	3
44	70466-G01		RETAINER.....	1
45	28633-G01		STEERING COLUMN KIT (INCLUDES ITEMS 46 - 48)	1
46	*		STEERING COLUMN	1
47	28569-G01		STEERING COLUMN BUSHING (LATE PRODUCTION).....	1
48	01022-G01		SCREW, #6 - 20 X 5/16" LG	1
49				
50	17161-G1		BUSHING AND SEAL KIT (INCLUDES ITEMS 51, 52) (EARLY PRODUCTION)	1
51	*		STEERING COLUMN BUSHING	1
52	*		SHAFT SEAL.....	1
53				
54	00470-G4		BOLT, 7/16 - 20 X 2 1/2" LG.....	1
55	00734-G3		LOCK NUT, 7/16 - 20	1
56	01033-G01		BOLT, 7/16 - 14 X 1 1/4" LG WITH PATCHLOCK	2
57	00566-G2		LOCK WASHER, 7/16".....	3
58				
59	71948-G01		STEERING WHEEL	1

When ordering parts, please specify the model and serial number of the product.
 * Indicates a component that is not available as an individual part.
 G** Indicates consult Customer Service Department for additional information.

ITEM	PART NO.	1 2 3 4 5	DESCRIPTION	QTY.
60	71949-G01		HUB.....	1
61	71950-G01		CLIPBOARD	1
62	14390-G2		LOCK NUT, 5/8 - 18	1
63				
64	70074-G01		TIE ROD ASSEMBLY (INCLUDES ITEMS 65 - 74).....	2
65	70583-G02		THREADED TUBE WITH FLAT	1
66	27205-G01		TIE ROD END (LEFT HAND THREAD) (INCLUDES ITEMS 67 - 68)	1
67	50641-G1		RUBBER BOOT	1
68	50209-G2		SLOTTED NUT, 7/16 - 20.....	1
69	18434-G3		JAM NUT, 9/16 - 18 (LEFT HAND THREAD).....	1
70	27205-G02		TIE ROD END (RIGHT HAND THREAD) (INCLUDES ITEMS 71 - 72).....	1
71	50641-G1		RUBBER BOOT	1
72	50209-G2		SLOTTED NUT, 7/16 - 20.....	1
73	18434-G4		JAM NUT, 9/16 - 18 (RIGHT HAND THREAD).....	1
74	10389-G3		GREASE FITTING, STRAIGHT	2
75				
76	10387-G2		COTTER PIN, 3/32" X 1" LG.....	2
77				
78	50209-G2		SLOTTED NUT, 7/16 - 20	1
79	10387-G2		COTTER PIN, 3/32" X 1" LG.....	1





TOW BAR, PERMENENT

Gasoline Vehicle

When ordering parts, please specify the model and serial number of the product.

* Indicates a component that is not available as an individual part.

G** Indicates consult Customer Service Department for additional information.

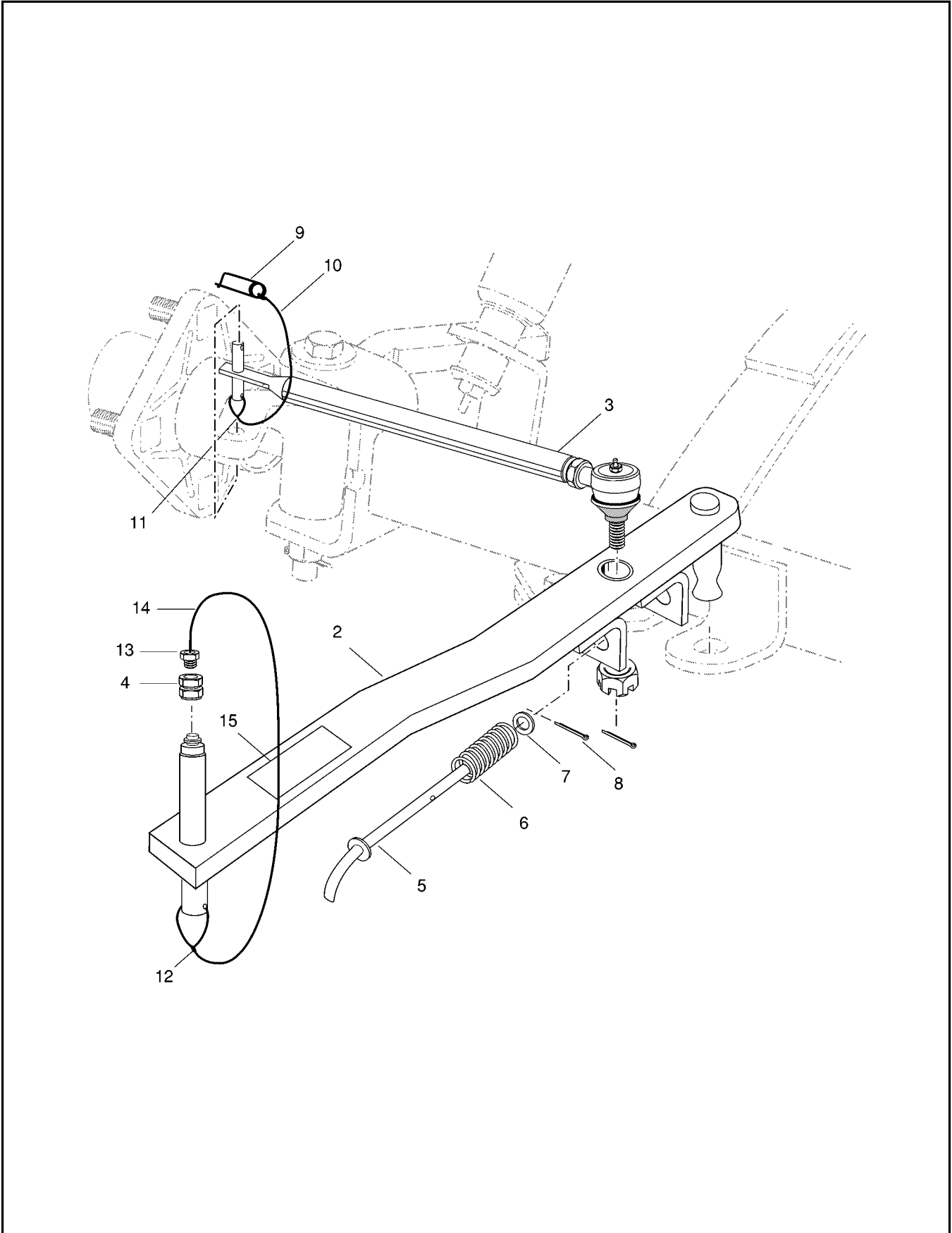
ITEM	PART NO.	1 2 3 4 5	DESCRIPTION	QTY.
1	75304-G01		TOW BAR (TOWING VEHICLE) (INCLUDES ITEMS 2 - 22)	1
2	75299-G01		TOW BAR	1
3	75302-G01		UPPER PIVOT	1
4	75291-G01		LOWER PIVOT	1
5	00410-G8		BOLT, 1/2-20 X 3" LG.	1
6	00675-G3		WASHER, 1/2"	1
7	75339-G01		SPRING WASHER	1
8	00571-G5		WASHER, 1/2"	1
9	11098-G8		LOCK NUT, 1/2-20	1
10	75362-G01		LATCH STOP	1
11	75340-G01		DELRIN WASHER, 3/8"	2
12	75360-G01		PIVOT PIN	2
13	13571-G7		SPRING PIN	2
14	75303-G01		LATCH	1
15	20852-G2		COMPRESSION SPRING	1
16	25661-G02		CUP WASHER.....	1
17	13005-G4		SHOULDER BOLT, 3/8 X 1 5/8" LG.	1
18	75370-G01		LABEL (WARNING)	1
19	75338-G03		STOP, MALE.....	1
20	12547-G4		SCREW, 6MM x 30 MM	1
21	00565-G8		LOCK WASHER, 5/16"	1
22	00520-G3		ACORN NUT, 5/16 - 18.....	1
23	75308-G01		TOW BAR HITCH (TOWED VEHICLE) (INCLUDES ITEMS 24 - 42).....	1
24	75305-G01		HITCH.....	1
25	75292-G01		PIVOT BOLT	1
26	75309-G01		THRUST WASHER.....	2
27	75342-G01		WASHER, 3/4"	1
28	00518-G8		CASTELLATED NUT, 3/4-16	1
29	10387-G1		COTTER PIN, 1/8 X 1 1/2" LG.	2
30	75307-G01		BEARING.....	1



When ordering parts, please specify the model and serial number of the product.
 * Indicates a component that is not available as an individual part.
 G** Indicates consult Customer Service Department for additional information.

ITEM	PART NO.	1	2	3	4	5	DESCRIPTION	QTY.
31	00566-G6						LOCK WASHER, 3/4"	1
32	00533-G8						NUT, 3/4-16.....	1
33	75306-G01						TIE ROD (INCLUDES ITEMS 34 - 42)	1
34	75287-G01						STEERING LINK.....	1
35	27205-G01						TIE ROD END (LEFT HAND THREADS)	1
36	*						JAM NUT, 9/16-18 (LEFT HAND THREADS)	1
37	27205-G02						TIE ROD END (RIGHT HAND THREADS)).....	1
38	*						JAM NUT, 9/16-18 (RIGHT HAND THREADS).....	1
39	10389-G3						GREASE FITTING	2
40	50641-G1						RUBBER BOOT	2
41	50209-G2						CASTELLATED NUT, 7/16-20.....	2
42	10387-G2						COTTER PIN, 3/32 X 1" LG.	2
43	75318-G01						MOUNTING PLATE	1
44	75319-G01						STOP MOUNT PLATE	1
45	16705-G1						SCREW, 1/4-20 X 1" LG.....	3
46	00891-G2						LOCK NUT, 1/4-20	3
47	75338-G02						STOP, FEMALE.....	1

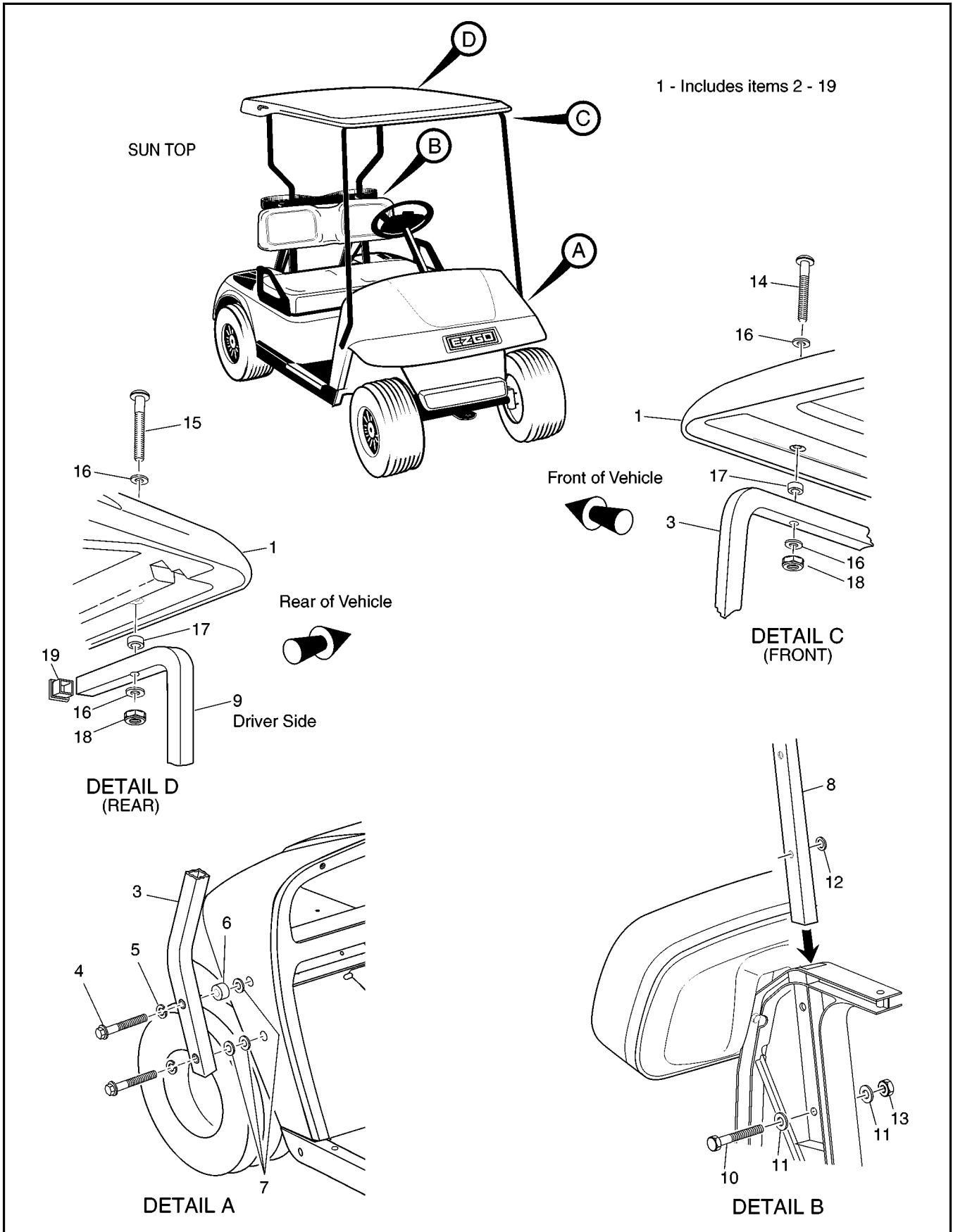




When ordering parts, please specify the model and serial number of the product.
 * Indicates a component that is not available as an individual part.
 G** Indicates consult Customer Service Department for additional information.

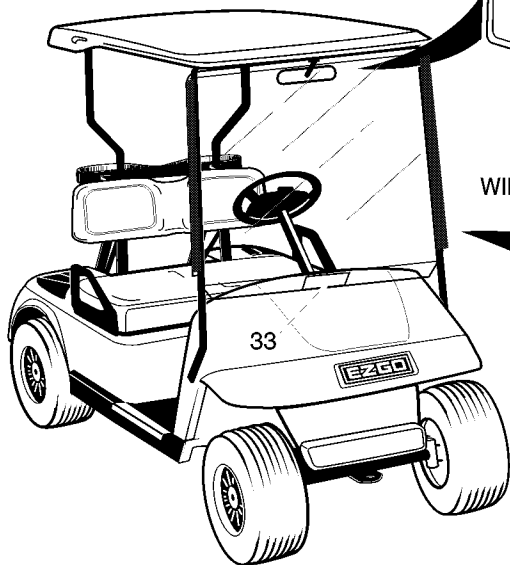
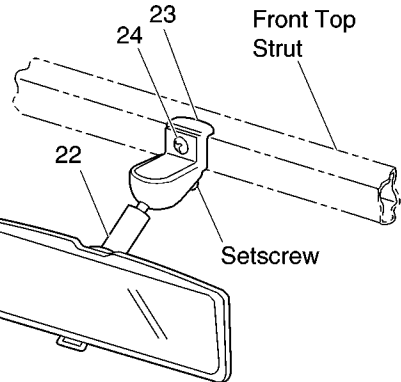
ITEM	PART NO.	1 2 3 4 5	DESCRIPTION	QTY.
1	75033-G01		CASUAL TOW BAR, (INCLUDES ITEMS 2 - 15)	1
2	*		TOW BAR	1
3	75034-G01		TIE ROD (INCLUDES NUT AND COTTER PIN)	1
4	75060-G01		COUPLING	1
5	*		LOCK PIN	1
6	75065-G01		COMPRESSION SPRING	1
7	00922-G2		WASHER, 3/8"	1
8	10387-G2		COTTER PIN, 3/32" X 1" LG.	1
9	75068-G01		SAFETY PIN	1
10	14869-G5		WIRE ROPE	1
11	16783-G1		FERRULE	3
12	75067-G01		FERRULE	1
13	75035-G01		HEX HEAD PLUG	1
14	14869-G3		WIRE ROPE	1
15	*		LABEL (WARNING)	1



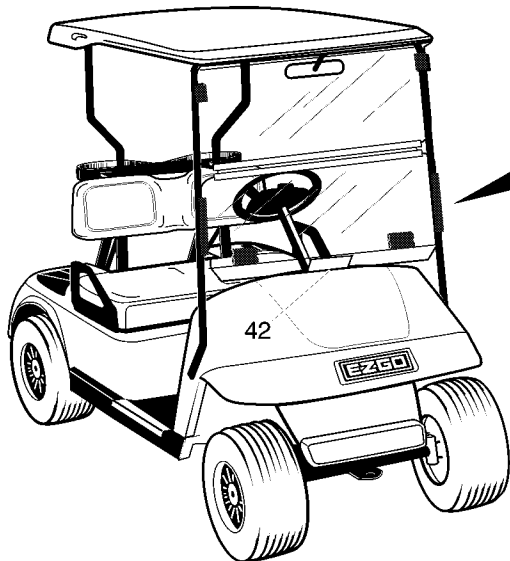
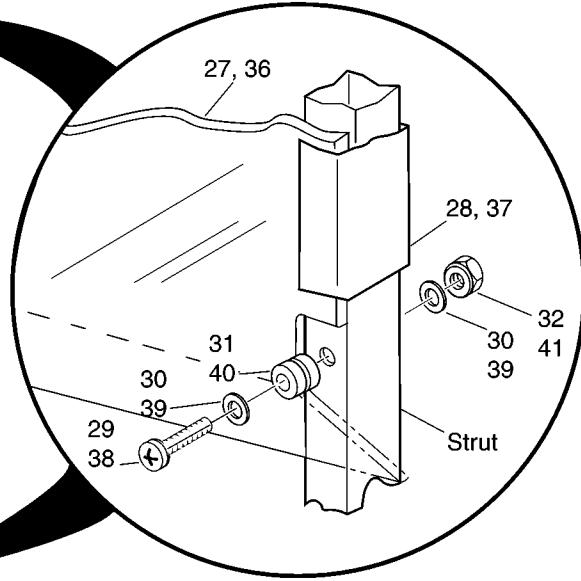


REAR VIEW MIRROR

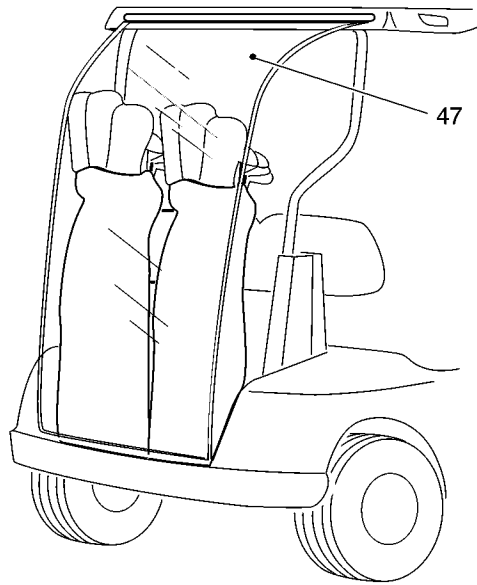
21 - Includes Items 22 - 24



WINDSHIELD

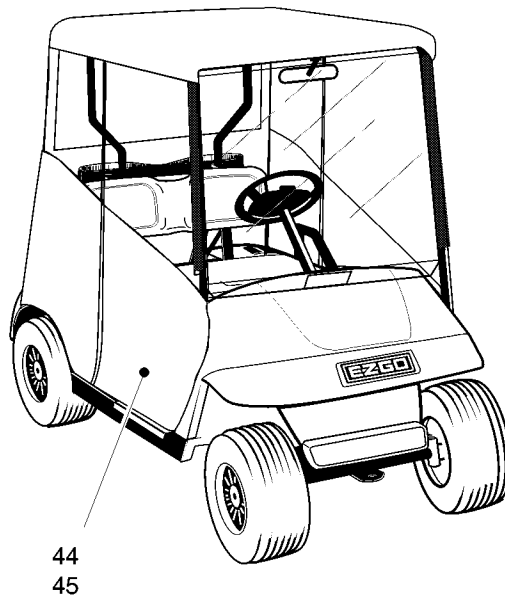


SPLIT WINDSHIELD



BAG AND RAIN CURTAIN

WEATHER ENCLOSURE



44
45

Replacement parts for the windshield may be obtained from Eagle Parts, Inc. 1811 Wilkinson Rd. Augusta, GA 30904. Telephone (706) 729-9911 or FAX (706) 729-0055

* Indicates a component that is not available as an individual part.

G** Indicates consult Customer Service Department for additional information.

ITEM	PART NO.	1 2 3 4 5	DESCRIPTION	QTY.
1	75040-G**		SUN TOP KIT (GOLF CAR) (INCLUDES ITEMS 2 - 19)	1
2	27069-G**		SUN TOP	1
3	75045-G01		FRONT STRUT	1
4	01035-G01		BOLT, 5/16 - 18 X 2 1/4" LG	4
5	00905-G8		LOCK WASHER, 5/16"	4
6	75048-G01		SPACER, 1/2"	2
7	00570-G2		WASHER, 5/16"	6
8	75046-G01		REAR STRUT	2
9				
10	00439-G6		BOLT, 5/16 - 18 X 1 3/4" LG	4
11	00571-G2		WASHER, 5/16"	8
12	17255-G1		TEFLON WASHER, 5/16"	4
13	11098-G6		LOCK NUT, 5/16 - 18	4
14	00753-G5		SCREW, 1/4 - 20 X 2" LG (STAINLESS STEEL)	2
15	00753-G6		SCREW, 1/4 - 20 X 2 1/4" LG (STAINLESS STEEL)	2
16	00559-G7		WASHER, 1/4"	8
17	75051-G01		SPACER	4
18	00891-G2		LOCK NUT, 1/4 - 20	4
19	19853-G1		END CAP, 1"	2
20				
21	19528-G2		REAR VIEW MIRROR KIT (INCLUDES ITEMS 22 - 24)	1
22	19496-G1		REAR VIEW MIRROR	1
23	19502-G2		SUPPORT BRACKET	1
24	19527-G1		SCREW, #8 - 32 X 5/8" LG (STAINLESS STEEL)	1
25				
26	75524-G01		WINDSHIELD KIT (GOLF CAR) (INCLUDES ITEMS 27 - 33)	1
27	*		WINDSHIELD	1
28	EGWHC12		SASH, 26" LG	2
29	EGWHS12		SCREW, 1/4 - 20 X 1 3/4" LG (STAINLESS STEEL)	2
30	EGWHW12		WASHER, 1/4" (STAINLESS STEEL)	4



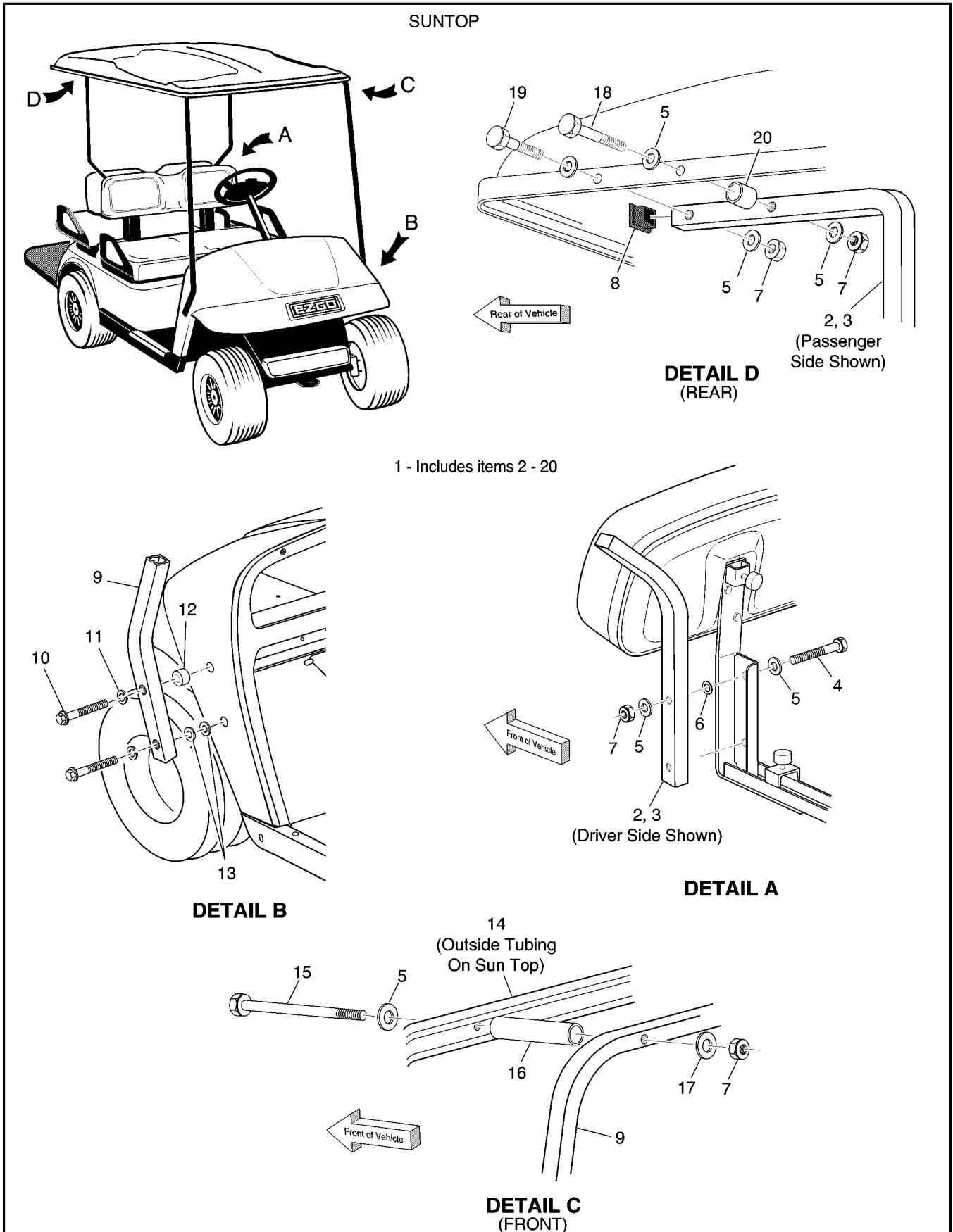
Replacement parts for the windshield may be obtained from Eagle Parts, Inc. 1811 Wilkinson Rd. Augusta, GA 30904. Telephone (706) 729-9911 or FAX (706) 729-0055

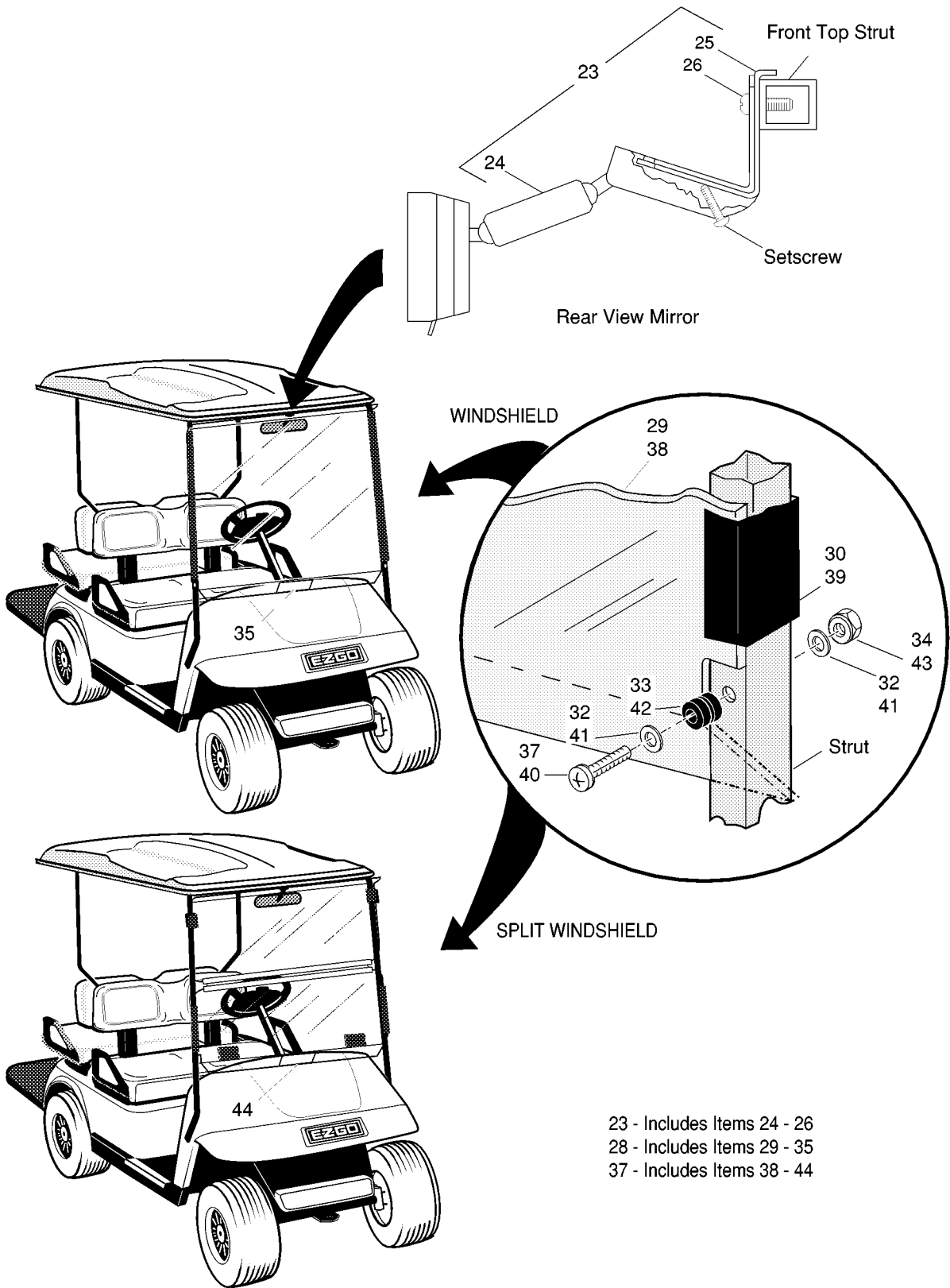
* Indicates a component that is not available as an individual part.

G** Indicates consult Customer Service Department for additional information.

ITEM	PART NO.	1	2	3	4	5	DESCRIPTION	QTY.
31	EGWHG13						RUBBER GROMMET	2
32	EGWHN12						LOCK NUT, 1/4 - 20 (STAINLESS STEEL).....	2
33	EGWHL-14						LABEL (SAFETY)	1
34								
35	75525-G01						SPLIT WINDSHIELD KIT (GOLF CAR) (INCLUDES ITEMS 36 - 42).....	1
36	*						WINDSHIELD	1
37	EGWHC10						SASH, 12" LG	2
38	EGWHS12						SCREW, 1/4 - 20 X 1 3/4" LG (STAINLESS STEEL).....	2
39	EGWHW12						WASHER, 1/4" (STAINLESS STEEL).....	4
40	EGWHG13						RUBBER GROMMET	2
41	EGWHN12						LOCK NUT, 1/4 - 20 (STAINLESS STEEL).....	2
42	EGWHL-14						LABEL (SAFETY)	1
43								
44	75078-G01						WEATHER ENCLOSURE (3 SIDED) RECOMMENDED FOR VEHICLES WITH WINDSHIELDS.....	1
45	75079-G01						WEATHER ENCLOSURE (4 SIDED) RECOMMENDED FOR VEHICLES WITHOUT WINDSHIELDS	1
46								
47	75191-G01						BAG COVER AND RAIN CURTAIN KIT.....	1







WEATHER PROTECTION, 4 CADDY

Gasoline Vehicle

Replacement parts for the windshield may be obtained from Eagle Parts, Inc. 1811 Wilkinson Rd. Augusta, GA 30904. Telephone (706) 729-9911 or FAX (706) 729-0055

* Indicates a component that is not available as an individual part.

G** Indicates consult Customer Service Department for additional information.

ITEM	PART NO.	1 2 3 4 5	DESCRIPTION	QTY.
1	75123-G01		SUN TOP (4 CADDY) (INCLUDES ITEMS 2 - 20).....	1
2	75074-G01		REAR STRUT (DRIVER SIDE).....	1
3	75074-G02		REAR STRUT (PASSENGER SIDE).....	1
4	00665-G5		BOLT, 3/8 - 16 X 1 3/4" LG.	4
5	00679-G1		WASHER, 3/8	18
6	00771-G5		WASHER, 3/8	4
7	00891-G5		LOCK NUT, 3/8 - 16.....	10
8	19853-G1		END CAP, 1"	2
9	75125-G01		FRONT STRUT.....	1
10	01035-G01		BOLT, 5/16 - 18 X 2 1/4" LG.	4
11	00905-G8		LOCK WASHER, 5/16"	4
12	75048-G01		SPACER, 1/2"	2
13	00879-G1		WASHER, 3/8"	4
14	27604-G01		SUN TOP	1
15	00674-G8		BOLT, 3/8 - 16 X 5" LG.	2
16	18716-G1		SPACER	2
17	00653-G1		WASHER, 3/8" (STAINLESS STEEL).....	2
18	00665-G3		BOLT, 3/8 - 16 X 2 1/2" LG (STAINLESS STEEL)	2.
19	00665-G6		BOLT, 3/8 - 16 X 2" LG.	2
20	24647-G1		SPACER, 1/4"	2
21				
22				
23	19528-G2		REAR VIEW MIRROR KIT (INCLUDES ITEMS 24 - 26)	1
24	19496-G1		REAR VIEW MIRROR	1
25	19502-G2		SUPPORT BRACKET.....	1
26	19527-G1		SCREW, #8 - 32 X 5/8" LG (STAINLESS STEEL).....	1
27				
28	75513-G02		WINDSHIELD KIT, (4 CADDY) (INCLUDES ITEMS 29 - 35).....	1
29	*		WINDSHIELD	1
30	EGWHC12		SASH, 26" LG.	2



Replacement parts for the windshield may be obtained from Eagle Parts, Inc. 1811 Wilkinson Rd. Augusta, GA 30904. Telephone (706) 729-9911 or FAX (706) 729-0055

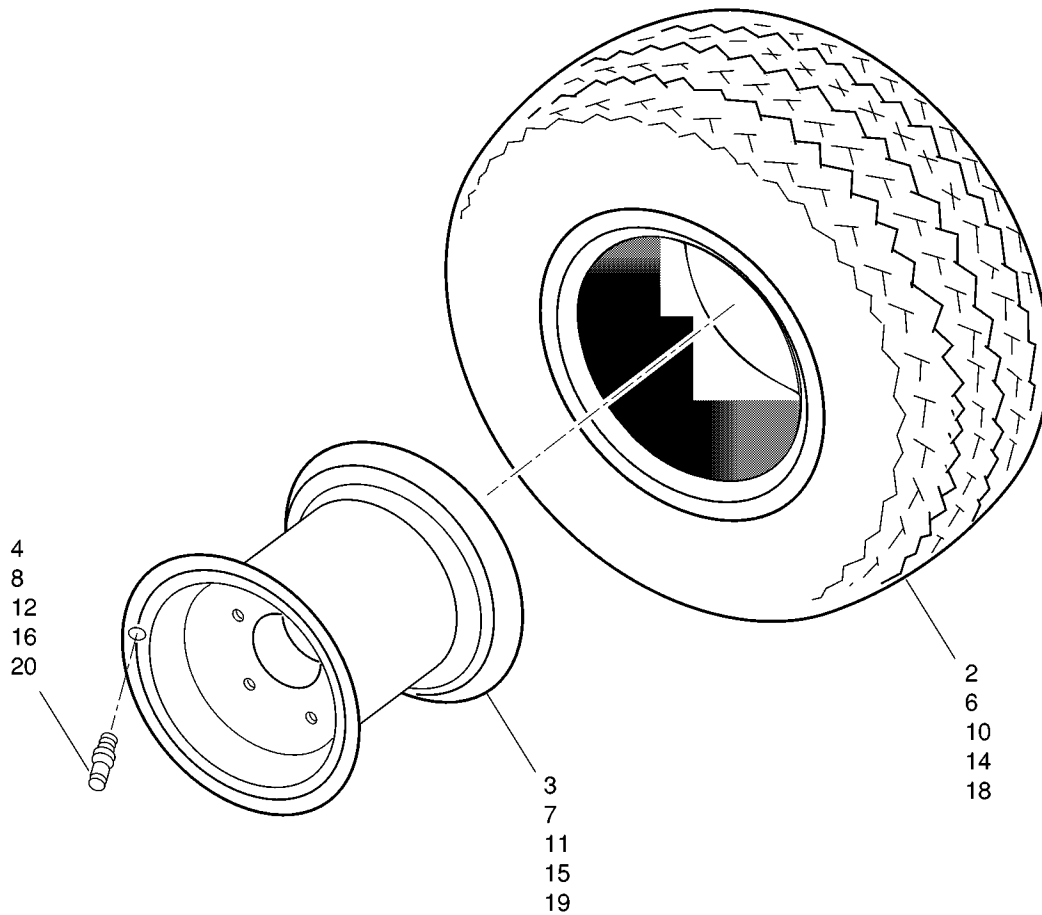
* Indicates a component that is not available as an individual part.

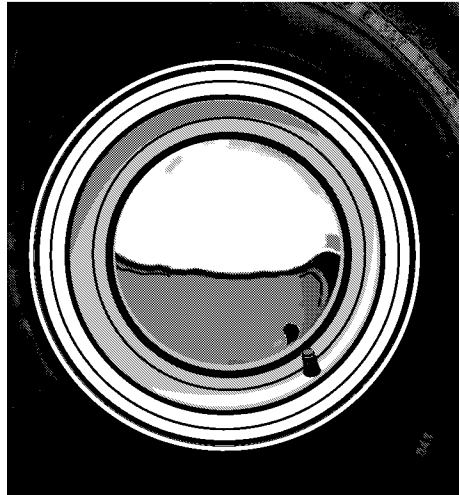
G** Indicates consult Customer Service Department for additional information.

ITEM	PART NO.	1	2	3	4	5	DESCRIPTION	QTY.
31	EGWHS12						SCREW, 1/4 - 20 X 1 3/4"LG (STAINLESS STEEL).....	2.
32	EGWHW12						WASHER, 1/4" (STAINLESS STEEL)	4
33	EGWHG13						RUBBER GROMMET	2
34	EGWHN12						LOCK NUT, 1/4 - 20 (STAINLESS STEEL)	2
35	EGWHL-14						LABEL (SAFETY)	1
36								
37	75514-G02						WINDSHIELD KIT, SPLIT SCREEN (4 CADDY) (INCLUDES ITEMS 38 - 44)	1
38	*						WINDSHIELD	1
39	EGWHC10						SASH, 12" LG.	2
40	EGWHS12						SCREW, 1/4 - 20 X 1 3/4"LG (STAINLESS STEEL).....	2.
41	EGWHW12						WASHER, 1/4" (STAINLESS STEEL)	4
42	EGWHG13						RUBBER GROMMET	2
43	EGWHN12						LOCK NUT, 1/4 - 20 (STAINLESS STEEL)	2
44	EGWHL-14						LABEL (SAFETY)	1



- 1 - Includes Items 2-4
- 5 - Includes Items 6-8
- 9 - Includes Items 10-12
- 13 - Includes Items 14-16
- 17 - Includes Items 18-20

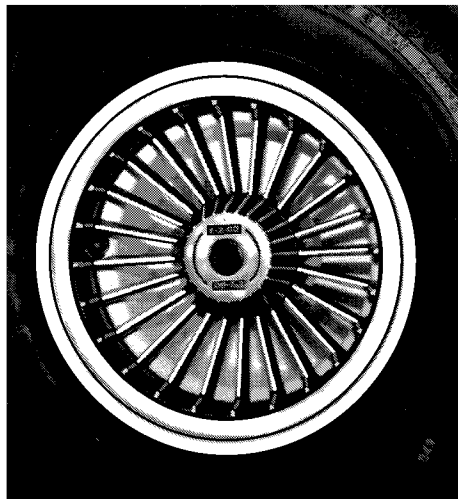




6" CHROME HUBCAP
23



8" CHROME HUBCAP
22



GOLD / SILVER SPOKE HUBCAP
24
25

WHEELS AND TIRES

Gasoline Vehicle

When ordering parts, please specify the model and serial number of the product.

* Indicates a component that is not available as an individual part.

G** Indicates consult Customer Service Department for additional information.

ITEM	PART NO.	1 2 3 4 5	DESCRIPTION	QTY.
1	27772-G09		TIRE AND WHEEL ASSEMBLY (LINKS 1 18 X 8.5 - 8) (INCLUDES ITEMS 2-4).....	AR
2	27772-G10		LINKS 1 CARLISLE TIRE, 18 X 8.5 - 8	AR
3	15169-G1		WHEEL RIM (4 LUG).....	AR
4	11657-G1		VALVE STEM.....	AR
5	27772-G03		WHEEL AND TIRE ASSEMBLY (TURF SAVER 18 X 8.5 - 8) (INCLUDES ITEMS 6-8).....	AR
6	27772-G07		CARLISLE TIRE (TURF SAVER 18 X 8.5 - 8).....	AR
7	15169-G1		WHEEL RIM (4 LUG).....	AR
8	11657-G1		VALVE STEM.....	AR
9	27775-G01		WHEEL AND TIRE ASSEMBLY (USA TRAIL 6-PLY 18.5 X 8.5 - 8) (INCLUDES ITEMS 10-12).....	AR
10	27775-G02		CARLISLE TIRE (USA TRAIL, 6 PLY 18 X 8.5 - 8)	AR
11	15169-G1		WHEEL RIM (4 LUG).....	AR
12	11657-G1		VALVE STEM.....	AR
13	27772-G02		WHEEL AND TIRE ASSEMBLY (TURF GLIDE 18 X 8.5 - 8) (INCLUDES ITEMS 14-16).....	AR
14	27772-G06		CARLISLE TIRE (TURF GLIDE 18 X 8.5 - 8).....	AR
15	15169-G1		WHEEL RIM (4 LUG).....	AR
16	11657-G1		VALVE STEM.....	AR
17	27772-G04		WHEEL AND TIRE ASSEMBLY (FAIRWAY 18 X 8.5 - 8) (INCLUDES ITEMS 18-20).....	AR
18	27772-G08		CARLISLE TIRE (FAIRWAY 18 X 8.5 - 8).....	AR
19	15169-G1		WHEEL RIM (4 LUG).....	AR
20	11657-G1		VALVE STEM.....	AR
21				
22	14913-G**		8" CHROME HUBCAP (OPTIONAL).....	AR
23	16042-G**		6" CHROME HUBCAP (OPTIONAL).....	AR
24	19241-G**		GOLD SPOKE HUBCAP (OPTIONAL)	AR
25	19241-G**		SILVER SPOKE HUBCAP (OPTIONAL).....	AR



SPECIALTY PRODUCTS

SPECIALTY PRODUCTS

SPECIALTY PRODUCTS

SPECIAL TOOLS	Part No.
HIGH RESISTANCE SPARK PLUG WIRE SET	26733-G02
DRIVE CLUTCH PULLER	19779-G2
FLYWHEEL PULLER.....	27111-G01
CAM PULLEY TOOL	27851-G01
CURRENT INDICATOR.....	16489-G2
DIGITAL MULTI-METER.....	27481-G01
CRIMPING TOOL	27765-G01
SLIDE HAMMER (AXLE/HUB REMOVAL)	15947-G1
SLIDE HAMMER (AXLE REMOVAL ONLY).....	18753-G1
TACHOMETER.....	72526-G01
FEELER GAUGE.....	72525-G01
COMPRESSION TESTER.....	72524-G01
ENGINE OIL	
4-CYCLE ENGINE OIL, 5 GALLON.....	25730-G03
4-CYCLE ENGINE OIL, 12 QUART CASE.....	25730-G04
4-CYCLE ENGINE OIL, QUART BOTTLE.....	25730-G06
PAINT	
HUNTER GREEN - TOUCH-UP PEN.....	28432-G02
CHAMPAGNE BEIGE - TOUCH-UP PEN.....	28432-G01
HUNTER GREEN - 12 OZ. AEROSOL.....	28140-G09
CHAMPAGNE BEIGE - 12 OZ. AEROSOL	28140-G15
PERFORMANCE PRODUCTS	
FORMULA 40 VINYL-COAT® - WHITE.....	28166-G01
“PLEXUS”® CLEANER, 7 OZ. (FOR WINDSHIELDS).....	28433-G01
“PLEXUS”® CLEANER, 13 OZ. (FOR WINDSHIELDS).....	28433-G02
BATTERY PROTECTOR, 14 OZ AEROSOL.....	75500-G01
CARBURETOR & CHOKE CLEANER, 15 OZ AEROSOL	75501-G01
WHITE LITHIUM GREASE, 14 OZ AEROSOL.....	75502-G01
PENETRANT/LUBRICANT, 15 OZ AEROSOL.....	75503-G01
MULTI-PURPOSE CLEANER & DEGREASER, 14 OZ AEROSOL	75504-G01
MULTI-PURPOSE HAND CLEANER, 32 OZ LIQUID.....	75505-G01
BATTERY CLEANER, 32 OZ W/TRIGGER SPRAYER	75506-G01
BIODEGRADABLE CLEANER, 32 OZ W/TRIGGER SPRAYER	75507-G01
MULTI-PURPOSE VALUE PACK.....	75508-G01
<ul style="list-style-type: none"> • BATTERY PROTECTOR, 4 OZ AEROSOL • PENETRANT/LUBRICANT, 4 OZ AEROSOL 	<ul style="list-style-type: none"> • WHITE LITHIUM GREASE, 4 OZ AEROSOL • CARBURETOR & CHOKE CLEANER, 4 OZ AEROSOL



ACCESSORIES

ACCESSORIES LISTING

ACCESSORIES

ACCESSORIES LISTING	KIT NO.	LOCATION IN MANUAL
SUN TOP KIT, GOLF CAR	75040-G01	See Weather Protection, Golf Car Section
SUN TOP KIT (4 CADDY ONLY).....	75123-G01	See Weather Protection, 4 Caddy Section
WINDSHIELD KIT, GOLF CAR.....	75513-G01	See Weather Protection, Golf Car Section
WINDSHIELD KIT, 4 CADDY ONLY	75513-G02.....	See Weather Protection, 4 Caddy Section
WINDSHIELD KIT, SPLIT, GOLF CAR	75514-G01	See Weather Protection, Golf Car Section
WINDSHIELD KIT, SPLIT, 4 CADDY ONLY	75514-G02.....	See Weather Protection, 4 Caddy Section
SAND RAKE	14735-G1	See Body and Associated Parts Section
TOW BAR KIT (PERMANENT USE)	75310-G01	See Tow Bar, Permanent Section
WEATHER ENCLOSURE (3 SIDED)	75078-G01	See Weather Protection, Golf Car Section
WEATHER ENCLOSURE (4 SIDED)	75079-G01	See Weather Protection, Golf Car Section
REAR VIEW MIRROR (REQUIRES SUN TOP)	19528-G2.....	See Weather Protection, Golf Car Section
MESSAGE HOLDER KIT (REQUIRES SUNTOP)	75094-G01	See Body and Associated Parts Section
HOURMETER.....	75114-G02	See Gauges, Horn and Lighting Section
COOLER JUG / BRACKET KIT	75170-G01	See Body and Associated Parts Section
BAG COVER / RAIN CURTAIN KIT.....	75191-G01	See Weather Protection, Golf Car Section
ASHTRAY KIT.....	75109-G02.....	See Body and Associated Parts Section
URNSIGNAL KIT	75107-G02.....	See Gauges, Horn and Lighting Section
SANDBOTTLE	75009-G01	See Body and Associated Parts Section
8" CHROME HUBCAP	14913-G*	See Wheels and Tires Section
6" CHROME HUBCAP	16042-G*	See Wheels and Tires Section
GOLD SPOKE HUBCAP	19241-G*	See Wheels and Tires Section
SILVER SPOKE HUBCAP	19241-G*	See Wheels and Tires Section
4-CADDY KIT.....	74150-G01	See Body and Associated Parts, Seating, 4 Caddy, and Rear Suspension Sections
CENTER BASKET	75003-G02.....	See Body and Associated Parts Section
SIDE BASKET	75007-G02.....	See Body and Associated Parts Section
TWO BAG ATTACHMENT	75183-G01	See Body and Associated Parts Section
CONVERTIBLE CARRIER KIT.....	75179-G*	See Body and Associated Parts, Seating- Convertible Carrier, and Rear Suspension Sections
4 BAG ATTACHMENT	75335-G01	See Body and Associated Parts Section



a **TEXTRON** Company

E-Z-GO Division of Textron Inc.
P.O. Box 388 Augusta, Georgia 30903-0388 USA
Inside USA Phone: 1-800-241-5855, FAX: 1-800-448-8124
Outside USA Phone: 010-1-706-798-4311, FAX: 010-1-706-771-4609

Copyrighted Material
This manual may not be reproduced in whole or
in part without the express permission of
E-Z-GO Division of Textron Inc.
Technical Communications Department