



CUSHMAN®

LET'S WORK!

Electric Service Parts Manual



624951-BC

ISSUED AUGUST 2011 REVISED OCTOBER 2018

SERVICE PARTS MANUAL

ELECTRIC UTILITY VEHICLE

HAULER 800

HAULER 1000

STARTING MODEL YEAR 2012

DISCLAIMER: The E-Z-GO Division of Textron Inc. (E-Z-GO) reserves the right to incorporate engineering and design changes to products in this Manual, without obligation to include these changes on units leased/sold previously.

The information contained in this Manual may be revised periodically E-Z-GO, and therefore is subject to change without notice.

E-Z-GO DISCLAIMS LIABILITY FOR ERRORS IN THIS MANUAL, and E-Z-GO SPECIFICALLY DISCLAIMS LIABILITY FOR INCIDENTAL AND CONSEQUENTIAL DAMAGES RESULTING FROM THE USE OF THE INFORMATION AND MATERIALS IN THIS MANUAL.

TO CONTACT US

NORTH AMERICA:

TECHNICAL ASSISTANCE & WARRANTY PHONE: 1-800-774-3946, FAX: 1-800-448-8124

SERVICE PARTS PHONE: 1-888-GET-EZGO (1-888-438-3946), FAX: 1-800-752-6175

INTERNATIONAL: PHONE: 001-706-798-4311, FAX: 001-706-771-4609

E-Z-GO DIVISION OF TEXTRON INC., 1451 MARVIN GRIFFIN RD., AUGUSTA, GEORGIA USA 30906-3852

GENERAL INFORMATION

To obtain a copy of the limited warranty applicable to the vehicle, call or write a local Distributor, authorized Branch or the Warranty Department with vehicle serial number and manufacturer code.

The use of non Original Equipment Manufacturer (OEM) parts may void the warranty.

Overfilling of batteries may void the warranty.

BATTERY PROLONGED STORAGE

All batteries will self discharge over time. The rate of self discharge varies depending on the ambient temperature and the age and condition of the batteries.

A fully charged battery will not freeze in winter temperatures unless the temperature falls below -75° F (-60° C).

As with all electric vehicles, the batteries must be checked and recharged as required or at a minimum of 30 day intervals.

TABLE OF CONTENTS

SECTION	Page No.
HOW TO USE THE SERVICE PARTS MANUAL	Vi
ACCELERATOR	A - 1
BATTERY CHARGER	B - 1
BODY	C - 1
BRAKES - MECHANICAL AND FRONT DISC BRAKES	D - 1
CAB	F - 1
ELECTRICAL SYSTEM	H - 1
ELECTRONIC SPEED CONTROL	J - 1
FRONT SUSPENSION & STEERING	K - 5
MOTOR	L - 1
REAR AXLE	M - 1
REAR SUSPENSION	N - 1
ROPS	S - 1
SEATING	T - 1
TRUCK BED	U - 1
WEATHER PROTECTION	V - 1
WHEELS AND TIRES	W - 1

NOTES



HOW TO USE THE SERVICE PARTS MANUAL

This manual is divided into several sections:

- GENERAL INFORMATION
- ILLUSTRATED PARTS BREAKDOWN
- APPENDIX

The first section, GENERAL INFORMATION, contains the following information:

- WARRANTY INFORMATION
- GENERAL INDEX
- HOW TO USE THE SERVICE PARTS MANUAL

The second section, ILLUSTRATED PARTS BREAKDOWN, contains illustrations and parts lists for all systems of your vehicle.

The third section, APPENDIX, contains a listing of specialty products and accessories.

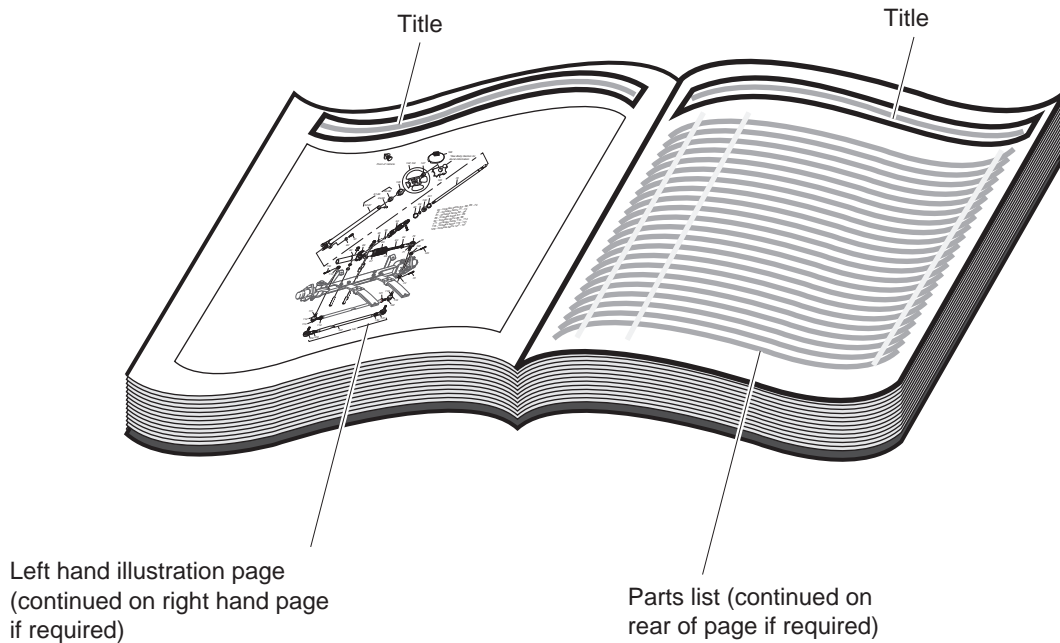
USE OF THE MANUAL

To use this manual, consult the GENERAL INDEX to locate the information or illustration required.

Introduction of some revisions varies due to supply of components; therefore, it is possible that various combinations of components may be found that are not directly reflected by each illustration. Consult the illustration that best suits your situation and then contact the Service Parts Department. It is important that the serial number of your vehicle and its model number be supplied to Service Parts when ordering any replacement components.

Locate the serial number plate (see BODY located in the Illustrated Parts Breakdown section of this manual for its location) and note the complete number shown on the plate.

HOW TO USE THE SERVICE PARTS MANUAL



1. WHEN THE PART NUMBER IS NOT KNOWN

- Determine the function and application of the part required. Turn to the General Index and select the most appropriate title.
- Turn to the page number indicated and locate the desired part on the illustration.
- From the illustration, obtain the item number assigned to the desired part. Refer to the accompanying description for specific information regarding the part.

2. IF YOU KNOW THE PART NUMBER

- Locate the part number or description in the appropriate column on the parts list page.

NOTE: It is suggested that you confirm that the part selected is correct by verifying it with the pictorial representation on the illustrated page.

Should an asterisk (*) appear in the part number column on the parts list page, read upwards until a part number is found. The part number is the lowest assembly sold by Service Parts and the asterisk (*) indicates that the part depicted is not available for purchase.

NOTE: Descriptions are indented under the assembly that they are used on. That assembly is, in turn listed under the assembly that it is used on. This process is repeated until the highest final assembly is reached.

To facilitate the maintenance and repair of the vehicle, a Technician's Repair and Service Manual is available from the Service Parts Department.

HOW TO USE THE SERVICE PARTS MANUAL

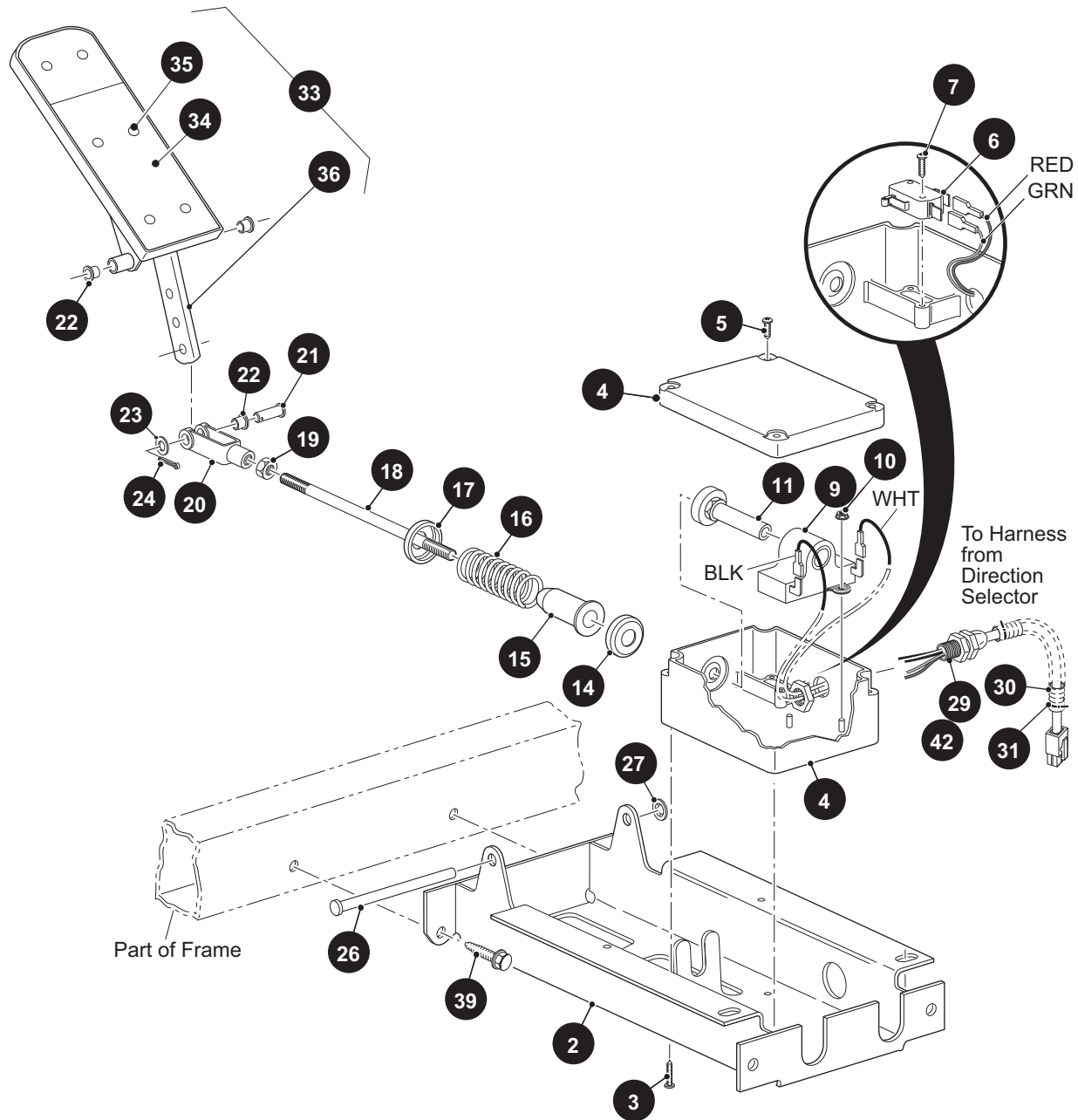
3. COLOR CODE FOR BODY COMPONENTS

The last two digits of the part number for the body part will denote the color code, locate the part number for the cowl, rear body, seat pod, side panel or seat wrap then locate your color in the list below, replace the last ** or XX with the two digit color code.

<u>CODE #</u>	<u>DESCRIPTION</u>	<u>CODE #</u>	<u>DESCRIPTION</u>
01	NO PAINT	53	MOSSY OAK NEW BREAK UP - DIPPED
02	SPECIAL COLOR	54	MOSSY OAK OBSESSION - DIPPED
05	JACOBSEN ORANGE	55	REALTREE ADVANTAGE MAX 4 - DIPPED
06	LIGHT GOLD PEARL	56	REALTREE HARDWOOD BROWN - DIPPED
07	SILVER PEARL METALIC	57	REALTREE AP HOT PINK - DIPPED
11	BLACK	58	BLACK / SILVER MARBLE - DIPPED
12	EMERALD GREEN PEARL	59	RED / SILVER MARBLE - DIPPED
13	CLOUD GRAY	60	HOT PINK / SILVER MARBLE - DIPPED
14	VIPER BLUE METALLIC	61	REALTREE AP
19	PATRIOT BLUE PEARL	62	REALTREE MAX 4
20	INFERNO RED METALLIC	63	MOSSY OAK BREAKUP
23	ADVANTAGE CLASSIC CAMO	64	MOSSY OAK TREESTAND
24	NATURAL	65	REALTREE APG
25	VIVID NEW HOLLAND BLUE	66	REALTREE MAX 1
26	STEEL BLUE PEARL	67	REALTREE AP PINK
27	BRIGHT SILVER METALLIC	68	REALTREE AP - DIPPED
29	PRIMER ONLY		
30	HD ADVANTAGE CAMO		
31	METALLIC CHARCOAL		
32	LIGHT ALMOND PEARL		
33	TIMBERLINE GREEN		
34	DEEP MOLTEN RED		
35	SAFETY YELLOW		
36	IVORY		
37	FOREST GREEN		
38	BRIGHT WHITE		
39	FLAME RED		
40	BLACK		
41	ELECTRIC BLUE		
42	PLATINUM		
43	BURGUNDY		
44	ALMOND		
45	BLACK		
46	FLAME RED		
47	BURLINGTON GREEN		
48	BLACK		
49	FLAME RED		
50	RECON GREEN		
51	SUNBURST ORANGE		
52	BRITISH RACING GREEN		

ACCELERATOR

- 1 HAULER 1000 PEDAL BOX ASSEMBLY Includes Items, 2 - 36
- 33 ACCELERATOR PEDAL ASSEMBLY Includes Items, 34 - 36
- 41 HAULER 800 PEDAL BOX ASSEMBLY Includes Items, 2 - 27, 30 - 36, 42



ACCELERATOR

When ordering parts, please specify the model and serial number of the product.

* Indicates a component that is not available as an individual part.

*** Indicates consult Customer Service Department for additional information.

ITEM	PART NO.	1 2 3 4 5	DESCRIPTION	QTY.
1	73333G11		PEDAL BOX ASSEMBLY (HAULER 1000 ONLY) (INCLUDES ITEMS 2 - 36)..	1
2	652241G03		ACCELERATOR PEDAL BRACKET	1
3	01051G01		SCREW, #8 - 10 X 1/2" LG.....	4
4	25853G01		PEDAL BOX AND COVER	1
5	00684G6		SCREW, #8 - 32 X 3/4" LG (STAINLESS STEEL)	2
6	25861G02		MICRO SWITCH	1
7	01050G01		SCREW, #4 - 20 X 5/8" LG.....	2
8				
9	25854G01		INDUCTIVE THROTTLE SENSOR	1
10	00983G01		SELF THREADING NUT	2
11	602484		PLUNGER	1
12				
13				
14	17677G1		SPRING RETAINER.....	1
15	17979G1		BUSHING	1
16	73046G01		COMPRESSION SPRING	1
17	17677G2		SPRING RETAINER, 3/8".....	1
18	73332G01		ACCELERATOR ROD	1
19	00532G4		NUT, 5/16 - 24	1
20	10385G4		CLEVIS YOKE (ADJUSTABLE).....	1
21	10386G3		CLEVIS PIN, 5/16" X 13/16" LG	1
22	17838G1		NYLON BUSHING	3
23	17255G1		TEFLON WASHER, 5/16"	1
24	10387G3		COTTER PIN, 3/32" X 3/4" LG	1
25				
26	74432G01		PEDAL PIVOT PIN	1
27	12064G6		PUSH NUT, 5/16"	1
28				
29	25879G08		PEDAL HARNESS.....	1
30	17313G1		LOOM FLEX, 3/8" X 6" LG (BULK)	1

ACCELERATOR

When ordering parts, please specify the model and serial number of the product.

* Indicates a component that is not available as an individual part.

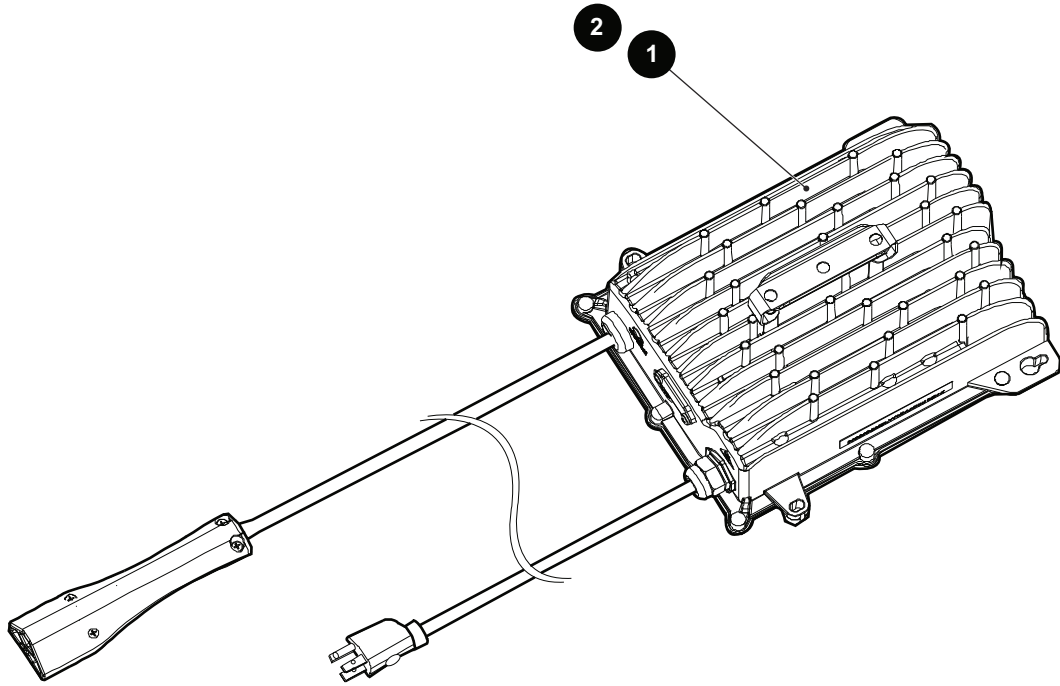
*** Indicates consult Customer Service Department for additional information.

ITEM	PART NO.	1	2	3	4	5	DESCRIPTION	QTY.
31	17618G1						WIRE TIE	2
32								
33	25799G03						ACCELERATOR PEDAL ASSEMBLY (INCLUDES ITEMS 34 - 36)	1
34	27512G01						ACCELERATOR PEDAL PAD	1
35	16409G1						OVAL RIVET, 3/16" X 7/16" LG	6
36	652824						ACCELERATOR PEDAL	1
37								
38								
39	00715G2						BOLT, 5/16 - 18 X 4/5" LG	4
40								
41	613163						PEDAL BOX ASSEMBLY (HAULER 800 ONLY) (INCLUDES ITEMS 2 - 27, 30 - 36, 42).....	1
42	620418						PEDAL HARNESS, 48V	1

Notes:

A large grid of graph paper, consisting of 30 columns and 28 rows of small squares, intended for taking notes.

BATTERY CHARGER



BATTERY CHARGER

When ordering parts, please specify the model and serial number of the product.

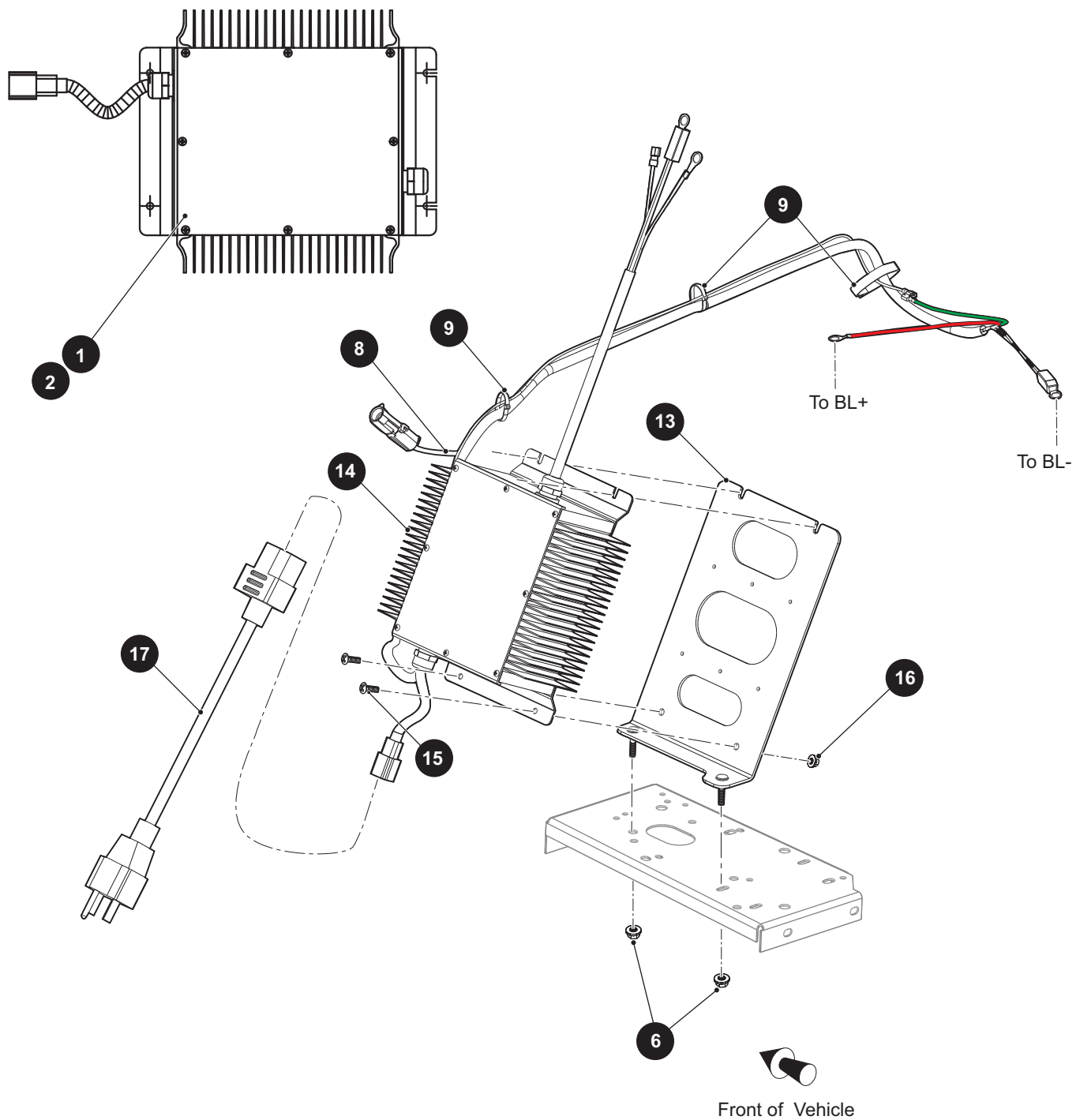
* Indicates a component that is not available as an individual part.

*** Indicates consult Customer Service Department for additional information.

ITEM	PART NO.	1 2 3 4 5 DESCRIPTION	QTY.
1	635669	CHARGER, 3 METER CORD.....	1
2	635670	CHARGER, 5.5 METER CORD.....	1

BATTERY CHARGER

FOR HAULER 800 ONLY



12 ON-BOARD CHARGER ASSEMBLY includes items 13 - 17

BATTERY CHARGER

When ordering parts, please specify the model and serial number of the product.

* Indicates a component that is not available as an individual part.

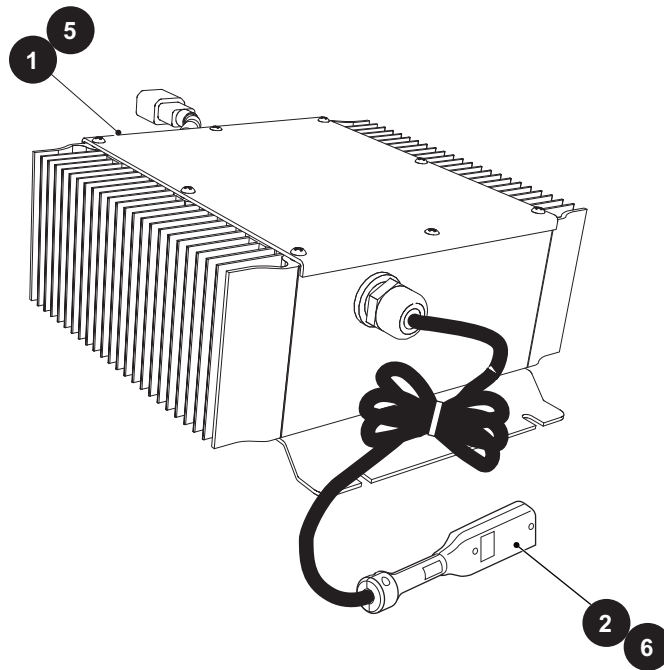
*** Indicates consult Customer Service Department for additional information.

ITEM	PART NO.	1 2 3 4 5	DESCRIPTION	QTY.
1	622419		WORLD CHARGER, 48V, 3M CORD	1
2	622667		WORLD CHARGER, 48V, 5.5M CORD	1
3	605834		NYLON CLAMP 36" (NOT SHOWN IN ILLUSTRATION)	1
4				
5				
6	800706		FLANGED LOCK NUT, 1/4" - 20	2
7				
8	631543		CHARGER INTERLOCK JUMPER	1
9	17618G1		NYLON CLAMP.....	3
10				
11				
12	638578		ON-BOARD CHARGER ASSEMBLY (INCLUDES ITEMS 13 - 17)	1
13	637104		CHARGER BRACKET	1
14	632744		ON-BOARD CHARGER, 48V	1
15	16705G3		TRUSS HEAD MACHINE SCREW (SS), 1/4" - 20 X 3/4" LG.....	4
16	11027G2		FLANGED LOCK NUT, 1/4" - 20.....	4
17	600462G03		AC CORD, SHIELDED, 6' 7" LG.....	1

BATTERY CHARGER

- 1 48 VOLT PORTABLE CHARGER Includes Items 2 & 3
- 5 48 VOLT BATTERY CHARGER Includes Items 6 & 7

FOR HAULER 1000 ONLY



BATTERY CHARGER

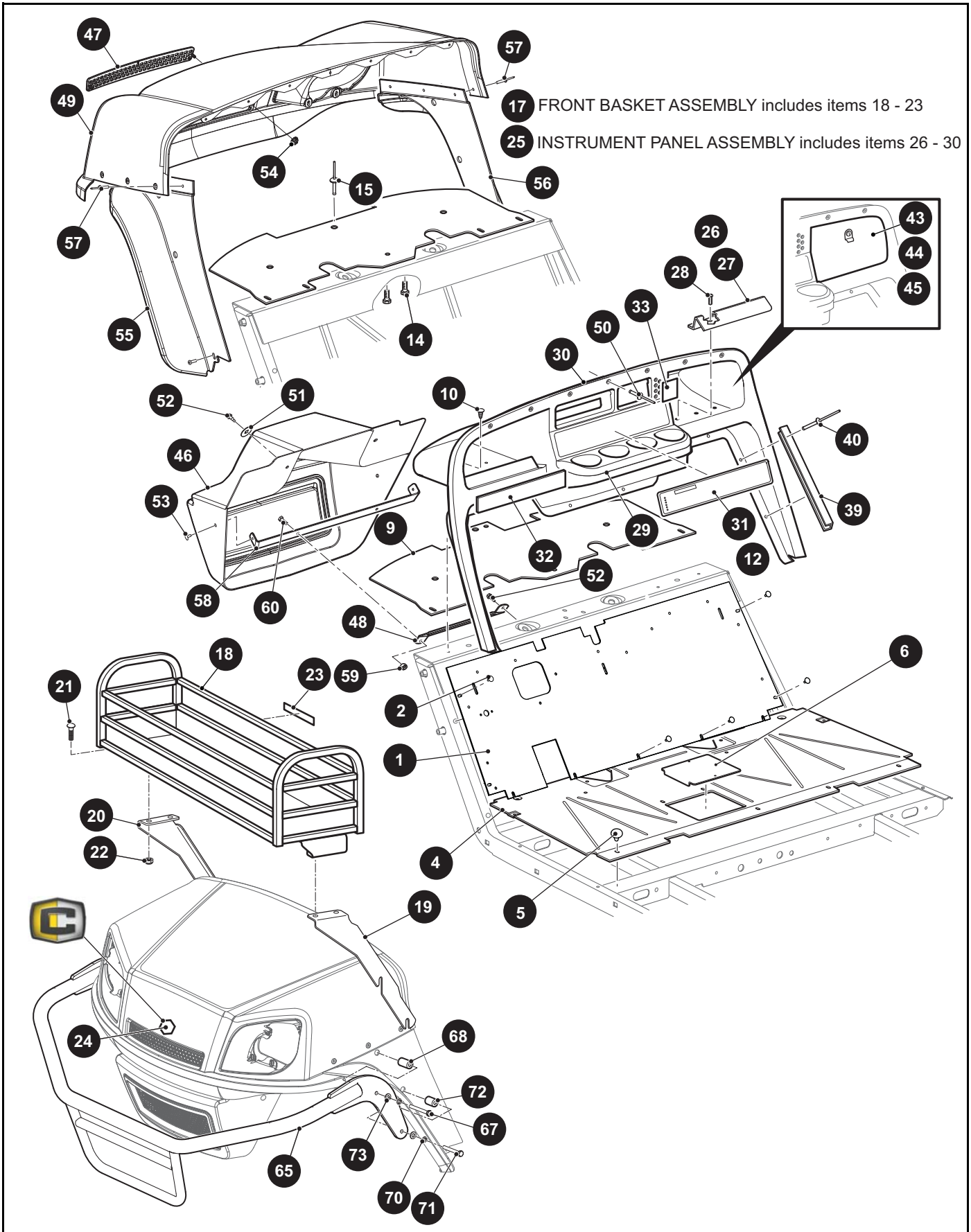
When ordering parts, please specify the model and serial number of the product.

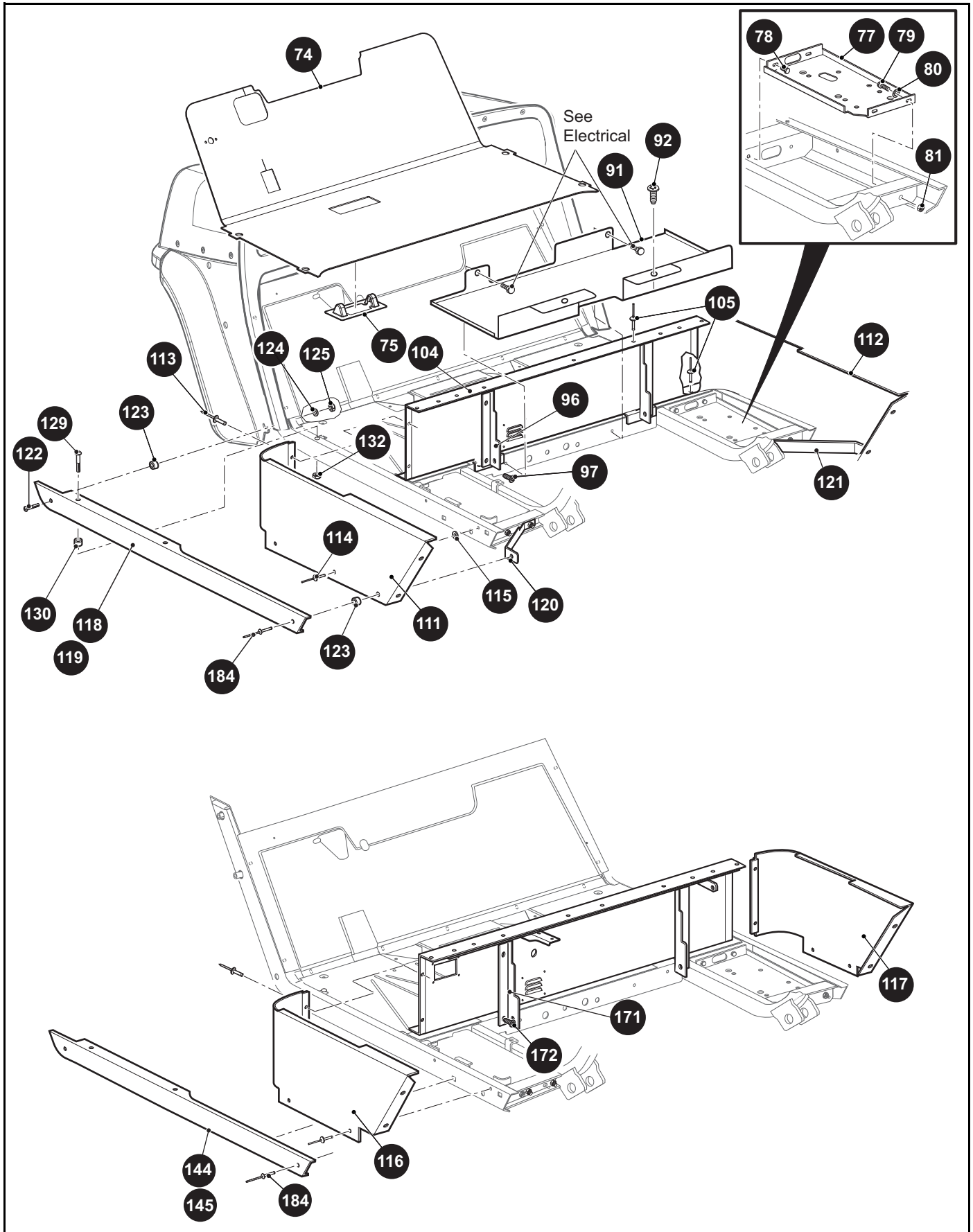
* Indicates a component that is not available as an individual part.

*** Indicates consult Customer Service Department for additional information.

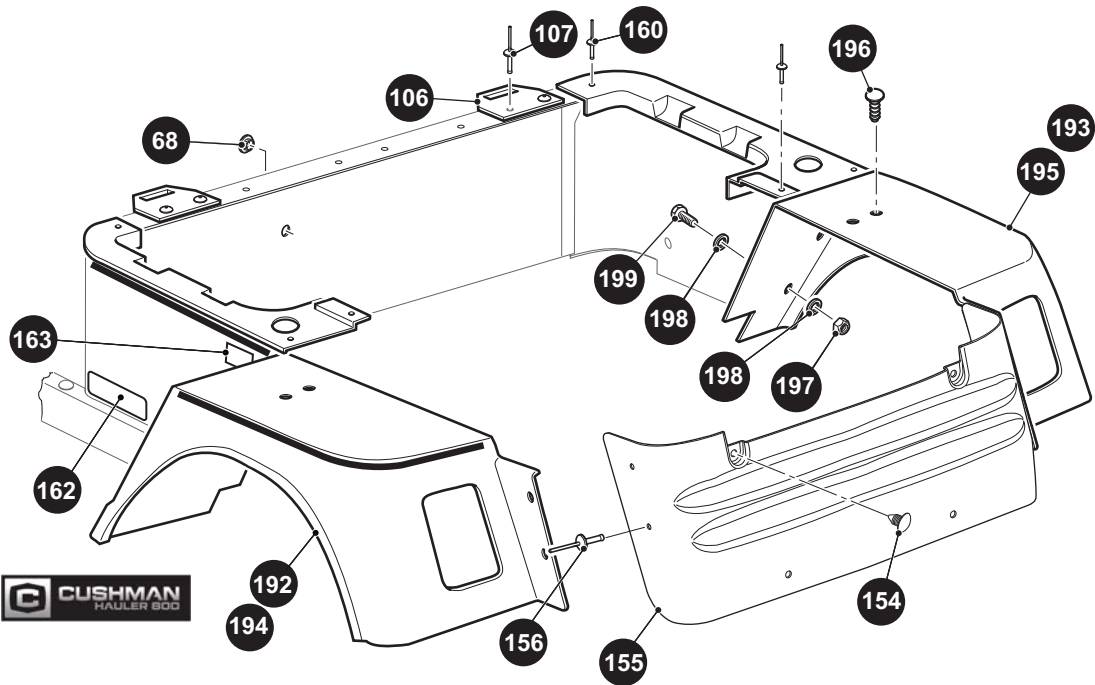
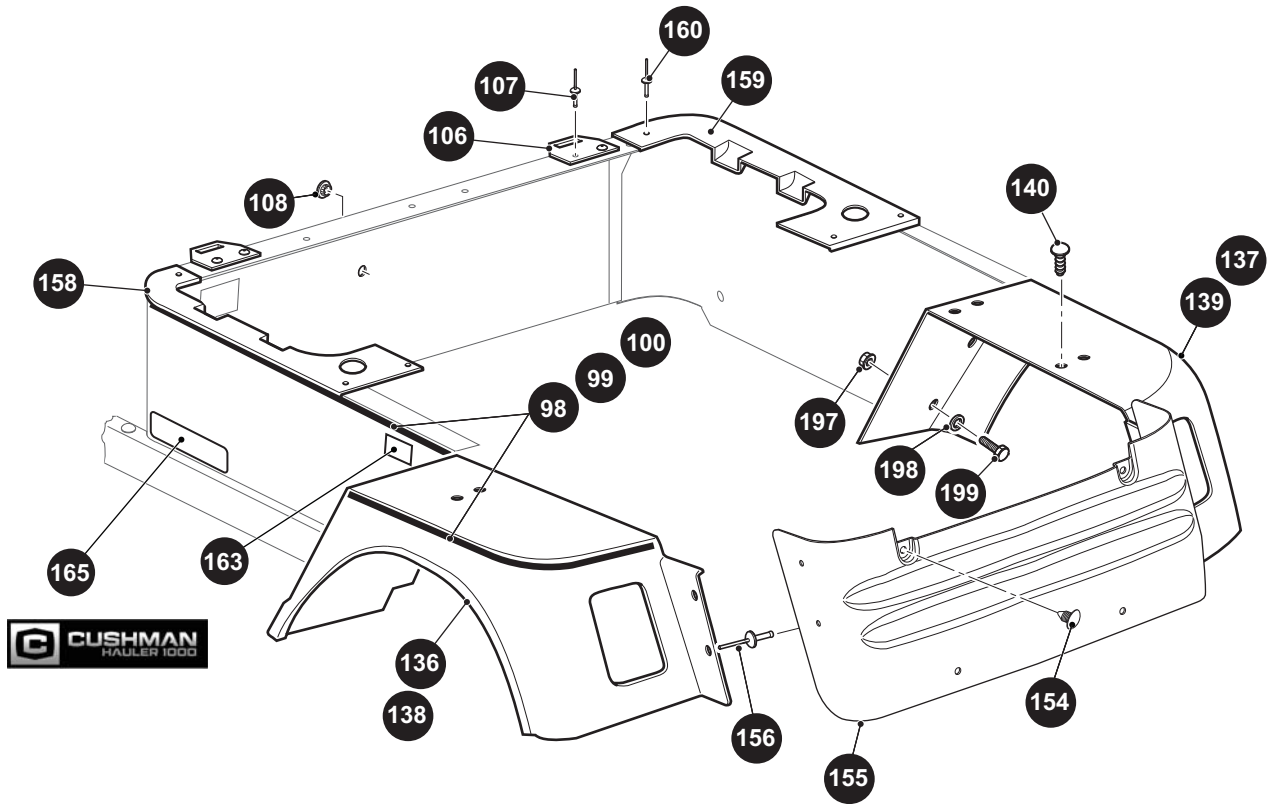
ITEM	PART NO.	1 2 3 4 5	DESCRIPTION	QTY.
1	603689		48V DELTA-Q PORTABLE CHARGER WITH 10' DC CORD (INCLUDES ITEMS 2 - 3)	1
2	600463G02		48V DC CABLE ASSEMBLY 10'.....	1
3	600462G01		AC POWER CORD (NOT SHOWN).....	1
4				
5	603690		48V DELTA-Q BATTERY CHARGER WITH 18' DC CORD (INCLUDES ITEMS 6 - 7)	1
6	600463G03		48V DC CABLE ASSEMBLY 18'.....	1
7	600462G01		AC POWER CORD (NOT SHOWN).....	1

BODY



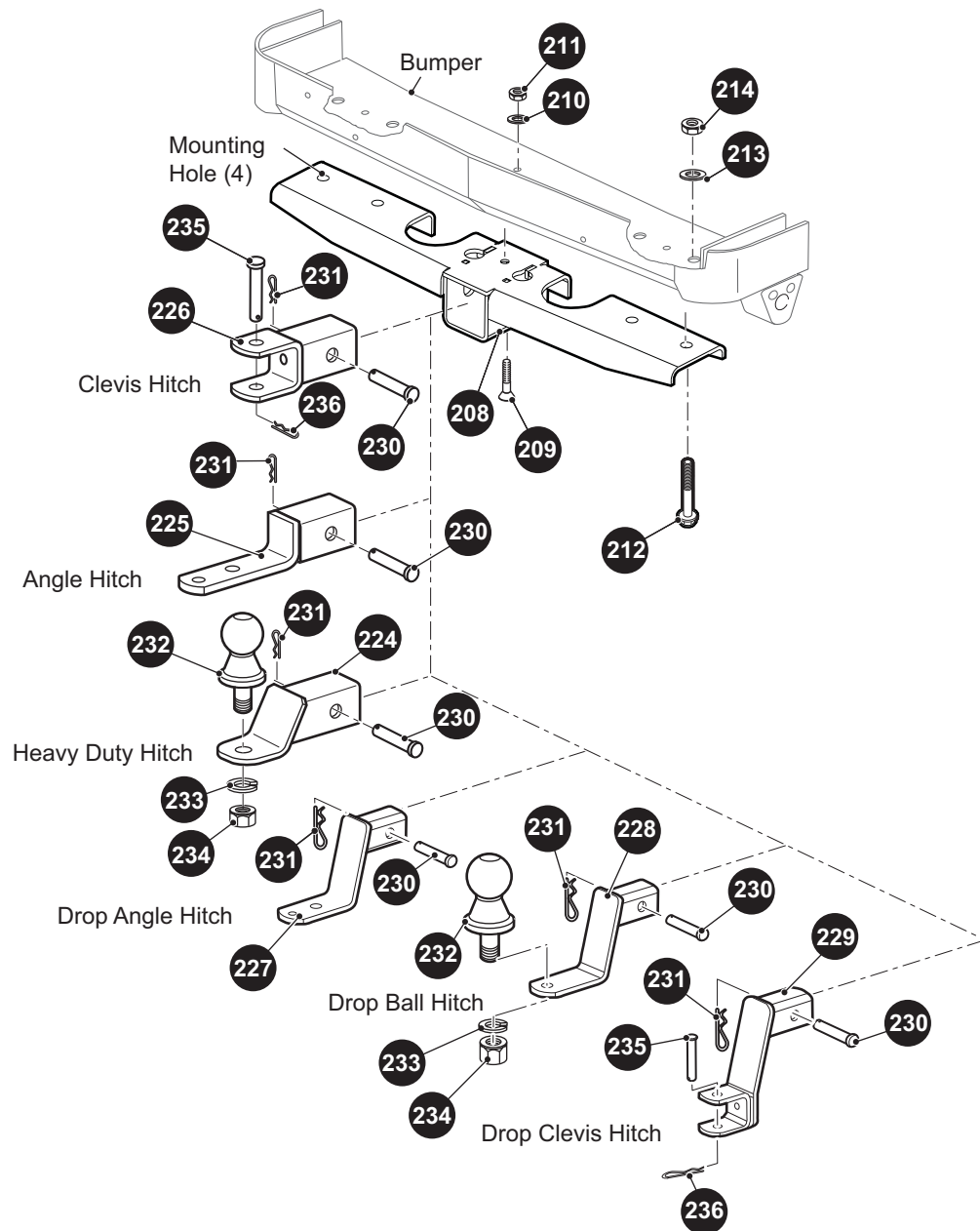


BODY

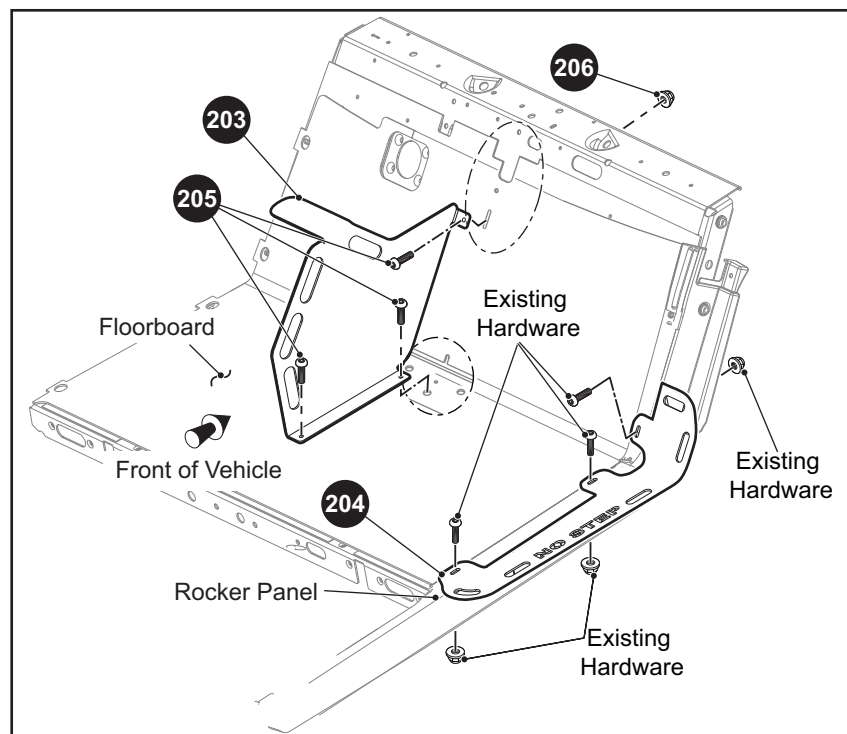
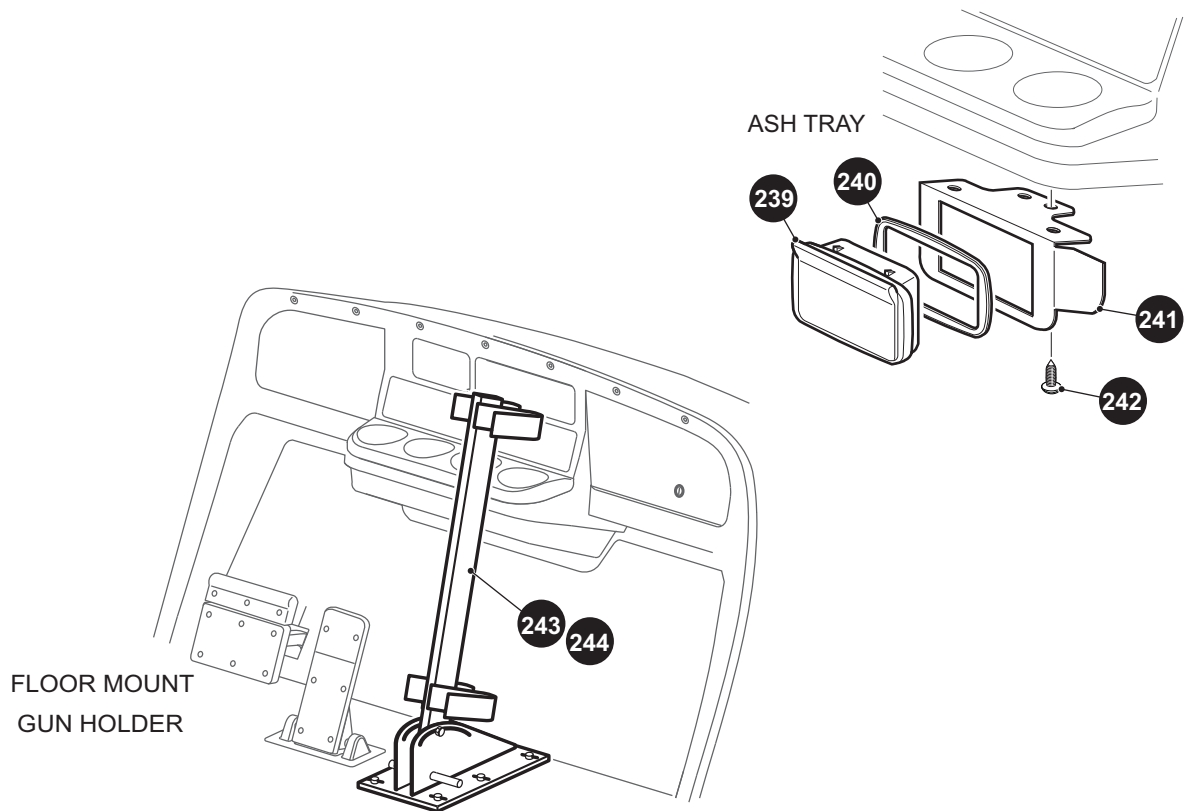


HITCHES

- 218** HEAVY DUTY HITCH KIT includes items 224, 230 - 232
- 219** ANGLE HITCH KIT includes items 225, 230, 231, 235, 236
- 220** CLEVIS HITCH KIT includes items 226, 230, 231, 235, 236
- 221** DROP ANGLE HITCH KIT includes items 227, 230, 231
- 222** DROP BALL HITCH KIT includes items 228, 230 - 232
- 223** DROP CLEVIS HITCH KIT includes items 229, 230, 231, 235, 236



BODY



When ordering parts, please specify the model and serial number of the product.

* Indicates a component that is not available as an individual part.

*** Indicates consult Customer Service Department for additional information.

ITEM	PART NO.	1 2 3 4 5	DESCRIPTION	QTY.
1	637534		UPPER FLOORPAN	1
2	14601G11		RIVET (ALUMINUM), 3/16" X 9/16" LG	9
3				
4	70451G01		LOWER FLOORPAN	1
5	14601G11		RIVET (ALUMINUM), 3/16" X 9/16" LG	7
6	70452G01		ACCESS COVER.....	1
7				
8				
9	71413G01		SPLASH PANEL.....	1
10	16816G2		RATCHET FASTENER, 1/4" X 3/4" LG.....	4
11				
12	625743		SAFETY AND OPERATION LABEL, CE (HAULER 800 ONLY)	1
13				
14	71102G02		SELF TAPPING SCREW, 1/4" - 20 X 1/2" LG	3
15	71055G01		RIVET (ALUMINUM), 3/16" X 1 1/8" LG	1
16				
17	74521G02		FRONT BASKET ASSEMBLY (INCLUDES ITEMS 18 - 23)	1
18	74523G01		FRONT BASKET	1
19	74522G01		BASKET MOUNTING BRACKET (DRIVER SIDE).....	1
20	74522G02		BASKET MOUNTING BRACKET (PASSENGER SIDE)	1
21	00769G2		CARRIAGE BOLT (SS), 3/8" - 16 X 1.25" LG.....	4
22	11098G5		LOCK NUT, 3/8" - 16	4
23	71931G01		LABEL, FRONT BASKET (WARNING)	1
24	619135		DECAL,CUSHMAN COWL	1
25	71151G01		INSTRUMENT PANEL ASSEMBLY (INCLUDES ITEMS 26 - 30).....	1
26	71153G01		DEFLECTOR (PASSENGER SIDE)	1
27	71154G01		DEFLECTOR (DRIVER SIDE).....	1
28	00614G5		SELF DRILL SCREW, #8 - 18 X 5/8" LG.....	4
29	71158G01		INSTRUMENT PANEL INSERT (FOUR CUP)	1
30	71152G01		INSTRUMENT PANEL.....	1
31	601781		LABEL (SAFETY).....	1

BODY

When ordering parts, please specify the model and serial number of the product.

* Indicates a component that is not available as an individual part.

*** Indicates consult Customer Service Department for additional information.

ITEM	PART NO.	1 2 3 4 5	DESCRIPTION	QTY.
32	74443G01		LABEL (ANTI - ROLLBACK).....	1
33	35968G01		LABEL (T - HOLDER COVER)	1
34				
35				
36				
37				
38				
39	71115G01		VINYL TRIM.....	2
40	71055G01		RIVET (ALUMINUM), 3/16" X 1" LG.....	10
41				
42				
43	75459G01		GLOVE BOX DOORS (BOTH SIDES)	1
44	75459G02		GLOVE BOX DOOR (DRIVER SIDE)	1
45	75459G03		GLOVE BOX DOOR (PASSENGER SIDE)	1
46	613273		FRONT FASCIA.....	1
47	617643		COWL GRILL COVER.....	1
48	70725G02		FRONT SHIELD BRACE	2
49	613036GXXX		COWL (See COLOR CODE in HOW TO USE Section of Manual)	1
50	71055G01		RIVET (ALUMINUM), 3/16" X 1" LG	7
51	16469G1		FENDER WASHER, 9/32".....	2
52	01038G01		SWAGEFORM SCREW, 1/4" - 20 X 0.7" LG	4
53	15058G1		RIVET (ALUMINUM), 0.87" LG	2
54	71597G01		SELF THREADING NUT, 5 X 10 X 15MM.....	2
55	614378		FENDER FLARE (DRIVER SIDE).....	1
56	613274		FENDER FLARE (PASSENGER SIDE)	1
57	71055G01		RIVET (ALUMINUM), 3/16" X 1" LG.....	6
58	618653		FASCIA BRACKET	1
59	14390G4		LOCK NUT, 1/4" - 20	2
60	00414G6		HEX HEAD BOLT, 1/4" - 20 X 3/4" LG.....	2
61				
62				

When ordering parts, please specify the model and serial number of the product.

* Indicates a component that is not available as an individual part.

*** Indicates consult Customer Service Department for additional information.

ITEM	PART NO.	1 2 3 4 5	DESCRIPTION	QTY.
63				
64				
65	617620		BRUSHGUARD.....	1
66				
67	00440G6		HEX HEAD BOLT, 5/16" - 18 X 2 3/4" LG	2
68	75048G02		SPACER, 0.328" X 1.31".....	2
69				
70	00565G8		LOCK WASHER, 5/16"	4
71	00440G2		HEX HEAD BOLT, 5/16" - 18 X 2 3/4" LG	4
72	75048G04		SPACER, 0.328" X 0.75".....	2
73	00559G8		FLAT WASHER, 5/16".....	4
74	70663G06		FLOORMAT WITH HORN HOLES, DIAMOND PLATE	1
75	70135G01		PEDAL PIVOT COVER.....	1
76				
77	70244G05		SPLASH PANEL.....	1
78	00715G2		HEX HEAD BOLT, 5/16" - 18 X 4/5" LG	4
79	00438G8		HEX HEAD BOLT, 5/16" - 18 X 1" LG	2
80	00559G8		FLAT WASHER, 5/16".....	2
81	11098G6		LOCK NUT (SS), 5/16" - 18	2
82				
83				
84				
85				
86				
87				
88				
89				
90				
91	70629G01		SPLASH PANEL.....	1
92	00106G6		SELF THREADING SCREW, #12 - 24 X 3/4" LG	2
93				

BODY

When ordering parts, please specify the model and serial number of the product.

* Indicates a component that is not available as an individual part.

*** Indicates consult Customer Service Department for additional information.

ITEM	PART NO.	1	2	3	4	5	DESCRIPTION	QTY.
94								
95								
96	605763						SEAT FRAME	1
97	00715G2						HEX HEAD BOLT, 5/16" - 18 X 4/5" LG.....	2
98								
99								
100								
101								
102								
103								
104	609143GXX						SEAT WRAP WITH LOUVERS (HAULER 800 ONLY) (See COLOR CODE in HOW TO USE Section).....	1
105	10570G10						RIVET (SS), 5/32" X 9/16" LG	8
106	71609G01						SEAT HINGE PLATE	2
107	10570G11						RIVET (SS), 3/16" X 3/4" LG	4
108	20271G02						HOLE PLUG (HAULER 1000 ONLY)	1
109								
110								
111	609168G1XX						SIDE PANEL (DRIVER SIDE) (HAULER 1000 ONLY) (See COLOR CODE in HOW TO USE Section).....	1
112	609168G2XX						SIDE PANEL (PASSENGER SIDE) (HAULER 1000 ONLY) (See COLOR CODE in HOW TO USE Section)	1
113	10570G10						RIVET (SS), 5/32" X 9/16" LG	4
114	10570G12						RIVET (ALUMINUM), 1/4" X 9/16" LG.....	4
115	16469G1						FENDER WASHER, 1/4"	4
116	609047G1XX						SIDE PANEL (DRIVER SIDE) (HAULER 800 ONLY) (See COLOR CODE in HOW TO USE Section)	1
117	609047G2XX						SIDE PANEL (PASSENGER SIDE) (HAULER 800 ONLY) (See COLOR CODE in HOW TO USE Section).....	1
118	618886						ROCKER PANEL (DRIVER SIDE) (HAULER 1000 ONLY)	1
119	618885						ROCKER PANEL (PASSENGER SIDE) (HAULER 1000 ONLY)	1
120	71440G03						BRACE (DRIVER SIDE) (HAULER 1000 ONLY)	1
121	71440G04						BRACE (PASSENGER SIDE) (HAULER 1000 ONLY).....	1

When ordering parts, please specify the model and serial number of the product.

* Indicates a component that is not available as an individual part.

*** Indicates consult Customer Service Department for additional information.

ITEM	PART NO.	1 2 3 4 5	DESCRIPTION	QTY.
122	00789G2		PHILLIPS TRUSS HEAD SCREW, #10 - 24 X 1 1/4" LG	2
123	23726G4		SPACER, 1/4"	4
124	00660G5		FLAT WASHER (SS), #10.....	2
125	14390G10		LOCK NUT, #10 - 24	2
126				
127				
128				
129	16705G1		PHILLIPS TRUSS HEAD SCREW (SS), 1/4" - 20 X 1" LG.....	4
130	23726G4		SPACER, 1/4"	4
131				
132	14390G4		LOCK NUT, 1/4" - 20.....	4
133				
134				
135				
136	74893G01		FENDER (DRIVER SIDE) (HAULER 1000 ONLY)	1
137	74893G02		FENDER (PASSENGER SIDE) (HAULER 1000 ONLY)	1
138	74893G03		FENDER WITH TAILLIGHT OPENING (DRIVER SIDE) (HAULER 1000 ONLY).....	1
139	74893G04		FENDER WITH TAILLIGHT OPENING (PASSENGER SIDE) (HAULER 1000 ONLY).....	1
140	16816G2		RATCHET FASTENER, 1/4" X 3/4" LG.....	10
141				
142				
143				
144	618358		ROCKER PANEL (DRIVER SIDE) (HAULER 800 ONLY)	1
145	618359		ROCKER PANEL (PASSENGER SIDE) (HAULER 800 ONLY).....	1
146				
147				
148				
149				
150				
151				

BODY

When ordering parts, please specify the model and serial number of the product.

* Indicates a component that is not available as an individual part.

*** Indicates consult Customer Service Department for additional information.

ITEM	PART NO.	1	2	3	4	5	DESCRIPTION	QTY.
152								
153								
154	16816G2						RATCHET FASTENER, 1/4" X 3/4" LG	8
155	74890G01						REAR PANEL	1
156	71055G01						RIVET (ALUMINUM), 3/16" X 1" LG	4
157								
158	74891G01						SEAT FILLER PANEL (DRIVER SIDE) (HAULER 1000 ONLY)	1
159	74891G02						SEAT FILLER PANEL (PASSENGER SIDE) (HAULER 1000 ONLY)	1
160	10570G10						RIVET (SS), 5/32" X 9/16" LG	6
161								
162	619136						DECAL, CUSHMAN LOGO (HAULER 800)	2
163	74099G01						LABEL (TILT WARNING)	2
164								
165	619138						DECAL, CUSHMAN LOGO (HAULER 1000)	2
166								
167								
168								
169								
170								
171	605694						SEAT FRAME	1
172	00715G2						HEX HEAD BOLT, 5/16" - 18 X 4/5" LG	2
173								
174								
175								
176								
177								
178								
179								
180								
181								
182								

When ordering parts, please specify the model and serial number of the product.

* Indicates a component that is not available as an individual part.

*** Indicates consult Customer Service Department for additional information.

ITEM	PART NO.	1 2 3 4 5	DESCRIPTION	QTY.
183				
184	15058G6		RIVET (ALUMINUM), 3/16" X 15/16" LG	2
185				
186				
187				
188				
189				
190				
191				
192	74892G01		FENDER (DRIVER SIDE) (HAULER 800 ONLY)	1
193	74892G02		FENDER (PASSENGER SIDE) (HAULER 800 ONLY)	1
194	74892G03		FENDER WITH TAILLIGHT (DRIVER SIDE) (HAULER 800 ONLY)	1
195	74892G04		FENDER WITH TAILLIGHT (PASSENGER SIDE) (HAULER 800 ONLY)	1
196	16816G2		RATCHET FASTENER, 1/4" X 3/4" LG	10
197	14390G4		LOCK NUT, 1/4" - 20	4
198	00642G7		FLAT WASHER, 1/4"	8
199	00414G6		HEX HEAD BOLT, 1/4" - 20 X 3/4" LG	4
200				
201				
202				
203	662991		ACCELERATOR PEDAL GUARD	1
204	661653		FLOORBOARD MOUNT	1
205	645323		TORX HEAD SCREW, M6 X 1 - 23.4MM LG	3
206	601476		LOCK NUT, M6 - 1	3
207				
208	647080		HITCH RECEIVER	1
209	00198G8		HEX HEAD BOLT, 5/16" - 18 X 1" LG	1
210	00571G2		FLAT WASHER, 1/4"	1
211	11098G6		LOCK NUT (SS), 5/16" - 18	1
212	00463G4		HEX HEAD BOLT, 7/16" - 14 X 1 1/2" LG	4
213	00922G3		FLAT WASHER, 7/16"	4

BODY

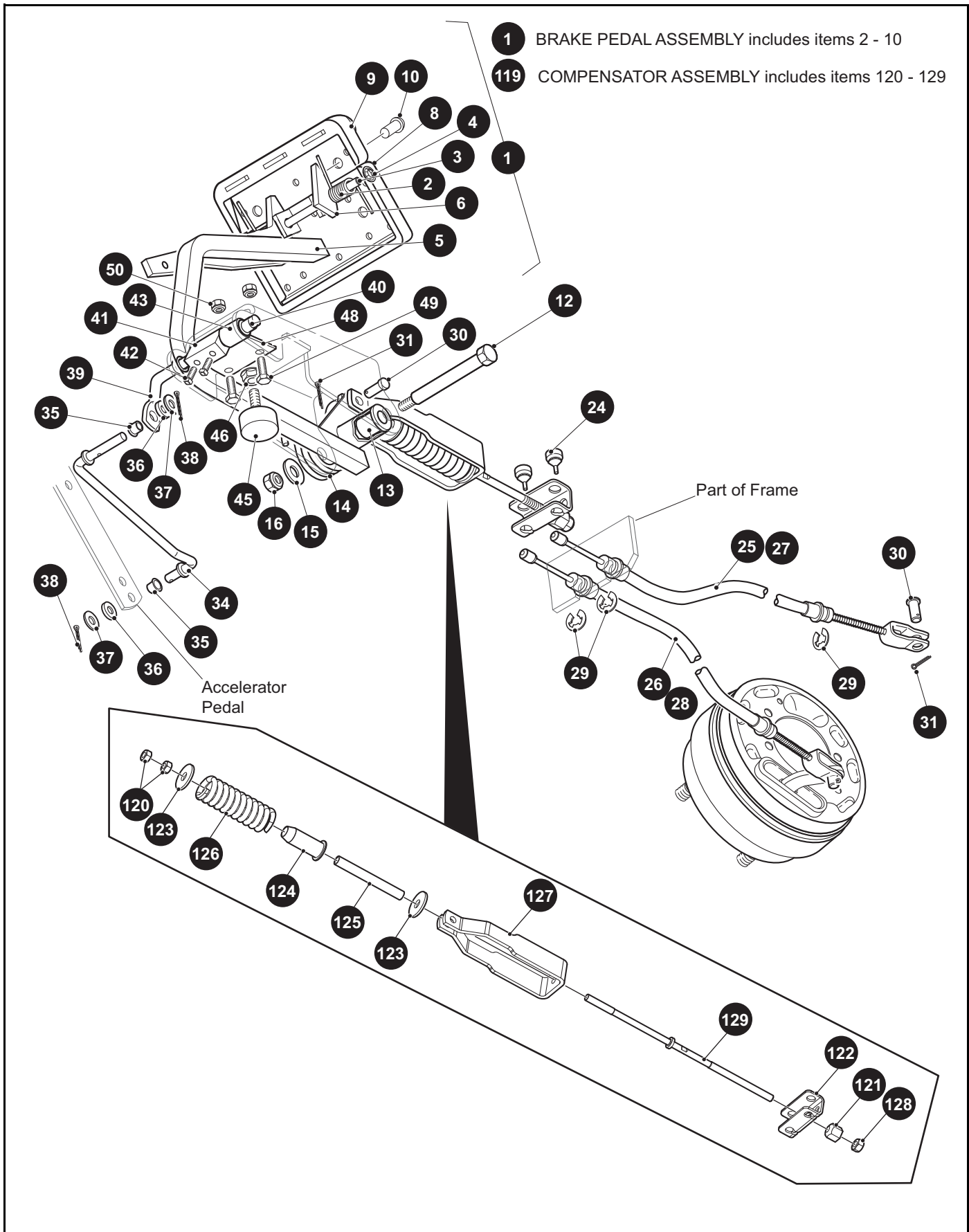
When ordering parts, please specify the model and serial number of the product.

* Indicates a component that is not available as an individual part.

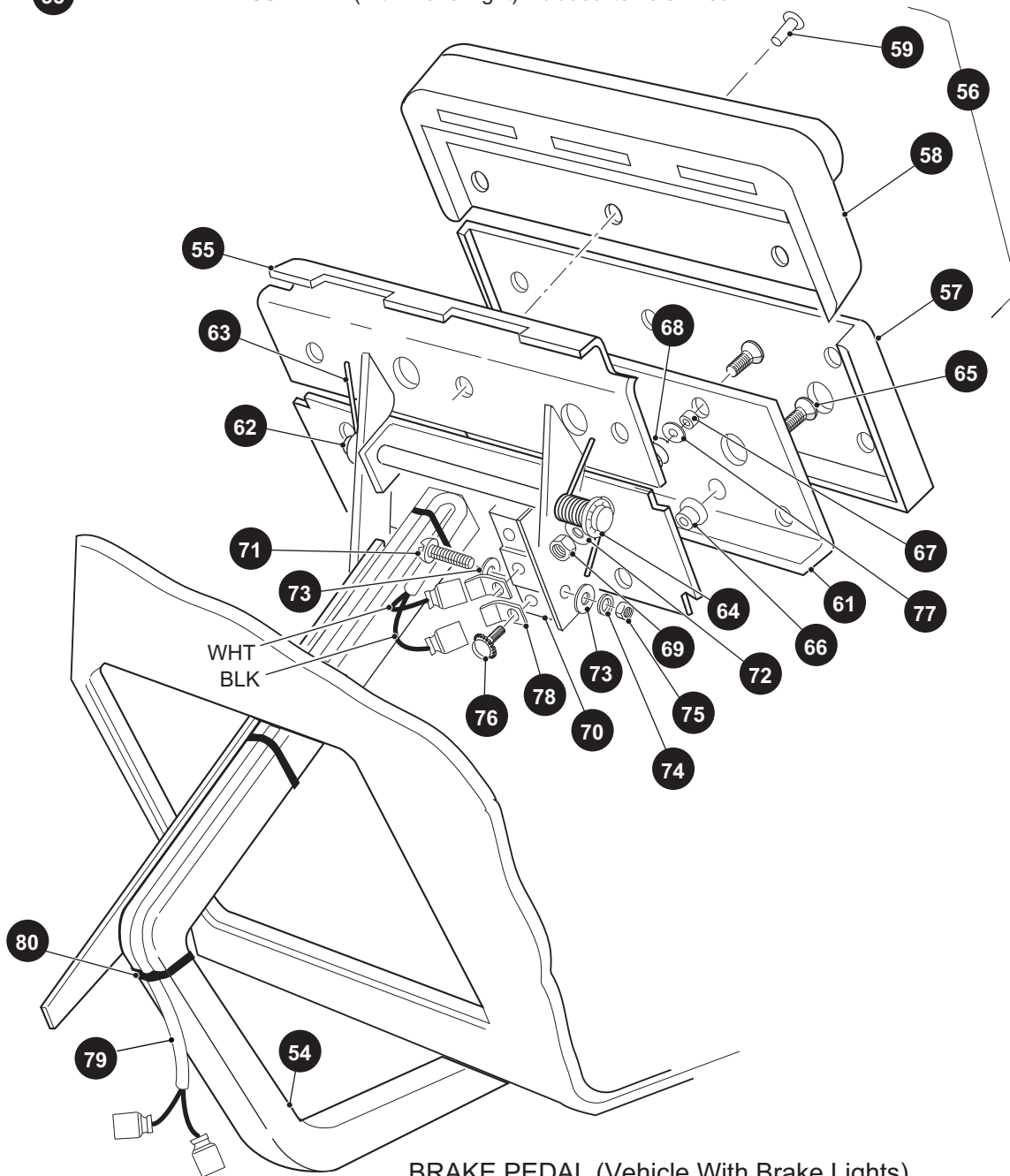
*** Indicates consult Customer Service Department for additional information.

ITEM	PART NO.	1	2	3	4	5	DESCRIPTION	QTY.
214	00734G1						LOCK NUT, 7/16" - 14	4
215								
216								
217								
218	646789						HEAVY DUTY BALL HITCH KIT (INCLUDES ITEMS 224, 230-232)	1
219	646790						ANGLE HITCH KIT (INCLUDES ITEMS 225, 230, 231)	1
220	646791						CLEVIS HITCH KIT (INCLUDES ITEMS 226, 230, 231, 235, 236).....	1
221	646792						DROP ANGLE HITCH KIT (INCLUDES ITEMS 227, 230, 231)	1
222	646793						DROP BALL HITCH KIT (INCLUDES ITEMS 228, 230-232)	1
223	646794						DROP CLEVIS HITCH KIT (INCLUDES ITEMS 229, 230, 231, 235, 236)	1
224	646730						HEAVY DUTY HITCH.....	1
225	646729						ANGLE HITCH.....	1
226	646727						CLEVIS HITCH	1
227	646731						DROP ANGLE HITCH.....	1
228	646743						DROP BALL HITCH	1
229	646744						DROP CLEVIS HITCH.....	1
230	21317G1						CLEVIS PIN, 5/8" X 3" LG.....	1
231	21683G1						COTTER PIN, 15/32" X 2 1/16" LG.....	1
232	31757G1						HITCH BALL WITH HARDWARE, 1 7/8" (INCLUDES ITEMS 233-234) ..	1
233	00566G6						LOCK WASHER, 3/4"	1
234	00702G2						HEX NUT, 5/16" - 18.....	1
235	14443G10						CLEVIS PIN, 1/2" X 3" LG.....	1
236	19314G1						COTTER PIN, 5/2" LG	1
237								
238								
239	27731G01						ASH TRAY	1
240	27736G01						GASKET	1
241	75108G02						BRACKET.....	1
242	00106G6						PAN HEAD PHILLIPS SCREW, #12 - 14 X .75" LG.....	4
243	74533G01						SWIVEL GUN HOLDER WITH BASE PLATE (HAULER 1000 ONLY).....	1
244	74365G01						GUN HOLDER REMOVABLE FLOOR MOUNT (HAULER 1000 ONLY)	1

BRAKES

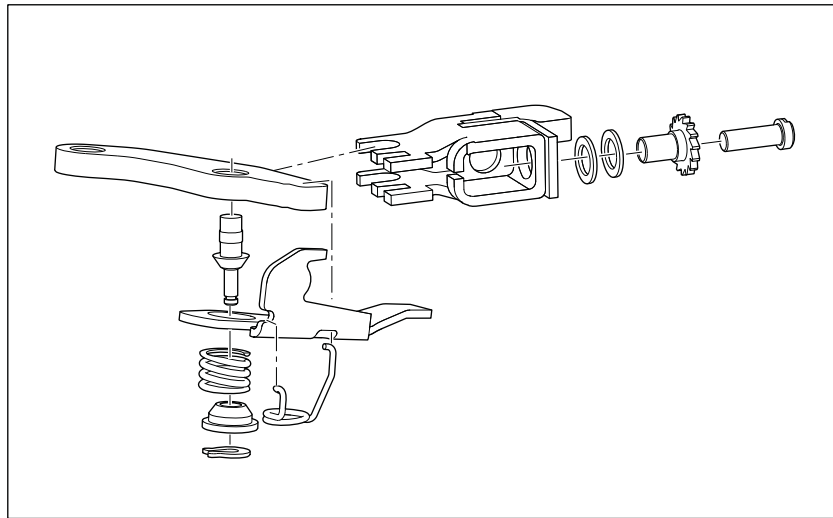
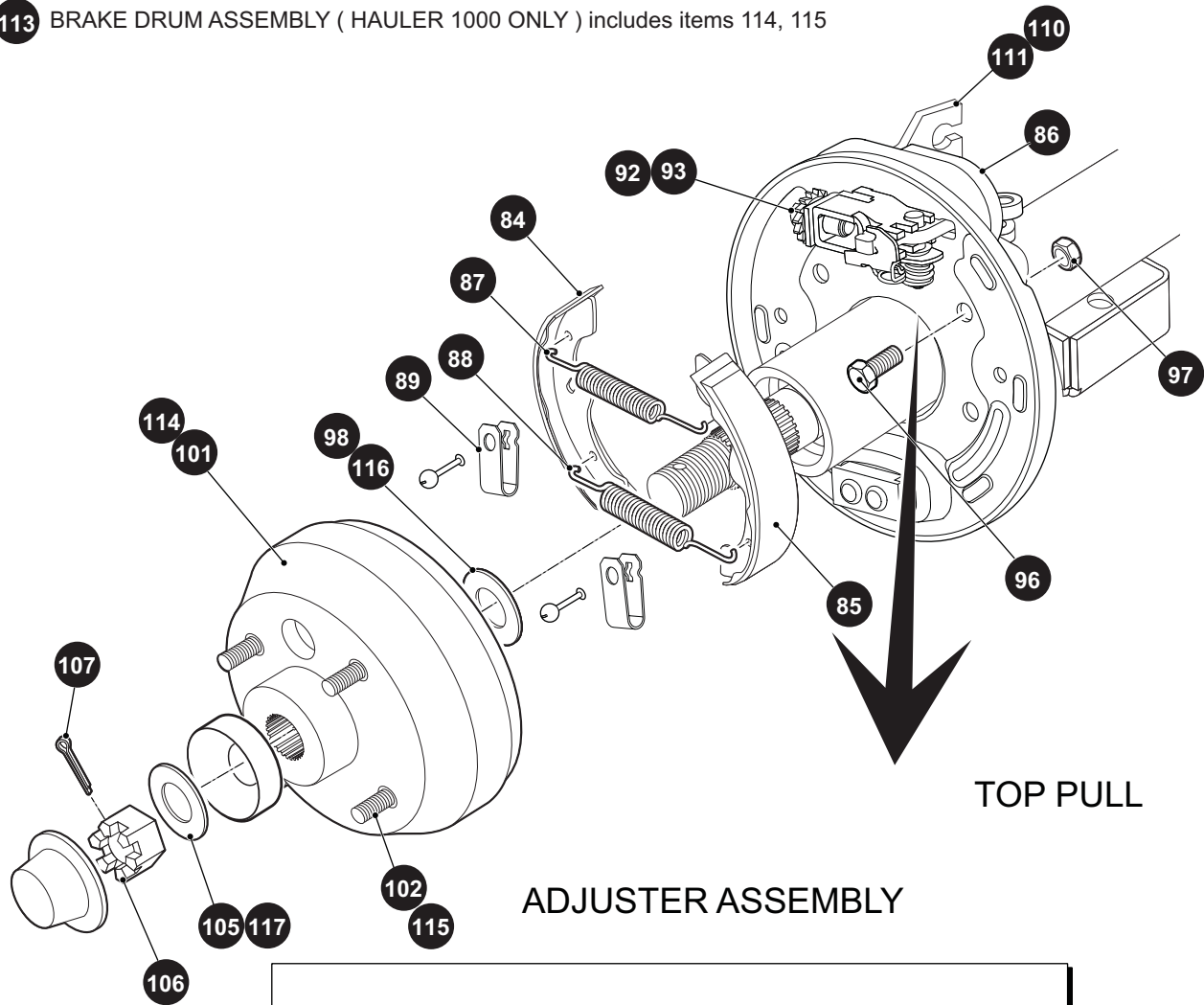


53 BRAKE PEDAL ASSEMBLY (with Brake Light) includes items 54 - 80

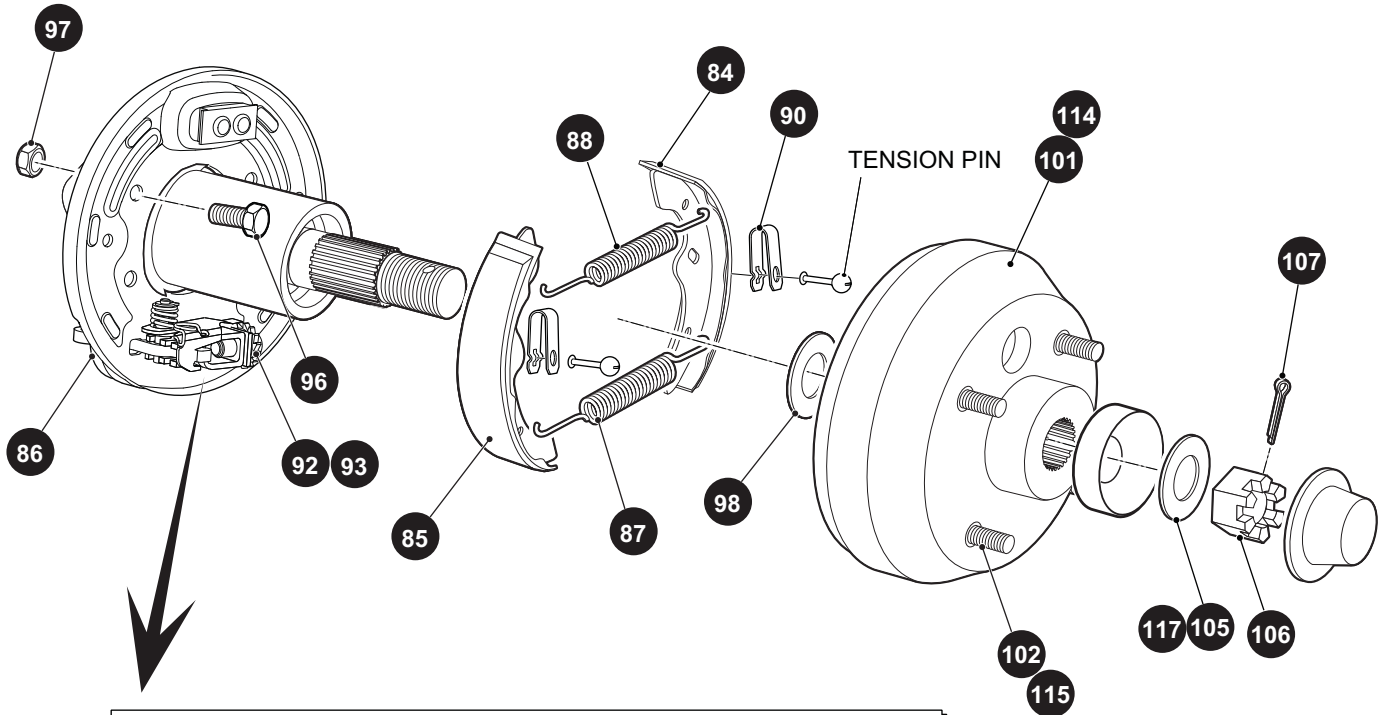


BRAKES

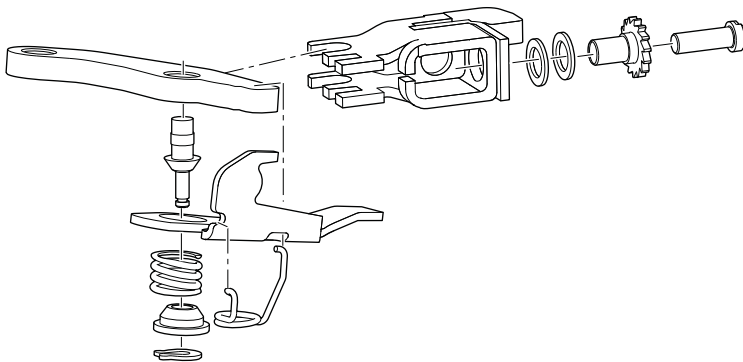
- 82 BRAKE ASSEMBLY (Driver Side) includes items 84 - 92
- 83 BRAKE ASSEMBLY (Passenger Side) includes items 84 - 89, 93
- 100 BRAKE DRUM ASSEMBLY (HAULER 800 ONLY) includes items 101, 102
- 113 BRAKE DRUM ASSEMBLY (HAULER 1000 ONLY) includes items 114, 115



BOTTOM PULL



ADJUSTER ASSEMBLY



- 82** BRAKE ASSEMBLY (Driver Side) includes items 84 - 92
- 83** BRAKE ASSEMBLY (Passenger Side) includes items 84 - 89, 93
- 100** BRAKE DRUM ASSEMBLY (HAULER 800 ONLY) includes items 101, 102
- 113** BRAKE DRUM ASSEMBLY (HAULER 1000 ONLY) includes items 114, 115

BRAKES

When ordering parts, please specify the model and serial number of the product.

* Indicates a component that is not available as an individual part.

*** Indicates consult Customer Service Department for additional information.

ITEM	PART NO.	1 2 3 4 5	DESCRIPTION	QTY.
1	70612G02		BRAKE PEDAL ASSEMBLY (WITHOUT BRAKE LIGHTS) (INCLUDES ITEMS 2 - 10).....	1
2	70681G01		TORSION SPRING	2
3	70682G01		PIVOT PIN	1
4	658825		PUSHNUT, 5/16" - 24.....	2
5	652251G03		BRAKE PEDAL	1
6	652253G03		PARK BRAKE PEDAL.....	1
7				
8	70257G01		SERVICE BRAKE PAD	1
9	70256G01		PARK BRAKE PEDAL PAD.....	1
10	16409-G1		OVAL RIVET, 3/16" X 7/16" LG	9
11				
12	70582G01		SHOULDER BOLT, 3/8 - 16 X 4" LG (STAINLESS STEEL).....	1
13	70581G01		FLANGED BUSHING	2
14	70676G01		TORSION SPRING	1
15	00643G1		LOCK WASHER, 3/8"	1
16	11098G5		LOCK NUT, 3/8" - 16	1
17				
18	01038G01		SWAGEFORM SCREW, 1/4" - 20 (NOT ILLUSTRATED)	1
19	12416G2		NYLON WEDGE LOCK CLAMP (NOT ILLUSTRATED)	AR
20				
21				
22				
23				
24	28083G01		BRAKE COMPENSATOR BUMPER	2
25	624690		BRAKE CABLE (DRIVER SIDE) (FOR CUSHMAN HAULER 800)	1
26	624691		BRAKE CABLE (PASSENGER SIDE) (FOR CUSHMAN HAULER 800).....	1
27	624700		BRAKE CABLE (DRIVER SIDE) (FOR CUSHMAN HAULER 1000)	1
28	624698		BRAKE CABLE (PASSENGER SIDE) (FOR CUSHMAN HAULER 1000).....	1
29	01111G01		RETAINING RING (SS), 13/32"	4

When ordering parts, please specify the model and serial number of the product.

* Indicates a component that is not available as an individual part.

*** Indicates consult Customer Service Department for additional information.

ITEM	PART NO.	1 2 3 4 5	DESCRIPTION	QTY.
30	10386G3		CLEVIS PIN, 5/16" X 13/16" LG.....	3
31	10387G3		COTTER PIN, 3/32" X 3/4" LG.....	3
32	14443G2		CLEVIS PIN, 5/16" X 5/8" LG.....	2
33				
34	70601G01		KICK-OFF LINK	1
35	17838G1		NYLON BUSHING	2
36	20835G1		TEFLON WASHER, 3/8"	2
37	00559G8		FLAT WASHER, 5/16"	2
38	10387G3		COTTER PIN, 3/32" X 3/4" LG.....	2
39	70098G01		KICK-OFF CAM PIVOT.....	1
40	10097G6		FLANGED BEARING	2
41	70587G01		KICK-OFF CAM	1
42	71215G01		SETSCREW, 1/4" - 20 X 1/2" LG	2
43	14134G4		SPACER.....	1
44				
45	70113G01		ADJUSTABLE BUMPER.....	1
46	11027G1		LOCK NUT, 5/16" - 18".....	1
47				
48	70080G02		CATCH BRACKET	1
49	00414G6		BOLT, 1/4" - 20 X 3/4" LG	2
50	14390G4		LOCK NUT (SS), 1/4" - 20	2
51				
52				
53	70690G02		BRAKE PEDAL ASSEMBLY (WITH BRAKE LIGHTS) (INCLUDES ITEMS 54 - 80)	1
54	652791G03		BRAKE PEDAL.....	1
55	652253G03		PARK BRAKE PEDAL	1
56				
57	70257G01		SERVICE BRAKE PAD.....	1
58	70256G01		PARK BRAKE PAD.....	1

BRAKES

When ordering parts, please specify the model and serial number of the product.

* Indicates a component that is not available as an individual part.

*** Indicates consult Customer Service Department for additional information.

ITEM	PART NO.	1	2	3	4	5	DESCRIPTION	QTY.
59	16409G1						OVAL RIVET, 3/16" x 7/16" LG.....	9
60								
61	652820						SERVICE BRAKE PEDAL PLATE	1
62	70682G01						PIVOT PIN	1
63	70681G01						TORSION SPRING	2
64	658825						PUSHNUT, 5/16"	1
65	00737G8						SCREW, #10 - 24 X 7/8" LG	4
66	00739G1						RUBBER NUT, #10 - 24.....	2
67	652355						BRAKE PEDAL SPACER.....	2
68	27137G01						CONICAL SPRING	2
69	14390G10						LOCK NUT, #10 - 24	2
70	10606G8						MICRO SWITCH	1
71	00645G2						HEX BOLT, #6 - 32 X 1 1/4" LG	2
72	00559G5						FLAT WASHER, #10	2
73	00559G3						FLAT WASHER, #6	4
74	00565G3						LOCK WASHER, #6.....	2
75	00525G5						NUT, #6 - 32	2
76	13514G1						SCREW AND LOCK WASHER, #6.....	2
77	00642G8						FLAT WASHER, 4 - 5/16".....	2
78	14628G1						FASTON TAB	2
79	24605G1						WIRE HARNESS (BRAKE LIGHT)	1
80	17618G1						WIRE TIE	3
81								
82	612211						BRAKE ASSEMBLY (DRIVER SIDE) (INCLUDES ITEMS 84 - 92)	1
83	612189						BRAKE ASSEMBLY (PASSENGER SIDE) (INCLUDES ITEMS 84 - 91, 93)..	1
84	612411						BRAKE SHOE, L	2
85	612412						BRAKE SHOE, T.....	2
86	612413						DUST COVER.....	1
87	612415						BRAKE SPRING	1
88	612414						BRAKE SPRING	1

When ordering parts, please specify the model and serial number of the product.

* Indicates a component that is not available as an individual part.

*** Indicates consult Customer Service Department for additional information.

ITEM	PART NO.	1 2 3 4 5	DESCRIPTION	QTY.
89	612416		SHOE CLAMP	2
90				
91				
92	612418		GEAR ADJUSTER.....	1
93	612417		GEAR ADJUSTER.....	1
94				
95				
96	17083G2		BOLT, 5/16" - 24 X 1" LG	8
97	15126G1		LOCK NUT, 5/16" - 24.....	8
98	15485G1		LOCK WASHER, 13/16" (HAULER 800)	2
99				
100	19186G1		BRAKE DRUM ASSEMBLY (INCLUDES ITEMS 101 - 102) (HAULER 800 ONLY).....	2
101	18500G2		BRAKE DRUM.....	1
102	19862G1		LUG BOLT, 1/2" - 20 X 1 3/16" LG.....	4
103				
104				
105	15487G1		FLAT WASHER, 1 3/8" O.D. X 21/32" (HAULER 800).....	2
106	612928		CASTELLATED NUT, 5/8" - 18 (HAULER 800)	2
107	10387G1		COTTER PIN, 1/8" X 1 1/2" LG.....	2
108				
109				
110	652248		BRAKE CABLE BRACKET (PASSENGER SIDE)	1
111	652249		BRAKE CABLE BRACKET (DRIVER SIDE).....	1
112				
113	21807G2		BRAKE DRUM ASSEMBLY (INCLUDES ITEMS 114 - 115) (HAULER1000 ONLY).....	1
114	20947G1		BRAKE DRUM.....	1
115	19862G2		LUG BOLT	4
116	21809G1		FLAT WASHER, INNER WHEEL RIM (HAULER 1000).....	2
117	21830G1		FLAT WASHER - BRAKE DRUM (HAULER 1000).....	2
118	00518G8		SLOTTED HEX NUT, 3/4" - 16 (HAULER 1000).....	2

BRAKES

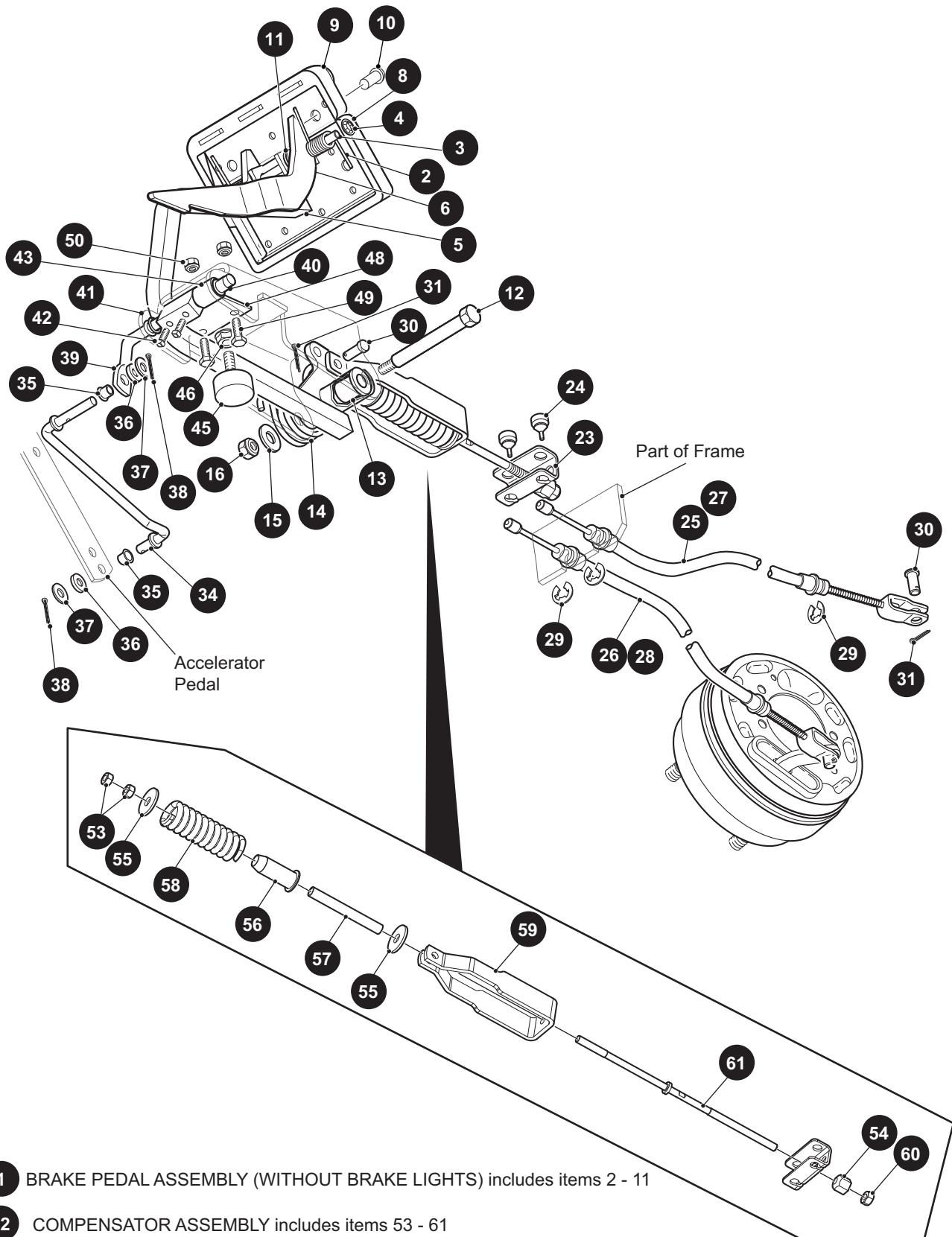
When ordering parts, please specify the model and serial number of the product.

* Indicates a component that is not available as an individual part.

*** Indicates consult Customer Service Department for additional information.

ITEM	PART NO.	1	2	3	4	5	DESCRIPTION	QTY.
119	612558						COMPENSATOR ASSEMBLY (INCLUDES ITEMS 120 - 129)	1
120	00532G4						HEX NUT	2
121	629486						HEX NUT, 5/16" - 24	1
122	28082G01						EQUALIZER BRACKET	1
123	15121G1						FLAT WASHER, 5/16"	2
124	17979G1						ACCELERATOR ROD BUSHING	1
125	23061G2						TUBE.....	1
126	23463G1						COMPRESSION SPRING	1
127	652256						BRAKE YOKE	1
128	11098G9						HEX LOCK NUT, 5/16" - 24	1
129	612557						COMPENSATOR LINK ROD	1

BRAKES - FRONT DISC



1 BRAKE PEDAL ASSEMBLY (WITHOUT BRAKE LIGHTS) includes items 2 - 11

52 COMPENSATOR ASSEMBLY includes items 53 - 61

BRAKES - FRONT DISC

When ordering parts, please specify the model and serial number of the product.

* Indicates a component that is not available as an individual part.

*** Indicates consult Customer Service Department for additional information.

ITEM	PART NO.	1 2 3 4 5	DESCRIPTION	QTY.
1	74723G01		BRAKE PEDAL ASSEMBLY (WITHOUT BRAKE LIGHTS) (INCLUDES ITEMS 2 -11).....	1
2	70681G01		TORSION SPRING.....	2
3	70682G01		PARKING BRAKE PEDAL PIN.....	1
4	658825		PUSHNUT, 5/16"	2
5	652251G03		BRAKE PEDAL.....	1
6	641760		PARK BRAKE PEDAL	1
7				
8	70257G01		BRAKE PAD	1
9	70256G01		PARK BRAKE PEDAL PAD	1
10	15766G1		OVAL RIVET, 3/16" X 15/32" LG	9
11	20835G1		NYLON WASHER, 3/8"	2
12	70582G01		SHOULDER BOLT, 3/8" - 16 X 4" LG	1
13	70581G01		FLANGED BUSHING.....	2
14	70676G01		TORSION SPRING	1
15	00643G1		LOCK WASHER, 3/8"	1
16	11098G5		LOCK NUT, 3/8" - 16.....	1
17				
18	01038G01		SWAGEFORM SCREW, 1/4" - 20 (NOT ILLUSTRATED).....	1
19	12416G2		NYLON WEDGE LOCK CLAMP (NOT ILLUSTRATED).....	A/R
20				
21				
22				
23	28082G01		EQUALIZER BRACKET	1
24	28083G01		BRAKE COMPENSATOR BUMPER.....	2
25	624690		BRAKE CABLE (DRIVER SIDE) (FOR CUSHMAN HAULER 800).....	1
26	624691		BRAKE CABLE (PASSENGER SIDE) (FOR CUSHMAN HAULER 800)	1
27	624700		BRAKE CABLE (DRIVER SIDE) (FOR CUSHMAN HAULER 1000).....	1
28	624698		BRAKE CABLE (PASSENGER SIDE) (FOR CUSHMAN HAULER 1000)	1
29	01111G01		RETAINING RING (SS).....	4
30	10386G3		CLEVIS PIN, 5/16" X 1"	2

BRAKES - FRONT DISC

When ordering parts, please specify the model and serial number of the product.

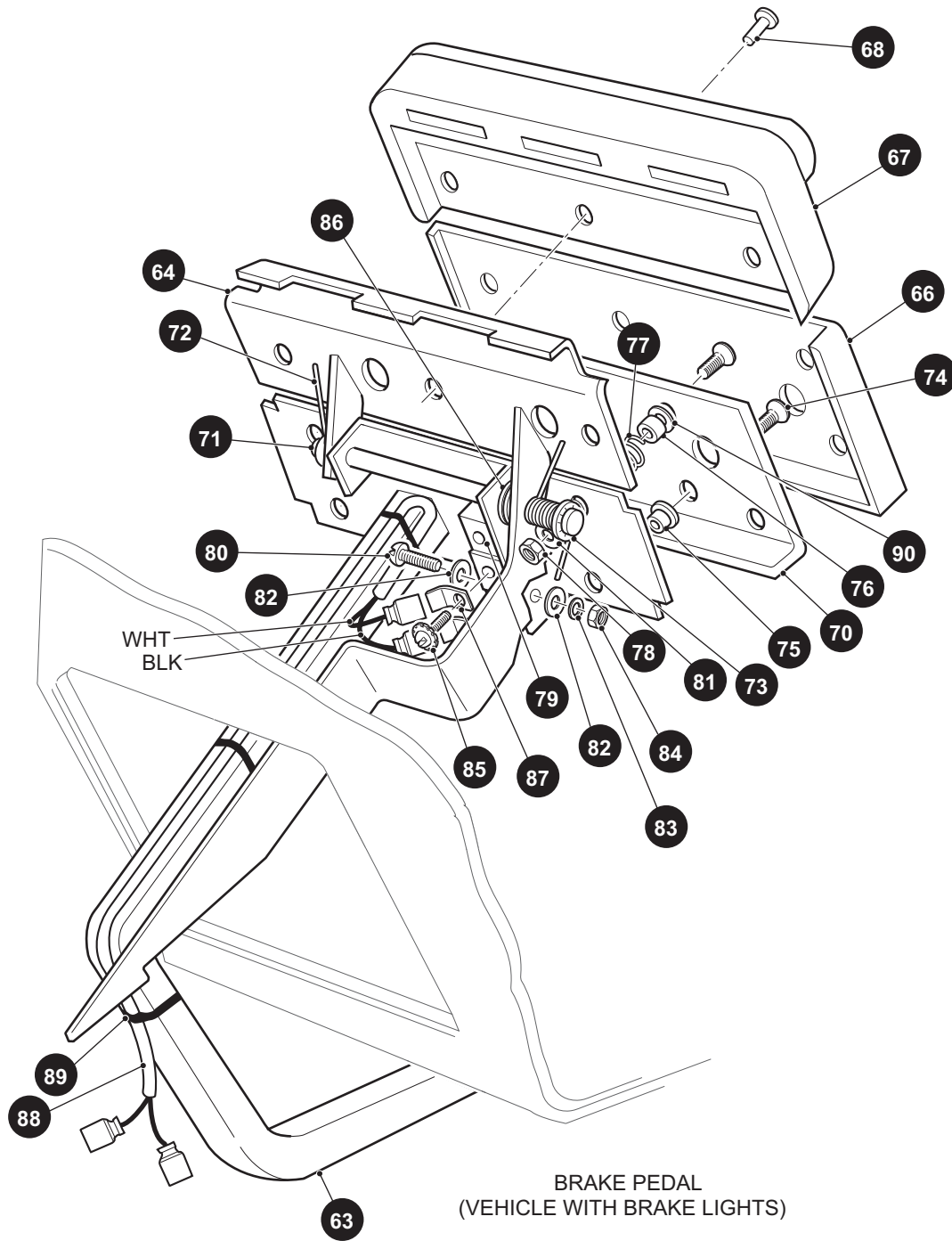
* Indicates a component that is not available as an individual part.

*** Indicates consult Customer Service Department for additional information.

ITEM	PART NO.	1	2	3	4	5	DESCRIPTION	QTY.
31	10387G3						COTTER PIN, 3/32" X 3/4"	2
32								
33								
34	70601G01						KICK-OFF LINK.....	1
35	17838G1						NYLON BUSHING.....	2
36	20835G1						TEFLON WASHER, 3/8"	2
37	00559G8						FLAT WASHER, 5/16"	2
38	10387G3						COTTER PIN, 3/32" X 3/4"	2
39	70098G01						KICK-OFF CAM PIVOT	1
40	10097G6						FLANGED BEARING	2
41	70587G01						KICK-OFF CAM.....	1
42	71215G01						SET SCREW WITH PATCHLOCK, 1/4" - 20 X 1/2" LG.....	2
43	14134G4						SPACER, 1.25"	1
44								
45	70113G01						ADJUSTABLE BUMPER	1
46	11027G1						LOCK NUT, 5/16" - 18	1
47								
48	70080G02						CATCH BRACKET.....	1
49	00414G6						HEX HEAD BOLT, 1/4" - 20 X 1/2" LG.....	2
50	14390G4						LOCK NUT, 1/4" - 20"	2
51								
52	612558						COMPENSATOR ASSEMBLY (INCLUDES ITEMS 53 - 61)	1
53	00532G4						HEX NUT, 1/4" - 20	2
54	629486						HEX NUT, 5/16" - 24	1
55	15121G1						FLAT WASHER, 5/16".....	2
56	17979G1						ACCELERATOR ROD BUSHING	1
57	23061G2						TUBE.....	1
58	23463G1						COMPRESSION SPRING	1
59	652256						BRAKE YOKE	1
60	11098G9						HEX LOCK NUT, 5/16" - 24	1
61	612557						COMPENSATOR LINK ROD	1

BRAKES - FRONT DISC

62 BRAKE PEDAL ASSEMBLY (WITH BRAKE LIGHT) includes items 63 - 90



BRAKES - FRONT DISC

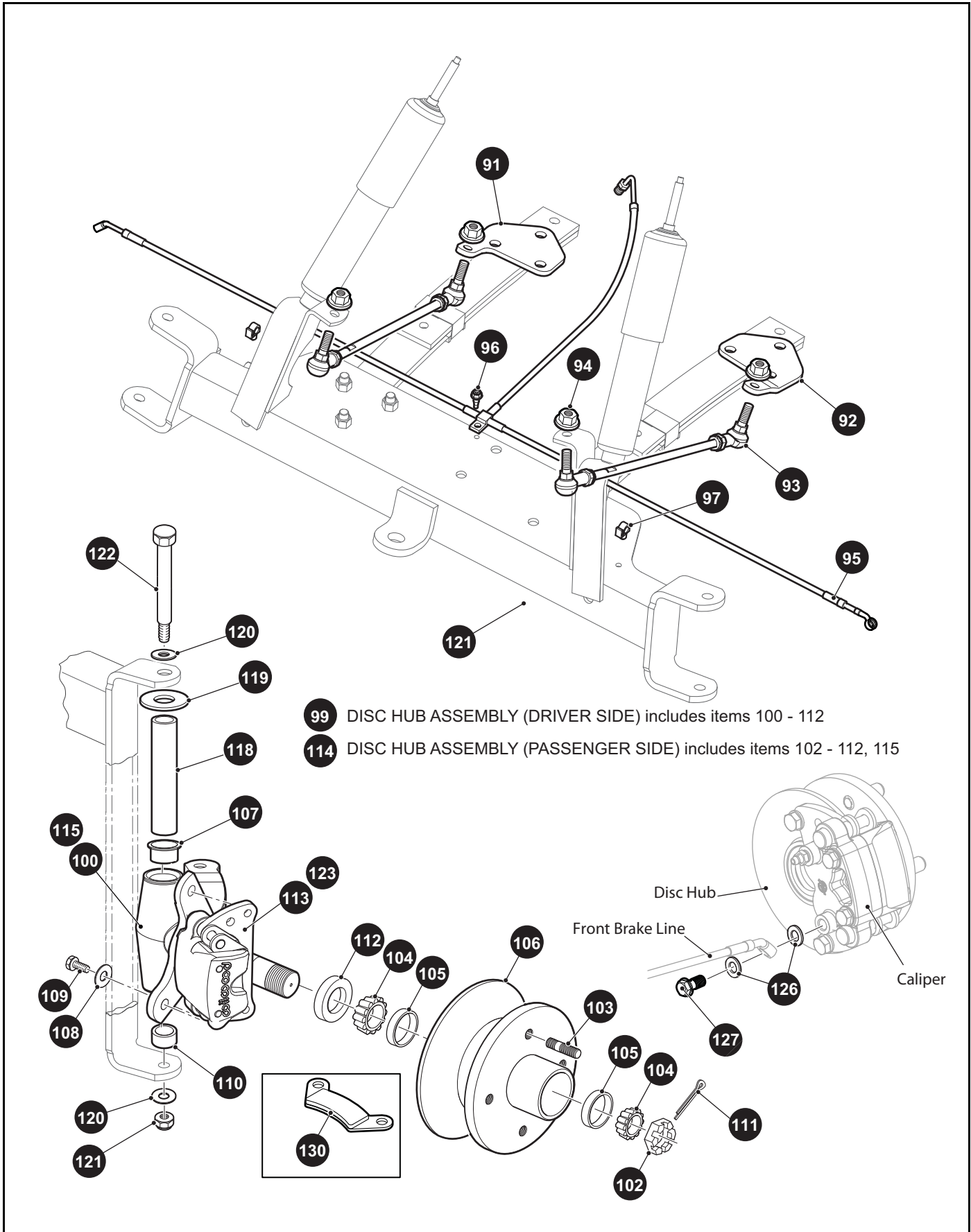
When ordering parts, please specify the model and serial number of the product.

* Indicates a component that is not available as an individual part.

*** Indicates consult Customer Service Department for additional information.

ITEM	PART NO.	1 2 3 4 5	DESCRIPTION	QTY.
62	74874G01		BRAKE PEDAL ASSEMBLY (WITH BRAKE LIGHTS) (INCLUDES ITEMS 63 - 90)	1
63	74870G01		BRAKE PEDAL.....	1
64	641760		PARK BRAKE PEDAL	1
65				
66	70257G01		BRAKE PAD	1
67	70256G01		PARK BRAKE PAD.....	1
68	15766G1		OVAL RIVET, 3/16" X 15/32" LG	9
69	18659G1		LOCTITE (262) (NOT ILLUSTRATED).....	A/R
70	70258G03		BRAKE PEDAL PLATE.....	1
71	70682G01		PARKING BRAKE PEDAL PIN.....	1
72	70681G01		TORSION SPRING.....	2
73	658825		PUSHNUT, 5/16"	1
74	00737G8		FLAT HEAD PHILLIPS SCREW, #10 - 24 X 1" LG.....	4
75	00739G1		RUBBER NUT, #10 - 24	2
76	652355		BRAKE PEDAL SPACER	2
77	27137G01		CONICAL SPRING	2
78	14390G10		LOCK NUT, #10 - 24.....	2
79	10606G8		LIMIT SWITCH (3 POLE)	1
80	00957G1		HEX HEAD CAP SCREW, #6 - 32 X 1 1/4" LG	2
81	00559G5		FLAT WASHER, #10	2
82	00559G3		FLAT WASHER, #6	4
83	00565G3		LOCK WASHER, #6	2
84	00525G5		HEX NUT, #6 - 32	2
85	13514G1		BRASS LIMIT SWITCH SCREW, #6 - 32 X 7/32" LG	2
86	20835G1		NYLON WASHER, 3/8"	2
87	14628G1		FASTON TAB.....	2
88	24605G1		WIRE HARNESS (BRAKE LIGHT).....	1
89	17618G1		WIRE TIE.....	3
90	00642G8		FLAT WASHER, 5/16"	2

BRAKES - FRONT DISC



BRAKES - FRONT DISC

When ordering parts, please specify the model and serial number of the product.

* Indicates a component that is not available as an individual part.

*** Indicates consult Customer Service Department for additional information.

ITEM	PART NO.	1 2 3 4 5	DESCRIPTION	QTY.
91	74731G02		SPRING PLATE (PASSENGER SIDE)	1
92	74731G01		SPRING PLATE (DRIVER SIDE).....	1
93	74730G01		FOUR LINK ROD.....	2
94	606279		HEX NUT, M10 - 1.25.....	4
95	630766		BRAKE LINE	1
96	01038G01		SWAGEFORM SCREW, 1/4" - 20 X 1/2" LG	1
97	74875G01		WIRE RETAINER.....	2
98				
99	602281		SPINDLE, CALIPER AND DISC HUB ASSEMBLY (DRIVER SIDE) (INCLUDES ITEMS 100 - 112).....	1
100	602176		DISC BRAKE SPINDLE (DRIVER SIDE)	1
101				
102	12093G1		SLOTTED NUT, 17/32"	1
103	74864G01		DRIVE FLANGE STUD	4
104	11750G2		ROLLER BEARING	2
105	51141G1		BEARING RACE	2
106	630672		DISC BRAKE HUB	1
107	70648G01		FLANGED BEARING	1
108	00566G1		FLAT WASHER, 3/8"	2
109	00426G8		HEX HEAD BOLT, 3/8" - 16 X 1" LG.....	2
110	70749G01		BEARING	1
111	00798G8		COTTER PIN, 5/32" X 1 3/4"	1
112	25146G1		GREASE SEAL.....	1
113	633918G02		CALIPER (DRIVER SIDE)	1
114	602288		SPINDLE, CALIPER AND DISC HUB ASSEMBLY (PASSENGER SIDE) (INCLUDES ITEMS 102 - 112, 115).....	1
115	602158		DISC BRAKE SPINDLE (PASSENGER SIDE).....	1
116				
117				
118	70745G01		KINGPIN TUBE.....	2
119	70754G01		THRUST WASHER, .995" I.D. X 1.38" O.D.	2
120	00560G3		LOCK WASHER, 1/2"	4

BRAKES - FRONT DISC

When ordering parts, please specify the model and serial number of the product.

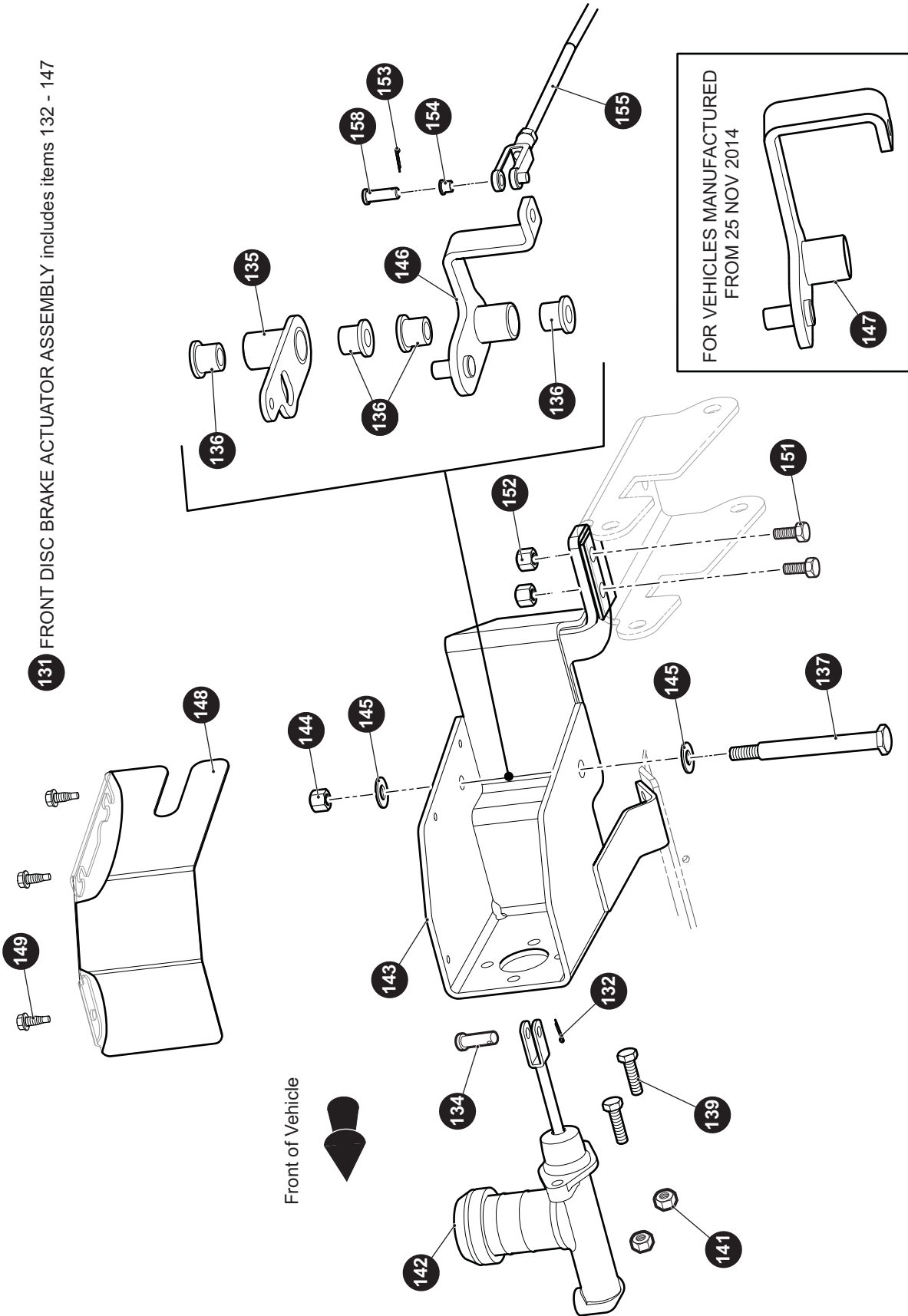
* Indicates a component that is not available as an individual part.

*** Indicates consult Customer Service Department for additional information.

ITEM	PART NO.	1 2 3 4 5	DESCRIPTION	QTY.
121	14390G6		LOCK NUT, 1/2" - 13	2
122	00407G6		HEX HEAD BOLT, 1/2" - 13 X 6" LG.....	2
123	633918G01		CALIPER (PASSENGER SIDE)	1
124				
125				
126	613293		CRUSH WASHER, M10	4
127	616459		BANJO BOLT, M10 - 1" X 20" LG	2
128				
129				
130	649167		BRAKE PAD	2

BRAKES - FRONT DISC

131 FRONT DISC BRAKE ACTUATOR ASSEMBLY includes items 132 - 147



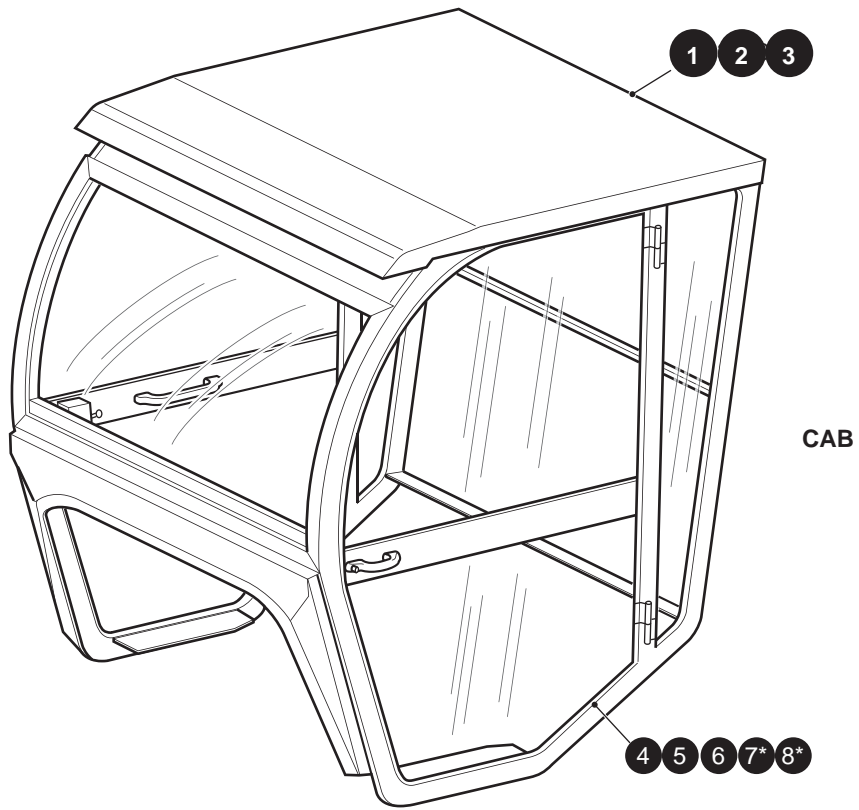
BRAKES - FRONT DISC

When ordering parts, please specify the model and serial number of the product.

* Indicates a component that is not available as an individual part.

*** Indicates consult Customer Service Department for additional information.

ITEM	PART NO.	1 2 3 4 5	DESCRIPTION	QTY.
131	608706		FRONT DISC BRAKE BRAKE ACTUATOR ASSEMBLY (INCLUDES ITEMS 132 - 147)	1
132	10387G3		COTTER PIN, 3/32" X 3/4" LG	1
133				
134	10386G3		CLEVIS PIN, 5/16" X 1"	1
135	608122		UPPER ACTUATOR PIVOT	1
136	70581G02		ACETAL BUSHING.....	4
137	74711G01		ACTUATOR PIVOT BOLT, 3/4" - 16 X 3/4" LG	1
138				
139	00439G1		HEX HEAD BOLT, 1/2" - 13 X 6" LG.....	2
140				
141	11098G6		LOCK NUT, 5/16" - 18	2
142	887364		MASTER CYLINDER	1
143	612706		MASTER CYLINDER WELDMENT MOUNT.....	1
144	11098G5		LOCK NUT, 3/8" - 16	1
145	00679G1		LOCK WASHER (SS), 3/8".....	2
146	608118		LOWER ACTUATOR PIVOT (FOR VEHICLES MANUFACTURED BEFORE 25 NOV 2014).....	1
147	641826		LOWER ACTUATOR PIVOT (FOR VEHICLES MANUFACTURED FROM 25 NOV 2014).....	1
148	612704		ACTUATOR ASSEMBLY COVER	1
149	01038G01		SWAGEFORM SCREW, 1/4" - 20 X 1/2" LG	3
150				
151	00414G6		HEX HEAD BOLT, 1/4" - 20 X 1/2" LG	4
152	14390G4		LOCK NUT, 1/4" - 20.....	4
153	10387G3		COTTER PIN, .094" X .75"	2
154	17838G1		NYLON BUSHING	2
155	608943		ACTUATOR LINKAGE	1
156	00771G5		FLAT WASHER, 3/8" (NOT ILLUSTRATED).....	1
157	21504G1		BRAKE FLUID (NOT ILLUSTRATED)	A/R
158	10386G3		CLEVIS PIN, 5/16" X 1"	2



*Steel Doors Shown

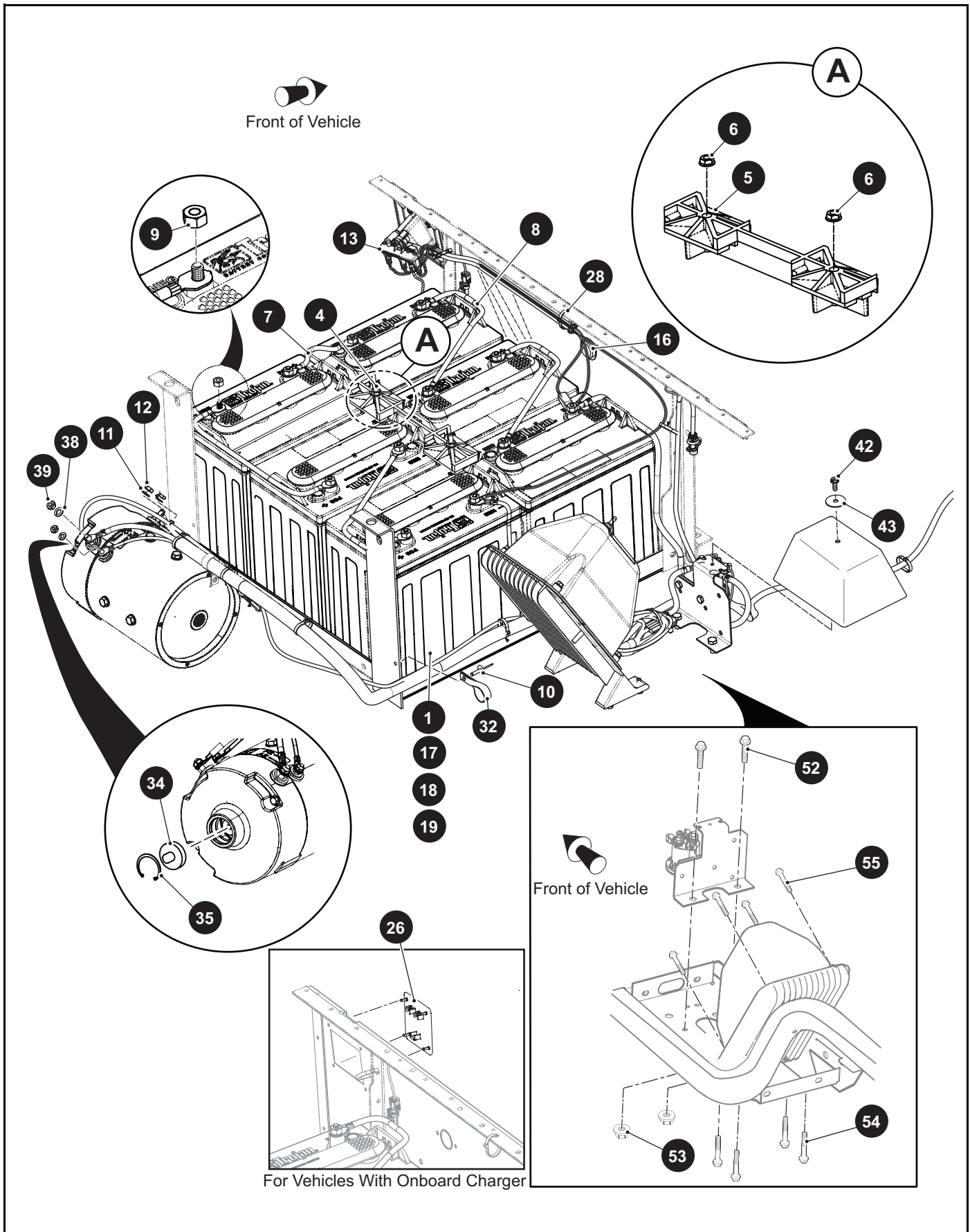
When ordering parts, please specify the model and serial number of the product.

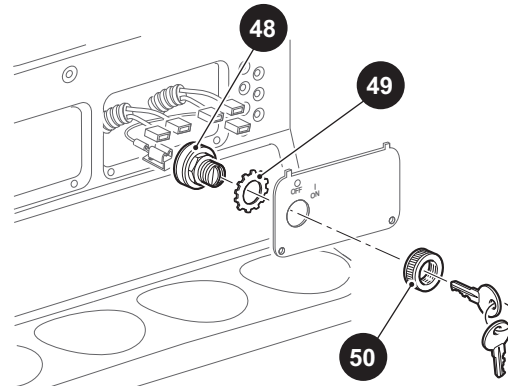
* Indicates a component that is not available as an individual part.

*** Indicates consult Customer Service Department for additional information.

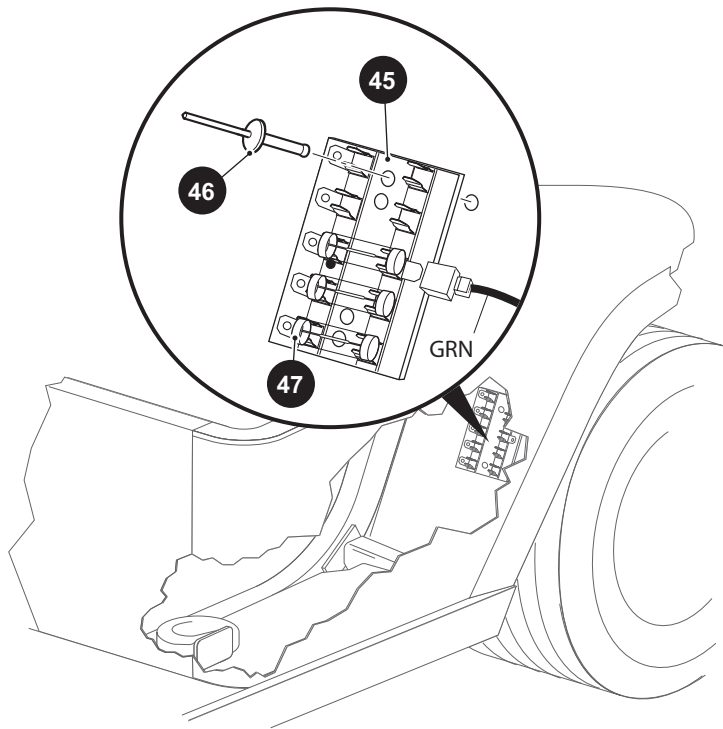
ITEM	PART NO.	1 2 3 4 5	DESCRIPTION	QTY.
1	72684G01		STEEL CAB (WITHOUT DOORS) - TAN.....	1
2	72684G02		STEEL CAB (WITHOUT DOORS) - WHITE	1
3	72684G03		STEEL CAB (WITHOUT DOORS) - OTHER	1
4	75855G01		VINYL DOOR KIT - TAN	1
5	75855G02		VINYL DOOR KIT - WHITE	1
6	75855G03		VINYL DOOR KIT - OTHER.....	1
7	75856G01		STEEL DOOR KIT - TAN	1
8	75856G03		STEEL DOOR KIT - OTHER.....	1
<p>REPLACEMENT PARTS AND ACCESSORIES MAY BE OBTAINED FROM CURTIS CAB, INC</p>				

ELECTRICAL SYSTEM - HAULER 800





KEY SWITCH AND KEY SET



ELECTRICAL SYSTEM - HAULER 800

When ordering parts, please specify the model and serial number of the product.

* Indicates a component that is not available as an individual part.

*** Indicates consult Customer Service Department for additional information.

ITEM	PART NO.	1 2 3 4 5	DESCRIPTION	QTY.
1	618594		8 VOLT BATTERY	6
2				
3				
4	01101G01		TIE DOWN BOLT.....	2
5	612867		BATTERY RETAINER	1
6	11027G1		LOCK NUT, 5/16" - 18	2
7	613236		6 AWG WIRE, BLUE 380MM (15").....	4
8	613237		6 AWG WIRE, BLUE 150MM (5.90").....	1
9	00702G2		HEX NUT, 5/16" - 18.....	12
10	10570G11		RIVET, 3/16" X .70".....	1
11	00993G02		LOCK WASHER (SILICON BRONZE), 1/4"	2
12	28418G02		NUT (BRASS), 1/4" - 20	2
13	633149		CHARGER RECEPTACLE, 48V	1
14				
15				
16	71316G01		PLUG.....	1
17	614015		8 VOLT BATTERY	6
18	618595		8 VOLT BATTERY	6
19	614381		8 VOLT BATTERY	6
20				
21				
22				
23				
24				
25				
26	666066		RECEPTACLE COVER	1
27				
28	17618G1		NYLON CLAMP.....	9
29				
30				
31				

ELECTRICAL SYSTEM - HAULER 800

When ordering parts, please specify the model and serial number of the product.

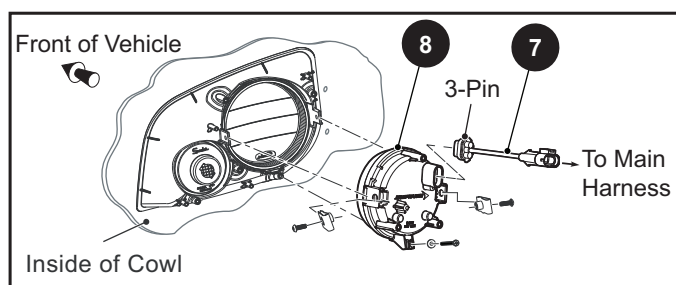
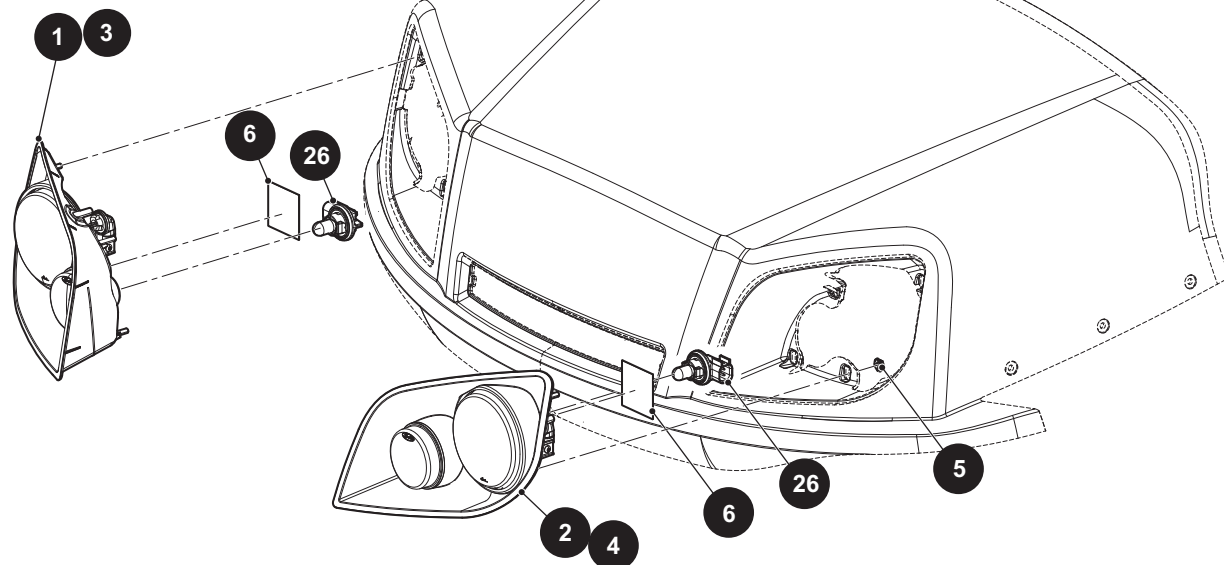
* Indicates a component that is not available as an individual part.

*** Indicates consult Customer Service Department for additional information.

ITEM	PART NO.	1 2 3 4 5	DESCRIPTION	QTY.
32	27327G02		CABLE CLAMP	1
33				
34	620422		SPEED SENSOR.....	1
35	73277G01		RETAINING RING.....	1
36				
37				
38	00993G01		LOCK WASHER (SILICON BRONZE), 5/16"	2
39	28418G01		NUT (BRASS), 5/16" - 18	2
40				
41				
42	00114G6		SCREW, 5/16" - 18.....	1
43	16469G1		FENDER WASHER, 1/4"	1
44				
45	22674G1		FUSE BLOCK	1
46	01041G01		RIVET, 1/8" X 13/16" LG	2
47	18392G1		15 AMP FUSE	AR
48	33639G01		KEY SWITCH (WITH LIGHTS)	1
49	00568G6		LOCK WASHER, 3/4"	1
50	17137G1		FACE NUT, 3/4" - 20	1
51	31539G1		NYLON CLAMP (NOT ILLUSTRATED)	1
52	00438G6		HEX HEAD BOLT, 5/16" - 18 X 5/8" LG	2
53	11027G1		FLANGED LOCK NUT, 5/16" - 18.....	2
54	71102G01		HEX HEAD CAP SCREW, 1/4" - 20 X .75" LG	4
55	71102G03		HEX HEAD CAP SCREW, 1/4" - 20 X 1.15" LG	4

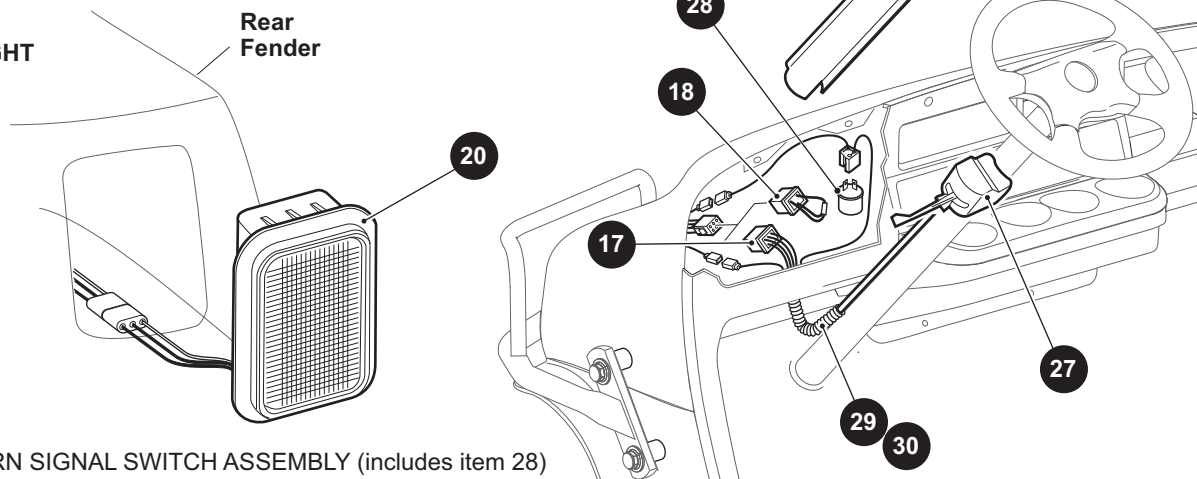
ELECTRICAL SYSTEM - HAULER 800

HEADLIGHT & TURN SIGNAL



- 3 LED HEADLIGHT ASSEMBLY (PASSENGER SIDE) includes item 8
- 4 LED HEADLIGHT ASSEMBLY (DRIVER SIDE) includes item 8
- 25 TURN SIGNAL KIT (includes items 26 - 31)

TAILLIGHT



- 27 TURN SIGNAL SWITCH ASSEMBLY (includes item 28)

ELECTRICAL SYSTEM - HAULER 800

When ordering parts, please specify the model and serial number of the product.

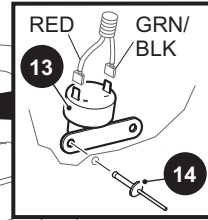
* Indicates a component that is not available as an individual part.

*** Indicates consult Customer Service Department for additional information.

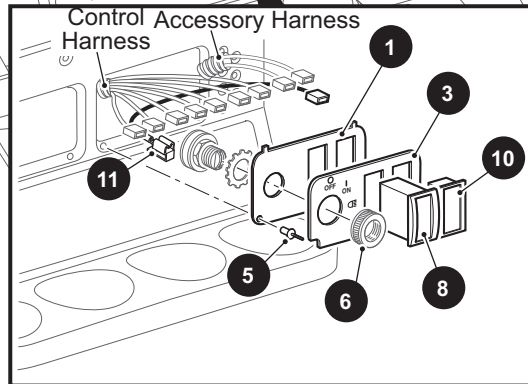
ITEM	PART NO.	1 2 3 4 5	DESCRIPTION	QTY.
1	614497		HEADLIGHT W/O TURN SIGNAL (PASSENGER SIDE)	1
2	614501		HEADLIGHT W/O TURN SIGNAL (DRIVER SIDE)	1
3	659008		LED HEADLIGHT ASSEMBLY (PASSENGER SIDE) (INCLUDES ITEM 8)...	1
4	659009		LED HEADLIGHT ASSEMBLY (DRIVER SIDE) (INCLUDES ITEM 8)	1
5	71597G01		SELF THREADING NUT, 5MM X 10MM X 15MM	8
6	71781G02		VINYL TAPE	2
7	654465		JUMPER HARNESS, LED HEADLIGHT	2
8	651411G03		LED HEADLIGHT	1
9				
10				
11				
12				
13				
14				
15				
16				
17	618257		WIRE HARNESS (ACCESSORY), 48V DC,SWB.....	1
18	618260		TAILLIGHT JUMPER PLUG	1
19				
20	32739G2		TAILLIGHT	1
21				
22				
23				
24				
25	622712		TURN SIGNAL KIT (INCLUDES ITEM 26 - 31)	1
26	619102		TURN SIGNAL BULB	1
27	611810		TURN SIGNAL SWITCH ASSEMBLY (INCLUDES ITEM 28)	1
28	21640G01		TURN SIGNAL FLASHER UNIT	1
29	17618G1		FLEX LOOM, 3/8" X 8" LG	1
30	17618G1		WIRE TIE.....	2
31	20965G3		STEERING COLUMN COVER	1

ELECTRICAL SYSTEM - HAULER 800

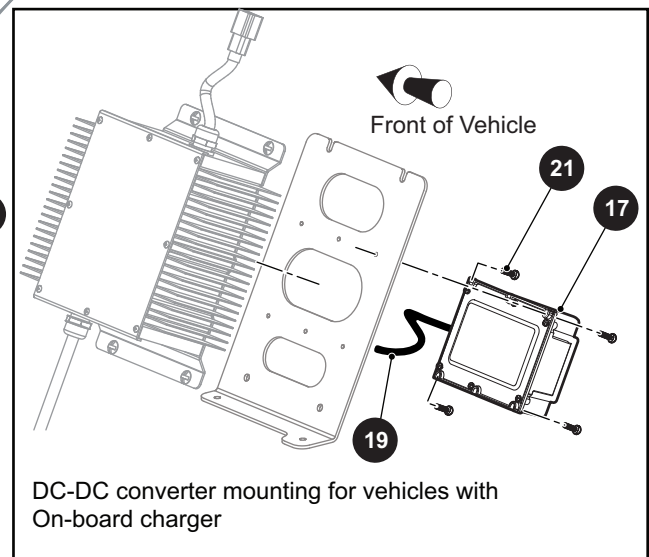
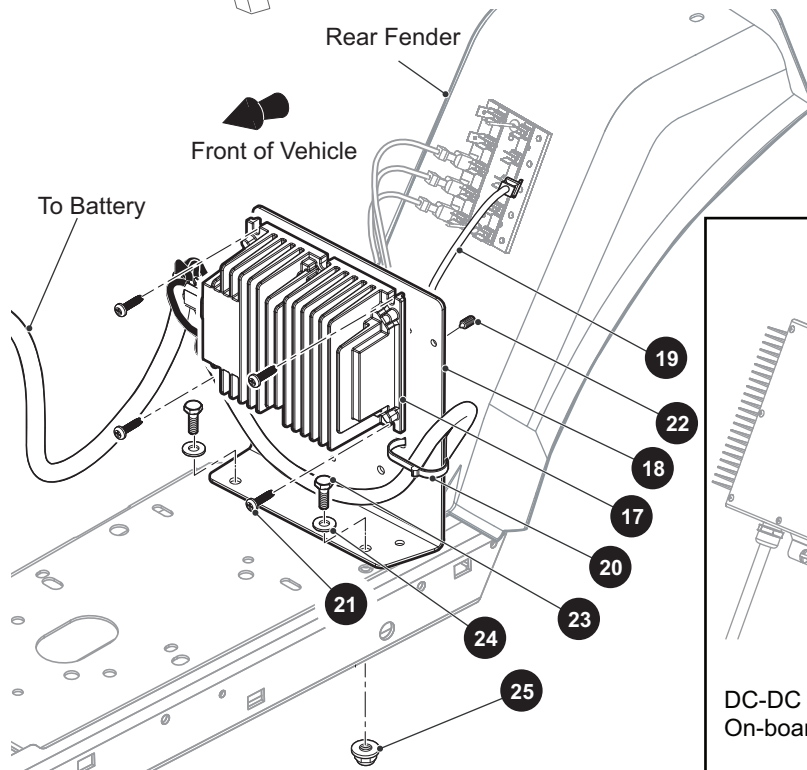
REVERSE BUZZER



Control Accessory Harness



DASH MOUNTED DIRECTION SELECTOR, STATE OF CHARGE METER, LABEL AND PLATE



DC-DC converter mounting for vehicles with On-board charger

ELECTRICAL SYSTEM - HAULER 800

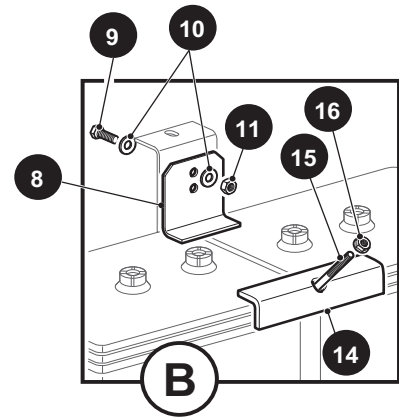
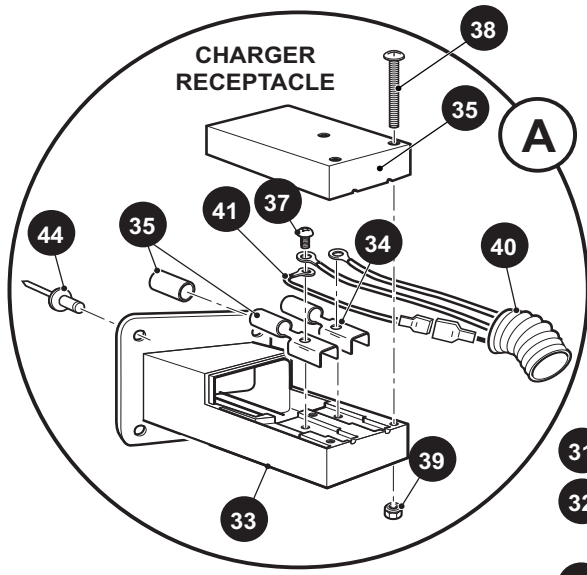
When ordering parts, please specify the model and serial number of the product.

* Indicates a component that is not available as an individual part.

*** Indicates consult Customer Service Department for additional information.

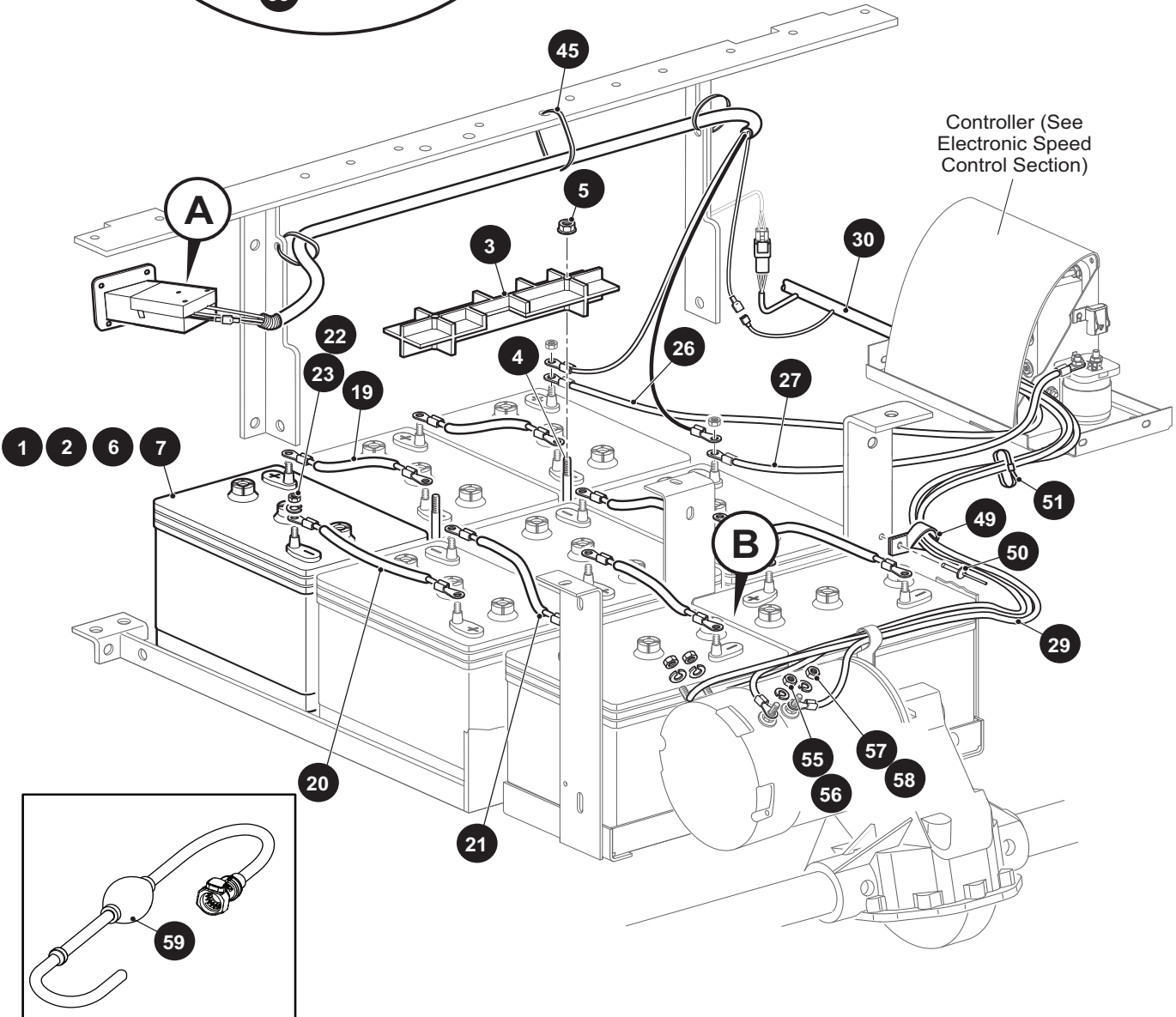
ITEM	PART NO.	1 2 3 4 5	DESCRIPTION	QTY.
1	606523		PLATE CONSOLE	1
2				
3	617186		DECALS.....	1
4				
5	33623G02		DRIVE RIVET, 3/16" X 3/8" LG	3
6	20271G10		PLUG HOLE.....	1
7				
8	624514G02		DIRECTION SELECTOR SWITCH (DASH MOUNTED)	1
9				
10	33636G05		STATE OF CHARGE METER (VERTICAL)	1
11	25978G74		18 GA WIRE (RED 6")	1
12				
13	613271		BUZZER (CONTINUOUS TONE)	1
14	01041G01		RIVET, 1/8" X 13/16" LG	2
15				
16				
17	632185		DC TO DC CONVERTER	1
18	633303		DC TO DC CONVERTER BRACKET	1
19	605888		DC TO DC WIRING HARNESS	1
20	17618G1		CLAMP (NYLON), 7" LG	4
21	632372		SELF TAPPING SCREW, #10 - 32 X .75" LG	4
22	16816G5		RATCHET RIVET, .187" X .550" LG	1
23	00414G6		HEX HEAD BOLT, 1/4" - 20 X .75" LG	2
24	00559G7		FLAT WASHER, 1/4"	2
25	11027G2		FLANGED LOCK NUT, 1/4" - 20 '	2
26	19344G1		ELECTRICAL VINYL TAPE (NOT ILLUSTRATED).....	1

ELECTRICAL SYSTEM - HAULER 1000



31 CHARGER RECEPTACLE ASSEMBLY Includes Items 32, 40, 41

32 CHARGER RECEPTACLE ASSEMBLY Includes Items 33 - 39



ELECTRICAL SYSTEM - HAULER 1000

When ordering parts, please specify the model and serial number of the product.

* Indicates a component that is not available as an individual part.

*** Indicates consult Customer Service Department for additional information.

ITEM	PART NO.	1 2 3 4 5	DESCRIPTION	QTY.
1	614430		6 VOLT BATTERY	8
2	614428		6 VOLT BATTERY	8
3	612867		BATTERY RETAINER	1
4	01101G01		TIE DOWN BOLT	2
5	11027G1		FLANGED LOCK NUT, 5/16" - 18.....	2
6	72826G01		6 VOLT BATTERY	8
7	72824G01		6 VOLT BATTERY	8
8	73218G02		BATTERY RETAINER ANGLE	1
9	00438G6		HEX HEAD BOLT, 5/16" - 18 X 5/8" LG	1
10	00559G8		WASHER, 5/16"	2
11	11098G6		LOCK NUT, 5/16" - 18.....	1
12				
13				
14	11841G1		BATTERY RETAINER ANGLE INNER.....	1
15	01087G01		HOLD DOWN BOLT (SS)	1
16	11027G1		LOCK NUT, 5/16" - 18	1
17				
18				
19	25971G18		4 GA WIRE (BATTERY INTERCONNECT, BLACK, 6")	2
20	25971G13		4 GA WIRE (BATTERY INTERCONNECT, BLACK, 10 1/2")	1
21	25971G14		4 GA WIRE (BATTERY INTERCONNECT, BLACK, 15")	4
22	00565G8		LOCK WASHER, 5/16"	16
23	00702G2		HEX NUT, 5/16" - 18	16
24				
25				
26	25971G15		4 GA WIRE (BATTERY +, BLACK, 17")	1
27	25971G16		4 GA WIRE (BATTERY -, BLACK, 19")	1
28				
29	74659G01		POWER HARNESS	1
30	74649G01		CONTROL HARNESS	1

ELECTRICAL SYSTEM - HAULER 1000

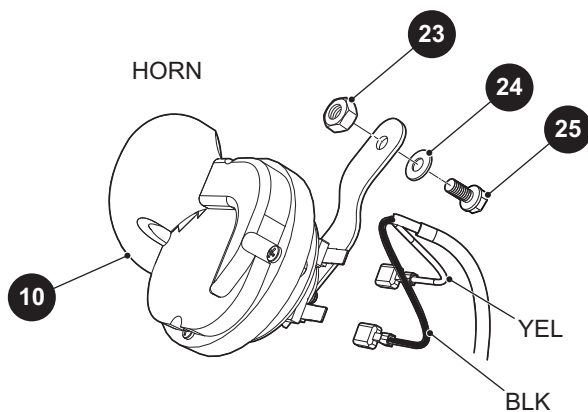
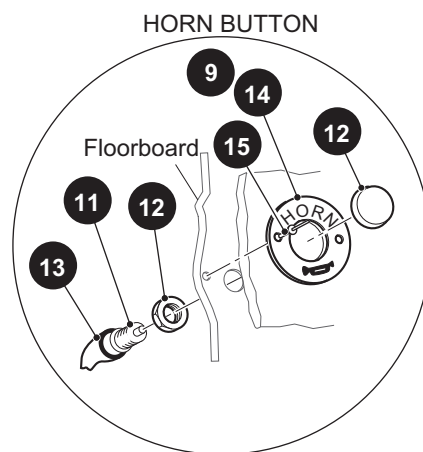
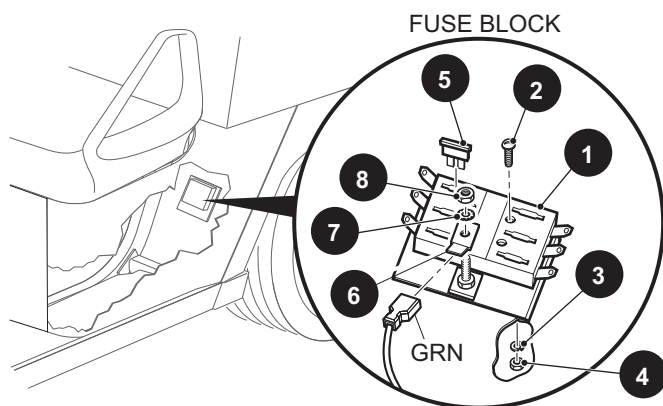
When ordering parts, please specify the model and serial number of the product.

* Indicates a component that is not available as an individual part.

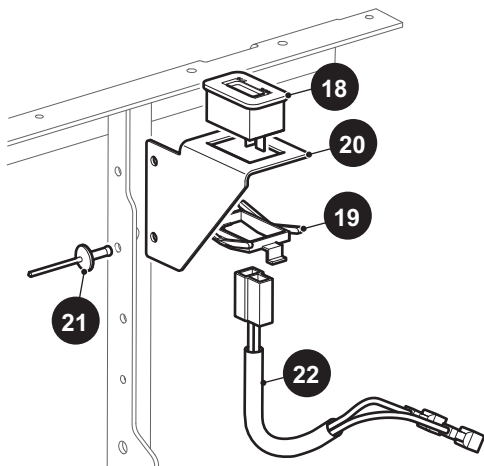
*** Indicates consult Customer Service Department for additional information.

ITEM	PART NO.	1 2 3 4 5	DESCRIPTION	QTY.
31	609670		CHARGER RECEPTACLE ASSEMBLY (INCLUDES ITEMS 32, 40 - 41)	1
32	668283		CHARGING RECEPTACLE (INCLUDES ITEMS 33 - 39)	1
33	73051G22		RECEPTACLE BOTTOM.....	1
34	73051G23		FEMALE CONNECTOR	2
35	73051G24		INSULATOR SLEEVE	1
36	73051G21		RECEPTACLE COVER	1
37	73051G08		SCREW (BRASS), #10 - 32 X 1/2" LG	2
38	73051G09		SCREW (SS), #6 - 32 X 1 3/4" LG	3
39	73051G10		LOCK NUT, #6 - 32.....	3
40	609654		WIRE HARNESS (CHARGER).....	1
41	25978G25		18 GA WIRE (RED 9")	1
42				
43				
44	14601G10		RIVET (ALUMINUM), 3/16" X 1" LG	4
45	17618G1		WIRE TIE.....	3
46				
47				
48				
49	27327G02		CABLE CLAMP	1
50	10570G11		RIVET (SS), 3/16" X 3/4" LG	1
51	17618G1		WIRE TIE.....	8
52				
53				
54				
55	00993G01		LOCK WASHER (SILICON BRONZE), 5/16"	5
56	28418G01		NUT (BRASS), 5/16" - 18	2
57	00993G02		LOCK WASHER (SILICON BRONZE), 1/4"	2
58	28418G02		NUT (BRASS), 1/4" - 20	2
59	676122		TROJAN HAND PUMP KIT	1

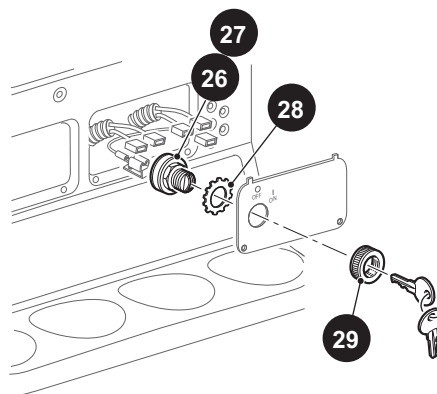
ELECTRICAL SYSTEM - HAULER 1000



17 HOUR METER KIT Includes Items 18 - 22



HOUR METER DETAIL



KEY SWITCH AND KEY SET

ELECTRICAL SYSTEM - HAULER 1000

When ordering parts, please specify the model and serial number of the product.

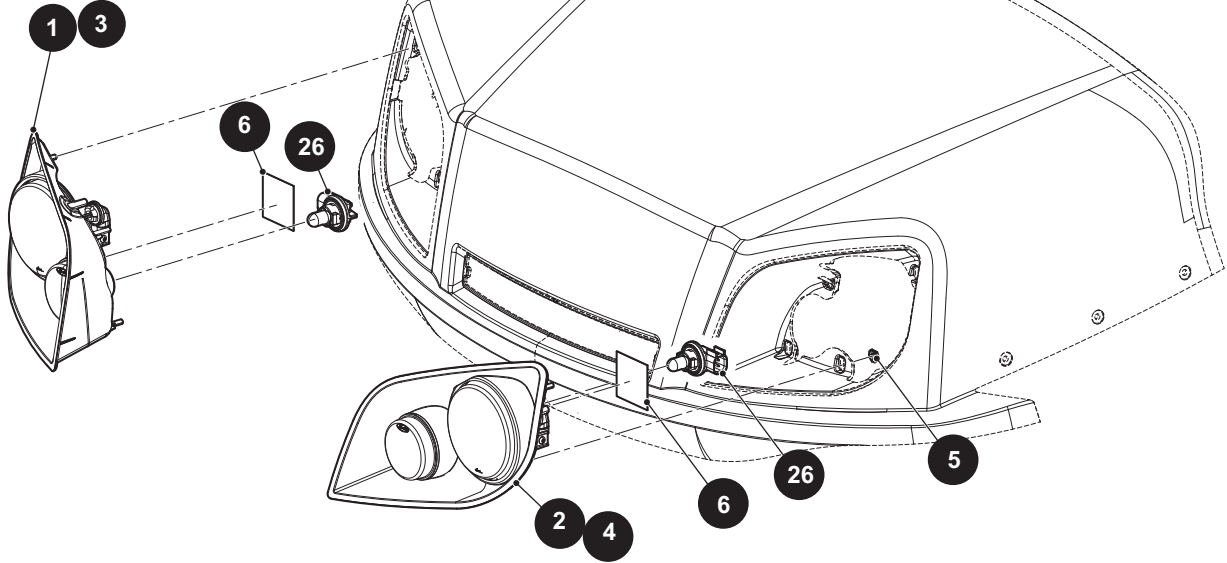
* Indicates a component that is not available as an individual part.

*** Indicates consult Customer Service Department for additional information.

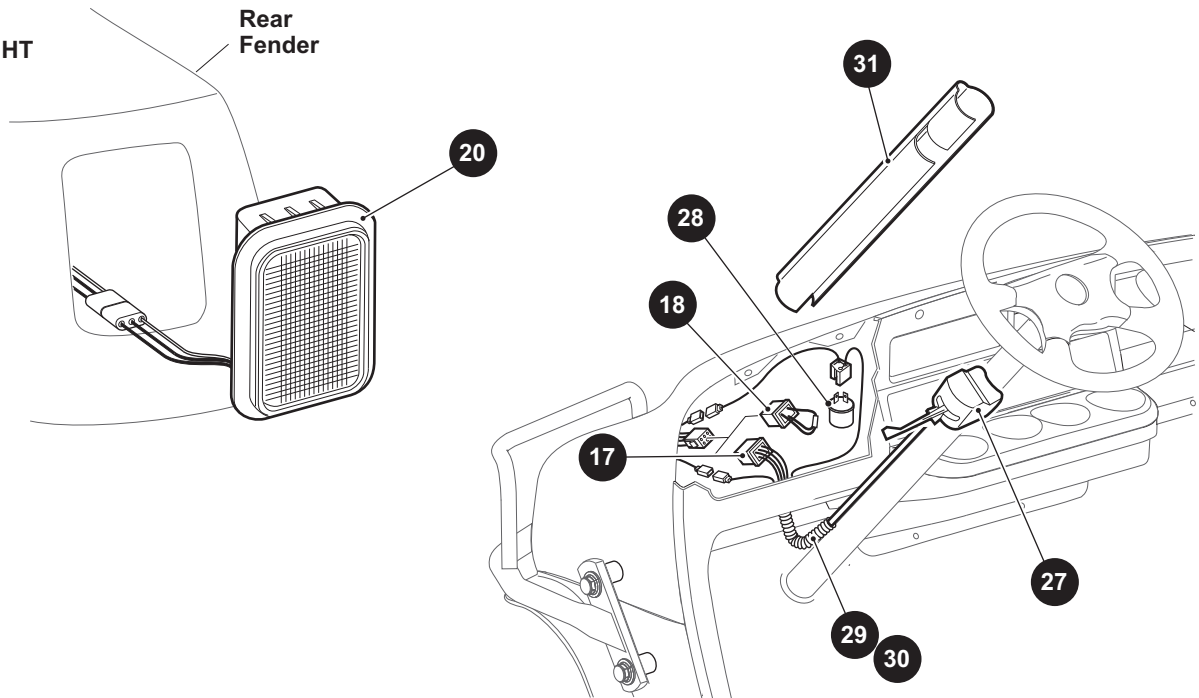
ITEM	PART NO.	1 2 3 4 5	DESCRIPTION	QTY.
1	35211G01		FUSE BLOCK (6 POSITION).....	1
2	00379G2		PHILLIPS PAN HEAD SCREW, #10 - 24 X 1 1/4" LG	2
3	00559G5		WASHER, #10	2
4	14390G10		LOCK NUT, #10 - 24.....	2
5	35212G01		FUSE, 15 AMP.....	AR
6	12914G1		PUSH ON MALE TERMINAL.....	1
7	00567G5		LOCK WASHER, #10.....	1
8	00526G4		HEX NUT, #10 - 32	1
9	608397		HORN PLATE	1
10	32860G01		HORN.....	1
11	17318G1		HORN SWITCH	1
12	17318G2		HORN SWITCH CAP AND NUT	1
13	27068G01		HORN SWITCH BOOT	1
14	19233G1		HORN SWITCH LABEL	1
15	71055G01		RIVET (ALUMINUM), 3/16" X 1" LG	2
16				
17	74914G02		HOUR METER KIT (INCLUDES ITEMS 18 - 22).....	1
18	74665G02		HOUR METER	1
19	74696G01		HOUR METER RETAINER CLIP	1
20	74716G02		HOUR METER BRACKET	1
21	10570G11		RIVET (SS), 3/16" X 3/4" LG	2
22	74908G01		WIRE HARNESS (HOUR METER)	1
23	14390G4		LOCK NUT, 1/4" - 20	1
24	01110G01		FLAT WASHER (SS), 1/4"	1
25	00414G5		HEX HEAD CAP SCREW, 1/4" - 20 X 5/8" LG	1
26	33639G03		KEY SWITCH (WITH LIGHTS - INDIVIDUALLY KEYED)	1
27	33639G**		KEY SWITCH (WITH LIGHTS)	1
28	00568G6		LOCK WASHER, 3/4"	1
29	17137G1		FACE NUT, 3/4" - 20	1
30				

ELECTRICAL SYSTEM - HAULER 1000

HEADLIGHT & TURN SIGNAL



TAILLIGHT



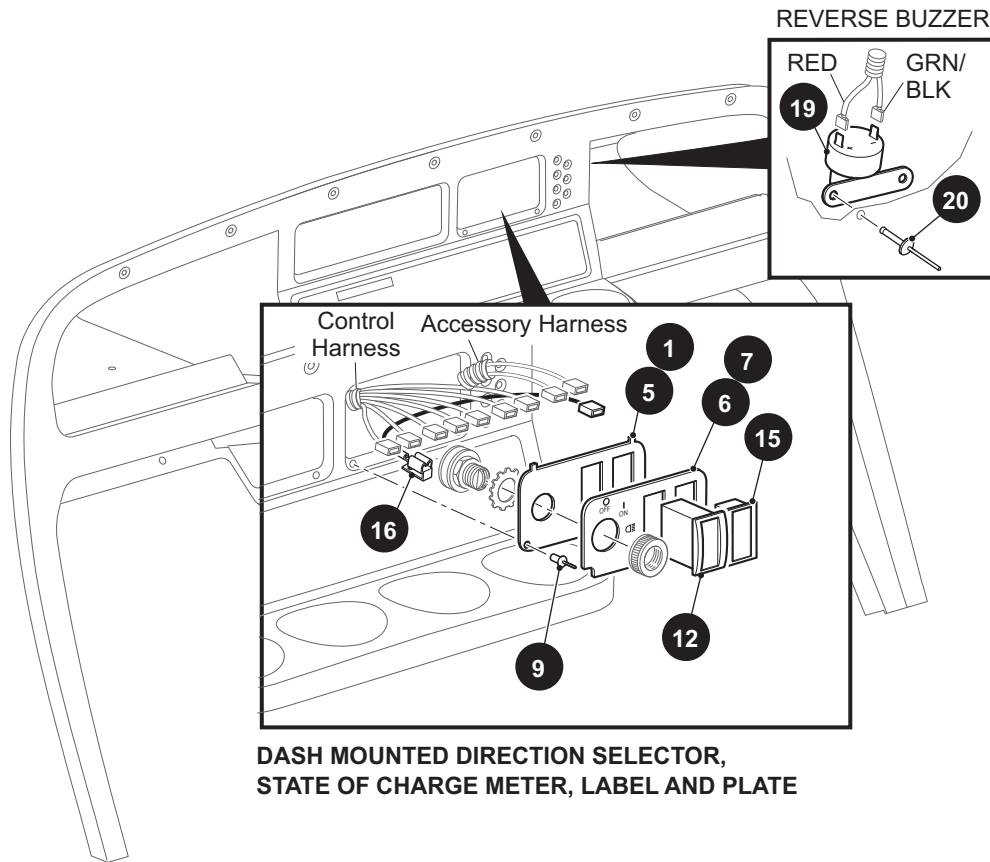
ELECTRICAL SYSTEM - HAULER 1000

When ordering parts, please specify the model and serial number of the product.

* Indicates a component that is not available as an individual part.

*** Indicates consult Customer Service Department for additional information.

ITEM	PART NO.	1 2 3 4 5	DESCRIPTION	QTY.
1	614497		HEADLIGHT W/O TURN SIGNAL (PASSENGER SIDE)	1
2	614501		HEADLIGHT W/O TURN SIGNAL (DRIVER SIDE)	1
3	618556		LED HEADLIGHT W/O TURN SIGNAL (PASSENGER SIDE)	1
4	618555		LED HEADLIGHT W/O TURN SIGNAL (DRIVER SIDE)	1
5	71597G01		SELF THREADING NUT, 5MM X 10MM X 15MM	8
6	71781G02		VINYL TAPE	2
7				
8				
9				
10				
11				
12				
13				
14				
15				
16				
17	618257		WIRE HARNESS (ACCESSORY), 48V DC,SWB.....	1
18	618260		TAILLIGHT JUMPER PLUG	1
19				
20	32739G2		TAILLIGHT	1
21				
22				
23				
24				
25	622712		TURN SIGNAL KIT (INCLUDES ITEM 26 - 31)	1
26	619102		TURN SIGNAL BULB	1
27	611810		TURN SIGNAL SWITCH ASSEMBLY (INCLUDES ITEM 28)	1
28	21640G01		TURN SIGNAL FLASHER UNIT	1
29	17618G1		FLEX LOOM, 3/8" X 8" LG	1
30	17618G1		WIRE TIE.....	2
31	20965G3		STEERING COLUMN COVER.....	1



**DASH MOUNTED DIRECTION SELECTOR,
STATE OF CHARGE METER, LABEL AND PLATE**

ELECTRICAL SYSTEM - HAULER 1000

When ordering parts, please specify the model and serial number of the product.

* Indicates a component that is not available as an individual part.

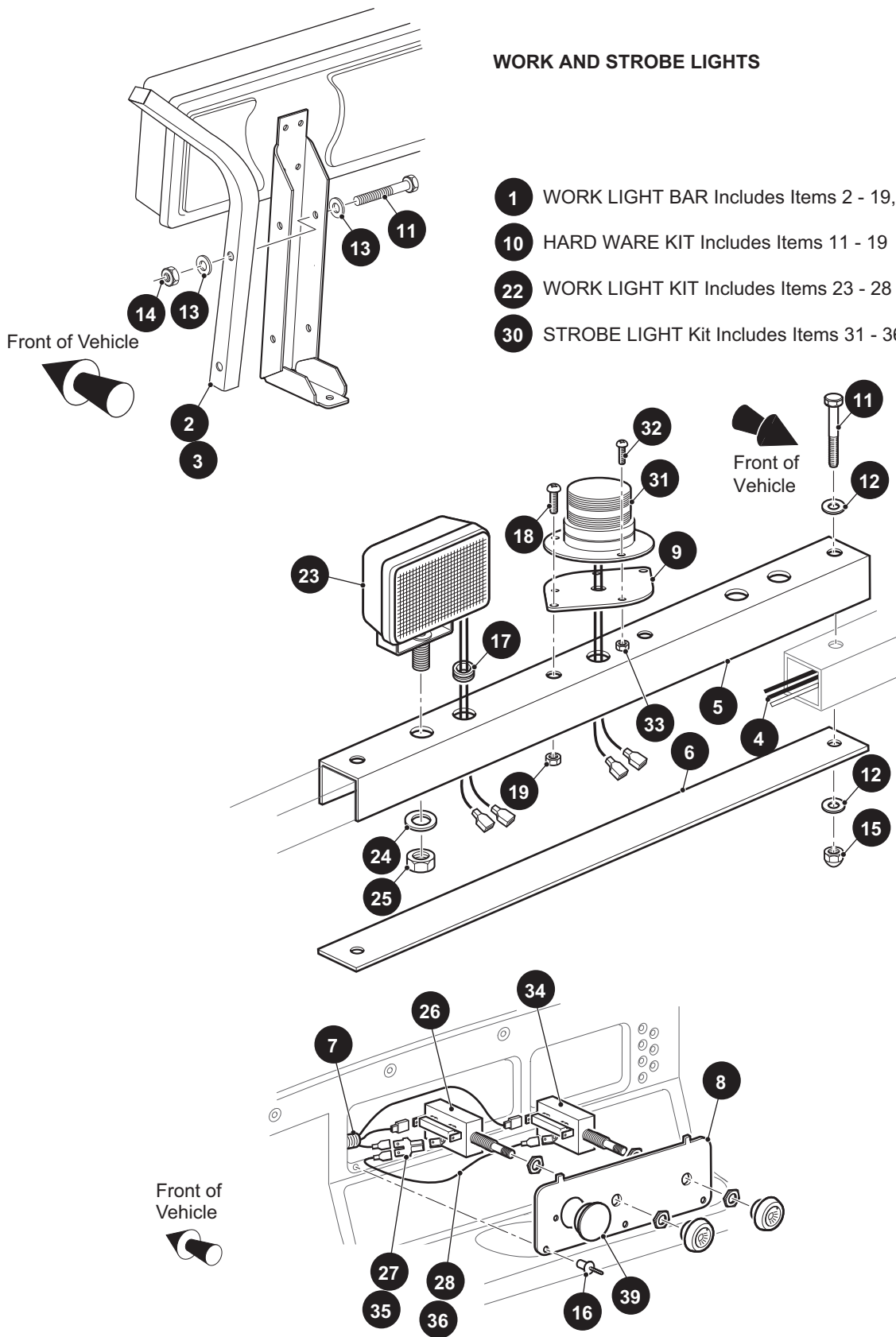
*** Indicates consult Customer Service Department for additional information.

ITEM	PART NO.	1 2 3 4 5	DESCRIPTION	QTY.
1	73030G13		PLATE (KEY SWITCH, DIRECTION SELECTOR).....	1
2				
3				
4				
5	73030G12		PLATE (KEY SWITCH, DIRECTION SELECTOR, CHARGE METER).....	1
6	604753		LABEL.....	1
7	74322G01		LABEL (KEY SWITCH WITH LIGHTS, DIRECTION SELECTOR, CHARGE METER).....	1
8				
9	33623G02		DRIVE RIVET, 3/16" X 3/8" LG	2
10				
11				
12	624514G02		DIRECTION SELECTOR SWITCH (DASH MOUNTED)	1
13				
14				
15	33636G05		STATE OF CHARGE METER (VERTICAL).....	1
16	25978G74		18 GA WIRE (RED 6")	1
17				
18				
19	73290G02		REVERSE WARNING BUZZER (CONTINUOUS TONE).....	1
20	01041G01		RIVET, 1/8" X 13/16" LG	2

ELECTRICAL SYSTEM - HAULER 1000

WORK AND STROBE LIGHTS

- 1 WORK LIGHT BAR Includes Items 2 - 19, 22 and/or 30
- 10 HARD WARE KIT Includes Items 11 - 19
- 22 WORK LIGHT KIT Includes Items 23 - 28
- 30 STROBE LIGHT Kit Includes Items 31 - 36



ELECTRICAL SYSTEM - HAULER 1000

When ordering parts, please specify the model and serial number of the product.

* Indicates a component that is not available as an individual part.

*** Indicates consult Customer Service Department for additional information.

ITEM	PART NO.	1 2 3 4 5	DESCRIPTION	QTY.
1	71323G**		WORK LIGHT BAR WITH LIGHTS AND/OR STROBE (INCLUDES ITEMS 2 - 19, 22 AND/OR 30)	1
2	75838G03		STRUT (DRIVER SIDE)	1
3	75838G04		STRUT (PASSENGER SIDE)	1
4	75346G01		WIRE HARNESS (WORK LIGHT).....	1
5	71294G02		BRACE	1
6	71293G02		COVER PLATE	1
7	75430G01		SWITCH HARNESS	1
8	73522G**		CONSOLE INSERT PLATE	1
9	33201G03		STROBE LIGHT MOUNT (USED ONLY WITH STROBE LIGHT)	1
10	75365G01		HARDWARE KIT (INCLUDES ITEMS 11 - 19)	1
11	00685G7		HEX HEAD SCREW, 5/16" - 18 X 1 3/4" LG	6
12	00660G8		FLAT WASHER, 5/16"	12
13	15121G1		FLAT WASHER, 3/8" X 1 1/4"	2
14	01109G01		LOCK NUT, 5/16" - 18	4
15	00918G3		ACORN NUT, 5/16" - 18	2
16	33623G02		DRIVE RIVET, 3/16" X 3/8" LG	3
17	20367G1		GROMMET	2
18	16705G3		SCREW (SS), 1/4" - 20 X 3/4" LG	2
19	14390G4		LOCK NUT, 1/4" - 20	2
20				
21				
22	20383G2		WORK LIGHT KIT (INCLUDES ITEMS 23 - 28)	1
23	20209G2		WORK LIGHT (RECTANGULAR).....	2
24	00566G3		LOCK WASHER, 1/2"	2
25	00533G1		HEX NUT, 1/2" - 13	2
26	17317G1		LIGHT SWITCH	1
27	17902G1		TAB ADAPTER	1
28	20053G1		16 GA WIRE (RED 5 3/8")	1
29				

ELECTRICAL SYSTEM - HAULER 1000

When ordering parts, please specify the model and serial number of the product.

* Indicates a component that is not available as an individual part.

*** Indicates consult Customer Service Department for additional information.

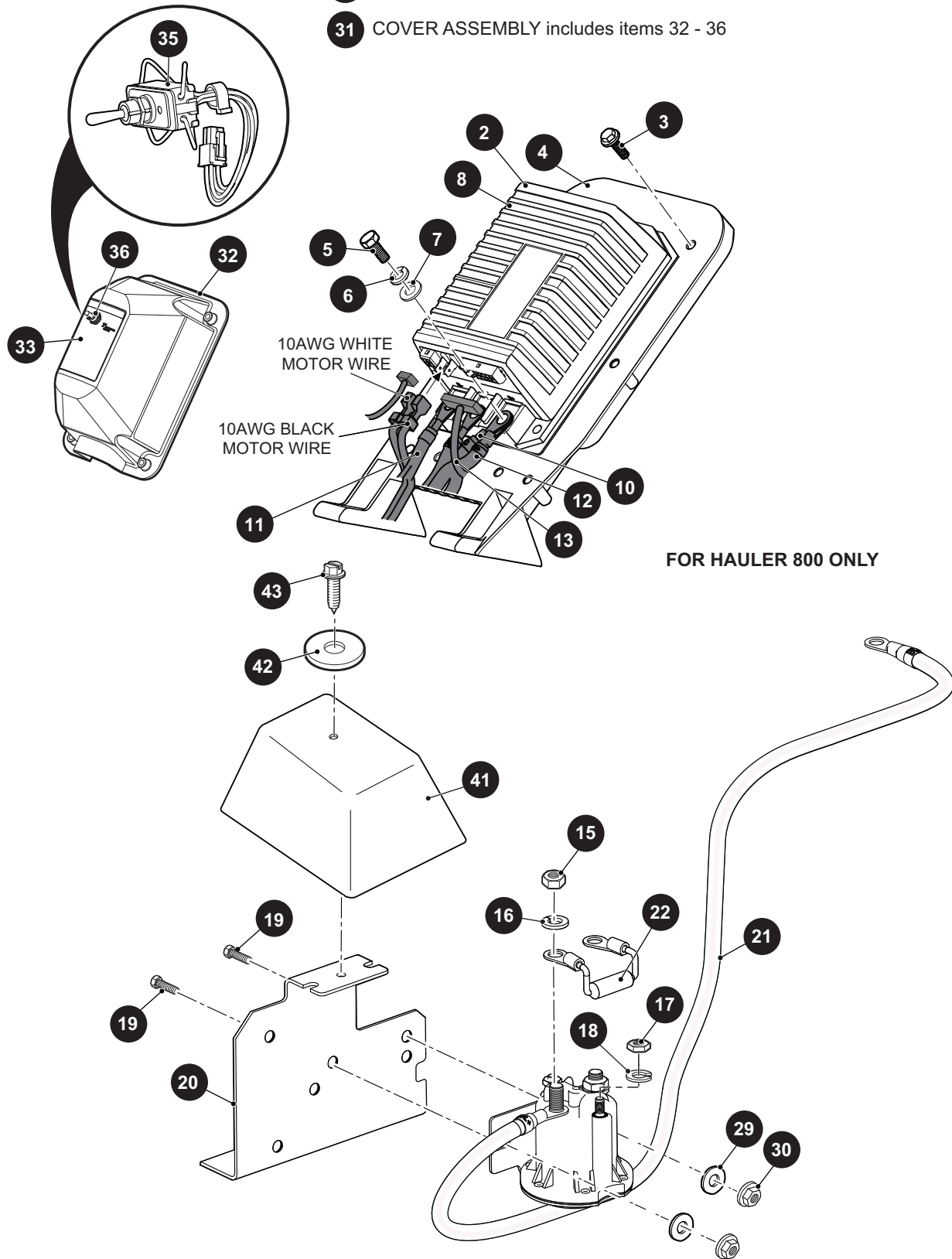
ITEM	PART NO.	1	2	3	4	5	DESCRIPTION	QTY.
30	74245G01						STROBE LIGHT KIT (INCLUDES ITEMS 31 - 36)	1
31	20394G4						STROBE LIGHT	1
32	00379G4						SCREW, #10 - 24 x 1/2" LG	3
33	14390G10						LOCK NUT, #10 - 24	3
34	17317G1						LIGHT SWITCH.....	1
35	17902G1						TAB ADAPTER.....	1
36	20053G1						16 GA WIRE (RED 5 3/8")	1
37								
38								
39	20271G10						HOLE PLUG	1

ELECTRONIC SPEED CONTROL (HAULER 800)

1 ELECTRONIC SPEED CONTROL ASSEMBLY includes items 2 - 30

14 SOLENOID includes items 15 - 18

31 COVER ASSEMBLY includes items 32 - 36



ELECTRONIC SPEED CONTROL (HAULER 800)

When ordering parts, please specify the model and serial number of the product.

* Indicates a component that is not available as an individual part.

*** Indicates consult Customer Service Department for additional information.

ITEM	PART NO.	1 2 3 4 5	DESCRIPTION	QTY.
1	654740		ELECTRONIC SPEED CONTROL ASSEMBLY, 48V (INCLUDES ITEMS 2 - 30)	1
2	612632		CONTROLLER, 48V.....	1
3	71102G01		HEX HEAD CAP SCREW, 1/4" - 20 X .90" LG.....	3
4	73471G01		HEATSINK.....	1
5	73296G01		HEX HEAD BOLT, M8 - 1.25 X 16MM.....	3
6	00565G8		LOCK WASHER, 5/16".....	3
7	00559G8		FLAT WASHER, 5/16".....	3
8	73190G01		THERMAL MOUNTING PAD.....	1
9	31539G1		NYLON CLAMP, 15.5" LG (NOT ILLUSTRATED).....	1
10	617612		POWER HARNESS.....	1
11	620437		WIRE ASSEMBLY (BLUE), 6AWG, 675MM.....	1
12	620432		WIRE ASSEMBLY (GREEN), 4AWG, 400MM.....	1
13	620964		MAIN WIRE HARNESS (VPS), 48V.....	1
14	612711		SOLENOID, 48V (INCLUDES ITEMS 15 - 18).....	1
15	00544G4		LOCK NUT, 5/16" - 24.....	2
16	00565G8		LOCK WASHER, 5/16".....	2
17	00526G4		LOCK NUT, #10 - 32.....	2
18	00565G5		LOCK WASHER, #10.....	2
19	00414G5		HEX HEAD BOLT, 1/4" - 20 X 5/8" LG.....	2
20	73057G02		BRACKET.....	1
21	607592		WIRE ASSEMBLY (GREEN), 4AWG, 28" LG.....	1
22	620430		RESISTOR ASSEMBLY, 500 OHM.....	1
23				
24				
25				
26				
27				
28				
29	01110G01		FLAT WASHER, 1/4".....	2
30	11027G2		FLANGED NUT, 5/16 - 18".....	2

ELECTRONIC SPEED CONTROL (HAULER 800)

When ordering parts, please specify the model and serial number of the product.

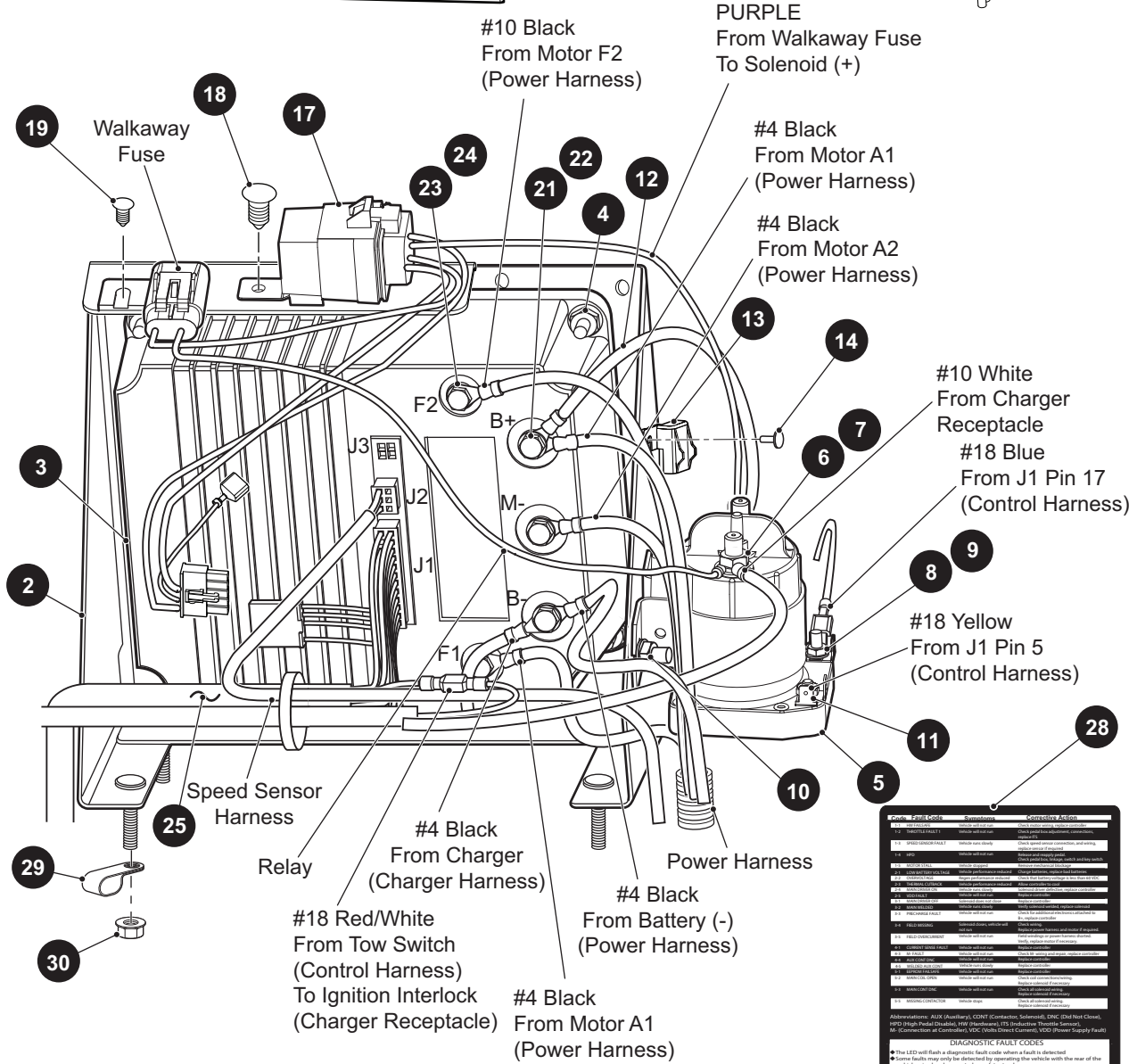
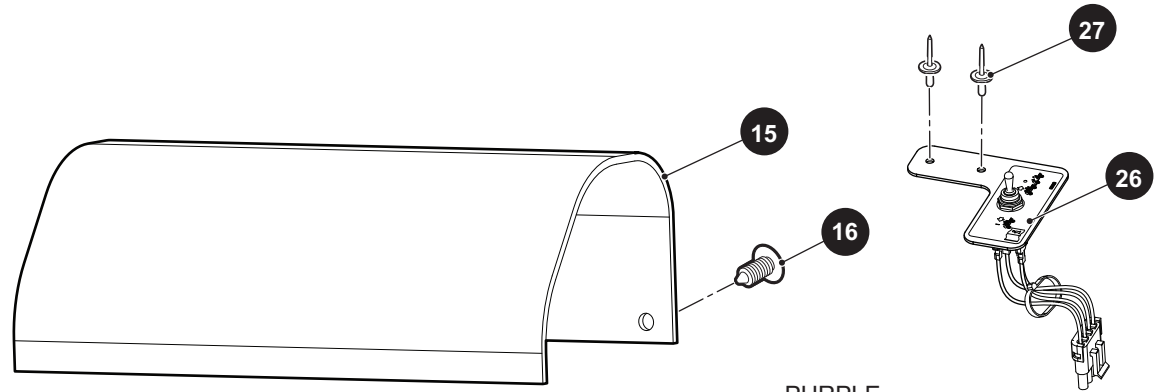
* Indicates a component that is not available as an individual part.

*** Indicates consult Customer Service Department for additional information.

ITEM	PART NO.	1	2	3	4	5	DESCRIPTION	QTY.
31	612753						COVER ASSEMBLY (INCLUDES ITEMS 32 - 36)	1
32	73482G01						COVER	1
33	613048						LABEL	1
34								
35	633114						TOGGLE SWITCH	1
36	73139G01						SEALED NUT, 15/32" - 32	1
37								
38								
39								
40								
41	73049G01						COVER	1
42	16469G1						FLAT WASHER, 1/4"	1
43	00114G6						TAPPING SCREW, 1/4" - 10 X 3/4" LG	1

ELECTRONIC SPEED CONTROL (HAULER 1000)

1 ELECTRONIC SPEED CONTROL ASSEMBLY includes items 2 - 19



Code	Description	Corrective Action
P1	WALKWAY FUSE	Check fuse and replace if necessary.
P2	WALKWAY SWITCH	Check switch operation and replace if necessary.
P3	WALKWAY SENSOR	Check sensor operation and replace if necessary.
P4	WALKWAY RELAY	Check relay operation and replace if necessary.
P5	WALKWAY SOLENOID	Check solenoid operation and replace if necessary.
P6	WALKWAY MOTOR A1	Check motor A1 operation and replace if necessary.
P7	WALKWAY MOTOR A2	Check motor A2 operation and replace if necessary.
P8	WALKWAY CHARGER	Check charger operation and replace if necessary.
P9	WALKWAY BATTERY	Check battery voltage and replace if necessary.
P10	WALKWAY IGNITION INTERLOCK	Check ignition interlock operation and replace if necessary.
P11	WALKWAY TOW SWITCH	Check tow switch operation and replace if necessary.
P12	WALKWAY SPEED SENSOR	Check speed sensor operation and replace if necessary.
P13	WALKWAY RELAY	Check relay operation and replace if necessary.
P14	WALKWAY SOLENOID	Check solenoid operation and replace if necessary.
P15	WALKWAY MOTOR A1	Check motor A1 operation and replace if necessary.
P16	WALKWAY MOTOR A2	Check motor A2 operation and replace if necessary.
P17	WALKWAY CHARGER	Check charger operation and replace if necessary.
P18	WALKWAY BATTERY	Check battery voltage and replace if necessary.
P19	WALKWAY IGNITION INTERLOCK	Check ignition interlock operation and replace if necessary.
P20	WALKWAY TOW SWITCH	Check tow switch operation and replace if necessary.
P21	WALKWAY SPEED SENSOR	Check speed sensor operation and replace if necessary.
P22	WALKWAY RELAY	Check relay operation and replace if necessary.
P23	WALKWAY SOLENOID	Check solenoid operation and replace if necessary.
P24	WALKWAY MOTOR A1	Check motor A1 operation and replace if necessary.
P25	WALKWAY MOTOR A2	Check motor A2 operation and replace if necessary.
P26	WALKWAY CHARGER	Check charger operation and replace if necessary.
P27	WALKWAY BATTERY	Check battery voltage and replace if necessary.
P28	WALKWAY IGNITION INTERLOCK	Check ignition interlock operation and replace if necessary.
P29	WALKWAY TOW SWITCH	Check tow switch operation and replace if necessary.
P30	WALKWAY SPEED SENSOR	Check speed sensor operation and replace if necessary.

DIAGNOSTIC FAULT CODES

- The LED will flash a diagnostic fault code when a fault is detected.
- Some faults may only be detected by operating the vehicle with the rear of the vehicle raised and supported on safety stands.
- Always turn the "TOUR/MAINTENANCE" switch located in the battery compartment to the "TOUR/MAINTENANCE" position before performing any repair or maintenance to the vehicle.
- Select "TURN" before returning the vehicle to service.

ELECTRONIC SPEED CONTROL (HAULER 1000)

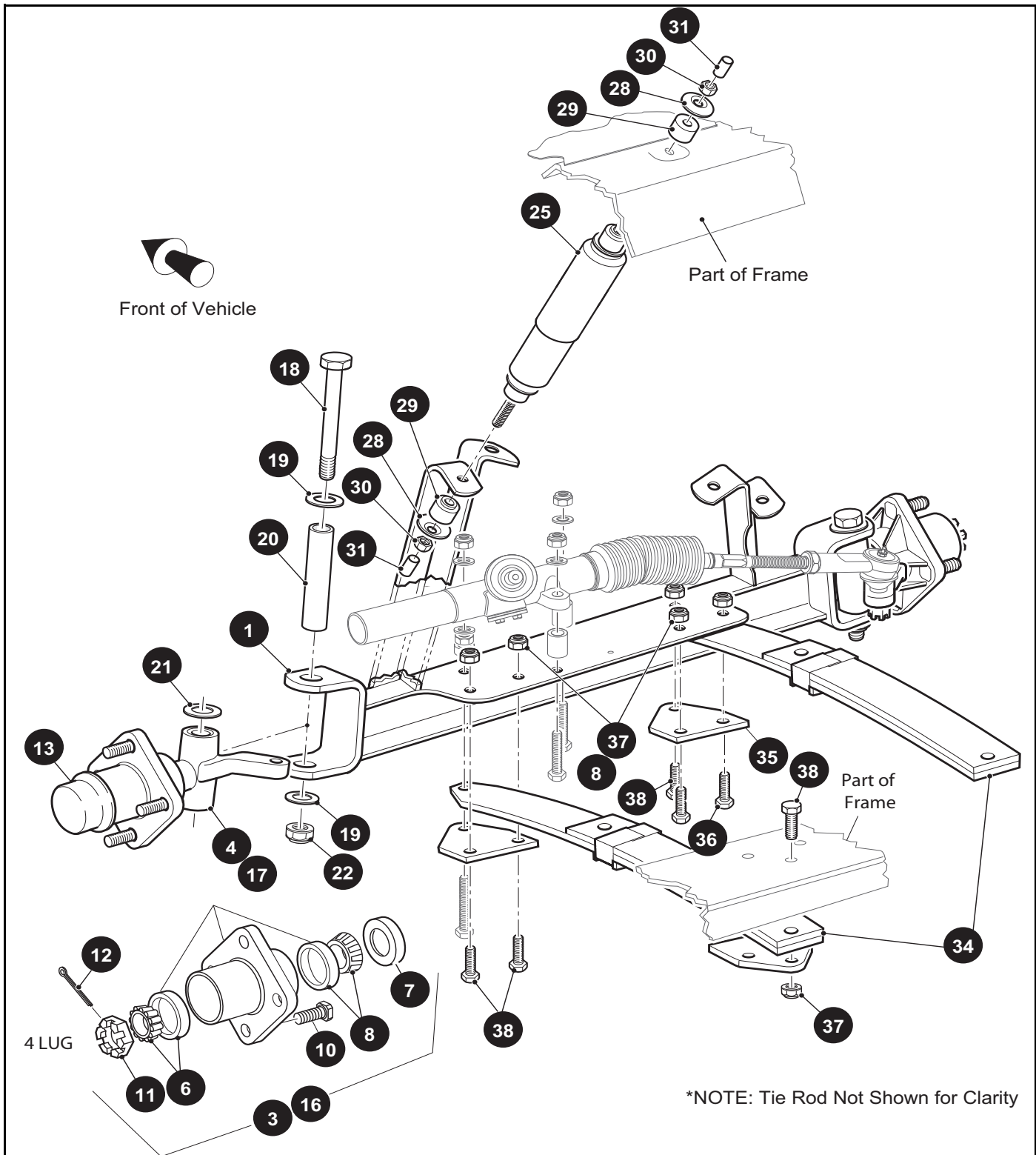
When ordering parts, please specify the model and serial number of the product.

* Indicates a component that is not available as an individual part.

*** Indicates consult Customer Service Department for additional information.

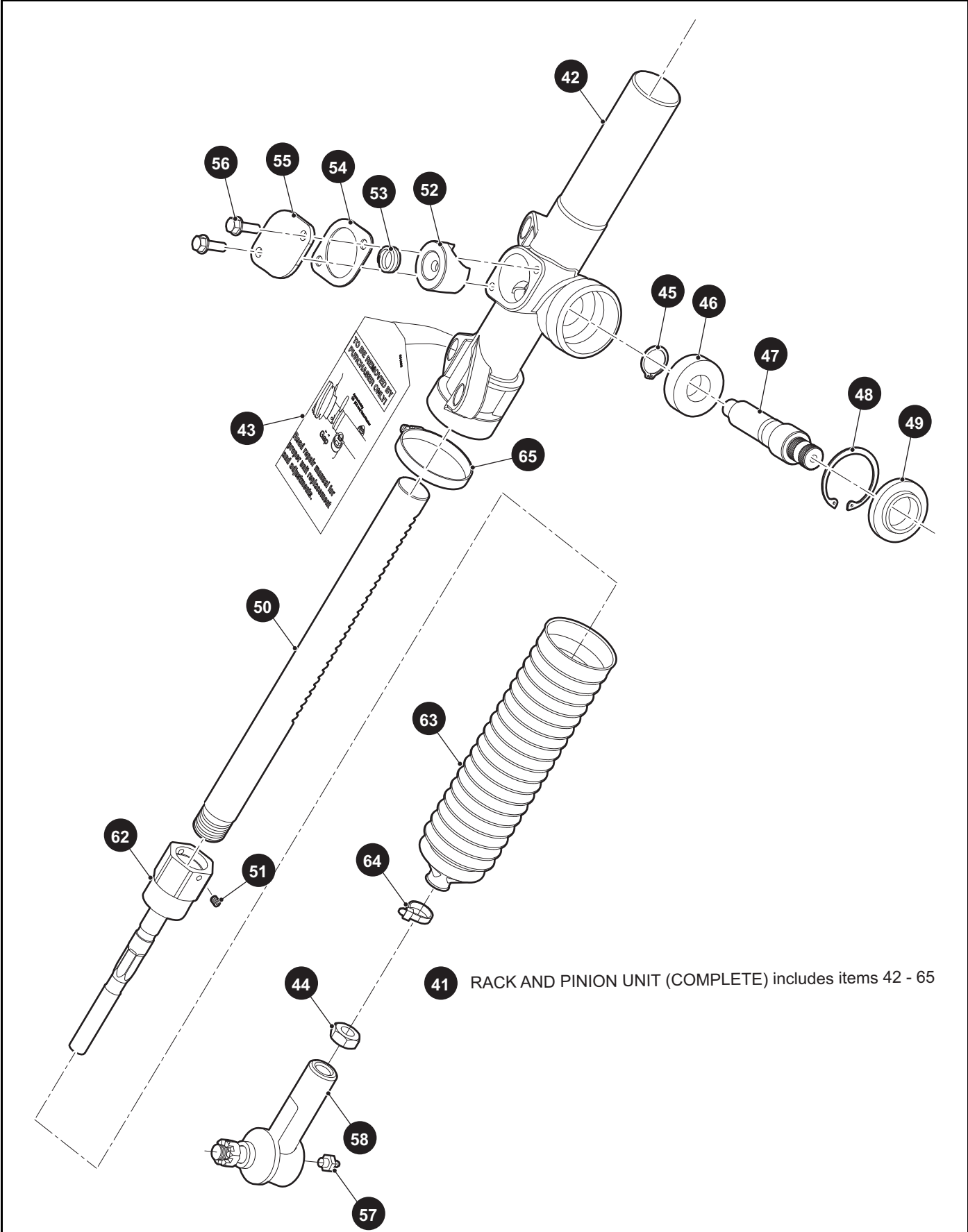
ITEM	PART NO.	1 2 3 4 5	DESCRIPTION	QTY.
1	73348G04		ELECTRONIC SPEED CONTROL ASSEMBLY (INCLUDES ITEMS 2 -19)	1
2	73351G01		CONTROLLER MOUNT BRACKET	1
3	611173		ELECTRONIC SPEED CONTROLLER.....	1
4	11027G2		LOCK NUT, 1/4" - 20	4
5	621330		SOLENOID	1
6	00565G5		LOCK WASHER, #10	2
7	00526G4		LOCK NUT, #10 - 32.....	2
8	00565G8		LOCK WASHER, 5/16"	2
9	00544G4		JAM NUT, 5/16" - 24	2
10	11027G2		LOCK NUT, 1/4" - 20	2
11	73446G01		FASTON TAB, 90°	4
12	25971G17		4 GA WIRE (BLACK 9").....	1
13	73499G01		INLINE FUSE COVER.....	1
14	15058G1		RIVET (ALUMINUM), 3/16" X 7/16" LG	1
15	73523G01		CONTROLLER COVER	1
16	16816G1		RATCHET FASTENER, 1/4" X 9/16" LG	4
17	608931		RELAY HARNESS, WALKAWAY 48V	1
18	16816G2		RIVET, 0.25" X 0.887"	1
19	16816G5		RIVET, 0.187" X 0.550"	1
20				
21	73296G01		BOLT, 8MM X 16MM LG	3
22	00993G01		LOCK WASHER, 5/16"	3
23	73876G01		FLANGED HEX HEAD BOLT, M6 - 1 X 12MM LG.....	2
24	00993G02		LOCK WASHER (SILICON BRONZE), 1/4".....	2
25	73334G01		CONTROL HARNESS	1
26	636618		RUN/TOW SWITCH ASSEMBLY	1
27	15058G1		RIVET (ALUMINUM), 3/16" X 7/16" LG	2
28	73398G01		DIAGNOSTIC LABEL (FAULT CODE)	1
29	73053G01		DOUBLE TUBE CLAMP	1
30	11027G2		LOCK NUT, 1/4 - 20	4

FRONT SUSPENSION AND STEERING



- 3** SPINDLE & HUB ASSEMBLY (PASSENGER SIDE) includes items 4 -13
- 9** WHEEL HUB ASSEMBLY includes item 10
- 16** SPINDLE & HUB ASSEMBLY (DRIVER SIDE) includes items 7 - 13, 17

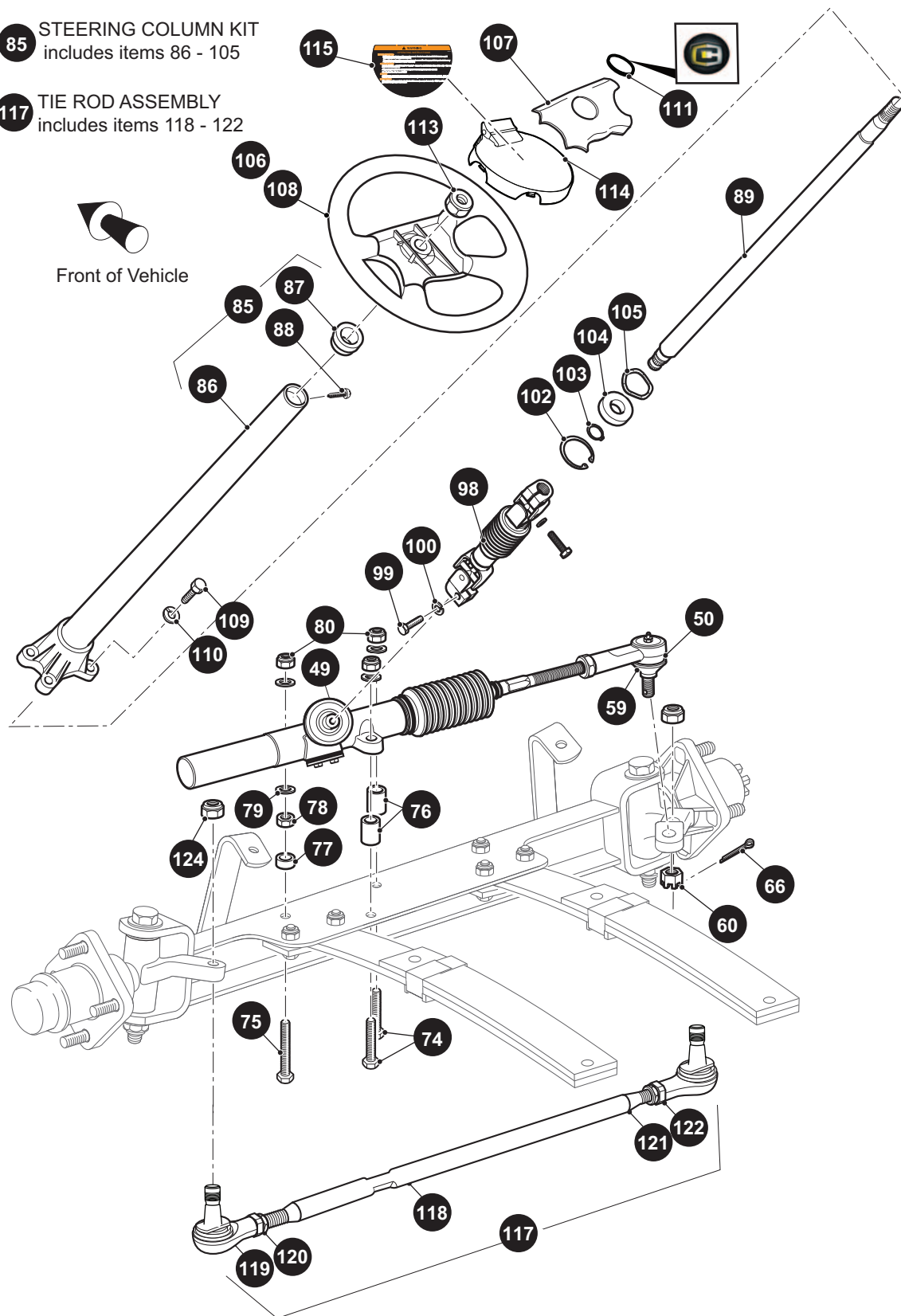
FRONT SUSPENSION AND STEERING



FRONT SUSPENSION AND STEERING

85 STEERING COLUMN KIT
includes items 86 - 105

117 TIE ROD ASSEMBLY
includes items 118 - 122



FRONT SUSPENSION AND STEERING

When ordering parts, please specify the model and serial number of the product.

* Indicates a component that is not available as an individual part.

*** Indicates consult Customer Service Department for additional information.

ITEM	PART NO.	1 2 3 4 5	DESCRIPTION	QTY.
1	652822		FRONT AXLE.....	1
2				
3	70942G03		SPINDLE AND HUB ASSEMBLY, 4 LUG (PASSENGER SIDE) (INCLUDES ITEMS 4 - 13)	1
4	70940G04		SPINDLE ASSEMBLY (PASSENGER SIDE) (INCLUDES ITEMS 5, 6)....	1
5	70648G01		BEARING	1
6	70749G01		BEARING, DP4	1
7	25146G1		GREASE SEAL.....	1
8	50892G1		ROLLER BEARING AND RACE ASSEMBLY.....	2
9	70589G1		WHEEL HUB ASSEMBLY WITH RACES, 4 LUG (INCLUDES ITEM 10) .	1
10	19862G1		LUG BOLT, 1/2" - 20 X 1 7/32" LG	4
11	12093G1		SLOTTED NUT, 1" - 14.....	1
12	00798G8		COTTER PIN, 5/32" X 1 3/4" LG	1
13	12091G2		SPINDLE CAP.....	2
14				
15				
16	70673G03		SPINDLE AND HUB ASSEMBLY, 4 LUG (DRIVER SIDE) (INCLUDES ITEMS 7 - 13, 17)	1
17	70742G02		SPINDLE ASSEMBLY (DRIVER SIDE) (INCLUDES ITEMS 5, 6)	1
18	00407G6		HEX HEAD BOLT, 1/2" - 13 X 6" LG	2
19	00560G3		FLAT WASHER, 1/2"	4
20	70745G01		KING PIN TUBE.....	2
21	70754G01		THRUST WASHER (SS), .995" I.D X 1.380" O.D. X .09" LG	2
22	14390G6		LOCK NUT, 1/2" - 13.....	2
23				
24				
25	76419G01		SHOCK ABSORBER.....	2
26				
27				
28	10435G1		SHOCK ABSORBER WASHER.....	8
29	10194G1		RUBBER SHOCK ABSORBER BUSHING	8

FRONT SUSPENSION AND STEERING

When ordering parts, please specify the model and serial number of the product.

* Indicates a component that is not available as an individual part.

*** Indicates consult Customer Service Department for additional information.

ITEM	PART NO.	1 2 3 4 5	DESCRIPTION	QTY.
30	00532G6		HEX NUT, 3/8" - 24.....	4
31	10044G01		CAP (VINYL)	4
32				
33				
34	70664G03		LEAF SPRING (HEAVY DUTY) (SEE PART NUMBER ON SPRING)	2
35	652258		SPRING PLATE.....	4
36				
37	00734G1		LOCK NUT, 7/16" - 14	11
38	00463G11		HEX HEAD BOLT, 7/16" - 14 X 1 3/4" LG.....	11
39				
40				
41	70964G01		RACK AND PINION UNIT (COMPLETE) (INCLUDES ITEMS 42 - 65).....	1
42	70965G01		STEERING RACK COVER & BEARING	1
43	*		STEERING BOX INSTALLATION TAG	1
44	*		JAM NUT, 1/2" - 20	1
45	70750G01		RETAINING RING (EXTERNAL)	1
46	15112G1		BALL BEARING	1
47	70603G01		PINION.....	1
48	70751G01		RETAINING RING (INTERNAL).....	1
49	70638G01		SEAL PINION.....	1
50	70604G01		RACK STEERING.....	1
51	*		SET SCREW, #10 - 32 X .25" LG	1
52	70590G01		RACK LOADER	1
53	70666G01		SPRING COMPRESSION	1
54	70645G01		GASKET (RACK LOADER)	1
55	652259		COVER (RACK LOADER)	1
56	71102G01		HEX WASHER HEAD SCREW, 1/4" - 20 X 3/4" LG	2
57	10389G3		GREASE FITTING, STRAIGHT	1
58	70695G01		TIE ROD END - OUTER	1
59	*		GROMMET - TIE ROD END	1

FRONT SUSPENSION AND STEERING

When ordering parts, please specify the model and serial number of the product.

* Indicates a component that is not available as an individual part.

*** Indicates consult Customer Service Department for additional information.

ITEM	PART NO.	1 2 3 4 5	DESCRIPTION	QTY.
60	*		SLOTTED NUT, 7/16" - 20.....	1
61				
62	74694G01		ROD END (INNER)	1
63	70961G01		BELLOWS, RACK COVER	1
64	12416G2		WEDGE CLAMP (NYLON), 11.8" LG	1
65	11391G8		CLAMP, HOSE	1
66	10387G2		COTTER PIN, 3/32" X 1" LG.....	1
67				
68				
69				
70				
71				
72				
73				
74	00464G8		HEX HEAD BOLT, 7/16" - 14 X 2 3/4" LG	2
75	01068G01		HEX HEAD BOLT, 7/16" - 14 X 3 1/2" LG	1
76	70667G02		SPACER, 1.21" LG	2
77	70667G04		STEERING HOUSING SPACER	1
78	00532G7		HEX NUT, 7/16" - 14	1
79	00560G2		FLAT WASHER, 7/16"	7
80	00734G1		LOCK NUT, 7/16" - 14.....	3
81				
82				
83				
84				
85	70758G05		STEERING COLUMN KIT (INCLUDES ITEMS 86 - 105).....	1
86	70610G03		STEERING COLUMN.....	1
87	28569G01		STEERING COLUMN BUSHING	1
88	01022G01		HEX WASHER HEAD SCREW, #6 - 20 X 5/16" LG.....	1
89	70607G01		STEERING SHAFT.....	1

FRONT SUSPENSION AND STEERING

When ordering parts, please specify the model and serial number of the product.

* Indicates a component that is not available as an individual part.

*** Indicates consult Customer Service Department for additional information.

ITEM	PART NO.	1	2	3	4	5	DESCRIPTION	QTY.
90								
91								
92								
93								
94								
95								
96								
97								
98	70580G01						INTERMEDIATE SHAFT	1
99	01055G01						HEX HEAD BOLT, M8 X 1.25 - 6G.....	2
100	00565G8						LOCK WASHER, 5/16"	2
101								
102	70751G01						RETAINING RING (INTERNAL).....	1
103	70888G01						RETAINING RING (EXTERNAL)	1
104	15112G1						BALL BEARING	1
105	70887G01						WAVE WASHER	1
106	602980						STEERING WHEEL PREMIUM (OPTIONAL).....	1
107	71147G01						STEERING WHEEL COVER.....	1
108	602979						STEERING WHEEL.....	1
109	01006G01						HEX HEAD WASHER WITH PATCHLOCK BOLT, 3/8" - 16 X 1 1/4" LG	4
110	00879G1						LOCK WASHER, 3/8"	4
111	618086						STEERING WHEEL DECAL (CUSHMAN)	1
112								
113	14390G2						LOCK NUT, 5/8" - 18	1
114	607925						CLIPBOARD.....	1
115	608529						STEERING WHEEL LABEL	1
116								
117	70876G02						TIE ROD ASSEMBLY (INCLUDES ITEMS 118 - 122).....	1
118	70807G01						THREADED ROD (24" LG).....	1
119	70902G01						TIE ROD END (LEFT HAND THREADS)	1

FRONT SUSPENSION AND STEERING

When ordering parts, please specify the model and serial number of the product.

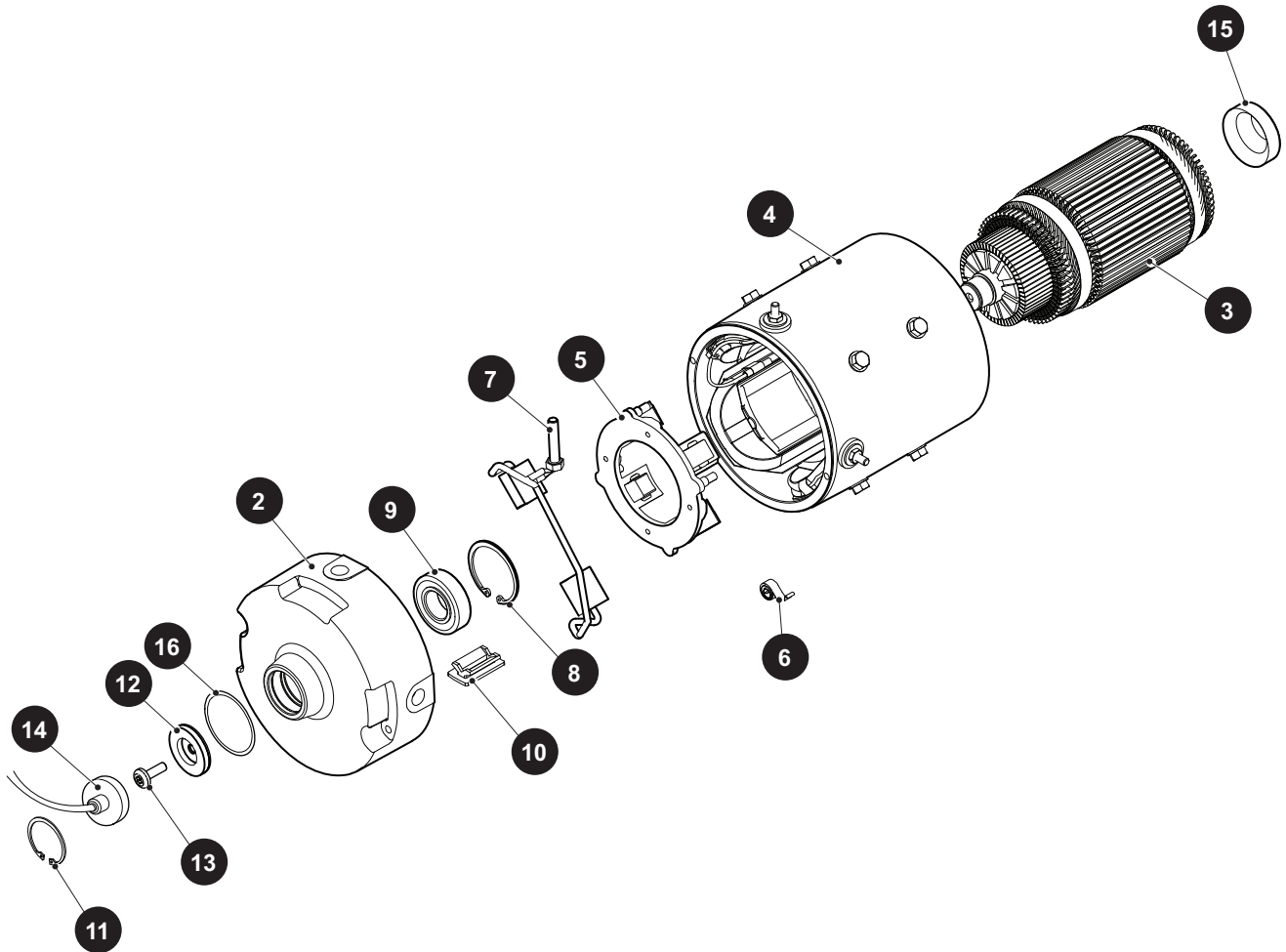
* Indicates a component that is not available as an individual part.

*** Indicates consult Customer Service Department for additional information.

ITEM	PART NO.	1 2 3 4 5	DESCRIPTION	QTY.
120	01069G01		JAM NUT, M12 X 1.25 - 05 (LEFT HAND THREADS)	1
121	70902G02		TIE ROD END (RIGHT HAND THREADS).....	1
122	01069G02		JAM NUT, M12 X 1.25 - 05 (RIGHT HAND THREADS).....	1
123				
124	00734G1		LOCK NUT, 7/16" - 14.....	2

MOTOR

1 Motor Includes Items 2 - 10



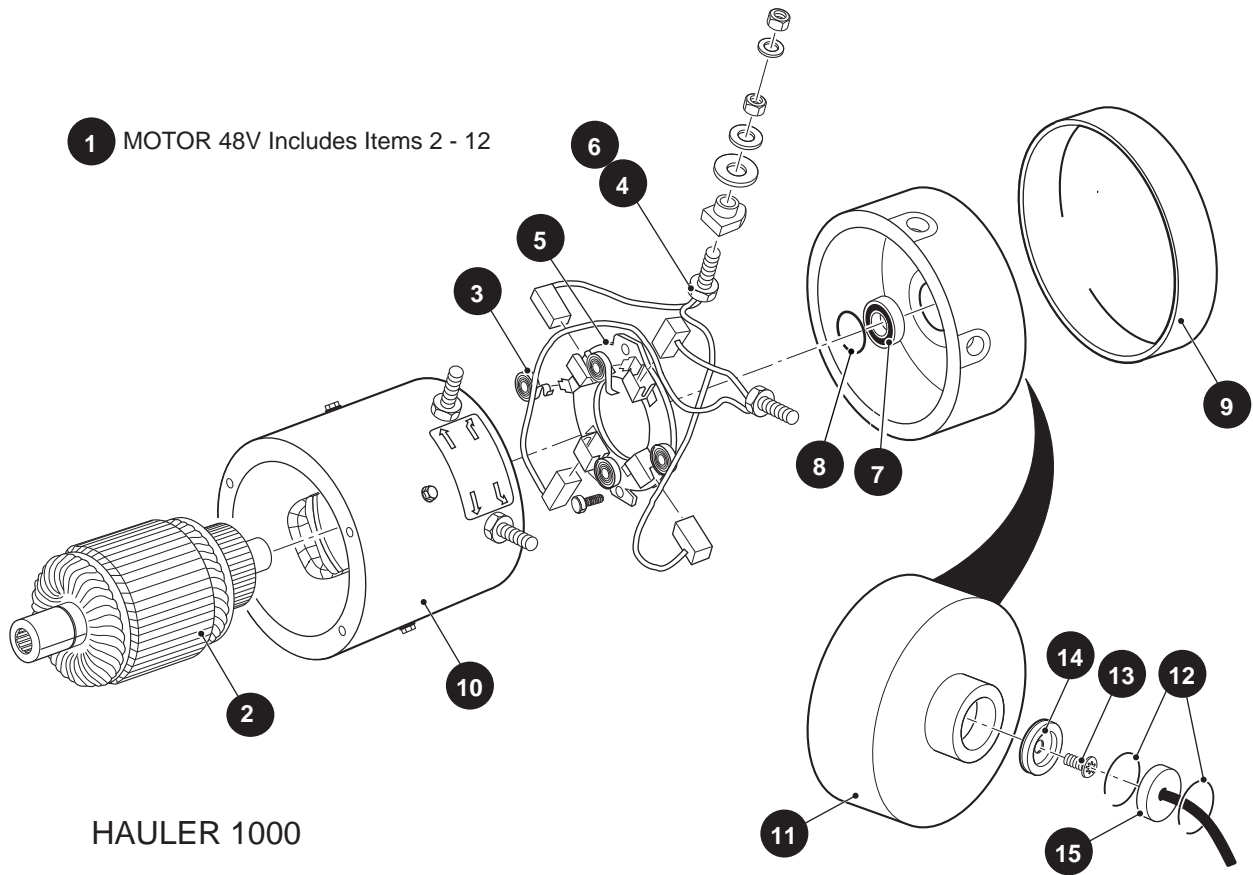
When ordering parts, please specify the model and serial number of the product.

* Indicates a component that is not available as an individual part.

*** Indicates consult Customer Service Department for additional information.

ITEM	PART NO.	1 2 3 4 5	DESCRIPTION	QTY.
1	624105		MOTOR 48V (INCLUDES ITEMS 2 - 10).....	1
2	625886		COMMUNTATOR END HEAD.....	1
3	626171		ARMATURE.....	1
4	626172		FRAME AND FILED ASSEMBLY	4
5	625884		BRUSH BOX ASSEMBLY	1
6	73120G03		BRUSH SPRING	1
7	73120G25		BRUSH AND TERMINAL SERVICE KIT	1
8	73120G06		RETAINING RING	1
9	73120G07		BEARING..	1
10	625885		COVER.....	1
11	73277G01		RETAINING RING.....	1
12	73328G01		SPEED SENSOR MAGNET	1
13	01037G02		THREADED SCREW.....	1
14	620422		SPEED SENSOR HARNESS	1
15	24261G1		BUMPER SPLINE.....	1
16	624109		O-RING.....	1

MOTOR



When ordering parts, please specify the model and serial number of the product.

* Indicates a component that is not available as an individual part.

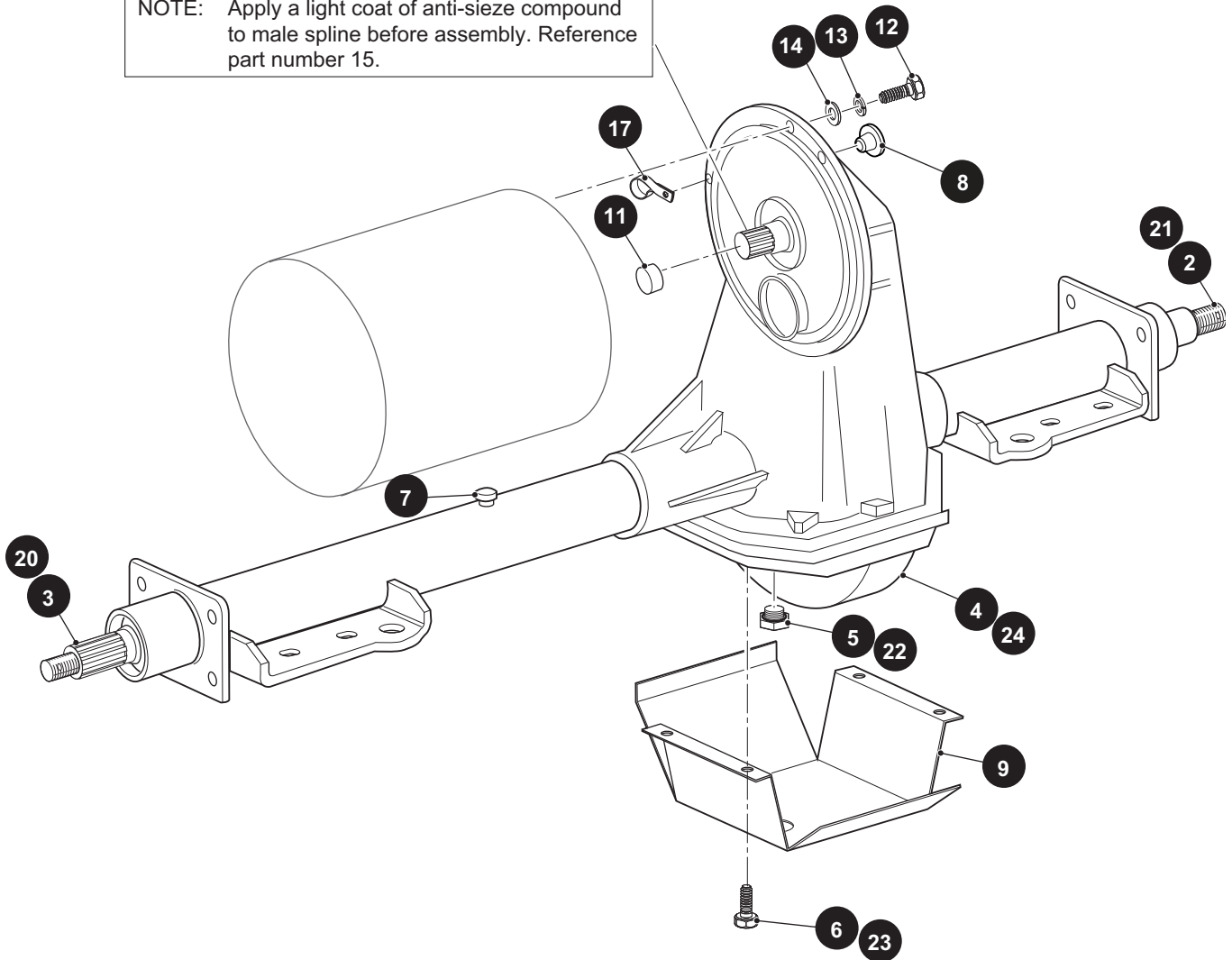
*** Indicates consult Customer Service Department for additional information.

ITEM	PART NO.	1 2 3 4 5	DESCRIPTION	QTY.
1	73291G04		MOTOR, 48V (INCLUDES ITEMS 2-12).....	1
2	73120G36		ARMATURE ASSEMBLY	1
3	73120G38		BRUSH SPRING	8
4	73120G39		BRUSH	1
5	73120G40		BRUSH BOX ASSEMBLY.....	1
6	73120G41		BRUSH REPLACEMENT KIT (INCLUDES HARDWARE)	1
7	73120G07		BEARING	1
8	73120G06		SNAP RING	1
9	73120G43		HEADBAND.....	1
10	73120G37		FRAME AND FIELD COIL (INCLUDES HARDWARE).....	1
11	73120G42		COVER COMMUTATOR END.....	1
12	73277G01		RETAINING RING	1
13	01037G02		SCREW, #10 - 32 X 1/2" LG	1
14	73328G01		MAGNET.....	1
15	73327G04		SPEED SENSOR.....	1

REAR AXLE

- 1 REAR ASSEMBLY (Hauler 800) includes items 2 - 7
- 19 REAR ASSEMBLY (Hauler 1000) includes items 20 - 24

NOTE: Apply a light coat of anti-sieze compound to male spline before assembly. Reference part number 15.



REAR AXLE

When ordering parts, please specify the model and serial number of the product.

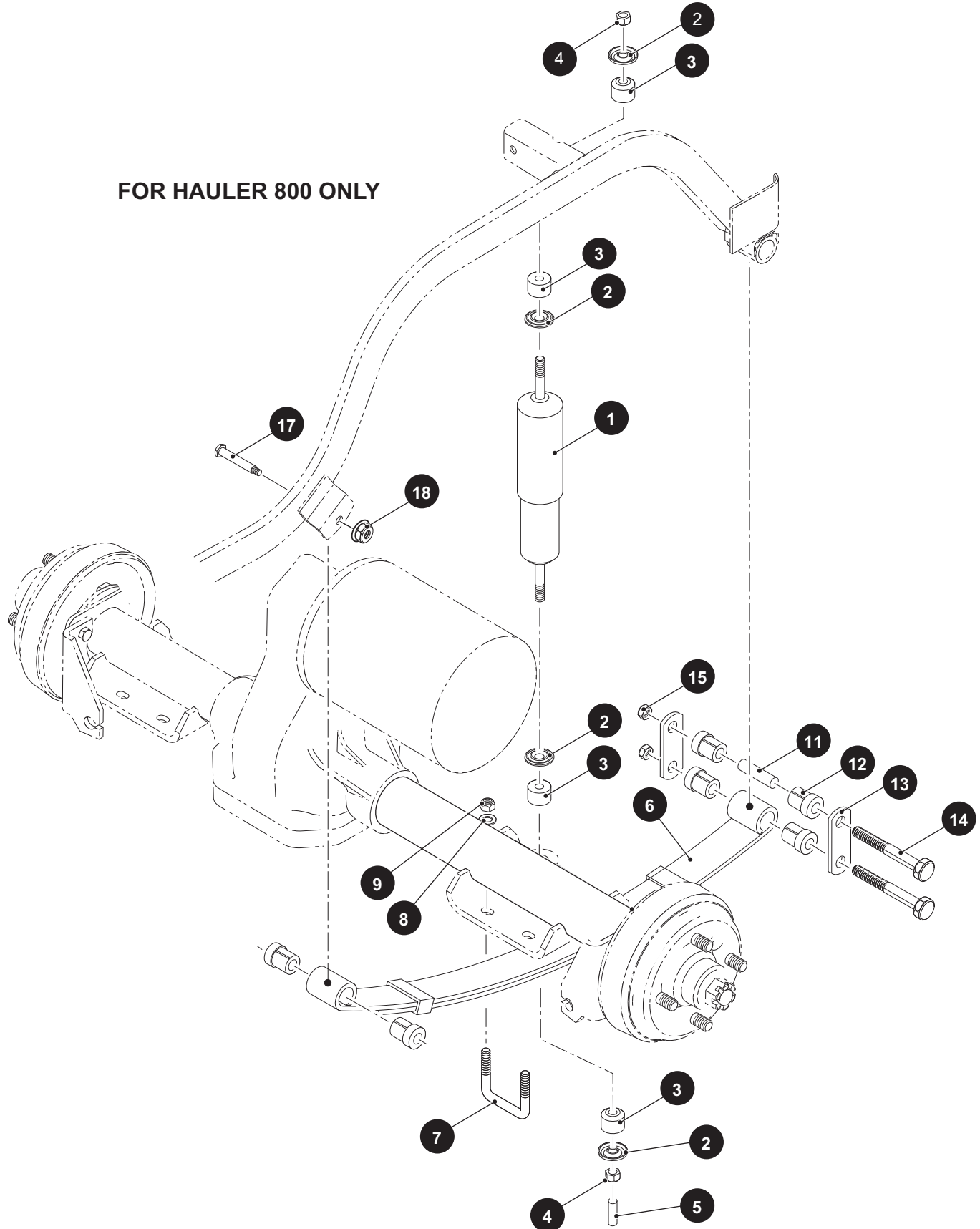
* Indicates a component that is not available as an individual part.

*** Indicates consult Customer Service Department for additional information.

ITEM	PART NO.	1 2 3 4 5	DESCRIPTION	QTY.
1	73500G01		REAR AXLE ASSEMBLY, 12.44:1 (INCLUDES ITEMS 2 - 7) (HAULER 800 ONLY).....	1
2	20377G12		AXLE SHAFT (PASSENGER SIDE).....	1
3	20377G11		AXLE SHAFT (DRIVER SIDE)	1
4	*		DIFFERENTIAL COVER	1
5	73356G01		FILL/CHECK PLUG	1
6	15558G1		HEX HEAD BOLT, 5/16" - 18 X 3/4" LG.....	10
7	73050G01		VENT VALVE	1
8	624110		PLUG	3
9	72763G02		DIFFERENTIAL GUARD.....	1
10				
11	24261G1		BUMPER SPLINE (HAULER 800 ONLY)	1
12	00797G2		HEX HEAD BOLT, 1/4" - 20 X 1 1/4" LG.	3
13	00664G7		LOCK WASHER (SS), 1/4"	3
14	01110G01		FLAT WASHER (SS), 1/4"	3
15	*		ANTI-SIEZE COMPOUND	AR
16				
17	27327G02		TWISTED CLAMP.....	1
18				
19	74612G01		REAR AXLE ASSEMBLY, 14.76:1 (INCLUDES ITEMS 20 - 24) (HAULER 1000 ONLY).....	1
20	617608		AXLE SHAFT (DRIVER SIDE)	1
21	617609		AXLE SHAFT (PASSENGER SIDE).....	1
22	601085		FILL/CHECK PLUG	1
23	15558G1		HEX HEAD BOLT, 5/16" - 18 X 3/4" LG.....	10
24	*		DIFFERENTIAL COVER	1

REAR SUSPENSION

FOR HAULER 800 ONLY



REAR SUSPENSION

When ordering parts, please specify the model and serial number of the product.

* Indicates a component that is not available as an individual part.

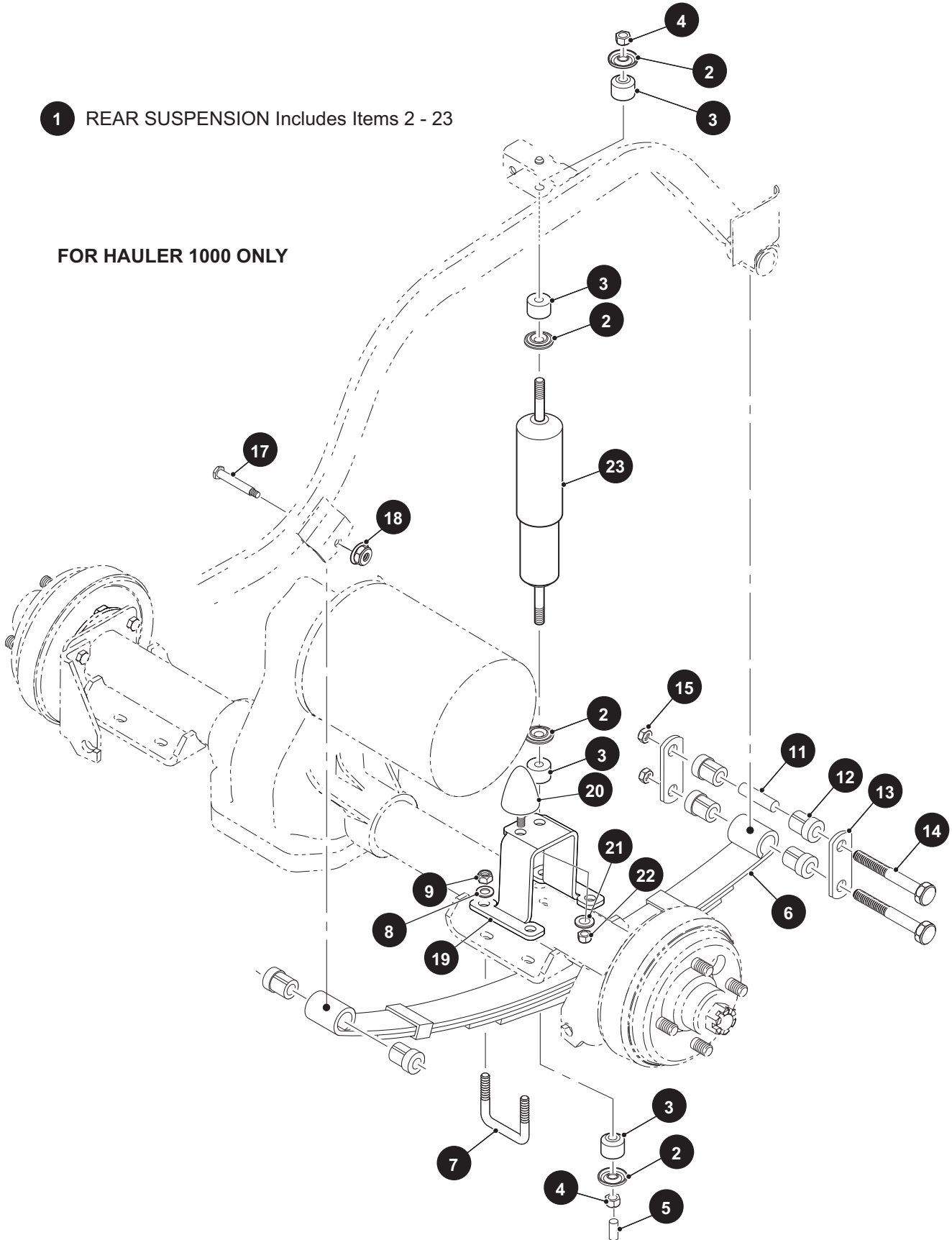
*** Indicates consult Customer Service Department for additional information.

ITEM	PART NO.	1 2 3 4 5	DESCRIPTION	QTY.
1	642085		SHOCK ABSORBER.....	2
2	10435G1		SHOCK ABSORBER WASHER.....	8
3	10194G1		SHOCK ABSORBER RUBBER BUSHING.....	8
4	00532G6		HEX NUT, 3/8" - 24.....	4
5	10044G01		VINYL CAP.....	2
6	74207G03		LEAF SPRING (HEAVY DUTY).....	2
7	72618G01		"U" BOLT, 3/8" - 16 X 2" X 2 1/2" LG.....	4
8	00560G1		FLAT WASHER, 3/8".....	8
9	11098G5		LOCK NUT, 3/8" - 16.....	8
10				
11	70289G02		SPLIT STEEL SPACER.....	4
12	624030		FLANGED BUSHING.....	12
13	652245		SHACKLE PLATE.....	4
14	00665G9		HEX HEAD BOLT (SS), 3/8" - 16 X 3 1/2" LG.....	4
15	11098G5		LOCK NUT, 3/8" - 16.....	4
16				
17	14158G1		SHOULDER BOLT, 3/8" - 16 X 3 1/4" LG.....	2
18	12262G1		FLANGED LOCK NUT, 3/8" - 16.....	2

REAR SUSPENSION

1 REAR SUSPENSION Includes Items 2 - 23

FOR HAULER 1000 ONLY



REAR SUSPENSION

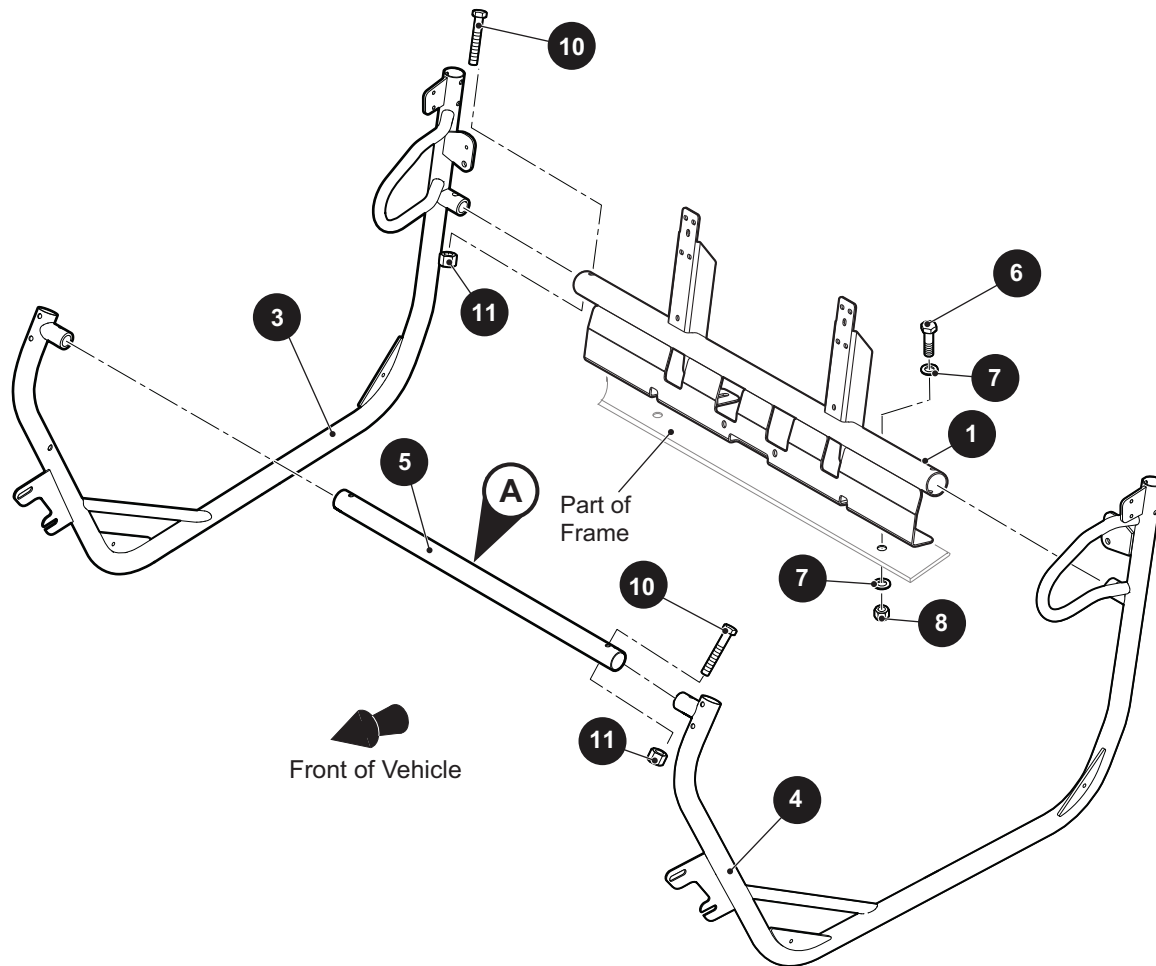
When ordering parts, please specify the model and serial number of the product.

* Indicates a component that is not available as an individual part.

*** Indicates consult Customer Service Department for additional information.

ITEM	PART NO.	1 2 3 4 5	DESCRIPTION	QTY.
1	70992G01		REAR SUSPENSION (INCLUDES ITEMS 2 - 23) (For Hauler 1000 ONLY).....	1
2	10435G1		SHOCK ABSORBER WASHER.....	8
3	10194G1		RUBBER SHOCK ABSORBER BUSHING	8
4	00532G6		HEX NUT, 3/8" - 24	4
5	10044G01		VINYL CAP	2
6	74345G03		LEAF SPRING	2
7	72618G01		"U" BOLT, 3/8" - 16 X 2.5" LG	4
8	00560G1		LOCK WASHER, 3/8"	8
9	11098G5		LOCK NUT, 3/8" - 16.....	8
10				
11	70289G02		SPLIT STEEL SPACER	4
12	624030		FLANGED BUSHING.....	12
13	652245		SHACKLE PLATE	4
14	00665G9		HEX BOLT (SS), 3/8" - 16 X 3 1/2" LG	4
15	11098G5		LOCK NUT, 3/8" - 16.....	4
16				
17	14158G1		SHOULDER BOLT, 3/8" - 16 X 3 1/4" LG.	2
18	12262G1		LOCK NUT, 3/8" - 16.....	2
19	652445G03		AXLE BUMPER BRACKET	2
20	70492G01		RUBER BUMPER	2
21	608654		SPLIT LOCK WASHER, M10.....	2
22	00974G01		LOCK NUT, M10	2
23	642085		SHOCK ABSORBER	2

ROPS - HAULER 800



A

13

This ROPS was tested in accordance with the requirements of ISO 3471 per ANSI/ROHVA 1

CUSHMAN

EZGO

A Textron Company 642582

Textron Specialized Vehicles
1451 Marvin Griffin Rd.
Augusta, GA 30906
USA

Test GVW: 700 kgs (1545 lbs)
Vehicle Models:
Hauler 800 and 1200 G, E, XG, XE
Hauler Pro, Pro X, 4X4
E-Z-GO Terrain 250 and 1000 G, E
E-Z-GO Terrain 1500 G

WARNING

The protection offered by this ROPS will be impaired if it has been subjected to any modification or structural damage. This ROPS must be replaced after a rollover.

ROPS - HAULER 800

When ordering parts, please specify the model and serial number of the product.

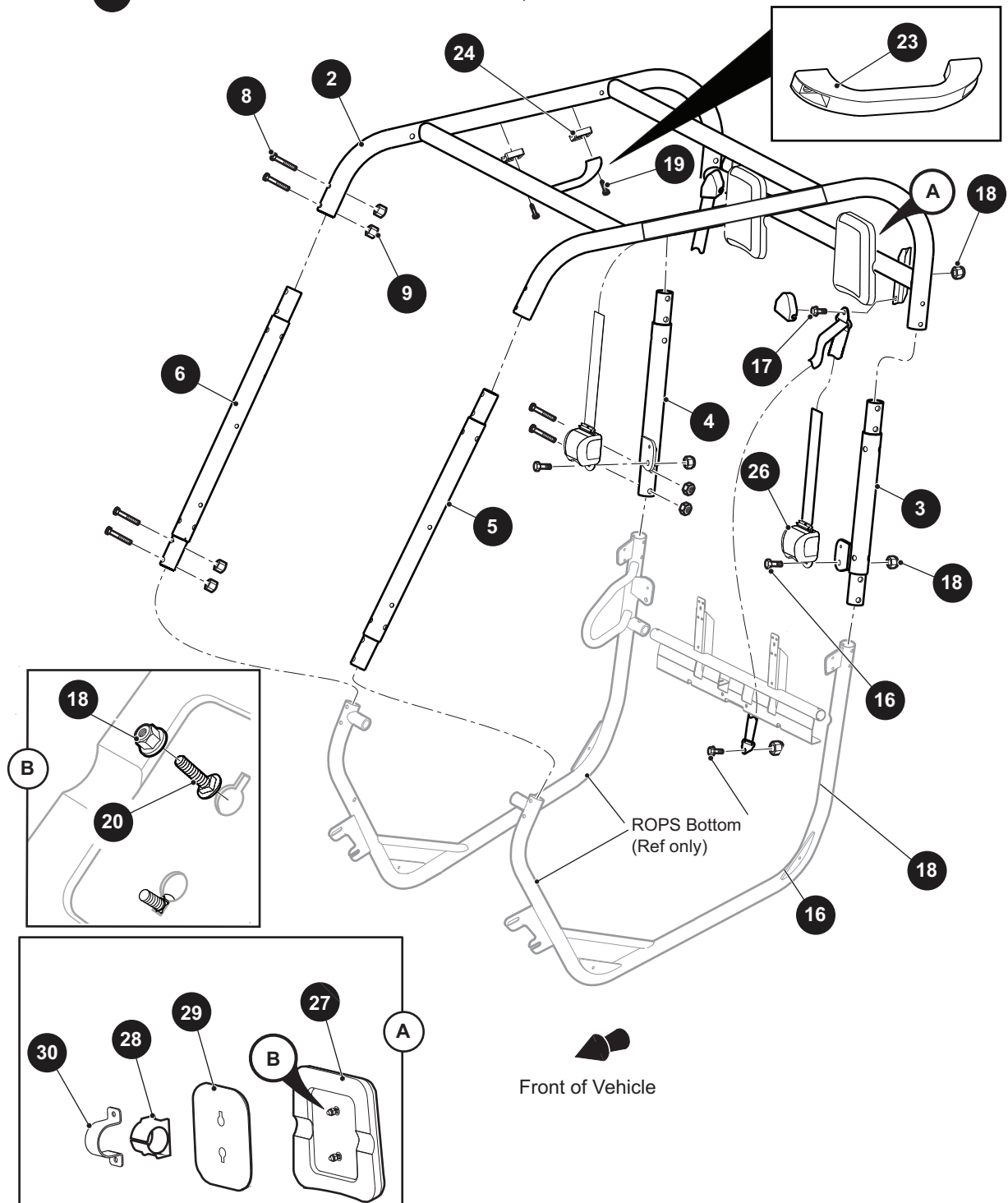
* Indicates a component that is not available as an individual part.

*** Indicates consult Customer Service Department for additional information.

ITEM	PART NO.	1 2 3 4 5	DESCRIPTION	QTY.
1	640293		ROPS SEAT SUPPORT.....	1
2				
3	640183		ROPS BOTTOM (PASSENGER SIDE).....	1
4	640182		ROPS BOTTOM (DRIVER SIDE)	1
5	629023		FRONT CROSSBAR TUBE	1
6	00427G2		HEX HEAD BOLT, 3/8" - 16 X 1 1/4" LG	4
7	00571G2		FLAT WASHER, 5/16"	8
8	11098G5		LOCK NUT, 3/8" - 16	4
9				
10	630642		HEX HEAD BOLT, 3/8" - 16 X 2 1/2" LG	4
11	630643		LOCK NUT, 3/8" - 16	4
12				
13	642582		ROPS CERTIFICATION DECAL.....	1

ROPS - HAULER 800

- 1 ROPS UPPER KIT includes items 2 - 7
- 7 ROPS UPPER HARDWARE KIT includes items 8 - 9
- 15 ROPS ACCESSORY HARDWARE KIT includes items 16 - 20
- 22 ROPS ACCESSORY KIT includes items 15, 23 - 30



ROPS - HAULER 800

When ordering parts, please specify the model and serial number of the product.

* Indicates a component that is not available as an individual part.

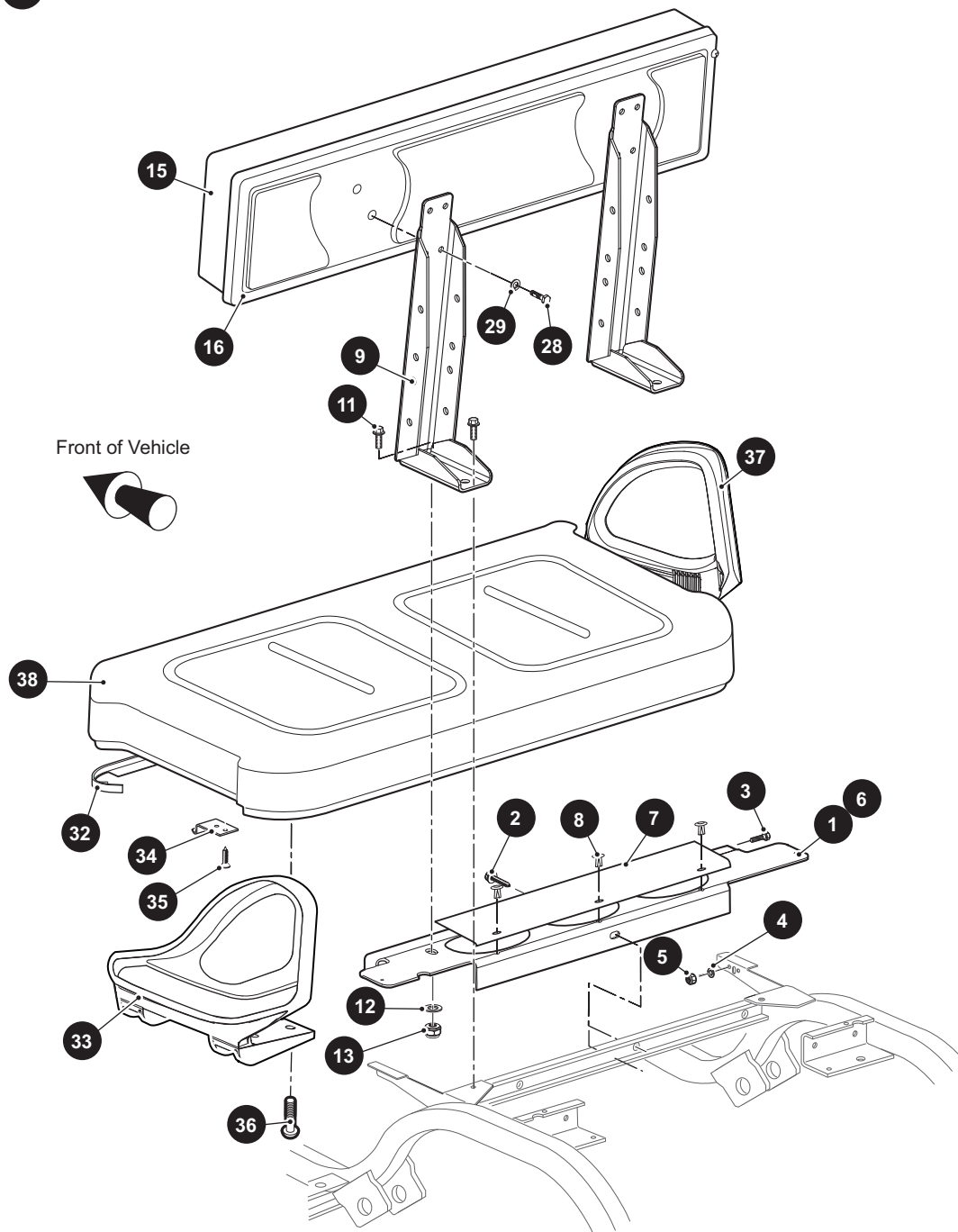
*** Indicates consult Customer Service Department for additional information.

ITEM	PART NO.	1 2 3 4 5	DESCRIPTION	QTY.
1	631578		ROPS UPPER KIT (INCLUDES ITEMS 2 - 7)	1
2	631576		ROPS TOP WELDMENT.....	1
3	629080		CONNECTOR REAR (DRIVER SIDE)	1
4	629079		CONNECTOR REAR (PASSENGER SIDE).....	1
5	629082		CONNECTOR FRONT (DRIVER SIDE).....	1
6	629081		CONNECTOR FRONT (PASSENGER SIDE)	1
7	629328		ROPS UPPER HARDWARE KIT (INCLUDES ITEMS 8 - 9).....	1
8	630642		HEX HEAD BOLT, 3/8" - 16 X 2 1/2" LG	16
9	630643		LOCK NUT, 3/8" - 16.....	16
10				
11				
12				
13				
14				
15	640434		ROPS ACCESSORY HARDWARE KIT (INCLUDES ITEMS 16 - 20)	1
16	610753		HEX HEAD BOLT, 7/16" - 20 X 1" LG	4
17	609569		HEX HEAD BOLT, 7/16" - 20 X 3/4" LG	4
18	00734G3		LOCK NUT, 7/16" - 20.....	8
19	612255		PAN HEAD TORX SCREW, 12 - 14 X 1" LG	2
20	630763		CARRIAGE BOLT (SS), 1/4" - 20 X .75" LG	4
21				
22	640436		ROPS ACCESSORIES KIT (INCLUDES ITEMS 15, 23 - 30).....	1
23	611774		GRAB HANDLE	1
24	612254		GRAB HANDLE MOUNT.....	2
25	629454		SIDE DOOR NET (PAIR) (NOT ILLUSTRATED).....	1
26	649134		SEAT BELT RETRACTOR.....	2
27	628577		HEADREST	2
28	629642		CLAMP GUARD	2
29	629666		HEADREST PLATE	2
30	627786		CLAMP	2

SEATING

14 SEAT BACK ASSEMBLY Includes Items 15, 16

30 SEAT BOTTOM ASSEMBLY Includes Items 32 - 38



When ordering parts, please specify the model and serial number of the product.

* Indicates a component that is not available as an individual part.

*** Indicates consult Customer Service Department for additional information.

ITEM	PART NO.	1 2 3 4 5	DESCRIPTION	QTY.
1	71262G04		SEAT BACK SUPPORT (HAULER 800 ONLY)	1
2	00715G2		HEX BOLT, 5/16" - 18 X 13/16" LG	1
3	00438G8		HEX BOLT, 5/16" - 18 X 3/4" LG	2
4	00642G8		LOCK WASHER, 5/16"	2
5	11098G6		LOCK NUT, 5/16" - 18.....	2
6	74971G01		SEAT BACK SUPPORT (HAULER 1000 ONLY)	1
7	71263G01		ACCESS COVER.....	1
8	18436G1		DRIVE RIVET.....	3
9	652243G03		SEAT BACK SUPPORT BRACKET	2
10				
11	00427G2		HEX BOLT, 3/8" - 16 X 1- 1/4" LG	4
12	00560G1		LOCK WASHER, 3/8"	2
13	11098G5		LOCK NUT, 3/8" - 16.....	2
14	***		SEAT BACK ASSEMBLY (INCLUDES ITEMS 15, 16) 71274G04 GRAY 71274G02 BLACK 71274G01 WHITE 71274G03 TAN 71274G07 BROWN 71274G05 OYSTER	
15	***		VINYL COVER 18144G5 GRAY 18144G3 BLACK 18144G2 WHITE 18144G3 TAN 18144G3 BROWN 18144G6 OYSTER	
16	74889G01		PLASTIC SEAT BACK COVER	1
17				
18				
19				
20				
21				
22				
23				

SEATING

When ordering parts, please specify the model and serial number of the product.

* Indicates a component that is not available as an individual part.

*** Indicates consult Customer Service Department for additional information.

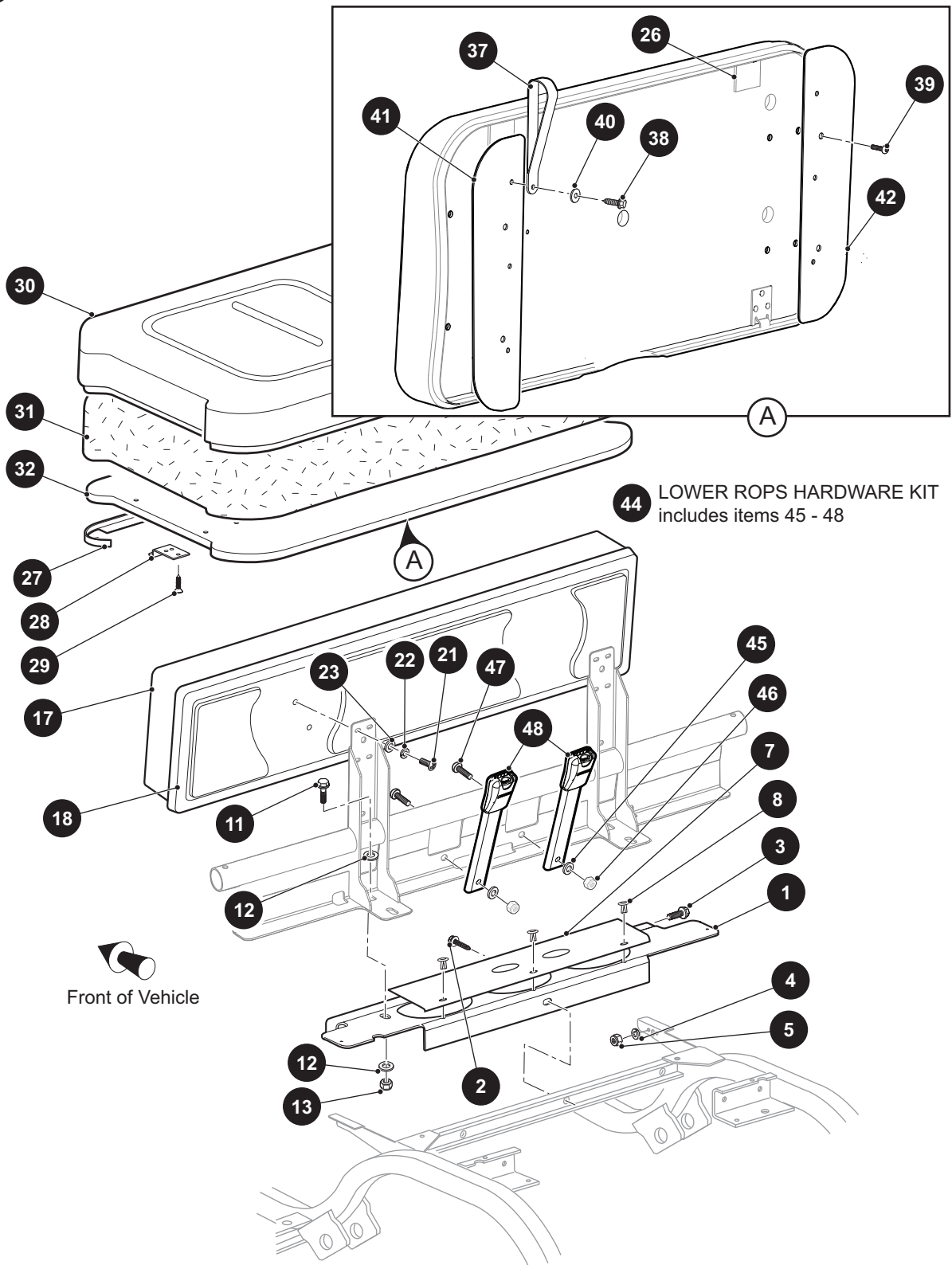
ITEM	PART NO.	1	2	3	4	5	DESCRIPTION	QTY.
24								
25								
26								
27								
28	605056						HEX SCREW W/PATCH LOCK, 1/4" - 20 X 1"	4
29	00664G7						LOCK WASHER (SS), 1/4"	4
30	629269G**						SEAT BOTTOM ASSEMBLY (INCLUDES ITEMS 32 - 38) 629269G0105 WHITE 629269G0106 BLACK 629269G0103 TAN 629269G0107 BROWN 629269G0101 OYSTER 629269G0104 GRAY	
31								
32	71012G01						VINYL TRIM (SEAT BOTTOM)	1
33	617645						HIP RESTRAINT (DRIVER SIDE)	1
34	71610G01						SEAT HINGE.....	2
35	00720G08						SCREW, #12 - 14 X 1" LG.	6
36	615417						BUTTON HEAD TORX BOLT, M10 - 1.5 X 25MM LG	8
37	617644						HIP RESTRAINT (PASSENGER SIDE).....	1
38	71602G**						SEAT BOTTOM COVER 71602G01 WHITE 71602G06 BLACK 71602G04 TAN 71602G07 BROWN 71602G03 OYSTER 71602G02 GRAY	

SEATING - HAULER 800

16 SEAT BACK ASSEMBLY (BLACK) includes items 17, 18

FOR HAULER 800 ONLY

25 SEAT BOTTOM ASSEMBLY (BLACK) includes items 26 - 34



SEATING - HAULER 800

When ordering parts, please specify the model and serial number of the product.

* Indicates a component that is not available as an individual part.

*** Indicates consult Customer Service Department for additional information.

ITEM	PART NO.	1 2 3 4 5	DESCRIPTION	QTY.
1	71262G04		SEAT BACK SUPPORT	1
2	00715G2		FLANGED HEX HEAD BOLT, 5/16" - 18 X .8" LG	1
3	00438G8		HEX HEAD BOLT, 5/16" - 18 X 1" LG	2
4	00642G8		LOCK WASHER, 5/16"	2
5	11098G6		LOCK NUT, 5/16" - 18.....	2
6				
7	71263G01		ACCESS COVER.....	1
8	18436G1		DRIVE RIVET.....	3
9				
10				
11	00427G2		FLANGED HEX HEAD BOLT, 3/8" - 16 X 1 1/4" LG	4
12	00571G2		LOCK WASHER, 5/16"	8
13	11098G5		LOCK NUT, 3/8" - 16.....	4
14				
15				
16	71274G02		SEAT BACK ASSEMBLY (BLACK) (INCLUDES ITEMS 17, 18).....	1
17	18144G3		VINYL COVER.....	1
18	74889G01		SEAT BACK COVER (PLASTIC)	1
19				
20				
21	16705G1		HEX HEAD BOLT (WITH PATCH LOCK), 1/4" - 20 X 1" LG.....	4
22	01110G01		FLAT WASHER (SS), 1/4".....	4
23	00664G7		LOCK WASHER (SS), 1/4"	4
24				
25	629269G1306		SEAT BOTTOM ASSEMBLY (BLACK) (INCLUDES ITEMS 26 - 34).....	1
26	17074G1		SOILING SLAB (NOT ILLUSTRATED).....	2
27	71012G01		VINYL TRIM (SEAT BOTTOM).....	1
28	71610G01		SEAT HINGE	1
29	00720G08		FLAT HEAD PHILLIPS SCREW, #12 - 14 X 1" LG.....	3
30	615169		VINYL SEAT BOTTOM COVER (BLACK).....	1
31	605503		SEAT BOTTOM PADDING (FOAM)	1

SEATING - HAULER 800

When ordering parts, please specify the model and serial number of the product.

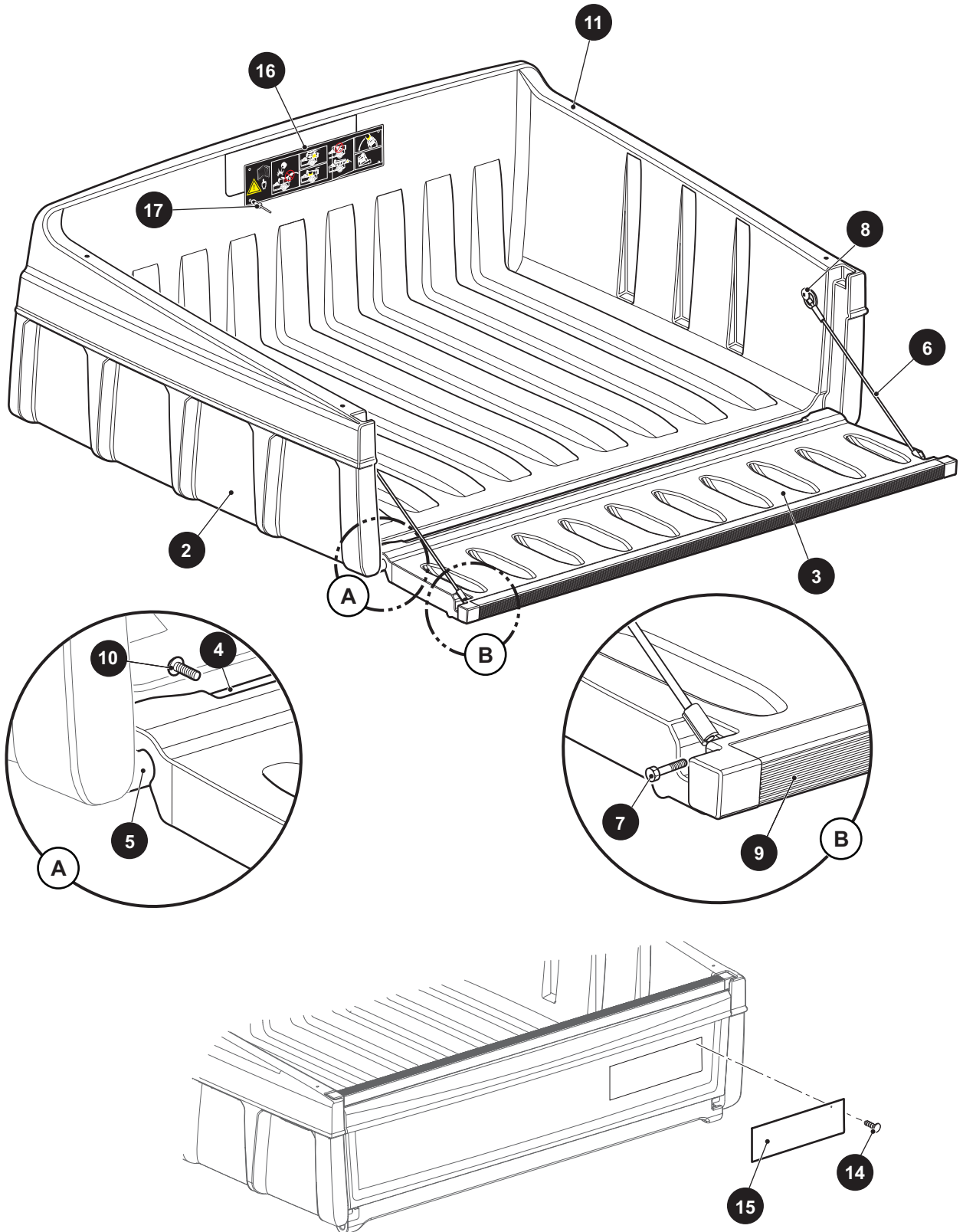
* Indicates a component that is not available as an individual part.

*** Indicates consult Customer Service Department for additional information.

ITEM	PART NO.	1	2	3	4	5	DESCRIPTION	QTY.
32	645492						SEAT BOTTOM.....	1
33	23222G1						FLAT STAPLE, 3/8" (NOT ILLUSTRATED).....	AR
34	23223G1						FLAT STAPLE (NOT ILLUSTRATED)	AR
35								
36								
37	617402						SEAT STRAP.....	1
38	71398G01						FLANGED HEX HEAD SCREW, 1/4" - 20 X 1 1/4" LG	1
39	615417						BUTTON HEAD TORX BOLT, M10 - 1.5 X 25MM LG	4
40	16469G1						FENDER WASHER, 1/4"	1
41	640674G01						SEAT SIDE COVER (DRIVER SIDE).....	1
42	640674G02						SEAT SIDE COVER (PASSENGER SIDE)	1
43								
44	642823						LOWER ROPS HARDWARE KIT (INCLUDES ITEMS 45 - 48)	1
45	00560G3						FLAT WASHER, 1/2"	2
46	00734G3						LOCK NUT, 7/16" - 20.....	2
47	635630						BUTTON HEAD TORX BOLT, 7/16" - 20 X 1 1/4" LG.....	2
48	631973						BUCKLE AND BRACKET ASSEMBLY.....	2

TRUCK BED - PLASTIC

1 36" PLASTIC BED ASSEMBLY includes items 2 - 11



TRUCK BED - PLASTIC

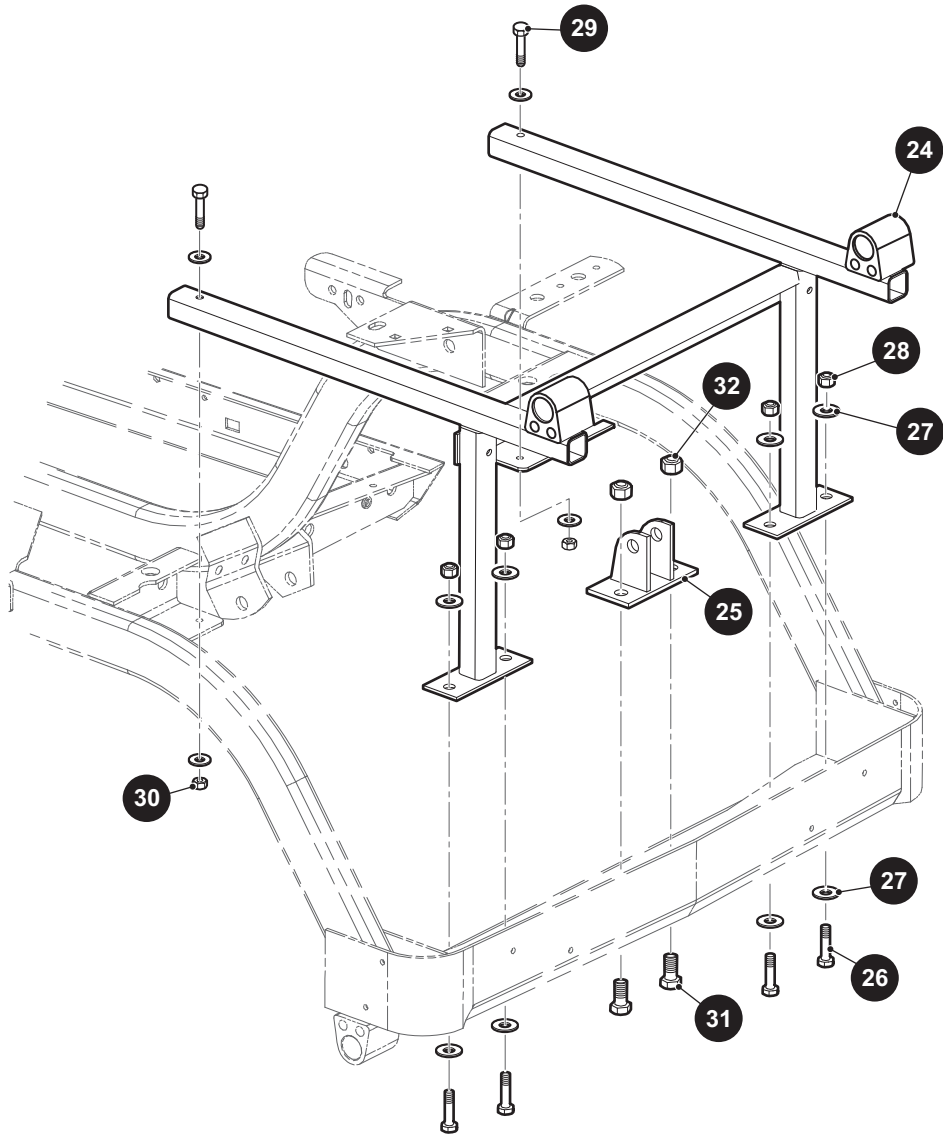
When ordering parts, please specify the model and serial number of the product.

* Indicates a component that is not available as an individual part.

*** Indicates consult Customer Service Department for additional information.

ITEM	PART NO.	1 2 3 4 5	DESCRIPTION	QTY.
1	72647G01		36" PLASTIC TRUCK BED ASSEMBLY (INCLUDES ITEMS 2 - 11).....	1
2	72648G01		36" PLASTIC BED	1
3	72649G01		36" PLASTIC TAILGATE.....	1
4	73450G01		BOWED ANGLE	1
5	73454G01		PIVOT SHAFT	2
6	73455G02		TAILGATE CABLE ASSEMBLY	2
7	00415G2		HEX HEAD BOLT, 1/4" - 20 X 1 1/4" LG.....	2
8	73460G01		SHOULDER BOLT, 1/4" - 20 X 3/4" LG	2
9	73449G01		TAILGATE CAP	1
10	16705G2		PAN HEAD PHILLIPS SCREW, 1/4" - 2 X 5/8" LG.....	4
11	16816G5		RACHET FASTENER.....	4
12				
13				
14	16812G2		RATCHET FASTENER	2
15	619207		LABEL CUSHMAN HAULER	2
16	74821G05		BED CAPACITY LABEL (250 LB)	1
17	71055G01		RIVET (ALUMINUM), 3/16".....	5
18				
19				
20				
21				
22				

TRUCK BED - PLASTIC



TRUCK BED - PLASTIC

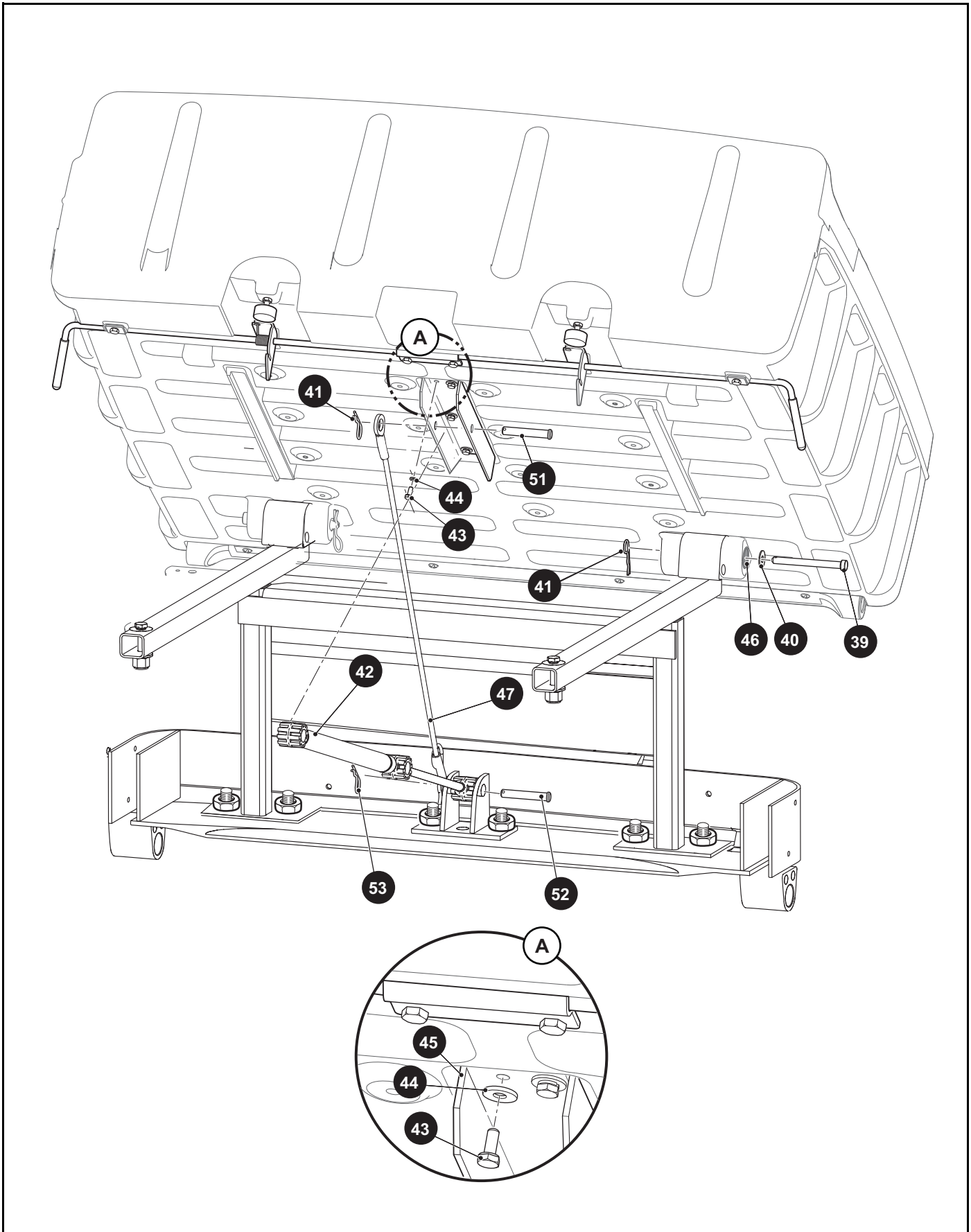
When ordering parts, please specify the model and serial number of the product.

* Indicates a component that is not available as an individual part.

*** Indicates consult Customer Service Department for additional information.

ITEM	PART NO.	1 2 3 4 5	DESCRIPTION	QTY.
24	76423G01		TRUCK BED FRAME.....	1
25	71283G02		ELECTRIC LIFT BRACKET	1
26	00439G2		HEX HEAD BOLT, 5/16" - 18 X 1 1/4" LG	4
27	00642G8		FLAT WASHER, 5/16"	8
28	11098G6		LOCK NUT, 5/16"- 18.....	2
29	00415G6		HEX HEAD BOLT, 1/4" - 20 X 1 3/4" LG	2
30	14390G4		LOCK NUT, 1/4" - 20.....	2
31	00462G7		HEX HEAD BOLT, 7/16" - 14 X .875" LG	2
32	00734G1		LOCK NUT, 7/16" - 14.....	2
33				
34				
35				
36				
37				
38				

TRUCK BED - PLASTIC



TRUCK BED - PLASTIC

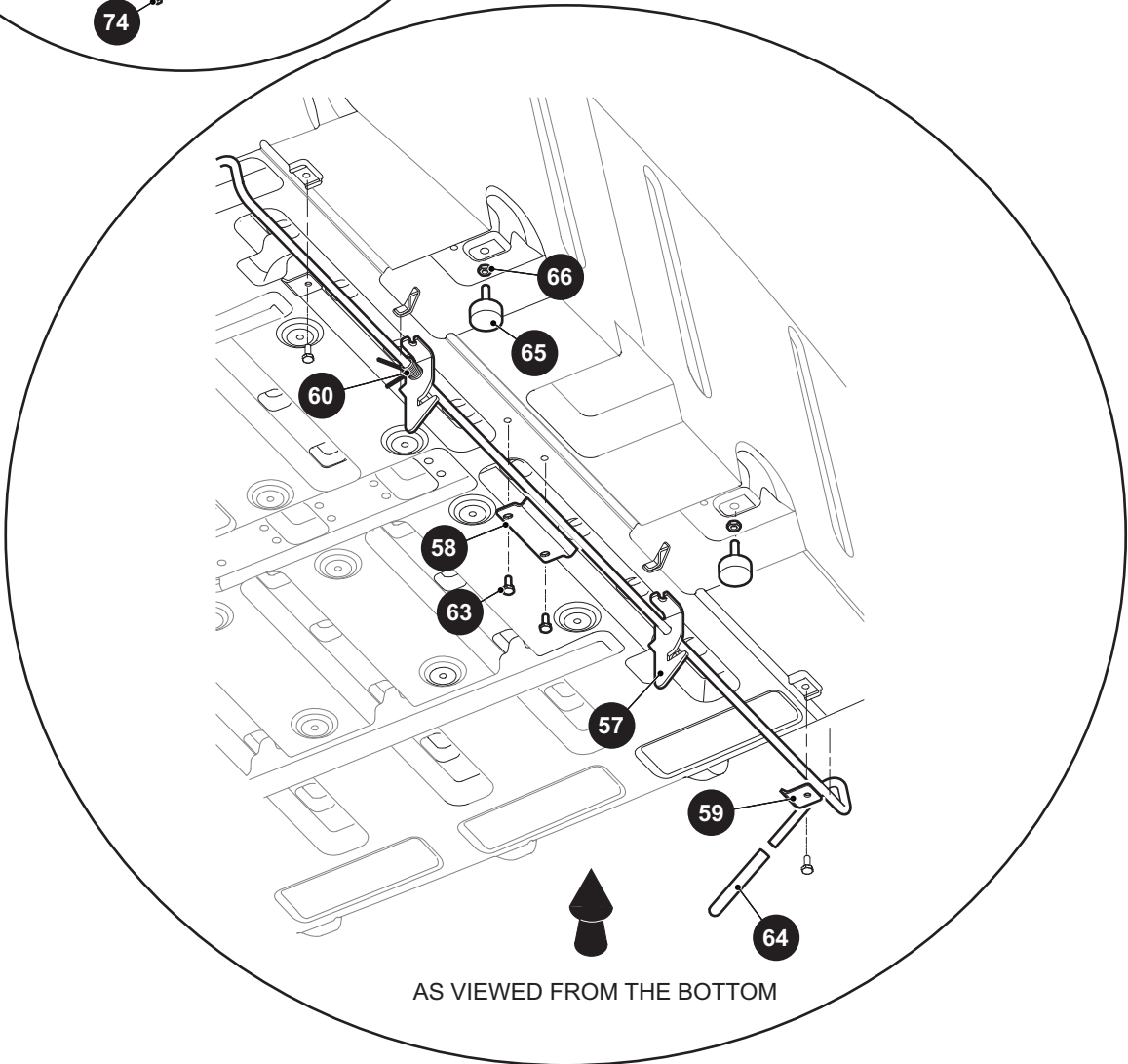
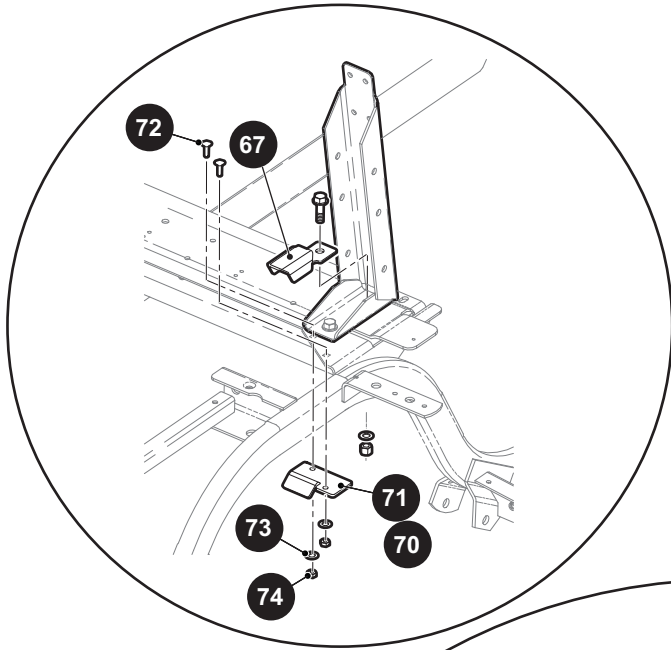
When ordering parts, please specify the model and serial number of the product.

* Indicates a component that is not available as an individual part.

*** Indicates consult Customer Service Department for additional information.

ITEM	PART NO.	1 2 3 4 5	DESCRIPTION	QTY.
39	71571G01		CLEVIS PIN, .50" X 5.25"	2
40	00571G5		FLAT WASHER, 5/16"	2
41	21683G1		COTTER PIN, 15/32" X 2 13/16"	2
42	71537G02		GAS SPRING	1
43	01118G01		HEX HEAD BOLT WITH PATCHLOCK, 1/4" - 20 X .62" LG	8
44	00642G7		FLAT WASHER, 1/4"	8
45	71569G02		GAS SPRING CHANNEL	1
46	624030		FLANGED BUSHING	4
47	602904		CABLE ASSEMBLY	1
48				
49				
50				
51	14443G10		CLEVIS PIN, .50 X 3"	1
52	14443G12		CLEVIS PIN, 1/2" X 1 3/4"	1
53	21683G1		HAIR CLIP	1
54				
55				
56				

TRUCK BED - PLASTIC



TRUCK BED - PLASTIC

When ordering parts, please specify the model and serial number of the product.

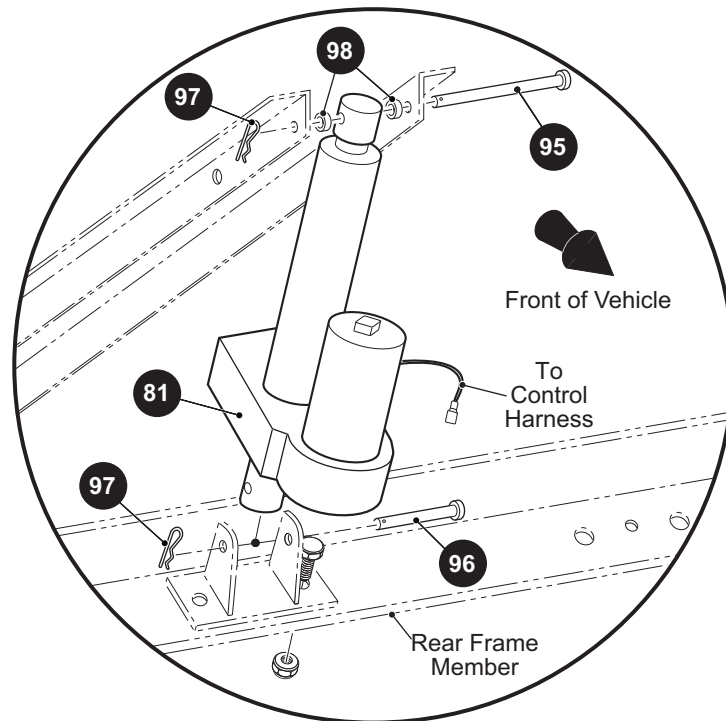
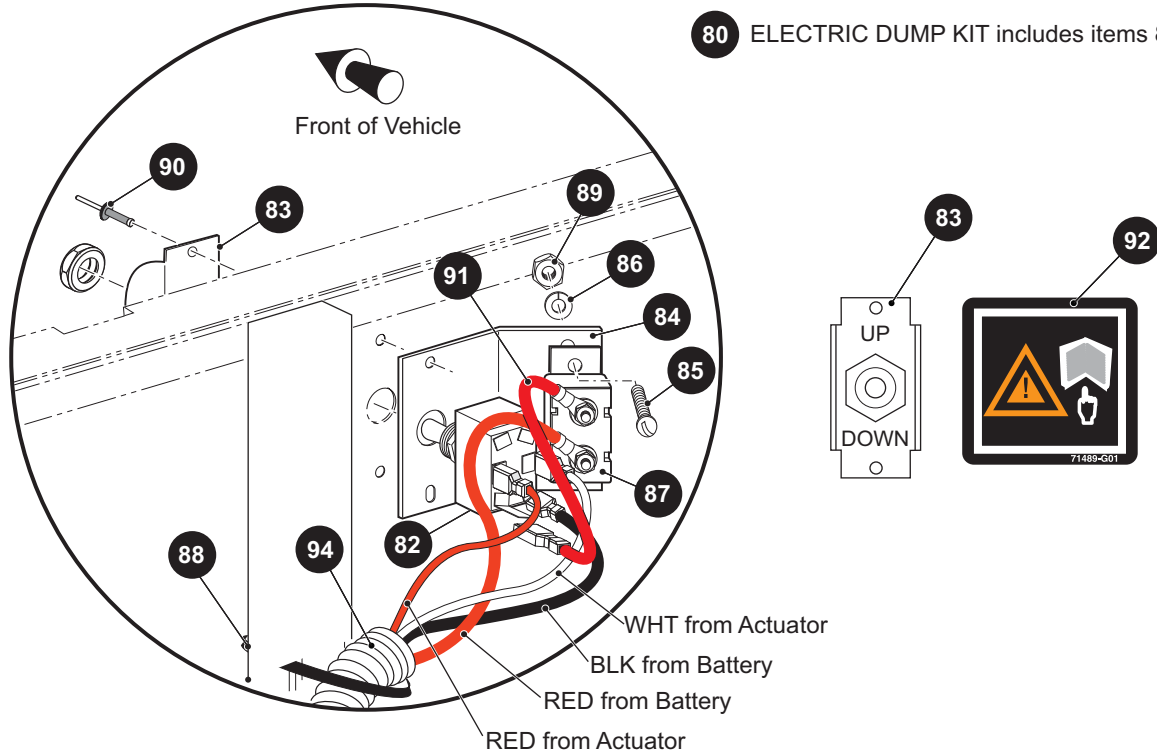
* Indicates a component that is not available as an individual part.

*** Indicates consult Customer Service Department for additional information.

ITEM	PART NO.	1 2 3 4 5	DESCRIPTION	QTY.
57	74962G01		BED LATCH WELDMENT.....	1
58	652440G03		BRACKET	1
59	652442G03		LATCH PLATE	2
60	71538G01		TORSION SPRING	1
61				
62				
63	01118G01		HEX HEAD CAP SCREW, 1/4" - 2 X 5/8" LG	4
64	71704G01		HANDLE GRIP.....	2
65	70113G01		ADJUSTABLE BUMPER.....	2
66	11027G1		LOCK NUT, 5/16" - 18.....	2
67	652444G03		BUMPER BRACKET.....	2
68				
69				
70	602977		LATCH PLATE (DRIVER SIDE).....	1
71	602978		LATCH PLATE (PASSENGER SIDE).....	1
72	01014G03		CARRIAGE BOLT, 1/4" - 20 X .75" LG.....	4
73	00559G7		FLAT WASHER, 1/4".....	4
74	14390G4		LOCK NUT, 1/4" - 20.....	4
75				
76				
77				
78				
79				

TRUCK BED - PLASTIC

80 ELECTRIC DUMP KIT includes items 81 - 100



TRUCK BED - PLASTIC

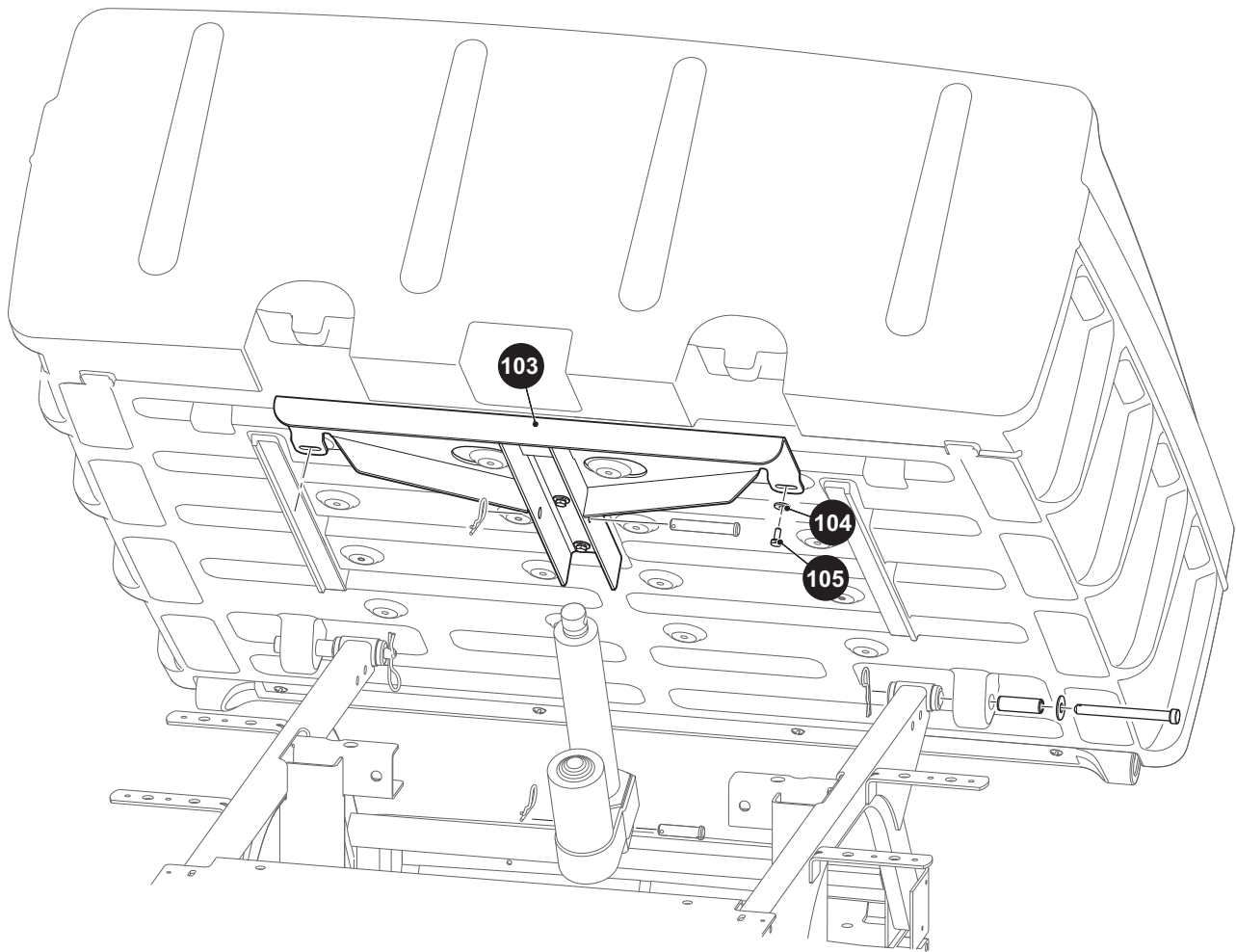
When ordering parts, please specify the model and serial number of the product.

* Indicates a component that is not available as an individual part.

*** Indicates consult Customer Service Department for additional information.

ITEM	PART NO.	1 2 3 4 5	DESCRIPTION	QTY.
80	74637G03		ELECTRIC DUMP KIT (INCLUDES ITEMS 81 - 100)	1
81	27612G04		ELECTRIC ACTUATOR	1
82	27680G01		TOGGLE SWITCH.....	1
83	27447G01		TOGGLE GUARD.....	1
84	74165G02		CIRCUIT BREAKER MOUNTING BRACKET	1
85	00150G4		ROUND HEAD SLOTTED SCREW, #10 - 24 X 3/8" LG	2
86	00565G5		LOCK WASHER, #10	2
87	21320G4		CIRCUIT BREAKER 15A, 24V	1
88	17618G1		WIRE TIE.....	8
89	00526G3		HEX NUT, #8 - 32	2
90	10570G9		RIVET (ALUMINUM), 1/8" X 11/32"	2
91	25976G14		14 GA WIRE ASSEMBLY (RED 5")	1
92	71489G01		DECAL.....	1
93				
94	74054G01		WIRE HARNESS, ELECTRIC DUMP.....	1
95	14443G10		CLEVIS PIN, .50" X 3"	1
96	14443G11		CLEVIS PIN, .50" X 1.92"	1
97	21683G1		COTTER PIN, 15/32" X 2 13/16"	2
98	27613G01		SPACER, .75" O.D. X .50" I.D.	2
99	11845G3		INSULATED CABLE CLIP (NOT ILLUSTRATED)	2
100	00532G3		HEX NUT, 5/16" - 18 (NOT ILLUSTRATED).....	2
101				
102				

TRUCK BED - PLASTIC



TRUCK BED - PLASTIC

When ordering parts, please specify the model and serial number of the product.

* Indicates a component that is not available as an individual part.

*** Indicates consult Customer Service Department for additional information.

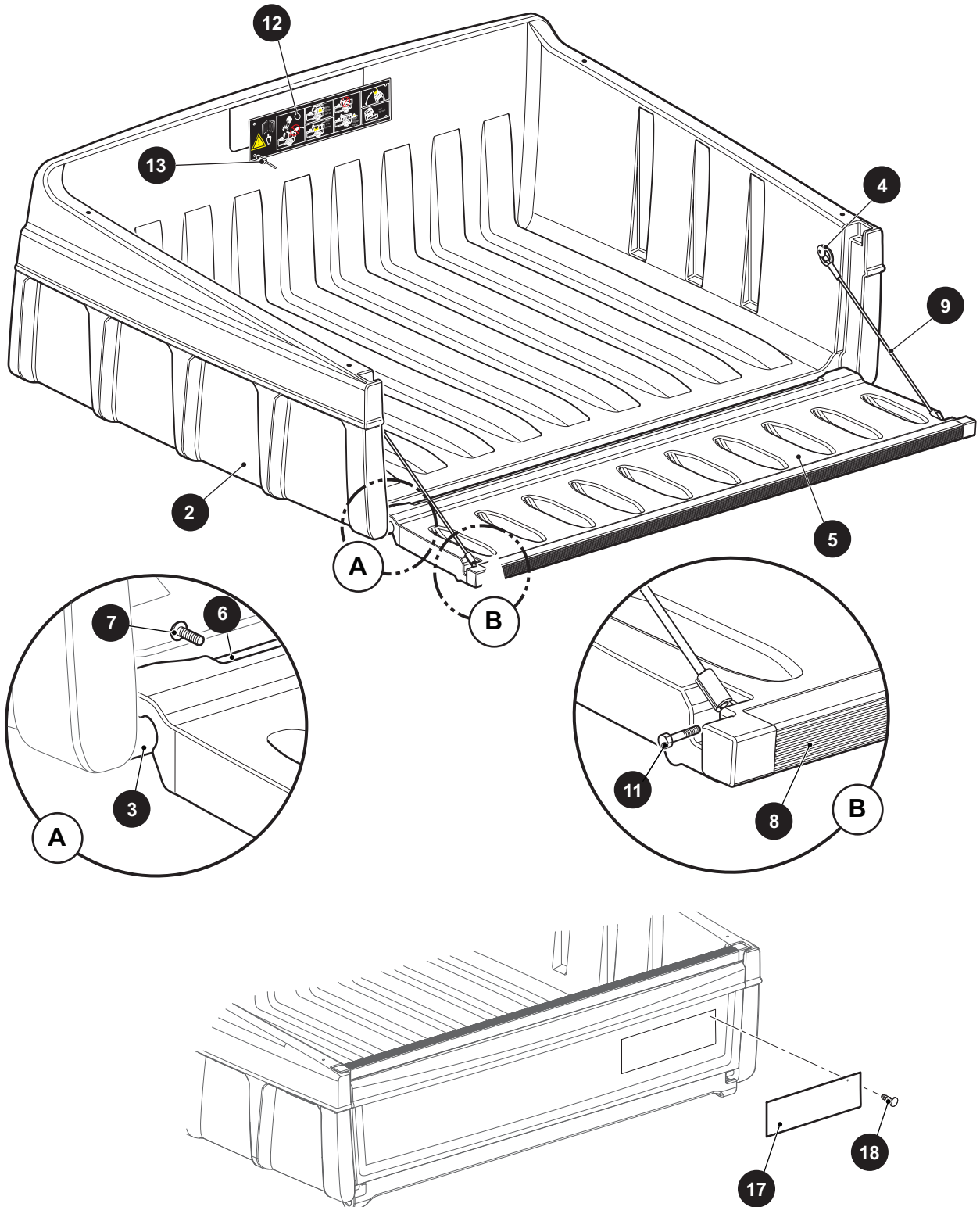
ITEM	PART NO.	1 2 3 4 5	DESCRIPTION	QTY.
103	71547G02		OUTRIGGER CHANNEL	1
104	00642G7		FLAT WASHER, #4 - 5/16".....	8
105	01118G01		HEX HEAD BOLT, 1/4" - 20 X .62" LG	8
106				
107				
108				
109				
110				
111				

Notes:

A large, empty grid area for taking notes, consisting of approximately 30 columns and 40 rows of small squares.

TRUCK BED - PLASTIC

1 40" PLASTIC BED ASSEMBLY includes items 2 - 11



TRUCK BED - PLASTIC

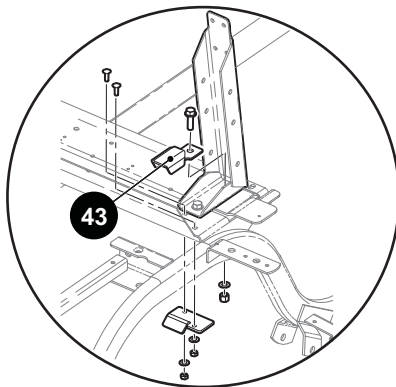
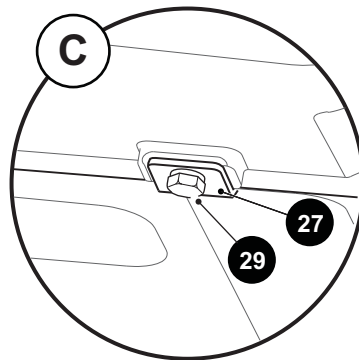
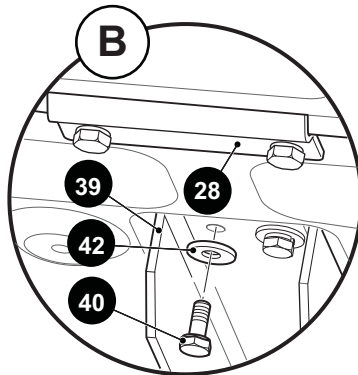
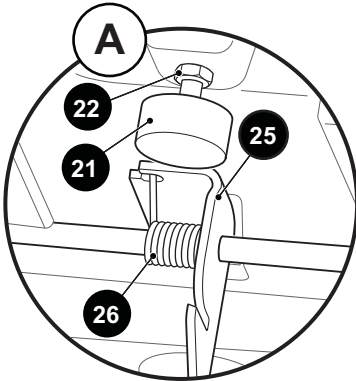
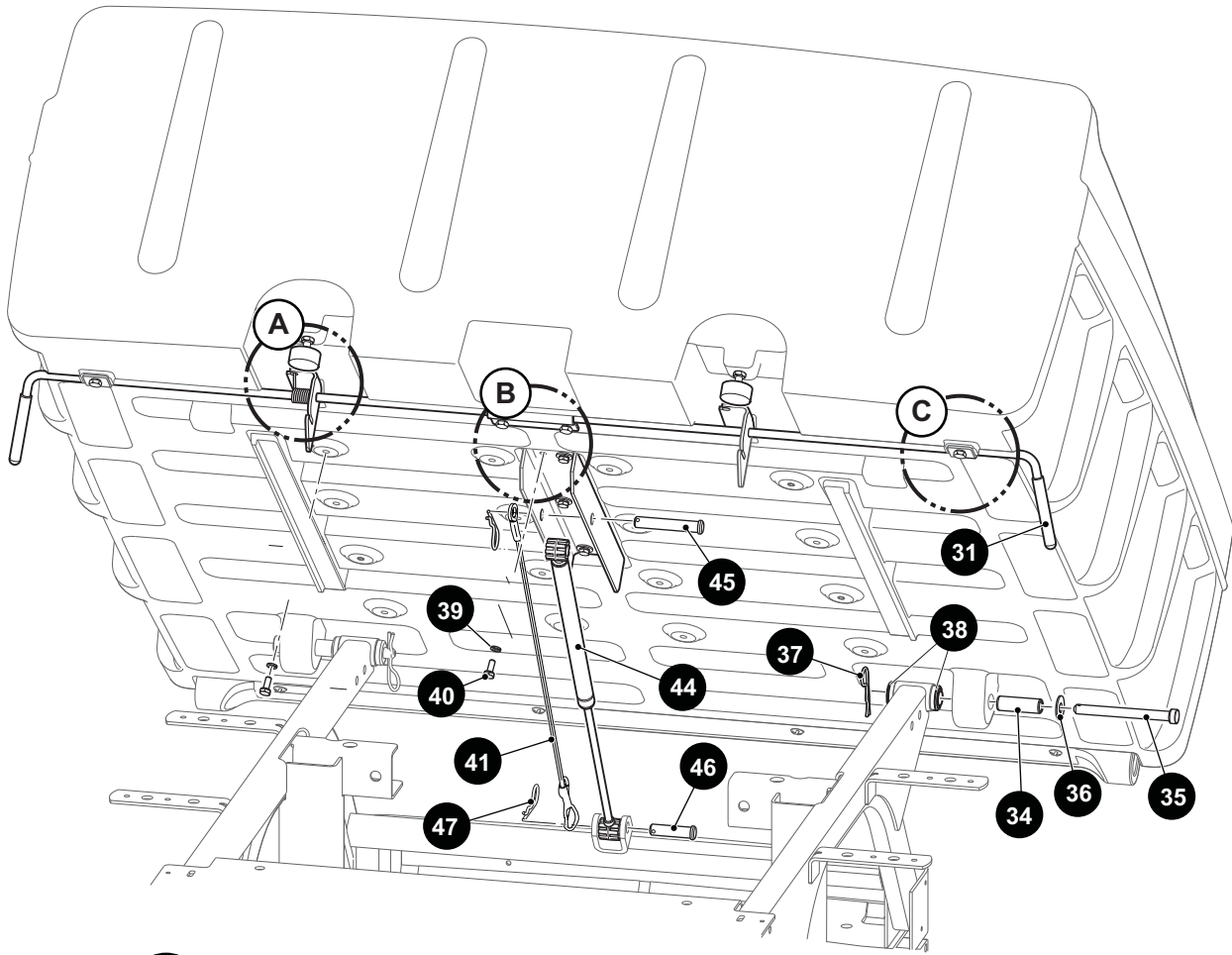
When ordering parts, please specify the model and serial number of the product.

* Indicates a component that is not available as an individual part.

*** Indicates consult Customer Service Department for additional information.

ITEM	PART NO.	1 2 3 4 5	DESCRIPTION	QTY.
1	73451G01		BED ASSEMBLY, 40" (INCLUDES ITEMS 2 -11)	1
2	*		PLASTIC BED, 40"	1
3	73454G01		PIVOT SHAFT	2
4	73460G01		SHOULDER BOLT, 1/4" - 20 X 3/4" LG	2
5	73455G01		TAILGATE CABLE	1
6	73450G01		BOWED ANGLE	1
7	16705G2		PAN HEAD SCREW (SS), 1/4" - 20 X 5/8" LG	4
8	73449G01		TAILGATE CAP	1
9	16818G5		RATCHET FASTENER	4
10				
11	00415G2		HEX HEAD CAP SCREW, 1/4" - 20 X 1 1/4" LG	2
12	74821G01		BED CAPACITY LABEL	1
13	71055G01		RIVET (ALUMINUM), 3/16" X 1"	5
14				
15				
16				
17	619207		LABEL CUSHMAN HAULER	1
18	16816G2		RATCHET FASTNER	4
19				
20				

TRUCK BED - PLASTIC



TRUCK BED - PLASTIC

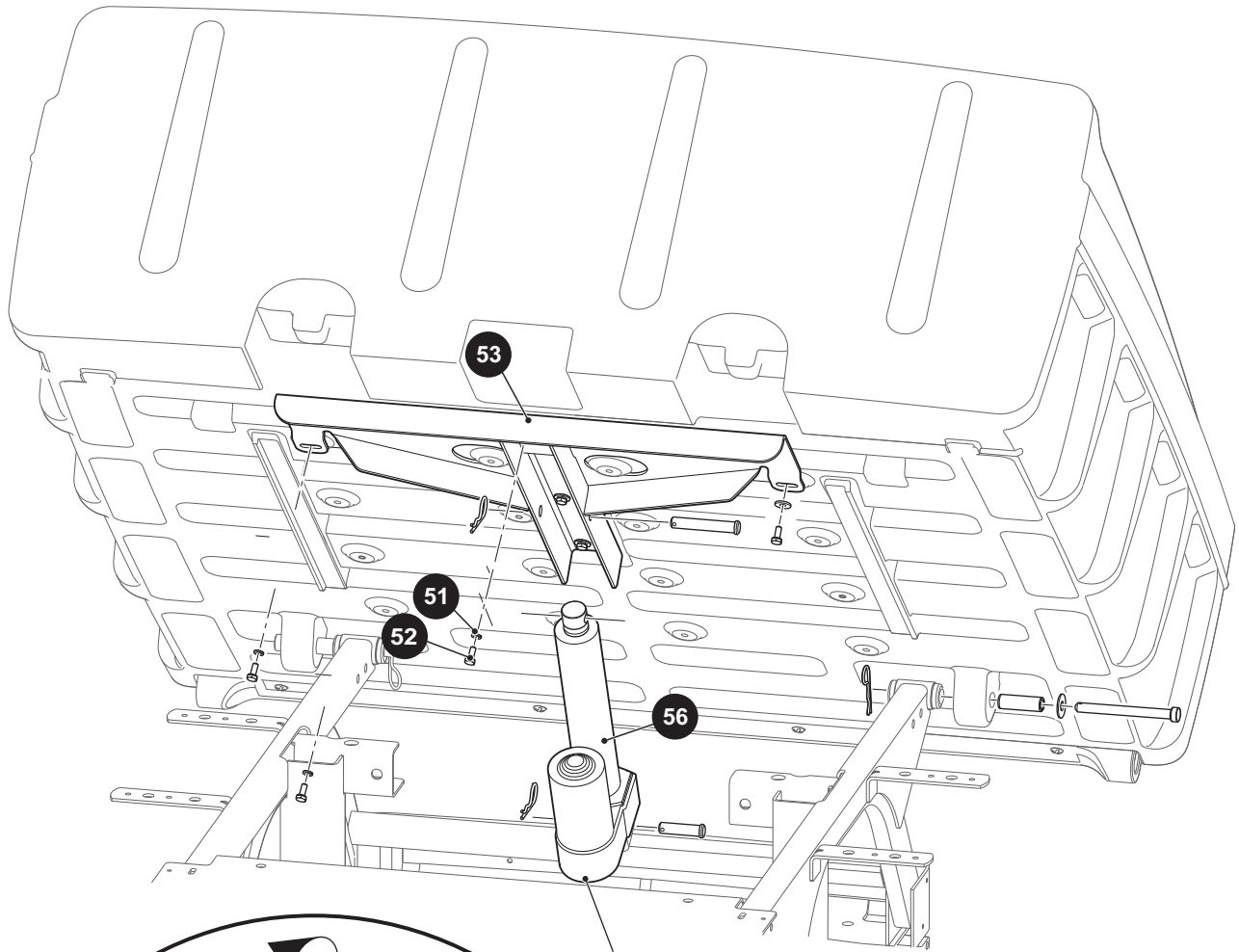
When ordering parts, please specify the model and serial number of the product.

* Indicates a component that is not available as an individual part.

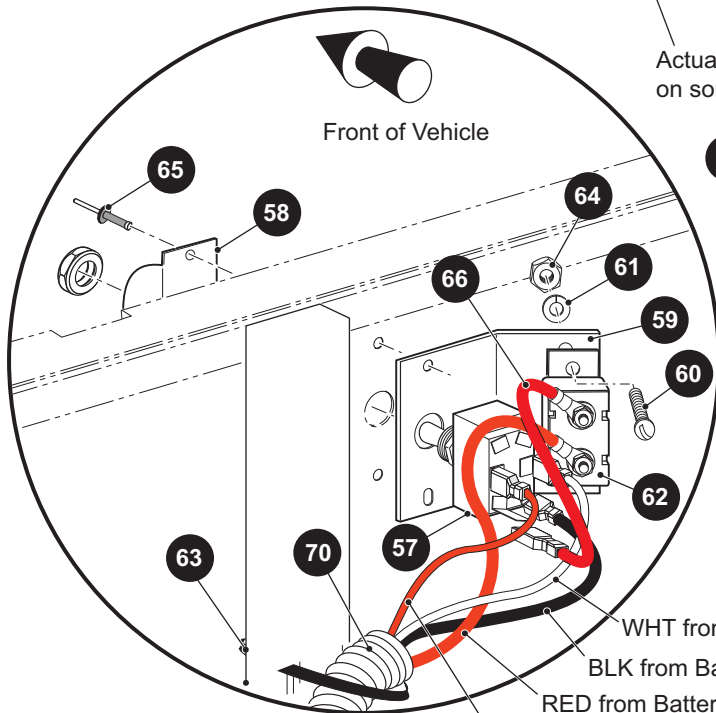
*** Indicates consult Customer Service Department for additional information.

ITEM	PART NO.	1 2 3 4 5	DESCRIPTION	QTY.
21	70113G01		ADJUSTABLE RUBBER BUMPER.....	2
22	11027G1		LOCK NUT, 5/16" - 18.....	2
23				
24				
25	74962G01		BED LATCH.....	1
26	71538G01		LATCH TORSION SPRING.....	1
27	652442G03		LATCH PLATE.....	2
28	652440G03		RETAINER BRACKET.....	1
29	01118G01		HEX HEAD CAP SCREW, 1/4" - 20 X 5/8" LG.....	4
30				
31	71704G01		HANDLE GRIP.....	2
32				
33				
34	71570G01		BUSHING.....	2
35	71571G01		CLEVIS PIN, .50" X 5.25".....	2
36	00571G5		FLAT WASHER, 5/16".....	2
37	21683G1		HAIR CLIP.....	2
38	624030		FLANGED BUSHING.....	4
39	71569G02		SPRING CHANNEL.....	1
40	01118G01		HEX HEAD CAP SCREW, 1/4" - 20 X 5/8" LG.....	8
41	602904		BED TETHER CABLE.....	1
42	00642G7		FLAT WASHER, 1/4".....	8
43	652444G03		BRACKET, BUMPER.....	2
44	71537G02		GAS SPRING.....	2
45	14443G10		CLEVIS PIN, 1/2" X 2 - 27/32".....	1
46	14443G12		CLEVIS PIN, 1/2" X 1 3/4".....	1
47	21683G1		HAIR CLIP.....	2
48				
49				
50				

TRUCK BED - PLASTIC

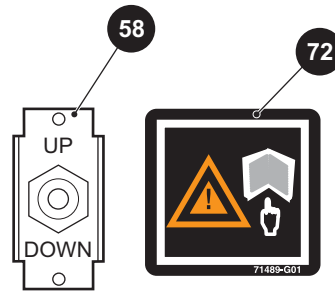


Actuator may be rotated 90° on some models



Front of Vehicle

55 ELECTRIC DUMP KIT includes items 56 - 70



WHT from Actuator
 BLK from Battery
 RED from Battery
 RED from Actuator

TRUCK BED - PLASTIC

When ordering parts, please specify the model and serial number of the product.

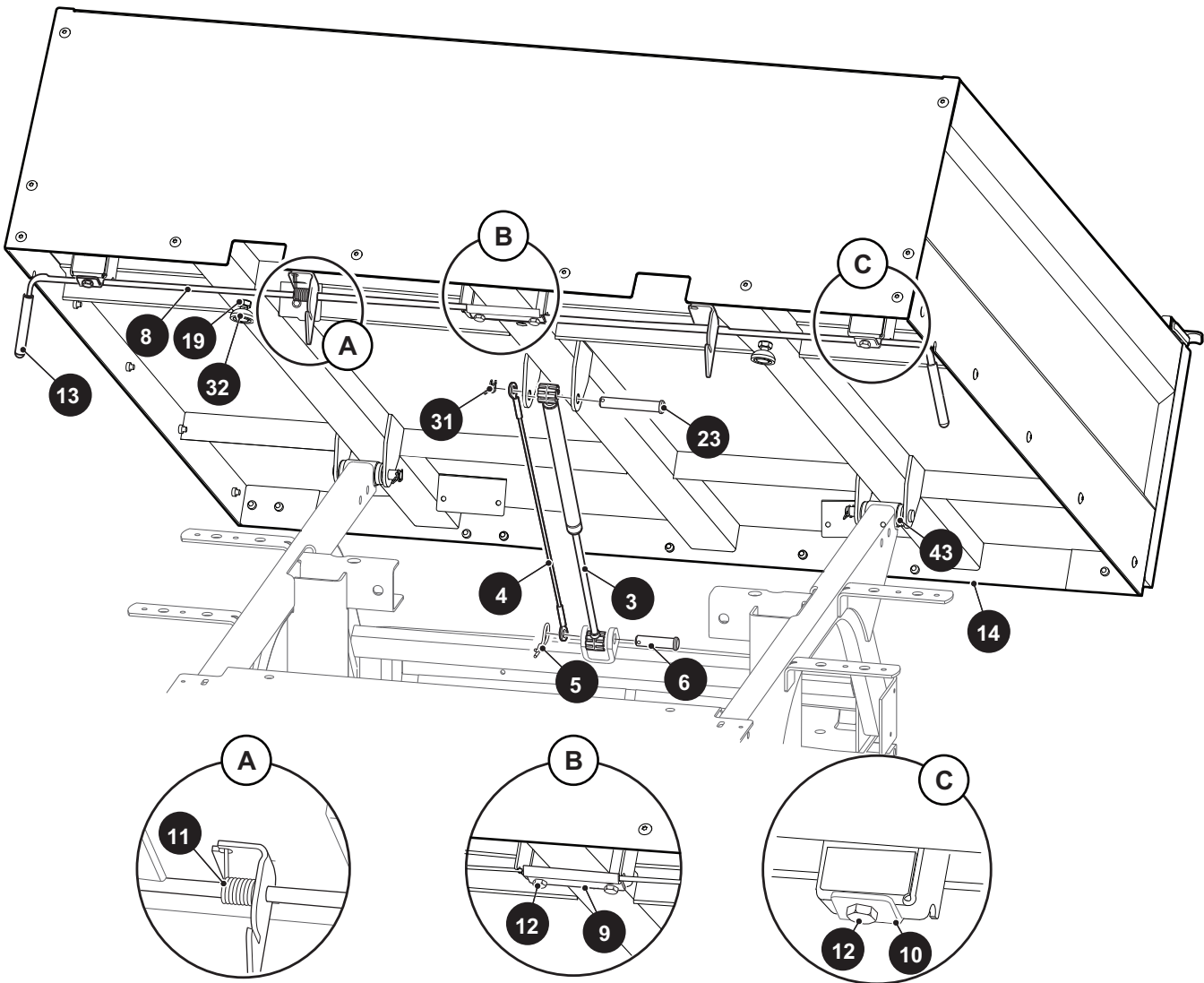
* Indicates a component that is not available as an individual part.

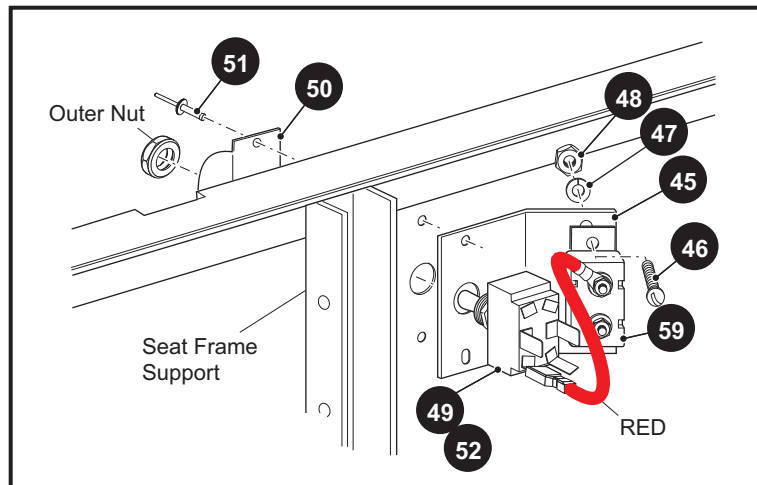
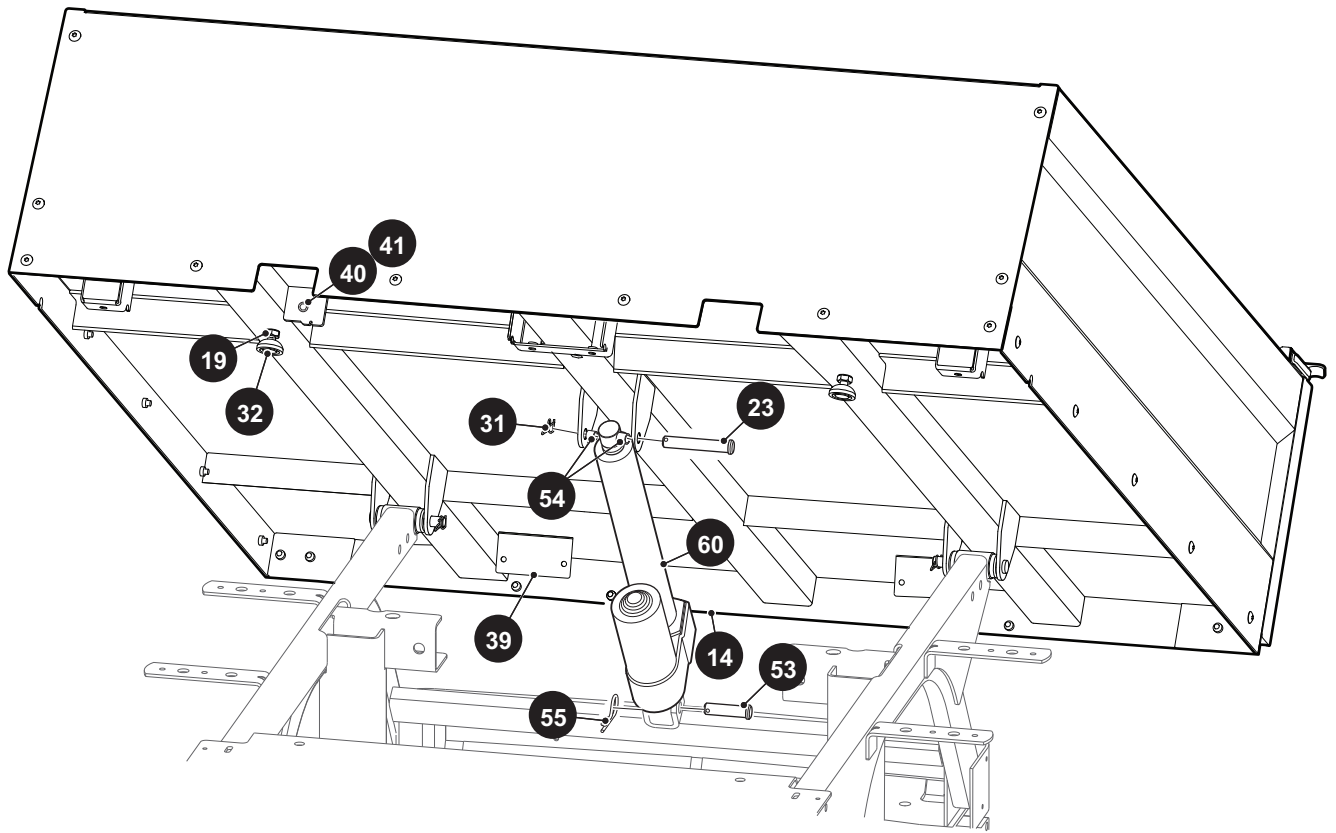
*** Indicates consult Customer Service Department for additional information.

ITEM	PART NO.	1 2 3 4 5	DESCRIPTION	QTY.
51	00642G7		FLAT WASHER, 1/4"	8
52	01118G01		HEX HEAD CAP SCREW, 1/4" - 20 X 5/8" LG	8
53	71547G02		OUTRIGGER CHANNEL	1
54				
55	74637G03		ELECTRIC DUMP KIT (INCLUDES ITEMS 56 - 70)	1
56	27612G04		ELECTRIC ACTUATOR, 12V, 1000 LBS.....	1
57	27680G01		TOGGLE SWITCH.....	1
58	27447G01		TOGGLE GUARD.....	1
59	74165G02		CIRCUIT BREAKER MOUNTING BRACKET	1
60	00150G4		ROUND HEAD SLOTTED SCREW, #10 - 24 X 3/8" LG	2
61	00565G5		LOCK WASHER, #10	2
62	21320G4		CIRCUIT BREAKER, 15A, 24V	1
63	17618G1		WIRE TIE.....	8
64	00526G3		HEX NUT, #10 - 24	2
65	10570G9		RIVET, 5/32" X .55"	2
66	25976G14		14 GA WIRE (RED 5")	1
67	00532G3		HEX NUT, 5/16" - 18 (NOT ILLUSTRATED).....	2
68	11845G3		INSULATED CABLE CLIP (NOT ILLUSTRATED)	2
69	27613G01		SPACER, .75 O.D. X .50 I.D. (NOT ILLUSTRATED).....	2
70	74054G01		HARNESS	1
71				
72	71489G01		DECAL	1
73				
74				
75				
76				

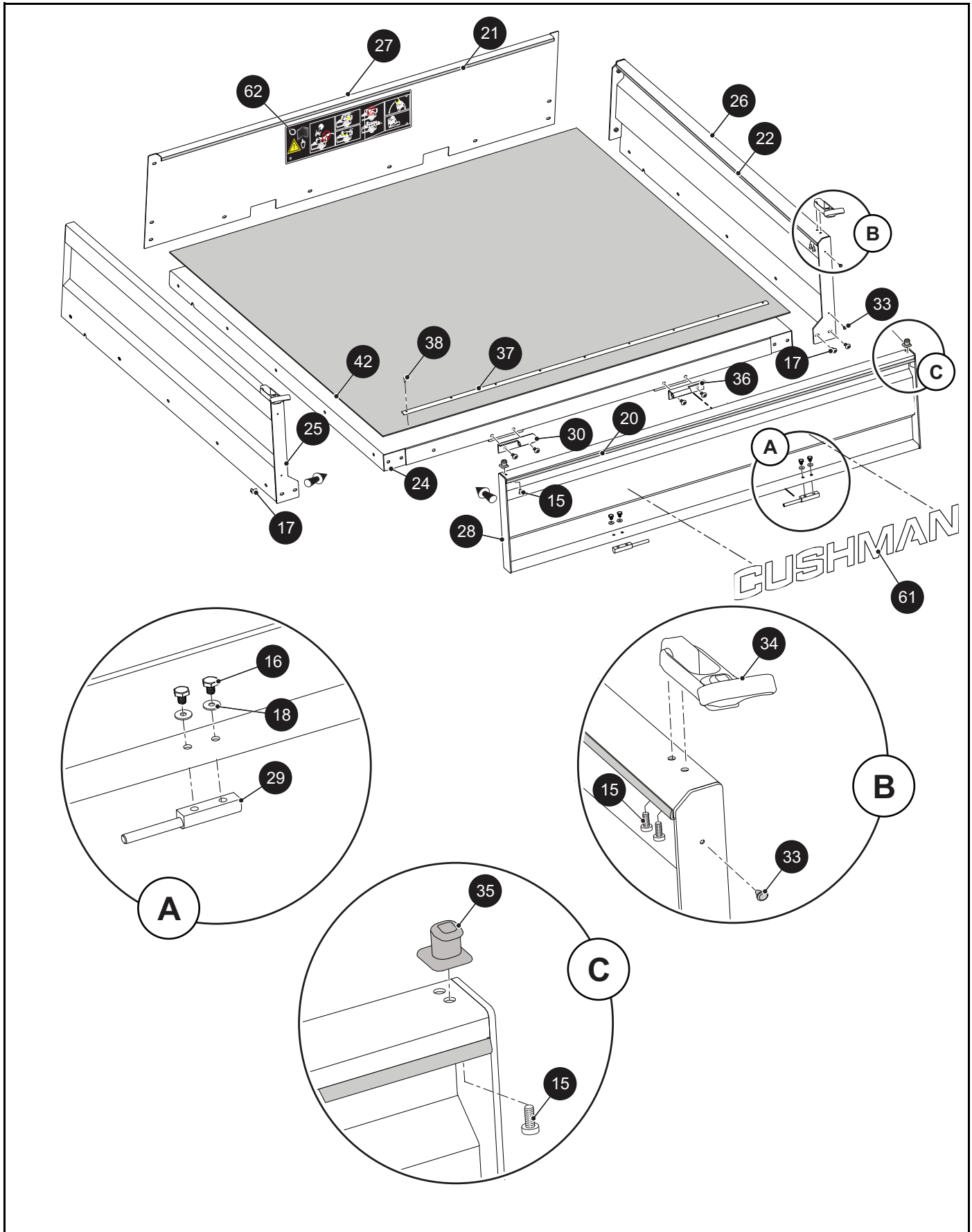
TRUCK BED - METAL

- 1 ALUMINUM BED ELECTRIC LIFT includes items 14, 43 - 60
- 2 ALUMINUM BED MANUAL LIFT includes items 3 - 6, 14, 43
- 14 ALUMINUM BED LARGE includes items 15 - 42





TRUCK BED - METAL



TRUCK BED - METAL

When ordering parts, please specify the model and serial number of the product.

* Indicates a component that is not available as an individual part.

*** Indicates consult Customer Service Department for additional information.

ITEM	PART NO.	1 2 3 4 5	DESCRIPTION	QTY.
1	620482		ALUMINUM BED, ELECTRIC LIFT (INCLUDES ITEMS 14, 43 - 60)	1
2	620481		ALUMINUM BED, MANUAL LIFT (INCLUDES ITEMS 3 - 6, 14, 43).....	1
3	71537G02		GAS SPRING	1
4	602904		TETHER CABLE ASSEMBLY.....	1
5	21683G1		COTTER PIN, 5/16" X 1/2"	1
6	14443G12		CLEVIS PIN, 1/2" x 1 3/4".....	1
7	620517		LATCH INSTALLTION (INCLUDES ITEMS 74 - 79).....	1
8	74962G01		LATCH BED WELDMENT.....	1
9	652440G03		LATCH RETAINER BRACKET.....	1
10	652442G03		LATCH KEEPER PLATE	2
11	71538G01		LATCH TORSION SPRING.....	1
12	01118G01		HEX SCREW, 1/4" - 20 X 8"	4
13	71704G01		HANDLE GRIP.....	2
14	612612		ALUMINUM BED, LARGE (INCLUDES ITEMS 15 - 42)	1
15	612957		PAN HEAD SCREW, 10 - 24 X 1/2" LG	6
16	*		HEX HEAD BOLT, 1/4" -20 X 3/8" LG	4
17	612959		TORX SCREW, 1/4" -20 X.1/2"	28
18	*		FLAT WASHER,1/4"	4
19	*		HEX NUT, 3/8 -16.....	2
20	*		EDGE PROTECTOR	1
21	*		EDGE PROTECTOR	1
22	*		EDGE PROTECTOR	2
23	612965		CLEVIS PIN, 1/2" X 3" LG.....	3
24	*		TRUCK BED FLOOR	1
25	*		SIDE PANEL WELDMENT (DRIVER SIDE)	1
26	*		SIDE PANEL WELDMENT(PASSENGER SIDE).....	1
27	*		FRONT PANEL	1
28	612970		TAILGATE	1
29	612971		TAILGATE PIVOT PIN,.....	2
30	612972		TAILGATE HINGE, (DRIVER SIDE).....	1
31	612973		RUE RING PIVOT CLIP	3

TRUCK BED - METAL

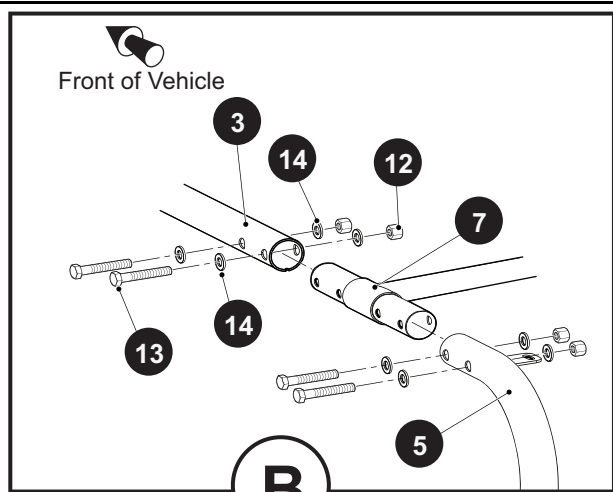
When ordering parts, please specify the model and serial number of the product.

* Indicates a component that is not available as an individual part.

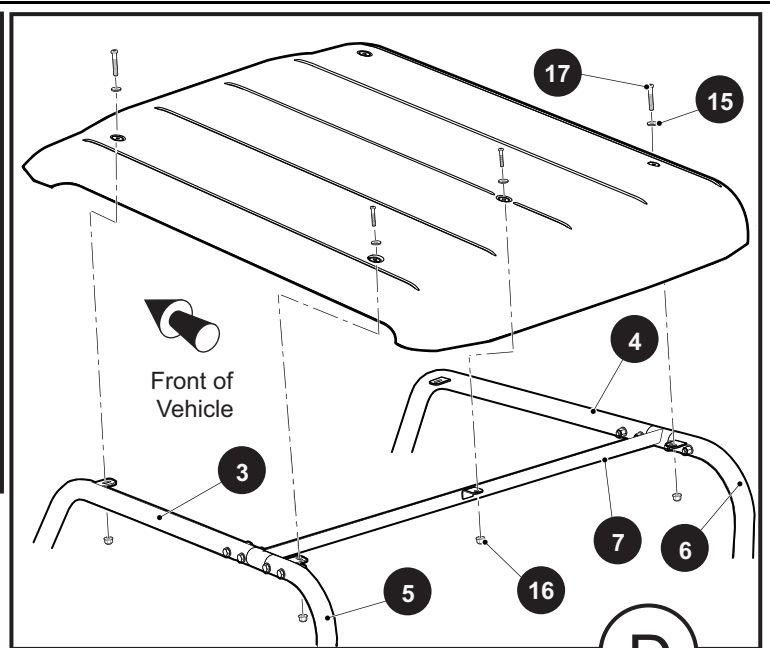
*** Indicates consult Customer Service Department for additional information.

ITEM	PART NO.	1	2	3	4	5	DESCRIPTION	QTY.
32	612974						LEVELING PAD	2
33	*						DRAW LATCH KEEPER.....	2
34	612976						DRAW LATCH ASSY	2
35	612977						BUMPER INSERT,RUBBER	4
36	612978						TAILGATE HINGE, (PASSENGER SIDE)	1
37	614440						MAT RETAINER	1
38	*						RIVET, 3/16"	9
39	*						HINGE SUPPORT	2
40	*						HEX NUT, #10 - 24	2
41	*						HEX BOLT, 5/16" -18 X 7/8"	1
42	*						RUBBER MAT	1
43	624030						FLANGED BUSHING.....	4
44	17618G1						NYLON CLAMP (NOT ILLUSTRATED)	8
45	74165G02						CIRCUIT BREAKER MOUNTING BRACKET	1
46	00150G4						SLOTTED HEAD MACHINE SCREW, #10 - 24 X 1/2" LG	2
47	00565G5						LOCK WASHER, #10.....	2
48	00526G3						HEX NUT, #10 - 24.....	2
49	27680G01						TOGGLE SWITCH	1
50	27447G01						TOGGLE GUARD ASSEMBLY	1
51	10570G9						RIVET, 1/8" X 11/32" LG (ALUMINUM)	2
52	25976G14						14 GA WIRE (RED 5")	1
53	14443G11						CLEVIS PIN, 1/2" X 1 3/4" LG.....	1
54	27613G01						SPACER.....	2
55	21683G1						COTTER PIN, 15/32" X 2 13/16" LG.....	1
56	74054G01						DUMP HARNESS (48V) (NOT ILLUSTRATED)	1
57	11845G3						INSULATED CABLE CLAMP, 11/16" (NOT ILLUSTRATED)	2
58	00532G3						HEX NUT, 5/16" - 18 (NOT ILLUSTRATED)	2
59	21320G3						CIRCUIT BREAKER (30 AMP 12V)	1
60	27612G04						ELECTRIC ACTUATOR, 48V.....	1
61	618088						CUSHMAN REAR BED DECAL.....	1
62	74821G01						BED CAPACITY LABEL.....	1

WEATHER PROTECTION



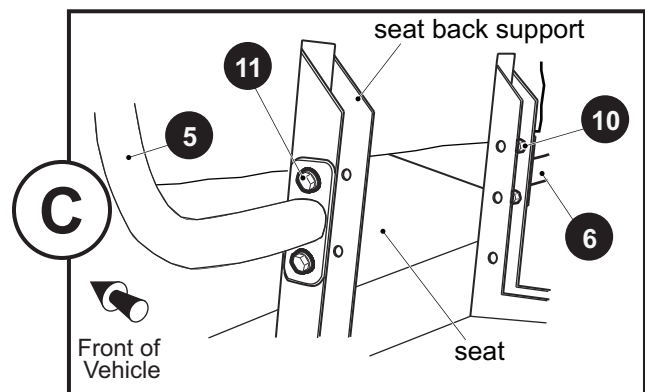
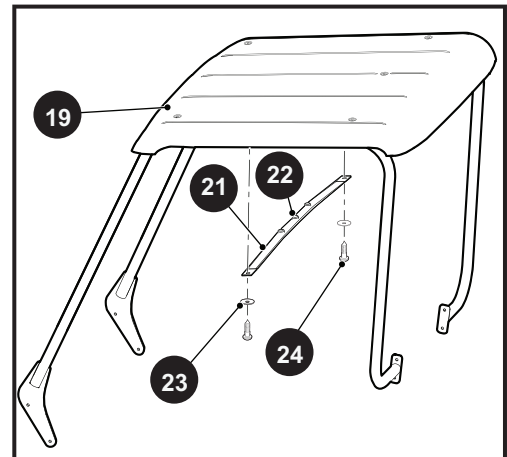
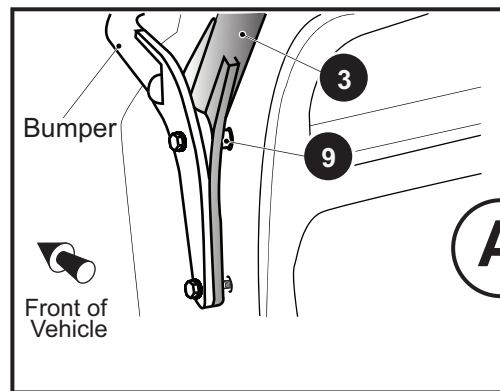
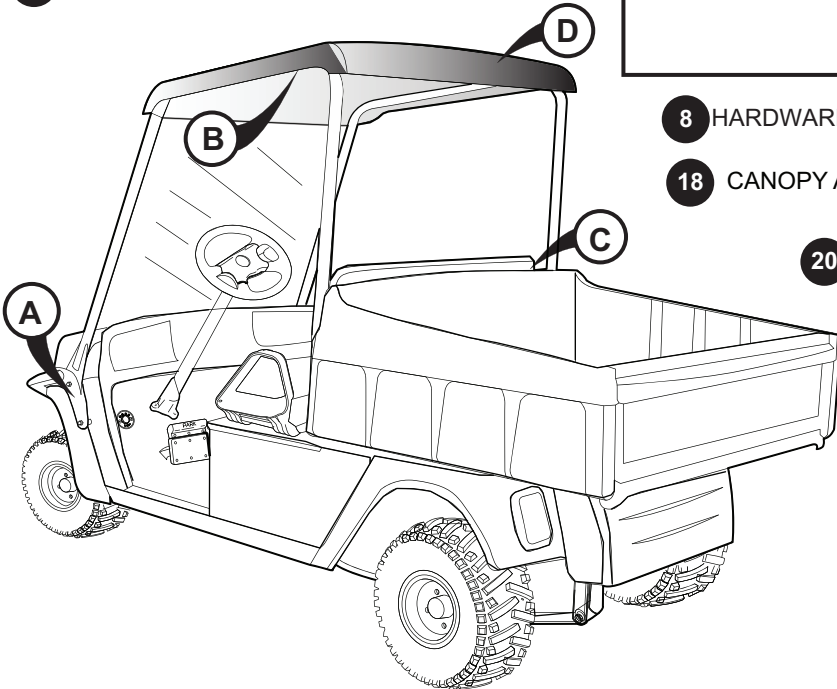
2 CANOPY STRUTS KIT includes items 3 - 8



8 HARDWARE KIT includes items 9 - 17

18 CANOPY ASSEMBLY, REINFORCED (BLACK) includes items 19 - 24

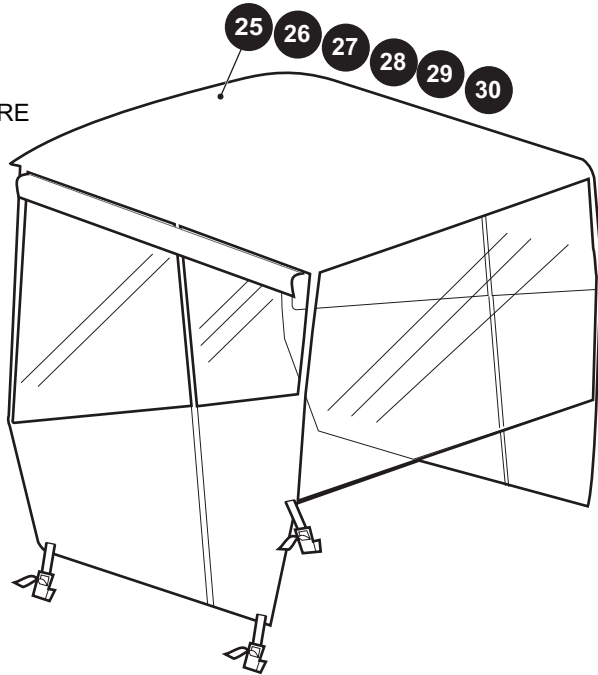
20 REINFORCEMENT BAR ASSEMBLY includes items 21 - 22



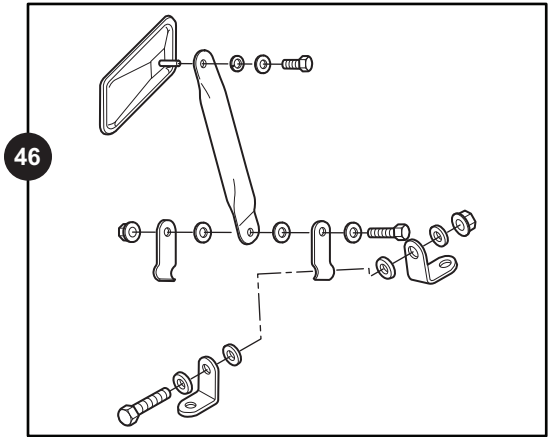
32 FULL WINDSHIELD KIT includes items 33 - 38

41 SPLIT WINDSHIELD KIT includes items 34 - 37, 42, 43

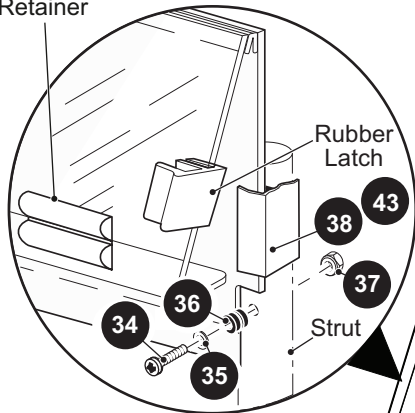
ENCLOSURE



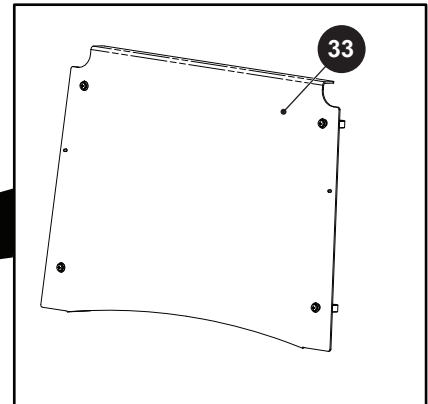
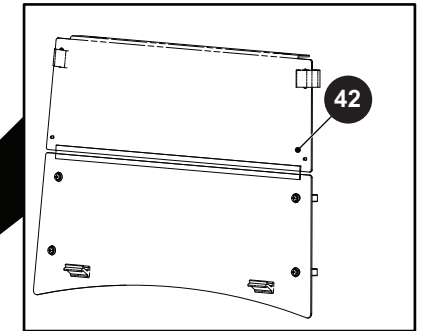
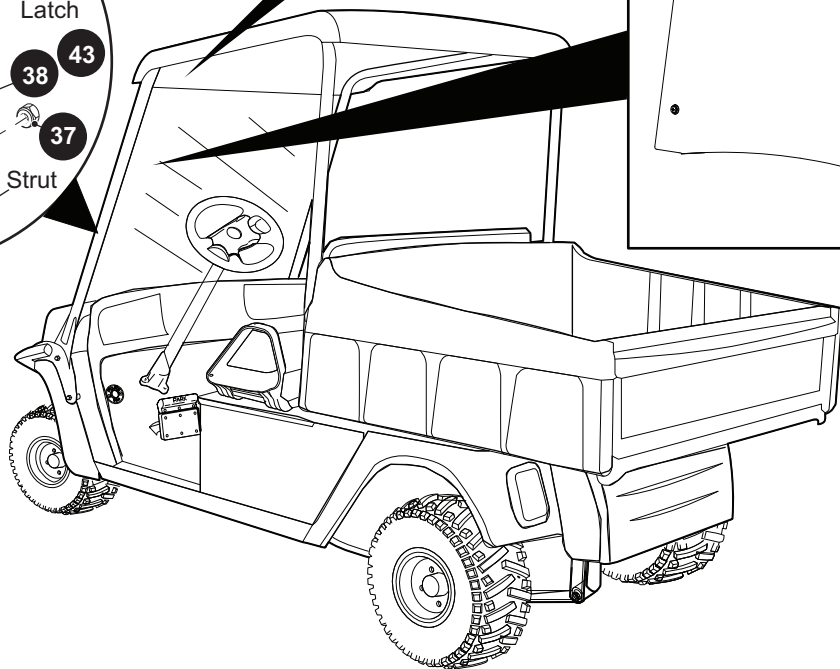
REAR VIEW MIRROR



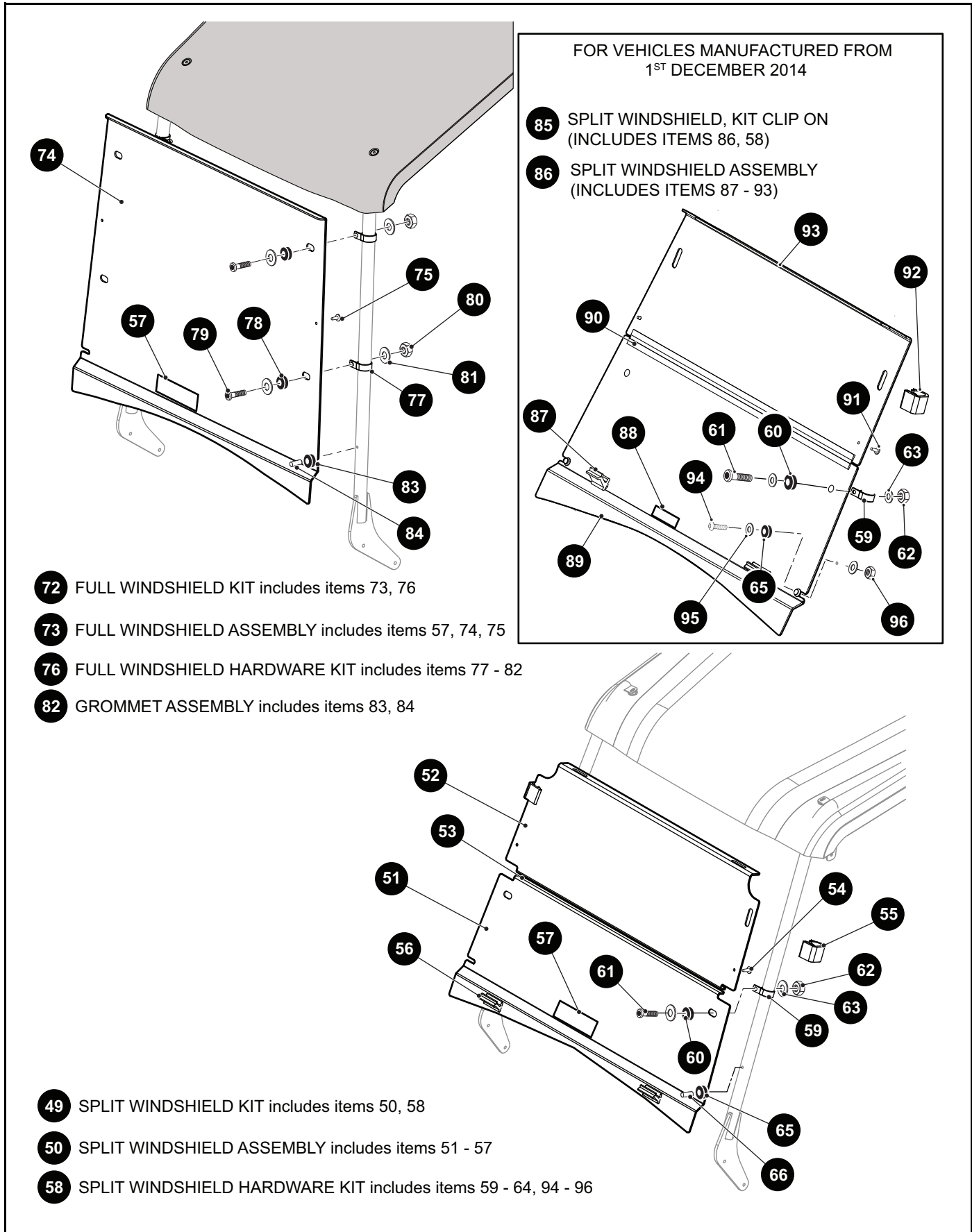
Windshield Retainer



Front of Vehicle



WEATHER PROTECTION



WEATHER PROTECTION

When ordering parts, please specify the model and serial number of the product.

* Indicates a component that is not available as an individual part.

*** Indicates consult Customer Service Department for additional information.

ITEM	PART NO.	1 2 3 4 5	DESCRIPTION	QTY.
1				
2	638362		CANOPY STRUTS KIT (INCLUDES ITEMS 3 - 8)	1
3	638092G01		CANOPY SUPPORT (DRIVER SIDE FRONT)	1
4	638092G02		CANOPY SUPPORT (PASSENGER SIDE FRONT)	1
5	626084		CANOPY SUPPORT (DRIVER SIDE REAR).....	1
6	626085		CANOPY SUPPORT (PASSENGER SIDE REAR)	1
7	617641		CANOPY SUPPORT, CROSS TUBE	1
8	624119		HARDWARE KIT (INCLUDES ITEMS 9 - 17)	1
9	619586		SPACER, 3/4"	2
10	11098G6		LOCK NUT, 5/16" - 18.....	4
11	00438G7		HEX HEAD BOLT, 5/16" - 18 X 7/8" LG	4
12	11098G5		LOCK NUT, 3/8" - 16.....	8
13	00428G2		HEX HEAD BOLT, 3/8" - 16 X 2 1/4" LG	8
14	00560G1		FLAT WASHER, 3/8".....	16
15	00915G1		BONDED SEAL WASHER, 1/4".....	5
16	601476		LOCK NUT, M6 - 1	5
17	*		TORX BOLT, M6 - 1 X 40MM LG	5
18	651139		CANOPY ASSEMBLY, REINFORCED (BLACK) (INCLUDES ITEMS 19 - 24)	1
19	639044		CANOPY (BLACK)	1
20	651138		REINFORCEMENT BAR ASSEMBLY (INCLUDES ITEMS 21 - 22)	1
21	639438		REINFORCEMENT BAR	1
22	820951		BUMPER.....	3
23	00559G4		FLAT WASHER, O.D .45" X I.D .19".....	2
24	608290		PHILLIPS HEAD SELF TAPPING SCREW, #10 - 16 X .72" LG.....	2
25	624829		TOP ENCLOSURE (BLACK)	1
26	624830		TOP ENCLOSURE (GRAY)	1
27	624831		TOP ENCLOSURE (GREEN)	1
28	624832		TOP ENCLOSURE (WHITE)	1
29	624833		TOP ENCLOSURE (TAN)	1
30	*		VELCRO	AR

WEATHER PROTECTION

When ordering parts, please specify the model and serial number of the product.

* Indicates a component that is not available as an individual part.

*** Indicates consult Customer Service Department for additional information.

ITEM	PART NO.	1	2	3	4	5	DESCRIPTION	QTY.
31								
32	71966G03						FULL WINDSHIELD KIT (INCLUDES ITEMS 33 - 38)	1
33	71960G01						FULL WINDSHIELD	1
34	*						HEX HEAD BOLT, 1/4" - 20 X 1 3/4" LG	2
35	*						FLAT WASHER (SS), 1/4"	4
36	*						RUBBER GROMMET	2
37	*						LOCK NUT (SS), 1/4" - 20	2
38	615662						SASH, 26" LG	2
39								
40								
41	71966G04						SPLIT WINDSHIELD KIT (INCLUDES ITEMS 34 - 37, 42, 43).....	1
42	617544						SPORT WINDSHIELD	1
43	615661						SASH, 12" LG	2
44								
45								
46	27924G01						MIRROR ASSEMBLY	1
47								
48								
49	625932						SPLIT WINDSHIELD KIT, CLIP - ON (INCLUDES ITEMS 50, 58) (FOR VEHICLES MANUFACTURED BEFORE 1ST DECEMBER 2014)	1
50	625930						SPLIT WINDSHIELD ASSEMBLY (INCLUDES ITEMS 51 - 57).....	1
51	625898						WINDSHIELD LOWER.....	1
52	625899						WINDSHIELD UPPER.....	1
53	603705						HINGE	1
54	604115						GROMMET	2
55	619621						UPPER LATCH.....	2
56	603201						LOWER LATCH.....	2
57	71963G01						WARNING DECAL.....	1
58	625928						HARDWARE KIT, SPLIT WINDSHIELD (INCLUDES ITEMS 59 - 64, 94 - 96)	1
59	619078						TUBE CLAMP, 1.5" DIA.....	2
60	604116						FASTENER GROMMET	2

WEATHER PROTECTION

When ordering parts, please specify the model and serial number of the product.

* Indicates a component that is not available as an individual part.

*** Indicates consult Customer Service Department for additional information.

ITEM	PART NO.	1	2	3	4	5	DESCRIPTION	QTY.
61	619082						PAN HEAD BOLT, 3/8" - 16 X 1 1/2" LG	2
62	11098G5						LOCK NUT, 3/8" - 16	2
63	306981						FLAT WASHER, 3/8"	4
64	624785						GROMMET ASSEMBLY, 1/4" (INCLUDES ITEMS 65, 66)	2
65	624780						GROMMET, 1/4"	2
66	624778						SLEEVE, 1/4"	1
67								
68								
69								
70								
71								
72	625931						FULL WINDSHIELD KIT, CLIP-ON (INCLUDES ITEMS 73, 76)	1
73	625927						FULL WINDSHIELD ASSEMBLY (INCLUDES ITEMS 57, 74, 75)	1
74	625904						FULL WINDSHIELD	1
75	604115						GROMMET	2
76	625929						HARDWARE KIT, FULL WINDSHIELD (INCLUDES ITEMS 77 - 82).....	1
77	619078						TUBE CLAMP, 1.5" DIA.....	4
78	604116						FASTENER GROMMET	2
79	619082						PAN HEAD BOLT, 3/8" - 16 X 1 1/2" LG	4
80	11098G5						LOCK NUT, 3/8" - 16	4
81	306981						FLAT WASHER, 3/8"	8
82	624785						GROMMET ASSEMBLY, 1/4" (INCLUDES ITEMS 83, 84)	2
83	624780						GROMMET, 1/4"	1
84	624778						SLEEVE, 1/4"	1
85	638372						SPLIT WINDSHIELD KIT, CLIP ON (INCLUDES ITEMS 86, 58) (FOR VEHICLES MANUFACTURED FROM 1ST DECEMBER 2014)	1
86	638120						SPLIT WINDSHIELD ASSEMBLY (INCLUDES ITEMS 87 - 96)	1
87	603201						LOWER WINDSHIELD LATCH	2
88	71963G01						DECAL	1
89	638054						LOWER SPLIT WINDSHIELD	1
90	638070						HINGE	1

WEATHER PROTECTION

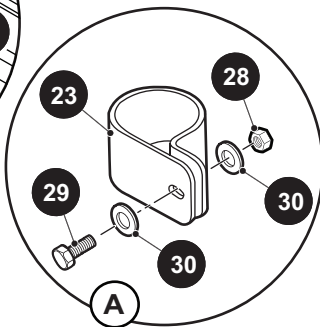
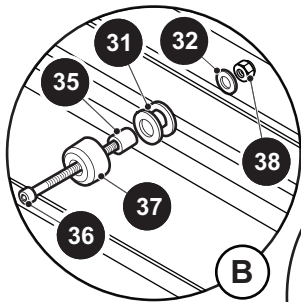
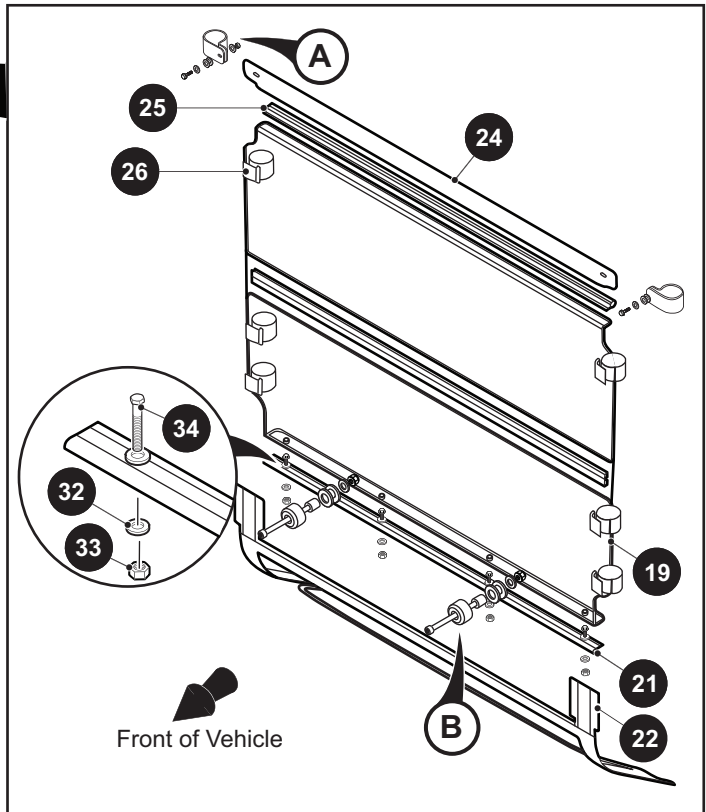
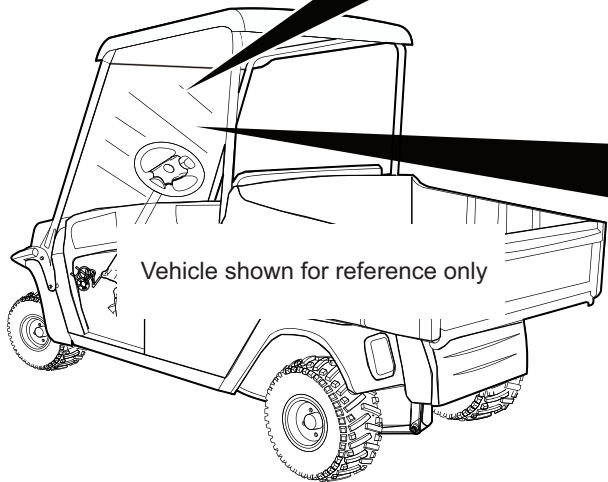
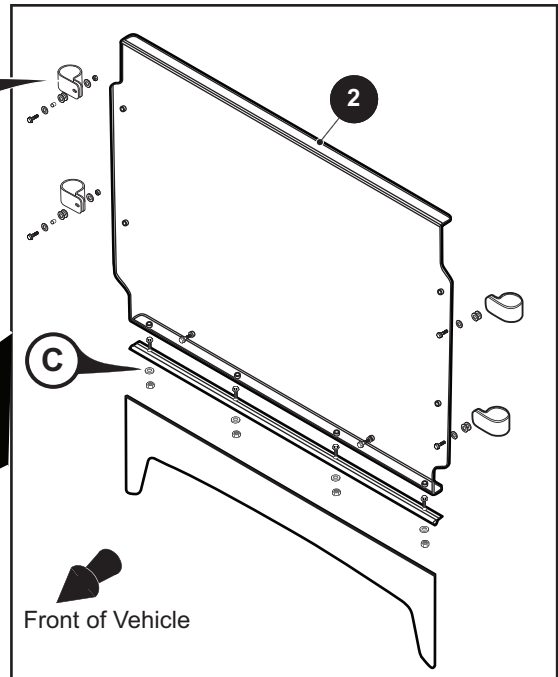
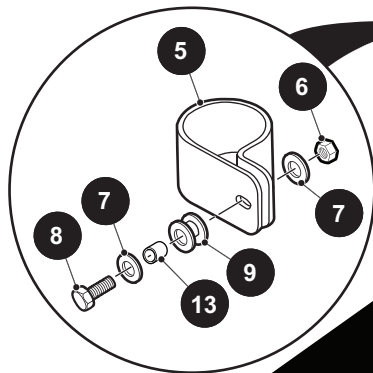
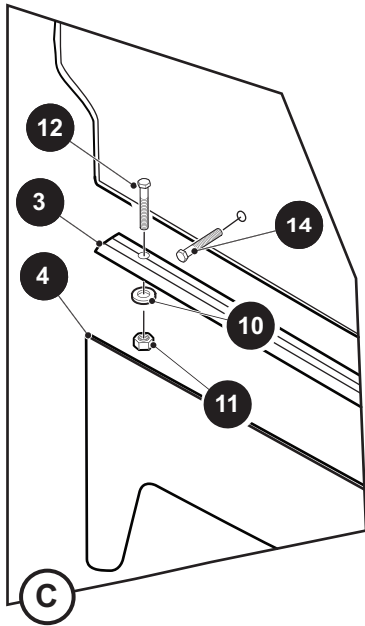
When ordering parts, please specify the model and serial number of the product.

* Indicates a component that is not available as an individual part.

*** Indicates consult Customer Service Department for additional information.

ITEM	PART NO.	1	2	3	4	5	DESCRIPTION	QTY.
91	604115						GROMMET	2
92	619621						UPPER WINDSHIELD LATCH	2
93	638053						UPPER SPLIT WINDSHIELD.....	1
94	00753G7						TRUSS HEAD PHILLIPS SCREW, 1/4" - 20 X 2.5" LG	2
95	00650G7						FLAT WASHER, 1/4"	4
96	00550G1						HEX NUT, 1/4" - 20.....	2

WEATHER PROTECTION - HAULER 800



1 WINDSHIELD KIT (FULL) includes items 2 - 14

18 WINDSHIELD KIT (SPLIT) includes items 19 - 38

WEATHER PROTECTION - HAULER 800

When ordering parts, please specify the model and serial number of the product.

* Indicates a component that is not available as an individual part.

*** Indicates consult Customer Service Department for additional information.

ITEM	PART NO.	1 2 3 4 5	DESCRIPTION	QTY.
1	627079		WINDSHIELD KIT (FULL) (INCLUDES ITEMS 2 - 14)	1
2	*		WINDSHIELD	1
3	*		AWNING MOLDING (ALUMINUM).....	1
4	*		TEXTILE SKIRT PLACEHOLDER.....	1
5	*		PLASTIC CLAMP	4
6	*		HEX NUT.....	6
7	*		FLAT WASHER	12
8	*		HEX HEAD BOLT	4
9	*		WINDSHIELD GROMMET	6
10	*		FLAT WASHER	8
11	*		HEX NUT.....	4
12	*		HEX HEAD BOLT	4
13	*		CRUSH SLEEVE	6
14	*		HEX HEAD BOLT	2
15				
16				
17				
18	627080		WINDSHIELD KIT (SPLIT) (INCLUDES ITEMS 19 - 38).....	1
19	*		WINDSHIELD	1
20				
21	*		AWNING MOLDING (ALUMINUM).....	1
22	*		TEXTILE SKIN PLACEHOLDER.....	1
23	*		PLASTIC CLAMP	2
24	*		UPPER METAL SEAL.....	1
25	*		UNIGRIP.....	1
26	*		TEXTILE STRAP	6
27				
28	*		HEX NUT.....	2
29	*		HEX HEAD BOLT	2
30	*		FLAT WASHER	4
31	*		GROMMET	2

WEATHER PROTECTION - HAULER 800

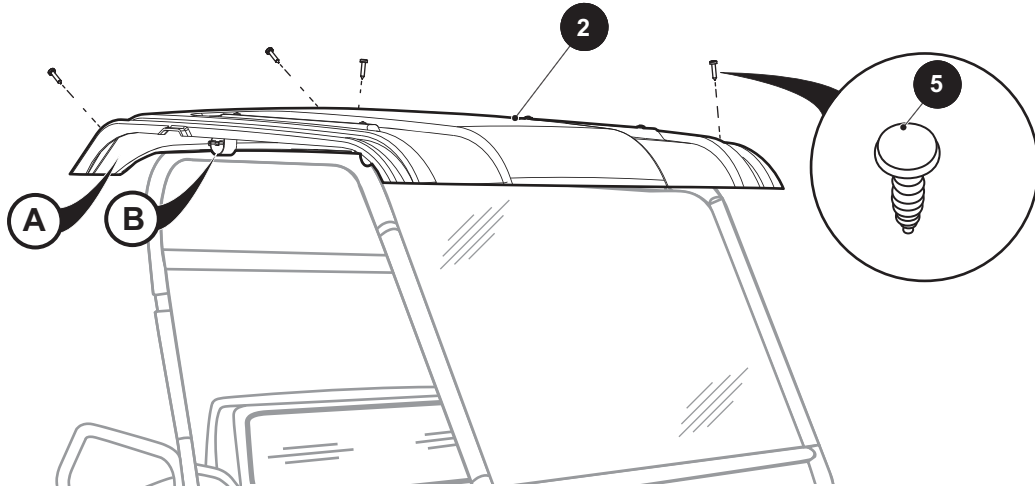
When ordering parts, please specify the model and serial number of the product.

* Indicates a component that is not available as an individual part.

*** Indicates consult Customer Service Department for additional information.

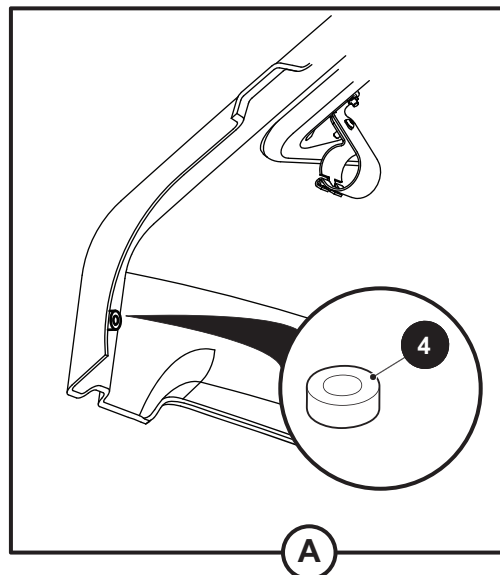
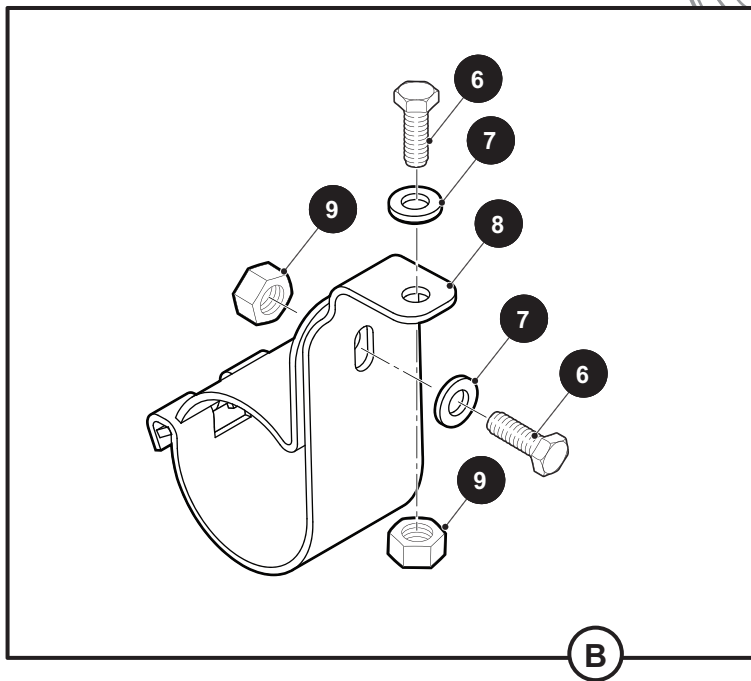
ITEM	PART NO.	1	2	3	4	5	DESCRIPTION	QTY.
32	*						FLAT WASHER	10
33	*						HEX NUT	4
34	*						HEX HEAD BOLT.....	4
35	*						CRUSH SLEEVE	2
36	*						HEX HEAD BOLT.....	2
37	*						BUMPER.....	2
38	*						HEX NUT	2

WEATHER PROTECTION - HAULER 800



Vehicle shown for reference only

- 1 TOP CANOPY KIT includes items 2, 3
- 3 HARDWARE KIT includes items 4 - 9



WEATHER PROTECTION - HAULER 800

When ordering parts, please specify the model and serial number of the product.

* Indicates a component that is not available as an individual part.

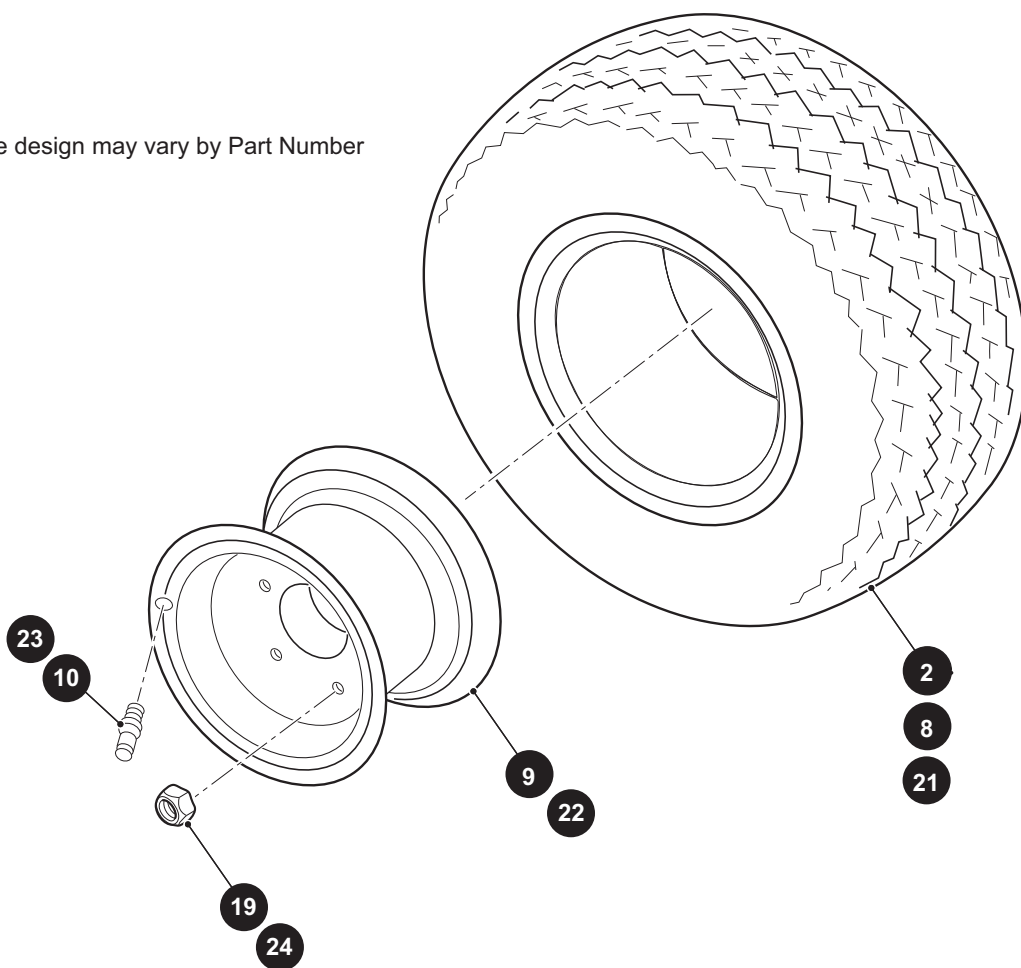
*** Indicates consult Customer Service Department for additional information.

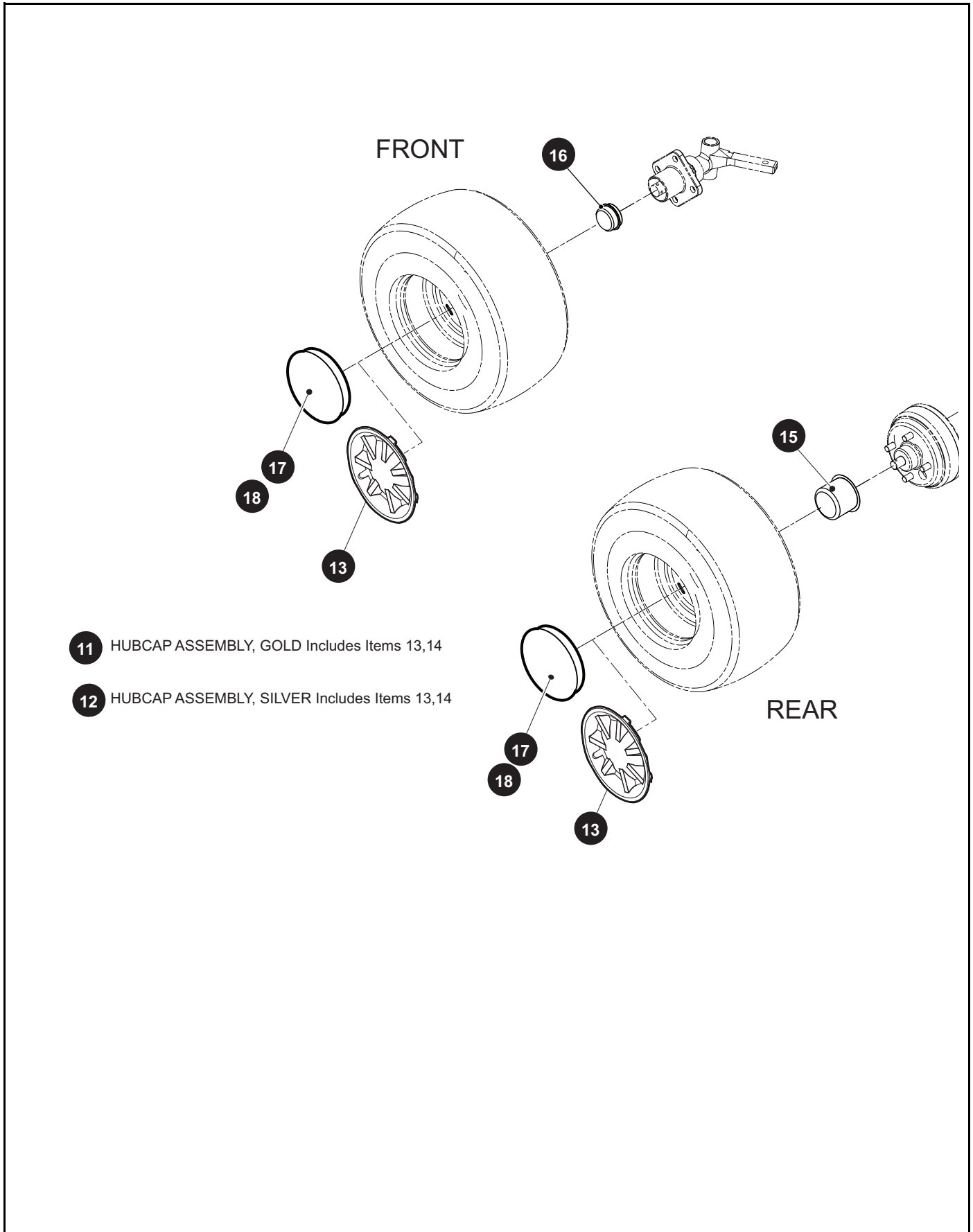
ITEM	PART NO.	1 2 3 4 5	DESCRIPTION	QTY.
1	628584		TOP CANOPY KIT (INCLUDES ITEMS 2, 3).....	1
2	627077		TOP CANOPY	1
3	628585		HARDWARE KIT (INCLUDES ITEMS 4 - 9)	1
4	*		RUBBER SPACER.....	4
5	*		CHRISTMAS TREE PUSH RIVET	4
6	*		HEX HEAD BOLT, M6 - 1 X 20MM LG.....	8
7	*		FLAT WASHER, 1/4"	8
8	*		CLAMP (2 PIECE).....	4
9	*		HEX NUT, M6 - 1.....	8

WHEELS AND TIRES

- 1 WHEEL AND TIRE ASSEMBLY (Links) Includes Items 2, 9, 10
- 7 WHEEL AND TIRE ASSEMBLY (Sure Trail) Includes Items 8 - 10
- 20 WHEEL AND TIRE ASSEMBLY Includes Items 21 - 23

Tire design may vary by Part Number





11 HUBCAP ASSEMBLY, GOLD Includes Items 13,14

12 HUBCAP ASSEMBLY, SILVER Includes Items 13,14

FRONT

REAR

WHEELS AND TIRES

When ordering parts, please specify the model and serial number of the product.

* Indicates a component that is not available as an individual part.

*** Indicates consult Customer Service Department for additional information.

ITEM	PART NO.	1 2 3 4 5	DESCRIPTION	QTY.
1	28757G01		WHEEL AND TIRE ASSEMBLY, LINKS (INCLUDES ITEMS 2, 9, 10)	1
2	28764G01		CARLISLE TIRE (LINKS 18 X 8.5 - 8, 4 PLY RATED)	1
3				
4				
5				
6				
7	28842G01		WHEEL AND TIRE ASSEMBLY, SURE TRAIL (INCLUDES ITEMS 8 - 10) (FOR VEHICLES MANUFACTURED BEFORE OCTOBER 14, 2016)	1
8	28764G08		CARLISLE TIRE (USA TRAIL LOAD RANGE C)	1
9	28759G01		WHEEL RIM (4 LUG)	1
10	11657G2		VALVE STEM	1
11	615617		HUBCAP ASSEMBLY, GOLD (INCLUDES ITEMS 13,14) (FOR VEHICLES MANUFACTURED BEFORE JANUARY 8, 2018)	1
12	615618		HUBCAP ASSEMBLY, SILVER (INCLUDES ITEMS 13,14) (FOR VEHICLES MANUFACTURED BEFORE JANUARY 8, 2018)	1
13	*		HUB CAP	1
14	*		HUB CAP CLIP (NOT ILLUSTRATED)	4
15	601353		WHEEL CAP	2
16	12091G2		SPINDLE CAP	2
17	665149		HUB CAP (METALLIC GOLD) (FOR VEHICLES MANUFACTURED AFTER JANUARY 8, 2018)	1
18	665144		HUB CAP (METALLIC SILVER) (FOR VEHICLES MANUFACTURED AFTER JANUARY 8, 2018)	1
19	14723G1		LUG NUT, 1/2" - 20	A/R
20	652255		WHEELAND TIRE ASSEMBLY (INCLUDES ITEMS 21-23) (FOR VEHICLES MANUFACTURED AFTER OCTOBER 14, 2016)	1
21	652989		KENDA TIRE, K500, 18 X 8.5 - 8, 6PLY	1
22	614621		WHEEL	1
23	643948		VALVE STEM	1
24	14723G1		LUG NUT, 1/2" - 20	A/R



CUSHMAN[®]
LET'S WORK.[®]

E-Z-GO Division of Textron Inc.,
1451 Marvin Griffin Road, Augusta, Georgia 30906 - 3852 USA

TO CONTACT US...

North America:

Technical Assistance & Warranty

Phone: 1-800-774-3946, FAX: 1-800-448-8124

Service Parts

Phone: 1-888-GET-E-Z-GO (1-888-438-3946), FAX: 1-800-752-6175

International:

Phone: 001-706-798-4311, FAX: 001-706-771-4609

Service Parts Manuals, as well as Repair and Service Manuals
are available from a local Distributor, an authorized Branch,
Genuine E-Z-GO Parts & Accessories Department or at www.shopezgo.com.

Copyrighted Material
This manual may not be reproduced in whole or
in part without the express permission of
E-Z-GO Division of Textron Inc.
Technical Communications Department