



**CUSHMAN<sup>®</sup>**  
**LET'S WORK.<sup>®</sup>**

# **HAULER 800X**

## **Service Parts Manual**



# SERVICE PARTS MANUAL

## GASOLINE EFI POWERED VEHICLE

### HAULER 800X

### STARTING MODEL YEAR 2019

Never modify the vehicle in any way that will alter the weight distribution of the vehicle, decrease its stability or increase the speed beyond the factory specifications. Such modifications can cause serious personal injury or death. Textron Specialized Vehicles prohibits and dis-claims responsibility for any such modifications or any other alteration which would adversely affect the safety of the vehicle.

TSV reserves the right to incorporate engineering and design changes to products in this manual, without obligation to include these changes on units sold previously.

The information contained in this manual may be revised periodically by TSV, and therefore is subject to change without notice.

TSV DISCLAIMS LIABILITY FOR ERRORS IN THIS MANUAL, and SPECIFICALLY DISCLAIMS LIABILITY FOR INCIDENTAL AND CONSEQUENTIAL DAMAGES resulting from the use of the information and materials in this manual.

These are the original instructions as defined by 2006/42/EC.

#### TO CONTACT US:

Textron Specialized Vehicles, Inc.  
1451 Marvin Griffin Road  
Augusta, Georgia, USA 30906-3852

#### NORTH AMERICA:

Technical Assistance & Warranty PHONE: 1-800-774-3946, FAX: 1-800-448-8124

Service Parts PHONE: 1-888-438-3946, FAX: 1-800-752-6175

International: PHONE: 001-706-798-4311, FAX: 001-706-771-4609

## GENERAL INFORMATION

To obtain a copy of the limited warranty applicable to the vehicle, call or write a local Distributor, authorized Branch or the Warranty Department with vehicle serial number and manufacturer code.

The use of non Original Equipment Manufacturer (OEM) approved parts may void the warranty.

Tampering with or adjusting the governor to permit vehicle to operate at above factory specifications will void the vehicle warranty.

When servicing engines, all adjustments and replacement components must be per original vehicle specifications in order to maintain the United States of America Federal and State emission certification applicable at the time of manufacture.

### BATTERY PROLONGED STORAGE

All batteries will self discharge over time. The rate of self discharge varies depending on the ambient temperature and the age and condition of the batteries.

A fully charged battery will not freeze in winter temperatures unless the temperature falls below -75° F (-60° C).

### BATTERY DISPOSAL

Lead-acid batteries are recyclable. Return whole scrap batteries to distributor, manufacturer or lead smelter for recycling. For neutralized spills, place residue in acid-resistant containers with absorbent material, sand or earth and dispose of in accordance with local, state and federal regulations for acid and lead compounds. Contact local and/or state environmental officials regarding disposal information.

# TABLE OF CONTENTS

<b>SECTION</b>	<b>Page No.</b>
HOW TO USE THE SERVICE PARTS MANUAL .....	V
ACCELERATOR .....	A - 1
AIR FILTER .....	B - 1
BODY .....	C - 1
BRAKES .....	D - 1
CAB .....	E - 1
CLUTCH .....	F - 1
DIRECTION SELECTOR .....	G - 1
ELECTRICAL .....	H - 1
ENGINE AND MUFFLER .....	J - 1
ENGINE MOUNTING .....	K - 1
FRONT SUSPENSION AND STEERING .....	L - 1
FUEL SYSTEM .....	M - 1
REAR AXLE .....	N - 1
REAR SUSPENSION .....	P - 1
SEATING .....	R - 1
STARTER/GENERATOR .....	S - 1
TRUCK BED .....	T - 1
WEATHER PROTECTION .....	U - 1
WHEELS AND TIRES .....	V - 1
DECALS AND LABELS .....	W - 1



# HOW TO USE THE SERVICE PARTS MANUAL

This manual is divided into several sections:

- GENERAL INFORMATION
- ILLUSTRATED PARTS BREAKDOWN

The first section, GENERAL INFORMATION, contains the following information:

- WARRANTY INFORMATION
- TABLE OF CONTENT
- HOW TO USE THE SERVICE PARTS MANUAL

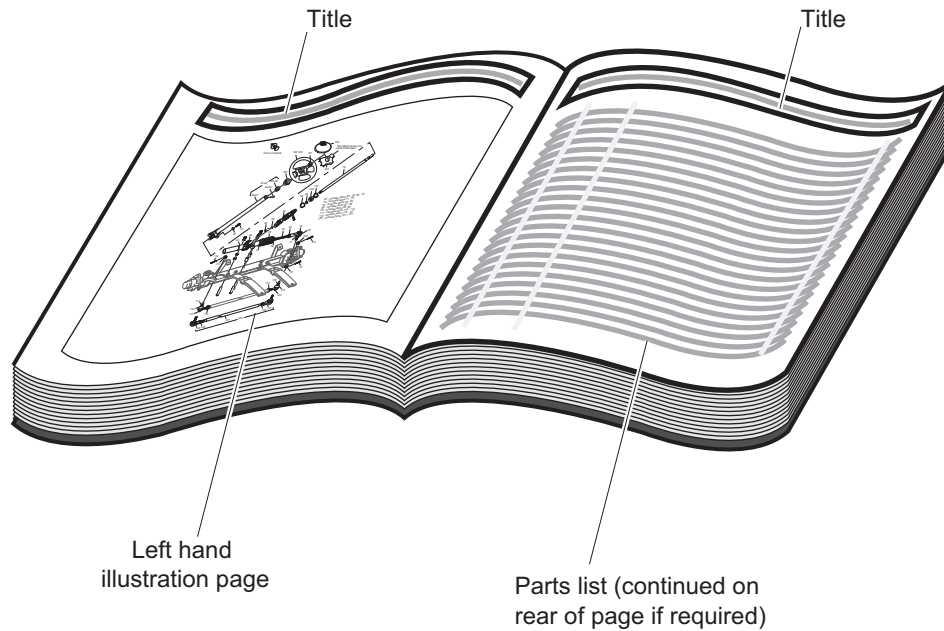
The second section, ILLUSTRATED PARTS BREAKDOWN, contains illustrations and parts lists for all systems of your vehicle.

## USE OF THE MANUAL

To use this manual, consult the TABLE OF CONTENTS to locate the information or illustration required.

Introduction of some revisions varies due to supply of components; therefore, it is possible that various combinations of components may be found that are not directly reflected by each illustration. Consult the illustration that best suits your situation and then contact the Service Parts Department. It is important that the serial number or VIN of your vehicle and the model name be supplied to Service Parts when ordering any replacement components.

# HOW TO USE THE SERVICE PARTS MANUAL



## 1. WHEN THE PART NUMBER IS NOT KNOWN

- Determine the function and application of the part required. Turn to the Table of Content and select the most appropriate title.
- Turn to the page number indicated and locate the desired part on the illustration.
- From the illustration, obtain the item number assigned to the desired part. Refer to the accompanying description for specific information regarding the part.

## 2. IF YOU KNOW THE PART NUMBER

- Locate the part number or description in the appropriate column on the parts list page.

NOTE: It is suggested that you confirm that the part selected is correct by verifying it with the pictorial representation on the illustrated page.

Should an asterisk (\*) appear in the part number column on the parts list page, read upwards until a part number is found. The part number is the lowest assembly sold by Service Parts and the asterisk (\*) indicates that the part depicted is not available for purchase.

NOTE: Descriptions are indented under the assembly that they are used on. That assembly is, in turn listed under the assembly that it is used on. This process is repeated until the highest final assembly is reached.

**To facilitate the maintenance and repair of the vehicle, a Repair and Service Manual is available from the Service Parts Department.**

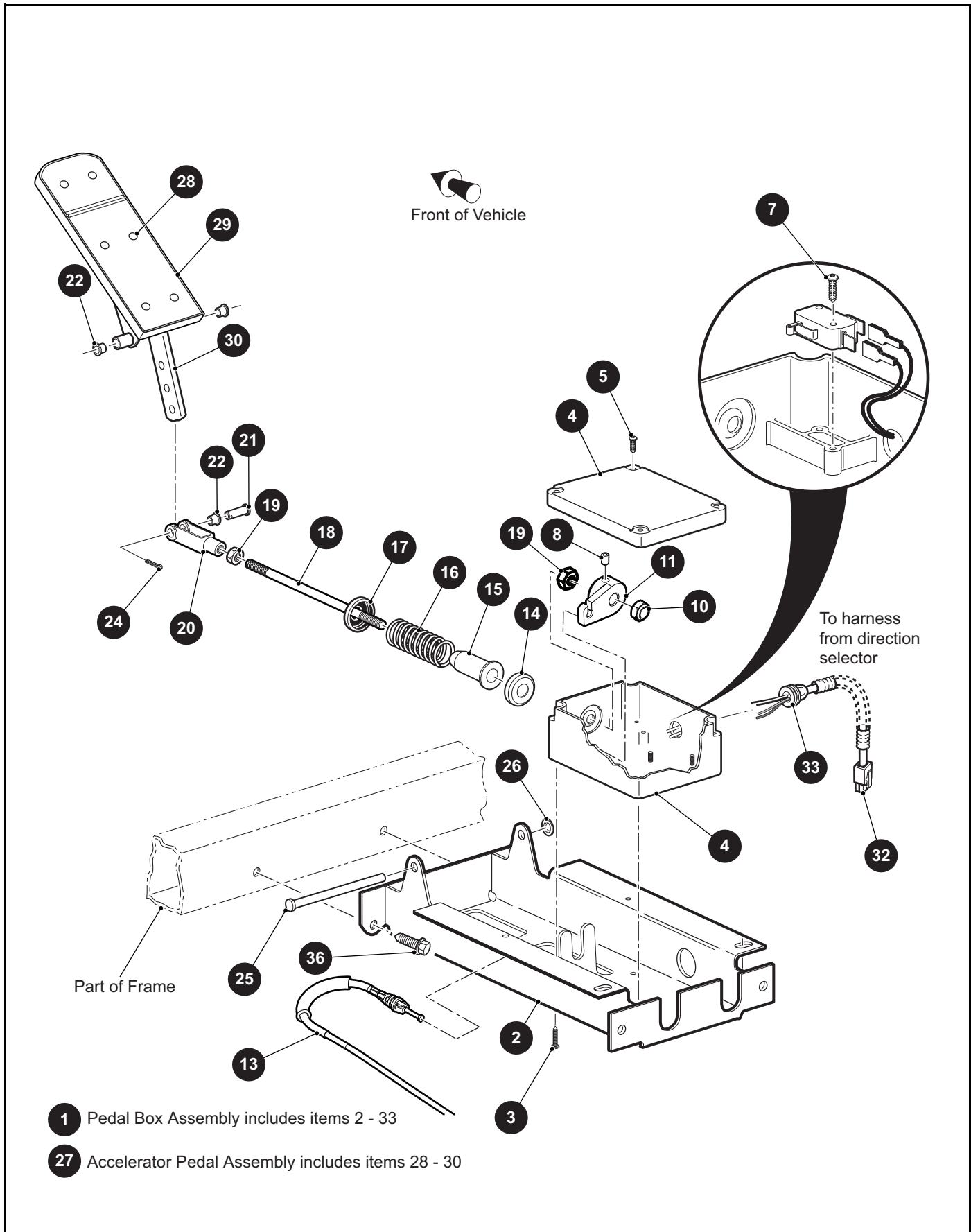


## 3. COLOR CODE FOR BODY COMPONENTS

The last two digits of the part number for the body part will denote the color code, locate the part number for the cowl, rear body, seat pod, side panel or seat wrap then locate your color in the list below, replace the last \*\* or XX with the two digit color code.

<b><u>CODE #</u></b>	<b><u>DESCRIPTION</u></b>
11	BLACK
19	PATRIOT BLUE PEARL
20	INFERNO RED METALLIC
26	STEEL BLUE PEARL
31	METALLIC CHARCOAL
35	SAFETY YELLOW
36	IVORY
37	FOREST GREEN
38	BRIGHT WHITE
39	FLAME RED
41	ELECTRIC BLUE
42	PLATINUM
43	BURGUNDY
44	ALMOND
51	SUNBURST ORANGE
52	BRITISH RACING GREEN
78	RELT XTRA
79	JACOBSEN ORANGE 172
82	NEW HOLLAND BLUE

# ACCELERATOR



THE USE OF NON U.L. PARTS WILL VOID ANY U.L. LISTING.

When ordering parts, please specify the model and serial number of the product.

\* Indicates a component that is not available as an individual part.

\*\*\* Indicates consult Customer Service Department for additional information.

ITEM	PART NO.	1 2 3 4 5	DESCRIPTION	QTY.
1	660444		Pedal Box Assembly (Includes Items 2 - 33).....	1
2	652241G03		Accelerator Pedal Bracket .....	1
3	01051G01		Pan Head Phillips Screw, #8 - 10 x 1/2" Lg .....	4
4	25853G03		Pedal Box and Cover.....	1
5	00684G6		Truss Head Screw (SS), #8 - 32 x 3/4" Lg.....	2
6				
7	01050G02		Pan Head Torx Screw, #4 - 20 x 5/8" Lg.....	2
8	00487G3		Socket Head Screw, 1/4" - 20 x 3/8" Lg.....	1
9				
10	15126G1		Lock Nut, 5/6" - 24 .....	1
11	72716G01		Micro Switch Cam.....	1
12				
13	608608		Accelerator Cable .....	1
14	17677G1		Spring Retainer.....	1
15	17979G1		Bushing, .75" x 2" Lg .....	1
16	73046G01		Compression Spring .....	1
17	17677G2		Spring Retainer, 3/8".....	1
18	72072G01		Accelerator Rod.....	1
19	00532G4		Hex Nut, 5/16" - 24 .....	2
20	10385G4		Clevis Yoke (Adjustable).....	1
21	10386G3		Clevis Pin, 5/16" x 13/16" Lg .....	1
22	17838G1		Nylon Bushing, .37" x .31" Lg .....	3
23				
24	10387G3		Cotter Pin, 3/32" x 3/4" Lg .....	1
25	74432G01		Pedal Pivot Pin .....	1
26	12064G6		Push Nut, 5/16".....	1
27	25799G03		Accelerator Pedal Assembly (Includes Items 28 - 30) .....	1
28	16409G1		Oval Rivet, 3/16" x 7/16" Lg .....	6
29	27512G01		Accelerator Pedal Pad .....	1
30	652824		Accelerator Pedal.....	1
31				

# ACCELERATOR

THE USE OF NON U.L. PARTS WILL VOID ANY U.L. LISTING.

When ordering parts, please specify the model and serial number of the product.

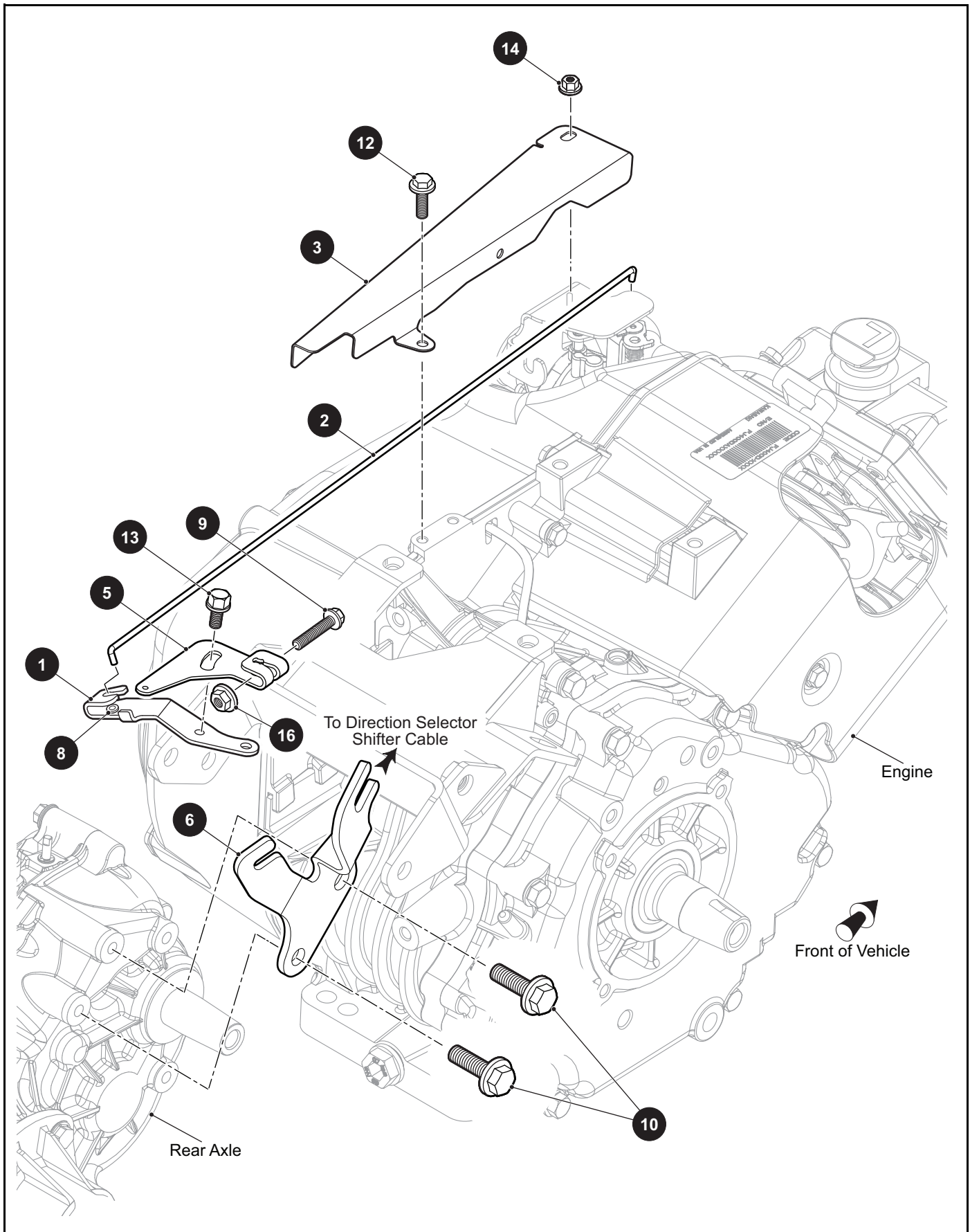
\* Indicates a component that is not available as an individual part.

\*\*\* Indicates consult Customer Service Department for additional information.

ITEM	PART NO.	1	2	3	4	5	DESCRIPTION	QTY.
32	658940						Pedal Harness.....	1
33	654645						Grommet (Rubber) .....	1
34								
35	17618G1						Nylon Clamp, 7" Lg (Not Illustrated) .....	3
36	00715G2						Hex Washer Head Bolt, 5/16" - 18 x 3/4" Lg.....	4



# ACCELERATOR



THE USE OF NON U.L. PARTS WILL VOID ANY U.L. LISTING.

When ordering parts, please specify the model and serial number of the product.

\* Indicates a component that is not available as an individual part.

\*\*\* Indicates consult Customer Service Department for additional information.

ITEM	PART NO.	1 2 3 4 5	DESCRIPTION	QTY.
1	606005		Governor Bracket (Lower).....	1
2	606284		Governor Link Rod.....	1
3	660005		Governor Rod Guard.....	1
4				
5	606083		Governor Bracket (Upper).....	1
6	632936		Governor Cable / Direction Selector Bracket.....	1
7				
8	606283		Governor Lever Bushing.....	1
9	606421		Flanged Hex Head Bolt, M6 - 1 x 30mm Lg, Grade 8.8.....	1
10	606256		Flanged Hex Head Bolt, M10 - 1.25 x 25mm Lg, Grade 8.8.....	2
11				
12	606264		Flanged Hex Head Bolt, M6 - 1 x 20mm Lg, Grade 8.8.....	1
13	73876G01		Flanged Hex Head Bolt, M6 - 1 x 12mm Lg, Grade 8.8.....	1
14	601476		Lock Nut, M6 - 1.....	1
15				
16	450452		Flanged Hex Nut, M6 - 1.....	1

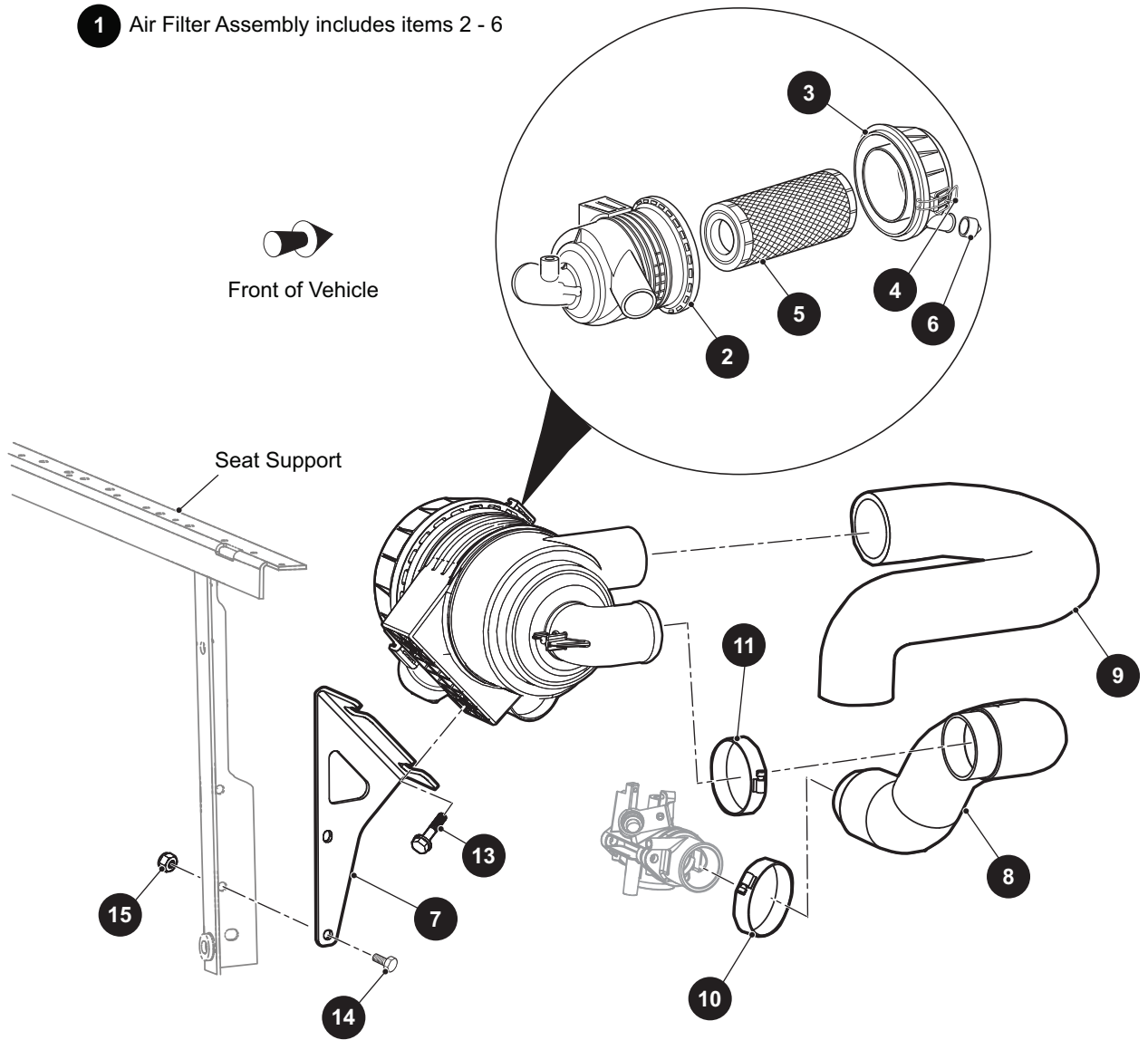






# AIR FILTER

1 Air Filter Assembly includes items 2 - 6



THE USE OF NON U.L. PARTS WILL VOID ANY U.L. LISTING.

When ordering parts, please specify the model and serial number of the product.

\* Indicates a component that is not available as an individual part.

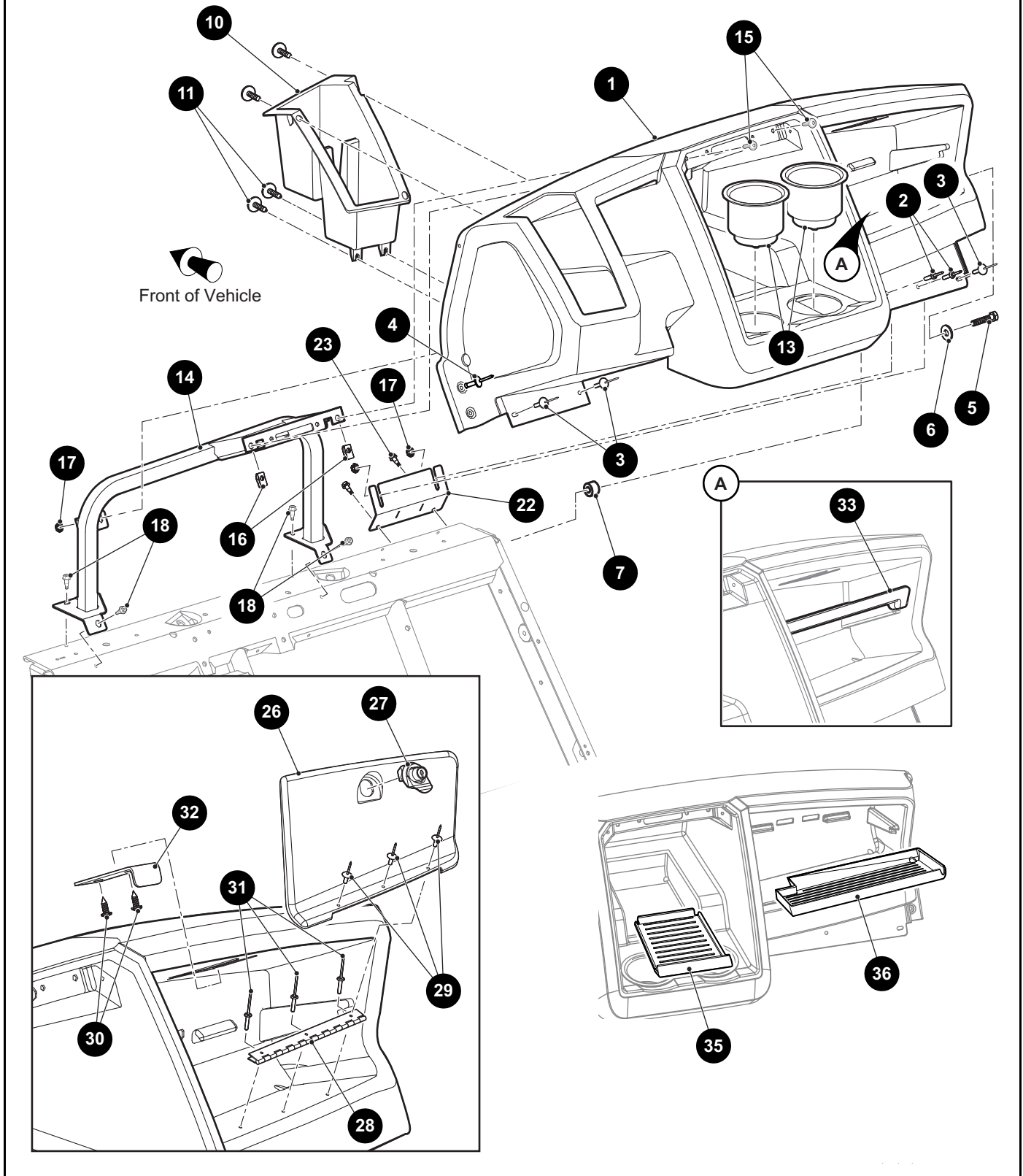
\*\*\* Indicates consult Customer Service Department for additional information.

ITEM	PART NO.	1 2 3 4 5	DESCRIPTION	QTY.
1	658941		Air Filter Assembly (Includes Items 2 - 6).....	1
2	659139		Air Cleaner Assembly .....	1
3	658957		Air Cleaner Cover .....	1
4	72604G01		Air Cleaner Clip .....	2
5	28463G01		Air Filter .....	1
6	28462G01		Dust Ejector Valve .....	1
7	659142		Air Cleaner Bracket .....	1
8	601910		Air filter Tube .....	1
9	661661		Intake Extension Hose .....	1
10	11391G5		Hose Clamp, .81" .....	1
11	11391G7		Hose Clamp, 1.56" .....	1
12				
13	606261		Flanged Hex Head Bolt, M8 - 1.25 x 20mm Lg, Grade 8.8 .....	2
14	00414G5		Hex Head Bolt, 1/4" - 20 x 5/8" Lg, Grade 5 .....	2
15	14390G4		Lock Nut, 1/4" - 20 .....	2





25 Glove Box Door Assembly (Passenger Side) includes items 26 - 29



THE USE OF NON U.L. PARTS WILL VOID ANY U.L. LISTING.

When ordering parts, please specify the model and serial number of the product.

\* Indicates a component that is not available as an individual part.

\*\*\* Indicates consult Customer Service Department for additional information.

ITEM	PART NO.	1 2 3 4 5	DESCRIPTION	QTY.
1	648568		Instrument Panel .....	1
2	71055G01		Rivet (Aluminum), 3/16" x 1 1/8" Lg .....	2
3	14601G11		Rivet (Aluminum), 3/16" x 9/16" Lg .....	3
4	71055G02		Rivet (Aluminum), 3/16" x 1.18" Lg .....	2
5	651011		Hex Head Bolt, 5/16" - 18 x 1.5" Lg, Grade 5 .....	2
6	634808		Flat Washer, 5/16" .....	2
7	75048G01		Spacer, .328" x .75" x .5" .....	2
8				
9				
10	648562		Cup Holder (Driver Side) .....	1
11	613373		Pan Head Tapping Screw with Washer, M4.8 - 1.6 x 22mm Lg .....	4
12				
13	650913		Single Center Cup Holder .....	2
14	666298		Instrument Panel Support .....	1
15	645323		Pan Washer Head Torx Screw, M6 - 1 x 23.4mm Lg .....	2
16	602409		Barrel Clip, M6 - 1 .....	2
17	71597G01		Self Threading Nut, 5mm x 10mm x 15mm .....	3
18	01038G01		Hex Washer Head Swageform Screw, 1/4" - 20 x .70" Lg .....	4
19				
20				
21				
22	666244		Instrument Panel Support Bracket (Passenger Side) .....	1
23	01038G01		Hex Washer Head Swageform Screw, 1/4" - 20 x .70" Lg .....	2
24				
25	650784		Glove Box Door Assembly (Passenger Side) (Includes Item 26 - 29).....	1
26	650813		Door .....	1
27	654475		Lock Assembly .....	1
28	652386		Hinge .....	1
29	14601G10		Rivet (Aluminum), 5/32" x .425" Lg.....	3
30	00614G4		Pan Head Phillips Tapping Screw, #8 - 18 x 1/2" Lg .....	2
31	71045G01		Rivet (Aluminum), 5/32" x .785" Lg .....	3

# BODY

THE USE OF NON U.L. PARTS WILL VOID ANY U.L. LISTING.

When ordering parts, please specify the model and serial number of the product.

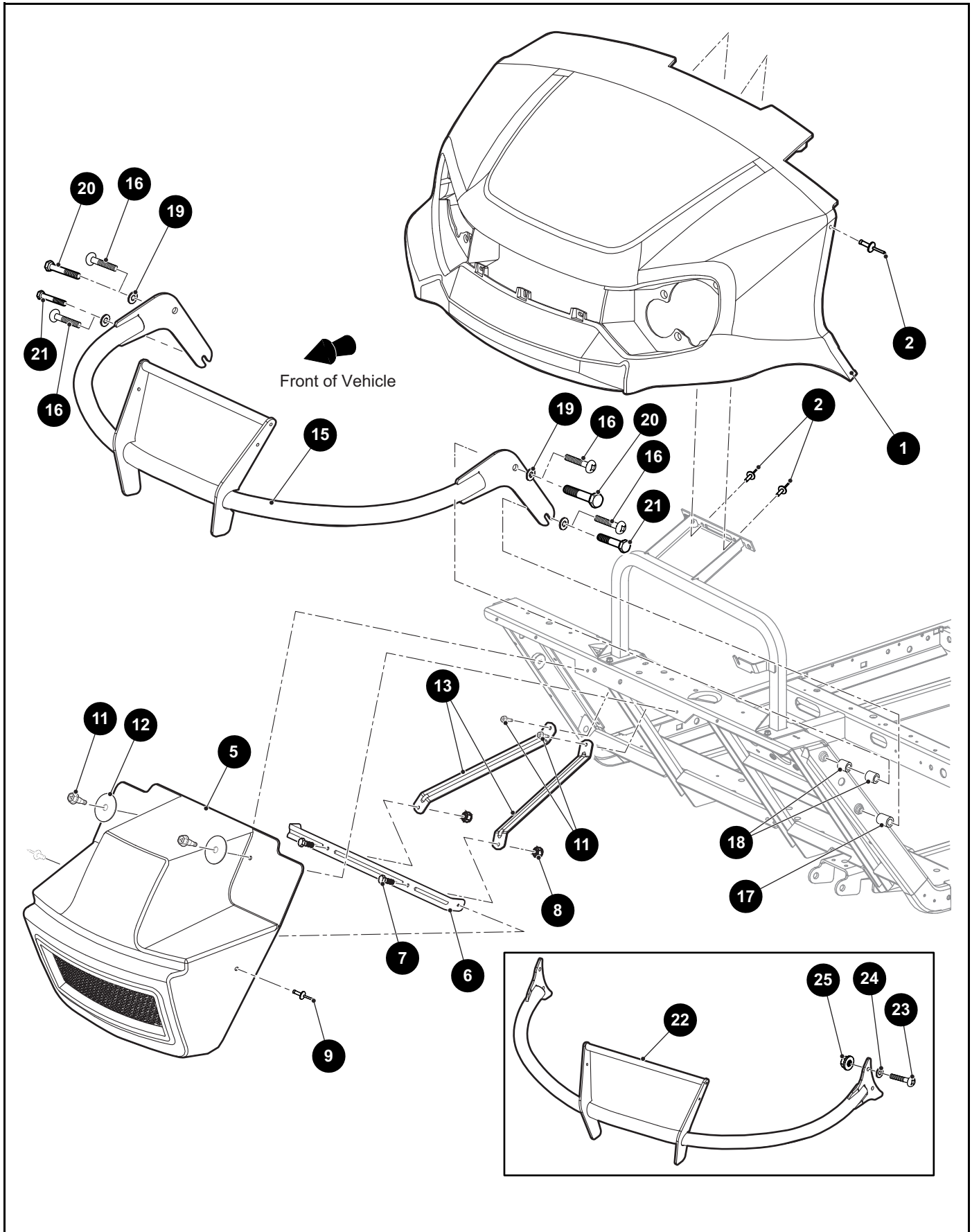
\* Indicates a component that is not available as an individual part.

\*\*\* Indicates consult Customer Service Department for additional information.

ITEM	PART NO.	1 2 3 4 5	DESCRIPTION	QTY.
32	652390		Glove Box Striker .....	1
33	648561		Tray Panel (Passenger Side) .....	1
34				
35	660844		Mat (Center Instrument Panel) .....	1
36	660880		Glove Box Mat .....	1







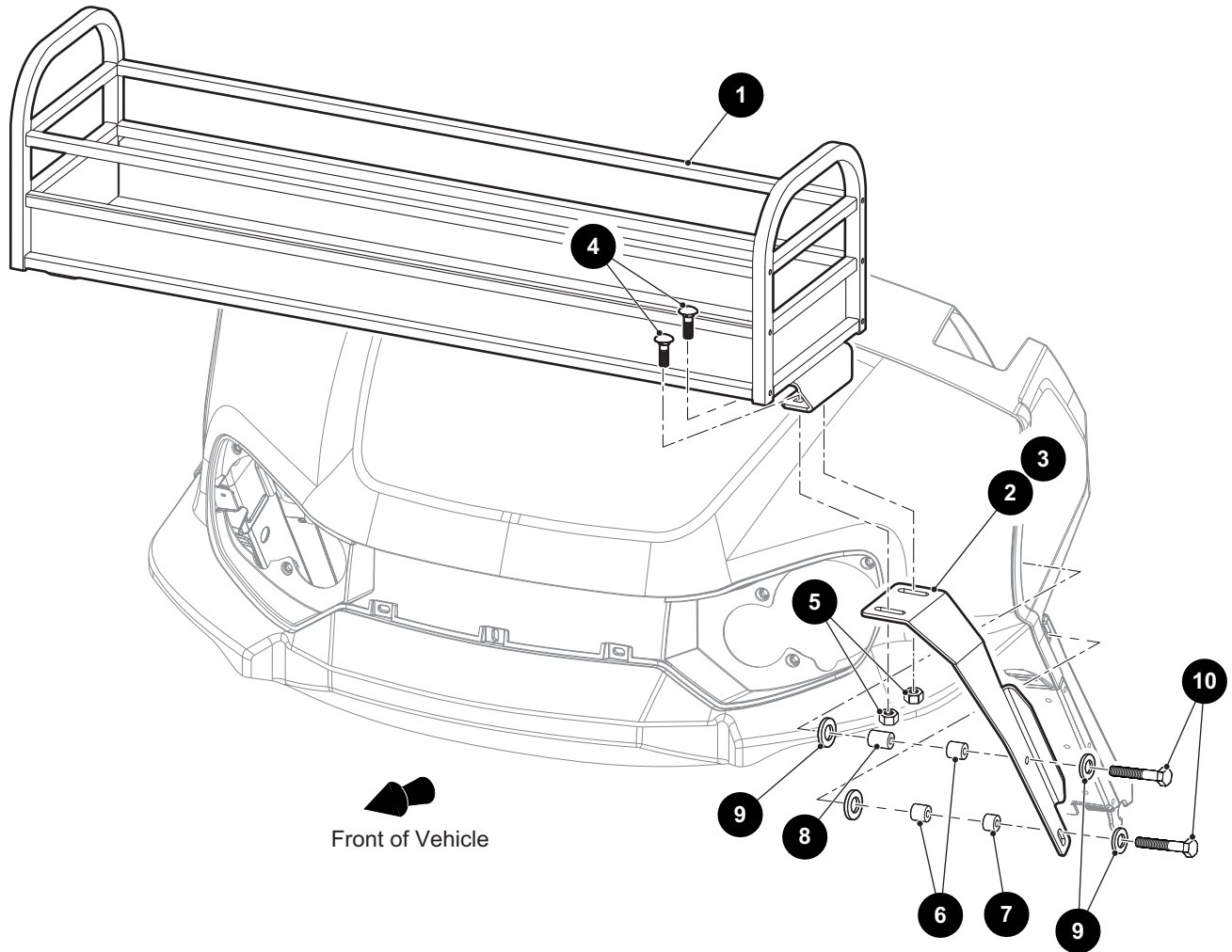
THE USE OF NON U.L. PARTS WILL VOID ANY U.L. LISTING.

When ordering parts, please specify the model and serial number of the product.

\* Indicates a component that is not available as an individual part.

\*\*\* Indicates consult Customer Service Department for additional information.

ITEM	PART NO.	1 2 3 4 5	DESCRIPTION	QTY.
1	648566G00XX		Cowl (See COLOR CODE in HOW TO USE section) .....	1
2	71055G02		Rivet (Aluminum), 3/16" x 1.18" Lg .....	4
3				
4				
5	613273		Front Fascia .....	1
6	654275		Mounting Bracket .....	1
7	00414G6		Hex Head Bolt, 1/4" - 20 x 3/4" Lg, Grade 5 .....	2
8	14390G4		Lock Nut, 1/4" - 20 .....	2
9	15058G1		Rivet (Aluminum), 3/16" x .45" Lg .....	2
10				
11	01038G01		Hex Washer Head Swageform Screw, 1/4" - 20 x .70" Lg .....	4
12	16469G1		Fender Washer .....	2
13	654276		Front Fascia Mounting Brace .....	1
14				
15	662022		Brush Guard .....	1
16	652311		Round Head Torx Bolt, 5/16" - 18 x 3" Lg .....	4
17	75048G03		Spacer, .328" I.D. x .75" O.D. x 1.5" Lg .....	2
18	75048G04		Spacer, .328" I.D. x .75" O.D. x 1" Lg .....	4
19	00559G8		Flat Washer, .349" I.D. x .692" O.D. x .066" Lg .....	4
20	00441G2		Hex Head Bolt, 5/16" - 18 x 3 1/4" Lg .....	2
21	00440G6		Hex Head Bolt, 5/16" - 18 x 2 3/4" Lg, Grade 5 .....	2
<b>FOR VEHICLES FITTED WITH CAB</b>				
22	662016		Brush Guard .....	1
23	600530		Button Head Torx Bolt, M10 - 1.5 x 25mm Lg .....	4
24	603823		Flat Washer, M10 x 22mm x 2.5mm .....	4
25	600525		Lock Nut, M10 - 15 .....	4



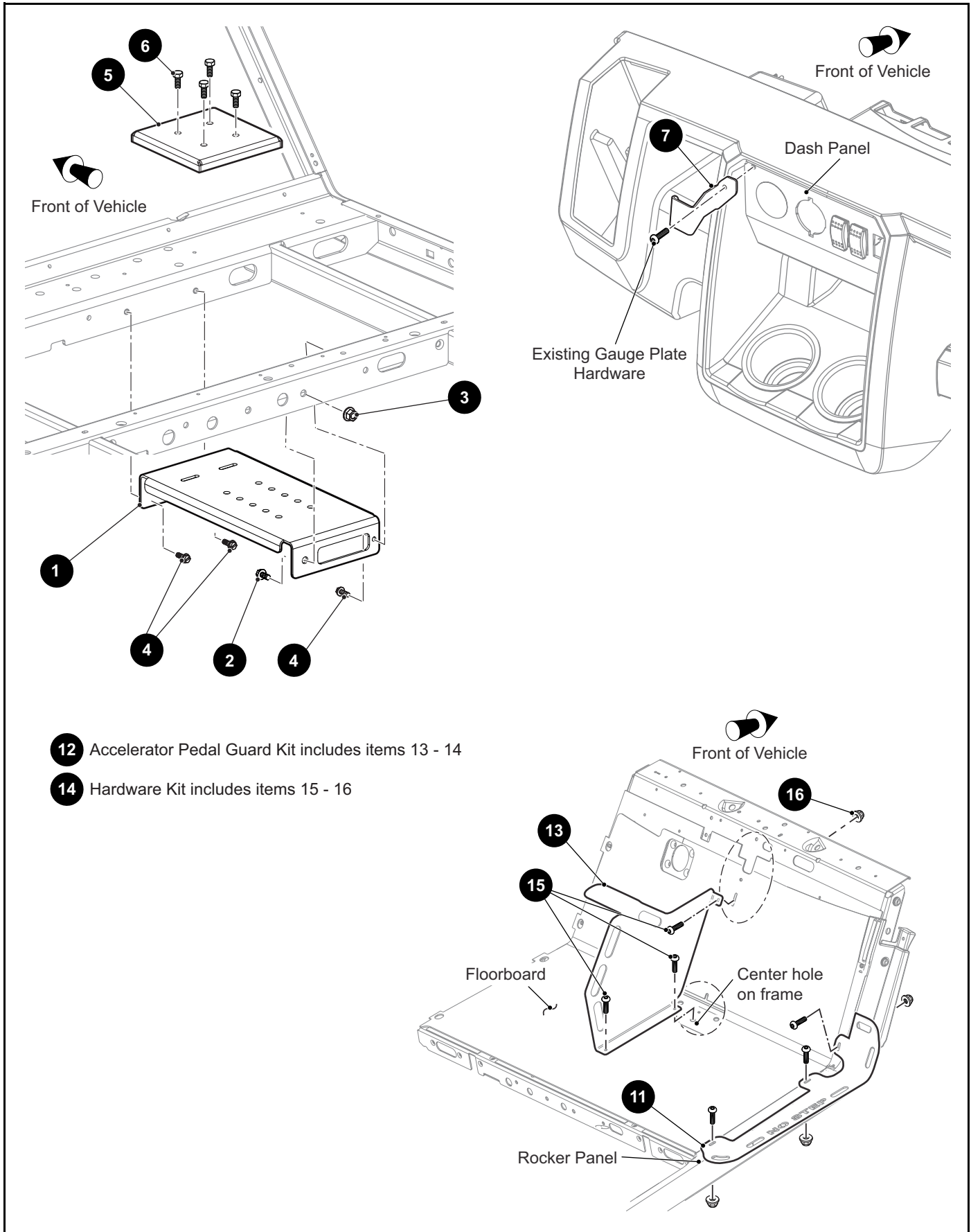
THE USE OF NON U.L. PARTS WILL VOID ANY U.L. LISTING.

When ordering parts, please specify the model and serial number of the product.

\* Indicates a component that is not available as an individual part.

\*\*\* Indicates consult Customer Service Department for additional information.

ITEM	PART NO.	1 2 3 4 5	DESCRIPTION	QTY.
1	74523G01		Front Basket .....	1
2	651010G01		Front Basket Bracket (Driver Side) .....	1
3	651010G02		Front Basket Bracket (Passenger Side) .....	1
4	00769G2		Round Head Carriage Bolt, 3/8" - 16 x 1.25" Lg, Grade 5 .....	4
5	11098G5		Lock Nut, 3/8" - 16 .....	4
6	619586		Spacer .328" O.D. x .75" I.D. x .75" Lg. ....	4
7	634807		Spacer, .328" O.D. x .75" I.D. x .50" Lg. ....	2
8	75048G04		Spacer .328" O.D. x .75" I.D. x 1" Lg. ....	2
9	00570G2		Flat Washer, 5/16" .....	8
10	00440G6		Hex Head Bolt, 5/16" - 18 x 2.75" Lg, Grade 5 .....	4



**12** Accelerator Pedal Guard Kit includes items 13 - 14

**14** Hardware Kit includes items 15 - 16

THE USE OF NON U.L. PARTS WILL VOID ANY U.L. LISTING.

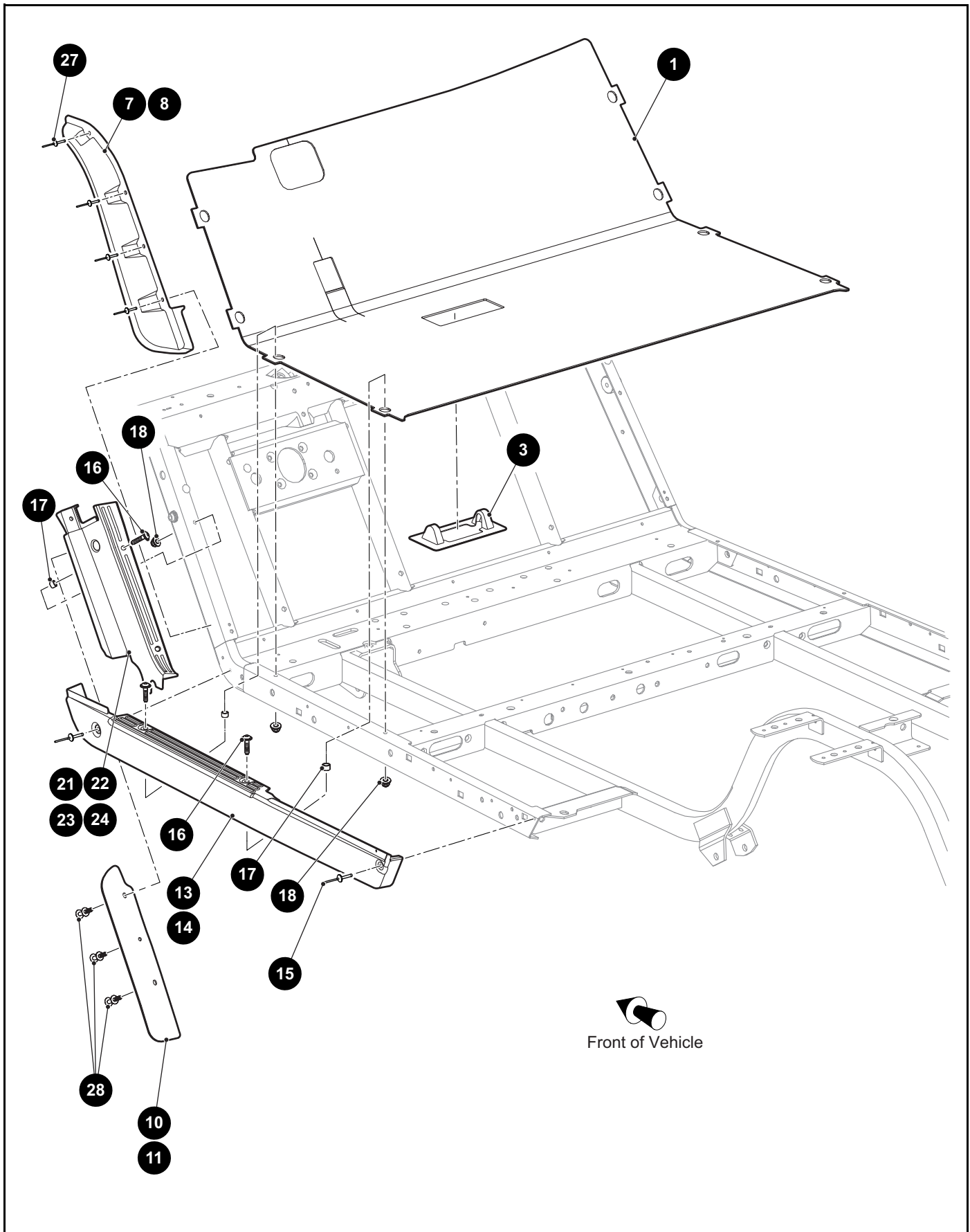
When ordering parts, please specify the model and serial number of the product.

\* Indicates a component that is not available as an individual part.

\*\*\* Indicates consult Customer Service Department for additional information.

ITEM	PART NO.	1 2 3 4 5	DESCRIPTION	QTY.
1	653010		Base Bracket.....	1
2	800385		Flanged Hex Head Bolt, 3/8" - 16 x 3/4" Lg, Grade 5 .....	1
3	11027G5		Flanged Lock Nut, 3/8" - 16 .....	1
4	00114G6		Hex Washer Head Slotted Tapping Screw, 1/4" - 14 x 3/4" Lg.....	3
5	74365G01		Gun Mount Plate .....	1
6	*		Screw .....	4
7	664044		Radio Clip.....	1
8				
9				
10				
11	661653		Floorboard Mount.....	1
12	666379		Accelerator Pedal Guard Kit (Includes Items 13 - 14).....	1
13	662991		Accelerator Pedal Guard .....	1
14	666380		Hardware Kit (Includes Item 15 - 16).....	1
15	645323		Pan Washer Head Torx Screw, M6 - 1 x 23.4mm Lg .....	3
16	601476		Lock Nut, M6 - 1.....	3

# BODY





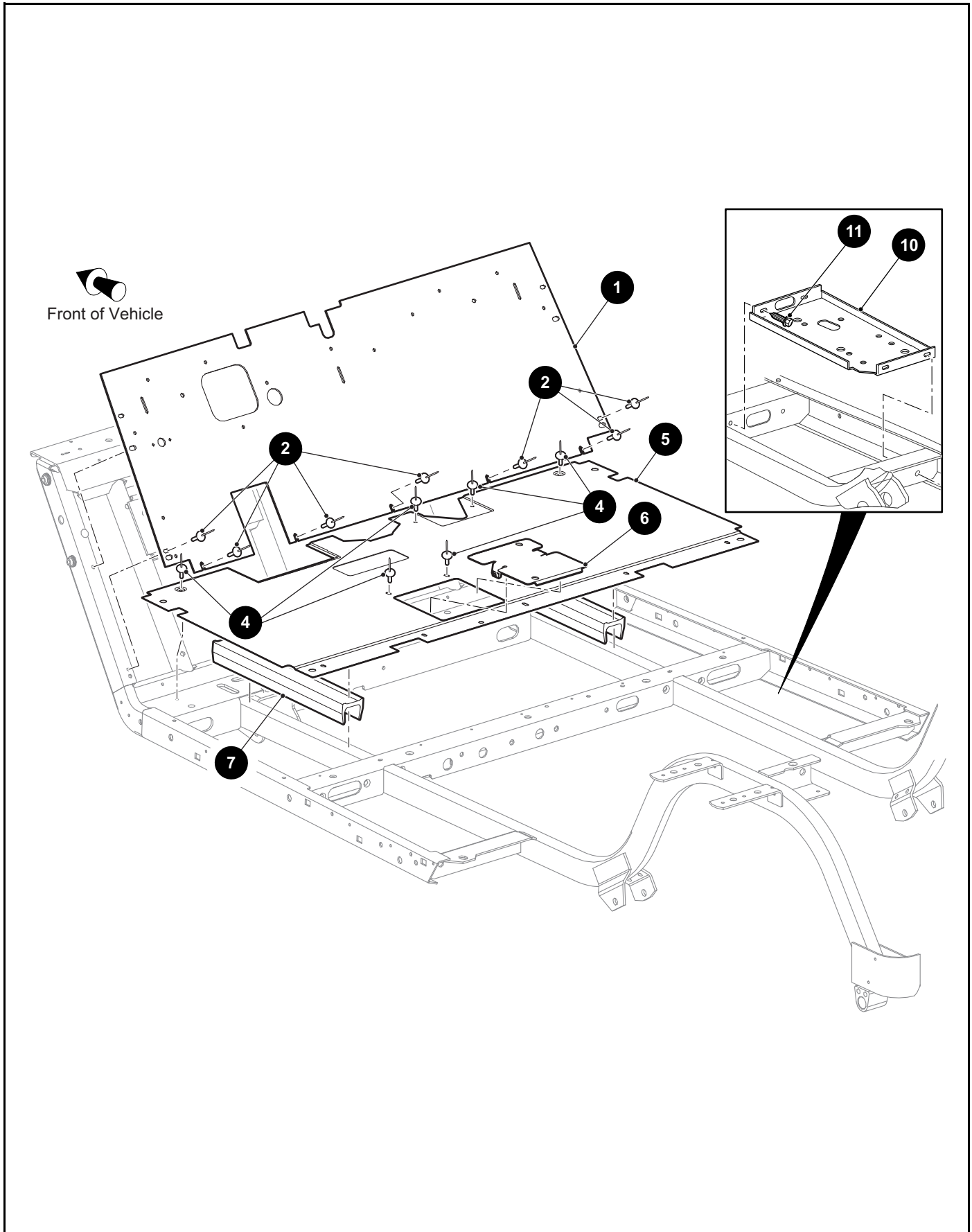
THE USE OF NON U.L. PARTS WILL VOID ANY U.L. LISTING.

When ordering parts, please specify the model and serial number of the product.

\* Indicates a component that is not available as an individual part.

\*\*\* Indicates consult Customer Service Department for additional information.

ITEM	PART NO.	1 2 3 4 5	DESCRIPTION	QTY.
1	651764G01		Upper Floor Mat .....	1
2				
3	70135G01		Pedal Pivot Cover .....	1
4				
5				
6				
7	674546G01		Large Front Fender Flare (Driver Side) .....	1
8	674546G02		Large Front Fender Flare (Passenger Side) .....	1
9				
10	654378G01		Small Front Fender Flare (Driver Side) .....	1
11	654378G02		Small Front Fender Flare (Passenger Side) .....	1
12				
13	615239		Rocker Panel (Driver Side) .....	1
14	617333		Rocker Panel (Passenger Side) .....	1
15	15058G6		Rivet (Aluminum), 3/16" x .95" Lg .....	2
16	645323		Pan Washer Head Torx Screw, M6 - 1 x 23.4mm Lg .....	4
17	23726G4		Spacer, .5" O.D. x .38" I.D. x .325" Lg .....	4
18	601476		Lock Nut, M6 - 1 .....	4
19				
20				
21	655917G01		Upper Rocker Panel (Driver Side) .....	1
22	655917G02		Upper Rocker Panel (Passenger Side) .....	1
23	655917G03		Upper Rocker Panel with Fender Flare Mounting Holes (Driver Side) .....	1
24	655917G04		Upper Rocker Panel with Fender Flare Mounting Holes (Passenger Side) ....	1
25				
26				
27	71055G01		Rivet (Aluminum), 3/16" x .38" Lg .....	4
28	18436G1		Drive Rivet, 1/4" x 3/4" .....	3



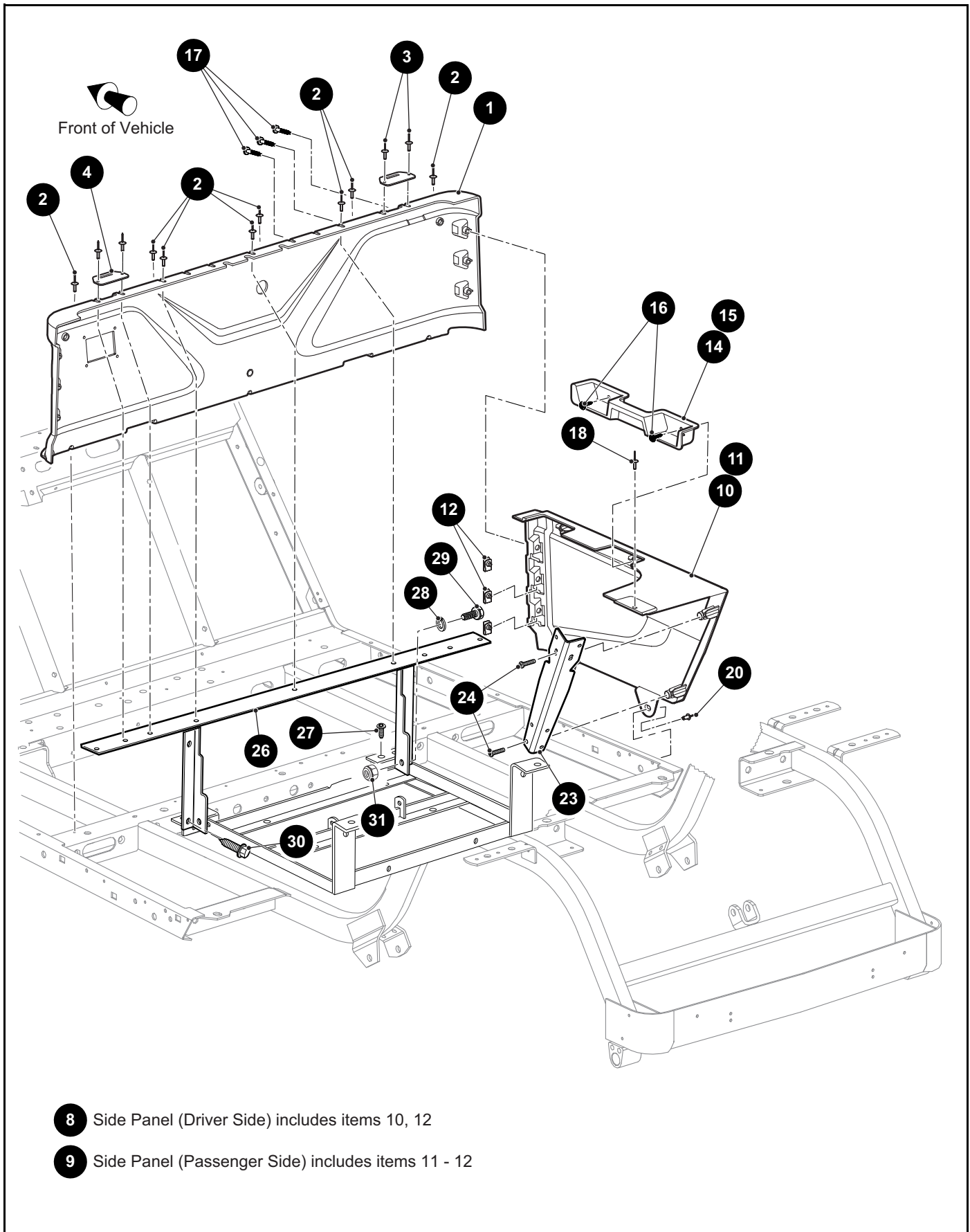
THE USE OF NON U.L. PARTS WILL VOID ANY U.L. LISTING.

When ordering parts, please specify the model and serial number of the product.

\* Indicates a component that is not available as an individual part.

\*\*\* Indicates consult Customer Service Department for additional information.

ITEM	PART NO.	1 2 3 4 5	DESCRIPTION	QTY.
1	641260		Upper Floor Panel .....	1
2	14601G11		Rivet (Aluminum), 3/16" x .575" Lg .....	7
3				
4	14601G11		Rivet (Aluminum), 3/16" x .575" Lg .....	6
5	664052G02		Lower Floor Panel .....	1
6	665025		Access Cover .....	1
7	664735		Floorboard Spacer .....	2
8				
9				
10	70244G05		Splash Pan.....	1
11	00715G2		Hex Washer Head Screw, 5/16" - 18 x .875" Lg .....	4



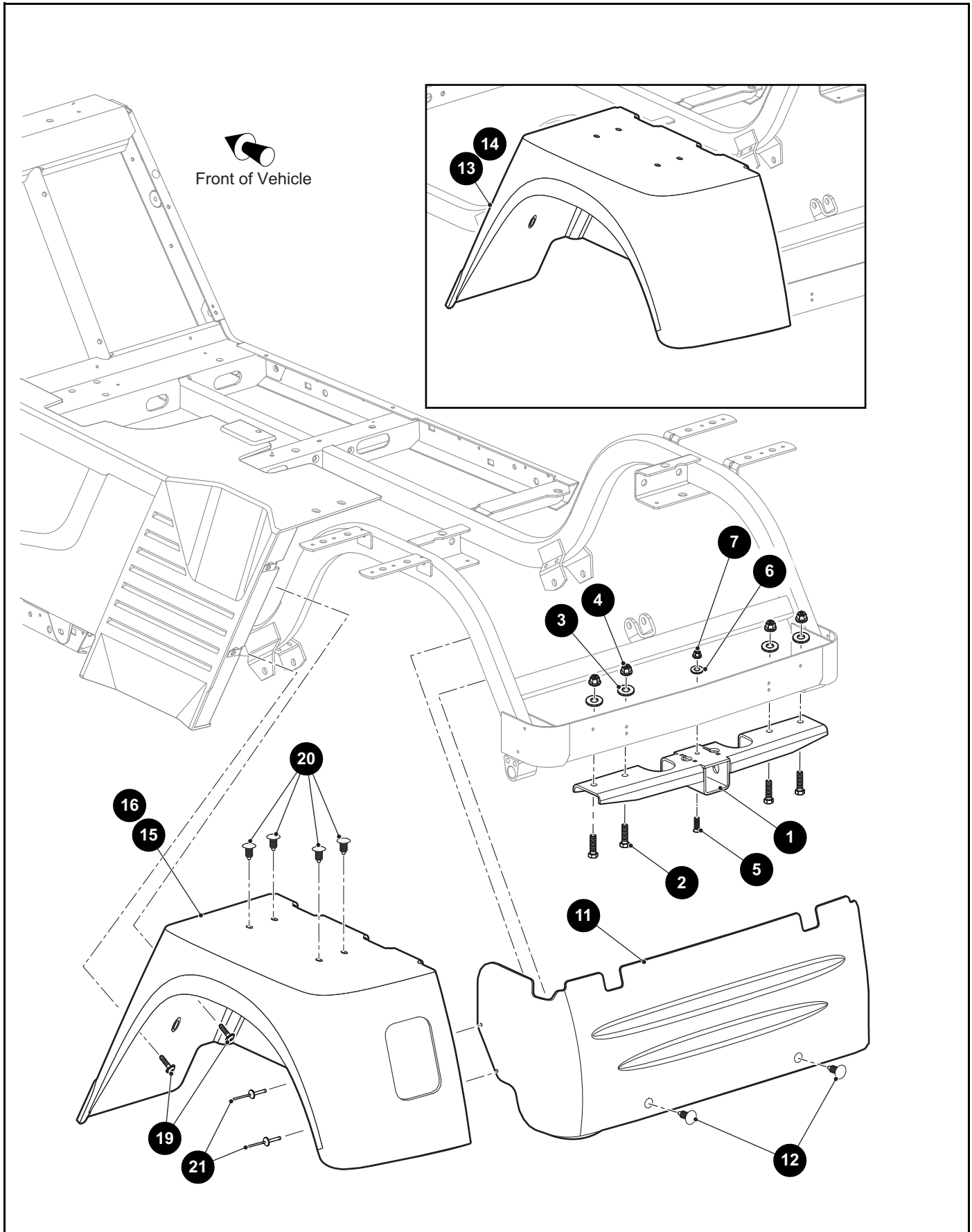
THE USE OF NON U.L. PARTS WILL VOID ANY U.L. LISTING.

When ordering parts, please specify the model and serial number of the product.

\* Indicates a component that is not available as an individual part.

\*\*\* Indicates consult Customer Service Department for additional information.

ITEM	PART NO.	1 2 3 4 5	DESCRIPTION	QTY.
1	649251G09		Seat Wrap .....	1
2	10570G10		Rivet (SS), 5/32" x .55" Lg .....	8
3	10570G11		Rivet (SS), 3/16" x .7" Lg .....	2
4	71609G01		Seat Hinge Plate .....	1
5				
6				
7				
8	652716G04		Side Panel (Driver Side) (Includes Items 10, 12) .....	1
9	652716G05		Side Panel (Passenger Side) (Includes Items 11 - 12) .....	1
10	649388G04		Side Panel (Driver Side) .....	1
11	649388G05		Side Panel (Passenger Side) .....	1
12	602409		Barrel Clip, M6 - 1 .....	3
13				
14	649657G01		Hip Restraint Closeout (Driver Side) .....	1
15	649657G02		Hip Restraint Closeout (Passenger Side) .....	1
16	613373		Pan Head Tapping Screw, M4.5 - 1.6 x 22mm Lg .....	2
17	634161		Flanged Button Head Torx Bolt, M6 - 1 x 30mm Lg .....	6
18	10570G10		Rivet (SS), 5/32" x .55" Lg .....	1
19				
20	10570G12		Rivet (Aluminum), 1/4" x .625" .....	2
21				
22				
23	662216		Side Panel Mount Bracket .....	1
24	613373		Pan Head Tapping Screw, M4.5 - 1.6 x 22mm Lg .....	2
25				
26	659143		Seat Frame .....	1
27	70200G01		Truss Head Torx Screw, 3/8" - 16 x 3/4" Lg .....	2
28	00559G8		Flat Washer, 5/16" .....	2
29	00438G6		Hex Head Bolt, 5/16" - 18 x 3/4" Lg, Grade 5 .....	2
30	00715G2		Hex Washer Head Screw, 5/16" - 18 x .875" Lg .....	4
31	11098G6		Lock Nut, 5/16" - 18 .....	2



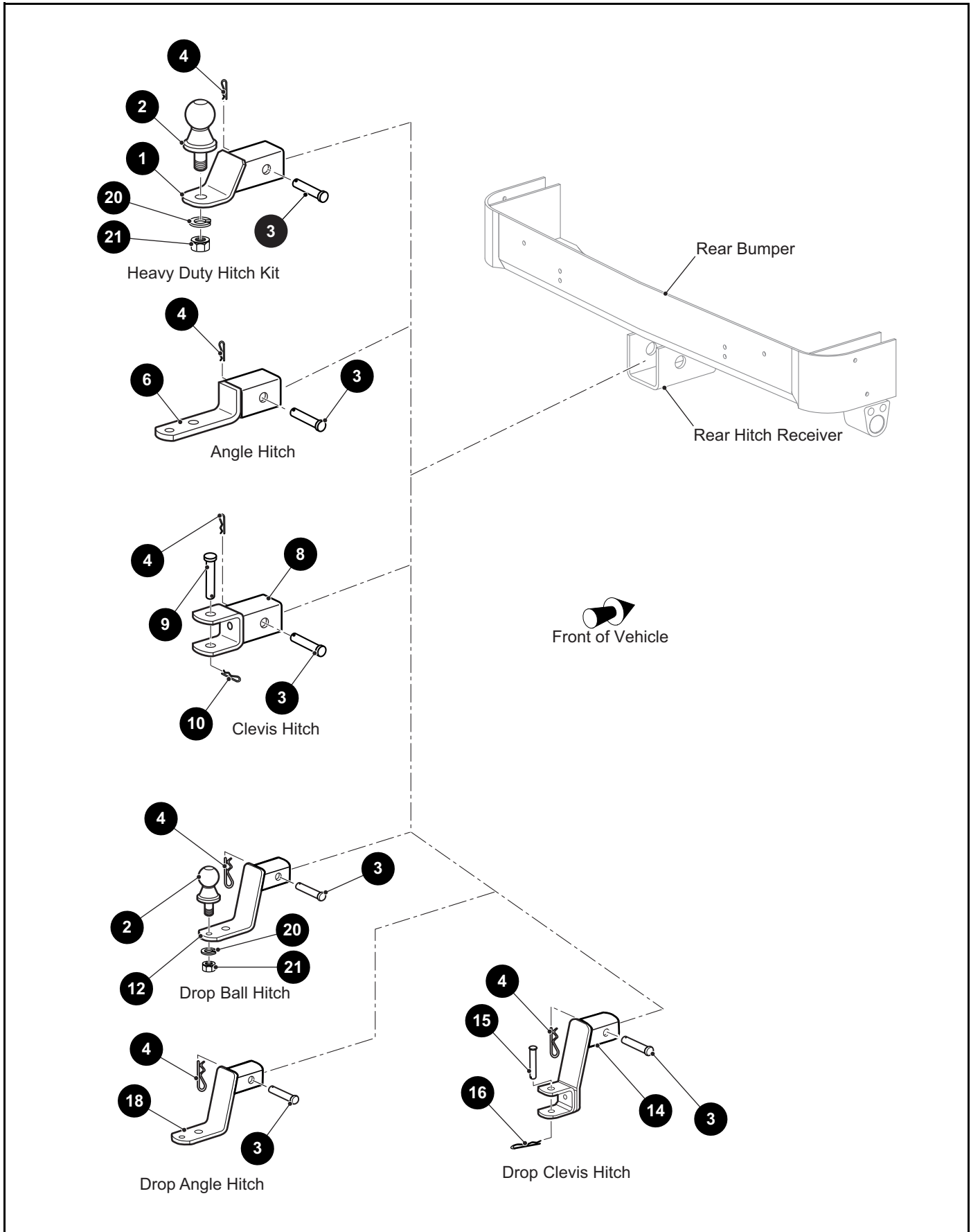
THE USE OF NON U.L. PARTS WILL VOID ANY U.L. LISTING.

When ordering parts, please specify the model and serial number of the product.

\* Indicates a component that is not available as an individual part.

\*\*\* Indicates consult Customer Service Department for additional information.

ITEM	PART NO.	1 2 3 4 5	DESCRIPTION	QTY.
1	647080		Hitch Receiver .....	1
2	00463G4		Hex Head Bolt, 7/16" - 14 x 1 1/2" Lg, Grade 5 .....	4
3	00922G3		Flat Washer, 7/16" .....	4
4	00734G1		Lock Nut, 7/16" - 14 .....	4
5	00198G8		Flat Head Machine Screw, 5/16" - 18 x 1" Lg, Grade 2.....	1
6	00571G2		Flat Washer, 5/16" .....	1
7	11098G6		Lock Nut, 5/16" - 18 .....	1
8				
9				
10				
11	74890G01		Rear Valance Panel .....	1
12	16816G2		Ratchet Rivet, .25" x .887" .....	2
13	74892G01		Rear Fender without Taillight (Driver Side) .....	1
14	74892G02		Rear Fender without Taillight (Passenger Side) .....	1
15	74892G03		Rear Fender with Taillight (Driver Side) .....	1
16	74892G04		Rear Fender with Taillight (Passenger Side) .....	1
17				
18				
19	15058G6		Pan Washer Head Torx Screw, M6 - 1 x 20mm Lg .....	4
20	16816G2		Ratchet Rivet, .25" x .887" .....	4
21	71055G01		Rivet (Aluminum), 3/16" x 1 1/8" Lg .....	4





THE USE OF NON U.L. PARTS WILL VOID ANY U.L. LISTING.

When ordering parts, please specify the model and serial number of the product.

\* Indicates a component that is not available as an individual part.

\*\*\* Indicates consult Customer Service Department for additional information.

ITEM	PART NO.	1 2 3 4 5	DESCRIPTION	QTY.
1	646730		Heavy Duty Hitch .....	1
2	31757G1		Hitch Ball, 1 7/8" .....	1
3	21317G1		Clevis Pin, 5/8" x 3" Lg.....	1
4	21683G1		Cotter Pin, 15/32" x 2 1/16" Lg.....	1
5				
6	646729		Angle Hitch .....	1
7				
8	646727		Clevis Hitch .....	1
9	14443G10		Clevis Pin, 1/2" x 3" Lg.....	1
10	19314G1		Cotter Pin, 5/2" Lg.....	1
11				
12	646743		Drop Ball Hitch .....	1
13				
14	646744		Drop Clevis Hitch .....	1
15	14443G10		Clevis Pin, 1/2" x 3" Lg.....	1
16	19314G1		Cotter Pin, 5/2" Lg.....	1
17				
18	646731		Drop Angle Hitch .....	1
19				
20	00566G6		Lock Nut, 3/4".....	1
21	00702G11		Hex Nut, 3/4" - 16.....	1

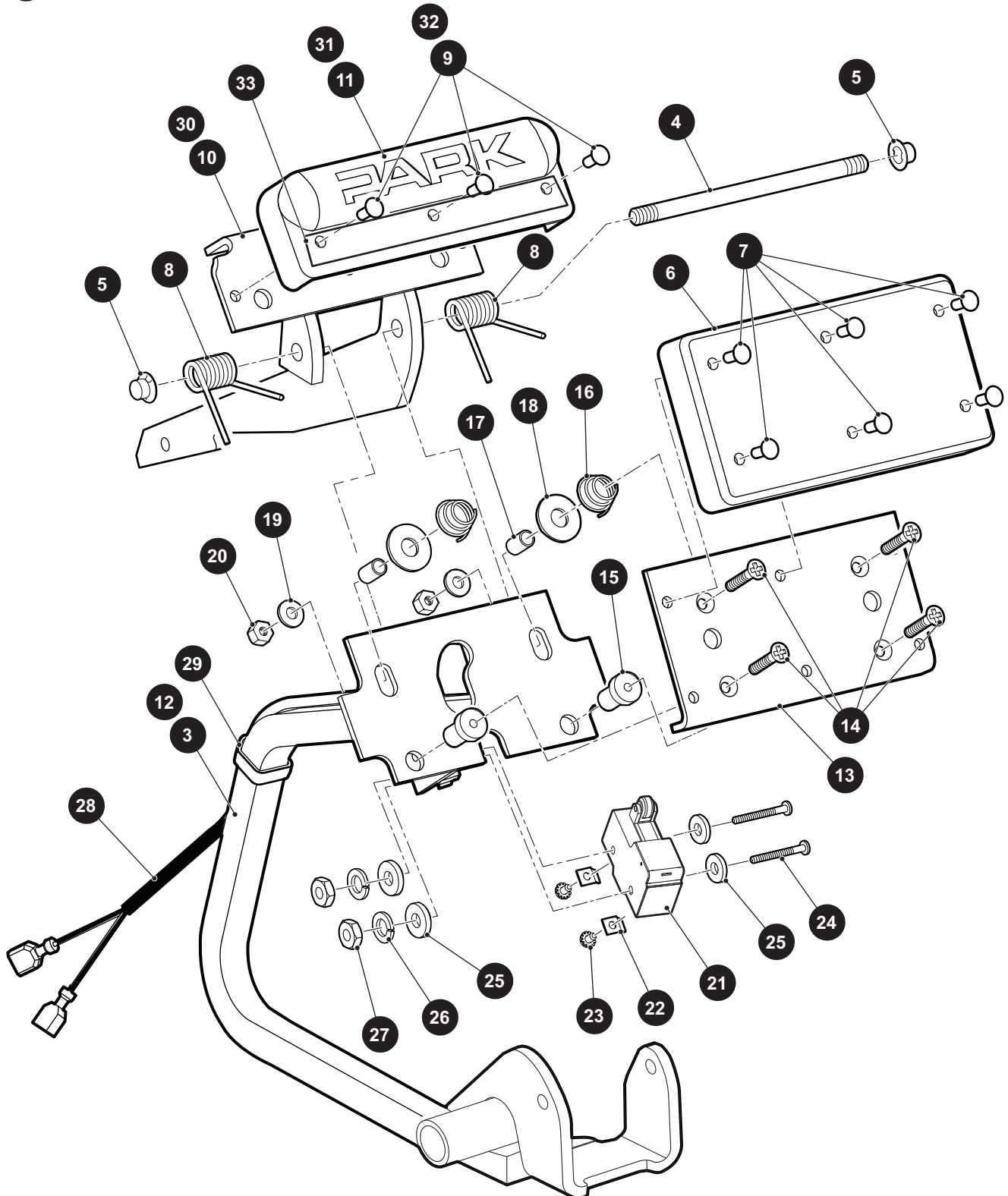




# BRAKES

1 Brake Pedal Assembly (With Light) (2 Wheel Brakes) includes items 3 - 29

2 Brake Pedal Assembly (With Light) (4 Wheel Brakes) includes items 3 - 8, 9, 13 - 33



# BRAKES

THE USE OF NON U.L. PARTS WILL VOID ANY U.L. LISTING.

When ordering parts, please specify the model and serial number of the product.

\* Indicates a component that is not available as an individual part.

\*\*\* Indicates consult Customer Service Department for additional information.

ITEM	PART NO.	1 2 3 4 5	DESCRIPTION	QTY.
1	70690G02		Brake Pedal Assembly (With Light) (2 Wheel Drum Brakes) (Includes Items 3 - 29) .....	1
2	651213G04		Brake Pedal Assembly (With Light) (4 Wheel Drum Brakes) (Includes Items 3 - 8, 9, 13 - 33) .....	1
3	651207G0103		Brake Pedal (With Lights).....	1
4	70682G01		Pivot Pin, .314" Dia x 5.25" Lg .....	1
5	658825		Push Nut, 5/16" .....	2
6	70257G01		Brake Pad .....	1
7	16409G1		Oval Rivet, .375" x .468" Lg .....	6
8	70681G01		Torsion Spring .....	2
9	16409G1		Oval Rivet, .375" x .468" Lg .....	3
10	652253G03		Park Brake Pedal Weldment .....	1
11	70256G01		Park Brake Pad .....	1
12	652791G03		Brake Pedal (With Lights).....	1
13	652820		Brake Pedal Plate .....	1
14	00737G8		Flat Head Phillips Screw, #10 - 24 x .875" Lg, Grade 5.....	4
15	00739G1		Well Nut (Rubber), #10 - 24.....	2
16	27137G01		Conical Spring .....	2
17	652355		Brake Pedal Spacer .....	2
18	00642G8		Flat Washer, 5/16" .....	2
19	00559G5		Flat Washer, #10 .....	2
20	14390G10		Lock Nut, #10 - 24 .....	2
21	10606G8		Micro Switch .....	1
22	14628G1		Faston Tab .....	2
23	13514G1		Pan Head Phillips Screw with Internal Tooth Lock Washer, #6 - 32 x .22" Lg .....	2
24	00645G2		Pan Head Phillips Screw, #6 - 32 x 1.25" Lg .....	2
25	00559G3		Flat Washer, #6 .....	4
26	00565G3		Lock Washer, #6 .....	2
27	00525G5		Lock Nut, #6 - 32 .....	2
28	24605G1		Wire Harness (Brake Light) .....	1
29	17618G1		Nylon Clamp, 7" Lg .....	2

# BRAKES

THE USE OF NON U.L. PARTS WILL VOID ANY U.L. LISTING.

When ordering parts, please specify the model and serial number of the product.

\* Indicates a component that is not available as an individual part.

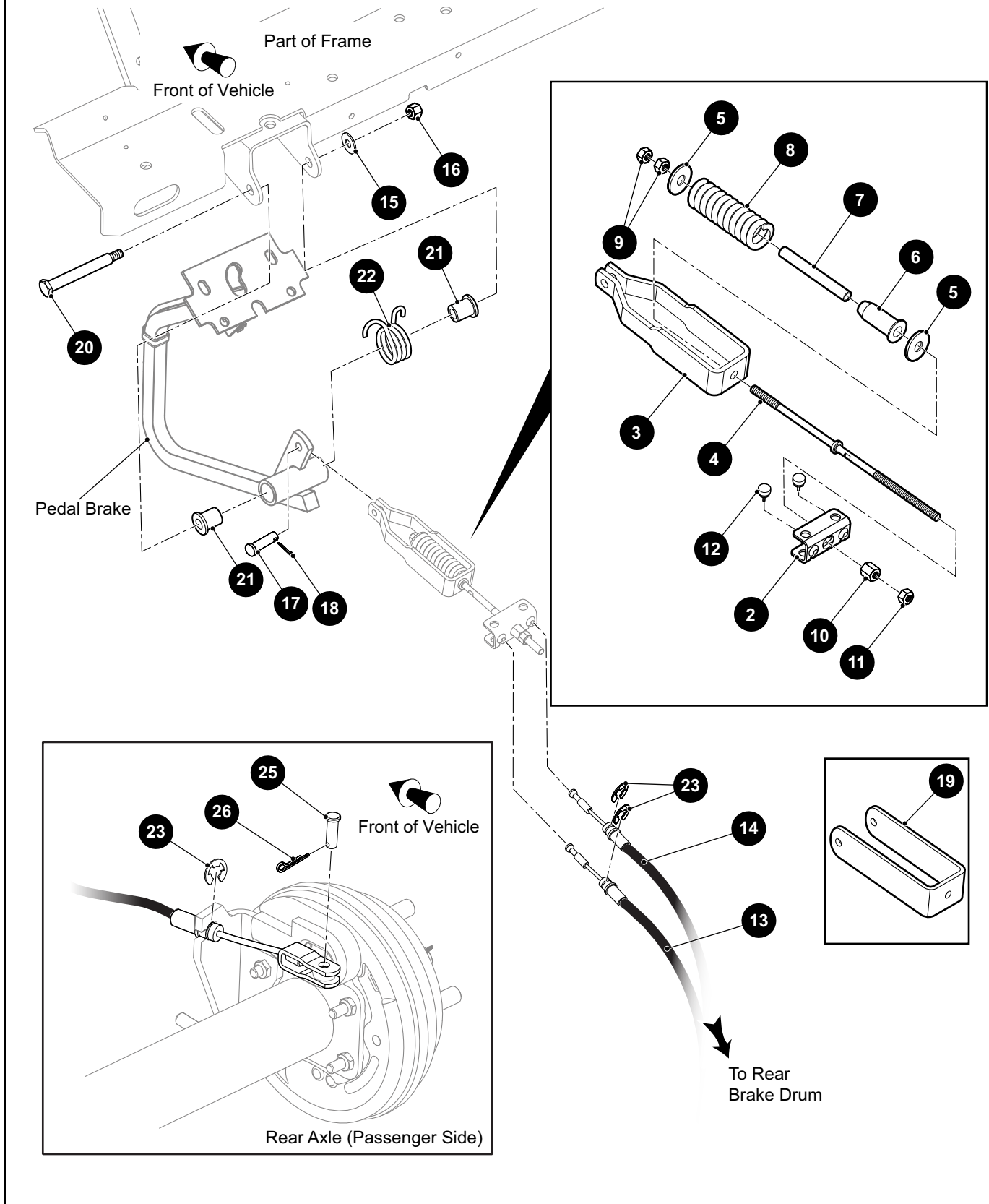
\*\*\* Indicates consult Customer Service Department for additional information.

ITEM	PART NO.	1	2	3	4	5	DESCRIPTION	QTY.
30	660528G03						Park Brake Pedal Weldment .....	1
31	665987						Park Brake Pad, Multi-latch.....	1
32	16409G1						Oval Rivet, .375" x .468" Lg .....	3
33	665556						Multi-latch Plate.....	1



# BRAKES

**1** Compensator Assembly (2 Wheel Drum Brakes) includes items 2 - 14





THE USE OF NON U.L. PARTS WILL VOID ANY U.L. LISTING.

When ordering parts, please specify the model and serial number of the product.

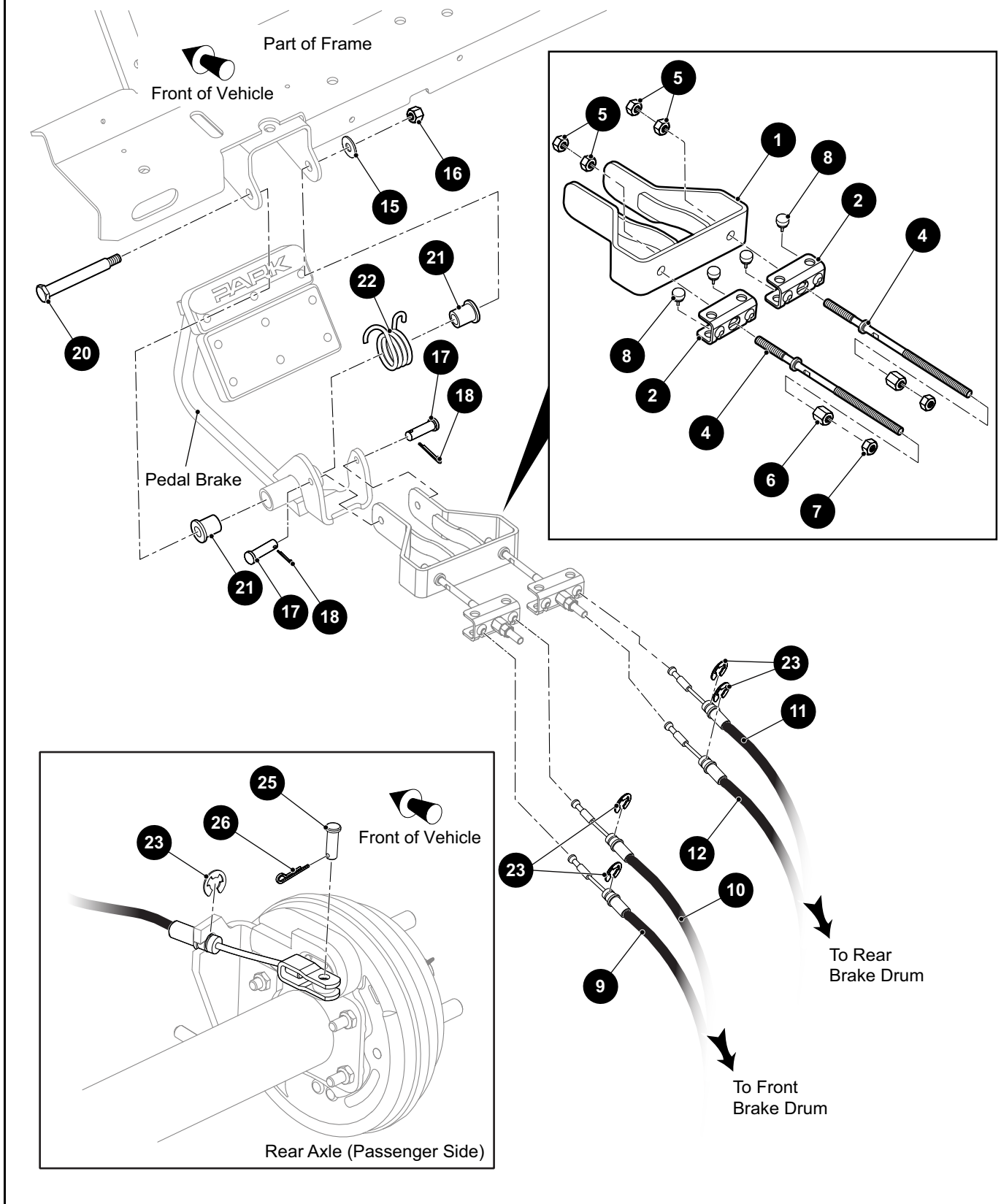
\* Indicates a component that is not available as an individual part.

\*\*\* Indicates consult Customer Service Department for additional information.

ITEM	PART NO.	1 2 3 4 5	DESCRIPTION	QTY.
1	654667		Compensator Assembly (2 Wheel Drum Brakes) (Includes Item 2 - 14).....	1
2	28082G01		Brake Drum Equalizer .....	1
3	652256		Brake Drum Yoke .....	1
4	612557		Compensator Link Rod, 10.5" Lg .....	1
5	15121G1		Flat Washer, 3/8" .....	2
6	17979G1		Bushing, .464" I.D. x 1" O.D. x 2" Lg .....	1
7	23061G2		Tube, .315" I.D. x .44" O.D. x 3.66" Lg .....	1
8	23463G1		Compression Spring, 1.28" Dia x 4.06" Lg .....	1
9	00532G4		Hex Nut, 5/16" - 24 .....	2
10	629486		Spherical Hex Nut, 5/16"- 24 .....	1
11	11098G9		Hex Lock Nut, 5/16" - 24 .....	1
12	28083G01		Compensator Bumper, .56" Dia .....	2
13	624690		Brake Cable, 37.06" Lg .....	1
14	624703		Brake Cable, 52.81" Lg .....	1
15	00643G1		Flat Washer, 3/8" .....	1
16	11098G5		Lock Nut, 3/8" - 16 .....	1
17	10386G3		Clevis Pin, .313" x .84" Lg .....	1
18	10387G3		Cotter Pin, .094" x .75" .....	1
19	651070		Brake Drum Yoke .....	1
20	70582G01		Shoulder Bolt, .495 Dia x 3/8" - 16 Thread x 3.406" Lg .....	1
21	70581G01		Bushing (Acetal), .51" I.D. x .795" O.D. x .75" Lg .....	2
22	70676G01		Torsion Spring 1.34" Dia .....	1
23	01111G01		Retaining Ring, .8" O.D. x .39" I.D. x .42" Lg .....	4
24				
25	10386G3		Clevis Pin, .313" x .84" Lg .....	2
26	10387G3		Cotter Pin, .094" x .75" .....	2
27				
28	12416G2		Wedge Clamp (Nylon), 11.8" Lg (Not Illustrated) .....	4

# BRAKES

1 Compensator Assembly (4 Wheel Drum Brakes) includes items 2 - 12



# BRAKES

THE USE OF NON U.L. PARTS WILL VOID ANY U.L. LISTING.

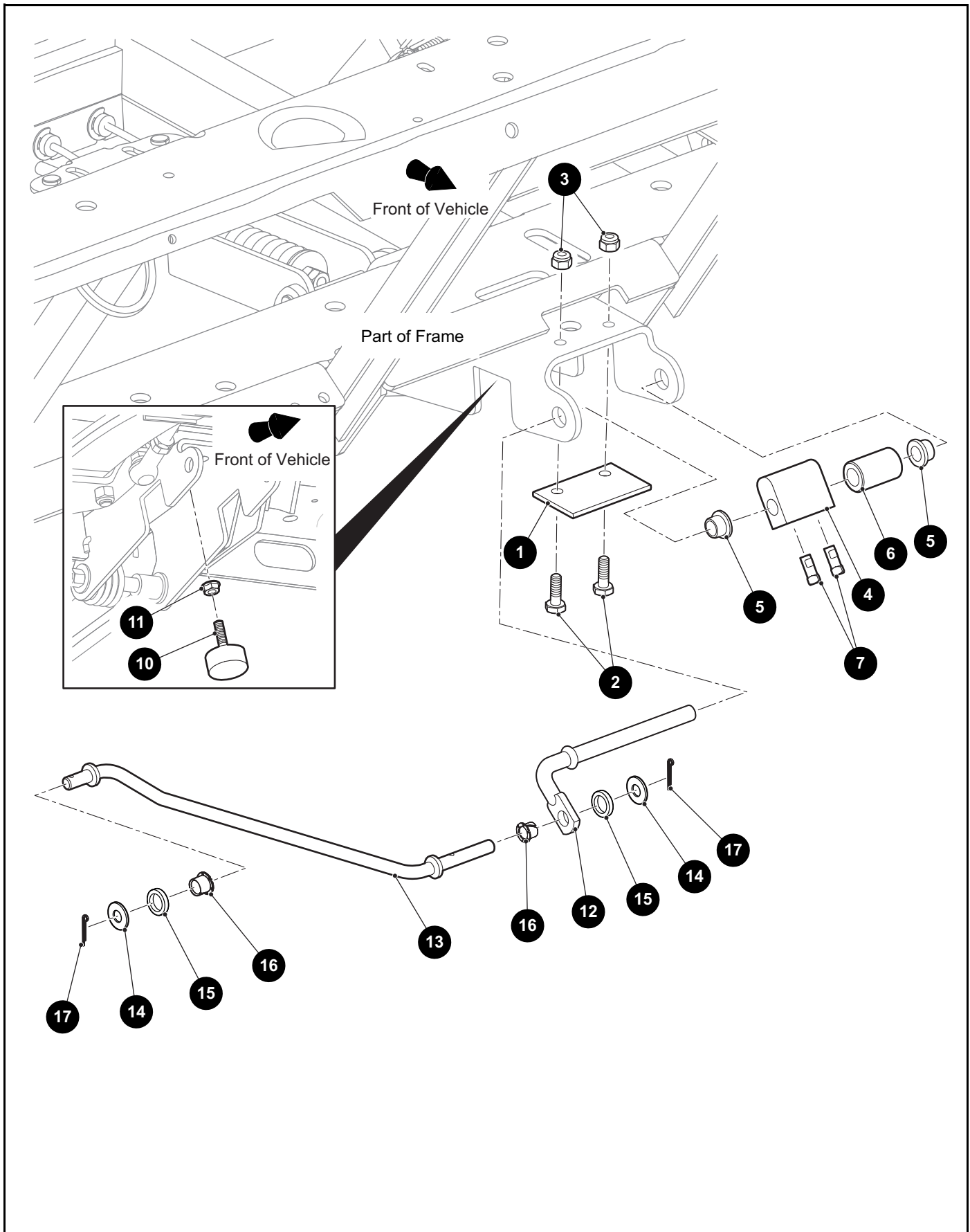
When ordering parts, please specify the model and serial number of the product.

\* Indicates a component that is not available as an individual part.

\*\*\* Indicates consult Customer Service Department for additional information.

ITEM	PART NO.	1 2 3 4 5	DESCRIPTION	QTY.
1	651204G08		Compensator Assembly (4 Wheel Drum Brakes) (Includes Item 2 - 12).....	1
2	28082G01		Brake Drum Equalizer .....	1
3	651816		Brake Drum Yoke .....	1
4	661536		Compensator Link Rod, 6.91" Lg .....	2
5	00532G4		Hex Nut, 5/16" - 24 .....	4
6	629486		Spherical Hex Nut, 5/16"- 24 .....	2
7	11098G9		Hex Lock Nut, 5/16" - 24 .....	2
8	28083G01		Compensator Bumper, .56" Dia .....	2
9	624690		Front Brake Cable, 37.06" Lg (Driver Side).....	1
10	624703		Front Brake Cable, 52.81" Lg (Driver Side).....	1
11	652751		Rear Brake Cable, 98" Lg (Passenger Side).....	1
12	652752		Rear Brake Cable, 103" Lg (Passenger Side).....	1
13				
14				
15	00643G1		Flat Washer, 3/8" .....	1
16	11098G5		Lock Nut, 3/8" - 16 .....	1
17	10386G3		Clevis Pin, .313" x .84" Lg .....	2
18	10387G3		Cotter Pin, .094" x .75" .....	2
19				
20	70582G01		Shoulder Bolt, .495 Dia x 3/8" - 16 Thread x 3.406" Lg .....	1
21	70581G01		Bushing (Acetal), .51" I.D. x .795" O.D. x .75" Lg .....	2
22	70676G01		Torsion Spring 1.34" Dia .....	1
23	01111G01		Retaining Ring, .8" O.D. x .39" I.D. x .42" Lg .....	8
24				
25	10386G3		Clevis Pin, .313" x .84" Lg .....	2
26	10387G3		Cotter Pin, .094" x .75" .....	2
27				
28	12416G2		Wedge Clamp (Nylon), 11.8" Lg (Not Illustrated) .....	5
29	660369		Double Tube Clamp, 1" (Not Illustrated) .....	1
30	70200G01		Truss Head Torx Screw, 3/8" - 16 x 3/4" Lg (Not Illustrated).....	1

# BRAKES



THE USE OF NON U.L. PARTS WILL VOID ANY U.L. LISTING.

When ordering parts, please specify the model and serial number of the product.

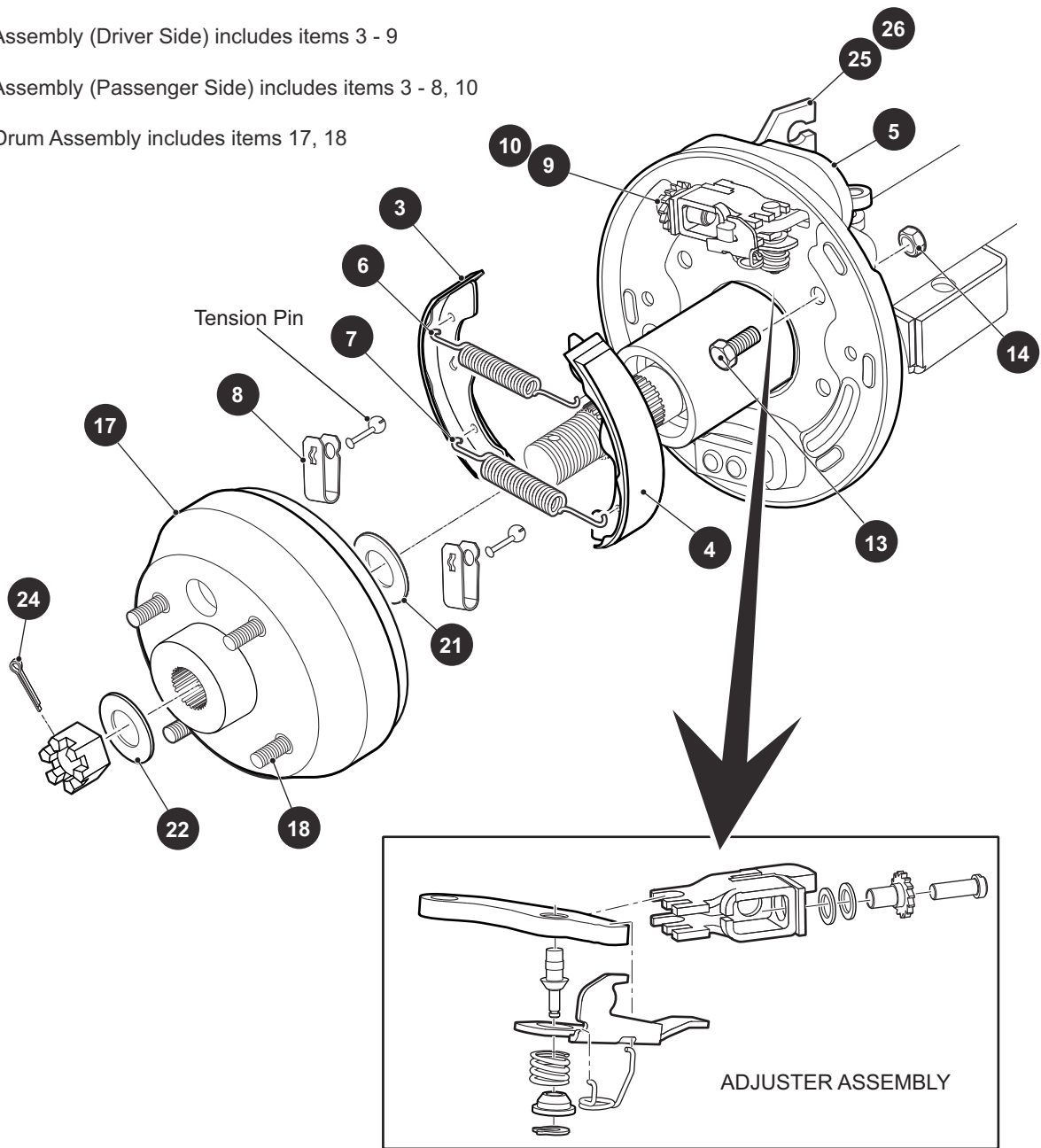
\* Indicates a component that is not available as an individual part.

\*\*\* Indicates consult Customer Service Department for additional information.

ITEM	PART NO.	1 2 3 4 5	DESCRIPTION	QTY.
1	70080G02		Hill Brake Catch Bracket .....	1
2	00414G6		Hex Head Bolt, 1/4" - 20 x .75" Lg, Grade 5 .....	2
3	14390G4		Lock Nut, 1/4" - 20 .....	2
4	70587G01		Park Brake Cam .....	1
5	10097G6		Flanged Bearing .502 O.D. x .378 I.D. x .380 Lg .....	2
6	14134G4		Spacer, .76" O.D. x .405" I.D. x 1.25" Lg .....	1
7	71215G01		Square Head Set Screw With Patch Lock, 1/4" - 20 x .5" Lg .....	2
8				
9				
10	70113G01		Adjustable Rubber Bumper .....	1
11	11027G1		Flanged Lock Nut, 5/16" - 18 .....	1
12	70098G01		Kick-off Cam Pivot .....	1
13	70601G01		Kick-off Linkage Rod .....	1
14	00559G8		Flat Washer, 1/4" - 20 .....	2
15	20835G1		Washer, .62" O.D. x .39" I.D. x .135" Lg .....	2
16	17838G1		Flanged Nyliner Bushing, .374" O.D. x .313" I.D. x .312" Lg .....	2
17	10387G3		Cotter Pin, .094" x .75" .....	2

# BRAKES

- 1 Brake Assembly (Driver Side) includes items 3 - 9
- 2 Brake Assembly (Passenger Side) includes items 3 - 8, 10
- 16 Brake Drum Assembly includes items 17, 18



# BRAKES

THE USE OF NON U.L. PARTS WILL VOID ANY U.L. LISTING.

When ordering parts, please specify the model and serial number of the product.

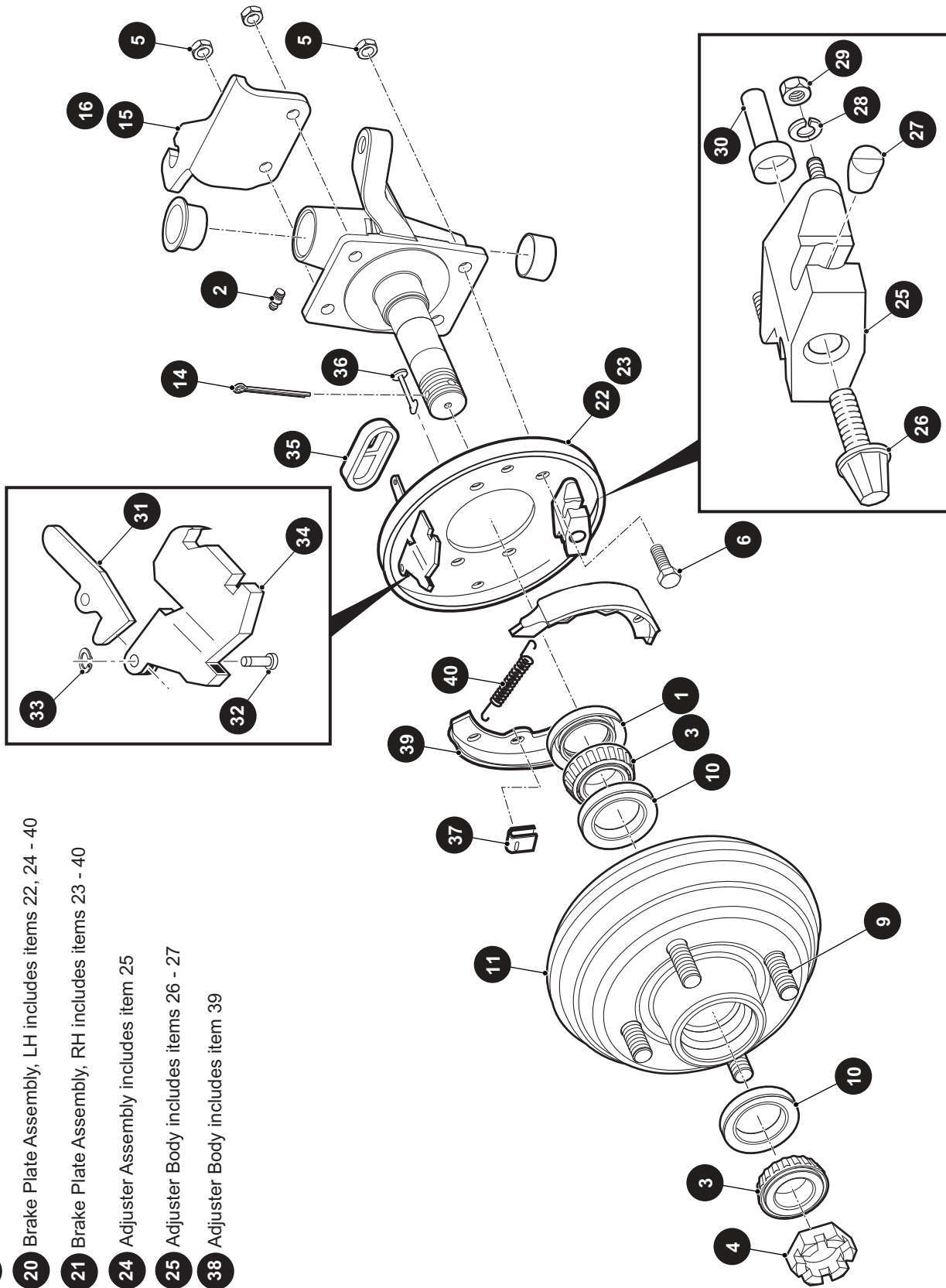
\* Indicates a component that is not available as an individual part.

\*\*\* Indicates consult Customer Service Department for additional information.

ITEM	PART NO.	1 2 3 4 5	DESCRIPTION	QTY.
1	612211		Brake Assembly (Driver Side) (Includes Items 3 - 9) .....	1
2	612189		Brake Assembly (Passenger Side) (Includes Items 3 - 8, 10).....	1
3	612411		Brake Shoe, Leading .....	1
4	612412		Brake Shoe, Trailing .....	1
5	612413		Dust Cover.....	1
6	612415		Brake Spring, Top .....	1
7	612414		Brake Spring, Bottom .....	1
8	612416		Shoe Clamp .....	2
9	612418		Gear Adjuster (Driver Side) .....	1
10	612417		Gear Adjuster (Passenger Side).....	1
11				
12				
13	17083G2		Hex Head Bolt, 5/16" - 24 x 1" Lg, Grade 8 .....	8
14	15126G1		Lock Nut, 5/16" - 24 .....	8
15				
16	21807G2		Brake Drum Assembly (Includes Items 17, 18).....	2
17	20947G1		Brake Drum .....	1
18	19862G2		Lug Bolt, 1/2" - 20 x 1 3/16" Lg.....	4
19				
20				
21	21809G1		Flat Washer, Inner Wheel Rim, 1.31" O.D. x .85" I.D.....	2
22	606945		Flat Washer - Brake Drum, 1.75" O.D. x .89" I.D. ....	2
23				
24	10387G1		Cotter Pin, .125" x 1.50" Lg .....	2
25	652248		Brake Cable Bracket (Passenger Side) .....	1
26	652249		Brake Cable Bracket (Driver Side).....	1

FOR VEHICLES WITH MECHANICAL DRUM BRAKES

- 8 Drum and Hub Assembly includes items 9 - 11
- 20 Brake Plate Assembly, LH includes items 22, 24 - 40
- 21 Brake Plate Assembly, RH includes items 23 - 40
- 24 Adjuster Assembly includes item 25
- 25 Adjuster Body includes items 26 - 27
- 38 Adjuster Body includes item 39



\*The orientation will be different based on the vehicle model



THE USE OF NON U.L. PARTS WILL VOID ANY U.L. LISTING.

When ordering parts, please specify the model and serial number of the product.

\* Indicates a component that is not available as an individual part.

\*\*\* Indicates consult Customer Service Department for additional information.

ITEM	PART NO.	1 2 3 4 5	DESCRIPTION	QTY.
1	25146G1		Seal.....	1
2	10389G3		Grease Fitting.....	1
3	11750G2		Roller Bearing .....	2
4	12093G1		Slotted Hex Nut, 1" - 14 .....	1
5	15126G1		Lock Nut, 5/16" - 24 .....	4
6	17083G2		Hex Head Bolt, 5/16" - 24 x 1" Lg, Grade 8 .....	4
7				
8	652164		Drum and Hub Assembly (Includes Items 9 - 11).....	1
9	19862G2		Wheel Hub Bolt, 1/2" - 20 x 1.718" Lg.....	4
10	51141G1		Race Bearing.....	2
11	647535		Hub.....	1
12				
13				
14	00798G8		Cotter Pin, 5/32" x 1 3/4" Lg.....	1
15	648617G01		Brake Cable Bracket (Driver Side).....	1
16	648617G02		Brake Cable Bracket (Passenger Side) .....	1
17				
18				
19				
20	20938G1		Brake Assembly, LH (Includes Items 22, 24 - 40) .....	1
21	20938G2		Brake Assembly, RH (Includes Items 23 - 40).....	1
22	22519G1		Backing Plate, LH.....	1
23	22518G1		Backing Plate, RH .....	1
24	22516G1		Adjuster Assembly (Includes Item 25) .....	1
25	22520G1		Adjuster Body (Includes Items 26 - 27) .....	1
26	17287G1		Adjuster Bolt .....	1
27	17289G1		Piston Anchor .....	2
28	00664G7		Lock Washer (SS), 1/4" .....	2
29	13632G1		Hex Nut, 6mm.....	2
30	17294G1		Adjusting Bolt Cap .....	1
31	22512G1		Actuating Lever.....	1

# BRAKES

THE USE OF NON U.L. PARTS WILL VOID ANY U.L. LISTING.

When ordering parts, please specify the model and serial number of the product.

\* Indicates a component that is not available as an individual part.

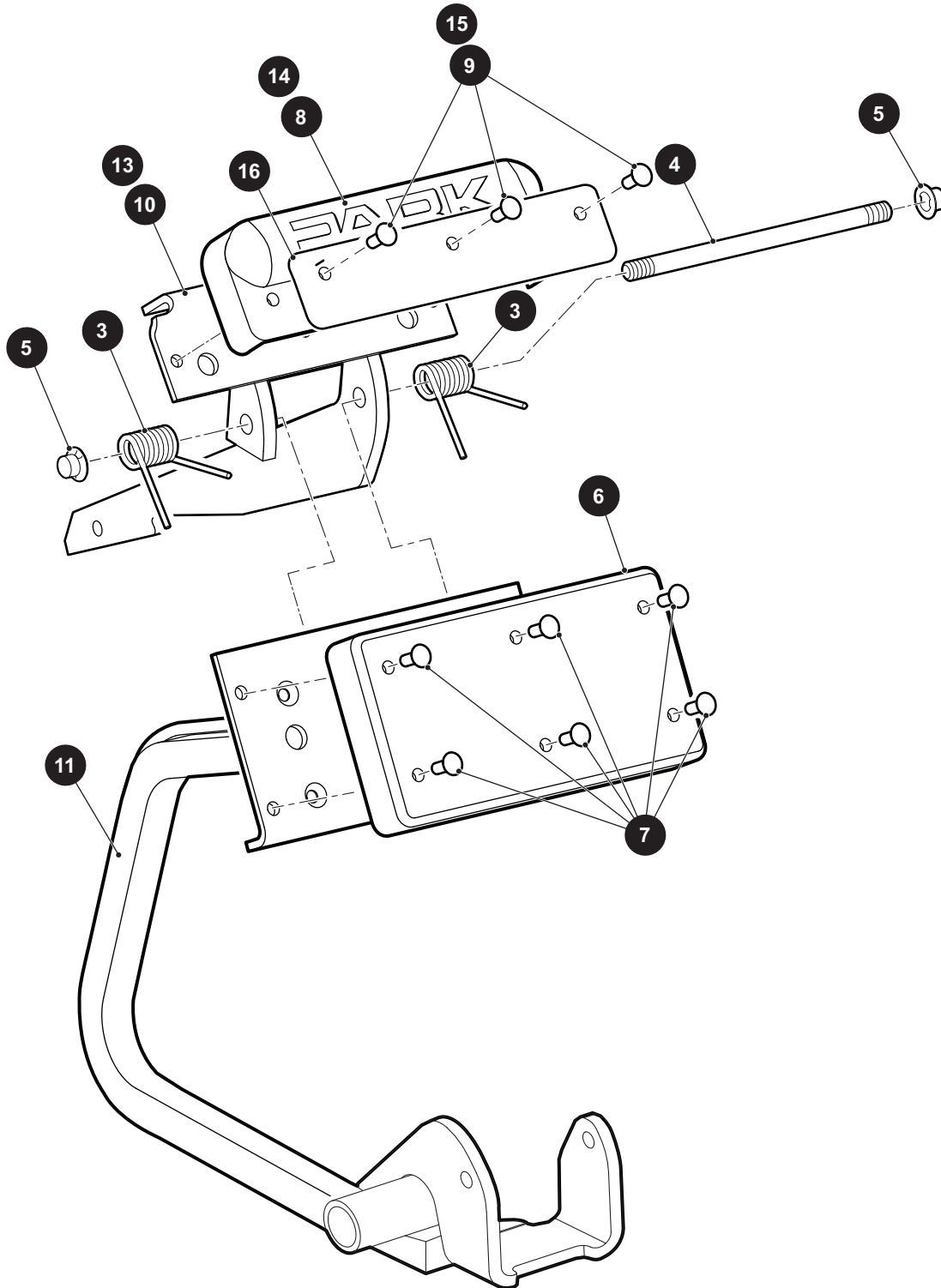
\*\*\* Indicates consult Customer Service Department for additional information.

ITEM	PART NO.	1	2	3	4	5	DESCRIPTION	QTY.
32	22513G1						Lever Pin.....	1
33	22514G1						'U' Clip.....	1
34	22515G1						Sliding Block.....	1
35	22511G1						Dust Cover .....	1
36	17292G1						Tension Pin.....	2
37	17291G1						Spring Clamp .....	2
38	23398G1						Brake Shoe Set (Includes Item 39) .....	1
39	23355G1						Brake Shoe.....	2
40	17290G1						Brake Spring .....	2



# BRAKES

- 1 Brake Pedal Assembly (Without Light) (2 Wheel Brakes) includes items 3 - 11
- 2 Brake Pedal Assembly (Without Light) (4 Wheel Brakes) includes items 3 - 7, 13 - 16



THE USE OF NON U.L. PARTS WILL VOID ANY U.L. LISTING.

When ordering parts, please specify the model and serial number of the product.

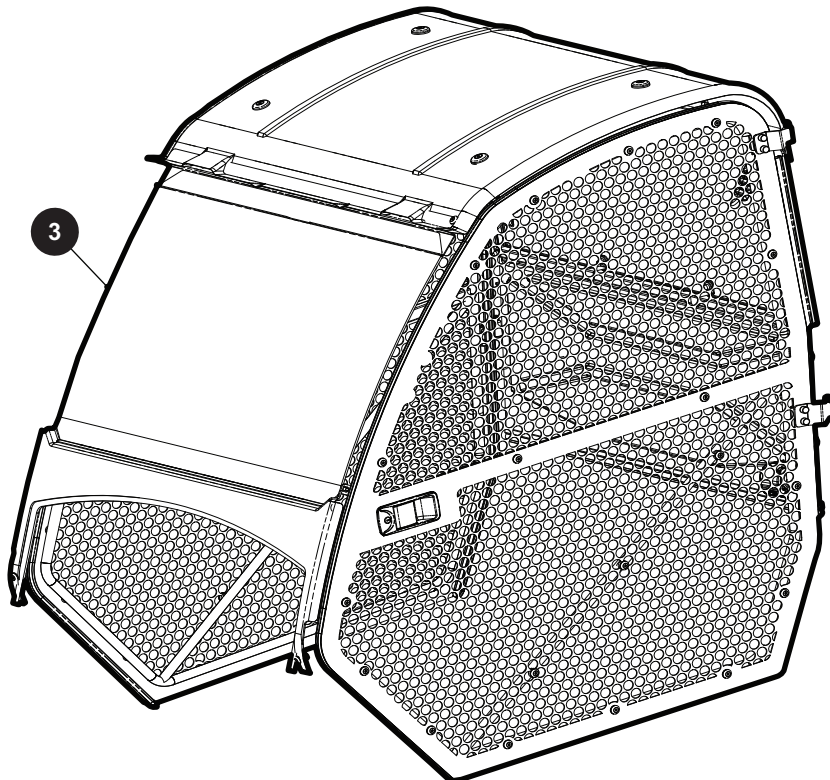
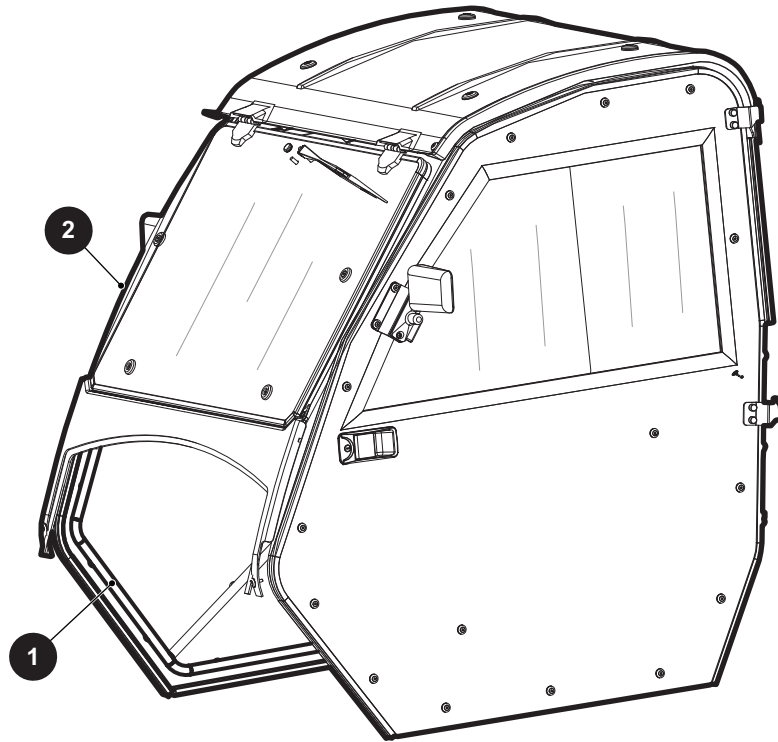
\* Indicates a component that is not available as an individual part.

\*\*\* Indicates consult Customer Service Department for additional information.

ITEM	PART NO.	1 2 3 4 5	DESCRIPTION	QTY.
1	70612G02		Brake Pedal Assembly (Without Light) (2 Wheel Drum Brakes) (Includes Items 3 - 11).....	1
2	651213G03		Brake Pedal Assembly (Without Light) (4 Wheel Drum Brakes) (Includes Items 3 - 7, 13 - 16) .....	1
3	70681G01		Torsion Spring .....	2
4	70682G01		Pivot Pin, .314" Dia x 5.25" Lg .....	1
5	658825		Push Nut, 5/16" - 24 .....	2
6	70257G01		Brake Pad .....	1
7	16409G1		Oval Rivet, .375" x .468" Lg .....	6
8	70256G01		Park Brake Pad .....	1
9	16409G1		Oval Rivet, .375" x .468" Lg .....	3
10	652253G03		Park Brake Pedal Weldment .....	1
11	652251G03		Brake Pedal Weldment (Without Lights) .....	1
12				
13	660528G03		Park Brake Pedal Weldment.....	1
14	665987		Park Brake Pad, Multi-latch .....	1
15	16409G1		Oval Rivet, .375" x .468" Lg .....	3
16	665556		Multi-latch Plate .....	1









THE USE OF NON U.L. PARTS WILL VOID ANY U.L. LISTING.

When ordering parts, please specify the model and serial number of the product.

\* Indicates a component that is not available as an individual part.

\*\*\* Indicates consult Customer Service Department for additional information.

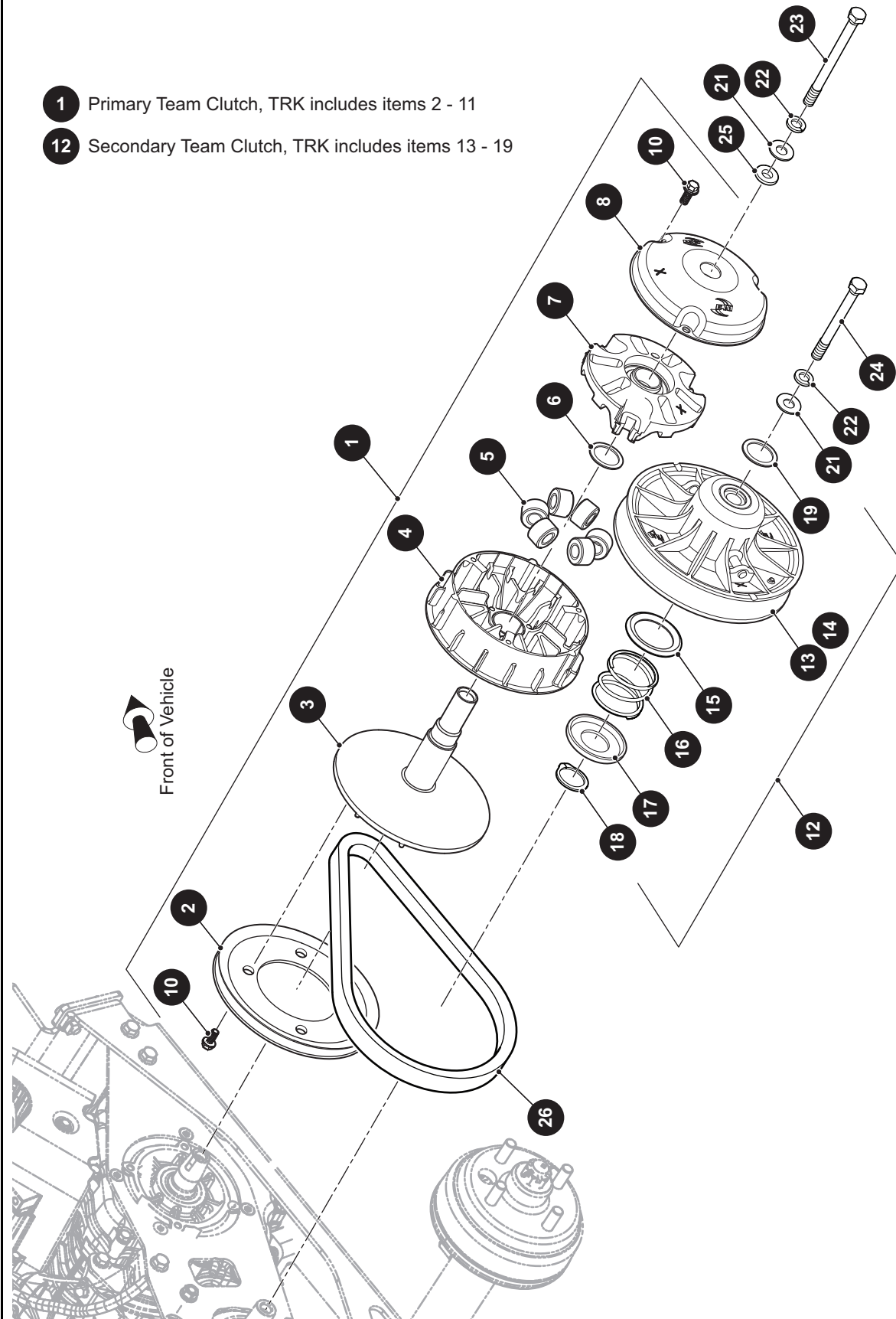
ITEM	PART NO.	1 2 3 4 5	DESCRIPTION	QTY.
1	652854		Cab, Rops Kit.....	1
2	652855		Cab, Utility Kit.....	1
3	652856		Cab, Ball Cage Kit.....	1
4	666496		Ball Cage Non Rops Kit (Not Illustrated).....	1





# CLUTCH

- 1 Primary Team Clutch, TRK includes items 2 - 11
- 12 Secondary Team Clutch, TRK includes items 13 - 19



THE USE OF NON U.L. PARTS WILL VOID ANY U.L. LISTING.

When ordering parts, please specify the model and serial number of the product.

\* Indicates a component that is not available as an individual part.

\*\*\* Indicates consult Customer Service Department for additional information.

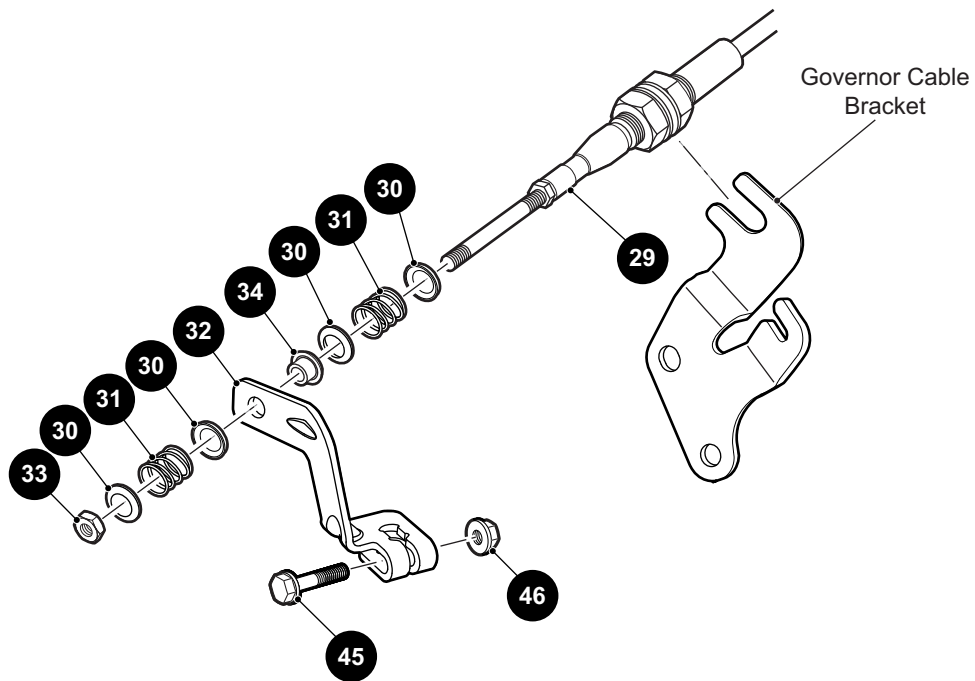
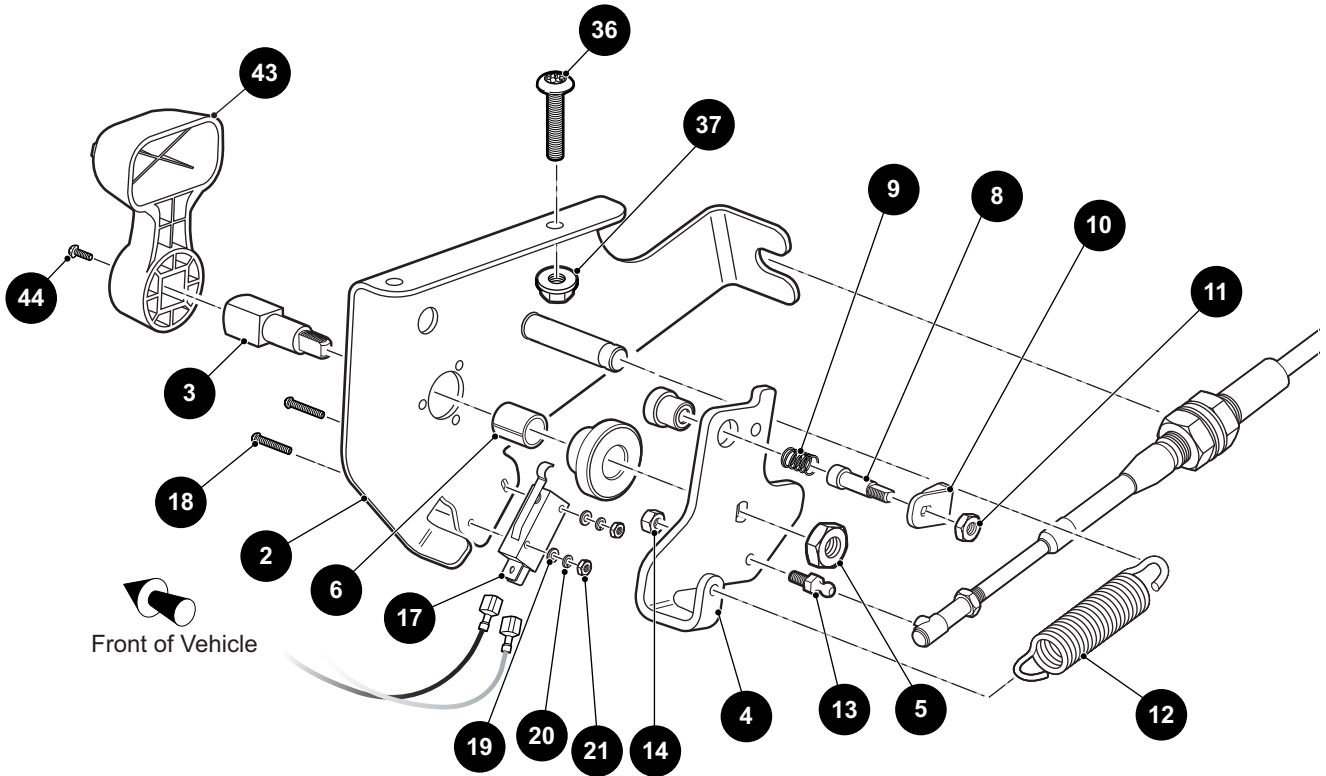
ITEM	PART NO.	1 2 3 4 5	DESCRIPTION	QTY.
1	672688		Primary Team Clutch, TRK (Includes Items 2 - 11) .....	1
2	619333		Primary Starter Pulley.....	1
3	619334		Stationary Assembly .....	1
4	619335		Moveable Primary Assembly .....	1
5	624112		Shift Roller Assembly.....	6
6	619337		Shim, 39.5mm x 31.75mm .....	1
7	644303		Primary Spider Assembly .....	1
8	619339		Primary Dust Cover Assembly.....	1
9	644305		Button, Torque Primary (Not Illustrated) .....	1
10	619332		Hex Washer Head Bolt, 1/4" - 20 x 3/4" Lg.....	7
11	644306		Plug, Torque Button (Not Illustrated).....	6
12	623949		Secondary Team Clutch, TRK (Includes Items 13 - 19) .....	1
13	*		Secondary Stationary Clutch .....	1
14	*		Moveable Secondary Clutch.....	1
15	619327		Inner Retainer Spring .....	1
16	624111		Compression Spring .....	1
17	619329		Outer Spring Retainer.....	1
18	619330		Retainer Ring.....	1
19	619331		Thrust Washer, 1.530" x 1.830" x 1" .....	1
20				
21	606239		Conical Washer, M12 .....	2
22	00566G3		Lock Washer (Spring Type), 3/8".....	2
23	606245		Hex Head Bolt, M12 - 1.25 x 160mm Lg, Grade 8.8.....	1
24	606243		Hex Head Bolt, M12 - 1.25 x 120mm Lg, Grade 8.8.....	1
25	606230		Clutch Washer, 27.5 O.D x 13.06 I.D. ....	1
26	618630		Drive Belt.....	1





# DIRECTION SELECTOR

1 Direction Selector Assembly includes items 2 - 34





# DIRECTION SELECTOR

THE USE OF NON U.L. PARTS WILL VOID ANY U.L. LISTING.

When ordering parts, please specify the model and serial number of the product.

\* Indicates a component that is not available as an individual part.

\*\*\* Indicates consult Customer Service Department for additional information.

ITEM	PART NO.	1 2 3 4 5	DESCRIPTION	QTY.
1	603416		Direction Selector Assembly (Includes Items 2 - 34).....	1
2	606077		Direction Selector Bracket .....	1
3	70233G01		Direction Selector Shaft.....	1
4	603700		Direction Selector Cam.....	1
5	14390G1		Lock Nut, 3/8" - 24 .....	1
6	25664G2		Bushing, 1/2" x .750" Lg .....	1
7				
8	72724G01		Neutral Lock Pin .....	1
9	72733G01		Compression Spring .....	1
10	72729G01		Neutral Lock Latch.....	1
11	00734G2		Lock Nut, 1/4" - 28 .....	1
12	28574G01		Extension Spring .....	1
13	72732G01		Ball Stud, #10 - 32 .....	1
14	00734G5		Lock Nut, #10 - 32 .....	1
15				
16				
17	72736G01		Micro Switch .....	1
18	01062G01		Round Head Slotted Screw, #4 - 40 x 1" Lg .....	2
19	00559G1		Flat Washer, #4.....	2
20	00565G1		Lock Washer, #4 .....	2
21	00526G2		Hex Nut, #4 - 40 .....	2
22				
23				
24				
25				
26				
27				
28				
29	603615		Shifter Cable.....	1
30	25727G01		Cup Washer, 1/4".....	4
31	72735G01		Compression Spring.....	2

# DIRECTION SELECTOR

THE USE OF NON U.L. PARTS WILL VOID ANY U.L. LISTING.

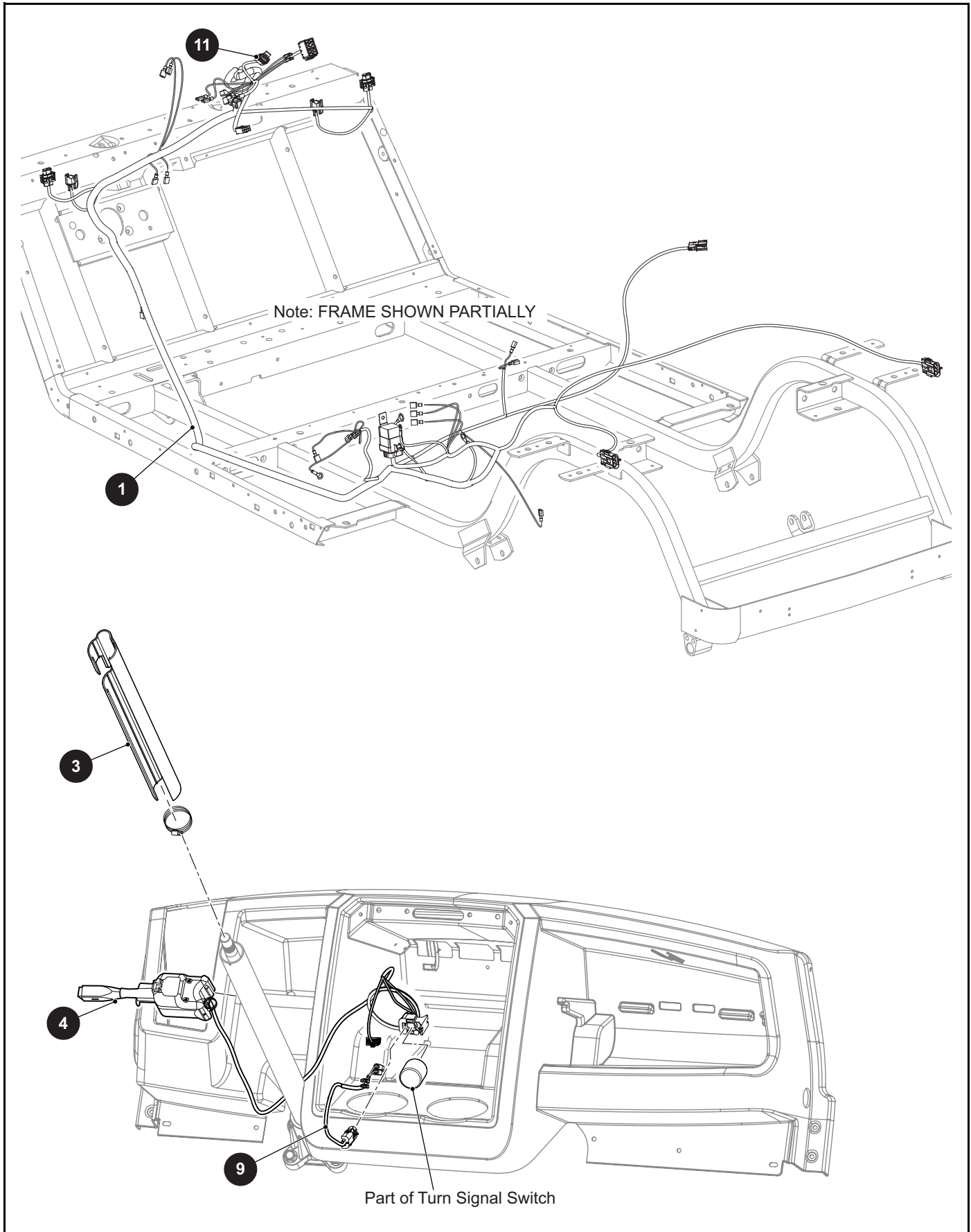
When ordering parts, please specify the model and serial number of the product.

\* Indicates a component that is not available as an individual part.

\*\*\* Indicates consult Customer Service Department for additional information.

ITEM	PART NO.	1	2	3	4	5	DESCRIPTION	QTY.
32	632891						Pivot Bracket.....	1
33	00734G5						Lock Nut, #10 - 32.....	1
34	22754G4						Bushing (Flip Lok), .250".....	1
35								
36	70227G01						Socket Head Cap Screw, 1/4" - 20 x 7/8" Lg, Grade 8.....	2
37	11027G2						Lock Nut, 1/4" - 20.....	2
38	31539G1						Nylon Clamp, 15.5" Lg (Not Illustrated).....	1
39								
40								
41								
42								
43	71205G01						Direction Selector Handle.....	1
44	01037G02						Truss Head Phillips Screw, #10 - 32 x 1/2" Lg.....	1
45	606421						Flanged Hex Head Bolt, M6 - 1 x 30mm Lg, Grade 8.8.....	1
46	450452						Hex Nut, M6 - 1.....	1





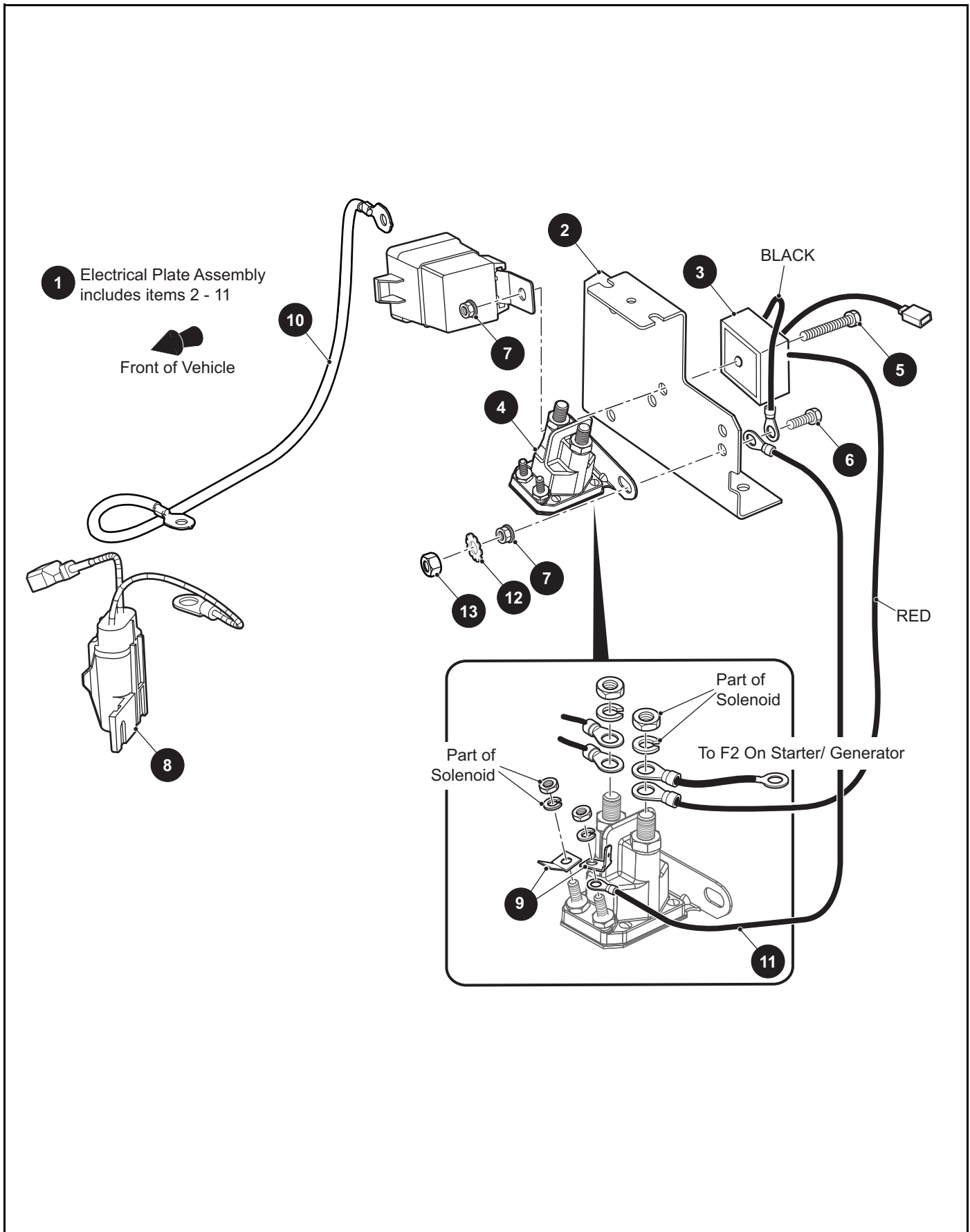
THE USE OF NON U.L. PARTS WILL VOID ANY U.L. LISTING.

When ordering parts, please specify the model and serial number of the product.

\* Indicates a component that is not available as an individual part.

\*\*\* Indicates consult Customer Service Department for additional information.

ITEM	PART NO.	1 2 3 4 5	DESCRIPTION	QTY.
1	694867		Main Harness .....	1
2				
3	20965G3		Steering Column Cover.....	1
4	615236		Turn Signal Switch Assembly .....	1
5				
6	19344G1		Vinyl Tape (Not Illustrated) .....	1
7				
8	31539G1		Nylon Clamp, 15.5" (Not Illustrated).....	2
9	664706		Horn Jumper .....	1
10				
11	664780		Turn Signal Light Jumper Harness.....	1



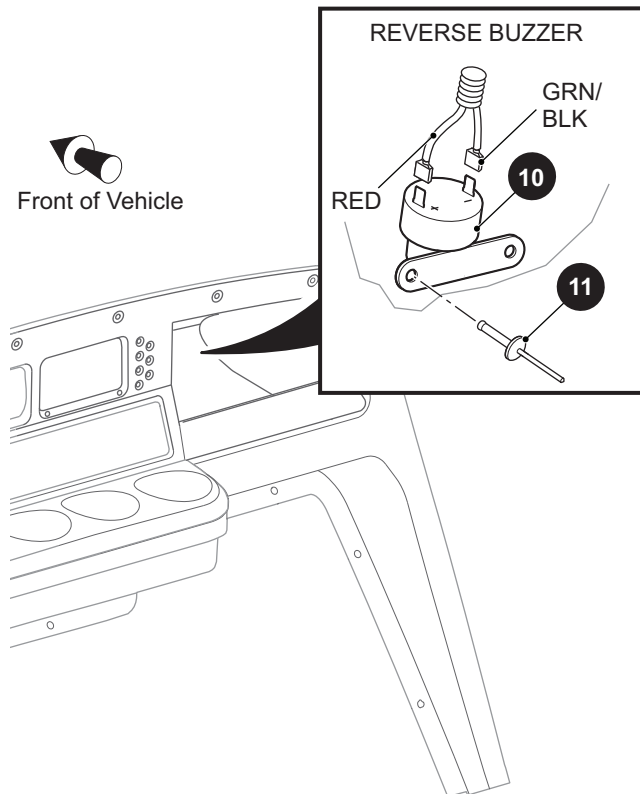
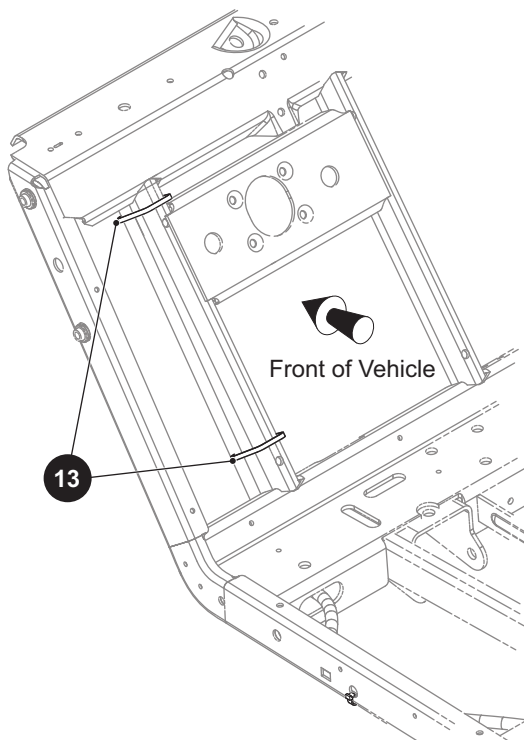
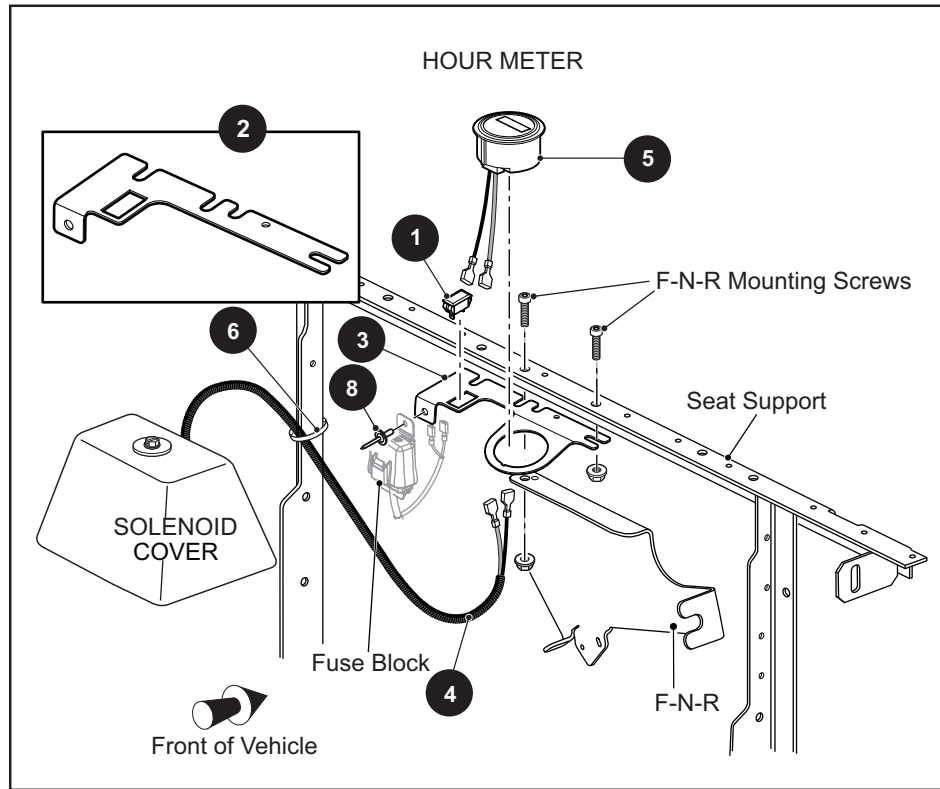
THE USE OF NON U.L. PARTS WILL VOID ANY U.L. LISTING.

When ordering parts, please specify the model and serial number of the product.

\* Indicates a component that is not available as an individual part.

\*\*\* Indicates consult Customer Service Department for additional information.

ITEM	PART NO.	1 2 3 4 5	DESCRIPTION	QTY.
1	660446		Electrical Plate Assembly (Includes Items 2 - 11) .....	1
2	73057G02		Bracket .....	1
3	27739G01		Voltage Regulator .....	1
4	663716		Solenoid.....	1
5	303459		Hex Head Bolt, 1/4" - 20 x 1 1/2" Lg, Grade 5.....	1
6	00661G8		Hex Head Bolt (SS), 1/4" - 20 x 1" Lg.....	1
7	11027G2		Flanged Lock Nut, 1/4" - 20.....	2
8	658683		Electrical Plate Harness .....	1
9	73446G01		Faston Tab, 90°.....	2
10	645190		#6 GA Wire Assembly.....	1
11	25978G56		#18 GA Wire Assembly (Black).....	1
12	00567G7		Lock Washer (External Tooth Type) .....	1
13	00532G1		Hex Nut, 1/4" - 20.....	1





THE USE OF NON U.L. PARTS WILL VOID ANY U.L. LISTING.

When ordering parts, please specify the model and serial number of the product.

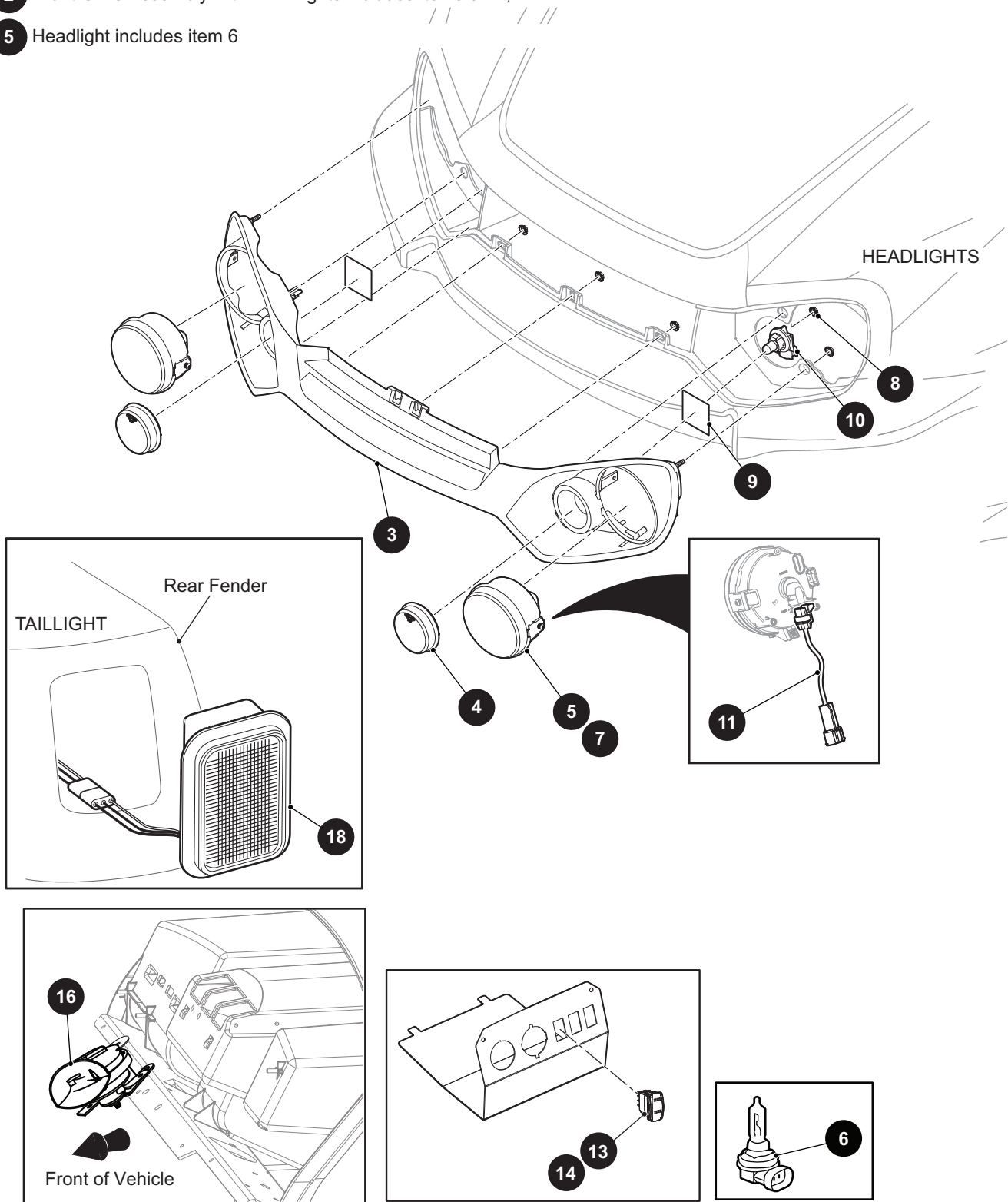
\* Indicates a component that is not available as an individual part.

\*\*\* Indicates consult Customer Service Department for additional information.

ITEM	PART NO.	1 2 3 4 5	DESCRIPTION	QTY.
1	659101		Malfunction Indicator Light .....	1
2	659085		Fuse Bracket (For Vehicles without Hour Meter) .....	1
3	662631		Fuse Bracket (For Vehicles with Hour Meter) .....	1
4	664689		Hour Meter Harness .....	1
5	617074		Hour Meter .....	1
6	17618G1		Nylon Clamp, 7" Lg .....	2
7				
8	71055G01		Rivet, 3/16" Dia. ....	1
9				
10	73290G03		Buzzer .....	1
11	01041G01		Rivet, 5/32" .....	2
12				
13	31539G1		Nylon Clamp, 15.5" Lg .....	5

# ELECTRICAL

- 1 Front Grille Assembly with Lights includes items 3 - 5
- 2 Front Grille Assembly with LED Lights includes items 3 - 4, 7
- 5 Headlight includes item 6



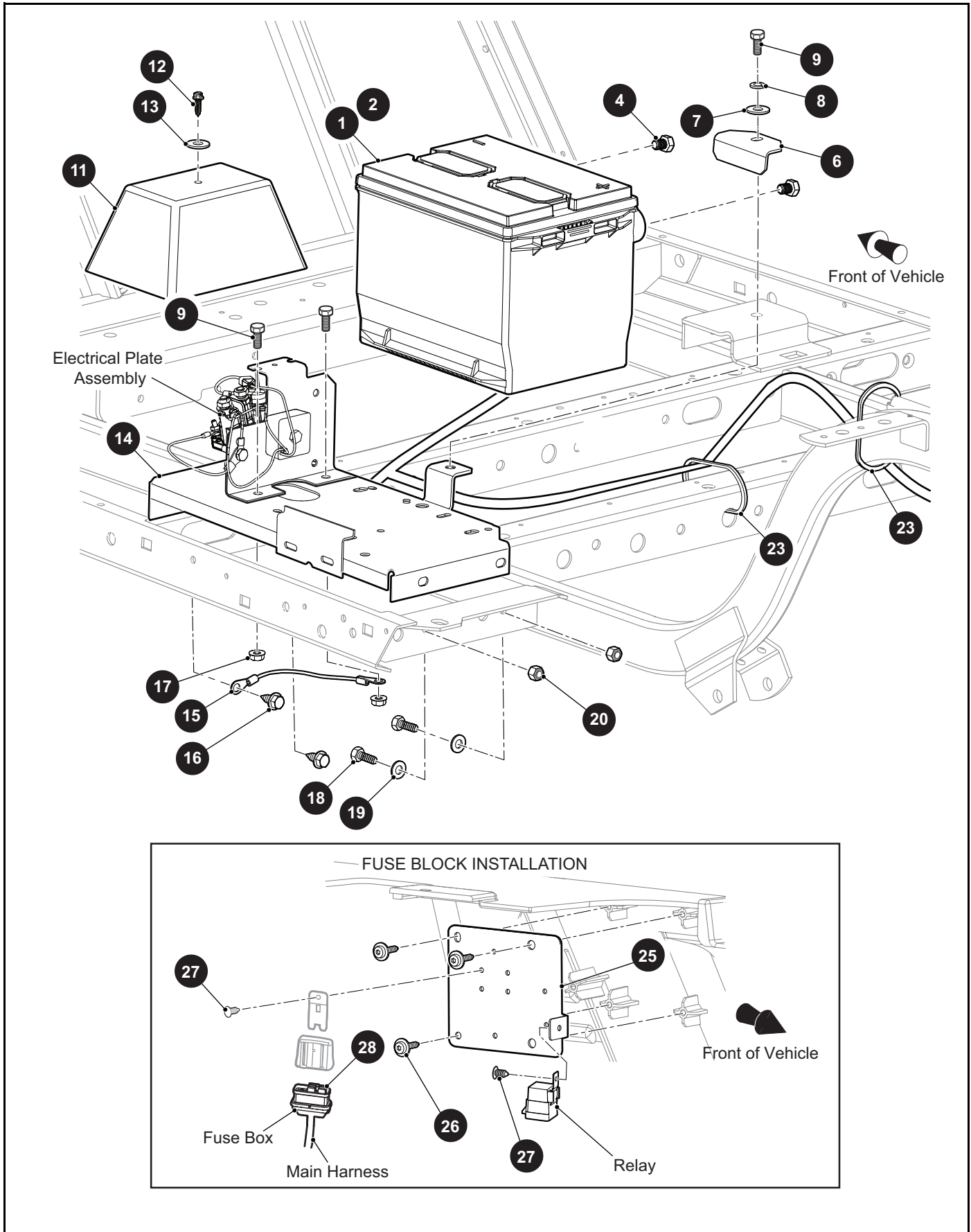
THE USE OF NON U.L. PARTS WILL VOID ANY U.L. LISTING.

When ordering parts, please specify the model and serial number of the product.

\* Indicates a component that is not available as an individual part.

\*\*\* Indicates consult Customer Service Department for additional information.

ITEM	PART NO.	1 2 3 4 5	DESCRIPTION	QTY.
1	651698G01		Front Grille Assembly with Lights (Includes Items 3 - 5) .....	1
2	651698G03		Front Grille Assembly with LED Lights (Includes Items 3 - 4, 7) .....	1
3	648564		Front Grille .....	1
4	651437		Lens Cover .....	2
5	651411G01		Headlight (Includes Item 6).....	2
6	619100		Headlight Bulb.....	1
7	651411G03		Led Headlight .....	2
8	71597G01		Self Threading Nut, 5 x 10 x 15mm.....	9
9	71781G02		Vinyl Tape (For Vehicles without Turn Signal Lights) .....	2
10	619102		Turn Signal Bulb .....	2
11	677730		Jumper Harness, High/Low Led Headlight.....	2
12				
13	651897G02		Headlight Switch, 2 - Position .....	1
14	651897G03		Headlight Switch, 3 - Position .....	1
15				
16	32860G01		Horn .....	1
17				
18	664421G03		Taillight .....	1



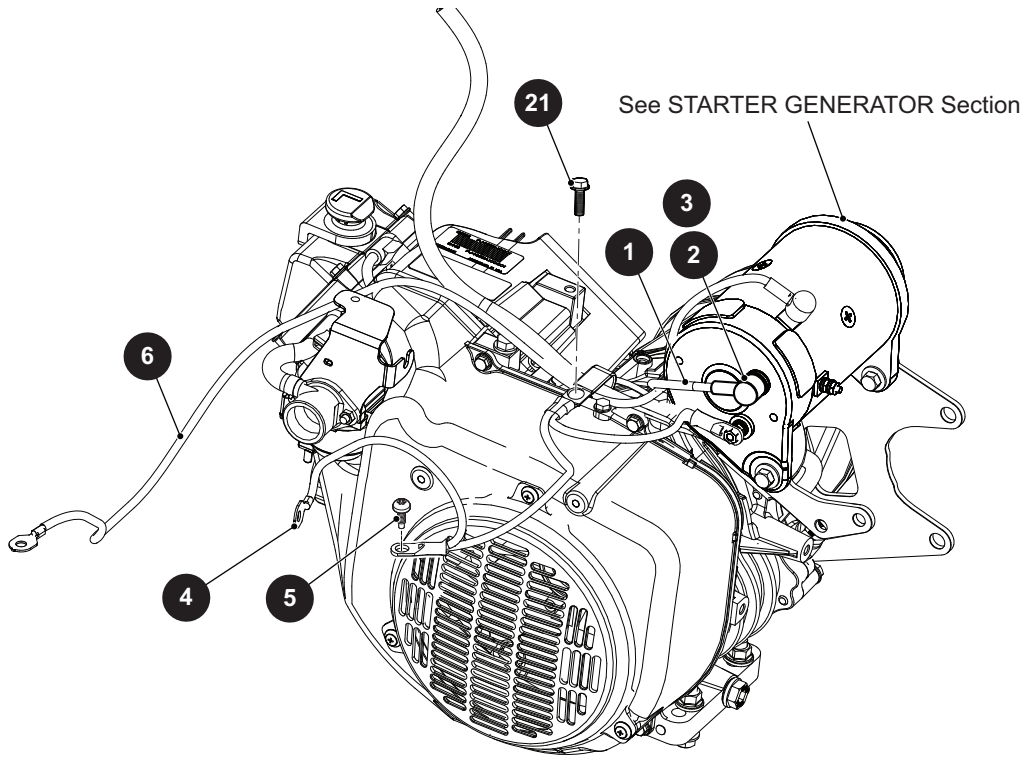
THE USE OF NON U.L. PARTS WILL VOID ANY U.L. LISTING.

When ordering parts, please specify the model and serial number of the product.

\* Indicates a component that is not available as an individual part.

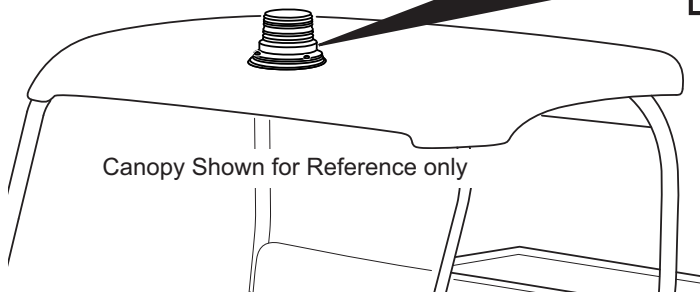
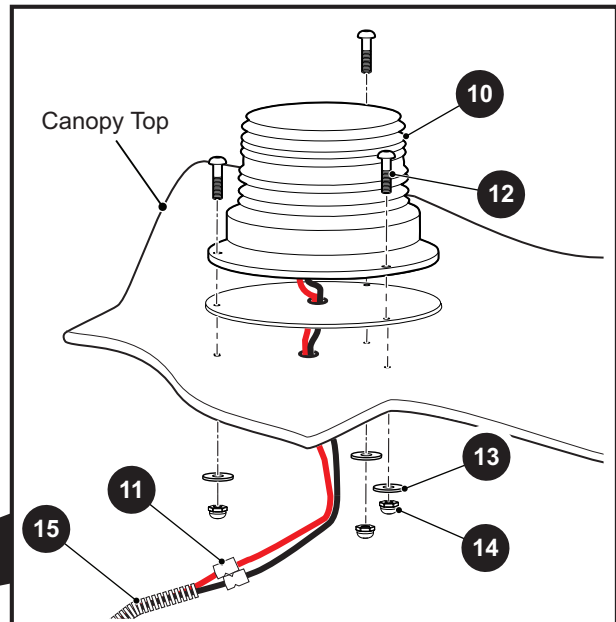
\*\*\* Indicates consult Customer Service Department for additional information.

ITEM	PART NO.	1 2 3 4 5	DESCRIPTION	QTY.
1	638433		Battery, 12V, HD.....	1
2	637484		Battery, 12V.....	1
3				
4	640488		Battery Bolt.....	2
5				
6	72101G02		Battery Hold Down .....	1
7	00571G2		Flat Washer (SS), 5/16" .....	1
8	00565G8		Lock Washer, 5/16" .....	1
9	00438G6		Hex Head Bolt, 5/16" - 18 x 3/4" Lg, Grade 5 .....	3
10				
11	73049G01		Direction Selector Cover .....	1
12	00114G6		Hex Washer Head Slotted Tapping Screw, 1/4" - 14 x 3/4" Lg.....	1
13	16469G1		Fender Washer, 1/4" .....	1
14	652441G03		Battery Tray.....	1
15	25976G19		#14 GA Wire (Black), 6" Lg .....	1
16	00715G2		Hex Washer Head Screw, 5/16" - 18 x .875" Lg .....	2
17	11027G1		Lock Nut, 5/16" - 18 .....	2
18	00438G8		Hex Head Bolt, 5/16" - 18 x 1" Lg, Grade 5 .....	2
19	00559G8		Flat Washer, 5/16" .....	2
20	11098G6		Lock Nut, 5/16" - 18 .....	2
21				
22				
23	31539G1		Nylon Clamp, 15.5" Lg .....	2
24				
25	649890		Fuse Block Mounting Plate .....	1
26	613373		Pan Head Tapping Screw with Washer, M4.8 - 1.6 x 22mm Lg .....	3
27	16816G2		Ratchet Rivet, .25" x .887" .....	2
28	636455G10		Fuse, 5A.....	1



8 Strobe Light Assembly includes items 9 - 19

9 Strobe Light Assembly includes items 10 - 11



THE USE OF NON U.L. PARTS WILL VOID ANY U.L. LISTING.

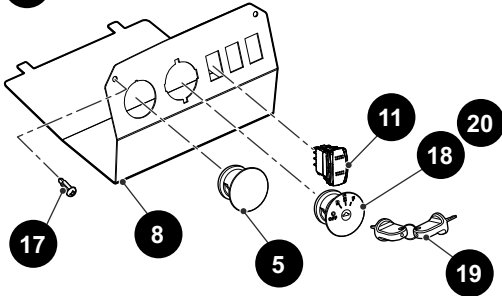
When ordering parts, please specify the model and serial number of the product.

\* Indicates a component that is not available as an individual part.

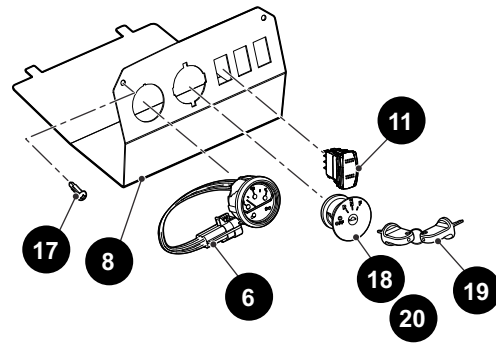
\*\*\* Indicates consult Customer Service Department for additional information.

ITEM	PART NO.	1 2 3 4 5	DESCRIPTION	QTY.
1	607053		#6 GA Wire (Black), 6" .....	1
2	25682G01		Terminal Cover .....	3
3	25682G01		Terminal Cover (For CE Vehicles).....	2
4	645191		Ground Cable.....	1
5	26676G01		Flanged Bolt, M6 - 1 x 23mm Lg.....	1
6	607103		#6 GA Wire, 42" Lg .....	1
7				
8	618916		Strobe Light Kit (Includes Items 9 - 19).....	1
9	638496		Strobe Light Assembly (Includes Items 10 - 11) .....	1
10	639425		Strobe Light.....	1
11	17064G1		Push on Terminals.....	2
12	00979G01		Socket Head Screw, #10 - 24 x 7/8" Lg.....	3
13	00559G5		Flat Washer, #10.....	3
14	14390G10		Lock Nut, #10 - 24 .....	3
15	656405		Strobe Light Harness.....	1
16	17618G1		Nylon Clamp, 7" (Not Illustrated) .....	16
17	614901		Splice (Not Illustrated) .....	1
18	35212G05		Fuse (Not Illustrated) .....	1
19	636455G07		Fuse (Not Illustrated) .....	1
20				
21	606264		Flanged Hex Head Bolt, M6 - 1 x 20mm Lg, Grade 8.8.....	1
22				
23	608772		#6AWG Wire (Blue) (For CE Vehicles) (Not Illustrated).....	1
24	625757		#6AWG Wire (Blue) (Solenoid - F2) (For CE Vehicles) (Not Illustrated) .....	1
25				
26	629631		Dual Set LED Light Kit (Not Illustrated).....	1
27	656410		Accessory Light Kit (Not Illustrated).....	1

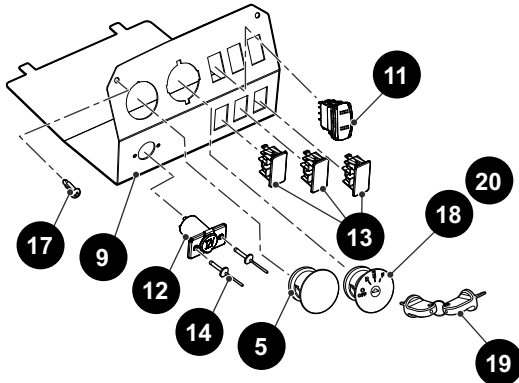
**1** Gauge Plate Assembly includes items 5, 8 - 11



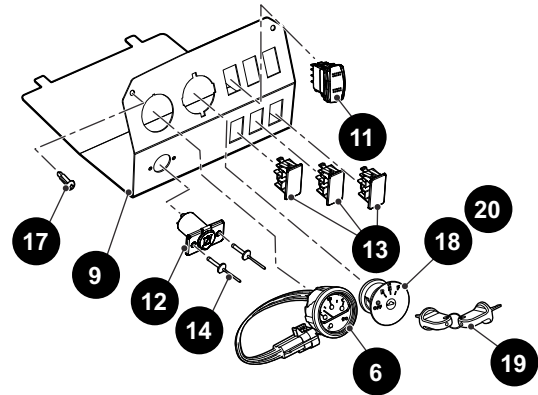
**2** Gauge Plate with Fuel Assembly includes items 6, 8 - 11



**3** Gauge Plate with 12V Assembly includes items 5, 9, 11 - 14



**4** Gauge Plate with 12V, Fuel Assembly includes items 6, 9, 11 - 14





THE USE OF NON U.L. PARTS WILL VOID ANY U.L. LISTING.

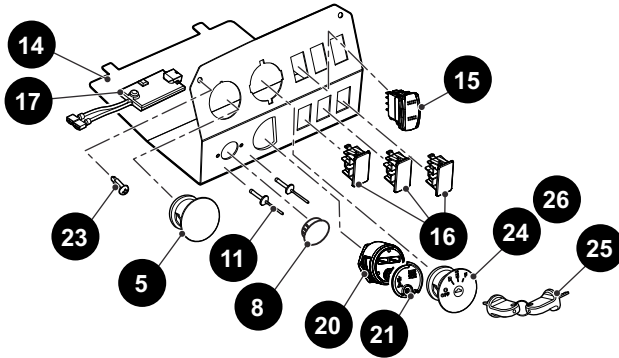
When ordering parts, please specify the model and serial number of the product.

\* Indicates a component that is not available as an individual part.

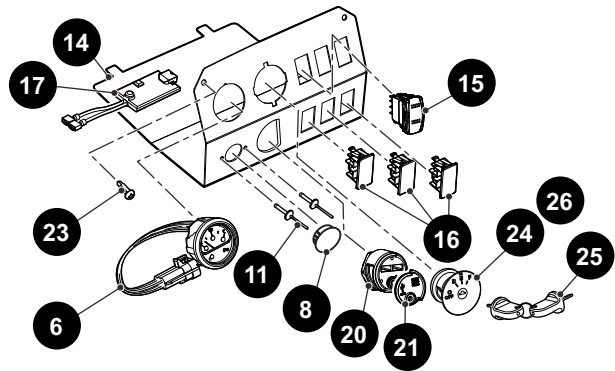
\*\*\* Indicates consult Customer Service Department for additional information.

ITEM	PART NO.	1 2 3 4 5	DESCRIPTION	QTY.
1	666085G01		Gauge Plate Assembly (Includes Items 5, 8 - 11) .....	1
2	666085G02		Gauge Plate with Fuel Assembly (Includes Items 6, 8 - 11).....	1
3	666085G03		Gauge Plate with 12V Assembly (Includes Items 5, 9, 11 - 14) .....	1
4	666085G04		Gauge Plate with 12V, Fuel Assembly (Includes Items 6, 9, 11 - 14).....	1
5	20271G3		Hole Plug .....	1
6	612314		State of Charge Fuel Meter .....	1
7				
8	662083G01		Gauge Plate.....	1
9	662083G02		Gauge Plate with 12V .....	1
10				
11	651897G01		Horn Switch, 2 - Position .....	1
12	71078G01		12V Power Outlet .....	1
13	627035		Plug .....	1
14	71055G01		Rivet, 3/16" Dia.....	2
15				
16				
17	649803		Pan Head Torx Screw, M6 x 2.65 - 25mm Lg.....	2
18	611284		Key Switch .....	1
19	611282		Key Set .....	1
20	609696		Key Switch and Key Set (Unique Keyed).....	1

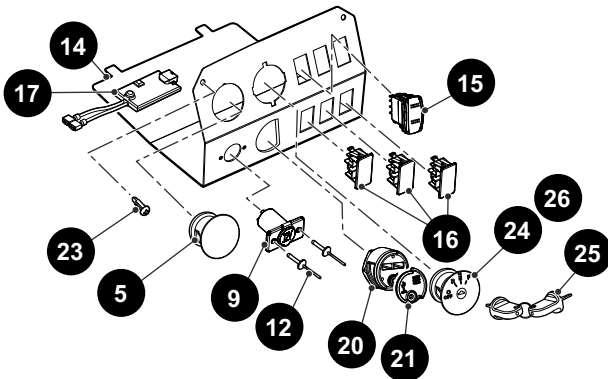
- 1** Gauge Plate with USB Assembly  
includes items 5, 8, 11, 14 - 21



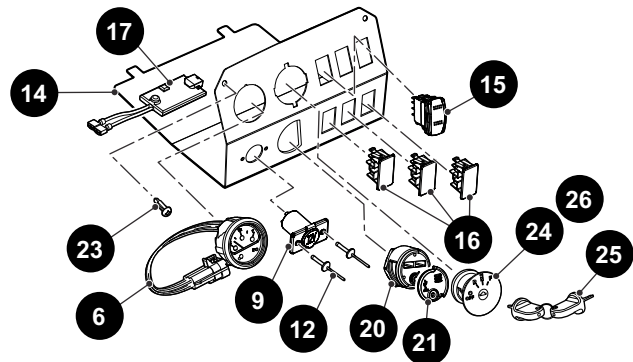
- 2** Gauge Plate with USB, Fuel Assembly  
includes items 6, 8, 11, 14 - 21



- 3** Gauge Plate 12V, USB Assembly  
includes items 5, 9, 12, 14 - 21



- 4** Gauge Plate 12V, USB, Fuel Assembly  
includes items 6, 9, 12, 14 - 21



- 19** USB Port Housing Assembly  
includes items 20 - 21

THE USE OF NON U.L. PARTS WILL VOID ANY U.L. LISTING.

When ordering parts, please specify the model and serial number of the product.

\* Indicates a component that is not available as an individual part.

\*\*\* Indicates consult Customer Service Department for additional information.

ITEM	PART NO.	1 2 3 4 5	DESCRIPTION	QTY.
1	666085G05		Gauge Plate with USB Assembly (Includes Items 5, 8, 11, 14 - 21) .....	1
2	666085G06		Gauge Plate with USB, Fuel Assembly (Includes Items 6, 8, 11, 14 - 21) .....	1
3	666085G07		Gauge Plate with 12V, USB Assembly (Includes Items 5, 9, 12, 14 - 21) .....	1
4	666085G08		Gauge Plate with 12V, USB, Fuel Assembly (Includes Items 6, 9, 12, 14 - 21) .....	1
5	20271G3		Hole Plug .....	1
6	612314		State of Charge Fuel Meter .....	1
7				
8	20271G10		Hole Plug, 1.125" Lg.....	1
9	71078G01		12V Power Outlet .....	1
10				
11	33623G02		Rivet .....	2
12	71055G01		Rivet, 3/16" Dia.....	2
13				
14	662083G03		Gauge Plate With 12V, USB .....	1
15	651897G01		Horn Switch, 2 - Position .....	1
16	627035		Plug .....	1
17	638233		Electronics USB.....	1
18	17618G1		Nylon Clamp, 7" Lg (Not Illustrated) .....	1
19	639384		USB Port Housing Assembly (Includes Items 20 - 21) .....	1
20	639383		USB Port Housing .....	1
21	639382		USB Port Lid .....	1
22				
23	649803		Pan Head Torx Screw, M6 x 2.65 - 25mm Lg.....	2
24	611284		Key switch.....	1
25	611282		Key Set .....	1
26	609696		Key switch and Key Set (Unique Keyed) .....	1







## ENGINE AND MUFFLER

THE USE OF NON U.L. PARTS WILL VOID ANY U.L. LISTING.

When ordering parts, please specify the model and serial number of the product.

\* Indicates a component that is not available as an individual part.

\*\*\* Indicates consult Customer Service Department for additional information.

ITEM	PART NO.	1 2 3 4 5	DESCRIPTION	QTY.
1	658237		Engine, Gas, 13HP (Includes Items 2 - 5).....	1
2	603562		'O' Ring, 16mm .....	1
3	607454		Oil Filter .....	1
4	607462		Spark Plug .....	1
5	603557		Oil Drain Plug .....	1
6	606391		Dip Stick.....	1
7	674854		Muffler .....	1
8	657450		Exhaust Pipe.....	1
9	606272		Split Washer, 8mm .....	4
10	606267		Jam Nut, M8 - 1.25.....	4
11	606279		Flanged Nut, M10 - 1.25 .....	1
12	606256		Flanged Hex Head Bolt, M10 - 1.25 x 25mm Lg, Grade 8.8.....	3
13	602330		Flanged Hex Head Bolt, M8 - 1.25 x 30mm Lg .....	2
14	603599		Exhaust Gasket.....	2
15	657449		Oxygen Sensor .....	1

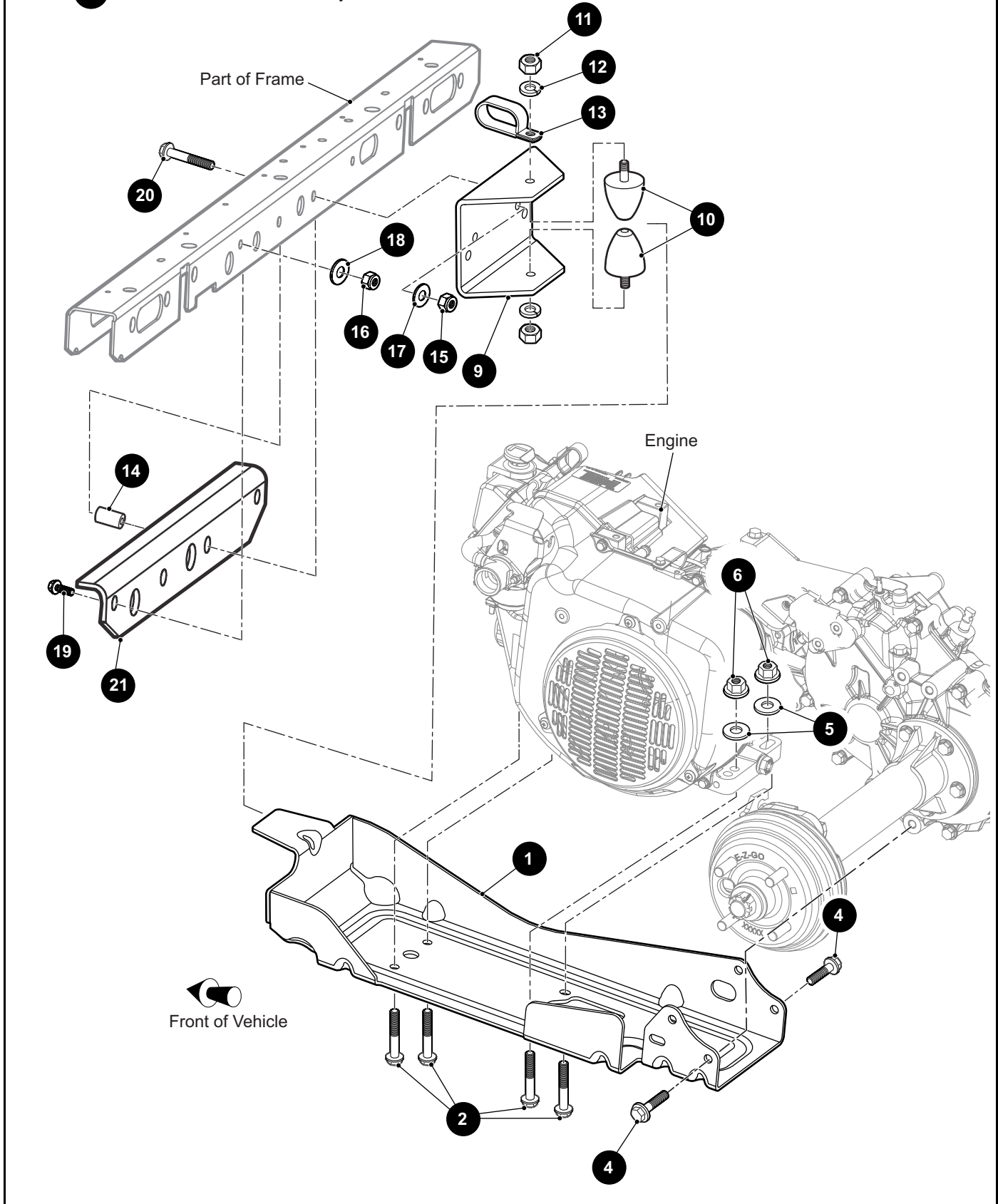






# ENGINE MOUNTING

8 Front Mount Bracket Assembly includes items 9 - 13



## ENGINE MOUNTING

THE USE OF NON U.L. PARTS WILL VOID ANY U.L. LISTING.

When ordering parts, please specify the model and serial number of the product.

\* Indicates a component that is not available as an individual part.

\*\*\* Indicates consult Customer Service Department for additional information.

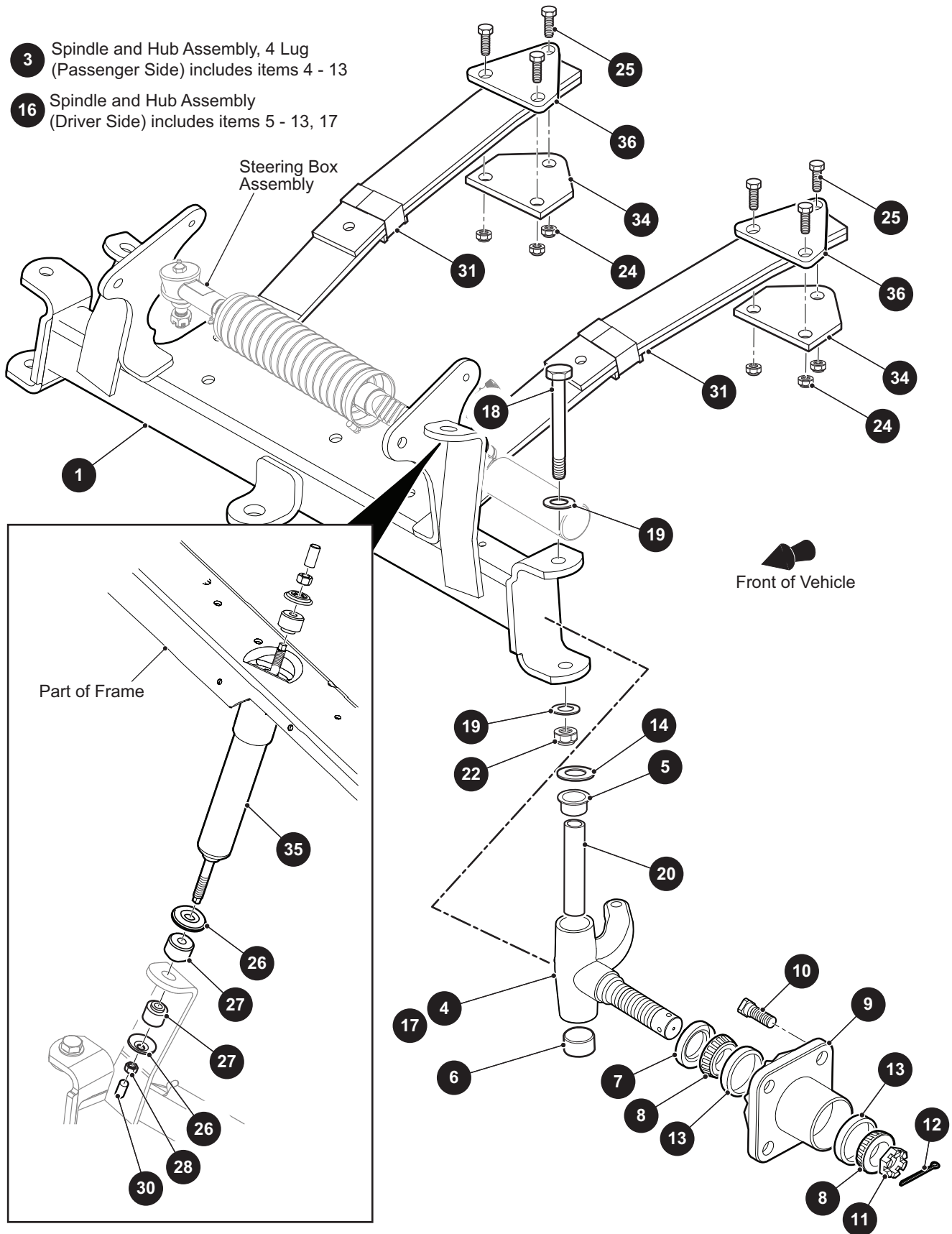
ITEM	PART NO.	1 2 3 4 5	DESCRIPTION	QTY.
1	630776		Engine Pan .....	1
2	606259		Flanged Hex Head Bolt, M10 - 1.25 x 45mm Lg, Grade 8.8 .....	4
3				
4	606256		Flanged Hex Head Bolt, M10 - 1.25 x 25mm Lg, Grade 8.8 .....	4
5	603823		Flat Washer, M10 .....	4
6	606279		Flanged Hex Nut, M10 - 1.25 .....	4
7				
8	662794		Front Mount Bracket Assembly (includes Items 9 - 13).....	1
9	625345		Front Mount Bracket .....	1
10	605757		Rubber Bumper .....	2
11	00974G01		Hex Nut, M10 - 1.5 .....	2
12	608654		Lock Washer (Split), 10mm .....	2
13	692754		Tube Clamp (Wide), 1" .....	1
14	72016G01		Tube Spacer.....	1
15	11098G5		Lock Nut, 3/8" - 16 .....	1
16	01109G01		Lock Nut, 5/16" - 18 .....	1
17	00643G1		Flat Washer, 3/8" .....	1
18	00559G8		Flat Washer, 5/16" .....	1
19	00438G7		Hex Head Bolt, 5/16" - 18 x 7/8" Lg, Grade 5 .....	1
20	00428G8		Hex Head Bolt, 3/8" - 16 x 2.75" Lg .....	1
21	652247		Crossmember Brace .....	1





# FRONT SUSPENSION AND STEERING

- 3** Spindle and Hub Assembly, 4 Lug  
(Passenger Side) includes items 4 - 13
- 16** Spindle and Hub Assembly  
(Driver Side) includes items 5 - 13, 17



## FRONT SUSPENSION AND STEERING

THE USE OF NON U.L. PARTS WILL VOID ANY U.L. LISTING.

When ordering parts, please specify the model and serial number of the product.

\* Indicates a component that is not available as an individual part.

\*\*\* Indicates consult Customer Service Department for additional information.

ITEM	PART NO.	1 2 3 4 5	DESCRIPTION	QTY.
1	655374		Front Axle, Wide.....	1
2				
3	70942G03		Spindle and Hub Assembly, 4 Lug (Passenger Side) (Includes Items 4 - 13)..	1
4	70940G02		Spindle Assembly .....	1
5	632925		Flanged Bushing, O.D 35mm x I.D 25mm .....	1
6	632926		Bearing, O.D 28mm.....	1
7	25146G1		Grease Seal.....	1
8	11750G2		Roller Bearing And Race Assembly .....	2
9	70589G01		Wheel Hub .....	1
10	19862G1		Wheel Hub Bolt, 1/2" - 20 x 1.218" Lg .....	4
11	12093G1		Slotted Nut, #1 - 14.....	1
12	00798G8		Cotter Pin, 5/32" x 1 3/4" Lg .....	1
13	51141G1		Race Bearing.....	2
14	70754G01		Thrust Washer (SS), 1.3" .....	1
15				
16	70673G03		Spindle and Hub Assembly, 4 Lug (Driver Side) (Includes Items 5 - 13, 17) ...	1
17	70742G02		Spindle Assembly .....	1
18	00407G6		Hex Head Bolt, 1/2" - 13 x 6" Lg, Grade 5 .....	1
19	00560G3		Flat Washer, 1/2" .....	2
20	70745G01		King Pin Tube.....	1
21				
22	14390G6		Lock Nut, 1/2" - 13 .....	1
23				
24	00734G1		Lock Nut, 7/16" - 14 .....	6
25	650940		Hex Head Bolt, 7/16" - 14 x 2" Lg .....	6
26	10435G1		Shock Absorber Washer .....	4
27	10194G1		Rubber Shock Absorber Bushing.....	4
28	00532G6		Hex Nut, 1/4" - 20.....	2
29				
30	10044G01		Vinyl Cap.....	2
31	657022		Leaf Spring, 180 lbs .....	2

# FRONT SUSPENSION AND STEERING

THE USE OF NON U.L. PARTS WILL VOID ANY U.L. LISTING.

When ordering parts, please specify the model and serial number of the product.

\* Indicates a component that is not available as an individual part.

\*\*\* Indicates consult Customer Service Department for additional information.

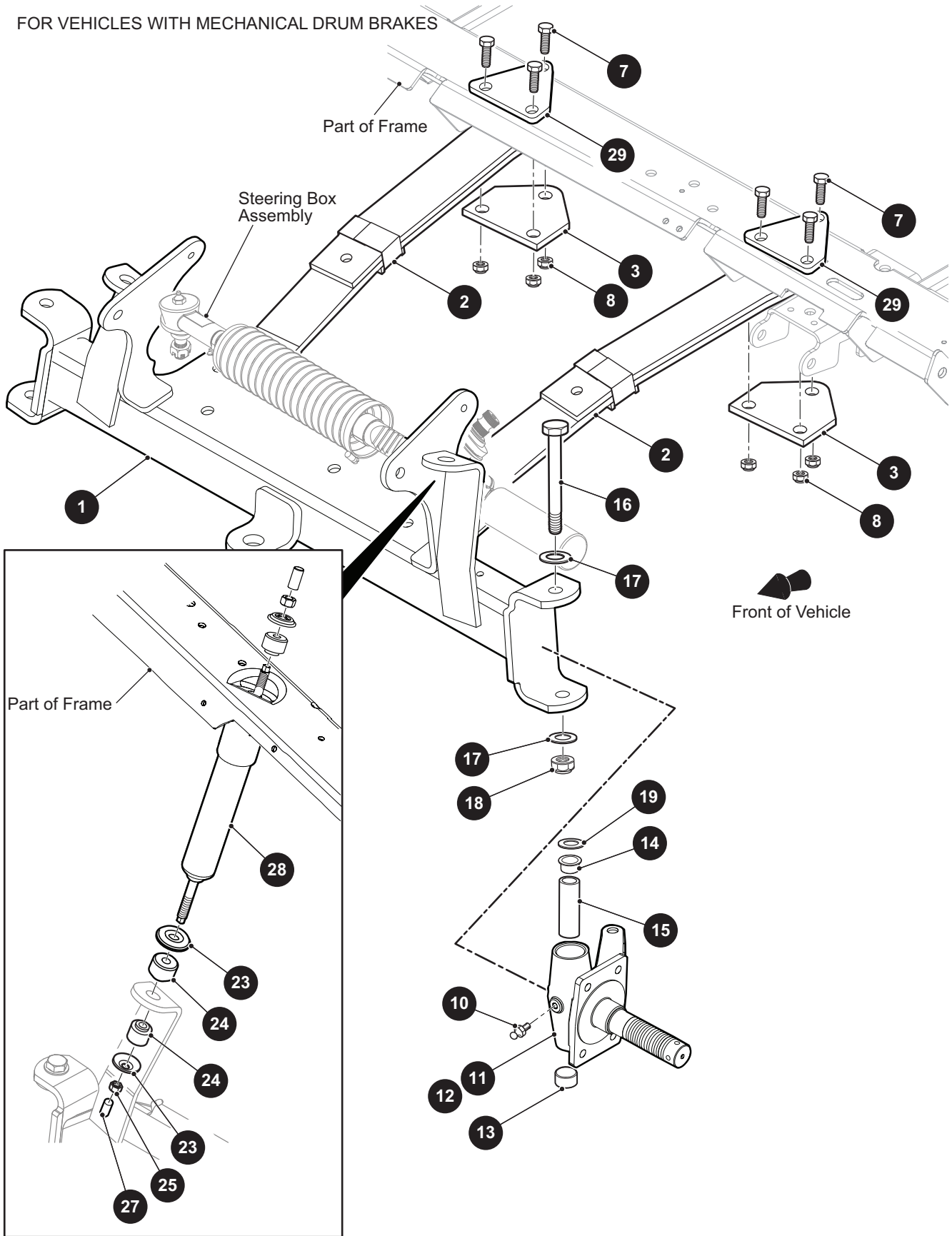
ITEM	PART NO.	1 2 3 4 5	DESCRIPTION	QTY.
32				
33				
34	652258		Spring Plate .....	2
35	76419G01		Shock Absorber .....	1
36	658891		Front Suspension Upper Plate .....	2





# FRONT SUSPENSION AND STEERING

FOR VEHICLES WITH MECHANICAL DRUM BRAKES



## FRONT SUSPENSION AND STEERING

THE USE OF NON U.L. PARTS WILL VOID ANY U.L. LISTING.

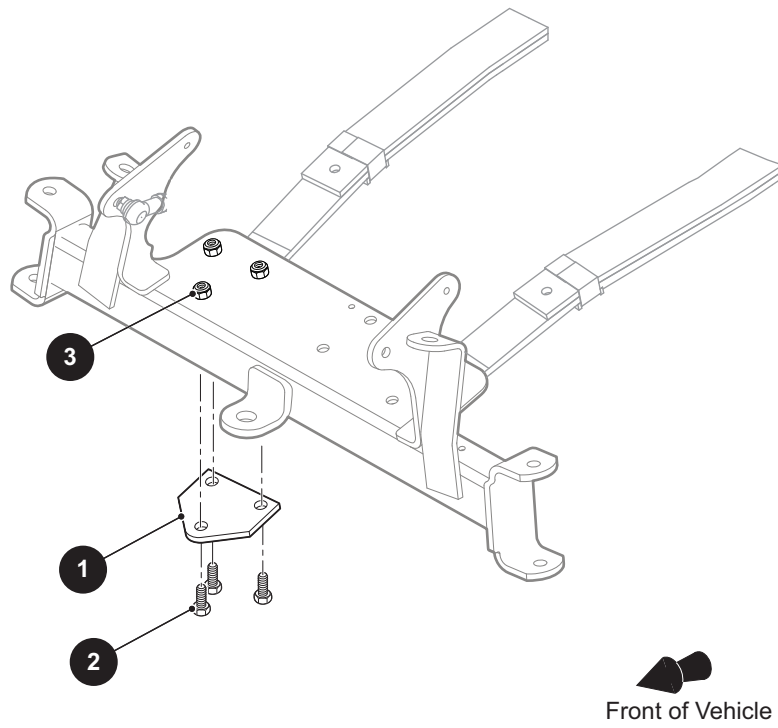
When ordering parts, please specify the model and serial number of the product.

\* Indicates a component that is not available as an individual part.

\*\*\* Indicates consult Customer Service Department for additional information.

ITEM	PART NO.	1 2 3 4 5	DESCRIPTION	QTY.
1	652465		Front Axle, Narrow .....	1
2	657022		Leaf Spring, 180 lbs .....	2
3	652258		Spring Plate.....	2
4				
5				
6				
7	650940		Hex Head Bolt, 7/16" - 14 x 2" Lg .....	6
8	00734G1		Lock Nut, 7/16" - 14 .....	6
9				
10	10389G3		Grease Fitting .....	1
11	674883		Spindle (Passenger Side) .....	1
12	674927		Spindle (Driver Side) .....	1
13	632926		Sleeve Bushing, 28mm O.D. x 25mm I.D. x 15mm Lg .....	1
14	632925		Flanged Bushing 28mm O.D. x 25mm I.D. x 16.5mm Lg .....	1
15	70745G01		King Pin Tube.....	1
16	00407G6		Hex Head Bolt, 1/2" - 13 x 6" Lg, Grade 5 .....	1
17	00560G3		Flat Washer, 1/2" .....	2
18	14390G6		Lock Nut, 1/2" - 13 .....	1
19	70754G01		Thrust Washer (SS), 1.3" .....	1
20				
21				
22				
23	10435G1		Shock Absorber Washer .....	4
24	10194G1		Rubber Shock Absorber Bushing.....	4
25	00532G6		Hex Nut, 1/4" - 20.....	2
26				
27	10044G01		Vinyl Cap.....	2
28	76419G01		Shock Absorber.....	1
29	658891		Front Suspension Upper Plate .....	2

# FRONT SUSPENSION AND STEERING



## FRONT SUSPENSION AND STEERING

THE USE OF NON U.L. PARTS WILL VOID ANY U.L. LISTING.

When ordering parts, please specify the model and serial number of the product.

\* Indicates a component that is not available as an individual part.

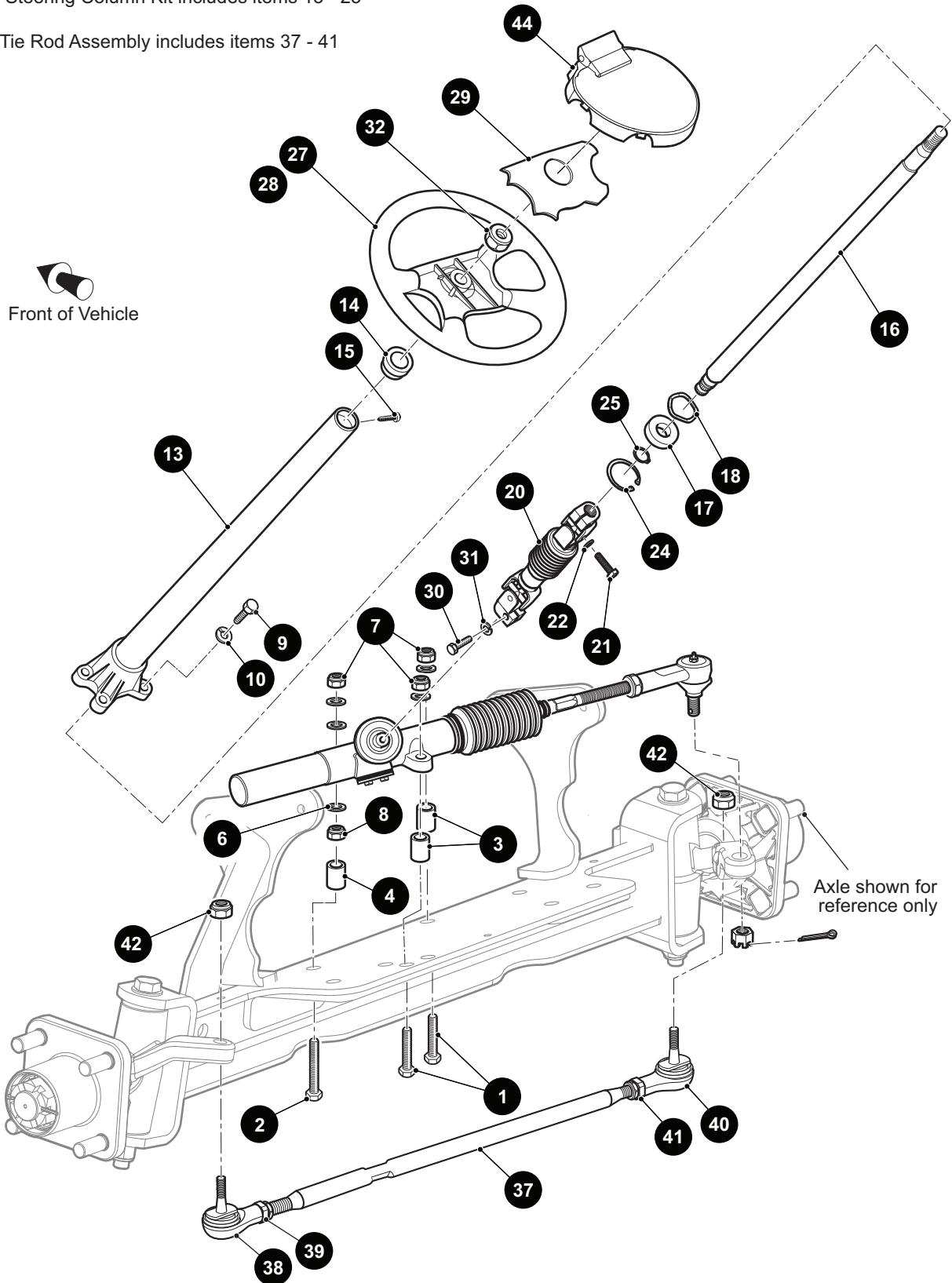
\*\*\* Indicates consult Customer Service Department for additional information.

ITEM	PART NO.	1 2 3 4 5	DESCRIPTION	QTY.
1	652258		Spring Plate.....	2
2	00463G11		Hex Head Bolt, 7/16" - 14 x 1 3/4" Lg, Grade 5 .....	5
3	00734G1		Lock Nut, 7/16" - 14 .....	5

# FRONT SUSPENSION AND STEERING

12 Steering Column Kit includes items 13 - 25

36 Tie Rod Assembly includes items 37 - 41



## FRONT SUSPENSION AND STEERING

THE USE OF NON U.L. PARTS WILL VOID ANY U.L. LISTING.

When ordering parts, please specify the model and serial number of the product.

\* Indicates a component that is not available as an individual part.

\*\*\* Indicates consult Customer Service Department for additional information.

ITEM	PART NO.	1 2 3 4 5	DESCRIPTION	QTY.
1	00464G8		Hex Head Bolt, 7/16" - 14 x 2 3/4" Lg, Grade 5 .....	2
2	01068G01		Hex Head Bolt, 7/16" - 14 x 3.5" Lg, Grade 5 .....	1
3	70667G02		Spacer, 1.2" Lg .....	2
4	70667G04		Spacer, .69" Lg.....	1
5				
6	00560G2		Flat Washer, 7/16" .....	7
7	00734G1		Lock Nut, 7/16" - 14 .....	3
8	00532G7		Hex Nut, 1/4" - 20.....	1
9	01006G01		Hex Washer Head Bolt, 3/8" - 16 x 1 1/4" Lg .....	4
10	00879G1		Lock Washer, 3/8" .....	4
11				
12	70758G05		Steering Column Assembly (Includes Items 13 - 25) .....	1
13	70610G03		Steering Column .....	1
14	28569G01		Steering Column Bushing.....	1
15	01022G01		Hex Washer Head Bolt, #6 - 20 x 5/16" Lg.....	1
16	70607G01		Steering Shaft.....	1
17	15112G1		Ball Bearing, O.D. 1.65" x I.D .78" .....	1
18	70887G01		Wave Washer .....	1
19				
20	70580G01		Intermediate Shaft .....	1
21	01055G01		Hex Head Bolt, M8 - 1.25 x 30mm Lg .....	1
22	00565G8		Lock Washer, 5/16" .....	2
23				
24	70751G01		Retaining Ring (Internal).....	1
25	70888G01		Retaining Ring (External) .....	1
26				
27	602980		Steering Wheel (Premium).....	1
28	602979		Steering Wheel.....	1
29	71147G01		Steering Wheel Cover .....	1
30	01055G01		Hex Head Bolt, M8 - 1.25 x 30mm Lg, Grade 5 .....	1
31	00565G8		Lock Washer, 5/16" .....	2

## FRONT SUSPENSION AND STEERING

THE USE OF NON U.L. PARTS WILL VOID ANY U.L. LISTING.

When ordering parts, please specify the model and serial number of the product.

\* Indicates a component that is not available as an individual part.

\*\*\* Indicates consult Customer Service Department for additional information.

ITEM	PART NO.	1 2 3 4 5	DESCRIPTION	QTY.
32	14390G2		Lock Nut, 5/8" - 18 .....	1
33				
34				
35				
36	74604G01		Tie Rod Assembly, 22.12" Lg (Includes Items 37 - 41) .....	1
37	74603G01		Threaded Rod (29.4" Lg) .....	1
38	70902G01		Tie Rod End (Left Hand Threads) .....	1
39	01069G01		Jam Nut, M12 x 1.25 - 05 (Left Hand Threads).....	1
40	70902G02		Tie Rod End (Right Hand Threads).....	1
41	01069G02		Jam Nut, M12 x 1.25 - 05 (Right Hand Threads) .....	1
42	00734G1		Lock Nut, 7/16" - 14 .....	2
43				
44	652801		Scorecard Holder.....	1

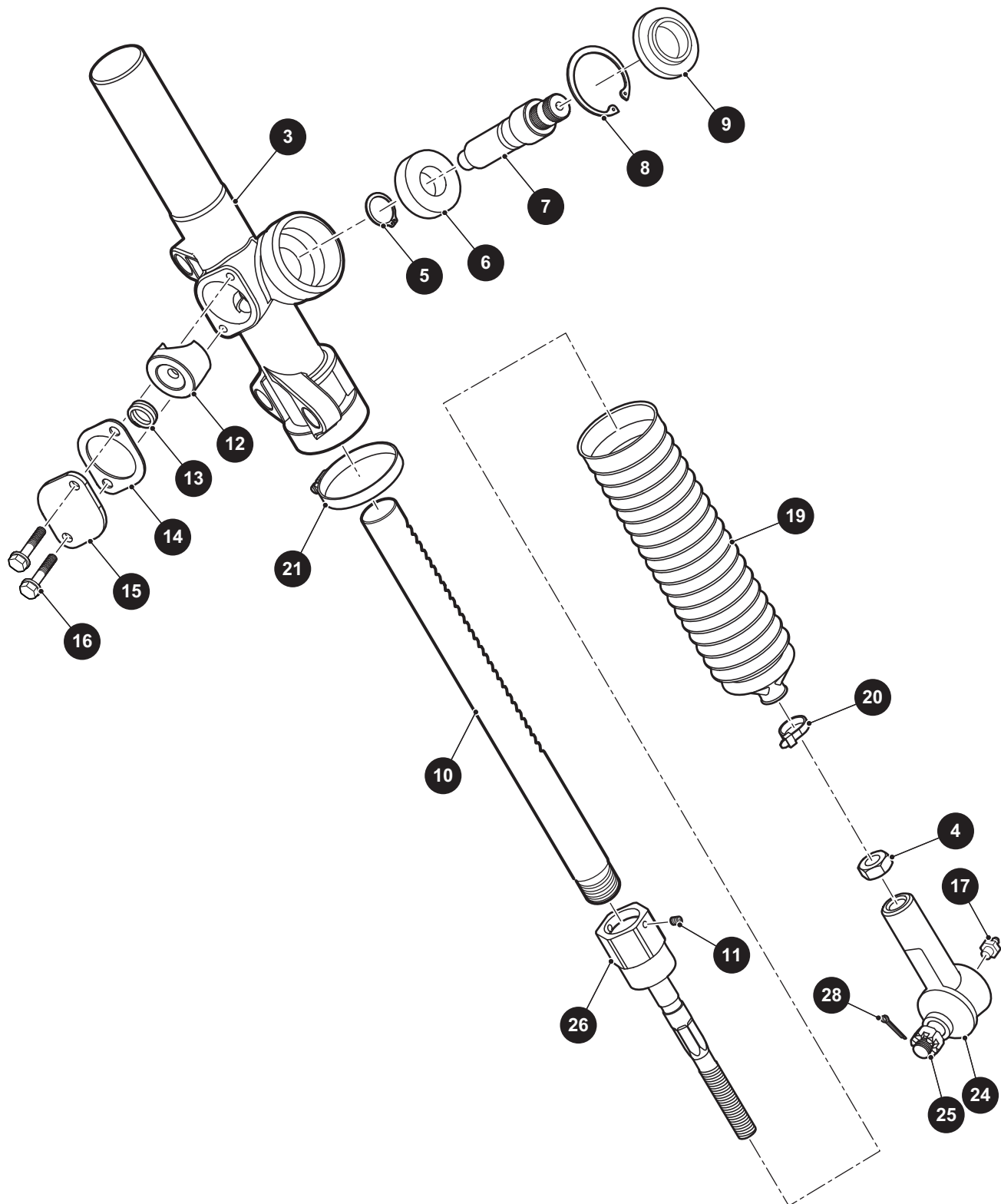




# FRONT SUSPENSION AND STEERING

1 Steering Box Assembly includes items 3 - 26

23 Rack Ball Joint includes items 24 - 25



## FRONT SUSPENSION AND STEERING

THE USE OF NON U.L. PARTS WILL VOID ANY U.L. LISTING.

When ordering parts, please specify the model and serial number of the product.

\* Indicates a component that is not available as an individual part.

\*\*\* Indicates consult Customer Service Department for additional information.

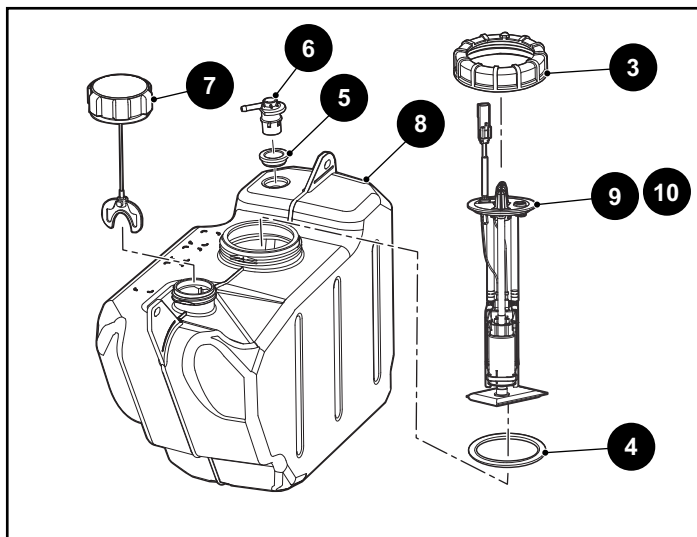
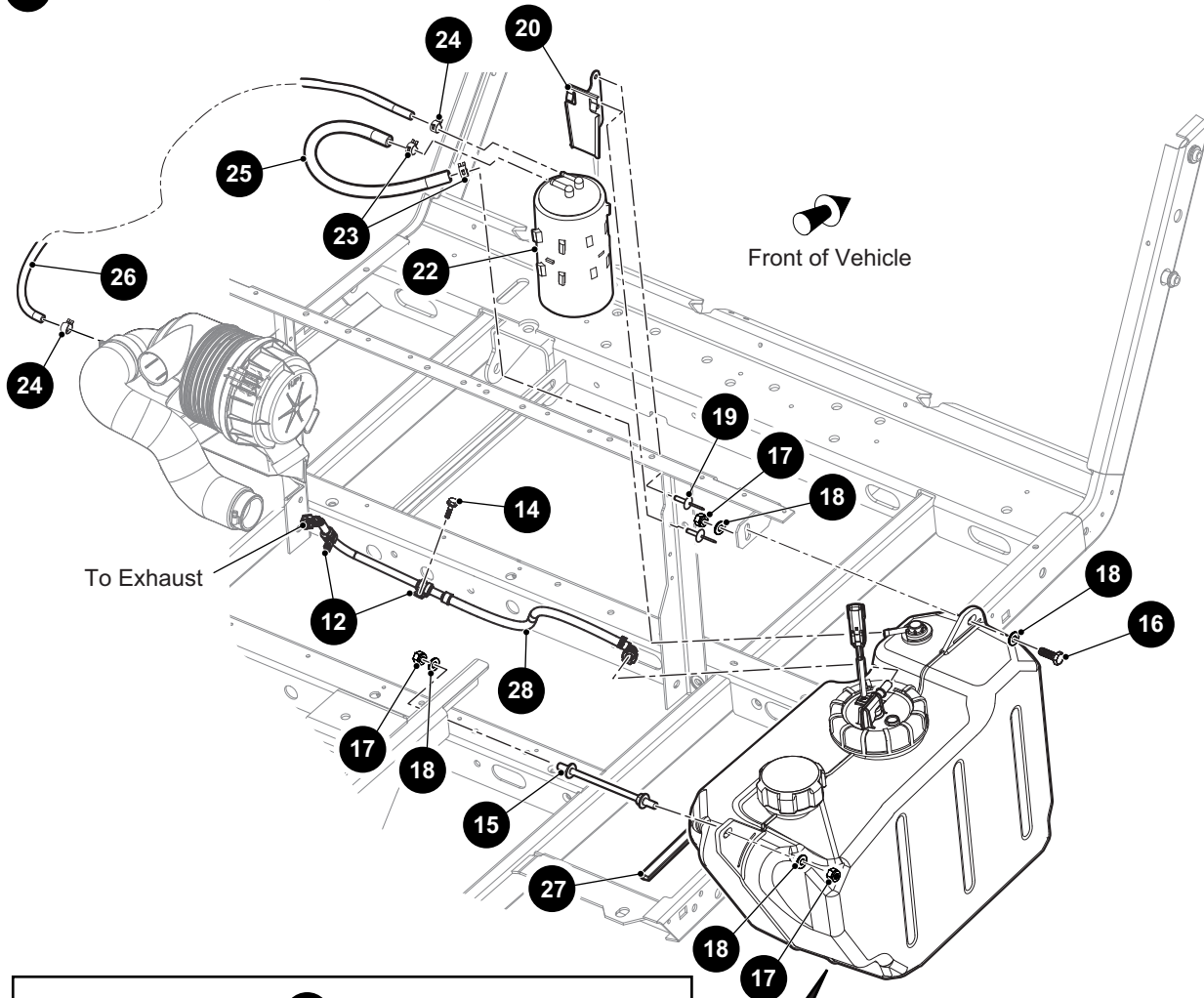
ITEM	PART NO.	1 2 3 4 5	DESCRIPTION	QTY.
1	74605G01		Steering Box Assembly (Includes Items 3 - 26) .....	1
2				
3	70965G01		Steering Rack Cover and Bearing .....	1
4	*		Jam Nut, 1/2" - 20 .....	1
5	70750G01		Retaining Ring (External) .....	1
6	15112G1		Ball Bearing .....	1
7	70603G01		Pinion .....	1
8	70751G01		Retaining Ring (Internal) .....	1
9	70638G01		Seal (Pinion) .....	1
10	70604G01		Steering Rack .....	1
11	*		Set Screw, #10 - 32 x .25" Lg .....	1
12	70590G01		Rack Loader .....	1
13	70666G01		Compression Spring .....	1
14	70645G01		Gasket (Rack Loader Cover) .....	1
15	652259		Cover (Rack Loader) .....	1
16	71102G01		Hex Washer Head Bolt, 1/4" - 20 x 11/16" Lg .....	2
17	10389G3		Grease Fitting (Straight) .....	1
18				
19	70961G01		Rack Boot .....	1
20	12416G2		Nylon Clamp, 10" Lg .....	1
21	11391G8		Hose Clamp, 1.81" .....	1
22				
23	70695G01		Tie Rod End (Outer) (Includes Items 24 - 25) .....	1
24	50641G1		Grommet .....	1
25	50209G2		Hex Slotted Nut, 7/16" - 20 .....	1
26	74602G01		Rod End (Inner) .....	1
27				
28	10387G2		Cotter Pin, 3/32" x 1" .....	1





# FUEL SYSTEM

- 1 Fuel Tank Assembly includes items 3 - 9
- 2 Fuel Tank Assembly includes items 3 - 8, 10
- 21 Carbon Canister Assembly includes items 22 - 26



THE USE OF NON U.L. PARTS WILL VOID ANY U.L. LISTING.

When ordering parts, please specify the model and serial number of the product.

\* Indicates a component that is not available as an individual part.

\*\*\* Indicates consult Customer Service Department for additional information.

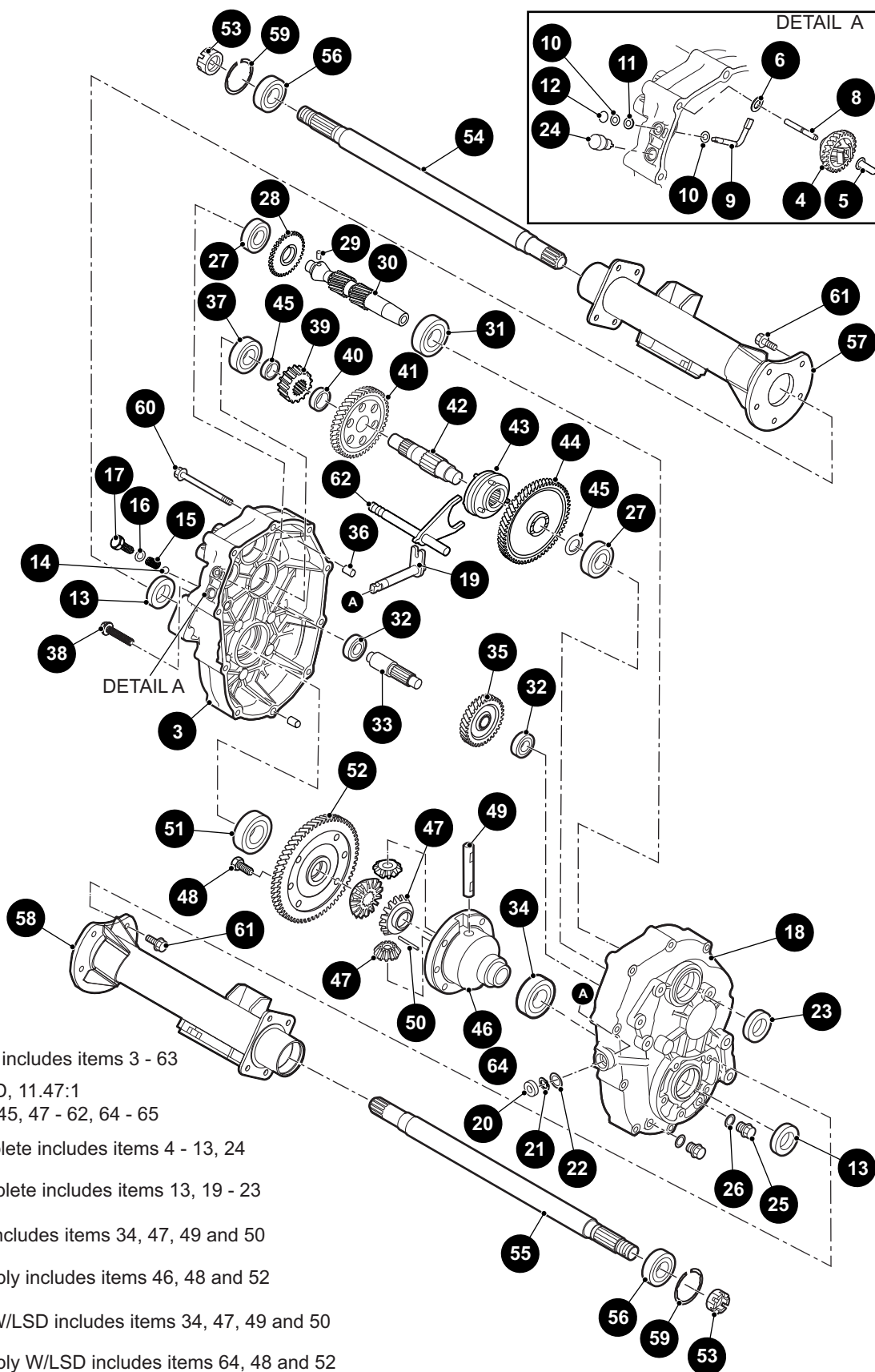
ITEM	PART NO.	1 2 3 4 5	DESCRIPTION	QTY.
1	646825		Fuel Tank Assembly (with Sender Unit) (Includes Items 3 - 9).....	1
2	646824		Fuel Tank Assembly (without Sender Unit) (Includes Items 3 - 8, 10).....	1
3	646837		Fuel Pump Lid .....	1
4	646838		Seal .....	1
5	647810		Grommet.....	1
6	647809		Rollover Valve.....	1
7	670898		Fuel Cap .....	1
8	646306		Fuel Tank .....	1
9	646353		Fuel Pickup with Sender Assembly .....	1
10	646352		Fuel Pickup without Sender Assembly .....	1
11				
12	664747		Tube Clamp, .5" .....	2
13	602409		Barrel Clip, M6 - 1 (Not Illustrated).....	2
14	606264		Flanged Hex Head Bolt, M6 - 1 x 20mm Lg, Grade 8.8 .....	2
15	70483G01		Spacer, 5/16" - 18 .....	1
16	00438G8		Hex Head Bolt, 5/16" - 18 x 1" Lg, Grade 5 .....	1
17	11098G6		Lock Nut, 5/16" - 18 .....	3
18	00559G8		Flat Washer, 5/16" .....	4
19	10570G11		Rivet, 3/16" Dia x .70" .....	2
20	606310		Carbon Canister Mounting Bracket .....	1
21	662807		Carbon Canister Assembly (Includes Items 22 - 26) .....	1
22	606071		Carbon Canister .....	1
23	18292G1		Clamp, 1/2" O.D.....	2
24	606963		Clamp, 3/16" I.D .....	2
25	27184G14		Fuel System Tube.....	1
26	662608		Hose, 3/16" I.D. x 37" Lg .....	1
27	32372G6		Vinyl Trim, 6.25" Lg .....	1
28	666351		Fuel Hose Assembly .....	1







# REAR AXLE



- 1 Rear Axle, 11.47:1 includes items 3 - 63
- 2 Rear Axle with LSD, 11.47:1 includes items 3 - 45, 47 - 62, 64 - 65
- 3 Axle Case L Complete includes items 4 - 13, 24
- 18 Axle Case R Complete includes items 13, 19 - 23
- 46 Differential Case includes items 34, 47, 49 and 50
- 63 Differential Assembly includes items 46, 48 and 52
- 64 Differential Case W/LSD includes items 34, 47, 49 and 50
- 65 Differential Assembly W/LSD includes items 64, 48 and 52

THE USE OF NON U.L. PARTS WILL VOID ANY U.L. LISTING.

When ordering parts, please specify the model and serial number of the product.

\* Indicates a component that is not available as an individual part.

\*\*\* Indicates consult Customer Service Department for additional information.

ITEM	PART NO.	1 2 3 4 5	DESCRIPTION	QTY.
1	670468		Rear Axle, 11.47:1 (Includes Items 3 - 63) .....	1
2	670470		Rear Axle with LSD, 11.47:1 (Includes Items 3 - 45, 47 - 62, 64 - 65) .....	1
3	639859		Axle Case L Complete (Includes Items 4 - 13, 24) .....	1
4	665887		Governor Gear .....	1
5	639689		Governor Sleeve .....	1
6	607904		Flat Washer .....	2
7	607905		Thrust Bearing.....	1
8	639698		Governor Gear Shaft.....	1
9	639707		Governor Shaft.....	1
10	639736		Flat Washer, 6mm .....	2
11	607911		Oil Seal, 6 x 10 x 2.5mm .....	1
12	607913		Retaining Ring, E5 .....	1
13	639738		Oil Seal, 24 x 40 x 9mm .....	2
14	26818G01		Steel Ball .....	1
15	26819G01		Spring .....	1
16	26831G01		Gasket,10 .....	1
17	26820G01		Flanged Hex Head Bolt, M10 - 1.25 x 12mm Lg .....	1
18	639865		Axle Case R Complete (Includes Items 13, 19 - 23) .....	1
19	639746		Select Shaft.....	1
20	607915		Oil Seal, 13 x 22 x 5mm .....	1
21	607916		Snap Ring, 13mm .....	1
22	607917		Spacer, 13 x 1mm .....	1
23	640093		Oil Seal, 28 x 47 x 9mm .....	1
24	607919		Air Breather .....	1
25	639747		Oil Drain Plug .....	2
26	639748		Gasket, 14mm .....	2
27	26785G01		Ball Bearing (6204).....	2
28	665888		Governor Gear,34.....	1
29	607920		Pin, 6 x 12l.....	1
30	639750		Input Shaft .....	1
31	607922		Ball Bearing (62/28).....	1

# REAR AXLE

THE USE OF NON U.L. PARTS WILL VOID ANY U.L. LISTING.

When ordering parts, please specify the model and serial number of the product.

\* Indicates a component that is not available as an individual part.

\*\*\* Indicates consult Customer Service Department for additional information.

ITEM	PART NO.	1	2	3	4	5	DESCRIPTION	QTY.
32	639868						Ball Bearing (TMB202).....	2
33	639755						Counter Shaft.....	1
34	640744						Ball Bearing (6006) .....	1
35	639758						Gear,34 .....	1
36	639869						Knock Pipe .....	2
37	639760						Ball Bearing (6304) .....	2
38	639768						Flanged Hex Head Bolt, M8 - 1.25 x 40mm Lg.....	1
39	639769						Gear, 17 .....	1
40	28689G01						Collar, 24 x 7.5mm .....	1
41	639771						Gear, 52 .....	1
42	670697						Center Shaft.....	1
43	639774						Clutch Pin.....	1
44	670696						Gear, 61 .....	1
45	639797						Spacer, 20 x 2mm .....	2
46	639872						Differential Case (Includes Items 34, 47, 49 and 50).....	1
47	639800						Differential Pair Gear.....	1
48	26808G01						Hex Head Bolt, M10 - 1.25 x 26mm Lg .....	6
49	28723G01						Differential Shaft.....	1
50	28697G01						Spring Pin, 4 x 40l.....	1
51	639801						Ball Bearing (6007) .....	1
52	640739						Gear, 60 Complete (Includes Item 51).....	1
53	607938						Castle Nut, M22 - 1.5 .....	2
54	639876						Axle Shaft L Complete (Includes Item 56).....	1
55	639881						Axle Shaft R Complete (Includes Item 56) .....	1
56	639836						Ball Bearing (6205DD).....	2
57	607939						Axle Case L Complete .....	1
58	607940						Axle Case R Complete.....	1
59	26814G01						Snap Ring, 52mm .....	2
60	639839						Flanged Hex Head Bolt, M8 - 1.25 x 60mm Lg.....	9
61	639840						Flanged Hex Head Bolt, M10 - 1.25 x 25mm Lg.....	10
62	639844						Shift Shaft Complete .....	1

THE USE OF NON U.L. PARTS WILL VOID ANY U.L. LISTING.

When ordering parts, please specify the model and serial number of the product.

\* Indicates a component that is not available as an individual part.

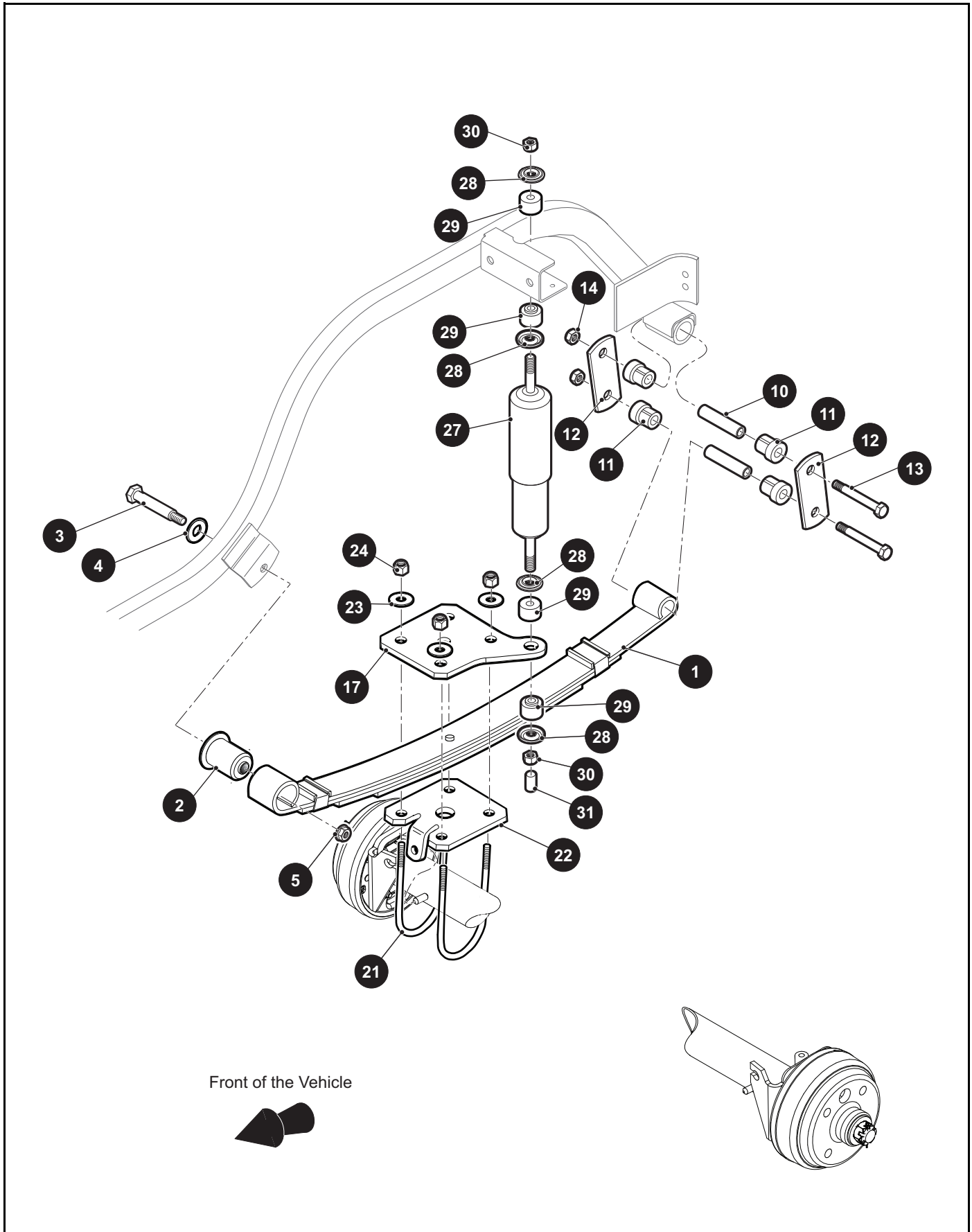
\*\*\* Indicates consult Customer Service Department for additional information.

ITEM	PART NO.	1 2 3 4 5	DESCRIPTION	QTY.
63	639847		Differential Assembly (Includes Items 46, 48 and 52).....	1
64	640098		Differential Case with LSD (Includes Items 34, 47, 49 and 50).....	1
65	639847		Differential Assembly with LSD (Includes Items 64, 48 and 52) .....	1





# REAR SUSPENSION





## REAR SUSPENSION

THE USE OF NON U.L. PARTS WILL VOID ANY U.L. LISTING.

When ordering parts, please specify the model and serial number of the product.

\* Indicates a component that is not available as an individual part.

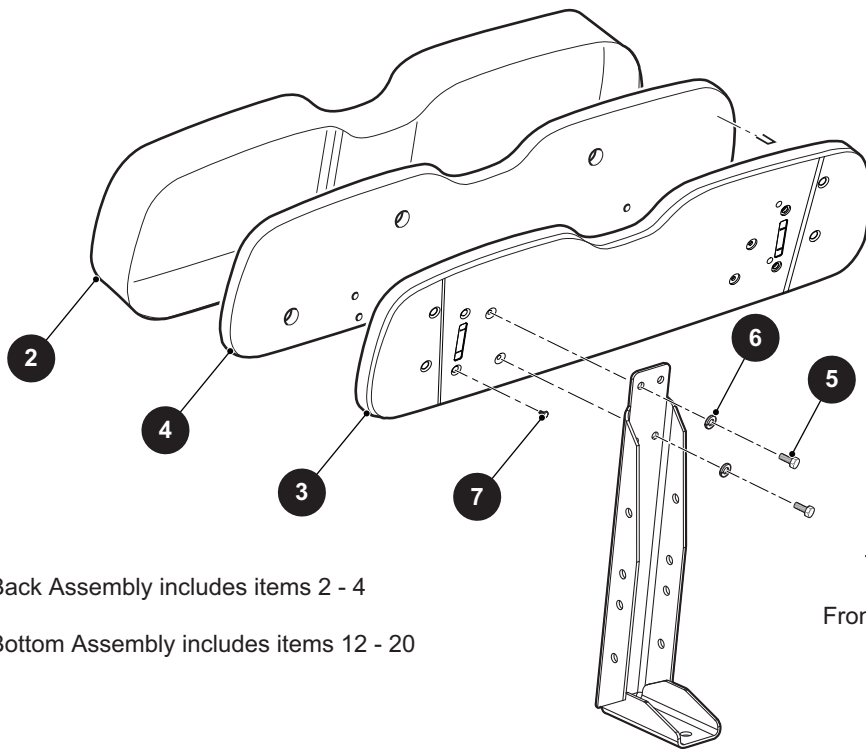
\*\*\* Indicates consult Customer Service Department for additional information.

ITEM	PART NO.	1 2 3 4 5	DESCRIPTION	QTY.
1	605721		Heavy Duty Leaf Spring .....	2
2	605445		Leaf Spring Bushing, Front .....	2
3	00665G9		Hex Head Bolt (SS), 3/8" - 16 x 3.5 Lg .....	2
4	00643G1		Flat Washer, .411 I.D. x 1.00 O.D. x.06.....	2
5	12262G1		Flanged Lock Nut, 3/8" - 16 .....	2
6				
7				
8				
9				
10	70289G02		Split Steel Spacer.....	4
11	624030		Flanged Bushing .....	8
12	652245		Shackle Plate .....	4
13	00665G9		Hex Head Bolt (SS), 3/8" - 16 x 3.5 Lg .....	4
14	11098G5		Lock Nut, 3/8" - 16 .....	4
15				
16				
17	605977		Rear Suspension Plate .....	2
18				
19				
20				
21	32195G3		U-bolt, 3/8" - 16 x 5" x 2.875" x 2" .....	4
22	652580		Rear Suspension Plate .....	2
23	00643G1		Flat Washer, .411 I.D. x 1.00 O.D. x .06.....	8
24	11098G5		Lock Nut, 3/8" - 16 .....	8
25				
26				
27	642085		Shock Absorber.....	2
28	10435G1		Shock Absorber Washer .....	8
29	10194G1		Rubber Shock Bushing .....	8
30	00532G6		Hex Nut, 3/8" - 24.....	4
31	10044G01		Vinyl Cap.....	2



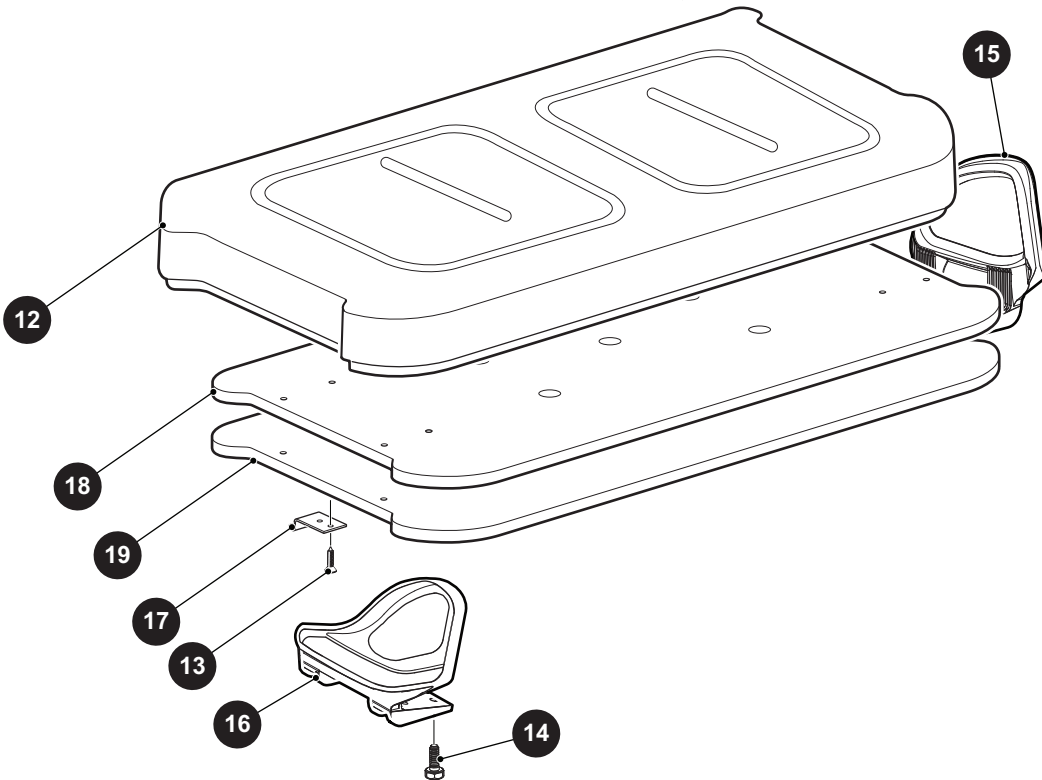


# SEATING



**1** Seat Back Assembly includes items 2 - 4

**11** Seat Bottom Assembly includes items 12 - 20



THE USE OF NON U.L. PARTS WILL VOID ANY U.L. LISTING.

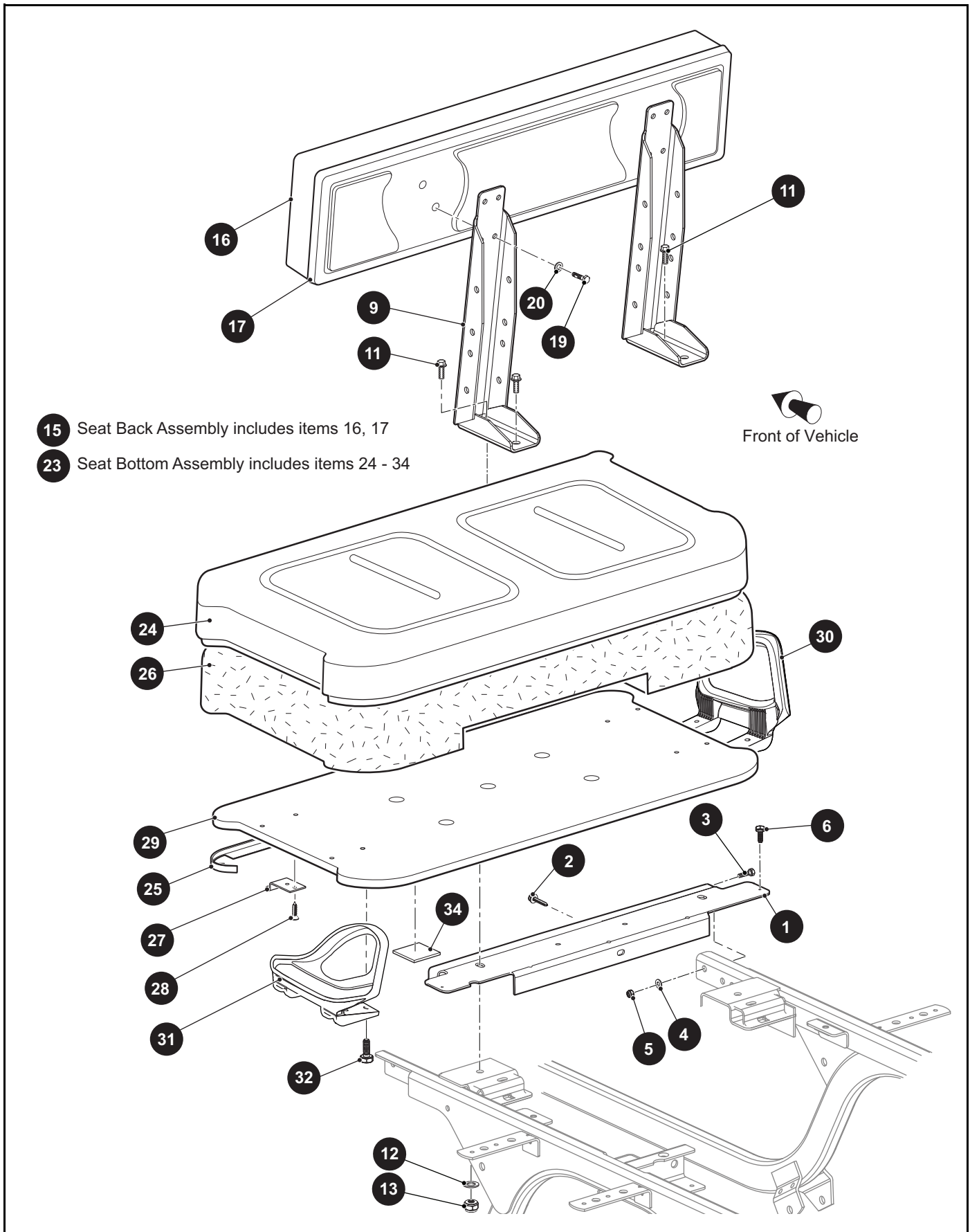
When ordering parts, please specify the model and serial number of the product.

\* Indicates a component that is not available as an individual part.

\*\*\* Indicates consult Customer Service Department for additional information.

ITEM	PART NO.	1 2 3 4 5	DESCRIPTION	QTY.
1	641897G00**		Seat Back Assembly (Includes Items 2 - 4)..... 641897G0001 Oyster 641897G0002 Stone Beige 641897G0006 Black 641897G0004 Gray	1
2	644820G**		Vinyl Seat Back Cover ..... 644820G01 Oyster 644820G02 Stone Beige 644820G06 Black 644820G04 Gray	1
3	605529		Seat Back Cover.....	1
4	644268		Seat Back Hip Base.....	1
5	605056		Hex Head Bolt (SS), 1/4" - 20 x 1" Lg .....	2
6	00664G7		Lock Washer, 1/4" .....	2
7	617533		Push Rivet.....	4
8				
9				
10				
11	629269G15**		Seat Bottom Assembly (Includes Items 12 - 20) ..... 629269G1501 Oyster 629269G1502 Stone Beige 629269G1506 Black 629269G1504 Gray	1
12	644819G**		Viny Seat Bottom Cover ..... 644819G01 Oyster 644819G02 Stone Beige 644819G06 Black 644819G04 Gray	1
13	00720G08		Flat Head Phillips Tapping Screw, #12 - 14 x 1" Lg .....	6
14	615417		Button Head Torx Bolt, M10 - 1.5 x 25mm Lg.....	8
15	617644		Hip Restraint (Passenger Side) .....	1
16	617645		Hip Restraint (Driver Side).....	1
17	71610G01		Seat Hinge.....	2
18	644351		Seat Bottom Wood Assembly .....	1
19	602551		Seat Bottom Cover .....	1
20	16816G2		Ratchet Rivet, .25" x .887" (Not Illustrated) .....	4

# SEATING



THE USE OF NON U.L. PARTS WILL VOID ANY U.L. LISTING.

When ordering parts, please specify the model and serial number of the product.

\* Indicates a component that is not available as an individual part.

\*\*\* Indicates consult Customer Service Department for additional information.

ITEM	PART NO.	1 2 3 4 5	DESCRIPTION	QTY.
1	666894G01		Seat Back Support .....	1
2	00715G2		Hex Washer Head Bolt, 5/16" - 18 x .875" Lg .....	1
3	00438G8		Hex Bolt, 5/16" - 18 x 3/4" Lg, Grade 5 .....	2
4	00642G8		Lock Washer, 5/16" .....	2
5	11098G6		Lock Nut, 5/16" - 18 .....	2
6	01006G01		Hex Washer Head Thread Forming Screw, 3/8" - 16 x 1 1/4" Lg.....	2
7				
8				
9	652243G03		Seat Back Support Bracket .....	1
10				
11	00427G2		Hex Head Bolt, 3/8" - 16 x 1 1/4" Lg, Grade 5 .....	2
12	00560G1		Lock Washer, 3/8" .....	1
13	11098G5		Lock Nut, 3/8" - 16 .....	1
14				
15	71274G**		Seat Back Assembly (Includes Items 16, 17)..... 71274G01 White 71274G02 Black 71274G03 Tan 71274G04 Gray 71274G05 Oyster 71274G07 Brown	1
16	18144G**		Vinyl Seat Back Cover .....	1
			18144G2 White 18144G3 Black 18144G4 Tan 18144G5 Gray 18144G6 Oyster 18144G8 Brown	
17	74889G01		Plastic Seat Back Cover (Black) .....	1
18				
19	605056		Hex Head Bolt (SS), 1/4" - 20 x 1" Lg .....	2
20	00664G7		Lock Washer, 1/4" .....	2
21				
22				

# SEATING

THE USE OF NON U.L. PARTS WILL VOID ANY U.L. LISTING.

When ordering parts, please specify the model and serial number of the product.

\* Indicates a component that is not available as an individual part.

\*\*\* Indicates consult Customer Service Department for additional information.

ITEM	PART NO.	1	2	3	4	5	DESCRIPTION	QTY.
23	629269G01**						Seat Bottom Assembly (Includes Items 24 - 34)..... 629269G0101 Oyster 629269G0103 Tan 629269G0104 Gray 629269G0105 White 629269G0106 Black 629269G0107 Brown	1
24	71602G**						Vinyl Seat Bottom Cover ..... 71602G01 White 71602G02 Gray 71602G03 Oyster 71602G04 Tan 71602G06 Black 71602G07 Brown	1
25	71012G01						Vinyl Trim (Seat Bottom) .....	1
26	71603G02						Foam Padding (Seat Bottom).....	1
27	71610G01						Seat Hinge .....	2
28	00720G08						Flat Head Phillips Tapping Screw, #12 - 14 x 1" Lg.....	6
29	645492						Seat Bottom .....	1
30	617644						Hip Restraint (Passenger Side).....	1
31	617645						Hip Restraint (Driver Side) .....	1
32	615417						Button Head Torx Bolt, M10 - 1.5 x 25mm Lg .....	8
33								
34	17074G1						Rubber Pad .....	2

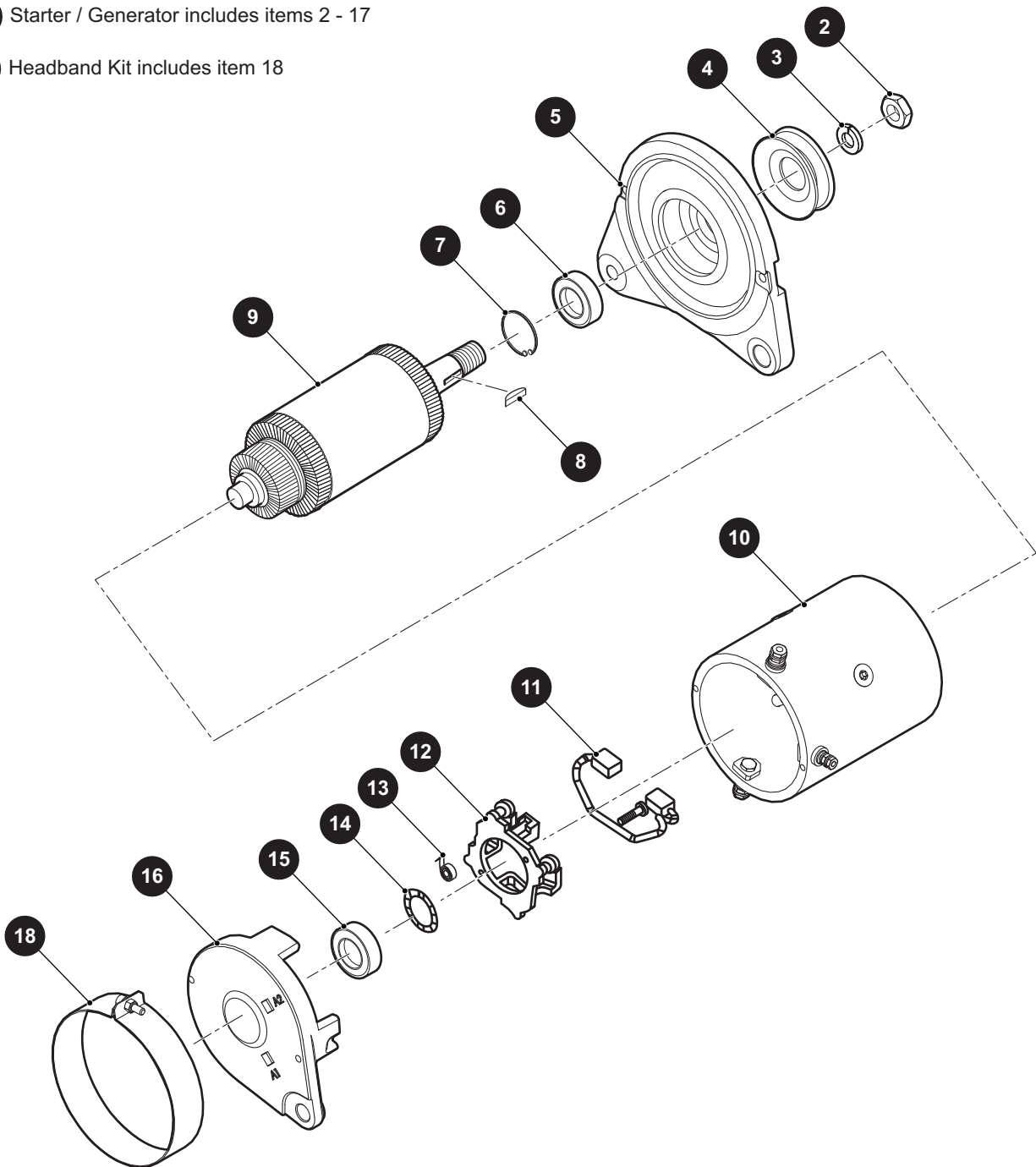




# STARTER AND GENERATOR

1 Starter / Generator includes items 2 - 17

17 Headband Kit includes item 18



## STARTER AND GENERATOR

THE USE OF NON U.L. PARTS WILL VOID ANY U.L. LISTING.

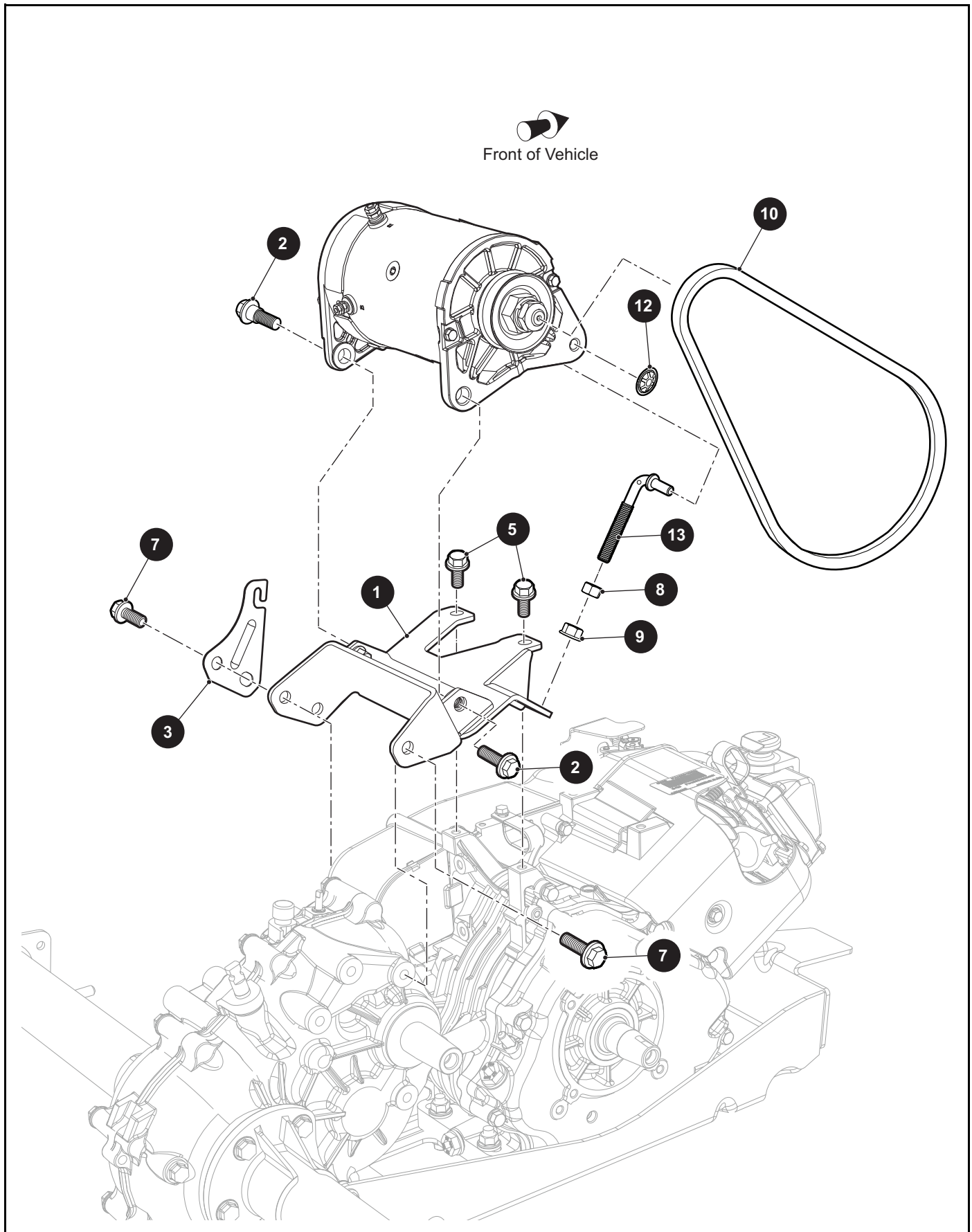
When ordering parts, please specify the model and serial number of the product.

\* Indicates a component that is not available as an individual part.

\*\*\* Indicates consult Customer Service Department for additional information.

ITEM	PART NO.	1 2 3 4 5	DESCRIPTION	QTY.
1	660379		Starter / Generator (Includes Items 2 - 17) .....	1
2	612029		Hex Nut.....	1
3	612030		Lock Washer.....	1
4	625716		Pulley, 2.5" O.D. ....	1
5	654715		Drive End Head .....	1
6	612033		Bearing .....	1
7	612034		Retaining Ring .....	1
8	612035		Woodruff Key .....	1
9	612036		Armature Assembly .....	1
10	654716		Frame and Field Assembly .....	1
11	612038		Brush Lead and Terminal Package.....	1
12	654717		Brush Box Assembly.....	1
13	656659		Brush Spring.....	4
14	612043		Wavy Washer .....	1
15	612044		Bearing .....	1
16	612045		Commutator End Head.....	1
17	658172		Headband Kit (Includes Item 18) .....	1
18	654718		Headband.....	1

# STARTER AND GENERATOR



## STARTER AND GENERATOR

THE USE OF NON U.L. PARTS WILL VOID ANY U.L. LISTING.

When ordering parts, please specify the model and serial number of the product.

\* Indicates a component that is not available as an individual part.

\*\*\* Indicates consult Customer Service Department for additional information.

ITEM	PART NO.	1 2 3 4 5	DESCRIPTION	QTY.
1	631972		Starter/Generator Support Bracket .....	1
2	606235		Flanged Hex Head Bolt, M10 - 1.25 x 20mm Lg.....	2
3	660001		Cable Guide Bracket.....	1
4				
5	606261		Flanged Hex Head Bolt, M8 - 1.25 x 20mm Lg, Grade 8.8.....	2
6				
7	606256		Flanged Hex Head Bolt, M10 - 1.25 x 25mm Lg, Grade 8.8.....	3
8	606255		Hex Jam Nut, M10 - 1.25 .....	1
9	606274		Flanged Hex Nut, M10 - 1.25 .....	1
10	630587		Starter/generator Belt.....	1
11				
12	12064G6		Push Nut, 5/16" .....	1
13	629763		Tensioner Bolt .....	1









THE USE OF NON U.L. PARTS WILL VOID ANY U.L. LISTING.

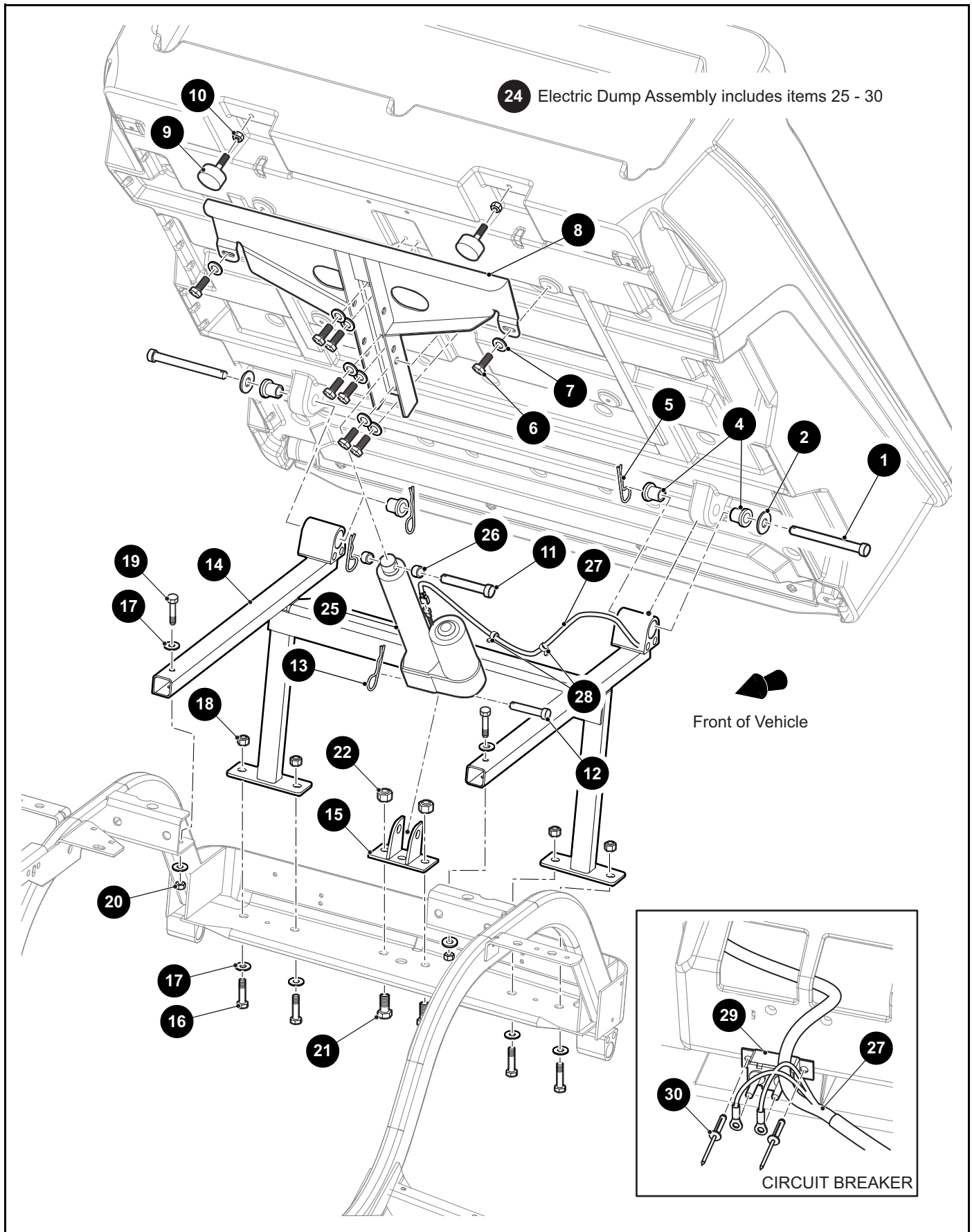
When ordering parts, please specify the model and serial number of the product.

\* Indicates a component that is not available as an individual part.

\*\*\* Indicates consult Customer Service Department for additional information.

ITEM	PART NO.	1 2 3 4 5	DESCRIPTION	QTY.
1	662625		Truck Bed Assembly, 36" (Plastic) (Includes Items 2 - 16).....	1
2	663898		Bed, 36" .....	1
3	649872		Tailgate, 40" .....	1
4	651108		Lower Stiffener .....	1
5	663506		Pan Head Phillips Screw, 1/4" - 20 x 5/8" Lg.....	9
6	651107		Upper Stiffener .....	1
7	663506		Pan Head Phillips Screw, 1/4" - 20 x 5/8" Lg.....	3
8	663143		Tailgate Latch .....	2
9	663718		Pan Head Phillips Screw, 1/4" - 20 x 3" Lg.....	4
10	663527		Lock Nut, 1/4" - 20 .....	4
11	651635		Tailgate Cable Assembly .....	2
12	663506		Pan Head Phillips Screw, 1/4" - 20 x 5/8" Lg.....	2
13	651110		Tailgate Bracket .....	2
14	73460G01		Shoulder Bolt, .875" Dia x 3/4" Lg .....	4
15	651109		Pivot Pin .....	2
16	663506		Pan Head Phillips Screw, 1/4" - 20 x 5/8" Lg.....	4

# TRUCK BED



THE USE OF NON U.L. PARTS WILL VOID ANY U.L. LISTING.

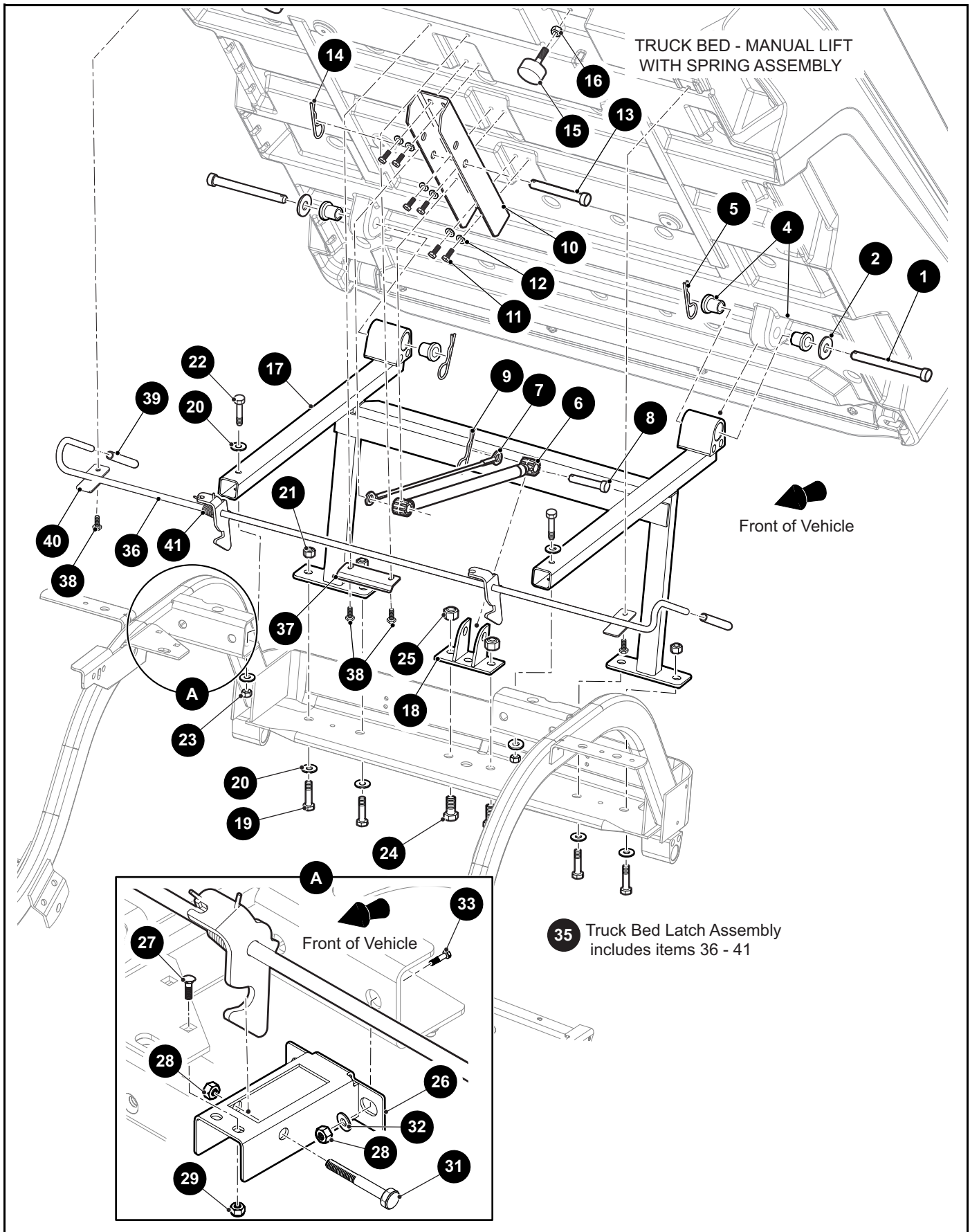
When ordering parts, please specify the model and serial number of the product.

\* Indicates a component that is not available as an individual part.

\*\*\* Indicates consult Customer Service Department for additional information.

ITEM	PART NO.	1 2 3 4 5	DESCRIPTION	QTY.
1	71571G01		Clevis Pin, .5" Dia x 5.25" Lg .....	2
2	00571G5		Flat Washer, 1/2" .....	2
3				
4	624030		Flanged Bushing, .93" Lg.....	4
5	21683G1		Cotter Pin, .320" x 2.969" .....	2
6	01118G01		Hex Head Bolt with Patch Lock, 1/4" - 20 x .62" Lg, Grade 5 .....	8
7	00642G7		Flat Washer, 1/4" .....	8
8	71547G02		Channel Outrigger.....	1
9	701113G01		Adjustable Rubber Bumper .....	2
10	11027G1		Lock Nut, 5/16" - 18 .....	2
11	14443G10		Clevis Pin, .5" x 3" Lg.....	1
12	14443G12		Clevis Pin, .5" x 2.22" Lg.....	1
13	21683G1		Cotter Pin, .320" x 2.969" .....	2
14	76423G01		Truck Bed Frame .....	1
15	71283G02		Electric Lift Bracket .....	1
16	00439G2		Hex Head Bolt, 5/16" - 18 x 1 1/4" Lg, Grade 5 .....	4
17	00642G8		Flat Washer, 5/16" .....	8
18	11098G6		Lock Nut, 5/16"- 18 .....	4
19	00415G6		Hex Head Bolt, 1/4" - 20 x 1 3/4" Lg, Grade 5 .....	2
20	548910		Lock Nut, 1/4" - 20 .....	2
21	00462G7		Hex Head Bolt, 7/16" - 14 x .875" Lg, Grade 5 .....	2
22	00734G1		Lock Nut, 7/16" - 14 .....	2
23				
24	665934G02		Electric Dump Assembly (Includes Items 25 - 30).....	1
25	27612G02		Electric Actuator.....	1
26	27613G01		Spacer, .75" O.D. x .5" I.D. ....	2
27	664068		Electric Dump Harness .....	1
28	17618G1		Nylon Clamp, 7" Lg.....	7
29	21320G4		Circuit Breaker, 15A, 24V .....	1
30	01041G01		Aluminum Rivet, 5/23" Dia .....	2

# TRUCK BED



THE USE OF NON U.L. PARTS WILL VOID ANY U.L. LISTING.

When ordering parts, please specify the model and serial number of the product.

\* Indicates a component that is not available as an individual part.

\*\*\* Indicates consult Customer Service Department for additional information.

ITEM	PART NO.	1 2 3 4 5	DESCRIPTION	QTY.
1	71571G01		Clevis Pin, .5" Dia x 5.25" Lg .....	2
2	00571G5		Flat Washer, 1/2" .....	2
3				
4	624030		Flanged Bushing, .93" Lg.....	4
5	21683G1		Cotter Pin, .320" x 2.969" .....	2
6	71537G02		Gas Spring .....	1
7	602904		Bed Tether Cable Assembly .....	1
8	14443G12		Clevis Pin, .5" Dia x 2.22" Lg .....	1
9	21683G1		Cotter Pin, .320" x 2.969" .....	1
10	71569G02		Gas Spring Channel.....	1
11	01118G01		Hex Head Bolt with Patch Lock, 1/4" - 20 x .62" Lg, Grade 5 .....	6
12	00642G7		Flat Washer, 1/4" .....	6
13	14443G10		Clevis Pin, .5" Dia x 3" Lg .....	1
14	21683G1		Cotter Pin, .320" x 2.969" .....	1
15	70113G01		Adjustable Rubber Bumper .....	2
16	11027G1		Lock Nut, 5/16" - 18 .....	2
17	76423G01		Truck Bed Frame .....	1
18	71283G02		Electric Lift Bracket .....	1
19	00439G2		Hex Head Bolt, 5/16" - 18 x 1 1/4" Lg, Grade 5 .....	4
20	00642G8		Flat Washer, 5/16" .....	8
21	11098G6		Lock Nut, 5/16"- 18 .....	4
22	00415G6		Hex Head Bolt, 1/4" - 20 x 1 3/4" Lg, Grade 5 .....	2
23	548910		Lock Nut, 1/4" - 20 .....	2
24	00462G7		Hex Head Bolt, 7/16" - 14 x .875" Lg, Grade 5 .....	2
25	00734G1		Lock Nut, 7/16" - 14 .....	2
26	663002		Bed Latch Bracket.....	2
27	01014G03		Carriage Bolt, 1/4" - 20 x .75" Lg, Grade 5.....	2
28	11098G5		Lock Nut, 3/8" - 16 .....	6
29	548910		Lock Nut, 1/4" - 20 .....	2
30				
31	00428G8		Hex Head Bolt, 3/8" - 16 x 2 1/4" Lg .....	2

# TRUCK BED

THE USE OF NON U.L. PARTS WILL VOID ANY U.L. LISTING.

When ordering parts, please specify the model and serial number of the product.

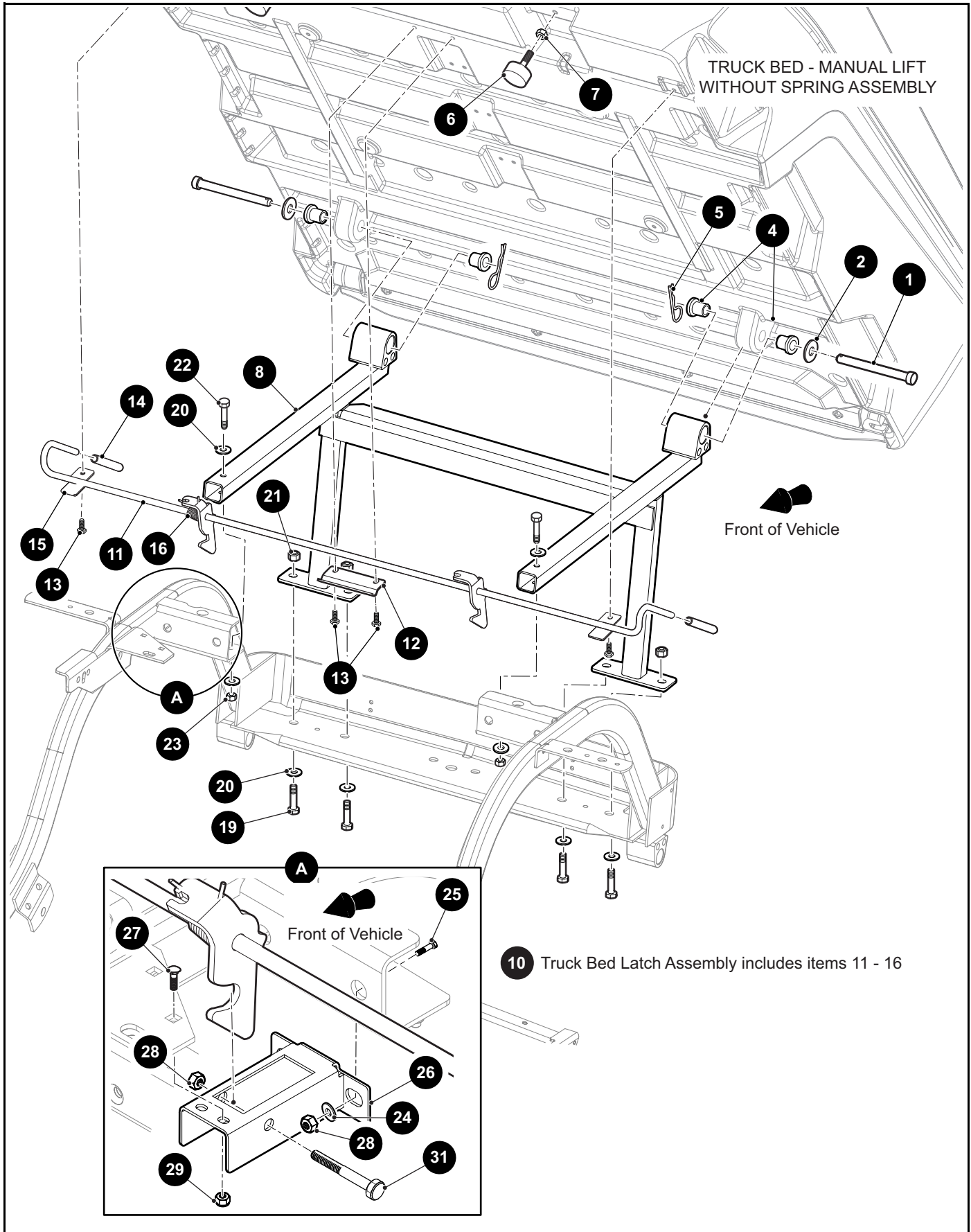
\* Indicates a component that is not available as an individual part.

\*\*\* Indicates consult Customer Service Department for additional information.

ITEM	PART NO.	1 2 3 4 5	DESCRIPTION	QTY.
32	00560G1		Flat Washer, 3/8" .....	4
33	00426G8		Hex Head Bolt, 3/8" - 16 x 3/4" Lg, Grade 5.....	4
34				
35	665990		Truck Bed Latch Assembly (Includes Items 36 - 41) .....	1
36	666224		Latch .....	1
37	652440G03		Latch Retainer Bracket.....	1
38	01118G01		Hex Head Bolt with Patch Lock, 1/4" - 20 x .62" Lg, Grade 5 .....	4
39	71704G01		Handle Grip .....	2
40	657267		Retainer Bracket .....	2
41	71538G01		Torsion Spring .....	1



# TRUCK BED





THE USE OF NON U.L. PARTS WILL VOID ANY U.L. LISTING.

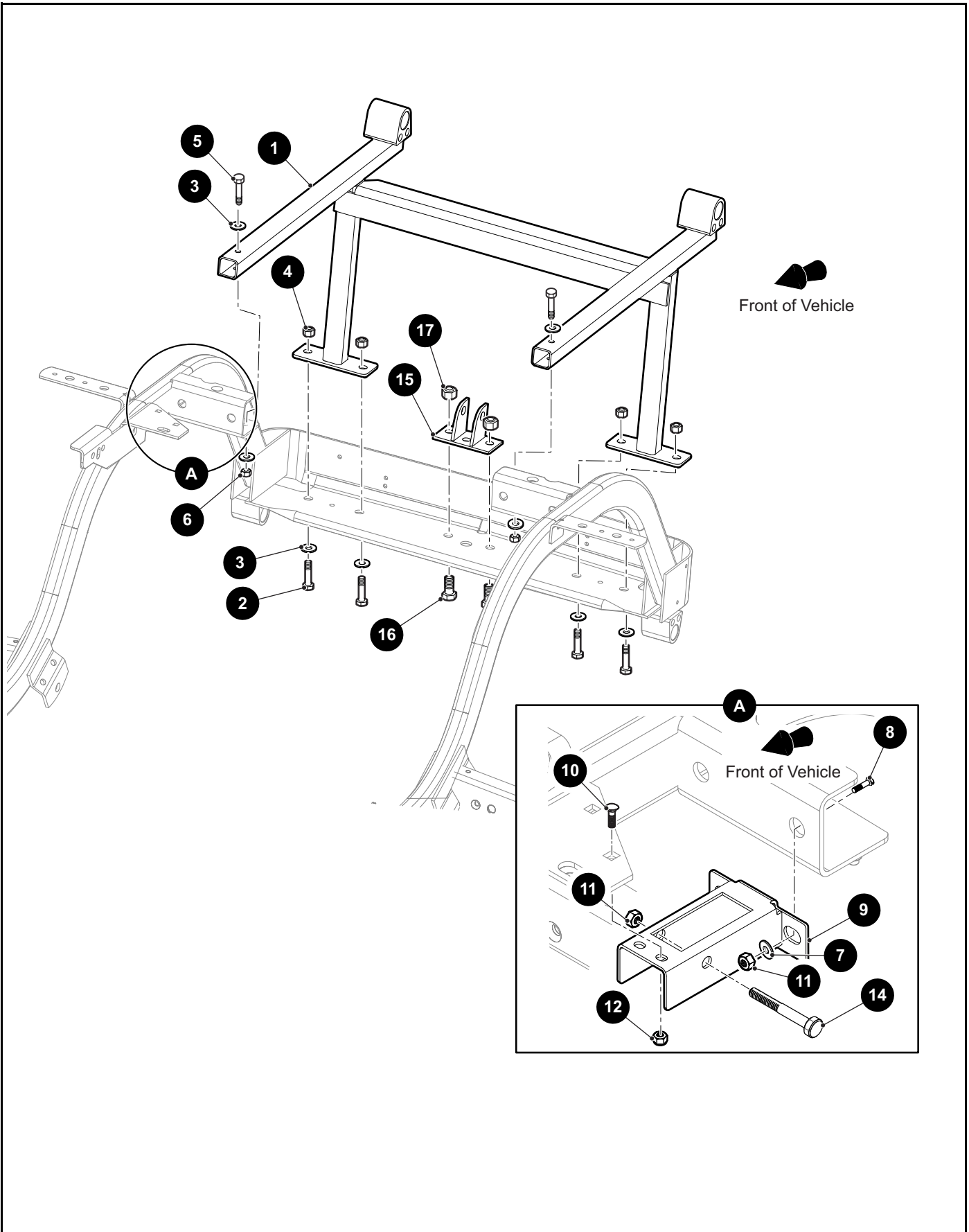
When ordering parts, please specify the model and serial number of the product.

\* Indicates a component that is not available as an individual part.

\*\*\* Indicates consult Customer Service Department for additional information.

ITEM	PART NO.	1 2 3 4 5	DESCRIPTION	QTY.
1	71571G01		Clevis Pin, .5" Dia x 5.25" Lg .....	2
2	00571G5		Flat Washer, 1/2" .....	2
3				
4	624030		Flanged Bushing, .93" Lg.....	4
5	21683G1		Cotter Pin, .320" x 2.969" .....	2
6	70113G01		Adjustable Rubber Bumper .....	2
7	11027G1		Lock Nut, 5/16" - 18 .....	2
8	76423G01		Truck Bed Frame .....	1
9				
10	665990		Truck Bed Latch Assembly (Includes Items 11 - 16) .....	1
11	666224		Latch .....	1
12	652440G03		Latch Retainer Bracket .....	1
13	01118G01		Hex Head Bolt with Patch Lock, 1/4" - 20 x .62" Lg, Grade 5.....	4
14	71704G01		Handle Grip .....	2
15	657267		Retainer Bracket.....	2
16	71538G01		Torsion Spring.....	1
17				
18				
19	00439G2		Hex Head Bolt, 5/16" - 18 x 1 1/4" Lg, Grade 5 .....	4
20	00642G8		Flat Washer, 5/16" .....	8
21	11098G6		Lock Nut, 5/16"- 18 .....	4
22	00415G6		Hex Head Bolt, 1/4" - 20 x 1 3/4" Lg, Grade 5 .....	2
23	548910		Lock Nut, 1/4" - 20 .....	2
24	00560G1		Flat Washer, 3/8" .....	4
25	00426G8		Hex Head Bolt, 3/8" - 16 x 3/4" Lg, Grade 5 .....	4
26	663002		Bed Latch Bracket.....	2
27	01014G03		Carriage Bolt, 1/4" - 20 x .75" Lg, Grade 5.....	2
28	11098G5		Lock Nut, 3/8" - 16 .....	6
29	548910		Lock Nut, 1/4" - 20 .....	2
30				
31	00428G8		Hex Head Bolt, 3/8" - 16 x 2 1/4" Lg .....	2

# TRUCK BED



THE USE OF NON U.L. PARTS WILL VOID ANY U.L. LISTING.

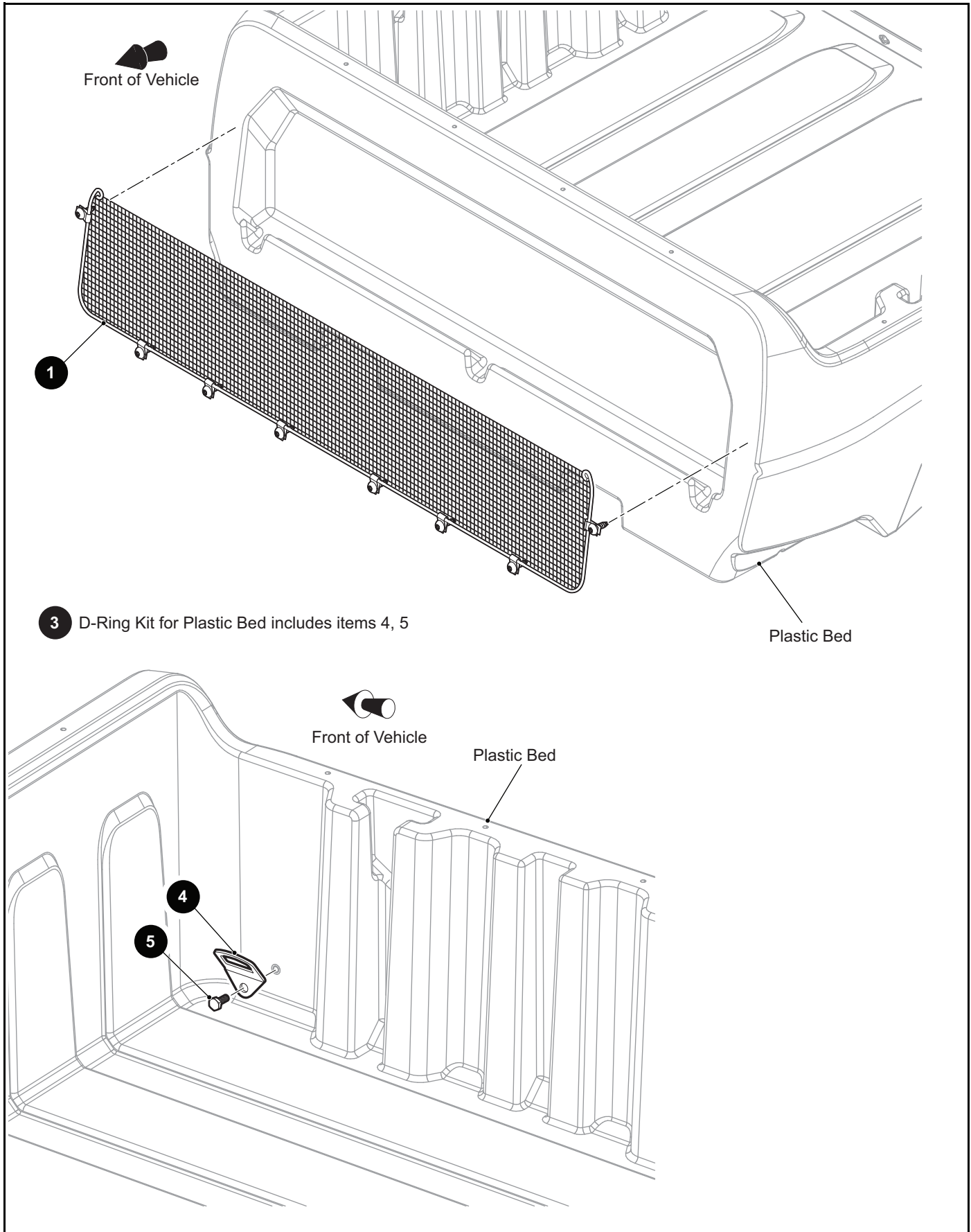
When ordering parts, please specify the model and serial number of the product.

\* Indicates a component that is not available as an individual part.

\*\*\* Indicates consult Customer Service Department for additional information.

ITEM	PART NO.	1 2 3 4 5	DESCRIPTION	QTY.
1	76423G01		Truck Bed Frame .....	1
2	00439G2		Hex Head Bolt, 5/16" - 18 x 1 1/4" Lg, Grade 5 .....	4
3	00642G8		Flat Washer, 5/16" .....	8
4	11098G6		Lock Nut, 5/16"- 18 .....	4
5	00415G6		Hex Head Bolt, 1/4" - 20 x 1 3/4" Lg, Grade 5 .....	2
6	548910		Lock Nut, 1/4" - 20 .....	2
7	00560G1		Flat Washer, 3/8" .....	4
8	00426G8		Hex Head Bolt, 3/8" - 16 x 3/4" Lg, Grade 5 .....	4
9	663002		Bed Latch Bracket.....	2
10	01014G03		Carriage Bolt, 1/4" - 20 x .75" Lg, Grade 5.....	2
11	11098G5		Lock Nut, 3/8" - 16 .....	6
12	548910		Lock Nut, 1/4" - 20 .....	2
13				
14	00428G8		Hex Head Bolt, 3/8" - 16 x 2 1/4" Lg .....	2
15	71283G02		Electric Lift Bracket .....	1
16	00462G7		Hex Head Bolt, 7/16" - 14 x .875" Lg, Grade 5 .....	2
17	00734G1		Lock Nut, 7/16" - 14 .....	2

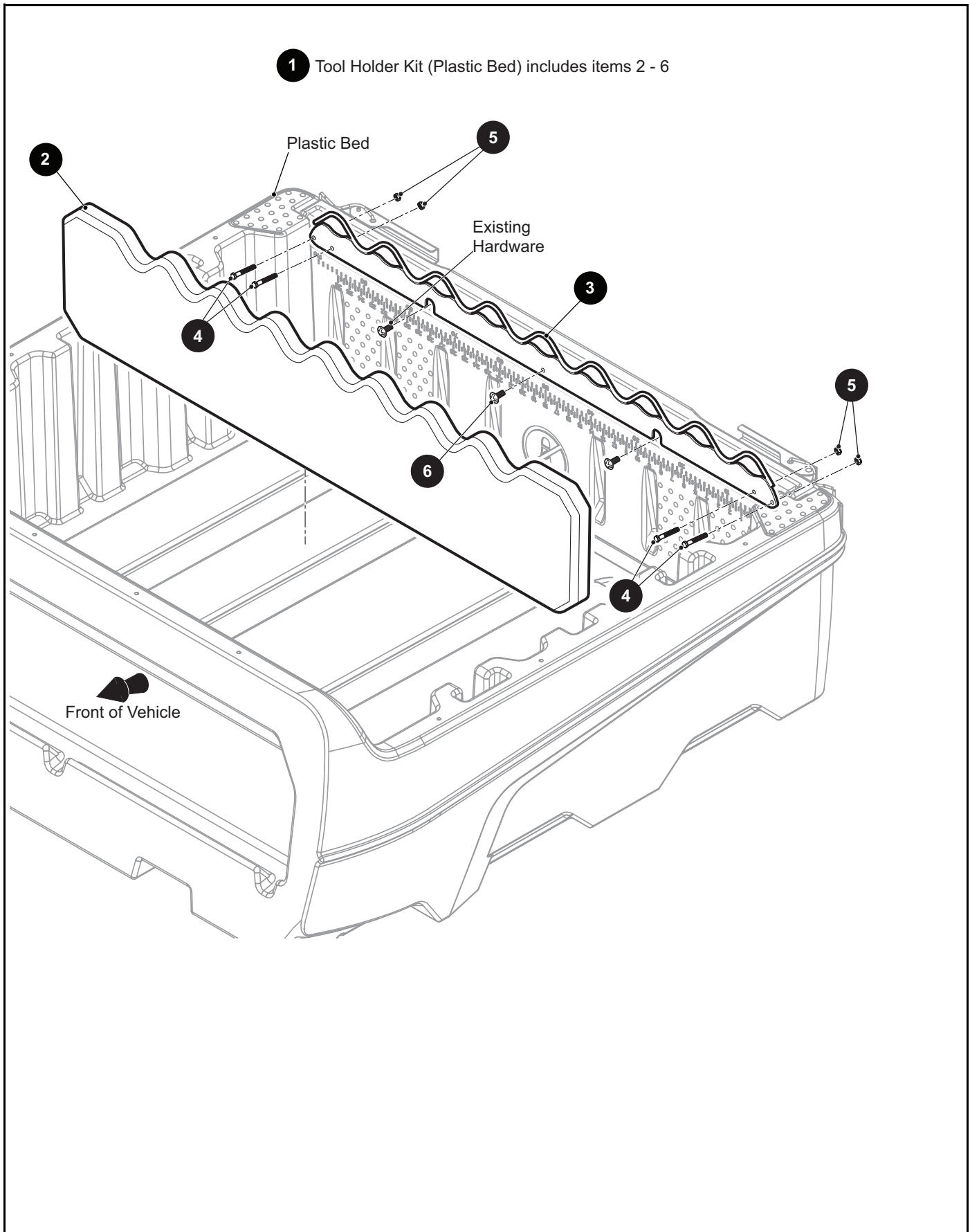
# TRUCK BED



THE USE OF NON U.L. PARTS WILL VOID ANY U.L. LISTING.  
 When ordering parts, please specify the model and serial number of the product.  
 \* Indicates a component that is not available as an individual part.  
 \*\*\* Indicates consult Customer Service Department for additional information.

ITEM	PART NO.	1 2 3 4 5	DESCRIPTION	QTY.
1	652838		Mesh Net Kit (Includes Mounting Hardware) .....	1
2				
3	652349		D-ring Kit (Includes Items 4, 5) .....	1
4	650566		D-ring (Plastic Bed) .....	4
5	73296G01		Hex Head Bolt, M8 - 1.5 x 16mm Lg .....	4

# TRUCK BED



THE USE OF NON U.L. PARTS WILL VOID ANY U.L. LISTING.

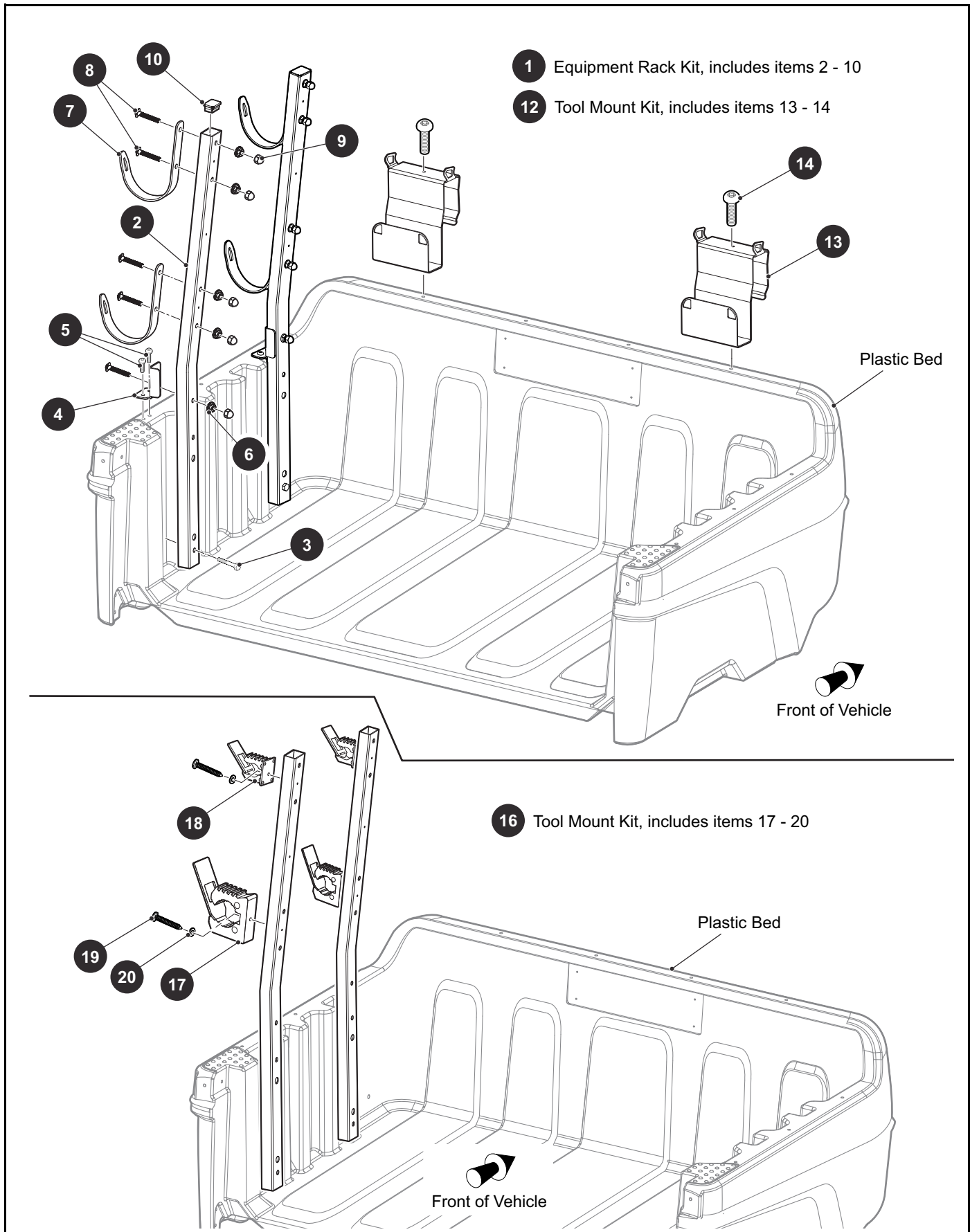
When ordering parts, please specify the model and serial number of the product.

\* Indicates a component that is not available as an individual part.

\*\*\* Indicates consult Customer Service Department for additional information.

ITEM	PART NO.	1 2 3 4 5	DESCRIPTION	QTY.
1	652510		Tool Holder Kit (Includes Items 2 - 6) .....	1
2	652657		Bed Divider .....	1
3	651732		Long Handler Tool Holder .....	1
4	630419		Hex Head Bolt, 1/4" - 20 x 3" Lg .....	4
5	14390G4		Lock Nut, 1/4" - 20 .....	4
6	16705G2		Pan Head Phillips Screw (SS), 1/4" - 20 x 5/8" Lg.....	1

# TRUCK BED





THE USE OF NON U.L. PARTS WILL VOID ANY U.L. LISTING.

When ordering parts, please specify the model and serial number of the product.

\* Indicates a component that is not available as an individual part.

\*\*\* Indicates consult Customer Service Department for additional information.

ITEM	PART NO.	1 2 3 4 5	DESCRIPTION	QTY.
1	664375		Equipment Rack Kit (Includes Items 2 - 10).....	1
2	664139		Equipment Rack Bar.....	2
3	616693		Hex Head Bolt, M8 - 1.25 x 45mm Lg .....	2
4	664140		Clamp .....	2
5	649803		Pan Head Torx Screw, M6 - 2.65 x 25mm Lg .....	4
6	11027G1		Lock Nut, 5/16" - 18 .....	10
7	651379		Hook .....	4
8	665181		Round Head Torx Screw, 5/16" - 18 x 1.75" Lg .....	10
9	00520G3		Cap Nut .....	10
10	652697		End Cap, 1" x 1 1/2" .....	2
11				
12	664374		Tool Mount Kit (Includes Items 13 - 14).....	1
13	663992		Upper Moisture Meter Mounting .....	2
14	649804		Button Head Torx Screw, M8 - 3.5 x 30mm Lg .....	2
15				
16	652615		Quick Fist Kit (Includes Items 17 - 20) .....	1
17	652590		Quick Fist Clamp (Original) .....	2
18	646404		Quick Fist Clamp (Mini) .....	2
19	648271		Pan Head Torx Screw, #8 - 15 x 1" Lg.....	4
20	00559G4		Flat Washer, #8.....	4

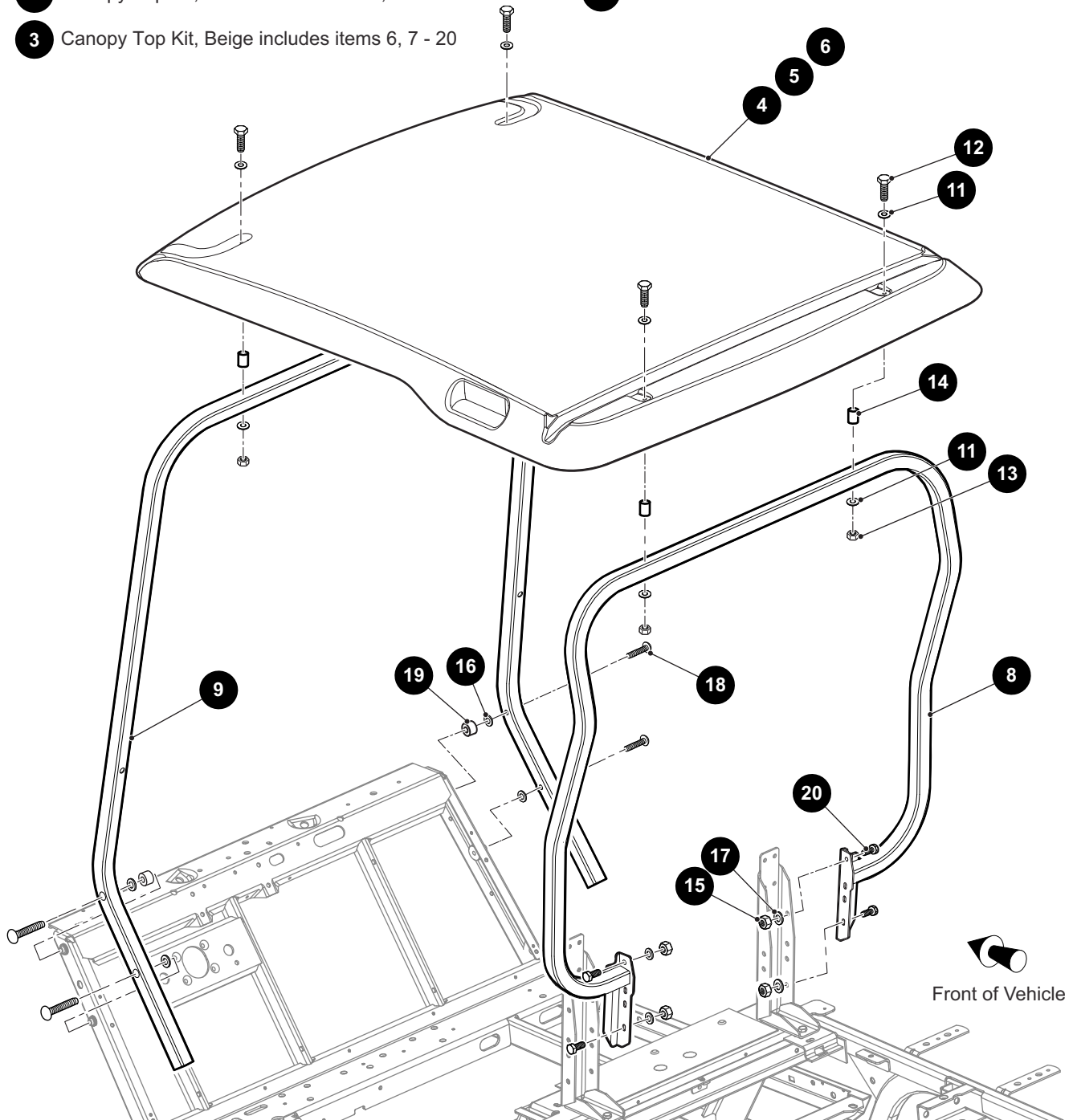




# WEATHER PROTECTION

- 1 Canopy Top Kit, Black includes items 4, 7 - 20
- 2 Canopy Top Kit, Tan includes items 5, 7 - 20
- 3 Canopy Top Kit, Beige includes items 6, 7 - 20

- 7 Canopy Strut Set includes items 8 - 10
- 10 Hardware Kit includes items 11 - 20



# WEATHER PROTECTION

THE USE OF NON U.L. PARTS WILL VOID ANY U.L. LISTING.

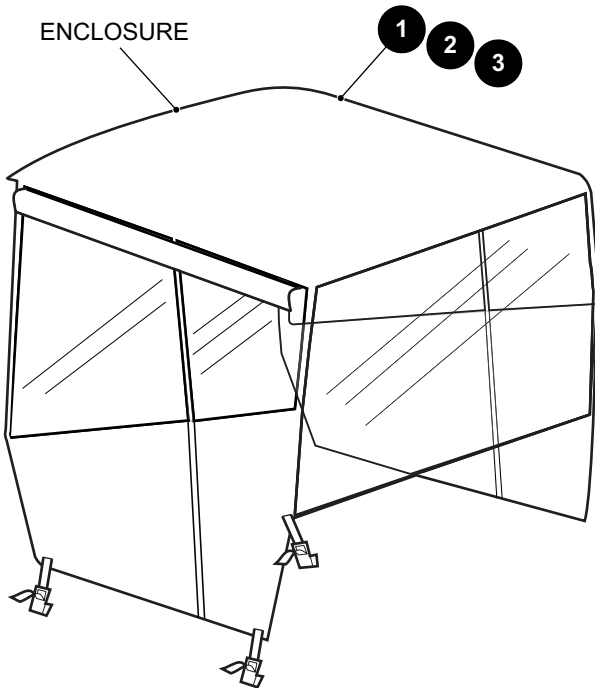
When ordering parts, please specify the model and serial number of the product.

\* Indicates a component that is not available as an individual part.

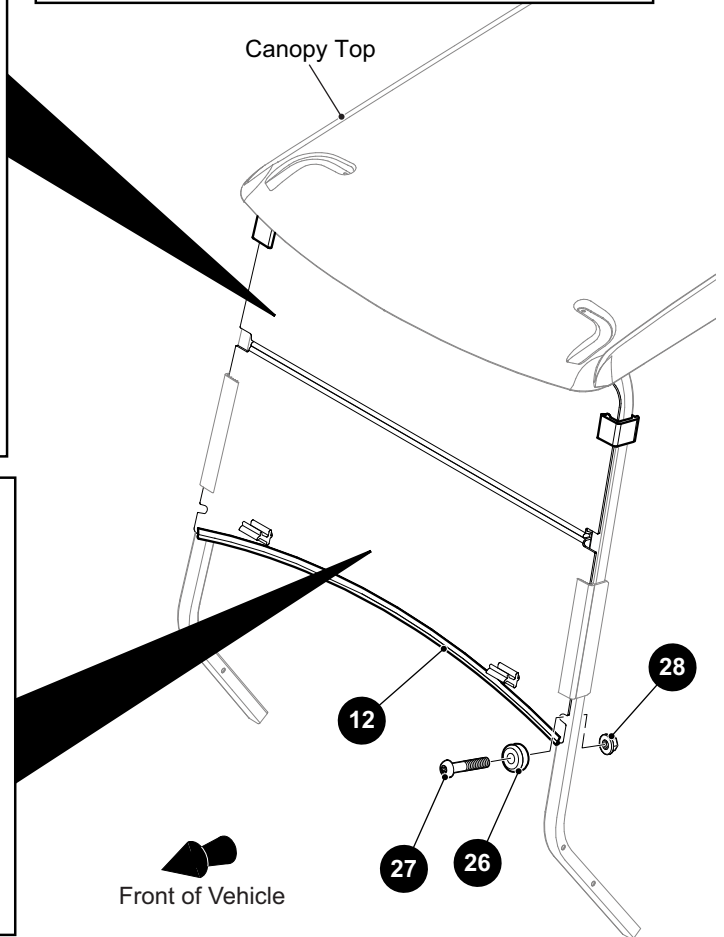
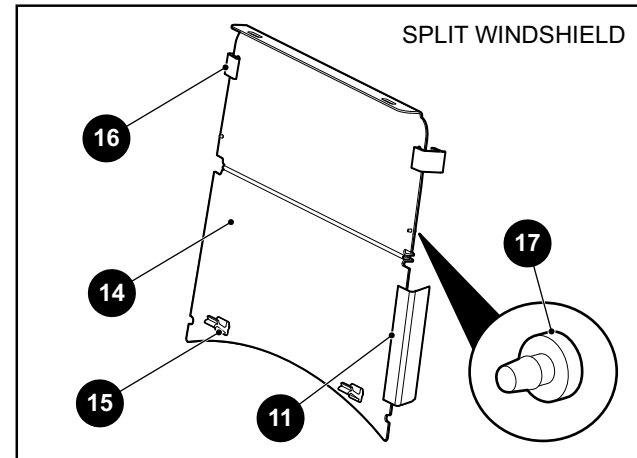
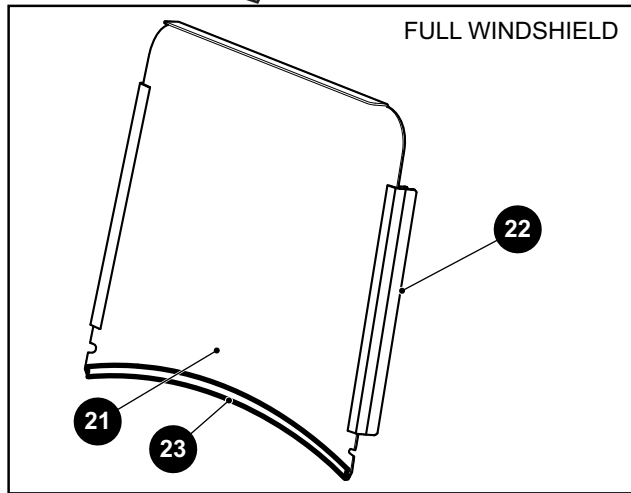
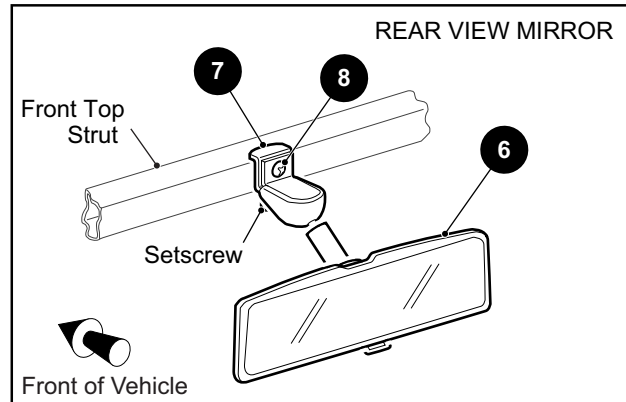
\*\*\* Indicates consult Customer Service Department for additional information.

ITEM	PART NO.	1 2 3 4 5	DESCRIPTION	QTY.
1	651917G01		Canopy Top Kit (Black) (Includes Items 4, 7 - 20).....	1
2	651917G02		Canopy Top Kit (Tan) (Includes Items 5, 7 - 20).....	1
3	651917G03		Canopy Top Kit (Beige) (Includes Items 6, 7 - 20) .....	1
4	625292		Canopy Top (Black) .....	1
5	625290		Canopy Top (Tan) .....	1
6	625291		Canopy Top (Beige).....	1
7	654452		Strut Set (Includes Items 8 - 10) .....	1
8	658690		Rear Strut.....	1
9	648270		Front Strut .....	1
10	652328		Hardware Kit (Includes Items 11 - 20).....	1
11	652324		Flat Washer, O.D .692" X I.D .349" .....	8
12	652326		Hex Head Bolt, 1/4" - 20 x 2.75" Lg.....	4
13	652319		Lock Nut, 1/4 - 20 .....	4
14	625301		Spacer, .74" Lg .....	4
15	652317		Lock Nut, 5/16" - 18 x .34" Lg.....	4
16	634808		Flat Washer, 5/16" .....	4
17	634810		Flat Washer, 5/16" .....	4
18	652311		Round Head Torx Screw (Black), 5/16" - 18 x 3" Lg .....	4
19	634807		Spacer, .5" Lg .....	2
20	652313		Hex Head Bolt, 5/16" - 18 x 1" Lg .....	4

# WEATHER PROTECTION



- 5 Rear View Mirror Kit includes items 6 - 8
- 10 Split Windshield Utility Kit includes items 11 - 17, 25
- 13 Split Windshield Assembly includes items 14 - 17
- 20 Full Windshield Utility Kit includes items 21 - 25
- 25 Windshield Hardware Kit includes items 26 - 28



# WEATHER PROTECTION

THE USE OF NON U.L. PARTS WILL VOID ANY U.L. LISTING.

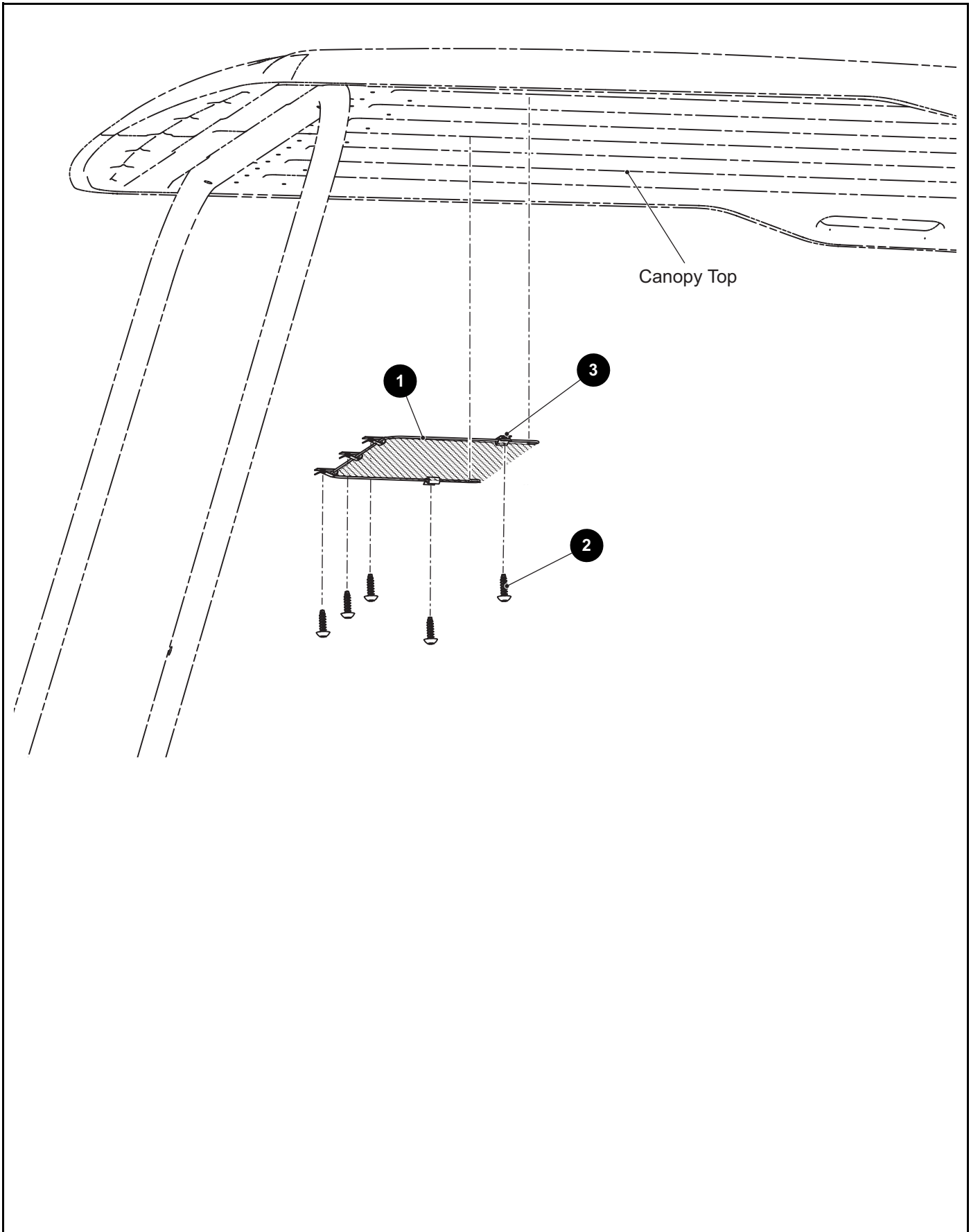
When ordering parts, please specify the model and serial number of the product.

\* Indicates a component that is not available as an individual part.

\*\*\* Indicates consult Customer Service Department for additional information.

ITEM	PART NO.	1 2 3 4 5	DESCRIPTION	QTY.
1	652344G01		Top Enclosure (White), 54" .....	1
2	652344G02		Top Enclosure (Black), 54" .....	1
3	652344G03		Top Enclosure (Tan), 54" .....	1
4				
5	19528G2		Rear View Mirror Kit (Includes Items 6 - 8) .....	1
6	19496G1		Rear View Mirror .....	1
7	19502G2		Support Bracket .....	1
8	19527G1		Pan Head Screw (SS), #8 - 32 x 5/8" Lg .....	1
9				
10	649825		Split Windshield Kit (Includes Items 11 - 17, 25) .....	1
11	613136		Sash .....	2
12	649836		Seal .....	1
13	649849		Split Windshield Assembly (Includes Items 14 - 17) .....	1
14	*		Windshield .....	1
15	603201		Lower Latch .....	2
16	603198		Upper Latch .....	2
17	604115		Grommet .....	2
18				
19				
20	649883		Full Windshield Kit (Includes Items 21 - 25) .....	1
21	*		Flat Windshield .....	1
22	649885		Sash .....	1
23	649836		Seal .....	1
24				
25	668122		Windshield Hardware Kit (Includes Items 26 - 28) .....	1
26	604116		Grommet .....	2
27	600527		Button Head Torx Bolt, M10 - 1.5 x 60mm Lg .....	2
28	600525		Flanged Lock Nut, M10 - 1.5 .....	2
29				
30	601379		Rear View Mirror Kit (Not Illustrated) .....	1

# WEATHER PROTECTION





# WEATHER PROTECTION

THE USE OF NON U.L. PARTS WILL VOID ANY U.L. LISTING.

When ordering parts, please specify the model and serial number of the product.

\* Indicates a component that is not available as an individual part.

\*\*\* Indicates consult Customer Service Department for additional information.

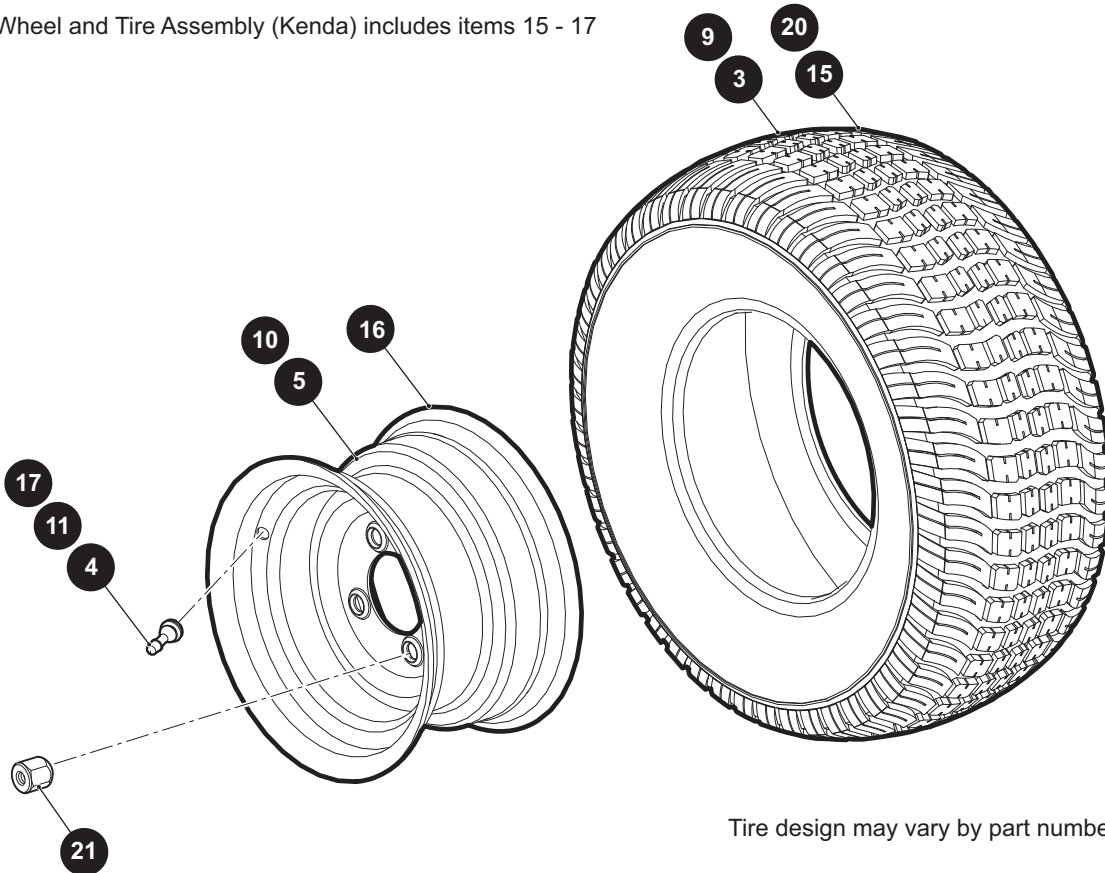
ITEM	PART NO.	1 2 3 4 5	DESCRIPTION	QTY.
1	653594		Mesh Net, Canopy Kit .....	1
2	*		Self Tapping Screws, 3/4" .....	5
3	*		Mounting Tabs.....	5





# WHEELS AND TIRES

- 1 Wheel and Tire Assembly (Trail Wolf) (Driver Side) includes items 3 - 5
- 2 Wheel and Tire Assembly (Trail Wolf) (Passenger Side) includes items 3 - 5
- 8 Wheel and Tire Assembly (Kenda) includes items 9 - 11
- 14 Wheel and Tire Assembly (Kenda) includes items 15 - 17



Tire design may vary by part number

## WHEELS AND TIRES

THE USE OF NON U.L. PARTS WILL VOID ANY U.L. LISTING.

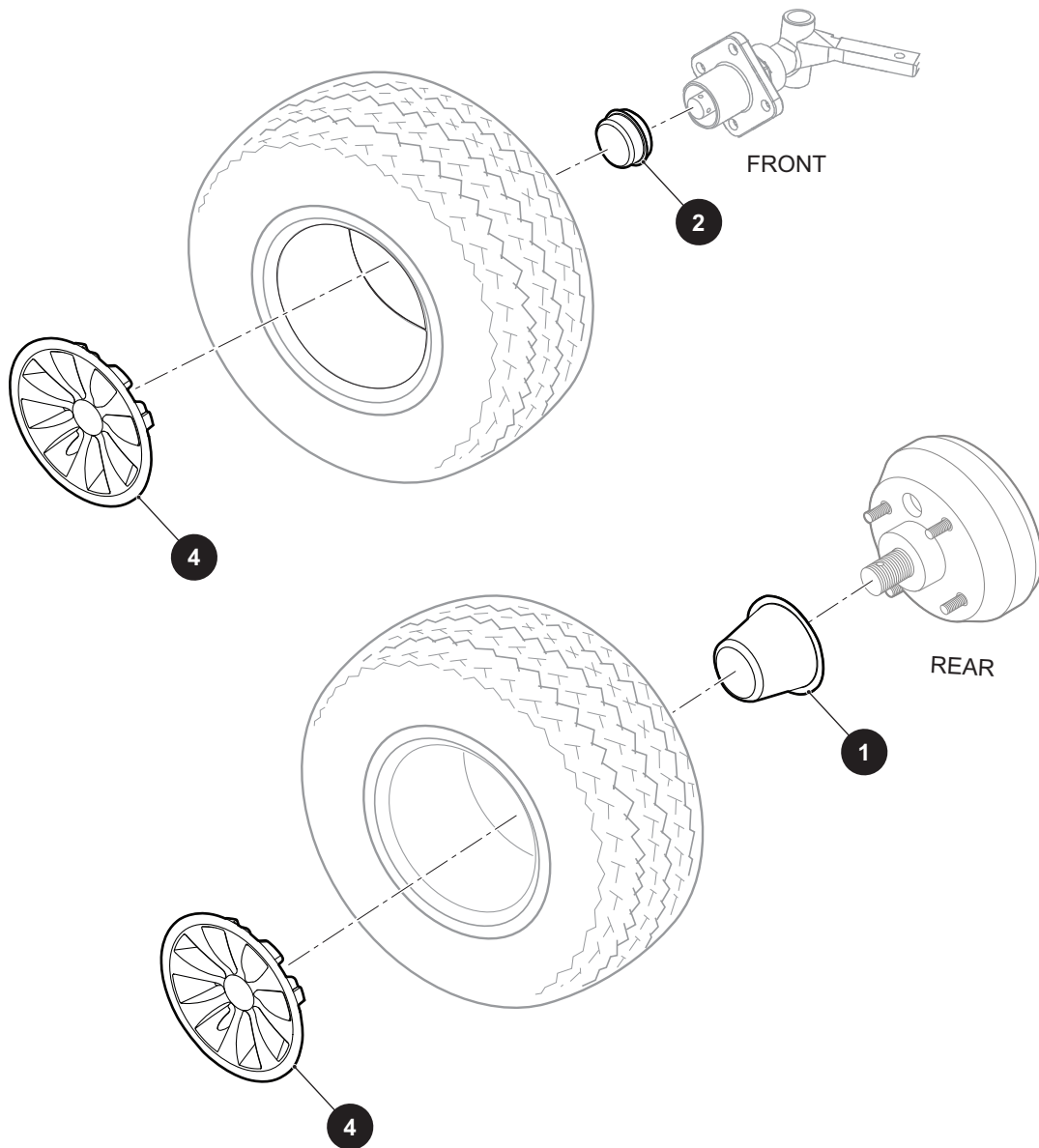
When ordering parts, please specify the model and serial number of the product.

\* Indicates a component that is not available as an individual part.

\*\*\* Indicates consult Customer Service Department for additional information.

ITEM	PART NO.	1 2 3 4 5	DESCRIPTION	QTY.
1	74842G03		Wheel and Tire Assembly (Trail Wolf) (Driver Side) (Includes Item 3 - 5) .....	1
2	74842G04		Wheel and Tire Assembly (Trail Wolf) (Passenger Side) (Includes Item 3 - 5)	1
3	74842G05		Tire, 20 x 11 - 10 Trail Wolf .....	1
4	*		Valve Stem .....	1
5	*		Wheel .....	1
6				
7				
8	652392		Wheel and Tire Assembly (Kenda) (Includes Items 9 - 11) .....	1
9	652992		Tire, 205/65 - 10, 6PLY .....	1
10	643934		Wheel, 10 x 6.....	1
11	643948		Valve Stem .....	1
12				
13				
14	652263		Wheel and Tire Assembly (Kenda) (Includes Items 15 - 17) .....	1
15	652986		Tire, 20 x 8 - 10, 6PLY .....	1
16	643934		Wheel, 10 x 6.....	1
17	643948		Valve Stem .....	1
18				
19				
20	623939		Tire .....	2
21	14723G1		Lug Nut, 1/2" - 20 .....	4

# WHEELS AND TIRES



## WHEELS AND TIRES

THE USE OF NON U.L. PARTS WILL VOID ANY U.L. LISTING.

When ordering parts, please specify the model and serial number of the product.

\* Indicates a component that is not available as an individual part.

\*\*\* Indicates consult Customer Service Department for additional information.

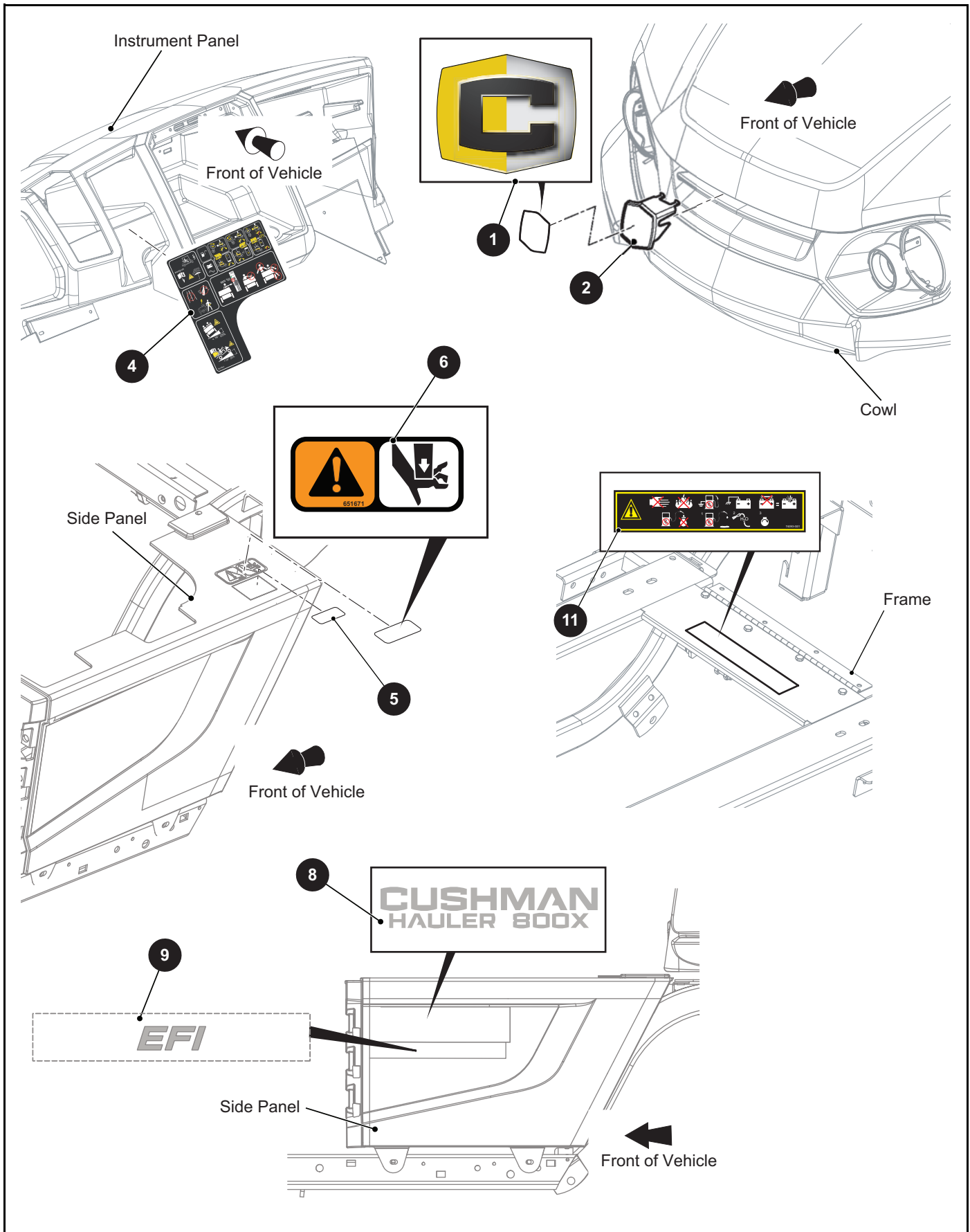
ITEM	PART NO.	1 2 3 4 5	DESCRIPTION	QTY.
1	74175G01		Dust Cap .....	1
2	12091G2		Spindle Cap.....	1
3				
4	665151		Wheel Cover Assembly, Silver .....	1







# DECALS AND LABELS



## DECALS AND LABELS

THE USE OF NON U.L. PARTS WILL VOID ANY U.L. LISTING.

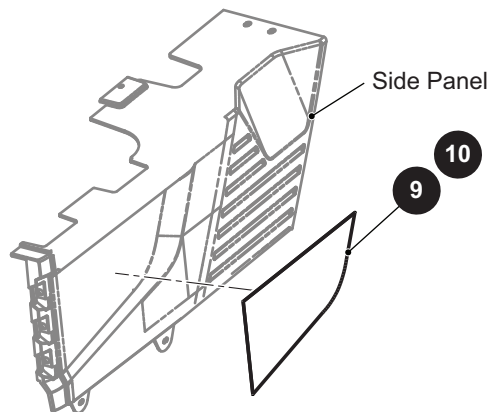
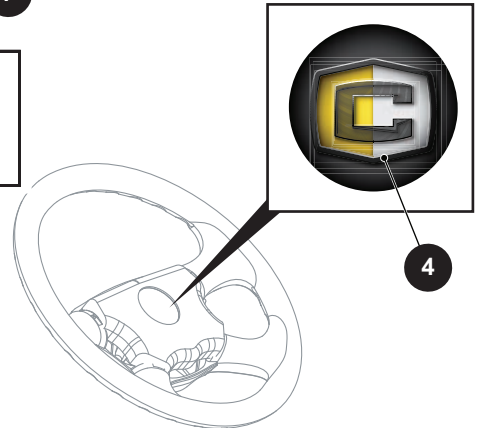
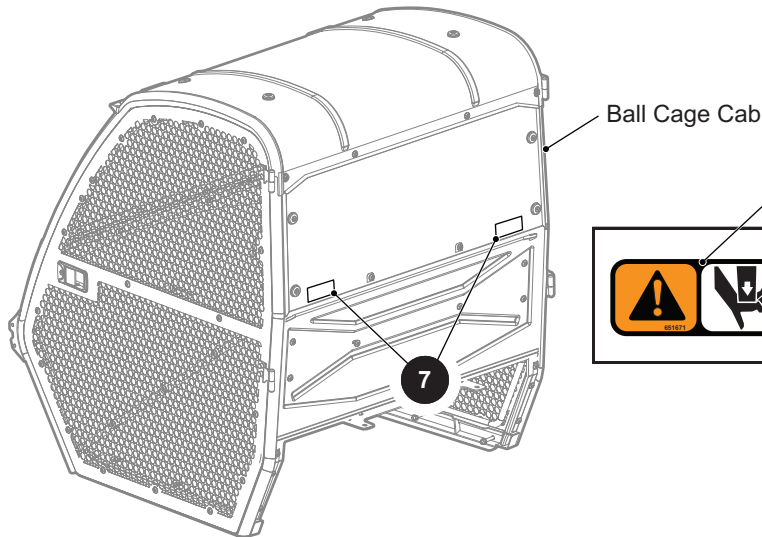
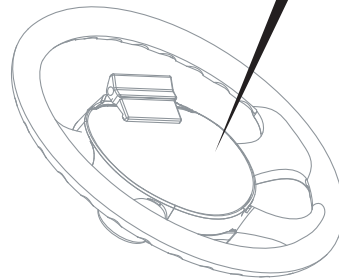
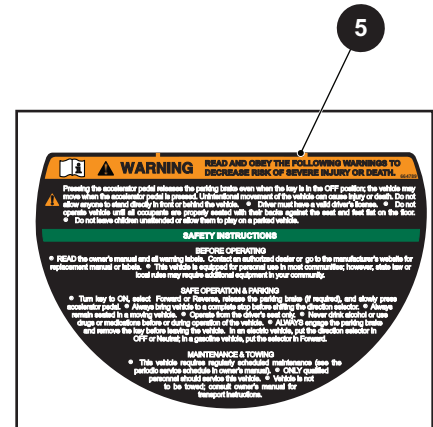
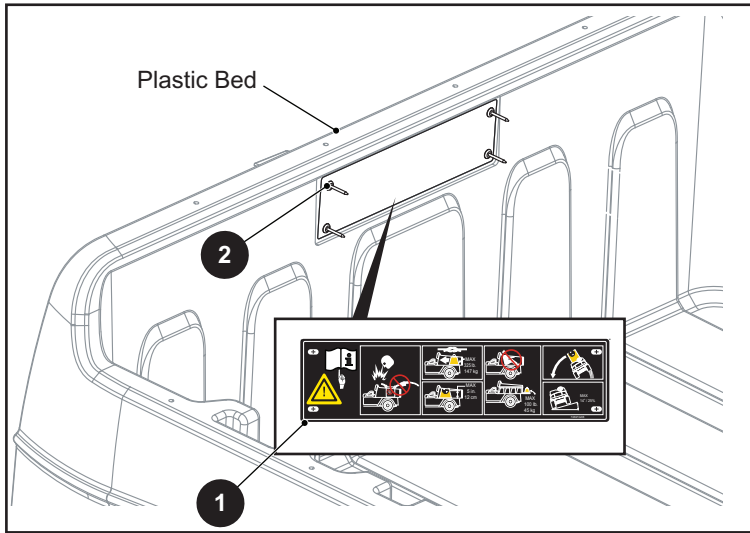
When ordering parts, please specify the model and serial number of the product.

\* Indicates a component that is not available as an individual part.

\*\*\* Indicates consult Customer Service Department for additional information.

ITEM	PART NO.	1 2 3 4 5	DESCRIPTION	QTY.
1	650284		Cowl Decal .....	1
2	649875G01		Cowl Logo Attachment .....	1
3				
4	651654		Operating Instruction Label .....	1
5	74099G01		Bed Latch Warning Decal .....	1
6	651671		Pinch Warning Label .....	1
7				
8	665021		Side Panel Decal.....	1
9	690375		EFI Side Decal .....	1
10				
11	74093G01		Engine Warning Label.....	1

# DECALS AND LABELS



## DECALS AND LABELS

THE USE OF NON U.L. PARTS WILL VOID ANY U.L. LISTING.

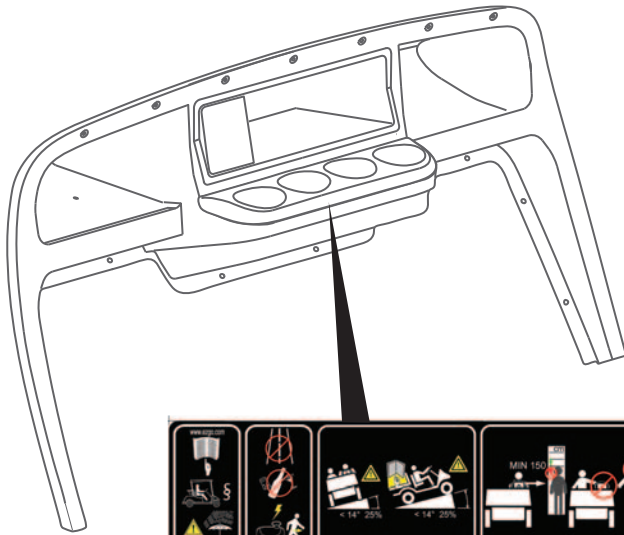
When ordering parts, please specify the model and serial number of the product.

\* Indicates a component that is not available as an individual part.

\*\*\* Indicates consult Customer Service Department for additional information.

ITEM	PART NO.	1 2 3 4 5	DESCRIPTION	QTY.
1	74821G08		Load Bed Label (325lbs) .....	1
2	71055G01		Rivet (Aluminum), 3/16" x .985" Lg .....	4
3				
4	618086		Steering Wheel Decal .....	1
5	664789		Warning Label (Steering Wheel) .....	1
6				
7	651671		Pinch Warning Label .....	1
8				
9	651580G01XX		Side Panel Decal (Driver Side) .....	1
			651580G0111 Black	
			651580G0119 Patriot Blue Pearl	
			651580G0136 Ivory	
			651580G0137 Forest Green	
			651580G0138 Bright White	
			651580G0139 Flame Red	
			651580G0178 Relt Xtra	
			651580G0179 Orange 172	
10	651580G02XX		Side Panel Decal (Passenger Side) .....	1
			651580G0211 Black	
			651580G0219 Patriot Blue Pearl	
			651580G0236 Ivory	
			651580G0237 Forest Green	
			651580G0238 Bright White	
			651580G0239 Flame Red	
			651580G0278 Relt Xtra	
			651580G0279 Orange 172	

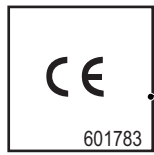
For CE Vehicles



1

AUTHORIZED REPRESENTATIVE IN EC IS:  
  
RANSOMES JACOBSEN LTD.  
WEST ROAD, IPSWICH,  
SUFFOLK, IP3 9TT, UK  
614068

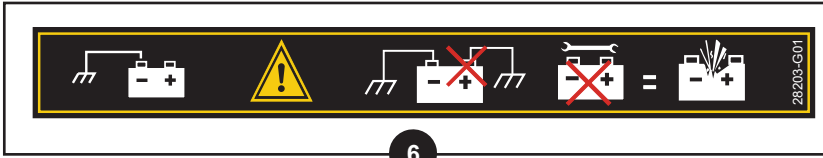
2



3



5



6

## DECALS AND LABELS

THE USE OF NON U.L. PARTS WILL VOID ANY U.L. LISTING.

When ordering parts, please specify the model and serial number of the product.

\* Indicates a component that is not available as an individual part.

\*\*\* Indicates consult Customer Service Department for additional information.

ITEM	PART NO.	1 2 3 4 5	DESCRIPTION	QTY.
1	614121		Safety Label (Instrument Panel).....	1
2	614068		Authorized Representative Decal (EC) .....	1
3	601783		CE Symbol Decal (For CE Vehicles).....	1
4				
5	608822		Governor Decal (For CE Vehicles).....	1
6	28203G01		Battery Warning Decal .....	1









**Textron Specialized Vehicles, Inc.,**  
1451 Marvin Griffin Road  
Augusta, Georgia 30906 - 3852 USA

**CONTACT INFORMATION**

North America:

**Technical Assistance & Warranty** Phone: 1-800-774-3946, FAX: 1-800-448-8124  
**Service Parts** Phone: 1-888-438-3946, FAX: 1-800-752-6175

International: Phone: 001-706-798-4311, FAX: 001-706-771-4609

Owner's Guides and Repair Manuals  
are available from a local Distributor, an authorized Branch,  
Parts & Accessories Department or at [www.cushman.txtsv.com](http://www.cushman.txtsv.com)

Copyrighted Material  
This manual may not be reproduced in whole or  
in part without the express permission of  
Textron Specialized Vehicles  
Technical Publications Department