



HD AND LTO PARTS MANUAL



630338-AG

ISSUED JUNE 2012

REVISED AUGUST 2016



SERVICE PARTS MANUAL

GASOLINE POWERED VEHICLE

HD

LTO

STARTING MODEL YEAR 2012

Never modify the vehicle in any way that will alter the weight distribution of the vehicle, decrease its stability, or increase the speed beyond the factory specifications. Such modifications can cause serious personal injury or death. Bad Boy Buggies prohibits and disclaims responsibility for any such modifications or any other alterations which would adversely affect the safety of the vehicle.

BB Buggies Inc. reserves the right to incorporate engineering and design changes to products in this manual, without obligation to include these changes on units sold previously.

The information contained in this manual may be revised periodically by BB Buggies Inc., and therefore is subject to change without notice.

BB Buggies Inc. **DISCLAIMS LIABILITY FOR ERRORS IN THIS MANUAL**, and **SPECIFICALLY DISCLAIMS LIABILITY FOR INCIDENTAL AND CONSEQUENTIAL DAMAGES** resulting from the use of the information and materials in this Manual.

TO CONTACT US:

Bad Boy Buggies

1451 Marvin Griffin Rd.

Augusta, GA 30906

PHONE: 800.448.7476

E-mail: info@badboybuggies.com

For parts and repair, contact your local dealer. To locate a local dealer, please go online to our website:

www.BADBOYBUGGIES.com

NOTES

To obtain a copy of the limited warranty applicable to the vehicle, call or write a local Distributor, authorized Branch or the Warranty Department with the vehicle serial number and the manufacturer code.

The use of non Original Equipment Manufacturer (OEM) approved parts may void the warranty.

Overfilling batteries may void the warranty.

BATTERY PROLONGED STORAGE

All batteries will self discharge over time. The rate of self discharge varies depending on the ambient temperature and the age and condition of the batteries.

A fully charged battery will not freeze in winter temperatures unless the temperature falls below -75° F (-60° C).

As with all electric vehicles, the batteries must be checked and recharged as required or at a minimum of 30 day intervals.

TABLE OF CONTENTS

SECTION	Page No.
HOW TO USE THE SERVICE PARTS MANUAL.....	V
ACCELERATOR.....	A - 1
AIR FILTER.....	B - 1
BODY (HD).....	C - 1
BODY (LTO).....	C - 13
BRAKES.....	D - 1
CARBURETOR AND CHOKE.....	E - 1
CLUTCH.....	F - 1
DIRECTION SELECTOR.....	G - 1
ELECTRICAL SYSTEM.....	H - 1
ENGINE AND MUFFLER.....	J - 1
ENGINE MOUNTING.....	K - 1
FRONT SUSPENSION AND STEERING.....	L - 1
FUEL SYSTEM.....	M - 1
REAR AXLE.....	N - 1
REAR SUSPENSION.....	P - 1
SEATING.....	Q - 1
STARTER GENERATOR.....	R - 1
TRUCK BED - (METAL) (HD ONLY).....	S - 1
TRUCK BED - (PLASTIC) (HD ONLY).....	S - 7
WEATHER PROTECTION.....	T - 1
WHEEL AND TIRES.....	U - 1
CAB.....	V - 1

HOW TO USE THE SERVICE PARTS MANUAL

This manual is divided into several sections:

- GENERAL INFORMATION
- ILLUSTRATED PARTS BREAKDOWN
- APPENDIX

The first section, GENERAL INFORMATION, contains the following information:

- WARRANTY INFORMATION
- GENERAL INDEX
- HOW TO USE THE SERVICE PARTS MANUAL

The second section, ILLUSTRATED PARTS BREAKDOWN, contains illustrations and parts lists for all systems of your vehicle.

The third section, APPENDIX, contains a listing of specialty products and accessories.

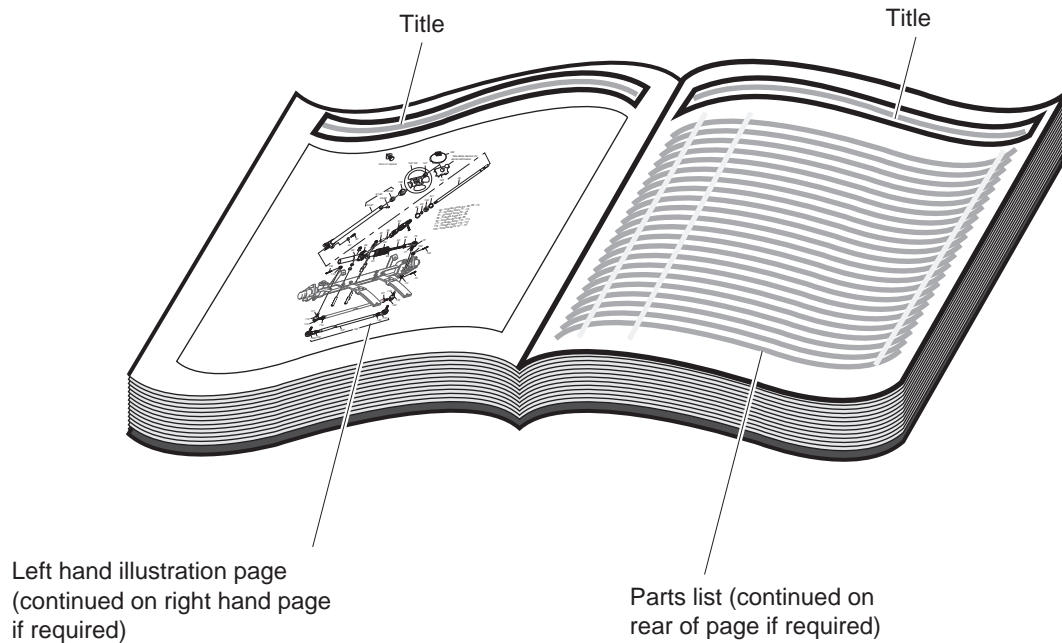
USE OF THE MANUAL

To use this manual, consult the GENERAL INDEX to locate the information or illustration required.

Introduction of some revisions varies due to supply of components; therefore, it is possible that various combinations of components may be found that are not directly reflected by each illustration. Consult the illustration that best suits your situation and then contact the Service Parts Department. It is important that the serial number of your vehicle and its model number be supplied to Service Parts when ordering any replacement components.

Locate the serial number plate (see BODY located in the Illustrated Parts Breakdown section of this manual for its location) and note the complete number shown on the plate.

HOW TO USE THE SERVICE PARTS MANUAL



1. WHEN THE PART NUMBER IS NOT KNOWN

- Determine the function and application of the part required. Turn to the General Index and select the most appropriate title.
- Turn to the page number indicated and locate the desired part on the illustration.
- From the illustration, obtain the item number as signed to the desired part. Refer to the accompanying description for specific information regarding the part.

2. IF YOU KNOW THE PART NUMBER

- Locate the part number or description in the appropriate column on the parts list page.

NOTE: It is suggested that you confirm that the part selected is correct by verifying it with the pictorial representation on the illustrated page.

Should an asterisk (*) appear in the part number column on the parts list page, read upwards until a part number is found. The part number is the lowest assembly sold by Service Parts and the asterisk (*) indicates that the part depicted is not available for purchase.

NOTE: Descriptions are indented under the assembly that they are used on. That assembly is, in turn listed under the assembly that it is used on. This process is repeated until the highest final assembly is reached.

To facilitate the maintenance and repair of the vehicle, a Technician's Repair and Service Manual is available from the Service Parts Department.

HOW TO USE THE SERVICE PARTS MANUAL

3. COLOR CODE FOR BODY COMPONENTS

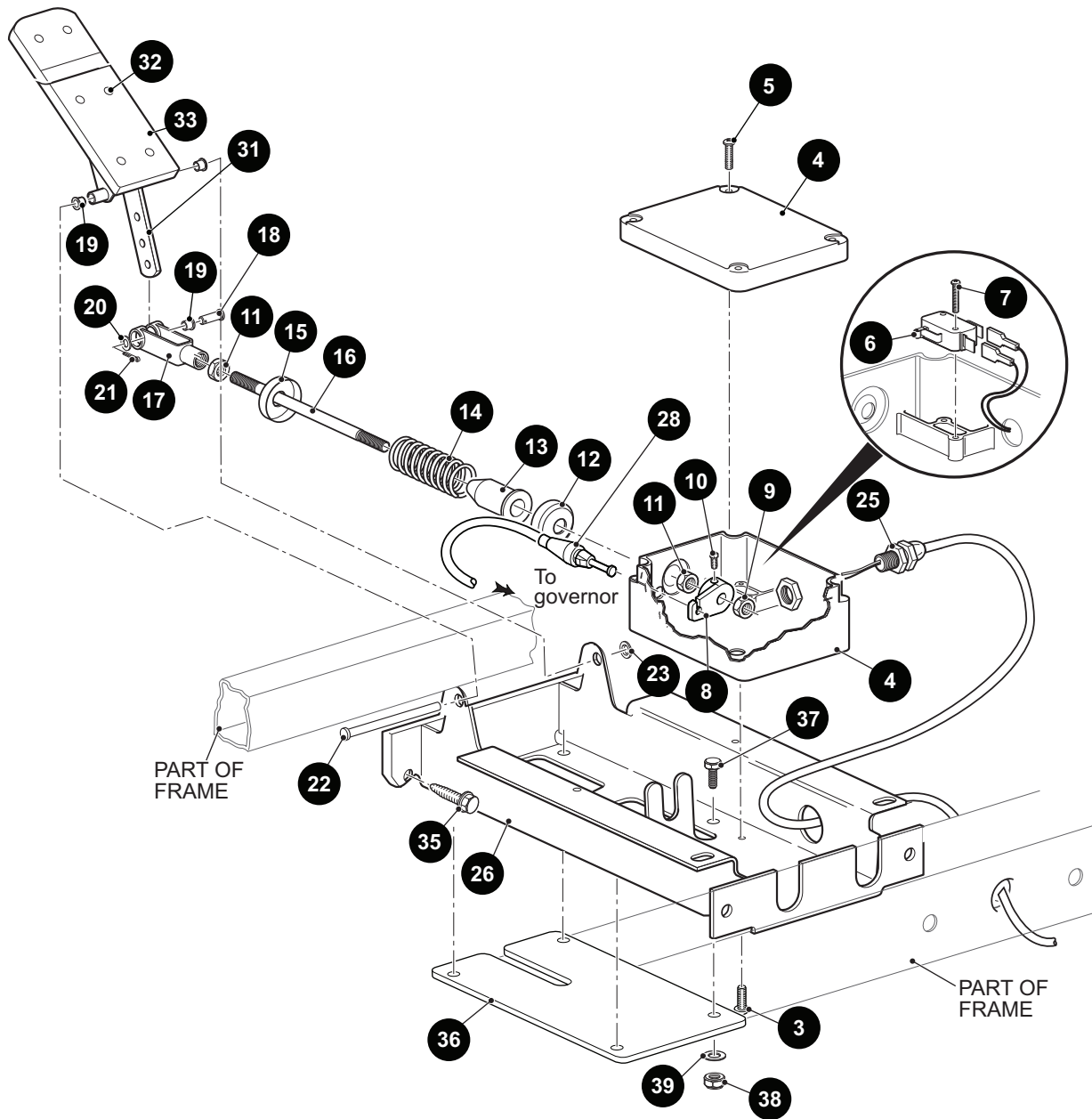
The last two digits of the part number for the body part will denote the color code, locate the part number for the cowl, rear body, seat pod, side panel or seat wrap then locate your color in the list below, replace the last ** or XX with the two digit color code.

<u>CODE #</u>	<u>DESCRIPTION</u>	<u>CODE #</u>	<u>DESCRIPTION</u>
01	NO PAINT	53	MOSSY OAK NEW BREAK UP - DIPPED
02	SPECIAL COLOR	54	MOSSY OAK OBSESSION - DIPPED
05	JACOBSEN ORANGE	55	REALTREE ADVANTAGE MAX 4 - DIPPED
06	LIGHT GOLD PEARL	56	REALTREE HARDWOOD BROWN - DIPPED
07	SILVER PEARL METALIC	57	REALTREE AP HOT PINK - DIPPED
11	BLACK	58	BLACK / SILVER MARBLE - DIPPED
12	EMERALD GREEN PEARL	59	RED / SILVER MARBLE - DIPPED
13	CLOUD GRAY	60	HOT PINK / SILVER MARBLE - DIPPED
14	VIPER BLUE METALLIC	61	REALTREE AP
19	PATRIOT BLUE PEARL	62	REALTREE MAX 4
20	INFERNO RED METALLIC	63	MOSSY OAK BREAKUP
23	ADVANTAGE CLASSIC CAMO	64	MOSSY OAK TREESTAND
24	NATURAL	65	REALTREE APG
25	VIVID NEW HOLLAND BLUE	66	REALTREE MAX 1
26	STEEL BLUE PEARL	67	REALTREE AP PINK
27	BRIGHT SILVER METALLIC	68	REALTREE AP - DIPPED
29	PRIMER ONLY		
30	HD ADVANTAGE CAMO		
31	METALLIC CHARCOAL		
32	LIGHT ALMOND PEARL		
33	TIMBERLINE GREEN		
34	DEEP MOLTEN RED		
35	SAFETY YELLOW		
36	IVORY		
37	FOREST GREEN		
38	BRIGHT WHITE		
39	FLAME RED		
40	BLACK		
41	ELECTRIC BLUE		
42	PLATINUM		
43	BURGUNDY		
44	ALMOND		
45	BLACK		
46	FLAME RED		
47	BURLINGTON GREEN		
48	BLACK		
49	FLAME RED		
50	RECON GREEN		
51	SUNBURST ORANGE		
52	BRITISH RACING GREEN		

ACCELERATOR

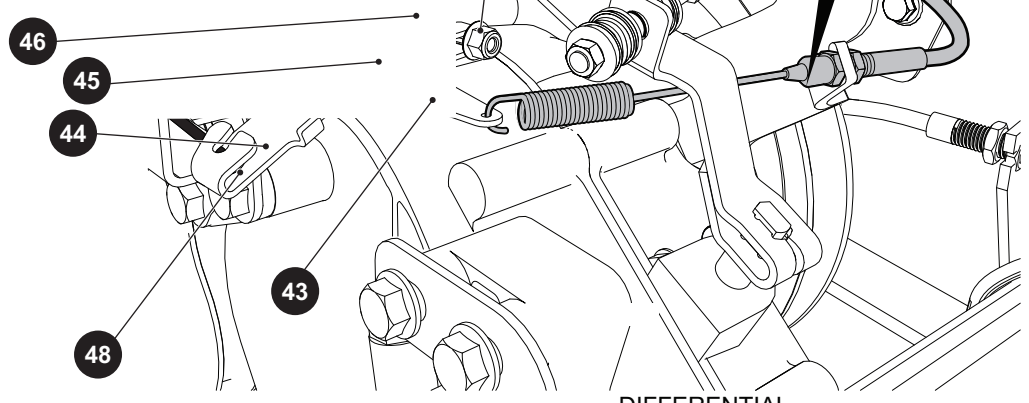
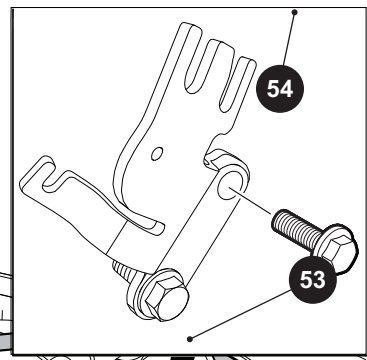
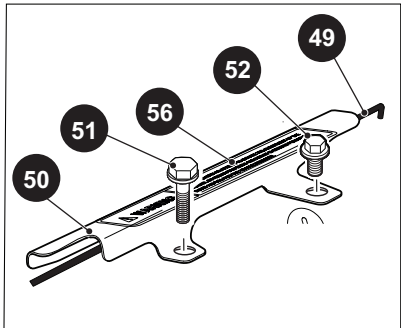
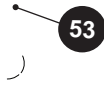
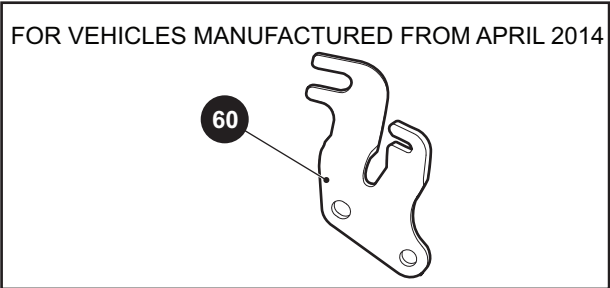
1 PEDAL BOX ASSEMBLY includes items 3 - 33

30 ACCELERATOR PEDAL ASSEMBLY includes items 31 - 33



⚠ WARNING DO NOT TAMPER WITH OR ATTEMPT TO CHANGE THE ADJUSTMENT OF THE GOVERNOR. GOVERNOR TAMPERING CAN RESULT IN SERIOUS PERSONAL INJURY AND WILL VOID THE VEHICLE WARRANTY.

56



DIFFERENTIAL

ACCELERATOR

When ordering parts, please specify the model and serial number of the product.

* Indicates a component that is not available as an individual part.

*** Indicates consult Customer Service Department for additional information.

ITEM	PART NO.	1 2 3 4 5	DESCRIPTION	QTY.
1	606990		PEDAL BOX ASSEMBLY, SWB (INCLUDES ITEMS 3 - 33).....	1
2				
3	01051G01		SCREW, #8 - 16 X 1/2" LG	4
4	25853G03		PEDAL BOX AND COVER	1
5	00684G6		SCREW, #8 - 32 X 3/4" LG (STAINLESS STEEL).....	2
6	25861G01		MICRO SWITCH.....	1
7	01050G01		SCREW, #4 - 20 X 5/8" LG	2
8	72716G01		MICRO SWITCH CAM.....	1
9	15126G1		LOCK NUT, 5/16 - 24	1
10	00487G3		SETSCREW, 1/4 - 20 X 3/8" LG	1
11	00532G4		NUT, 5/16 - 24.....	2
12	17677G1		SPRING RETAINER	1
13	17979G1		ACCELERATOR ROD BUSHING	1
14	73046G01		COMPRESSION SPRING	1
15	17677G2		SPRING RETAINER	1
16	72072G01		ACCELERATOR ROD	1
17	10385G4		CLEVIS YOKE (ADJUSTABLE).....	1
18	10386G3		CLEVIS PIN, 5/16" X 13/16" LG	1
19	17838G1		NYLON BUSHING	3
20	17255G1		TEFLON WASHER, 5/16".....	1
21	10387G3		COTTER PIN, 3/32" X 3/4" LG	1
22	74432G01		PEDAL PIVOT PIN.....	1
23	12064G6		PUSH NUT, 9/32".....	1
24				
25	72201G04		WIRE HARNESS (PEDAL BOX)	1
26	70116G02		ACCELERATOR PEDAL BRACKET.....	1
27				
28	608608		ACCELERATOR CABLE, SWB	1
29				
30	25799G03		ACCELERATOR PEDAL ASSEMBLY (INCLUDES ITEMS 31- 33).....	1
31	652824		ACCELERATOR PEDAL	1

ACCELERATOR

When ordering parts, please specify the model and serial number of the product.

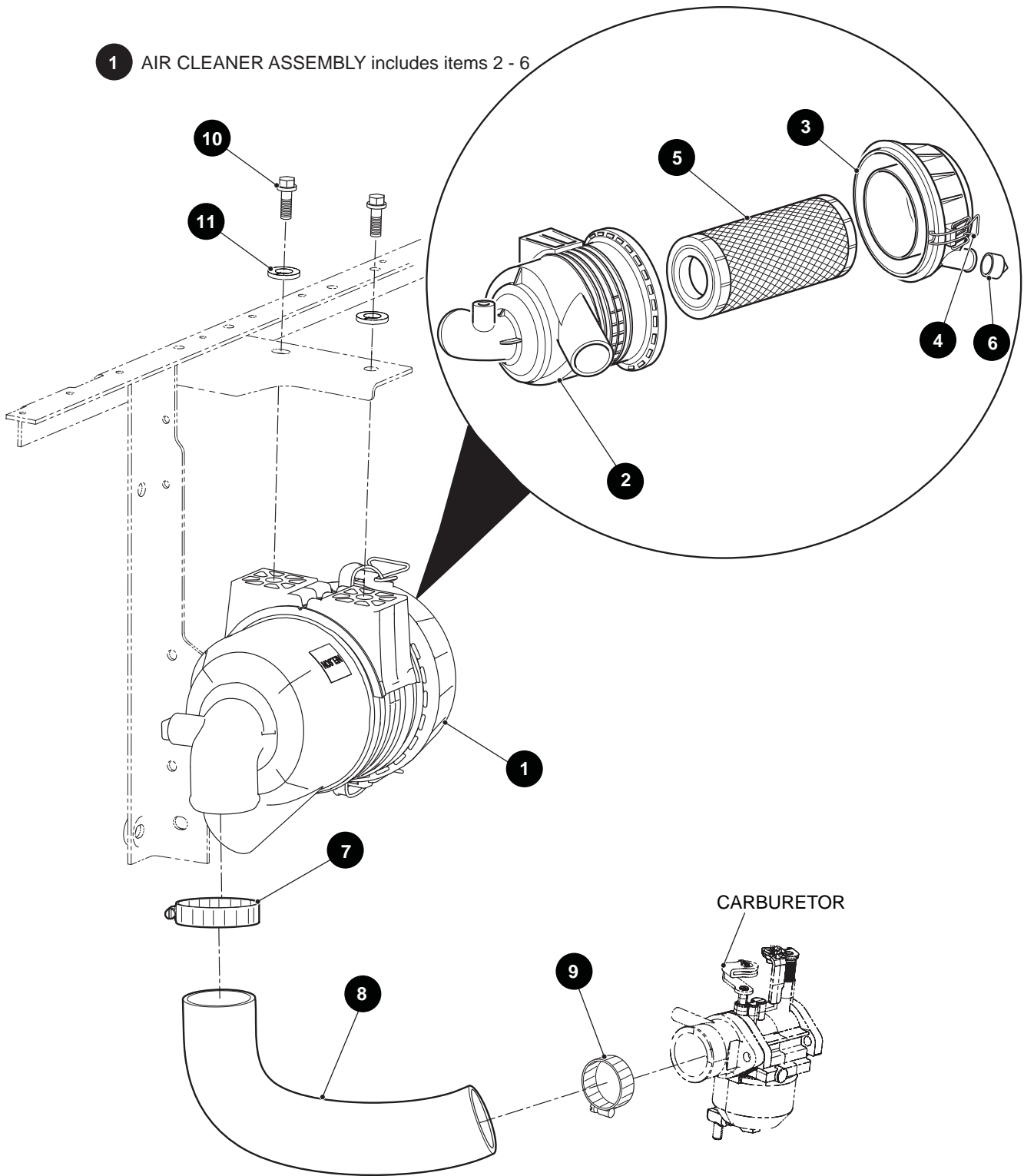
* Indicates a component that is not available as an individual part.

*** Indicates consult Customer Service Department for additional information.

ITEM	PART NO.	1 2 3 4 5	DESCRIPTION	QTY.
32	16409G1		OVAL RIVET, 3/16" X 7/16" LG.....	6
33	27512G01		ACCELERATOR PEDAL PAD	1
34				
35	00715G2		BOLT, 5/16 -18 X 4/5" LG.....	4
36	612487		PLATE, BRACKET	1
37	00414G6		HEX HEAD BOLT, 1/4-20 X 3/4"	4
38	00654G2		STAINLESS STEEL HEX NUT, 3/8 - 16	4
39	01110G01		FLAT WASHER, 1/4"	4
40				
41				
42				
43	606083		UPPER GOVERNOR BRACKET.....	1
44	606005		LOWER GOVERNOR BRACKET	1
45	606265		BOLT, M6 - 1 X 12.....	1
46	606421		BOLT, M6 - 1 X 30.....	1
47	450452		NUT, M6 - 1.0.....	1
48	606283		GOVERNOR LEVER BUSHING.....	1
49	606284		GOVERNOR ROD	1
50	603890		GOVERNOR ROD GUARD	1
51	606264		BOLT, M6 - 1 X 20.....	1
52	606262		BOLT, M8 - 1.25 X 16.....	1
53	606074		GOVERNOR CABLE / DIRECTION SELECTOR BRACKET	1
54	606256		BOLT, M10 - 1.25 X 16.....	2
55				
56	608527		GOVERNOR WARNING DECAL.....	1
57				
58				
59	17618G1		NYLON CLAMP (NOT ILLUSTRATED) (FOR HD ONLY)	2
60	632936		GOVERNOR CABLE / DIRECTION SELECTOR BRACKET (FOR VEHICLES MANUFACTURED FROM APRIL 2014)	1

AIR FILTER

1 AIR CLEANER ASSEMBLY includes items 2 - 6



AIR FILTER

When ordering parts, please specify the model and serial number of the product.

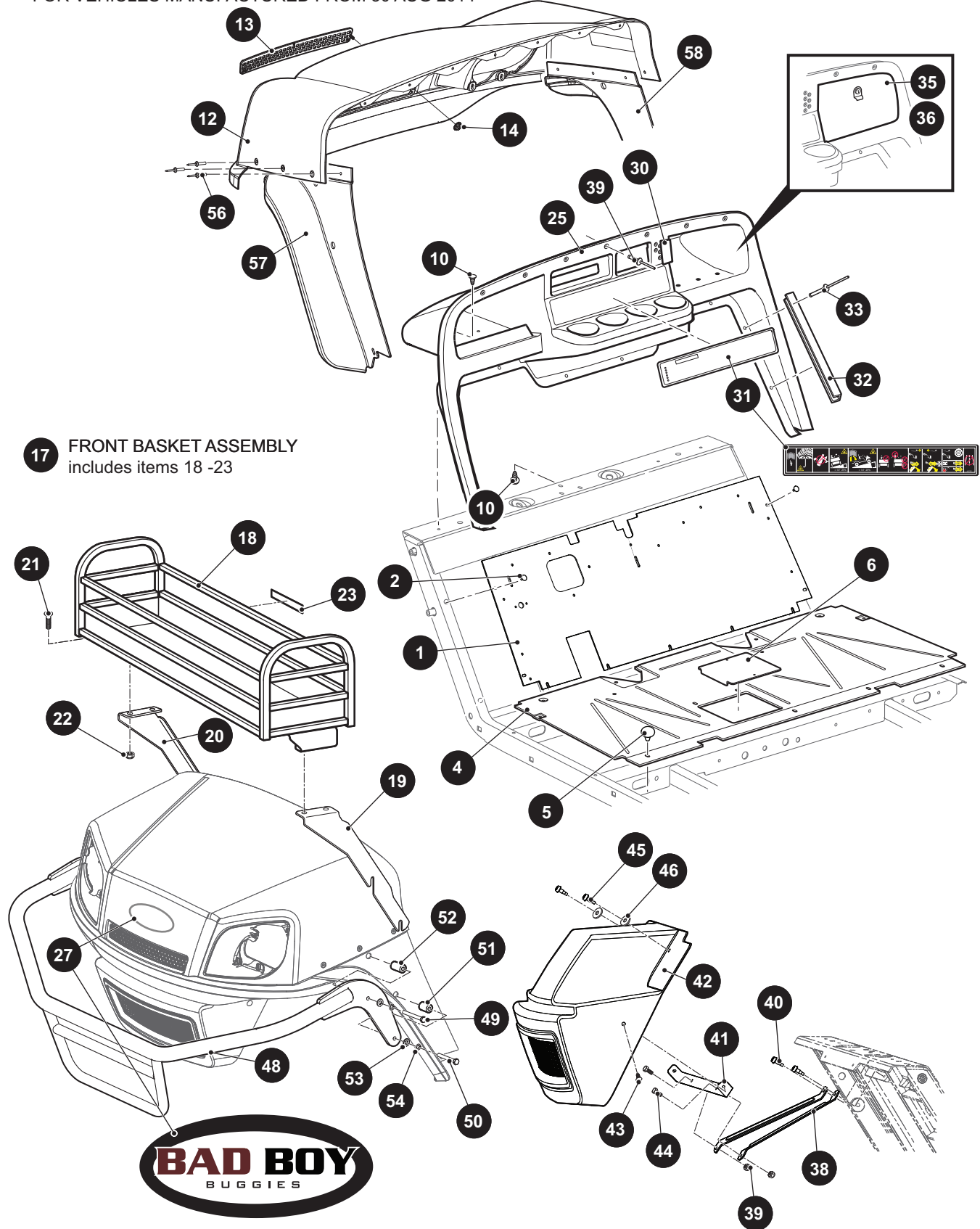
* Indicates a component that is not available as an individual part.

*** Indicates consult Customer Service Department for additional information.

ITEM	PART NO.	1 2 3 4 5	DESCRIPTION	QTY.
1	614852		AIR CLEANER ASSEMBLY (INCLUDES ITEMS 2 - 6).....	1
2	615390		AIR CLEANER BODY	1
3	72599G01		AIR CLEANER COVER.....	1
4	72604G01		AIR CLEANER CLIP	2
5	28463G01		AIR FILTER	1
6	28462G01		DUST EJECTOR VALVE	1
7	11391G7		HOSE CLAMP	1
8	607950		HOSE.....	1
9	11391G1		HOSE CLAMP	1
10	606271		BOLT M8 - 1.25 X 20	2
11	606272		LOCK WASHER, 8 MM	2

BODY (HD ONLY)

FOR VEHICLES MANUFACTURED FROM 30 AUG 2014



BODY (HD ONLY)

When ordering parts, please specify the model and serial number of the product.

* Indicates a component that is not available as an individual part.

*** Indicates consult Customer Service Department for additional information.

ITEM	PART NO.	1 2 3 4 5	DESCRIPTION	QTY.
1	641260		UPPER FLOORPAN	1
2	14601G11		RIVET (ALUMINUM), 3/16" X 9/16" LG	9
3				
4	70451G01		LOWER FLOORPAN	1
5	14601G11		RIVET (ALUMINUM), 3/16" X 9/16" LG	7
6	70452G01		ACCESS COVER	1
7				
8				
9				
10	16816G2		RATCHET FASTENER, 1/4" X 3/4" LG	5
11				
12	613036GXXX		COWL (See COLOR CODES in HOW TO USE section) (FOR VEHICLES MANUFACTURED FROM 30 AUG 2014)	1
13	617643		GRILL COVER.....	1
14	71597G01		SELF-THREADING NUT, 3/16" X 19/32".....	2
15				
16				
17	74521G02		FRONT BASKET ASSEMBLY (INCLUDES ITEMS 18 - 23)	1
18	74523G01		FRONT BASKET	1
19	625076		BASKET MOUNTING BRACKET (DRIVER SIDE)	1
20	625077		BASKET MOUNTING BRACKET (PASSENGER SIDE).....	1
21	00725G1		CARRIAGE BOLT (SS), 3/8" - 16 X 1" LG	4
22	11098G5		LOCK NUT, 3/8" - 16	4
23	71931G01		LABEL, FRONT BASKET (WARNING)	1
24				
25	71151G03		INSTRUMENT PANEL ASSEMBLY.....	1
26				
27	626663		COWL DECAL (BAD BOY BUGGIES)	1
28				
29				
30	35968G01		T-HOLDER DECAL.....	1

BODY (HD ONLY)

When ordering parts, please specify the model and serial number of the product.

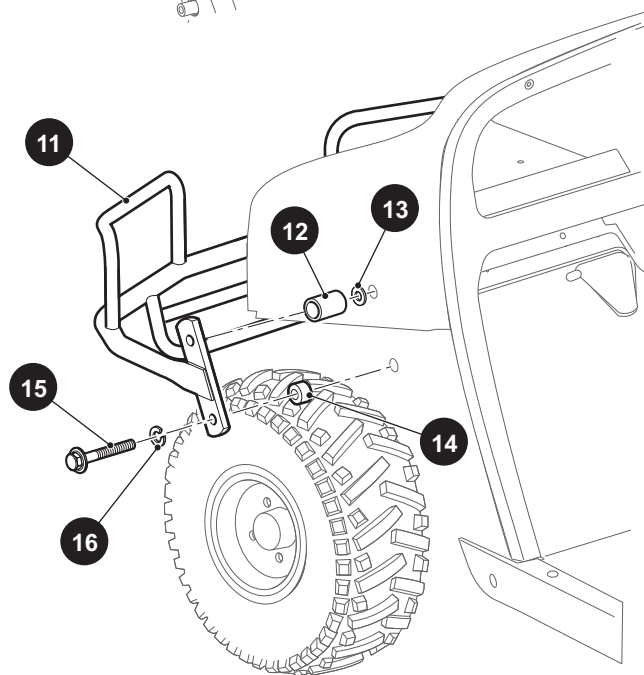
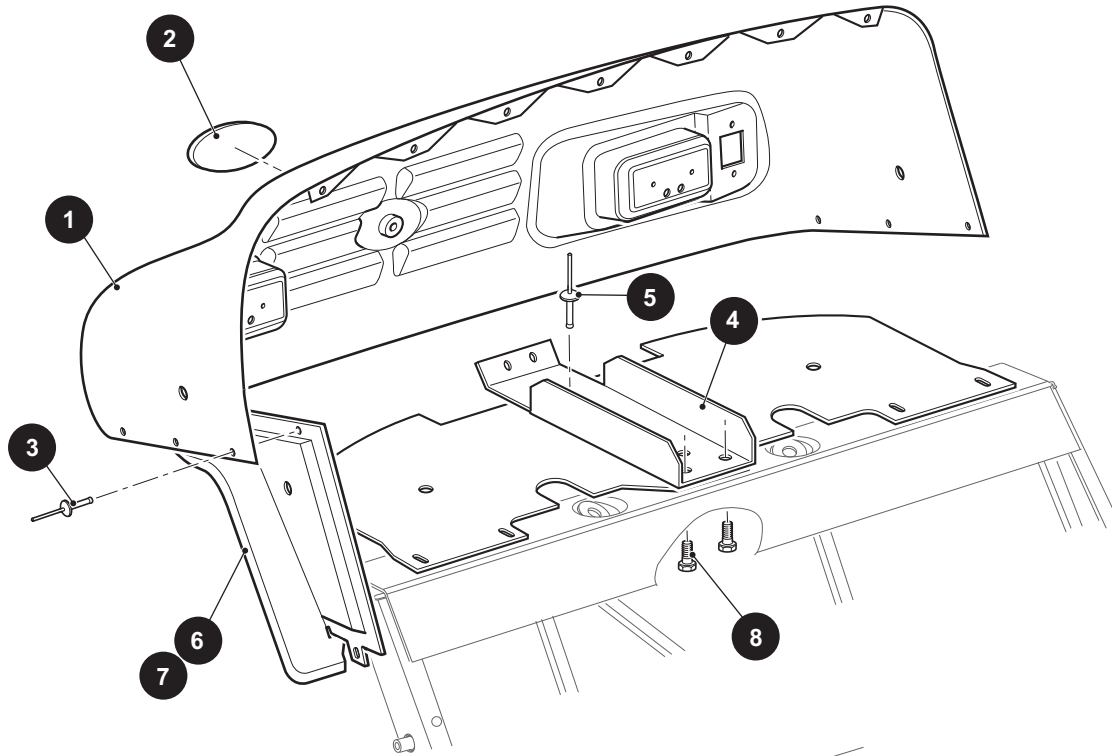
* Indicates a component that is not available as an individual part.

*** Indicates consult Customer Service Department for additional information.

ITEM	PART NO.	1 2 3 4 5	DESCRIPTION	QTY.
31	601781		OPERATING AND SAFETY LABEL.....	1
32	71115G01		VINYL TRIM	2
33	71055G01		RIVET (ALUMINUM), 3/16" X 1" LG	10
34				
35	75459G02		GLOVE BOX DOOR (DRIVER SIDE)	1
36	75459G03		GLOVE BOX DOOR (PASSENGER SIDE).....	1
37				
38	70725G02		FRONT SHIELD BRACE.....	2
39	14390G4		PLASTIC INSERT LOCK NUT, 1/4" - 20	2
40	01038G01		HEX HEAD BOLT, 1/4" - 20 X 3/4" LG	4
41	618653		FASCIA BRACKET.....	1
42	613273		FRONT FASCIA	1
43	15058G1		RIVET (ALUMINUM), 3/16" X 4/9" LG.....	2
44	00414G6		HEX HEAD BOLT, 1/4" - 20 X 3/4" LG.....	2
45	00440G6		HEX HEAD BOLT, 5/16" - 18 X 2 3/4" LG.....	2
46	16469G1		FENDER WASHER, 9/32" I.D. X 1 1/4" O.D.	2
47				
48	617620		BRUSHGUARD	1
49	00440G2		HEX HEAD BOLT, 5/16" - 18 X 2 1/4" LG.....	2
50	00440G6		HEX HEAD BOLT, 5/16" - 18 X 2 3/4" LG.....	2
51	75048G04		SPACER, 21/64" X 3/4" X 1" LG.....	2
52	75048G02		SPACER, 21/64" X 3/4" X 1 5/16" LG.....	2
53	00559G8		FLAT WASHER, 5/16"	4
54	00565G8		LOCK WASHER, 5/16"	4
55				
56	71055G01		RIVET, 3/16" X 1" LG	6
57	614378		FENDER FLARE (DRIVER SIDE).....	1
58	613274		FENDER FLARE (PASSENGER SIDE)	1
59				
60				

BODY (HD ONLY)

FOR VEHICLES MANUFACTURED BEFORE 30 AUG 2014



BODY (HD ONLY)

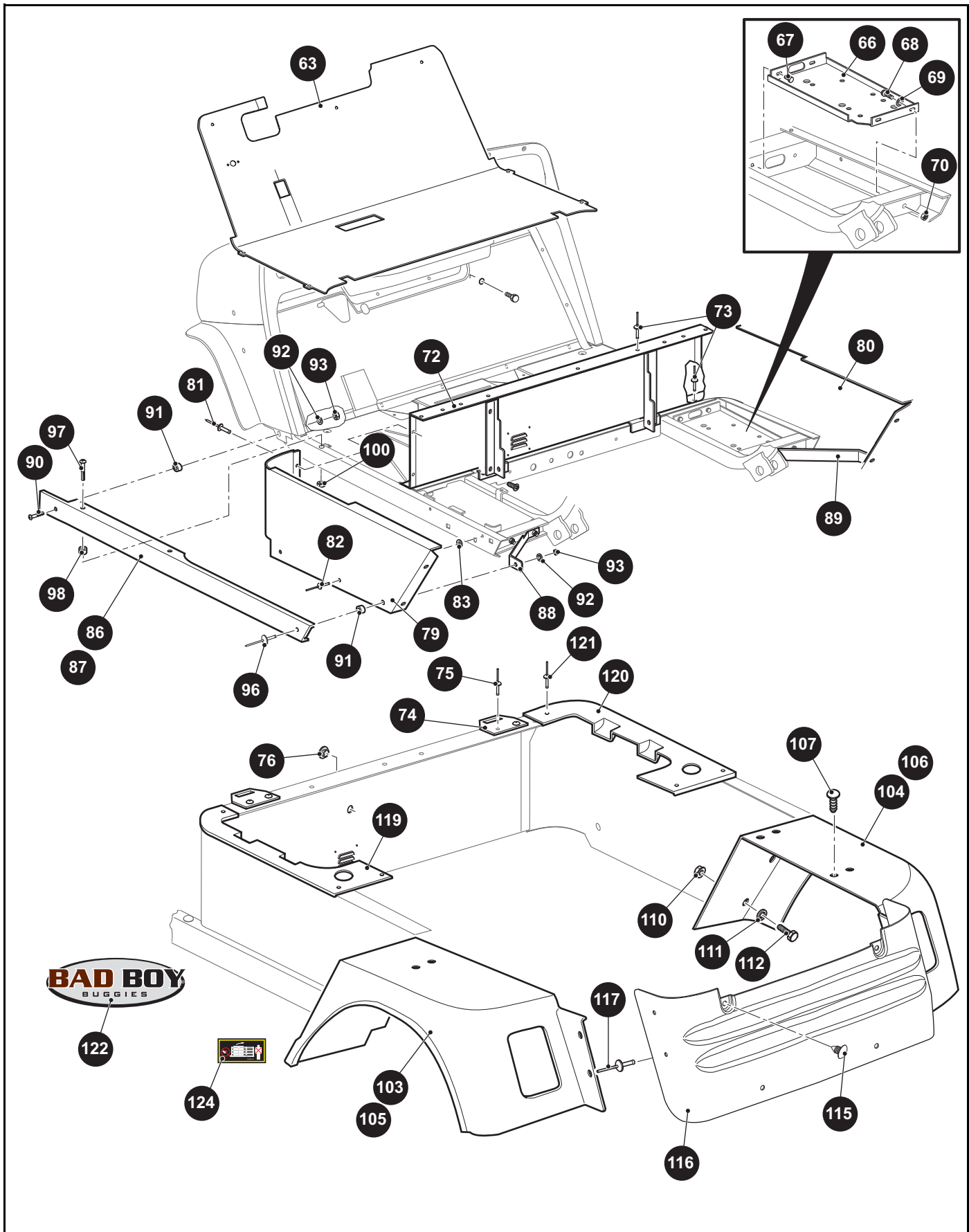
When ordering parts, please specify the model and serial number of the product.

* Indicates a component that is not available as an individual part.

*** Indicates consult Customer Service Department for additional information.

ITEM	PART NO.	1 2 3 4 5	DESCRIPTION	QTY.
1	71468GXX		COWL (See COLOR CODE in HOW TO USE Section) (FOR VEHICLES MANUFACTURED BEFORE 30 AUG 2014).....	1
2	617803		OVAL NAMEPLATE (BAD BOY BUGGIES)	1
3	71055G01		RIVET (ALUMINUM), 3/16" X 1" LG	6
4	71101G02		COWL SUPPORT BRACKET	1
5	71055G01		RIVET (ALUMINUM), 3/16" X 1" LG	1
6	71338G01		FENDER FLARE (DRIVER SIDE)	1
7	71338G02		FENDER FLARE (PASSENGER SIDE).....	1
8	71102G02		SELF TAPPING SCREW, 1/4" - 20 X 1/2" LG	3
9				
10				
11	74265G02		BRUSHGUARD	1
12	75048G04		SPACER, 1"	2
13	00570G2		FLAT WASHER, 5/16"	2
14	75048G01		SPACER, 1/2"	4
15	01035G02		FLANGED HEX HEAD BOLT, 5/16" - 18 X 2 1/2" LG	4
16	00565G8		LOCK WASHER, 5/16"	4

BODY (HD ONLY)



BODY (HD ONLY)

When ordering parts, please specify the model and serial number of the product.

* Indicates a component that is not available as an individual part.

*** Indicates consult Customer Service Department for additional information.

ITEM	PART NO.	1 2 3 4 5	DESCRIPTION	QTY.
63	637535G02		FLOOR MAT WITH HORN HOLES	1
64				
65				
66	70244G03		SPLASH PANEL	2
67	00715G2		HEX HEAD BOLT, 5/16" - 18 X 13/16" LG	4
68	00438G8		HEX HEAD BOLT, 5/16" - 18 X 1" LG	4
69	00559G8		FLAT WASHER, 5/16"	4
70	11098G6		LOCK NUT (SS), 5/16" - 18	4
71				
72	609143GXX		SEAT WRAP WITH LOUVERS (See COLOR CODE in HOW TO USE Section)	1
73	10570G10		RIVET (SS), 5/32" X 9/16" LG	8
74	71609G01		SEAT HINGE PLATE	2
75	10570G11		RIVET (SS), 3/16" X 3/4" LG	4
76	20271G9		HOLE PLUG	1
77				
78				
79	609168G1XX		SIDE PANEL (DRIVER) (See COLOR CODE in HOW TO USE Section)	1
80	609168G2XX		SIDE PANEL (PASSENGER) (See COLOR CODE in HOW TO USE Section)	1
81	10570G10		RIVET (SS), 5/32" X 9/16" LG	4
82	10570G12		RIVET (ALUMINUM), 1/4" X 9/16" LG	4
83	16469G1		FENDER WASHER, 1/4"	4
84				
85				
86	618886		ROCKER PANEL (DRIVER SIDE).....	1
87	618885		ROCKER PANEL (PASSENGER SIDE)	1
88	71440G03		BRACE (DRIVER SIDE)	1
89	71440G04		BRACE (PASSENGER SIDE)	1
90	00789G2		TRUSS HEAD PHILLIPS SCREW, #10 - 24 X 1 1/4" LG	2
91	23726G4		SPACER, 1/4"	4
92	00660G5		FLAT WASHER (SS), #10.....	2
93	14390G10		LOCK NUT, #10 - 24	2

BODY (HD ONLY)

When ordering parts, please specify the model and serial number of the product.

* Indicates a component that is not available as an individual part.

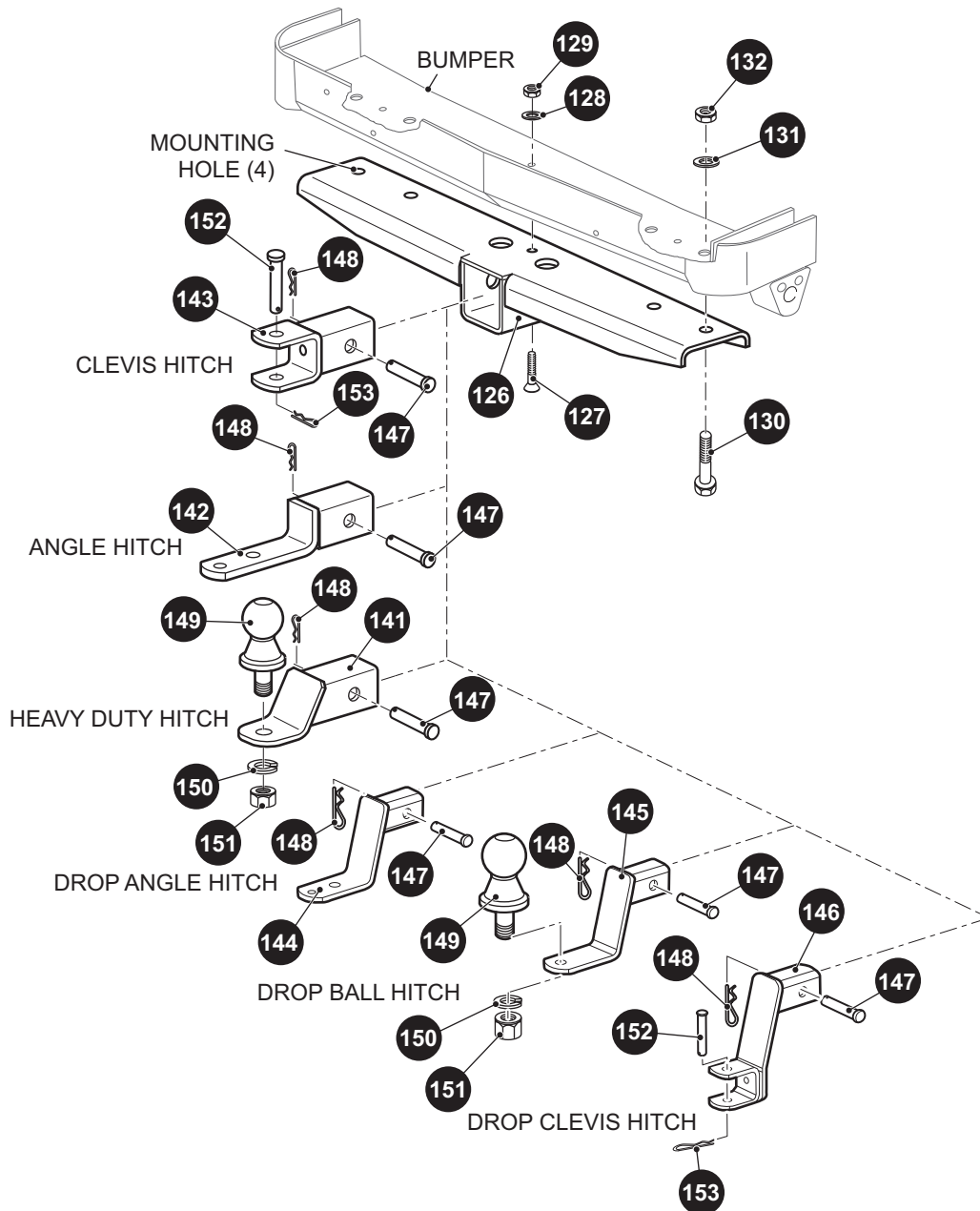
*** Indicates consult Customer Service Department for additional information.

ITEM	PART NO.	1 2 3 4 5	DESCRIPTION	QTY.
94				
95				
96	15058G6		RIVET (ALUMINUM), 3/16" X .95"	2
97	16705G1		PAN HEAD PHILLIPS SCREW (SS), 1/4" - 20 X 1" LG	4
98	23726G4		SPACER, 1/4".....	2
99				
100	14390G4		LOCK NUT, 1/4" - 20	4
101				
102				
103	74893G01		FENDER (DRIVER SIDE)	1
104	74893G02		FENDER (PASSENGER SIDE).....	1
105	74893G03		FENDER WITH TAILLIGHT OPENING (DRIVER SIDE).....	1
106	74893G04		FENDER WITH TAILLIGHT OPENING (PASSENGER SIDE)	1
107	16816G2		RATCHET FASTENER, 1/4" X 3/4" LG	10
108				
109				
110	14390G4		LOCK NUT, 1/4" - 20	4
111	00642G7		FLAT WASHER, 1/4"	8
112	00414G6		CAP HEX HEAD BOLT, 1/4" - 20 X 3/4" LG	4
113				
114				
115	16816G2		RATCHET FASTENER, 1/4" X 3/4" LG	8
116	74890G01		REAR PANEL (ST 400).....	1
117	71055G01		RIVET (ALUMINUM), 3/16" X 1" LG	4
118				
119	74891G01		SEAT FILLER PANEL (DRIVER SIDE)	1
120	74891G02		SEAT FILLER PANEL (PASSENGER SIDE)	1
121	10570G10		RIVET (SS), 5/32" X 9/16" LG	6
122	617806		LABEL (BAD BOY BUGGIES)	2
123				
124	74099G01		LABEL (TILT WARNING)	2

BODY (HD ONLY)

HITCHES

- 135 HEAVY DUTY HITCH KIT includes items 141, 147 - 151
- 136 ANGLE HITCH KIT includes items 142, 147, 148
- 137 CLEVIS HITCH KIT includes items 143, 147, 148, 152, 153
- 138 DROP ANGLE HITCH KIT includes items 144, 147, 148
- 139 DROP BALL HITCH KIT includes items 145, 147 - 151
- 140 DROP CLEVIS HITCH KIT includes items 146, 147, 148, 152, 153



BODY (HD ONLY)

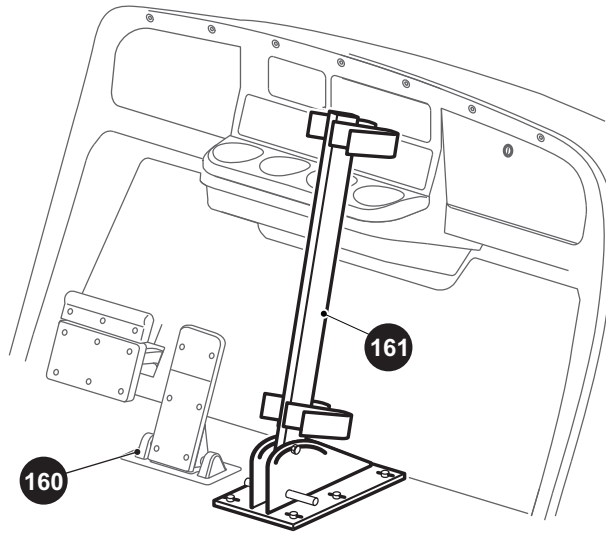
When ordering parts, please specify the model and serial number of the product.

* Indicates a component that is not available as an individual part.

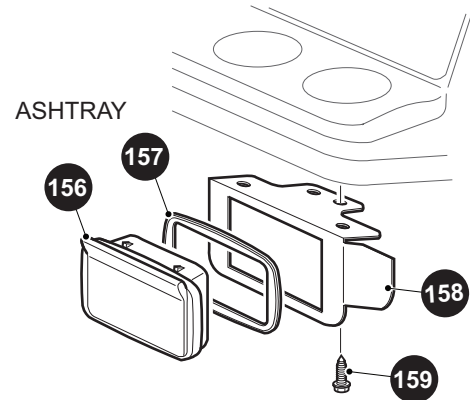
*** Indicates consult Customer Service Department for additional information.

ITEM	PART NO.	1 2 3 4 5	DESCRIPTION	QTY.
125				
126	74348G02		HITCH RECEIVER.....	1
127	00198G8		FLAT HEAD SLOTTED SCREW, 5/16" - 18 X 1" LG.....	1
128	00571G2		FLAT WASHER, 5/16"	1
129	11098G6		LOCK NUT (SS), 5/16" - 18	1
130	00463G4		HEX HEAD BOLT, 7/16" - 14 X 1 1/2" LG.....	4
131	00922G3		FLAT WASHER, 7/16"	4
132	00734G1		LOCK NUT, 7/16" - 14	4
133				
134				
135	74492G02		HEAVY DUTY BALL HITCH KIT (INCLUDES ITEMS 141, 147-151)	1
136	74492G04		ANGLE HITCH KIT (INCLUDES ITEMS 142, 147, 148).....	1
137	74492G06		CLEVIS HITCH KIT (INCLUDES ITEMS 143, 147, 148, 152, 153).....	1
138	74492G08		DROP ANGLE HITCH KIT (INCLUDES ITEMS 144, 147, 148)	1
139	74492G10		DROP BALL HITCH KIT (INCLUDES ITEMS 145, 147-151)	1
140	74492G12		DROP CLEVIS HITCH KIT (INCLUDES ITEMS 146, 147, 148, 152, 153).....	1
141	74351G02		HEAVY DUTY HITCH.....	1
142	74339G02		ANGLE HITCH	1
143	74338G02		CLEVIS HITCH.....	1
144	74489G02		DROP ANGLE HITCH.....	1
145	74491G02		DROP BALL HITCH	1
146	74495G02		DROP CLEVIS HITCH	1
147	21317G01		CLEVIS PIN, 5/8" X 3" LG	1
148	21683G1		COTTER PIN, 15/32" X 2 11/16" LG	1
149	31757G1		HITCH BALL, 1 7/8"	1
150	00566G6		LOCK WASHER, 3/4"	1
151	00702G11		HEX NUT, 3/4" - 16.....	1
152	14443G10		CLEVIS PIN, 1/2" X 3" LG	1
153	19314G1		COTTER PIN, 2 1/2" LG.....	1
154				
155				

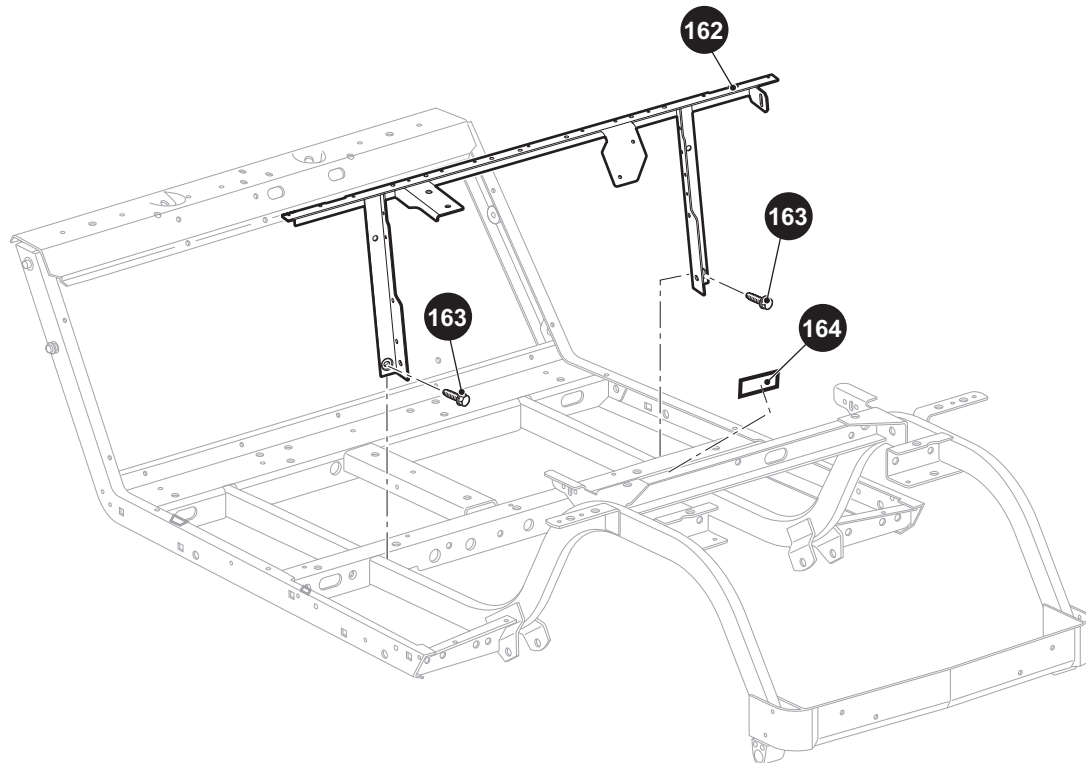
BODY (HD ONLY)



FLOOR MOUNT
GUN HOLDER



ASHTRAY



BODY (HD ONLY)

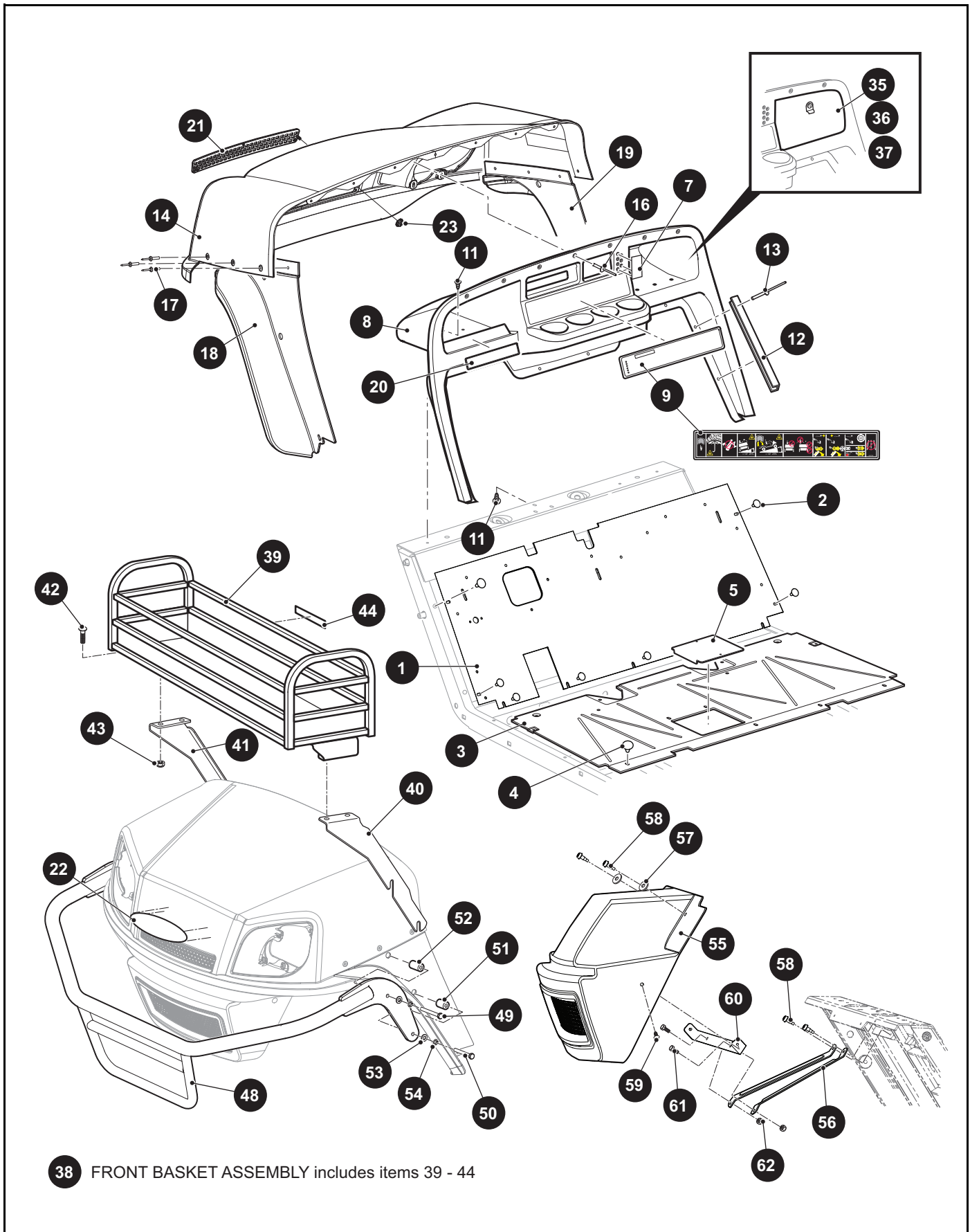
When ordering parts, please specify the model and serial number of the product.

* Indicates a component that is not available as an individual part.

*** Indicates consult Customer Service Department for additional information.

ITEM	PART NO.	1 2 3 4 5	DESCRIPTION	QTY.
156	27731G01		ASHTRAY	1
157	27736G01		GASKET	1
158	75108G02		BRACKET	1
159	00100G4		SELF TAPPING SCREW, #10 - 16 X 1/2" LG.....	4
160	70135G01		PEDAL PIVOT COVER.....	1
161	74365G01		GUN HOLDER (INCLUDES ALL MOUNTING HARDWARE).....	1
162	605694		SEAT FRAME	1
163	00715G2		HEX HEAD BOLT, 5/16" - 18 X 13/16" LG.....	2
164	612049		CERTIFICATION LABEL	1

BODY (LTO ONLY)



BODY (LTO ONLY)

When ordering parts, please specify the model and serial number of the product.

* Indicates a component that is not available as an individual part.

*** Indicates consult Customer Service Department for additional information.

ITEM	PART NO.	1 2 3 4 5	DESCRIPTION	QTY.
1	641260		UPPER FLOORPAN	1
2	14601G11		RIVET, 3/16" X 9/16" LG	9
3	70451G01		LOWER FLOORPAN	1
4	14601G11		RIVET, 3/16" X 9/16" LG	7
5	70452G01		ACCESS COVER	1
6				
7	35968G01		T - HOLDER COVER	1
8	71151G03		INSTRUMENT PANEL ASSEMBLY	1
9	601781		OPERATING AND SAFETY LABEL.....	1
10				
11	16816G2		RATCHET FASTENER, 1/4" X 3/4" LG.....	5
12	71115G01		VINYL TRIM	2
13	71055G01		RIVET, 3/16" X 1" LG	10
14	613036GXXX		COWL (See COLOR CODES in HOW TO USE section).....	1
15				
16	71055G01		RIVET, 3/16" X 1" LG	7
17	71055G01		RIVET, 3/16" X 1" LG	6
18	614378		FENDER FLARE (DRIVER SIDE)	1
19	613274		FENDER FLARE (PASSENGER SIDE).....	1
20	74443G01		ANTI-ROLLBACK DECAL	1
21	617643		GRILL COVER.....	1
22	626663		COWL DECAL, BBB	1
23	71597G01		SELF-THREADING NUT, 3/16" X 19/32"	2
24				
25				
26				
27				
28				
29				
30				
31				

BODY (LTO ONLY)

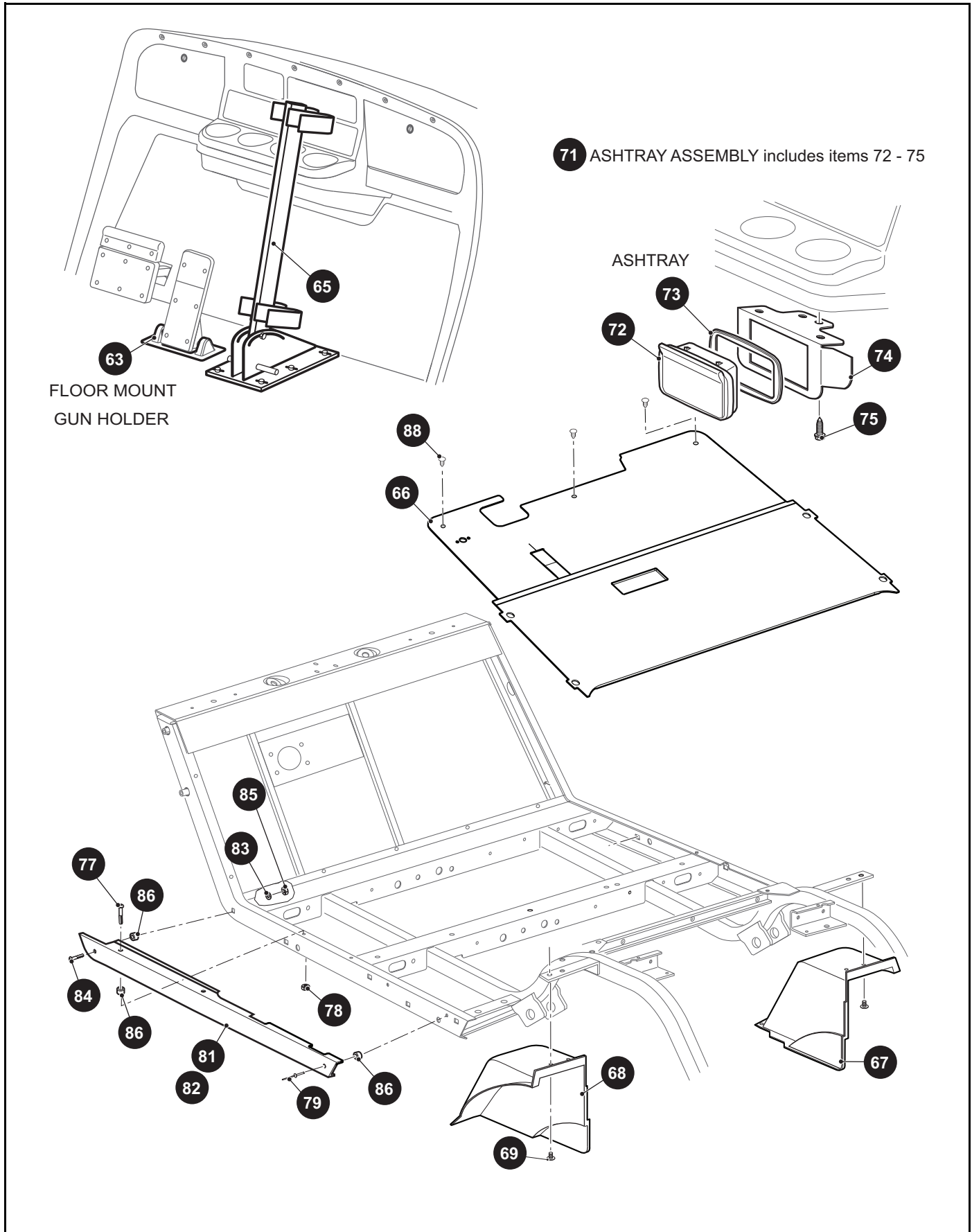
When ordering parts, please specify the model and serial number of the product.

* Indicates a component that is not available as an individual part.

*** Indicates consult Customer Service Department for additional information.

ITEM	PART NO.	1	2	3	4	5	DESCRIPTION	QTY.
32								
33								
34								
35	75459G01						GLOVE BOX DOORS (BOTH SIDES)	1
36	75459G02						GLOVE BOX DOOR (DRIVER SIDE)	1
37	75459G03						GLOVE BOX DOOR (PASSENGER SIDE).....	1
38	74521G02						FRONT BASKET ASSEMBLY (INCLUDES ITEMS 39 - 44)	1
39	74523G01						BASKET	1
40	625076						BRACKET (DRIVER SIDE).....	1
41	625077						BRACKET (PASSENGER SIDE)	1
42	00725G01						CARRIAGE BOLT (SS), 3/8" - 16 X 1" LG	4
43	11098G5						LOCK NUT, 3/8" - 16.....	4
44	71931G01						FRONT BASKET WARNING DECAL.....	1
45								
46								
47								
48	617620						BRUSHGUARD	1
49	00440G2						HEX HEAD BOLT, 5/16" - 18 X 2 1/4" LG.....	2
50	00440G6						HEX HEAD BOLT, 5/16" - 18 X 2 3/4" LG.....	2
51	75048G04						SPACER, 21/64" X 3/4" X 1" LG.....	2
52	75048G02						SPACER, 21/64" X 3/4" X 1 5/16" LG.....	2
53	00559G8						FLAT WASHER, 5/16"	4
54	00565G8						LOCK WASHER, 5/16"	4
55	613273						FRONT FASCIA.....	1
56	70725G02						FRONT SHIELD BRACE	2
57	16469G1						FENDER WASHER, 9/32" I.D. X 1 1/4" O.D.	2
58	01038G01						HEX WASHER HEAD BOLT, 1/4" - 20 X 3/4" LG	4
59	15058G1						RIVET (ALUMINUM), 3/16" X 4/9" LG.....	2
60	618653						FASCIA BRACKET	1
61	00414G6						HEX HEAD BOLT, 1/4" - 20 X 3/4" LG.....	2
62	14390G4						PLASTIC INSERT LOCK NUT, 1/4" - 20	2

BODY (LTO ONLY)



BODY (LTO ONLY)

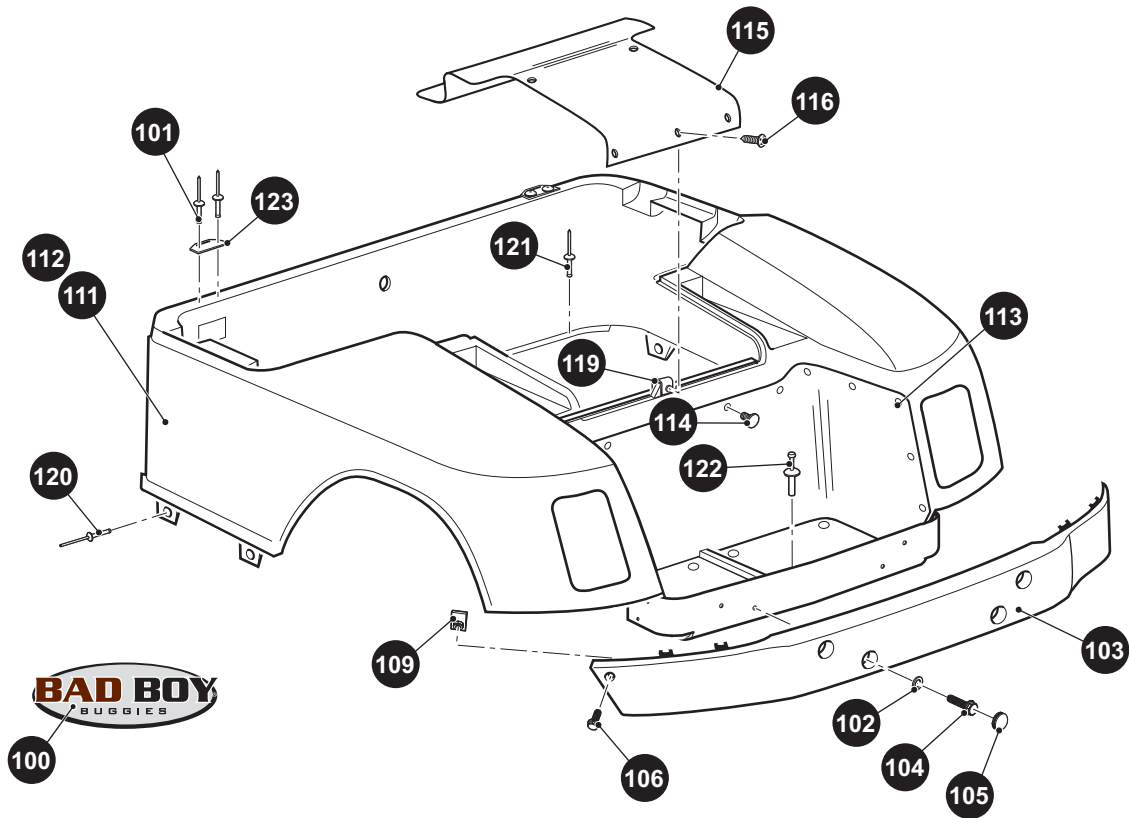
When ordering parts, please specify the model and serial number of the product.

* Indicates a component that is not available as an individual part.

*** Indicates consult Customer Service Department for additional information.

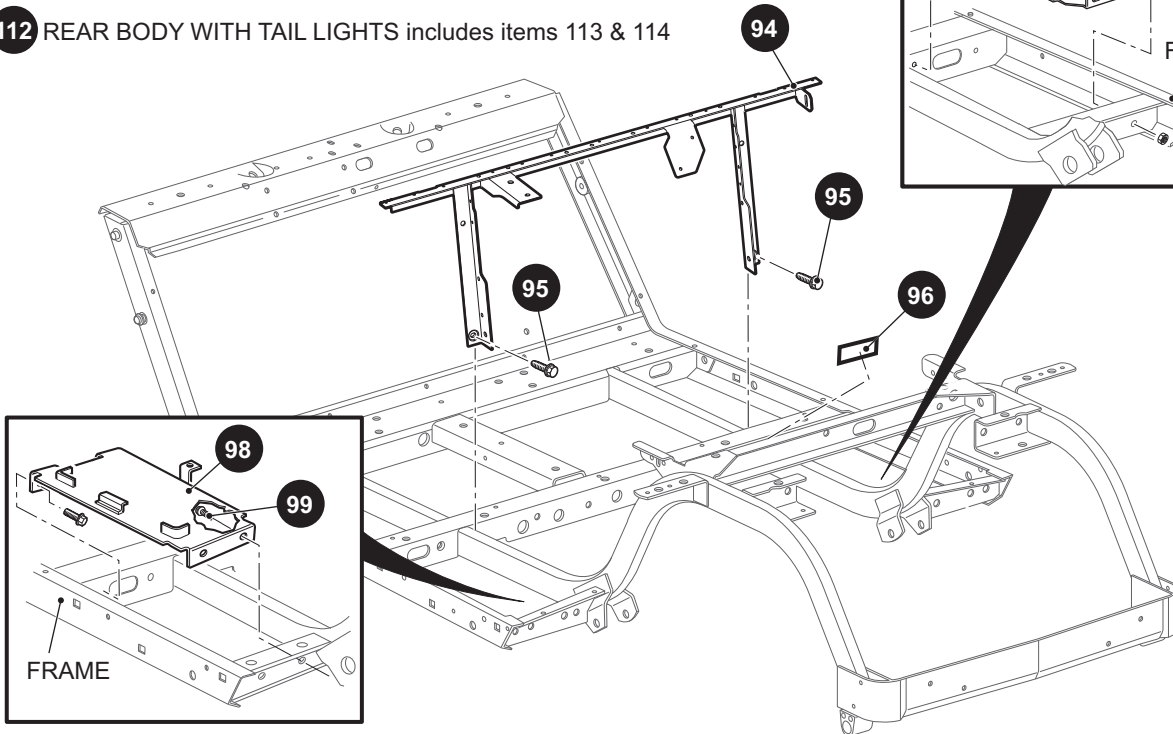
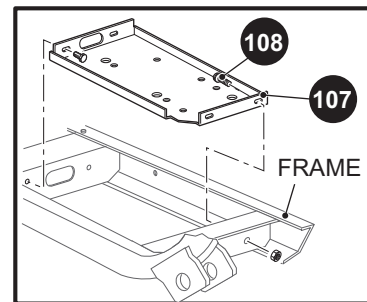
ITEM	PART NO.	1 2 3 4 5	DESCRIPTION	QTY.
63	70135G01		PEDAL PIVOT COVER.....	1
64	74248G01		DEFROSTER/COOLING FAN KIT (NOT ILLUSTRATED).....	1
65	74365G01		GUN HOLDER, FLOOR MOUNT	1
66	637535G02		FLOORMAT WITH HORN HOLES	1
67	635054G02		FENDER LINER (PASSENGER SIDE).....	1
68	635054G01		FENDER LINER (DRIVER SIDE)	1
69	16816G2		RATCHET FASTENER, 1/4" X 3/4" LG.....	8
70	74533G01		GUN HOLDER (SWIVEL MOUNT) (NOT ILLUSTRATED).....	1
71	75109G04		ASHTRAY KIT (INCLUDES ITEMS 72 - 75).....	1
72	27731G01		ASHTRAY.....	1
73	27736G01		GASKET	1
74	75108G02		BRACKET.....	1
75	00100G4		SELF TAPPING SCREW, #10 - 16 X 1/2" LG	4
76				
77	16705G1		TRUSS HEAD PHILLIPS SCREW, 1/4" - 20 X 1.0" LG.....	4
78	14390G4		LOCK NUT, 1/4" - 20.....	4
79	15058G6		BLACK ALUMINUM RIVET, 3/16" DIAMETER	2
80				
81	618356		ROCKER PANEL (DRIVER SIDE).....	1
82	618357		ROCKER PANEL (PASSENGER SIDE)	1
83	00660G5		FLAT WASHER, #10.....	2
84	00789G2		TRUSS HEAD PHILLIPS SCREW #10 - 24 X 1 1/4" LG	2
85	14390G10		LOCK NUT, #10 - 24	2
86	23726G4		SPACER, 1/4"	8
87				
88	16816G1		RATCHET FASTENER, 1/4" X 9/16" LG.....	3
89				
90				
91				
92				
93				

BODY (LTO ONLY)



111 REAR BODY WITHOUT TAIL LIGHTS includes items 113 & 114

112 REAR BODY WITH TAIL LIGHTS includes items 113 & 114



BODY (LTO ONLY)

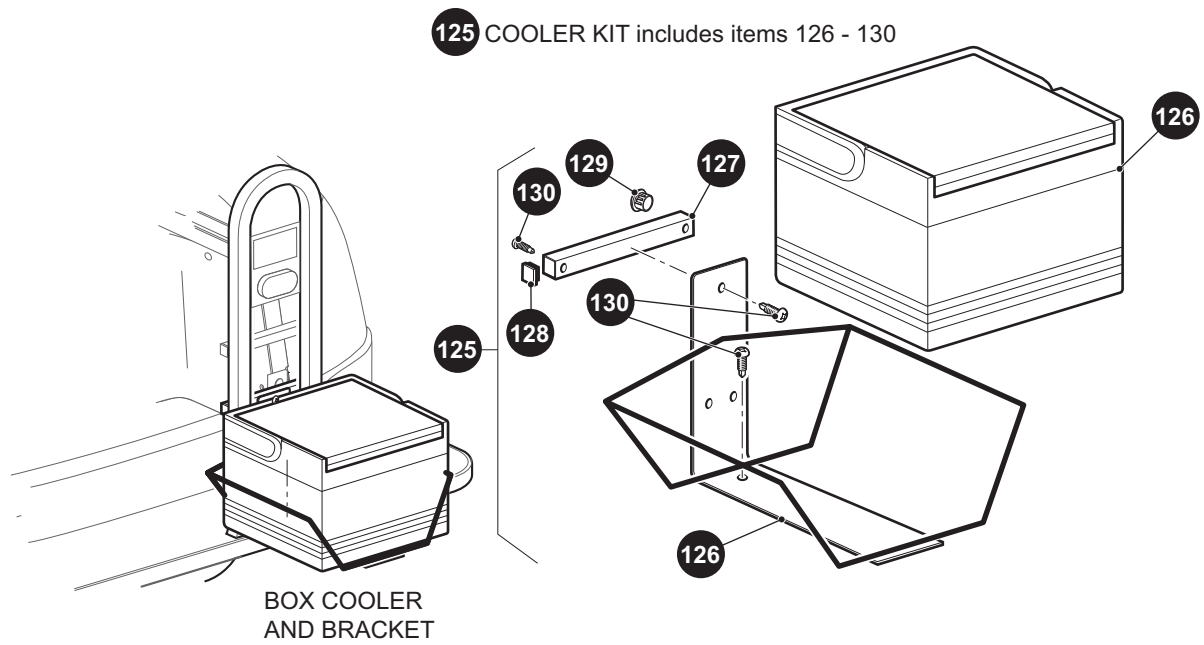
When ordering parts, please specify the model and serial number of the product.

* Indicates a component that is not available as an individual part.

*** Indicates consult Customer Service Department for additional information.

ITEM	PART NO.	1 2 3 4 5	DESCRIPTION	QTY.
94	605694		SEAT FRAME	1
95	00715G2		HEX HEAD BOLT, 5/16" - 18 X 13/16" LG	2
96	612049		CERTIFICATION LABEL.....	1
97				
98	652441G03		BATTERY RACK.....	1
99	00715G2		HEX HEAD BOLT, 5/16" - 18 X 13/16" LG	4
100	617806		BAD BOY BUGGIES SIDE BODY DECAL	2
101	10570G11		RIVET (SS), 3/16" X 3/4" LG	4
102	00571G2		FLAT WASHER, 5/16".....	4
103	71451G02		NOTCHED REAR BUMPER.....	1
104	71398G01		HEX HEAD BOLT, 1/4" - 20 X 1 1/4" LG	4
105	71514G01		BUMPER PLUG.....	4
106	71398G01		HEX HEAD BOLT, 1/4" - 20 X 1 1/4" LG	2
107	70244G03		SPLASH PANEL	2
108	00715G2		HEX HEAD BOLT, 5/16" - 18 X 13/16" LG	8
109	71554G01		J-TYPE NUT RETAINER, 1/4" - 20.....	2
110				
111	71912G4**		REAR BODY (WITHOUT TAILLIGHTS) (INCLUDES ITEMS 113 & 114)	1
112	71331G0**		REARY BODY (WITH TAILLIGHTS) (INCLUDES ITEMS 113 & 114)	1
113	71318G01		BAGWELL LINER.....	1
114	16816G1		RATCHET FASTENER, 1/4" X 9/16" LG	26
115	71320G01		ACCESS PANEL.....	1
116	01107G01		PAN HEAD TORX SCREW (SS), #8 X 3/8" LG	5
117				
118				
119	71364G02		"J" CLIP.....	1
120	10570G12		RIVET (ALUMINUM), 1/4" X 9/16" LG	4
121	10570G10		RIVET (SS), 5/32" X 9/16" LG	5
122	18436G1		PLASTIC DRIVE RIVET, 1/4" X 3/4" LG	2
123	71609G01		SEAT HINGE PLATE	2
124				

BODY (LTO ONLY)



BODY (LTO ONLY)

When ordering parts, please specify the model and serial number of the product.

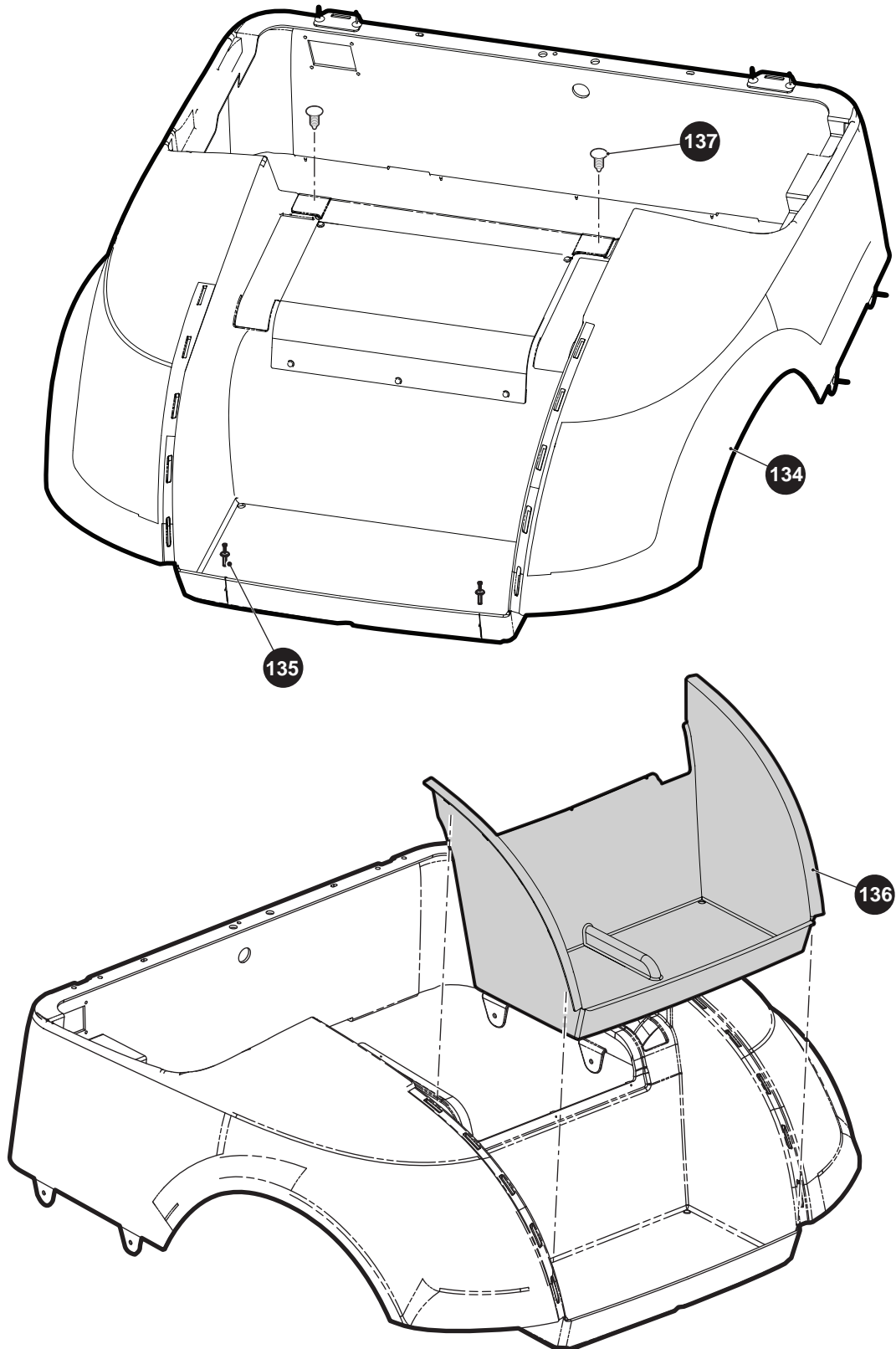
* Indicates a component that is not available as an individual part.

*** Indicates consult Customer Service Department for additional information.

ITEM	PART NO.	1 2 3 4 5	DESCRIPTION	QTY.
125	74581G01		COOLER KIT (INCLUDES ITEMS 126 - 130)	1
126	71048G01		COOLER & BRACKET KIT (INCLUDES HARDWARE)	1
127	75268G01		SUPPORT TUBE.....	1
128	19859G1		END CAP, 3/4"	2
129	20271G2		HOLE PLUG, 1/2" DIAMETER	2
130	00106G6		PAN HEAD PHILLIPS SCREW, #12 - 24 X 3/4" LG.....	4
131				
132				

BODY (LTO ONLY)

VEHICLES MANUFACTURED FROM MARCH 2014



BODY (LTO ONLY)

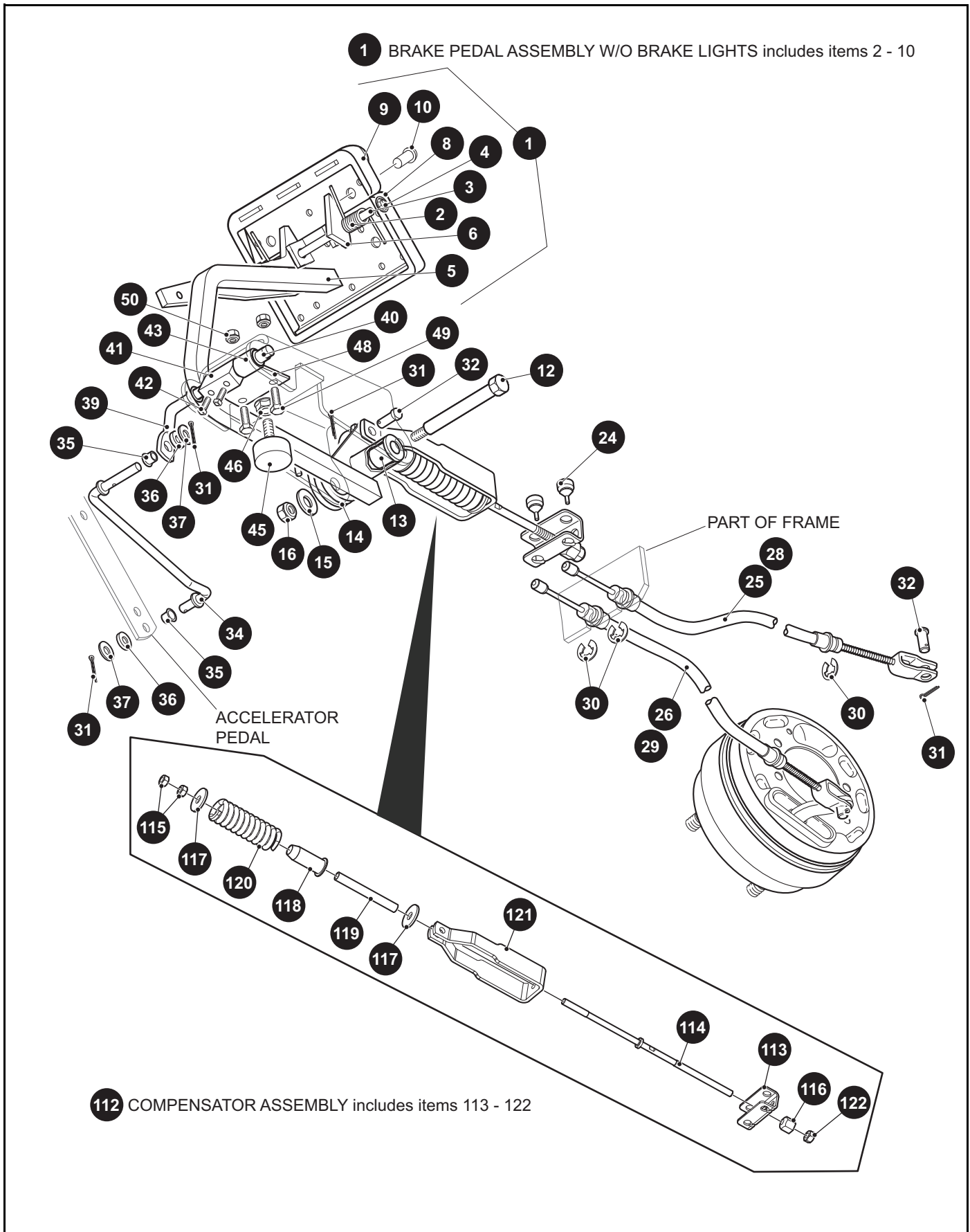
When ordering parts, please specify the model and serial number of the product.

* Indicates a component that is not available as an individual part.

*** Indicates consult Customer Service Department for additional information.

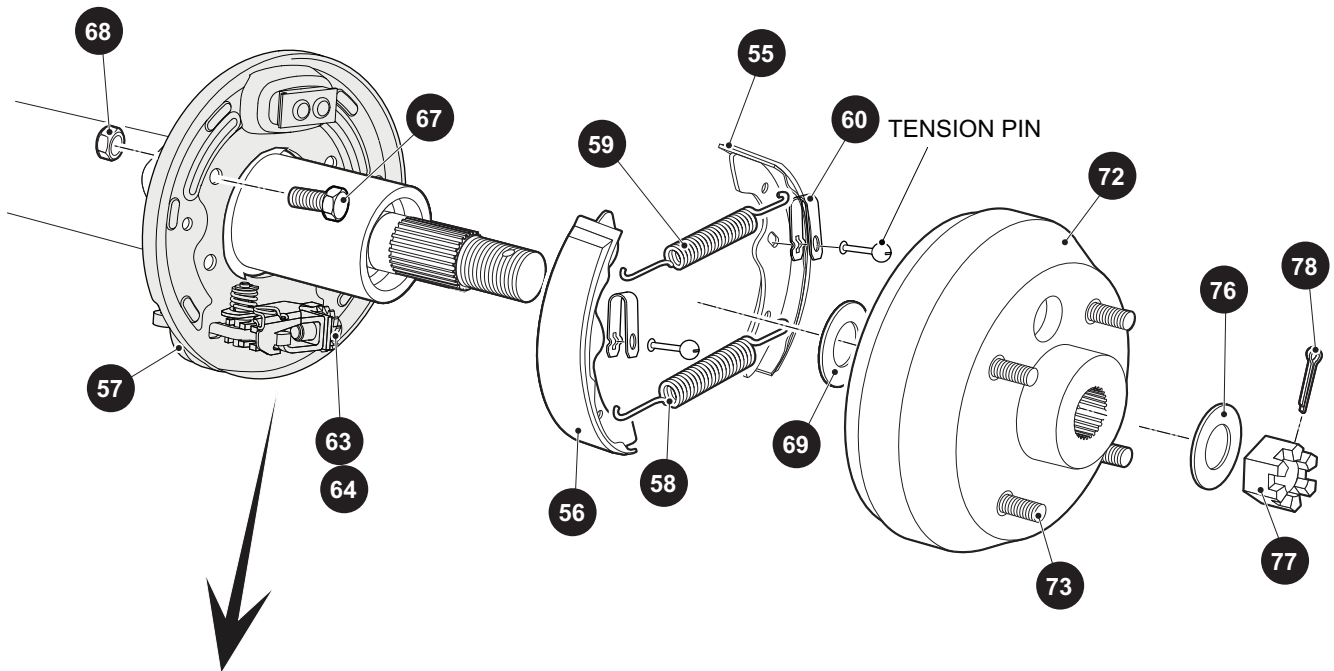
ITEM	PART NO.	1 2 3 4 5	DESCRIPTION	QTY.
133				
134	619752G0XX		REAR BODY (FOR VEHICLES MANUFACTURED FROM MARCH 2014)	1
135	633917		RIVET (FOR VEHICLES MANUFACTURED FROM MARCH 2014).....	2
136	624374		BAGWELL LINER (FOR VEHICLES MANUFACTURED FROM MARCH 2014)	1
137	16816G2		RATCHET RIVET, .25" X .887" (FOR VEHICLES MANUFACTURED FROM MARCH 2014)	2

BRAKES

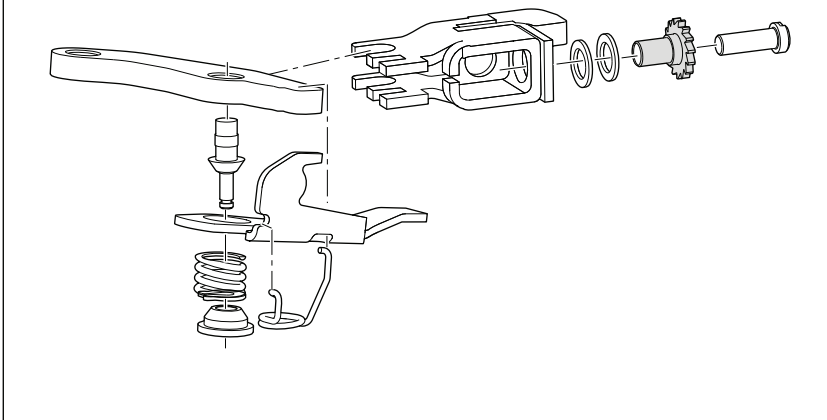


BOTTOM PULL

- 53 BRAKE ASSEMBLY (DRIVER SIDE) includes items 55 - 60, 63
- 54 BRAKE ASSEMBLY (PASSENGER SIDE) includes items 55 - 60, 64
- 71 BRAKE DRUM ASSEMBLY includes items 72 - 73

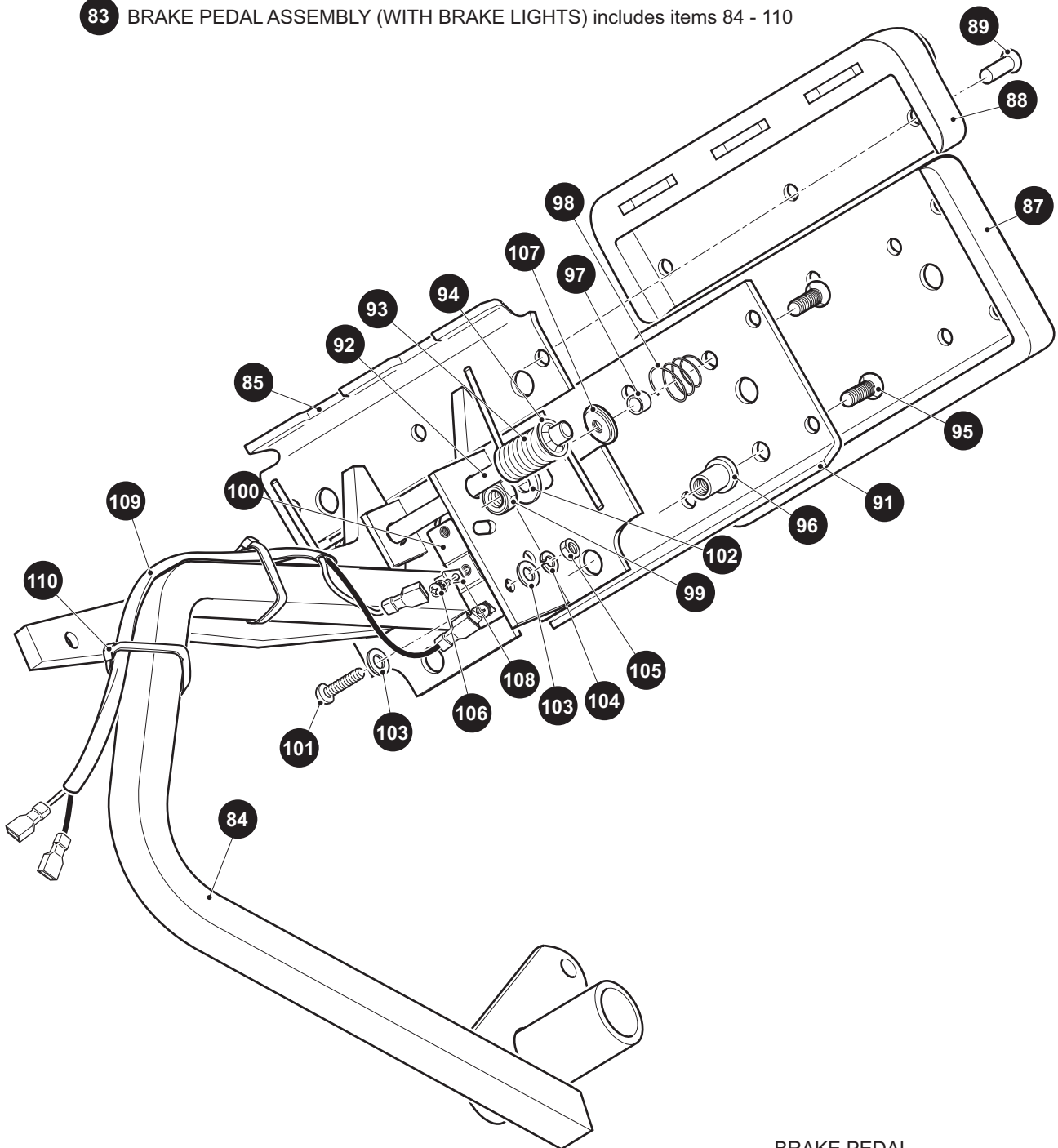


ADJUSTER ASSEMBLY



BRAKES

83 BRAKE PEDAL ASSEMBLY (WITH BRAKE LIGHTS) includes items 84 - 110



BRAKE PEDAL
(VEHICLE WITH BRAKE LIGHTS)

BRAKES

When ordering parts, please specify the model and serial number of the product.

* Indicates a component that is not available as an individual part.

*** Indicates consult Customer Service Department for additional information.

ITEM	PART NO.	1 2 3 4 5	DESCRIPTION	QTY.
1	70612G02		BRAKE PEDAL ASSEMBLY (WITHOUT BRAKE LIGHTS) (INCLUDES ITEMS 2 - 10).....	1
2	70681G01		TORSION SPRING	2
3	70682G01		PIVOT PIN.....	1
4	01071G01		PUSHNUT, 5/16"	2
5	70259G02		BRAKE PEDAL.....	1
6	641748		PARK BRAKE PEDAL.....	1
7				
8	70257G01		SERVICE BRAKE PAD	1
9	70256G01		PARK BRAKE PEDAL PAD	1
10	16409G1		OVAL RIVET, 3/16" X 7/16" LG	9
11				
12	70582G01		SHOULDER BOLT, 3/8 - 16 X 4" LG (STAINLESS STEEL)	1
13	70581G01		FLANGED BUSHING.....	2
14	70676G01		TORSION SPRING.....	1
15	00643G1		FLAT WASHER, 3/8".....	1
16	11098G5		LOCK NUT, 3/8 - 16.....	1
17				
18				
19				
20	12416G2		NYLON CLAMP (NOT ILLUSTRATED)	1
21				
22				
23				
24	28083G01		BRAKE COMPENSATOR BUMPER	2
25	624690		BRAKE CABLE (DRIVER SIDE) (FOR LTO ONLY)	1
26	624703		BRAKE CABLE (PASSENGER SIDE) (FOR LTO ONLY).....	1
27				
28	624697		BRAKE CABLE (DRIVER SIDE) (FOR HD ONLY).....	1
29	624698		BRAKE CABLE (PASSENDGER SIDE) (FOR HD ONLY).....	1
30	01111G01		RETAINING RING, 13/32" (STAINLESS STEEL).....	4

BRAKES

When ordering parts, please specify the model and serial number of the product.

* Indicates a component that is not available as an individual part.

*** Indicates consult Customer Service Department for additional information.

ITEM	PART NO.	1 2 3 4 5	DESCRIPTION	QTY.
31	10387G3		COTTER PIN, 3/32" X 3/4" LG	5
32	10386G3		CLEVIS PIN, 5/16" X 13/16" LG	3
33				
34	70601G01		KICK-OFF LINK.....	1
35	17838G1		NYLON BUSHING.....	2
36	20835G1		TEFLON WASHER, 3/8"	2
37	00559G8		FLAT WASHER, 5/16"	2
38				
39	70098G01		KICK-OFF CAM PIVOT	1
40	10097G6		FLANGED BEARING	2
41	70587G01		KICK-OFF CAM.....	1
42	71215G01		SETSCREW, 1/4 - 20 X 1/2" LG.....	2
43	14134G4		SPACER.....	1
44				
45	70113G01		ADJUSTABLE BUMPER	1
46	11027G1		LOCK NUT, 5/16 - 18	1
47				
48	70080G02		CATCH BRACKET	1
49	00414G6		BOLT, 1/4 - 20 X 3/4" LG	2
50	14390G4		LOCK NUT, 1/4 - 20 (STAINLESS STEEL)	2
51				
52				
53	612211		BRAKE ASSEMBLY (DRIVER SIDE) (INCLUDES ITEMS 55 - 60, 63)	1
54	612189		BRAKE ASSEMBLY (PASSENGER SIDE) (INCLUDES ITEMS 55 - 60, 64)....	1
55	612411		BRAKE SHOE, L	2
56	612412		BRAKE SHOE, T	2
57	612413		DUST COVER	1
58	612415		BRAKE SPRING	1
59	612414		BRAKE SPRING	1
60	612416		SHOE CLAMP	2
61				

BRAKES

When ordering parts, please specify the model and serial number of the product.

* Indicates a component that is not available as an individual part.

*** Indicates consult Customer Service Department for additional information.

ITEM	PART NO.	1 2 3 4 5	DESCRIPTION	QTY.
62				
63	612418		GEAR ADJUSTER	1
64	612417		GEAR ADJUSTER	1
65				
66				
67	17083G2		BOLT, 5/16 - 24 X 1" LG.....	8
68	15126G1		LOCK NUT, 5/16 - 24	8
69	21809G1		FLAT WASHER, 1/4.....	2
70				
71	21807G2		BRAKE DRUM ASSEMBLY (INCLUDES ITEMS 72 - 73)	2
72	*		BRAKE DRUM	1
73	19862G1		LUG BOLT, 1/2 - 20 X 1 3/16" LG.....	4
74				
75				
76	606945		WASHER, 1 3/4" O.D. X 57/64"	2
77	606403		SLOTTED NUT, 3/4 - 16	2
78	10387G1		COTTER PIN, 1/8" X 1 1/2" LG	2
79				
80				
81				
82				
83	70690G02		BRAKE PEDAL ASSEMBLY (WITH BRAKE LIGHTS) (INCLUDES ITEMS 84 - 110)	1
84	70686G02		BRAKE PEDAL.....	1
85	641748		PARK BRAKE PEDAL.....	1
86				
87	70257G01		SERVICE BRAKE PAD	1
88	70256G01		PARK BRAKE PAD.....	1
89	16409G1		OVAL RIVET, 3/16" X 3/8" LG	9
90				
91	70258G03		SERVICE BRAKE PEDAL PLATE.....	1

BRAKES

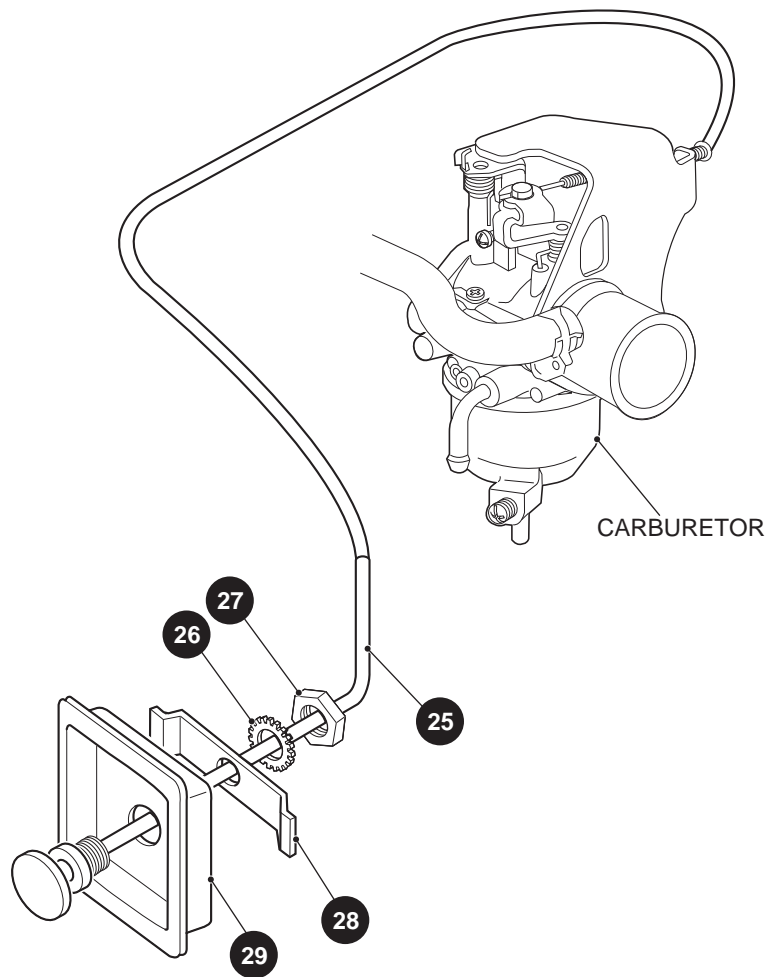
When ordering parts, please specify the model and serial number of the product.

* Indicates a component that is not available as an individual part.

*** Indicates consult Customer Service Department for additional information.

ITEM	PART NO.	1	2	3	4	5	DESCRIPTION	QTY.
92	70682G01						PIVOT PIN	1
93	70681G01						TORSION SPRING	2
94	01071G01						PUSHNUT, 5/16"	1
95	00737G8						SCREW, #10 - 24 X 1" LG	4
96	00739G1						RUBBER NUT, #10 - 24	2
97	652355						BRAKE PEDAL SPACER	2
98	27137G01						CONICAL SPRING	2
99	14390G10						LOCK NUT, #10 - 24	2
100	10606G8						MICRO SWITCH	1
101	00645G2						SCREW, #6 - 32 X 1 1/4" LG	2
102	00559G5						FLAT WASHER, #10	2
103	00559G3						FLAT WASHER, #6	4
104	00565G3						LOCK WASHER, #6	2
105	00525G5						HEX NUT, #6 - 32	2
106	13514G1						SCREW AND LOCK WASHER, #6	2
107	00642G8						FLAT WASHER, 5/16"	2
108	14628G1						FASTON TAB	2
109	24605G1						WIRE HARNESS, BRAKE LIGHT	1
110	17618G1						WIRE TIE	2
111								
112	612558						COMPENSATOR ASSEMBLY (INCLUDES ITEMS 113 - 122)	1
113	28082G01						EQUALIZER BRACKET	1
114	612557						COMPENSATOR LINK ROD	1
115	00532G4						HEX NUT	2
116	629486						HEX NUT, 5/16 - 24 UNF	1
117	15121G1						FLAT WASHER (5/16)	2
118	17979G1						ACCELERATOR ROD BUSHING	1
119	23061G2						TUBE	1
120	23463G1						COMPRESSION SPRING	1
121	27330G01						BRAKE YOKE	1
122	11098G9						HEX LOCK NUT, 5/16 - 24 UNF - 2B	1

CARBURETOR AND CHOKE



CARBURETOR AND CHOKE

When ordering parts, please specify the model and serial number of the product.

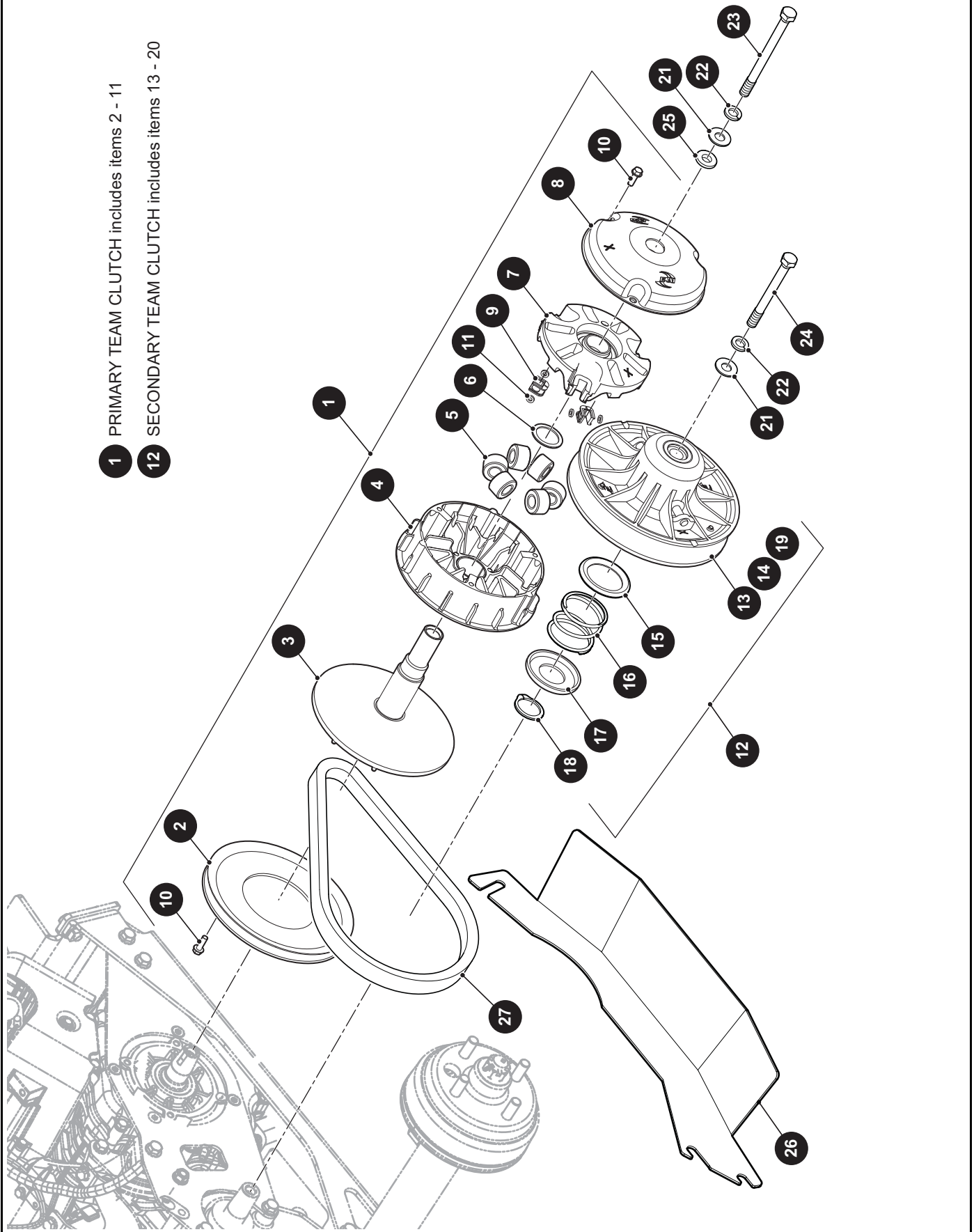
* Indicates a component that is not available as an individual part.

*** Indicates consult Customer Service Department for additional information.

ITEM	PART NO.	1 2 3 4 5	DESCRIPTION	QTY.
1	607955		CARBURETOR (INCLUDES ITEMS 3 - 22).....	1
2				
3	607956		MAIN JET (#106).....	1
4	607957		PILOT JET (#52).....	1
5	603585		PLUG.....	1
6				
7	603586		NEEDLE VALVE.....	1
8	603587		FLOAT.....	1
9	603588		FLOAT PIN.....	1
10	603589		FLOAT BOWL GASKET.....	1
11	603590		FLOAT CHAMBER.....	1
12	603592		BOWL SCREW.....	1
13	603591		BOWL GASKET.....	1
14	603583		CHOKE BRACKET.....	1
15	603598		BREATHER TUBE.....	1
16	603596		CLAMP, INTAKE TUBE.....	1
17	603597		CLAMP CYLINDER HEAD TUBE.....	1
18	603594		INTAKE TUBE.....	1
19	603593		CHOKE GASKET.....	4
20	603595		NUT, M6 X 1.0.....	2
21	608023		THROTTLE ROD ATTACHMENT BUSHING.....	1
22	603584		STUD BOLT, 6 X 105.....	2
23	607684		MAIN JET (#102) (FOR ELEVATIONS OF 6000 FT - 10000 FT).....	1
24	607983		MAIN JET (#104) (FOR ELEVATIONS OF 3000 FT - 6000 FT).....	1
25	605868		CHOKE CABLE (SWB).....	1
26	00568G4		LOCK WASHER, 9/16".....	1
27	00545G4		JAM NUT, 9/16 - 18.....	1
28	72155G02		RETAINER.....	1
29	72154G01		CHOKE CABLE ADAPTER.....	1

CLUTCH

- 1 PRIMARY TEAM CLUTCH includes items 2 - 11
- 12 SECONDARY TEAM CLUTCH includes items 13 - 20



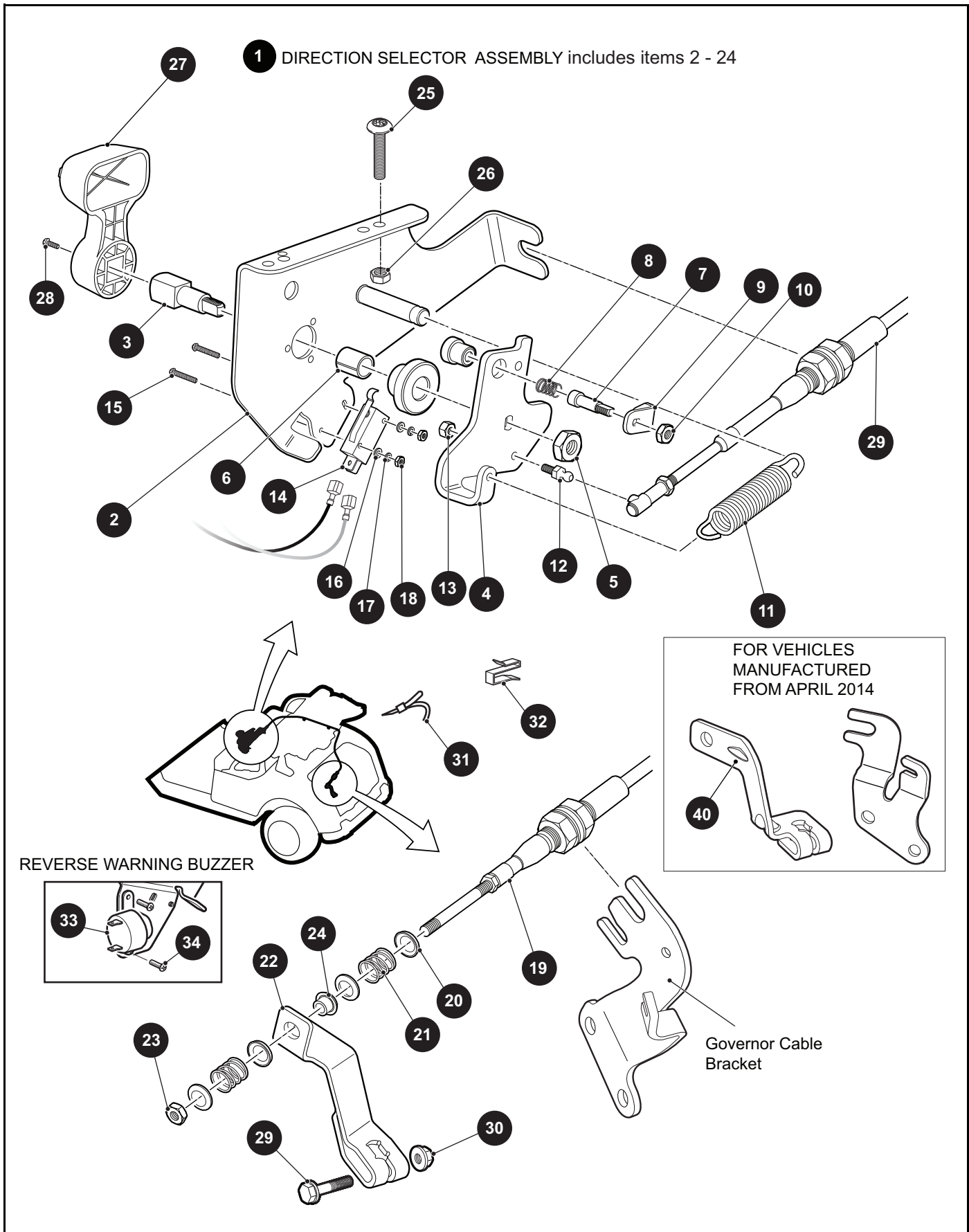
When ordering parts, please specify the model and serial number of the product.

* Indicates a component that is not available as an individual part.

*** Indicates consult Customer Service Department for additional information.

ITEM	PART NO.	1 2 3 4 5	DESCRIPTION	QTY.
1	644301		PRIMARY TEAM CLUTCH (INCLUDES ITEMS 2 - 11).....	1
2	619333		PRIMARY STARTER PULLY, 195 - SVC	1
3	619334		STATIONARY ASSEMBLY	1
4	619335		MOVEABLE PRIMARY ASSEMBLY	1
5	624112		SHIFT ROLLER ASSEMBLY.....	6
6	619337		SHIM, 39 5MM X 31 75MM	1
7	644303		PRIMARY SPIDER ASSEMBLY	1
8	619339		PRIMARY DUST COVER ASSEMBLY	1
9	644305		BUTTON, TORQUE PRIMARY	6
10	619332		HEX WASHER HEAD BOLT, 1/4" - 20 X 3/4" LG.....	7
11	644306		PLUG, TORQUE PRIMARY	6
12	623949		SECONDARY TEAM CLUTCH (INCLUDES ITEMS 13 - 20).....	1
13	*		SECONDARY STATIONARY, 9.5".....	1
14	*		MOVEABLE SECONDARY, 9.5"	1
15	619327		INNER RETAINER SPRING.....	1
16	624111		COMPRESSION SPRING, 2.70" O.D.	1
17	619329		OUTER SPRING RETAINER	1
18	619330		RETAINER RING.....	1
19	619331		THRUST WASHER, 1.53" X 1.83" X 1"	1
20				
21	606239		CONICAL WASHER, M12	2
22	00566G3		LOCK WASHER (SPRING TYPE), 3/8"	2
23	606245		HEX HEAD BOLT, M12 - 1 25 X 160MM LG	1
24	606243		HEX HEAD BOLT, M12 - 1 25 X 120MM LG	1
25	606230		CLUTCH WASHER, 27 5MM O.D. X 13 06MM I.D.	1
26	605950		CLUTCH BELT SHIELD.....	1
27	618630		DRIVE BELT	1

DIRECTION SELECTOR



DIRECTION SELECTOR

When ordering parts, please specify the model and serial number of the product.

* Indicates a component that is not available as an individual part.

*** Indicates consult Customer Service Department for additional information.

ITEM	PART NO.	1 2 3 4 5	DESCRIPTION	QTY.
1	603416		DIRECTION SELECTOR ASSEMBLY (INCLUDES ITEMS 2 - 24).....	1
2	606077		DIRECTION SELECTOR BRACKET	1
3	70233G01		DIRECTION SELECTOR SHAFT.....	1
4	603700		DIRECTION SELECTOR CAM	1
5	14390G1		LOCK NUT, 3/8" - 24	1
6	25664G2		BUSHING, 1/2" X .75" LG.....	1
7	72724G01		NEUTRAL LOCK PIN.....	1
8	72733G01		COMPRESSION SPRING, 3/8" X 5/8" LG	1
9	72729G01		NEUTRAL LOCK LATCH	1
10	00734G2		LOCK NUT, 1/4" - 28	1
11	28574G01		EXTENSION SPRING.....	1
12	72732G01		BALL STUD, 1/4".....	1
13	00734G5		LOCK NUT, 1/4" - 28	1
14	72736G01		MICRO SWITCH	1
15	01062G01		SCREW, #4 - 40 X 1" LG.....	2
16	00559G1		FLAT WASHER, #4	2
17	00565G1		LOCK WASHER, #4 - 5/16.....	2
18	00526G2		HEX NUT, #4 - 40	2
19	603615		PUSH/PULL CABLE.....	1
20	25727G01		CUP WASHER, 1/4".....	4
21	72735G01		COMPRESSION SPRING, 19/32" X 1" LG	2
22	632891		PIVOT BRACKET.....	1
23	00734G5		LOCK NUT, #10 - 32	1
24	22754G4		FLIP LOK BUSHING, .250.....	1
25	70227G01		SOCKET HEAD SCREW, 1/4" - 20 X 7/8" LG	2
26	11027G2		LOCK NUT, 1/4" - 20.....	2
27	71205G01		DIRECTION SELECTOR HANDLE	1
28	00740G4		TRUSS HEAD PHILLIPS SCREW, #10 - 32 X 1/2" LG	1
29	606421		HEX HEAD BOLT, M6 - 1 X 30MM LG	1
30	450452		HEX NUT, M6 -1	1
31	31539G1		WIRE TIE	1

DIRECTION SELECTOR

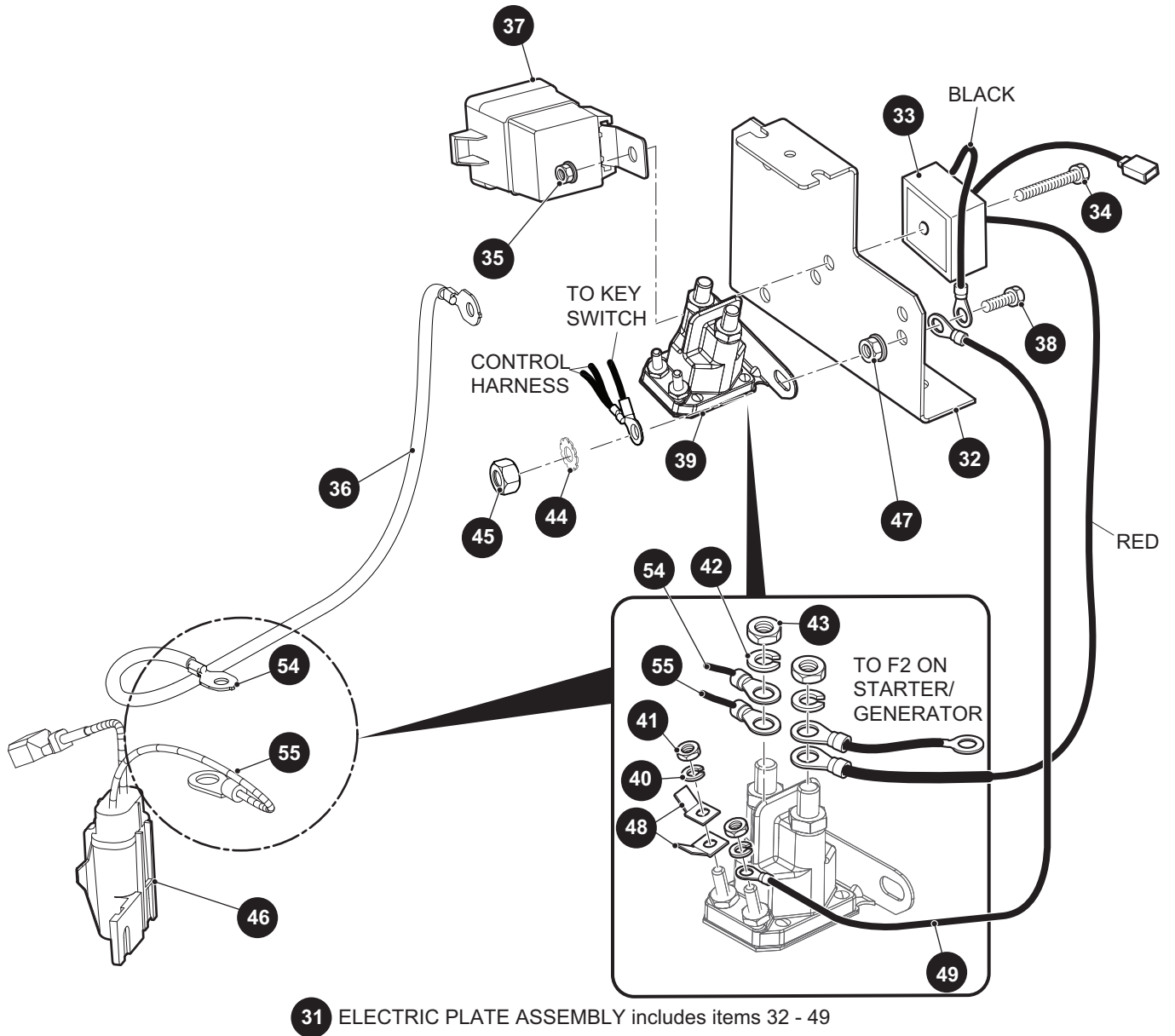
When ordering parts, please specify the model and serial number of the product.

* Indicates a component that is not available as an individual part.

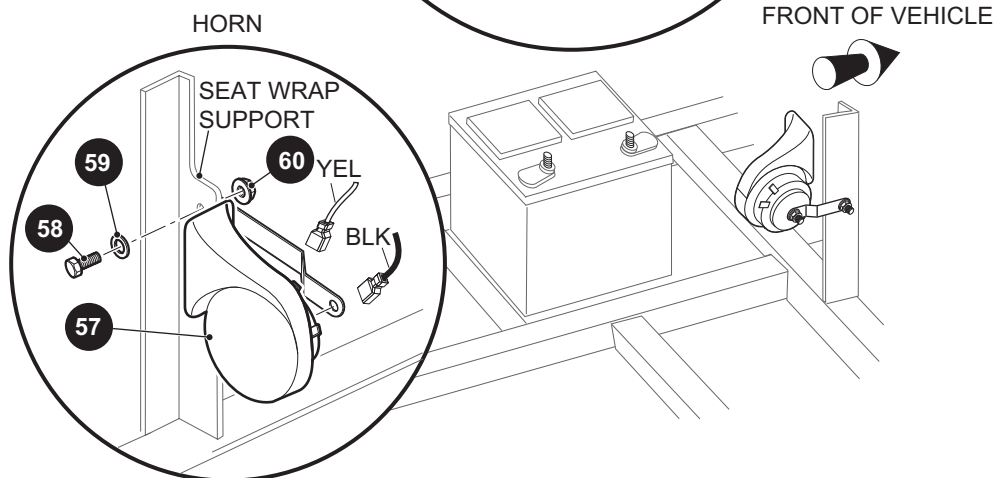
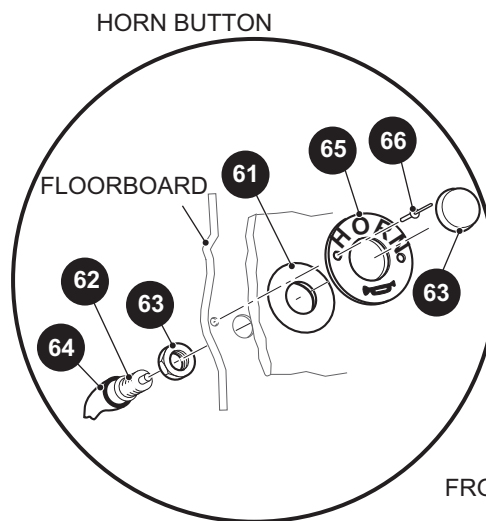
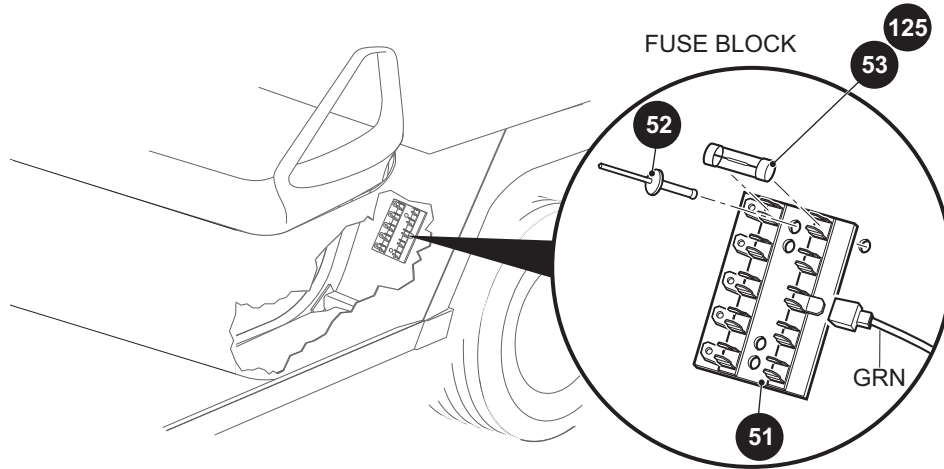
*** Indicates consult Customer Service Department for additional information.

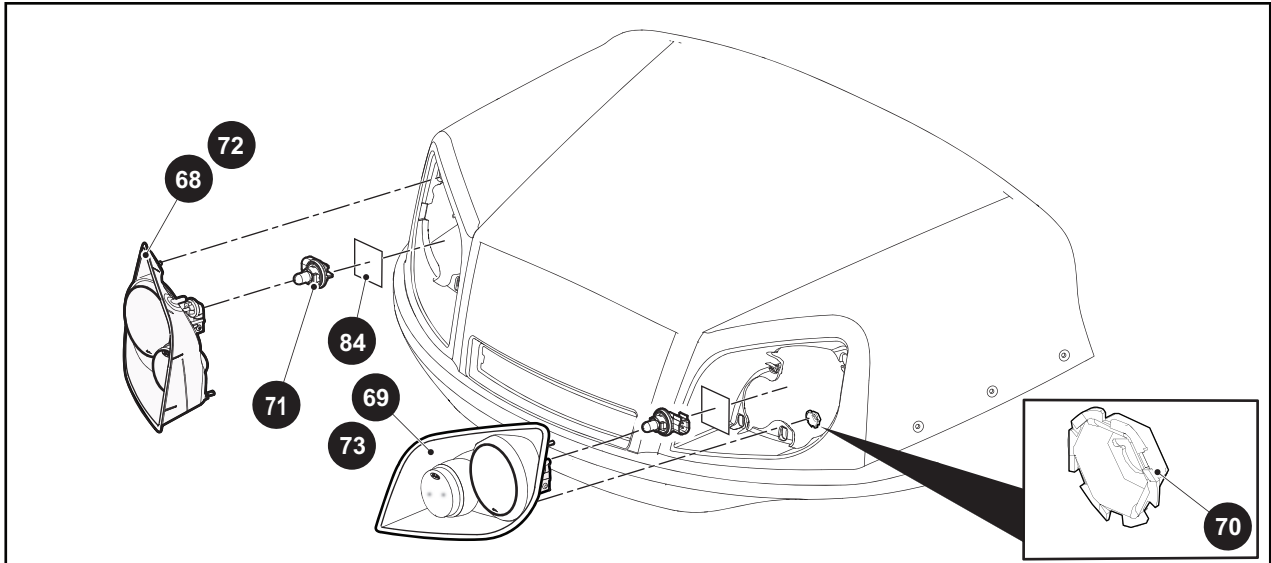
ITEM	PART NO.	1 2 3 4 5	DESCRIPTION	QTY.
32	01072G01		CABLE CLIP.....	1
33	73290G03		REVERSE WARNING BUZZER.....	1
34	01063G01		TAPTITE THREAD SCREW, #6 - 32 X 3/8" LG	2
35	25978G345		18 GA WIRE (RED) (NOT ILLUSTRATED), 7" LG.....	1
36				
37				
38				
39				
40	632891		DIRECTION SELECTOR PIVOT BRACKET (FOR VEHICLES MANUFACTURED FROM APRIL 2014)	1

ELECTRICAL SYSTEM

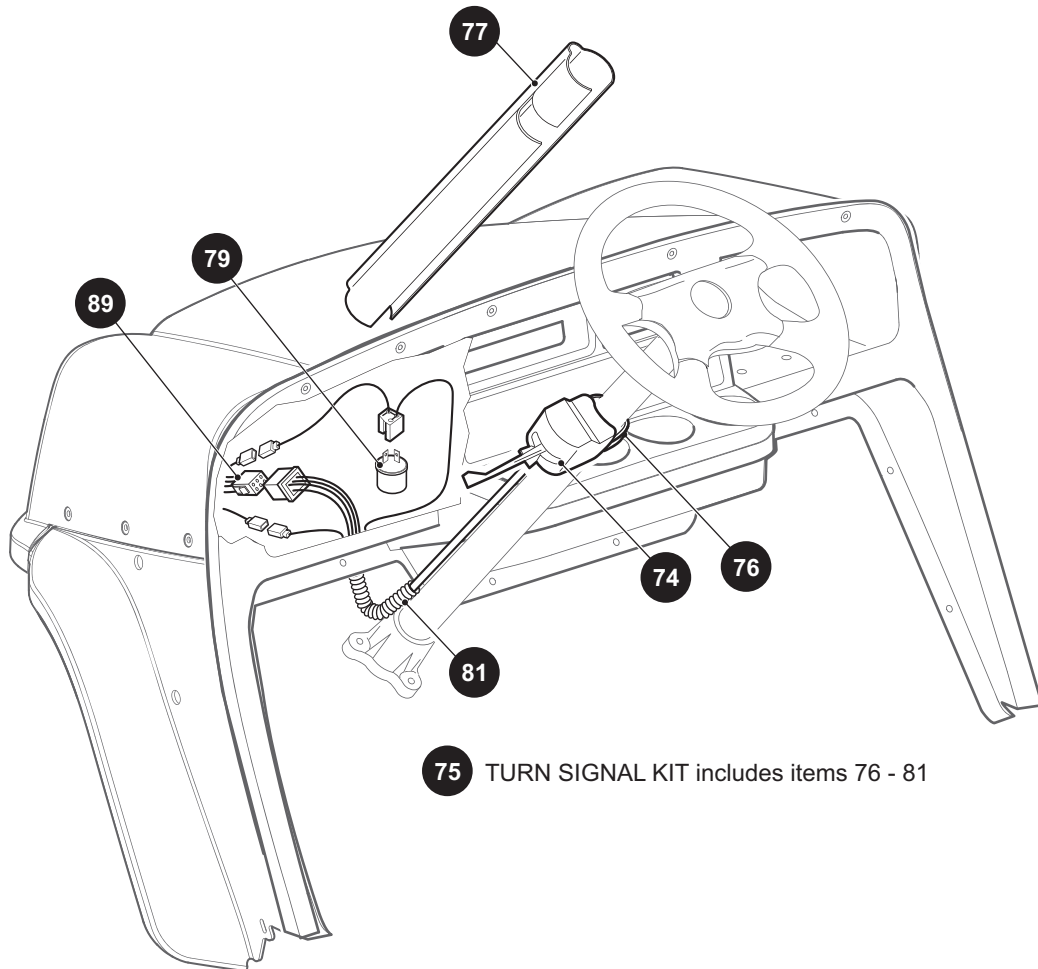


ELECTRICAL SYSTEM

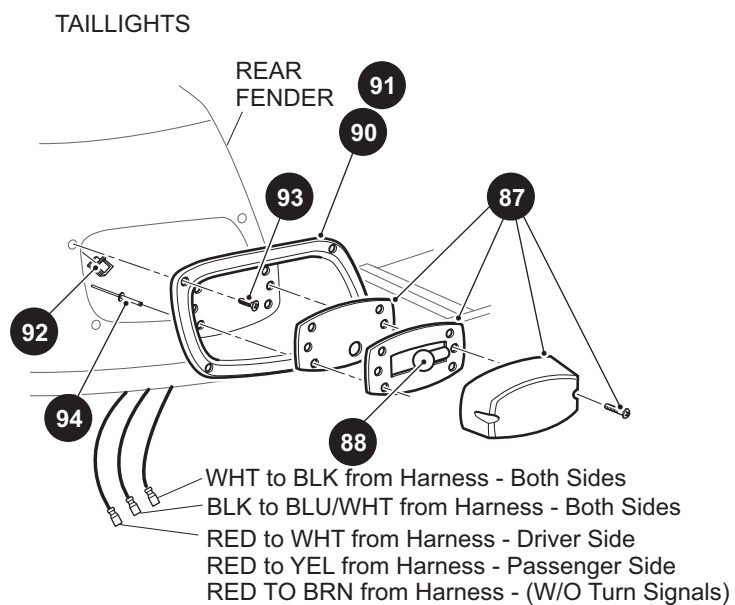




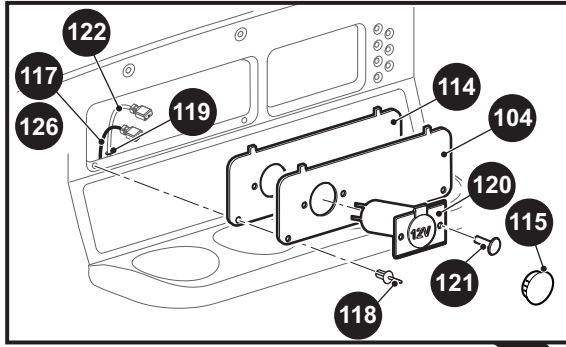
FOR VEHICLES MANUFACTURED FROM 30 AUG 2014



75 TURN SIGNAL KIT includes items 76 - 81

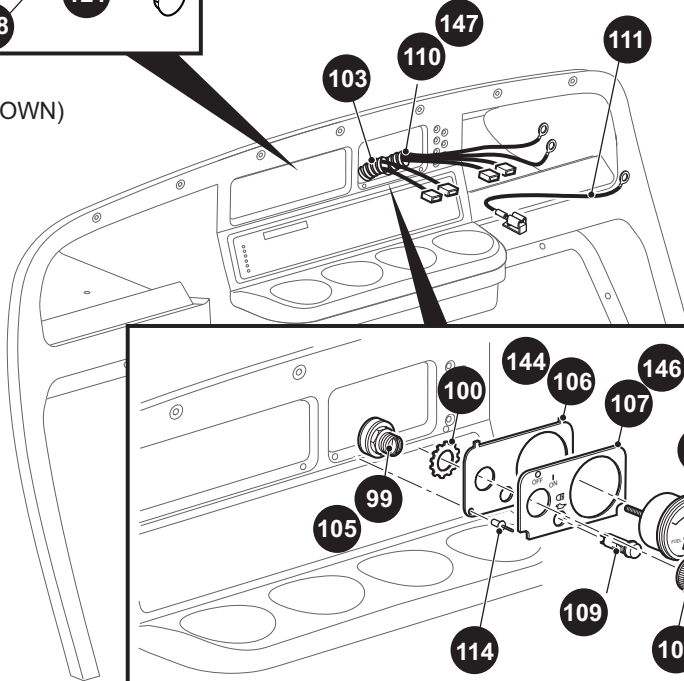


ELECTRICAL SYSTEM



- 112** CONSOLE PLATE WITHOUT OUTLET includes items 113, 118
- 113** CONSOLE INSERT ASSY WITH PLUG includes items 114, 115
- 116** 12 V OUTLET KIT includes items 117 - 122, 126
- 123** POWER OUTLET 12V includes items 117 - 119, 124 - 126
- 124** CONSOLE INSERT ASSY WITH POWER OUTLET includes items 114, 120 - 121

CONSOLE INSERT PLATE
(WITH POWER OUTLET SHOWN)

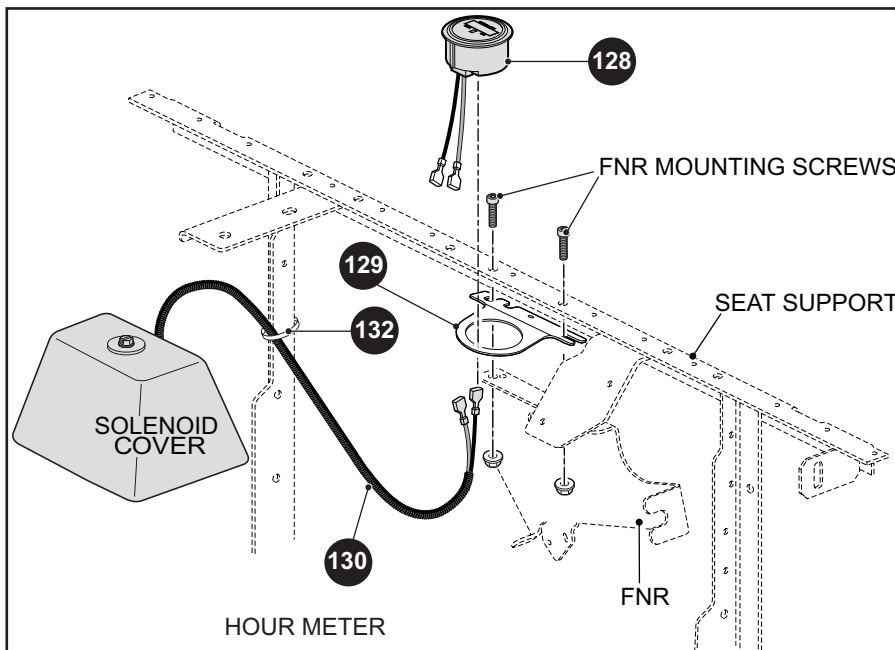


KEY SWITCH, INDICATOR LIGHT(S), AND FUEL GAUGE

FRONT OF VEHICLE



- 127** HOUR METER KIT includes items 128 - 130



HOUR METER

ELECTRICAL SYSTEM

When ordering parts, please specify the model and serial number of the product.

* Indicates a component that is not available as an individual part.

*** Indicates consult Customer Service Department for additional information.

ITEM	PART NO.	1 2 3 4 5	DESCRIPTION	QTY.
1	607053		6 GA WIRE (BLACK 6", F1 - A2)	1
2	25682G01		TERMINAL COVER.....	3
3				
4				
5	24775G1		BATTERY, 12V (FOR VEHICLES MANUFACTURED BEFORE 18 AUGUST 2014)	1
6	*		BOLT, 5/16" - 18 X 1 1/4" LG	2
7	*		LOCK WASHER (SILICON BRONZE), 5/16"	2
8	*		NUT (SILICON BRONZE), 5/16" - 18	2
9	600497		BATTERY, 12V HD (FOR VEHICLES MANUFACTURED BEFORE 18 AUGUST 2014)	1
10	72101G02		BATTERY HOLD DOWN	1
11	00438G6		HEX HEAD BOLT, 5/16" - 18 X 3/4" LG	3
12	00565G8		LOCK WASHER, 5/16"	1
13	00571G2		FLAT WASHER (SS), 5/16"	1
14				
15	645191		GROUND CABLE (FOR VEHICLES MANUFACTURED FROM NOVEMBER 09, 2015).....	1
16	27044G03		GROUND CABLE.....	1
17	25976G19		14 GA WIRE (BLACK 6").....	1
18	00438G6		HEX HEAD BOLT, 5/16" - 18 X 3/4" LG	2
19	11027G1		LOCK NUT, 5/16" - 18	2
20	26676G01		FLANGED BOLT, M6 X 1.0 X 23	1
21	73290G03		CONTINUOUS TONE POTTED BUZZER	1
22	01041G01		BULBEX RIVET, 5/32" DIA.....	2
23	607103		6 GA WIRE (42" LONG)	1
24	605560		WIRE HARNESS (CONTROL).....	1
25	17618G1		WIRE TIE (NOT ILLUSTRATED)	AR
26	73049G01		COVER (DIRECTION SELECTOR)	1
27	16469G1		FENDER WASHER, 1/4"	1
28	00114G6		HEX WASHER HEAD TAPPING SCREW, 1/4" - 14 X 3/4" LG.....	1
29	605821		CONTROL HARNESS (NOT ILLUSTRATED).....	1
30	605830		KEY SWITCH HARNESS (NOT ILLUSTRATED).....	1
31	605563		ELECTRICAL PLATE ASSEMBLY (INCLUDES ITEMS 32 - 49).....	1
32	73057G01		BRACKET	1

ELECTRICAL SYSTEM

When ordering parts, please specify the model and serial number of the product.

* Indicates a component that is not available as an individual part.

*** Indicates consult Customer Service Department for additional information.

ITEM	PART NO.	1 2 3 4 5	DESCRIPTION	QTY.
33	27739G01		VOLTAGE REGULATOR	1
34	00415G4		HEX HEAD BOLT, 1/4" - 20 X 1 1/4" LG	1
35	11027G2		LOCK NUT, 1/4" - 20	1
36	25972G33		WIRE ASSEMBLY 6 GA	1
37	603282		RELAY	1
38	00661G8		HEX HEAD BOLT (SS), 1/4" - 20 X 1" LG	1
39	612813		SOLENOID	1
40	*		LOCK WASHER, #10	2
41	*		NUT, #10 - 32	2
42	*		LOCK WASHER, 5/16"	2
43	*		NUT, 5/16" - 24	2
44	00567G7		LOCK WASHER (EXTERNAL TOOTH TYPE), 1/4"	1
45	00532G1		HEX NUT, 1/4" - 20	1
46	600418G01		FUSE HOLDER ASSEMBLY	1
47	11027G2		LOCK NUT, 1/4" - 20	1
48	73446G01		FASTON TAB, 90°	2
49	25978G56		18 GA WIRE (BLACK 5 3/4")	1
50				
51	22674G1		FUSE BLOCK	1
52	01041G01		RIVET, 1/8" X 13/16" LG	2
53	18392G1		15 AMP FUSE	3
54	25972G33		#6 GA WIRE ASSEMBLY	1
55	20216G1		16 GA WIRE (RED)	1
56	610428		BATTERY BOLT EXTENDER (NOT ILLUSTRATED)	2
57	32860G1		HORN	1
58	00414G5		HEX HEAD BOLT, 1/4" - 20 x 5/8" LG	1
59	00559G7		FLAT WASHER (SS), 1/4"	1
60	14390G4		LOCK NUT, 1/4" - 20	1
61	608397		HORN PLATE	1
62	17318G1		HORN SWITCH	1
63	17318G2		HORN SWITCH CAP AND NUT	1
64	27068G01		HORN SWITCH BOOT	1
65	19233G1		HORN SWITCH LABEL	1

ELECTRICAL SYSTEM

When ordering parts, please specify the model and serial number of the product.

* Indicates a component that is not available as an individual part.

*** Indicates consult Customer Service Department for additional information.

ITEM	PART NO.	1 2 3 4 5	DESCRIPTION	QTY.
66	71055G01		ALUMINUM RIVET, 3/16" X 1" LG	2
67				
68	614497		HEADLIGHT W/O TURN SIGNAL (PASSENGER SIDE).....	1
69	614501		HEADLIGHT W/O TURN SIGNAL (DRIVER SIDE)	1
70	71597G01		SELF THREADING NUT	8
71	619102		TURN SIGNAL BULB	2
72	618556		LED HEADLIGHT W/O TURN SIGNAL (PASSENGER SIDE).....	1
73	618555		LED HEADLIGHT W/O TURN SIGNAL (DRIVER SIDE)	1
74	611810		TURN SIGNAL SWITCH ASSEMBLY	1
75	606887		TURN SIGNAL KIT (INCLUDES ITEMS 76 - 81)	1
76	17618G1		NYLON CLAMP	2
77	20965G3		STEERING COLUMN COVER	1
78				
79				
80				
81	32307G3		FLEX ZIP LOOM, 3/8"	1
82	19344G1		VINYL TAPE (NOT ILLUSTRATED)	6
83	619151		WIRE HARNESS,48V (ACCESSORY)(NOT ILLUSTRATED)(FOR HD ONLY)	1
84	71781G02		VINYL TAPE	2
85				
86				
87	22288G1		COMPLETE TAIL LIGHT ASSEMBLY (INCLUDES ITEM 88).....	1
88	21759G1		TAIL LIGHT BULB.....	1
89	74651G01		WIRE HARNESS (ACCESSORY).....	1
90	74371G01		BEZEL (DRIVER SIDE).....	1
91	74371G02		BEZEL (PASSENGER SIDE)	1
92	71364G02		J-CLIP	8
93	71425G01		FLAT HEAD PHILLIPS TAPPING SCREW, #8 -18 X .75" LG	8
94	14601G11		ALUMINUM RIVET, 3/16" X 9/16" LG	4
95	00439G1		HEX HEAD BOLT, 5/16" - 18 X 1 1/8" LG (NOT ILLUSTRATED)	1
96	75048G01		SPACER, .328" X .75" X .50 (NOT ILLUSTRATED)	1
97	11098G6		LOCK NUT, 5/16" - 18 (NOT ILLUSTRATED)	1
98	619092		WIRE HARNESS, LONG (ACCESSORY) (NOT ILLUSTRATED)	1
99	33639G01		IGNITION SWITCH	1

ELECTRICAL SYSTEM

When ordering parts, please specify the model and serial number of the product.

* Indicates a component that is not available as an individual part.

*** Indicates consult Customer Service Department for additional information.

ITEM	PART NO.	1 2 3 4 5	DESCRIPTION	QTY.
100	00568G6		LOCK WASHER, 3/4"	1
101	17137G1		FACE NUT, 3/4" - 20	1
102	17063G1		IGNITION KEY	1
103	605639		WIRE HARNESS (KEY SWITCH)	1
104	35966G03		BALL HOLDER DECAL	1
105	33639G03		IGNITION SWITCH (WITH LIGHTS)	1
106	73030G04		CONSOLE INSERT PLATE (FUEL GAUGE AND OIL LIGHT)	1
107	71131G01		LABEL (OIL LIGHT AND FUEL GAUGE WITH HEADLIGHTS).....	1
108	21553G1		FUEL GAUGE	1
109	23474G1		INDICATOR LIGHT	1
110	74311G01		HARNESS (OIL LIGHT/FUEL GAUGE).....	1
111	25978G122		18 GA WIRE (RED 6")	1
112	71079G08		CONSOLE PLATE WITHOUT OUTLET (INCLUDES ITEMS 113, 118)	1
113	74693G02		CONSOLE INSERT ASSY, W/PLUG (INCLUDES ITEMS 114, 115).....	1
114	73522G03		CONSOLE PLATE (E-COAT)	1
115	20271G10		HOLE PLUG, 1" DIA	1
116	71079G10		12 V OUTLET KIT (INCLUDES ITEMS 117 - 122, 126)	1
117	71081G01		WIRE HARNESS, POWER OUTLET 12V.....	1
118	33623G02		DRIVE RIVET, .188" DIA	3
119	17618G1		NYLON CLAMP.....	5
120	71078G01		POWER OUTLET,12V.....	1
121	14601G10		ALUMINIUM RIVET (BLACK), 5/32"	2
122	35212G01		FUSE, AUTOMTIVE ATC TYPE, 15A.....	1
123	71079G11		POWER OUTLET 12V (INCLUDES ITEMS 117 -119, 124 - 126)	1
124	74693G01		CONSOLE INSERT ASSY (INCLUDES ITEMS 114, 120 - 121).....	1
125	18392G01		GLASS FUSE, 3AG - 15AMP.....	1
126	645194		WIRE HARNESS, POWER OUTLET 12V (FOR VEHICLES MANUFACTURED FROM NOVEMBER 09, 2015).....	1
127	607285		HOUR METER KIT (INCLUDES ITEMS 128 - 130)	1
128	617074		HOUR METER	1
129	635649		HOUR METER BRACKET	1
130	606254		WIRE HARNESS (HOUR METER)	1
131				
132	31539G1		NYLON CLAMP 15.5" (NOT ILLUSTRATED).....	AR

ELECTRICAL SYSTEM

When ordering parts, please specify the model and serial number of the product.

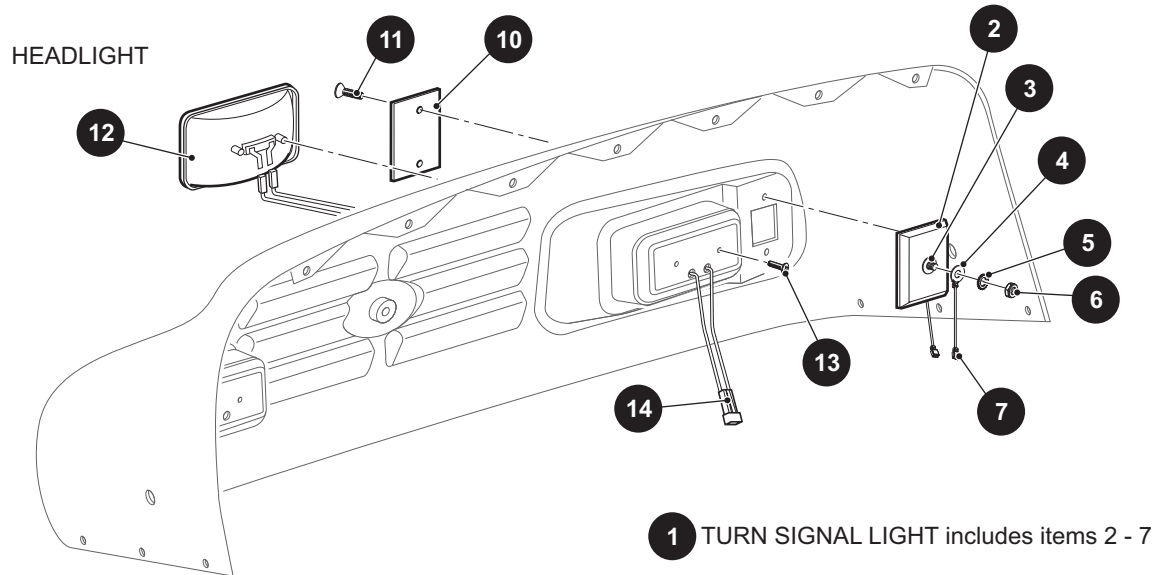
* Indicates a component that is not available as an individual part.

*** Indicates consult Customer Service Department for additional information.

ITEM	PART NO.	1 2 3 4 5	DESCRIPTION	QTY.
133	619091		WIRE HARNESS (NOT ILLUSTRATED) (FOR LTO ONLY)	1
134	619153		WIRE HARNESS (ACCESSORY) (NOT ILLUSTRATED) (FOR HD ONLY)	1
135				
136	637484		BATTERY, 12V (FOR VEHICLES MANUFACTURED FROM 18 AUGUST 2014).....	1
137	638433		BATTERY, 12V HD (FOR VEHICLES MANUFACTURED FROM 18 AUGUST 2014).....	1
138	610428		BATTERY BOLT EXTENDER (FOR VEHICLES MANUFACTURED FROM 18 AUGUST 2014).....	2
139	651336		BATTERY BOLT (FOR VEHICLES MANUFACTURED FROM NOVEMBER 09, 2015).....	2
140	614221		FLAT WASHER, 3/8" (FOR VEHICLES MANUFACTURED FROM NOVEMBER 09, 2015).....	2
141	645199		#10 GA WIRE ASSEMBLY (WHITE) (NOT ILLUSTRATED) (FOR VEHICLES MANUFACTURED FROM NOVEMBER 09, 2015).....	1
142	645198		#16 GA WIRE ASSEMBLY (BLACK) (NOT ILLUSTRATED) (FOR VEHICLES MANUFACTURED FROM NOVEMBER 09, 2015).....	1
143				
144	73030G14		CONSOLE INSERT PLATE (FOR VEHICLES MANUFACTURED FROM NOVEMBER 09, 2015).....	1
145	648247		FUEL LEVEL GAUGE (FOR VEHICLES MANUFACTURED FROM NOVEMBER 09, 2015).....	1
146	648855		CONSOLE LABEL (FOR VEHICLES MANUFACTURED FROM NOVEMBER 09, 2015).....	1
147	648002		ACCESSORY HARNESS (FUEL GAUGE) (FOR VEHICLES MANUFACTURED FROM NOVEMBER 09, 2015).....	1
148				
149	645193		WIRE HARNESS (NOT ILLUSTRATED) (FOR LTO ONLY) (FOR VEHICLES MANUFACTURED FROM NOVEMBER 09, 2015).....	1

ELECTRICAL SYSTEM

FOR VEHICLES MANUFACTURED BEFORE 30 AUG 2014



ELECTRICAL SYSTEM

When ordering parts, please specify the model and serial number of the product.

* Indicates a component that is not available as an individual part.

*** Indicates consult Customer Service Department for additional information.

ITEM	PART NO.	1 2 3 4 5	DESCRIPTION	QTY.
1	20570G3		TURN SIGNAL LIGHT ASSEMBLY (INCLUDE ITEMS 2 - 7)	2
2	20574G3		TURN SIGNAL LIGHT	1
3	00660G7		FLAT WASHER (SS), 1/4"	1
4	20606G1		WIRE ASSEMBLY	1
5	00567G7		LOCK WASHER, 1/4"	1
6	00532G1		HEX NUT, 1/4" - 20.....	1
7	18995G1		PUSH-ON TERMINAL (MALE).....	1
8				
9				
10	20574G4		LENS, AMBER.....	1
11	00118G5		SCREW, #6 - 18 X 5/8" LG.	1
12	22523G1		HEADLIGHT (RECTANGULAR)	2
13	00906G6		SCREW, #10 - 16 X 1" LG.....	2
14	74337G01		JUMPER (HEADLIGHT).....	2

ELECTRICAL SYSTEM

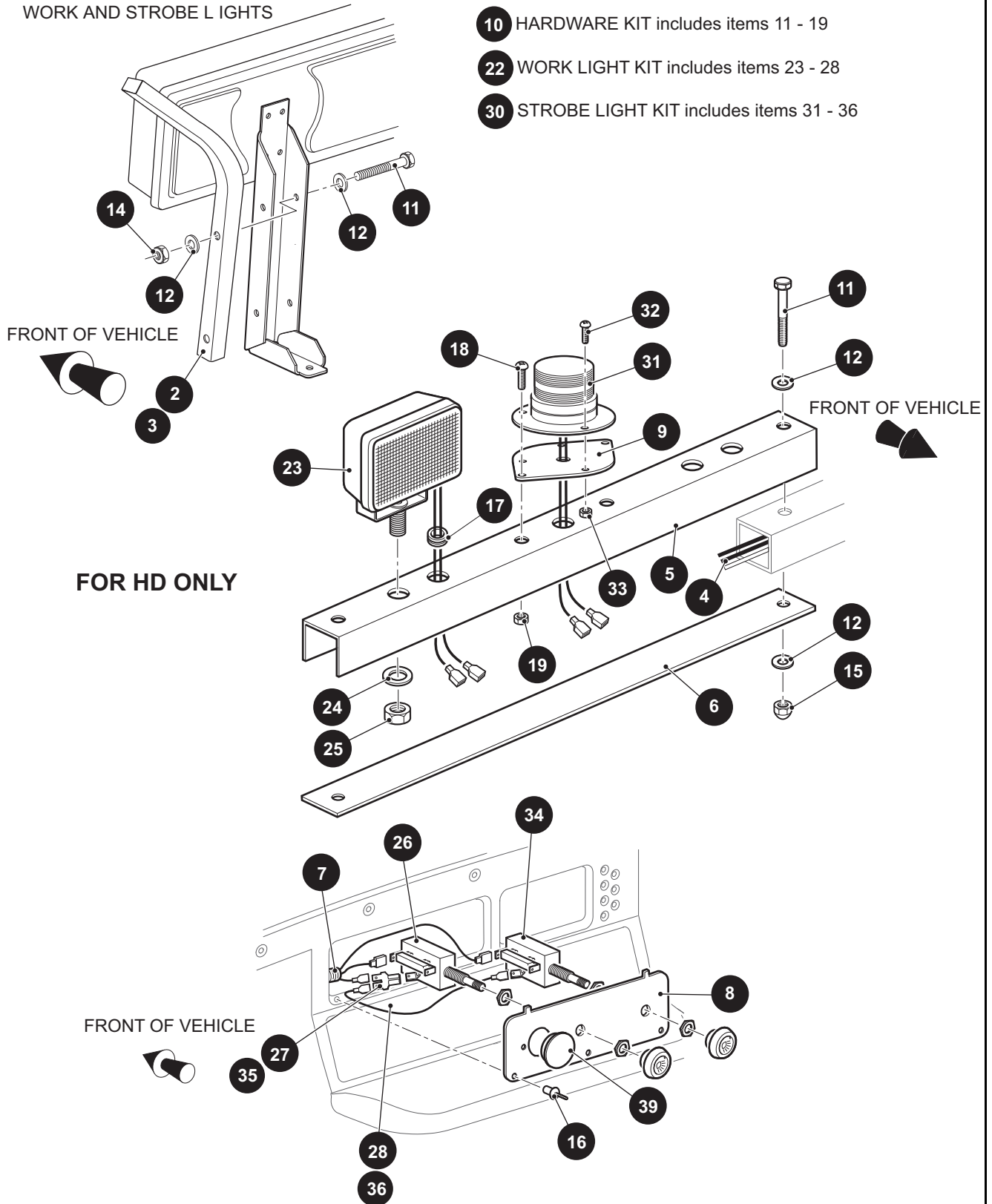
1 WORK LIGHT BAR WITH LIGHTS AND/OR STROBE includes items 2 - 19, 22 AND/OR 30

WORK AND STROBE LIGHTS

10 HARDWARE KIT includes items 11 - 19

22 WORK LIGHT KIT includes items 23 - 28

30 STROBE LIGHT KIT includes items 31 - 36



ELECTRICAL SYSTEM

When ordering parts, please specify the model and serial number of the product.

* Indicates a component that is not available as an individual part.

*** Indicates consult Customer Service Department for additional information.

ITEM	PART NO.	1 2 3 4 5	DESCRIPTION	QTY.
1	71323G**		WORK LIGHT BAR WITH LIGHTS AND/OR STROBE (INCLUDES ITEMS 2 - 19, 22 AND/OR 30).....	1
2	75838G03		STRUT (DRIVER SIDE)	1
3	75838G04		STRUT (PASSENGER SIDE).....	1
4	75346G01		WIRE HARNESS (WORK LIGHT)	1
5	71294G02		BRACE	1
6	71293G02		COVER PLATE.....	1
7	75430G01		SWITCH HARNESS.....	1
8	73522G**		CONSOLE INSERT PLATE.....	1
9	33201G03		STROBE LIGHT MOUNT (USED ONLY WITH STROBE LIGHT).....	1
10	75365G01		HARDWARE KIT (INCLUDES ITEMS 11 - 19).....	1
11	00685G7		HEX HEAD BOLT (SS), 5/16" - 18 X 1 3/4" LG	6
12	00660G8		FLAT WASHER (SS), 5/16"	12
13	15121G1		WASHER, 3/8" X 1 1/4"	2
14	01109G01		LOCK NUT, 5/16" - 18	4
15	00918G3		ACORN NUT, 5/16" - 18	2
16	33623G02		DRIVE RIVET, 3/16" X 3/8" LG	3
17	20367G1		GROMMET	2
18	16705G3		TRUSS HEAD SCREW, 1/4" - 20 X 3/4" LG	2
19	14390G4		LOCK NUT, 1/4" - 20	2
20				
21				
22	20383G2		WORK LIGHT KIT (INCLUDES ITEMS 23 - 28)	
23	20209G2		WORK LIGHT (RECTANGULAR).....	2
24	00566G3		LOCK WASHER, 1/2"	2
25	00533G1		HEX NUT, 1/2" - 13.....	2
26	17317G1		LIGHT SWITCH	1
27	17902G1		TAB ADAPTER	1
28	20053G1		6 GA WIRE (RED 5 3/8")	1
29				

ELECTRICAL SYSTEM

When ordering parts, please specify the model and serial number of the product.

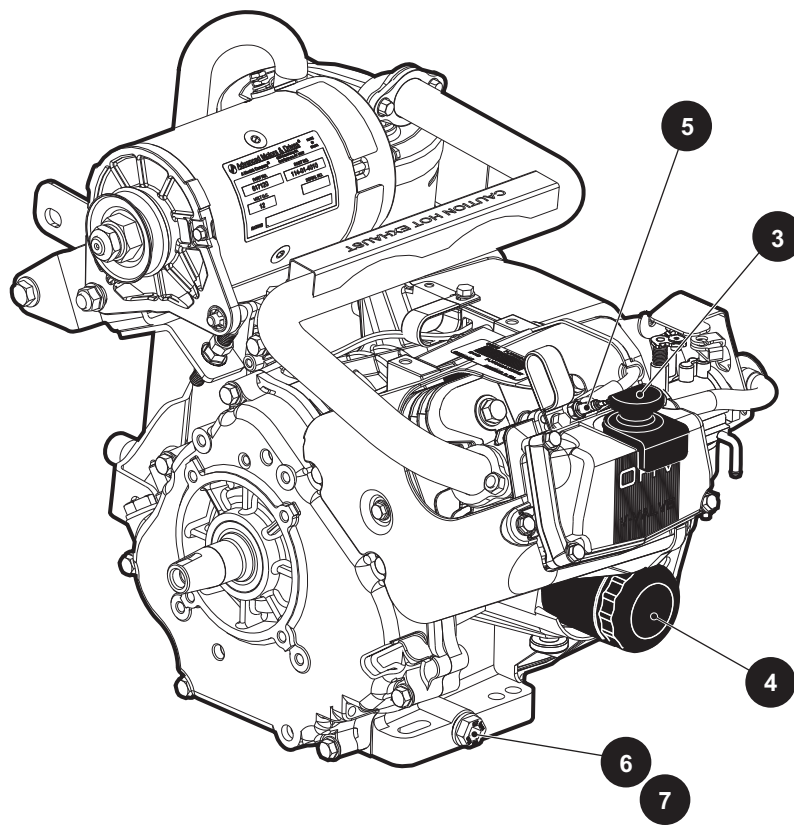
* Indicates a component that is not available as an individual part.

*** Indicates consult Customer Service Department for additional information.

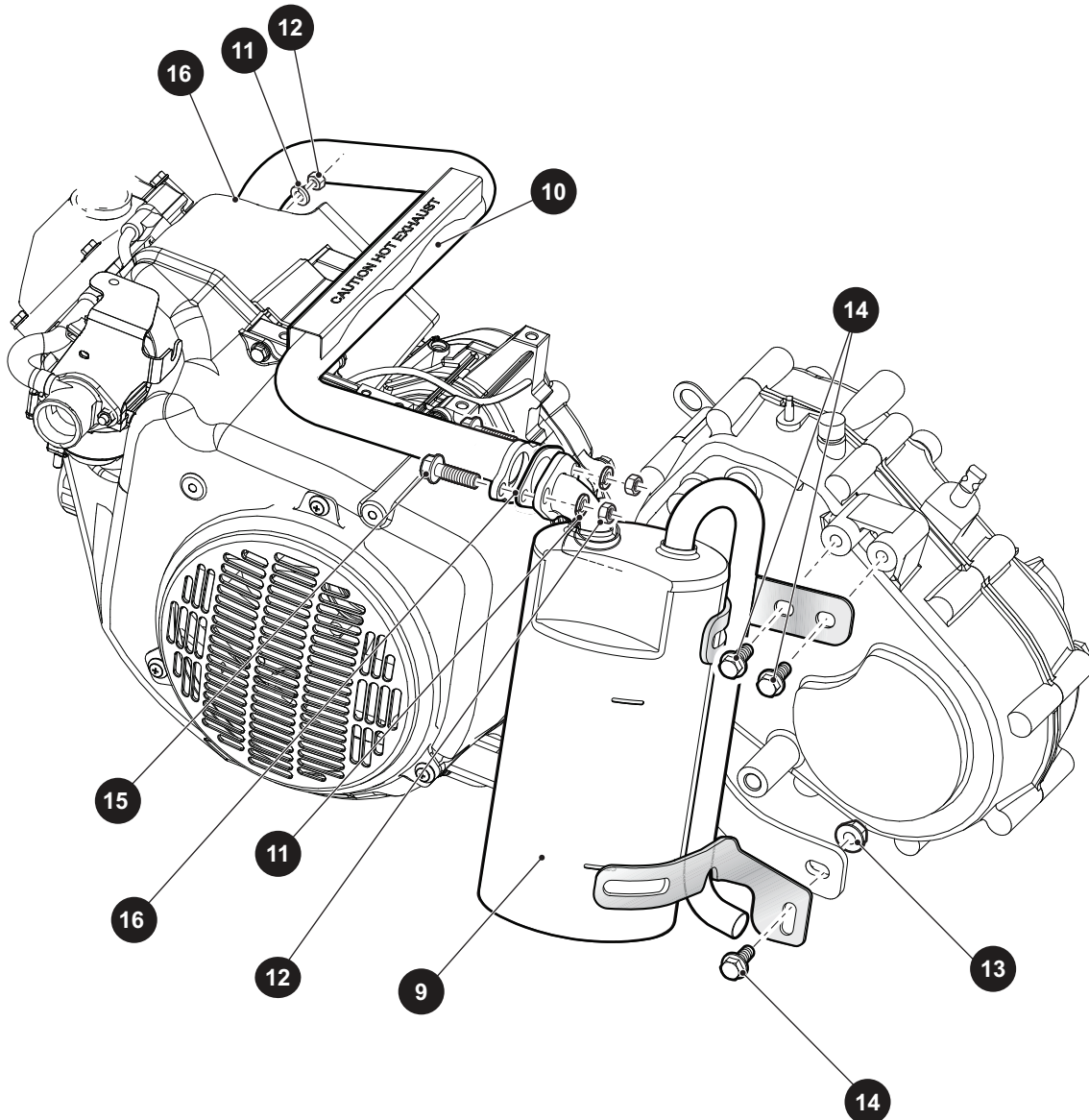
ITEM	PART NO.	1	2	3	4	5	DESCRIPTION	QTY.
30	20385G3						STROBE LIGHT KIT (INCLUDES ITEMS 31 - 36)	1
31	*						STROBE LIGHT	1
32	00379G4						SCREW, #10 - 24 x 1/2" LG	3
33	14390G10						LOCK NUT, #10 - 24	3
34	17317G1						LIGHT SWITCH	1
35	17902G1						TAB ADAPTER.....	1
36	20053G1						16 GA WIRE (RED 5 3/8").....	1
37								
38								
39	20271G10						HOLE PLUG.....	1

ENGINE AND MUFFLER

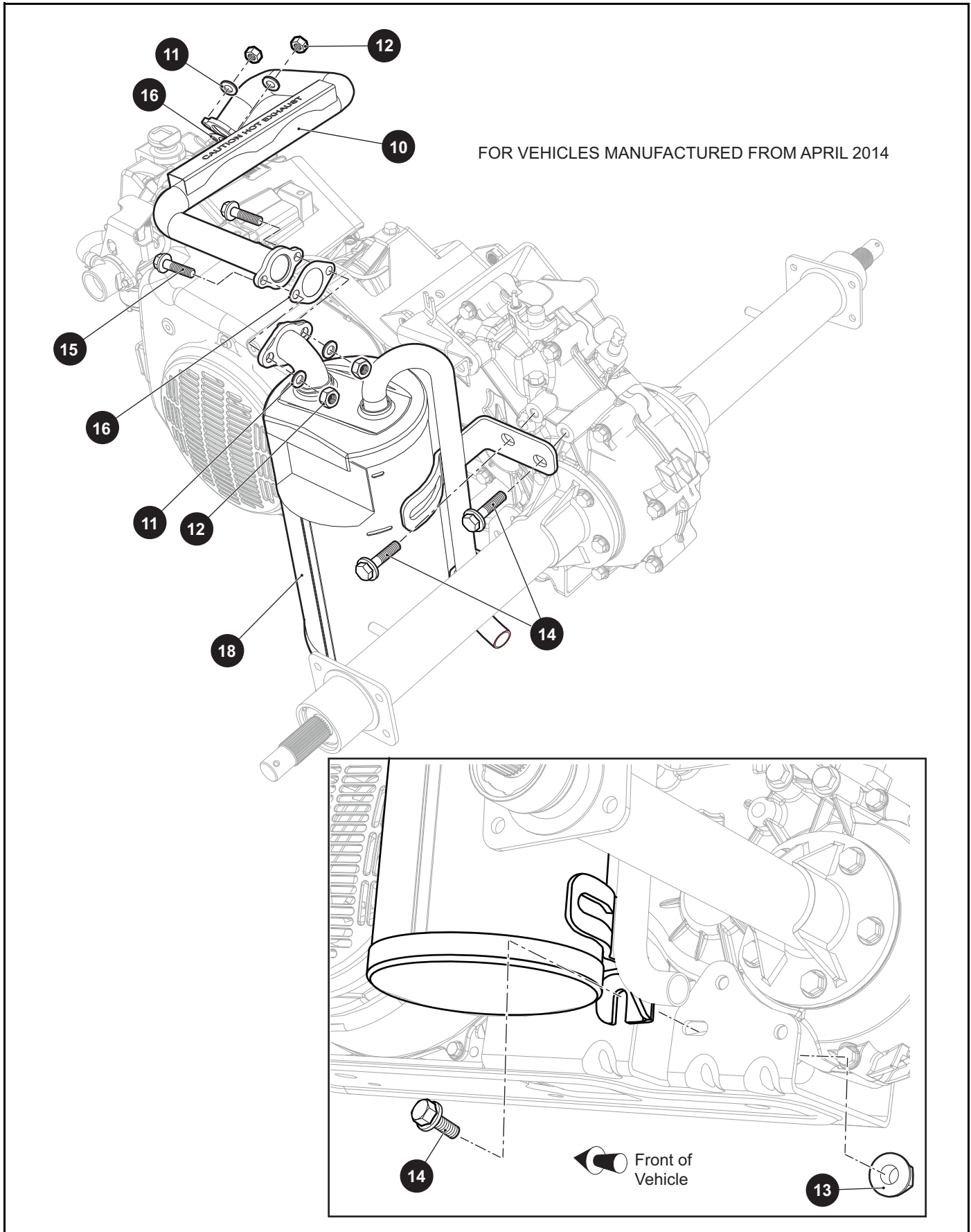
1 GAS ENGINE includes items 3 - 7



ENGINE AND MUFFLER



ENGINE AND MUFFLER



ENGINE AND MUFFLER

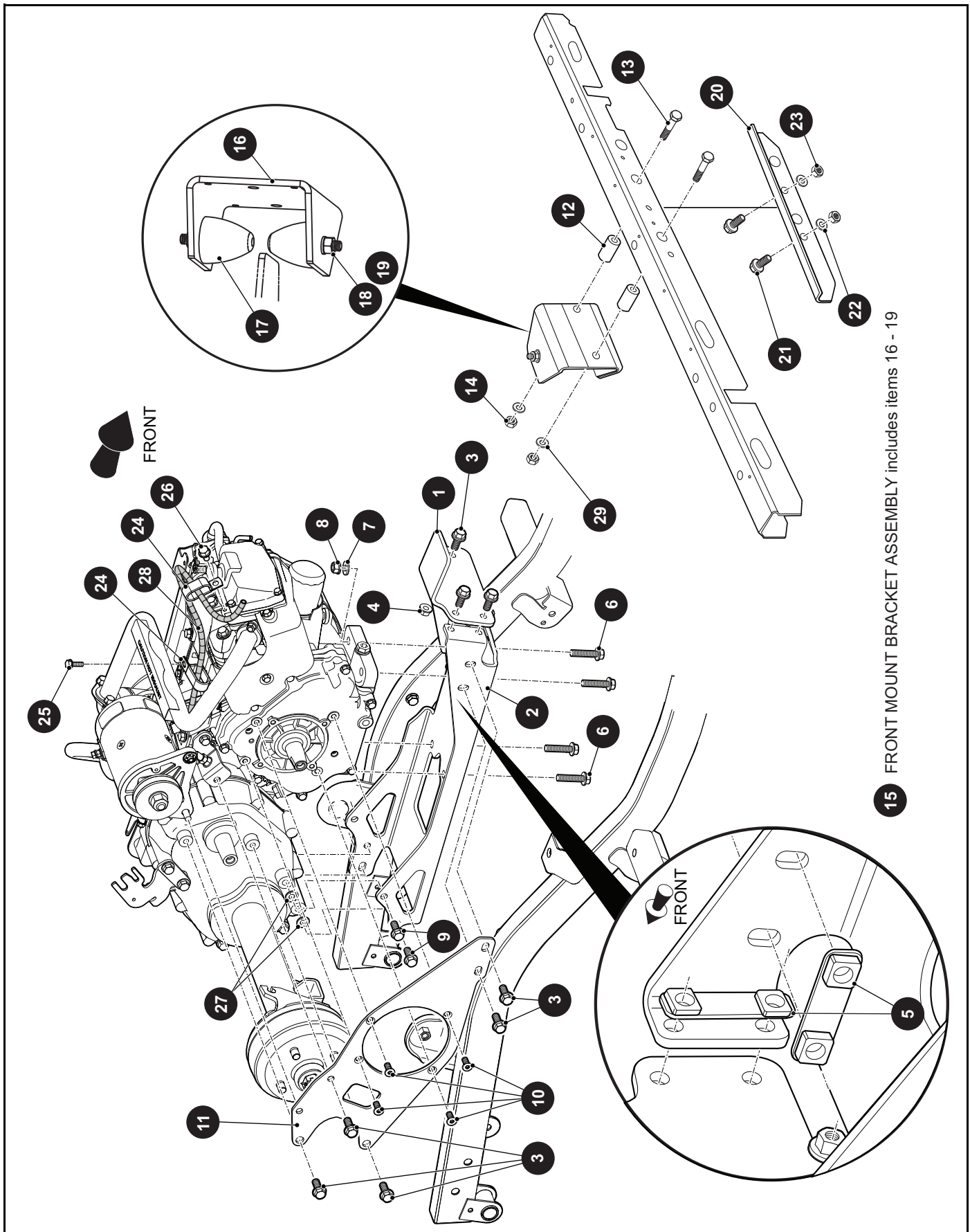
When ordering parts, please specify the model and serial number of the product.

* Indicates a component that is not available as an individual part.

*** Indicates consult Customer Service Department for additional information.

ITEM	PART NO.	1 2 3 4 5	DESCRIPTION	QTY.
1	633740		ENGINE, GAS, 13HP, NON-GOLF (INCLUDES ITEMS 3 - 7)	1
2				
3	606391		DIP STICK, HIGH	1
4	607454		OIL FILTER.....	1
5	607462		SPARK PLUG (BPR2ES)	1
6	603557		OIL DRAIN PLUG.....	1
7	603562		O-RING, 16MM	1
8				
9	612266		MUFFLER.....	1
10	606982		EXHAUST PIPE.....	1
11	606272		LOCK WASHER, 8MM	4
12	606267		HEX NUT, M8 X 1.25	4
13	606279		HEX NUT, M10 - 1.25	1
14	606256		HEX HEAD BOLT, M10 - 1.25 X 25MM LG	3
15	602330		HEX HEAD BOLT, M8 - 1.25 X 30MM LG	2
16	603599		EXHAUST GASKET	2
17				
18	630970		MUFFLER (FOR VEHICLES MANUFACTURED FROM APRIL 2014)	1

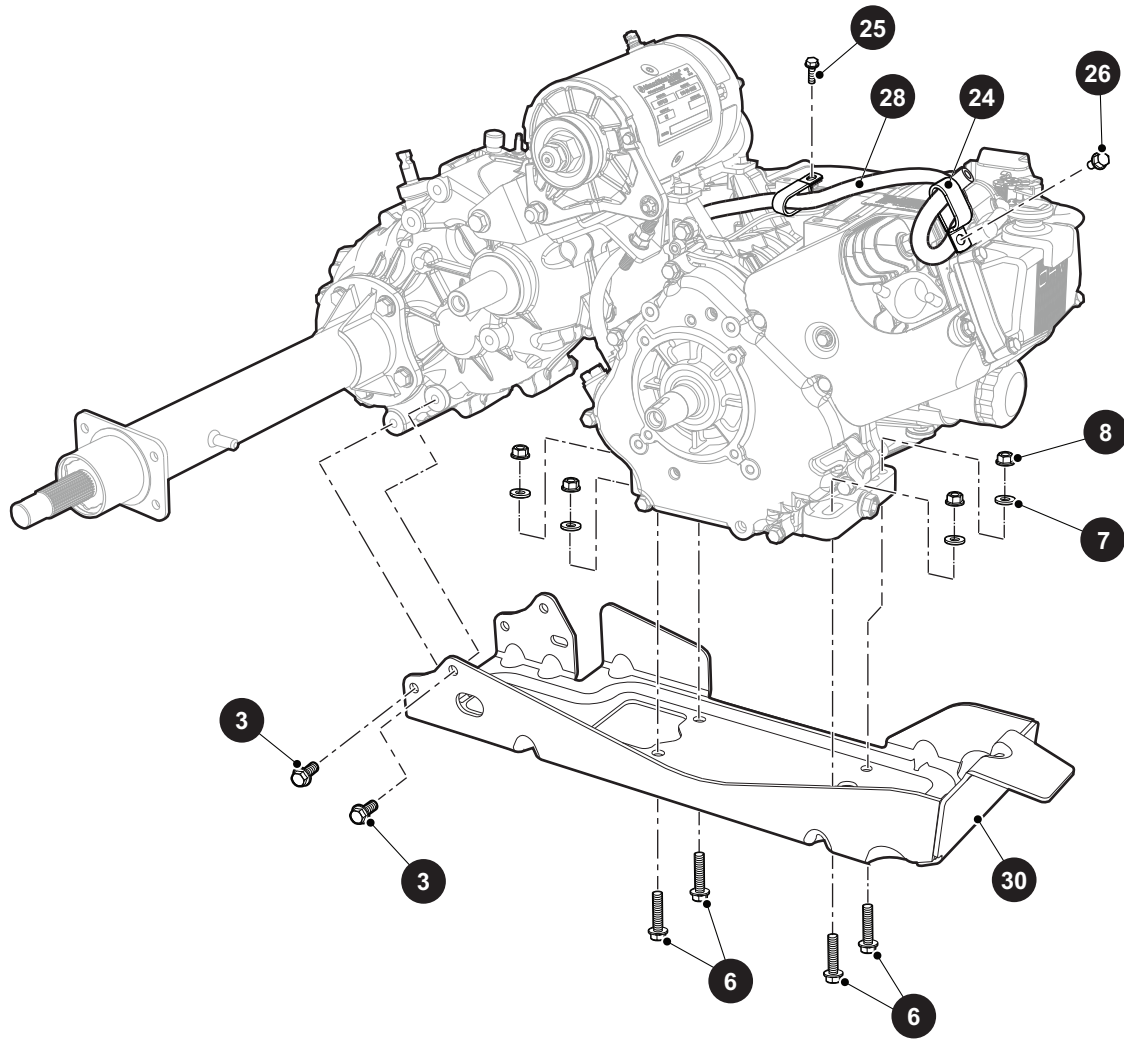
ENGINE MOUNTING



15 FRONT MOUNT BRACKET ASSEMBLY includes items 16 - 19

ENGINE MOUNTING

FOR VEHICLES MANUFACTURED FROM APRIL 2014



ENGINE MOUNTING

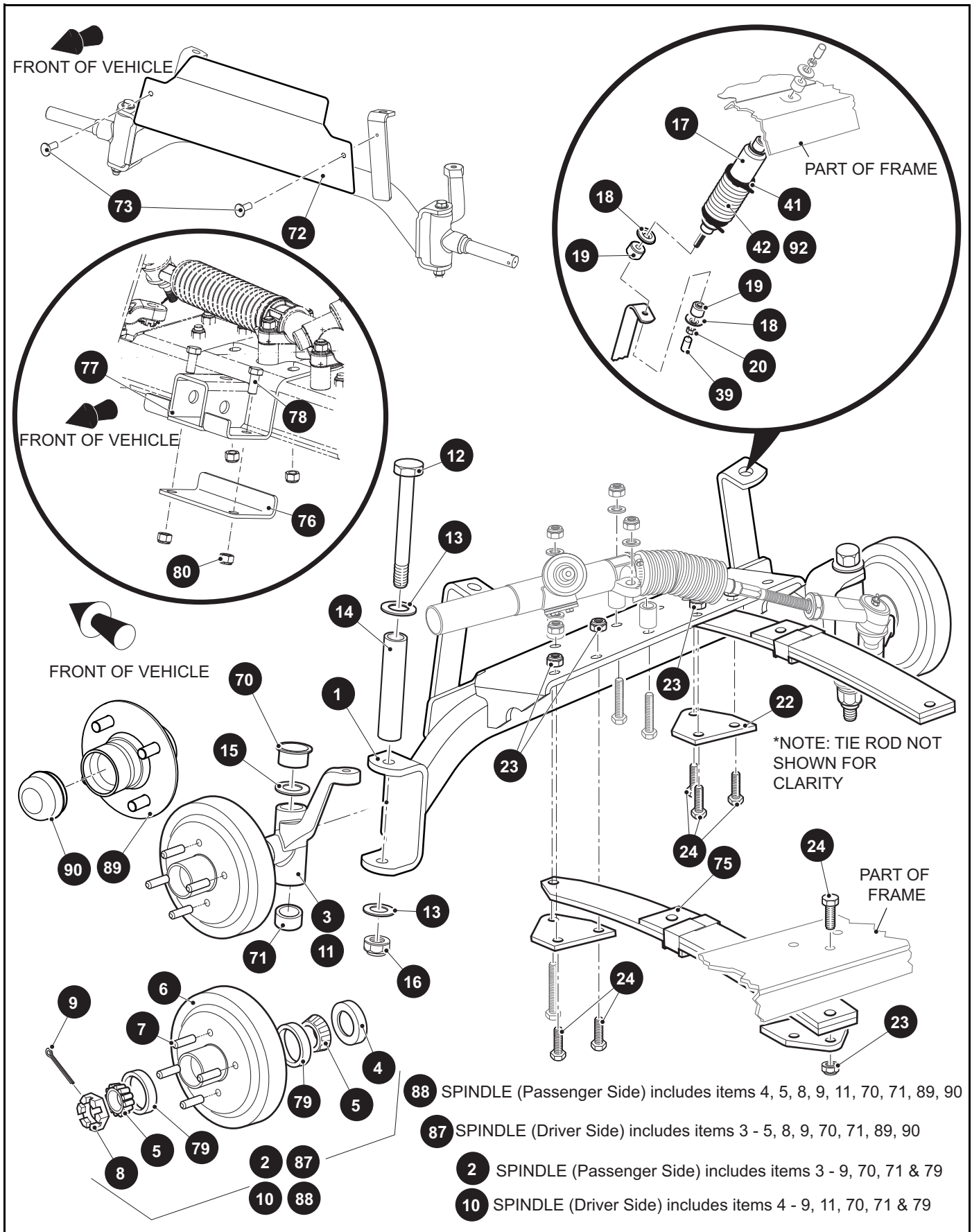
When ordering parts, please specify the model and serial number of the product.

* Indicates a component that is not available as an individual part.

*** Indicates consult Customer Service Department for additional information.

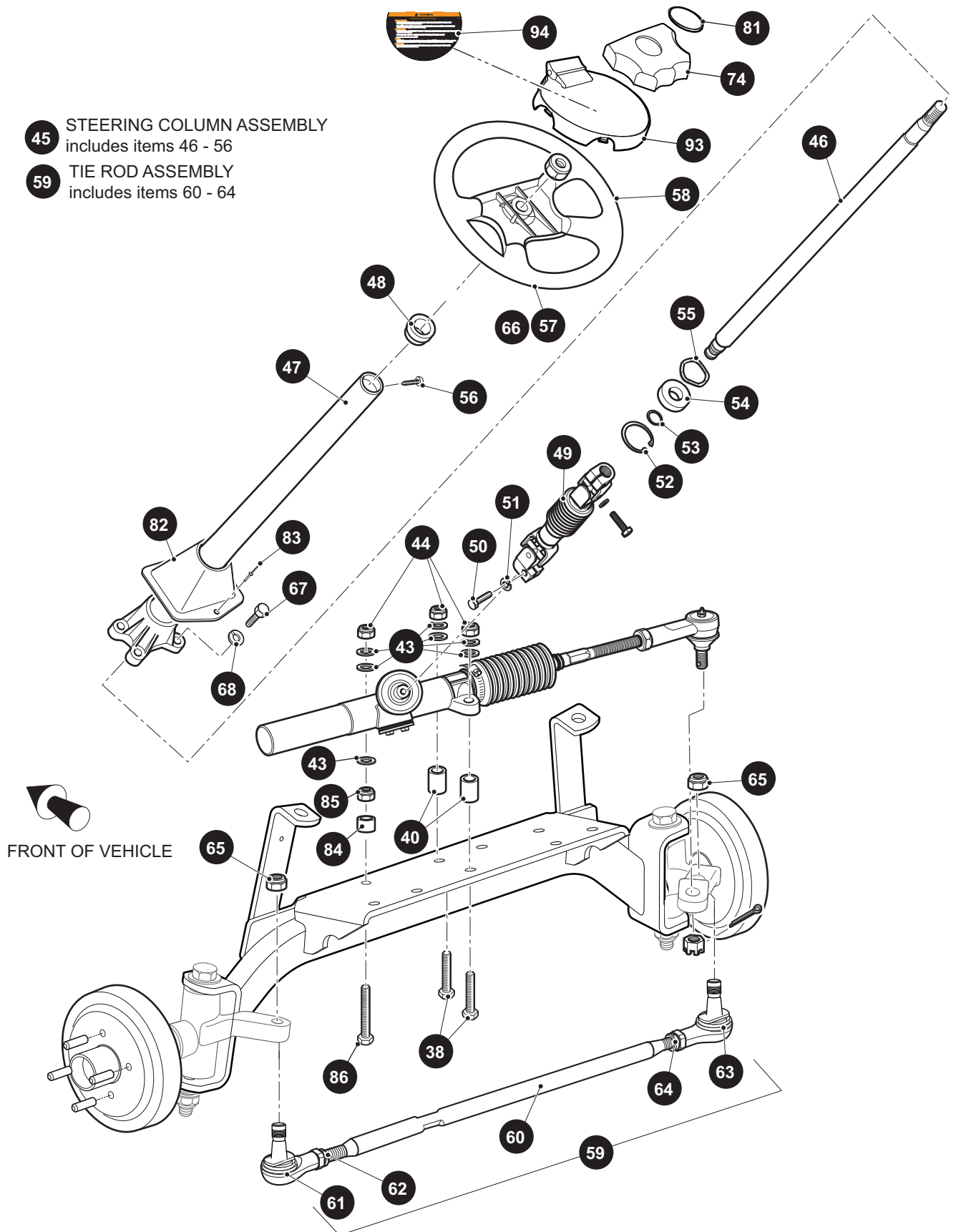
ITEM	PART NO.	1 2 3 4 5	DESCRIPTION	QTY.
1	606007		FRONT ENGINE MOUNT	1
2	603101		ENGINE PAN MOUNT	1
3	606256		HEX HEAD BOLT, M10 - 1.25 X 25MM LG	8
4	606279		HEX NUT, M10 - 1.25.....	1
5	606096		NUT PLATE	2
6	606259		HEX HEAD BOLT, M10 - 1.25 X 45MM LG	4
7	603823		FLAT WASHER, M10 X 22 - 2.5.....	4
8	606279		HEX NUT, M10 - 1.25.....	4
9	608020		HEX HEAD BOLT, M10 - 1.25 X 34MM LG	4
10	606246		FLAT HEAD SCREW, 5/16" X 4"	4
11	602146		DIFFERENTIAL PLATE.....	1
12	72016G01		TUBE SPACER	2
13	00428G8		HEX HEAD SCREW, 3/8" - 16 X 2.75" LG	2
14	11098G5		PLASTIC INSERT LOCK NUT, 3/8-16"	2
15	627627		FRONT MOUNT BRACKET ASSEMBLY (INCLUDES ITEMS 16 - 19).....	1
16	625345		FRONT MOUNT BRACKET	1
17	605757		RUBBER BUMPER.....	2
18	00974G01		HEX NUT, M10 X 1.5	2
19	608654		SPLIT LOCK WASHER, 10MM	2
20	70269G02		CROSSMEMBER BRACE	1
21	00438G7		HEX HEAD BOLT, 5/16" - 18 UNC	2
22	00559G8		FLAT WASHER, 5/16"	2
23	01109G01		PLASTIC INSERT LOCK NUT, 5/16" - 18 UNC-2B.....	2
24	606962		TUBE CLAMP, DBL - .72.....	2
25	606264		HEX HEAD BOLT, M6 - 1 X 20MM LG	1
26	606265		HEX HEAD BOLT, M6 - 1 X 12MM LG	1
27	00560G2		B TYPE NARROW FLAT WASHER, 7/16" X .25	2
28	27184G12		TUBE, (FUEL SYSTEM)	1
29	00643G1		FLAT WASHER, 3/8" X 1.0 X .063"	2
30	630776		ENGINE PAN (FOR VEHICLES MANUFACTURED FROM APRIL 2014)	1

FRONT SUSPENSION AND STEERING



FRONT SUSPENSION AND STEERING

- 45 STEERING COLUMN ASSEMBLY
includes items 46 - 56
- 59 TIE ROD ASSEMBLY
includes items 60 - 64



FRONT SUSPENSION AND STEERING

When ordering parts, please specify the model and serial number of the product.

* Indicates a component that is not available as an individual part.

*** Indicates consult Customer Service Department for additional information.

ITEM	PART NO.	1 2 3 4 5	DESCRIPTION	QTY.
1	652823		FRONT AXLE	1
2	70930G02		SPINDLE AND HUB ASSEMBLY (PASSENGER SIDE) (INCLUDES ITEMS 3 - 9, 70, 71 & 79) (FOR LTO VEHICLE) (FOR VEHICLES MANUFACTURED BEFORE 30 AUG 2014)	1
3	70802G01		SPINDLE ASSEMBLY (PASSENGER SIDE).....	1
4	25146G1		GREASE SEAL.....	1
5	11750G2		ROLLER BEARING AND RACE ASSEMBLY	2
6	74332G01		WHEEL HUB ASSEMBLY	1
7	36038G01		DRIVE FLANGE STUD.....	4
8	12093G1		CASTLE NUT, 1" - 14	1
9	00798G8		COTTER PIN, 5/32" X 1 3/4" LG	1
10	70931G02		SPINDLE AND HUB ASSEMBLY (DRIVER SIDE) (INCLUDES ITEMS 4 - 9, 11, 70, 71 & 79) (FOR LTO VEHICLE) (FOR VEHICLES MANUFACTURED BEFORE 30 AUG 2014)	1
11	70803G01		SPINDLE ASSEMBLY (DRIVER SIDE)	1
12	00407G6		KING PIN BOLT, 1/2" - 13 X 6" LG	2
13	00560G3		FLAT WASHER, 1/2"	4
14	70745G01		KING PIN TUBE	2
15	70754G01		THRUST WASHER, 1" (SS).....	2
16	14390G6		LOCK NUT, 1/2" - 13	2
17	76419G01		SHOCK ABSORBER	2
18	10435G1		SHOCK ABSORBER WASHER	8
19	10194G1		RUBBER BUSHING	8
20	00532G6		HEX NUT, 1/4" - 20.....	4
21				
22	652258		SPRING PLATE	4
23	00734G1		LOCK NUT, 7/16" - 14	11
24	00463G11		HEX HEAD BOLT, 7/16" - 14 X 1 3/4" LG	11
25				
26				
27				
28				
29				

FRONT SUSPENSION AND STEERING

When ordering parts, please specify the model and serial number of the product.

* Indicates a component that is not available as an individual part.

*** Indicates consult Customer Service Department for additional information.

ITEM	PART NO.	1 2 3 4 5	DESCRIPTION	QTY.
30				
31				
32				
33				
34				
35				
36				
37				
38	00464G8		HEX HEAD BOLT, 7/16" - 14 X 2 3/4" LG.....	2
39	10044G01		VINYL CAP	4
40	70667G02		SPACER, O.D 1" X I.D .46" X 1.2" LG	2
41	31539G1		NYLON CLAMP	4
42	70509G01		SHOCK ABSORBER BOOT, YELLOW (FOR VEHICLES MANUFACTURED BEFORE 30 AUG 2014)	2
43	00560G2		FLAT WASHER, 7/16".....	7
44	00734G1		LOCK NUT, 7/16" - 14.....	3
45	70758G05		STEERING COLUMN KIT (INCLUDES ITEMS 46 - 56).....	1
46	70607G01		STEERING SHAFT	1
47	70610G03		STEERING COLUMN	1
48	28569G01		STEERING COLUMN BUSHING	1
49	70580G01		INTERMEDIATE SHAFT	1
50	01055G01		METRIC BOLT, M8 X 1.25 - 6G.....	1
51	00565G8		LOCK WASHER, 5/16".....	1
52	70751G01		RETAINING RING (INTERNAL)	1
53	70888G01		RETAINING RING (EXTERNAL).....	1
54	15112G1		BALL BEARING.....	1
55	70887G01		WAVE WASHER.....	1
56	01022G01		HEX HEAD SCREW #6 - 20 X 5/16" LG	1
57	602980		STEERING WHEEL (PREMIUM)	1
58	14390G2		LOCK NUT, 5/8" - 18.....	1
59	70876G02		TIE ROD ASSEMBLY (INCLUDES ITEMS 60 - 64).....	1

FRONT SUSPENSION AND STEERING

When ordering parts, please specify the model and serial number of the product.

* Indicates a component that is not available as an individual part.

*** Indicates consult Customer Service Department for additional information.

ITEM	PART NO.	1	2	3	4	5	DESCRIPTION	QTY.
60	70897G02						THREADED ROD (24" LG).....	1
61	70902G01						TIE ROD END (LEFT HAND THREADS)	1
62	01069G01						JAM NUT, M12 X 1.25 - 05 (LEFT HAND THREADS).....	1
63	70902G02						TIE ROD END (RIGHT HAND THREADS).....	1
64	01069G02						JAM NUT, M12 X 1.25 - 05 (RIGHT HAND THREADS)	1
65	00734G1						LOCK NUT, 7/16" - 14	2
66	602979						STEERING WHEEL	1
67	01006G01						HEX HEAD BOLT, 3/8" - 16 X 1 1/4" LG	4
68	00879G1						LOCK WASHER, 3/8".....	4
69								
70	632925						FLANGED BUSHING.....	1
71	632926						BUSHING SLEEVE.....	1
72	605642						STEERING RACK COVER	1
73	15058G1						RIVET, 3/16" X 7/16" X 5/8".....	2
74	71147G01						STEERING WHEEL COVER.....	1
75	70990G03						CANTILEVER LEAF SPRING	2
76	604572						WINCH RECEIVER RETAINER PLATE.....	1
77	635202						WINCH RECEIVER WELDMENT	1
78	00462G8						HEX HEAD BOLT, 7/16" - 14 X 1" LG	4
79	51141G1						RACE BEARING.....	2
80	00734G1						LOCKNUT, 7/16" - 14	4
81	617802						BBB STEERING WHEEL DECAL	1
82	70997G01						STEERING COLUMN BASE COVER	1
83	71055G01						RIVET, 3/16".....	1
84	70667G04						SPACER, O.D 1" X I.D .46" X .69" LG	1
85	00532G7						HEX NUT, 1/4" - 20.....	1
86	01068G01						HEX HEAD BOLT, 7/16" - 14 X 3.5" LG	1
87	70930G01						SPINDLE AND HUB ASSEMBLY (PASSENGER SIDE) (INCLUDES ITEMS 3 - 5, 8, 9, 70 - 71, 89, 90) (FOR VEHICLES MANUFACTURED FROM 30 AUG 2014).....	1
88	70931G01						SPINDLE AND HUB ASSEMBLY (DRIVER SIDE) (INCLUDES ITEMS 4,5, 8 - 9,11, 70 - 71, 89, 90) (FOR VEHICLES MANUFACTURED FROM 30 AUG 2014).....	1

FRONT SUSPENSION AND STEERING

When ordering parts, please specify the model and serial number of the product.

* Indicates a component that is not available as an individual part.

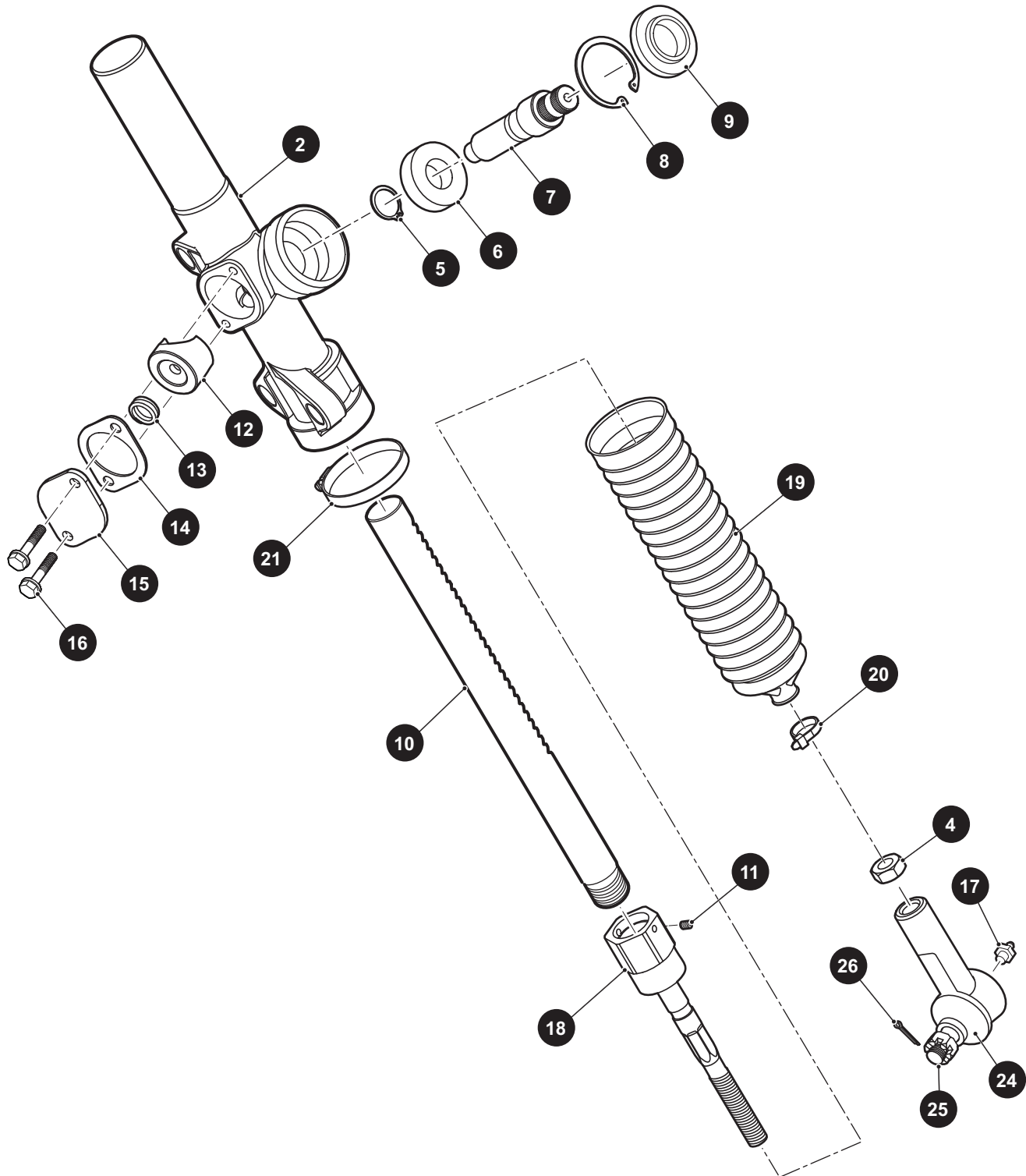
*** Indicates consult Customer Service Department for additional information.

ITEM	PART NO.	1 2 3 4 5	DESCRIPTION	QTY.
89	35886G01		HUB ASSEMBLY	1
90	12091G2		SPINDLE CAP.....	1
91				
92	606205		SHOCK ABSORBER BOOT, BLACK (FOR VEHICLES MANUFACTURED FROM 30 AUG 2014)	2
93	607925		CLIPBOARD	1
94	608529		STEERING WHEEL LABEL	1

FRONT SUSPENSION AND STEERING

1 RACK AND PINION UNIT includes items 2 - 23

23 RACK BALL JOINT includes items 24 - 25



FRONT SUSPENSION AND STEERING

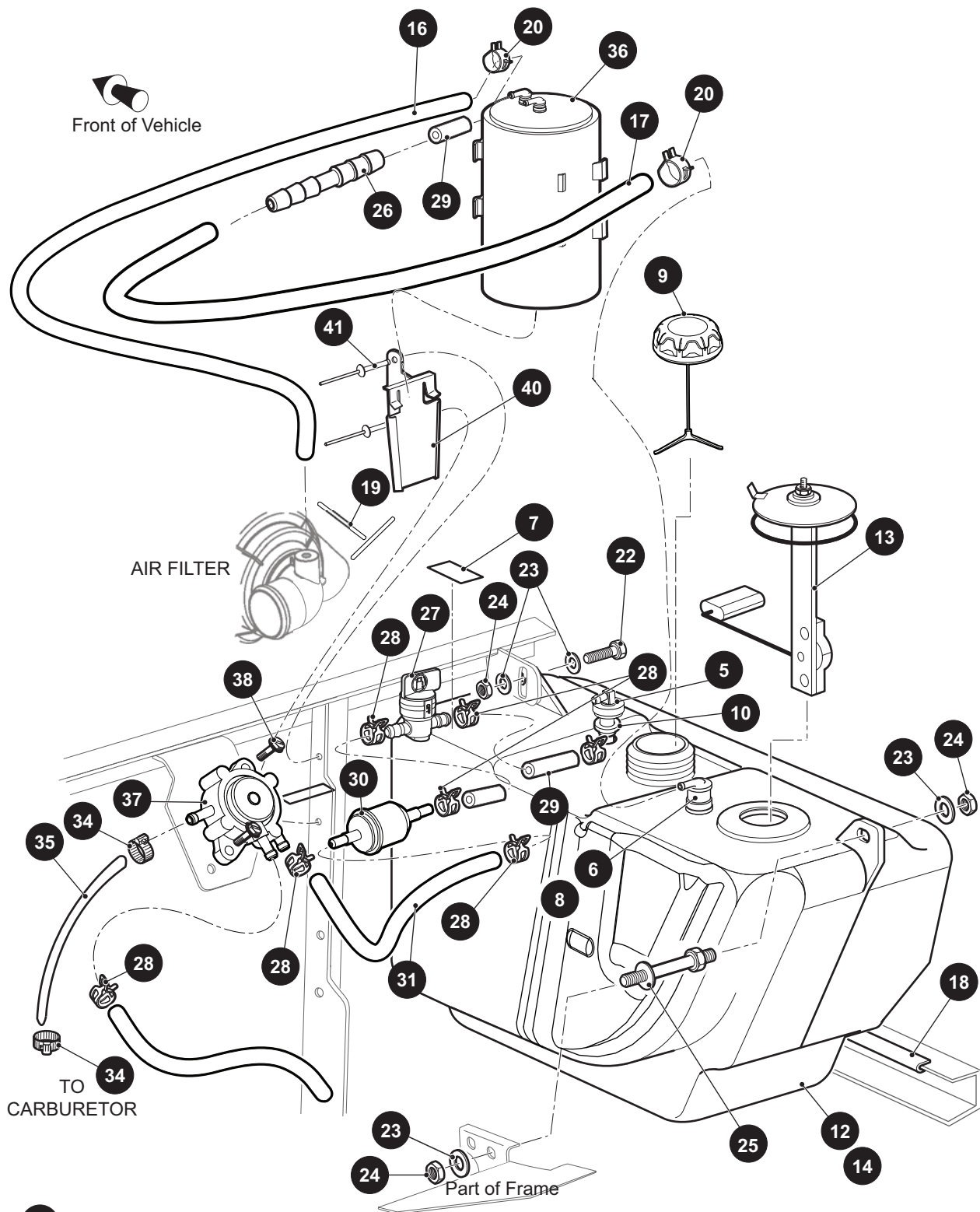
When ordering parts, please specify the model and serial number of the product.

* Indicates a component that is not available as an individual part.

*** Indicates consult Customer Service Department for additional information.

ITEM	PART NO.	1 2 3 4 5	DESCRIPTION	QTY.
1	70964G01		RACK AND PINION UNIT (INCLUDES ITEMS 2 - 23)	1
2	70965G01		STEERING RACK COVER & BEARING	1
3				
4	*		JAM NUT, 1/2" - 20	1
5	70750G01		RETAINING RING (EXTERNAL)	1
6	15112G1		BALL BEARING	1
7	70603G01		PINION	1
8	70751G01		RETAINING RING (INTERNAL)	1
9	70638G01		SEAL (PINION)	1
10	70604G01		STEERING RACK	1
11	*		SET SCREW, #10 - 32 X .25" LG	1
12	70590G01		RACK LOADER	1
13	70666G01		COMPRESSION SPRING	1
14	70645G01		GASKET (RACK LOADER COVER)	1
15	652259		COVER (RACK LOADER)	1
16	71102G01		HEX WASHER HEAD BOLT, 1/4" - 20 X 11/16" LG	2
17	10389G3		GREASE FITTING (STRAIGHT)	1
18	74694G01		ROD END (INNER)	1
19	70961G01		RACK BOOT	1
20	12416G2		NYLON CLAMP, 10"	1
21	11391G8		HOSE CLAMP, 1.81"	1
22				
23	70695G01		TIE ROD END (OUTER) (INCLUDES ITEMS 24 - 25)	1
24	50641G1		GROMMET	1
25	50209G2		HEX SLOTTED NUT, 7/16" - 20	1
26	10387G2		COTTER PIN, 3/32" X 1"	1

FUEL SYSTEM



- 1 CARB FUEL TANK ASSEMBLY (WITHOUT SWITCH) includes items 5 - 10, 14
- 2 CARB FUEL TANK ASSEMBLY (WITH SWITCH) includes items 5 - 13

EARLY PRODUCTION VEHICLES

FUEL SYSTEM

When ordering parts, please specify the model and serial number of the product.

* Indicates a component that is not available as an individual part.

*** Indicates consult Customer Service Department for additional information.

ITEM	PART NO.	1 2 3 4 5	DESCRIPTION	QTY.
1	645033		CARB FUEL TANK ASSEMBLY (WITHOUT SWITCH) (INCLUDES ITEMS 5 - 10, 14)	1
2	645034		CARB FUEL TANK ASSEMBLY (WITH SWITCH) (INCLUDES ITEMS 5 - 13)	1
3				
4				
5	18287G3		SIPHON TUBE ASSEMBLY	1
6	606068		ROLLOVER VALVE GROMMET	1
7	625826		EPA FUEL TANK LABEL	1
8	606067		ROLLOVER VALVE.....	1
9	633423		FUEL TANK CAP (RATCHET).....	1
10	70988G01		SIPHON TUBE GROMMET	1
11				
12	*		FUEL TANK WITH SENDER UNIT.....	1
13	633024G02		PRESS FIT FUEL SENDER.....	1
14	*		FUEL TANK WITHOUT SENDER UNIT	1
15				
16	606966		LOW PRESSURE FUEL HOSE, 3/16" I.D. X 3/8 O.D. X 34.00" LONG (CARB)	1
17	607546		LOW PRESSURE FUEL HOSE, 3/16" I.D. X 3/8 O.D. X 17.00" LONG (CARB)	1
18	32372G6		TRIM (BLACK), 6.25" LG.....	1
19	17618G1		NYLON CLAMP, 7" LG.....	2
20	606963		TUBING CLAMP, 3/16" I.D.....	2
21				
22	00438G8		HEX HEAD BOLT, 5/16" - 18 X 1" LG.....	1
23	00559G8		FLAT WASHER, 5/16".....	4
24	11098G6		LOCK NUT, 5/16" - 18.....	3
25	70483G01		SPACER, 5/16" - 18 X 5.74"	1
26	615346		HOSE REDUCER, 1/4" X 3/16"	1
27	611181		FUEL SHUT-OFF VALVE.....	1
28	18292G1		HOSE CLAMP, .50" DIA.....	7
29	615350		FUEL SYSTEM HOSE, 6.35" I.D X12.7" O.D X 2" LG	3
30	72084G01		FUEL LINE FILTER.....	1

FUEL SYSTEM

When ordering parts, please specify the model and serial number of the product.

* Indicates a component that is not available as an individual part.

*** Indicates consult Customer Service Department for additional information.

ITEM	PART NO.	1 2 3 4 5	DESCRIPTION	QTY.
31	606969		FUEL SYSTEM HOSE, .25" I.D. X.50" O.D. X 8" LG	1
32				
33				
34	11391G4		HOSE CLAMP, .25" - .63" DIA.....	2
35	604597		CARB FUEL SYSTEM HOSE, .25" I.D. X.50" O.D. X 26" LG	1
36	606071		CARBON CANISTER	1
37	602061		FUEL PUMP	1
38	00114G6		HEX WASHER HEAD SLOTTED TAPPING SCREW, 1/4" - 14 X .75" LG	2
39				
40	606310		CARBON CANISTER MOUNTING BRACKET	1
41	10570G11		RIVET, 3/16" DIA X .70"	2

FUEL SYSTEM

When ordering parts, please specify the model and serial number of the product.

* Indicates a component that is not available as an individual part.

*** Indicates consult Customer Service Department for additional information.

ITEM	PART NO.	1 2 3 4 5	DESCRIPTION	QTY.
1	649515		FUEL LINE ASSEMBLY (INCLUDES ITEMS 2 - 8)	1
2	649570		HOSE, .312" I.D. X .562" O.D. X 9" LG	1
3	615350		HOSE, 2" LG	1
4	649873		CLAMP, 1/2" O.D.	2
5	611181		SHUT-OFF VALVE.....	1
6	72084G01		FUEL FILTER	1
7	649874		CLAMP, 9/16" O.D.	2
8	649577		CONNECTOR, 5/16" I.D.	1
9	18292G1		CLAMP, 1/2" O.D.	3
10				
11	606071		CARBON CANISTER.....	1
12	606310		CANISTER BRACKET	1
13	10570G11		RIVET (SS), 3/16" X .70"	2
14				
15	602061		FUEL PUMP.....	1
16	00114G6		HEX WASHER HEAD BOLT, 1/4" - 10 X 3/4" LG	2
17				
18	27184G14		FUEL SYSTEM TUBE.....	1
19	18292G1		CLAMP, 1/2" O.D.	2
20	606966		HOSE, 3/16" I.D. X 34" LG.....	1
21	606963		CLAMP, 3/16" I.D.	2
22				
23	604597		FUEL HOSE, 26" LG.....	1
24	18292G1		CLAMP, 1/2" O.D.	1
25				
26	17618G1		NYLON CLAMP, 7" LG (NOT ILLUSTRATED).....	2
27	32372G6		VINYL TRIM, 6.25" LG	1
28				
29	615350		FUEL HOSE, 2" LG.....	1
30				
31	00438G8		HEX HEAD BOLT, 5/16" - 18 X 5/8" LG	1

FUEL SYSTEM

When ordering parts, please specify the model and serial number of the product.

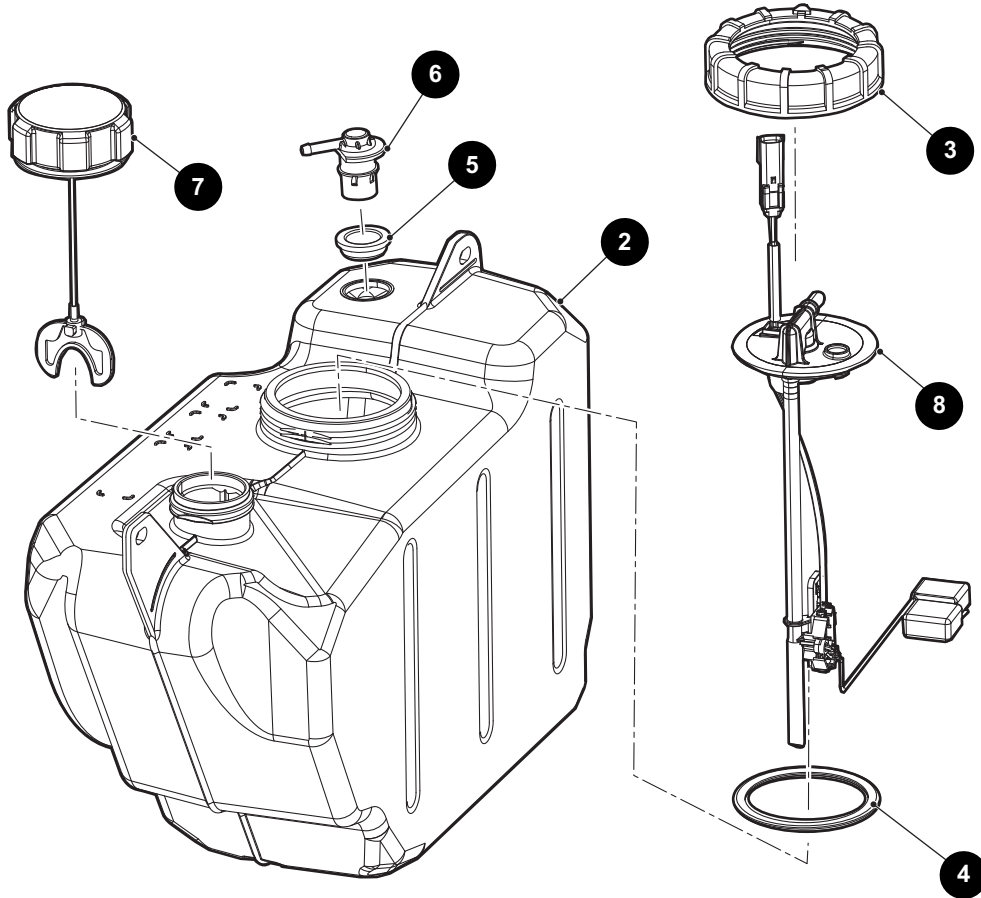
* Indicates a component that is not available as an individual part.

*** Indicates consult Customer Service Department for additional information.

ITEM	PART NO.	1 2 3 4 5	DESCRIPTION	QTY.
32	70483G01		SPACER	1
33	00559G8		FLAT WASHER, 5/16"	4
34	11098G6		LOCK NUT, 5/16" - 18	3

FUEL SYSTEM

- 1** FUEL TANK ASSEMBLY (WITH SENDER UNIT)
includes items 2 - 8



LATE PRODUCTION VEHICLES

FUEL SYSTEM

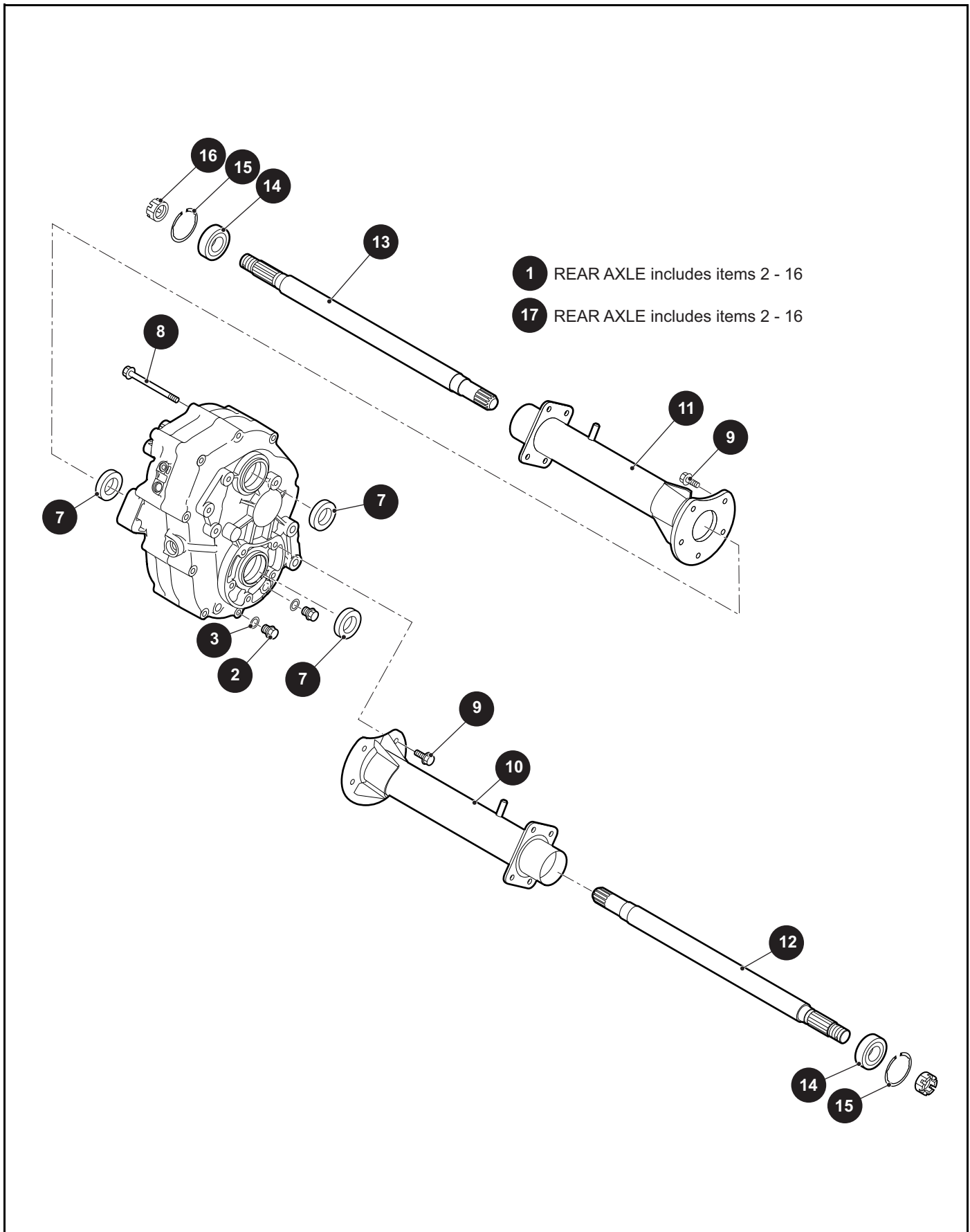
When ordering parts, please specify the model and serial number of the product.

* Indicates a component that is not available as an individual part.

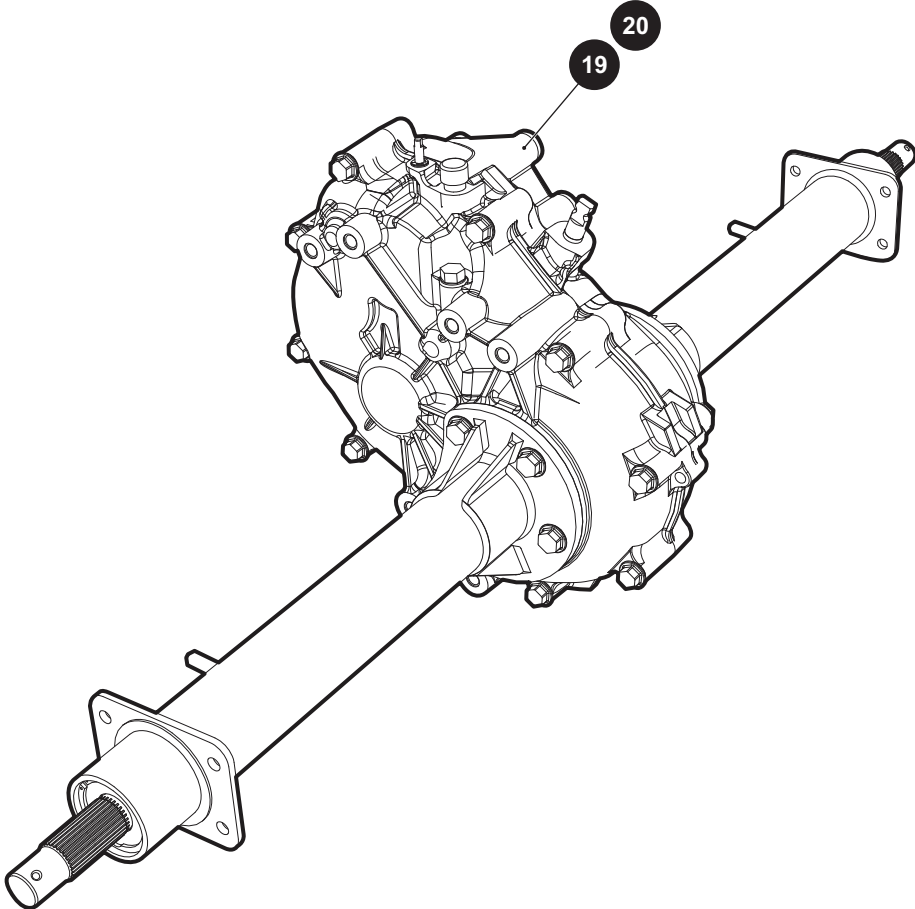
*** Indicates consult Customer Service Department for additional information.

ITEM	PART NO.	1 2 3 4 5	DESCRIPTION	QTY.
1	646823		FUEL TANK ASSEMBLY (WITH SENDER UNIT) (INCLUDES ITEMS 2 - 8) ..	1
2	646306		FUEL TANK	1
3	646837		CAP	1
4	646838		SEAL.....	1
5	647810		GROMMET	1
6	647809		ROLLOVER VALVE	1
7	635688		FUEL CAP	1
8	646351		FUEL PICKUP WITH SENDER ASSEMBLY	1

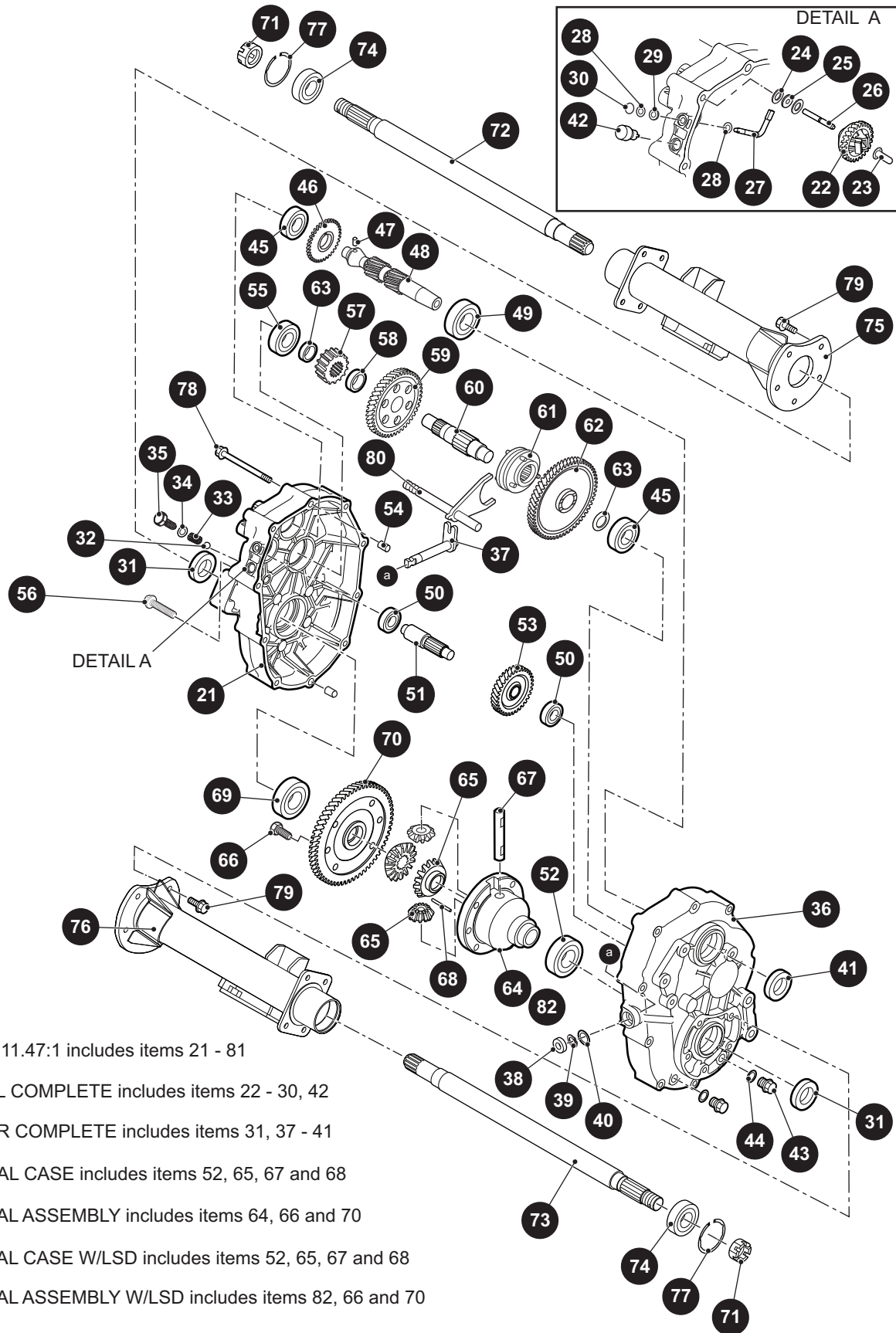
REAR AXLE



FOR VEHICLES MANUFACTURED FROM APRIL 2014



REAR AXLE



- 19 REAR AXLE, 11.47:1 includes items 21 - 81
- 21 AXLE CASE L COMPLETE includes items 22 - 30, 42
- 36 AXLE CASE R COMPLETE includes items 31, 37 - 41
- 64 DIFFERENTIAL CASE includes items 52, 65, 67 and 68
- 81 DIFFERENTIAL ASSEMBLY includes items 64, 66 and 70
- 82 DIFFERENTIAL CASE W/LSD includes items 52, 65, 67 and 68
- 83 DIFFERENTIAL ASSEMBLY W/LSD includes items 82, 66 and 70
- 20 REAR AXLE W/LSD, 11.47:1 includes items 21 - 63, 65 - 80, 82 - 83

REAR AXLE

When ordering parts, please specify the model and serial number of the product.

* Indicates a component that is not available as an individual part.

*** Indicates consult Customer Service Department for additional information.

ITEM	PART NO.	1 2 3 4 5	DESCRIPTION	QTY.
1	627891		REAR AXLE (INCLUDES ITEMS 2 - 16).....	1
2	26770G01		OIL DRAIN PLUG.....	2
3	26771G01		GASKET, 14 MM	2
4				
5				
6				
7	72259G01		OIL SEAL 28 X 47 X 9 MM.....	3
8	26823G01		FLANGED HEX HEAD BOLT, M8 X 1.25 X 100MM LG.....	10
9	72260G01		FLANGED HEX HEAD BOLT, M10 X 1.5 X 23MM LG.....	10
10	607940		AXLE TUBE (PASSENGER SIDE).....	1
11	607939		AXLE TUBE (DRIVER SIDE)	1
12	607946		AXLE SHAFT (PASSENGER SIDE).....	1
13	607945		AXLE SHAFT (DRIVER SIDE)	1
14	26811G01		BALL BEARING	2
15	26814G01		SNAP RING, 52 MM	2
16	606403		SLOTTED NUT, M22 X 1.5	2
17	622345		REAR AXLE, WITH LIMITED SLIP (INCLUDES ITEMS 2 - 16).....	1
18				
19	632513		REAR AXLE, 11.47:1 (INCLUDES ITEMS 21 - 81) (FOR VEHICLES MANUFACTURED FROM APRIL 2014)	1
20	637674		REAR AXLE W/LSD, 11.47:1 (INCLUDES ITEMS 21 - 63, 65 - 80, 82 - 83) (FOR VEHICLES MANUFACTURED FROM APRIL 2014)	1
21	639859		AXLE CASE L COMPLETE (INCLUDES ITEMS 22 - 30, 42)	1
22	639686		GOVERNOR GEAR	1
23	639689		GOVERNOR SLEEVE	1
24	607904		FLAT WASHER	2
25	607905		THRUST BEARING	1
26	639698		GOVERNOR GEAR SHAFT	1
27	639707		GOVERNOR SHAFT	1
28	639736		FLAT WASHER, 6MM	2
29	607911		OIL SEAL, 6 x 10 x 2.5MM.....	1
30	607913		RETAINING RING E5	1

REAR AXLE

When ordering parts, please specify the model and serial number of the product.

* Indicates a component that is not available as an individual part.

*** Indicates consult Customer Service Department for additional information.

ITEM	PART NO.	1	2	3	4	5	DESCRIPTION	QTY.
31	639738						OIL SEAL, 24 x 40 x 9MM	2
32	26818G01						STEEL BALL	1
33	26819G01						SPRING	1
34	26831G01						GASKET, 10	1
35	26820G01						FLANGED HEX HEAD BOLT, M10 x 1.25 x 12MM LG.....	1
36	639865						AXLE CASE R COMPLETE (INCLUDES ITEMS 31, 37 - 41)	1
37	639746						SELECT SHAFT	1
38	607915						OIL SEAL, 13 x 22 x 5MM	1
39	607916						SNAP RING, 13MM	1
40	607917						SPACER, 13 x 1MM	1
41	640093						OIL SEAL, 28 x 47 x 9MM	1
42	607919						AIR BREATHER	1
43	639747						OIL DRAIN PLUG	2
44	639748						GASKET, 14MM.....	2
45	26785G01						BALL BEARING (6204).....	2
46	607921						GOVERNOR GEAR, 34.....	1
47	607920						PIN, 6 x 12L	1
48	639750						INPUT SHAFT.....	1
49	607922						BALL BEARING (62/28).....	1
50	639868						BALL BEARING (TMB202)	2
51	639755						COUNTER SHAFT.....	1
52	640744						BALL BEARING (6006).....	1
53	639758						GEAR, 34	1
54	639869						KNOCK PIPE	2
55	639760						BALL BEARING (6304).....	2
56	639768						FLANGED HEX HEAD BOLT, M8 - 1.25 X 40MM LG.....	1
57	639769						GEAR, 17	1
58	28689G01						COLLAR, 24 x 7.5MM.....	1
59	639771						GEAR, 52.....	1
60	639772						CENTER SHAFT.....	1
61	639774						CLUTCH PIN.....	1

REAR AXLE

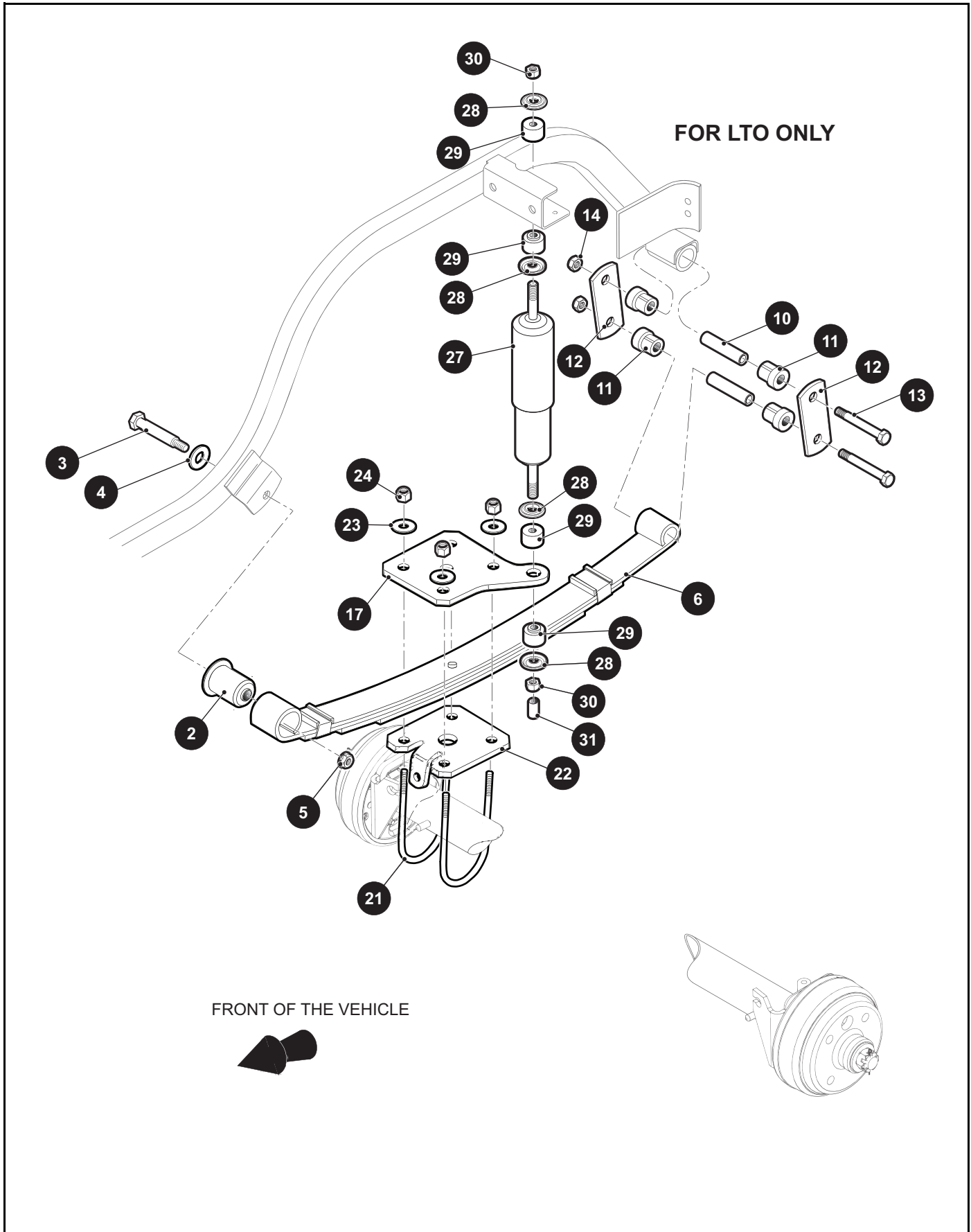
When ordering parts, please specify the model and serial number of the product.

* Indicates a component that is not available as an individual part.

*** Indicates consult Customer Service Department for additional information.

ITEM	PART NO.	1	2	3	4	5	DESCRIPTION	QTY.
62	639777						GEAR, 61	1
63	639797						SPACER, 20 x 2MM	2
64	639872						DIFFERENTIAL CASE (INCLUDES ITEMS 52, 65, 67 AND 68).....	1
65	639800						DIFFERENTIAL PAIR GEAR.....	1
66	26808G01						HEX HEAD BOLT, M10 x 1.25 x 26MM LG.....	6
67	28723G01						DIFFERENTIAL SHAFT	1
68	28697G01						SPRING PIN, 4 x 40L	1
69	639801						BALL BEARING (6007)	1
70	640739						GEAR, 60 COMPLETE (INCLUDES ITEM 69).....	1
71	607938						CASTLED NUT, M22 - 1.5	2
72	639876						AXLE SHAFT L COMPLETE (INCLUDES ITEM 74).....	1
73	639881						AXLE SHAFT R COMPLETE (INCLUDES ITEM 74)	1
74	639836						BALL BEARING (6205DD).....	2
75	607939						AXLE CASE L COMPLETE	1
76	607940						AXLE CASE R COMPLETE	1
77	26814G01						SNAP RING, 52MM	2
78	639839						FLANGED HEX HEAD BOLT, M8 x 1.25 x 60MM LG	9
79	639840						FLANGED HEX HEAD BOLT, M10 x 1.25 x 25MM LG	10
80	639844						SHIFT SHAFT COMPLETE.....	1
81	639847						DIFFERENTIAL ASSEMBLY (INCLUDES ITEMS 64, 66 AND 70).....	1
82	640098						DIFFERENTIAL CASE W/LSD (INCLUDES ITEMS 52, 65, 67 AND 68).....	1
83	639847						DIFFERENTIAL ASSEMBLY W/LSD (INCLUDES ITEMS 82, 66 AND 70)	1

REAR SUSPENSION



REAR SUSPENSION

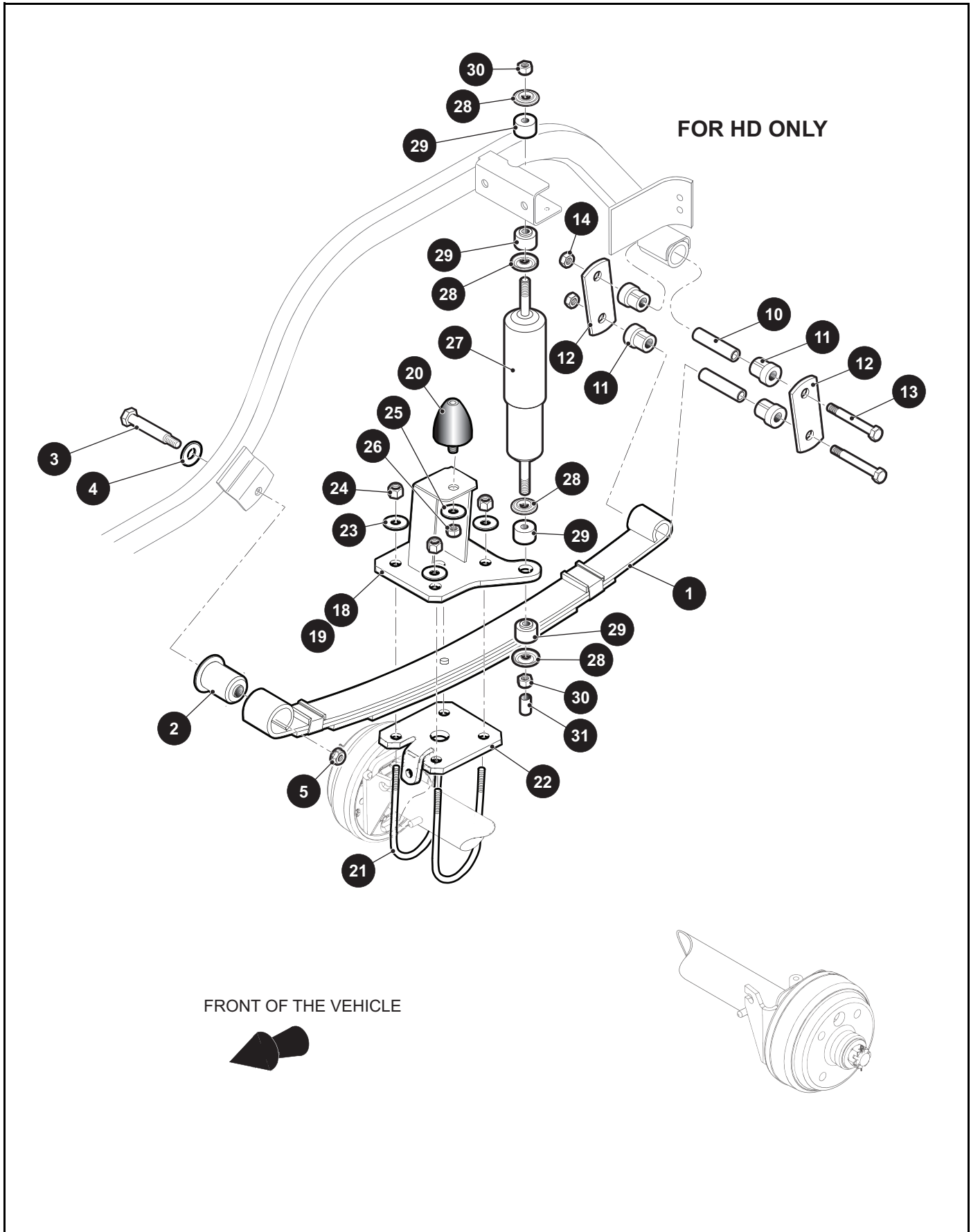
When ordering parts, please specify the model and serial number of the product.

* Indicates a component that is not available as an individual part.

*** Indicates consult Customer Service Department for additional information.

ITEM	PART NO.	1 2 3 4 5	DESCRIPTION	QTY.
1				
2	605445		LEAF SPRING BUSHING, FRONT.....	2
3	00665G9		HEX HEAD BOLT (SS), 3/8" - 16 X 3.5 LG.....	2
4	00643G1		FLAT WASHER, 3/8"	2
5	12262G1		FLANGED LOCK NUT, 3/8" - 16.....	2
6	605721		HEAVY DUTY LEAF SPRING	2
7				
8				
9				
10	70289G02		SPLIT STEEL SPACER	4
11	624030		FLANGED BUSHING.....	8
12	70290G02		SHACKLE PLATE	4
13	00665G9		HEX HEAD BOLT (SS), 3/8" - 16 X 3.5" LG	4
14	11098G5		LOCK NUT, 3/8" - 16.....	4
15				
16				
17	605977		REAR SUSPENSION PLATE	2
18				
19				
20				
21	32195G3		U - BOLT, 2 3/8" DIA X 5" LG.....	4
22	605955		REAR SUSPENSION PLATE	2
23	00643G1		FLAT WASHER, 3/8"	8
24	11098G5		LOCK NUT, 3/8" - 16.....	8
25				
26				
27	642085		SHOCK ABSORBER	2
28	10435G1		SHOCK ABSORBER WASHER	8
29	10194G1		RUBBER SHOCK BUSHING.....	8
30	00532G6		HEX NUT, 3/8" - 24	4
31	10044G01		VINYL CAP	2

REAR SUSPENSION



REAR SUSPENSION

When ordering parts, please specify the model and serial number of the product.

* Indicates a component that is not available as an individual part.

*** Indicates consult Customer Service Department for additional information.

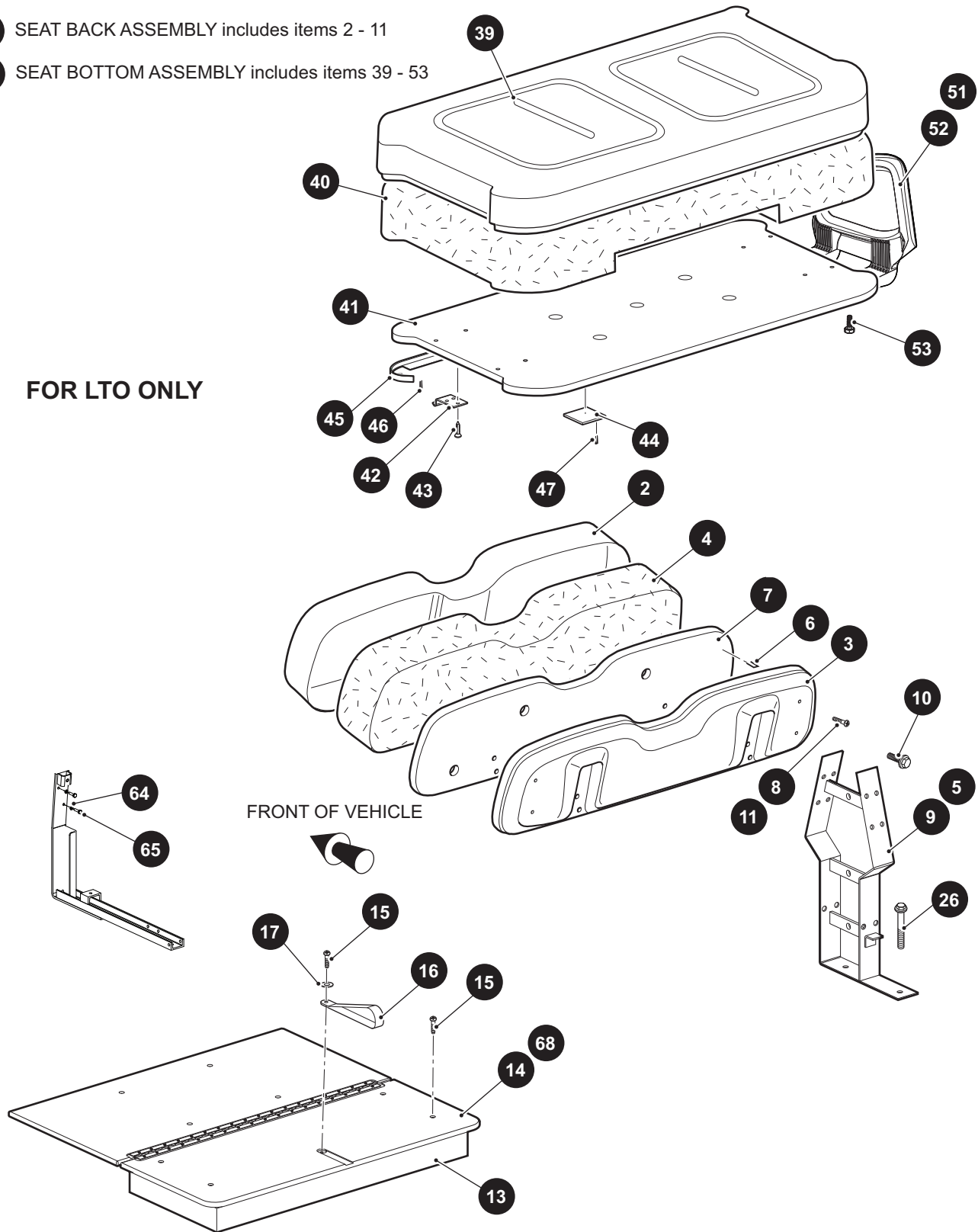
ITEM	PART NO.	1 2 3 4 5	DESCRIPTION	QTY.
1	605722		HEAVY DUTY LEAF SPRING	2
2	605445		LEAF SPRING BUSHING, FRONT	2
3	00665G9		HEX HEAD BOLT (SS), 3/8" - 16 X 3.5 LG.....	2
4	00643G1		FLAT WASHER, 3/8"	2
5	12262G1		FLANGED LOCK NUT, 3/8" - 16.....	2
6				
7				
8				
9				
10	70289G02		SPLIT STEEL SPACER	4
11	624030		FLANGED BUSHING.....	8
12	70290G02		SHACKLE PLATE	4
13	00665G9		HEX HEAD BOLT (SS), 3/8" - 16 X 3.5 LG.....	4
14	11098G5		LOCK NUT, 3/8" - 16.....	4
15				
16				
17				
18	606090		SPRING PLATE, DRIVER SIDE	1
19	606091		SPRING PLATE, PASSENGER SIDE	1
20	70492G01		RUBBER BUMPER.....	2
21	32195G3		U - BOLT, 2 3/8" DIA X 5" LG.....	4
22	605955		REAR SUSPENSION PLATE	2
23	00643G1		FLAT WASHER, 3/8"	8
24	11098G5		LOCK NUT, 3/8" - 16.....	8
25	608654		LOCK WASHER, M10	2
26	00974G01		HEX NUT, M10.....	2
27	642085		SHOCK ABSORBER	2
28	10435G1		SHOCK ABSORBER WASHER	8
29	10194G1		RUBBER SHOCK BUSHING.....	8
30	00532G6		HEX NUT, 3/8" - 24	4
31	10044G01		VINYL CAP	2

SEATING

1 SEAT BACK ASSEMBLY includes items 2 - 11

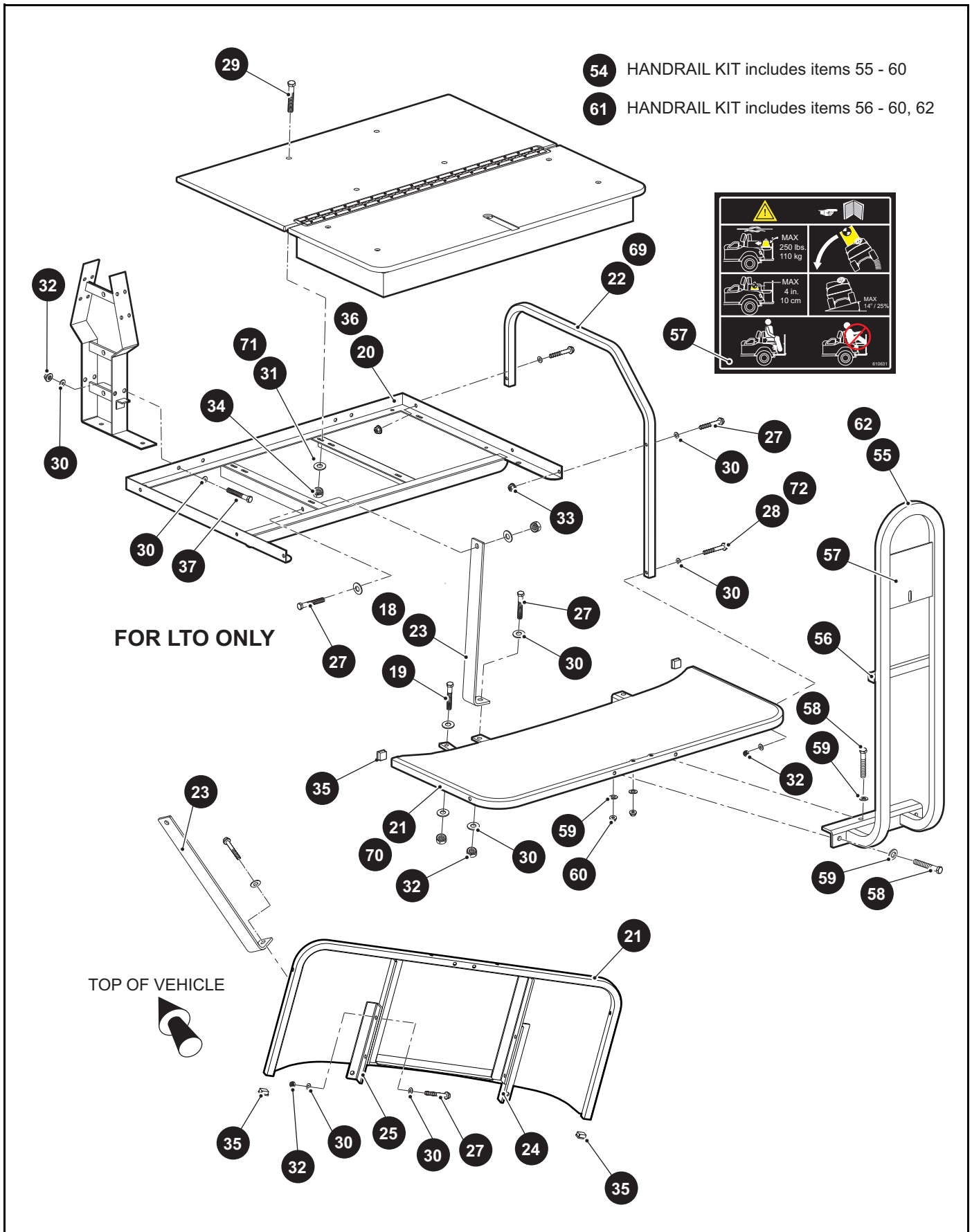
38 SEAT BOTTOM ASSEMBLY includes items 39 - 53

FOR LTO ONLY



12 FLIP FLOP SEAT BOTTOM ASSEMBLY includes items 13 - 17

67 FLIP FLOP SEAT BOTTOM ASSEMBLY includes items 13, 15 - 17, 68



SEATING

When ordering parts, please specify the model and serial number of the product.

* Indicates a component that is not available as an individual part.

*** Indicates consult Customer Service Department for additional information.

ITEM	PART NO.	1	2	3	4	5	DESCRIPTION	QTY.	
1	***	SEAT BACK ASSEMBLY (INCLUDES ITEMS 2 - 11)					1		1
		71751G03 OYSTER							
		71751G04 TAN							
		71751G07 BLACK							
		604907 WHITE/RED							
		71751G06 BROWN							
		606828 RED/BLACK							
		615838 WHITE/BLACK							
		615837 OYSTER/GARNET							
2	***	VINYL SEAT BACK COVER					1		1
		71753G03 OYSTER							
		71753G04 TAN							
		71753G07 BLACK							
		604916G0103 WHITE/RED							
		71753G06 BROWN							
		604916G0304 RED/BLACK							
		604916G0104 WHITE/BLACK							
		604916G0506 OYSTER/GARNET							
3	71752G01	SEAT BACK REAR COVER					1		1
4	71754G01	FOAM PADDING					1		1
5	634178	SEAT BACK SUPPORT (FOR VEHICLES MANUFACTURED FROM MARCH 2014)					1		1
6	23222G01	FLAT STAPLE					95		95
7	645021	SEAT BACK BASE					1		1
8	01107G01	PAN HEAD SCREW, #8 - 20 X .63" LG					4		4
9	615730	SEAT BACK SUPPORT					2		2
10	71204G01	HEX HEAD BOLT, 1/4" - 20 X .86" LG					8		8
11	607535	PAN HEAD TORX SCREW, #8 - 20 X .63" LG					4		4
12	***	FLIP FLOP SEAT BOTTOM ASSEMBLY (INCLUDES ITEMS 13 - 17)					1		1
		621027 TAN							
		621026 OYSTER							
		621036 BLACK							
		621032 WHITE/RED							
		617897 BROWN							
13	***	FLIP FLOP VINYL SEAT BOTTOM COVER					1		1
		611126 WHITE/RED							
		615646 OYSTER							
		615648 BLACK							
		617893 BROWN							
		615647 TAN							
		611130 WHITE/BLACK							
		611135 RED/BLACK							
		611136 WHITE/BLACK							

When ordering parts, please specify the model and serial number of the product.

* Indicates a component that is not available as an individual part.

*** Indicates consult Customer Service Department for additional information.

ITEM	PART NO.	1 2 3 4 5	DESCRIPTION	QTY.
14	617137		DECK BOARD ASSEMBLY.....	1
15	16705G1		HEX HEAD BOLT (SS), 1/4" - 20 X 1" LG.....	5
16	617402		SEAT STRAP	1
17	00559G7		FLAT WASHER, 1/4"	1
18	634174		SEAT FRAME SUPPORT (FOR VEHICLES MANUFACTURED FROM MARCH 2014)	2
19	00427G6		HEX HEAD BOLT, 3/8" - 16 X 1 1/4" LG (FOR VEHICLES MANUFACTURED FROM MARCH 2014)	2
20	615712		SEAT FRAME WELDMENT.....	1
21	615714		FOOTREST WELDMENT.....	1
22	615729		ARMREST, REAR SEAT.....	2
23	615713		SEAT FRAME SUPPORT.....	2
24	615728		FOOTREST BRACKET, PASSENGER SIDE	1
25	615727		FOOTREST BRACKET, DRIVER SIDE.....	1
26	01006G01		HEX HEAD BOLT, 3/8" - 16 X 1.25" LG.....	4
27	00427G4		HEX HEAD BOLT, 3/8" - 16 X 1.5" LG.....	16
28	00428G8		HEX HEAD BOLT, 3/8" - 16 X 3.25" LG.....	2
29	16705G9		HEX HEAD BOLT (SS) 1/4" - 20 X 1.25" LG	4
30	614221		FLAT WASHER, 3/8"	32
31	01110G01		FLAT WASHER, 1/4"	4
32	11098G5		PLASTIC LOCK NUT, 3/8" - 16.....	14
33	11027G5		FLANGED LOCK NUT, 3/8" - 16.....	4
34	14390G4		PLASTIC LOCK NUT, 1/4" - 20.....	4
35	19853G1		SQUARE CAP TUBE, 1"	2
36	634180		SEAT FRAME WELDMENT (FOR VEHICLES MANUFACTURED FROM MARCH 2014)	1
37	00427G2		HEX HEAD BOLT, 3/8" - 49 X 1.25" LG (FOR VEHICLES MANUFACTURED FROM MARCH 2014)	4
38	***		SEAT BOTTOM ASSEMBLY (INCLUDES ITEMS 39 - 53)..... 629269G0103 TAN 629269G0101 OYSTER 629269G0106 BLACK 629269G0107 BROWN 629269G0111 WHITE/RED 629269G0113 WHITE/YELLOW	1

SEATING

When ordering parts, please specify the model and serial number of the product.

* Indicates a component that is not available as an individual part.

*** Indicates consult Customer Service Department for additional information.

ITEM	PART NO.	1	2	3	4	5	DESCRIPTION	QTY.
		629269G0114					GRAY/BLACK	
		629269G0104					GRAY	
		629269G0109					WHITE/BLUE	
39	***						VINYL SEAT BOTTOM COVER	1
		604912G0103					WHITE/RED	
		71602G03					OYSTER	
		71602G04					TAN	
		71602G06					BLACK	
		71602G07					BROWN	
		604912G0108					WHITE/YELLOW	
		604912G0704					GRAY/BLACK	
		71602G02					GRAY	
		604912G0102					WHITE/BLUE	
40	71603G02						FOAM PADDING (SEAT BOTTOM).....	1
41	645492						SEAT BOTTOM	1
42	71610G01						SEAT HINGE	2
43	00720G08						HEX HEAD BOLT (SS), #12 - 14 X 1" LG.....	6
44	17074G1						RUBBER PAD.....	2
45	71012G01						VINYL TRIM (SEAT BOTTOM).....	1
46	23222G1						FLAT STAPLE	110
47	23223G1						FLAT STAPLE	36
48								
49								
50								
51	617644						HIP RESTRAINT (PASSENGER SIDE).....	1
52	617645						HIP RESTRAINT (DRIVER SIDE)	1
53	615417						BUTTON HEAD TORX BOLT, M10 - 1.5 X 25MM LG	8
54	617901						HANDRAIL KIT, FLIP-FLOP SEAT (INCLUDES ITEMS 55 - 60)	1
55	615721						FOOTREST HANDLE WELDMENT	1
56	19859G1						SQUARE CAP TUBE, 3/4".....	2
57	610631						DECAL	1
58	00427G8						HEX HEAD BOLT, 3/8" - 16 X 2" LG	4
59	614221						FLAT WASHER, 3/8"	8
60	11098G5						PLASTIC LOCK NUT, 3/8" - 16.....	4

SEATING

When ordering parts, please specify the model and serial number of the product.

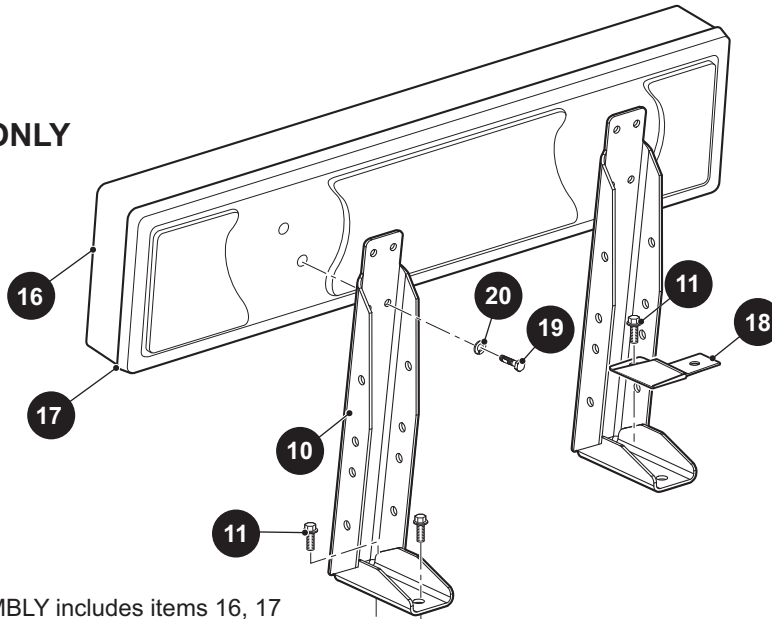
* Indicates a component that is not available as an individual part.

*** Indicates consult Customer Service Department for additional information.

ITEM	PART NO.	1 2 3 4 5	DESCRIPTION	QTY.
61	631484		HANDRAIL KIT, FLIP-FLOP SEAT (INCLUDES ITEMS 56 - 60, 62) (FOR VEHICLES MANUFACTURED FROM MARCH 2014)	1
62	631485		FOOTREST HANDLE WELDMENT.....	1
63				
64	00664G7		LOCK WASHER, 1/4"	4
65	00661G8		HEX HEAD BOLT, 1/4" - 20 X 1" LG.....	4
66				
67	***		FLIP FLOP SEAT BOTTOM ASSEMBLY (INCLUDES ITEMS 13, 15 - 17, 68) (FOR VEHICLES MANUFACTURED FROM MARCH 2014)	1
			628058G01 OYSTER	
			628058G03 TAN	
			628058G04 GRAY	
			628058G06 BLACK	
			628058G07 BROWN	
			628058G09 WHITE/BLUE	
			628058G10 RED/BLACK	
			628058G12 WHITE/BLACK	
			628058G13 WHITE/YELLOW	
			628058G14 GRAY/BLACK	
			628058G15 OYSTER/GARNET	
68	634190		DECK BOARD ASSEMBLY (FOR VEHICLES MANUFACTURED FROM MARCH 2014)	1
69	634175		REAR SEAT ARM REST (FOR VEHICLES MANUFACTURED FROM MARCH 2014)	2
70	634179		FOOTREST WELDMENT (FOR VEHICLES MANUFACTURED FROM MARCH 2014)	1
71	00559G7		FLAT WASHER, 1/4" (FOR VEHICLES MANUFACTURED FROM MARCH 2014)	4
72	00428G8		HEX HEAD BOLT, 3/8" - 16 X 2.25" LG (FOR VEHICLES MANUFACTURED FROM MARCH 2014)	2

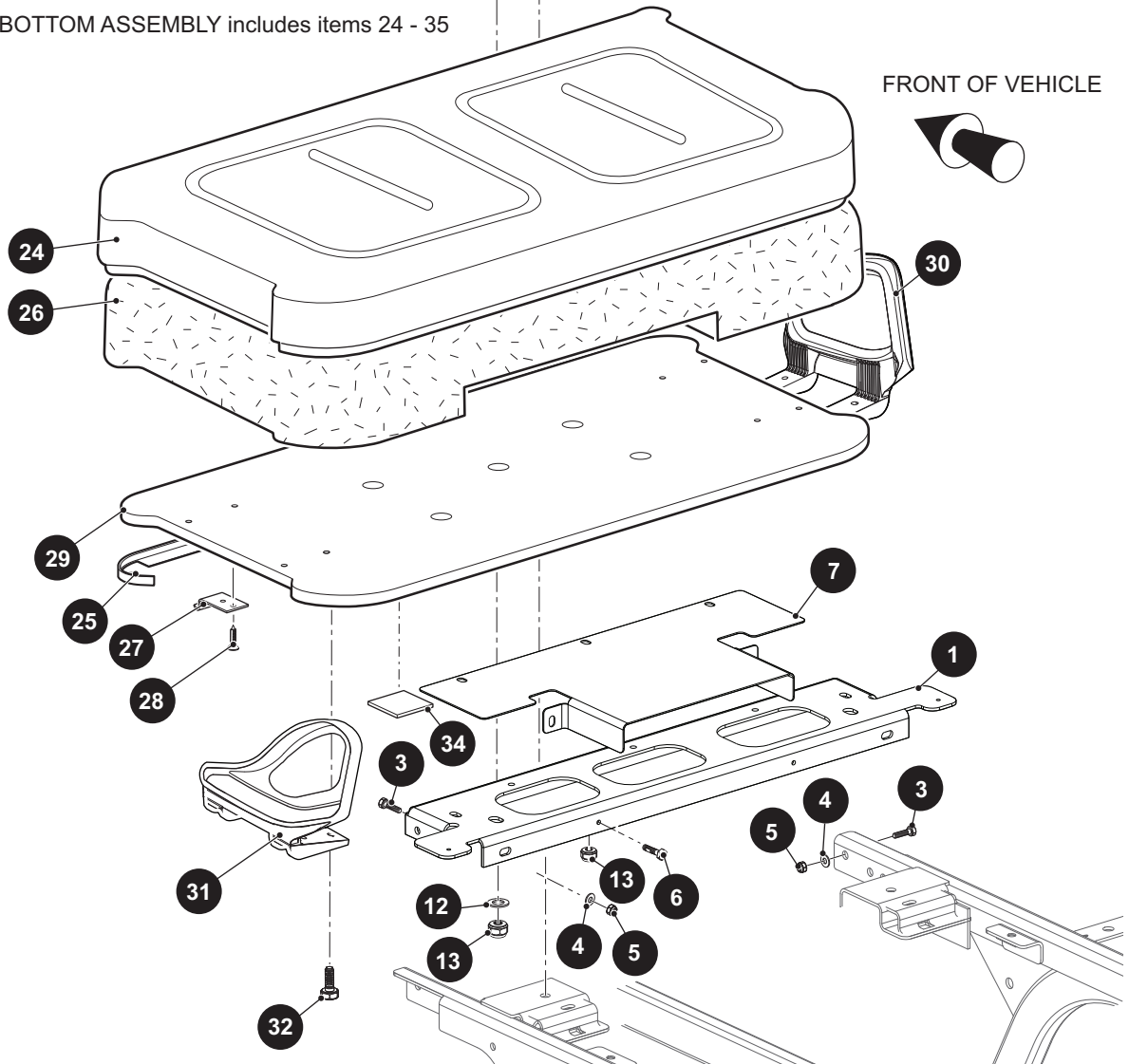
SEATING

FOR HD ONLY



15 SEAT BACK ASSEMBLY includes items 16, 17

23 SEAT BOTTOM ASSEMBLY includes items 24 - 35



SEATING

When ordering parts, please specify the model and serial number of the product.

* Indicates a component that is not available as an individual part.

*** Indicates consult Customer Service Department for additional information.

ITEM	PART NO.	1 2 3 4 5	DESCRIPTION	QTY.
1	609567		SEAT BACK SUPPORT	1
2				
3	00438G8		HEX HEAD BOLT, 5/16" - 18 X 1" LG	5
4	00571G2		LOCK WASHER	6
5	11098G6		LOCK NUT, 5/16" - 18.....	5
6	00114G6		SCREW TAPPING HEX WASH - HD - SLOTTED.....	2
7	609575		ACCESS COVER	1
8				
9				
10	646274		SEAT BACK SUPPORT BRACKET.....	2
11	00427G2		HEX HEAD BOLT, 3/8" - 16 X 1 1/4" LG.....	4
12	00560G1		FLAT WASHER, 3/8"	4
13	11098G5		LOCK NUT, 3/8" - 16.....	4
14				
15	71274G**		SEAT BACK ASSEMBLY (INCLUDES ITEMS 16, 17) 71274G01 WHITE 71274G03 TAN 71274G04 GRAY 71274G05 OYSTER 71274G06 SPECIAL 71274G02 BLACK 71274G07 BROWN	1
16	18144G**		VINYL SEAT BACK COVER 18144G2 WHITE 18144G6 OYSTER 18144G4 TAN 18144G5 GRAY 18144G6 SPECIAL 18144G3 BLACK 18144G8 BROWN	1
17	74889G01		PLASTIC SEAT BACK COVER (BLACK)	1
18	74947G01		BED BUMPER BRACKET	2
19	605056		HEX HEAD BOLT, 1/4" - 20 X 1" LG	4
20	00664G7		LOCK WASHER, 1/4"	4
21				
22				

SEATING

When ordering parts, please specify the model and serial number of the product.

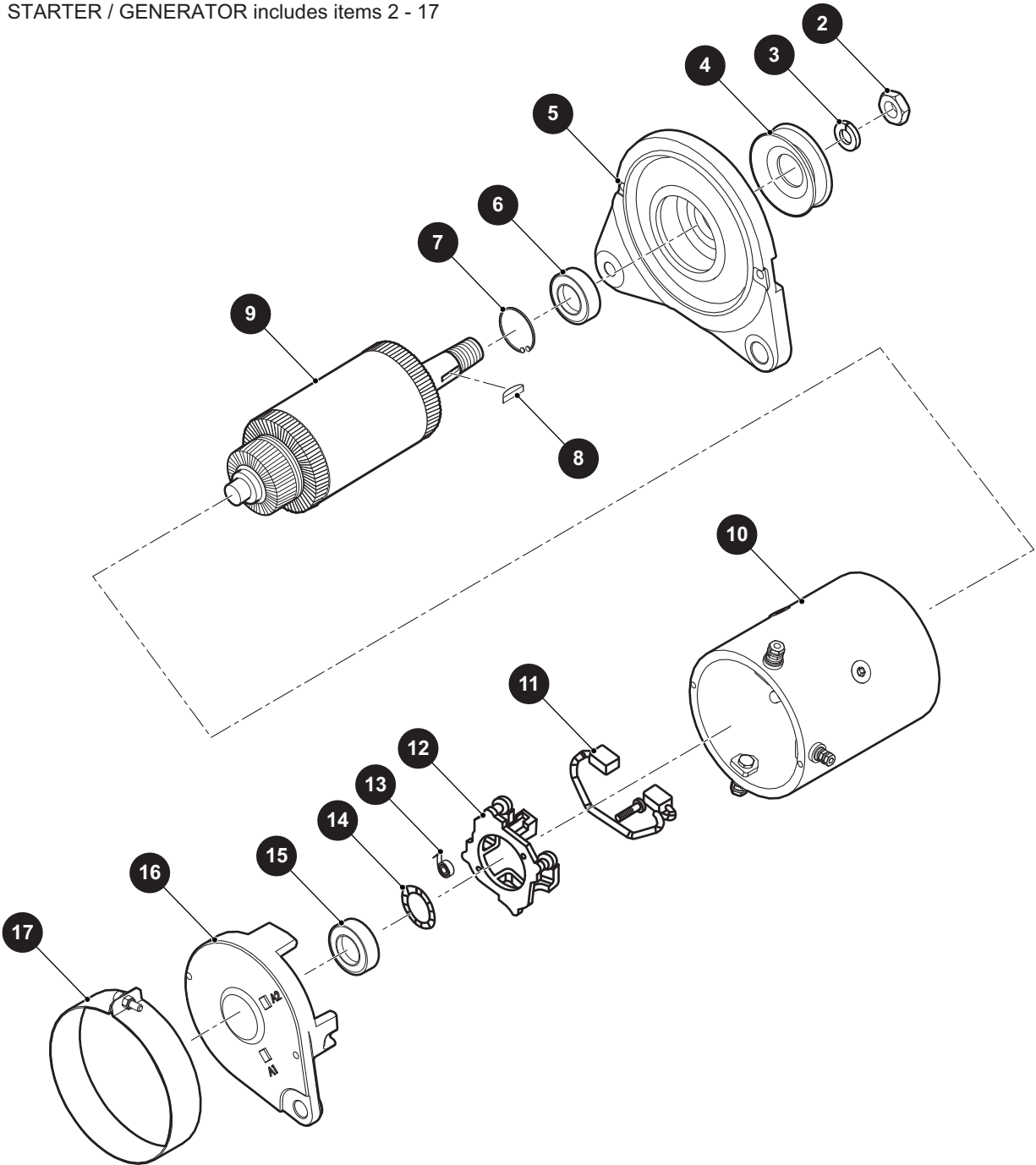
* Indicates a component that is not available as an individual part.

*** Indicates consult Customer Service Department for additional information.

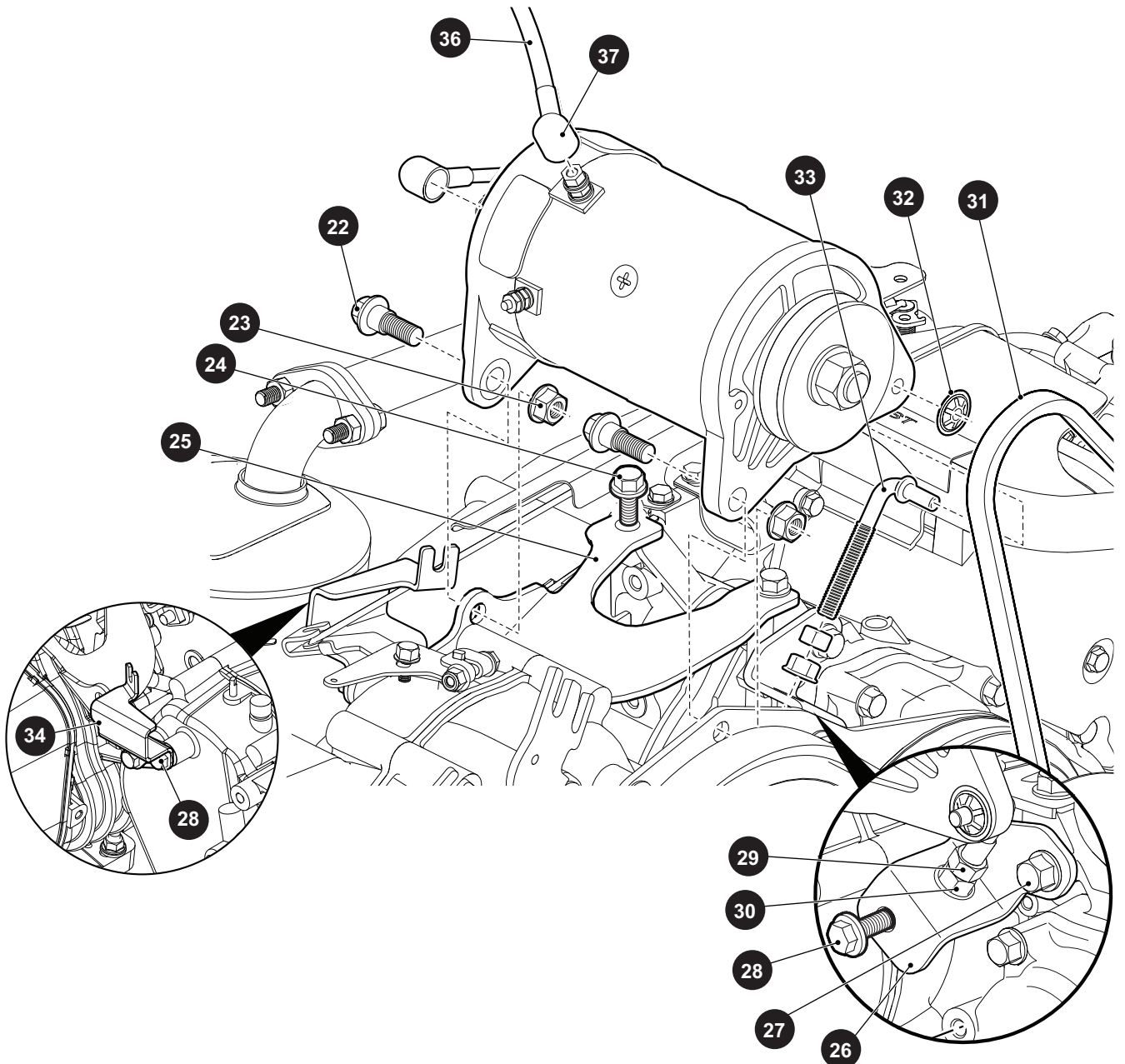
ITEM	PART NO.	1	2	3	4	5	DESCRIPTION	QTY.
23	71611G**						SEAT BOTTOM ASSEMBLY (INCLUDES ITEMS 24 - 35)	1
							629269G0101 OYSTER	
							629269G0103 TAN	
							629269G0105 WHITE	
							629269G0104 GRAY	
							629269G0108 SPECIAL	
							629269G0107 BROWN	
							629269G0106 BLACK	
24	71602G**						VINYL SEAT BOTTOM COVER	1
							71602G03 OYSTER	
							71602G04 TAN	
							71602G01 WHITE	
							71602G02 GRAY	
							71602G05 SPECIAL	
							71602G07 BROWN	
							71602G06 BLACK	
25	71012G01						VINYL TRIM (SEAT BOTTOM)	1
26	71603G01						FOAM PADDING (SEAT BOTTOM).....	1
27	71610G01						SEAT HINGE	2
28	00720G08						FLAT HEAD PHILLIPS SCREW, #12 - 14 X 1" LG.	6
29	645492						SEAT BOTTOM	1
30	617644						HIP RESTRAINT (PASSENGER SIDE).....	1
31	617645						HIP RESTRAINT (DRIVER SIDE)	1
32	615417						BUTTON HEAD TORX BOLT, M10 - 1.5 X 25MM LG	8
33	23222G1						FLAT STAPLE (NOT ILLUSTRATED).....	AR
34	17074G1						RUBBER PAD.....	2
35	23223G1						FLAT STAPLE (NOT ILLUSTRATED).....	AR

STARTER GENERATOR

1 STARTER / GENERATOR includes items 2 - 17

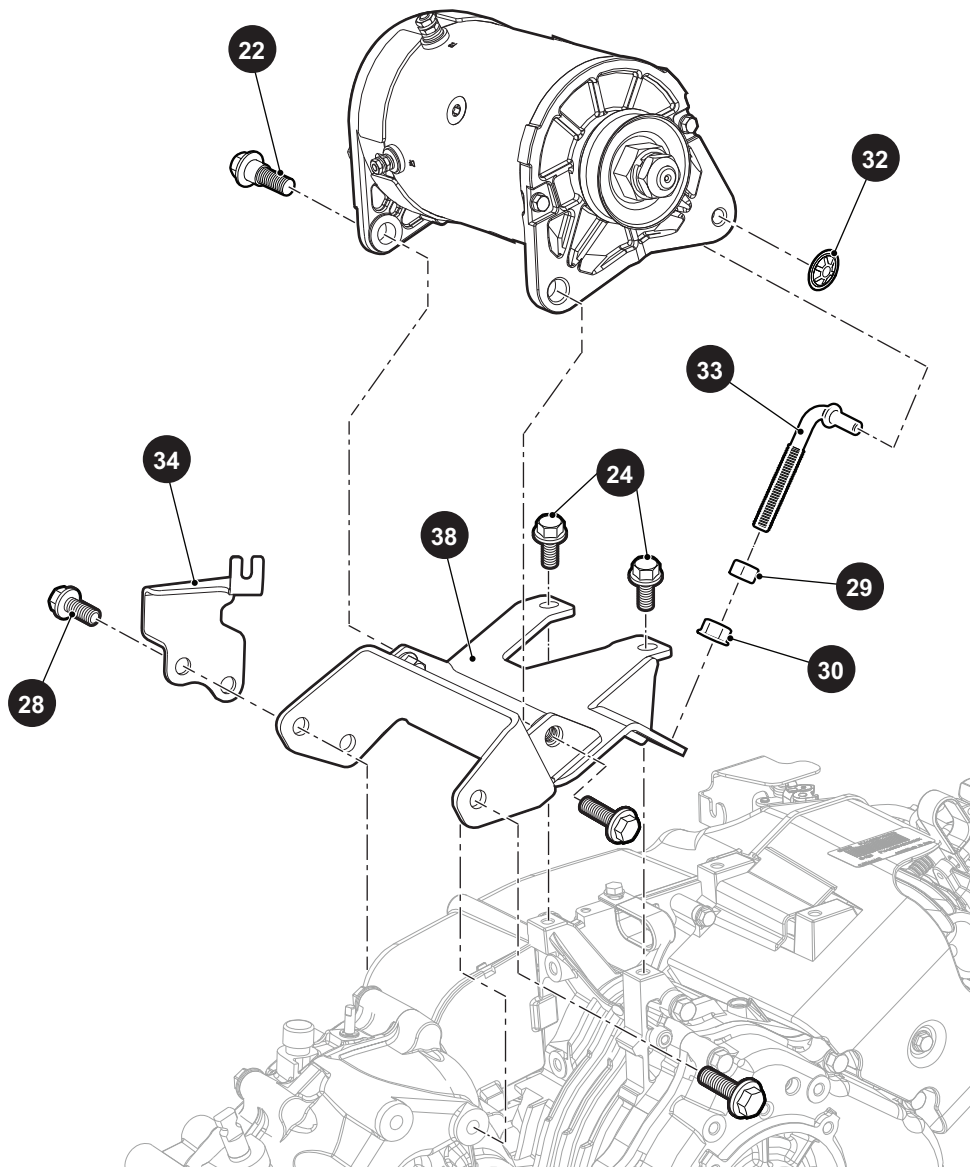


STARTER GENERATOR



STARTER GENERATOR

FOR VEHICLES MANUFACTURED FROM APRIL 2014



STARTER GENERATOR

When ordering parts, please specify the model and serial number of the product.

* Indicates a component that is not available as an individual part.

*** Indicates consult Customer Service Department for additional information.

ITEM	PART NO.	1 2 3 4 5	DESCRIPTION	QTY.
1	649711		STARTER / GENERATOR (INCLUDES ITEMS 2 - 17)	1
2	612029		HEX NUT.....	1
3	612030		LOCK WASHER	1
4	625716		PULLEY, 2.5" O.D.	1
5	654715		DRIVE END HEAD.....	1
6	612033		BEARING	1
7	612034		RETAINING RING	1
8	612035		WOODRUFF KEY	1
9	612036		ARMATURE ASSEMBLY.....	1
10	654716		FRAME AND FIELD ASSEMBLY	1
11	612038		BRUSH LEAD AND TERMINAL PACKAGE	1
12	654717		BRUSH BOX ASSEMBLY	1
13	612039		BRUSH SPRING	4
14	612043		WAVY WASHER.....	1
15	612044		BEARING	1
16	612045		COMMUTATOR END HEAD	1
17	654718		HEADBAND	1
18				
19				
20				
21				
22	606235		HEX HEAD SHOULDER BOLT, M10 - 1.25 X 20MM LG	2
23	606279		FLANGED HEX NUT, M10 - 1.25	2
24	606261		FLANGED HEX HEAD BOLT, M8 - 1.25 X 20MM LG	2
25	602141		STARTER / GENERATOR BRACKET	1
26	602145		TENSIONER BRACKET	1
27	606261		FLANGED HEX HEAD BOLT, M8 - 1.25 X 20MM LG	1
28	606256		FLANGED HEX HEAD BOLT, M10 - 1.25 X 25MM LG	1
29	606255		HEX JAN NUT, M10 - 1.25.....	1
30	606274		FLANGED HEX NUT, M10 - 1.25	1
31	630587		STARTER / GENERATOR BELT	1

STARTER GENERATOR

When ordering parts, please specify the model and serial number of the product.

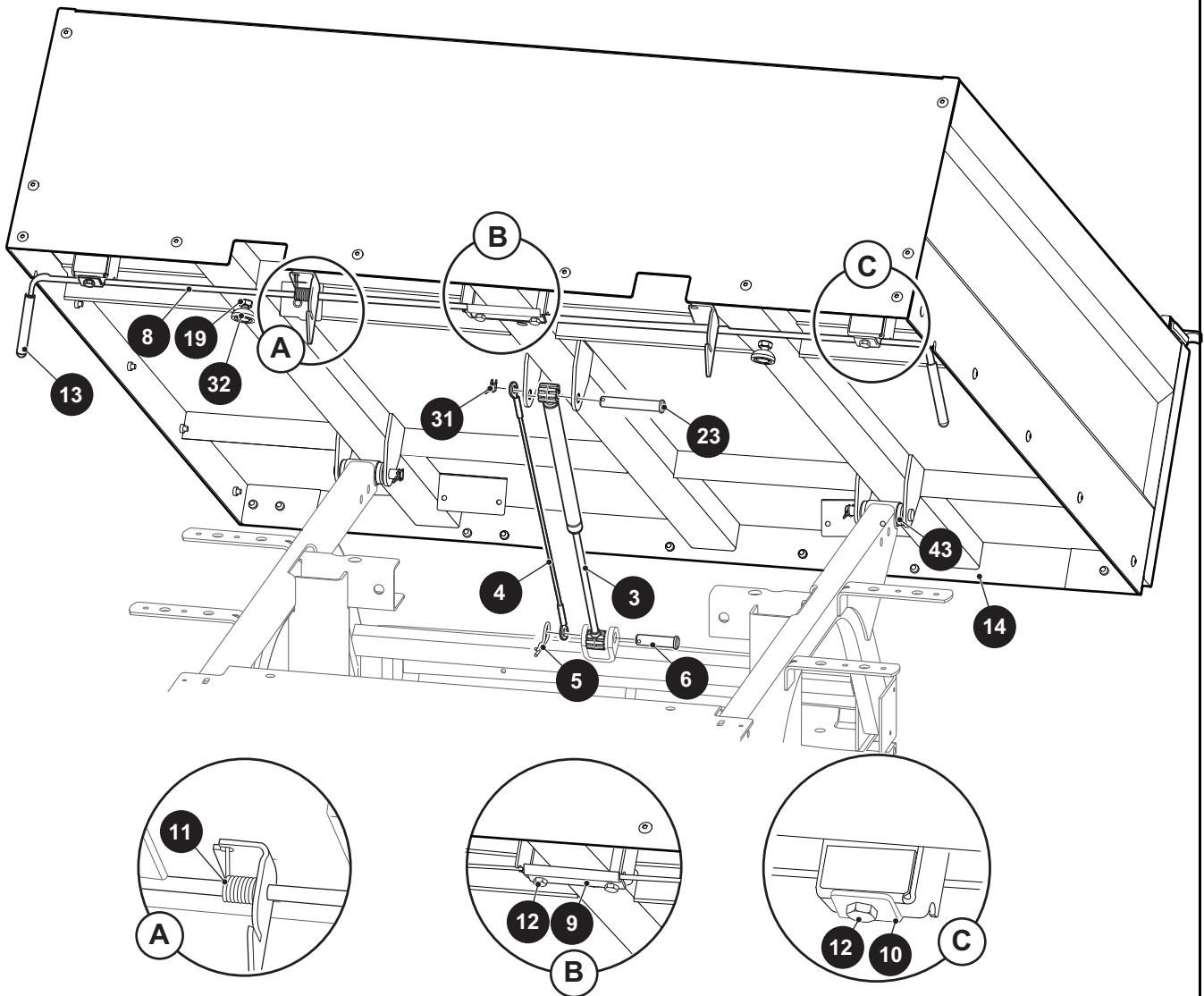
* Indicates a component that is not available as an individual part.

*** Indicates consult Customer Service Department for additional information.

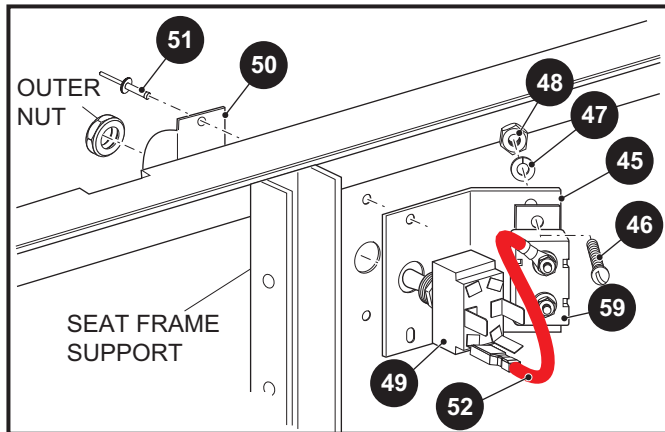
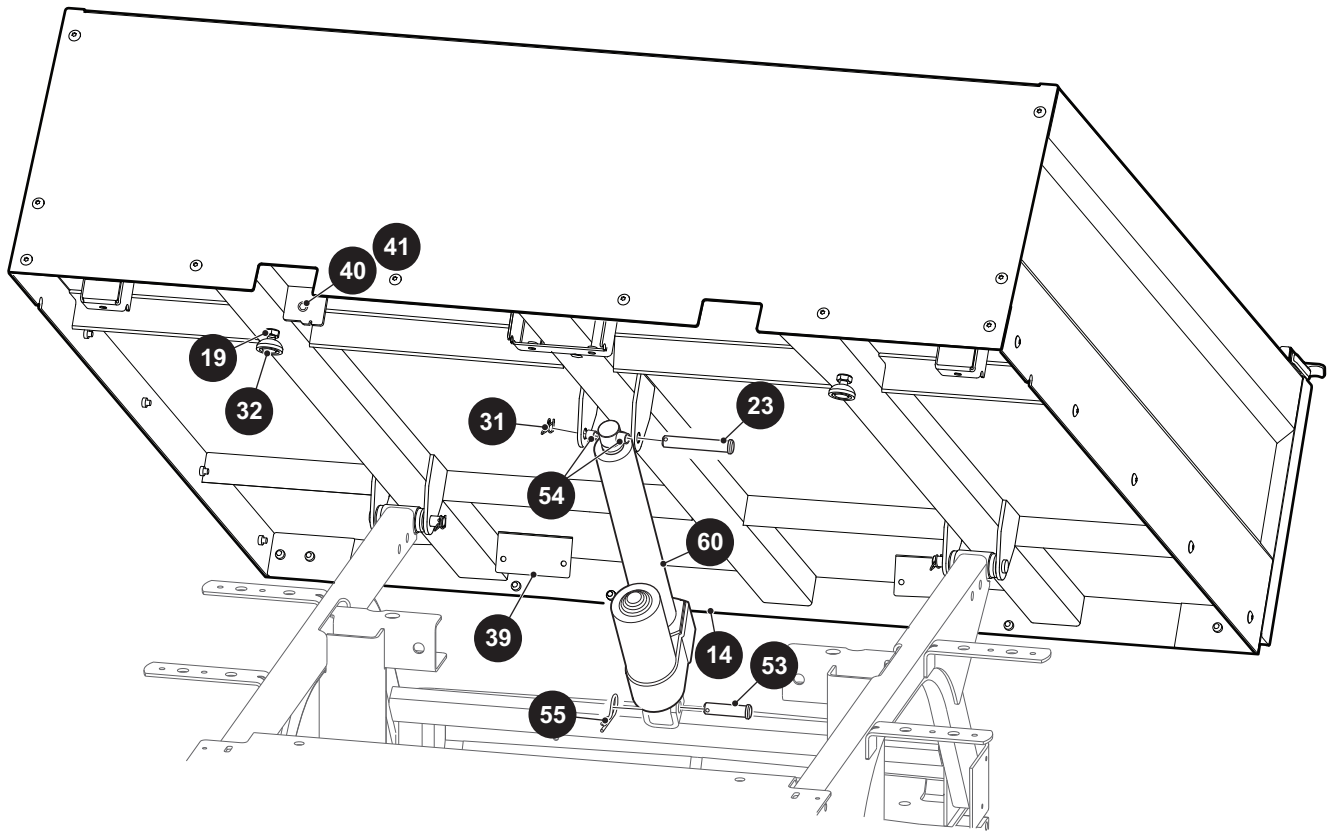
ITEM	PART NO.	1 2 3 4 5	DESCRIPTION	QTY.
32	12064G6		PUSH NUT, 5/16"	1
33	629763		TENSIONER BOLT	1
34	603884		CABLE GUIDE BRACKET	1
35				
36	607103		WIRE ASSEMBLY, 6 AWG, 42" LG	1
37	25682G01		RUBBER BOOT	3
38	631972		STARTER / GENERATOR SUPPORT BRACKET (FOR VEHICLES MANUFACTURED FROM APRIL 2014)	1

TRUCK BED - METAL (HD ONLY)

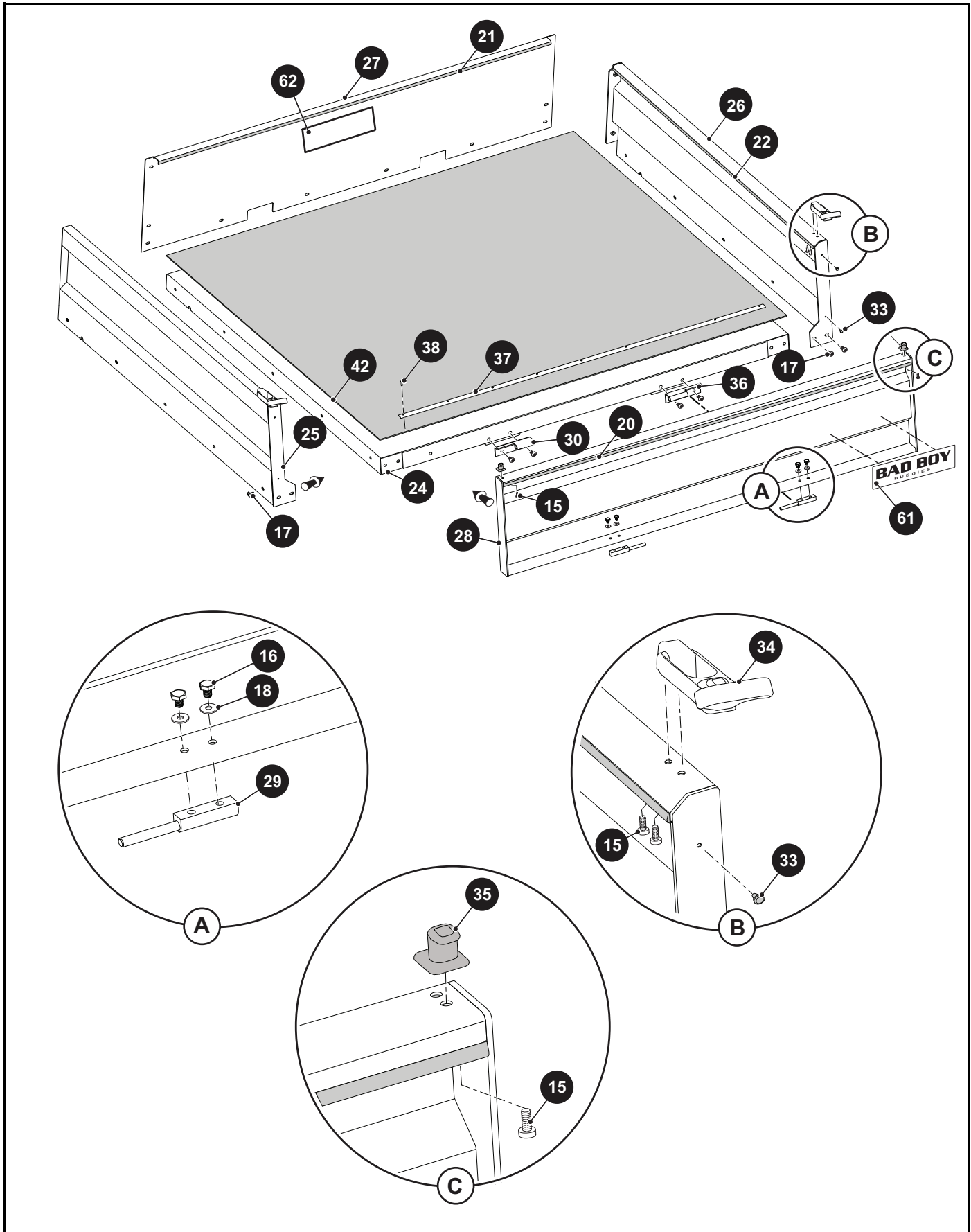
- 1 ALUMINUM BED, ELECTRIC LIFT includes items 14, 43 - 60
- 2 ALUMINUM BED, MANUAL LIFT includes items 3 - 6, 14, 43
- 14 ALUMINUM BED, LARGE includes items 15 - 42



TRUCK BED - METAL (HD ONLY)



TRUCK BED - METAL (HD ONLY)



TRUCK BED - METAL (HD ONLY)

When ordering parts, please specify the model and serial number of the product.

* Indicates a component that is not available as an individual part.

*** Indicates consult Customer Service Department for additional information.

ITEM	PART NO.	1 2 3 4 5	DESCRIPTION	QTY.
1	620482		ALUMINUM BED, ELECTRIC LIFT (INCLUDES ITEMS 14, 43 - 60)	1
2	620481		ALUMINUM BED, MANUAL LIFT (INCLUDES ITEMS 3 - 6, 14, 43)	1
3	71537G02		GAS SPRING	1
4	602904		TETHER CABLE ASSEMBLY	1
5	21683G1		COTTER PIN.....	1
6	14443G12		CLEVIS PIN, 1/2" x 2.22"	1
7				
8	74962G01		BED LATCH.....	1
9	71477G02		LATCH RETAINER BRACKET	1
10	71099G02		LATCH KEEPER PLATE	2
11	71538G01		LATCH TORSION SPRING	1
12	01118G01		HEX SCREW, 1/4" - 20UNC 2A X 5 X 8"	4
13	71704G01		HANDLE GRIP	2
14	612612		ALUMINUM BED, LARGE (INCLUDES ITEMS 15 - 42).....	1
15	612957		PAN HEAD SCREW 10 - 24 X.500.....	6
16	*		HEX HEAD BOLT, 1/4" - 20 X 3/8.....	4
17	612959		TORX SCREW, 1/4" - 20 X 56.....	28
18	*		FLAT WASHER, .550 X .250	4
19	*		HEX NUT, 3/8" -16.....	2
20	*		EDGE PROTECTOR	1
21	*		EDGE PROTECTOR	1
22	*		EDGE PROTECTOR	2
23	612965		CLEVIS PIN	3
24	*		BED BOTTOM	1
25	*		SIDE PANEL (DRIVER SIDE).....	1
26	*		SIDE PANEL (PASSENGER SIDE)	1
27	*		FRONT PANEL	1
28	612970		TAILGATE	1
29	612971		PIVOT PIN	2
30	612972		TAILGATE HINGE (DRIVER SIDE)	1
31	612973		PIVOT RING CLIP, RUE	3

TRUCK BED - METAL (HD ONLY)

When ordering parts, please specify the model and serial number of the product.

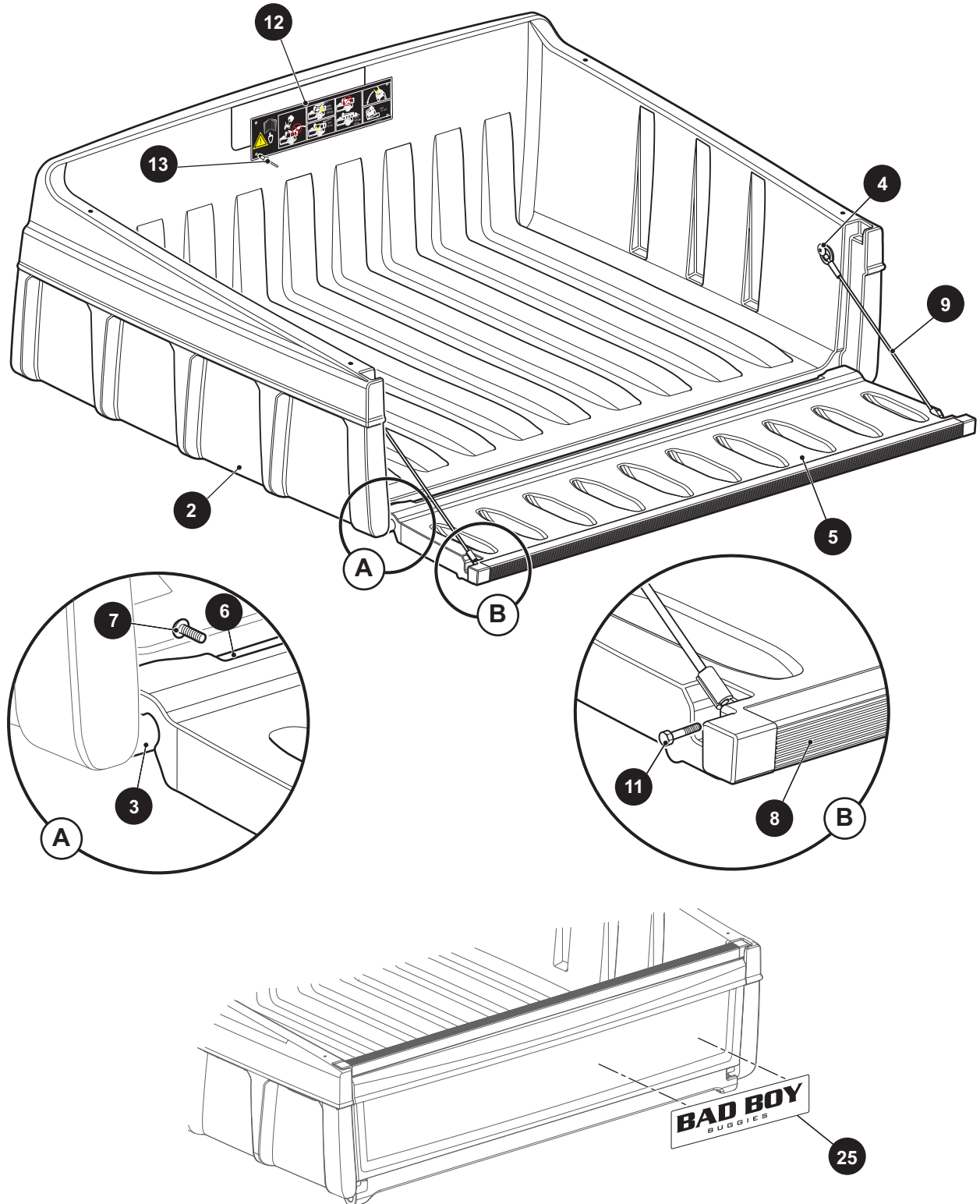
* Indicates a component that is not available as an individual part.

*** Indicates consult Customer Service Department for additional information.

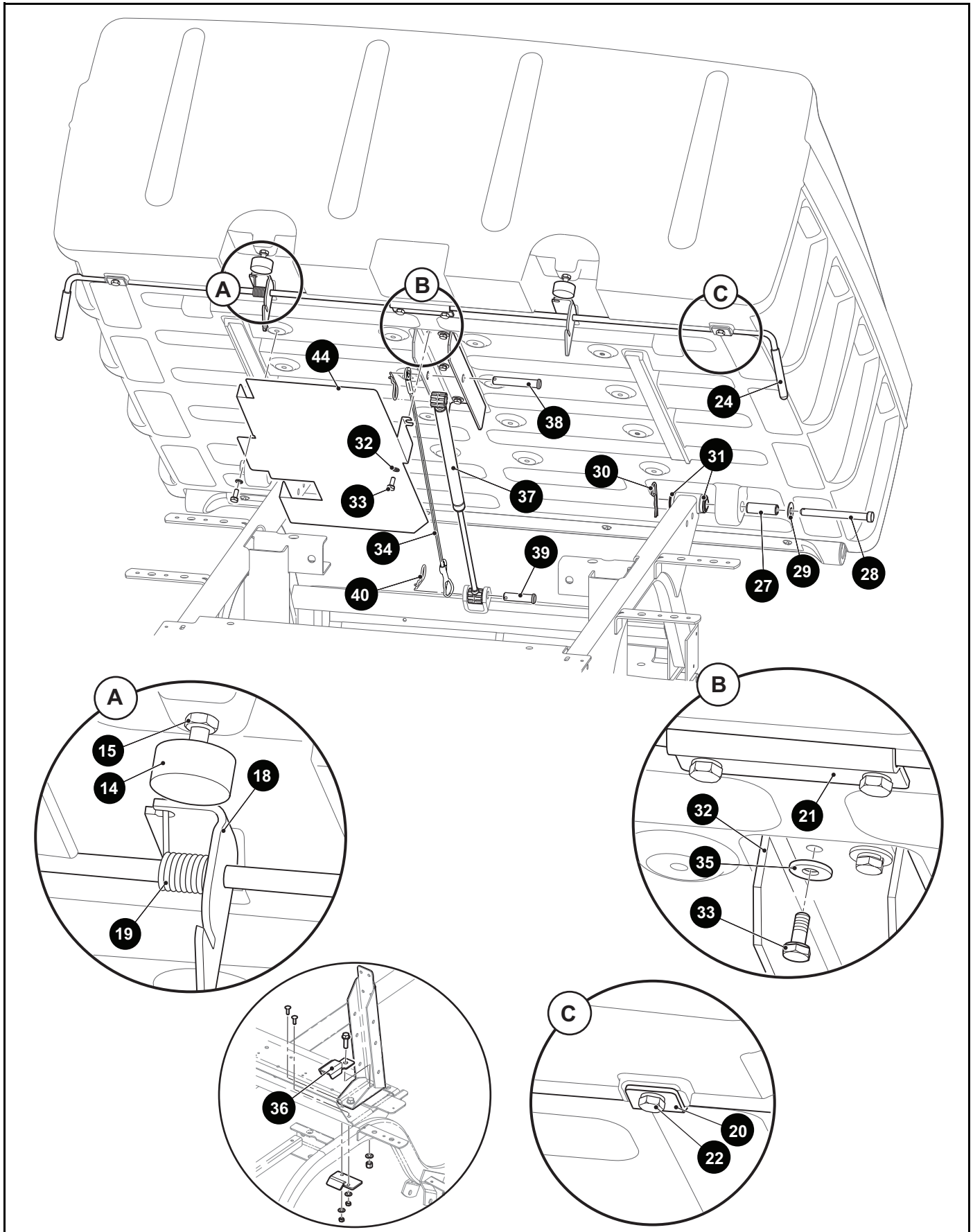
ITEM	PART NO.	1	2	3	4	5	DESCRIPTION	QTY.
32	612974						LEVELING PAD	2
33	*						BUMPER INSERT,RUBBER	4
34	612976						DRAW LATCH ASSY	2
35	612977						DRAW LATCH KEEPER	2
36	612978						TAILGATE HINGE, (PASSENGER SIDE)	1
37	614440						MAT RETAINER	1
38	*						ALUMINUM BED RIVET	9
39	*						HINGE SUPPORT.....	2
40	*						NUT.....	2
41	*						ALUMINUM BED BOLT.....	1
42	*						RUBBER MAT	1
43	624030						FLANGED BUSHING.....	4
44	17618G1						NYLON CLAMP (NOT ILLUSTRATED)	8
45	74165G02						CIRCUIT BREAKER MOUNTING BRACKET.....	1
46	00150G4						ROUND HEAD SCREW, #10 - 24 X 1/2" LG	2
47	00565G5						LOCK WASHER, #10	2
48	00526G3						HEX NUT, #10 - 24	2
49	27680G01						TOGGLE SWITCH.....	1
50	27447G01						TOGGLE GUARD ASSEMBLY	1
51	10570G9						ALUMINUM RIVET, 1/8" X 11/32" LG	2
52	25976G14						14 GA WIRE (RED 5")	1
53	14443G11						CLEVIS PIN, 1/2" X 1 3/4" LG.....	1
54	27613G01						SPACER	2
55	21683G1						COTTER PIN, 15/32" X 2 13/16" LG.....	1
56	651950						DUMP HARNESS (48V) (NOT ILLUSTRATED)	1
57	11845G3						INSULATED CABLE CLAMP, 11/16" (NOT ILLUSTRATED)	2
58	00532G3						HEX NUT, 5/16" - 18 (NOT ILLUSTRATED)	2
59	21320G3						CIRCUIT BREAKER (30 AMP 12V).....	1
60	27612G02						ELECTRIC ACTUATOR, 12V	1
61	617805						BBB REAR BED DECAL	1
62	35980G02						LOAD BED DECAL.....	1

TRUCK BED - PLASTIC (HD ONLY)

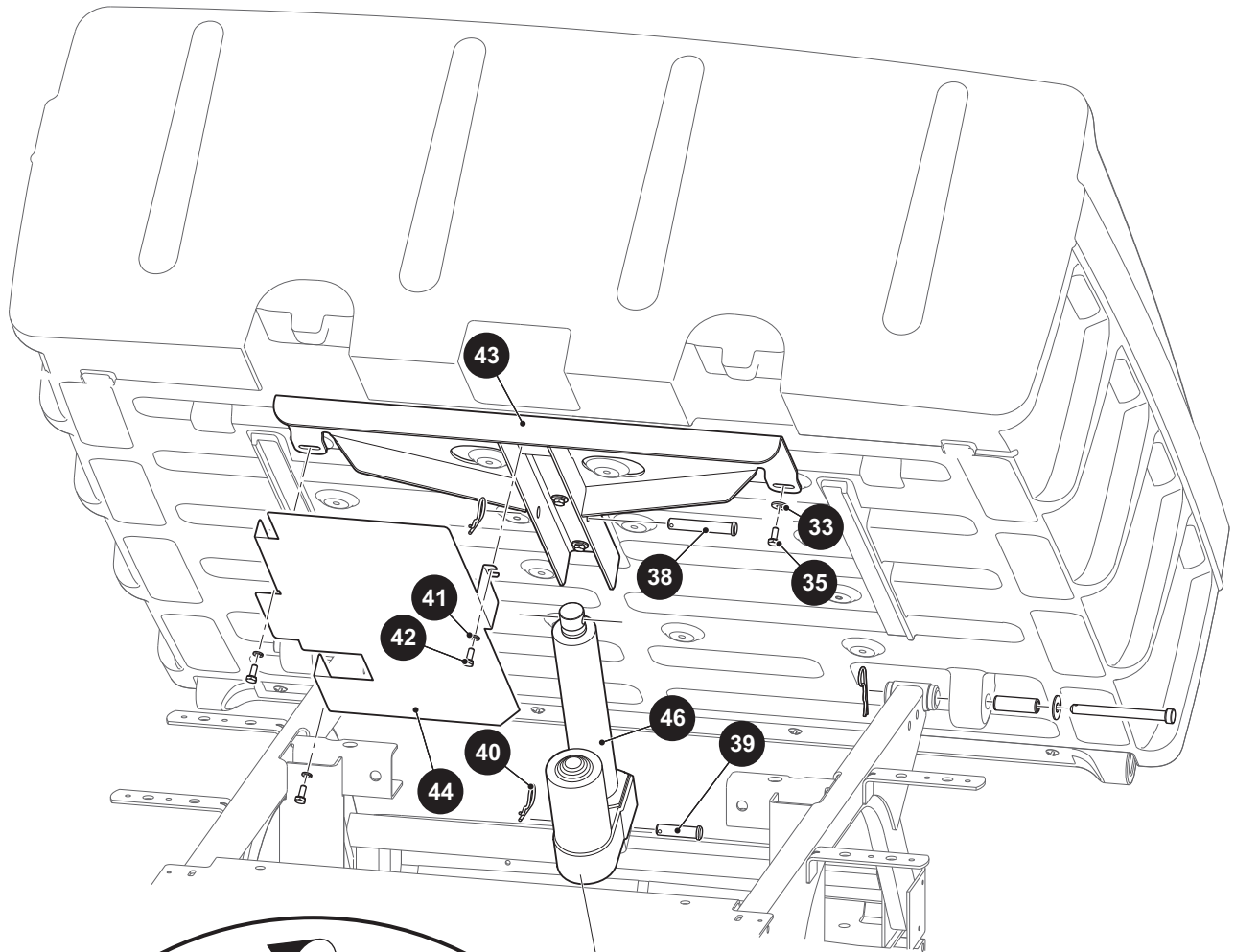
1 40" PLASTIC BED ASSEMBLY includes items 2 - 11



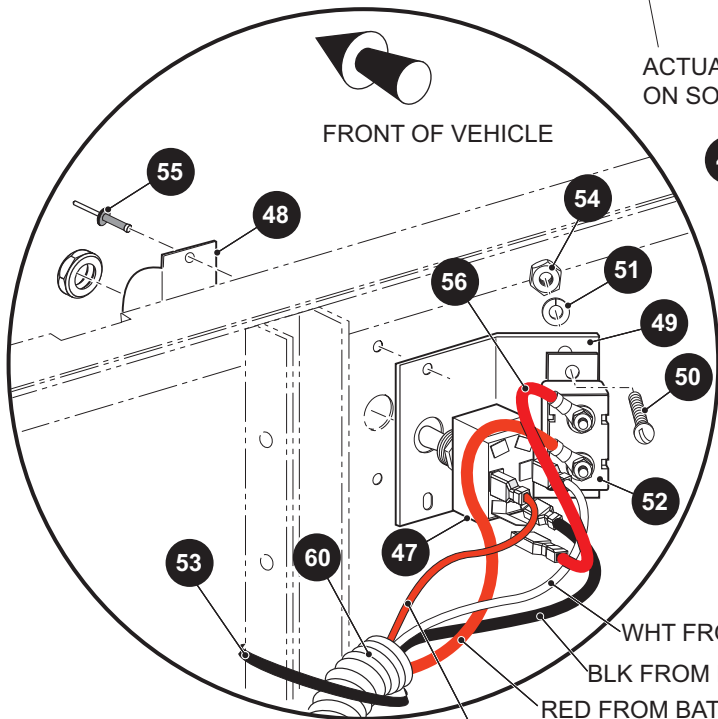
TRUCK BED - PLASTIC (HD ONLY)



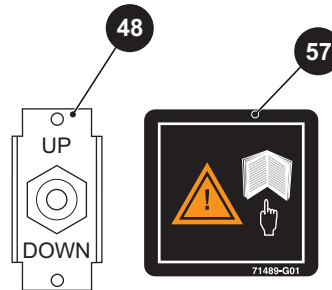
TRUCK BED - PLASTIC (HD ONLY)



ACTUATOR MAY BE ROTATED 90° ON SOME MODELS



45 ELECTRIC DUMP KIT includes items 46 - 56



WHT FROM ACTUATOR
 BLK FROM BATTERY
 RED FROM BATTERY
 RED FROM ACTUATOR

TRUCK BED - PLASTIC (HD ONLY)

When ordering parts, please specify the model and serial number of the product.

* Indicates a component that is not available as an individual part.

*** Indicates consult Customer Service Department for additional information.

ITEM	PART NO.	1 2 3 4 5	DESCRIPTION	QTY.
1	73451G01		BED ASSEMBLY, 40" (INCLUDES ITEMS 2 -11)	1
2	*		PLASTIC BED, 40"	1
3	73454G01		PIVOT SHAFT	2
4	73460G01		SHOULDER BOLT, 1/4" - 20 X 3/4" LG.....	2
5	73455G01		TAILGATE CABLE.....	1
6	73450G01		BOWED ANGLE	1
7	16705G2		STAINLESS STEEL SCREW, 1/4" - 20 X 5/8" LG.....	4
8	73449G01		TAILGATE CAP	1
9	16816G5		RATCHET FASTENER, .187 X .550	4
10				
11	00415G2		HEX HEAD BOLT, 1/4" - 20 X 5/8" LG	2
12	74821G01		BED CAPACITY LABEL.....	1
13	71055G01		ALUMINUM RIVET, 3/16" X 1" LG.....	5
14	70113G01		ADJUSTABLE RUBBER BUMPER.....	2
15	11027G1		LOCK NUT, 5/16" - 18.....	2
16				
17				
18	74962G01		BED LATCH	1
19	71538G01		LATCH TORSION SPRING	1
20	71099G02		LATCH PLATE	2
21	71477G02		RETAINER BRACKET	1
22	01118G01		HEX HEAD BOLT W/PATCHLOCK, 1/4" - 20 X 5/8" LG.....	4
23				
24	71704G01		HANDLE GRIP.....	2
25	617804		BBB REAR BED DECAL	1
26				
27	71570G01		BUSHING.....	2
28	71571G01		CLEVIS PIN, .50 DIA X 5.25" LG.....	2
29	00571G5		FLAT WASHER, 1 1/4" X 7/16"	2
30	21683G1		HAIR CLIP, 2.9 X .84 X .53	2
31	624030		FLANGED BUSHING.....	4

TRUCK BED - PLASTIC (HD ONLY)

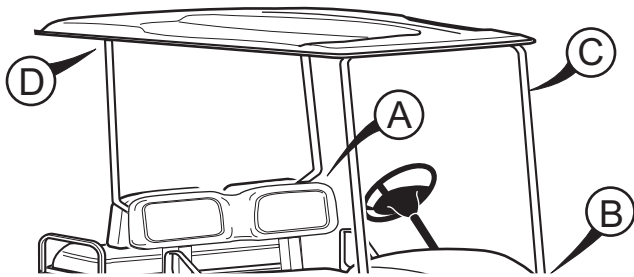
When ordering parts, please specify the model and serial number of the product.

* Indicates a component that is not available as an individual part.

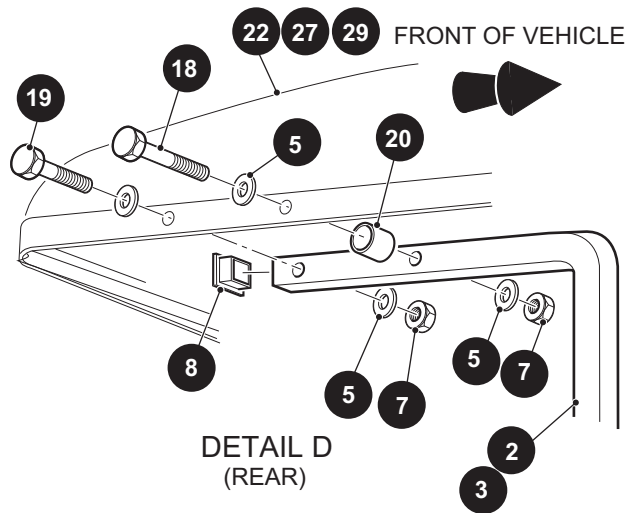
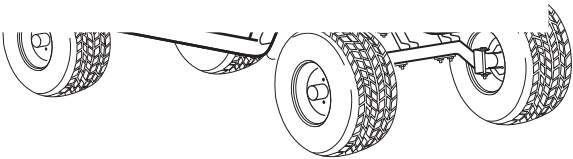
*** Indicates consult Customer Service Department for additional information.

ITEM	PART NO.	1 2 3 4 5	DESCRIPTION	QTY.
32	71569G02		SPRING CHANNEL.....	1
33	01118G01		HEX HEAD BOLT W/PATCHLOCK, 1/4" - 20 X 5/8" LG	8
34	602904		BED TETHER CABLE	1
35	00642G7		FLAT WASHER, 1/4"	8
36	74947G01		BRACKET, BUMPER	2
37	71537G02		GAS SPRING	2
38	14443G10		CLEVIS PIN, 1/2" X 2 27/32" LG	1
39	14443G12		CLEVIS PIN, 1/2" X 1 3/4" LG	1
40	21683G1		HAIR CLIP, 2.9 X .84 X .53	2
41	00642G7		FLAT WASHER, 1/4"	8
42	01118G01		HEX HEAD BOLT W/PATCHLOCK, 1/4" - 20 X 5/8" LG	8
43	71547G02		OUTRIGGER CHANNEL.....	1
44	72339G02		PLASTIC BED HEAT SHIELD (GASOLINE VEHICLES ONLY).....	1
45	74164G01		ELECTRIC DUMP KIT (INCLUDES ITEMS 46 - 56).....	1
46	27612G02		ELECTRIC ACTUATOR, 12 VOLT, 1500 LBS	1
47	27680G01		TOGGLE SWITCH.....	1
48	27447G01		TOGGLE GUARD	1
49	74165G02		CIRCUIT BREAKER MOUNTING BRACKET.....	1
50	00150G4		ROUND HEAD SCREW, 10 - 24 X 1/2" LG	2
51	00565G5		LOCK WASHER, #10	2
52	21320G3		CIRCUIT BREAKER, R 30A 12V.....	1
53	17618G1		WIRE TIE	8
54	00526G3		HEX NUT, #10 - 24	2
55	10570G9		RIVET, 5/32" X .55	2
56	25976G14		14 GA WIRE (RED 5")	1
57	71489G01		READ INSTRUCTION DECAL	1
58				
59	27613G01		SPACER.....	2
60	651950		WIRE HARNESS, ELECTRIC DUMP	1

WEATHER PROTECTION



Vehicle shown for reference only

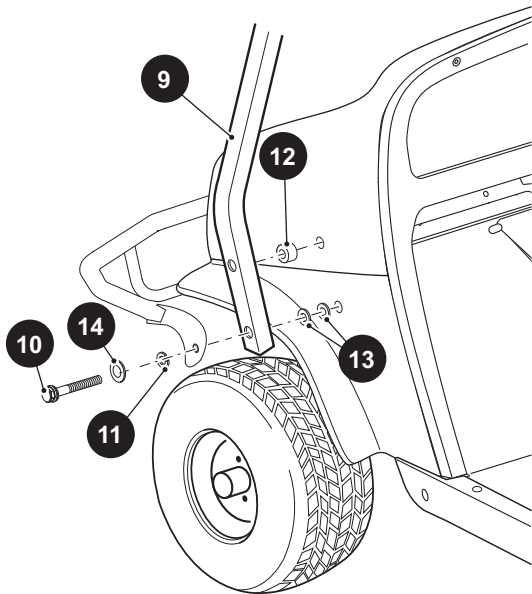


DETAIL D
(REAR)

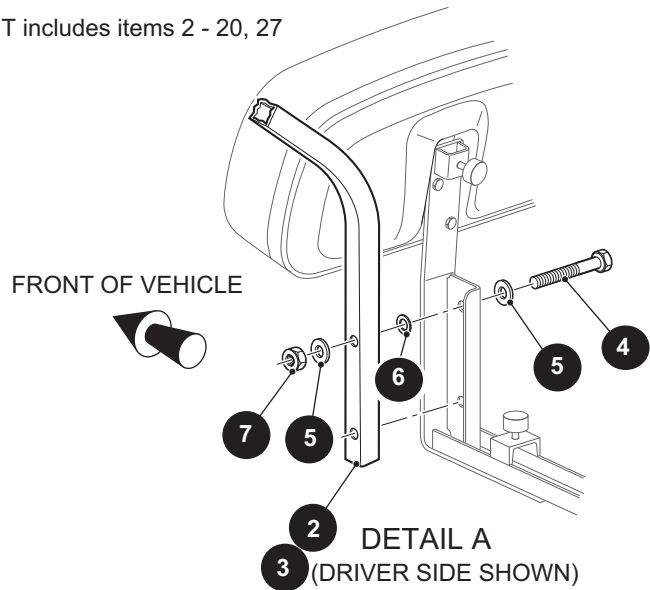
(PASSENGER
SIDE SHOWN)

FOR LTO ONLY

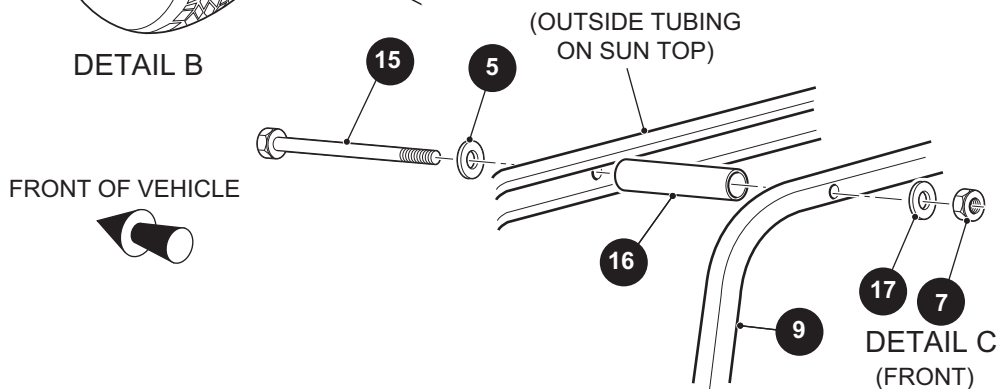
- 1 BLACK SUN TOP KIT includes items 2 - 20, 29
- 21 WHITE SUN TOP KIT includes items 2 - 20, 22
- 26 TAN SUN TOP KIT includes items 2 - 20, 27



DETAIL B



DETAIL A
(DRIVER SIDE SHOWN)



DETAIL C
(FRONT)

WEATHER PROTECTION

When ordering parts, please specify the model and serial number of the product.

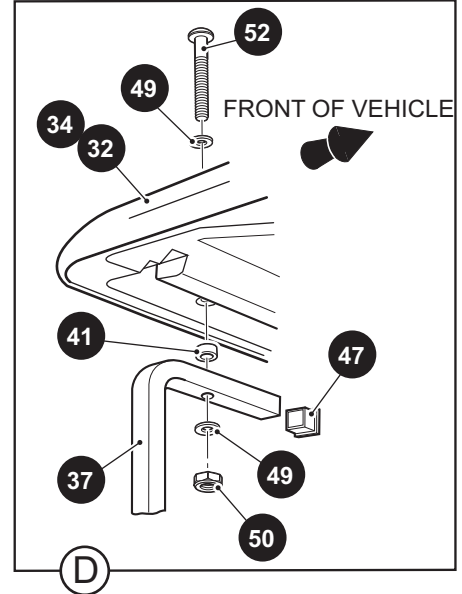
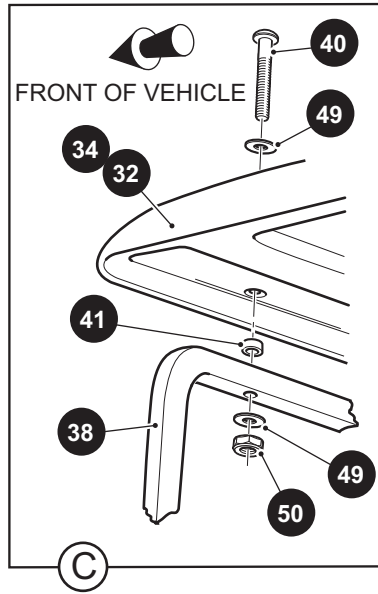
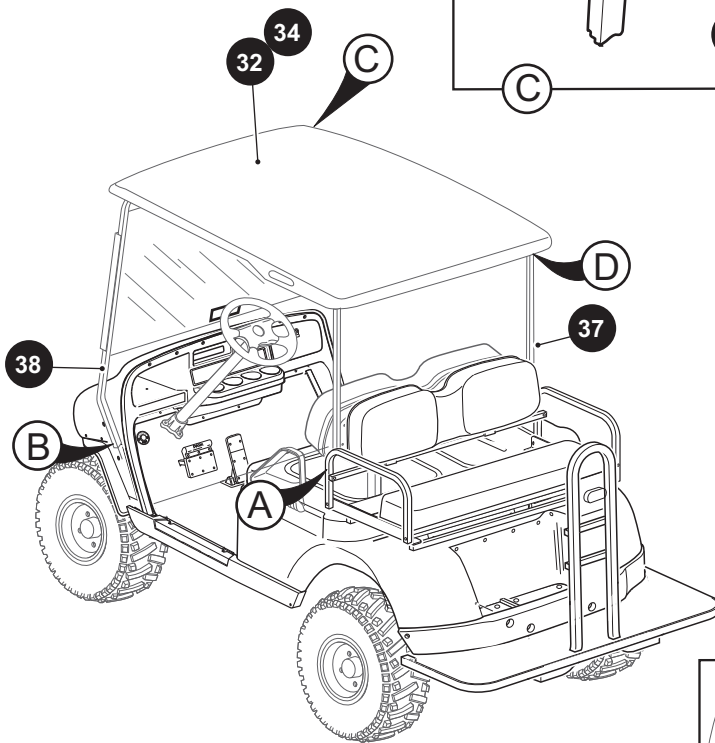
* Indicates a component that is not available as an individual part.

*** Indicates consult Customer Service Department for additional information.

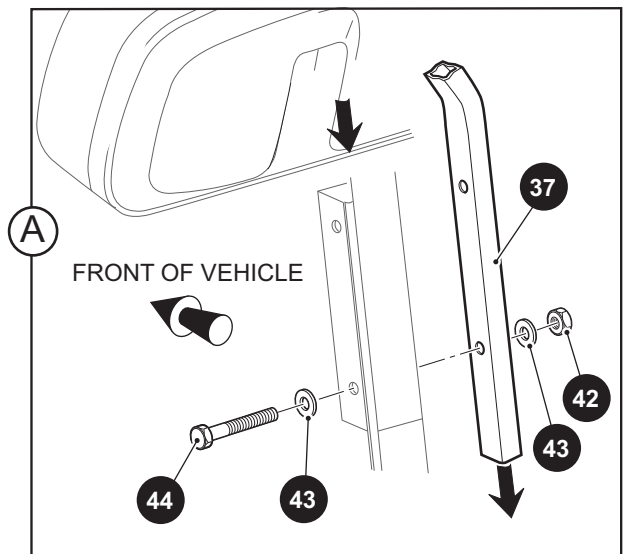
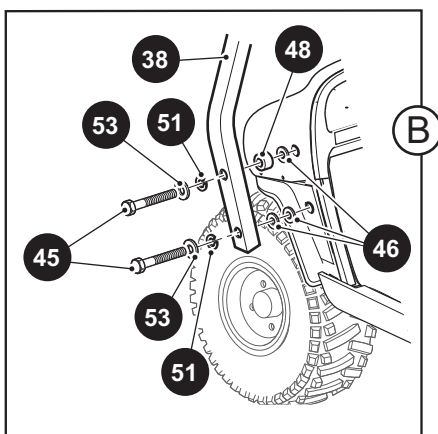
ITEM	PART NO.	1 2 3 4 5	DESCRIPTION	QTY.
1	606260		BLACK SUN TOP KIT, 80"LG (INCLUDES ITEMS 2 - 20, 29)	1
2	602743		REAR STRUT (DRIVER SIDE)	1
3	602741		REAR STRUT (PASSENGER SIDE).....	1
4	00665G5		HEX HEAD CAP SCREW (SS), 3/8" - 16 X 1" LG	4
5	00679G1		FLAT WASHER (SS), 3/8"	18
6	00771G5		NYLON WASHER, 3/8"	4
7	00891G5		LOCK NUT, 3/8" - 16	10
8	19853G1		END CAP, 1"	2
9	75125G01		FRONT STRUT	1
10	00440G2		HEX HEAD CAP SCREW, 5/16" - 18 X 2 1/4" LG	4
11	00565G8		LOCK WASHER, 5/16"	4
12	75048G01		SPACER, 1/2"	2
13	00879G1		LOCK WASHER, 3/8"	4
14	00559G8		FLAT WASHER, 5/16"	4
15	00674G8		HEX HEAD CAP SCREW (SS), 3/8" - 16 X 5" LG	2
16	18716G1		SPACER, .584 X .75 X 2.88	2
17	00653G1		FLAT WASHER (SS), 3/8"	2
18	00665G3		HEX HEAD CAP SCREW (SS), 3/8" - 16 X 2 1/2" LG	2
19	00665G6		HEX HEAD CAP SCREW (SS), 3/8" - 16 X 2" LG	2
20	24647G1		SPACER, FRONT STRUT, 1/4"	2
21	603119		WHITE SUN TOP KIT, 80" (INCLUDES ITEMS 2 - 20, 22)	1
22	27604G01		SUN TOP, WHITE	1
23				
24				
25				
26	603120		TAN SUN TOP KIT, 80" (INCLUDES ITEMS 2 - 20, 27)	1
27	602672		TAN SUN TOP, 80"	1
28				
29	606937		BLACK SUN TOP	1
30				

WEATHER PROTECTION

FOR LTO ONLY



- 31 TAN SUN TOP KIT includes items 32, 36 - 53
- 33 BROWN SUN TOP KIT includes items 34, 36 - 53
- 36 HARDWARE & STRUT KIT includes items 37 - 53
- 39 HARDWARE KIT includes items 40 - 53



WEATHER PROTECTION

When ordering parts, please specify the model and serial number of the product.

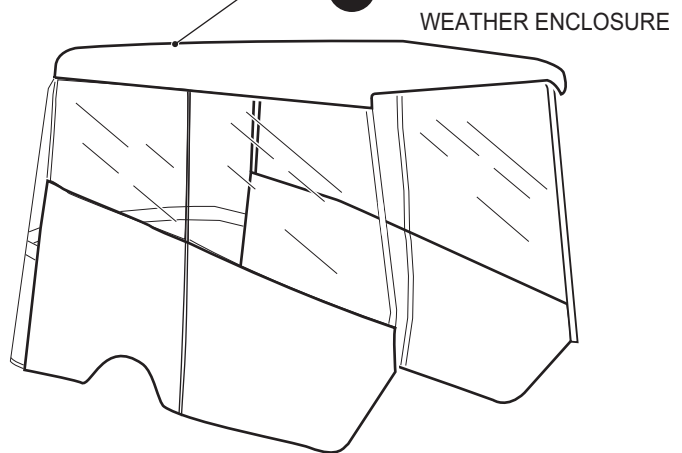
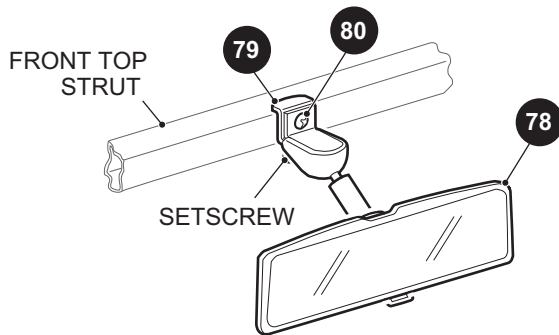
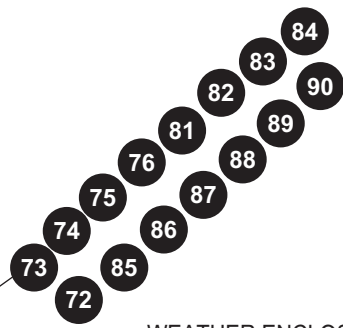
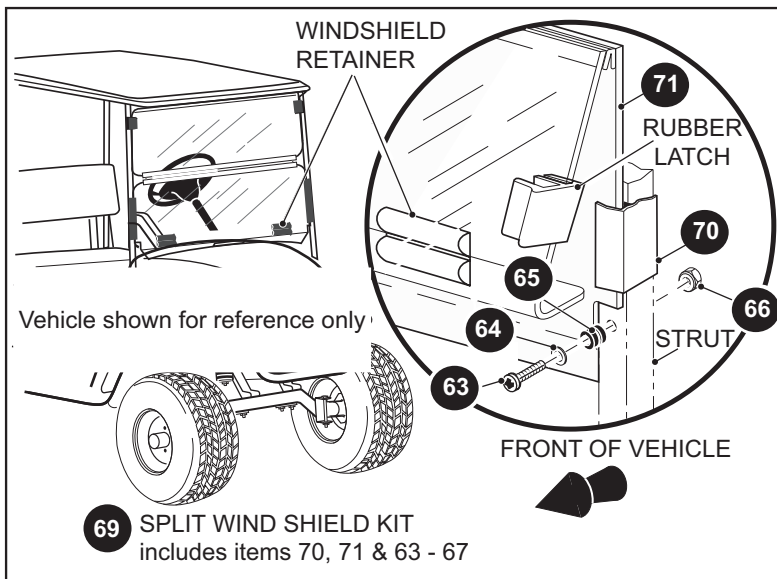
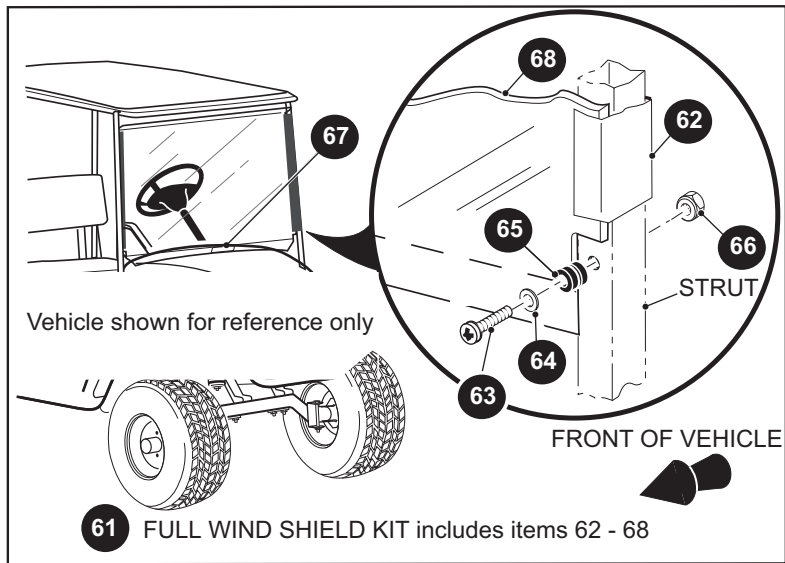
* Indicates a component that is not available as an individual part.

*** Indicates consult Customer Service Department for additional information.

ITEM	PART NO.	1 2 3 4 5	DESCRIPTION	QTY.
31	75040G14		TAN SUN TOP KIT, 58" (INCLUDES ITEMS 32, 36 - 53).....	1
32	27069G07		TAN SUN TOP, 58".....	1
33	75040G15		BROWN SUN TOP KIT, 58" (INCLUDES ITEMS 34, 36 - 53).....	1
34	27069G10		BROWN SUN TOP, 58".....	1
35				
36	75044G08		HARDWARE AND STRUT KIT (INCLUDES ITEMS 37 - 53).....	1
37	605931		REAR STRUT (FOR USE WITH 58" TOP).....	2
38	75045G05		FRONT STRUT.....	1
39	75465G01		HARDWARE KIT (INCLUDES ITEMS 40 - 53).....	1
40	00753G5		TRUSS HEAD PHILLIPS SCREW, 1/4" - 20 X 2" LG.....	2
41	75051G01		PLASTIC SPACER, .50".....	4
42	11098G6		LOCK NUT, 5/16" - 18.....	4
43	01110G03		FLAT WASHER, 1/4".....	8
44	00685G7		HEX HEAD CAP SCREW (SS), 5/16" - 18 X 1.75" LG.....	4
45	00440G2		HEX HEAD CAP SCREW, 5/16" - 18 X 2.25" LG.....	4
46	00570G2		FLAT WASHER, 5/16".....	4
47	19853G1		TUBE CAP, 1".....	2
48	75048G01		SPACER, .50".....	2
49	01110G01		FLAT WASHER, 1/4".....	8
50	14390G4		LOCK NUT, 1/4" - 20.....	4
51	00565G8		LOCK WASHER, 5/16".....	4
52	00753G6		TRUSS HEAD PHILLIPS SCREW, 1/4" - 20 X 2.25" LG.....	2
53	00559G8		FLAT WASHER, 5/16".....	4
54				
55				
56				
57				
58				
59				
60				

WEATHER PROTECTION

FOR LTO ONLY



WEATHER PROTECTION

When ordering parts, please specify the model and serial number of the product.

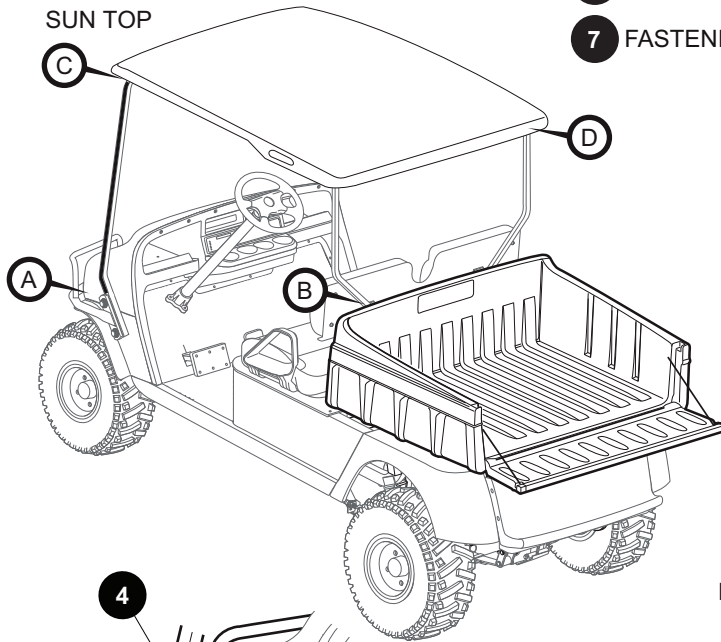
* Indicates a component that is not available as an individual part.

*** Indicates consult Customer Service Department for additional information.

ITEM	PART NO.	1 2 3 4 5	DESCRIPTION	QTY.
61	71966G03		WINDSHIELD KIT (FULL) (INCLUDES ITEMS 62 - 68).....	1
62	615662		SASH, 26".....	2
63	*		HEX HEAD BOLT, 1/4" - 20 X 1 3/4" LG.....	2
64	*		FLAT WASHER (SS), 1/4".....	4
65	*		RUBBER GROMMET.....	2
66	*		LOCK NUT (SS), 1/4" - 20.....	2
67	71963G01		SAFETY LABEL.....	1
68	71960G01		WINDSHIELD (FULL).....	1
69	71966G04		WINDSHIELD KIT (SPLIT) (INCLUDES ITEMS 70, 71 & 63 - 67).....	1
70	615661		SASH, 12".....	2
71	71961G01		WINDSHIELD (SPLIT).....	1
72	605132		WEATHER ENCLOSURE (4 SIDED), MEDITERRANEAN BLUE.....	1
73	75078G01		WEATHER ENCLOSURE (3 SIDED).....	1
74	75078G02		WEATHER ENCLOSURE (3 SIDED).....	1
75	75078G03		WEATHER ENCLOSURE (3 SIDED).....	1
76	605131		WEATHER ENCLOSURE (4 SIDED), JOCKEY RED.....	1
77	19528G2		REAR VIEW MIRROR KIT (INCLUDES ITEMS 78 - 80).....	1
78	19496G1		REAR VIEW MIRROR.....	1
79	19502G2		SUPPORT BRACKET.....	1
80	19527G1		PAN HEAD SCREW, #8 - 32 X 5/8" LG.....	1
81	605130		WEATHER ENCLOSURE (4 SIDED), CHARCOAL TWEED.....	1
82	605119		WEATHER ENCLOSURE (4 SIDED), TAN.....	1
83	605121		WEATHER ENCLOSURE (4 SIDED), HUNTER GREEN.....	1
84	605120		WEATHER ENCLOSURE (4 SIDED), OYSTER.....	1
85	605122		WEATHER ENCLOSURE (4 SIDED), PACIFIC BLUE.....	1
86	605123		WEATHER ENCLOSURE (4 SIDED), CAPRI.....	1
87	605125		WEATHER ENCLOSURE (4 SIDED), HEMLOCK TWEED.....	1
88	605126		WEATHER ENCLOSURE (4 SIDED), BURGUNDY.....	1
89	605127		WEATHER ENCLOSURE (4 SIDED), LINEN TWEED.....	1
90	605128		WEATHER ENCLOSURE (4 SIDED), TUSCAN.....	1

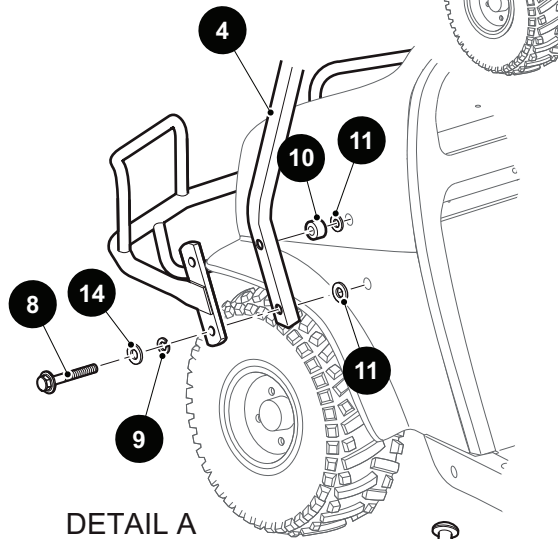
WEATHER PROTECTION

SUN TOP CAP (CAMO)



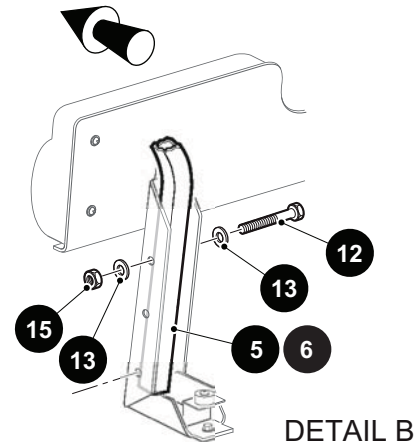
- 1 SUN TOP KIT includes items 2 - 21
- 3 HARDWARE KIT includes items 4 - 21
- 7 FASTENING HARDWARE KIT includes items 8 - 21

FOR HD ONLY

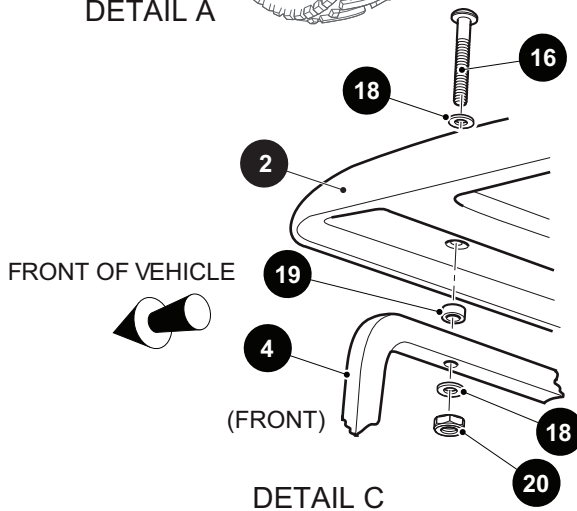


DETAIL A

FRONT OF VEHICLE

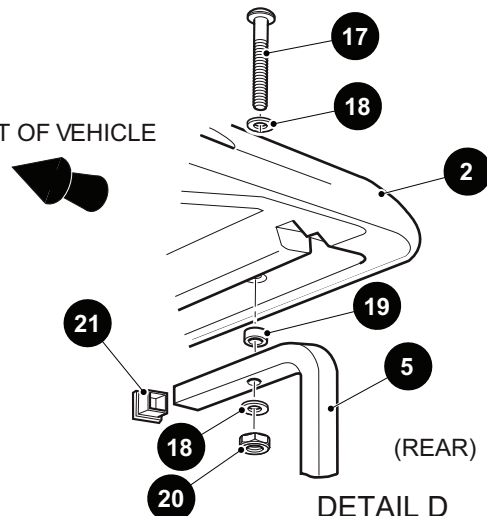


DETAIL B



DETAIL C

FRONT OF VEHICLE



DETAIL D

WEATHER PROTECTION

When ordering parts, please specify the model and serial number of the product.

* Indicates a component that is not available as an individual part.

*** Indicates consult Customer Service Department for additional information.

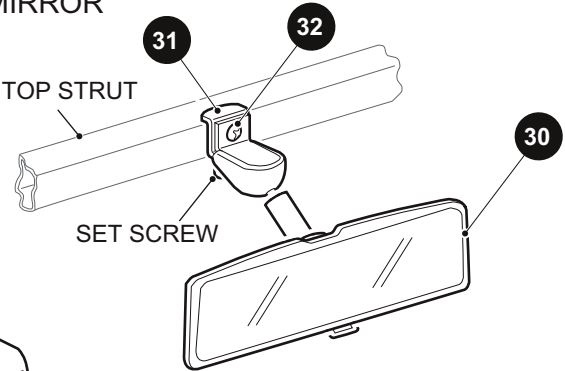
ITEM	PART NO.	1 2 3 4 5	DESCRIPTION	QTY.
1	75040G**		SUN TOP KIT (INCLUDES ITEMS 2 - 21).....	1
2	2706G0*		SUN TOP.....	1
3	75044G06		HARDWARE KIT (INCLUDES ITEMS 4 - 21)	1
4	75045G05		FRONT STRUT	1
5	75838G03		REAR STRUT (DRIVER SIDE)	1
6	7583G04		REAR STRUT (PASSENGER SIDE).....	1
7	75465G01		FASTENING HARDWARE KIT (INCLUDES ITEMS 8 - 21)	1
8	00440G2		HEX HEAD BOLT, 5/16" - 18 X 2 1/4" LG	4
9	00565G8		LOCK WASHER, 5/16"	4
10	75048G01		SPACER, 1/2"	2
11	00570G2		FLAT WASHER, 5/16"	6
12	00685G7		HEX HEAD BOLT, 5/16" - 18 X 1 3/4" LG	4
13	01110G03		FLAT WASHER, 5/16"	8
14	00559G08		FLAT WASHER, 5/6"	4
15	11098G6		LOCK NUT, 5/16" - 18.....	4
16	00753G5		TRUSS HEAD PHILLIPS SCREW, 1/4" - 20 X 2" LG.....	2
17	00753G6		TRUSS HEAD PHILLIPS SCREW, 1/4" - 20 X 2 1/4" LG.....	2
18	01110G01		FLAT WASHER, 1/4"	8
19	75051G01		PLASTIC SPACER	4
20	14390G4		LOCK NUT, 1/4" - 20	4
21	19853G1		END CAP, 1"	2
22				
23				
24				
25				
26				
27				
28				

WEATHER PROTECTION

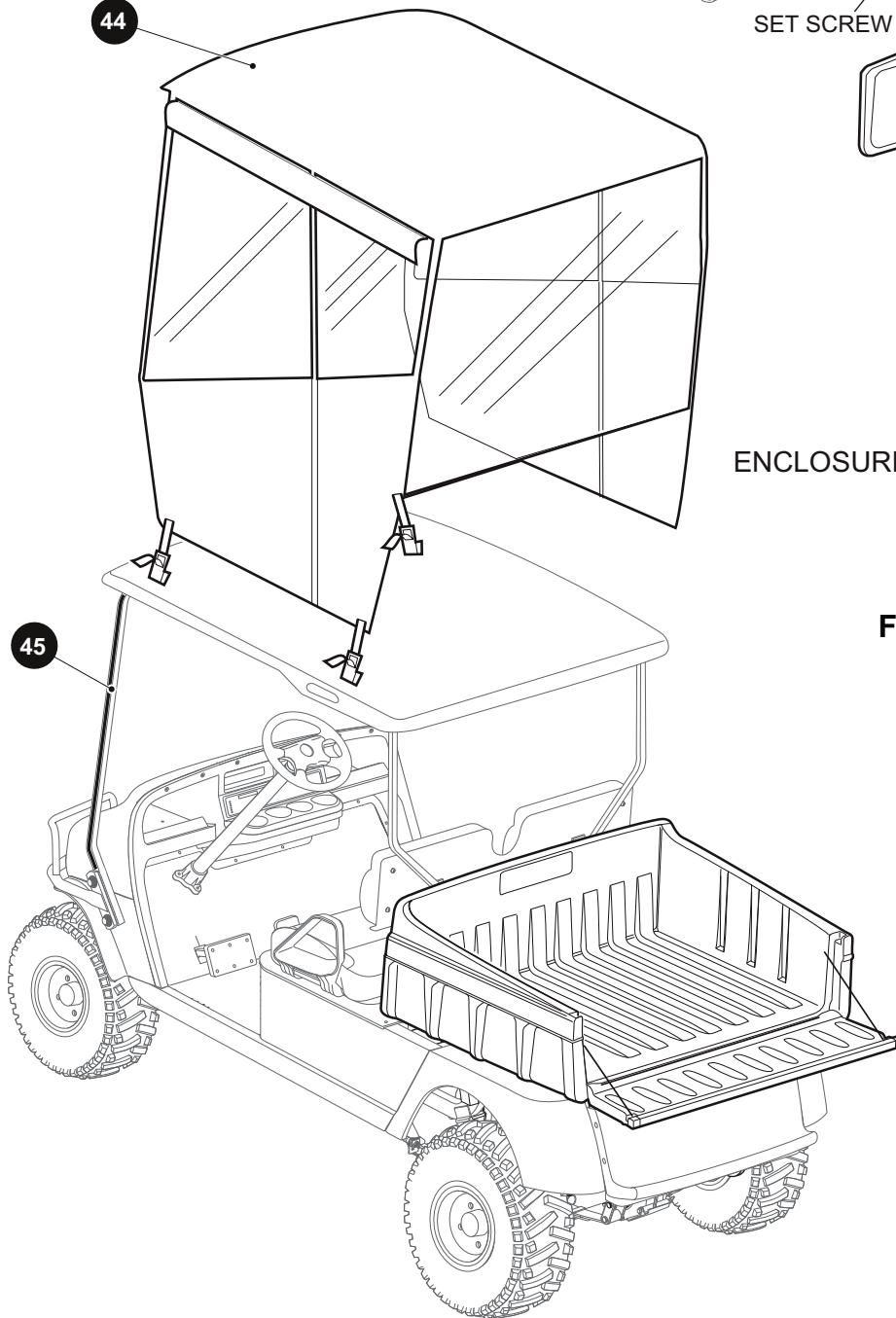
REAR VIEW MIRROR

29 REAR VIEW MIRROR KIT includes items 30 - 32

FRONT TOP STRUT



44



FOR HD ONLY

43 3 SIDED SOFT ENCLOSURE KIT includes items 44 - 45

WEATHER PROTECTION

When ordering parts, please specify the model and serial number of the product.

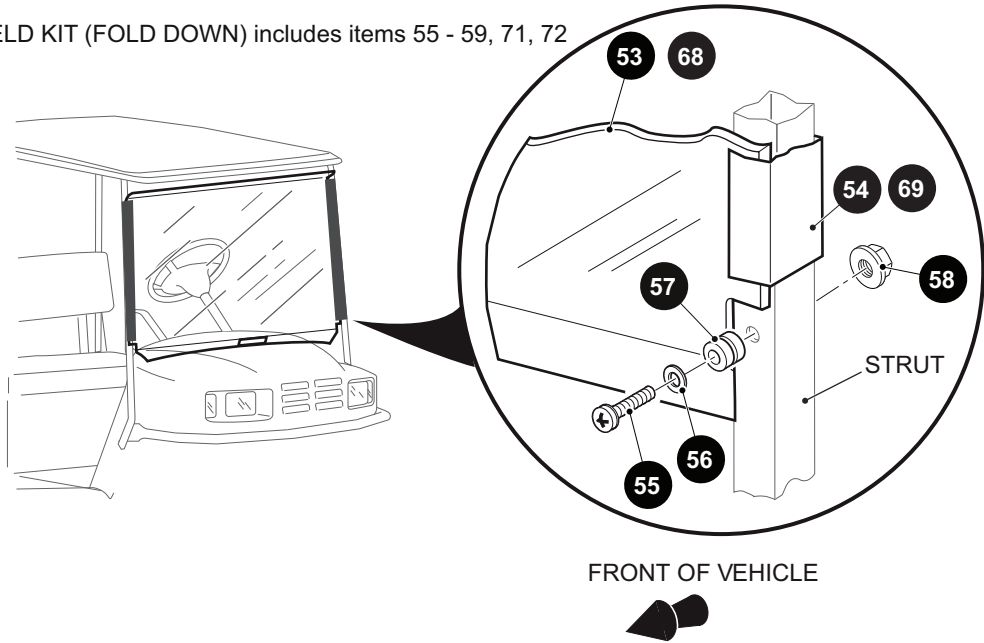
* Indicates a component that is not available as an individual part.

*** Indicates consult Customer Service Department for additional information.

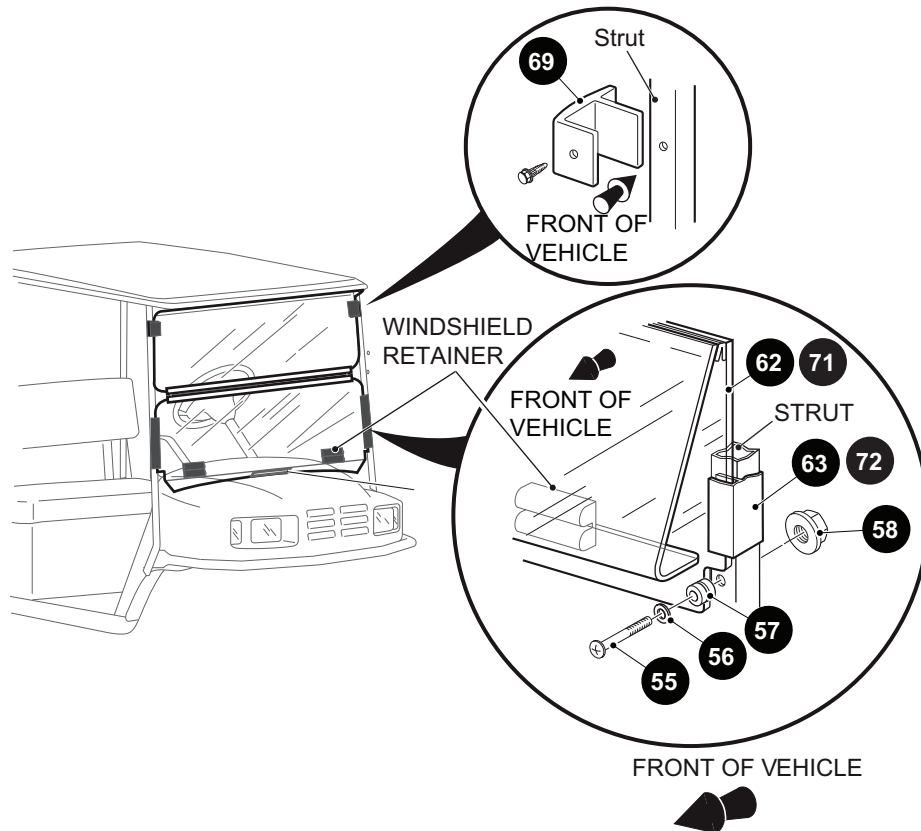
ITEM	PART NO.	1 2 3 4 5	DESCRIPTION	QTY.
29	19528G2		REAR VIEW MIRROR KIT (INCLUDES ITEMS 30 - 32).....	1
30	19496G1		REAR VIEW MIRROR.....	1
31	19502G2		SUPPORT BRACKET	1
32	19527G1		PAN HEAD SCREW, #8 - 32 X 5/8" LG	1
33				
34				
35				
36				
37				
38				
39				
40				
41				
42				
43	75367G**		3 SIDED SOFT ENCLOSURE KIT (INCLUDES ITEMS 44 - 45).....	1
44	*		ENCLOSURE	1
45	*		VELCRO.....	A/R
46				
47				
48				
49				
50				
51				

WEATHER PROTECTION

- 52 WINDSHIELD KIT (FULL) includes items 53 - 59
- 61 WINDSHIELD KIT (FOLD DOWN) includes items 55 - 59, 62, 63
- 67 WINDSHIELD KIT (FULL) includes items 55 - 59, 68, 69
- 70 WINDSHIELD KIT (FOLD DOWN) includes items 55 - 59, 71, 72



FOR HD ONLY



WEATHER PROTECTION

When ordering parts, please specify the model and serial number of the product.

* Indicates a component that is not available as an individual part.

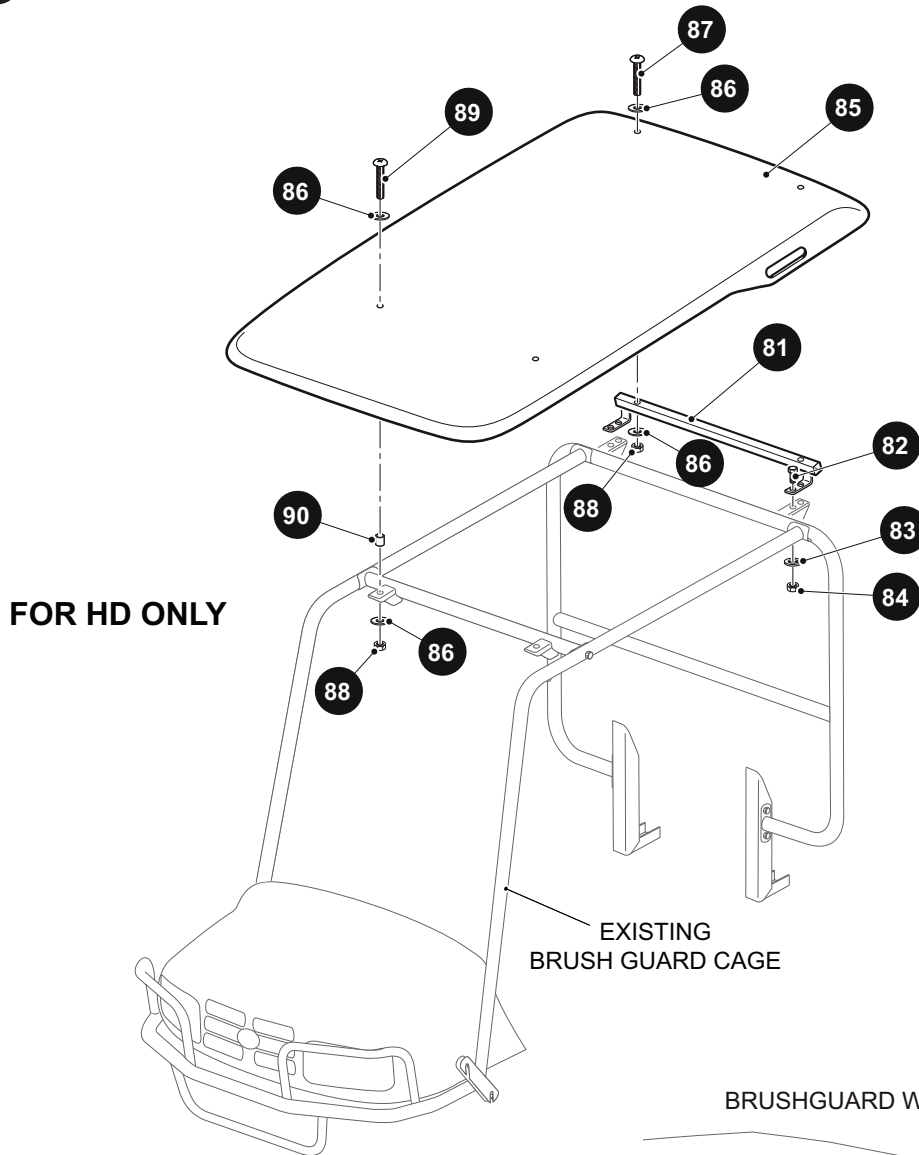
*** Indicates consult Customer Service Department for additional information.

ITEM	PART NO.	1 2 3 4 5	DESCRIPTION	QTY.
52	71966G01		WINDSHIELD KIT (FULL) (REQUIRES SUN TOP KIT) (INCLUDES ITEMS 53 - 59).....	1
53	71954G01		WINDSHIELD (FULL) (LEXAN)	1
54	615662		SASH, 26"	2
55	*		HEX HEAD BOLT (SS), 1/4" - 20 X 1 3/4" LG.....	2
56	*		FLAT WASHER, 1/4"	4
57	*		RUBBER GROMMET.....	2
58	*		LOCK NUT, 1/4" - 20	2
59	71963G01		SAFETY LABEL (NOT ILLUSTRATED)	1
60				
61	71966G02		WINDSHIELD KIT (FOLD DOWN) (REQUIRES SUN TOP KIT) (INCLUDES ITEMS 55 - 59, 62, 63).....	1
62	623903		FLIP WINDSHIELD (LEXAN)	1
63	615661		SASH, 12"	2
64				
65				
66				
67	71966G03		WINDSHIELD KIT (FULL) (REQUIRES SUN TOP KIT) (INCLUDES ITEMS 55 - 59, 68, 69).....	1
68	71960G01		WINDSHIELD (FULL).....	1
69	615662		SASH, 26"	2
70	71966G04		WINDSHIELD KIT (FOLD DOWN) (REQUIRES SUN TOP KIT) (INCLUDES ITEMS 55 - 59, 71, 72).....	1
71	617544		SPORT WINDSHIELD.....	1
72	615661		SASH, 12"	2
73				
74				
75				
76				
77				
78				
79				

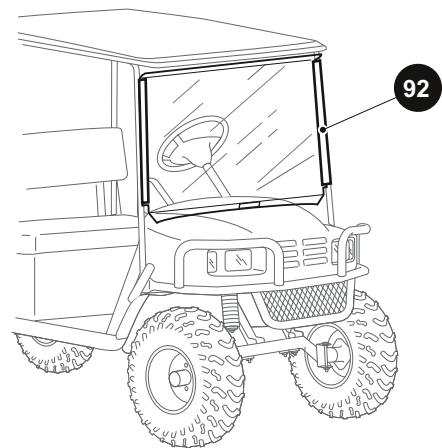
WEATHER PROTECTION

BRUSHGUARD SUN TOP

80 SUN TOP KIT (WITH BRUSHGUARD) includes items 81 - 90



BRUSHGUARD WINDSHIELD



WEATHER PROTECTION

When ordering parts, please specify the model and serial number of the product.

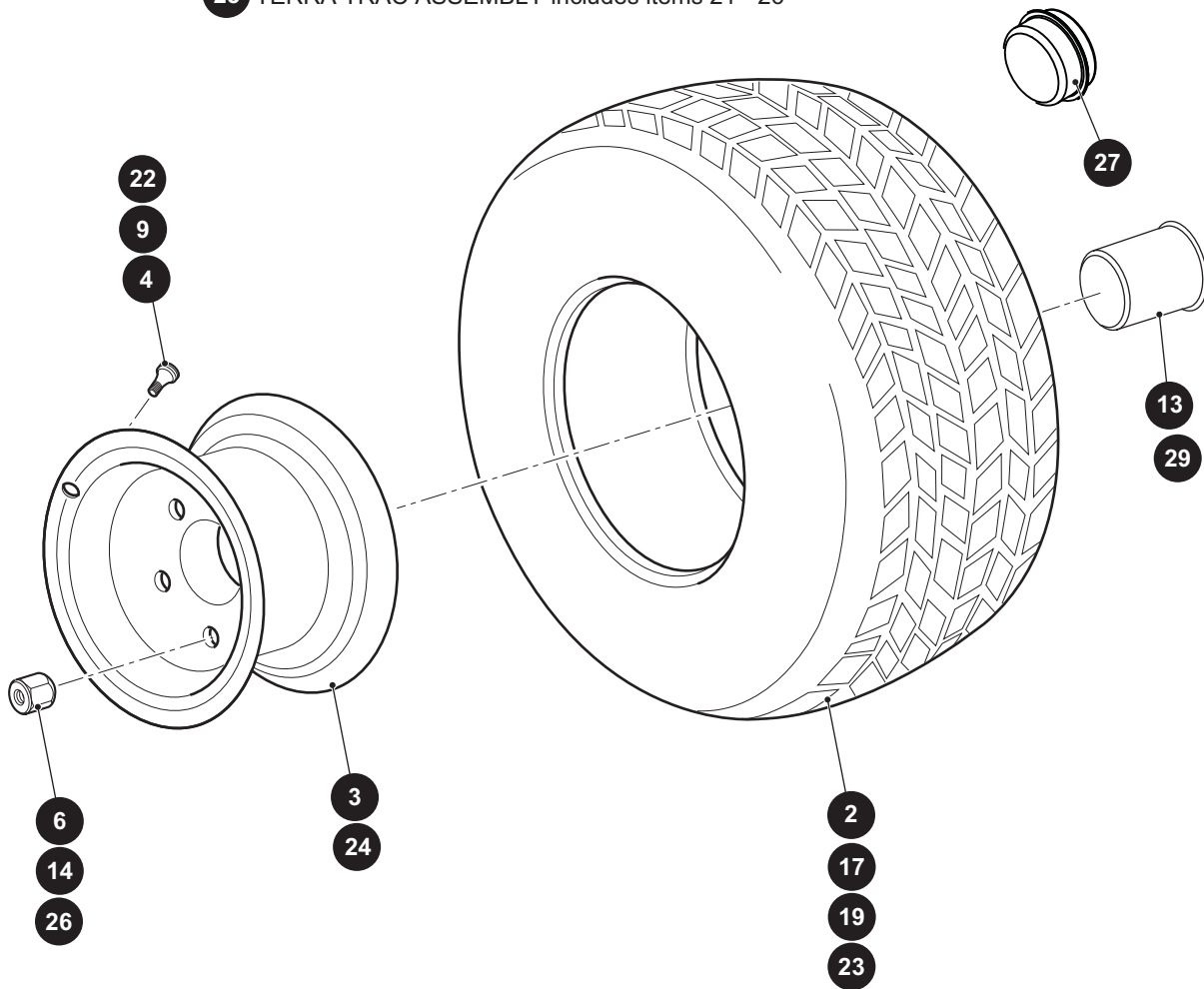
* Indicates a component that is not available as an individual part.

*** Indicates consult Customer Service Department for additional information.

ITEM	PART NO.	1 2 3 4 5	DESCRIPTION	QTY.
80	74496G**		SUN TOP KIT (WITH BRUSHGUARD) (INCLUDES ITEMS 81 - 90)	1
81	74466G03		MOUNTING BRACKET	1
82	00270G5		HEX HEAD BOLT, 5/16" - 18 X 5/8" LG	4
83	00565G8		LOCK WASHER, 5/16"	4
84	00532G3		HEX NUT, 5/16" - 18.....	4
85	74497G**		SUN TOP.....	1
86	00559G7		FLAT WASHER, 1/4"	8
87	00753G6		TRUSS HEAD PHILLIPS SCREW, 1/4" - 20 X 2 1/4" LG	2
88	14390G4		LOCK NUT, 1/4" - 20	4
89	00753G7		TRUSS HEAD PHILLIPS SCREW, 1/4" - 20 X 2 1/2" LG	2
90	74469G01		SPACER.....	2
91				
92	74542G01		WINDSHIELD KIT (WITH BRUSHGUARD) (REPLACEMENT PARTS AVAILABLE FROM EAGLE PART, 706-790-6687)	1

WHEELS AND TIRES

- 1 WHEEL AND TIRE ASSEMBLY includes items 2 - 3
- 8 WHEEL AND TIRE ASSEMBLY includes item 9
- 10 WHEEL AND TIRE ASSEMBLY includes item 9
- 16 WHEEL AND TIRE ASSEMBLY includes item 17
- 18 WHEEL AND TIRE ASSEMBLY includes item 19
- 20 TERRA TRAC ASSEMBLY includes items 21 - 26
- 28 TERRA TRAC ASSEMBLY includes items 21 - 26



(STYLE OF TIRE MAY DIFFER FROM TIRE SHOWN)

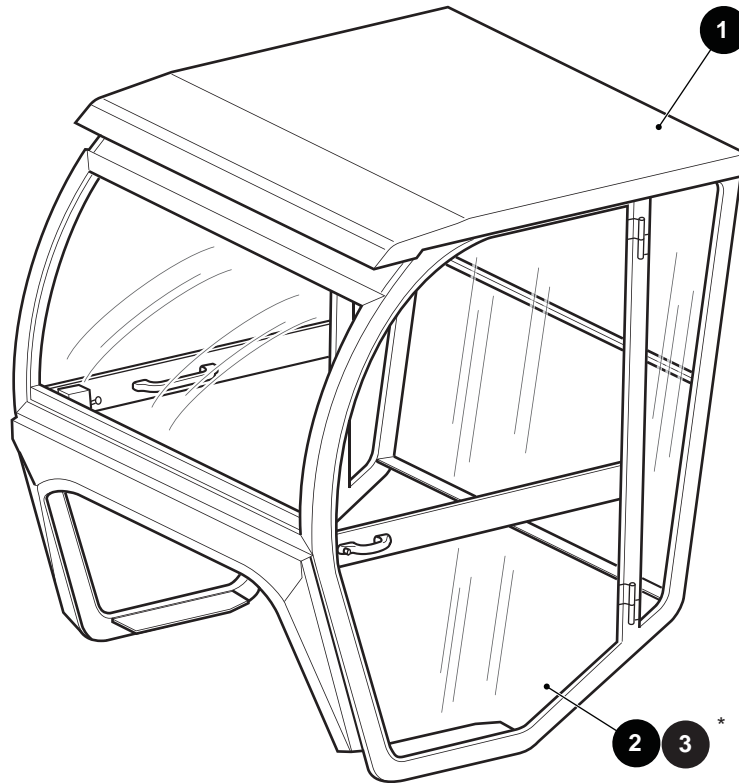
WHEELS AND TIRES

When ordering parts, please specify the model and serial number of the product.

* Indicates a component that is not available as an individual part.

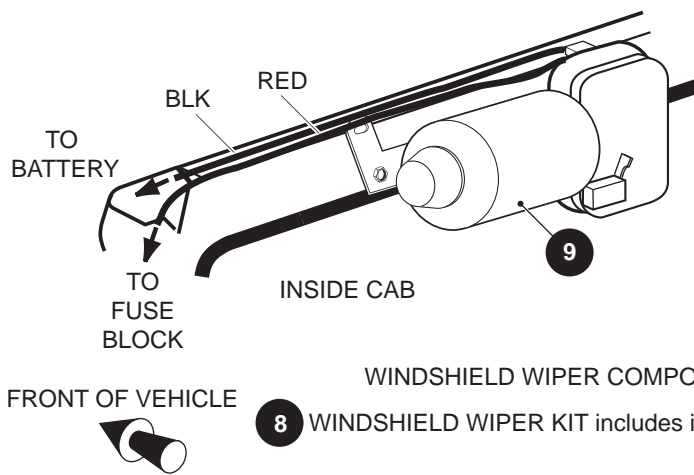
*** Indicates consult Customer Service Department for additional information.

ITEM	PART NO.	1 2 3 4 5	DESCRIPTION	QTY.
1	28442G03		WHEEL AND TIRE ASSEMBLY (INCLUDES ITEMS 2 - 3)	AR
2	28442G02		TIRE, 20 X 10 - 10 TURF SAVER®	1
3	15172G02		WHEEL RIM, BLACK (4 LUG)	1
4	11657G1		VALVE STEM	1
5				
6	14723G1		LUG NUT, 1/2" -20	AR
7				
8	74842G03		WHEEL AND TIRE ASSEMBLY (DRIVER SIDE), TRAIL WOLF (BLK) (INCLUDES ITEM 9)	AR
9	012007		VALVE STEM	1
10	74842G04		WHEEL AND TIRE ASSEMBLY (PASSENGER SIDE), TRAIL WOLF (BLK) (INCLUDES ITEM 9)	AR
11	605230		PATHFINDER TIRE (FRONT PASSENGER SIDE)	AR
12	605228		PATHFINDER TIRE (REAR PASSENGER SIDE)	AR
13	604929		CENTER CAP	1
14	605310		CHROME LUG NUT, 1/2" - 20	4
15	604930		PATHFINDER TIRE (DRIVER SIDE)	AR
16	28630G04		WHEEL & TIRE ASSY (DIRVER SIDE FRONT & REAR) (BLK)	2
17	28630G01		TIRE 22 X 9 -10 STRYKER	2
18	28630G05		WHEEL & TIRE ASSY (PASSENGER SIDE FRONT & REAR) (BLK)	2
19	28630G01		TIRE 22 X 9 -10 STRYKER	2
20	613470		FRONT TIRE AND WHEEL , 10" TERRA TRAC (INCLUDES ITEMS 21 - 26)	1
21	608914		WHEEL ASSEMBLY, 10" TERRA TRAC (INCLUDES ITEMS 22 - 24)	2
22	604915		VALVE STEM, CHROME	1
23	606141		TIRE, 10" TERRA TRAC	1
24	604927		WHEEL, 10 X 7	1
25				
26	605310		CHROME LUG NUT, 1/2" - 20	8
27	12091G2		SPINDLE CAP	2
28	613473		REAR TIRE AND WHEEL, 10" TERRA TRAC (INCLUDES ITEMS 21 - 26) ..	1
29	601353		WHEEL CAP	AR



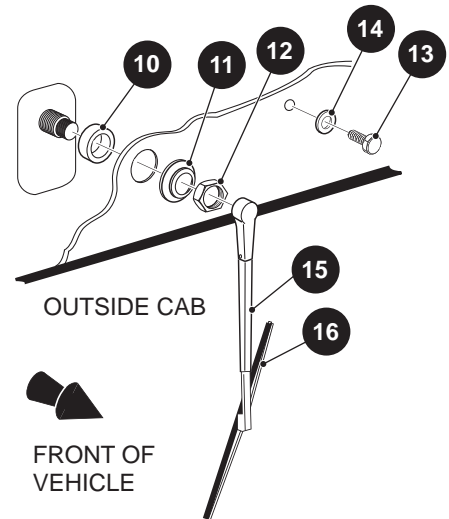
HD ONLY

*STEEL DOORS SHOWN



WINDSHIELD WIPER COMPONENTS

8 WINDSHIELD WIPER KIT includes items 9 - 17



When ordering parts, please specify the model and serial number of the product.

* Indicates a component that is not available as an individual part.

*** Indicates consult Customer Service Department for additional information.

ITEM	PART NO.	1 2 3 4 5	DESCRIPTION	QTY.
1	72684G**		STEEL CAB (WITHOUT DOORS) REPLACEMENT PARTS AND ACCESSORIES MAY BE OBTAINED FROM CURTIS CAB, INC. 72684G01 - STEEL CAB (WITHOUT DOORS) TAN 72684G02 - STEEL CAB (WITHOUT DOORS) WHITE 72684G03 - STEEL CAB (WITHOUT DOORS) OTHER	1
2	75855G01		VINYL DOOR KIT	1
3	75856G**		STEEL DOOR KIT	1
			75856G01 - STEEL DOORS TAN 75856G03 - STEEL DOORS OTHER	
4				
5				
6				
7				
8	74244G01		WINDSHIELD WIPER KIT (INCLUDES ITEMS 9 - 17)	1
9	9PWM85		WIPER MOTOR (INCLUDES ITEMS 10 - 14).....	1
10	*		SPACER	1
11	*		SHAFT COVER (SEAL).....	1
12	*		NUT	1
13	*		BOLT.....	1
14	*		WASHER.....	1
15	9PWA		WIPER ARM.....	1
16	9PWB		WINDSHIELD WIPER BLADE	1
17	9E003		ELECTRICAL HARDWARE KIT (NOT ILLUSTRATED).....	1
<p>For Cab replacement parts and accessories, contact Curtis Cab at: Curtis Cab, Inc. 111 Higgins Street, Worcester, Massachusetts, 01606. Tel.: 508-853-2200. Toll free: 800-343-7676. www.curtiscab.com</p>				



Bad Boy Buggies
1451 Marvin Griffin Rd.
Augusta, GA 30906
PHONE: 800.448.7476
E-mail: info@badboybuggies.com

Copyrighted Material
This manual may not be reproduced in whole or
in part without the express permission of BBUGGIES Inc.