



BAD BOY[®]
OFF ROAD

SERVICE PARTS MANUAL
HD Electric

655159-H

ISSUED AUGUST 2016

REVISED JULY 2017

SERVICE PARTS MANUAL

72V ELECTRIC POWERED VEHICLE

HD ELECTRIC

MODEL YEAR 2017 ONLY

CALIFORNIA Proposition 65 Warning

WARNING: Motor vehicles may contain fuels, oils and fluids, battery posts, terminals, and related accessories which contain lead and lead compounds and other chemicals identified by the State of California to potentially cause cancer, birth defects, and other reproductive harm. These chemicals are found in vehicles, vehicle parts and accessories, both new and replacements. During maintenance, these vehicles generate used oil, waste fluids, grease, fumes, and particulates, all identified by the State of California to potentially cause cancer, birth defects, and other reproductive harm.

Never modify the vehicle in any way that will alter the weight distribution of the vehicle, decrease its stability or increase the speed beyond the factory specifications. Such modifications can cause serious personal injury or death. Textron Specialized Vehicles prohibits and dis-claims responsibility for any such modifications or any other alteration which would adversely affect the safety of the vehicle. TSV reserves the right to incorporate engineering and design changes to products in this manual, without obligation to include these changes on units sold previously.

The information contained in this manual may be revised periodically by TSV, and therefore is subject to change without notice.

TSV DISCLAIMS LIABILITY FOR ERRORS IN THIS MANUAL, and SPECIFICALLY DISCLAIMS LIABILITY FOR INCIDENTAL AND CONSEQUENTIAL DAMAGES resulting from the use of the information and materials in this manual.

These are the original instructions as defined by 2006/42/EC.

TO CONTACT US:

Textron Specialized Vehicles, Inc.

1451 Marvin Griffin Road

Augusta, Georgia, USA 30906-3852

NORTH AMERICA:

Technical Assistance & Warranty PHONE: 1-800-774-3946, FAX: 1-800-448-8124

Service Parts PHONE: 1-888-438-3946, FAX: 1-800-752-6175

International: PHONE: 001-706-798-4311, FAX: 001-706-771-4609

www.badboyoffroad.com

GENERAL INFORMATION

This vehicle has been designed and manufactured in the United States of America (USA). The Standards and Specifications listed in the following text originate in the USA unless otherwise indicated.

The use of non-Original Equipment Manufacturer (OEM) approved parts may void the warranty.

Failure to properly maintain batteries may void the warranty. Refer to the battery manual for instructions on the proper maintenance and care of the batteries.

BATTERY PROLONGED STORAGE

Batteries self-discharge over time. The rate of self-discharge varies depending on the ambient temperature, the age and condition of the batteries.

Fully charged batteries will not freeze in winter temperatures unless the temperature falls below -75°F (- 60°C).

For winter storage, the batteries must be clean, fully charged and disconnected from any source of electrical drain.

The battery charger may remain connected to the vehicle to maintain a full charge on the batteries, provided the charger is plugged into an active electrical source. If power to the electrical source is disconnected or interrupted, the battery charger continues to check the charge on the battery pack. This pulls power from the battery pack and eventually drains the batteries if power is not restored in a timely manner.

As with all electric vehicles, the batteries must be checked and recharged as required or at a minimum of 30 day intervals.

Check and maintain the proper fluid level in all battery cells during the storage period. Proper fluid level is required for maximum battery performance.

BATTERY DISPOSAL

Lead-acid batteries are recyclable. Return whole scrap batteries to distributor, manufacturer or lead smelter for recycling. For neutralized spills, place residue in acid-resistant containers with absorbent material such as sand. Dispose in accordance with local, state and federal regulations for acid and lead compounds. Contact local and/or state environmental officials regarding disposal information.

TABLE OF CONTENTS

SECTION	Page No.
HOW TO USE THE SERVICE PARTS MANUAL.....	V
ACCELERATOR.....	A
BATTERY CHARGER.....	B
BODY.....	C
BRAKES.....	D
CAB.....	E
ELECTRICAL.....	F
ELECTRONIC SPEED CONTROL.....	G
FRONT SUSPENSION AND STEERING.....	H
MOTOR.....	J
REAR AXLE.....	K
REAR SUSPENSION.....	L
SEATING.....	M
TRUCK BED.....	N
WEATHER PROTECTION.....	P
WHEELS AND TIRES.....	R
DECALS AND LABELS.....	S

HOW TO USE THE SERVICE PARTS MANUAL

This manual is divided into several sections:

- GENERAL INFORMATION
- ILLUSTRATED PARTS BREAKDOWN
- APPENDIX

The first section, GENERAL INFORMATION, contains the following information:

- WARRANTY INFORMATION
- GENERAL INDEX
- HOW TO USE THE SERVICE PARTS MANUAL

The second section, ILLUSTRATED PARTS BREAKDOWN, contains illustrations and parts lists for all systems of your vehicle.

The third section, APPENDIX, contains a listing of specialty products and accessories.

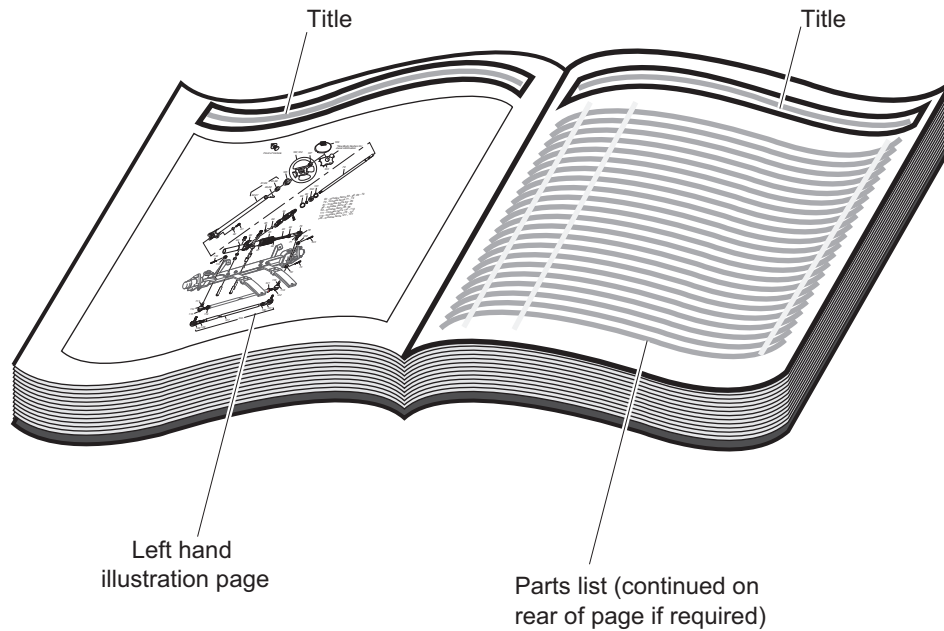
USE OF THE MANUAL

To use this manual, consult the GENERAL INDEX to locate the information or illustration required.

Introduction of some revisions varies due to supply of components; therefore, it is possible that various combinations of components may be found that are not directly reflected by each illustration. Consult the illustration that best suits your situation and then contact the Service Parts Department. It is important that the serial number of your vehicle and its model number be supplied to Service Parts when ordering any replacement components.

Locate the serial number plate (see BODY located in the Illustrated Parts Breakdown section of this manual for its location) and note the complete number shown on the plate.

HOW TO USE THE SERVICE PARTS MANUAL



1. WHEN THE PART NUMBER IS NOT KNOWN

- Determine the function and application of the part required. Turn to the General Index and select the most appropriate title.
- Turn to the page number indicated and locate the desired part on the illustration.
- From the illustration, obtain the item number assigned to the desired part. Refer to the accompanying description for specific information regarding the part.

2. IF YOU KNOW THE PART NUMBER

- Locate the part number or description in the appropriate column on the parts list page.

NOTE: Confirm the part selected is correct by verifying it with the illustration.

If an asterisk (*) appears in the part number column on the parts list page, read upward until a part number is found. The part number is the lowest assembly sold by Service Parts and the asterisk (*) indicates the part depicted is not available for purchase.

NOTE: Descriptions are indented under the assembly that they are used on. That assembly is, in turn listed under the assembly that it is used on. This process is repeated until the highest final assembly is reached.

To facilitate the maintenance and repair of the vehicle, a Technician's Repair and Service Manual is available from the Service Parts Department.

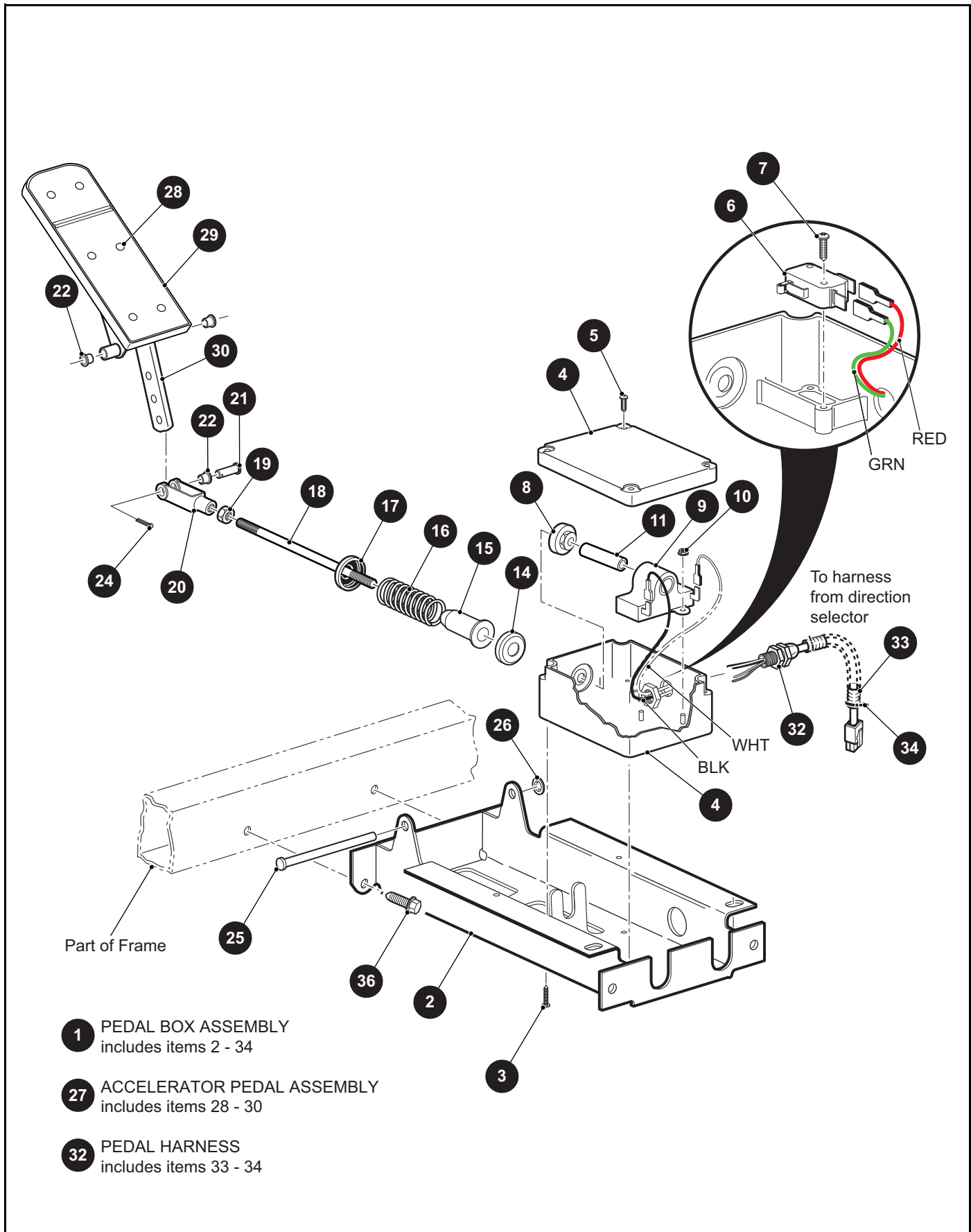
HOW TO USE THE SERVICE PARTS MANUAL

3. COLOR CODE FOR BODY COMPONENTS

The last two digits of the part number for the body part will denote the color code, locate the part number for the cowl, rear body, seat pod, side panel or seat wrap then locate your color in the list below, replace the last ** or XX with the two digit color code.

<u>CODE #</u>	<u>DESCRIPTION</u>
11	BLACK
19	PATRIOT BLUE PEARL
20	INFERNO RED METALLIC
26	STEEL BLUE PEARL
31	METALLIC CHARCOAL
35	SAFETY YELLOW
36	IVORY
37	FOREST GREEN
38	BRIGHT WHITE
39	FLAME RED
41	ELECTRIC BLUE
42	PLATINUM
43	BURGUNDY
44	ALMOND
51	SUNBURST ORANGE
52	BRITISH RACING GREEN
69	MONSTER GREEN
72	MATTE BLACK
73	MATTE GREEN
74	BARLEY GOLD
75	OASIS GREEN
76	JAVA BROWN
78	REAL TREE XTRA DIPPED
79	JACOBSEN ORANGE 172
80	REAL TREE ADVANTAGE MAX 5-DIPPED

ACCELERATOR



THE USE OF NON U.L. PARTS WILL VOID ANY U.L. LISTING.

When ordering parts, please specify the model and serial number of the product.

* Indicates a component that is not available as an individual part.

*** Indicates consult Customer Service Department for additional information.

ITEM	PART NO.	1 2 3 4 5	DESCRIPTION	QTY.
1	73333G11		PEDAL BOX ASSEMBLY (PDS) (INCLUDES ITEMS 2 - 34)	1
2	652241G03		ACCELERATOR PEDAL BRACKET	1
3	01051G01		PAN HEAD PHILLIPS SCREW, #8 - 10 X 1/2" LG	4
4	25853G01		PEDAL BOX AND COVER	1
5	00684G6		TRUSS HEAD SCREW (SS), #8 - 32 X 3/4" LG	2
6	25861G01		MICRO SWITCH	1
7	01050G01		PAN HEAD SCREW, #4 - 20 X 5/8" LG	2
8	28444G01		ACCELERATOR ROD CAM	1
9	25854G01		INDUCTIVE THROTTLE SENSOR	1
10	00983G01		SELF THREADING NUT, .38"	2
11	602484		PLUNGER	1
12				
13				
14	17677G1		SPRING RETAINER	1
15	17979G1		BUSHING, .75" X 2" LG	1
16	73046G01		COMPRESSION SPRING	1
17	17677G2		SPRING RETAINER, 3/8"	1
18	73332G01		ACCELERATOR ROD	1
19	00532G4		HEX NUT, 5/16" - 24	1
20	10385G4		CLEVIS YOKE (ADJUSTABLE)	1
21	10386G3		CLEVIS PIN, 5/16" X 13/16" LG	1
22	17838G1		NYLON BUSHING, .37" X .31" LG	3
23				
24	10387G3		COTTER PIN, 3/32" X 3/4" LG	1
25	74432G01		PEDAL PIVOT PIN	1
26	12064G6		PUSH NUT, 5/16"	1
27	25799G03		ACCELERATOR PEDAL ASSEMBLY (INCLUDES ITEMS 28 - 30)	1
28	16409G1		OVAL RIVET, 3/16" X 7/16" LG	6
29	27512G01		ACCELERATOR PEDAL PAD	1
30	70125G04		ACCELERATOR PEDAL	1
31				

ACCELERATOR

THE USE OF NON U.L. PARTS WILL VOID ANY U.L. LISTING.

When ordering parts, please specify the model and serial number of the product

* Indicates a component that is not available as an individual part.

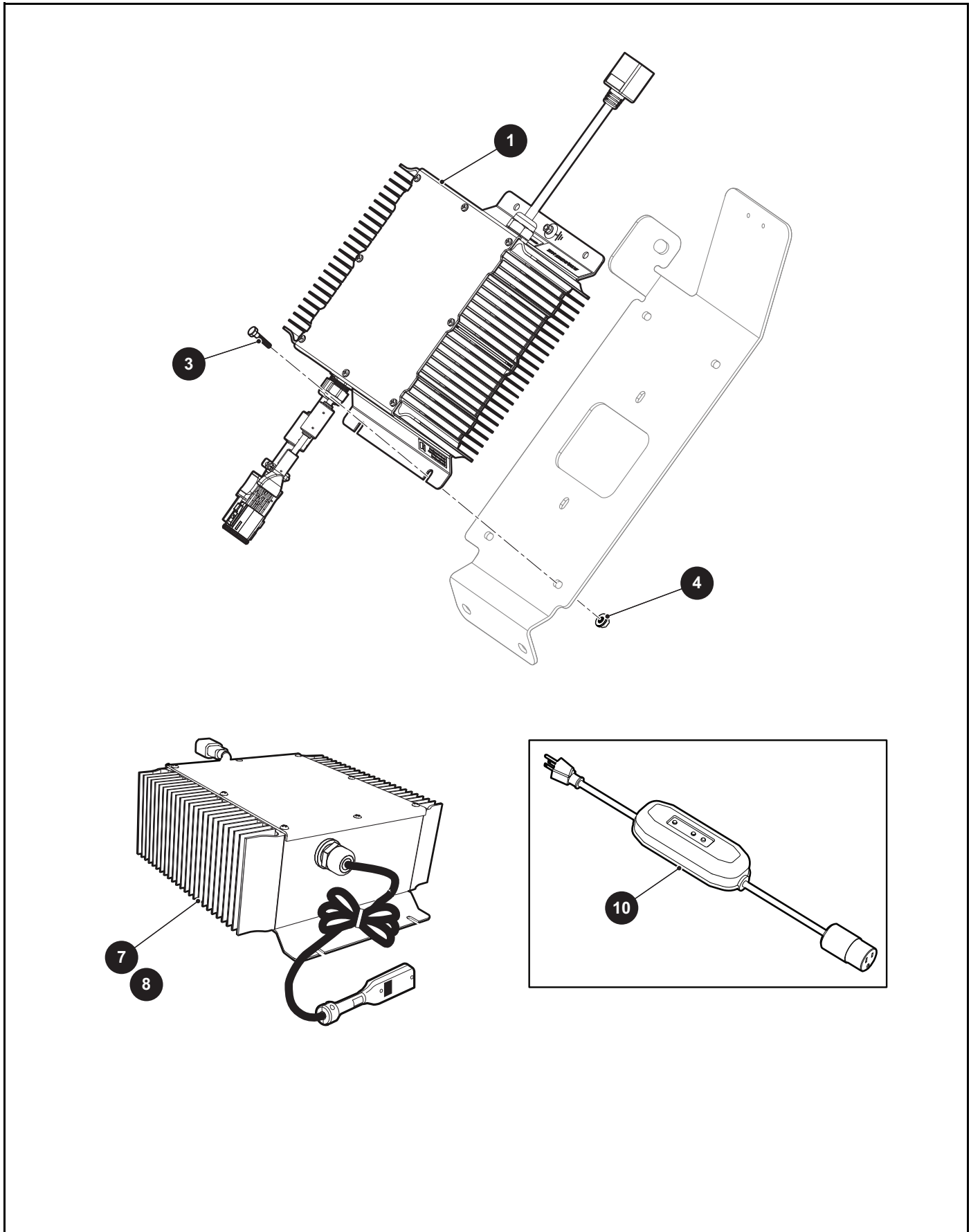
*** Indicates consult Customer Service Department for additional information.

ITEM	PART NO.	1	2	3	4	5	DESCRIPTION	QTY.
32	25879G08						PEDAL HARNESS (INCLUDES ITEMS 33 - 34)	1
33	17313G1						LOOM FLEX (BULK), 3/8"	1
34	17618G1						NYLON CLAMP, 8" LG	2
35								
36	00715G2						HEX HEAD BOLT, 5/16" - 18 X 3/4" LG.....	4

Notes:

A large grid area for taking notes, consisting of 20 columns and 30 rows of small squares.

BATTERY CHARGER



BATTERY CHARGER

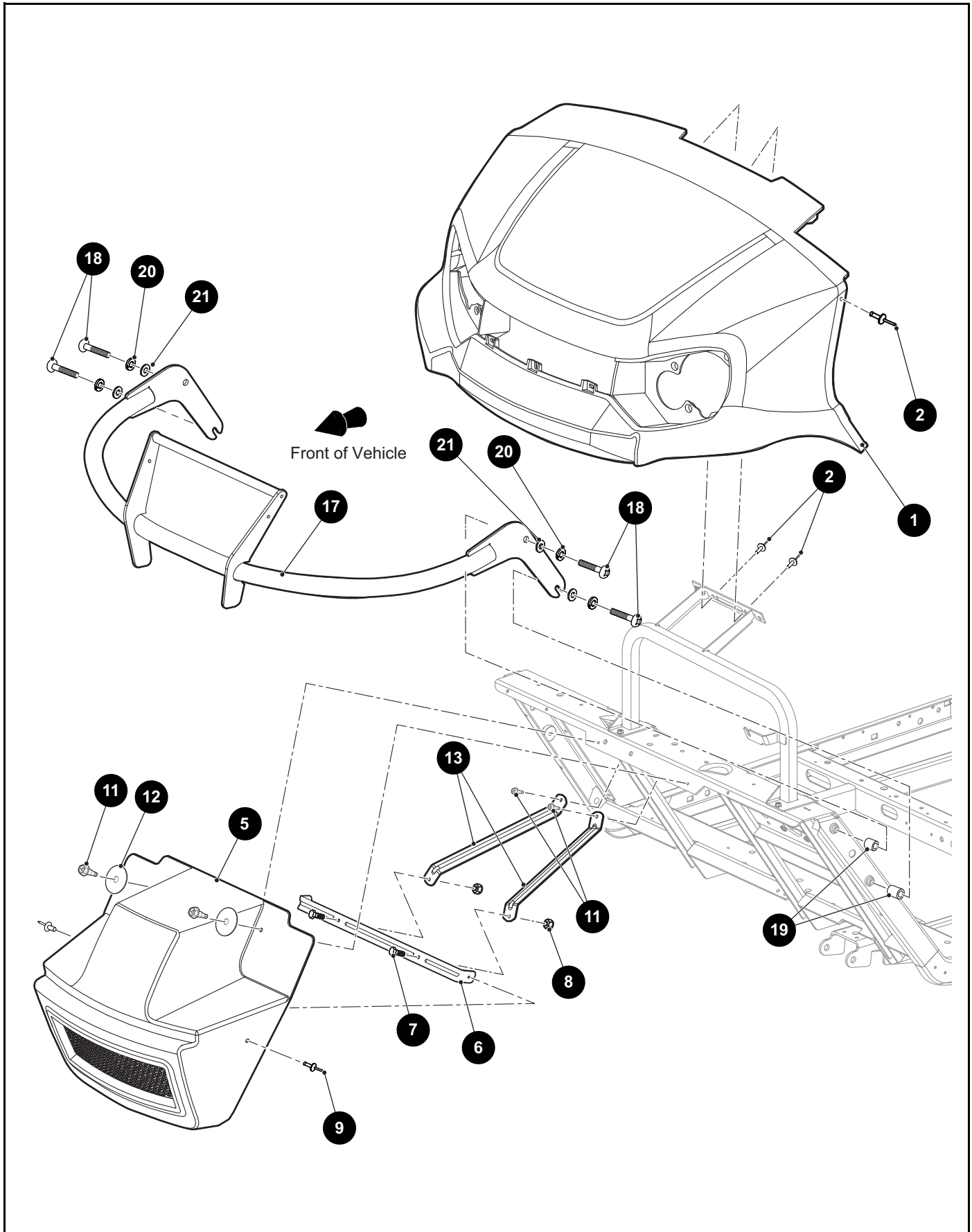
THE USE OF NON U.L. PARTS WILL VOID ANY U.L. LISTING.

When ordering parts, please specify the model and serial number of the product.

* Indicates a component that is not available as an individual part.

*** Indicates consult Customer Service Department for additional information.

ITEM	PART NO.	1 2 3 4 5	DESCRIPTION	QTY.
1	640261		72V ON-BOARD BATTERY CHARGER	1
2				
3	00414G6		HEX HEAD BOLT, 1/2" - 20 X 3/4" LG	4
4	11027G2		FLANGED LOCK NUT, 1/2" - 20.....	4
5				
6				
7	634567		72V BATTERY CHARGER, 1000W	1
8	645743		72V BATTERY CHARGER, 1500W	1
9				
10	652503		ON-BOARD CHARGER, 5 METER DC CORD	1



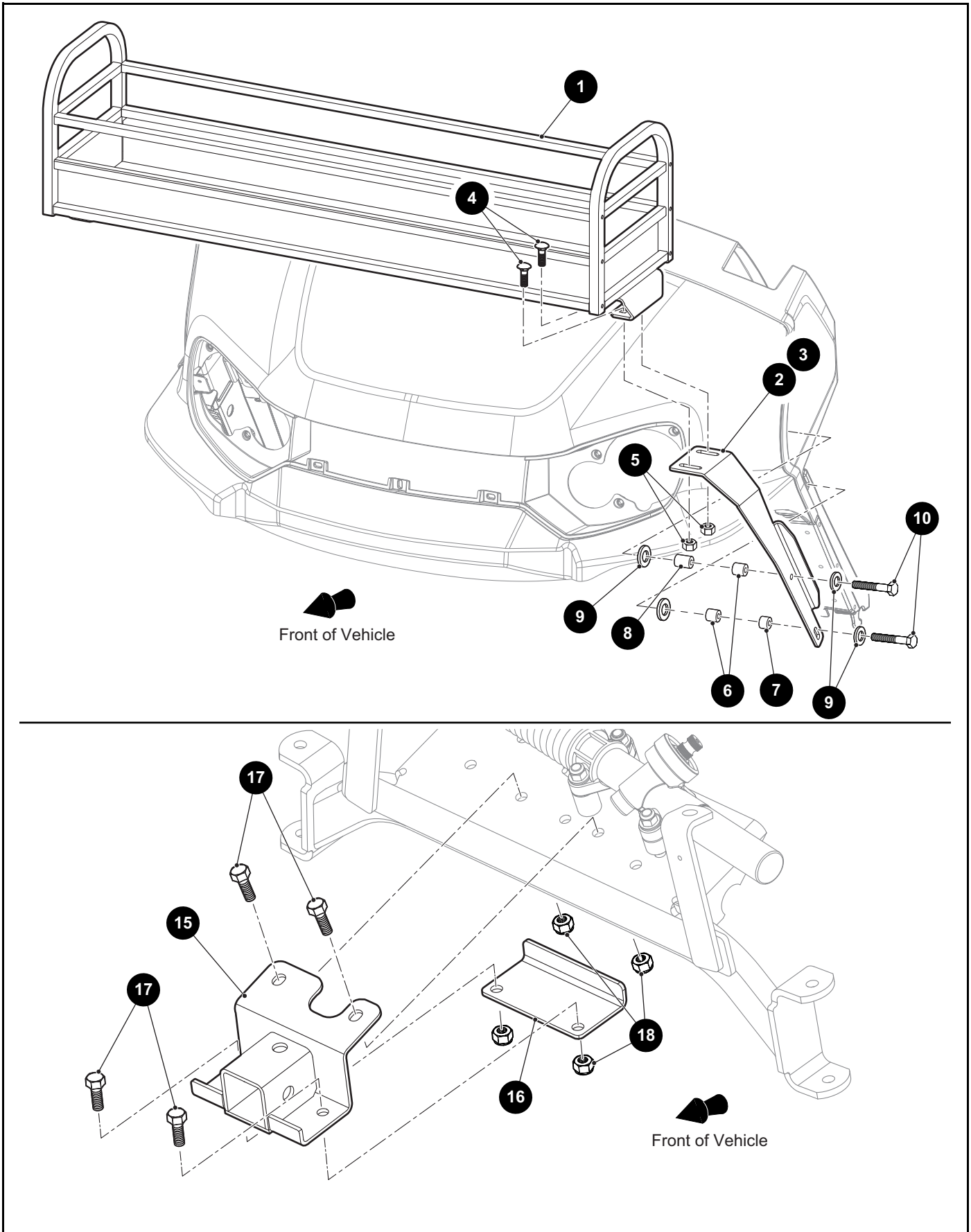
THE USE OF NON U.L. PARTS WILL VOID ANY U.L. LISTING.

When ordering parts, please specify the model and serial number of the product.

* Indicates a component that is not available as an individual part.

*** Indicates consult Customer Service Department for additional information.

ITEM	PART NO.	1 2 3 4 5	DESCRIPTION	QTY.
1	648566G00XX		COWL (SEE COLOR CODE IN HOW TO USE SECTION)	1
2	71055G02		RIVET (ALUMINUM), 3/16" X 1.18" LG	4
3				
4				
5	613273		FRONT FASCIA	1
6	654275		MOUNTING BRACKET	1
7	00414G6		HEX HEAD BOLT, 1/4" - 20 X 3/4" LG	2
8	14390G4		LOCK NUT, 1/4" - 20	2
9	15058G1		RIVET (ALUMINUM), 3/16" X .45" LG	2
10				
11	01038G01		HEX WASHER HEAD SWAGEFORM SCREW, 1/4" - 20 X .70" LG	4
12	16469G1		FENDER WASHER	2
13	654276		FRONT FASCIA MOUNTING BRACE	1
14				
15				
16				
17	658624		BRUSH GUARD	1
18	652311		ROUND HEAD TORX BOLT, 5/16" - 18 X 3" LG	4
19	75048G03		SPACER, .328" I.D. X .75" O.D. X 1.5" LG	2
20	00565G8		LOCK WASHER, 5/16"	4
21	00559G8		FLAT WASHER, .349" I.D. X .692" O.D. X .066" LG	4



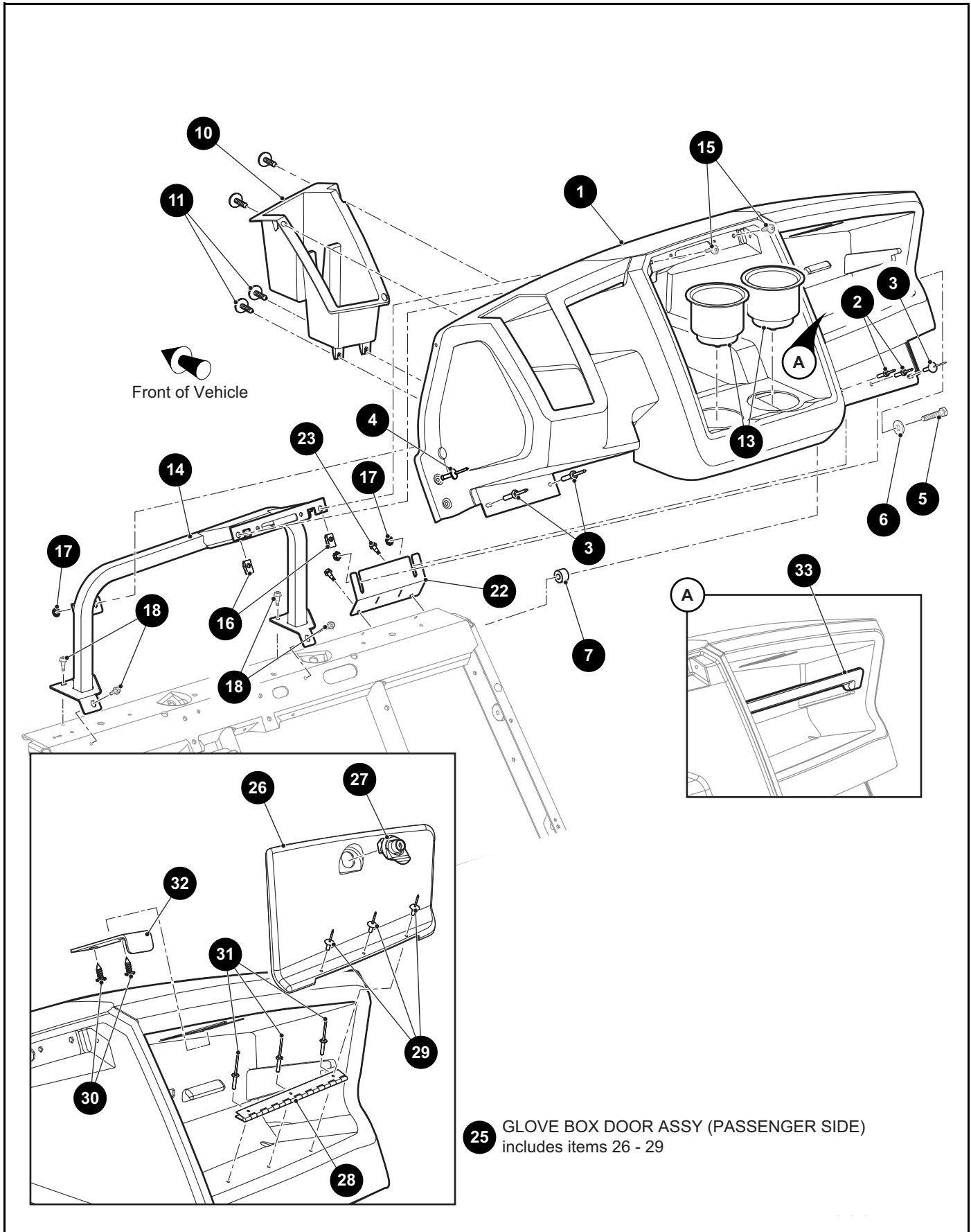
THE USE OF NON U.L. PARTS WILL VOID ANY U.L. LISTING.

When ordering parts, please specify the model and serial number of the product.

* Indicates a component that is not available as an individual part.

*** Indicates consult Customer Service Department for additional information.

ITEM	PART NO.	1 2 3 4 5	DESCRIPTION	QTY.
1	74523G01		FRONT BASKET	1
2	651010G01		FRONT BASKET BRACKET (DRIVER SIDE)	1
3	651010G02		FRONT BASKET BRACKET (PASSENGER SIDE)	1
4	00769G2		ROUND HEAD CARRIAGE BOLT, 3/8" - 16 X 1 1/4" LG	4
5	11098G5		LOCK NUT, 3/8" - 16	4
6	619586		SPACER .328" O.D. X .75" I.D. X .75" L.G.	4
7	634807		SPACER, .328" O.D. X .75" I.D. X .50" L.G.	2
8	75048G04		SPACER .328" O.D. X .75" I.D. X 1" L.G.	2
9	00570G2		FLAT WASHER, 5/16"	8
10	00440G6		HEX HEAD BOLT, 5/16" - 18 X 2 3/4" LG	4
11				
12				
13				
14				
15	635202		WINCH RECEIVER	1
16	604572		WINCH RECEIVER RETAINER	1
17	00462G8		HEX HEAD BOLT, 7/16" - 14 X 7/8" LG	4
18	00734G1		LOCK NUT, 7/16" - 14	4



THE USE OF NON U.L. PARTS WILL VOID ANY U.L. LISTING.

When ordering parts, please specify the model and serial number of the product.

* Indicates a component that is not available as an individual part.

*** Indicates consult Customer Service Department for additional information.

ITEM	PART NO.	1 2 3 4 5	DESCRIPTION	QTY.
1	648568		INSTRUMENT PANEL	1
2	71055G01		RIVET (ALUMINUM), 3/16" X 1 1/8" LG	2
3	14601G11		RIVET (ALUMINUM), 3/16" X 9/16" LG	3
4	71055G02		RIVET (ALUMINUM), 3/16" X 1.18" LG	2
5	651011		HEX HEAD BOLT, 5/16" - 18 X 1.5" LG	2
6	634808		FLAT WASHER, 5/16"	2
7	75048G01		SPACER, .328" X .75" X .5"	2
8				
9				
10	648562		CUP HOLDER (DRIVER SIDE)	1
11	613373		PAN HEAD TAPPING SCREW (WITH WASHER), M4.8 - 1.6 X 22MM LG ...	4
12				
13	650913		SINGLE CENTER CUP HOLDER	2
14	650043		IP SUPPORT	1
15	645323		PAN WASHER HEAD TORX SCREW, M6 - 1 X23.4MM LG	2
16	602409		BARREL CLIP, M6 - 1	2
17	71597G01		SELF THREADING NUT, 5MM X 10MM X 15MM	3
18	01038G01		HEX WASHER HEAD SWAGEFORM SCREW, 1/4" - 20 X .70" LG	4
19				
20				
21				
22	650042		INSTRUMENT PANEL SUPPORT BRACKET (PASSENGER SIDE)	1
23	01038G01		HEX WASHER HEAD SWAGEFORM SCREW, 1/4" - 20 X .70" LG	2
24				
25	650784		GLOVE BOX DOOR ASSY (PASSENGER SIDE) (INCLUDES ITEM 26 - 29)	1
26	650813		DOOR	1
27	654475		LOCK ASSEMBLY	1
28	652386		HINGE	1
29	14601G10		RIVET (ALUMINUM), 5/32" X .425" LG.....	3
30	00614G4		PAN HEAD PHILLIPS TAPPING SCREW, #8 - 18 X 1/2" LG	2
31	71045G01		RIVET (ALUMINUM), 5/32" X .785" LG	3

BODY

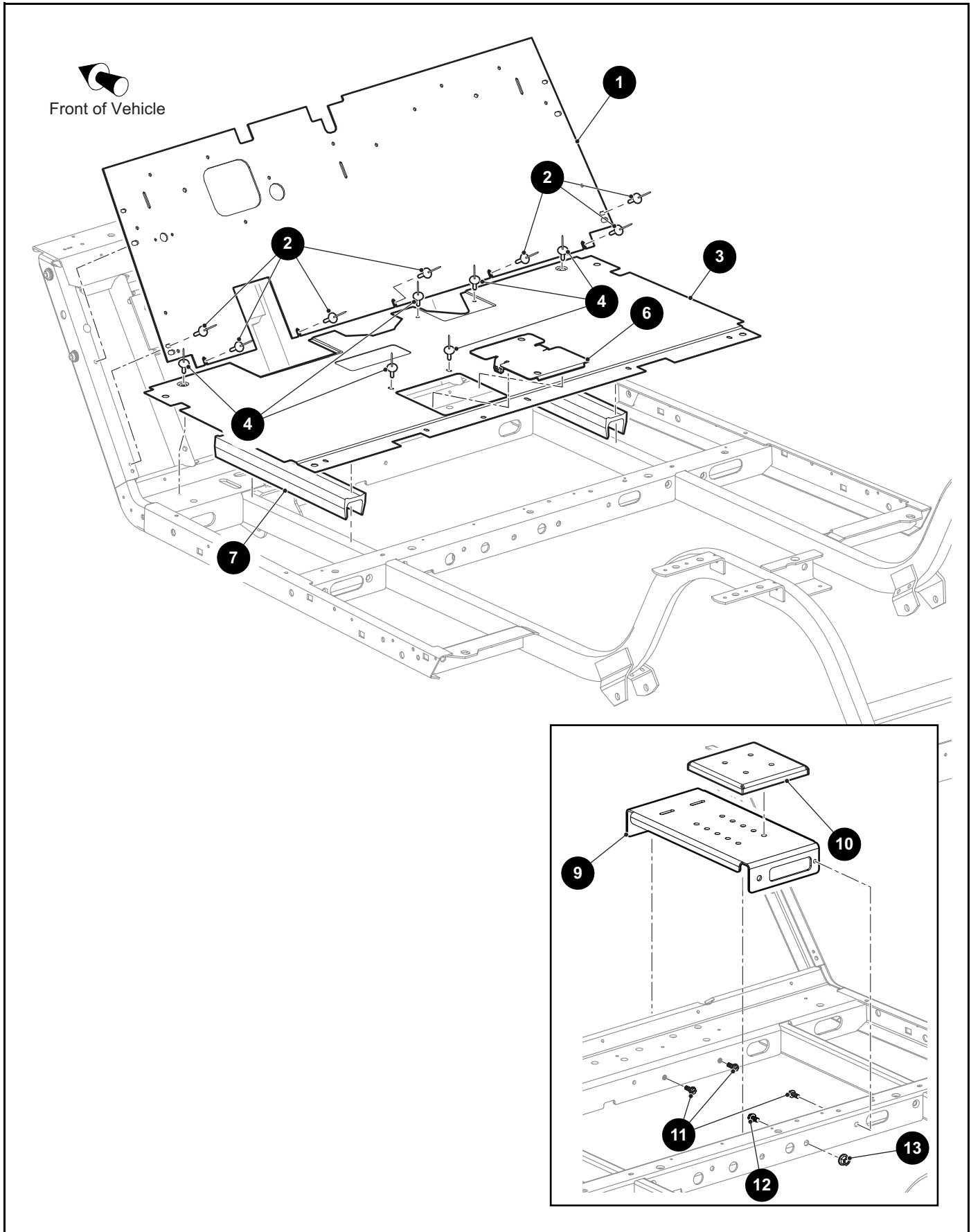
THE USE OF NON U.L. PARTS WILL VOID ANY U.L. LISTING.

When ordering parts, please specify the model and serial number of the product

* Indicates a component that is not available as an individual part.

*** Indicates consult Customer Service Department for additional information.

ITEM	PART NO.	1 2 3 4 5	DESCRIPTION	QTY.
32	652390		GLOVE BOX STRIKER	1
33	648561		TRAY PANEL (PASSENGER SIDE)	1



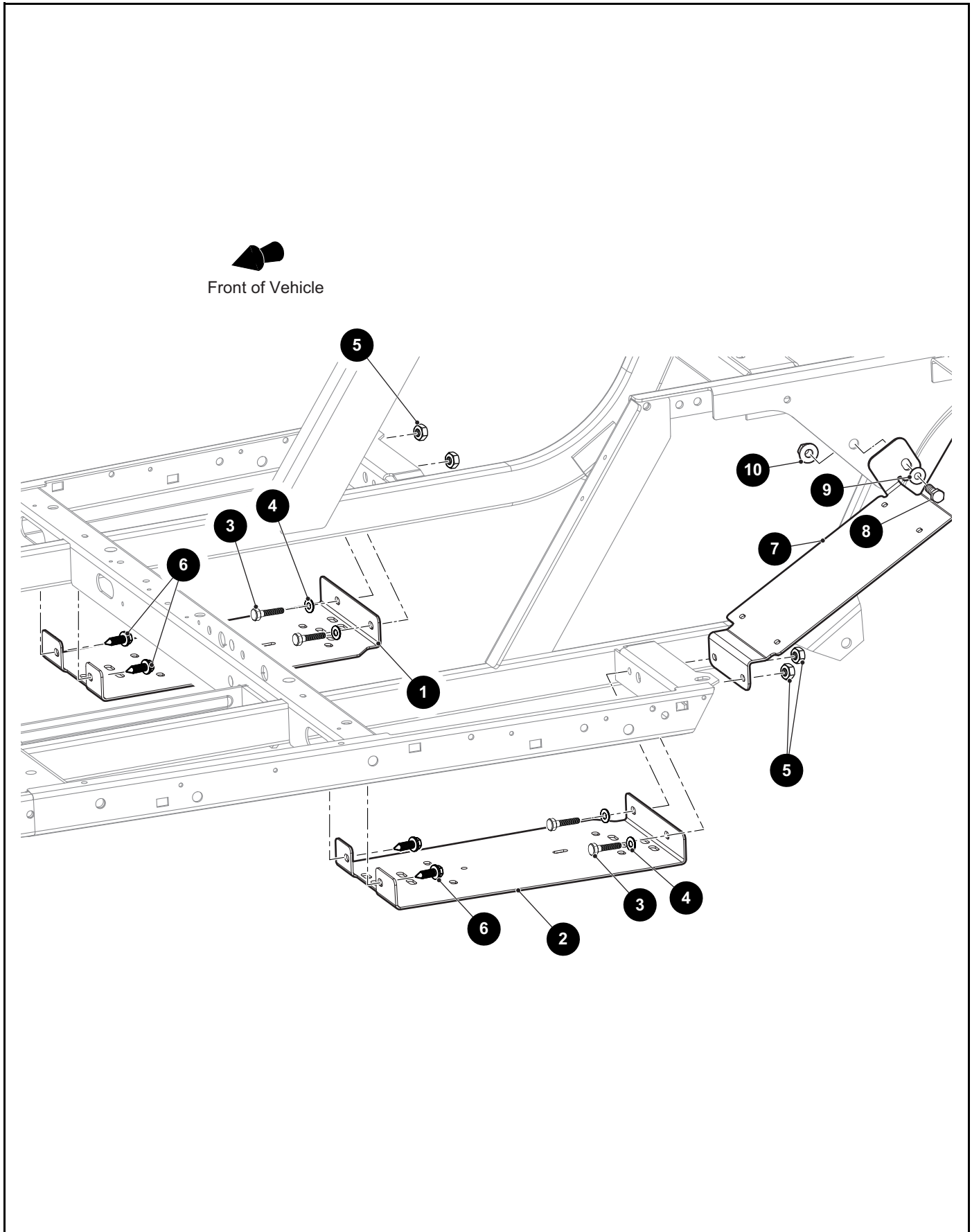
THE USE OF NON U.L. PARTS WILL VOID ANY U.L. LISTING.

When ordering parts, please specify the model and serial number of the product.

* Indicates a component that is not available as an individual part.

*** Indicates consult Customer Service Department for additional information.

ITEM	PART NO.	1 2 3 4 5	DESCRIPTION	QTY.
1	641260		UPPER FLOOR PANEL.....	1
2	14601G11		RIVET (ALUMINUM), 3/16" X .575" LG	7
3	664052G02		FLOOR PANEL (LOWER)	1
4	14601G11		RIVET (ALUMINUM), 3/16" X .575" LG	6
5				
6	665025		ACCESS COVER (MICRO SWITCH)	1
7	664735		FLOORBOARD SPACER	2
8				
9	653010		BASE PLATE	1
10	74365G01		GUN HOLDER MOUNTING	1
11	00114G6		HEX WASHER HEAD SCREW, 1/4" - 14 X 3/4" LG	3
12	800385		FLANGED HEX HEAD BOLT, 3/8" - 16 X 3/4" LG	1
13	11027G5		FLANGED LOCK NUT, 3/8" - 16	1



THE USE OF NON U.L. PARTS WILL VOID ANY U.L. LISTING.

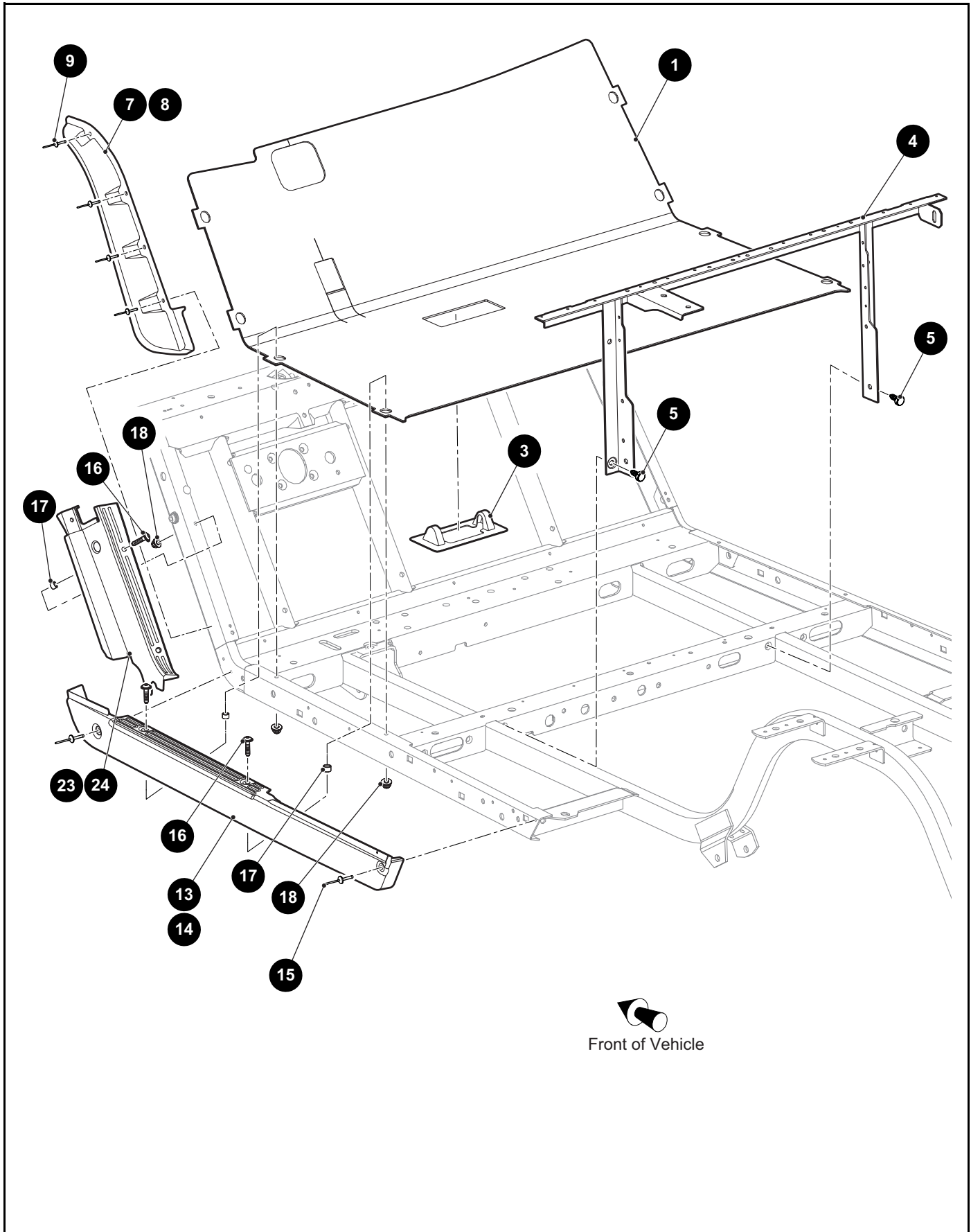
When ordering parts, please specify the model and serial number of the product.

* Indicates a component that is not available as an individual part.

*** Indicates consult Customer Service Department for additional information.

ITEM	PART NO.	1 2 3 4 5	DESCRIPTION	QTY.
1	652443G103		BATTERY TRAY BRACKET (DRIVER SIDE)	1
2	652443G203		BATTERY TRAY BRACKET (PASSENGER SIDE)	1
3	00439G2		HEX HEAD BOLT, 5/16" - 18 X 1.25" LG	4
4	00559G8		FLAT WASHER, 5/16"	4
5	11098G6		LOCK NUT, 5/16" - 18	4
6	00715G2		HEX HEAD SCREW, 5/16" - 18 X .8" LG	4
7	633627		BATTERY CHARGER BRACKET	1
8	00426G8		HEX HEAD BOLT, 3/16" - 16 X 1" LG	1
9	00643G1		FLAT WASHER, 3/8" - 16	1
10	11027G5		FLANGED LOCK NUT, 3/16"	1

BODY



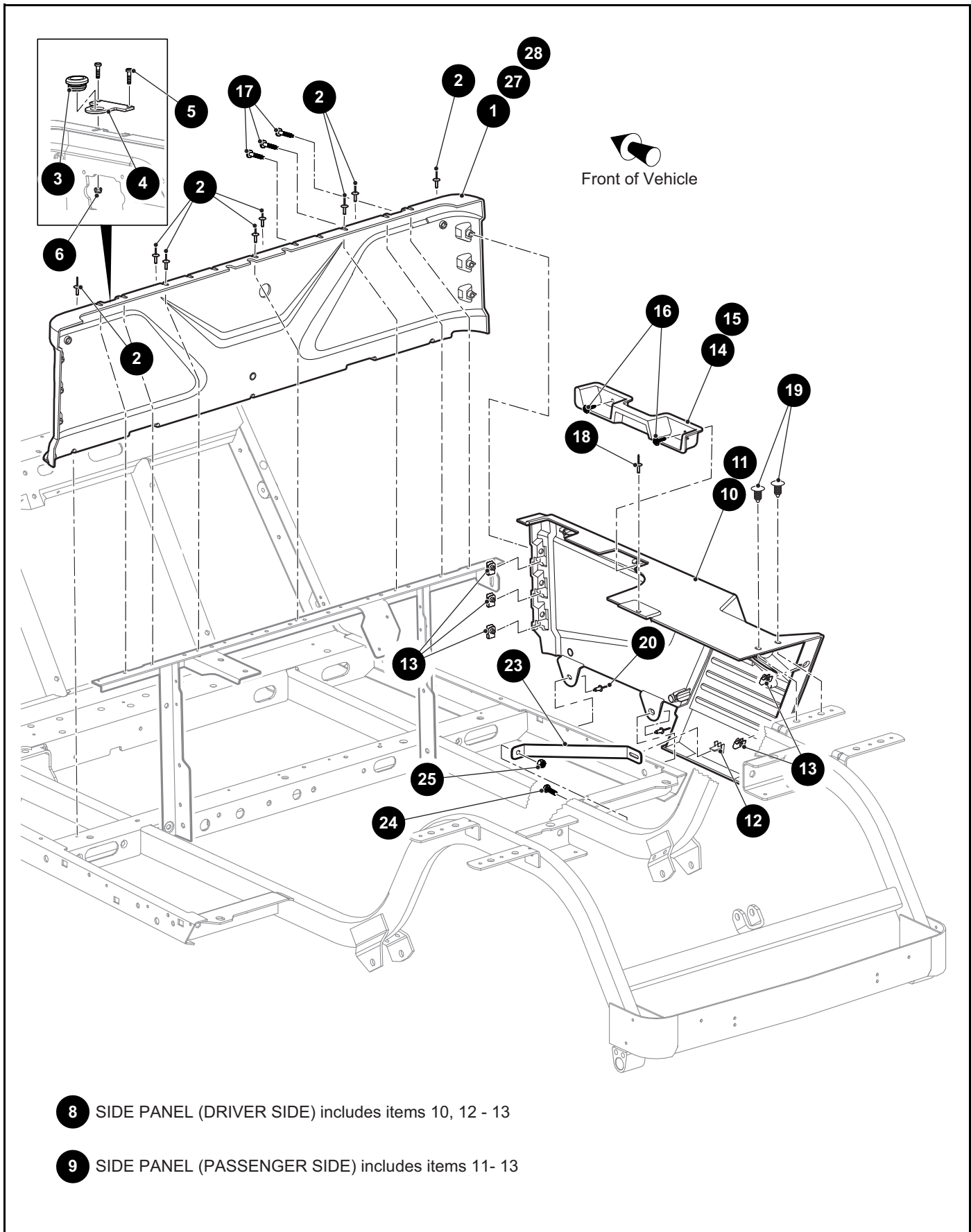
THE USE OF NON U.L. PARTS WILL VOID ANY U.L. LISTING.

When ordering parts, please specify the model and serial number of the product.

* Indicates a component that is not available as an individual part.

*** Indicates consult Customer Service Department for additional information.

ITEM	PART NO.	1 2 3 4 5	DESCRIPTION	QTY.
1	651764G01		UPPER FLOOR MAT	1
2				
3	70135G01		PEDAL PIVOT COVER	1
4	70441G01		SEAT FRAME	1
5	00715G2		HEX WASHER HEAD SCREW, 5/16" - 18 X .8" LG	2
6				
7	654611G01		LARGE FRONT FENDER FLARE (DRIVER SIDE)	1
8	654611G02		LARGE FRONT FENDER FLARE (PASSENGER SIDE)	1
9	71055G02		RIVET (ALUMINUM), 3/16" X 1.18" LG	4
10				
11				
12				
13	615239		ROCKER PANEL (DRIVER SIDE)	1
14	617333		ROCKER PANEL (PASSENGER SIDE)	1
15	15058G6		RIVET (ALUMINUM), 3/16" X .95" LG	2
16	645323		PAN WASHER HEAD TORX SCREW, M6 - 1 X 23.4MM LG	4
17	23726G4		SPACER, .5" O.D. X .38" I.D. X .325" LG	4
18	601476		FLANGED LOCK NUT, M6 - 1	4
19				
20				
21				
22				
23	655917G03		UPPER ROCKER PANEL WITH FENDER FLARE MOUNTING HOLES (DRIVER SIDE)	1
24	655917G04		UPPER ROCKER PANEL WITH FENDER FLARE MOUNTING HOLES (PASSENGER SIDE)	1



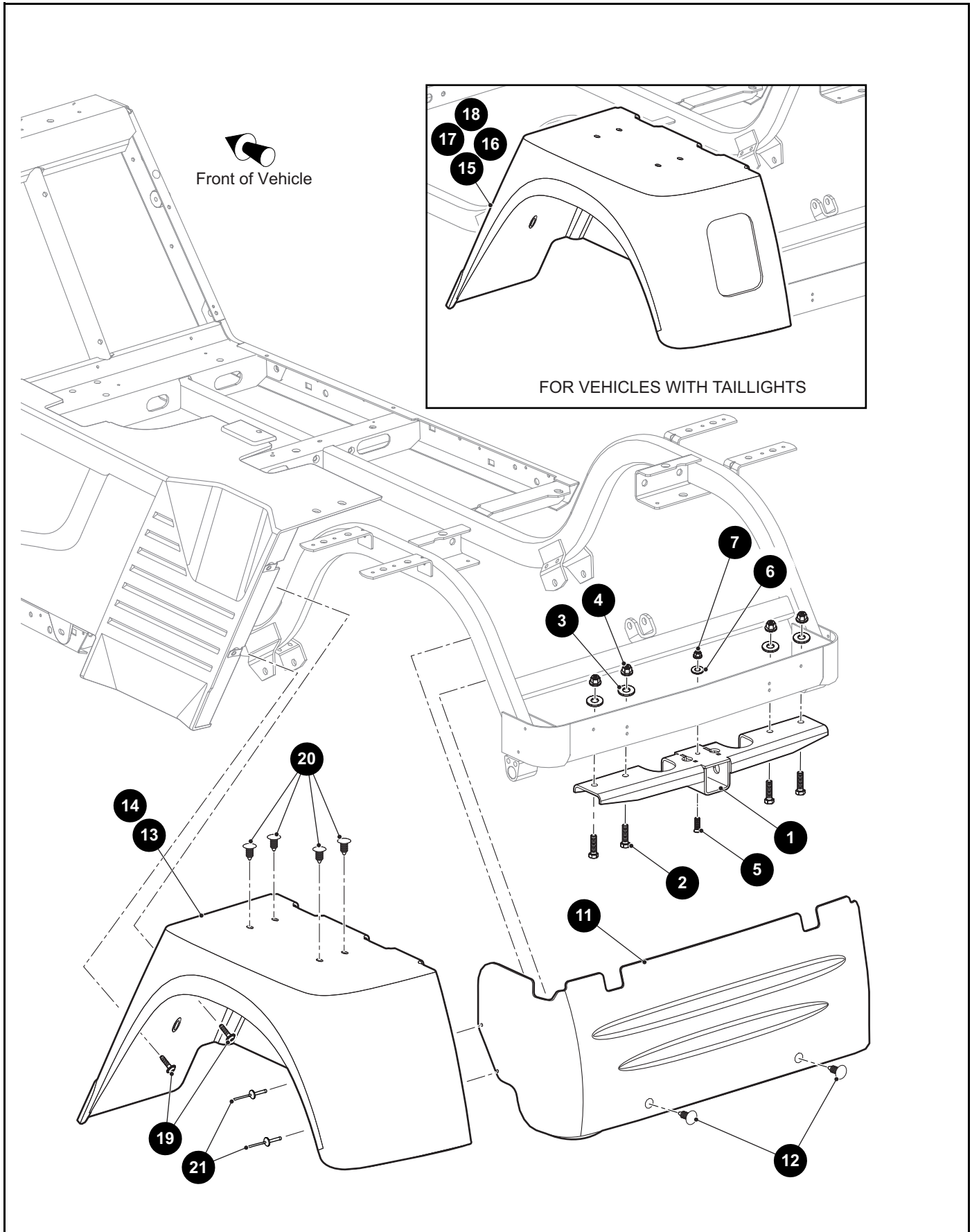
THE USE OF NON U.L. PARTS WILL VOID ANY U.L. LISTING.

When ordering parts, please specify the model and serial number of the product.

* Indicates a component that is not available as an individual part.

*** Indicates consult Customer Service Department for additional information.

ITEM	PART NO.	1 2 3 4 5	DESCRIPTION	QTY.
1	649251G03		SEAT WRAP	1
2	10570G10		RIVET (SS), 5/32" X .55" LG	8
3	638668		SEAT RETENTION GROMMET	2
4	642136		SEAT RETENTION BRACKET	1
5	800296		PAN HEAD PHILLIPS SCREW, #10 - 24 X 3/4" LG	2
6	14390G10		LOCK NUT, #10 - 24	2
7				
8	652716G01		SIDE PANEL (DRIVER SIDE) (INCLUDES ITEMS 10, 12 - 13)	1
9	652716G02		SIDE PANEL (PASSENGER SIDE) (INCLUDES ITEMS 11 - 13)	1
10	649388G01		SIDE PANEL (DRIVER SIDE)	1
11	649388G02		SIDE PANEL (PASSENGER SIDE)	1
12	602184		TRIM CLIP	1
13	602409		BARREL CLIP, M6 - 1	5
14	649657G01		HIP RESTRAINT CLOSEOUT (DRIVER SIDE)	1
15	649657G02		HIP RESTRAINT CLOSEOUT (PASSENGER SIDE)	1
16	613373		PAN HEAD TAPPING SCREW, M4.5 - 1.6 X 22MM LG	2
17	634161		BUTTON HEAD TORX SCREW, M6 - 1 X 30MM LG	6
18	10570G10		RIVET (SS), 5/32" X .55" LG	1
19	16816G2		RATCHET RIVET, .25" X .887"	2
20	10570G12		RIVET (ALUMINUM), 1/4" X .625"	2
21				
22				
23	655654		SIDE PANEL MOUNT BRACKET	1
24	00438G8		HEX HEAD BOLT, 5/16" - 18 X 1" LG	1
25	11098G6		LOCK NUT, 5/16"	1
26				
27	649251G04		SEAT WRAP (FOR CE VEHICLES)	1
28	649251G05		SEAT WRAP	1



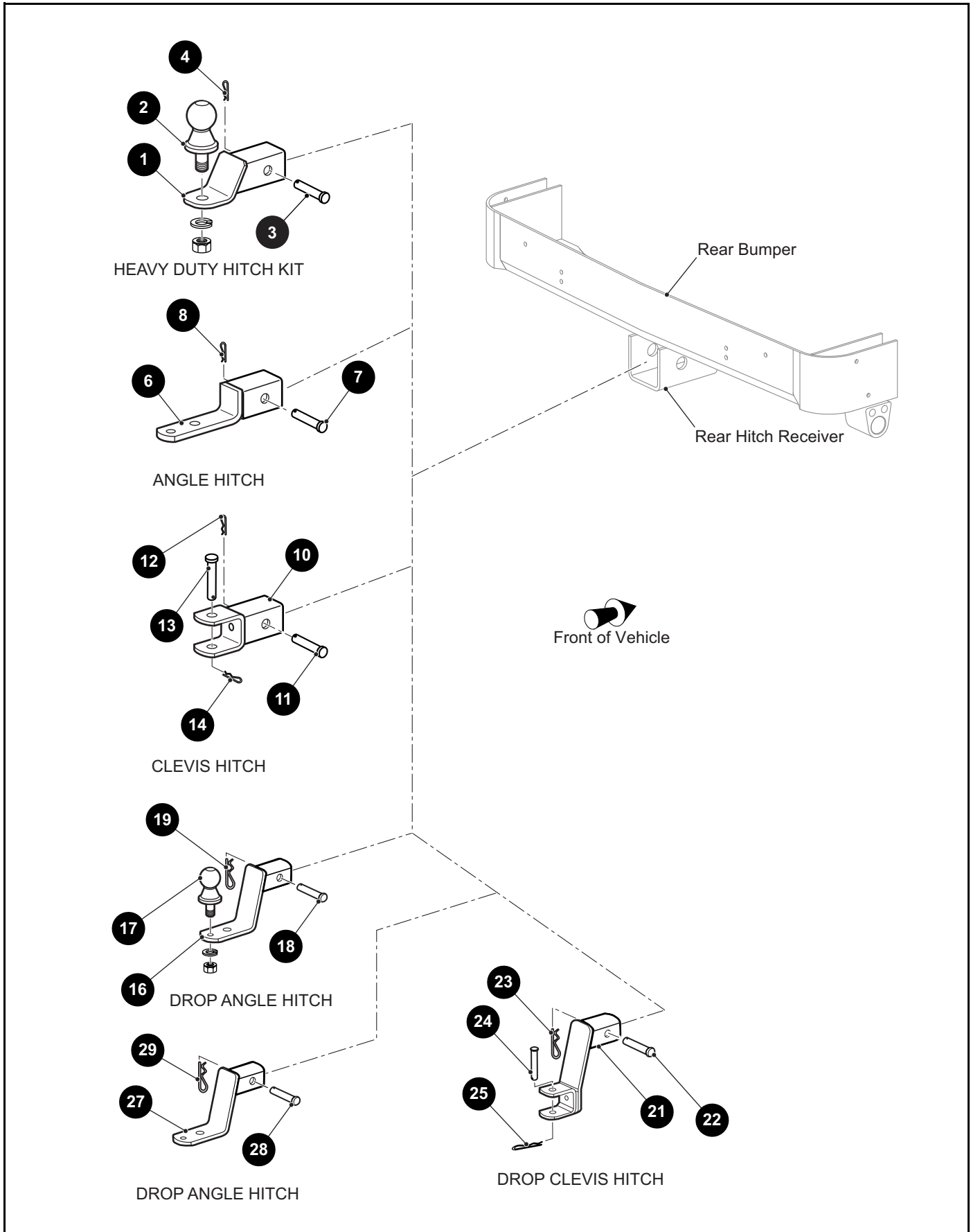
THE USE OF NON U.L. PARTS WILL VOID ANY U.L. LISTING.

When ordering parts, please specify the model and serial number of the product.

* Indicates a component that is not available as an individual part.

*** Indicates consult Customer Service Department for additional information.

ITEM	PART NO.	1 2 3 4 5	DESCRIPTION	QTY.
1	647080		HITCH RECEIVER	1
2	00463G4		HEX HEAD BOLT, 7/16" - 14 X 1 1/2" LG	4
3	00922G3		FLAT WASHER, 7/16"	4
4	00734G1		LOCK NUT, 7/16" - 14	4
5	00198G8		FLAT HEAD MACHINE SCREW, 5/16" - 18 X 1" LG	1
6	00571G2		FLAT WASHER, 5/16"	1
7	11098G6		LOCK NUT, 5/16" - 18	1
8				
9				
10				
11	74890G01		REAR VALANCE PANEL	1
12	16816G2		RATCHET RIVET, .25" X .887"	2
13	74892G01		REAR FENDER WITHOUT TAILLIGHT (DRIVER SIDE)	1
14	74892G02		REAR FENDER WITHOUT TAILLIGHT (PASSENGER SIDE)	1
15	74892G03		REAR FENDER WITH TAILLIGHT (DRIVER SIDE)	1
16	74892G04		REAR FENDER WITH TAILLIGHT (PASSENGER SIDE)	1
17	625170G01		REAR FENDER WITH TAILLIGHT (4 PASSENGER) (DRIVER SIDE)	1
18	625170G02		REAR FENDER WITH TAILLIGHT (4 PASSENGER) (PASSENGER SIDE) ..	1
19	612635		PAN WASHER HEAD TORX SCREW, M6 - 1 X 20MM LG	2
20	16816G2		RATCHET RIVET, .25" X .887"	4
21	71055G01		RIVET (ALUMINUM), 3/16" X 1 1/8" LG	2



THE USE OF NON U.L. PARTS WILL VOID ANY U.L. LISTING.

When ordering parts, please specify the model and serial number of the product.

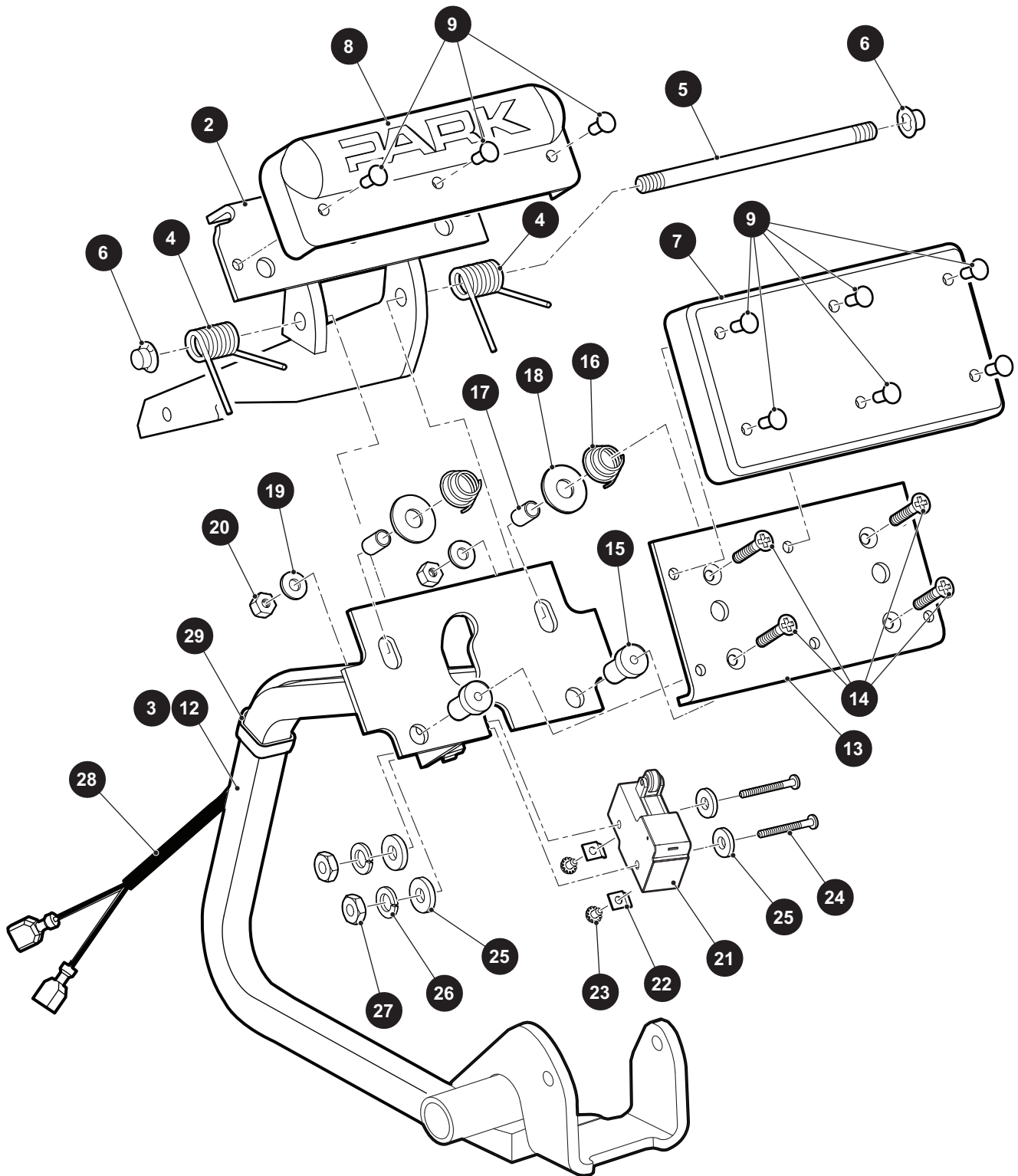
* Indicates a component that is not available as an individual part.

*** Indicates consult Customer Service Department for additional information.

ITEM	PART NO.	1 2 3 4 5	DESCRIPTION	QTY.
1	646730		HEAVY DUTY HITCH.....	1
2	31757G1		HITCH BALL, 1 7/8"	1
3	21317G1		CLEVIS PIN, 5/8" X 3" LG.....	1
4	21683G1		COTTER PIN, 15/32" X 2 1/16" LG.....	1
5				
6	646729		ANGLE HITCH	1
7	21317G1		CLEVIS PIN, 5/8" X 3" LG.....	1
8	21683G1		COTTER PIN, 15/32" X 2 1/16" LG.....	1
9				
10	646727		CLEVIS HITCH	1
11	21317G1		CLEVIS PIN, 5/8" X 3" LG.....	1
12	21683G1		COTTER PIN, 15/32" X 2 1/16" LG.....	1
13	14443G10		CLEVIS PIN, 1/2" X 3" LG.....	1
14	19314G1		COTTER PIN, 5/2" LG	1
15				
16	646743		DROP ANGLE HITCH.....	1
17	31757G1		HITCH BALL, 1 7/8"	1
18	21317G1		CLEVIS PIN, 5/8" X 3" LG.....	1
19	21683G1		COTTER PIN, 15/32" X 2 1/16" LG.....	1
20				
21	646744		DROP CLEVIS HITCH.....	1
22	21317G1		CLEVIS PIN, 5/8" X 3" LG.....	1
23	21683G1		COTTER PIN, 15/32" X 2 1/16" LG.....	1
24	14443G10		CLEVIS PIN, 1/2" X 3" LG.....	1
25	19314G1		COTTER PIN, 5/2" LG	1
26				
27	646731		DROP ANGLE HITCH.....	1
28	21317G1		CLEVIS PIN, 5/8" X 3" LG.....	1
29	21683G1		COTTER PIN, 15/32" X 2 1/16" LG.....	1

BRAKES

- 1 BRAKE PEDAL ASSEMBLY (WITHOUT LIGHT) includes items 2 - 9
- 11 BRAKE PEDAL ASSEMBLY (WITH LIGHT) includes items 2, 4 - 9, 12 - 29



BRAKES

THE USE OF NON U.L. PARTS WILL VOID ANY U.L. LISTING.

When ordering parts, please specify the model and serial number of the product.

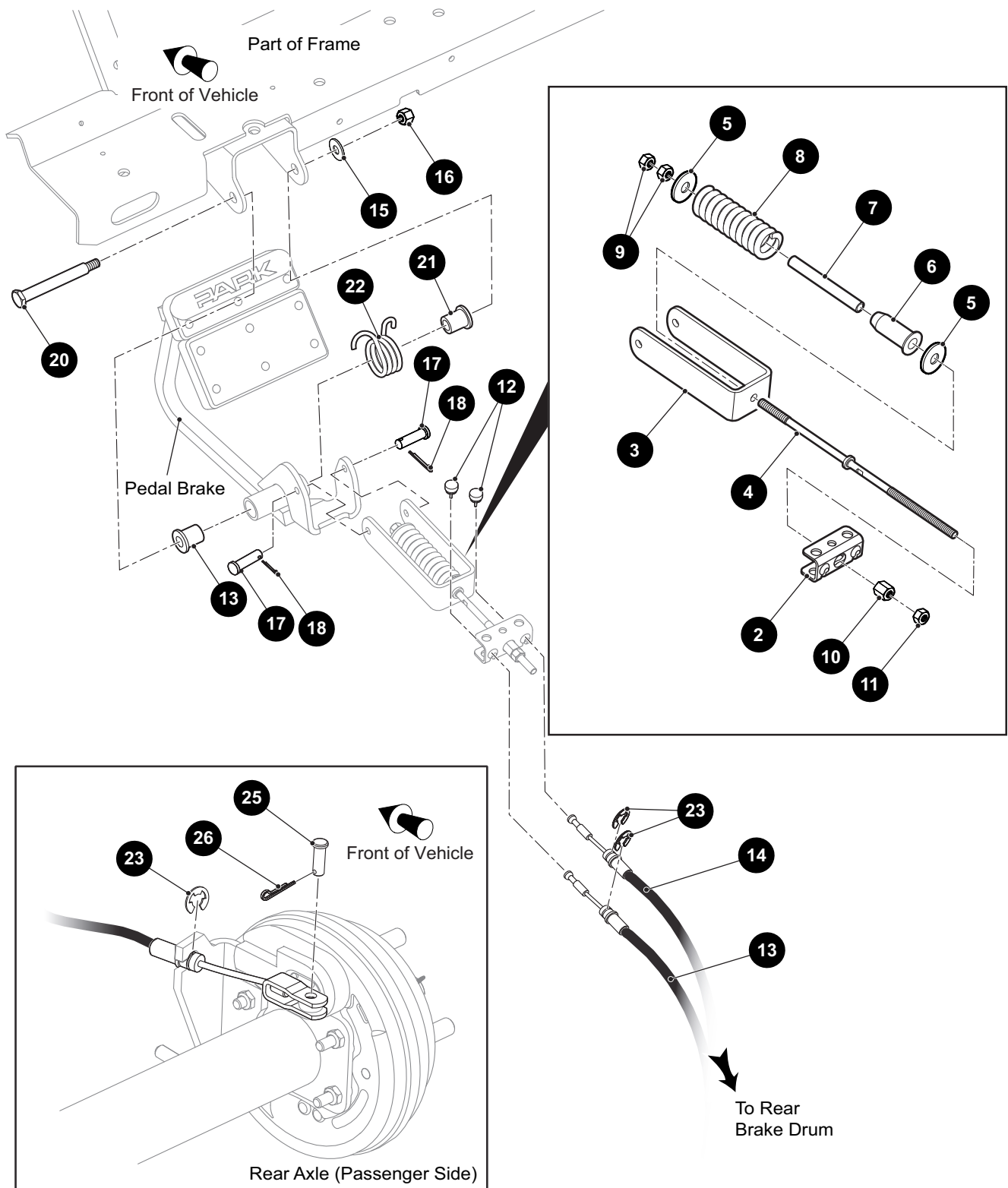
* Indicates a component that is not available as an individual part.

*** Indicates consult Customer Service Department for additional information.

ITEM	PART NO.	1 2 3 4 5	DESCRIPTION	QTY.
1	651213G01		BRAKE PEDAL ASSEMBLY (WITHOUT LIGHT) (INCLUDES ITEMS 2 - 9)	1
2	652253G03		PARK BRAKE PEDAL WELDMENT	1
3	651207G0003		BRAKE PEDAL WELDMENT (WITHOUT LIGHTS)	1
4	70681G01		TORSION SPRING	2
5	70682G01		PIVOT PIN, .314" DIA X 5.25" LG	1
6	658825		PUSH NUT, 5/16" - 24	2
7	70257G01		BRAKE PAD	1
8	70256G01		PARK BRAKE PAD	1
9	16409G1		OVAL RIVET, .375" X .468" LG	9
10				
11	651213G02		BRAKE PEDAL ASSEMBLY (WITH LIGHT) (INCLUDES ITEMS 2, 4 - 9, 12 - 29)	1
12	651207G0103		BRAKE PEDAL (WITH LIGHTS)	1
13	652820		BRAKE PEDAL PLATE	1
14	00737G8		FLAT HEAD PHILLIPS SCREW, #10 - 24 X .875" LG	4
15	00739G1		WELL NUT (RUBBER), #10 - 24	2
16	27137G01		CONICAL SPRING	2
17	652355		BRAKE PEDAL SPACER	2
18	00642G8		FLAT WASHER, 5/16"	2
19	00559G5		FLAT WASHER, #10	2
20	14390G10		LOCK NUT, #10 - 24	2
21	10606G8		MICRO SWITCH	1
22	14628G1		FASTON TAB	2
23	13514G1		PAN HEAD PHILLIPS SCREW WITH INTERNAL TOOTH LOCK WASHER, #6 - 32 X .22" LG	2
24	00645G2		PAN HEAD PHILLIPS SCREW, #6 - 32 X 1.25" LG	2
25	00559G3		FLAT WASHER, #6	4
26	00565G3		LOCK WASHER, #6	2
27	00525G5		LOCK NUT, #6 - 32	2
28	24605G1		WIRE HARNESS (BRAKE LIGHT)	1
29	17618G1		NYLON CLAMP, 8" LG	2

BRAKES

1 COMPENSATOR ASSEMBLY (2 WHEEL DRUM BRAKES) includes items 2 - 14



THE USE OF NON U.L. PARTS WILL VOID ANY U.L. LISTING.

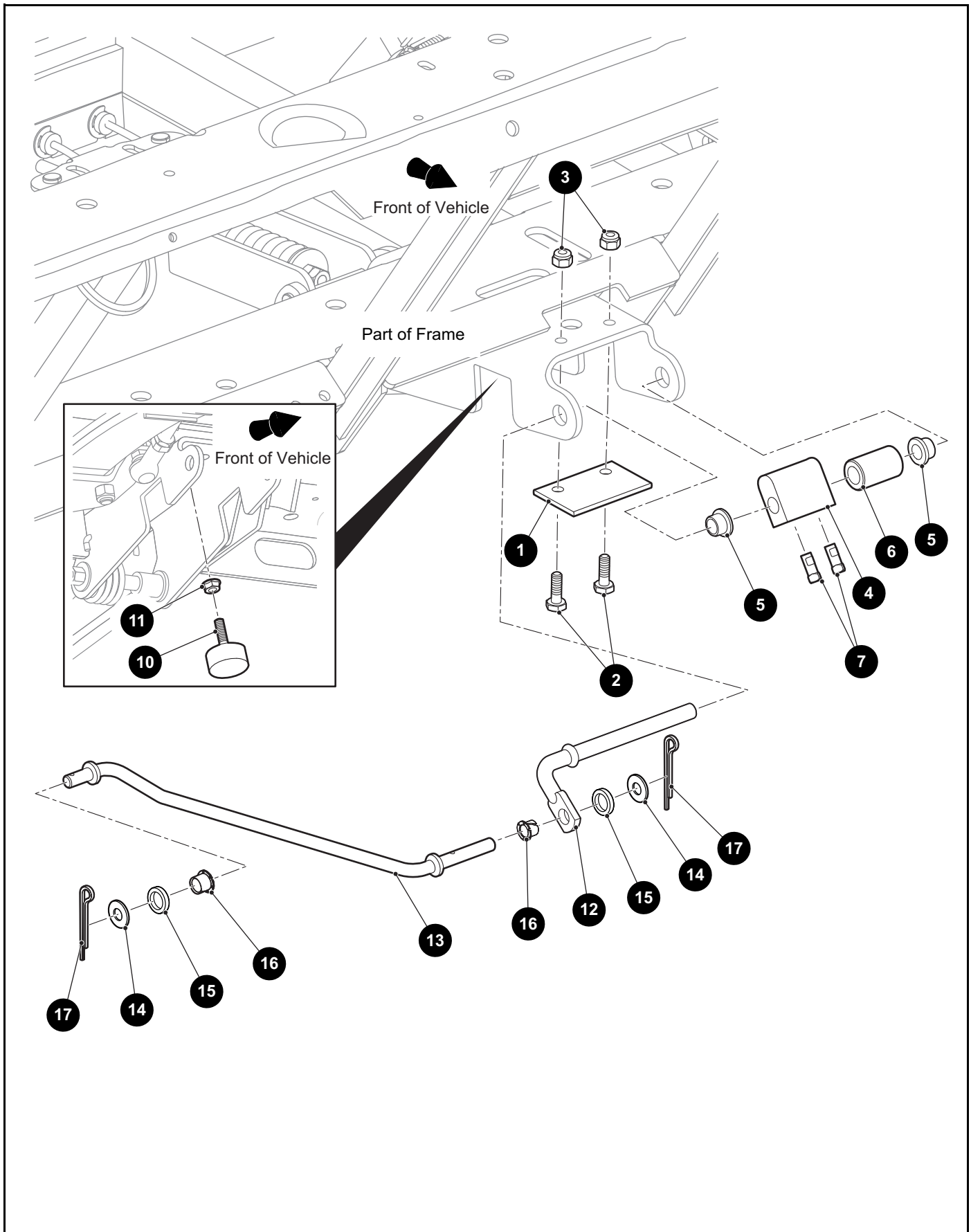
When ordering parts, please specify the model and serial number of the product.

* Indicates a component that is not available as an individual part.

*** Indicates consult Customer Service Department for additional information.

ITEM	PART NO.	1 2 3 4 5	DESCRIPTION	QTY.
1	651204G04		COMPENSATOR ASSEMBLY (2 WHEEL DRUM BRAKES) (INCLUDES ITEM 2 - 14)	1
2	651072		BRAKE DRUM EQUALIZER	1
3	651070		BRAKE DRUM YOKE	1
4	612557		COMPENSATOR LINK ROD, 10.5" LG	1
5	15121G1		FLAT WASHER, 3/8"	2
6	17979G1		BUSHING, .464" I.D. X 1" O.D. X 2" LG	1
7	23061G2		TUBE, .315" I.D. X .44" O.D. X 3.66" LG	1
8	23463G1		COMPRESSION SPRING, 1.28" DIA X 4.06" LG	1
9	00532G4		HEX NUT, 5/16" - 24	2
10	629486		SPHERICAL HEX NUT, 5/16"- 24	1
11	11098G9		HEX LOCK NUT, 5/16" - 24	1
12	28083G01		COMPENSATOR BUMPER, .56" DIA	2
13	624700		BRAKE CABLE, 47.31" LG	1
14	624698		BRAKE CABLE, 57.81" LG	1
15	00643G1		FLAT WASHER, 3/8"	1
16	11098G5		LOCK NUT, 3/8" - 16	1
17	10386G3		CLEVIS PIN, .313" X .84" LG	2
18	10387G3		COTTER PIN, .094" X .75"	2
19				
20	70582G01		SHOULDER BOLT, .495 DIA X 3/8" - 16 THREAD X 3.406" LG.....	1
21	70581G01		BUSHING (ACETAL), .51" I.D. X .795" O.D. X .75" LG	2
22	70676G01		TORSION SPRING, 1.34" DIA.....	1
23	01111G01		RETAINING RING, .8" O.D. X .39" I.D. X .42" LG	4
24				
25	10386G3		CLEVIS PIN, .313" X .84" LG	2
26	10387G3		COTTER PIN, .094" X .75"	2
27				
28	12416G2		WEDGE CLAMP (NYLON), 11.8" LG (NOT ILLUSTRATED)	5

BRAKES



BRAKES

THE USE OF NON U.L. PARTS WILL VOID ANY U.L. LISTING.

When ordering parts, please specify the model and serial number of the product.

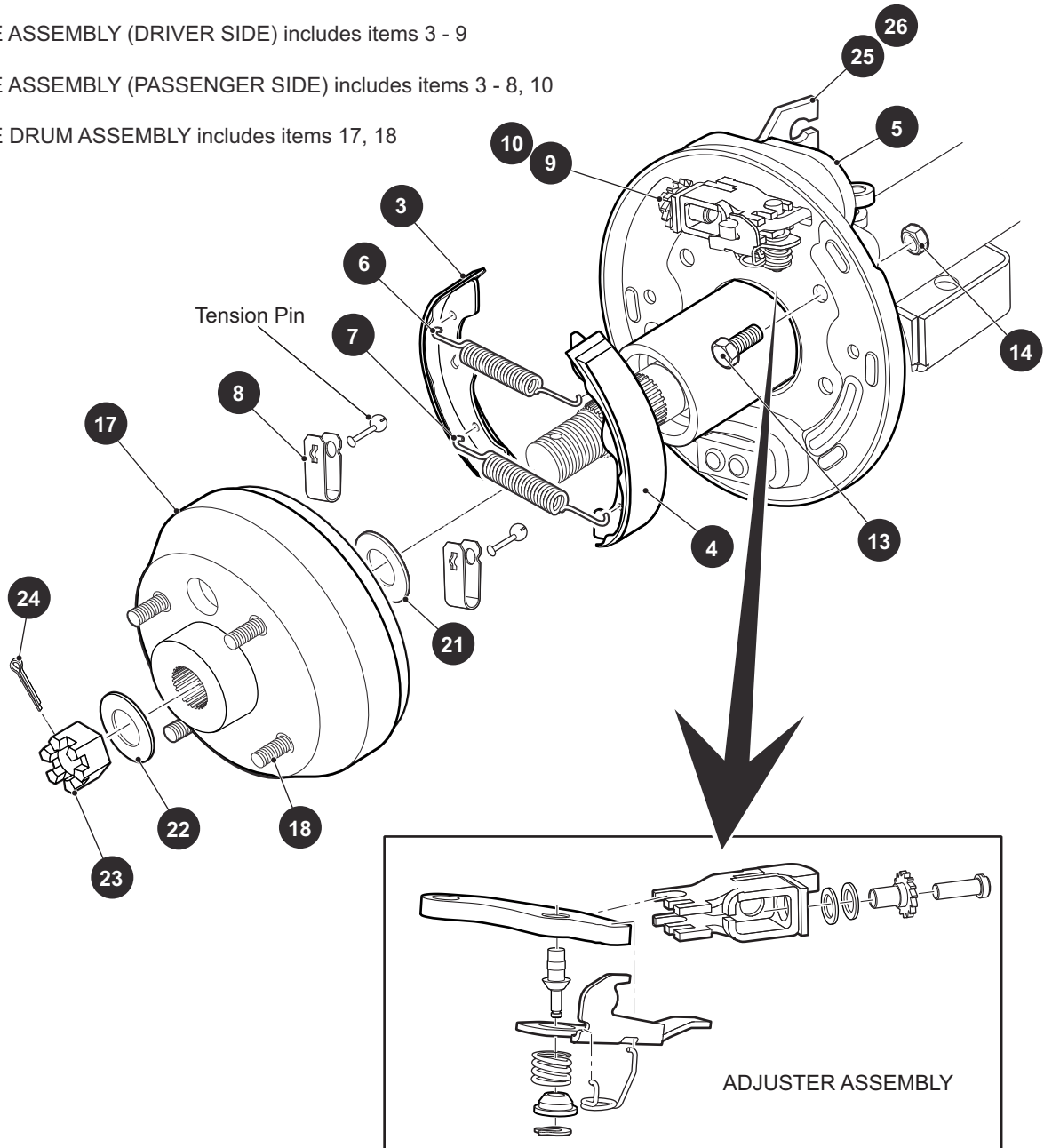
* Indicates a component that is not available as an individual part.

*** Indicates consult Customer Service Department for additional information.

ITEM	PART NO.	1 2 3 4 5	DESCRIPTION	QTY.
1	70080G02		HILL BRAKE CATCH BRACKET	1
2	00414G6		HEX HEAD BOLT, 1/4" - 20 X .75" LG	2
3	14390G4		LOCK NUT, 1/4" - 20	2
4	70587G01		PARK BRAKE CAM	1
5	10097G6		FLANGED BEARING .502 O.D. X .378 I.D. X .380 LG	2
6	14134G4		SPACER, .76" O.D. X .405" I.D. X 1.25" LG	1
7	71215G01		SQUARE HEAD SET SCREW WITH PATCH LOCK, 1/4" - 20 X .5" LG	2
8				
9				
10	70113G01		ADJUSTABLE RUBBER BUMPER	1
11	11027G1		FLANGED LOCK NUT, 5/16" - 18	1
12	70098G01		KICK-OFF CAM PIVOT	1
13	70601G01		KICK-OFF LINKAGE ROD	1
14	00559G8		FLAT WASHER, 1/4" - 20	2
15	20835G1		WASHER, .62" O.D. X .39" I.D. X .135" LG	2
16	17838G1		BUSHING (NYLINER), .374" O.D. X .313" I.D. X .312" LG	2
17	10387G3		COTTER PIN, .094" X .75"	2

REAR MECHANICAL BRAKES

- 1 BRAKE ASSEMBLY (DRIVER SIDE) includes items 3 - 9
- 2 BRAKE ASSEMBLY (PASSENGER SIDE) includes items 3 - 8, 10
- 16 BRAKE DRUM ASSEMBLY includes items 17, 18



BRAKES

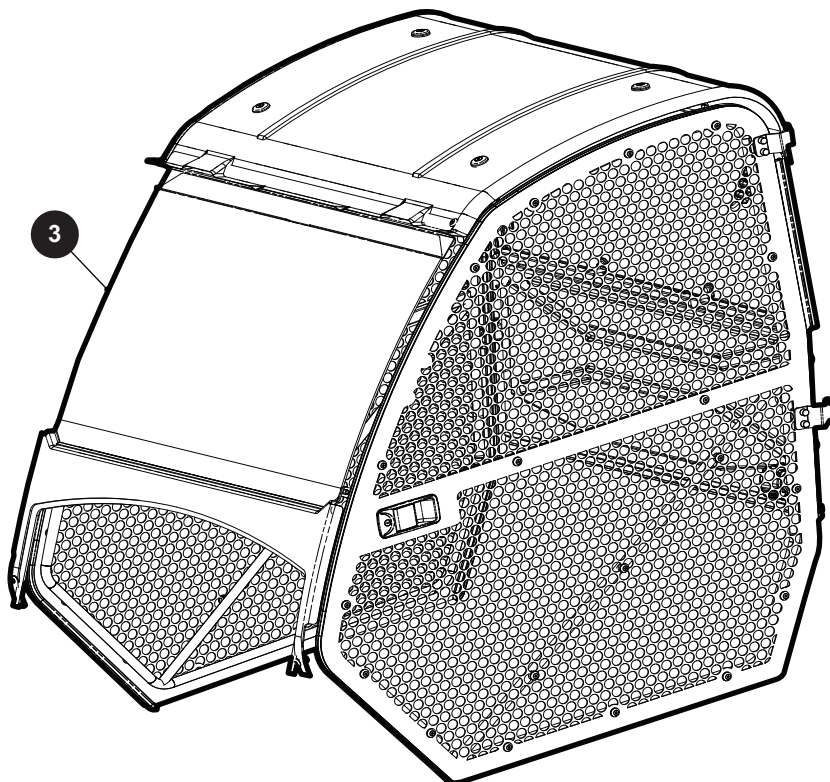
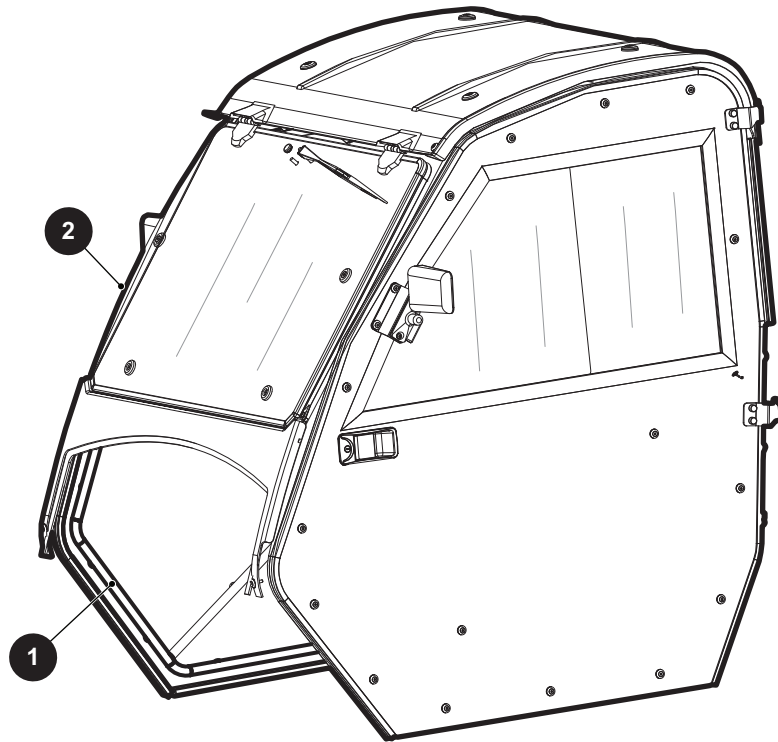
THE USE OF NON U.L. PARTS WILL VOID ANY U.L. LISTING.

When ordering parts, please specify the model and serial number of the product.

* Indicates a component that is not available as an individual part.

*** Indicates consult Customer Service Department for additional information.

ITEM	PART NO.	1 2 3 4 5	DESCRIPTION	QTY.
1	612211		BRAKE ASSEMBLY (DRIVER SIDE) (INCLUDES ITEMS 3 - 9)	1
2	612189		BRAKE ASSEMBLY (PASSENGER SIDE) (INCLUDES ITEMS 3 - 8, 10)	1
3	612411		BRAKE SHOE, LEADING	1
4	612412		BRAKE SHOE, TRAILING	1
5	612413		DUST COVER	1
6	612415		BRAKE SPRING, TOP	1
7	612414		BRAKE SPRING, BOTTOM	1
8	612416		SHOE CLAMP	2
9	612418		GEAR ADJUSTER (DRIVER SIDE)	1
10	612417		GEAR ADJUSTER (PASSENGER SIDE)	1
11				
12				
13	17083G2		HEX HEAD BOLT, 5/16" - 24 X 1" LG	8
14	15126G1		LOCK NUT, 5/16" - 24	8
15				
16	21807G2		BRAKE DRUM ASSEMBLY (INCLUDES ITEMS 17, 18)	2
17	20947G1		BRAKE DRUM	1
18	19862G2		LUG BOLT, 1/2" - 20 X 1 3/16" LG	4
19				
20				
21	21809G1		FLAT WASHER, INNER WHEEL RIM, 1.31" O.D. X .85" I.D.	2
22	21830G1		FLAT WASHER - BRAKE DRUM, 1.5" O.D. X .76" I.D.	2
23	613172		CASTELLATED HEX NUT, 3/4" - 16	2
24	10387G1		COTTER PIN, .125" X 1.50" LG	2
25	652248		BRAKE CABLE BRACKET (PASSENGER SIDE)	1
26	652249		BRAKE CABLE BRACKET (DRIVER SIDE)	1



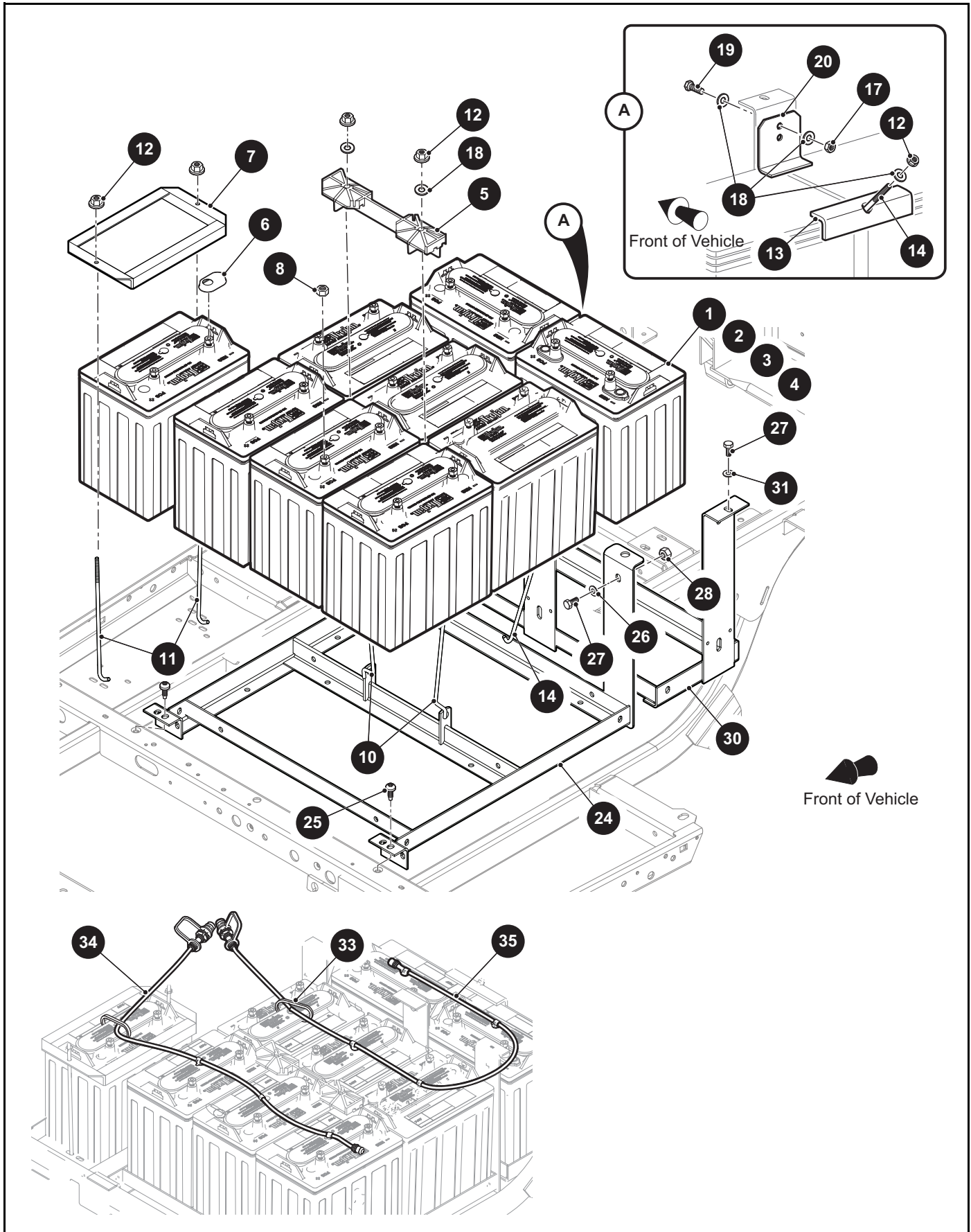
THE USE OF NON U.L. PARTS WILL VOID ANY U.L. LISTING.

When ordering parts, please specify the model and serial number of the product.

* Indicates a component that is not available as an individual part.

*** Indicates consult Customer Service Department for additional information.

ITEM	PART NO.	1 2 3 4 5	DESCRIPTION	QTY.
1	652854		CAB, ROPS KIT	1
2	652855		CAB, UTILITY KIT	1
3	652856		CAB, BALL CAGE KIT	1



THE USE OF NON U.L. PARTS WILL VOID ANY U.L. LISTING.

When ordering parts, please specify the model and serial number of the product.

* Indicates a component that is not available as an individual part.

*** Indicates consult Customer Service Department for additional information.

ITEM	PART NO.	1 2 3 4 5	DESCRIPTION	QTY.
1	614015		8 VOLT BATTERY - T890.....	9
2	612626		8 VOLT BATTERY - T875.....	9
3	614381		8 VOLT BATTERY - T890, HYDROLINK.....	9
4	614382		8 VOLT BATTERY - T875, HYDROLINK.....	9
5	612867		BATTERY RETAINER.....	1
6	631156		TERMINAL PROTECTOR.....	17
7	616229		BATTERY HOLD DOWN WELDMENT.....	1
8	00702G2		HEX NUT, 5/16" - 18.....	18
9				
10	01101G01		TIE DOWN BOLT.....	2
11	70386G01		TIE DOWN BOLT.....	2
12	11027G1		FLANGED LOCK NUT, 5/16" - 18.....	5
13	11841G1		BATTERY HOLD DOWN ANGLE.....	1
14	01087G01		BATTERY HOLD DOWN ROD.....	1
15				
16				
17	11098G6		LOCK NUT, 5/16" - 18.....	1
18	00559G8		FLAT WASHER, 5/16".....	5
19	00438G6		HEX HEAD BOLT, 5/16" - 18 X 5/8" LG.....	1
20	73218G02		BATTERY RETAINER ANGLE.....	1
21				
22				
23				
24	652254G03		FRONT BATTERY RACK.....	1
25	70200G01		TRUSS HEAD TORX SCREW, 3/8" - 16 X 3/4" LG.....	2
26	00559G8		FLAT WASHER, 5/16".....	4
27	00438G6		HEX HEAD BOLT, 5/16" - 18 X 3/4" LG.....	5
28	11098G6		LOCK NUT, 5/16" - 18.....	2
29				
30	652572G03		REAR BATTERY RACK.....	1
31	00565G8		LOCK WASHER, 5/16".....	3

ELECTRICAL

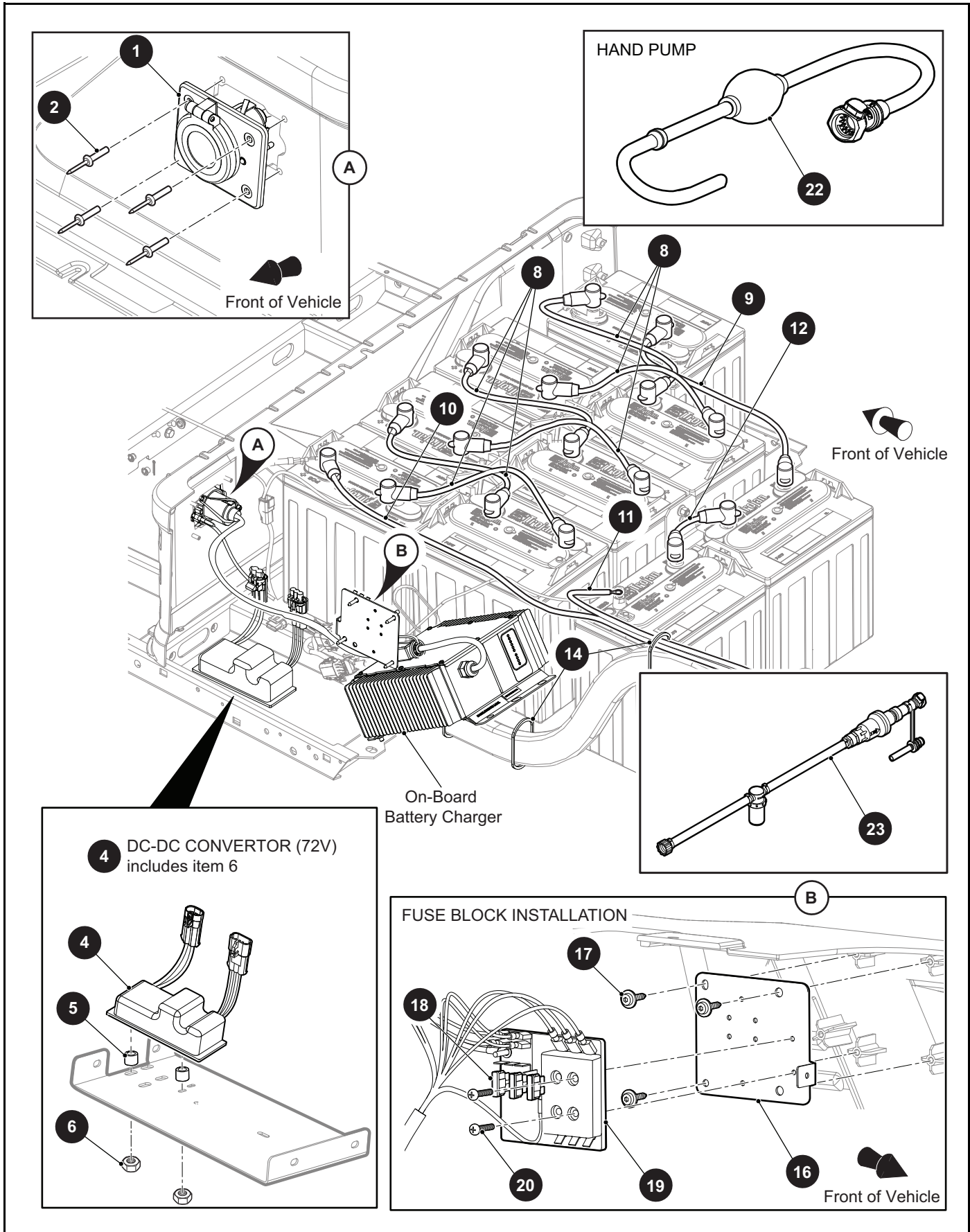
THE USE OF NON U.L. PARTS WILL VOID ANY U.L. LISTING.

When ordering parts, please specify the model and serial number of the product.

* Indicates a component that is not available as an individual part.

*** Indicates consult Customer Service Department for additional information.

ITEM	PART NO.	1	2	3	4	5	DESCRIPTION	QTY.
32								
33	615352						POLYPROPYLENE CLAMP	2
34	624372						HYDROLINK, SNAKE (SHORT)	1
35	624371						HYDROLINK, SNAKE (LONG).....	1



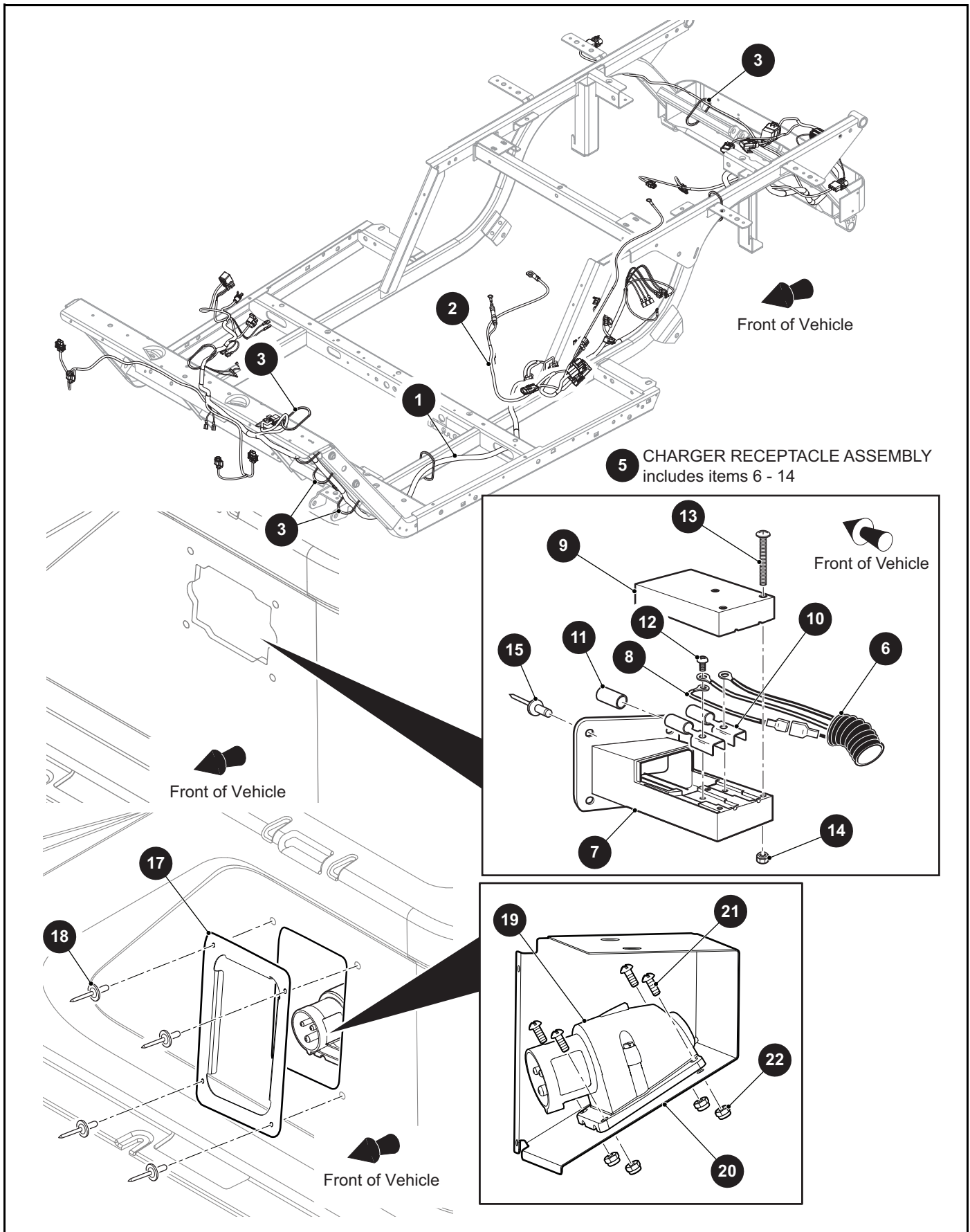
THE USE OF NON U.L. PARTS WILL VOID ANY U.L. LISTING.

When ordering parts, please specify the model and serial number of the product.

* Indicates a component that is not available as an individual part.

*** Indicates consult Customer Service Department for additional information.

ITEM	PART NO.	1 2 3 4 5	DESCRIPTION	QTY.
1	610536		ON-BOARD CHARGER RECEPTACLE	1
2	71055G02		RIVET, 3/16"	4
3				
4	633778		DC-DC CONVERTER (72V) (INCLUDES ITEM 6)	1
5	23726G11		SPACER.....	2
6	*		LOCK NUT, 1/4" - 20	2
7				
8	634270G03		4 GA BATTERY WIRE, 15" LG	6
9	634270G04		4 GA BATTERY WIRE, 22" LG	1
10	634210G08		4 GA BATTERY WIRE, 60" LG	1
11	634210G09		4 GA BATTERY WIRE, 38" LG	1
12	634270G01		4 GA BATTERY WIRE, 6" LG	1
13				
14	31539G1		NYLON CLAMP, 15.5" LG.....	2
15				
16	649890		FUSE BLOCK MOUNTING PLATE.....	1
17	613373		PAN HEAD TORX TAPPING SCREW, M4.8 - 1.6 X 22MM LG	3
18	35212G01		FUSE, 15A	3
19	630034		FUSE PANEL.....	1
20	635806		PAN HEAD PHILLIPS TAPPING SCREW, #10 - 16 X 1" LG.....	2
21				
22	614472		HAND PUMP.....	1
23	614521		REGULATED SUPPLY HOSE, 20FT LG	1



THE USE OF NON U.L. PARTS WILL VOID ANY U.L. LISTING.

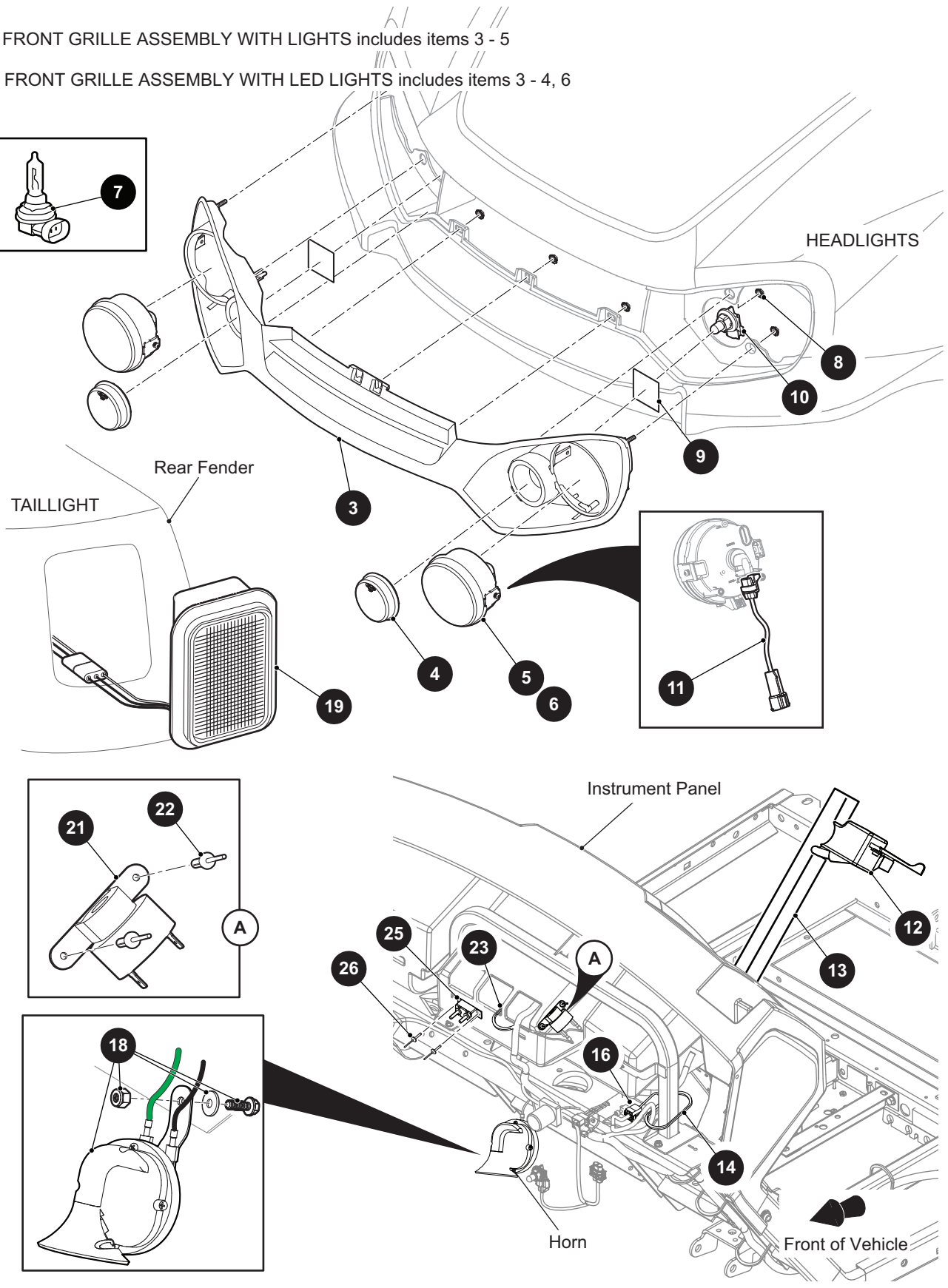
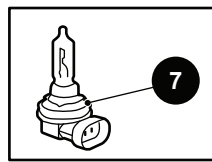
When ordering parts, please specify the model and serial number of the product.

* Indicates a component that is not available as an individual part.

*** Indicates consult Customer Service Department for additional information.

ITEM	PART NO.	1 2 3 4 5	DESCRIPTION	QTY.
1	652030		CONTROL HARNESS	1
2	640264		ON-BOARD CHARGER HARNESS	1
3	31539G1		NYLON CLAMP, 15.5" LG.....	4
4				
5	73063G01		CHARGER RECEPTACLE ASSEMBLY (INCLUDES ITEMS 6 - 14).....	1
6	602594		CHARGER WIRE HARNESS WITH FUSE	1
7	73051G29		CHARGING RECEPTACLE.....	1
8	25978G25		18 GA WIRE (RED)	1
9	*		RECEPTACLE COVER	1
10	*		FEMALE CONNECTOR	2
11	*		INSULATOR SLEEVE	1
12	*		BRASS SCREW, #10 - 32 X 1/2" LG.....	2
13	*		PAN HEAD SCREW (SS), #6 - 32 X 1 3/4" LG	3
14	*		LOCK NUT, #6 - 32.....	3
15	71055G02		ALUMINUM RIVET, 3/16"	4
16				
17	639412		RECEPTACLE COVER PLATE (CE VEHICLES)	1
18	14601G13		ALUMINUM RIVET, 5/32" X 9/16" (CE VEHICLES).....	4
19	638478		AC RECEPTACLE (CE VEHICLES)	1
20	639167		RECEPTACLE BRACKET (CE VEHICLES)	1
21	00379G4		PAN HEAD PHILLIPS SCREW, #10 - 24 X 1/2" LG (CE VEHICLES)	4
22	14390G10		LOCK NUT, #10 - 24 (CE VEHICLES).....	4

- 1 FRONT GRILLE ASSEMBLY WITH LIGHTS includes items 3 - 5
- 2 FRONT GRILLE ASSEMBLY WITH LED LIGHTS includes items 3 - 4, 6



THE USE OF NON U.L. PARTS WILL VOID ANY U.L. LISTING.

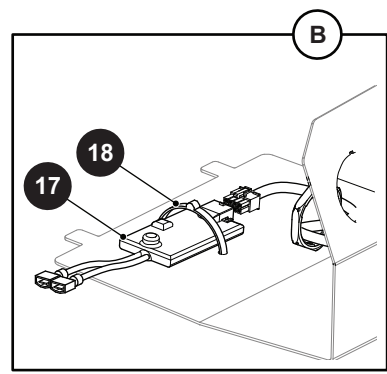
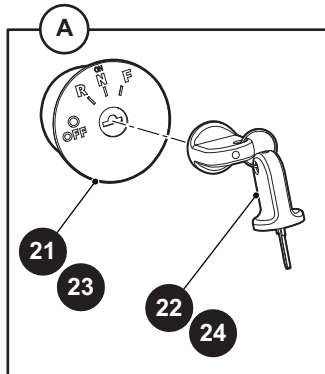
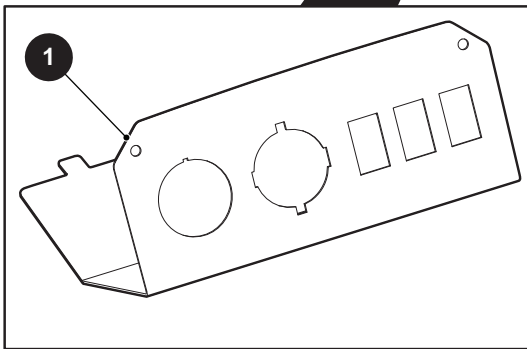
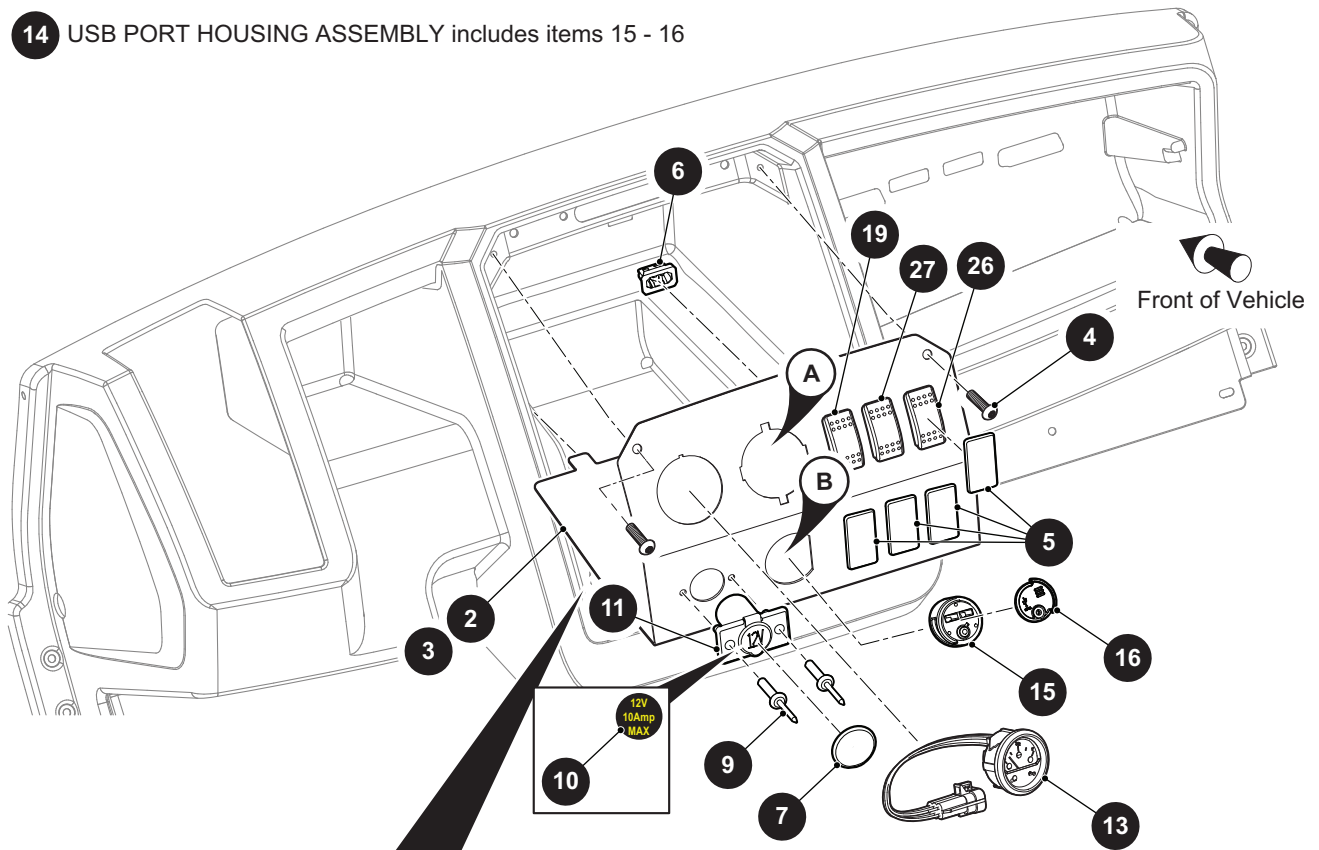
When ordering parts, please specify the model and serial number of the product.

* Indicates a component that is not available as an individual part.

*** Indicates consult Customer Service Department for additional information.

ITEM	PART NO.	1 2 3 4 5	DESCRIPTION	QTY.
1	651698G01		FRONT GRILLE ASSEMBLY WITH LIGHTS (INCLUDES ITEMS 3 - 5)	1
2	651698G03		FRONT GRILLE ASSEMBLY WITH LED LIGHTS (INCLUDES ITEMS 3 - 4, 6)	1
3	648564		FRONT GRILLE	1
4	651437		LENS COVER	1
5	651411G01		HEADLIGHT	1
6	651411G03		LED HEADLIGHT	1
7	619100		HEADLIGHT BULB	1
8	71597G01		SELF THREADING NUT, 5 X 10 X 15MM	9
9	71781G02		VINYL TAPE (FOR VEHICLES WITHOUT TURN SIGNAL LIGHTS)	1
10	619102		TURN SIGNAL BULB	1
11	654465		JUMPER HARNESS, LED HEADLIGHT	1
12	17867G1		TURN SIGNAL SWITCH ASSEMBLY	1
13	20965G3		STEERING COLUMN COVER	1
14	31539G1		NYLON CLAMP, 15.5" LG (NOT ILLUSTRATED).....	2
15				
16	75711G01		JUMPER PLUG (TAILLIGHT)	1
17				
18	32860G1		HORN.....	1
19	32739G3		TAILLIGHT	1
20				
21	613271		REVERSE BUZZER.....	1
22	01041G01		ALUMINUM RIVET, 5/32"	2
23	31539G01		NYLON CLAMP, 15.5" LG.....	1
24				
25	21320G4		15AMP CIRCUIT BREAKER, 24V (ELECTRIC BED LIFT OPTION).....	1
26	01041G01		RIVET (BULBEX), 5/32".....	2

14 USB PORT HOUSING ASSEMBLY includes items 15 - 16



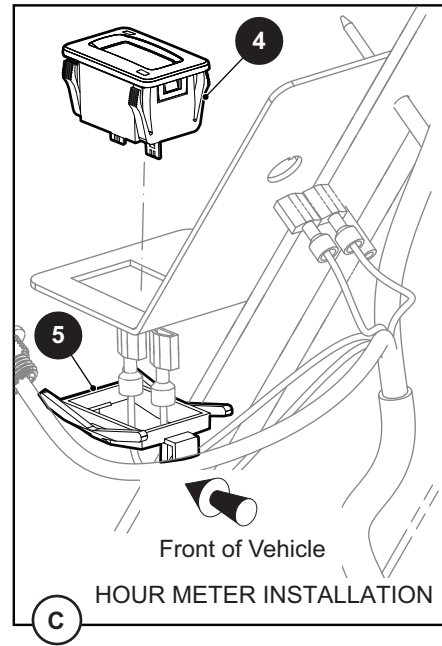
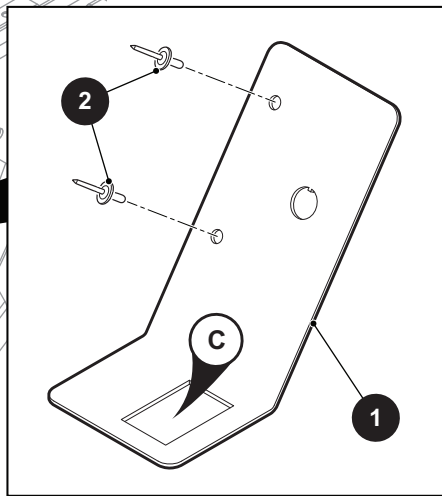
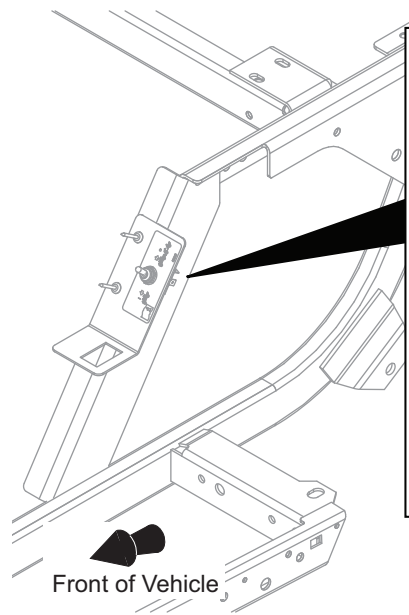
THE USE OF NON U.L. PARTS WILL VOID ANY U.L. LISTING.

When ordering parts, please specify the model and serial number of the product.

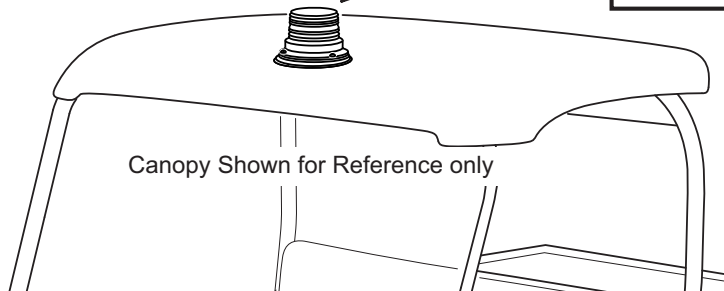
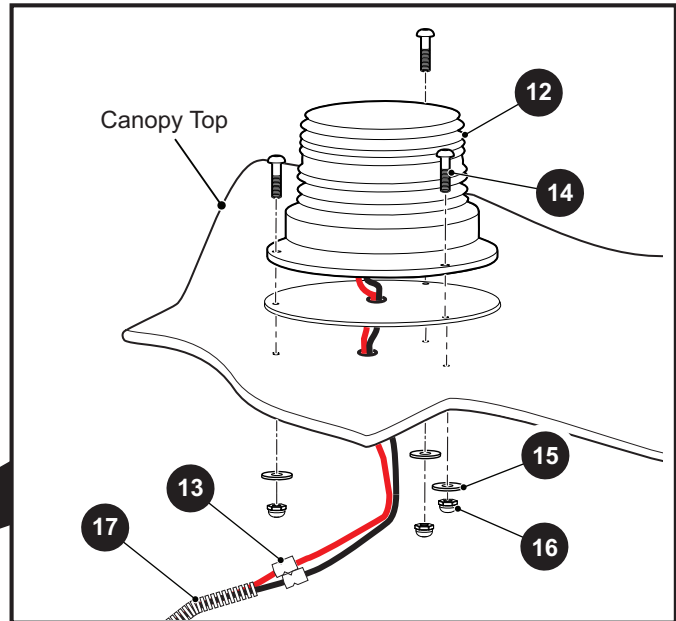
* Indicates a component that is not available as an individual part.

*** Indicates consult Customer Service Department for additional information.

ITEM	PART NO.	1 2 3 4 5	DESCRIPTION	QTY.
1	652987G01		GAUGE PANEL (KEY, FUEL/SOC).....	1
2	652987G02		GAUGE PANEL (KEY, FUEL/SOC, 12V OUTLET)	1
3	652987G03		GAUGE PANEL (KEY, 12V OUTLET, USB, FUEL/SOC).....	1
4	649803		PAN HEAD TORX SCREW, M6 - 2.65 X 25MM LG.....	2
5	627035		PLUG	4
6	602184		CLIP	2
7	20271G10		HOLE PLUG, DIA 1.125"	1
8				
9	71055G01		ALUMINUM RIVET, 3/16" X 1" LG	2
10	637067		12V POWER OUTLET LABEL (CE VEHICLES).....	1
11	71078G01		12V POWER OUTLET	1
12				
13	631656		STATE OF CHARGE METER	1
14	639384		USB PORT HOUSING ASSEMBLY (INCLUDES ITEMS 15 - 16)	1
15	639383		USB PORT HOUSING.....	1
16	639382		USB PORT LID.....	1
17	638233		USB ELECTRONICS	1
18	17618G1		NYLON CLAMP, 8" LG.....	1
19	651897G01		HORN SWITCH	1
20				
21	611283		KEYSWITCH	1
22	611282		KEY SET (COMMON).....	1
23	609682		KEYSWITCH.....	1
24	609693		KEY SET (UNIQUE).....	1
25				
26	651897G04		TRUCK BED SWITCH	1
27	651897G02		HEADLIGHT SWITCH (ON/OFF)	1



- 10 STROBE LIGHT KIT includes items 11 - 20
- 11 STROBE LIGHT ASSEMBLY includes items 12 - 13



THE USE OF NON U.L. PARTS WILL VOID ANY U.L. LISTING.

When ordering parts, please specify the model and serial number of the product.

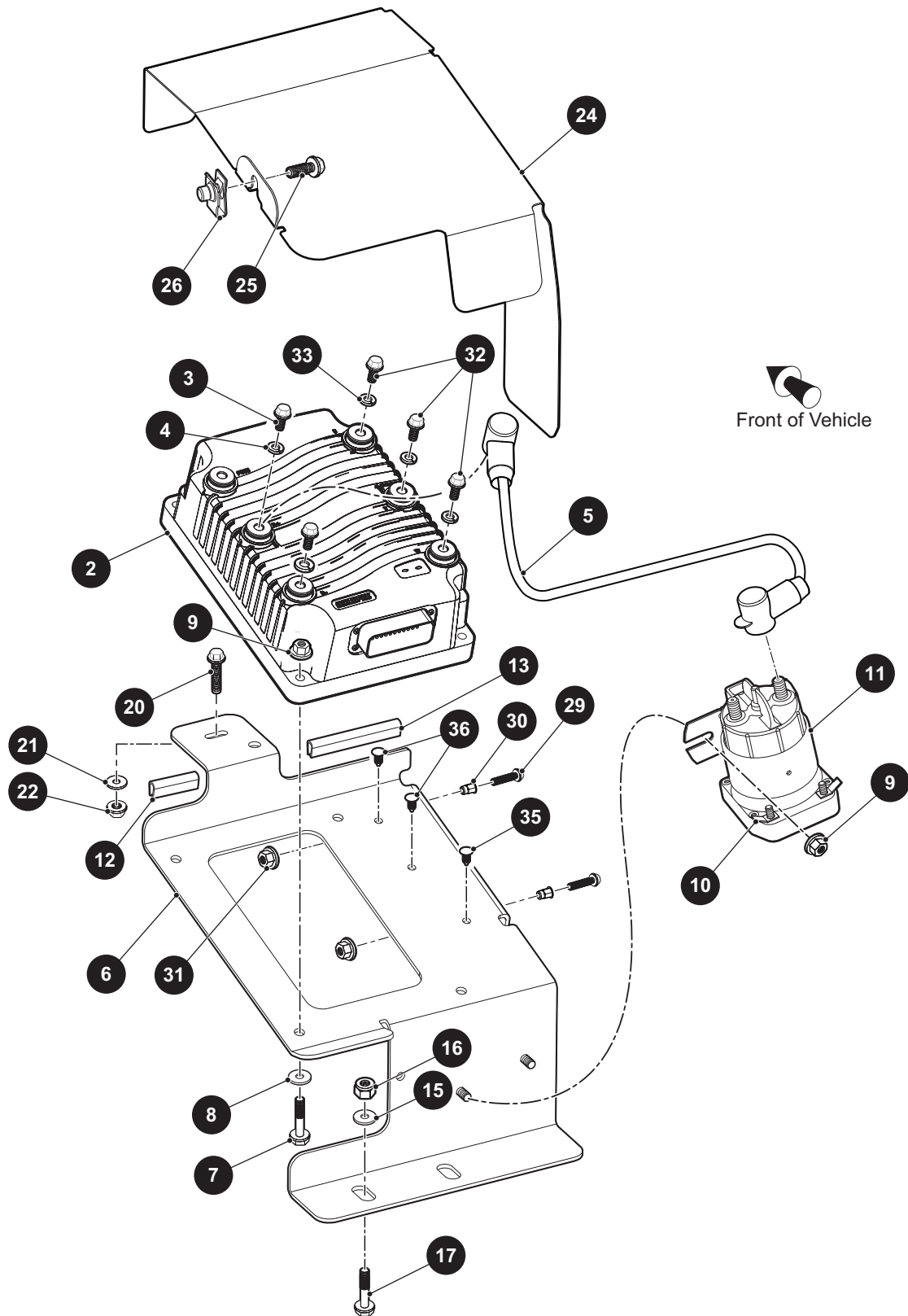
* Indicates a component that is not available as an individual part.

*** Indicates consult Customer Service Department for additional information.

ITEM	PART NO.	1 2 3 4 5	DESCRIPTION	QTY.
1	633745		BRACKET	1
2	71055G01		ALUMINUM RIVET, 3/16" X 1" LG	2
3				
4	620133		HOUR METER	1
5	74696G01		RETAINER CLIP	1
6				
7	655562		KEY ON WALKAWAY HARNESS, (NOT ILLUSTRATED)	1
8	17618G1		NYLON CLAMP, 8" LG (NOT ILLUSTRATED).....	1
9				
10	618916		STROBE LIGHT KIT (INCLUDES ITEMS 11 - 20).....	1
11	638496		STROBE LIGHT ASSEMBLY (INCLUDES ITEMS 12 - 13).....	1
12	639425		STROBE LIGHT	1
13	17064G1		FEMALE PUSH ON TERMINALS	2
14	00979G01		SOCKET HEAD SCREW, #10 - 24 X 7/8" LG	3
15	00559G5		FLAT WASHER, #10	3
16	14390G10		LOCK NUT, #10 - 24.....	3
17	656405		STROBE LIGHT HARNESS	1
18	17618G1		NYLON CLAMP, 8" LG (NOT ILLUSTRATED)	16
19	614901		SELF STRIPPING WIRE SPLICE (NOT ILLUSTRATED)	1
20	35212G05		FUSE (NOT ILLUSTRATED)	1
21				
22	656410		ACCESSORY LIGHTS KIT (NOT ILLUSTRATED)	1
23	629631		DUAL SET LED LIGHTS KIT (NOT ILLUSTRATED)	1

ELECTRONIC SPEED CONTROL

1 ELECTRONIC SPEED CONTROL ASSEMBLY includes items 2 - 13



ELECTRONIC SPEED CONTROL

THE USE OF NON U.L. PARTS WILL VOID ANY U.L. LISTING.

When ordering parts, please specify the model and serial number of the product.

* Indicates a component that is not available as an individual part.

*** Indicates consult Customer Service Department for additional information.

ITEM	PART NO.	1 2 3 4 5	DESCRIPTION	QTY.
1	652979		ELECTRONIC SPEED CONTROL ASSEMBLY, 72V (INCLUDES ITEMS 2 - 13)	1
2	652398		CONTROLLER, 350A.....	1
3	606262		HEX HEAD BOLT, M8 - 1.25 X 16MM LG	1
4	606272		LOCK WASHER, 8MM	1
5	634270G05		4 AWG BATTERY WIRE, 18"	1
6	635406		CONTROLLER BRACKET	1
7	00797G2		HEX HEAD BOLT, 1/4" - 20 X 1 1/4" LG.....	4
8	00642G7		FLAT WASHER, 5/16"	4
9	11027G2		FLANGED LOCK NUT, 1/4" - 20	6
10	12914G1		FASTON TAB.....	2
11	621330		SOLENOID	1
12	22281G3		TRIM (BLACK), 1.5"	1
13	32372G8		TRIM (VINYL), 4".....	1
14				
15	00922G3		FLAT WASHER, 7/16"	2
16	00734G1		LOCK NUT, 7/16" - 14.....	2
17	00463G4		HEX HEAD BOLT, 7/16" - 14 X 1 1/2" LG	2
18	31539G1		NYLON CLAMP, 15.5" LG (NOT ILLUSTRATED).....	1
19				
20	00414G7		HEX HEAD BOLT, 1/4" - 20 X 1/2" LG	1
21	00559G7		FLAT WASHER, 1/4".....	1
22	11027G2		LOCK NUT, 1/4" - 20.....	1
23				
24	635407		CONTROLLER COVER.....	1
25	627579		HEX HEAD BOLT, M10 - 1.5 X 35MM LG.....	1
26	635363		U-NUT (BARREL), M10 X 1.5.....	1
27				
28				
29	606421		HEX HEAD BOLT, M6 - 1 X 30MM LG.....	2
30	635402		HEX INSERT NUT, M6 X 1	2

ELECTRONIC SPEED CONTROL

THE USE OF NON U.L. PARTS WILL VOID ANY U.L. LISTING.

When ordering parts, please specify the model and serial number of the product

* Indicates a component that is not available as an individual part.

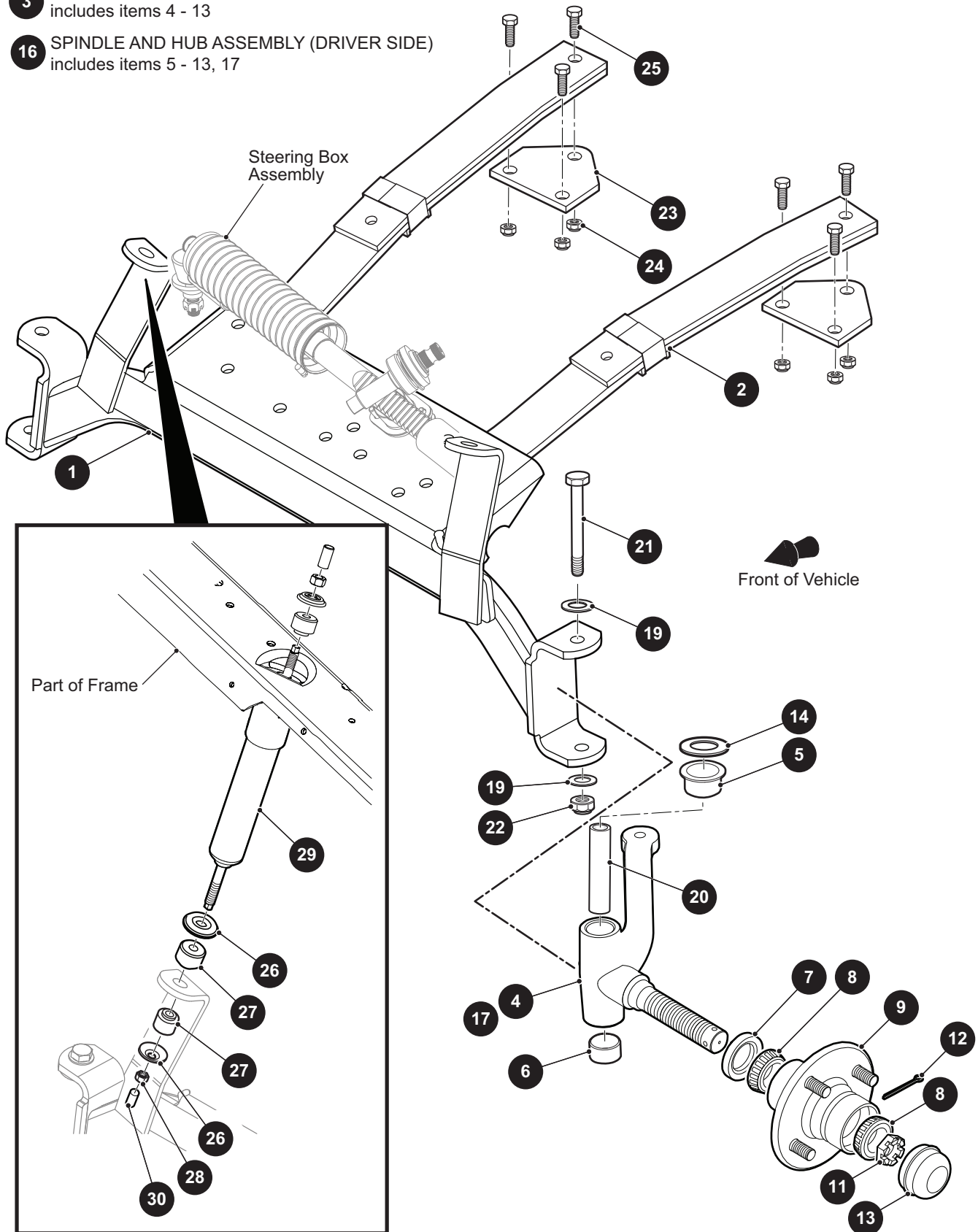
*** Indicates consult Customer Service Department for additional information.

ITEM	PART NO.	1	2	3	4	5	DESCRIPTION	QTY.
31	601476						LOCK NUT, M6 - 1.....	2
32	606262						HEX HEAD BOLT, M8 - 1.25 X 16MM LG	4
33	606272						LOCK WASHER, 8MM	4
34								
35	16816G2						RATCHET RIVET, .25" X .887"	1
36	16816G5						RATCHET RIVET, .187" X .550"	2

FRONT SUSPENSION AND STEERING

3 SPINDLE AND HUB ASSEMBLY, 4 LUG (PASSENGER SIDE)
includes items 4 - 13

16 SPINDLE AND HUB ASSEMBLY (DRIVER SIDE)
includes items 5 - 13, 17



FRONT SUSPENSION AND STEERING

THE USE OF NON U.L. PARTS WILL VOID ANY U.L. LISTING.

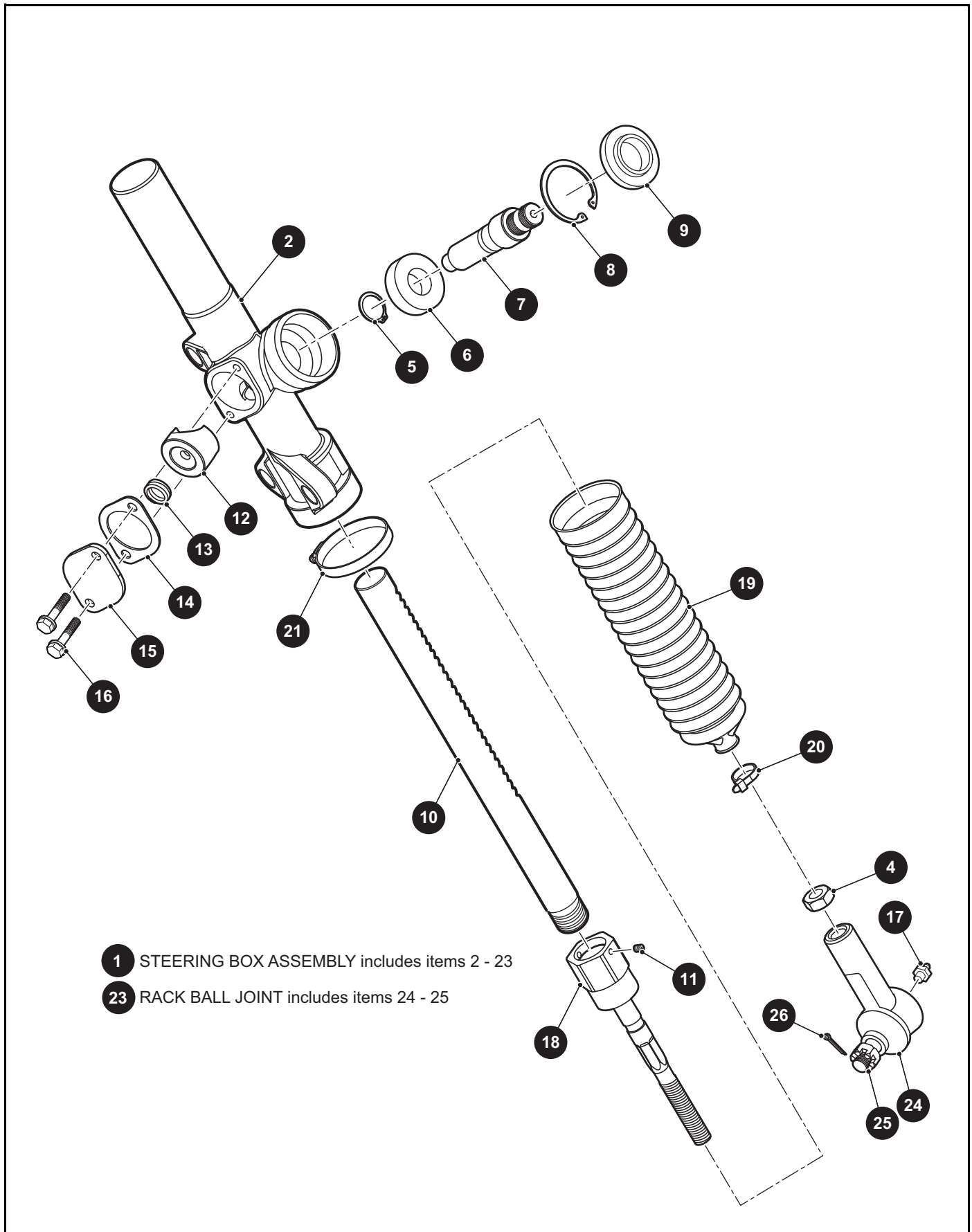
When ordering parts, please specify the model and serial number of the product.

* Indicates a component that is not available as an individual part.

*** Indicates consult Customer Service Department for additional information.

ITEM	PART NO.	1 2 3 4 5	DESCRIPTION	QTY.
1	633795		FRONT AXLE.....	1
2	70990G03		LEAF SPRING	2
3	70930G01		SPINDLE AND HUB ASSEMBLY, 4 LUG (PASSENGER SIDE) (INCLUDES ITEMS 4 - 13)	1
4	70802G01		SPINDLE ASSEMBLY	1
5	632925		FLANGED BUSHING, O.D 35MM X I.D 25MM.....	1
6	632926		BEARING, O.D 28MM.....	1
7	25146G1		GREASE SEAL.....	1
8	11750G2		ROLLER BEARING AND RACE ASSEMBLY.....	2
9	35886G01		WHEEL HUB	1
10				
11	12093G1		SLOTTED NUT, #1 - 14.....	1
12	00798G8		COTTER PIN, 5/32" X 1 3/4" LG	1
13	12091G2		SPINDLE CAP.....	1
14	70754G01		THRUST WASHER (SS), 1.3"	1
15				
16	70931G01		SPINDLE AND HUB ASSEMBLY, 4 LUG (DRIVER SIDE) (INCLUDES ITEMS 5 - 13 AND 17).....	1
17	70803G01		SPINDLE ASSEMBLY	1
18				
19	00560G3		FLAT WASHER, 1/2".....	2
20	70745G01		KING PIN TUBE, 4.36" LG.....	1
21	00407G6		HEX HEAD BOLT, 1/2" - 13 X 6" LG	1
22	14390G6		LOCK NUT, 1/2" - 13.....	1
23	652258		SPRING PLATE	2
24	00734G1		LOCK NUT, 7/16" - 14.....	6
25	00463G11		HEX HEAD BOLT, 7/16" - 14 X 1 1/2" LG	6
26	10435G1		SHOCK ABSORBER WASHER.....	4
27	10194G1		RUBBER SHOCK ABSORBER BUSHING	4
28	00532G6		HEX NUT, 1/4" - 20	2
29	76419G01		SHOCK ABSORBER.....	1
30	10044G01		VINYL CAP.....	2

FRONT SUSPENSION AND STEERING



FRONT SUSPENSION AND STEERING

THE USE OF NON U.L. PARTS WILL VOID ANY U.L. LISTING.

When ordering parts, please specify the model and serial number of the product.

* Indicates a component that is not available as an individual part.

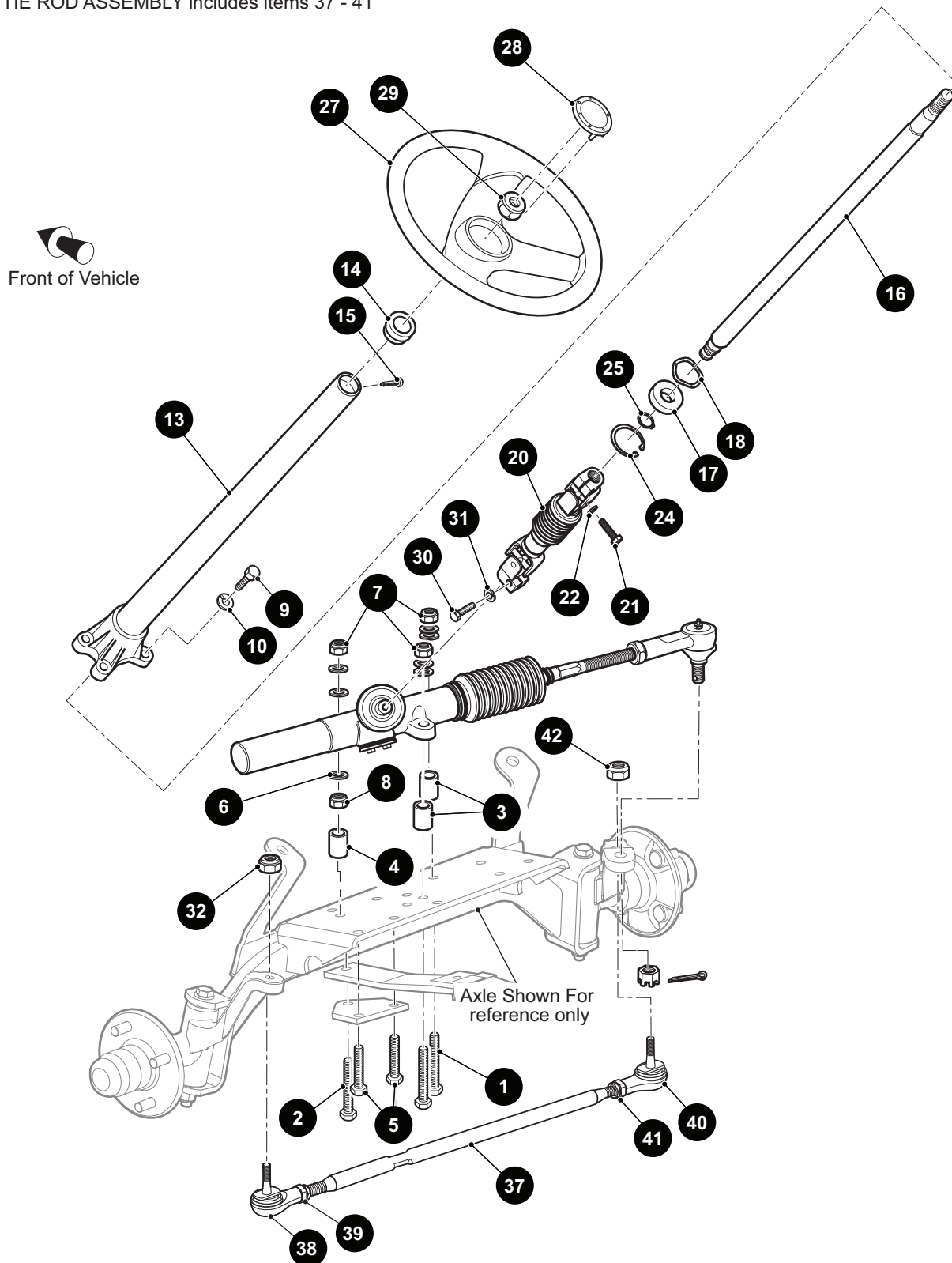
*** Indicates consult Customer Service Department for additional information.

ITEM	PART NO.	1 2 3 4 5	DESCRIPTION	QTY.
1	70964G01		STEERING BOX ASSEMBLY (INCLUDES ITEMS 2 - 23)	1
2	70965G01		STEERING RACK COVER AND BEARING	1
3				
4	*		JAM NUT, 1/2" - 20	1
5	70750G01		RETAINING RING (EXTERNAL)	1
6	15112G1		BALL BEARING, O.D 1.65" X I.D .78"	1
7	70603G01		PINION	1
8	70751G01		RETAINING RING (INTERNAL)	1
9	70638G01		SEAL (PINION)	1
10	70604G01		STEERING RACK	1
11	*		SET SCREW, #10 - 32 X .25" LG	1
12	70590G01		RACK LOADER	1
13	70666G01		COMPRESSION SPRING	1
14	70645G01		GASKET (RACK LOADER COVER)	1
15	652259		COVER (RACK LOADER)	1
16	71102G01		HEX WASHER HEAD BOLT, 1/4" - 20 X 11/16" LG	2
17	10389G3		GREASE FITTING (STRAIGHT)	1
18	74694G01		ROD END (INNER)	1
19	70961G01		RACK BOOT	1
20	12416G2		NYLON CLAMP, 10"	1
21	11391G8		HOSE CLAMP, 1.81"	1
22				
23	70695G01		TIE ROD END (OUTER) (INCLUDES ITEMS 24 - 25)	1
24	50641G1		GROMMET	1
25	50209G2		HEX SLOTTED NUT, 7/16" - 20	1
26	10387G2		COTTER PIN, 3/32" X 1"	1

FRONT SUSPENSION AND STEERING

12 STEERING COLUMN KIT includes items 13 - 25

36 TIE ROD ASSEMBLY includes items 37 - 41



FRONT SUSPENSION AND STEERING

THE USE OF NON U.L. PARTS WILL VOID ANY U.L. LISTING.

When ordering parts, please specify the model and serial number of the product.

* Indicates a component that is not available as an individual part.

*** Indicates consult Customer Service Department for additional information.

ITEM	PART NO.	1 2 3 4 5	DESCRIPTION	QTY.
1	00464G8		HEX HEAD BOLT, 7/16" - 14 X 2 3/4" LG	2
2	01068G01		HEX HEAD BOLT, 7/16" - 14 X 3.5" LG	1
3	70667G02		SPACER, O.D, 1" X I.D .46" X 1.2" LG	2
4	70667G04		SPACER, O.D 1" X I.D .46" X .69" LG	1
5	00463G11		HEX HEAD BOLT, 7/16" - 14 X 1 1/2" LG	2
6	00560G2		FLAT WASHER, 7/16"	7
7	00734G1		LOCK NUT, 7/16" - 14	3
8	00532G7		HEX NUT, 1/4" - 20	1
9	01006G01		HEX WASHER HEAD BOLT, 3/8" - 16 X 1 1/4" LG	4
10	00879G1		LOCK WASHER, 3/8"	4
11				
12	70758G05		STEERING COLUMN ASSEMBLY (INCLUDES ITEMS 13 - 25)	1
13	70610G03		STEERING COLUMN.....	1
14	28569G01		STEERING COLUMN BUSHING	1
15	01022G01		HEX WASHER HEAD BOLT, #6 - 20 X 5/16" LG	1
16	70607G01		STEERING SHAFT.....	1
17	15112G1		BALL BEARING, O.D 1.65" X I.D .78"	1
18	70887G01		WAVE WASHER.....	1
19				
20	70580G01		INTERMEDIATE SHAFT	1
21	01055G01		HEX HEAD BOLT, M8 X 1 1/4" LG	1
22	00565G8		LOCK WASHER, 5/16"	1
23				
24	70751G01		RETAINING RING (INTERNAL)	1
25	70888G01		RETAINING RING (EXTERNAL)	1
26				
27	639437		STEERING WHEEL.....	1
28	639439		STEERING WHEEL COVER	1
29	14390G2		LOCK NUT, 5/8" - 18.....	1
30	01055G01		HEX HEAD BOLT, M8 X 1 1/4" LG.....	1
31	00565G8		LOCK WASHER, 5/16"	1

FRONT SUSPENSION AND STEERING

THE USE OF NON U.L. PARTS WILL VOID ANY U.L. LISTING.

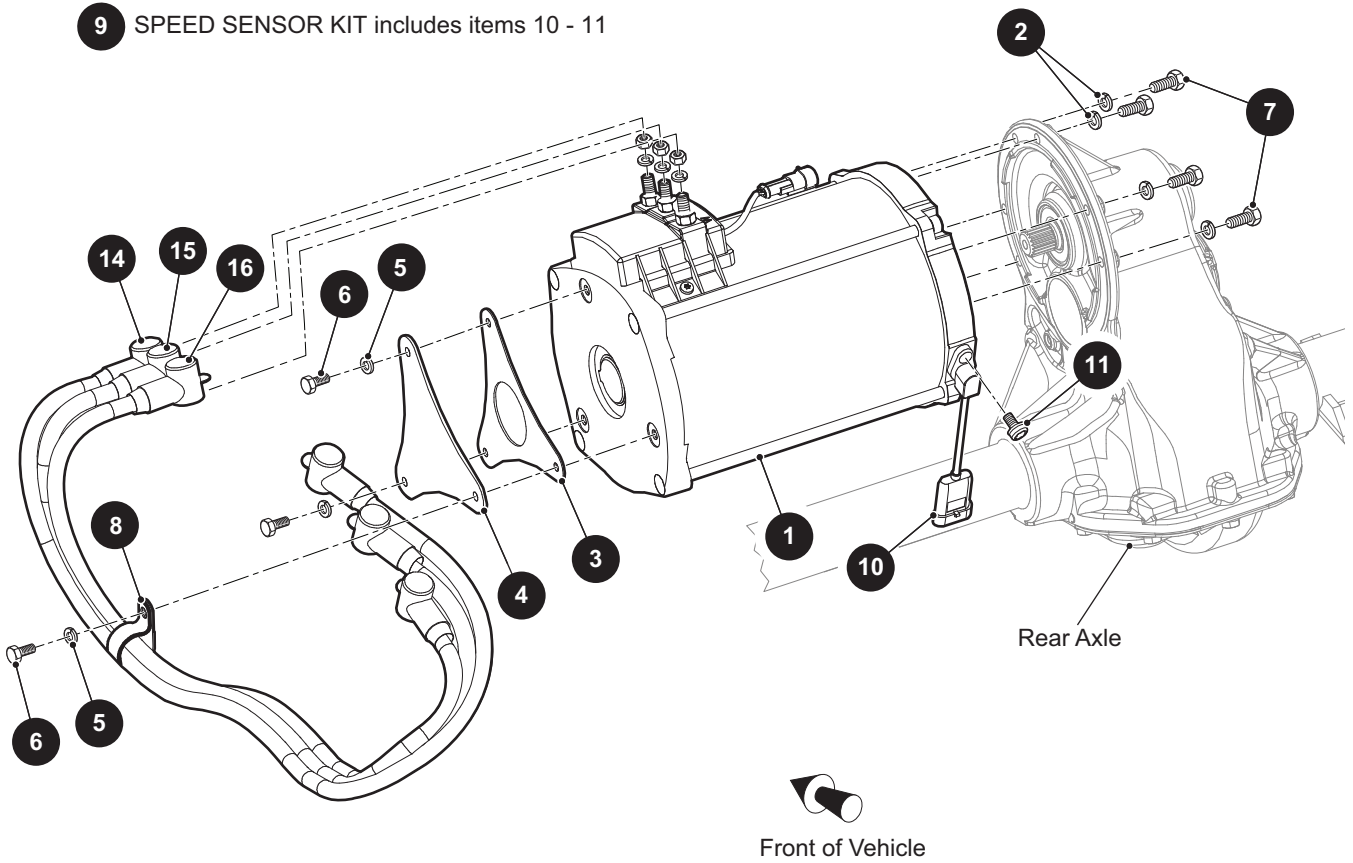
When ordering parts, please specify the model and serial number of the product

* Indicates a component that is not available as an individual part.

*** Indicates consult Customer Service Department for additional information.

ITEM	PART NO.	1	2	3	4	5	DESCRIPTION	QTY.
32	00734G1						LOCK NUT, 7/16" - 14	2
33								
34								
35								
36	70876G02						TIE ROD ASSEMBLY 26.44" LG (INCLUDES ITEMS 37 - 41)	1
37	70897G02						THREADED ROD (24" LG).....	1
38	70902G01						TIE ROD END (LEFT HAND THREADS)	1
39	01069G01						JAM NUT, M12 X 1.25 - 05 (LEFT HAND THREADS).....	1
40	70902G02						TIE ROD END (RIGHT HAND THREADS)	1
41	01069G02						JAM NUT, M12 X 1.25 - 05 (RIGHT HAND THREADS)	1

9 SPEED SENSOR KIT includes items 10 - 11



THE USE OF NON U.L. PARTS WILL VOID ANY U.L. LISTING.

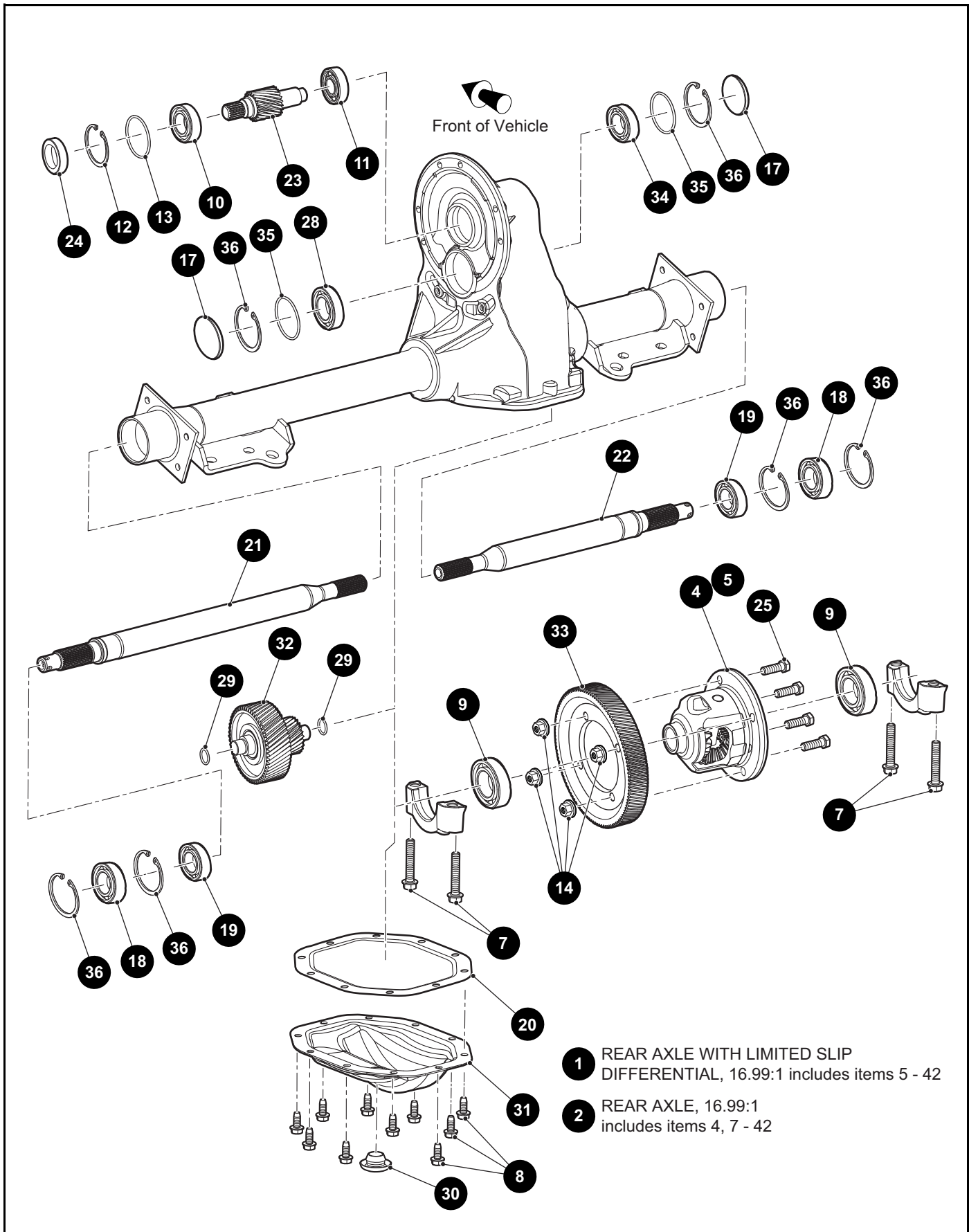
When ordering parts, please specify the model and serial number of the product.

* Indicates a component that is not available as an individual part.

*** Indicates consult Customer Service Department for additional information.

ITEM	PART NO.	1 2 3 4 5	DESCRIPTION	QTY.
1	615557		MOTOR, 72V	1
2	601327		LOCK WASHER, 6MM.....	6
3	629597		GASKET.....	1
4	629596		COVER	1
5	601327		LOCK WASHER, 6MM.....	3
6	616716		HEX HEAD BOLT, M6 - 1 X 16MM LG.....	3
7	605741		HEX HEAD BOLT, M6 - 1 X 25MM LG.....	6
8	630761		LOOP CLAMP	1
9	614252		SPEED SENSOR KIT (INCLUDES ITEMS 10 - 11).....	1
10	612741		SPEED SENSOR	1
11	614253		PAN HEAD TORX SCREW, M6 - 1 X 12MM LG	1
12				
13				
14	635137G01		MOTOR WIRE (U), 2AWG, 44"	1
15	635137G02		MOTOR WIRE (V), 2AWG, 41"	1
16	635137G03		MOTOR WIRE (W), 2AWG, 37"	1

REAR AXLE



REAR AXLE

THE USE OF NON U.L. PARTS WILL VOID ANY U.L. LISTING.

When ordering parts, please specify the model and serial number of the product.

* Indicates a component that is not available as an individual part.

*** Indicates consult Customer Service Department for additional information.

ITEM	PART NO.	1 2 3 4 5	DESCRIPTION	QTY.
1	633600		REAR AXLE WITH LIMITED SLIP DIFFERENTIAL, 16.99:1 (INCLUDES ITEMS 5 - 42)	1
2	633599		REAR AXLE, 16.99:1 (INCLUDES ITEMS 4, 7 - 42).....	1
3				
4	601082		DIFFERENTIAL ASSEMBLY.....	1
5	614059		LIMITED SLIP DIFFERENTIAL CARRIER WITH CC CLUTCH	1
6				
7	15118G1		HEX HEAD BOLT, 3/8" - 16 X 2.125" LG	4
8	15558G1		HEX HEAD BOLT, 5/16" - 18 X .75" LG	10
9	17473G1		BEARING ASSEMBLY	2
10	23519G2		BALL BEARING SINGLE LIP SEAL	1
11	23520G1		BALL BEARING	1
12	23530G1		RETAINER RING	1
13	24628G1		O-RING SEAL.....	1
14	601084		LOCK NUT, 3/8" - 24.....	4
15				
16				
17	608811		END CAP	2
18	611788		BALL BEARING	2
19	612064		OIL SEAL	2
20	612824		GASKET	1
21	617608		AXLE SHAFT (DRIVER SIDE).....	1
22	617609		AXLE SHAFT (PASSENGER SIDE)	1
23	620327		INPUT GEAR	1
24	620328		OIL SEAL	1
25	620335		HEX HEAD BOLT, 3/8" - 24 X 1.25" LG	4
26				
27				
28	620340		BALL BEARING	1
29	620345		O-RING, 18MM.....	2
30	620347		RUBBER PLUG	1

REAR AXLE

THE USE OF NON U.L. PARTS WILL VOID ANY U.L. LISTING.

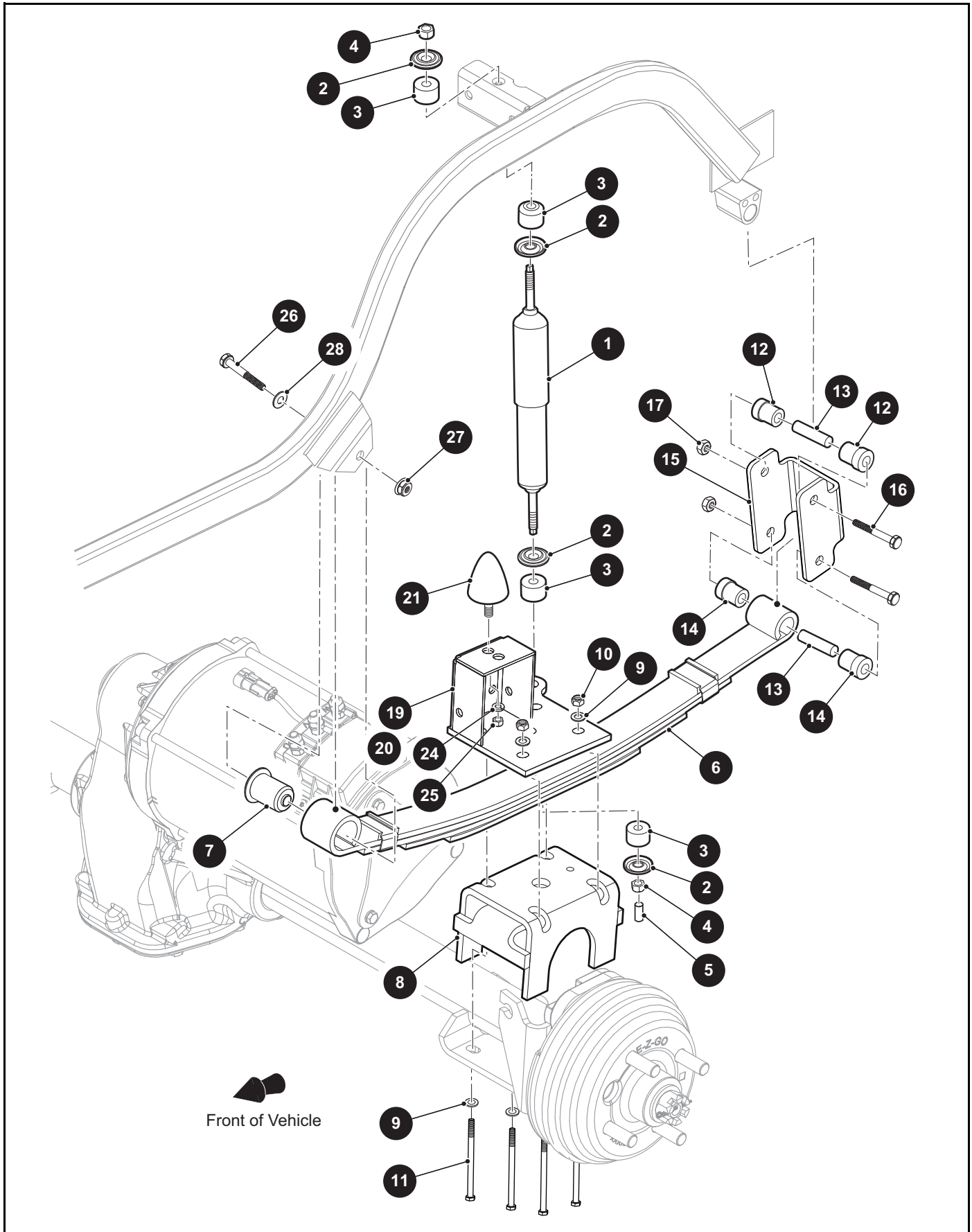
When ordering parts, please specify the model and serial number of the product

* Indicates a component that is not available as an individual part.

*** Indicates consult Customer Service Department for additional information.

ITEM	PART NO.	1	2	3	4	5	DESCRIPTION	QTY.
31	620348						DIFFERENTIAL COVER PLATE	1
32	620349						INTERMEDIATE GEAR ASSEMBLY	1
33	620350						DRIVE GEAR	1
34	620355						BALL BEARING.....	1
35	620358						O-RING, 18MM	2
36	620359						RETAINING RING	6
37								
38								
39	620329						INPUT GEARS KIT (NOT ILLUSTRATED)	1
40	620361						INTERNAL GEARS KIT (NOT ILLUSTRATED).....	1
41	620362						BALL BEARING KIT (NOT ILLUSTRATED).....	1
42	620363						DIFFERENTIAL COVER ASSEMBLY KIT (NOT ILLUSTRATED).....	1

REAR SUSPENSION



REAR SUSPENSION

THE USE OF NON U.L. PARTS WILL VOID ANY U.L. LISTING.

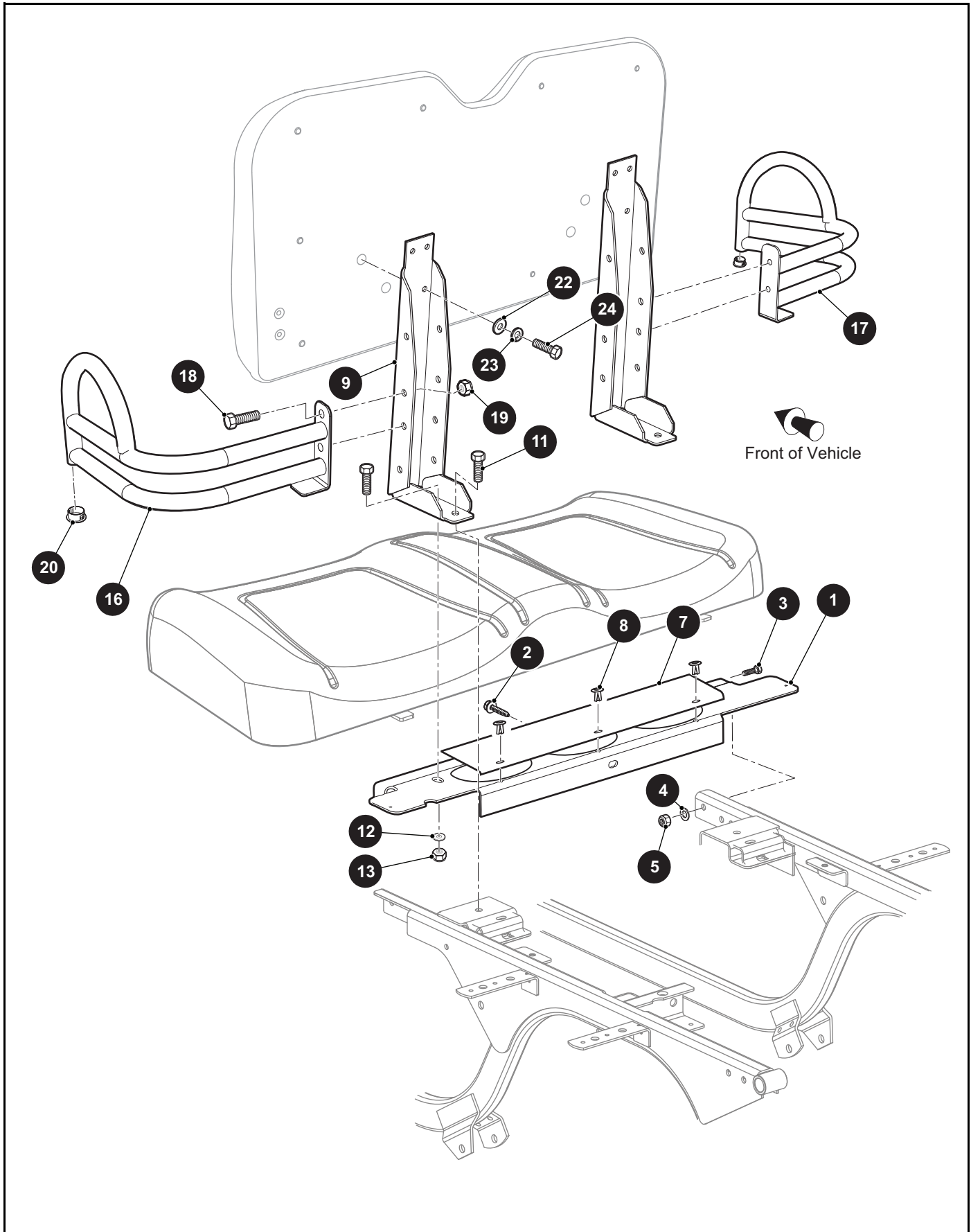
When ordering parts, please specify the model and serial number of the product.

* Indicates a component that is not available as an individual part.

*** Indicates consult Customer Service Department for additional information.

ITEM	PART NO.	1 2 3 4 5	DESCRIPTION	QTY.
1	76418G01		SHOCK ABSORBER.....	1
2	10435G1		SHOCK ABSORBER WASHER, I.D. .406" X O.D. 1.25"	4
3	10194G1		RUBBER BUSHING.....	4
4	00532G6		HEX NUT, 3/8" - 24	2
5	10044G01		VINYL CAP.....	1
6	627738		HEAVY DUTY LEAF SPRING, 600 LBS.....	2
7	605445		BUSHING, 49 MM.....	2
8	652708G03		LIFT BRACKET	1
9	00560G1		FLAT WASHER, 3/8".....	8
10	11098G5		LOCK NUT, 3/8" - 16.....	4
11	00430G12		HEX HEAD BOLT, 3/8" - 16 X 5 1/2" LG	4
12	624030		FLANGED BUSHING.....	2
13	70289G02		SPLIT SPACER (STEEL), I.D. .376" X O.D. 1" X 1" LG	2
14	624030		FLANGED BUSHING.....	4
15	652252G03		SHACKLE BRACKET	1
16	00665G9		HEX HEAD BOLT (SS), 3/8" - 16 X 3 1/2" LG	2
17	11098G5		LOCK NUT, 3/8" - 16.....	2
18				
19	652713G103		MOUNTING PLATE (DRIVER SIDE)	1
20	652713G203		MOUNTING PLATE (PASSENGER SIDE)	1
21	70492G01		RUBBER BUMPER.....	1
22				
23				
24	608654		SPLIT LOCK WASHER, M10.....	1
25	00974G01		HEX NUT, M10 X 1.0	1
26	00665G9		HEX HEAD BOLT (SS), 3/8" - 16 X 3 1/2" LG	1
27	12262G1		LOCK NUT, 3/8" - 16.....	1
28	00643G1		FLAT WASHER, 3/8".....	1

SEATING



THE USE OF NON U.L. PARTS WILL VOID ANY U.L. LISTING.

When ordering parts, please specify the model and serial number of the product.

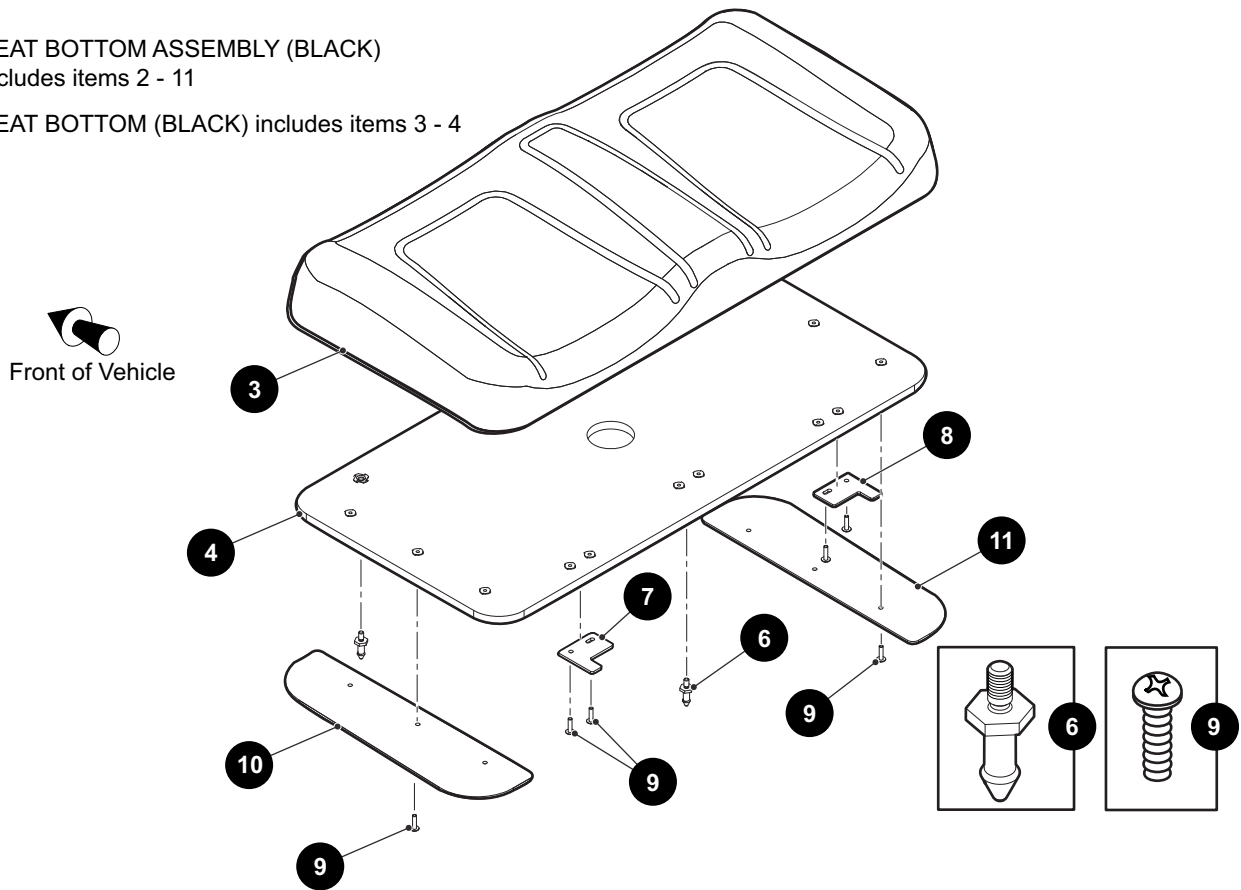
* Indicates a component that is not available as an individual part.

*** Indicates consult Customer Service Department for additional information.

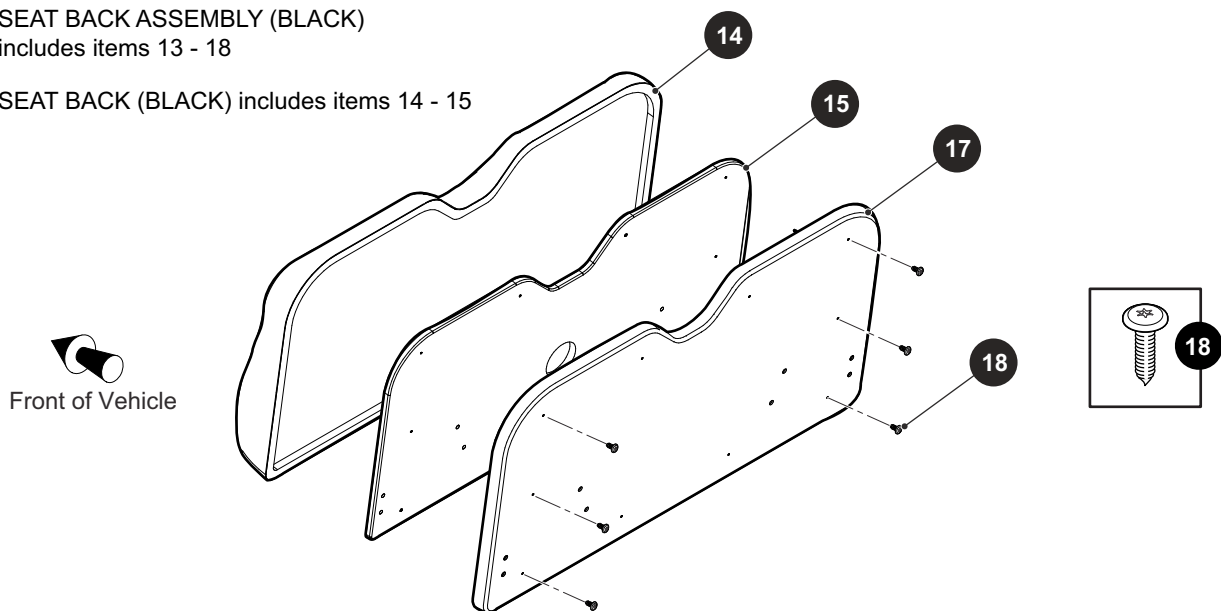
ITEM	PART NO.	1 2 3 4 5	DESCRIPTION	QTY.
1	74971G01		SEAT BACK SUPPORT	1
2	00715G2		HEX WASHER HEAD SCREW, 5/16" - 18 X 13/16" LG	1
3	00438G8		HEX HEAD BOLT, 5/16" - 18 X 3/4" LG	2
4	00642G8		LOCK WASHER, 5/16"	2
5	11098G6		LOCK NUT, 5/16" - 18	2
6				
7	71263G01		ACCESS COVER	1
8	18436G1		DRIVE RIVET, .25" X .625"	3
9	624486		SEAT BACK SUPPORT BRACKET	1
10				
11	01006G01		HEX HEAD BOLT, 3/8" - 16 X 1 1/4" LG	2
12	00643G1		LOCK WASHER, 3/8"	1
13	11098G5		LOCK NUT, 3/8" - 16	1
14				
15				
16	645382G01		HIP RESTRAINT (DRIVER SIDE)	1
17	645382G02		HIP RESTRAINT (PASSENGER SIDE)	1
18	00438G7		HEX HEAD BOLT, 5/16" - 18 X 7/8" LG	4
19	11098G6		LOCK NUT, 5/16" - 18	4
20	641252		PLUG, DIA. 1" O.D. X .44" LG	2
21				
22	01110G01		FLAT WASHER, 1/4"	4
23	00664G7		LOCK WASHER, 1/4"	4
24	00661G8		HEX HEAD BOLT (SS), 1/4" - 20 X 1" LG	4

SEATING

- 1** SEAT BOTTOM ASSEMBLY (BLACK)
includes items 2 - 11
- 2** SEAT BOTTOM (BLACK) includes items 3 - 4



- 12** SEAT BACK ASSEMBLY (BLACK)
includes items 13 - 18
- 13** SEAT BACK (BLACK) includes items 14 - 15



THE USE OF NON U.L. PARTS WILL VOID ANY U.L. LISTING.

When ordering parts, please specify the model and serial number of the product.

* Indicates a component that is not available as an individual part.

*** Indicates consult Customer Service Department for additional information.

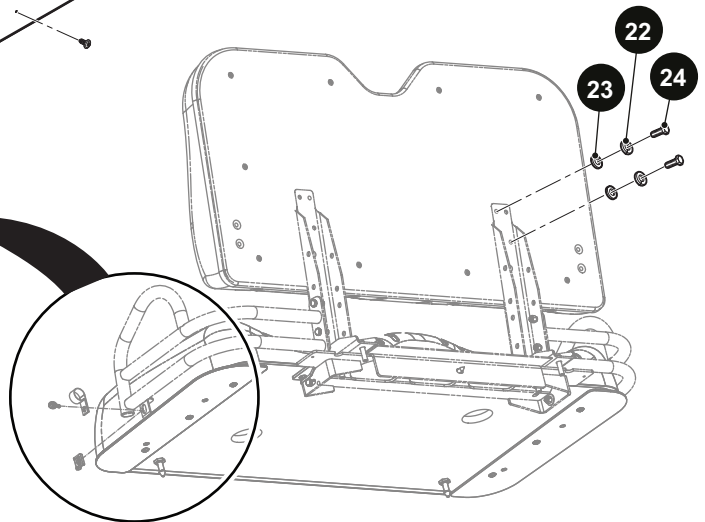
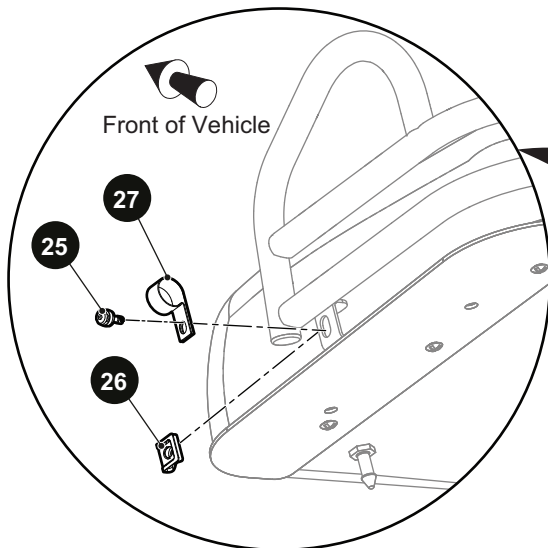
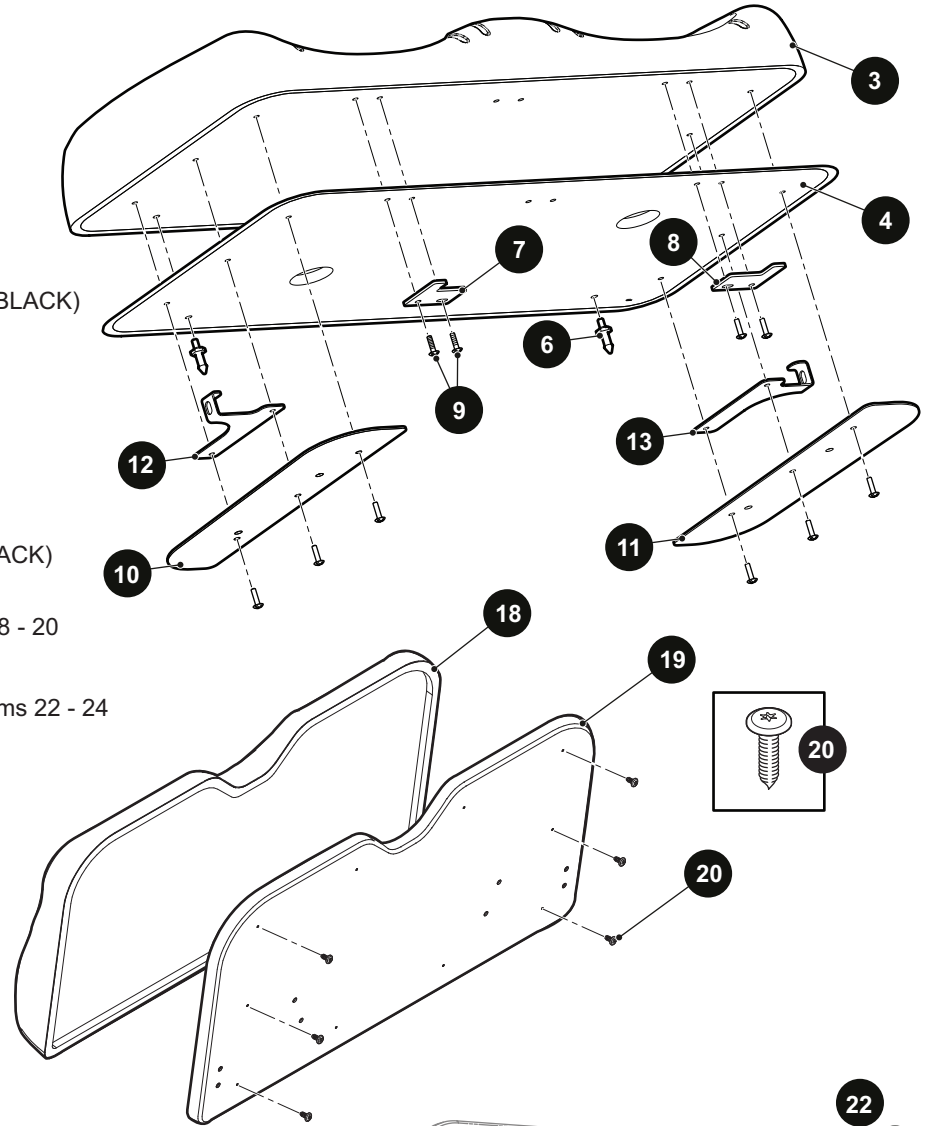
ITEM	PART NO.	1 2 3 4 5	DESCRIPTION	QTY.
1	640489G0206		SEAT BOTTOM ASSEMBLY (BLACK) (INCLUDES ITEMS 2 - 11)	1
2	637823G06		SEAT BOTTOM (BLACK) (INCLUDES ITEMS 3 - 4)	1
3	640234G06		VINYL AND FOAM SEAT BOTTOM.....	1
4	640198		WOOD SEAT BOTTOM	1
5				
6	639904		RETENTION PIN.....	2
7	638701G01		SEAT LOCATOR TAB (DRIVER SIDE)	1
8	638701G02		SEAT LOCATOR TAB (PASSENGER SIDE)	1
9	16705G1		TRUSS HEAD PHILLIPS SCREW (SS), 1/4" - 20 X 1" LG	10
10	640674G01		SEAT SIDE COVER (DRIVER SIDE)	1
11	640674G02		SEAT SIDE COVER (PASSENGER SIDE)	1
12	640781G06		SEAT BACK ASSEMBLY (BLACK) (INCLUDES ITEMS 13 - 18)	1
13	637824G06		SEAT BACK (BLACK) (INCLUDES ITEMS 14 - 15).....	1
14	640233G06		VINYL AND FOAM SEAT BACK	1
15	640208		WOOD SEAT BACK.....	1
16				
17	640209		SEAT BACK COVER	1
18	01107G01		PAN HEAD TORX SCREW, #8	10

SEATING



- 1 SEAT BOTTOM ASSEMBLY (BLACK)
includes items 2 - 13
- 2 SEAT BOTTOM (BLACK)
includes items 3 - 4

- 16 SEAT BACK ASSEMBLY (BLACK)
includes items 17 - 24
- 17 SEAT BACK includes items 18 - 20
- 21 SEAT BACK ASSEMBLY
HARDWARE KIT includes items 22 - 24



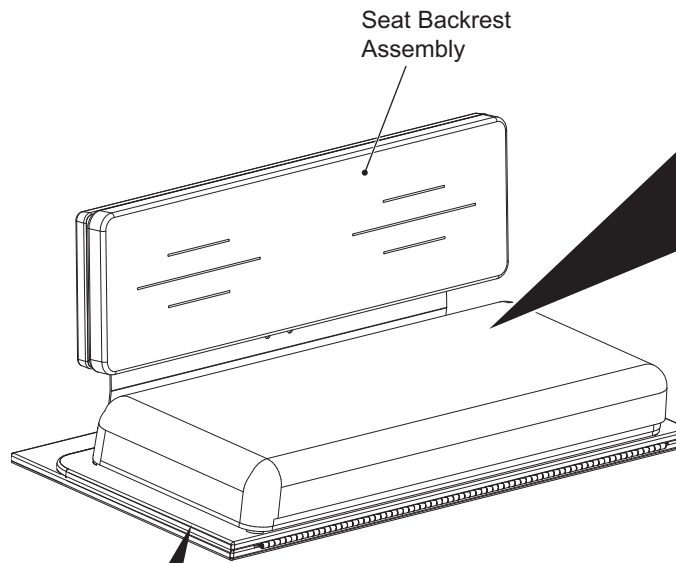
THE USE OF NON U.L. PARTS WILL VOID ANY U.L. LISTING.

When ordering parts, please specify the model and serial number of the product.

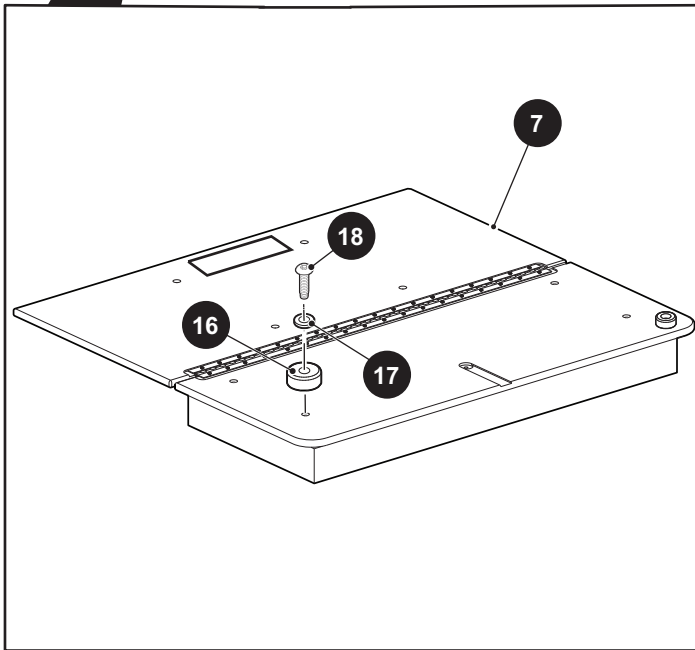
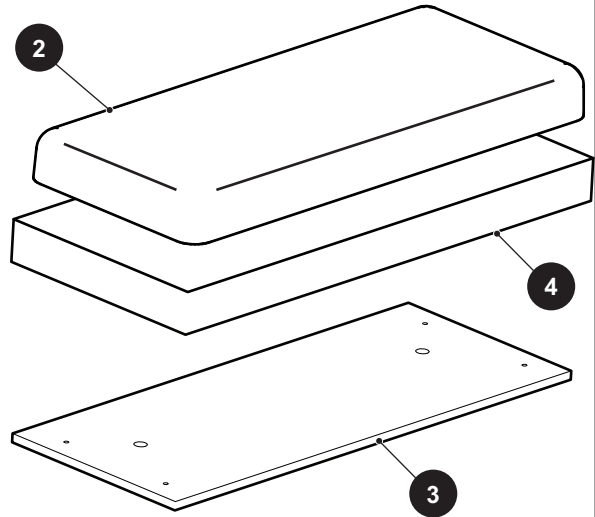
* Indicates a component that is not available as an individual part.

*** Indicates consult Customer Service Department for additional information.

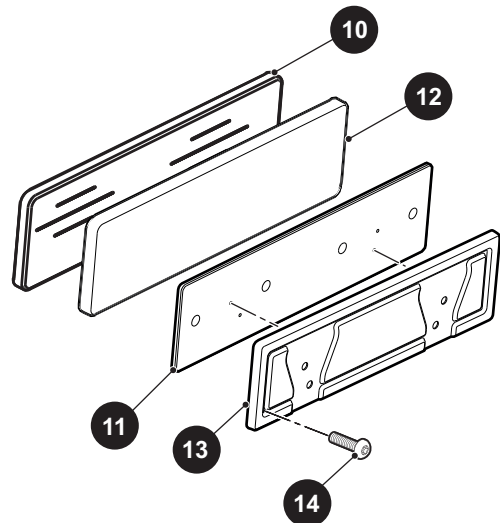
ITEM	PART NO.	1 2 3 4 5	DESCRIPTION	QTY.
1	640489G0306		CE SEAT BOTTOM ASSEMBLY (BLACK) (INCLUDES ITEMS 2 - 13).....	1
2	637823G06		SEAT BOTTOM (BLACK) (INCLUDES ITEMS 3 - 4)	1
3	640234G06		VINYL AND FOAM SEAT BOTTOM.....	1
4	640198		WOOD SEAT BOTTOM	1
5				
6	639904		RETENTION PIN.....	2
7	638701G01		SEAT LOCATOR TAB (DRIVER SIDE)	1
8	638701G02		SEAT LOCATOR TAB (PASSENGER SIDE)	1
9	16705G1		TRUSS HEAD PHILLIPS SCREW (SS), 1/4" - 20 X 1" LG	10
10	640674G01		SEAT SIDE COVER (DRIVER SIDE).....	1
11	640674G02		SEAT SIDE COVER (PASSENGER SIDE)	1
12	646379G01		SEAT LOCK BRACKET (DRIVER SIDE)	1
13	646379G02		SEAT LOCK BRACKET (PASSENGER SIDE).....	1
14				
15				
16	643071G0006		SEAT BACK ASSEMBLY (BLACK) (INCLUDES ITEMS 17 - 24)	1
17	640781G06		SEAT BACK (BLACK) (INCLUDES ITEMS 18 - 20).....	1
18	637824G06		SEAT BACK	1
19	640209		SEAT BACK COVER	1
20	01107G01		PAN HEAD TORX SCREW, #8.....	10
21	643074		SEAT BACK ASSEMBLY HARDWARE KIT (INCLUDES ITEMS 22 - 24).....	1
22	00664G7		LOCK WASHER, 1/4"	4
23	01110G01		FLAT WASER, 1/4"	4
24	00661G8		HEX HEAD BOLT, 1/4" - 20 X 1" LG	4
25	635958		QUARTER TURN SCREW ASSEMBLY	2
26	635654		RECEPTACLE CLIP-ON.....	2
27	11854G6		CABLE CLIP	2



1 FLIP SEAT BOTTOM ASSEMBLY
includes items 2 - 4



9 BACKREST ASSEMBLY (BLACK)
includes items 10 - 14



THE USE OF NON U.L. PARTS WILL VOID ANY U.L. LISTING.

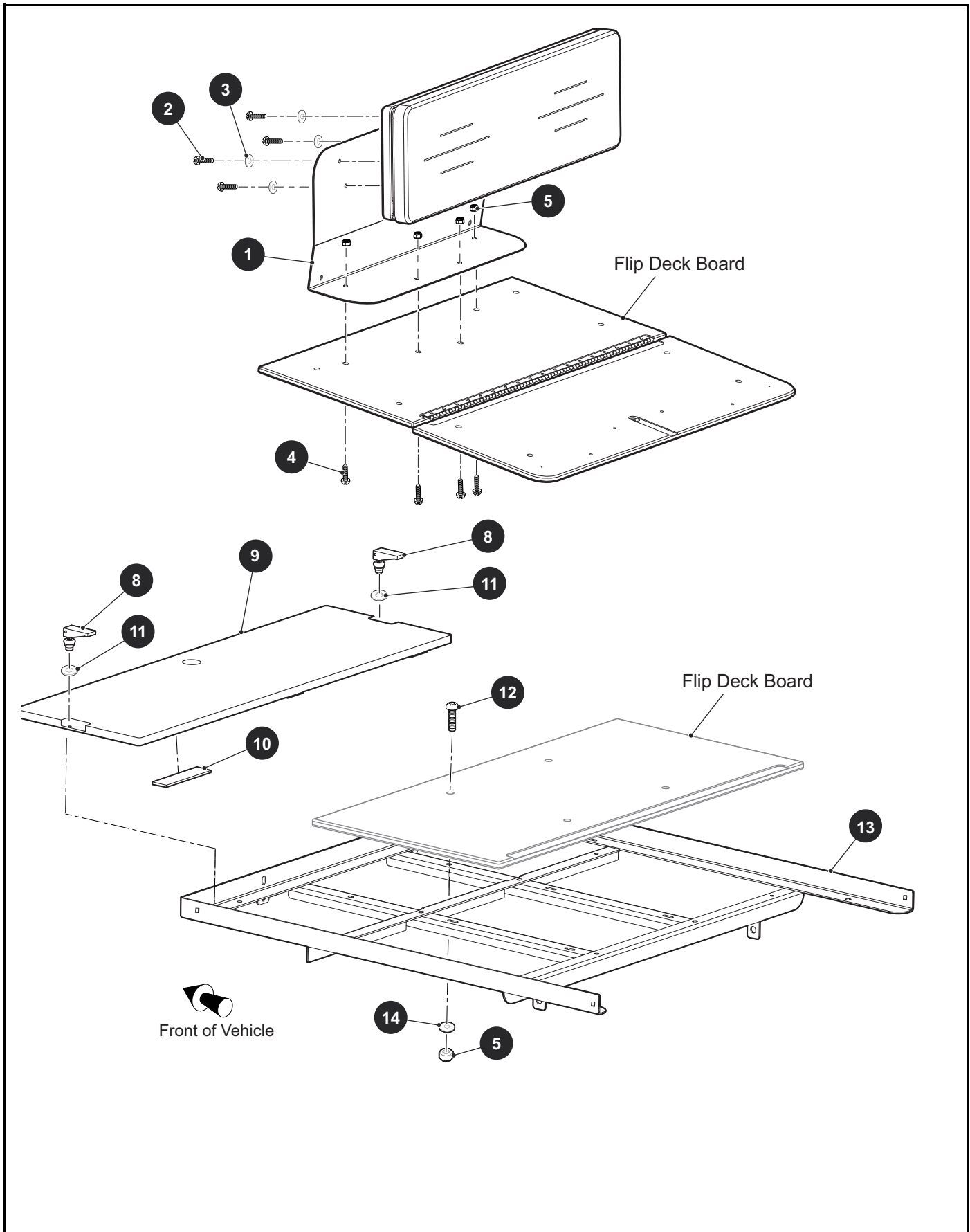
When ordering parts, please specify the model and serial number of the product.

* Indicates a component that is not available as an individual part.

*** Indicates consult Customer Service Department for additional information.

ITEM	PART NO.	1 2 3 4 5	DESCRIPTION	QTY.
1	XXXXXX		SEAT BOTTOM ASSEMBLY (INCLUDES ITEMS 2 - 4) 617895 GRAY 617897 BROWN 621026 OYSTER 621027 TAN 621036 BLACK	1
2	XXXXXX		SEAT BOTTOM VINYL 617892 GRAY 617893 BROWN 615646 OYSTER 615647 TAN 615648 BLACK	
3	645820		SEAT BOTTOM	1
4	617401		SEAT BOTTOM FOAM.....	1
5				
6				
7	627157		DECK BOARD ASSEMBLY	1
8				
9	71274G0*		BACK REST ASSEMBLY (INCLUDES ITEMS 10 - 14) 71274G04 GRAY 71274G07 BROWN 71274G05 OYSTER 71274G03 TAN 71274G02 BLACK	1
10	18144G*		SEAT BACK COVER 18144G2 BLACK 18144G3 TAN 18144G4 GRAY 18144G6 OYSTER 18144G8 BROWN	
11	644269		SEAT BACK BASE	1
12	25433G4		SEAT BACK FOAM	1
13	74489G01		SEAT BACK COVER	1
14	01107G01		PAN HEAD TORX SCREW (SS), #8 X 5/8" LG.....	4
15				
16	619756		RUBBER BUMPER.....	2
17	616671		FLAT WASHER, 8MM	2
18	800344		TRUSS HEAD PHILLIPS TAPPING SCREW, #10 - 16 X 5/8" LG.....	2

SEATING



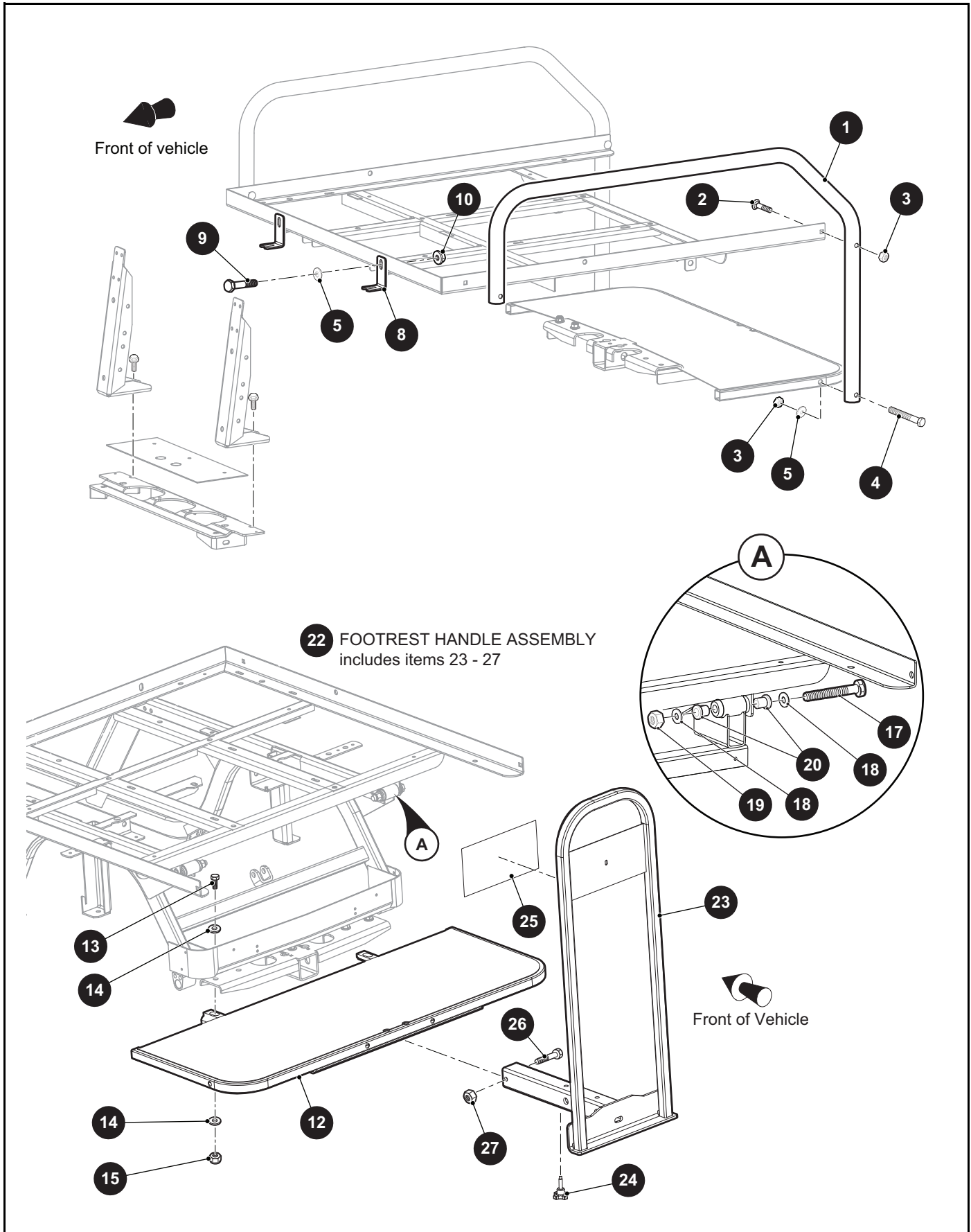
THE USE OF NON U.L. PARTS WILL VOID ANY U.L. LISTING.

When ordering parts, please specify the model and serial number of the product.

* Indicates a component that is not available as an individual part.

*** Indicates consult Customer Service Department for additional information.

ITEM	PART NO.	1 2 3 4 5	DESCRIPTION	QTY.
1	627804		SEAT BACK WELDMENT.....	1
2	16705G9		TRUSS HEAD PHILLIPS SCREW (SS), 1/4" - 20 X 1.25" LG.....	4
3	00664G7		LOCK WASHER, 1/4"	4
4	16705G1		TRUSS HEAD PHILLIPS SCREW (SS), 1/4" - 20 X 1" LG.....	4
5	14390G4		LOCK NUT, 1/4" - 20	8
6				
7				
8	638060		SWELL LATCH.....	2
9	637994		SWING DECK BOARD FILLER.....	1
10	640577		RUBBER PAD	6
11	00793G2		FLAT WASHER (SS), 1/4".....	2
12	16705G9		TRUSS HEAD PHILLIPS SCREW (SS), 1/4" - 20 X 1.25" LG.....	4
13	640259		SEAT FRAME	1
14	01110G01		FLAT WASHER, 1/4"	4



THE USE OF NON U.L. PARTS WILL VOID ANY U.L. LISTING.

When ordering parts, please specify the model and serial number of the product.

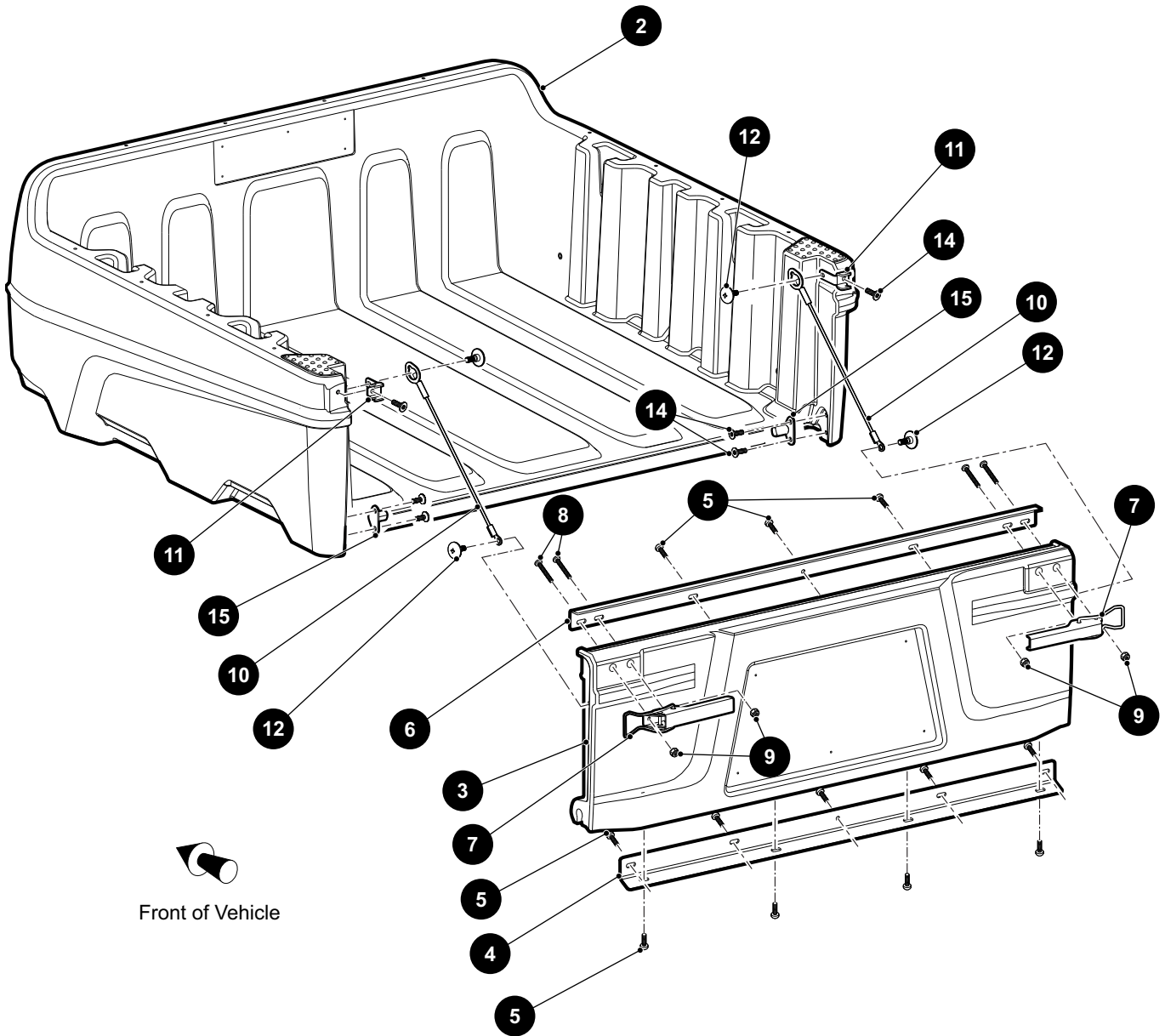
* Indicates a component that is not available as an individual part.

*** Indicates consult Customer Service Department for additional information.

ITEM	PART NO.	1 2 3 4 5	DESCRIPTION	QTY.
1	627783		FLIP SEAT ARMREST	2
2	630673		CARRIAGE BOLT, 3/8" - 16 X 2.25" LG.....	4
3	630643		LOCK NUT, 3/8" - 16.....	6
4	630674		HEX HEAD BOLT, 3/8" - 16 X 3.25" LG	2
5	00560G1		FLAT WASHER, 3/8".....	4
6				
7				
8	627797		SEAT FRAME BRACKET.....	2
9	00426G8		HEX HEAD BOLT, 3/8" - 16 X 3/4" LG	2
10	11027G5		FLANGED LOCK NUT, 3/8" - 16.....	4
11				
12	628552		FOOTREST WELDMENT	1
13	00463G4		FLANGED HEX HEAD BOLT, 7/16" - 14 X 1 1/2" LG	2
14	00560G2		FLAT WASHER, 7/16".....	4
15	00734G1		LOCK NUT, 7/16" - 14.....	2
16				
17	311398		HEX HEAD BOLT, 1/2" - 13 X 3 1/2" LG	2
18	00560G3		FLAT WASHER, 3/8".....	4
19	14390G6		LOCK NUT, 1/2" - 13.....	2
20	624030		FLANGE BUSHING	4
21				
22	643451		FOOT REST HANDLE ASSEMBLY (INCLUDES ITEMS 23 - 27)	1
23	646777		FOOT REST HANDLE WELDMENT	1
24	643468		KNOB, 1/2 - 13	1
25	651665		REAR FACING SEAT AND DECK WARNING LABEL	1
26	00428G4		HEX HEAD BOLT, 3/8" - 16 X 2 1/4" LG.....	1
27	11098G5		LOCK NUT, 3/8" - 16	1

PLASTIC TRUCK BED

1 TRUCK BED ASSEMBLY, 40" includes items 2 - 15



THE USE OF NON U.L. PARTS WILL VOID ANY U.L. LISTING.

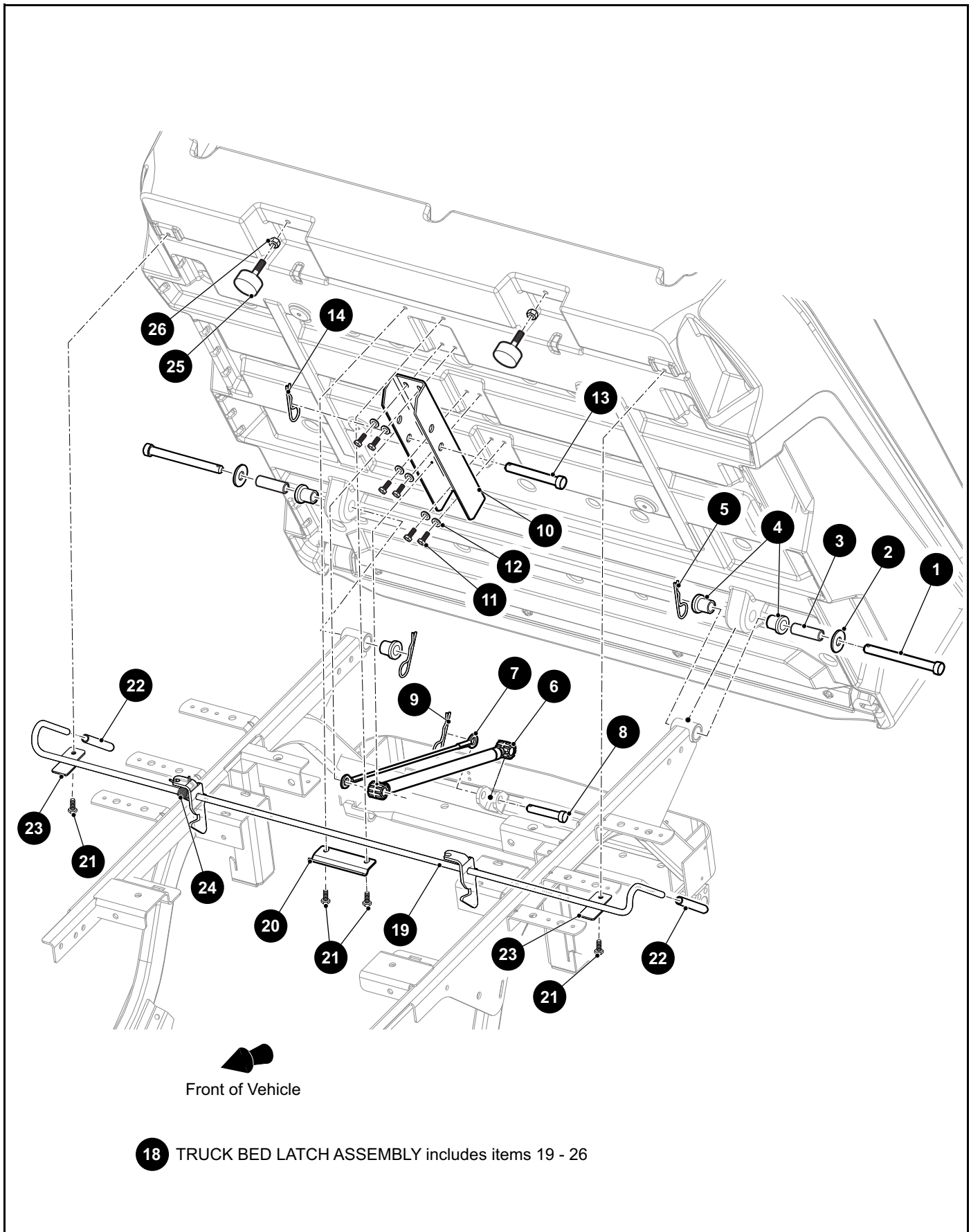
When ordering parts, please specify the model and serial number of the product.

* Indicates a component that is not available as an individual part.

*** Indicates consult Customer Service Department for additional information.

ITEM	PART NO.	1 2 3 4 5	DESCRIPTION	QTY.
1	649869		TRUCK BED ASSEMBLY, 40" (PLASTIC) (INCLUDES ITEMS 2 - 15)	1
2	649871		BED, 40"	1
3	649872		TAILGATE, 40"	1
4	651108		LOWER STIFFENER	1
5	16705G2		PAN HEAD PHILLIPS SCREW (SS), 1/4" - 20 X 5/8" LG	12
6	651107		UPPER STIFFENER	1
7	645082		TAILGATE LATCH	2
8	654661		PHILLIPS HEAD SCREW, 1/4" - 20 X 2.75" LG.....	4
9	14390G4		LOCK NUT, 1/4" - 20	4
10	651635		TAILGATE CABLE ASSEMBLY	2
11	651110		TAILGATE BRACKET	2
12	73460G01		SHOULDER BOLT, .875" DIA X 3/4" LG	4
13				
14	652226		FLAT HEAD SCREW, 1/4" - 20 X 5/8" LG	6
15	651109		PIVOT PIN.....	2

TRUCK BED



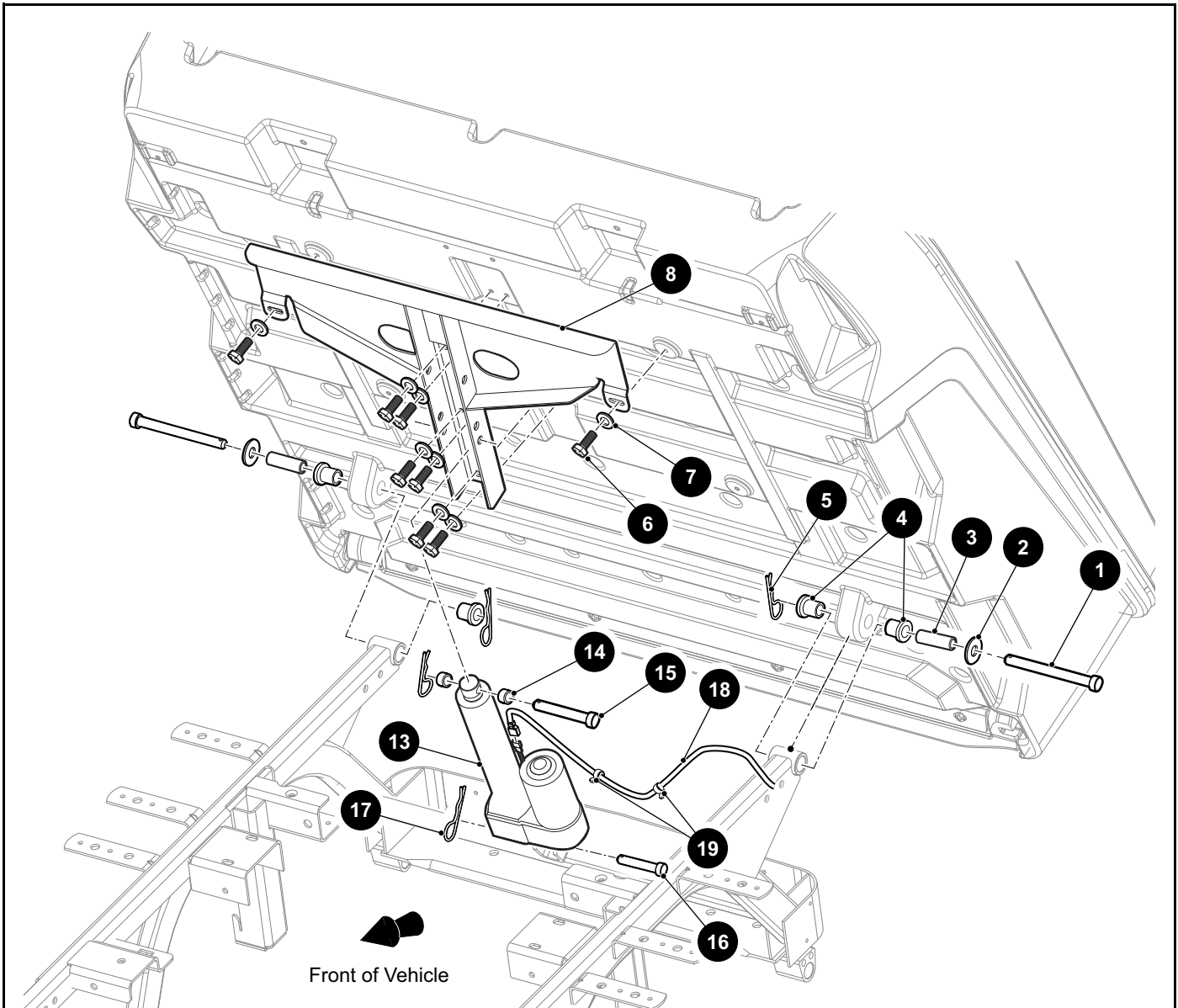
THE USE OF NON U.L. PARTS WILL VOID ANY U.L. LISTING.

When ordering parts, please specify the model and serial number of the product.

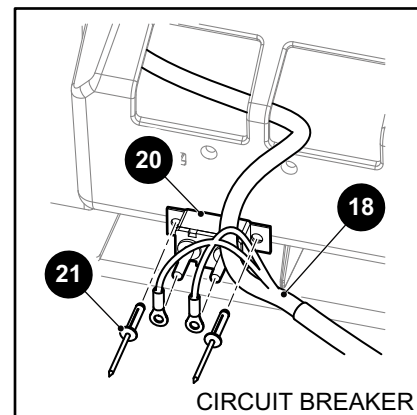
* Indicates a component that is not available as an individual part.

*** Indicates consult Customer Service Department for additional information.

ITEM	PART NO.	1 2 3 4 5	DESCRIPTION	QTY.
1	71571G01		CLEVIS PIN, .5" DIA X 5.25" LG.....	2
2	00571G5		FLAT WASHER, 1/2".....	2
3	71570G01		BUSHING (ACETAL), 2.3" LG.....	2
4	624030		FLANGED BUSHING, .93" LG.....	4
5	21683G1		COTTER PIN, .320" X 2.969".....	2
6	71537G02		GAS SPRING.....	1
7	602904		BED TETHER CABLE ASSEMBLY.....	1
8	14443G12		CLEVIS PIN, .5" DIA X 2.22" LG.....	1
9	21683G1		COTTER PIN, .320" X 2.969".....	1
10	71569G02		GAS SPRING CHANNEL.....	1
11	01118G01		HEX HEAD BOLT WITH PATCH LOCK, 1/4" - 20 X .62" LG.....	6
12	00642G7		FLAT WASHER, 1/4".....	6
13	14443G10		CLEVIS PIN, .5" DIA X 3" LG.....	1
14	21683G1		COTTER PIN, .320" X 2.969".....	1
15				
16				
17				
18	651708		TRUCK BED LATCH ASSEMBLY (INCLUDES ITEMS 19 - 26).....	1
19	647965		LATCH.....	1
20	652440G03		LATCH RETAINER BRACKET.....	1
21	01118G01		HEX HEAD BOLT WITH PATCH LOCK, 1/4" - 20 X .62" LG.....	4
22	71704G01		HANDLE GRIP.....	2
23	657267		RETAINER BRACKET.....	2
24	71538G01		TORSION SPRING.....	1
25	70113G01		ADJUSTABLE RUBBER BUMPER.....	2
26	11027G1		LOCK NUT, 5/16" - 18.....	2



12 ELECTRIC DUMP ASSEMBLY includes items 13 - 21



THE USE OF NON U.L. PARTS WILL VOID ANY U.L. LISTING.

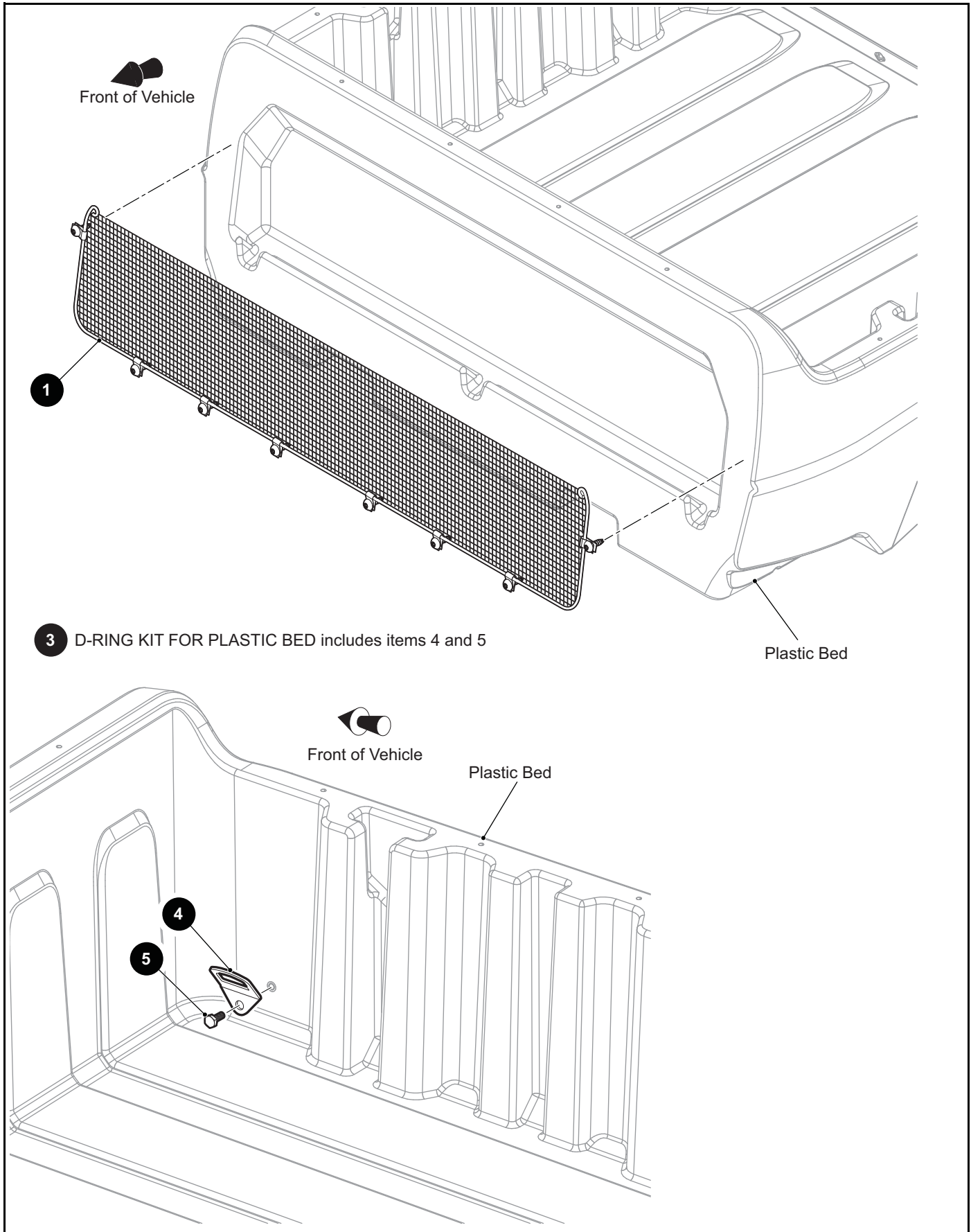
When ordering parts, please specify the model and serial number of the product.

* Indicates a component that is not available as an individual part.

*** Indicates consult Customer Service Department for additional information.

ITEM	PART NO.	1 2 3 4 5	DESCRIPTION	QTY.
1	71571G01		CLEVIS PIN, .5" DIA X 5.25" LG.....	2
2	00571G5		FLAT WASHER, 1/2".....	2
3	71570G01		BUSHING (ACETAL), 2.3" LG.....	2
4	624030		FLANGED BUSHING, .93" LG.....	4
5	21683G1		COTTER PIN, .320" X 2.969".....	2
6	01118G01		HEX HEAD BOLT WITH PATCH LOCK, 1/4" - 20 X .62" LG.....	8
7	00642G7		FLAT WASHER, 1/4".....	8
8	71547G02		CHANNEL OUTRIGGER.....	1
9				
10				
11				
12	653323		ELECTRIC DUMP ASSEMBLY (INCLUDES ITEMS 13 - 21).....	1
13	27612G04		ELECTRIC ACTUATOR.....	1
14	27613G01		SPACER, .75" O.D. X .5" I.D.	2
15	14443G10		CLEVIS PIN, .5" X 3" LG.....	1
16	14443G11		CLEVIS PIN, .5" X 1.92" LG.....	1
17	21683G1		COTTER PIN, .320" X 2.969".....	2
18	653362		ELECTRIC DUMP HARNESS.....	1
19	17618G1		NYLON CLAMP, 8" LG.....	7
20	21320G04		CIRCUIT BREAKER, 15A, 24V.....	1
21	01041G01		ALUMINUM RIVET, 5/23" DIA.....	2

TRUCK BED



THE USE OF NON U.L. PARTS WILL VOID ANY U.L. LISTING.

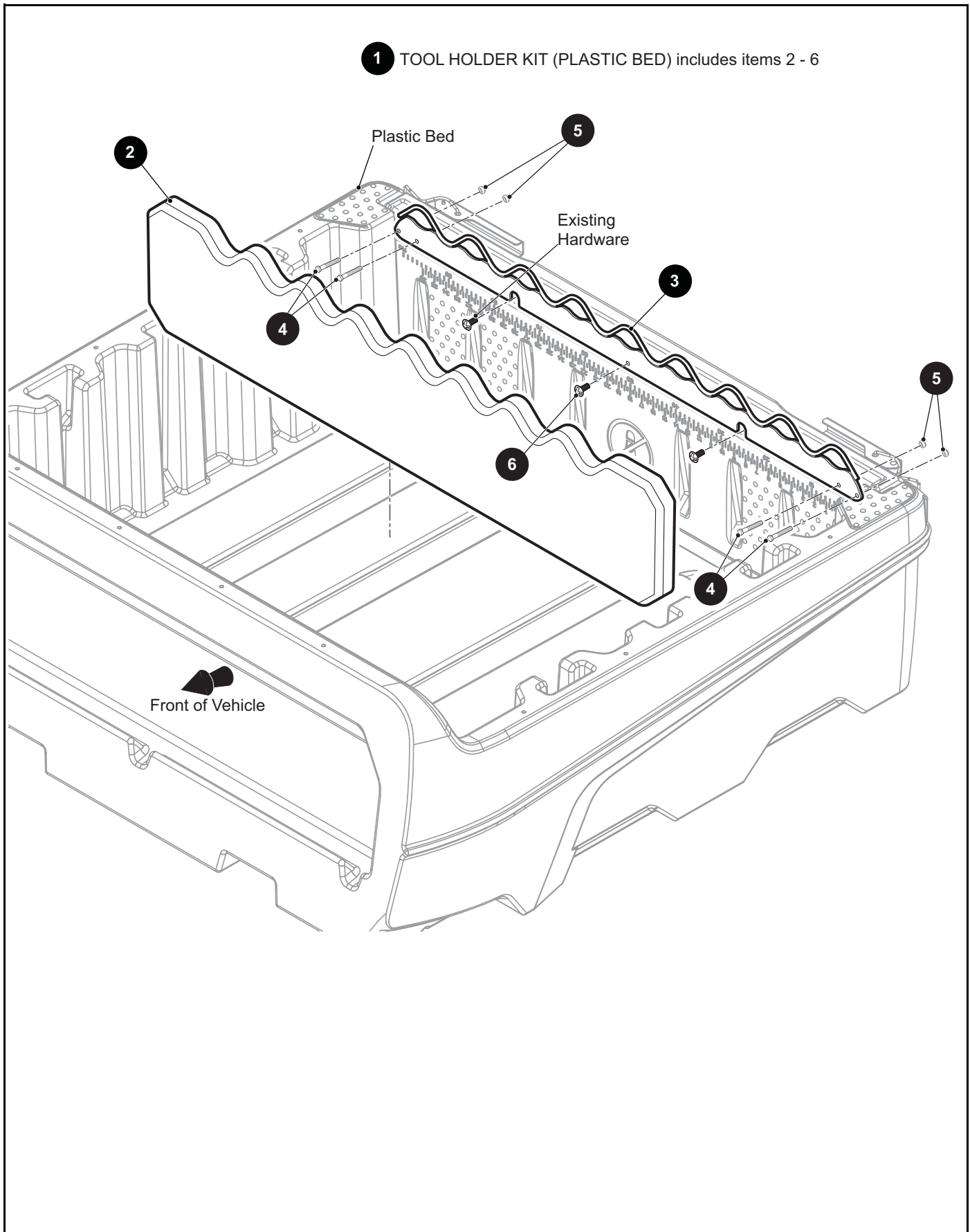
When ordering parts, please specify the model and serial number of the product.

* Indicates a component that is not available as an individual part.

*** Indicates consult Customer Service Department for additional information.

ITEM	PART NO.	1 2 3 4 5	DESCRIPTION	QTY.
1	652838		MESH NET KIT FOR PLASTIC BED (INCLUDES MOUNTING HARDWARE)	1
2				
3	652349		D-RING KIT FOR PLASTIC BED (INCLUDES 4 AND 5)	1
4	650566		D-RING (PLASTIC BED)	4
5	73296G01		HEX HEAD BOLT, M8 - 1.5 X 16MM LG	4

TRUCK BED



THE USE OF NON U.L. PARTS WILL VOID ANY U.L. LISTING.

When ordering parts, please specify the model and serial number of the product.

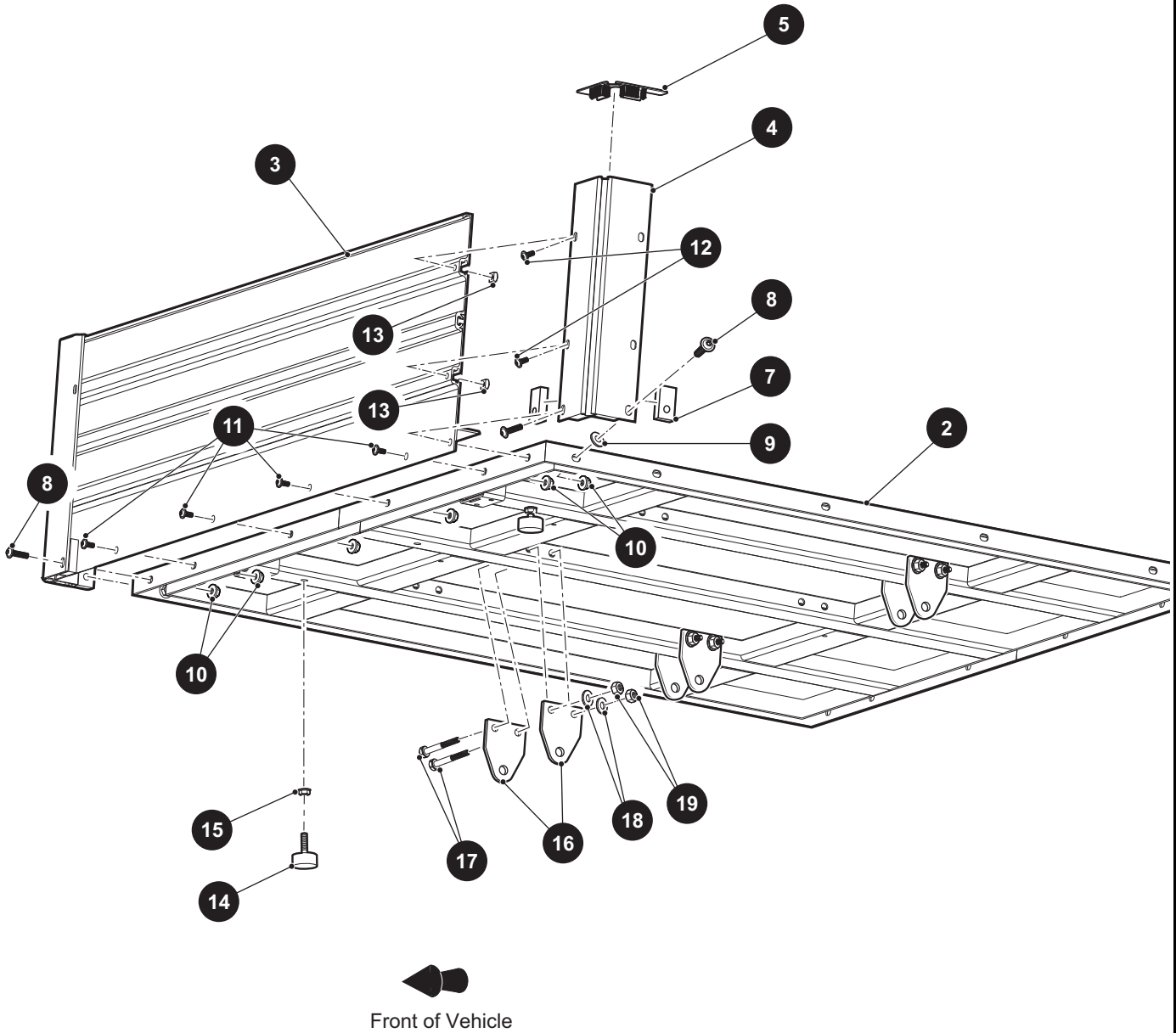
* Indicates a component that is not available as an individual part.

*** Indicates consult Customer Service Department for additional information.

ITEM	PART NO.	1 2 3 4 5	DESCRIPTION	QTY.
1	652510		TOOL HOLDER KIT (PLASTIC BED) (INCLUDES ITEMS 2 - 6)	1
2	652657		BED DIVIDER.....	1
3	651732		LONG HANDLER TOOL HOLDER.....	1
4	00416G6		HEX HEAD BOLT, 1/4" - 20 X 2 3/4" LG.....	4
5	14390G4		LOCK NUT, 1/4" - 20	4
6	16705G2		PAN HEAD PHILLIPS SCREW (SS), 1/4" - 20 X 5/8" LG	1

TRUCK BED

1 FLAT TRUCK BED ASSEMBLY includes items 2 - 19



THE USE OF NON U.L. PARTS WILL VOID ANY U.L. LISTING.

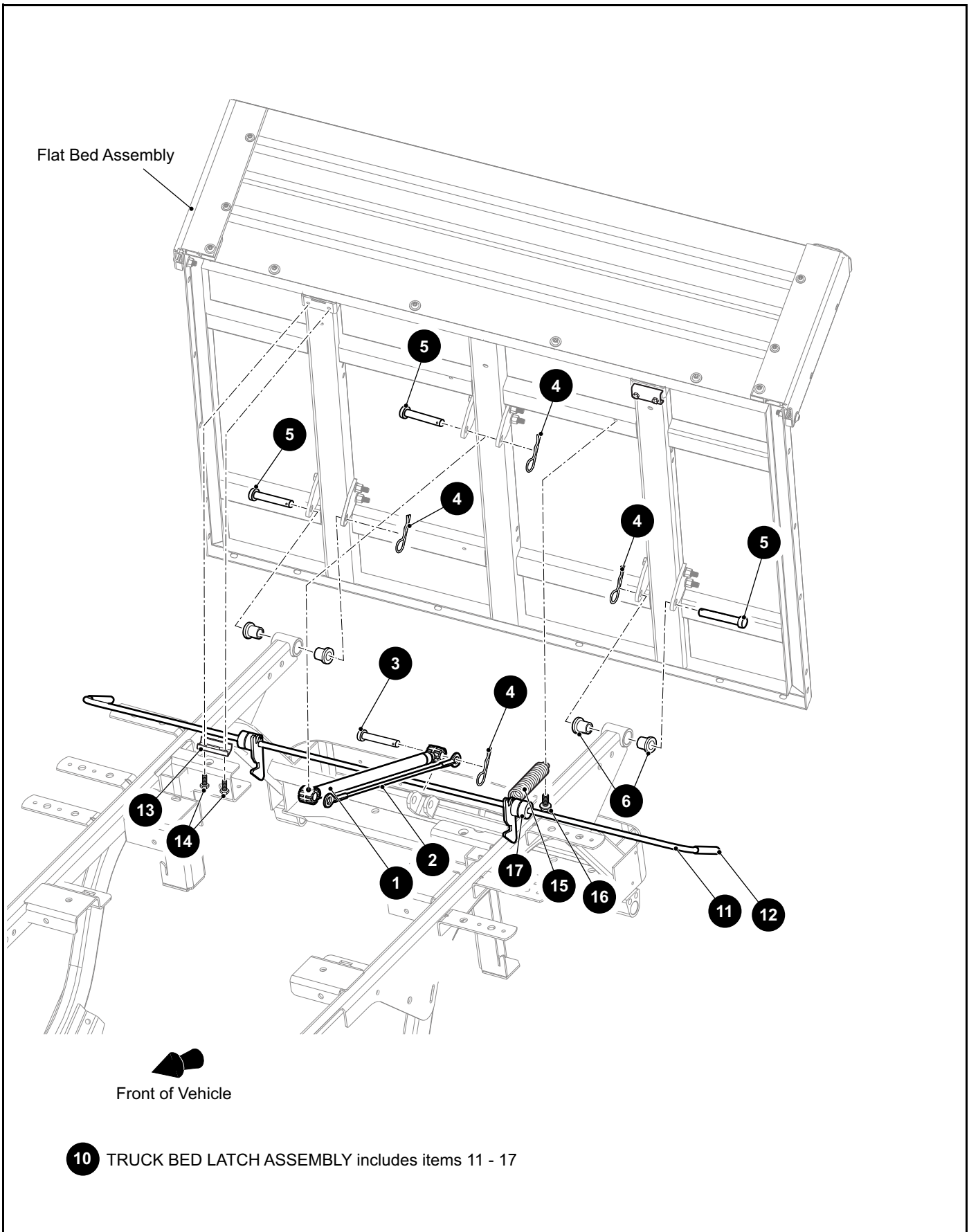
When ordering parts, please specify the model and serial number of the product.

* Indicates a component that is not available as an individual part.

*** Indicates consult Customer Service Department for additional information.

ITEM	PART NO.	1 2 3 4 5	DESCRIPTION	QTY.
1	653275		FLAT TRUCK BED ASSEMBLY (INCLUDES ITEMS 2 - 19)	1
2	647761		BED FRAME.....	1
3	664662		FRONT PANEL ASSEMBLY	1
4	648142		CORNER EXTRUSION	2
5	657300		CORNER EXTRUSION CAP.....	2
6				
7	648829		BED SPACER (ALUMINUM)	4
8	650116		ROUND HEAD TORX SCREW, 3/8" - 16 X 1 1/2" LG	4
9	20835G1		FLAT WASHER, .62" O.D. X .385" I.D.	2
10	11027G5		FLANGED LOCK NUT, 3/8" - 16	8
11	648778		ROUND HEAD TORX SCREW, 3/8" - 16 X 3/4" LG	4
12	650167		ROUND HEAD TORX SCREW, 5/16" - 18 X 3/4" LG	4
13	655642		SQUARE NUT, 5/16" - 18	4
14	70113G01		ADJUSTABLE BUMPER (RUBBER).....	2
15	11027G1		FLANGED LOCK NUT, 5/16" - 18	2
16	647976		BED MOUNT (ALUMINUM).....	6
17	649153		HEX HEAD BOLT, 3/8" X 16 X 4" LG	6
18	00560G1		FLAT WASHER, 3/8"	6
19	11098G5		LOCK NUT, 3/8" - 16	6

TRUCK BED



THE USE OF NON U.L. PARTS WILL VOID ANY U.L. LISTING.

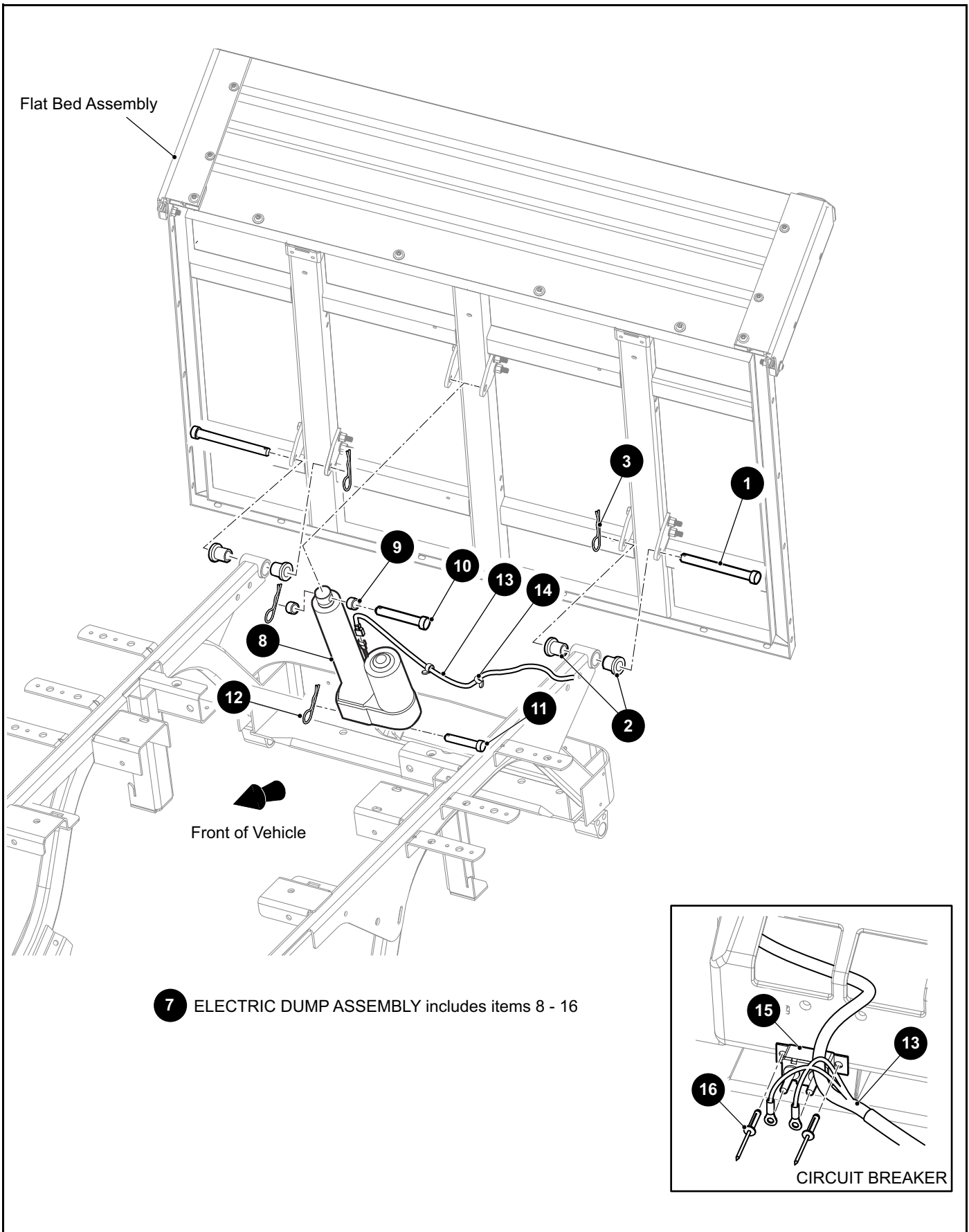
When ordering parts, please specify the model and serial number of the product.

* Indicates a component that is not available as an individual part.

*** Indicates consult Customer Service Department for additional information.

ITEM	PART NO.	1 2 3 4 5	DESCRIPTION	QTY.
1	71537G02		GAS SPRING.....	1
2	602904		BED TETHER CABLE ASSEMBLY.....	1
3	14443G12		CLEVIS PIN, .5" X 2.22" LG.....	1
4	21683G1		COTTER PIN, .320" X 2.969".....	4
5	14443G13		CLEVIS PIN, .5" X 3.5" LG.....	3
6	624030		FLANGED BUSHING, .93" LG.....	4
7				
8				
9				
10	653279G01		TRUCK BED LATCH ASSEMBLY (INCLUDES ITEMS 11 - 17).....	1
11	658739		ALUMINUM BED LATCH.....	1
12	71704G01		HANDLE GRIP.....	2
13	650239		LATCH CLAMP BRACKET.....	2
14	00414G6		HEX HEAD BOLT, 1/4" - 20 X 3/4" LG.....	4
15	30177G1		BRAKE SPRING.....	1
16	00715G2		HEX WASHER HEAD BOLT, 5/16" - 18 X .8" LG.....	1
17	634005		RUBBER BUSHING.....	4

TRUCK BED



THE USE OF NON U.L. PARTS WILL VOID ANY U.L. LISTING.

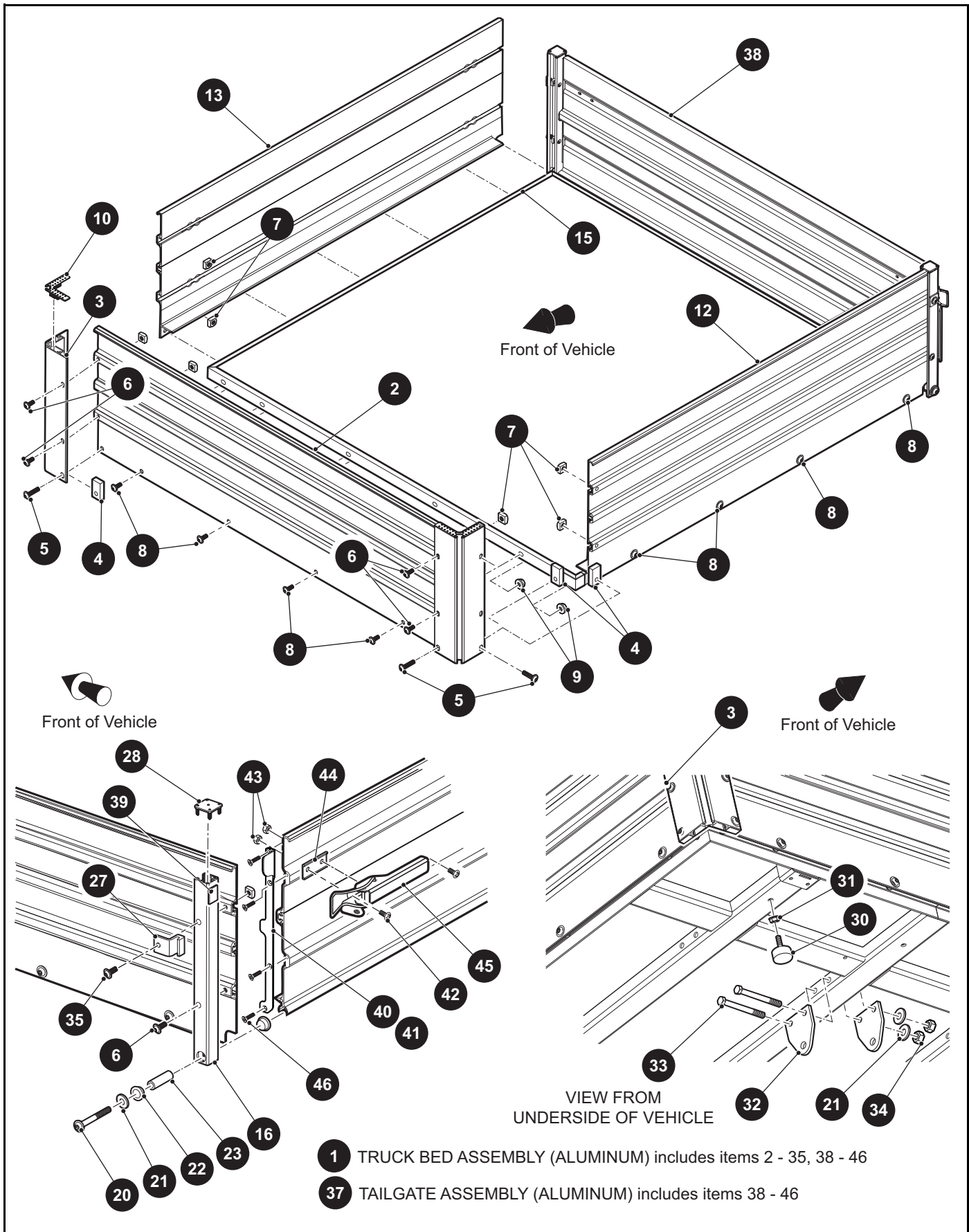
When ordering parts, please specify the model and serial number of the product.

* Indicates a component that is not available as an individual part.

*** Indicates consult Customer Service Department for additional information.

ITEM	PART NO.	1 2 3 4 5	DESCRIPTION	QTY.
1	14443G13		CLEVIS PIN, .5" X 3.5" LG.....	2
2	624030		FLANGED BUSHING, .93" LG.....	4
3	21683G1		COTTER PIN, .320" X 2.969"	2
4				
5				
6				
7	653323		ELECTRIC DUMP ASSEMBLY (INCLUDES ITEMS 8 - 16).....	1
8	27612G04		ELECTRIC ACTUATOR, 48V (1000).....	1
9	27613G01		SPACER, .75" O.D. X .5" I.D.	2
10	14443G10		CLEVIS PIN, .5" X 3" LG	1
11	14443G11		CLEVIS PIN, .5" X 1.92" LG	1
12	21683G1		COTTER PIN, .320" X 2.969"	2
13	653362		ELECTRIC DUMP HARNESS.....	1
14	17618G1		NYLON CLAMP, 8" LG	7
15	21320G04		CIRCUIT BREAKER, 15A, 24V	1
16	01041G01		ALUMINUM RIVET, 5/23" DIA	2

TRUCK BED



THE USE OF NON U.L. PARTS WILL VOID ANY U.L. LISTING.

When ordering parts, please specify the model and serial number of the product.

* Indicates a component that is not available as an individual part.

*** Indicates consult Customer Service Department for additional information.

ITEM	PART NO.	1 2 3 4 5	DESCRIPTION	QTY.
1	649005		TRUCK BED ASSEMBLY (ALUMINUM) (INCLUDES ITEMS 2 - 35, 38 - 46).	1
2	664662		FRONT PANEL ASSEMBLY	1
3	648142		CORNER EXTRUSION	2
4	648829		BED SPACER (ALUMINUM)	4
5	650116		ROUND HEAD TORX SCREW, 3/8" - 16 X 1 1/2" LG	4
6	650167		ROUND HEAD TORX SCREW, 5/16" - 18 X 3/4" LG	10
7	655642		SQUARE NUT, 5/16" - 18	12
8	648778		ROUND HEAD TORX SCREW, 3/8" - 16 X 3/4" LG	12
9	11027G5		FLANGED LOCK NUT, 3/8" - 16	16
10	657300		CORNER EXTRUSION CAP	2
11				
12	664655		SIDE PANEL ASSEMBLY (DRIVER SIDE).....	1
13	664656		SIDE PANEL ASSEMBLY (PASSENGER SIDE)	1
14				
15	647761		BED FRAME.....	1
16	649219		POST EXTRUSION	2
17				
18				
19				
20	648814		ROUND HEAD TORX SCREW, 3/8" - 16 X 3 1/4" LG	2
21	00560G1		FLAT WASHER, 3/8"	8
22	649091		PLAIN FLANGE BEARING.....	4
23	648809		TAILGATE BUSHING	2
24				
25				
26				
27	658878		TAILGATE LATCH BRACKET	2
28	657301		EXTRUSION POST CAP.....	2
29				
30	70113G01		ADJUSTABLE BUMPER (RUBBER).....	2
31	11027G1		FLANGED LOCK NUT, 5/16" - 18	2

TRUCK BED

THE USE OF NON U.L. PARTS WILL VOID ANY U.L. LISTING.

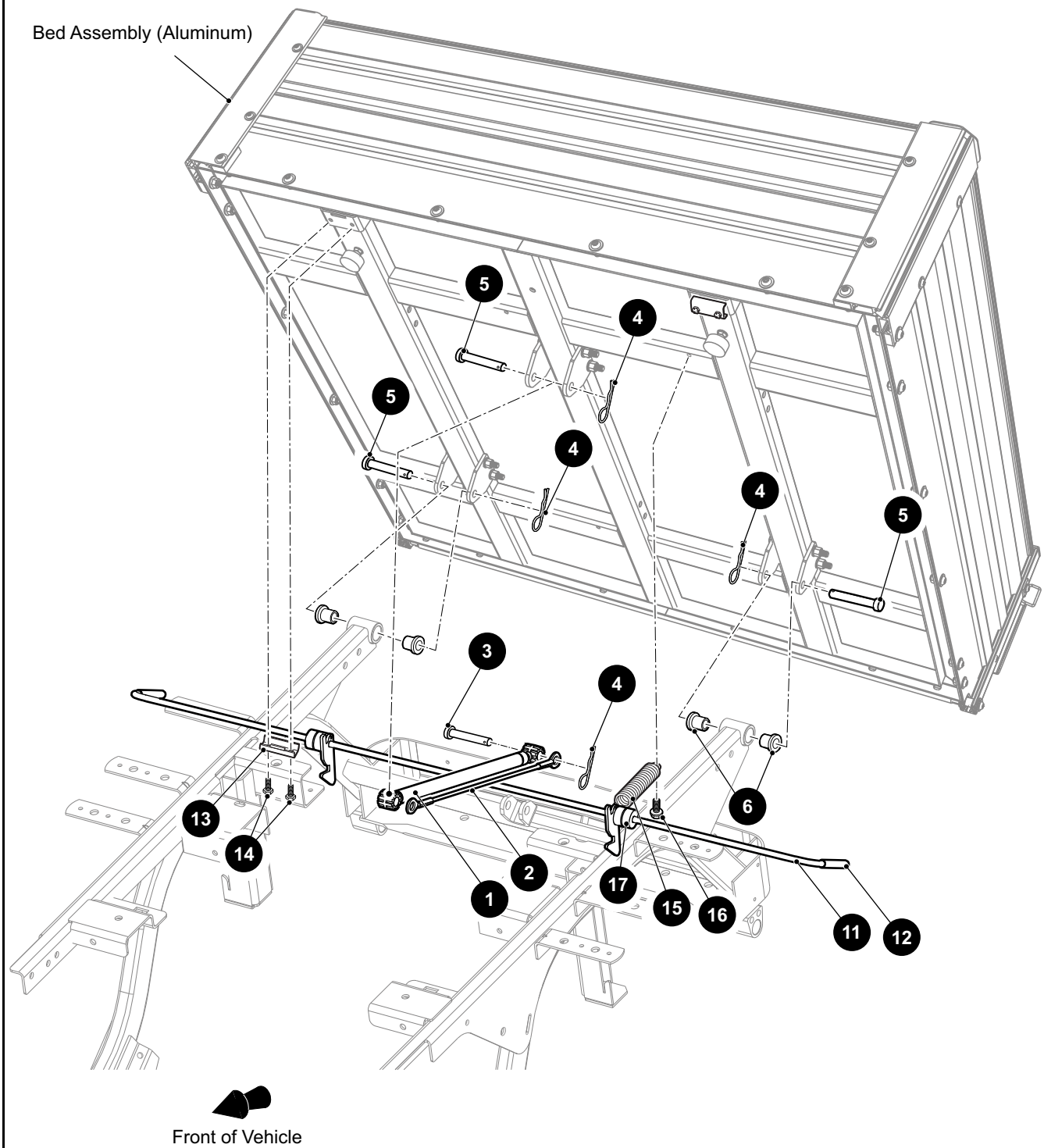
When ordering parts, please specify the model and serial number of the product.

* Indicates a component that is not available as an individual part.

*** Indicates consult Customer Service Department for additional information.

ITEM	PART NO.	1	2	3	4	5	DESCRIPTION	QTY.
32	647976						BED MOUNT (ALUMINUM)	6
33	649153						HEX HEAD BOLT, 3/8" X 16 X 4" LG	6
34	11098G5						LOCK NUT, 3/8" - 16	6
35	648988						ROUND HEAD TORX SCREW, 5/16" - 18 X 1 1/4" LG	2
36								
37	660552						TAILGATE ASSEMBLY (ALUMINIUM) (INCLUDES ITEMS 38 - 46)	1
38	659203						TAILGATE ASSEMBLY	1
39	659417						FOAM TAPE (BLACK)	2
40	658708G01						TAILGATE BRACKET (DRIVER SIDE)	1
41	658708G02						TAILGATE BRACKET (PASSENGER SIDE)	1
42	800296						TRUSS HEAD PHILLIPS SCREW, #10 - 24 X 3/4" LG	4
43	14390G10						LOCK NUT, #10 - 24	4
44	658929						STOP LATCH (SHIM).....	2
45	652781						TAILGATE LATCH ASSEMBLY	2
46	659541						FLAT HEAD TAPPING SCREW, #10 - 24 X 3/4" LG	8

TRUCK BED



10 TRUCK BED LATCH ASSEMBLY includes items 11 - 17

THE USE OF NON U.L. PARTS WILL VOID ANY U.L. LISTING.

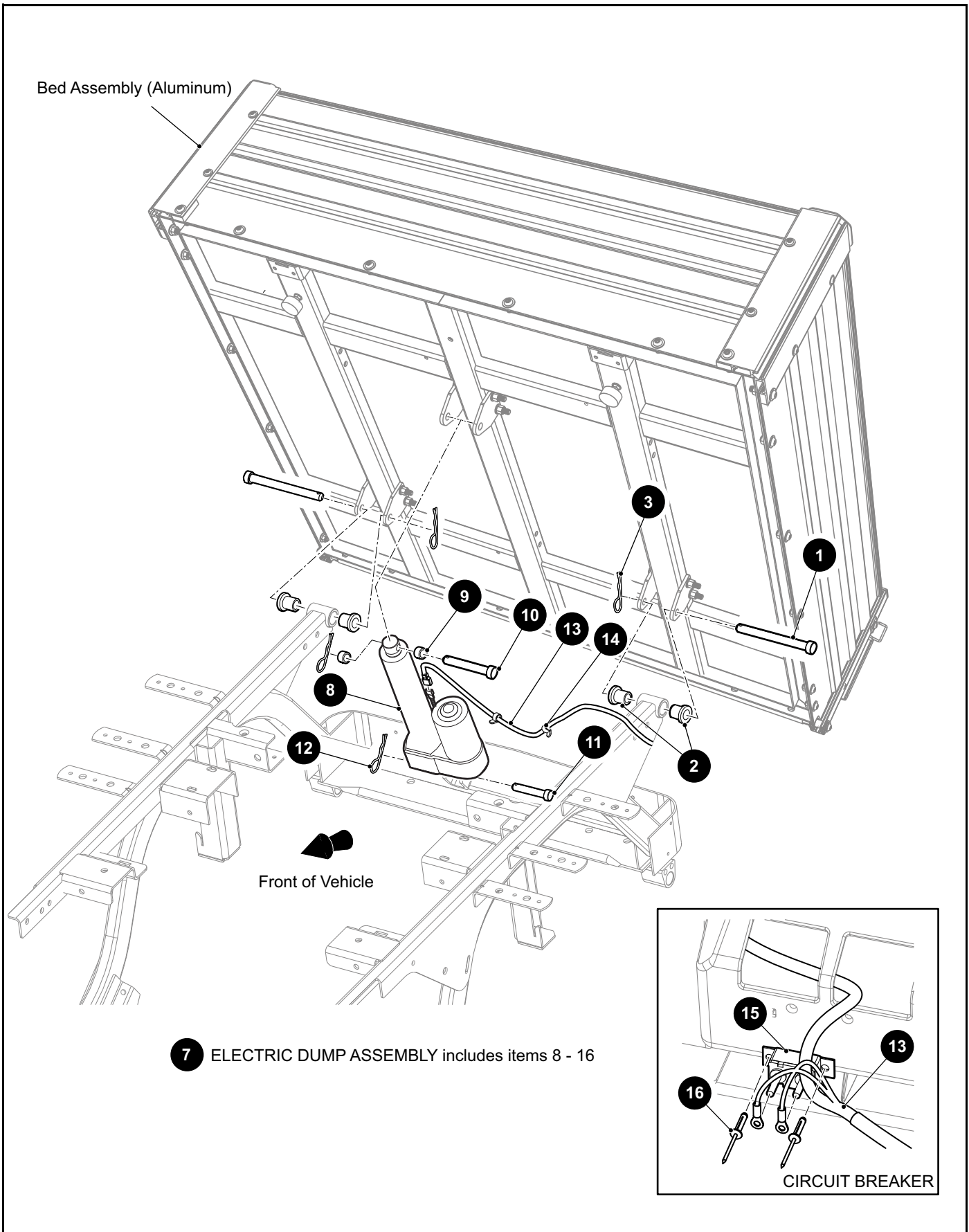
When ordering parts, please specify the model and serial number of the product.

* Indicates a component that is not available as an individual part.

*** Indicates consult Customer Service Department for additional information.

ITEM	PART NO.	1 2 3 4 5	DESCRIPTION	QTY.
1	71537G02		GAS SPRING.....	1
2	602904		BED TETHER CABLE ASSEMBLY.....	1
3	14443G12		CLEVIS PIN, .5" X 2.22" LG.....	1
4	21683G1		COTTER PIN, .320" X 2.969".....	4
5	14443G13		CLEVIS PIN, .5" X 3.5" LG.....	3
6	624030		FLANGED BUSHING, .93" LG.....	4
7				
8				
9				
10	653279G01		TRUCK BED LATCH ASSEMBLY (INCLUDES ITEMS 11 - 17).....	1
11	658739		ALUMINUM BED LATCH.....	1
12	71704G01		HANDLE GRIP.....	2
13	650239		LATCH CLAMP BRACKET.....	2
14	00414G6		HEX HEAD BOLT, 1/4" - 20 X 3/4" LG.....	4
15	30177G1		BRAKE SPRING.....	1
16	00715G2		HEX WASHER HEAD BOLT, 5/16" - 18 X .8" LG.....	1
17	634005		RUBBER BUSHING.....	4

TRUCK BED



THE USE OF NON U.L. PARTS WILL VOID ANY U.L. LISTING.

When ordering parts, please specify the model and serial number of the product.

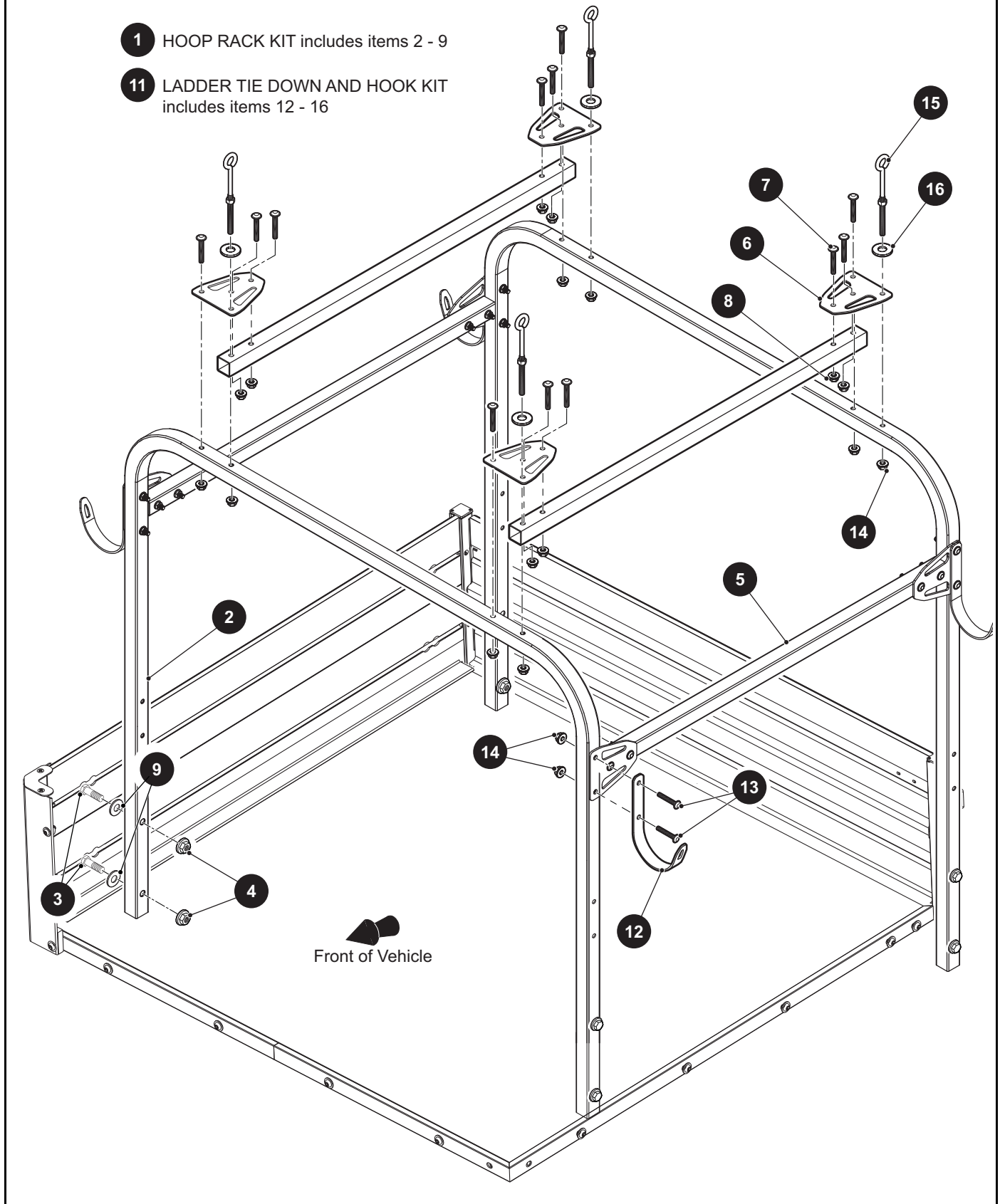
* Indicates a component that is not available as an individual part.

*** Indicates consult Customer Service Department for additional information.

ITEM	PART NO.	1 2 3 4 5	DESCRIPTION	QTY.
1	14443G13		CLEVIS PIN, .5" X 3.5" LG.....	2
2	624030		FLANGED BUSHING, .93" LG.....	4
3	21683G1		COTTER PIN, .320" X 2.969"	2
4				
5				
6				
7	653323		ELECTRIC DUMP ASSEMBLY (INCLUDES ITEMS 8 - 16).....	1
8	27612G04		ELECTRIC ACTUATOR, 48V (1000).....	1
9	27613G01		SPACER, .75" O.D. X .5" I.D.	2
10	14443G10		CLEVIS PIN, .5" X 3" LG	1
11	14443G11		CLEVIS PIN, .5" X 1.92" LG	1
12	21683G1		COTTER PIN, .320" X 2.969"	2
13	653362		ELECTRIC DUMP HARNESS	1
14	17618G1		NYLON CLAMP, 8" LG	7
15	21320G04		CIRCUIT BREAKER, 15A, 24V	1
16	01041G01		ALUMINUM RIVET, 5/23" DIA	2

TRUCK BED

- 1** HOOP RACK KIT includes items 2 - 9
- 11** LADDER TIE DOWN AND HOOK KIT includes items 12 - 16



THE USE OF NON U.L. PARTS WILL VOID ANY U.L. LISTING.

When ordering parts, please specify the model and serial number of the product.

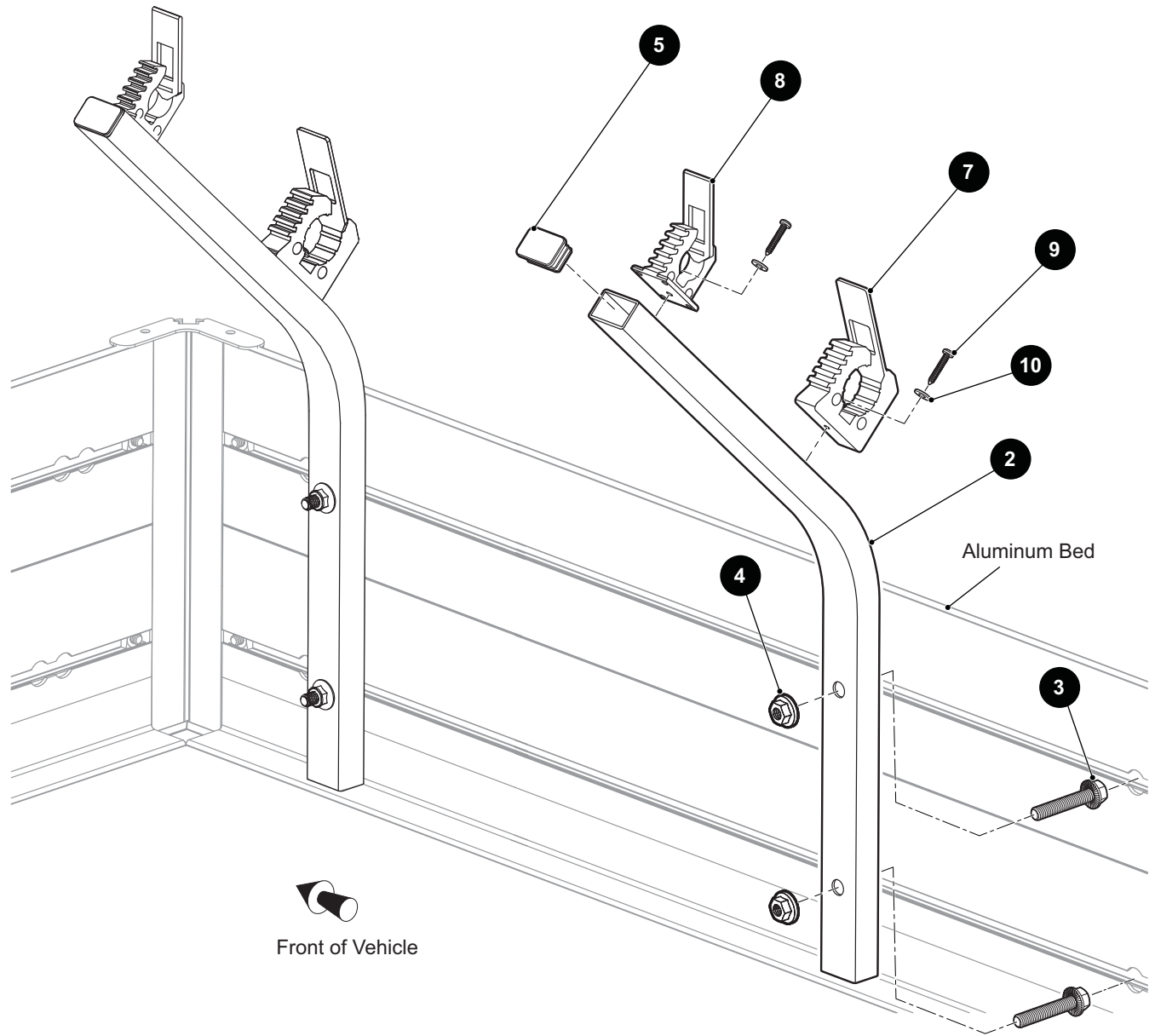
* Indicates a component that is not available as an individual part.

*** Indicates consult Customer Service Department for additional information.

ITEM	PART NO.	1 2 3 4 5	DESCRIPTION	QTY.
1	658573		HOOP RACK KIT (INCLUDES ITEMS 2 - 9)	1
2	650766		ALUMINUM BED HOOP.....	2
3	00427G8		HEX HEAD BOLT, 3/8" - 16 X 2" LG	8
4	12262G1		FLANGED LOCK NUT, 3/8" - 16	8
5	650931		HOOK RACK TIE BAR	2
6	650950		HOOK RACK TIE BAR BRACKET	4
7	652310		ROUND HEAD TORX BOLT, 5/16" - 18 X 2" LG	16
8	11027G1		FLANGED LOCK NUT, 5/16" - 18	16
9	00560G1		FLAT WASHER, 3/8"	8
10				
11	650921		LADDER TIE DOWN AND HOOK KIT (INCLUDES ITEMS 12 - 16)	1
12	651379		HOOK	4
13	652310		ROUND HEAD TORX BOLT, 5/16" - 18 X 2" LG	8
14	11027G1		FLANGED LOCK NUT, 5/16" - 18	8
15	651338		EYE BOLT, 5/16" - 18 X 5" LG	4
16	00642G8		FLAT WASHER, 5/16"	4

TRUCK BED

- 1 TOOL HOLDER KIT includes items 2 - 6
- 6 QUICK FIST KIT includes items 7 - 10
- 13 L-TRACK D-LOOP KIT (NOT ILLUSTRATED) includes item 14



THE USE OF NON U.L. PARTS WILL VOID ANY U.L. LISTING.

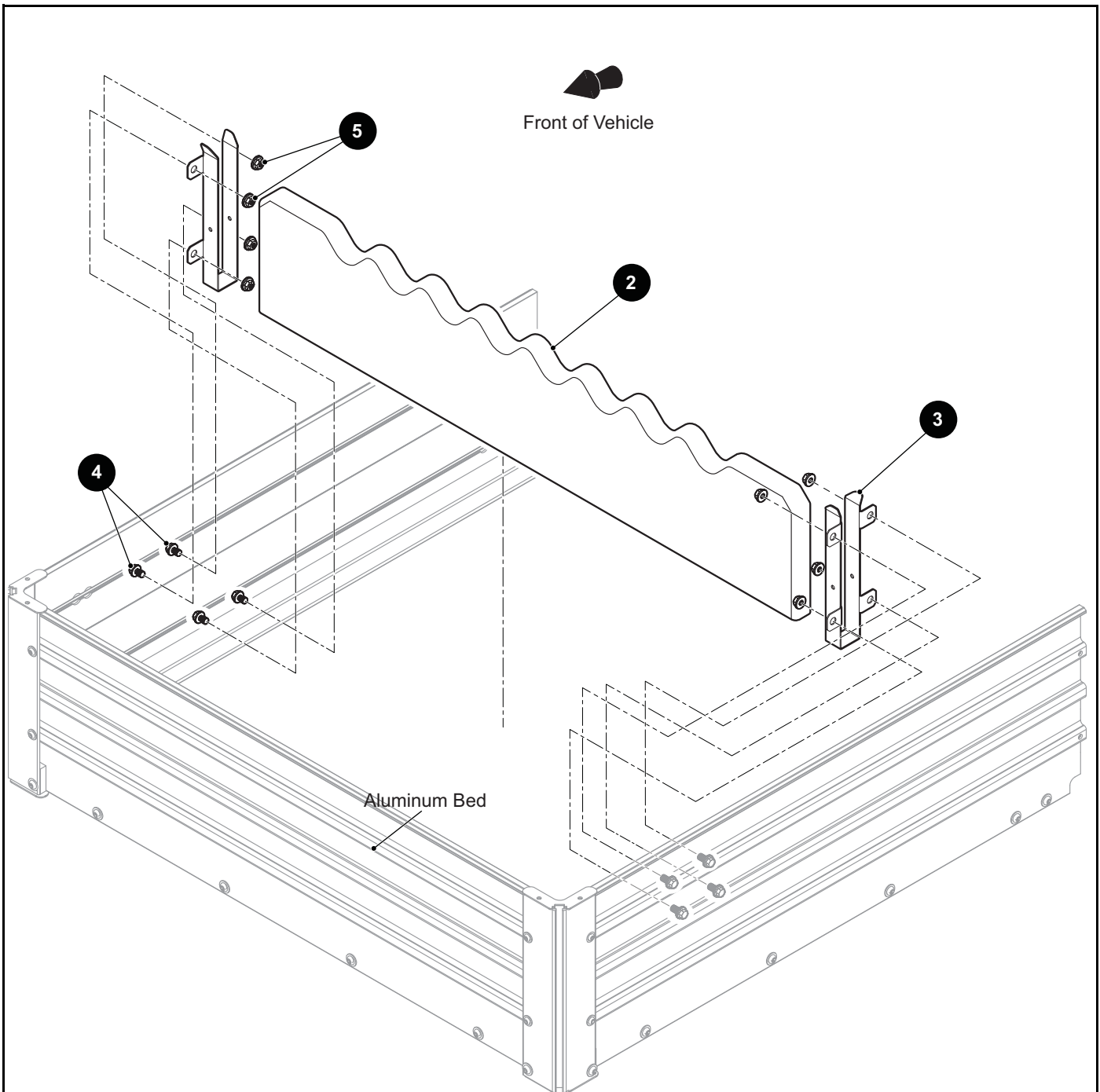
When ordering parts, please specify the model and serial number of the product.

* Indicates a component that is not available as an individual part.

*** Indicates consult Customer Service Department for additional information.

ITEM	PART NO.	1 2 3 4 5	DESCRIPTION	QTY.
1	625675		TOOL HOLDER KIT (INCLUDES ITEMS 2 - 6)	1
2	651886		BED BAR	2
3	651561		SERRATED FLANGED BOLT, 3/8" - 16 X 2" LG	4
4	12262G1		FLANGED LOCK NUT, 3/8" - 16	4
5	652697		END CAP, 1" 1 1/2"	2
6	652615		QUICK FIST KIT (INCLUDES ITEMS 7 - 10)	1
7	652590		QUICK FIST CLAMP (ORIGINAL)	2
8	646404		QUICK FIST CLAMP (MINI)	2
9	648271		PAN HEAD TORX SCREW, #8 - 15 X 1" LG	4
10	00559G4		FLAT WASHER, #8	4
11				
12				
13	652347		L-TRACK D-LOOP KIT (NOT ILLUSTRATED) (INCLUDES ITEM 14)	1
14	652346		L-TRACK D-LOOP	4

TRUCK BED



1 ALUMINUM BED DIVIDER KIT includes items 2 - 5

THE USE OF NON U.L. PARTS WILL VOID ANY U.L. LISTING.

When ordering parts, please specify the model and serial number of the product.

* Indicates a component that is not available as an individual part.

*** Indicates consult Customer Service Department for additional information.

ITEM	PART NO.	1 2 3 4 5	DESCRIPTION	QTY.
1	652674		ALUMINUM BED DIVIDER KIT (INCLUDES ITEMS 2 - 5).....	1
2	652673		BED DIVIDER.....	1
3	652677		BED DIVIDER BRACKET.....	2
4	800385		HEX HEAD FLANGED BOLT, 3/8" - 16 X 3/4" LG.....	8
5	12262G1		FLANGED LOCK NUT, 3/8" - 16	8

WEATHER PROTECTION

THE USE OF NON U.L. PARTS WILL VOID ANY U.L. LISTING.

When ordering parts, please specify the model and serial number of the product.

* Indicates a component that is not available as an individual part.

*** Indicates consult Customer Service Department for additional information.

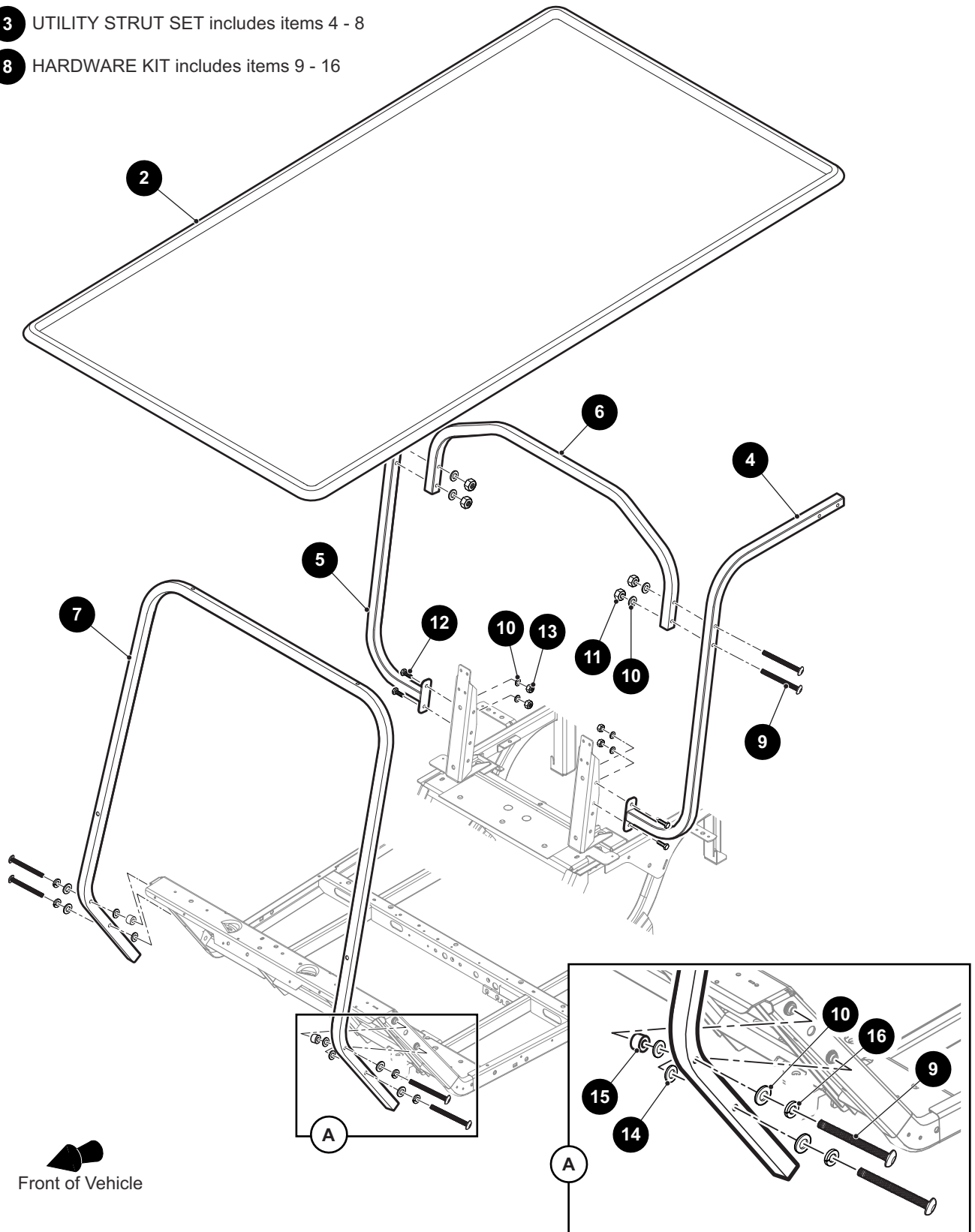
ITEM	PART NO.	1 2 3 4 5	DESCRIPTION	QTY.
1	651917G01		CANOPY TOP KIT (BLACK) (INCLUDES ITEMS 4, 7 - 22)	1
2	651917G02		CANPOPY TOP KIT (TAN) (INCLUDES ITEMS 5, 7 - 22).....	1
3	651917G03		CANOPY TOP KIT (BEIGE) (INCLUDES ITEMS 6, 7 - 22)	1
4	625292		CANOPY TOP (BLACK)	1
5	625290		CANOPY TOP (TAN)	1
6	625291		CANOPY TOP (BEIGE)	1
7	654452		STRUT SET (INCLUDES ITEMS 8 - 10)	1
8	647565		REAR STRUT	1
9	648270		FRONT STRUT	1
10	652328		HARDWARE KIT (INCLUDES ITEMS 11 - 22)	1
11	652324		FLAT WASHER, O.D .692" X I.D .349".....	8
12	652326		HEX HEAD BOLT, 1/4" - 20 X 2.75" LG.....	4
13	652319		LOCK NUT, 1/4 - 20.....	4
14	625301		SPACER, .74" LG	4
15	634810		FLAT WASHER, 5/16"	4
16	634808		FLAT WASHER, 5/16"	4
17	652315		LOCK WASHER, O.D .692" X I.D .349"	4
18	652311		ROUND HEAD TORX SCREW (BLACK), 5/16" - 18 X 3" LG	4
19	634807		SPACER, .5" LG	2
20	652313		HEX HEAD BOLT, 5/16" - 18 X 1" LG.....	4
21	652317		LOCK NUT, 5/16" - 18 X .34" LG	4
22	634810		FLAT WASHER, 5/16"	4
23				
24	653594		MESH NET KIT	1

WEATHER PROTECTION

1 BESTOP KIT (BLACK) includes items 2 - 3

3 UTILITY STRUT SET includes items 4 - 8

8 HARDWARE KIT includes items 9 - 16



WEATHER PROTECTION

THE USE OF NON U.L. PARTS WILL VOID ANY U.L. LISTING.

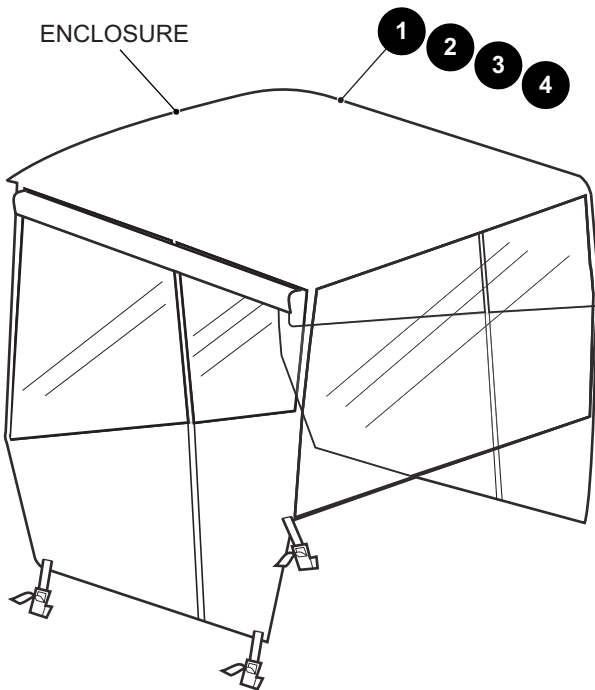
When ordering parts, please specify the model and serial number of the product.

* Indicates a component that is not available as an individual part.

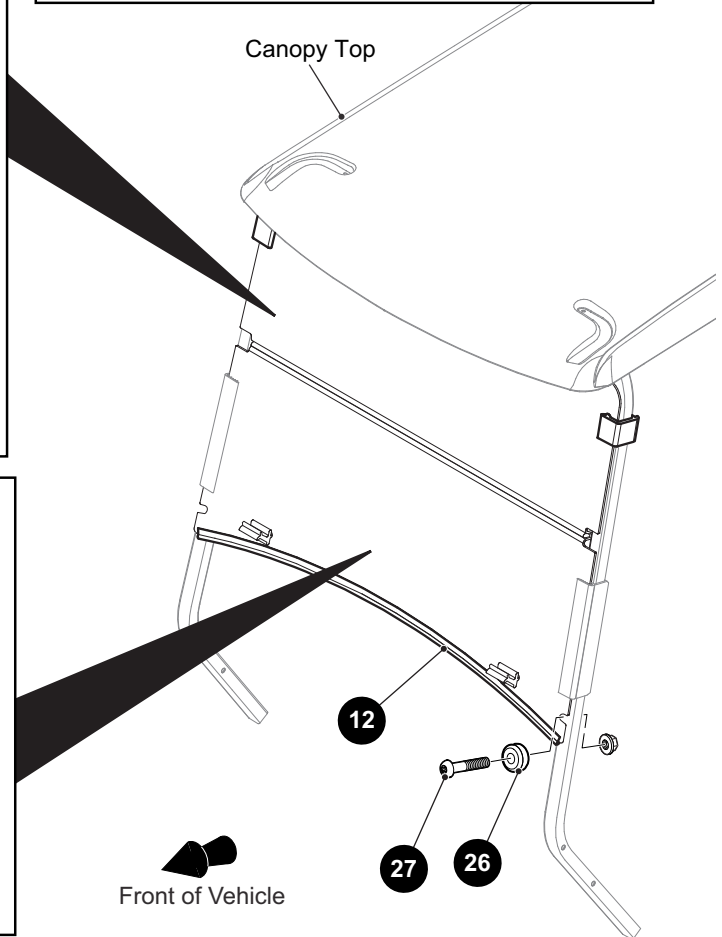
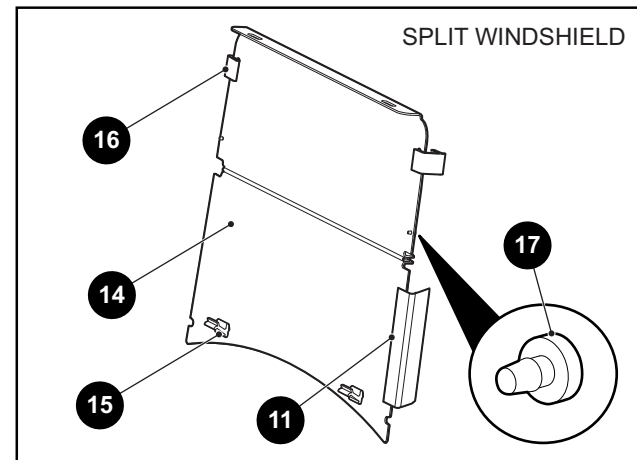
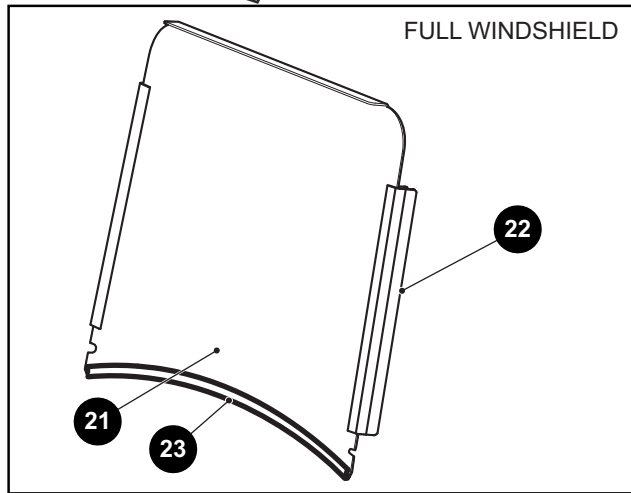
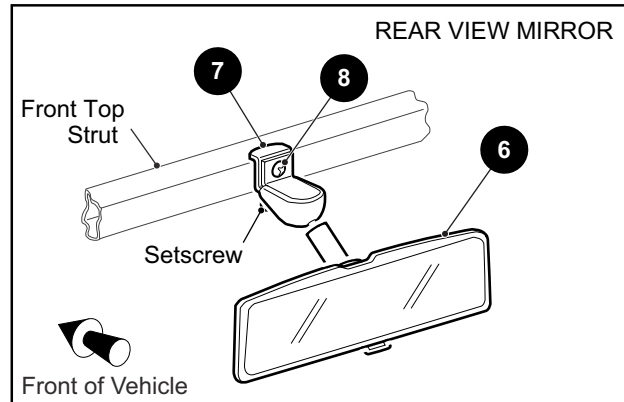
*** Indicates consult Customer Service Department for additional information.

ITEM	PART NO.	1 2 3 4 5	DESCRIPTION	QTY.
1	651916G01		BESTOP KIT (BLACK) (INCLUDES ITEMS 2 - 3)	1
2	655556		SOFT TOP KIT	1
3	651871		UTILITY STRUT SET (INCLUDES ITEMS 4 - 8).....	1
4	651715G01		REAR STRUT (DRIVER SIDE).....	1
5	651715G02		REAR STRUT (PASSENGER SIDE)	1
6	651857		BRACE.....	1
7	648270		FRONT STRUT	1
8	652843		HARDWARE KIT (INCLUDES ITEMS 9 - 16)	1
9	652311		ROUND HEAD TORX SCREW, 5/16" - 18 X 3" LG	8
10	634810		FLAT WASHER, 5/16"	12
11	654587		HEX NUT, 5/16"	4
12	652313		HEX HEAD BOLT, 5/16" - 18 X 1" LG.....	4
13	652317		LOCK NUT, 5/16" - 18	8
14	634808		FLAT WASHER, 5/16"	4
15	634807		SPACER, O.D .328 X I.D .75.....	2
16	652315		LOCK WASHER, 5/16"	4
17				
18				
19	601379		REAR VIEW MIRROR KIT (NOT ILLUSTRATED).....	1

WEATHER PROTECTION



- 5 REAR VIEW MIRROR KIT includes items 6 - 8
- 10 SPLIT WINDSHIELD UTILITY KIT includes items 11 - 17, 25
- 13 SPLIT WINDSHIELD ASSEMBLY includes items 14 - 17
- 20 FULL WINDSHIELD UTILITY KIT includes items 21 - 25
- 25 WINDSHIELD HARDWARE KIT includes items 26 - 27



WEATHER PROTECTION

THE USE OF NON U.L. PARTS WILL VOID ANY U.L. LISTING.

When ordering parts, please specify the model and serial number of the product.

* Indicates a component that is not available as an individual part.

*** Indicates consult Customer Service Department for additional information.

ITEM	PART NO.	1 2 3 4 5	DESCRIPTION	QTY.
1	652344G01		TOP ENCLOSURE (WHITE), 54"	1
2	652344G02		TOP ENCLOSURE (BLACK), 54"	1
3	652344G03		TOP ENCLOSURE (TAN), 54"	1
4	652845G01		TOP ENCLOSURE (BLACK), 86"	1
5	19528G2		REAR VIEW MIRROR KIT (INCLUDES ITEMS 6 - 8)	1
6	19496G1		REAR VIEW MIRROR	1
7	19502G2		SUPPORT BRACKET	1
8	19527G1		PAN HEAD SCREW (SS), #8 - 32 X 5/8" LG	1
9				
10	649825		SPLIT WINDSHIELD KIT (INCLUDES ITEMS 11 - 17, 25).....	1
11	613136		SASH	2
12	649836		SEAL.....	1
13	649849		SPLIT WINDSHIELD ASSEMBLY (INCLUDES ITEMS 14 - 17)	1
14	*		WINDSHIELD.....	1
15	603201		LOWER LATCH	2
16	603198		UPPER LATCH	2
17	604115		GROMMET	2
18				
19				
20	649883		FULL WINDSHIELD KIT (INCLUDES ITEMS 21 - 25).....	1
21	*		FLAT WINDSHIELD	1
22	649885		SASH.....	1
23	649836		SEAL.....	1
24				
25	607014		WINDSHIELD HARDWARE KIT (INCLUDES ITEMS 26 - 27).....	1
26	604116		GROMMET	2
27	602572		PAN HEAD TAPTITE BOLT, M10 - 1.5 X 25 MM LG	2

WHEELS AND TIRES

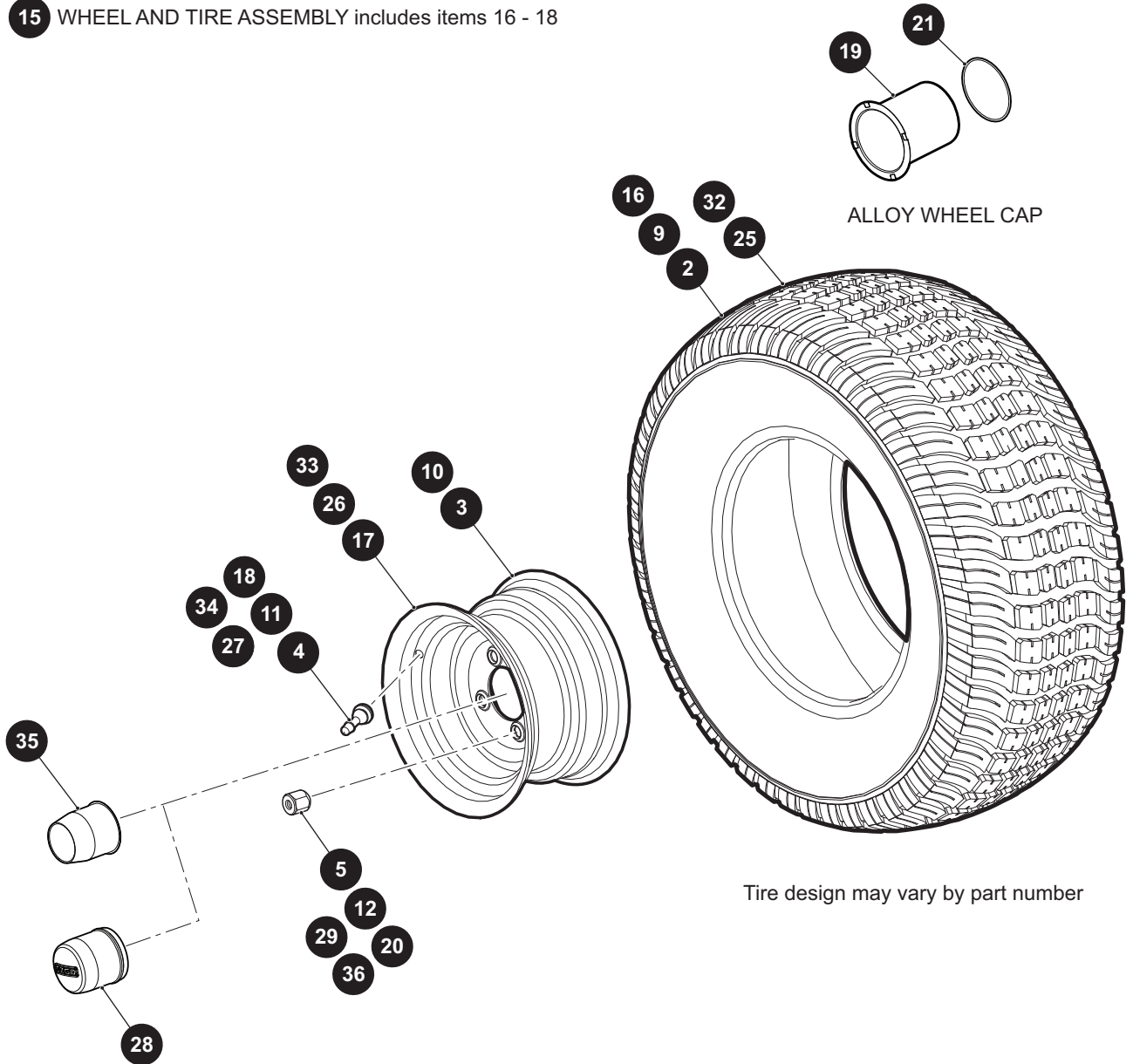
1 WHEEL AND TIRE ASSEMBLY includes items 2 - 4

8 WHEEL AND TIRE ASSEMBLY includes items 9 - 11

15 WHEEL AND TIRE ASSEMBLY includes items 16 - 18

24 WHEEL AND TIRE ASSEMBLY includes items 25 - 27

31 WHEEL AND TIRE ASSEMBLY includes items 32 - 34



WHEELS AND TIRES

THE USE OF NON U.L. PARTS WILL VOID ANY U.L. LISTING.

When ordering parts, specify the model and serial number of the product.

* Indicates a component that is not available as an individual part.

*** Indicates consult Customer Service Department for additional information.

ITEM	PART NO.	1 2 3 4 5	DESCRIPTION	QTY.
1	652263		WHEEL AND TIRE ASSEMBLY (KENDA) (INCLUDES ITEMS 2 - 4)	1
2	652986		TIRE, 20 X 8 - 10, 6PLY	1
3	643934		WHEEL, 10 X 6	1
4	643948		VALVE STEM.....	1
5	14723G1		LUG NUT, 1/2" - 20	4
6				
7				
8	652392		WHEEL AND TIRE ASSEMBLY (KENDA) (INCLUDES ITEMS 9 - 11).....	1
9	652992		TIRE, 205/65 - 10, 6PLY	1
10	643934		WHEEL, 10 X 6	1
11	643948		VALVE STEM.....	1
12	14723G1		LUG NUT, 1/2" - 20	4
13				
14				
15	608914		WHEEL AND TIRE ASSEMBLY, TERRA TRAC (INCLUDES ITEMS 16 - 18)	1
16	606141		TIRE, 22 X 11 X 10.....	1
17	604927		WHEEL, 10 X 7	1
18	604915		VALVE STEM.....	1
19	601353		WHEEL CAP (ALLOY)	1
20	605310		LUG NUT (CHROME), 1/2 - 20 X 1.88" LG	A/R
21	650164		O-RING	1
22				
23				
24	607252		WHEEL AND TIRE ASSEMBLY, TERRA TRAC (INCLUDES ITEMS 25 - 27)	1
25	606142		TIRE, 23 X 10.5 X 12.....	1
26	606149		WHEEL.....	1
27	604915		VALVE STEM.....	1
28	614272		WHEEL CAP	1
29	605310		LUG NUT, 1/2 - 20 X 1.88" LG	4
30				

WHEELS AND TIRES

THE USE OF NON U.L. PARTS WILL VOID ANY U.L. LISTING.

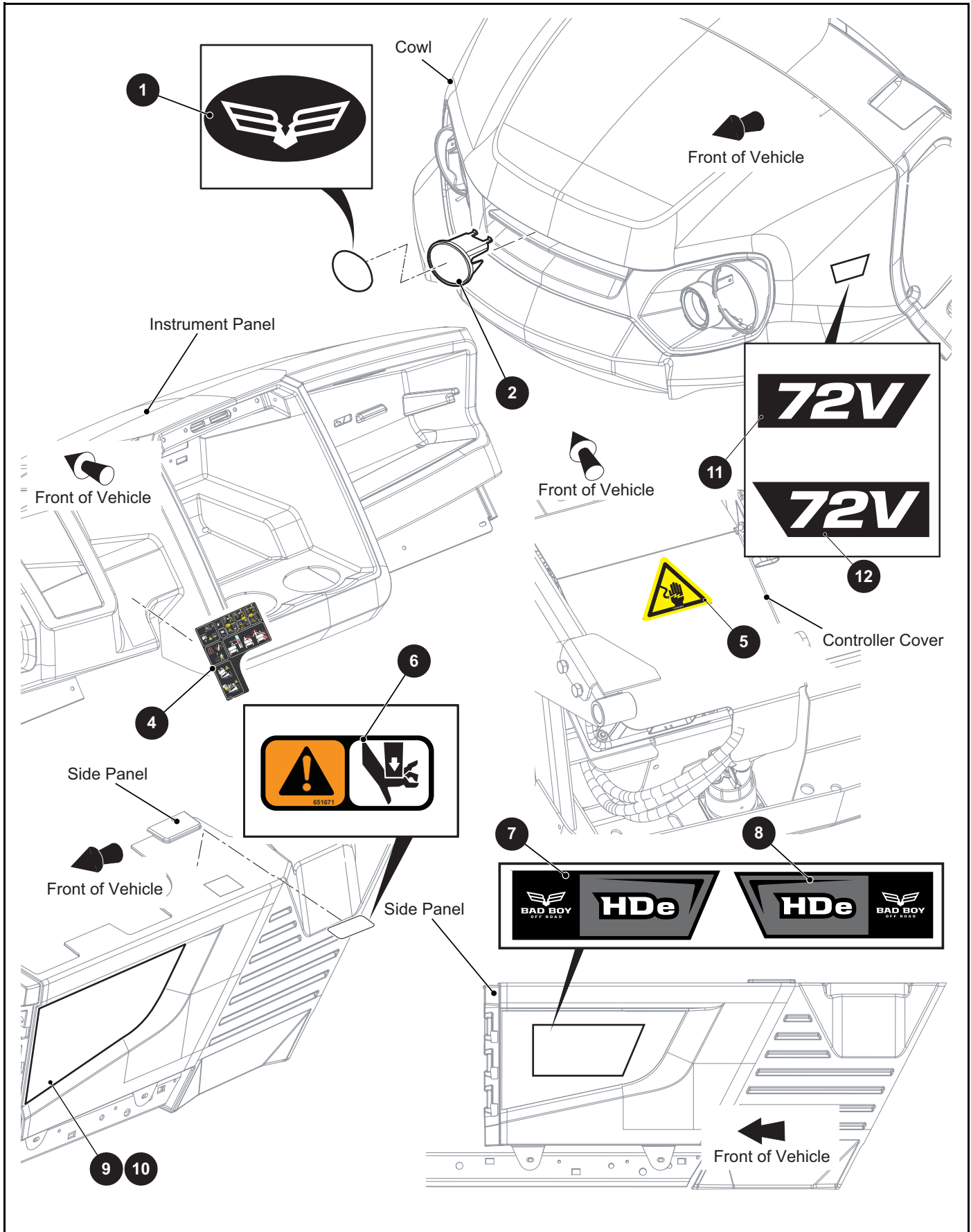
When ordering parts, please specify the model and serial number of the product.

* Indicates a component that is not available as an individual part.

*** Indicates consult Customer Service Department for additional information.

ITEM	PART NO.	1	2	3	4	5	DESCRIPTION	QTY.
31	644592						WHEEL AND TIRE ASSEMBLY, BK X (INCLUDES ITEMS 32 - 34)	1
32	629713						TIRE, 23 X 10.5 - 12	1
33	631041						WHEEL, 12 X 7	1
34	11657G2						VALVE STEM	1
35	630268						CENTER CAP	1
36	14723G1						LUG NUT, 1/2" - 20.....	4

DECALS AND LABELS



DECALS AND LABELS

THE USE OF NON U.L. PARTS WILL VOID ANY U.L. LISTING.

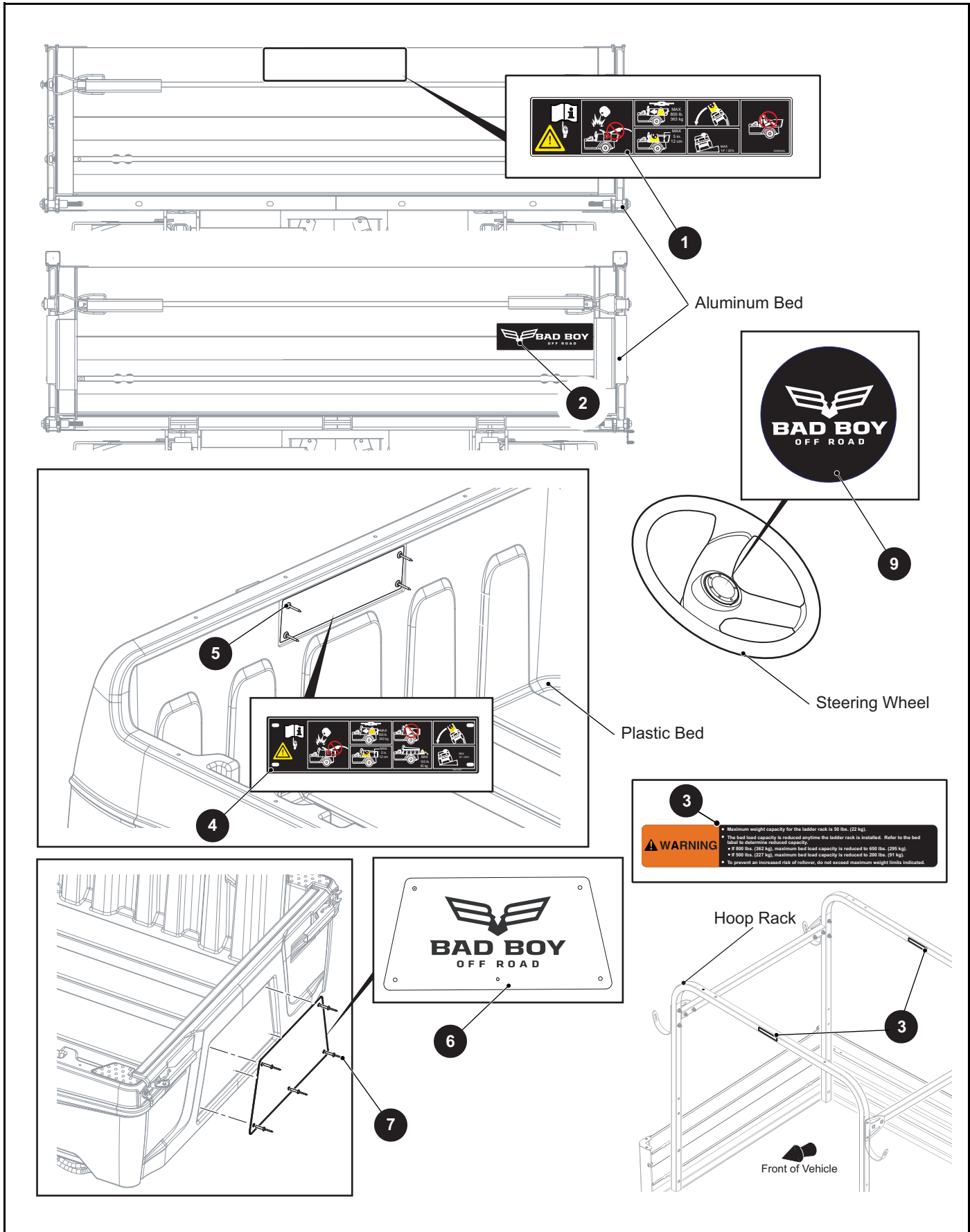
When ordering parts, please specify the model and serial number of the product.

* Indicates a component that is not available as an individual part.

*** Indicates consult Customer Service Department for additional information.

ITEM	PART NO.	1 2 3 4 5	DESCRIPTION	QTY.
1	650238		COWL DECAL	1
2	649875G03		COWL LOGO ATTACHMENT	1
3				
4	651654		OPERATING INSTRUCTION LABEL	1
5	71415G01		ELECTRIC SHOCK WARNING LABEL	1
6	651671		PINCH WARNING LABEL	1
7	651661G01		SIDE PANEL DECAL (DRIVER SIDE)	1
8	651661G02		SIDE PANEL DECAL (PASSENGER SIDE)	1
9	651580G02XX		SIDE COLOR DECAL (PASSENGER SIDE) (See COLOR CODE in HOW TO USE Section)	1
10	651580G01XX		SIDE COLOR DECAL (DRIVER SIDE) (See COLOR CODE in HOW TO USE Section)	1
11	655655G01		COWL DECAL (DRIVER SIDE)	1
12	655655G02		COWL DECAL (PASSENGER SIDE).....	1

DECALS AND LABELS



DECALS AND LABELS

THE USE OF NON U.L. PARTS WILL VOID ANY U.L. LISTING.

When ordering parts, please specify the model and serial number of the product.

* Indicates a component that is not available as an individual part.

*** Indicates consult Customer Service Department for additional information.

ITEM	PART NO.	1 2 3 4 5	DESCRIPTION	QTY.
1	35980G02		LOAD BED LABEL (ALUMINUM) (500 LBS)	1
2	651672		TAILGATE (ALUMINUM) DECAL	1
3	658428		HOOP RACK WARNING LABEL	2
4	74821G01		LOAD BED LABEL (PLASTIC) (500 LBS)	1
5	71055G01		RIVET (ALUMINUM), 3/16" X .985" LG	4
6	651690		TAILGATE DECAL	1
7	71055G01		RIVET (ALUMINUM), 3/16" X .985" LG	5
8				
9	650963		STEERING WHEEL DECAL	1



Textron Specialized Vehicles, Inc.
1451 Marvin Griffin Road
Augusta, Georgia 30906 - 3852 USA

CONTACT US:

North America:

Technical Assistance & Warranty Phone: 1-800-774-3946, FAX: 1-800-448-8124
Service Parts Phone: 1-888-438-3946, FAX: 1-800-752-6175

International:

Phone: 001-706-798-4311, FAX: 001-706-771-4609

Service Parts Manuals, as well as Repair and Service Manuals
are available from a local Distributor, or an authorized Branch,
Parts & Accessories Department or at www.badboyoffroad.com.

Copyrighted Material

This manual may not be reproduced in whole
or in part without the express permission of
TSV Technical Communications Department