



# SERVICE PARTS MANUAL

## MPT 2000 REFRESHER

### GASOLINE POWERED UTILITY VEHICLE



**613369**

ISSUED DECEMBER 2009

REVISED DECEMBER 2011



# SERVICE PARTS MANUAL

## GASOLINE POWERED UTILITY VEHICLE

### MPT 2000 - REFRESHER

### STARTING MODEL YEAR 2009

DISCLAIMER: The E-Z-GO Division of Textron Inc. reserves the right to incorporate engineering and design changes to products in this Manual, without obligation to include these changes on units leased/sold previously.

The information contained in this Manual may be revised periodically by the E-Z-GO Division, and therefore is subject to change without notice.

The E-Z-GO Division DISCLAIMS LIABILITY FOR ERRORS IN THIS MANUAL, and the E-Z-GO Division SPECIFICALLY DISCLAIMS LIABILITY FOR INCIDENTAL AND CONSEQUENTIAL DAMAGES resulting from the use of the information and materials in this Manual.

**CUSTOMER SERVICE DEPARTMENT IN USA PHONE: 1-800-241-5855 FAX: 1-800-448-8124**

**OUTSIDE USA PHONE: 001-706-798-4311, FAX: 001-706-771-4609**

**E-Z-GO DIVISION OF TEXTRON INC., MARVIN GRIFFIN RD., AUGUSTA, GEORGIA USA 30906**

## **GENERAL INFORMATION**

To obtain a copy of the limited warranty applicable to the vehicle, call or write a local Distributor, authorized Branch or the Warranty Department with vehicle serial number and manufacturer code.

The use of non Original Equipment Manufacturer (OEM) parts may void the warranty.

Tampering with or adjusting the governor to permit vehicle to operate at above factory specifications will void the vehicle warranty.

When servicing engines, all adjustments and replacement components must be per original vehicle specifications in order to maintain the United States of America Federal and State emission certification applicable at the time of manufacture.

### **BATTERY PROLONGED STORAGE**

All batteries will self discharge over time. The rate of self discharge varies depending on the ambient temperature and the age and condition of the batteries.

A fully charged battery will not freeze in winter temperatures unless the temperature falls below -75° F (-60° C).

# TABLE OF CONTENTS

<b>SECTION</b>	<b>Page No.</b>
HOW TO USE THE SERVICE PARTS MANUAL .....	v
ILLUSTRATED PARTS BREAKDOWN .....	vii
ACCELERATOR .....	A-1
AIR FILTER .....	B-1
BODY .....	C-1
BRAKES COMMON .....	D-1
PARKING BRAKE .....	E-1
CARBURETOR AND CHOKE .....	G-1
CLUTCH .....	H-1
DIRECTION SELECTOR .....	J-1
ELECTRICAL SYSTEM .....	K-1
ENGINE AND MUFFLER .....	L-1
ENGINE MOUNTING .....	M-1
FRONT SUSPENSION AND STEERING .....	N-1
FUEL SYSTEM .....	P-1
REAR AXLE .....	Q-1
REAR SUSPENSION .....	R-1
STARTER / GENERATOR .....	U-1
SEATING .....	V-1
REFRESHER .....	W-1
WHEELS AND TIRES .....	X-1

# NOTES

A large grid of graph paper for taking notes, consisting of 20 columns and 30 rows of small squares.

# HOW TO USE THE SERVICE PARTS MANUAL

This manual is divided into several sections:

- GENERAL INFORMATION
- ILLUSTRATED PARTS BREAKDOWN
- APPENDIX

The first section, GENERAL INFORMATION, contains the following information:

- WARRANTY INFORMATION
- GENERAL INDEX
- HOW TO USE THE SERVICE PARTS MANUAL

The second section, ILLUSTRATED PARTS BREAKDOWN, contains illustrations and parts lists for all systems of your vehicle.

The third section, APPENDIX, contains a listing of specialty products and accessories.

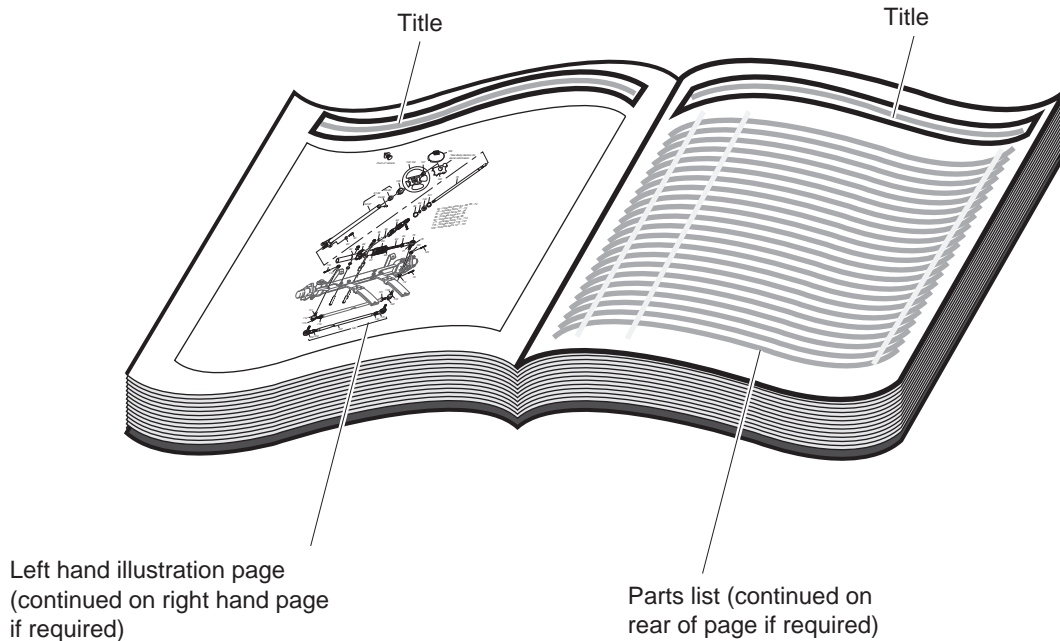
## USE OF THE MANUAL

To use this manual, consult the GENERAL INDEX to locate the information or illustration required.

Introduction of some revisions varies due to supply of components; therefore, it is possible that various combinations of components may be found that are not directly reflected by each illustration. Consult the illustration that best suits your situation and then contact the Service Parts Department. It is important that the serial number of your vehicle and its model number be supplied to Service Parts when ordering any replacement components.

Locate the serial number plate (see BODY located in the Illustrated Parts Breakdown section of this manual for its location) and note the complete number shown on the plate.

# HOW TO USE THE SERVICE PARTS MANUAL



## 1. WHEN THE PART NUMBER IS NOT KNOWN

- Determine the function and application of the part required. Turn to the General Index and select the most appropriate title.
- Turn to the page number indicated and locate the desired part on the illustration.
- From the illustration, obtain the item number assigned to the desired part. Refer to the accompanying description for specific information regarding the part.

## 2. IF YOU KNOW THE PART NUMBER

- Locate the part number or description in the appropriate column on the parts list page.

NOTE: It is suggested that you confirm that the part selected is correct by verifying it with the pictorial representation on the illustrated page.

Should an asterisk (\*) appear in the part number column on the parts list page, read upwards until a part number is found. The part number is the lowest assembly sold by Service Parts and the asterisk (\*) indicates that the part depicted is not available for purchase.

NOTE: Descriptions are indented under the assembly that they are used on. That assembly is, in turn listed under the assembly that it is used on. This process is repeated until the highest final assembly is reached.

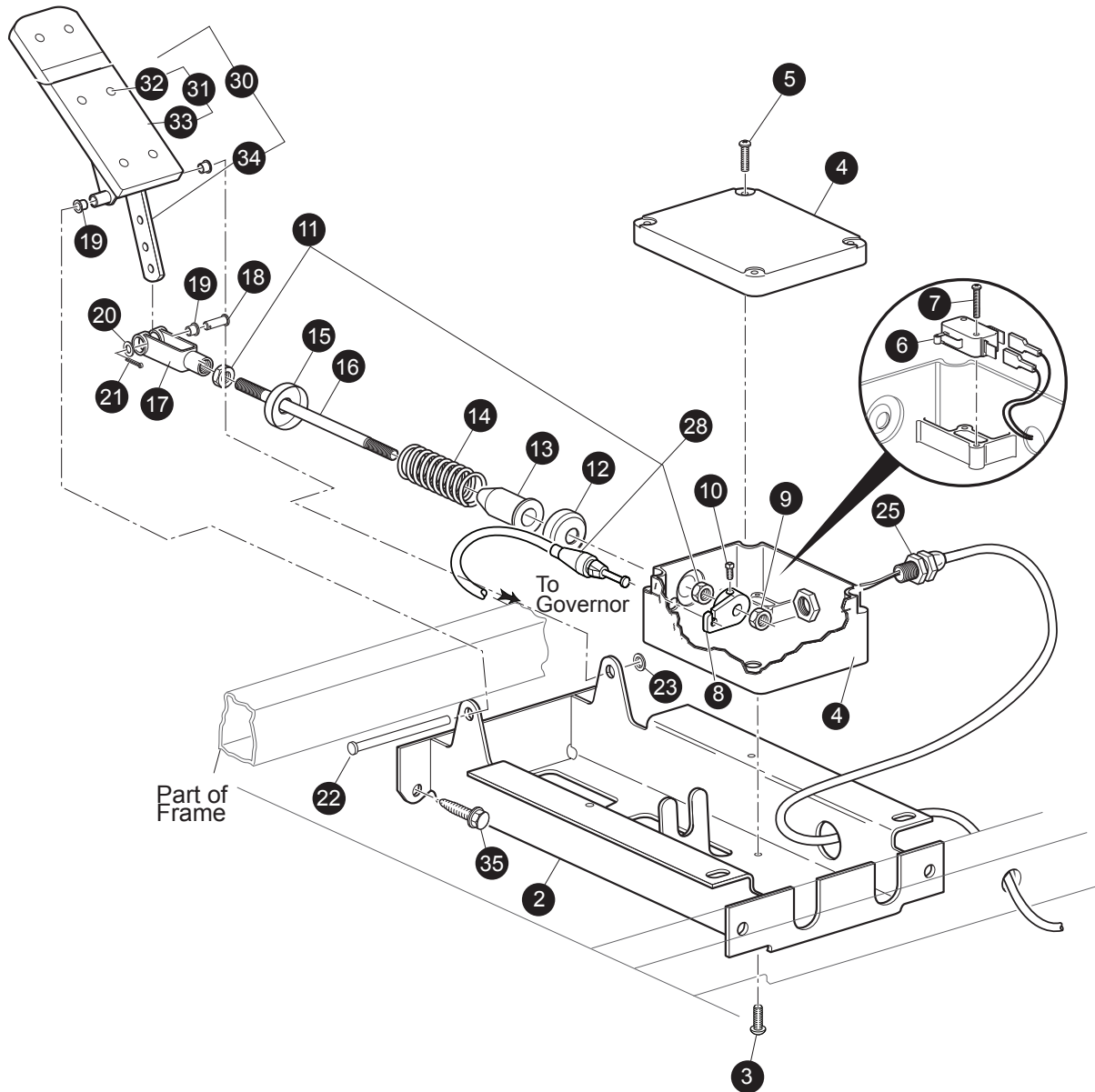
**To facilitate the maintenance and repair of the vehicle, a Technician's Repair and Service Manual is available from the Service Parts Department.**

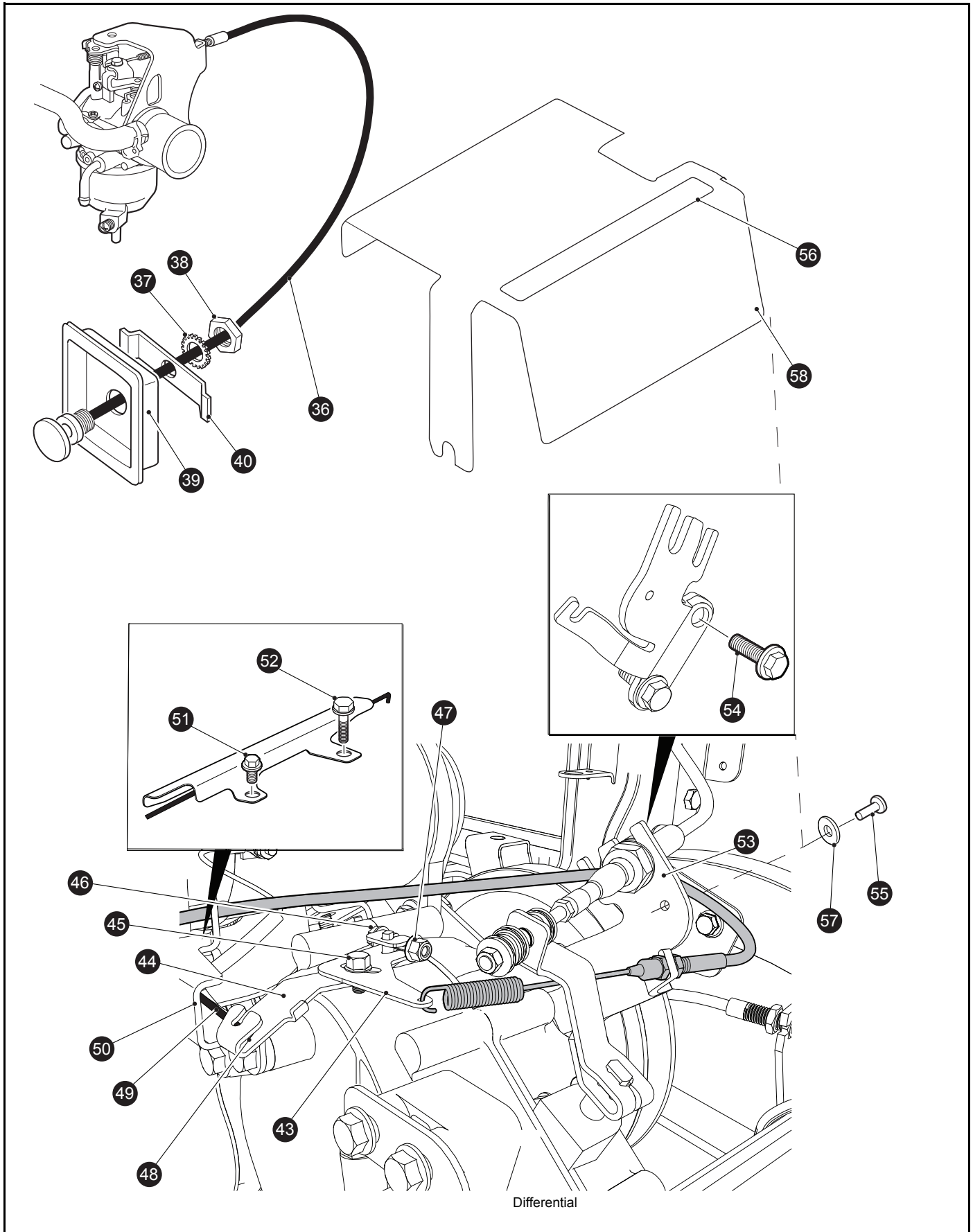


**ILLUSTRATED PARTS BREAKDOWN**

# ACCELERATOR

1 - Includes Items 2 - 39





# ACCELERATOR

When ordering parts, please specify the model and serial number of the product.

\* Indicates a component that is not available as an individual part.

\*\*\* Indicates consult Customer Service Department for additional information.

ITEM	PART NO.	1 2 3 4 5	DESCRIPTION	QTY.
1	606991		PEDAL BOX ASSEMBLY (INCLUDES ITEMS 2 - 39, .....	1
2	70116G02		ACCELERATOR PEDAL BRACKET .....	1
3	01051G01		SCREW, #8 - 16 X 1/2" LG .....	4
4	25853G03		PEDAL BOX AND COVER .....	1
5	00684G6		SCREW, #8 - 32 X 3/4" LG (STAINLESS STEEL) .....	2
6	25861G01		MICRO SWITCH .....	1
7	01050G01		SCREW, #4 - 20 X 5/8" LG .....	2
8	72716G01		MICRO SWITCH CAM .....	1
9	15126G1		LOCK NUT, 5/16 - 24 .....	1
10	00487G3		SETSCREW, 1/4 - 20 X 3/8" LG .....	1
11	00532G4		NUT, 5/16 - 24 .....	2
12	17677G1		SPRING RETAINER .....	1
13	17979G1		ACCELERATOR ROD BUSHING .....	1
14	73046G01		COMPRESSION SPRING .....	1
15	17677G2		SPRING RETAINER .....	1
16	72072G01		ACCELERATOR ROD .....	1
17	10385G4		CLEVIS YOKE (ADJUSTABLE) .....	1
18	10386G3		CLEVIS PIN, 5/16" X 13/16" LG .....	1
19	17838G1		NYLON BUSHING .....	3
20	17255G1		TEFLON WASHER, 5/16" .....	1
21	10387G3		COTTER PIN, 3/32" X 3/4" LG .....	1
22	74432G01		PEDAL PIVOT PIN .....	1
23	12064G6		PUSH NUT, 9/32" .....	1
24	12730G1		WHEEL BEARING GREASE (NOT ILLUSTRATED) .....	A/R
25	72201G04		WIRE HARNESS (PEDAL BOX) .....	1
26				
27				
28	608614		ACCELERATOR CABLE .....	1
29				
30	25799G03		ACCELERATOR PEDAL ASSEMBLY (INCLUDES ITEMS 31- 33) .....	1
31	27844G01		ACCELERATOR PEDAL PAD KIT (INCLUDES ITEMS 32- 33)	

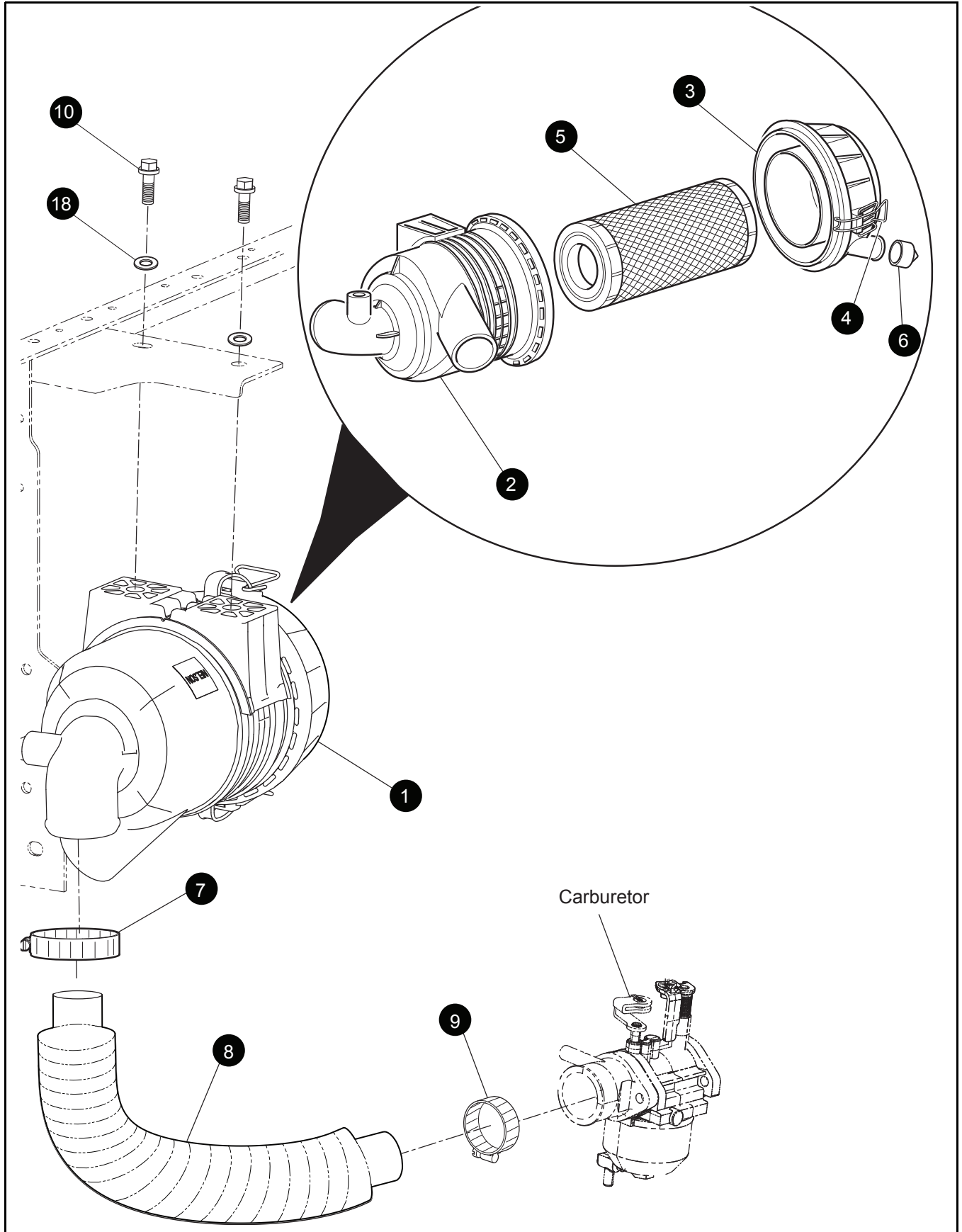
When ordering parts, please specify the model and serial number of the product.

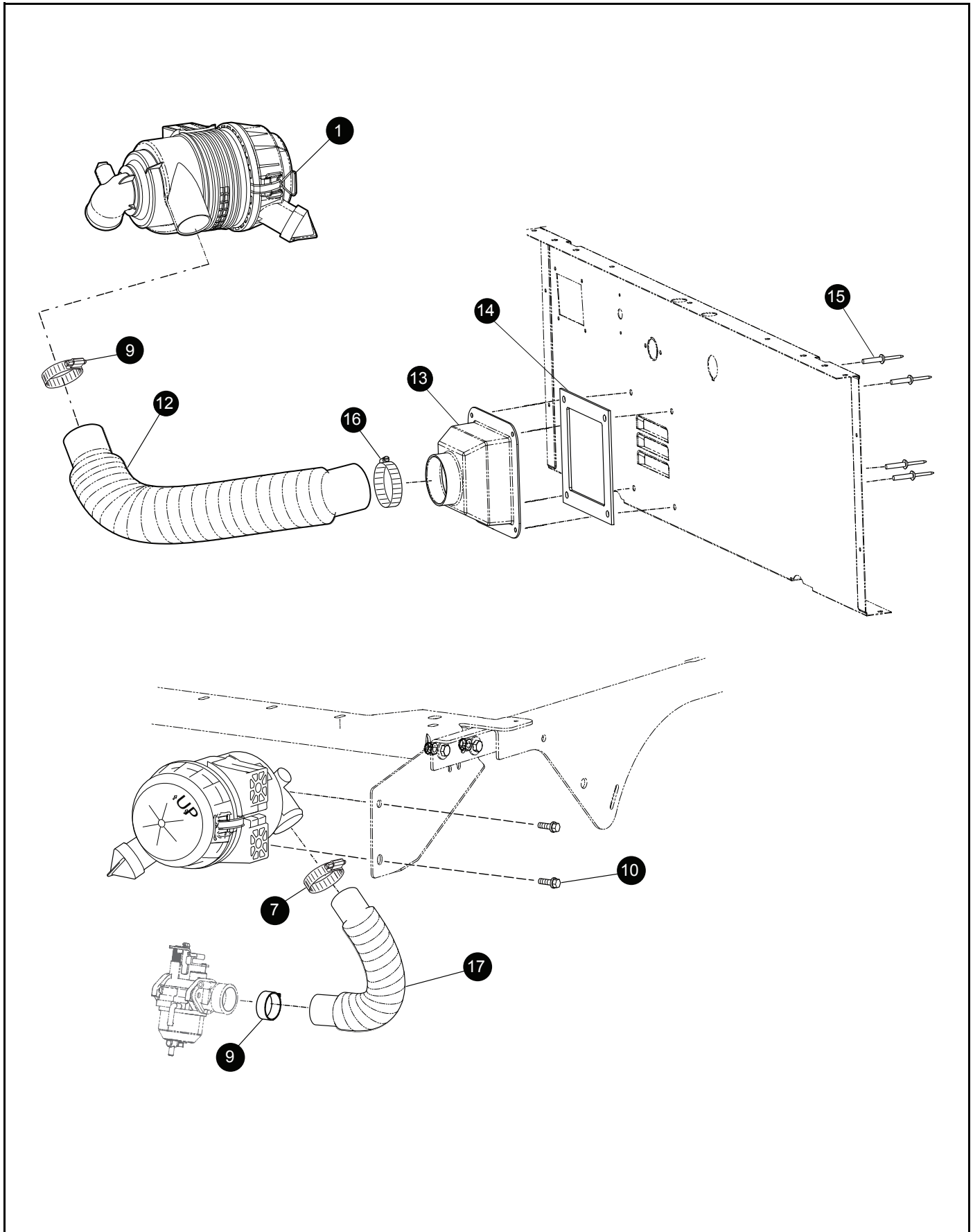
\* Indicates a component that is not available as an individual part.

\*\*\* Indicates consult Customer Service Department for additional information.

ITEM	PART NO.	1	2	3	4	5	DESCRIPTION	QTY.
32	16409G1						OVAL RIVET, 3/16" X 7/16" LG .....	6
33	27512G01						ACCELERATOR PEDAL PAD .....	1
34	*						ACCELERATOR PEDAL	
35	00715G2						BOLT, 5/16 -18 X 4/5" LG.....	4
36	605793						CHOKE CABLE ASSY .....	1
37	00568G4						LOCK WASHER, 9/16" .....	1
38	00545G4						JAM NUT, 9/16 - 18.....	1
39	72154G01						CHOKE CABLE ADAPTER.....	1
40	72155G02						RETAINER .....	1
41								
42								
43	606083						UPPER GOVERNOR BRACKET.....	1
44	606005						LOWER GOVERNOR BRACKET .....	1
45	606265						BOLT, M6 - 1 X 12.....	1
46	606421						BOLT, M6 - 1 X 30.....	1
47	450452						NUT, M6 - 1.0.....	1
48	606283						GOVERNOR LEVER BUSHING .....	1
49	606284						GOVERNOR ROD .....	1
50	603890						GOVERNOR ROD GUARD .....	1
51	606264						BOLT, M6 - 1 X 20.....	1
52	606262						BOLT, M8 - 1.25 X 16.....	1
53	606074						GOVERNOR CABLE / DIRECTION SELECTOR BRACKET .....	1
54	606256						BOLT, M10 - 1.25 X 16.....	2
55	14601G11						RIVET.....	1
56	608527						GOVERNOR WARNING DECAL.....	1
57	00915G1						WASHER .....	1
58	606199						GOVERNOR COVER .....	1
59	17618G1						NYLON CLAMP .....	2

# AIR FILTER





# AIR FILTER

When ordering parts, please specify the model and serial number of the product.

\* Indicates a component that is not available as an individual part.

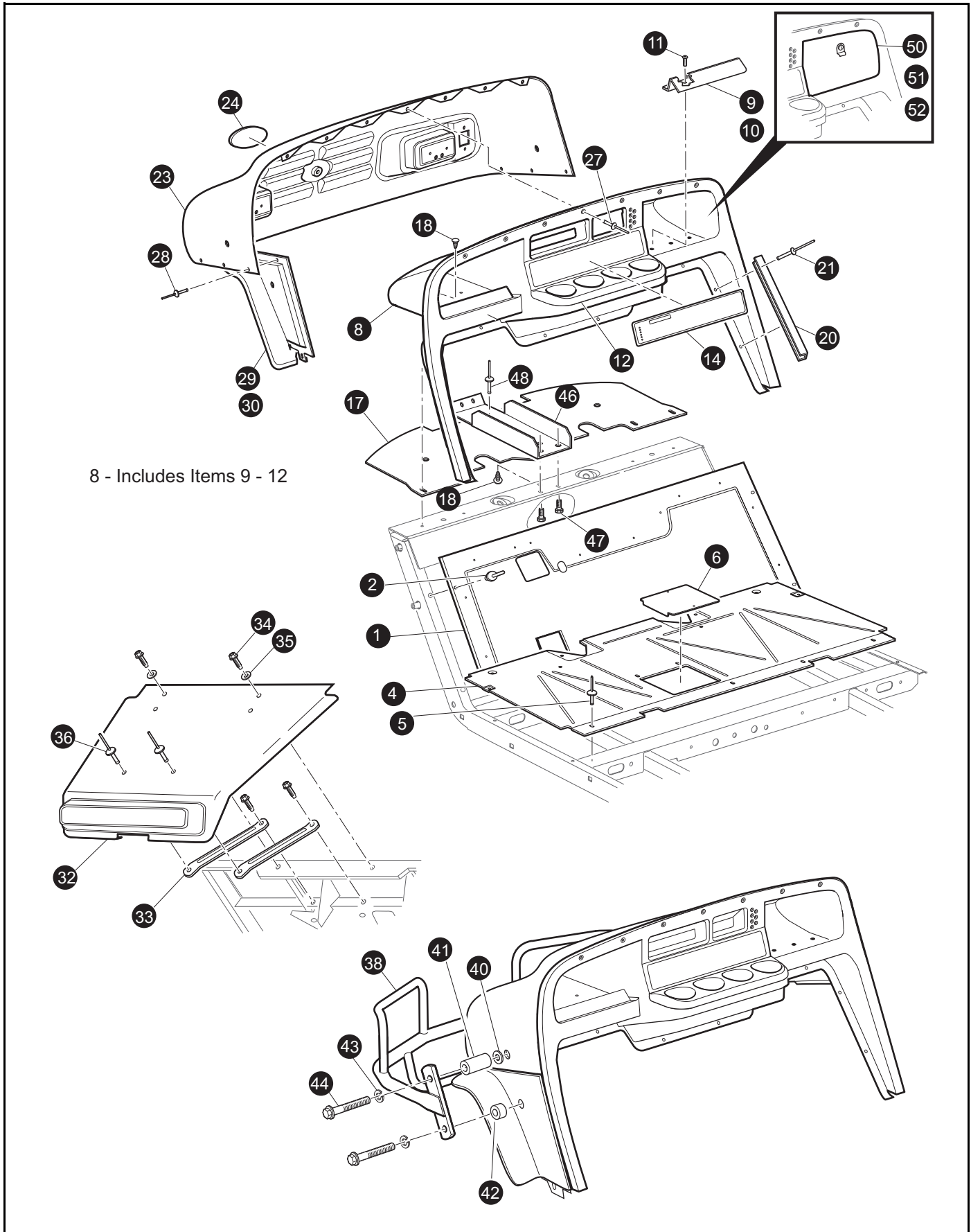
\*\*\* Indicates consult Customer Service Department for additional information.

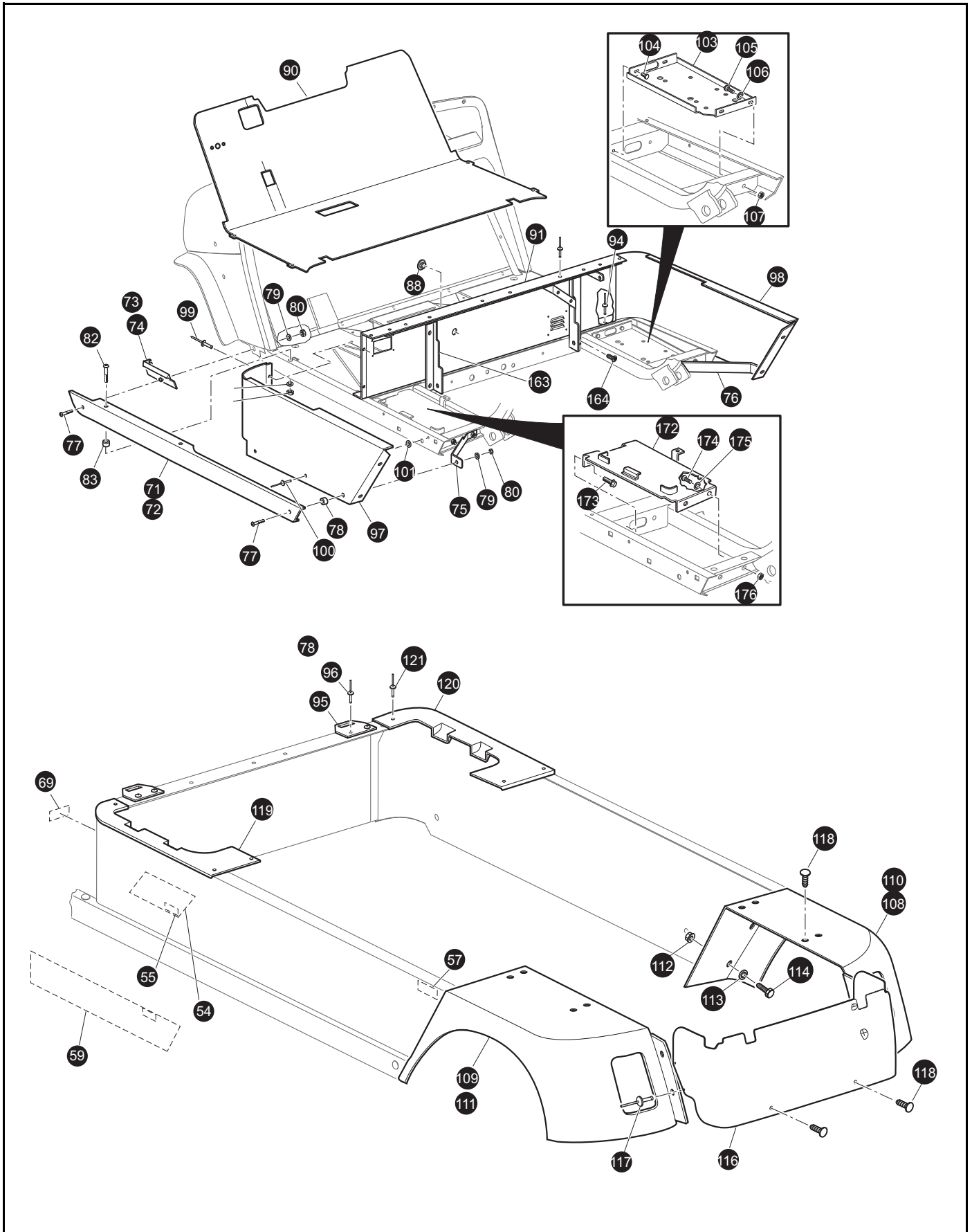
ITEM	PART NO.	1 2 3 4 5	DESCRIPTION	QTY.
1	606952		AIR CLEANER (INCLUDES ITEMS 2 - 6).....	1
2	607269		BODY & BRACKET ASSEMBLY .....	1
3	72599G01		AIR CLEANER COVER .....	1
4	72604G01		AIR CLEANER CLIP .....	2
5	28463G01		AIR FILTER .....	1
6	28462G01		VALVE DUST EJECTOR.....	1
7	11391G7		HOSE CLAMP, 1.56 - 2.50 DIA .....	1
8	607950		HOSE 10" LONG .....	1
9	11391G1		HOSE CLAMP 1.31 - 2.25 DIA.....	3
10	25532G1		BOLT AND WASHER, M8 X 1.25 X 18 MM .....	4
11				
12	72637G03		HOSE, AIR INTAKE, 16" LONG .....	1
13	72416G01		INTAKE ASSEMBLY, REMOTE AIR.....	1
14	72415G01		GASKET, REMOTE AIR INTAKE .....	1
15	71055G01		RIVET, 3/16 DIA .....	4
16	11391G2		CLAMP, HOSE, 2.06 - 3.00 DIA .....	1
17	601910		HOSE, 14' LONG .....	1
18	606272		WASHER.....	2





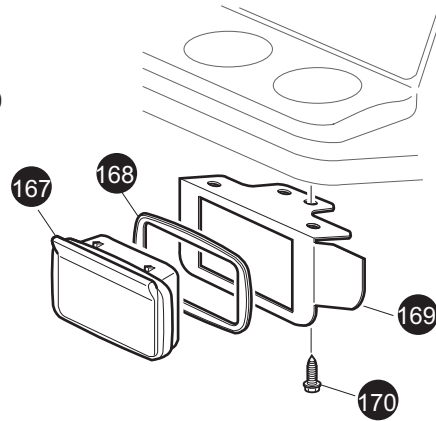
# BODY



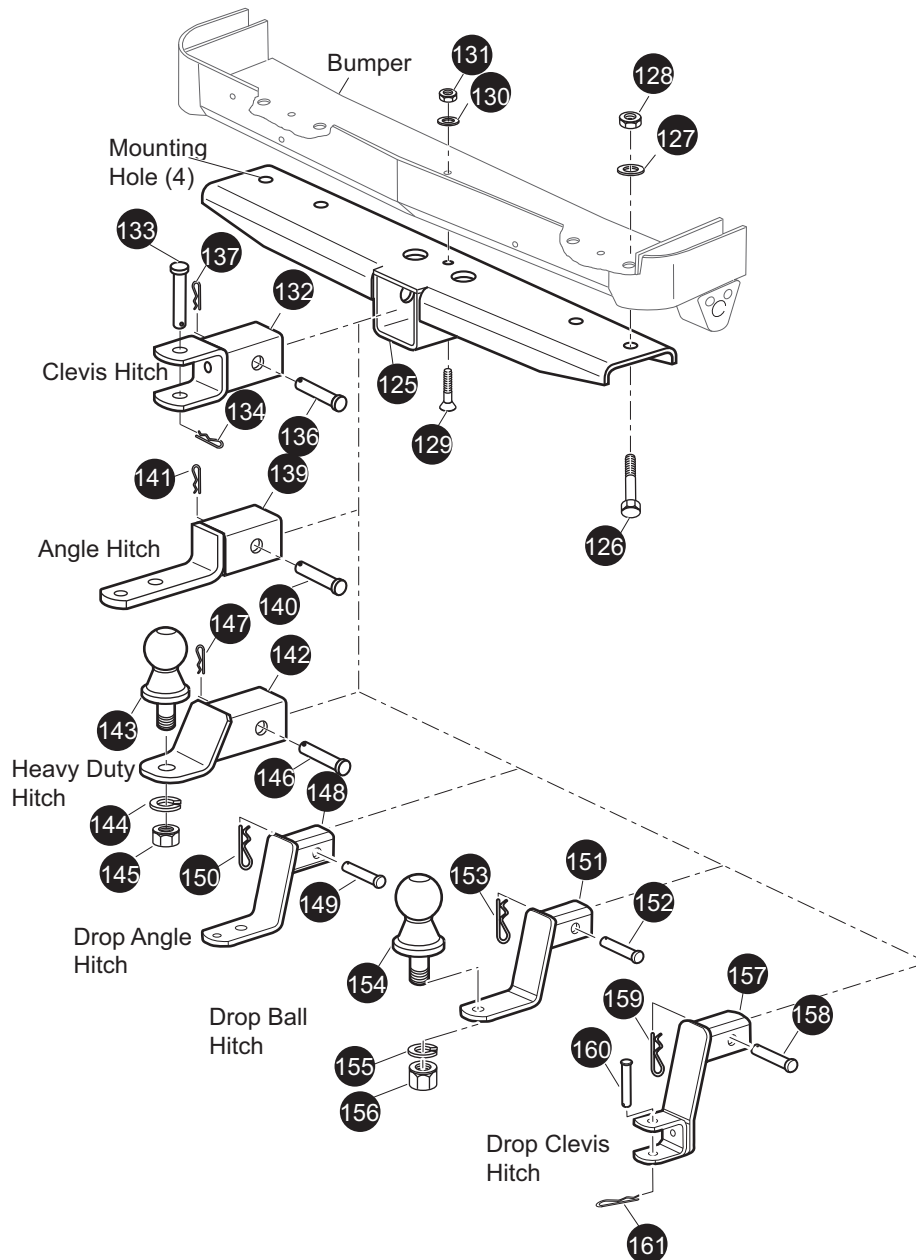


## ASH TRAY

166 - Includes Items 167 - 170



## HITCHES



When ordering parts, please specify the model and serial number of the product.

\* Indicates a component that is not available as an individual part.

\*\*\* Indicates consult Customer Service Department for additional information.

ITEM	PART NO.	1 2 3 4 5	DESCRIPTION	QTY.
1	70662G01		UPPER FLOORPAN (AXLE MOUNTED STEERING).....	1
2	14601G11		RIVET, 3/16" X 9/16" LG .....	9
3				
4	70451G01		LOWER FLOORPAN .....	1
5	14601G11		RIVET, 3/16" X 9/16" LG .....	7
6	70452G01		ACCESS COVER.....	1
7				
8	71151G03		INSTRUMENT PANEL ASSEMBLY (INCLUDES ITEMS 9 - 12).....	1
9	71153G01		DEFLECTOR (PASSENGER SIDE).....	1
10	71154G01		DEFLECTOR (DRIVER SIDE).....	1
11	00614G5		SCREW, # 8 - 18 X 5/8" LG.....	6
12	71158G01		INSTRUMENT PANEL INSERT (FOUR CUP) .....	1
13				
14	35968G01		LABEL (SAFETY) (PICTOGRAPH) .....	1
15				
16				
17	71413G01		SPLASH PANEL .....	1
18	16816G2		RATCHET FASTENER, 1/4" X 3/4" LG.....	5
19				
20	71115G01		VINYL TRIM .....	2
21	71055G01		RIVET, 3/16" X 1" LG .....	10
22				
23	71468G032		71468G032....ST COWL TIMERLINE GREEN .....	1
24	71037G03		NAMEPLATE (E-Z-GO).....	1
25				
26				
27	71055G01		RIVET, 3/16" X 1" LG .....	9
28	71055G01		RIVET, 3/16" X 1" LG .....	6
29	71338G01		FENDER FLARE (DRIVER SIDE) .....	1
30	71338G02		FENDER FLARE (PASSENGER SIDE).....	1

# BODY

When ordering parts, please specify the model and serial number of the product.

\* Indicates a component that is not available as an individual part.

\*\*\* Indicates consult Customer Service Department for additional information.

ITEM	PART NO.	1 2 3 4 5	DESCRIPTION	QTY.
31				
32	27166G04		FRONT SHIELD .....	1
33	70725G02		FRONT SHIELD BRACE .....	2
34	01038G01		SCREW, 1/4 - 20 X 1/2" LG .....	4
35	16469G1		WASHER, 1/4" .....	2
36	01057G01		RIVET, KTR, 1/4" X 1" LG .....	2
37				
38	74265G02		BUMPER .....	1
39				
40	00570G2		WASHER, 5/16" .....	2
41	75048G04		SPACER, 1" .....	2
42	75048G01		SPACER, 1/2" .....	2
43	00905G8		LOCK WASHER, 5/16" .....	4
44	01035G02		BOLT, 5/16 - 18 X 2 1/2" LG .....	4
45				
46	71101G01		COWL SUPPORT BRACKET .....	1
47	71102G02		SELF TAPPING SCREW, 1/4 - 20 X 1/2" LG .....	3
48	71055G01		RIVET, 3/16" X 1 1/8" LG .....	1
49				
50				
51				
52				
53				
54	600823		LABEL (MPT™) .....	2
55	600817		LABEL (2000) .....	2
56				
57	74099G01		LABEL, TILT WARNING PICTOGRAPH .....	2
58				
59				
60				
61				

When ordering parts, please specify the model and serial number of the product.

\* Indicates a component that is not available as an individual part.

\*\*\* Indicates consult Customer Service Department for additional information.

ITEM	PART NO.	1 2 3 4 5	DESCRIPTION	QTY.
62				
63	620486		LABEL (REFRESHER) .....	2
64				
65				
66				
67				
68				
69	71037G03		SERIAL NUMBER PLATE.....	1
70				
71	71439G03		ROCKER PANEL (DRIVER SIDE).....	1
72	71439G04		ROCKER PANEL (PASSENGER SIDE) .....	1
73	71424G01		FENDER SPACER (DRIVER SIDE) .....	1
74	71424G02		FENDER SPACER (PASSENGER SIDE).....	1
75	71440G03		BRACE (DRIVER SIDE) .....	1
76	71440G04		BRACE (PASSENGER SIDE).....	1
77	00789G2		SCREW, #10 - 24 X 1 1/4" LG .....	4
78	23726G2		SPACER, 1/4" .....	2
79	00660G5		WASHER, #10 .....	4
80	14390G10		LOCK NUT, #10 - 24 .....	4
81				
82	16705G1		SCREW, 1/4 - 20 X 1" LG .....	4
83	23726G2		SPACER, 1/4" .....	4
84	00559G7		WASHER, 1/4" .....	4
85	14390G4		LOCK NUT, 1/4 - 20 .....	4
86				
87				
88	20271G9		HOLE PLUG, 1/2".....	1
89				
90	70663G04		FLOORMAT (AXLE MOUNTED STEERING) .....	1
91	609143G38		SEAT WRAP (W/DRIVER SIDE LOUVERS) .....	1
			6609143G38....BRIGHT WHITE	

# BODY

When ordering parts, please specify the model and serial number of the product.

\* Indicates a component that is not available as an individual part.

\*\*\* Indicates consult Customer Service Department for additional information.

ITEM	PART NO.	1 2 3 4 5	DESCRIPTION	QTY.
92				
93	10570G10		RIVET, 5/32" X 9/16" LG.....	8
94	71609G01		SEAT HINGE PLATE.....	2
95	10570G11		RIVET, 3/16" X 3/4" LG.....	4
96	609168G1**		SIDE PANEL, DRIVER SIDE..... 609168G137....HUNTER GREEN	1
97	609168G2**		SIDE PANEL, PASSENGER SIDE..... 609168G237....HUNTER GREEN	1
98	10570G10		RIVET, 5/32" X 9/16" LG.....	4
99	10570G12		RIVET, 1/4" X 1/2" LG.....	4
100	16469G7		WASHER, 1/4".....	4
101				
102	70244G03		SPLASH PANEL.....	1
103	00715G2		BOLT, 5/16 - 18 X 13/16" LG.....	2
104	00438G8		BOLT, 5/16 - 18 X 1" LG.....	2
105	00559G8		WASHER, 5/16".....	2
106	11098G6		LOCK NUT, 5/16 - 18.....	2
107				
108	612224		FENDER (DRIVER SIDE).....	1
109	612225		FENDER (PASSENGER SIDE).....	1
110	612226		FENDER WITH TAILLIGHT (DRIVER SIDE).....	1
111	612227		FENDER WITH TAILLIGHT (PASSENGER SIDE).....	1
112	14390G4		LOCK NUT, 1/4 - 20.....	4
113	00642G7		WASHER, 1/4".....	8
114	00414G6		BOLT, 1/4 - 20 X 7/8" LG.....	4
115				
116	74890G01		REAR PANEL.....	1
117	71055G01		RIVET, 3/16" X 1" LG.....	4
118	16816G2		RATCHET FASTENER, 1/4" X 3/4" LG.....	10
119	600775G01		SEAT FILLER PANEL (RH).....	1



When ordering parts, please specify the model and serial number of the product.

\* Indicates a component that is not available as an individual part.

\*\*\* Indicates consult Customer Service Department for additional information.

ITEM	PART NO.	1 2 3 4 5	DESCRIPTION	QTY.
120	600775G02		SEAT FILLER PANEL (LH) .....	1
121	10570G10		RIVET, 5/32" X 9/16" LG .....	6
122				
123				
124				
125	74348G02		HITCH RECEIVER.....	1
126	00463G4		BOLT, 7/16 - 14 X 1 1/2" LG.....	4
127	00922G3		WASHER, 7/16" .....	4
128	00734G1		LOCK NUT, 7/16 - 14 .....	4
129	00198G8		SCREW, 5/16 - 18 X 1" LG .....	1
130	00559G8		WASHER, 5/16" .....	1
131	11098G6		LOCK NUT, 5/16 - 18 .....	1
132	74338G02		CLEVIS HITCH .....	1
133	14443		CLEVIS PIN, 45/32" X 2 11/16" LG .....	1
134	19314G1		COTTER PIN, 2 1/2" LG .....	1
135				
136	21317G01		CLEVIS PIN, 5/8" X 3" LG.....	1
137	21683G1		COTTER PIN, 15/32" X 2 11/16" LG .....	1
138				
139	74339G02		ANGLE HITCH.....	1
140	21317G01		CLEVIS PIN, 5/8" X 3" LG.....	1
141	21683G1		COTTER PIN, 15/32" X 2 11/16" LG .....	1
142	74351G02		HEAVY DUTY HITCH .....	1
143	31757G1		HITCH BALL .....	1
144	00566G6		LOCK WASHER, 3/4" .....	1
145	00702G11		NUT, 3/4 - 16.....	1
146	21317G01		CLEVIS PIN, 5/8" X 3" LG.....	1
147	21683G1		COTTER PIN, 15/32" X 2 11/16" LG .....	1
148				
149	21317G01		CLEVIS PIN, 5/8" X 3" LG.....	1
150	21683G1		COTTER PIN, 15/32" X 2 11/16" LG .....	1

# BODY

When ordering parts, please specify the model and serial number of the product.

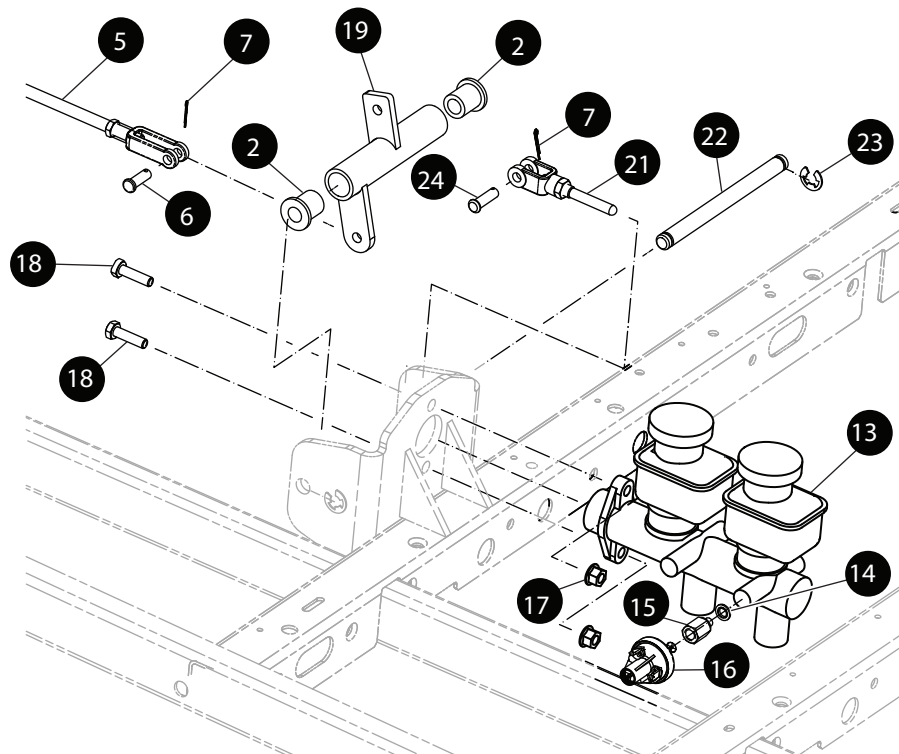
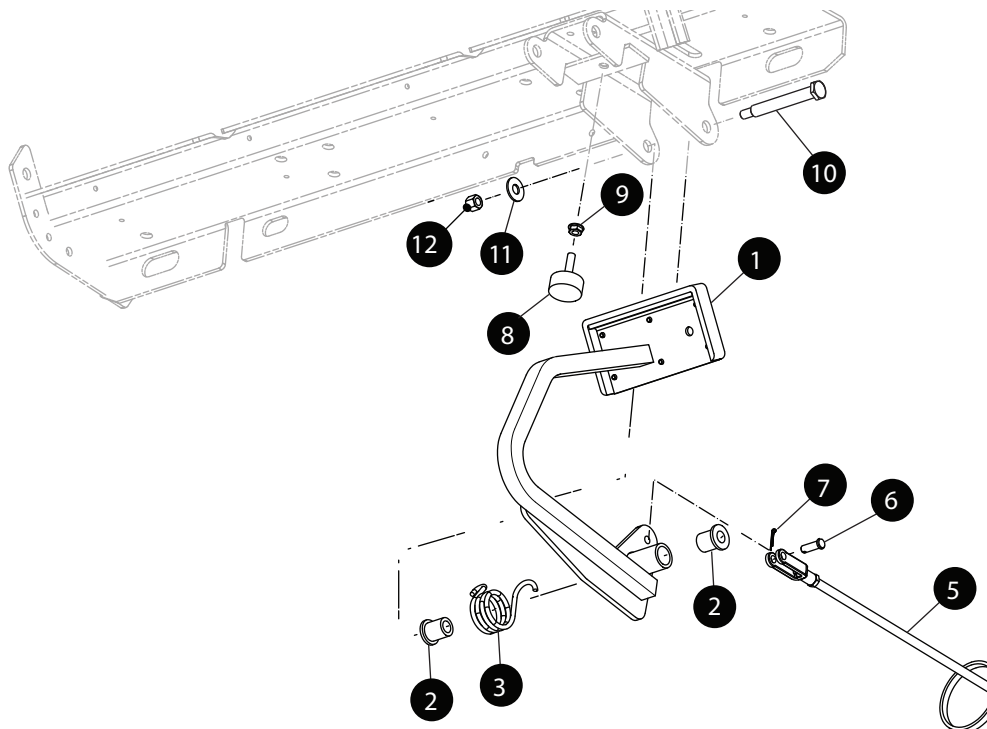
\* Indicates a component that is not available as an individual part.

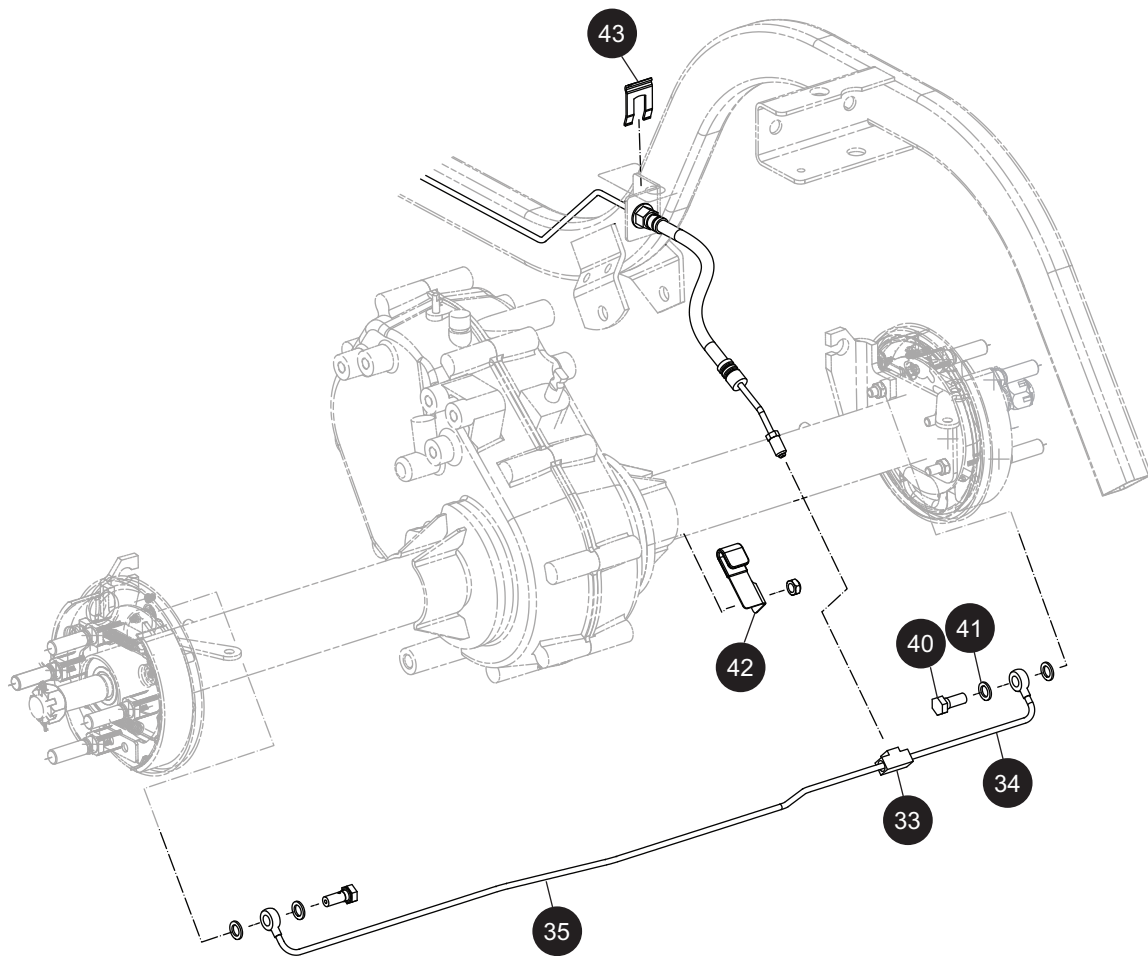
\*\*\* Indicates consult Customer Service Department for additional information.

ITEM	PART NO.	1 2 3 4 5	DESCRIPTION	QTY.
151	74491G02		DROP BALL HITCH .....	1
152	21317G01		CLEVIS PIN, 5/8" X 3" LG .....	1
153	21683G1		COTTER PIN, 15/32" X 2 11/16" LG .....	1
154	31757G1		HITCH BALL, 1 7/8".....	1
155	00566G6		LOCK WASHER, 3/4".....	1
156	00702G11		NUT, 3/4 - 16 .....	1
157	74495G02		DROP CLEVIS HITCH .....	1
158	21317G01		CLEVIS PIN, 5/8" X 3" LG .....	1
159	21683G1		COTTER PIN, 15/32" X 2 11/16" LG .....	1
160	14443G7		CLEVIS PIN, 1/2" X 2 1/2" LG .....	1
161	19314G1		COTTER PIN, 2 1/2" LG.....	1
162				
163				
164				
165	75109G04		ASH TRAY KIT (INCLUDES ITEMS 167 - 170) .....	1
166	27731G01		ASH TRAY .....	1
167	27736G01		GASKET.....	1
168	75108G02		BRACKET .....	1
169	00100G4		SCREW, #10 - 16 X 1/2" LG .....	4
170				
171	600496		BATTERY TRAY .....	1
172	00715G2		BOLT, 5/16 - 18 X 13/16" LG .....	2
173	00438G8		BOLT, 5/16 - 18 X 1" LG .....	2
174	00571G2		WASHER, 5/16".....	2
175	11098G6		LOCK NUT, 5/16 - 18.....	2

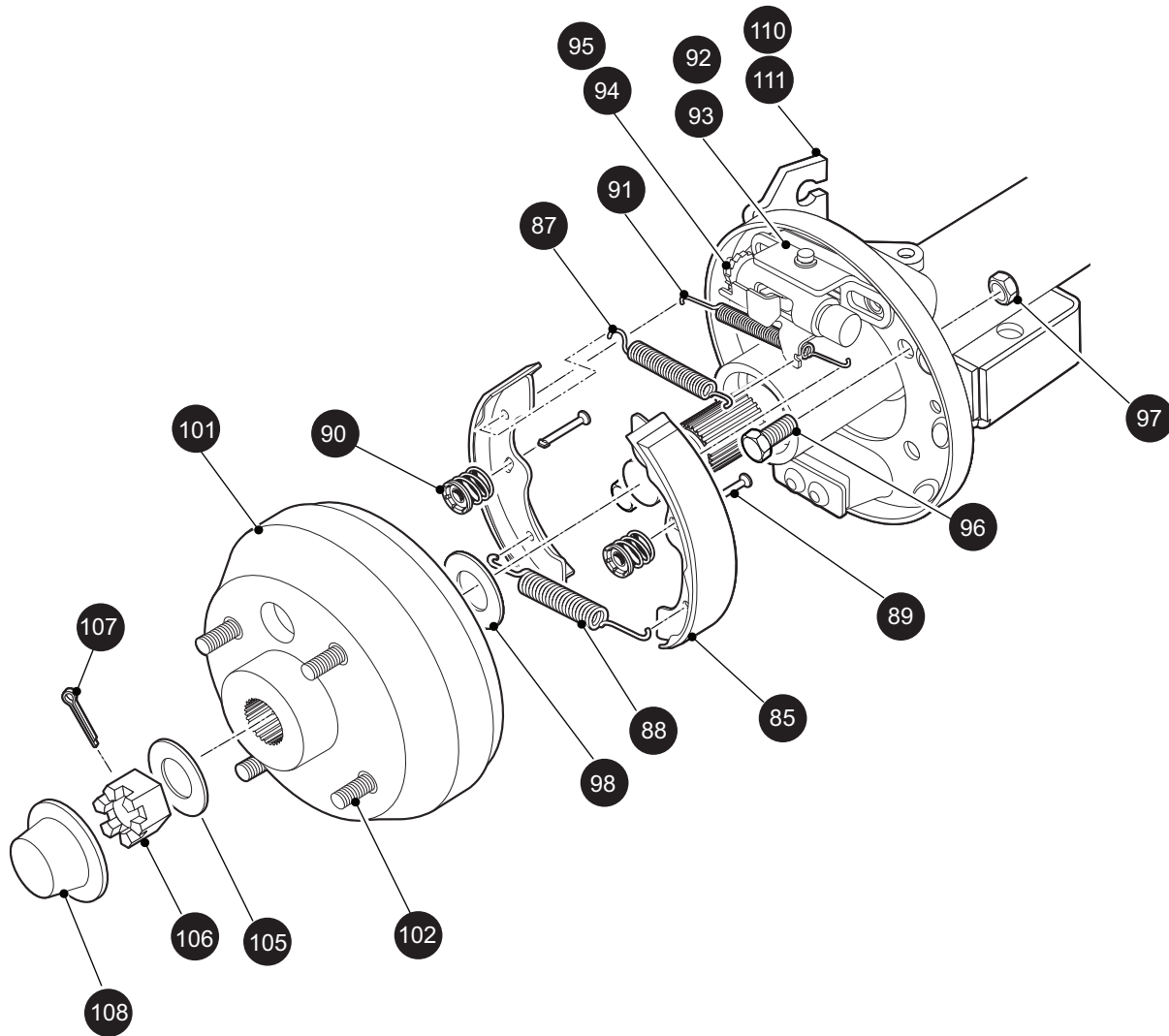


# BRAKES





# BRAKES



- 82 - Includes Items 84 - 92, 94, 95
- 83 - Includes Items 84 - 91, 93 - 95
- 84 - Includes Items 85
- 86 - Includes Items 87 - 91
- 92 - Includes Items 94, 95
- 93 - Includes Items 94, 95
- 100 - Includes Items 101, 102

# BRAKES

When ordering parts, please specify the model and serial number of the product.

\* Indicates a component that is not available as an individual part.

\*\*\* Indicates consult Customer Service Department for additional information.

ITEM	PART NO.	1 2 3 4 5	DESCRIPTION	QTY.
1	610639		BRAKE PEDAL ASSEMBLY (WITHOUT BRAKE LIGHTS).....	1
2	70581G01		BUSHING ACETAL .....	4
3	70676G01		SPRING .....	1
4	21504G1		BRAKE FLUID.....	1
5	609837		LINKAGE ROD.....	1
6	10386G3		CLEVIS PIN .....	2
7	10387G3		COTTER PIN .....	3
8	70113G01		RUBBER BUMPER.....	1
9	11027G1		LOCK NUT 5/16 - 18.....	1
10	70582G01		SHOULDER BOLT .....	1
11	00643G1		FLAT WASHER 3/8".....	1
12	11098G5		NUT, 3/8 - 16	
13	73793G01		WASHER .....	1
14	600479		SEALING WASHER .....	1
15	600401G01		ADAPTER .....	1
16	620274		SWITCH".....	1
17	800697		LOCKING NUT, 5/16 - 18.....	2
18	00439G1		SCREW 5/16-18 X1.12 .....	2
19	610149		WELDMENT.....	1
20	22283G1		TEFLON TAPE.....	1
21	611231		PUSH ROD .....	1
22	70410G03		SHAFT BELLCRANK.....	1
23	011111G01		RETAINING RING.....	2
24	14443G3		CLEVIS PIN .....	1
25				
26				
27				
28				
29				
30	609806		FRONT BRAKE LINE.....	1

# BRAKES

When ordering parts, please specify the model and serial number of the product.

\* Indicates a component that is not available as an individual part.

\*\*\* Indicates consult Customer Service Department for additional information.

ITEM	PART NO.	1 2 3 4 5	DESCRIPTION	QTY.
31	34989G01		HOSE ASSEMBLY .....	1
32	620855		BRAKE LINE ASSEMBLY .....	1
33	820008		TEE FITTING .....	1
34	620856		SHORT BRAKE LINE .....	1
35	620857		LONG BRAKE LINE.....	1
36				
37				
38				
39				
40	75683G01		BANJO BOLT .....	2
41	75684G01		GASKET COPPER.....	4
42	75813G01		CLAMP .....	1
43	11456G1		FLEXIBLE CLIP.....	1
44	17618G1		NYLON CLAMP.....	3
45				
46				
47				
48				
49				
50				
51				
52				
53				
54				
55				
56				
57				
58				
59				
60				
61				



When ordering parts, please specify the model and serial number of the product.

\* Indicates a component that is not available as an individual part.

\*\*\* Indicates consult Customer Service Department for additional information.

ITEM	PART NO.	1 2 3 4 5	DESCRIPTION	QTY.
62				
63				
64				
65				
66				
67				
68				
69				
70				
71				
72				
73				
74				
75				
76				
77				
78				
79				
80				
81				
82	70998G01		BRAKE ASSEMBLY (DRIVER SIDE) (INCLUDES ITEMS 84 - 92, 94, 95)....	1
83	70998G02		BRAKE ASSEMBLY (PASSENGER SIDE) (INCLUDES ITEMS 84 - 91, 93 - 95) .....	1
84	70794G01		BRAKE SHOE KIT (INCLUDES ITEM 85) .....	2
85	*		BRAKE SHOE.....	2
86	27944G01		BRAKE SPRING KIT (INCLUDES ITEMS 87 - 91) .....	2
87	*		UPPER SPRING .....	1
88	*		LOWER SPRING .....	1
89	*		PIN .....	2
90	*		CUP AND SPRING .....	2
91	*		ADJUSTER SPRING .....	1

# BRAKES

When ordering parts, please specify the model and serial number of the product.

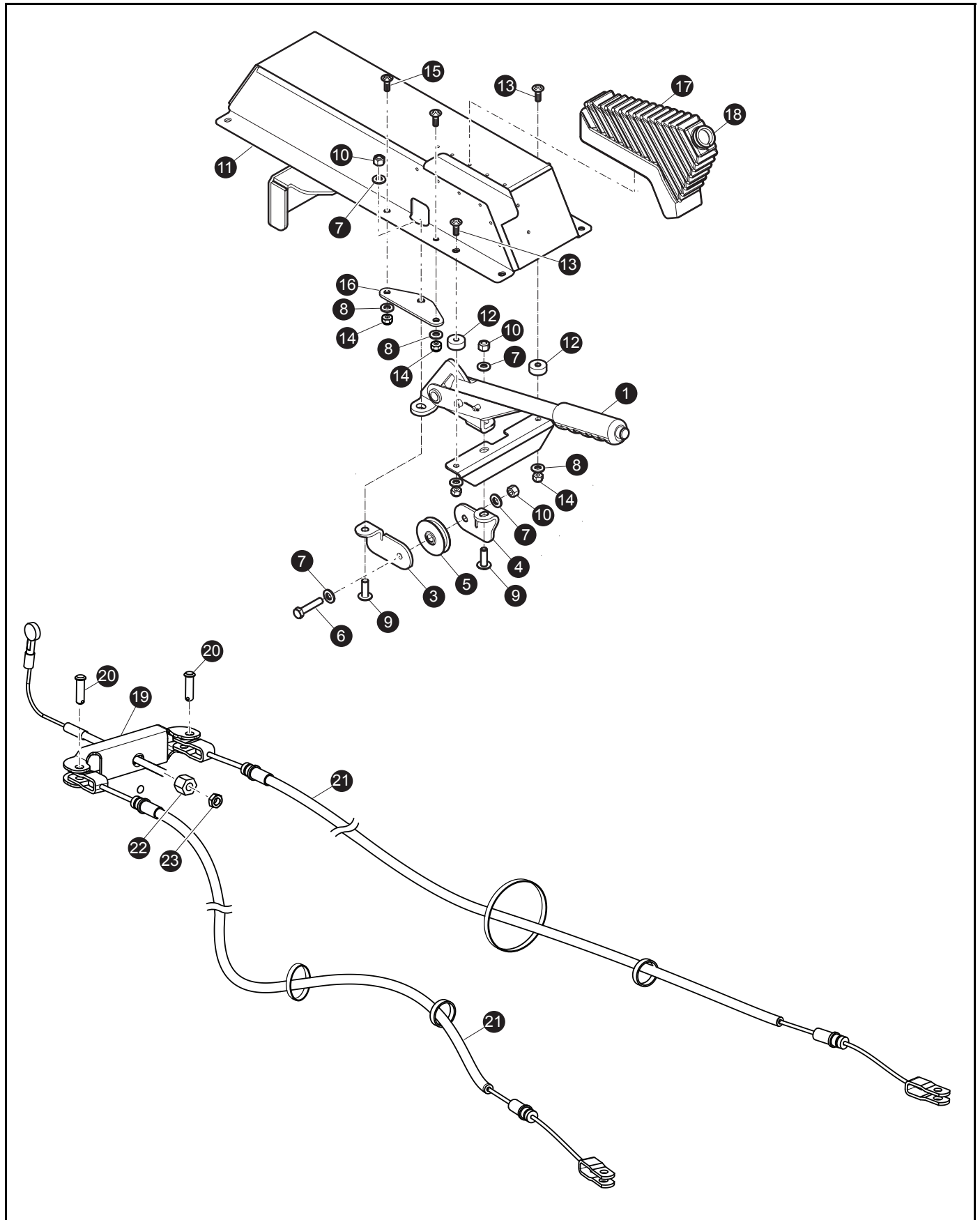
\* Indicates a component that is not available as an individual part.

\*\*\* Indicates consult Customer Service Department for additional information.

ITEM	PART NO.	1	2	3	4	5	DESCRIPTION	QTY.
92	72582G01						BRAKE ADJUSTER KIT (DRIVER SIDE) (INCLUDES ITEMS 94, 95) ....	1
93	72582G02						BRAKE ADJUSTER KIT (PASSENGER SIDE) (INCL. ITEMS 94, 95).....	1
94	*						ADJUSTER.....	1
95	*						TEFLON WASHER.....	2
96	17083G2						BOLT, 5/16 - 24 X 1" LG .....	8
97	15126G1						LOCK NUT, 5/16 - 24.....	8
98	21809G1						INNER BRAKE DRUM WASHER, 1 5/16" OD X 1" ID X 1/32" .....	2
99								
100	21807G2						BRAKE DRUM ASSEMBLY (INCLUDES ITEMS 101 - 102).....	2
101	*						BRAKE DRUM .....	1
102	19862G2						LUG BOLT, 1/2 - 20 X 1 3/16" LG .....	4
103								
104								
105	606945						OUTER BRAKE DRUM WASHER .....	2
106	606403						SLOTTED NUT, M22 X 1.5.....	2
107	10387G1						COTTER PIN, 1/8" X 1 1/2" LG .....	2
108	74175G01						SPINDLE CAP.....	2
109								
110	608200						BRAKE CABLE BRACKET (PASSENGER SIDE).....	1
111	608201						BRAKE CABLE BRACKET (DRIVER SIDE) .....	1



# PARKING BRAKE



# PARKING BRAKE

When ordering parts, please specify the model and serial number of the product.

\* Indicates a component that is not available as an individual part.

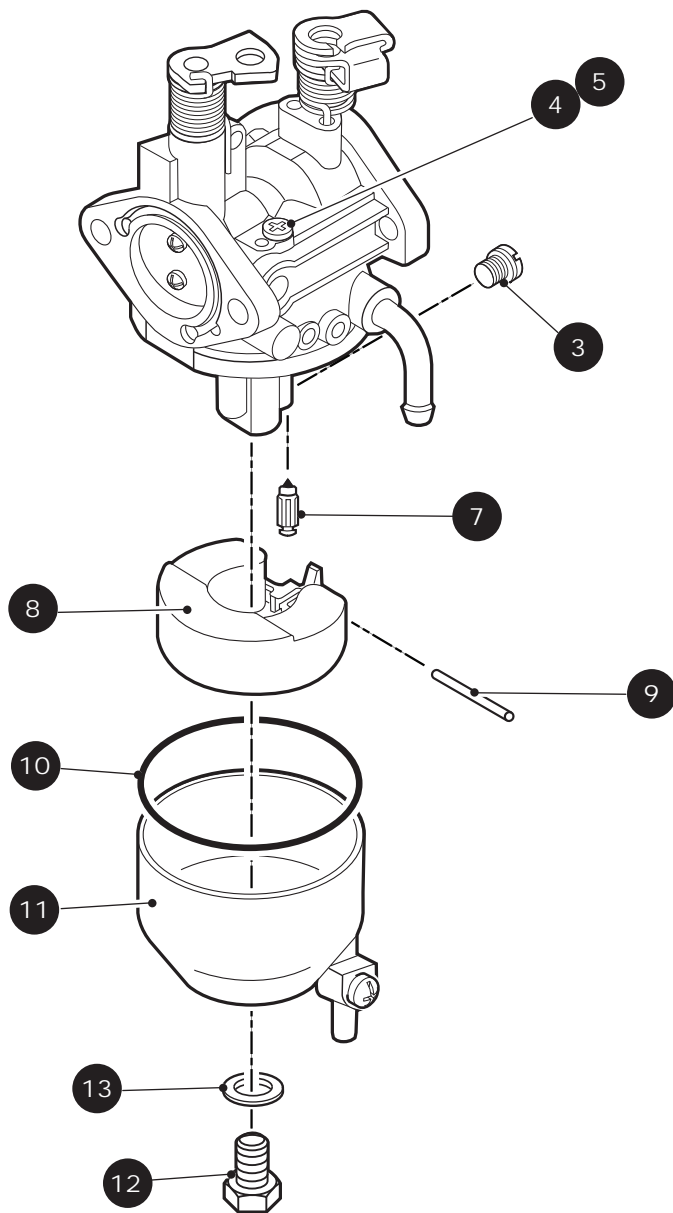
\*\*\* Indicates consult Customer Service Department for additional information.

ITEM	PART NO.	1 2 3 4 5	DESCRIPTION	QTY.
1	75791G03		PARK BRAKE LEVER ASSEMBLY .....	1
2	75594G01		BRACKET .....	1
3	75768G01		PULLY MOUNT RH.....	1
4	75769G01		PULLY MOUNT LH .....	1
5	75789G01		PULLY BRAKE CABLE .....	1
6	00439G4		SCREW 5/16-18.....	1
7	00559G8		WASHER 5/16 .....	4
8	00559G7		WASHER 1/4 .....	4
9	00976G08		SCREW 5/16-18.....	2
10	11098G6		LOCK NUT .....	4
11	609767		CONSOLE COVER.....	1
12	23726G12		SPACER.....	2
13	16705G1		SCREW 1/4 - 20.....	2
14	14390G4		LOCK NUT .....	1
15	16705G3		SCREW 1/4 - 20 X 0.75" .....	2
16	75773G01		PARK BRAKE SUPPORT PLATE .....	1
17	75821G01		PARK BRAKE BOOT .....	1
18	17618G01		NYLONE CLAMP .....	1
19	75499G01		EQUALIZER BRACKET .....	1
20	14443G03		CLIEVIS PIN .....	2
21	620414		BRAKE CABLE ASSEMBLY .....	1
22	00963G01		SPHERICAL NUT .....	1
23	00544G4		HEXAGON NUT.....	1
24				
25				
26				
27				
28				
29				
30				
31				

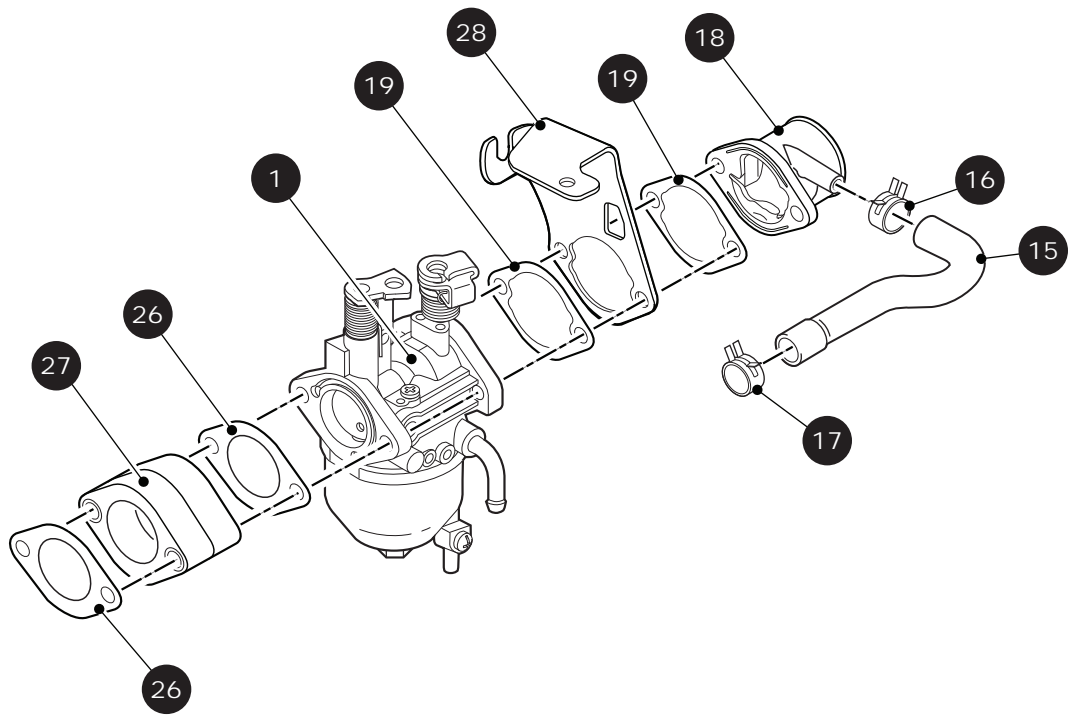




# CARBURETOR AND CHOKE







# CARBURETOR AND CHOKE

When ordering parts, please specify the model and serial number of the product.

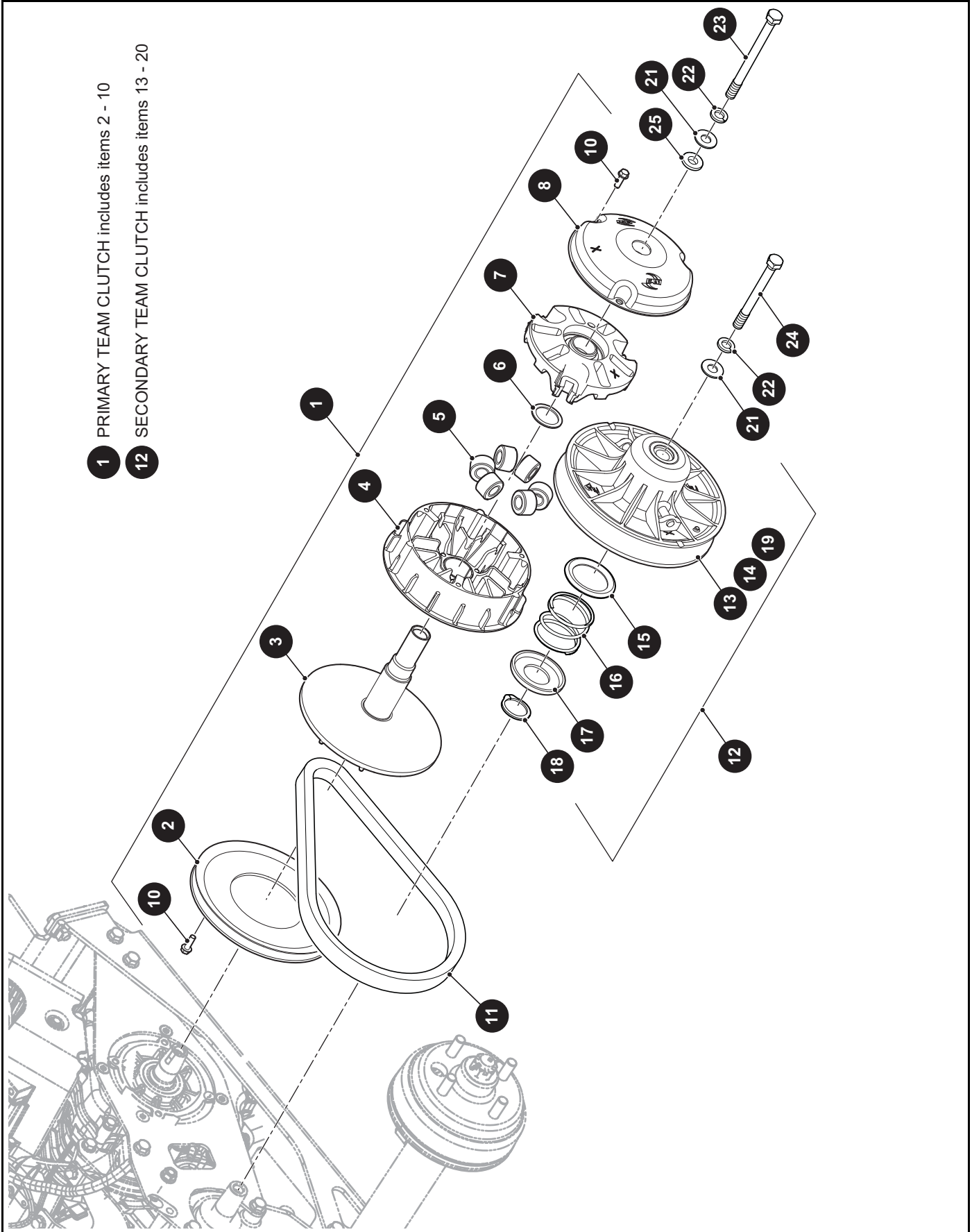
\* Indicates a component that is not available as an individual part.

\*\*\* Indicates consult Customer Service Department for additional information.

ITEM	PART NO.	1	2	3	4	5	DESCRIPTION	QTY.
1	607954						CARBURETOR (INCLUDES ITEMS 3 - 21) .....	1
2								
3	607683						MAIN JET (#104).....	1
4	608021						PILOT JET (#44) .....	1
5	603585						PLUG.....	1
6								
7	603586						NEEDLE VALVE .....	1
8	603587						FLOAT .....	1
9	603588						FLOAT PIN .....	1
10	603589						FLOAT BOWL GASKET .....	1
11	603590						FLOAT CHAMBER .....	1
12	603592						BOWL SCREW .....	1
13	603591						BOWL GASKET .....	1
14								
15	603598						BREATHER TUBE.....	1
16	603596						CLAMP, INTAKE TUBE .....	1
17	603597						CLAMP CYLINDER HEAD TUBE .....	1
18	603594						INTAKE TUBE .....	1
19	603593						CHOKE GASKET .....	2
20	603595						NUT, M6 X 1.0 .....	2
21	608023						THROTTLE ROD ATTACHMENT BUSHING .....	1
22								
23	607684						MAIN JET (#102) (FOR ELEVATIONS OF 3000 FT - 6000 FT) .....	1
24	607685						MAIN JET (#100) (FOR ELEVATIONS OF 6000 FT - 10000 FT) .....	1
25								
26	603580						CARBURETOR MOUNT GASKET .....	2
27	603581						CARBURETOR INSULATOR .....	1



# CLUTCH



When ordering parts, please specify the model and serial number of the product.

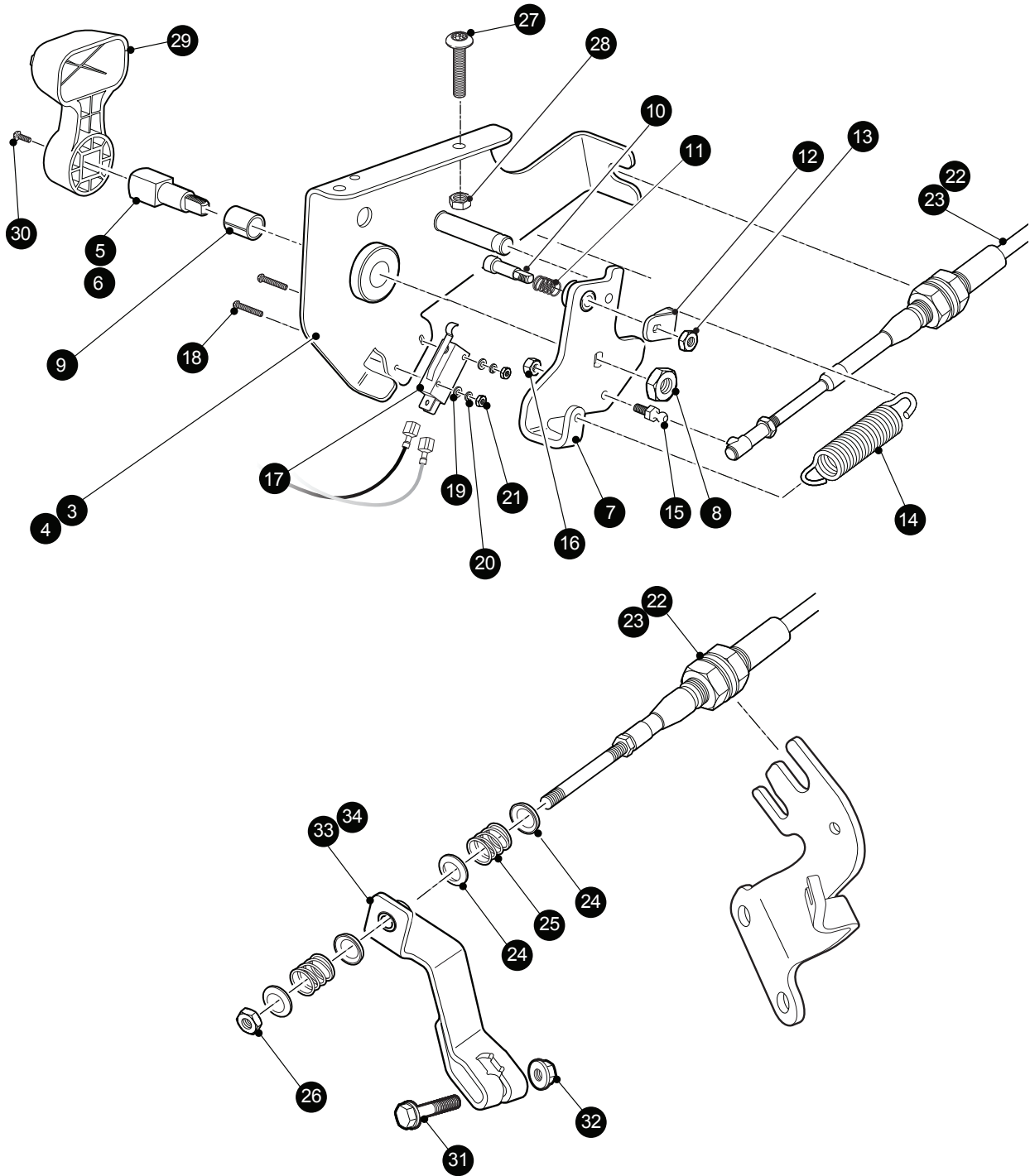
\* Indicates a component that is not available as an individual part.

\*\*\* Indicates consult Customer Service Department for additional information.

ITEM	PART NO.	1 2 3 4 5	DESCRIPTION	QTY.
1	623948		PRIMARY TEAM CLUTCH (Includes items 2 - 10).....	1
2	619333		PRIMARY STARTER PULLY, 195 - SVC.....	1
3	619334		STATIONARY ASSEMBLY .....	1
4	619335		MOVEABLE PRIMARY ASSEMBLY .....	1
5	624112		SHIFT ROLLER ASSEMBLY.....	6
6	619337		SHIM, 39.5 X 31.75 .....	1
7	619338		PRIMARY SPIDER ASSEMBLY .....	1
8	619339		PRIMARY DUST COVER ASSEMBLY.....	1
9				
10	619332		BOLT, 1/4 - 20 X.75 .....	7
11	618630		DRIVE BELT .....	1
12	623949		SECONDARY TEAM CLUTCH (Includes items 13 - 20) .....	1
13	*		SECONDARY STATIONARY, 9.5.....	1
14	*		MOVEABLE SECONDARY, 9.5.....	1
15	619327		INNER RETAINER SPRING.....	1
16	624111		COMPRESSION SPRING, 2.70 OD.....	1
17	619329		OUTER SPRING RETAINER .....	1
18	619330		RETAINER RING.....	1
19	619331		THRUST WASHER, 1.530 x 1.830 x 1.....	1
20				
21	606239		CONICAL WASHER, M12 .....	2
22	00566G3		SPRING TYPE LOCK WASHER .....	2
23	606245		HEX BOLT, M12 - 1.25 X 160 .....	1
24	606243		HEX BOLT, M12 - 1.25 X 120 .....	1
25	606230		CLUTCH WASHER.....	1

# DIRECTION SELECTOR

1 - includes Items (3, 5, 7 - 22, 24 - 33)



# DIRECTION SELECTOR

When ordering parts, please specify the model and serial number of the product.

\* Indicates a component that is not available as an individual part.

\*\*\* Indicates consult Customer Service Department for additional information.

ITEM	PART NO.	1 2 3 4 5	DESCRIPTION	QTY.
1	606173		DIRECTION SELECTOR ASSEMBLY (INCLUDES ITEMS 3, 5, 7-22, 24-33)	1
2				
3	608831		DIRECTION SELECTOR BRACKET WITH BUSHING (INCLUDES ITEM 9)	1
4				
5	70233G01		DIRECTION SELECTOR SHAFT.....	1
6				
7	603700		DIRECTION SELECTOR CAM.....	1
8	14390G1		LOCK NUT, 3/8 - 24.....	1
9	*		BUSHING .....	1
10	72724G01		NEUTRAL LOCK PIN .....	1
11	72733G01		COMPRESSION SPRING, 3/8" X 5/8" LG .....	1
12	72729G01		NEUTRAL LOCK BRACKET .....	1
13	00734G2		LOCK NUT, 1/4 - 28.....	1
14	28574G01		EXTENSION SPRING .....	1
15	72732G01		BALL STUD, 1/4".....	1
16	00734G5		LOCK NUT, #10 - 32.....	1
17	72736G01		MICRO SWITCH .....	1
18	01062G01		SCREW, #4 - 40 X 1" LG.....	2
19	00559G1		WASHER, #4 .....	2
20	00565G1		LOCK WASHER, #4 .....	2
21	00526G2		NUT, #4 - 40 .....	2
22	605807		PUSH / PULL SHIFTER CABLE .....	1
23				
24	25727G01		CUP WASHER, 1/4" .....	4
25	72735G01		COMPRESSION SPRING, 19/32" X 1" LG .....	2
26	00734G5		LOCK NUT, #10 - 32.....	1
27	70227G01		SCREW, 1/4 - 20 X 7/8" LG .....	2
28	11027G2		LOCK NUT, 1/4 - 20 .....	2
29	71205G01		DIRECTION SELECTOR HANDLE .....	1
30	00740G4		SCREW, #10 - 32 X 1/2" LG (STAINLESS STEEL).....	1
31	606421		BOLT, M6 - 1.00 X 30.....	1

# DIRECTION SELECTOR

When ordering parts, please specify the model and serial number of the product.

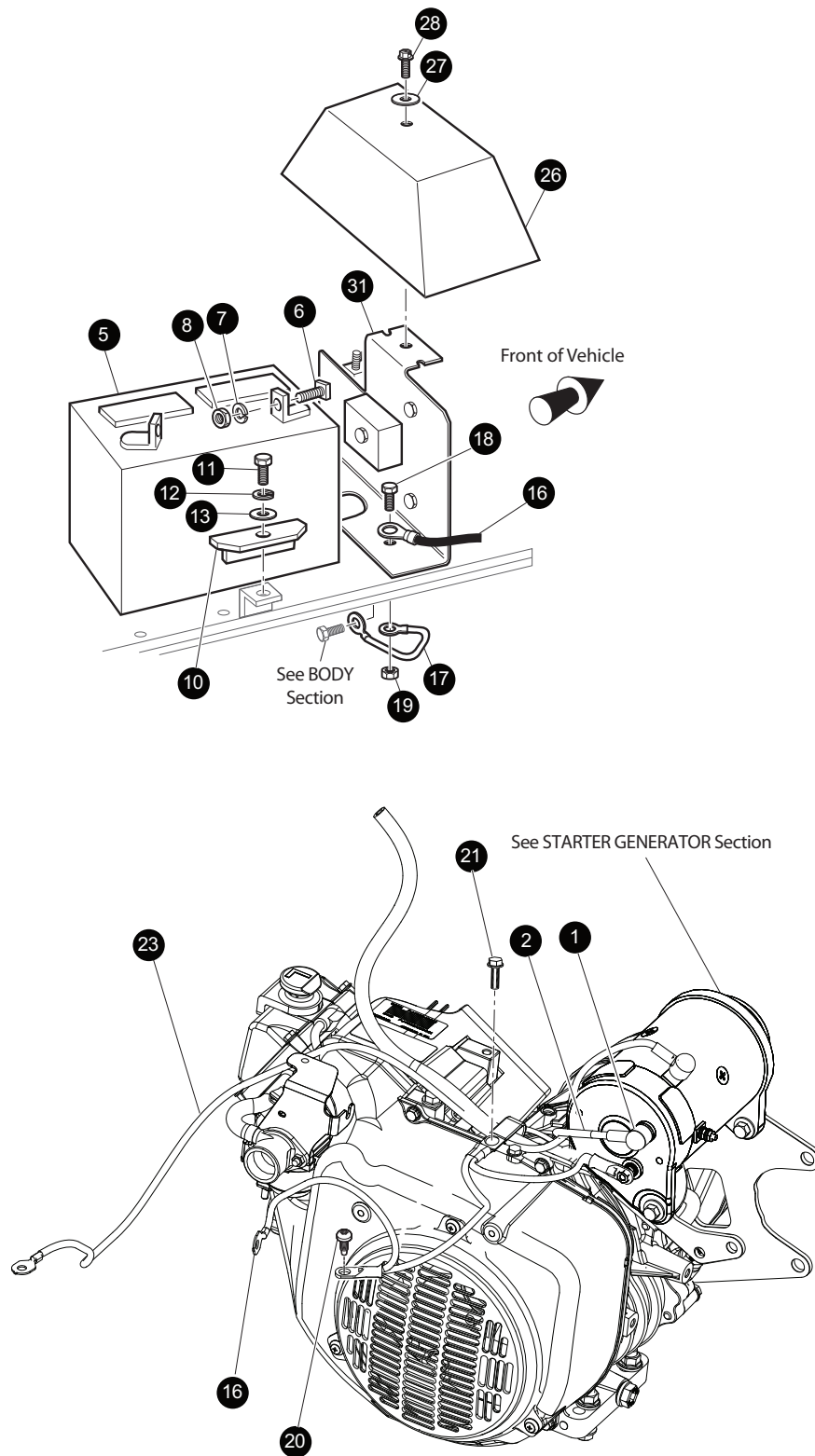
\* Indicates a component that is not available as an individual part.

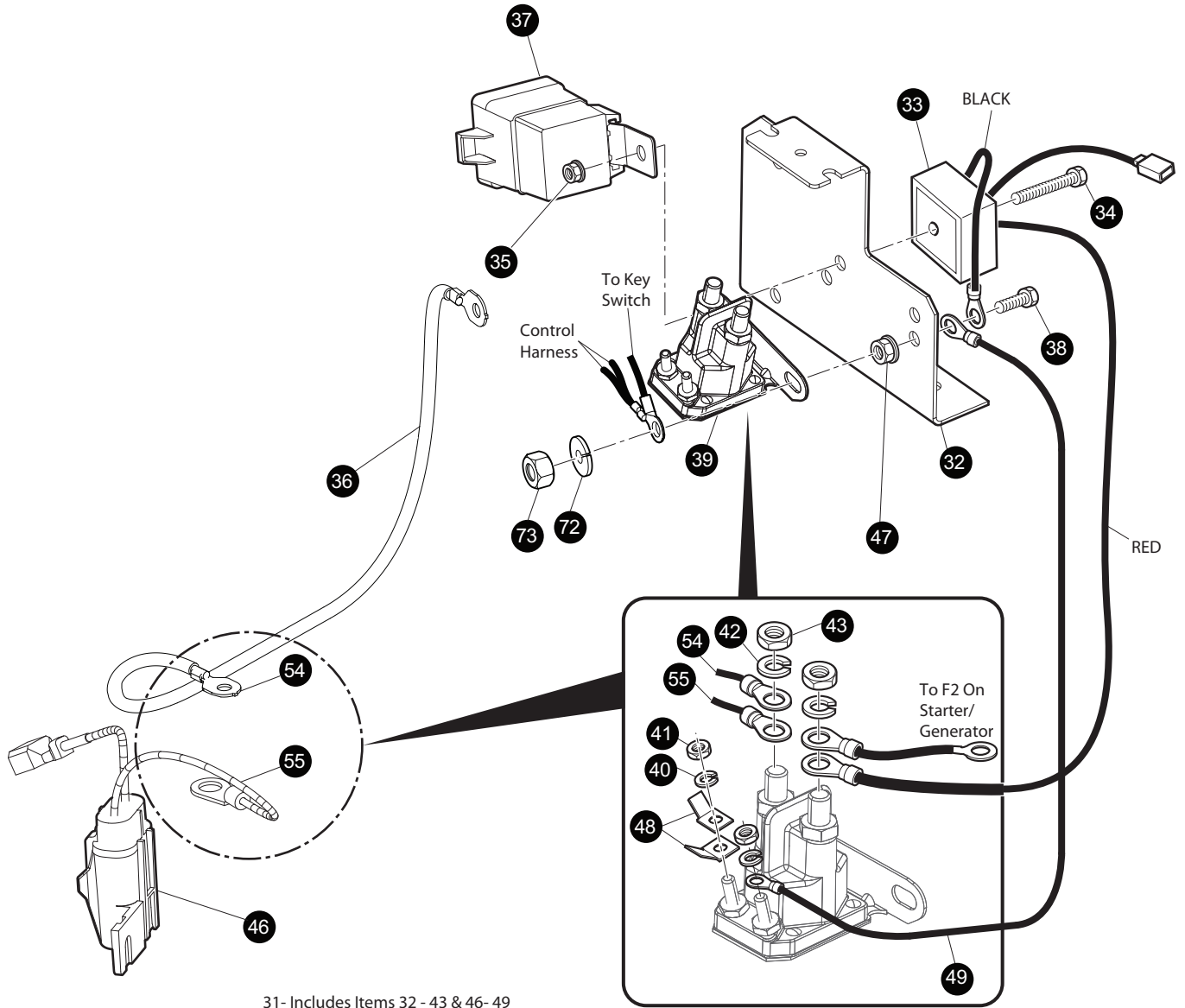
\*\*\* Indicates consult Customer Service Department for additional information.

ITEM	PART NO.	1	2	3	4	5	DESCRIPTION	QTY.
32	450452						NUT, M6 - 1.00 .....	1
33	608832						SHIFTER ARM ( INCLUDES ITEM 34 ) .....	1
34	*						BUSHING, FLIP LOK, 0.25 .....	1
35	31539G1						WIRE TIE (NOT SHOWN IN ILLUSTRATION).....	1
36	01072G01						CABLE CLIP (NOT SHOWN IN ILLUSTRATION).....	1

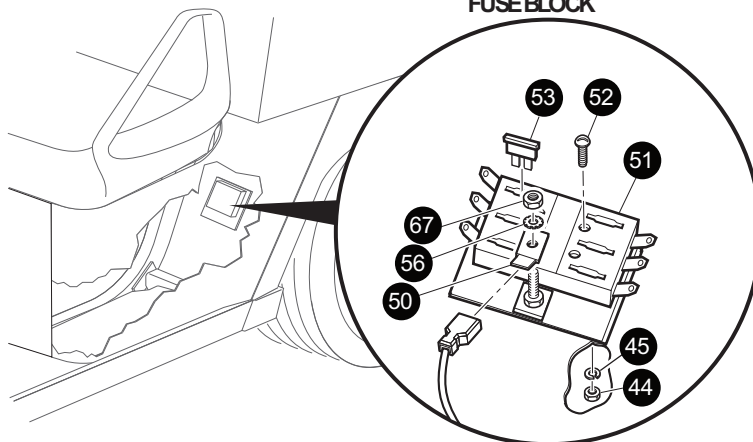




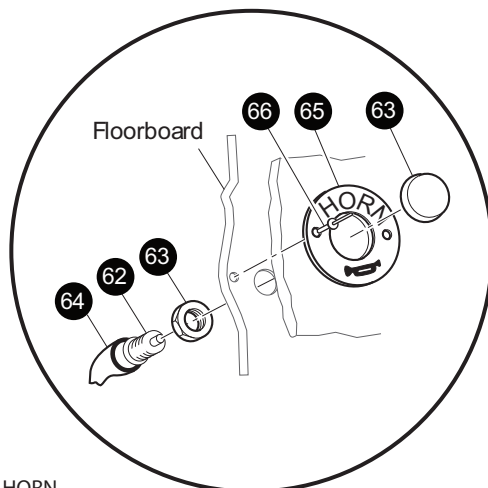




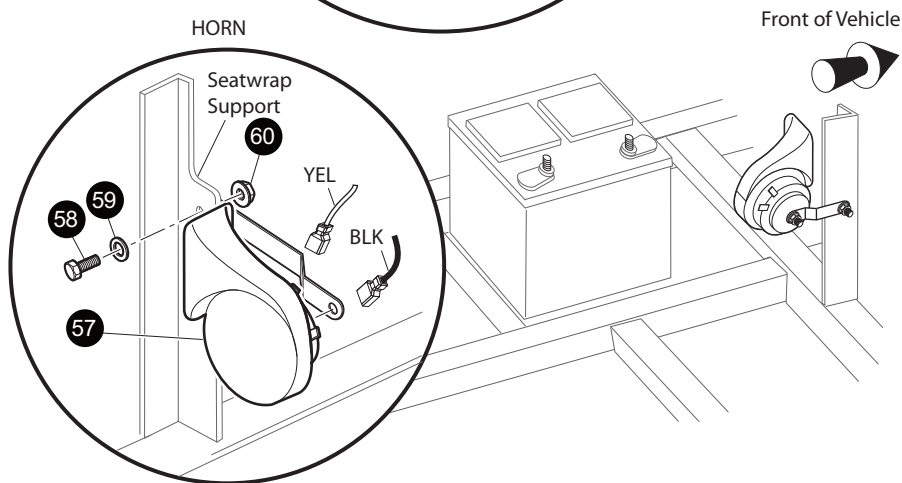
## FUSEBLOCK

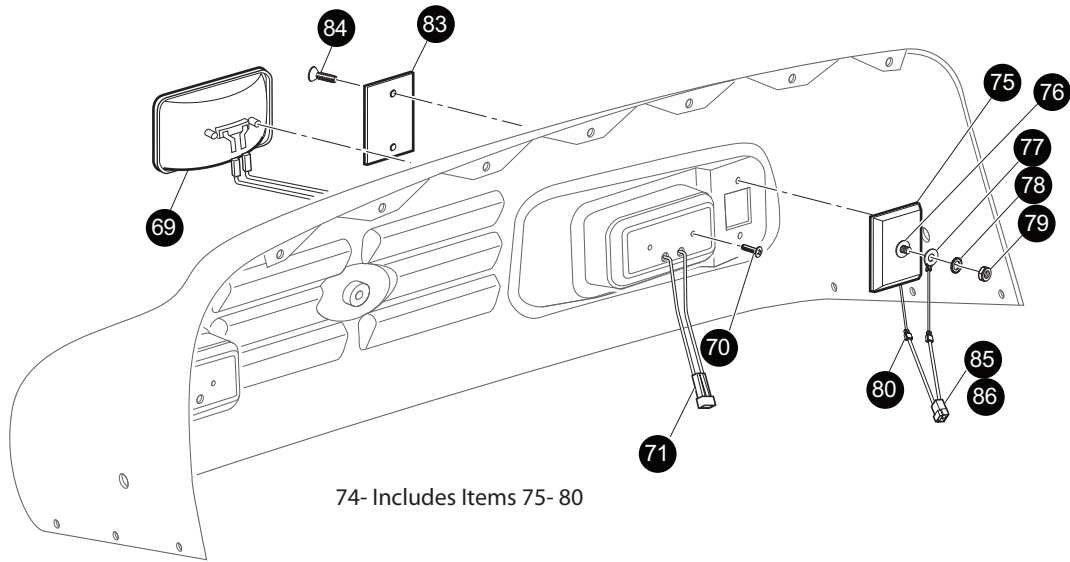


## HORN BUTTON

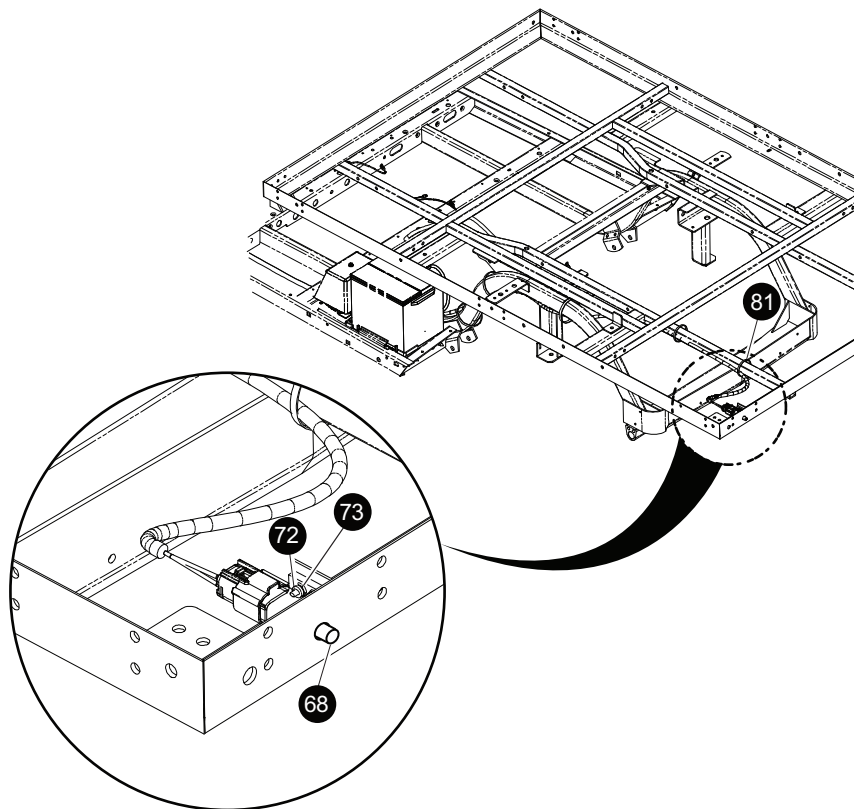


## HORN



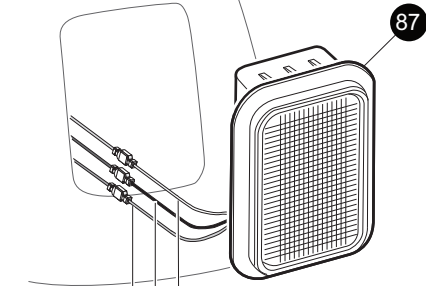


74- Includes Items 75- 80



TAILLIGHT

Rear  
Fender



WHT to BLU/WHT from Harness - Both Sides

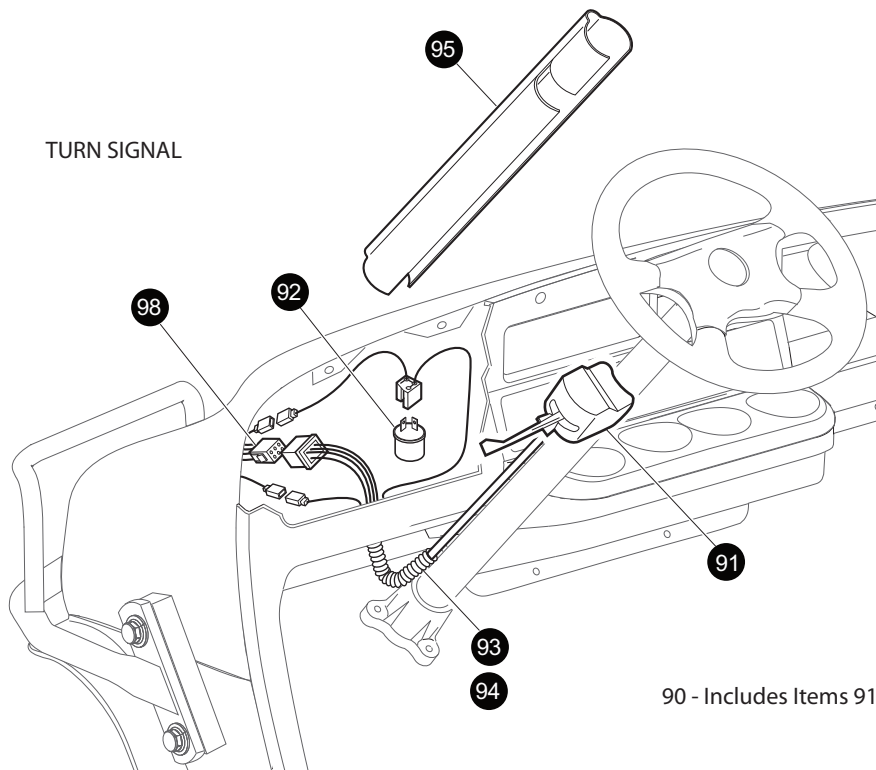
BLK to BLK from Harness - Both Sides

RED to BRN from Harness - Both Sides (without Turn Signals)

RED to WHT from Harness - Driver Side (with Turn Signals)

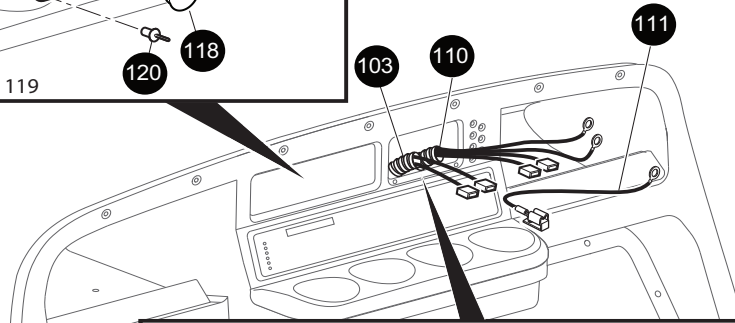
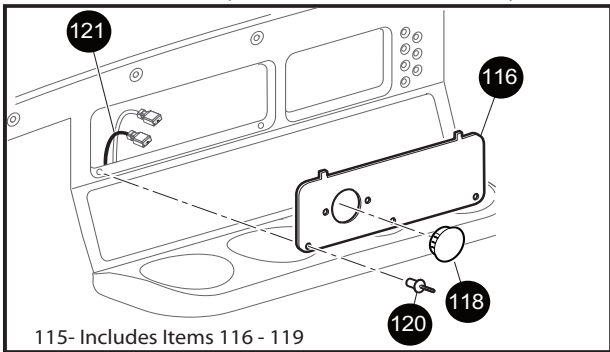
RED to YEL from Harness - Passenger Side (with Turn Signals)

TURN SIGNAL

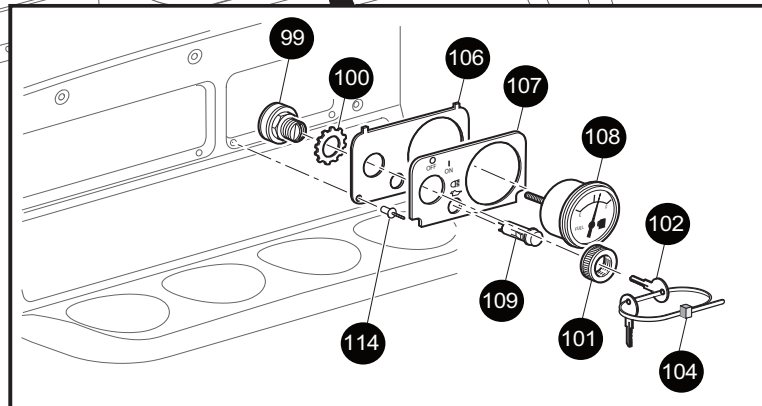


90 - Includes Items 91 - 95

## CONSOLE INSERT PLATE (WITH POWER OUTLET SHOWN)

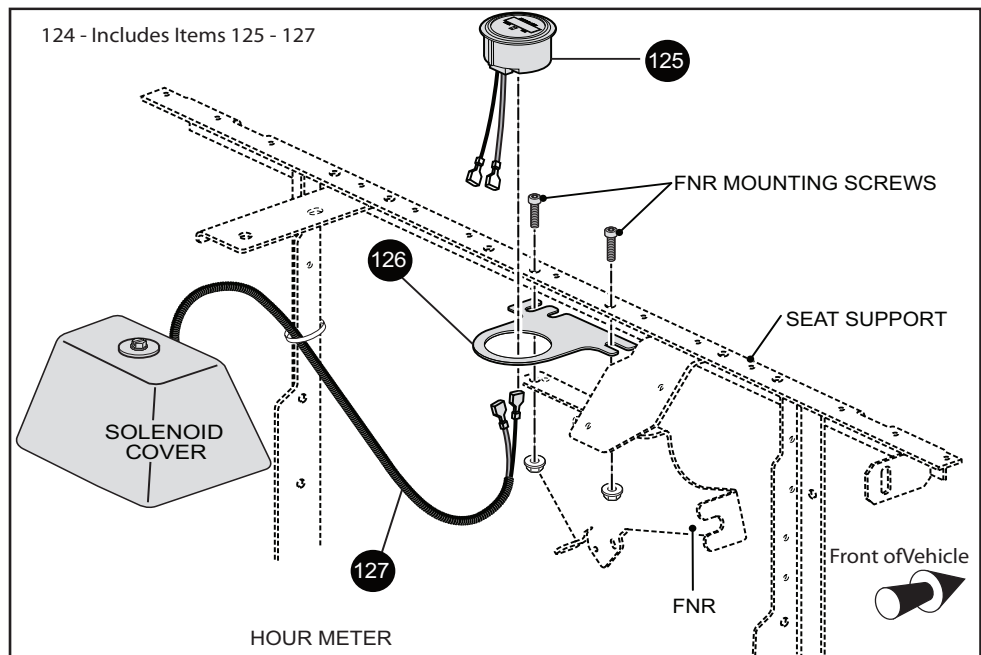


Front of Vehicle



KEY SWITCH, INDICATOR LIGHT(S), AND FUEL GAUGE

## 124 - Includes Items 125 - 127



# ELECTRICAL

When ordering parts, please specify the model and serial number of the product.

\* Indicates a component that is not available as an individual part.

\*\*\* Indicates consult Customer Service Department for additional information.

ITEM	PART NO.	1 2 3 4 5	DESCRIPTION	QTY.
1	607053		6 GA WIRE (BLACK 6", F1 - A2).....	1
2	25682G1		TERMINAL COVER.....	3
3				
4	24775G2		BATTERY, 12V ( HEAVY DUTY ) ( OPTIONAL).....	1
5	24775G1		BATTERY, 12V .....	1
6	*		BOLT, 5/16 - 18 X 1 1/4" LG.....	2
7	*		LOCK WASHER, 5/16" (SILICON BRONZE).....	2
8	*		NUT, 5/16 - 18 (SILICON BRONZE) .....	2
9				
10	72101G02		BATTERY HOLD DOWN .....	1
11	00438G6		BOLT, 5/16 - 18 X 3/4" LG .....	3
12	00565G8		LOCK WASHER, 5/16" .....	1
13	00571G2		WASHER, 5/16" (STAINLESS STEEL) .....	1
14				
15				
16	27044G03		GROUND CABLE.....	1
17	25976G19		14 GA WIRE (BLACK 6").....	1
18	00438G6		BOLT, 5/16 - 18 X 3/4" LG .....	2
19	11027G1		LOCK NUT, 5/16 - 18.....	2
20	26676G01		FLANGED BOLT .....	1
21	606264		BOLT, M6-1 X 20 .....	1
22				
23	25972G85		6 GA WIRE (BLACK 23", F2 - SOL).....	1
24	605821		WIRE HARNESS (CONTROL).....	1
25	17618G1		WIRE TIE .....	AR
26	73049G01		COVER FNR .....	1
27	16469G1		WASHER, 1/4".....	1
28	00114G6		SCREW, 1/4 - 14 X 3/4" LG.....	1
29				
30				
31	605563		ELECTRICAL PLATE ASSEMBLY (INCLUDES ITEMS 32 - 49) .....	1



When ordering parts, please specify the model and serial number of the product.

\* Indicates a component that is not available as an individual part.

\*\*\* Indicates consult Customer Service Department for additional information.

ITEM	PART NO.	1 2 3 4 5	DESCRIPTION	QTY.
32	73057G01		BRACKET.....	1
33	27739G01		VOLTAGE REGULATOR.....	1
34	00415G4		BOLT, 1/4 - 20 X 1 1/4" LG.....	1
35	11027G2		LOCK NUT, 1/4 - 20.....	1
36	25972G33		WIRE ASSEMBLY 6 GA.....	1
37	603282		RELAY.....	1
38	00661G08		BOLT, 1/4 - 20 X 1" LG.....	1
39	612813		SOLENOID.....	1
40	*		LOCK WASHER, #10.....	2
41	*		NUT, #10 - 32.....	2
42	*		LOCK WASHER, 5/16".....	2
43	*		NUT, 5/16 - 24.....	2
44	00559G5		WASHER, # 10.....	2
45	14390G10		LOCKNUT, #10-24.....	2
46	600418G01		FUSE HOLDER ASSEMBLY.....	1
47	11027G2		LOCK NUT, 1/4 - 20.....	1
48	73446G01		FASTON TAB, 90°.....	2
49	25978G56		18 GA WIRE (BLACK 5 3/4").....	1
50	12914G01		PUSH ON MALE TERMINAL.....	1
51	35211G01		FUSE BLOCK.....	1
52	00379G2		RIVET, 1/8" X 13/16" LG.....	2
53	35212G01		15 AMP FUSE.....	3
54	25972G33		#6 GA WIRE ASSEMBLY.....	1
55	20216G1		16 GA WIRE (RED).....	1
56	00567G5		LOCK WASHER, #10.....	1
57	32860G1		HORN.....	1
58	00414G5		BOLT, 1/4 - 20 x 5/8" LG.....	1
59	00559G7		WASHER, 1/4" (STAINLESS STEEL).....	1
60	14390G4		LOCK NUT, 1/4 - 20.....	1
61				
62	17318G1		HORN SWITCH.....	1

# ELECTRICAL

When ordering parts, please specify the model and serial number of the product.

\* Indicates a component that is not available as an individual part.

\*\*\* Indicates consult Customer Service Department for additional information.

ITEM	PART NO.	1	2	3	4	5	DESCRIPTION	QTY.
63	17318G2						HORN SWITCH CAP AND NUT .....	1
64	27068G01						HORN SWITCH BOOT.....	1
65	19233G1						HORN SWITCH LABEL.....	1
66	71055G01						RIVET, 3/16" X 1" LG (ALUMINUM) .....	2
67	00526G4						NUT, #10-32 .....	1
68	609697						PLUNGER SWITCH.....	1
69	22523G01						HEADLIGHT (INCLUDES ITEM 70).....	2
70	01085G01						SCREW, #10 - 24 X 2 - 1/7 .....	4
71	74337G01						JUMPER WIRE (HEADLIGHT) .....	2
72	00645G5						SCREW 6-32 X 0.62 " .....	2
73	14390G9						LOCK NUT .....	2
74	20570G3						TURN SIGNAL LIGHT ASSEMBLY (INCLUDES ITEMS 75 - 80).....	2
75	20574G3						TURN SIGNAL LIGHT .....	1
76	00660G7						WASHER, 1/4" (STAINLESS STEEL).....	1
77	20606G1						WIRE ASSEMBLY.....	1
78	00567G7						LOCK WASHER, 1/4" .....	1
79	00532G1						NUT, 1/4 - 20.....	1
80	18995G1						PUSH-ON TERMINAL (MALE).....	1
81	17618G1						CLAMP NYLON.....	14
82								
83	20574G4						LENS, AMBER .....	1
84	00118G5						SCREW, #6 - 18 X 5/8" LG.....	4
85	74056G01						TURN SIGNAL JUMPER, RED/BLACK (PASSENGER SIDE) .....	1
86	74056G02						TURN SIGNAL JUMPER, GREEN/BLACK (DRIVER SIDE).....	1
87	32739G2						TAILLIGHT ASSEMBLY (COMPLETE) .....	2
88								
89								
90	606887						TURN SIGNAL KIT (INCLUDES ITEMS 91 - 95).....	1
91	17867G1						TURN SIGNAL (WITH MOUNTING HARDWARE) (INCLUDES ITEM 106)	1
92	21640G1						TURN SIGNAL FLASHER.....	1
93	32307G3						FLEX LOOM, 3/8 X 8" LG .....	1

When ordering parts, please specify the model and serial number of the product.

\* Indicates a component that is not available as an individual part.

\*\*\* Indicates consult Customer Service Department for additional information.

ITEM	PART NO.	1 2 3 4 5	DESCRIPTION	QTY.
94	17618G1		WIRE TIE.....	2
95	20965G3		STEERING COLUMN COVER.....	1
96				
97				
98	606045		WIRE HARNESS (ACCESSORY) .....	1
99	18602G1		IGNITION SWITCH (WITH LIGHTS, INDIVIDUALLY KEYED).....	1
100	00568G6		LOCK WASHER, 3/4" .....	1
101	17137G1		FACE NUT, 3/4 - 20.....	1
102	17063G1		IGNITION KEY.....	1
103	605830		WIRE HARNESS (KEY SWITCH).....	1
104	17618G1		WIRE TIE .....	AR
105				
106	73030G04		PLATE (FUEL GAUGE AND OIL LIGHT) .....	1
107	71131G01		LABEL (OIL LIGHT AND FUEL GAUGE WITH HEADLIGHTS) .....	1
108	21553G1		FUEL GAUGE .....	1
109	23474G1		INDICATOR LIGHT .....	1
110	74311G01		HARNESS (OIL LIGHT/FUEL GAUGE).....	1
111	25978G122		18 GA WIRE (RED 6") .....	1
112				
113				
114	33623G02		DRIVE RIVET, 3/16" X 3/8" LG .....	2
115	74693G01		CONSOLE INSERT ASSEMBLY (INCLUDES ITEMS 116 - 119).....	1
116	73522G03		CONSOLE INSERT PLATE.....	1
117				
118	20271G10		HOLE PLUG .....	1
119				
120	33623G02		DRIVE RIVET, 3/16" X 3/8" LG .....	3
121				
122				
123				
124	607285		HOUR METER KIT (INCLUDES ITEMS 125 - 127).....	1

# ELECTRICAL

When ordering parts, please specify the model and serial number of the product.

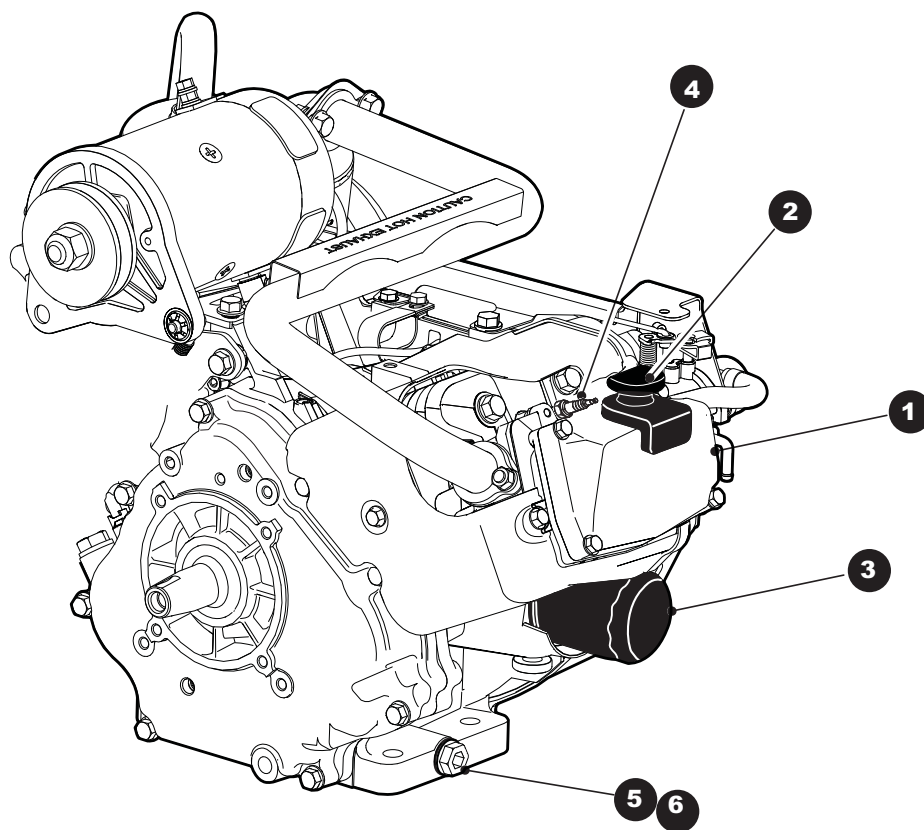
\* Indicates a component that is not available as an individual part.

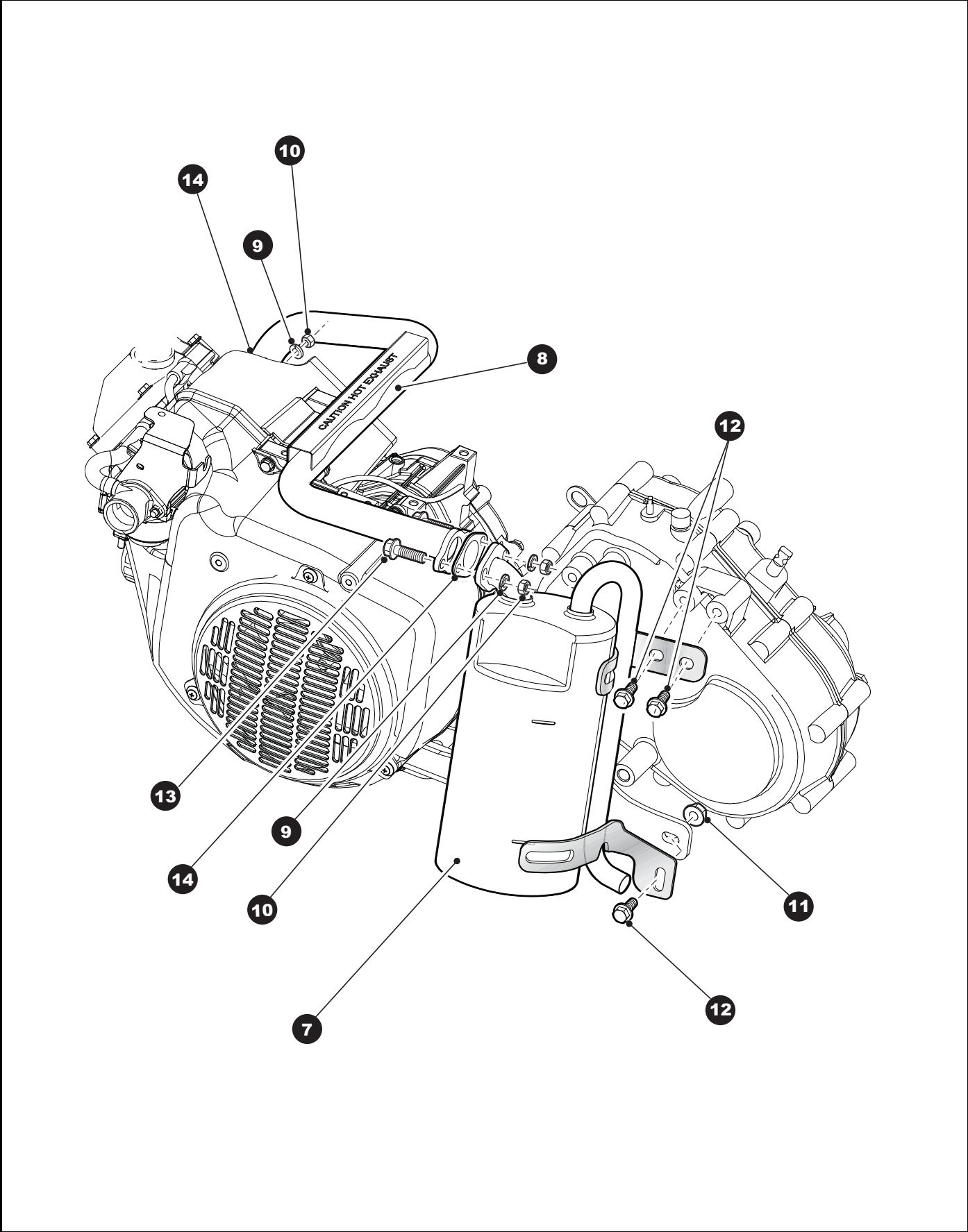
\*\*\* Indicates consult Customer Service Department for additional information.

ITEM	PART NO.	1	2	3	4	5	DESCRIPTION	QTY.
125	617074						HOUR METER.....	1
126	603721						HOUR METER BRACKET.....	1
127	606254						WIRE HARNESS (HOUR METER).....	1



# ENGINE AND MUFFLER





# ENGINE AND MUFFLER

When ordering parts, please specify the model and serial number of the product.

\* Indicates a component that is not available as an individual part.

\*\*\* Indicates consult Customer Service Department for additional information.

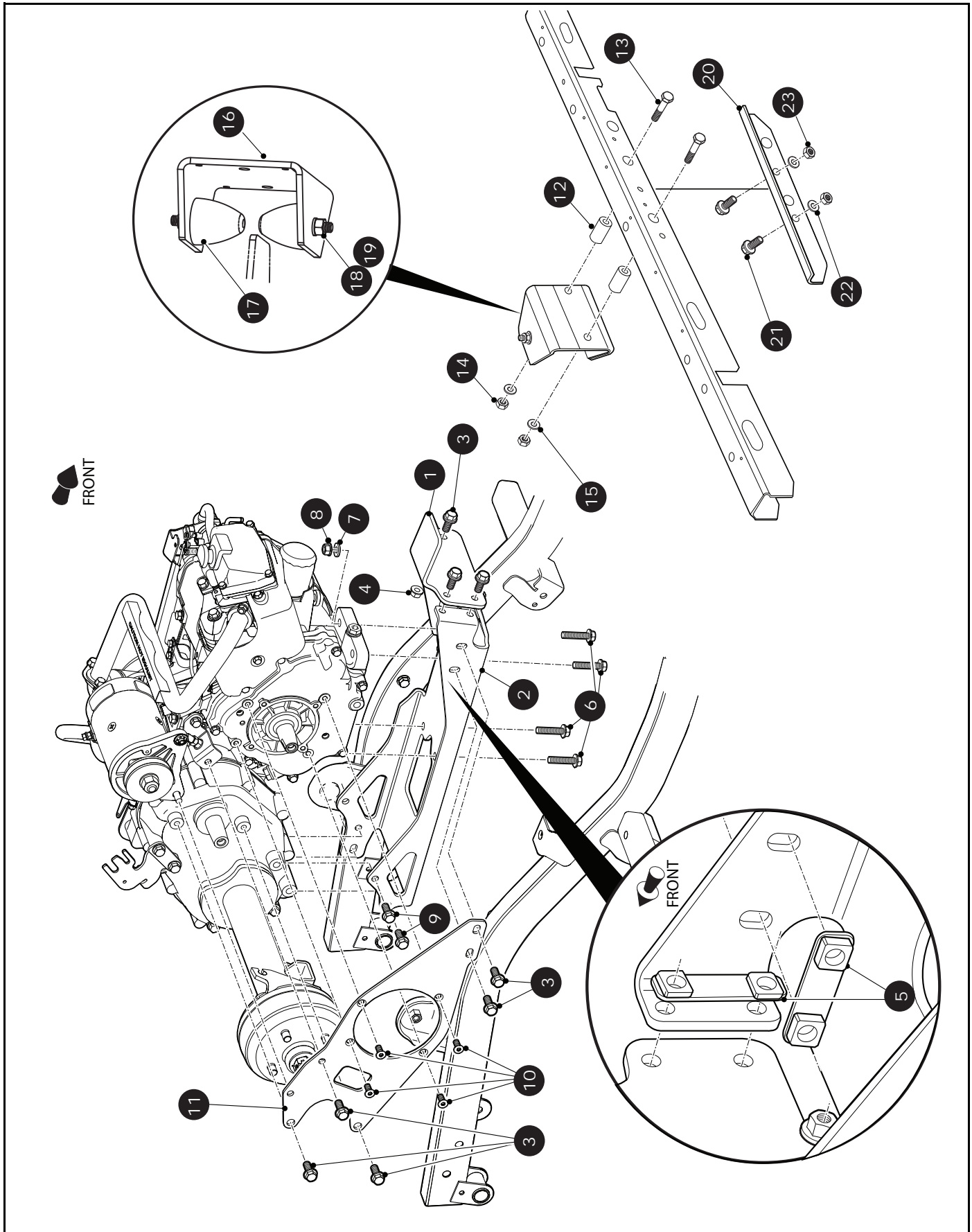
ITEM	PART NO.	1 2 3 4 5	DESCRIPTION	QTY.
1	607154		ENGINE, GAS, 13HP, NON-GOLF .....	1
2	606390		DIP STICK.....	1
3	607454		OIL FILTER .....	1
4	607462		SPARK PLUG (BPR2ES).....	1
5	603557		OIL DRAIN PLUG .....	1
6	603562		'O' RING, 16MM .....	1
7	612266		MUFFLER.....	1
8	606982		EXHAUST PIPE .....	1
9	606272		WASHER, 8MM .....	4
10	606267		NUT, M8 X 1.25 .....	4
11	606279		NUT, M10 - 1.25 .....	1
12	606256		BOLT, M10 - 1.25 X 25 .....	3
13	602330		BOLT, M8 - 1.25 X 30 .....	2
14	603599		EXHAUST GASKET .....	2



Notes:

A large, empty grid of graph paper, consisting of approximately 25 columns and 30 rows of small squares, intended for the user to write notes on.

# ENGINE MOUNTING



# ENGINE MOUNTING

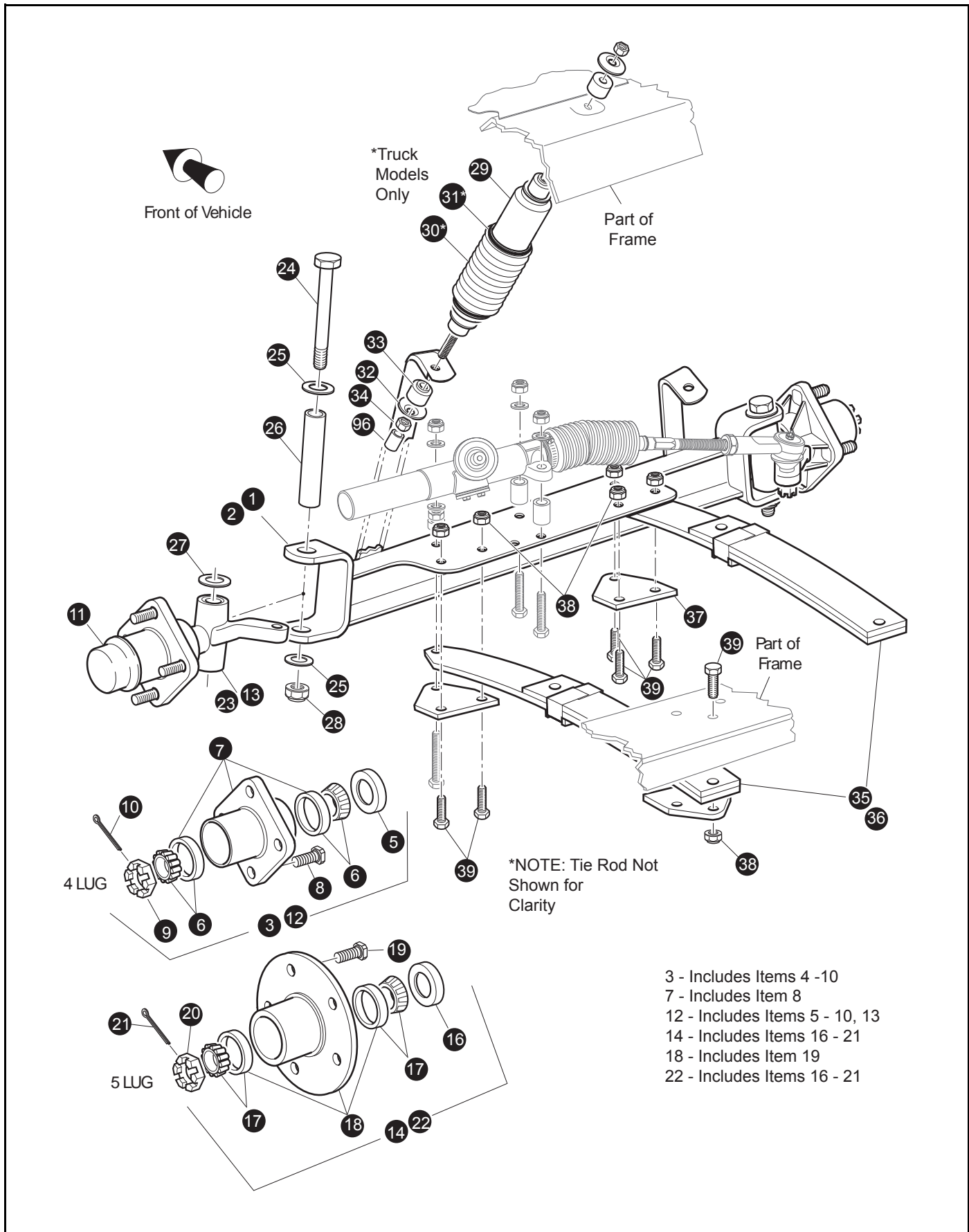
When ordering parts, please specify the model and serial number of the product.

\* Indicates a component that is not available as an individual part.

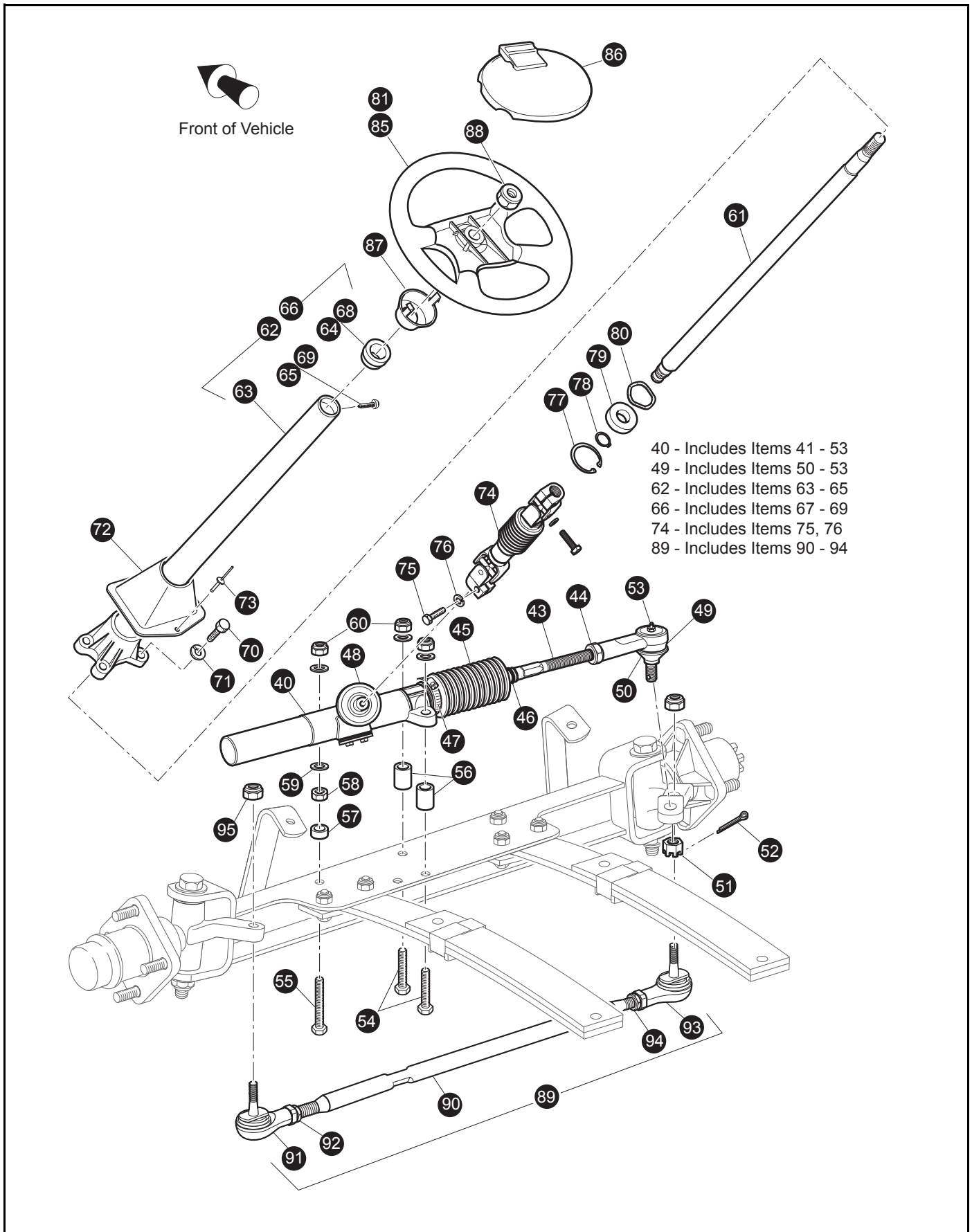
\*\*\* Indicates consult Customer Service Department for additional information.

ITEM	PART NO.	1 2 3 4 5	DESCRIPTION	QTY.
1	606007		FRONT ENGINE MOUNT.....	1
2	603101		ENGINE PAN MOUNT.....	1
3	606256		BOLT, M10 - 1.25 X 25.....	8
4	606279		NUT, M10 - 1.25.....	1
5	606096		NUT PLATE.....	2
6	606259		BOLT, M10 - 1.25 X 45.....	4
7	603823		FLAT WASHER, M10 X 22 - 2.5.....	4
8	606279		NUT, M10 - 1.25.....	4
9	608020		BOLT, M10 - 1.25 X 34.....	4
10	606246		FLAT HEAD SCREW, T40.....	4
11	602146		DIFFERENTIAL PLATE.....	1
12	72016G01		TUBE SPACER.....	2
13	00428G8		HEX HEAD 3/8 - 16, UNC X 2.75.....	2
14	11098G5		PLASTIC INSERT LOCK NUT.....	2
15	00643G1		FLAT WASHER.....	2
16	605995		TS2 FRONT MOUNT BRACKET.....	1
17	605757		RUBBER BUMPER.....	2
18	00974G01		HEX - NUT.....	2
19	00968G01		LOCK WASHER.....	2
20	70269G02		CROSSMEMBER BRACE.....	1
21	00438G7		SCREW, HEX HEAD 5/16 - 18 UNC.....	2
22	01110G3		FLAT WASHER.....	2
23	01109G01		PLASTIC INSERT LOCK NUT.....	2

# FRONT SUSPENSION / STEERING



# FRONT SUSPENSION / STEERING



# FRONT SUSPENSION / STEERING

When ordering parts, please specify the model and serial number of the product.

\* Indicates a component that is not available as an individual part.

\*\*\* Indicates consult Customer Service Department for additional information.

ITEM	PART NO.	1 2 3 4 5	DESCRIPTION	QTY.
1	602513		FRONT AXLE .....	1
2	602327		FRONT AXLE WITH FRONT DISC BRAKES .....	1
3	70942G03		SPINDLE AND HUB ASSEMBLY, 4 LUG (PASSENGER SIDE) (INCLUDES ITEMS 4 - 10).....	1
4	70942G04		SPINDLE ASSEMBLY (PASSENGER SIDE).....	1
5	25146G1		GREASE SEAL .....	1
6	50892G1		ROLLER BEARING AND RACE ASSEMBLY .....	2
7	70589G01		WHEEL HUB ASSEMBLY WITH RACES, 4 LUG (INCLUDES ITEM 8) ..	1
8	19862G1		LUG BOLT, 1/2 - 20 X 1 3/16" LG .....	4
9	12093G1		CASTELLATED NUT, 1 - 14.....	1
10	00798G8		COTTER PIN, 5/32" X 1 3/4" LG.....	1
11	12091G2		SPINDLE CAP .....	2
12	70673G03		SPINDLE AND HUB ASSEMBLY, 4 LUG (DRIVER SIDE) (INCLUDES ITEMS 5 - 10, 13).....	1
13	70673G04		SPINDLE ASSEMBLY (DRIVER SIDE) .....	1
14	602288		SPINDLE AND HUB ASSEMBLY WITH FRONT DISC BRAKES (PASSENGER SIDE)(INCLUDES ITEMS 15 - 20).....	1
15				
16	12092G1		GREASE SEAL .....	1
17	50892G1		ROLLER BEARING AND RACE ASSEMBLY .....	2
18	74673G01		WHEEL HUB ASSEMBLY WITH RACES, (INCLUDES ITEM 19).....	1
19	30143G1		LUG BOLT, 1/2 - 20 X 1 7/32" LG .....	5
20	12093G1		CASTELLATED NUT, 1 - 14.....	1
21	00798G8		COTTER PIN, 5/32" X 1 3/4" LG.....	1
22	602281		SPINDLE AND HUB ASSEMBLY, WITH FRONT DISC BRAKES (DRIVER SIDE)(INCLUDES ITEMS 15 - 20) .....	1
23				
24	00407G6		BOLT, 1/2 - 13 X 6" LG .....	2
25	00560G3		WASHER, 1/2" .....	4
26	70745G01		KING PIN TUBE .....	2
27	70754G01		THRUST WASHER, 1" (STAINLESS STEEL).....	2
28	14390G6		LOCK NUT, 1/2 - 13.....	2
29	76419G01		SHOCK ABSORBER.....	2

# FRONT SUSPENSION / STEERING

When ordering parts, please specify the model and serial number of the product.

\* Indicates a component that is not available as an individual part.

\*\*\* Indicates consult Customer Service Department for additional information.

ITEM	PART NO.	1 2 3 4 5	DESCRIPTION	QTY.
30	70509G01		SHOCK ABSORBER BOOT .....	2
31	31539G1		WIRE TIE .....	4
32	10435G1		SHOCK ABSORBER WASHER.....	8
33	10194G1		RUBBER BUSHING .....	8
34	00532G6		NUT, 3/8 - 24 .....	4
35	70990G02		LEAF SPRING (SEE PART NUMBER ON SPRING).....	2
36	70664G03		LEAF SPRING (HEAVY DUTY) (SEE PART NUMBER ON SPRING).....	2
37	70163G03		SPRING PLATE .....	4
38	00734G1		LOCK NUT, 7/16 - 14 .....	11
39	00463G11		BOLT, 7/16 - 14 X 1 3/4" LG.....	11
40	70964G01		RACK AND PINION UNIT (COMPLETE) (INCLUDES ITEMS 41 - 53).....	1
41	70965G01		STEERING RACK COVER & BEARING .....	1
42	*		STEERING BOX INSTALLATION TAG .....	1
43	70694G01		RACK EXTENSION .....	1
44	*		JAM NUT, 1/2 - 20 .....	1
45	70961G01		RACK BOOT .....	1
46	12416G2		WIRE TIE.....	1
47	11391G8		CLAMP, 1 13/16 - 2 3/8" .....	1
48	70638G01		PINION SEAL .....	1
49	70695G01		RACK BALL JOINT (INCLUDES ITEMS 50 - 53).....	1
50	50641G1		RUBBER BOOT .....	1
51	50209G2		CASTELLATED NUT, 7/16 - 20.....	1
52	10387G2		COTTER PIN, 3/32" X 1" LG.....	1
53	10389G3		GREASE FITTING, STRAIGHT .....	1
54	00464G6		BOLT, 7/16 - 14 X 2 3/4" LG.....	2
55	01068G01		BOLT, 7/16 - 14 X 3 1/2" LG.....	1
56	70667G02		SPACER.....	2
57	70667G03		SPACER (SHORT).....	1
58	00532G7		NUT, 7/16 - 14 .....	1
59	00560G2		FLAT WASHER, 7/16" .....	7
60	00734G1		LOCK NUT, 7/16 - 14 .....	3

# FRONT SUSPENSION / STEERING

When ordering parts, please specify the model and serial number of the product.

\* Indicates a component that is not available as an individual part.

\*\*\* Indicates consult Customer Service Department for additional information.

ITEM	PART NO.	1 2 3 4 5	DESCRIPTION	QTY.
61	70607G01		STEERING SHAFT .....	1
62	70758G06		STEERING COLUMN KIT (INCLUDES ITEMS 63 - 65) .....	1
63	70610G03		STEERING COLUMN .....	1
64	28569G01		STEERING COLUMN BUSHING .....	1
65	01022G01		SCREW, #6 - 20 X 5/16" LG .....	1
66	70758G08		STEERING COLUMN KIT (HORN) (INCLUDES ITEMS 67 - 69) .....	1
67	70610G04		STEERING COLUMN .....	1
68	28569G01		STEERING COLUMN BUSHING .....	1
69	01022G01		SCREW, #6 - 20 X 5/16" LG .....	1
70	01006G01		BOLT, 3/8 - 16 X 1 1/4" LG .....	4
71	00879G1		LOCK WASHER, 3/8" .....	4
72	70997G01		COVER .....	1
73	71055G01		RIVET, 3/16" X 1" LG (ALUMINUM) .....	1
74	70580G01		INTERMEDIATE SHAFT (INCLUDES ITEMS 75, 76) .....	1
75	01055G01		BOLT, M8 X 1.25 - 05 .....	2
76	00565G8		LOCK WASHER, 5/16" .....	2
77	70751G01		RETAINING RING (INTERNAL) .....	1
78	70888G01		RETAINING RING (EXTERNAL) .....	1
79	15112G1		BALL BEARING .....	1
80	70887G01		WAVE WASHER .....	1
81				
82				
83				
84				
85	602979		STEERING WHEEL .....	1
86	607925		CLIPBOARD .....	1
87	71949G01		HUB COVER .....	1
88	14390G2		LOCK NUT, 5/8 - 18 .....	1
89	70876G02		TIE ROD ASSEMBLY (INCLUDES ITEMS 90 - 94) .....	1
90	70897G02		THREADED ROD (24" LG) .....	1
91	70902G01		TIE ROD END (LEFT HAND THREADS) .....	1



# FRONT SUSPENSION / STEERING

When ordering parts, please specify the model and serial number of the product.

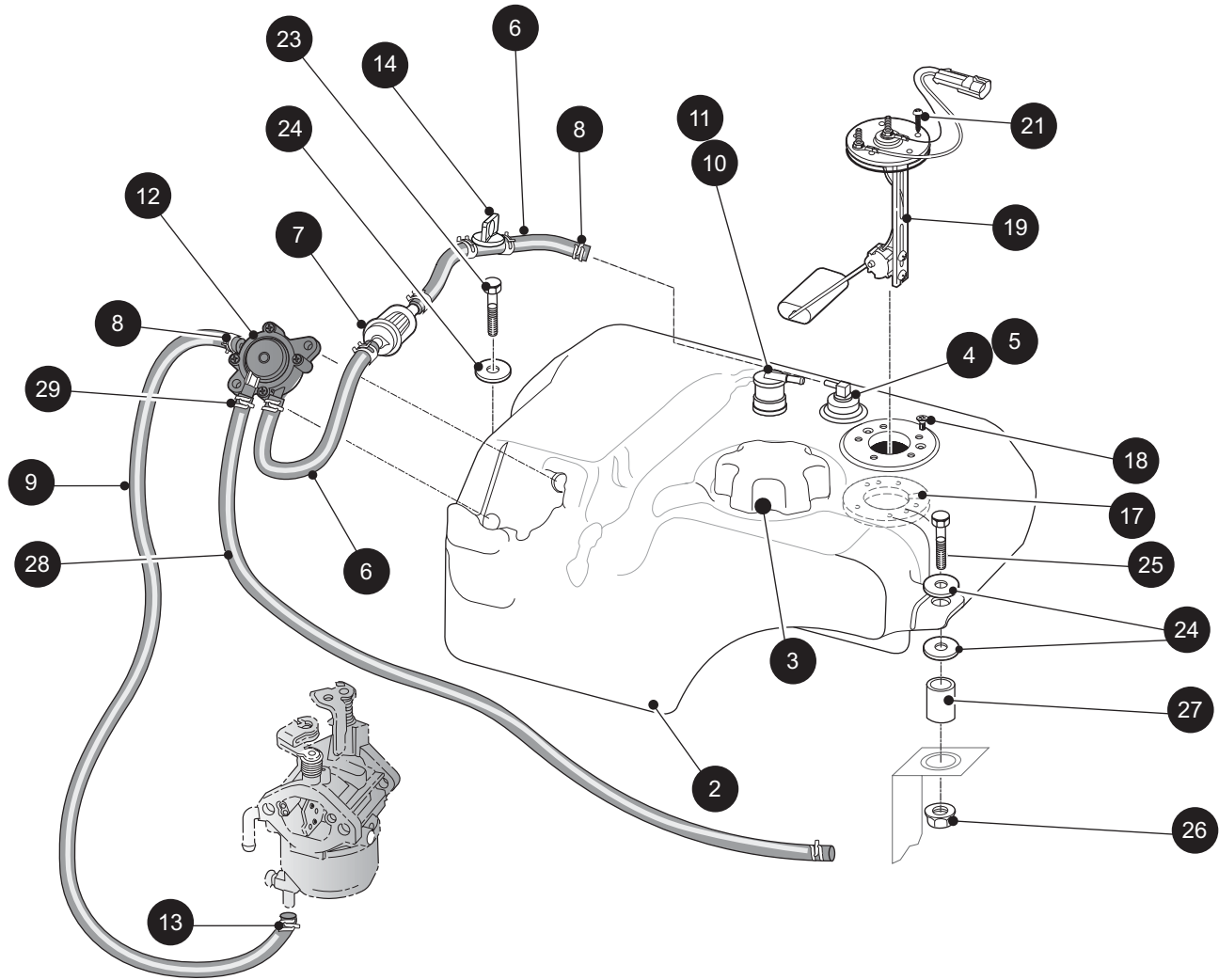
\* Indicates a component that is not available as an individual part.

\*\*\* Indicates consult Customer Service Department for additional information.

ITEM	PART NO.	1 2 3 4 5	DESCRIPTION	QTY.
92	01069G01		JAM NUT, M12 X 1.25 - 05 (LEFT HAND THREADS) .....	1
93	70902G02		TIE ROD END (RIGHT HAND THREADS) .....	1
94	01069G02		JAM NUT, M12 X 1.25 - 05 (RIGHT HAND THREADS).....	1
95	00734G1		LOCK NUT, 7/16 - 14 .....	2
96	10044G01		CAP, VINYL.....	2

# FUEL SYSTEM

1 - Includes Items 2 - 21



# FUEL SYSTEM

When ordering parts, please specify the model and serial number of the product.

\* Indicates a component that is not available as an individual part.

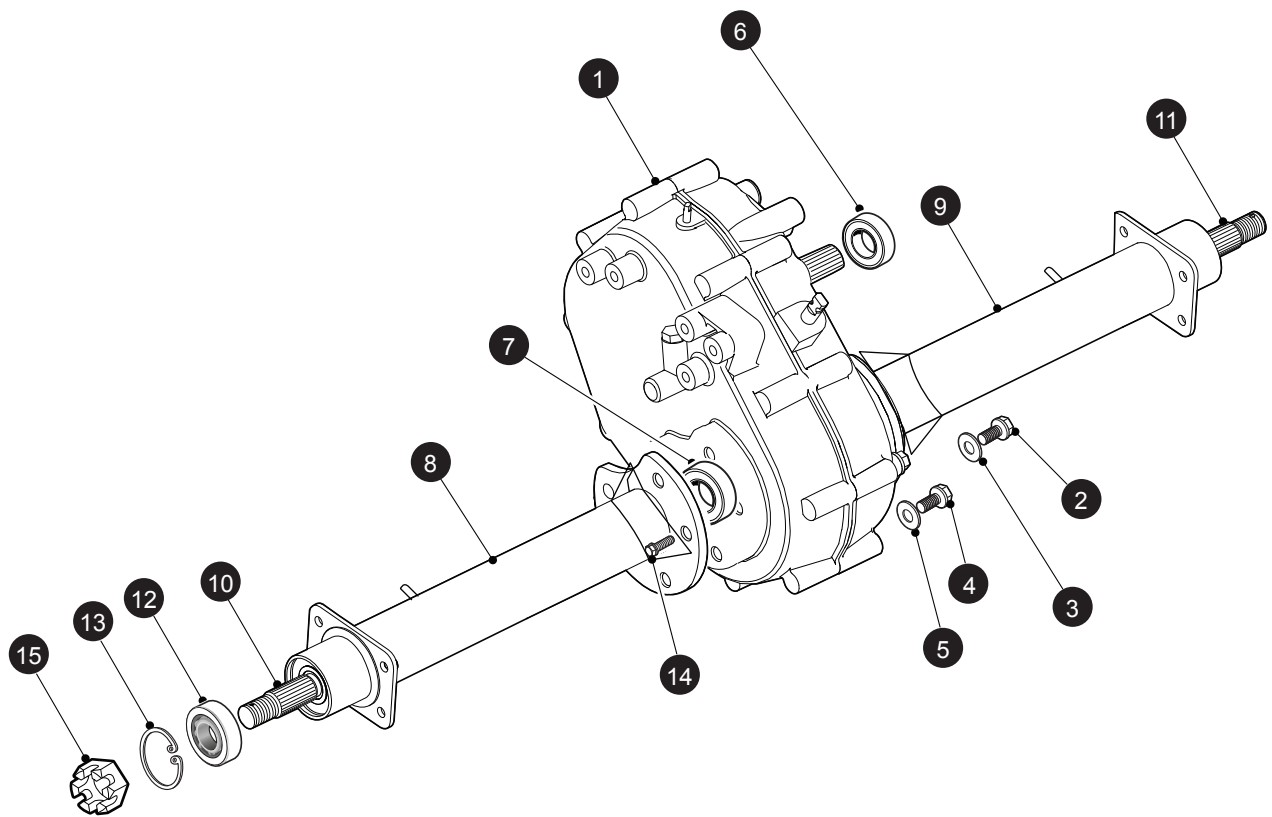
\*\*\* Indicates consult Customer Service Department for additional information.

ITEM	PART NO.	1 2 3 4 5	DESCRIPTION	QTY.
1	613191		FUEL TANK ASSEMBLY (INCLUDES ITEMS 2 - 21 ).....	1
2	612916		FUEL TANK .....	1
3	620174		FUEL TANK CAP SEALED.....	1
4	18287G03		SIPHON TUBE .....	1
5	70988G01		GROMMET .....	1
6	615119		FUEL HOSE, 215 MM .....	1
7	72084G01		FUEL FILTER .....	1
8	18292G1		CLAMP, 1/2" .....	7
9	615119		FUEL HOSE, (BULK) (TO CARBURETOR), 22.5" .....	1
10	606067		ROLLOVER VALVE .....	1
11	606068		ROLLOVER VALVE GROMMET .....	1
12	602061		FUEL PUMP .....	1
13	11391G4		CLAMP, 1/2" .....	1
14	611181		SHUT OFF VALVE.....	1
15				
16				
17	72229G01		FUEL LEVEL SENDER ADAPTER .....	1
18	72230G01		SCREW, # 6 - 32 X 1/2" LG.....	2
19	604188		FUEL LEVEL SENDER (INCLUDES ITEM 13).....	1
20	*		GASKET.....	1
21	72232G01		SCREW, # 10 x 3/4" LG.....	5
22	70581G01		ACETAL BUSHING .....	1
23	00438G7		SCREW, CAP HEX HD 5/16 - 18.....	1
24	604066		WASHER, WASHER M10, 10.5 X 30 .....	3
25	00440G2		SCREW, CAP HEX HD 5/16 - 18.....	1
26	11027G1		NUT - LOCK FLANGED.....	1
27	72016G01		TUBE, SPACER.....	1
28	27183G01		PULSE LINE (BULK), (BLACK WITH WHITE LINE MARKING), 28" .....	1
29	18292G1		CLAMP, 1/2" .....	2





# REAR AXLE



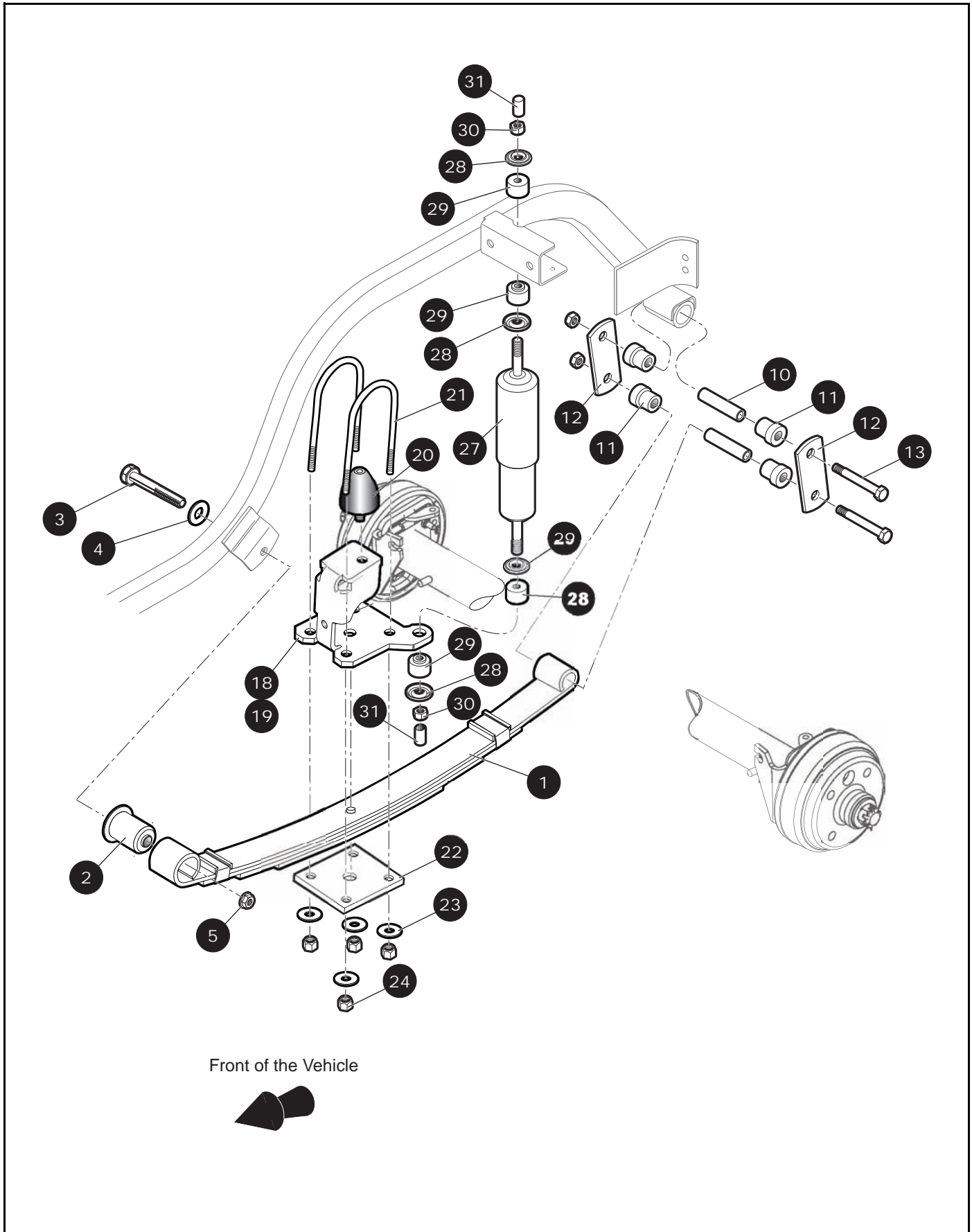
When ordering parts, please specify the model and serial number of the product.

\* Indicates a component that is not available as an individual part.

\*\*\* Indicates consult Customer Service Department for additional information.

ITEM	PART NO.	1 2 3 4 5	DESCRIPTION	QTY.
1	605891		REAR AXLE, (INCLUDES ITEMS 2 - 15) .....	1
2	26770G01		OIL CHECK PLUG .....	1
3	26771G01		GASKET, 14 MM .....	1
4	26770G01		OIL DRAIN PLUG .....	1
5	26771G01		GASKET, 14 MM .....	1
6	72259G01		INPUT SHAFT OIL SEAL .....	1
7	72259G01		AXLE SHAFT OIL SEAL .....	2
8	607939		AXLE TUBE (DRIVER SIDE) .....	1
9	607940		AXLE TUBE (PASSENGER SIDE) .....	1
10	607945		AXLE SHAFT (DRIVER SIDE) INCLUDES ITEM 12 .....	1
11	607946		AXLE SHAFT (PASSENGER SIDE) INCLUDES ITEM 12 .....	1
12	26811G01		BALL BEARING .....	2
13	26814G01		RETAINING RING .....	2
14	72260G01		FLANGED BOLT, M10 X 1.5 X 23 MM LG .....	10
15	606403		SLOTTED NUT, M22 X 1.5 .....	2

# REAR SUSPENSION





# REAR SUSPENSION

When ordering parts, please specify the model and serial number of the product.

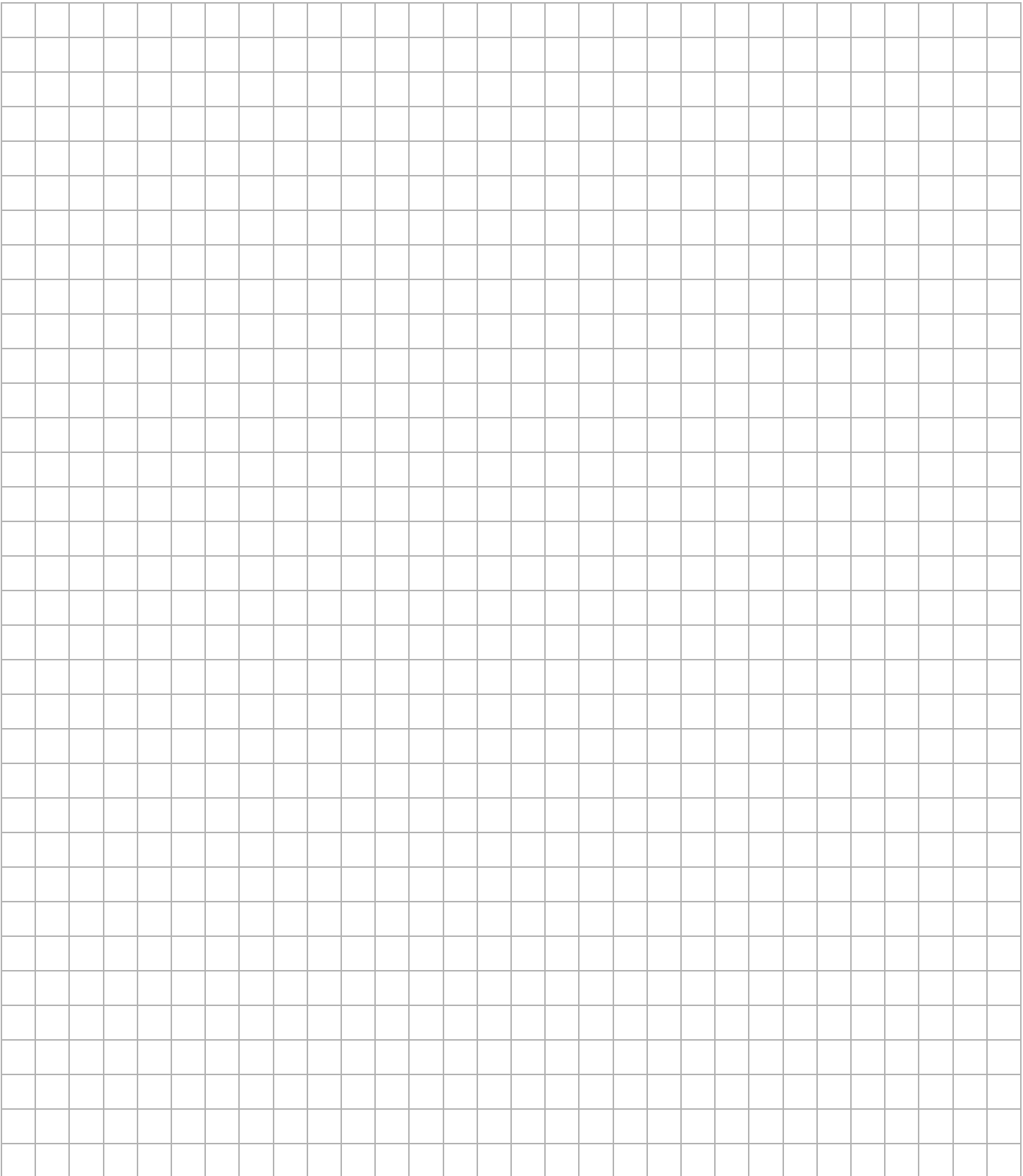
\* Indicates a component that is not available as an individual part.

\*\*\* Indicates consult Customer Service Department for additional information.

ITEM	PART NO.	1 2 3 4 5	DESCRIPTION	QTY.
1	620413		HEAVY DUTY LEAF SPRING.....	2
2	605445		LEAF SPRING BUSHING, FRONT .....	2
3	00665G9		HEX HEAD BOLT, SS 3/8 - 16 X 3.5 LG.....	6
4	00643G1		FLAT WASHER, .411 I.D. X 1.00 O.D. X .06 .....	10
5	12262G1		FLANGED LOCK NUT, 3/8 - 16 .....	2
6				
7				
8				
9				
10	70289G02		SPLIT STEEL SPACER .....	4
11	70291G01		FLANGED URETHANE BUSHING .....	8
12	70290G02		SHACKLE PLATE .....	4
13	00665G9		HEX HEAD BOLT, SS 3/8 - 16 X 3.5 LG.....	4
14	11098G5		LOCK NUT, 3/8 - 16 .....	4
15				
16				
17				
18	605952		AXLE BRACKET, DRIVER SIDE .....	1
19	605959		AXLE BRACKET, PASSTENGER SIDE.....	1
20	70492G01		RUBBER BUMPER.....	2
21	32195G3		U-BOLT .....	4
22	605956		REAR SUSPENSION PLATE .....	2
23	00643G1		FLAT WASHER, .411 I.D. X 1.00 O.D. X .06 .....	8
24	11098G5		LOCK NUT, 3/8 - 16 .....	8
25				
26				
27	611221		SHOCK ABSORBER .....	2
28	10435G1		SHOCK ABSORBER WASHER.....	8
29	10194G1		RUBBER SHOCK BUSHING .....	8
30	00532G6		HEX NUT, 3/8 - 24.....	4
31	10044G01		VINYL CAP .....	4

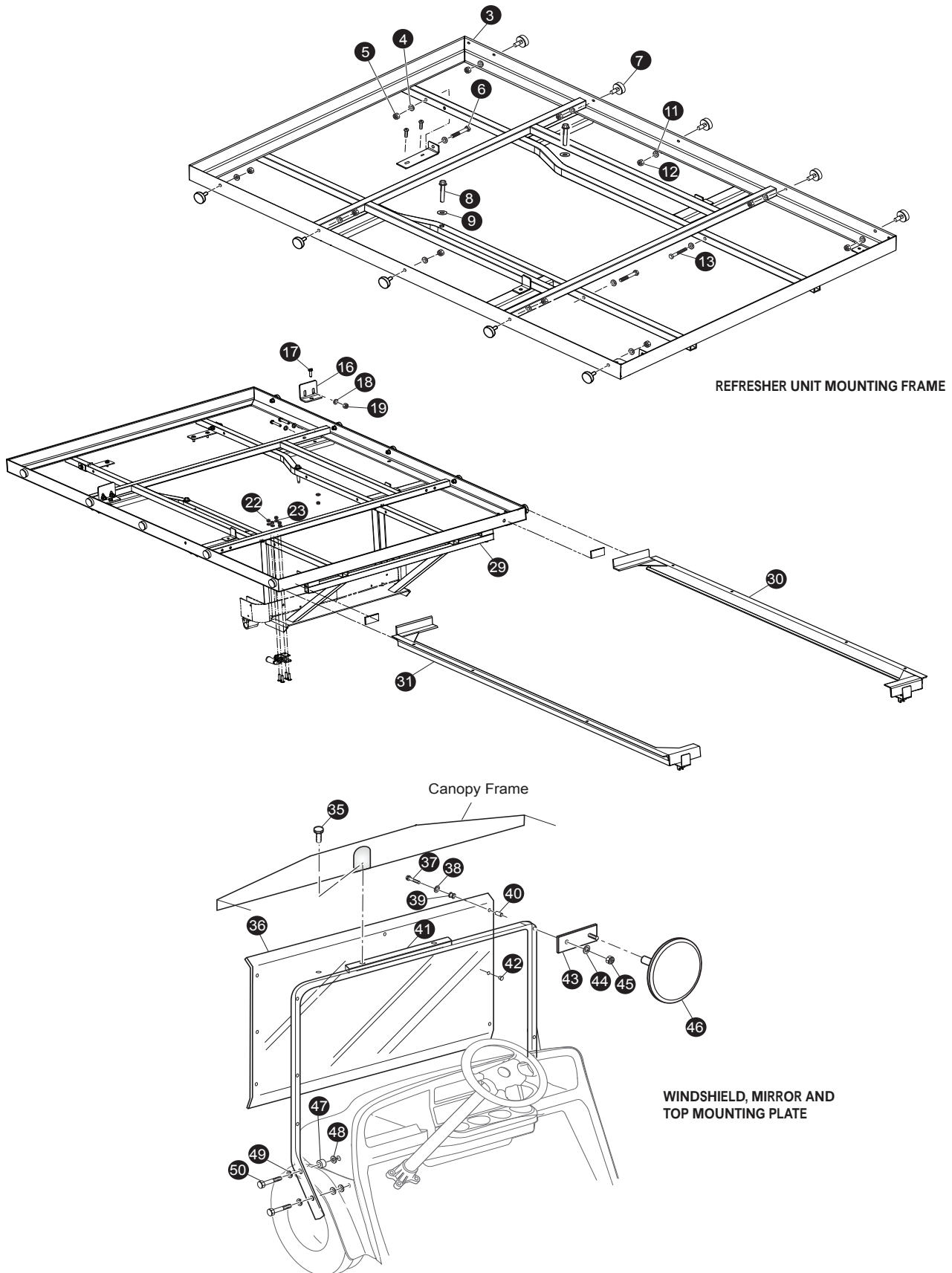
# REAR SUSPENSION

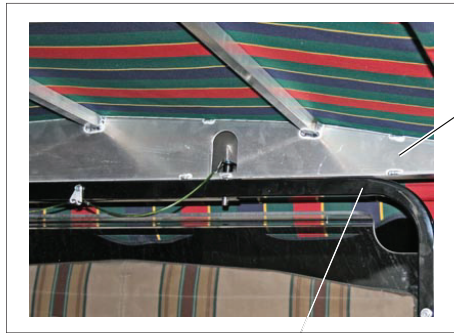
Notes:

A large rectangular grid of graph paper, consisting of approximately 35 columns and 30 rows of small squares, intended for taking notes.

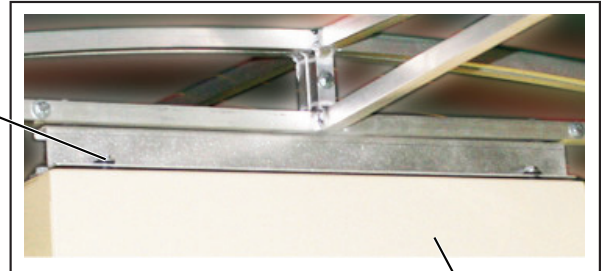


# REFRESHER UNIT



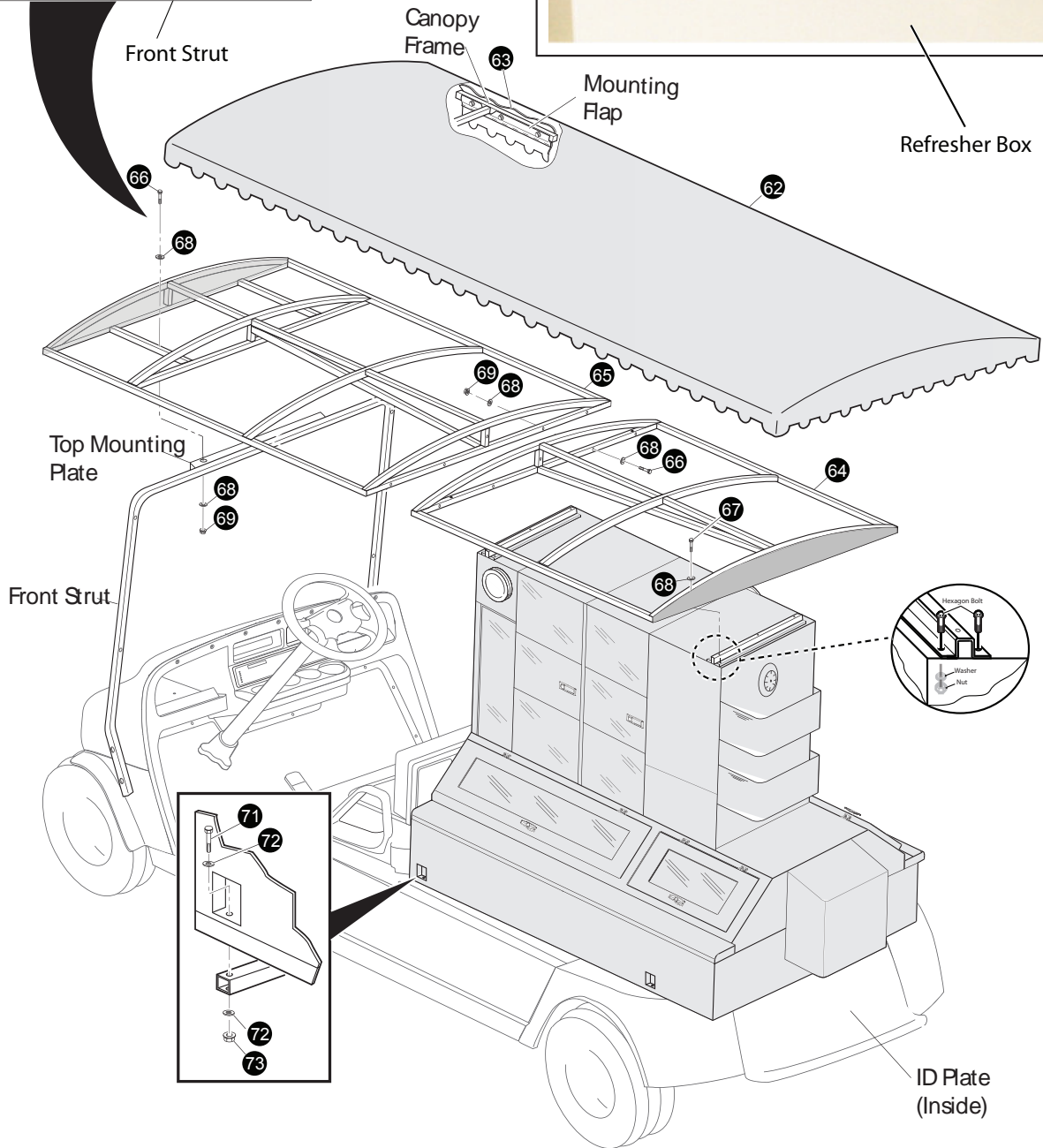


Top Mounting Plate



Bolt

Refresher Box



Front Strut

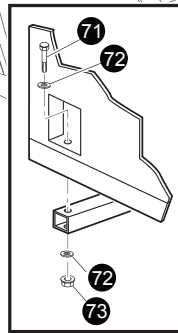
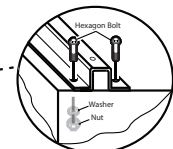
Canopy Frame

Mounting Flap

Top Mounting Plate

Front Strut

ID Plate (Inside)



# REFRESHER UNIT

When ordering parts, please specify the model and serial number of the product.

\* Indicates a component that is not available as an individual part.

\*\*\* Indicates consult Customer Service Department for additional information.

ITEM	PART NO.	1 2 3 4 5	DESCRIPTION	QTY.
1	74434G01		REFRESHER FRAME ASSEMBLY (INCLUDES ITEMS 3 - 31).....	1
2				
3	611694		REFRESHER UNIT MOUNTING FRAME.....	1
4	00559G8		WASHER 5/16 .....	34
5	11098G6		NUT 5/16 - 18.....	24
6	00439G8		SCREW 5/16 - 18.....	8
7	609275		ROLER .....	10
8	01075G01		SCREW, 3/8-16.....	2
9	00571G3		WASHER 3/8 .....	2
10				
11	00559G8		WASHER, 5/16 .....	34
12	11098G6		NUT, 5/16 - 18 .....	24
13	00891G2		SCREW, 5/16 - 18.....	8
14				
15				
16	609288		STOP ANGLE.....	2
17	00438G8		SCREW, 5/16-18 .....	2
18	00559G8		WASHER 5/16 .....	34
19	11098G6		PLASTIC NUT - 5/16 .....	24
20				
21				
22	00654G2		PLASTIC NUT - 1/4 - 20 .....	12
23	00559G7		WASHER, 1/4 .....	12
24				
25				
26				
27				
28				
29	609292		REAR SUPPORT .....	1
30	611507		REFRESHER FRAME LH .....	1
31	611509		REFRESHER FRAME RH.....	1

# REFRESHER UNIT

When ordering parts, please specify the model and serial number of the product.

\* Indicates a component that is not available as an individual part.

\*\*\* Indicates consult Customer Service Department for additional information.

ITEM	PART NO.	1 2 3 4 5	DESCRIPTION	QTY.
32				
33				
34				
35	16705G6		BOLT, 1/4 - 20 X 1 1/2" LG .....	2
36	75021G03		WINDSHIELD.....	1
37	16705G6		BOLT, 1/4 - 20 X 1 3/4" LG .....	4
38	00660G7		WASHER, 1/4".....	8
39	72147G01		RUBBER GROMMET .....	4
40	23726G7		SPACER.....	4
41	75045G06		FRONT STRUT.....	1
42	75124G01		BUMPER .....	2
43	74203G02		MIRROR MOUNTING BRACKET .....	2
44	75124G01		BUMPER .....	2
45	00891G2		LOCK NUT, 1/4 - 20.....	4
46	74202G01		MIRROR, 6".....	2
47	75048G01		SPACER .....	2
48	00879G1		WASHER, 3/8" X 1" .....	6
49	00905G8		LOCK WASHER, 5/16" (BLACK).....	4
50	01035G02		BOLT, 5/16 - 18 X 2 1/2" LG .....	4
51				
52				
53			<b>ITEMS 53 - 60 NOT SHOWN</b>	
54	611801		SIGN BOARD.....	2
55	611800		CONDIMENT TRAY .....	1
56	611799		BOTTLE CADDY .....	1
57	611798		CASH DRAWER .....	1
58	611797		MINI BOTTLE CARRIER .....	1
59	611796		HUMIDOR.....	1
60	611802		DRY GOODS STORAGE.....	1
61	611795		FOOD WARMER .....	1
62			<b>THE FOLLOWING SERVICE PARTS AND ACCESORIES ARE AVAILABLE</b>	

# REFRESHER UNIT

When ordering parts, please specify the model and serial number of the product.

\* Indicates a component that is not available as an individual part.

\*\*\* Indicates consult Customer Service Department for additional information.

ITEM	PART NO.	1 2 3 4 5	DESCRIPTION	QTY.
			<b>FROM 19TH HOLE MARKETING, INC, 400 E. COMSTOCK DRIVE, CHANDLER, AZ 85225, PHONE: (480) 497 - 8280</b>	
63	611809		CANOPY .....	1
64	H1092		SELF TAPPING SCREW, 10MM X 1/2" LG .....	40
65	EZRAM10060		CANOPY FRAME (REAR) .....	1
66	EZRAM10061		CANOPY FRAME (FRONT).....	1
67	H1075		BOLT, 1/4 - 20 X 2" .....	7
68	H1077		BOLT, 1/4 - 20 X 1 1/4" LG .....	2
69	H1079		WASHER, 1/4".....	18
70	H1078		LOCK NUT, 1/4 - 20.....	9
71				
72	H1083		BOLT, 5/16 - 18 X 1 1/4" LG .....	4
73	H1019		WASHER, 5/16".....	8
74	H1017		LOCK NUT, 5/16 - 18.....	4
75			<b>ITEMS 75 - 106 NOT SHOWN</b>	
76	EZRAM10033		COLD STORAGE DOOR, FRONT .....	1
77	EZRAM10037		COLD STORAGE DOOR, REAR .....	1
78	EZRAM10041		CONSUMABLE ICE DOOR.....	1
79	EZRAM10022		CANOPY UPRIGHT .....	1
80	EZRAM10069		HOSE MOUNTING BRACKET .....	1
81	H4007		COMPRESSION HINGE .....	1
82	EZRAM10075		TRASH DOOR HINGE .....	1
83	B6001		TRASH BIN .....	1
84	H4008		TRASH DOOR LATCH .....	1
85	EZRAM10045		TRASH DOOR COMPARTMENT.....	1
86	M6003		DOOR SEAL GASKET .....	1
87	H2006		LOCK (COLD STORAGE DOOR).....	1
88				
89	EZRAM10069		HOSE MOUNTING BRACKET .....	2
90	H5012		SPIGOT VALVE .....	2
91	H5000		DRAIN HOSE, 36" LG .....	1
92	H5007		HOSE ADAPTER, 3/4" X 1/2".....	2



# REFRESHER UNIT

When ordering parts, please specify the model and serial number of the product.

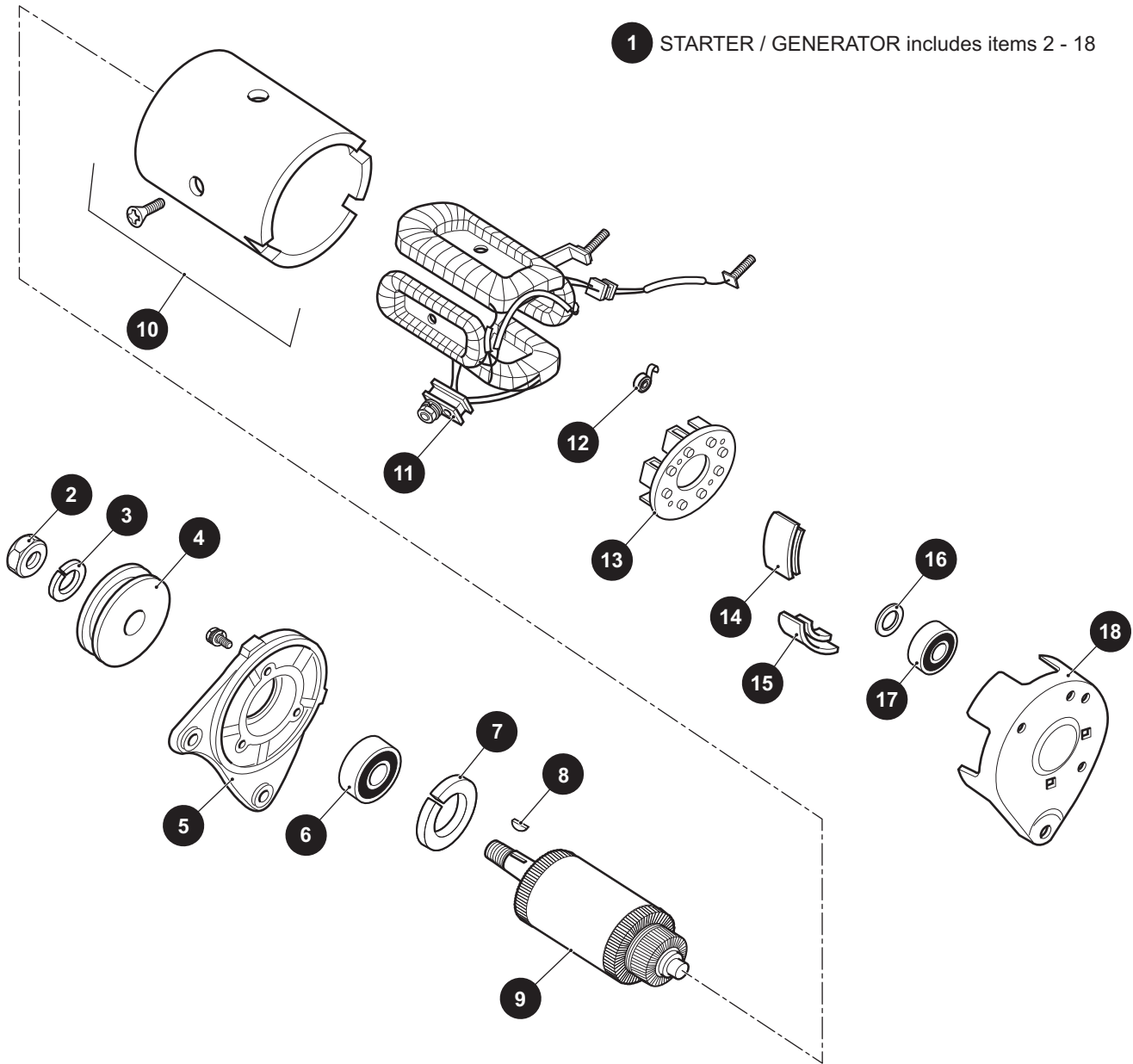
\* Indicates a component that is not available as an individual part.

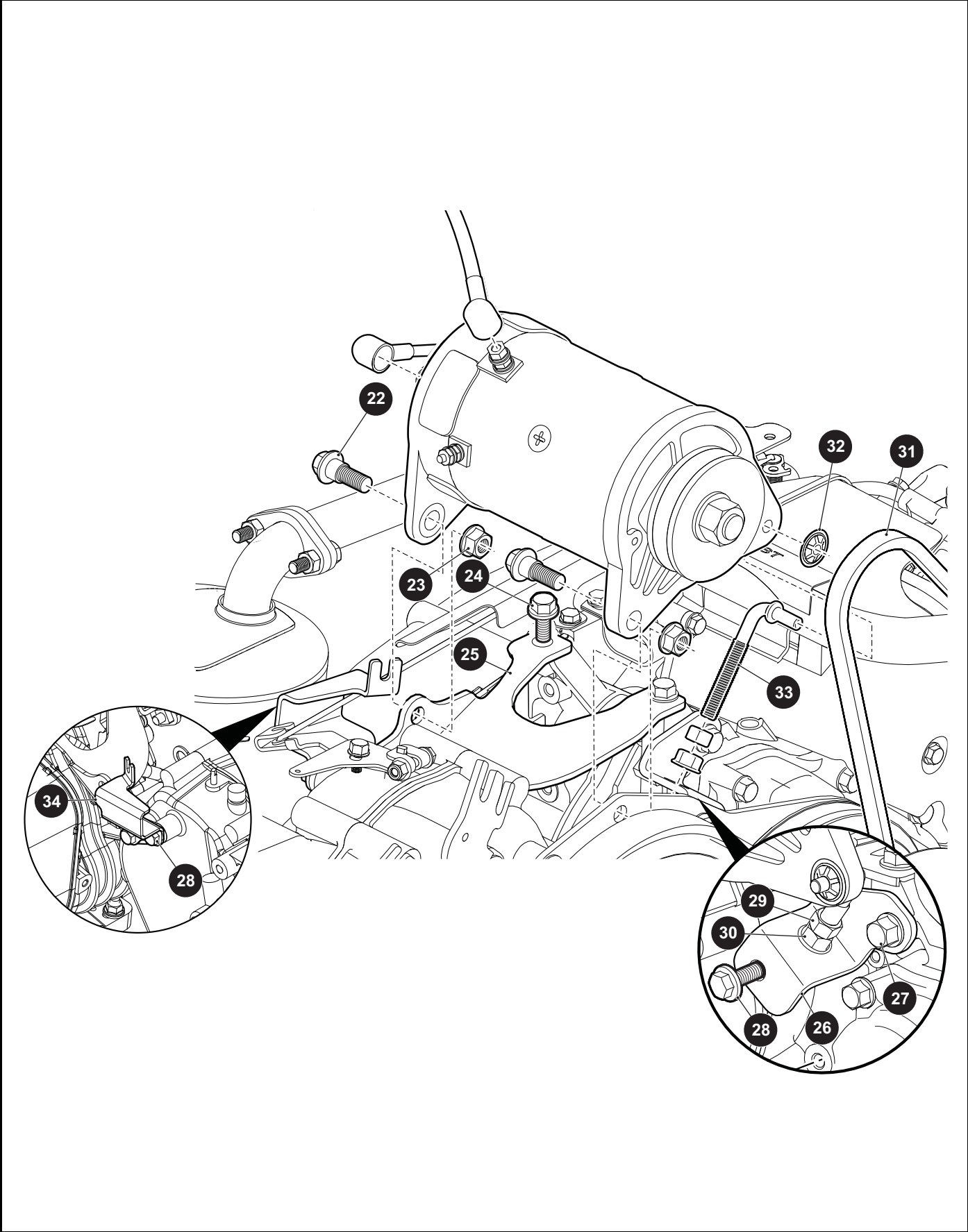
\*\*\* Indicates consult Customer Service Department for additional information.

ITEM	PART NO.	1 2 3 4 5	DESCRIPTION	QTY.
93	H5006		COMBINATION ELBOW .....	3
94	H5005		COMBINATION TEE .....	1
95	H1070		HOSE CLAMP .....	1
96				
97	B10000		TOUCH UP PAINT REPAIR KIT .....	1
98	EZRAM100010		DOOR ACCESSORY MODULE (LEFT) .....	1
99	EZRAM100012		DOOR ACCESSORY MODULE (RIGHT) .....	1
100	H4009		LOCKING LATCH .....	1
101	611806		CUP DISPENSER .....	1
102	B9002		CUP DISPENSOR COVER RING .....	1
103	B9003		CUP DISPENSOR COVER SPRING .....	1
104	611804		AIRPOT 3.00 LITER (STAINLESS STEEL) .....	1
105	611805		AIRPOT RACK ASSEMBLY .....	1
106	H600		DOOR HINGE (STAINLESS STEEL) .....	1
107	M1002		CUSHIONING ADHESIVE TAPE .....	1
108	611803		SUNDRIES CABINET .....	1
109	611802		DRY GOODS STORAGE .....	1
110	611795		FOOD WARMER .....	1
111	611796		HUMIDOR .....	1
112				

# STARTER / GENERATOR

1 STARTER / GENERATOR includes items 2 - 18





# STARTER / GENERATOR

When ordering parts, please specify the model and serial number of the product.

\* Indicates a component that is not available as an individual part.

\*\*\* Indicates consult Customer Service Department for additional information.

ITEM	PART NO.	1 2 3 4 5	DESCRIPTION	QTY.
1	617120		STARTER / GENERATOR (INCLUDES 2 - 18).....	1
2	612029		NUT.....	1
3	612030		LOCKWASHER.....	1
4	617172		PULLEY .....	1
5	612032		FRONT COVER.....	1
6	612033		BEARING .....	1
7	612034		RETAINING RING.....	1
8	612035		KEY .....	1
9	612036		ARMATURE ASSEMBLY .....	1
10	612037		FRAME & FIELD ASSEMBLY .....	1
11	612038		BRUSH LEAD & TERMINAL PKG.....	1
12	612039		BRUSH SPRING.....	1
13	612040		BRUSH BOX ASSEMBLY.....	1
14	612041		BRUSH 1 COVER.....	2
15	612042		BRUSH 2 COVER.....	2
16	612043		WAVY WASHER .....	1
17	612044		BEARING.....	1
18	612045		REAR COVER .....	1
19				
20				
21				
22	606235		BOLT, HXFL SHLDR - M10 - 1.25 X 20.....	2
23	606279		NUT, M10 - 1.25 .....	2
24	606261		BOLT, M8 - 1.25 X 20 .....	3
25	602141		STARTER / GENERATOR BRACKET.....	1
26	602145		TENSIONER BRACKET.....	1
27	606261		BOLT, M8 - 1.25 X 20 .....	1
28	606256		BOLT, M10 - 1.25 X 25 .....	9
29	606255		NUT, M10 - 1.25 .....	1
30	606274		NUT, M10 - 1.25 .....	1
31	16548G1		STARTER / GENERATOR BELT .....	1

# STARTER / GENERATOR

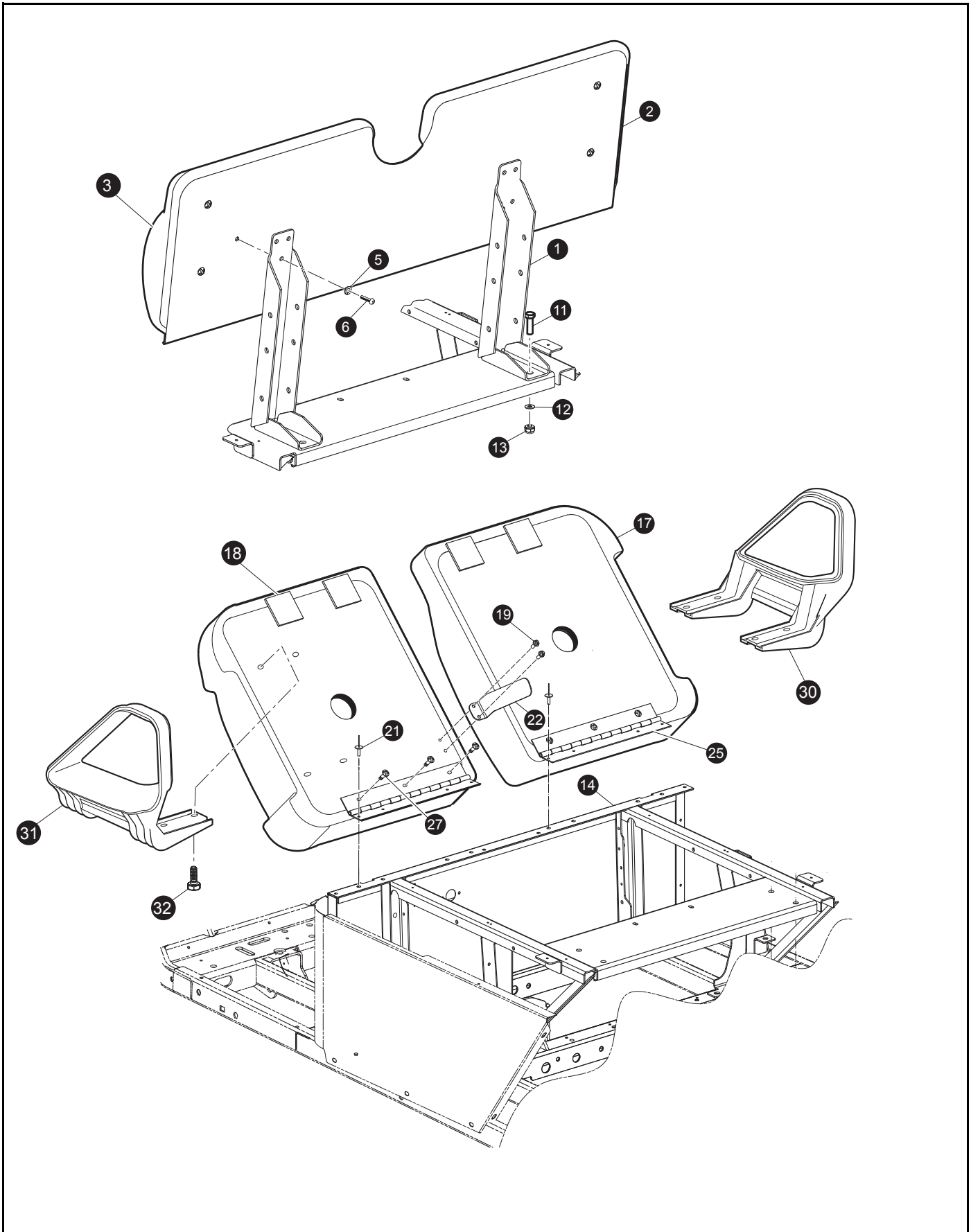
When ordering parts, please specify the model and serial number of the product.

\* Indicates a component that is not available as an individual part.

\*\*\* Indicates consult Customer Service Department for additional information.

ITEM	PART NO.	1 2 3 4 5	DESCRIPTION	QTY.
32	12064G6		PUSH NUT, 5/16" .....	1
33	625705		TENSIONER BOLT .....	1
34	603884		CABLE GUIDE BRACKET .....	1

# SEATING



When ordering parts, please specify the model and serial number of the product.

\* Indicates a component that is not available as an individual part.

\*\*\* Indicates consult Customer Service Department for additional information.

ITEM	PART NO.	1 2 3 4 5	DESCRIPTION	QTY.
1	609588		SEAT BACK SUPPORT .....	1
2	75841G01		SEAT BACK PLATE .....	1
3	75840GXX		CUSHION SEAT BACK.....	1
4				
5	00664G07		SPRING LOCK WASHER.....	8
6	16705G3		SCREW 1/4 - 20 X 1".....	8
7				
8				
9				
10				
11	00428G02		SCREW HEXAGON HEAD, 3/8 - 16 .....	4
12	00560G1		FLAT WASHER, 3/8".....	4
13	11098G5		LOCK NUT, 3/8 - 16 .....	4
14				
15				
16				
17	75881GXX		SEAT BOTTOM RH .....	1
18	75880GXX		SEAT BOTTOM LH .....	1
19	00114G6		SCREW, 1/4 - 10 X 3/4" .....	2
20				
21	10570G11		RIVET, 3/16" .....	8
22	75848G01		SEAT BRACKET .....	1
23				
24				
25	75847G01		SEAT HINGE.....	2
26				
27	16705G01		SCREW, 1/4 - 20 X 1.00 .....	6
28				
29				
30	71701G01		HIP RESTRAINT (PASSENGER SIDE) .....	1
31	71702G01		HIP RESTRAINT (DRIVER SIDE).....	1

# SEATING

When ordering parts, please specify the model and serial number of the product.

\* Indicates a component that is not available as an individual part.

\*\*\* Indicates consult Customer Service Department for additional information.

ITEM	PART NO.	1 2 3 4 5 DESCRIPTION	QTY.
32	71204G01	BOLT, 1/4 - 20 X 7/8" LG. ....	8

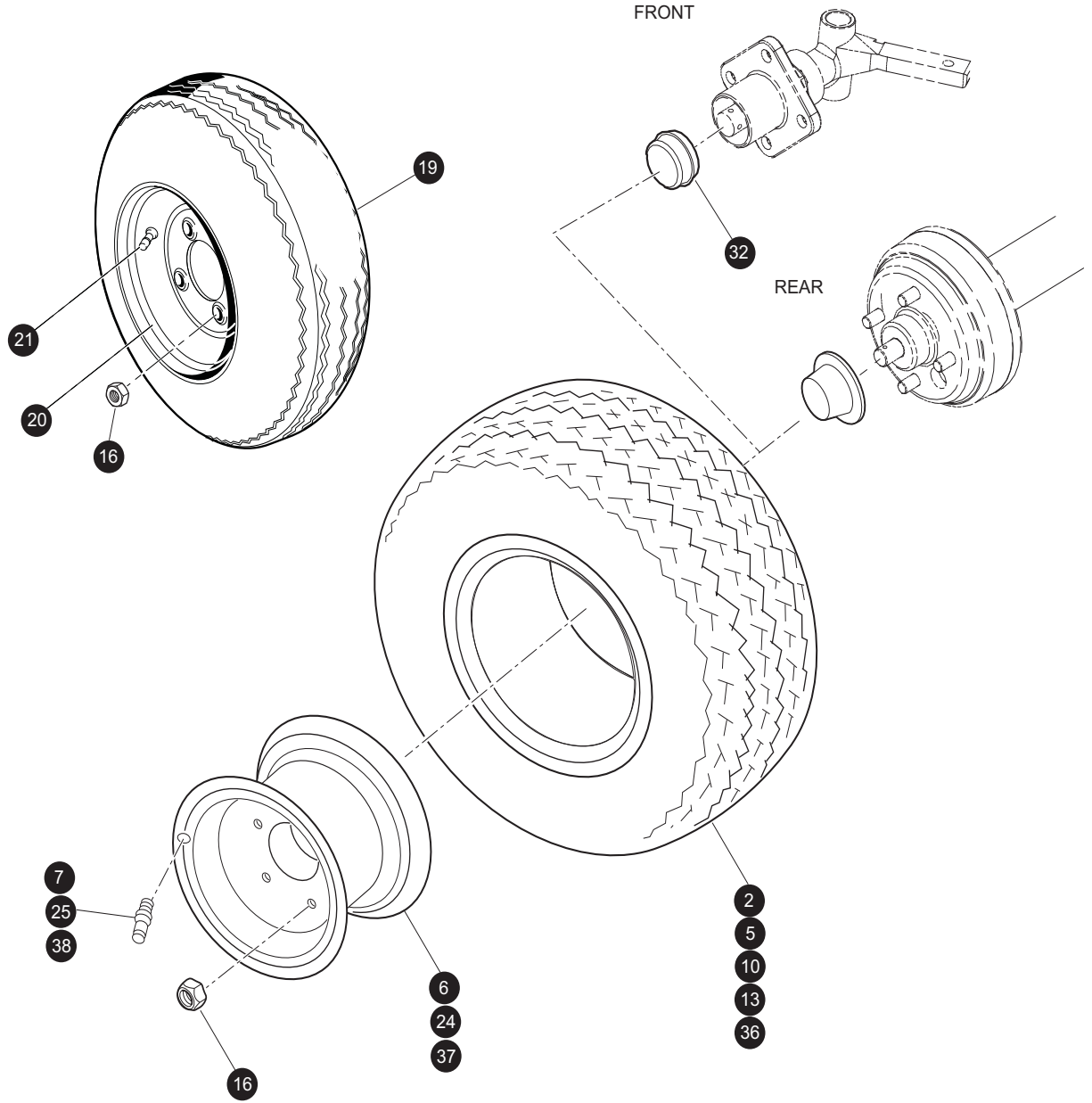




# WHEELS AND TIRES

- 1 - Includes Items 2, 24, 25
- 4 - Includes Items 5, 7
- 9 - Includes Items 10, 24, 25
- 12 - Includes Items 13, 24, 25
- 18 - Includes Items 19, 20, 21
- 35 - Includes items 36, 37, 38

Tire design may vary by Part Number





GOLD / SILVER / CHROME SPOKE HUBCAP  
23, 24, 25

# WHEELS AND TIRES

When ordering parts, please specify the model and serial number of the product.

\* Indicates a component that is not available as an individual part.

G\*\* Indicates consult Customer Service Department for additional information.

ITEM	PART NO.	1 2 3 4 5	DESCRIPTION	QTY.
1	28757G01		TIRE AND WHEEL ASSEMBLY (LINKS 18 X 8.5 - 8) (INCLUDES ITEMS 2, 24, 25).....	1
2	28764G01		TIRE (LINKS 18 X 8.5 - 8) .....	1
3				
4	28442G01		TIRE AND WHEEL ASSEMBLY (TURF SAVER 20 X 10 - 10) <b>MPT &amp; JACOBSEN ONLY STANDARD REAR TIRE</b> (INCLUDES ITEMS 5 - 7).....	1
5	28442G02		CARLISLE TIRE (TURF SAVER 20 X 10 - 10).....	1
6	15172G01		WHEEL RIM.....	1
7	11657G1		VALVE STEM.....	1
8				
9	28757G03		WHEEL & TIRE ASSEMBLY (TURF SAVER 18 X 8.5 - 8) (INCLUDES ITEMS 10, 24, 25).....	1
10	28764G03		TIRE (TURF-SAVER 18 X 8.5 - 8).....	1
11				
12	28842G01		WHEEL AND TIRE ASSEMBLY) ( USA TRAIL 18 X 8.5 - 8 ) (INCLUDES ITEMS 13 , 24, 25 ).....	1
13	28764G06		CARLISLE TIRE ( 18.5 X 8.5 - 8 LOAD RANGE C ) .....	1
14				
15				
16	14723G1		LUG NUT.....	A/R
17				
18	27784G06		WHEEL AND TIRE ASSEMBLY, USA TRAIL (INCLUDES ITEMS 19 - 21) <b>INDUSTRIAL VEHICLE TIRE ONLY</b> .....	1
19	27784G07		CARLISLE TIRE (USA TRAIL 5.70 X 8).....	1
20	*		WHEEL RIM (4 LUG).....	1
21	*		VALVE STEM.....	1
22				
23				
24	28759G01		WHEEL RIM (4 LUG).....	1
25	11657G2		VALVE STEM.....	1
26				

# WHEELS AND TIRES

When ordering parts, please specify the model and serial number of the product.  
 \* Indicates a component that is not available as an individual part.  
 G\*\* Indicates consult Customer Service Department for additional information.

ITEM	PART NO.	1 2 3 4 5	DESCRIPTION	QTY.
27				
28	19241G2		GOLD SPOKE HUBCAP (OPTIONAL) .....	A/R
29	19241G1		SILVER SPOKE HUBCAP (OPTIONAL) .....	A/R
30	16042G1		CHROME SPOKE HUBCAP (OPTIONAL) .....	A/R
31				
32	12091G2		SPINDLE CAP .....	2
33				
34				
35	25373G01		WHEEL AND TIRE ASSEMBLY (TURF SAVER) (INCLUDES ITEM 36, 37, 38) <b>REFRESHER VEHICLE ONLY</b> .....	1
36	21526G2		CARLISLE TIRE (TURF SAVER 18 X 9.5 - 8) .....	1
37	25759G01		WHEEL RIM (4 LUG) .....	1
38	11657G2		VALVE STEM .....	1



# SPECIALTY PRODUCTS

## SPECIALTY PRODUCTS

<b>SPECIAL TOOLS</b>	<b>PART NO.</b>
HIGH RESISTANCE SPARK PLUG WIRE SET .....	26733-G02
CLUTCH PULLER (DRIVE) .....	19779-G2
FLYWHEEL PULLER .....	27111-G01
CURRENT INDICATOR .....	16489-G2
DIGITAL MULTI-METER .....	27481-G01
SLIDE HAMMER (AXLE/HUB REMOVAL) .....	15947-G1
SLIDE HAMMER (AXLE REMOVAL ONLY) .....	18753-G1
COMPRESSION TESTER .....	72524-G01
FEELER GAUGE .....	72525-G01
TACHOMETER .....	72526-G01

<b>ENGINE OIL</b>	<b>PART NO.</b>
4 CYCLE ENGINE OIL, 5 GALLON (19 LITER) .....	25730-G03
4 CYCLE ENGINE OIL, 12 QUART CASE .....	25730-G04
4 CYCLE ENGINE OIL, 1 QUART BOTTLE (950 ML) .....	25730-G06

<b>TOUCH UP PAINT</b>	<b>PART NO.</b>
PEN 3 OUNCE (89 ML) - HUNTER GREEN .....	28432-G02
PEN 3 OUNCE (89 ML) - CHAMPAGNE BEIGE .....	28432-G01
PEN 3 OUNCE (89 ML) - WHITE .....	28432-G05
PEN 3 OUNCE (89 ML) - INDUSTRIAL YELLOW .....	28432-G03
PEN 3 OUNCE (89 ML) - ORANGE .....	28432-G04
PEN 3 OUNCE (89 ML) - STEEL BLUE PEARL .....	28432-G24
PEN 3 OUNCE (89 ML) - OLIVE GREEN .....	28432-G**
PEN 3 OUNCE (89 ML) - CAMOUFLAGE PAINT (THREE PENS) .....	75831-G01
AEROSOL 12 OUNCE (360 ML) - HUNTER GREEN .....	28140-G09
AEROSOL 12 OUNCE (360 ML) - CHAMPAGNE BEIGE .....	28140-G15
AEROSOL 12 OUNCE (360 ML) - WHITE .....	28140-G03
AEROSOL 12 OUNCE (360 ML) - INDUSTRIAL YELLOW .....	28140-G14
AEROSOL 12 OUNCE (360 ML) - ORANGE .....	28140-G13
AEROSOL 12 OUNCE (360 ML) - STEEL BLUE PEARL .....	28140-G**
AEROSOL 12 OUNCE (360 ML) - OLIVE GREEN .....	28140-G**



# SPECIALTY PRODUCTS

<b>MAINTENANCE PRODUCTS</b>	<b>PART NO.</b>
FORMULA 40 VINYL-COAT® - WHITE .....	28166-G01
PLEXUS® CLEANER, 7 OUNCE (210 ML) (FOR WINDSHIELDS) .....	28433-G01
PLEXUS® CLEANER, 13 OUNCE (380 ML) (FOR WINDSHIELDS) .....	28433-G02
BATTERY PROTECTOR, 14 OUNCE (410 ML) SPRAY .....	75500-G01
CARBURETOR & CHOKE CLEANER, 15 OUNCE (440 ML) SPRAY .....	75501-G01
WHITE LITHIUM GREASE, 14 OUNCE (410 ML) SPRAY .....	75502-G01
PENETRANT/LUBRICANT, 15 OUNCE (440 ML) SPRAY .....	75503-G01
MULTI-PURPOSE CLEANER & DEGREASER, 14 OUNCE (410 ML) SPRAY .....	75504-G01
MULTI-PURPOSE HAND CLEANER, 32 OUNCE (950 ML) LIQUID .....	75505-G01
BATTERY CLEANER, 32 OUNCE (950 ML) WITH TRIGGER SPRAYER .....	75506-G01
BIO-DEGRADABLE CLEANER, 32 OUNCE (950 ML) WITH TRIGGER SPRAYER.....	75507-G01
MULTI-PURPOSE VALUE PACK.....	75508-G01
• BATTERY PROTECTOR, 4 OUNCE (120 ML) SPRAY	
• PENETRANT/LUBRICANT, 4 OUNCE (120 ML) SPRAY	
• WHITE LITHIUM GREASE, 4 OUNCE (120 ML) SPRAY	
• CARBURETOR & CHOKE CLEANER, 4 OUNCE (120 ML) SPRAY	







A Textron Company

E-Z-GO Division Of Textron, Inc.,  
1451 Marvin Griffin Road, Augusta, Georgia USA 30906-3852

**TO CONTACT US**

North America:

Technical Assistance & Warranty Phone: 1-800-774-3946, FAX: 1-800-448-8124  
Service Parts Phone: 1-888-GET-EZGO (1-888-438-3946), FAX: 1-800-752-6175

International:

Phone: 001-706-798-4311, FAX: 001-706-771-4609

Certified ISO 9001 / ISO 14001 by



Copyrighted Material  
This manual may not be reproduced in whole or  
in part without the express permission of  
E-Z-GO Division of Textron, Inc.  
Technical Communications Department