



TEXTRON[®]

OFF ROAD

SERVICE PARTS MANUAL



640774-V

ISSUED DECEMBER 2014

REVISED SEP 2017



SERVICE PARTS MANUAL

72V ELECTRIC POWERED VEHICLES

RECOIL iS CREW

STARTING MODEL YEAR 2015

CALIFORNIA Proposition 65 Warning

WARNING: Motor vehicles may contain fuels, oils and fluids, battery posts, terminals, and related accessories which contain lead and lead compounds and other chemicals identified by the State of California to potentially cause cancer, birth defects, and other reproductive harm. These chemicals are found in vehicles, vehicle parts and accessories, both new and replacements. During maintenance, these vehicles generate used oil, waste fluids, grease, fumes, and particulates, all identified by the State of California to potentially cause cancer, birth defects, and other reproductive harm.

Never modify the vehicle in any way that will alter the weight distribution of the vehicle, decrease its stability or increase the speed beyond the factory specifications. Such modifications can cause serious personal injury or death. Textron Specialized Vehicles prohibits and dis-claims responsibility for any such modifications or any other alteration which would adversely affect the safety of the vehicle. TSV reserves the right to incorporate engineering and design changes to products in this manual, without obligation to include these changes on units sold previously.

The information contained in this manual may be revised periodically by TSV, and therefore is subject to change without notice.

TSV DISCLAIMS LIABILITY FOR ERRORS IN THIS MANUAL, and SPECIFICALLY DISCLAIMS LIABILITY FOR INCIDENTAL AND CONSEQUENTIAL DAMAGES resulting from the use of the information and materials in this manual.

These are the original instructions as defined by 2006/42/EC.

TO CONTACT US:

Textron Specialized Vehicles, Inc.
1451 Marvin Griffin Road
Augusta, Georgia, USA 30906-3852

NORTH AMERICA:

Technical Assistance & Warranty PHONE: 1-800-774-3946, FAX: 1-800-448-8124

Service Parts PHONE: 1-888-438-3946, FAX: 1-800-752-6175

International: PHONE: 001-706-798-4311, FAX: 001-706-771-4609

For parts and repair, contact local dealer. Dealers can be located at www.TEXTRONOFFROAD.com

NOTES

This vehicle has been designed and manufactured in the United States of America (USA). The Standards and Specifications listed in the following text originate in the USA unless otherwise indicated.

The use of non Original Equipment Manufacturer (OEM) approved parts may void the warranty.

BATTERY PROLONGED STORAGE

Batteries self-discharge over time. The rate of self-discharge varies depending on the ambient temperature, the age and condition of the batteries.

Fully charged batteries will not freeze in winter temperatures unless the temperature falls below -75°F (-60°C).

For winter storage, the batteries must be clean, fully charged and disconnected from any source of electrical drain.

The battery charger may be left connected to the vehicle to maintain a full charge on the batteries, provided the charger is plugged into an active electrical source. If power to the electrical source is disconnected or interrupted, the battery charger will continue to check the charge on the battery pack. This will draw power from the battery pack and eventually drain the batteries if power is not restored in a timely manner.

As with all electric vehicles, the batteries must be checked and recharged as required or at a minimum of 30 day intervals.

Check and maintain the proper fluid level in all battery cells during the storage period. Proper fluid level is required for maximum battery performance.

BATTERY DISPOSAL

Lead-acid batteries are recyclable. Return whole scrap batteries to distributor, manufacturer or lead smelter for recycling. For neutralized spills, place residue in acid-resistant containers with absorbent material, sand or earth and dispose of in accordance with local, state and federal regulations for acid and lead compounds. Contact local and/or state environmental officials regarding disposal information.

WARRANTY

Separate inserts supplied in packaging with the vehicle provide information on Product Warranty and Emissions Warranty. Failure to follow instructions for emission parts replacement may violate Federal Law (40 CFR part 1068.105 (b)) and be subject to fines and other penalties as described in the Clean Air Act.

TABLE OF CONTENTS

SECTION	Page No.
HOW TO USE THE SERVICE PARTS MANUAL	v
ACCELERATOR	A - 1
BATTERY SYSTEM.....	B - 1
BODY	C - 1
BRAKES	D - 1
DIFFERENTIAL LOCK.....	E - 1
ELECTRICAL SYSTEM	F - 1
FRONT AXLE & REAR AXLE	G - 1
FRONT SUSPENSION AND STEERING	H - 1
MOTOR.....	J - 1
OPERATOR PROTECTION SYSTEM (OPS).....	K - 1
REAR SUSPENSION	L - 1
SEATING	M - 1
TRUCK BED	N - 1
WEATHER PROTECTION	P - 1
WHEELS AND TIRES.....	Q - 1

HOW TO USE THE SERVICE PARTS MANUAL

This manual is divided into several sections:

- GENERAL INFORMATION
- ILLUSTRATED PARTS BREAKDOWN
- APPENDIX

The first section, GENERAL INFORMATION, contains the following information:

- WARRANTY INFORMATION
- GENERAL INDEX
- HOW TO USE THE SERVICE PARTS MANUAL

The second section, ILLUSTRATED PARTS BREAKDOWN, contains illustrations and parts lists for all systems of your vehicle.

The third section, APPENDIX, contains a listing of specialty products and accessories.

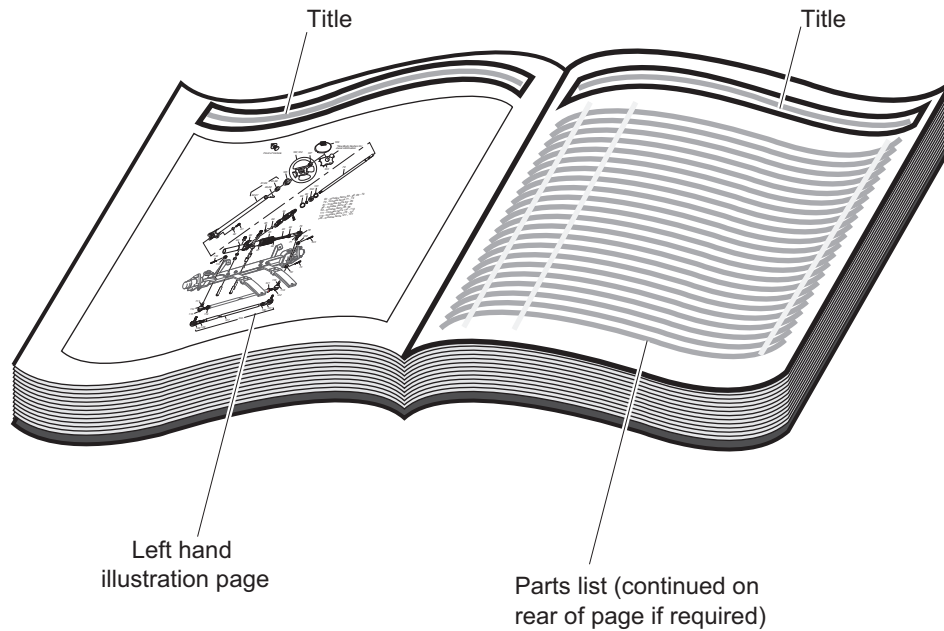
USE OF THE MANUAL

To use this manual, consult the GENERAL INDEX to locate the information or illustration required.

Introduction of some revisions varies due to supply of components; therefore, it is possible that various combinations of components may be found that are not directly reflected by each illustration. Consult the illustration that best suits your situation and then contact the Service Parts Department. It is important that the serial number of your vehicle and its model number be supplied to Service Parts when ordering any replacement components.

Locate the serial number plate (see BODY located in the Illustrated Parts Breakdown section of this manual for its location) and note the complete number shown on the plate.

HOW TO USE THE SERVICE PARTS MANUAL



1. WHEN THE PART NUMBER IS NOT KNOWN

- Determine the function and application of the part required. Turn to the General Index and select the most appropriate title.
- Turn to the page number indicated and locate the desired part on the illustration.
- From the illustration, obtain the item number assigned to the desired part. Refer to the accompanying description for specific information regarding the part.

2. IF YOU KNOW THE PART NUMBER

- Locate the part number or description in the appropriate column on the parts list page.

NOTE: It is suggested that you confirm that the part selected is correct by verifying it with the pictorial representation on the illustrated page.

Should an asterisk (*) appear in the part number column on the parts list page, read upwards until a part number is found. The part number is the lowest assembly sold by Service Parts and the asterisk (*) indicates that the part depicted is not available for purchase.

NOTE: Descriptions are indented under the assembly that they are used on. That assembly is, in turn listed under the assembly that it is used on. This process is repeated until the highest final assembly is reached.

To facilitate the maintenance and repair of the vehicle, a Technician's Repair and Service Manual is available from the Service Parts Department.

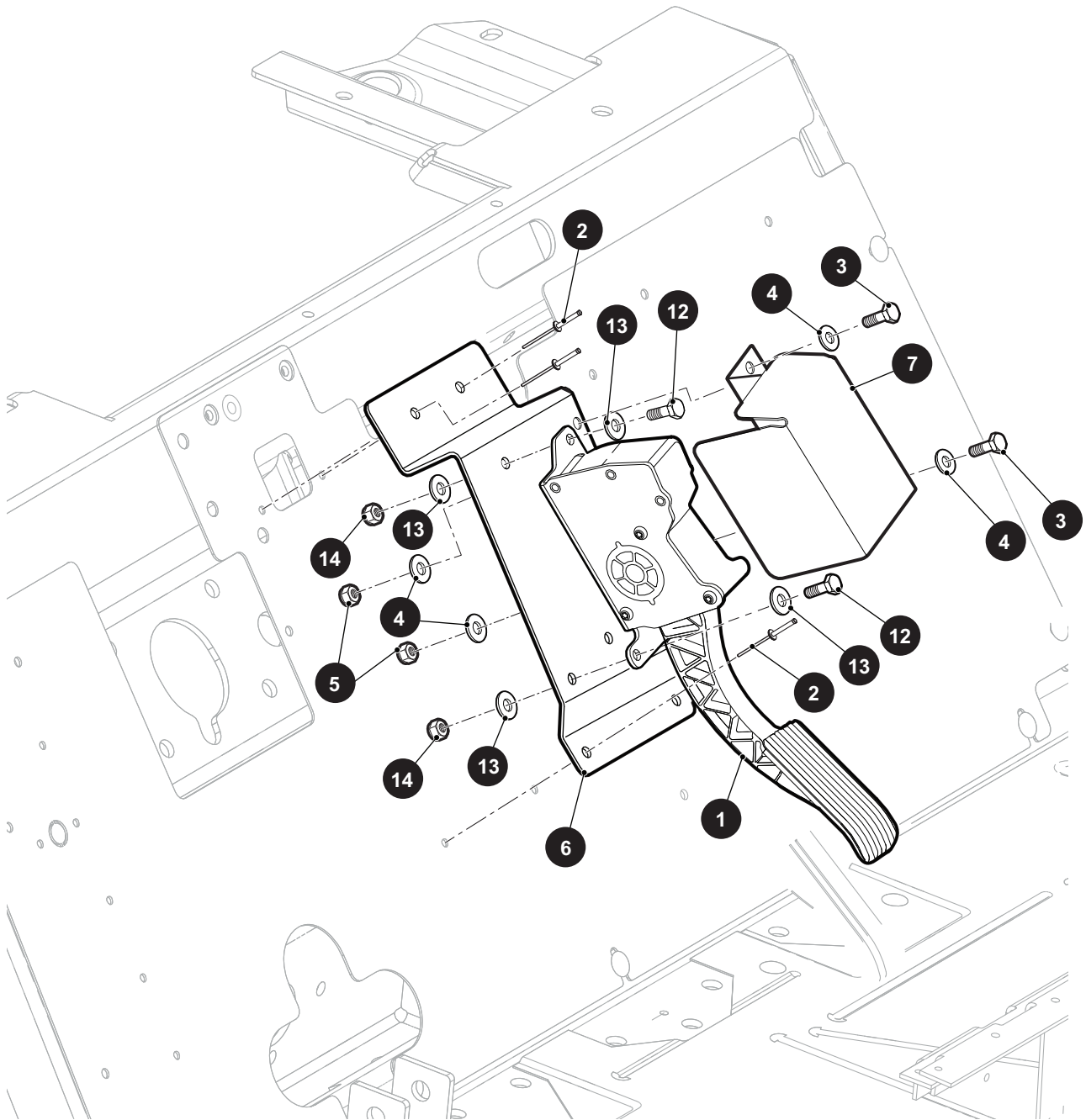
HOW TO USE THE SERVICE PARTS MANUAL

3. COLOR CODE FOR BODY COMPONENTS

The last two digits of the part number for the body part will denote the color code. Locate the part number for the cowl, rear body, seat pod, side panel or seat wrap then locate your color in the list below. Replace the last ** or XX with the two digit color code.

<u>CODE #</u>	<u>DESCRIPTION</u>
38	BRIGHT WHITE
39	FLAME RED
72	MATTE BLACK
78	REALTREE XTRA DIPPED
80	REALTREE MAX 5 DIPPED

ACCELERATOR



ACCELERATOR

THE USE OF NON U.L. PARTS WILL VOID ANY U.L. LISTING.

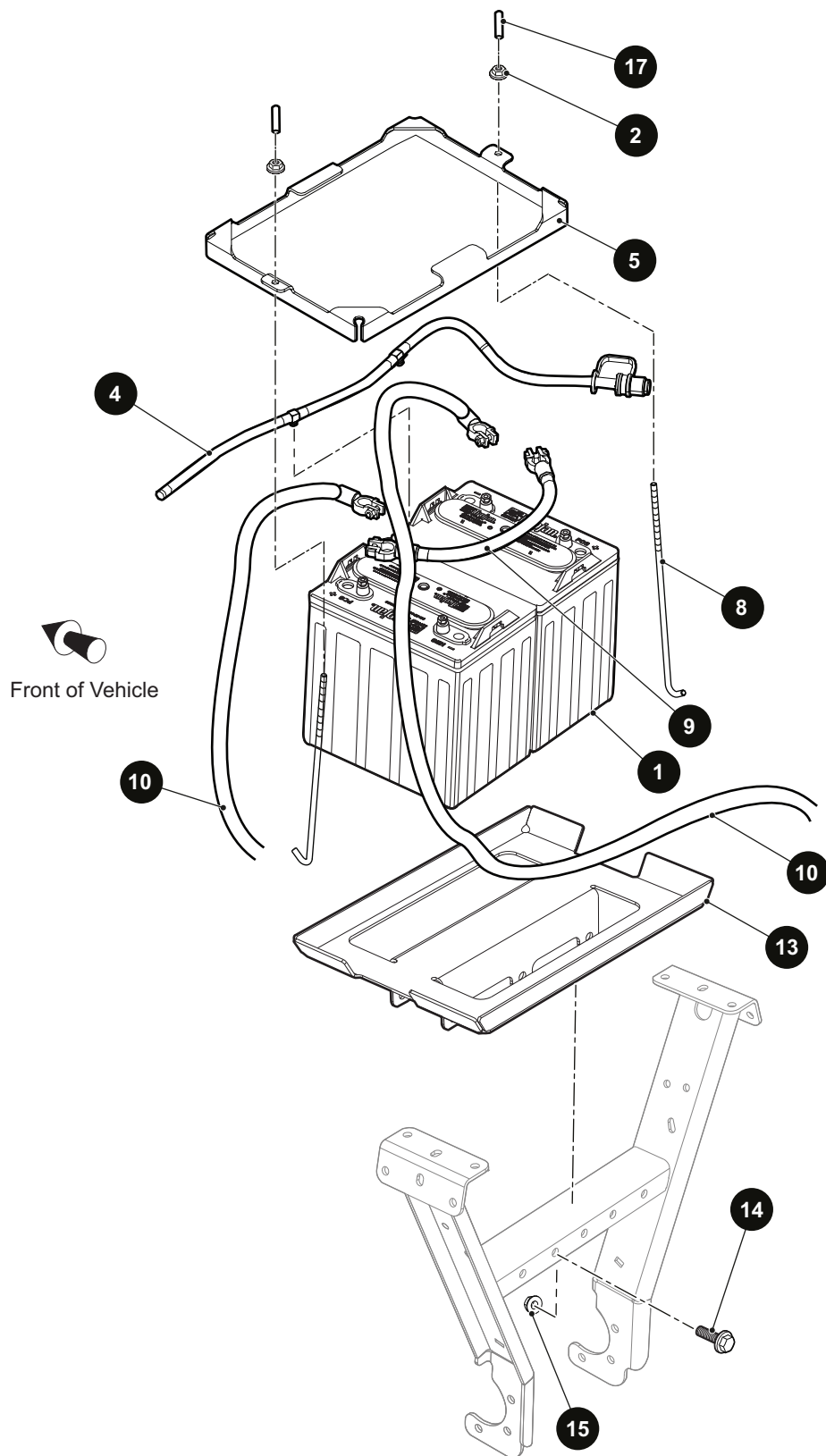
When ordering parts, please specify the model and serial number of the product.

* Indicates a component that is not available as an individual part.

*** Indicates consult Customer Service Department for additional information.

ITEM	PART NO.	1 2 3 4 5	DESCRIPTION	QTY.
1	626739		ACCELERATOR PEDAL.....	1
2	14601G11		RIVET, 3/16" X 9/16"	4
3	00414G6		HEX HEAD BOLT, 1/4" - 20 X 7/8" LG	2
4	00559G7		FLAT WASHER, 1/4"	4
5	14390G4		HEX LOCK NUT, 1/4" -20	2
6	635422		ACCELERATOR PEDAL MOUNTING BRACKET	1
7	630045		ACCELERATOR PEDAL COVER.....	1
8				
9				
10				
11				
12	00414G6		HEX HEAD BOLT, 1/4" - 20 X 7/8" LG	3
13	00559G7		FLAT WASHER, 1/4"	6
14	14390G4		HEX LOCK NUT, 1/4" - 20	3

BATTERY SYSTEM



BATTERY SYSTEM

THE USE OF NON U.L. PARTS WILL VOID ANY U.L. LISTING.

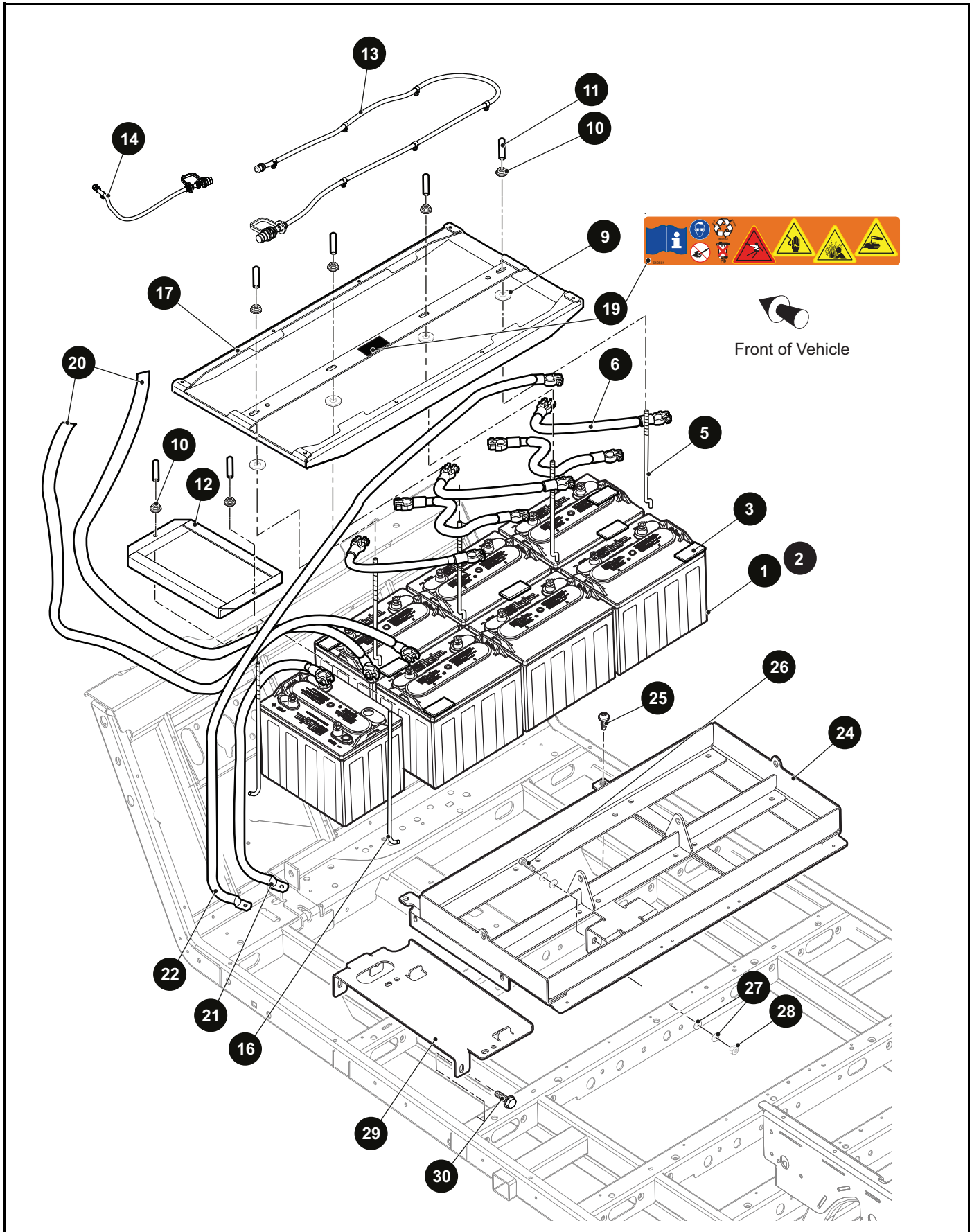
When ordering parts, please specify the model and serial number of the product.

* Indicates a component that is not available as an individual part.

*** Indicates consult Customer Service Department for additional information.

ITEM	PART NO.	1 2 3 4 5	DESCRIPTION	QTY.
1	614382		BATTERY, 8V	2
2	11027G1		FLANGED LOCK NUT, 5/16" - 18	2
3				
4	623299		BATTERY FILL SYSTEM	1
5	634673		BATTERY HOLD DOWN WELDMENT (2 BATTERIES).....	1
6				
7				
8	604197		TIE DOWN BOLT	2
9	628624		BATTERY WIRE, 12.5"	1
10	628632		BATTERY WIRE, 92"	2
11				
12				
13	634672		BATTERY TRAY WELDMENT	1
14	548604		FLANGED HEX HEAD BOLT, 5/16" - 18 X 3/4" LG	5
15	11027G1		FLANGED LOCK NUT, 5/16" - 18	5
16				
17	643171		VINYL CAP.....	2

BATTERY SYSTEM



BATTERY SYSTEM

THE USE OF NON U.L. PARTS WILL VOID ANY U.L. LISTING.

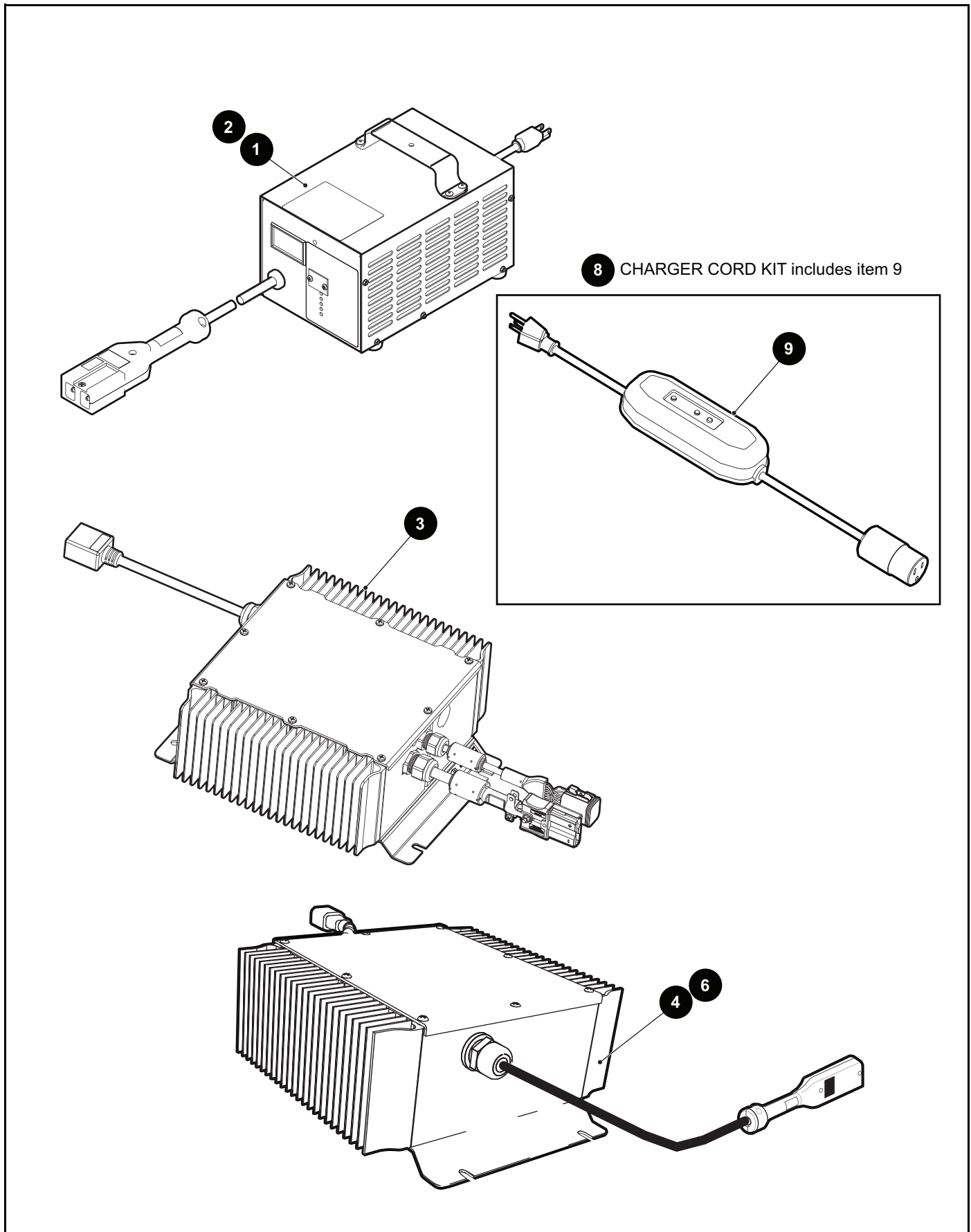
When ordering parts, please specify the model and serial number of the product.

* Indicates a component that is not available as an individual part.

*** Indicates consult Customer Service Department for additional information.

ITEM	PART NO.	1 2 3 4 5	DESCRIPTION	QTY.
1	614382		BATTERY, 8V (FOR USE WITH BATTERY FILL SYSTEM)	7
2	612626		BATTERY, 8V	7
3	608513		RUBBER PAD	7
4				
5	01101G01		TIE DOWN BOLT	4
6	628624		BATTERY WIRE, 12.5"	5
7				
8				
9	607297		RUBBER WASHER, 47.5MM O.D X 12.3MM I.D	4
10	11027G1		FLANGED LOCK NUT, 5/16" - 18	6
11	643171		VINYL CAP	6
12	616229		BATTERY HOLD DOWN WELDMENT	1
13	641417		BATTERY FILL SYSTEM	1
14	642123		BATTERY FILL SYSTEM	1
15				
16	70386G01		TIE DOWN BOLT	2
17	636142		BATTERY HOLD DOWN WELDMENT	1
18				
19	640561		BATTERY WARNING LABEL	1
20	628632		BATTERY WIRE, 92"	2
21	635683		BATTERY WIRE, B- TO CONTROLLER B-, 95"	1
22	635684		BATTERY WIRE, B+ TO CONTACTOR, 95"	1
23				
24	636474		BATTERY TRAY WELDMENT	1
25	70200G01		TRUSS HEAD TORX SCREW, 3/8" - 16 X 3/4" LG	2
26	00426G8		HEX HEAD BOLT, 3/8" - 16 X 3/4" LG	4
27	00560G1		FLAT WASHER, 3/8"	16
28	11098G5		LOCK NUT, 3/8" - 16	4
29	638101		BATTERY TRAY WELDMENT (DRIVER SIDE)	1
30	00715G2		FLANGED HEX HEAD BOLT, 5/16" - 18 X .8" LG	2

BATTERY SYSTEM



BATTERY SYSTEM

THE USE OF NON U.L. PARTS WILL VOID ANY U.L. LISTING.

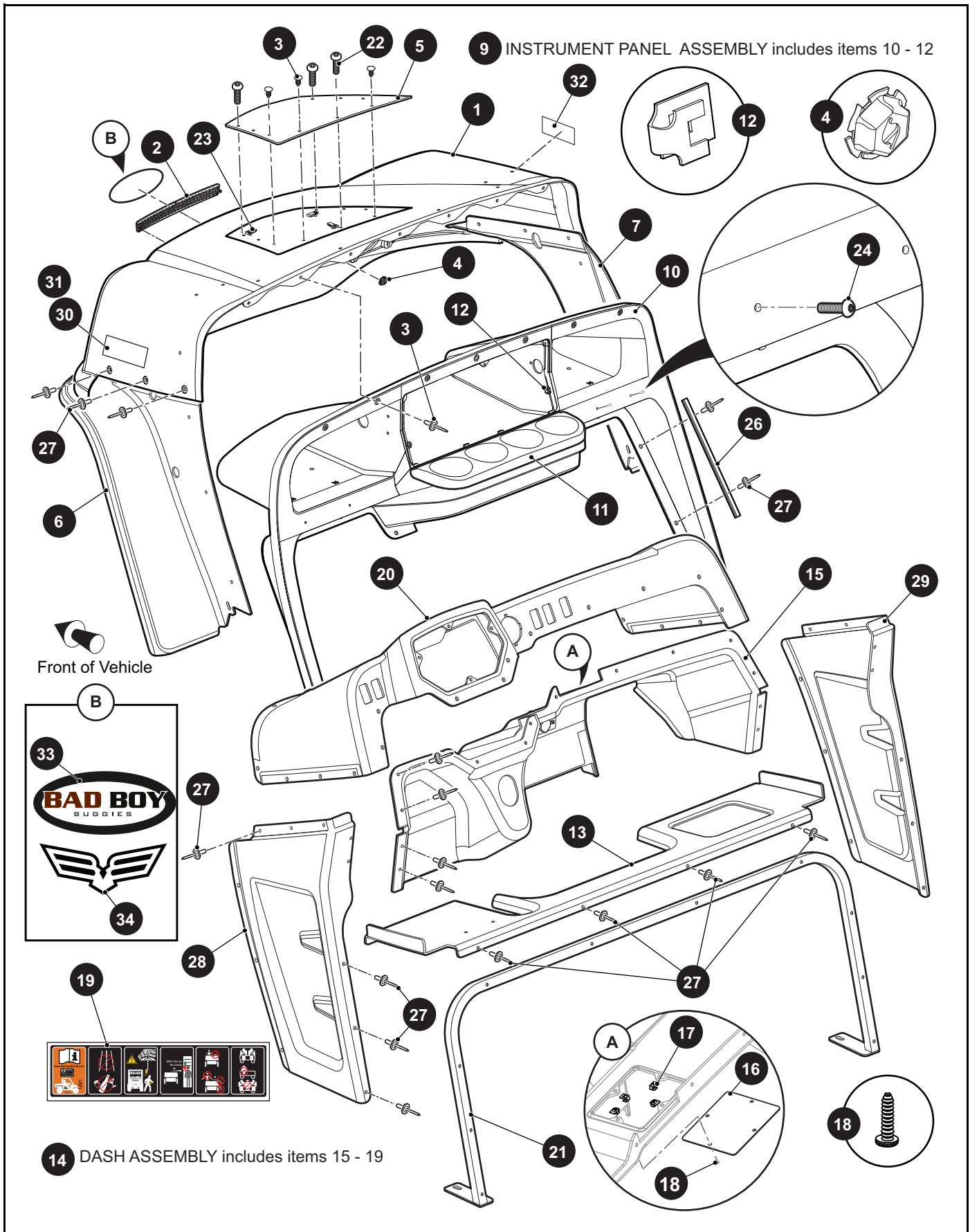
When ordering parts, please specify the model and serial number of the product.

* Indicates a component that is not available as an individual part.

*** Indicates consult Customer Service Department for additional information.

ITEM	PART NO.	1 2 3 4 5	DESCRIPTION	QTY.
1	626766		BATTERY CHARGER WITH HANDLE, 72V, 12A.....	1
2	630758		BATTERY CHARGER (INTERNATIONAL) WITH HANDLE, 72V, 12A.....	1
3	640261		ONBOARD BATTERY CHARGER, 72V	1
4	634567		BATTERY CHARGER, D PLUG, 72V	1
5				
6	645743		BATTERY CHARGER, D PLUG, 72V	1
7				
8	652608		CHARGER CORD KIT, 5 METER DC CORD (INCLUDES ITEM 9).....	1
9	652503		ON BOARD CHARGER CORD, 5 METER DC CORD	1

BODY - FRONT



BODY - FRONT

THE USE OF NON U.L. PARTS WILL VOID ANY U.L. LISTING.

When ordering parts, please specify the model and serial number of the product.

* Indicates a component that is not available as an individual part.

*** Indicates consult Customer Service Department for additional information.

ITEM	PART NO.	1 2 3 4 5	DESCRIPTION	QTY.
1	613036G3XX		COWL (see COLOR CODE in HOW TO USE section).....	1
2	617643		GRILL COVER.....	1
3	617533		PUSH RIVET.....	9
4	71597G01		SELF THREADING NUT, 5MM X 10MM X 15MM.....	2
5	633268GXX		COWL ACCESS COVER (see COLOR CODE in HOW TO USE section)	1
6	633010G01		FRONT FENDER FLARE (DRIVER SIDE).....	1
7	633010G02		FRONT FENDER FLARE (PASSENGER SIDE).....	1
8				
9	633298		INSTRUMENT PANEL ASSEMBLY (INCLUDES ITEMS 10 - 12).....	1
10	633297		INSTRUMENT PANEL.....	1
11	71158G01		INSERT, 4 CUP.....	1
12	71364G02		"J" TYPE SPEED NUT, #8.....	5
13	638059		DASH PANEL, BOTTOM.....	1
14	638066		STEERING COLUMN DASH ASSEMBLY (INCLUDES ITEMS 15 - 19)	1
15	638052		COVER.....	1
16	638052		SWITCH COVER,.....	1
17	71364G03		"J" TYPE SPEED NUT, #8.....	4
18	608290		PAN HEAD PHILLIPS SCREW, #10 - 16 X .780" LG.....	4
19	665091		SAFETY OPERATION LABEL.....	1
20	638058		DASH PANEL, TOP.....	1
21	632989		DASH SUPPORT BRACKET.....	1
22	634161		TORX SCREW, M6 - 1 X 2.5MM LG (FOR CE VEHICLES ONLY).....	3
23	602409		'J' - CLIP, M6 - 1 (FOR CE VEHICLES ONLY).....	3
24	608290		PAN HEAD PHILLIPS SCREW, #10 - 16 X .72" LG.....	4
25	645350		COWL DECAL (NOT ILLUSTRATED).....	1
26	71115G01		TRIM PANEL.....	2
27	71055G01		RIVET, 3/16".....	A/R
28	638055		KICK PANEL (DRIVER SIDE).....	1
29	638057		KICK PANEL (PASSENGER SIDE).....	1
30	645351		COWL DECAL, 72V (FOR VEHICLES MANUFACTURED BEFORE 19 SEPTEMBER 2016)	2

BODY - FRONT

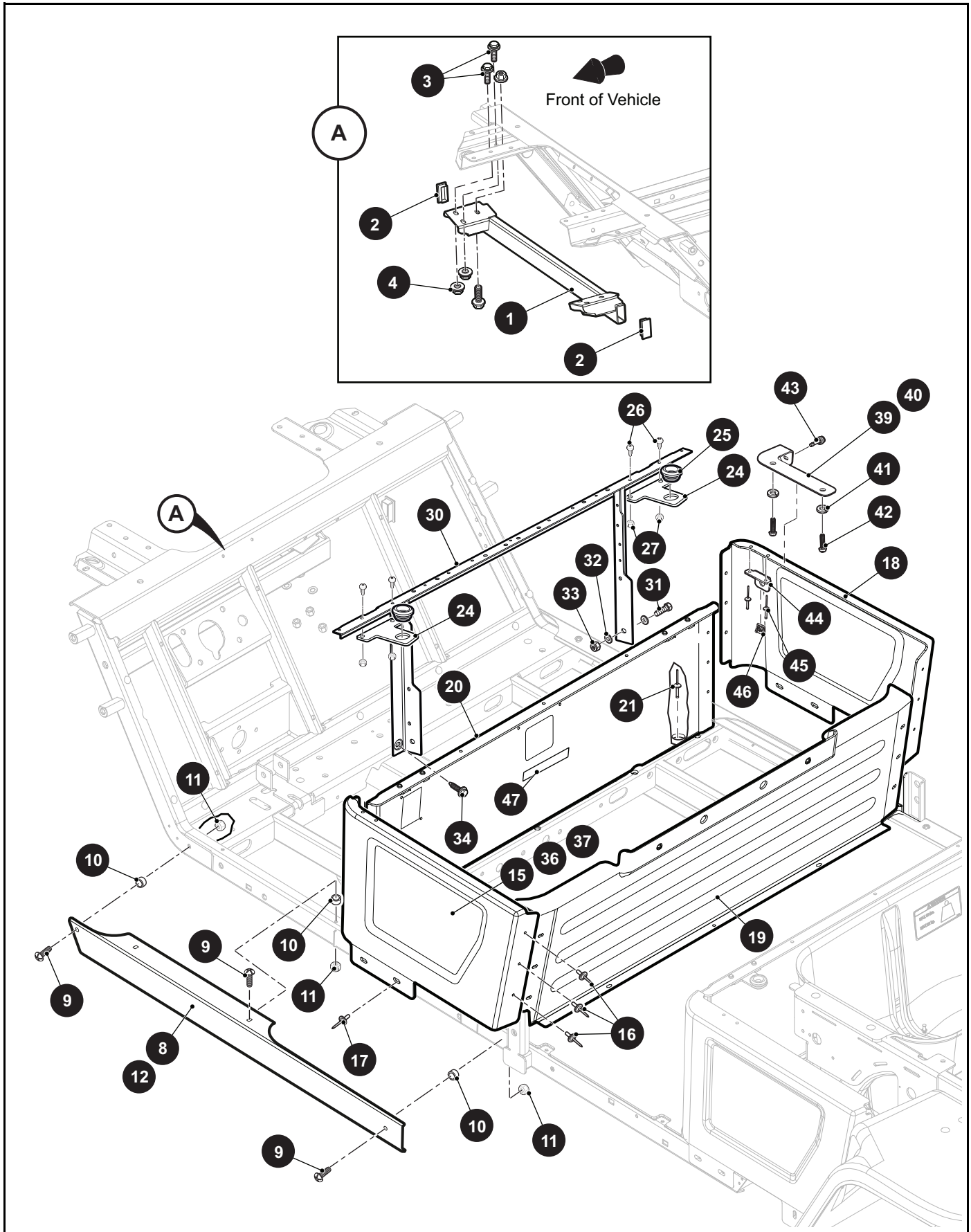
THE USE OF NON U.L. PARTS WILL VOID ANY U.L. LISTING.

When ordering parts, please specify the model and serial number of the product.

* Indicates a component that is not available as an individual part.

*** Indicates consult Customer Service Department for additional information.

ITEM	PART NO.	1	2	3	4	5	DESCRIPTION	QTY.
31	655655G01						COWL DECAL, 72V (DRIVER SIDE) (FOR VEHICLES MANUFACTURED AFTER 19 SEPTEMBER 2016)	1
32	655655G02						COWL DECAL, 72V (PASSENGER SIDE) (FOR VEHICLES MANUFACTURED AFTER 19 SEPTEMBER 2016)	1
33	626663						COWL DECAL (FOR VEHICLES MANUFACTURED BEFORE 19 SEPTEMBER 2016)	1
34	655659						COWL DECAL (FOR VEHICLES MANUFACTURED AFTER 19 SEPTEMBER 2016)	1



THE USE OF NON U.L. PARTS WILL VOID ANY U.L. LISTING.
 When ordering parts, please specify the model and serial number of the product.
 * Indicates a component that is not available as an individual part.
 *** Indicates consult Customer Service Department for additional information.

ITEM	PART NO.	1 2 3 4 5	DESCRIPTION	QTY.
1	640873		FRONT BRACE	1
2	624934		PLASTIC PLUG	2
3	641289		FLANGED HEX HEAD BOLT, 3/8" - 16 X 1" LG	6
4	11027G5		FLANGED LOCK NUT, 3/8" - 16.....	6
5				
6				
7				
8	632991G01		FRONT ROCKER PANEL (DRIVER SIDE).....	1
9	16705G1		TRUSS HEAD PHILLIPS SCREW (SS), 1/4" - 20 X 1" LG.....	4
10	23726G4		SPACER, .298"	4
11	14390G4		LOCK NUT, 1/4" - 20.....	4
12	632991G02		FRONT ROCKER PANEL (PASSENGER SIDE)	1
13				
14				
15	637455G01		FRONT SEAT SIDE PANEL (DRIVER SIDE).....	1
16	71055G01		RIVET, 3/16"	6
17	10570G12		RIVET, .257" X .556"	2
18	637455G02		FRONT SEAT SIDE PANEL (PASSENGER SIDE)	1
19	637453		REAR KICK PANEL	1
20	637454G01		SEAT WRAP PANEL (FRONT SEAT)	1
21	10570G10		RIVET, .155" X .55"	8
22				
23				
24	638697		SEAT RETENTION BRACKET	1
25	638668		SEAT RETENTION GROMMET.....	1
26	800296		PAN HEAD PHILLIPS SCREW, #10 - 24 X 3/4" LG	2
27	14390G10		LOCK NUT, #10 - 24	2
28				
29				
30	70441G03		SEAT FRAME BRACKET.....	1
31	00438G8		HEX HEAD BOLT, 5/16" - 18 X 5/8" LG	2

BODY - MID

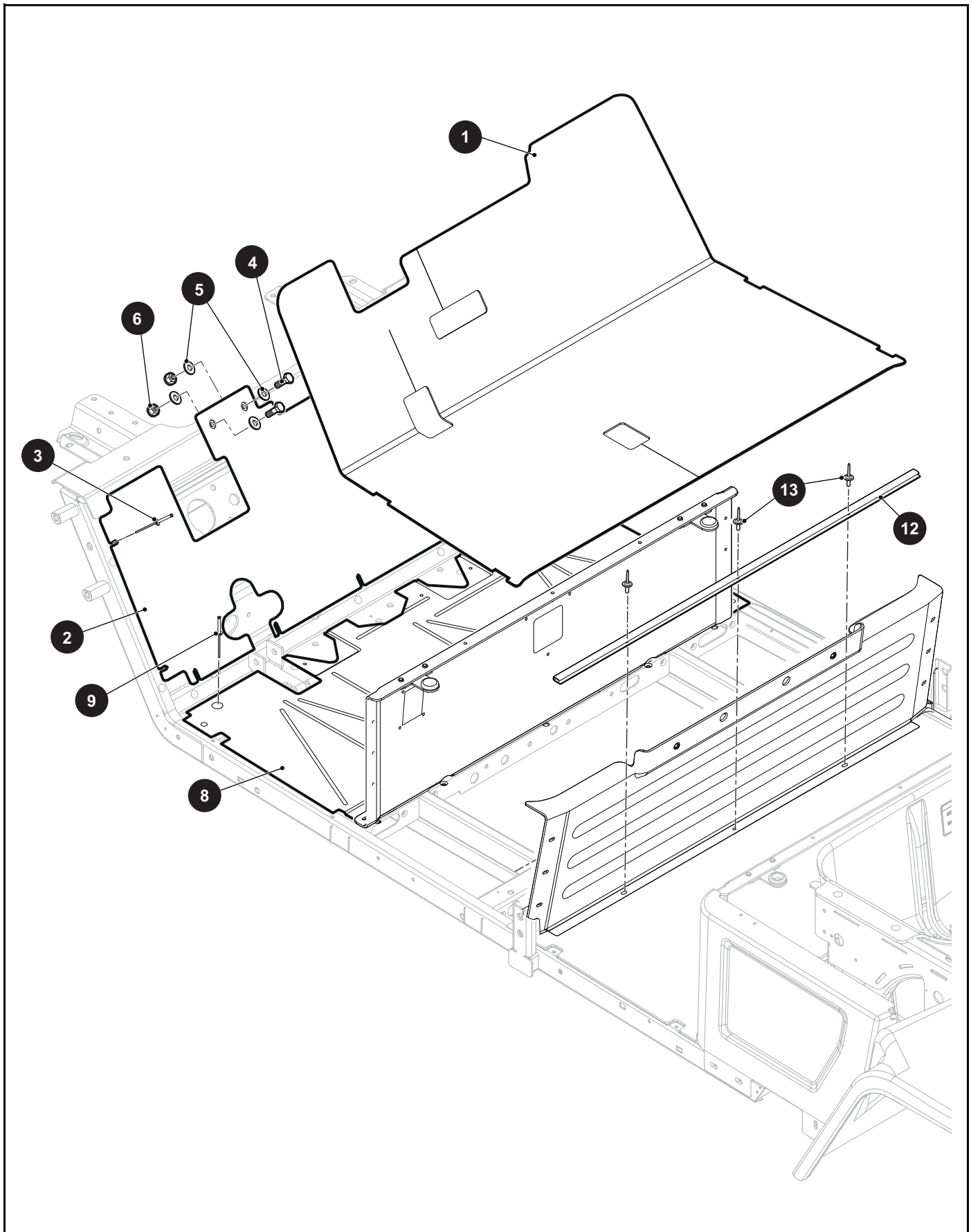
THE USE OF NON U.L. PARTS WILL VOID ANY U.L. LISTING.

When ordering parts, please specify the model and serial number of the product.

* Indicates a component that is not available as an individual part.

*** Indicates consult Customer Service Department for additional information.

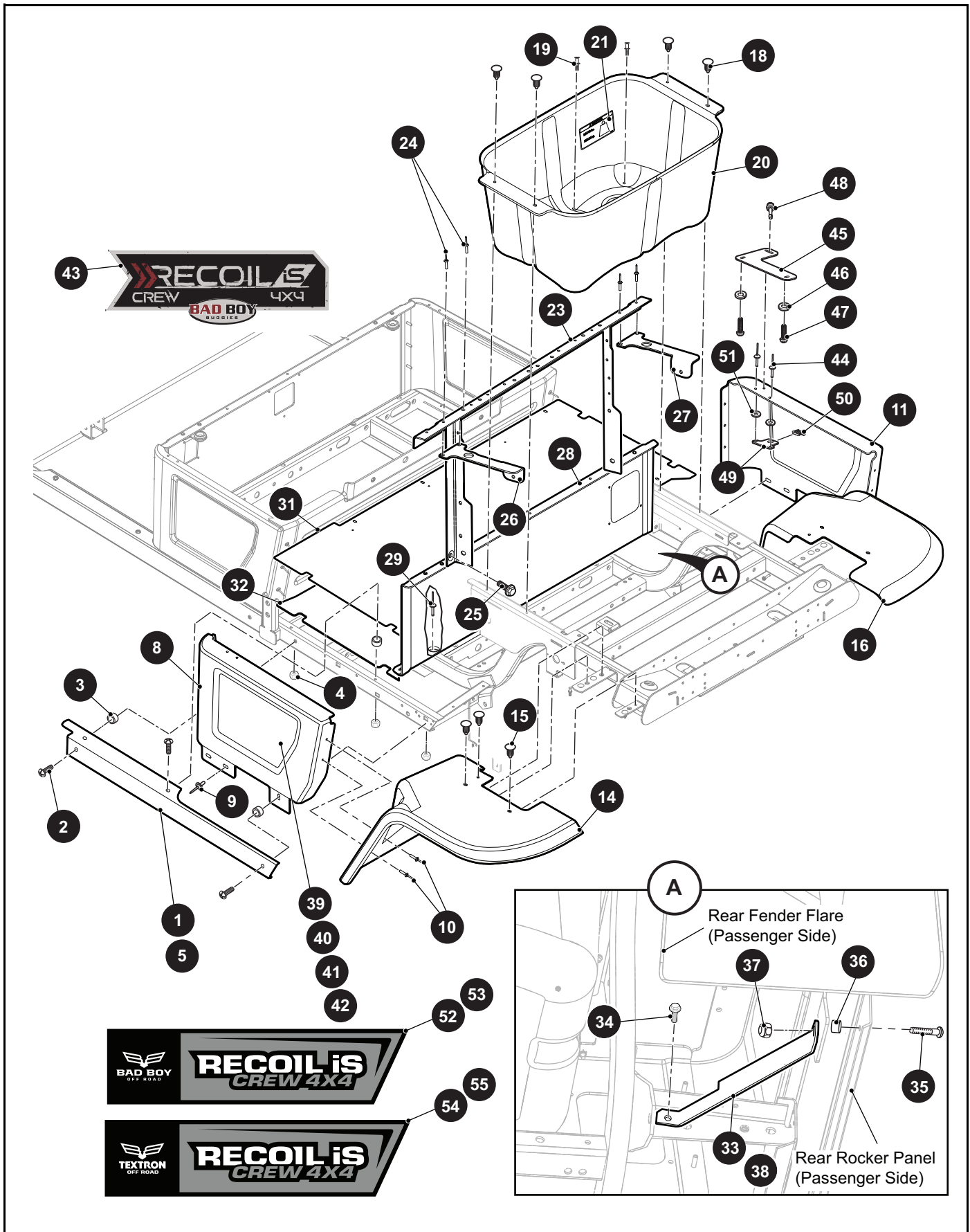
ITEM	PART NO.	1 2 3 4 5	DESCRIPTION	QTY.
32	00559G8		FLAT WASHER, 5/16"	2
33	11098G6		LOCK NUT, 5/16"	2
34	00715G2		FLANGED HEX HEAD BOLT, 5/16" - 18 X .8" LG	2
35				
36	638047G0XX		FRONT SIDE PANEL DECAL (PASSENGER SIDE)	1
37	638049G0XX		FRONT SIDE PANEL DECAL (DRIVER SIDE)	1
38				
39	641344G01		FRONT LOCK BRACKET (DRIVER SIDE) (FOR CE VEHICLES ONLY)	1
40	641344G02		FRONT LOCK BRACKET (PASSENGER SIDE) (FOR CE VEHICLES ONLY)	1
41	00664G7		LOCK WASHER, 1/2" (FOR CE VEHICLES ONLY)	2
42	16705G1		TRUSS HEAD PHILLIPS SCREW (SS), 1/4" - 20 X 1" LG (FOR CE VEHICLES ONLY)	2
43	641536		QUARTER TURN SCREW ASSEMBLY, 28MM (FOR CE VEHICLES ONLY)	1
44	641509		FRONT CLIP LOCK BRACKET (FOR CE VEHICLES ONLY)	1
45	10570G10		RIVET, .155" X .55" (FOR CE VEHICLES ONLY)	2
46	635654		QUARTER TURN CLIP-ON (FOR CE VEHICLES ONLY)	1
47	640561		BATTERY LABEL	1



THE USE OF NON U.L. PARTS WILL VOID ANY U.L. LISTING.
 When ordering parts, please specify the model and serial number of the product.
 * Indicates a component that is not available as an individual part.
 *** Indicates consult Customer Service Department for additional information.

ITEM	PART NO.	1 2 3 4 5	DESCRIPTION	QTY.
1	637458		FLOOR MAT	1
2	640553		UPPER FLOOR PANEL.....	1
3	14601G11		RIVET, 3/16" X 9/16"	9
4	302288		HEX HEAD BOLT, 1/4" - 20 X 1" LG	2
5	01110G01		FLAT WASHER, 1/4"	4
6	14390G4		HEX LOCK NUT, 1/4" - 20	2
7				
8	70451G03		LOWER FLOOR PANEL.....	1
9	14601G11		RIVET, 3/16" X 9/16"	5
10				
11				
12	71115G03		TRIM, 37.25"	1
13	10570G10		RIVET, 5/32" X .55"	3

BODY - REAR



BODY - REAR

THE USE OF NON U.L. PARTS WILL VOID ANY U.L. LISTING.

When ordering parts, please specify the model and serial number of the product.

* Indicates a component that is not available as an individual part.

*** Indicates consult Customer Service Department for additional information.

ITEM	PART NO.	1 2 3 4 5	DESCRIPTION	QTY.
1	632992G01		REAR ROCKER PANEL (DRIVER SIDE)	1
2	00789G2		TRUSS HEAD PHILLIPS SCREW, #10 - 24 X 1 1/4" LG	4
3	23726G4		SPACER, .3"	4
4	14390G10		LOCK NUT, #10 - 24	4
5	632992G02		REAR ROCKER PANEL (PASSENGER SIDE)	1
6				
7				
8	637456G01		REAR SIDE PANEL (DRIVER SIDE)	1
9	10570G12		RIVET, .257" X .556"	2
10	71055G01		RIVET, 3/16"	5
11	637456G02		REAR SIDE PANEL (PASSENGER SIDE)	1
12				
13				
14	637457G01		REAR FENDER FLARE (DRIVER SIDE)	1
15	16816G2		RATCHET RIVET, .25" X .887"	3
16	637457G02		REAR FENDER FLARE (PASSENGER SIDE)	1
17				
18	16816G2		RATCHET RIVET, .25" X .887"	4
19	633165		DRAIN PLUG	8
20	637123		STORAGE COMPARTMENT (INCLUDES ITEM 21)	1
21	638044		STORAGE BIN WEIGHT LIMIT LABEL	1
22				
23	70441G03		SEAT FRAME WELDMENT	1
24	10570G11		RIVET, 3/16" X .70"	4
25	00715G2		FLANGED HEX HEAD BOLT, 5/16" - 18 X .8" LG	2
26	642530G01		BRACKET (DRIVER SIDE)	1
27	642530G02		BRACKET (PASSENGER SIDE)	1
28	637454G02		SEAT WRAP PANEL (REAR SEAT)	1
29	10570G10		RIVET, .156" X .55"	5
30				
31	632996		REAR FLOOR MAT	1

BODY - REAR

THE USE OF NON U.L. PARTS WILL VOID ANY U.L. LISTING.

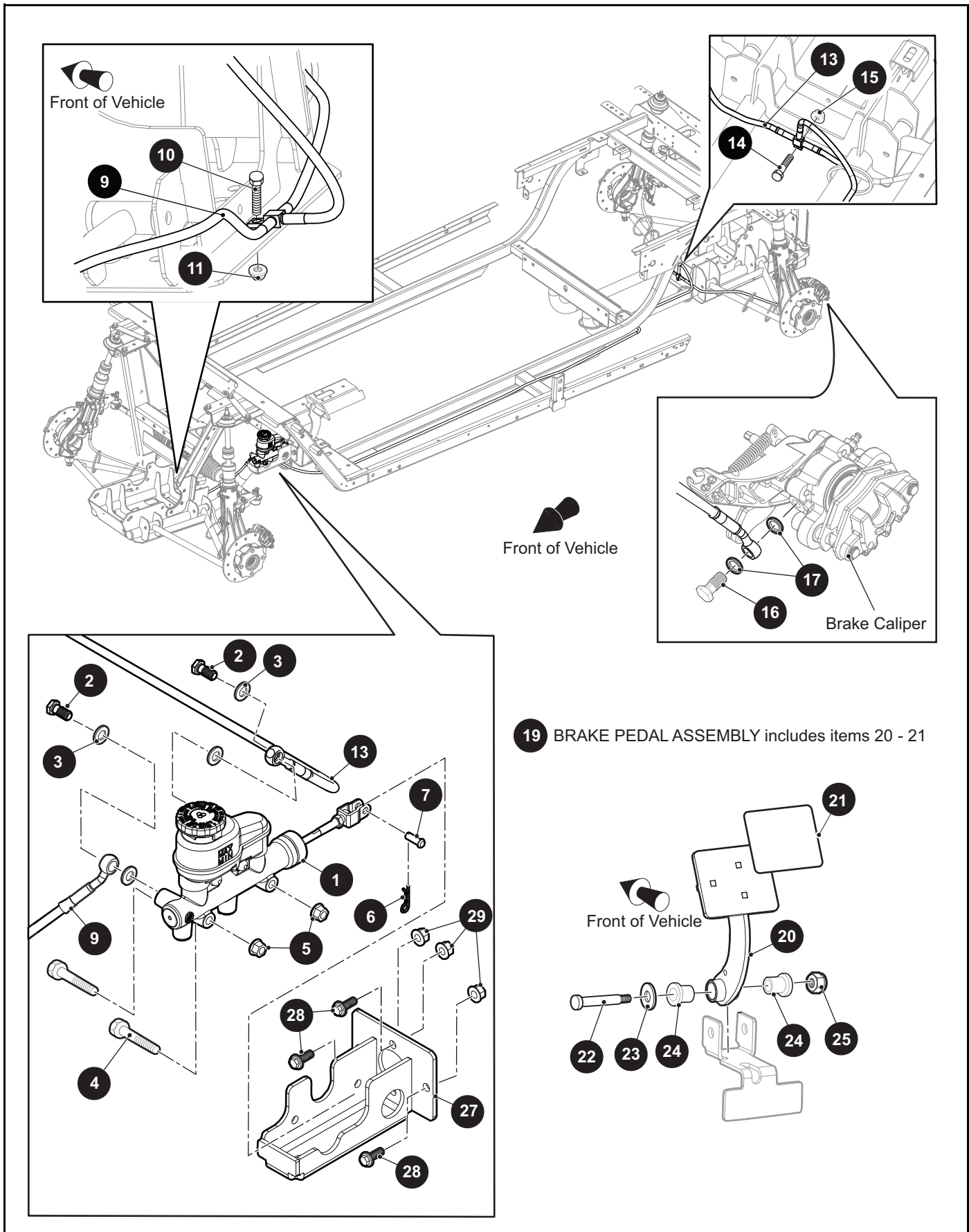
When ordering parts, please specify the model and serial number of the product.

* Indicates a component that is not available as an individual part.

*** Indicates consult Customer Service Department for additional information.

ITEM	PART NO.	1 2 3 4 5	DESCRIPTION	QTY.
32	632993		REAR FLOOR PANEL.....	1
33	71440G03		BRACE (DRIVER SIDE).....	1
34	00715G2		FLANGED HEX HEAD BOLT, 5/16" - 18 X .8" LG.....	1
35	00789G2		TRUSS HEAD PHILLIPS SCREW, #10 - 24 X 1 1/4" LG.....	1
36	23726G4		SPACER, .3".....	1
37	14390G10		LOCK NUT, #10 - 24.....	1
38	71440G04		BRACE (PASSENGER SIDE)	1
39	655791G1XX		REAR SIDE PANEL DECAL WITH LOGO (DRIVER SIDE) (FOR VEHICLES MANUFACTURED AFTER 19 SEPTEMBER 2016).....	1
40	655792G1XX		REAR SIDE PANEL DECAL WITH LOGO (PASSENGER SIDE) (FOR VEHICLES MANUFACTURED AFTER 19 SEPTEMBER 2016).....	1
41	638047G1XX		REAR SIDE PANEL DECAL WITH LOGO (PASSENGER SIDE) (FOR VEHICLES MANUFACTURED BEFORE 19 SEPTEMBER 2016).....	1
42	638049G1XX		REAR SIDE PANEL DECAL WITH LOGO (DRIVER SIDE) (FOR VEHICLES MANUFACTURED BEFORE 19 SEPTEMBER 2016).....	1
43	638035		SIDE DECAL	2
44	10570G10		RIVET, .155" X .55" (FOR CE VEHICLES ONLY)	2
45	641492		REAR LOCK BRACKET (FOR CE VEHICLES ONLY).....	1
46	00664G7		LOCK WASHER, 1/2" (FOR CE VEHICLES ONLY).....	2
47	16705G1		TRUSS HEAD PHILLIPS SCREW (SS), 1/4" - 20 X 1" LG (FOR CE VEHICLES ONLY)	2
48	635958		QUARTER TURN SCREW ASSEMBLY, 28MM (FOR CE VEHICLES ONLY)	1
49	641515		REAR CLIP LOCK BRACKET (FOR CE VEHICLES ONLY).....	1
50	635654		QUARTER TURN CLIP-ON (FOR CE VEHICLES ONLY)	1
51	00559G4		FLAT WASHER, #8 (FOR CE VEHICLES ONLY)	2
52	655618G01		SIDE DECAL (DRIVER SIDE) (FOR VEHICLES MANUFACTURED AFTER 19 SEPTEMBER 2016, BEFORE 1 MAY 2017)	1
53	655618G02		SIDE DECAL (PASSENGER SIDE) (FOR VEHICLES MANUFACTURED AFTER 19 SEPTEMBER 2016, BEFORE 1 MAY 2017)	1
54	663449G01		SIDE DECAL (DRIVER SIDE) (FOR VEHICLES MANUFACTURED AFTER 1 MAY 2017).....	1
55	663449G02		SIDE DECAL (PASSENGER SIDE) (FOR VEHICLES MANUFACTURED AFTER 1 MAY 2017)	1

BRAKES



BRAKES

THE USE OF NON U.L. PARTS WILL VOID ANY U.L. LISTING.

When ordering parts, please specify the model and serial number of the product.

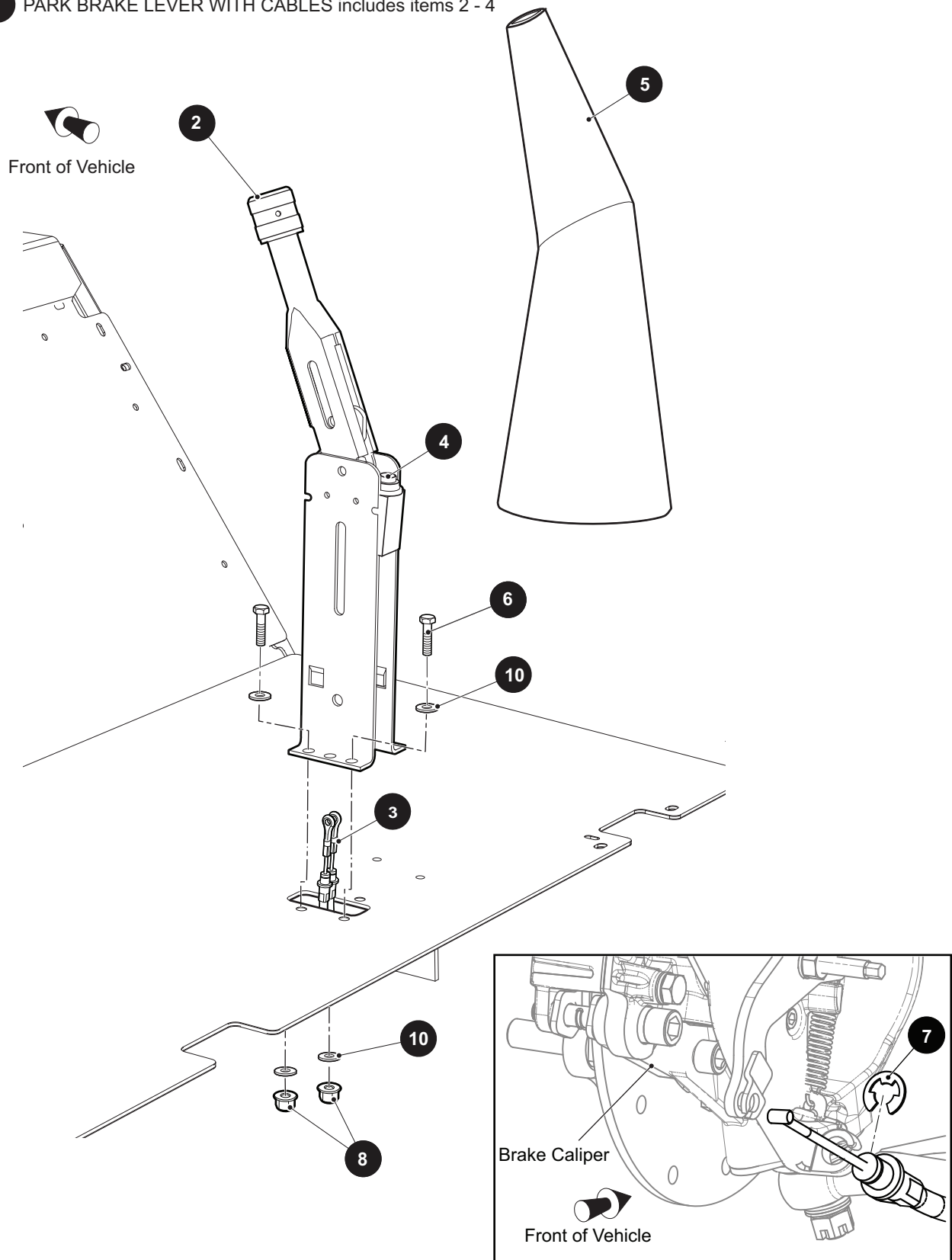
* Indicates a component that is not available as an individual part.

*** Indicates consult Customer Service Department for additional information.

ITEM	PART NO.	1 2 3 4 5	DESCRIPTION	QTY.
1	631593		BRAKE MASTER CYLINDER.....	1
2	613292		BANJO BOLT, M10 - 1.25 X 20MM LG	2
3	613293		CRUSH WASHER, M10.....	4
4	00439G8		HEX HEAD BOLT, 5/18" - 18 X 1 1/8" LG	2
5	800697		FLANGED LOCK NUT, 5/16" - 18	2
6	01076G01		COTTER PIN, 1.21" X .13" X .43"	1
7	10386G2		CLEVIS PIN, .375" X .311" X .788" LG	1
8				
9	626613		FRONT BRAKE LINE	1
10	613231		HEX HEAD BOLT, M6 - 1 X 20MM LG.....	1
11	601476		FLANGED LOCK NUT, M6 - 1	1
12				
13	616385		REAR BRAKE LINE	1
14	613231		HEX HEAD BOLT, M6 - 1 X 20MM LG.....	1
15	601476		FLANGED LOCK NUT, M6 - 1	1
16	616459		BANJO BOLT, M10 - 1 X 20MM LG	1
17	613293		CRUSH WASHER, M10.....	2
18				
19	641160		BRAKE PEDAL WITH TAPE (INCLUDES ITEMS 20 - 21).....	1
20	*		BRAKE PEDAL WELDMENT	1
21	640478		PEDAL GRIP TAPE	1
22	635177		SHOULDER BOLT, 3/8"- 16 X 2" LG	1
23	00643G1		FLAT WASHER, 3/8".....	1
24	70581G02		BUSHING, 1.062" X 1.795" X 1" LG	2
25	11098G5		LOCK NUT, 3/8" - 16.....	1
26				
27	631616		MASTER CYLINDER BRACKET	1
28	13437G3		FLANGED HEX HEAD BOLT, 5/16" - 18 X 1" LG	4
29	800697		FLANGED LOCK NUT, 5/16" - 18	4
30	12416G2		NYLON CLAMP, 10" (NOT ILLUSTRATED)	18

BRAKES

1 PARK BRAKE LEVER WITH CABLES includes items 2 - 4



BRAKES

THE USE OF NON U.L. PARTS WILL VOID ANY U.L. LISTING.

When ordering parts, please specify the model and serial number of the product.

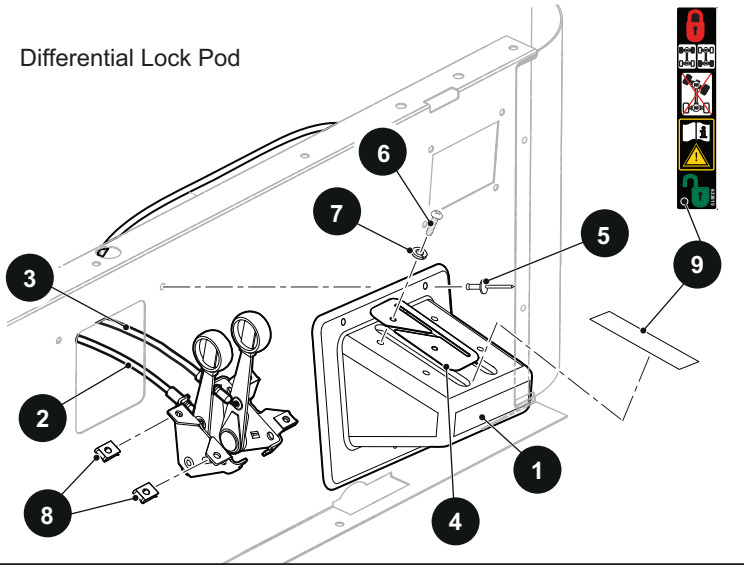
* Indicates a component that is not available as an individual part.

*** Indicates consult Customer Service Department for additional information.

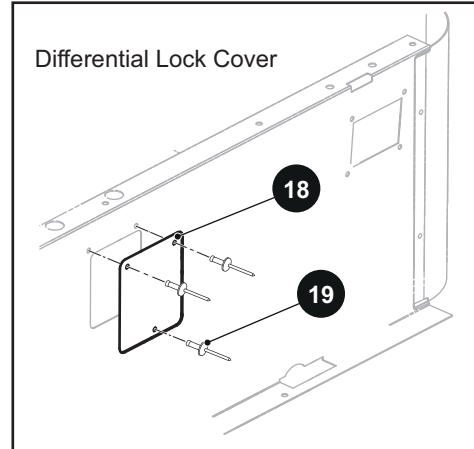
ITEM	PART NO.	1 2 3 4 5	DESCRIPTION	QTY.
1	632985		PARK BRAKE LEVER WITH CABLES (INCLUDES ITEMS 2 - 4)	1
2	627393		PARK BRAKE	1
3	638154		PARK BRAKE CABLE	2
4	634719		PARK BRAKE SWITCH.....	1
5	627940		PARK BRAKE BOOT	1
6	302288		HEX HEAD BOLT, 1/4" - 20 X 1" LG	4
7	01111G01		RETAINING RING, .8" X .392"	2
8	14390G4		FLANGED LOCK NUT, 1/4" - 20.....	4
9	31539G1		NYLON CLAMP (NOT ILLUSTRATED)	14
10	01110G01		FLAT WASHER, 1/4"	8

DIFFERENTIAL LOCK

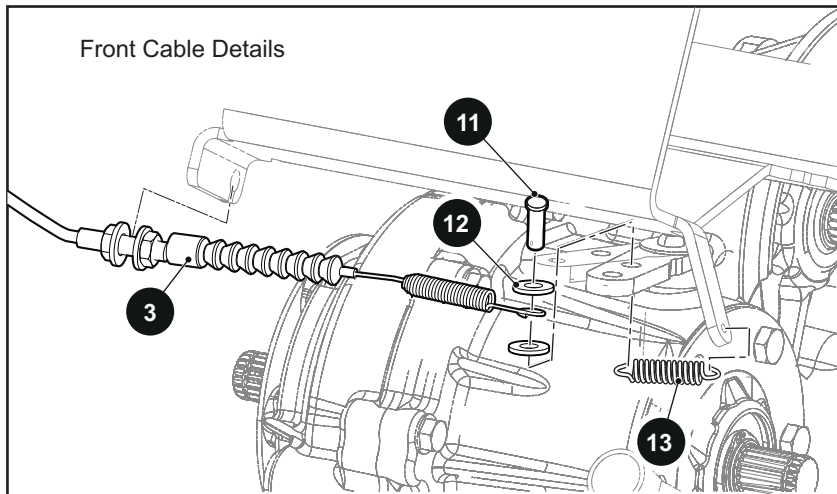
Differential Lock Pod



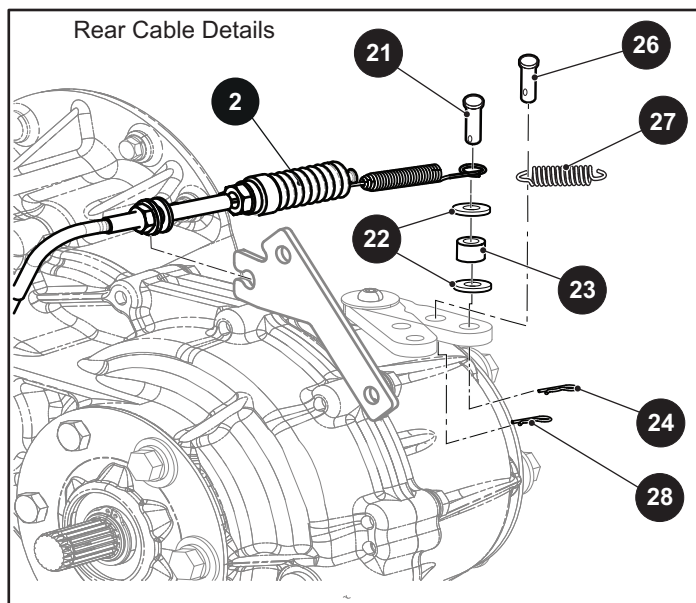
Differential Lock Cover



Front Cable Details



Rear Cable Details



DIFFERENTIAL LOCK

THE USE OF NON U.L. PARTS WILL VOID ANY U.L. LISTING.

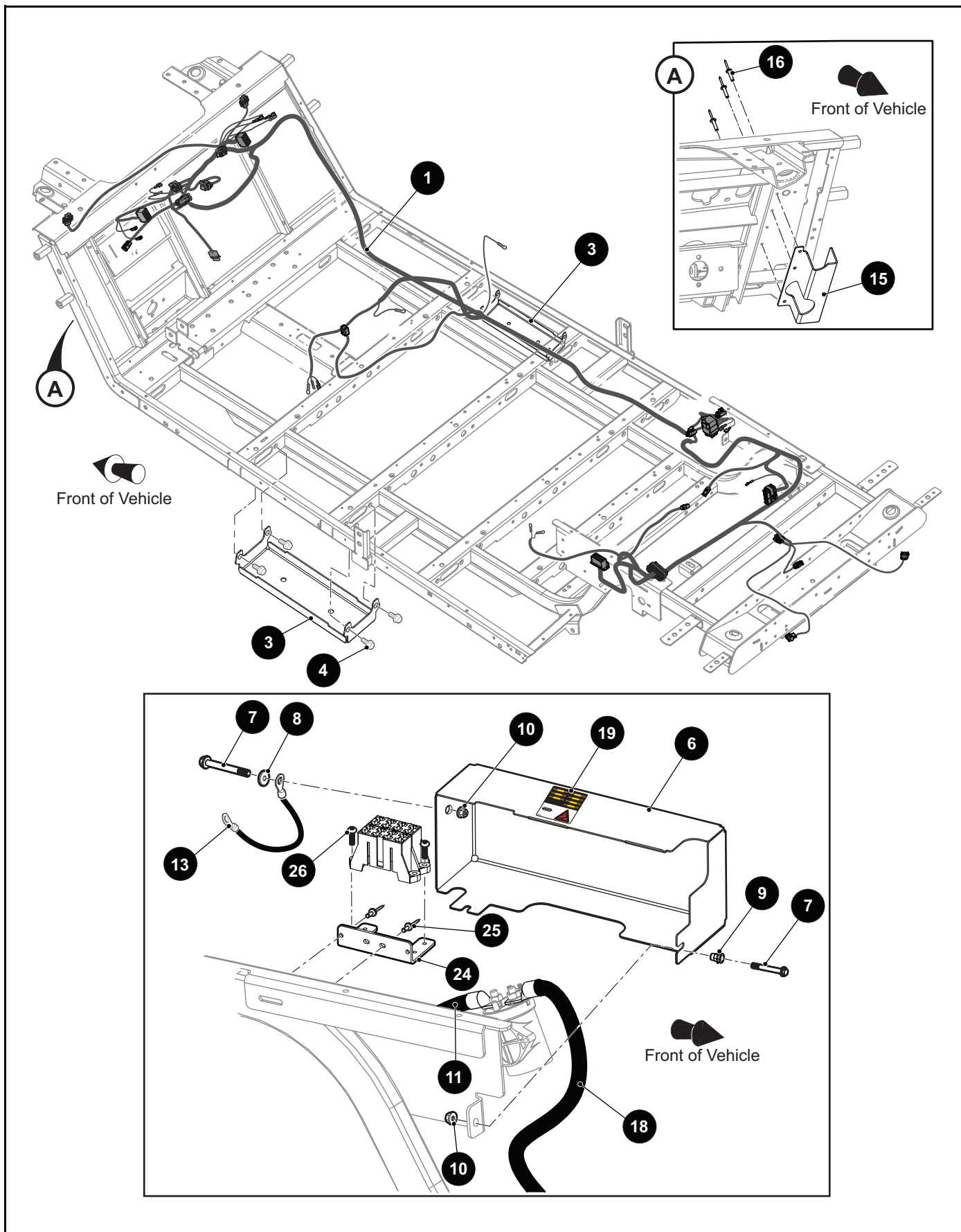
When ordering parts, please specify the model and serial number of the product.

* Indicates a component that is not available as an individual part.

*** Indicates consult Customer Service Department for additional information.

ITEM	PART NO.	1 2 3 4 5	DESCRIPTION	QTY.
1	632886		DIFFERENTIAL LOCK POD	1
2	638135		REAR DIFFERENTIAL LOCK CABLE	1
3	633164		FRONT DIFFERENTIAL LOCK CABLE.....	1
4	75697G01		DIFFERENTIAL LOCK TRIM PLATE	1
5	71055G01		RIVET, 3/16" DIA.....	3
6	18464G1		PAN HEAD PHILLIPS SCREW, #8 - 18 X 1" LG	2
7	00565G4		LOCK WASHER, #8.....	2
8	635982		SPEED NUT (U TYPE), #8	4
9	633615		DIFFERENTIAL LOCK DECAL.....	1
10				
11	10386G2		CLEVIS PIN, .76" LG	1
12	01110G01		FLAT WASHER, 1/4"	2
13	635011		EXTENSION SPRING.....	1
14	31539G1		NYLON CLAMP (NOT ILLUSTRATED)	5
15				
16				
17				
18	640562		DIFFERENTIAL LOCK COVER.....	1
19	71055G01		RIVET, 3/16" DIA.....	3
20				
21	10386G7		CLEVIS PIN, 1" LG	1
22	01110G01		FLAT WASHER, 1/4"	2
23	638929		NYLON SPACER, .252" I.D X .5" O.D X .375" LG.....	1
24	01076G01		COTTER PIN, 1.21" LG	1
25				
26	10386G2		CLEVIS PIN, .25" X 1" LG.....	1
27	638597		DIFFERENTIAL LOCK EXTENSION SPRING	1
28	01076G01		COTTER PIN, 1.21" LG	1

ELECTRICAL SYSTEM



ELECTRICAL SYSTEM

THE USE OF NON U.L. PARTS WILL VOID ANY U.L. LISTING.

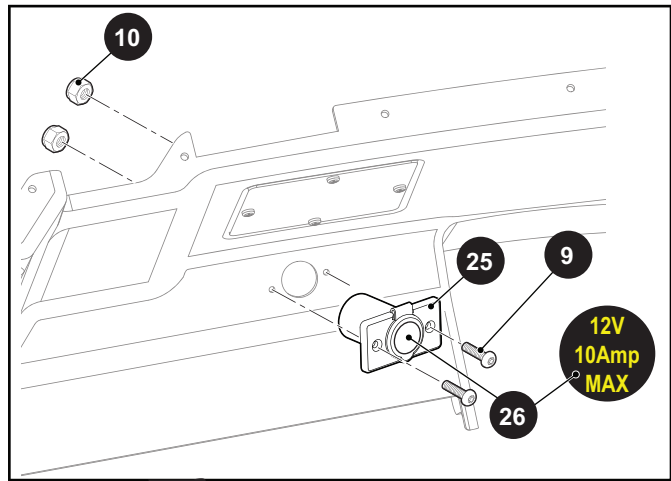
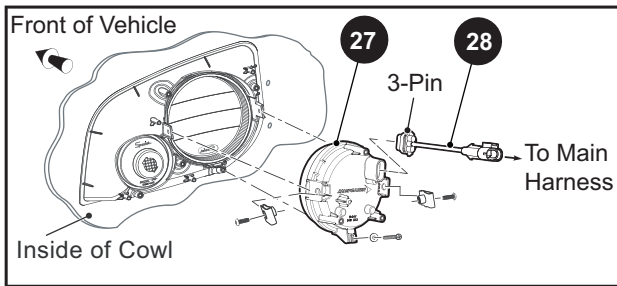
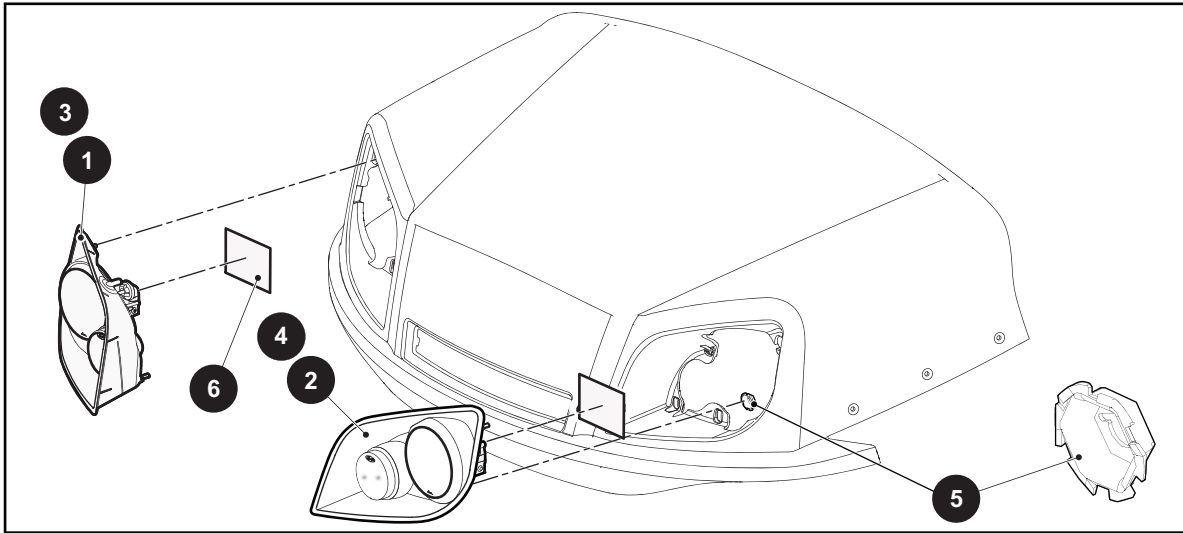
When ordering parts, please specify the model and serial number of the product.

* Indicates a component that is not available as an individual part.

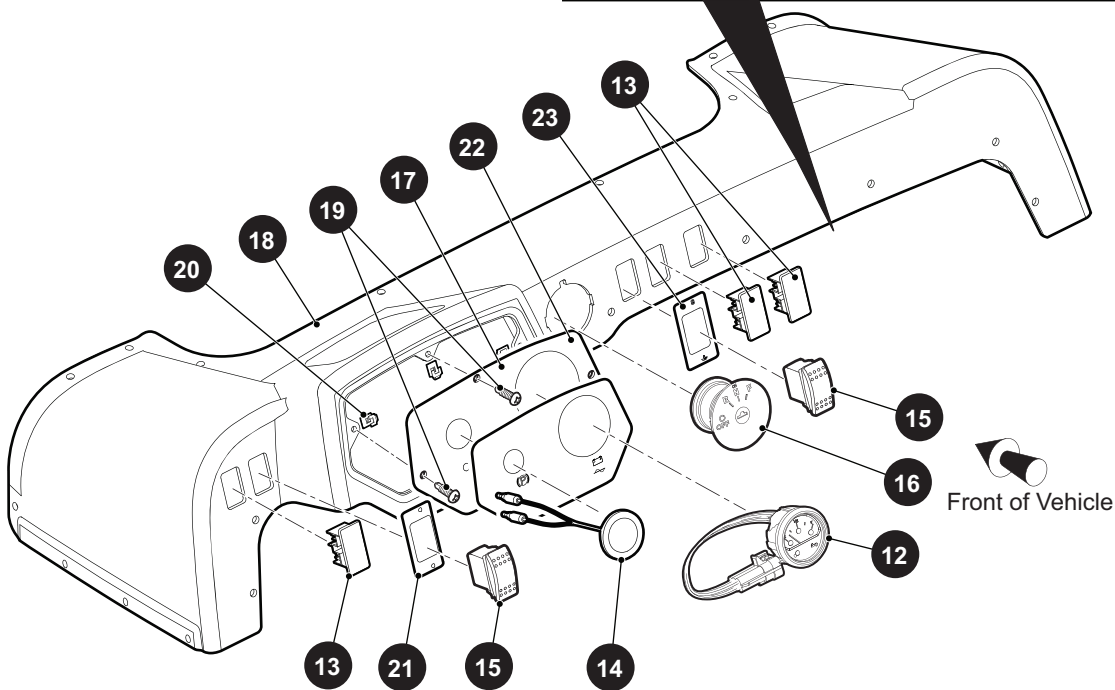
*** Indicates consult Customer Service Department for additional information.

ITEM	PART NO.	1 2 3 4 5	DESCRIPTION	QTY.
1	650850		CONTROL HARNESS	1
2				
3	640235		SIDE PAN BRACKET.....	1
4	00715G2		FLANGED HEX HEAD BOLT, 5/16" - 18 X .80" LG	4
5				
6	640361		CONTACTOR AND FUSE BLOCK COVER.....	1
7	606421		FLANGED HEX HEAD BOLT, M6 - 1 X 30MM LG.....	3
8	00793G2		FLAT WASHER (SS), 1/4".....	2
9	635402		HEX NUT INSERT, M6 X 1MM	2
10	601476		FLANGED LOCK NUT, M6 - 1	3
11	636456		WIRE (CTLR B+ TO SOL)	1
12				
13	602904		TETHER CABLE	1
14				
15	629678		WIRE GUIDE BRACKET	1
16	71055G01		RIVET, 3/16" LG	3
17				
18	635684		WIRE (B+ TO SOL).....	1
19	652600		FUSE BLOCK DECAL	1
20	35212G01		FUSE, 15 AMP (NOT ILLUSTRATED).....	1
21	35212G02		FUSE, 20 AMP (NOT ILLUSTRATED).....	1
22	35212G07		FUSE, 10 AMP (NOT ILLUSTRATED).....	1
23				
24	644602		FUSE BLOCK BRACKET	1
25	10570G10		RIVET (SS), 5/32"	2
26	632372		TAPPING SCREW, #10 - 32 X 3/4" LG.....	2

ELECTRICAL SYSTEM



- 3 LED HEADLIGHT ASSEMBLY includes item 27
- 4 LED HEADLIGHT ASSEMBLY includes item 27



ELECTRICAL SYSTEM

THE USE OF NON U.L. PARTS WILL VOID ANY U.L. LISTING.

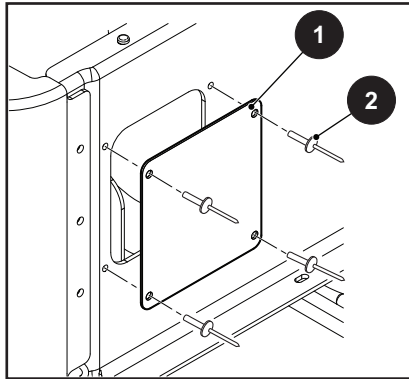
When ordering parts, please specify the model and serial number of the product.

* Indicates a component that is not available as an individual part.

*** Indicates consult Customer Service Department for additional information.

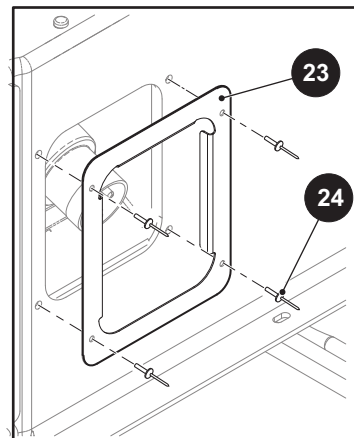
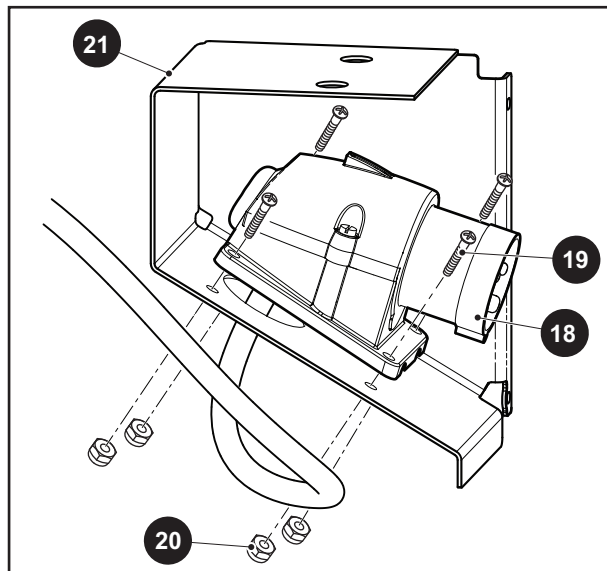
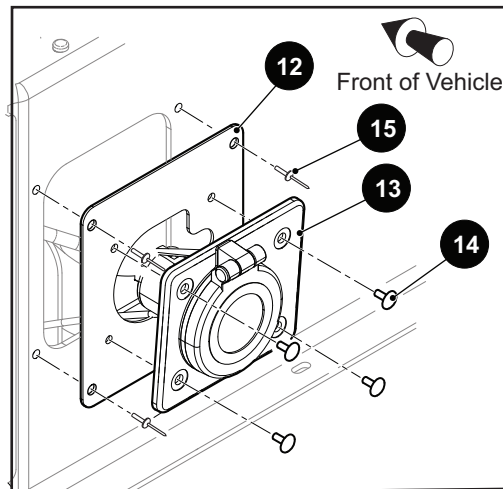
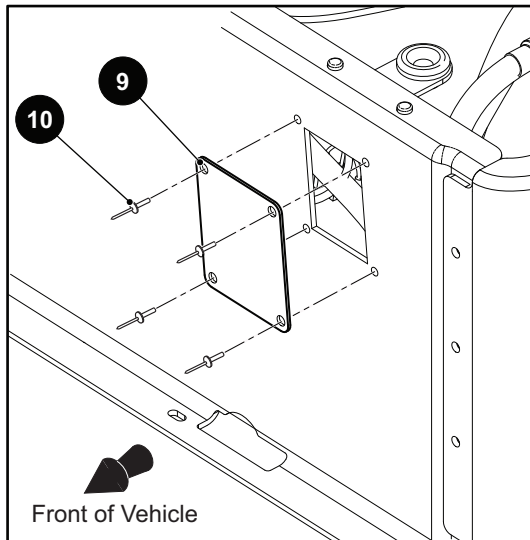
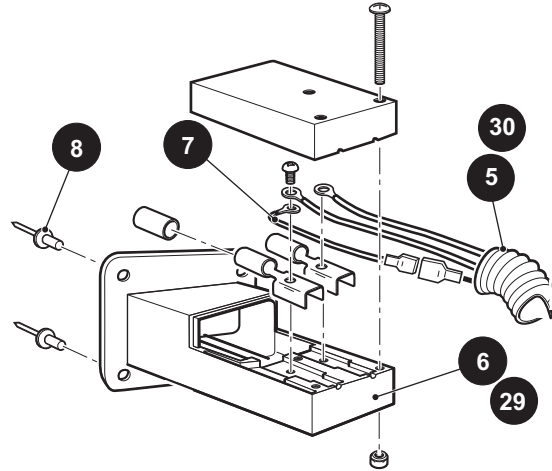
ITEM	PART NO.	1 2 3 4 5	DESCRIPTION	QTY.
1	614497		HEADLIGHT W/O TURN SIGNAL (PASSENGER SIDE)	1
2	614501		HEADLIGHT W/O TURN SIGNAL (DRIVER SIDE)	1
3	659008		LED HEADLIGHT ASSEMBLY (PASSENGER SIDE) (INCLUDES ITEM 27).	1
4	659009		LED HEADLIGHT ASSEMBLY (DRIVER SIDE) (INCLUDES ITEM 27)	1
5	71597G01		SELF THREADING NUT, 5MM X 10MM X 15MM	4
6	71781G02		VINYL TAPE	2
7	619100		HEADLIGHT BULB (NOT ILLUSTRATED)	2
8	31539G1		NYLON CLAMP (NOT ILLUSTRATED)	AR
9	600543		TORX BOLT, M4 - .7 X 12MM LG	2
10	602053		LOCK NUT, M4 - .7	2
11				
12	631656		STATE OF CHARGE METER	1
13	627035		PLUG	1
14	627837		WARNING LIGHT	1
15	628931		2 POSITION SWITCH	1
16	609692		KEY SWITCH	1
17	638063G01		CONTROL COVER	1
18	638058		DASH PANEL	1
19	608290		PAN HEAD SELF TAPPING SCREW, #10 - 16 X 3/4" LG	4
20	71364G03		"J" TYPE SPEED NUT, #8	4
21	632907		LIGHT SWITCH LABEL	1
22	632909		CONTROL PANEL WITH BRAKE LIGHT	1
23	632910		SPORT/ECON SWITCH LABEL	1
24				
25	71078G01		12V POWER OUTLET	1
26	637067		12V OUTLET DECAL	1
27	651411G03		LED HEADLIGHT	1
28	654465		JUMPER HARNESS, LED HEADLIGHT	2

ELECTRICAL SYSTEM



4 CHARGER RECEPTACLE ASSEMBLY includes items 5 - 7

28 CHARGER RECEPTACLE ASSEMBLY includes items 29 - 30
(VEHICLES MANUFACTURED FROM JUNE 2015)



ELECTRICAL SYSTEM

THE USE OF NON U.L. PARTS WILL VOID ANY U.L. LISTING.

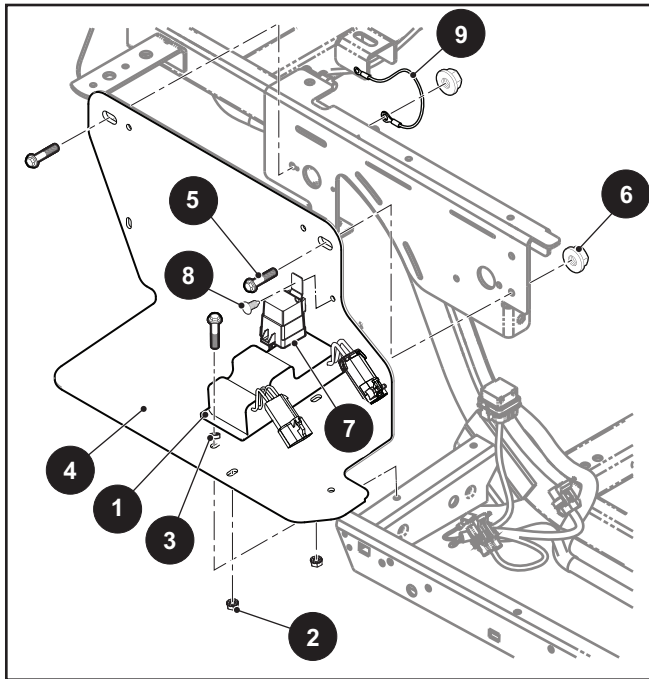
When ordering parts, please specify the model and serial number of the product.

* Indicates a component that is not available as an individual part.

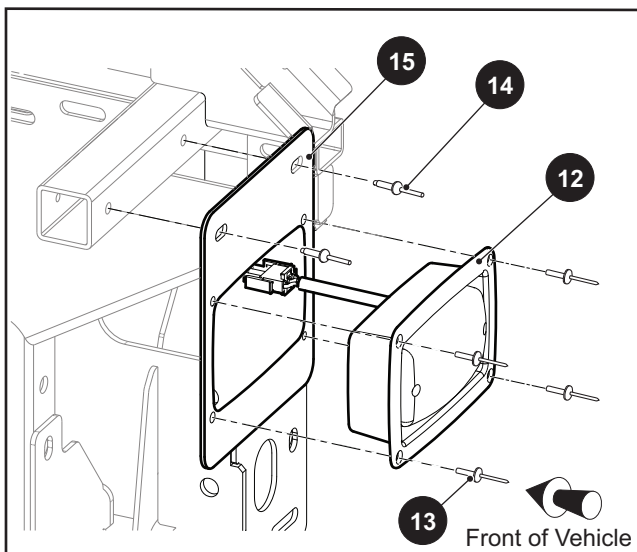
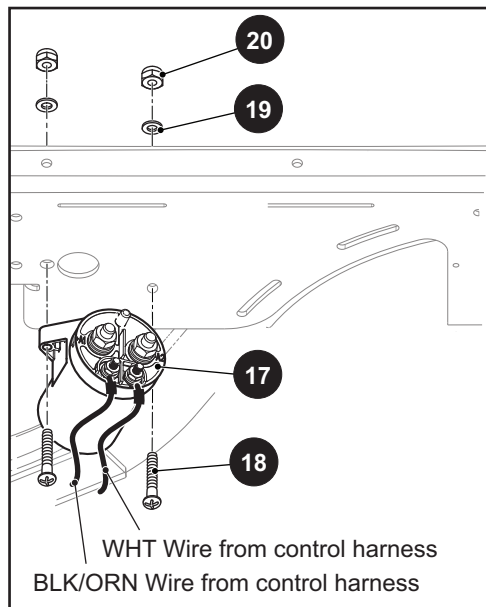
*** Indicates consult Customer Service Department for additional information.

ITEM	PART NO.	1 2 3 4 5	DESCRIPTION	QTY.
1	633014G02		COVER PLATE	1
2	71055G01		RIVET, 3/16" LG	4
3				
4	73063G03		CHARGER RECEPTACLE ASSEMBLY (INCLUDES ITEMS 5 - 7).....	1
5	602594		CHARGER HARNESS	1
6	73051G30		CHARGING RECEPTACLE.....	1
7	25978G25		18 GA WIRE (RED 9").....	1
8	71055G01		RIVET, 3/16".....	4
9	633018		COVER PLATE	1
10	71055G01		RIVET, 3/16".....	4
11				
12	633014G03		COVER PLATE ON BOARD CHARGER	1
13	610536		RECEPTACLE ON BOARD CHARGER	1
14	14601G10		RIVET (ALUMINIUM), 5/32"	4
15	71055G01		RIVET, 3/16" LG	4
16				
17				
18	638478		AC RECEPTACLE (CE VEHICLES)	1
19	00379G4		PAN HEAD PHILLIPS SCREW, #10 - 24 X 1/2" LG	4
20	14390G10		LOCK NUT, #10 - 24	4
21	639167		RECEPTACLE BRACKET	1
22				
23	639412		RECEPTACLE COVER PLATE	1
24	10570G10		RIVET (SS), .156" X .55"	4
25				
26	637525		ON-BOARD CHARGER HARNESS (NOT ILLUSTRATED)	1
27				
28	645723		CHARGER RECEPTACLE ASSEMBLY (INCLUDES ITEMS 29 - 30) (VEHICLES MANUFACTURED FROM JUNE 2015).....	1
29	73051G29		CHARGING RECEPTACLE.....	1
30	645688		CHARGER HARNESS, 72V	1

ELECTRICAL SYSTEM



1 DC/DC CONVERTER, 72V includes item 2



ELECTRICAL SYSTEM

THE USE OF NON U.L. PARTS WILL VOID ANY U.L. LISTING.

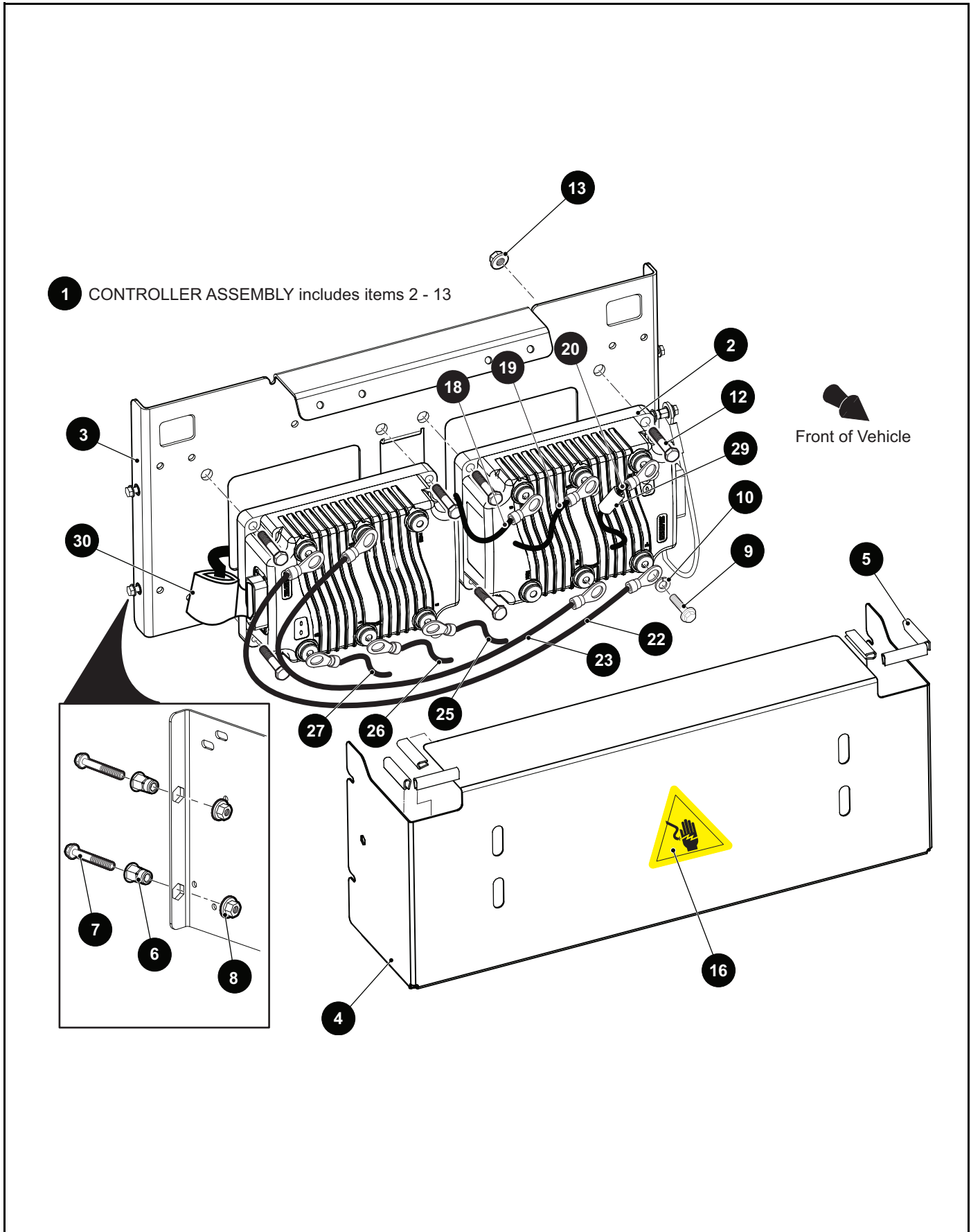
When ordering parts, please specify the model and serial number of the product.

* Indicates a component that is not available as an individual part.

*** Indicates consult Customer Service Department for additional information.

ITEM	PART NO.	1 2 3 4 5	DESCRIPTION	QTY.
1	633778		DC/DC CONVERTER, 72V (INCLUDES ITEM 2).....	1
2	14390G4		LOCK NUT, 1/4" - 20	2
3	23726G11		SPACER, .30" LG	2
4	640174		CHARGER BRACKET	1
5	606421		FLANGED HEX HEAD BOLT, M6 - 1 X 30MM LG.....	3
6	450452		FLANGED HEX NUT, M6 X 1	3
7	650845		RELAY, 72V.....	1
8	16816G2		RATCHET RIVET, .25" X .887"	1
9	641683		JUMPER WIRE, 16 AWG.....	1
10				
11				
12	629148		TAILLIGHT ASSEMBLY	1
13	71055G01		RIVET, 3/16".....	4
14	01057G01		RIVET, 1/4" X 1" LG	2
15	640586		TAILLIGHT BRACKET	1
16				
17	629147G01		CONTACTOR 72V, 500AMP.....	1
18	00789G2		TRUSS HEAD PHILLIPS SCREW #10 - 24 X 1.25" LG	2
19	00660G5		FLAT WASHER (SS), #10.....	2
20	14390G10		LOCK NUT, #10 - 24	2

ELECTRICAL SYSTEM



ELECTRICAL SYSTEM

THE USE OF NON U.L. PARTS WILL VOID ANY U.L. LISTING.

When ordering parts, please specify the model and serial number of the product.

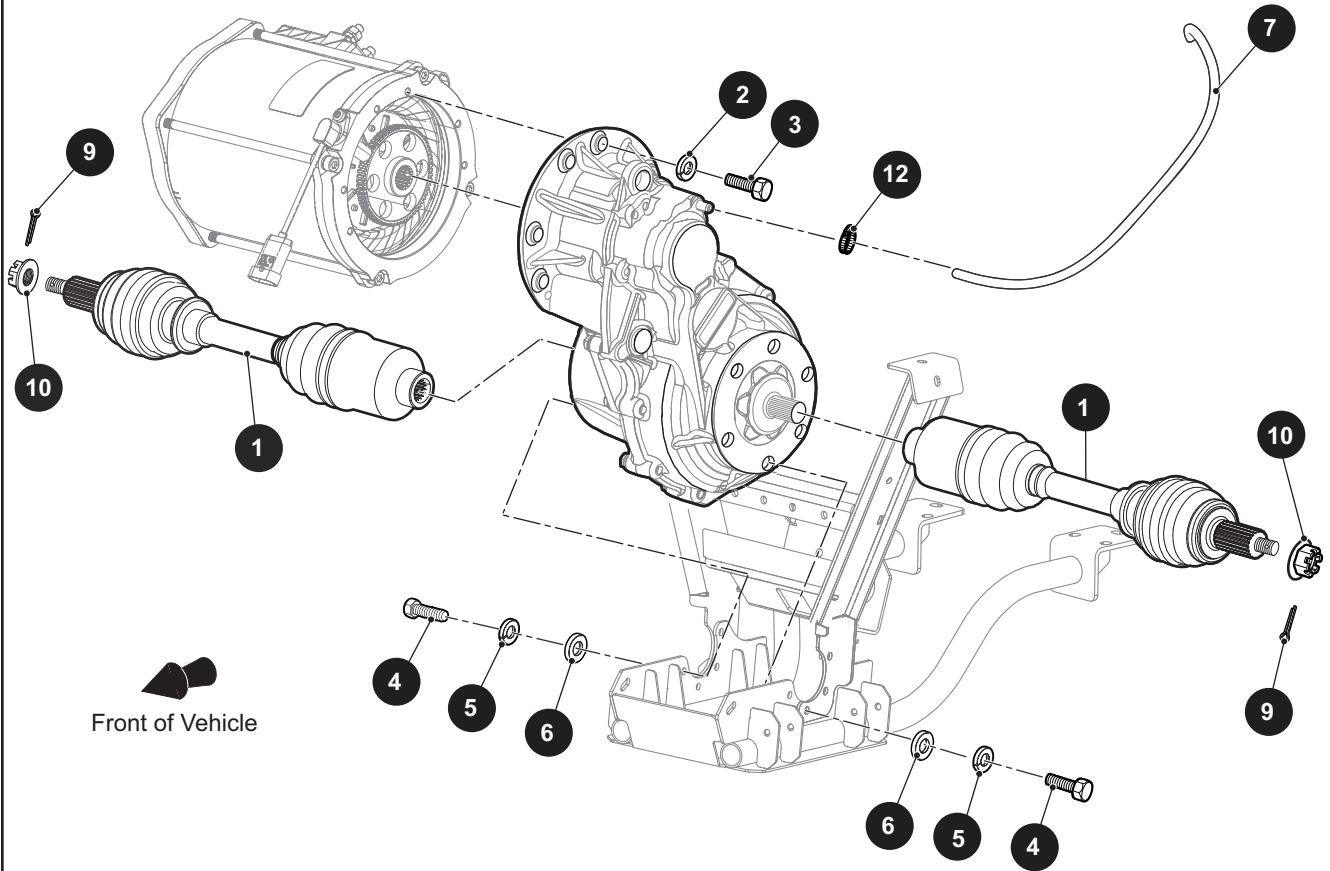
* Indicates a component that is not available as an individual part.

*** Indicates consult Customer Service Department for additional information.

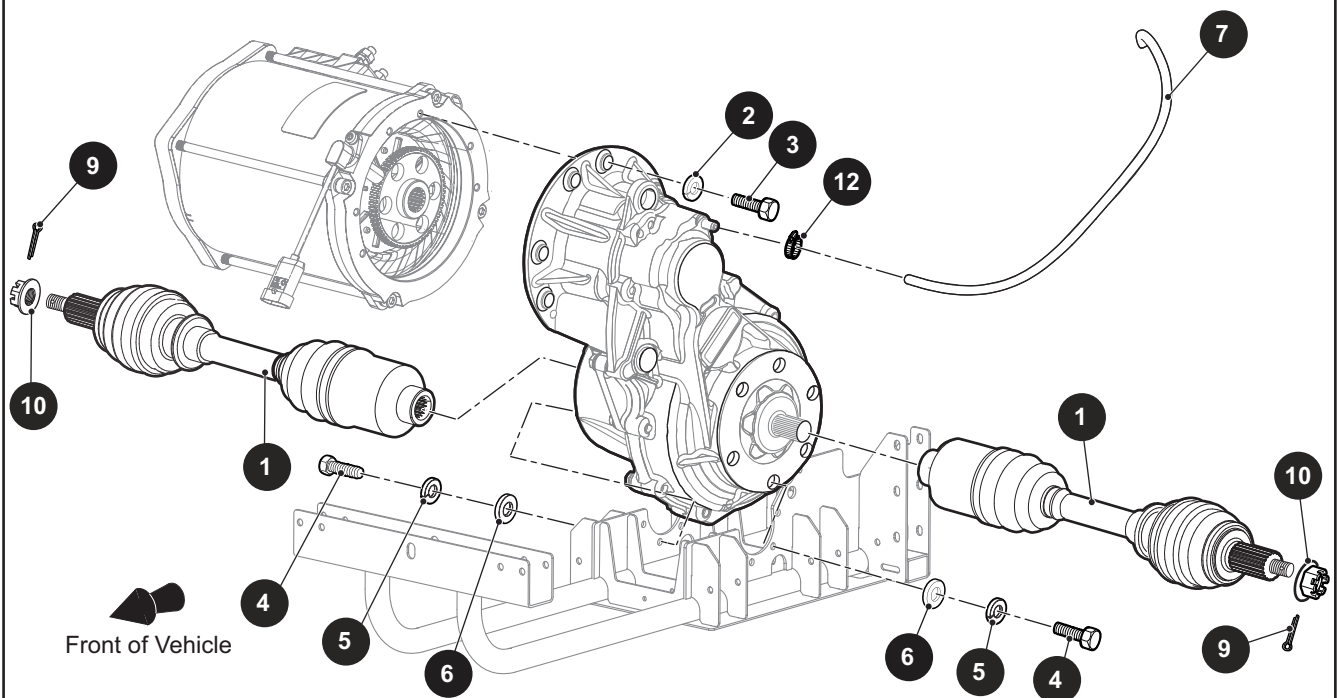
ITEM	PART NO.	1 2 3 4 5	DESCRIPTION	QTY.
1	637760		CONTROLLER ASSEMBLY (INCLUDES ITEMS 2 - 13).....	1
2	639792		CONTROLLER	2
3	639744		CONTROLLER BRACKET	1
4	639740		COVER.....	1
5	635932		TRIM, 2".....	6
6	635402		HEX NUT INSERT, M6 X 1MM.....	4
7	606421		FLANGED HEX HEAD BOLT, M6 - 1 X 30MM	4
8	601476		FLANGED LOCK NUT, M6 - 1.....	4
9	606262		FLANGED HEX HEAD BOLT, M8 - 1.25 X 16MM LG	12
10	606272		LOCK WASHER, 8MM	12
11				
12	00415G4		HEX HEAD BOLT, 1/4" - 20 X 1 1/4" LG.....	4
13	14390G4		FLANGED LOCK NUT, 1/4" - 20	4
14				
15				
16	71415G01		ELECTRICAL SHOCK WARNING DECAL	1
17				
18	632889		FRONT MOTOR WIRE (U), 134" LG	1
19	632888		FRONT MOTOR WIRE (V), 134" LG	1
20	632890		FRONT MOTOR WIRE (W), 134" LG	1
21				
22	639479		WIRE, CTRL B- TO CTRL B-	1
23	639478		WIRE, CTRL B+ TO CTRL B+	1
24				
25	628668		REAR MOTOR WIRE (U), 30" LG	1
26	628665		REAR MOTOR WIRE (V), 30" LG.....	1
27	628667		REAR MOTOR WIRE (W), 30" LG.....	1
28				
29	641734		FERRITE CLAMP, 13.05MM I.D	6
30	641674		FERRITE CLAMP, 25.65MM I.D	2

FRONT AND REAR AXLE

FRONT POWERTRAIN



REAR POWERTRAIN



FRONT AND REAR AXLE

THE USE OF NON U.L. PARTS WILL VOID ANY U.L. LISTING.

When ordering parts, please specify the model and serial number of the product.

* Indicates a component that is not available as an individual part.

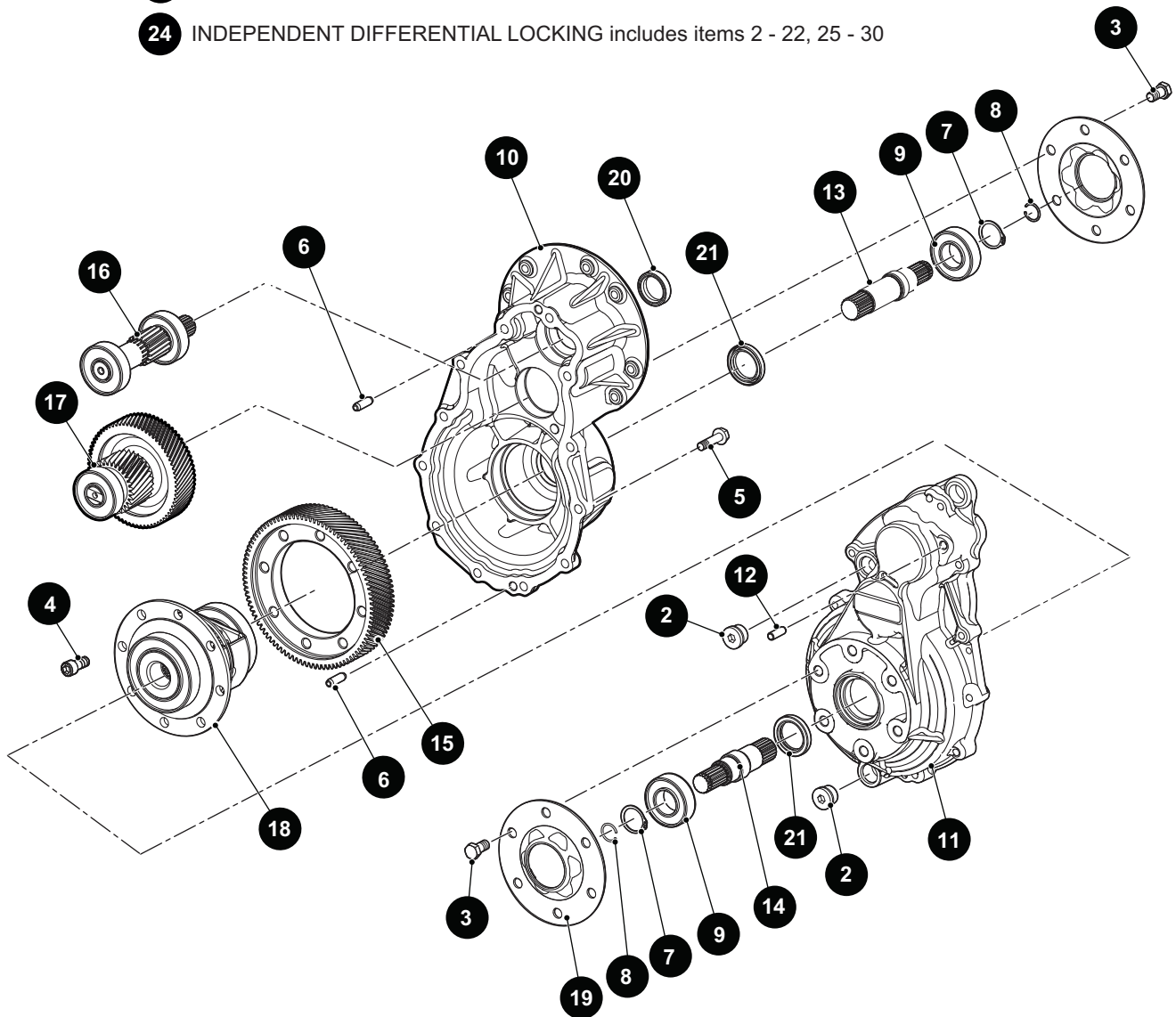
*** Indicates consult Customer Service Department for additional information.

ITEM	PART NO.	1 2 3 4 5	DESCRIPTION	QTY.
1	653033		CV AXLE ASSEMBLY	1
2	601327		LOCK WASHER, 6MM.....	6
3	605741		HEX HEAD BOLT, M6 - 1 X 25MM LG.....	6
4	306835		HEX HEAD BOLT, 3/8" - 16 X 1 1/4" LG	8
5	608654		SPLIT LOCK WASHER, 10MM.....	8
6	00571G3		FLAT WASHER, 5/16"	8
7	616705		BREATHER HOSE.....	1
8	31539G1		NYLON CLAMP (NOT ILLUSTRATED)	1
9	10387G1		COTTER PIN, .125" X 1.5"	1
10	635491		FLANGED CASTLE NUT, M16 X 1.5.....	1
11				
12	11391G4		HOSE CLAMP, DIA .25"	2

FRONT AND REAR AXLE

1 INDEPENDENT DIFFERENTIAL includes items 2 - 22

24 INDEPENDENT DIFFERENTIAL LOCKING includes items 2 - 22, 25 - 30



FRONT AND REAR AXLE

THE USE OF NON U.L. PARTS WILL VOID ANY U.L. LISTING.

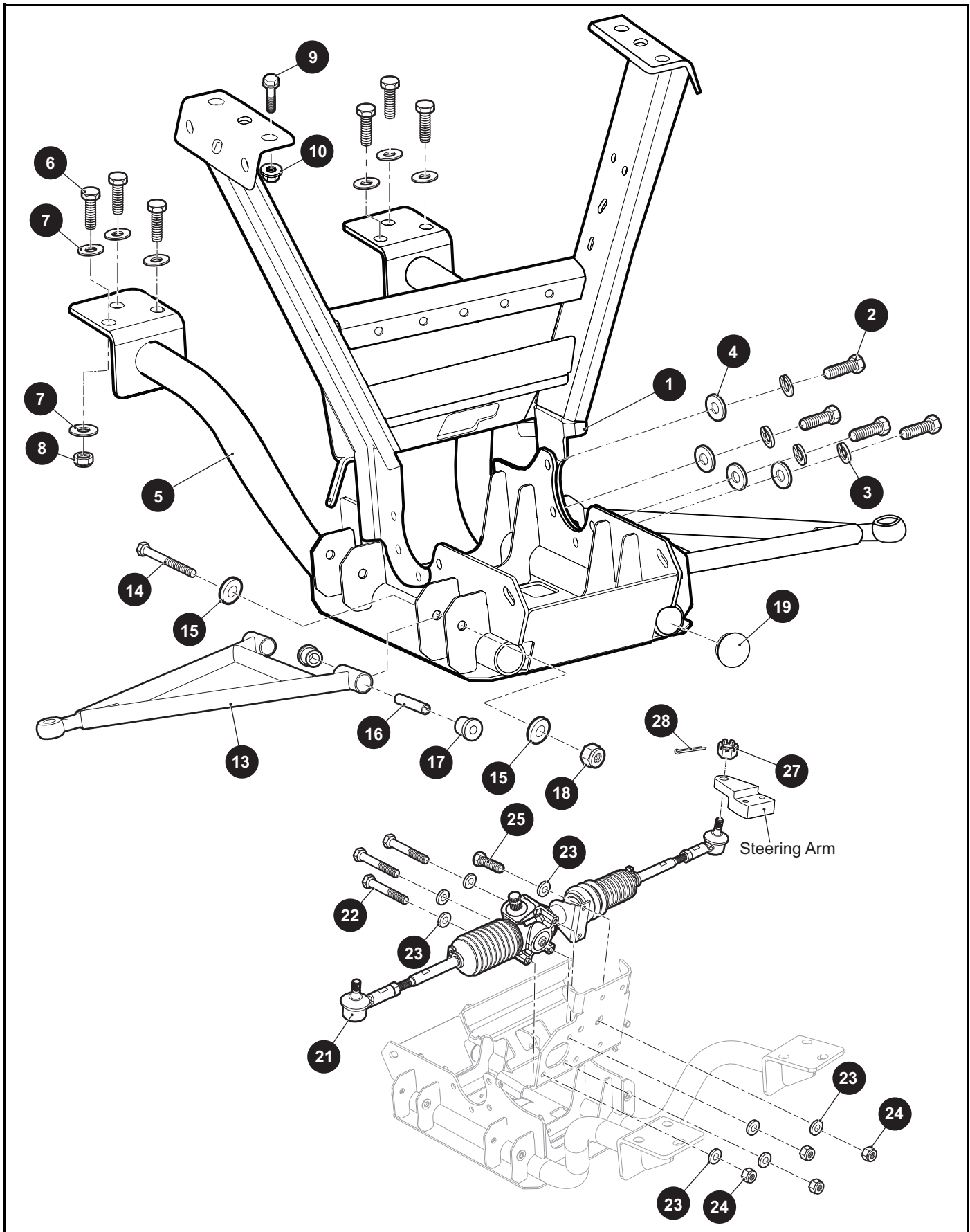
When ordering parts, please specify the model and serial number of the product.

* Indicates a component that is not available as an individual part.

*** Indicates consult Customer Service Department for additional information.

ITEM	PART NO.	1 2 3 4 5	DESCRIPTION	QTY.
1	640196G02		INDEPENDENT DIFFERENTIAL, 14.87: 1 (INCLUDES ITEMS 2 - 22)	1
2	*		PLUG, 3/4" - 16	2
3	*		HEX HEAD BOLT, 3/8" - 16 X .75" LG.....	6
4	*		HEX HEAD BOLT, 3/8" - 24 X .875" LG.....	8
5	*		HEX WASHER HEAD TAPPING BOLT, 5/16" - 18 X 1.25" LG	12
6	*		PIN, 5/16" X 1	2
7	*		RETAINING RING, 25MM	1
8	*		RETAINING RING	1
9	*		BALL BEARING, 25MM X 52MM X 15MM	1
10	*		GEAR CASE - LH, INDEPENDENT	1
11	*		GEAR CASE - RH, INDEPENDENT.....	1
12	*		VENT TUBE, 1/4" HOSE	1
13	*		OUTPUT SHAFT, LH.....	1
14	*		OUTPUT SHAFT, RH	1
15	*		HELICAL OUTPUT GEAR.....	1
16	*		INPUT MOTOR SHAFT SUBASSEMBLY	1
17	*		INTERMEDIATE SHAFT SUBASSEMBLY	1
18	*		DIFFERENTIAL SUBASSEMBLY	1
19	*		BEARING RETAINER.....	1
20	643972		TRIPLE LIP SEAL, 25 X 35 X 7.8.....	1
21	643971		DUAL LIP SEAL, 29 X 42 X 7	2
22	*		VENT TUBE CAP (NOT ILLUSTRATED)	1
23				
24	631489G02		INDEPENDENT DIFFERENTIAL LOCKING, 14.87:1 (INCLUDES ITEMS 2 - 22, 25 - 30)	1
25	*		ENGAGEMENT (NOT ILLUSTRATED)	1
26	*		ACTUATOR (NOT ILLUSTRATED)	1
27	*		DUAL LIP SEAL (NOT ILLUSTRATED).....	1
28	*		FLAT WASHER (NOT ILLUSTRATED)	1
29	*		RETAINING RING (NOT ILLUSTRATED)	1
30	*		BELL CRANK (NOT ILLUSTRATED)	1

FRONT SUSPENSION AND STEERING



FRONT SUSPENSION AND STEERING

THE USE OF NON U.L. PARTS WILL VOID ANY U.L. LISTING.

When ordering parts, please specify the model and serial number of the product.

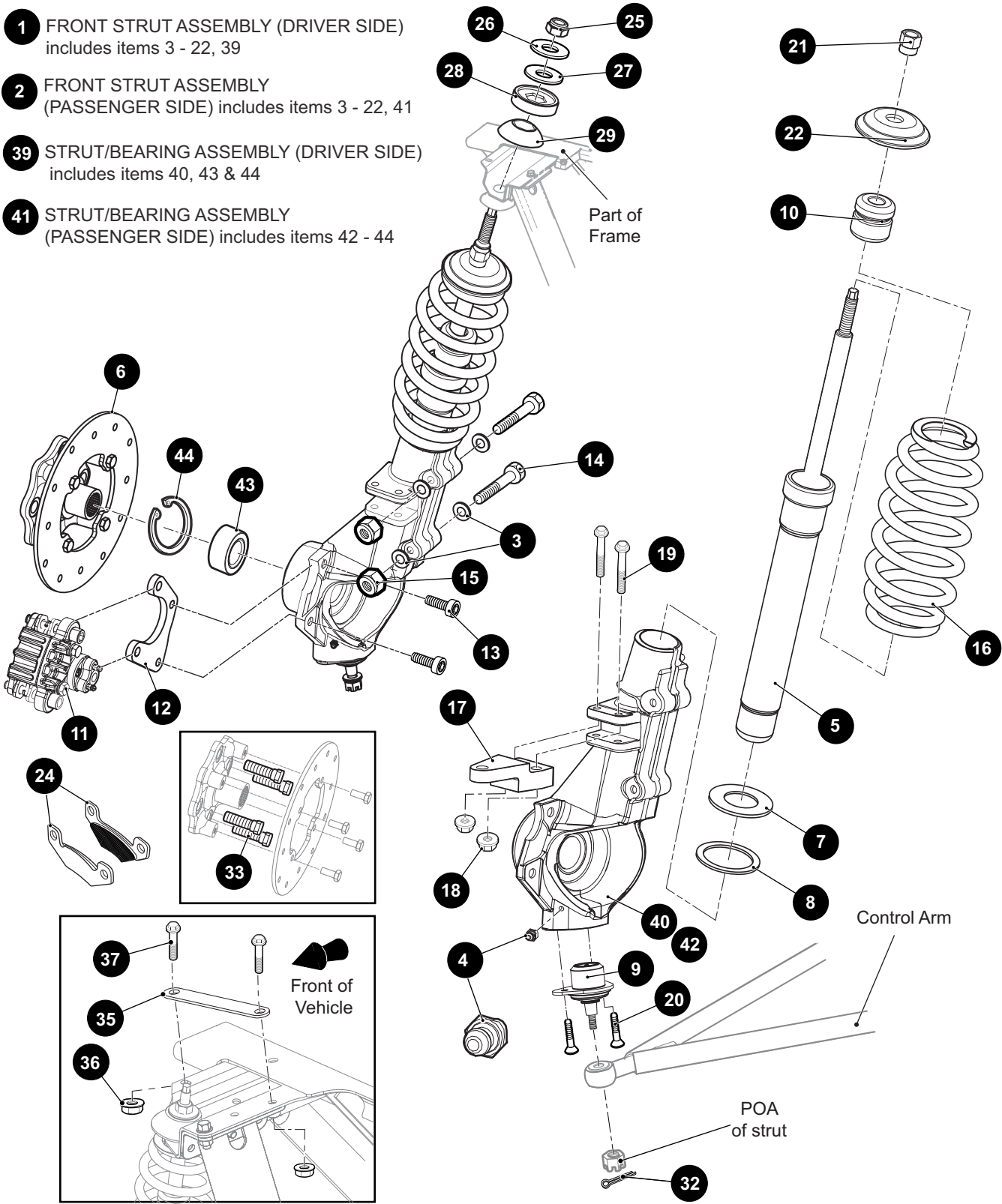
* Indicates a component that is not available as an individual part.

*** Indicates consult Customer Service Department for additional information.

ITEM	PART NO.	1 2 3 4 5	DESCRIPTION	QTY.
1	641999		FRONT SUSPENSION WELDMENT.....	1
2	306835		HEX HEAD BOLT, 3/8" - 16 X 1 1/4" LG.....	8
3	608654		LOCK WASHER, 10.5MM.....	8
4	00571G3		FLAT WASHER, 5/16".....	8
5	637378		POWERTRAIN WELDMENT (FRONT).....	1
6	00463G11		HEX HEAD BOLT, 7/16" - 14 X 1 1/2" LG.....	3
7	306982		FLAT WASHER, .34".....	6
8	00734G1		LOCK NUT, 7/16" - 14.....	3
9	641289		FLANGED HEX HEAD BOLT, 3/8" - 16 X 1" LG.....	3
10	11027G5		FLANGED LOCK NUT, 3/8" - 16.....	3
11				
12				
13	638383G01		CONTROL ARM.....	1
14	00429G4		HEX HEAD BOLT, 3/8" - 16.....	2
15	00560G1		FLAT WASHER, 3/4".....	4
16	638223		SPLIT SEAM SPACER, 3/8" X 2.39".....	2
17	637745		CONTROL ARM BUSHING.....	4
18	11098G5		LOCK NUT, 3/8" - 16.....	2
19	628915		PLASTIC PLUG, 1.5" DIA.....	1
20				
21	641778		STEERING RACK.....	1
22	00441G8		HEX HEAD BOLT, 5/16" - 18 X 4" LG.....	3
23	00570G2		FLAT WASHER, 7/8".....	10
24	11098G6		LOCK NUT, 5/16" - 18.....	5
25	00438G8		HEX HEAD BOLT, 5/16" - 18 X 5/8" LG.....	2
26				
27	608005		CASTLE NUT, M12 - 1.25".....	1
28	10387G2		COTTER PIN, .094 X 1".....	1

FRONT SUSPENSION AND STEERING

- 1** FRONT STRUT ASSEMBLY (DRIVER SIDE)
includes items 3 - 22, 39
- 2** FRONT STRUT ASSEMBLY (PASSENGER SIDE)
includes items 3 - 22, 41
- 39** STRUT/BEARING ASSEMBLY (DRIVER SIDE)
includes items 40, 43 & 44
- 41** STRUT/BEARING ASSEMBLY (PASSENGER SIDE)
includes items 42 - 44



FRONT SUSPENSION AND STEERING

THE USE OF NON U.L. PARTS WILL VOID ANY U.L. LISTING.

When ordering parts, please specify the model and serial number of the product.

* Indicates a component that is not available as an individual part.

*** Indicates consult Customer Service Department for additional information.

ITEM	PART NO.	1 2 3 4 5	DESCRIPTION	QTY.
1	637429		FRONT STRUT ASSEMBLY (DRIVER SIDE) (INCLUDES ITEMS 3 - 22, 39)	1
2	637430		FRONT STRUT ASSEMBLY (PASSENGER SIDE) (INCLUDES ITEMS 3 - 22, 41)	1
3	103867		FLAT WASHER, .31"	4
4	632405		GREASE FITTING.....	1
5	634705		SHOCK STRUT	1
6	633792G02		HUB	1
7	616053		WASHER	1
8	616060		STRUT WASHER, 52MM	1
9	645047		STRUT BALL JOINT.....	1
10	616073		STRUT BUMPER	1
11	638129		BRAKE CALIPER	1
12	616451		BRAKE CALIPER BRACKET	1
13	616596		SOCKET HEAD BOLT, 3/8" - 24 X 3/4" LG	2
14	616672		HEX HEAD BOLT, M8 - 1.25 X 60MM LG	2
15	616673		LOCK NUT, M8.....	2
16	640354		SPRING	1
17	626725		STEERING ARM	1
18	630803		LOCK NUT, 5/16" - 18	2
19	630804G01		FLANGED HEX HEAD BOLT, 5/16" - 18 X 2" LG.....	2
20	616597		FLAT HEAD TORX SCREW, 1/4" - 20 X 3/4" LG	2
21	616056		SPRING RETAINING NUT, M12 - 1.25.....	1
22	634967		COIL SPRING CAP	1
23				
24	633875		BRAKE PAD.....	2
25	625748		NYLOCK NUT, 1/2" - 13.....	1
26	636610		FLAT WASHER, 1".....	1
27	616701		RUBBER WASHER, 1.5MM X .76MM.....	1
28	629592		FEMALE STRUT BUSHING	1
29	629593		MALE STRUT BUSHING	1
30				

FRONT SUSPENSION AND STEERING

THE USE OF NON U.L. PARTS WILL VOID ANY U.L. LISTING.

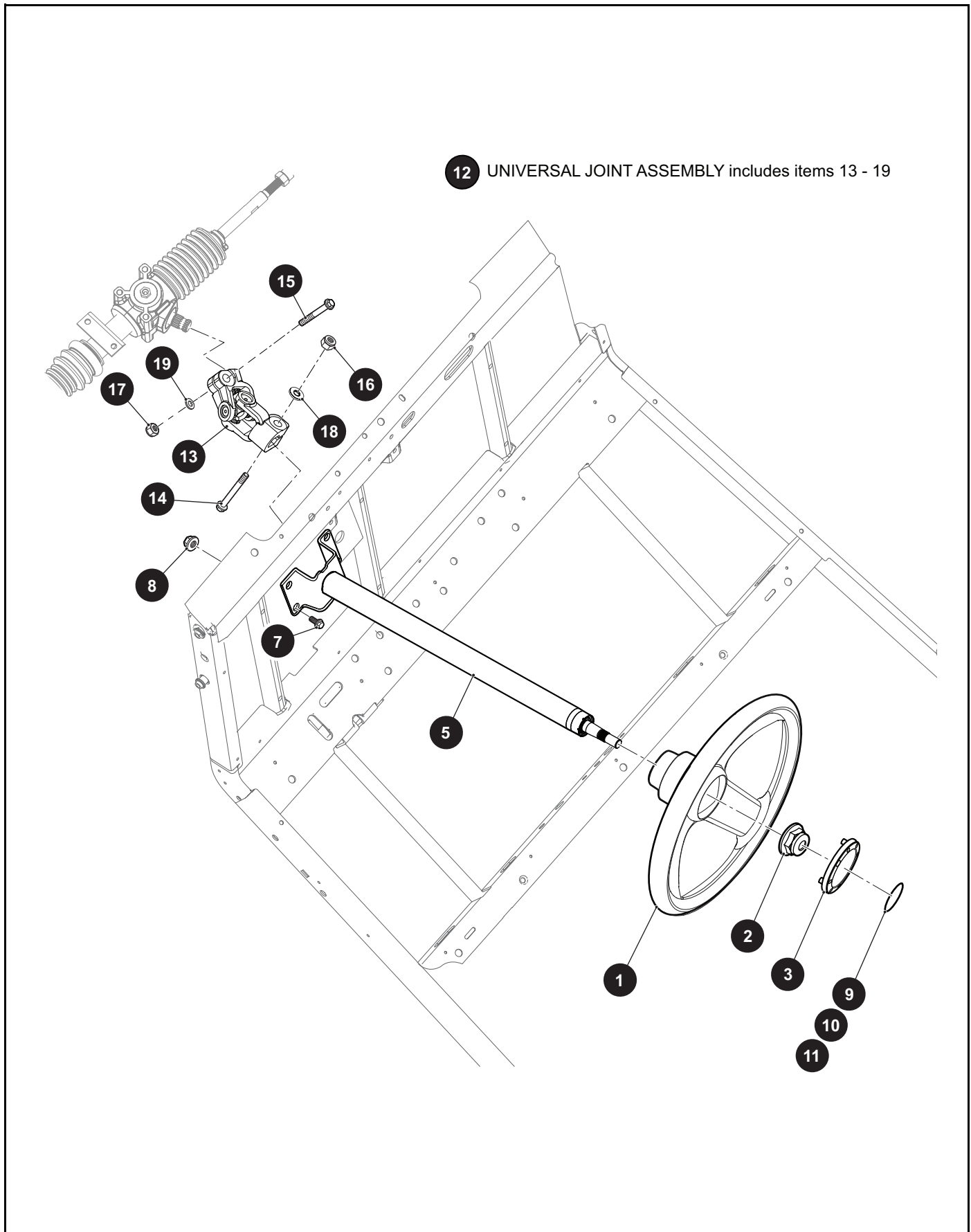
When ordering parts, please specify the model and serial number of the product.

* Indicates a component that is not available as an individual part.

*** Indicates consult Customer Service Department for additional information.

ITEM	PART NO.	1	2	3	4	5	DESCRIPTION	QTY.
31								
32	10387G2						COTTER PIN, .094 X 1"	1
33	19862G2						WHEEL STUD, 1/2" - 20 X 1.718" LG	4
34								
35	640847						SUPPORT PLATE	1
36	11027G5						FLANGED LOCK NUT, 3/8" - 16	2
37	641289						FLANGED HEX HEAD BOLT, 3/8" - 16 X 1 LG"	2
38								
39	642461G01						STRUT/BEARING ASSEMBLY (INCLUDES ITEM 40, 43 & 44) (DRIVER SIDE)	1
40	632410G03						STRUT BASE (DRIVER SIDE)	1
41	642461G02						STRUT/BEARING ASSEMBLY (INCLUDES ITEM 42 - 44) (PASSENGER SIDE)	1
42	632410G04						STRUT BASE (PASSENGER SIDE)	1
43	633663						WHEEL BEARING	1
44	632409						SNAP RING	1

FRONT SUSPENSION AND STEERING



FRONT SUSPENSION AND STEERING

THE USE OF NON U.L. PARTS WILL VOID ANY U.L. LISTING.

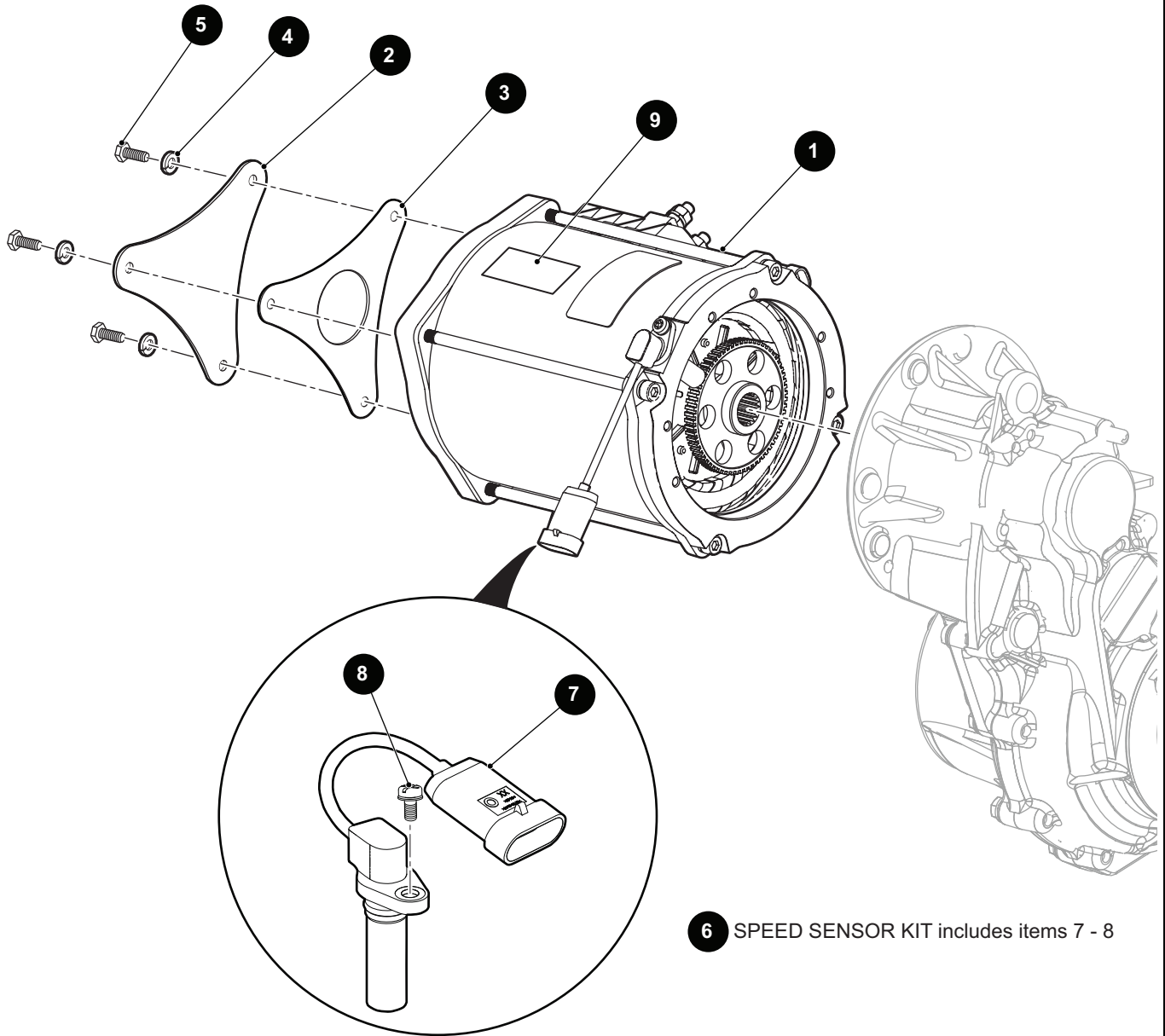
When ordering parts, please specify the model and serial number of the product.

* Indicates a component that is not available as an individual part.

*** Indicates consult Customer Service Department for additional information.

ITEM	PART NO.	1 2 3 4 5	DESCRIPTION	QTY.
1	639437		STEERING WHEEL.....	1
2	601709		LOCK NUT, M16 - 2".....	1
3	639439		STEERING WHEEL COVER	1
4				
5	642927		STEERING COLUMN ASSEMBLY	1
6				
7	603799		FLANGED HEX HEAD BOLT, M10 - 25 X 1.5MM LG.....	4
8	600525		LOCK NUT, M10 - 1.5	4
9	617802		STEERING WHEEL DECAL (FOR VEHICLES MANUFACTURED BEFORE 19 SEPTEMBER 2016)	1
10	650963		STEERING WHEEL DECAL (FOR VEHICLES MANUFACTURED AFTER 19 SEPTEMBER 2016, BEFORE 1 MAY 2017).....	1
11	663498		STEERING WHEEL DECAL (FOR VEHICLES MANUFACTURED AFTER 1 MAY 2017)	1
12	642482		UNIVERSAL JOINT ASSEMBLY (INCLUDES ITEMS 13 - 19).....	1
13	641777		UNIVERSAL STEERING JOINT.....	1
14	655898		FLANGED HEX HEAD BOLT, M8 - 1.25 X 45MM LG	1
15	642104		FLANGED HEX HEAD BOLT, M10 - 1.25 X 45MM LG	1
16	642477		LOCK NUT, M8 X 1.25	1
17	642478		LOCK NUT, M10 X 1.25	1
18	655855		FLAT WASHER, M8 X 15.8MM X 1.5MM.....	1
19	655878		FLAT WASHER, M10 X 20MM X 2.5MM.....	1

MOTOR

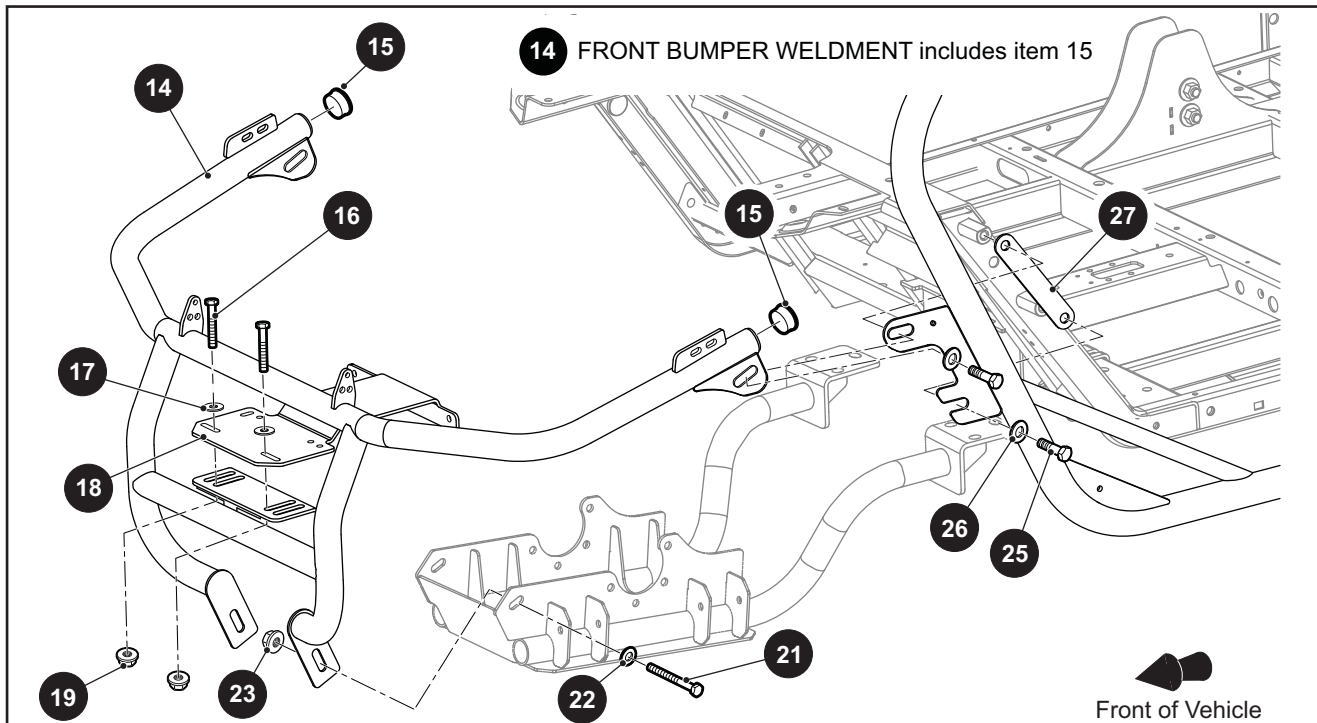
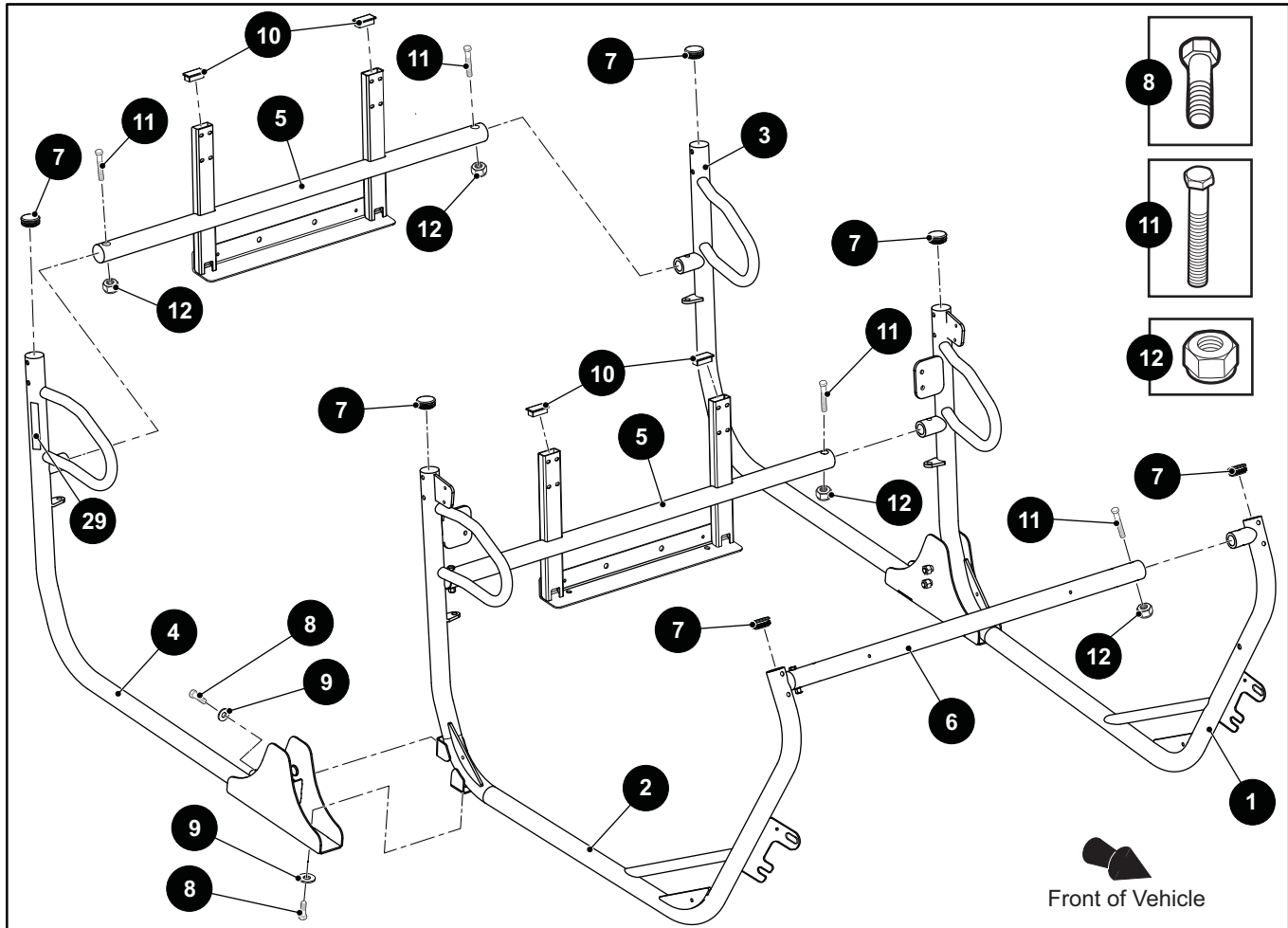


6 SPEED SENSOR KIT includes items 7 - 8

THE USE OF NON U.L. PARTS WILL VOID ANY U.L. LISTING.
 When ordering parts, please specify the model and serial number of the product.
 * Indicates a component that is not available as an individual part.
 *** Indicates consult Customer Service Department for additional information.

ITEM	PART NO.	1 2 3 4 5	DESCRIPTION	QTY.
1	629135		MOTOR, 72V	1
2	629596		MOTOR COVER - AC.....	1
3	629597		MOTOR COVER GASKET	1
4	601327		LOCK WASHER, 6MM.....	3
5	616716		HEX HEAD BOLT, M6 - 1 X 16MM LG.....	3
6	614252		SPEED SENSOR KIT (INCLUDES ITEMS 7 - 8)	1
7	612741		SPEED SENSOR	1
8	614253		PAN HEAD PHILLIPS SCREW, M6 X 1, 12MM LG	1
9	75696G01		HOT WARNING LABEL	1

OPERATOR PROTECTION SYSTEM



OPERATOR PROTECTION SYSTEM

THE USE OF NON U.L. PARTS WILL VOID ANY U.L. LISTING.

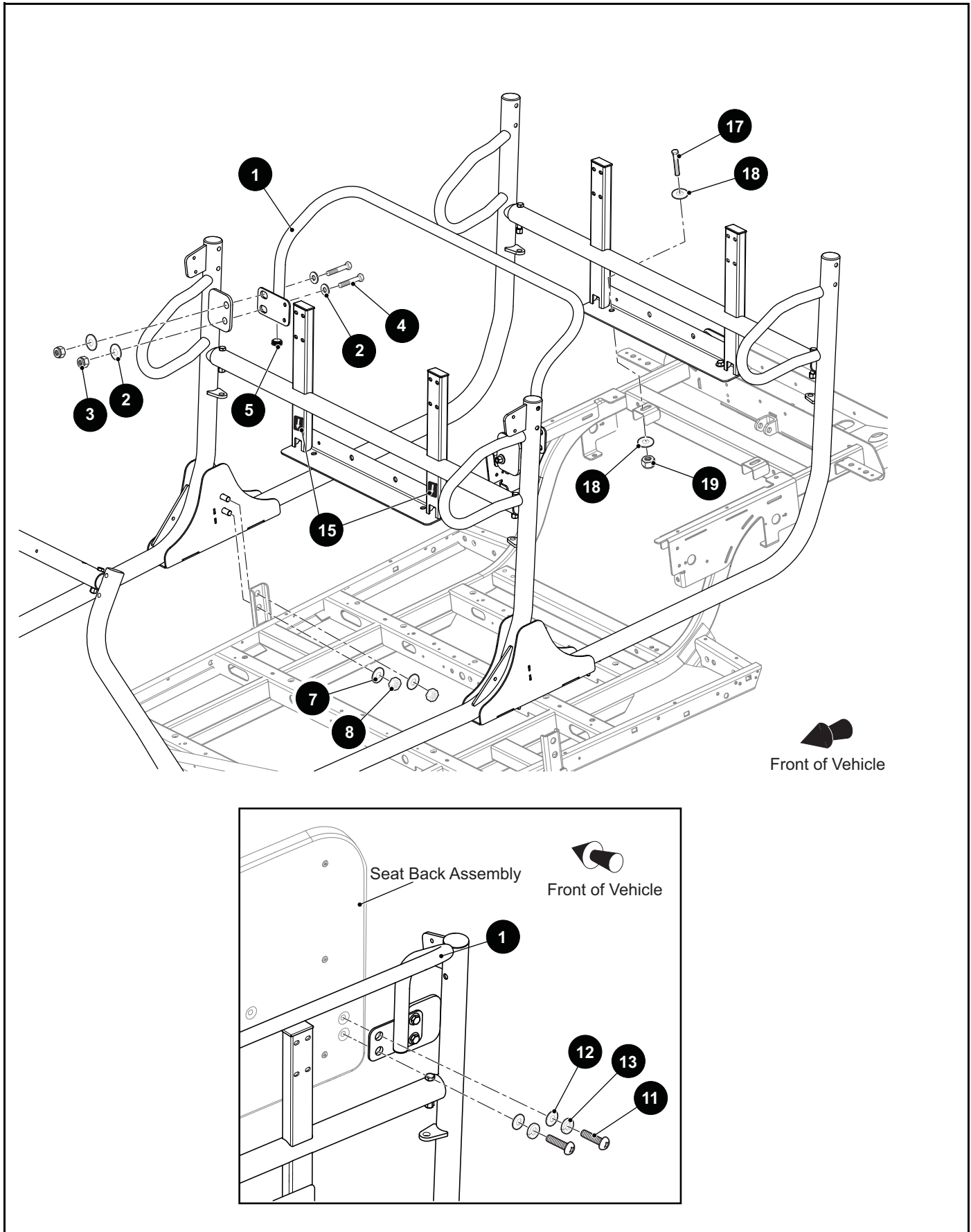
When ordering parts, please specify the model and serial number of the product.

* Indicates a component that is not available as an individual part.

*** Indicates consult Customer Service Department for additional information.

ITEM	PART NO.	1 2 3 4 5	DESCRIPTION	QTY.
1	634086		FRONT OPS BOTTOM (DRIVER SIDE)	1
2	634087		FRONT OPS BOTTOM (PASSENGER SIDE)	1
3	633476		REAR OPS BOTTOM (DRIVER SIDE)	1
4	633477		REAR OPS BOTTOM (PASSENGER SIDE)	1
5	637663		OPS SEAT SUPPORT	1
6	629023		FRONT CROSSBAR TUBE	1
7	630762		PLUG, 1.75 O.D.	2
8	638599		HEX HEAD BOLT, 1/2" - 13 X 1" LG	2
9	00643G3		FLAT WASHER, 0.54" I.D X 1.28" O.D	2
10	624934		PLASTIC PLUG, 1" X 2" LG	2
11	630642		HEX HEAD BOLT, 3/8" - 16 X 2 1/2" LG	2
12	630643		LOCK NUT, 3/8" - 16	2
13				
14	641470		FRONT BUMPER WELDMENT (INCLUDES ITEM 15)	1
15	643635		TUBE PLUG, 1.5 O.D.	2
16	00439G2		HEX HEAD BOLT, 5/16" - 18 X 1 1/4" LG	2
17	00642G8		FLAT WASHER, 5/16"	2
18	634047		WINCH PLATE	1
19	800697		LOCK NUT, 5/16" - 18	2
20				
21	00427G2		HEX HEAD BOLT, 3/8" - 16 X 1 1/4" LG	2
22	00571G2		FLAT WASHER, 5/16"	2
23	12262G1		LOCK NUT, 3/16" - 16	2
24				
25	311401		HEX HEAD BOLT, 1/2" - 13 X 1 1/2" LG	4
26	00643G3		FLAT WASHER, 0.54" I.D X 1.28" O.D	4
27	641790		WASHER PLATE, 7.41" LG	2
28				
29	74099G01		BED LATCH DECAL	1

OPERATOR PROTECTION SYSTEM



OPERATOR PROTECTION SYSTEM

THE USE OF NON U.L. PARTS WILL VOID ANY U.L. LISTING.

When ordering parts, please specify the model and serial number of the product.

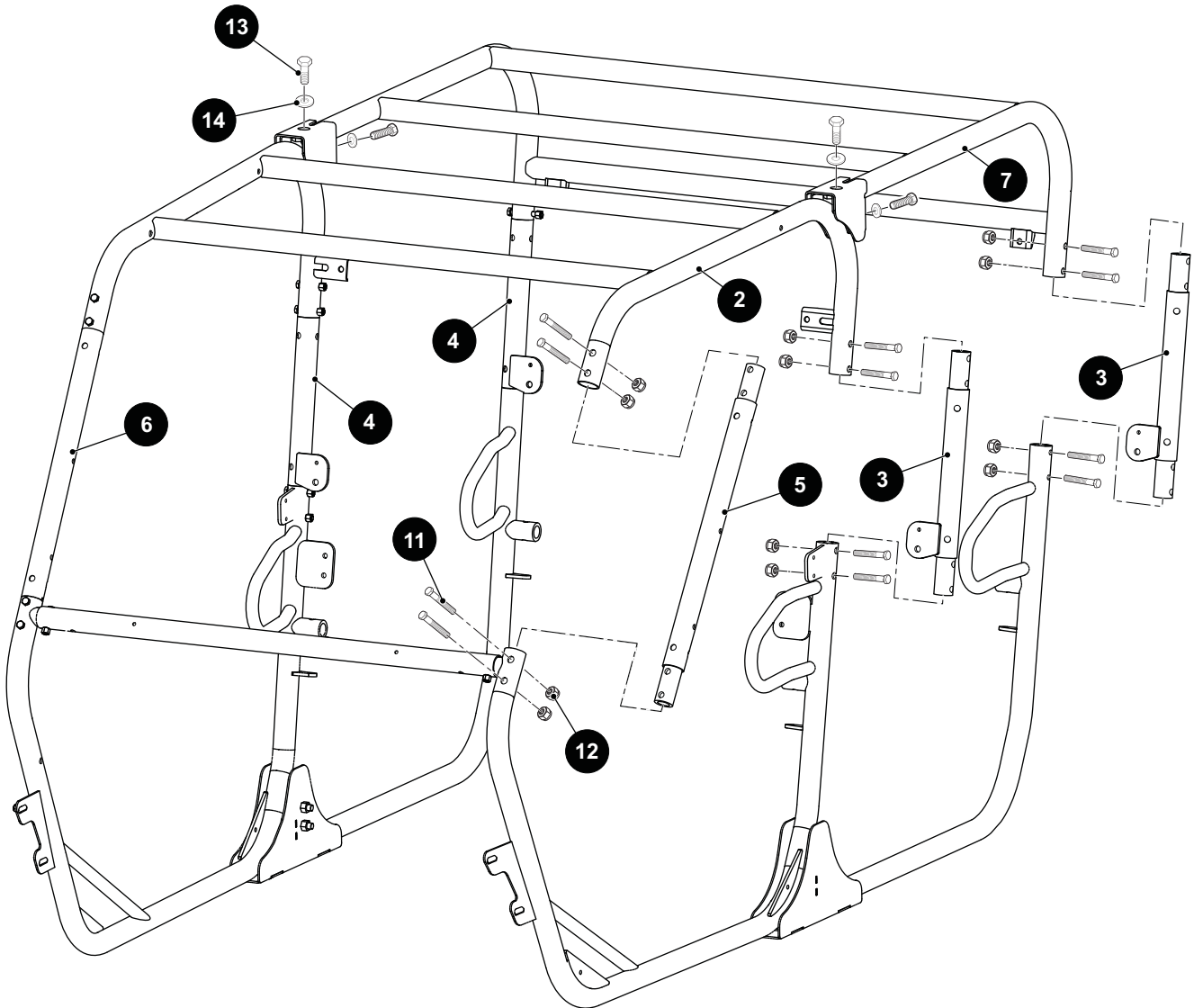
* Indicates a component that is not available as an individual part.

*** Indicates consult Customer Service Department for additional information.

ITEM	PART NO.	1 2 3 4 5	DESCRIPTION	QTY.
1	638441		HAND HOLD WELDMENT	1
2	00571G2		FLAT WASHER, 5/16"	8
3	11098G5		LOCK NUT, 3/8" - 16	4
4	00427G2		HEX HEAD BOLT, 3/8" - 16 X 1 1/4" LG	4
5	641252		PLUG, 1" O.D X 10 - 14 GA	2
6				
7	00643G3		FLAT WASHER, 0.54" I.D X 1.28" O.D	4
8	308332		HEX NUT, 1/2" - 13	4
9				
10				
11	16705G1		TRUSS HEAD PHILLIPS SCREW (SS), 1/4" - 20 X 1" LG	4
12	01110G01		FLAT WASHER, 1/4"	4
13	00664G7		LOCK WASHER, 1/4"	4
14				
15	632939		SEAT BOTTOM DECAL	4
16				
17	00427G2		HEX HEAD BOLT, 3/8" - 16 X 1 1/4" LG	2
18	00571G2		FLAT WASHER, 5/16"	4
19	11098G5		LOCK NUT, 3/8" - 16	2

OPERATOR PROTECTION SYSTEM

- 1 OPS UPPER KIT includes items 2 - 10
- 10 OPS HARDWARE KIT includes items 11 - 14



OPERATOR PROTECTION SYSTEM

THE USE OF NON U.L. PARTS WILL VOID ANY U.L. LISTING.

When ordering parts, please specify the model and serial number of the product.

* Indicates a component that is not available as an individual part.

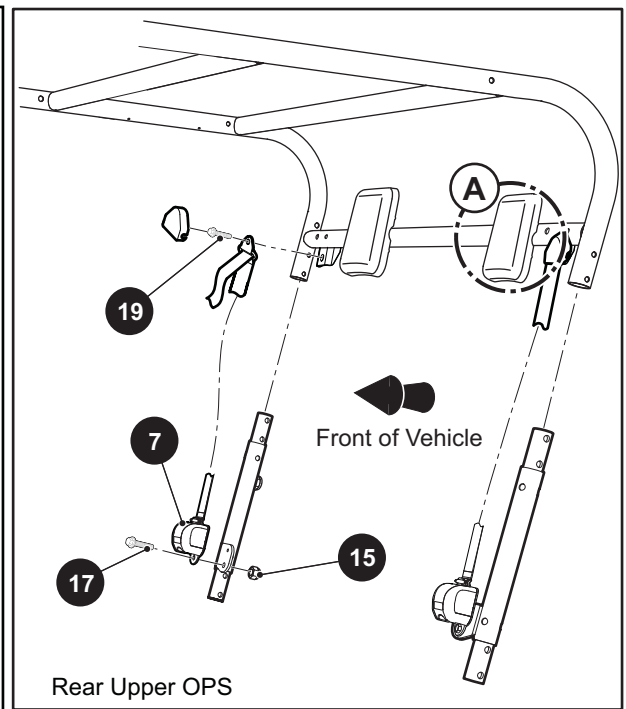
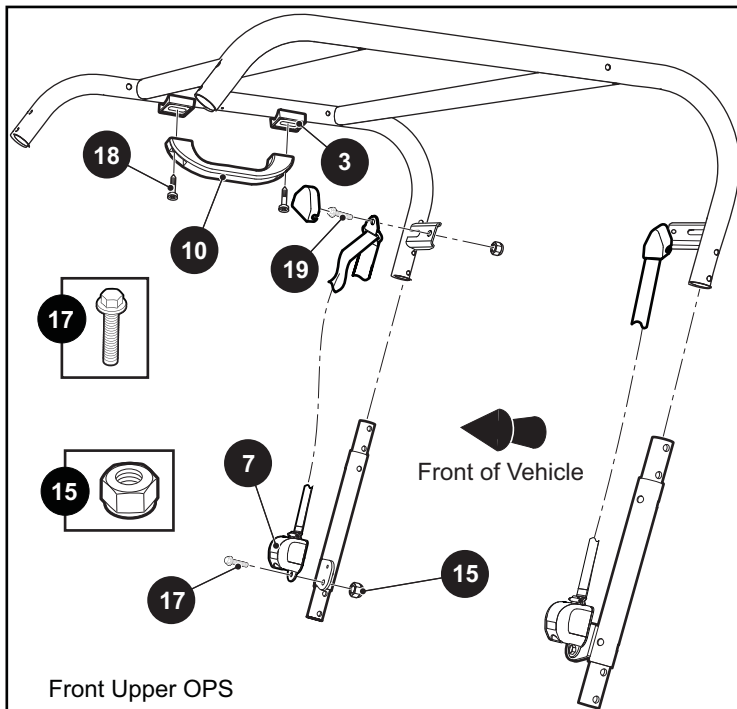
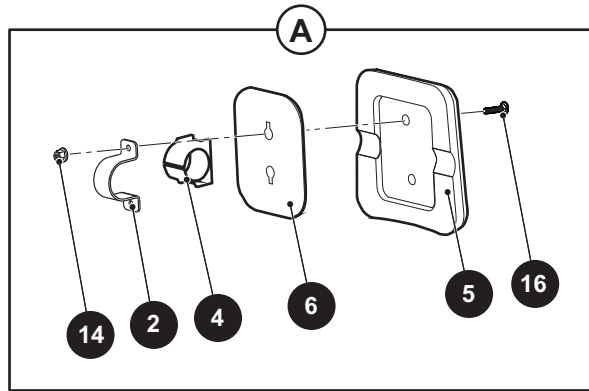
*** Indicates consult Customer Service Department for additional information.

ITEM	PART NO.	1 2 3 4 5	DESCRIPTION	QTY.
1	633101		OPS UPPER KIT (INCLUDES ITEMS 2 - 10).....	1
2	633475		OPS FRONT TOP WELDMENT	1
3	629080		REAR CONNECTOR (DRIVER SIDE)	2
4	629079		REAR CONNECTOR (PASSENGER SIDE).....	2
5	629082		FRONT CONNECTOR (DRIVER SIDE).....	1
6	629081		FRONT CONNECTOR (PASSENGER SIDE)	1
7	633554		OPS REAR TOP WELDMENT	1
8				
9				
10	635127		OPS HARDWARE KIT (INCLUDES ITEMS 11 - 14)	1
11	630642		HEX HEAD BOLT, 3/8" - 16 X 2 1/2" LG	24
12	630643		FLANGED LOCK NUT, 3/8" - 16.....	24
13	638599		HEX HEAD BOLT, 1/2" - 13 X 1" LG	4
14	00643G3		FLAT WASHER, 1.28" O.D X .54" I.D	4

OPERATOR PROTECTION SYSTEM

1 OPS ACCESSORIES KIT includes items 2 - 13

13 OPS ACCESSORY HARDWARE KIT includes items 14 - 19



OPERATOR PROTECTION SYSTEM

THE USE OF NON U.L. PARTS WILL VOID ANY U.L. LISTING.

When ordering parts, please specify the model and serial number of the product.

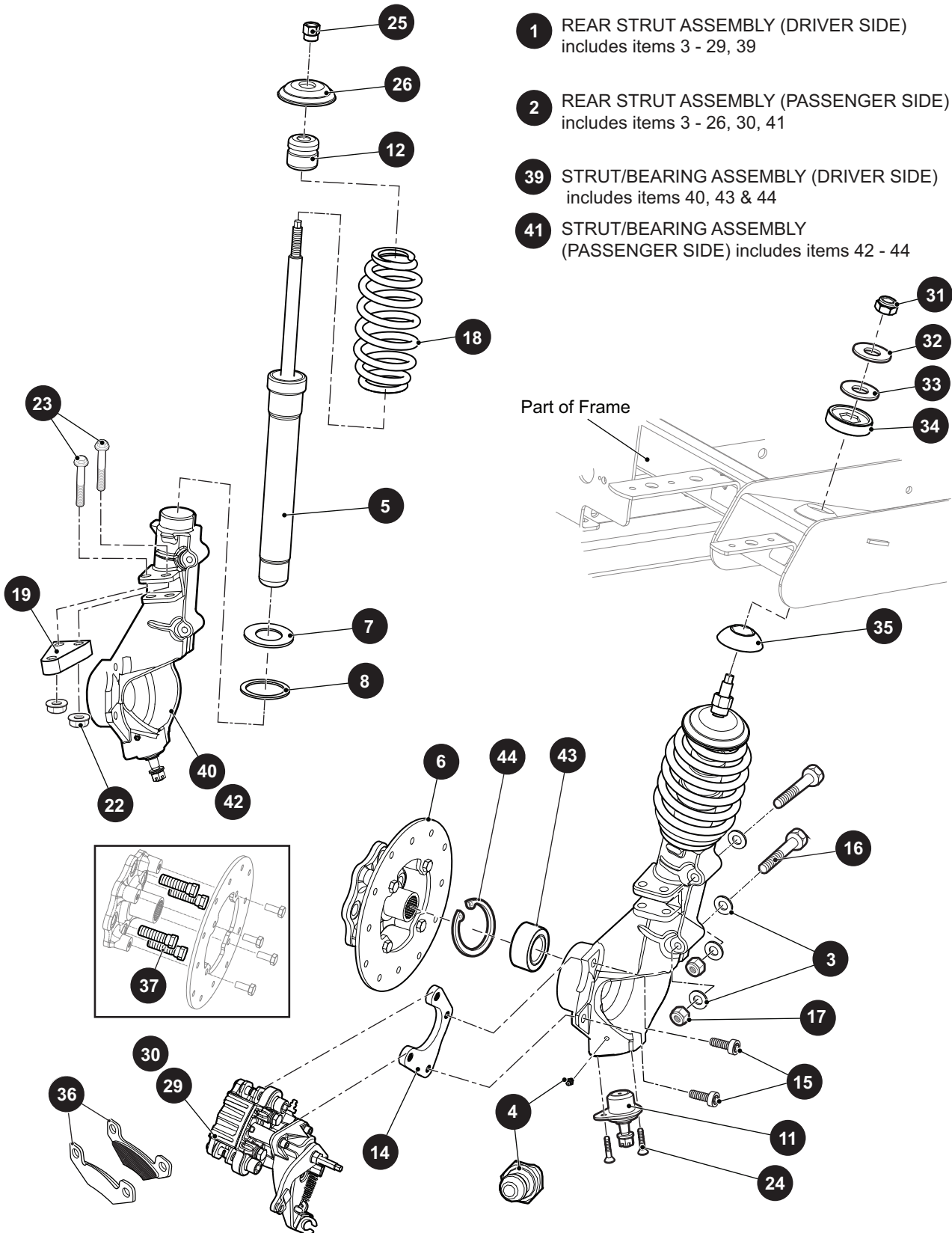
* Indicates a component that is not available as an individual part.

*** Indicates consult Customer Service Department for additional information.

ITEM	PART NO.	1 2 3 4 5	DESCRIPTION	QTY.
1	632990		OPS ACCESSORIES KIT (INCLUDES ITEMS 2 - 13)	1
2	627786		CLAMP	2
3	612254		GRAB HANDLE MOUNT	2
4	629642		CLAMP GUARD	2
5	628577		HEADREST	2
6	629666		HEADREST PLATE	2
7	649134		SEAT BELT RETRACTOR.....	4
8	629454		SIDE DOOR NET (PAIR) (NOT ILLUSTRATED).....	1
9	632974		DOOR NET (NOT ILLUSTRATED).....	1
10	611774		GRAB HANDLE	1
11				
12				
13	639631		OPS ACCESSORY HARWARE KIT (INCLUDES ITEMS 14 - 19)	1
14	14390G4		FLANGED LOCK NUT, 1/4" - 20	4
15	00734G3		LOCK NUT, 7/16" - 20	8
16	630763		CARRIAGE BOLT (SS), 1/4" - 20 X .75" LG	4
17	610753		HEX HEAD BOLT, 7/16" - 20 X 1" LG	4
18	612255		PAN HEAD TORX SCREW, #12 - 14 X 1" LG	2
19	609569		HEX HEAD BOLT, 7/16" - 20 X 3/4" LG	4

REAR SUSPENSION

- 1** REAR STRUT ASSEMBLY (DRIVER SIDE)
includes items 3 - 29, 39
- 2** REAR STRUT ASSEMBLY (PASSENGER SIDE)
includes items 3 - 26, 30, 41
- 39** STRUT/BEARING ASSEMBLY (DRIVER SIDE)
includes items 40, 43 & 44
- 41** STRUT/BEARING ASSEMBLY
(PASSENGER SIDE) includes items 42 - 44



REAR SUSPENSION

THE USE OF NON U.L. PARTS WILL VOID ANY U.L. LISTING.

When ordering parts, please specify the model and serial number of the product.

* Indicates a component that is not available as an individual part.

*** Indicates consult Customer Service Department for additional information.

ITEM	PART NO.	1 2 3 4 5	DESCRIPTION	QTY.
1	636592		REAR STRUT ASSEMBLY (DRIVER SIDE) (INCLUDES ITEMS 3 - 29, 39)	1
2	636593		REAR STRUT ASSEMBLY (PASSENGER SIDE) (INCLUDES ITEMS 3 - 26, 30, 41)	1
3	103867		FLAT WASHER, .31" X .69" X .06"	4
4	632405		GREASE FITTING, 3/16"	1
5	634705		SHOCK STRUT	1
6	633792G02		HUB ASSEMBLY	1
7	616053		WASHER	1
8	616060		STRUT WASHER, 52MM	1
9				
10				
11	645047		STRUT BALL JOINT	1
12	616073		STRUT BUMPER	1
13				
14	616451		CALIPER BRACKET	1
15	616596		SOCKET HEAD BOLT, 3/8" - 24 X 3/4" LG	2
16	616672		HEX HEAD BOLT, M8 - 1.25 X 60MM LG	2
17	616673		LOCK NUT, M8	2
18	640353		COIL SPRING	1
19	634928		STEERING ARM (SHORT)	1
20				
21				
22	630803		LOCK NUT, 5/16" - 18	2
23	630804G01		FLANGED HEX HEAD BOLT, 5/16" - 18 X 2" LG	2
24	616597		FLAT HEAD TORX SCREW, 1/4" - 20 X 3/4" LG	2
25	616056		SPRING RETAINING NUT, M12 - 1.25	1
26	634967		COIL SPRING CAP	1
27				
28				
29	638127		BRAKE CALIPER (DRIVER SIDE)	1
30	638128		BRAKE CALIPER (PASSENGER SIDE)	1

REAR SUSPENSION

THE USE OF NON U.L. PARTS WILL VOID ANY U.L. LISTING.

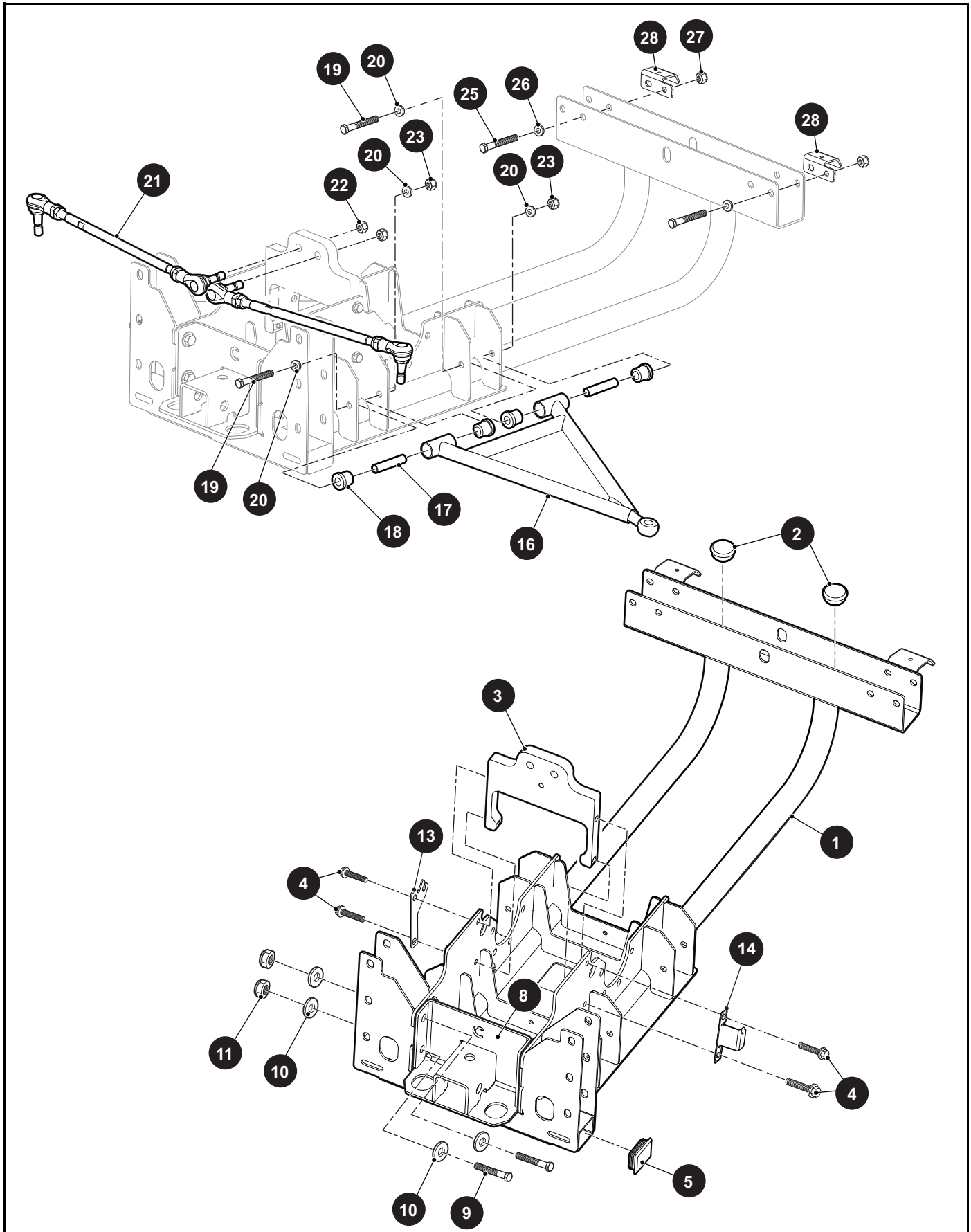
When ordering parts, please specify the model and serial number of the product.

* Indicates a component that is not available as an individual part.

*** Indicates consult Customer Service Department for additional information.

ITEM	PART NO.	1 2 3 4 5	DESCRIPTION	QTY.
31	625748		NYLOCK NUT, 1/2" - 13	2
32	636610		FLAT WASHER, 1"	2
33	616701		RUBBER WASHER, 1.5MM X .76MM.....	2
34	629592		STRUT BUSHING (FEMALE)	2
35	629593		STRUT BUSHING (MALE)	2
36	633875		BRAKE PAD	2
37	19862G2		WHEEL STUD, 1/2" - 20 X 1.718" LG	4
38				
39	642461G01		STRUT/BEARING ASSEMBLY (INCLUDES ITEM 40, 43 & 44) (DRIVER SIDE)	1
40	632410G03		STRUT BASE (DRIVER SIDE).....	1
41	642461G02		STRUT/BEARING ASSEMBLY (INCLUDES ITEM 42 - 44) (PASSENGER SIDE)	1
42	632410G04		STRUT BASE (PASSENGER SIDE)	1
43	633663		WHEEL BEARING	1
44	632409		SNAP RING	1

REAR SUSPENSION



REAR SUSPENSION

THE USE OF NON U.L. PARTS WILL VOID ANY U.L. LISTING.

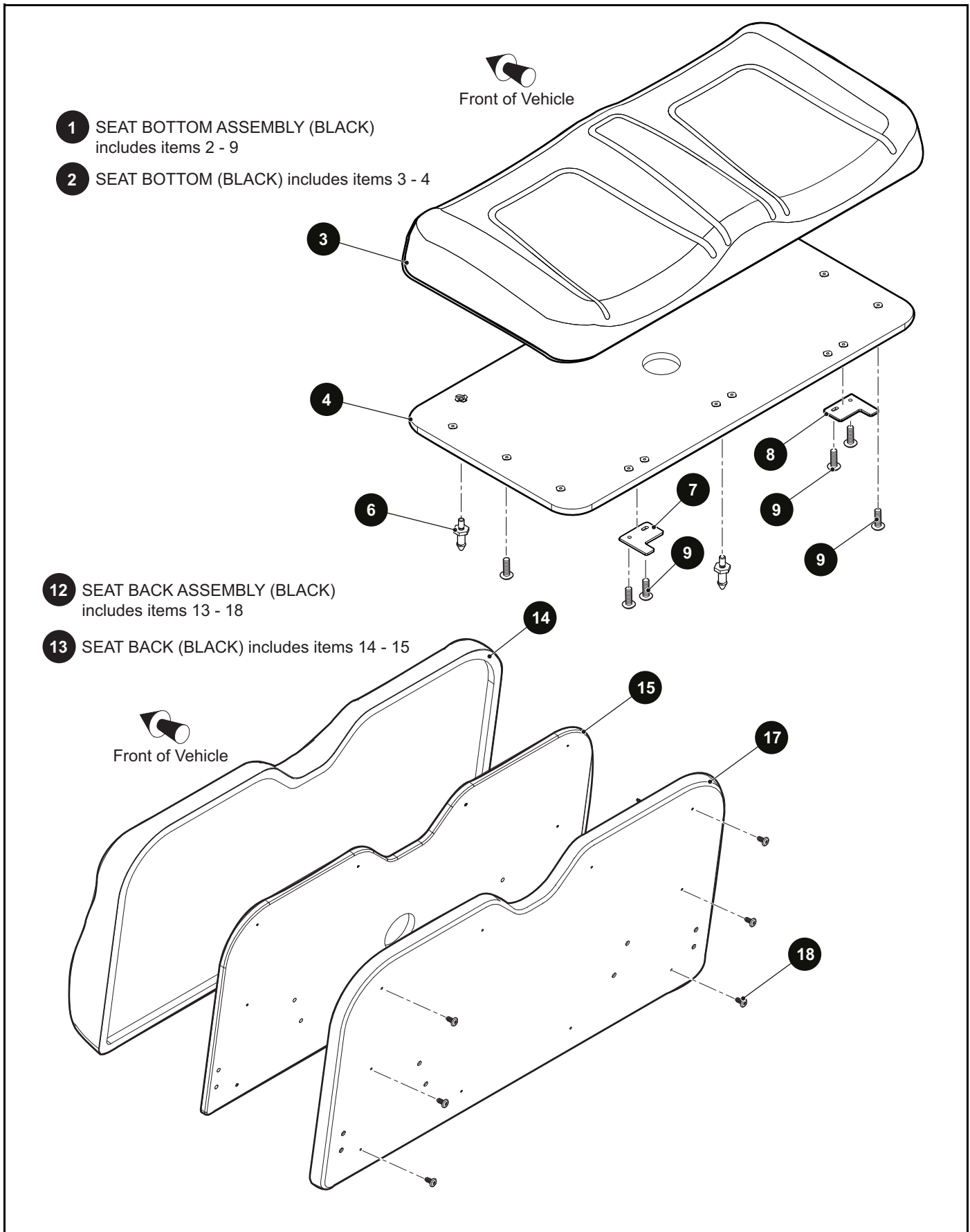
When ordering parts, please specify the model and serial number of the product.

* Indicates a component that is not available as an individual part.

*** Indicates consult Customer Service Department for additional information.

ITEM	PART NO.	1 2 3 4 5	DESCRIPTION	QTY.
1	636529		REAR FRAME WELDMENT	1
2	628915		TUBE PLUG.....	2
3	636550		TIE ROD BLOCK	1
4	13437G3		FLANGED HEX HEAD BOLT, 5/16" - 18 X 1" LG	4
5	634762		TUBE PLUG.....	2
6				
7				
8	646647		HITCH RECEIVER.....	1
9	00463G4		HEX HEAD BOLT, 7/16" - 14 X 1 1/2" LG	4
10	00922G3		FLAT WASHER, 7/16"	8
11	00734G1		LOCK NUT, 7/16" - 14	4
12				
13	638148		REAR BRACKET (VEHICLES WITH LOCKING DIFFERENTIAL)	1
14	638536		SPRING BRACKET (VEHICLES WITH LOCKING DIFFERENTIAL)	1
15				
16	638383G01		CONTROL ARM WELDMENT	1
17	638223		SPACER, 3/8" X 2.390".....	2
18	637745		FLANGED BUSHING	4
19	00429G4		HEX HEAD BOLT, 3/8" - 16 X 3 1/2" LG	2
20	00560G1		FLAT WASHER, 3/8"	4
21	633535		TIE ROD ASSEMBLY.....	1
22	00734G1		LOCK NUT, 7/16" - 14	1
23	11098G5		LOCK NUT, 3/8" - 16	2
24				
25	00429G2		HEX HEAD BOLT, 3/8" - 16 X 3.25" LG	2
26	00560G1		FLAT WASHER, 3/8"	2
27	11098G5		LOCK NUT, 3/8" - 16	2
28	642890		HARNES SUPPORT BRACKET.....	1

SEATING



THE USE OF NON U.L. PARTS WILL VOID ANY U.L. LISTING.

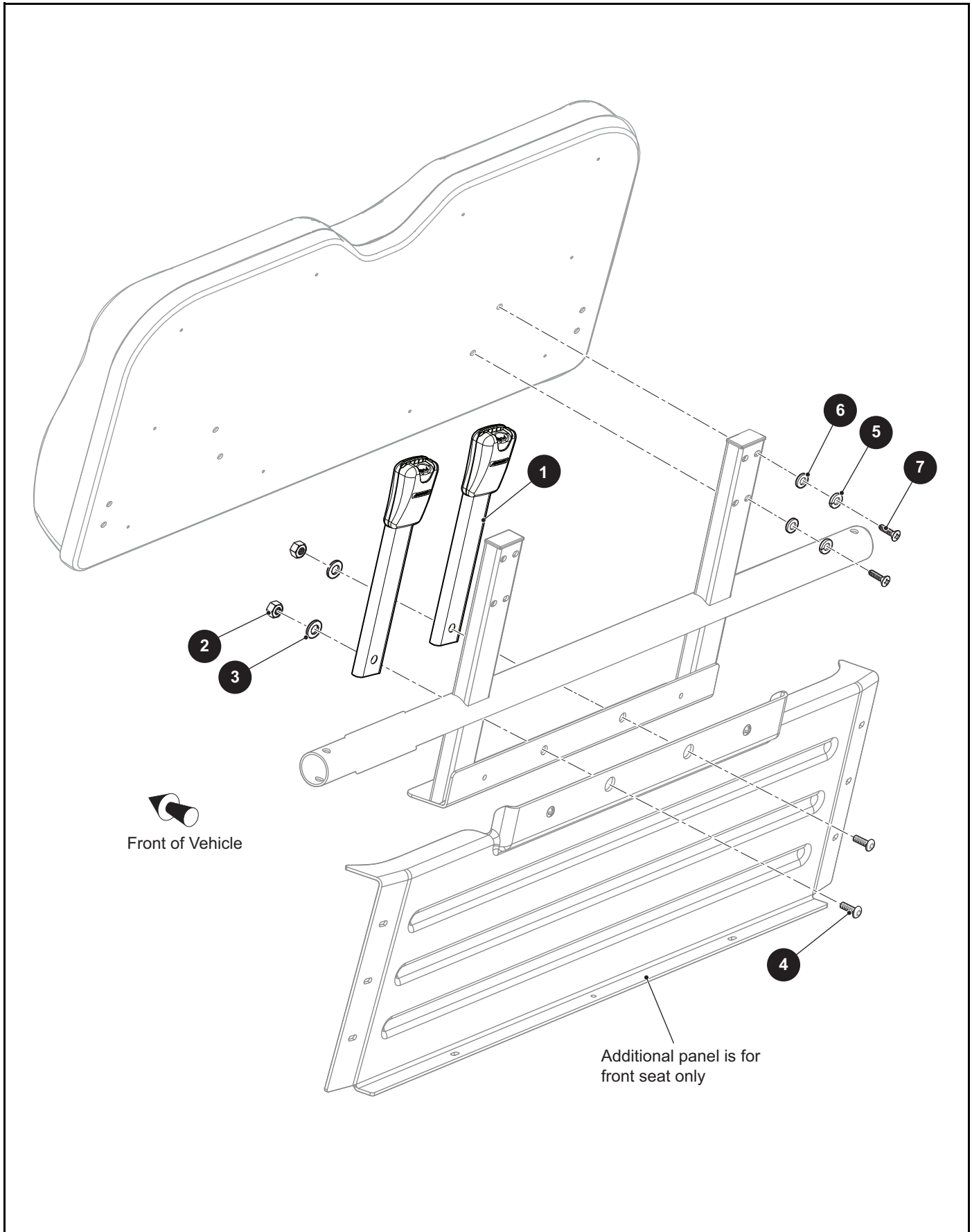
When ordering parts, please specify the model and serial number of the product.

* Indicates a component that is not available as an individual part.

*** Indicates consult Customer Service Department for additional information.

ITEM	PART NO.	1 2 3 4 5	DESCRIPTION	QTY.
1	640489G0006		SEAT BOTTOM ASSEMBLY (BLACK) (INCLUDES ITEMS 2 - 9)	1
2	637823G06		SEAT BOTTOM (BLACK) (INCLUDES ITEMS 3 - 4)	1
3	640234G06		VINYL AND FOAM SEAT BOTTOM	1
4	640198		WOOD SEAT BOTTOM	1
5				
6	639904		RETENTION PIN.....	2
7	638701G01		SEAT LOCATOR TAB (DRIVER SIDE)	1
8	638701G02		SEAT LOCATOR TAB (PASSENGER SIDE)	1
9	16705G1		TRUSS HEAD PHILLIPS SCREW (SS), 1/4" - 20 X 1" LG	10
10				
11				
12	640781G06		SEAT BACK ASSEMBLY (BLACK) (INCLUDES ITEMS 13 - 18)	1
13	637824G06		SEAT BACK (BLACK) (INCLUDES ITEMS 14 - 15).....	1
14	640233G06		VINYL AND FOAM SEAT BACK.....	1
15	640208		WOOD SEAT BACK.....	1
16				
17	640209		SEAT BACK COVER	1
18	01107G01		PAN HEAD TORX SCREW, #8	10

SEATING



THE USE OF NON U.L. PARTS WILL VOID ANY U.L. LISTING.

When ordering parts, please specify the model and serial number of the product.

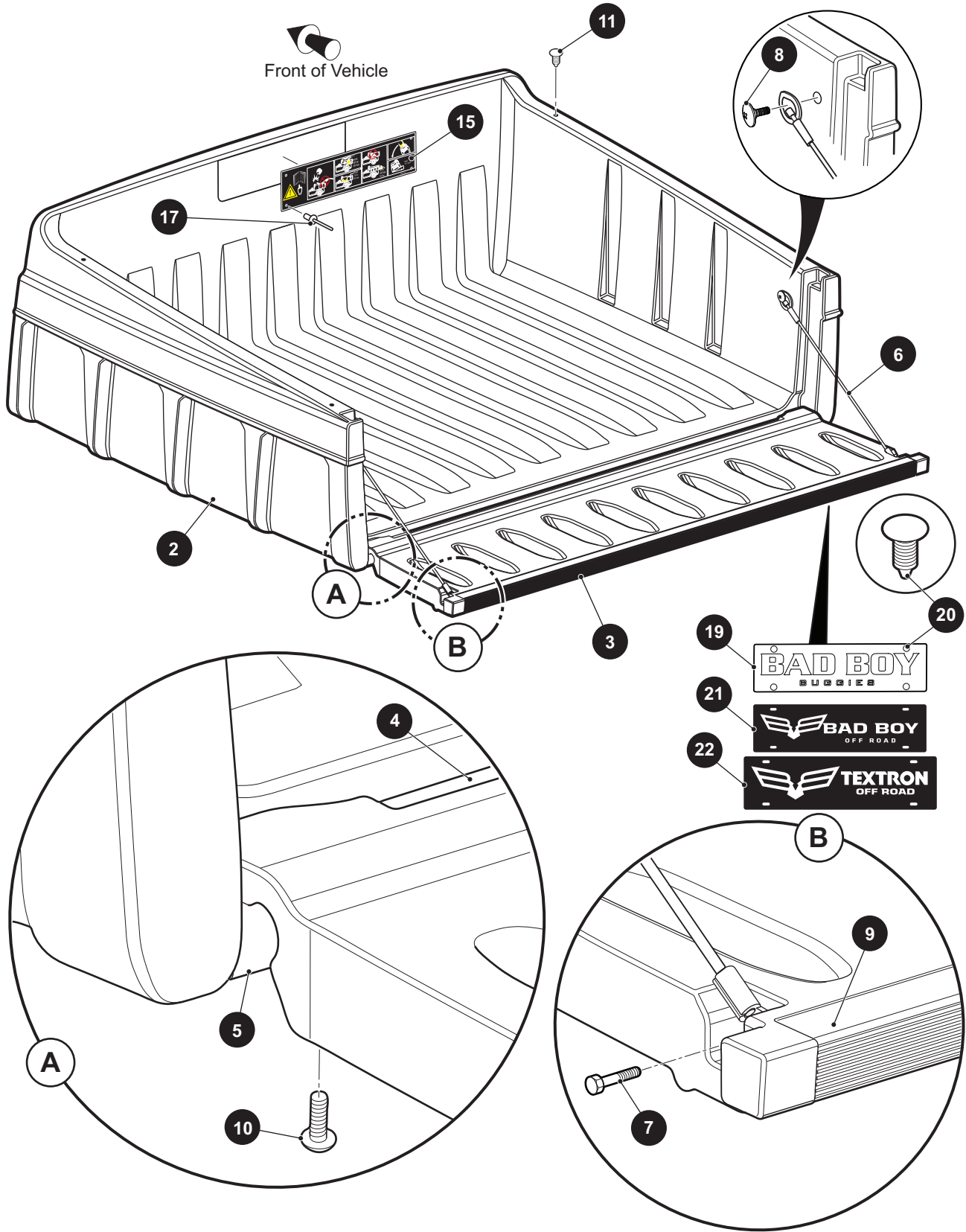
* Indicates a component that is not available as an individual part.

*** Indicates consult Customer Service Department for additional information.

ITEM	PART NO.	1 2 3 4 5	DESCRIPTION	QTY.
1	631973		BUCKLE AND BRACKET ASSEMBLY, 13.5" LG	1
2	00734G3		LOCK NUT, 7/16" - 20	1
3	00560G3		FLAT WASHER, 3/8"	1
4	635630		BUTTON HEAD TORX BOLT, 7/16" - 20 X 1.25" LG	1
5	00664G7		LOCK WASHER, 1/4"	4
6	01110G01		FLAT WASHER, 1/4"	4
7	00415G6		HEX HEAD BOLT, 1/4" - 20 X 1 - 3/4" LG	4

TRUCK BED

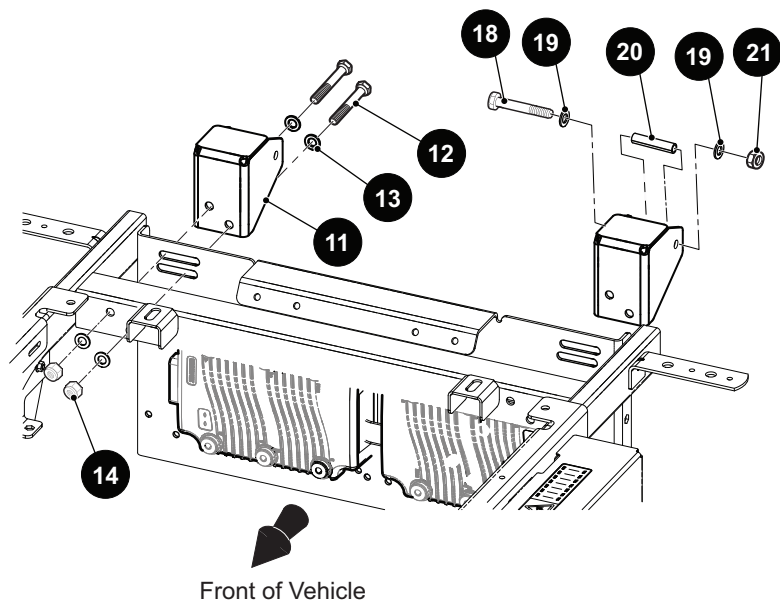
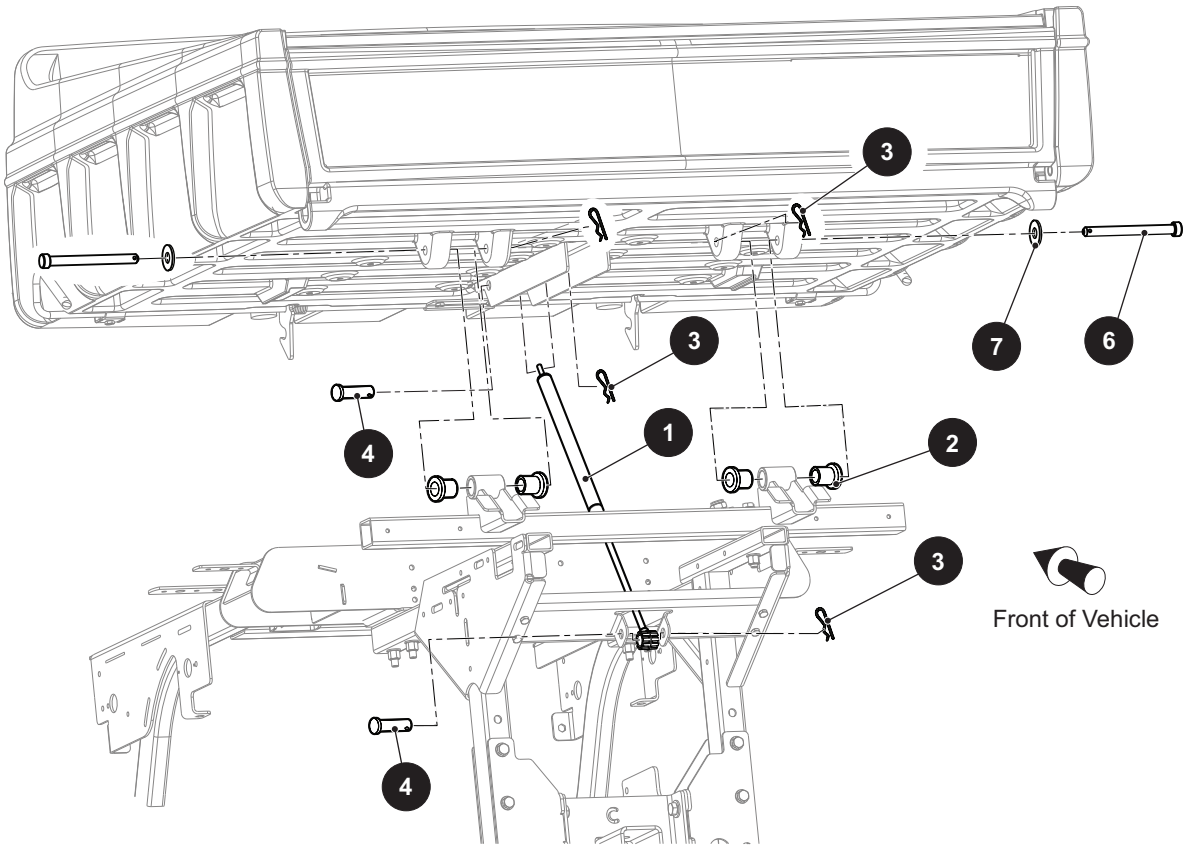
1 PLASTIC BED ASSEMBLY includes items 2 - 11



THE USE OF NON U.L. PARTS WILL VOID ANY U.L. LISTING.
 When ordering parts, please specify the model and serial number of the product.
 * Indicates a component that is not available as an individual part.
 *** Indicates consult Customer Service Department for additional information.

ITEM	PART NO.	1 2 3 4 5	DESCRIPTION	QTY.
1	72647G01		PLASTIC BED ASSEMBLY (INCLUDES ITEMS 2 - 11)	1
2	72648G01		PLASTIC BED, 36"	1
3	72649G01		PLASTIC TAILGATE, 36"	1
4	73450G01		BOWED ANGLE	1
5	73454G01		PIVOT SHAFT	2
6	73455G02		TAILGATE CABLE ASSEMBLY	2
7	00415G2		HEX HEAD BOLT, 1/4" - 20 X 1 1/4" LG	2
8	73460G01		SHOULDER BOLT, 1/4" - 20 X 3/4" LG	2
9	73449G01		CHANNEL EXTRUSION	1
10	16705G2		PAN HEAD SCREW, 1/4" - 20 X 5/8" LG	4
11	16816G5		RACHET RIVET, .187 X .550"	4
12				
13				
14				
15	74821G01		BED CAPACITY LABEL (500 LB)	1
16				
17	71055G01		RIVET, 3/16"	5
18				
19	617804		TAILGATE DECAL (FOR VEHICLES MANUFACTURED BEFORE 19 SEPTEMBER 2016)	1
20	16816G2		RATCHET RIVET, .25" X .887"	4
21	655660		TAILGATE DECAL (FOR VEHICLES MANUFACTURED AFTER 19 SEPTEMBER 2016, BEFORE 1 MAY 2017)	1
22	663470		TAILGATE DECAL (FOR VEHICLES MANUFACTURED AFTER 1 MAY 2017)	1

TRUCK BED



THE USE OF NON U.L. PARTS WILL VOID ANY U.L. LISTING.

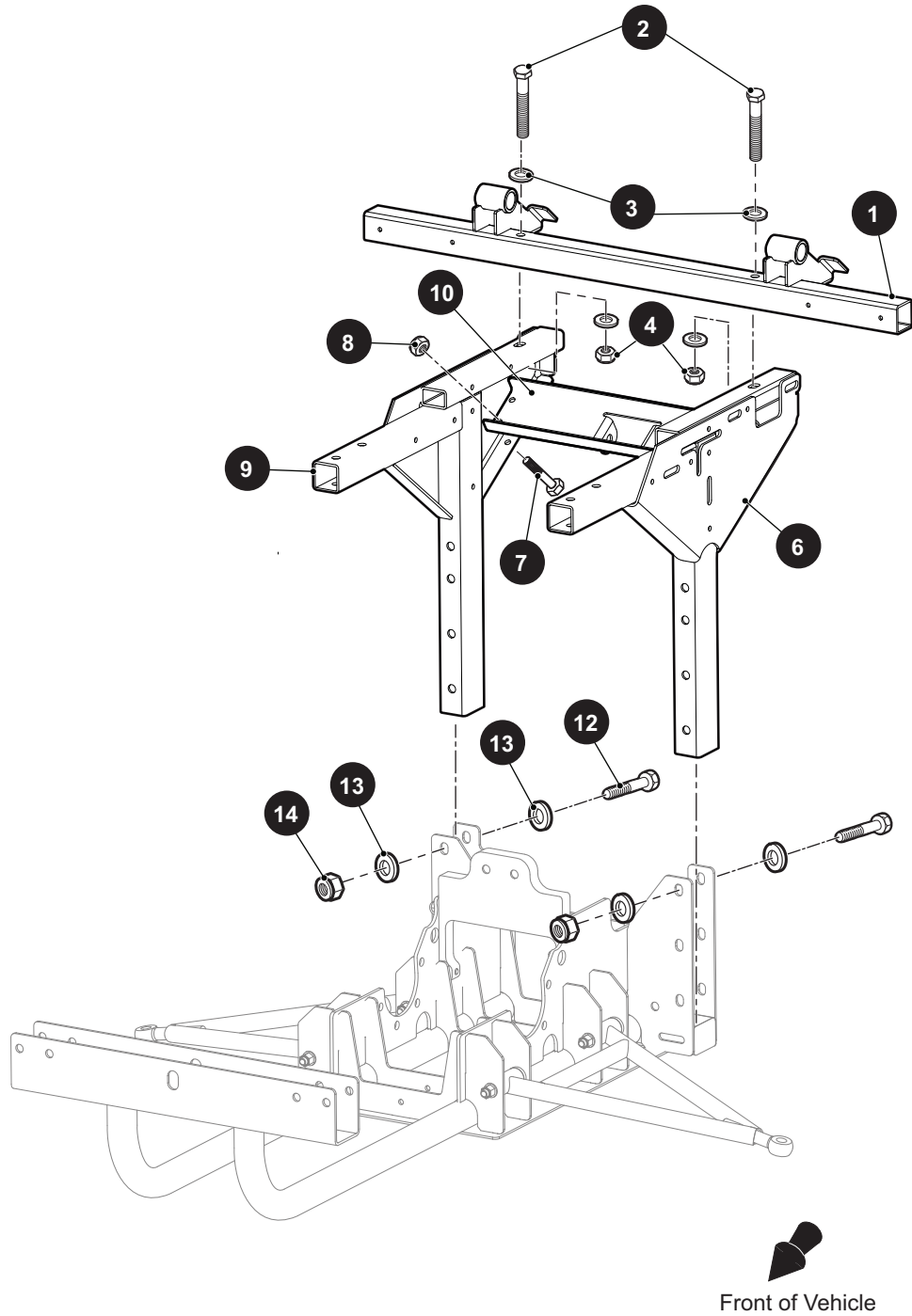
When ordering parts, please specify the model and serial number of the product.

* Indicates a component that is not available as an individual part.

*** Indicates consult Customer Service Department for additional information.

ITEM	PART NO.	1 2 3 4 5	DESCRIPTION	QTY.
1	71537G02		GAS SPRING.....	1
2	624030		FLANGED BUSHING.....	4
3	21683G1		COTTER PIN, 15/32" X 2 11/16".....	3
4	14443G10		CLEVIS PIN, .50" X 3".....	1
5				
6	71571G01		CLEVIS PIN, .495" X 5.25".....	2
7	00571G5		FLAT WASHER, 5/16".....	2
8				
9				
10				
11	637508		BED LATCH AND BUMPER STOP BRACKET.....	1
12	00428G8		HEX HEAD BOLT, 3/8" - 16 X 2 - 1/4" LG.....	2
13	00560G1		FLAT WASHER, 3/8".....	4
14	11098G5		LOCK NUT, 3/8" - 16.....	2
15				
16				
17				
18	00429G4		HEX HEAD BOLT, 3/8" - 16.....	1
19	00560G1		FLAT WASHER, 3/4".....	2
20	638223		SPLIT SEAM SPACER, 3/8" X 2.39".....	1
21	11098G5		LOCK NUT, 3/8" - 16.....	1

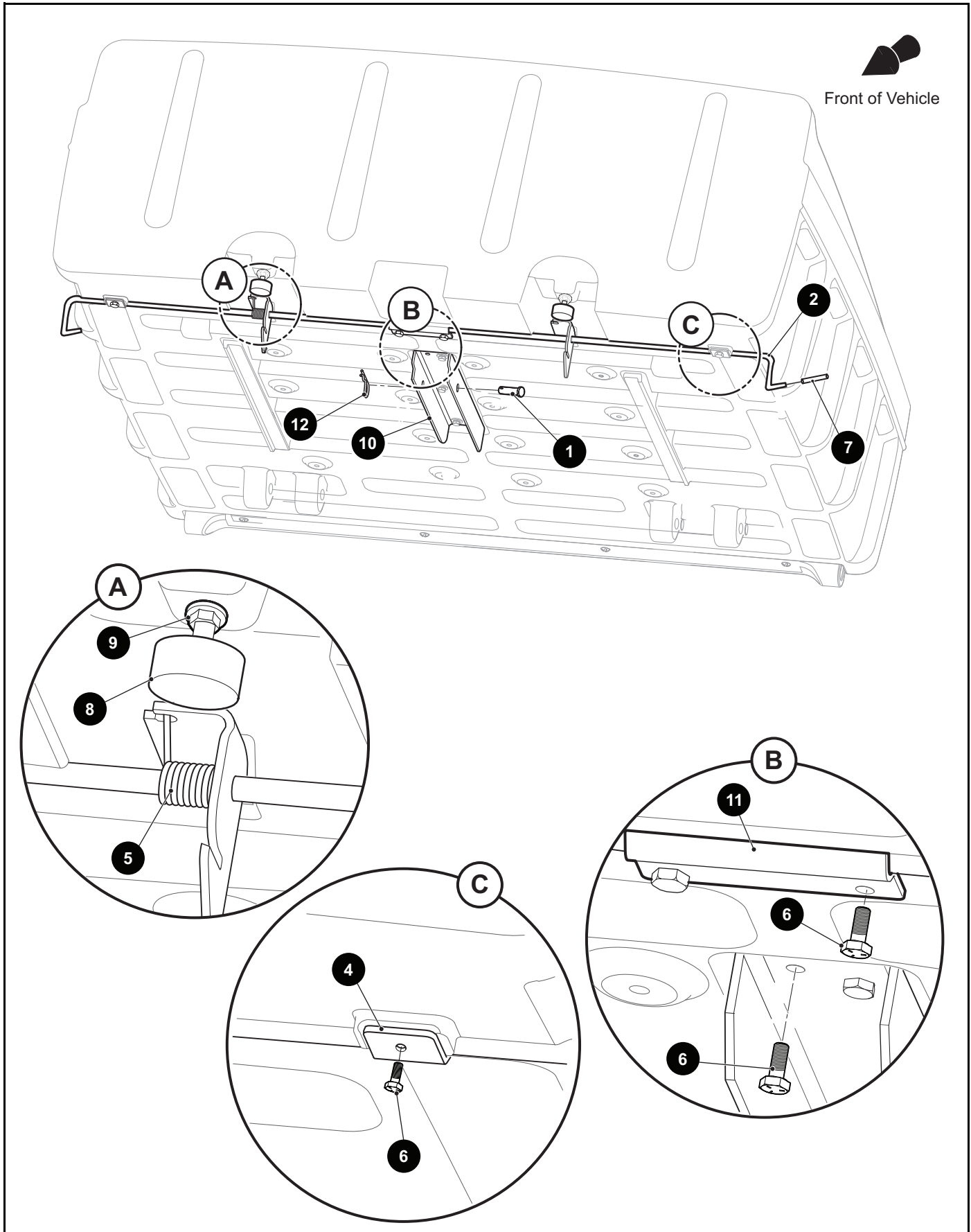
TRUCK BED



THE USE OF NON U.L. PARTS WILL VOID ANY U.L. LISTING.
 When ordering parts, please specify the model and serial number of the product.
 * Indicates a component that is not available as an individual part.
 *** Indicates consult Customer Service Department for additional information.

ITEM	PART NO.	1 2 3 4 5	DESCRIPTION	QTY.
1	637321		BED PIVOT WELDMENT	1
2	00429G2		HEX HEAD BOLT, 3/8" - 16 X 3.25" LG	2
3	00560G1		FLAT WASHER, 3/8"	4
4	11098G5		LOCK NUT, 3/8" - 16	2
5				
6	637500G01		VERTICAL BED WELDMENT (DRIVER SIDE)	1
7	00414G6		HEX HEAD BOLT, 1/4" - 20 X 7/8" LG	2
8	14390G4		LOCK NUT, 1/4" - 20	2
9	637500G02		VERTICAL BED WELDMENT (PASSENGER SIDE)	1
10	638165		BED SHOCK SUPPORT CHANNEL	1
11				
12	00429G2		HEX HEAD BOLT, 3/8" - 16 X 3.25" LG	3
13	00560G1		FLAT WASHER, 3/8"	6
14	11098G5		LOCK NUT, 3/8" - 16	3

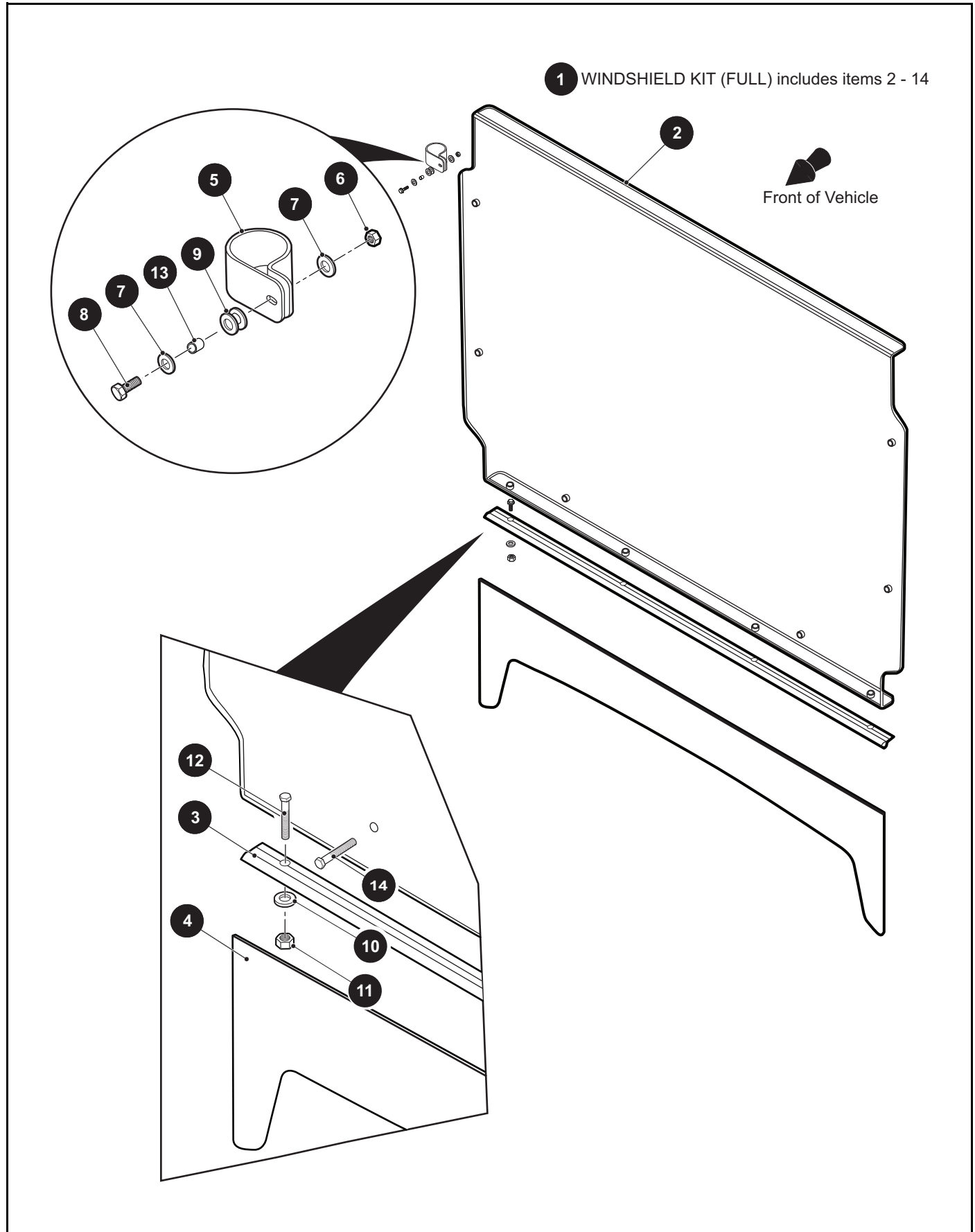
TRUCK BED



THE USE OF NON U.L. PARTS WILL VOID ANY U.L. LISTING.
 When ordering parts, please specify the model and serial number of the product.
 * Indicates a component that is not available as an individual part.
 *** Indicates consult Customer Service Department for additional information.

ITEM	PART NO.	1 2 3 4 5	DESCRIPTION	QTY.
1	14443G10		CLEVIS PIN, .50" X 3"	1
2	638218		BED LATCH WELDMENT.....	1
3				
4	71099G02		LATCH PLATE	2
5	71538G01		TORSION SPRING	1
6	01118G01		HEX HEAD BOLT WITH PATCHLOCK, 1/4" - 20 X .62" LG	10
7	71704G01		HANDLE GRIP.....	2
8	70113G01		ADJUSTABLE RUBBER BUMPER.....	2
9	11027G1		FLANGED LOCK NUT, 5/16" - 18.....	2
10	638189		GAS SPRING MOUNTING BRACKET	1
11	71477G02		LATCH RETAINER BRACKET.....	1
12	21683G1		COTTER PIN, 15/32" X 2 11/16".....	1

WEATHER PROTECTION



WEATHER PROTECTION

THE USE OF NON U.L. PARTS WILL VOID ANY U.L. LISTING.

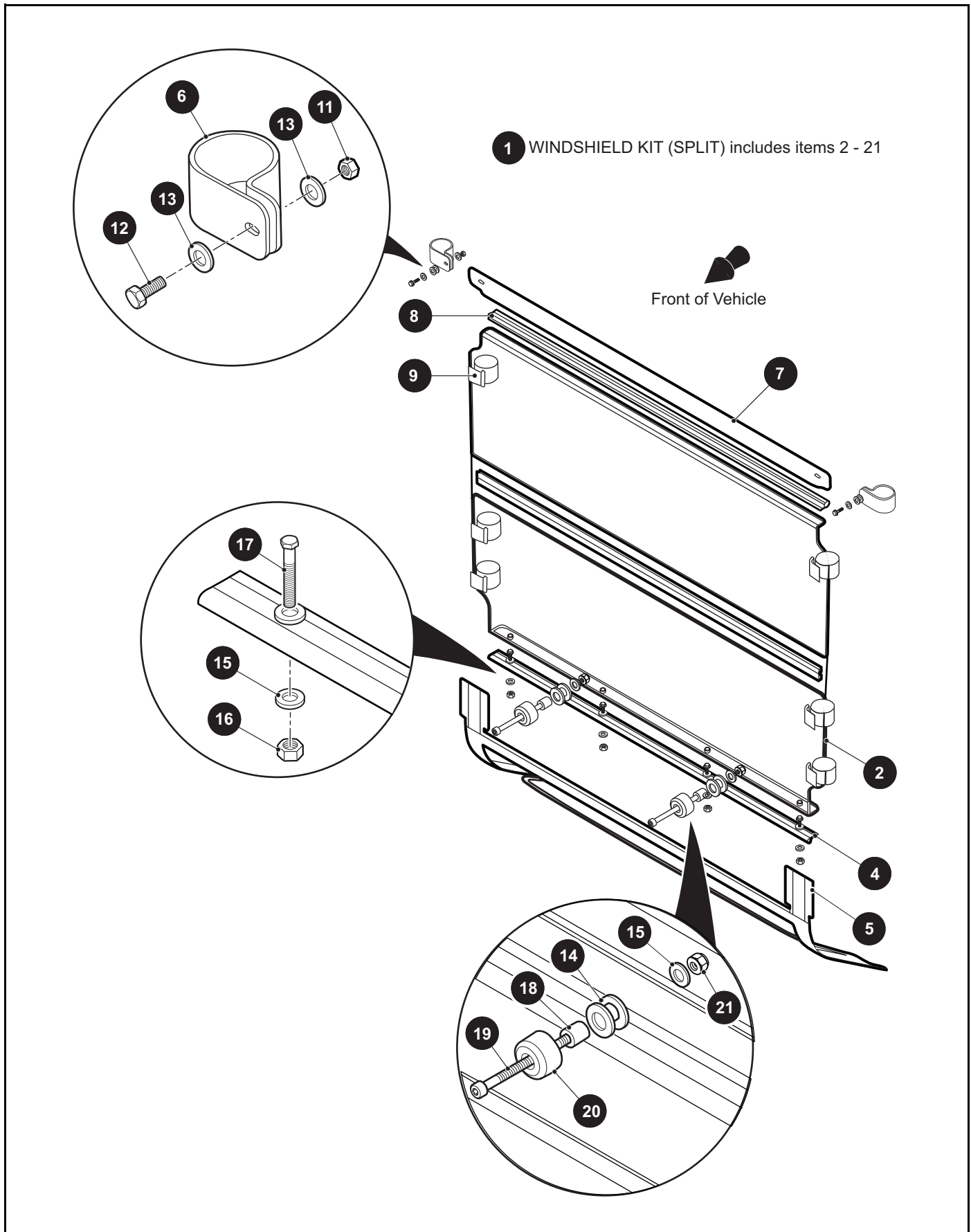
When ordering parts, please specify the model and serial number of the product.

* Indicates a component that is not available as an individual part.

*** Indicates consult Customer Service Department for additional information.

ITEM	PART NO.	1 2 3 4 5	DESCRIPTION	QTY.
1	627079		WINDSHIELD KIT (FULL) (INCLUDES ITEMS 2 - 14).....	1
2	*		WINDSHIELD	1
3	*		AWNING MOLDING (ALUMINUM).....	1
4	*		TEXTILE SKIRT PLACEHOLDER.....	1
5	*		PLASTIC CLAMP	4
6	*		HEX NUT	6
7	*		FLAT WASHER	12
8	*		HEX HEAD BOLT	4
9	*		WINDSHIELD GROMMET	6
10	*		FLAT WASHER	8
11	*		HEX NUT	4
12	*		HEX HEAD BOLT	4
13	*		CRUSH SLEEVE	6
14	*		HEX HEAD BOLT	2

WEATHER PROTECTION



WEATHER PROTECTION

THE USE OF NON U.L. PARTS WILL VOID ANY U.L. LISTING.

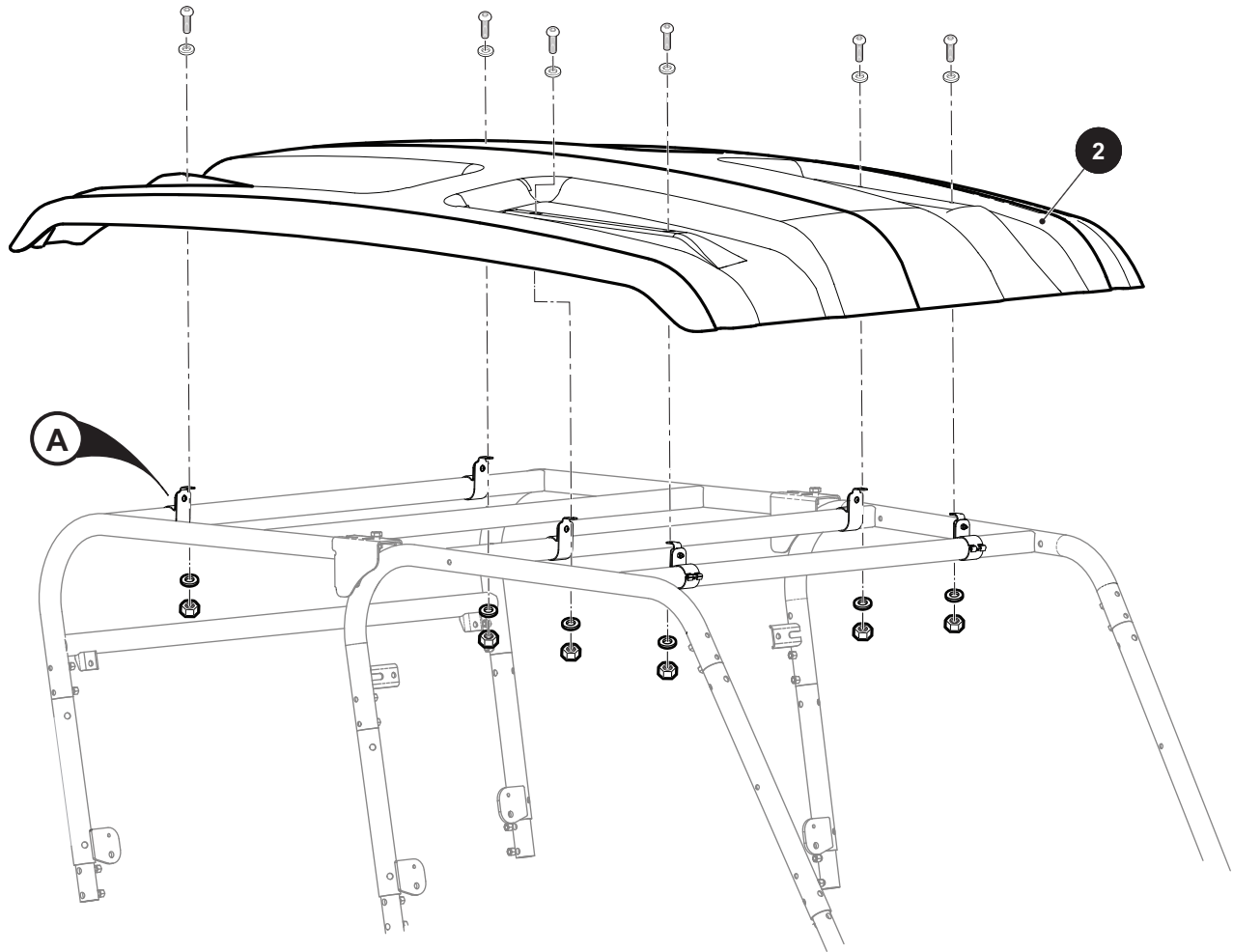
When ordering parts, please specify the model and serial number of the product.

* Indicates a component that is not available as an individual part.

*** Indicates consult Customer Service Department for additional information.

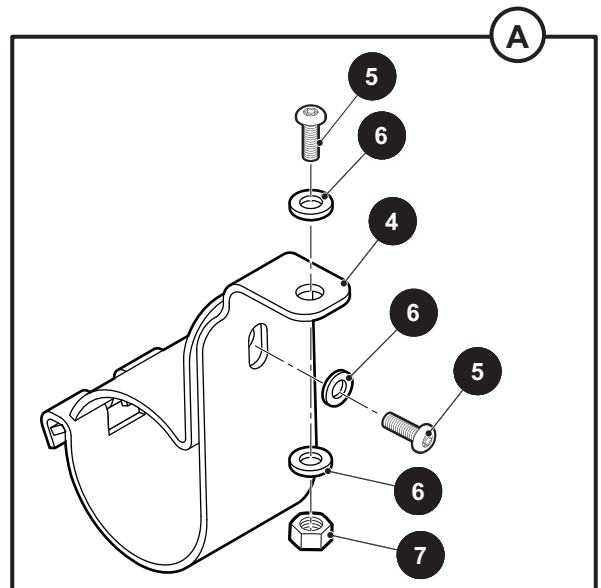
ITEM	PART NO.	1 2 3 4 5	DESCRIPTION	QTY.
1	627080		WINDSHIELD KIT (SPLIT) (INCLUDES ITEMS 2 - 21).....	1
2	*		WINDSHIELD	1
3				
4	*		AWNING MOLDING (ALUMINUM).....	1
5	*		TEXTILE SKIN PLACEHOLDER.....	1
6	*		PLASTIC CLAMP	2
7	*		UPPER METAL SEAL	1
8	*		UNIGRIP.....	1
9	*		TEXTILE STRAP	6
10				
11	*		HEX NUT.....	2
12	*		HEX HEAD BOLT	2
13	*		FLAT WASHER	4
14	*		GROMMET	2
15	*		FLAT WASHER	10
16	*		HEX NUT.....	4
17	*		HEX HEAD BOLT	4
18	*		CRUSH SLEEVE.....	2
19	*		HEX HEAD BOLT	2
20	*		BUMPER	2
21	*		HEX NUT.....	2

WEATHER PROTECTION



1 TOP CANOPY KIT includes items 2, 3

3 HARDWARE KIT includes items 4 - 7

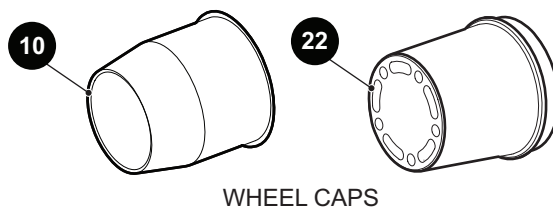
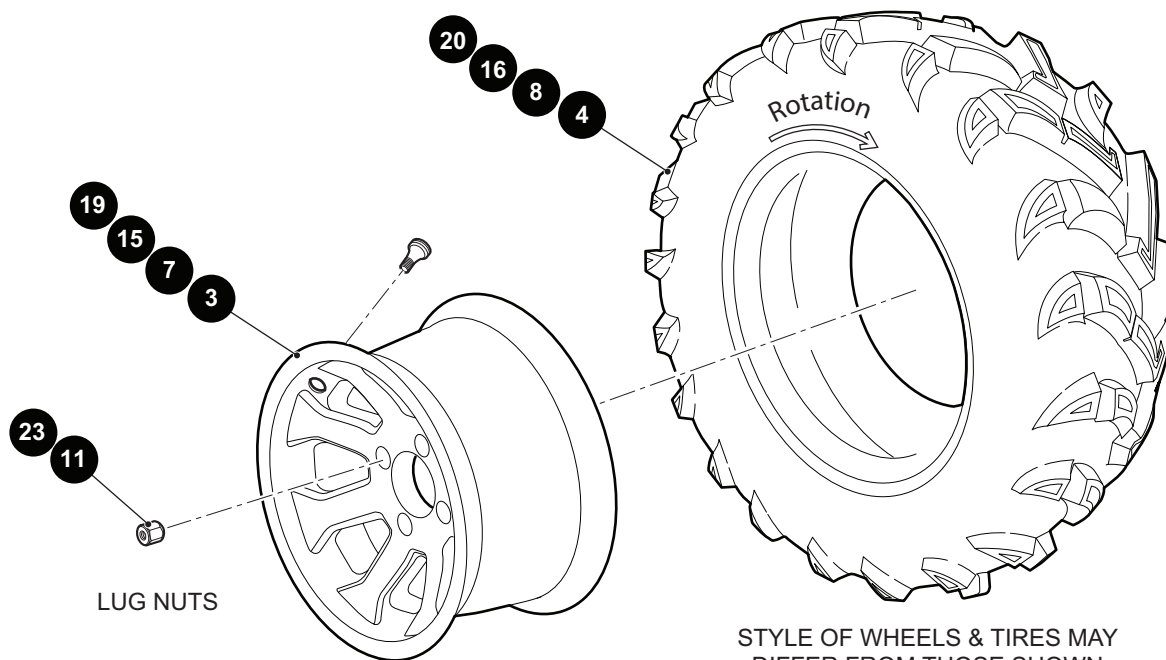


WEATHER PROTECTION

THE USE OF NON U.L. PARTS WILL VOID ANY U.L. LISTING.
 When ordering parts, please specify the model and serial number of the product.
 * Indicates a component that is not available as an individual part.
 *** Indicates consult Customer Service Department for additional information.

ITEM	PART NO.	1 2 3 4 5	DESCRIPTION	QTY.
1	632976		TOP CANOPY KIT (INCLUDES ITEMS 2, 3)	1
2	632977		TOP CANOPY	1
3	632978		HARDWARE KIT (INCLUDES ITEMS 4 - 7)	1
4	*		CLAMP	6
5	*		BOLT, M6 - 1 X 20	12
6	*		WASHER, M6	18
7	*		NUT, M6	6

WHEELS AND TIRES



- 1 WHEEL AND TIRE ASSEMBLY, FRONT (PASSENGER SIDE) includes items 3, 4
- 2 WHEEL AND TIRE ASSEMBLY, FRONT (DRIVER SIDE) includes items 3, 4
- 5 WHEEL AND TIRE ASSEMBLY, REAR (PASSENGER SIDE) includes items 7, 8
- 6 WHEEL AND TIRE ASSEMBLY, REAR (DRIVER SIDE) includes items 7, 8
- 13 WHEEL AND TIRE ASSEMBLY, FRONT (PASSENGER SIDE) includes items 15, 16
- 14 WHEEL AND TIRE ASSEMBLY, FRONT (DRIVER SIDE) includes items 15, 16
- 17 WHEEL AND TIRE ASSEMBLY, REAR (PASSENGER SIDE) includes items 19, 20
- 18 WHEEL AND TIRE ASSEMBLY, REAR (DRIVER SIDE) includes items 19, 20

WHEELS AND TIRES

THE USE OF NON U.L. PARTS WILL VOID ANY U.L. LISTING.

When ordering parts, please specify the model and serial number of the product.

* Indicates a component that is not available as an individual part.

*** Indicates consult Customer Service Department for additional information.

ITEM	PART NO.	1 2 3 4 5	DESCRIPTION	QTY.
1	639548		WHEEL AND TIRE ASSEMBLY, FRONT (PASSENGER SIDE) (INCLUDES ITEMS 3, 4).....	1
2	639550		WHEEL AND TIRE ASSEMBLY, FRONT (DRIVER SIDE) (INCLUDES ITEMS 3, 4).....	1
3	631041		WHEEL (STEEL), 12" X 7"	1
4	639540		TIRE (KENDA 590), 25" X 8" - 12"	1
5	639549		WHEEL AND TIRE ASSEMBLY, REAR (PASSENGER SIDE) (INCLUDES ITEMS 7, 8).....	1
6	639551		WHEEL AND TIRE ASSEMBLY, REAR (DRIVER SIDE) (INCLUDES ITEMS 7, 8).....	1
7	631041		WHEEL (STEEL), 12" X 7"	1
8	639541		TIRE (KENDA 590), 25" X 11" - 12"	1
9				
10	630268		CENTER CAP (BLACK).....	4
11	14723G1		LUG NUT, 1/2" - 20	16
12				
13	639556		WHEEL AND TIRE ASSEMBLY, FRONT (PASSENGER SIDE) (INCLUDES ITEMS 15, 16).....	1
14	639558		WHEEL AND TIRE ASSEMBLY, FRONT (DRIVER SIDE) (INCLUDES ITEMS 15, 16).....	1
15	616116		WHEEL (BLACK ALUMINUM)	1
16	639540		TIRE (KENDA 590), 25" X 8" - 12	1
17	639557		WHEEL AND TIRE ASSEMBLY, REAR (PASSENGER SIDE) (INCLUDES ITEMS 19, 20).....	1
18	639559		WHEEL AND TIRE ASSEMBLY, REAR (DRIVER SIDE) (INCLUDES ITEMS 19, 20).....	1
19	616116		WHEEL (BLACK ALUMINUM)	1
20	639541		TIRE (KENDA 590).....	1
21				
22	630106		CENTER WHEEL CAP (BLACK ALUMINUM).....	4
23	616823		LUG NUT (BLACK), 1/2" - 20.....	16



Textron Specialized Vehicles, Inc.
1451 Marvin Griffin Road
Augusta, Georgia 30906-3852 USA

CONTACT US:

North America:

**Technical Assistance & Warranty
Service Parts**

Phone: 1-800-774-3946, FAX: 1-800-448-8124

Phone: 1-888-438-3946, FAX: 1-800-752-6175

International:

Phone: 001-706-798-4311, FAX: 001-706-771-4609

Service Parts Manuals, as well as Repair and Service Manuals
are available from a local Distributor, an authorized Branch,
Parts & Accessories Department or at www.textronoffroad.com.

Copyrighted Material

This manual may not be reproduced in whole
or in part without the express permission of
TSV Technical Communications Department