



**TEXTRON<sup>®</sup>**  
**OFF ROAD**

**SERVICE PARTS MANUAL**

**» RECOILS**

**640768-X**

**ISSUED AUGUST 2014**

**REVISED SEP 2017**





# SERVICE PARTS MANUAL

## 72V ELECTRIC POWERED VEHICLES

### RECOIL iS

#### STARTING MODEL YEAR 2015

##### **CALIFORNIA Proposition 65 Warning**

**WARNING:** Motor vehicles may contain fuels, oils and fluids, battery posts, terminals, and related accessories which contain lead and lead compounds and other chemicals identified by the State of California to potentially cause cancer, birth defects, and other reproductive harm. These chemicals are found in vehicles, vehicle parts and accessories, both new and replacements. During maintenance, these vehicles generate used oil, waste fluids, grease, fumes, and particulates, all identified by the State of California to potentially cause cancer, birth defects, and other reproductive harm.

Never modify the vehicle in any way that will alter the weight distribution of the vehicle, decrease its stability or increase the speed beyond the factory specifications. Such modifications can cause serious personal injury or death. Textron Specialized Vehicles prohibits and dis-claims responsibility for any such modifications or any other alteration which would adversely affect the safety of the vehicle. TSV reserves the right to incorporate engineering and design changes to products in this manual, without obligation to include these changes on units sold previously.

The information contained in this manual may be revised periodically by TSV, and therefore is subject to change without notice.

TSV DISCLAIMS LIABILITY FOR ERRORS IN THIS MANUAL, and SPECIFICALLY DISCLAIMS LIABILITY FOR INCIDENTAL AND CONSEQUENTIAL DAMAGES resulting from the use of the information and materials in this manual.

These are the original instructions as defined by 2006/42/EC.

##### **TO CONTACT US:**

**Textron Specialized Vehicles, Inc.**

**1451 Marvin Griffin Road**

**Augusta, Georgia, USA 30906-3852**

##### **NORTH AMERICA:**

**Technical Assistance & Warranty PHONE: 1-800-774-3946, FAX: 1-800-448-8124**

**Service Parts PHONE: 1-888-438-3946, FAX: 1-800-752-6175**

**International: PHONE: 001-706-798-4311, FAX: 001-706-771-4609**

**For parts and repair, contact local dealer. Dealers can be located at [www.TEXTRONOFFROAD.com](http://www.TEXTRONOFFROAD.com)**

## NOTES

**This vehicle has been designed and manufactured in the United States of America (USA). The Standards and Specifications listed in the following text originate in the USA unless otherwise indicated.**

**The use of non Original Equipment Manufacturer (OEM) approved parts may void the warranty.**

### BATTERY PROLONGED STORAGE

**Batteries self-discharge over time. The rate of self-discharge varies depending on the ambient temperature, the age and condition of the batteries.**

**Fully charged batteries will not freeze in winter temperatures unless the temperature falls below -75°F (-60°C).**

**For winter storage, the batteries must be clean, fully charged and disconnected from any source of electrical drain.**

**The battery charger may be left connected to the vehicle to maintain a full charge on the batteries, provided the charger is plugged into an active electrical source. If power to the electrical source is disconnected or interrupted, the battery charger will continue to check the charge on the battery pack. This will draw power from the battery pack and eventually drain the batteries if power is not restored in a timely manner.**

**As with all electric vehicles, the batteries must be checked and recharged as required or at a minimum of 30 day intervals.**

**Check and maintain the proper fluid level in all battery cells during the storage period. Proper fluid level is required for maximum battery performance.**

### BATTERY DISPOSAL

**Lead-acid batteries are recyclable. Return whole scrap batteries to distributor, manufacturer or lead smelter for recycling. For neutralized spills, place residue in acid-resistant containers with absorbent material, sand or earth and dispose of in accordance with local, state and federal regulations for acid and lead compounds. Contact local and/or state environmental officials regarding disposal information.**

### WARRANTY

**Separate inserts supplied in packaging with the vehicle provide information on Product Warranty and Emissions Warranty. Failure to follow instructions for emission parts replacement may violate Federal Law (40 CFR part 1068.105 (b)) and be subject to fines and other penalties as described in the Clean Air Act.**



# TABLE OF CONTENTS

<b>SECTION</b>	<b>Page No.</b>
HOW TO USE THE SERVICE PARTS MANUAL .....	v
ACCELERATOR .....	A - 1
BATTERY SYSTEM.....	B - 1
BODY .....	C - 1
BRAKES .....	D - 1
ELECTRICAL SYSTEM .....	E - 1
FRONT AXLE & REAR AXLE .....	F - 1
FRONT SUSPENSION AND STEERING .....	G - 1
MOTOR.....	H - 1
OPERATOR PROTECTION SYSTEM (OPS).....	J - 1
REAR SUSPENSION .....	K - 1
SEATING .....	L - 1
TRUCK BED .....	M - 1
WEATHER PROTECTION .....	N - 1
WHEELS AND TIRES.....	P - 1



# HOW TO USE THE SERVICE PARTS MANUAL

This manual is divided into several sections:

- GENERAL INFORMATION
- ILLUSTRATED PARTS BREAKDOWN
- APPENDIX

The first section, GENERAL INFORMATION, contains the following information:

- WARRANTY INFORMATION
- GENERAL INDEX
- HOW TO USE THE SERVICE PARTS MANUAL

The second section, ILLUSTRATED PARTS BREAKDOWN, contains illustrations and parts lists for all systems of your vehicle.

The third section, APPENDIX, contains a listing of specialty products and accessories.

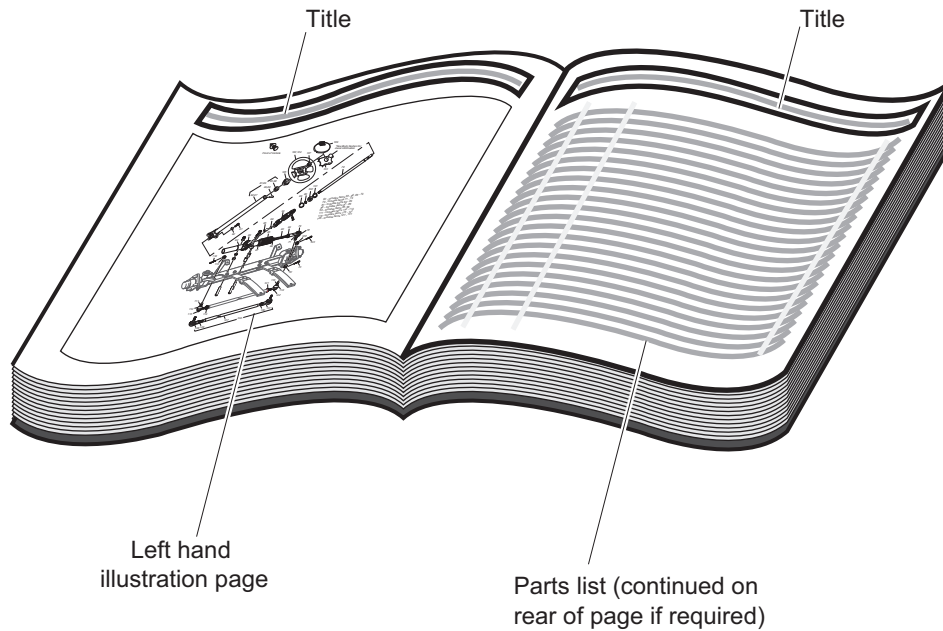
## USE OF THE MANUAL

To use this manual, consult the GENERAL INDEX to locate the information or illustration required.

Introduction of some revisions varies due to supply of components; therefore, it is possible that various combinations of components may be found that are not directly reflected by each illustration. Consult the illustration that best suits your situation and then contact the Service Parts Department. It is important that the serial number of your vehicle and its model number be supplied to Service Parts when ordering any replacement components.

Locate the serial number plate (see BODY located in the Illustrated Parts Breakdown section of this manual for its location) and note the complete number shown on the plate.

# HOW TO USE THE SERVICE PARTS MANUAL



## 1. WHEN THE PART NUMBER IS NOT KNOWN

- Determine the function and application of the part required. Turn to the General Index and select the most appropriate title.
- Turn to the page number indicated and locate the desired part on the illustration.
- From the illustration, obtain the item number assigned to the desired part. Refer to the accompanying description for specific information regarding the part.

## 2. IF YOU KNOW THE PART NUMBER

- Locate the part number or description in the appropriate column on the parts list page.

NOTE: It is suggested that you confirm that the part selected is correct by verifying it with the pictorial representation on the illustrated page.

Should an asterisk (\*) appear in the part number column on the parts list page, read upwards until a part number is found. The part number is the lowest assembly sold by Service Parts and the asterisk (\*) indicates that the part depicted is not available for purchase.

NOTE: Descriptions are indented under the assembly that they are used on. That assembly is, in turn listed under the assembly that it is used on. This process is repeated until the highest final assembly is reached.

**To facilitate the maintenance and repair of the vehicle, a Technician's Repair and Service Manual is available from the Service Parts Department.**

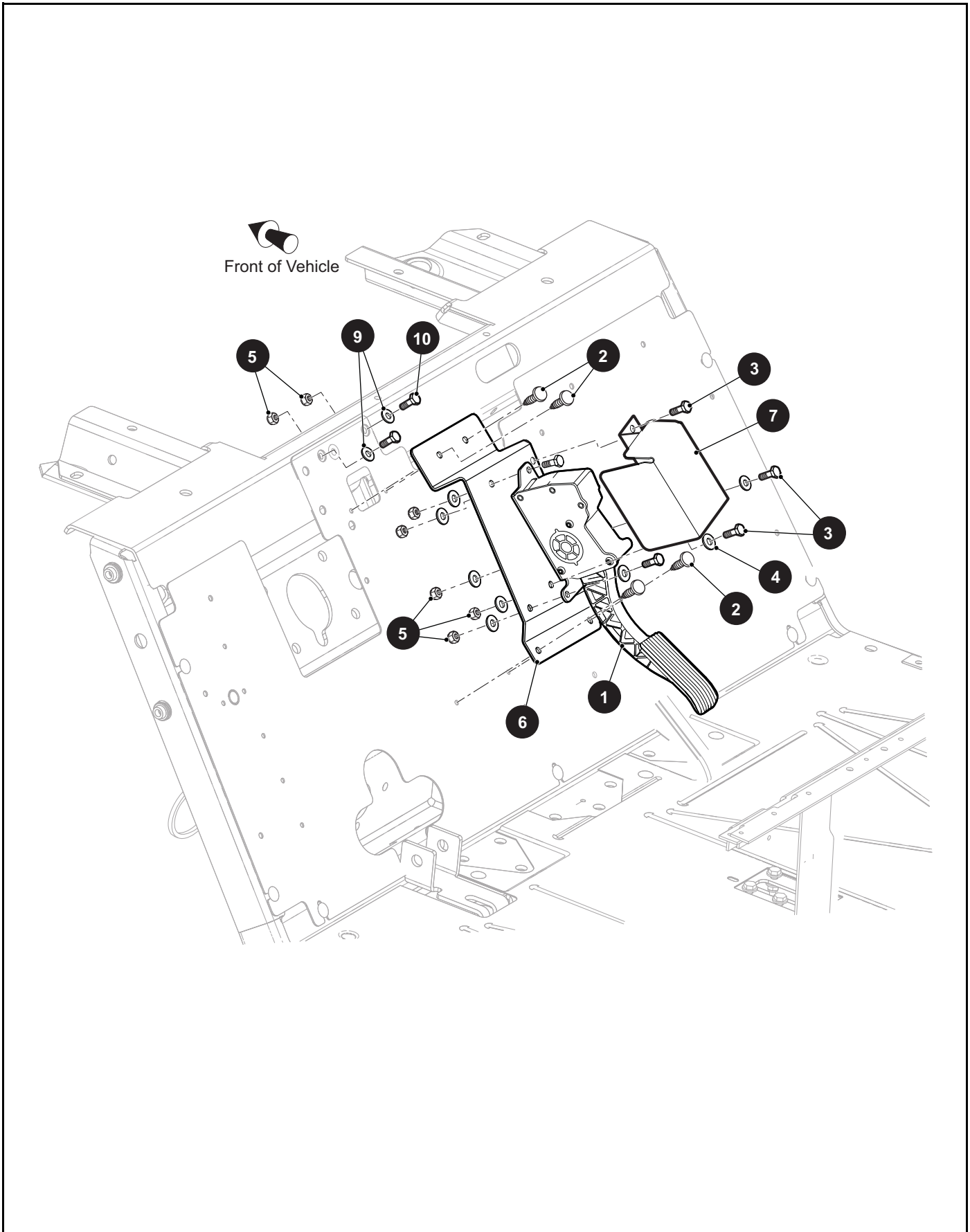
# HOW TO USE THE SERVICE PARTS MANUAL

## 3. COLOR CODE FOR BODY COMPONENTS

The last two digits of the part number for the body part will denote the color code. Locate the part number for the cowl, rear body, seat pod, side panel or seat wrap then locate your color in the list below. Replace the last \*\* or XX with the two digit color code.

<b><u>CODE #</u></b>	<b><u>DESCRIPTION</u></b>
38	BRIGHT WHITE
39	FLAME RED
72	MATTE BLACK
78	REALTREE XTRA DIPPED
80	REALTREE MAX 5 DIPPED

# ACCELERATOR



# ACCELERATOR

THE USE OF NON U.L. PARTS WILL VOID ANY U.L. LISTING.

When ordering parts, please specify the model and serial number of the product.

\* Indicates a component that is not available as an individual part.

\*\*\* Indicates consult Customer Service Department for additional information.

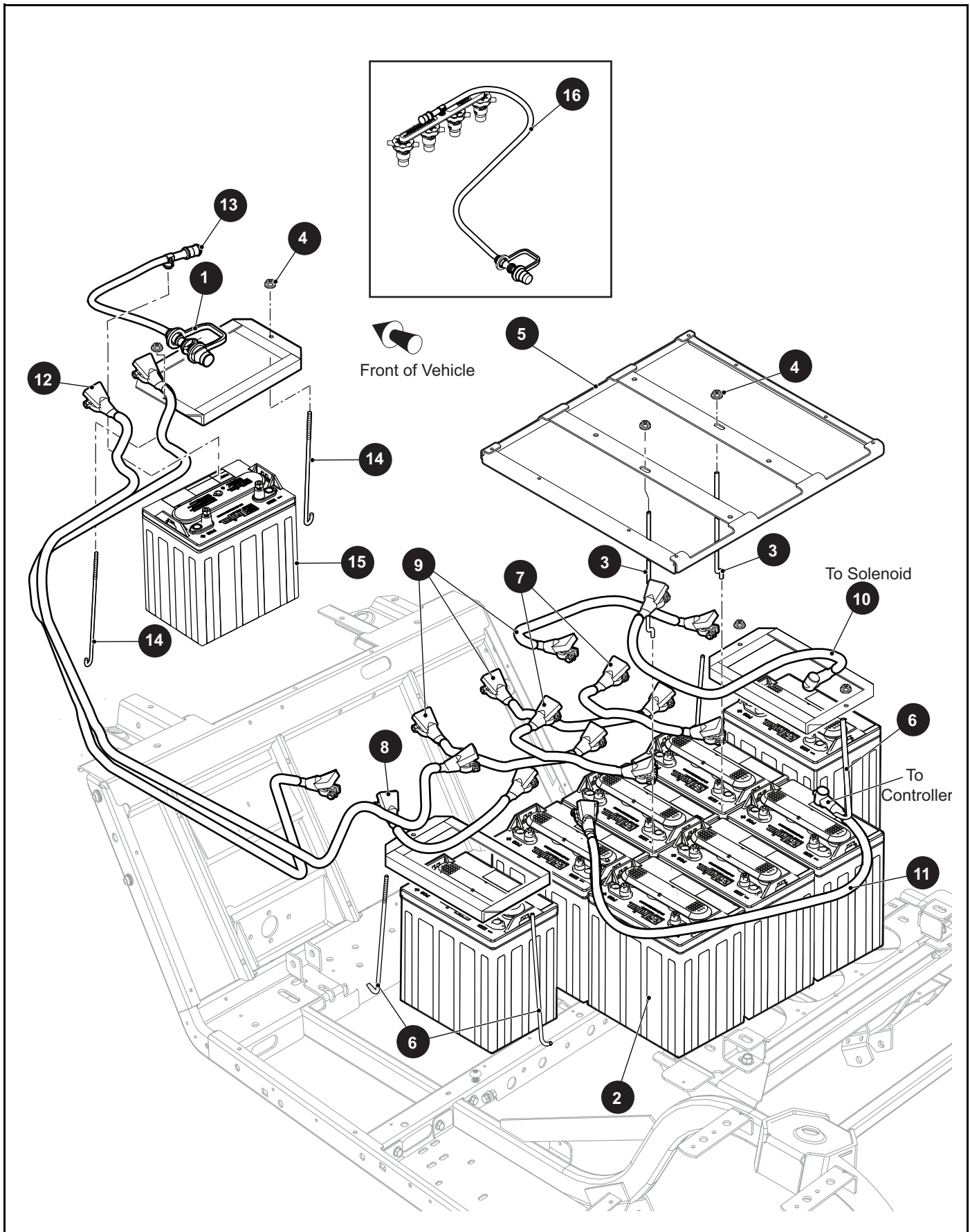
ITEM	PART NO.	1 2 3 4 5	DESCRIPTION	QTY.
1	626739		ACCELERATOR PEDAL.....	1
2	14601G11		RIVET, 3/16" X 9/16" .....	4
3	00414G6		HEX HEAD BOLT, 1/4" - 20 X 7/8" LG .....	5
4	00559G7		FLAT WASHER, 1/4" .....	10
5	14390G4		HEX NUT, 1/4" - 20 .....	7
6	635422		ACCELERATOR PEDAL MOUNTING BRACKET .....	1
7	630045		ACCELERATOR PEDAL COVER .....	1
8				
9	01110G01		FLAT WASHER, 1/4" .....	2
10	302288		HEX HEAD BOLT, 1/4" - 20 X 1" LG .....	2







# BATTERY SYSTEM



# BATTERY SYSTEM

THE USE OF NON U.L. PARTS WILL VOID ANY U.L. LISTING.

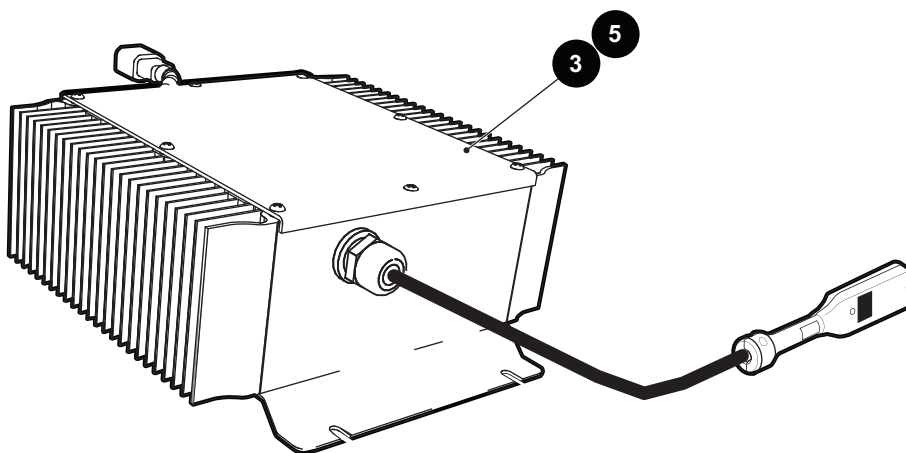
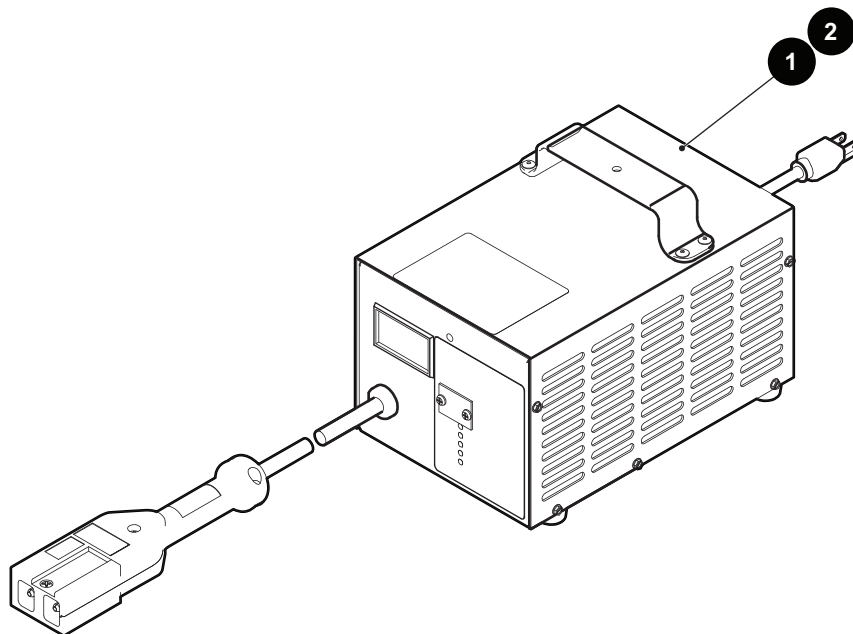
When ordering parts, please specify the model and serial number of the product.

\* Indicates a component that is not available as an individual part.

\*\*\* Indicates consult Customer Service Department for additional information.

ITEM	PART NO.	1 2 3 4 5	DESCRIPTION	QTY.
1	616229		BATTERY HOLD DOWN WELDMENT .....	3
2	612626		BATTERY, 8V .....	8
3	01101G01		TIE DOWN BOLT .....	2
4	11027G1		FLANGED LOCK NUT, 5/16" - 18 .....	8
5	629583		BATTERY HOLD DOWN WELDMENT, 6 - 8V .....	1
6	70386G01		TIE DOWN BOLT .....	4
7	628624		BATTERY WIRE, 12.5" .....	2
8	628628		BATTERY WIRE, 16" .....	1
9	628629		BATTERY WIRE, 22" .....	3
10	628630		BATTERY WIRE, 22" .....	1
11	628631		BATTERY WIRE, 32" .....	1
12	628632		BATTERY WIRE, 92" .....	2
13	642123		BATTERY FILL SYSTEM (FOR VEHICLES MANUFACTURED FROM 1 DECEMBER 2014) .....	1
14	604197		BATTERY HOOK BOLT .....	2
15	614382		BATTERY, 8V (FLOWRITE) .....	1
16	629127		BATTERY FILL SYSTEM (FOR VEHICLES MANUFACTURED BEFORE 1 DECEMBER 2014) .....	1

# BATTERY SYSTEM



# BATTERY SYSTEM

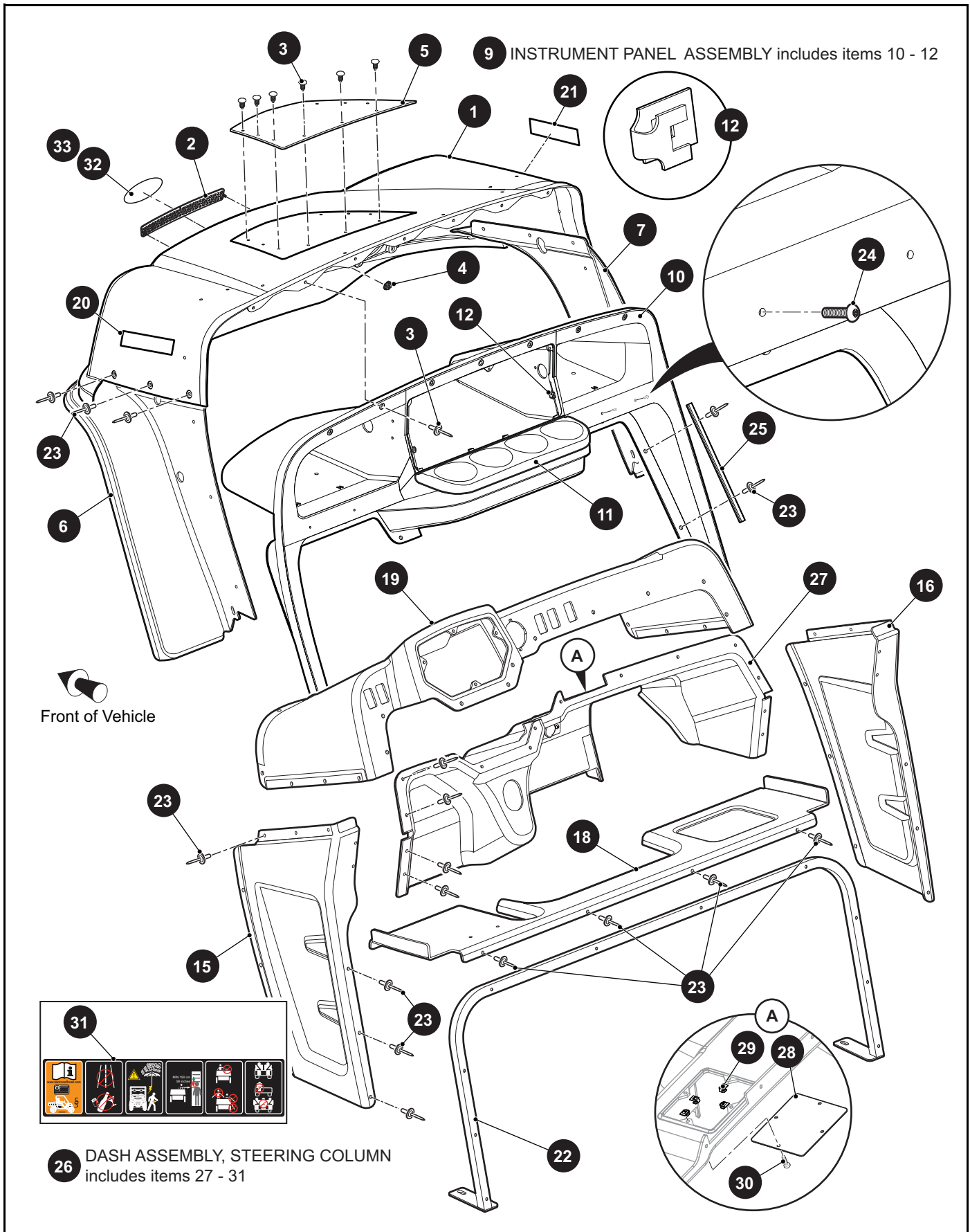
THE USE OF NON U.L. PARTS WILL VOID ANY U.L. LISTING.  
 When ordering parts, please specify the model and serial number of the product.  
 \* Indicates a component that is not available as an individual part.  
 \*\*\* Indicates consult Customer Service Department for additional information.

ITEM	PART NO.	1 2 3 4 5	DESCRIPTION	QTY.
1	626766		BATTERY CHARGER WITH HANDLE, 72V, 12A.....	1
2	630758		BATTERY CHARGER (INTERNATIONAL) WITH HANDLE, 72V, 12A.....	1
3	634567		BATTERY CHARGER, D PLUG, 72V .....	1
4				
5	645743		BATTERY CHARGER, D PLUG, 72V .....	1





# BODY - FRONT





# BODY - FRONT

THE USE OF NON U.L. PARTS WILL VOID ANY U.L. LISTING.

When ordering parts, please specify the model and serial number of the product.

\* Indicates a component that is not available as an individual part.

\*\*\* Indicates consult Customer Service Department for additional information.

ITEM	PART NO.	1 2 3 4 5	DESCRIPTION	QTY.
1	613036G3XX		COWL (see COLOR CODE in HOW TO USE section).....	1
2	617643		GRILL COVER.....	1
3	617533		PUSH RIVET.....	9
4	71597G01		SELF THREADING NUT, 5MM X 10MM X 15MM.....	2
5	633268GXX		COWL ACCESS COVER.....	1
6	633010G01		FENDER FLARE, FRONT (DRIVER SIDE).....	1
7	633010G02		FENDER FLARE, FRONT (PASSENGER SIDE).....	1
8				
9	633298		INSTRUMENT PANEL ASSEMBLY (INCLUDES ITEMS 10 - 12).....	1
10	633297		INSTRUMENT PANEL.....	1
11	71158G01		INSERT, 4 CUP.....	1
12	71364G02		"J" TYPE SPEED NUT, #8.....	5
13				
14				
15	638055		KICK PANEL (DRIVER SIDE).....	1
16	638057		KICK PANEL (PASSENGER SIDE).....	1
17				
18	638059		DASH PANEL, BOTTOM.....	1
19	628708G05		DASH PANEL, TOP.....	1
20	655655G01		COWL DECAL, 72V (DRIVER SIDE).....	1
21	655655G02		COWL DECAL, 72V (PASSENGER SIDE).....	1
22	632989		DASH SUPPORT BRACKET.....	1
23	71055G01		RIVET, 3/16".....	A/R
24	608290		PAN HEAD PHILLIPS SCREW, #10 - 16 X .72" LG.....	4
25	71115G01		TRIM PANEL.....	2
26	638066		STEERING COLUMN DASH ASSEMBLY (INCLUDES ITEMS 27 - 31).....	1
27	638052		COVER.....	1
28	638065		SWITCH COVER.....	1
29	71364G03		"J" TYPE SPEED NUT, #8.....	4
30	608290		SELF TAPPING SCREW, #10 - 16 X .780" LG.....	4
31	665091		DASH PANEL LABEL.....	1

## BODY - FRONT

THE USE OF NON U.L. PARTS WILL VOID ANY U.L. LISTING.

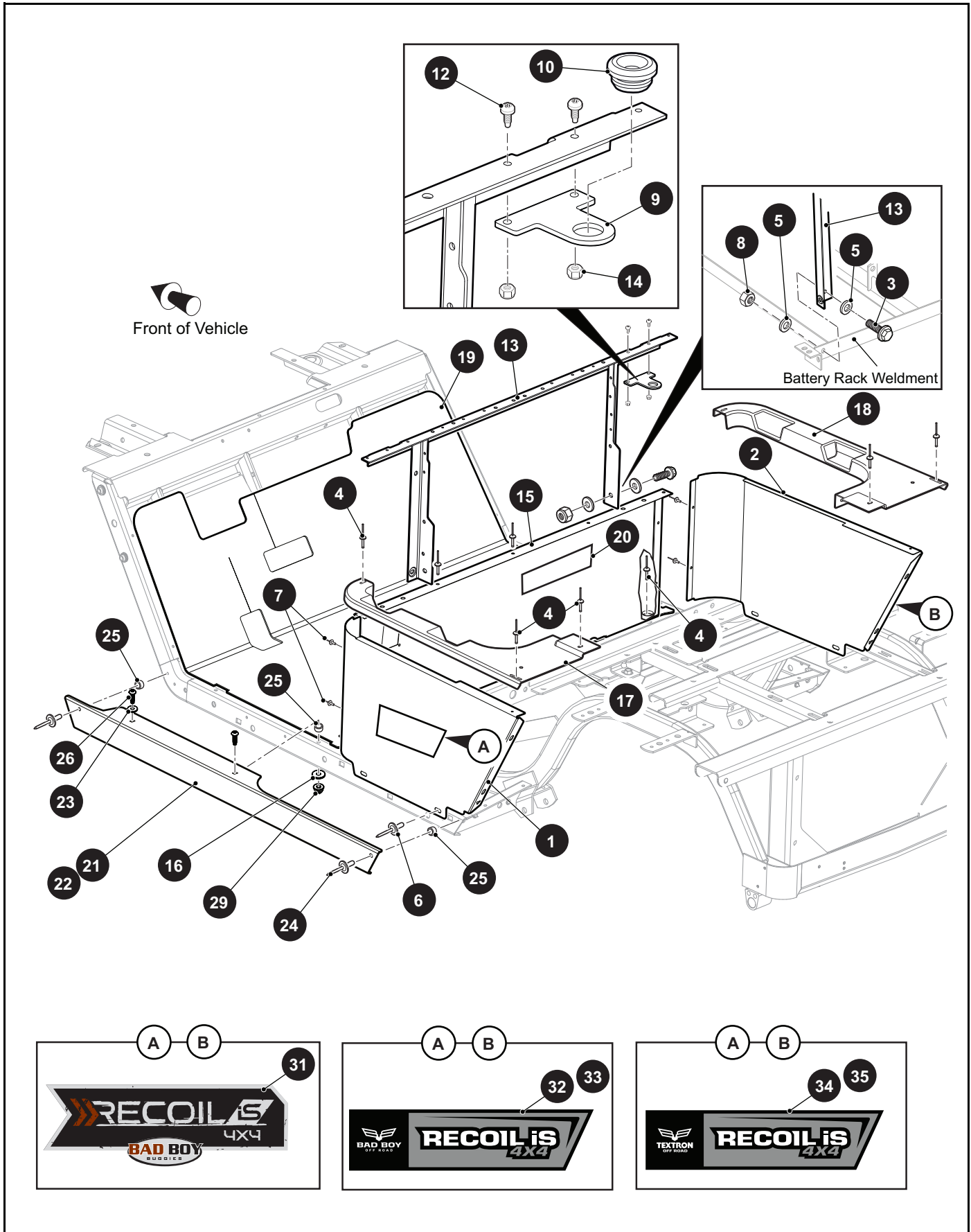
When ordering parts, please specify the model and serial number of the product.

\* Indicates a component that is not available as an individual part.

\*\*\* Indicates consult Customer Service Department for additional information.

ITEM	PART NO.	1	2	3	4	5	DESCRIPTION	QTY.
32	626663						COWL DECAL (FOR VEHICLES MANUFACTURED BEFORE 19 SEPTEMBER 2016).....	1
33	655659						COWL DECAL (FOR VEHICLES MANUFACTURED AFTER 19 SEPTEMBER 2016).....	1





THE USE OF NON U.L. PARTS WILL VOID ANY U.L. LISTING.  
 When ordering parts, please specify the model and serial number of the product.  
 \* Indicates a component that is not available as an individual part.  
 \*\*\* Indicates consult Customer Service Department for additional information.

ITEM	PART NO.	1 2 3 4 5	DESCRIPTION	QTY.
1	609047G1XX		SIDE PANEL (DRIVER SIDE) (see COLOR CODE in HOW TO USE section) .....	1
2	609047G2XX		SIDE PANEL (PASSENGER SIDE) (see COLOR CODE in HOW TO USE section) .....	1
3	00438G6		HEX HEAD BOLT, 5/16" - 18 X 5/8" LG .....	2
4	10570G10		RIVET (SS), .156" X .55" .....	14
5	00559G8		FLAT WASHER, 5/16" .....	2
6	10570G12		RIVET (ALUMINUM), .257" X .556" .....	4
7	71055G01		RIVET, 3/16" .....	4
8	11098G6		LOCK NUT, 5/16" - 18 .....	2
9	642136		SEAT RETENTION BRACKET .....	2
10	638668		SEAT RETENTION GROMMET .....	2
11				
12	800296		PAN HEAD MACHINE SCREW, #10 - 24 X 3/4" LG .....	4
13	70441G01		SEAT FRAME WELDMENT .....	1
14	14390G10		LOCK NUT, #10 - 24 .....	4
15	640512GXX		SEAT WRAP PANEL (see COLOR CODE in HOW TO USE section) .....	1
16	00559G7		FLAT WASHER, 1/4" .....	4
17	74891G01		SEAT FILLER PANEL (DRIVER SIDE) .....	1
18	74891G02		SEAT FILLER PANEL (PASSENGER SIDE) .....	1
19	637458		FLOOR MAT (DIAMOND PLATE) .....	1
20	640561		BATTERY LABEL .....	1
21	618358		ROCKER PANEL (DRIVER SIDE) .....	1
22	618359		ROCKER PANEL (PASSENGER SIDE) .....	1
23	627565		FLAT WASHER, O.D 1" X I.D .29" .....	2
24	15058G6		RIVET (ALUMINUM), 3/16" X .95" .....	4
25	23726G4		SPACER, .298" .....	8
26	634161		FLANGED HEXALOBULAR TORX BOLT (SS), M6 - 1 X 38MM LG .....	4
27				
28				
29	601476		LOCK NUT, M6 - 1 .....	4
30				

## BODY - MID

THE USE OF NON U.L. PARTS WILL VOID ANY U.L. LISTING.

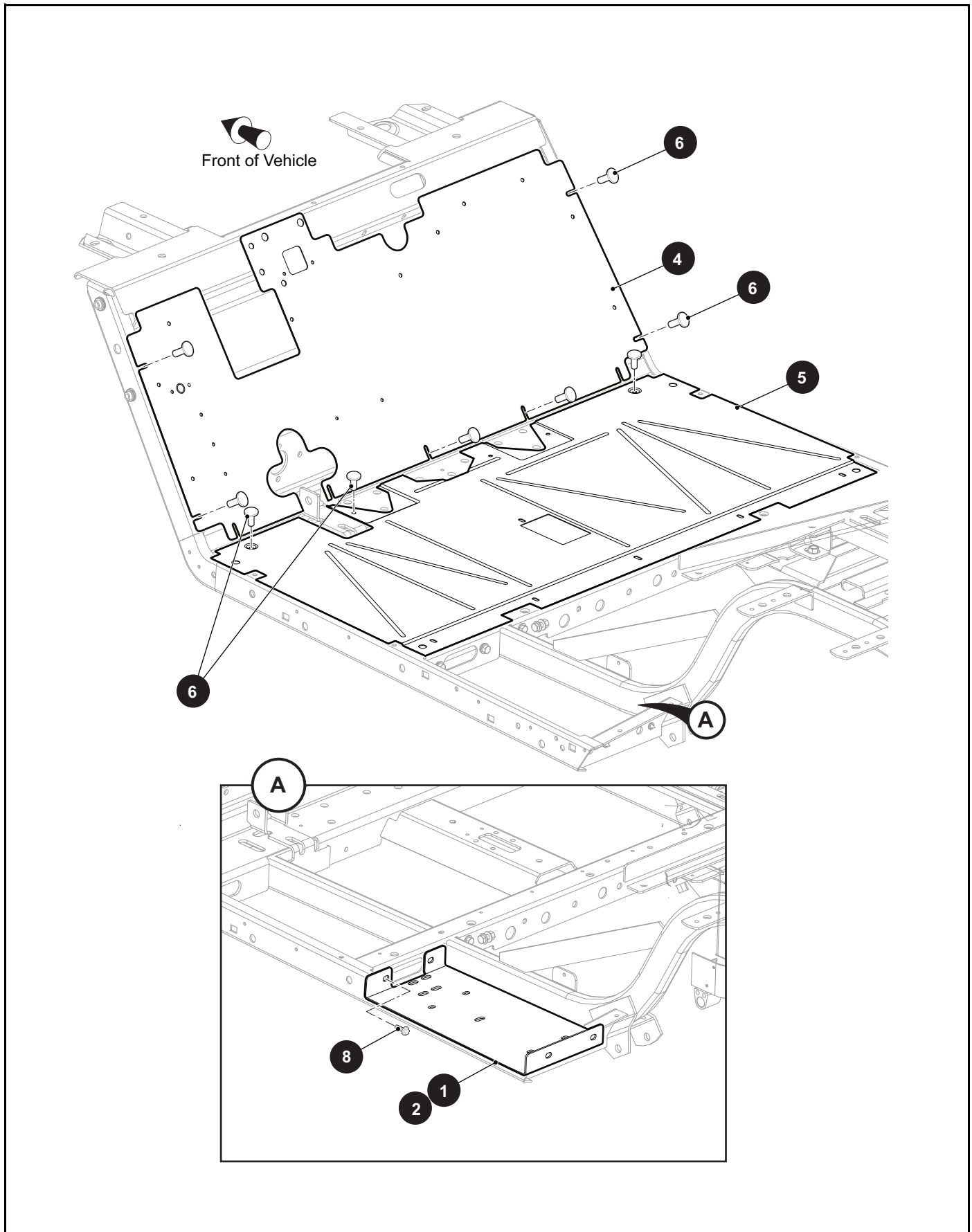
When ordering parts, please specify the model and serial number of the product.

\* Indicates a component that is not available as an individual part.

\*\*\* Indicates consult Customer Service Department for additional information.

ITEM	PART NO.	1 2 3 4 5	DESCRIPTION	QTY.
31	635042		SIDE DECAL (FOR VEHICLES MANUFACTURED BEFORE 19 SEPTEMBER 2016).....	2
32	655617G01		SIDE DECAL (DRIVER SIDE) (FOR VEHICLES MANUFACTURED AFTER 19 SEPTEMBER 2016, BEFORE 1 MAY 2017) .....	1
33	655617G02		SIDE DECAL (PASSENGER SIDE) (FOR VEHICLES MANUFACTURED AFTER 19 SEPTEMBER 2016, BEFORE 1 MAY 2017) .....	1
34	663475G01		SIDE DECAL (DRIVER SIDE) (FOR VEHICLES MANUFACTURED AFTER 1 MAY 2017).....	1
35	663475G02		SIDE DECAL (PASSENGER SIDE) (FOR VEHICLES MANUFACTURED AFTER 1 MAY 2017).....	1



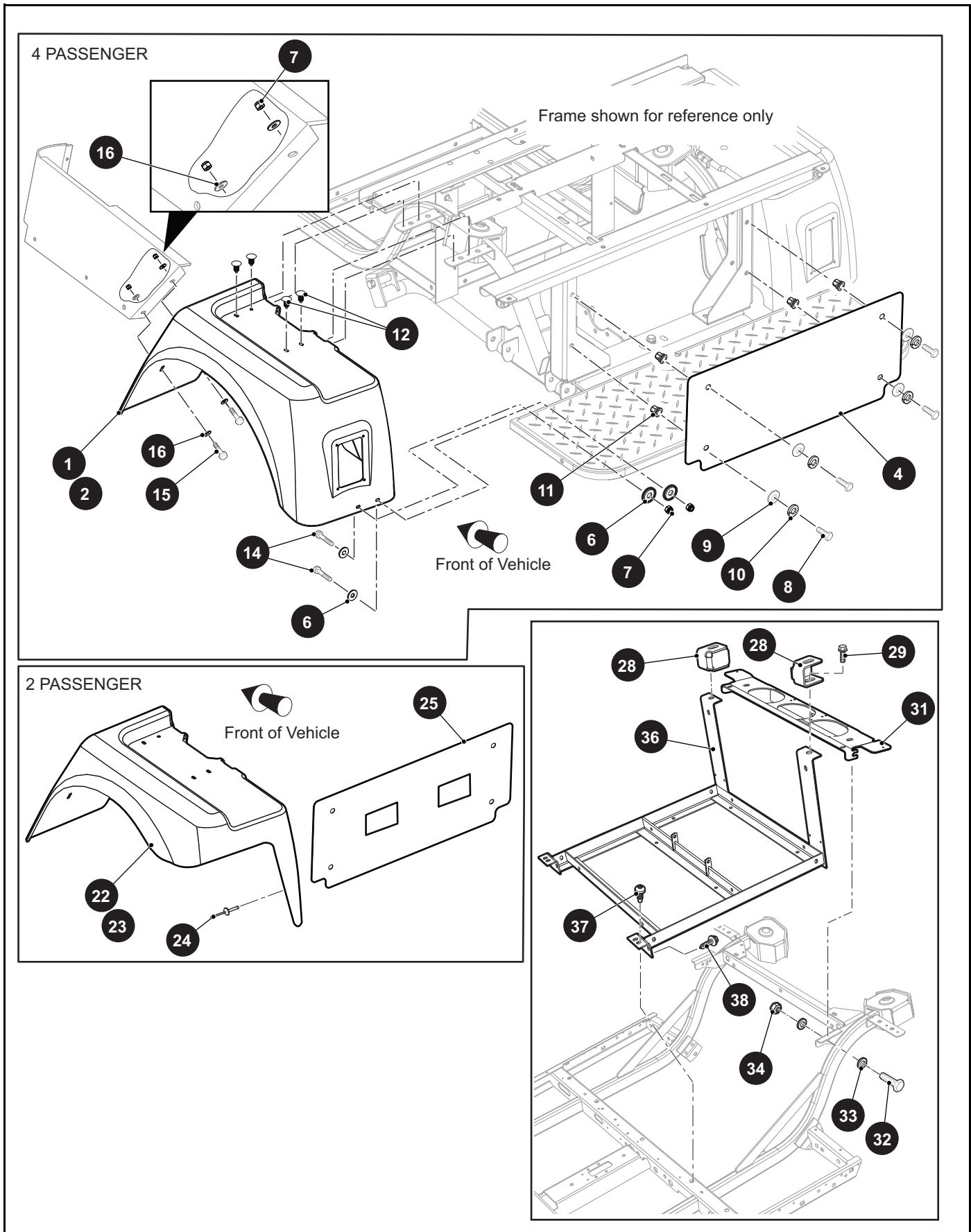




THE USE OF NON U.L. PARTS WILL VOID ANY U.L. LISTING.  
 When ordering parts, please specify the model and serial number of the product.  
 \* Indicates a component that is not available as an individual part.  
 \*\*\* Indicates consult Customer Service Department for additional information.

ITEM	PART NO.	1 2 3 4 5	DESCRIPTION	QTY.
1	652443G103		BATTERY TRAY BRACKET (DRIVER SIDE) .....	1
2	652443G203		BATTERY TRAY BRACKET (PASSENGER SIDE) .....	1
3				
4	640553		UPPER FLOOR PANEL .....	1
5	70451G03		LOWER FLOOR PANEL .....	1
6	14601G11		RIVET, 3/16" X 9/16" .....	14
7				
8	00715G2		HEX WASHER HEAD BOLT, 5/16" - 18 X .80" LG .....	8

# BODY - REAR



## BODY - REAR

THE USE OF NON U.L. PARTS WILL VOID ANY U.L. LISTING.

When ordering parts, please specify the model and serial number of the product.

\* Indicates a component that is not available as an individual part.

\*\*\* Indicates consult Customer Service Department for additional information.

ITEM	PART NO.	1 2 3 4 5	DESCRIPTION	QTY.
1	629186G01		FENDER FLARE, REAR (DRIVER SIDE) .....	1
2	629186G05		FENDER FLARE, REAR (PASSENGER SIDE).....	1
3				
4	629417G03		REAR CLOSEOUT PANEL.....	1
5				
6	00793G2		FLAT WASHER (SS), 1/4".....	8
7	14390G4		LOCK NUT, 1/4" - 20.....	8
8	00427G2		HEX HEAD BOLT, 3/8" - 16 X 1 1/4" LG .....	4
9	00643G1		FLAT WASHER, 3/8".....	4
10	120177		LOCK WASHER, 3/8" .....	4
11	641848		HEX NUT, 3/8" - 16.....	4
12	16816G2		RATCHET RIVET, .25" X .887" .....	8
13				
14	303459		HEX HEAD BOLT, 1/4" - 20 X 1 1/2" LG .....	4
15	00414G6		HEX HEAD BOLT, 1/4" - 20 X 1/2" LG .....	4
16	00642G7		FLAT WASHER, #4 .....	8
17				
18				
19				
20				
21				
22	629186G03		FENDER FLARE, TRUCK BED (DRIVER SIDE).....	1
23	629186G06		FENDER FLARE, TRUCK BED (PASSENGER SIDE) .....	1
24	10570G11		RIVET (SS), 3/16" .....	2
25	629417G04		REAR CLOSEOUT PANEL WITH CUTOUT .....	1
26				
27				
28	629351		SEAT FRAME BRACKET.....	2
29	01006G02		HEX WASHER HEAD BOLT, 3/8" - 16 X 1.5" LG .....	2
30				
31	71262G04		SEAT BACK SUPPORT .....	1

## BODY - REAR

THE USE OF NON U.L. PARTS WILL VOID ANY U.L. LISTING.

When ordering parts, please specify the model and serial number of the product.

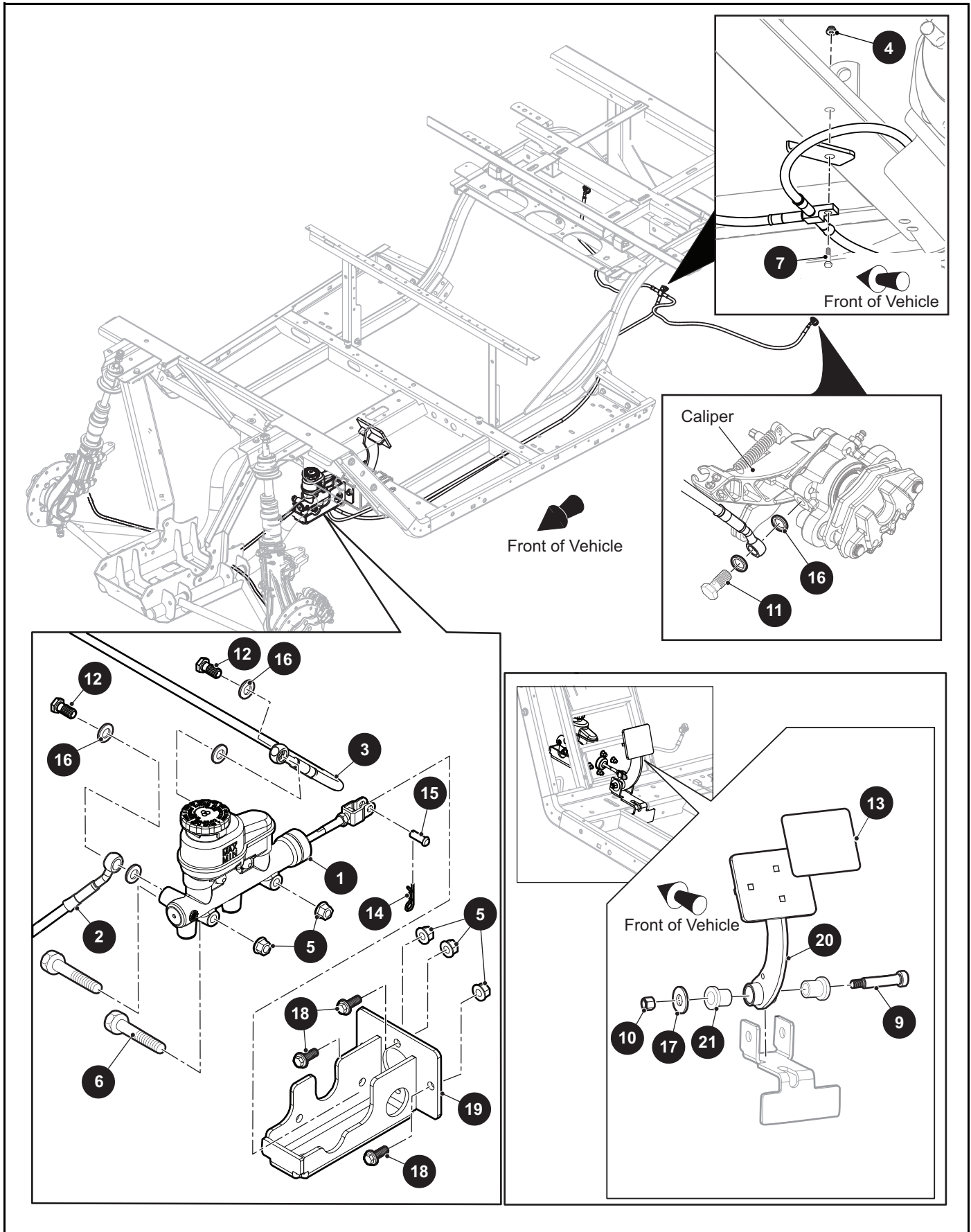
\* Indicates a component that is not available as an individual part.

\*\*\* Indicates consult Customer Service Department for additional information.

ITEM	PART NO.	1 2 3 4 5	DESCRIPTION	QTY.
32	00438G8		HEX HEAD BOLT, 5/16" - 18 X 5/8" LG.....	2
33	00642G8		FLAT WASHER, 5/16" .....	4
34	11098G6		LOCK NUT, 5/16" - 18 .....	2
35				
36	652254G03		BATTERY RACK WELDMENT .....	1
37	70200G01		TRUSS HEAD TORX SCREW, 3/8" - 16 X .75" LG .....	2
38	00715G2		FLANGED HEX HEAD BOLT, 5/16" - 18 X .80" LG.....	2



# BRAKES



# BRAKES

THE USE OF NON U.L. PARTS WILL VOID ANY U.L. LISTING.

When ordering parts, please specify the model and serial number of the product.

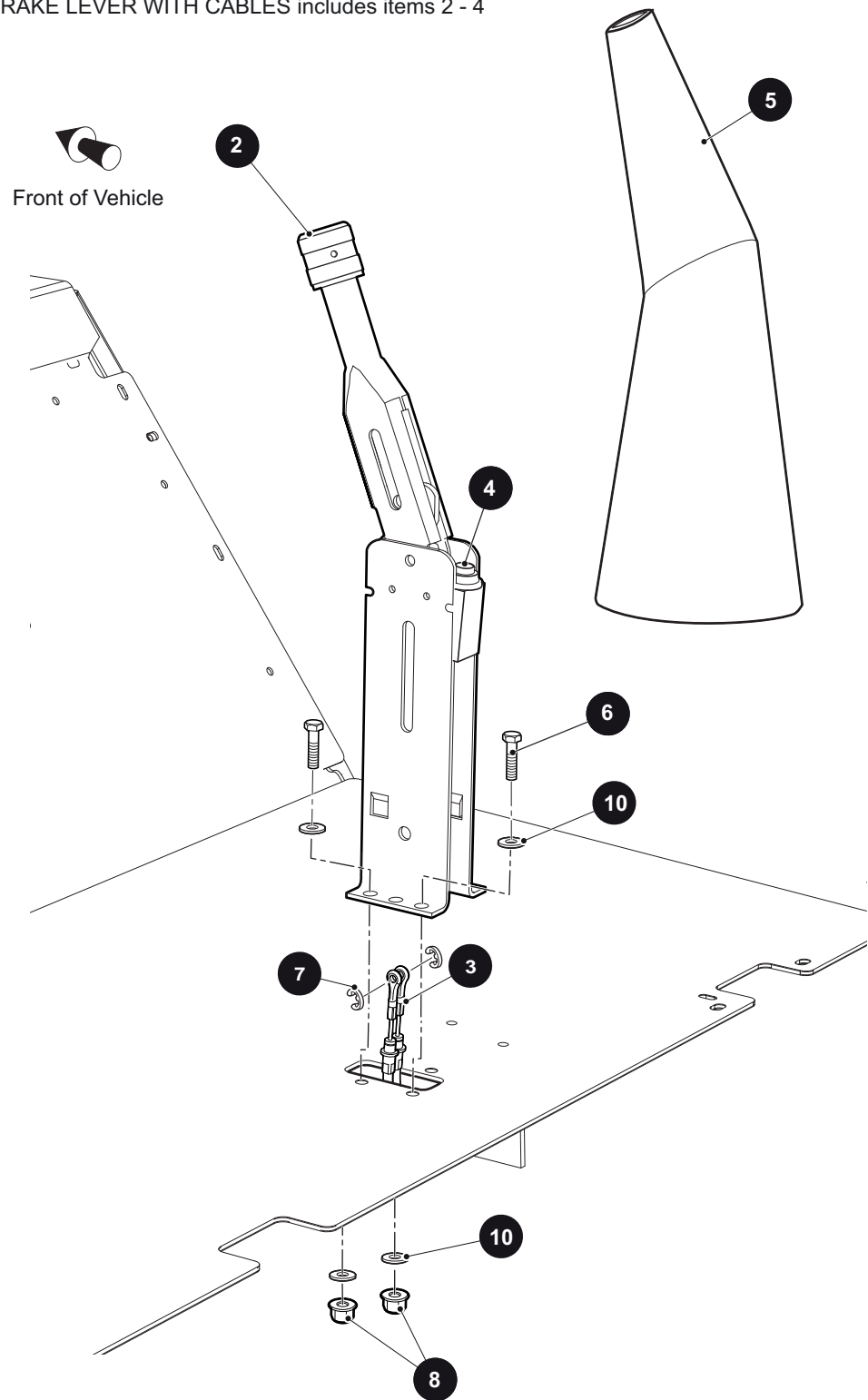
\* Indicates a component that is not available as an individual part.

\*\*\* Indicates consult Customer Service Department for additional information.

ITEM	PART NO.	1 2 3 4 5	DESCRIPTION	QTY.
1	631593		BRAKE MASTER CYLINDER.....	1
2	626613		FRONT BRAKE LINE .....	1
3	616455		REAR BRAKE LINE .....	1
4	601476		LOCK NUT, M6 - 1 .....	2
5	800697		LOCK NUT, 5/16" - 18 .....	6
6	00439G8		HEX HEAD BOLT, 5/18" - 18 X 1 1/8" LG .....	2
7	613231		HEX HEAD BOLT, M6 - 1 X 20MM LG.....	2
8	12416G2		NYLON CLAMP, 10" (NOT ILLUSTRATED) .....	20
9	635177		SHOULDER BOLT, 3/8"- 16 X 2" LG .....	1
10	11098G5		LOCK NUT, 3/8" - 16.....	1
11	616459		BANJO BOLT, M10 - 1 X 20MM LG .....	4
12	613292		BANJO BOLT, M10 - 1.25 X 20MM LG .....	2
13	640478		PEDAL GRIP.....	1
14	01076G01		COTTER PIN, 1.21" X .13" X .43" .....	1
15	10386G2		CLEVIS PIN, .375" X .311" X .788" LG .....	1
16	613293		CRUSH WASHER, M10.....	12
17	00643G1		FLAT WASHER, 3/8".....	1
18	13437G3		FLANGED HEX HEAD BOLT, 5/16 - 18 X 1" LG .....	4
19	631616		MASTER CYLINDER BRACKET .....	1
20	637808		BRAKE PEDAL WELDMENT.....	1
21	70581G02		BUSHING, 1.062" X 1.795" X 1" LG .....	2



**1** PARK BRAKE LEVER WITH CABLES includes items 2 - 4





# BRAKES

THE USE OF NON U.L. PARTS WILL VOID ANY U.L. LISTING.

When ordering parts, please specify the model and serial number of the product.

\* Indicates a component that is not available as an individual part.

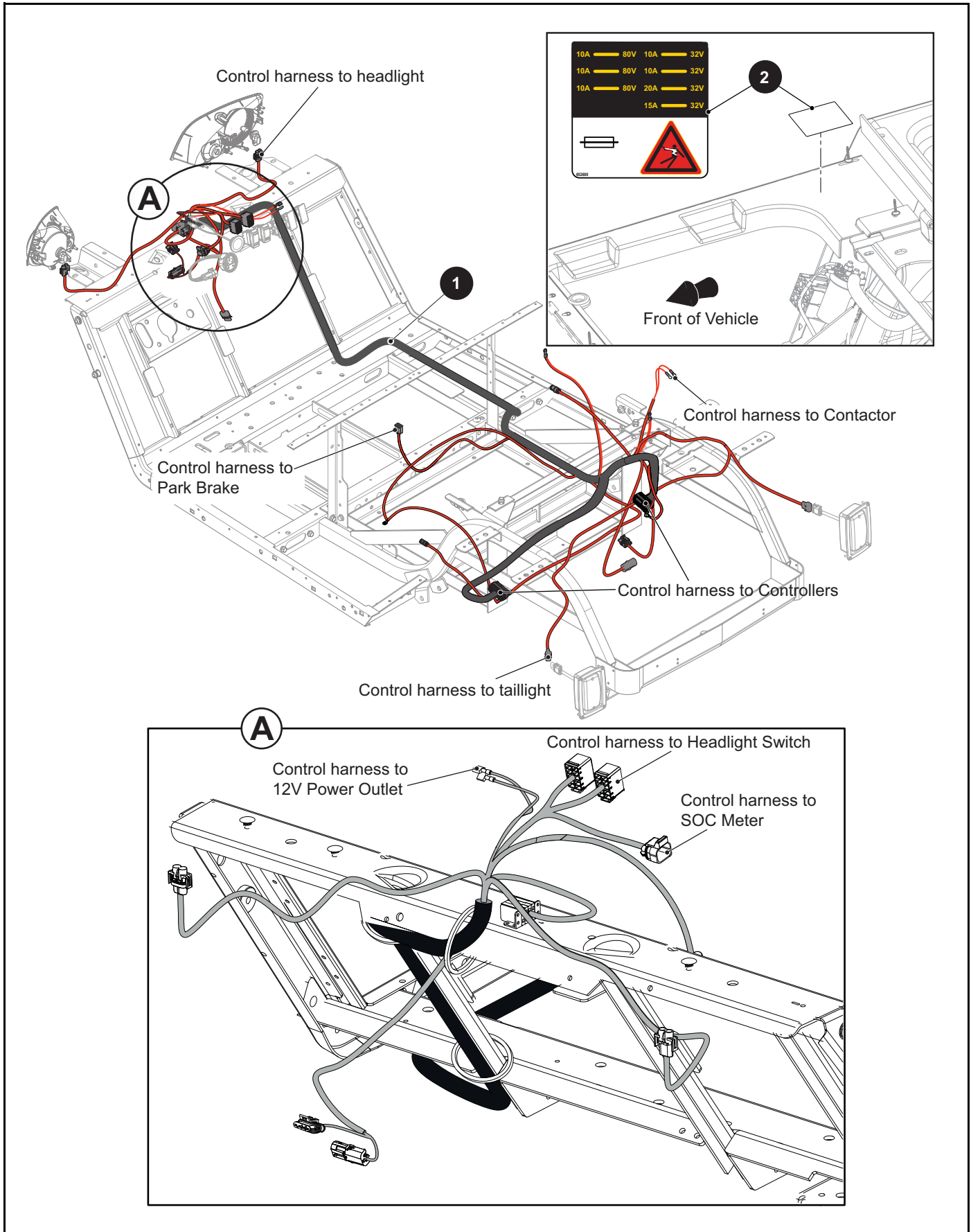
\*\*\* Indicates consult Customer Service Department for additional information.

ITEM	PART NO.	1 2 3 4 5	DESCRIPTION	QTY.
1	635382		PARK BRAKE LEVER WITH CABLES (INCLUDES ITEMS 2 - 4) .....	1
2	627393		PARK BRAKE .....	1
3	616447		PARK BRAKE CABLE .....	2
4	634719		PARK BRAKE SWITCH.....	1
5	627940		PARK BRAKE BOOT .....	1
6	302288		HEX HEAD BOLT, 1/4" - 20 X 1" LG .....	4
7	01111G01		RETAINING RING, .8" X .392" .....	2
8	14390G4		LOCK NUT, 1/4" - 20 .....	4
9	31539G1		NYLON CLAMP (NOT ILLUSTRATED) .....	11
10	01110G01		FLAT WASHER, 1/4" .....	8





# ELECTRICAL SYSTEM

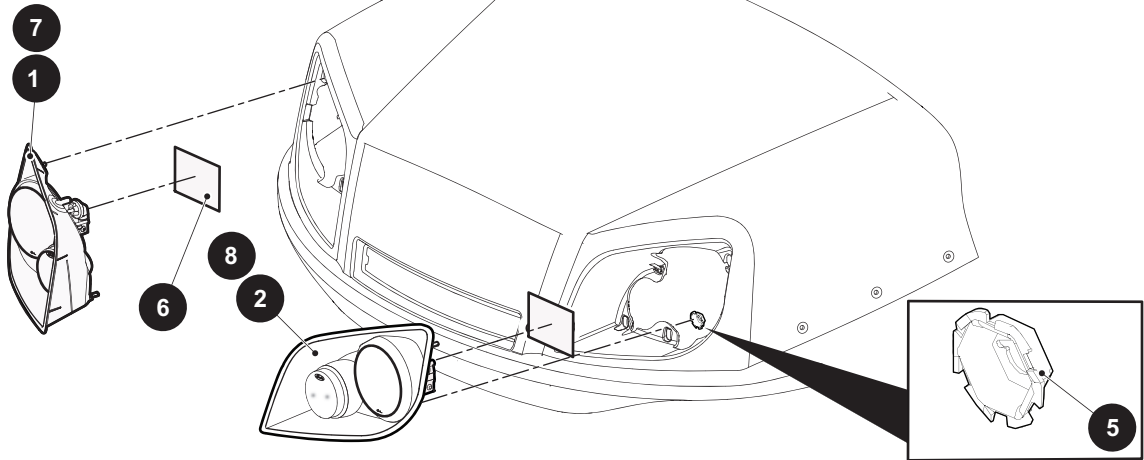


# ELECTRICAL SYSTEM

THE USE OF NON U.L. PARTS WILL VOID ANY U.L. LISTING.  
 When ordering parts, please specify the model and serial number of the product.  
 \* Indicates a component that is not available as an individual part.  
 \*\*\* Indicates consult Customer Service Department for additional information.

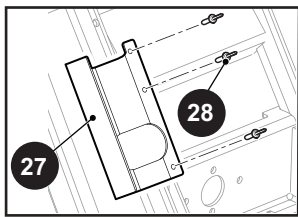
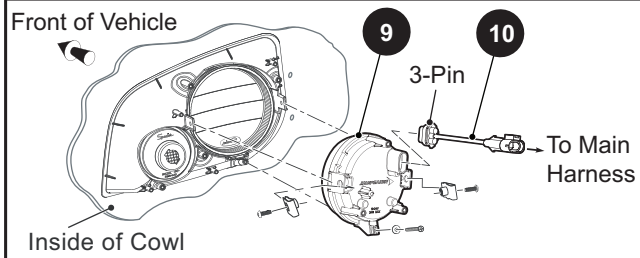
ITEM	PART NO.	1 2 3 4 5 DESCRIPTION	QTY.
1	650531	CONTROL HARNESS .....	1
2	652600	FUSE BLOCK LABEL .....	1

# ELECTRICAL SYSTEM

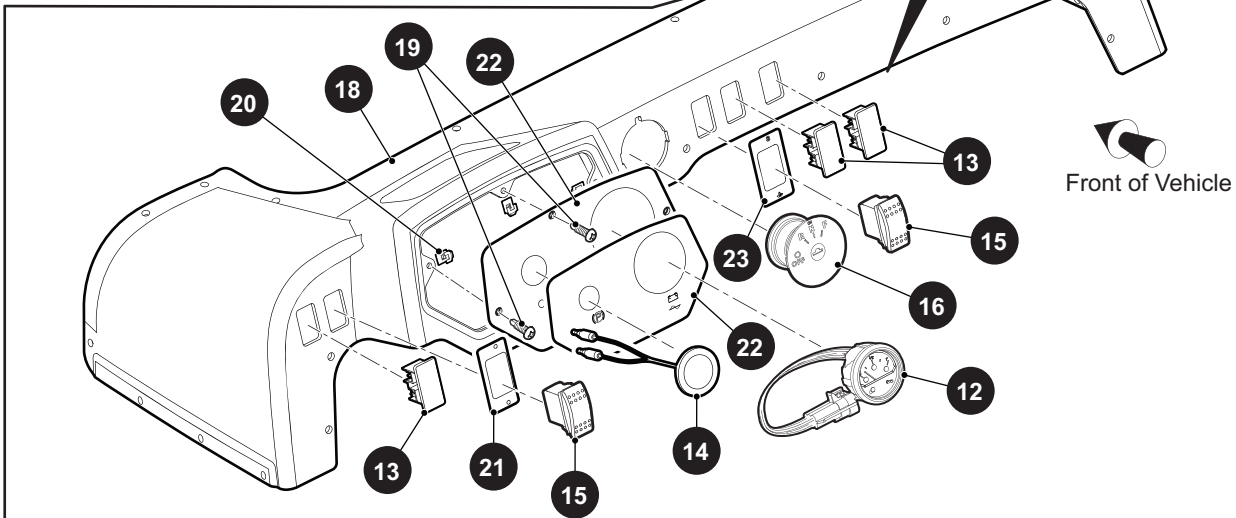
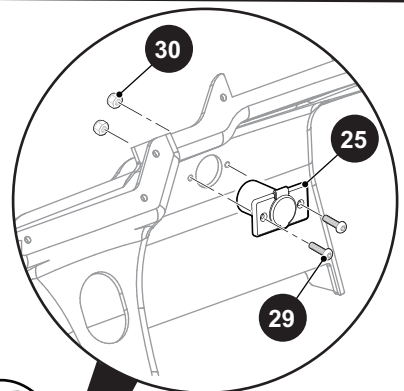


**7** LED HEADLIGHT ASSEMBLY (PASSENGER SIDE) includes item 9

**8** LED HEADLIGHT ASSEMBLY (DRIVER SIDE) includes item 9



**26**  
12V  
10Amp  
MAX



# ELECTRICAL SYSTEM

THE USE OF NON U.L. PARTS WILL VOID ANY U.L. LISTING.

When ordering parts, please specify the model and serial number of the product.

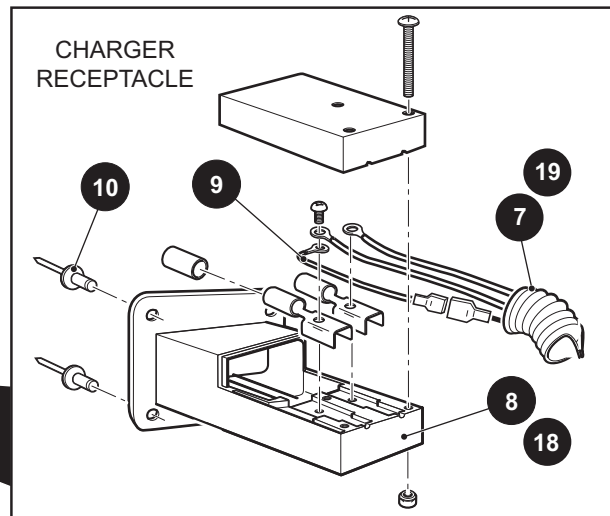
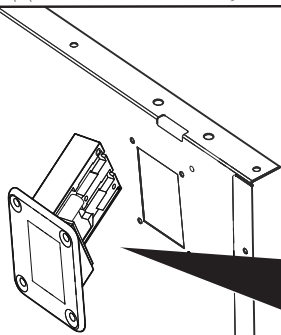
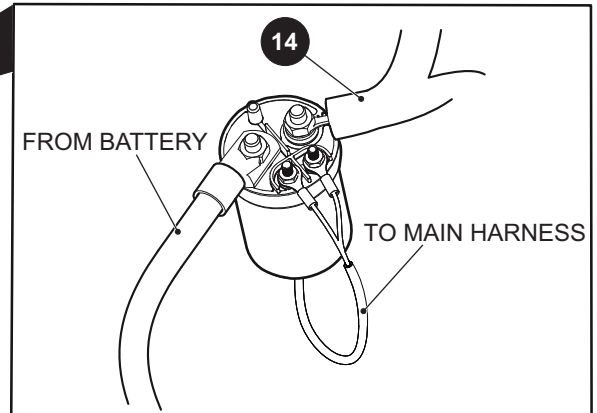
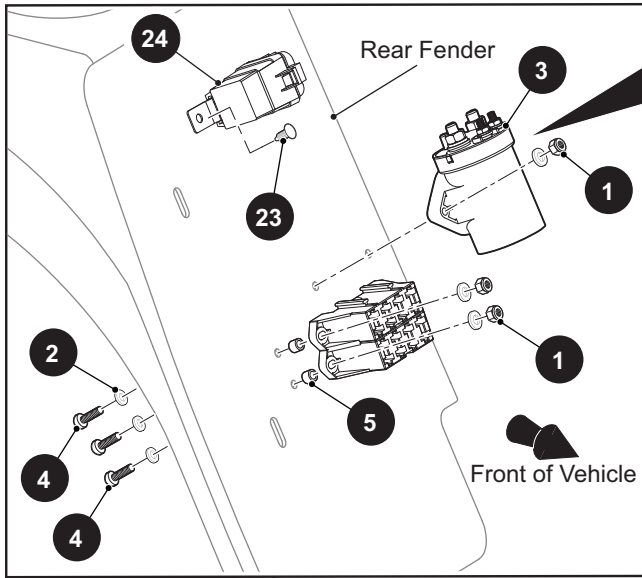
\* Indicates a component that is not available as an individual part.

\*\*\* Indicates consult Customer Service Department for additional information.

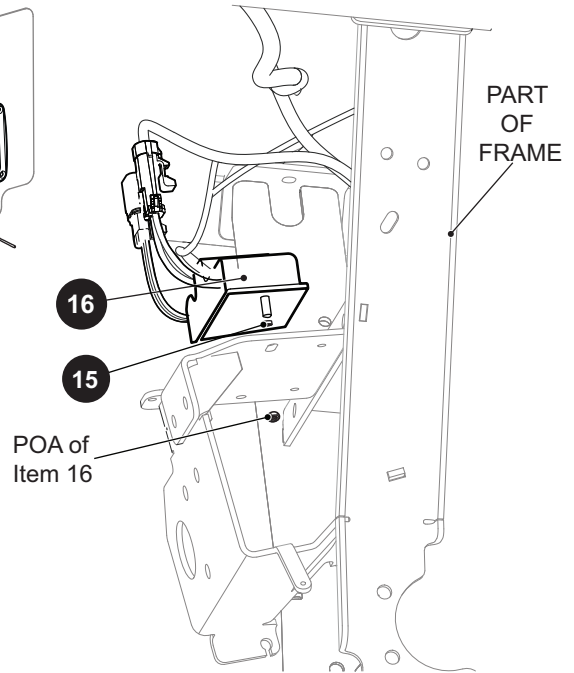
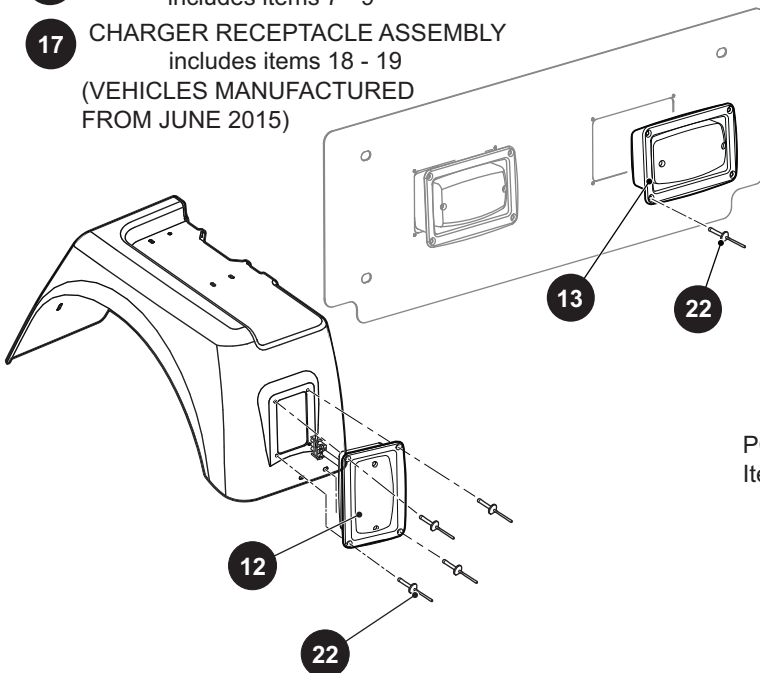
ITEM	PART NO.	1 2 3 4 5	DESCRIPTION	QTY.
1	614497		HEADLIGHT W/O TURN SIGNAL (PASSENGER SIDE) .....	1
2	614501		HEADLIGHT W/O TURN SIGNAL (DRIVER SIDE) .....	1
3	619100		HEADLIGHT BULB (NOT ILLUSTRATED) .....	2
4				
5	71597G01		SELF THREADING NUT .....	8
6	71781G02		VINYL TAPE .....	2
7	659008		LED HEADLIGHT ASSEMBLY (PASSENGER SIDE) (INCLUDES ITEM 9)...	1
8	659009		LED HEADLIGHT ASSEMBLY (DRIVER SIDE) (INCLUDES ITEM 9) .....	1
9	651411G03		LED HEADLIGHT .....	1
10	654465		JUMPER HARNESS, LED HEADLIGHT .....	2
11	628708G05		CONTROL PANEL ASSEMBLY .....	1
12	631656		STATE OF CHARGE METER .....	1
13	627035		PLUG .....	3
14	627837		WARNING LIGHT .....	1
15	628931		HEADLIGHT SWITCH (2 POSITION) .....	2
16	609692		KEY SWITCH .....	1
17	638063G01		CONTROL COVER .....	1
18	638058		DASH PANEL .....	1
19	608290		SELF TAPPING SCREW, #10 - 16 X 3/4" LG .....	4
20	71364G03		"J" TYPE SPEED NUT .....	4
21	632907		LIGHT SWITCH LABEL .....	1
22	632909		CONTROL PANEL LABEL .....	1
23	632910		SWITCH LABEL .....	1
24				
25	71078G01		12V POWER OUTLET .....	1
26	637067		12V OUTLET DECAL .....	1
27	629678		WIRE GUIDE BRACKET .....	1
28	71055G01		RIVET, 3/16" .....	3
29	600543		TORX BOLT, M4 - .7 X 12MM LG .....	2
30	602053		LOCK NUT, M4 - .7 .....	2



# ELECTRICAL SYSTEM



- 6 CHARGER RECEPTACLE ASSEMBLY includes items 7 - 9
- 17 CHARGER RECEPTACLE ASSEMBLY includes items 18 - 19 (VEHICLES MANUFACTURED FROM JUNE 2015)





# ELECTRICAL SYSTEM

THE USE OF NON U.L. PARTS WILL VOID ANY U.L. LISTING.

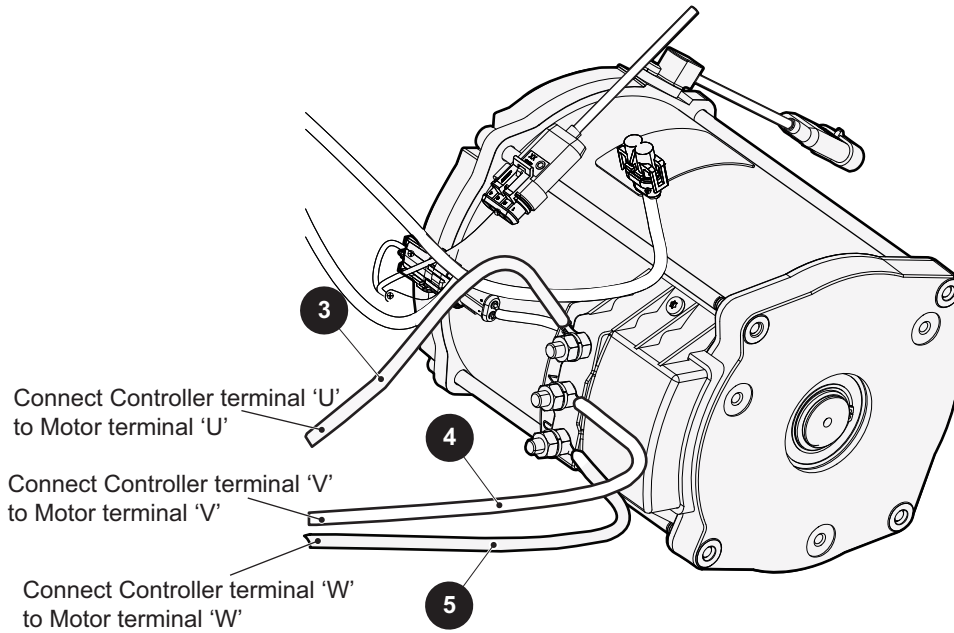
When ordering parts, please specify the model and serial number of the product.

\* Indicates a component that is not available as an individual part.

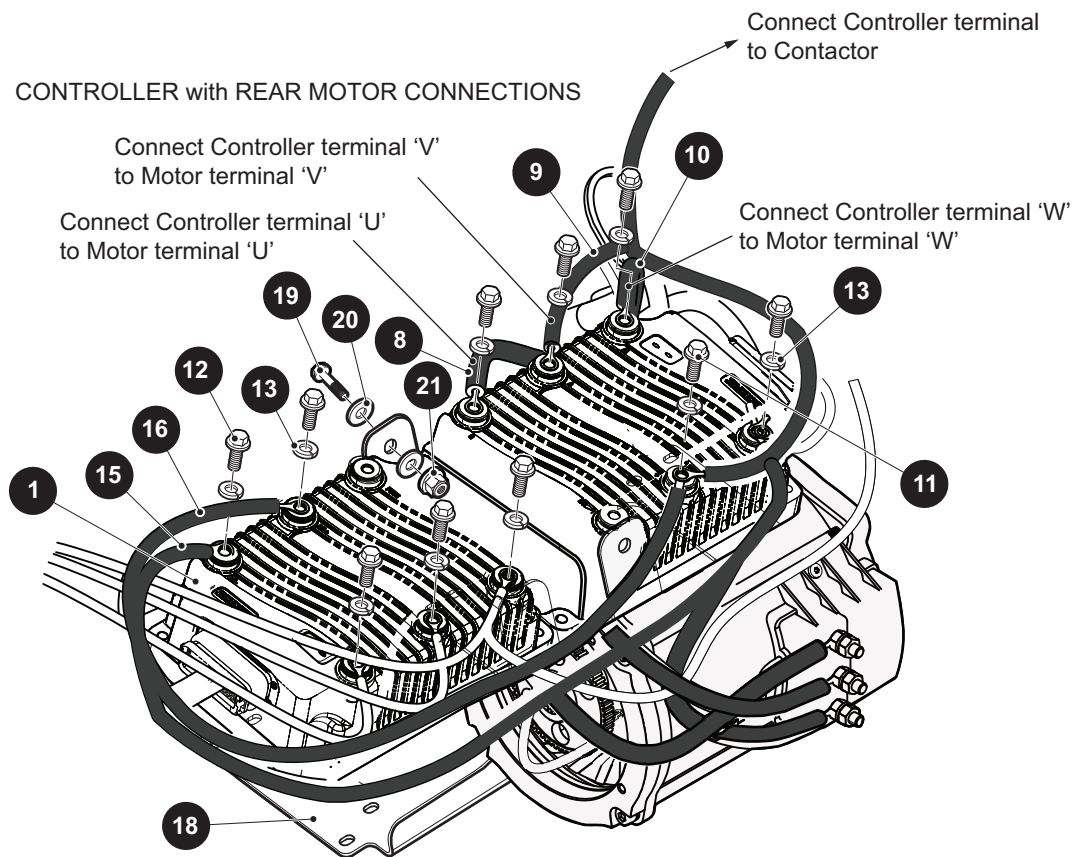
\*\*\* Indicates consult Customer Service Department for additional information.

ITEM	PART NO.	1 2 3 4 5	DESCRIPTION	QTY.
1	14390G10		LOCK NUT, #10 - 24 .....	6
2	00660G5		FLAT WASHER (SS), #10 .....	12
3	629147G01		CONTACTOR 72V, 500AMP .....	1
4	00789G2		TRUSS HEAD PHILLIPS SCREW #10 - 24 X 1.25" LG .....	6
5	23726G11		SPACER, .30" LG .....	4
6	73063G03		CHARGER RECEPTACLE ASSEMBLY (INCLUDES ITEMS 7 - 9).....	1
7	602594		CHARGER HARNESS .....	1
8	73051G30		CHARGING RECEPTACLE.....	1
9	25978G25		18 GA WIRE (RED 9").....	1
10	14601G10		RIVET (ALUMINUM), 5/32".....	4
11				
12	640481		TAILLIGHT ASSEMBLY .....	2
13	629148		TAILLIGHT ASSEMBLY .....	2
14	628680		WIRE, BATTERY +VE TO SOL.....	1
15	23726G11		SPACER, .30" LG .....	2
16	633778		DC/DC CONVERTER, 72V .....	1
17	645723		CHARGER RECEPTACLE ASSEMBLY (INCLUDES ITEMS 18 - 19) (VEHICLES MANUFACTURED FROM JUNE 2015).....	1
18	73051G29		CHARGING RECEPTACLE.....	1
19	645688		CHARGER HARNESS, 72V .....	1
20				
21				
22	71055G01		RIVET, 3/16".....	8
23	16816G2		RATCHET RIVET, .25" X .887" .....	1
24	650845		RELAY, 72V.....	1

## CONTROLLER with FRONT MOTOR CONNECTIONS



## CONTROLLER with REAR MOTOR CONNECTIONS



# ELECTRICAL SYSTEM

THE USE OF NON U.L. PARTS WILL VOID ANY U.L. LISTING.

When ordering parts, please specify the model and serial number of the product.

\* Indicates a component that is not available as an individual part.

\*\*\* Indicates consult Customer Service Department for additional information.

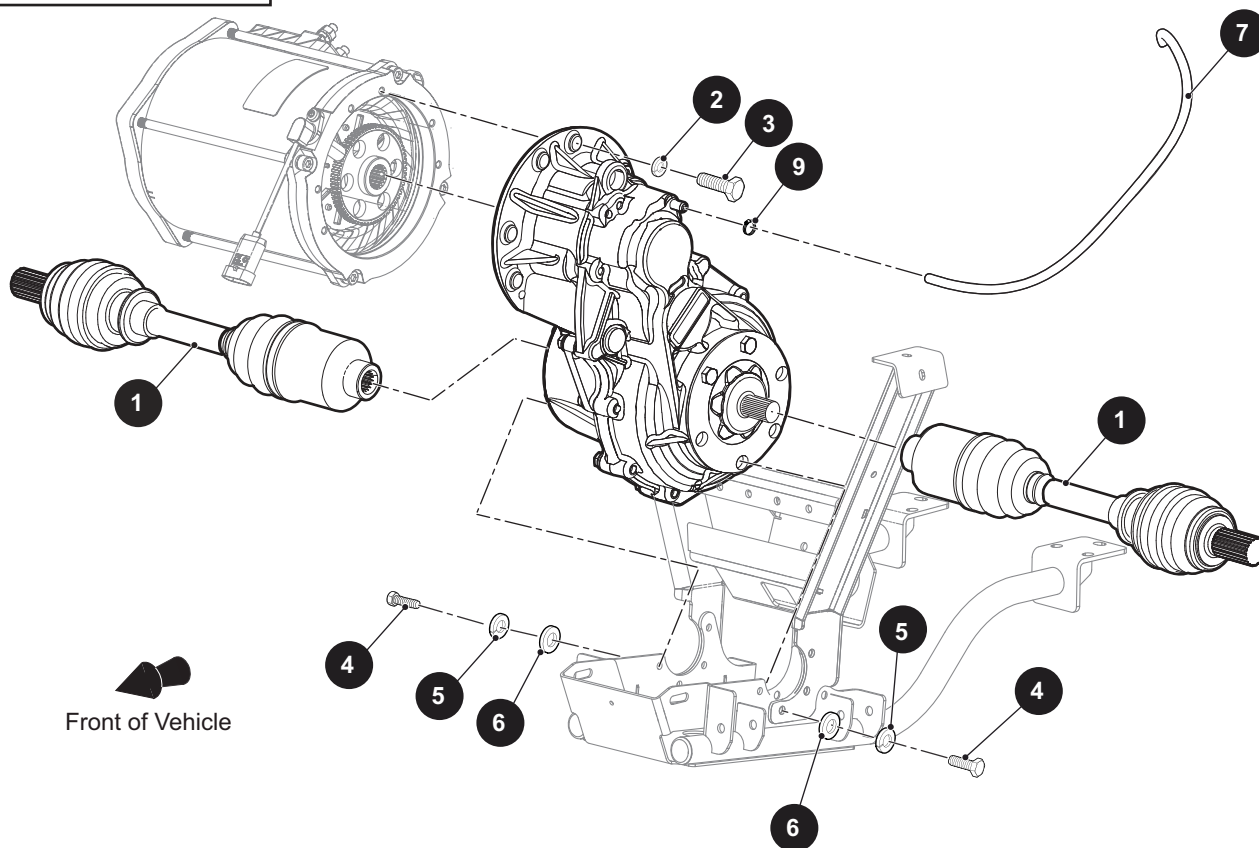
ITEM	PART NO.	1 2 3 4 5	DESCRIPTION	QTY.
1	640191		CONTROLLER.....	2
2				
3	628671		FRONT MOTOR WIRE (U).....	1
4	628669		FRONT MOTOR WIRE (V).....	1
5	628670		FRONT MOTOR WIRE (W).....	1
6				
7				
8	628668		REAR MOTOR HARNESS (U).....	1
9	628665		REAR MOTOR HARNESS (V).....	1
10	628667		REAR MOTOR HARNESS (W).....	1
11	606261		FLANGED HEX HEAD BOLT, M8 - 1.25 X 20MM LG.....	2
12	606262		FLANGED HEX HEAD BOLT, M8 - 1.25 X 16MM LG.....	8
13	606272		LOCK WASHER, 8MM.....	10
14				
15	628676		WIRE, CTRL B- TO CTRL B-.....	1
16	628677		WIRE, CTRL B+ TO CTRL B+.....	1
17				
18	626218		REAR CONTROLLER BRACKET.....	1
19	00415G6		HEX HEAD BOLT, 1/4" - 20 X 1.75" LG.....	2
20	00642G7		FLAT WASHER, 1/4".....	4
21	14390G4		LOCK NUT, 1/4" - 20.....	2



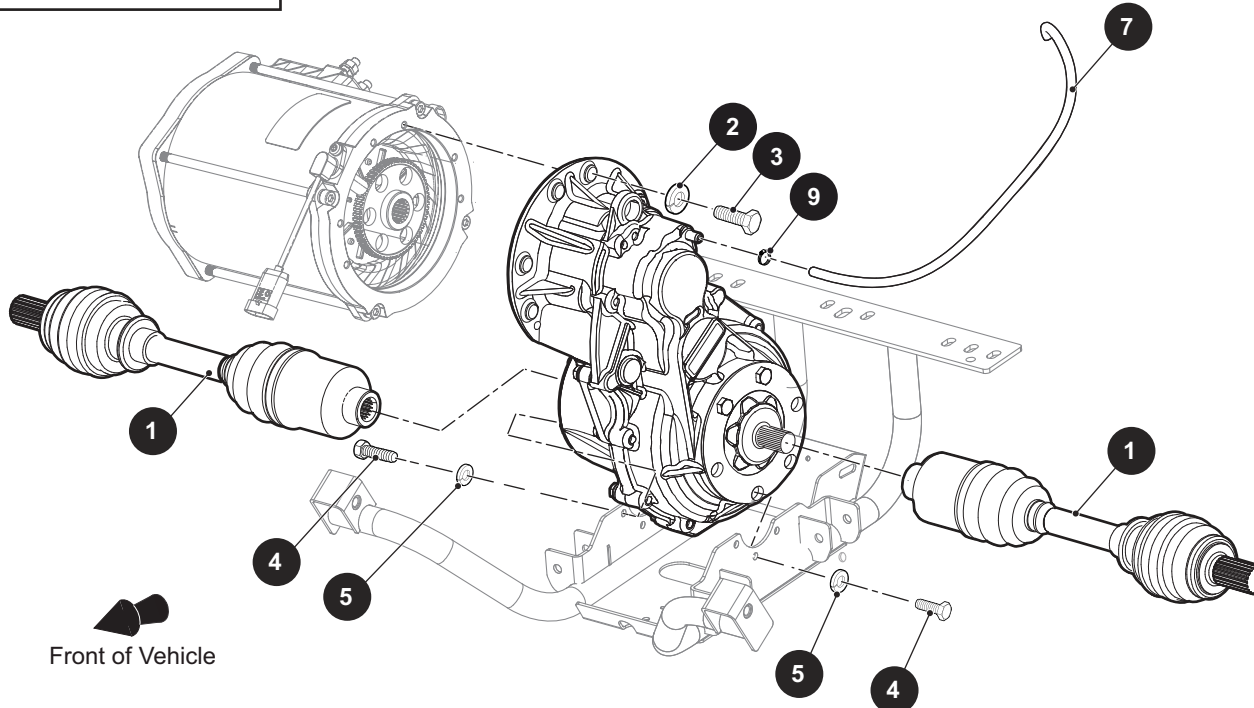


# FRONT & REAR AXLE

## FRONT POWERTRAIN



## REAR POWERTRAIN



# FRONT & REAR AXLE

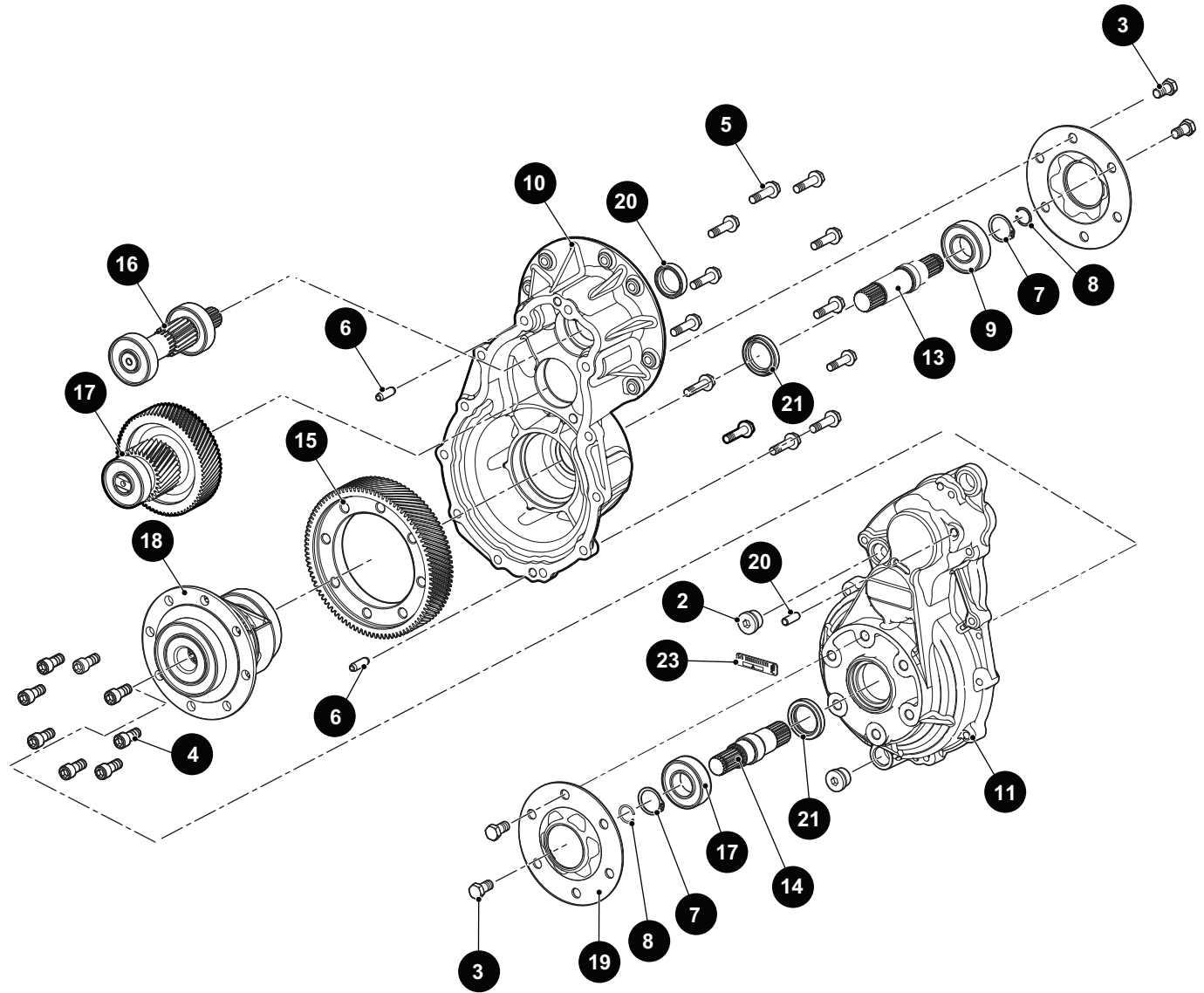
THE USE OF NON U.L. PARTS WILL VOID ANY U.L. LISTING.  
 When ordering parts, please specify the model and serial number of the product.  
 \* Indicates a component that is not available as an individual part.  
 \*\*\* Indicates consult Customer Service Department for additional information.

ITEM	PART NO.	1 2 3 4 5	DESCRIPTION	QTY.
1	653033		CV AXLE ASSEMBLY .....	4
2	601327		LOCK WASHER, 6MM.....	12
3	605741		HEX HEAD BOLT, M6 - 1 X 25MM LG.....	12
4	306835		HEX HEAD BOLT, 3/8" - 16 X 1 1/4" LG .....	14
5	608654		SPLIT LOCK WASHER, 10MM.....	14
6	00571G3		FLAT WASHER, 5/16" .....	8
7	616705		BREATHER HOSE.....	1
8	31539G1		NYLON CLAMP (NOT ILLUSTRATED) .....	1
9	11391G4		HOSE CLAMP, .25" DIA.....	2



# FRONT & REAR AXLE

**1** INDEPENDENT DIFFERENTIAL includes items 2 - 23





# FRONT & REAR AXLE

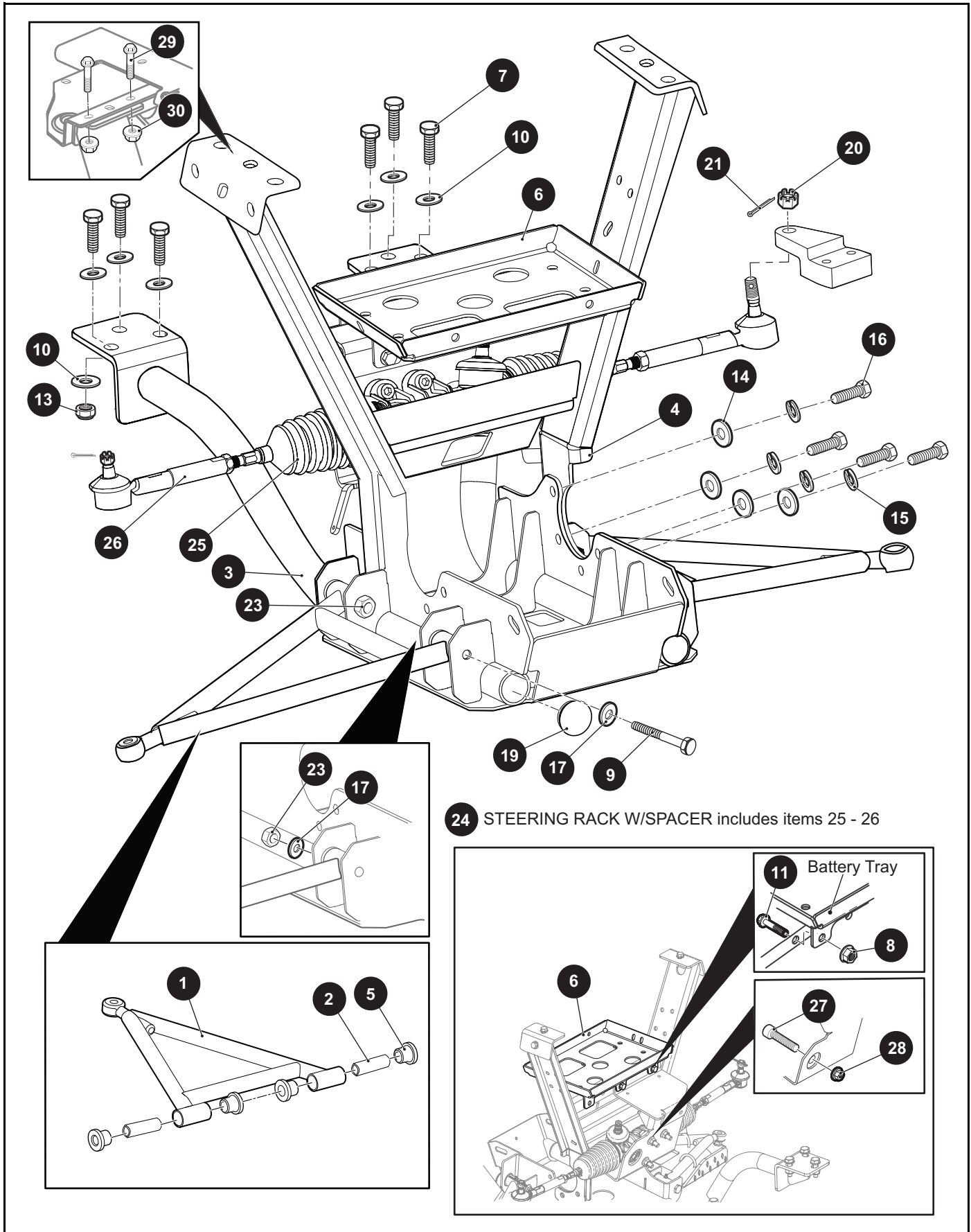
THE USE OF NON U.L. PARTS WILL VOID ANY U.L. LISTING.  
 When ordering parts, please specify the model and serial number of the product.  
 \* Indicates a component that is not available as an individual part.  
 \*\*\* Indicates consult Customer Service Department for additional information.

ITEM	PART NO.	1 2 3 4 5	DESCRIPTION	QTY.
1	629151		INDEPENDENT DIFFERENTIAL, 12.49 : 1 (INCLUDES ITEMS 2 - 23) .....	1
2	*		PLUG, 3/4" - 16 .....	2
3	*		HEX HEAD BOLT, 3/8" - 16 X .75 LG .....	4
4	*		HEX HEAD BOLT, 3/8" - 24 X .875 LG .....	8
5	*		HEX WASHER HEAD TAPPING BOLT, 5/16" - 18 X 1.25 LG .....	12
6	*		PIN, 5/16" X 1 .....	2
7	*		RETAINING RING, 25MM .....	2
8	*		RETAINING RING .....	2
9	*		BALL BEARING, 25MM X 52MM X 15MM .....	2
10	*		GEAR CASE - LH, INDEPENDENT NON LOCKER .....	1
11	*		GEAR CASE - RH, INDEPENDENT .....	1
12	*		VENT TUBE, 1/4" HOSE .....	1
13	*		OUTPUT SHAFT, LH .....	1
14	*		OUTPUT SHAFT, RH .....	1
15	*		HELICAL OUTPUT GEAR .....	1
16	*		INPUT MOTOR SHAFT SUBASSEMBLY .....	1
17	*		INTERMEDIATE SHAFT SUBASSEMBLY .....	1
18	*		DIFFERENTIAL SUBASSEMBLY .....	1
19	*		BEARING RETAINER .....	1
20	*		TRIPLE LIP SEAL .....	1
21	*		DUAL LIP SEAL .....	2
22	*		VENT TUBE CAP (NOT ILLUSTRATED) .....	1
23	*		LABEL .....	1





# FRONT SUSPENSION AND STEERING



# FRONT SUSPENSION AND STEERING

THE USE OF NON U.L. PARTS WILL VOID ANY U.L. LISTING.

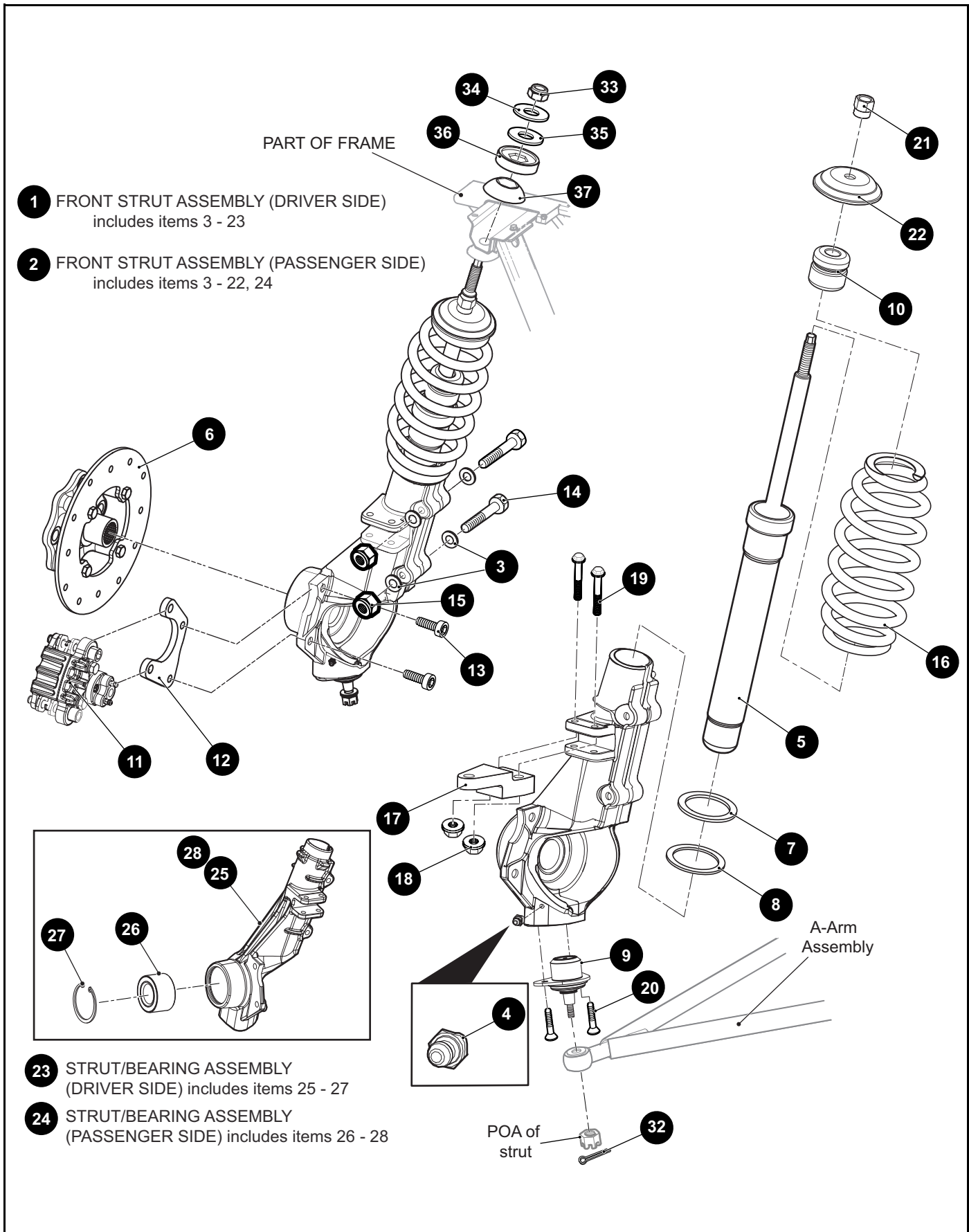
When ordering parts, please specify the model and serial number of the product.

\* Indicates a component that is not available as an individual part.

\*\*\* Indicates consult Customer Service Department for additional information.

ITEM	PART NO.	1 2 3 4 5	DESCRIPTION	QTY.
1	638383G01		CONTROL ARM ASSEMBLY .....	2
2	638223		SPLIT SEAM SPACER, 3/8" X 2.39" .....	4
3	637378		POWERTRAIN WELDMENT (FRONT) .....	1
4	641999		FRONT SUSPENSION WELDMENT .....	1
5	637745		CONTROL ARM BUSHING .....	8
6	631110		BATTERY TRAY .....	1
7	00463G11		HEX HEAD BOLT, 7/16" - 14 X 1 1/2" LG .....	6
8	11027G1		FLANGED LOCK NUT, 5/16" - 18.....	5
9	00429G4		HEX HEAD BOLT, 3/8" - 16.....	4
10	306982		FLAT WASHER, .34" .....	12
11	548604		FLANGED HEX HEAD BOLT, 5/16" - 18 X 3/4" LG .....	5
12				
13	00734G1		LOCK NUT, 7/16" - 14.....	6
14	00571G3		FLAT WASHER, 5/16" .....	8
15	608654		LOCK WASHER, 10.5MM.....	8
16	306835		HEX HEAD BOLT, 3/8" - 16 X 1 1/4" LG .....	8
17	00560G1		FLAT WASHER, 3/4" .....	8
18				
19	628915		PLASTIC THREADED PLUG, 1.5" - 8.....	2
20	608005		CASTLE NUT, M12 - 1.25" .....	2
21	10387G2		COTTER PIN, .094 X 1" .....	2
22				
23	11098G5		LOCK NUT, 3/8" - 16.....	4
24	630988		STEERING RACK W/SPACER (INCLUDES ITEMS 25 - 26) .....	1
25	618330		STEERING RACK .....	1
26	626303		RACK AND PINION SPACER .....	2
27	630449		SOCKET HEAD CAP BOLT, M10 - 45 X 1.5" LG .....	3
28	630450		FLANGED LOCK NUT, M10 - 1.5" LG.....	3
29	641289		FLANGED HEX HEAD BOLT, 3/8" - 16 X 1" LG .....	6
30	11027G5		FLANGED LOCK NUT, 3/8" - 16 .....	6

# FRONT SUSPENSION AND STEERING



## FRONT SUSPENSION AND STEERING

THE USE OF NON U.L. PARTS WILL VOID ANY U.L. LISTING.

When ordering parts, please specify the model and serial number of the product.

\* Indicates a component that is not available as an individual part.

\*\*\* Indicates consult Customer Service Department for additional information.

ITEM	PART NO.	1 2 3 4 5	DESCRIPTION	QTY.
1	640501G01		FRONT STRUT ASSEMBLY (DRIVER SIDE) (INCLUDES ITEMS 3 - 23) .....	1
2	640501G02		FRONT STRUT ASSEMBLY (PASSENGER SIDE) (INCLUDES ITEMS 3 - 22, 24) .....	1
3	103867		FLAT WASHER, .31" .....	4
4	632405		GREASE FITTING.....	1
5	634705		LONG SHOCK STRUT.....	1
6	633792G02		HUB .....	1
7	616053		HUB WASHER, 52MM .....	1
8	616060		STRUT WASHER, 52MM.....	1
9	645047		STRUT BALL JOINT.....	1
10	616073		STRUT BUMP STOPS .....	1
11	638129		BRAKE CALIPER .....	1
12	616451		BRAKE CALIPERS MOUNT BRACKET.....	1
13	616596		SOCKET HEAD BOLT, 3/8" - 24 X 3/4" LG .....	2
14	616672		HEX HEAD BOLT, M8 - 1.25 X 60MM LG .....	2
15	616673		LOCK NUT, M8.....	2
16	618346		SPRING .....	1
17	626725		STEERING ARM .....	1
18	630803		LOCK NUT, 5/16" - 18 .....	2
19	630804G01		FLANGED HEX HEAD BOLT, 5/16" - 18 X 2" LG.....	2
20	616597		FLAT HEAD TORX SCREW, 1/4" - 20 X 3/4" LG .....	2
21	616056		RETAINING SPRING NUT, M12 - 1.25 .....	1
22	634967		COIL SPRING CAP .....	1
23	642461G01		STRUT BEARING (DRIVER SIDE) (INCLUDES ITEMS 25 - 27).....	1
24	642461G02		STRUT BEARING (PASSENGER SIDE) (INCLUDES ITEMS 26 - 28).....	1
25	632410G03		STRUT BASE (DRIVER SIDE) .....	1
26	633663		WHEEL BEARING, 2.52" O.D X 1.37" I.D .....	1
27	632409		SNAP RING .....	1
28	632410G04		STRUT BASE (PASSENGER SIDE).....	1



# FRONT SUSPENSION AND STEERING

THE USE OF NON U.L. PARTS WILL VOID ANY U.L. LISTING.

When ordering parts, please specify the model and serial number of the product.

\* Indicates a component that is not available as an individual part.

\*\*\* Indicates consult Customer Service Department for additional information.

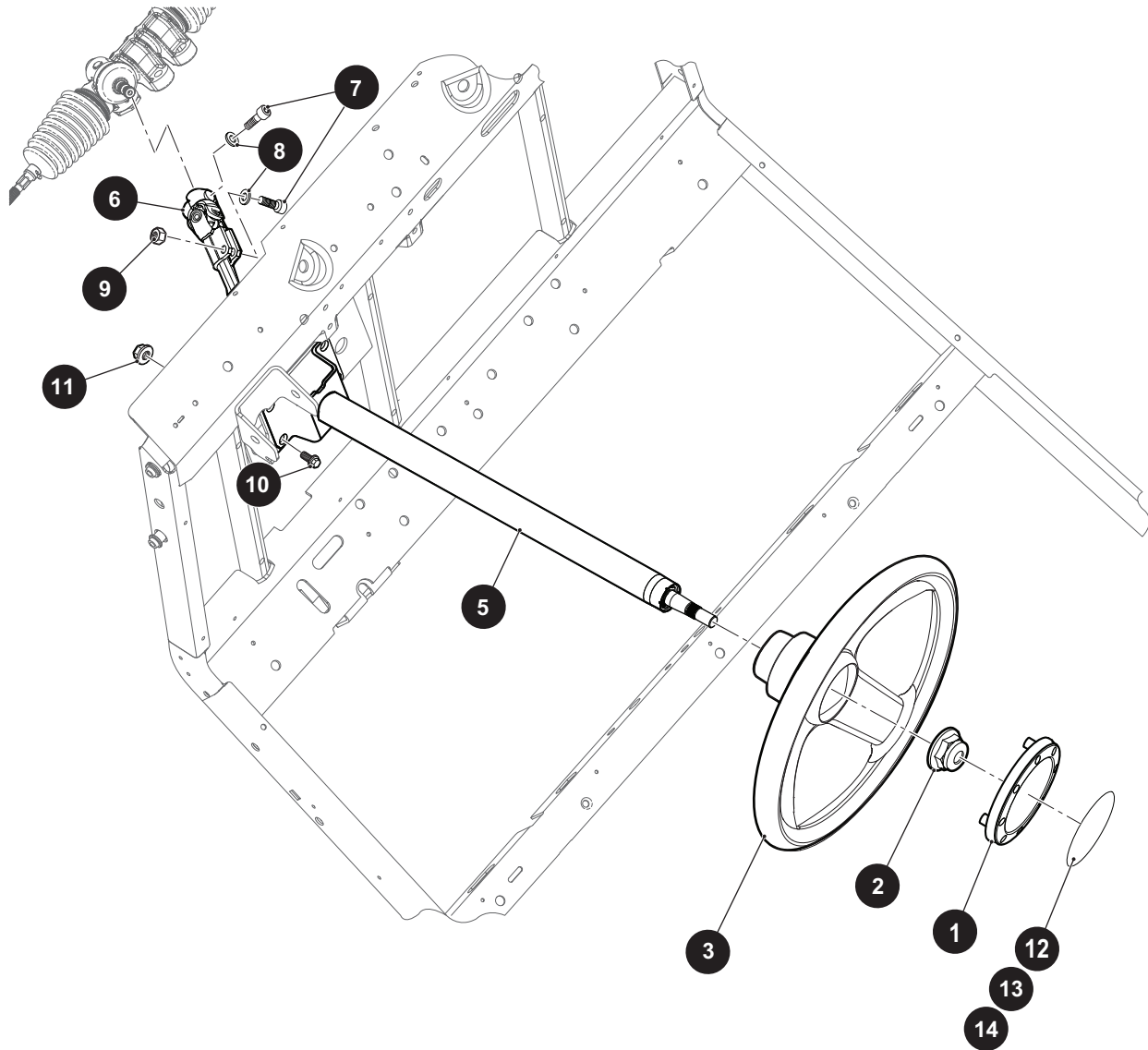
ITEM	PART NO.	1	2	3	4	5	DESCRIPTION	QTY.
29								
30								
31								
32	10387G2						COTTER PIN, .094 X 1".....	2
33	625748						NYLOCK NUT, 1/2" - 13 .....	2
34	636610						FLAT WASHER, 1" .....	2
35	616701						RUBBER WASHER, 1.5MM X .76MM .....	2
36	629592						FEMALE STRUT BUSHING.....	2
37	629593						MALE STRUT BUSHING .....	2





# FRONT SUSPENSION AND STEERING

4 STEERING COLUMN ASSEMBLY includes items 5 - 9



## FRONT SUSPENSION AND STEERING

THE USE OF NON U.L. PARTS WILL VOID ANY U.L. LISTING.

When ordering parts, please specify the model and serial number of the product.

\* Indicates a component that is not available as an individual part.

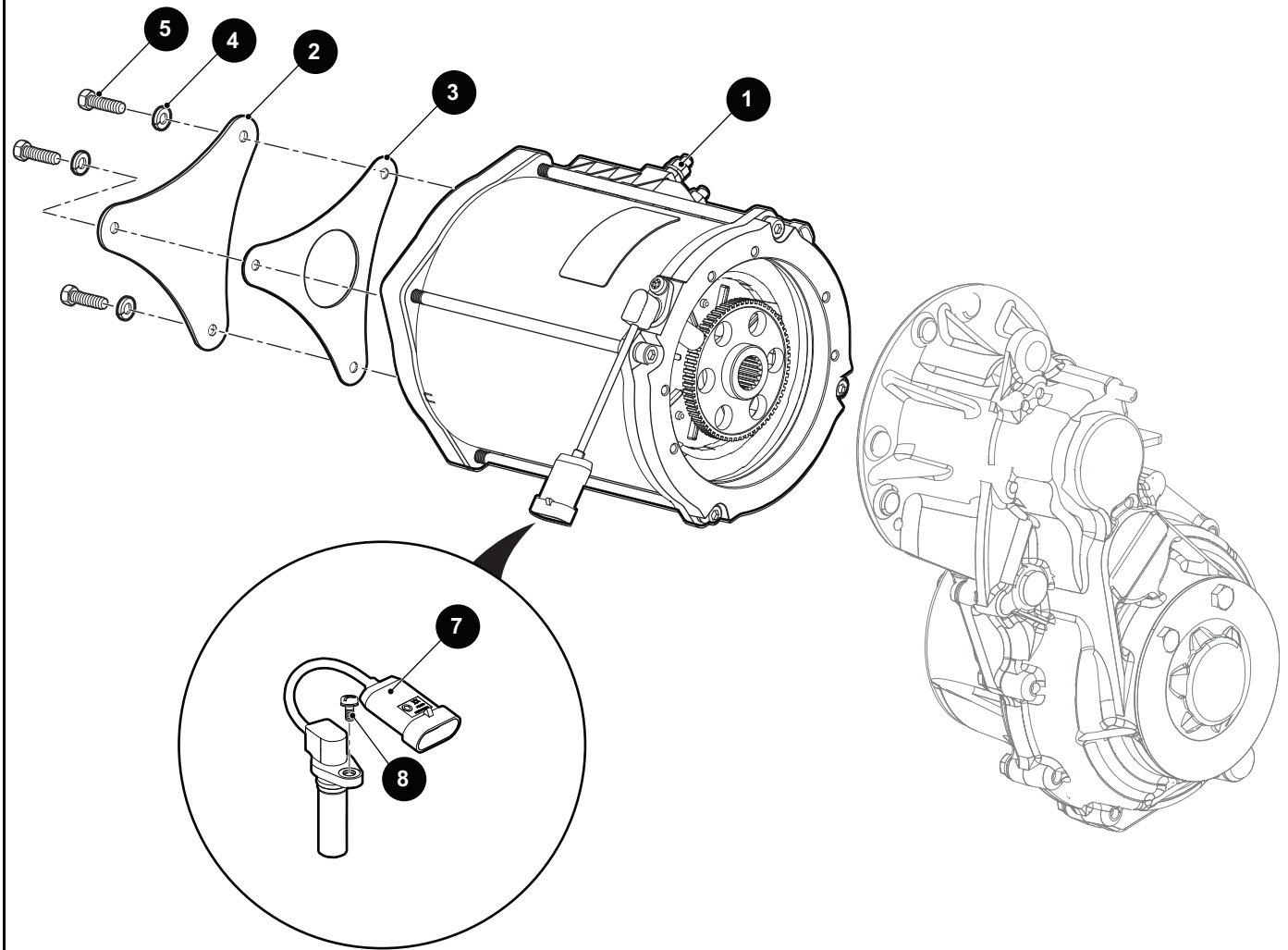
\*\*\* Indicates consult Customer Service Department for additional information.

ITEM	PART NO.	1 2 3 4 5	DESCRIPTION	QTY.
1	639439		STEERING WHEEL COVER .....	1
2	601709		LOCK NUT, M16 - 2" .....	1
3	639437		STEERING WHEEL.....	1
4	600333		STEERING COLUMN ASSEMBLY (INCLUDES ITEMS 5 - 9) .....	1
5	608117		COLUMN SUB-ASSEMBLY .....	1
6	608114		STEERING YOKE .....	1
7	608653		SOCKET HEAD SCREW, M10 - 35 X 1.5" LG .....	2
8	608654		LOCK WASHER, 10.5MM .....	2
9	608655		HEX NUT, M10 - 1.5".....	1
10	603799		FLANGED HEX HEAD BOLT, M10 - 25 X 1.5" LG .....	4
11	600525		FLANGED LOCK NUT, M10 - 1.5 .....	4
12	617802		STEERING WHEEL DECAL (FOR VEHICLES MANUFACTURED BEFORE 19 SEPTEMBER 2016) .....	1
13	650963		STEERING WHEEL DECAL (FOR VEHICLES MANUFACTURED AFTER 19 SEPTEMBER 2016, BEFORE 1 MAY 2017).....	1
14	663498		STEERING WHEEL DECAL (FOR VEHICLES MANUFACTURED AFTER 1 MAY 2017) .....	1





# MOTOR



THE USE OF NON U.L. PARTS WILL VOID ANY U.L. LISTING.  
 When ordering parts, please specify the model and serial number of the product.  
 \* Indicates a component that is not available as an individual part.  
 \*\*\* Indicates consult Customer Service Department for additional information.

ITEM	PART NO.	1 2 3 4 5	DESCRIPTION	QTY.
1	629135		MOTOR, 72V .....	2
2	629596		MOTOR COVER - AC.....	2
3	629597		MOTOR COVER GASKET .....	2
4	601327		LOCK WASHER, 6MM.....	6
5	616716		HEX HEAD BOLT, M6 - 1 X 16 LG.....	6
6				
7	612741		SPEED SENSOR.....	2
8	614253		PAN HEAD PHILLIPS SCREW, M6 - 1 X 12MM LG.....	2

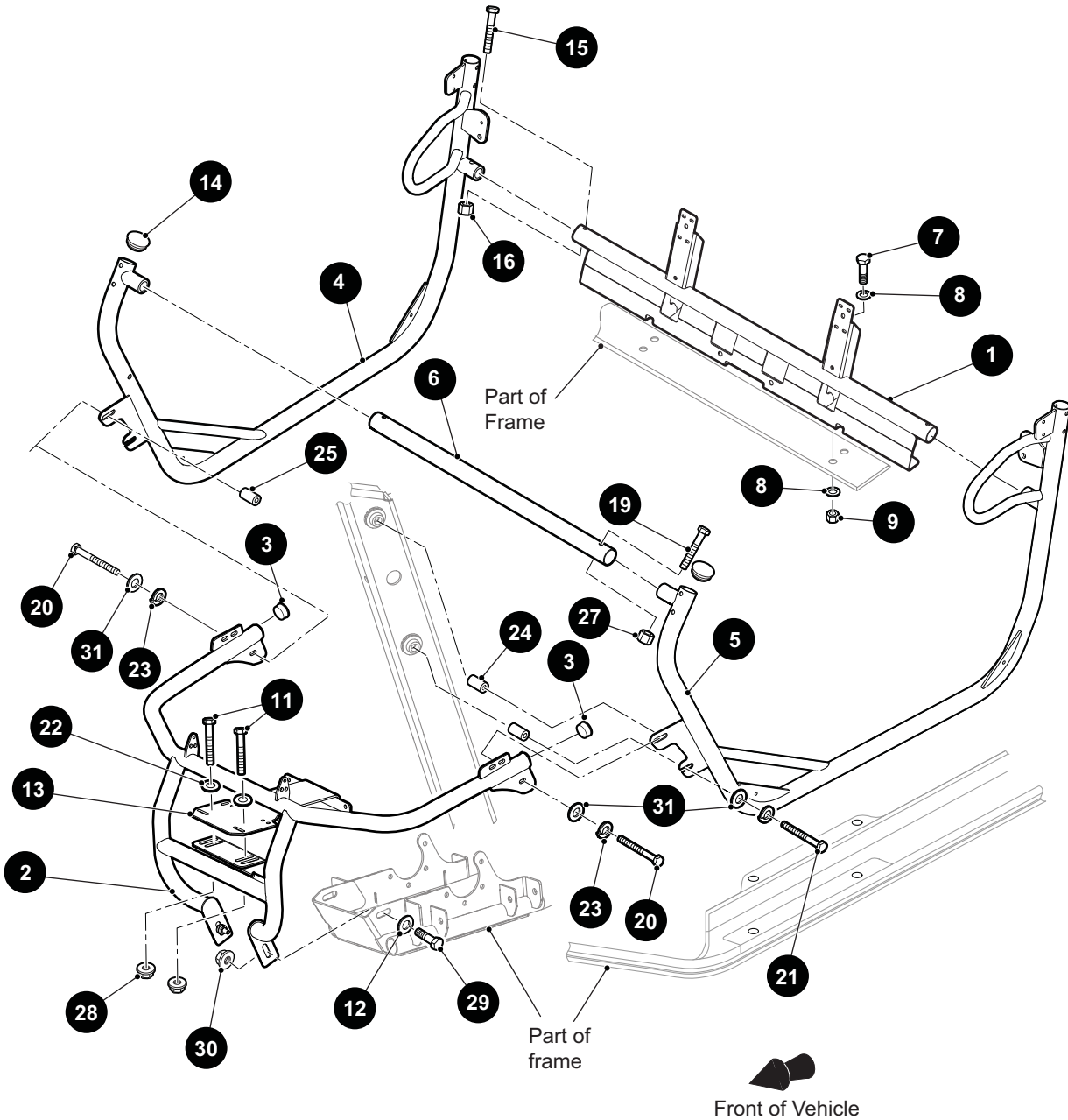






# OPERATOR PROTECTION SYSTEM

2 FRONT BUMPER WELDMENT includes item 3



# OPERATOR PROTECTION SYSTEM

THE USE OF NON U.L. PARTS WILL VOID ANY U.L. LISTING.

When ordering parts, please specify the model and serial number of the product.

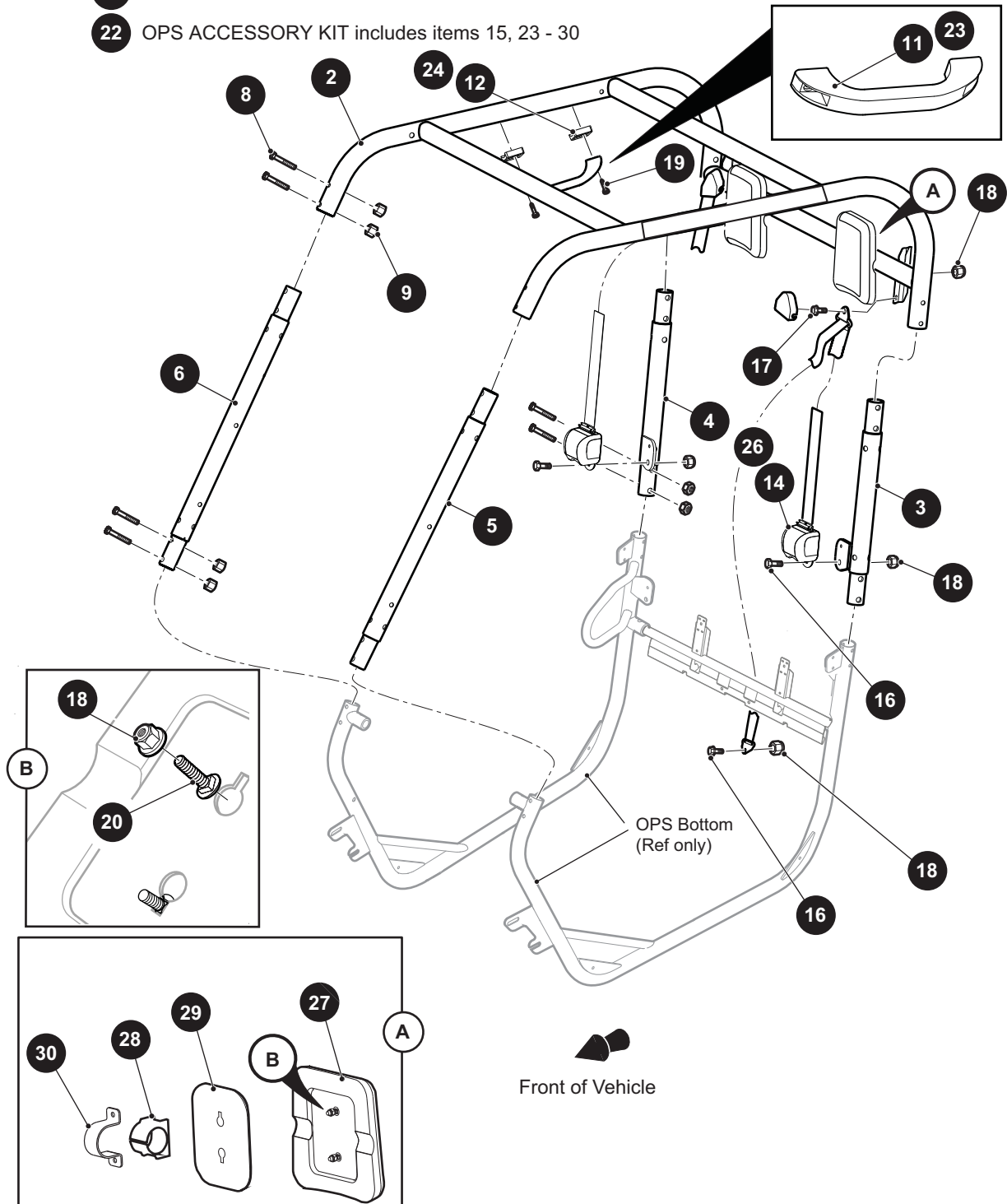
\* Indicates a component that is not available as an individual part.

\*\*\* Indicates consult Customer Service Department for additional information.

ITEM	PART NO.	1 2 3 4 5	DESCRIPTION	QTY.
1	640293		OPS SEAT SUPPORT .....	1
2	641470		FRONT BUMPER WELDMENT (INCLUDES ITEM 3).....	1
3	643635		TUBE PLUG, 1.5 O.D.....	2
4	640183		OPS BOTTOM (PASSENGER SIDE) .....	1
5	640182		OPS BOTTOM (DRIVER SIDE).....	1
6	629023		FRONT CROSSBAR TUBE .....	1
7	00427G2		HEX HEAD BOLT, 3/8" - 16 X 1 1/4" LG .....	4
8	00571G2		FLAT WASHER, 5/16" .....	8
9	11098G5		LOCK NUT, 3/8" - 16.....	4
10				
11	00439G2		HEX HEAD BOLT, 5/16" - 18 X 1 1/4" LG .....	2
12	00571G2		FLAT WASHER, 5/16" .....	2
13	634047		WINCH PLATE.....	1
14	630762		PLUG, 1.75 O.D. ....	4
15	630642		HEX HEAD BOLT, 3/8" - 16 X 2 1/2" LG .....	2
16	630643		LOCK NUT, 3/8" - 16.....	2
17				
18				
19	630642		HEX HEAD BOLT, 3/8" - 16 X 2 1/2" LG .....	2
20	00440G6		HEX HEAD BOLT, 5/16" - 18 X 2 3/4" LG .....	2
21	00440G2		HEX HEAD BOLT, 5/16" - 18 X 2 1/4" LG .....	2
22	00642G8		FLAT WASHER, 5/16" .....	2
23	00565G8		LOCK WASHER, 5/16" .....	4
24	75048G02		SPACER, .328" X .75" X 1.31" LG .....	2
25	75048G04		SPACER, .328 X .75" X 1" LG .....	2
26				
27	630643		LOCK NUT, 3/8" - 16.....	2
28	800697		LOCK NUT, 5/16" - 18.....	2
29	00427G2		HEX HEAD BOLT, 3/8" - 16 X 1 1/4" LG .....	2
30	12262G1		LOCK NUT, 3/16" - 16.....	2
31	00675G1		FLAT WASHER, 3/8" .....	4

# OPERATOR PROTECTION SYSTEM

- 1 OPS UPPER KIT includes items 2 - 7
- 7 OPS UPPER HARDWARE KIT includes items 8 - 9
- 10 ACCESSORIES OPS KIT includes items 11 - 15
- 15 OPS ACCESSORY HARDWARE KIT includes items 16 - 20
- 22 OPS ACCESSORY KIT includes items 15, 23 - 30



# OPERATOR PROTECTION SYSTEM

THE USE OF NON U.L. PARTS WILL VOID ANY U.L. LISTING.

When ordering parts, please specify the model and serial number of the product.

\* Indicates a component that is not available as an individual part.

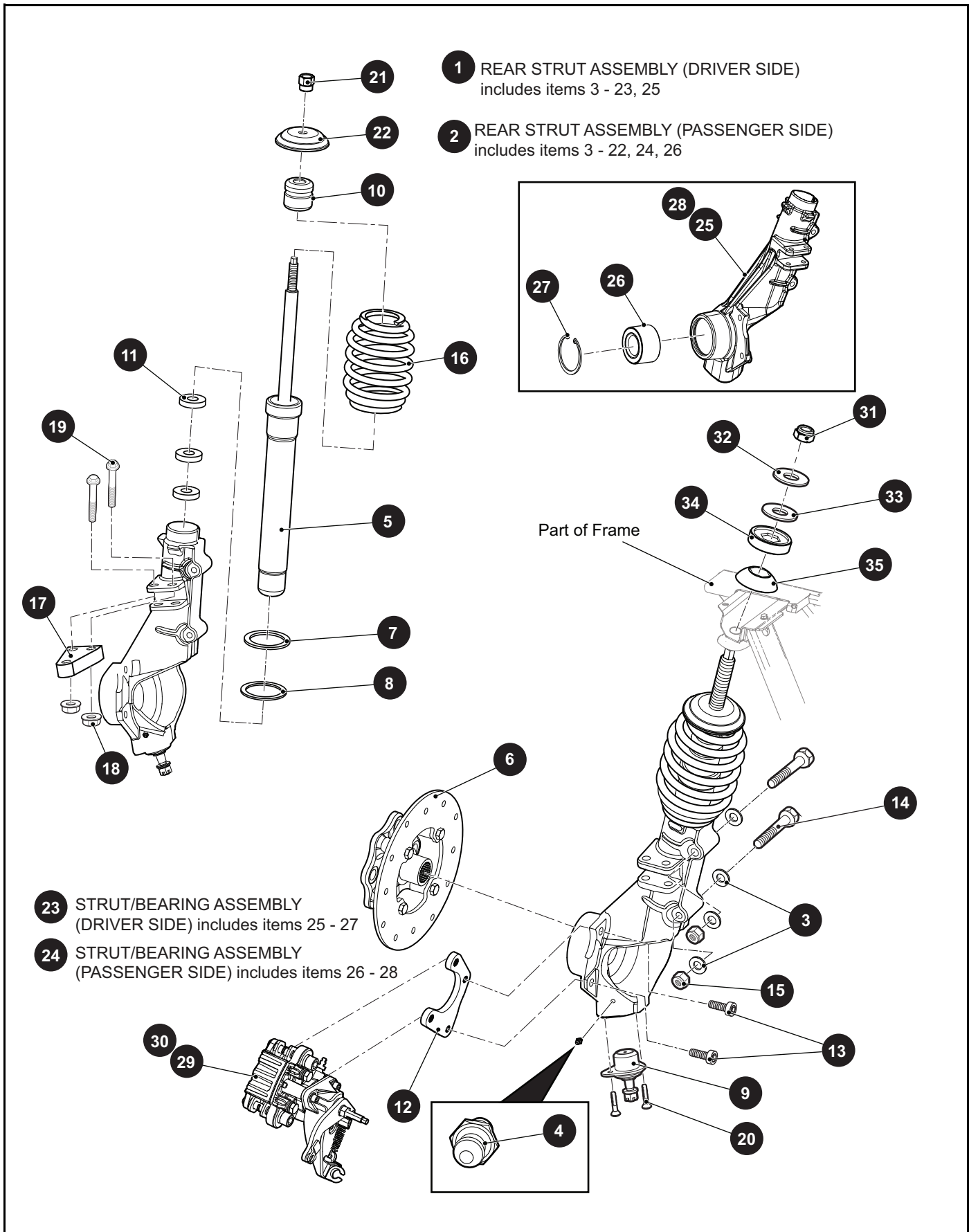
\*\*\* Indicates consult Customer Service Department for additional information.

ITEM	PART NO.	1 2 3 4 5	DESCRIPTION	QTY.
32	631578		OPS UPPER KIT (INCLUDES ITEMS 2 - 7) .....	1
33	631576		OPS TOP WELDMENT .....	1
34	629080		CONNECTOR REAR (DRIVER SIDE) .....	1
35	629079		CONNECTOR REAR (PASSENGER SIDE).....	1
36	629082		CONNECTOR FRONT (DRIVER SIDE).....	1
37	629086		CONNECTOR FRONT (PASSENGER SIDE) .....	1
38	629328		OPS UPPER HARDWARE KIT (INCLUDES ITEMS 8 - 9) .....	1
39	630642		HEX HEAD BOLT, 3/8" - 16 X 2 1/2" LG .....	16
40	630643		LOCK NUT, 3/8" - 16.....	16
41	640435		OPS ACCESSORIES KIT (4 PASSENGER) (INCLUDES ITEMS 11 - 15) .....	1
42	611774		GRAB HANDLE .....	1
43	612254		GRAB HANDLE MOUNT.....	2
44	629454		SIDE DOOR NET (PAIR) (NOT ILLUSTRATED).....	1
45	649134		SEAT BELT RETRACTOR.....	4
46	640434		OPS ACCESSORY HARDWARE KIT (INCLUDES ITEMS 16 - 20).....	1
47	610753		HEX HEAD BOLT, 7/16" - 20 X 1" LG .....	4
48	609569		HEX HEAD BOLT, 7/16" - 20 X 3/4" LG .....	4
49	00734G3		LOCK NUT, 7/16" - 20.....	8
50	612255		PAN HEAD TORX SCREW, 12 - 14 X 1" LG .....	2
51	630763		CARRIAGE BOLT (SS), 1/4" - 20 X .75" LG .....	4
52				
53	640436		OPS ACCESSORIES KIT (INCLUDES ITEMS 15, 23 - 30) .....	1
54	611774		GRAB HANDLE .....	1
55	612254		GRAB HANDLE MOUNT.....	2
56	629454		SIDE DOOR NET (PAIR) (NOT ILLUSTRATED).....	1
57	649134		SEAT BELT RETRACTOR.....	2
58	628577		HEADREST .....	2
59	629642		CLAMP GUARD .....	2
60	629666		HEADREST PLATE .....	2
61	627786		CLAMP .....	2





# REAR SUSPENSION





## REAR SUSPENSION

THE USE OF NON U.L. PARTS WILL VOID ANY U.L. LISTING.

When ordering parts, please specify the model and serial number of the product.

\* Indicates a component that is not available as an individual part.

\*\*\* Indicates consult Customer Service Department for additional information.

ITEM	PART NO.	1 2 3 4 5	DESCRIPTION	QTY.
1	640501G03		REAR STRUT ASSEMBLY (DRIVER SIDE) (INCLUDES ITEMS 3 - 23, 25).	1
2	640501G04		REAR STRUT ASSEMBLY (PASSENGER SIDE) (INCLUDES ITEMS 3 - 22, 24, 26) .....	1
3	103867		FLAT WASHER, .31" X .69" X .06" .....	4
4	632405		GREASE FITTING, 3/16" .....	1
5	634705		SHOCK STRUT .....	1
6	633792G02		HUB ASSEMBLY .....	1
7	616053		STRUT WASHER, 52MM .....	1
8	616060		STRUT WASHER (COIL SPRING), 52MM.....	1
9	645047		STRUT BALL JOINT.....	1
10	616073		STRUT BUMP STOP.....	1
11	71883G01		RUBBER WASHER .....	3
12	616451		CALIPER MOUNT BRACKET .....	1
13	616596		SOCKET HEAD BOLT, 3/8" - 24 X 3/4" LG .....	2
14	616672		HEX HEAD BOLT, M8 - 1.25 X 60MM LG .....	2
15	616673		LOCK NUT, M8.....	2
16	616062		COIL SPRING.....	1
17	634928		STEERING ARM (SHORT).....	1
18	630803		LOCK NUT, 5/16" - 18 .....	2
19	630804G01		FLANGED HEX HEAD BOLT, 5/16" - 18 X 2" LG.....	2
20	616597		FLAT HEAD TORX SCREW, 1/4" - 20 X 3/4" LG .....	2
21	616056		SPRING RETAINING NUT, M12 - 1.25 .....	1
22	634967		COIL SPRING CAP .....	1
23	642461G01		STRUT BEARING (DRIVER SIDE) (INCLUDES ITEMS 25 - 27) .....	1
24	642461G02		STRUT BEARING (PASSENGER SIDE) (INCLUDES ITEMS 26 - 28)....	1
25	632410G03		STRUT BASE (DRIVER SIDE) .....	1
26	633663		WHEEL BEARING, 2.52" O.D X 1.37" I.D .....	1
27	632409		SNAP RING .....	1
28	632410G04		STRUT BASE (PASSENGER SIDE).....	1
29	638127		BRAKE CALIPER (DRIVER SIDE).....	1
30	638128		BRAKE CALIPER (PASSENGER SIDE) .....	1

# REAR SUSPENSION

THE USE OF NON U.L. PARTS WILL VOID ANY U.L. LISTING.  
 When ordering parts, please specify the model and serial number of the product.  
 \* Indicates a component that is not available as an individual part.  
 \*\*\* Indicates consult Customer Service Department for additional information.

ITEM	PART NO.	1 2 3 4 5	DESCRIPTION	QTY.
31	625748		NYLOCK NUT, 1/2" - 13 .....	2
32	636610		FLAT WASHER, 1" .....	2
33	616701		RUBBER WASHER, 1.5MM X .76MM .....	2
34	629592		STRUT BUSHING (FEMALE) .....	2
35	629593		STRUT BUSHING (MALE) .....	2





## REAR SUSPENSION

THE USE OF NON U.L. PARTS WILL VOID ANY U.L. LISTING.

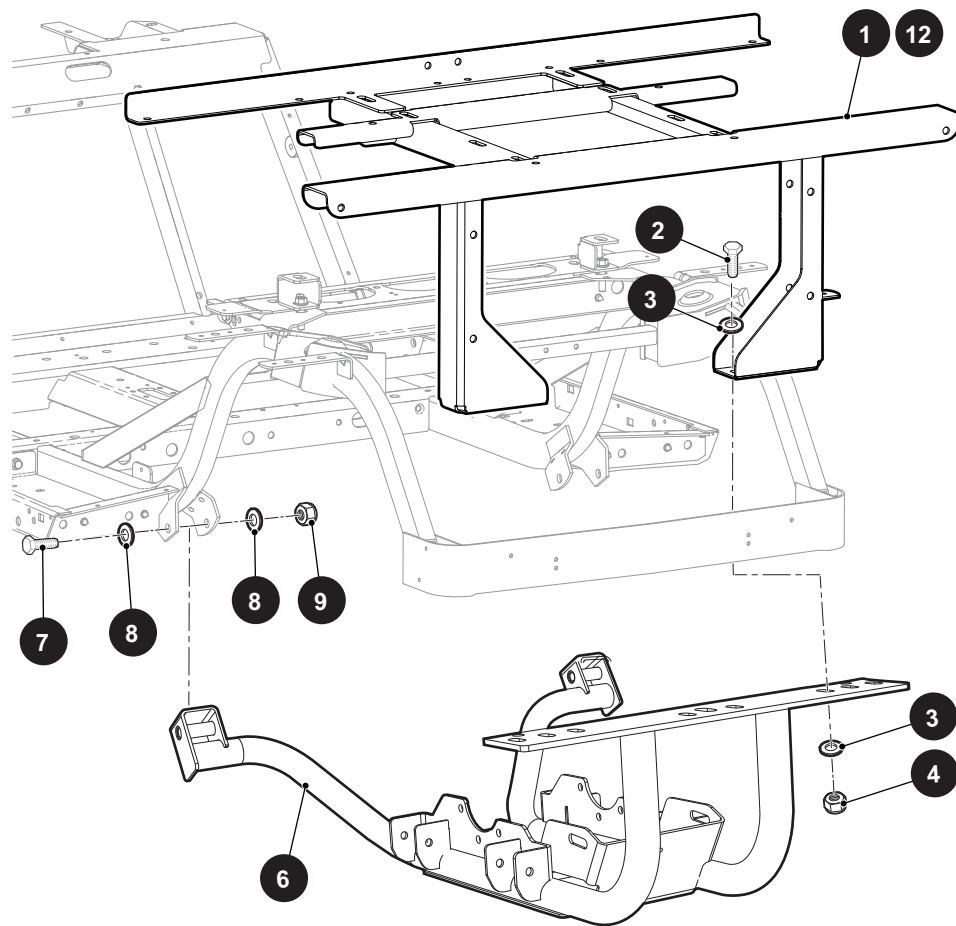
When ordering parts, please specify the model and serial number of the product.

\* Indicates a component that is not available as an individual part.

\*\*\* Indicates consult Customer Service Department for additional information.

ITEM	PART NO.	1 2 3 4 5	DESCRIPTION	QTY.
1	638383G01		CONTROL ARM ASSEMBLY .....	2
2	11098G5		LOCK NUT, 3/8" - 16 .....	4
3	00560G1		FLAT WASHER, 3/8" .....	8
4	00429G4		HEX HEAD BOLT, 3/8" - 16 X 3 1/2" LG .....	4
5	638223		SPLIT SEAM SPACER, 3/8" X 2.39" .....	4
6	637745		CONTROL ARM BUSHING .....	8
7	00798G3		COTTER PIN, 3/32" X 1/2" LG.....	2
8	70904G06		TIE ROD ASSEMBLY, 10.91" (INCLUDES ITEMS 9 - 13).....	2
9	70855G04		THREADED TIE ROD .....	1
10	70902G01		TIE ROD END - LH.....	1
11	70902G02		TIE ROD END - RH .....	1
12	01069G01		JAM NUT - LH, M12 X 1.25 - 05.....	1
13	01069G02		JAM NUT - RH, M12 X 1.25 - 05 .....	1
14				
15	306835		HEX HEAD BOLT, 3/8" - 16 X 1 1/4" LG .....	4
16	608654		LOCK WASHER, 10.5MM .....	4
17	00734G1		PLASTIC INSERT LOCK NUT, 7/16" - 14.....	4
18	630515G03		TIE ROD WELDMENT BRACKET .....	1

# REAR SUSPENSION



# REAR SUSPENSION

THE USE OF NON U.L. PARTS WILL VOID ANY U.L. LISTING.  
 When ordering parts, please specify the model and serial number of the product.  
 \* Indicates a component that is not available as an individual part.  
 \*\*\* Indicates consult Customer Service Department for additional information.

ITEM	PART NO.	1 2 3 4 5	DESCRIPTION	QTY.
1	629002		SEAT SUPPORT/BED WELDMENT (FOR VEHICLES MANUFACTURED UNTIL AUGUST 20 2016).....	1
2	00463G11		HEX HEAD BOLT, 7/16" - 14 X 1.625" LG .....	4
3	306982		FLAT WASHER, 7/16" .....	8
4	00734G1		LOCK NUT, 7/16" - 14 .....	4
5				
6	640500		REAR SUSPENSION WELDMENT .....	1
7	311398		HEX HEAD BOLT, 1/2" - 13 X 3 1/2" LG .....	2
8	00560G3		FLAT WASHER, 1/2" .....	4
9	00557G1		LOCK NUT, 1/2" - 13 .....	2
10				
11				
12	642437		SEAT SUPPORT/BED BRACKET (FOR VEHICLES MANUFACTURED FROM AUGUST 21 2016).....	1



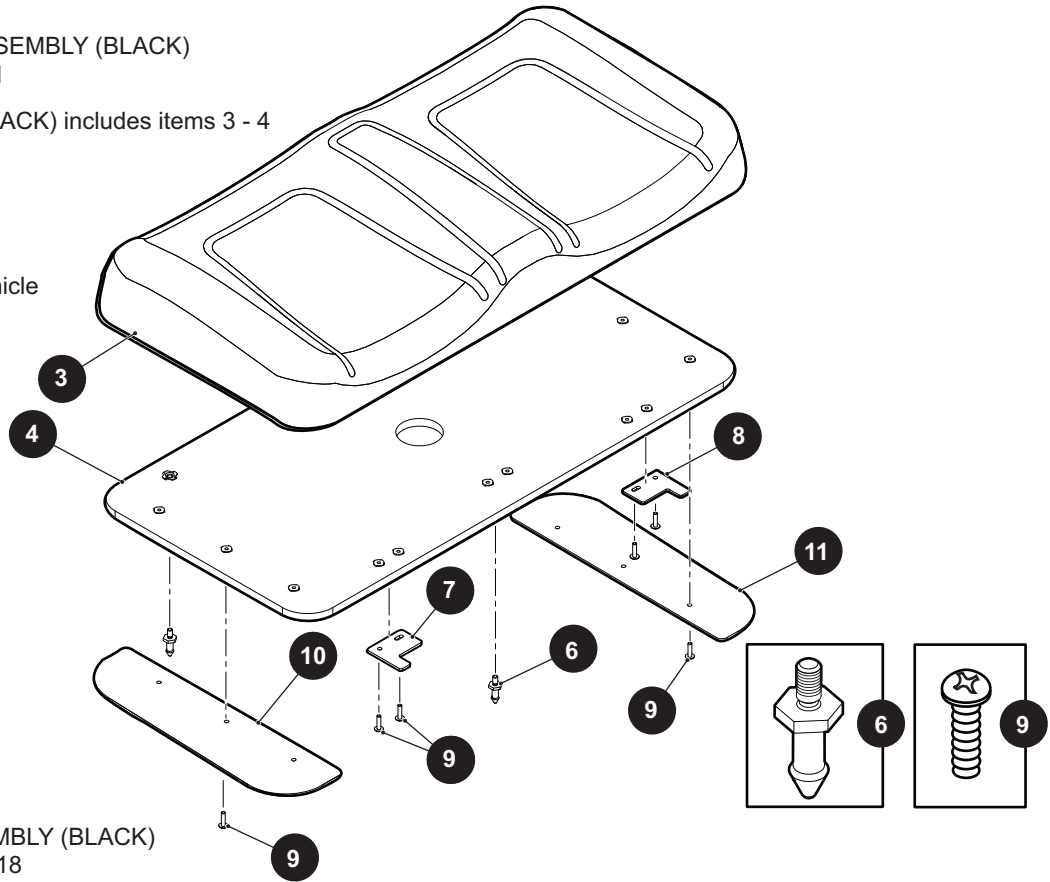




# SEATING

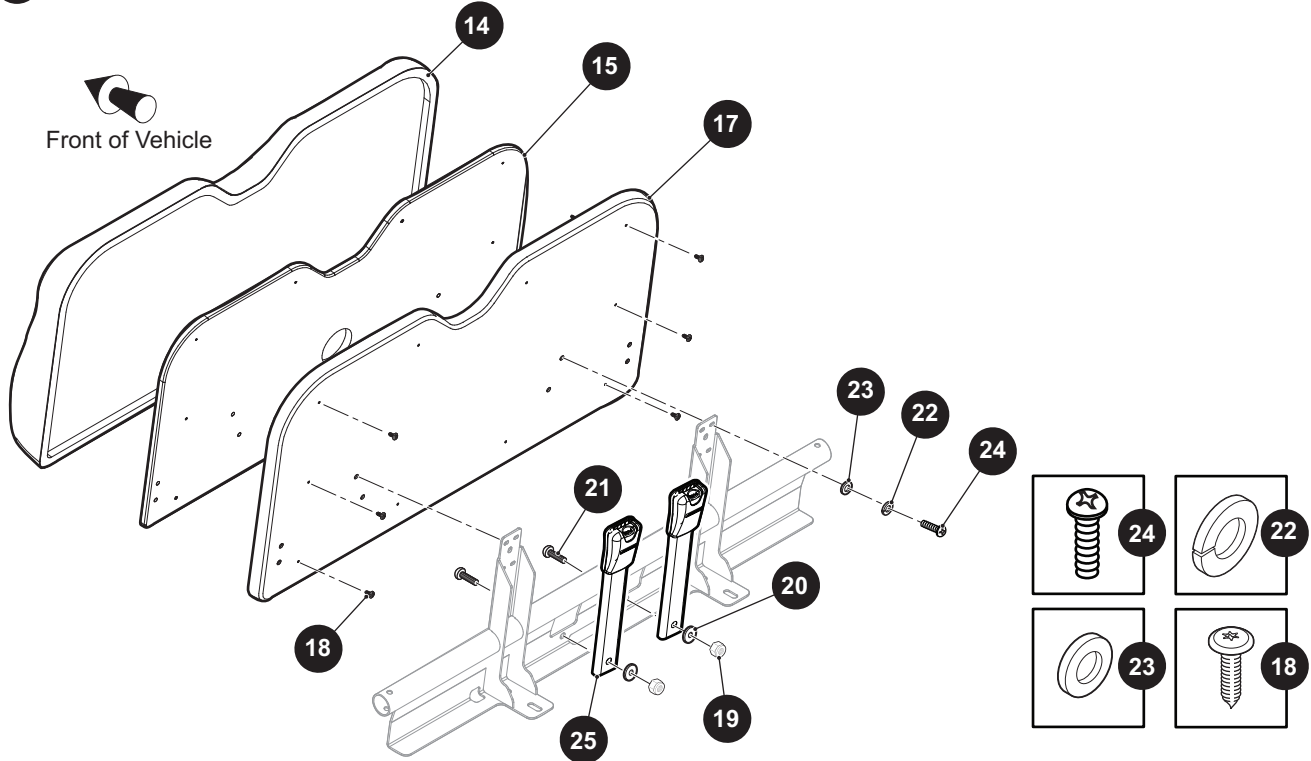
- 1 SEAT BOTTOM ASSEMBLY (BLACK)  
includes items 2 - 11
- 2 SEAT BOTTOM (BLACK) includes items 3 - 4

Front of Vehicle



- 12 SEAT BACK ASSEMBLY (BLACK)  
includes items 13 - 18
- 13 SEAT BACK (BLACK) includes items 14 - 15

Front of Vehicle



THE USE OF NON U.L. PARTS WILL VOID ANY U.L. LISTING.

When ordering parts, please specify the model and serial number of the product.

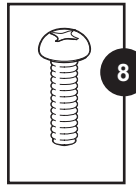
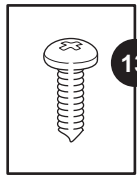
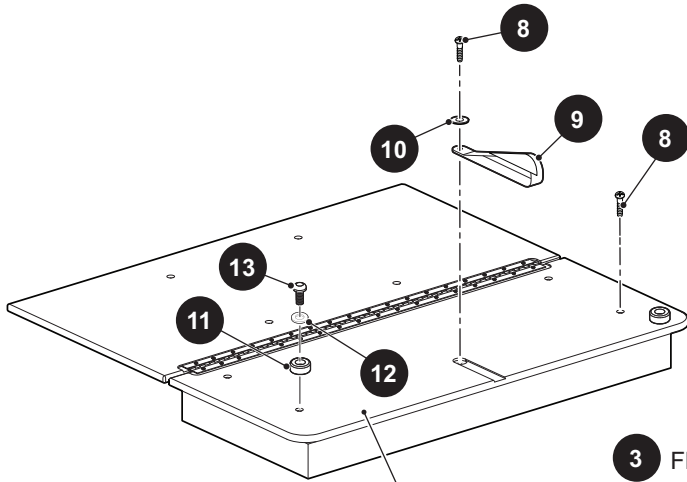
\* Indicates a component that is not available as an individual part.

\*\*\* Indicates consult Customer Service Department for additional information.

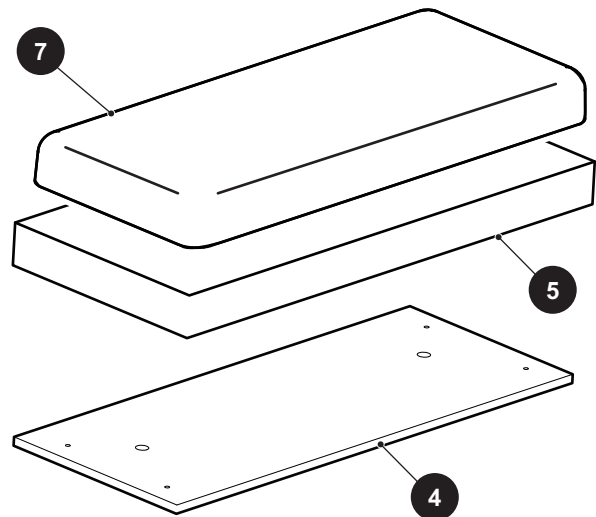
ITEM	PART NO.	1 2 3 4 5	DESCRIPTION	QTY.
1	640489G0206		SEAT BOTTOM ASSEMBLY (BLACK) (INCLUDES ITEMS 2 - 11) .....	1
2	637823G06		SEAT BOTTOM (BLACK) (INCLUDES ITEMS 3 - 4) .....	1
3	640234G06		VINYL AND FOAM SEAT BOTTOM.....	1
4	640198		SEAT BOTTOM WOOD .....	1
5				
6	639904		RETENTION PIN.....	2
7	638701G01		SEAT LOCATOR TAB (DRIVER SIDE) .....	1
8	638701G02		SEAT LOCATOR TAB (PASSENGER SIDE) .....	1
9	16705G1		TRUSS HEAD PHILLIPS SCREW (SS), 1/4" - 20 X 1" LG .....	10
10	640674G01		SEAT SIDE COVER (DRIVER SIDE) .....	1
11	640674G02		SEAT SIDE COVER (PASSENGER SIDE) .....	1
12	640781G06		SEAT BACK ASSEMBLY (BLACK) (INCLUDES ITEMS 13 - 18) .....	1
13	637824G06		SEAT BACK (BLACK) (INCLUDES ITEMS 14 - 15).....	1
14	640233G06		VINYL AND FOAM SEAT BACK .....	1
15	640208		SEAT BACK WOOD.....	1
16				
17	640209		SEAT BACK COVER .....	1
18	01107G01		PAN HEAD TORX SCREW, #8 .....	10
19	00734G3		LOCK NUT, 7/16" - 20 .....	2
20	00560G3		FLAT WASHER, 3/8".....	2
21	635630		BUTTON HEAD TORX BOLT, 7/16" - 20 X 1.25" LG.....	2
22	00664G7		LOCK WASHER, 1/4" .....	4
23	01110G01		FLAT WASHER, 1/4" .....	4
24	16705G1		TRUSS HEAD PHILLIPS SCREW (SS), 1/4" - 20 X 1" LG.....	4
25	631973		BUCKLE AND BRACKET ASSEMBLY, 13.5" LG.....	2
26	632939		SEAT BOTTOM INDICATOR LABEL (NOT ILLUSTRATED) .....	1

# SEATING

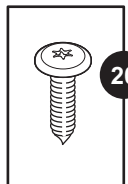
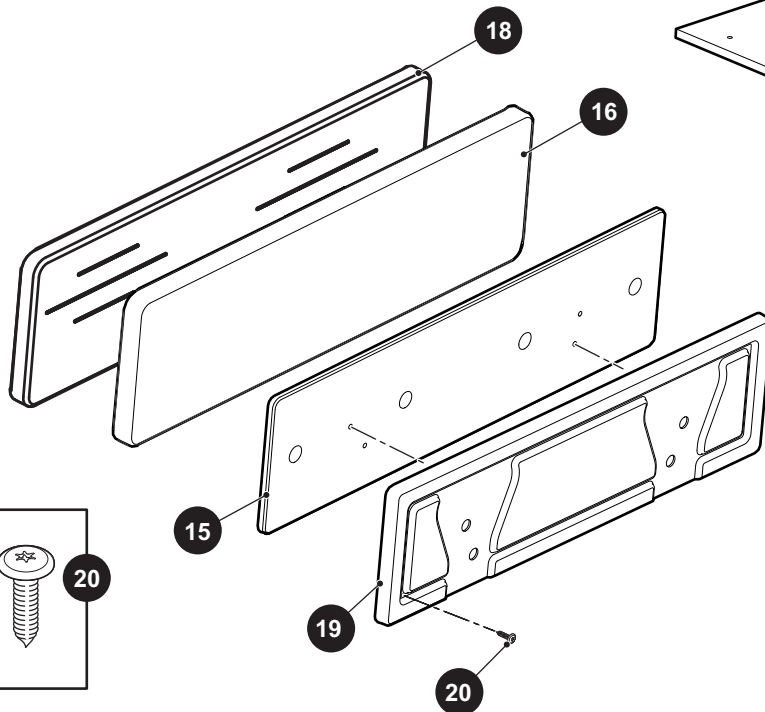
1 FLIP SEAT BOTTOM ASSEMBLY includes items 2 - 10



3 FLIP SEAT BOTTOM ASSEMBLY includes items 4 - 7



14 BACK REST ASSEMBLY includes items 15 - 20



Front of Vehicle

THE USE OF NON U.L. PARTS WILL VOID ANY U.L. LISTING.

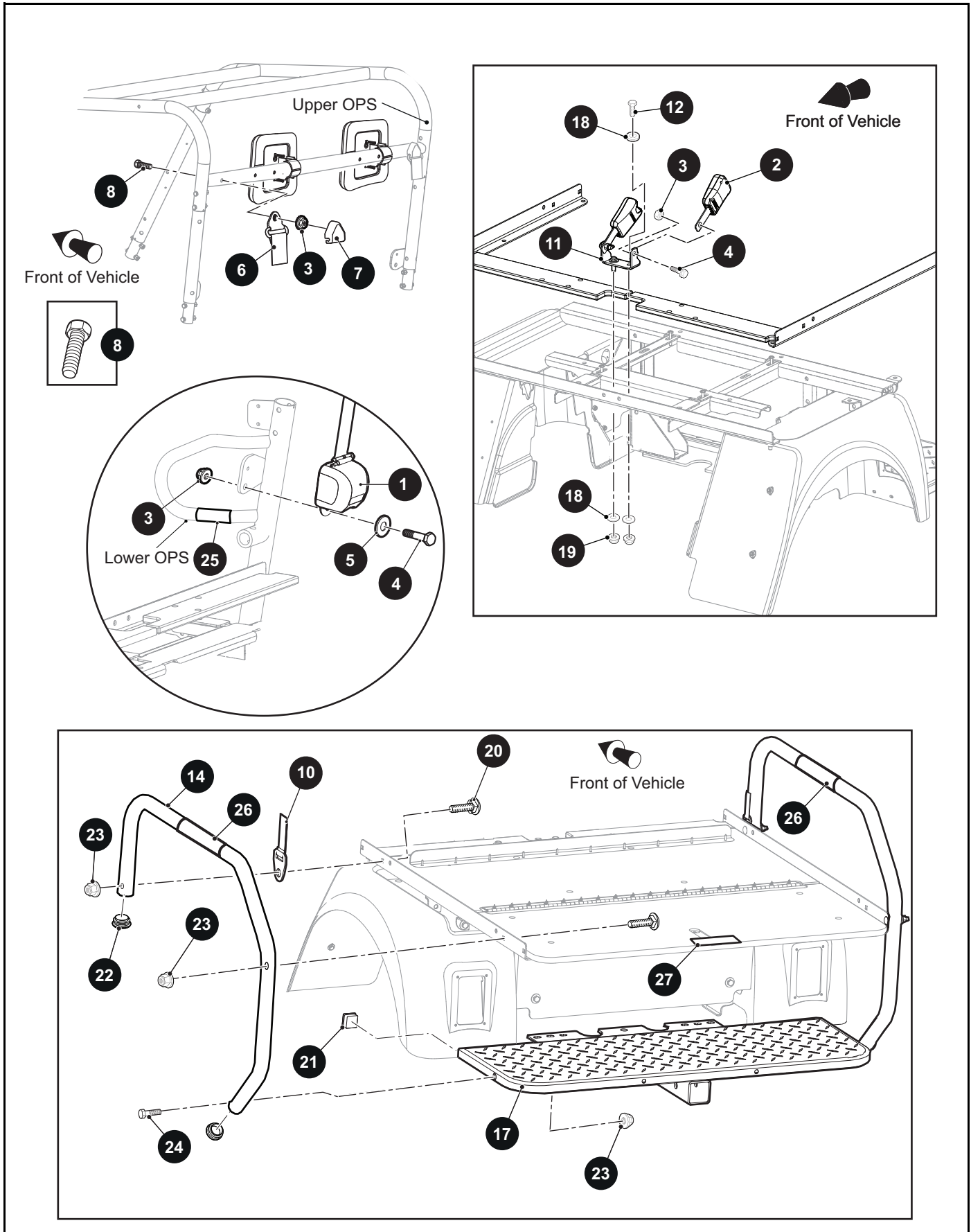
When ordering parts, please specify the model and serial number of the product.

\* Indicates a component that is not available as an individual part.

\*\*\* Indicates consult Customer Service Department for additional information.

ITEM	PART NO.	1 2 3 4 5	DESCRIPTION	QTY.
1	615822		FLIP SEAT BOTTOM ASSEMBLY (INCLUDES ITEMS 2 - 10).....	1
2	617137		DECK BOARD ASSEMBLY .....	1
3	621036		FLIP SEAT BOTTOM (INCLUDES ITEMS 4 - 7).....	1
4	617400		SEAT BOTTOM PLYWOOD.....	1
5	617401		SEAT BOTTOM FOAM .....	1
6				
7	615648		SEAT BOTTOM VINYL .....	1
8	16705G1		TRUSS HEAD PHILLIPS SCREW (SS), 1/4" - 20 X 1" LG .....	5
9	617402		SEAT STRAP.....	1
10	00559G7		FLAT WASHER, 1/4" .....	1
11	619756		RUBBER BUMPER.....	2
12	616671		FLAT WASHER, 8MM .....	2
13	800344		TRUSS HEAD TAPPING SCREW, #10 - 16 X 5/8" LG.....	2
14	71274G02		BACK REST ASSEMBLY (INCLUDES ITEMS 15 - 20) .....	1
15	644269		SEAT BACK BASE .....	1
16	25433G4		SEAT BACK FOAM .....	1
17				
18	74889G01		SEAT BACK VINYL .....	1
19	18144G4		SEAT BACK COVER PLASTIC .....	1
20	01107G01		PAN HEAD TORX SCREW, #8 .....	4

# SEATING



THE USE OF NON U.L. PARTS WILL VOID ANY U.L. LISTING.

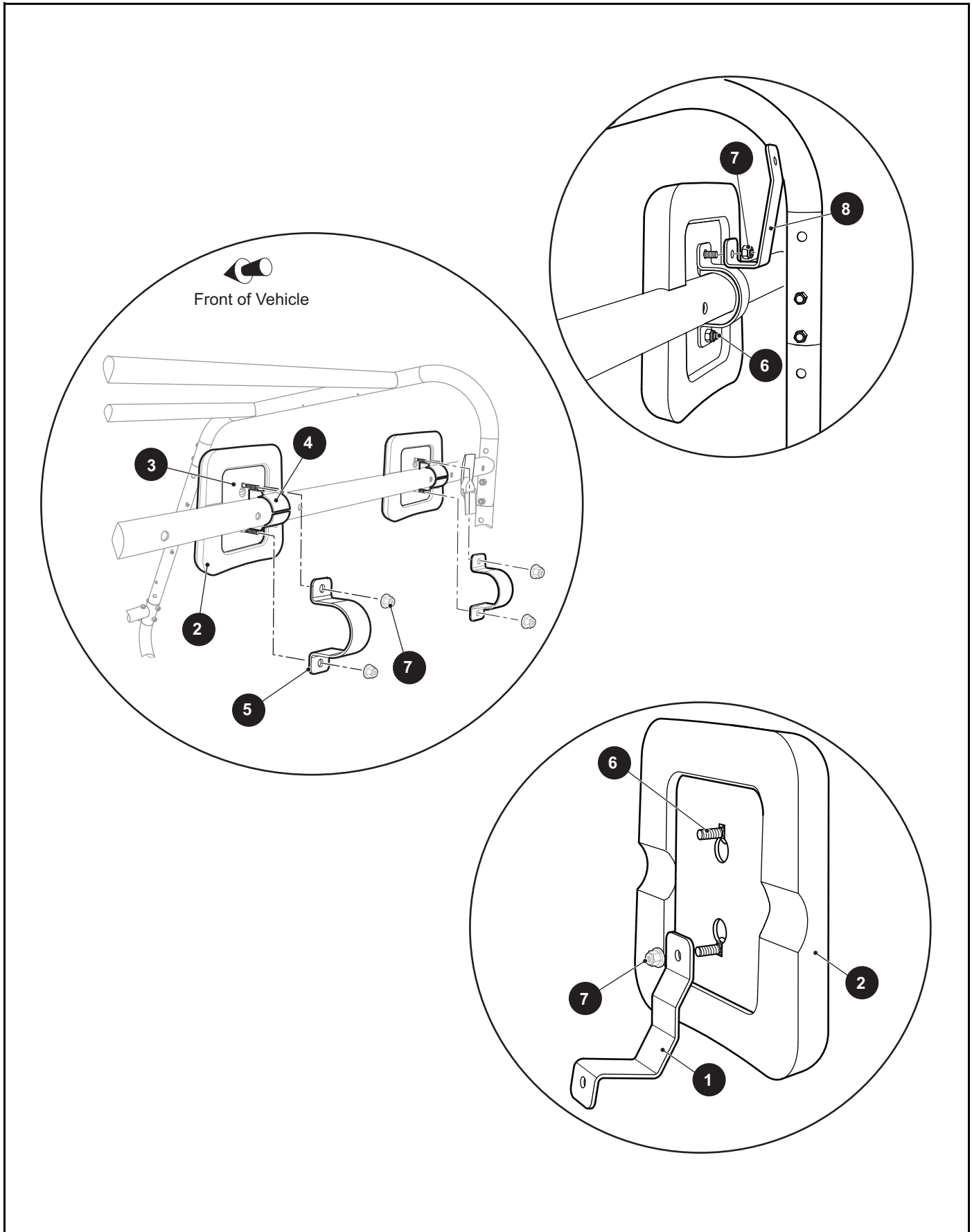
When ordering parts, please specify the model and serial number of the product.

\* Indicates a component that is not available as an individual part.

\*\*\* Indicates consult Customer Service Department for additional information.

ITEM	PART NO.	1 2 3 4 5	DESCRIPTION	QTY.
1	649134		SEAT BELT RETRACTOR .....	2
2	609854		SEAT BELT LATCH BUCKLE, 6" .....	2
3	00734G3		LOCK NUT, 7/16" - 20 .....	4
4	610753		HEX HEAD BOLT, 7/16" - 20 X 1" LG .....	4
5	613472		FLAT WASHER, 1/2" .....	2
6	*		D-RING .....	2
7	*		D-RING COVER.....	2
8	609569		HEX HEAD BOLT, 7/16" - 20 X 2 3/4" LG .....	2
9				
10	610756		BELT ATTACH PLATE.....	2
11	609787		REAR SEAT BELT BRACKET .....	1
12	00427G2		HEX HEAD BOLT, 3/8" - 16 X 1 1/4" LG .....	2
13				
14	629044		FLIP SEAT ARMREST .....	2
15				
16				
17	632727		FOOTBOARD .....	1
18	00643G1		FLAT WASHER, 3/8" .....	4
19	11098G5		LOCK NUT, 3/8" - 16 .....	2
20	630673		CARRIAGE BOLT, 3/8" - 16 X 2.25" LG.....	2
21	19853G1		TUBE CAP .....	2
22	628915		PLUG .....	2
23	630643		FLANGED LOCK NUT, 3/8" - 16.....	6
24	630674		HEX HEAD BOLT, 3/8" - 16 X 3.25" LG .....	2
25	74099G01		BED LATCH WARNING LABEL.....	1
26	628943		FLIP SEAT WARNING LABEL .....	1
27	630398		LOAD DECK LIMIT WARNING LABEL.....	1



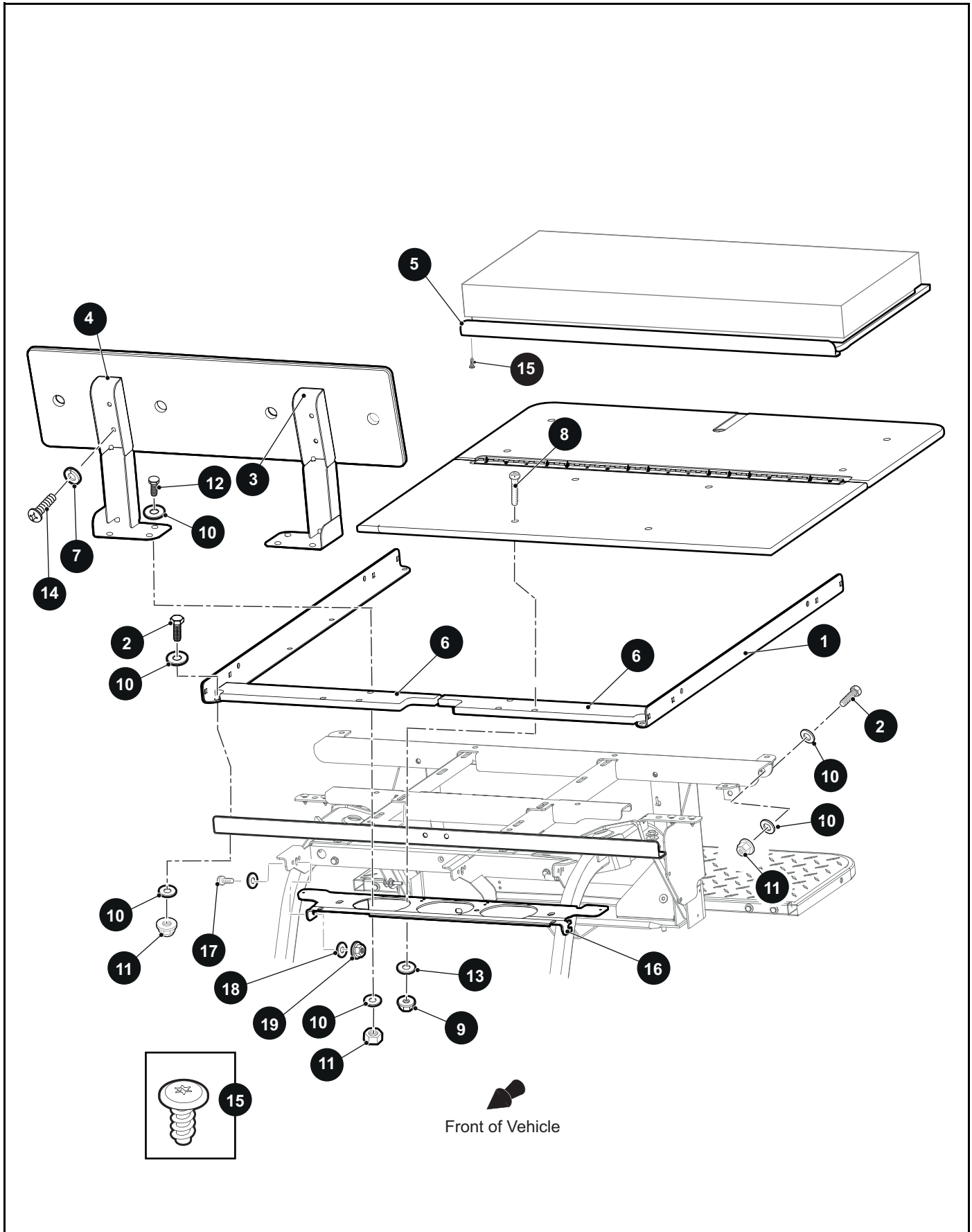




THE USE OF NON U.L. PARTS WILL VOID ANY U.L. LISTING.  
 When ordering parts, please specify the model and serial number of the product.  
 \* Indicates a component that is not available as an individual part.  
 \*\*\* Indicates consult Customer Service Department for additional information.

ITEM	PART NO.	1 2 3 4 5	DESCRIPTION	QTY.
1	631179		HEADREST BRACKET.....	2
2	628577		HEADREST.....	4
3	629666		HEADREST PLATE .....	2
4	629642		PLASTIC GROUND CLAMP.....	2
5	627786		BAR CLAMP .....	2
6	01102G01		CARRIAGE BOLT, 1/4" - 20 X1 1/2" LG.....	4
7	14390G4		FLANGED LOCK NUT, 1/4" - 20.....	4
8	631178		UPPER HEAD SUPPORT BRACKET.....	2

# SEATING



THE USE OF NON U.L. PARTS WILL VOID ANY U.L. LISTING.  
 When ordering parts, please specify the model and serial number of the product.  
 \* Indicates a component that is not available as an individual part.  
 \*\*\* Indicates consult Customer Service Department for additional information.

ITEM	PART NO.	1 2 3 4 5	DESCRIPTION	QTY.
1	629358		SEAT FRAME .....	4
2	00427G2		HEX HEAD BOLT, 3/8" - 16 X 1 1/4" LG .....	10
3	629050G01		SEAT BACK BRACKET (DRIVER SIDE).....	1
4	629050G02		SEAT BACK BRACKET (PASSENGER SIDE) .....	1
5	629112		REINFORCE BRACKET .....	1
6	629275		DECK BOARD FILLER .....	2
7	00664G7		LOCK WASHER, 1/4" .....	2
8	16705G5		TRUSS HEAD PHILLIPS SCREW (SS), 1/4" - 20 X 1 1/2" LG.....	4
9	14390G4		LOCK NUT, 1/4" - 20.....	4
10	00643G1		FLAT WASHER, 3/8" .....	6
11	11098G5		LOCK NUT, 3/8" - 16.....	6
12	00427G8		HEX HEAD BOLT, 3/8" - 16 X 2" LG .....	6
13	01110G01		FLAT WASHER, 1/4".....	4
14	16705G1		TRUSS HEAD PHILLIPS SCREW (SS), 1/4" - 20 X 1" LG.....	4
15	71425G01		TAPPING SCREW, #8 - 18 X .75" LG.....	10
16	71262G04		SEAT BACK SUPPORT .....	1
17	00438G8		HEX HEAD BOLT, 5/16" - 18 X 5/8" LG .....	2
18	00642G8		FLAT WASHER, 5/16".....	4
19	11098G6		LOCK NUT, 5/16" - 18.....	2

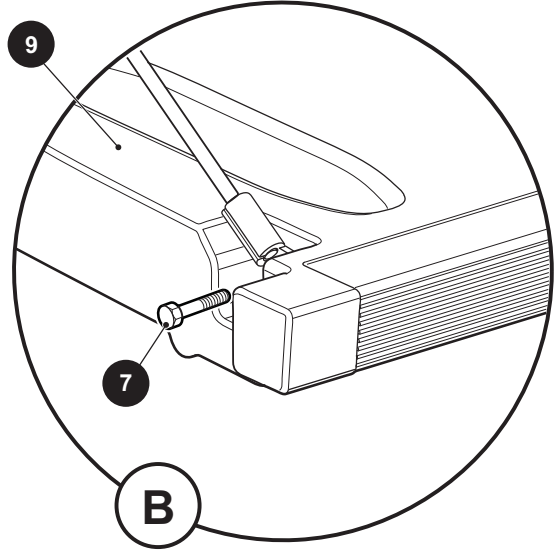
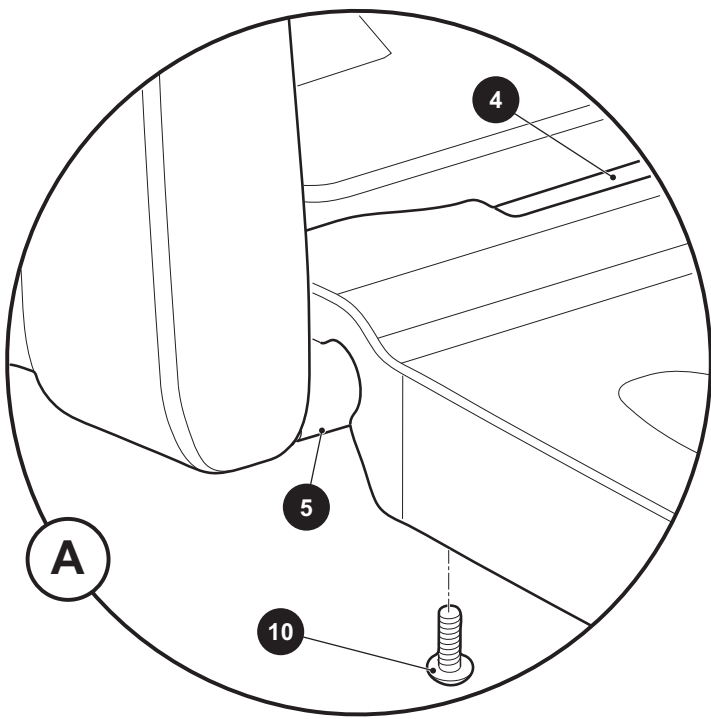
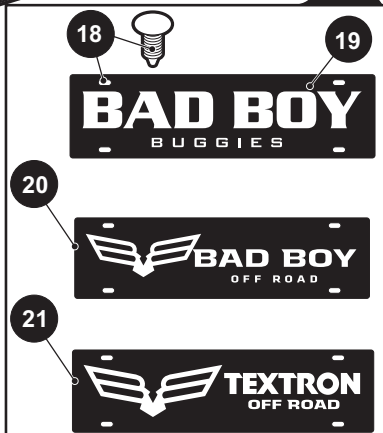
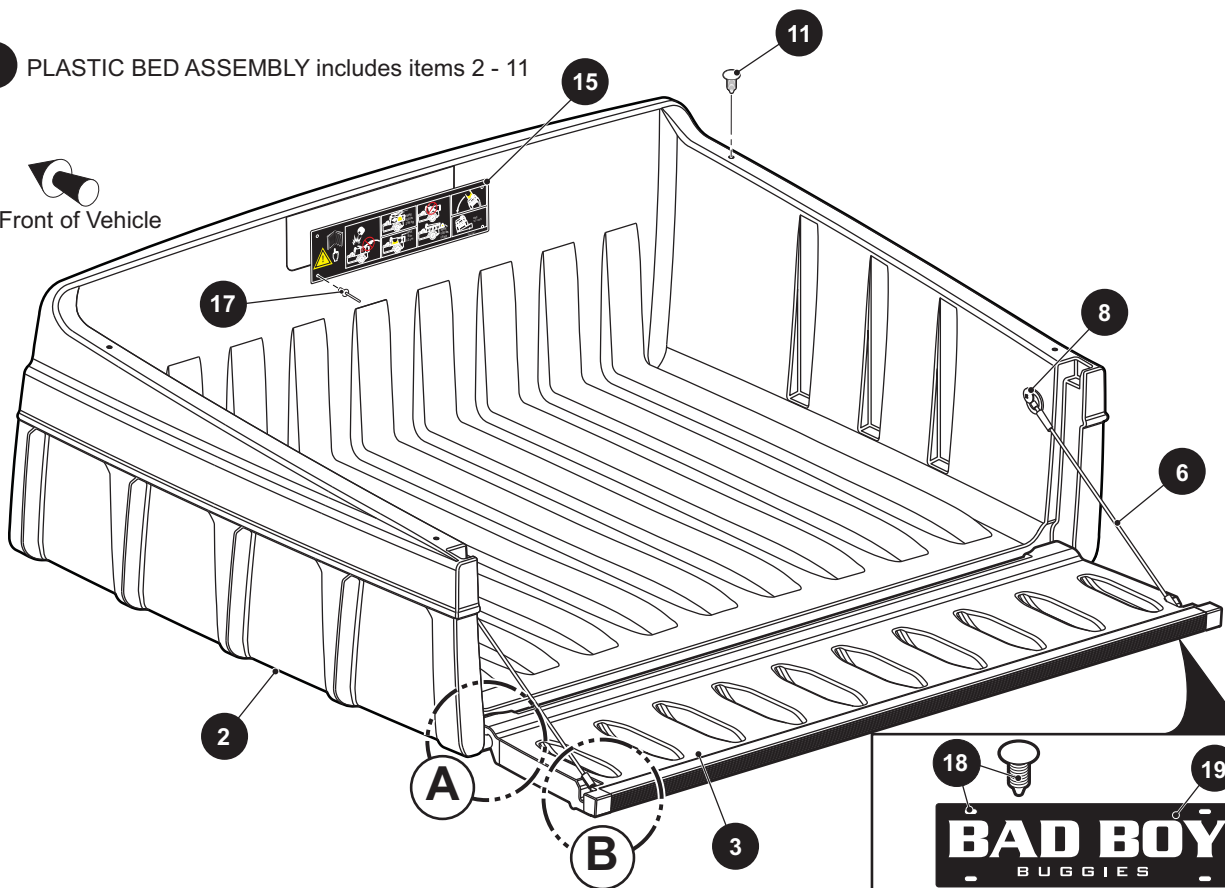




# TRUCK BED - PLASTIC

1 PLASTIC BED ASSEMBLY includes items 2 - 11

Front of Vehicle



# TRUCK BED - PLASTIC

THE USE OF NON U.L. PARTS WILL VOID ANY U.L. LISTING.

When ordering parts, please specify the model and serial number of the product.

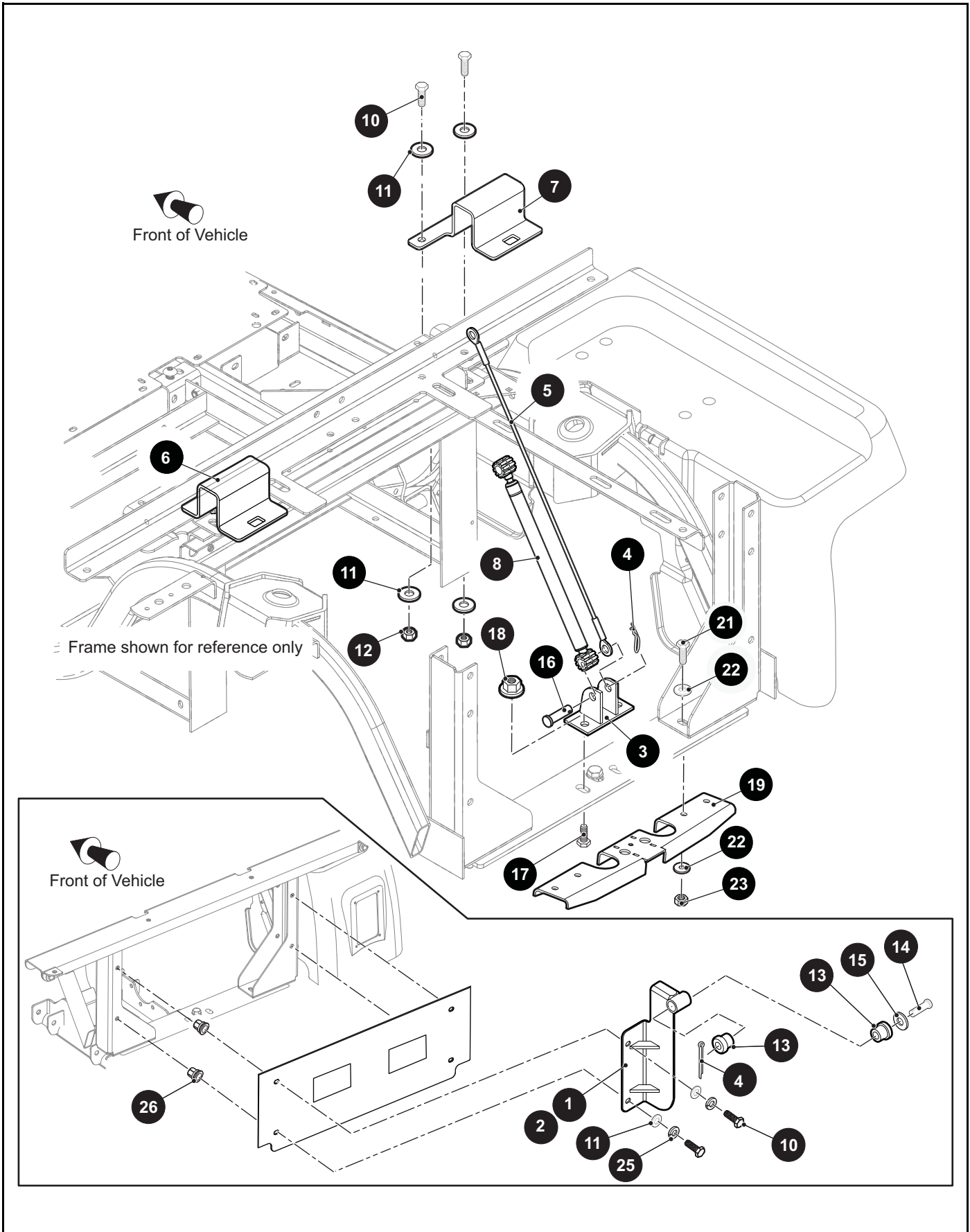
\* Indicates a component that is not available as an individual part.

\*\*\* Indicates consult Customer Service Department for additional information.

ITEM	PART NO.	1 2 3 4 5	DESCRIPTION	QTY.
1	72647G01		PLASTIC BED ASSEMBLY (INCLUDES ITEMS 2 - 11) .....	1
2	72648G01		PLASTIC BED, 36" .....	1
3	72649G01		PLASTIC TAILGATE, 36" .....	1
4	73450G01		BOWED ANGLE .....	1
5	73454G01		PIVOT SHAFT .....	2
6	73455G02		TAILGATE CABLE ASSEMBLY .....	2
7	00415G2		HEX HEAD BOLT, 1/4" - 20 X 1 1/4" LG .....	2
8	73460G01		SHOULDER BOLT, 1/4" - 20 X 3/4" LG .....	2
9	73449G01		CHANNEL EXTRUSION .....	1
10	16705G2		PAN HEAD SCREW, 1/4" - 20 X 5/8" LG .....	4
11	16816G5		RACHET FASTENER, 3/16" X 1/2" .....	4
12				
13				
14				
15	74821G01		BED CAPACITY LABEL (500 LB) .....	1
16				
17	71055G01		RIVET, 3/16" .....	4
18	16816G2		RATCHET RIVET, .25" X .887" .....	4
19	617804		TAILGATE DECAL (FOR VEHICLES MANUFACTURED BEFORE 19 SEPTEMBER 2016) .....	1
20	655660		TAILGATE DECAL (FOR VEHICLES MANUFACTURED AFTER 19 SEPTEMBER 2016, BEFORE 1 MAY 2017) .....	1
21	663470		TAILGATE DECAL (FOR VEHICLES MANUFACTURED AFTER 1 MAY 2017) .....	1



# TRUCK BED - PLASTIC





# TRUCK BED - PLASTIC

THE USE OF NON U.L. PARTS WILL VOID ANY U.L. LISTING.

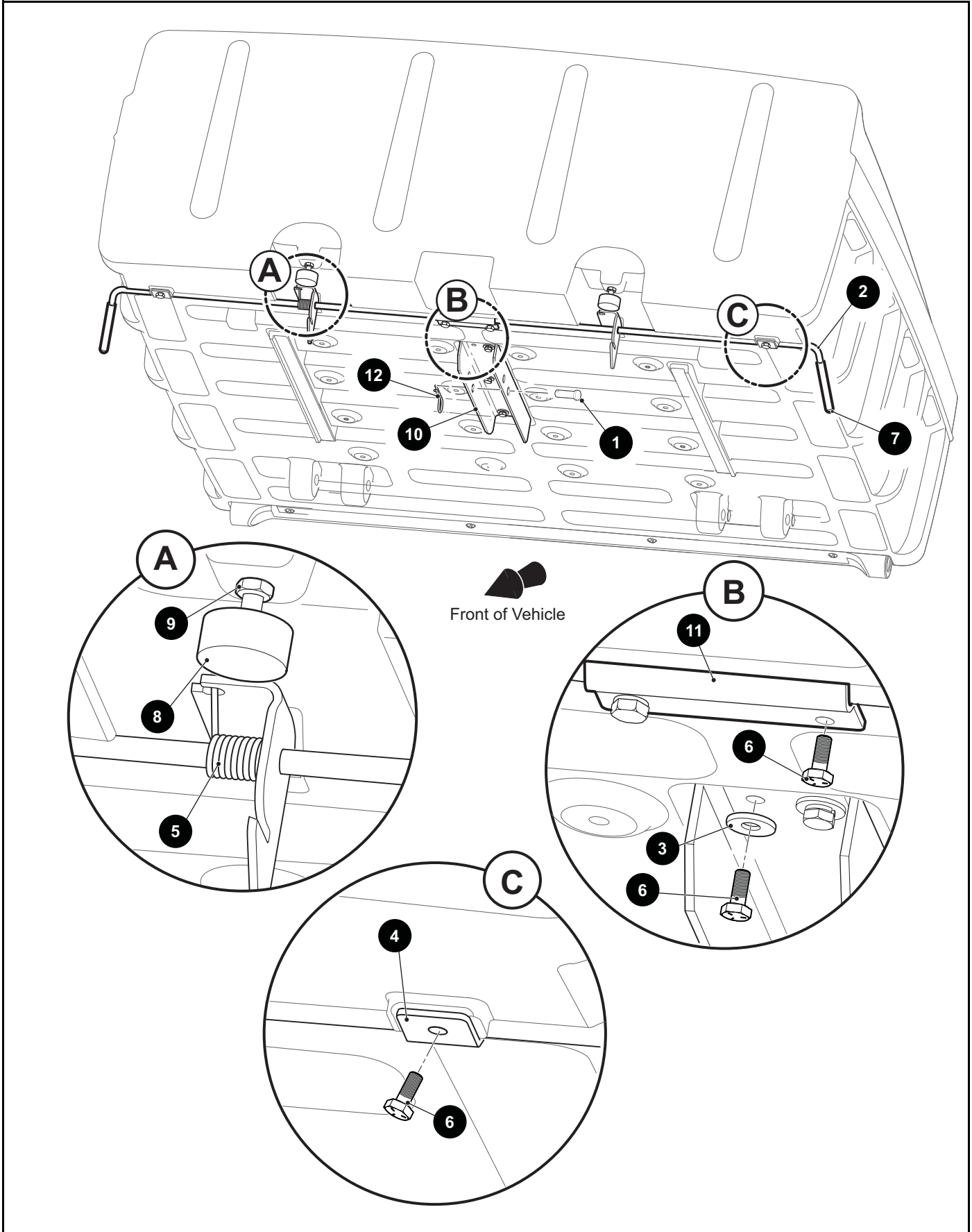
When ordering parts, please specify the model and serial number of the product.

\* Indicates a component that is not available as an individual part.

\*\*\* Indicates consult Customer Service Department for additional information.

ITEM	PART NO.	1 2 3 4 5	DESCRIPTION	QTY.
1	629465G01		PLASTIC BED MOUNT WELDMENT (DRIVER SIDE).....	1
2	629465G02		PLASTIC BED MOUNT WELDMENT (PASSENGER SIDE) .....	1
3	71283G02		BRACKET WELDMENT (ELECTRIC LIFT) .....	1
4	21683G1		COTTER PIN, 15/32" X 2 11/16".....	2
5	602904		TETHER CABLE .....	1
6	629514G01		LATCH BRACKET (DRIVER SIDE) .....	1
7	629514G02		LATCH BRACKET (PASSENGER SIDE).....	1
8	71537G02		GAS SPRING.....	1
9				
10	00427G2		HEX HEAD BOLT, 3/8" - 16 X 1 1/4" LG .....	8
11	00643G1		FLAT WASHER, 3/8" .....	12
12	11098G5		LOCK NUT, 3/8" - 16.....	4
13	624030		FLANGED BUSHING.....	4
14	71571G01		CLEVIS PIN, .495" X 5.25" .....	2
15	00571G5		FLAT WASHER, 5/16" .....	2
16	14443G12		CLEVIS PIN, .50" X 2.22" .....	1
17	00463G4		HEX HEAD BOLT, 7/16" - 14 X 1 1/2" LG .....	2
18	00734G1		LOCK NUT, 7/16" - 14.....	2
19	647080		HITCH RECEIVER .....	1
20				
21	00463G11		HEX HEAD BOLT, 7/16" - 14 X 1 1/2" LG .....	4
22	306982		FLAT WASHER, 7/16" .....	8
23	00734G1		LOCK NUT, 7/16" - 14.....	4
24				
25	120177		LOCK WASHER, 3/8" .....	4
26	641848		HEX NUT, 3/8" - 16 .....	4

# TRUCK BED - PLASTIC



## TRUCK BED - PLASTIC

THE USE OF NON U.L. PARTS WILL VOID ANY U.L. LISTING.

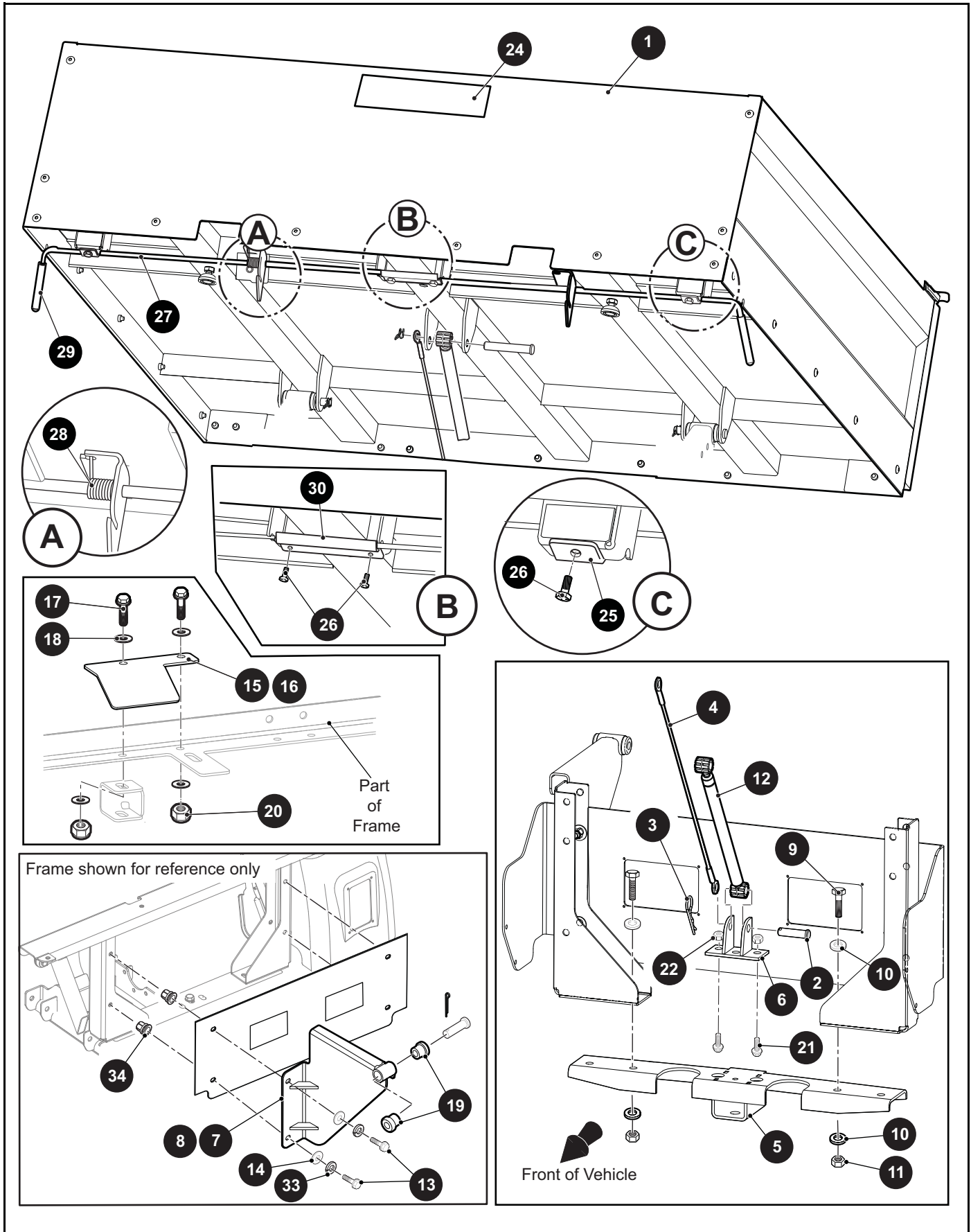
When ordering parts, please specify the model and serial number of the product.

\* Indicates a component that is not available as an individual part.

\*\*\* Indicates consult Customer Service Department for additional information.

ITEM	PART NO.	1 2 3 4 5	DESCRIPTION	QTY.
1	14443G10		CLEVIS PIN, .50" X 3" .....	1
2	74962G01		BED LATCH WELDMENT .....	1
3	00642G7		FLAT WASHER, 5/16" .....	6
4	652442G02		LATCH PLATE .....	2
5	71538G01		TORSION SPRING .....	1
6	01118G01		HEX HEAD BOLT WITH PATCHLOCK, 1/4" - 20 X .62" LG .....	10
7	71704G01		HANDLE GRIP .....	2
8	70113G01		ADJUSTABLE RUBBER BUMPER .....	2
9	11027G1		FLANGED LOCK NUT, 5/16" - 18 .....	2
10	71569G02		GAS SPRING CHANNEL .....	1
11	652440G02		LATCH RETAINER BRACKET .....	1
12	21683G1		COTTER PIN, 15/32" X 2 11/16" .....	2

# TRUCK BED - ALUMINUM



# TRUCK BED - ALUMINUM

THE USE OF NON U.L. PARTS WILL VOID ANY U.L. LISTING.

When ordering parts, please specify the model and serial number of the product.

\* Indicates a component that is not available as an individual part.

\*\*\* Indicates consult Customer Service Department for additional information.

ITEM	PART NO.	1 2 3 4 5	DESCRIPTION	QTY.
1	628000		ALUMINUM BED.....	1
2	14443G10		CLEVIS PIN, 1" X 2.406" LG .....	1
3	21683G1		COTTER PIN, 15/32" - 2 11/16" .....	1
4	602904		TETHER CABLE .....	1
5	647080		HITCH RECEIVER .....	1
6	71283G02		BRACKET WELDMENT (ELECTRIC LIFT) .....	1
7	629507G01		BED MOUNT WELDMENT (DRIVER SIDE).....	1
8	629507G02		BED MOUNT WELDMENT (PASSENGER SIDE) .....	1
9	00463G11		HEX HEAD BOLT, 7/16" - 14 X 1 1/2" LG .....	4
10	306982		FLAT WASHER, 7/16".....	8
11	00734G1		LOCK NUT, 7/16" - 14.....	4
12	71537G02		GAS SPRING .....	1
13	00427G2		HEX HEAD BOLT, 3/8" - 16 X 1.25" LG .....	4
14	00643G1		FLAT WASHER, 3/8".....	4
15	629512G01		ALUMINUM BED LATCH BRACKET (DRIVER SIDE).....	1
16	629512G02		ALUMINUM BED LATCH BRACKET (PASSENGER SIDE) .....	1
17	00427G2		HEX HEAD BOLT, 3/8" - 16 X 1.25" LG.....	4
18	00643G1		FLAT WASHER, 3/8".....	8
19	624030		FLANGED BUSHING.....	4
20	11098G5		LOCK NUT, 3/8" - 16.....	4
21	00463G4		HEX HEAD BOLT, 7/16" - 14 X 1 1/2" LG .....	2
22	00734G1		LOCK NUT, 7/16" - 14.....	2
23				
24	35980G02		BED LOAD LABEL (500 LBS).....	1
25	652442G02		LATCH PLATE .....	2
26	01118G01		HEX HEAD BOLT WITH PATCHLOCK, 1/4" - 20 X .62" LG .....	4
27	74962G01		BED LATCH WELDMENT.....	1
28	71538G01		TORSION SPRING .....	1
29	71704G01		HANDLE GRIP.....	2
30	652440G02		RETAINER BRACKET .....	1
31				

# TRUCK BED - ALUMINUM

THE USE OF NON U.L. PARTS WILL VOID ANY U.L. LISTING.

When ordering parts, please specify the model and serial number of the product.

\* Indicates a component that is not available as an individual part.

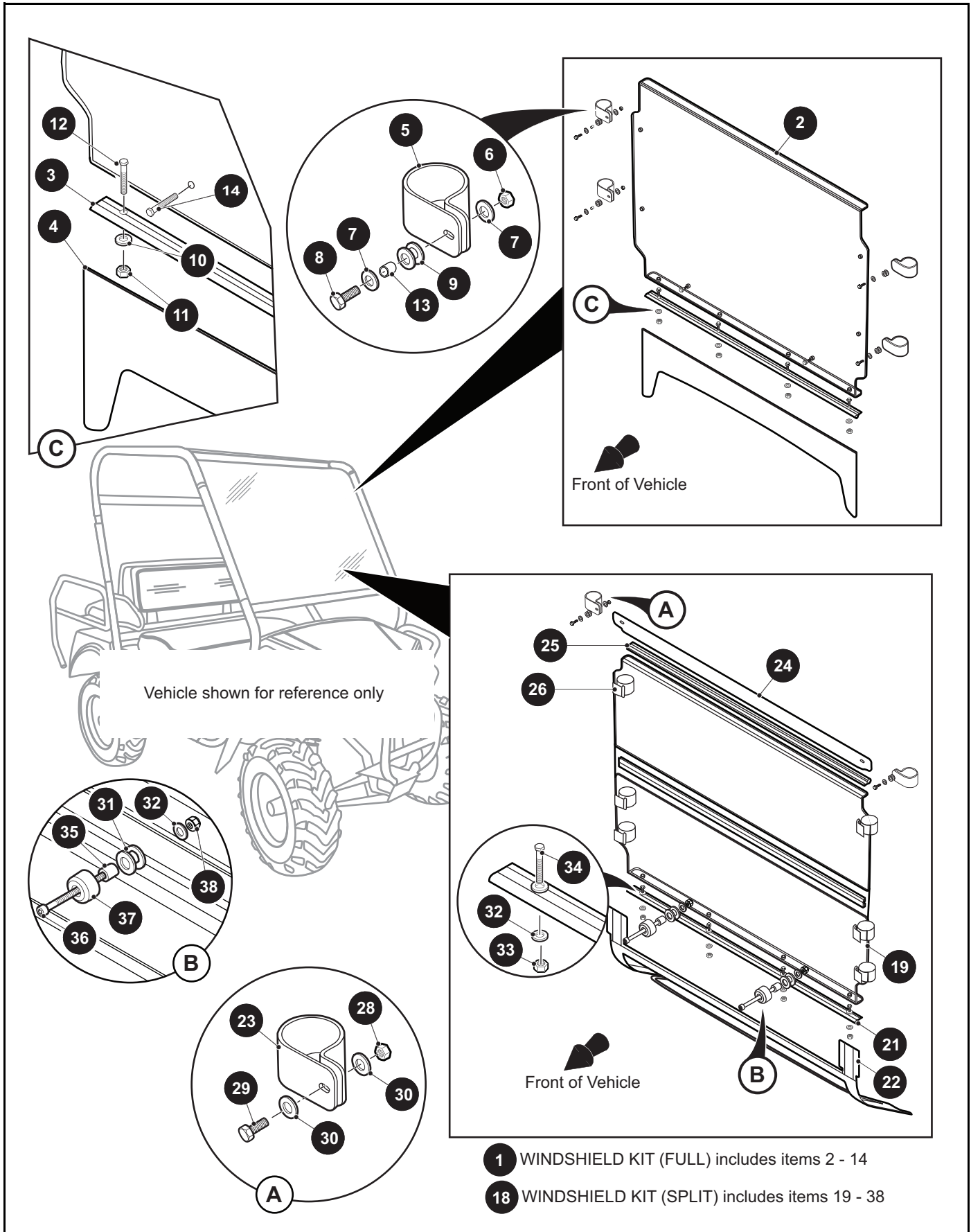
\*\*\* Indicates consult Customer Service Department for additional information.

ITEM	PART NO.	1 2 3 4 5	DESCRIPTION	QTY.
32				
33	120177		LOCK WASHER, 3/8" .....	4
34	641848		HEX NUT, 3/8" - 16.....	4
35	630935		DECAL, ALUMINUM TAILGATE (NOT ILLUSTRATED) (FOR VEHICLES MANUFACTURED BEFORE 19 SEPTEMBER 2016).....	1
36	651672		DECAL, ALUMINUM TAILGATE (NOT ILLUSTRATED) (FOR VEHICLES MANUFACTURED AFTER 19 SEPTEMBER 2016, BEFORE 1 MAY 2017) .....	1
37	663468		DECAL, ALUMINUM TAILGATE (NOT ILLUSTRATED) (FOR VEHICLES MANUFACTURED AFTER 1 MAY 2017).....	1





# WEATHER PROTECTION





# WEATHER PROTECTION

THE USE OF NON U.L. PARTS WILL VOID ANY U.L. LISTING.  
 When ordering parts, please specify the model and serial number of the product.  
 \* Indicates a component that is not available as an individual part.  
 \*\*\* Indicates consult Customer Service Department for additional information.

ITEM	PART NO.	1 2 3 4 5	DESCRIPTION	QTY.
1	627079		WINDSHIELD KIT (FULL) (INCLUDES ITEMS 2 - 14).....	1
2	*		WINDSHIELD .....	1
3	*		AWNING MOLDING (ALUMINUM).....	1
4	*		TEXTILE SKIRT PLACEHOLDER.....	1
5	*		PLASTIC CLAMP .....	4
6	*		HEX NUT .....	6
7	*		FLAT WASHER .....	12
8	*		HEX HEAD BOLT .....	4
9	*		WINDSHIELD GROMMET .....	6
10	*		FLAT WASHER .....	8
11	*		HEX NUT .....	4
12	*		HEX HEAD BOLT .....	4
13	*		CRUSH SLEEVE .....	6
14	*		HEX HEAD BOLT .....	2
15				
16				
17				
18	627080		WINDSHIELD KIT (SPLIT) (INCLUDES ITEMS 19 - 38).....	1
19	*		WINDSHIELD .....	1
20				
21	*		AWNING MOLDING (ALUMINUM).....	1
22	*		TEXTILE SKIN PLACEHOLDER.....	1
23	*		PLASTIC CLAMP .....	2
24	*		UPPER METAL SEAL .....	1
25	*		UNIGRIP.....	1
26	*		TEXTILE STRAP .....	6
27				
28	*		HEX NUT .....	2
29	*		HEX HEAD BOLT .....	2
30	*		FLAT WASHER .....	4
31	*		GROMMET .....	2

# WEATHER PROTECTION

THE USE OF NON U.L. PARTS WILL VOID ANY U.L. LISTING.

When ordering parts, please specify the model and serial number of the product.

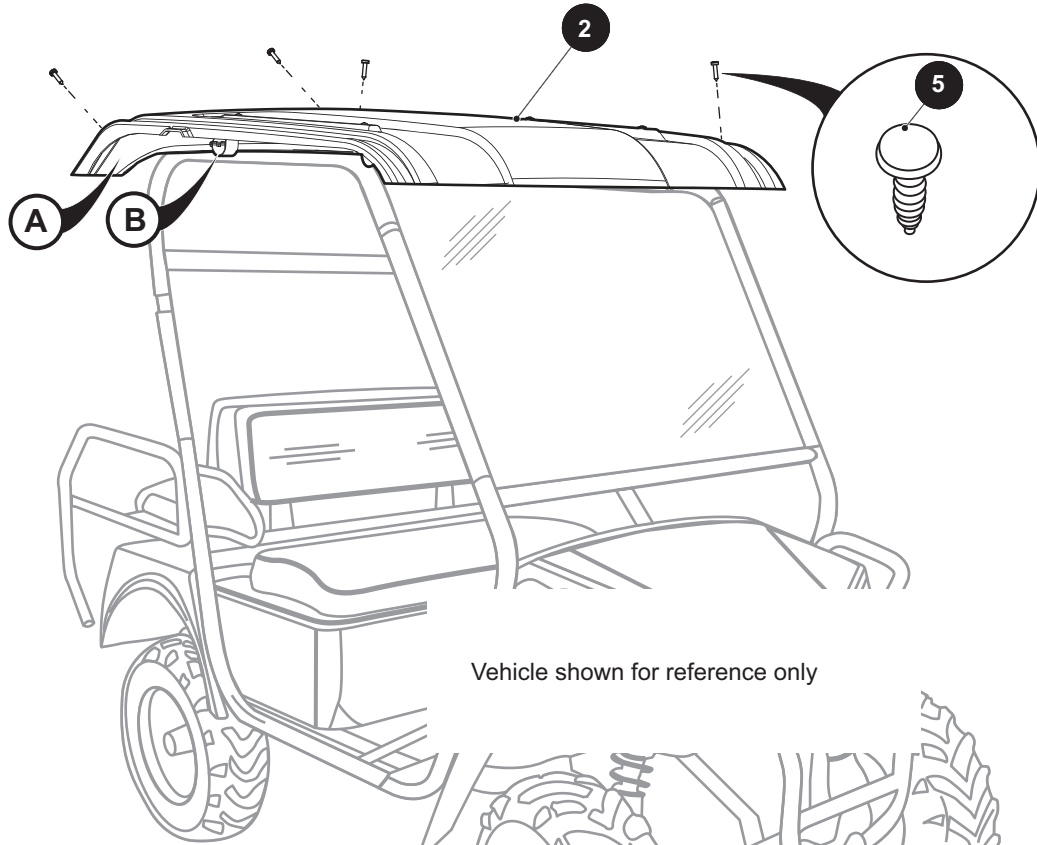
\* Indicates a component that is not available as an individual part.

\*\*\* Indicates consult Customer Service Department for additional information.

ITEM	PART NO.	1	2	3	4	5	DESCRIPTION	QTY.
32	*						FLAT WASHER .....	10
33	*						HEX NUT .....	4
34	*						HEX HEAD BOLT.....	4
35	*						CRUSH SLEEVE .....	2
36	*						HEX HEAD BOLT.....	2
37	*						BUMPER.....	2
38	*						HEX NUT .....	2

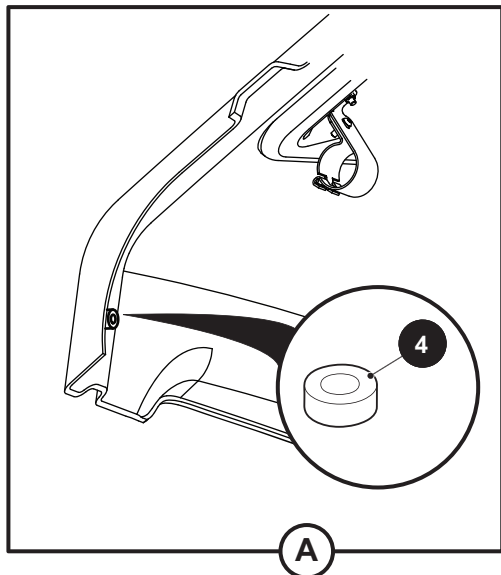
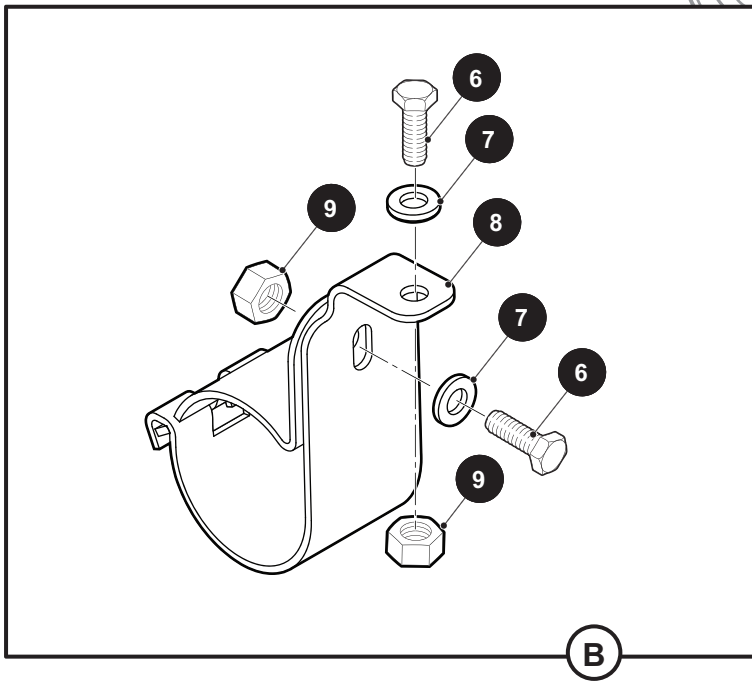


# WEATHER PROTECTION



Vehicle shown for reference only

- 1 TOP CANOPY KIT includes items 2, 3
- 3 HARDWARE KIT includes items 4 - 9



# WEATHER PROTECTION

THE USE OF NON U.L. PARTS WILL VOID ANY U.L. LISTING.  
 When ordering parts, please specify the model and serial number of the product.  
 \* Indicates a component that is not available as an individual part.  
 \*\*\* Indicates consult Customer Service Department for additional information.

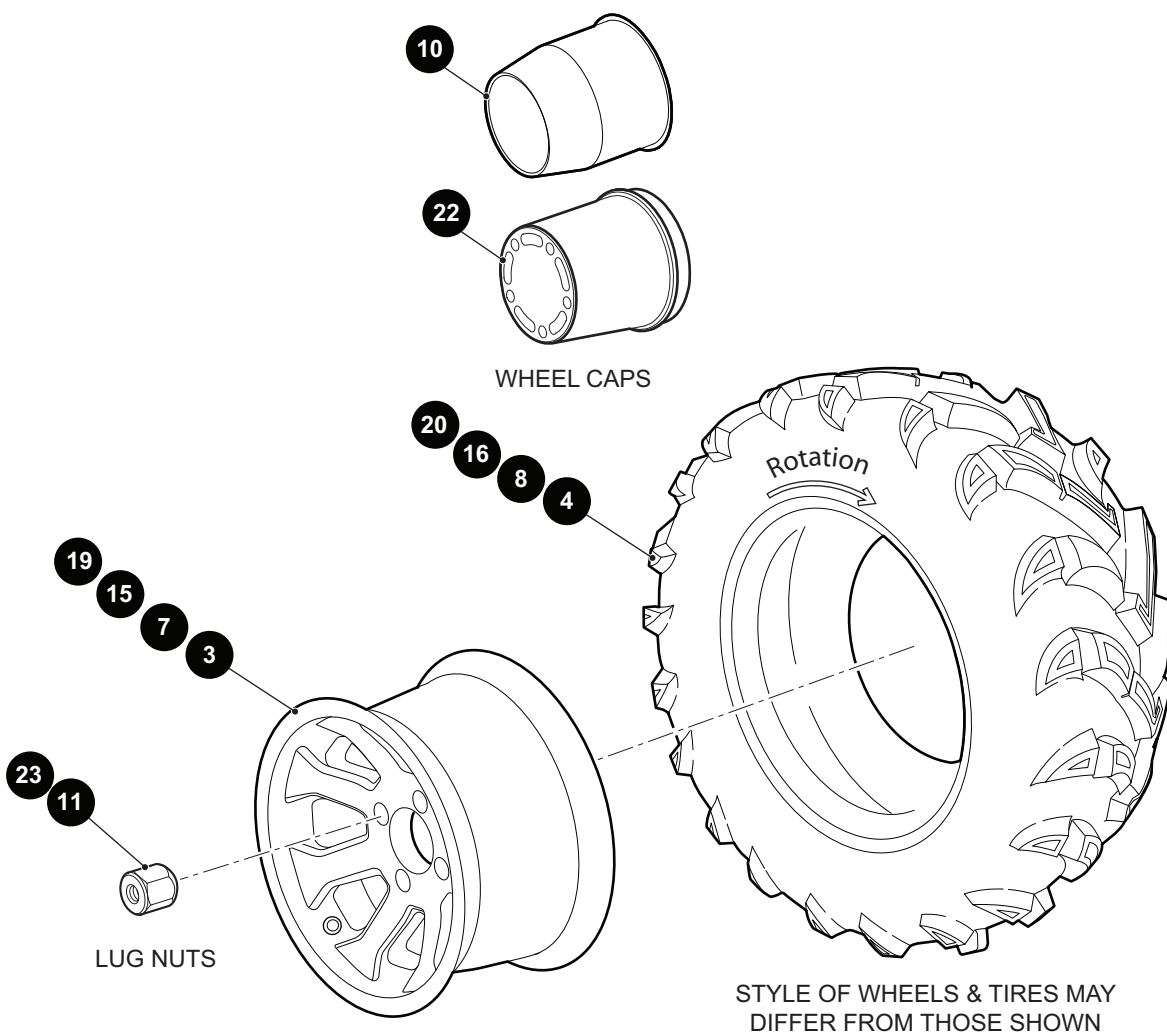
ITEM	PART NO.	1 2 3 4 5	DESCRIPTION	QTY.
1	628584		TOP CANOPY KIT (INCLUDES ITEMS 2, 3) .....	1
2	627077		TOP CANOPY .....	1
3	628585		HARDWARE KIT (INCLUDES ITEMS 4 - 9) .....	1
4	*		RUBBER SPACER.....	4
5	*		CHRISTMAS TREE PUSH RIVET .....	4
6	*		HEX HEAD BOLT, M6 - 1 X 20MM LG .....	8
7	*		FLAT WASHER, 1/4" .....	8
8	*		CLAMP (2 PIECE).....	4
9	*		HEX NUT, M6 - 1.....	8





# WHEELS AND TIRES

- 1 WHEEL AND TIRE ASSEMBLY, FRONT (PASSENGER SIDE) includes items 3, 4
- 2 WHEEL AND TIRE ASSEMBLY, FRONT (DRIVER SIDE) includes items 3, 4
- 5 WHEEL AND TIRE ASSEMBLY, REAR (PASSENGER SIDE) includes items 7, 8
- 6 WHEEL AND TIRE ASSEMBLY, REAR (DRIVER SIDE) includes items 7, 8
- 13 WHEEL AND TIRE ASSEMBLY, FRONT (PASSENGER SIDE) includes items 15, 16
- 14 WHEEL AND TIRE ASSEMBLY, FRONT (DRIVER SIDE) includes items 15, 16
- 17 WHEEL AND TIRE ASSEMBLY, REAR (PASSENGER SIDE) includes items 19, 20
- 18 WHEEL AND TIRE ASSEMBLY, REAR (DRIVER SIDE) includes items 19, 20





# WHEELS AND TIRES

THE USE OF NON U.L. PARTS WILL VOID ANY U.L. LISTING.

When ordering parts, please specify the model and serial number of the product.

\* Indicates a component that is not available as an individual part.

\*\*\* Indicates consult Customer Service Department for additional information.

ITEM	PART NO.	1 2 3 4 5	DESCRIPTION	QTY.
1	639548		WHEEL AND TIRE ASSEMBLY, FRONT (PASSENGER SIDE) (INCLUDES ITEMS 3, 4).....	1
2	639550		WHEEL AND TIRE ASSEMBLY, FRONT (DRIVER SIDE) (INCLUDES ITEMS 3, 4).....	1
3	631041		WHEEL (STEEL), 12" X 7" .....	1
4	639540		TIRE (KENDA 590), 25" X 8" - 12" .....	1
5	639549		WHEEL AND TIRE ASSEMBLY, REAR (PASSENGER SIDE) (INCLUDES ITEMS 7, 8).....	1
6	639551		WHEEL AND TIRE ASSEMBLY, REAR (DRIVER SIDE) (INCLUDES ITEMS 7, 8).....	1
7	631041		WHEEL (STEEL), 12" X 7" .....	1
8	639541		TIRE (KENDA 590), 25" X 11" - 12" .....	1
9				
10	630268		CENTER CAP (BLACK).....	4
11	14723G1		LUG NUT, 1/2" - 20 .....	16
12				
13	639556		WHEEL AND TIRE ASSEMBLY, FRONT (PASSENGER SIDE) (INCLUDES ITEMS 15, 16).....	1
14	639558		WHEEL AND TIRE ASSEMBLY, FRONT (DRIVER SIDE) (INCLUDES ITEMS 15, 16).....	1
15	616116		WHEEL (BLACK ALUMINUM) .....	1
16	639540		TIRE (KENDA 590), 25" X 8" - 12 .....	1
17	639557		WHEEL AND TIRE ASSEMBLY, REAR (PASSENGER SIDE) (INCLUDES ITEMS 19, 20).....	1
18	639559		WHEEL AND TIRE ASSEMBLY, REAR (DRIVER SIDE) (INCLUDES ITEMS 19, 20).....	1
19	616116		WHEEL (BLACK ALUMINUM) .....	1
20	639541		TIRE (KENDA 590).....	1
21				
22	630106		CENTER WHEEL CAP (BLACK ALUMINUM).....	4
23	616823		LUG NUT (BLACK), 1/2" - 20.....	16







# **TEXTRON<sup>®</sup>**

## **OFF ROAD**

**Textron Specialized Vehicles, Inc.**  
1451 Marvin Griffin Road  
Augusta, Georgia 30906-3852 USA

**CONTACT US:**

North America:

**Technical Assistance & Warranty**  
**Service Parts**

Phone: 1-800-774-3946, FAX: 1-800-448-8124

Phone: 1-888-438-3946, FAX: 1-800-752-6175

International:

Phone: 001-706-798-4311, FAX: 001-706-771-4609

Service Parts Manuals, as well as Repair and Service Manuals are available from a local Distributor, an authorized Branch, Parts & Accessories Department or at [www.textronoffroad.com](http://www.textronoffroad.com).

Copyrighted Material

This manual may not be reproduced in whole or in part without the express permission of TSV Technical Communications Department