



CUSHMAN®
LET'S WORK!

Service Parts Manual

GASOLINE POWERED VEHICLE



638952-AK

ISSUED MAY 2014

REVISED JANUARY 2019

SERVICE PARTS MANUAL

GASOLINE POWERED UTILITY VEHICLE

REFRESHER FS4

STARTING MODEL YEAR 2014

CALIFORNIA Proposition 65 Warning

WARNING: Engine exhaust, some of its constituents, and certain vehicle components contain or emit chemicals known to the State of California to cause cancer and birth defects or other reproductive harm. In addition, certain fluids contained in vehicles and certain products of component wear contain or emit chemicals known to the State of California to cause cancer and birth defects or other reproductive harm.

DISCLAIMER: The E-Z-GO Division of Textron Inc. (E-Z-GO) reserves the right to incorporate engineering and design changes to products in this Manual, without obligation to include these changes on units leased/sold previously.

The information contained in this Manual may be revised periodically E-Z-GO, and therefore is subject to change without notice.

E-Z-GO DISCLAIMS LIABILITY FOR ERRORS IN THIS MANUAL, and E-Z-GO SPECIFICALLY DISCLAIMS LIABILITY FOR INCIDENTAL AND CONSEQUENTIAL DAMAGES RESULTING FROM THE USE OF THE INFORMATION AND MATERIALS IN THIS MANUAL.

TO CONTACT US

NORTH AMERICA:

TECHNICAL ASSISTANCE & WARRANTY PHONE: 1-800-774-3946, FAX: 1-800-448-8124

SERVICE PARTS PHONE: 1-888-GET-EZGO (1-888-438-3946), FAX: 1-800-752-6175

INTERNATIONAL: PHONE: 001-706-798-4311, FAX: 001-706-771-4609

E-Z-GO DIVISION OF TEXTRON INC., 1451 MARVIN GRIFFIN RD., AUGUSTA, GEORGIA USA 30906-3852

GENERAL INFORMATION

To obtain a copy of the limited warranty applicable to the vehicle, call or write a local Distributor, authorized Branch or the Warranty Department with vehicle serial number and manufacturer code.

The use of non Original Equipment Manufacturer (OEM) approved parts may void the warranty.

Tampering with or adjusting the governor to permit vehicle to operate at above factory specifications will void the vehicle warranty.

When servicing engines, all adjustments and replacement components must be per original vehicle specifications in order to maintain the United States of America Federal and State emission certification applicable at the time of manufacture.

BATTERY PROLONGED STORAGE

All batteries will self discharge over time. The rate of self discharge varies depending on the ambient temperature and the age and condition of the batteries.

A fully charged battery will not freeze in winter temperatures unless the temperature falls below -75° F (-60° C).

BATTERY DISPOSAL

Lead-acid batteries are recyclable. Return whole scrap batteries to distributor, manufacturer or lead smelter for recycling. For neutralized spills, place residue in acid-resistant containers with absorbent material, sand or earth and dispose of in accordance with local, state and federal regulations for acid and lead compounds. Contact local and/or state environmental officials regarding disposal information.

TABLE OF CONTENTS

SECTION	Page No.
HOW TO USE THE SERVICE PARTS MANUAL	V
ACCELERATOR	A - 1
AIR FILTER	B - 1
BODY	C - 1
BRAKES	D - 1
CARBURETOR AND CHOKE	E - 1
CLUTCH	F - 1
DIRECTION SELECTOR	G - 1
ELECTRICAL SYSTEM	H - 1
ENGINE MOUNTING	J - 1
ENGINE AND MUFFLER	K - 1
FRONT SUSPENSION AND STEERING	L - 1
PARK BRAKE	M - 1
FUEL SYSTEM	N - 1
REAR AXLE	P - 1
REAR SUSPENSION	R - 1
REFRESHER UNIT	S - 1
SEATING	T - 1
STARTER/GENERATOR	U - 1
WHEELS AND TIRES	V - 1

HOW TO USE THE SERVICE PARTS MANUAL

This manual is divided into several sections:

- GENERAL INFORMATION
- ILLUSTRATED PARTS BREAKDOWN
- APPENDIX

The first section, GENERAL INFORMATION, contains the following information:

- WARRANTY INFORMATION
- GENERAL INDEX
- HOW TO USE THE SERVICE PARTS MANUAL

The second section, ILLUSTRATED PARTS BREAKDOWN, contains illustrations and parts lists for all systems of your vehicle.

The third section, APPENDIX, contains a listing of specialty products and accessories.

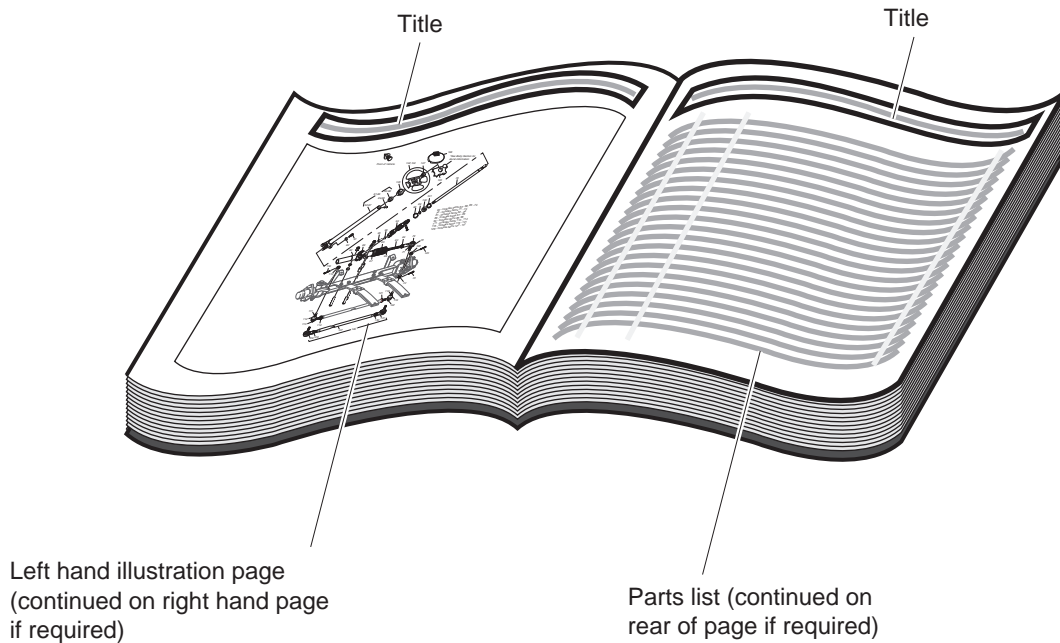
USE OF THE MANUAL

To use this manual, consult the GENERAL INDEX to locate the information or illustration required.

Introduction of some revisions varies due to supply of components; therefore, it is possible that various combinations of components may be found that are not directly reflected by each illustration. Consult the illustration that best suits your situation and then contact the Service Parts Department. It is important that the serial number of your vehicle and its model number be supplied to Service Parts when ordering any replacement components.

Locate the serial number plate (see BODY located in the Illustrated Parts Breakdown section of this manual for its location) and note the complete number shown on the plate.

HOW TO USE THE SERVICE PARTS MANUAL



1. WHEN THE PART NUMBER IS NOT KNOWN

- Determine the function and application of the part required. Turn to the General Index and select the most appropriate title.
- Turn to the page number indicated and locate the desired part on the illustration.
- From the illustration, obtain the item number assigned to the desired part. Refer to the accompanying description for specific information regarding the part.

2. IF YOU KNOW THE PART NUMBER

- Locate the part number or description in the appropriate column on the parts list page.

NOTE: It is suggested that you confirm that the part selected is correct by verifying it with the pictorial representation on the illustrated page.

Should an asterisk (*) appear in the part number column on the parts list page, read upwards until a part number is found. The part number is the lowest assembly sold by Service Parts and the asterisk (*) indicates that the part depicted is not available for purchase.

NOTE: Descriptions are indented under the assembly that they are used on. That assembly is, in turn listed under the assembly that it is used on. This process is repeated until the highest final assembly is reached.

To facilitate the maintenance and repair of the vehicle, a Technician's Repair and Service Manual is available from the Service Parts Department.

3. COLOR CODE FOR BODY COMPONENTS

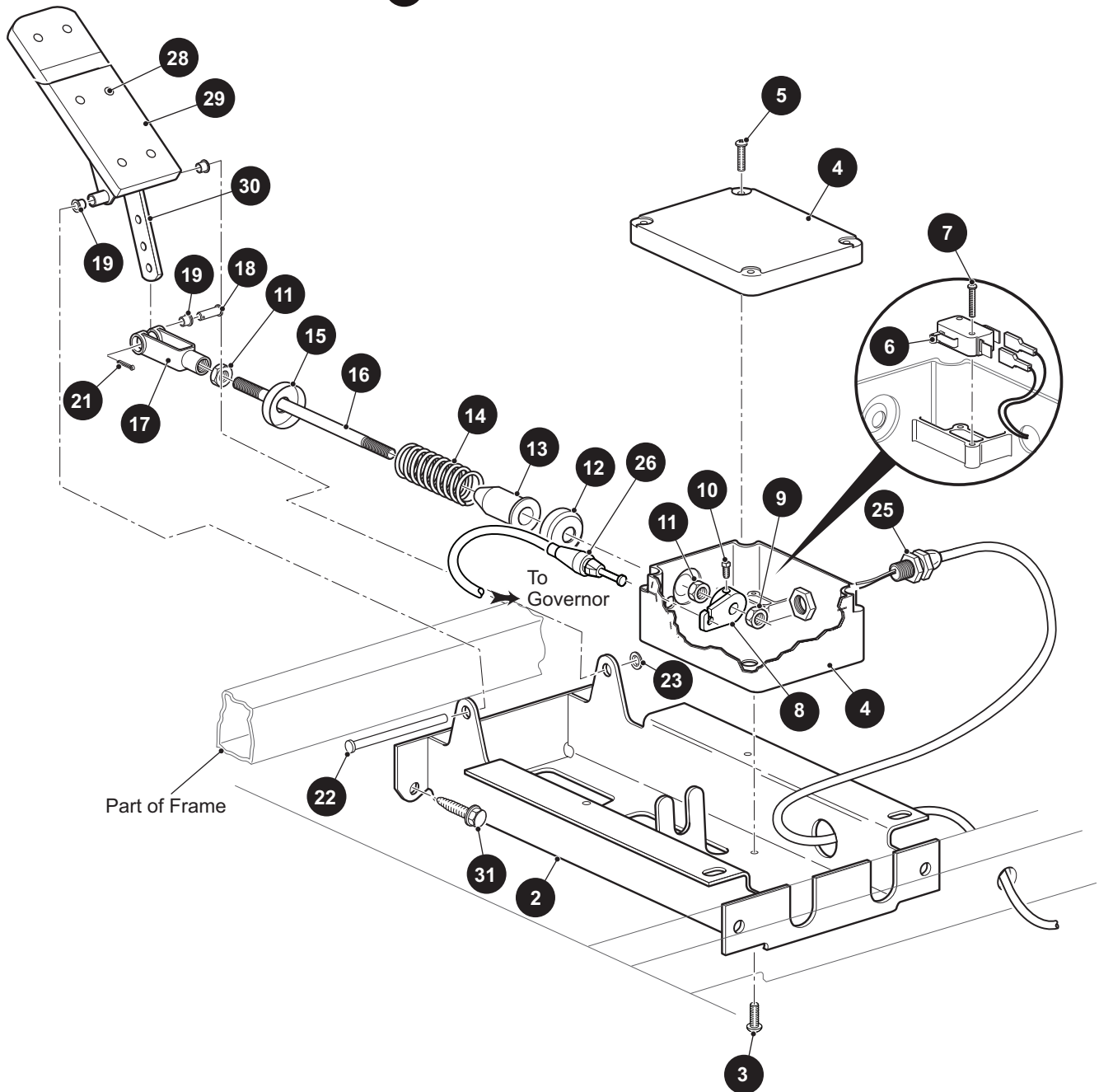
The last two digits of the part number for the body part will denote the color code, locate the part number for the cowl, rear body, seat pod, side panel or seat wrap then locate your color in the list below, replace the last ** or XX with the two digit color code.

<u>CODE #</u>	<u>DESCRIPTION</u>
02	SPECIAL COLOR
11	BLACK
19	PATRIOT BLUE PEARL
20	INFERNO RED METALLIC
26	STEEL BLUE PEARL
31	METALLIC CHARCOAL
35	SAFETY YELLOW
36	IVORY
37	FOREST GREEN
38	BRIGHT WHITE
39	FLAME RED
41	ELECTRIC BLUE
42	PLATINUM
43	BURGUNDY
44	ALMOND
51	SUNBURST ORANGE
52	BRITISH RACING GREEN
68	REALTREE AP - DIPPED
79	JACOBSEN ORANGE 172

ACCELERATOR

1 PEDAL BOX ASSEMBLY includes items 2 - 27

27 ACCELERATOR PEDAL ASSEMBLY includes items 28 - 30



ACCELERATOR

THE USE OF NON U.L. PARTS WILL VOID ANY U.L. LISTING.

When ordering parts, please specify the model and serial number of the product.

* Indicates a component that is not available as an individual part.

*** Indicates consult Customer Service Department for additional information.

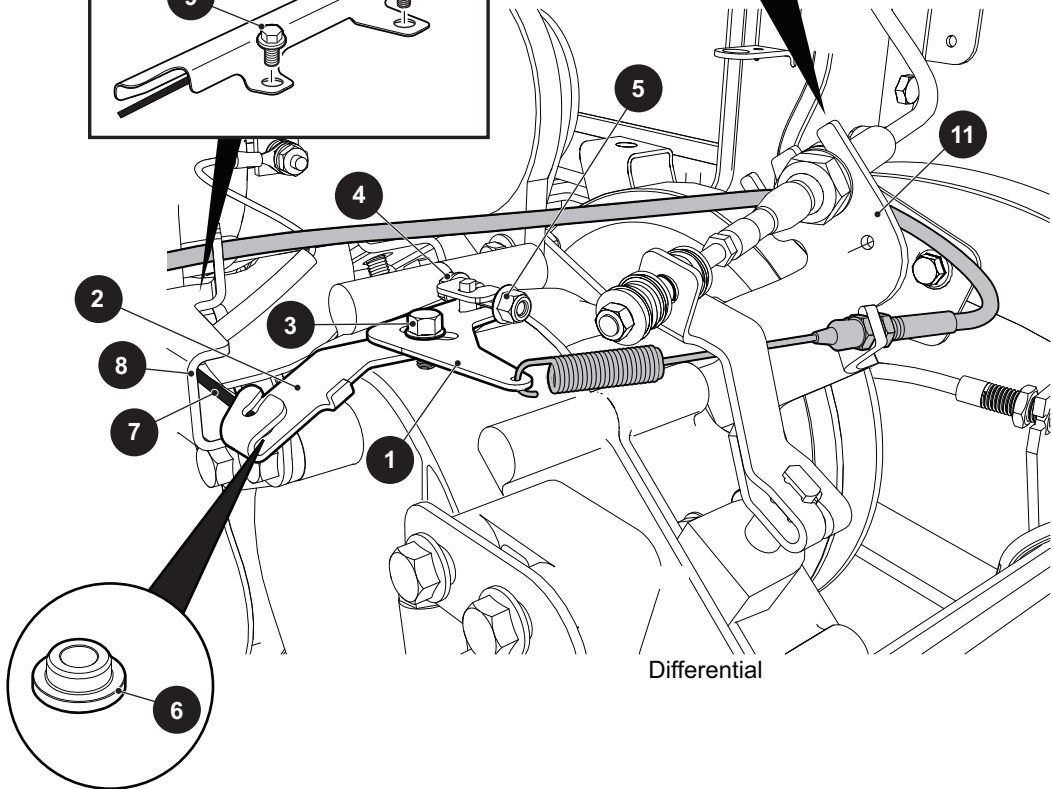
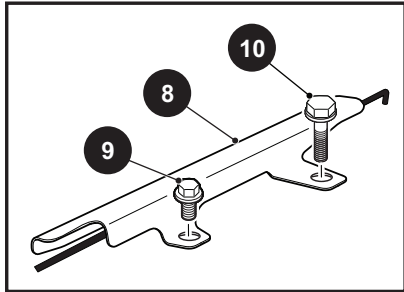
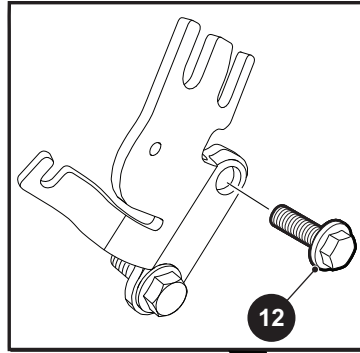
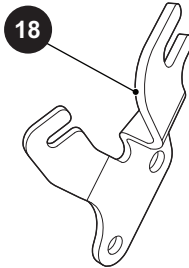
ITEM	PART NO.	1 2 3 4 5	DESCRIPTION	QTY.
1	606992		PEDAL BOX ASSEMBLY (INCLUDES ITEMS 2 - 27)	1
2	652241G03		ACCELERATOR PEDAL BRACKET	1
3	01051G01		PAN HEAD PHILLIPS SCREW, #8 - 16 X 1/2" LG	4
4	25853G03		PEDAL BOX AND COVER	1
5	00684G6		TRUSS HEAD PHILLIPS SCREW (SS), #8 - 32 X 3/4" LG	2
6	25861G01		MICRO SWITCH	1
7	01050G01		PAN HEAD TORX SCREW,, #8 - 20 X 5/8" LG	2
8	72716G01		MICRO SWITCH CAM	1
9	15126G1		LOCK NUT, 5/16" - 24	1
10	00487G3		SOCKET HEAD SCREW, 1/4" - 20 X 3/8" LG	1
11	00532G4		HEX NUT, 5/16" - 24	2
12	17677G1		SPRING RETAINER	1
13	17979G1		ACCELERATOR ROD BUSHING	1
14	73046G01		COMPRESSION SPRING	1
15	17677G2		SPRING RETAINER	1
16	72072G01		ACCELERATOR ROD	1
17	10385G4		CLEVIS YOKE (ADJUSTABLE)	1
18	10386G3		CLEVIS PIN, 5/16" X 13/16" LG	1
19	17838G1		NYLON BUSHING	3
20				
21	10387G3		COTTER PIN, 3/32" X 3/4" LG	1
22	74432G01		PEDAL PIVOT PIN	1
23	12064G6		PUSH NUT, 9/32"	1
24				
25	72201G04		WIRE HARNESS (PEDAL BOX)	1
26	608618		ACCELERATOR CABLE	1
27	25799G03		ACCELERATOR PEDAL ASSEMBLY (INCLUDES ITEMS 28 - 30)	1
28	16409G1		OVAL RIVET, 3/16" X 7/16" LG	6
29	27512G01		ACCELERATOR PEDAL PAD	1
30	652824		ACCELERATOR PEDAL	1
31	00715G2		HEX HEAD BOLT, 5/16" - 18 X 4/5" LG	4

ACCELERATOR

WARNING DO NOT TAMPER WITH OR ATTEMPT TO CHANGE THE ADJUSTMENT OF THE GOVERNOR. GOVERNOR TAMPERING CAN RESULT IN SERIOUS PERSONAL INJURY AND WILL VOID THE VEHICLE WARRANTY.

14

(FOR VEHICLES MANUFACTURED FROM NOVEMBER 23, 2015)



THE USE OF NON U.L. PARTS WILL VOID ANY U.L. LISTING.

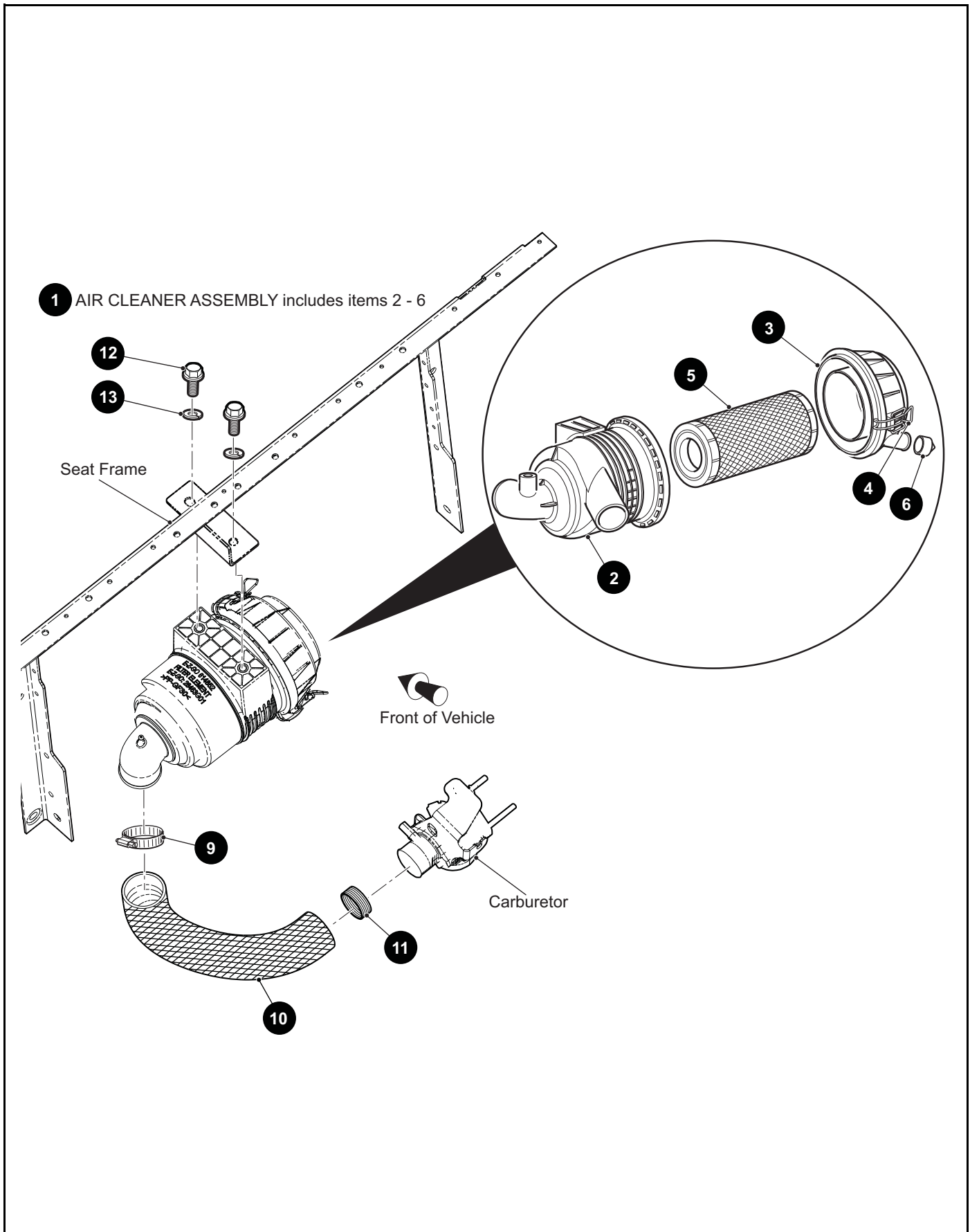
When ordering parts, please specify the model and serial number of the product.

* Indicates a component that is not available as an individual part.

*** Indicates consult Customer Service Department for additional information.

ITEM	PART NO.	1 2 3 4 5	DESCRIPTION	QTY.
1	606083		UPPER GOVERNOR BRACKET.....	1
2	606005		LOWER GOVERNOR BRACKET.....	1
3	73876G01		HEX HEAD BOLT, M6 - 1 X 12MM LG.....	1
4	606421		HEX HEAD BOLT, M6 - 1 X 30MM LG.....	1
5	450452		FLANGED NUT, M6 - 1.0.....	1
6	606283		GOVERNOR LEVER BUSHING.....	1
7	606284		GOVERNOR LINK ROD.....	1
8	603890		GOVERNOR ROD GUARD.....	1
9	606264		HEX HEAD BOLT, M6 - 1 X 20MM LG.....	1
10	606262		HEX HEAD BOLT, M8 - 1.25 X 16MM LG.....	1
11	606074		TRANSAXLE / DIRECTION SELECTOR CABLE BRACKET (FOR VEHICLES MANUFACTURED UNTIL NOVEMBER 22, 2015).....	1
12	606256		FLANGED HEX HEAD BOLT, M10 - 1.25 X 16MM LG.....	2
13				
14	608527		GOVERNOR WARNING DECAL.....	1
15				
16				
17	17618G1		NYLON CLAMP (NOT ILLUSTRATED).....	AR
18	632936		TRANSAXLE / DIRECTION SELECTOR CABLE BRACKET (FOR VEHICLES MANUFACTURED FROM NOVEMBER 23, 2015).....	1

AIR FILTER



THE USE OF NON U.L. PARTS WILL VOID ANY U.L. LISTING.

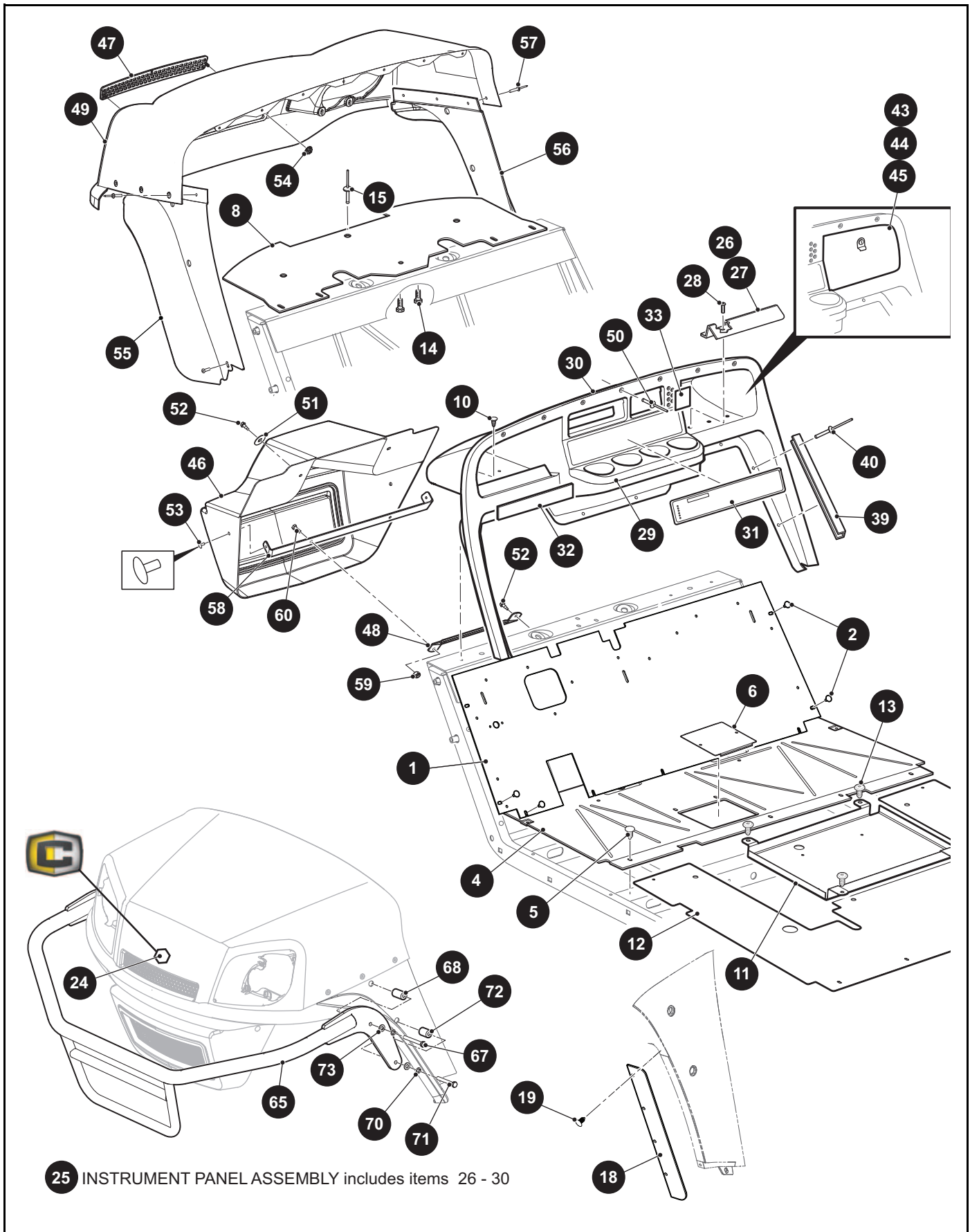
When ordering parts, please specify the model and serial number of the product.

* Indicates a component that is not available as an individual part.

*** Indicates consult Customer Service Department for additional information.

ITEM	PART NO.	1 2 3 4 5	DESCRIPTION	QTY.
1	658941		AIR CLEANER ASSEMBLY (INCLUDES ITEMS 2 - 6)	1
2	659139		AIR CLEANER.....	1
3	658957		AIR CLEANER COVER.....	1
4	72604G01		AIR CLEANER CLIP	2
5	28463G01		AIR FILTER	1
6	28462G01		DUST EJECTOR VALVE	1
7				
8				
9	11391G7		HOSE CLAMP, 1.56" - 2.50" DIA	1
10	601910		AIR FILTER HOSE, 14" LG.....	1
11	11391G1		HOSE CLAMP, 1.31" - 2.25" DIA	1
12	606261		HEX HEAD BOLT, M8 - 1.25 X 20MM LG.....	2
13	606272		LOCK WASHER, 8MM.....	2
14				
15	32372G6		VINYL TRIM, 6.25" LG (NOT ILLUSTRATED)	1

BODY



THE USE OF NON U.L. PARTS WILL VOID ANY U.L. LISTING.

When ordering parts, please specify the model and serial number of the product.

* Indicates a component that is not available as an individual part.

*** Indicates consult Customer Service Department for additional information.

ITEM	PART NO.	1 2 3 4 5	DESCRIPTION	QTY.
1	637534		UPPER FLOORPAN	1
2	14601G11		RIVET (ALUMINUM), 3/16" X 9/16"	16
3				
4	70451G01		LOWER FLOORPAN	1
5	14601G11		RIVET (ALUMINUM), 3/16" X 9/16"	16
6	70452G01		ACCESS COVER.....	1
7				
8	71413G01		SPLASH PANEL.....	1
9				
10	16816G2		RATCHET RIVET, .25" X .887"	4
11	609589		SPLASH PAN.....	1
12	609592		FLOOR PANEL	1
13	70200G01		TRUSS HEAD TORX SCREW, 3/8" - 16 X 3/4" LG	3
14	71102G02		HEX HEAD CAP SCREW, 1/4" - 20 X 1/2" LG	3
15	71055G01		RIVET (ALUMINUM), 3/16" X 1 1/8"	1
16				
17				
18	600776G01		FENDER FLARE.....	2
19	16816G2		RATCHET RIVET, .25" X .887"	8
20				
21				
22				
23				
24	619135		CUSHMAN COWL DECAL	1
25	71151G01		INSTRUMENT PANEL ASSEMBLY (INCLUDES ITEMS 26 - 30).....	1
26	71153G01		DEFLECTOR (PASSENGER SIDE)	1
27	71154G01		DEFLECTOR (DRIVER SIDE).....	1
28	00614G3		PAN HEAD PHILLIPS SCREW, #8 - 15 X 3/8" LG	4
29	71158G01		INSTRUMENT PANEL INSERT (FOUR CUP)	1
30	71152G01		INSTRUMENT PANEL.....	1
31	601781		LABEL (SAFETY).....	1

BODY

THE USE OF NON U.L. PARTS WILL VOID ANY U.L. LISTING.

When ordering parts, please specify the model and serial number of the product.

* Indicates a component that is not available as an individual part.

*** Indicates consult Customer Service Department for additional information.

ITEM	PART NO.	1 2 3 4 5	DESCRIPTION	QTY.
32	74443G01		LABEL (ANTI-ROLLBACK).....	1
33	35968G01		LABEL (T-HOLDER COVER)	1
34				
35				
36				
37				
38				
39	71115G01		VINYL TRIM.....	2
40	71055G01		RIVET (ALUMINUM), 3/16" X 1".....	10
41				
42				
43	75459G01		GLOVE BOX DOOR (SET OF TWO)	1
44	75459G02		GLOVE BOX DOOR (DRIVER SIDE)	1
45	75459G03		GLOVE BOX DOOR (PASSENGER SIDE).....	1
46	613273		FRONT FASCIA.....	1
47	617643		COWL GRILL COVER	1
48	70725G02		FRONT SHIELD BRACE	2
49	613036G***		COWL (see COLOR CODE in HOW TO USE section of manual)	1
50	71055G01		RIVET (ALUMINUM), 3/16" X 1".....	7
51	16469G1		FENDER WASHER	2
52	01038G01		SWAGEFORM SCREW, 1/4" - 20 X 11/16" LG.....	4
53	15058G1		RIVET (ALUMINUM), 3/16" X 7/16" X 5/8".....	2
54	71597G01		SELF THREADING NUT, 5 MM X 10 MM X 15 MM.....	2
55	614378		FENDER FLARE (DRIVER SIDE).....	1
56	613274		FENDER FLARE (PASSENGER SIDE)	1
57	71055G01		RIVET (ALUMINUM), 3/16" X 1".....	6
58	618653		FASCIA BRACKET	1
59	14390G4		LOCK NUT, 1/4" - 20	4
60	00414G6		HEX HEAD BOLT, 1/4" - 20 X 3/4" LG.....	2
61				
62				

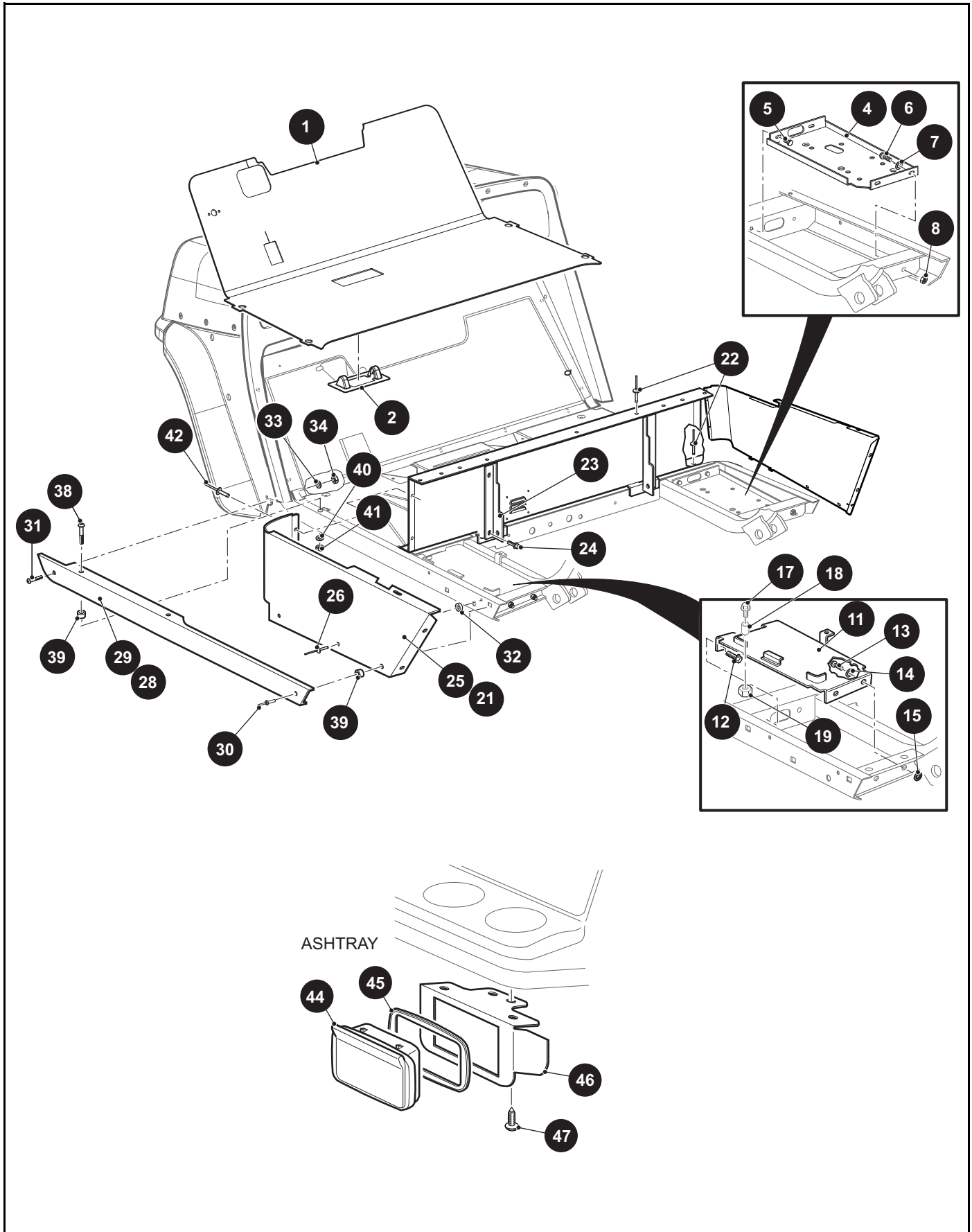
THE USE OF NON U.L. PARTS WILL VOID ANY U.L. LISTING.

When ordering parts, please specify the model and serial number of the product.

* Indicates a component that is not available as an individual part.

*** Indicates consult Customer Service Department for additional information.

ITEM	PART NO.	1 2 3 4 5	DESCRIPTION	QTY.
63				
64				
65	617620		BRUSHGUARD.....	1
66				
67	00440G6		HEX HEAD BOLT, 5/16" - 18 X 2 3/4" LG	2
68	75048G02		SPACER, 1.31" LG	2
69				
70	00565G8		LOCK WASHER, 5/16"	4
71	00440G2		HEX HEAD BOLT, 5/16" - 18 X 2 1/4" LG	2
72	75048G04		SPACER, 1" LG	2
73	00559G8		FLAT WASHER, 5/16"	4
74				



THE USE OF NON U.L. PARTS WILL VOID ANY U.L. LISTING.

When ordering parts, please specify the model and serial number of the product.

* Indicates a component that is not available as an individual part.

*** Indicates consult Customer Service Department for additional information.

ITEM	PART NO.	1 2 3 4 5	DESCRIPTION	QTY.
1	70663G06		FLOOR MAT WITH HORN HOLE (DIAMOND PLATE)	1
2	70135G01		PEDAL PIVOT COVER.....	1
3				
4	70244G05		SPLASH PANEL.....	1
5	00715G2		HEX HEAD BOLT, 5/16" - 18 X 4/5" LG	4
6	00438G8		HEX HEAD BOLT, 5/16" - 18 X 1" LG	2
7	00559G8		FLAT WASHER, 5/16".....	2
8	11098G6		LOCK NUT (SS), 5/16" - 18	2
9				
10				
11	652441G03		BATTERY TRAY.....	1
12	00715G2		HEX HEAD BOLT, 5/16" - 18 X 4/5" LG	AR
13	00438G6		HEX HEAD BOLT, 5/16" - 18 X 3/4" LG	3
14	00571G2		FLAT WASHER, 5/16".....	1
15	00565G8		LOCK WASHER, 5/16"	1
16				
17	00439G1		HEX HEAD BOLT, 5/16" - 18 X 1 1/8" LG	1
18	75048G01		SPACER, .328 X .75 X .50.....	1
19	11098G6		LOCK NUT, 5/16" - 18.....	1
20				
21	602029GXX		SIDE PANEL (PASSENGER SIDE)	1
22	10570G10		RIVET (SS), 5/30" X 9/16"	8
23	609842GXX		SEAT PANEL.....	1
24	00715G2		HEX HEAD BOLT, 5/16" - 18 X 4/5" LG	2
25	602037GXX		SIDE PANEL (DRIVER SIDE).....	1
26	10570G12		RIVET (ALUMINUM), 1/4" X 9/16"	2
27				
28	619094		ROCKER PANEL (DRIVER SIDE)	1
29	619095		ROCKER PANEL (PASSENGER SIDE)	1
30	15058G6		RIVET (ALUMINUM), 3/16" X 7/16"	2
31	00789G2		TRUSS HEAD PHILLIPS SCREW, #10 - 24 X 1 1/4" LG	2

BODY

THE USE OF NON U.L. PARTS WILL VOID ANY U.L. LISTING.

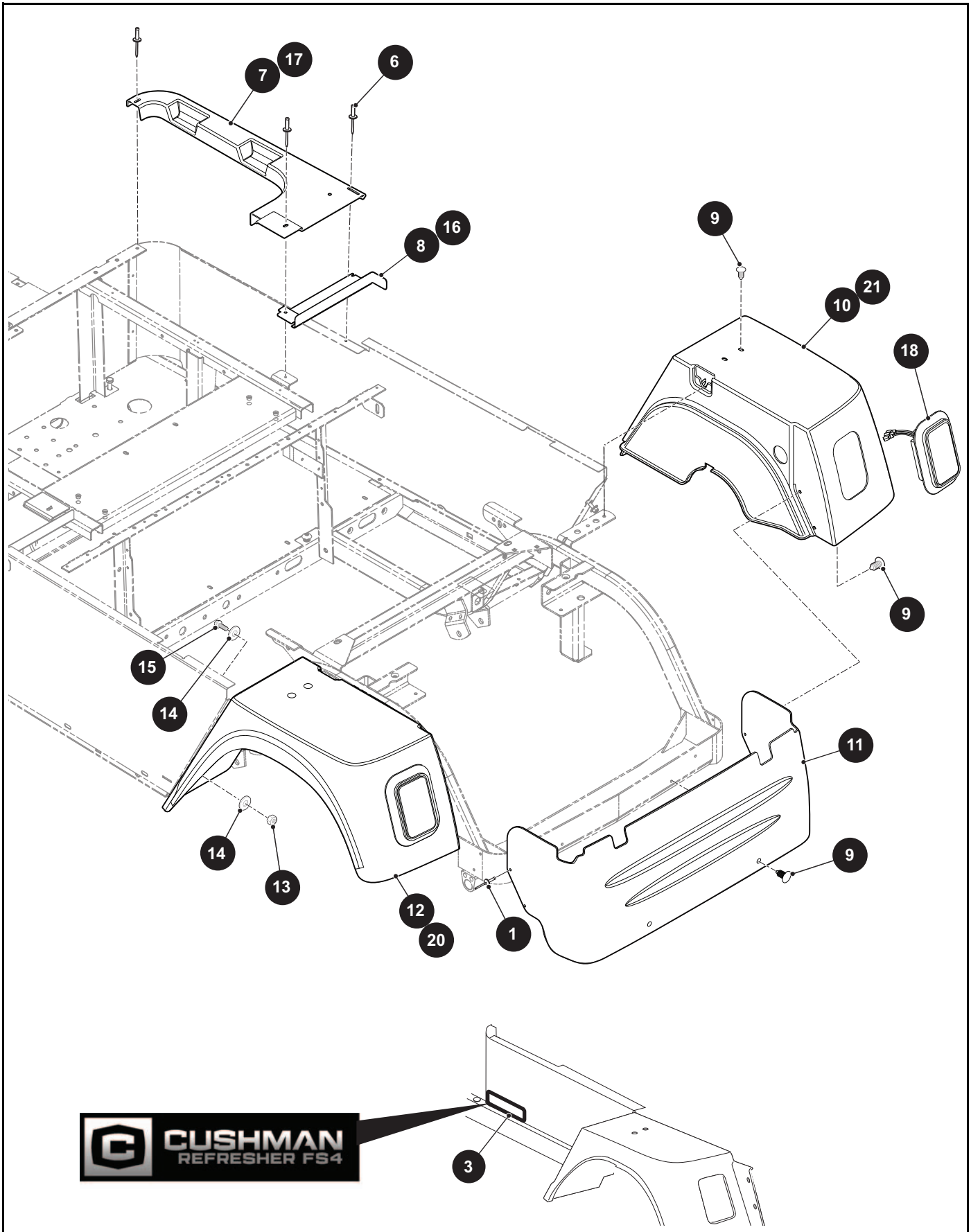
When ordering parts, please specify the model and serial number of the product.

* Indicates a component that is not available as an individual part.

*** Indicates consult Customer Service Department for additional information.

ITEM	PART NO.	1	2	3	4	5	DESCRIPTION	QTY.
32	23726G2						SPACER, 1/4"	2
33	00660G5						FLAT WASHER (SS), #10	2
34	14390G10						LOCK NUT, #10 - 24.....	2
35								
36								
37								
38	16705G1						TRUSS HEAD SCREW (SS), 1/4" - 20 X 1" LG	4
39	23726G4						SPACER, 1/4"	4
40	00559G7						FLAT WASHER, 1/4"	4
41	14390G4						LOCK NUT, 1/4" - 20	4
42	10570G10						RIVET (SS), 5/32" X 9/16"	4
43								
44	27731G01						ASHTRAY	1
45	27736G01						GASKET	1
46	75108G02						BRACKET	1
47	00106G6						PAN HEAD PHILLIPS SCREW, #12 - 14 X .75" LG	4

BODY



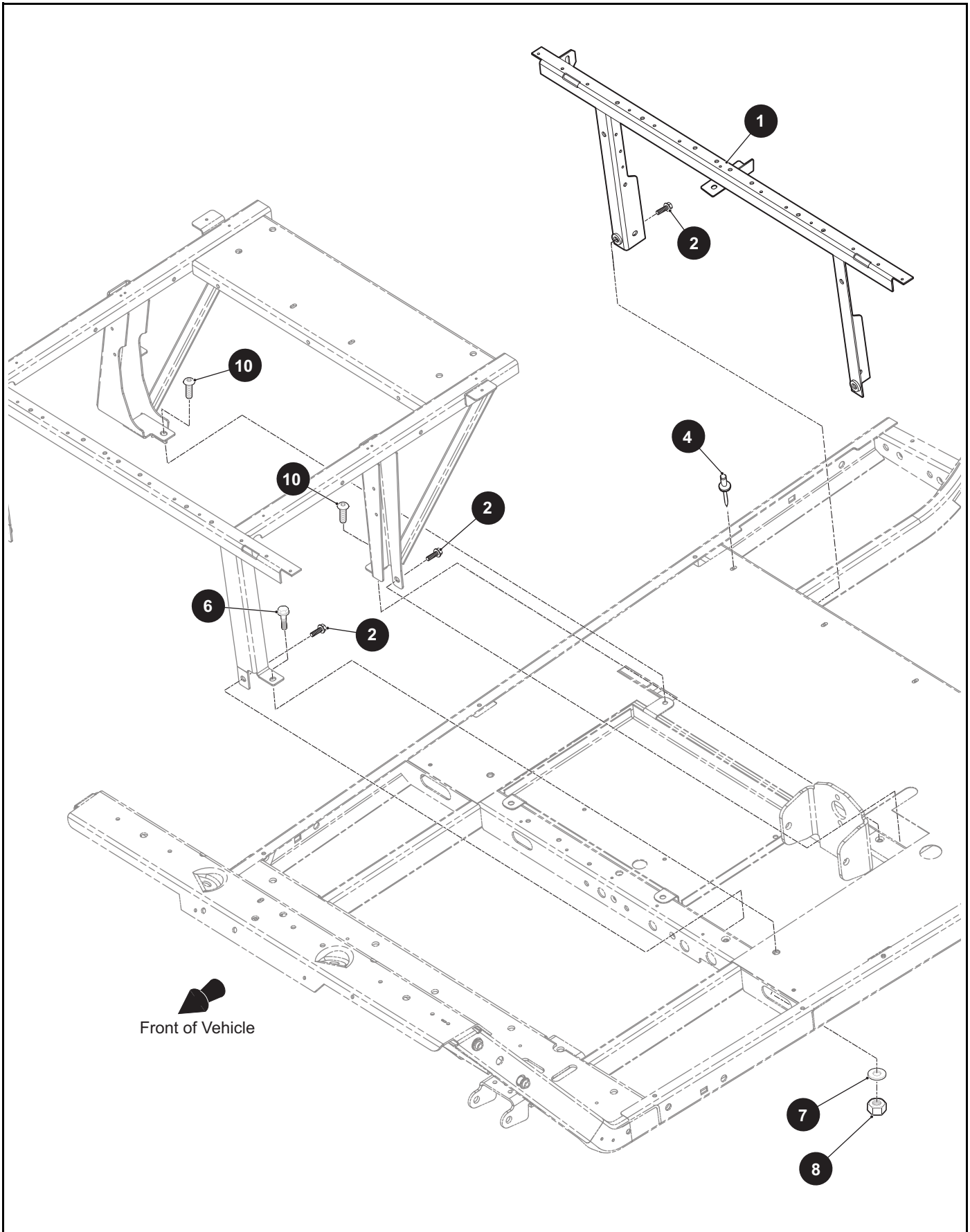
THE USE OF NON U.L. PARTS WILL VOID ANY U.L. LISTING.

When ordering parts, please specify the model and serial number of the product.

* Indicates a component that is not available as an individual part.

*** Indicates consult Customer Service Department for additional information.

ITEM	PART NO.	1 2 3 4 5	DESCRIPTION	QTY.
1	71055G01		RIVET (ALUMINUM), 3/16" X 1"	4
2				
3	636637		CUSHMAN REFRESHER FS4 DECAL	2
4				
5				
6	10570G10		RIVET (SS), 1/64" X .55"	6
7	74891G02		SEAT FILLER PANEL (PASSENGER SIDE).....	1
8	600775G02		CARGO BED FILLER (PASSENGER SIDE)	1
9	16816G2		RATCHET RIVET, .25" X .88"	10
10	612225		TRIMMED REAR FENDER (PASSENGER SIDE).....	1
11	74890G01		REAR VALANCE PANEL	1
12	612224		TRIMMED REAR FENDER (DRIVER SIDE)	1
13	14390G4		LOCK NUT, 1/4" - 20	4
14	00642G7		FLAT WASHER, 1/4"	8
15	00414G6		HEX HEAD BOLT, 1/4" - 20 X 3/4" LG	4
16	600775G01		CARGO BED FILLER (DRIVER SIDE)	1
17	74891G01		SEAT FILLER PANEL (DRIVER SIDE)	1
18	32739G2		TAILLIGHT ASSEMBLY.....	2
19				
20	612226		REAR FENDER WITH TAILLIGHT OPENING (DRIVER SIDE).....	1
21	612227		REAR FENDER WITH TAILLIGHT OPENING (PASSENGER SIDE)	1



THE USE OF NON U.L. PARTS WILL VOID ANY U.L. LISTING.

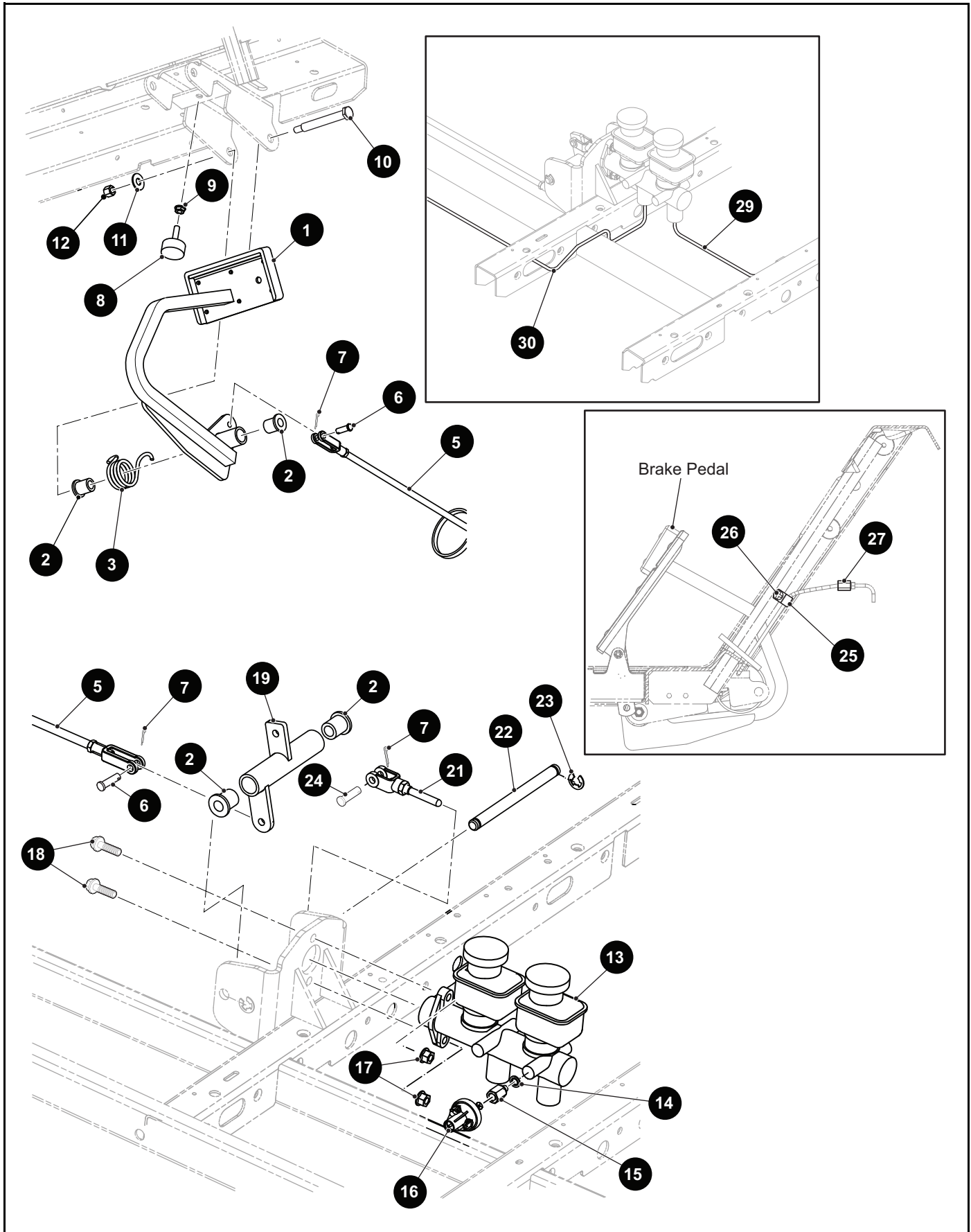
When ordering parts, please specify the model and serial number of the product.

* Indicates a component that is not available as an individual part.

*** Indicates consult Customer Service Department for additional information.

ITEM	PART NO.	1 2 3 4 5	DESCRIPTION	QTY.
1	637538		SEAT FRAME	1
2	00715G2		HEX HEAD BOLT, 5/16" - 18 X 4/5" LG	6
3				
4	10570G10		RIVET (SS), 5/30" X 9/16"	5
5				
6	00438G8		HEX HEAD BOLT, 5/16" - 18 X 1" LG	2
7	00559G8		FLAT WASHER, 5/16"	2
8	11098G6		LOCK NUT, 5/16" - 18	2
9				
10	70200G01		TRUSS HEAD TORX SCREW, 3/8" - 16 X 3/4" LG	2

BRAKES



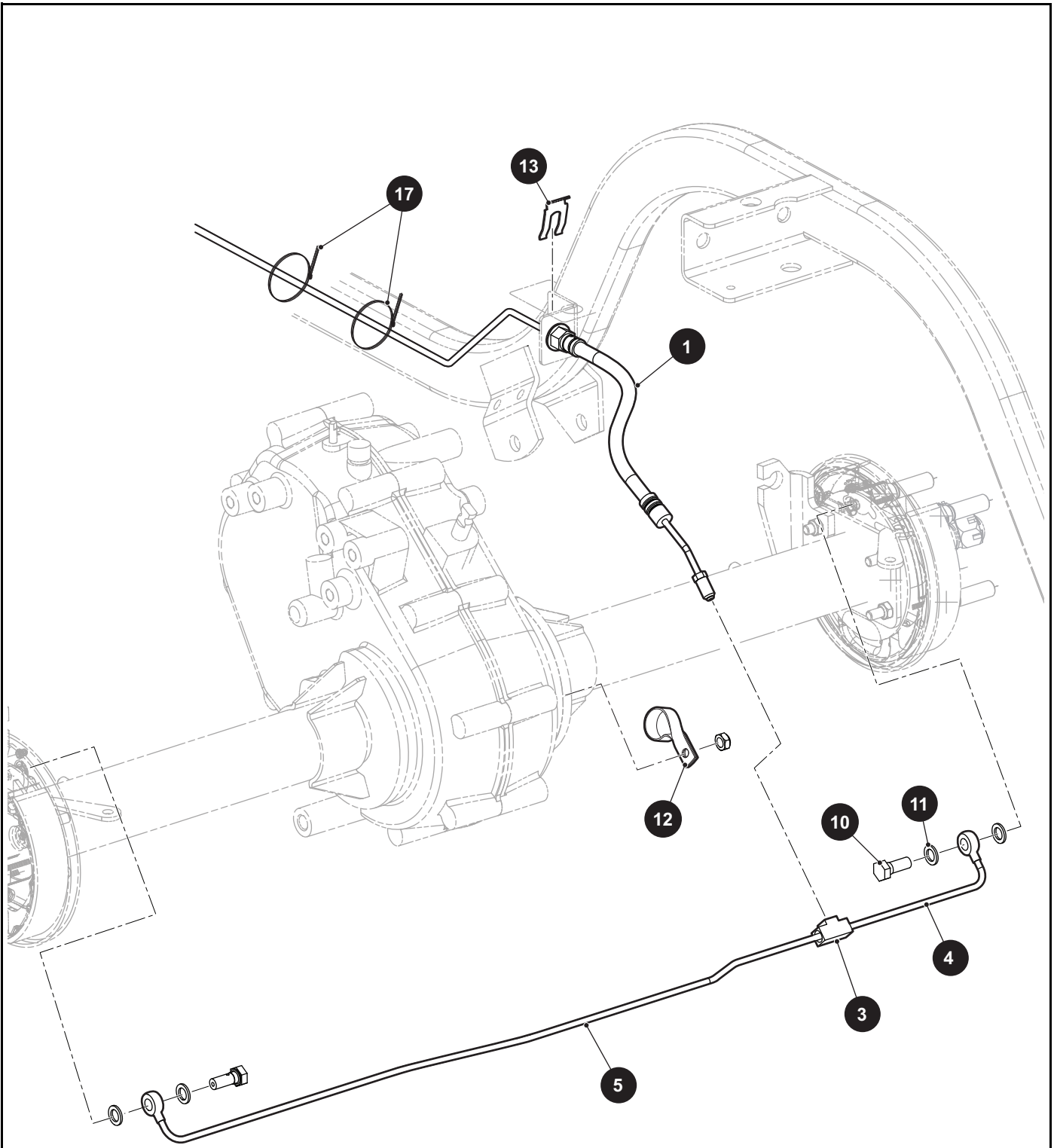
THE USE OF NON U.L. PARTS WILL VOID ANY U.L. LISTING.

When ordering parts, please specify the model and serial number of the product.

* Indicates a component that is not available as an individual part.

*** Indicates consult Customer Service Department for additional information.

ITEM	PART NO.	1 2 3 4 5	DESCRIPTION	QTY.
1	610639		BRAKE PEDAL ASSEMBLY	1
2	70581G01		FLANGED BUSHING, .5" X 1" LG	4
3	70676G01		SPRING	1
4	21504G1		BRAKE FLUID (NOT ILLUSTRATED)	AR
5	609837		LINKAGE ROD.....	1
6	10386G3		CLEVIS PIN, 5/16" X 15/16"	2
7	10387G3		COTTER PIN, 3/32" X 3/4"	3
8	70113G01		RUBBER BUMPER.....	1
9	11027G1		LOCK NUT, 5/16" - 18.....	1
10	70582G01		SHOULDER BOLT, 3/8" - 18 X 3.4" LG	1
11	00643G1		FLAT WASHER, 3/8"	1
12	11098G5		LOCK NUT, 3/8" - 16.....	1
13	73793G01		TANDEM MASTER CYLINDER.....	1
14	600479		SEALING WASHER, M8	1
15	600401G01		ADAPTER	1
16	620274		SWITCH.....	1
17	800697		LOCK NUT, 5/16" - 18.....	2
18	00439G1		HEX HEAD BOLT, 5/16" - 18 X 1.12" LG	2
19	610149		BELLCRANK.....	1
20				
21	611231		PUSH ROD	1
22	70410G03		SHAFT BELLCRANK.....	1
23	01111G01		RETAINING RING.....	2
24	14443G3		CLEVIS PIN, 5/10" X 15/16"	1
25	11845G5		CLAMP.....	3
26	00106G6		SELF DRILL SCREW, #12 - 24 X .75" LG	3
27	609624		BRAKE LINE FITTING.....	1
28				
29	609798		REAR BRAKE LINE	1
30	609806		FRONT BRAKE LINE.....	1
31				



2 BRAKE LINE ASSEMBLY includes items 3 - 5

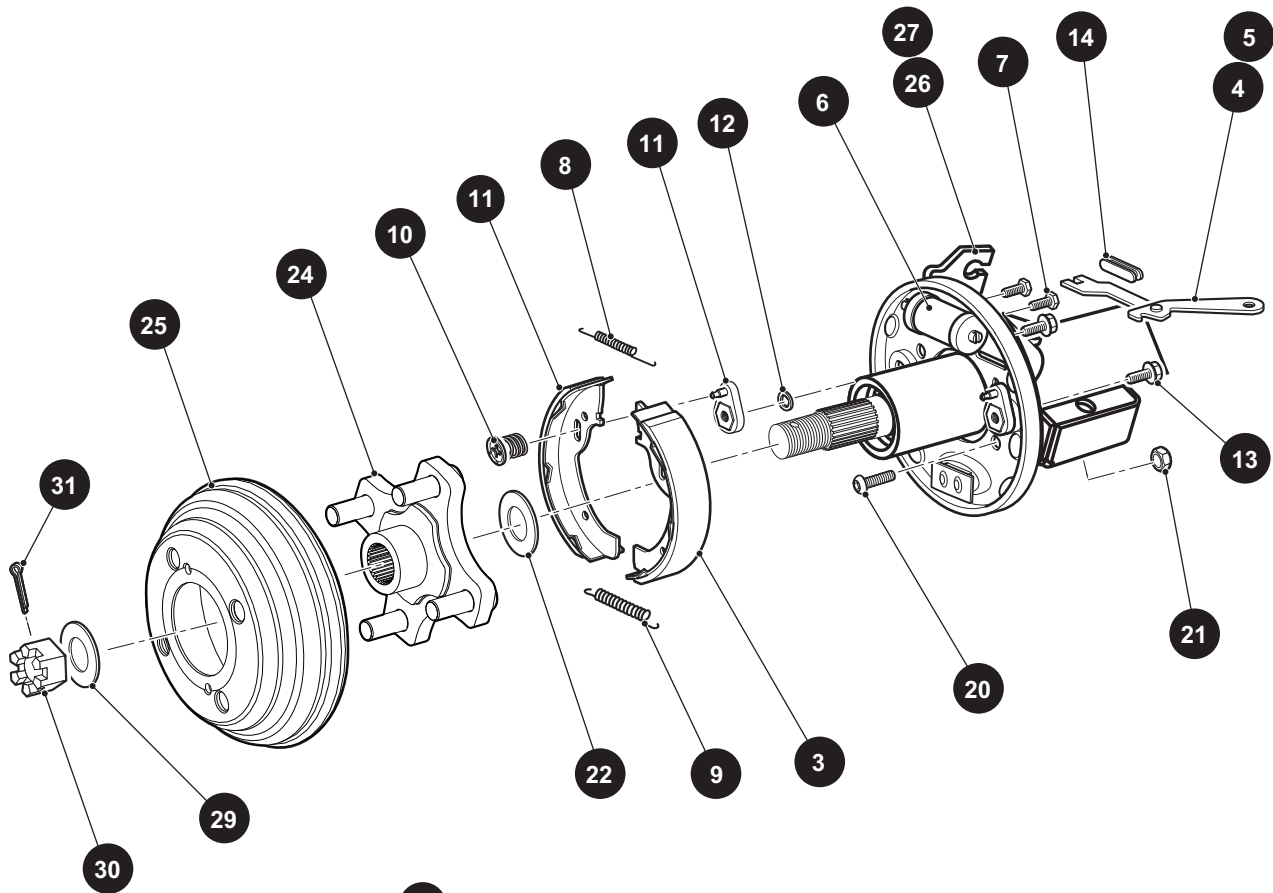
THE USE OF NON U.L. PARTS WILL VOID ANY U.L. LISTING.

When ordering parts, please specify the model and serial number of the product.

* Indicates a component that is not available as an individual part.

*** Indicates consult Customer Service Department for additional information.

ITEM	PART NO.	1 2 3 4 5	DESCRIPTION	QTY.
1	34989G01		HOSE ASSEMBLY	1
2	620855		BRAKE LINE ASSEMBLY (INCLUDES ITEMS 3 - 5)	1
3	820008		TEE FITTING	1
4	620856		SHORT BRAKE LINE	1
5	620857		LONG BRAKE LINE	1
6				
7				
8				
9				
10	75683G01		BANJO BOLT, 3/8" - 24 X .88" LG	2
11	75684G01		GASKET (COPPER)	4
12	75813G01		CLAMP, BRAKE LINE	1
13	809137		FLEXIBLE CLIP	1
14	17618G1		NYLON CLAMP (NOT ILLUSTRATED)	3
15				
16				
17	12416G2		NYLON CLAMP	2



- 1** BRAKE ASSEMBLY (DRIVER SIDE) includes items 3, 4, 6 - 14
- 2** BRAKE ASSEMBLY (PASSENGER SIDE) includes items 3, 5 - 14
- 16** ADJUSTER KIT includes items 11 - 14
- 17** ADJUSTER KIT includes items 7 - 10

BRAKES

THE USE OF NON U.L. PARTS WILL VOID ANY U.L. LISTING.

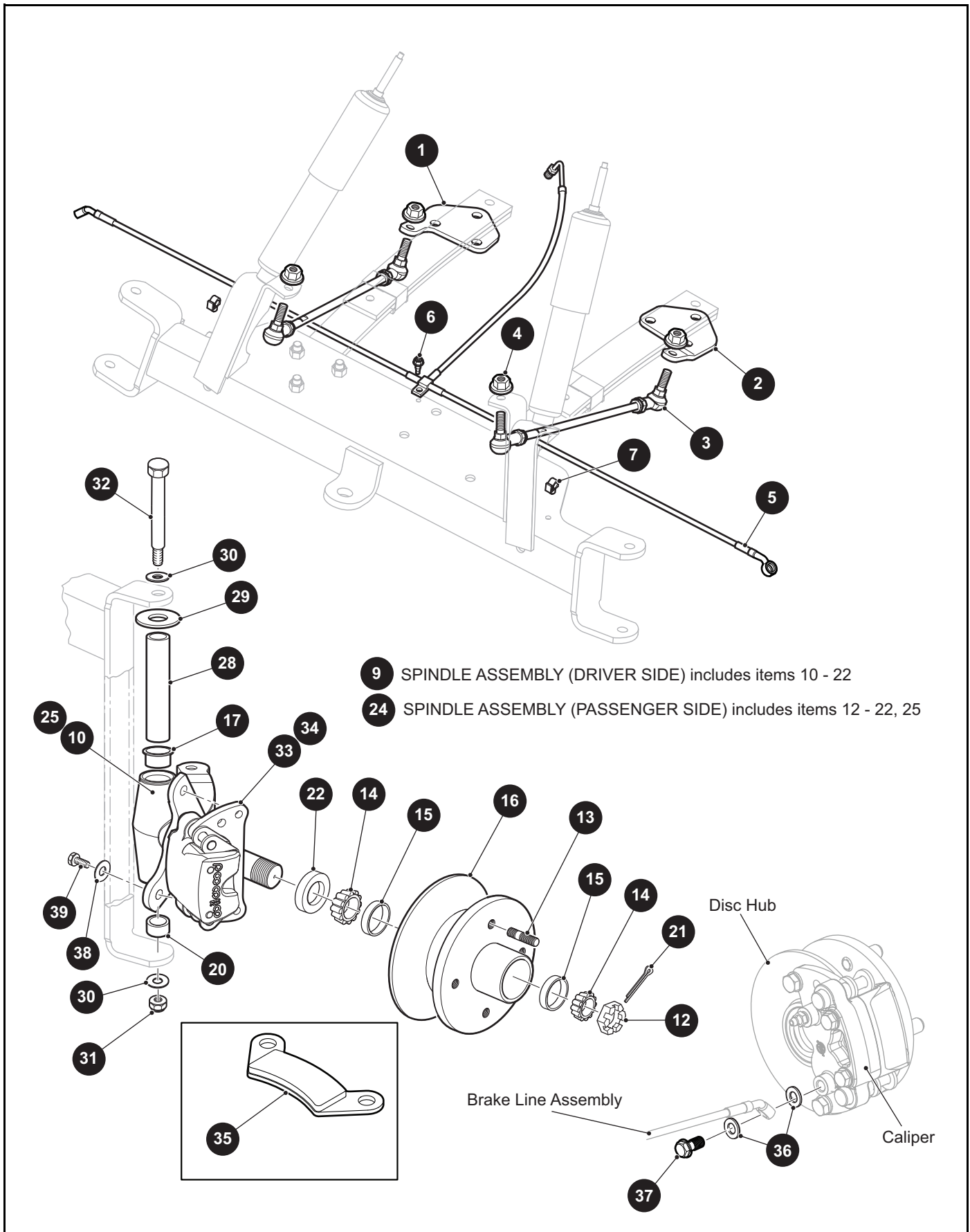
When ordering parts, please specify the model and serial number of the product.

* Indicates a component that is not available as an individual part.

*** Indicates consult Customer Service Department for additional information.

ITEM	PART NO.	1 2 3 4 5	DESCRIPTION	QTY.
1	75685G01		BRAKE ASSEMBLY (DRIVER SIDE) (INCLUDES ITEMS 3, 4, 6 - 14).....	1
2	75685G02		BRAKE ASSEMBLY (PASSENGER SIDE) (INCLUDES ITEMS 3, 5 - 14)	1
3	75830G01		BRAKE SHOE	2
4	75829G01		PARK BRAKE WHEEL LEVER (DRIVER SIDE)	1
5	75829G02		PARK BRAKE WHEEL LEVER (PASSENGER SIDE)	1
6	75828G01		WHEEL CYLINDER.....	1
7	*		WHEEL CYLINDER BOLT.....	2
8	*		UPPER RETURN SPRING	1
9	*		LOWER RETURN SPRING.....	1
10	*		CUP AND SPRING.....	2
11	*		ADJUSTER.....	2
12	*		FLAT WASHER	2
13	*		HEX HEAD BOLT, 1/4" - 28 X 1/2" LG.....	2
14	*		DUST COVER	1
15				
16	75826G01		ADJUSTER KIT (INCLUDES ITEMS 11 - 14)	1
17	75827G01		HARDWARE KIT (INCLUDES ITEMS 7 - 10).....	1
18				
19				
20	631224		SOCKET HEAD CAP SCREW, 5/16" - 24 X 1" LG	8
21	15126G1		LOCK NUT, 5/16" - 24.....	8
22	641649		SPACER, 1.312" O.D. X .98" I.D.....	2
23				
24	641641		HUB ASSEMBLY.....	2
25	643367		HEAVY DUTY BRAKE DRUM.....	2
26	652248		BRAKE CABLE BRACKET (PASSENGER SIDE)	1
27	652249		BRAKE CABLE BRACKET (DRIVER SIDE).....	1
28				
29	606945		OUTER BRAKE DRUM WASHER.....	2
30	606403		SLOTTED NUT, M22 X 1.5	2
31	10387G1		COTTER PIN, 1/8" X 1 1/2" LG.....	2

BRAKES - FRONT DISC



BRAKES - FRONT DISC

THE USE OF NON U.L. PARTS WILL VOID ANY U.L. LISTING.

When ordering parts, please specify the model and serial number of the product.

* Indicates a component that is not available as an individual part.

*** Indicates consult Customer Service Department for additional information.

ITEM	PART NO.	1 2 3 4 5	DESCRIPTION	QTY.
1	74731G02		SPRING PLATE (PASSENGER SIDE)	1
2	74731G01		SPRING PLATE (DRIVER SIDE).....	1
3	74730G01		FOUR LINK ROD.....	2
4	606279		HEX NUT, M10 - 1.25.....	4
5	630766		BRAKE LINE ASSEMBLY (SS).....	1
6	01038G01		SWAGEFORM SCREW, 1/4" - 20 X 1/2" LG	1
7	74875G01		WIRE RETAINER.....	2
8				
9	602281		SPINDLE, CALIPER AND DISC HUB ASSEMBLY (DRIVER SIDE) (INCLUDES ITEMS 10 - 22)	1
10	602176		DISC BRAKE SPINDLE (DRIVER SIDE)	1
11				
12	12093G1		SLOTTED NUT, 1 - 14.....	1
13	74864G01		DRIVE FLANGE STUD, 1.5"	4
14	11750G2		ROLLER BEARING	2
15	51141G1		BEARING RACE	2
16	630672		DISC BRAKE HUB	1
17	632925		FLANGED BEARING	1
18				
19				
20	632926		BEARING	1
21	00798G8		COTTER PIN, 5/32" X 1 3/4"	1
22	25146G1		GREASE SEAL.....	1
23				
24	602288		SPINDLE, CALIPER AND DISC HUB ASSEMBLY (PASSENGER SIDE) (INCLUDES ITEMS 12 - 22, 25)	1
25	602158		DISC BRAKE SPINDLE (PASSENGER SIDE).....	1
26				
27				
28	70745G01		KINGPIN TUBE.....	2
29	70754G01		THRUST WASHER (SS), .995" I.D X 1.38" O.D.....	2
30	00560G3		FLAT WASHER, 1/2".....	4

BRAKES - FRONT DISC

THE USE OF NON U.L. PARTS WILL VOID ANY U.L. LISTING.

When ordering parts, please specify the model and serial number of the product.

* Indicates a component that is not available as an individual part.

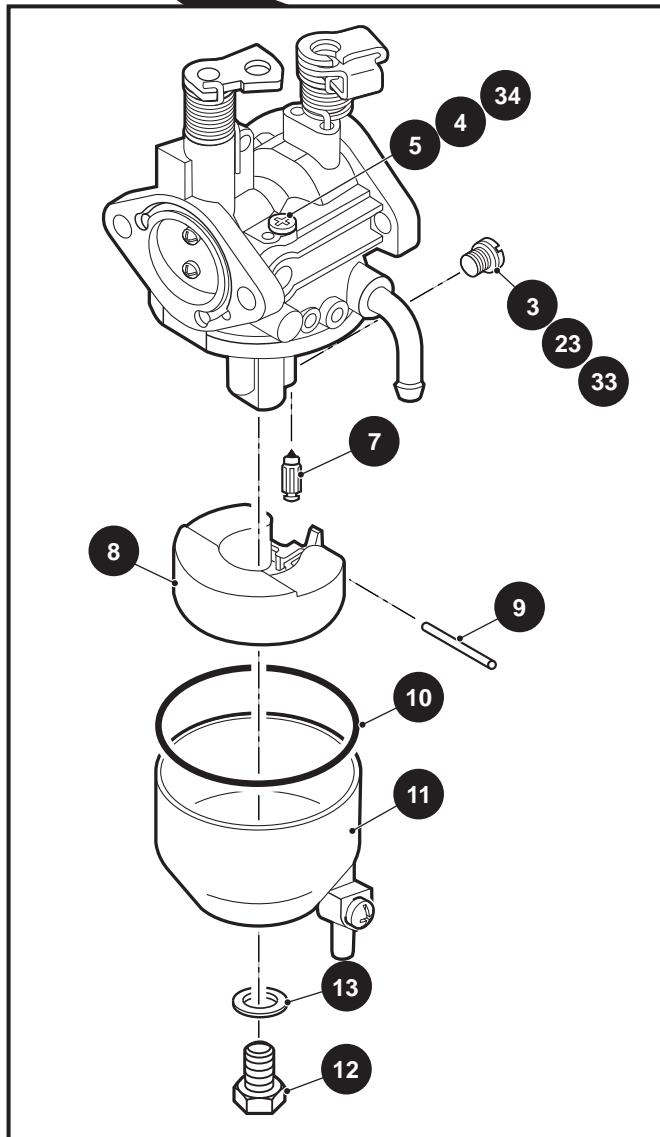
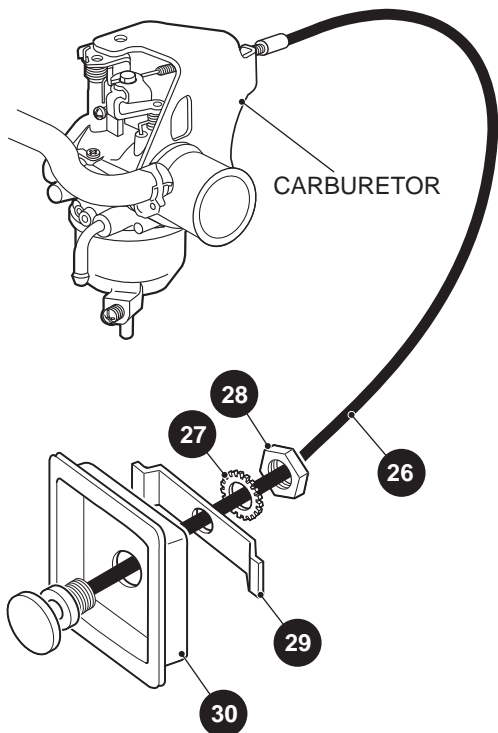
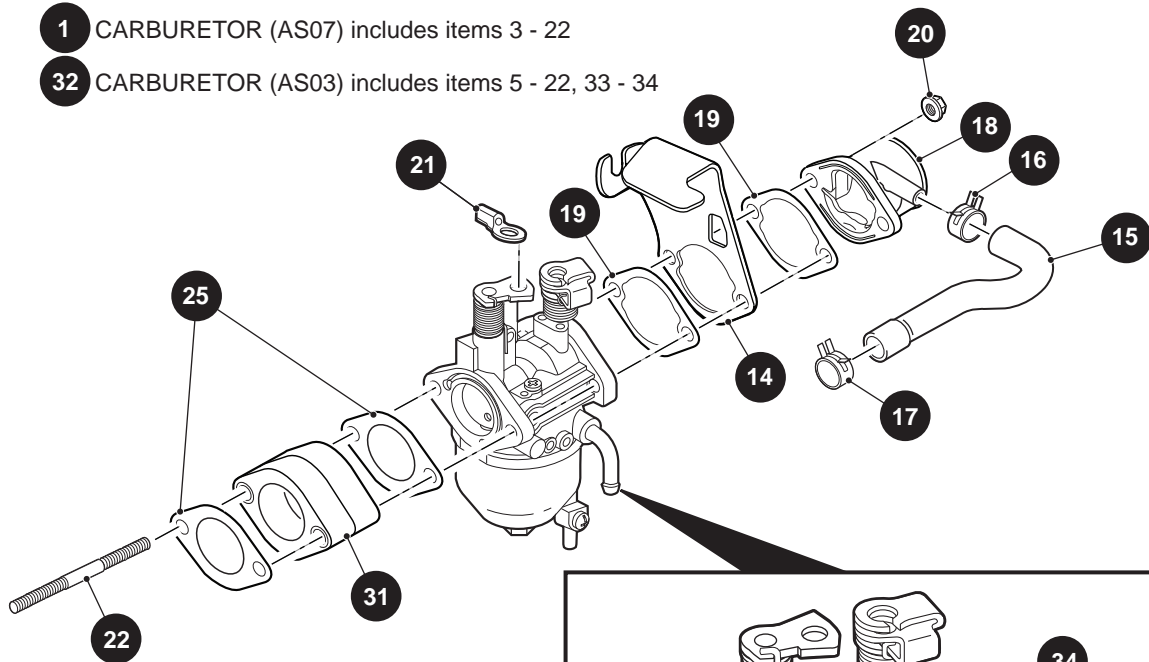
*** Indicates consult Customer Service Department for additional information.

ITEM	PART NO.	1	2	3	4	5	DESCRIPTION	QTY.
31	14390G6						LOCK NUT, 1/2" - 13	2
32	00407G6						HEX HEAD SHOULDER BOLT, 1/2" - 13 X 6" LG.....	2
33	633918G02						CALIPER (PASSENGER SIDE)	1
34	633918G01						CALIPER (DRIVER SIDE).....	1
35	649167						BRAKE PAD	2
36	613293						CRUSH WASHER, M10	4
37	616459						BANJO BOLT, M10 - 1" X 20" LG	2
38	00566G1						LOCK WASHER, 3/8"	4
39	00426G6						HEX HEAD BOLT, 3/8" - 16 X 1" LG.....	4

CARBURETOR AND CHOKE

1 CARBURETOR (AS07) includes items 3 - 22

32 CARBURETOR (AS03) includes items 5 - 22, 33 - 34



CARBURETOR AND CHOKE

THE USE OF NON U.L. PARTS WILL VOID ANY U.L. LISTING.

When ordering parts, please specify the model and serial number of the product.

* Indicates a component that is not available as an individual part.

*** Indicates consult Customer Service Department for additional information.

ITEM	PART NO.	1 2 3 4 5	DESCRIPTION	QTY.
1	607955		CARBURETOR (AS07) (INCLUDES ITEMS 3 - 22)	1
2				
3	607956		MAIN JET (#106).....	1
4	607957		PILOT JET (#52)	1
5	603585		PLUG.....	1
6				
7	603586		NEEDLE VALVE	1
8	603587		FLOAT	1
9	603588		FLOAT PIN	1
10	603589		FLOAT BOWL GASKET	1
11	603590		FLOAT CHAMBER	1
12	603592		CHAMBER PLUG	1
13	603591		BOWL GASKET	1
14	603583		CHOKE BRACKET.....	1
15	603598		BREATHER TUBE.....	1
16	603596		CLAMP, INTAKE TUBE	1
17	603597		CLAMP CYLINDER HEAD TUBE	1
18	603594		INTAKE TUBE	1
19	603593		CHOKE GASKET	2
20	603595		HEX NUT, M6 X 1.0.....	2
21	608023		THROTTLE ROD ATTACHMENT BUSHING	1
22	603584		STUD BOLT.....	2
23	607684		MAIN JET (#102) (FOR ELEVATIONS OF 6000 FT - 10000 FT)	1
24				
25	603580		CARBURETOR MOUNT GASKET	2
26	605795		CHOKE CABLE (LWB).....	1
27	00568G4		LOCK WASHER, 9/16"	1
28	00545G4		JAM NUT, 9/16" - 18	1
29	72155G02		RETAINER	1
30	72154G01		CHOKE CABLE ADAPTER.....	1
31	603581		CARBURETOR INSULATOR.....	1

CARBURETOR AND CHOKE

THE USE OF NON U.L. PARTS WILL VOID ANY U.L. LISTING.

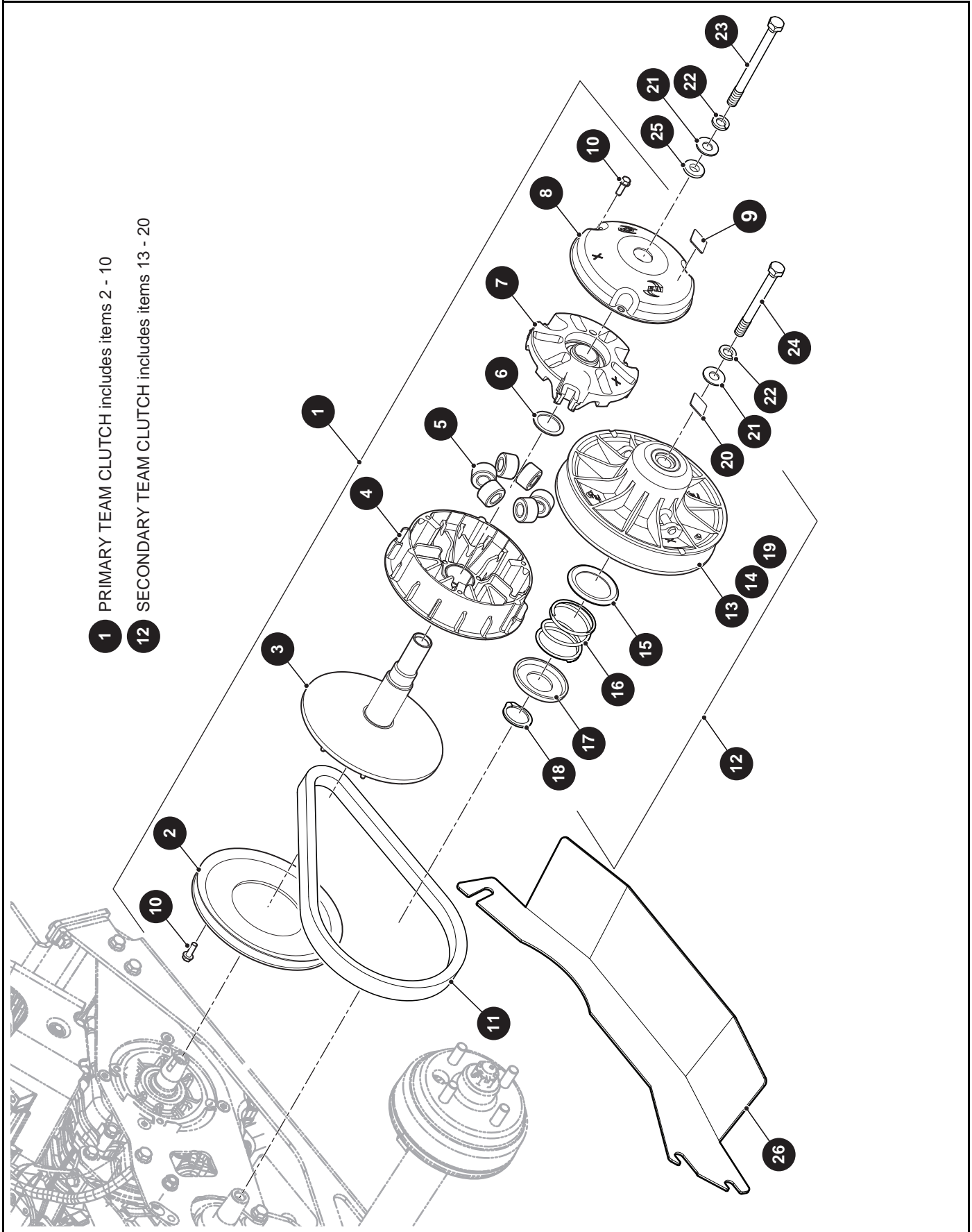
When ordering parts, please specify the model and serial number of the product.

* Indicates a component that is not available as an individual part.

*** Indicates consult Customer Service Department for additional information.

ITEM	PART NO.	1	2	3	4	5	DESCRIPTION	QTY.
32	607954						CARBURETOR (AS03) (INCLUDES ITEMS 5 - 22, 33 - 34)	1
33	607983						MAIN JET (#104) (FOR ELEVATIONS OF 3000 FT - 6000 FT).....	1
34	608021						PILOT JET (#44)	1

CLUTCH



THE USE OF NON U.L. PARTS WILL VOID ANY U.L. LISTING.

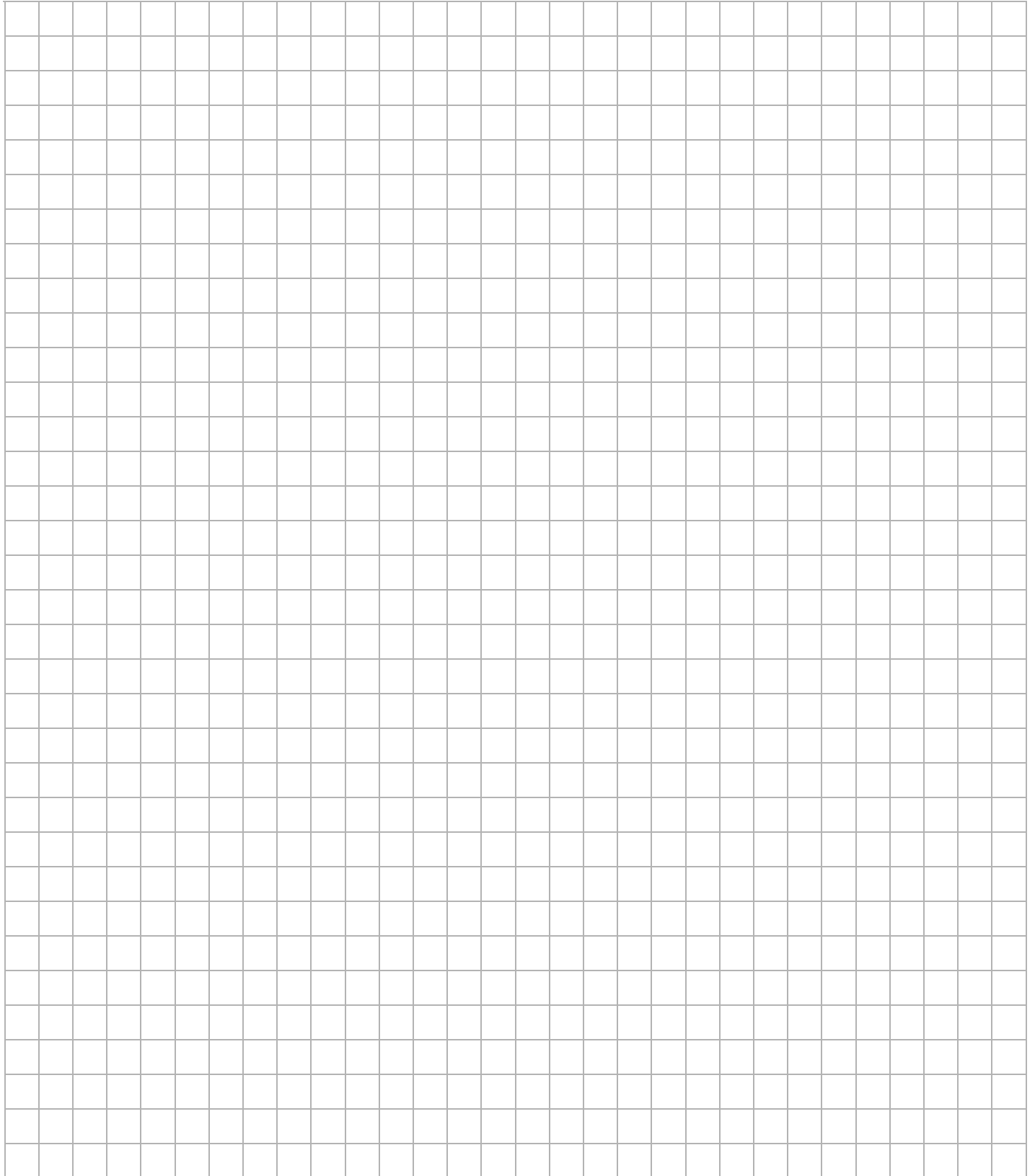
When ordering parts, please specify the model and serial number of the product.

* Indicates a component that is not available as an individual part.

*** Indicates consult Customer Service Department for additional information.

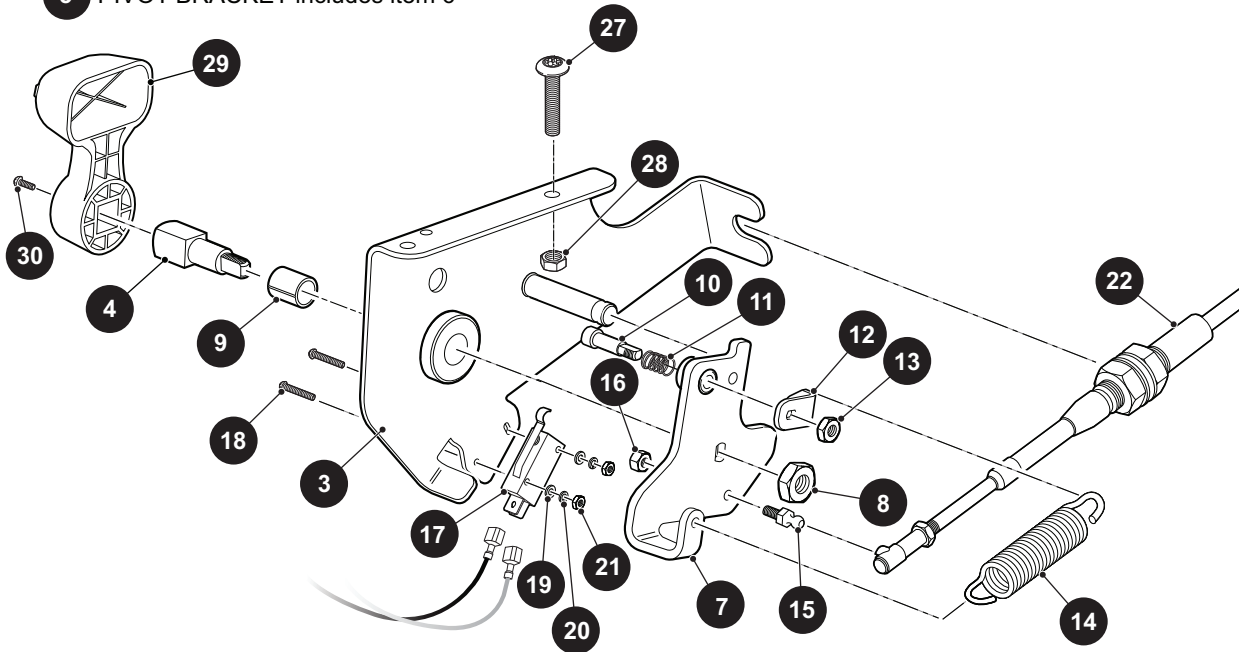
ITEM	PART NO.	1 2 3 4 5	DESCRIPTION	QTY.
1	623948		PRIMARY TEAM CLUTCH (INCLUDES ITEMS 2 - 10)	1
2	619333		PRIMARY STARTER PULLEY	1
3	619334		STATIONARY ASSEMBLY	1
4	619335		MOVEABLE PRIMARY ASSEMBLY	1
5	624112		SHIFT ROLLER ASSEMBLY	6
6	619337		SHIM, 39.5 X 31.75	1
7	619338		PRIMARY SPIDER ASSEMBLY	1
8	619339		PRIMARY DUST COVER ASSEMBLY	1
9	*		E-Z-GO PRIMARY E-Z-GO LABEL	1
10	619332		HEX HEAD BOLT, 1/4" - 20 X 3/4" LG.	7
11	618630		DRIVE BELT	1
12	623949		SECONDARY TEAM CLUTCH (INCLUDES ITEMS 13 - 20)	1
13	*		SECONDARY STATIONARY, 9.5	1
14	*		MOVEABLE SECONDARY, 9.5	1
15	619327		INNER RETAINER SPRING	1
16	624111		COMPRESSION SPRING	1
17	619329		OUTER SPRING RETAINER	1
18	619330		RETAINER RING	1
19	619331		THRUST WASHER, 1.530 X 1.830 X 1	1
20	*		SECONDARY PART E-Z-GO LOGO	1
21	606239		CONICAL WASHER, M12	2
22	00566G3		LOCK WASHER (SPRING TYPE), 3/8"	2
23	606245		HEX HEAD BOLT, M12 - 1.25 X 160MM LG	1
24	606243		HEX HEAD BOLT, M12 - 1.25 X 120MM LG	1
25	606230		CLUTCH WASHER, 27.5Ø O.D. X 13.06Ø I.D.	1
26	605950		CLUTCH BELT SHIELD	1

Notes:

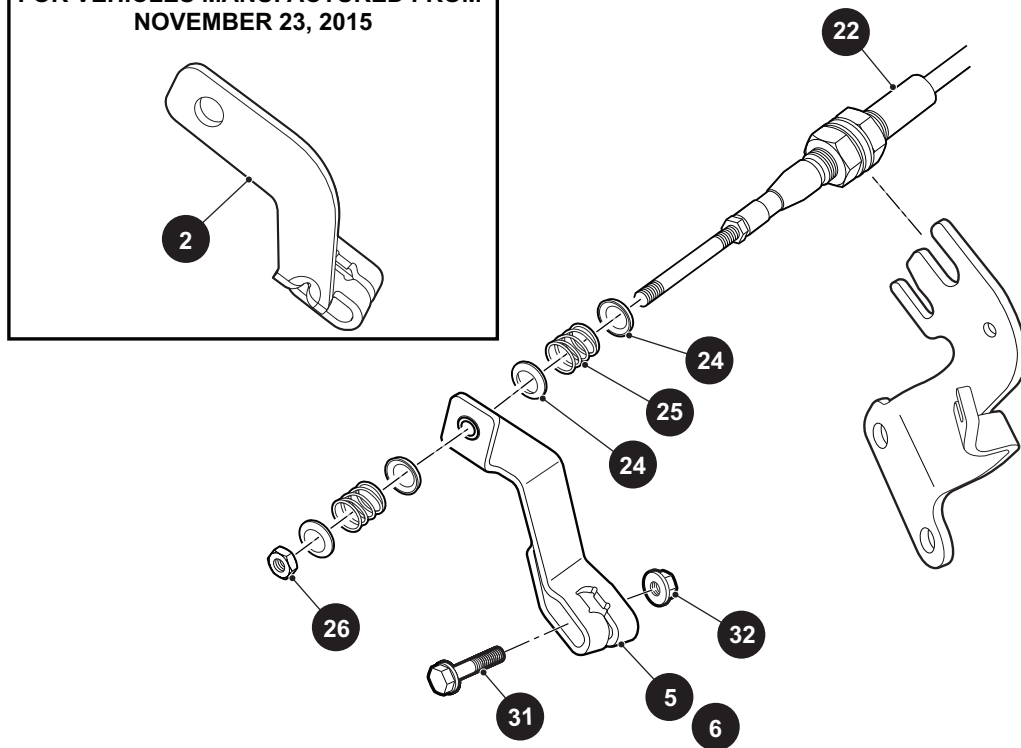
A large grid of 30 columns and 35 rows, intended for taking notes. The grid is empty and occupies the central portion of the page.

DIRECTION SELECTOR

- 1 DIRECTION SELECTOR ASSEMBLY includes items 3 - 26
- 3 DIRECTION SELECTOR BRACKET includes item 9
- 5 PIVOT BRACKET includes item 6



FOR VEHICLES MANUFACTURED FROM
NOVEMBER 23, 2015



DIRECTION SELECTOR

THE USE OF NON U.L. PARTS WILL VOID ANY U.L. LISTING.

When ordering parts, please specify the model and serial number of the product.

* Indicates a component that is not available as an individual part.

*** Indicates consult Customer Service Department for additional information.

ITEM	PART NO.	1 2 3 4 5	DESCRIPTION	QTY.
1	606170		DIRECTION SELECTOR ASSEMBLY (INCLUDES ITEMS 2 - 26)	1
2	632891		PIVOT BRACKET (FOR VEHICLES MANUFACTURED FROM NOVEMBER 23, 2015).....	1
3	606077		DIRECTION SELECTOR BRACKET (INCLUDES ITEM 9)	1
4	70233G01		DIRECTION SELECTOR SHAFT	1
5	606014		PIVOT BRACKET (INCLUDES ITEM 6) (FOR VEHICLES MANUFACTURED UNTIL NOVEMBER 22, 2015).....	1
6	*		BUSHING, FLIP LOK, .25"	1
7	603700		DIRECTION SELECTOR CAM.....	1
8	14390G1		LOCK NUT, 3/8" - 24	1
9	*		BUSHING.....	1
10	72724G01		NEUTRAL LOCK PIN	1
11	72733G01		COMPRESSION SPRING, 3/8" X 5/8" LG	1
12	72729G01		NEUTRAL LOCK BRACKET	1
13	00734G2		LOCK NUT, 7/16" - 14	1
14	28574G01		EXTENSION SPRING	1
15	72732G01		BALL STUD, 1/4"	1
16	00734G5		LOCK NUT, #10 - 32.....	2
17	72736G01		MICRO SWITCH	1
18	01062G01		ROUND HEAD SCREW, #4 - 40 X 1" LG.....	2
19	00559G1		FLAT WASHER, #4	2
20	00565G1		LOCK WASHER, #4	2
21	00526G2		HEX NUT, #4 - 40	2
22	605809		PUSH/PULL SHIFTER CABLE.....	1
23				
24	25727G01		CUP WASHER, 1/4"	4
25	72735G01		COMPRESSION SPRING, 19/32" X 1" LG	2
26	00734G5		LOCK NUT, #10 - 32.....	1
27	70227G01		SOCKET HEAD CAP SCREW, 1/4" - 20 X .875" LG	2
28	11027G2		LOCK NUT, 1/4" - 20	2
29	71205G01		DIRECTION SELECTOR HANDLE	1
30	01037G02		PAN HEAD TORX SCREW, #10 - 32 X 1/2" LG	1

DIRECTION SELECTOR

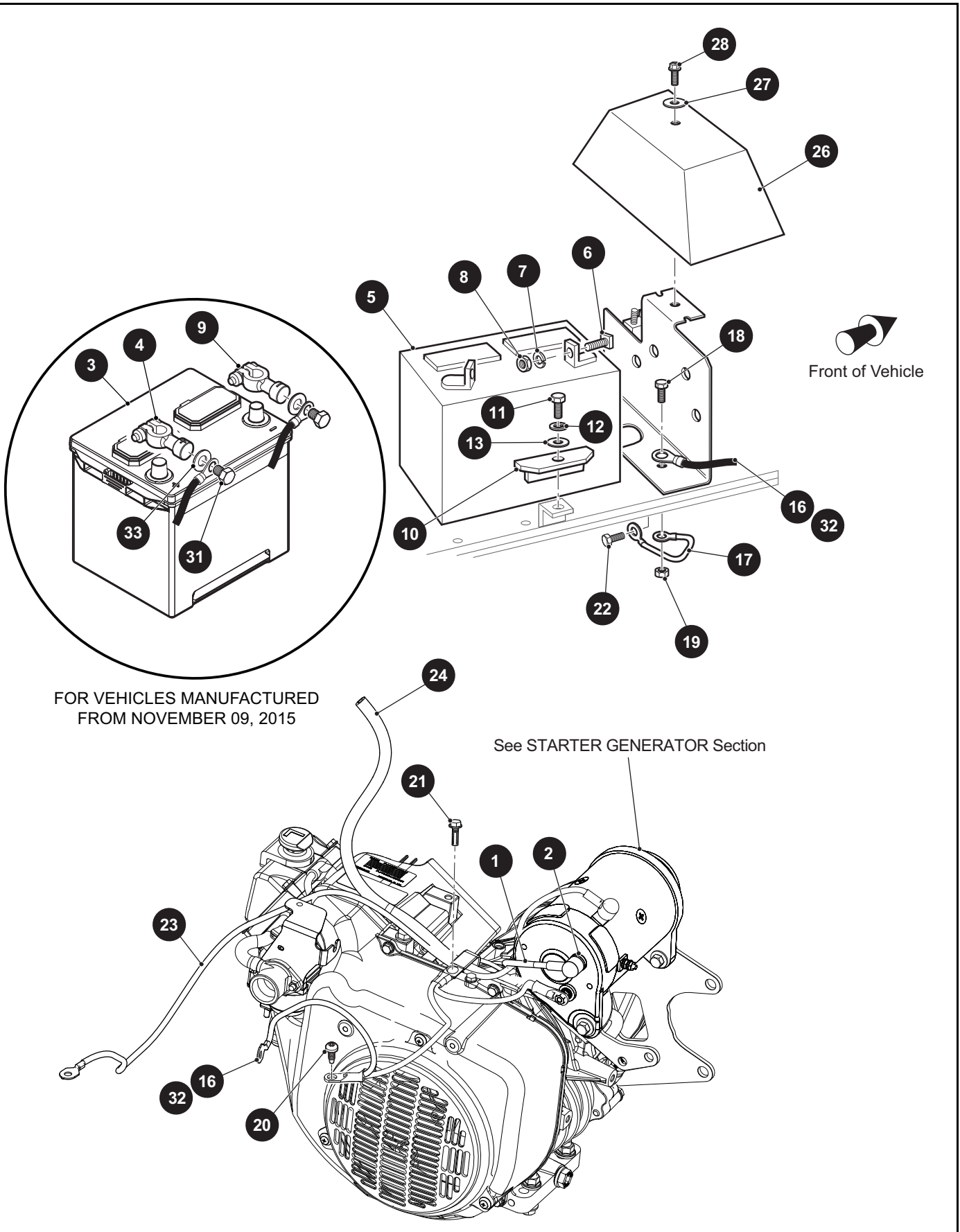
THE USE OF NON U.L. PARTS WILL VOID ANY U.L. LISTING.

When ordering parts, please specify the model and serial number of the product.

* Indicates a component that is not available as an individual part.

*** Indicates consult Customer Service Department for additional information.

ITEM	PART NO.	1 2 3 4 5	DESCRIPTION	QTY.
31	606421		HEX HEAD BOLT, M6 - 1 X 30MM LG	1
32	450452		HEX NUT, M6 - 1	1
33				
34				
35	31539G1		WIRE TIE (NOT ILLUSTRATED).....	1
36	01072G01		CABLE CLIP (NOT ILLUSTRATED).....	1



THE USE OF NON U.L. PARTS WILL VOID ANY U.L. LISTING.

When ordering parts, please specify the model and serial number of the product.

* Indicates a component that is not available as an individual part.

*** Indicates consult Customer Service Department for additional information.

ITEM	PART NO.	1 2 3 4 5	DESCRIPTION	QTY.
1	607053		6 GA WIRE (BLACK, F1 - A2), 6" LG	1
2	25682G1		TERMINAL COVER	3
3	639553		BATTERY, 12V (FOR VEHICLES MANUFACTURED FROM NOVEMBER 09, 2015)	1
4	640359		BATTERY TERMINAL ADAPTOR, POSITIVE (FOR VEHICLES MANUFACTURED FROM NOVEMBER 09, 2015)	1
5	24775G1		BATTERY, 12V	1
6	*		HEX HEAD BOLT, 5/16" - 18 X 1 1/4" LG	2
7	*		LOCK WASHER (SILICON BRONZE), 5/16"	2
8	*		HEX NUT (SILICON BRONZE), 5/16" - 18	2
9	640360		BATTERY TERMINAL ADAPTOR, NEGATIVE (FOR VEHICLES MANUFACTURED FROM NOVEMBER 09, 2015)	1
10	72101G02		BATTERY HOLD DOWN.....	1
11	00438G6		HEX HEAD BOLT, 5/16" - 18 X 3/4" LG	1
12	00565G8		LOCK WASHER, 5/16"	1
13	00571G2		FLAT WASHER (SS), 5/16".....	1
14				
15				
16	645191		GROUND CABLE	1
17	25976G19		14 GA WIRE (BLACK), 6" LG	1
18	00438G6		HEX HEAD BOLT, 5/16" - 18 X 3/4" LG	2
19	11027G1		LOCK NUT, 5/16" - 18	2
20	26676G01		FLANGED BOLT, M6 - 1.0 X 23MM LG	1
21	606264		HEX HEAD BOLT, M6 - 1.0 X 20MM LG.....	1
22	00715G2		TRUSS HEAD SCREW, 5/16" - 18 X .875" LG	4
23	607103		6 GA WIRE, 42" LG.....	1
24	605777		CONTROL HARNESS	1
25	17618G1		WIRE TIE (NOT ILLUSTRATED)	AR
26	73049G01		DIRECTION SELECTOR COVER	1
27	16469G1		FENDER WASHER, 1/4"	1
28	00114G6		HEX HEAD BOLT, 1/4" - 14 X 3/4" LG	1
29	00567G7		LOCK WASHER (EXTERNAL TOOTH TYPE) (NOT ILLUSTRATED).....	1

ELECTRICAL

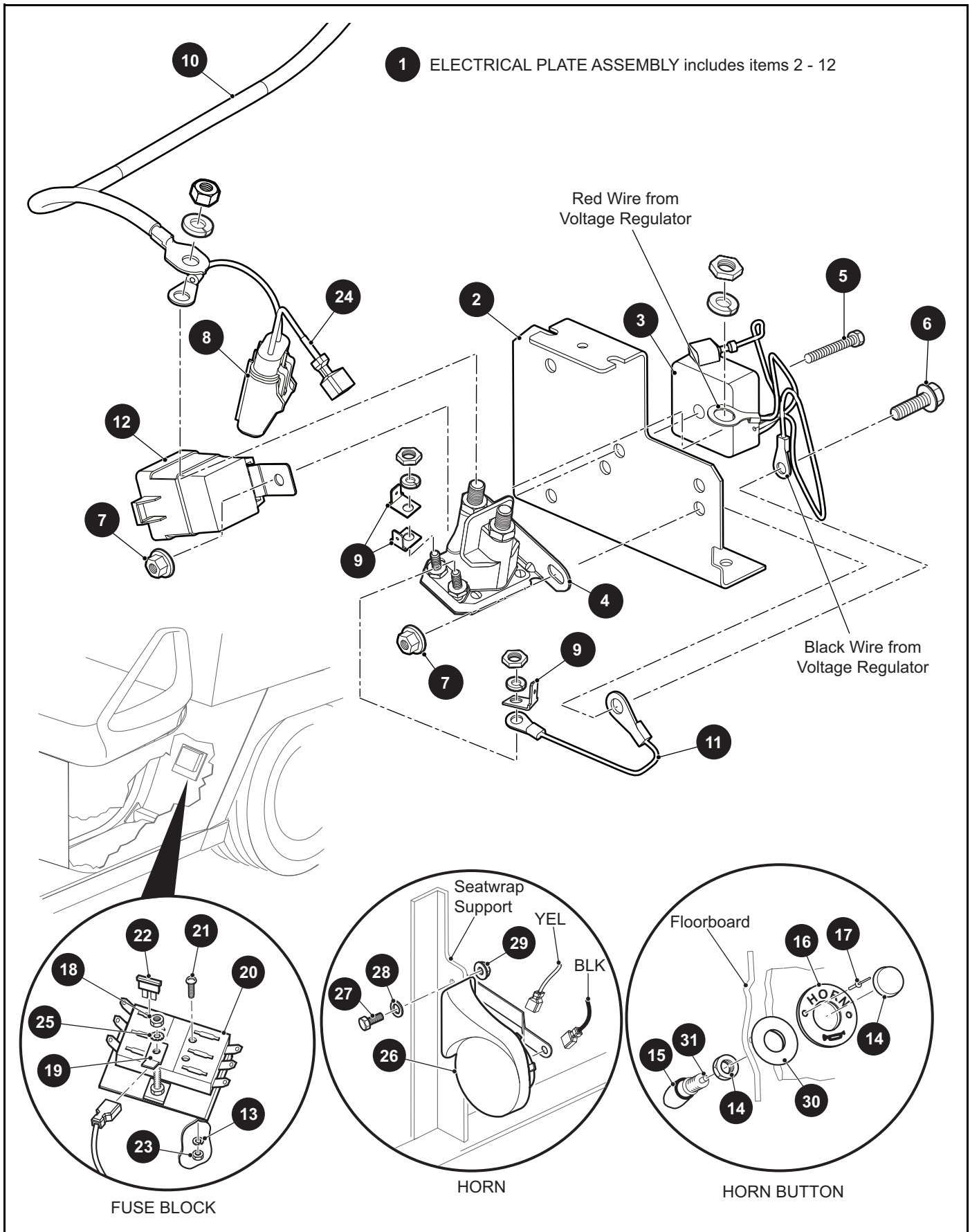
THE USE OF NON U.L. PARTS WILL VOID ANY U.L. LISTING.

When ordering parts, please specify the model and serial number of the product.

* Indicates a component that is not available as an individual part.

*** Indicates consult Customer Service Department for additional information.

ITEM	PART NO.	1 2 3 4 5	DESCRIPTION	QTY.
30	00532G1		HEX NUT, 1/4" - 20 (NOT ILLUSTRATED).....	1
31	651336		BATTERY BOLT (FOR VEHICLES MANUFACTURED FROM NOVEMBER 09, 2015).....	2
32	645191		GROUND CABLE (FOR VEHICLES MANUFACTURED FROM NOVEMBER 09, 2015).....	2
33	614221		FLAT WASHER, 3/8" (FOR VEHICLES MANUFACTURED FROM NOVEMBER 09, 2015).....	2



THE USE OF NON U.L. PARTS WILL VOID ANY U.L. LISTING.

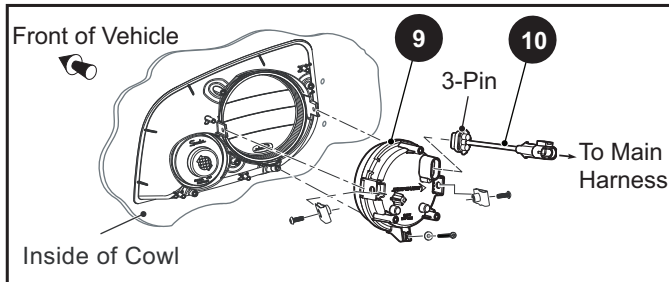
When ordering parts, please specify the model and serial number of the product.

* Indicates a component that is not available as an individual part.

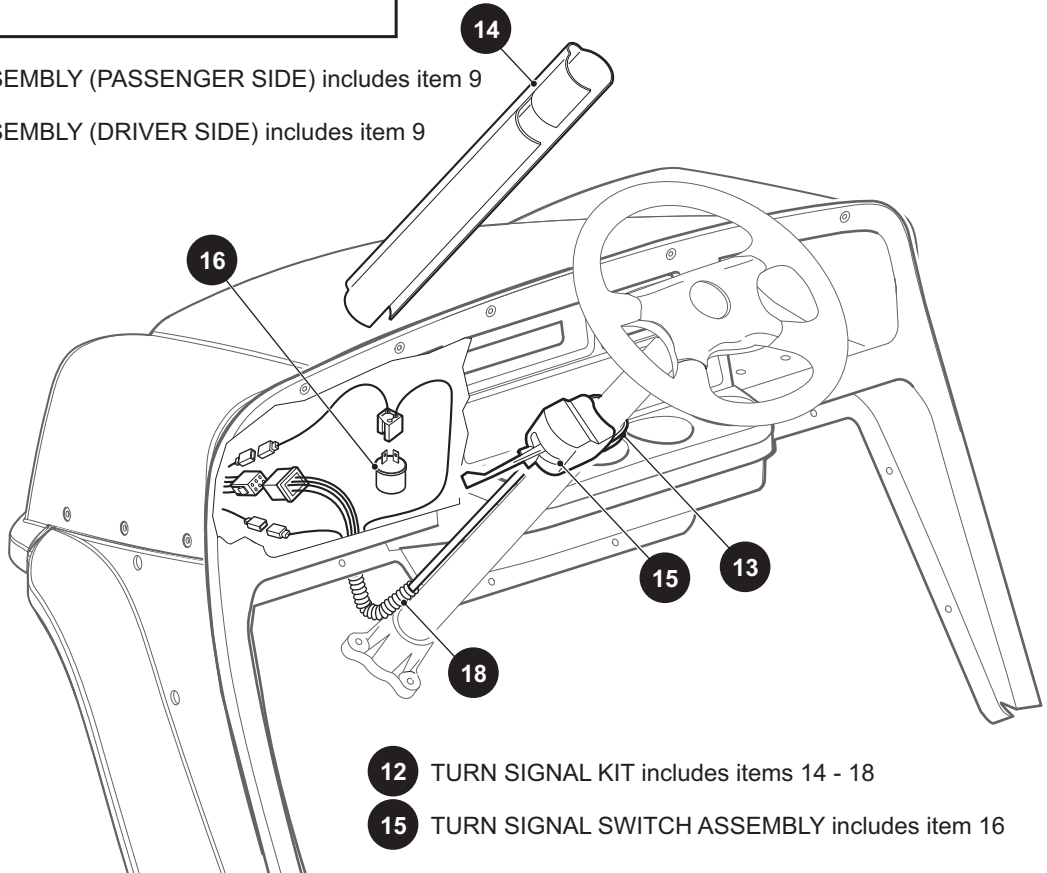
*** Indicates consult Customer Service Department for additional information.

ITEM	PART NO.	1 2 3 4 5	DESCRIPTION	QTY.
1	605563		ELECTRICAL PLATE ASSEMBLY (INCLUDES ITEMS 2 - 12)	1
2	73057G02		BRACKET	1
3	27739G01		VOLTAGE REGULATOR	1
4	612813		SOLENOID	1
5	303459		HEX HEAD BOLT, 1/4" - 20 X 1 1/2" LG	1
6	00661G8		HEX HEAD BOLT (SS), 1/4" - 20 X 1" LG	1
7	11027G2		LOCK NUT, 1/4" - 20	2
8	600418G01		FUSE HOLDER ASSEMBLY	1
9	73446G01		FASTON TAB, 90°	3
10	645190		6 AWG WIRE ASSEMBLY	1
11	25978G56		18 GA WIRE ASSEMBLY (BLACK)	1
12	603282		RELAY, 12V	1
13	00559G5		FLAT WASHER, # 10	2
14	17318G2		HORN SWITCH CAP AND NUT	1
15	27068G01		HORN SWITCH BOOT	1
16	19233G1		HORN SWITCH LABEL	1
17	71055G01		RIVET (ALUMINUM), 3/16" X 1" LG	2
18	00526G4		HEX NUT, #10 - 32	1
19	12914G1		PUSH ON MALE TERMINAL	1
20	22674G1		FUSE BLOCK	1
21	00379G2		PAN HEAD PHILLIPS SCREW, #10 - 24 X 1 1/4" LG	2
22	18392G1		FUSE, 15 AMP	3
23	14390G10		LOCK NUT, #10-24	2
24	20216G1		16 GA WIRE (RED)	1
25	00567G5		LOCK WASHER, #10	1
26	32860G01		HORN	1
27	00414G5		HEX HEAD BOLT, 1/4" - 20 X 1/2" LG	1
28	00559G8		FLAT WASHER, 1/4"	1
29	14390G4		LOCK NUT, 1/4" - 20	1
30	608397		HORN PLATE	1
31	17318G1		HORN SWITCH	1

HEADLIGHT AND TURN SIGNAL



- 7** LED HEADLIGHT ASSEMBLY (PASSENGER SIDE) includes item 9
- 8** LED HEADLIGHT ASSEMBLY (DRIVER SIDE) includes item 9



- 12** TURN SIGNAL KIT includes items 14 - 18
- 15** TURN SIGNAL SWITCH ASSEMBLY includes item 16

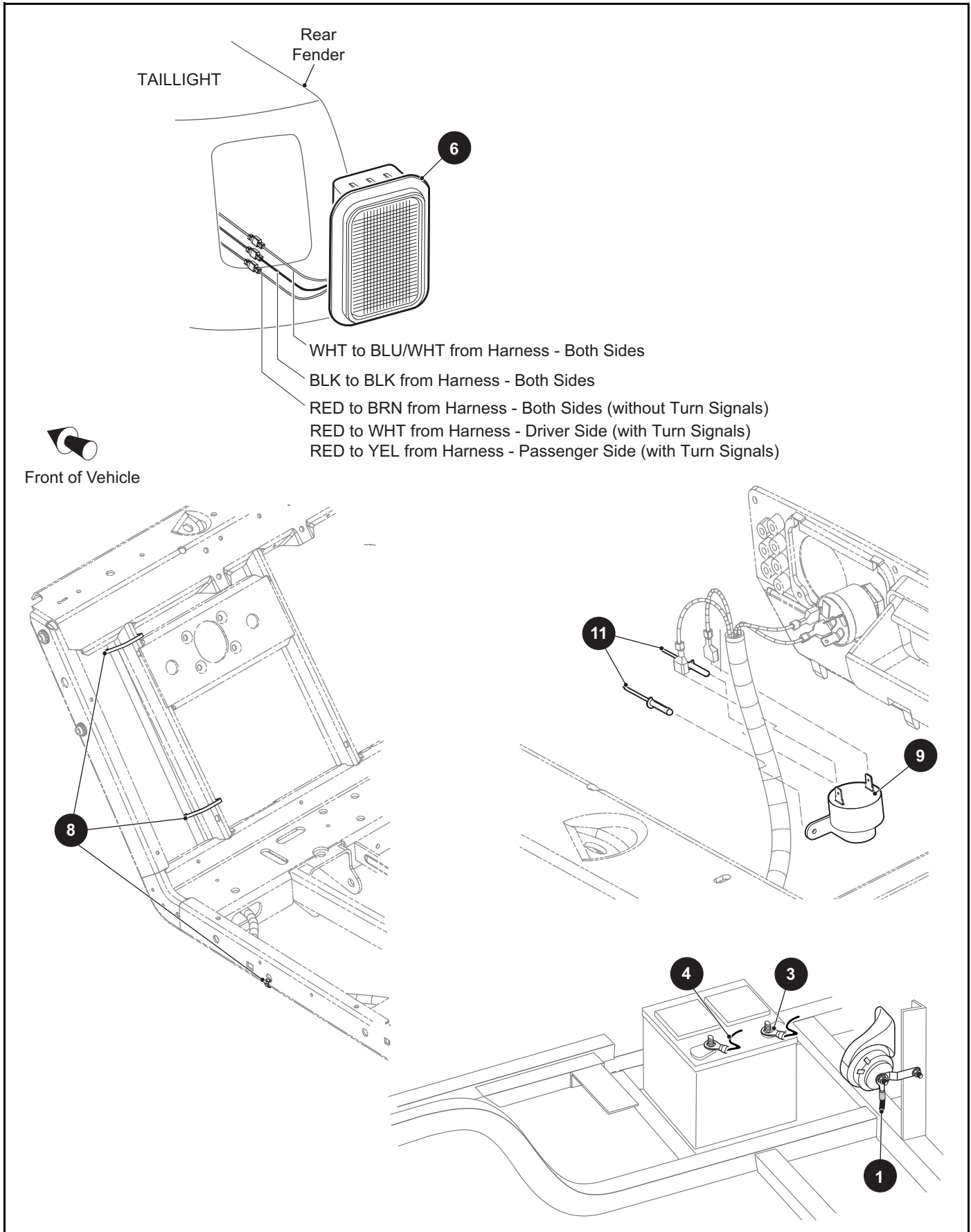
THE USE OF NON U.L. PARTS WILL VOID ANY U.L. LISTING.

When ordering parts, please specify the model and serial number of the product.

* Indicates a component that is not available as an individual part.

*** Indicates consult Customer Service Department for additional information.

ITEM	PART NO.	1 2 3 4 5	DESCRIPTION	QTY.
1	614497		HEADLIGHT ASSEMBLY (PASSENGER SIDE).....	1
2	614501		HEADLIGHT ASSEMBLY (DRIVER SIDE)	1
3				
4				
5	71597G01		SELF THREADING NUT, 5 X 10 X 15MM	8
6				
7	659008		LED HEADLIGHT ASSEMBLY (PASSENGER SIDE) (INCLUDES ITEM 9)...	1
8	659009		LED HEADLIGHT ASSEMBLY (DRIVER SIDE) (INCLUDES ITEM 9)	1
9	651411G03		LED HEADLIGHT	1
10	654465		JUMPER HARNESS, LED HEADLIGHT	2
11				
12	622712		TURN SIGNAL KIT (INCLUDES ITEMS 14 - 18).....	1
13	17618G1		NYLON CLAMP	2
14	20965G3		STEERING COLUMN COVER.....	1
15	611810		TURN SIGNAL SWITCH ASSEMBLY (INCLUDES ITEM 16)	1
16	21640G1		TURN SINAL FLASHER	1
17	619102		TURN SIGNAL ASSEMBLY BULB	2
18	32307G3		FLEX ZIP LOOM	1



THE USE OF NON U.L. PARTS WILL VOID ANY U.L. LISTING.

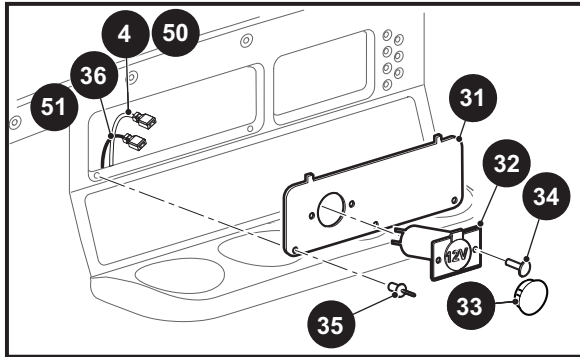
When ordering parts, please specify the model and serial number of the product.

* Indicates a component that is not available as an individual part.

*** Indicates consult Customer Service Department for additional information.

ITEM	PART NO.	1 2 3 4 5	DESCRIPTION	QTY.
1	73214G01		HARNESS (HORN).....	1
2				
3	25977G40		WIRE ASSEMBLY (BLACK).....	1
4	25974G22		WIRE ASSEMBLY (WHITE).....	1
5				
6	32739G2		TAILLIGHT ASSEMBLY (COMPLETE).....	2
7				
8	31539G1		NYLON CLAMP, 15.5"	3
9	73290G03		BUZZER.....	1
10				
11	01041G01		RIVET, 5/32".....	2

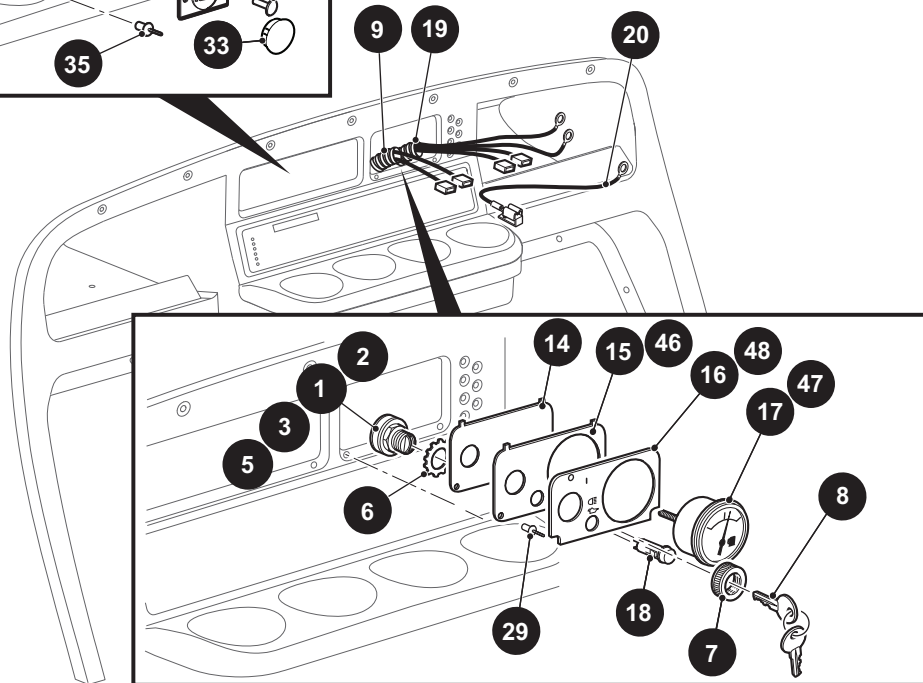
CONSOLE INSERT PLATE



30 CONSOLE INSERT ASSEMBLY includes items 31 - 34

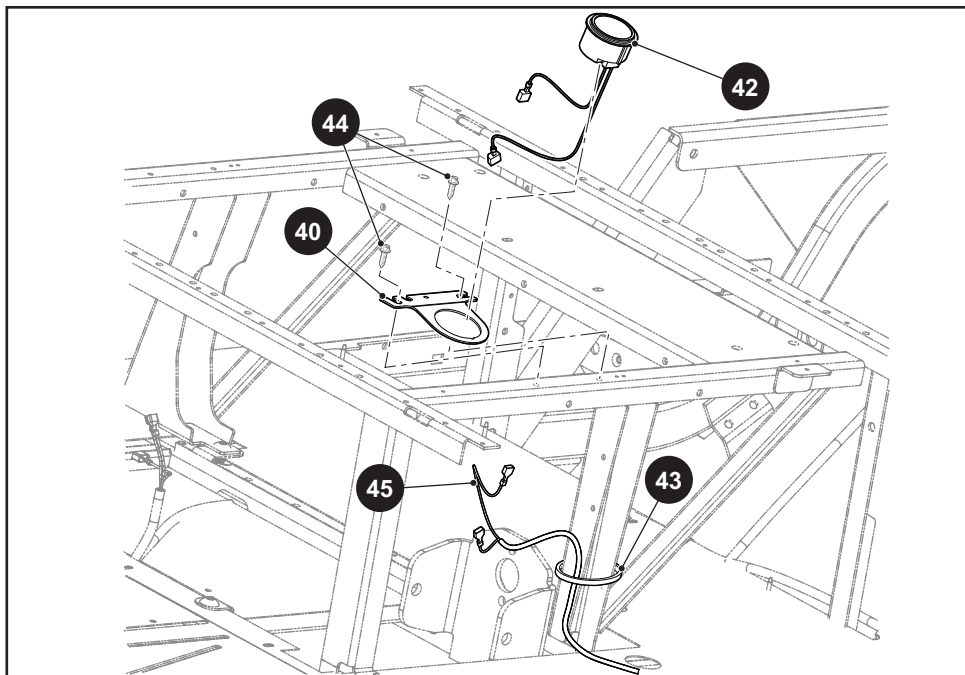
28 CONSOLE INSERT ASSEMBLY includes items 31, 33


 Front of Vehicle



KEY SWITCH, INDICATOR LIGHT(S), AND FUEL GAUGE

39 HOUR METER KIT includes items 40 - 44



ELECTRICAL

THE USE OF NON U.L. PARTS WILL VOID ANY U.L. LISTING.

When ordering parts, please specify the model and serial number of the product.

* Indicates a component that is not available as an individual part.

*** Indicates consult Customer Service Department for additional information.

ITEM	PART NO.	1 2 3 4 5	DESCRIPTION	QTY.
1	33639G02		IGNITION SWITCH (WITH LIGHTS, GROUP KEY)	1
2	33639G01		IGNITION SWITCH (WITH LIGHTS, FLEET)	1
3	33639G03		IGNITION SWITCH (WITH LIGHTS, INDIVIDUAL)	1
4	619154		WIRE HARNESS (ACCESSORY)	1
5	18602G1		IGNITION SWITCH (WITH LIGHTS, INDIVIDUALLY KEYED).....	1
6	00568G6		LOCK WASHER, 3/4"	1
7	17137G1		FACE NUT, 3/4" - 20	1
8	33636G02		IGNITION KEY	1
9	605866		WIRE HARNESS (KEY SWITCH).....	1
10				
11				
12				
13				
14	601015		CONSOLE PLATE	1
15	73030G04		PLATE (FUEL GAUGE AND OIL LIGHT).....	1
16	71131G01		LABEL (OIL LIGHT AND FUEL GAUGE WITH HEADLIGHTS).....	1
17	21553G1		FUEL GAUGE	1
18	23474G1		INDICATOR LIGHT	1
19	74311G01		HARNESS (OIL /FUEL GAUGE).....	1
20	25978G122		18 GA WIRE (RED 6")	1
21	71781G02		VINYL TAPE (NOT ILLUSTRATED).....	2
22				
23				
24	610428		BOLT EXTENDER (NOT ILLUSTRATED)	2
25				
26				
27				
28	74693G02		CONSOLE INSERT ASSEMBLY (INCLUDES ITEMS 31, 33)	1
29	33623G02		DRIVE RIVET, 3/16" X 3/8" LG	2
30	74693G01		CONSOLE INSERT ASSEMBLY (INCLUDES ITEMS 31 - 34).....	1
31	73522G03		CONSOLE INSERT PLATE	1

ELECTRICAL

THE USE OF NON U.L. PARTS WILL VOID ANY U.L. LISTING.

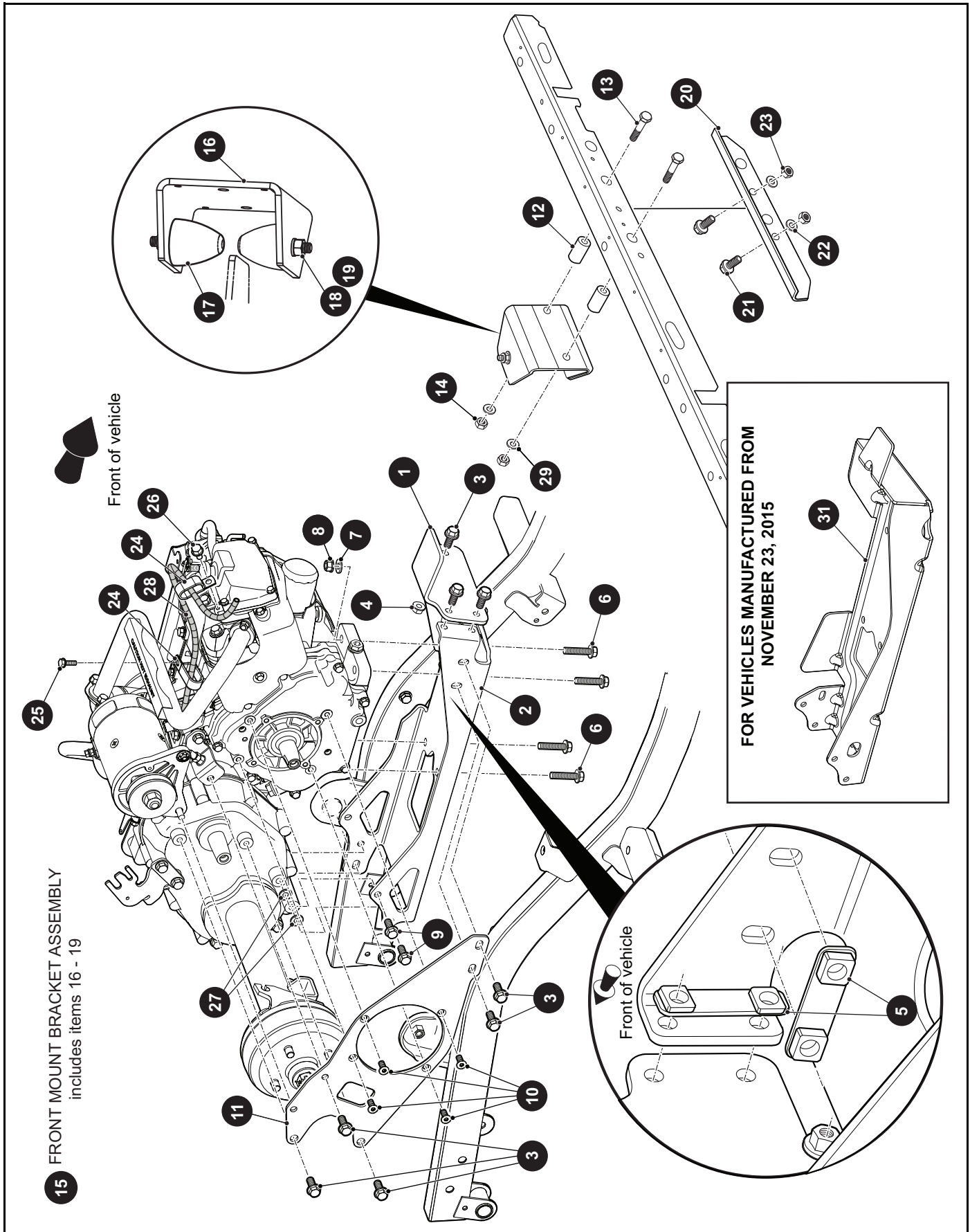
When ordering parts, please specify the model and serial number of the product.

* Indicates a component that is not available as an individual part.

*** Indicates consult Customer Service Department for additional information.

ITEM	PART NO.	1 2 3 4 5	DESCRIPTION	QTY.
32	71078G01		POWER OUTLET (12V).....	1
33	20271G10		HOLE PLUG.....	1
34	14601G10		ALUMINUM RIVET, 5/32"	2
35	33623G02		DRIVE RIVET, 3/16" X 3/8" LG.....	3
36	71081G01		WIRE HARNESS (POWER OUTLET).....	1
37				
38				
39	638211		HOUR METER KIT (INCLUDES ITEMS 40 - 44)	1
40	635649		HOUR METER BRACKET	1
41				
42	617074		HOUR METER	1
43	17618G1		NYLON CLAMP.....	2
44	00114G6		HEX WASHER HEAD TAPPING SCREW, 1/4" - 10 X 3/4" LG.....	2
45	664689		HARNESS, HOURMETER	1
46	73030G14		CONSOLE INSERT PLATE (FOR VEHICLES MANUFACTURED FROM NOVEMBER 09, 2015).....	1
47	648247		FUEL LEVEL GAUGE (FOR VEHICLES MANUFACTURED FROM NOVEMBER 09, 2015).....	1
48	648852		CONSOLE LABEL (FOR VEHICLES MANUFACTURED FROM NOVEMBER 09, 2015).....	1
49				
50	666152		WIRE HARNESS (ACCESSORY) (FOR VEHICLES MANUFACTURED FROM NOVEMBER 09, 2015).....	1
51	645194		WIRE HARNESS (POWER OUTLET) (FOR VEHICLES MANUFACTURED FROM NOVEMBER 09, 2015).....	1

ENGINE MOUNTING



ENGINE MOUNTING

THE USE OF NON U.L. PARTS WILL VOID ANY U.L. LISTING.

When ordering parts, please specify the model and serial number of the product.

* Indicates a component that is not available as an individual part.

*** Indicates consult Customer Service Department for additional information.

ITEM	PART NO.	1 2 3 4 5	DESCRIPTION	QTY.
1	606007		ENGINE MOUNTING BRACKET, FRONT (FOR VEHICLES MANUFACTURED UNTIL NOVEMBER 22, 2015)	1
2	603101		ENGINE PAN MOUNT (FOR VEHICLES MANUFACTURED UNTIL NOVEMBER 22, 2015)	1
3	606256		HEX HEAD BOLT, M10 - 1.25 X 25MM LG.....	10
4	606279		HEX NUT, M10 - 1.25.....	5
5	606096		NUT PLATE WELDMENT (FOR VEHICLES MANUFACTURED UNTIL NOVEMBER 22, 2015)	2
6	606259		HEX HEAD BOLT, M10 - 1.25 X 45MM LG.....	4
7	603823		FLAT WASHER, M10 X 22MM X 2.5MM	4
8	606279		HEX NUT, M10 - 1.25.....	4
9	608020		HEX HEAD BOLT, M10 - 1.25 X 34MM LG.....	4
10	606246		FLAT HEAD TORX SCREW, M6 - 1 X 12MM LG	4
11	602146		DIFFERENTIAL PLATE (FOR VEHICLES MANUFACTURED UNTIL NOVEMBER 22, 2015)	1
12	72016G01		TUBE SPACER	2
13	00428G8		HEX HEAD CAP SCREW, 3/8" - 16 X 2 1/4" LG	2
14	11098G5		LOCK NUT, 3/8" - 16.....	2
15	627627		FRONT MOUNT BRACKET ASSEMBLY (INCLUDES ITEMS 16 - 19)	1
16	625345		FRONT MOUNT BRACKET	1
17	605757		RUBBER BUMPER	2
18	00974G01		HEX NUT, M10 X 1.5.....	2
19	608654		SPLIT LOCK WASHER, 10MM	2
20	652247		CROSSMEMBER BRACE	1
21	00438G7		HEX HEAD CAP SCREW, 5/16" - 18 X 5/8" LG	2
22	00559G8		FLAT WASHER, 5/16".....	2
23	01109G01		LOCK NUT, 5/16" - 18.....	2
24	606962		TUBE CLAMP, .75" Ø	2
25	606264		HEX HEAD BOLT, M6 - 1 X 20MM LG.....	1
26	73876G01		HEX HEAD BOLT, M6 - 1 X 12MM LG.....	1
27	00560G2		FLAT WASHER, 3/8".....	2
28	27184G13		TUBE (FUEL SYSTEM)	1

ENGINE MOUNTING

THE USE OF NON U.L. PARTS WILL VOID ANY U.L. LISTING.

When ordering parts, please specify the model and serial number of the product.

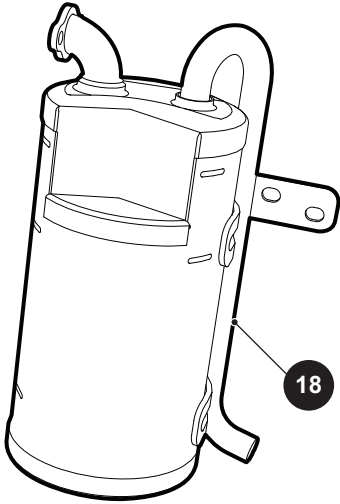
* Indicates a component that is not available as an individual part.

*** Indicates consult Customer Service Department for additional information.

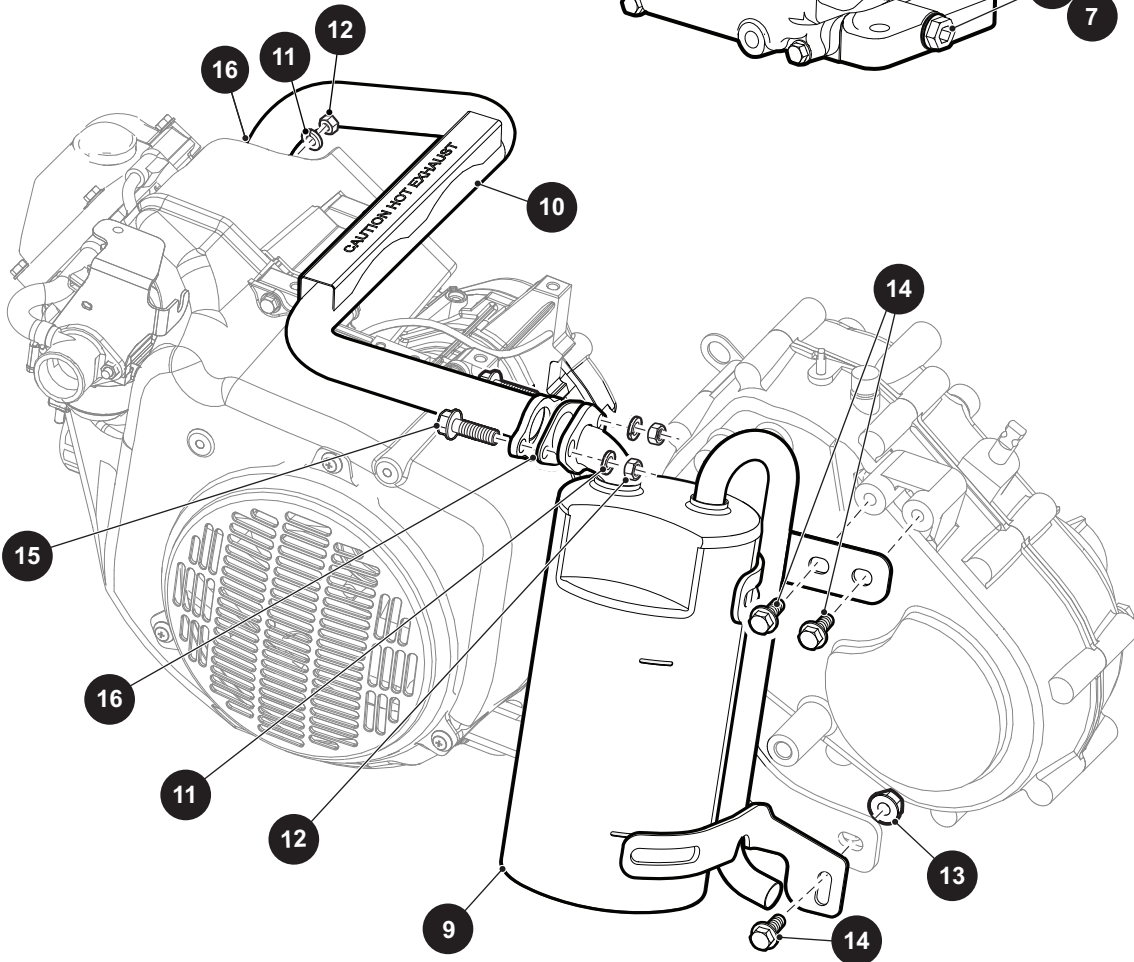
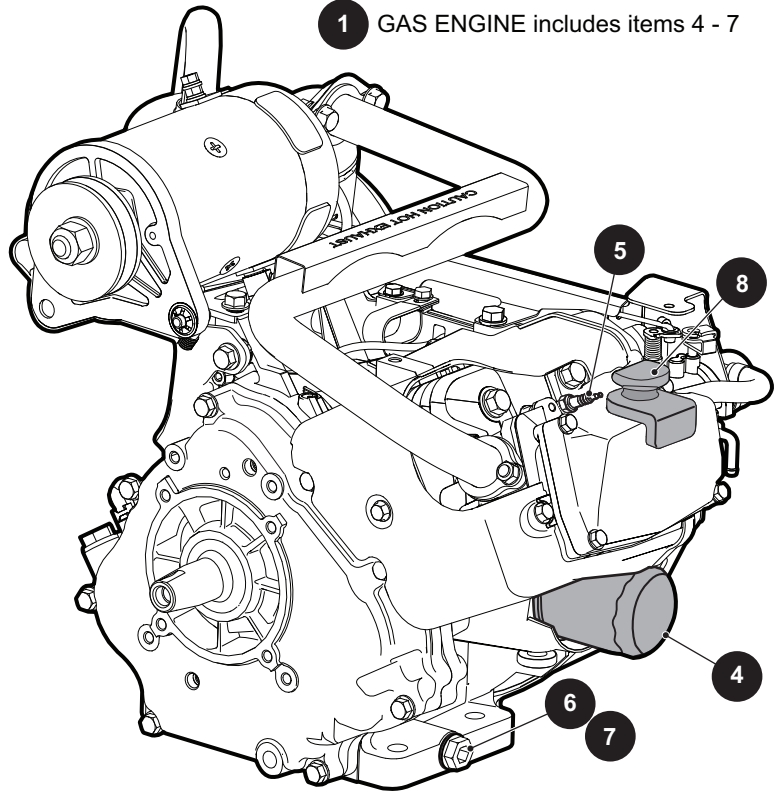
ITEM	PART NO.	1 2 3 4 5	DESCRIPTION	QTY.
29	00643G1		FLAT WASHER, 3/8"	2
30				
31	630776		ENGINE PAN MOUNT (FOR VEHICLES MANUFACTURED FROM NOVEMBER 23, 2015).....	1

ENGINE AND MUFFLER

FOR VEHICLES MANUFACTURED FROM
NOVEMBER 23, 2015



1 GAS ENGINE includes items 4 - 7



ENGINE AND MUFFLER

THE USE OF NON U.L. PARTS WILL VOID ANY U.L. LISTING.

When ordering parts, please specify the model and serial number of the product.

* Indicates a component that is not available as an individual part.

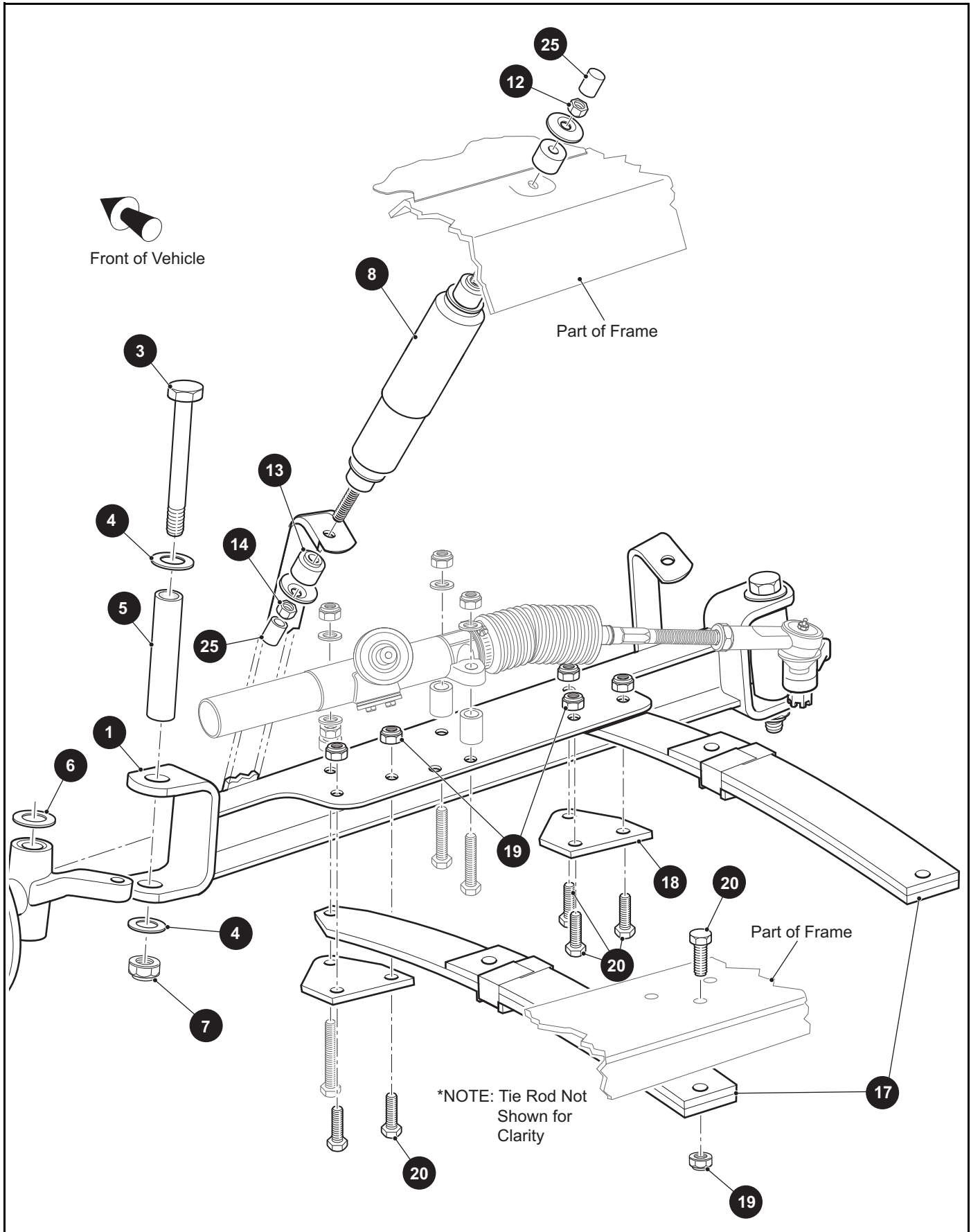
*** Indicates consult Customer Service Department for additional information.

ITEM	PART NO.	1 2 3 4 5	DESCRIPTION	QTY.
1	633740		GAS ENGINE, 13HP (INCLUDES ITEMS 4 - 7).....	1
2				
3				
4	607454		OIL FILTER.....	1
5	607462		SPARK PLUG.....	1
6	603557		OIL DRAIN PLUG.....	3
7	603562		O-RING, 16MM.....	3
8	606390		DIP STICK.....	1
9	612266		MUFFLER (FOR VEHICLES MANUFACTURED UNTIL NOVEMBER 22, 2015)	1
10	606982		EXHAUST PIPE.....	1
11	606272		LOCK WASHER, 8MM.....	4
12	606267		HEX JAM NUT, M8 X 1.25	4
13	606279		HEX NUT, M12 - 1.25.....	1
14	606256		HEX HEAD BOLT, M10 - 1.25 X 25MM LG.....	3
15	602330		HEX HEAD BOLT, M8 - 1.25 X 30MM LG.....	2
16	603599		EXHAUST GASKET.....	2
17				
18	630970		MUFFLER, KAWASAKI (FOR VEHICLES MANUFACTURED FROM NOVEMBER 23, 2015)	1

Notes:

A large grid of graph paper for taking notes, consisting of 25 columns and 25 rows of small squares.

FRONT SUSPENSION AND STEERING



FRONT SUSPENSION AND STEERING

THE USE OF NON U.L. PARTS WILL VOID ANY U.L. LISTING.

When ordering parts, please specify the model and serial number of the product.

* Indicates a component that is not available as an individual part.

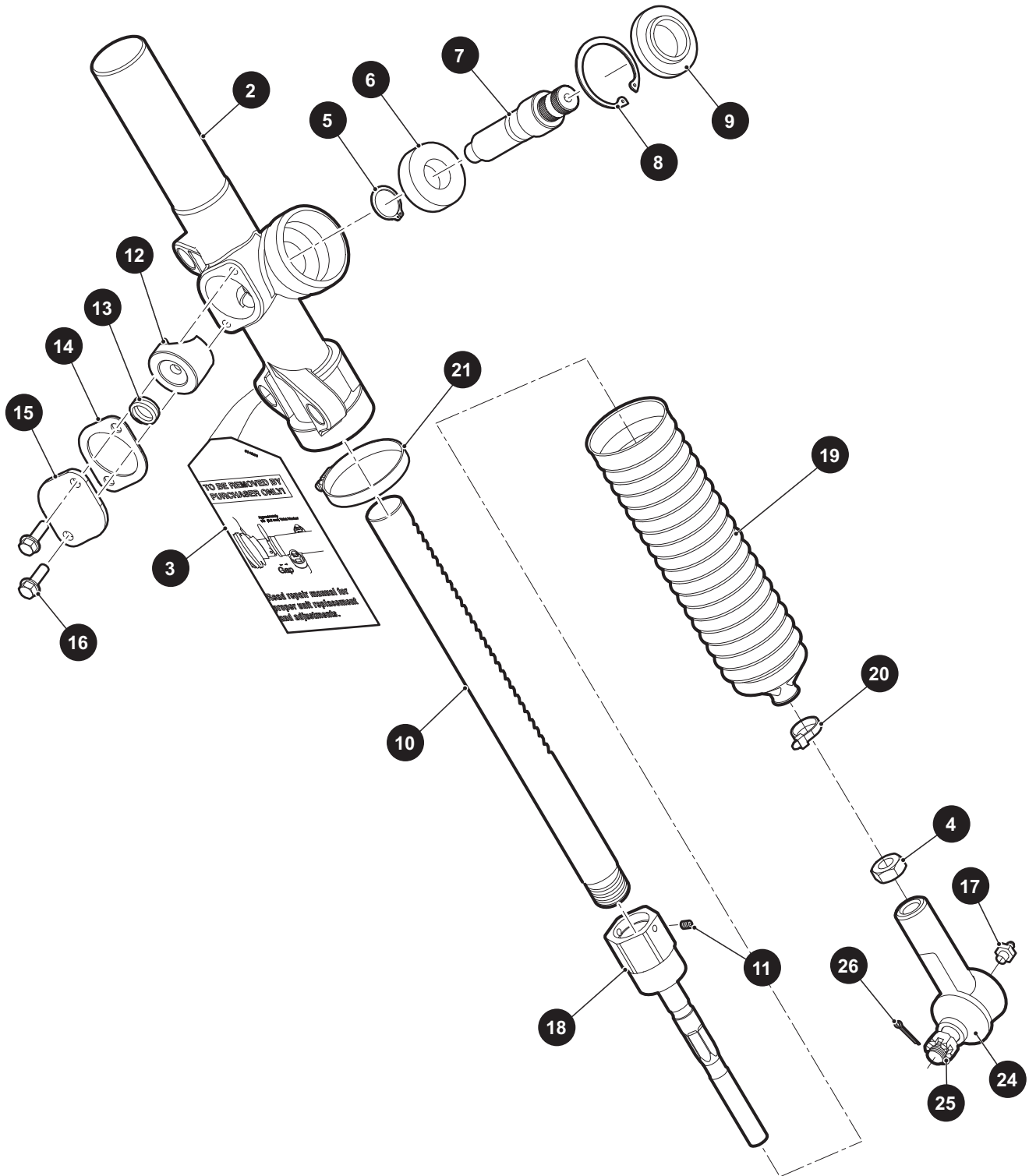
*** Indicates consult Customer Service Department for additional information.

ITEM	PART NO.	1 2 3 4 5	DESCRIPTION	QTY.
1	633753		FRONT AXLE.....	1
2				
3	00407G6		HEX HEAD BOLT, 1/2" - 13 X 6" LG	2
4	00560G3		FLAT WASHER, 1/2"	4
5	70745G01		KING PIN TUBE.....	2
6	70754G01		THRUST WASHER (SS), 1"	2
7	14390G6		LOCK NUT, 1/2" - 13.....	2
8	76419G01		SHOCK ABSORBER.....	2
9				
10				
11				
12	10435G1		SHOCK ABSORBER WASHER.....	8
13	10194G1		RUBBER BUSHING.....	8
14	00532G6		HEX NUT, 3/8" - 24	4
15				
16				
17	70664G03		LEAF SPRING (HEAVY DUTY)	2
18	652258		SPRING PLATE	2
19	00734G1		LOCK NUT, 7/16" - 14.....	11
20	00463G11		HEX HEAD BOLT, 7/16" - 14 X 1 3/4" LG	11
21				
22				
23				
24				
25	10044G01		VINYL CAP.....	4

FRONT SUSPENSION AND STEERING

1 RACK AND PINION UNIT (COMPLETE) includes items 2 - 23

23 RACK BALL JOINT includes items 24 - 25



FRONT SUSPENSION AND STEERING

THE USE OF NON U.L. PARTS WILL VOID ANY U.L. LISTING.

When ordering parts, please specify the model and serial number of the product.

* Indicates a component that is not available as an individual part.

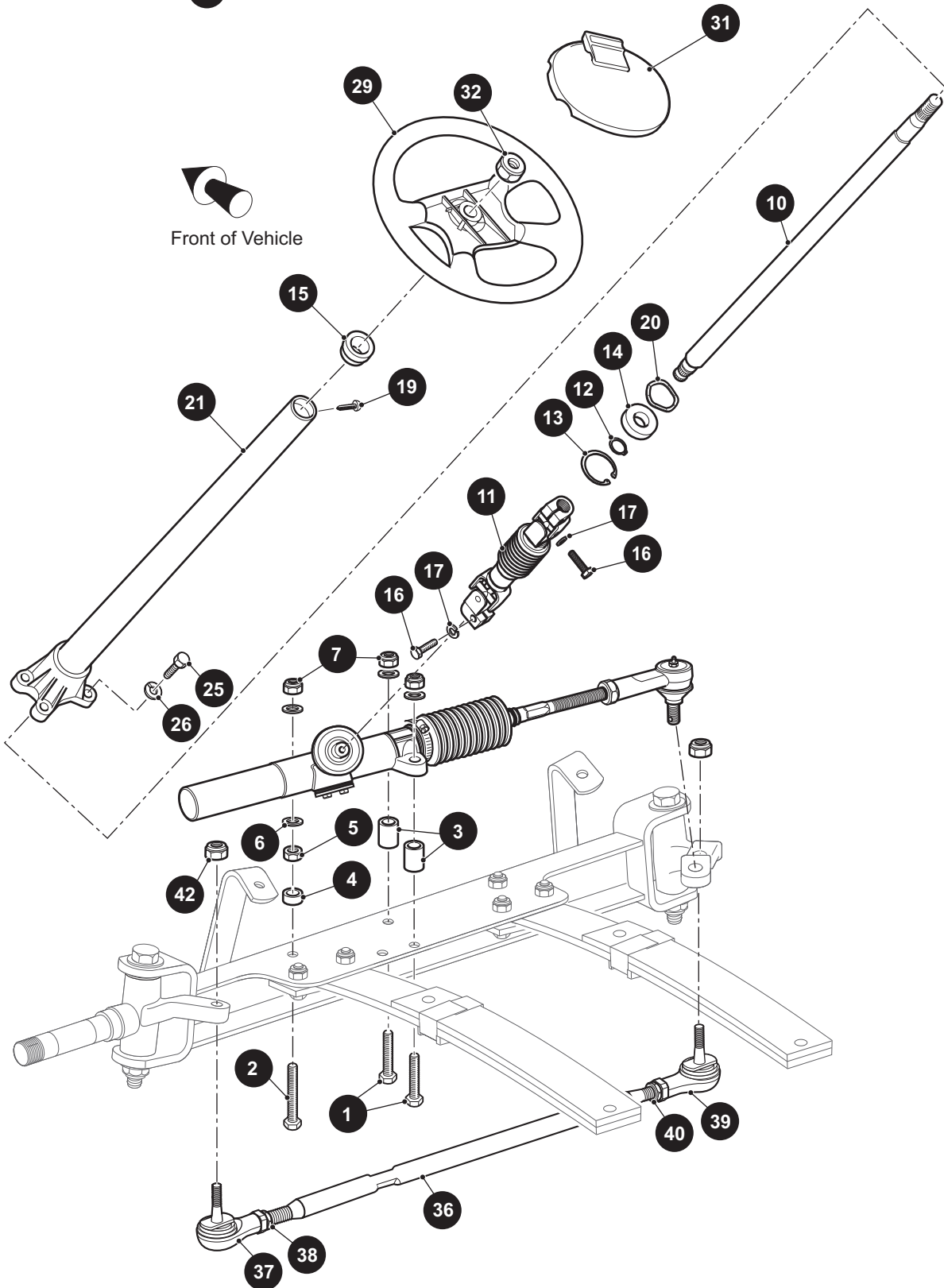
*** Indicates consult Customer Service Department for additional information.

ITEM	PART NO.	1 2 3 4 5	DESCRIPTION	QTY.
1	74605G01		RACK AND PINION UNIT (COMPLETE) (INCLUDES ITEMS 2 - 23)	1
2	70965G01		STEERING RACK COVER & BEARING	1
3	*		STEERING BOX INSTALLATION TAG	1
4	*		JAM NUT, 1/2" - 20	1
5	70750G01		RETAINING RING (EXTERNAL)	1
6	15112G1		BALL BEARING	1
7	70603G01		PINION.....	1
8	70751G01		RETAINING RING (INTERNAL)	1
9	70638G01		SEAL PINION	1
10	70604G01		RACK STEERING.....	1
11	*		SET SCREW, #10 - 32 X .25" LG	1
12	70590G01		RACK LOADER	1
13	70666G01		SPRING COMPRESSION	1
14	70645G01		GASKET (RACK LOADER)	1
15	652259		COVER (RACK LOADER)	1
16	71102G01		HEX HEAD BOLT, 1/4" - 20 X 11/16" LG	2
17	10389G3		GREASE FITTING, STRAIGHT	1
18	74602G01		ROD END (INNER).....	1
19	70961G01		RACK BOOT.....	1
20	12416G2		NYLON CLAMP, 10"	1
21	11391G8		HOSE CLAMP, 1.81".....	1
22				
23	70695G01		RACK BALL JOINT (INCLUDES ITEMS 24 - 25)	1
24	50641G1		RUBBER BOOT	1
25	50209G2		SLOTTED NUT, 7/16" - 20	1
26	10387G2		COTTER PIN, 3/32" X 1"	1

FRONT SUSPENSION AND STEERING

9 STEERING COLUMN ASSEMBLY includes items 10 - 21

35 TIE ROD ASSEMBLY includes items 36 - 40



FRONT SUSPENSION AND STEERING

THE USE OF NON U.L. PARTS WILL VOID ANY U.L. LISTING.

When ordering parts, please specify the model and serial number of the product.

* Indicates a component that is not available as an individual part.

*** Indicates consult Customer Service Department for additional information.

ITEM	PART NO.	1 2 3 4 5	DESCRIPTION	QTY.
1	00464G8		HEX HEAD BOLT, 7/16" - 14 X 2 3/4" LG	2
2	01068G01		HEX HEAD BOLT, 7/16" - 14 X 3 1/2" LG	1
3	70667G02		SPACER, 1.21" LG	2
4	70667G04		SPACER (SHORT), .69" LG.....	1
5	00532G7		HEX NUT, 7/16" - 14	1
6	00560G2		FLAT WASHER, 7/16".....	7
7	00734G1		LOCK NUT, 7/16" - 14.....	3
8				
9	70758G05		STEERING COLUMN ASSEMBLY (INCLUDES ITEMS 10 - 21)	1
10	70607G01		STEERING SHAFT.....	1
11	70580G01		INTERMEDIATE SHAFT	1
12	70888G01		RETAINING RING (EXTERNAL)	1
13	70751G01		RETAINING RING (INTERNAL)	1
14	15112G1		BALL BEARING	1
15	28569G01		BUSHING	1
16	01055G01		METRIC CAP SCREW, M8 - 1.25 X 30MM LG	2
17	00565G8		LOCK WASHER (SPRING TYPE), 5/16"	2
18				
19	01022G01		HEX HEAD BOLT, #6 - 20 X 5/16" LG	1
20	70887G01		WAVE WASHER (SS).....	1
21	70610G03		STEERING COLUMN.....	1
22				
23				
24				
25	01006G01		HEX HEAD BOLT, 3/8" - 16 X 1 1/4" LG	4
26	00879G1		LOCK WASHER, 3/8"	4
27				
28				
29	602979		STEERING WHEEL	1
30				
31	607925		SCORECARD HOLDER ASSEMBLY	1

FRONT SUSPENSION AND STEERING

THE USE OF NON U.L. PARTS WILL VOID ANY U.L. LISTING.

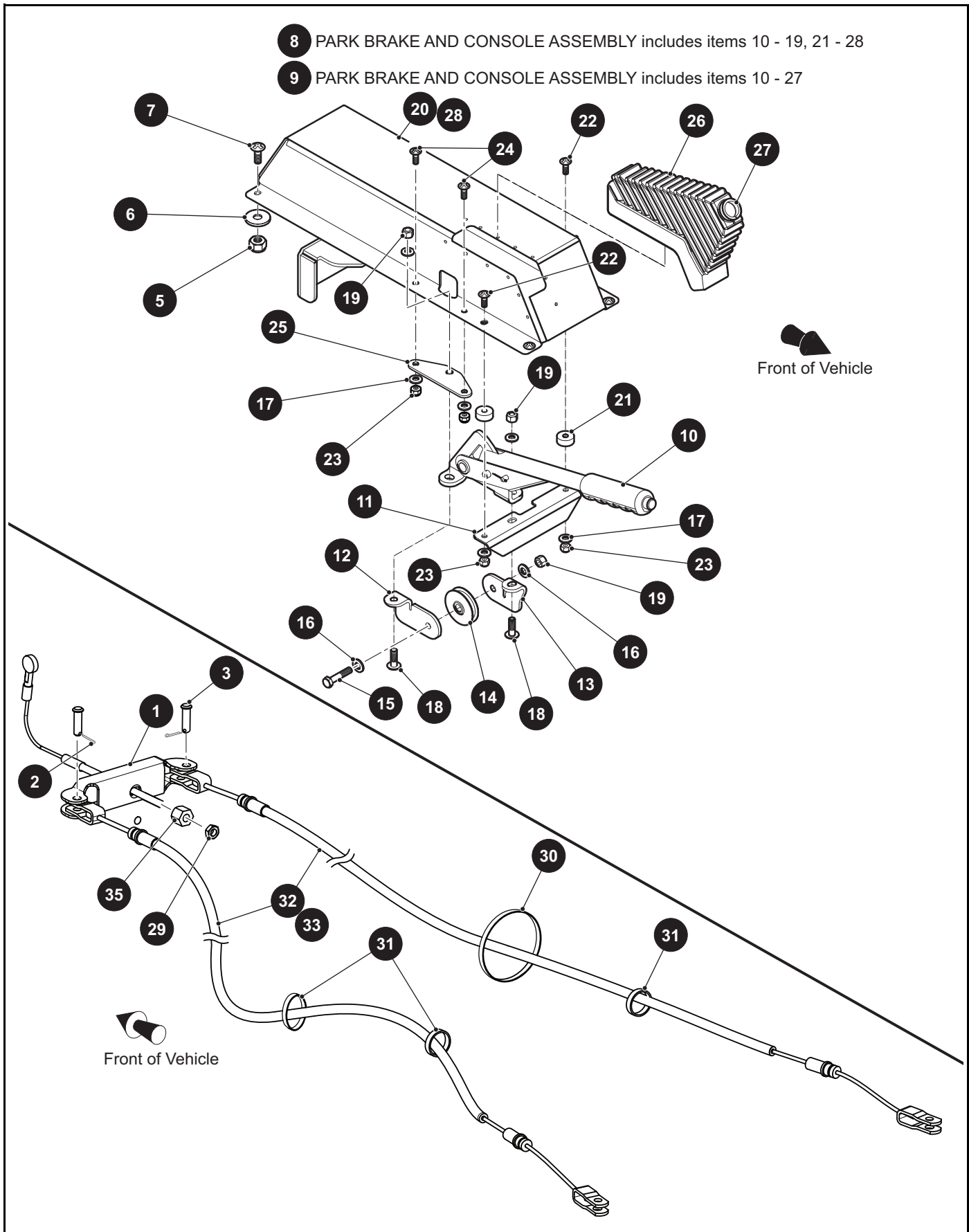
When ordering parts, please specify the model and serial number of the product.

* Indicates a component that is not available as an individual part.

*** Indicates consult Customer Service Department for additional information.

ITEM	PART NO.	1 2 3 4 5	DESCRIPTION	QTY.
32	14390G2		LOCK NUT, 5/8" - 18	1
33				
34				
35	74604G01		TIE ROD ASSEMBLY (INCLUDES ITEMS 36 - 40)	1
36	74603G01		THREADED ROD, 24"	1
37	70902G01		TIE ROD END (LEFT HAND THREADS).....	1
38	01069G01		JAM NUT, M12 X 1.25 - 05 (LEFT HAND THREADS)	1
39	70902G02		TIE ROD END (RIGHT HAND THREADS)	1
40	01069G02		JAM NUT, M12 X 1.25 - 05 (RIGHT HAND THREADS).....	1
41				
42	00734G1		LOCK NUT, 7/16" - 14	2

PARK BRAKE



PARK BRAKE

THE USE OF NON U.L. PARTS WILL VOID ANY U.L. LISTING.

When ordering parts, please specify the model and serial number of the product.

* Indicates a component that is not available as an individual part.

*** Indicates consult Customer Service Department for additional information.

ITEM	PART NO.	1 2 3 4 5	DESCRIPTION	QTY.
1	75499G01		EQUALIZER BRACKET	1
2	10387G3		COTTER PIN, .094" X .75"	2
3	14443G3		CLEVIS PIN, 1" X 2.406"	2
4	01111G01		RETAINING RING (NOT ILLUSTRATED).....	2
5	14390G4		LOCK NUT, 1/4" - 20.....	4
6	00559G7		FLAT WASHER, 1/4".....	4
7	16705G3		SCREW (SS), 1/4" - 20 X 3/4" LG.....	4
8	650984		PARK BRAKE AND CONSOLE ASSEMBLY (INCLUDES ITEMS 10 - 19, 21 - 28) (FOR VEHICLES MANUFACTURED FROM NOVEMBER 9, 2015)	1
9	609773		PARK BRAKE AND CONSOLE ASSEMBLY (INCLUDES ITEMS 10 - 27).....	1
10	75791G03		PARK BRAKE LEVER ASSEMBLY.....	1
11	75594G01		SUPPORT BRACKET	1
12	75768G01		PULLY MOUNT BRACKET (PASSENGER SIDE).....	1
13	75769G01		PULLY MOUNT BRACKET (DRIVER SIDE)	1
14	75789G01		BRAKE CABLE PULLEY	1
15	00439G4		HEX HEAD BOLT, 5/16" - 18 X 1 1/2" LG	1
16	00559G8		FLAT WASHER, 5/16".....	4
17	00559G7		FLAT WASHER, 1/4".....	4
18	00976G08		TRUSS HEAD PHILLIPS SCREW, 5/16" - 18 X 1" LG.....	2
19	11098G6		LOCK NUT, 5/16" - 18.....	3
20	609767		CONSOLE COVER WELDMENT	1
21	23726G12		SPACER	2
22	16705G1		SCREW (SS), 1/4" - 20 X 1" LG	2
23	14390G4		LOCK NUT, 1/4" - 20.....	4
24	16705G3		SCREW (SS), 1/4" - 20 X .75" LG	2
25	75773G01		SUPPORT PLATE.....	1
26	75821G01		BOOT.....	1
27	17618G1		NYLON CLAMP, 8" LG.....	1
28	650937		CONSOLE COVER WELDMENT	1
29	629486		HEX NUT, 5/16" - 24	1
30	12416G2		NYLON WEDGE LOCK CLAMP, 11.8" LG.....	1

PARK BRAKE

THE USE OF NON U.L. PARTS WILL VOID ANY U.L. LISTING.

When ordering parts, please specify the model and serial number of the product.

* Indicates a component that is not available as an individual part.

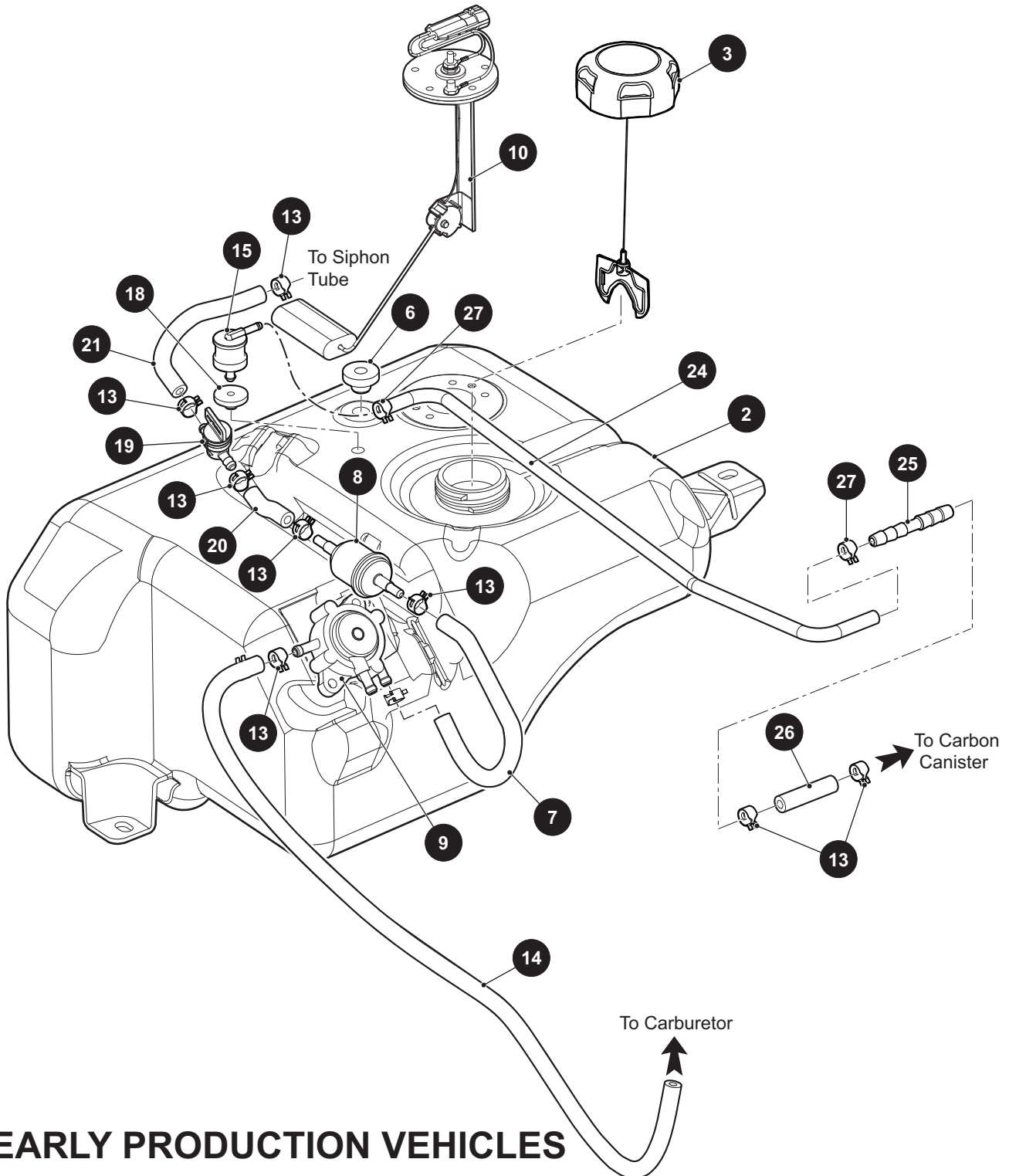
*** Indicates consult Customer Service Department for additional information.

ITEM	PART NO.	1 2 3 4 5	DESCRIPTION	QTY.
31	17618G1		NYLON CLAMP, 8" LG	3
32	620414		BRAKE CABLE.....	2
33	650954G01		BRAKE CABLE (FOR VEHICLES MANUFACTURED FROM NOV 9, 2015) .	2
34				
35	00544G4		HEX JAM NUT, 1/4" - 20.....	1

FUEL SYSTEM

FOR VEHICLES MANUFACTURED BEFORE 3RD DECEMBER 2014

1 CARB FUEL TANK ASSEMBLY includes items 2 - 27



EARLY PRODUCTION VEHICLES

FUEL SYSTEM

THE USE OF NON U.L. PARTS WILL VOID ANY U.L. LISTING.

When ordering parts, please specify the model and serial number of the product.

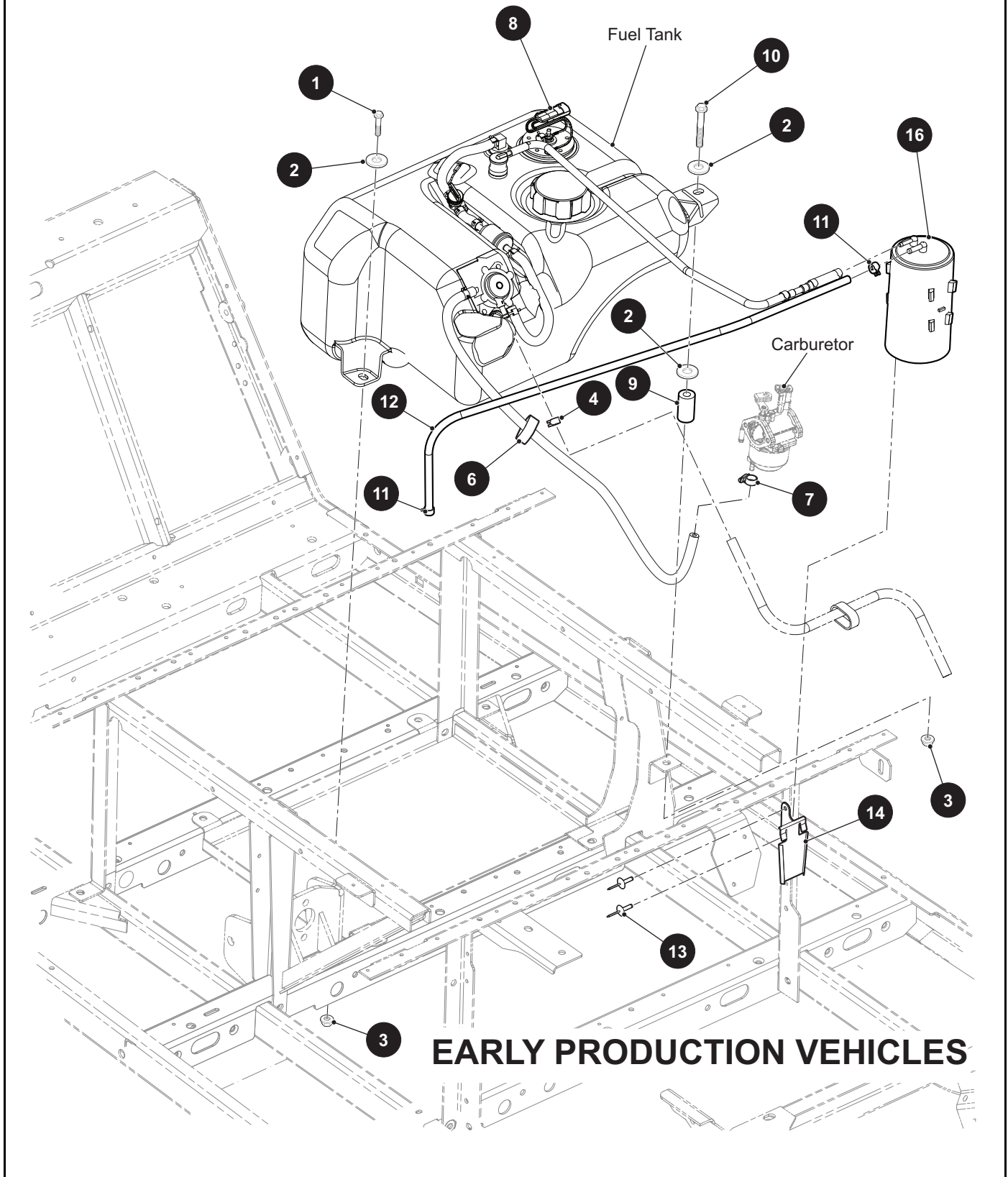
* Indicates a component that is not available as an individual part.

*** Indicates consult Customer Service Department for additional information.

ITEM	PART NO.	1 2 3 4 5	DESCRIPTION	QTY.
1	621021		CARB FUEL TANK ASSEMBLY (INCLUDES ITEMS 2 - 27)	1
2	*		FUEL TANK WITH SENDER UNIT	1
3	670898		FUEL CAP.....	1
4	635539		SIPHON TUBE (NOT ILLUSTRATED).....	1
5				
6	70988G01		GROMMET, SIPHON TUBE	1
7	615121		FUEL HOSE, 10" LG.....	1
8	72084G01		FUEL LINE FILTER.....	1
9	602061		FUEL PUMP.....	1
10	633024G01		FUEL SENDER.....	1
11				
12				
13	18292G1		TUBING CLAMP, 50" TUBE O.D.	9
14	604597		FUEL HOSE, 26" LG.....	1
15	606067		ROLLOVER VALVE	1
16				
17				
18	606068		GROMMET (ROLLOVER VALVE)	1
19	611181		SHUT-OFF VALVE	1
20	615350		FUEL HOSE, 2" LG.....	1
21	615120		FUEL HOSE, 6" LG.....	1
22				
23				
24	606966		HOSE, 3/16" I.D. X 34" LG	1
25	615346		HOSE REDUCER, 1/4" X 3/16"	1
26	615350		FUEL HOSE, 2" LG.....	1
27	606963		TUBING CLAMP, 3/16" I.D. HOSE	2
28				
29				
30				
31				

FUEL SYSTEM

FOR VEHICLES MANUFACTURED BEFORE 3RD DECEMBER 2014



THE USE OF NON U.L. PARTS WILL VOID ANY U.L. LISTING.

When ordering parts, please specify the model and serial number of the product.

* Indicates a component that is not available as an individual part.

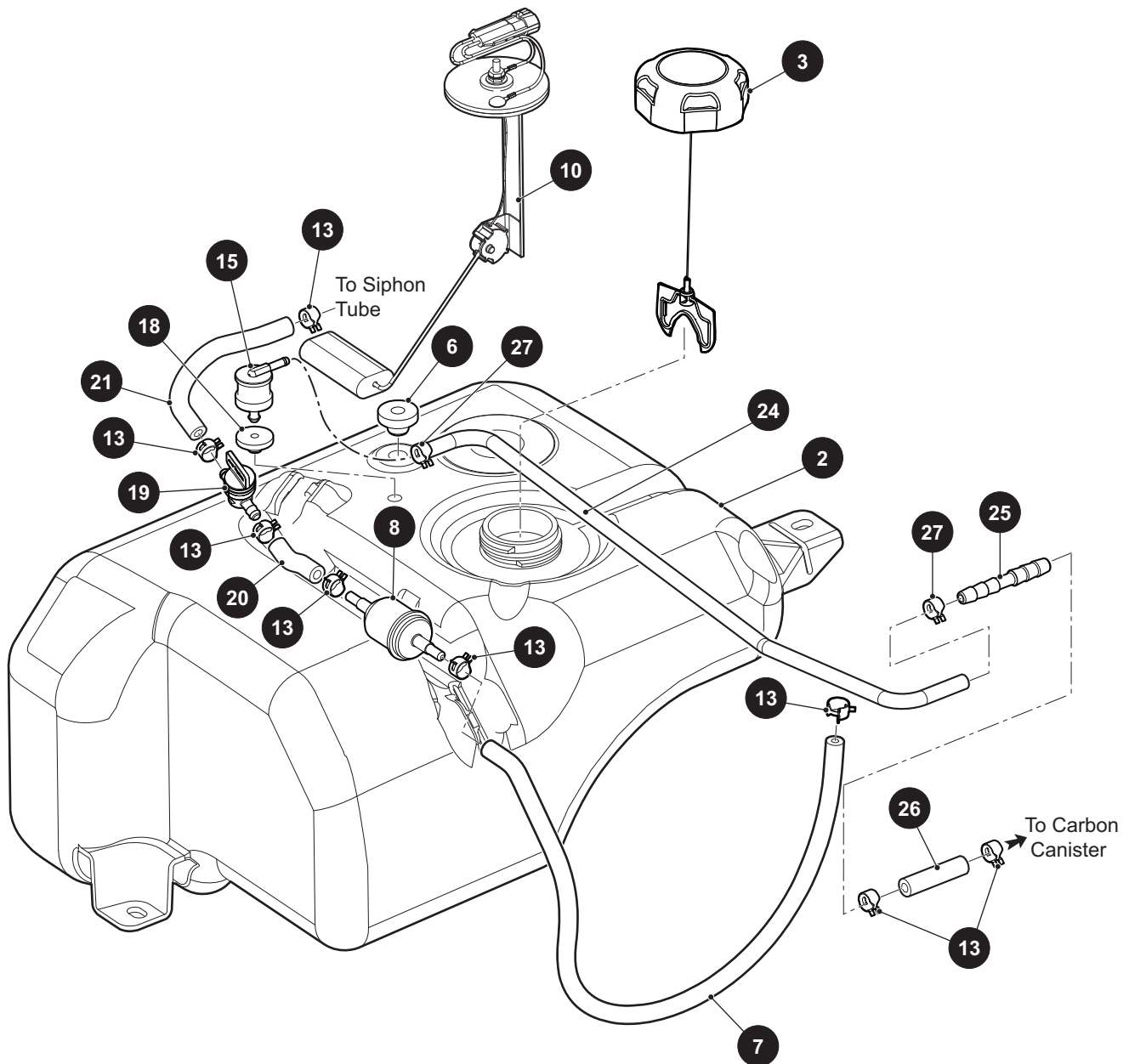
*** Indicates consult Customer Service Department for additional information.

ITEM	PART NO.	1 2 3 4 5	DESCRIPTION	QTY.
1	00438G7		HEX HEAD BOLT, 5/16" - 18 X 5/8" LG	1
2	604066		FLAT WASHER, M10	3
3	11027G1		FLANGED LOCK NUT, 5/16" - 18.....	2
4	18292G1		TUBING CLAMP, .50" TUBE O.D.	1
5				
6	17618G1		NYLON CLAMP	1
7	11391G4		HOSE CLAMP, .25"	1
8	612347		FUEL LEVEL SENDER	1
9	72016G01		TUBE SPACER	1
10	00440G2		HEX HEAD BOLT, 5/16" - 18 X 2 1/4" LG	1
11	606963		TUBING CLAMP, 3/16" I.D. HOSE.....	2
12	606966		HOSE, 3/16" I.D., 34" LG	1
13	10570G11		RIVET (SS), 3/16" X .70"	2
14	606310		BRACKET (CHARCOAL CANISTER).....	1
15				
16	606071		CARBON CANISTER.....	1

FUEL SYSTEM

FOR VEHICLES MANUFACTURED FROM 3RD DECEMBER 2014

1 CARB FUEL TANK ASSEMBLY includes items 2 - 27



EARLY PRODUCTION VEHICLES

FUEL SYSTEM

THE USE OF NON U.L. PARTS WILL VOID ANY U.L. LISTING.

When ordering parts, please specify the model and serial number of the product.

* Indicates a component that is not available as an individual part.

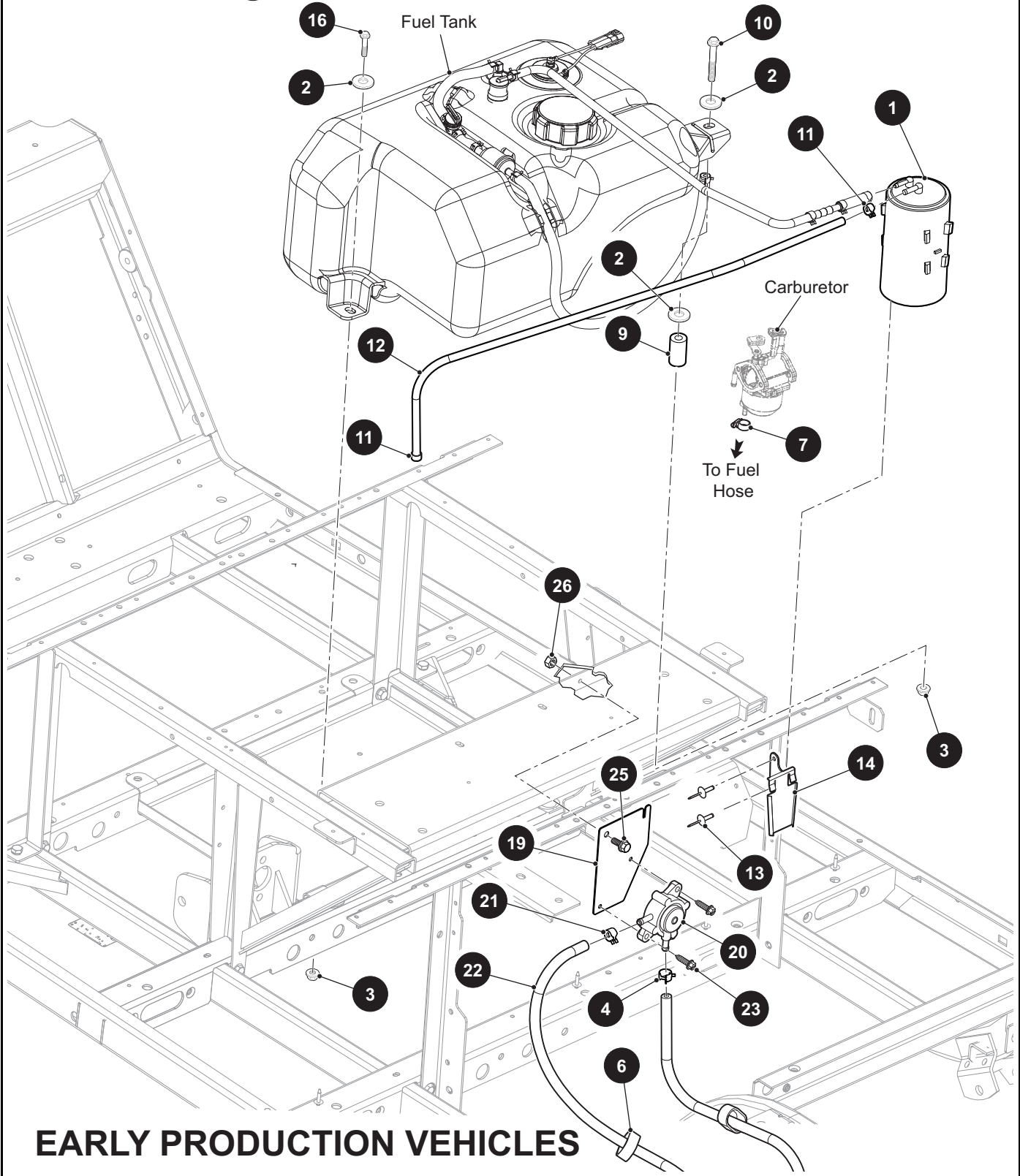
*** Indicates consult Customer Service Department for additional information.

ITEM	PART NO.	1 2 3 4 5	DESCRIPTION	QTY.
1	621021		CARB FUEL TANK ASSEMBLY (INCLUDES ITEMS 2 - 27)	1
2	*		FUEL TANK.....	1
3	670898		FUEL CAP.....	1
4	635539		SIPHON TUBE (NOT ILLUSTRATED).....	1
5				
6	70988G01		GROMMET, SIPHON TUBE	1
7	642954		FUEL HOSE, 22" LG.....	1
8	72084G01		FUEL LINE FILTER.....	1
9				
10	633024G04		FUEL SENDER.....	1
11				
12				
13	18292G1		TUBING CLAMP, 50" TUBE O.D.	8
14				
15	606067		ROLLOVER VALVE	1
16				
17				
18	606068		GROMMET (ROLLOVER VALVE)	1
19	611181		SHUT-OFF VALVE	1
20	615350		FUEL HOSE, 2" LG.....	1
21	615120		FUEL HOSE, 6" LG.....	1
22				
23				
24	606966		HOSE, 3/16" I.D. X 34" LG	1
25	615346		HOSE REDUCER, 1/4" X 3/16"	1
26	615350		FUEL HOSE, 2" LG.....	1
27	606963		TUBING CLAMP, 3/16" I.D. HOSE	2

FUEL SYSTEM

FOR VEHICLES MANUFACTURED FROM 3RD DECEMBER 2014

18 FUEL PUMP AND BRACKET ASSEMBLY includes items 19 - 23



EARLY PRODUCTION VEHICLES

FUEL SYSTEM

THE USE OF NON U.L. PARTS WILL VOID ANY U.L. LISTING.

When ordering parts, please specify the model and serial number of the product.

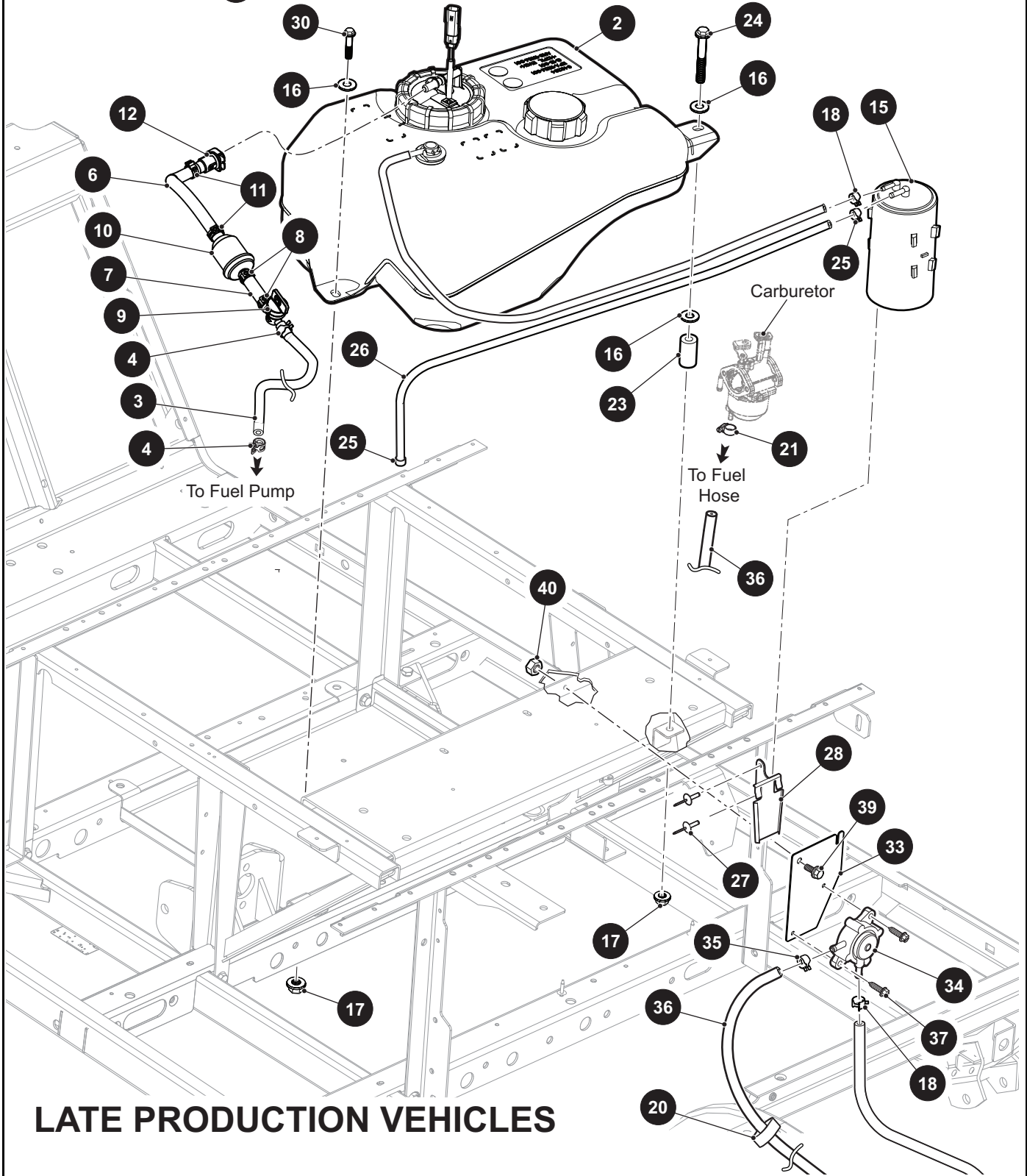
* Indicates a component that is not available as an individual part.

*** Indicates consult Customer Service Department for additional information.

ITEM	PART NO.	1 2 3 4 5	DESCRIPTION	QTY.
1	606071		CARBON CANISTER.....	1
2	604066		FLAT WASHER, M10	3
3	11027G1		FLANGED LOCK NUT, 5/16" - 18.....	2
4	18292G1		TUBING CLAMP, .50" TUBE O.D.	1
5				
6	17618G1		NYLON CLAMP	1
7	11391G4		HOSE CLAMP, .25"	1
8				
9	72016G01		TUBE SPACER	1
10	00440G2		HEX HEAD BOLT, 5/16" - 18 X 2 1/4" LG	1
11	606963		TUBING CLAMP, 3/16" I.D. HOSE.....	2
12	606966		HOSE, 3/16" I.D., 34" LG	1
13	10570G11		RIVET (SS), 3/16" X .70"	2
14	606310		BRACKET (CHARCOAL CANISTER).....	1
15				
16	00438G7		HEX HEAD BOLT, 5/16" - 18 X 5/8" LG	1
17				
18	642938		FUEL PUMP AND BRACKET ASSEMBLY (INCLUDES ITEMS 19 - 23).....	1
19	642937		BRACKET	1
20	602061		FUEL PUMP.....	1
21	18292G1		TUBING CLAMP	1
22	604597		FUEL HOSE, 26" LG.....	1
23	00114G6		HEX WASHER HEAD TAPPING SCREW, 1/4" - 10 X 3/4" LG	2
24				
25	13437G9		FLANGED HEX HEAD BOLT, 1/4" - 20 X 3/4" LG	1
26	00550G1		HEX LOCK NUT, 1/4" - 20.....	1

FUEL SYSTEM

- 1 FUEL TANK ASSEMBLY (WITH SENDING UNIT) includes items 2 - 5
- 5 FUEL LINE ASSEMBLY includes items 6 - 12
- 32 FUEL PUMP AND BRACKET ASSEMBLY includes items 33 - 37



LATE PRODUCTION VEHICLES

FUEL SYSTEM

THE USE OF NON U.L. PARTS WILL VOID ANY U.L. LISTING.

When ordering parts, please specify the model and serial number of the product.

* Indicates a component that is not available as an individual part.

*** Indicates consult Customer Service Department for additional information.

ITEM	PART NO.	1 2 3 4 5	DESCRIPTION	QTY.
1	613191		FUEL TANK ASSEMBLY (WITH SENDING UNIT) (INCLUDES ITEMS 2 -5).	1
2	656161		FUEL TANK (WITH SENDING UNIT)	1
3	27184G14		FUEL TUBE, .25" I.D. X .5" O.D. X 13" LG	1
4	18292G1		HOSE CLAMP, .46" DIA.....	2
5	650543		FUEL LINE ASSEMBLY (INCLUDES ITEMS 6 - 12)	1
6	649570		FUEL HOSE, .312 I.D. X .562 O.D. X 9" LG	1
7	615350		FUEL HOSE, 2" LG	1
8	649873		HOSE CLAMP, 1/2" O.D.	2
9	611181		SHUT-OFF VALVE	1
10	72084G01		FUEL FILTER	1
11	649874		HOSE CLAMP, 9/16" O.D.	2
12	650797		FUEL QUICK CONNECT (STRAIGHT)	1
13				
14				
15	606071		CARBON CANISTER.....	1
16	604066		FLAT WASHER, M10	3
17	11027G1		FLANGED LOCK NUT, 5/16" - 18.....	2
18	18292G1		TUBING CLAMP, .50" TUBE O.D.	2
19				
20	17618G1		NYLON CLAMP	1
21	11391G4		HOSE CLAMP, .25"	1
22				
23	72016G01		TUBE SPACER	1
24	00440G2		HEX HEAD BOLT, 5/16" - 18 X 2 1/4" LG	1
25	606963		TUBING CLAMP, 3/16" I.D. HOSE.....	2
26	606966		HOSE, 3/16" I.D., 34" LG	1
27	10570G11		RIVET (SS), 3/16" X .70"	2
28	606310		BRACKET (CHARCOAL CANISTER).....	1
29				
30	00438G7		HEX HEAD BOLT, 5/16" - 18 X 5/8" LG	1
31				

FUEL SYSTEM

THE USE OF NON U.L. PARTS WILL VOID ANY U.L. LISTING.

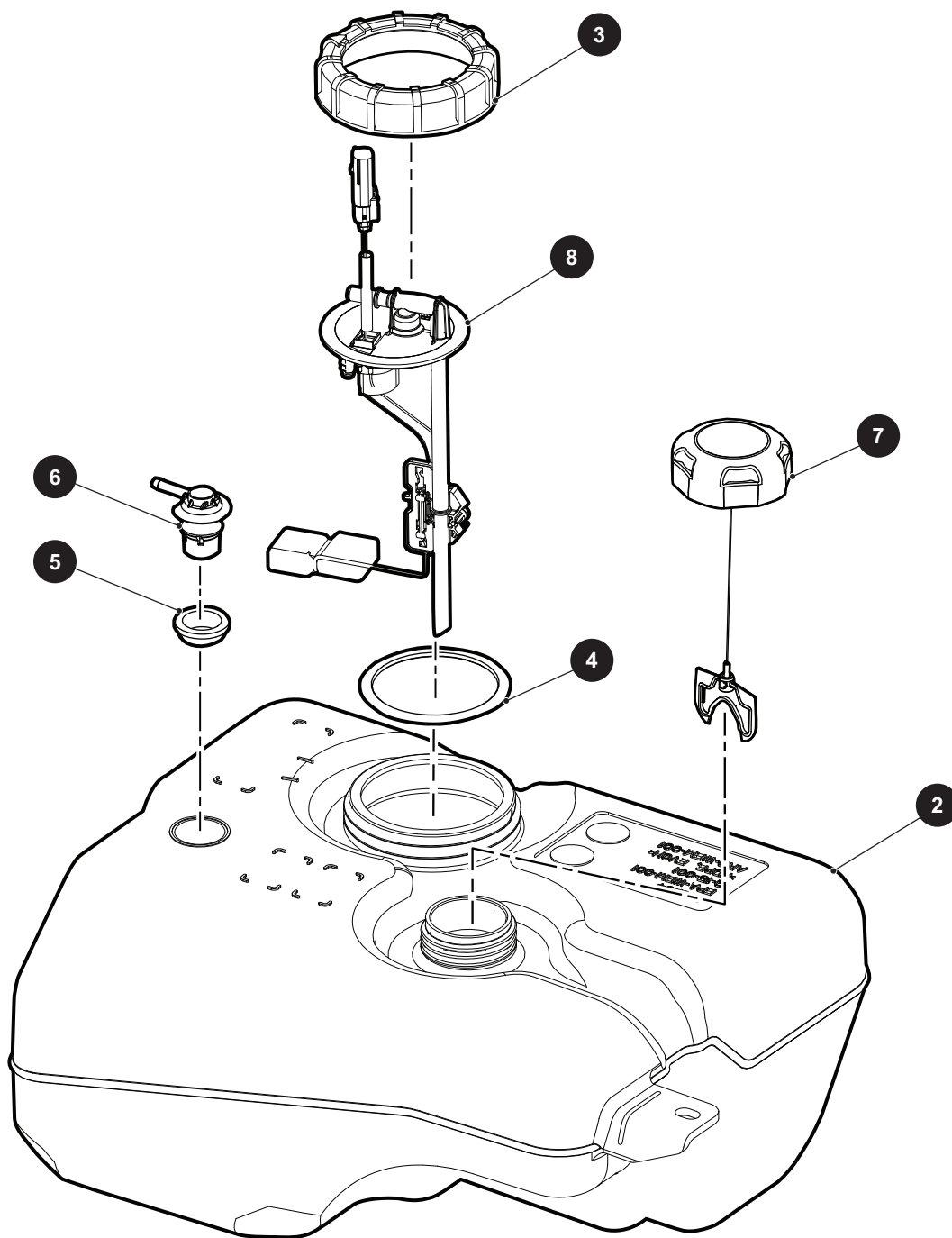
When ordering parts, please specify the model and serial number of the product.

* Indicates a component that is not available as an individual part.

*** Indicates consult Customer Service Department for additional information.

ITEM	PART NO.	1	2	3	4	5	DESCRIPTION	QTY.
32	642938						FUEL PUMP AND BRACKET ASSEMBLY (INCLUDES ITEMS 33 - 37)	1
33	642937						BRACKET	1
34	602061						FUEL PUMP	1
35	18292G1						TUBING CLAMP	1
36	604597						FUEL HOSE, 26" LG	1
37	00114G6						HEX WASHER HEAD TAPPING SCREW, 1/4" - 10 X 3/4" LG	2
38								
39	13437G9						FLANGED HEX HEAD BOLT, 1/4" - 20 X 3/4" LG	1
40	00550G1						HEX LOCK NUT, 1/4" - 20	1

1 FUEL TANK (WITH SENDING UNIT) includes items 2 - 8




Front of Vehicle

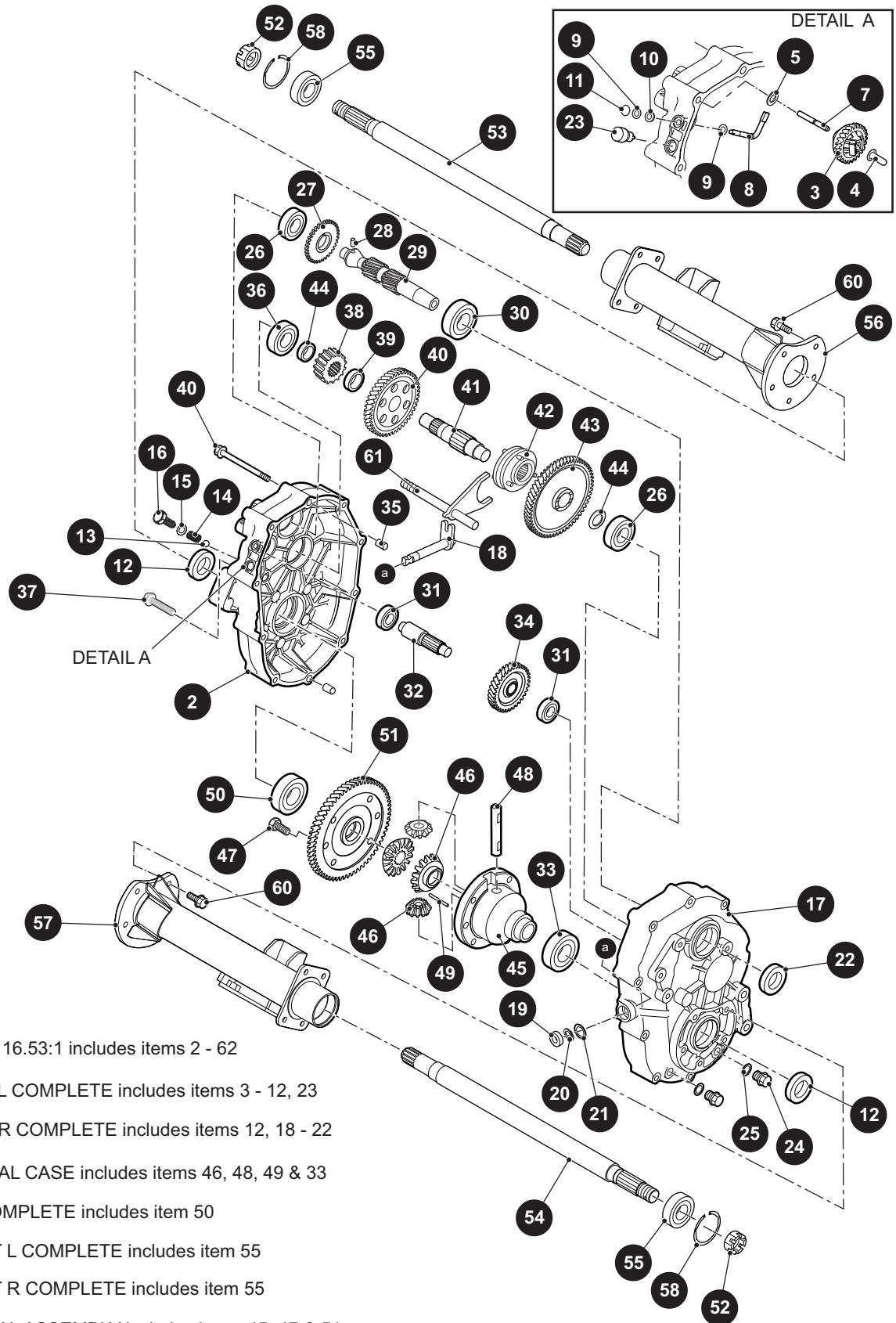
LATE PRODUCTION VEHICLES

FUEL SYSTEM

THE USE OF NON U.L. PARTS WILL VOID ANY U.L. LISTING.
 When ordering parts, please specify the model and serial number of the product.
 * Indicates a component that is not available as an individual part.
 *** Indicates consult Customer Service Department for additional information.

ITEM	PART NO.	1 2 3 4 5	DESCRIPTION	QTY.
1	656161		FUEL TANK (WITH SENDING UNIT) (INCLUDES ITEMS 2 - 8).....	1
2	646284		FUEL TANK.....	1
3	646837		MASON JAR CAP.....	1
4	646838		MASON JAR SEAL.....	1
5	647810		ROLLOVER VALVE GROMMET.....	1
6	647809		ROLLOVER VALVE	1
7	670898		FUEL TANK CAP (RATCHET)	1
8	656156		FUEL PICKUP WITH SENDER ASSEMBLY	1

REAR AXLE



- 1 REAR AXLE, 16.53:1 includes items 2 - 62
- 2 AXLE CASE L COMPLETE includes items 3 - 12, 23
- 17 AXLE CASE R COMPLETE includes items 12, 18 - 22
- 45 DIFFERENTIAL CASE includes items 46, 48, 49 & 33
- 51 GEAR, 60 COMPLETE includes item 50
- 53 AXLE SHAFT L COMPLETE includes item 55
- 54 AXLE SHAFT R COMPLETE includes item 55
- 62 DIFFERENTIAL ASSEMBLY includes items 45, 47 & 51

THE USE OF NON U.L. PARTS WILL VOID ANY U.L. LISTING.

When ordering parts, please specify the model and serial number of the product.

* Indicates a component that is not available as an individual part.

*** Indicates consult Customer Service Department for additional information.

ITEM	PART NO.	1 2 3 4 5	DESCRIPTION	QTY.
1	670469		REAR AXLE, 16.53:1 (INCLUDES ITEMS 2 - 62)	1
2	645042		AXLE CASE L COMPLETE (INCLUDES ITEMS 3 - 12, 23)	1
3	665887		GOVERNOR GEAR	1
4	639689		GOVERNOR SLEEVE	1
5	607904		FLAT WASHER	1
6				
7	639698		GOVERNOR GEAR SHAFT	1
8	639707		GOVERNOR SHAFT	1
9	639736		FLAT WASHER, 6MM	2
10	607911		OIL SEAL, 6 X 10 X 2.5 MM	1
11	607913		RETAINING RING E5	1
12	639738		OIL SEAL, 24 X 40 X 9MM	2
13	26818G01		STEEL BALL	1
14	26819G01		SPRING	1
15	26831G01		GASKET, 10	1
16	26820G01		FLANGED HEX HEAD BOLT, M10 X 1.25 X 12 MM LG	1
17	645045		AXLE CASE R COMPLETE (INCLUDES ITEMS 12, 18 - 22)	1
18	639746		SELECT SHAFT	1
19	607915		OIL SEAL, 13 X 22 X 5MM	1
20	607916		SNAP RING, 13MM	1
21	607917		SPACER, 13 X 1MM	1
22	640093		OIL SEAL, 28 X 47 X 9MM	1
23	607919		AIR BREATHER	1
24	639747		OIL DRAIN PLUG	2
25	639748		GASKET, 14MM	2
26	645049		BALL BEARING (6204)	2
27	665888		GOVERNOR GEAR, 34	1
28	607920		PIN, 6 x 12L	1
29	644532		INPUT SHAFT	1
30	645052		BALL BEARING (62/28)	1
31	639868		BALL BEARING (TMB202)	2

REAR AXLE

THE USE OF NON U.L. PARTS WILL VOID ANY U.L. LISTING.

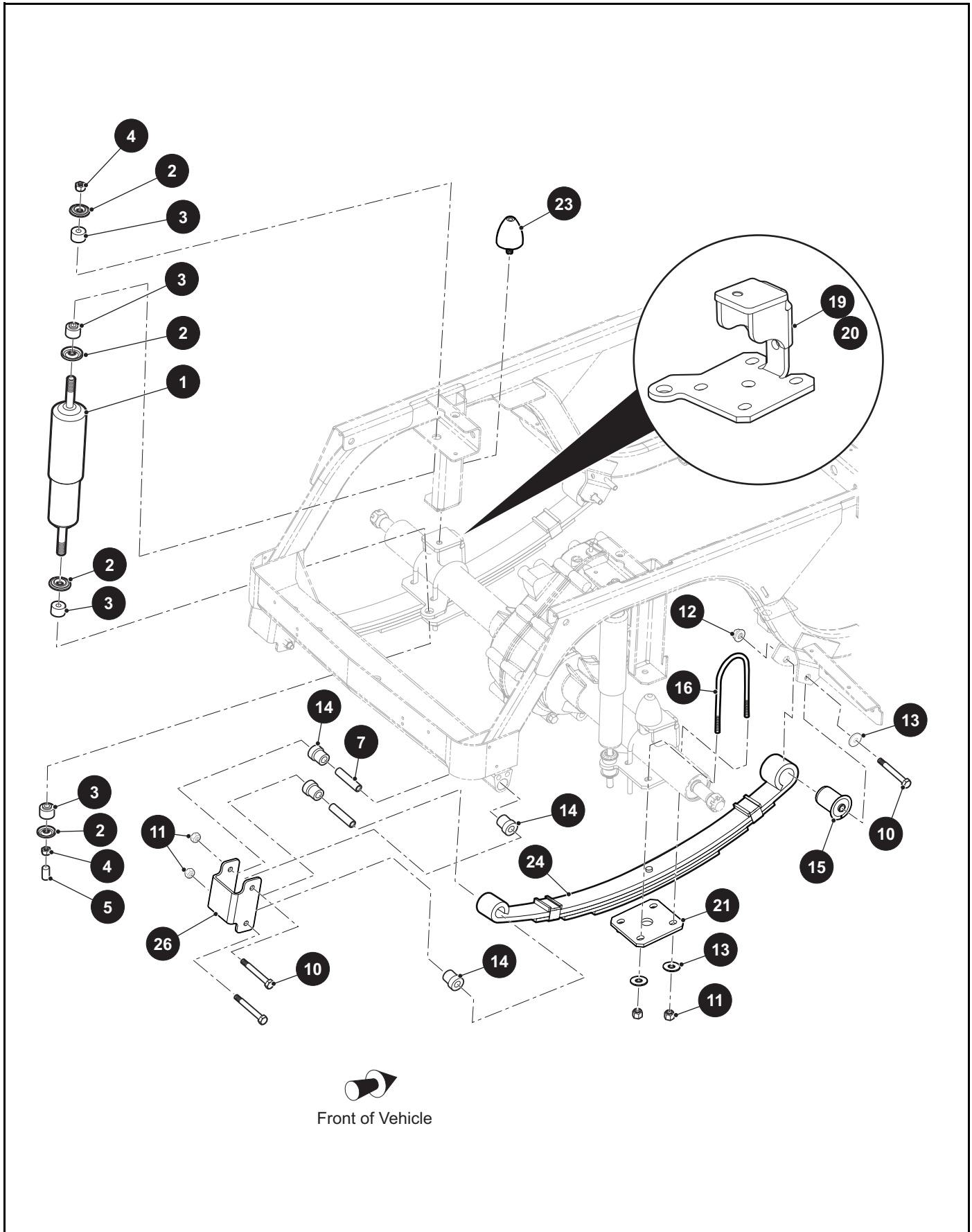
When ordering parts, please specify the model and serial number of the product.

* Indicates a component that is not available as an individual part.

*** Indicates consult Customer Service Department for additional information.

ITEM	PART NO.	1	2	3	4	5	DESCRIPTION	QTY.
32	645053						COUNTER SHAFT.....	1
33	640744						BALL BEARING (6006).....	1
34	644530						GEAR, 34.....	1
35	639869						KNOCK PIPE.....	2
36	645059						BALL BEARING (6304).....	2
37	639768						FLANGED HEX HEAD BOLT, M8 - 1.25 X 40MM LG.....	1
38	644536						GEAR, 17.....	1
39	28689G01						COLLAR, 24 X 7.5MM.....	1
40	644541						GEAR, 48.....	1
41	670697						CENTER SHAFT.....	1
42	639774						CLUTCH PIN.....	1
43	670696						GEAR, 61.....	1
44	639797						SPACER, 20 X 2MM.....	2
45	639872						DIFFERENTIAL CASE (INCLUDES ITEMS 46, 48, 49 & 33).....	1
46	639800						DIFFERENTIAL PAIR GEAR.....	1
47	26808G01						HEX HEAD BOLT, M10 X 1.25 X 26 MM LG.....	6
48	28723G01						DIFFERENTIAL SHAFT.....	1
49	28697G01						SPRING PIN, 4 X 40L.....	1
50	645061						BALL BEARING (6007).....	1
51	644542						GEAR, 60 COMPLETE (INCLUDES ITEM 50).	1
52	607938						CASTLED NUT, M22 - 1.5.....	2
53	639876						AXLE SHAFT L COMPLETE (INCLUDES ITEM 55).....	1
54	639881						AXLE SHAFT R COMPLETE (INCLUDES ITEM 55).....	1
55	639836						BALL BEARING (6205DD).....	2
56	607939						AXLE CASE L COMPLETE.....	1
57	607940						AXLE CASE R COMPLETE.....	1
58	26814G01						SNAP RING, 52MM.....	2
59	639839						FLANGED HEX HEAD BOLT, M8 X 1.25 X 60MM LG.....	9
60	639840						FLANGED HEX HEAD BOLT, M10 X 1.25 X 25MM LG.....	10
61	645063						SHIFT SHAFT COMPLETE.....	1
62	639847						DIFFERENTIAL ASSEMBLY (INCLUDES ITEMS 45, 47 & 51).....	1

REAR SUSPENSION



REAR SUSPENSION

THE USE OF NON U.L. PARTS WILL VOID ANY U.L. LISTING.

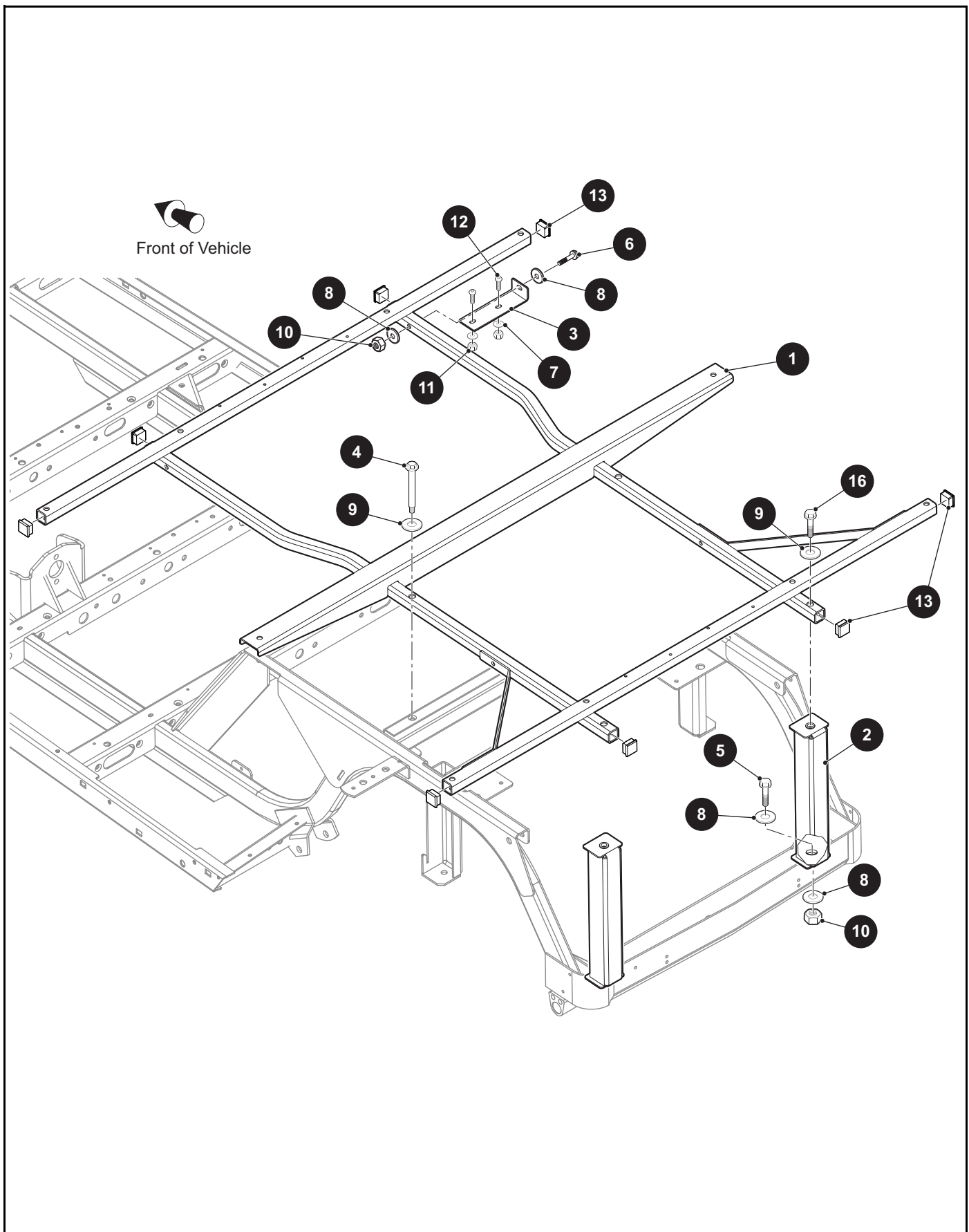
When ordering parts, please specify the model and serial number of the product.

* Indicates a component that is not available as an individual part.

*** Indicates consult Customer Service Department for additional information.

ITEM	PART NO.	1 2 3 4 5	DESCRIPTION	QTY.
1	642085		SHOCK ABSORBER.....	2
2	10435G1		SHOCK ABSORBER WASHER.....	8
3	10194G1		RUBBER BUSHING.....	8
4	00532G6		HEX NUT, 3/8" - 24.....	4
5	10044G01		VINYL CAP.....	2
6				
7	70289G02		SPLIT SPACER (STEEL).....	4
8				
9				
10	00665G9		HEX HEAD BOLT, 3/8" - 16 X 1" LG.....	6
11	11098G5		LOCK NUT, 3/8" - 16.....	12
12	12262G1		FLANGED LOCK NUT, 3/8" - 16.....	2
13	00643G1		FLAT WASHER, 3/8".....	10
14	624030		FLANGED BUSHING.....	8
15	605445		FRONT SPRING BUSHING.....	2
16	32195G3		U-BOLT, 3/8" - 16 X 5" X 2.875" X 2".....	4
17				
18				
19	652400		AXLE BRACKET (DRIVER SIDE).....	1
20	652402		AXLE BRACKET (PASSENGER SIDE).....	1
21	652246		SUSPENSION PLATE.....	2
22				
23	70492G01		RUBBER BUMPER.....	2
24	635172		LEAF SPRING.....	2
25				
26	652252G03		SHACKLE BRACKET.....	2
27				

REFRESHER UNIT



REFRESHER UNIT

THE USE OF NON U.L. PARTS WILL VOID ANY U.L. LISTING.

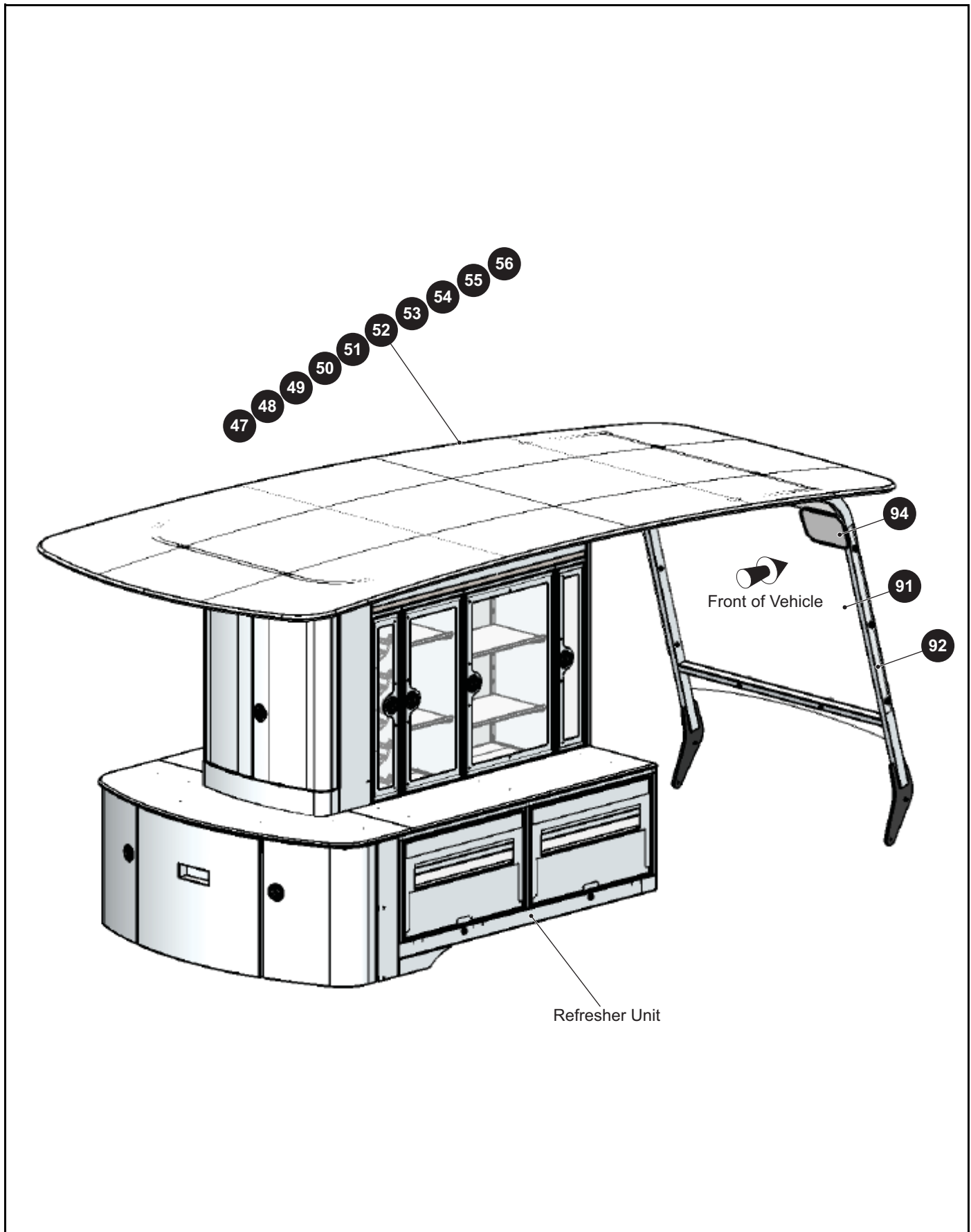
When ordering parts, please specify the model and serial number of the product.

* Indicates a component that is not available as an individual part.

*** Indicates consult Customer Service Department for additional information.

ITEM	PART NO.	1 2 3 4 5	DESCRIPTION	QTY.
1	632963		BED FRAME, REFRESHER WELDMENT	1
2	635116		REAR BRACKET, BED ASSEMBLY	2
3	72983G01		FRONT TAB	2
4	01075G01		HEX WASHER HEAD BOLT, 3/8" - 16 X 2 1/2" LG	2
5	00439G1		HEX HEAD BOLT, 5/16" - 18 X 1 1/8" LG	2
6	00439G8		HEX HEAD BOLT, 5/16" - 18 X 2" LG	2
7	00559G7		FLAT WASHER, 1/4"	4
8	00559G8		FLAT WASHER, 5/16"	8
9	00571G3		FLAT WASHER, 3/8"	4
10	11098G6		LOCK NUT, 5/16" - 18	4
11	00654G2		LOCK NUT (SS), 1/4" - 20	4
12	16705G3		SCREW (SS), 1/4" - 20 X 3/4" LG	4
13	19853G1		TUBE CAP, 1" SQ	8
14				
15				
16	00427G8		HEX HEAD BOLT, 3/8" - 16 X 2" LG	2

REFRESHER UNIT



REFRESHER UNIT

THE USE OF NON U.L. PARTS WILL VOID ANY U.L. LISTING.

When ordering parts, please specify the model and serial number of the product.

* Indicates a component that is not available as an individual part.

*** Indicates consult Customer Service Department for additional information.

ITEM	PART NO.	1 2 3 4 5	DESCRIPTION	QTY.
ITEMS 1 - 11, 13 - 22, 24 - 64, 66 - 161 NOT SHOWN				
1	634418		6" SNACK MODULE WITH HOOKS KIT (PEBBLE PLATINUM)	1
2	634446		6" SNACK MODULE WITH HOOKS KIT (DESERT STONE)	1
3	634419		12" SNACK MODULE WITH HOOKS KIT (PEBBLE PLATINUM)	1
4	634447		12" SNACK MODULE WITH HOOKS KIT (DESERT STONE)	1
5	634420		6" CUP HOLDER MODULE (PEBBLE PLATINUM).....	1
6	634448		6" CUP HOLDER MODULE (DESERT STONE).....	1
7	634421		12" STD MODULE WITH 4 ADJUSTABLE SHELVES (PEBBLE PLATINUM)	1
8	634449		12" STD MODULE WITH 4 ADJUSTABLE SHELVES (DESERT STONE).....	1
9	634422		18" STD MODULE WITH 4 ADJUSTABLE SHELVES (PEBBLE PLATINUM)	1
10	634450		18" STD MODULE W/4 ADJUSTABLE SHELVES (DESERT STONE).....	1
11	634139		MINI TRAY SET, 3 PACK	1
12				
13	634140		12" SINGLE AIRPOT HOLDER, 2 PACK (POLAR WHITE).....	1
14	634451		12" SINGLE AIRPOT HOLDER, 2 PACK (GREEN).....	1
15	634452		12" SINGLE AIRPOT HOLDER, 2 PACK (BLUE)	1
16	634453		12" SINGLE AIRPOT HOLDER, 2 PACK (YELLOW).....	1
17	634454		12" SINGLE AIRPOT HOLDER, 2 PACK (RED)	1
18	634145		18" DUAL AIRPOT HOLDER (POLAR WHITE)	1
19	634455		18" DUAL AIRPOT HOLDER (GREEN)	1
20	634456		18" DUAL AIRPOT HOLDER (BLUE)	1
21	634457		18" DUAL AIRPOT HOLDER (YELLOW).....	1
22	634458		18" DUAL AIRPOT HOLDER (RED)	1
23				
24	634137		12" STANDARD SHELVES, 2 PACK	1
25	634138		12" WEDGE SHELVES, 2 PACK	1
26	634141		FOOD WARMING BAGS, 8 X 10"	1
27	*		24" KEG MODULE	1
28	*		18" FOOD WARMER MODULE.....	1
29	*		18" CUP AND DISPLAY MODULE.....	1
30	634143		18" STANDARD SHELVES, 2 PACK	1

REFRESHER UNIT

THE USE OF NON U.L. PARTS WILL VOID ANY U.L. LISTING.

When ordering parts, please specify the model and serial number of the product.

* Indicates a component that is not available as an individual part.

*** Indicates consult Customer Service Department for additional information.

ITEM	PART NO.	1	2	3	4	5	DESCRIPTION	QTY.
31	634144						18" WEDGE SHELVES, 2 PACK.....	1
32	636431						CATERING BAGS, 1 PAIR	1
33	634135						SNACK MODULE KIT (FOR USE WITH PULL OUT MODULE).....	1
34	634147						AIRPOT, 3.0 LITER (SS)	1
35	634149G01						COFFEE AND CREAMER TRAY, 2 PACK (PEBBLE PLATINUM).....	1
36	634149G02						COFFEE AND CREAMER TRAY, 2 PACK (DESERT STONE)	1
37	634150G01						NAPKIN AND BOTTLE HOLDER BASKET, 3 PACK (PEBBLE PLATINUM) ..	1
38	634150G02						NAPKIN AND BOTTLE HOLDER BASKET, 3 PACK (DESERT STONE)	1
39	634151G01						MINI BOTTLE HOLDER, 3 PACK (PEBBLE PLATINUM)	1
40	634151G02						MINI BOTTLE HOLDER, 3 PACK (DESERT STONE)	1
41	634148G01						REVERSIBLE INSERT, AIRPOT/BOTTLE (POLAR WHITE).....	1
42								
43								
44								
45								
46	*						REVERSIBLE INSERT, AIRPOT/BOTTLE (GRAY).....	1
47	*						CANOPY (STANDARD SLATE)	1
48	*						CANOPY (CLINTON GRANITE)	1
49	*						CANOPY (CLASSICAL REGIMENTAL)	1
50	*						CANOPY (WALNUT BROWN TWEED)	1
51	*						STRIPED CANOPY (MOTIVE DENIM)	1
52	*						STRIPED CANOPY (TRESKO BIRCH)	1
53	637805						18" CUP & DISPLAY MODULE (PEBBLE PLATINUM).....	1
54	637806						18" CUP & DISPLAY MODULE (DESERT STONE).....	1
55	636432G01						18" FOOD WARMER MODULE (PEBBLE PLATINUM).....	1
56	636432G02						18" FOOD WARMER MODULE (DESERT STONE).....	1
57	637793G01						24" KEG MODULE (PEBBLE PLATINUM)	1
58	637793G02						24" KEG MODULE (DESERT STONE)	1
59	634249						CONSUMABLE ICE INSERT (SS), 10 X 10 X 20"	1
60	637795						DRAWER DIVIDER, 1 PAIR (PLASTIC).....	1
61	*						18" CUP & DISPLAY STORAGE MODULE.....	1

THE USE OF NON U.L. PARTS WILL VOID ANY U.L. LISTING.

When ordering parts, please specify the model and serial number of the product.

* Indicates a component that is not available as an individual part.

*** Indicates consult Customer Service Department for additional information.

ITEM	PART NO.	1 2 3 4 5	DESCRIPTION	QTY.
62	*		12" CUP & DISPLAY STORAGE MODULE	1
63	*		12" STORAGE BOX, 11 X 10"	1
64	635142		KEYS FOR MODULE DOOR LATCHES, 2 KEYS.....	1
65				
66	634251G06		18" DUAL AIRPOT HOLDER (GRAY).....	1
67	640547		DROP SHIP, DRAWER SLIDES	2
68	637790G07		DROP SHIP, CANOPY (CUSTOM).....	1
69	637790G08		DROP SHIP, CANOPY (SOLID STATE)	1
70				
71	637790G10		DROP SHIP, CANOPY (GREEN BEIGE).....	1
72				
73	640544		DROP SHIP, CRAFTING	1
74	634250G06		12" SINGLE AIRPOT HOLDER (GRAY)	1
75	640043		COUNTERTOP, 3 PIECE KIT (POLAR WHITE)	1
76	640044		COUNTERTOP, 3 PIECE KIT (BEIGE).....	1
77	640045		COUNTERTOP, 3 PIECE KIT (GREEN).....	1
78	640046		COUNTERTOP, 3 PIECE KIT (BLUE)	1
79	640047		COUNTERTOP, 3 PIECE KIT (YELLOW).....	1
80	640048		COUNTERTOP, 3 PIECE KIT (RED)	1
81	640049		COUNTERTOP, 3 PIECE KIT (GREY).....	1
82	640051		LOWER REAR CORNER DOORS, LH & RH PAIR (PEBBLE PLATINUM)....	1
83	640052		SLIDING TRASH BIN ASSEMBLY (PEBBLE PLATINUM)	1
84	640053		LOWER REAR CORNER DOORS, LH & RH PAIR (DESERT STONE).....	1
85	640054		SLIDING TRASH BIN ASSEMBLY (DESERT STONE).....	1
86	640055		128" CANOPY FRAME WITH MOUNTING HARDWARE	1
87	637798		CANOPY CLOTH (STANDARD SLATE).....	1
88	637799		STRIPED CANOPY CLOTH (PARADE OLIVE).....	1
89	637800		CANOPY CLOTH (CLINTON GRANITE).....	1
90	637801		CANOPY CLOTH (CLASSICAL REGIMENTAL).....	1
91	637802		CANOPY CLOTH (WALNUT BROWN TWEED).....	1
92	637803		STRIPED CANOPY CLOTH (MOTIVE DENIM)	1

REFRESHER UNIT

THE USE OF NON U.L. PARTS WILL VOID ANY U.L. LISTING.

When ordering parts, please specify the model and serial number of the product.

* Indicates a component that is not available as an individual part.

*** Indicates consult Customer Service Department for additional information.

ITEM	PART NO.	1	2	3	4	5	DESCRIPTION	QTY.
93	637804						CANOPY CLOTH (TRESKO BIRCH).....	1
94	640056						STRIPED CANOPY CLOTH (VAUGHN GLOW)	1
95	640057						STRIPED CANOPY CLOTH (FOREST GREEN)	1
96	640058						STRIPED CANOPY CLOTH (GINZA ONYX)	1
97	640059						CLEAR WINDSHIELD PANEL.....	1
98	640060						WINDSHIELD WITH FRAME	1
99	640061						TOP 'U' FRAME, 3 PIECE KIT	1
100	640062						FS4 MODULE LOCKING SYSTEM (PEBBLE PLATINUM)	1
101	640063						FS4 MODULE LOCKING SYSTEM (DESERT STONE)	1
102	640573						12" SINGLE AIRPOT HOLDER, 2 PACK (GREY).....	1
103	645399G01						FROZEN COMPARTMENT DRAWER (PEBBLE PLATINUM).....	1
104	645399G02						FROZEN COMPARTMENT DRAWER (DESERT STONE)	1
105	645400G01						SECONDARY BOTTLE SHELF (PEBBLE PLATINUM).....	1
106	645400G02						SECONDARY BOTTLE SHELF (DESERT STONE)	1
107								
108								
109								
110	647099G03						LOWER REAR CABINET, ICE BIN (PEBBLE PLATINUM).....	1
111	647099G04						LOWER REAR CABINET, ICE BIN (DESERT STONE).....	1
112	647099G05						CENTER COMPARTMENT, ICE SINK (PEBBLE PLATINUM).....	1
113	647099G06						CENTER COMPARTMENT, ICE SINK (DESERT STONE).....	1
114								
115								
116								
117								
118								
119								
120								
121								
122								
123								

THE USE OF NON U.L. PARTS WILL VOID ANY U.L. LISTING.

When ordering parts, please specify the model and serial number of the product.

* Indicates a component that is not available as an individual part.

*** Indicates consult Customer Service Department for additional information.

ITEM	PART NO.	1 2 3 4 5	DESCRIPTION	QTY.
			THE FOLLOWING SERVICE PARTS AND ACCESSORIES ARE AVAILABLE FROM 19TH HOLE MARKETING, INC, 400 E. COMSTOCK DRIVE, CHANDLER, AZ 85225, PHONE: (480) 497 - 8280	
124			COUNTERTOP, 1 PIECE REMOVABLE (POLAR WHITE)	1
125			COUNTERTOP, 1 PIECE REMOVABLE (BEIGE)	1
126			COUNTERTOP, 1 PIECE REMOVABLE (GREEN)	1
127			COUNTERTOP, 1 PIECE REMOVABLE (BLUE).....	1
128			COUNTERTOP, 1 PIECE REMOVABLE (YELLOW)	1
129			COUNTERTOP, 1 PIECE REMOVABLE (RED).....	1
130			COUNTERTOP, 1 PIECE REMOVABLE (GRAY)	1
131			UPPER REAR CABINET DOORS, LH & RH PAIR (PEBBLE PLATINUM)	1
132			UPPER REAR CABINET DOORS, LH & RH PAIR (DESERT STONE)	1
133			TRASH CAN, 10 X 10" (BLUE).....	1
134			TRASH CAN, 10 X 10" (GREEN)	1
135			12" TRASH BIN SLIDER.....	1
136			MIRRORS, 2 PIECE WITH HARDWARE	1
137			BOTTOM DRAWER LOCKS TO CHASSIS, 12 PACK.....	1
138			BOTTOM DRAWER LOCKS TO CHASSIS, 2 PACK.....	1
139			DRAWER FRONT FACIA, 2 EACH (PEBBLE PLATINUM)	1
140			DRAWER FRONT FACIA, 2 EACH (DESERT STONE)	1
141			WATER DRAIN PLUGS, 12 PACK.....	1
142			WATER DRAIN PLUGS, 2 PACK.....	1
143			NYLON BUMPER LOCKS, 18 PIECE	1
144			DRAWER ENTIRE KIT, 1 SET (PEBBLE PLATINUM).....	1
145			DRAWER ENTIRE KIT, 1 SET (DESERT STONE).....	1
146			6" STD INSERT BOXES, 2 PACK.....	1
147			KEY FOR DRAWER LOCK TO CHASSIS, 2 KEYS	1
148			6" DOOR WITH HARDWARE (PEBBLE PLATINUM).....	1
149			12" DOOR WITH HARDWARE (PEBBLE PLATINUM).....	1
150			18" DOOR WITH HARDWARE (PEBBLE PLATINUM).....	1
151			6" DOOR WITH HARDWARE (DESERT STONE).....	1
152			12" DOOR WITH HARDWARE (DESERT STONE).....	1

REFRESHER UNIT

THE USE OF NON U.L. PARTS WILL VOID ANY U.L. LISTING.

When ordering parts, please specify the model and serial number of the product.

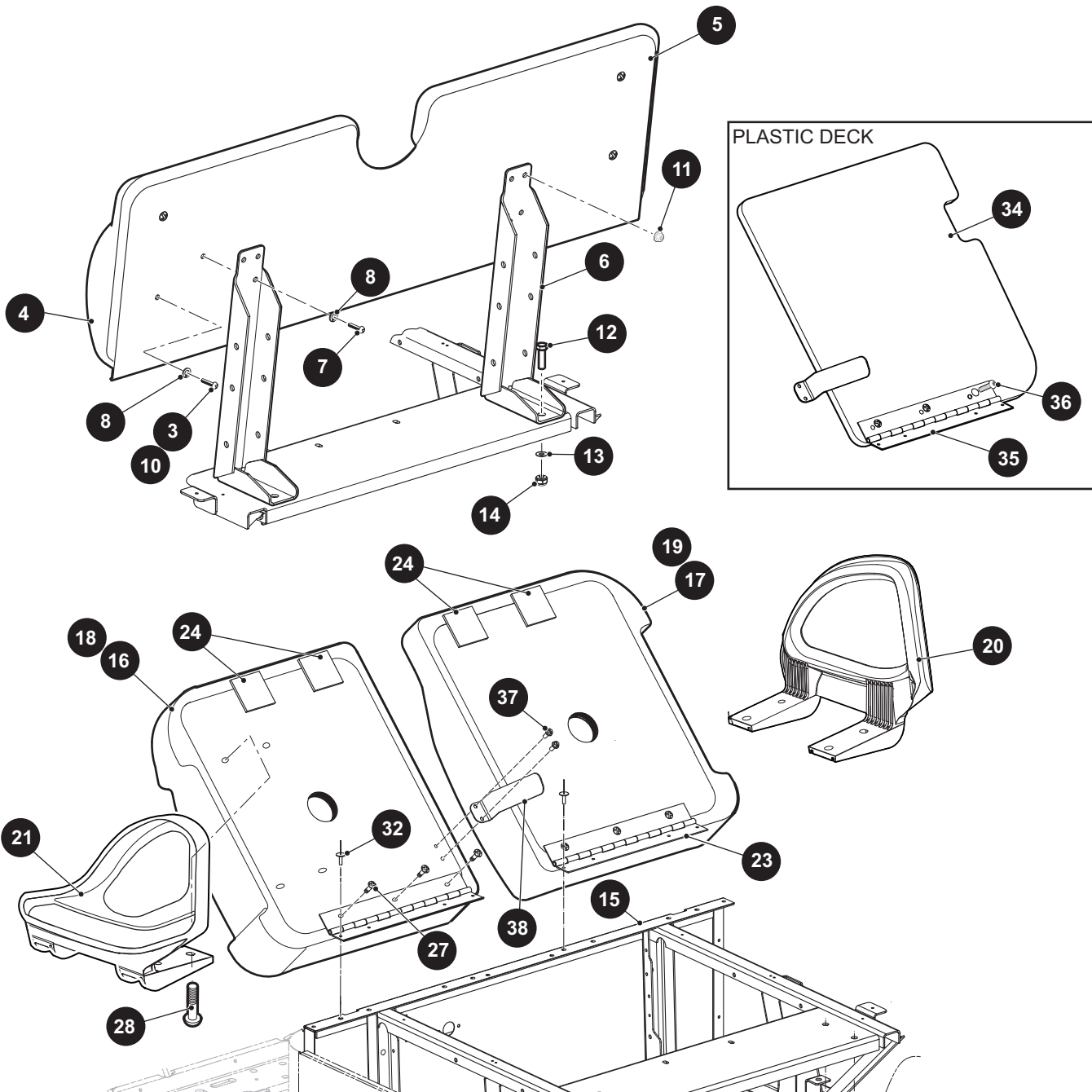
* Indicates a component that is not available as an individual part.

*** Indicates consult Customer Service Department for additional information.

ITEM	PART NO.	1	2	3	4	5	DESCRIPTION	QTY.
153							18" DOOR WITH HARDWARE (DESERT STONE)	1
154							DOOR LOCKS, 12 PACK	1
155							DOOR LOCKS, 2 PACK	1
156							UPPER REAR CABINET DOORS, LH & RH PAIR (PEBBLE PLATINUM)	1
157							FS2 MODULE LOCKING SYSTEM (PEBBLE PLATINUM)	1
158							UPPER REAR CABINET DOORS, LH & RH PAIR (DESERT STONE)	1
159							FS2 MODULE LOCKING SYSTEM (DESERT STONE)	1
160							24" DUAL ACTION EXTENSION SLIDE, 1 PAIR	1
161							POLYCARBON PEG BOARD, 1 PAIR	1

SEATING

- 1** SEAT BACK ASSEMBLY includes items 3 - 8
- 2** SINGLE SEAT BACK ASSEMBLY includes items 4 - 11
- 33** PLASTIC DECK ASSEMBLY includes items 34 - 36



- 16** SEAT BOTTOM ASSEMBLY (DRIVER SIDE) includes items 18, 21 - 28
- 17** SEAT BOTTOM ASSEMBLY (PASSENGER SIDE) includes items 19, 20, 23 - 28

THE USE OF NON U.L. PARTS WILL VOID ANY U.L. LISTING.

When ordering parts, please specify the model and serial number of the product.

* Indicates a component that is not available as an individual part.

*** Indicates consult Customer Service Department for additional information.

ITEM	PART NO.	1 2 3 4 5	DESCRIPTION	QTY.
1	***		SEAT BACK ASSEMBLY (INCLUDES ITEMS 3 - 8)..... 75849G01 TAN 75849G03 WHITE 75849G04 GRAY 75849G05 BLACK	1
2	***		SINGLE SEAT BACK ASSEMBLY (INCLUDES ITEMS 4 - 11)..... 620416G01 TAN 620416G03 WHITE 620416G04 GRAY 620416G05 BLACK	1
3	16705G3		SCREW (SS), 1/4" - 20 X 3/4" LG	4
4	***		SEAT BACK CUSHION 75840G01 TAN 75840G03 WHITE 75840G04 GRAY 75840G05 BLACK	2
5	75841G01		SEAT BACK PLATE.....	1
6	652243G03		SEAT BACK SUPPORT	2
7	16705G1		SCREW (SS), 1/4" - 20 X 1" LG	4
8	00664G7		SPRING LOCK WASHER, 1/4"	8
9				
10	16705G1		SCREW (SS), 1/4" - 20 X 1" LG	2
11	11027G2		FLANGED LOCK NUT, 1/4" - 20.....	2
12	00427G2		HEX HEAD BOLT, 3/8" - 16 X 1/4" LG	4
13	00560G1		FLAT WASHER, 3/8".....	4
14	11098G5		LOCK NUT, 3/8" - 16.....	4
15	642401		SEAT FRAME WELDMENT	1
16	***		SEAT BOTTOM ASSEMBLY (DRIVER SIDE) (INCLUDES ITEMS 18, 21 - 28) 629269G0903 TAN 629269G0905 WHITE 629269G0904 GRAY 629269G0906 BLACK	1
17	***		SEAT BOTTOM ASSEMBLY (PASSENGER SIDE)..... (INCLUDES ITEMS 19, 20, 23 - 28) 629269G0803 TAN 629269G0805 WHITE 629269G0804 GRAY 629269G0806 BLACK	1

SEATING

THE USE OF NON U.L. PARTS WILL VOID ANY U.L. LISTING.

When ordering parts, please specify the model and serial number of the product.

* Indicates a component that is not available as an individual part.

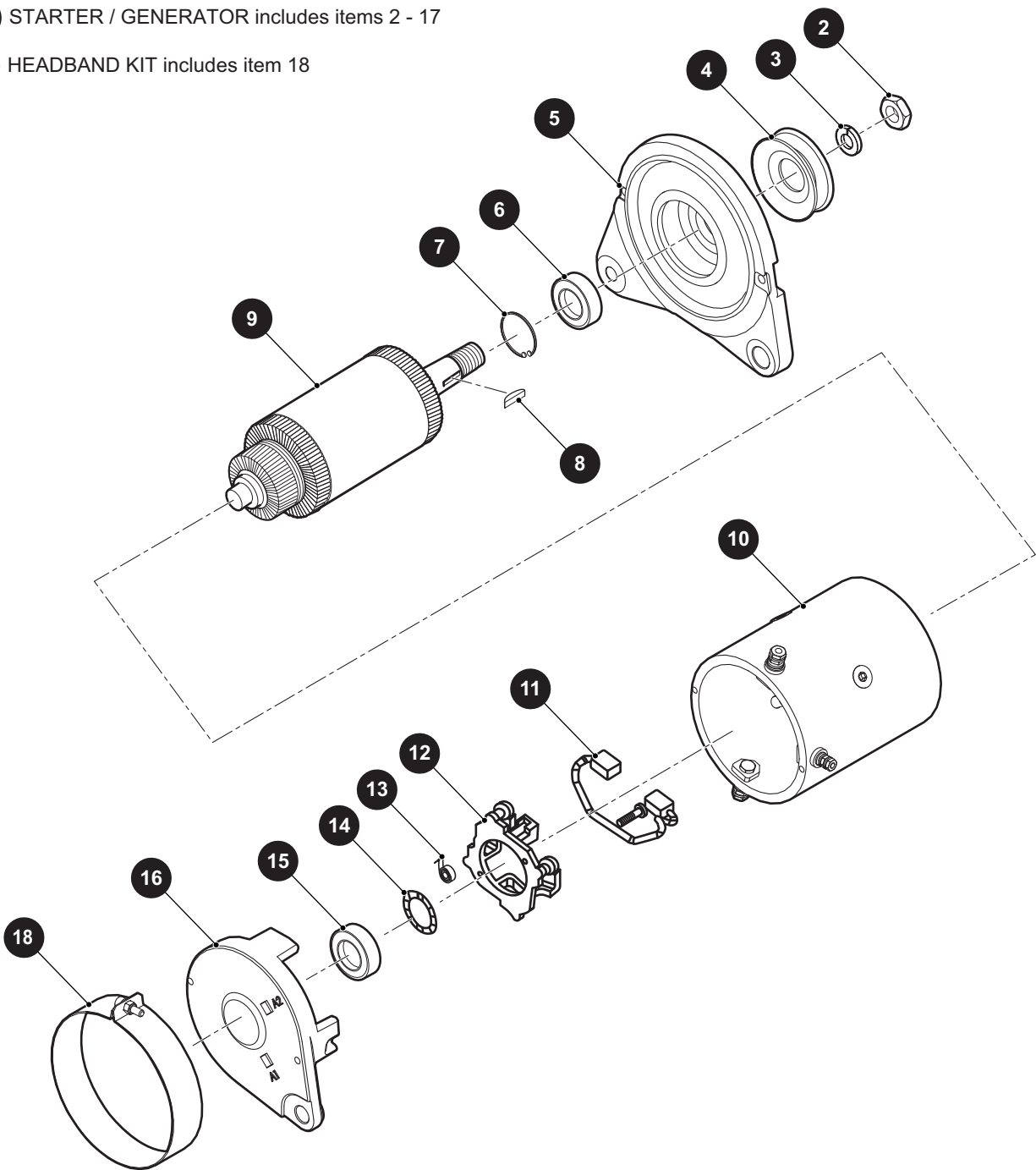
*** Indicates consult Customer Service Department for additional information.

ITEM	PART NO.	1	2	3	4	5	DESCRIPTION	QTY.
18	***						SEAT BOTTOM CUSION (DRIVER SIDE)..... 75833G01 TAN 75833G03 WHITE 75833G04 GRAY 75833G05 BLACK	1
19	***						SEAT BOTTOM CUSION (PASSENGER SIDE) 75834G01 TAN 75834G03 WHITE 75834G04 GRAY 75834G05 BLACK	1
20	617644						HIP RESTRAINT (PASSENGER SIDE)	1
21	617645						HIP RESTRAINT (DRIVER SIDE).....	1
22								
23	75847G01						SEAT HINGE	1
24	17074G1						SOILING SLAB.....	2
25								
26								
27	16705G1						SCREW (SS), 1/4" - 20 X 1" LG.....	3
28	615417						BUTTON HEAD TORX BOLT, M10 - 1.5 X 25MM LG.....	4
29								
30								
31								
32	10570G11						RIVET, 3/16"	8
33	620421						PLASTIC DECK ASSEMBLY (INCLUDES ITEMS 34 - 36).....	1
34	620420						PLASTIC DECK.....	1
35	75847G01						SEAT HINGE	1
36	16705G2						PAN HEAD SCREW (SS), 1/4" - 20 X 5/8" LG.....	3
37	00114G6						HEX WASHER HEAD TAPPING SCREW, 1/4 - 10 X 3/4" LG	2
38	75848G01						SEAT BRACKET.....	1

STARTER/GENERATOR

1 STARTER / GENERATOR includes items 2 - 17

17 HEADBAND KIT includes item 18

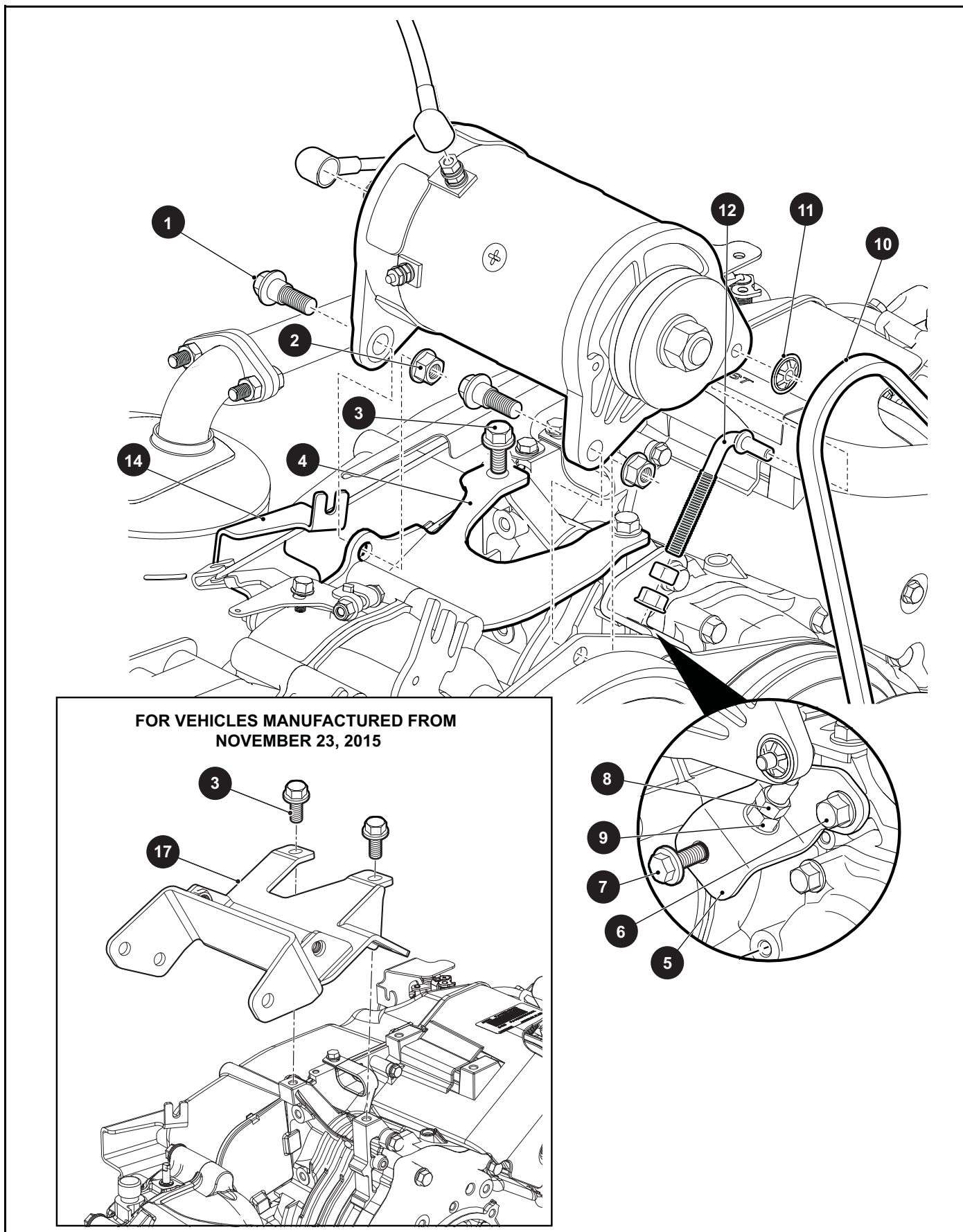


STARTER/GENERATOR

THE USE OF NON U.L. PARTS WILL VOID ANY U.L. LISTING.
 When ordering parts, please specify the model and serial number of the product.
 * Indicates a component that is not available as an individual part.
 *** Indicates consult Customer Service Department for additional information.

ITEM	PART NO.	1 2 3 4 5	DESCRIPTION	QTY.
1	660379		STARTER / GENERATOR (INCLUDES ITEMS 2 - 17)	1
2	612029		HEX NUT	1
3	612030		LOCK WASHER	1
4	625716		PULLEY, 2.5" O.D.	1
5	654715		DRIVE END HEAD	1
6	612033		BEARING.....	1
7	612034		RETAINING RING.....	1
8	612035		WOODRUFF KEY.....	1
9	612036		ARMATURE ASSEMBLY	1
10	654716		FRAME AND FIELD ASSEMBLY	1
11	612038		BRUSH LEAD AND TERMINAL PACKAGE	1
12	654717		BRUSH BOX ASSEMBLY	1
13	656659		BRUSH SPRING.....	4
14	612043		WAVY WASHER	1
15	612044		BEARING.....	1
16	612045		COMMUTATOR END HEAD.....	1
17	658172		HEADBAND KIT (INCLUDES ITEM 18)	1
18	654718		HEADBAND	1

STARTER/GENERATOR



STARTER/GENERATOR

THE USE OF NON U.L. PARTS WILL VOID ANY U.L. LISTING.

When ordering parts, please specify the model and serial number of the product.

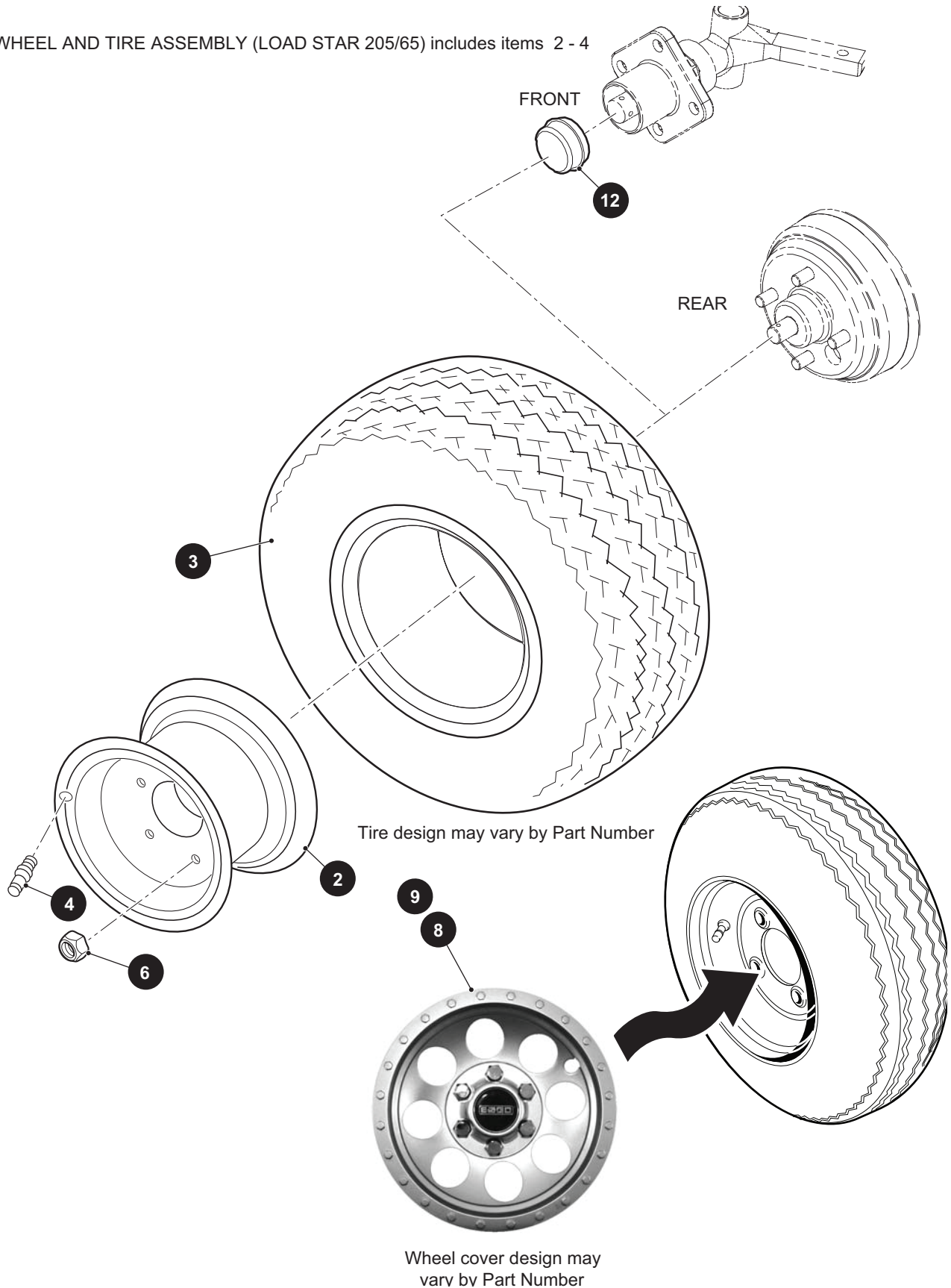
* Indicates a component that is not available as an individual part.

*** Indicates consult Customer Service Department for additional information.

ITEM	PART NO.	1 2 3 4 5	DESCRIPTION	QTY.
1	606235		HEX FLANGED SHOULDER BOLT, M10 - 1.25 X 20MM LG.....	2
2	606279		HEX NUT, M10 - 1.25.....	2
3	606261		HEX HEAD BOLT, M8 - 1.25 X 20MM LG.....	3
4	602141		STARTER/GENERATOR BRACKET (FOR VEHICLES MANUFACTURED UNTIL NOVEMBER 22, 2015)	1
5	602145		TENSIONER BRACKET (FOR VEHICLES MANUFACTURED UNTIL NOVEMBER 22, 2015)	1
6	606261		HEX HEAD BOLT, M8 - 1.25 X 20MM LG.....	1
7	606256		HEX HEAD BOLT, M10 - 1.25 X 25MM LG.....	1
8	606255		HEX JAM NUT, M10 - 1.25	1
9	606274		HEX FLANGE NUT, M10 - 1.25	1
10	630587		STARTER/GENERATOR BELT.....	1
11	12064G6		PUSH NUT, 5/16"	1
12	629763		TENSIONER BOLT, 85MM	1
13				
14	603884		BRACKET (GUIDE CABLE).....	1
15	18292G1		TUBING CLAMP (NOT ILLUSTRATED)	1
16				
17	631972		STARTER/GENERATOR BRACKET (FOR VEHICLES MANUFACTURED FROM NOVEMBER 23, 2015).....	1

WHEELS AND TIRES

1 WHEEL AND TIRE ASSEMBLY (LOAD STAR 205/65) includes items 2 - 4



WHEELS AND TIRES

THE USE OF NON U.L. PARTS WILL VOID ANY U.L. LISTING.

When ordering parts, please specify the model and serial number of the product.

* Indicates a component that is not available as an individual part.

*** Indicates consult Customer Service Department for additional information.

ITEM	PART NO.	1 2 3 4 5	DESCRIPTION	QTY.
1	643677		WHEEL AND TIRE ASSEMBLY (LOAD STAR 205/65) (INCLUDES ITEMS 2 - 4)	1
2	643934		WHEEL (SILVER), 10" X 6"	1
3	630456		TIRE (KENDA LOAD STAR), 205/65 - 10.....	1
4	643948		VALVE STEM.....	1
5				
6	14723G1		LUG NUT, 1/2" - 20	4
7				
8	608912		WHEEL COVER (SILVER) WITH CHROME LUG, 10" (FOR VEHICLES MANUFACTURED BEFORE JANUARY 8, 2018).....	4
9	665151		WHEEL COVER (SILVER) (FOR VEHICLES MANUFACTURED AFTER JANUARY 8, 2018).....	4
10				
11				
12	12091G2		SPINDLE CAP	2



CUSHMAN®
LET'S WORK!

E-Z-GO Division of Textron Inc.,
1451 Marvin Griffin Road, Augusta, Georgia 30906 - 3852 USA

TO CONTACT US...

North America:

Technical Assistance & Warranty Phone: 1-800-774-3946, FAX: 1-800-448-8124

Service Parts Phone: 1-888-GET-E-Z-GO (1-888-438-3946), FAX: 1-800-752-6175

International: Phone: 001-706-798-4311, FAX: 001-706-771-4609

Service Parts Manuals, as well as Repair and Service Manuals
are available from a local Distributor, an authorized Branch,
Genuine E-Z-GO Parts & Accessories Department or at www.shopezgo.com.

Copyrighted Material
This manual may not be reproduced in whole or
in part without the express permission of
E-Z-GO Division of Textron Inc.
Technical Communications Department