



A Textron Company

RXV

Service Parts Manual

GASOLINE POWERED VEHICLE



647697-AH

ISSUED AUGUST 2015

REVISED JUNE 2019

SERVICE PARTS MANUAL

GASOLINE POWERED GOLF CARS AND PERSONAL VEHICLES

**RXV GOLF CAR
RXV FREEDOM™
RXV SHUTTLE 2+2**

STARTING MODEL YEAR 2016

CALIFORNIA Proposition 65 Warning

WARNING: Motor vehicles may contain fuels, oils and fluids, battery posts, terminals, and related accessories which contain lead, lead compounds and other chemicals identified by the State of California to potentially cause cancer, birth defects and other reproductive harm. These chemicals are found in vehicles, vehicle parts and accessories, both new and replacements. During maintenance, these vehicles generate used oil, waste fluids, grease, fumes and particulates, all identified by the State of California to potentially cause cancer, birth defects, and other reproductive harm.

DISCLAIMER: The E-Z-GO Division of Textron Inc. (E-Z-GO) reserves the right to incorporate engineering and design changes to products in this Manual, without obligation to include these changes on units leased/sold previously.

The information contained in this Manual may be revised periodically E-Z-GO, and therefore is subject to change without notice.

E-Z-GO DISCLAIMS LIABILITY FOR ERRORS IN THIS MANUAL, and E-Z-GO SPECIFICALLY DISCLAIMS LIABILITY FOR INCIDENTAL AND CONSEQUENTIAL DAMAGES RESULTING FROM THE USE OF THE INFORMATION AND MATERIALS IN THIS MANUAL.

TO CONTACT US

NORTH AMERICA:

TECHNICAL ASSISTANCE AND WARRANTY PHONE: 1-800-774-3946, FAX: 1-800-448-8124

SERVICE PARTS PHONE: 1-888-GET-EZGO (1-888-438-3946), FAX: 1-800-752-6175

INTERNATIONAL: PHONE: 001-706-798-4311, FAX: 001-706-771-4609

E-Z-GO DIVISION OF TEXTRON INC., 1451 MARVIN GRIFFIN RD., AUGUSTA, GEORGIA USA 30906-3852

GENERAL INFORMATION

To obtain a copy of the limited warranty applicable to the vehicle, call or write a local Distributor, authorized Branch or the Warranty Department with vehicle serial number and manufacturer code.

The use of non Original Equipment Manufacturer (OEM) approved parts may void the warranty.

Tampering with or adjusting the governor to permit vehicle to operate at above factory specifications will void the vehicle warranty.

When servicing engines, all adjustments and replacement components must be per original vehicle specifications in order to maintain the United States of America Federal and State emission certification applicable at the time of manufacture.

BATTERY PROLONGED STORAGE

All batteries will self discharge over time. The rate of self discharge varies depending on the ambient temperature and the age and condition of the batteries.

A fully charged battery will not freeze in winter temperatures unless the temperature falls below -75° F (-60° C).

BATTERY DISPOSAL

Lead-acid batteries are recyclable. Return whole scrap batteries to distributor, manufacturer or lead smelter for recycling. For neutralized spills, place residue in acid-resistant containers with absorbent material such as sand. Dispose of in accordance with local, state and federal regulations for acid and lead compounds. Contact local and/or state environmental officials regarding disposal information.

TABLE OF CONTENTS

SECTION	Page No.
HOW TO USE THE SERVICE PARTS MANUAL.....	V
ACCELERATOR.....	A - 1
AIR FILTER.....	B - 1
BODY.....	C - 1
BRAKES.....	D - 1
CARBURETOR AND CHOKE.....	E - 1
CLUTCH.....	F - 1
DIRECTION SELECTOR.....	G - 1
ELECTRICAL SYSTEM.....	H - 1
ENGINE AND MUFFLER.....	J - 1
ENGINE MOUNTING.....	K - 1
FRAME.....	L - 1
FRONT SUSPENSION AND STEERING.....	M - 1
FUEL SYSTEM.....	N - 1
REAR AXLE.....	P - 1
REAR SUSPENSION.....	Q - 1
SEATING AND BASKET.....	R - 1
STARTER GENERATOR.....	S - 1
TOW BAR.....	T - 1
WEATHER PROTECTION.....	U - 1
WHEELS AND TIRES.....	V - 1
DECALS AND LABELS (FOR CE VEHICLES).....	W - 1

HOW TO USE THE SERVICE PARTS MANUAL

This manual is divided into several sections:

- GENERAL INFORMATION
- ILLUSTRATED PARTS BREAKDOWN

The first section, GENERAL INFORMATION, contains the following information:

- WARRANTY INFORMATION
- GENERAL INDEX
- HOW TO USE THE SERVICE PARTS MANUAL

The second section, ILLUSTRATED PARTS BREAKDOWN, contains illustrations and parts lists for all systems of your vehicle.

The third section, APPENDIX, contains a listing of specialty products and accessories.

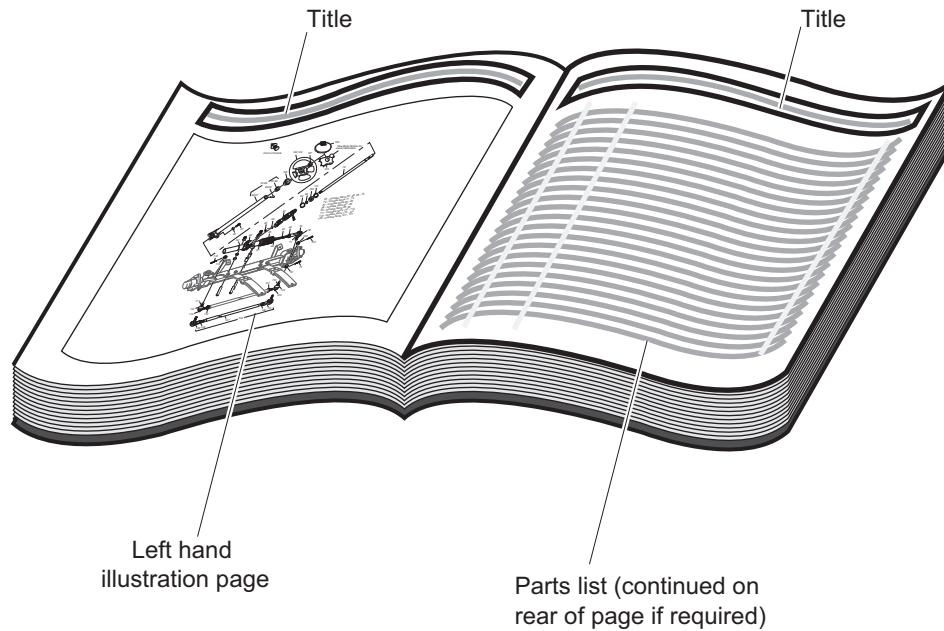
USE OF THE MANUAL

To use this manual, consult the GENERAL INDEX to locate the information or illustration required.

Introduction of some revisions varies due to supply of components; therefore, it is possible that various combinations of components may be found that are not directly reflected by each illustration. Consult the illustration that best suits your situation and then contact the Service Parts Department. It is important that the serial number of your vehicle and its model number be supplied to Service Parts when ordering any replacement components.

Locate the serial number plate (see BODY located in the Illustrated Parts Breakdown section of this manual for its location) and note the complete number shown on the plate.

HOW TO USE THE SERVICE PARTS MANUAL



1. WHEN THE PART NUMBER IS NOT KNOWN

- Determine the function and application of the part required. Turn to the General Index and select the most appropriate title.
- Turn to the page number indicated and locate the desired part on the illustration.
- From the illustration, obtain the item number assigned to the desired part. Refer to the accompanying description for specific information regarding the part.

2. IF YOU KNOW THE PART NUMBER

- Locate the part number or description in the appropriate column on the parts list page.

NOTE: It is suggested that you confirm that the part selected is correct by verifying it with the pictorial representation on the illustrated page.

Should an asterisk (*) appear in the part number column on the parts list page, read upwards until a part number is found. The part number is the lowest assembly sold by Service Parts and the asterisk (*) indicates that the part depicted is not available for purchase.

NOTE: Descriptions are indented under the assembly that they are used on. That assembly is, in turn listed under the assembly that it is used on. This process is repeated until the highest final assembly is reached.

To facilitate the maintenance and repair of the vehicle, a Technician's Repair and Service Manual is available from the Service Parts Department.

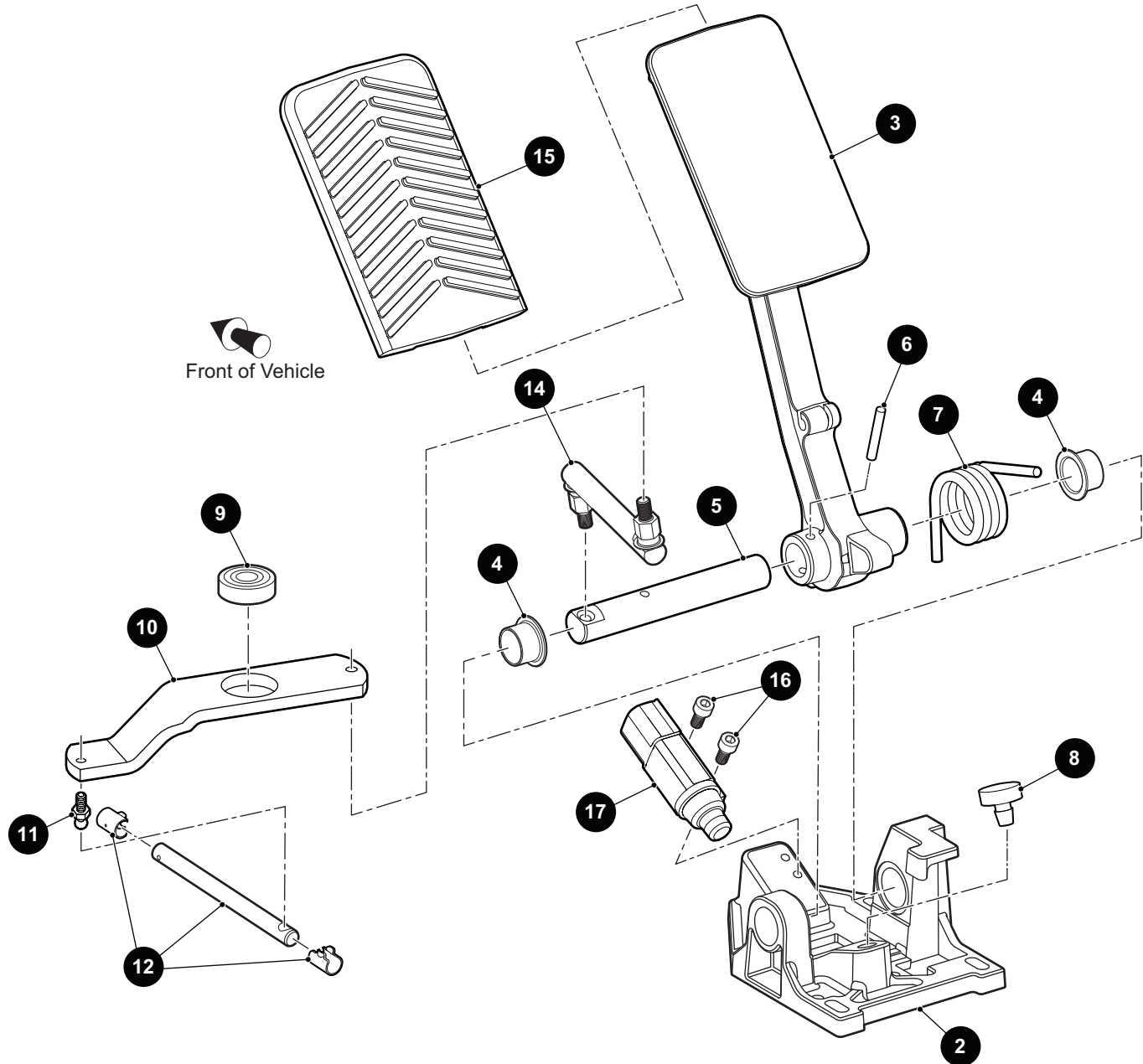
3. COLOR CODE FOR BODY COMPONENTS

The last two digits of the part number for the body part will denote the color code, locate the part number for the cowl, rear body, seat pod, side panel or seat wrap then locate your color in the list below, replace the last ** or XX with the two digit color code.

<u>CODE #</u>	<u>DESCRIPTION</u>
11	BLACK
19	PATRIOT BLUE PEARL
20	INFERNO RED METALLIC
26	STEEL BLUE PEARL
31	METALLIC CHARCOAL
36	IVORY
37	FOREST GREEN
38	BRIGHT WHITE
39	FLAME RED
41	ELECTRIC BLUE
42	PLATINUM
43	BURGUNDY
44	ALMOND
51	SUNBURST ORANGE
52	BRITISH RACING GREEN
74	BARLEY GOLD
75	OASIS GREEN
76	JAVA BROWN

ACCELERATOR

1 ACCELERATOR PEDAL ASSEMBLY includes items 2 - 17



ACCELERATOR

THE USE OF NON U.L. PARTS WILL VOID ANY U.L. LISTING.

When ordering parts, please specify the model and serial number of the product.

* Indicates a component that is not available as an individual part.

*** Indicates consult Customer Service Department for additional information.

ITEM	PART NO.	1 2 3 4 5	DESCRIPTION	QTY.
1	653202		ACCELERATOR PEDAL ASSEMBLY (INCLUDES ITEMS 2 - 17)	1
2	*		PEDAL BRACKET	1
3	*		PEDAL	1
4	*		FLANGED BUSHING, 16MM X 12MM	2
5	*		PIVOT SHAFT, 16MM	1
6	600683		SPIROL PIN (HEAVY DUTY), 4MM X 26MM	1
7	*		TORSION SPRING, 4.5MM DIA	1
8	604097		REBOUND BUMPER	1
9	603808		BALL BEARING	1
10	600702		BELLCRANK ARM	1
11	604475		BALL STUD, 6MM DIA	1
12	668945		LINKAGE ROD SADDLE CLIP ASSEMBLY	1
13				
14	603816		BALL JOINT ROD ASSEMBLY	1
15	610529		PEDAL COVER	1
16	620030		SOCKET HEAD BOLT, M5 - .8 X 15MM LG	2
17	612889		PEDAL SWITCH	1

ACCELERATOR

THE USE OF NON U.L. PARTS WILL VOID ANY U.L. LISTING.

When ordering parts, please specify the model and serial number of the product.

* Indicates a component that is not available as an individual part.

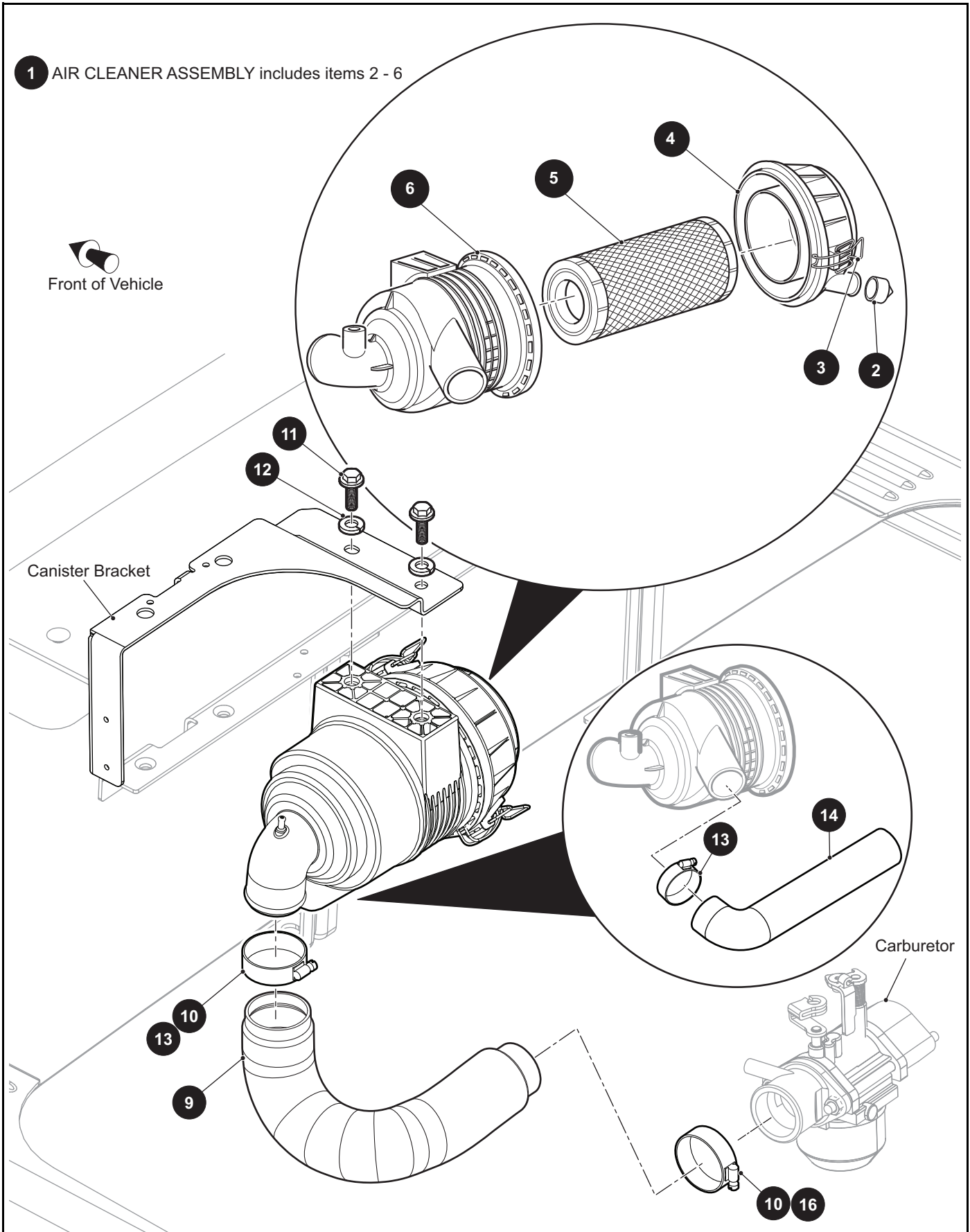
*** Indicates consult Customer Service Department for additional information.

ITEM	PART NO.	1 2 3 4 5	DESCRIPTION	QTY.
1	609849		ACCELERATOR CABLE (1.76M LG) (FOR FLEET, SHUTTLE 2+2)	1
2	609850		ACCELERATOR CABLE (1.76M LG) (FOR FREEDOM)	1
3				
4	608290		PAN HEAD PHILLIPS SCREW, #10 - 16 X 3/4" LG	2
5	604536		SOCKET HEAD SHOULDER BOLT, M8 - 1.25 X 20MM LG	1
6	649803		PAN HEAD TORX SCREW, M6 - 2.65 X 25MM LG.....	3
7	614393		PEDAL INSERT	1
8				
9				
10				
11	606005		GOVERNOR BRACKET (LOWER).....	1
12	606284		GOVERNOR LINK ROD	1
13	603890		GOVERNOR GUARD BRACKET	1
14				
15	606083		GOVERNOR BRACKET (UPPER)	1
16	632936		GOVERNOR CABLE/DIRECTION SELECTOR BRACKET	1
17				
18	606283		GOVERNOR LEVER BUSHING	1
19	606421		FLANGED HEX HEAD BOLT, M6 - 1 X 30MM LG.....	1
20	606256		FLANGED HEX HEAD BOLT, M10 - 1.25 X 25MM LG.....	2
21				
22	606264		FLANGED HEX HEAD BOLT, M6 - 1 X 20MM LG.....	1
23	73876G01		FLANGED HEX HEAD BOLT, M6 - 1 X 12MM LG.....	1
24	606262		FLANGED HEX HEAD BOLT, M8 - 1.25 X 16MM LG.....	1
25				
26	450452		FLANGED HEX NUT, M6 - 1.....	1
27				
28	608527		GOVERNOR WARNING LABEL.....	1

AIR FILTER

1 AIR CLEANER ASSEMBLY includes items 2 - 6

Front of Vehicle



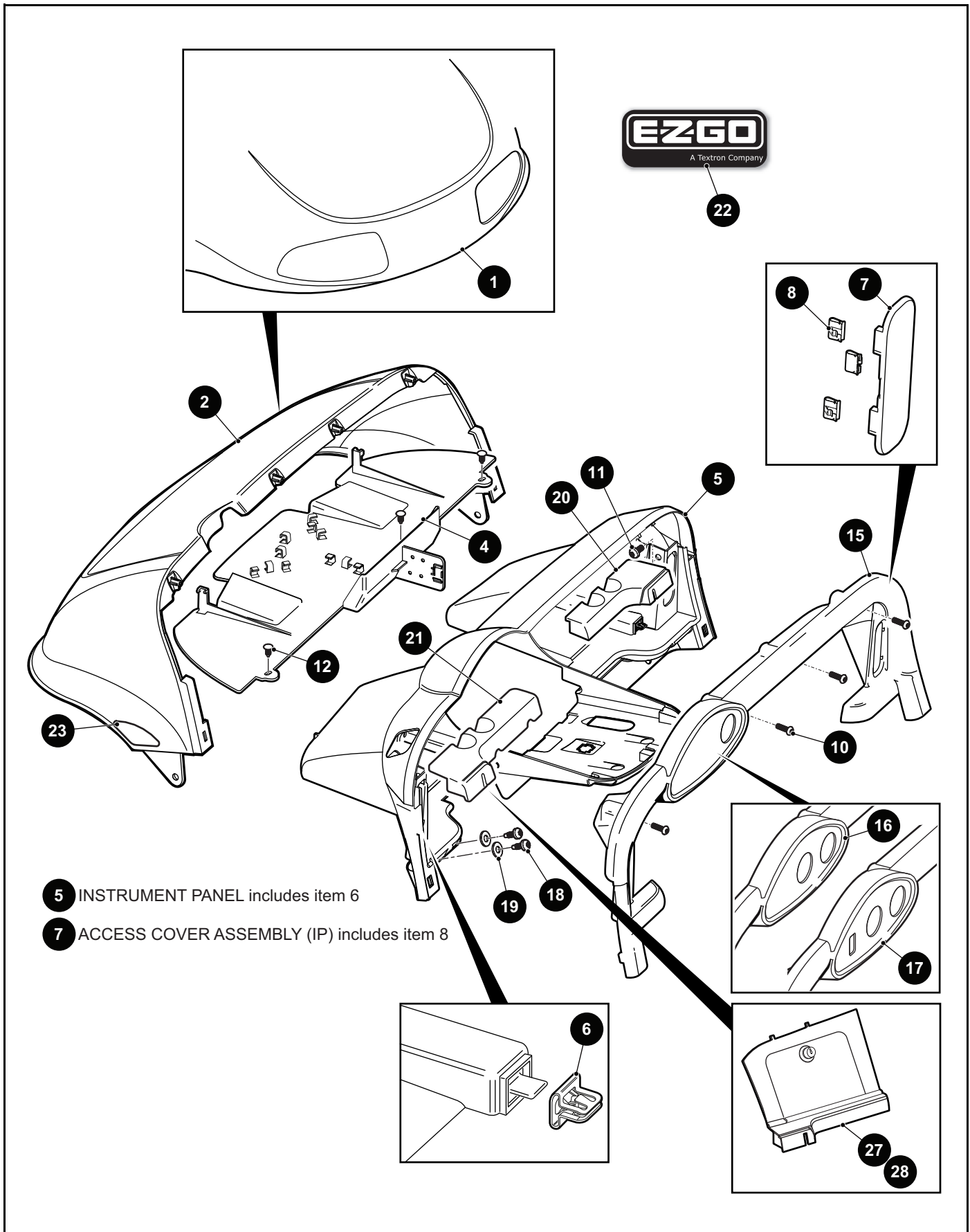
THE USE OF NON U.L. PARTS WILL VOID ANY U.L. LISTING.

When ordering parts, please specify the model and serial number of the product.

* Indicates a component that is not available as an individual part.

*** Indicates consult Customer Service Department for additional information.

ITEM	PART NO.	1 2 3 4 5	DESCRIPTION	QTY.
1	658941		AIR CLEANER ASSEMBLY (INCLUDES ITEMS 2 - 6)	1
2	28462G01		DUST EJECTOR VALVE	1
3	72604G01		AIR CLEANER CLIP	2
4	658957		AIR CLEANER COVER	1
5	28463G01		AIR FILTER	1
6	659139		BODY AND BRACKET ASSEMBLY	1
7				
8				
9	601910		AIR FILTER HOSE, 14" LG	1
10	11391G7		HOSE CLAMP, 1.56" (FOR FREEDOM AND SHUTTLE 2+2)	2
11	606261		FLANGED HEX HEAD BOLT, M8 - 1.25 X 20MM LG	2
12	606272		LOCK WASHER, 8MM	2
13	11391G7		HOSE CLAMP, 1.56" (FOR FLEET)	2
14	676863		INTAKE EXTENSION HOSE (FOR FLEET)	1
15	31539G1		NYLON CLAMP, 15.5" LG (NOT ILLUSTRATED) (FOR FLEET)	1
16	11391G5		HOSE CLAMP, 0.81" (FOR FLEET)	1



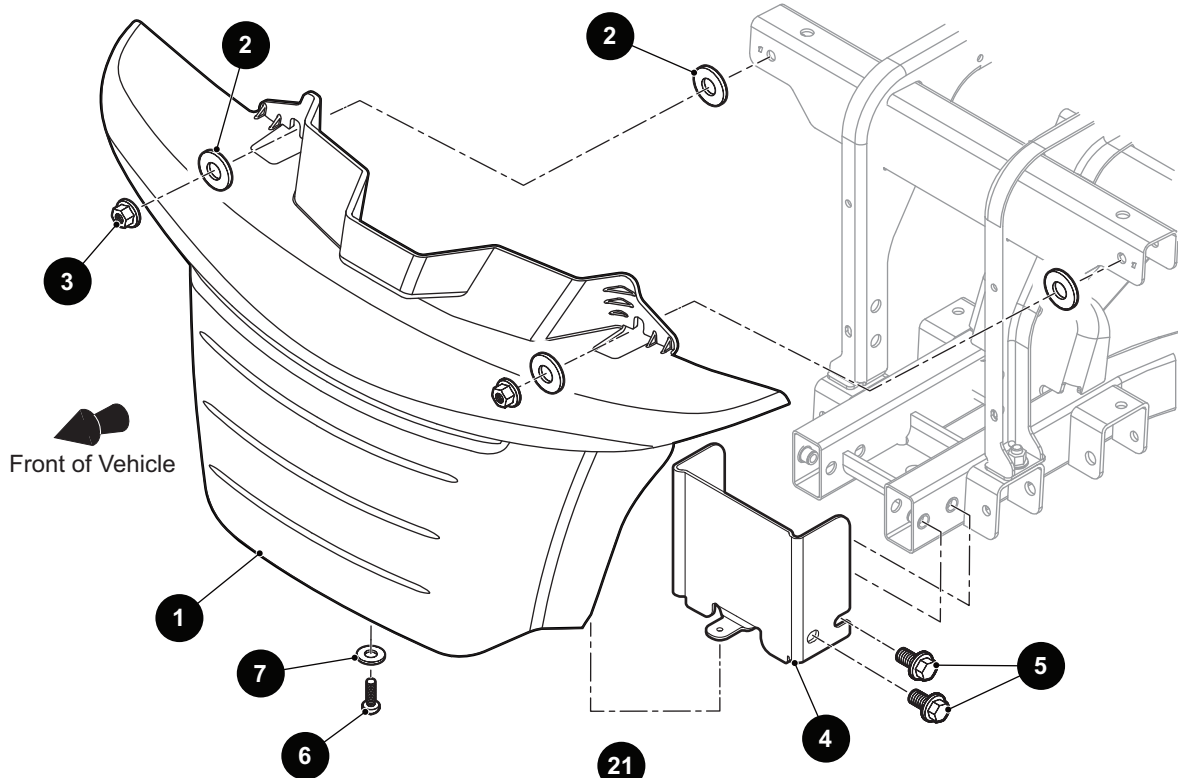
THE USE OF NON U.L. PARTS WILL VOID ANY U.L. LISTING.

When ordering parts, please specify the model and serial number of the product.

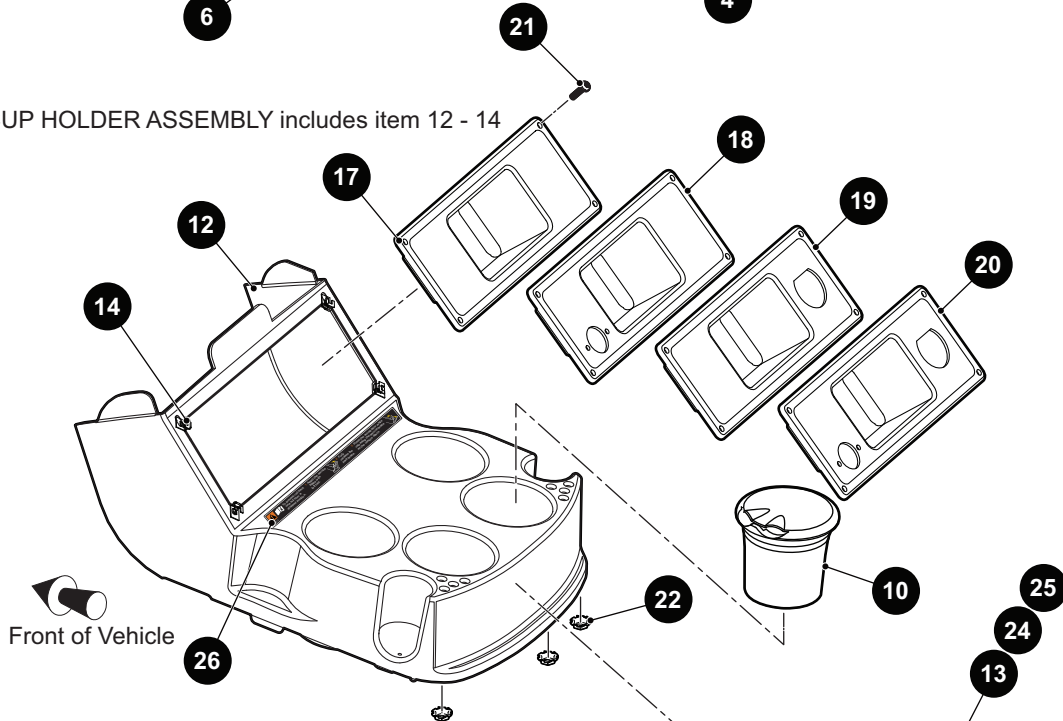
* Indicates a component that is not available as an individual part.

*** Indicates consult Customer Service Department for additional information.

ITEM	PART NO.	1 2 3 4 5	DESCRIPTION	QTY.
1	645759G01XX		COWL WITH LIGHTS (See COLOR CODES in HOW TO USE Section)	1
2	645759G00XX		COWL WITHOUT LIGHTS (See COLOR CODES in HOW TO USE Section)	1
3				
4	601634		FRONT SPLASH GUARD.....	1
5	602387		INSTRUMENT PANEL (INCLUDES ITEM 6).....	1
6	602184		SPRING CLIP	4
7	602388		ACCESS COVER ASSEMBLY (IP) (INCLUDES ITEM 8).....	1
8	602100		U-CLIP	3
9				
10	649803		PAN HEAD TORX SCREW, M6 - 2.65 X 25MM LG.....	4
11	70200G01		TRUSS HEAD TORX BOLT, 3/8" - 16 X 3/4" LG	2
12	16816G2		RATCHET RIVET, .25" X .887"	3
13				
14				
15	600242		INSTRUMENT PANEL TRIM (OPENING FOR KEY SWITCH ONLY).....	1
16	608808		INSTRUMENT PANEL TRIM (OPENING FOR KEY SWITCH AND SOC)	1
17	608864		INSTRUMENT PANEL TRIM (OPENING FOR KEY SWITCH, SOC AND LIGHT SWITCH)	1
18	602572		PAN HEAD TAPTITE BOLT, M10 - 1.5 X 25MM LG	4
19	604066		FLAT WASHER, M10	4
20	600241		BALL HOLDER INSERT (PASSENGER SIDE)	1
21	600243		BALL HOLDER INSERT (DRIVER SIDE).....	1
22	606405		E-Z-GO NAME PLATE	1
23	608991		YELLOW REFLECTOR	1
24				
25				
26				
27	607131		GLOVE BOX (PASSENGER SIDE)	1
28	607533		GLOVE BOX (DRIVER SIDE).....	1
29				
30				



11 CUP HOLDER ASSEMBLY includes item 12 - 14



WARNING Failure to follow these instructions can result in SERIOUS INJURY or DEATH	
Except where PERMITTED BY LAW:	To be operated by persons with valid drivers licenses, in accordance with state requirements. Operate from Driver's side only.
Reduce the RISK OF ACCIDENTS:	For non-road use, and in designated areas only. Do not operate under the influence of drugs or alcohol.
AVOID FALLS from the vehicle:	All occupants must be fully seated, keep entire body inside vehicle and hold on while vehicle is in motion.
STARTING the vehicle:	Apply service brake, move direction selector to desired position and accelerate smoothly. On Gas Vehicle, direction selector is the F-N-R. On Electric vehicle, direction selector is the key switch.
DO NOT OVERLOAD this vehicle:	Maximum vehicle payload is 800 lbs. (363 kg) including a maximum of 2 persons, options, and accessories.
Drive with CAUTION:	Drive slowly straight up and down slopes and in turns. Use care in reverse, congested areas, and wet or loose terrain.
STOPPING the vehicle:	To stop, release accelerator pedal and apply service brake.
PARKING the vehicle:	Before leaving vehicle, turn key "OFF". On Gas vehicle, move the direction selector to "FORWARD" and engage park brake.

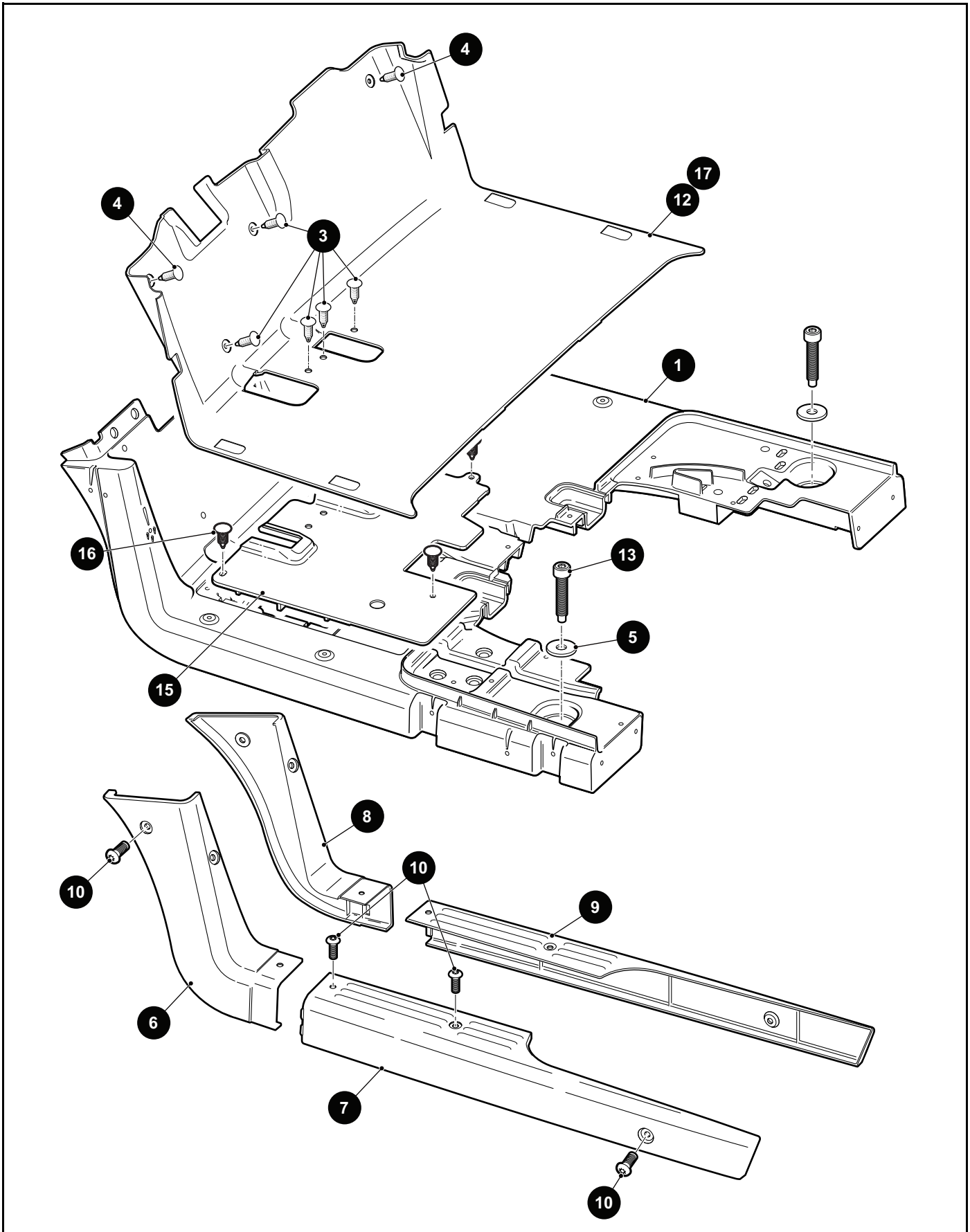
THE USE OF NON U.L. PARTS WILL VOID ANY U.L. LISTING.

When ordering parts, please specify the model and serial number of the product.

* Indicates a component that is not available as an individual part.

*** Indicates consult Customer Service Department for additional information.

ITEM	PART NO.	1 2 3 4 5	DESCRIPTION	QTY.
1	656325		FRONT FASCIA	1
2	604066		FLAT WASHER, M10	4
3	600525		LOCK NUT, M10 - 1.5	2
4	641628		BUMPER ATTACHMENT BRACKET	1
5	603799		FLANGED HEX HEAD BOLT, M10 - 1.5 X 25MM LG.....	4
6	646348		THREAD FORMING SCREW, 1/4" - 20 X 1" LG	1
7	646345		FLAT WASHER, 1/4"	1
8				
9				
10	603725		ASHTRAY	1
11	644117		CUP HOLDER ASSEMBLY (INCLUDES ITEMS 12 - 14).....	1
12	640706		CENTER CONSOLE	1
13	608522		WARNING LABEL	1
14	71364G02		J-TYPE SPEED NUT, #8	4
15				
16				
17	638348G01		CENTER COMPARTMENT.....	1
18	638348G02		CENTER COMPARTMENT (OPENING FOR 12V).....	1
19	638348G03		CENTER COMPARTMENT (OPENING FOR USB).....	1
20	638348G04		CENTER COMPARTMENT (OPENING FOR 12V AND USB).....	1
21	608290		PAN HEAD PHILLIPS SCREW, #10 - 16 X 3/4" LG	4
22	71597G01		SELF THREADING NUT, .226"	3
23				
24	608528		WARNING LABEL (FREEDOM VEHICLES).....	1
25	612194		WARNING LABEL.....	1
26	647213		ANTI-ROLLBACK LABEL	1



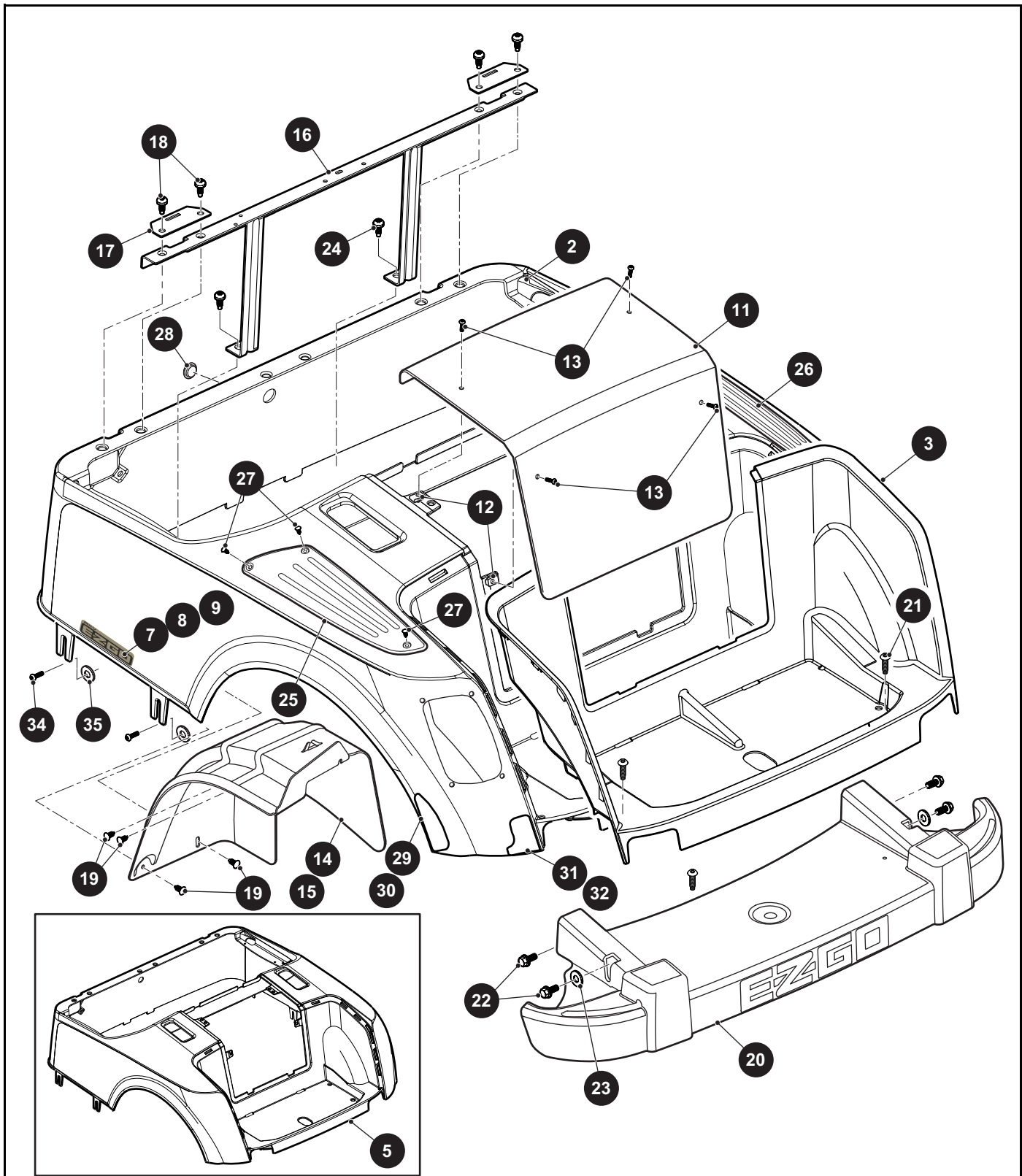
THE USE OF NON U.L. PARTS WILL VOID ANY U.L. LISTING.

When ordering parts, please specify the model and serial number of the product.

* Indicates a component that is not available as an individual part.

*** Indicates consult Customer Service Department for additional information.

ITEM	PART NO.	1 2 3 4 5	DESCRIPTION	QTY.
1	600225		FLOORBOARD	1
2				
3	16816G2		RATCHET RIVET, .25" X .887"	5
4	16816G1		RATCHET RIVET, .25" X .680"	2
5	604066		FLAT WASHER, M10	2
6	601257		UPPER ROCKER PANEL (DRIVER SIDE).....	1
7	600253		LOWER ROCKER PANEL (DRIVER SIDE).....	1
8	601258		UPPER ROCKER PANEL (PASSENGER SIDE)	1
9	600257		LOWER ROCKER PANEL (PASSENGER SIDE)	1
10	649804		BUTTON HEAD TORX SCREW, M8 - 3.5 X 30MM LG	5
11				
12	603707		FLOORMAT (HORN ATTACHMENT).....	1
13	602020		SOCKET HEAD TORX BOLT, M10 - 1.5 X 50MM LG	2
14				
15	605277		PEDAL COVER PLATE.....	1
16	16816G2		RATCHET RIVET, .25" X .887"	4
17	601118		FLOORMAT	1



1 REAR BODY ASSEMBLY WITH LIGHTS includes items 2, 3

4 REAR BODY ASSEMBLY WITHOUT LIGHTS includes items 3, 5

THE USE OF NON U.L. PARTS WILL VOID ANY U.L. LISTING.

When ordering parts, please specify the model and serial number of the product.

* Indicates a component that is not available as an individual part.

*** Indicates consult Customer Service Department for additional information.

ITEM	PART NO.	1 2 3 4 5	DESCRIPTION	QTY.
1	650353G01XX		REAR BODY ASSEMBLY WITH LIGHTS (See COLOR CODES in HOW TO USE Section) (INCLUDES ITEMS 2, 3) ...	1
2	650311G01XX		BODY	1
3	650254		BAGWELL LINER.....	1
4	650353G00XX		REAR BODY ASSEMBLY WITHOUT LIGHTS (See COLOR CODES in HOW TO USE Section) (INCLUDES ITEMS 3, 5) ...	1
5	650311G00XX		BODY	1
6				
7	607859		RXV DECAL.....	1
8	610521		E-Z-GO FREEDOM DECAL.....	1
9	607863		E-Z-GO SHUTTLE 2+2 DECAL.....	1
10				
11	650443		ACCESS COVER.....	1
12	602409		BARREL CLIP, M6 - 1	4
13	601326		BUTTON HEAD TORX BOLT, M6 - 1 X 20MM LG	4
14	601621		REAR SPLASH GUARD (DRIVER SIDE).....	1
15	601622		REAR SPLASH GUARD (PASSENGER SIDE).....	1
16	601921		FRONT SEAT SUPPORT ASSEMBLY.....	1
17	602558		SEAT HINGE PLATE.....	1
18	602572		PAN HEAD TAPTITE BOLT, M10 - 1.5 X 25MM LG	2
19	16816G2		RATCHET RIVET, .25" X .887"	4
20	610855		REAR BUMPER.....	1
21	649804		BUTTON HEAD TORX SCREW, M8 - 3.50 X 30MM LG	2
22	603799		FLANGED HEX HEAD BOLT, M10 - 1.5 X 25MM LG.....	4
23	604066		FLAT WASHER, M10	2
24	602572		PAN HEAD TAPTITE BOLT, M10 - 1.5 X 25MM LG	1
25	639807G01		SCUFF GUARD (DRIVER SIDE).....	1
26	639807G02		SCUFF GUARD (PASSENGER SIDE)	1
27	16816G5		RATCHET RIVET, .187" X .550"	3
28	71316G01		HOLE PLUG.....	1
29	608993		SIDE REFLECTOR (RED) (DRIVER SIDE).....	1
30	608996		SIDE REFLECTOR (RED) (PASSENGER SIDE).....	1

BODY

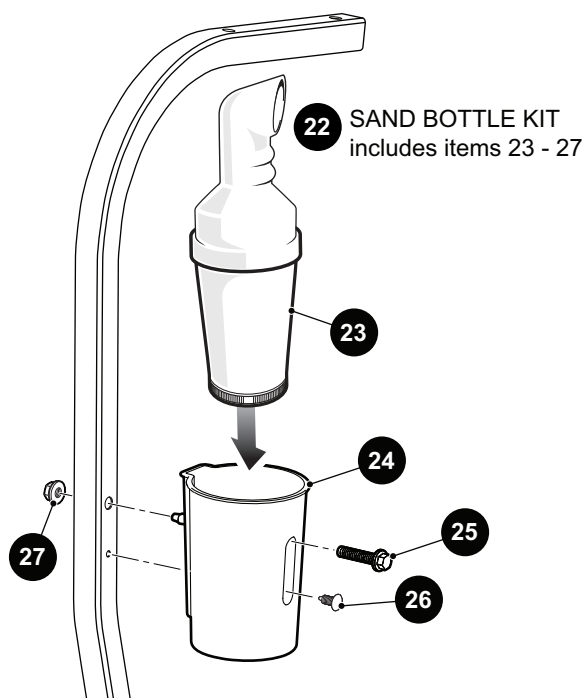
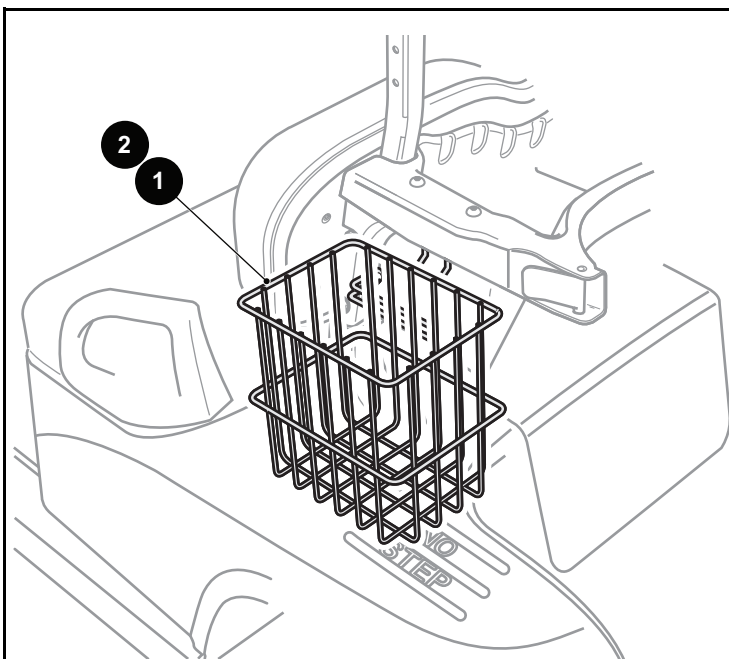
THE USE OF NON U.L. PARTS WILL VOID ANY U.L. LISTING.

When ordering parts, please specify the model and serial number of the product.

* Indicates a component that is not available as an individual part.

*** Indicates consult Customer Service Department for additional information.

ITEM	PART NO.	1 2 3 4 5	DESCRIPTION	QTY.
31	625246		REAR REFLEX REFLECTOR (RED) (DRIVER SIDE)	1
32	625244		REAR REFLEX REFLECTOR (RED) (PASSENGER SIDE)	1
33				
34	649804		BUTTON HEAD TORX SCREW, M8 - 3.5 X 30MM LG	4
35	604066		FLAT WASHER, M10	4

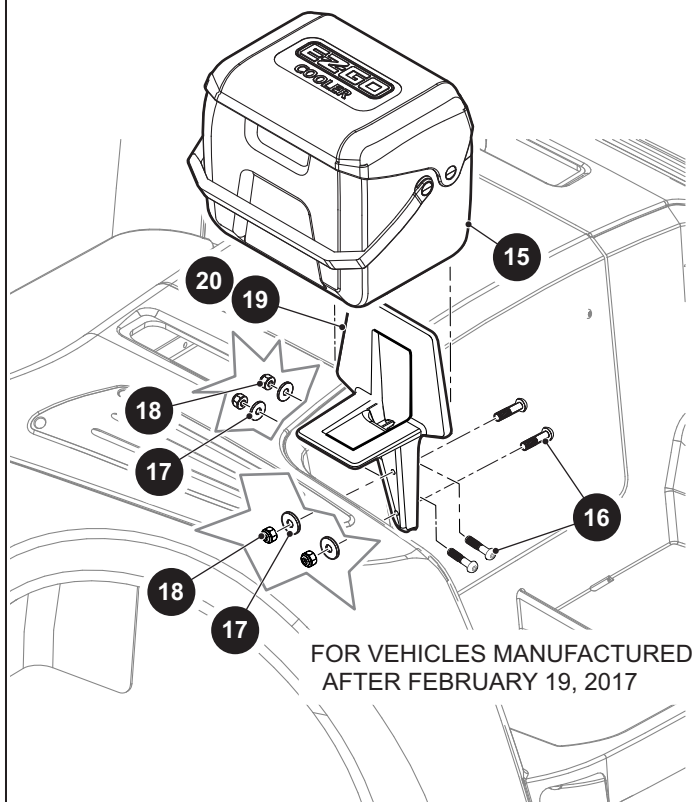
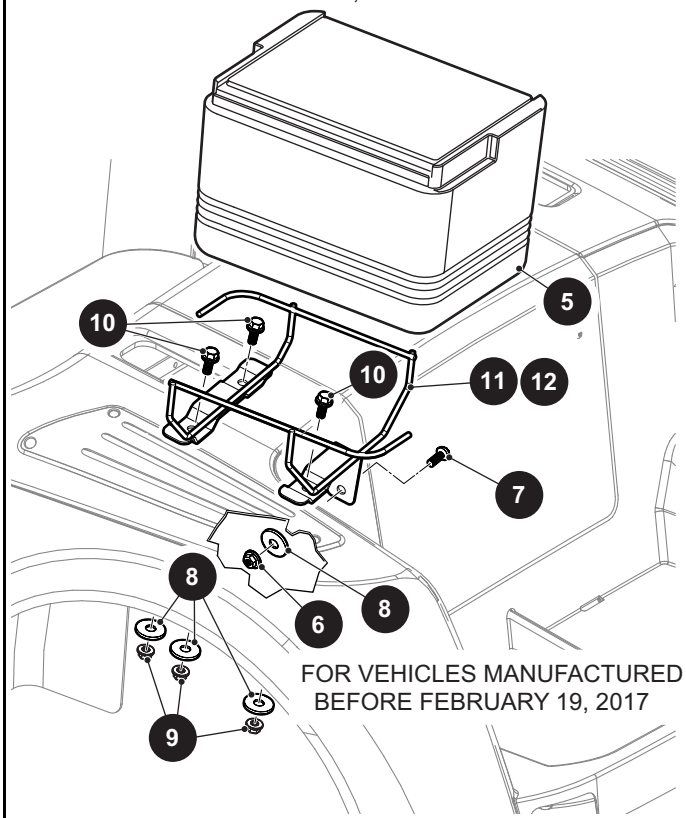


3 BEVERAGE COOLER KIT (DRIVER SIDE)
includes items 5 - 11

4 BEVERAGE COOLER KIT (PASSENGER SIDE)
includes items 5 - 10, 12

13 BEVERAGE COOLER KIT (DRIVER SIDE)
includes items 15 - 19

14 BEVERAGE COOLER KIT (PASSENGER SIDE)
includes items 15 - 18, 20



THE USE OF NON U.L. PARTS WILL VOID ANY U.L. LISTING.

When ordering parts, please specify the model and serial number of the product.

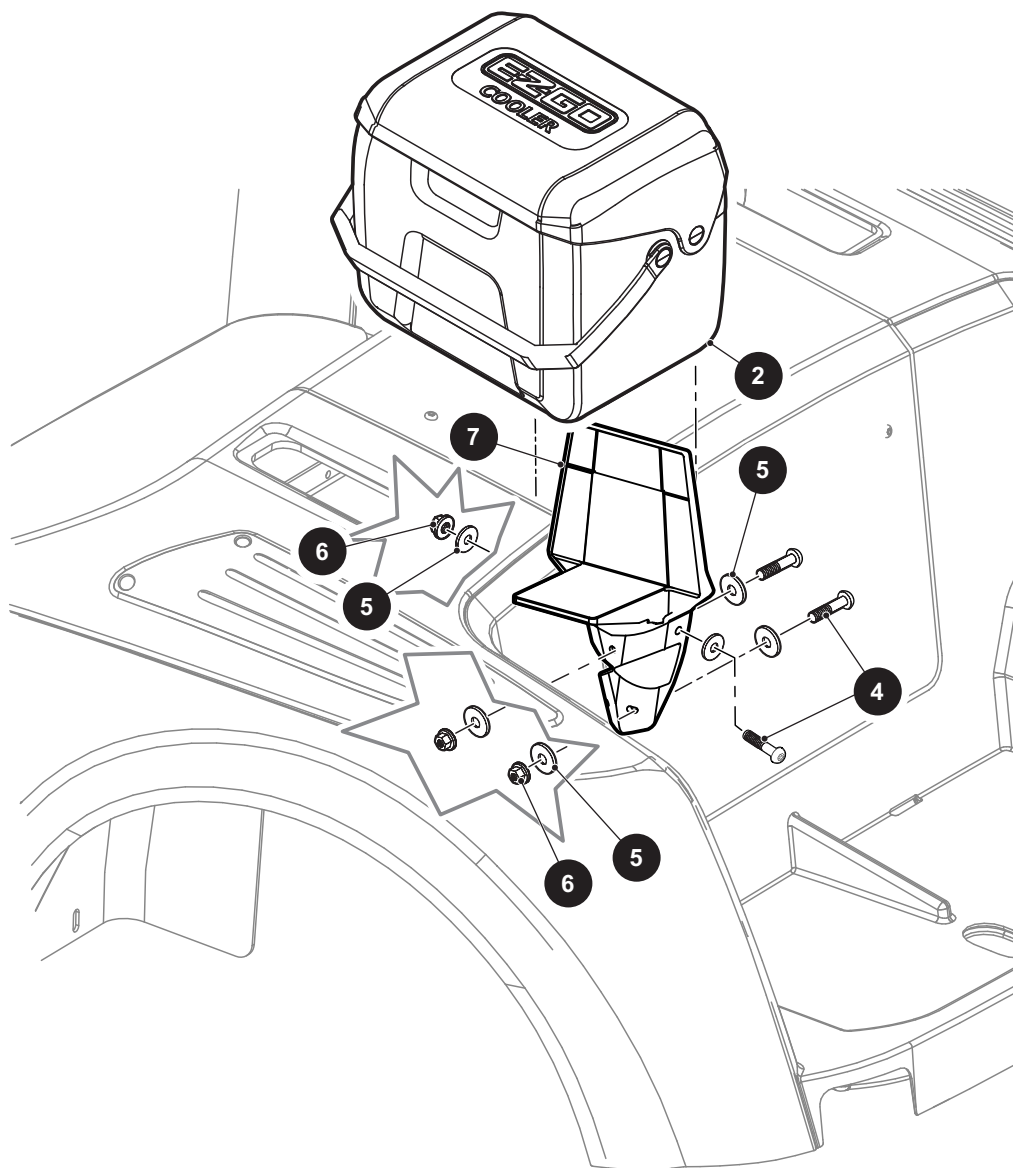
* Indicates a component that is not available as an individual part.

*** Indicates consult Customer Service Department for additional information.

ITEM	PART NO.	1 2 3 4 5	DESCRIPTION	QTY.
1	603846		SIDE BASKET (DRIVER SIDE)	1
2	603702		SIDE BASKET (PASSENGER SIDE).....	1
3	643098		BEVERAGE COOLER KIT (DRIVER SIDE) (INCLUDES ITEMS 5 - 11) (FOR VEHICLES MANUFACTURED BEFORE FEBRUARY 19, 2017)	1
4	643096		BEVERAGE COOLER KIT (PASSENGER SIDE) (INCLUDES ITEMS 5 - 10, 12) (FOR VEHICLES MANUFACTURED BEFORE FEBRUARY 19, 2017)	1
5	601366		BEVERAGE COOLER.....	1
6	614974		TORQUE NUT, M10 - 1.5	1
7	600530		BUTTON HEAD TORX BOLT, M10 - 1.5 X 25MM LG	1
8	608520		FLAT WASHER, M10.....	4
9	606274		FLANGED HEX NUT, M10 - 1.25	3
10	606256		FLANGED HEX HEAD BOLT, M10 - 1.25 X 25MM LG	3
11	643097		MOUNTING BRACKET (DRIVER SIDE).....	1
12	643095		MOUNTING BRACKET (PASSENGER SIDE)	1
13	659159		BEVERAGE COOLER KIT (DRIVER SIDE) (INCLUDES ITEMS 15 - 19) (FOR VEHICLES MANUFACTURED AFTER FEBRUARY 19, 2017)	1
14	659157		BEVERAGE COOLER KIT (PASSENGER SIDE) (INCLUDES ITEMS 15 - 18, 20) (FOR VEHICLES MANUFACTURED AFTER FEBRUARY 19, 2017)	1
15	658503		BEVERAGE COOLER.....	1
16	*		TRUSS HEAD PHILLIPS SCREW, 1/4" - 20 X 1.25" LG	4
17	*		FLAT WASHER, 1/4"	4
18	*		LOCK NUT, 1/4" - 20	4
19	658504		MOUNTING BRACKET (DRIVER SIDE).....	1
20	658505		MOUNTING BRACKET (PASSENGER SIDE)	1
21				
22	614179		SAND BOTTLE KIT (INCLUDES ITEMS 23 - 27).....	1
23	600612		SAND BOTTLE.....	1
24	28660G01		SAND BOTTLE HOLDER.....	1
25	603800		FLANGED HEX HEAD BOLT, M10 - 1.5 X 50MM LG	1
26	16816G2		RATCHET RIVET, .25" X .887"	1
27	600525		LOCK NUT, M10 - 1.5.....	1

1 BEVERAGE COOLER KIT includes items 2 - 7

3 HARDWARE KIT includes items 4 - 6



FOR VEHICLES MANUFACTURED FROM OCTOBER 22, 2018

THE USE OF NON U.L. PARTS WILL VOID ANY U.L. LISTING.

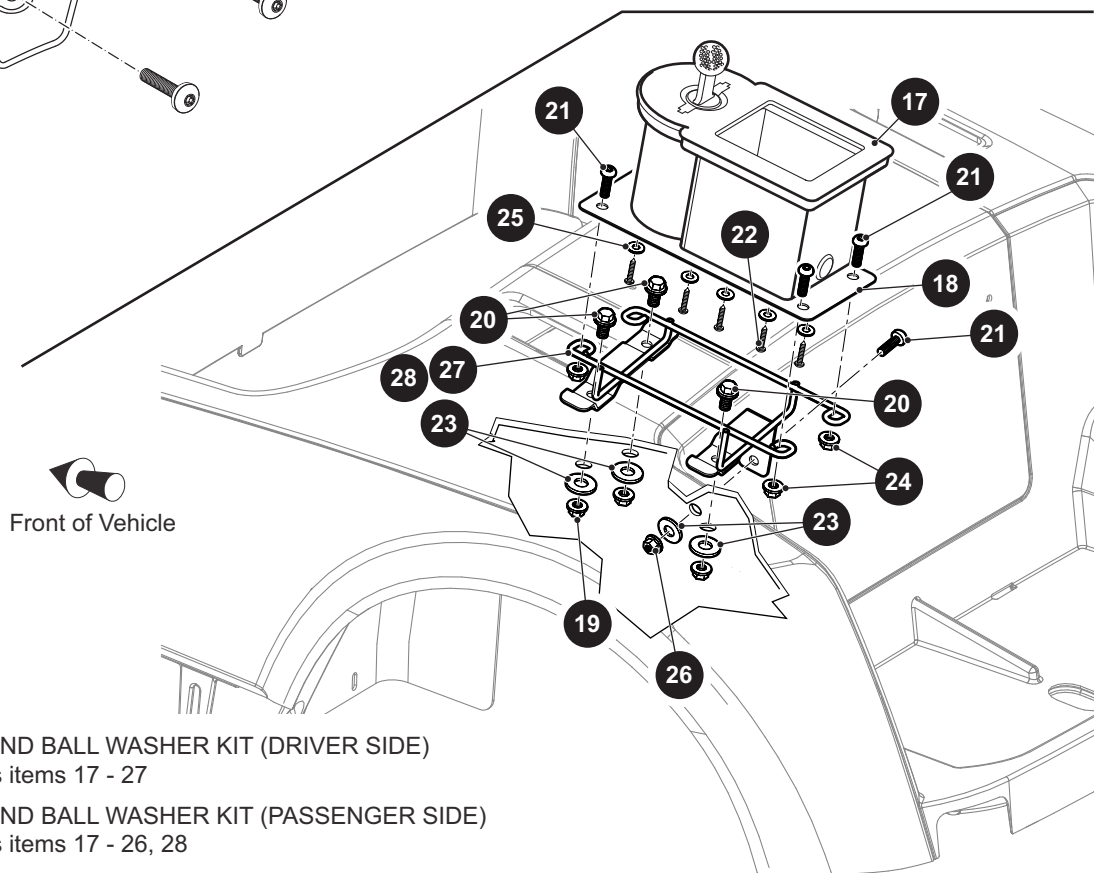
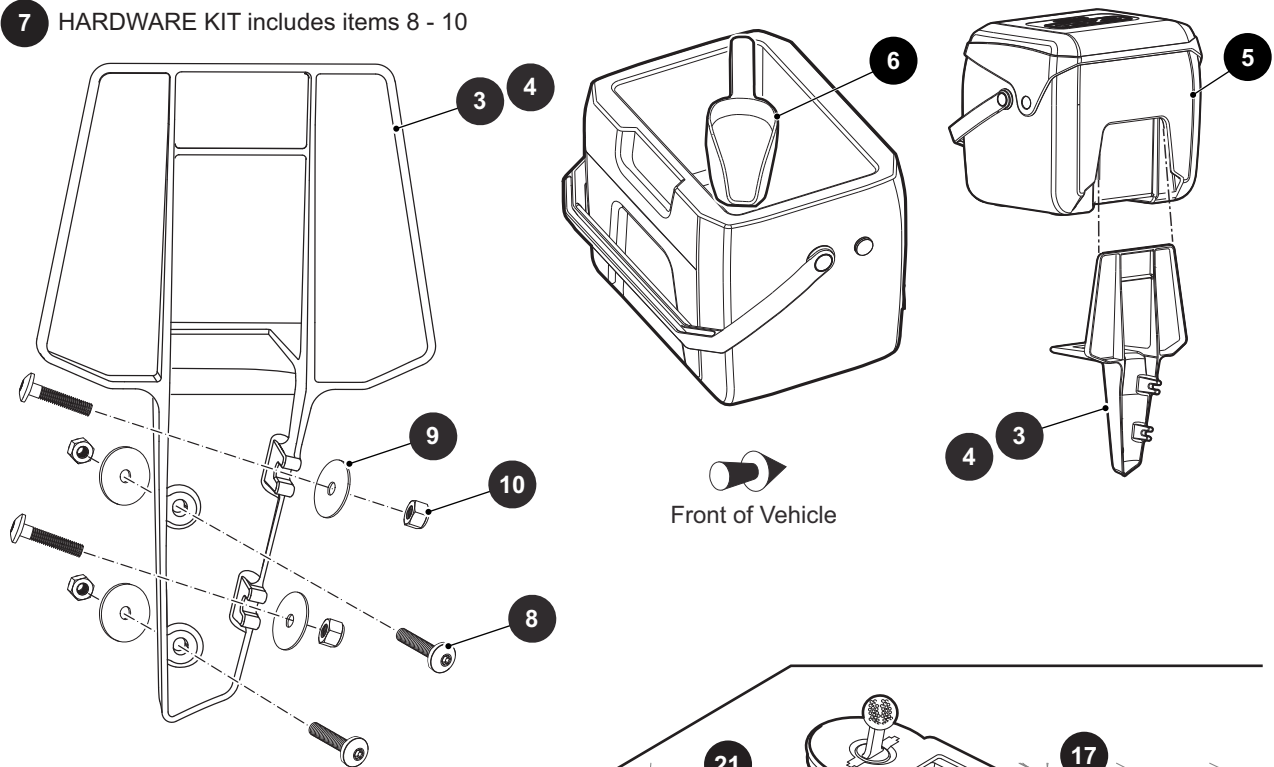
When ordering parts, please specify the model and serial number of the product.

* Indicates a component that is not available as an individual part.

*** Indicates consult Customer Service Department for additional information.

ITEM	PART NO.	1 2 3 4 5	DESCRIPTION	QTY.
1	689255		BEVERAGE COOLER KIT (INCLUDES ITEMS 2 - 7)..... (FOR VEHICLES MANUFACTURED FROM OCTOBER 22, 2018).....	1
2	658503		BEVERAGE COOLER.....	1
3	689269		HARDWARE KIT (INCLUDES ITEMS 4 - 6)	
4	*		TRUSS HEAD BOLT, M6 x 1	3
5	*		FLAT WASHER, M6 x 18	6
6	*		LOCK NUT, M6 x 1.....	3
7	689244		BRACKET	1

- 1** SAND BUCKET KIT includes items 3, 5 - 7
- 2** SAND BUCKET KIT includes items 4 - 7
- 7** HARDWARE KIT includes items 8 - 10



- 15** CLUB AND BALL WASHER KIT (DRIVER SIDE)
includes items 17 - 27

- 16** CLUB AND BALL WASHER KIT (PASSENGER SIDE)
includes items 17 - 26, 28

THE USE OF NON U.L. PARTS WILL VOID ANY U.L. LISTING.

When ordering parts, please specify the model and serial number of the product.

* Indicates a component that is not available as an individual part.

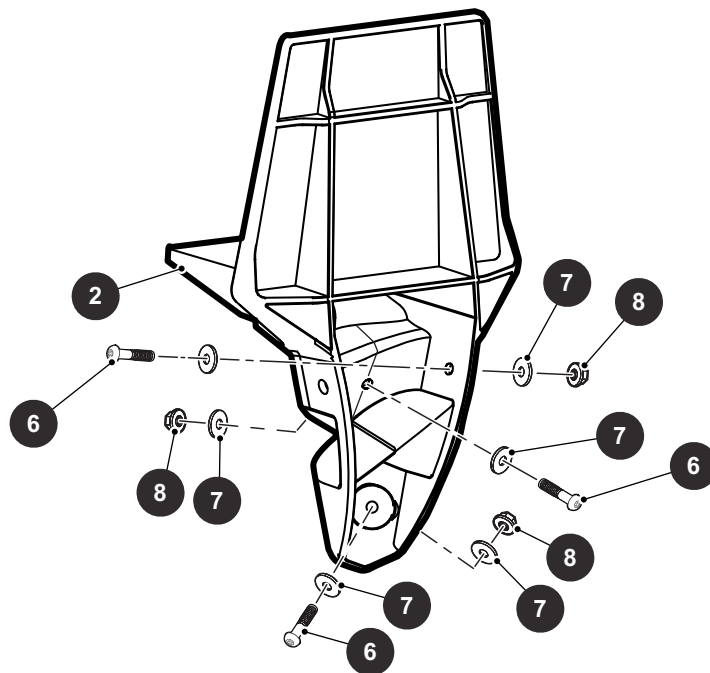
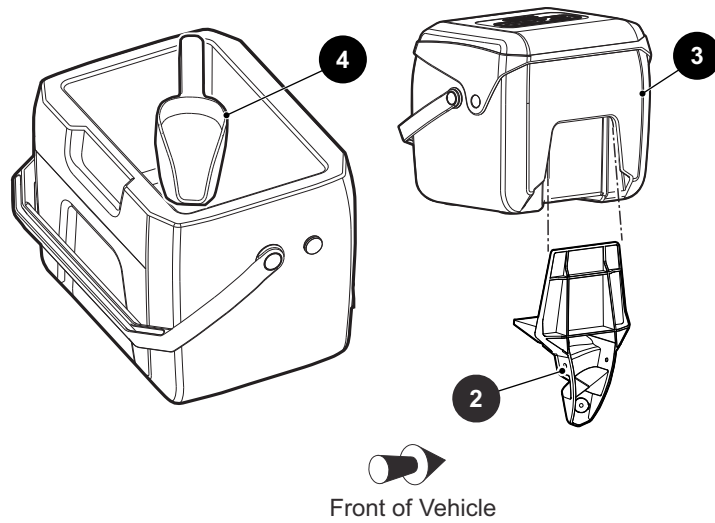
*** Indicates consult Customer Service Department for additional information.

ITEM	PART NO.	1 2 3 4 5	DESCRIPTION	QTY.
1	664388		SAND BUCKET KIT (DRIVER SIDE) (INCLUDES ITEMS 3, 5 - 7) (FLEET AND FREEDOM) (FOR VEHICLES MANUFACTURED BEFORE OCTOBER 22, 2018)	1
2	664400		SAND BUCKET KIT (PASSENGER SIDE) (INCLUDES ITEMS 4 - 7) (FLEET AND FREEDOM) (FOR VEHICLES MANUFACTURED BEFORE OCTOBER 22, 2018).....	1
3	658504		BRACKET	1
4	658505		BRACKET	1
5	662248		SAND BUCKET	1
6	74848G01		SCOOP.....	1
7	659156		HARDWARE KIT (INCLUDES ITEMS 8 - 10)	1
8	*		TRUSS HEAD TORX BOLTS, M6 - 1 X 30MM LG	4
9	*		FLAT WASHERS, M6 - 30	4
10	*		HEX LOCK NUTS, M6 - 1	4
11				
12				
13				
14				
15	643092		CLUB AND BALL WASHER KIT (DRIVER SIDE) (INCLUDES ITEMS 17 - 27)	1
16	643094		CLUB AND BALL WASHER KIT (PASSENGER SIDE) (INCLUDES ITEMS 17 - 26, 28)	1
17	603836		CLUB AND BALL WASHER	1
18	604384		CLUB AND BALL WASHER PLATE	1
19	606274		FLANGED HEX NUT, M10 - 1.25	3
20	606256		FLANGED HEX HEAD BOLT, M10 - 1.25 X 25MM LG	3
21	600530		BUTTON HEAD TORX BOLT, M10 - 1.5 X 25MM LG	5
22	608732		PAN HEAD PHILLIPS SCREW, M8.....	5
23	608520		FLAT WASHER, M10.....	4
24	600525		LOCK NUT, M10 - 1.5.....	4
25	608747		FLAT WASHER, M6 X 1.5	5
26	614974		TORQUE NUT, M10 - 1.5	1
27	643091		MOUNTING BRACKET (DRIVER SIDE).....	1
28	643093		MOUNTING BRACKET (PASSENGER SIDE).....	1

BODY

1 SAND BUCKET KIT includes items 2 - 5

5 HARDWARE KIT includes items 6 - 8



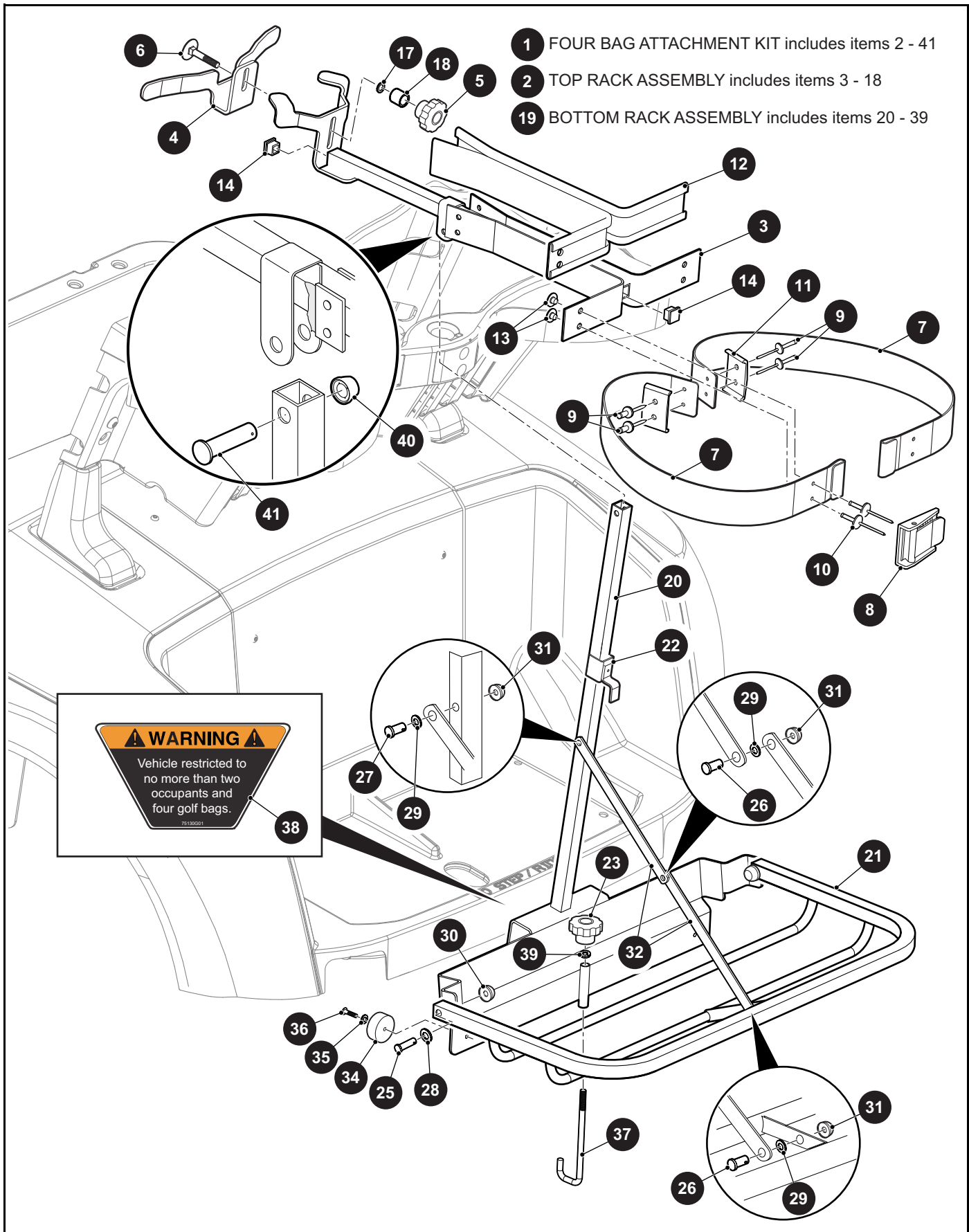
THE USE OF NON U.L. PARTS WILL VOID ANY U.L. LISTING.

When ordering parts, please specify the model and serial number of the product.

* Indicates a component that is not available as an individual part.

*** Indicates consult Customer Service Department for additional information.

ITEM	PART NO.	1 2 3 4 5	DESCRIPTION	QTY.
1	689254		SAND BUCKET KIT(INCLUDES ITEMS 2 - 5) (FOR VEHICLES MANUFACTURED AFTER OCTOBER 22, 2018).....	1
2	689244		BRACKET.....	1
3	662248		SAND BUCKET	1
4	74848G01		SCOOP.....	1
5	689269		HARDWARE KIT (INCLUDES ITEMS 6 - 8)	
6	*		TRUSS HEAD BOLT, M6 x 1	3
7	*		FLAT WASHER, M6 x 18	6
8	*		LOCK NUT, M6 x 1.....	3



THE USE OF NON U.L. PARTS WILL VOID ANY U.L. LISTING.

When ordering parts, please specify the model and serial number of the product.

* Indicates a component that is not available as an individual part.

*** Indicates consult Customer Service Department for additional information.

ITEM	PART NO.	1 2 3 4 5	DESCRIPTION	QTY.
1	646547		FOUR BAG ATTACHMENT KIT (INCLUDES ITEMS 2 - 41)	1
2	646557		TOP RACK ASSEMBLY (INCLUDES ITEMS 3 - 18).....	1
3	646556		TOP MOUNT RACK.....	1
4	608939		UNDER MOUNT BRACKET	1
5	75337G01		KNOB, 5/16" - 18	1
6	00724G5		ELEVATOR BOLT, 5/16" - 18 X 2" LG	1
7	17641G1		STRAP (FOUR BAG RACK)	2
8	16920G1		STRAP RETAINER ASSEMBLY	2
9	17226G1		RIVET, .255" X .246"	4
10	15058G1		RIVET (ALUMINUM), .191"X .183"	4
11	16610G1		ANCHOR PLATE	2
12	14643G3		VINYL EXTRUSION	2
13	16935G1		TEE NUT	4
14	19859G1		TUBE CAP, 3/4" SQ	2
15	17618G1		NYLON CLAMP, 8" LG (NOT ILLUSTRATED).....	2
16	14382G7		STRIP (NOISE SUPPRESSOR) (NOT ILLUSTRATED)	2
17	00567G8		LOCK WASHER (EXTERNAL TOOTH TYPE), 5/16"	1
18	14134G2		SPACER, .80" X .76 O.D.	1
19	647152		BOTTOM RACK ASSEMBLY (INCLUDES ITEMS 20 - 39).....	1
20	*		LOWER MOUNT	1
21	*		FOUR BAG BOTTOM ASSEMBLY	1
22	*		LATCH ASSEMBLY	1
23	*		KNOB, 5/16" - 18	1
24	*		VINYL SHRINK TUBING (NOT ILLUSTRATED).....	1
25	*		CLEVIS PIN, 3/8" X 1.25"	2
26	*		CLEVIS PIN, 5/16" X .625"	2
27	*		CLEVIS PIN, 5/16" X 1.25"	1
28	*		FLAT WASHER, 3/8"	2
29	*		FLAT WASHER, 5/16"	3
30	*		CAP NUT (BLACK), 3/8"	2
31	*		CAP NUT (PLASTIC), 5/16"	3

BODY

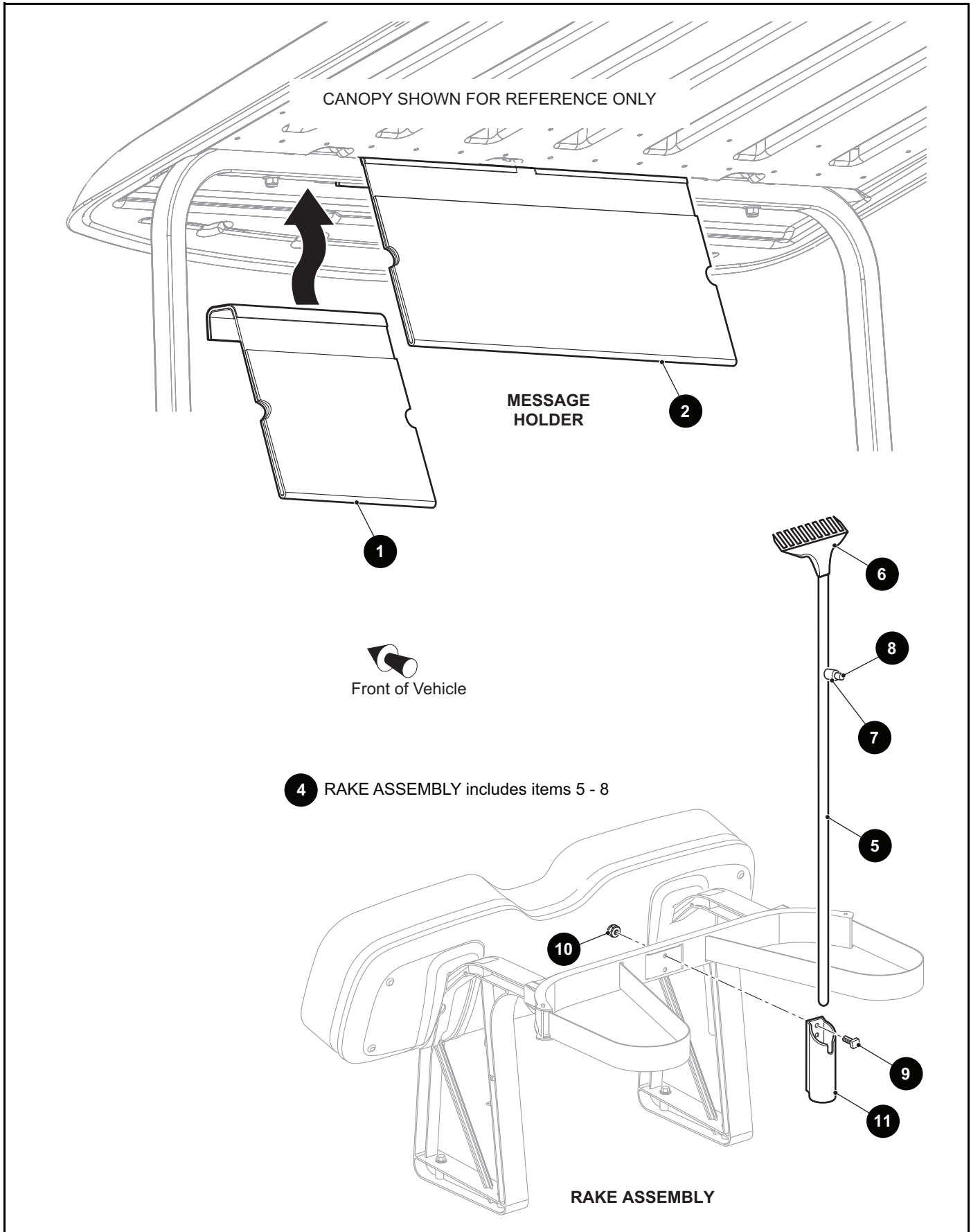
THE USE OF NON U.L. PARTS WILL VOID ANY U.L. LISTING.

When ordering parts, please specify the model and serial number of the product.

* Indicates a component that is not available as an individual part.

*** Indicates consult Customer Service Department for additional information.

ITEM	PART NO.	1	2	3	4	5	DESCRIPTION	QTY.
32	*						BRACE	2
33	*						NYLON CLAMP, 8" LG (NOT ILLUSTRATED)	1
34	*						RUBBER BUMPER	2
35	*						FLAT WASHER, #10	2
36	*						RIVET, 3/16 X 13/16"	2
37	*						RETAINER ROD	1
38	*						WARNING LABEL	1
39	*						LOCK WASHER, 5/16"	1
40	28129G01						CAP NUT (PLASTIC), 5/16"	1
41	17651G2						CLEVIS PIN, 5/16" X 1.25"	1



THE USE OF NON U.L. PARTS WILL VOID ANY U.L. LISTING.

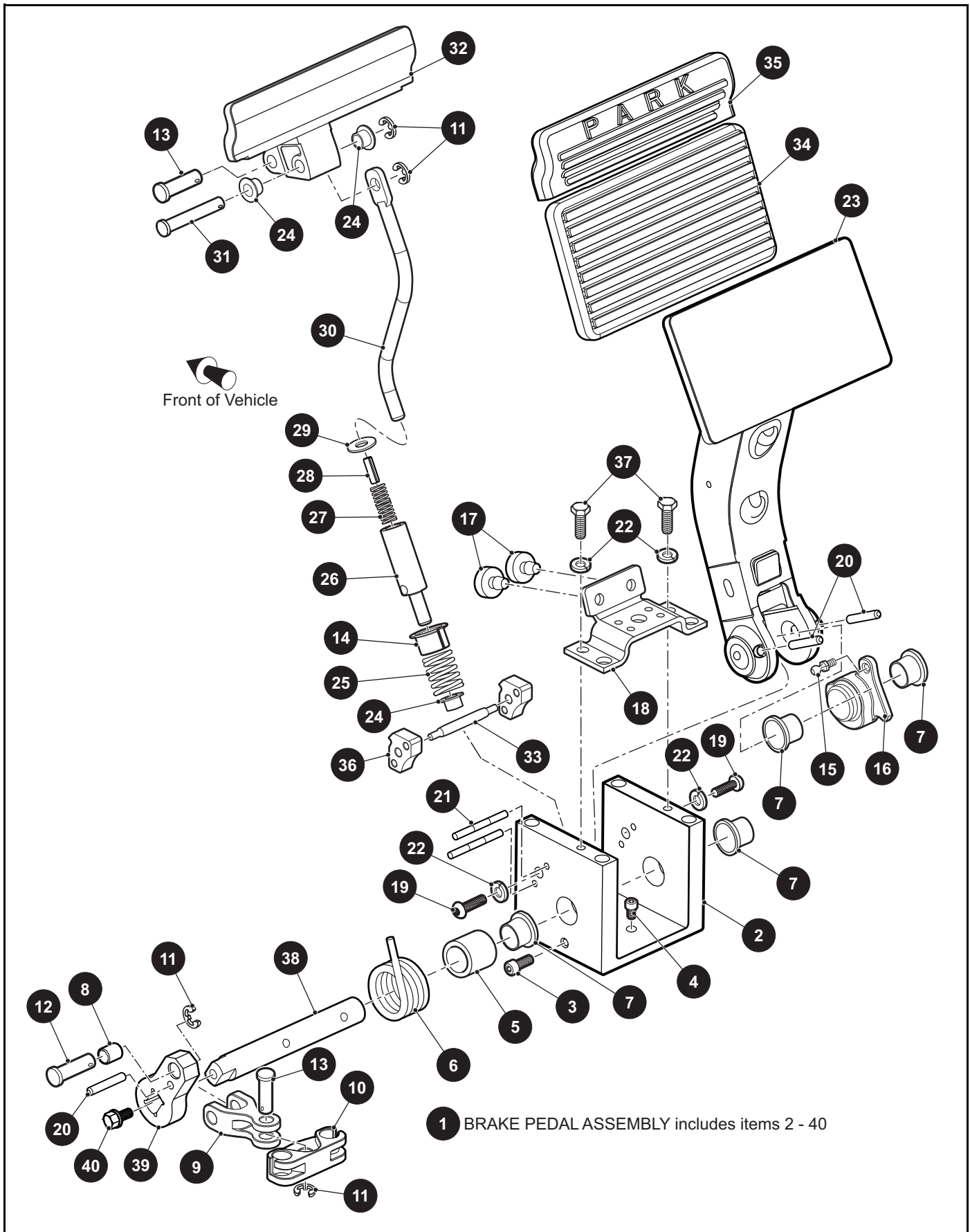
When ordering parts, please specify the model and serial number of the product.

* Indicates a component that is not available as an individual part.

*** Indicates consult Customer Service Department for additional information.

ITEM	PART NO.	1 2 3 4 5	DESCRIPTION	QTY.
1	609308		MESSAGE HOLDER (SINGLE).....	1
2	609092		MESSAGE HOLDER (DOUBLE).....	1
3				
4	14735G1		RAKE ASSEMBLY (INCLUDES ITEMS 5 - 8).....	1
5	14736G2		RAKE HANDLE	1
6	14737G1		RAKE.....	1
7	14934G1		SPACER	1
8	00130G8		ROUND HEAD PHILLIPS WOOD SCREW, #10 - 13 X 1" LG	1
9	00989G06		SQUARE HEAD BOLT, 1/4" - 20 X 3/4" LG	2
10	11027G2		LOCK NUT, 1/4" - 20.....	2
11	25885G01		RAKE HOLDER	1

BRAKES



THE USE OF NON U.L. PARTS WILL VOID ANY U.L. LISTING.

When ordering parts, please specify the model and serial number of the product.

* Indicates a component that is not available as an individual part.

*** Indicates consult Customer Service Department for additional information.

ITEM	PART NO.	1 2 3 4 5	DESCRIPTION	QTY.
1	653204		BRAKE PEDAL ASSEMBLY (INCLUDES ITEMS 2 - 40).....	1
2	*		BRAKE ARM MOUNT.....	1
3	*		SOCKET HEAD BOLT, M5 - .8 X 15MM LG.....	1
4	*		SOCKET HEAD BOLT, M4 - .7 X 10MM LG.....	1
5	*		SPACER (TORSION SPRING).....	1
6	*		TORSION SPRING, 4.5MM DIA.....	1
7	*		FLANGED BUSHING, 16MM X 12MM.....	4
8	*		BUSH SLEEVE (SPLIT), 8MM X 12MM.....	1
9	604459		CABLE PULL CLIP.....	1
10	604458		EQUALIZER.....	1
11	601835		E-RING, 8MM.....	4
12	601895		CLEVIS PIN, 8MM X 27MM.....	1
13	601894		CLEVIS PIN, 8MM X 21.5MM.....	2
14	*		FLANGED BUSHING, 16MM X 12MM.....	1
15	*		BALL STUD, 6MM DIA.....	1
16	*		MULTI LATCH CAM.....	1
17	604097		REBOUND BUMPER.....	2
18	609226		BRACKET.....	1
19	*		BUTTON HEAD TORX BOLT, M6 - 1 X 20MM LG.....	2
20	*		SPIROL PIN, 5MM X 30MM.....	3
21	600683		SPIROL PIN (HEAVY DUTY), 4MM X 26MM.....	4
22	*		LOCK WASHER, 6MM.....	4
23	*		PEDAL (BLACK).....	1
24	*		FLANGED BUSH (PLASTIC), 8MM.....	3
25	*		COMPRESSION SPRING.....	1
26	*		LATCH RELEASE PIN.....	1
27	*		COMPRESSION SPRING, ENGAGE.....	1
28	*		ROLL PIN, 5MM X 16MM.....	1
29	*		FLAT WASHER, M4.....	1
30	*		PARK BRAKE PUSHROD.....	1
31	*		CLEVIS PIN, 8MM X 45MM.....	1

BRAKES

THE USE OF NON U.L. PARTS WILL VOID ANY U.L. LISTING.

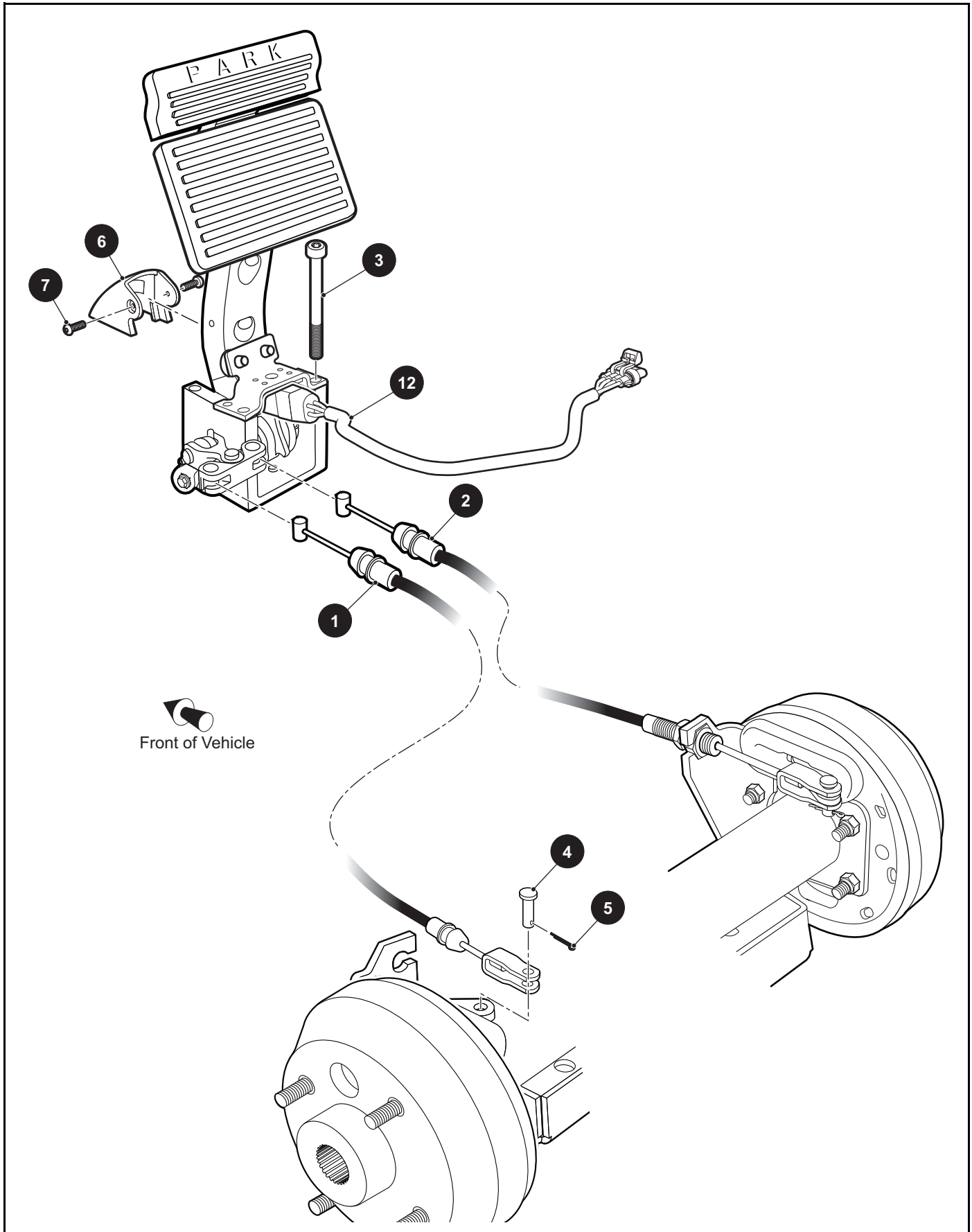
When ordering parts, please specify the model and serial number of the product.

* Indicates a component that is not available as an individual part.

*** Indicates consult Customer Service Department for additional information.

ITEM	PART NO.	1	2	3	4	5	DESCRIPTION	QTY.
32	626156						PARK BRAKE PAD	1
33	*						SOLID PIN, 4MM X 57MM	1
34	610471						BRAKE PEDAL COVER	1
35	610635						PARK BRAKE PEDAL COVER	1
36	*						LATCH RATCHET	2
37	613231						FLANGED HEX HEAD BOLT, M6 - 1 X 20MM LG.....	2
38	*						PIVOT SHAFT.....	1
39	626146						BRAKE CABLE ARM	1
40	606265						FLANGED HEX HEAD BOLT, M6 - 1 X 12MM LG.....	1

BRAKES



BRAKES

THE USE OF NON U.L. PARTS WILL VOID ANY U.L. LISTING.

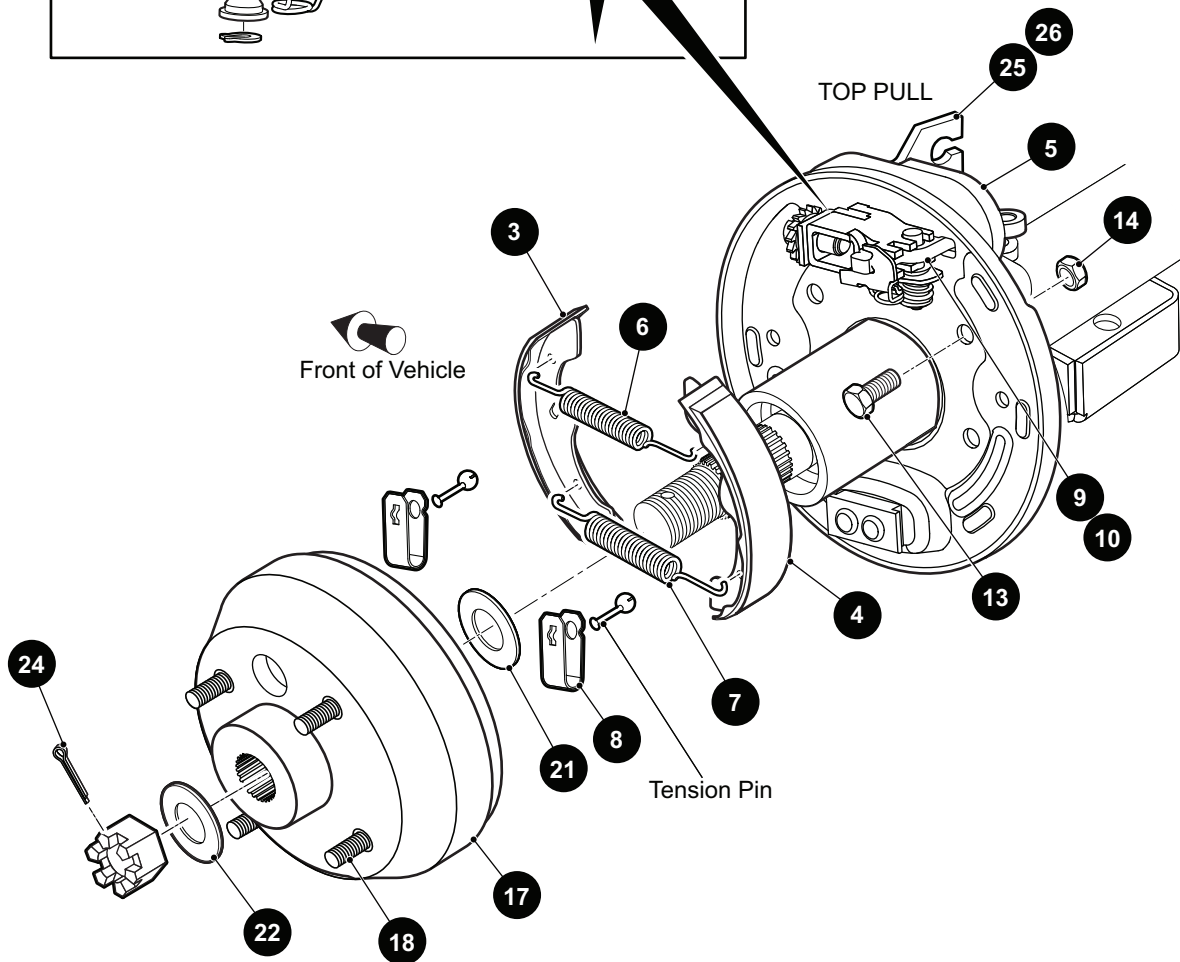
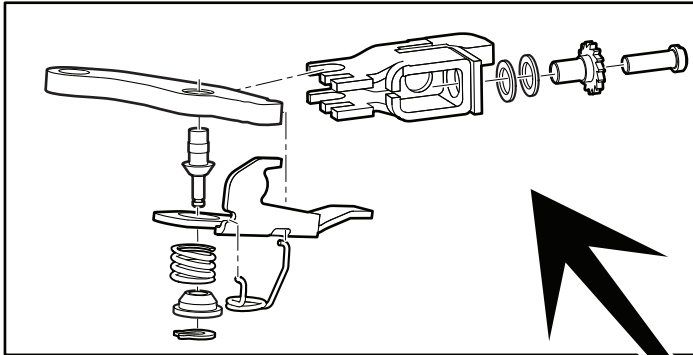
When ordering parts, please specify the model and serial number of the product.

* Indicates a component that is not available as an individual part.

*** Indicates consult Customer Service Department for additional information.

ITEM	PART NO.	1 2 3 4 5	DESCRIPTION	QTY.
1	611373		BRAKE CABLE (DRIVER SIDE).....	1
2	612519		BRAKE CABLE (PASSENGER SIDE)	1
3	605254		SOCKET HEAD BOLT, M8 - 1.25 X 90MM LG	4
4	10386G3		CLEVIS PIN, 5/16" X .940"	1
5	10387G3		COTTER PIN, .094" X 3/4" LG.....	1
6	605688		BRAKE PEDAL COVER	1
7	600543		BUTTON HEAD TORX BOLT, M4 - .75 X 12MM LG	2
8	17618G1		NYLON CLAMP, 8" LG (NOT ILLUSTRATED).....	AR
9				
10				
11				
12	607605		SWITCH.....	1

- 1** BRAKE ASSEMBLY (DRIVER SIDE) includes items 3 - 9
- 2** BRAKE ASSEMBLY (PASSENGER SIDE) includes items 3 - 8, 10
- 16** BRAKE DRUM ASSEMBLY includes items 17, 18



BRAKES

THE USE OF NON U.L. PARTS WILL VOID ANY U.L. LISTING.

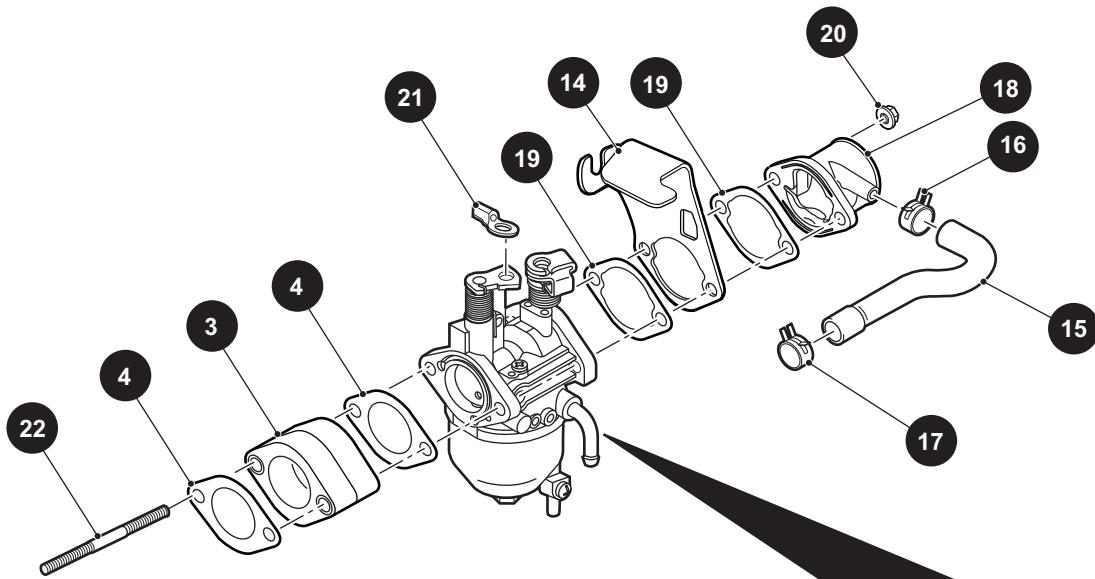
When ordering parts, please specify the model and serial number of the product.

* Indicates a component that is not available as an individual part.

*** Indicates consult Customer Service Department for additional information.

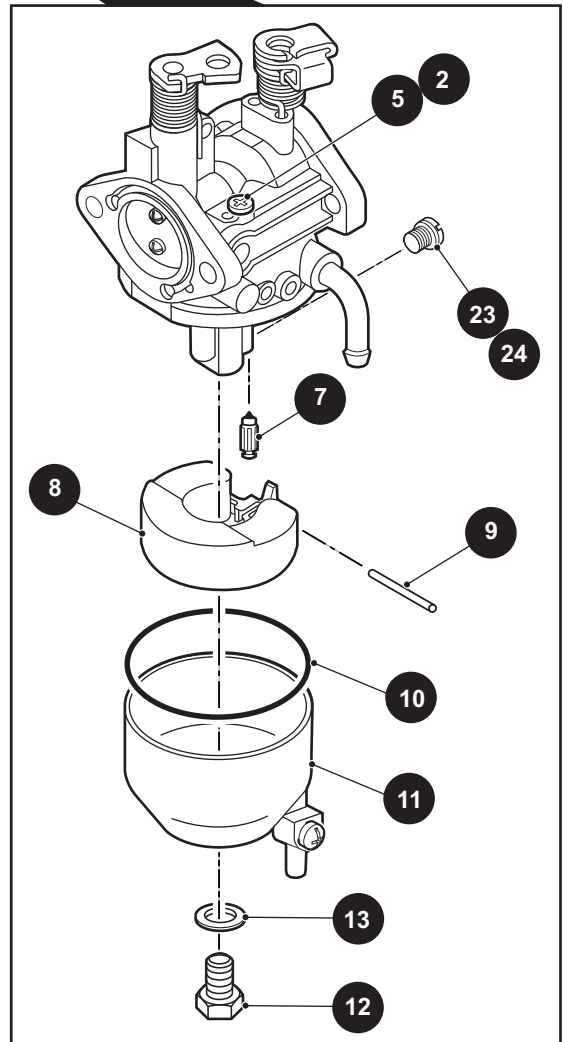
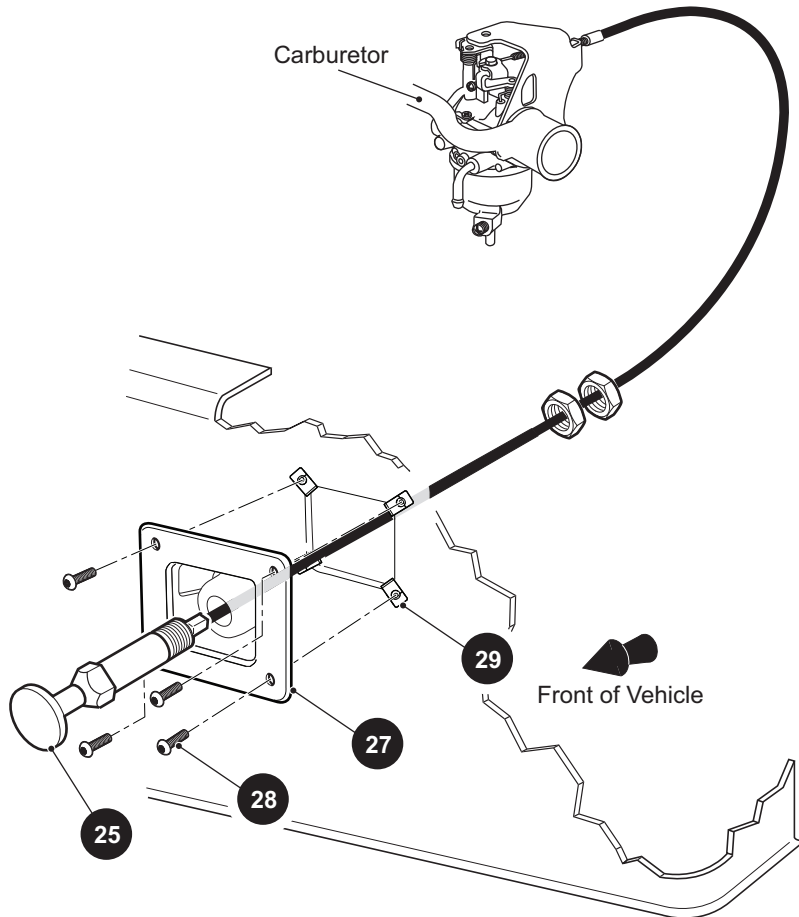
ITEM	PART NO.	1 2 3 4 5	DESCRIPTION	QTY.
1	612189		BRAKE ASSEMBLY (DRIVER SIDE) (INCLUDES ITEMS 3 - 9).....	1
2	612211		BRAKE ASSEMBLY (PASSENGER SIDE) (INCLUDES ITEMS 3 - 8, 10)	1
3	612411		BRAKE SHOE, LEADING	1
4	612412		BRAKE SHOE, TRAILING.....	1
5	612413		DUST COVER	1
6	612415		BRAKE SPRING, TOP	1
7	612414		BRAKE SPRING, BOTTOM	1
8	612416		SHOE CLAMP	2
9	612418		GEAR ADJUSTER (DRIVER SIDE)	1
10	612417		GEAR ADJUSTER (PASSENGER SIDE).....	1
11				
12				
13	17083G2		HEX HEAD BOLT, 5/16" - 24 X 1" LG	4
14	15126G1		LOCK NUT, 5/16" - 24.....	4
15				
16	21807G2		BRAKE DRUM ASSEMBLY (INCLUDES ITEMS 17, 18).....	1
17	20947G1		BRAKE DRUM.....	1
18	19862G2		LUG BOLT, 1/2" - 20 X 1.718" LG.....	4
19				
20				
21	21809G1		FLAT WASHER (INNER WHEEL RIM), 1.31" O.D. X .98" I.D	1
22	606945		FLAT WASHER (BRAKE DRUM), 1.75" O.D. X .886" I.D.....	1
23				
24	10387G1		COTTER PIN, 5/32" X 1 3/4" LG.....	1
25	652248		BRAKE CABLE BRACKET (PASSENGER SIDE)	1
26	652249		BRAKE CABLE BRACKET (DRIVER SIDE).....	1

CARBURETOR AND CHOKE



1 CARBURETOR includes items 2 - 22

Carburetor



CARBURETOR AND CHOKE

THE USE OF NON U.L. PARTS WILL VOID ANY U.L. LISTING.

When ordering parts, please specify the model and serial number of the product.

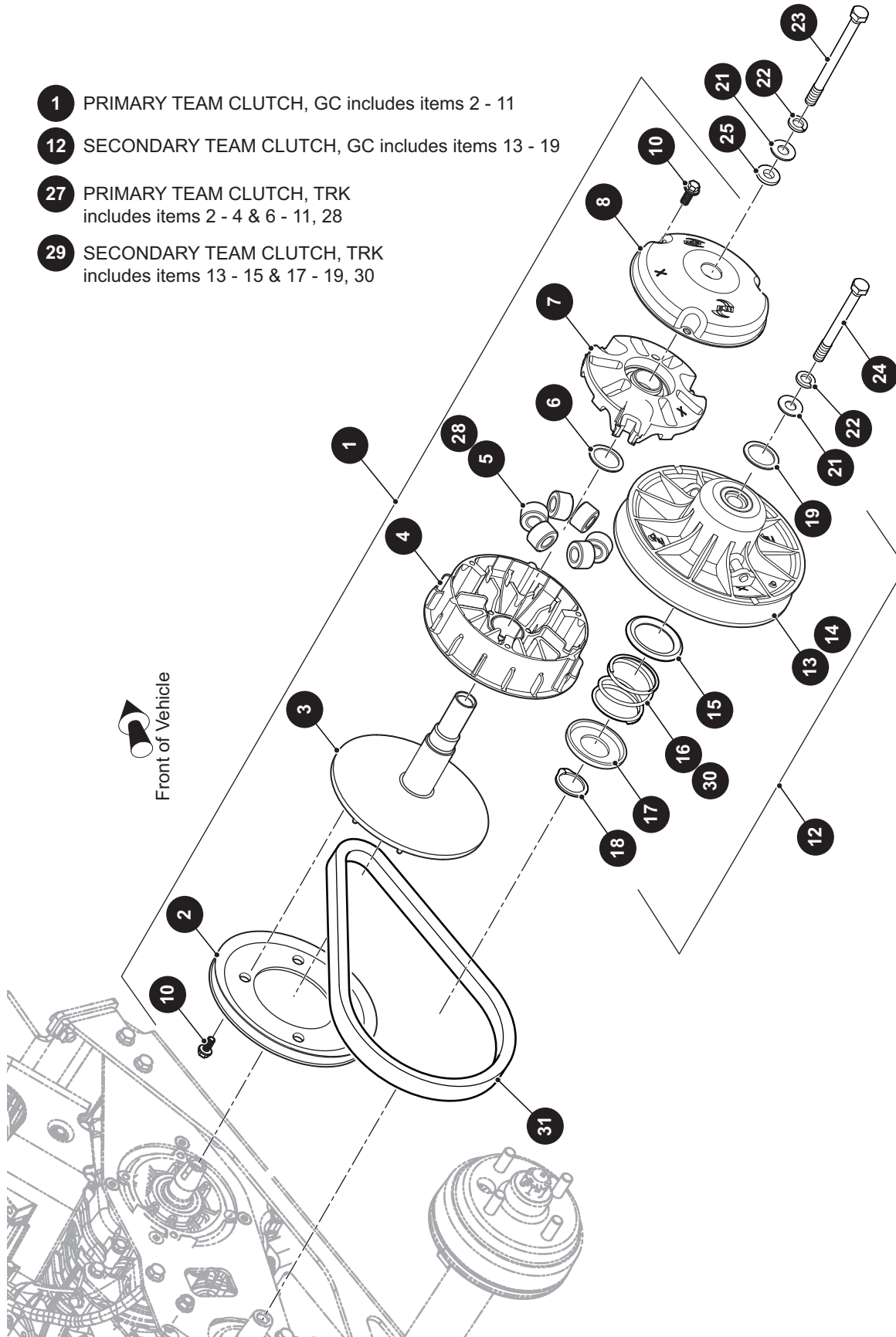
* Indicates a component that is not available as an individual part.

*** Indicates consult Customer Service Department for additional information.

ITEM	PART NO.	1 2 3 4 5	DESCRIPTION	QTY.
1	607954		CARBURETOR (INCLUDES ITEMS 2 - 22)	1
2	608021		PILOT JET (#44).....	1
3	603581		CARBURETOR INSULATOR	1
4	603580		CARBURETOR MOUNT GASKET	2
5	603585		PLUG.....	1
6				
7	603586		FLOAT VALVE	1
8	603587		FLOAT	1
9	603588		FLOAT PIN	1
10	603589		BOWL GASKET.....	1
11	603590		FLOAT CHAMBER ASSEMBLY.....	1
12	603592		CHAMBER PLUG	1
13	603591		CHAMBER GASKET	1
14	603583		CHOKE CABLE BRACKET	1
15	603598		BREATHER TUBE.....	1
16	603596		INTAKE TUBE CLAMP	1
17	603597		CYLINDER HEAD TUBE CLAMP.....	1
18	603594		INTAKE TUBE	1
19	603593		CHOKE GASKET	2
20	603595		FLANGE NUT, M6 X 1.0.....	2
21	608023		THROTTLE ROD ATTACHMENT BUSHING	1
22	603584		STUD BOLT.....	2
23	607684		MAIN JET (#102) (FOR ELEVATIONS OF 6000 FT - 10000 FT)	1
24	607983		MAIN JET (#104) (FOR ELEVATIONS OF 3000 FT - 6000 FT)	1
25	614842		CHOKE CABLE.....	1
26				
27	614861		CHOKE ADAPTER.....	1
28	601326		BUTTON HEAD TORX BOLT, M6 - 1 X 20MM LG	4
29	602409		BARREL CLIP, M6 - 1	4

CLUTCH

- 1 PRIMARY TEAM CLUTCH, GC includes items 2 - 11
- 12 SECONDARY TEAM CLUTCH, GC includes items 13 - 19
- 27 PRIMARY TEAM CLUTCH, TRK includes items 2 - 4 & 6 - 11, 28
- 29 SECONDARY TEAM CLUTCH, TRK includes items 13 - 15 & 17 - 19, 30



THE USE OF NON U.L. PARTS WILL VOID ANY U.L. LISTING.

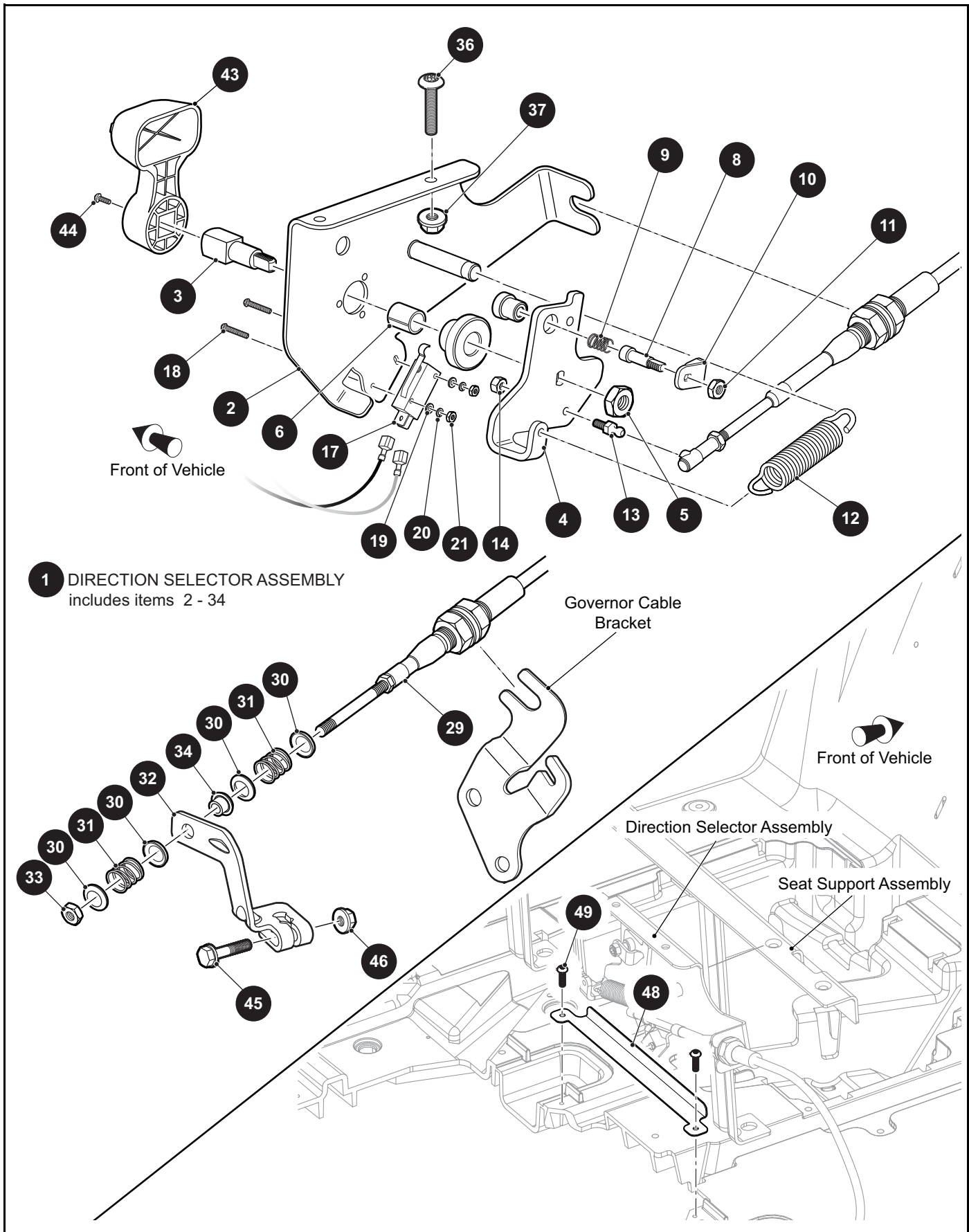
When ordering parts, please specify the model and serial number of the product.

* Indicates a component that is not available as an individual part.

*** Indicates consult Customer Service Department for additional information.

ITEM	PART NO.	1 2 3 4 5	DESCRIPTION	QTY.
1	672686		PRIMARY TEAM CLUTCH, GC (INCLUDES ITEMS 2 - 11)	1
2	619333		PRIMARY STARTER PULLY	1
3	*		STATIONARY ASSEMBLY	1
4	*		MOVEABLE PRIMARY ASSEMBLY	1
5	619336		SHIFT ROLLER ASSEMBLY	6
6	619337		SHIM, 39.5MM X 31.75MM	1
7	644303		PRIMARY SPIDER ASSEMBLY	1
8	*		PRIMARY DUST COVER ASSEMBLY	1
9	644305		BUTTON, TORQUE PRIMARY (NOT ILLUSTRATED)	1
10	619332		HEX WASHER HEAD BOLT, 1/4" - 20 X 3/4" LG	7
11	644306		PLUG, TORQUE BUTTON (NOT ILLUSTRATED)	6
12	644300		SECONDARY TEAM CLUTCH, GC (INCLUDES ITEMS 13 - 19)	1
13	*		SECONDARY STATIONARY CLUTCH	1
14	*		MOVEABLE SECONDARY CLUTCH	1
15	619327		INNER RETAINER SPRING	1
16	644304		COMPRESSION SPRING	1
17	619329		OUTER SPRING RETAINER	1
18	619330		RETAINER RING	1
19	619331		THRUST WASHER, 1.530" X 1.830" X 1"	1
20				
21	606239		CONICAL WASHER, M12	2
22	00566G3		LOCK WASHER (SPRING TYPE), 3/8"	2
23	606245		HEX HEAD BOLT, M12 - 1.25 X 160MM LG	1
24	606243		HEX HEAD BOLT, M12 - 1.25 X 120MM LG	1
25	606230		CLUTCH WASHER, 27.5Ø O.D X 13.06Ø I.D	1
26				
27	672688		PRIMARY TEAM CLUTCH, TRK (INCLUDES ITEMS 2 - 4 & 6 - 11, 28)	1
28	624112		SHIFT ROLLER ASSEMBLY	6
29	623949		SECONDARY TEAM CLUTCH, TRK (INCLUDES ITEMS 13 - 15 & 17- 19, 30)	1
30	624111		COMPRESSION SPRING	1
31	618630		DRIVE BELT	1

DIRECTION SELECTOR



1 DIRECTION SELECTOR ASSEMBLY
includes items 2 - 34

Governor Cable
Bracket

Front of Vehicle

Direction Selector Assembly

Seat Support Assembly

DIRECTION SELECTOR

THE USE OF NON U.L. PARTS WILL VOID ANY U.L. LISTING.

When ordering parts, please specify the model and serial number of the product.

* Indicates a component that is not available as an individual part.

*** Indicates consult Customer Service Department for additional information.

ITEM	PART NO.	1 2 3 4 5	DESCRIPTION	QTY.
1	608161		DIRECTION SELECTOR ASSEMBLY (INCLUDES ITEMS 2 - 34)	1
2	603627		DIRECTION SELECTOR BRACKET.....	1
3	608150		DIRECTION SELECTOR SHAFT.....	1
4	603700		DIRECTION SELECTOR CAM.....	1
5	14390G1		LOCK NUT, 3/8" - 24	1
6	25664G2		BUSHING, 1/2" X .750" LG	1
7				
8	72724G01		NEUTRAL LOCK PIN	1
9	72733G01		COMPRESSION SPRING.....	1
10	72729G01		NEUTRAL LOCK LATCH.....	1
11	00734G2		LOCK NUT, 1/4" - 28	1
12	28574G01		EXTENSION SPRING	1
13	72732G01		BALL STUD, #10 - 32.....	1
14	00734G5		LOCK NUT, #10 - 32.....	1
15				
16				
17	72736G01		MICRO SWITCH	1
18	01062G01		ROUND HEAD SCREW, #4 - 40 X 1" LG.....	2
19	00559G1		FLAT WASHER, #4	2
20	00565G1		LOCK WASHER, #4	2
21	00526G2		HEX NUT, #4 - 40	2
22				
23				
24				
25				
26				
27				
28				
29	603615		SHIFTER CABLE	1
30	25727G01		CUP WASHER, 1/4"	4
31	72735G01		COMPRESSION SPRING.....	2

DIRECTION SELECTOR

THE USE OF NON U.L. PARTS WILL VOID ANY U.L. LISTING.

When ordering parts, please specify the model and serial number of the product.

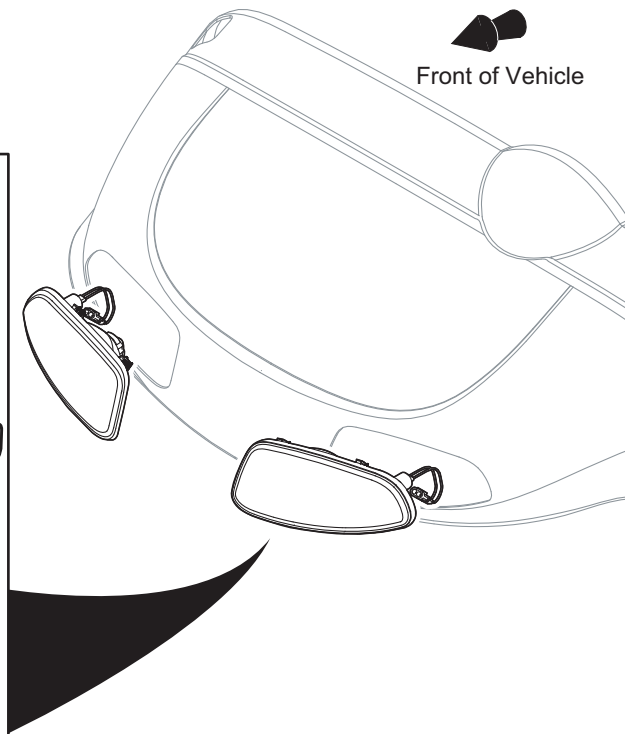
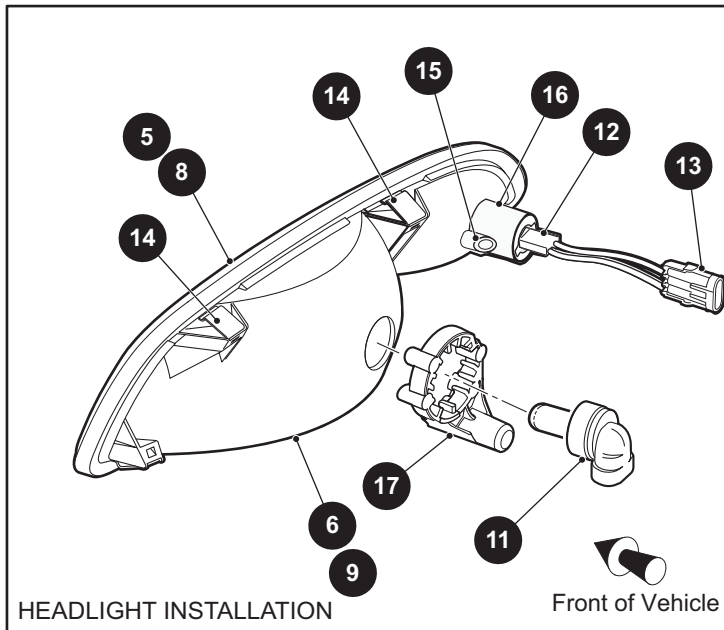
* Indicates a component that is not available as an individual part.

*** Indicates consult Customer Service Department for additional information.

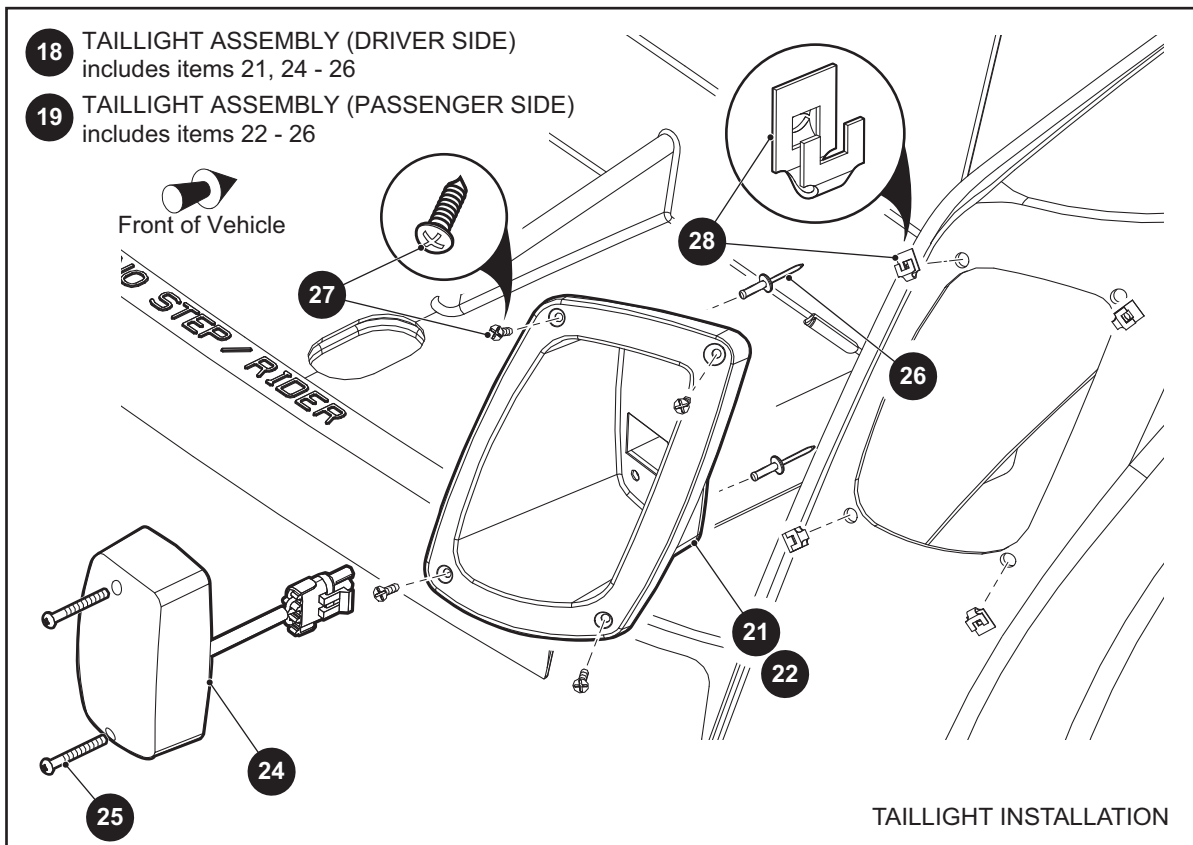
ITEM	PART NO.	1	2	3	4	5	DESCRIPTION	QTY.
32	632891						PIVOT BRACKET	1
33	00734G5						LOCK NUT, #10 - 32	1
34	22754G4						BUSHING (FLIP LOK), .250"	1
35								
36	601326						BUTTON HEAD TORX BOLT, M6 - 1 X 20MM LG	2
37	450452						HEX NUT, M6 - 1	2
38								
39								
40								
41								
42								
43	71205G01						DIRECTION SELECTOR HANDLE	1
44	01037G02						PAN HEAD TORX SCREW, #10 - 32 X 1/2" LG	1
45	606421						FLANGED HEX HEAD BOLT, M6 - 1 X 30MM LG	1
46	450452						HEX NUT, M6 - 1	1
47								
48	628573						BODY SUPPORT	1
49	608290						SELF TAPPING SCREW, #10 - 16 X 3/4" LG	2

ELECTRICAL SYSTEM

- 1** HEADLIGHT ASSEMBLY (DRIVER SIDE)
includes items 5, 6, 11 - 17
- 2** HEADLIGHT ASSEMBLY (PASSENGER SIDE)
includes items 8, 9, 11 - 17



- 18** TAILLIGHT ASSEMBLY (DRIVER SIDE)
includes items 21, 24 - 26
- 19** TAILLIGHT ASSEMBLY (PASSENGER SIDE)
includes items 22 - 26



ELECTRICAL SYSTEM

THE USE OF NON U.L. PARTS WILL VOID ANY U.L. LISTING.

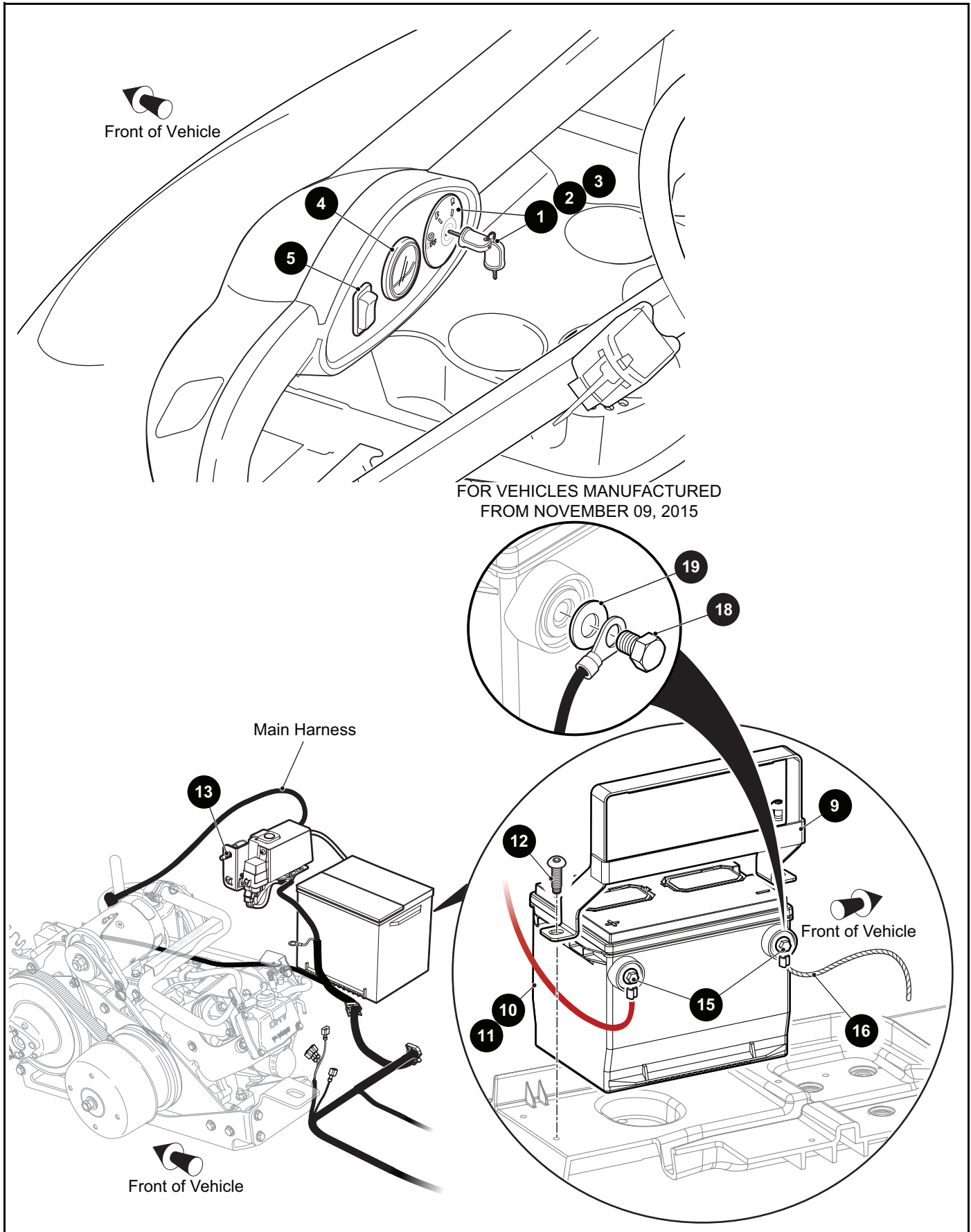
When ordering parts, please specify the model and serial number of the product.

* Indicates a component that is not available as an individual part.

*** Indicates consult Customer Service Department for additional information.

ITEM	PART NO.	1 2 3 4 5	DESCRIPTION	QTY.
1	607439		HEADLIGHT ASSEMBLY (DRIVER SIDE) (INCLUDES ITEM 5, 6, 11 - 17).....	1
2	607438		HEADLIGHT ASSEMBLY (PASSENGER SIDE) (INCLUDES ITEM 8, 9, 11 - 17).....	1
3				
4				
5	607452		HEADLIGHT GASKET (DRIVER SIDE).....	1
6	607436		HEADLIGHT (DRIVER SIDE).....	1
7				
8	607437		HEADLIGHT GASKET (PASSENGER SIDE).....	1
9	607435		HEADLIGHT (PASSENGER SIDE).....	1
10				
11	74004G01		BULB.....	1
12	676687		FRONT TURN SIGNAL BULB.....	1
13	607487		WIRING HARNESS (TURN SIGNAL LAMP).....	1
14	607434		HEADLIGHT CLIP.....	4
15	608328		BUTTON HEAD TORX SCREW (PLASTITE), M3 - 1.3 X 14MM LG.....	1
16	608322		HEADLIGHT RETAINER.....	1
17	615459		ANTI ROTATION COLLAR.....	1
18	648672G01		TAILLIGHT ASSEMBLY (DRIVER SIDE) (INCLUDES ITEM 21, 24 - 26).....	1
19	648672G02		TAILLIGHT ASSEMBLY (PASSENGER SIDE) (INCLUDES ITEM 22 - 26).....	1
20				
21	639815G01		TAILLIGHT BEZEL (DRIVER SIDE).....	1
22	639815G02		TAILLIGHT BEZEL (PASSENGER SIDE).....	1
23				
24	639816		TAILLIGHT ASSEMBLY.....	1
25	00513G4		PAN HEAD PHILLIPS SCREW, #8 - 18 X 3/4" LG.....	2
26	14601G11		RIVET (ALUMINUM), 3/16" X 9/16".....	2
27	71425G01		TAPPING SCREW, #8 - 18 X 3/4" LG.....	4
28	71364G02		J-TYPE NUT, #8.....	4
29				

ELECTRICAL SYSTEM



ELECTRICAL SYSTEM

THE USE OF NON U.L. PARTS WILL VOID ANY U.L. LISTING.

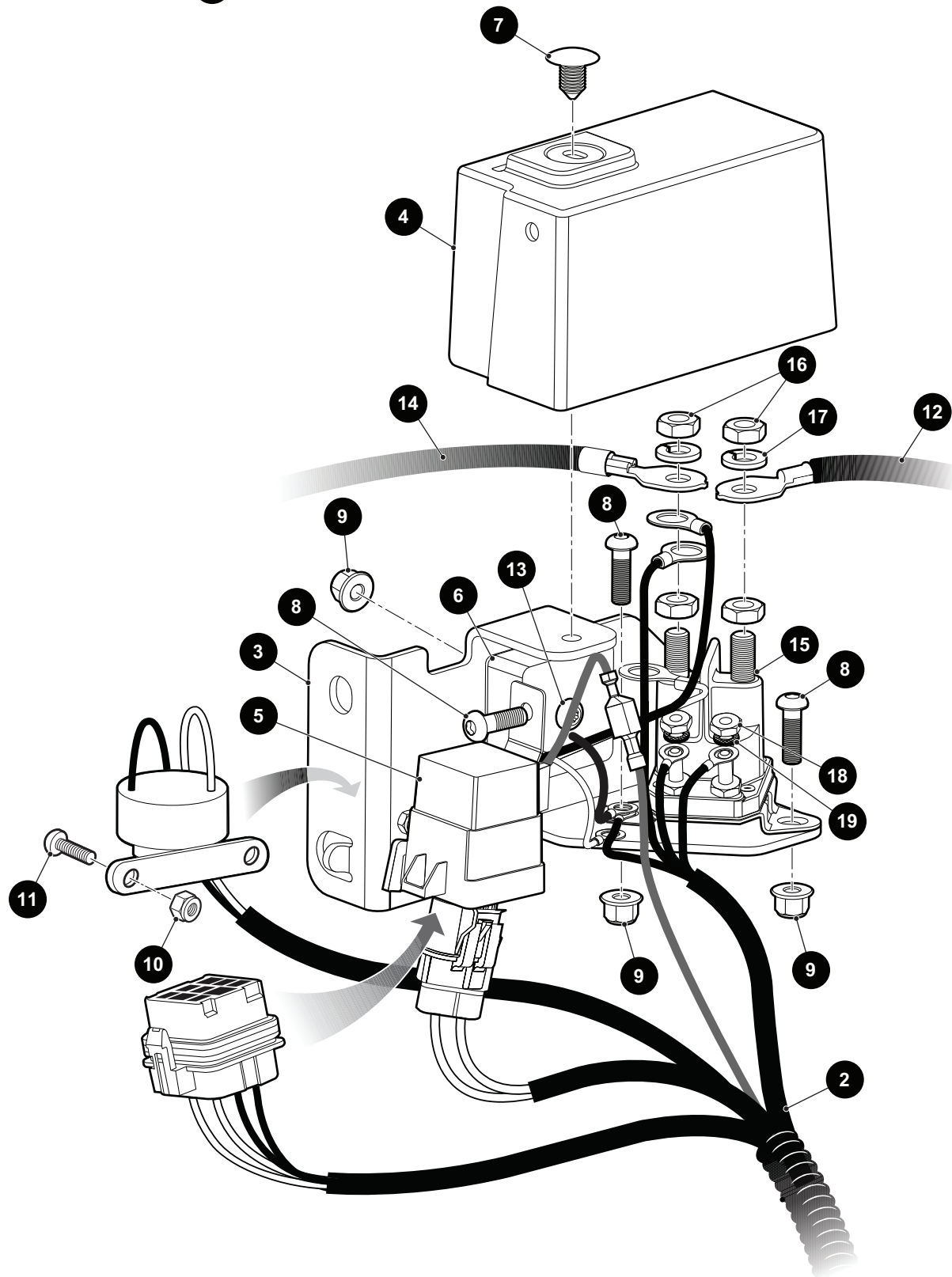
When ordering parts, please specify the model and serial number of the product.

* Indicates a component that is not available as an individual part.

*** Indicates consult Customer Service Department for additional information.

ITEM	PART NO.	1 2 3 4 5	DESCRIPTION	QTY.
1	611284		KEYSWITCH.....	1
2	609696		KEYSWITCH AND KEY SET	1
3	611282		KEY SET (COMMON).....	1
4	612314		FUEL METER	1
5	604019		HEADLIGHT SWITCH	1
6				
7				
8				
9	643145		BATTERY TIE DOWN	1
10	637484		BATTERY, 12V	1
11	638433		BATTERY (HEAVY DUTY), 12V	1
12	649804		BUTTON HEAD TORX SCREW, M8 - 3.50 X 30MM LG	2
13	602572		PAN HEAD TAPTITE BOLT, M10 - 1.5 X 25MM LG	2
14	17618G1		NYLON CLAMP, 8" LG (NOT ILLUSTRATED).....	AR
15	640488		BATTERY BOLT (SIDE TERMINAL).....	2
16	645192		GROUND CABLE (FOR VEHICLES MANUFACTURED FROM NOVEMBER 09, 2015)	1
17				
18	651336		BATTERY BOLT (FOR VEHICLES MANUFACTURED FROM NOVEMBER 09, 2015)	2
19	614221		FLAT WASHER, 3/8" (FOR VEHICLES MANUFACTURED FROM NOVEMBER 09, 2015)	2

1 SOLENOID HARNESS includes items 2 - 20



ELECTRICAL SYSTEM

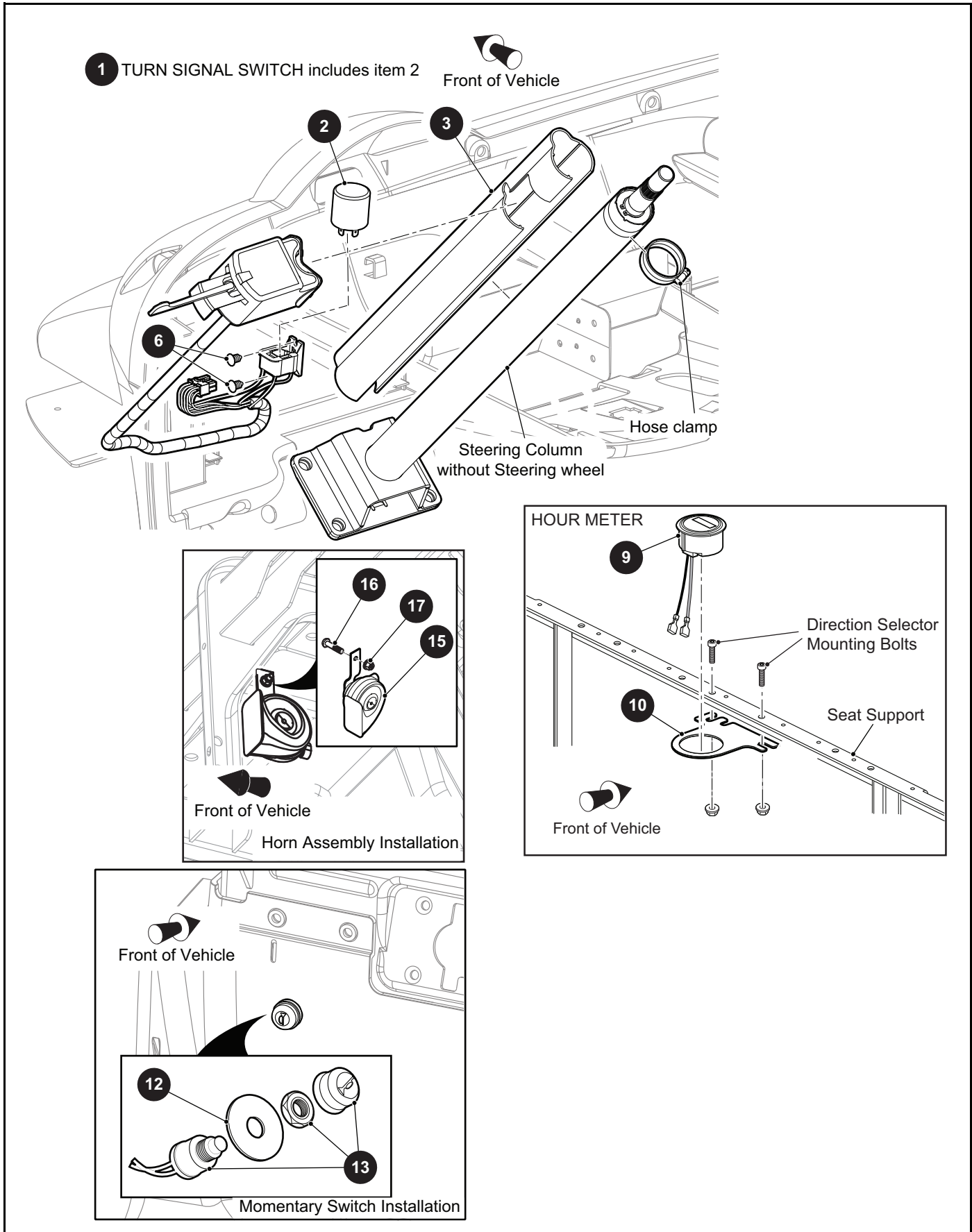
THE USE OF NON U.L. PARTS WILL VOID ANY U.L. LISTING.

When ordering parts, please specify the model and serial number of the product.

* Indicates a component that is not available as an individual part.

*** Indicates consult Customer Service Department for additional information.

ITEM	PART NO.	1 2 3 4 5	DESCRIPTION	QTY.
1	646576		SOLENOID HARNESS (INCLUDES ITEMS 2 - 20)	1
2	647566		MAIN HARNESS	1
3	615349		SOLENOID BRACKET	1
4	603390		SOLENOID COVER	1
5	603282		RELAY, 12V	1
6	27739G01		VOLTAGE REGULATOR	1
7	16816G1		RATCHET RIVET, .25" X .680"	1
8	601326		BUTTON HEAD TORX BOLT, M6 - 1 X 20MM LG	3
9	601476		LOCK NUT, M6 - 1.....	4
10	602053		LOCK NUT, M4 - .7.....	3
11	600543		BUTTON HEAD TORX BOLT, M4 - .75 X 12MM LG	3
12	645209		#6 GA WIRE ASSEMBLY (B+ / SOL)	1
13	602063		BUTTON HEAD TORX BOLT, M6 - 1 X 40MM LG	1
14	603874		6 AWG WIRE ASSEMBLY, BLACK (SOL - F2).....	1
15	613322		SOLENOID BASE, 14V	1
16	00544G4		HEX JAM NUT, 5/16" - 24.....	2
17	00565G8		LOCK WASHER, 5/16"	2
18	00526G4		HEX NUT, #10 - 32	2
19	00565G5		LOCK WASHER, #10	2
20	646246		3A DIODE, #10 RING (NOT ILLUSTRATED).....	1



ELECTRICAL SYSTEM

THE USE OF NON U.L. PARTS WILL VOID ANY U.L. LISTING.

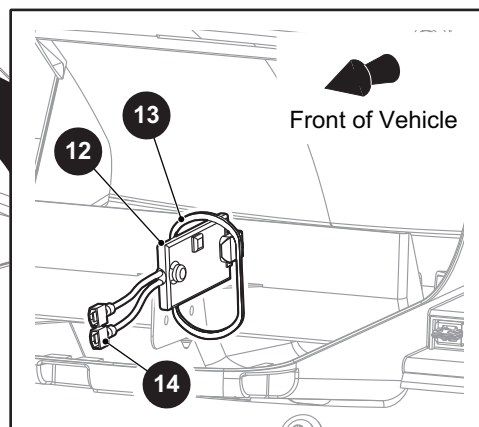
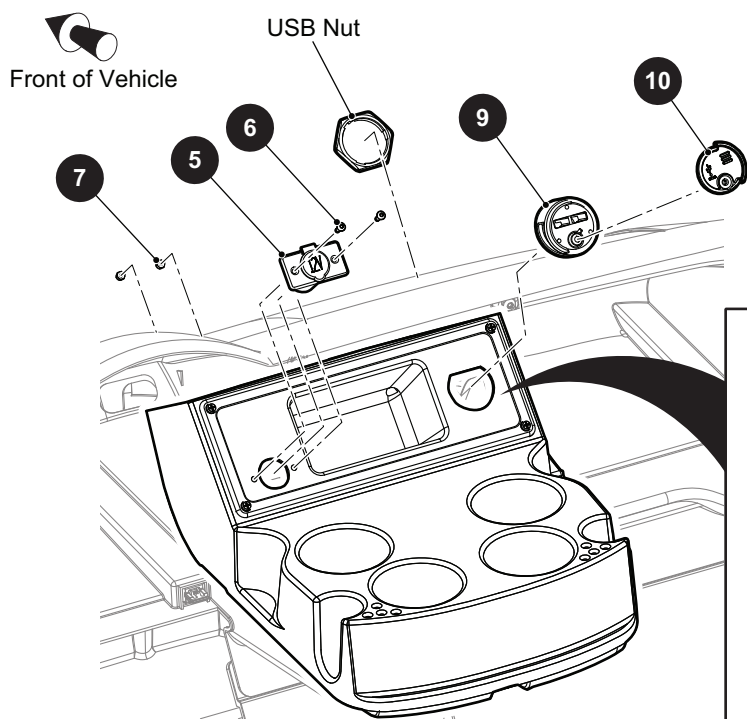
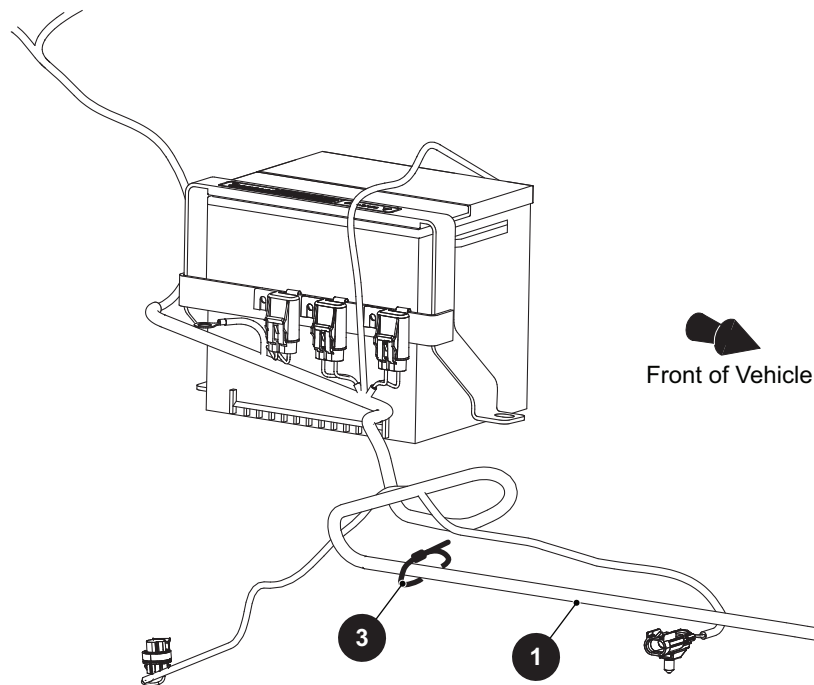
When ordering parts, please specify the model and serial number of the product.

* Indicates a component that is not available as an individual part.

*** Indicates consult Customer Service Department for additional information.

ITEM	PART NO.	1 2 3 4 5	DESCRIPTION	QTY.
1	604511		TURN SIGNAL SWITCH (INCLUDES ITEM 2).....	1
2	604367		FLASHER UNIT	1
3	20965G3		STEERING COLUMN COVER	1
4	19344G1		VINYL TAPE, 40MM (NOT ILLUSTRATED).....	1
5				
6	16816G5		RATCHET RIVET, .187" X .550"	2
7	31539G1		NYLON CLAMP, 15.5" LG (NOT ILLUSTRATED).....	1
8				
9	617074		HOUR METER.....	1
10	635649		HOUR METER BRACKET	1
11				
12	608397		HORN PLATE	1
13	17318G1		MOMENTARY SWITCH.....	1
14				
15	604196		HORN ASSEMBLY.....	1
16	601326		BUTTON HEAD TORX BOLT, M6 - 1 X 20MM LG	1
17	601476		LOCK NUT, M6 - 1	1

ELECTRICAL SYSTEM



8 USB PORT HOUSING ASSEMBLY includes items 9 - 10

ELECTRICAL SYSTEM

THE USE OF NON U.L. PARTS WILL VOID ANY U.L. LISTING.

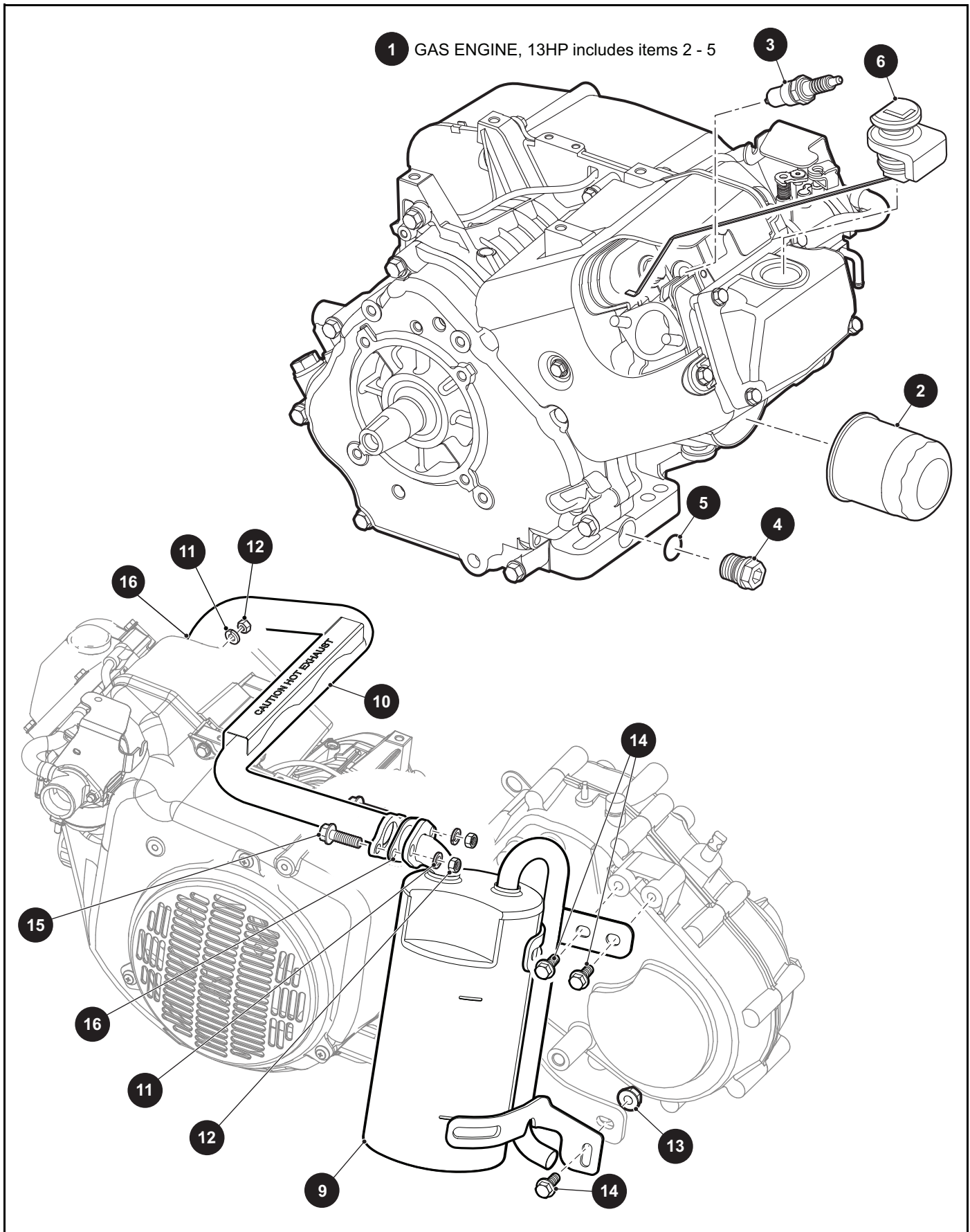
When ordering parts, please specify the model and serial number of the product.

* Indicates a component that is not available as an individual part.

*** Indicates consult Customer Service Department for additional information.

ITEM	PART NO.	1 2 3 4 5	DESCRIPTION	QTY.
1	645208		ACCESSORY HARNESS	1
2	01072G01		CABLE CLIP (NOT ILLUSTRATED)	AR
3	17618G1		NYLON CLAMP, 8" LG.....	AR
4				
5	71078G01		12V POWER OUTLET	1
6	600543		BUTTON HEAD TORX SCREW, M4 - .75 X 12MM LG	2
7	602053		LOCK NUT, M4 - .7	2
8	639384		USB PORT HOUSING ASSEMBLY (INCLUDES ITEMS 9 - 10)	1
9	639383		USB PORT HOUSING.....	1
10	639382		USB PORT LID.....	1
11				
12	638233		USB ELECTRONICS	1
13	17618G1		NYLON CLAMP, 7" LG.....	AR
14	645210		USB HARNESS	1
15	670675G01		GPS DISPLAY UNIT, 7" (NOT ILLUSTRATED)	1
16	670675G02		GPS DISPLAY UNIT, 10" (NOT ILLUSTRATED)	1
17	664519G01		GPS DISPLAY UNIT, 7" (NOT ILLUSTRATED)	1
18	664519G02		GPS DISPLAY UNIT, 10" (NOT ILLUSTRATED)	1

ENGINE AND MUFFLER



ENGINE AND MUFFLER

THE USE OF NON U.L. PARTS WILL VOID ANY U.L. LISTING.

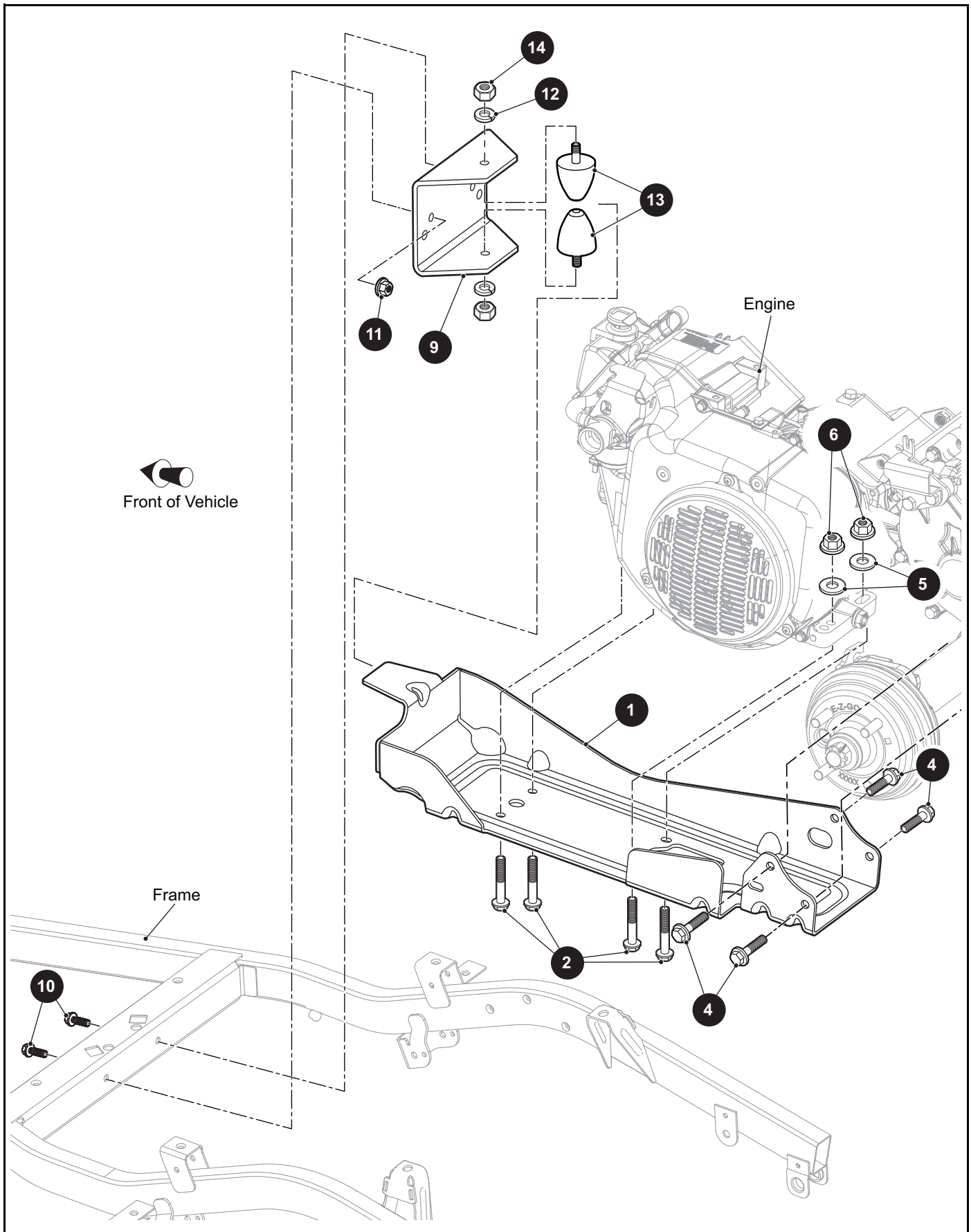
When ordering parts, please specify the model and serial number of the product.

* Indicates a component that is not available as an individual part.

*** Indicates consult Customer Service Department for additional information.

ITEM	PART NO.	1 2 3 4 5	DESCRIPTION	QTY.
1	633740		GAS ENGINE, 13HP (INCLUDES ITEMS 2 - 5).....	1
2	607454		OIL FILTER.....	1
3	607462		SPARK PLUG.....	1
4	603557		OIL DRAIN PLUG.....	3
5	603562		O-RING, 16MM.....	3
6	606390		DIP STICK.....	1
7				
8				
9	630970		MUFFLER.....	1
10	606982		EXHAUST PIPE.....	1
11	606272		LOCK WASHER, 8MM.....	4
12	606267		HEX JAM NUT, M8 X 1.25.....	4
13	606279		FLANGED HEX NUT, M10 - 1.25.....	1
14	606256		FLANGED HEX HEAD BOLT, M10 - 1.25 X 25MM LG.....	3
15	602330		FLANGED HEX HEAD BOLT, M8 - 1.25 X 30MM LG.....	2
16	603599		EXHAUST GASKET.....	2

ENGINE MOUNTING



ENGINE MOUNTING

THE USE OF NON U.L. PARTS WILL VOID ANY U.L. LISTING.

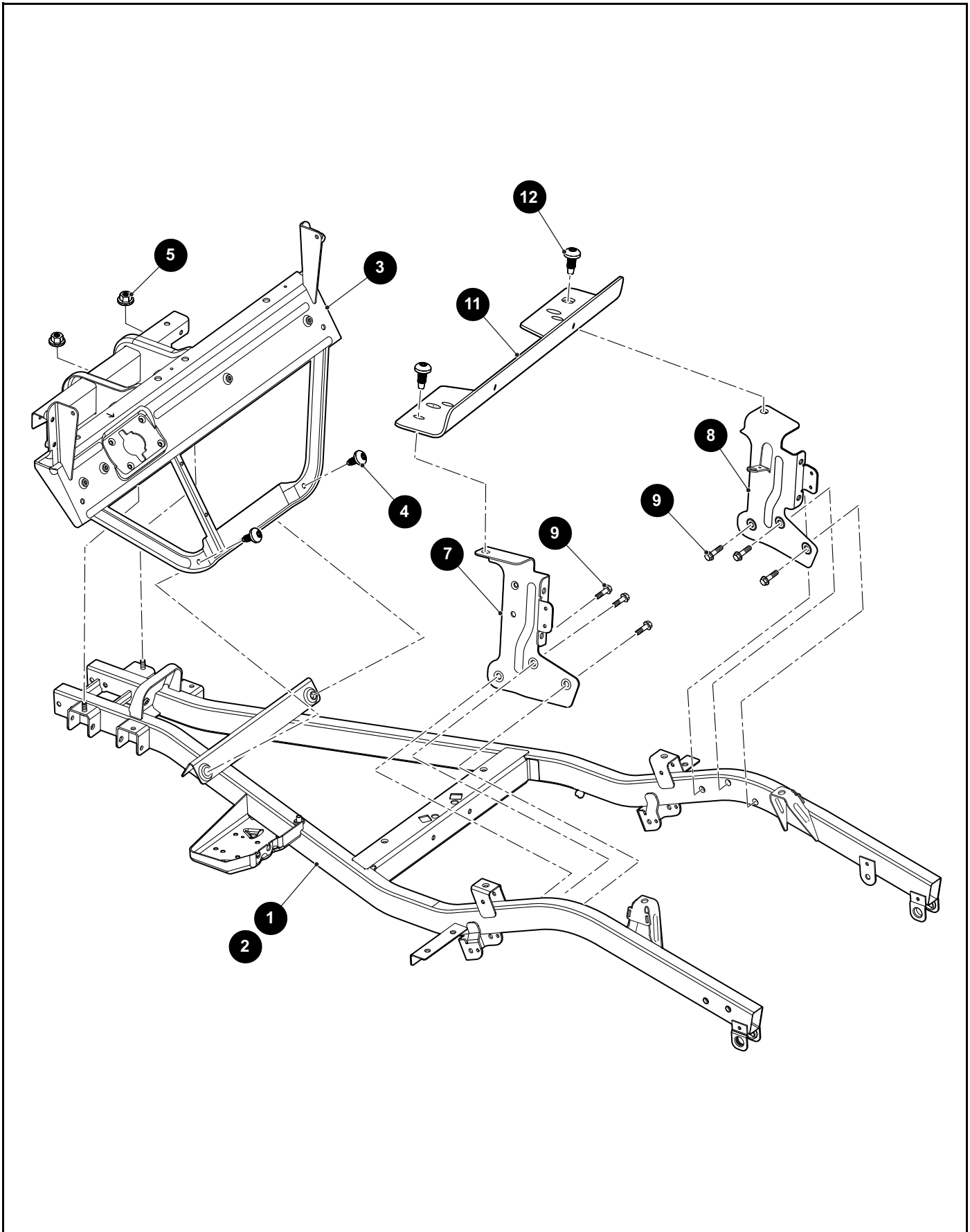
When ordering parts, please specify the model and serial number of the product.

* Indicates a component that is not available as an individual part.

*** Indicates consult Customer Service Department for additional information.

ITEM	PART NO.	1 2 3 4 5	DESCRIPTION	QTY.
1	630776		ENGINE PAN	1
2	606259		FLANGED HEX HEAD BOLT, M10 - 1.25 X 45MM LG.....	4
3				
4	606256		FLANGED HEX HEAD BOLT, M10 - 1.25 X 25MM LG.....	4
5	603823		FLAT WASHER, M10 X 22MM X 2.5MM	4
6	606279		FLANGED HEX NUT, M10 - 1.25.....	4
7				
8				
9	625345		FRONT MOUNT BRACKET.....	1
10	603799		FLANGED HEX HEAD BOLT, M10 - 1.5 X 25MM LG.....	2
11	600525		FLANGED LOCK NUT, M10 - 1.5	2
12	608654		LOCK WASHER (SPLIT), 10MM	2
13	605757		RUBBER BUMPER.....	2
14	00974G01		HEX NUT, M10 - 1.5.....	2

FRAME



THE USE OF NON U.L. PARTS WILL VOID ANY U.L. LISTING.

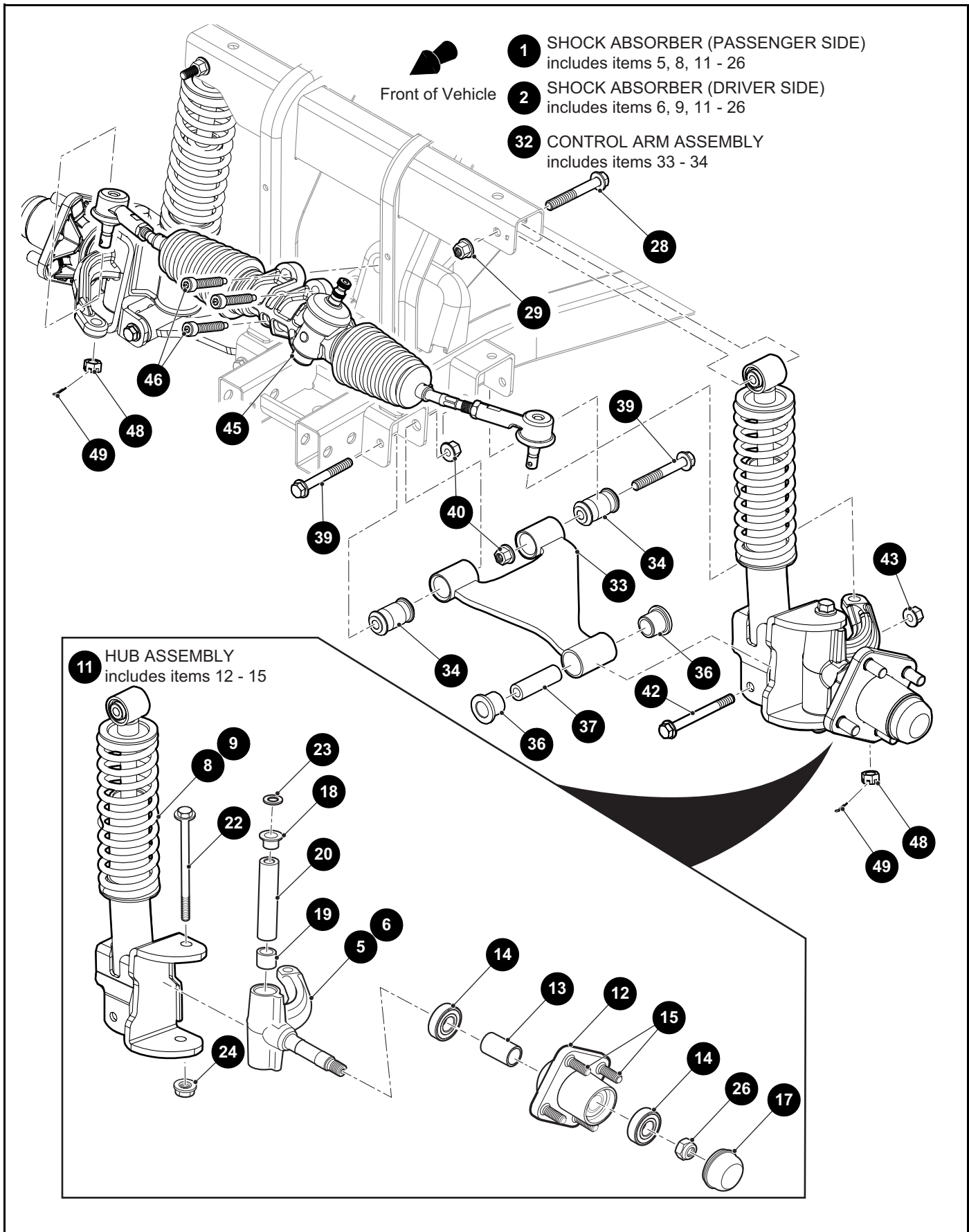
When ordering parts, please specify the model and serial number of the product.

* Indicates a component that is not available as an individual part.

*** Indicates consult Customer Service Department for additional information.

ITEM	PART NO.	1 2 3 4 5	DESCRIPTION	QTY.
1	657280G05		FRAME WELDMENT, P/COAT	1
2	657280G03		FRAME WELDMENT, E/COAT & P/COAT	1
3	614597		IP SUPPORT WELDMENT	1
4	602572		PAN HEAD TAPITE BOLT, M10 - 1.5 X 25MM LG.....	2
5	600525		FLANGED LOCK NUT, M10 - 1.5	2
6				
7	600218		SEAT SUPPORT BRACKET (DRIVER SIDE)	1
8	613187		SEAT SUPPORT BRACKET (PASSENGER SIDE).....	1
9	603799		FLANGED HEX HEAD BOLT, M10 - 1.5 X 25MM LG.....	3
10				
11	601275		SEAT SUPPORT BRACE	1
12	602572		PAN HEAD TAPITE BOLT, M10 - 1.5 X 25MM LG.....	2

FRONT SUSPENSION AND STEERING



FRONT SUSPENSION AND STEERING

THE USE OF NON U.L. PARTS WILL VOID ANY U.L. LISTING.

When ordering parts, please specify the model and serial number of the product.

* Indicates a component that is not available as an individual part.

*** Indicates consult Customer Service Department for additional information.

ITEM	PART NO.	1 2 3 4 5	DESCRIPTION	QTY.
1	663321		SHOCK ABSORBER (PASSENGER SIDE) (INCLUDES ITEMS 5, 8, 11 - 26)	1
2	663303		SHOCK ABSORBER (DRIVER SIDE) (INCLUDES ITEMS 6, 9, 11 - 26).....	1
3				
4				
5	611271		SPINDLE (PASSENGER SIDE)	1
6	607413		SPINDLE (DRIVER SIDE).....	1
7				
8	655529		STRUT (PASSENGER SIDE).....	1
9	655526		STRUT (DRIVER SIDE)	1
10				
11	609603		HUB ASSEMBLY (INCLUDES ITEMS 12 - 15)	1
12	*		HUB.....	1
13	*		BEARING SPACER, 28MM O.D. X 22MM I.D. X 46.7MM LG.....	1
14	*		BALL BEARING, 47MM O.D. X 20MM I.D. X 14MM.....	2
15	19862G1		WHEEL BOLT, 1/2" - 20 X 1.218" LG	4
16				
17	12091G2		SPINDLE CAP	1
18	632925		FLANGED BUSHING	1
19	632926		FLANGED SLEEVE.....	1
20	614034		KINGPIN TUBE	1
21				
22	620380		FLANGED HEX HEAD BOLT, M12 - 1.25 X 145MM LG	1
23	601920		THRUST WASHER (SS), 35MM O.D. X 26MM I.D. X 2.5MM LG.....	1
24	600549		LOCK NUT, M12 - 1.25.....	1
25				
26	615109		LOCK NUT, M16 - 2.....	1
27				
28	602415		FLANGED HEX HEAD BOLT, M10 - 1.5 X 80MM LG.....	1
29	600525		LOCK NUT, M10 - 1.5	1
30				
31				

FRONT SUSPENSION AND STEERING

THE USE OF NON U.L. PARTS WILL VOID ANY U.L. LISTING.

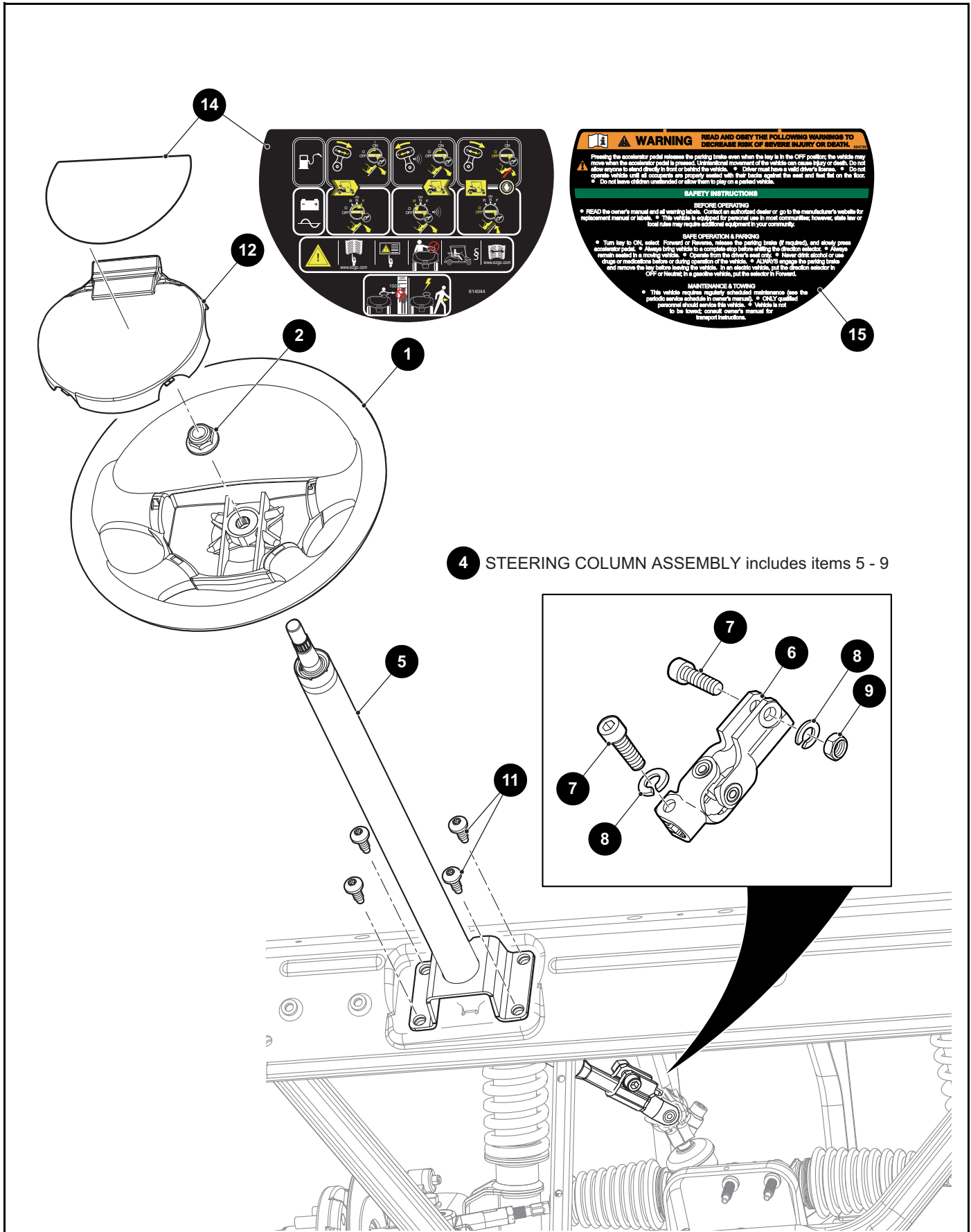
When ordering parts, please specify the model and serial number of the product.

* Indicates a component that is not available as an individual part.

*** Indicates consult Customer Service Department for additional information.

ITEM	PART NO.	1	2	3	4	5	DESCRIPTION	QTY.
32	608089						CONTROL ARM ASSEMBLY (INCLUDES ITEMS 33 - 34).....	1
33	608090						CONTROL ARM.....	1
34	608086						MOUNTING SLEEVE (RUBBER).....	2
35								
36	601340						CONTROL ARM BUSHING.....	2
37	602085						CONTROL ARM CARRIER TUBE.....	2
38								
39	602415						FLANGED HEX HEAD BOLT, M10 - 1.5 X 80MM LG.....	2
40	600525						LOCK NUT, M10 - 1.5.....	2
41								
42	601754						FLANGED HEX HEAD BOLT, M10 - 1.5 X 100MM LG.....	1
43	600525						LOCK NUT, M10 - 1.5.....	1
44								
45	618329						STEERING RACK ASSEMBLY.....	1
46	602020						SOCKET HEAD BOLT, M10 - 1.5 X 50MM LG.....	3
47								
48	608005						CASTLE NUT (SS), M12 - 1.25.....	2
49	10387G2						COTTER PIN, .094" X 1".....	2

FRONT SUSPENSION AND STEERING



4 STEERING COLUMN ASSEMBLY includes items 5 - 9

FRONT SUSPENSION AND STEERING

THE USE OF NON U.L. PARTS WILL VOID ANY U.L. LISTING.

When ordering parts, please specify the model and serial number of the product.

* Indicates a component that is not available as an individual part.

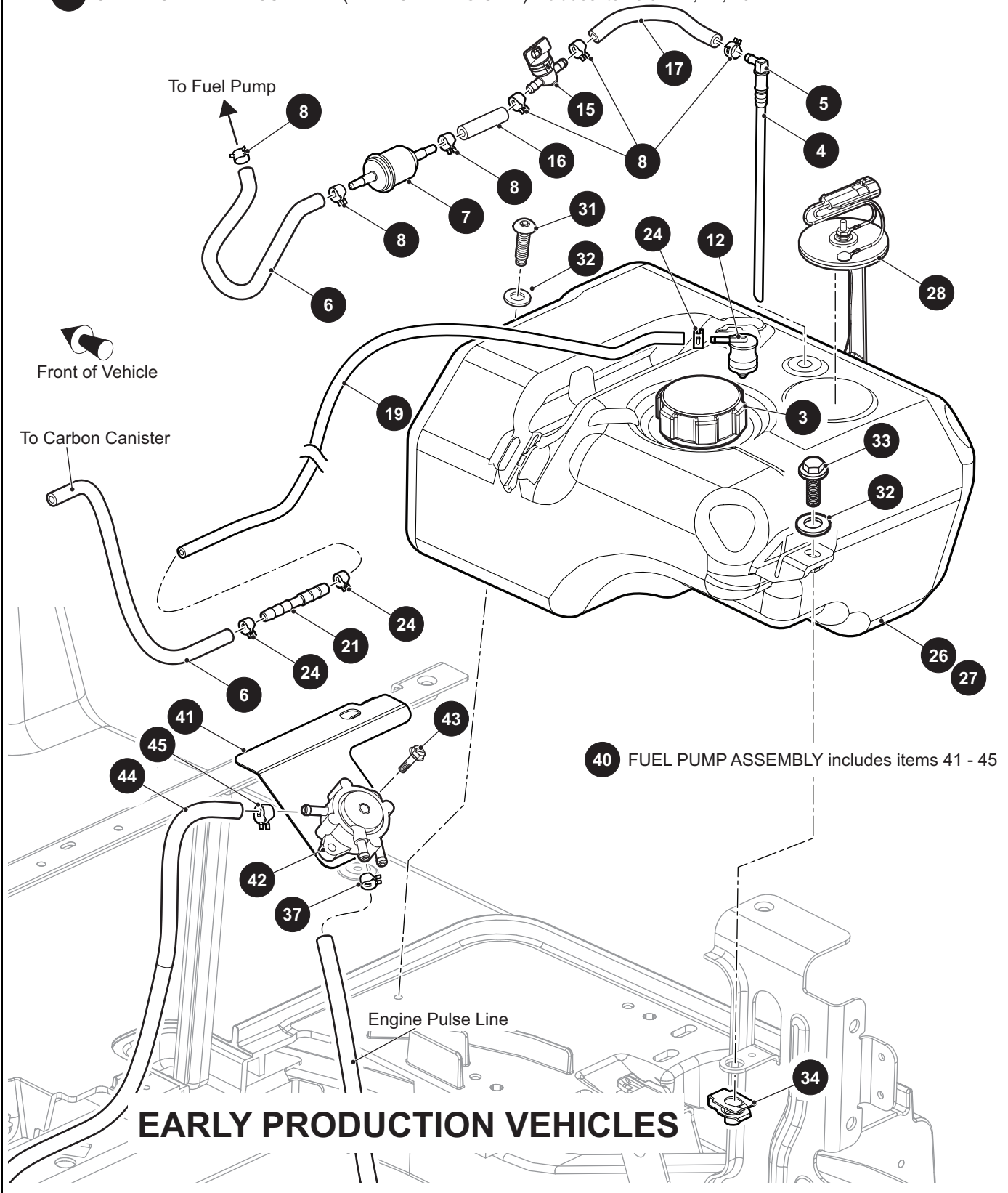
*** Indicates consult Customer Service Department for additional information.

ITEM	PART NO.	1 2 3 4 5	DESCRIPTION	QTY.
1	602980		STEERING WHEEL	1
2	601709		LOCK NUT, M6 - 2	1
3				
4	600333		STEERING COLUMN ASSEMBLY (INCLUDES ITEMS 5 - 9)	1
5	608117		STEERING COLUMN	1
6	608114		STEERING YOKE	1
7	608653		SOCKET HEAD BOLT, M10 - 1.5 X 35MM LG.....	2
8	608654		LOCK WASHER, 10.5MM	2
9	608655		HEX NUT, M10 - 1.5.....	1
10				
11	602572		PAN HEAD TAPTITE BOLT, M10 - 1.5 X 25MM LG	4
12	607925		SCORECARD HOLDER	1
13				
14	614044		OPERATION INSTRUCTION LABEL (CE VEHICLE ONLY)	1
15	664789		WARNING LABEL (STEERING WHEEL)	1

FUEL SYSTEM

1 CARB FUEL TANK ASSEMBLY (WITHOUT SENDING UNIT) includes items 3 - 26

2 CARB FUEL TANK ASSEMBLY (WITH SENDING UNIT) includes items 3 - 24, 27, 28



FUEL SYSTEM

THE USE OF NON U.L. PARTS WILL VOID ANY U.L. LISTING.

When ordering parts, please specify the model and serial number of the product.

* Indicates a component that is not available as an individual part.

*** Indicates consult Customer Service Department for additional information.

ITEM	PART NO.	1 2 3 4 5	DESCRIPTION	QTY.
1	615247		CARB FUEL TANK ASSEMBLY (WITHOUT SENDING UNIT) (INCLUDES ITEMS 3 - 26)	1
2	615248		CARB FUEL TANK ASSEMBLY (WITH SENDING UNIT) (INCLUDES ITEMS 3 - 24, 27, 28)	1
3	670898		FUEL TANK CAP (RATCHET).....	1
4	635539		SIPHON TUBE	1
5	70988G01		GROMMET (SIPHON TUBE)	1
6	615121		FUEL HOSE, 13" LG	2
7	72084G01		FUEL FILTER	1
8	18292G1		TUBING CLAMP	6
9				
10				
11				
12	606067		ROLLOVER VALVE	1
13	606068		ROLLOVER VALVE GROMMET (NOT ILLUSTRATED)	1
14				
15	611181		SHUT-OFF VALVE.....	1
16	615350		FUEL HOSE, 2" LG	1
17	615120		FUEL HOSE, 6" LG	1
18				
19	614417		HOSE, 3/16" I.D. X 41" LG	1
20				
21	615346		HOSE REDUCER, 1/4" I.D. X 3/16"	1
22				
23				
24	606963		HOSE CLAMP, 3/16" I.D.....	3
25				
26	*		FUEL TANK (WITHOUT SENDER HOLE)	1
27	*		FUEL TANK (WITH SENDER HOLE).....	1
28	633024G01		FUEL SENDER.....	1
29				
30				

FUEL SYSTEM

THE USE OF NON U.L. PARTS WILL VOID ANY U.L. LISTING.

When ordering parts, please specify the model and serial number of the product.

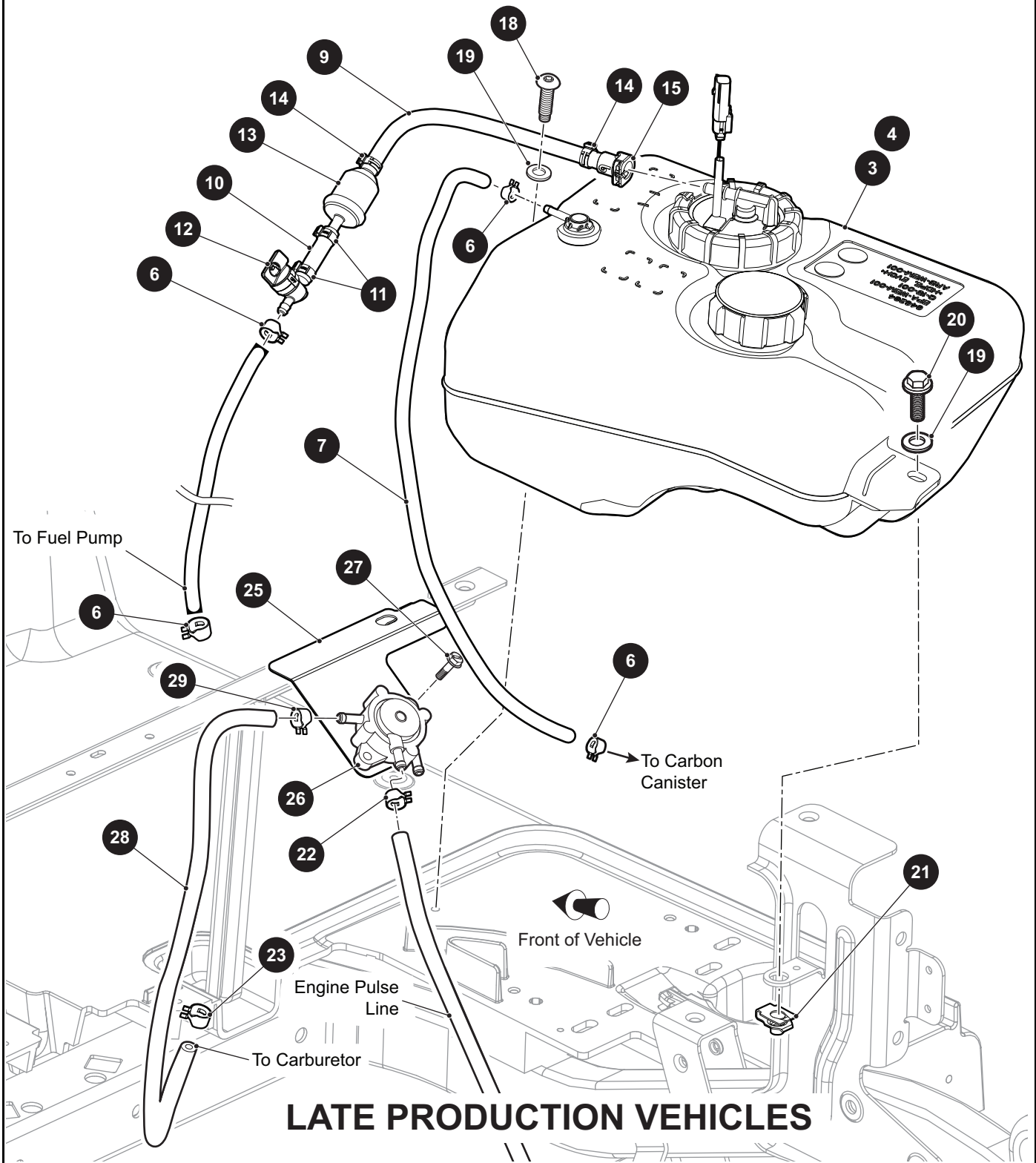
* Indicates a component that is not available as an individual part.

*** Indicates consult Customer Service Department for additional information.

ITEM	PART NO.	1	2	3	4	5	DESCRIPTION	QTY.
31	649804						BUTTON HEAD TORX SCREW, M8 - 3.50 X 30MM LG	1
32	604066						FLAT WASHER, M10	2
33	603799						FLANGED HEX HEAD BOLT, M10 - 1.5 X 25MM LG	1
34	603818						BARREL CLIP NUT, M10 - 1.5	1
35								
36								
37	18292G1						TUBING CLAMP, .5" O.D.	1
38	11391G4						HOSE CLAMP, .25" (NOT ILLUSTRATED)	1
39								
40	642779						FUEL PUMP ASSEMBLY (INCLUDES ITEMS 41 - 45).....	1
41	641301						BRACKET	1
42	602061						FUEL PUMP.....	1
43	00114G6						HEX WASHER HEAD TAPPING SCREW, 1/4" - 10 X 3/4" LG	2
44	604597						FUEL HOSE, 26" LG.....	1
45	18292G1						TUBING CLAMP, .5" O.D.	1

FUEL SYSTEM

- 1 FUEL TANK ASSEMBLY (WITHOUT SENDING UNIT) includes items 3, 6 - 8
- 2 FUEL TANK ASSEMBLY (WITH SENDING UNIT) includes items 4 - 8
- 24 FUEL PUMP ASSEMBLY includes items 25 - 29



FUEL SYSTEM

THE USE OF NON U.L. PARTS WILL VOID ANY U.L. LISTING.

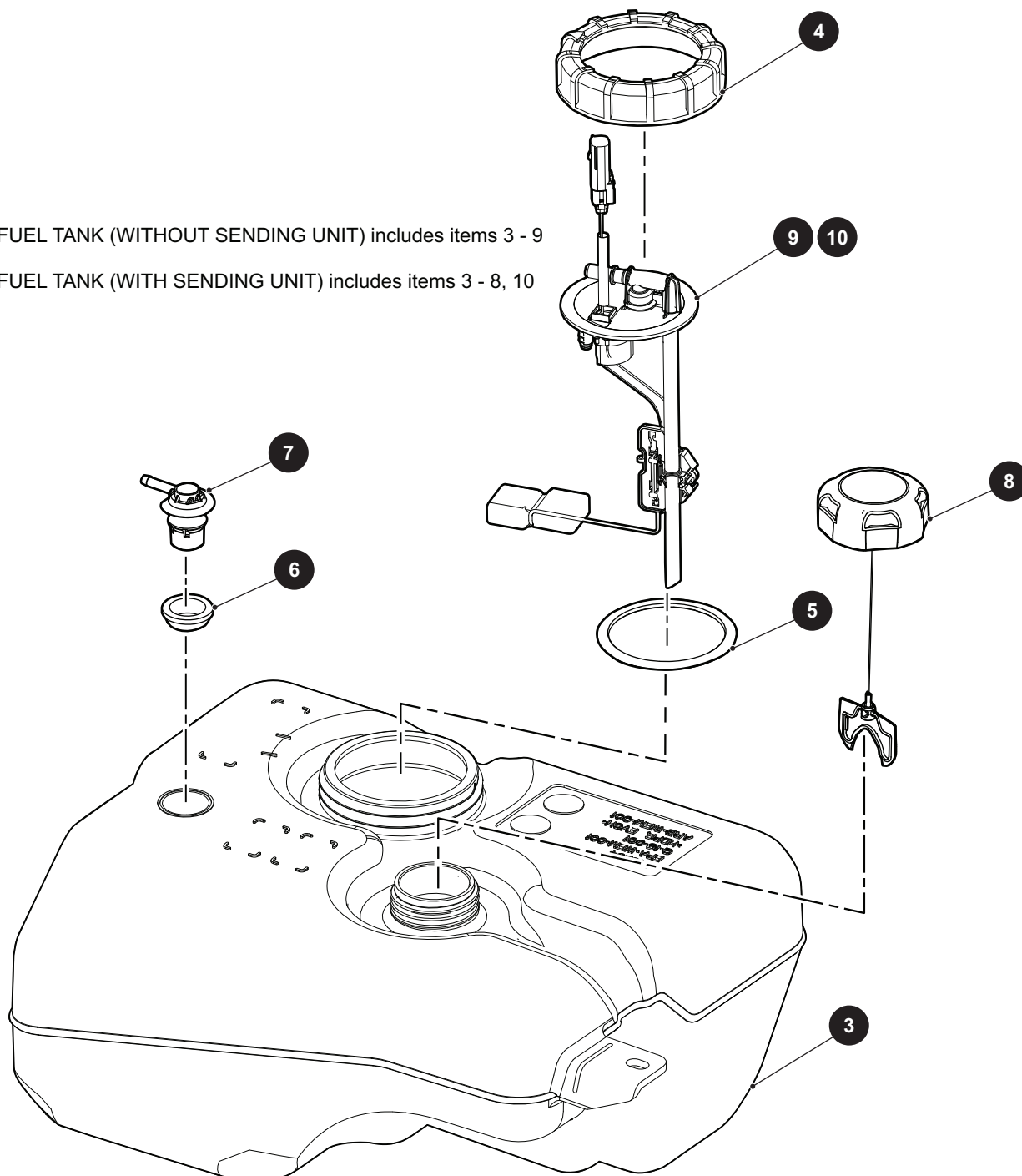
When ordering parts, please specify the model and serial number of the product.

* Indicates a component that is not available as an individual part.

*** Indicates consult Customer Service Department for additional information.

ITEM	PART NO.	1 2 3 4 5	DESCRIPTION	QTY.
1	615247		FUEL TANK ASSEMBLY (WITHOUT SENDING UNIT) (INCLUDES ITEMS 3, 6 - 8)	1
2	615248		FUEL TANK ASSEMBLY (WITH SENDING UNIT) (INCLUDES ITEMS 4 - 8)	1
3	656162		FUEL TANK (WITHOUT SENDING UNIT)	1
4	656161		FUEL TANK (WITH SENDING UNIT)	1
5				
6	18292G1		HOSE CLAMP, .46" DIA	4
7	27184G05		FUEL TUBE, .25 I.D. X .5 O.D. X 42" LG	1
8	650543		FUEL LINE ASSEMBLY (INCLUDES ITEMS 9 - 15)	1
9	649570		FUEL HOSE, .312 I.D. X .562 O.D. X 9" LG	1
10	615350		FUEL HOSE, 2" LG	1
11	649873		HOSE CLAMP, 1/2" O.D.	2
12	611181		SHUT-OFF VALVE	1
13	72084G01		FUEL FILTER	1
14	649874		HOSE CLAMP, 9/16" O.D.	2
15	650797		FUEL QUICK CONNECT (STRAIGHT)	1
16				
17				
18	649804		BUTTON HEAD TORX SCREW, M8 - 3.50 X 30MM LG	1
19	604066		FLAT WASHER, M10	2
20	603799		FLANGED HEX HEAD BOLT, M10 - 1.5 X 25MM LG	1
21	603818		BARREL CLIP NUT, M10 - 1.5	1
22	18292G1		HOSE CLAMP, .46" DIA	1
23	11391G4		HOSE CLAMP, .25" DIA	1
24	642779		FUEL PUMP ASSEMBLY (INCLUDES ITEMS 25 - 29)	1
25	641301		BRACKET	1
26	602061		FUEL PUMP	1
27	00114G6		HEX WASHER HEAD TAPPING SCREW, 1/4" - 10 X 3/4" LG	2
28	604597		FUEL HOSE, 26" LG	1
29	18292G1		TUBING CLAMP, .5" O.D.	1

- 1 FUEL TANK (WITHOUT SENDING UNIT) includes items 3 - 9
- 2 FUEL TANK (WITH SENDING UNIT) includes items 3 - 8, 10



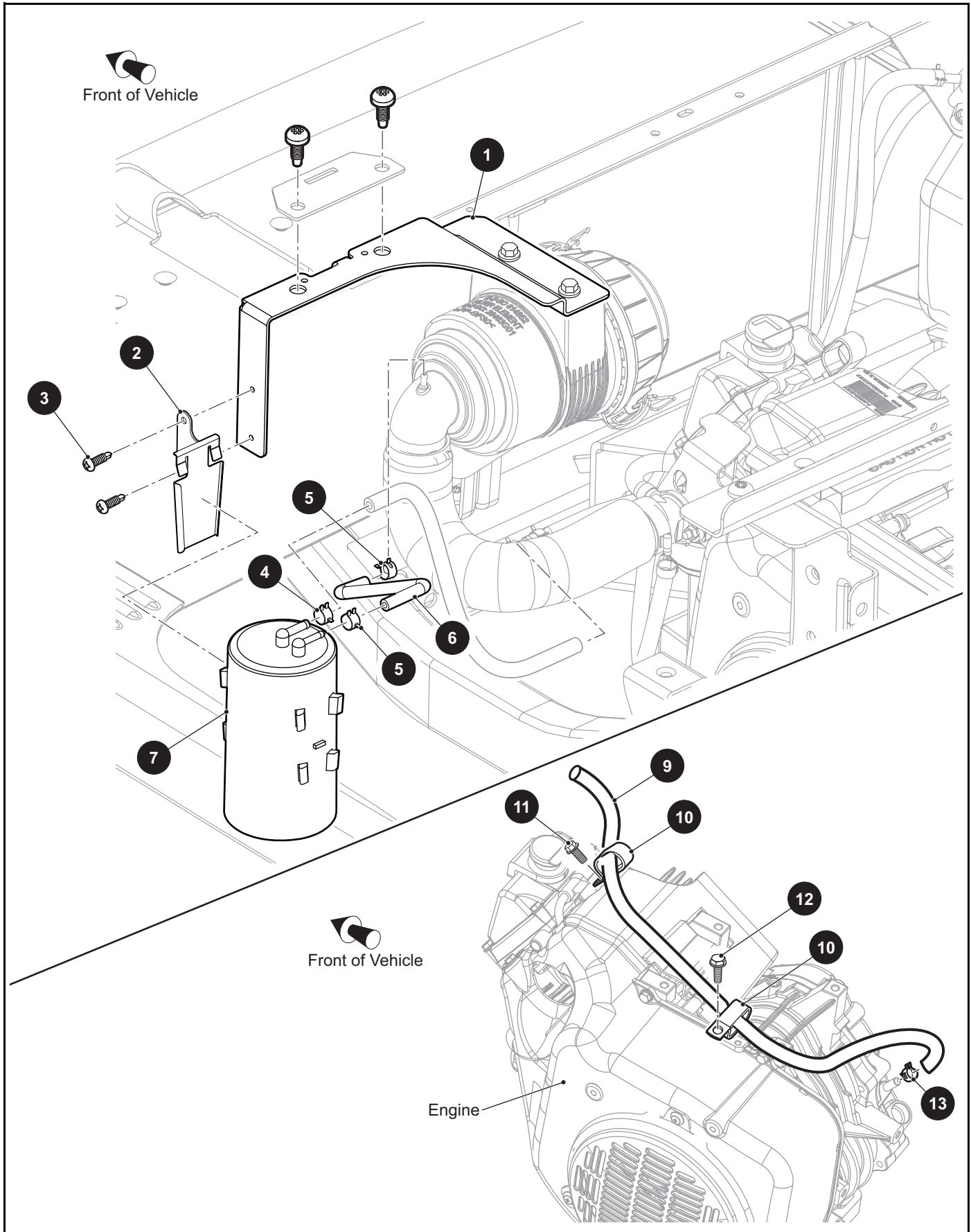
LATE PRODUCTION VEHICLES

FUEL SYSTEM

THE USE OF NON U.L. PARTS WILL VOID ANY U.L. LISTING.
 When ordering parts, please specify the model and serial number of the product.
 * Indicates a component that is not available as an individual part.
 *** Indicates consult Customer Service Department for additional information.

ITEM	PART NO.	1 2 3 4 5	DESCRIPTION	QTY.
1	656162		FUEL TANK (WITHOUT SENDING UNIT) (INCLUDES ITEMS 3 - 9)	1
2	656161		FUEL TANK (WITH SENDING UNIT) (INCLUDES ITEMS 3 - 8, 10).....	1
3	646284		FUEL TANK	1
4	646837		MASON JAR CAP	1
5	646838		MASON JAR SEAL.....	1
6	647810		ROLLOVER VALVE GROMMET	1
7	647809		ROLLOVER VALVE	1
8	670898		FUEL TANK CAP (RATCHET).....	1
9	656157		FUEL PICKUP WITHOUT SENDER ASSEMBLY	1
10	656156		FUEL PICKUP WITH SENDER ASSEMBLY	1

FUEL SYSTEM



THE USE OF NON U.L. PARTS WILL VOID ANY U.L. LISTING.

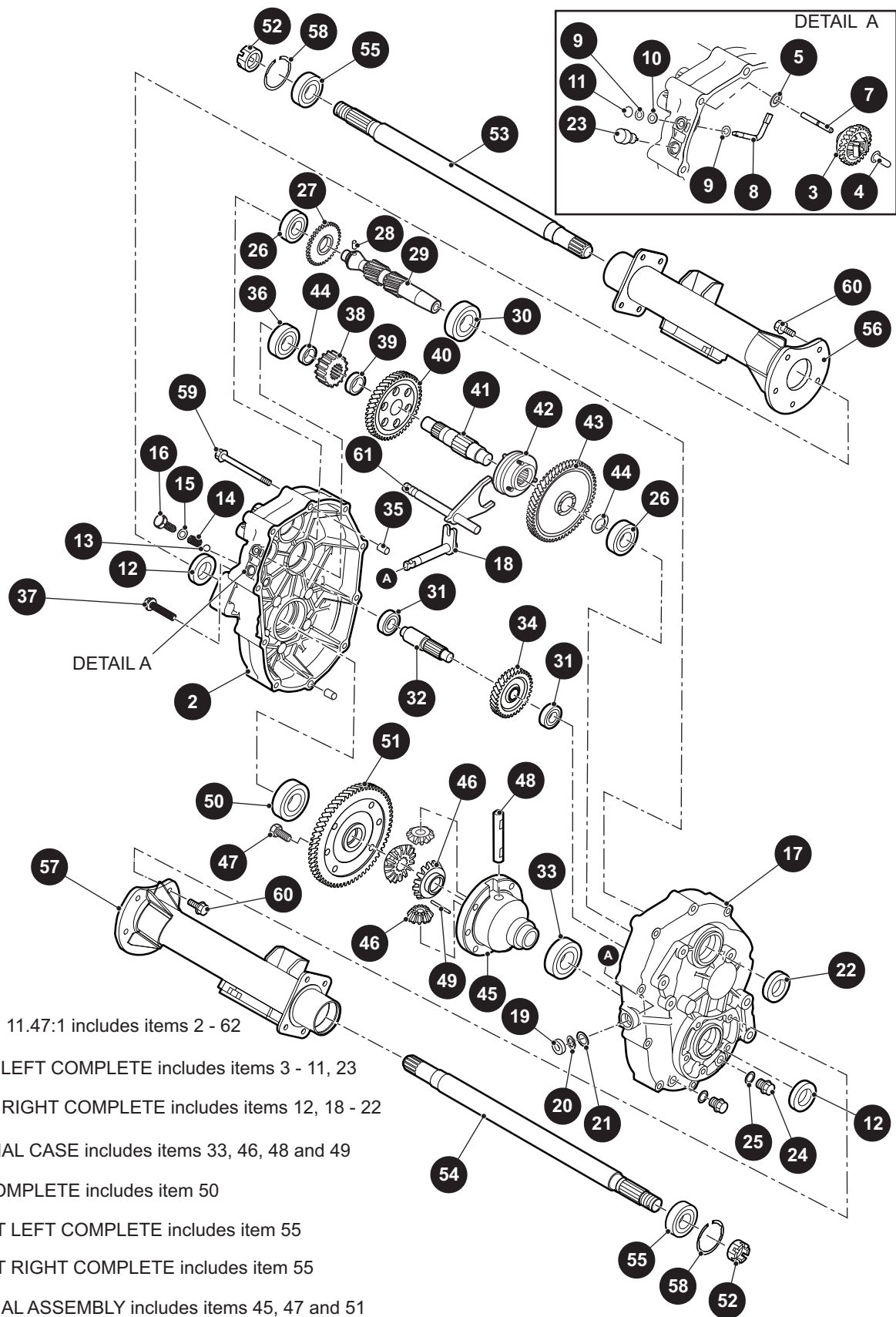
When ordering parts, please specify the model and serial number of the product.

* Indicates a component that is not available as an individual part.

*** Indicates consult Customer Service Department for additional information.

ITEM	PART NO.	1 2 3 4 5	DESCRIPTION	QTY.
1	614839		CANISTER BRACKET	1
2	606310		CANISTER MOUNTING BRACKET	1
3	00106G6		PAN HEAD PHILLIPS SCREW, #12 - 24 X 3/4" LG	2
4	18292G1		TUBING CLAMP .5" O.D.	1
5	606963		HOSE CLAMP, 3/16" I.D.	2
6	615259		HOSE, 3/16" I.D. X 11" LG	1
7	606071		CARBON CANISTER.....	1
8				
9	27184G11		FUEL SYSTEM TUBE.....	1
10	606962		CLAMP, .75" DIA.....	2
11	73876G01		FLANGED HEX HEAD BOLT, M6 - 1 X 12MM LG.....	1
12	606264		FLANGED HEX HEAD BOLT, M6 - 1 X 20MM LG.....	1
13	18292G1		CLAMP, .5" DIA.....	1

REAR AXLE



- 1 REAR AXLE, 11.47:1 includes items 2 - 62
- 2 AXLE CASE LEFT COMPLETE includes items 3 - 11, 23
- 17 AXLE CASE RIGHT COMPLETE includes items 12, 18 - 22
- 45 DIFFERENTIAL CASE includes items 33, 46, 48 and 49
- 51 GEAR, 60 COMPLETE includes item 50
- 53 AXLE SHAFT LEFT COMPLETE includes item 55
- 54 AXLE SHAFT RIGHT COMPLETE includes item 55
- 62 DIFFERENTIAL ASSEMBLY includes items 45, 47 and 51

THE USE OF NON U.L. PARTS WILL VOID ANY U.L. LISTING.

When ordering parts, please specify the model and serial number of the product.

* Indicates a component that is not available as an individual part.

*** Indicates consult Customer Service Department for additional information.

ITEM	PART NO.	1 2 3 4 5	DESCRIPTION	QTY.
1	670468		REAR AXLE, 11.47:1 (INCLUDES ITEMS 2 - 62).....	1
2	639859		AXLE CASE LEFT COMPLETE (INCLUDES ITEMS 3 - 11, 23).....	1
3	665887		GOVERNOR GEAR	1
4	639689		GOVERNOR SLEEVE	1
5	607904		FLAT WASHER	1
6				
7	639698		GOVERNOR GEAR SHAFT	1
8	639707		GOVERNOR SHAFT	1
9	639736		FLAT WASHER, 6MM	2
10	607911		OIL SEAL, 6 X 10 X 2.5 MM	1
11	607913		RETAINING RING E5	1
12	639738		OIL SEAL, 24 X 40 X 9MM	2
13	26818G01		STEEL BALL	1
14	26819G01		SPRING	1
15	26831G01		GASKET, 10	1
16	26820G01		FLANGED HEX HEAD BOLT, M10 - 1.25 X 12MM LG	1
17	639865		AXLE CASE RIGHT COMPLETE (INCLUDES ITEMS 12, 18 - 22).....	1
18	639746		SELECT SHAFT	1
19	607915		OIL SEAL, 13 X 22 X 5MM	1
20	607916		SNAP RING, 13MM	1
21	607917		SPACER, 13 X 1MM	1
22	640093		OIL SEAL, 28 X 47 X 9MM	1
23	607919		AIR BREATHER.....	1
24	639747		OIL DRAIN PLUG	2
25	639748		GASKET, 14MM	2
26	26785G01		BALL BEARING (6204)	2
27	665888		GOVERNOR GEAR, 34	1
28	607920		PIN, 6 X 12L	1
29	639750		INPUT SHAFT	1
30	607922		BALL BEARING (62/28)	1
31	639868		BALL BEARING (TMB202).....	2

REAR AXLE

THE USE OF NON U.L. PARTS WILL VOID ANY U.L. LISTING.

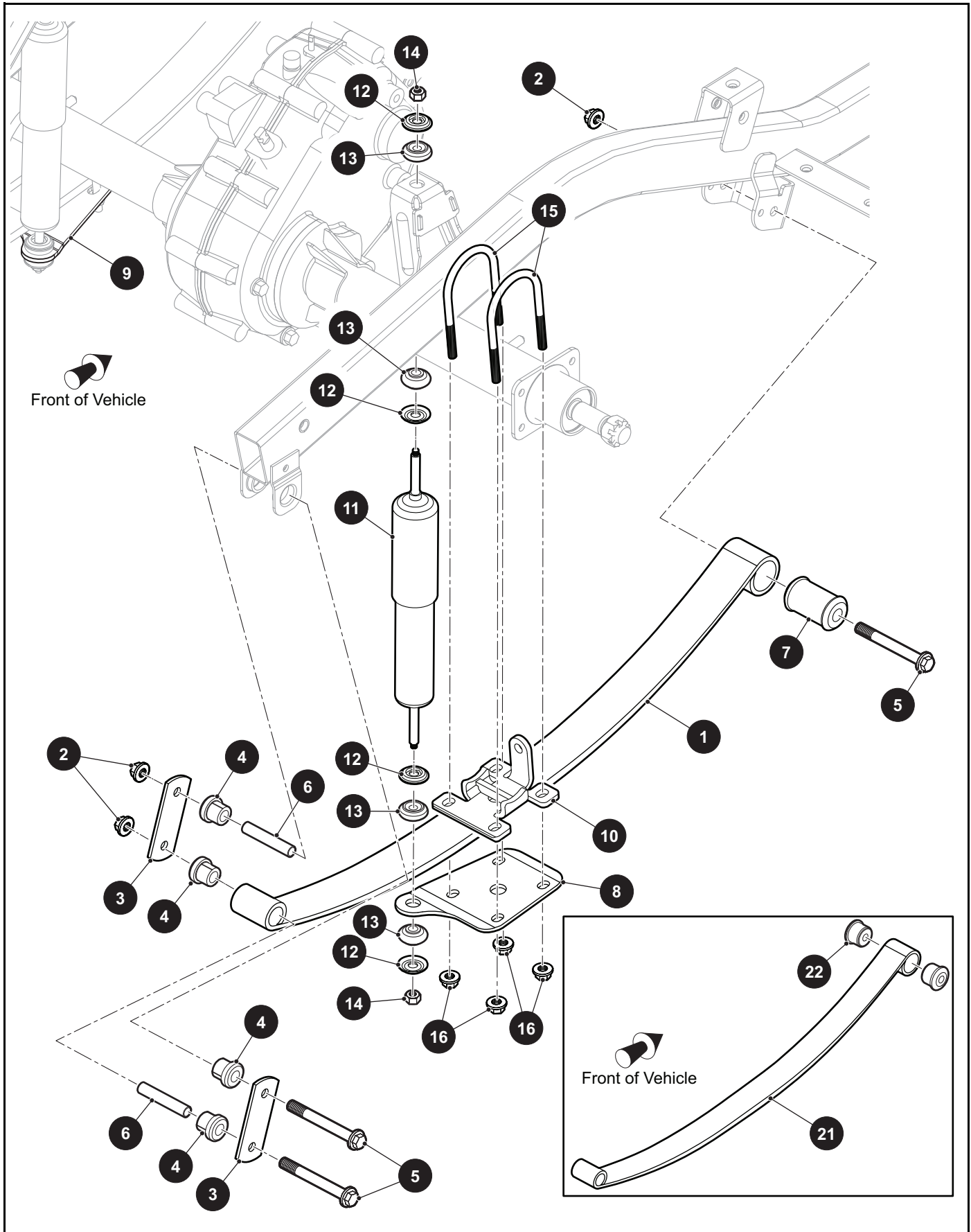
When ordering parts, please specify the model and serial number of the product.

* Indicates a component that is not available as an individual part.

*** Indicates consult Customer Service Department for additional information.

ITEM	PART NO.	1	2	3	4	5	DESCRIPTION	QTY.
32	639755						COUNTER SHAFT.....	1
33	640744						BALL BEARING (6006).....	1
34	639758						GEAR, 34.....	1
35	639869						KNOCK PIPE.....	2
36	639760						BALL BEARING (6304).....	2
37	639768						FLANGED HEX HEAD BOLT, M8 - 1.25 X 40MM LG.....	1
38	639769						GEAR, 17.....	1
39	28689G01						COLLAR, 24 X 7.5MM.....	1
40	639771						GEAR, 52.....	1
41	670697						CENTER SHAFT.....	1
42	639774						CLUTCH PIN.....	1
43	670696						GEAR, 61.....	1
44	639797						SPACER, 20 X 2MM.....	2
45	639872						DIFFERENTIAL CASE (INCLUDES ITEMS 33, 46, 48 AND 49).....	1
46	639800						DIFFERENTIAL PAIR GEAR.....	1
47	26808G01						HEX HEAD BOLT, M10 - 1.25 X 26 MM LG.....	6
48	28723G01						DIFFERENTIAL SHAFT.....	1
49	28697G01						SPRING PIN, 4 X 40L.....	1
50	639801						BALL BEARING (6007).....	1
51	640739						GEAR, 60 COMPLETE (INCLUDES ITEM 50).	1
52	607938						CASTLED NUT, M22 - 1.5.....	2
53	639876						AXLE SHAFT LEFT COMPLETE (INCLUDES ITEM 55).....	1
54	639881						AXLE SHAFT RIGHT COMPLETE (INCLUDES ITEM 55).....	1
55	639836						BALL BEARING (6205DD).....	2
56	607939						AXLE CASE LEFT COMPLETE.....	1
57	607940						AXLE CASE RIGHT COMPLETE.....	1
58	26814G01						SNAP RING, 52MM.....	2
59	639839						FLANGED HEX HEAD BOLT, M8 - 1.25 X 60MM LG.....	9
60	639840						FLANGED HEX HEAD BOLT, M10 - 1.25 X 25MM LG.....	10
61	639844						SHIFT SHAFT COMPLETE.....	1
62	639847						DIFFERENTIAL ASSEMBLY (INCLUDES ITEMS 45, 47 AND 51).....	1

REAR SUSPENSION



REAR SUSPENSION

THE USE OF NON U.L. PARTS WILL VOID ANY U.L. LISTING.

When ordering parts, please specify the model and serial number of the product.

* Indicates a component that is not available as an individual part.

*** Indicates consult Customer Service Department for additional information.

ITEM	PART NO.	1 2 3 4 5	DESCRIPTION	QTY.
1	625709		LEAF SPRING (FOR FLEET AND FREEDOM ONLY)	1
2	614974		FLANGED HEX NUT, M10 - 1.5.....	3
3	652245		SHACKLE PLATE	2
4	624030		FLANGED BUSHING (IGUS).....	4
5	601754		FLANGED HEX HEAD BOLT, M10 - 1.5 X 100MM LG.....	3
6	620161		SPLIT SPACER (STEEL).....	2
7	605684		SPRING BUSHING (FRONT).....	1
8	625658		SHOCK MOUNT PLATE (PASSENGER SIDE)	1
9	625657		SHOCK MOUNT PLATE (DRIVER SIDE).....	1
10	626422		AXLE SUPPORT BRACKET.....	1
11	76418G01		SHOCK ABSORBER.....	1
12	10435G1		SHOCK ABSORBER WASHER, .406" X 1.25" X .22"	4
13	10194G1		RUBBER BUSHING	4
14	00532G6		HEX NUT, 3/8" - 24	2
15	632103		U-BOLT, 68MM DIA X 45MM X 110MM LG	2
16	600525		LOCK NUT, M10 - 1.5	4
17				
18				
19				
20				
21	604494		HEAVY DUTY LEAF SPRING.....	1
22	620160		FLANGED BUSHING (URETHANE).....	2

SEATING AND BASKET

1 SEAT BOTTOM ASSEMBLY
includes items 2 - 12

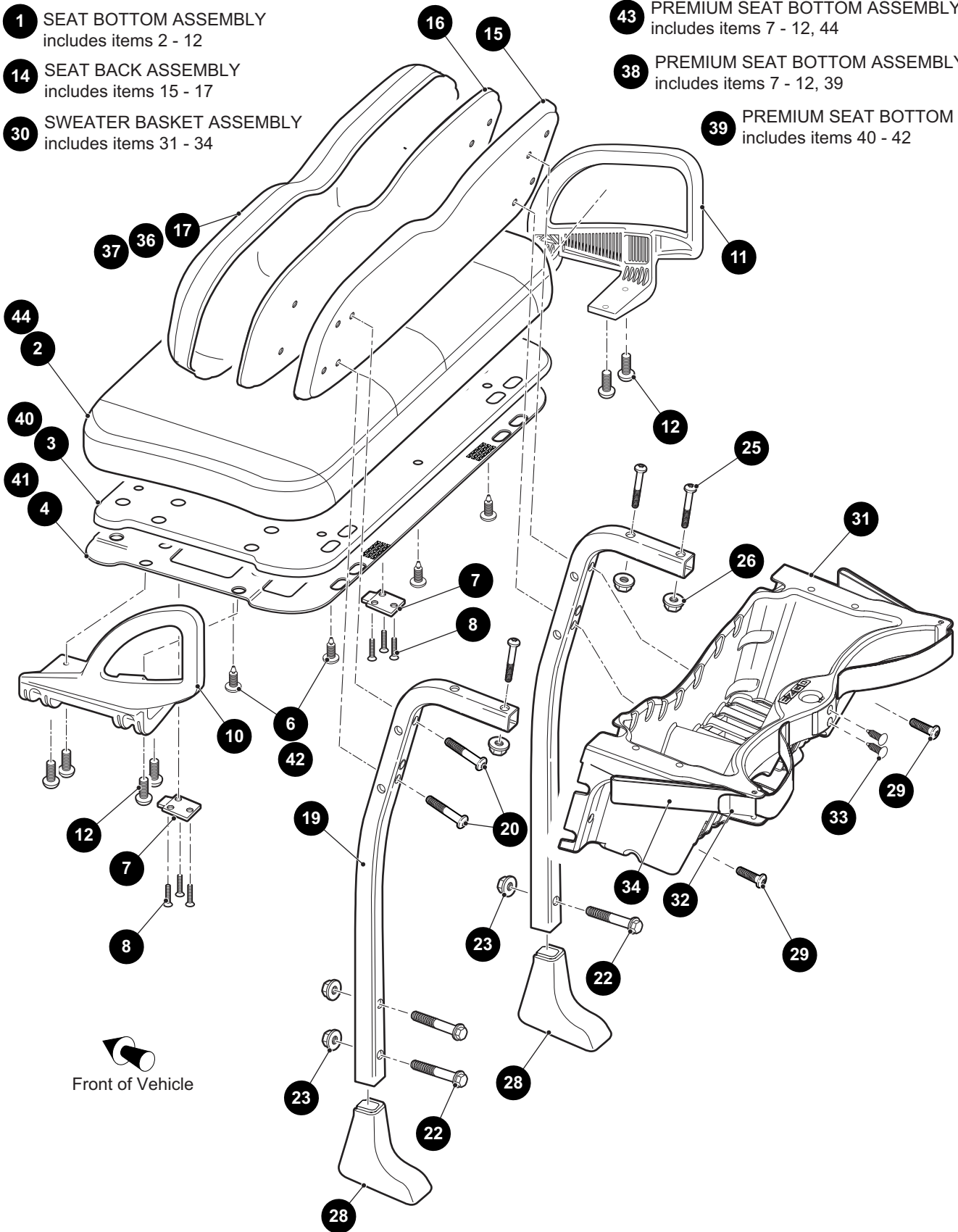
14 SEAT BACK ASSEMBLY
includes items 15 - 17

30 SWEATER BASKET ASSEMBLY
includes items 31 - 34

43 PREMIUM SEAT BOTTOM ASSEMBLY
includes items 7 - 12, 44

38 PREMIUM SEAT BOTTOM ASSEMBLY
includes items 7 - 12, 39

39 PREMIUM SEAT BOTTOM
includes items 40 - 42



SEATING AND BASKET

THE USE OF NON U.L. PARTS WILL VOID ANY U.L. LISTING.

When ordering parts, please specify the model and serial number of the product.

* Indicates a component that is not available as an individual part.

*** Indicates consult Customer Service Department for additional information.

ITEM	PART NO.	1 2 3 4 5	DESCRIPTION	QTY.
1	***		SEAT BOTTOM ASSEMBLY (INCLUDES ITEMS 2 - 12) 629269G1502 STONE BEIGE 629269G1501 OYSTER 629269G1506 BLACK 629269G1504 GRAY	1
2	***		VINYL AND FOAM SEAT BOTTOM 644819G02 STONE BEIGE 644819G01 OYSTER 644819G06 BLACK 644819G04 GRAY	1
3	644351		WOODEN BASE ASSEMBLY.....	1
4	602551		COVER PLATE.....	1
5				
6	16816G2		RATCHET RIVET, .25" X .887".....	4
7	71610G01		SEAT HINGE.....	1
8	00720G08		FLAT HEAD PHILLIPS TAPPING SCREW, #12 - 14 X 1" LG.....	3
9				
10	617645		HIP RESTRAINT (DRIVER SIDE).....	1
11	617644		HIP RESTRAINT (PASSENGER SIDE).....	1
12	615417		BUTTON HEAD TORX BOLT, M10 - 1.5 X 25MM LG.....	4
13				
14	***		SEAT BACK ASSEMBLY (INCLUDES ITEMS 15 - 17)..... 641897G0002 STONE BEIGE 641897G0001 OYSTER 641897G0006 BLACK 641897G0004 GRAY	1
15	605529		COVER (PLASTIC) (BLACK).....	1
16	644268		BASE ASSEMBLY.....	1
17	***		VINYL COVER AND FOAM 644820G02 STONE BEIGE 644820G01 OYSTER 644820G06 BLACK 644820G04 GRAY	1
18				
19	602413		SEAT BACK SUPPORT STRUT.....	2
20	600527		BUTTON HEAD TORX BOLT, M10 - 1.5 X 60MM LG.....	4
21				

SEATING AND BASKET

THE USE OF NON U.L. PARTS WILL VOID ANY U.L. LISTING.

When ordering parts, please specify the model and serial number of the product.

* Indicates a component that is not available as an individual part.

*** Indicates consult Customer Service Department for additional information.

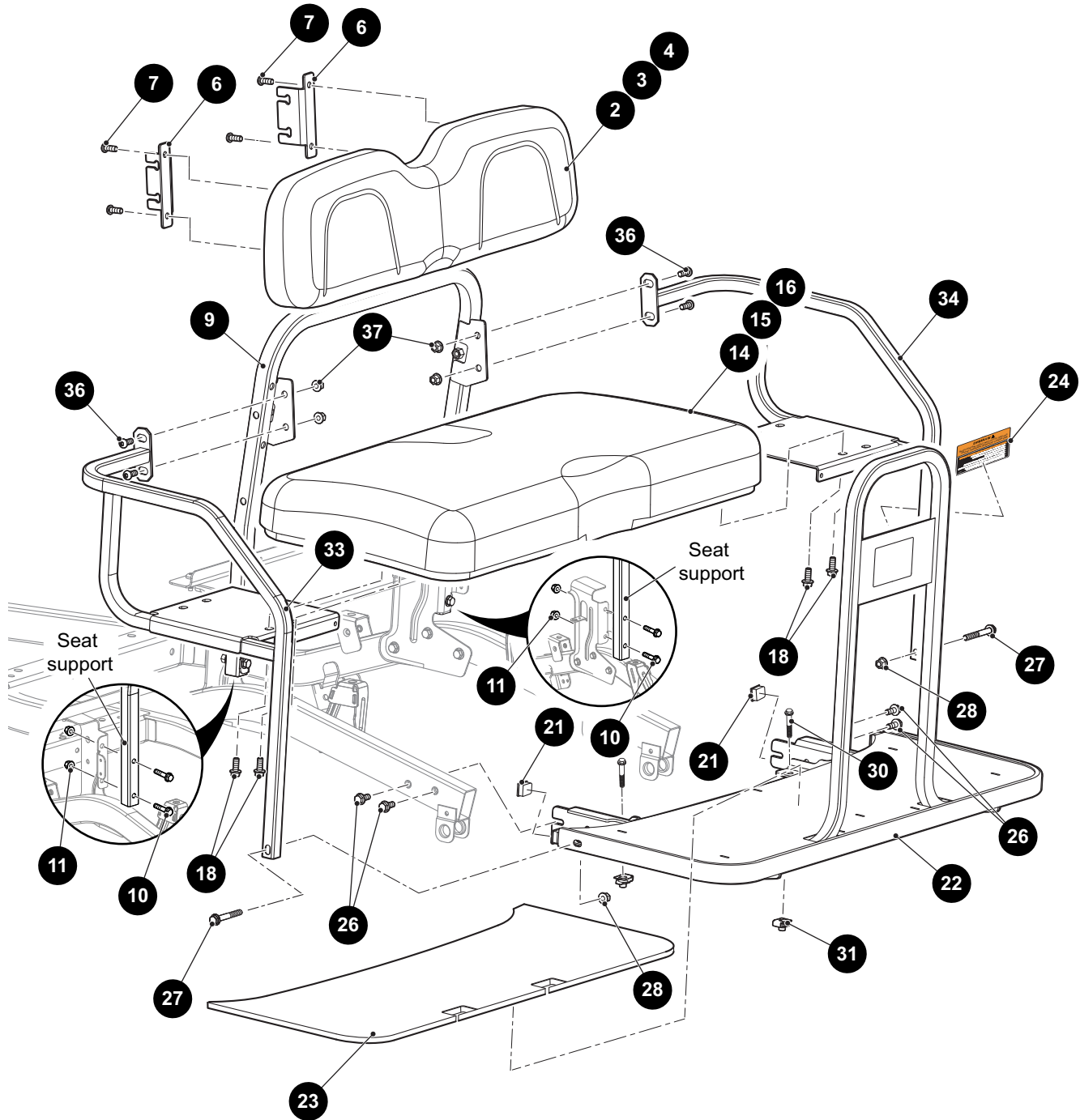
ITEM	PART NO.	1 2 3 4 5	DESCRIPTION	QTY.
22	603800		FLANGED HEX HEAD BOLT, M10 - 1.5 X 50 MM LG	2
23	600525		FLANGED LOCK NUT, M10 - 1.5.....	2
24				
25	600527		BUTTON HEAD TORX BOLT, M10 - 1.5 X 60 MM LG	4
26	600525		LOCK NUT, M10 - 1.5.....	4
27				
28	645088		SEAT BACK SUPPORT STRUT COVER.....	2
29	600530		BUTTON HEAD TORX BOLT, M10 - 1.5 X 25 MM LG	2
30	602742		SWEATER BASKET ASSEMBLY (INCLUDES ITEMS 31 - 34)	1
31	*		SWEATER BASKET	1
32	608051		CLAMP (BAGRACK).....	2
33	16816G1		RACHET RIVET, .25" X .680"	2
34	71853G01		BAG STRAP.....	1
35				
			FOR FLEET AND FREEDOM WITH PREMIUM SEAT OPTION:	
36	***		PREMIUM SEAT BACK ASSEMBLY..... 647282G17 LIGHT BEIGE	1
37	***		PREMIUM SEAT BACK ASSEMBLY	1
			686149G18 MUSHROOM 686149G19 GRAY 686149G20 CUSTOM	
38	***		PREMIUM SEAT BOTTOM ASSEMBLY (INCLUDES ITEMS 7 - 12, 39)..... 629269G1618 MUSHROOM 629269G1619 GRAY 629269G1620 CUSTOM	1
39	***		PREMIUM SEAT BOTTOM ASSEMBLY (INCLUDES ITEMS 40 - 42)	1
			686148G18 MUSHROOM 686148G19 GRAY 686148G20 CUSTOM	
40	605502		WOODEN BASE ASSEMBLY	1
41	602551		COVER PLATE	1
42	16816G2		RATCHET RIVET, .25" X .887".....	4
43	***		PREMIUM SEAT BOTTOM ASSEMBLY (INCLUDES ITEMS 7 - 12, 44)	1
			629269G1617 LIGHT BEIGE	
44	***		PREMIUM SEAT BOTTOM	1
			647267G17 LIGHT BEIGE	

SEATING AND BASKET

1 SEAT BACK ASSEMBLY
includes items 2 - 4

20 FLOORBOARD ASSEMBLY (FIXED SEAT)
includes items 21 - 24

13 SEAT BOTTOM ASSEMBLY (FIXED)
includes items 14 - 16



SEATING AND BASKET

THE USE OF NON U.L. PARTS WILL VOID ANY U.L. LISTING.

When ordering parts, please specify the model and serial number of the product.

* Indicates a component that is not available as an individual part.

*** Indicates consult Customer Service Department for additional information.

ITEM	PART NO.	1 2 3 4 5	DESCRIPTION	QTY.
1	***		SEAT BACK ASSEMBLY (INCLUDES ITEMS 2 - 4)..... 641897G0001 OYSTER 641897G0002 STONE BEIGE 641897G0006 BLACK 641897G0004 GRAY	1
2	***		VINYL COVER AND FOAM 644820G02 STONE BEIGE 644820G01 OYSTER 644820G06 BLACK 644820G04 GRAY	1
3	605529		COVER (PLASTIC)	1
4	644268		BASE ASSEMBLY	1
5				
6	606286		REAR SEAT SUPPORT BRACKET	1
7	600530		BUTTON HEAD TORX BOLT, M10 - 1.5 X 25MM LG	2
8				
9	604473		SEAT SUPPORT	1
10	603800		FLANGED HEX HEAD BOLT, M10 - 1.5 X 50MM LG.....	4
11	600525		FLANGED LOCK NUT, M10 - 1.5	4
12				
13	***		SEAT BOTTOM ASSEMBLY (FIXED) (INCLUDES ITEMS 14 - 16) 608010 OYSTER 605501 STONE BEIGE 615170 BLACK 671495 GRAY	1
14	***		VINYL COVER AND FOAM 600221 STONE BEIGE 608007 OYSTER 615169 BLACK 669919 GRAY	1
15	605502		BASE ASSEMBLY	1
16	605503		SEAT BOTTOM (FOAM)	1
17				
18	603799		FLANGED HEX HEAD BOLT, M10 - 1.5 X 25MM LG.....	4
19				
20	642444G01		FLOORBOARD ASSEMBLY (FIXED SEAT) (INCLUDES ITEMS 21 - 24)	1
21	19853G1		TUBE CAP, 1" X 1"	2

SEATING AND BASKET

THE USE OF NON U.L. PARTS WILL VOID ANY U.L. LISTING.

When ordering parts, please specify the model and serial number of the product.

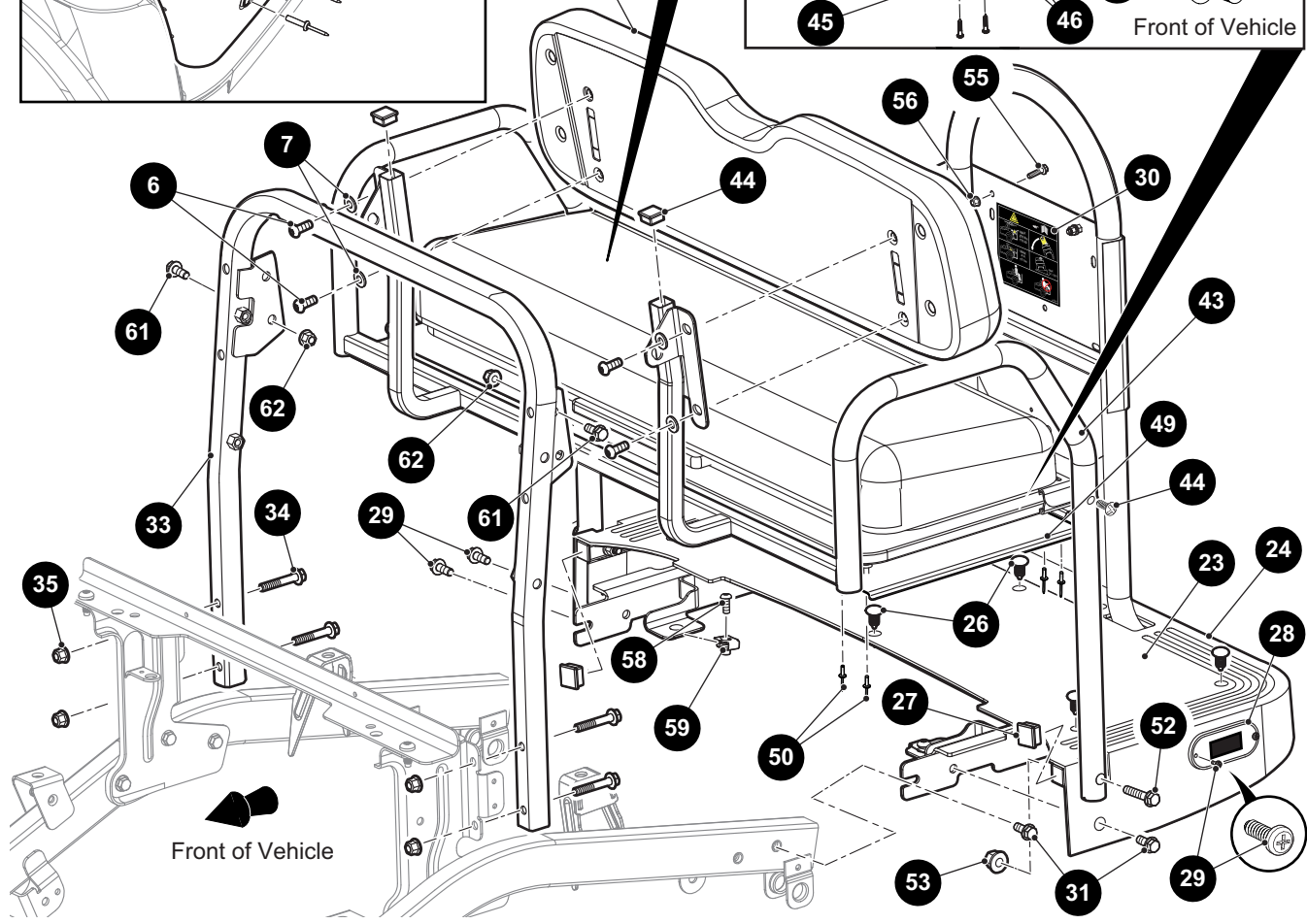
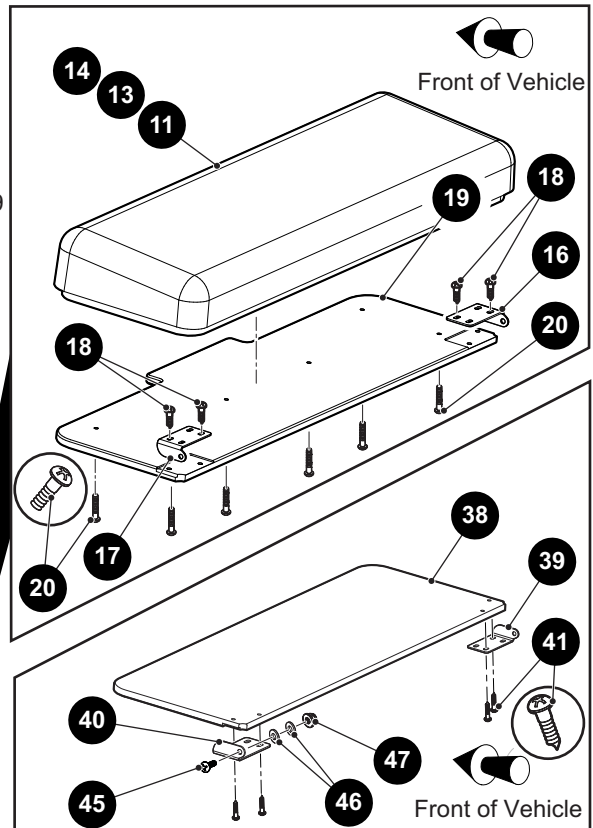
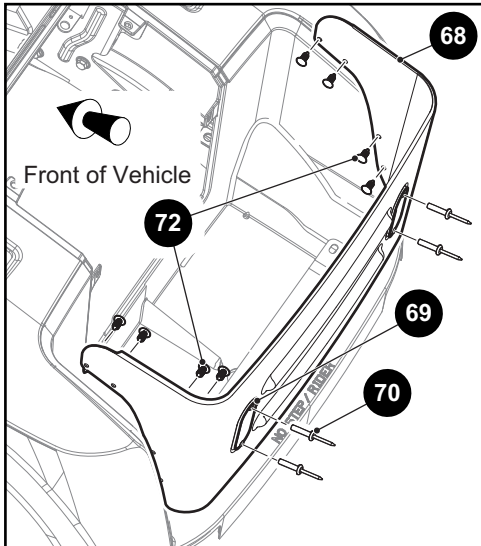
* Indicates a component that is not available as an individual part.

*** Indicates consult Customer Service Department for additional information.

ITEM	PART NO.	1	2	3	4	5	DESCRIPTION	QTY.
22	638346G01						FOOTREST WELDMENT (FIXED SEAT).....	1
23	640653						FOOTREST GRIP TAPE.....	1
24	608537						REAR FACING SEAT WARNING LABEL	1
25								
26	603799						FLANGED HEX HEAD BOLT, M10 - 1.5 X 25MM LG	4
27	602415						FLANGED HEX HEAD BOLT, M10 - 1.5 X 80MM LG	2
28	600525						LOCK NUT, M10 - 1.5	2
29								
30	603800						FLANGED HEX HEAD BOLT, M10 - 1.5 X 50 MM LG	2
31	603818						BARREL CLIP, M10 - 1.5.....	2
32								
33	604723						ARM REST (DRIVER SIDE).....	1
34	604725						ARM REST (PASSENGER SIDE)	1
35								
36	600530						BUTTON HEAD TORX BOLT, M10 - 1.5 X 25MM LG	2
37	600525						LOCK NUT, M10 - 1.5	2

SEATING AND BASKET

- 1** SEAT BACK ASSEMBLY includes items 2 - 4
- 9** SEAT BOTTOM ASSEMBLY (FLIP) includes items 10 - 20
- 10** SEAT BOTTOM ASSEMBLY includes items 11 - 14
- 23** FLOORBOARD ASSEMBLY (FLIP SEAT) includes items 24 - 29
- 37** DECK BED ASSEMBLY includes items 38 - 41
- 67** BAGWELL CLOSEOUT ASSEMBLY includes items 68 - 70



SEATING AND BASKET

THE USE OF NON U.L. PARTS WILL VOID ANY U.L. LISTING.

When ordering parts, please specify the model and serial number of the product.

* Indicates a component that is not available as an individual part.

*** Indicates consult Customer Service Department for additional information.

ITEM	PART NO.	1 2 3 4 5	DESCRIPTION	QTY.
1	***		SEAT BACK ASSEMBLY (INCLUDES ITEMS 2 - 4)..... 641897G0002 STONE BEIGE 641897G0001 OYSTER 641897G0006 BLACK 641897G0004 GRAY	1
2	605529		BLACK PLASTIC COVER	1
3	644268		BASE ASSEMBLY	1
4	***		VINYL COVER AND FOAM	1
			644820G02 STONE BEIGE 644820G01 OYSTER 644820G06 BLACK 644820G04 GRAY	
5				
6	600530		BUTTON HEAD TORX BOLT, M10 - 1.5 X 25MM LG	4
7	603823		FLAT WASHER, M10 X 22MM X 2.5MM	4
8				
9	***		SEAT BOTTOM ASSEMBLY (FLIP) (INCLUDES ITEMS 10 - 20)..... 615193 STONE BEIGE 615194 OYSTER 615137 BLACK 670860 GRAY	1
10	***		SEAT BOTTOM ASSEMBLY (INCLUDES ITEMS 11 - 14)..... 615192 STONE BEIGE 75197G03 OYSTER 75197G07 BLACK 75197G02 GRAY	1
11	***		VINYL COVER..... 615191 STONE BEIGE 75252G03 OYSTER 75252G07 BLACK 75252G02 GRAY	1
12	11394G1		SEAT STRAP, 5.5" LG (NOT ILLUSTRATED)	1
13	75199G01		FOAM.....	1
14	75223G01		PLYWOOD	1
15				
16	75250G01		SEAT HINGE (PASSENGER SIDE)	1
17	75250G02		SEAT HINGE (DRIVER SIDE).....	1
18	600922		TRUSS HEAD SCREW WITH PATCH LOCK, 1/4" - 20 X 5/8" LG	2
19	620879		SEAT BED DECK ASSEMBLY	1

SEATING AND BASKET

THE USE OF NON U.L. PARTS WILL VOID ANY U.L. LISTING.

When ordering parts, please specify the model and serial number of the product.

* Indicates a component that is not available as an individual part.

*** Indicates consult Customer Service Department for additional information.

ITEM	PART NO.	1	2	3	4	5	DESCRIPTION	QTY.
20	00205G4						FLAT HEAD SCREW, 1/4" - 20 X 1 1/2" LG	6
21								
22								
23	642444G02						FLOORBOARD ASSEMBLY (FLIP SEAT) (INCLUDES ITEMS 24 - 29).....	1
24	638346G02						FOOTREST WELDMENT (FIXED SEAT).....	1
25	609851						FOOTREST COVER.....	1
26	16816G2						RATCHET RIVET, .25" X .887"	10
27	19853G1						TUBE CAP, 1" X 1".....	2
28	614973						OVAL REFLECTOR (RED)	4
29	608290						SELF TAPPING SCREW, #10 - 16 X 3/4" LG	2
30	610631						CLAYS BED LABEL.....	1
31	603799						FLANGED HEX HEAD BOLT, M10 - 1.5 X 25MM LG	4
32								
33	604473						SEAT SUPPORT	1
34	601414						FLANGED HEX HEAD BOLT, M10 -1.5 X 65MM LG	4
35	600525						LOCK NUT, M10 - 1.5	4
36								
37	615138						DECK BED ASSEMBLY (INCLUDES ITEMS 38 - 41).....	1
38	620878						MIDDLE LIFTED DECK BED.....	1
39	75250G01						SEAT HINGE (PASSENGER SIDE).....	1
40	75250G02						SEAT HNGE (DRIVER SIDE)	1
41	600922						TRUSS HEAD SCREW WITH PATCH LOCK, 1/4" - 20 X 5/8" LG.....	2
42								
43	617576						REAR SEAT FRAME (LIFTED).....	1
44	19853G1						TUBE CAP, 1" X 1"	2
45	00762G8						TRUSS HEAD PHILLIPS SCREW, 5/16" - 18 X 2" LG.....	2
46	17255G1						FLAT WASHER (TEFLON), .360"X .625" X .030"	4
47	00891G3						LOCK NUT, 5/16" -18	2
48								
49	612620						REAR FACING SEAT CLOSE OUT	1
50	18436G1						RIVET, 1/4" X 3/4"	4

SEATING AND BASKET

THE USE OF NON U.L. PARTS WILL VOID ANY U.L. LISTING.

When ordering parts, please specify the model and serial number of the product.

* Indicates a component that is not available as an individual part.

*** Indicates consult Customer Service Department for additional information.

ITEM	PART NO.	1 2 3 4 5	DESCRIPTION	QTY.
51				
52	602415		FLANGED HEX HEAD BOLT, M10 - 1.5 X 80MM LG.....	2
53	600525		LOCK NUT, M10 - 1.5	2
54				
55	73876G01		FLANGED HEX HEAD BOLT, M6 - 1 X12MM LG.....	2
56	601476		LOCK NUT, M6 - 1	2
57				
58	600530		BUTTON HEAD TORX BOLT, M10 - 1.5 X 25MM LG	2
59	603818		BARREL CLIP, M10 - 1.5	2
60				
61	603799		FLANGED HEX HEAD BOLT, M10 - 1.5 X 25MM LG.....	2
62	600525		LOCK NUT, M10 - 1.5	2
63				
64				
65				
66				
67	643973		BAGWELL CLOSEOUT ASSEMBLY (INCLUDES ITEMS 68 - 70)	1
68	643062		BAGWELL CLOSEOUT	1
69	614973		RED REFLECTOR	1
70	71055G02		RIVET, 3/16" DIA	2
71				
72	16816G2		RATCHET RIVET, .25" X .887"	8

SEATING AND BASKET

THE USE OF NON U.L. PARTS WILL VOID ANY U.L. LISTING.

When ordering parts, please specify the model and serial number of the product.

* Indicates a component that is not available as an individual part.

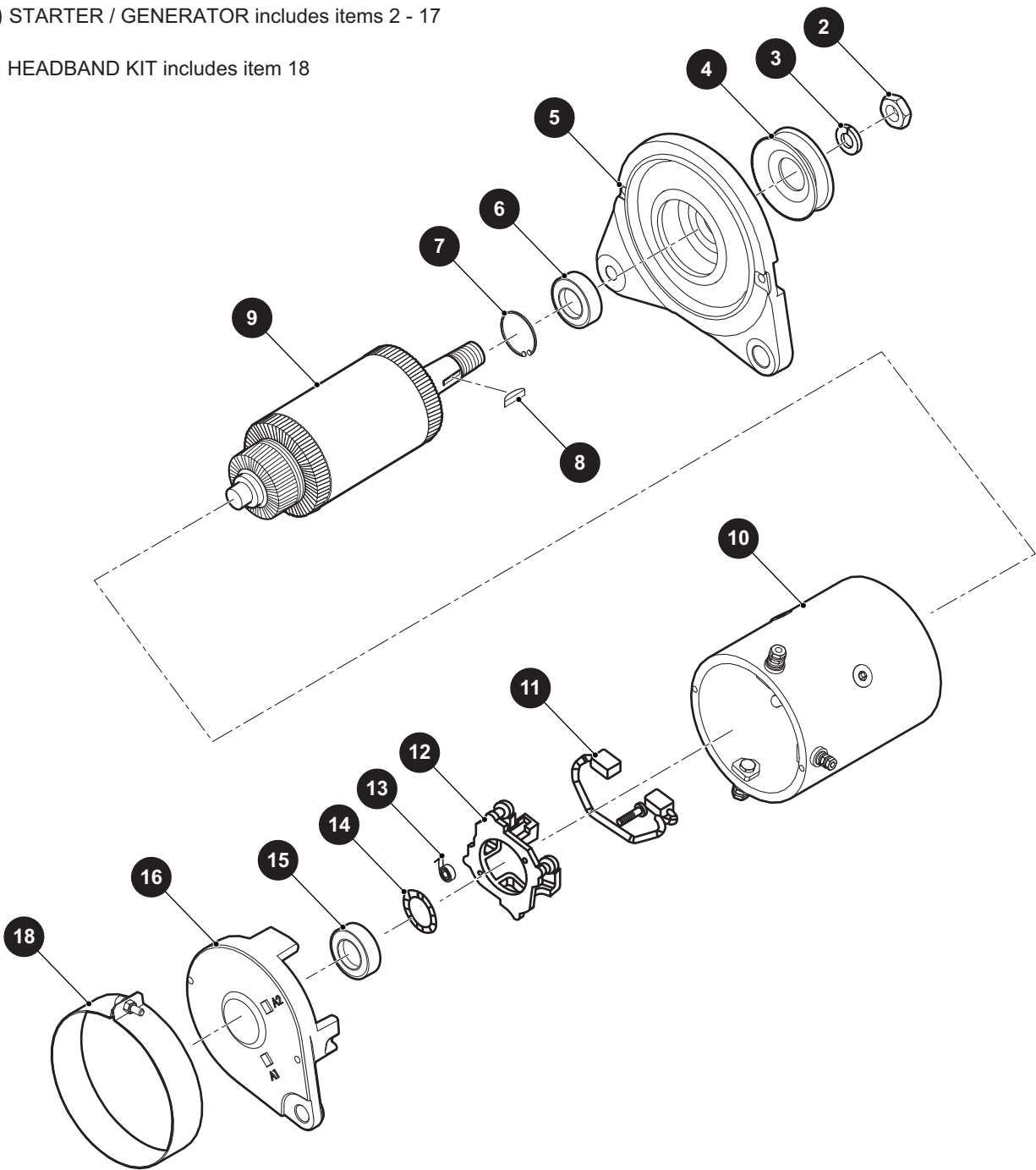
*** Indicates consult Customer Service Department for additional information.

ITEM	PART NO.	1 2 3 4 5	DESCRIPTION	QTY.
1	610739		SEATBELT WELDMENT.....	1
2				
3	612126		SEATBELT STRUCTURE HARDWARE KIT (INCLUDES ITEMS 4 - 6).....	1
4	602415		FLANGED HEX HEAD BOLT, M10 - 1.5 X 80MM LG.....	4
5	600525		FLANGED LOCK NUT, M10 - 1.5.....	4
6	604066		FLAT WASHER (STEEL), M10.....	4
7				
8	609031		SEAT BELT BUCKLE, 9".....	2
9	609854		SEAT BELT BUCKLE, 6".....	2
10	649131		SEAT BELT RETRACTOR ASSEMBLY.....	4
11				
12	612127		SEATBELT INSTALLATION HARDWARE KIT (INCLUDES ITEMS 13 - 18)...	1
13	620770		HEX HEAD SHOULDER BOLT, 7/16" - 20 X 2.275" LG.....	4
14	612346		HEX HEAD BOLT, 7/16" - 20 X 2.5" LG.....	2
15	610753		HEX HEAD CAP BOLT, 7/16" - 20 X 1" LG.....	8
16	00560G2		FLAT WASHER, 7/16".....	16
17	00734G3		LOCK NUT, 7/16" - 20.....	14
18	605686		CAP (VINYL).....	4
19				
20	611362		REAR FACING SEAT LABEL.....	1

STARTER AND GENERATOR

1 STARTER / GENERATOR includes items 2 - 17

17 HEADBAND KIT includes item 18



STARTER AND GENERATOR

THE USE OF NON U.L. PARTS WILL VOID ANY U.L. LISTING.

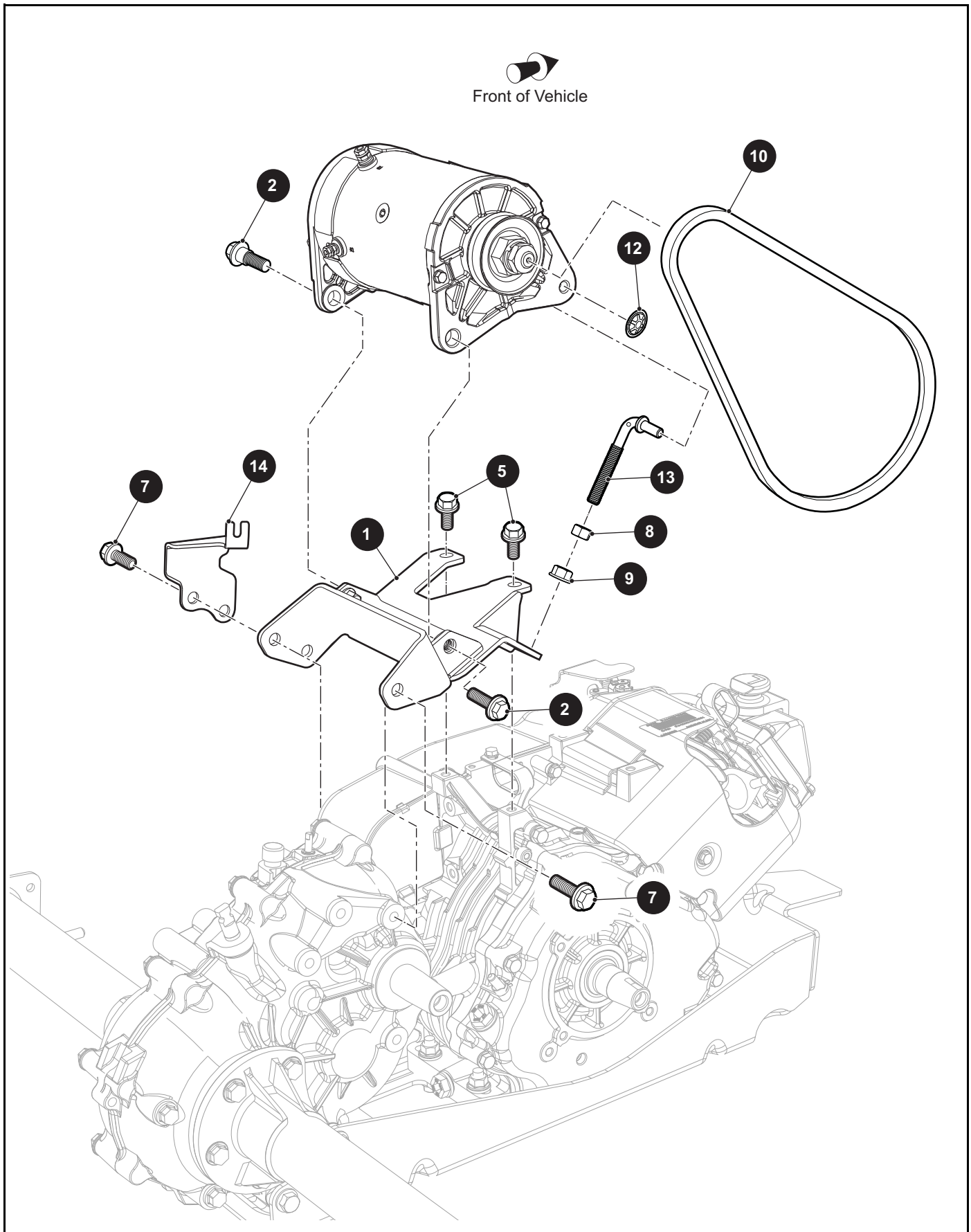
When ordering parts, please specify the model and serial number of the product.

* Indicates a component that is not available as an individual part.

*** Indicates consult Customer Service Department for additional information.

ITEM	PART NO.	1 2 3 4 5	DESCRIPTION	QTY.
1	660379		STARTER / GENERATOR (INCLUDES ITEMS 2 - 17)	1
2	612029		HEX NUT	1
3	612030		LOCK WASHER	1
4	625716		PULLEY, 2.5" O.D.	1
5	654715		DRIVE END HEAD	1
6	612033		BEARING	1
7	612034		RETAINING RING	1
8	612035		WOODRUFF KEY	1
9	612036		ARMATURE ASSEMBLY	1
10	654716		FRAME AND FIELD ASSEMBLY	1
11	612038		BRUSH LEAD AND TERMINAL PACKAGE	1
12	654717		BRUSH BOX ASSEMBLY	1
13	656659		BRUSH SPRING	4
14	612043		WAVY WASHER	1
15	612044		BEARING	1
16	612045		COMMUTATOR END HEAD	1
17	658172		HEADBAND KIT (INCLUDES ITEM 18)	1
18	654718		HEADBAND	1

STARTER AND GENERATOR



STARTER AND GENERATOR

THE USE OF NON U.L. PARTS WILL VOID ANY U.L. LISTING.

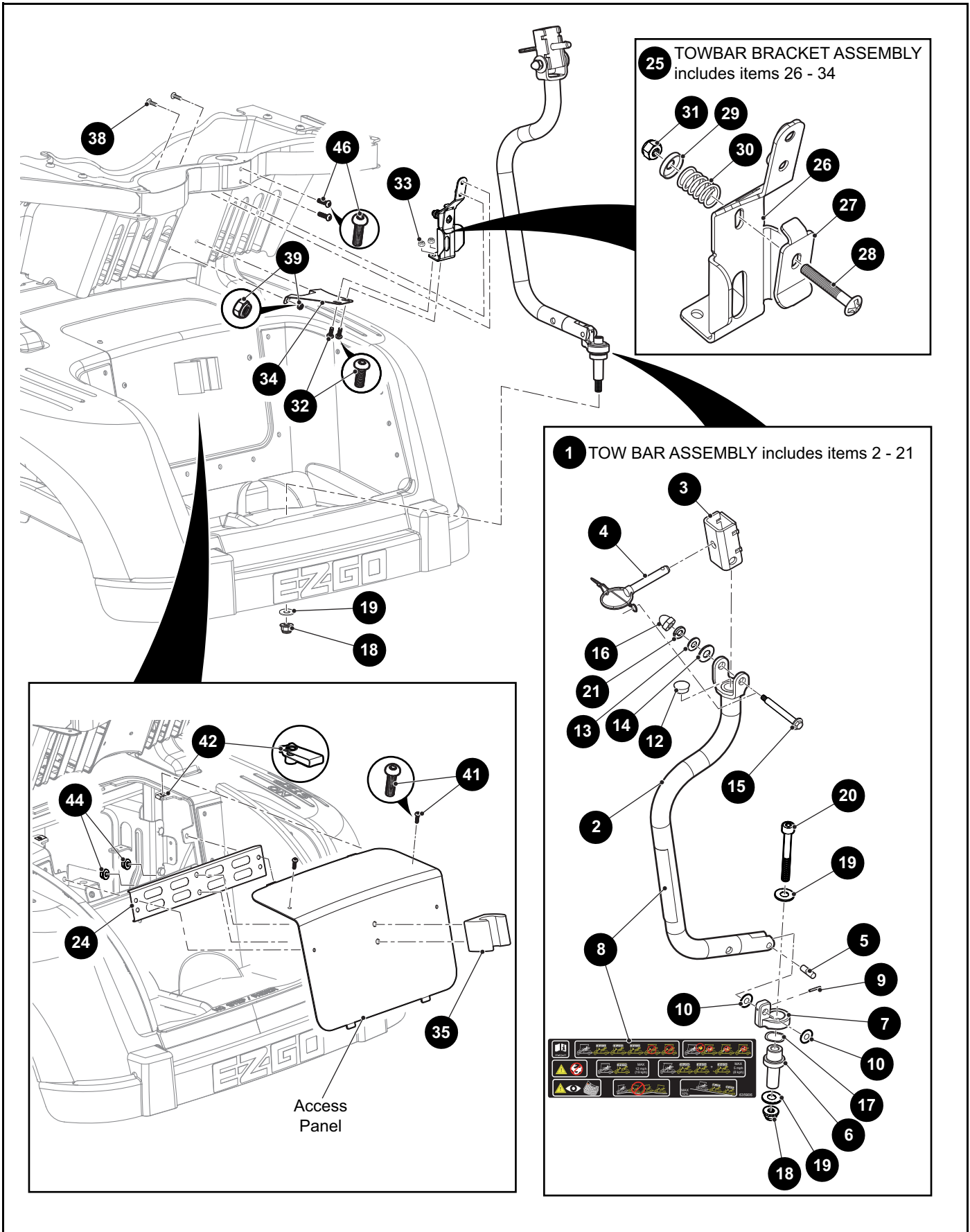
When ordering parts, please specify the model and serial number of the product.

* Indicates a component that is not available as an individual part.

*** Indicates consult Customer Service Department for additional information.

ITEM	PART NO.	1 2 3 4 5	DESCRIPTION	QTY.
1	631972		STARTER/GENERATOR SUPPORT BRACKET	1
2	606235		FLANGED HEX HEAD BOLT, M10 - 1.25 X 20MM LG.....	2
3				
4				
5	606261		FLANGED HEX HEAD BOLT, M8 - 1.25 X 20MM LG.....	2
6				
7	606256		FLANGED HEX HEAD BOLT, M10 - 1.25 X 25MM LG.....	3
8	606255		HEX JAM NUT, M10 - 1.25	1
9	606274		FLANGED HEX NUT, M10 - 1.25.....	1
10	630587		STARTER/GENERATOR BELT.....	1
11				
12	12064G6		PUSH NUT, 5/16"	1
13	629763		TENSIONER BOLT	1
14	603884		CABLE GUIDE BRACKET	1

TOWBAR



THE USE OF NON U.L. PARTS WILL VOID ANY U.L. LISTING.

When ordering parts, please specify the model and serial number of the product.

* Indicates a component that is not available as an individual part.

*** Indicates consult Customer Service Department for additional information.

ITEM	PART NO.	1 2 3 4 5	DESCRIPTION	QTY.
1	635818		TOWBAR ASSEMBLY (INCLUDES ITEMS 2 - 21).....	1
2	635820		TOWBAR	1
3	635461		COUPLING WELDMENT	1
4	685471		HITCH PIN ASSEMBLY (SHORT).....	1
5	75360G01		PIVOT PIN	1
6	602990		PIVOT	1
7	625458		SWIVEL	1
8	635906		WARNING LABEL	1
9	608793		SPIROL PIN, 3MM X 22MM	1
10	75340G01		FLAT WASHER (DELFIN), M10	2
11				
12	20271G6		PLUG, .875" DIA.....	1
13	00560G1		FLAT WASHER, 3/8"	1
14	00571G5		FLAT WASHER, 5/16"	1
15	14158G1		SHOULDER BOLT, 3/8" - 16 X 2.75" LG	1
16	15717G5		ACORN NUT, 3/8" - 16	1
17	603341		WAVY WASHER, M32	1
18	625748		LOCK NUT, M12 - 1.25.....	1
19	603182		FLAT WASHER, M12.....	2
20	603384		SOCKET HEAD BOLT, M12 - 1.25 X 100MM LG	1
21	00566G1		SPRING LOCK WASHER, 7/16"	1
22				
23				
24	641228		SUPPORT CHANNEL.....	1
25	641381		TOWBAR BRACKET ASSEMBLY (INCLUDES ITEMS 26 - 34).....	1
26	641380		SOCKET WELDMENT	1
27	641546		RETENTION CLIP	1
28	16705G6		TRUSS HEAD PHILLIPS SCREW (SS), 1/4" - 20 X 1.75" LG	1
29	25727G01		CUP WASHER, .687" O.D. X .265" I.D.....	1
30	72735G01		COMPRESSION SPRING	1
31	14390G4		LOCK NUT (SS), 1/4" - 20	1

TOWBAR

THE USE OF NON U.L. PARTS WILL VOID ANY U.L. LISTING.

When ordering parts, please specify the model and serial number of the product.

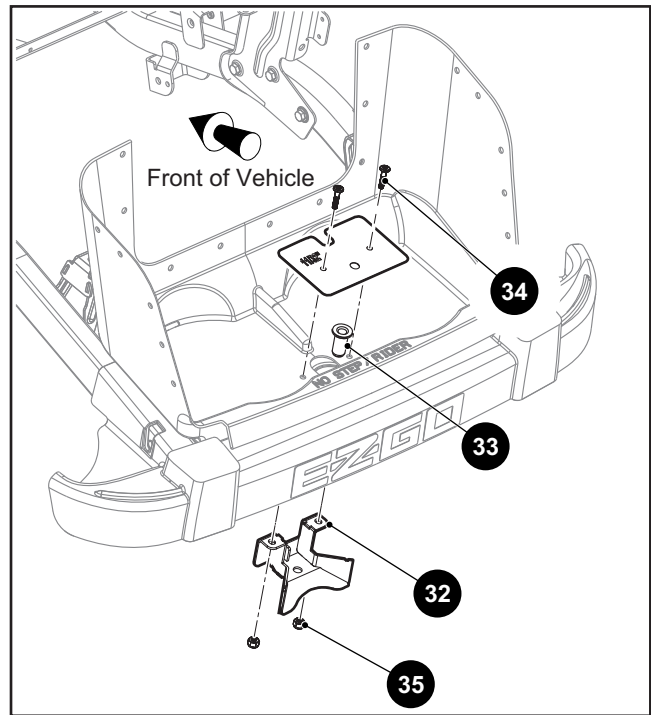
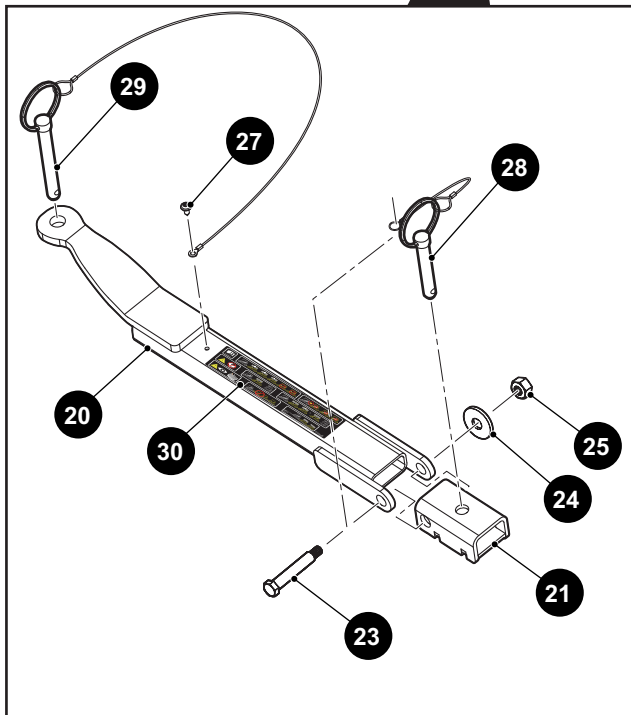
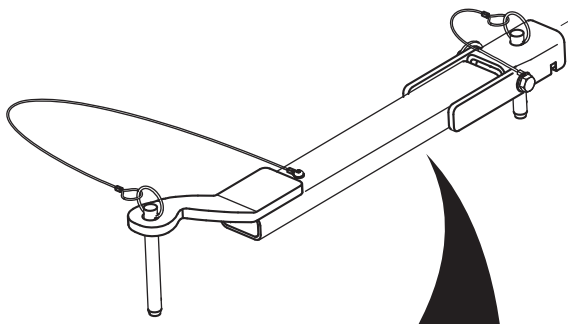
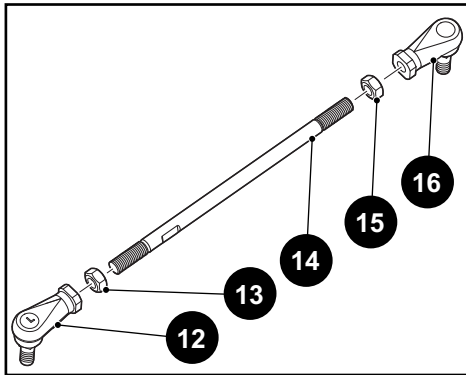
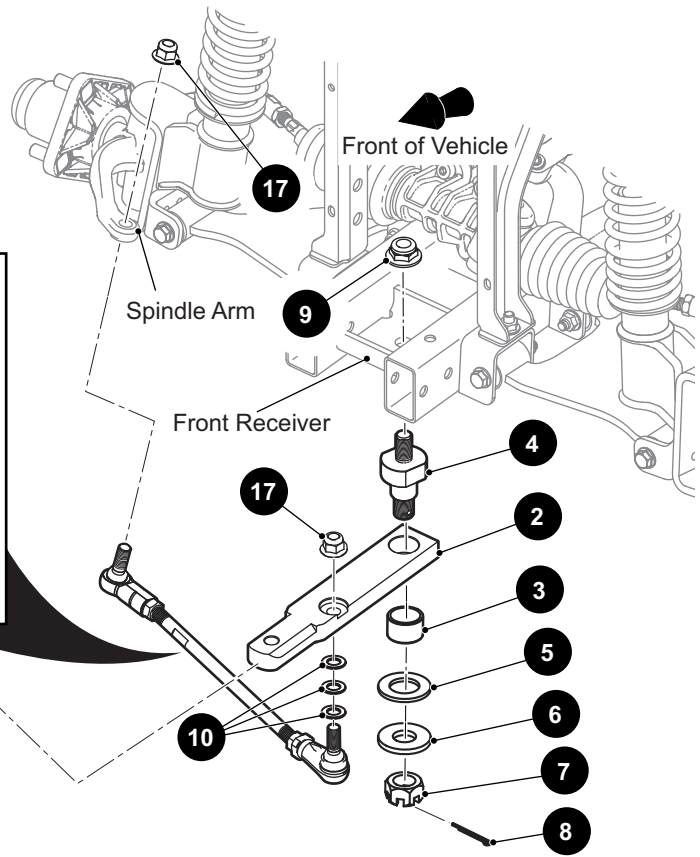
* Indicates a component that is not available as an individual part.

*** Indicates consult Customer Service Department for additional information.

ITEM	PART NO.	1	2	3	4	5	DESCRIPTION	QTY.
32	16705G2						PAN HEAD PHILLIPS SCREW (SS), 1/4" - 20 X 5/8" LG.....	2
33	14390G4						LOCK NUT (SS), 1/4" - 20	2
34	641402						TOWBAR SUPPORT BRACKET	1
35	603020						TOWBAR RETAINER.....	1
36								
37								
38	16705G2						PAN HEAD PHILLIPS SCREW (SS), 1/4" - 20 X 5/8" LG	2
39	14390G4						LOCK NUT (SS), 1/4" - 20	2
40								
41	601326						BUTTON HEAD TORX BOLT, M6 - 1 X 20MM LG	2
42	602409						BARREL CLIP, M6 - 1.....	2
43								
44	600525						FLANGED LOCK NUT, M10 - 1.5.....	2
45								
46	601326						BUTTON HEAD TORX BOLT, M6 - 1 X 20MM LG	2

TOWBAR

- 1** TOWBAR FRONT ASSEMBLY includes items 2 - 17
- 11** TIE ROD ASSEMBLY includes items 12 - 16
- 19** TOWBAR ASSEMBLY (SEMI PERMANENT) includes items 20 - 30



THE USE OF NON U.L. PARTS WILL VOID ANY U.L. LISTING.

When ordering parts, please specify the model and serial number of the product.

* Indicates a component that is not available as an individual part.

*** Indicates consult Customer Service Department for additional information.

ITEM	PART NO.	1 2 3 4 5	DESCRIPTION	QTY.
1	670614		TOWBAR FRONT ASSEMBLY (INCLUDES ITEMS 2 - 17)	1
2	670611		FRONT PIVOT BAR	1
3	75307G01		BEARING	1
4	635464		PIVOT BOLT	1
5	75309G01		THRUST BEARING 1.75" O.D. X 1" I.D.	1
6	75342G01		FLAT WASHER, 1.75" O.D. X .78" I.D.	1
7	00518G8		CASTLE NUT, 3/4" - 16	1
8	10387G1		COTTER PIN, 5/32" X 1 3/4" LG	1
9	601709		LOCK NUT, M16 - 2.....	1
10	00560G2		FLAT WASHER, 7/16"	3
11	646856		TIE-ROD ASSEMBLY (INCLUDES ITEMS 12 - 16)	1
12	643610		TIE ROD END, LH	1
13	624962		HEX NUT, M12 - 1.75.....	1
14	644116		TOWBAR	1
15	615414		HEX NUT, M12 - 1.75.....	1
16	614436		TIE ROD END	1
17	617787		FLANGED LOCK NUT, M12 - 1.75.....	2
18				
19	635736		TOWBAR ASSEMBLY (SEMI PERMANENT) (INCLUDES ITEMS 20 - 30)....	1
20	635428		TONGUE WELDMENT	1
21	635461		COUPLING WELDMENT	1
22				
23	14158G1		SHOULDER BOLT, 3/8" - 16 X 2.75" LG	1
24	00571G5		FLAT WASHER, 5/16"	1
25	11098G5		LOCK NUT, 3/8" - 16	1
26				
27	637563		SELF TAPPING SCREW, M4.8 - 1.6 X 14MM LG.....	1
28	685471		HITCH PIN ASSEMBLY (SHORT).....	1
29	641171		HITCH PIN ASSEMBLY (LONG)	1
30	635906		WARNING LABEL	1
31				

TOWBAR

THE USE OF NON U.L. PARTS WILL VOID ANY U.L. LISTING.

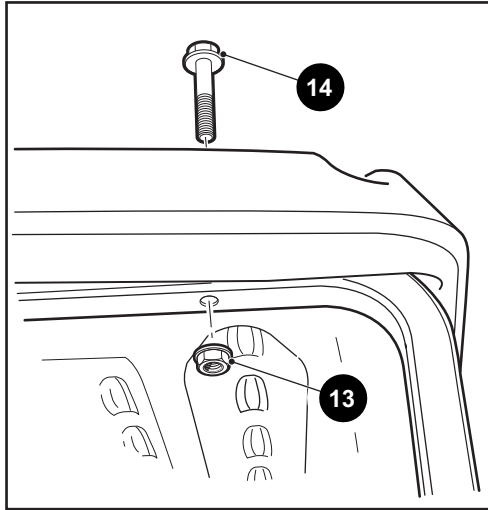
When ordering parts, please specify the model and serial number of the product.

* Indicates a component that is not available as an individual part.

*** Indicates consult Customer Service Department for additional information.

ITEM	PART NO.	1 2 3 4 5	DESCRIPTION	QTY.
32	635343		TOWBAR RECEIVER WELDMENT	1
33	635442		TOWBAR BUSHING	1
34	628635		BUTTON HEAD BOLT, M8 - 1.25 X 30MM LG.....	2
35	616673		LOCK NUT, M8 - 1.25.....	2

WEATHER PROTECTION



1 SUN TOP KIT, STONE BEIGE
includes items 2, 19

3 SUN TOP KIT, OYSTER
includes items 4, 19

5 SUN TOP KIT, BLACK
includes items 6, 7

7 SUN TOP STRUT KIT
includes items 8 - 11

11 SUN TOP HARDWARE KIT
includes items 12 - 16

19 SUN TOP STRUT KIT
includes items 8 - 10, 20

20 SUN TOP HARDWARE KIT
includes items 12 - 16

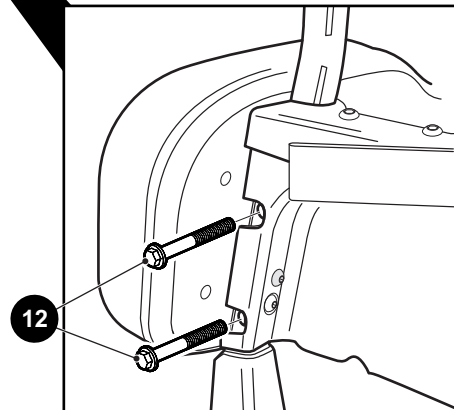
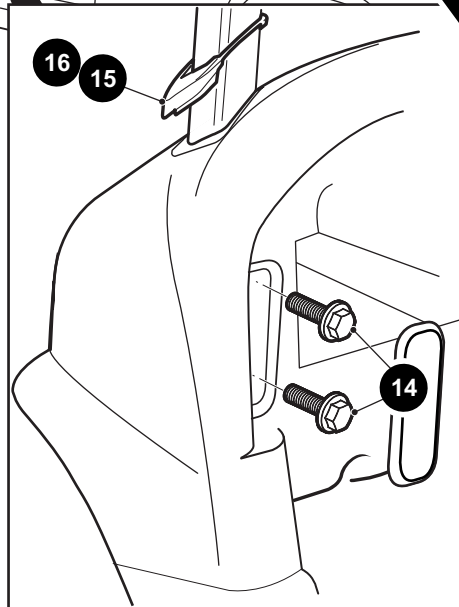
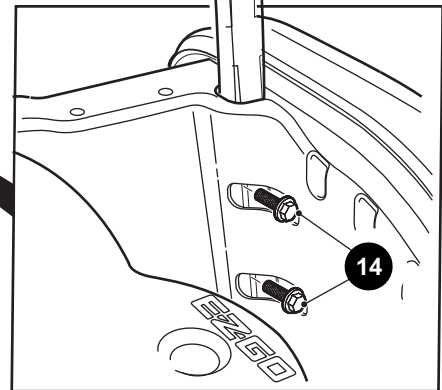
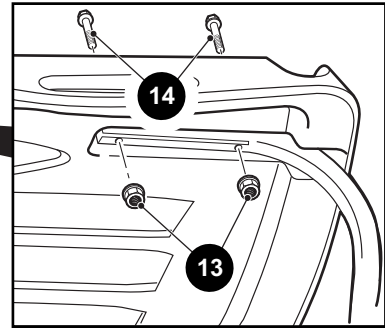
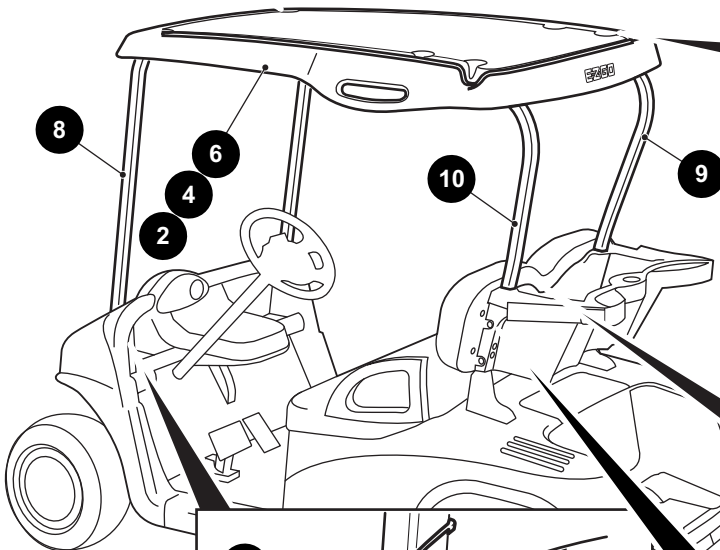
22 SUN TOP KIT, 54", STONE BEIGE,
(GPS MOUNTING)
includes items 2, 26, 28

23 SUN TOP KIT, 54", OYSTER,
(GPS MOUNTING)
includes items 4, 26, 28

24 SUN TOP KIT, 54", BLACK,
(GPS MOUNTING)
includes items 6, 26, 28

26 FRONT STRUT KIT
includes items 8, 15, 25, 27

28 REAR STRUT KIT
includes items 9, 10, 20



WEATHER PROTECTION

THE USE OF NON U.L. PARTS WILL VOID ANY U.L. LISTING.

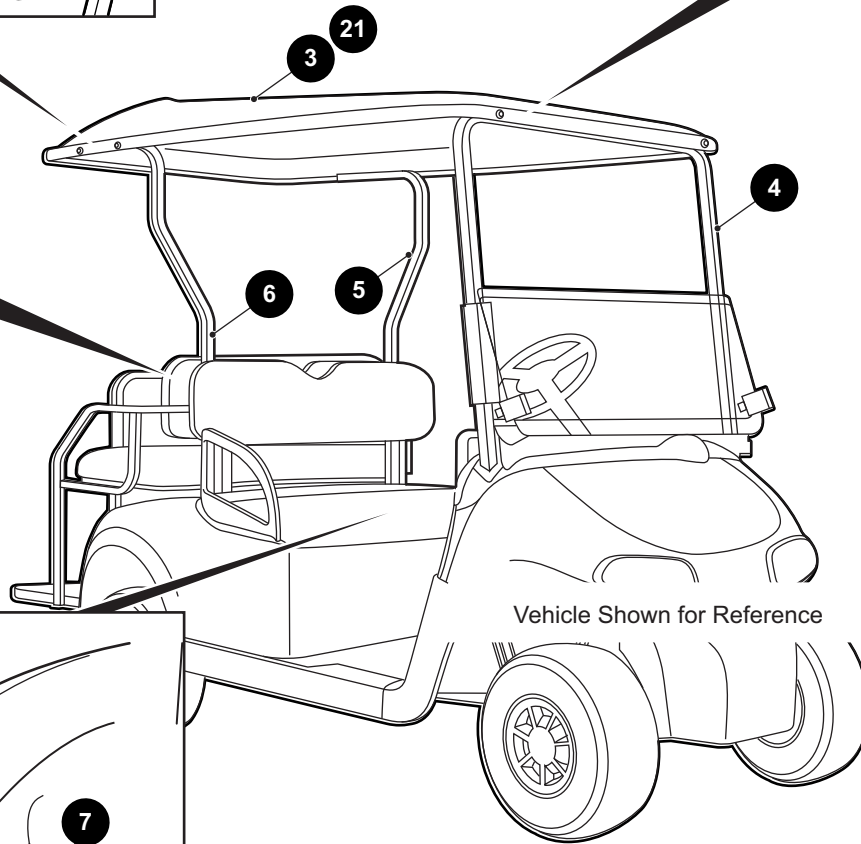
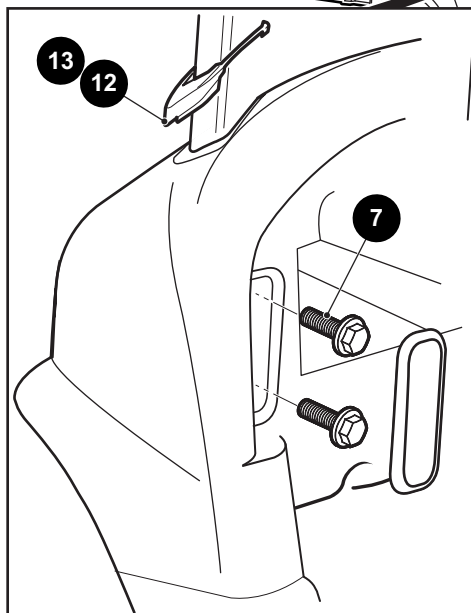
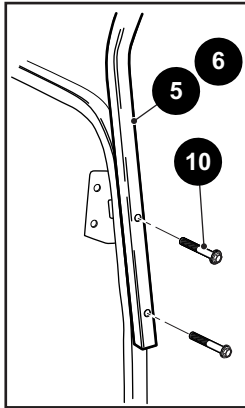
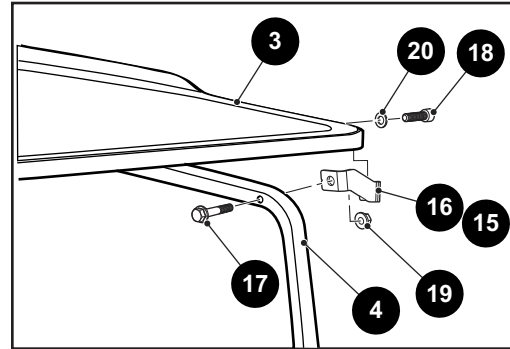
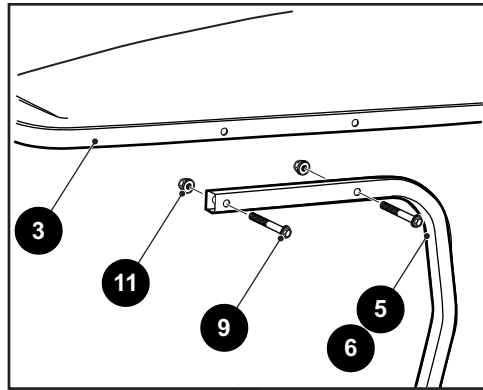
When ordering parts, please specify the model and serial number of the product.

* Indicates a component that is not available as an individual part.

*** Indicates consult Customer Service Department for additional information.

ITEM	PART NO.	1 2 3 4 5	DESCRIPTION	QTY.
1	610766		SUN TOP KIT, STONE BEIGE (INCLUDES ITEMS 2, 19)	1
2	608198		SUN TOP	1
3	610767		SUN TOP KIT, OYSTER (INCLUDES ITEMS 4, 19).....	1
4	608015		SUN TOP	1
5	613233		SUN TOP KIT, BLACK (INCLUDES ITEM 6, 7)	1
6	613227		SUN TOP	1
7	608677		SUN TOP STRUT KIT (INCLUDES ITEMS 8 - 11).....	1
8	603203		FRONT STRUT	1
9	614310		REAR STRUT (PASSENGER SIDE)	1
10	614309		REAR STRUT (DRIVER SIDE).....	1
11	607013		SUN TOP HARDWARE KIT (INCLUDES ITEMS 12 - 16)	1
12	602415		FLANGED HEX HEAD BOLT, M10 - 1.5 X 80MM LG	4
13	600525		FLANGED LOCK NUT, M10 - 1.5.....	10
14	603800		FLANGED HEX HEAD BOLT, M10 - 1.5 X 50MM LG	10
15	602770		GROMMET (DRIVER SIDE).....	1
16	602992		GROMMET (PASSENGER SIDE)	1
17				
18				
19	620880		SUN TOP STRUT KIT (INCLUDES ITEMS 8 - 10, 20).....	1
20	610763		SUN TOP HARDWARE KIT (INCLUDES ITEMS 12 - 16)	1
21				
22	647625		SUN TOP KIT, 54", STONE BEIGE (GPS MOUNTING) (INCLUDES ITEMS 2, 26, 28).....	1
23	647628		SUN TOP KIT, 54", OYSTER (GPS MOUNTING) (INCLUDES ITEMS 4, 26, 28).....	1
24	647629		SUN TOP KIT, 54", BLACK (GPS MOUNTING) (INCLUDES ITEMS 6, 26, 28).....	1
25	664522G02		GPS MOUNTING SYSTEM (NOT ILLUSTRATED).....	1
26	647624		FRONT STRUT KIT (INCLUDES ITEMS 8, 15, 25, 27)	1
27	643882G02		GPS MOUNTING SYSTEM (NOT ILLUSTRATED).....	1
28	647623		REAR STRUT KIT (INCLUDES ITEMS 9,10, 20).....	1

WEATHER PROTECTION



- 1 2 + 2 SUN TOP KIT, STONE BEIGE includes items 3 - 14
- 2 2 + 2 SUN TOP KIT, OYSTER includes items 4 - 14, 17
- 8 2 + 2 SUN TOP HARDWARE KIT includes items 9 - 13
- 14 2 + 2 SUN TOP HARDWARE KIT includes items 15 - 20

WEATHER PROTECTION

THE USE OF NON U.L. PARTS WILL VOID ANY U.L. LISTING.

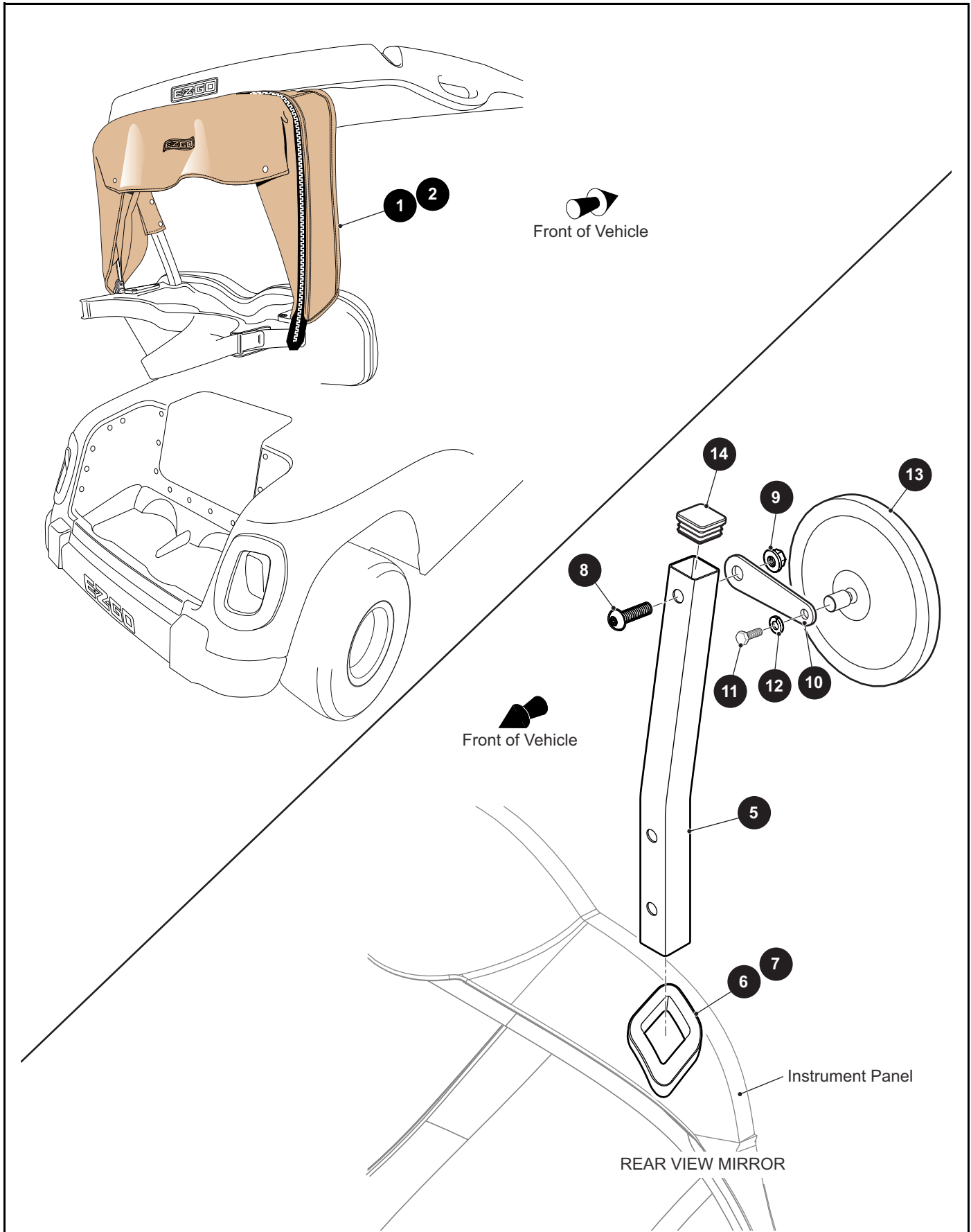
When ordering parts, please specify the model and serial number of the product.

* Indicates a component that is not available as an individual part.

*** Indicates consult Customer Service Department for additional information.

ITEM	PART NO.	1 2 3 4 5	DESCRIPTION	QTY.
1	610461		2 + 2 SUN TOP KIT, STONE BEIGE (INCLUDES ITEMS 3 - 14).....	1
2	610462		2 + 2 SUN TOP KIT, OYSTER (INCLUDES ITEMS 4 -14, 21)	1
3	610434		2 + 2 SUN TOP	1
4	603203		FRONT STRUT TUBE	1
5	604423		2 + 2 REAR STRUT (DRIVER SIDE)	1
6	604424		2 + 2 REAR STRUT (PASSENGER SIDE).....	1
7	603800		FLANGED HEX HEAD BOLT, M10 - 1.5 X 50MM LG	2
8	610468		2 + 2 SUN TOP HARDWARE KIT (INCLUDES ITEMS 9 - 13).....	1
9	601414		FLANGED HEX HEAD BOLT, M10 - 1.5 X 65MM LG.....	4
10	602415		FLANGED HEX HEAD BOLT, M10 - 1.5 X 80MM LG.....	4
11	600525		FLANGED LOCK NUT, M10 - 1.5	4
12	602770		STRUT GROMMET (DRIVER SIDE)	1
13	602992		STRUT GROMMET (PASSENGER SIDE).....	1
14	610472		2 + 2 SUN TOP HARDWARE KIT (INCLUDES ITEMS 15 - 20).....	1
15	610424		BRACKET (DRIVER SIDE).....	1
16	610425		BRACKET (PASSENGER SIDE)	1
17	603800		FLANGED HEX HEAD BOLT, M10 - 1.5 X 50MM LG.....	2
18	608653		SOCKET HEAD BOLT, M10 - 1.5 X 35MM LG	2
19	600525		FLANGED LOCK NUT, M10 - 1.5	4
20	00560G1		FLAT WASHER, 3/8"	2
21	610433		2 + 2 SUN TOP	1

WEATHER PROTECTION



WEATHER PROTECTION

THE USE OF NON U.L. PARTS WILL VOID ANY U.L. LISTING.

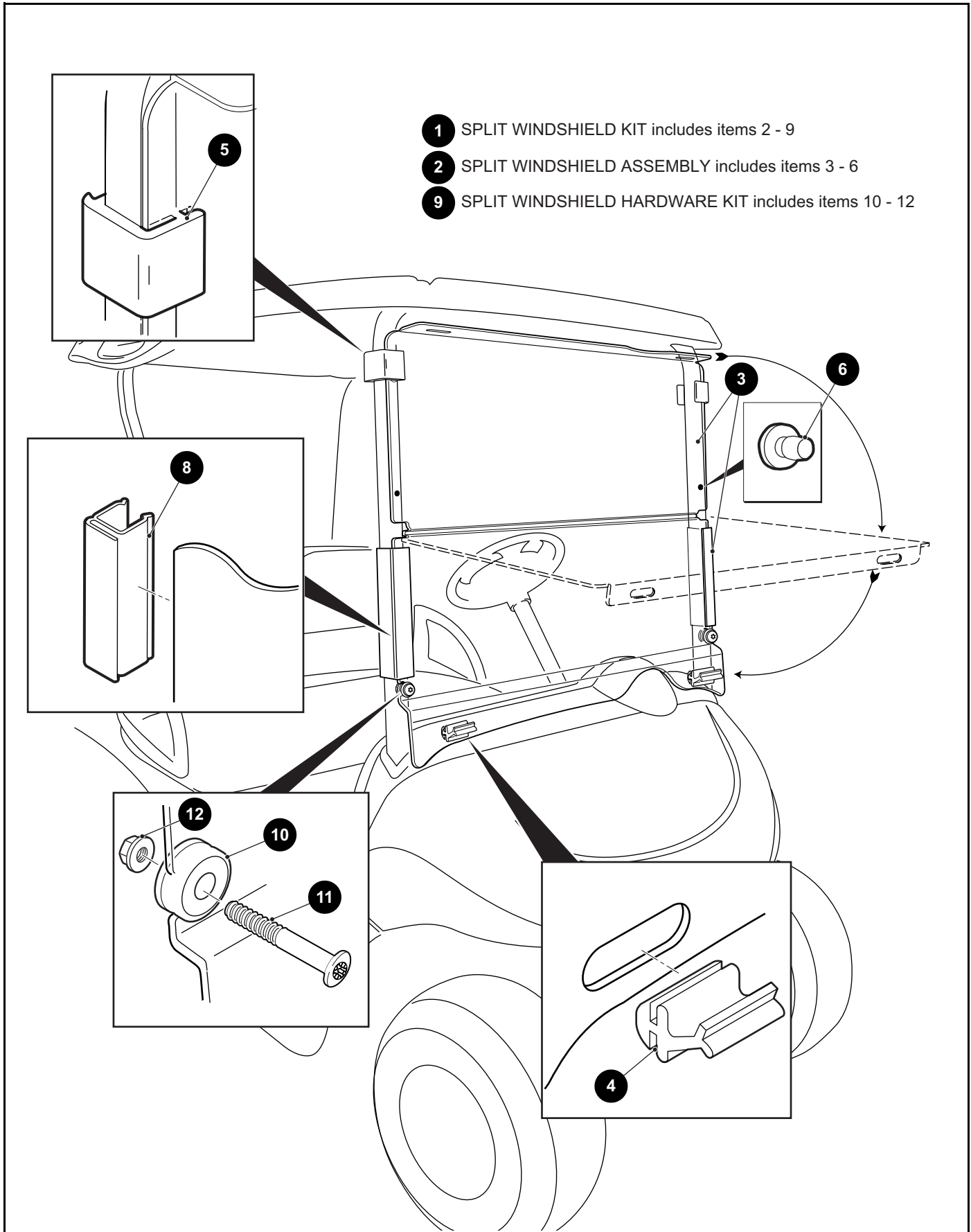
When ordering parts, please specify the model and serial number of the product.

* Indicates a component that is not available as an individual part.

*** Indicates consult Customer Service Department for additional information.

ITEM	PART NO.	1 2 3 4 5	DESCRIPTION	QTY.
1	620400		BAG COVER KIT, STONE BEIGE	1
2	620397		BAG COVER KIT, OYSTER.....	1
3				
4				
5	648473		STRUT	1
6	602770		STRUT GROMMET (DRIVER SIDE)	1
7	602992		STRUT GROMMET (PASSENGER SIDE).....	1
8	600527		BUTTON HEAD TORX BOLT, M10 - 1.5 X 60 MM LG	1
9	600525		LOCK NUT, M10 - 1.5	1
10	648528		MIRROR BRACKET.....	1
11	*		HEX HEAD BOLT, 1/4" - 20 X 5/8" LG	1
12	*		LOCK WASHER, 1/4"	1
13	74202G01		ROUND MIRROR	1
14	620634		END CAP	1

WEATHER PROTECTION



WEATHER PROTECTION

THE USE OF NON U.L. PARTS WILL VOID ANY U.L. LISTING.

When ordering parts, please specify the model and serial number of the product.

* Indicates a component that is not available as an individual part.

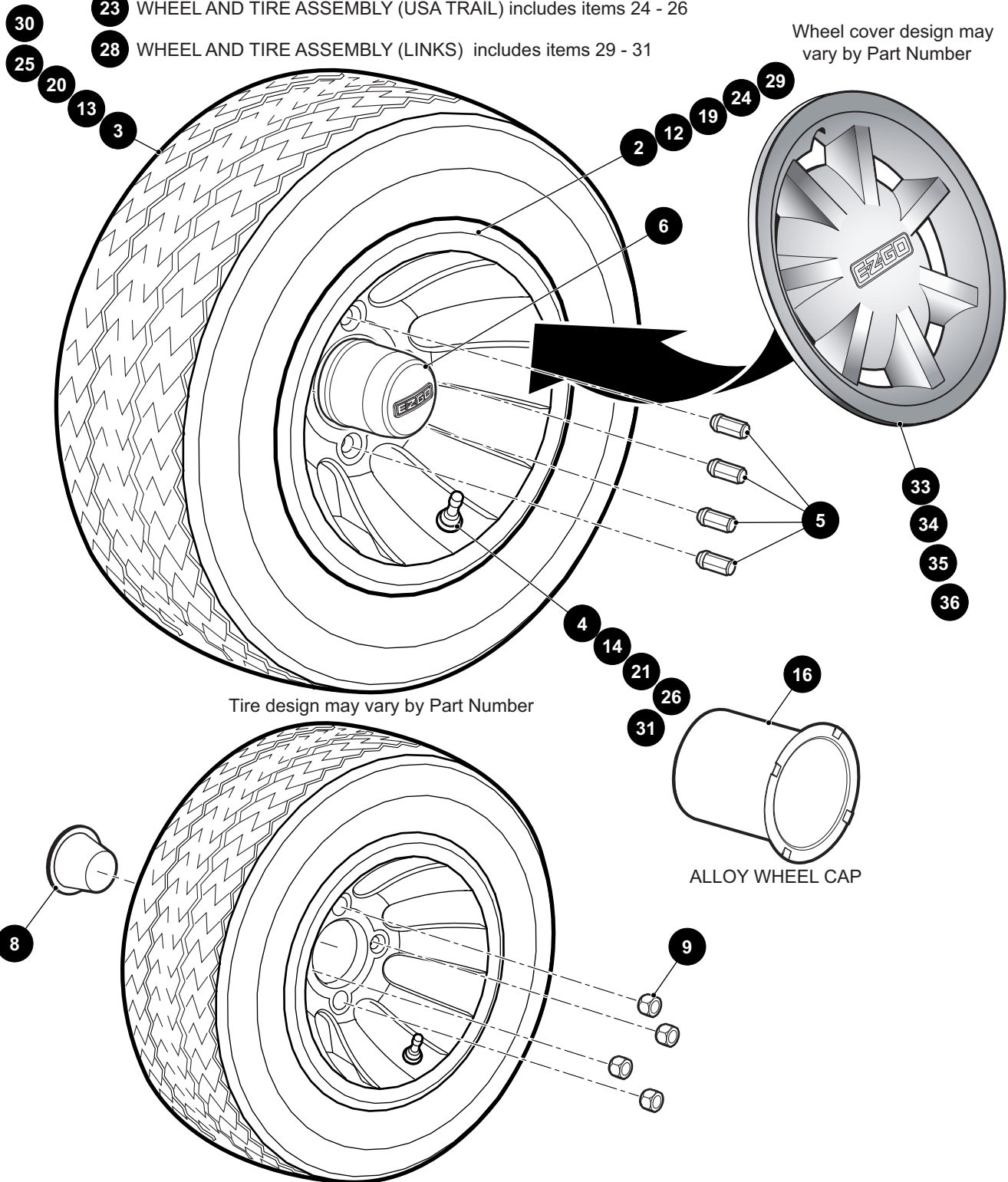
*** Indicates consult Customer Service Department for additional information.

ITEM	PART NO.	1 2 3 4 5	DESCRIPTION	QTY.
1	606584		SPLIT WINDSHIELD KIT (INCLUDES ITEMS 2 - 9)	1
2	606623		SPLIT WINDSHIELD ASSEMBLY (INCLUDES ITEMS 3 - 6)	1
3	603738		SPLIT WINDSHIELD	1
4	603201		LOWER WINDSHIELD LATCH	2
5	603198		UPPER WINDSHIELD LATCH	2
6	604115		WINDSHIELD ISOLATOR	2
7				
8	613136		WINDSHIELD ATTACHMENT SASH	2
9	607014		SPLIT WINDSHIELD HARDWARE KIT (INCLUDES ITEMS 10 - 12)	1
10	604116		GROMMET	2
11	602527		BUTTON HEAD TORX BOLT, M10 - 1.5 X 60MM LG	2
12	600525		LOCK NUT, M10 - 1.5	2

WHEELS AND TIRES

- 1 WHEEL AND TIRE ASSEMBLY (MACHINE ALLOY) includes items 2 - 4
- 11 WHEEL AND TIRE ASSEMBLY (HOLE-N-ONE) includes items 12 - 14
- 18 WHEEL AND TIRE ASSEMBLY (ASM - MILLED) includes items 19 - 21
- 23 WHEEL AND TIRE ASSEMBLY (USA TRAIL) includes items 24 - 26
- 28 WHEEL AND TIRE ASSEMBLY (LINKS) includes items 29 - 31

Wheel cover design may vary by Part Number



WHEELS AND TIRES

THE USE OF NON U.L. PARTS WILL VOID ANY U.L. LISTING.

When ordering parts, please specify the model and serial number of the product.

* Indicates a component that is not available as an individual part.

*** Indicates consult Customer Service Department for additional information.

ITEM	PART NO.	1 2 3 4 5	DESCRIPTION	QTY.
1	647042		WHEEL AND TIRE ASSEMBLY (MACHINE ALLOY) (INCLUDES ITEMS 2 - 4)	1
2	647040		WHEEL, 10"	1
3	647044		TIRE (KENDA), 205/50 - 10"	1
4	604915		VALVE STEM (CHROME)	1
5	605310		LUG NUT (CHROME)	4
6	652122		WHEEL CAP (CHROME)	1
7				
8	74175G01		DUST CAP	1
9	14723G1		LUG NUT, 1/2" - 20	4
10				
11	612772		WHEEL AND TIRE ASSEMBLY (HOLE-N-ONE) (INCLUDES ITEMS 12 - 14)	1
12	612770		WHEEL, 8"	1
13	612771		TIRE (KENDA)	1
14	11657G2		VALVE STEM	1
15				
16	601353		ALLOY WHEEL CAP	1
17				
18	635726		WHEEL AND TIRE ASSEMBLY (ASM - MILLED) (INCLUDES ITEMS 19 - 21)	1
19	635727		ALLOY WHEEL	1
20	601768		TIRE (TOUR MAX), 205/50 - 10"	1
21	601767		STEM VALVE	1
22				
23	28842G01		WHEEL AND TIRE ASSEMBLY (USA TRAIL) (INCLUDES ITEMS 24 - 26)....	1
24	28759G01		WHEEL (WHITE)	1
25	28764G08		TIRE (CARLISLE)	1
26	11657G2		VALVE STEM	1
27				
28	28757G01		WHEEL AND TIRE ASSEMBLY (LINKS) (INCLUDES ITEMS 29 - 31)	1
29	28759G01		WHEEL (WHITE)	1
30	28764G01		TIRE (CARLISLE)	1

WHEELS AND TIRES

THE USE OF NON U.L. PARTS WILL VOID ANY U.L. LISTING.

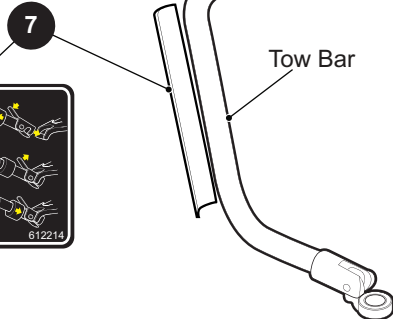
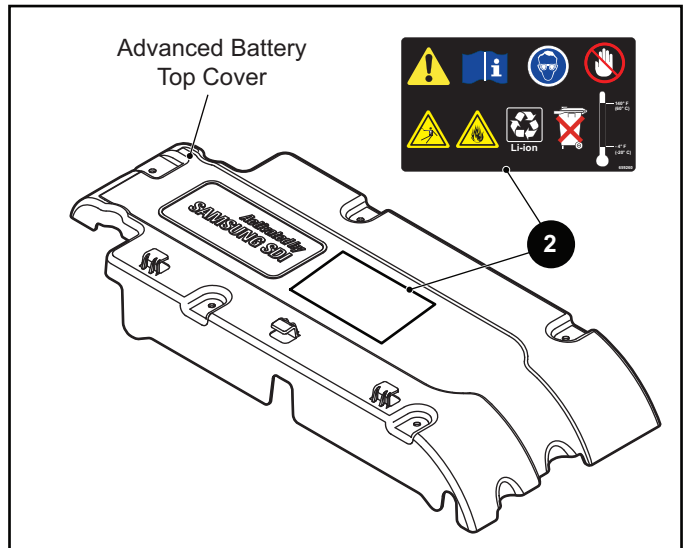
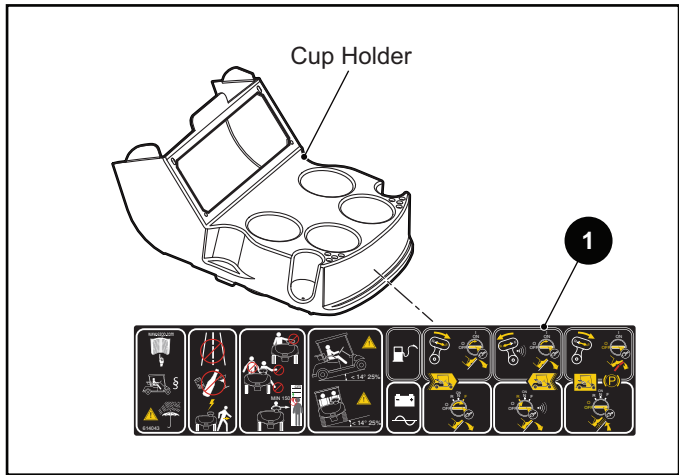
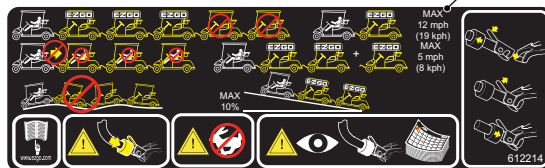
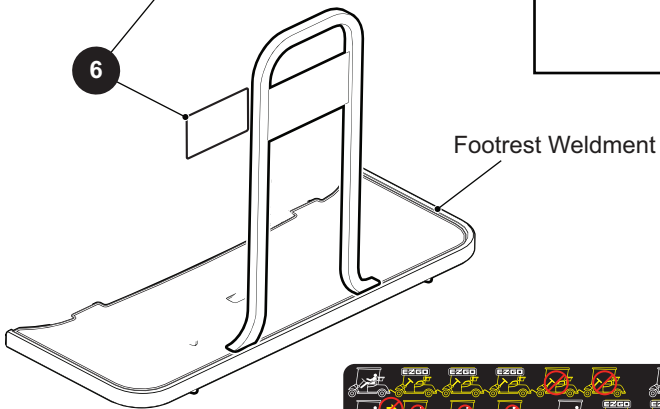
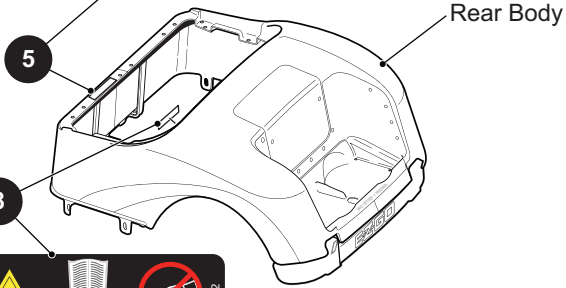
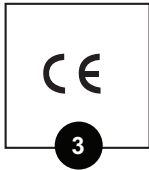
When ordering parts, please specify the model and serial number of the product.

* Indicates a component that is not available as an individual part.

*** Indicates consult Customer Service Department for additional information.

ITEM	PART NO.	1 2 3 4 5	DESCRIPTION	QTY.
31	11657G2		VALVE STEM.....	1
32				
33	615617		HUB CAP (GOLD) (FOR VEHICLES MANUFACTURED BEFORE JANUARY 8, 2018)	1
34	615618		HUB CAP (SILVER) (FOR VEHICLES MANUFACTURED BEFORE JANUARY 8, 2018)	1
35	665149		WHEEL COVER (METALLIC GOLD) (FOR VEHICLES MANUFACTURED AFTER JANUARY 8, 2018).....	1
36	665144		WHEEL COVER (METALLIC SILVER) (FOR VEHICLES MANUFACTURED AFTER JANUARY 8, 2018).....	1

DECALS AND LABELS (FOR CE VEHICLES)



DECALS AND LABELS (FOR CE VEHICLES)

THE USE OF NON U.L. PARTS WILL VOID ANY U.L. LISTING.

When ordering parts, please specify the model and serial number of the product.

* Indicates a component that is not available as an individual part.

*** Indicates consult Customer Service Department for additional information.

ITEM	PART NO.	1 2 3 4 5	DESCRIPTION	QTY.
1	614043		WARNING LABEL (INSTRUMENT PANEL)	1
2	659260		ADVANCED BATTERY WARNING LABEL	1
3	601783		CE LABEL	1
4				
5	608818		GROUNDING LABEL.....	1
6	608820		SHUTTLE 2+2 LABEL (FOR SHUTTLE 2+2 ONLY).....	1
7	612214		TOWBAR LABEL	1
8	608822		GOVERNOR LABEL	1



A Textron Company

E-Z-GO Division of Textron Inc.,
1451 Marvin Griffin Road, Augusta, Georgia 30906 - 3852 USA

TO CONTACT US...

North America:

Technical Assistance & Warranty Phone: 1-800-774-3946, FAX: 1-800-448-8124

Service Parts Phone: 1-888-GET-E-Z-GO (1-888-438-3946), FAX: 1-800-752-6175

International: Phone: 001-706-798-4311, FAX: 001-706-771-4609

Service Parts Manuals, as well as Repair and Service Manuals
are available from a local Distributor, an authorized Branch,
Genuine E-Z-GO Parts & Accessories Department or at www.shopezgo.com.

Copyrighted Material
This manual may not be reproduced in whole or
in part without the express permission of
E-Z-GO Division of Textron Inc.
Technical Communications Department