



**CUSHMAN®**  
LET'S WORK!

# **Electric Powered Vehicle Service Parts Manual**



**624956-BE**

**ISSUED NOVEMBER 2011**

**REVISED SEPTEMBER 2019**



# SERVICE PARTS MANUAL

## ELECTRIC POWERED UTILITY VEHICLE

**SHUTTLE 2**

**SHUTTLE 4**

**SHUTTLE 6**

## STARTING MODEL YEAR 2012

DISCLAIMER: The E-Z-GO Division of Textron Inc. (E-Z-GO) reserves the right to incorporate engineering and design changes to products in this Manual, without obligation to include these changes on units leased/sold previously.

The information contained in this Manual may be revised periodically E-Z-GO, and therefore is subject to change without notice.

E-Z-GO DISCLAIMS LIABILITY FOR ERRORS IN THIS MANUAL, and E-Z-GO SPECIFICALLY DISCLAIMS LIABILITY FOR INCIDENTAL AND CONSEQUENTIAL DAMAGES RESULTING FROM THE USE OF THE INFORMATION AND MATERIALS IN THIS MANUAL.

### TO CONTACT US

#### NORTH AMERICA:

**TECHNICAL ASSISTANCE & WARRANTY PHONE: 1-800-774-3946, FAX: 1-800-448-8124**

**SERVICE PARTS PHONE: 1-888-GET-EZGO (1-888-438-3946), FAX: 1-800-752-6175**

**INTERNATIONAL: PHONE: 001-706-798-4311, FAX: 001-706-771-4609**

**E-Z-GO DIVISION OF TEXTRON INC., 1451 MARVIN GRIFFIN RD., AUGUSTA, GEORGIA USA 30906-3852**

## GENERAL INFORMATION

To obtain a copy of the limited warranty applicable to the vehicle, call or write a local Distributor, authorized Branch or the Warranty Department with vehicle serial number and manufacturer code.

The use of non Original Equipment Manufacturer (OEM) parts may void the warranty.

Overfilling of batteries may void the warranty.

### BATTERY PROLONGED STORAGE

All batteries will self discharge over time. The rate of self discharge varies depending on the ambient temperature and the age and condition of the batteries.

A fully charged battery will not freeze in winter temperatures unless the temperature falls below -75° F (-60° C).

As with all electric vehicles, the batteries must be checked and recharged as required or at a minimum of 30 day intervals.

# TABLE OF CONTENTS

<b>SECTION</b>	<b>Page No.</b>
HOW TO USE THE SERVICE PARTS MANUAL.....	V
ACCELERATOR PEDAL ASSEMBLY.....	A - 1
BATTERY CHARGER.....	B - 1
BODY - HAULER.....	C - 1
BRAKES.....	D - 1
ELECTRICAL SYSTEM.....	F - 1
ELECTRONIC SPEED CONTROL.....	G - 1
FRONT SUSPENSION - STEERING.....	H - 5
MOTOR.....	J - 1
REAR AXLE.....	K - 1
REAR SUSPENSION.....	L - 1
SEATING.....	M - 1
TRUCKBED.....	N - 1
WEATHER PROTECTION.....	P - 1
WHEELS AND TIRES.....	R - 1



# HOW TO USE THE SERVICE PARTS MANUAL

This manual is divided into several sections:

- GENERAL INFORMATION
- ILLUSTRATED PARTS BREAKDOWN
- APPENDIX

The first section, GENERAL INFORMATION, contains the following information:

- WARRANTY INFORMATION
- GENERAL INDEX
- HOW TO USE THE SERVICE PARTS MANUAL

The second section, ILLUSTRATED PARTS BREAKDOWN, contains illustrations and parts lists for all systems of your vehicle.

The third section, APPENDIX, contains a listing of specialty products and accessories.

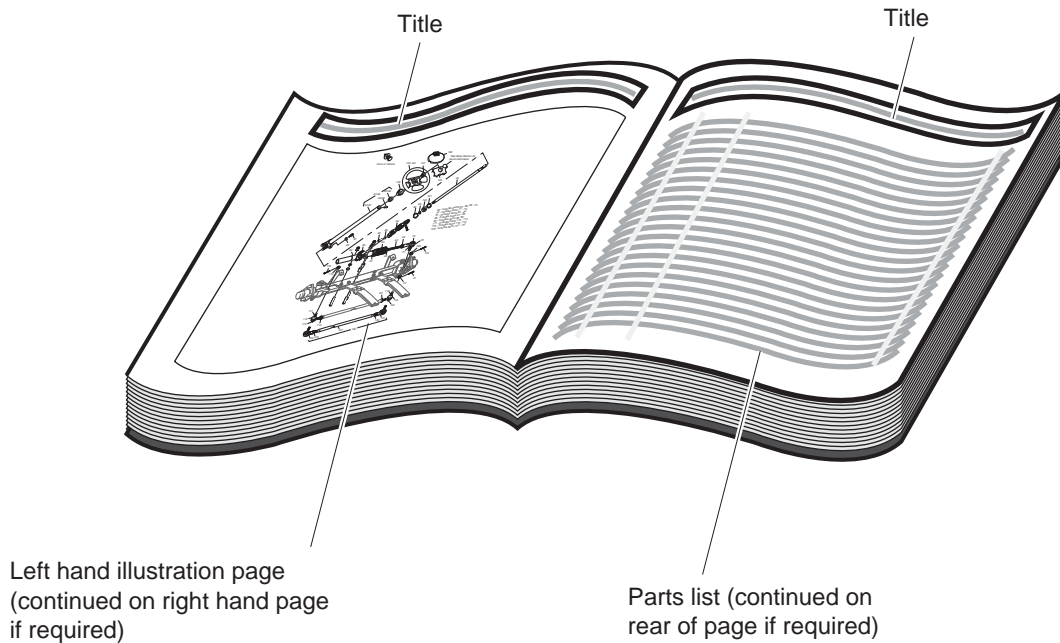
## USE OF THE MANUAL

To use this manual, consult the GENERAL INDEX to locate the information or illustration required.

Introduction of some revisions varies due to supply of components; therefore, it is possible that various combinations of components may be found that are not directly reflected by each illustration. Consult the illustration that best suits your situation and then contact the Service Parts Department. It is important that the serial number of your vehicle and its model number be supplied to Service Parts when ordering any replacement components.

Locate the serial number plate (see BODY located in the Illustrated Parts Breakdown section of this manual for its location) and note the complete number shown on the plate.

# HOW TO USE THE SERVICE PARTS MANUAL



## 1. WHEN THE PART NUMBER IS NOT KNOWN

- Determine the function and application of the part required. Turn to the General Index and select the most appropriate title.
- Turn to the page number indicated and locate the desired part on the illustration.
- From the illustration, obtain the item number assigned to the desired part. Refer to the accompanying description for specific information regarding the part.

## 2. IF YOU KNOW THE PART NUMBER

- Locate the part number or description in the appropriate column on the parts list page.

NOTE: It is suggested that you confirm that the part selected is correct by verifying it with the pictorial representation on the illustrated page.

Should an asterisk (\*) appear in the part number column on the parts list page, read upwards until a part number is found. The part number is the lowest assembly sold by Service Parts and the asterisk (\*) indicates that the part depicted is not available for purchase.

NOTE: Descriptions are indented under the assembly that they are used on. That assembly is, in turn listed under the assembly that it is used on. This process is repeated until the highest final assembly is reached.

**To facilitate the maintenance and repair of the vehicle, a Technician's Repair and Service Manual is available from the Service Parts Department.**



# HOW TO USE THE SERVICE PARTS MANUAL

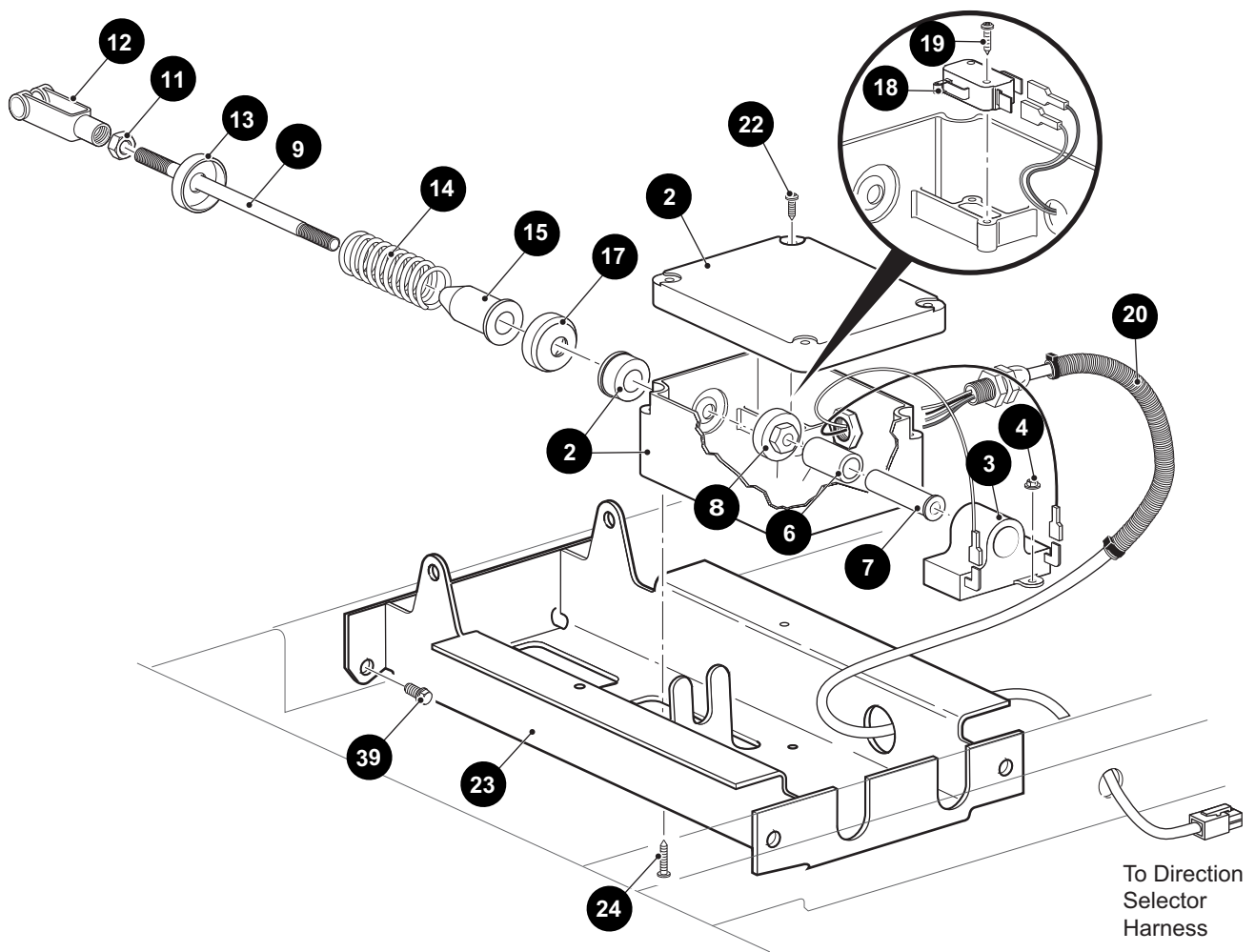
## 3. COLOR CODE FOR BODY COMPONENTS

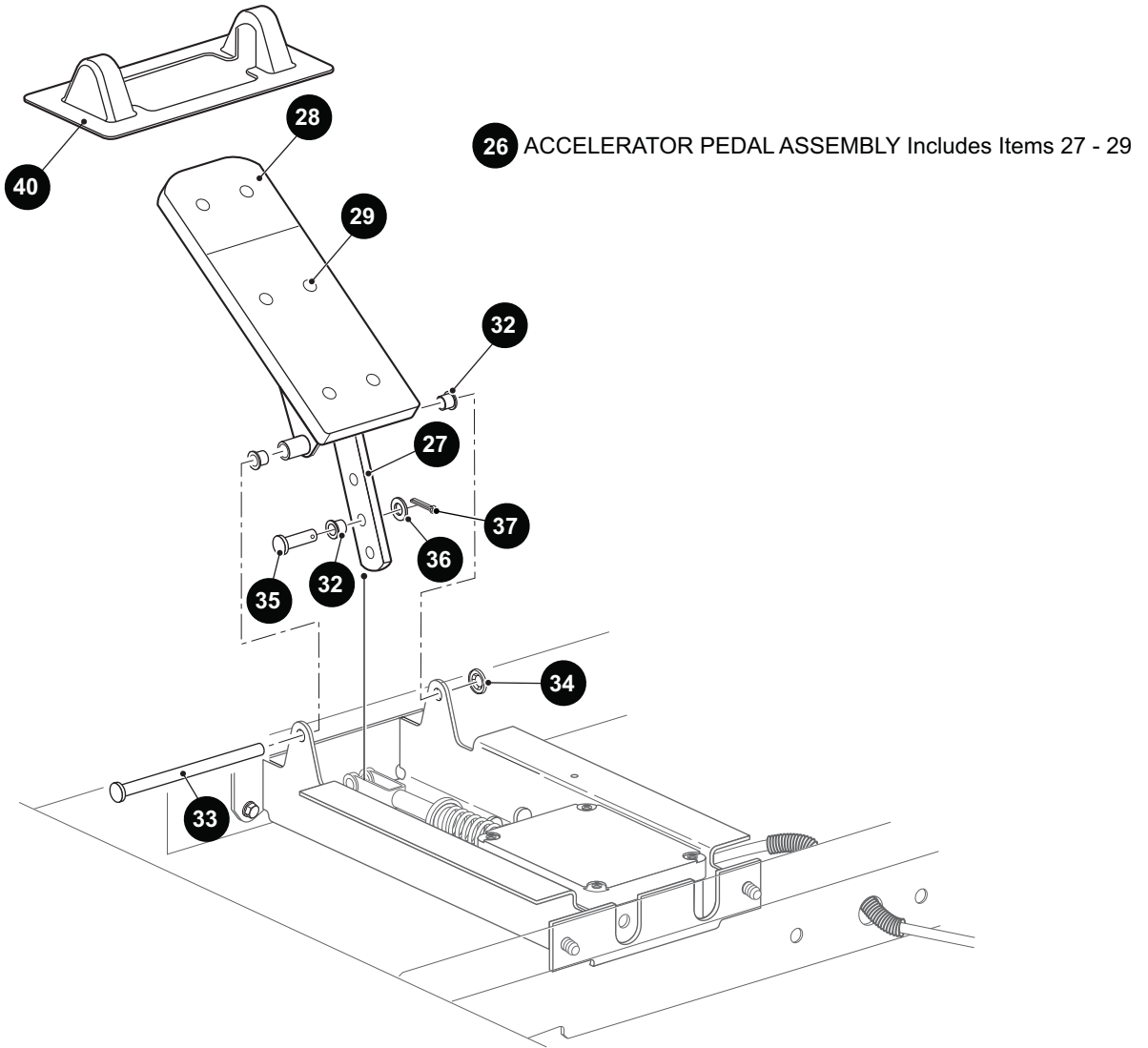
The last two digits of the part number for the body part will denote the color code, locate the part number for the cowl, rear body, seat pod, side panel or seat wrap then locate your color in the list below, replace the last \*\* or XX with the two digit color code.

<u>CODE #</u>	<u>DESCRIPTION</u>	<u>CODE #</u>	<u>DESCRIPTION</u>
01	NO PAINT	53	MOSSY OAK NEW BREAK UP - DIPPED
02	SPECIAL COLOR	54	MOSSY OAK OBSESSION - DIPPED
05	JACOBSEN ORANGE	55	REALTREE ADVANTAGE MAX 4 - DIPPED
06	LIGHT GOLD PEARL	56	REALTREE HARDWOOD BROWN - DIPPED
07	SILVER PEARL METALIC	57	REALTREE AP HOT PINK - DIPPED
11	BLACK	58	BLACK / SILVER MARBLE - DIPPED
12	EMERALD GREEN PEARL	59	RED / SILVER MARBLE - DIPPED
13	CLOUD GRAY	60	HOT PINK / SILVER MARBLE - DIPPED
14	VIPER BLUE METALLIC	61	REALTREE AP
19	PATRIOT BLUE PEARL	62	REALTREE MAX 4
20	INFERNO RED METALLIC	63	MOSSY OAK BREAKUP
23	ADVANTAGE CLASSIC CAMO	64	MOSSY OAK TREESTAND
24	NATURAL	65	REALTREE APG
25	VIVID NEW HOLLAND BLUE	66	REALTREE MAX 1
26	STEEL BLUE PEARL	67	REALTREE AP PINK
27	BRIGHT SILVER METALLIC	68	REALTREE AP - DIPPED
29	PRIMER ONLY	69	MONSTER GREEN
30	HD ADVANTAGE CAMO	74	BARLEY GOLD
31	METALLIC CHARCOAL	75	OASIS GREEN
32	LIGHT ALMOND PEARL	76	JAVA BROWN
33	TIMBERLINE GREEN	79	JACOBSEN ORANGE 172
34	DEEP MOLTEN RED		
35	SAFETY YELLOW		
36	IVORY		
37	FOREST GREEN		
38	BRIGHT WHITE		
39	FLAME RED		
40	BLACK		
41	ELECTRIC BLUE		
42	PLATINUM		
43	BURGUNDY		
44	ALMOND		
45	BLACK		
46	FLAME RED		
47	BURLINGTON GREEN		
48	BLACK		
49	FLAME RED		
50	RECON GREEN		
51	SUNBURST ORANGE		
52	BRITISH RACING GREEN		

# ACCELERATOR

**1** PEDAL BOX ASSEMBLY Includes Items 2 - 37





# ACCELERATOR

When ordering parts, please specify the model and serial number of the product.

\* Indicates a component that is not available as an individual part.

\*\*\* Indicates consult Customer Service Department for additional information.

ITEM	PART NO.	1 2 3 4 5	DESCRIPTION	QTY.
1	73333G07		PEDAL BOX ASSEMBLY (INCLUDES ITEMS 2 - 37).....	1
2	25853G01		PEDAL BOX AND COVER (SEAL AND BEARING).....	1
3	25854G01		INDUCTIVE THROTTLE SENSOR.....	1
4	00983G01		SELF THREADING NUT, 3/16".....	2
5				
6	25857G01		PLUNGER SLEEVE.....	1
7	28443G01		PLUNGER.....	1
8	28444G01		PLUNGER CAM.....	1
9	73332G01		ACCELERATOR ROD .....	1
10				
11	00532G4		LOCK NUT, 5/16 - 24 .....	1
12	10385G4		YOKE (ADJUSTABLE).....	1
13	17677G2		SPRING RETAINER, 3/8" .....	1
14	73046G01		COMPRESSION SPRING .....	1
15	17979G1		ACCELERATOR ROD BUSHING .....	1
16				
17	17677G1		SPRING RETAINER, 1/2" .....	1
18	25861G02		MICRO SWITCH .....	1
19	01050G01		SCREW, #4 - 20 X 5/8" LG .....	2
20	25879G06		WIRING HARNESS (PEDAL BOX ASSEMBLY).....	1
21				
22	00684G6		SCREW, #8 - 32 X 3/4" LG .....	2
23	652241G03		ACCELERATOR PEDAL BRACKET .....	1
24	01051G01		SCREW, #8 - 16 X 1/2" LG .....	4
25				
26	25799G03		ACCELERATOR PEDAL ASSEMBLY (INCLUDES ITEMS 27 - 29) .....	1
27	652824		ACCELERATOR PEDAL .....	1
28	27512G01		ACCELERATOR PEDAL PAD .....	1
29	16409G1		OVAL RIVET 3/16" X 7/16" LG .....	6
30				
31				

When ordering parts, please specify the model and serial number of the product.

\* Indicates a component that is not available as an individual part.

\*\*\* Indicates consult Customer Service Department for additional information.

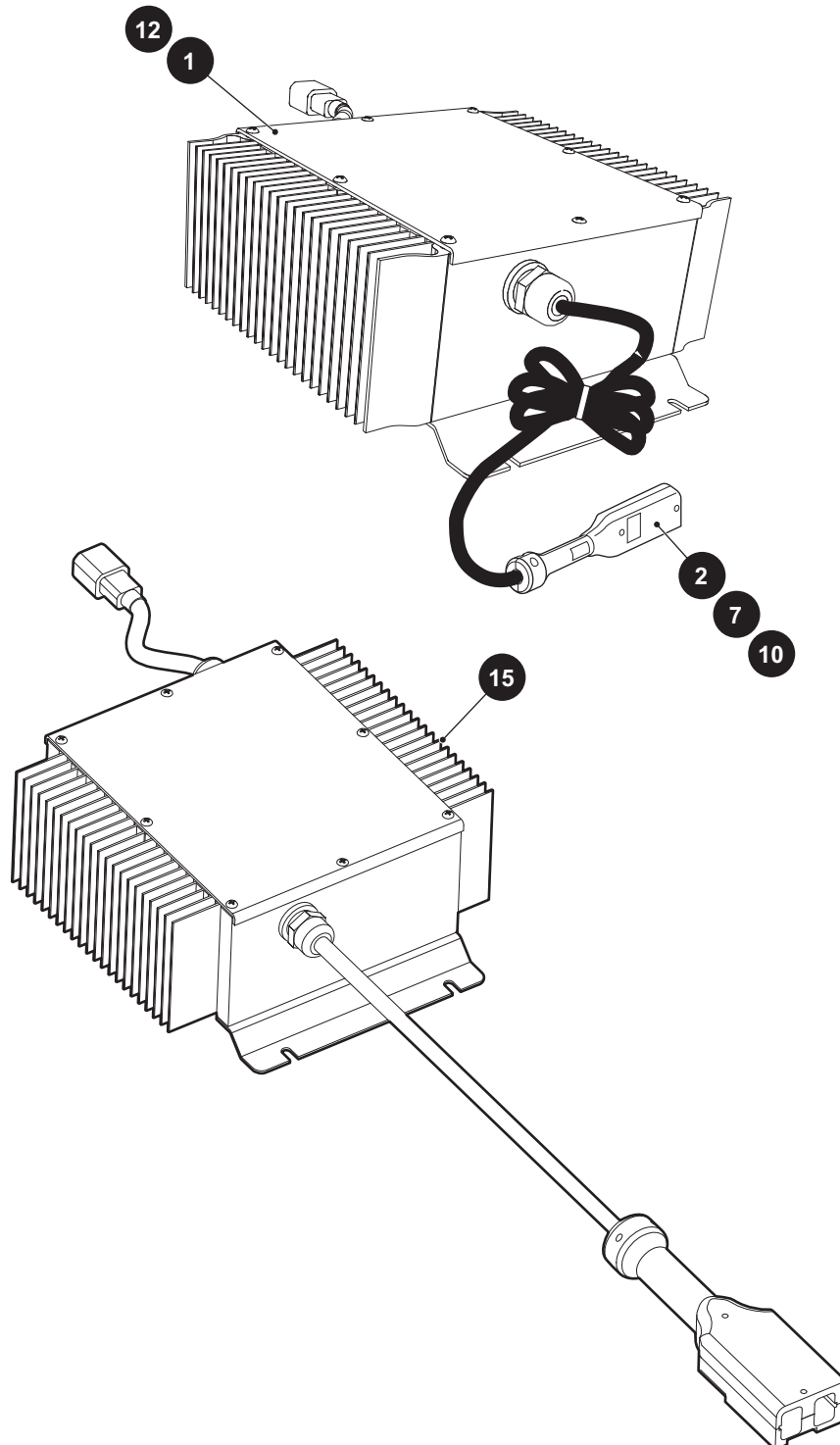
ITEM	PART NO.	1 2 3 4 5	DESCRIPTION	QTY.
32	17838G1		BUSHING .....	3
33	74432G01		PEDAL PIVOT PIN .....	1
34	12064G6		PUSHNUT, 9/32" I.D. ....	1
35	10386G3		CLEVIS PIN, 5/16" X 13/16" LG .....	1
36	17255G1		TEFLON WASHER, 5/16" .....	1
37	10387G3		COTTER PIN, 3/32" X 3/4" LG .....	1
38				
39	00715G2		BOLT, 5/16 - 18 X 13/16" LG.....	4
40	70135G01		PEDAL PIVOT COVER.....	1





# BATTERY CHARGER

- 1 48V BATTERY CHARGER WITH 10' DC CORD includes Item 2 - 3
- 6 48V BATTERY CHARGER WITH 10' DC CORD includes Item 7, 12 -13
- 9 48V BATTERY CHARGER WITH 18' DC CORD includes Item 10, 12 -13





# BATTERY CHARGER

When ordering parts, please specify the model and serial number of the product.

\* Indicates a component that is not available as an individual part.

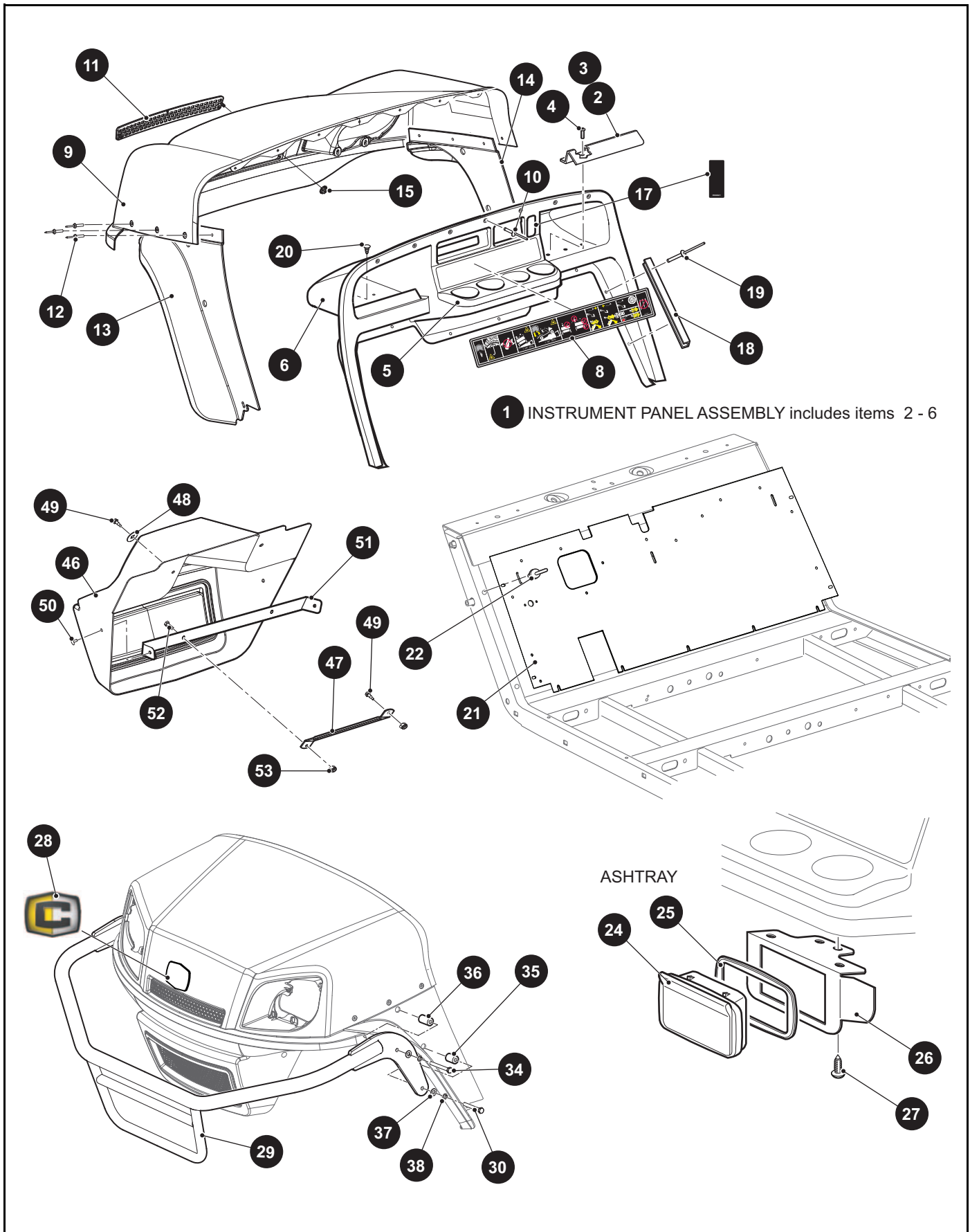
\*\*\* Indicates consult Customer Service Department for additional information.

ITEM	PART NO.	1 2 3 4 5	DESCRIPTION	QTY.
1	603869		48V BATTERY CHARGER WITH 10' DC CORD (INCLUDES ITEMS 2 - 3) ..	1
2	600463G02		48V DC CABLE ASSEMBLY .....	1
3	600462G01		AC POWER CORD (NOT SHOWN).....	1
4				
5				
6	600341G03		48V BATTERY CHARGER WITH 10' DC CORD (INCLUDES ITEMS 7, 12 - 13) .....	1
7	600463G02		48V DC CABLE ASSEMBLY, 10' .....	1
8				
9	600341G04		48V BATTERY CHARGER WITH 18' DC CORD (INCLUDES ITEMS 10, 12 - 13) .....	1
10	600463G04		48V DC CABLE ASSEMBLY, 18' .....	1
11				
12	600340G02		48V BATTERY CHARGER .....	1
13	600462G01		AC CORD (NOT SHOWN) .....	1
14				
15	649420		48V BATTERY CHARGER, 3 METER CORD .....	1





# BODY



When ordering parts, please specify the model and serial number of the product.

\* Indicates a component that is not available as an individual part.

\*\*\* Indicates consult Customer Service Department for additional information.

ITEM	PART NO.	1 2 3 4 5	DESCRIPTION	QTY.
1	71151G01		INSTRUMENT PANEL ASSEMBLY (INCLUDES ITEMS 2 - 6).....	1
2	71153G01		DEFLECTOR (PASSENGER SIDE).....	1
3	71154G01		DEFLECTOR (DRIVER SIDE).....	1
4	00614G3		PAN HEAD PHILLIPS SCREW, #8 - 15 X 3/8" LG.....	4
5	71158G01		INSTRUMENT PANEL INSERT (FOUR CUP) .....	1
6	71152G01		INSTRUMENT PANEL.....	1
7				
8	601781		OPERATOR INSTRUCTION DECAL.....	1
9	613036GXX		COWL (See COLOR CODE in HOW TO USE section) .....	1
10	71055G01		RIVET, 3/16" X 1" LG .....	7
11	617643		GRILL COVER .....	1
12	71055G01		RIVET, 3/16" X 1" LG .....	6
13	614378		FENDER FLARE (DRIVER SIDE) .....	1
14	613274		FENDER FLARE (PASSENGER SIDE).....	1
15	71597G01		SELF-THREADING NUT, 3/16" X 19/32" .....	2
16				
17	35968G01		T-HOLDER COVER DECAL (SHUTTLE 4) .....	1
18	71115G01		VINYL TRIM .....	2
19	71055G01		RIVET, 3/16" X 1" LG .....	10
20	16816G2		RATCHET FASTENER, 1/4" X 3/4" LG.....	4
21	641260		UPPER FLOORPAN .....	1
22	14601G11		RIVET (ALUMINUM), 3/16" X 9/16" LG .....	16
23				
24	27731G01		ASHTRAY .....	1
25	27736G01		GASKET.....	1
26	75108G02		BRACKET .....	1
27	00106G6		PAN HEAD PHILLIPS SCREW, #12 - 14 X .75" LG .....	4
28	619135		CUSHMAN COWL DECAL .....	1
29	617620		BRUSHGUARD.....	1
30	00440G2		HEX HEAD BOLT, 5/16" - 18 X 2 1/4" LG .....	2
31				

# BODY

When ordering parts, please specify the model and serial number of the product.

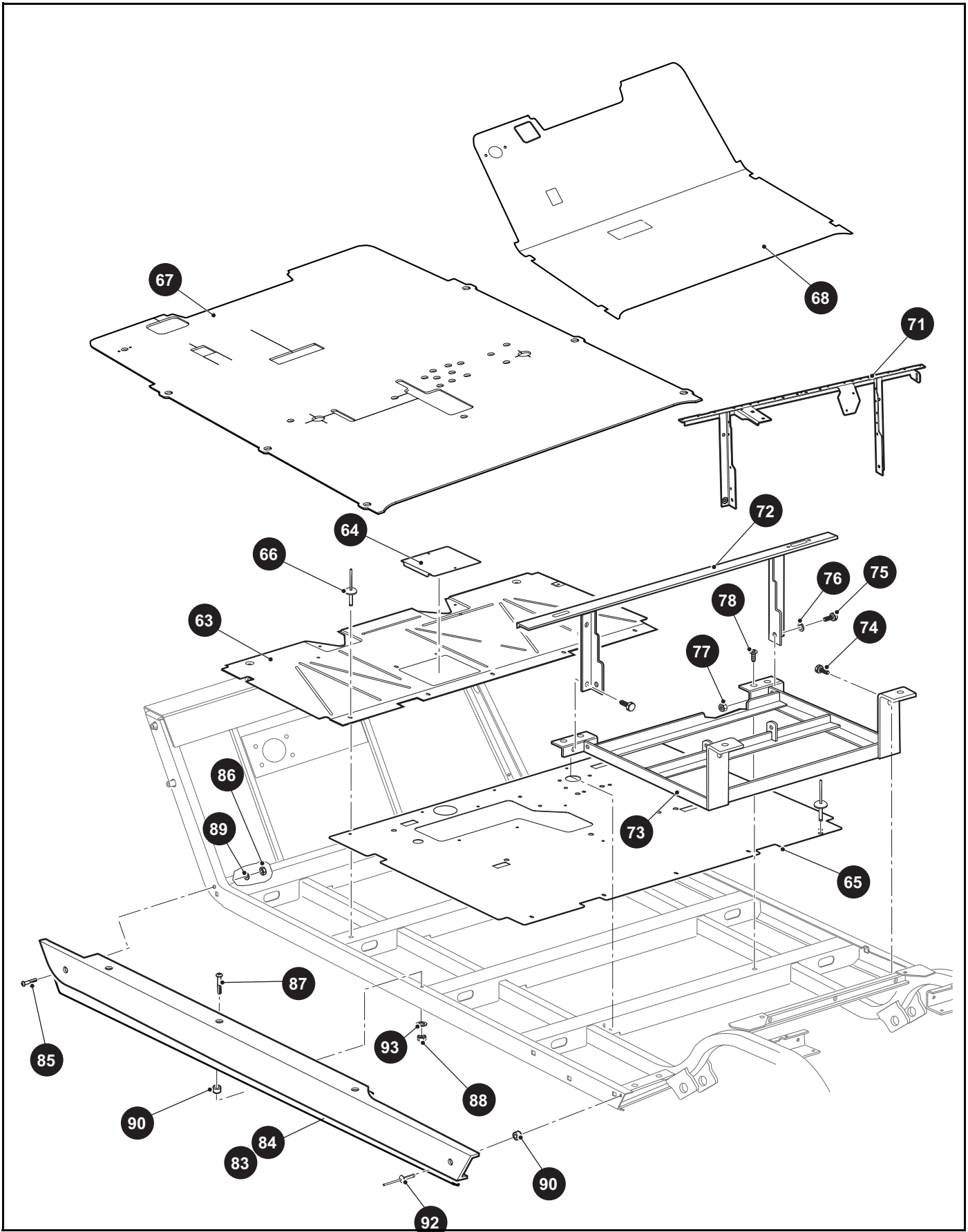
\* Indicates a component that is not available as an individual part.

\*\*\* Indicates consult Customer Service Department for additional information.

ITEM	PART NO.	1	2	3	4	5	DESCRIPTION	QTY.
32								
33								
34	00440G6						HEX HEAD BOLT, 5/16" - 18 X 2 3/4" LG.....	2
35	75048G04						SPACER, 1".....	2
36	75048G01						SPACER, 1/2".....	2
37	00559G8						FLAT WASHER, 5/16".....	4
38	00565G8						LOCK WASHER, 5/16".....	4
39								
40								
41								
42								
43								
44								
45								
46	613273						FRONT FASCIA.....	1
47	654276						FRONT SHIELD BRACE.....	2
48	16469G1						FENDER WASHER, 9/32" I.D. X 1 1/4" O.D. ....	2
49	01038G01						HEX HEAD BOLT, 1/4" - 20 X 3/4" LG.....	4
50	15058G1						RIVET (ALUMINUM), 3/16" X 4/9" LG.....	2
51	654275						FASCIA BRACKET.....	1
52	00414G6						HEX HEAD BOLT, 1/4" - 20 X 3/4" LG.....	2
53	14390G4						HEX NUT, 1/4" - 20.....	2
54								
55								
56								
57								
58								
59								
60								
61								
62								



# BODY





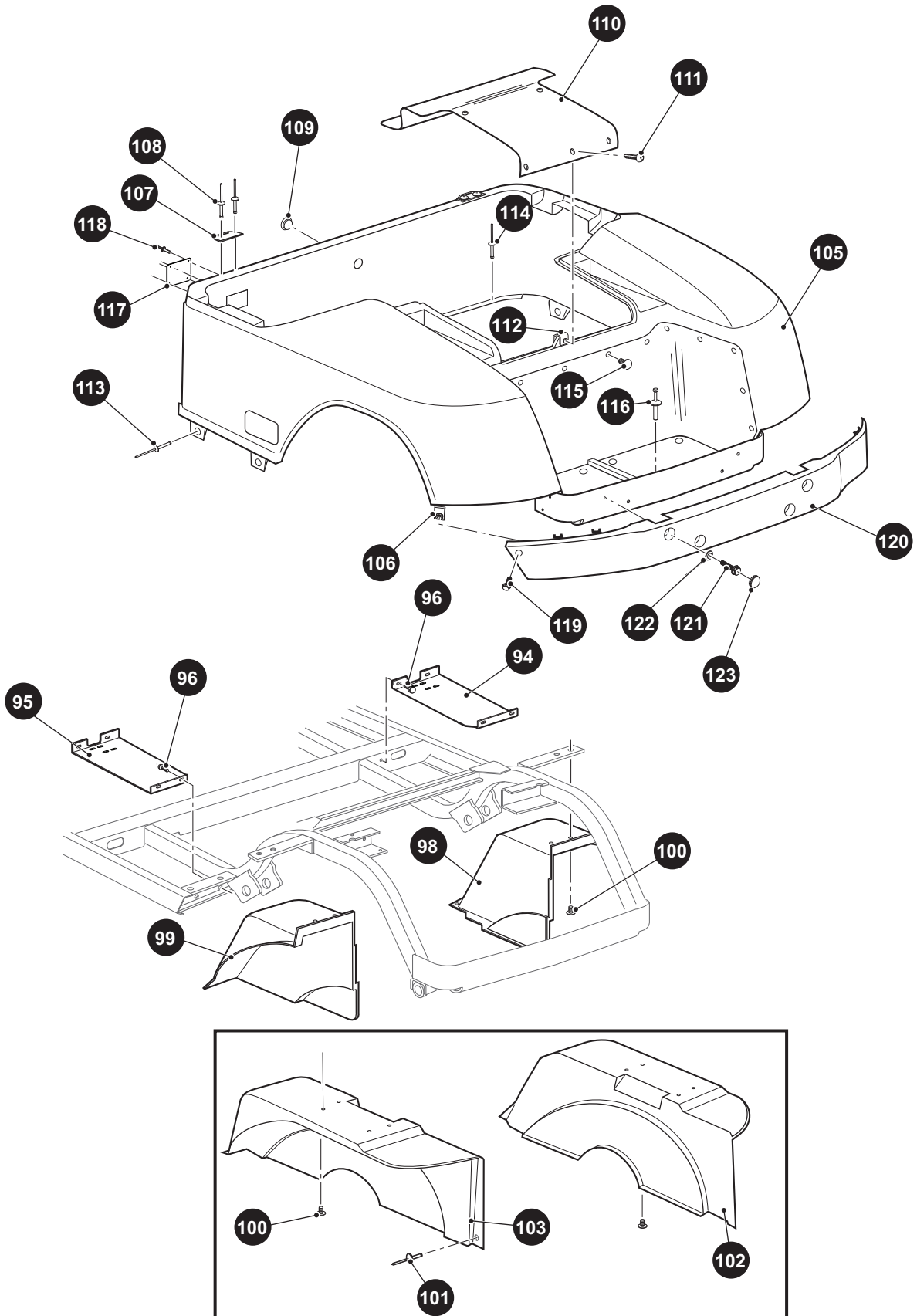
When ordering parts, please specify the model and serial number of the product.

\* Indicates a component that is not available as an individual part.

\*\*\* Indicates consult Customer Service Department for additional information.

ITEM	PART NO.	1 2 3 4 5	DESCRIPTION	QTY.
63	70451G01		LOWER FLOORPAN .....	1
64	70452G01		ACCESS COVER.....	1
65	648840		REAR FLOORPAN.....	1
66	10570G10		RIVET (SS), 5/32" X 9/16" LG.....	5
67	652139G02		FLOORMAT WITH HORN HOLE (SHUTTLE 4 AND 6).....	1
68	70663G04		FLOOR MAT WITH HORN HOLE (SHUTTLE 2 ONLY).....	1
69				
70				
71	605694		SEAT FRAME WELDMENT .....	1
72	70441G01		SEAT FRAME .....	1
73	652254G03		BATTERY RACK .....	1
74	00715G2		HEX HEAD BOLT, 5/16" - 18 X 13/16" LG .....	4
75	00438G6		HEX HEAD BOLT, 5/16" - 18 X 3/4" LG .....	2
76	00559G8		FLAT WASHER, 5/16" .....	2
77	11098G6		LOCK NUT, 5/16" - 18 .....	2
78	70200G01		TORX TRUSS HEAD SCREW, 3/8" - 16 X 3/4" LG .....	2
79				
80				
81				
82				
83	618889		ROCKER PANEL (DRIVER SIDE) (SHUTTLE 4 AND 6 ONLY) .....	1
84	618888		ROCKER PANEL (PASSENGER SIDE) (SHUTTLE 4 AND 6 ONLY).....	1
85	00789G2		PHILLIPS TRUSS HEAD SCREW #10 - 24 X 1.25" LG .....	2
86	14390G10		LOCK NUT, #10 - 24 .....	2
87	16705G1		TRUSS HEAD PHILIPS SCREW (SS), 1/4" - 20 X 1" LG.....	6
88	14390G4		LOCK NUT, 1/4" - 20 .....	6
89	00660G5		FLAT WASHER, #10 .....	2
90	23726G4		SPACER, 5/16" .....	8
91				
92	15058G6		RIVET (ALUMINUM), 3/16" X 15/16" LG .....	2
93	00559G7		FLAT WASHER, .577" (SHUTTLE 2).....	4

# BODY



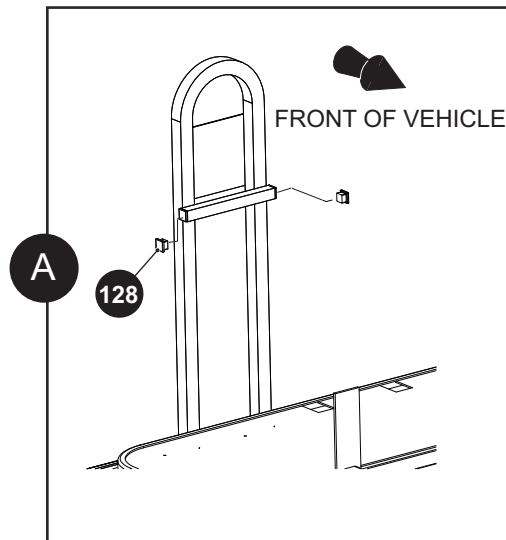
When ordering parts, please specify the model and serial number of the product.

\* Indicates a component that is not available as an individual part.

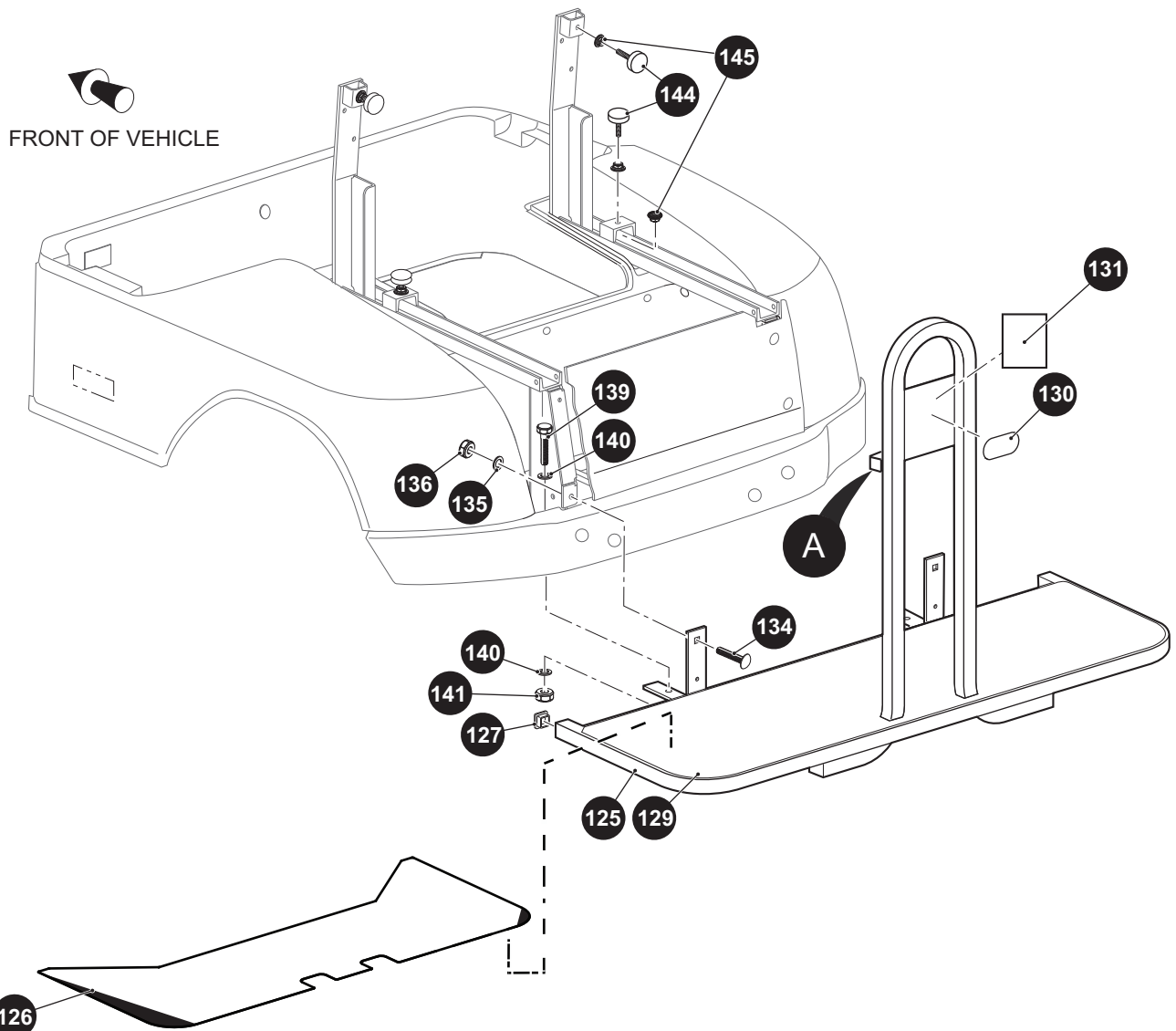
\*\*\* Indicates consult Customer Service Department for additional information.

ITEM	PART NO.	1 2 3 4 5	DESCRIPTION	QTY.
94	652443G203		BATTERY TRAY (PASSENGER SIDE).....	1
95	652443G103		BATTERY TRAY (DRIVER SIDE) .....	1
96	00715G2		HEX HEAD BOLT, 5/16" - 18 X 13/16" LG .....	8
97				
98	635054G02		FENDER (PASSENGER SIDE) .....	1
99	635054G01		FENDER (DRIVER SIDE).....	1
100	16816G2		RATCHET FASTENER .....	8
101	14601G17		RIVET, 3/16" X 9/16" LG .....	2
102	74892G01		FENDER (DRIVER SIDE) (SHUTTLE 2) .....	1
103	74892G02		FENDER (PASSENGER SIDE) (SHUTTLE 2).....	1
104				
105	71331G0XX		REAR BODY WITH LNR AND WITH LIGHT (See COLOR CODE in HOW TO USE SECTION) .....	1
106	71554G01		J-TYPE NUT RETAINER, 1/4" - 20 .....	2
107	71609G01		HINGE PLATE.....	2
108	10570G11		RIVET (SS), 3/16" X 3/4" LG.....	4
109	71316G01		PLUG .....	1
110	71320G01		ACCESS PANEL.....	1
111	01107G01		PAN HEAD TORX SCREW, #8 X 5/8" LG .....	5
112	71364G02		'J' CLIP, #8 .....	1
113	10570G12		RIVET (ALUMINUM), 1/4" X 9/16" LG .....	2
114	10570G10		RIVET (SS), 5/32" X 9/16" LG.....	6
115	16816G1		RATCHET FASTENER, 1/4" X 3/4" LG.....	20
116	18436G1		PLASTIC DRIVE RIVET, 1/4" X 9/16" LG .....	2
117	73173G02		COVER PLATE .....	1
118	71055G01		RIVET (ALUMINUM), 3/16" X 1" LG .....	4
119	71102G01		HEX HEAD BOLT, 1/4" - 20 X 3/4" LG .....	2
120	71456G01		REAR BUMPER.....	1
121	71102G01		HEX HEAD BOLT, 1/4" - 20 X 3/4" LG .....	2
122	00571G2		FLAT WASHER, 5/16".....	2
123	71455G01		BUMPER PLUG.....	4

# BODY



124 FOOT REST ASSEMBLY includes items 125 - 128



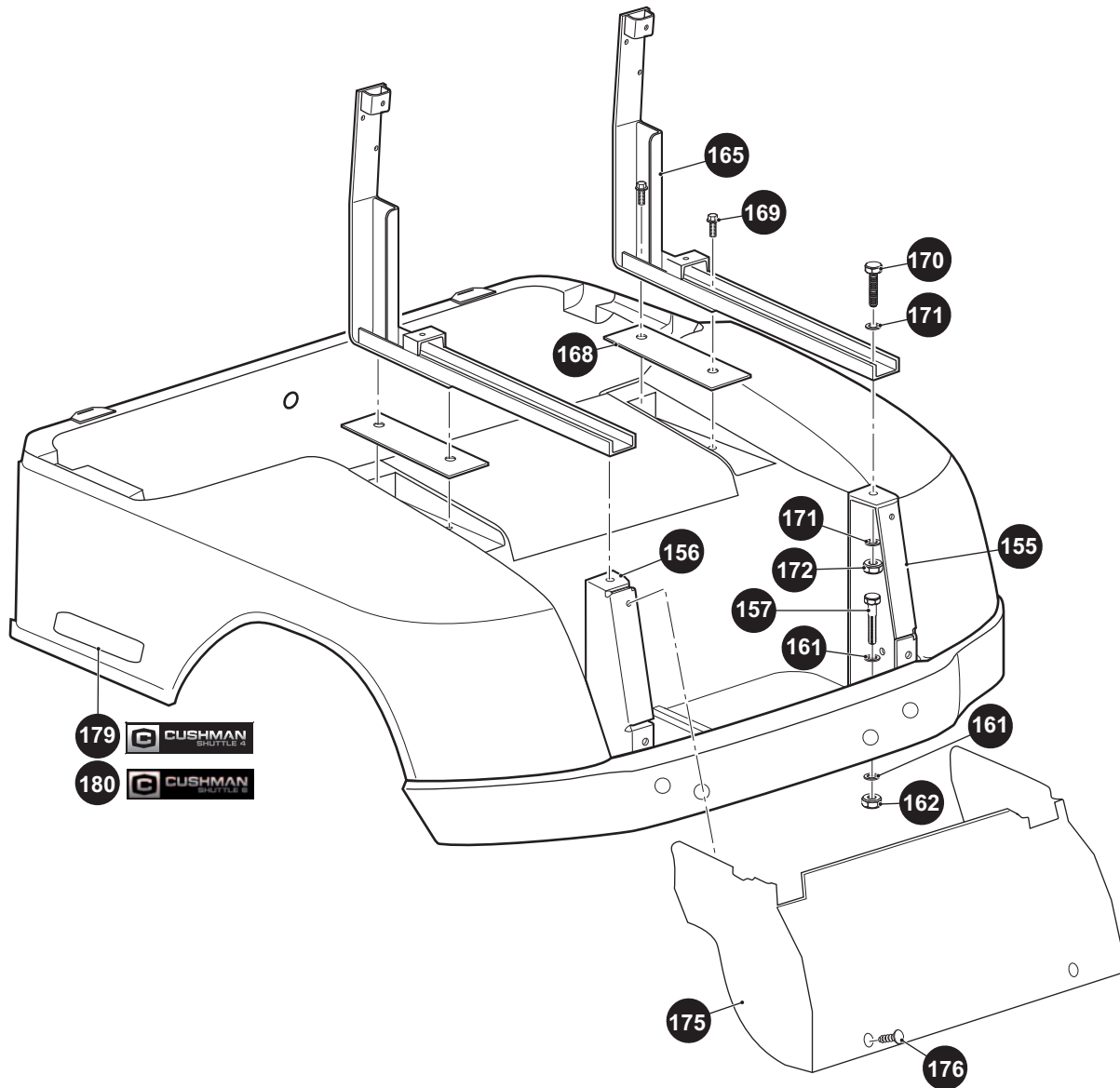
When ordering parts, please specify the model and serial number of the product.

\* Indicates a component that is not available as an individual part.

\*\*\* Indicates consult Customer Service Department for additional information.

ITEM	PART NO.	1 2 3 4 5	DESCRIPTION	QTY.
124	70361G02		FOOT REST ASSEMBLY (INCLUDES ITEMS 125 - 128) .....	1
125	70633G01		FOOT REST .....	1
126	640652		FOOT REST GRIPTAPE .....	1
127	19853G1		END CAP .....	2
128	19859G1		END CAP .....	2
129	70362G01		FLOORMAT .....	1
130	74129G01		REFLECTOR .....	1
131	608537		REAR SEAT FACING WARNING LABEL .....	1
132				
133				
134	00769G2		CARRIAGE BOLT, 3/8" - 16 X 1 1/4" LG .....	2
135	00560G1		FLAT WASHER, 3/8" .....	2
136	11098G5		LOCK NUT, 3/8" - 16 .....	2
137				
138				
139	00427G6		HEX HEAD BOLT, 3/8" - 16 X 1 3/4" LG .....	2
140	00560G1		FLAT WASHER, 3/8" .....	4
141	11098G5		LOCK NUT, 3/8" - 16 .....	2
142				
143				
144	70113G01		ADJUSTABLE BUMPER .....	4
145	11027G1		LOCK NUT, 5/16" - 18 .....	6
146				
147				
148				
149				
150				
151				
152				
153				
154				

# BODY



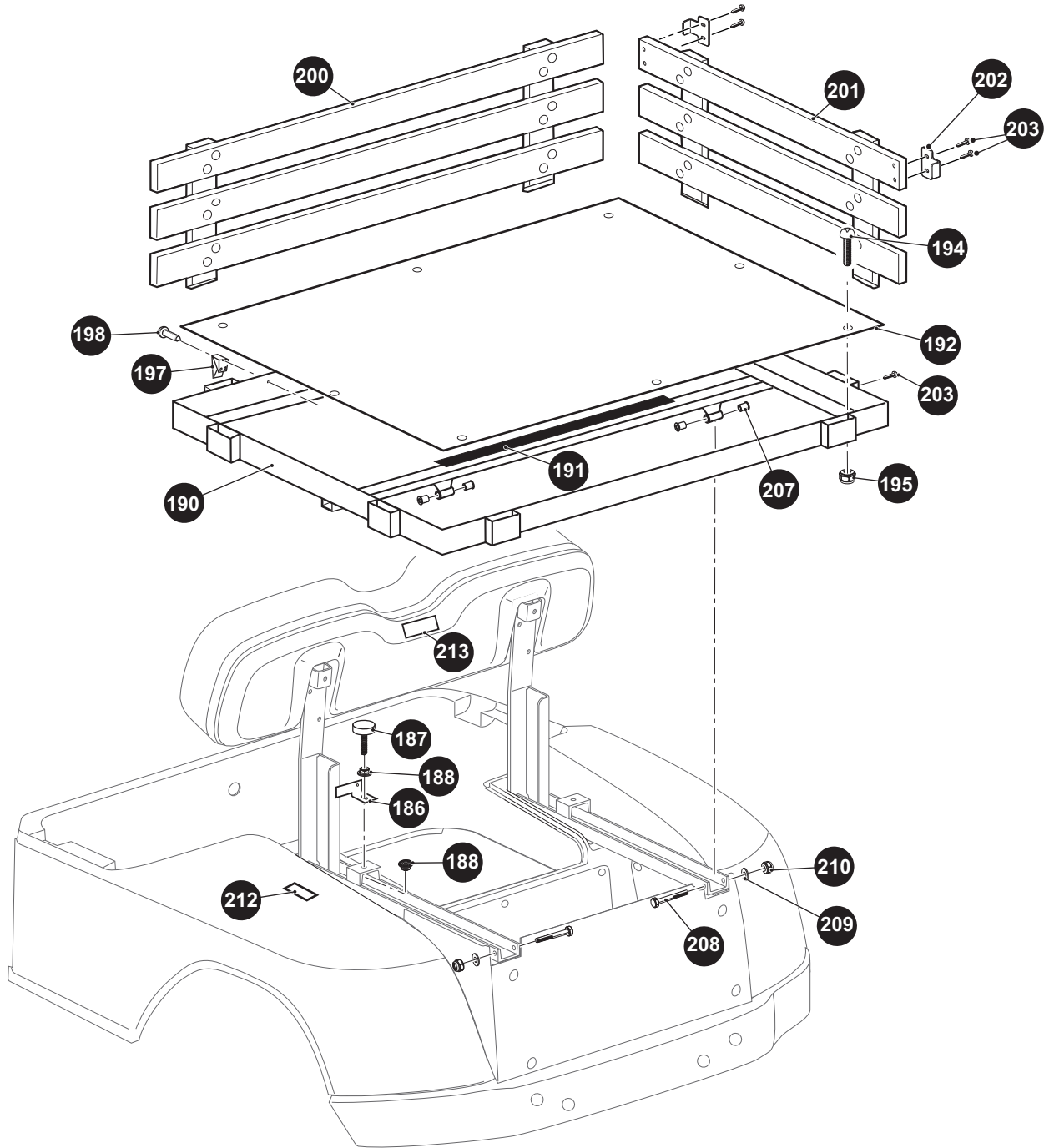
When ordering parts, please specify the model and serial number of the product.

\* Indicates a component that is not available as an individual part.

\*\*\* Indicates consult Customer Service Department for additional information.

ITEM	PART NO.	1 2 3 4 5	DESCRIPTION	QTY.
155	74126G01		VERTICAL FRAME SUPPORT (DRIVER SIDE) .....	1
156	74126G02		VERTICAL FRAME SUPPORT (PASSENGER SIDE) .....	1
157	00427G4		HEX HEAD BOLT, 3/8" - 16 X 1 1/2" LG (SHUTTLE 4) .....	2
158				
159				
160				
161	00560G1		FLAT WASHER, 3/8" .....	4
162	11098G5		LOCK NUT, 3/8" - 16 .....	2
163				
164				
165	74111G01		SEAT BACK SUPPORT (SHUTTLE) .....	2
166				
167				
168	70364G01		SPACER, 8.45" X 2" (SHUTTLE 6) .....	2
169	01006G01		HEX WASHER HEAD BOLT, 3/8" - 16 X 1 1/4" LG .....	4
170	00426G8		HEX HEAD BOLT, 3/8" - 16 X 1" LG .....	2
171	00560G1		FLAT WASHER, 3/8" .....	4
172	11098G5		LOCK NUT, 3/8" - 16 .....	2
173				
174				
175	74890G01		VALANCE PANEL .....	1
176	16816G2		RATCHET FASTENER, 1/4" X 3/4" LG .....	2
177				
178				
179	619146		CUSHMAN DECAL (SHUTTLE 4) .....	1
180	619148		CUSHMAN DECAL (SHUTTLE 6) .....	1
181				
182				
183				
184				
185				

# BODY





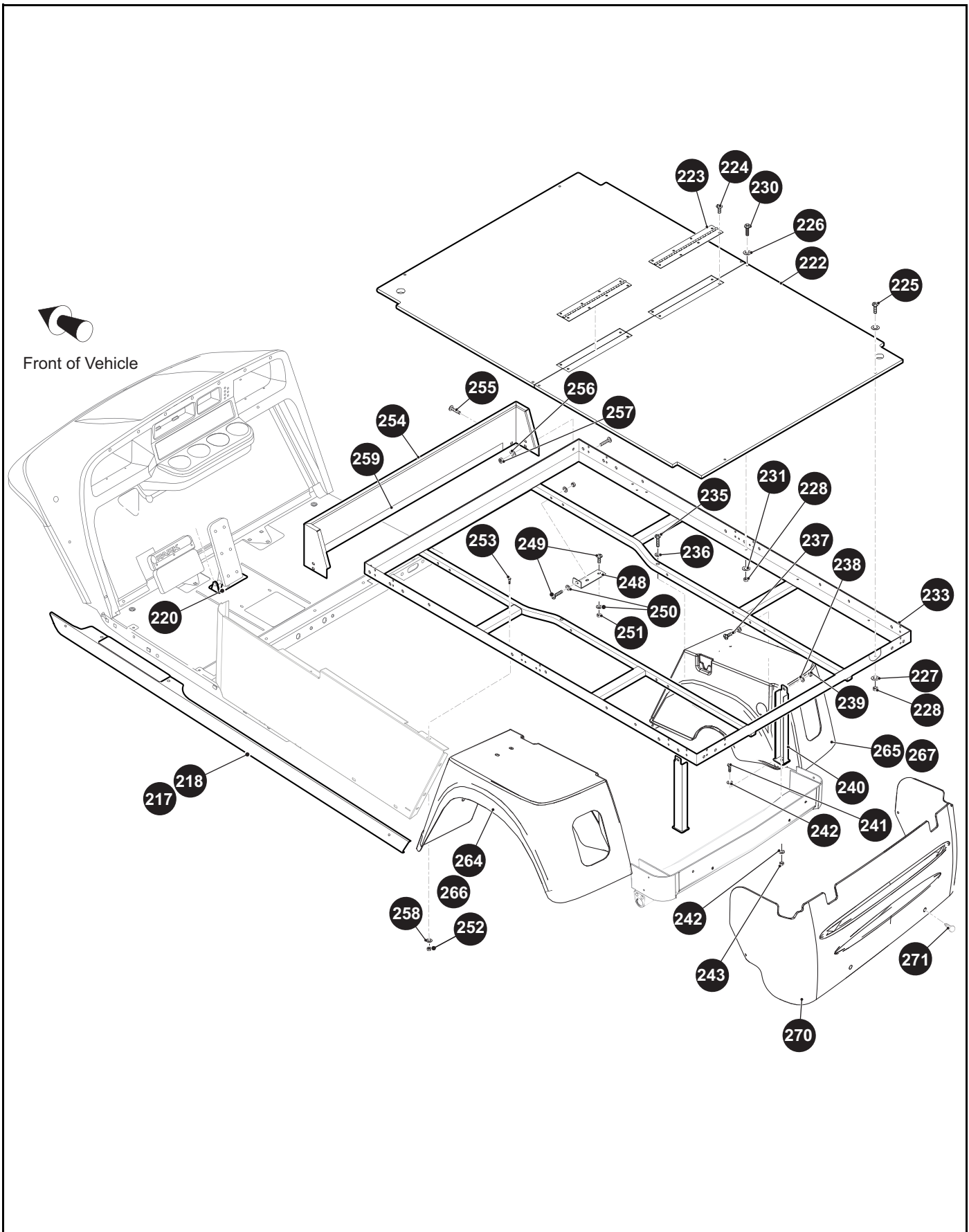
When ordering parts, please specify the model and serial number of the product.

\* Indicates a component that is not available as an individual part.

\*\*\* Indicates consult Customer Service Department for additional information.

ITEM	PART NO.	1 2 3 4 5	DESCRIPTION	QTY.
186	72914G01		HOLD DOWN BRACKET .....	1
187	70113G01		ADJUSTABLE BUMPER.....	2
188	11027G1		LOCK NUT, 5/16" - 18.....	4
189				
190	74080G01		CARGO DECK (SHUTTLE 4) .....	1
191	23052G1		NOISE SUPPRESSOR.....	1
192	655936		CARGO DECKBOARD .....	1
193				
194	16705G9		TRUSS HEAD PHILLIPS SCREW (SS), 1/4" - 20 X 1.25" LG.....	8
195	14390G4		LOCK NUT, 1/4" - 20.....	8
196				
197	72913G01		LATCH.....	1
198	00100G6		SELF TAPPING SCREW, #10 - 16 X 3/4" LG.....	3
199				
200	34280G02		FRONT/REAR CARGO RACK.....	2
201	34280G01		SIDE CARGO RACK.....	2
202	74079G02		TAILGATE RETAINER BRACKET .....	4
203	00666G6		TAPPING SCREW, #10 - 12 X 3/4" LG.....	14
204				
205				
206				
207	17838G1		NYLON BUSHING, .5" .....	4
208	00440G4		HEX HEAD BOLT, 5/16" - 18 X 2 1/2" LG .....	2
209	00559G8		FLAT WASHER, 5/16" .....	2
210	11098G6		LOCK NUT, 5/16" - 18.....	2
211				
212	74099G01		BED LATCH, WARNING LABEL (SHUTTLE 4) .....	1
213	74095G01		LOAD BED, WARNING LABEL (SHUTTLE 4).....	1
214				
215				
216				

# BODY



When ordering parts, please specify the model and serial number of the product.

\* Indicates a component that is not available as an individual part.

\*\*\* Indicates consult Customer Service Department for additional information.

ITEM	PART NO.	1 2 3 4 5	DESCRIPTION	QTY.
217	619094		ROCKER PANEL (DRIVER SIDE) (SHUTTLE 2) .....	1
218	619095		ROCKER PANEL (PASSENGER SIDE) (SHUTTLE 2).....	1
219				
220	70135G01		PEDAL PIVOT COVER.....	1
221				
222	646092		CARGO DECK (SHUTTLE 2) .....	2
223	33121G01		HINGE.....	2
224	16705G3		TRUSS HEAD PHILLIPS SCREW (SS), 1/4" - 20 X 3/4" LG.....	8
225	16705G9		TRUSS HEAD PHILLIPS SCREW (SS), 1/4" - 20 X 1 1/4" LG.....	2
226	00559G7		FLAT WASHER, 1/4" .....	4
227	00559G7		FLAT WASHER, 1/4" .....	2
228	00654G2		LOCK NUT, 1/4" - 20.....	4
229				
230	00753G5		TRUSS HEAD PHILLIPS SCREW, 1/4" - 20 X 2" LG .....	2
231	16469G1		FENDER WASHER, 1/4" .....	2
232				
233	72956G01		BED FRAME .....	1
234				
235	01075G01		HEX HEAD BOLT, 3/8" - 16 X 2 3/4" LG .....	2
236	00571G3		FLAT WASHER, 3/8" .....	2
237	00439G6		HEX HEAD BOLT, 5/16" - 18 X 1 3/4" LG .....	4
238	00559G8		FLAT WASHER, 5/16" .....	8
239	11098G6		LOCK NUT, 5/16" - 18.....	4
240	72982G01		BRACKET .....	2
241	00438G6		HEX HEAD BOLT, 5/16" - 18 X 3/4" LG .....	2
242	00559G8		FLAT WASHER, 5/16" .....	2
243	11098G6		LOCK NUT, 5/16" - 18.....	2
244				
245				
246				
247				

# BODY

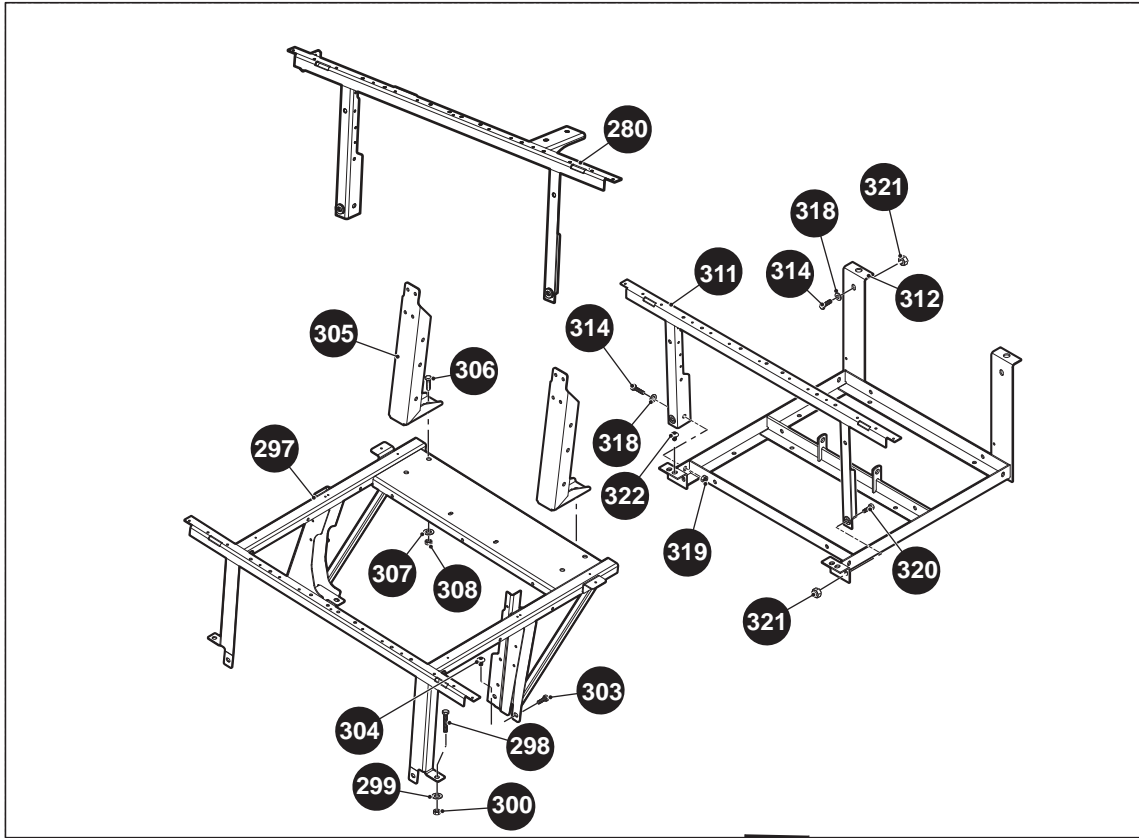
When ordering parts, please specify the model and serial number of the product.

\* Indicates a component that is not available as an individual part.

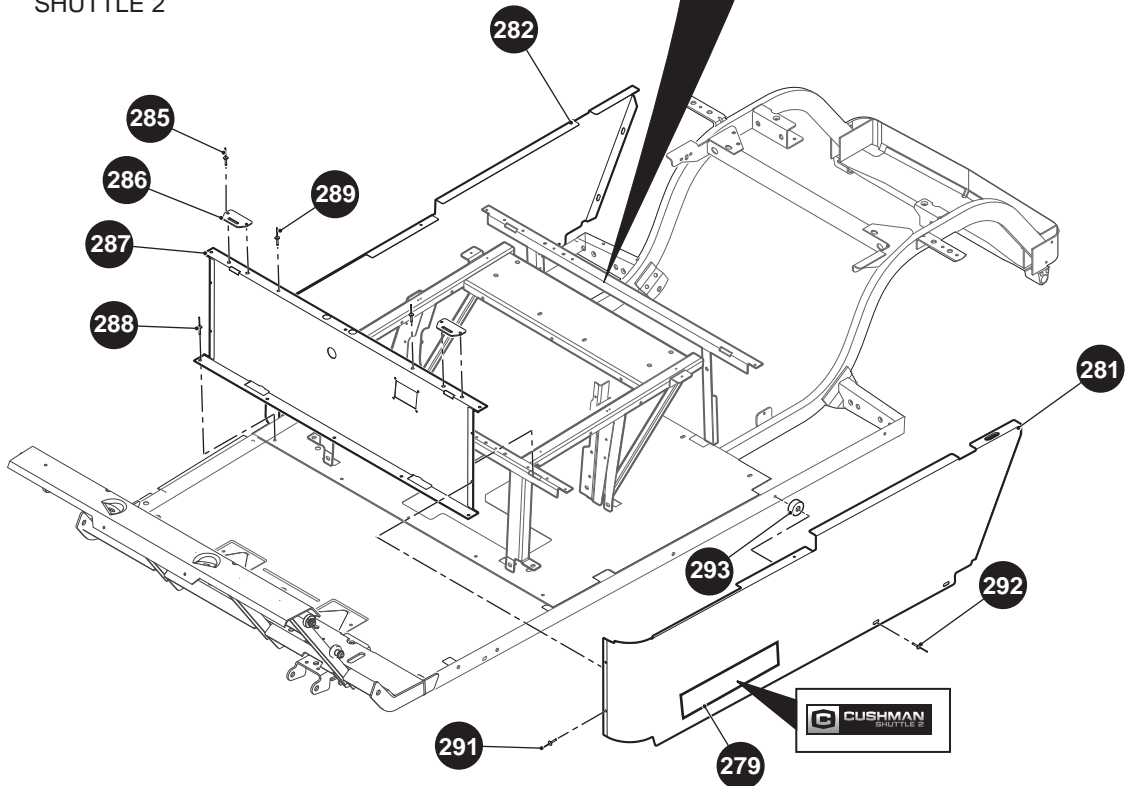
\*\*\* Indicates consult Customer Service Department for additional information.

ITEM	PART NO.	1 2 3 4 5	DESCRIPTION	QTY.
248	72983G01		BED MOUNT BRACKET .....	2
249	16705G3		TRUSS HEAD PHILLIPS SCREW (SS), 1/4" - 20 X 3/4" LG .....	4
250	00559G7		FLAT WASHER, 1/4" .....	4
251	00654G2		LOCK NUT, 1/4" - 20 .....	4
252	00654G2		LOCK NUT, 1/4" - 20 .....	2
253	00414G6		HEX HEAD BOLT, 1/4" - 20 X 3/4" LG.....	2
254	72967G01		BULKHEAD .....	1
255	16705G3		TRUSS HEAD PHILLIPS SCREW (SS), 1/4" - 20 X 3/4" LG .....	6
256	00559G7		FLAT WASHER, 1/4" .....	6
257	00654G2		LOCK NUT, 1/4" - 20 .....	6
258	00559G7		FLAT WASHER, 1/4" .....	2
259	22524G1		FOAM TAPE .....	40"
260				
261				
262				
263				
264	74892G01		FENDER (DRIVER SIDE) .....	1
265	74892G02		FENDER (PASSENGER SIDE).....	1
266	74892G03		FENDER WITH TAILLIGHT (DRIVER SIDE) .....	1
267	74892G04		FENDER WITH TAILLIGHT (PASSENGER SIDE).....	1
268				
269				
270	74890G01		REAR PANEL .....	1
271	16816G2		RATCHET TYPE FASTENER, 1/4" X 57/64".....	4
272				
273				
274				
275				
276				
277				
278				





SHUTTLE 2



When ordering parts, please specify the model and serial number of the product.

\* Indicates a component that is not available as an individual part.

\*\*\* Indicates consult Customer Service Department for additional information.

ITEM	PART NO.	1 2 3 4 5	DESCRIPTION	QTY.
279	619144		CUSHMAN DECAL (SHUTTLE 2) .....	1
280	605694		SEAT FRAME .....	1
281	602037GXX		SIDE PANEL (DRIVER SIDE) (See COLOR CODE in HOW TO USE section)	1
282	602029GXX		SIDE PANEL (PASSENGER SIDE) (See COLOR CODE in HOW TO USE section) .....	1
283				
284				
285	10570G11		RIVET (SS), 3/16" X 3/4" LG.....	4
286	71609G01		SEAT HINGE.....	2
287	600034GXX		SEAT WRAP PANEL (See COLOR CODE in HOW TO USE section).....	1
288	10570G10		RIVET (SS), 5/32" X 9/16" LG.....	5
289	10570G10		RIVET (SS), 5/32" X 9/16" LG.....	2
290				
291	10570G10		RIVET (SS), 5/32" X 9/16" LG.....	4
292	10570G12		RIVET, 1/4" X 9/16" LG .....	2
293	23726G2		SPACER, 0.298" LG .....	2
294				
295				
296				
297	642401		SEAT FRAME WELDMENT .....	1
298	00438G8		HEX HEAD BOLT, 5/16" - 18 x 1"LG.....	2
299	00559G8		FLAT WASHER, 5/16".....	2
300	11098G6		LOCK NUT, 5/16" - 18.....	2
301				
302				
303	00715G2		HEX HEAD BOLT, 5/16" - 18 X 13/16" LG .....	4
304	70200G01		TORX TRUSS SCREW, 3/8" - 16 X 3/4" LG .....	2
305	652243G03		SEAT BACK BRACKET .....	2
306	00427G8		HEX HEAD BOLT, 3/8" - 16 X 1" LG .....	4
307	00560G1		FLAT WASHER, 3/8".....	4
308	11098G5		LOCK NUT, 3/8" - 16.....	4

# BODY

When ordering parts, please specify the model and serial number of the product.

\* Indicates a component that is not available as an individual part.

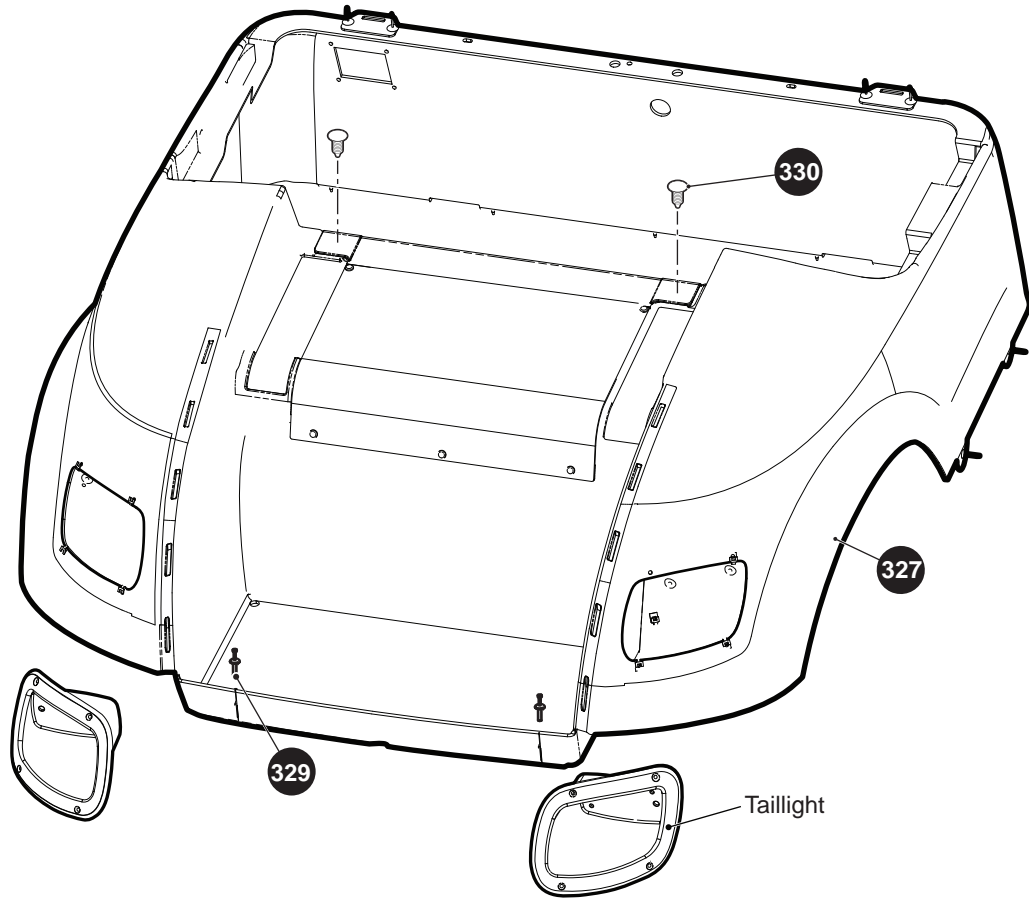
\*\*\* Indicates consult Customer Service Department for additional information.

ITEM	PART NO.	1	2	3	4	5	DESCRIPTION	QTY.
309								
310								
311	70441G01						SEAT FRAME .....	1
312	652254G03						BATTERY RACK WELDMENT .....	1
313								
314	00438G6						HEX HEAD BOLT, 5/16" - 18 x 3/4" LG .....	4
315								
316								
317								
318	00559G8						FLAT WASHER, 5/16" .....	4
319	11098G6						LOCK NUT, 5/16" - 18 .....	4
320	00715G2						HEX HEAD BOLT, 5/16" - 18 X 13/16" LG.....	2
321	11098G6						LOCK NUT, 5/16" - 18 .....	4
322	70200G01						TRUSS HEAD TORX SCREW, 3/8" - 16 X 3/4" LG .....	2



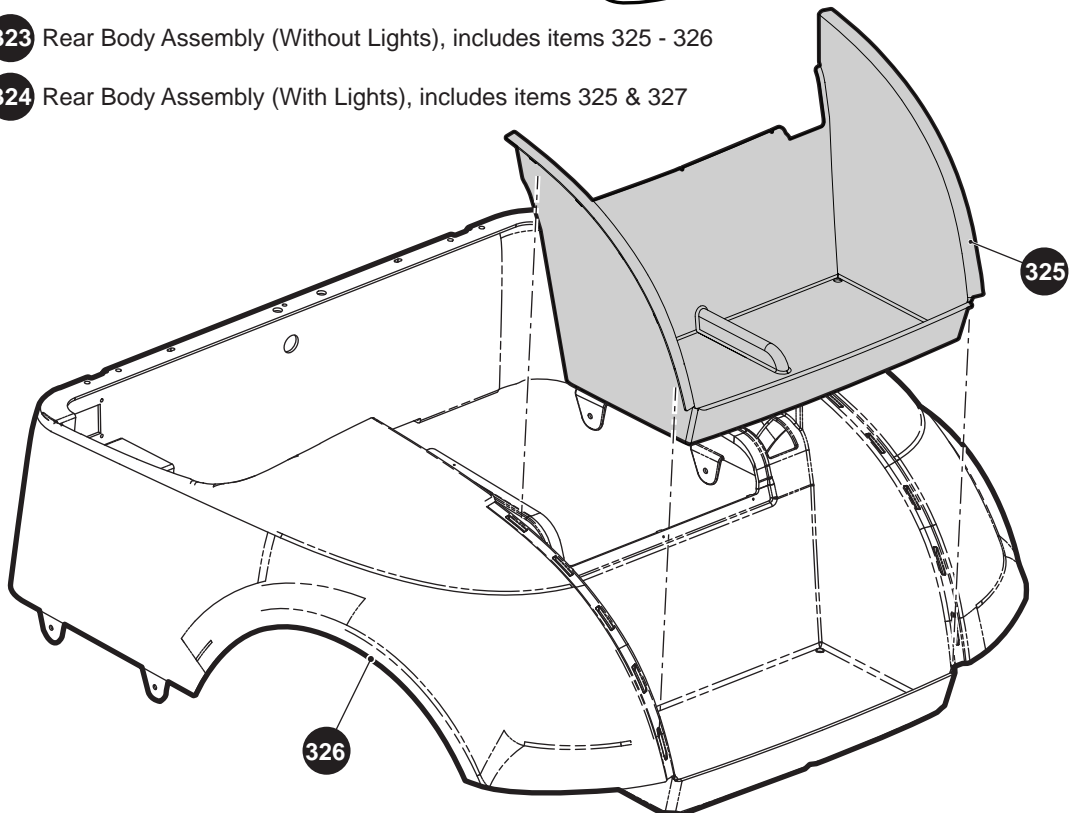


VEHICLES MANUFACTURED FROM MARCH 2014



**323** Rear Body Assembly (Without Lights), includes items 325 - 326

**324** Rear Body Assembly (With Lights), includes items 325 & 327



When ordering parts, please specify the model and serial number of the product.

\* Indicates a component that is not available as an individual part.

\*\*\* Indicates consult Customer Service Department for additional information.

ITEM	PART NO.	1 2 3 4 5	DESCRIPTION	QTY.
323	625272G0XX		REAR BODY ASSEMBLY (WITHOUT LIGHTS) (INCLUDES ITEMS 325-326) (See COLOR CODE in HOW TO USE section) (FOR VEHICLES MANUFACTURED FROM MARCH 2014).....	1
324	625272G1XX		REAR BODY ASSEMBLY (WITH LIGHTS) (INCLUDES ITEMS 325 & 327) (See COLOR CODE in HOW TO USE section) (FOR VEHICLES MANUFACTURED FROM MARCH 2014).....	1
325	624374		BAGWELL LINER (FOR VEHICLES MANUFACTURED FROM MARCH 2014) .....	1
326	619752G0XX		REAR BODY (WITHOUT LIGHTS) (See COLOR CODE in HOW TO USE section) (FOR VEHICLES MANUFACTURED FROM MARCH 2014) ....	1
327	619752G1XX		REAR BODY (WITH LIGHTS) (See COLOR CODE in HOW TO USE section) (FOR VEHICLES MANUFACTURED FROM MARCH 2014) .....	1
328				
329	633917		RIVET (FOR VEHICLES MANUFACTURED FROM MARCH 2014) .....	2
330	16816G2		RATCHET RIVET, .25" X .887" (FOR VEHICLES MANUFACTURED FROM MARCH 2014).....	2

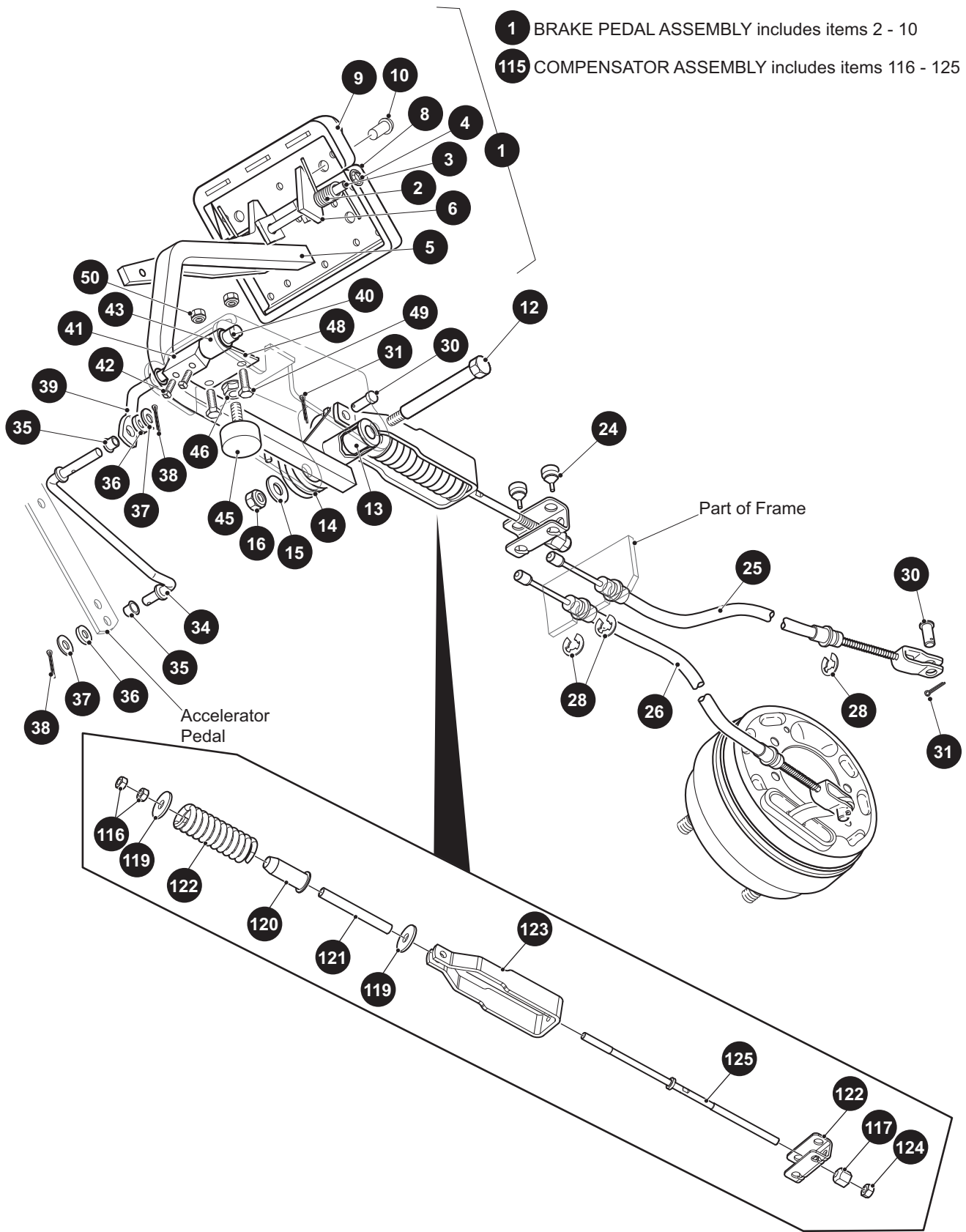


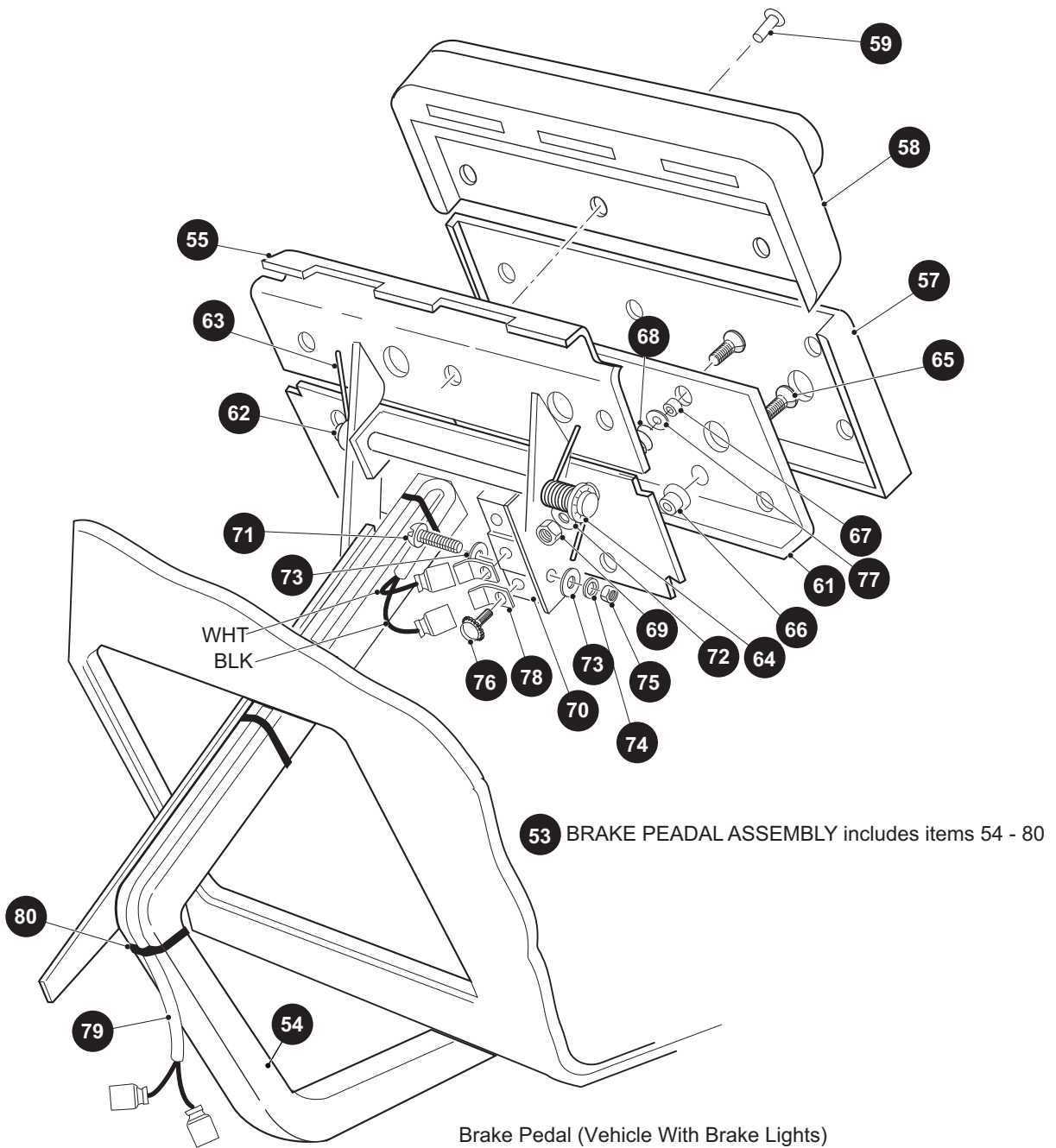


# BRAKES

1 BRAKE PEDAL ASSEMBLY includes items 2 - 10

115 COMPENSATOR ASSEMBLY includes items 116 - 125



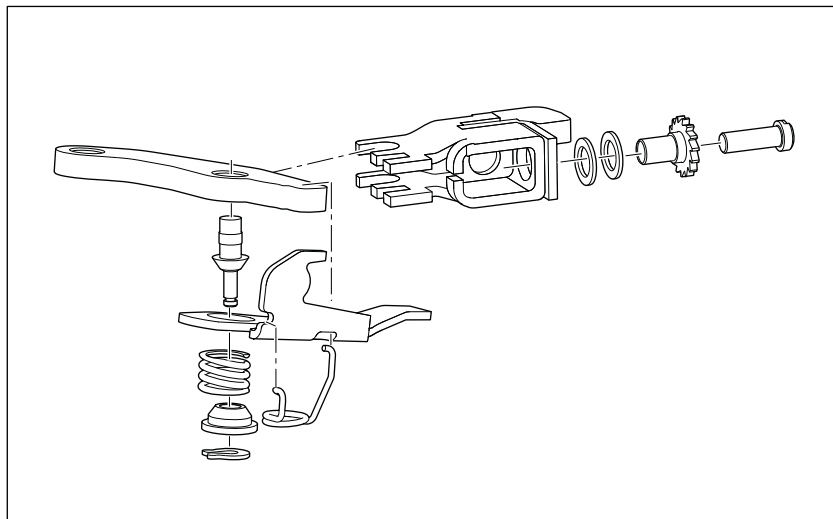
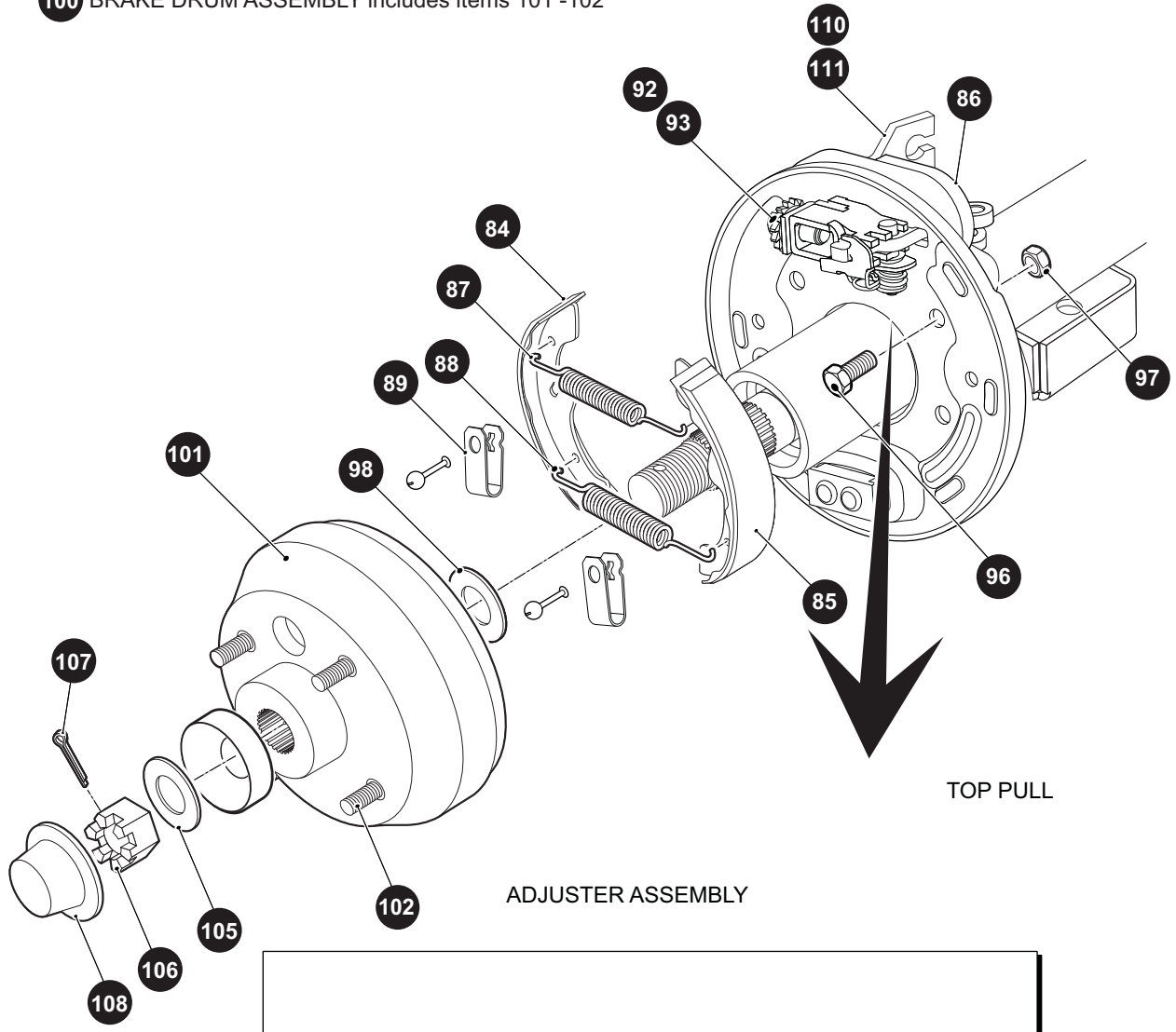


# BRAKES

**82** BRAKE ASSEMBLY (DRIVER SIDE) includes items 84 - 92

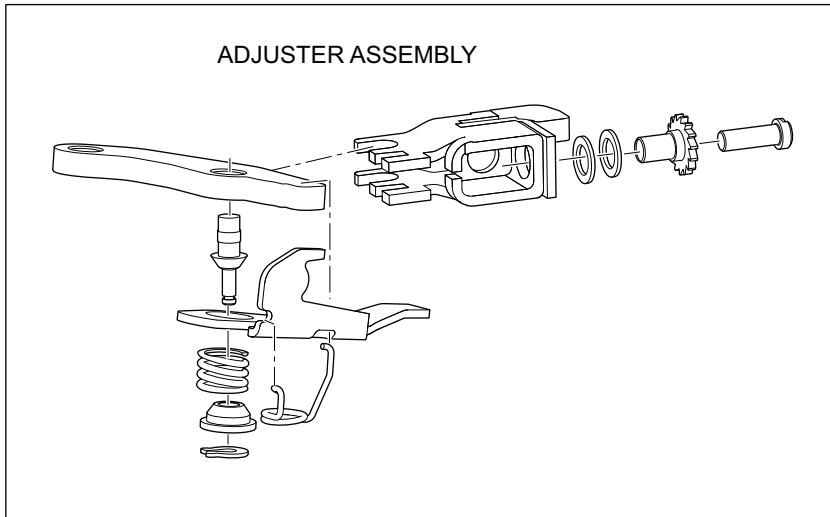
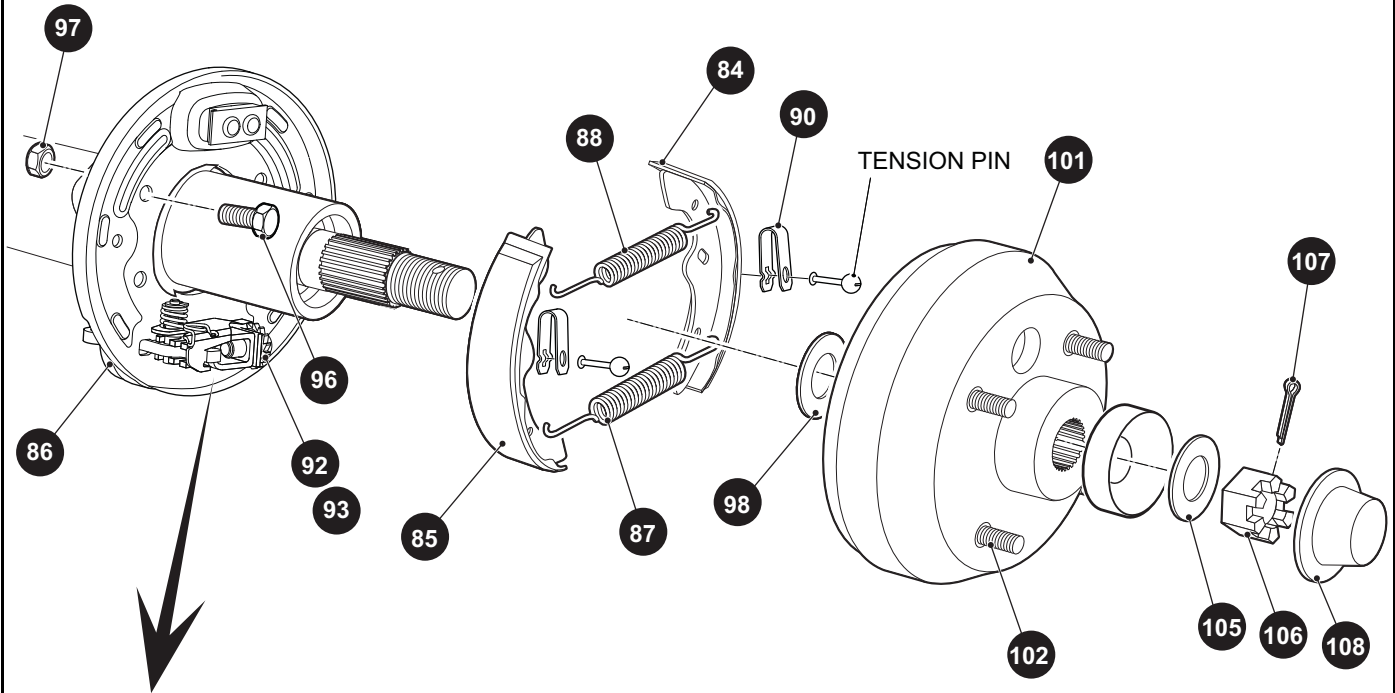
**83** BRAKE ASSEMBLY (PASSENGER SIDE) includes itmes 84 - 89, 93

**100** BRAKE DRUM ASSEMBLY includes items 101 -102





## BOTTOM PULL



- 82** BRAKE ASSEMBLY includes items 84 - 92
- 83** BRAKE ASSEMBLY includes itmes 84 - 89, 93
- 100** BRAKE DRUM ASSEMBLY includes items 101, 102

# BRAKES

When ordering parts, please specify the model and serial number of the product.

\* Indicates a component that is not available as an individual part.

\*\*\* Indicates consult Customer Service Department for additional information.

ITEM	PART NO.	1 2 3 4 5	DESCRIPTION	QTY.
1	70612G02		BRAKE PEDAL ASSEMBLY (WITHOUT BRAKE LIGHTS) (INCLUDES ITEMS 2 - 10).....	1
2	70681G01		TORSION SPRING .....	2
3	70682G01		PIVOT PIN .....	1
4	658825		PUSHNUT, 5/16" .....	2
5	652251G03		BRAKE PEDAL .....	1
6	652253G03		PARK BRAKE PEDAL.....	1
7				
8	70257G01		SERVICE BRAKE PAD .....	1
9	70256G01		PARK BRAKE PEDAL PAD.....	1
10	16409-G1		OVAL RIVET, 3/16" X 7/16" LG .....	9
11				
12	70582G01		SHOULDER BOLT, 3/8 - 16 X 4" LG (STAINLESS STEEL).....	1
13	70581G01		FLANGED BUSHING .....	2
14	70676G01		TORSION SPRING .....	1
15	00643G1		FLAT WASHER, 3/8" .....	1
16	11098G5		LOCK NUT, 3/8 - 16.....	1
17				
18	01038G01		SWAGEFORM SCREW, 1/4 - 20 (NOT ILLUSTRATED) .....	1
19				
20				
21	12416G2		NYLON WEDGE LOCK CLAMP (NOT ILLUSTRATED) .....	3
22				
23				
24	28083G01		BRAKE COMPENSATOR BUMPER .....	2
25	624695		BRAKE CABLE (DRIVER SIDE) .....	1
26	624696		BRAKE CABLE (PASSENGER SIDE).....	1
27				
28	01111G01		RETAINING RING, 13/32" (STAINLESS STEEL).....	4
29				

When ordering parts, please specify the model and serial number of the product.

\* Indicates a component that is not available as an individual part.

\*\*\* Indicates consult Customer Service Department for additional information.

ITEM	PART NO.	1 2 3 4 5	DESCRIPTION	QTY.
30	10386G3		CLEVIS PIN, 5/16" X 13/16" LG.....	3
31	10387G3		COTTER PIN, 3/32" X 3/4" LG.....	3
32	14443G2		CLEVIS PIN, 5/16" X 5/8" LG.....	2
33				
34	70601G01		KICK-OFF LINK .....	1
35	17838G1		NYLON BUSHING .....	2
36	20835G1		TEFLON WASHER, 3/8" .....	2
37	00559G8		FLAT WASHER, 5/16" .....	2
38	10387G3		COTTER PIN, 3/32" X 3/4" LG.....	2
39	70098G01		KICK-OFF CAM PIVOT.....	1
40	10097G6		FLANGED BEARING .....	2
41	70587G01		KICK-OFF CAM .....	1
42	71215G01		SETSCREW, 1/4 - 20 X 1/2" LG .....	2
43	14134G4		SPACER.....	1
44				
45	70113G01		ADJUSTABLE BUMPER.....	1
46	11027G1		LOCK NUT, 5/16 - 18 .....	1
47				
48	70080G02		CATCH BRACKET .....	1
49	00414G6		BOLT, 1/4 - 20 X 3/4" LG.....	2
50	14390G4		LOCK NUT, 1/4 - 20 (STAINLESS STEEL).....	2
51				
52				
53	70690G02		BRAKE PEDAL ASSEMBLY (WITH BRAKE LIGHTS) (INCLUDES ITEMS 54 - 80) .....	1
54	652791G03		BRAKE PEDAL.....	1
55	652253G03		PARK BRAKE PEDAL .....	1
56				
57	70257G01		SERVICE BRAKE PAD.....	1
58	70256G01		PARK BRAKE PAD.....	1

# BRAKES

When ordering parts, please specify the model and serial number of the product.

\* Indicates a component that is not available as an individual part.

\*\*\* Indicates consult Customer Service Department for additional information.

ITEM	PART NO.	1	2	3	4	5	DESCRIPTION	QTY.
59	16409G1						OVAL RIVET, 3/16" x 7/16" LG.....9	
60								
61	652820						SERVICE BRAKE PEDAL PLATE .....	1
62	70682G01						PIVOT PIN .....	1
63	70681G01						TORSION SPRING .....	2
64	658825						PUSHNUT, 5/16" .....	1
65	00737G8						SCREW, #10 - 24 X 7/8" LG .....	4
66	00739G1						RUBBER NUT, #10 - 24.....	2
67	652355						BRAKE PEDAL SPACER.....	2
68	27137G01						CONICAL SPRING .....	2
69	14390G10						LOCK NUT, #10 - 24 .....	2
70	10606G8						MICRO SWITCH .....	1
71	00645G2						BOLT, # 6 - 32 X 1 1/4" LG.....	2
72	00559G5						FLAT WASHER, #10 .....	2
73	00559G3						FLAT WASHER, # 6 .....	4
74	00565G3						LOCK WASHER, # 6.....	2
75	00525G5						NUT, # 6 - 32.....	2
76	13514G1						SCREW AND LOCK WASHER, # 6.....	2
77	00642G8						FLAT WASHER # 4 - 5/16.....	2
78	14628G1						FASTON TAB .....	2
79	24605G1						WIRE HARNESS (BRAKE LIGHT) .....	1
80	17618G1						WIRE TIE .....	3
81								
82	612211						BRAKE ASSEMBLY (DRIVER SIDE) (INCLUDES ITEMS 84 - 92) .....	1
83	612189						BRAKE ASSEMBLY (PASSENGER SIDE) (INCLUDES ITEMS 84 - 91, 93)..	1
84	612411						BRAKE SHOE, L .....	2
85	612412						BRAKE SHOE, T.....	2
86	612413						DUST COVER.....	1
87	612415						BRAKE SPRING .....	1
88	612414						BRAKE SPRING .....	1

# BRAKES

When ordering parts, please specify the model and serial number of the product.

\* Indicates a component that is not available as an individual part.

\*\*\* Indicates consult Customer Service Department for additional information.

ITEM	PART NO.	1 2 3 4 5	DESCRIPTION	QTY.
89	612416		SHOE CLAMP .....	2
90				
91				
92	612418		GEAR ADJUSTER.....	1
93	612417		GEAR ADJUSTER.....	1
94				
95				
96	17083G2		BOLT, 5/16 - 24 X 1" LG.....	8
97	15126G1		LOCK NUT, 5/16 - 24 .....	8
98	21809G1		FLAT WASHER, 13/16" .....	2
99				
100	21807G1		BRAKE DRUM ASSEMBLY (INCLUDES ITEMS 101 - 102) .....	2
101	20947G1		BRAKE DRUM.....	1
102	19862G1		LUG BOLT, 1/2 - 20 X 1 3/16" LG .....	4
103				
104				
105	21830G1		FLAT WASHER, 1 3/8" O.D. X 21/32".....	2
106	613172		CASTELLETED NUT, 5/8 - 18 .....	2
107	10387G1		COTTER PIN, 1/8" X 1 1/2" LG.....	2
108	74175G01		SPINDLE CAP	
109				
110	652248		BRAKE CABLE BRACKET (PASSENGER SIDE) .....	1
111	652249		BRAKE CABLE BRACKET (DRIVER SIDE).....	1
112				
113				
114				
115	612558		COMPENSATOR ASSEMBLY (INCLUDES ITEMS 116 - 126).....	1
116	00532G4		HEX NUT .....	2
117	629486		HEX NUT, 5/16 - 24 .....	1
118	28082G01		EQUALIZER BRACKET .....	1
119	15121G1		FLAT WASHER - 5/16 .....	2

# BRAKES

When ordering parts, please specify the model and serial number of the product.

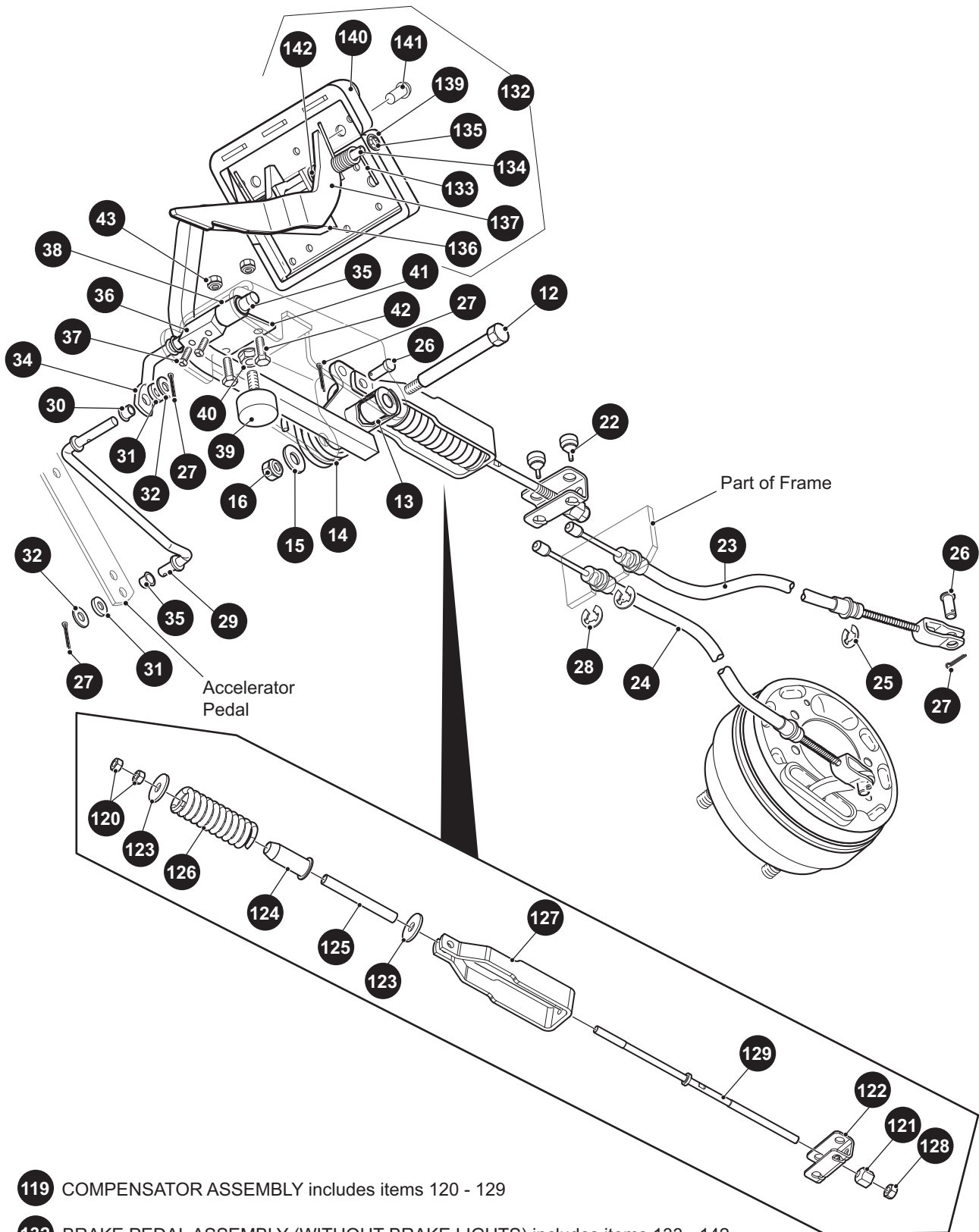
\* Indicates a component that is not available as an individual part.

\*\*\* Indicates consult Customer Service Department for additional information.

ITEM	PART NO.	1	2	3	4	5	DESCRIPTION	QTY.
120	17979G1						ACCELERATOR ROD BUSHING .....	1
121	23061G2						TUBE.....	1
122	23463G1						COMPRESSION SPRING .....	1
123	652256						BRAKE YOKE .....	1
124	11098G9						HEX LOCK NUT, 5/16 - 24.....	1
125	612557						COMPENSATOR LINK ROD .....	1



# BRAKES - FRONT DISC

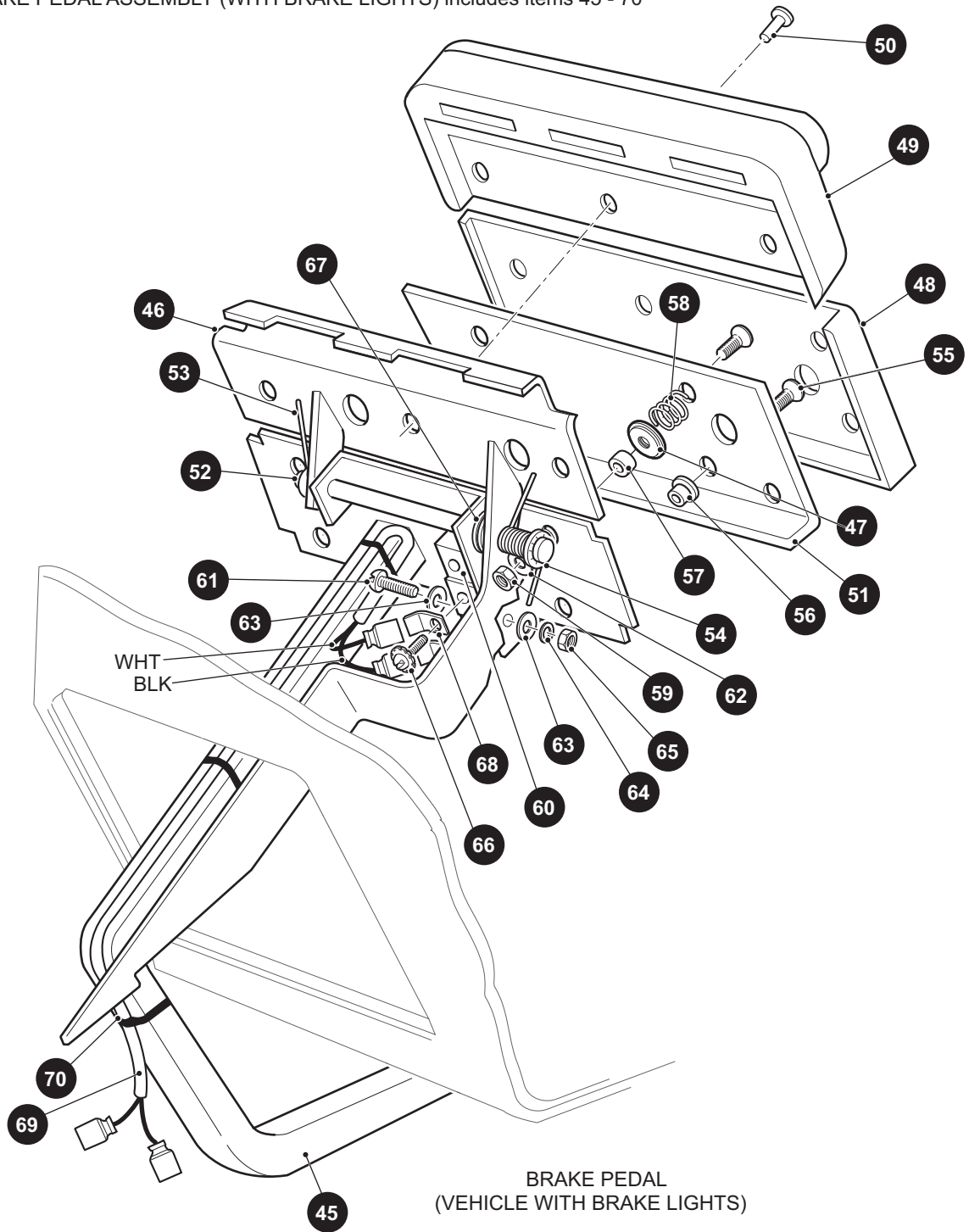


**119** COMPENSATOR ASSEMBLY includes items 120 - 129

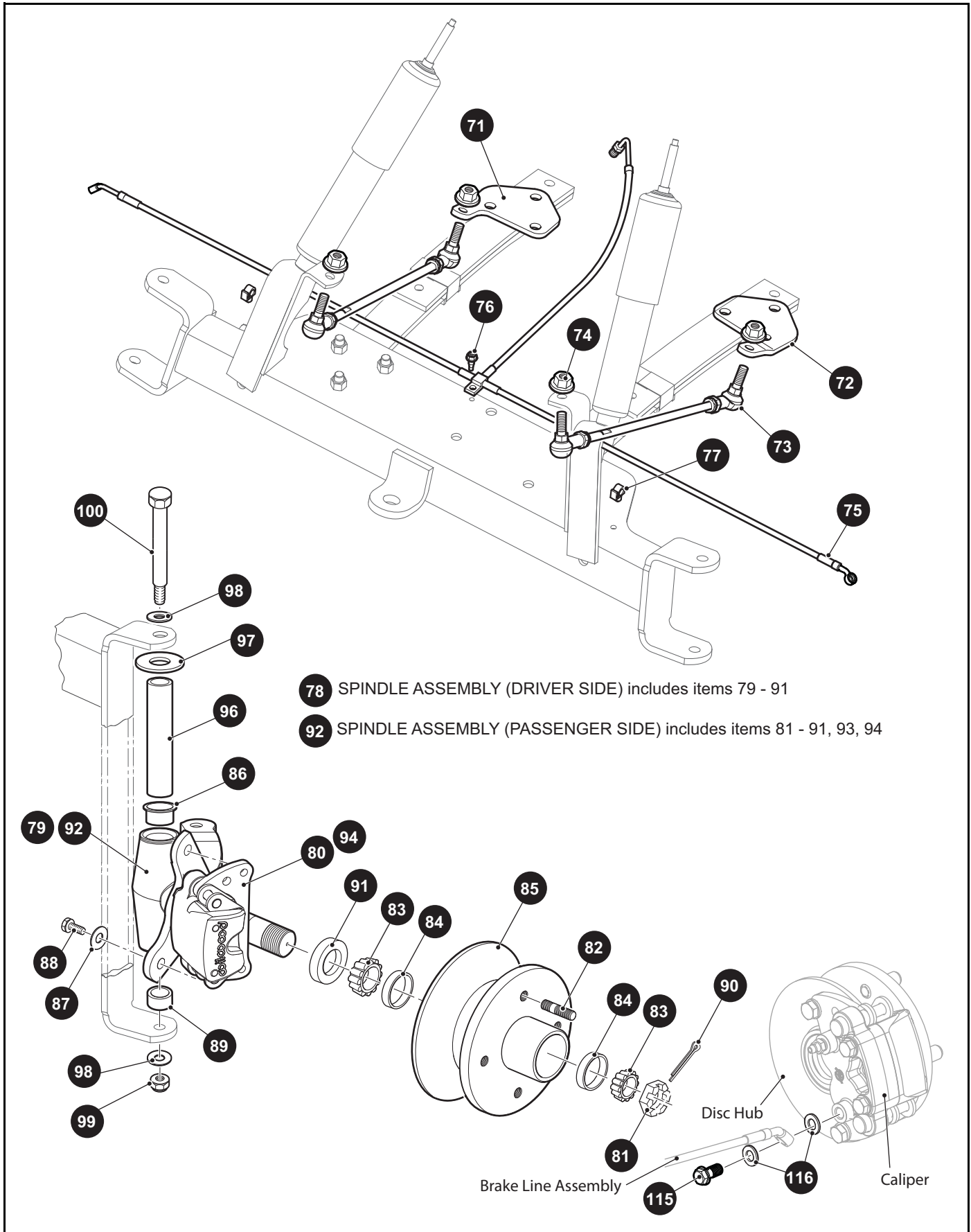
**132** BRAKE PEDAL ASSEMBLY (WITHOUT BRAKE LIGHTS) includes items 133 - 142



44 BRAKE PEDAL ASSEMBLY (WITH BRAKE LIGHTS) includes items 45 - 70



# BRAKES - FRONT DISC





# BRAKES - FRONT DISC

When ordering parts, please specify the model and serial number of the product.

\* Indicates a component that is not available as an individual part.

\*\*\* Indicates consult Customer Service Department for additional information.

ITEM	PART NO.	1 2 3 4 5	DESCRIPTION	QTY.
1	17838G1		NYLON BUSHING .....	2
2	10387G3		COTTER PIN, 3/32" X 3/4" .....	2
3	10386G3		CLEVIS PIN, 5/16" X 1" .....	4
4	612704		ACTUATOR COVER .....	1
5	01038G01		SWAGEFORM SCREW WITH DOGPOINT, 1/4" - 20 X 3/4" LG .....	3
6	00414G6		HEX HEAD BOLT, 1/4" - 20 X 1/2" LG.....	2
7	14390G4		LOCKNUT, 1/4" - 20 .....	2
8	608943		ACTUATOR LINKAGE.....	1
9	00771G5		FLAT WASHER, 3/8" (NOT ILLUSTRATED) .....	1
10	21504G1		BRAKE FLUID (NOT ILLUSTRATED) .....	A/R
11				
12	70582G01		SHOULDER BOLT, 3/8" - 16 X 4" LG .....	1
13	70581G01		ACETAL BUSHING.....	2
14	70676G01		TORSION SPRING .....	1
15	00643G1		FLAT WASHER, 3/8" .....	1
16	11098G5		LOCK NUT, 3/8" - 16 .....	1
17				
18				
19	12416G2		NYLON WEDGE LOCK CLAMP (NOT ILLUSTRATED) .....	3
20				
21				
22	28083G01		BRAKE COMPENSATOR BUMPER .....	2
23	624695		BRAKE CABLE (DRIVER SIDE), 65.06" LG .....	1
24	624696		BRAKE CABLE (PASSENGER SIDE), 74.81" LG.....	1
25	01111G01		RETAINING RING (SS) .....	4
26	10386G3		CLEVIS PIN, 5/16" X 1" .....	4
27	10387G3		COTTER PIN, 3/32" X 3/4" .....	3
28				
29	70601G01		KICK-OFF LINK.....	1
30	17838G1		NYLON BUSHING .....	2
31	20835G1		NYLON WASHER, 3/8" .....	2

# BRAKES - FRONT DISC

When ordering parts, please specify the model and serial number of the product.

\* Indicates a component that is not available as an individual part.

\*\*\* Indicates consult Customer Service Department for additional information.

ITEM	PART NO.	1 2 3 4 5	DESCRIPTION	QTY.
32	00559G8		FLAT WASHER, 5/16".....	2
33				
34	70098G01		KICK-OFF CAM PIVOT.....	1
35	10097G6		FLANGED BEARING.....	2
36	70587G01		KICK-OFF CAM.....	1
37	71215G01		SETSCREW WITH PATCH LOCK, 1/4" - 20 X 1/2" LG.....	2
38	14134G4		SPACER, 1 1/4" LG.....	1
39	70113G01		ADJUSTABLE BUMPER.....	1
40	11027G1		LOCK NUT, 5/16" - 18.....	1
41	70080G02		CATCH BRACKET.....	1
42	00414G6		HEX HEAD BOLT, 1/4" - 20 X 1/2" LG.....	2
43	14390G4		LOCK NUT, 1/4" - 20.....	2
44	74874G01		BRAKE PEDAL ASSEMBLY (WITH BRAKE LIGHTS) (INCLUDES ITEMS 45 - 70).....	1
45	74870G01		BRAKE PEDAL.....	1
46	641760		PARK BRAKE PEDAL.....	1
47	00642G8		FLAT WASHER, 5/16".....	1
48	70257G01		SERVICE BRAKE PAD.....	1
49	70256G01		PARK BRAKE PAD.....	1
50	16409G1		OVAL RIVET, 3/16" X 15/32" LG.....	9
51	70258G03		BRAKE PEDAL PLATE.....	1
52	70682G01		PIVOT PIN.....	1
53	70681G01		TORSION SPRING.....	2
54	658825		PUSHNUT, 5/16".....	2
55	00737G8		PHILLIPS FLAT HEAD MACHINE SCREW, #10 - 24 X 1" LG.....	4
56	00739G1		RUBBER NUT, #10 - 24.....	2
57	652355		BRAKE PEDAL SPACER.....	2
58	27137G01		CONICAL SPRING.....	2
59	14390G10		LOCK NUT, #10 - 24.....	2
60	10606G8		LIMIT SWITCH (3 POLE).....	1
61	00645G2		PHILLIPS PAN HEAD MACHINE SCREW, #6 - 32 X 1 1/4" LG.....	2

# BRAKES - FRONT DISC

When ordering parts, please specify the model and serial number of the product.

\* Indicates a component that is not available as an individual part.

\*\*\* Indicates consult Customer Service Department for additional information.

ITEM	PART NO.	1	2	3	4	5	DESCRIPTION	QTY.
62	00559G5						FLAT WASHER, #10 .....	2
63	00559G3						FLAT WASHER, #6 .....	4
64	00565G3						LOCK WASHER, #6.....	2
65	00525G5						HEX NUT, #6 - 32.....	2
66	13514G1						PHILLIPS PAN HEAD MACHINE SCREW, #6 - 32 X 7/32" LG.....	2
67	20835G1						TEFLON WASHER, 3/8" .....	2
68	14628G1						FASTON TAB .....	2
69	24605G1						WIRE HARNESS (BRAKE LIGHT) .....	1
70	17618G1						WIRE TIE .....	3
71	74731G02						SPRING PLATE (PASSENGER SIDE).....	1
72	74731G01						SPRING PLATE (DRIVER SIDE) .....	1
73	74730G01						FOUR LINK ROD .....	2
74	606279						FLANGED HEX NUT, M10 - 1.25 .....	4
75	630766						BRAKE LINE .....	1
76	01038G01						SWAGEFORM SCREW WITH DOGPOINT, 1/4" - 20 X 1/2" LG .....	1
77	74875G01						WIRE RETAINER .....	2
78	602281						SPINDLE ASSEMBLY (DRIVER SIDE) (INCLUDES ITEMS 79 - 91).....	1
79	602176						DISC BRAKE SPINDLE (DRIVER SIDE).....	1
80	633918G02						CALIPER (DRIVER SIDE) .....	1
81	12093G1						SLOTTED NUT, 1" - 14 .....	1
82	74864G01						DRIVE FLANGE STUD, 1.5" LG.....	4
83	11750G2						ROLLER BEARING.....	2
84	51141G1						BEARING RACE .....	2
85	630672						DISC BRAKE HUB.....	1
86	70648G01						FLANGED BEARING .....	1
87	00566G1						LOCK WASHER, 3/8" .....	2
88	00426G6						HEX HEAD BOLT, 3/8" - 16 X 1" LG .....	2
89	70749G01						BEARING .....	1
90	00798G8						COTTER PIN 5/32" X 1 3/4" .....	1
91	25146G1						GREASE SEAL .....	1

# BRAKES - FRONT DISC

When ordering parts, please specify the model and serial number of the product.

\* Indicates a component that is not available as an individual part.

\*\*\* Indicates consult Customer Service Department for additional information.

ITEM	PART NO.	1 2 3 4 5	DESCRIPTION	QTY.
92	602288		SPINDLE ASSEMBLY (PASSENGER SIDE) (INCLUDES ITEMS 81 - 91, 93, 94) .....	1
93	602158		DISC BRAKE SPINDLE (PASSENGER SIDE).....	1
94	633918G01		CALIPER (PASSENGER SIDE) .....	1
95				
96	70745G01		KINGPIN TUBE .....	2
97	70754G01		THRUST WASHER (SS), 0.995" I.D. X 1.38" O.D. ....	2
98	00560G3		FLAT WASHER, 1/2" .....	4
99	14390G6		LOCKNUT, 1/2" - 13 .....	2
100	00407G6		HEX HEAD BOLT, 1/2" - 13 X 6" LG .....	2
101	608706		FRONT DISC BRAKE ACTUATOR ASSEMBLY (INCLUDES ITEMS 102 - 114).....	1
102	612706		MASTER CYLINDER WELDMENT .....	1
103	11098G5		PLASTIC LOCK NUT, 3/8" - 16 .....	1
104	00679G1		FLAT WASHER (SS), 3/8" .....	1
105	74711G01		ACTUATOR PIVOT BOLT, 3/8" - 16 X 4 1/2" LG .....	1
106	70581G02		ACETAL BUSHING.....	4
107	608122		WELDMENT BRACKET, UPPER BRAKE .....	1
108	608118		WELDMENT BRACKET, LOWER BRAKE (FOR VEHICLES MANUFACTURED BEFORE 25 NOV 2014).....	1
109	887364		MASTER CYLINDER .....	1
110	00439G1		HEX HEAD BOLT, 5/16" - 18 x 1 1/8" LG .....	2
111	11098G6		LOCK NUT, 5/16" - 18 .....	2
112	10386G3		CLEVIS PIN, 5/16" X 1" .....	1
113	10387G3		COTTER PIN, 3/32" X 3/4" .....	1
114	641826		WELDMENT BRACKET, LOWER BRAKE (FOR VEHICLES MANUFACTURED FROM 25 NOV 2014) .....	1
115	613293		CRUSH WASHER, M10.....	4
116	616459		BANJO BOLT, M10 - 1" X 20" LG .....	2
117				
118				
119	612558		COMPENSATOR ASSEMBLY (INCLUDES 120 - 129).....	1

# BRAKES - FRONT DISC

When ordering parts, please specify the model and serial number of the product.

\* Indicates a component that is not available as an individual part.

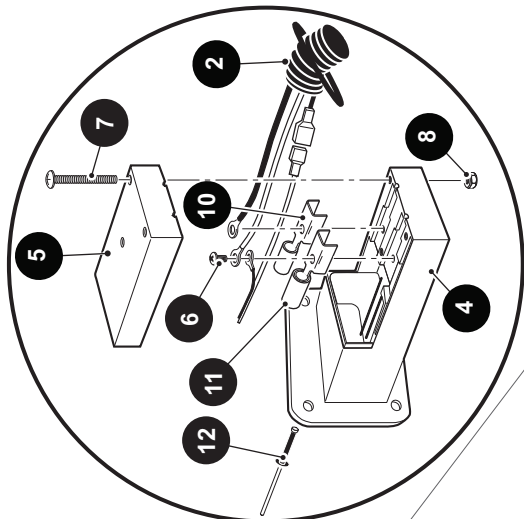
\*\*\* Indicates consult Customer Service Department for additional information.

ITEM	PART NO.	1	2	3	4	5	DESCRIPTION	QTY.
120	00532G4						HEX NUT, 1/4" - 20 .....	2
121	629486						HEX NUT, 5/16" - 24 .....	1
122	28082G01						EQUALIZER BRACKET .....	1
123	15121G1						FLAT WASHER, 5/16" .....	2
124	17979G1						ACCELERATOR ROD BUSHING .....	1
125	23061G2						TUBE.....	1
126	23463G1						COMPRESSION SPRING .....	1
127	652256						BRAKE YOKE .....	1
128	11098G9						HEX LOCK NUT, 5/16" - 24 .....	1
129	612557						COMPENSATOR LINK ROD .....	1
130								
131								
132	74723G01						BRAKE PEDAL ASSEMBLY (WITHOUT BRAKE LIGHTS) (INCLUDES ITEMS 133 - 142).....	1
133	70681G01						TORSION SPRING .....	2
134	70682G01						PIVOT PIN .....	1
135	658825						PUSHNUT, 5/16" .....	1
136	74721G01						BRAKE PEDAL .....	1
137	641760						PARK BRAKE PEDAL.....	1
138								
139	70257G01						SERVICE BRAKE PAD .....	1
140	70256G01						PARK BRAKE PEDAL PAD.....	1
141	16409G1						OVAL RIVET, 3/16" X 15/32" LG .....	9
142	20835G1						TEFLON WASHER, 3/8" .....	2



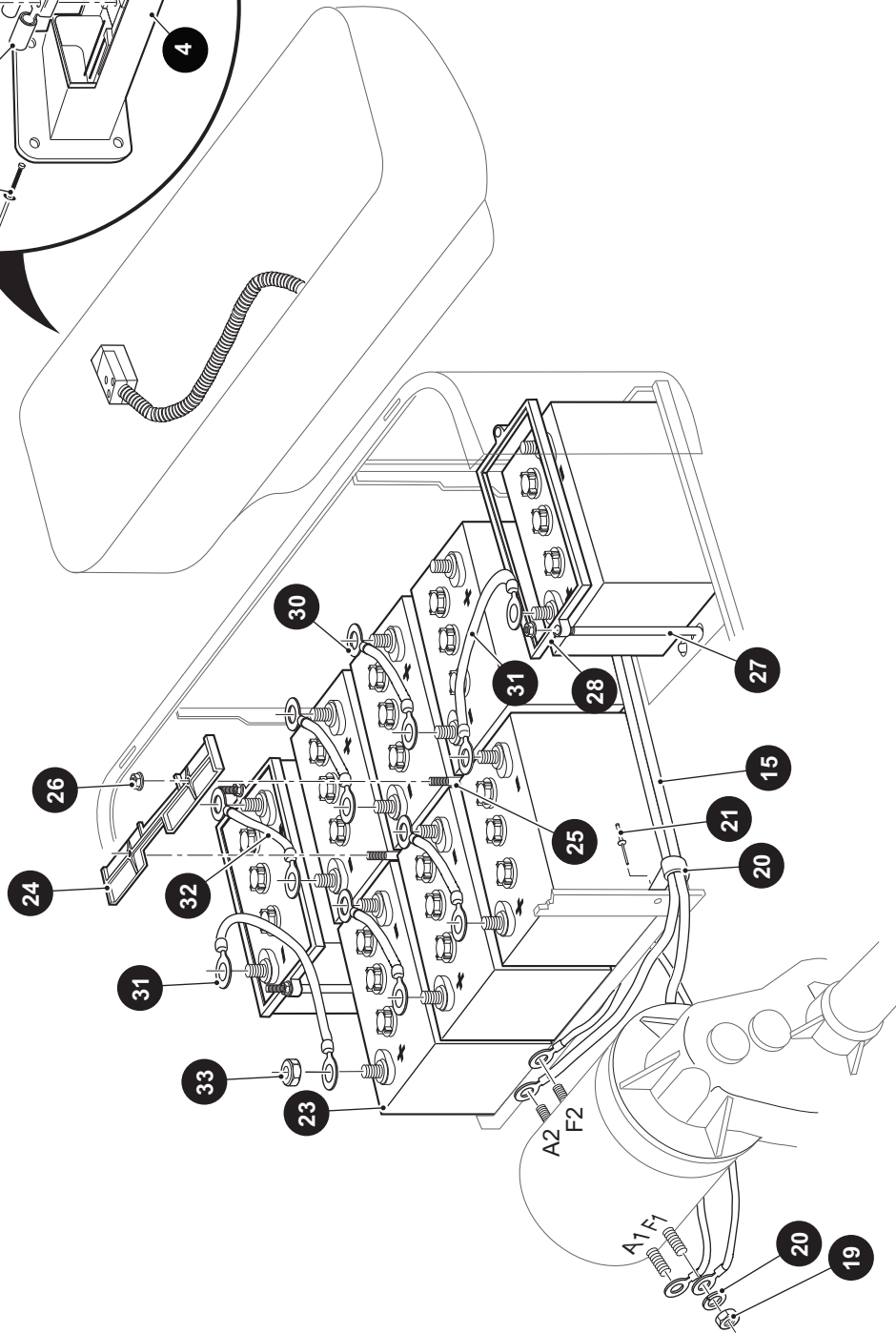


# ELECTRICAL SYSTEM

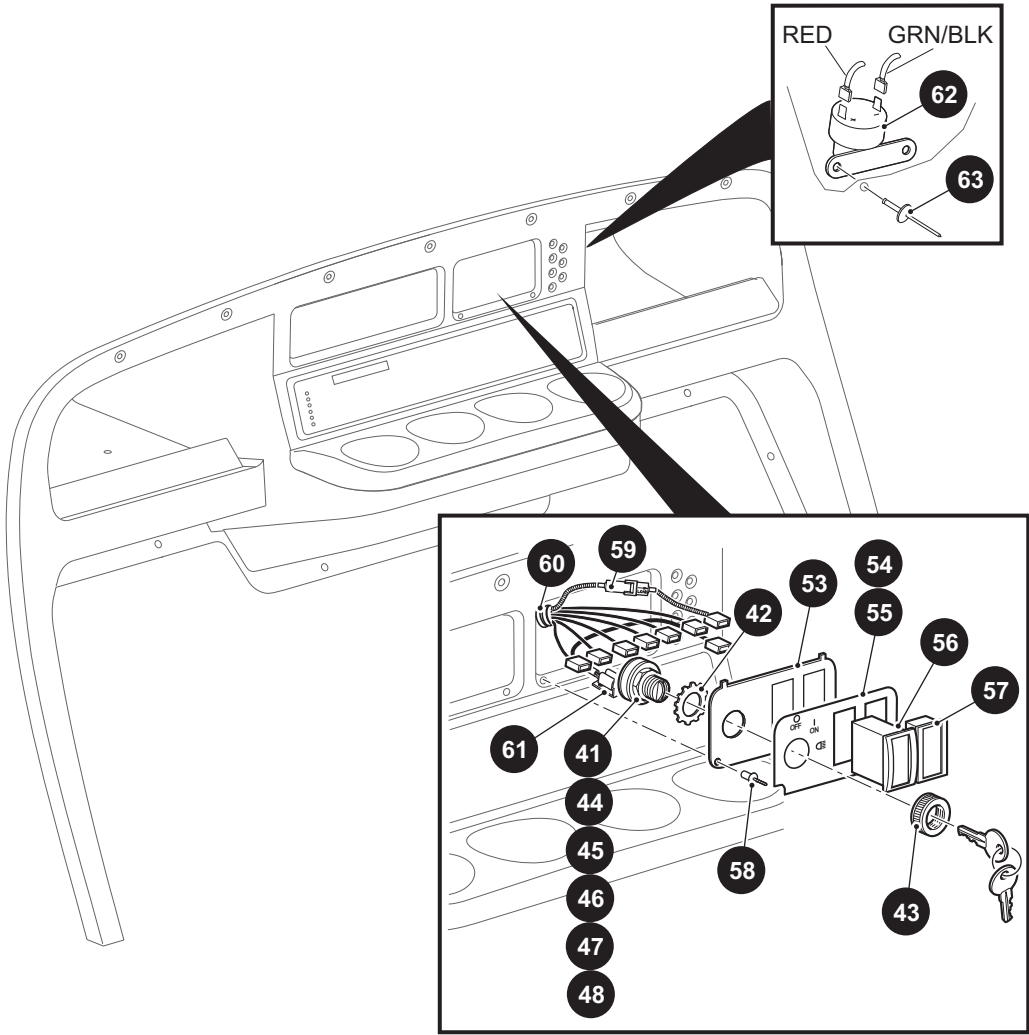


1 CHARGER HARNESS Includes Items 2 - 11

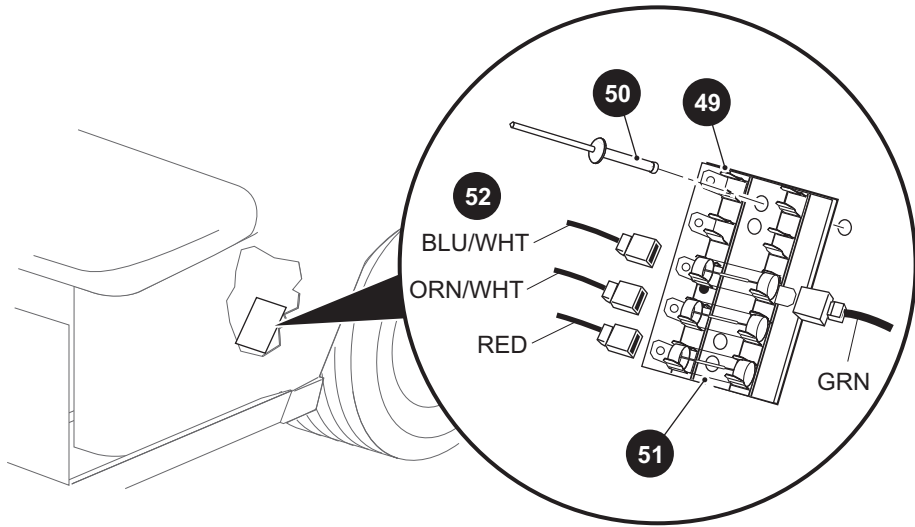
3 CHARGER HARNESS RECEPTACLE Includes Items 4 - 11



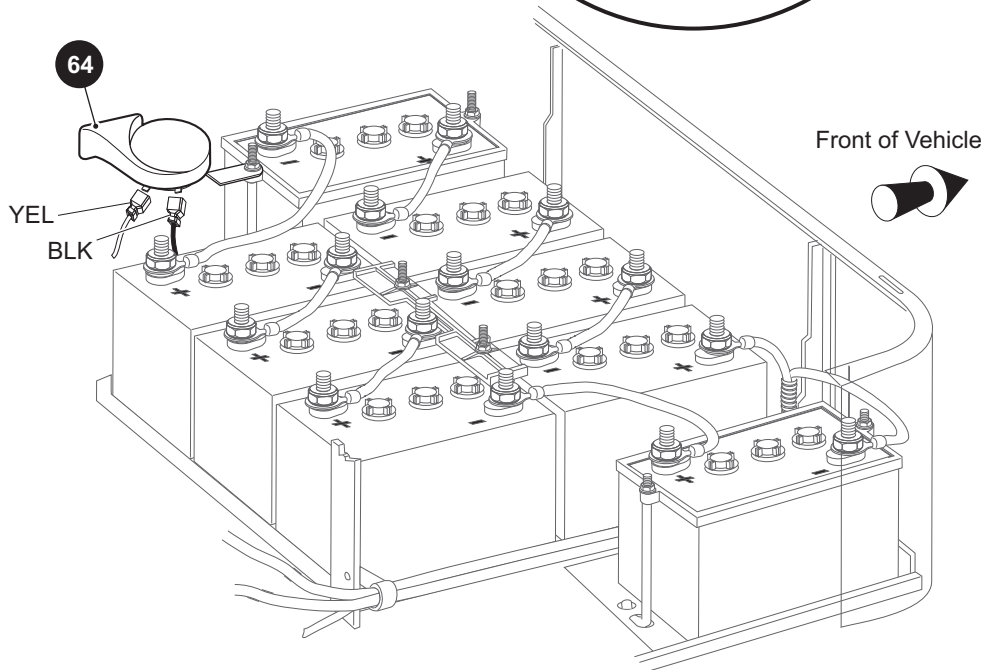
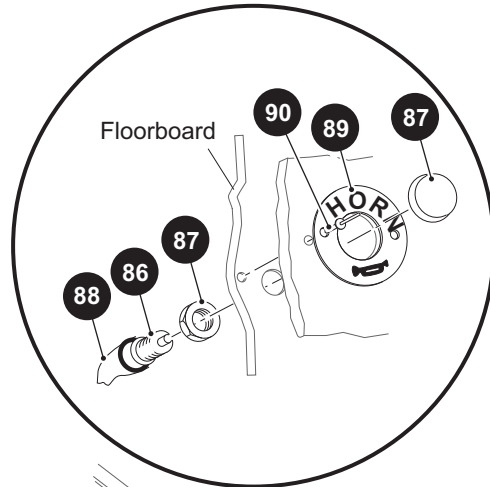
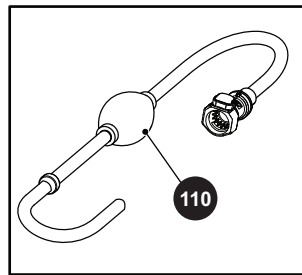
# ELECTRICAL SYSTEM



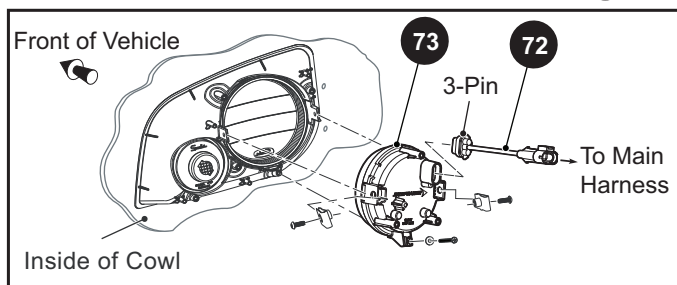
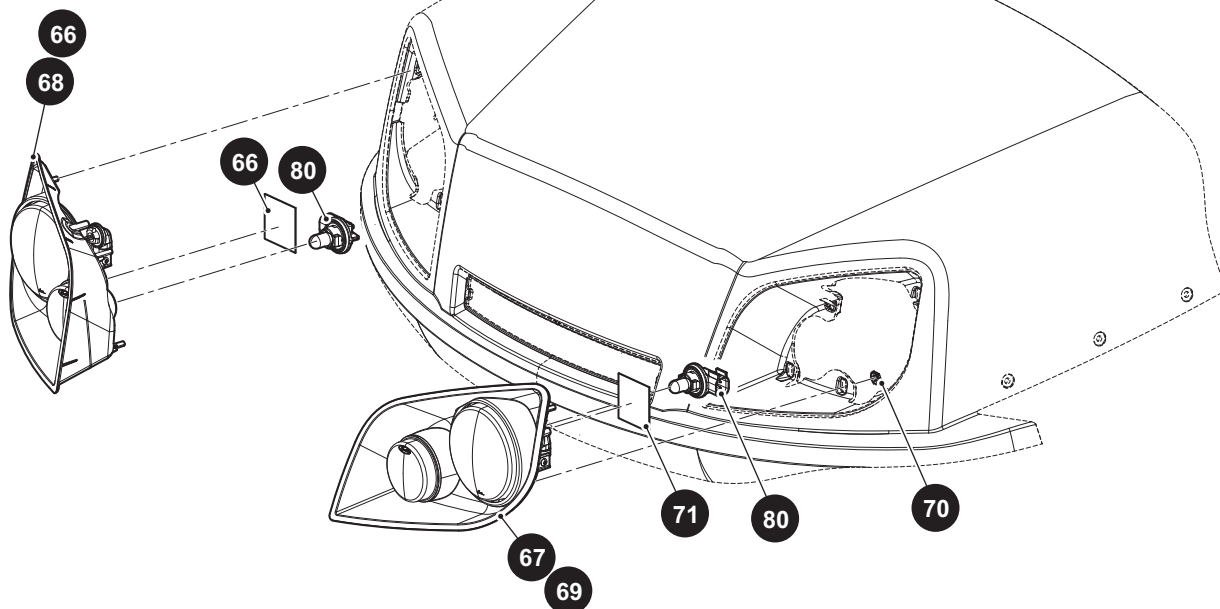
# ELECTRICAL SYSTEM



FLOOR MOUNTED HORN BUTTON



## HEAD LIGHT & TURN SIGNAL

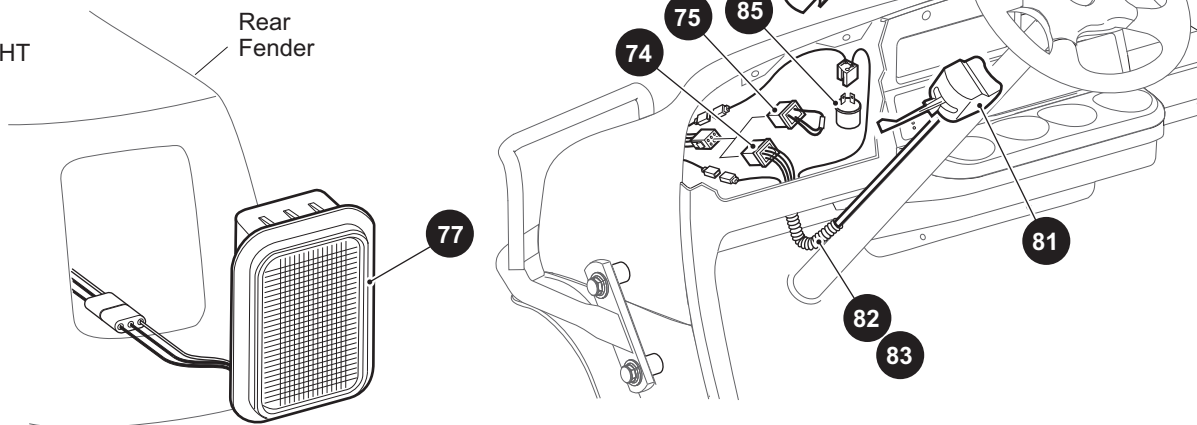


**79** TURN SIGNAL KIT Includes items 80 - 85

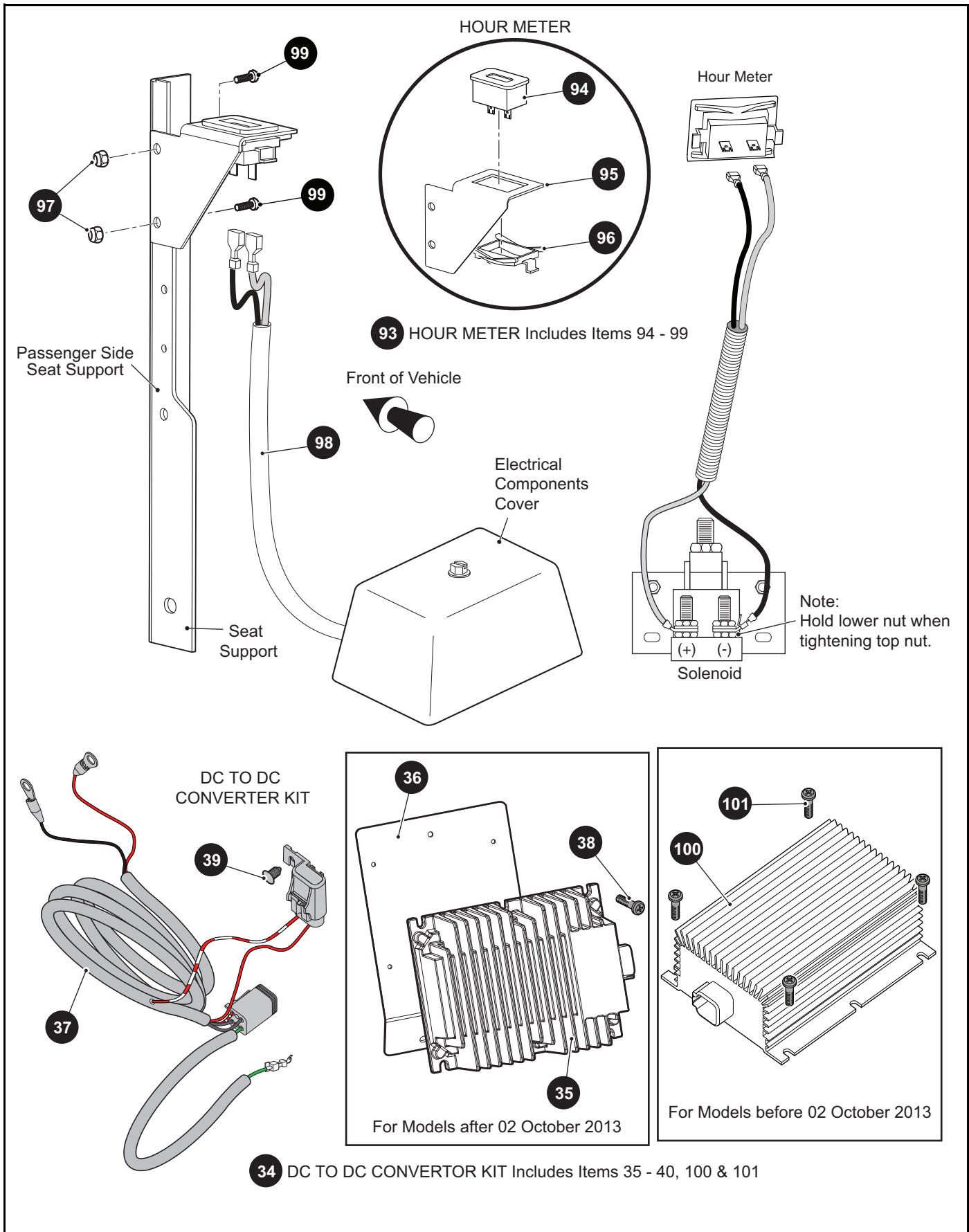
**68** LED HEADLIGHT ASSEMBLY (PASSENGER SIDE) includes item 73

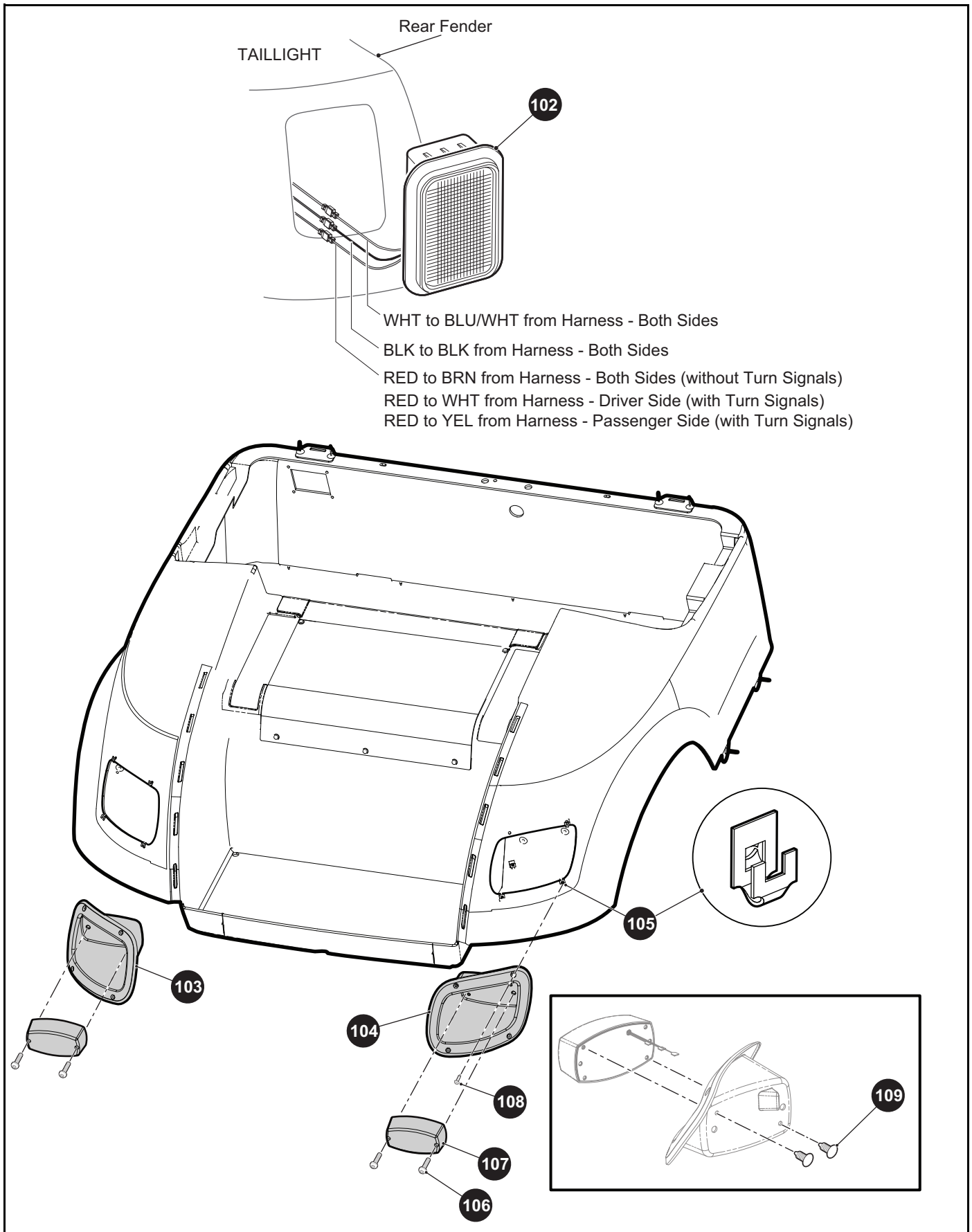
**69** LED HEADLIGHT ASSEMBLY (DRIVER SIDE) includes item 73

## TAILLIGHT



# ELECTRICAL SYSTEM





# ELECTRICAL SYSTEM

When ordering parts, please specify the model and serial number of the product.

\* Indicates a component that is not available as an individual part.

\*\*\* Indicates consult Customer Service Department for additional information.

ITEM	PART NO.	1 2 3 4 5	DESCRIPTION	QTY.
1	73311G03		CHARGER HARNESS / RECEPTACLE (INCLUDES ITEMS 2 - 11) .....	1
2	602822		CHARGER HARNESS.....	1
3	668283		CHARGER HARNESS RECEPTACLE (INCLUDES ITEMS 4 - 11) .....	1
4	73051G22		RECEPTACLE BOTTOM.....	1
5	73051G21		RECEPTACLE COVER .....	1
6	73051G08		BINDING HEAD BRASS SCREW, #10 - 32 X 1/2" LG.....	2
7	73051G09		PHILLIPS HEAD SCREW, #6 - 32 X 1 3/4" LG .....	3
8	73051G10		LOCK NUT, #6 - 32.....	3
9	25978G25		RED JUMPER WIRE, 18 GA.....	1
10	73051G23		FEMALE CONTACT .....	1
11	73051G24		FEMALE CONTACT, INSULATED.....	1
12	71055G01		RIVET, 3/16" X 1" LG.....	4
13				
14				
15	73349G01		POWER HARNESS.....	1
16				
17				
18	00993G01		LOCK WASHER, 5/16" .....	4
19	28418G01		HEX NUT, 5/16" - 18.....	4
20	27327G0*		CLAMP .....	1
21	10570G11		RIVET (SS), 3/16" X 3/4" LG .....	1
22				
23	72824G01		6 VOLT BATTERY .....	8
24	612867		BATTERY RETAINER .....	1
25	01101G01		HOLD DOWN BOLT .....	2
26	11027G1		LOCK NUT, 5/16" - 18 .....	6
27	70386G01		HOLD DOWN BOLT .....	4
28	70387G01		BATTERY RETAINER .....	2
29				
30	25971G18		4 GA WIRE (BLK 6").....	4
31	25971G16		4 GA WIRE (BLK 19").....	1



# ELECTRICAL SYSTEM

When ordering parts, please specify the model and serial number of the product.

\* Indicates a component that is not available as an individual part.

\*\*\* Indicates consult Customer Service Department for additional information.

ITEM	PART NO.	1 2 3 4 5	DESCRIPTION	QTY.
32	25971G13		4 GA WIRE (BLK 10 1/2") .....	2
33	00702G2		HEX NUT, 5/16" - 18 .....	16
34	605988		DC TO DC CONVERTER KIT (INCLUDES ITEMS 35 - 40, 100 & 101).....	1
35	632185		DC TO DC CONVERTER (FOR MODELS AFTER 02 OCTOBER 2013) .....	1
36	626315		BRACKET.....	1
37	606018		DC TO DC WIRING HARNESS.....	1
38	632372		PHILIPS PAN HEAD SCREW, #10 - 24 X 1/2" LG (FOR MODELS AFTER 02 OCTOBER 2013) .....	4
39	16816G5		CHRISTMAS TREE RIVET, .187" X 0.55" LG .....	1
40	00715G2		HEX HEAD BOLT, 5/16" - 18 X .80" LG (NOT ILLUSTRATED).....	2
41	18602G1		IGNITION SWITCH .....	1
42	00568G6		LOCK WASHER, 3/4" .....	1
43	17137G1		FACE NUT .....	1
44	17955G1		IGNITION SWITCH (WITHOUT LIGHTS, NON-STANDARD KEY) .....	1
45	18027G1		IGNITION SWITCH (WITHOUT LIGHTS, INDIVIDUALLY KEYED) .....	1
46	33639G01		IGNITION SWITCH (WITH LIGHTS, STANDARD KEY).....	1
47	33639G02		IGNITION SWITCH (WITH LIGHTS, NON-STANDARD KEY) .....	1
48	33639G03		IGNITION SWITCH (WITH LIGHTS, INDIVIDUALLY KEYED).....	1
49	22674G1		FUSE BLOCK .....	1
50	01041G01		RIVET, 5/32" X 3/8" LG .....	2
51	18392G1		FUSE, 15 AMP .....	3
52	619156		WIRE HARNESS (ACCESSORY) .....	1
53	73030G12		CONSOLE INSERT PLATE .....	1
54	74320G01		LABEL, DIRECTION SELECTOR AND STATE OF CHARGE METER .....	1
55	74322G01		LABEL, LIGHTS, DIRECTION SELECTOR & STATE OF CHARGE METER	1
56	624514G02		DIRECTION SELECTOR SWITCH.....	1
57	33636G05		STATE OF CHARGE METER (VERTICAL) .....	1
58	33623G02		RIVET, 3/16" X 3/8" LG .....	2
59	645774		SOC FUSE HARNESS .....	1
60	73334G01		HARNESS (CONTROL).....	1
61	25978G74		18 GA WIRE (RED 6") .....	1

# ELECTRICAL SYSTEM

When ordering parts, please specify the model and serial number of the product.

\* Indicates a component that is not available as an individual part.

\*\*\* Indicates consult Customer Service Department for additional information.

ITEM	PART NO.	1 2 3 4 5	DESCRIPTION	QTY.
62	73290G02		BUZZER .....	1
63	01041G01		RIVET, 5/32" X 3/4" LG.....	2
64	32860G1		HORN .....	1
65				
66	614497		HEADLIGHT W/O TURN SIGNAL (PASSENGER SIDE) .....	1
67	614501		HEADLIGHT W/O TURN SIGNAL (DRIVER SIDE) .....	1
68	659008		LED HEADLIGHT ASSEMBLY (PASSENGER SIDE) (INCLUDES ITEM 73) .	1
69	659009		LED HEADLIGHT ASSEMBLY (DRIVER SIDE) (INCLUDES ITEM 73).....	1
70	71597G01		SELF THREADING NUT, 5 X 10X 15MM.....	8
71	71781G02		VINYL TAPE .....	2
72	654465		JUMPER HARNESS, LED HEADLIGHT .....	2
73	651411G03		LED HEADLIGHT.....	1
74	618257		WIRE HARNESS (ACCESSORY), 48V DC, SWB .....	1
75	618260		JUMPER PLUG, TAIL LIGHT .....	1
76				
77	32739G2		TAIL LIGHT .....	1
78				
79	622712		TURN SIGNAL KIT (INCLUDES ITEMS 80 - 85) .....	1
80	619102		TURN SIGNAL BULB.....	1
81	611810		TURN SIGNAL SWITCH ASSEMBLY .....	1
82	32307G3		FLEX LOOM, 3/8" X 8" LG.....	1
83	17618G1		WIRE TIE .....	2
84	20965G3		STEERING COLUMN COVER .....	1
85	21640G01		FLASHER UNIT .....	1
86	17318G1		HORN SWITCH.....	1
87	17318G2		HORN SWITCH CAP AND NUT .....	2
88	27068G01		HORN SWITCH BOOT.....	1
89	608397		HORN SWITCH LABEL.....	1
90	01041G01		RIVET, 5/32" X 3/4" LG.....	2
91				
92				

# ELECTRICAL SYSTEM

When ordering parts, please specify the model and serial number of the product.

\* Indicates a component that is not available as an individual part.

\*\*\* Indicates consult Customer Service Department for additional information.

ITEM	PART NO.	1 2 3 4 5	DESCRIPTION	QTY.
93	75113G06		HOUR METER KIT (INCLUDES ITEMS 94 - 99).....	1
94	74665G02		HOUR METER .....	1
95	74716G01		HOUR METER BRACKET.....	1
96	74696G01		RETAINER CLIP .....	1
97	14390G10		LOCK NUT, #10 - 24.....	2
98	75117G04		WIRE HARNESS (HOUR METER) .....	1
99	00379G4		PAN HEAD PHILLIPS SCREW,#10 - 24 X 1/2" LG.....	2
100	604884		DC TO DC CONVERTER (FOR MODELS BEFORE 02 OCTOBER 2013) .....	1
101	00379G4		PHILLIPS PAN HEAD SCREW, #10 - 24 X 1/2" LG (FOR MODELS BEFORE 02 OCTOBER 2013) .....	6
102	22288G1		TAIL LIGHT ASSEMBLY COMPLETE.....	2
103	625251		BEZEL, TAILLIGHT (DRIVER SIDE) (FOR VEHICLES MANUFACTURED FROM MARCH 2014).....	1
104	625252		BEZEL, TAILLIGHT (PASSENGER SIDE) (FOR VEHICLES MANUFACTURED FROM MARCH 2014).....	1
105	71364G02		"J" TYPE NUT, #8 (FOR VEHICLES MANUFACTURED FROM MARCH 2014).....	8
106	00513G4		PAN HEAD PHILLIPS SCREW, #8 X 1.5" LG (FOR VEHICLES MANUFACTURED FROM MARCH 2014).....	4
107	22288G1		TAILLIGHT ASSEMBLY (FOR VEHICLES MANUFACTURED FROM MARCH 2014).....	2
108	71425G01		TAPPING SCREW, #8 - 18 X .75" LG (FOR VEHICLES MANUFACTURED FROM MARCH 2014).....	8
109	14601G11		RIVET, 3/16" X 9/16" (FOR VEHICLES MANUFACTURED FROM MARCH 2014).....	2
110	676122		TROJAN HAND PUMP KIT.....	1







# ELECTRONIC SPEED CONTROL

When ordering parts, please specify the model and serial number of the product.

\* Indicates a component that is not available as an individual part.

\*\*\* Indicates consult Customer Service Department for additional information.

ITEM	PART NO.	1 2 3 4 5	DESCRIPTION	QTY.
1	73348G04		ELECTRONIC SPEED CONTROL ASSEMBLY (INCLUDES ITEMS 2 - 19) .....	1
2	73351G01		CONTROLLER MOUNT BRACKET .....	1
3	611173		ELECTRONIC SPEED CONTROLLER.....	1
4	11027G2		LOCK NUT, 1/4" - 20 .....	4
5	621330		SOLENOID .....	1
6	00565G5		LOCK WASHER, #10 .....	2
7	00526G4		LOCK NUT, #10 - 32.....	2
8	00565G8		LOCK WASHER, 5/16" .....	2
9	00544G4		JAM NUT, 5/16" - 24 .....	2
10	11027G2		LOCK NUT, 1/4" - 20 .....	2
11	73446G01		FASTON TAB, 90° .....	4
12	25971G17		4 GA WIRE (BLACK 9").....	1
13	73499G01		INLINE FUSE COVER.....	1
14	15058G1		RIVET (ALUMINUM), 3/16" X 7/16" LG.....	1
15	73523G01		CONTROLLER COVER .....	1
16	16816G1		RATCHET FASTENER, 1/4" X 9/16" LG .....	4
17	608931		RELAY HARNESS, WALKAWAY 48V .....	1
18	16816G2		RIVET, 0.25" X 0.887" .....	1
19	16816G5		RIVET, 0.187" X 0.550" .....	1
20				
21	73296G01		BOLT, 8MM X 16MM LG .....	3
22	00993G01		LOCK WASHER, 5/16" .....	3
23	73346G01		BOLT, 6MM X 1 X 12MM LG.....	2
24	00993-G02		LOCK WASHER, 1/4" .....	2
25	73334G01		CONTROL HARNESS .....	1
26	25971G06		4 GA WIRE (BLK 59 1/2") (SOL - BATTERY +) .....	1
27	74878G01		TOW-MAINTENANCE SWITCH (SHUTTLE 4/6) .....	1
28	73347G03		TOW-MAINTENANCE SWITCH (SHUTTLE 2) .....	1
29	71055G01		RIVET, 5/32" X 3/4" LG .....	2
30	73398G01		DIAGNOSTIC LABEL (FAULT CODE) .....	1

# ELECTRONIC SPEED CONTROL

When ordering parts, please specify the model and serial number of the product.

\* Indicates a component that is not available as an individual part.

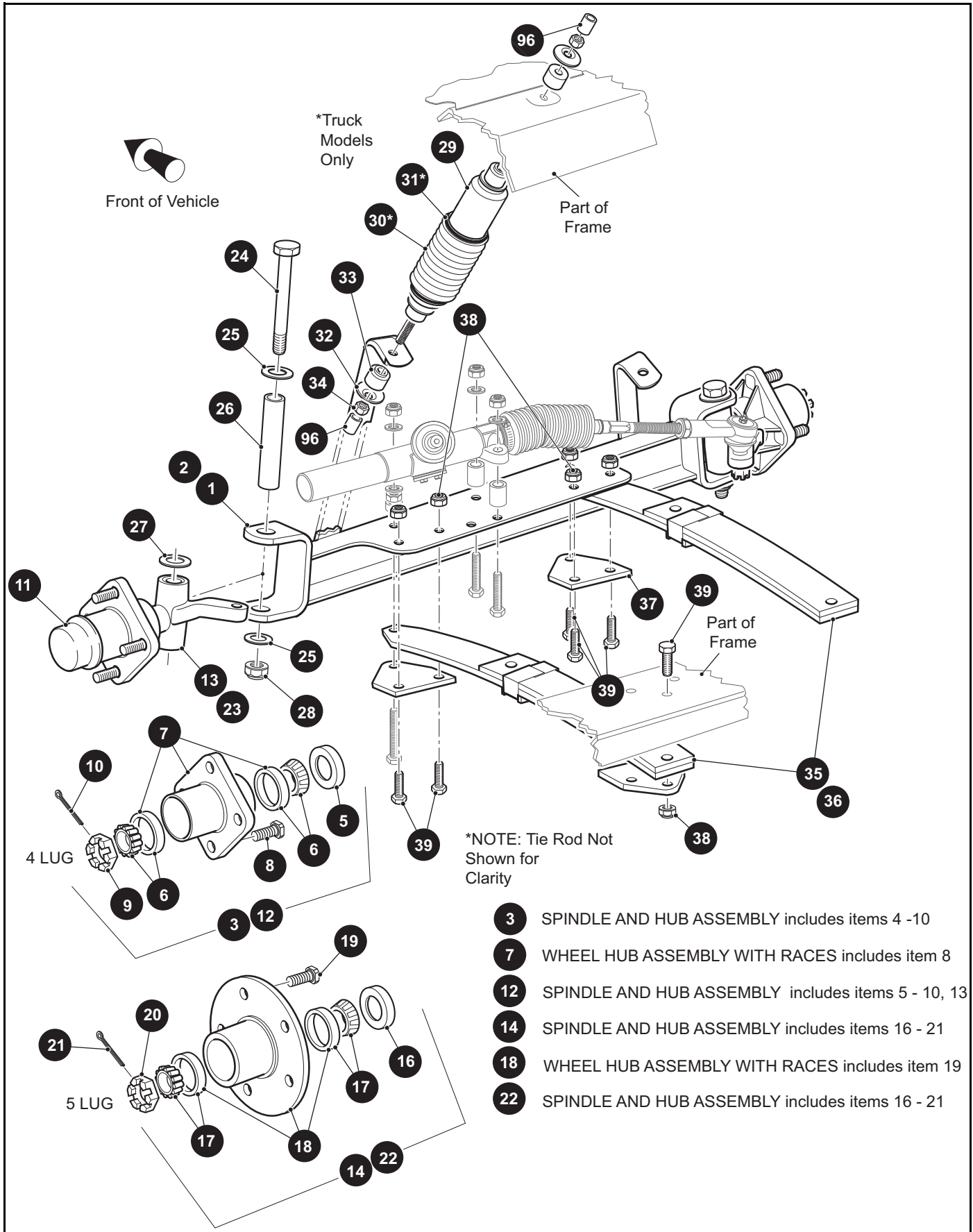
\*\*\* Indicates consult Customer Service Department for additional information.

ITEM	PART NO.	1 2 3 4 5	DESCRIPTION	QTY.
31	73053G01		DOUBLE TUBE CLAMP .....	1
32	11027G2		LOCK NUT, 1/4 - 20.....	4

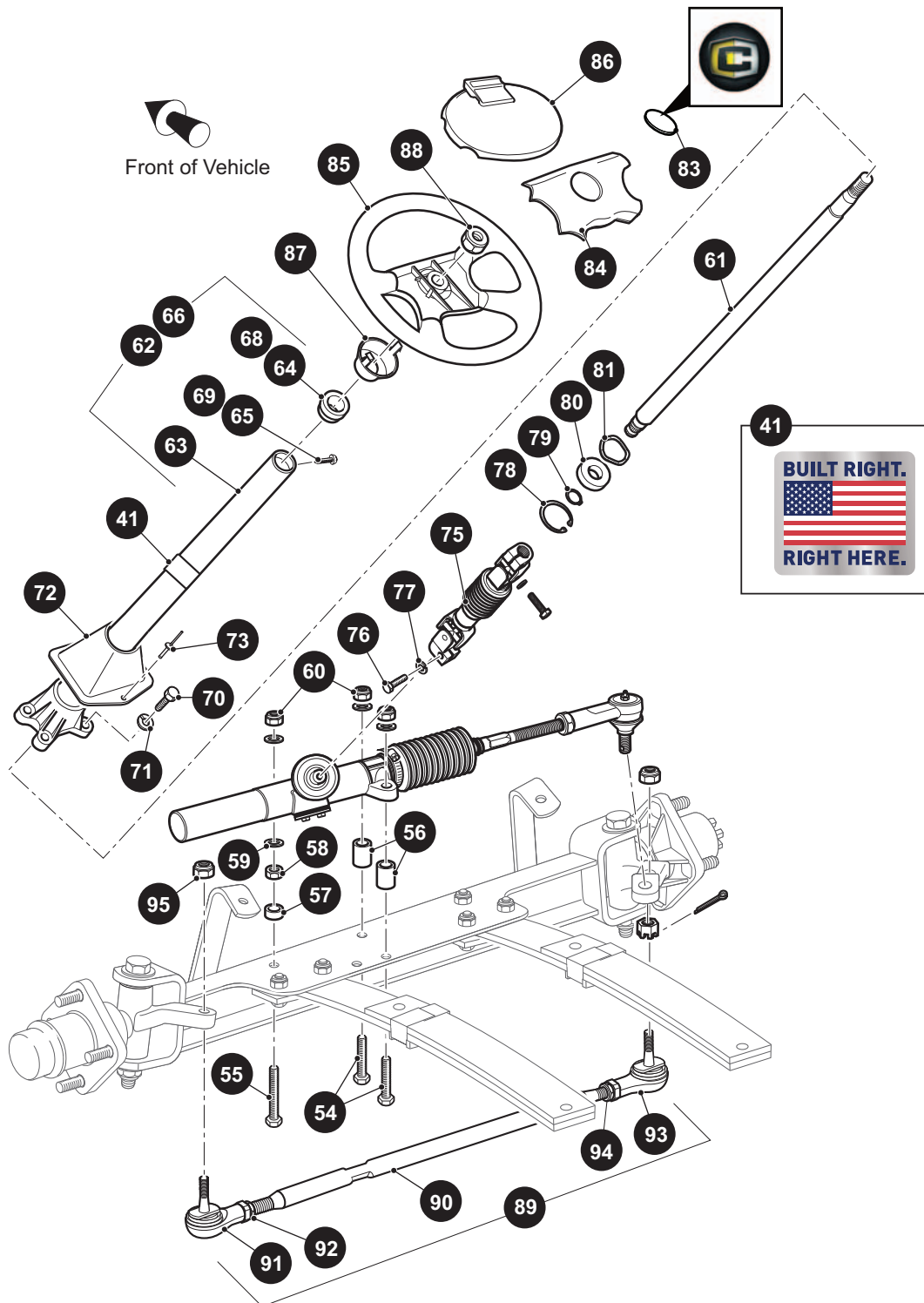




# FRONT SUSPENSION / STEERING



# FRONT SUSPENSION / STEERING



- 62 STEERING COLUMN KIT includes items 63 - 65
- 66 STEERING COLUMN KIT includes items 67 - 69
- 74 STEERING COLUMN KIT includes items 61, 63 - 65, 75 - 81
- 89 TIE ROD ASSEMBLY includes items 90 - 94

# FRONT SUSPENSION / STEERING

When ordering parts, please specify the model and serial number of the product.

\* Indicates a component that is not available as an individual part.

\*\*\* Indicates consult Customer Service Department for additional information.

ITEM	PART NO.	1 2 3 4 5	DESCRIPTION	QTY.
1	652822		FRONT AXLE .....	1
2	602327		FRONT AXLE WITH FRONT DISC BRAKES.....	1
3	70942G03		SPINDLE AND HUB ASSEMBLY, 4 LUG (PASSENGER SIDE) (INCLUDES ITEMS 4 - 10).....	1
4	70942G04		SPINDLE ASSEMBLY (PASSENGER SIDE).....	1
5	25146G1		GREASE SEAL.....	1
6	50892G1		ROLLER BEARING AND RACE ASSEMBLY .....	2
7	70589G01		WHEEL HUB ASSEMBLY WITH RACES, 4 LUG (INCLUDES ITEM 8)...	1
8	19862G1		LUG BOLT, 1/2 - 20 X 1 3/16" LG.....	4
9	12093G1		CASTELLATED NUT, 1" - 14 .....	1
10	00798G8		COTTER PIN, 5/32" X 1 3/4" LG.....	1
11	12091G2		SPINDLE CAP .....	2
12	70673G03		SPINDLE AND HUB ASSEMBLY, 4 LUG (DRIVER SIDE) (INCLUDES ITEMS 5 - 10, 13).....	1
13	70673G04		SPINDLE ASSEMBLY (DRIVER SIDE) .....	1
14	602288		SPINDLE AND HUB ASSEMBLY WITH FRONT DISC BRAKES (PASSENGER SIDE)(INCLUDES ITEMS 16 - 21).....	1
15				
16	12092G1		GREASE SEAL.....	1
17	50892G1		ROLLER BEARING AND RACE ASSEMBLY .....	2
18	74673G01		WHEEL HUB ASSEMBLY WITH RACES, (INCLUDES ITEM 19) .....	1
19	30143G1		LUG BOLT, 1/2" - 20 X 1 7/32" LG.....	5
20	12093G1		CASTELLATED NUT, 1" - 14 .....	1
21	00798G8		COTTER PIN, 5/32" X 1 3/4" LG.....	1
22	602281		SPINDLE AND HUB ASSEMBLY, WITH FRONT DISC BRAKES (DRIVER SIDE)(INCLUDES ITEMS 15 - 20) .....	1
23				
24	00407G6		HEX HEAD BOLT, 1/2" - 13 X 6" LG.....	2
25	00560G3		FLAT WASHER, 1/2" .....	4
26	70745G01		KING PIN TUBE .....	2
27	70754G01		THRUST WASHER (SS), 1" .....	2
28	14390G6		LOCK NUT, 1/2" - 13 .....	2
29	76419G01		SHOCK ABSORBER.....	2

# FRONT SUSPENSION / STEERING

When ordering parts, please specify the model and serial number of the product.

\* Indicates a component that is not available as an individual part.

\*\*\* Indicates consult Customer Service Department for additional information.

ITEM	PART NO.	1 2 3 4 5	DESCRIPTION	QTY.
30	70509G01		SHOCK ABSORBER BOOT .....	2
31	31539G1		WIRE TIE .....	4
32	10435G1		SHOCK ABSORBER WASHER.....	8
33	10194G1		RUBBER BUSHING.....	8
34	00532G6		HEX NUT, 3/8" - 24 .....	4
35				
36	70664G03		LEAF SPRING (HEAVY DUTY) (SEE PART NUMBER ON SPRING).....	2
37	652258		SPRING PLATE .....	4
38	00734G1		LOCK NUT, 7/16" - 14.....	11
39	00463G11		HEX HEAD BOLT, 7/16" - 14 X 1 3/4" LG .....	11
40				
41	685698		DECAL, MADE IN USA.....	1
42				
43				
44				
45				
46				
47				
48				
49				
50				
51				
52				
53				
54	00464G8		HEX HEAD BOLT, 7/16" - 14 X 2 3/4" LG .....	2
55	01068G01		HEX HEAD BOLT, 7/16" - 14 X 3 1/2" LG .....	1
56	70667G02		SPACER, 1.21" LG .....	2
57	70667G04		SPACER (SHORT), 0.69" LG.....	1
58	00532G7		HEX NUT, 7/16" - 14 .....	1
59	00560G2		FLAT WASHER, 7/16".....	7
60	00734G1		LOCK NUT, 7/16" - 14.....	3

# FRONT SUSPENSION / STEERING

When ordering parts, please specify the model and serial number of the product.

\* Indicates a component that is not available as an individual part.

\*\*\* Indicates consult Customer Service Department for additional information.

ITEM	PART NO.	1	2	3	4	5	DESCRIPTION	QTY.
61	70607G01						STEERING SHAFT .....	1
62	70758G06						STEERING COLUMN KIT (INCLUDES ITEMS 63 - 65) .....	1
63	70610G03						STEERING COLUMN .....	1
64	28569G01						STEERING COLUMN BUSHING .....	1
65	01022G01						HEX WASHER HEAD SCREW, #6 - 20 X 5/16" LG .....	1
66	70758G08						STEERING COLUMN KIT (HORN) (INCLUDES ITEMS 67 - 69) .....	1
67	70610G04						STEERING COLUMN .....	1
68	28569G01						STEERING COLUMN BUSHING .....	1
69	01022G01						HEX WASHER HEAD SCREW, #6 - 20 X 5/16" LG .....	1
70	01006G01						HEX WASHER HEAD BOLT, 3/8" - 16 X 1 1/4" LG .....	4
71	00879G1						LOCK WASHER, 3/8" .....	4
72	70997G01						COVER .....	1
73	71055G01						RIVET, 3/16" X 1" LG (ALUMINUM) .....	1
74	70758G05						STEERING COLUMN KIT (INCLUDES ITEMS 61, 63 - 65, 75 - 81) .....	1
75	70580G01						INTERMEDIATE SHAFT (INCLUDES ITEMS 75, 76) .....	1
76	01055G01						HEX HEAD BOLT, M8 X 1.25 - 6G .....	1
77	00565G8						LOCK WASHER, 5/16" .....	1
78	70751G01						RETAINING RING (INTERNAL) .....	1
79	70888G01						RETAINING RING (EXTERNAL) .....	1
80	15112G1						BALL BEARING .....	1
81	70887G01						WAVE WASHER .....	1
82								
83	618086						CUSHMAN STEERING WHEEL DECAL .....	1
84	71147G01						STEERING WHEEL COVER .....	1
85	602979						STEERING WHEEL .....	1
86	607925						CLIPBOARD .....	1
87	71949G01						HUB COVER .....	1
88	14390G2						LOCK NUT, 5/8" - 18 .....	1
89	70876G02						TIE ROD ASSEMBLY (INCLUDES ITEMS 90 - 94) .....	1
90	70897G02						THREADED ROD (24" LG) .....	1
91	70902G01						TIE ROD END (LEFT HAND THREADS) .....	1

# FRONT SUSPENSION / STEERING

When ordering parts, please specify the model and serial number of the product.

\* Indicates a component that is not available as an individual part.

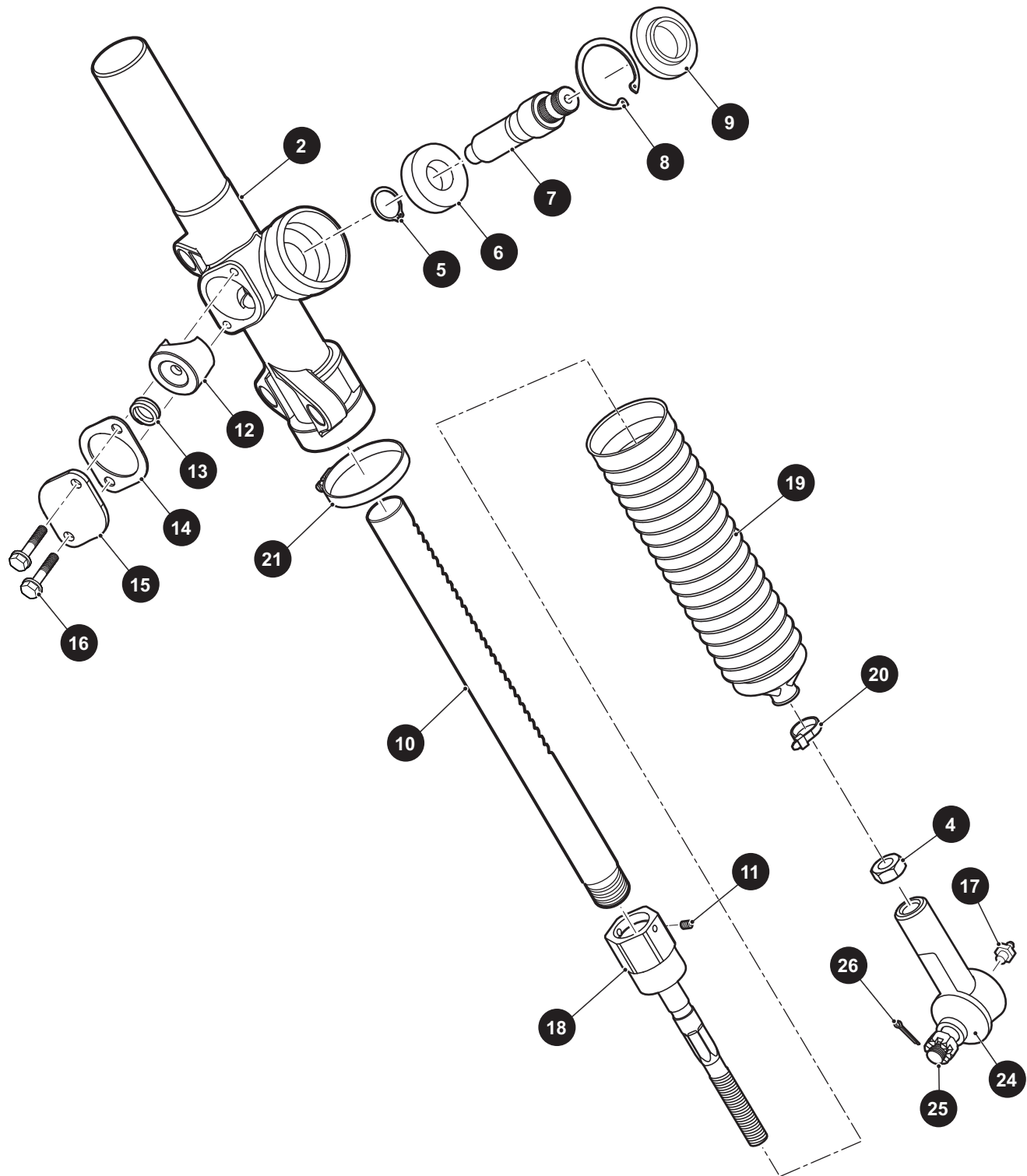
\*\*\* Indicates consult Customer Service Department for additional information.

ITEM	PART NO.	1 2 3 4 5	DESCRIPTION	QTY.
92	01069G01		JAM NUT, M12 X 1.25 - 05 (LEFT HAND THREADS) .....	1
93	70902G02		TIE ROD END (RIGHT HAND THREADS).....	1
94	01069G02		JAM NUT, M12 X 1.25 - 05 (RIGHT HAND THREADS).....	1
95	00734G1		LOCK NUT, 7/16" - 14.....	2
96	10044G01		VINYL CAP.....	4

# FRONT SUSPENSION / STEERING

**1** RACK AND PINION UNIT includes items 2 - 23

**23** RACK BALL JOINT includes items 24 - 25





# FRONT SUSPENSION / STEERING

When ordering parts, please specify the model and serial number of the product.

\* Indicates a component that is not available as an individual part.

\*\*\* Indicates consult Customer Service Department for additional information.

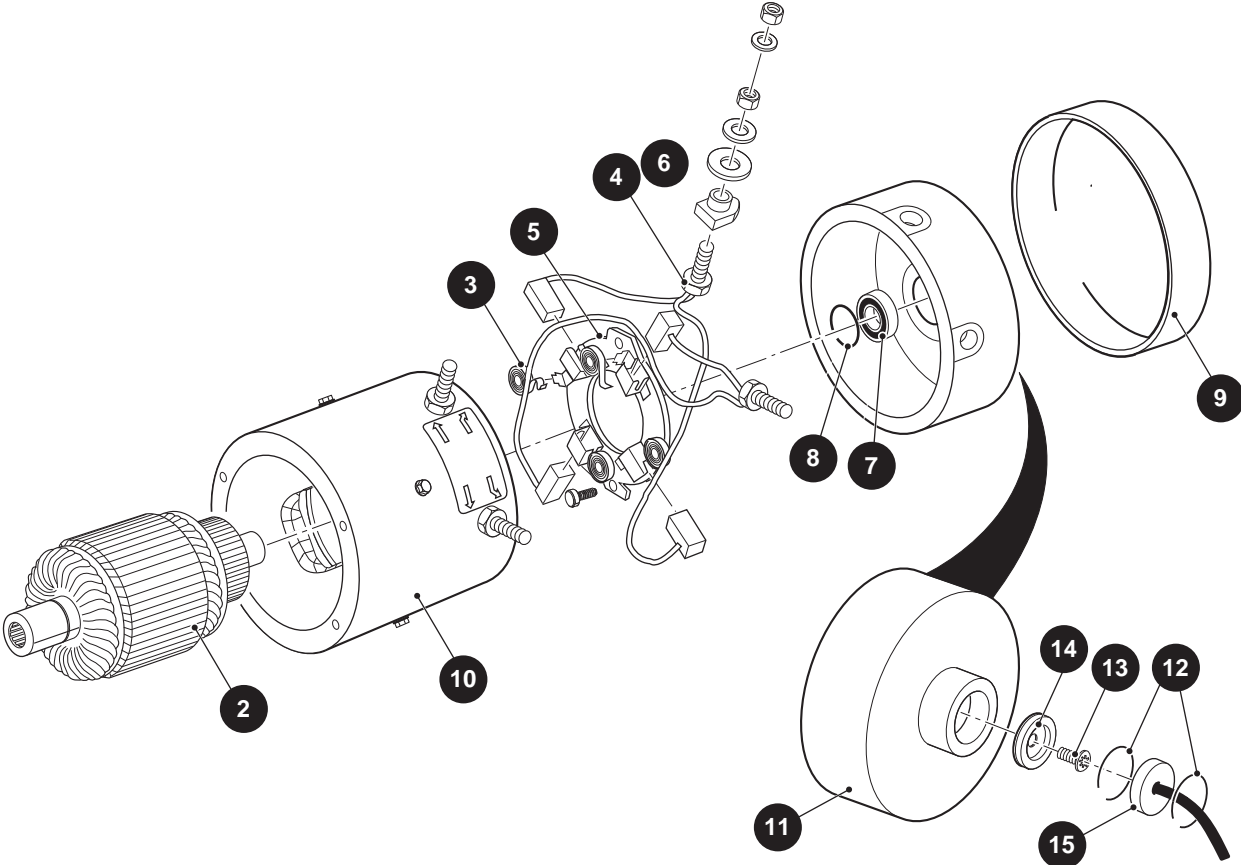
ITEM	PART NO.	1 2 3 4 5	DESCRIPTION	QTY.
1	70964G01		RACK AND PINION UNIT (INCLUDES ITEMS 2 - 23) .....	1
2	70965G01		STEERING RACK COVER & BEARING .....	1
3				
4	*		JAM NUT, 1/2" - 20 .....	1
5	70750G01		RETAINING RING (EXTERNAL) .....	1
6	15112G1		BALL BEARING .....	1
7	70603G01		PINION .....	1
8	70751G01		RETAINING RING (INTERNAL) .....	1
9	70638G01		SEAL (PINION) .....	1
10	70604G01		STEERING RACK .....	1
11	*		SET SCREW, #10 - 32 X .25" LG .....	1
12	70590G01		RACK LOADER .....	1
13	70666G01		COMPRESSION SPRING .....	1
14	70645G01		GASKET (RACK LOADER COVER) .....	1
15	652259		COVER (RACK LOADER) .....	1
16	71102G01		HEX WASHER HEAD BOLT, 1/4" - 20 X 11/16" LG .....	2
17	10389G3		GREASE FITTING (STRAIGHT) .....	1
18	74694G01		ROD END (INNER) .....	1
19	70961G01		RACK BOOT .....	1
20	12416G2		NYLON CLAMP, 10" .....	1
21	11391G8		HOSE CLAMP, 1.81" .....	1
22				
23	70695G01		TIE ROD END (OUTER) (INCLUDES ITEMS 24 - 25) .....	1
24	50641G1		GROMMET .....	1
25	50209G2		HEX SLOTTED NUT, 7/16" - 20 .....	1
26	10387G2		COTTER PIN, 3/32" X 1" .....	1





# MOTOR

1 MOTOR Includes Items 2 - 12



When ordering parts, please specify the model and serial number of the product.

\* Indicates a component that is not available as an individual part.

\*\*\* Indicates consult Customer Service Department for additional information.

ITEM	PART NO.	1 2 3 4 5	DESCRIPTION	QTY.
1	73291G04		MOTOR (SEPARATELY EXCITED) (INCLUDES ITEMS 2-12) .....	1
2	73120G36		ARMATURE .....	1
3	73120G38		BRUSH SPRING .....	8
4	73120G39		BRUSH .....	8
5	73120G40		BRUSH BOX .....	1
6	73120G41		BRUSH REPLACEMENT KIT (INCLUDES HARDWARE) .....	1
7	73120G07		BEARING .....	1
8	73120G06		SNAP RING .....	1
9	73120G43		HEADBAND .....	1
10	73120G37		FRAME AND FIELD COIL (INCLUDES HARDWARE) .....	1
11	73120G42		COVER COMMUTATOR END .....	1
12	73277G01		RETAINING RING .....	1
13	01037G02		SCREW, #10 - 32 X 1/2" LG .....	1
14	73328G01		MAGNET .....	2
15	73327G02		SPEED SENSOR .....	1

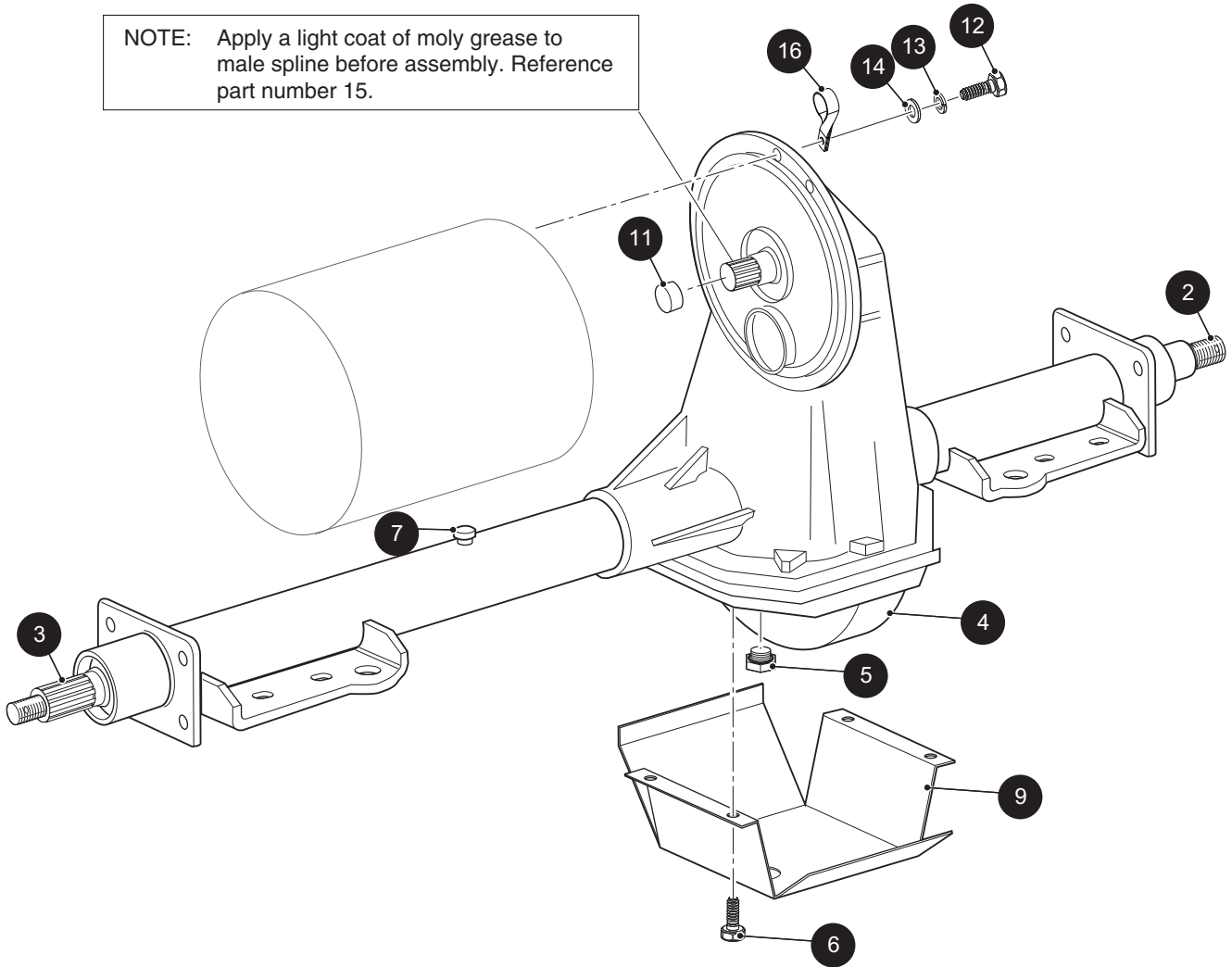




# REAR AXLE

**1** REAR AXLE ASSEMBLY Includes Items 2 - 7

NOTE: Apply a light coat of moly grease to male spline before assembly. Reference part number 15.





# REAR AXLE

When ordering parts, please specify the model and serial number of the product.

\* Indicates a component that is not available as an individual part.

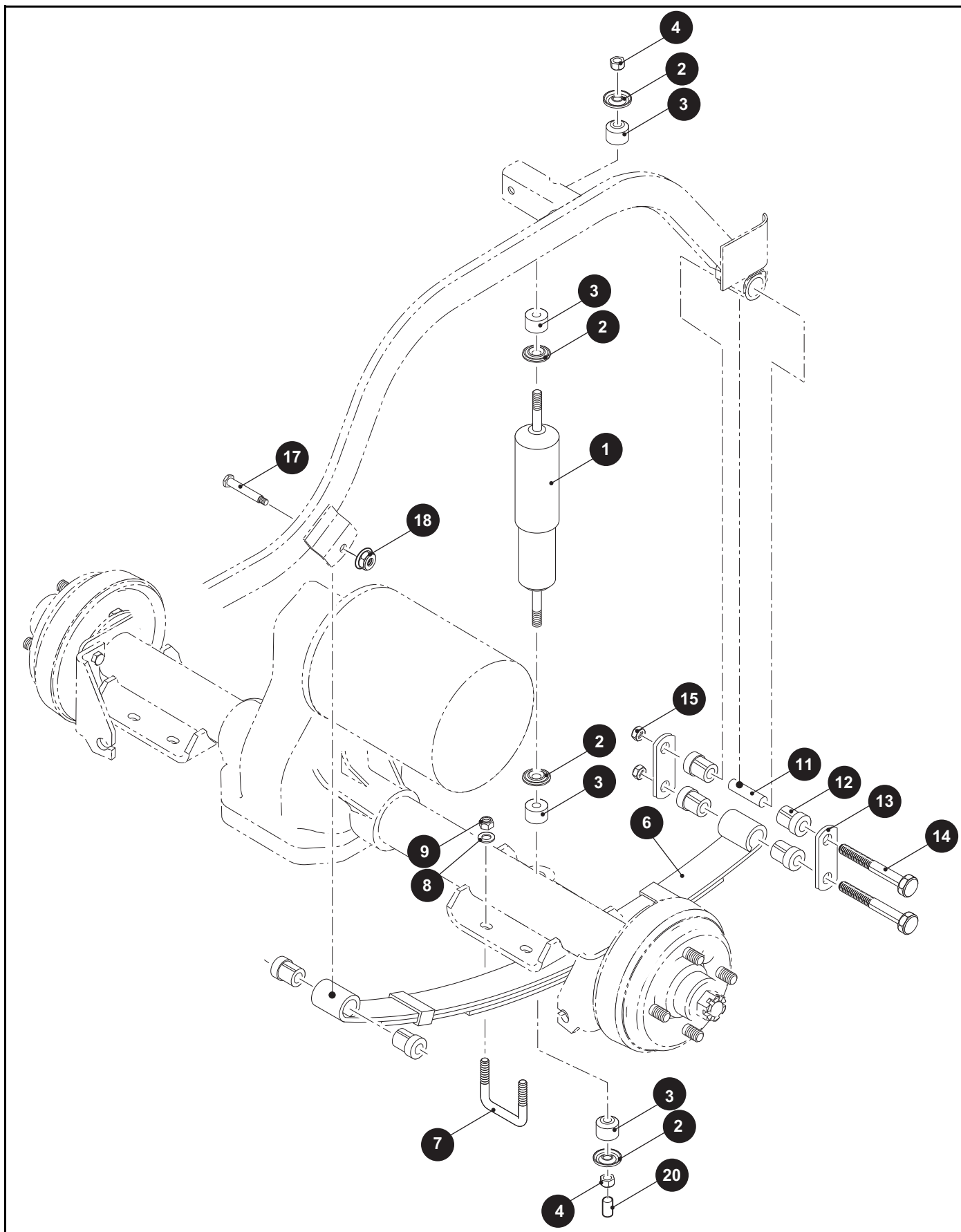
\*\*\* Indicates consult Customer Service Department for additional information.

ITEM	PART NO.	1 2 3 4 5	DESCRIPTION	QTY.
1	74612G01		REAR AXLE ASSEMBLY 14.76:1 (INCLUDES ITEMS 2 - 7) .....	1
2	617609		AXLE SHAFT (PASSENGER SIDE).....	1
3	617608		AXLE SHAFT (DRIVER SIDE) .....	1
4	*		DIFFERENTIAL COVER .....	1
5	601081		FILL PLUG WITH 'O' RING .....	1
6	15558G1		BOLT, 5/16 - 18 X 3/4" LG .....	10
7	73050G01		VENT .....	1
8				
9	72763-G02		SCUFF GUARD .....	1
10				
11	24261G1		SPLINE BUMPER .....	1
12	00797G2		BOLT, 1/4 - 20 X 1 1/4" LG.....	3
13	00664G7		LOCK WASHER, 1/4" (STAINLESS STEEL) .....	3
14	01110G01		WASHER, 1/4" (STAINLESS STEEL).....	3
15	12719G1		ANTI-SIEZE .....	AR
16	27327G02		TWISTED CLIP, 1.187" O.D X 1.125" I.D .....	1





# REAR SUSPENSION



# REAR SUSPENSION

When ordering parts, please specify the model and serial number of the product.

\* Indicates a component that is not available as an individual part.

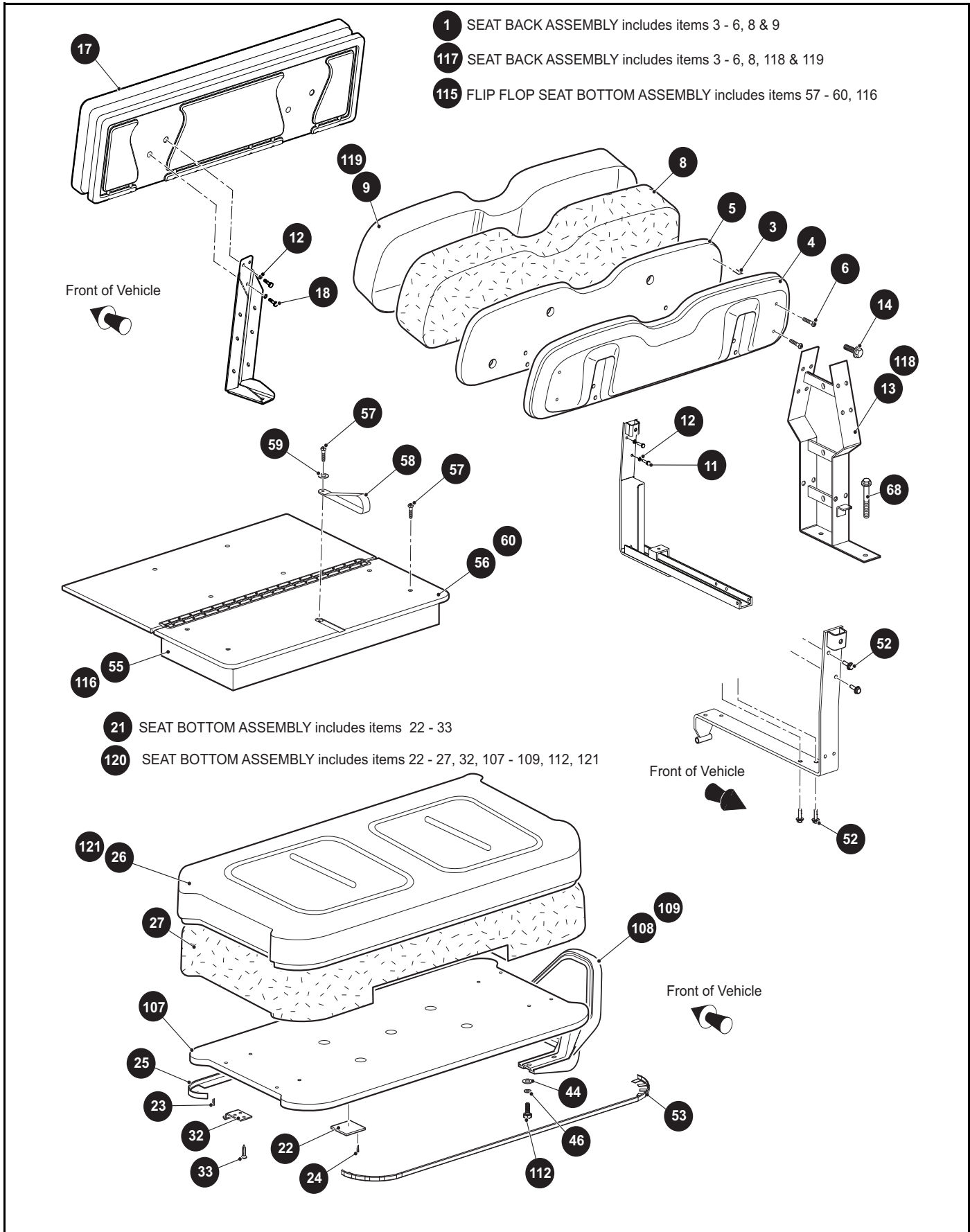
\*\*\* Indicates consult Customer Service Department for additional information.

ITEM	PART NO.	1 2 3 4 5	DESCRIPTION	QTY.
1	76418G01		SHOCK ABSORBER.....	2
2	10435G1		SHOCK ABSORBER WASHER.....	8
3	10194G1		RUBBER SHOCK ABSORBER BUSHING.....	8
4	00532G6		HEX NUT, 3/8" - 24.....	4
5				
6	74207G03		LEAF SPRING (HEAVY DUTY).....	2
7	72618G01		"U" BOLT, 3/8" - 16 X 2" X 2 1/2" LG.....	4
8	00560G1		FLAT WASHER, 3/8".....	8
9	11098G5		LOCK NUT, 3/8" - 16.....	8
10				
11	70289G02		SPLIT STEEL SPACER.....	4
12	624030		FLANGED BUSHING.....	12
13	652245		SHACKLE PLATE.....	4
14	00665G9		HEX HEAD BOLT, 3/8" - 16 X 3 1/2" LG (STAINLESS STEEL).....	4
15	11098G5		LOCK NUT, 3/8" - 16.....	4
16				
17	14158G1		SHOULDER BOLT, 3/8" - 16 X 3 1/4" LG.....	2
18	12262G1		LOCK NUT, 3/8" - 16.....	2
19				
20	10044G01		VINYL CAP.....	2





# SEATING

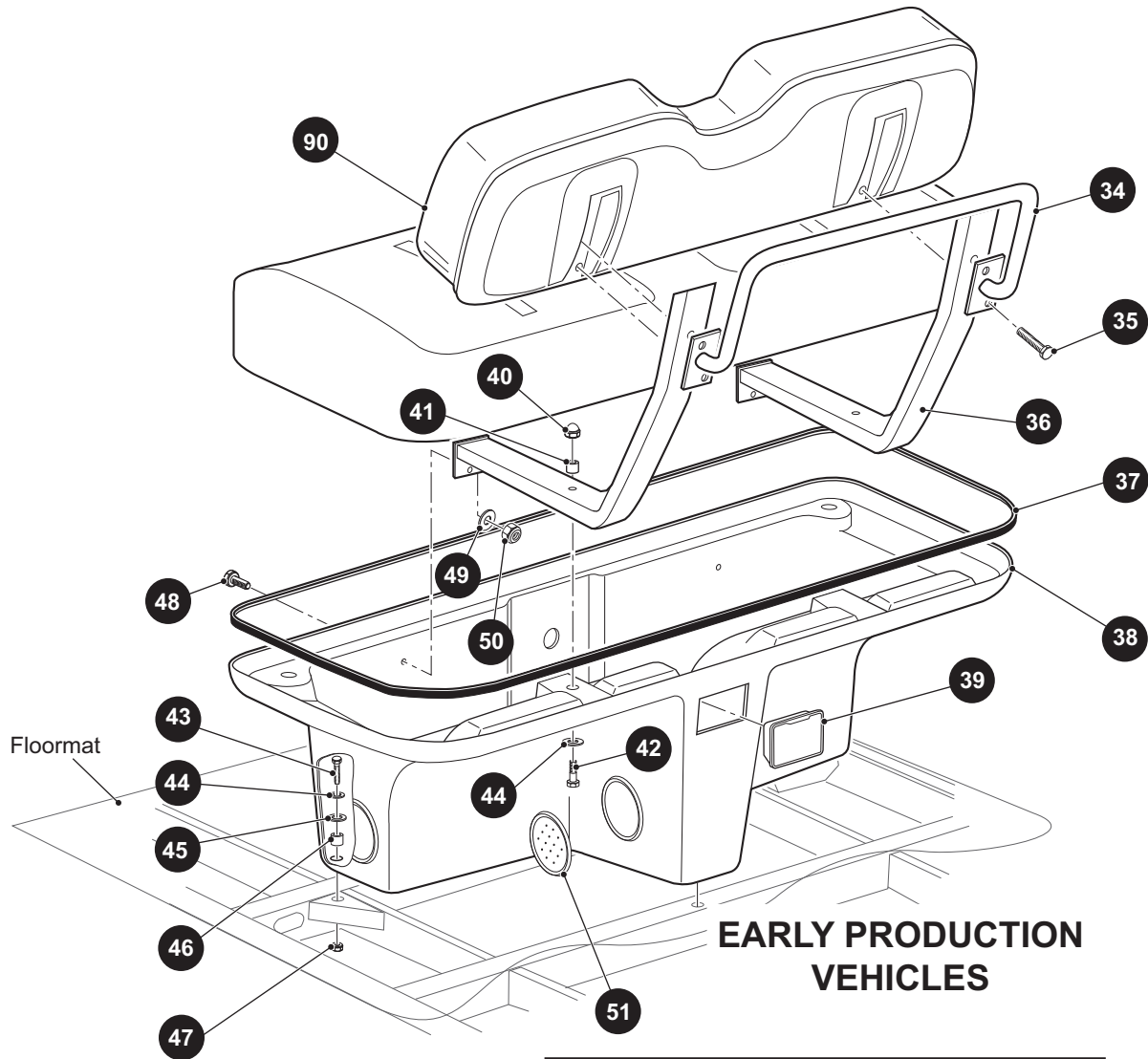




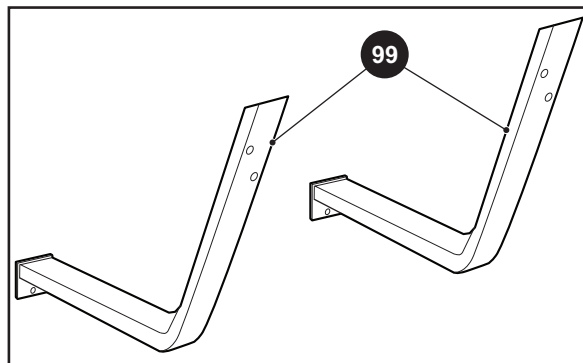


# SEATING

SHUTTLE 4 and 6



Front of Vehicle



When ordering parts, please specify the model and serial number of the product.

\* Indicates a component that is not available as an individual part.

\*\*\* Indicates consult Customer Service Department for additional information.

ITEM	PART NO.	1 2 3 4 5	DESCRIPTION	QTY.
1	***		SEAT BACK ASSEMBLY (INCLUDES ITEMS 3 - 6, 8 & 9) ..... 71751G01 WHITE 71751G02 GRAY 71751G03 OYSTER 71751G04 TAN 71751G06 BROWN 71751G07 BLACK 606828 RED/BLACK 604908 WHITE/BLUE 604907 WHITE/RED	1
2				
3	*		FLAT STAPLE.....	95
4	71752G01		PLASTIC SEAT BACK COVER.....	1
5	645021		SEAT BACK BASE .....	1
6	01107G01		PAN HEAD TORX SCREW, #8 X 5/8" LG .....	4
7	607535		PAN HEAD TORX SCREW, #8 X .88" LG .....	4
8	71754G01		FOAM PADDING (SEAT BACK).....	1
9	***		VINYL SEAT BACK COVER..... 71753G01 WHITE 71753G02 GRAY 71753G03 OYSTER 71753G04 TAN 71513G06 BROWN 71513G07 BLACK 604912G0304 RED/BLACK 604916G0102 WHITE/BLUE 604916G0103 WHITE/RED 604916G0304 RED/BLACK	1
10				
11	00661G8		HEX HEAD BOLT, 1/4" - 20 X 1/2" LG .....	4
12	00664G7		LOCK WASHER, .255" X .263".....	4

# SEATING

When ordering parts, please specify the model and serial number of the product.

\* Indicates a component that is not available as an individual part.

\*\*\* Indicates consult Customer Service Department for additional information.

ITEM	PART NO.	1 2 3 4 5	DESCRIPTION	QTY.
13	615730		SEAT BACK SUPPORT .....	1
14	71204G01		MACHINE SCREW WITH PATCH LOCK, 1/4" - 20 X 7/8" LG .....	8
15				
16				
17	***		SEAT BACK ASSEMBLY .....	1
			71274G03 TAN	
			71274G04 GRAY	
			71274G05 OYSTER	
			71274G06 SPECIAL	
18	605056		HEX HEAD BOLT, 1/4" - 20 X 1" LG.....	4
19				
20				
21	***		SEAT BOTTOM ASSEMBLY (INCLUDES ITEMS 22 - 33, 107-109, 112).....	1
			629269G0105 WHITE	
			629269G0104 GRAY	
			629269G0101 OYSTER	
			629269G0103 TAN	
			629269G0108 SPECIAL	
			629269G0107 BROWN	
			629269G0106 BLACK	
			629269G0110 RED ON BLACK	
			629269G0111 WHITE WITH RED	
			629269G0109 WHITE WITH BLUE	
22	17074G1		RUBBER PAD .....	2
23	*		FLAT STAPLE .....	110
24	*		FLAT STAPLE .....	36
25	71012G01		VINYL TRIM (SEAT BOTTOM) .....	1
26	***		VINYL SEAT BOTTOM COVER.....	1
			71602G01 WHITE	
			71602G02 GRAY	
			71602G03 OYSTER	

When ordering parts, please specify the model and serial number of the product.

\* Indicates a component that is not available as an individual part.

\*\*\* Indicates consult Customer Service Department for additional information.

ITEM	PART NO.	1 2 3 4 5	DESCRIPTION	QTY.
			71602G04 TAN	
			71602G05 SPECIAL	
			71602G06 BLACK	
			71602G07 BROWN	
			604912G0103 WHITE ON RED	
			604912G0102 WHITE/BLUE	
			604912G0304 RED/BLACK	
27	71603G02		FOAM PADDING (SEAT BOTTOM) .....	1
28				
29				
30				
31				
32	71610G01		SEAT HINGE .....	2
33	00720G08		FLAT HEAD PHILLIPS SCREW, #12 -14 X 1" LG.....	6
34	71632G01		HAND GRIP WELDMENT.....	1
35	71204G02		MACHINE SCREW WITH PATCH LOCK, 1/4" - 20 X 2" LG.....	4
36	626576		SEAT BACK SUPPORT WELDMENT .....	2
37	32805G6		TRIM (BLACK) .....	1
38	70836G0**		SEAT POD .....	1
39	27731G01		ASHTRAY .....	1
40	15717G5		ACORN NUT, 3/8" - 16.....	2
41	23726G4		SPACER, 5/16" .....	2
42	00427G8		HEX HEAD BOLT, 3/8" - 16 X 2" LG .....	2
43	00439G8		HEX HEAD BOLT, 5/16" - 18 X 2" LG .....	3
44	00675G1		FLAT WASHER (SS), 3/8".....	5
45	71883G01		RUBBER WASHER, 5/8" .....	3
46	23726G9		SPACER, 3/4" .....	3
47	11098G6		LOCK NUT (SS), 5/16" - 18 .....	3
48	00976G06		TRUSS HEAD PHILLIPS SCREW (SS), 5/16" - 18 X 3/4" LG.....	2
49	01110G01		FLAT WASHER (SS), 1/4".....	2
50	11098G6		LOCK NUT (SS), 1/4" - 20 .....	2

# SEATING

When ordering parts, please specify the model and serial number of the product.

\* Indicates a component that is not available as an individual part.

\*\*\* Indicates consult Customer Service Department for additional information.

ITEM	PART NO.	1	2	3	4	5	DESCRIPTION	QTY.
51	71599G01						VENT PLUG .....	4
52	71204G01						MACHINE SCREW WITH PATCH LOCK, 1/4" - 20 X 7/8" LG .....	12
53	74140G01						VINYL TRIM FRONT .....	1
54								
55	***						FLIP FLOP SEAT BOTTOM .....	1
							617902 GRAY	
							617903 TAN	
							617905 BROWN	
							617907 WHITE/RED	
							617906 WHITE/BLUE	
							617908 RED/BLACK	
							617911 BLACK	
56	617137						DECK BOARD ASSEMBLY .....	1
57	16705G1						TRUSS HEAD PHILLIPS SCREW (SS), 1/4" - 20 X 1" LG.....	5
58	617402						SEAT STRAP .....	1
59	00559G7						FLAT WASHER, 1/4".....	1
60	634190						DECK BOARD ASSEMBLY (FOR VEHICLES MANUFACTURED FROM MARCH 2014).....	1
61	634180						SEAT FRAME WELDMENT (FOR VEHICLES MANUFACTURED FROM MARCH 2014).....	1
62	615712						SEAT FRAME WELDMENT .....	1
63	615714						FOOTREST WELDMENT.....	1
64	615729						ARMREST, REAR SEAT .....	2
65	615713						SEAT FRAME SUPPORT.....	2
66	615728						FOOTREST BRACKET (PASSENGER SIDE) .....	1
67	615727						FOOTREST BRACKET (DRIVER SIDE).....	1
68	01006G01						HEX HEAD BOLT, 3/8" - 16 X 1 1/4" LG.....	4
69	00427G4						HEX HEAD BOLT, 3/8" - 16 X 1 1/2" LG.....	16
70	00429G2						HEX HEAD BOLT, 3/8" - 16 X 3 1/4" LG.....	2
71	16705G9						TRUSS HEAD PHILLIPS SCREW (SS), 1/4" - 20 X 1 1/4" LG .....	4
72	614221						FLAT WASHER, 3/8" .....	24
73	01110G01						FLAT WASHER, 1/4" .....	4

When ordering parts, please specify the model and serial number of the product.

\* Indicates a component that is not available as an individual part.

\*\*\* Indicates consult Customer Service Department for additional information.

ITEM	PART NO.	1 2 3 4 5	DESCRIPTION	QTY.
74	11098G5		LOCK NUT, 3/8" - 16.....	10
75	11027G5		LOCK NUT, 3/8" - 16.....	4
76	14390G4		LOCK NUT, 1/4" - 20.....	4
77	19853G1		SQUARE CAP TUBE, 1".....	2
78	00427G2		HEX HEAD BOLT, 3/8" - 49 X 1.25" LG (FOR VEHICLES MANUFACTURED FROM MARCH 2014).....	4
79				
80	617901		HANDRAIL KIT, FLIP FLOP SEAT (INCLUDES ITEMS 81 - 86).....	1
81	615721		FOOTREST HANDLE WELDMENT.....	1
82	19859G1		SQUARE CAP TUBE, 3/4".....	2
83	610631		DECAL.....	1
84	00427G8		HEX HEAD BOLT, 3/8" - 16 X 2" LG.....	4
85	614221		FLAT WASHER, 3/8".....	8
86	11098G5		LOCK NUT, 3/8" - 16.....	4
87	634184		HANDRAIL KIT, FLIP FLOP SEAT (INCLUDES ITEMS 82 - 86 & 88) (FOR VEHICLES MANUFACTURED FROM MARCH 2014).....	1
88	631485		FOOTREST HANDLE WELDMENT.....	1
89				
90	71751G**		SEAT BACK ASSEMBLY.....	1
91				
92				
93				
94				
95				
96				
97				
98				
99	71868G01		SEAT BACK SUPPORT WELDMENT.....	2
100				
101				
102				
103				

# SEATING

When ordering parts, please specify the model and serial number of the product.

\* Indicates a component that is not available as an individual part.

\*\*\* Indicates consult Customer Service Department for additional information.

ITEM	PART NO.	1	2	3	4	5	DESCRIPTION	QTY.
104								
105	15717-G5						ACORN NUT, 3/8" - 16 .....	2
106	23726-G4						SPACER, 5/16" .....	2
107	645492						SEAT BOTTOM.....	1
108	617644						HIP RESTRAINT (DRIVER SIDE) .....	1
109	617645						HIP RESTRAINT (PASSENGER SIDE).....	1
110								
111								
112	615417						BUTTON HEAD TORX BOLT, M10 - 1.5 X 25MM LG.....	8
113	634175						REAR SEAT ARM REST (FOR VEHICLES MANUFACTURED FROM MARCH 2014) .....	2
114	634179						FOOTREST WELDMENT (FOR VEHICLES MANUFACTURED FROM MARCH 2014) .....	1
115	***						FLIP FLOP SEAT BOTTOM ASSEMBLY (FOR VEHICLES MANUFACTURED FROM MARCH 2014) (INCLUDES ITEMS 57 - 60, 116) .....	1
							628058G01 OYSTER 628058G03 TAN 628058G04 GRAY 628058G06 BLACK 628058G07 BROWN 628058G09 WHITE/BLUE 628058G10 RED/BLACK 628058G11 WHITE/RED 628058G12 WHITE/BLACK 628058G13 WHITE/YELLOW 628058G14 GRAY/BLACK 628058G15 OYSTER/GARNET	
116	***						FLIP FLOP VINYL SEAT BOTTOM COVER..... 617892 GRAY 617893 BROWN 615646 OYSTER 615647 TAN 611125 WHITE/BLUE 611126 WHITE/RED 615648 BLACK 611127 WHITE/YELLOW 611137 GRAY/BLACK 611130 WHITE/BLACK 611135 RED/BLACK 611136 OYSTER/RUBY	1



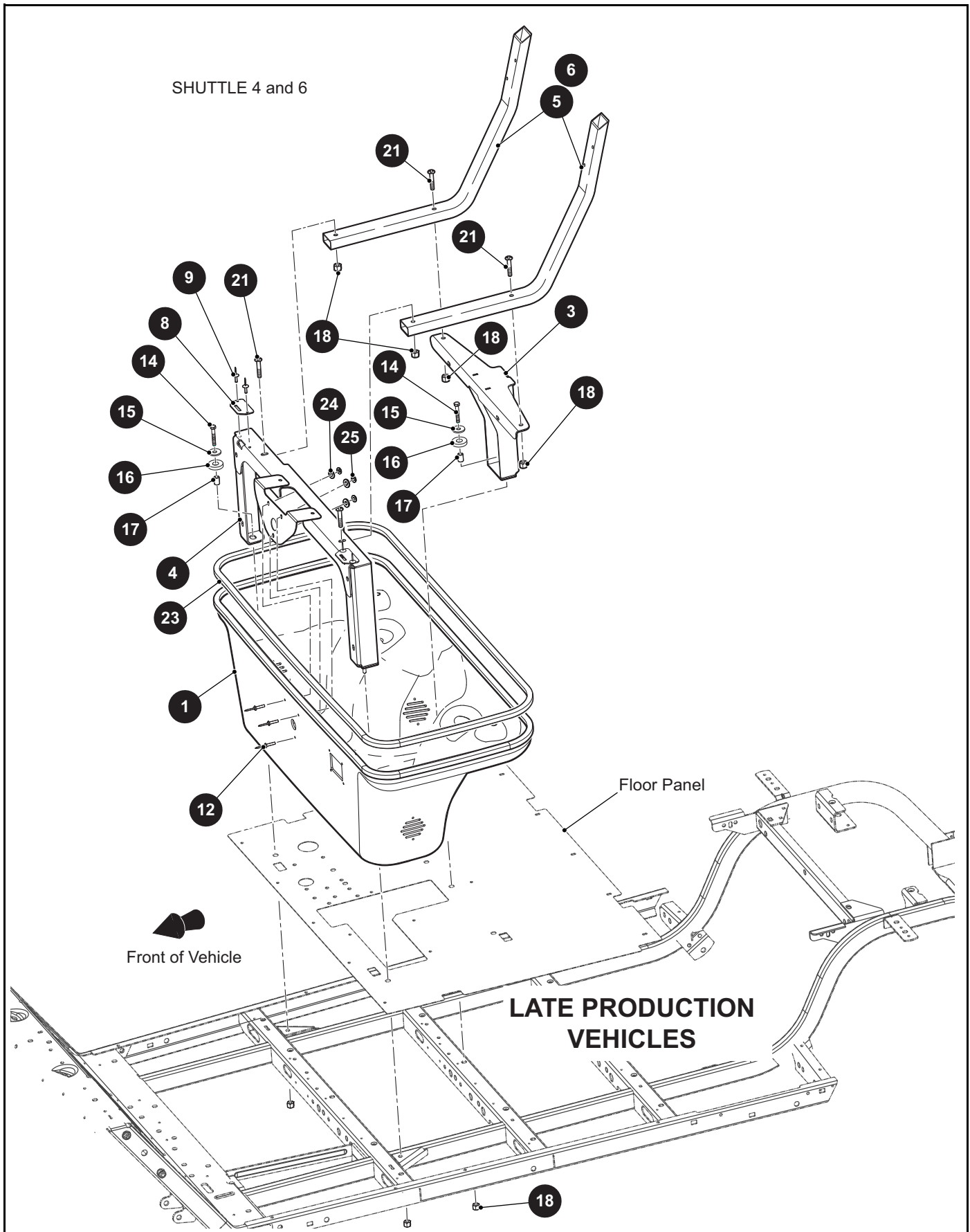
When ordering parts, please specify the model and serial number of the product.

\* Indicates a component that is not available as an individual part.

\*\*\* Indicates consult Customer Service Department for additional information.

ITEM	PART NO.	1 2 3 4 5	DESCRIPTION	QTY.
117	***		SEAT BACK ASSEMBLY (INCLUDES ITEMS 3 - 6, 8, 118 & 119) (FOR VEHICLES MANUFACTURED FROM MARCH 2014)..... 620794 WHITE/YELLOW 620796 GRAY/BLACK 615838 WHITE/BLACK 615837 OYSTER/GARNET	1
118	634178		SEAT BACK SUPPORT .....	1
119	***		VINYL SEAT BACK COVER..... 604916G0704 GRAY/BLACK 604916G0108 WHITE/YELLOW 604916G0304 RED/BLACK 604916G0104 WHITE/BLACK 604916G0506 OYSTER/GARNET	1
120	***		SEAT BOTTOM ASSEMBLY (INCLUDES ITEMS 22 - 27, 32 - 33, 107 - 109, 112, 121) (FOR VEHICLES MANUFACTURED FROM MARCH 2014)..... 629269G0113 WHITE/YELLOW 629269G0114 GRAY/BLACK	1
121	***		VINYL SEAT BOTTOM COVER .....	1
			604912G0108 WHITE/YELLOW 604912G0704 GRAY/BLACK 604912G0304 RED/BLACK 604912G0104 WHITE/BLACK 604912G0506 OYSTER/GARNET	
122	634174		SEAT FRAME SUPPORT (FOR VEHICLES MANUFACTURED FROM MARCH 2014).....	1
123	00427G6		HEX HEAD BOLT, 3/8" - 16 X 1 1/4" LG (FOR VEHICLES MANUFACTURED FROM MARCH 2014).....	1
124	00427G2		HEX HEAD BOLT, 3/8" - 16 X 1 1/4" (FOR VEHICLES MANUFACTURED FROM MARCH 2014).....	16
125	00428G8		HEX HEAD BOLT, 3/8" - 16 X 2 1/4" LG (FOR VEHICLES MANUFACTURED FROM MARCH 2014).....	2
126	00559G7		FLAT WASHER, 1/4" (FOR VEHICLES MANUFACTURED FROM MARCH 2014).....	4

# SEATING



When ordering parts, please specify the model and serial number of the product.

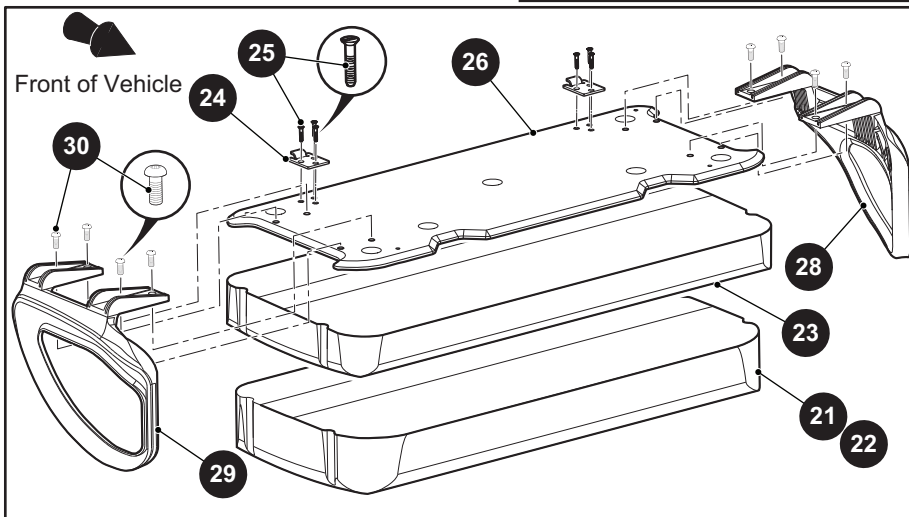
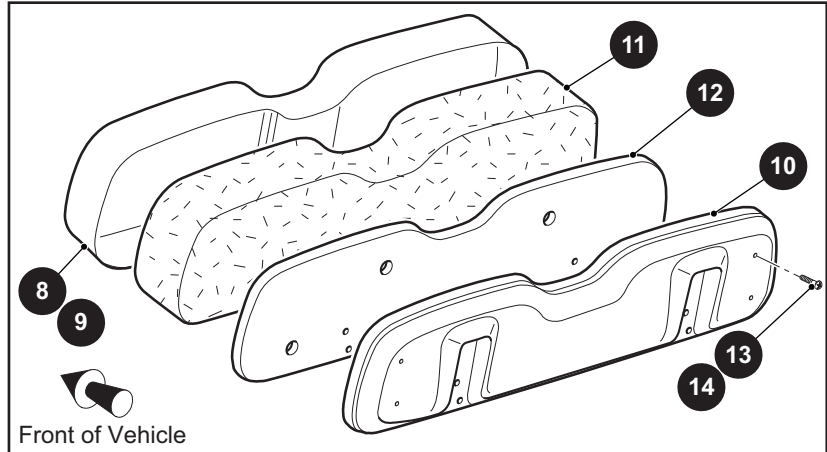
\* Indicates a component that is not available as an individual part.

\*\*\* Indicates consult Customer Service Department for additional information.

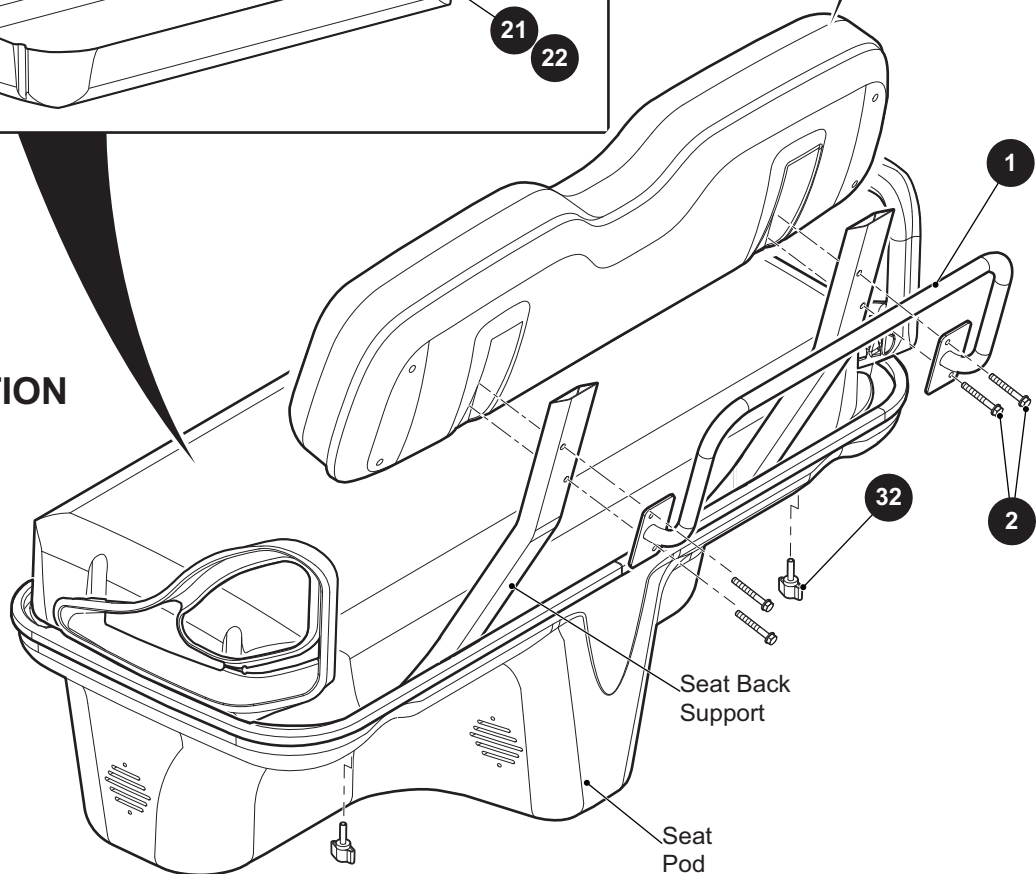
ITEM	PART NO.	1 2 3 4 5	DESCRIPTION	QTY.
1	648313GXX		SEAT POD .....	1
2				
3	657681		REAR SEAT SUPPORT .....	1
4	654767		SEAT SUPPORT .....	1
5	648523		SEAT BACK SUPPORT TUBE (FOR VEHICLES MANUFACTURED BEFORE AUGUST 17, 2019).....	2
6	694377		SEAT BACK SUPPORT TUBE (FOR VEHICLES MANUFACTURED AFTER AUGUST 17, 2019).....	2
7				
8	71609G01		HINGE PLATE.....	2
9	10570G11		RIVET (SS), 3/16" X .70" LG.....	4
10				
11				
12	71055G01		RIVET (ALUMINUM), 3/16" X 1" LG .....	3
13				
14	00439G8		HEX HEAD BOLT (SS), 5/16" - 18 X 2" LG .....	3
15	00675G1		WASHER (SS), .398" I.D. X 1.25" O.D. X .115" LG .....	3
16	71883G01		WASHER (RUBBER), .625" I.D. X 1.50" O.D. X .312" LG.....	3
17	23726G9		SPACER, .312" I.D. X .562" O.D. X .750" LG .....	3
18	11098G6		LOCK NUT, 5/16" - 18.....	7
19				
20				
21	00762G6		TRUSS HEAD PHILLIPS SCREW (SS), 5/16" - 18 X 3/4" LG.....	4
22				
23	32805G6		TRIM, 118" LG .....	1
24	00660G5		FLAT WASHER, #10 .....	3
25	01110G01		FLAT WASHER, 1/4" .....	3

# SEATING

- 6 SEAT BACK ASSEMBLY  
includes items 8, 10 - 13
- 7 SEAT BACK ASSEMBLY  
includes items 9 - 12, 14
- 17 SEAT BOTTOM ASSEMBLY  
includes items 22 - 30
- 18 SEAT BOTTOM ASSEMBLY  
includes items 21, 23 - 30



## LATE PRODUCTION VEHICLES



When ordering parts, please specify the model and serial number of the product.

\* Indicates a component that is not available as an individual part.

\*\*\* Indicates consult Customer Service Department for additional information.

ITEM	PART NO.	1 2 3 4 5	DESCRIPTION	QTY.
1	71632G01		HAND GRIP WELDMENT.....	1
2	71204G02		MACHINE SCREW WITH PATCH LOCK, 1/4" - 20 X 2" LG.....	4
3				
4				
5				
6	***		SEAT BACK ASSEMBLY (INCLUDES ITEM 8, 10 - 13)..... 606828 RED/BLACK 604908 WHITE/BLUE 604907 WHITE/RED 615838 WHITE/BLACK 620794 WHITE/YELLOW 620796 GRAY/BLACK 615837 OYSTER/GARNET	2
7	***		SEAT BACK ASSEMBLY (INCLUDES ITEM 9 - 12, 14)..... 71751G02 GRAY 71751G03 OYSTER 71751G04 TAN 71751G06 BROWN 71751G07 BLACK	2
8	***		VINYL SEAT BACK COVER..... 604916G0304 RED/BLACK 604912G0102 WHITE/BLUE 604912G0103 WHITE/RED 604916G0104 WHITE/BLACK 604916G0108 WHITE/YELLOW 604916G0704 GREY/BLACK 604916G0506 OYSTER/GARNET	1
9	***		VINYL SEAT BACK COVER..... 71753G01 WHITE 71753G03 OYSTER 71753G04 TAN 71753G06 BROWN 71753G07 BLACK	1
10	71752G01		REAR SEAT BACK COVER.....	1
11	71754G01		SEAT BACK PADDING .....	1
12	645021		SEAT BACK BASE .....	1
13	648271		PAN HEAD TORX SCREW (SS), #8 - 15 X 1" LG .....	4
14	01107G01		PAN HEAD TORX SCREW (SS), #8 X .63" LG.....	4
15				
16				

# SEATING

When ordering parts, please specify the model and serial number of the product.

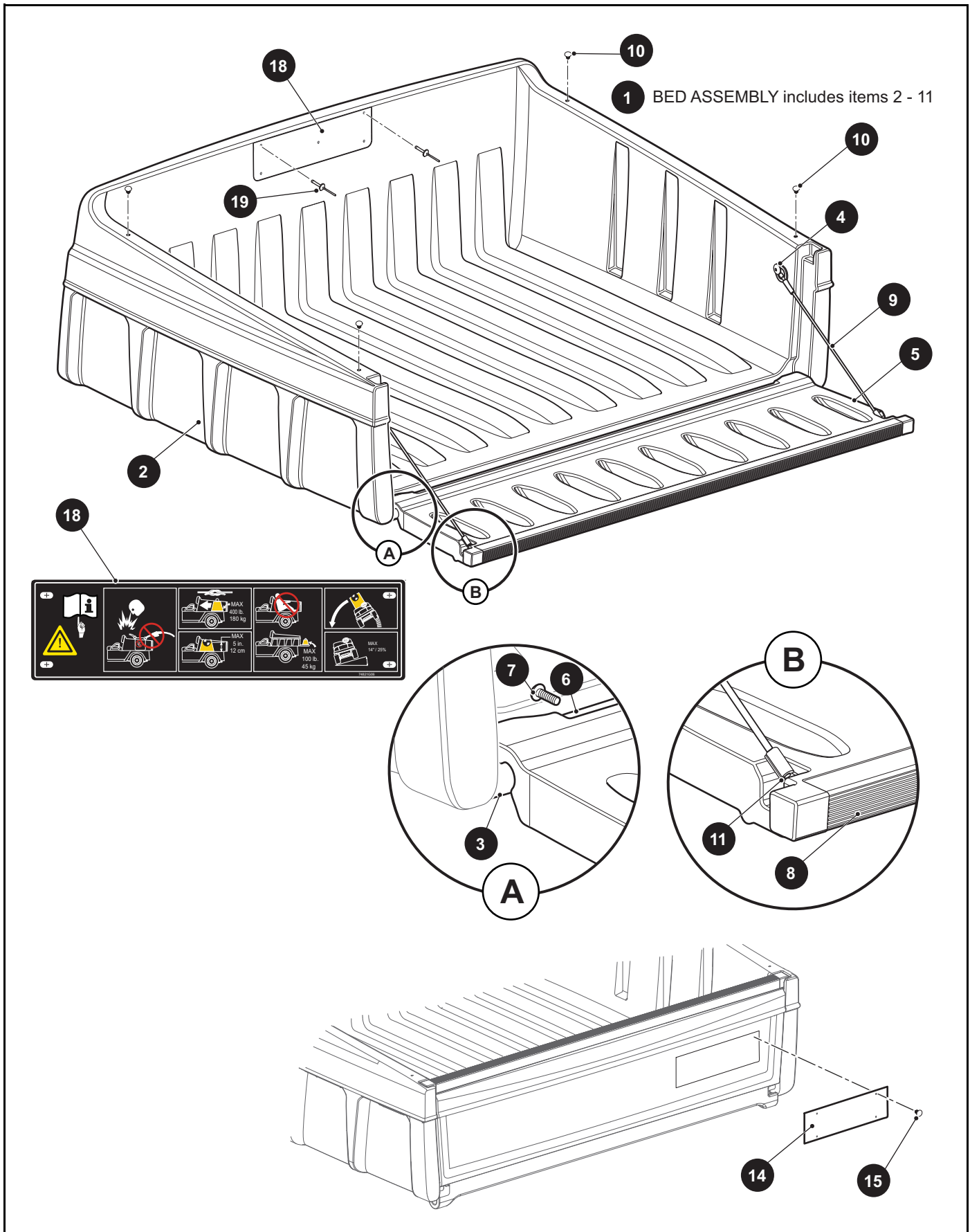
\* Indicates a component that is not available as an individual part.

\*\*\* Indicates consult Customer Service Department for additional information.

ITEM	PART NO.	1	2	3	4	5	DESCRIPTION	QTY.
17	***						SEAT BOTTOM ASSEMBLY (INCLUDES ITEM 22 - 30) ..... 629269G1701 OYSTER 629269G1703 TAN 629269G1704 GRAY 629269G1706 BLACK 629269G1707 BROWN	1
18	***						SEAT BOTTOM ASSEMBLY (INCLUDES ITEM 21, 23 - 30) ..... 629269G1709 WHITE/BLUE 629269G1710 RED/BLACK 629269G1711 WHITE/RED 629269G1712 WHITE/BLACK 629269G1713 WHITE/YELLOW 629269G1714 GRAY/BLACK 629269G1715 OYSTER/GARNET	1
19								
20								
21	***						VINYL SEAT COVER ..... 604912G0102 WHITE/BLUE 604912G0103 WHITE/RED 604916G0104 WHITE/BLACK 604916G0108 WHITE/YELLOW 604916G0304 RED/BLACK 604916G0506 OYSTER/GARNET 604916G0704 GREY/BLACK	1
22	***						VINYL SEAT COVER ..... 71624G03 OYSTER 71624G04 TAN 71624G02 GRAY 71624G07 BLACK 71624G06 BROWN	1
23	71625G01						SEAT BOTTOM PADDING.....	1
24	71610G01						SEAT HINGE.....	2
25	00720G08						FLAT HEAD PHILLIPS SCREW, #12 -14 X 1" LG .....	6
26	649851						SEAT BOTTOM BASE .....	1
27								
28	617645						HIP RESTRAINT (DRIVER SIDE) .....	1
29	617644						HIP RESTRAINT (PASSENGER SIDE).....	1
30	615417						BUTTON HEAD TORX BOLT, M10 - 1.5 X 25MM LG .....	8
31								
32	70864G01						T-KNOB STUD, 1/4" - 20 X 1" LG .....	2



# TRUCK BED (SHUTTLE 4)





# TRUCK BED (SHUTTLE 4)

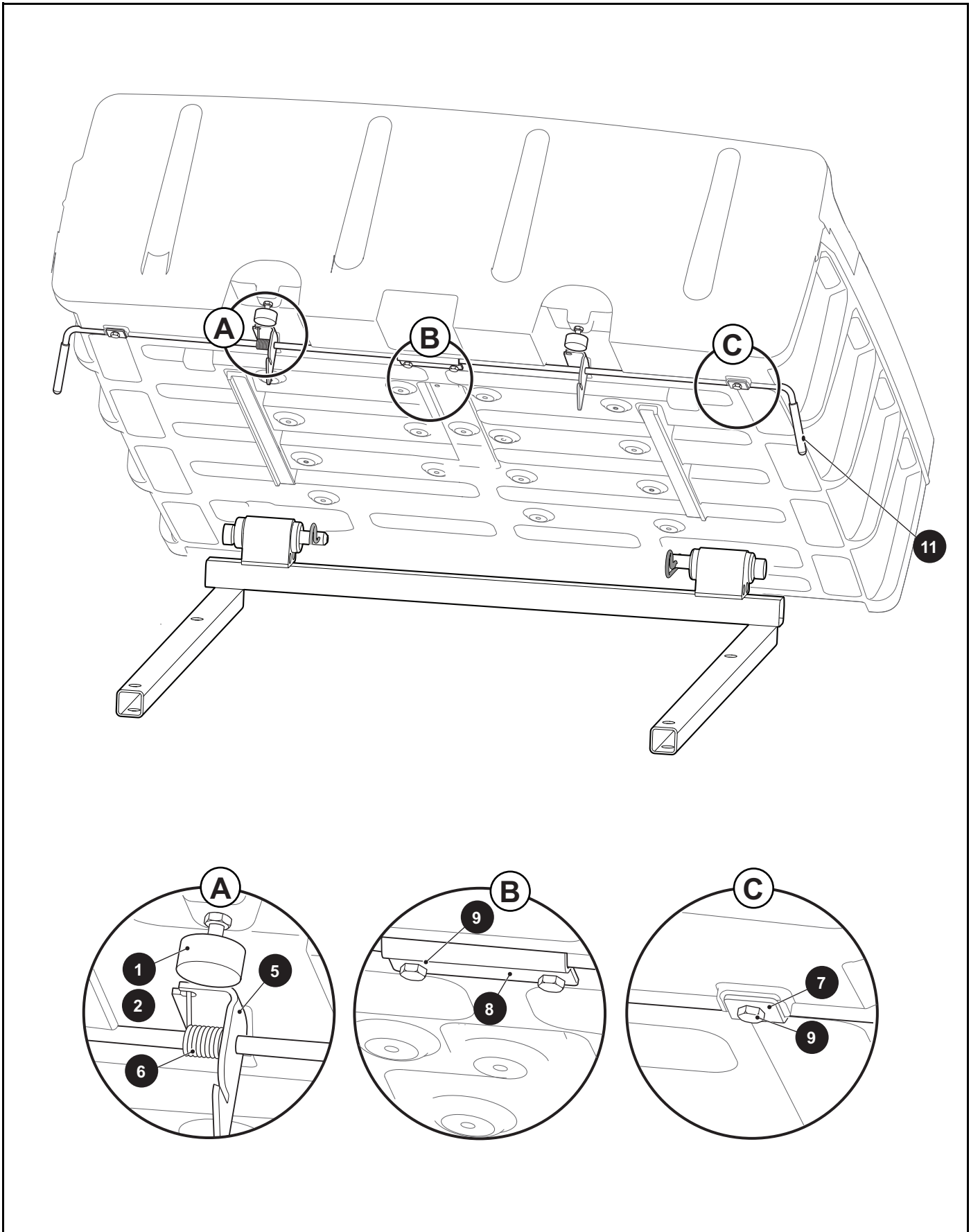
When ordering parts, please specify the model and serial number of the product.

\* Indicates a component that is not available as an individual part.

\*\*\* Indicates consult Customer Service Department for additional information.

ITEM	PART NO.	1 2 3 4 5	DESCRIPTION	QTY.
1	72647G01		BED ASSEMBLY (INCLUDES ITEMS 2 -11) .....	1
2	72648G01		PLASTIC BED, 36" .....	1
3	73454G01		PIVOT SHAFT .....	2
4	73460G01		SHOULDER BOLT, 1/4" - 20 X 3/4" LG .....	2
5	72649G01		TAILGATE .....	1
6	73450G01		BOWED ANGLE .....	1
7	16705G2		PAN HEAD PHILLIPS SCREW (SS), 1/4" - 20 X 5/8" LG .....	4
8	73449G01		TAILGATE CAP .....	1
9	73455G02		TAILGATE CABLE .....	1
10	16816G5		RATCHET RIVET, .187 X .550 .....	4
11	00415G2		HEX HEAD CAP SCREW, 1/4" - 20 X 1 1/4" LG .....	2
12				
13				
14	619207		CUSHMAN DECAL .....	1
15	16816G2		RATCHET RIVET, .25 X .887 .....	4
16				
17				
18	74821G06		LOAD BED LABEL .....	1
19	71055G01		RIVET, 3/6" DIA .....	5

# TRUCK BED (SHUTTLE 4)



# TRUCK BED (SHUTTLE 4)

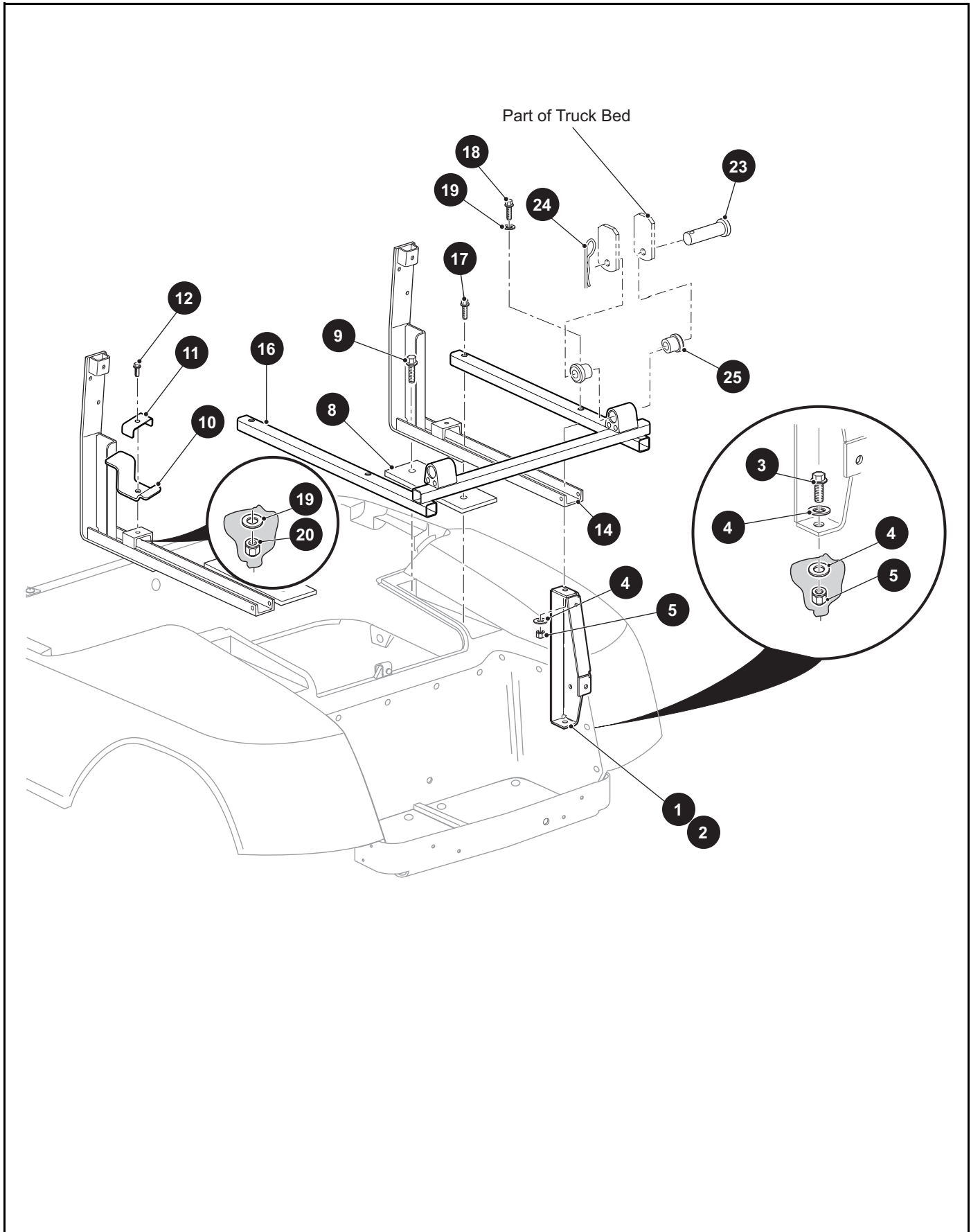
When ordering parts, please specify the model and serial number of the product.

\* Indicates a component that is not available as an individual part.

\*\*\* Indicates consult Customer Service Department for additional information.

ITEM	PART NO.	1 2 3 4 5	DESCRIPTION	QTY.
1	70113G01		ADJUSTABLE RUBBER BUMPER.....	2
2	11027G1		LOCK NUT, 5/16" - 18.....	2
3				
4				
5	607072		BED LATCH.....	1
6	71538G01		LATCH TORSION SPRING.....	1
7	652442G03		KEEPER PLATE.....	2
8	652440G03		RETAINER BRACKET.....	1
9	01118G01		HEX HEAD CAP SCREW, 1/4" - 20 X 5/8" LG.....	4
10				
11	71704G01		HANDLE GRIP.....	2

# TRUCK BED (SHUTTLE 4)



# TRUCK BED (SHUTTLE 4)

When ordering parts, please specify the model and serial number of the product.

\* Indicates a component that is not available as an individual part.

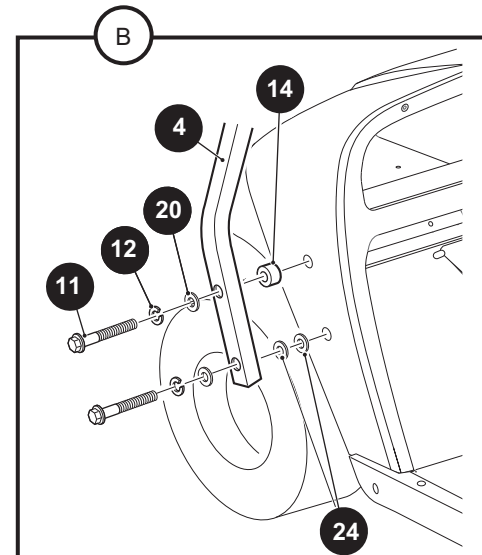
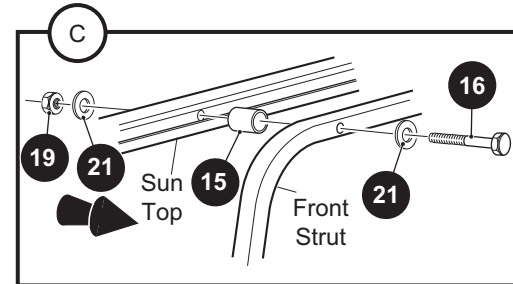
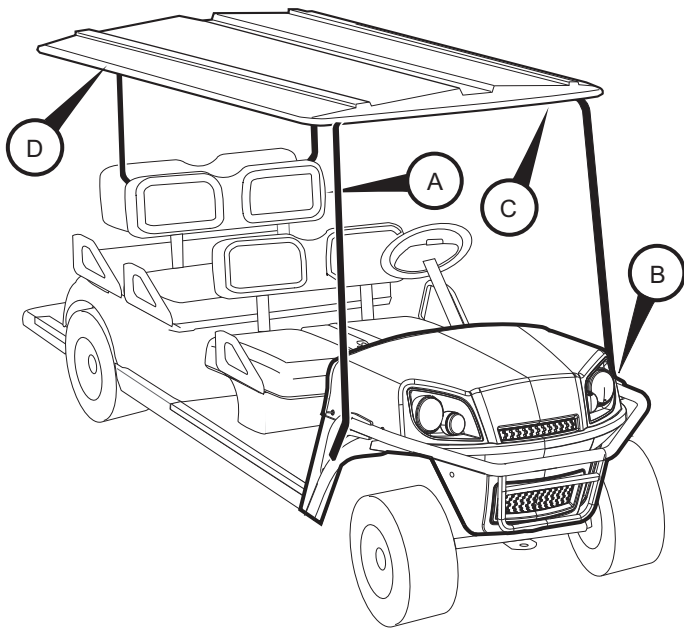
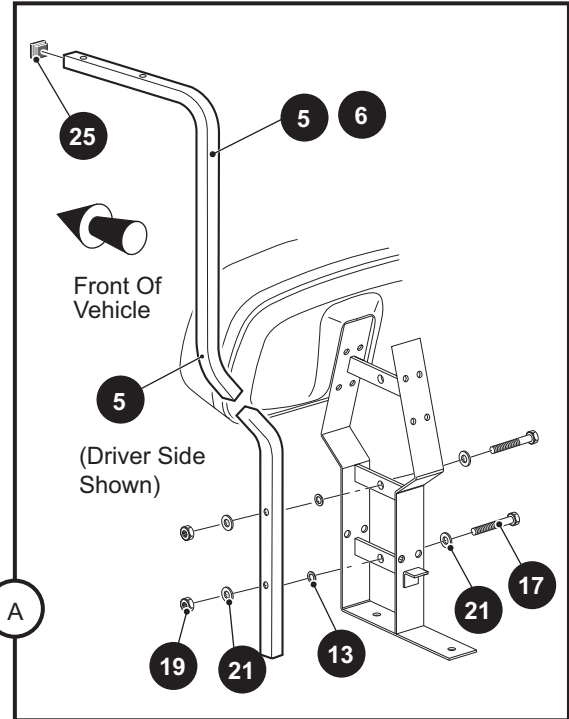
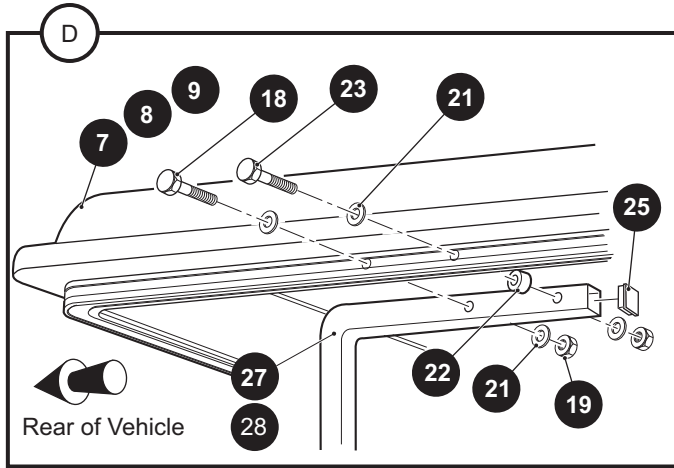
\*\*\* Indicates consult Customer Service Department for additional information.

ITEM	PART NO.	1 2 3 4 5	DESCRIPTION	QTY.
1	74126G01		REAR SUPPORT FRAME (DRIVER SIDE) .....	1
2	74126G02		REAR SUPPORT FRAME (PASSENGER SIDE) .....	1
3	00427G4		HEX HEAD BOLT, 3/8" - 16 X 1 1/2" LG .....	2
4	00560G1		FLAT WASHER, 3/8" .....	6
5	11098G5		LOCK NUT, 3/8" - 16 .....	4
6				
7				
8	70364G01		SPACER .....	2
9	01006G02		HEX HEAD BOLT, 3/8" - 16 X 1 1/2" LG .....	2
10	606167		FRONT BED SUPPORT .....	2
11	607093		BED SUPPORT BRACKET .....	2
12	00439G1		HEX HEAD CAP SCREW 5/16"- 18 X 1 1/8" LG .....	2
13				
14	625525		SEAT SUPPORT .....	2
15				
16	635380		BED FRAME .....	1
17	01075G02		HEX HEAD BOLT, 3/8" - 16 X 2.5" LG .....	2
18	00665G8		HEX HEAD BOLT, 3/8" - 16 X 2" LG .....	2
19	00559G8		FLAT WASHER, 5/16" .....	4
20	11098G6		LOCK NUT, 3/8" - 16 .....	2
21				
22				
23	71571G01		CLEVIS PIN .....	2
24	21683G1		COTTER PIN, 5/32" X 2 13/16" .....	2
25	624030		FLANGED BUSHING .....	4



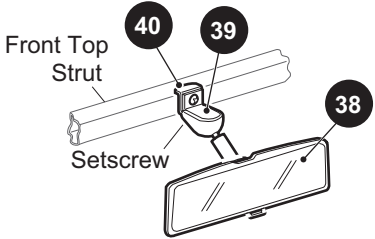
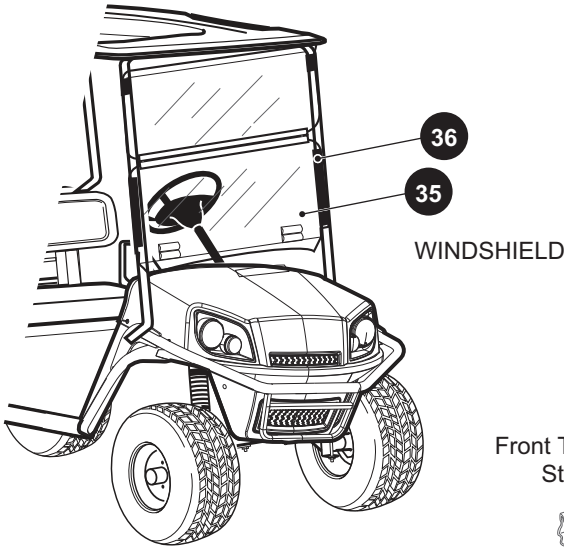


# WEATHER PROTECTION



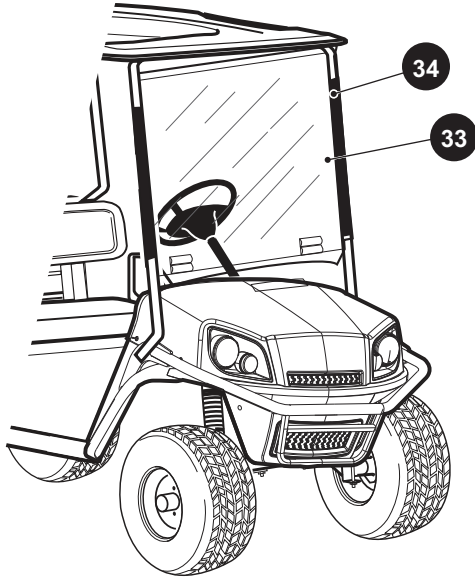
- 1 SUN TOP KIT BLACK includes items 4 - 6, 7, 10 - 25
- 2 SUN TOP KIT WHITE includes items 4 - 6, 8, 10 - 25
- 3 SUN TOP KIT BEIGE includes items 4 - 6, 9, 10 - 25
- 10 SUN TOP HARDWARE KIT includes items 11 - 25
- 29 SUN TOP KIT WHITE includes items 4, 8, 10 - 28
- 30 SUN TOP KIT BLACK includes items 4, 7, 10 - 28
- 31 SUN TOP KIT BEIGE includes items 4, 9, 10 - 28





REAR VIEW MIRROR

**37** REAR VIEW MIRROR KIT includes items 38 - 40



WINDSHIELD

# WEATHER PROTECTION

When ordering parts, please specify the model and serial number of the product.

\* Indicates a component that is not available as an individual part.

\*\*\* Indicates consult Customer Service Department for additional information.

ITEM	PART NO.	1 2 3 4 5	DESCRIPTION	QTY.
1	610266		SUN TOP KIT BLACK (INCLUDES ITEMS 4 - 6, 7, 10 - 25) .....	1
2	610268		SUN TOP KIT, WHITE (INCLUDES ITEMS 4 - 6, 8, 10 - 25) .....	1
3	610267		SUN TOP KIT, BEIGE (INCLUDES ITEMS 4 - 6, 9 - 25).....	1
4	610260		FRONT SUPPORT.....	1
5	602743		REAR SUPPORT (DRIVER SIDE) .....	1
6	602741		REAR SUPPORT (PASSENGER SIDE).....	1
7	610263		SUN TOP, BLACK.....	1
8	610265		SUN TOP, WHITE .....	1
9	610264		SUN TOP, BEIGE.....	1
10	610259		SUN TOP HARDWARE KIT (INCLUDES ITEMS 11 - 25) .....	1
11	00440G2		HEX HEAD BOLT, 5/16" - 18 X 2 1/4" LG.....	2
12	00565G8		LOCK WASHER, 5/16" .....	4
13	00771G5		NYLON WASHER, 3/8" .....	4
14	75048G01		SPACER, 1/2" .....	2
15	18716G1		ALUMINIUM SPACER, 3" LG.....	2
16	00674G8		HEX HEAD BOLT (SS), 3/8" - 16 X 5" LG .....	2
17	00665G5		HEX HEAD BOLT (SS), 3/8" - 16 X 1 3/4" LG .....	4
18	00665G6		HEX HEAD BOLT (SS), 3/8" - 16 X 2" LG .....	2
19	00891G5		LOCK NUT, 3/8" - 16 .....	10
20	00559G8		FLAT WASHER 5/16", BLACK .....	4
21	00653G1		FLAT WASHER (SS), 5/8" .....	20
22	24647G1		SPACER, 1/4" THICK .....	2
23	00665G3		HEX HEAD BOLT, 3/8" - 16 X 2 1/2" LG.....	4
24	00879G1		LOCK WASHER, 3/8" .....	4
25	19853G1		END CAP, 1" .....	2
26				
27	611701		REAR SUPPORT (SHUTTLE 2) .....	2
28	611700		CROSS REAR SUPPORT (SHUTTLE 2) .....	1
29	611702		SUN TOP KIT, WHITE (INCLUDES ITEMS 4, 8, 10 - 28) .....	1
30	611707		SUN TOP KIT, BLACK (INCLUDES ITEMS 4, 7, 10 - 28) .....	1
31	611706		SUN TOP KIT, BEIGE (INCLUDES ITEMS 4, 9, 10 - 28).....	1

# WEATHER PROTECTION

When ordering parts, please specify the model and serial number of the product.

\* Indicates a component that is not available as an individual part.

\*\*\* Indicates consult Customer Service Department for additional information.

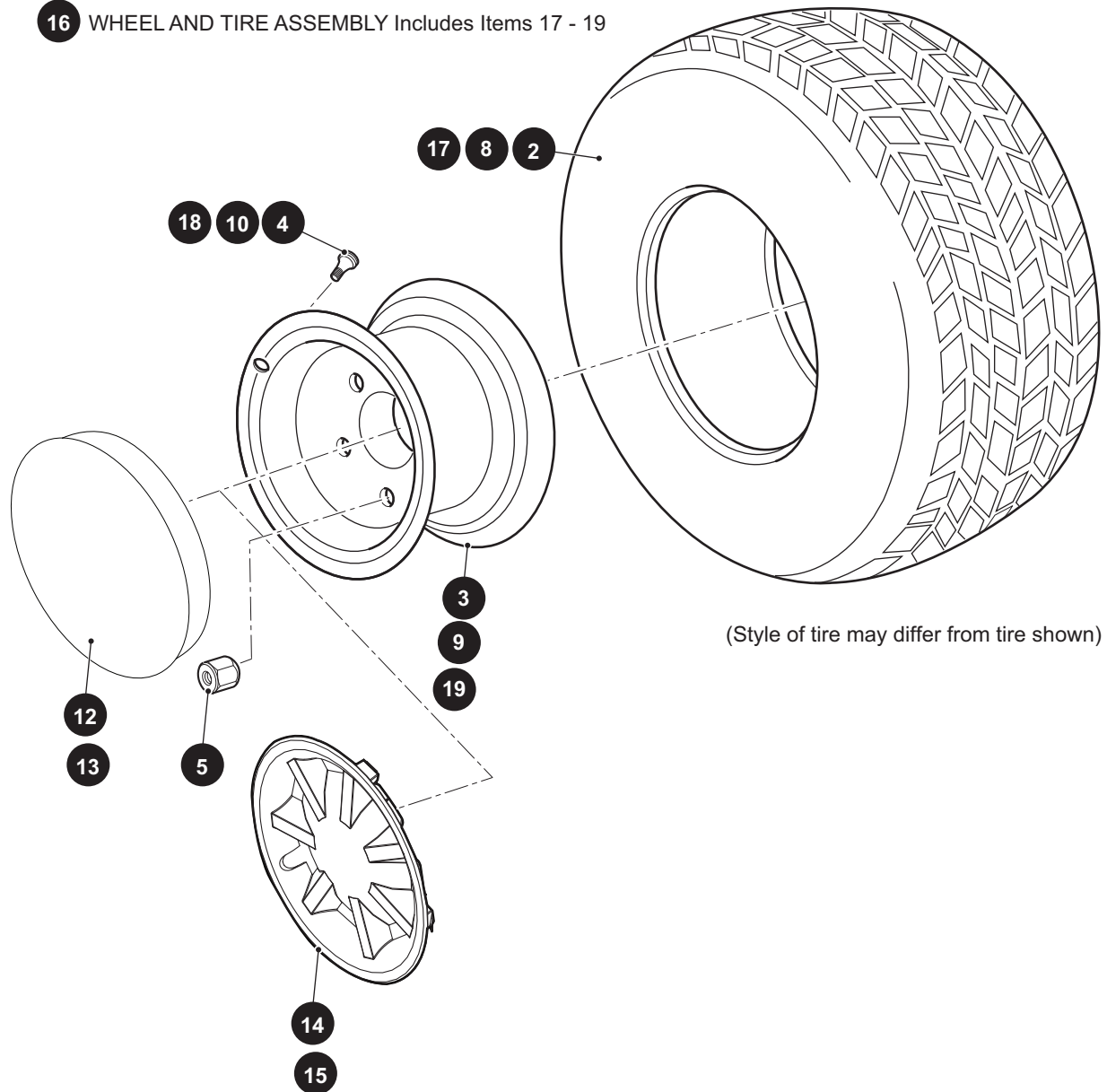
ITEM	PART NO.	1 2 3 4 5	DESCRIPTION	QTY.
32				
33	611099		WINDSHIELD KIT .....	1
34	615662		SASH, 26" .....	2
35	611100		WINDSHIELD KIT .....	1
36	615661		SASH, 12" .....	2
37	19528G2		REAR VIEW MIRROR KIT (INCLUDES ITEMS 38 - 40) .....	1
38	19496G1		REAR VIEW MIRROR .....	1
39	19502G2		SUPPORT BRACKET .....	1
40	19527G1		HEX HEAD BOLT (SS), # 8 - 32 X 5/8" LG .....	1





# WHEELS AND TIRES

- 1 WHEEL AND TIRE ASSEMBLY Includes Items 2 - 4
- 7 WHEEL AND TIRE ASSEMBLY Includes Items 8 - 10
- 16 WHEEL AND TIRE ASSEMBLY Includes Items 17 - 19



# WHEELS AND TIRES

When ordering parts, please specify the model and serial number of the product.

\* Indicates a component that is not available as an individual part.

\*\*\* Indicates consult Customer Service Department for additional information.

ITEM	PART NO.	1 2 3 4 5	DESCRIPTION	QTY.
1	614437		WHEEL AND TIRE ASSEMBLY, LOAD STAR (INCLUDES ITEMS 2 - 4).....	1
2	614438		TIRE, .....	1
3	614621		WHEEL RIM .....	1
4	11657G2		VALVE STEM.....	1
5	14723G1		LUG NUT, 1/2 - 20.....	4
6				
7	612772		WHEEL AND TIRE ASSEMBLY, (INCLUDES ITEMS 8 - 10).....	4
8	612771		TIRE, 18 X 8.50 - 8 LINKS® .....	1
9	612770		WHEEL RIM .....	1
10	11657G2		VALVE STEM.....	1
11				
12	615618		HUB CAP (SILVER) (FOR VEHICLES MANUFACTURED BEFORE JANUARY 8, 2018).....	4
13	615617		HUB CAP (GOLD) (FOR VEHICLES MANUFACTURED BEFORE JANUARY 8, 2018).....	4
14	665144		WHEEL COVER (METALLIC SILVER) (FOR VEHICLES MANUFACTURED AFTER JANUARY 8, 2018) .....	4
15	665149		WHEEL COVER (METALLIC GOLD) (FOR VEHICLES MANUFACTURED AFTER JANUARY 8, 2018) .....	4
16	653627		WHEEL AND TIRE ASSEMBLY (INCLUDES ITEMS 17 - 19) .....	1
17	658351		TIRE, K502, 22 X 10 - 10, 6PLY .....	1
18	604915		CHROME VALVE STEM.....	1
19	604927		POLISHED SPOKED WHEEL, 10 X 7 .....	1









**CUSHMAN®**  
**LET'S WORK!**

**E-Z-GO Division of Textron Inc.,**  
1451 Marvin Griffin Road, Augusta, Georgia 30906 - 3852 USA

TO CONTACT US...

North America:

**Technical Assistance & Warranty**

Phone: 1-800-774-3946, FAX: 1-800-448-8124

**Service Parts**

Phone: 1-888-GET-E-Z-GO (1-888-438-3946), FAX: 1-800-752-6175

International:

Phone: 001-706-798-4311, FAX: 001-706-771-4609

Owners Guide, as well as Repair and Service Manuals  
are available from a local Distributor, an authorized Branch,  
Genuine E-Z-GO Parts & Accessories Department or at [www.shopezgo.com](http://www.shopezgo.com).

Copyrighted Material  
This manual may not be reproduced in whole or  
in part without the express permission of  
E-Z-GO Division of Textron Inc.  
Technical Communications Department