



**CUSHMAN®**

**LET'S WORK!**

# **Shuttle 2+2 Service Parts Manual**

**GASOLINE POWERED VEHICLE**



**643787-AC**

ISSUED FEBRUARY 2015

REVISED JANUARY 2019



# SERVICE PARTS MANUAL

## GASOLINE POWERED UTILITY VEHICLE

**SHUTTLE 2 + 2**

**STARTING MODEL YEAR 2015**

### **CALIFORNIA Proposition 65 Warning**

**WARNING:** Motor vehicles may contain fuels, oils and fluids, battery posts, terminals, and related accessories which contain lead, lead compounds and other chemicals identified by the State of California to potentially cause cancer, birth defects and other reproductive harm. These chemicals are found in vehicles, vehicle parts and accessories, both new and replacements. During maintenance, these vehicles generate used oil, waste fluids, grease, fumes and particulates, all identified by the State of California to potentially cause cancer, birth defects, and other reproductive harm.

DISCLAIMER: The E-Z-GO Division of Textron Inc. (E-Z-GO) reserves the right to incorporate engineering and design changes to products in this Manual, without obligation to include these changes on units leased/sold previously.

The information contained in this Manual may be revised periodically E-Z-GO, and therefore is subject to change without notice.

E-Z-GO DISCLAIMS LIABILITY FOR ERRORS IN THIS MANUAL, and E-Z-GO SPECIFICALLY DISCLAIMS LIABILITY FOR INCIDENTAL AND CONSEQUENTIAL DAMAGES RESULTING FROM THE USE OF THE INFORMATION AND MATERIALS IN THIS MANUAL.

### **TO CONTACT US**

#### **NORTH AMERICA:**

**TECHNICAL ASSISTANCE & WARRANTY PHONE: 1-800-774-3946, FAX: 1-800-448-8124**

**SERVICE PARTS PHONE: 1-888-GET-EZGO (1-888-438-3946), FAX: 1-800-752-6175**

**INTERNATIONAL: PHONE: 001-706-798-4311, FAX: 001-706-771-4609**

**E-Z-GO DIVISION OF TEXTRON INC., 1451 MARVIN GRIFFIN RD., AUGUSTA, GEORGIA USA 30906-3852**

## GENERAL INFORMATION

To obtain a copy of the limited warranty applicable to the vehicle, call or write a local Distributor, authorized Branch or the Warranty Department with vehicle serial number and manufacturer code.

The use of non Original Equipment Manufacturer (OEM) approved parts may void the warranty.

Tampering with or adjusting the governor to permit vehicle to operate at above factory specifications will void the vehicle warranty.

When servicing engines, all adjustments and replacement components must be per original vehicle specifications in order to maintain the United States of America Federal and State emission certification applicable at the time of manufacture.

### BATTERY PROLONGED STORAGE

All batteries will self discharge over time. The rate of self discharge varies depending on the ambient temperature and the age and condition of the batteries.

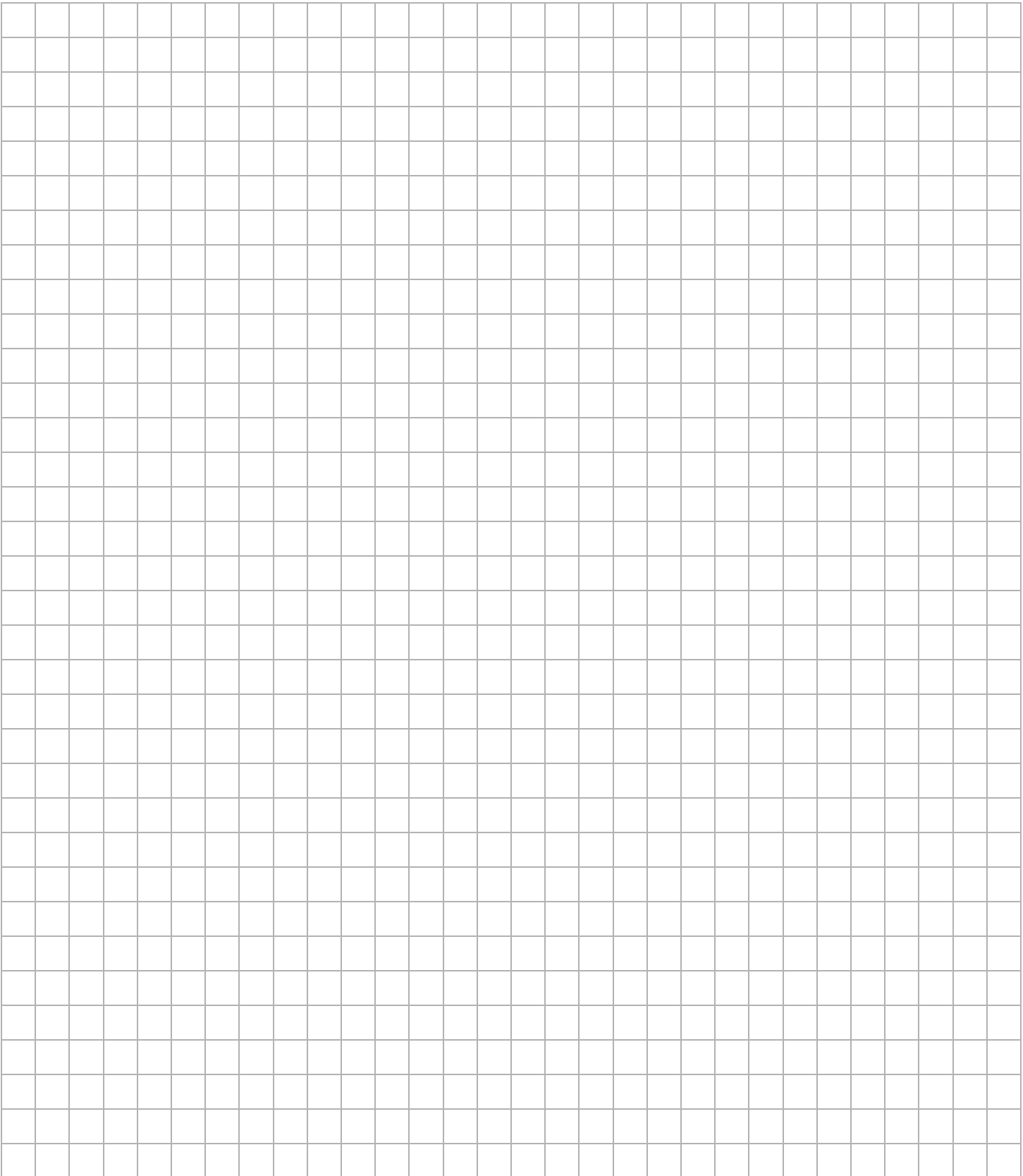
A fully charged battery will not freeze in winter temperatures unless the temperature falls below -75° F (-60° C).

### BATTERY DISPOSAL

Lead-acid batteries are recyclable. Return whole scrap batteries to distributor, manufacturer or lead smelter for recycling. For neutralized spills, place residue in acid-resistant containers with absorbent material, sand or earth and dispose of in accordance with local, state and federal regulations for acid and lead compounds. Contact local and/or state environmental officials regarding disposal information.

# TABLE OF CONTENTS

<b>SECTION</b>	<b>Page No.</b>
HOW TO USE THE SERVICE PARTS MANUAL.....	V
ACCELERATOR.....	A - 1
AIR FILTER.....	B - 1
BODY.....	C - 1
BRAKES.....	D - 1
CARBURETOR AND CHOKE.....	E - 1
CLUTCH.....	F - 1
DIRECTION SELECTOR.....	G - 1
ELECTRICAL SYSTEM.....	H - 1
ENGINE AND MUFFLER.....	J - 1
ENGINE MOUNTING.....	K - 1
FRONT SUSPENSION AND STEERING.....	L - 1
FUEL SYSTEM.....	M - 1
REAR AXLE.....	N - 1
REAR SUSPENSION.....	P - 1
SEATING.....	R - 1
STARTER/GENERATOR.....	S - 1
WEATHER PROTECTION.....	T - 1
WHEELS AND TIRES.....	U - 1



# HOW TO USE THE SERVICE PARTS MANUAL

This manual is divided into several sections:

- GENERAL INFORMATION
- ILLUSTRATED PARTS BREAKDOWN
- APPENDIX

The first section, GENERAL INFORMATION, contains the following information:

- WARRANTY INFORMATION
- GENERAL INDEX
- HOW TO USE THE SERVICE PARTS MANUAL

The second section, ILLUSTRATED PARTS BREAKDOWN, contains illustrations and parts lists for all systems of your vehicle.

The third section, APPENDIX, contains a listing of specialty products and accessories.

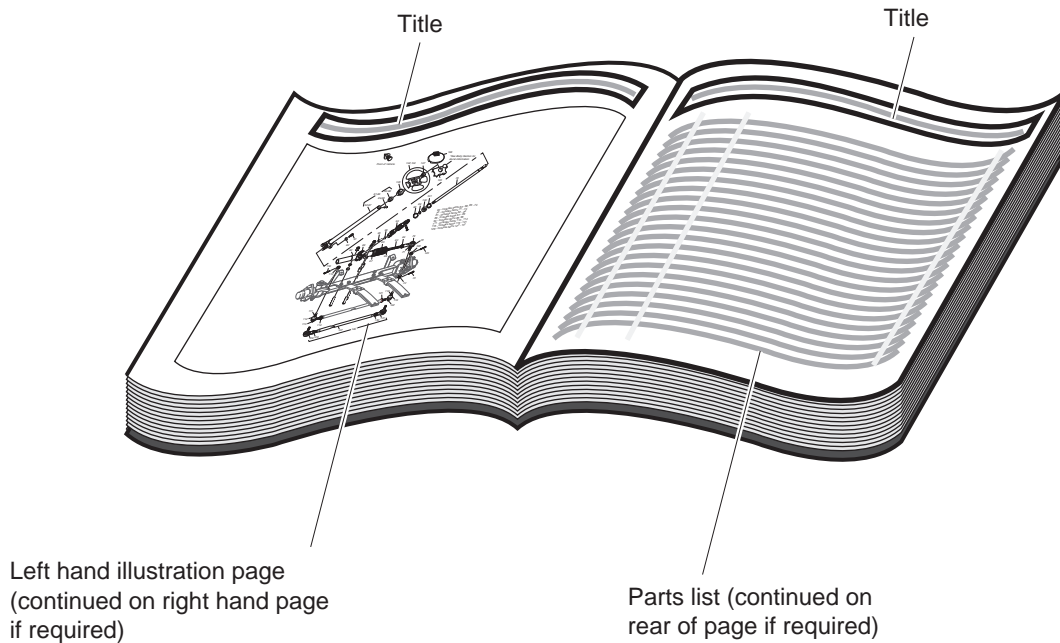
## USE OF THE MANUAL

To use this manual, consult the GENERAL INDEX to locate the information or illustration required.

Introduction of some revisions varies due to supply of components; therefore, it is possible that various combinations of components may be found that are not directly reflected by each illustration. Consult the illustration that best suits your situation and then contact the Service Parts Department. It is important that the serial number of your vehicle and its model number be supplied to Service Parts when ordering any replacement components.

Locate the serial number plate (see BODY located in the Illustrated Parts Breakdown section of this manual for its location) and note the complete number shown on the plate.

# HOW TO USE THE SERVICE PARTS MANUAL



## 1. WHEN THE PART NUMBER IS NOT KNOWN

- Determine the function and application of the part required. Turn to the General Index and select the most appropriate title.
- Turn to the page number indicated and locate the desired part on the illustration.
- From the illustration, obtain the item number assigned to the desired part. Refer to the accompanying description for specific information regarding the part.

## 2. IF YOU KNOW THE PART NUMBER

- Locate the part number or description in the appropriate column on the parts list page.

NOTE: It is suggested that you confirm that the part selected is correct by verifying it with the pictorial representation on the illustrated page.

Should an asterisk (\*) appear in the part number column on the parts list page, read upwards until a part number is found. The part number is the lowest assembly sold by Service Parts and the asterisk (\*) indicates that the part depicted is not available for purchase.

NOTE: Descriptions are indented under the assembly that they are used on. That assembly is, in turn listed under the assembly that it is used on. This process is repeated until the highest final assembly is reached.

**To facilitate the maintenance and repair of the vehicle, a Technician's Repair and Service Manual is available from the Service Parts Department.**

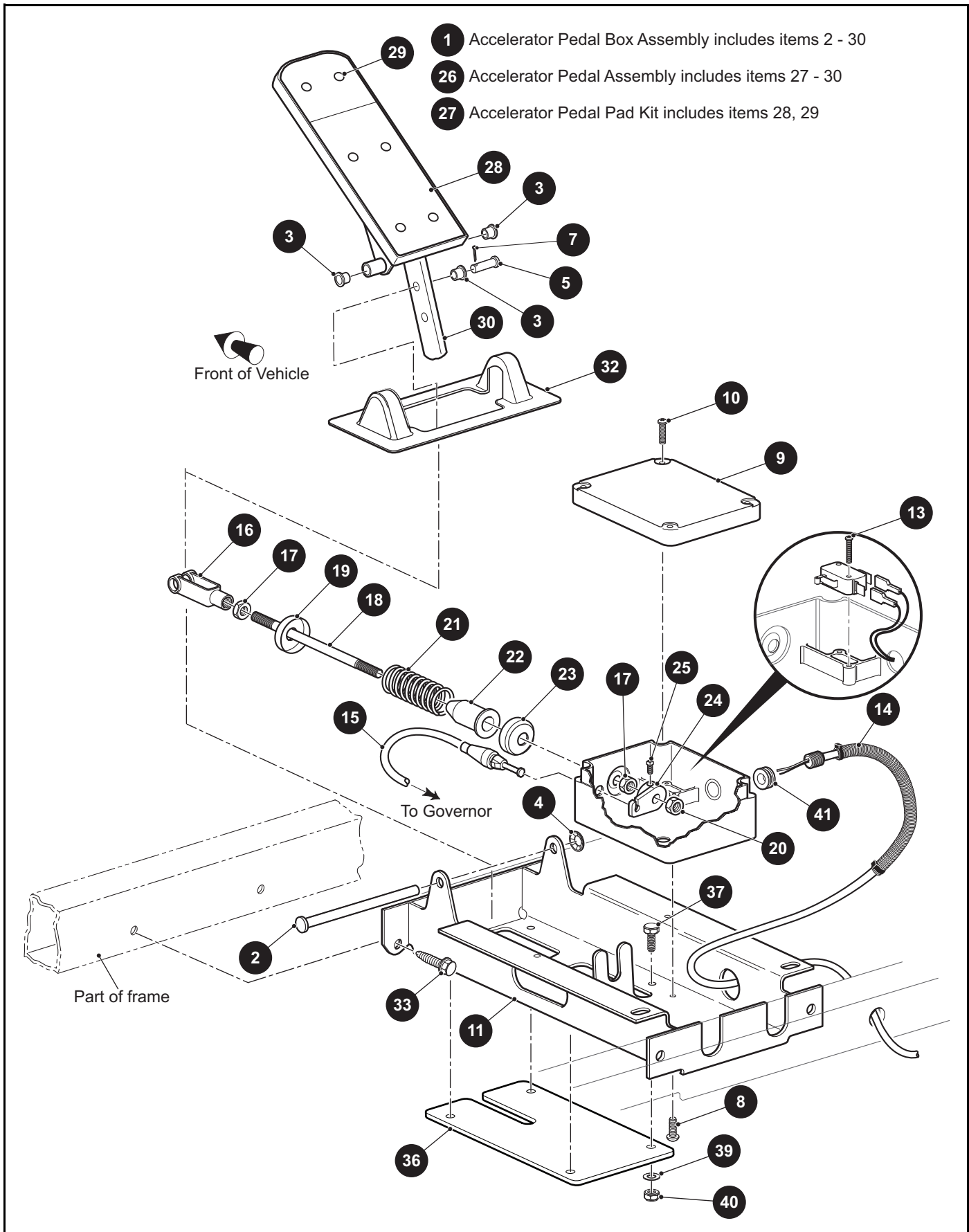


## 3. COLOR CODE FOR BODY COMPONENTS

The last two digits of the part number for the body part will denote the color code, locate the part number for the cowl, rear body, seat pod, side panel or seat wrap then locate your color in the list below, replace the last \*\* or XX with the two digit color code.

<b><u>CODE #</u></b>	<b><u>DESCRIPTION</u></b>
11	BLACK
19	PATRIOT BLUE PEARL
20	INFERNO RED METALLIC
26	STEEL BLUE PEARL
31	METALLIC CHARCOAL
35	SAFETY YELLOW
36	IVORY
37	FOREST GREEN
38	BRIGHT WHITE
39	FLAME RED
41	ELECTRIC BLUE
42	PLATINUM
43	BURGUNDY
44	ALMOND
51	SUNBURST ORANGE
52	BRITISH RACING GREEN
79	JACOBSEN ORANGE 172

# ACCELERATOR



# ACCELERATOR

THE USE OF NON U.L. PARTS WILL VOID ANY U.L. LISTING.

When ordering parts, please specify the model and serial number of the product.

\* Indicates a component that is not available as an individual part.

\*\*\* Indicates consult Customer Service Department for additional information.

ITEM	PART NO.	1 2 3 4 5	DESCRIPTION	QTY.
1	606990		ACCELERATOR PEDAL BOX ASSEMBLY (INCLUDES ITEMS 2 - 30).....	1
2	74432G01		PEDAL PIVOT PIN .....	1
3	17838G1		NYLINER BUSHING.....	3
4	12064G6		PUSH NUT .....	1
5	10386G3		CLEVIS PIN, 5/16" X 13/16".....	1
6	17255G1		TEFLON WASHER, 5/16" .....	1
7	10387G3		COTTER PIN, 3/32" X 3/4" .....	1
8	01051G01		PAN HEAD PHILLIPS SCREW, #8 - 16 X 1/2" LG.....	4
9	25853G03		PEDAL BOX AND COVER .....	1
10	00684G6		TRUSS HEAD PHILLIPS SCREW, #8 - 16 X 1/2" LG.....	2
11	652241G03		ACCELERATOR PEDAL BRACKET .....	1
12	25861G01		MICRO SWITCH, "V" TYPE .....	1
13	01050G01		PAN HEAD TORX SCREW, #4 - 20 X 5/8" LG.....	2
14	72201G04		PEDAL BOX HARNESS .....	1
15	608608		ACCELERATOR CABLE .....	1
16	10385G4		CLEVIS YOKE .....	1
17	00532G4		HEX NUT, 5/16" - 24.....	2
18	72072G01		ACCELERATOR ROD .....	1
19	17677G2		SPRING RETAINER.....	1
20	15126G1		LOCK NUT, 5/16" - 24 .....	1
21	73046G01		COMPRESSION SPRING.....	1
22	17979G1		ACCELERATOR ROD BUSHING.....	1
23	17677G1		SPRING RETAINER.....	1
24	72716G01		CAM (MICRO SWITCH) .....	1
25	00487G3		SOCKET HEAD SCREW, 1/4" - 20 X 3/8" LG.....	1
26	25799G03		ACCELERATOR PEDAL ASSEMBLY (INCLUDES ITEMS 27 - 30).....	1
27	27844G01		ACCELERATOR PEDAL PAD KIT (INCLUDES ITEMS 28, 29).....	1
28	27512G01		PEDAL PAD.....	1
29	15766G1		OVAL RIVET, 3/8" X 15/32" LG.....	6
30	*		ACCELERATOR PEDAL.....	1
31				

# ACCELERATOR

THE USE OF NON U.L. PARTS WILL VOID ANY U.L. LISTING.

When ordering parts, please specify the model and serial number of the product.

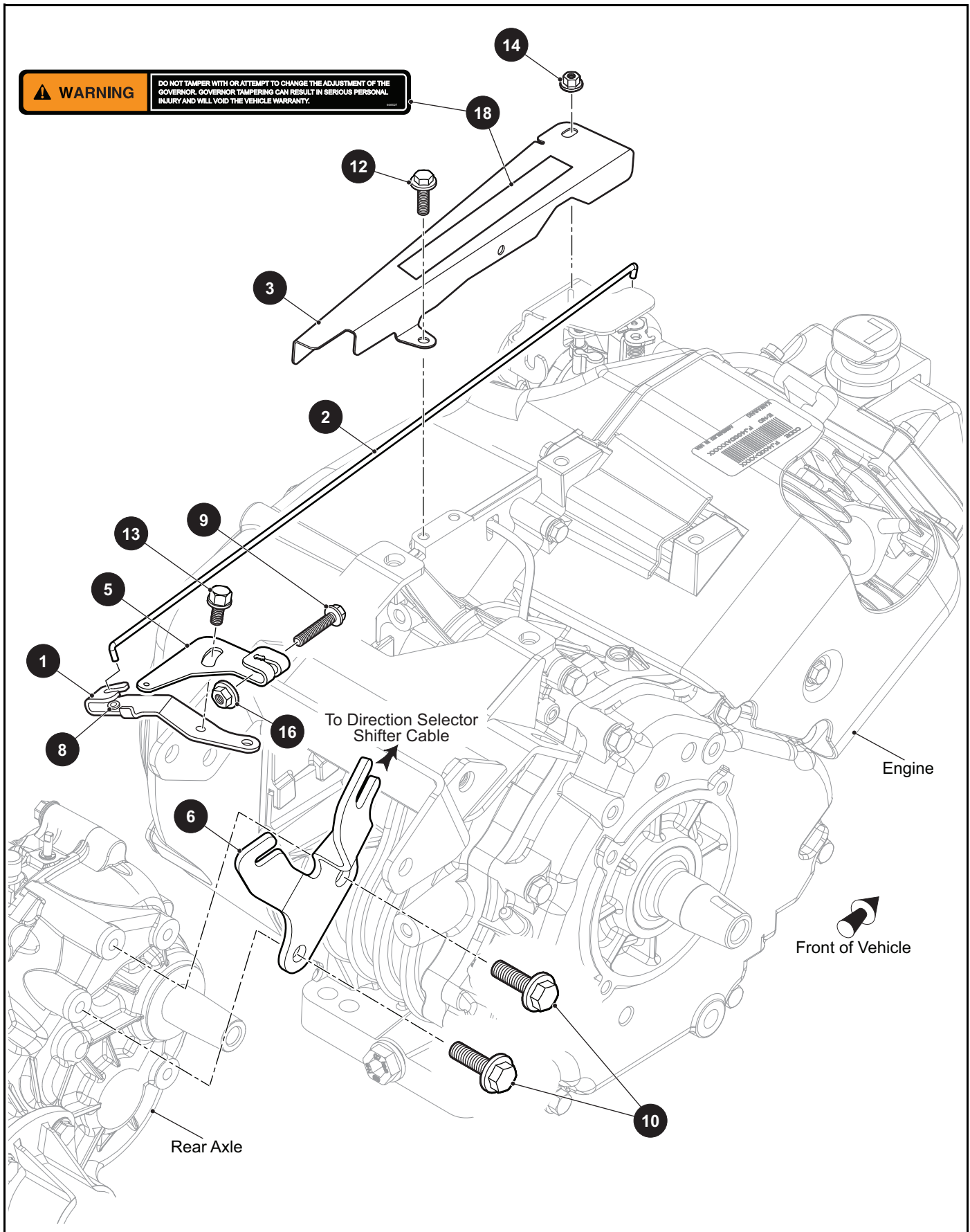
\* Indicates a component that is not available as an individual part.

\*\*\* Indicates consult Customer Service Department for additional information.

ITEM	PART NO.	1 2 3 4 5	DESCRIPTION	QTY.
32	70135G01		PEDAL PIVOT COVER .....	1
33	00715G2		HEX WASHER HEAD SCREW, 5/16" - 18 X 3/4" LG.....	4
34				
35				
36	652780G03		PEDAL GUARD .....	1
37	00414G6		HEX HEAD BOLT, 1/4" - 20 X 3/4" LG.....	4
38				
39	01110G01		FLAT WASHER (SS), 1/4".....	4
40	00654G2		LOCK NUT (SS), 1/4" - 20.....	4



# ACCELERATOR



THE USE OF NON U.L. PARTS WILL VOID ANY U.L. LISTING.

When ordering parts, please specify the model and serial number of the product.

\* Indicates a component that is not available as an individual part.

\*\*\* Indicates consult Customer Service Department for additional information.

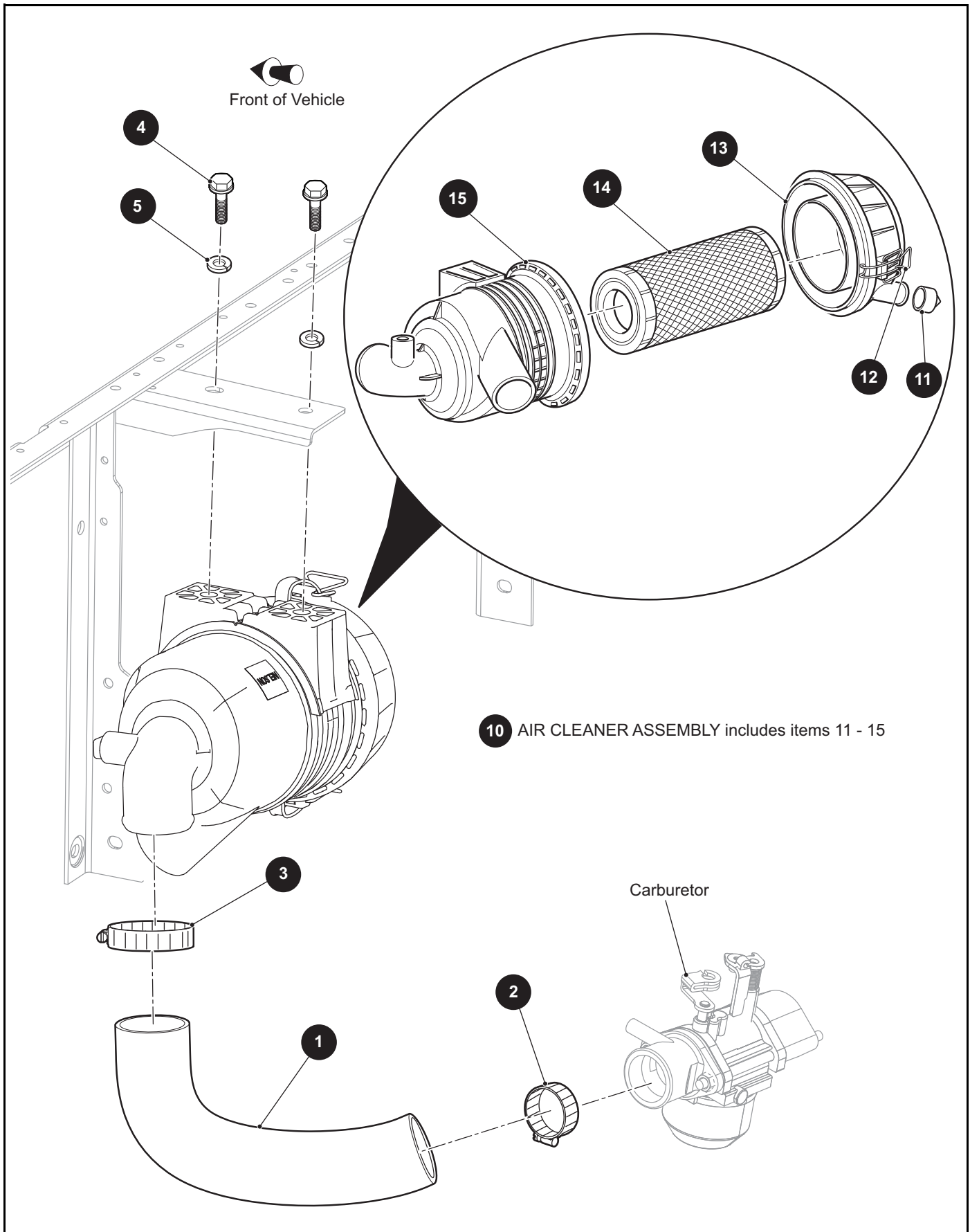
ITEM	PART NO.	1 2 3 4 5	DESCRIPTION	QTY.
1	606005		GOVERNOR BRACKET (LOWER).....	1
2	606284		GOVERNOR LINK ROD .....	1
3	603890		GOVERNOR GUARD BRACKET .....	1
4				
5	606083		GOVERNOR BRACKET (UPPER) .....	1
6	632936		GOVERNOR CABLE/DIRECTION SELECTOR BRACKET .....	1
7				
8	606283		GOVERNOR LEVER BUSHING .....	1
9	606421		FLANGED HEX HEAD BOLT, M6 - 1 X 30MM LG.....	1
10	606256		FLANGED HEX HEAD BOLT, M10 - 1.25 X 25MM LG.....	2
11				
12	606264		FLANGED HEX HEAD BOLT, M6 - 1 X 20MM LG.....	1
13	73876G01		FLANGED HEX HEAD BOLT, M6 - 1 X 12MM LG.....	1
14	606262		FLANGED HEX HEAD BOLT, M8 - 1.25 X 16MM LG.....	1
15				
16	450452		FLANGED HEX NUT, M6 - 1.....	1
17				
18	608527		GOVERNOR WARNING LABEL.....	1







# AIR FILTER



THE USE OF NON U.L. PARTS WILL VOID ANY U.L. LISTING.

When ordering parts, please specify the model and serial number of the product.

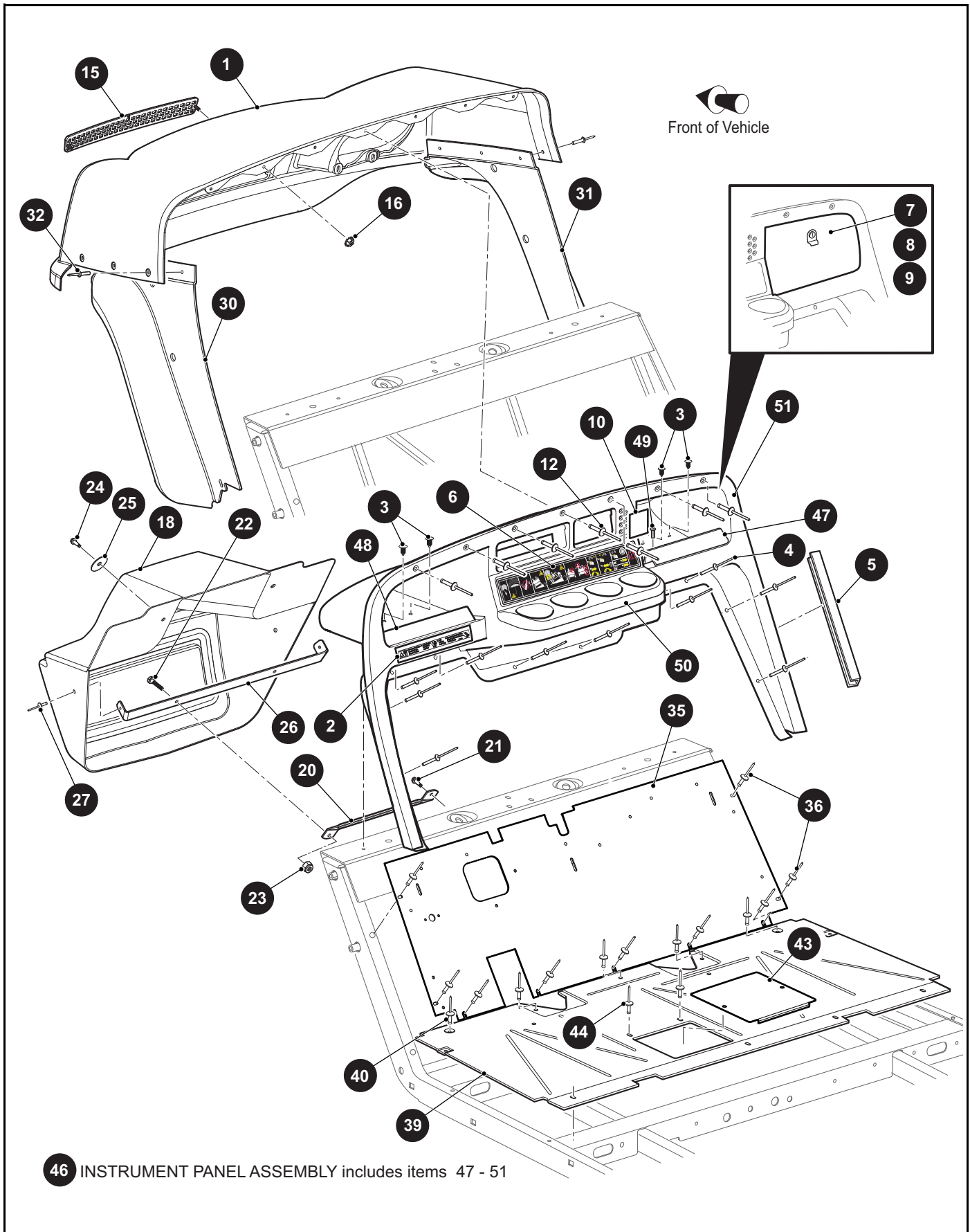
\* Indicates a component that is not available as an individual part.

\*\*\* Indicates consult Customer Service Department for additional information.

ITEM	PART NO.	1 2 3 4 5	DESCRIPTION	QTY.
1	607950		AIR FILTER HOSE .....	1
2	11391G1		HOSE CLAMP, 1.31" .....	1
3	11391G7		HOSE CLAMP, 1.56" .....	1
4	606261		FLANGED HEX HEAD BOLT, M8 - 1.25 X 20MM LG.....	2
5	606272		SPLIT LOCK WASHER, 8MM.....	2
6				
7				
8				
9				
10	614852		AIR CLEANER ASSEMBLY (INCLUDES ITEMS 11 - 15) .....	1
11	28462G01		DUST EJECTOR VALVE .....	1
12	72604G01		AIR CLEANER CLIP.....	2
13	72599G01		AIR CLEANER COVER.....	1
14	28463G01		AIR FILTER .....	1
15	615390		BODY AND BRACKET ASSEMBLY.....	1







THE USE OF NON U.L. PARTS WILL VOID ANY U.L. LISTING.

When ordering parts, please specify the model and serial number of the product.

\* Indicates a component that is not available as an individual part.

\*\*\* Indicates consult Customer Service Department for additional information.

ITEM	PART NO.	1 2 3 4 5	DESCRIPTION	QTY.
1	613036G0XX		COWL (See COLOR CODES in HOW TO USE Section) .....	1
2	74443G01		ANTI-ROLLBACK DECAL.....	1
3	16816G2		RATCHET FASTENER, 1/4" X .887" LG.....	4
4	71055G01		RIVET (ALUMINUM), 3/16" X .985" LG .....	10
5	71115G01		TRIM (VINYL).....	1
6	601781		SAFETY LABEL .....	1
7	75459G01		GLOVE BOX DOORS (BOTH SIDES).....	1
8	75459G02		GLOVE BOX DOOR (DRIVER SIDE) .....	1
9	75459G03		GLOVE BOX DOOR (PASSENGER SIDE) .....	1
10	35968G01		T - HOLDER COVER DECAL .....	1
11				
12	71055G01		RIVET (ALUMINUM), 3/16" X .985" LG .....	7
13				
14				
15	617643		COWL GRILL COVER .....	1
16	71597G01		SELF THREADING NUT, 5MM X 10MM X 15MM .....	2
17				
18	613273		FRONT FASCIA.....	1
19				
20	70725G02		FRONT SHIELD BRACE .....	1
21	01038G01		HEX WASHER HEAD SWAGEFORM SCREW, 1/4" - 20 X .70" LG .....	1
22	00414G6		HEX HEAD BOLT, 1/4" - 20 X 1/2" LG .....	1
23	14390G4		LOCK NUT, 1/4" - 20.....	1
24	01038G01		HEX WASHER HEAD SWAGEFORM SCREW, 1/4" - 20 X .70" LG .....	2
25	16469G1		FENDER WASHER.....	2
26	618653		FASCIA BRACKET.....	1
27	15058G1		RIVET (ALUMINUM), 3/16" X .450" LG .....	2
28				
29				
30	614378		FENDER FLARE (DRIVER SIDE) .....	1

# BODY

THE USE OF NON U.L. PARTS WILL VOID ANY U.L. LISTING.

When ordering parts, please specify the model and serial number of the product.

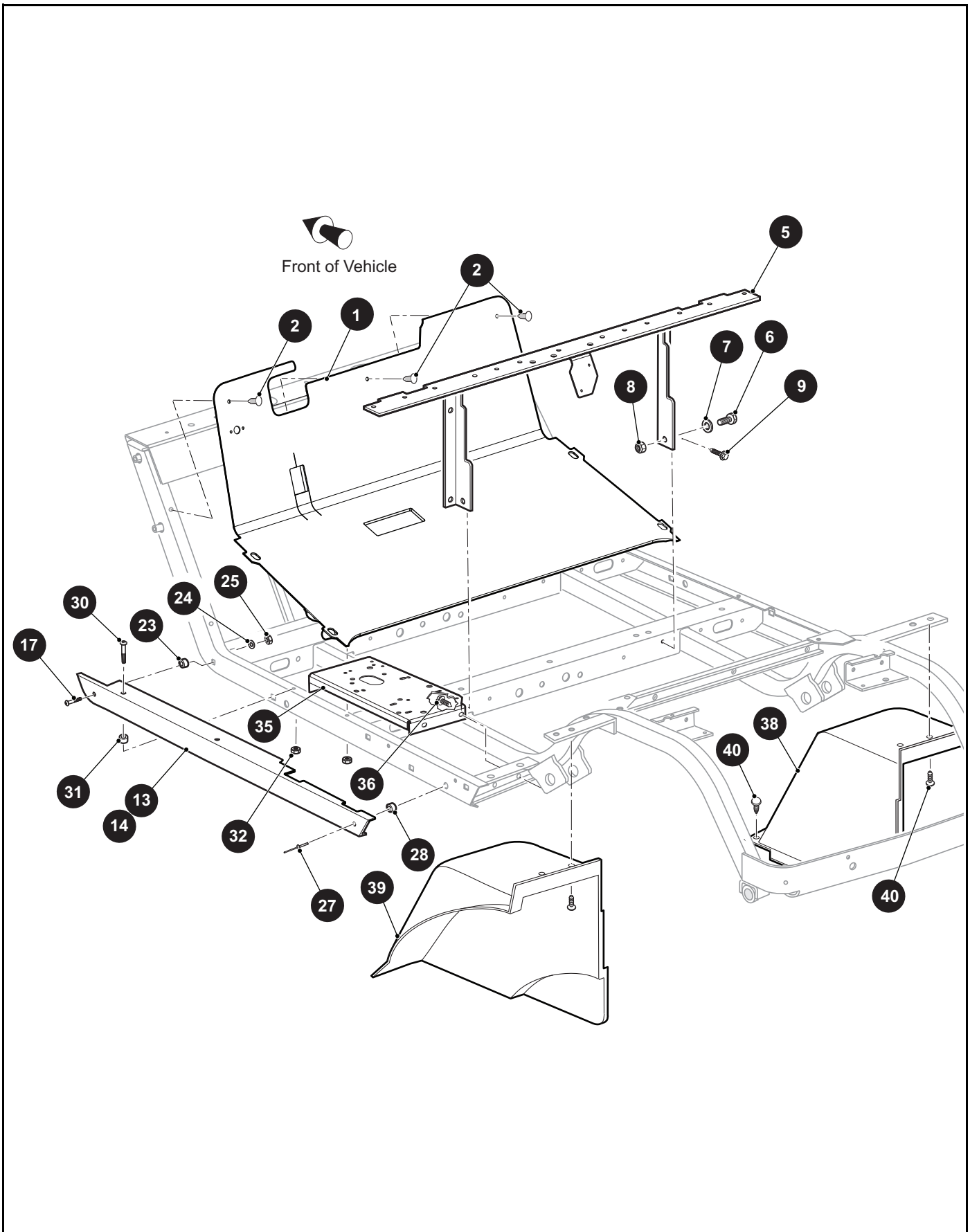
\* Indicates a component that is not available as an individual part.

\*\*\* Indicates consult Customer Service Department for additional information.

ITEM	PART NO.	1 2 3 4 5	DESCRIPTION	QTY.
31	613274		FENDER FLARE (PASSENGER SIDE) .....	1
32	71055G01		RIVET (ALUMINUM), 3/16" X 1.118" LG .....	3
33				
34				
35	641260		UPPER FLOOR PANEL .....	1
36	14601G11		RIVET (ALUMINUM), 3/16" X .575" LG.....	9
37				
38				
39	70451G01		LOWER FLOOR PANEL.....	1
40	14601G11		RIVET (ALUMINUM), 3/16" X .575" LG.....	5
41				
42				
43	70452G01		ACCESS COVER .....	1
44	14601G11		RIVET (ALUMINUM), 3/16" X .575" LG.....	2
45				
46	71151G03		INSTRUMENT PANEL ASSEMBLY (INCLUDES ITEMS 47 - 51) .....	1
47	71153G01		DEFLECTOR (PASSENGER SIDE) .....	1
48	71154G01		DEFLECTOR (DRIVER SIDE).....	1
49	00614G3		PAN HEAD PHILLIPS SCREW, #8 - 15 X 3/8" LG .....	4
50	71158G01		INSTRUMENT PANEL INSERT (FOUR CUP).....	1
51	71152G01		INSTRUMENT PANEL .....	1







THE USE OF NON U.L. PARTS WILL VOID ANY U.L. LISTING.

When ordering parts, please specify the model and serial number of the product.

\* Indicates a component that is not available as an individual part.

\*\*\* Indicates consult Customer Service Department for additional information.

ITEM	PART NO.	1 2 3 4 5	DESCRIPTION	QTY.
1	637535G02		FLOORMAT WITH HORN HOLES .....	1
2	16816G1		RATCHET RIVET, .25" X .72" .....	3
3				
4				
5	605694		SEAT FRAME .....	1
6	00438G6		HEX HEAD BOLT, 5/16" - 18 X .625 LG .....	2
7	00559G8		FLAT WASHER, 5/16" .....	2
8	11098G6		LOCK NUT, 5/16" - 18 .....	2
9	00715G2		HEX WASHER HEAD SCREW, 5/16" - 18 X .8" LG .....	2
10				
11				
12				
13	618356		ROCKER PANEL (DRIVER SIDE) .....	1
14	618357		ROCKER PANEL (PASSENGER SIDE) .....	1
15				
16				
17	00789G2		TRUSS HEAD PHILLIPS SCREW, #10 - 24 X 1.25" LG .....	1
18				
19				
20				
21				
22				
23	23726G4		SPACER, .298" LG .....	1
24	00660G5		FLAT WASHER, #10 .....	1
25	14390G10		LOCK NUT, #10 - 24 .....	1
26				
27	15058G6		RIVET (ALUMINUM), 3/16" X .937" LG .....	1
28	23726G4		SPACER, .298" LG .....	1
29				
30	16705G1		TRUSS HEAD PHILLIPS SCREW (SS), 1/4" - 20 X 1" LG .....	2

# BODY

THE USE OF NON U.L. PARTS WILL VOID ANY U.L. LISTING.

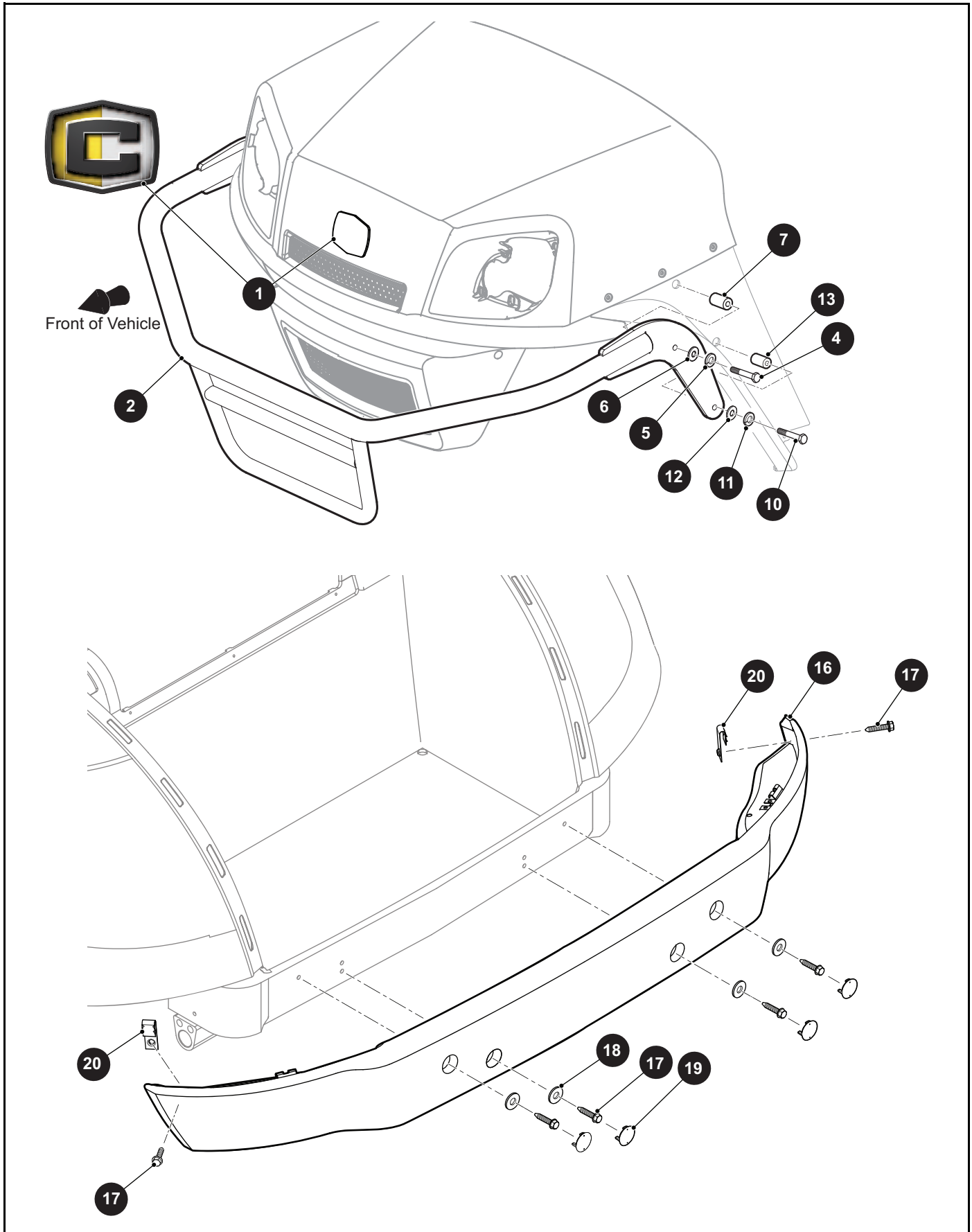
When ordering parts, please specify the model and serial number of the product.

\* Indicates a component that is not available as an individual part.

\*\*\* Indicates consult Customer Service Department for additional information.

ITEM	PART NO.	1	2	3	4	5	DESCRIPTION	QTY.
31	23726G4						SPACER, .298" LG .....	2
32	14390G4						LOCK NUT, 1/4" - 20 .....	2
33								
34								
35	70244G05						SPLASH PANEL .....	1
36	00715G2						HEX WASHER HEAD SCREW, 5/16" - 18 X .8" LG .....	4
37								
38	635054G02						FENDER LINER (PASSENGER SIDE) .....	1
39	635054G01						FENDER LINER (DRIVER SIDE).....	1
40	16816G2						RATCHET FASTENER, 1/4" X .887" LG .....	4





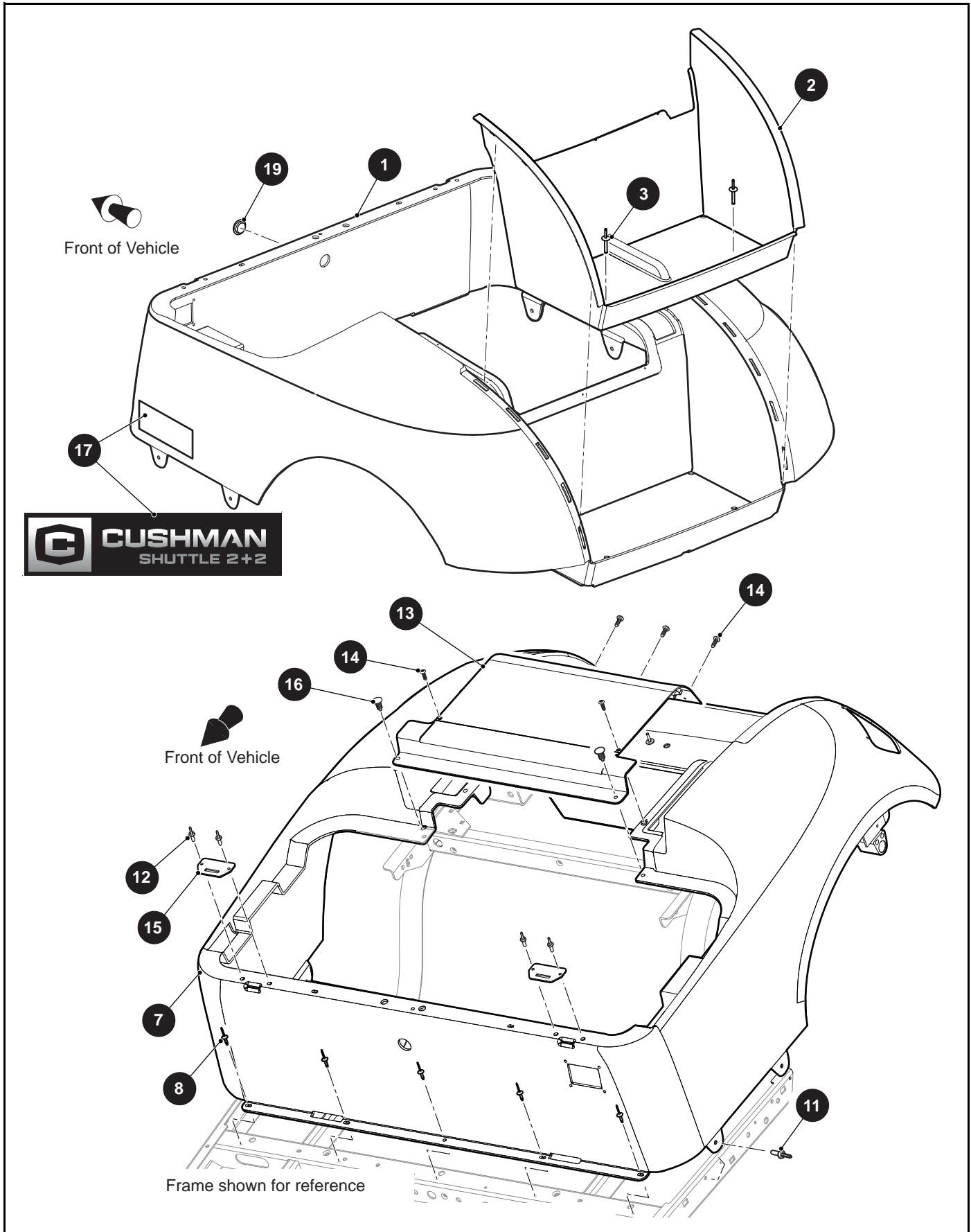
THE USE OF NON U.L. PARTS WILL VOID ANY U.L. LISTING.

When ordering parts, please specify the model and serial number of the product.

\* Indicates a component that is not available as an individual part.

\*\*\* Indicates consult Customer Service Department for additional information.

ITEM	PART NO.	1 2 3 4 5	DESCRIPTION	QTY.
1	619135		CUSHMAN COWL DECAL .....	1
2	617620		BRUSHGUARD .....	1
3				
4	00440G6		HEX HEAD CAP SCREW, 5/16" - 18 X 2.25" LG .....	2
5	00565G8		LOCK WASHER, 5/16" .....	2
6	00559G8		FLAT WASHER, 5/16" .....	2
7	75048G02		SPACER, 1.31" LG.....	2
8				
9				
10	00440G2		HEX HEAD CAP SCREW, 5/16" - 18 X 2.25" LG .....	2
11	00565G8		LOCK WASHER, 5/16" .....	2
12	00559G8		FLAT WASHER, 5/16" .....	2
13	75048G04		SPACER, 1" LG .....	2
14				
15				
16	71451G02		REAR BUMPER.....	1
17	71102G01		HEX HEAD BOLT, 1/4" - 20 X 3/4" LG .....	6
18	00571G2		FLAT WASHER, 5/16" .....	4
19	71455G01		BUMPER PLUG .....	4
20	71554G01		"J" - TYPE NUT RETAINER, 1/4" - 20.....	2





THE USE OF NON U.L. PARTS WILL VOID ANY U.L. LISTING.

When ordering parts, please specify the model and serial number of the product.

\* Indicates a component that is not available as an individual part.

\*\*\* Indicates consult Customer Service Department for additional information.

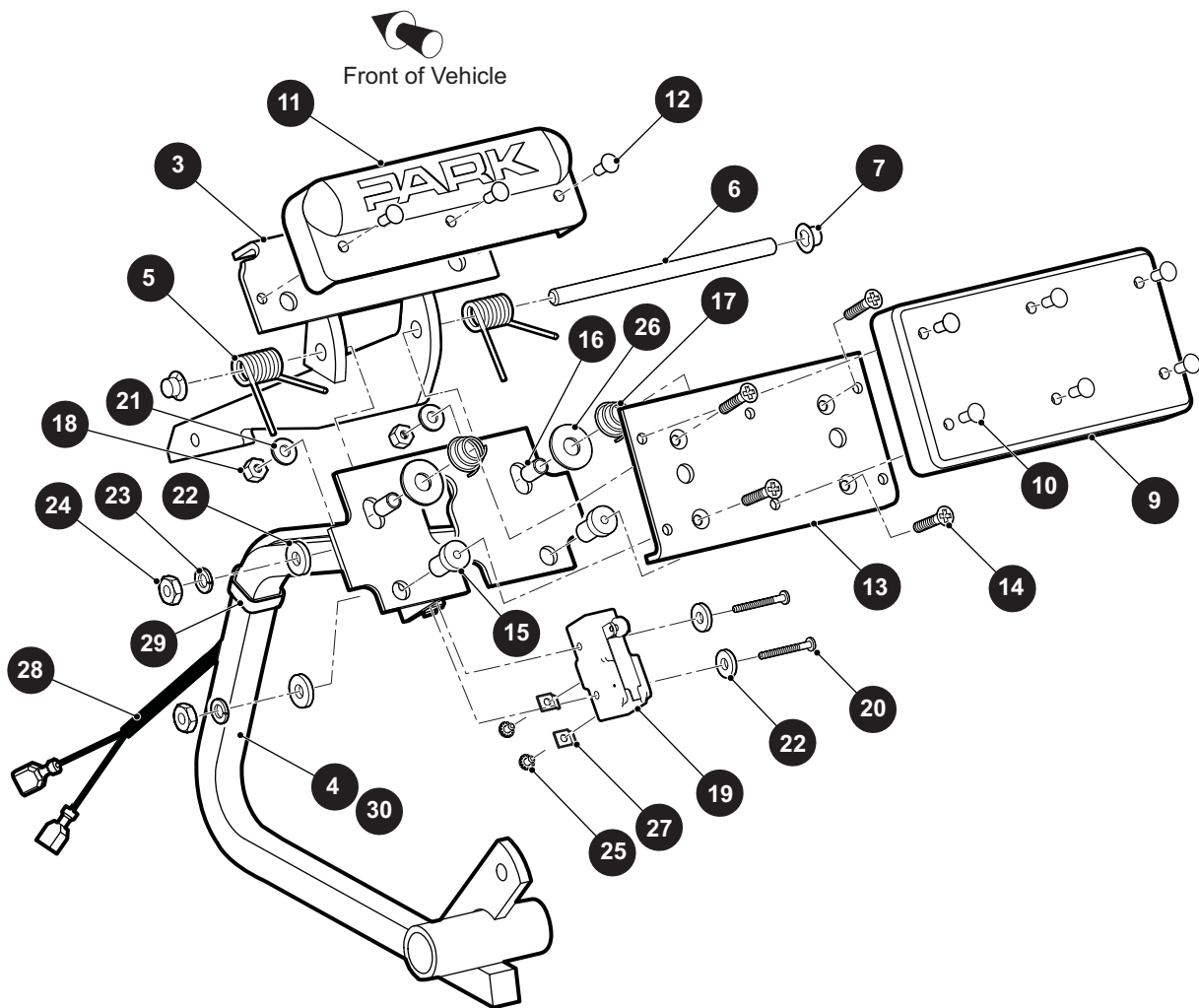
ITEM	PART NO.	1 2 3 4 5	DESCRIPTION	QTY.
1	619752G0XX		REAR BODY (WITHOUT TAILLIGHTS).....	1
2	624374		BAGWELL LINER .....	1
3	633917		RIVET (PLASTIC) .....	2
4				
5				
6				
7	625272G0XX		REAR BODY (WITH TAILLIGHTS) .....	1
8	10570G10		RIVET (SS), 5/32" X .55" LG .....	5
9				
10				
11	10570G12		RIVET (ALUMINUM), .257" X .556" LG .....	2
12	10570G11		RIVET (SS), 5/32" X .70" LG .....	2
13	71320G01		ACCESS PANEL .....	1
14	01107G01		PAN HEAD TORX SCREW (SS), #8 X .63" LG .....	5
15	71609G01		SEAT HINGE PLATE.....	1
16	16816G2		RATCHET RIVET, .25" X .887" .....	2
17	642581		CUSHMAN LOGO DECAL .....	1
18				
19	71316G01		PLUG .....	1





# BRAKES

- 1 BRAKE PEDAL ASSEMBLY (WITHOUT BRAKE LIGHTS) includes items 3 - 11
- 2 BRAKE PEDAL ASSEMBLY (WITH BRAKE LIGHTS) includes items 3, 5 - 30



# BRAKES

THE USE OF NON U.L. PARTS WILL VOID ANY U.L. LISTING.

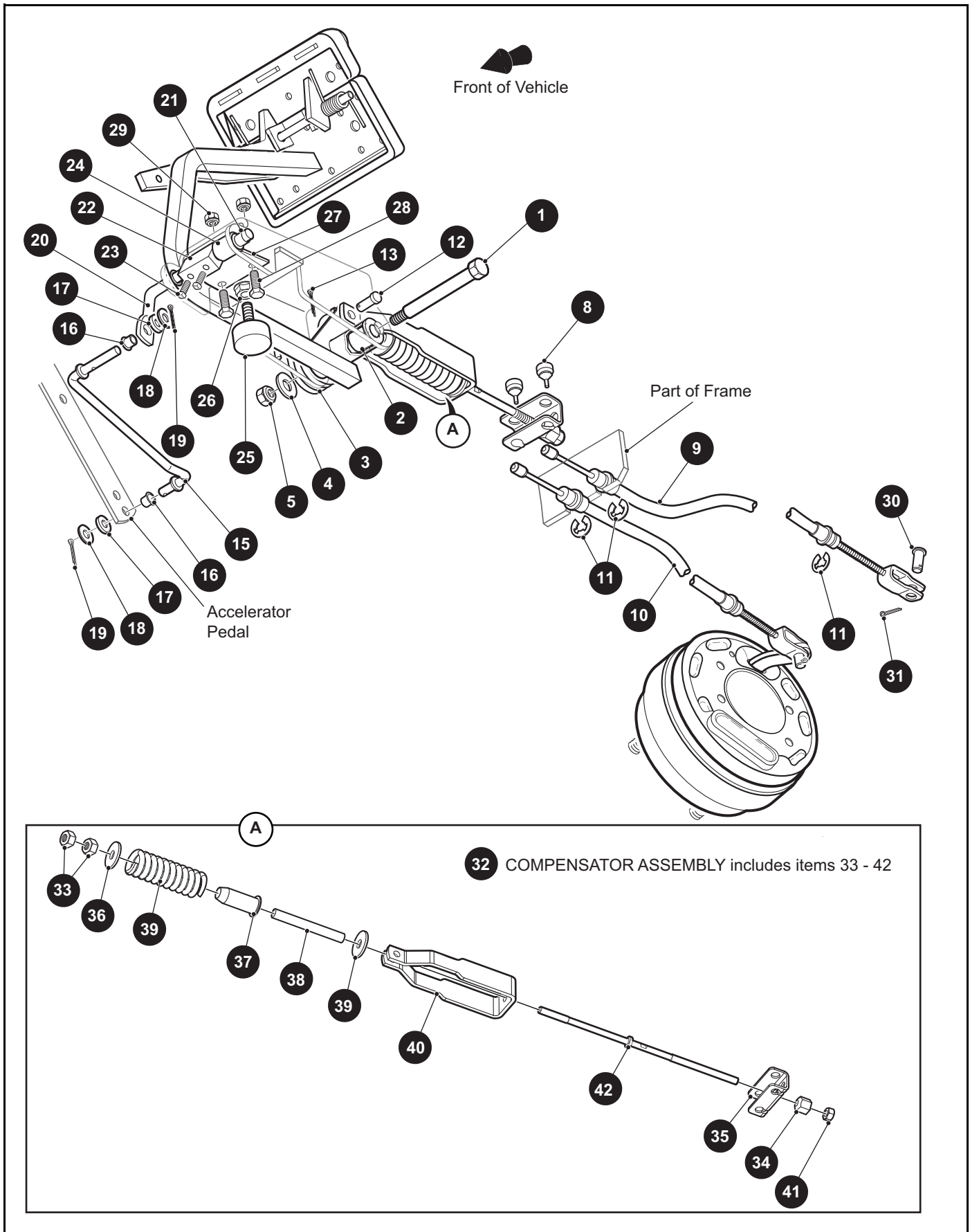
When ordering parts, please specify the model and serial number of the product.

\* Indicates a component that is not available as an individual part.

\*\*\* Indicates consult Customer Service Department for additional information.

ITEM	PART NO.	1 2 3 4 5	DESCRIPTION	QTY.
1	70612G02		BRAKE PEDAL ASSEMBLY (WITHOUT LIGHTS) (INCLUDES ITEMS 3 - 12)	1
2	70690G02		BRAKE PEDAL ASSEMBLY (WITH LIGHTS) (INCLUDES ITEMS 3, 5 - 30)..	1
3	652253G03		PARK BRAKE PEDAL .....	1
4	652251G03		BRAKE PEDAL (WITHOUT LIGHTS).....	1
5	70681G01		TORSION SPRING.....	2
6	70682G01		PIVOT PIN.....	1
7	658825		PUSH NUT, 5/16" - 24 .....	2
8				
9	70257G01		SERVICE BRAKE PAD.....	1
10	16409G1		OVAL RIVET, .375" X .468" LG .....	6
11	70256G01		PARK BRAKE PEDAL PAD .....	1
12	16409G1		OVAL RIVET, .375" X .468" LG .....	3
13	652820		SERVICE BRAKE PEDAL PLATE .....	1
14	00737G8		FLAT HEAD PHILLIPS SCREW, #10 - 24 X .875" LG.....	4
15	00739G1		RUBBER WELL NUT, #10 - 24.....	2
16	652355		BRAKE PEDAL SPACER .....	2
17	27137G01		CONICAL SPRING .....	2
18	14390G10		LOCK NUT, #10 - 24.....	2
19	10606G8		MICRO SWITCH .....	1
20	00645G2		PAN HEAD PHILLIPS SCREW, #6 - 32 X 1.25" LG .....	1
21	00559G5		FLAT WASHER, #10 .....	2
22	00559G3		FLAT WASHER, #6 .....	2
23	00565G3		LOCK WASHER, #6 .....	1
24	00525G5		LOCK NUT, #6 - 32.....	1
25	13514G1		PAN HEAD PHILLIPS SCREW WITH INTERNAL TOOTH LOCK WASHER, #6 - 32 X .22" LG .....	1
26	00642G8		FLAT WASHER, 5/16" .....	2
27	14628G1		FASTON TAB.....	1
28	24605G1		WIRE HARNESS (BRAKE LIGHT).....	1
29	17618G1		WIRE TIE.....	2
30	652791G03		BRAKE PEDAL (WITH LIGHTS) .....	1

# BRAKES



THE USE OF NON U.L. PARTS WILL VOID ANY U.L. LISTING.

When ordering parts, please specify the model and serial number of the product.

\* Indicates a component that is not available as an individual part.

\*\*\* Indicates consult Customer Service Department for additional information.

ITEM	PART NO.	1 2 3 4 5	DESCRIPTION	QTY.
1	70582G01		SHOULDER BOLT (SS), 3/8" - 16 X 3.406" LG .....	1
2	70581G01		FLANGED BUSHING, .1.062" O.D. X .795" I.D.....	2
3	70676G01		TORSION SPRING .....	1
4	00643G1		LOCK WASHER, 3/8" .....	1
5	11098G5		LOCK NUT, 3/8" - 16.....	1
6	01038G01		HEX WASHER HEAD SCREW, 1/4" - 20 X .7" LG (NOT ILLUSTRATED).....	1
7	12416G2		NYLON WEDGE LOCK CLAMP (NOT ILLUSTRATED).....	3
8	28083G01		BRAKE COMPENSATOR BUMPER.....	2
9	624690		BRAKE CABLE (DRIVER SIDE).....	1
10	624691		BRAKE CABLE (PASSENGER SIDE) .....	1
11	01111G01		RETAINING RING (SS), DIA .8".....	4
12	10386G3		CLEVIS PIN, .438" X .938" LG.....	1
13	10387G3		COTTER PIN, .094" X .75" LG.....	1
14				
15	70601G01		KICK-OFF LINK .....	1
16	17838G1		NYLON BUSHING, .37" O.D. X .31" I.D. ....	2
17	20835G1		TEFLON WASHER, 3/8" .....	2
18	00559G8		FLAT WASHER, 5/16".....	2
19	10387G3		COTTER PIN, .094" X .75" LG.....	2
20	70098G01		KICK-OFF CAM PIVOT.....	1
21	10097G6		FLANGED BEARING .....	2
22	70587G01		KICK-OFF CAM .....	1
23	71215G01		SET SCREW WITH PATCH LOCK, 1/4" - 20 X .5" LG .....	2
24	14134G4		SPACER, .76" O.D. X .395" I.D. X 1.25" LG .....	1
25	70113G01		ADJUSTABLE BUMPER.....	1
26	11027G1		LOCK NUT, 5/16 - 18".....	1
27	70080G02		CATCH BRACKET .....	1
28	00414G6		HEX HEAD CAP SCREW, 1/4" - 20 X .25" LG .....	2
29	14390G4		LOCK NUT (SS), 1/4" - 20 .....	2
30	10386G3		CLEVIS PIN, .438" X .938" LG.....	1
31	10387G3		COTTER PIN, .094" X .75" LG.....	1

# BRAKES

THE USE OF NON U.L. PARTS WILL VOID ANY U.L. LISTING.

When ordering parts, please specify the model and serial number of the product.

\* Indicates a component that is not available as an individual part.

\*\*\* Indicates consult Customer Service Department for additional information.

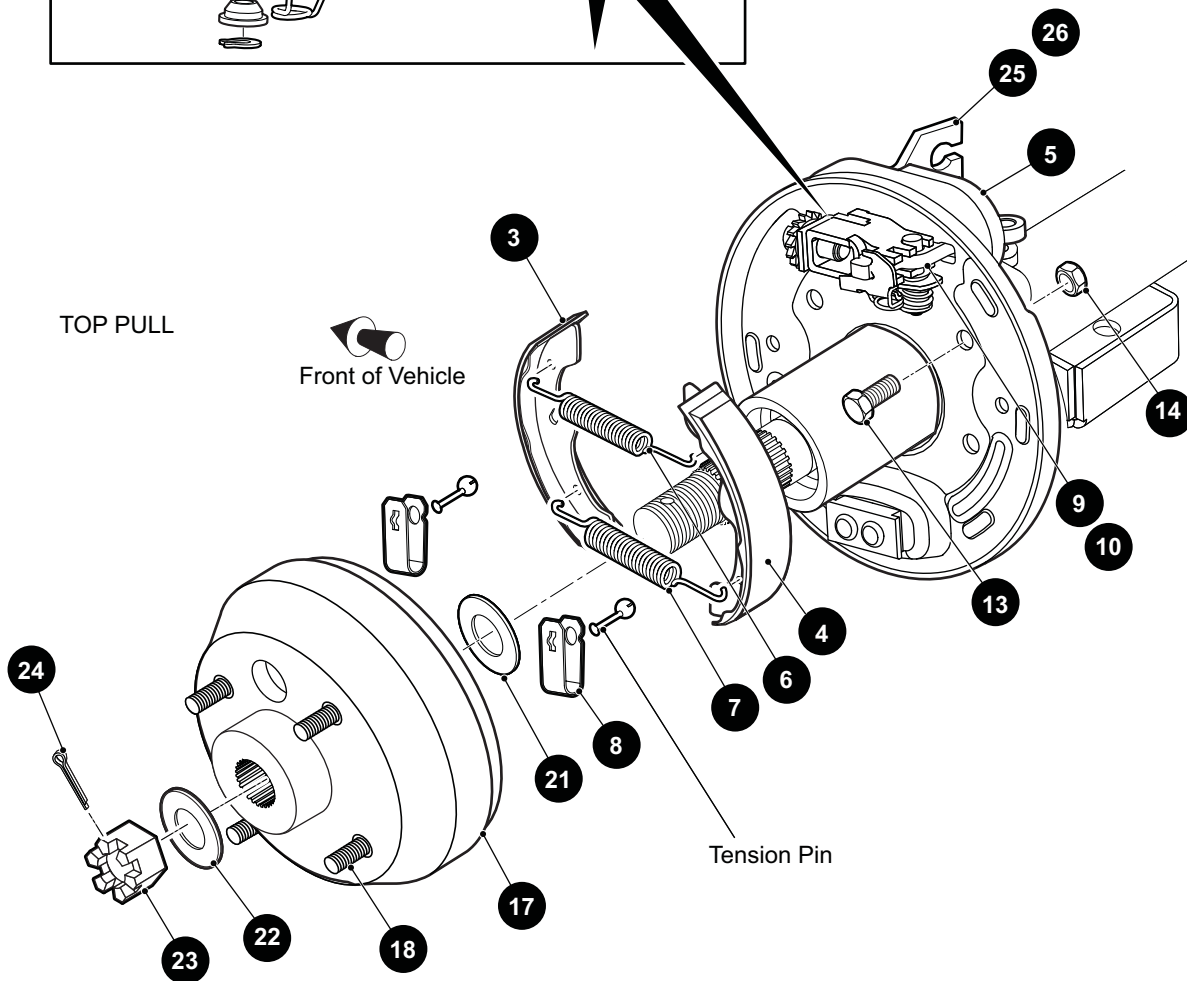
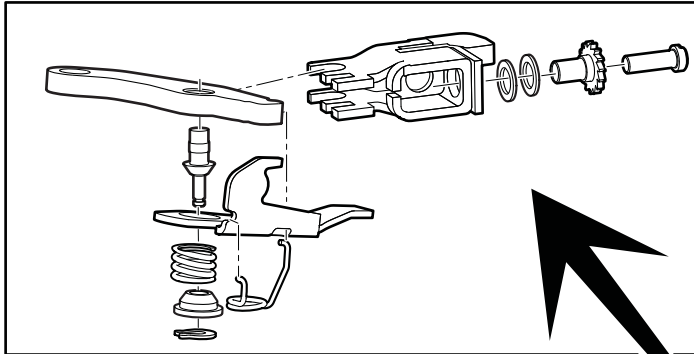
ITEM	PART NO.	1	2	3	4	5	DESCRIPTION	QTY.
32	612558						COMPENSATOR ASSEMBLY (INCLUDES ITEMS 33 - 42) .....	1
33	00532G4						HEX NUT, 1/4" - 20 .....	2
34	629486						SPHERICAL HEX NUT, 5/16" - 24 .....	1
35	28082G01						EQUALIZER BRACKET .....	1
36	15121G1						FLAT WASHER, 5/16" .....	2
37	17979G1						ACCELERATOR ROD BUSHING, .464" I.D. X 1" O.D. X 2" LG.....	1
38	23061G2						TUBE.....	1
39	23463G1						COMPRESSION SPRING .....	1
40	652256						BRAKE YOKE .....	1
41	11098G9						HEX LOCK NUT, 5/16" - 24 .....	1
42	612557						COMPENSATOR LINK ROD .....	1
43	17618G1						NYLON CLAMP, 8" LG (NOT ILLUSTRATED) .....	1





# BRAKES

- 1 BRAKE ASSEMBLY (DRIVER SIDE) includes items 3 - 9
- 2 BRAKE ASSEMBLY (PASSENGER SIDE) includes items 3 - 8, 10
- 16 BRAKE DRUM ASSEMBLY includes items 17, 18



THE USE OF NON U.L. PARTS WILL VOID ANY U.L. LISTING.

When ordering parts, please specify the model and serial number of the product.

\* Indicates a component that is not available as an individual part.

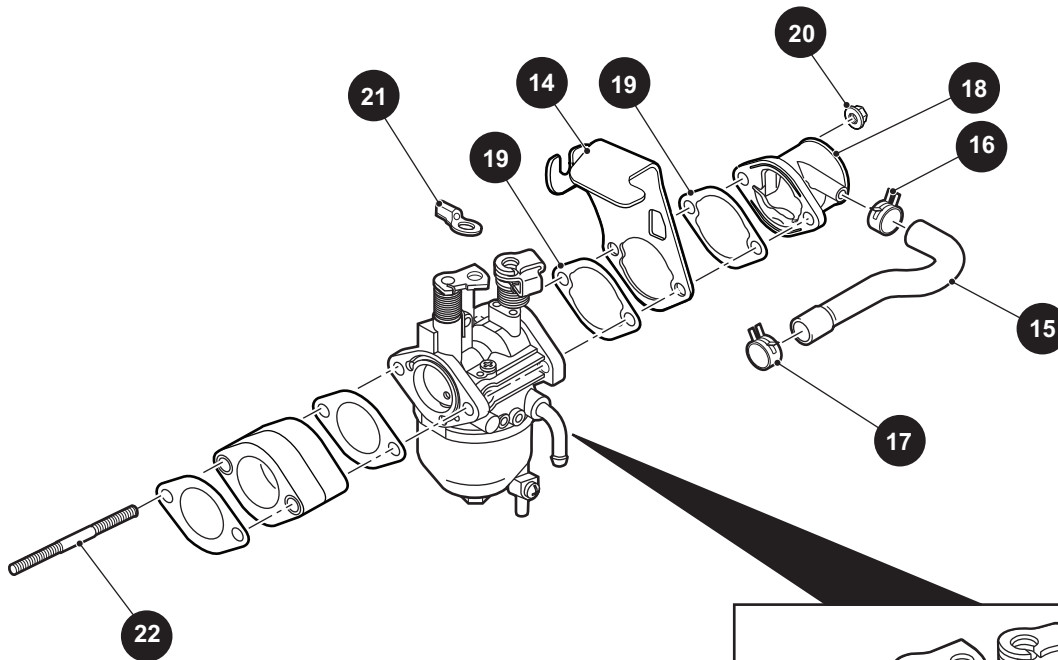
\*\*\* Indicates consult Customer Service Department for additional information.

ITEM	PART NO.	1 2 3 4 5	DESCRIPTION	QTY.
1	612189		BRAKE ASSEMBLY (DRIVER SIDE) (INCLUDES ITEMS 3 - 9) .....	1
2	612211		BRAKE ASSEMBLY (PASSENGER SIDE) (INCLUDES ITEMS 3 - 8, 10) .....	1
3	612411		BRAKE SHOE, LEADING .....	1
4	612412		BRAKE SHOE, TRAILING .....	1
5	612413		DUST COVER .....	1
6	612415		BRAKE SPRING, TOP .....	1
7	612414		BRAKE SPRING, BOTTOM .....	1
8	612416		SHOE CLAMP .....	2
9	612418		GEAR ADJUSTER (DRIVER SIDE) .....	1
10	612417		GEAR ADJUSTER (PASSENGER SIDE) .....	1
11				
12				
13	17083G2		HEX HEAD BOLT, 5/16" - 24 X 1" LG .....	4
14	15126G1		LOCK NUT, 5/16" - 24 .....	4
15				
16	19186G1		BRAKE DRUM ASSEMBLY (INCLUDES ITEMS 17, 18) .....	1
17	18500G2		BRAKE DRUM .....	1
18	19862G1		LUG BOLT, 1/2" - 20 X 1.218" LG .....	4
19				
20				
21	15485G1		FLAT WASHER (INNER WHEEL RIM), 1.31" O.D. X .85" I.D. ....	1
22	15487G1		FLAT WASHER (BRAKE DRUM), 1.5" O.D. X .76" I.D. ....	1
23	612928		SLOTTED HEX NUT, 3/4" - 16 .....	1
24	10387G1		COTTER PIN, 5/32" X 1 3/4" LG .....	1
25	652248		BRAKE CABLE BRACKET (PASSENGER SIDE) .....	1
26	652249		BRAKE CABLE BRACKET (DRIVER SIDE) .....	1

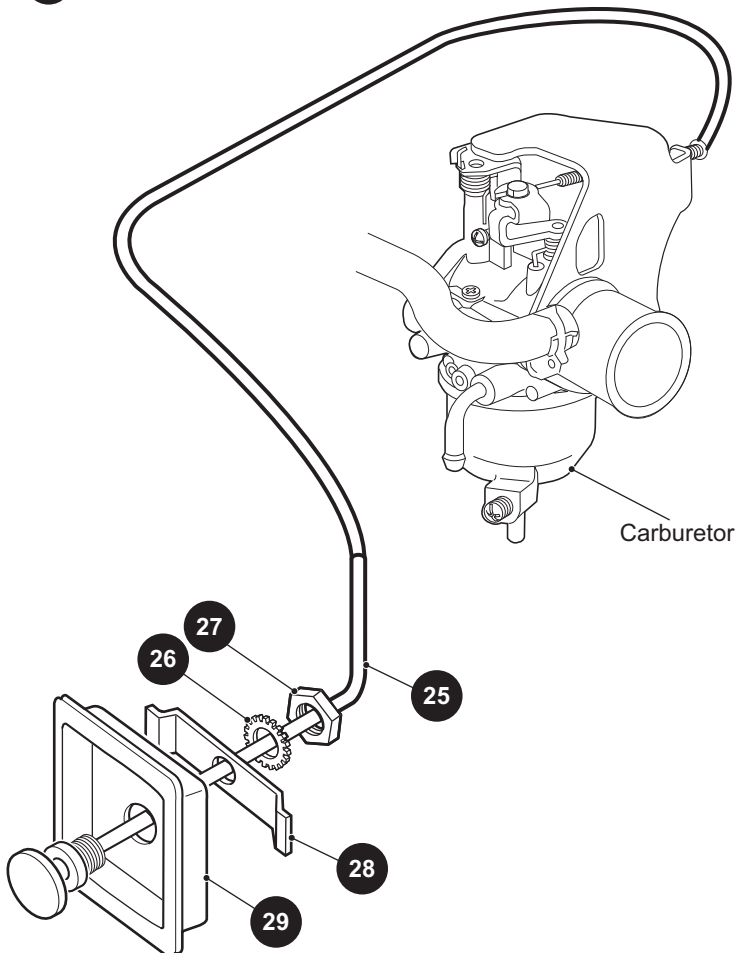
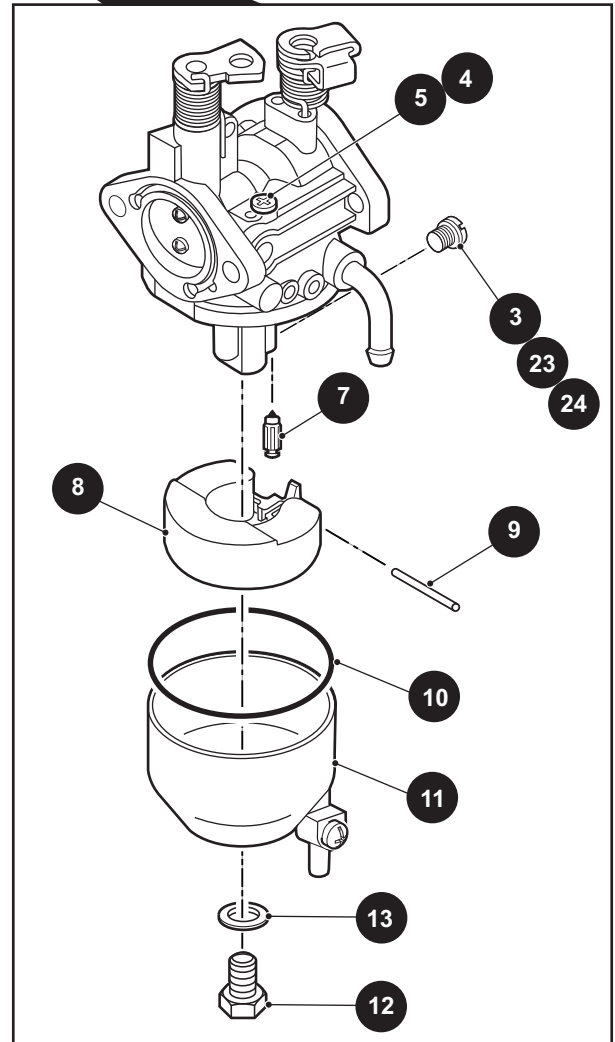




# CARBURETOR AND CHOKE



1 CARBURETOR includes items 3 - 22



## CARBURETOR AND CHOKE

THE USE OF NON U.L. PARTS WILL VOID ANY U.L. LISTING.

When ordering parts, please specify the model and serial number of the product.

\* Indicates a component that is not available as an individual part.

\*\*\* Indicates consult Customer Service Department for additional information.

ITEM	PART NO.	1 2 3 4 5	DESCRIPTION	QTY.
1	607955		CARBURETOR (INCLUDES ITEMS 3 - 22) .....	1
2				
3	607956		MAIN JET (#106).....	1
4	607957		PILOT JET (#52) .....	1
5	603585		PLUG.....	1
6				
7	603586		FLOAT VALVE .....	1
8	603587		FLOAT .....	1
9	603588		FLOAT PIN .....	1
10	603589		BOWL GASKET .....	1
11	603590		FLOAT CHAMBER ASSEMBLY .....	1
12	603592		CHAMBER PLUG .....	1
13	603591		CHAMBER GASKET .....	1
14	603583		CHOKE CABLE BRACKET .....	1
15	603598		BREATHER TUBE.....	1
16	603596		INTAKE TUBE CLAMP .....	1
17	603597		CYLINDER HEAD TUBE CLAMP .....	1
18	603594		INTAKE TUBE .....	1
19	603593		CHOKE GASKET .....	2
20	603595		FLANGE NUT, M6 X 1.0.....	2
21	608023		THROTTLE ROD ATTACHMENT BUSHING .....	1
22	603584		STUD BOLT.....	2
23	607684		MAIN JET (#102) (FOR ELEVATIONS OF 6000 FT - 10000 FT) .....	1
24	607983		MAIN JET (#104) (FOR ELEVATIONS OF 3000 FT - 6000 FT) .....	1
25	605868		CHOKE CABLE.....	1
26	00568G4		LOCK WASHER (TOOTH TYPE), 9/16" .....	1
27	00545G4		JAM NUT, 9/16" - 18 .....	1
28	72155G01		RETAINER, CHOKE ADAPTER .....	1
29	72154G01		CHOKE CABLE ADAPTER.....	1

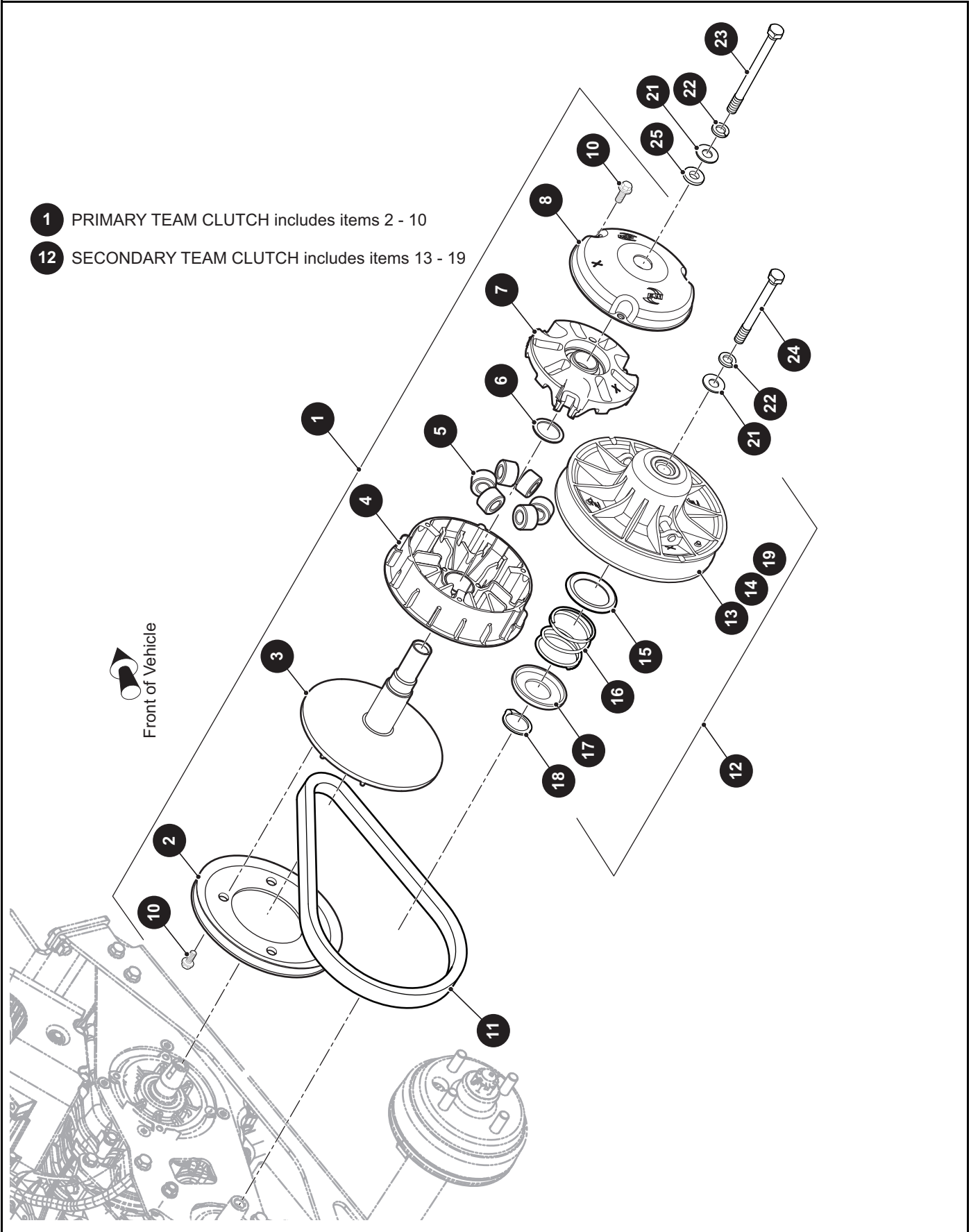






# CLUTCH

- 1 PRIMARY TEAM CLUTCH includes items 2 - 10
- 12 SECONDARY TEAM CLUTCH includes items 13 - 19



THE USE OF NON U.L. PARTS WILL VOID ANY U.L. LISTING.

When ordering parts, please specify the model and serial number of the product.

\* Indicates a component that is not available as an individual part.

\*\*\* Indicates consult Customer Service Department for additional information.

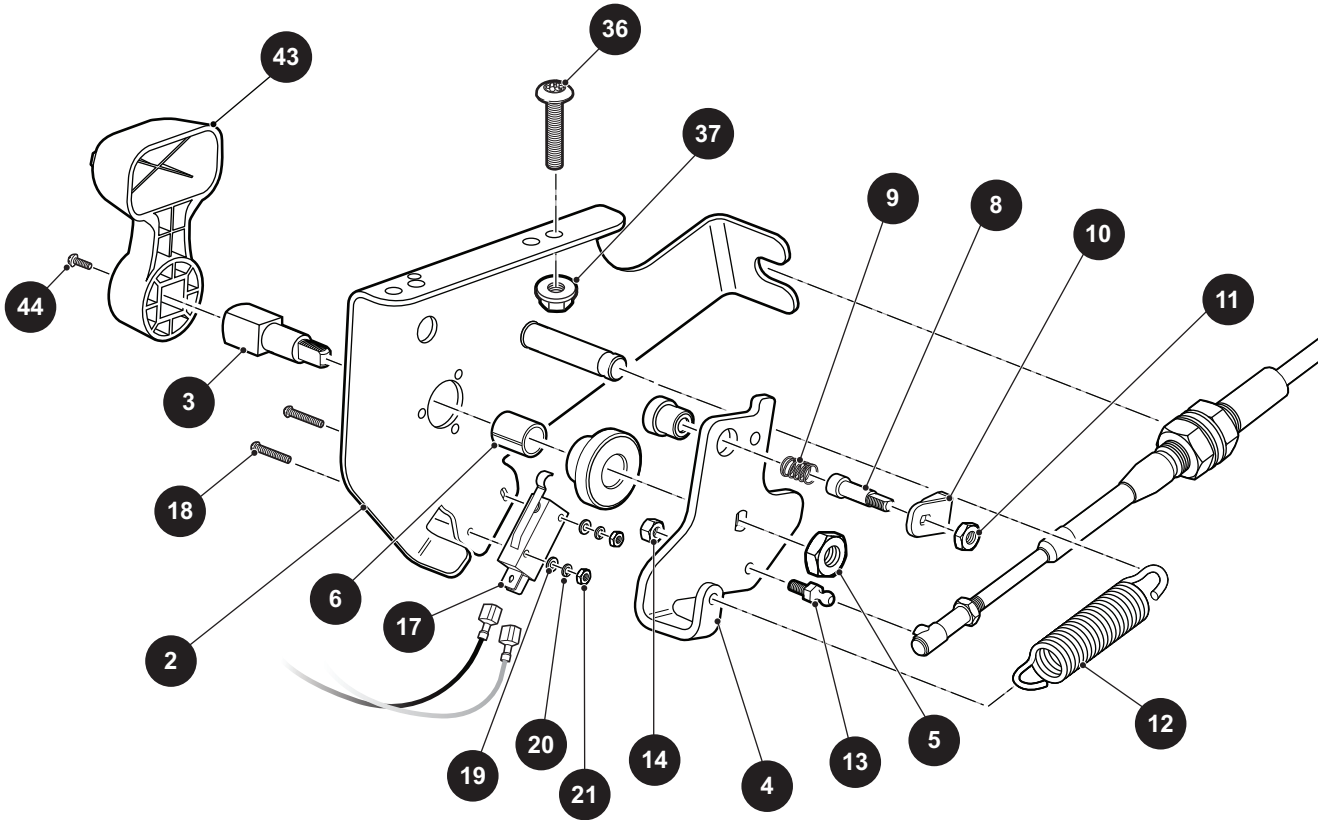
ITEM	PART NO.	1 2 3 4 5	DESCRIPTION	QTY.
1	623948		PRIMARY TEAM CLUTCH (INCLUDES ITEMS 2 - 10) .....	1
2	619333		PRIMARY STARTER PULLY .....	1
3	619334		STATIONARY ASSEMBLY .....	1
4	619335		MOVEABLE PRIMARY ASSEMBLY .....	1
5	624112		SHIFT ROLLER ASSEMBLY .....	6
6	619337		SHIM, 39.5 X 31.75 .....	1
7	619338		PRIMARY SPIDER ASSEMBLY .....	1
8	619339		PRIMARY DUST COVER ASSEMBLY .....	1
9				
10	619332		HEX WASHER HEAD BOLT, 1/4" - 20 X 3/4" LG .....	7
11	618630		DRIVE BELT .....	1
12	623949		SECONDARY TEAM CLUTCH (INCLUDES ITEMS 13 - 19) .....	1
13	*		SECONDARY STATIONARY, 9.5 .....	1
14	*		MOVEABLE SECONDARY, 9.5 .....	1
15	619327		INNER RETAINER SPRING .....	1
16	624111		COMPRESSION SPRING .....	1
17	619329		OUTER SPRING RETAINER .....	1
18	619330		RETAINER RING .....	1
19	619331		THRUST WASHER, 1.530" X 1.830" X 1" .....	1
20				
21	606239		CONICAL WASHER, M12 .....	2
22	00566G3		LOCK WASHER (SPRING TYPE), 3/8" .....	2
23	606245		HEX HEAD BOLT, M12 - 1.25 X 160MM LG .....	1
24	606243		HEX HEAD BOLT, M12 - 1.25 X 120MM LG .....	1
25	606230		CLUTCH WASHER, 27.5Ø O.D X 13.06Ø I.D .....	1



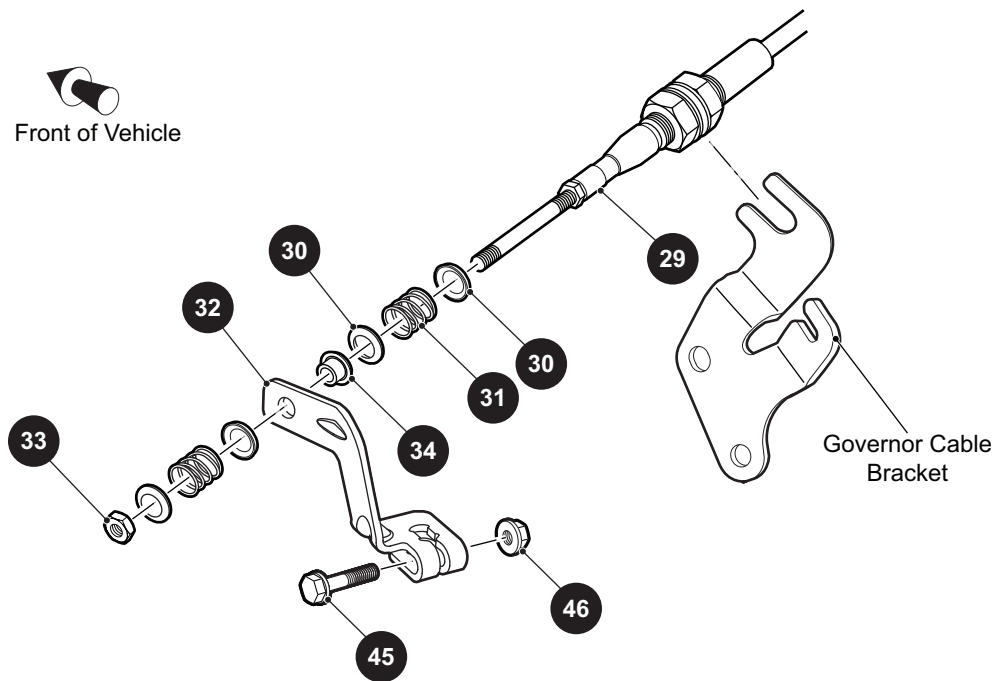


# DIRECTION SELECTOR

1 DIRECTION SELECTOR ASSEMBLY includes items 2 - 34



Front of Vehicle



# DIRECTION SELECTOR

THE USE OF NON U.L. PARTS WILL VOID ANY U.L. LISTING.

When ordering parts, please specify the model and serial number of the product.

\* Indicates a component that is not available as an individual part.

\*\*\* Indicates consult Customer Service Department for additional information.

ITEM	PART NO.	1 2 3 4 5	DESCRIPTION	QTY.
1	603416		DIRECTION SELECTOR ASSEMBLY (INCLUDES ITEMS 2 - 34) .....	1
2	606077		DIRECTION SELECTOR BRACKET.....	1
3	70233G01		DIRECTION SELECTOR SHAFT.....	1
4	603700		DIRECTION SELECTOR CAM.....	1
5	14390G1		LOCK NUT, 3/8" - 24 .....	1
6	25664G2		BUSHING, 1/2" X .750" LG .....	1
7				
8	72724G01		NEUTRAL LOCK PIN .....	1
9	72733G01		COMPRESSION SPRING.....	1
10	72729G01		NEUTRAL LOCK LATCH.....	1
11	00734G2		LOCK NUT, 1/4" - 28 .....	1
12	28574G01		EXTENSION SPRING .....	1
13	72732G01		BALL STUD, #10 - 32.....	1
14	00734G5		LOCK NUT, #10 - 32.....	1
15				
16				
17	72736G01		MICRO SWITCH .....	1
18	01062G01		ROUND HEAD SCREW, #4 - 40 X 1" LG.....	2
19	00559G1		FLAT WASHER, #4 .....	2
20	00565G1		LOCK WASHER, #4 .....	2
21	00526G2		HEX NUT, #4 - 40 .....	2
22				
23				
24				
25				
26				
27				
28				
29	603615		SHIFTER CABLE .....	1
30	25727G01		CUP WASHER, 1/4" .....	4
31	72735G01		COMPRESSION SPRING.....	2

## DIRECTION SELECTOR

THE USE OF NON U.L. PARTS WILL VOID ANY U.L. LISTING.

When ordering parts, please specify the model and serial number of the product.

\* Indicates a component that is not available as an individual part.

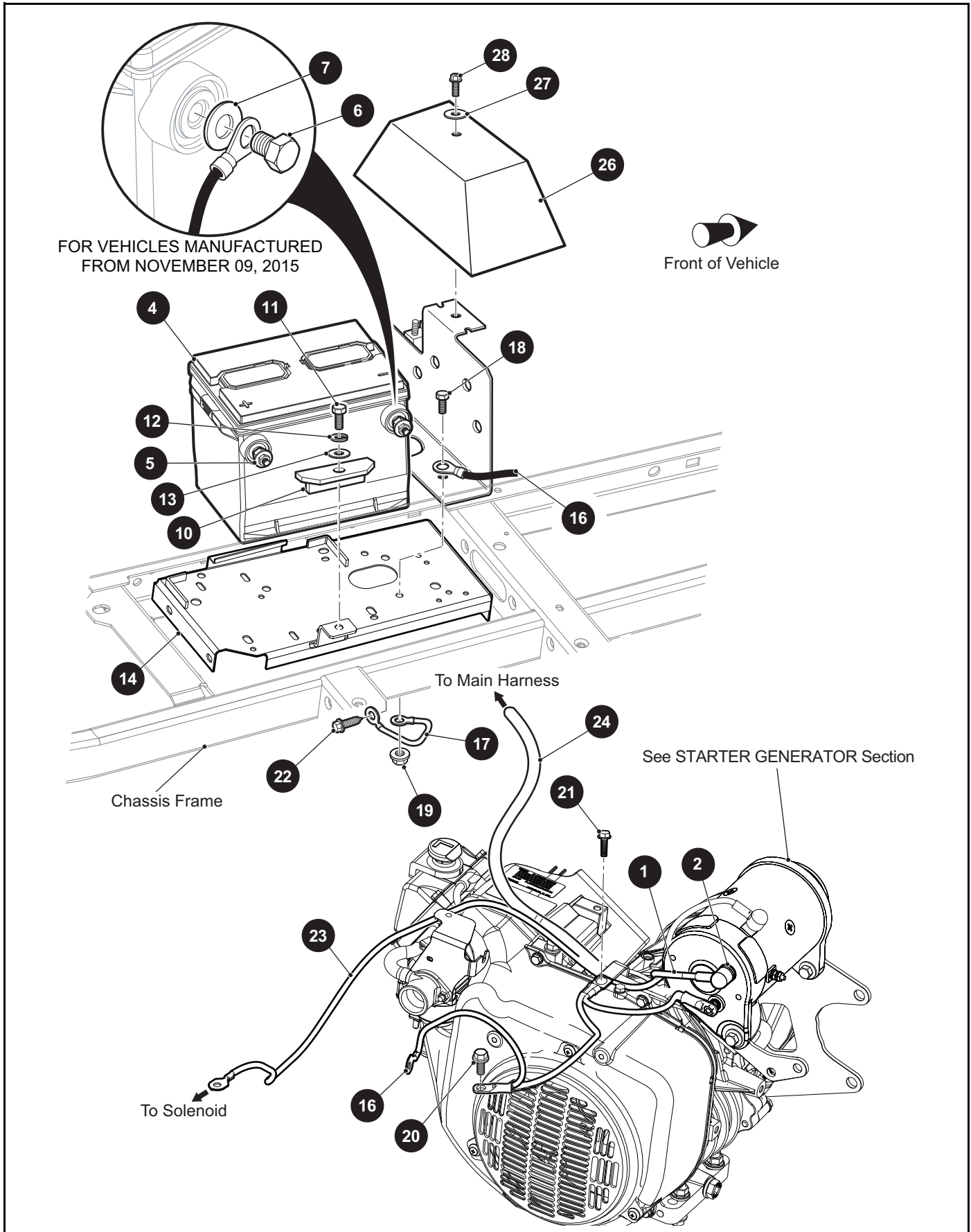
\*\*\* Indicates consult Customer Service Department for additional information.

ITEM	PART NO.	1	2	3	4	5	DESCRIPTION	QTY.
32	632891						PIVOT BRACKET .....	1
33	00734G5						LOCK NUT, #10 - 32 .....	1
34	22754G4						BUSHING (FLIP LOK), .250" .....	1
35								
36	70227G01						SOCKET HEAD CAP SCREW, 1/4" - 20 X 7/8" LG .....	2
37	11027G2						FLANGED LOCK NUT, 1/4" - 20 .....	2
38								
39								
40								
41								
42								
43	71205G01						DIRECTION SELECTOR HANDLE .....	1
44	01037G02						PAN HEAD TORX SCREW, #10 - 32 X 1/2" LG .....	1
45	606421						FLANGED HEX HEAD BOLT, M6 - 1 X 30MM LG .....	1
46	450452						HEX NUT, M6 - 1 .....	1





# ELECTRICAL SYSTEM



# ELECTRICAL SYSTEM

THE USE OF NON U.L. PARTS WILL VOID ANY U.L. LISTING.

When ordering parts, please specify the model and serial number of the product.

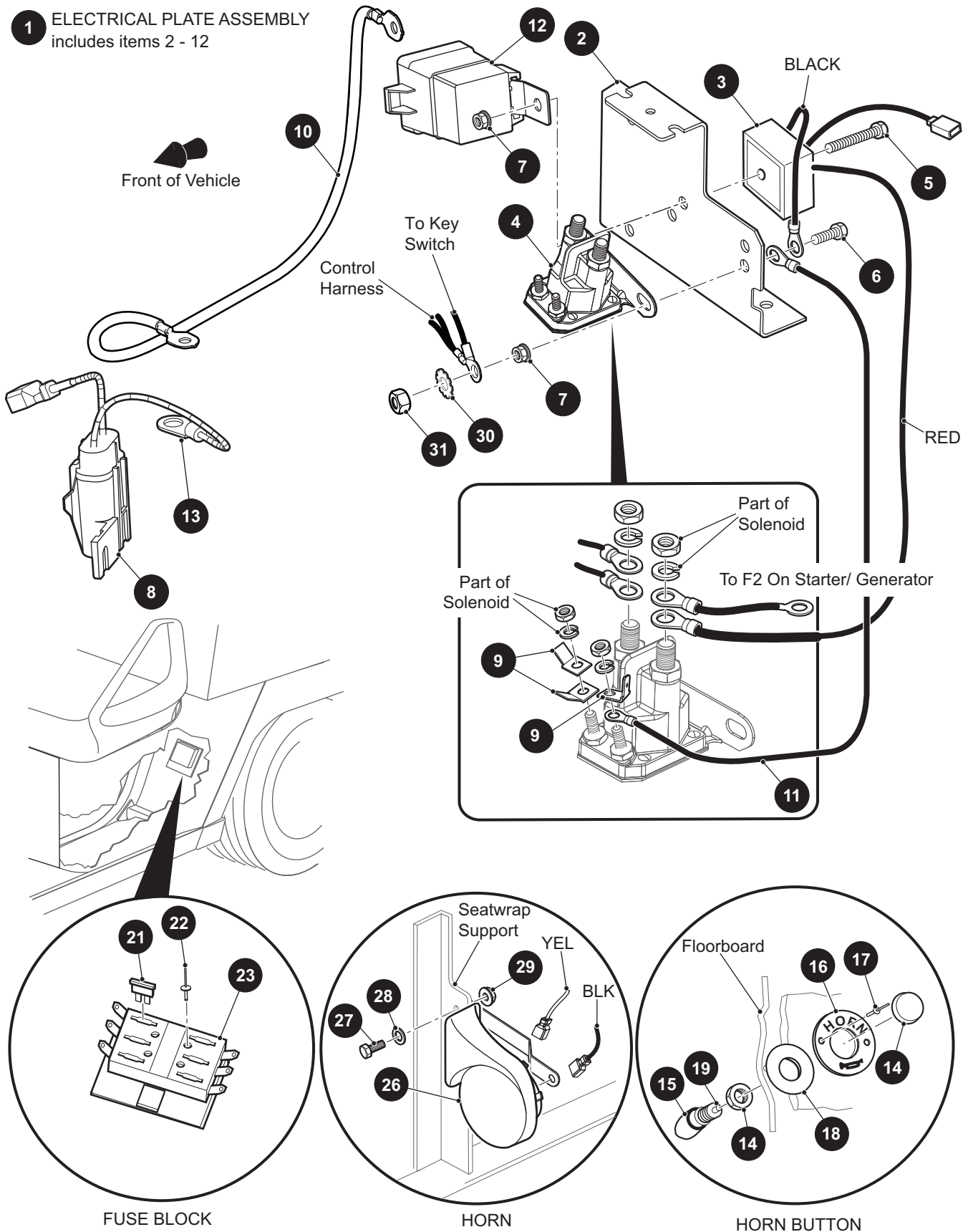
\* Indicates a component that is not available as an individual part.

\*\*\* Indicates consult Customer Service Department for additional information.

ITEM	PART NO.	1 2 3 4 5	DESCRIPTION	QTY.
1	607053		6 GA WIRE (BLACK 6", F1 - A2).....	1
2	25682G1		TERMINAL COVER .....	1
3				
4	638433		BATTERY, 12V .....	1
5	610428		BOLT EXTENDER .....	2
6	651336		BATTERY BOLT (FOR VEHICLES MANUFACTURED FROM NOVEMBER 09, 2015) .....	2
7	614221		FLAT WASHER, 3/8" (FOR VEHICLES MANUFACTURED FROM NOVEMBER 09, 2015) .....	2
8				
9				
10	72101G02		BATTERY HOLD DOWN.....	1
11	00438G6		HEX HEAD BOLT, 5/16" - 18 X 3/4" LG .....	1
12	00565G8		LOCK WASHER, 5/16" .....	1
13	00571G2		FLAT WASHER (SS), 5/16".....	1
14	652441G03		BATTERY TRAY.....	1
15				
16	27044G03		GROUND CABLE .....	1
17	25976G19		14 GA WIRE (BLACK 6") .....	1
18	00438G6		HEX HEAD BOLT, 5/16" - 18 X 3/4" LG .....	2
19	11027G1		FLANGED LOCK NUT, 5/16" - 18.....	2
20	26676G01		FLANGED BOLT, M6 - 1.0 X 23MM LG .....	1
21	606264		FLANGED HEX HEAD BOLT, M6 - 1.0 X 20MM LG.....	1
22	00715G2		HEX WASHER HEAD SCREW, 5/16" - 18 X .875" LG .....	4
23	607103		6 GA WIRE, 42" .....	1
24	605560		CONTROL HARNESS .....	1
25	17618G1		WIRE TIE (NOT ILLUSTRATED) .....	AR
26	73049G01		DIRECTION SELECTOR COVER .....	1
27	16469G1		FENDER WASHER, 1/4" .....	1
28	00114G6		HEX WASHER HEAD BOLT, 1/4" - 14 X 3/4" LG .....	1
29				
30				

# ELECTRICAL SYSTEM

- 1** ELECTRICAL PLATE ASSEMBLY includes items 2 - 12



# ELECTRICAL SYSTEM

THE USE OF NON U.L. PARTS WILL VOID ANY U.L. LISTING.

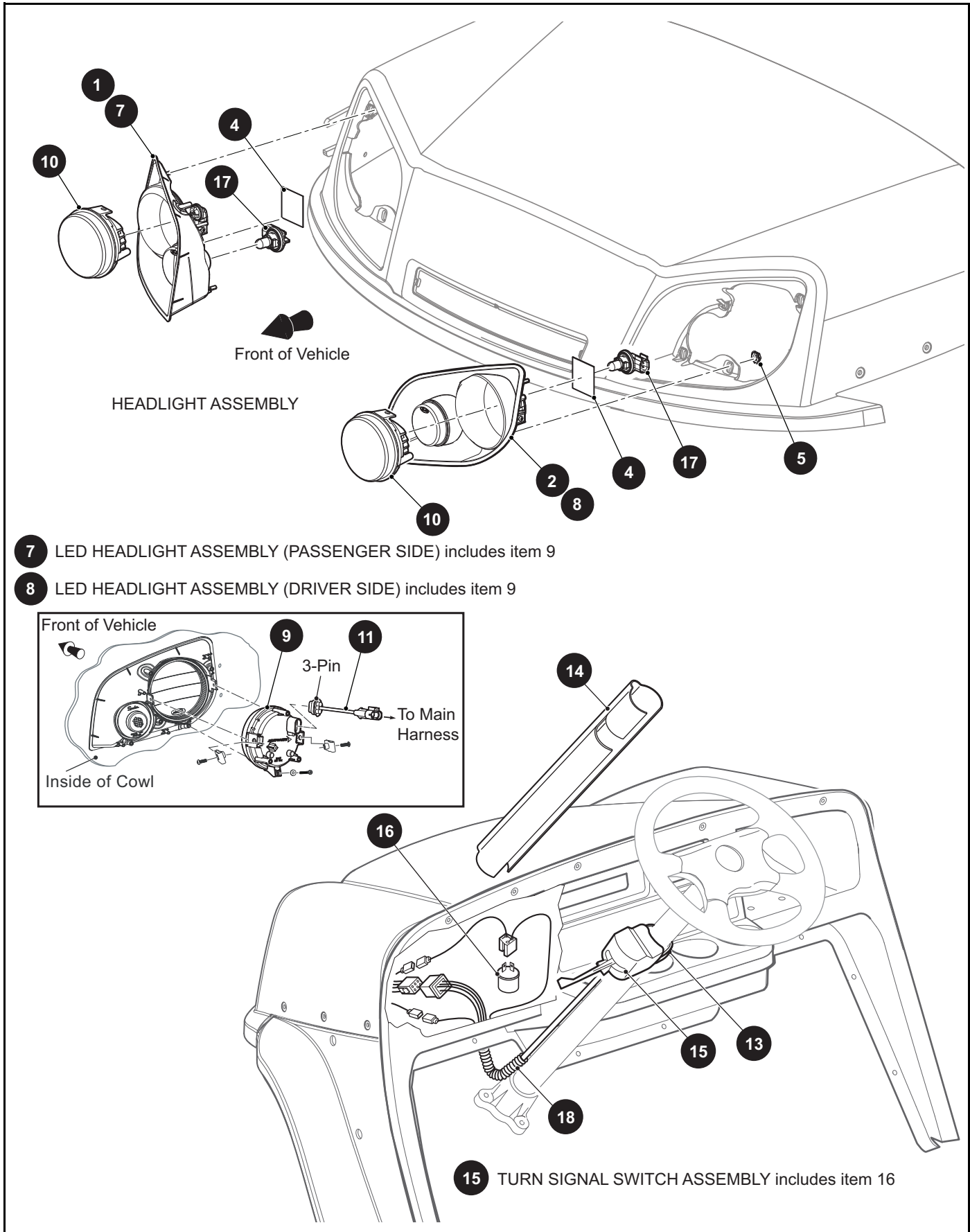
When ordering parts, please specify the model and serial number of the product.

\* Indicates a component that is not available as an individual part.

\*\*\* Indicates consult Customer Service Department for additional information.

ITEM	PART NO.	1 2 3 4 5	DESCRIPTION	QTY.
1	605563		ELECTRICAL PLATE ASSEMBLY (INCLUDES ITEMS 2 - 12) .....	1
2	73057G02		BRACKET .....	1
3	27739G01		VOLTAGE REGULATOR .....	1
4	612813		SOLENOID .....	1
5	303459		HEX HEAD BOLT, 1/4" - 20 X 1 1/2" LG .....	1
6	00661G8		HEX HEAD BOLT (SS), 1/4" - 20 X 1" LG .....	1
7	11027G2		FLANGED LOCK NUT, 1/4" - 20 .....	2
8	600418G01		FUSE HOLDER ASSEMBLY .....	1
9	73446G01		FASTON TAB, 90° .....	3
10	645190		6 GA WIRE ASSEMBLY .....	1
11	25978G56		18 GA WIRE ASSEMBLY (BLACK) .....	1
12	603282		RELAY, 12V .....	1
13	20216G1		16 GA WIRE (RED).....	1
14	17318G2		HORN SWITCH CAP AND NUT .....	1
15	27068G01		HORN SWITCH BOOT .....	1
16	19233G1		HORN SWITCH LABEL .....	1
17	71055G01		RIVET (ALUMINUM), 3/16" X 1" LG .....	2
18	608397		HORN PLATE .....	1
19	17318G1		HORN SWITCH .....	1
20				
21	18392G1		FUSE, 15 AMP.....	3
22	01041G01		BULBEX RIVET, 5/32" .....	2
23	22674G1		FUSE BLOCK .....	1
24				
25				
26	32860G1		HORN.....	1
27	00414G5		HEX HEAD BOLT, 1/4" - 20 X 1/2" LG .....	1
28	00559G8		FLAT WASHER, 1/4" .....	1
29	14390G4		LOCK NUT, 1/4" - 20 .....	1
30	00567G7		LOCK WASHER (EXTERNAL TOOTH TYPE).....	1
31	00532G1		HEX NUT, 1/4" - 20 .....	1

# ELECTRICAL SYSTEM



**7** LED HEADLIGHT ASSEMBLY (PASSENGER SIDE) includes item 9

**8** LED HEADLIGHT ASSEMBLY (DRIVER SIDE) includes item 9

**15** TURN SIGNAL SWITCH ASSEMBLY includes item 16

# ELECTRICAL SYSTEM

THE USE OF NON U.L. PARTS WILL VOID ANY U.L. LISTING.

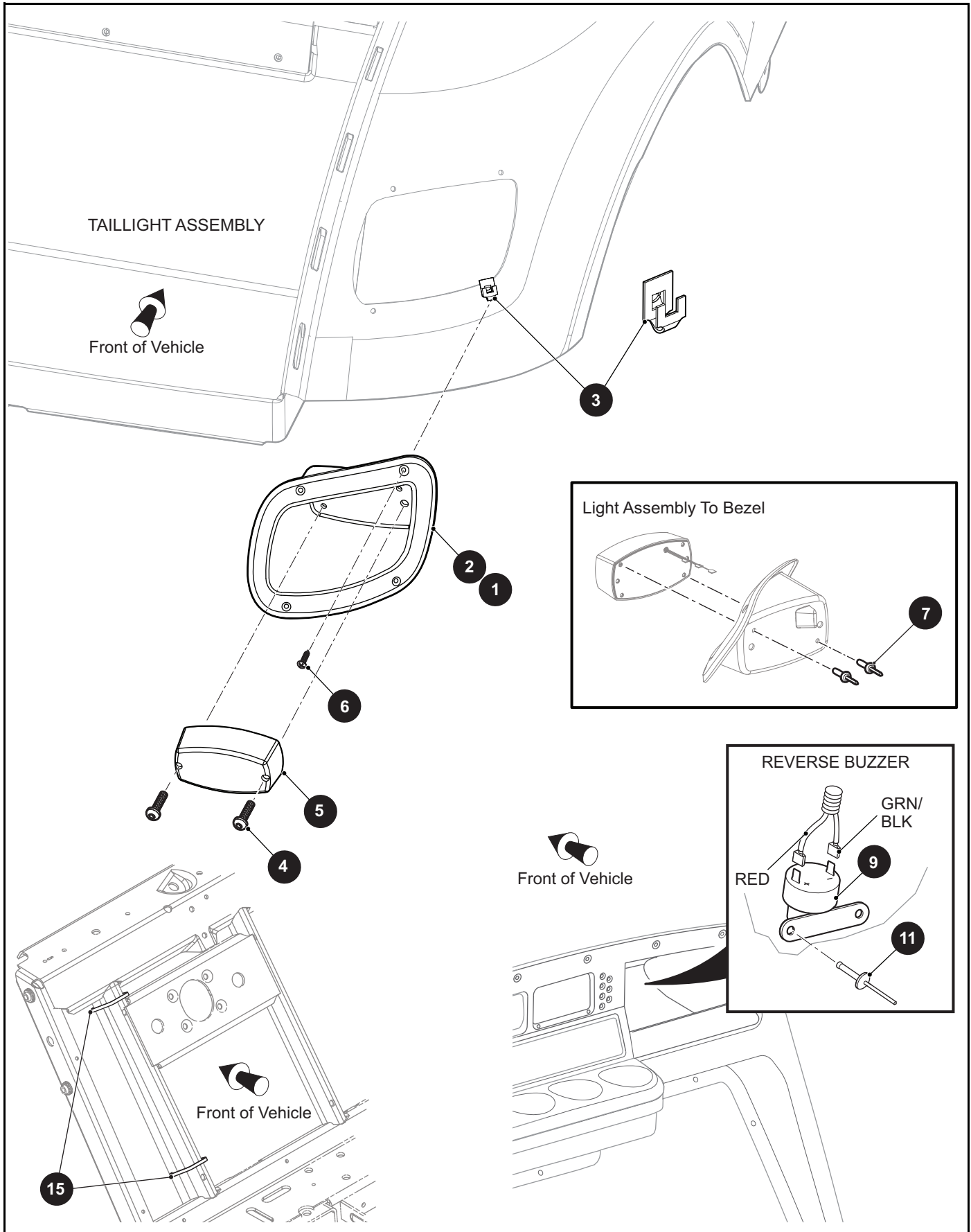
When ordering parts, please specify the model and serial number of the product.

\* Indicates a component that is not available as an individual part.

\*\*\* Indicates consult Customer Service Department for additional information.

ITEM	PART NO.	1 2 3 4 5	DESCRIPTION	QTY.
1	614497		HEADLIGHT ASSEMBLY (PASSENGER SIDE).....	1
2	614501		HEADLIGHT ASSEMBLY (DRIVER SIDE) .....	1
3				
4	71781G02		VINYL TAPE.....	1
5	71597G01		SELF THREADING NUT, 5MM X 10MM X 15MM .....	4
6				
7	659008		LED HEADLIGHT ASSEMBLY (PASSENGER SIDE) (INCLUDES ITEM 9)...	1
8	659009		LED HEADLIGHT ASSEMBLY (DRIVER SIDE) (INCLUDES ITEM 9) .....	1
9	651411G03		LED HEADLIGHT .....	1
10	619100		HEADLIGHT BULB .....	1
11	654465		JUMPER HARNESS, LED HEADLIGHT .....	1
12				
13	17618G1		NYLON CLAMP .....	2
14	20965G3		STEERING COLUMN COVER .....	1
15	611810		TURN SIGNAL SWITCH ASSEMBLY (INCLUDES ITEM 16).....	1
16	21640G1		TURN SIGNAL FLASHER.....	1
17	619102		TURN SIGNAL ASSEMBLY BULB.....	1
18	32307G3		FLEX ZIP LOOM.....	1

# ELECTRICAL SYSTEM





# ELECTRICAL SYSTEM

THE USE OF NON U.L. PARTS WILL VOID ANY U.L. LISTING.

When ordering parts, please specify the model and serial number of the product.

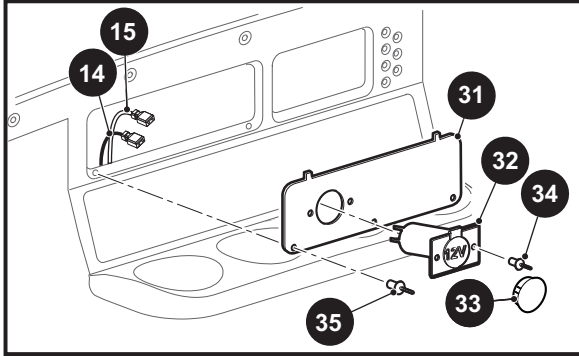
\* Indicates a component that is not available as an individual part.

\*\*\* Indicates consult Customer Service Department for additional information.

ITEM	PART NO.	1 2 3 4 5	DESCRIPTION	QTY.
1	625251		TAILLIGHT BEZEL (DRIVER SIDE).....	1
2	625252		TAILLIGHT BEZEL (PASSENGER SIDE) .....	1
3	71364G02		"J" TYPE NUT, #8 .....	4
4	00513G4		PAN HEAD PHILLIPS SCREW, #8 - 18 X 3/4" LG .....	2
5	22288G1		TAILLIGHT ASSEMBLY .....	1
6	71425G01		FLAT HEAD PHILLIPS TAPPING SCREW, #8 - 18 X 3/4" LG.....	4
7	14601G11		RIVET (ALUMINUM), 3/16" X 9/16" .....	2
8				
9	73290G03		BUZZER.....	1
10				
11	01041G01		RIVET, 5/32".....	2
12				
13	74248G01		DEFROSTER/COOLING FAN (NOT ILLUSTRATED) .....	1
14				
15	31539G1		NYLON CLAMP, 15.5" .....	AR

# ELECTRICAL SYSTEM

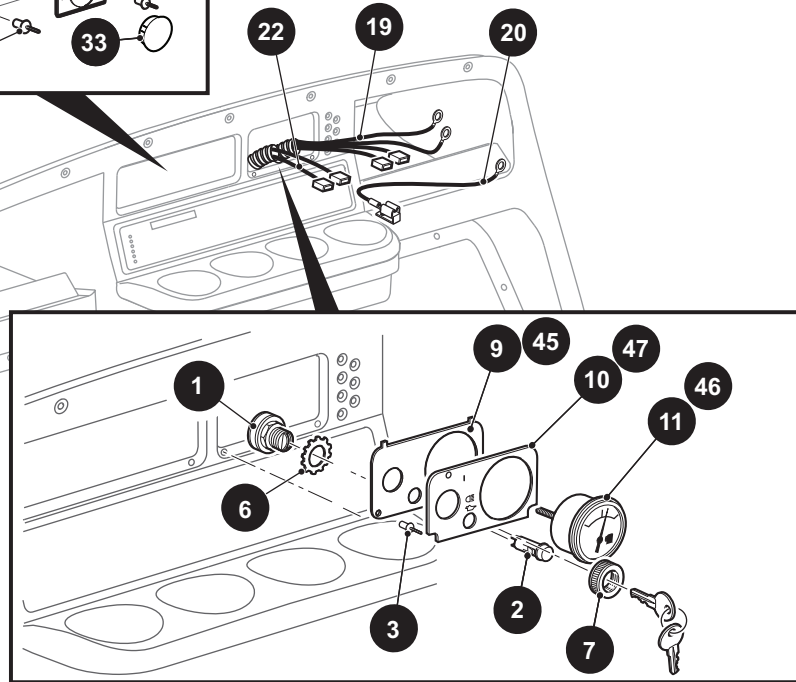
## CONSOLE INSERT PLATE



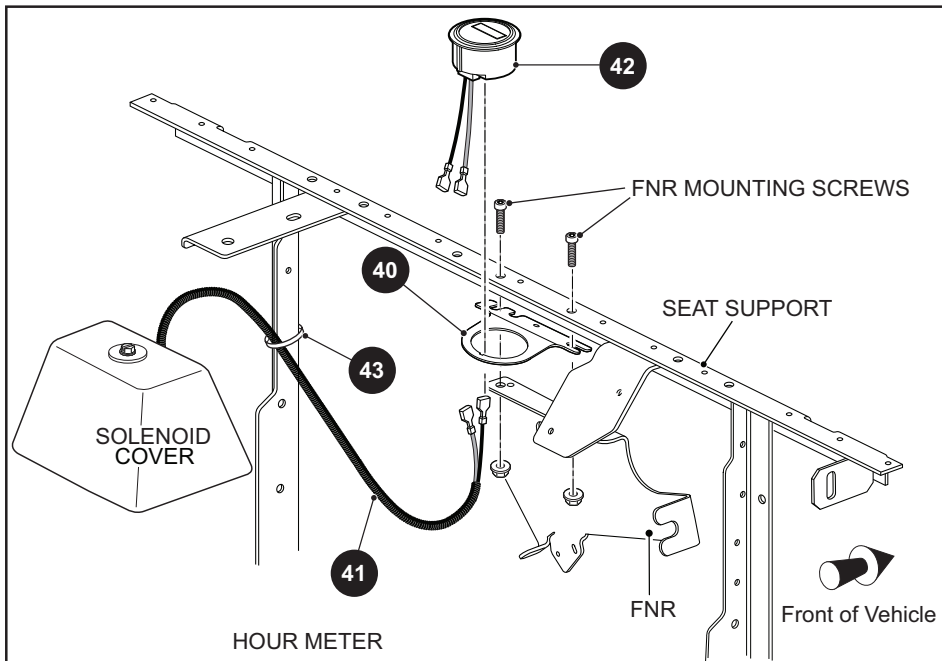
28 CONSOLE INSERT ASSEMBLY includes items 31, 33

30 CONSOLE INSERT ASSEMBLY includes items 31 - 34

Front of Vehicle



KEY SWITCH, INDICATOR LIGHT(S), AND FUEL GAUGE



Front of Vehicle

# ELECTRICAL SYSTEM

THE USE OF NON U.L. PARTS WILL VOID ANY U.L. LISTING.

When ordering parts, please specify the model and serial number of the product.

\* Indicates a component that is not available as an individual part.

\*\*\* Indicates consult Customer Service Department for additional information.

ITEM	PART NO.	1 2 3 4 5	DESCRIPTION	QTY.
1	33639G01		IGNITION SWITCH (WITH LIGHTS, GROUP KEY) .....	1
2	23474G1		INDICATOR LIGHT .....	1
3	33623G02		DRIVE RIVET, 3/16" X 3/8" LG .....	2
4				
5				
6	00568G6		LOCK WASHER, 3/4" .....	1
7	17137G1		FACE NUT, 3/4" - 20 .....	1
8				
9	73030G04		PLATE (FUEL GAUGE AND OIL LIGHT).....	1
10	71131G01		LABEL (OIL LIGHT AND FUEL GAUGE WITH HEADLIGHTS).....	1
11	21553G1		FUEL GAUGE .....	1
12				
13				
14	71081G01		WIRE HARNESS (POWER OUTLET) .....	1
15	619091		WIRE HARNESS (ACCESSORY) .....	1
16				
17				
18				
19	74311G01		HARNESS (OIL /FUEL GAUGE).....	1
20	25978G122		18 GA WIRE (RED 6") .....	1
21	71781G02		VINYL TAPE (NOT ILLUSTRATED).....	2
22	605639		WIRE HARNESS (KEY SWITCH).....	1
23				
24				
25				
26				
27				
28	74693G02		CONSOLE INSERT ASSEMBLY (INCLUDES ITEMS 31, 33).....	1
29				
30	74693G01		CONSOLE INSERT ASSEMBLY (INCLUDES ITEMS 31 - 34).....	1
31	73522G03		CONSOLE INSERT PLATE.....	1

# ELECTRICAL SYSTEM

THE USE OF NON U.L. PARTS WILL VOID ANY U.L. LISTING.

When ordering parts, please specify the model and serial number of the product.

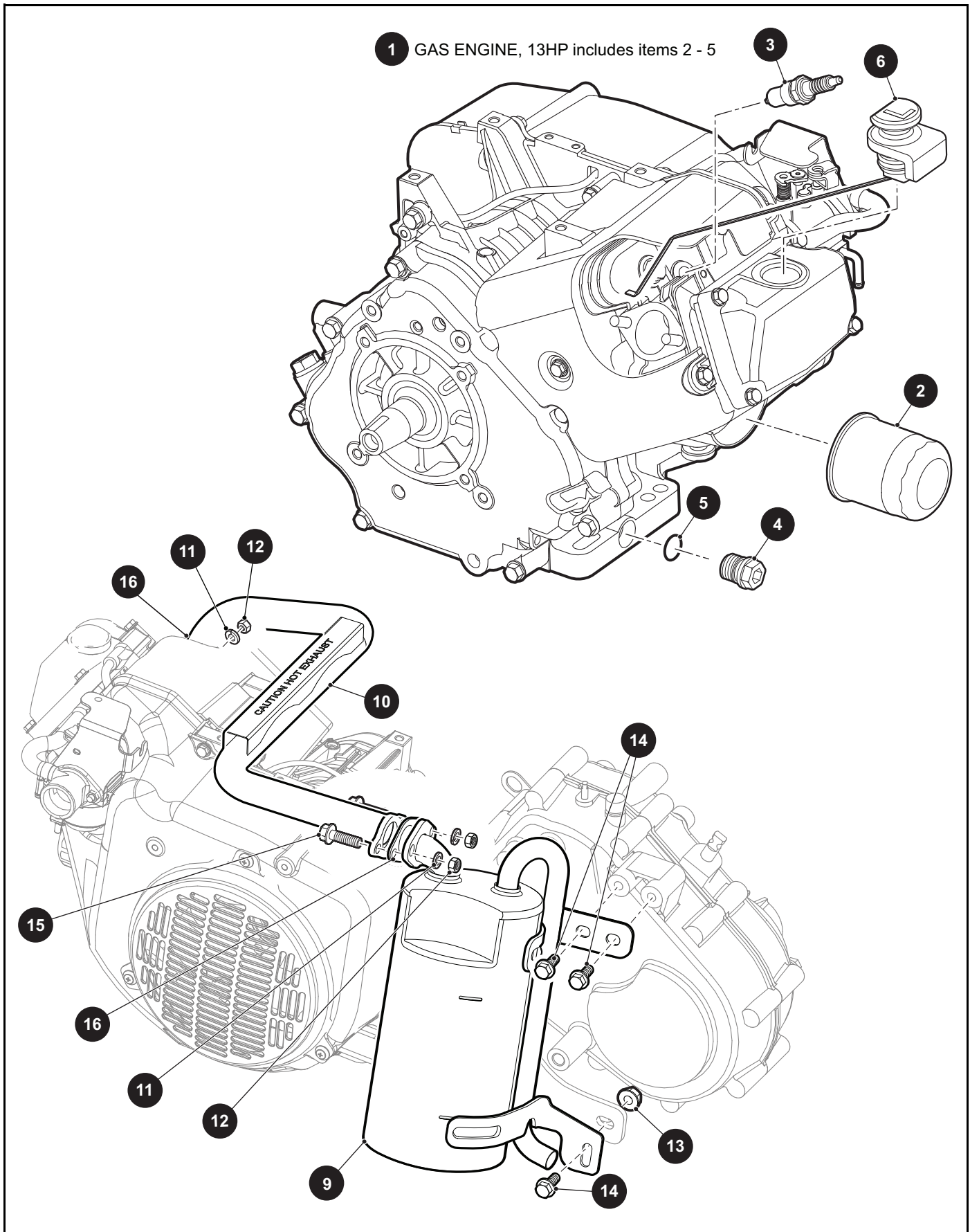
\* Indicates a component that is not available as an individual part.

\*\*\* Indicates consult Customer Service Department for additional information.

ITEM	PART NO.	1	2	3	4	5	DESCRIPTION	QTY.
32	71078G01						POWER OUTLET (12V).....	1
33	20271G10						PLUG .....	1
34	14601G10						RIVET (ALUMINUM), 5/32" .....	2
35	33623G02						DRIVE RIVET, 3/16" X 3/8" LG.....	3
36								
37								
38								
39								
40	635649						HOURMETER BRACKET .....	1
41	664689						HARNESS (HOURMETER).....	1
42	617074						HOURMETER .....	1
43	17618G1						NYLON CLAMP .....	AR
44								
45	73030G14						CONSOLE INSERT PLATE (FOR VEHICLES MANUFACTURED FROM NOVEMBER 09, 2015).....	1
46	648247						FUEL LEVEL GAUGE (FOR VEHICLES MANUFACTURED FROM NOVEMBER 09, 2015).....	1
47	648855						CONSOLE LABEL (FOR VEHICLES MANUFACTURED FROM NOVEMBER 09, 2015).....	1



# ENGINE AND MUFFLER



## ENGINE AND MUFFLER

THE USE OF NON U.L. PARTS WILL VOID ANY U.L. LISTING.

When ordering parts, please specify the model and serial number of the product.

\* Indicates a component that is not available as an individual part.

\*\*\* Indicates consult Customer Service Department for additional information.

ITEM	PART NO.	1 2 3 4 5	DESCRIPTION	QTY.
1	633740		GAS ENGINE, 13HP (INCLUDES ITEMS 2 - 5).....	1
2	607454		OIL FILTER.....	1
3	607462		SPARK PLUG.....	1
4	603557		OIL DRAIN PLUG.....	3
5	603562		O-RING, 16MM.....	3
6	606390		DIP STICK.....	1
7				
8				
9	630970		MUFFLER.....	1
10	606982		EXHAUST PIPE.....	1
11	606272		LOCK WASHER, 8MM.....	4
12	606267		HEX JAM NUT, M8 X 1.25.....	4
13	606279		FLANGED HEX NUT, M10 - 1.25.....	1
14	606256		FLANGED HEX HEAD BOLT, M10 - 1.25 X 25MM LG.....	3
15	602330		FLANGED HEX HEAD BOLT, M8 - 1.25 X 30MM LG.....	2
16	603599		EXHAUST GASKET.....	2

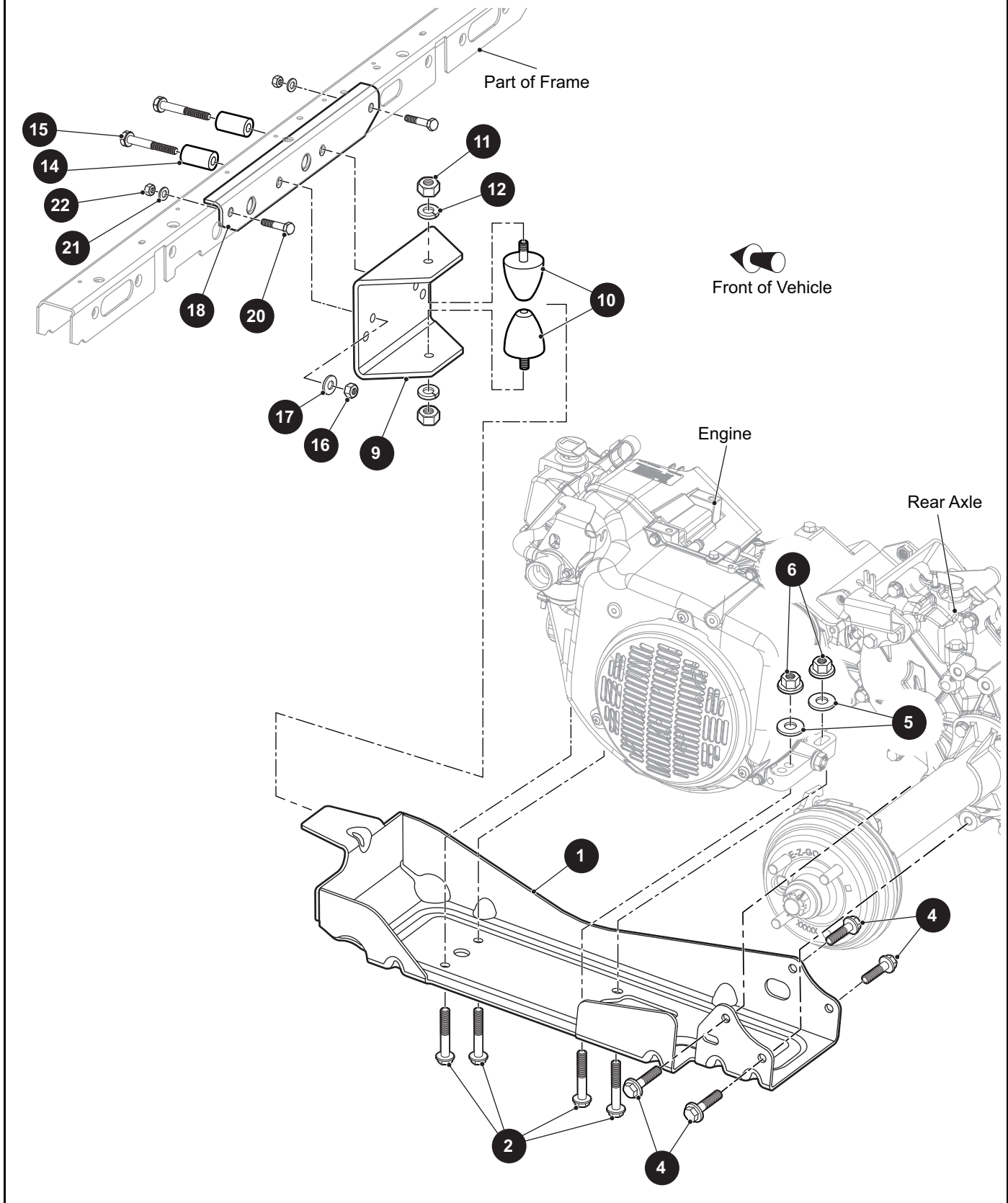






# ENGINE MOUNTING

**8** FRONT MOUNT BRACKET ASSEMBLY includes items 9 - 12



## ENGINE MOUNTING

THE USE OF NON U.L. PARTS WILL VOID ANY U.L. LISTING.

When ordering parts, please specify the model and serial number of the product.

\* Indicates a component that is not available as an individual part.

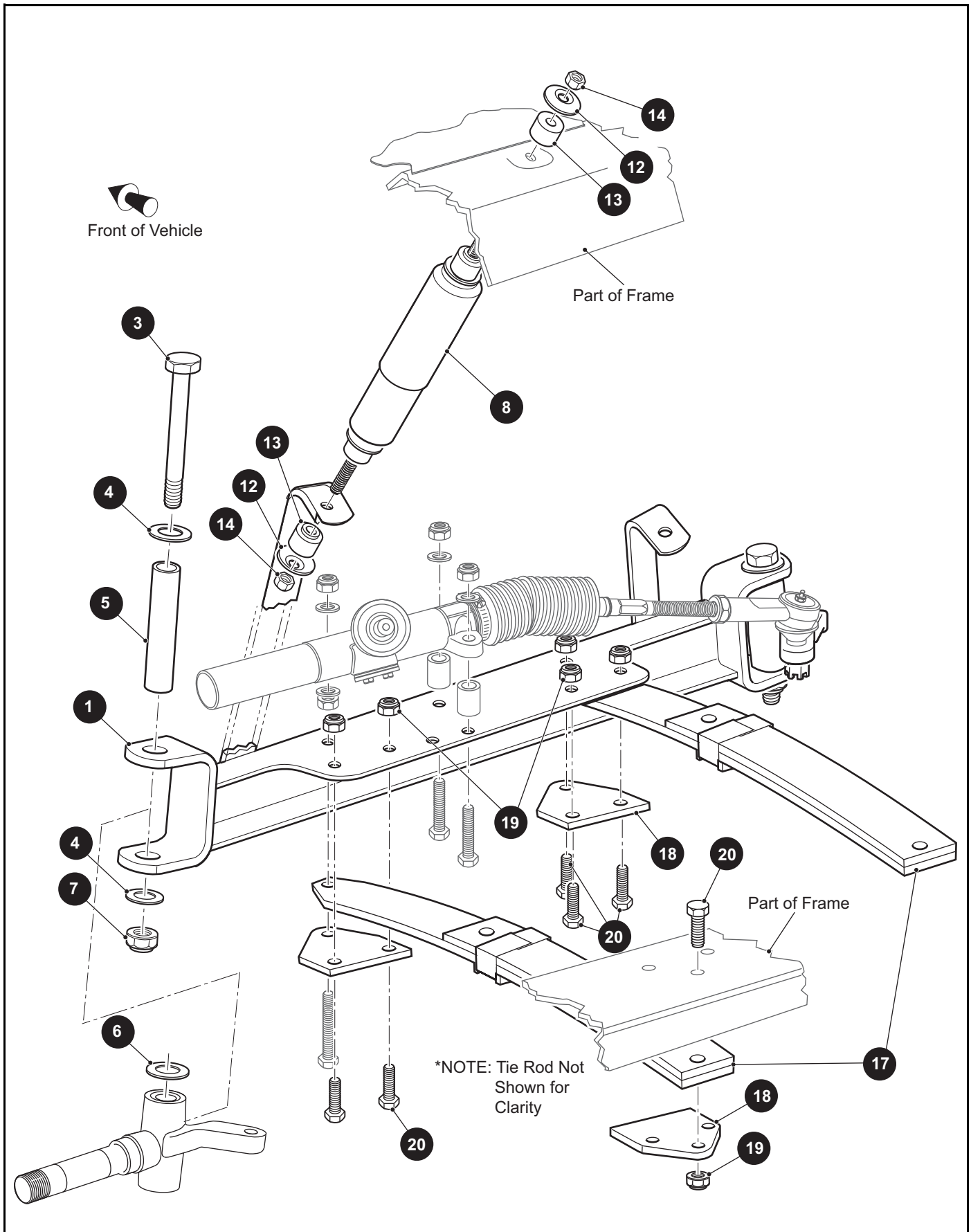
\*\*\* Indicates consult Customer Service Department for additional information.

ITEM	PART NO.	1 2 3 4 5	DESCRIPTION	QTY.
1	630776		ENGINE PAN .....	1
2	606259		FLANGED HEX HEAD BOLT, M10 - 1.25 X 45MM LG.....	4
3				
4	606256		FLANGED HEX HEAD BOLT, M10 - 1.25 X 25MM LG.....	4
5	603823		FLAT WASHER, M10 X 22MM X 2.5MM .....	4
6	606279		FLANGED HEX NUT, M10 - 1.25.....	4
7				
8	627627		FRONT MOUNT BRACKET ASSEMBLY (INCLUDES ITEMS 9 - 12).....	1
9	625345		BRACKET.....	1
10	605757		RUBBER BUMPER .....	2
11	00974G01		HEX NUT, M10 - 1.25 .....	2
12	608654		SPLIT LOCK WASHER, 10MM .....	2
13				
14	72016G01		TUBE SPACER.....	2
15	00428G8		HEX HEAD BOLT, 3/8" - 16 X 2 1/4" LG.....	2
16	11098G5		LOCK NUT, 3/8" - 16.....	2
17	00643G1		FLAT WASHER, 3/8".....	2
18	652247		CROSSMEMBER BRACE .....	1
19				
20	00438G7		HEX HEAD BOLT, 5/16" - 18 X 5/8" LG.....	2
21	00559G8		FLAT WASHER, 5/16".....	2
22	01109G01		LOCK NUT, 5/16" - 18.....	2





# FRONT SUSPENSION AND STEERING



## FRONT SUSPENSION AND STEERING

THE USE OF NON U.L. PARTS WILL VOID ANY U.L. LISTING.

When ordering parts, please specify the model and serial number of the product.

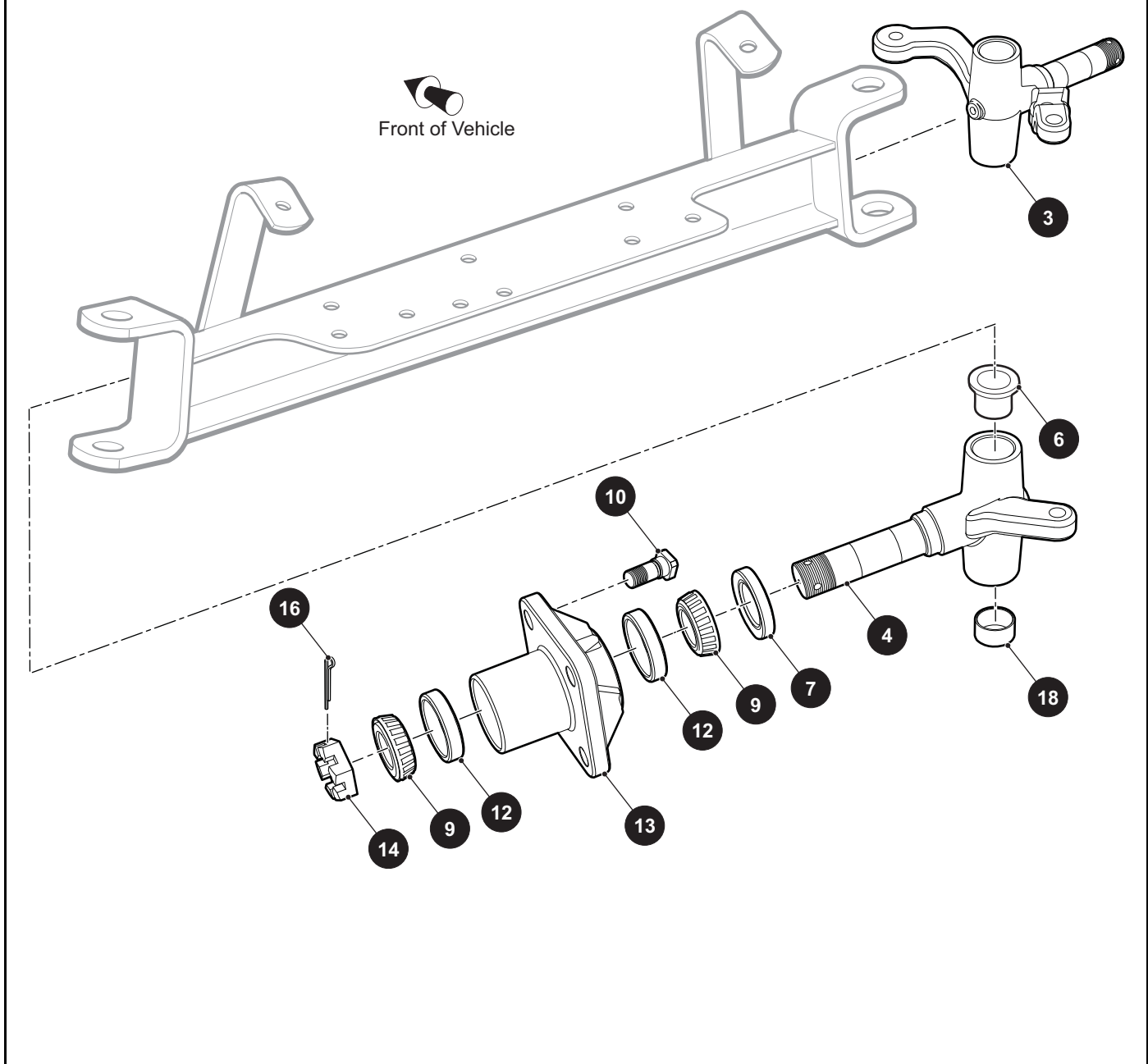
\* Indicates a component that is not available as an individual part.

\*\*\* Indicates consult Customer Service Department for additional information.

ITEM	PART NO.	1 2 3 4 5	DESCRIPTION	QTY.
1	602513		FRONT AXLE.....	1
2				
3	00407G6		HEX HEAD BOLT, 1/2" - 13 X 6" LG .....	2
4	00560G3		FLAT WASHER, 1/2" .....	4
5	70745G01		KING PIN TUBE.....	2
6	70754G01		THRUST WASHER (SS), 1" .....	2
7	14390G6		LOCK NUT, 1/2" - 13.....	2
8	76419G01		SHOCK ABSORBER.....	2
9				
10				
11				
12	10435G1		SHOCK ABSORBER WASHER.....	8
13	10194G1		RUBBER BUSHING.....	8
14	00532G6		HEX NUT, 3/8" - 24 .....	4
15				
16				
17	70990G03		LEAF SPRING .....	2
18	652258		SPRING PLATE .....	4
19	00734G1		LOCK NUT, 7/16" - 14.....	AR
20	00463G11		HEX HEAD BOLT, 7/16" - 14 X 1 3/4" LG .....	AR

# FRONT SUSPENSION AND STEERING

- 1 SPINDLE ASSEMBLY (PASSENGER SIDE) includes items 3, 6 - 18
- 2 SPINDLE ASSEMBLY (DRIVER SIDE) includes items 4 - 18





## FRONT SUSPENSION AND STEERING

THE USE OF NON U.L. PARTS WILL VOID ANY U.L. LISTING.

When ordering parts, please specify the model and serial number of the product.

\* Indicates a component that is not available as an individual part.

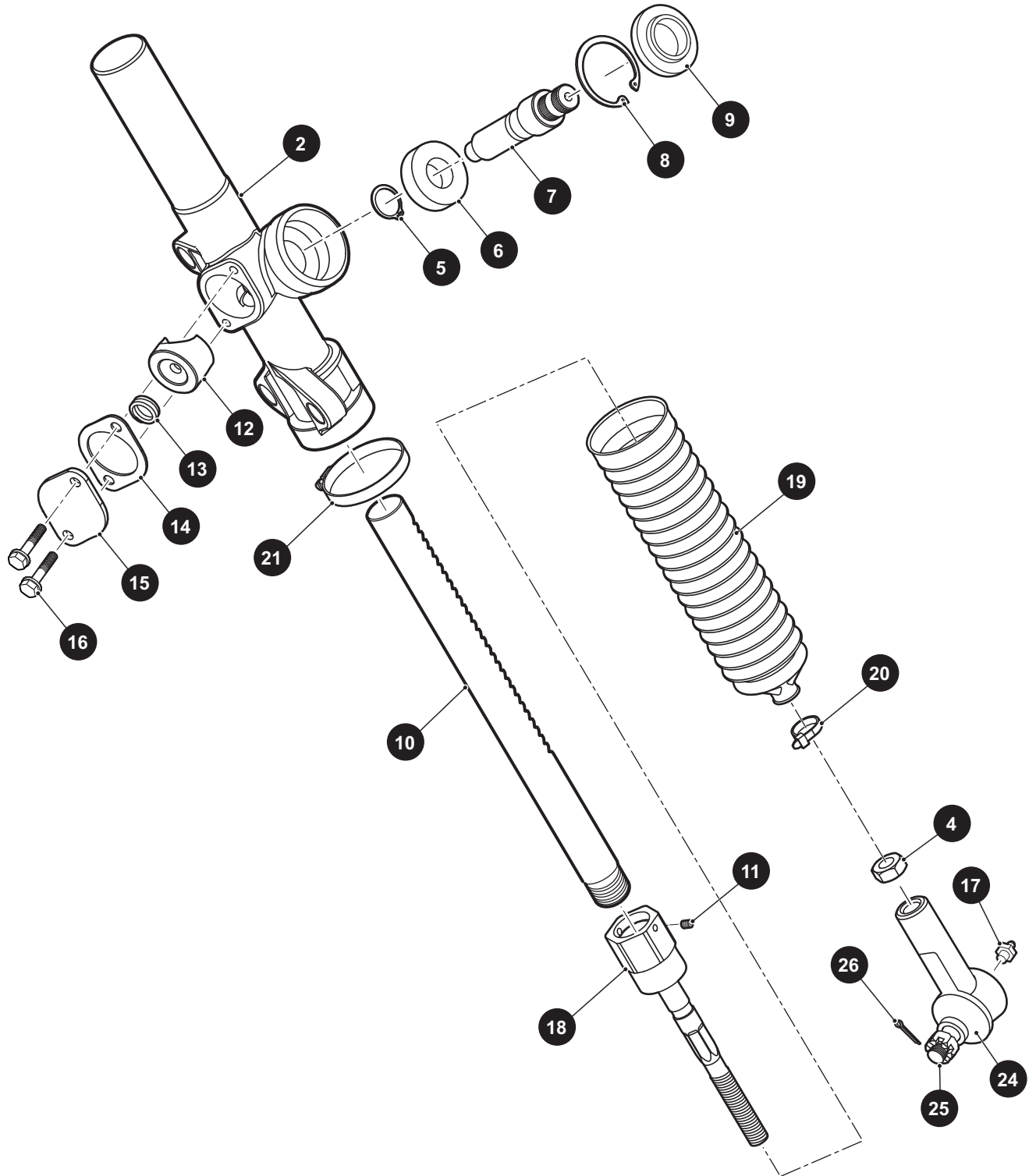
\*\*\* Indicates consult Customer Service Department for additional information.

ITEM	PART NO.	1 2 3 4 5	DESCRIPTION	QTY.
1	70942G03		SPINDLE ASSEMBLY (PASSENGER SIDE) (INCLUDES ITEMS 3, 6 - 18) ...	1
2	70673G03		SPINDLE ASSEMBLY (DRIVER SIDE) (INCLUDES ITEMS 4 - 18).....	1
3	70940G02		SPINDLE (PASSENGER SIDE) .....	1
4	70742G02		SPINDLE (DRIVER SIDE).....	1
5				
6	632925		FLANGED BUSHING .....	1
7	25146G1		GREASE SEAL.....	1
8				
9	11750G2		ROLLER BEARING .....	2
10	19862G1		WHEEL HUB BOLT, 1/2" - 20 X 1.218" LG.....	4
11				
12	51141G1		BEARING RACE .....	2
13	70589G01		WHEEL HUB .....	1
14	12093G1		HEX SLOTTED NUT, 17/32" .....	1
15				
16	00798G8		COTTER PIN, 5/32" X 1 - 3/4".....	1
17				
18	632926		SLEEVE BUSHING .....	1

# FRONT SUSPENSION AND STEERING

**1** RACK AND PINION UNIT includes items 2 - 23

**23** RACK BALL JOINT includes items 24 - 25



## FRONT SUSPENSION AND STEERING

THE USE OF NON U.L. PARTS WILL VOID ANY U.L. LISTING.

When ordering parts, please specify the model and serial number of the product.

\* Indicates a component that is not available as an individual part.

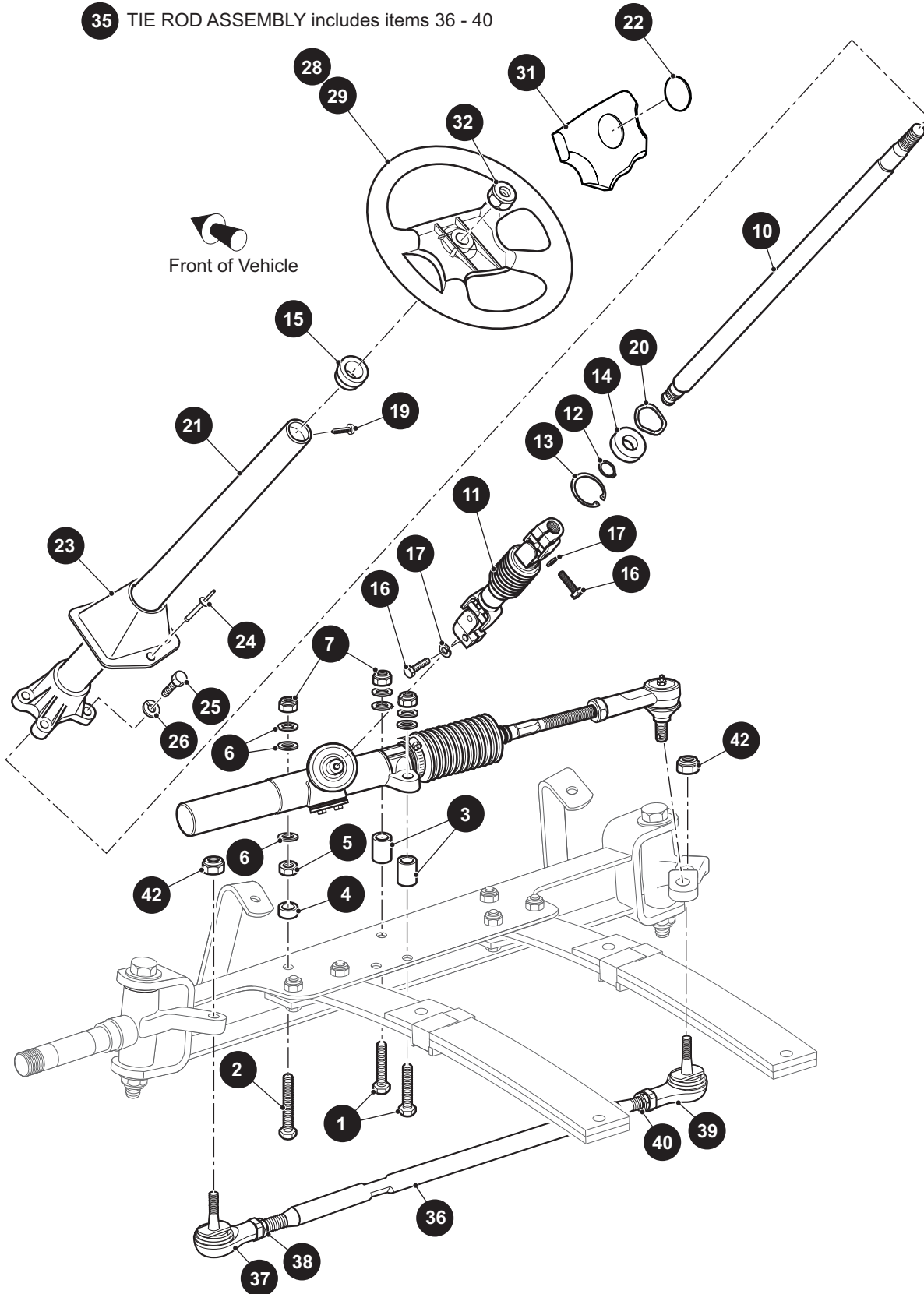
\*\*\* Indicates consult Customer Service Department for additional information.

ITEM	PART NO.	1 2 3 4 5	DESCRIPTION	QTY.
1	70964G01		RACK AND PINION UNIT (INCLUDES ITEMS 2 - 23) .....	1
2	70965G01		STEERING RACK COVER & BEARING .....	1
3				
4	*		JAM NUT, 1/2" - 20 .....	1
5	70750G01		RETAINING RING (EXTERNAL) .....	1
6	15112G1		BALL BEARING .....	1
7	70603G01		PINION .....	1
8	70751G01		RETAINING RING (INTERNAL) .....	1
9	70638G01		SEAL (PINION) .....	1
10	70604G01		STEERING RACK .....	1
11	*		SET SCREW, #10 - 32 X .25" LG .....	1
12	70590G01		RACK LOADER .....	1
13	70666G01		COMPRESSION SPRING .....	1
14	70645G01		GASKET (RACK LOADER COVER) .....	1
15	652259		COVER (RACK LOADER) .....	1
16	71102G01		HEX WASHER HEAD BOLT, 1/4" - 20 X 11/16" LG .....	2
17	10389G3		GREASE FITTING (STRAIGHT) .....	1
18	74694G01		ROD END (INNER) .....	1
19	70961G01		RACK BOOT .....	1
20	12416G2		NYLON CLAMP, 10" .....	1
21	11391G8		HOSE CLAMP, 1.81" .....	1
22				
23	70695G01		TIE ROD END (OUTER) (INCLUDES ITEMS 24 - 25) .....	1
24	50641G1		GROMMET .....	1
25	50209G2		HEX SLOTTED NUT, 7/16" - 20 .....	1
26	10387G2		COTTER PIN, 3/32" X 1" .....	1

# FRONT SUSPENSION AND STEERING

**9** STEERING COLUMN ASSEMBLY includes items 10 - 21

**35** TIE ROD ASSEMBLY includes items 36 - 40



## FRONT SUSPENSION AND STEERING

THE USE OF NON U.L. PARTS WILL VOID ANY U.L. LISTING.

When ordering parts, please specify the model and serial number of the product.

\* Indicates a component that is not available as an individual part.

\*\*\* Indicates consult Customer Service Department for additional information.

ITEM	PART NO.	1 2 3 4 5	DESCRIPTION	QTY.
1	00464G8		HEX HEAD BOLT, 7/16" - 14 X 2 3/4" LG .....	2
2	01068G01		HEX HEAD BOLT, 7/16" - 14 X 3 1/2" LG .....	1
3	70667G02		SPACER, 1.21" .....	2
4	70667G04		SPACER (SHORT), .69" .....	1
5	00532G7		HEX NUT, 7/16" - 14 .....	1
6	00560G2		FLAT WASHER, 7/16" .....	7
7	00734G1		LOCK NUT, 7/16" - 14 .....	3
8				
9	70758G05		STEERING COLUMN ASSEMBLY (INCLUDES ITEMS 10 - 21) .....	1
10	70607G01		STEERING SHAFT.....	1
11	70580G01		INTERMEDIATE SHAFT .....	1
12	70888G01		RETAINING RING (EXTERNAL) .....	1
13	70751G01		RETAINING RING (INTERNAL) .....	1
14	15112G1		BALL BEARING .....	1
15	28569G01		BUSHING .....	1
16	01055G01		HEX HEAD BOLT, M8 - 1.25 X 30MM LG .....	2
17	00565G8		LOCK WASHER (SPRING TYPE), 5/16" .....	2
18				
19	01022G01		HEX HEAD BOLT, #6 - 20 X 5/16" LG .....	1
20	70887G01		WAVE WASHER (SS).....	1
21	70610G03		STEERING COLUMN.....	1
22	618086		CUSHMAN DECAL (STEERING WHEEL) .....	1
23	70997G01		STEERING COLUMN BASE COVER.....	1
24	71055G01		RIVET, 3/16" .....	1
25	01006G01		HEX HEAD BOLT, 3/8" - 16 X 1 1/4" LG .....	4
26	00879G1		LOCK WASHER, 3/8" .....	4
27				
28	602980		STEERING WHEEL (PREMIUM).....	1
29	602979		STEERING WHEEL .....	1
30				
31	71147G01		STEERING WHEEL COVER .....	1

## FRONT SUSPENSION AND STEERING

THE USE OF NON U.L. PARTS WILL VOID ANY U.L. LISTING.

When ordering parts, please specify the model and serial number of the product.

\* Indicates a component that is not available as an individual part.

\*\*\* Indicates consult Customer Service Department for additional information.

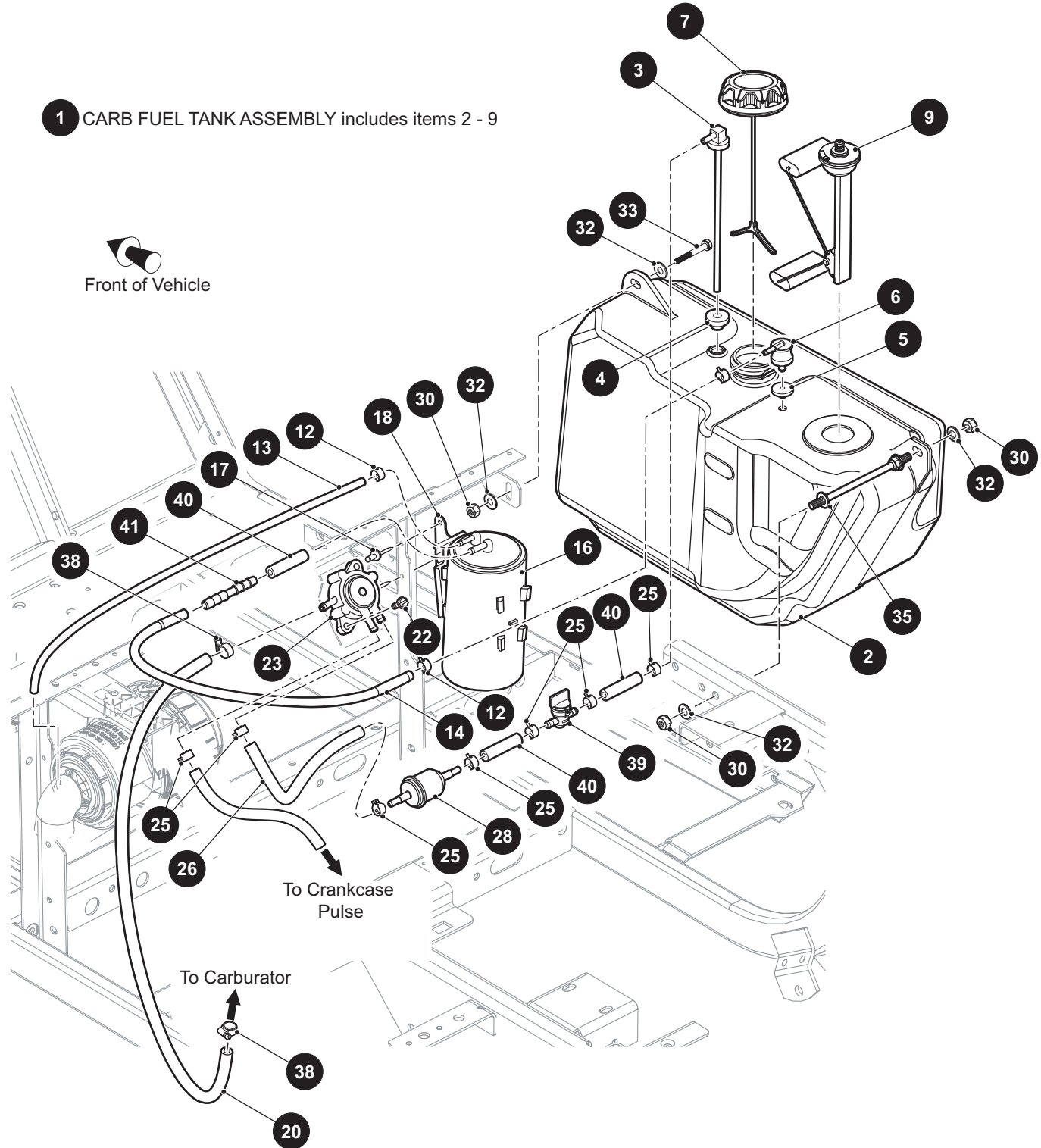
ITEM	PART NO.	1 2 3 4 5	DESCRIPTION	QTY.
32	14390G2		LOCK NUT, 5/8" - 18 .....	1
33				
34				
35	70876G02		TIE ROD ASSEMBLY (INCLUDES ITEMS 36 - 40) .....	1
36	70897G02		THREADED ROD, 24" .....	1
37	70902G01		TIE ROD END (LEFT HAND THREADS) .....	1
38	01069G01		JAM NUT, M12 X 1.25 - 05 (LEFT HAND THREADS) .....	1
39	70902G02		TIE ROD END (RIGHT HAND THREADS) .....	1
40	01069G02		JAM NUT, M12 X 1.25 - 05 (RIGHT HAND THREADS) .....	1
41				
42	00734G1		LOCK NUT, 7/16" - 14 .....	2



# FUEL SYSTEM

1 CARB FUEL TANK ASSEMBLY includes items 2 - 9

Front of Vehicle



## EARLY PRODUCTION VEHICLES



# FUEL SYSTEM

THE USE OF NON U.L. PARTS WILL VOID ANY U.L. LISTING.

When ordering parts, please specify the model and serial number of the product.

\* Indicates a component that is not available as an individual part.

\*\*\* Indicates consult Customer Service Department for additional information.

ITEM	PART NO.	1 2 3 4 5	DESCRIPTION	QTY.
1	645034		CARB FUEL TANK ASSEMBLY (INCLUDES ITEMS 2 - 9) .....	1
2	*		FUEL TANK .....	1
3	18287G3		SIPHON TUBE .....	1
4	70988G01		GROMMET (SIPHON TUBE) .....	1
5	606068		GROMMET (ROLLOVER VALVE).....	1
6	606067		ROLLOVER VALVE .....	1
7	633423		CAP .....	1
8				
9	633024G02		FUEL SENDER.....	1
10				
11				
12	606963		CLAMP, 3/16" I.D. ....	2
13	606966		HOSE, 3/16" I.D. X 34" LG.....	1
14	607546		HOSE, 3/16" I.D. X 17" LG.....	1
15				
16	606071		CARBON CANISTER.....	1
17	10570G11		RIVET (SS), 3/16" X .70" .....	2
18	606310		CANISTER BRACKET .....	1
19	17618G1		NYLON CLAMP (NOT ILLUSTRATED) .....	2
20	604597		FUEL HOSE, 26" LG.....	1
21				
22	00114G6		HEX WASHER HEAD BOLT, 1/4" - 10 X 3/4" LG .....	2
23	602061		FUEL PUMP.....	1
24				
25	18292G1		CLAMP, 1/2" O.D. ....	8
26	606969		FUEL HOSE, 8" LG.....	1
27				
28	72084G01		FUEL FILTER.....	1
29	32372G6		VINYL TRIM (NOT ILLUSTRATED), 6.25" LG .....	1
30	11098G6		LOCK NUT, 5/16" - 18.....	3
31				

# FUEL SYSTEM

THE USE OF NON U.L. PARTS WILL VOID ANY U.L. LISTING.

When ordering parts, please specify the model and serial number of the product.

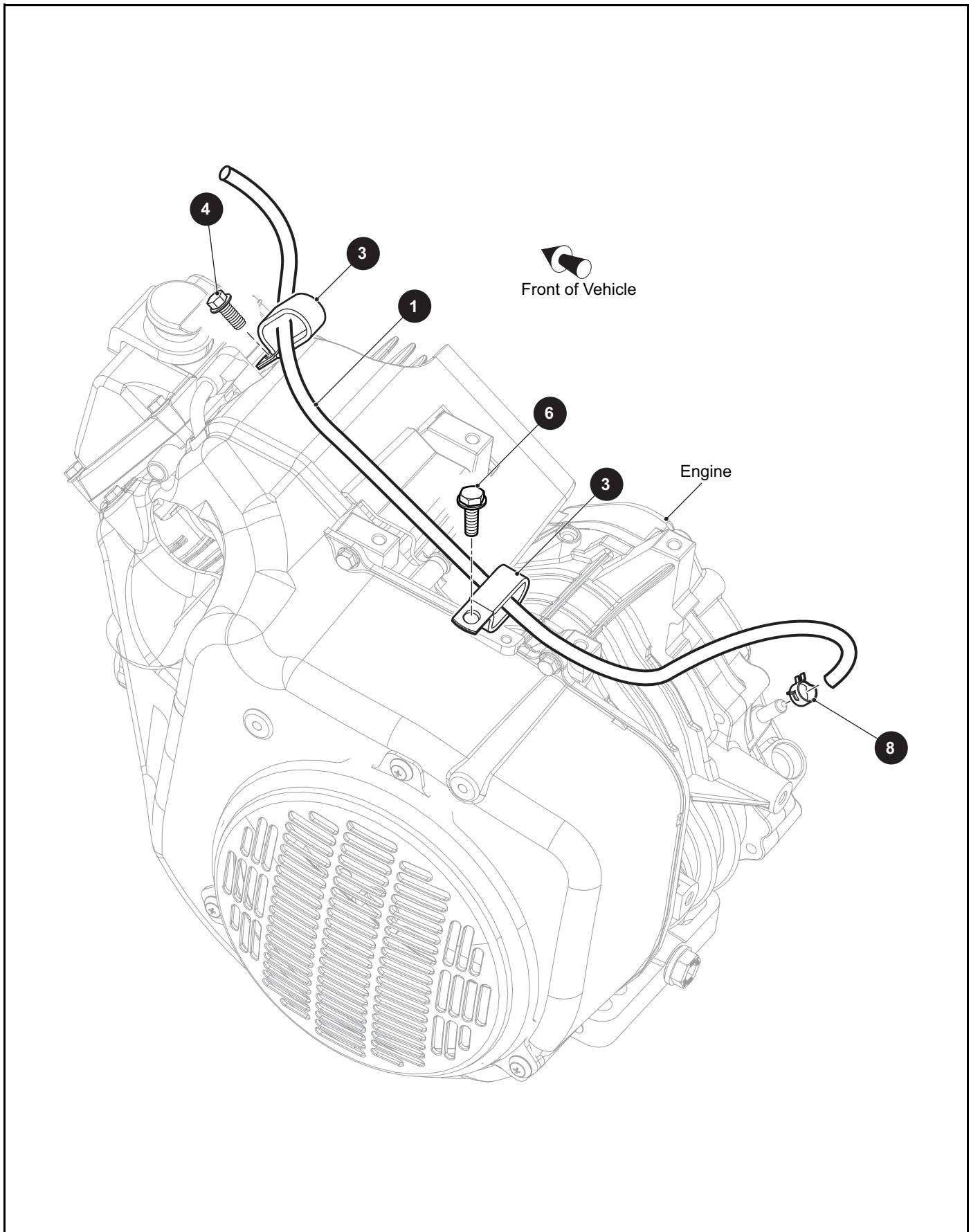
\* Indicates a component that is not available as an individual part.

\*\*\* Indicates consult Customer Service Department for additional information.

ITEM	PART NO.	1 2 3 4 5	DESCRIPTION	QTY.
32	00559G8		FLAT WASHER, 5/16" .....	4
33	00438G8		HEX HEAD BOLT, 5/16" - 18 X 5/8" LG.....	1
34				
35	70483G01		SPACER .....	1
36				
37				
38	11391G4		HOSE CLAMP, .25" .....	2
39	611181		SHUT OFF VALVE.....	1
40	615350		FUEL HOSE, 2" .....	3
41	615346		HOSE REDUCER, 1/4" X 3/16".....	1



# FUEL SYSTEM



# FUEL SYSTEM

THE USE OF NON U.L. PARTS WILL VOID ANY U.L. LISTING.  
 When ordering parts, please specify the model and serial number of the product.  
 \* Indicates a component that is not available as an individual part.  
 \*\*\* Indicates consult Customer Service Department for additional information.

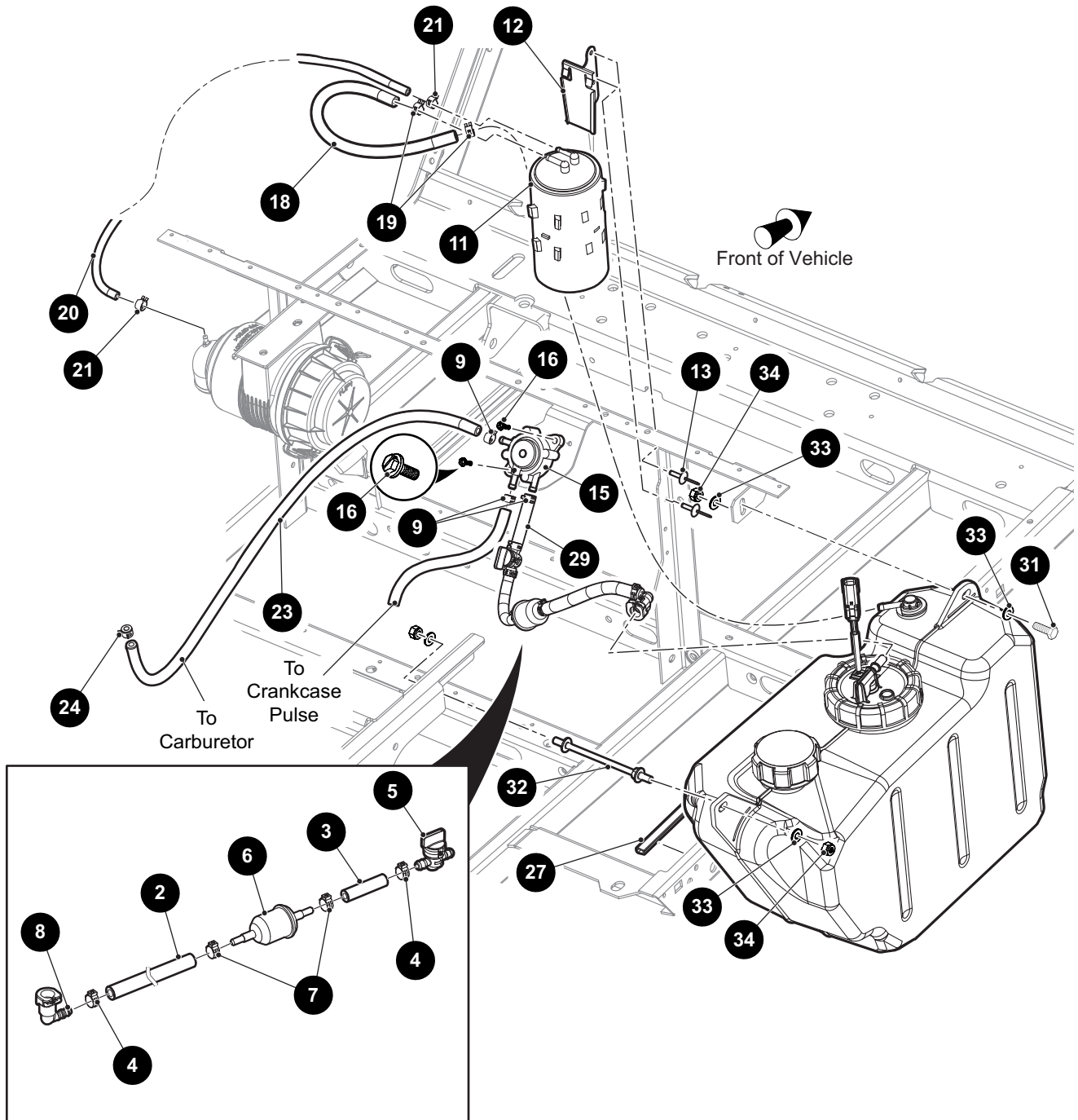
ITEM	PART NO.	1 2 3 4 5	DESCRIPTION	QTY.
1	27184G12		FUEL SYSTEM TUBE.....	1
2				
3	606962		CLAMP, .75" DIA.....	2
4	73876G01		FLANGED HEX HEAD BOLT, M6 - 1 X 12MM LG.....	1
5				
6	606264		FLANGED HEX HEAD BOLT, M6 - 1 X 20MM LG.....	1
7				
8	18292G1		CLAMP, .5" DIA.....	1





# FUEL SYSTEM

1 FUEL LINE ASSEMBLY includes items 2 - 8



## LATE PRODUCTION VEHICLES



# FUEL SYSTEM

THE USE OF NON U.L. PARTS WILL VOID ANY U.L. LISTING.

When ordering parts, please specify the model and serial number of the product.

\* Indicates a component that is not available as an individual part.

\*\*\* Indicates consult Customer Service Department for additional information.

ITEM	PART NO.	1 2 3 4 5	DESCRIPTION	QTY.
1	649515		FUEL LINE ASSEMBLY (INCLUDES ITEMS 2 - 8) .....	1
2	649570		HOSE, .312" I.D. X .562" O.D. X 9" LG .....	1
3	615350		HOSE, 2" LG .....	1
4	649873		CLAMP, 1/2" O.D. ....	2
5	611181		SHUT-OFF VALVE.....	1
6	72084G01		FUEL FILTER .....	1
7	649874		CLAMP, 9/16" O.D. ....	2
8	649577		CONNECTOR, 5/16" I.D. ....	1
9	18292G1		CLAMP, 1/2" O.D. ....	3
10				
11	606071		CARBON CANISTER.....	1
12	606310		CANISTER BRACKET .....	1
13	10570G11		RIVET (SS), 3/16" X .70" .....	2
14				
15	602061		FUEL PUMP.....	1
16	00114G6		HEX WASHER HEAD BOLT, 1/4" - 10 X 3/4" LG .....	2
17				
18	27184G14		FUEL SYSTEM TUBE.....	1
19	18292G1		CLAMP, 1/2" O.D. ....	2
20	606966		HOSE, 3/16" I.D. X 34" LG.....	1
21	606963		CLAMP, 3/16" I.D. ....	2
22				
23	604597		FUEL HOSE, 26" LG.....	1
24	18292G1		CLAMP, 1/2" O.D. ....	1
25				
26	17618G1		NYLON CLAMP, 7" LG (NOT ILLUSTRATED).....	2
27	32372G6		VINYL TRIM, 6.25" LG .....	1
28				
29	615350		FUEL HOSE, 2" LG.....	1
30				
31	00438G8		HEX HEAD BOLT, 5/16" - 18 X 5/8" LG .....	1

# FUEL SYSTEM

THE USE OF NON U.L. PARTS WILL VOID ANY U.L. LISTING.

When ordering parts, please specify the model and serial number of the product.

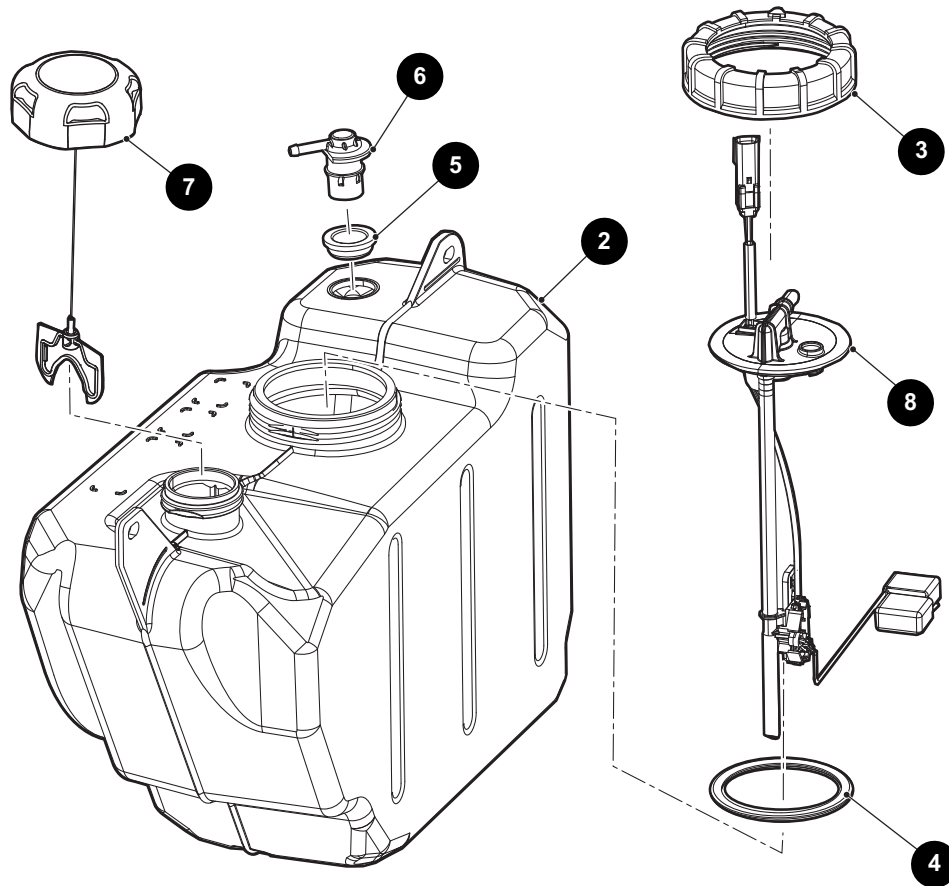
\* Indicates a component that is not available as an individual part.

\*\*\* Indicates consult Customer Service Department for additional information.

ITEM	PART NO.	1 2 3 4 5	DESCRIPTION	QTY.
32	70483G01		SPACER .....	1
33	00559G8		FLAT WASHER, 5/16" .....	4
34	11098G6		LOCK NUT, 5/16" - 18 .....	3



- 1** FUEL TANK ASSEMBLY (WITH SENDER UNIT)  
includes items 2 - 8



## LATE PRODUCTION VEHICLES

# FUEL SYSTEM

THE USE OF NON U.L. PARTS WILL VOID ANY U.L. LISTING.

When ordering parts, please specify the model and serial number of the product.

\* Indicates a component that is not available as an individual part.

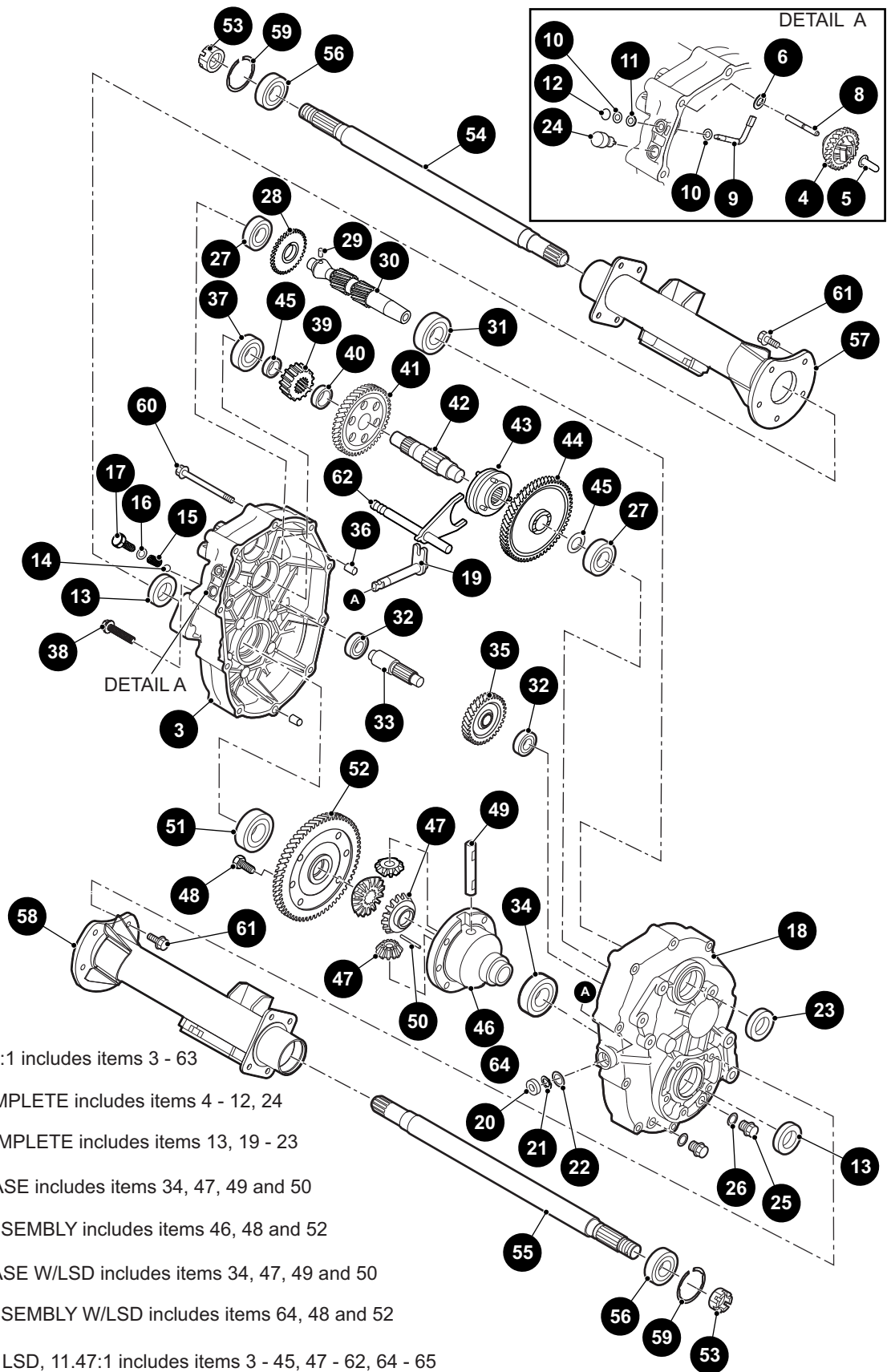
\*\*\* Indicates consult Customer Service Department for additional information.

ITEM	PART NO.	1 2 3 4 5	DESCRIPTION	QTY.
1	656139		FUEL TANK ASSEMBLY (WITH SENDER UNIT) (INCLUDES ITEMS 2 - 8) ..	1
2	646306		FUEL TANK .....	1
3	646837		CAP .....	1
4	646838		SEAL.....	1
5	647810		GROMMET .....	1
6	647809		ROLLOVER VALVE .....	1
7	670898		FUEL CAP .....	1
8	656144		FUEL PICKUP WITH SENDER ASSEMBLY .....	1





# REAR AXLE



- 1 REAR AXLE, 11.47:1 includes items 3 - 63
- 3 AXLE CASE L COMPLETE includes items 4 - 12, 24
- 18 AXLE CASE R COMPLETE includes items 13, 19 - 23
- 46 DIFFERENTIAL CASE includes items 34, 47, 49 and 50
- 63 DIFFERENTIAL ASSEMBLY includes items 46, 48 and 52
- 64 DIFFERENTIAL CASE W/LSD includes items 34, 47, 49 and 50
- 65 DIFFERENTIAL ASSEMBLY W/LSD includes items 64, 48 and 52
- 2 REAR AXLE WITH LSD, 11.47:1 includes items 3 - 45, 47 - 62, 64 - 65



THE USE OF NON U.L. PARTS WILL VOID ANY U.L. LISTING.

When ordering parts, please specify the model and serial number of the product.

\* Indicates a component that is not available as an individual part.

\*\*\* Indicates consult Customer Service Department for additional information.

ITEM	PART NO.	1 2 3 4 5	DESCRIPTION	QTY.
1	670468		REAR AXLE, 11.47:1 (INCLUDES ITEMS 3 - 63).....	1
2	670470		REAR AXLE WITH LSD, 11.47:1 (INCLUDES ITEMS 3 - 45, 47 - 62, 64 - 65)	1
3	639859		AXLE CASE L COMPLETE (INCLUDES ITEMS 4 - 12, 24) .....	1
4	665887		GOVERNOR GEAR .....	1
5	639689		GOVERNOR SLEEVE .....	1
6	607904		FLAT WASHER .....	1
7				
8	639698		GOVERNOR GEAR SHAFT .....	1
9	639707		GOVERNOR SHAFT .....	1
10	639736		FLAT WASHER, 6MM .....	2
11	607911		OIL SEAL, 6 X 10 X 2.5MM .....	1
12	607913		RETAINING RING, E5 .....	1
13	639738		OIL SEAL, 24 X 40 X 9MM .....	2
14	26818G01		STEEL BALL .....	1
15	26819G01		SPRING .....	1
16	26831G01		GASKET,10 .....	1
17	26820G01		FLANGED HEX HEAD BOLT, M10 - 1.25 X 12MM LG .....	1
18	639865		AXLE CASE R COMPLETE (INCLUDES ITEMS 13, 19 - 23) .....	1
19	639746		SELECT SHAFT .....	1
20	607915		OIL SEAL, 13 X 22 X 5MM .....	1
21	607916		SNAP RING, 13MM .....	1
22	607917		SPACER, 13 X 1MM .....	1
23	640093		OIL SEAL, 28 X 47 X 9MM .....	1
24	607919		AIR BREATHER.....	1
25	639747		OIL DRAIN PLUG .....	2
26	639748		GASKET, 14MM .....	2
27	26785G01		BALL BEARING (6204) .....	2
28	665888		GOVERNOR GEAR,34 .....	1
29	607920		PIN, 6 X 12L .....	1
30	639750		INPUT SHAFT .....	1
31	607922		BALL BEARING (62/28) .....	1

THE USE OF NON U.L. PARTS WILL VOID ANY U.L. LISTING.

When ordering parts, please specify the model and serial number of the product.

\* Indicates a component that is not available as an individual part.

\*\*\* Indicates consult Customer Service Department for additional information.

ITEM	PART NO.	1 2 3 4 5	DESCRIPTION	QTY.
32	639868		BALL BEARING (TMB202).....	2
33	639755		COUNTER SHAFT .....	1
34	640744		BALL BEARING (6006) .....	1
35	639758		GEAR,34 .....	1
36	639869		KNOCK PIPE.....	2
37	639760		BALL BEARING (6304) .....	2
38	639768		FLANGED HEX HEAD BOLT, M8 - 1.25 X 40MM LG .....	1
39	639769		GEAR, 17 .....	1
40	28689G01		COLLAR, 24 X 7.5MM.....	1
41	639771		GEAR, 52 .....	1
42	670697		CENTER SHAFT .....	1
43	639774		CLUTCH PIN .....	1
44	670696		GEAR, 61 .....	1
45	639797		SPACER, 20 X 2MM .....	2
46	639872		DIFFERENTIAL CASE (INCLUDES ITEMS 34, 47, 49 AND 50) .....	1
47	639800		DIFFERENTIAL PAIR GEAR.....	1
48	26808G01		HEX HEAD BOLT, M10 - 1.25 X 26MM LG.....	6
49	28723G01		DIFFERENTIAL SHAFT .....	1
50	28697G01		SPRING PIN, 4 X 40L.....	1
51	639801		BALL BEARING (6007) .....	1
52	640739		GEAR, 60 COMPLETE (INCLUDES ITEM 51).....	1
53	607938		CASTLE NUT, M22 - 1.5 .....	2
54	639876		AXLE SHAFT L COMPLETE (INCLUDES ITEM 56).....	1
55	639881		AXLE SHAFT R COMPLETE (INCLUDES ITEM 56) .....	1
56	639836		BALL BEARING (6205DD).....	2
57	607939		AXLE CASE L COMPLETE .....	1
58	607940		AXLE CASE R COMPLETE .....	1
59	26814G01		SNAP RING, 52MM .....	2
60	639839		FLANGED HEX HEAD BOLT, M8 - 1.25 X 60MM LG .....	9
61	639840		FLANGED HEX HEAD BOLT, M10 - 1.25 X 25MM LG .....	10
62	639844		SHIFT SHAFT COMPLETE.....	1

THE USE OF NON U.L. PARTS WILL VOID ANY U.L. LISTING.

When ordering parts, please specify the model and serial number of the product.

\* Indicates a component that is not available as an individual part.

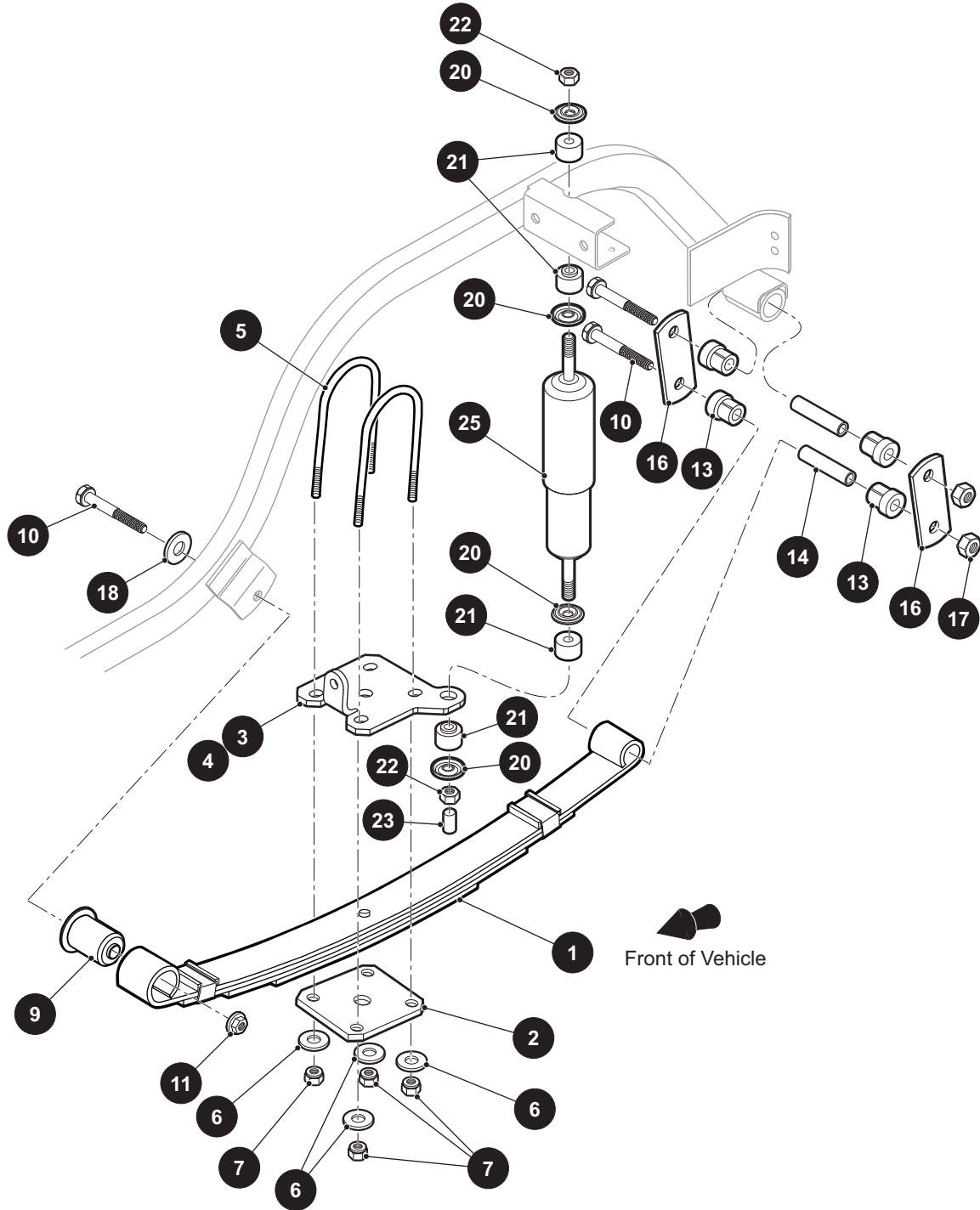
\*\*\* Indicates consult Customer Service Department for additional information.

ITEM	PART NO.	1 2 3 4 5	DESCRIPTION	QTY.
63	639847		DIFFERENTIAL ASSEMBLY (INCLUDES ITEMS 46, 48 AND 52).....	1
64	640098		DIFFERENTIAL CASE WITH LSD (INCLUDES ITEMS 34, 47, 49 AND 50) .....	1
65	639847		DIFFERENTIAL ASSEMBLY WITH LSD (INCLUDES ITEMS 64, 48 AND 52).....	1





# REAR SUSPENSION



## REAR SUSPENSION

THE USE OF NON U.L. PARTS WILL VOID ANY U.L. LISTING.

When ordering parts, please specify the model and serial number of the product.

\* Indicates a component that is not available as an individual part.

\*\*\* Indicates consult Customer Service Department for additional information.

ITEM	PART NO.	1 2 3 4 5	DESCRIPTION	QTY.
1	605721		LEAF SPRING .....	1
2	652246		REAR SUSPENSION PLATE .....	1
3	605938		AXLE BRACKET (DRIVER SIDE).....	1
4	605958		AXLE BRACKET (PASSENGER SIDE) .....	1
5	32195G3		'U' BOLT, 3/8" - 16 X 2" X 2 1/8" LG.....	2
6	00643G1		FLAT WASHER, 3/8" .....	4
7	11098G5		LOCK NUT, 3/8" - 16.....	4
8				
9	605445		FRONT SPRING BUSHING.....	1
10	00665G9		SHOULDER BOLT, 3/8" - 16 X 3 1/4" LG .....	3
11	12262G1		FLANGED LOCK NUT, 3/8" - 16.....	1
12				
13	624030		FLANGED BUSHING.....	4
14	70289G02		SPLIT STEEL SPACER .....	2
15				
16	652245		SHACKLE PLATE .....	2
17	11098G5		LOCK NUT, 3/8" - 16.....	2
18	00643G1		FLAT WASHER, 3/8" .....	1
19				
20	10435G1		SHOCK ABSORBER WASHER, .406" I.D. X 1.25" O.D.....	4
21	10194G1		RUBBER BUSHING.....	4
22	00532G6		HEX NUT, 3/8" - 24 .....	2
23	10044G01		VINYL CAP.....	1
24				
25	642085		SHOCK ABSORBER.....	1



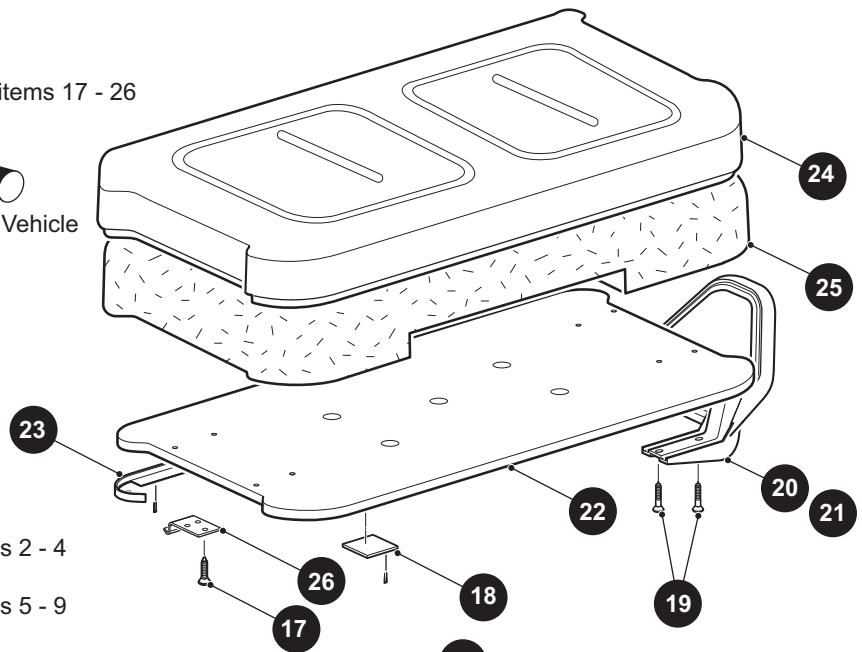




# SEATING

**16** SEAT BOTTOM ASSEMBLY includes items 17 - 26

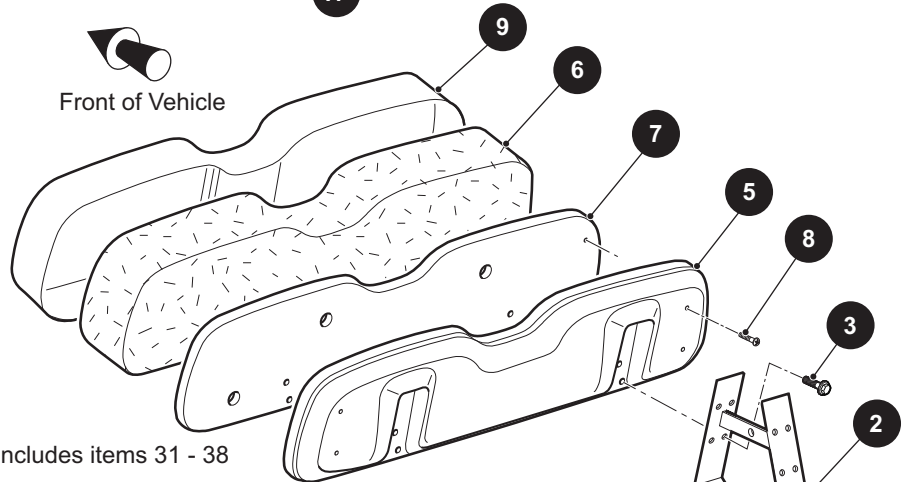
Front of Vehicle



**1** SEAT BACK ASSEMBLY includes items 2 - 4

**4** SEAT BACK ASSEMBLY includes items 5 - 9

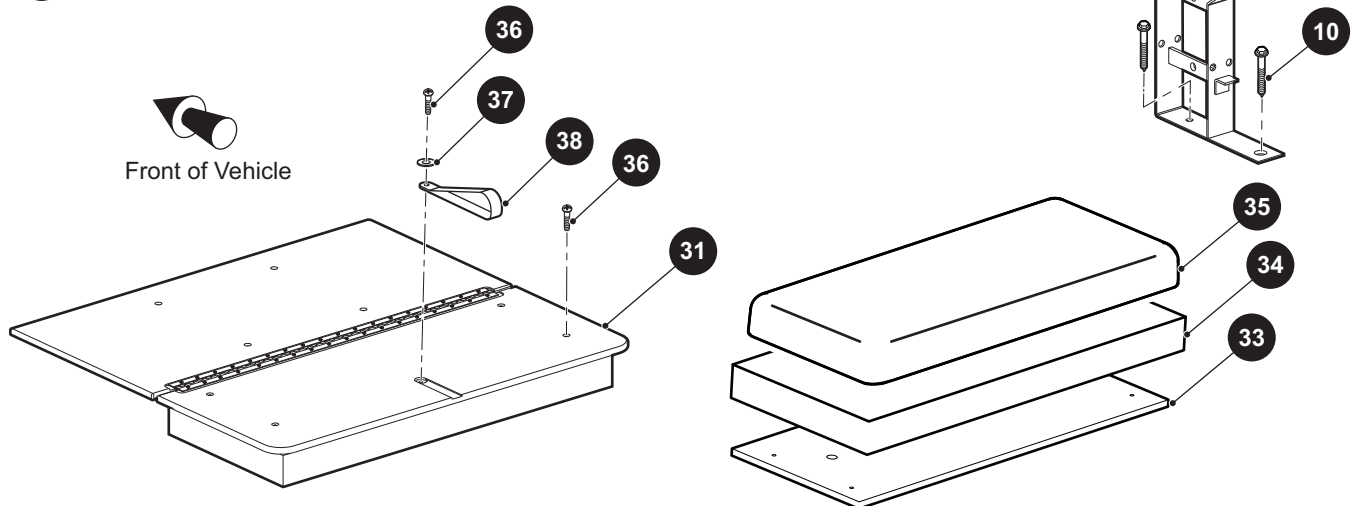
Front of Vehicle



**30** FLIP SEAT BOTTOM ASSEMBLY includes items 31 - 38

**32** SEAT BOTTOM ASSEMBLY includes items 33 - 35

Front of Vehicle



THE USE OF NON U.L. PARTS WILL VOID ANY U.L. LISTING.

When ordering parts, please specify the model and serial number of the product.

\* Indicates a component that is not available as an individual part.

\*\*\* Indicates consult Customer Service Department for additional information.

ITEM	PART NO.	1 2 3 4 5	DESCRIPTION	QTY.
1	***		SEAT BACK ASSEMBLY (INCLUDES ITEMS 2 - 4)..... 632818G01 OYSTER 632818G03 TAN 632818G04 GREY 632818G06 BLACK 632818G07 BROWN	1
2	634178		SUPPORT WELDMENT.....	1
3	71204G01		HEX WASHER HEAD BOLT WITH PATCH LOCK, 1/4" - 20 X .875" LG..	4
4	***		SEAT BACK ASSEMBLY (INCLUDES ITEMS 5 - 9) ..... 71751G01 OYSTER 71751G03 TAN 71751G04 GREY 71751G06 BLACK 71751G07 BROWN	2
5	71752G01		COVER (PLASTIC).....	1
6	71754G01		PADDING (FOAM).....	1
7	645021		BASE ASSEMBLY.....	1
8	01107G01		PAN HEAD TORX SCREW, #8 X .63" LG.....	4
9	***		VINYL COVER..... 71753G01 OYSTER 71753G03 TAN 71753G04 GREY 71753G06 BLACK 71753G07 BROWN	1
10	01006G01		HEX WASHER HEAD SCREW, 3/8" - 16 X 1.25" LG.....	2
11				
12				
13				
14				
15				
16	***		SEAT BOTTOM ASSEMBLY (INCLUDES ITEMS 17 - 26)..... 629269G0101 OYSTER 629269G0103 TAN 629269G0104 GREY 629269G0106 BLACK 629269G0107 BROWN	1
17	00720G08		FLAT HEAD PHILLIPS TAPPING SCREW, #12 - 14 X 1" LG.....	6
18	17074G1		SOILING SLAB.....	2
19	615417		BUTTON HEAD TORX BOLT, M10 - 1.5 X 25MM LG.....	4

# SEATING

THE USE OF NON U.L. PARTS WILL VOID ANY U.L. LISTING.

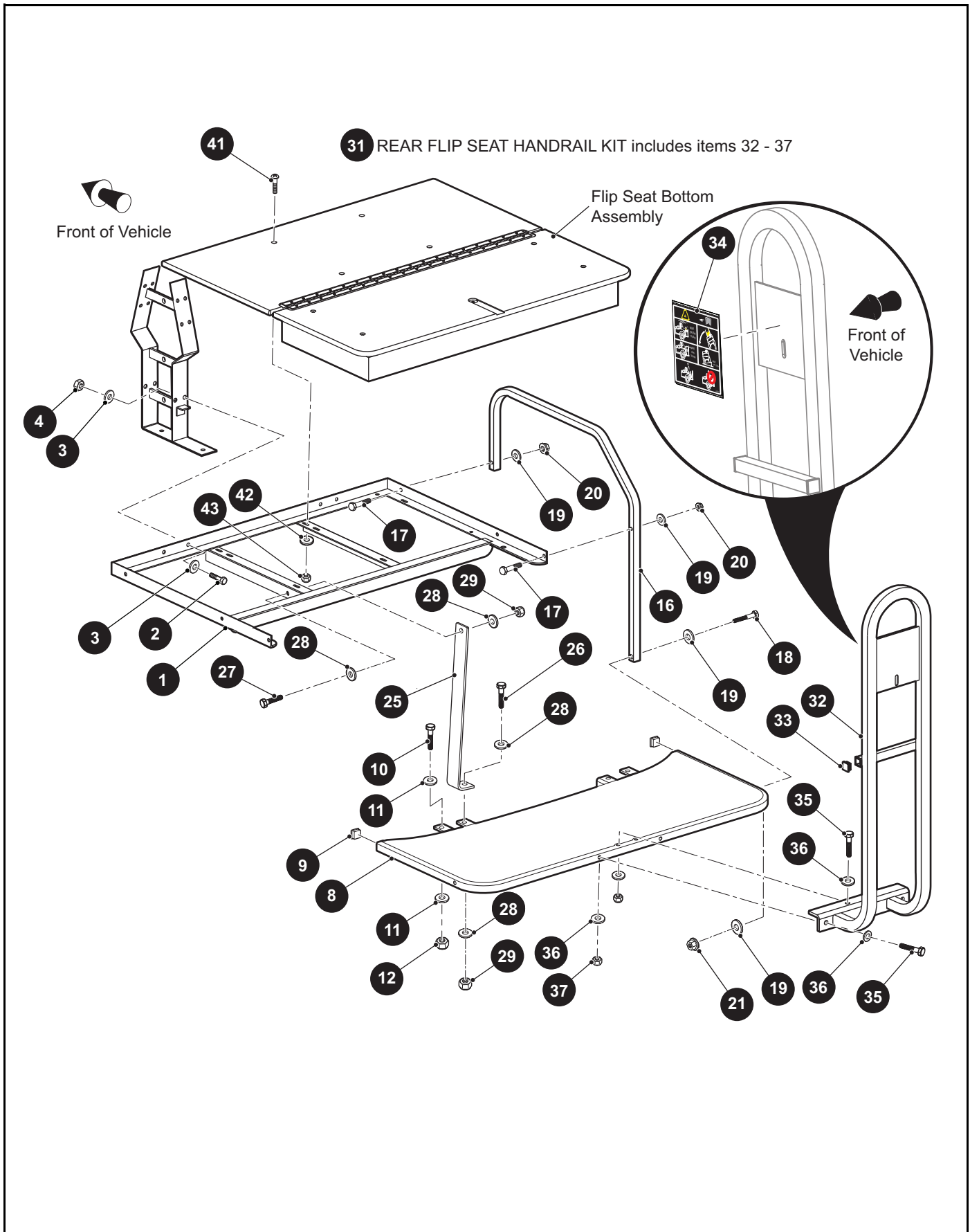
When ordering parts, please specify the model and serial number of the product.

\* Indicates a component that is not available as an individual part.

\*\*\* Indicates consult Customer Service Department for additional information.

ITEM	PART NO.	1	2	3	4	5	DESCRIPTION	QTY.
20	617644						HIP RESTRAINT (PASSENGER SIDE).....	1
21	617645						HIP RESTRAINT (DRIVER SIDE) .....	1
22	645492						BASE .....	1
23	71012G01						TRIM (POLYPROPYLENE).....	1
24	***						VINYL COVER..... 71602G01 OYSTER 71602G03 TAN 71602G04 GREY 71602G06 BLACK 71602G07 BROWN	1
25	71603G02						PADDING (FOAM) .....	1
26	71610G01						SEAT HINGE.....	2
27								
28								
29								
30	***						FLIP SEAT BOTTOM ASSEMBLY (INCLUDES ITEM 31 - 38) ..... 628058G01 OYSTER 628058G03 TAN 628058G04 GREY 628058G06 BLACK 628058G07 BROWN	1
31	634190						DECK BOARD ASSEMBLY .....	1
32	***						SEAT BOTTOM ASSEMBLY (INCLUDES ITEM 33 - 35) ..... 632837G01 OYSTER 632837G03 TAN 632837G04 GREY 632837G06 BLACK 632837G07 BROWN	1
33	617400						SEAT BOTTOM (PLYWOOD).....	1
34	617401						SEAT BOTTOM (FOAM) .....	1
35	***						SEAT BOTTOM (VINYL) ..... 617893 BROWN 615648 BLACK 617892 GREY 615647 TAN 615646 OYSTER	1
36	16705G1						PHILLIPS SCREW (SS), 1/4" - 20 X 1" LG.....	5
37	00559G7						FLAT WASHER, 1/4".....	1
38	617402						SEAT STRAP .....	1





THE USE OF NON U.L. PARTS WILL VOID ANY U.L. LISTING.

When ordering parts, please specify the model and serial number of the product.

\* Indicates a component that is not available as an individual part.

\*\*\* Indicates consult Customer Service Department for additional information.

ITEM	PART NO.	1 2 3 4 5	DESCRIPTION	QTY.
1	634180		SEAT FRAME WELDMENT .....	1
2	00427G2		HEX HEAD BOLT, 3/8" - 16 X 1.25" LG .....	1
3	614221		FLAT WASHER, 3/8" .....	2
4	11098G5		LOCK NUT, 3/8" - 16 .....	1
5				
6				
7				
8	634179		FOOTREST WELDMENT .....	1
9	19853G1		SQUARE TUBE CAP, 1" .....	2
10	00427G6		HEX HEAD CAP SCREW, 3/8" - 16 X 1.25" LG .....	1
11	614221		FLAT WASHER, 3/8" .....	2
12	11098G5		LOCK NUT, 3/8" - 16 .....	1
13				
14				
15				
16	634175		REAR SEATING ARMREST .....	1
17	00427G4		HEX HEAD BOLT, 3/8" - 16 X 1.25" LG .....	2
18	00428G8		HEX HEAD CAP SCREW, 3/8" - 16 X 2.25" LG .....	1
19	614221		FLAT WASHER, 3/8" .....	4
20	11027G5		FLANGED LOCK NUT, 3/8" - 16 .....	2
21	11098G5		LOCK NUT, 3/8" - 16 .....	2
22				
23				
24				
25	634174		SEAT FRAME SUPPORT .....	1
26	00427G4		HEX HEAD BOLT, 3/8" - 16 X 1.5" LG .....	1
27	00427G2		HEX HEAD BOLT, 3/8" - 16 X 1.25" LG .....	1
28	614221		FLAT WASHER, 3/8" .....	4
29	11098G5		LOCK NUT, 3/8" - 16 .....	2
30				

# SEATING

THE USE OF NON U.L. PARTS WILL VOID ANY U.L. LISTING.

When ordering parts, please specify the model and serial number of the product.

\* Indicates a component that is not available as an individual part.

\*\*\* Indicates consult Customer Service Department for additional information.

ITEM	PART NO.	1	2	3	4	5	DESCRIPTION	QTY.
31	634184						REAR FLIP SEAT HANDRAIL KIT (INCLUDES ITEMS 32 - 37).....	1
32	634185						FOOTREST HANDLE WELDMENT .....	1
33	19859G1						SQUARE TUBE CAP, 3/4" .....	2
34	610631						SAFETY LABEL .....	1
35	00427G8						HEX HEAD BOLT, 3/8" - 16 X 2" LG .....	4
36	614221						FLAT WASHER, 3/8" .....	8
37	11098G5						LOCK NUT, 3/8" - 16 .....	4
38								
39								
40								
41	16705G9						TRUSS HEAD PHILLIPS SCREW (SS), 1/4" - 20 X 1.25" LG .....	4
42	00559G7						FLAT WASHER, 1/4" .....	4
43	14390G4						LOCK NUT, 1/4" - 20 .....	4

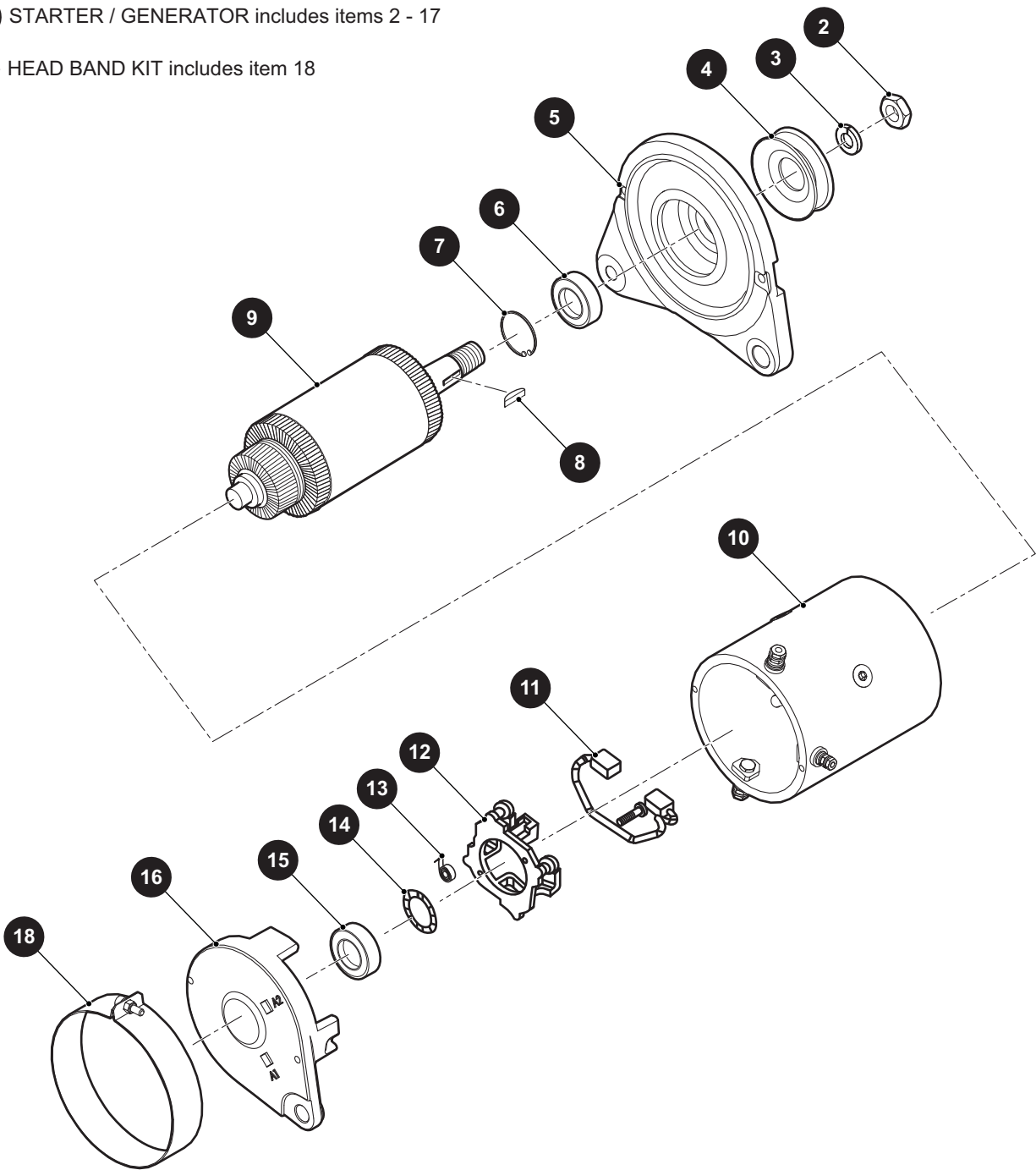




# STARTER AND GENERATOR

1 STARTER / GENERATOR includes items 2 - 17

17 HEAD BAND KIT includes item 18



## STARTER AND GENERATOR

THE USE OF NON U.L. PARTS WILL VOID ANY U.L. LISTING.

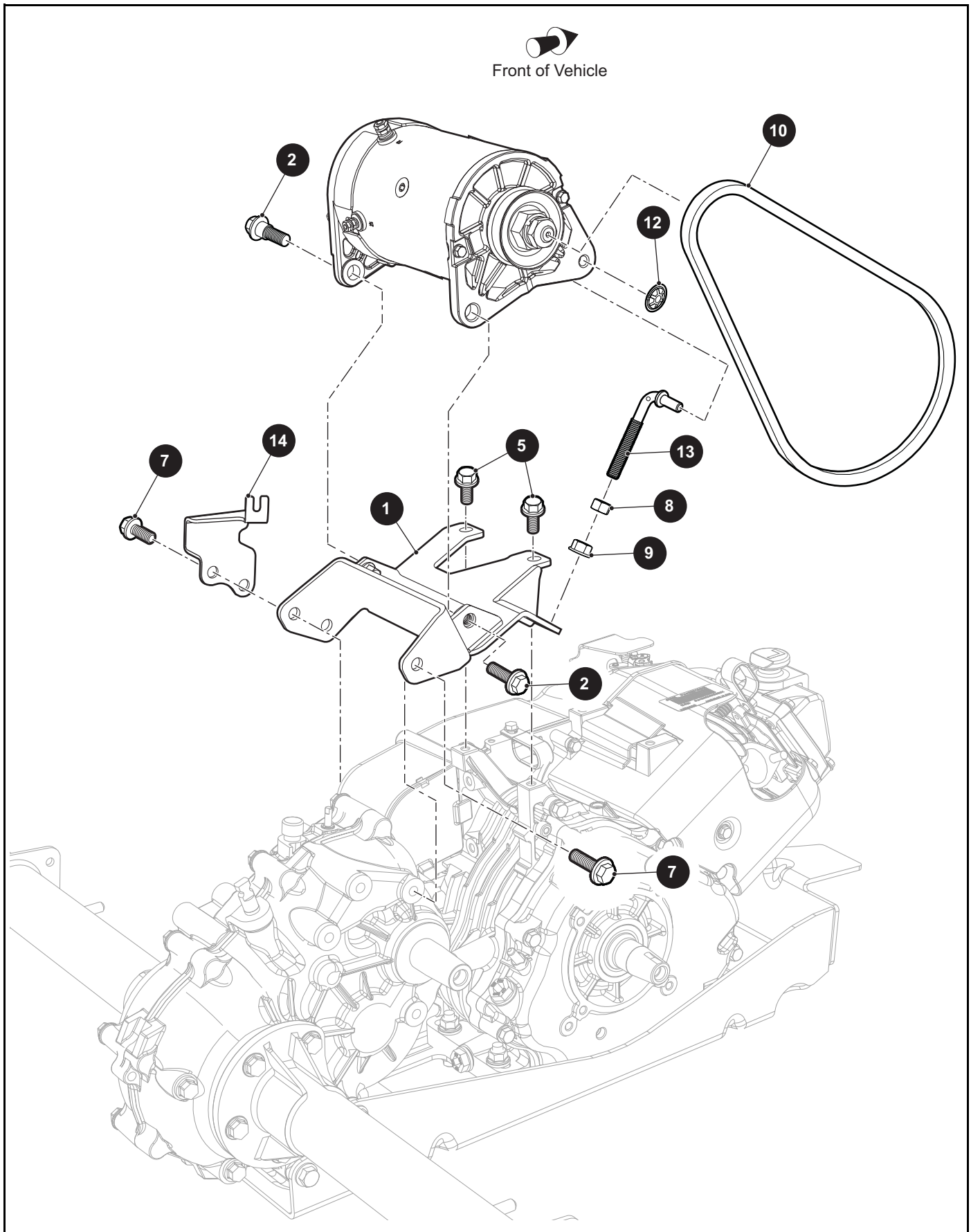
When ordering parts, please specify the model and serial number of the product.

\* Indicates a component that is not available as an individual part.

\*\*\* Indicates consult Customer Service Department for additional information.

ITEM	PART NO.	1 2 3 4 5	DESCRIPTION	QTY.
1	660379		STARTER / GENERATOR (INCLUDES ITEMS 2 - 17) .....	1
2	612029		HEX NUT .....	1
3	612030		LOCK WASHER .....	1
4	625716		PULLEY, 2.5" O.D. ....	1
5	654715		DRIVE END HEAD .....	1
6	612033		BEARING .....	1
7	612034		RETAINING RING .....	1
8	612035		WOODRUFF KEY .....	1
9	612036		ARMATURE ASSEMBLY .....	1
10	654716		FRAME AND FIELD ASSEMBLY .....	1
11	612038		BRUSH LEAD AND TERMINAL PACKAGE .....	1
12	654717		BRUSH BOX ASSEMBLY .....	1
13	656659		BRUSH SPRING .....	4
14	612043		WAVY WASHER .....	1
15	612044		BEARING .....	1
16	612045		COMMUTATOR END HEAD .....	1
17	658172		HEADBAND KIT (INCLUDES ITEM 18) .....	1
18	654718		HEADBAND .....	1

# STARTER AND GENERATOR



## STARTER AND GENERATOR

THE USE OF NON U.L. PARTS WILL VOID ANY U.L. LISTING.

When ordering parts, please specify the model and serial number of the product.

\* Indicates a component that is not available as an individual part.

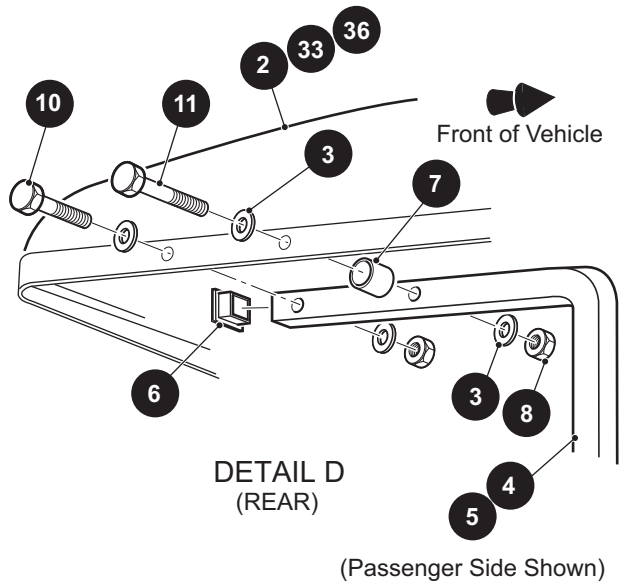
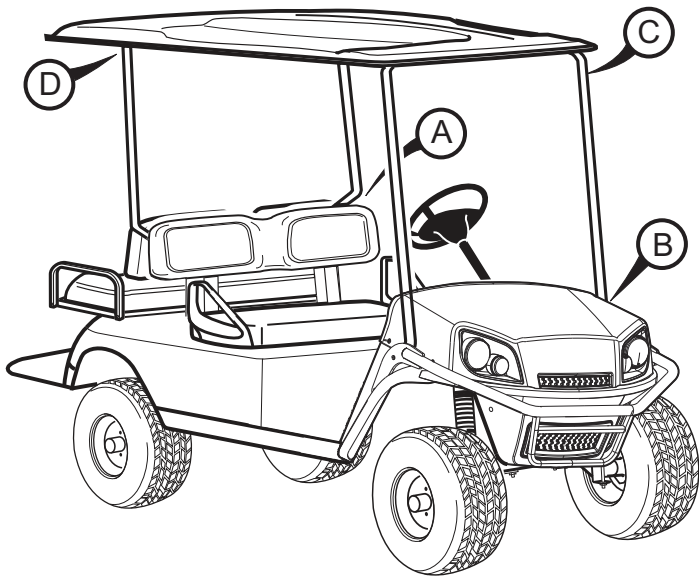
\*\*\* Indicates consult Customer Service Department for additional information.

ITEM	PART NO.	1 2 3 4 5	DESCRIPTION	QTY.
1	631972		STARTER / GENERATOR SUPPORT BRACKET .....	1
2	606235		FLANGED HEX HEAD BOLT, M10 - 1.25 X 20MM LG.....	2
3				
4				
5	606261		FLANGED HEX HEAD BOLT, M8 - 1.25 X 20MM LG.....	2
6				
7	606256		FLANGED HEX HEAD BOLT, M10 - 1.25 X 25MM LG.....	3
8	606255		HEX JAM NUT, M10 - 1.25 .....	1
9	606274		FLANGED HEX NUT, M10 - 1.25.....	1
10	630587		STARTER / GENERATOR BELT.....	1
11				
12	12064G6		PUSH NUT, 5/16" .....	1
13	629763		TENSIONER BOLT .....	1
14	603884		CABLE GUIDE BRACKET .....	1





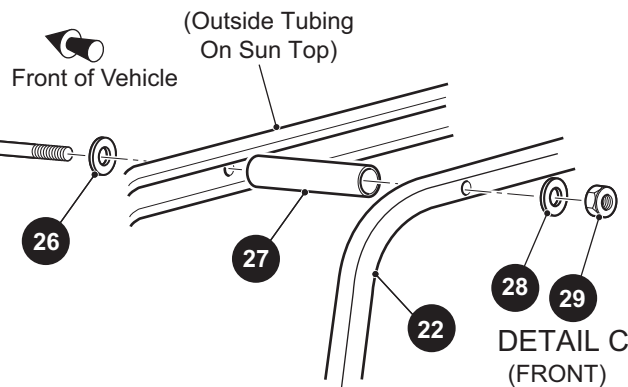
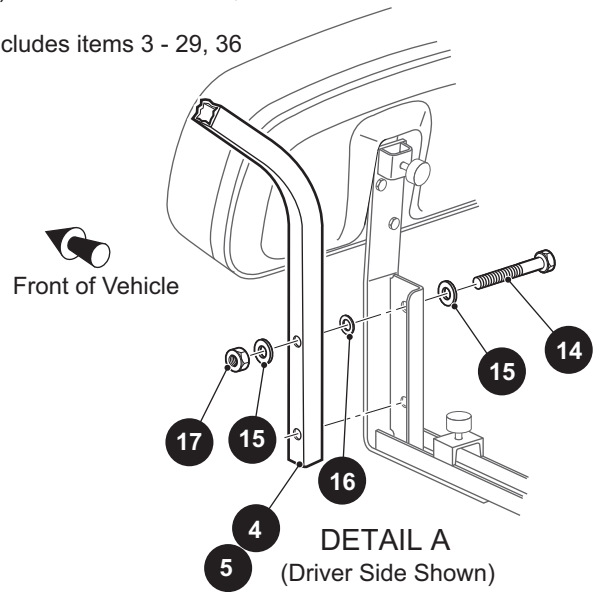
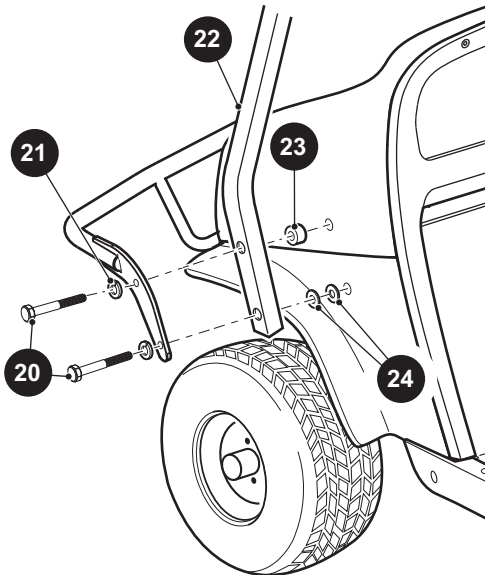
# WEATHER PROTECTION



**1** SUN TOP KIT (BLACK) includes items 2 - 29

**32** SUN TOP KIT (WHITE) includes items 3 - 29, 33

**35** SUN TOP KIT (TAN) includes items 3 - 29, 36





## WEATHER PROTECTION

THE USE OF NON U.L. PARTS WILL VOID ANY U.L. LISTING.

When ordering parts, please specify the model and serial number of the product.

\* Indicates a component that is not available as an individual part.

\*\*\* Indicates consult Customer Service Department for additional information.

ITEM	PART NO.	1 2 3 4 5	DESCRIPTION	QTY.
1	606260		SUN TOP KIT (BLACK), 80" LG (INCLUDES ITEMS 2 - 29).....	1
2	606937		SUN TOP .....	1
3	00679G1		FLAT WASHER (SS), 3/8" .....	4
4	602743		REAR STRUT (DRIVER SIDE) .....	1
5	602741		REAR STRUT (PASSENGER SIDE).....	1
6	19853G1		END CAP, 1 SQ" .....	1
7	24647G1		SPACER, 1/4" .....	1
8	00891G5		LOCK NUT, 3/8" - 16 .....	2
9				
10	00665G6		HEX HEAD BOLT (SS), 3/8" - 16 X 2" LG .....	1
11	00665G3		HEX HEAD BOLT (SS), 3/8" - 16 X 2 1/2" LG .....	1
12				
13				
14	00665G5		HEX HEAD BOLT (SS), 3/8" - 16 X 1 3/4" LG .....	2
15	00679G1		FLAT WASHER (SS), 3/8" .....	4
16	00771G5		NYLON WASHER, 3/8" .....	2
17	00891G5		LOCK NUT, 3/8" - 16 .....	2
18				
19				
20	00440G2		HEX HEAD BOLT, 5/16" - 18 X 2 1/4" LG .....	2
21	00565G8		LOCK WASHER, 5/16" .....	2
22	75125G01		FRONT STRUT .....	1
23	75048G01		SPACER, 1/2" .....	1
24	00879G1		FLAT WASHER, 3/8" .....	2
25	00674G8		HEX HEAD BOLT, 3/8" - 16 X 5" LG.....	1
26	00679G1		FLAT WASHER (SS), 3/8" .....	1
27	18716G1		SPACER .....	1
28	00653G1		FLAT WASHER (SS), 3/8" .....	1
29	00891G5		LOCK NUT, 3/8" - 16 .....	1
30				
31				

# WEATHER PROTECTION

THE USE OF NON U.L. PARTS WILL VOID ANY U.L. LISTING.

When ordering parts, please specify the model and serial number of the product.

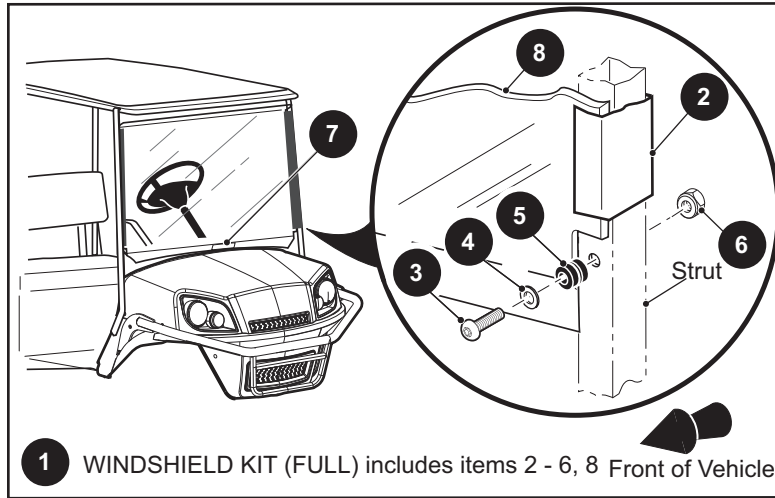
\* Indicates a component that is not available as an individual part.

\*\*\* Indicates consult Customer Service Department for additional information.

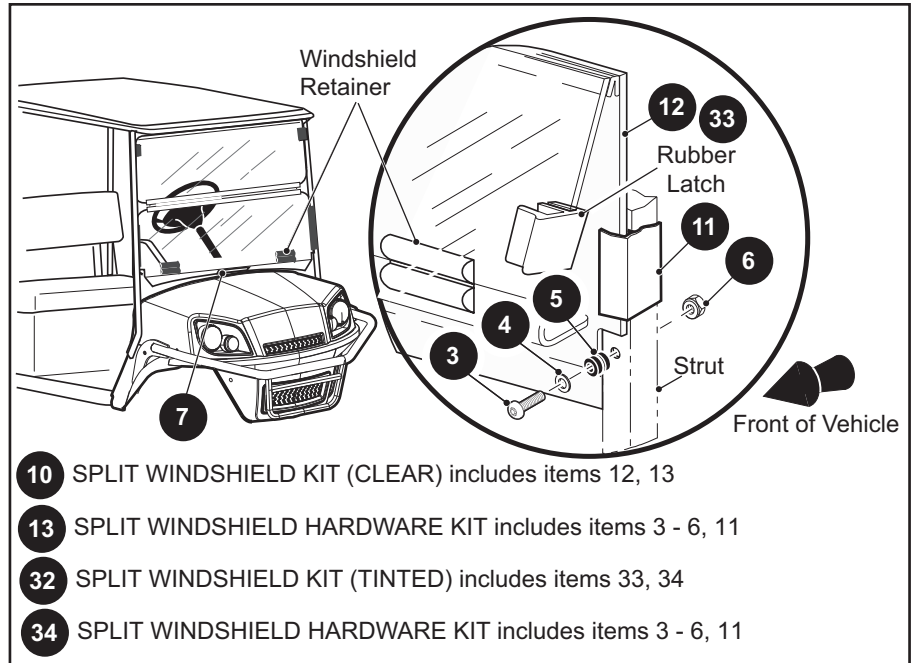
ITEM	PART NO.	1	2	3	4	5	DESCRIPTION	QTY.
32	603119						SUN TOP KIT (WHITE), 80" LG (INCLUDES ITEMS 3 - 29, 33) .....	1
33	27604G01						SUN TOP .....	1
34								
35	603120						SUN TOP KIT (TAN), 80" LG (INCLUDES 3 - 29, 36) .....	1
36	602672						SUN TOP .....	1



# WEATHER PROTECTION



**1** WINDSHIELD KIT (FULL) includes items 2 - 6, 8 Front of Vehicle

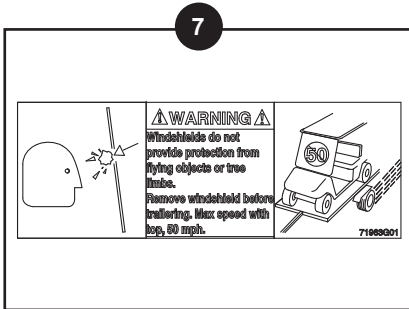


**10** SPLIT WINDSHIELD KIT (CLEAR) includes items 12, 13

**13** SPLIT WINDSHIELD HARDWARE KIT includes items 3 - 6, 11

**32** SPLIT WINDSHIELD KIT (TINTED) includes items 33, 34

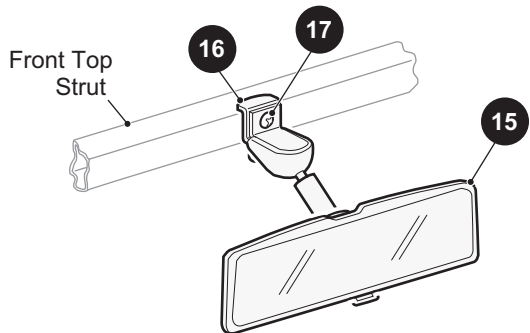
**34** SPLIT WINDSHIELD HARDWARE KIT includes items 3 - 6, 11



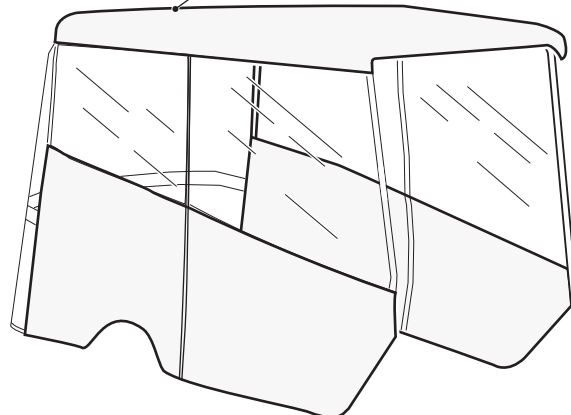
Front of Vehicle

**19 20 21 22 23 24 25 26 27 28 29 30**

WEATHER ENCLOSURE



**14** REAR VIEW MIRROR KIT includes items 15 - 17



# WEATHER PROTECTION

THE USE OF NON U.L. PARTS WILL VOID ANY U.L. LISTING.

When ordering parts, please specify the model and serial number of the product.

\* Indicates a component that is not available as an individual part.

\*\*\* Indicates consult Customer Service Department for additional information.

ITEM	PART NO.	1 2 3 4 5	DESCRIPTION	QTY.
1	71966G03		FULL WINDSHIELD KIT (INCLUDES ITEMS 2 - 6, 8).....	1
2	615662		SASH, 26" LG.....	2
3	*		HEX HEAD BOLT (SS), 1/4" - 20 X 1 3/4" LG.....	2
4	*		FLAT WASHER (SS), 1/4".....	4
5	*		RUBBER GROMMET.....	2
6	*		LOCK NUT (SS), 1/4" - 20.....	2
7	71963G01		SAFETY LABEL.....	1
8	71960G01		FULL WINDSHIELD.....	1
9				
10	71966G05		SPLIT WINDSHIELD KIT (CLEAR) (INCLUDES ITEMS 12, 13).....	1
11	615661		SASH, 12" LG.....	2
12	630012		SPLIT WINDSHIELD (CLEAR).....	1
13	71956G05		SPLIT WINDSHIELD HARDWARE KIT (INCLUDES ITEMS 3 - 6, 11).....	1
14	19528G2		REAR VIEW MIRROR KIT (INCLUDES ITEMS 15 - 17).....	1
15	19496G1		REAR VIEW MIRROR.....	1
16	19502G2		SUPPORT BRACKET.....	1
17	19527G1		PAN HEAD SCREW, #8 - 32 X 5/8" LG.....	1
18				
19	605119		WEATHER ENCLOSURE (TAN).....	1
20	605120		WEATHER ENCLOSURE (OYSTER).....	1
21	605121		WEATHER ENCLOSURE (HUNTER GREEN).....	1
22	605122		WEATHER ENCLOSURE (PACIFIC BLUE).....	1
23	605123		WEATHER ENCLOSURE (CAPRI).....	1
24	605125		WEATHER ENCLOSURE (HEMLOCK TWEED).....	1
25	605126		WEATHER ENCLOSURE (BURGUNDY).....	1
26	605127		WEATHER ENCLOSURE (LINEN TWEED).....	1
27	605128		WEATHER ENCLOSURE (TUSCAN).....	1
28	605130		WEATHER ENCLOSURE (CHARCOAL TWEED).....	1
29	605131		WEATHER ENCLOSURE (JOCKEY RED).....	1
30	605132		WEATHER ENCLOSURE (MEDITERRANEAN BLUE).....	1
31	75509G01		MESSAGE HOLDER (1 PIECE) (NOT ILLUSTRATED).....	1

## WEATHER PROTECTION

THE USE OF NON U.L. PARTS WILL VOID ANY U.L. LISTING.

When ordering parts, please specify the model and serial number of the product.

\* Indicates a component that is not available as an individual part.

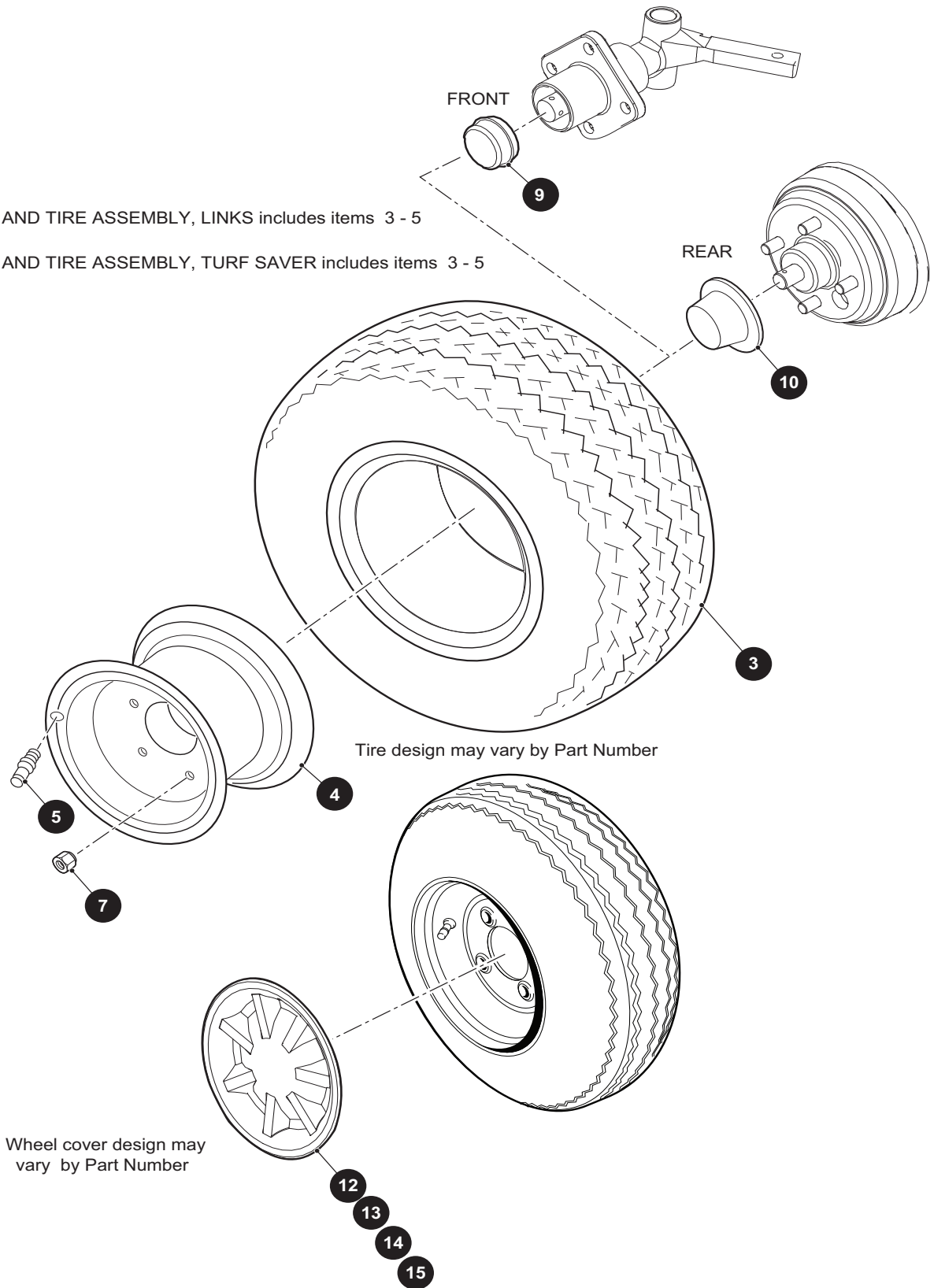
\*\*\* Indicates consult Customer Service Department for additional information.

ITEM	PART NO.	1 2 3 4 5	DESCRIPTION	QTY.
32	71966G06		SPLIT WINDSHIELD KIT (TINTED) (INCLUDES ITEMS 33, 34).....	1
33	630013		SPLIT WINDSHIELD (TINTED) .....	1
34	71956G05		SPLIT WINDSHIELD HARDWARE KIT (INCLUDES ITEMS 3 - 6, 11) .....	1



# WHEELS AND TIRES

- 1 WHEEL AND TIRE ASSEMBLY, LINKS includes items 3 - 5
- 2 WHEEL AND TIRE ASSEMBLY, TURF SAVER includes items 3 - 5





## WHEELS AND TIRES

THE USE OF NON U.L. PARTS WILL VOID ANY U.L. LISTING.

When ordering parts, please specify the model and serial number of the product.

\* Indicates a component that is not available as an individual part.

\*\*\* Indicates consult Customer Service Department for additional information.

ITEM	PART NO.	1 2 3 4 5	DESCRIPTION	QTY.
1	28757G01		WHEEL AND TIRE ASSEMBLY, LINKS (INCLUDES ITEMS 3 - 5) .....	1
2	28757G03		WHEEL AND TIRE ASSEMBLY, TURF SAVER (INCLUDES ITEMS 3 - 5) .....	1
3	28764G01		TIRE (CARLISLE).....	1
4	28759G01		WHEEL .....	1
5	11657G2		VALVE STEM.....	1
6				
7	14723G1		LUG NUT, 1/2" - 20 .....	4
8				
9	12091G2		SPINDLE CAP .....	1
10	74175G01		DUST CAP .....	1
11				
12	615618		HUBCAP (SILVER) (FOR VEHICLES MANUFACTURED BEFORE JANUARY 8, 2018).....	1
13	615617		HUBCAP (GOLD) (FOR VEHICLES MANUFACTURED BEFORE JANUARY 8, 2018).....	1
14	665144		WHEEL COVER (METALLIC SILVER) (FOR VEHICLES MANUFACTURED AFTER JANUARY 8, 2018).....	1
15	665149		WHEEL COVER (METALLIC GOLD) (FOR VEHICLES MANUFACTURED AFTER JANUARY 8, 2018).....	1







**CUSHMAN®**  
**LET'S WORK!**

**E-Z-GO Division of Textron Inc.,**  
1451 Marvin Griffin Road, Augusta, Georgia 30906 - 3852 USA

TO CONTACT US...

North America:

**Technical Assistance & Warranty** Phone: 1-800-774-3946, FAX: 1-800-448-8124

**Service Parts** Phone: 1-888-GET-E-Z-GO (1-888-438-3946), FAX: 1-800-752-6175

International: Phone: 001-706-798-4311, FAX: 001-706-771-4609

Owner's Guide, as well as Repair and Service Manuals  
are available from a local Distributor, an authorized Branch,  
Genuine E-Z-GO Parts & Accessories Department or at [www.cushman.com](http://www.cushman.com).

Copyrighted Material  
This manual may not be reproduced in whole or  
in part without the express permission of  
E-Z-GO Division of Textron Inc.  
Technical Communications Department