



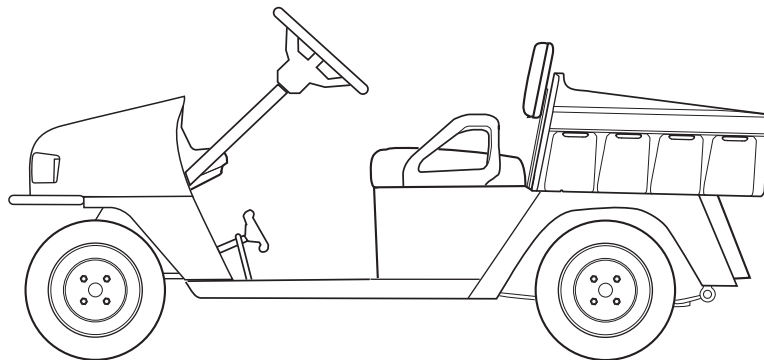
A Textron Company



614280



SERVICE PARTS MANUAL



ELECTRIC POWERED UTILITY VEHICLES

ISSUED: DECEMBER 2009

REVISED: MAY 2012

SERVICE PARTS MANUAL

ELECTRIC UTILITY VEHICLES

E-Z-GO VEHICLES

ST 400

BAD BOY BUGGY VEHICLES

LD

STARTING MODEL YEAR 2009

DISCLAIMER: The E-Z-GO Division of Textron Inc. (E-Z-GO) reserves the right to incorporate engineering and design changes to products in this Manual, without obligation to include these changes on units leased/sold previously.

The information contained in this Manual may be revised periodically E-Z-GO, and therefore is subject to change without notice.

E-Z-GO DISCLAIMS LIABILITY FOR ERRORS IN THIS MANUAL, and E-Z-GO SPECIFICALLY DISCLAIMS LIABILITY FOR INCIDENTAL AND CONSEQUENTIAL DAMAGES RESULTING FROM THE USE OF THE INFORMATION AND MATERIALS IN THIS MANUAL.

CUSTOMER SERVICE DEPARTMENT IN USA PHONE: 1-800-241-5855, FAX: 1-800-448-8124

OUTSIDE USA PHONE: 001-706-798-4311, FAX: 001-706-771-4609

GENERAL INFORMATION

To obtain a copy of the limited warranty applicable to the vehicle, call or write a local Distributor, authorized Branch or the Warranty Department with vehicle serial number and manufacturer code.

The use of non Original Equipment Manufacturer (OEM) parts may void the warranty.

Overfilling of batteries may void the warranty.

BATTERY PROLONGED STORAGE

All batteries will self discharge over time. The rate of self discharge varies depending on the ambient temperature and the age and condition of the batteries.

A fully charged battery will not freeze in winter temperatures unless the temperature falls below -75° F (-60° C).

As with all electric vehicles, the batteries must be checked and recharged as required or at a minimum of 30 day intervals.

TABLE OF CONTENTS

SECTION	Page No.
HOW TO USE THE SERVICE PARTS MANUAL	vii
ACCELERATOR PEDAL ASSEMBLY	A - 1
• Pedal Cover	
• Pedal Box Assembly	
• Accelerator Pedal Assembly	
BATTERY CHARGER	B - 1
• 48V Lester	
• 48V Delta-Q	
BODY - FRONT	C - 1
• Front Bumper	
• Front Splash Shield	
• Cowl	
• Nameplate	
• Instrument Panel	
• Rocker Panels	
• Rear Body	
• Seat Support	
BRAKES - MECHANICAL	D - 1
• Brake Pedal Pad	
• Brake Pedal	
• Brake Cable	
• Brake Drum Assembly	
CAB	F - 1
• Steel Cab	
• Steel Doors	
• Vinyl Doors	
• Wiper Motor	
• Strobe Light	
• Work Light	
• Defroster / Cooling Fan	
ELECTRICAL SYSTEM - MAIN COMPONENTS	G - 1
• Main Harness	
• Horn	
• Hour Meter	
• Fuse Block	
• Turn Signal	
• Headlights / Tail Lights	
• Key Switch	
• Direction Selector	
• Ground Strap	
• Work Light Bar / Strobe	
ELECTRONIC SPEED CONTROL - PDS	H - 5
• Electronic Speed Controller	
• Solenoid	
• Tow Switch Assembly	
• Diagnostic Label	
• Service Kit	
FRONT SUSPENSION - STEERING	J - 1
• Strut	
• Spindle	
• Steering Box	
• Steering Column	
• Steering Wheel	

TABLE OF CONTENTS

SECTION	Page No.
MOTOR	K - 1
• Armature	
• Brush Replacement Kit	
• Speed Sensor	
REAR AXLE	L - 1
• Axle Shaft	
• Axle Tube	
• Oil Check Plug	
REAR SUSPENSION	M - 1
• Shocks	
• Leaf Spring	
• Shackles	
SEATING	L - 1
• Seat Bottom	
• Seat Back	
• Hip Restraints	
• Seat Back Support	
• Seat Bottom, Rear Facing Seat	
TRUCK BED - PLASTIC	P - 1
• Bed	
• Electric Dump	
TRUCK BED - METAL	Q - 1
• Metal Bed	
• Tail Gate	
WEATHER PROTECTION	R - 1
• Sun Top	
• Windshield	
• 3 Sided Enclosure	
WHEELS AND TIRES	S - 1
• Tires	
• Wheels	
• Lug Nuts	
WINCH	T - 1
• Winch Kit	
• Solenoid	
• Drum Assembly	
• 12V Motor	
• Wire Rope	

NOTES

A large grid of graph paper for taking notes, consisting of 30 columns and 30 rows of small squares.

NOTES

A large grid of graph paper for taking notes, consisting of 20 columns and 30 rows of small squares.

HOW TO USE THE SERVICE PARTS MANUAL

This manual is divided into several sections:

- GENERAL INFORMATION
- ILLUSTRATED PARTS BREAKDOWN
- APPENDIX

The first section, GENERAL INFORMATION, contains the following information:

- WARRANTY INFORMATION
- GENERAL INDEX
- HOW TO USE THE SERVICE PARTS MANUAL

The second section, ILLUSTRATED PARTS BREAKDOWN, contains illustrations and parts lists for all systems of your vehicle.

The third section, APPENDIX, contains a listing of specialty products and accessories.

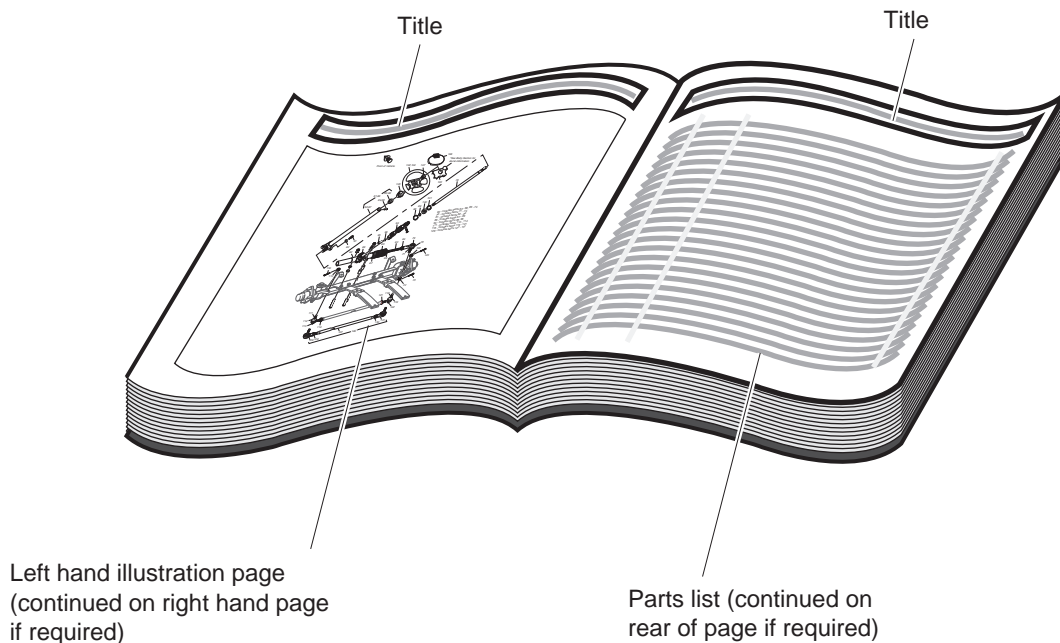
USE OF THE MANUAL

To use this manual, consult the GENERAL INDEX to locate the information or illustration required.

Introduction of some revisions varies due to supply of components; therefore, it is possible that various combinations of components may be found that are not directly reflected by each illustration. Consult the illustration that best suits your situation and then contact the Service Parts Department. It is important that the serial number of your vehicle and its model number be supplied to Service Parts when ordering any replacement components.

Locate the serial number plate (see BODY located in the Illustrated Parts Breakdown section of this manual for its location) and note the complete number shown on the plate.

HOW TO USE THE SERVICE PARTS MANUAL



1. WHEN THE PART NUMBER IS NOT KNOWN

- Determine the function and application of the part required. Turn to the General Index and select the most appropriate title.
- Turn to the page number indicated and locate the desired part on the illustration.
- From the illustration, obtain the item number assigned to the desired part. Refer to the accompanying description for specific information regarding the part.

2. IF YOU KNOW THE PART NUMBER

- Locate the part number or description in the appropriate column on the parts list page.

NOTE: It is suggested that you confirm that the part selected is correct by verifying it with the pictorial representation on the illustrated page.

Should an asterisk (*) appear in the part number column on the parts list page, read upwards until a part number is found. The part number is the lowest assembly sold by Service Parts and the asterisk (*) indicates that the part depicted is not available for purchase.

NOTE: Descriptions are indented under the assembly that they are used on. That assembly is, in turn listed under the assembly that it is used on. This process is repeated until the highest final assembly is reached.

To facilitate the maintenance and repair of the vehicle, a Technician's Repair and Service Manual is available from the Service Parts Department.

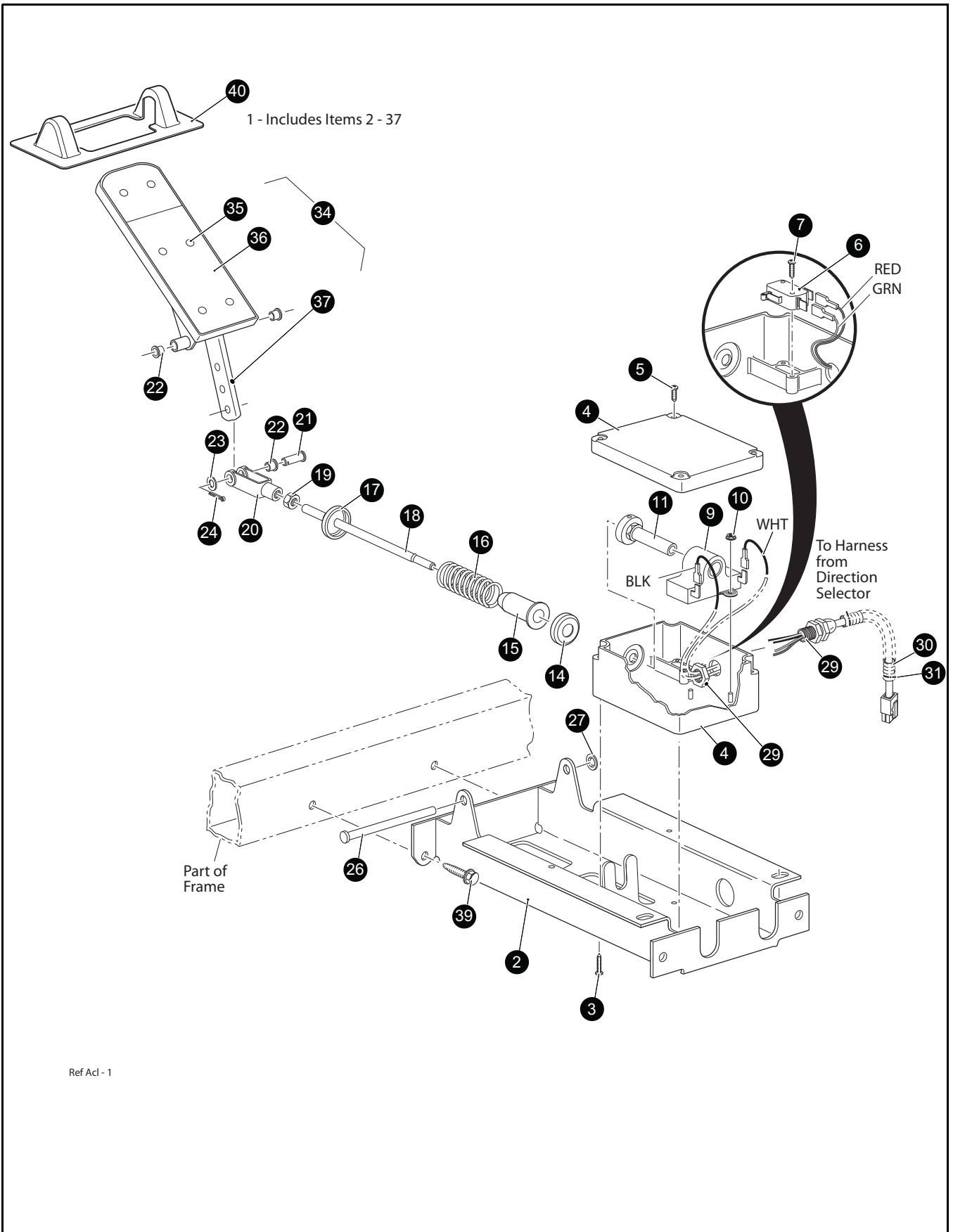
HOW TO USE THE SERVICE PARTS MANUAL

3. COLOR CODE FOR BODY COMPONENTS

The last two digits of the part number for the body part will denote the color code, locate the part number for the cowl, rear body, seat pod, side panel or seat wrap then locate your color in the list below, replace the last ** or XX with the two digit color code.

<u>CODE #</u>	<u>DESCRIPTION</u>	<u>CODE #</u>	<u>DESCRIPTION</u>
01	NO PAINT	53	MOSSY OAK NEW BREAK UP - DIPPED
02	SPECIAL COLOR	54	MOSSY OAK OBSESSION - DIPPED
05	JACOBSEN ORANGE	55	REALTREE ADVANTAGE MAX 4 - DIPPED
06	LIGHT GOLD PEARL	56	REALTREE HARDWOOD BROWN - DIPPED
07	SILVER PEARL METALIC	57	REALTREE AP HOT PINK - DIPPED
11	BLACK	58	BLACK / SILVER MARBLE - DIPPED
12	EMERALD GREEN PEARL	59	RED / SILVER MARBLE - DIPPED
13	CLOUD GREY	60	HOT PINK / SILVER MARBLE - DIPPED
14	VIPER BLUE METALLIC	61	REALTREE AP
19	PATRIOT BLUE PEARL	62	REALTREE MAX 4
20	INFERNO RED METALLIC	63	MOSSY OAK BREAKUP
23	ADVANTAGE CLASSIC CAMO	64	MOSSY OAK TREESTAND
24	NATURAL	65	REALTREE APG
25	VIVID NEW HOLLAND BLUE	66	REALTREE MAX 1
26	STEEL BLUE PEARL	67	REALTREE AP PINK
27	BRIGHT SILVER METALLIC	68	REALTREE AP - DIPPED
29	PRIMER ONLY		
30	HD ADVANTAGE CAMO		
31	METALLIC CHARCOAL		
32	LIGHT ALMOND PEARL		
33	TIMBERLINE GREEN		
34	DEEP MOLTEN RED		
35	SAFETY YELLOW		
36	CHAMPAGNE BEIGE		
37	HUNTER GREEN		
38	BRIGHT WHITE		
39	FLAME RED		
40	BLACK		
41	ELECTRIC BLUE		
42	PLATINUM		
43	BURGUNDY		
44	ALMOND		
45	BLACK		
46	FLAME RED		
47	BURLINGTON GREEN		
48	BLACK		
49	FLAME RED		
50	RECON GREEN		
51	SUNBURST ORANGE		
52	BRITISH RACING GREEN		

ACCELERATOR



Ref Acl - 1

When ordering parts, please specify the model and serial number of the product.

* Indicates a component that is not available as an individual part.

G** Indicates consult Customer Service Department for additional information.

ITEM	PART NO.	1 2 3 4 5	DESCRIPTION	QTY.
1	73333G11		PEDAL BOX ASSEMBLY (INCLUDES ITEMS 2 - 37)	1
2	70116G02		ACCELERATOR PEDAL BRACKET.....	1
3	01051G01		SCREW, #8 - 16 X 1/2" LG.	4
4	25853G01		PEDAL BOX AND COVER	1
5	00684G6		SCREW, #8 - 32 X 3/4" LG.	2
6	25861G02		MICRO SWITCH.....	1
7	01050G01		SCREW, #4 - 20 X 5/8" LG	2
8				
9	25854G01		INDUCTIVE THROTTLE SENSOR	1
10	00983G01		SELF THREADING NUT, 3/16"	2
11	602484		PLUNGER.....	1
12				
13				
14	17677G1		SPRING RETAINER, 1/2"	1
15	17979G1		BUSHING.....	1
16	73046G01		COMPRESSION SPRING	1
17	17677G2		SPRING RETAINER, 3/8"	1
18	73332G01		ACCELERATOR ROD	1
19	00532G4		LOCK NUT, 5/16 - 24.....	1
20	10385G4		CLEVIS YOKE (ADJUSTABLE).....	1
21	10386G3		CLEVIS PIN, 5/16" X 1" LG	1
22	17838G1		NYLON BUSHING	3
23	17255G1		TEFLON WASHER, 5/16"	1
24	10387G3		COTTER PIN, 3/32" X 3/4" LG	1
25				
26	74432G01		PEDAL PIVOT PIN	1
27	12064G6		PUSH NUT.....	1
28				
29	25879G08		WIRING HARNESS (PEDAL BOX ASSEMBLY)	1
30	17313G1		LOOM FLEX, 3/8" X 6" LG (BULK)	1

ACCELERATOR

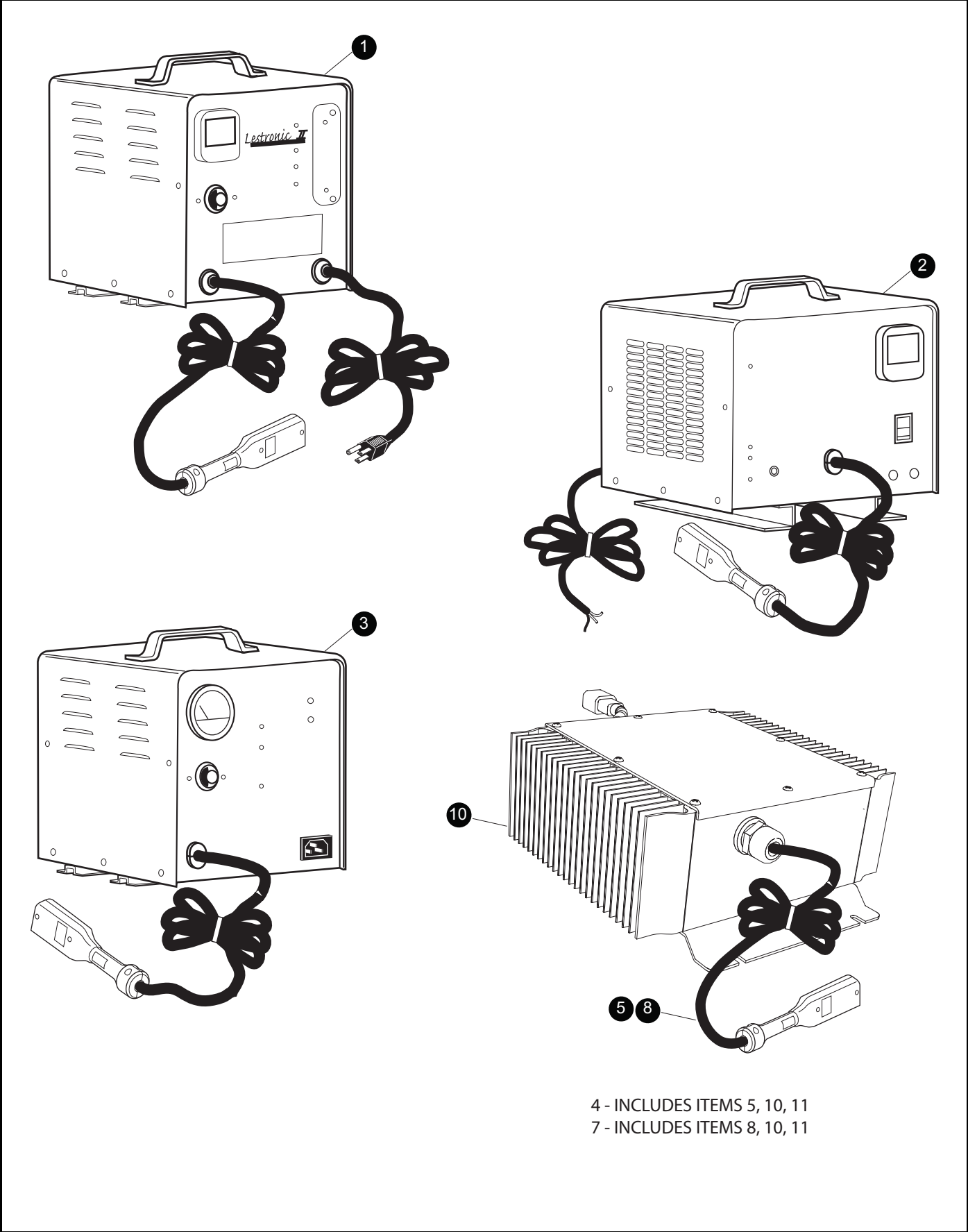
When ordering parts, please specify the model and serial number of the product.

* Indicates a component that is not available as an individual part.

G** Indicates consult Customer Service Department for additional information.

ITEM	PART NO.	1	2	3	4	5	DESCRIPTION	QTY.
31	17618G1						NYLON CLAMP.....	2
32								
33								
34	25799G03						ACCELERATOR PEDAL ASSEMBLY (INCLUDES ITEMS 35 - 37).....	1
35	16409G01						OVAL RIVET, 15/32"	6
36	27512G01						ACCELERATOR PEDAL PAD.....	1
37	70125G04						ACCELERATOR PEDAL.....	1
38								
39	00715G2						BOLT, 5/16 - 18 X 13/16" LG	4
40	70135G01						PEDAL PIVOT COVER	1

BATTERY CHARGER



BATTERY CHARGER

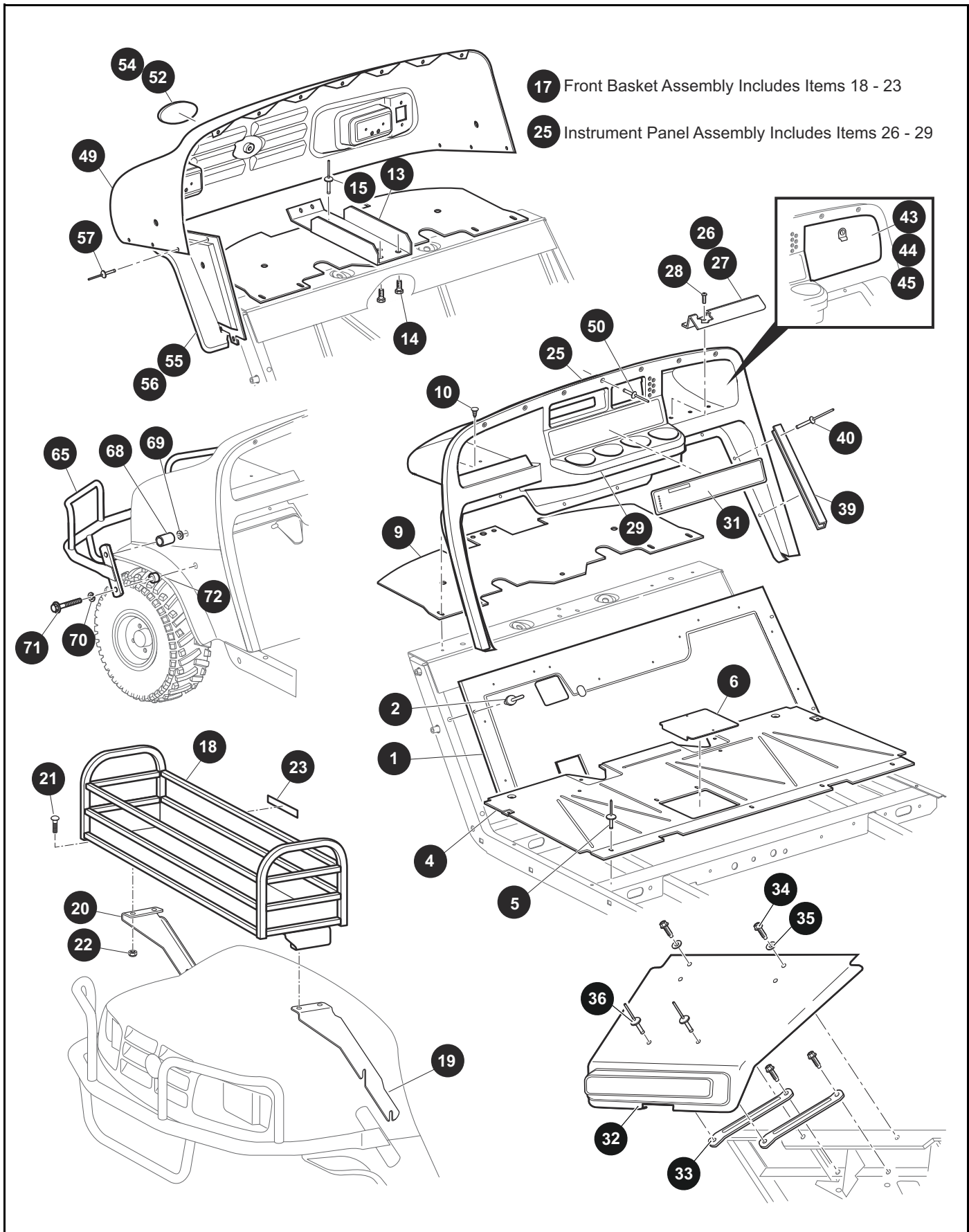
When ordering parts, please specify the model and serial number of the product.

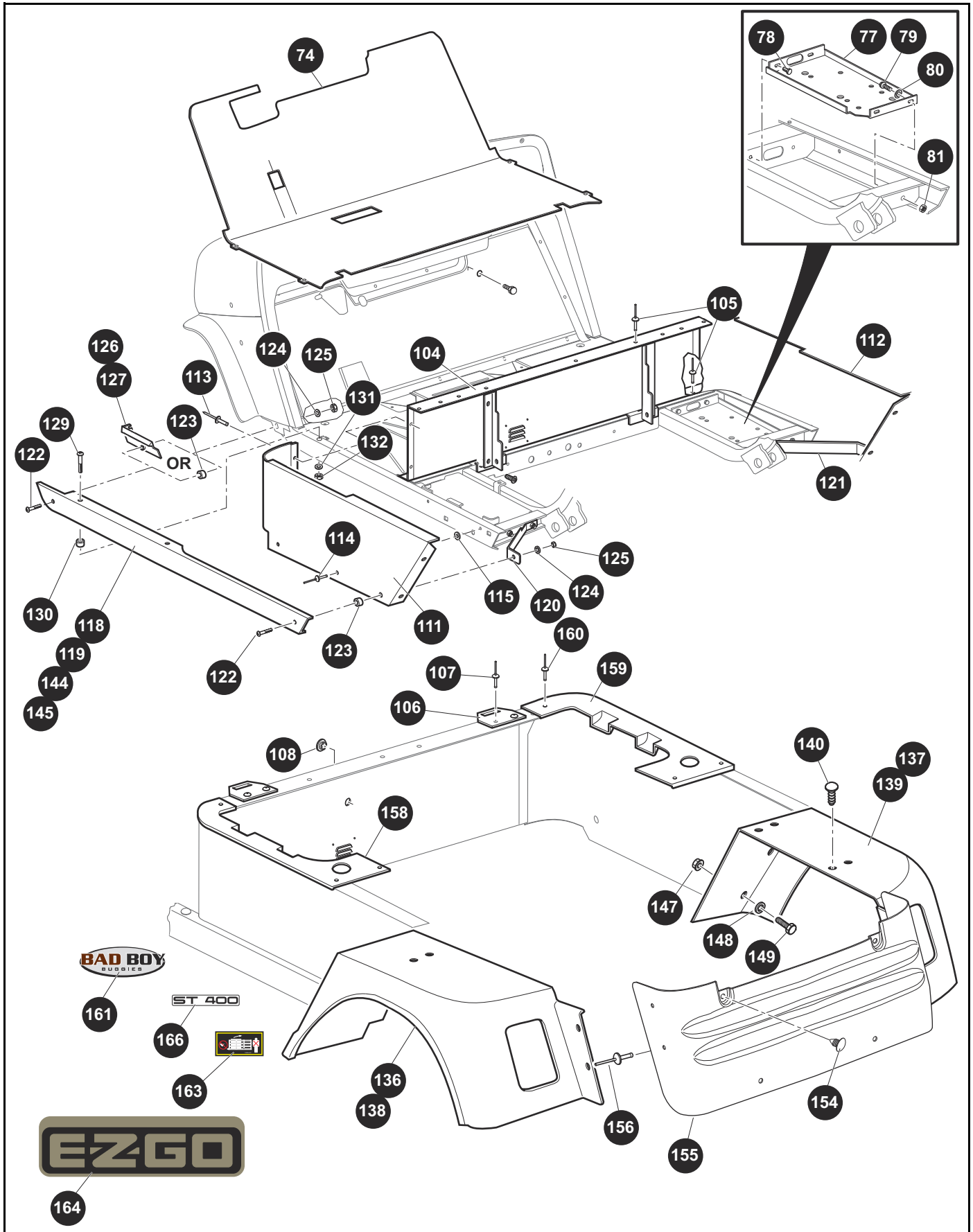
* Indicates a component that is not available as an individual part.

*** Indicates consult Customer Service Department for additional information.

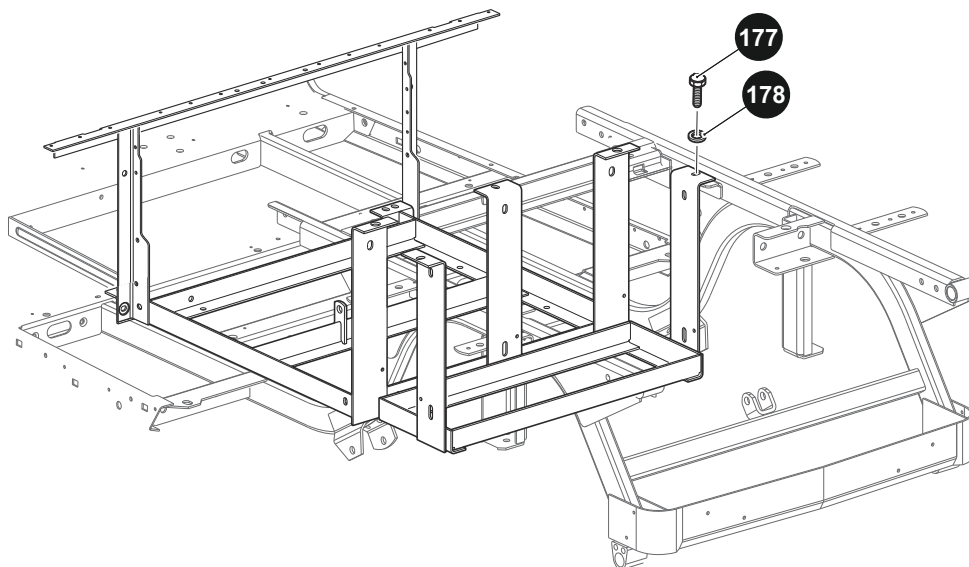
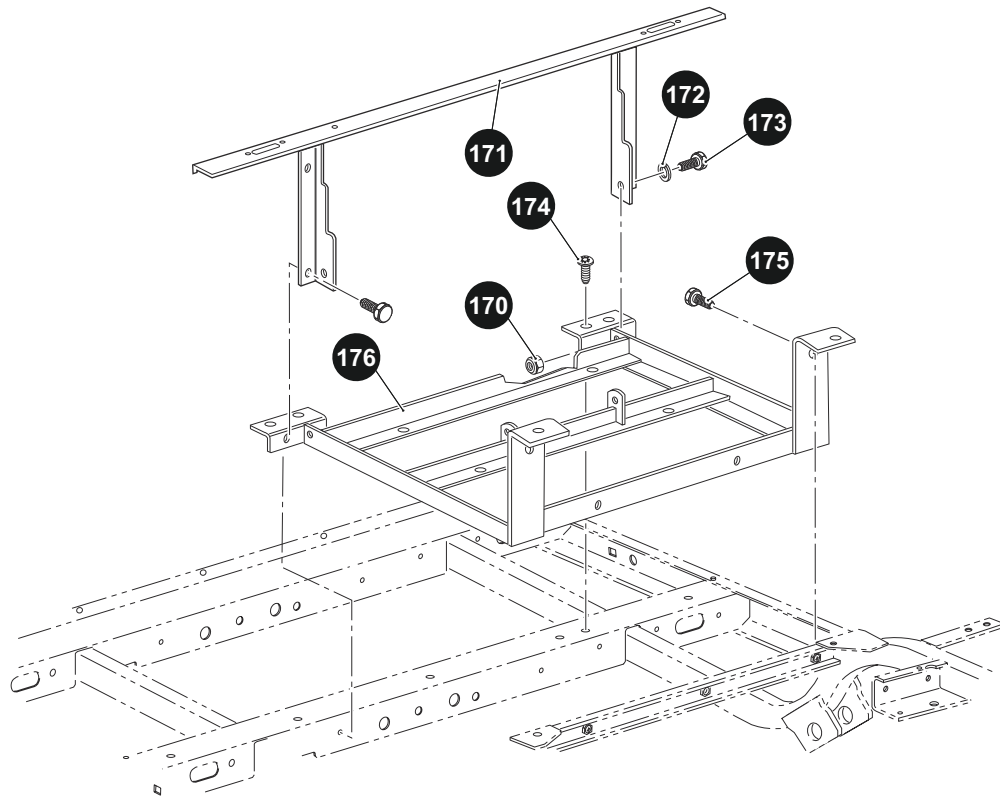
ITEM	PART NO.	1 2 3 4 5	DESCRIPTION	QTY.
1	28435G03		48V LESTER BATTERY CHARGER	1
2	28435G01		48V LESTER BATTERY CHARGER WITH SWITCHABLE INPUT	1
3	28435G05		48V LESTER BATTERY CHARGER CE APPROVED	1
			<p>For service or replacement parts, contact: Lester Electrical 625 West "A" Street Lincoln, NE 68522</p> <p>Phone: (402) 477-8988, FAX: (402) 474-1769</p> <p>Always provide the following information when requesting information or ordering replacement parts:</p> <p>Model Number: Serial Number: (stamped into housing)</p>	
4	600341G03		48V DELTA-Q BATTERY CHARGER WITH 10' DC CORD (INCLUDES ITEMS 5, 10 & 11)	1
5	600436G02		48V DC CABLE ASSEMBLY	1
6				
7	600341G04		48V DELTA-Q BATTERY CHARGER WITH 18' DC CORD (INCLUDES ITEMS 8, 10 & 11)	1
8	600436G04		48V DC CABLE ASSEMBLY	1
9				
10	600340G02		48V DELTA-Q CHARGER	1
11	600432G01		AC POWER CORD (NOT SHOWN).....	1

BODY



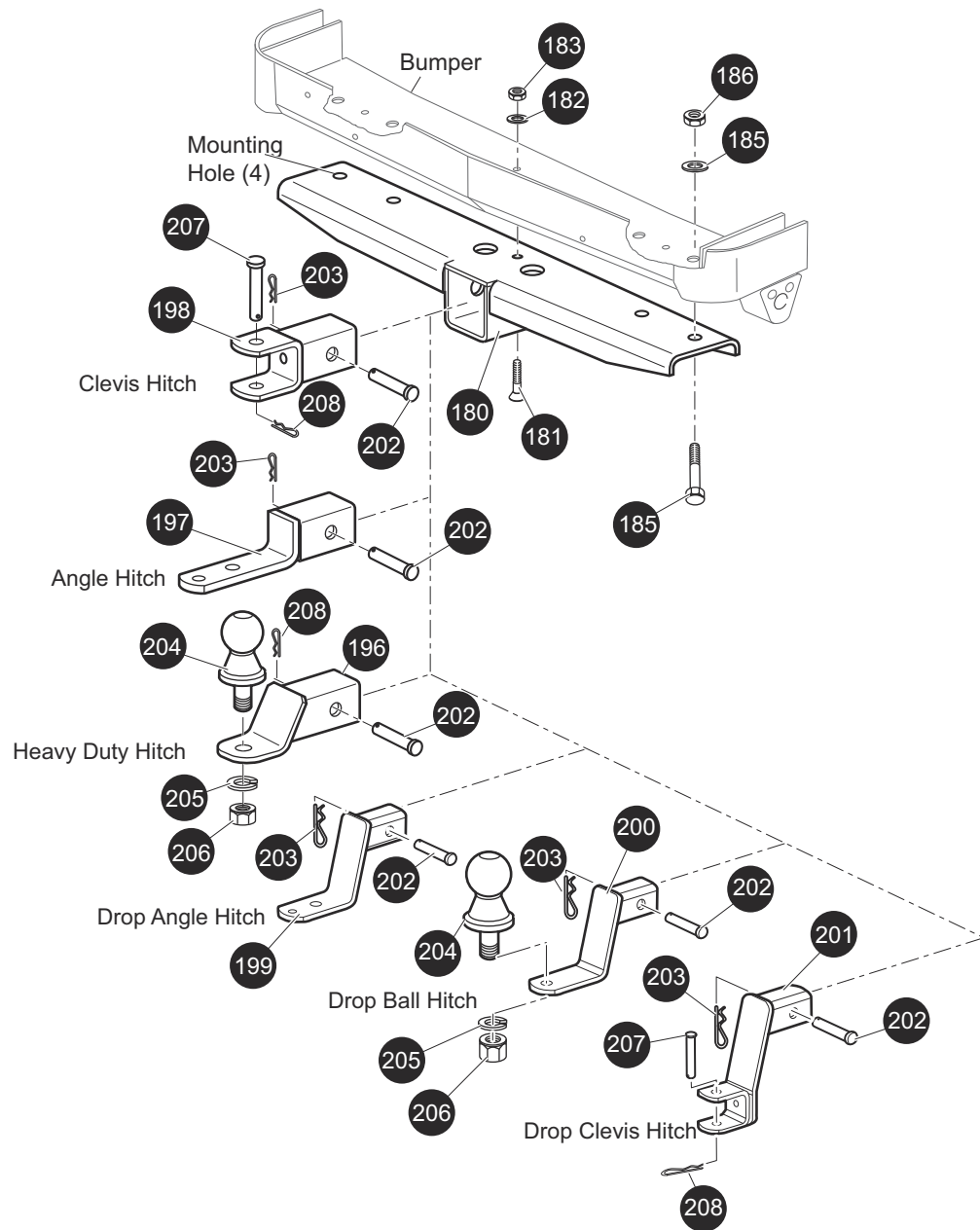


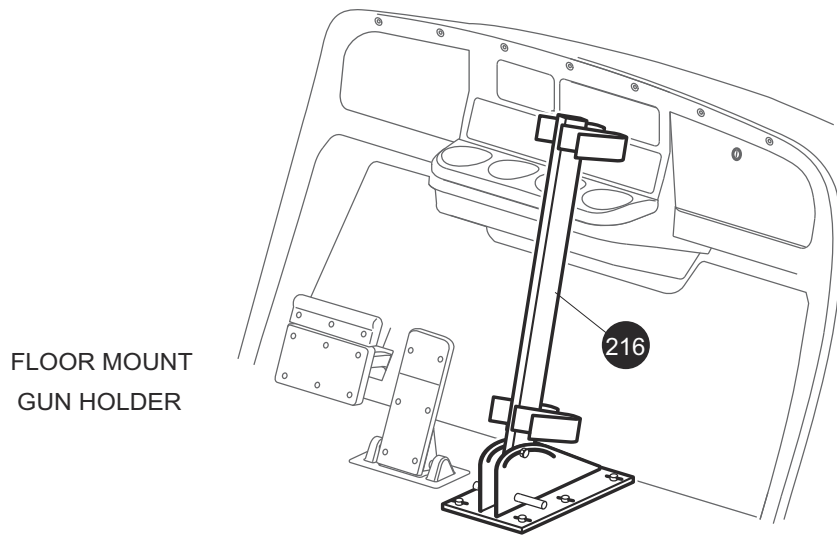
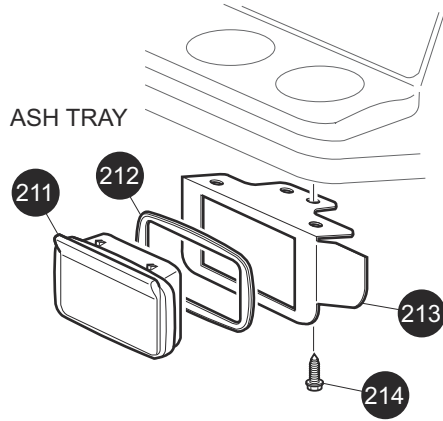
BODY



HITCHES

- 190 HEAVY DUTY HITCH KIT INCLUDES ITEMS 196, 202 - 206
- 191 ANGLE HITCH KIT INCLUDES ITEMS 197, 202, 203, 207, 208
- 192 CLEVIS HITCH KIT INCLUDES ITEMS 198, 202, 203, 207, 208
- 193 DROP ANGLE HITCH KIT INCLUDES ITEMS 199, 202, 203
- 194 DROP BALL HITCH KIT INCLUDES ITEMS 200, 202 - 206
- 195 DROP CLEVIS HITCH KIT INCLUDES ITEMS 201, 202, 203, 207, 208





When ordering parts, please specify the model and serial number of the product.

* Indicates a component that is not available as an individual part.

*** Indicates consult Customer Service Department for additional information.

ITEM	PART NO.	1 2 3 4 5	DESCRIPTION	QTY.
1	70662-G01		UPPER FLOORPAN	1
2	14601G11		RIVET, 3/16" X 9/16" LG (ALUMINUM).....	9
3				
4	70451G01		LOWER FLOORPAN	1
5	14601G11		RIVET, 3/16" X 9/16" LG (ALUMINUM).....	7
6	70452G01		ACCESS COVER.....	1
7				
8				
9	71413G01		SPLASH PANEL	1
10	16816G2		RATCHET FASTENER, 1/4" X 3/4" LG.....	4
11				
12				
13	71101G02		COWL SUPPORT BRACKET	1
14	71102G02		SELF TAPPING SCREW, 1/4 - 20 X 1/2" LG.....	3
15	71055G01		RIVET, 3/16" X 1 1/8" LG (ALUMINUM).....	1
16				
17	74521G02		FRONT BASKET ASSEMBLY (INCLUDES ITEMS 18 - 23).....	1
18	74523G01		FRONT BASKET	1
19	74522G01		BASKET MOUNTING BRACKET (DRIVER SIDE)	1
20	74522G02		BASKET MOUNTING BRACKET (PASSENGER SIDE).....	1
21	00725G1		CARRIAGE BOLT, 3/8 - 16 X 1" LG (STAINLESS STEEL)	4
22	00891G1		LOCK NUT, 3/8 - 16.....	4
23	71931G01		LABEL, FRONT BASKET (WARNING)	1
24				
25	71151G03		INSTRUMENT PANEL ASSEMBLY (INCLUDES ITEMS 26 - 29)	1
26	71153G01		DEFLECTOR (PASSENGER SIDE)	1
27	71154G01		DEFLECTOR (DRIVER SIDE).....	1
28	00614G5		SCREW, #8 - 18 X 5/8" LG.....	4
29	71158G01		INSTRUMENT PANEL INSERT (FOUR CUP)	1
30				
31	601781		LABEL (SAFETY).....	1

BODY

When ordering parts, please specify the model and serial number of the product.

* Indicates a component that is not available as an individual part.

*** Indicates consult Customer Service Department for additional information.

ITEM	PART NO.	1 2 3 4 5	DESCRIPTION	QTY.
32	27166G04		FRONT SHIELD.....	1
33	70725G02		FRONT SHIELD BRACE	2
34	01038G01		HEX WASHER HEAD SCREW, 1/4-20 X .68 LG	4
35	16469G1		FENDER WASHER, .25 I.D. X 1.25 O.D.	2
36	01057G01		KTR RIVET, 1/4" X 1" LG	2
37				
38				
39	71115G01		VINYL TRIM.....	2
40	71055G01		RIVET, 3/16" X 1" LG (ALUMINUM).....	10
41				
42				
43	75459G01		GLOVE BOX DOORS (BOTH SIDES).....	1
44	75459G02		GLOVE BOX DOOR (DRIVER SIDE).....	1
45	75459G03		GLOVE BOX DOOR (PASSENGER SIDE)	1
46				
47				
48				
49	71468GXX		COWL (See COLOR CODE in HOW TO USE Section of Manual).....	1
50	71055G01		RIVET, 3/16" X 1" LG (ALUMINUM).....	7
51				
52	605434		OVAL NAMEPLATE (E-Z-GO)	1
53				
54	617803		OVAL NAMEPLATE (BAD BOY BUGGIES)	1
55	71338G01		FENDER FLARE (DRIVER SIDE)	1
56	71338G02		FENDER FLARE (PASSENGER SIDE).....	1
57	71055G01		RIVET, 3/16" X 1" LG (ALUMINUM).....	6
58				
59				
60				
61				
62				

When ordering parts, please specify the model and serial number of the product.

* Indicates a component that is not available as an individual part.

*** Indicates consult Customer Service Department for additional information.

ITEM	PART NO.	1 2 3 4 5	DESCRIPTION	QTY.
63				
64				
65	74265G02		BUMPER.....	1
66				
67				
68	75048G04		SPACER, 1"	2
69	00570G2		WASHER, 5/16"	2
70	00905G8		LOCK WASHER, 5/16"	4
71	01035G02		BOLT, 5/16 - 18 X 2 1/2" LG.....	4
72	75048G01		SPACER.....	2
73				
74	70663-G04		FLOOR MAT	1
75				
76				
77	70244G03		SPLASH PANEL	2
78	00715G2		BOLT, 5/16 - 18 X13/16" LG.....	4
79	00438G8		BOLT, 5/16 - 18 X 1" LG.....	4
80	00559G8		WASHER, 5/16"	4
81	11098G6		LOCK NUT, 5/16 - 18 (STAINLESS STEEL).....	4
82				
83				
84				
85				
86				
87				
88				
89				
90				
91				
92				
93				

BODY

When ordering parts, please specify the model and serial number of the product.

* Indicates a component that is not available as an individual part.

*** Indicates consult Customer Service Department for additional information.

ITEM	PART NO.	1	2	3	4	5	DESCRIPTION	QTY.
94								
95								
96								
97								
98								
99								
100								
101								
102								
103								
104	609143GXX						SEAT WRAP W/LOUVERS (See COLOR CODE in HOW TO USE Section) .	1
105	10570G10						RIVET, 5/32" X 9/16" LG (STAINLESS STEEL)	8
106	71609G01						SEAT HINGE PLATE	2
107	10570G11						RIVET, 3/16" X 3/4" LG (STAINLESS STEEL)	4
108	20271G9						HOLE PLUG	1
109								
110								
111	609168G1XX						SIDE PANEL (DRIVER) (See COLOR CODE in HOW TO USE Section).....	1
112	609168G2XX						SIDE PANEL (PASSENGER) (See COLOR CODE in HOW TO USE Section)	1
113	10570G10						RIVET, 5/32" X 9/16" LG (STAINLESS STEEL)	4
114	10570G12						RIVET, 1/4" X 9/16" LG (ALUMINUM)	4
115	16469G1						WASHER, 1/4"	4
116								
117								
118	71439G03						ROCKER PANEL (DRIVER SIDE) (ST 400)	1
119	71439G04						ROCKER PANEL (PASSENGER SIDE) (ST 400).....	1
120	71440G03						BRACE (DRIVER SIDE).....	1
121	71440G04						BRACE (PASSENGER SIDE)	1
122	00789G2						SCREW, #10 - 24 X 1 1/4" LG	4
123	23726G2						SPACER, 1/4"	4
124	00660G5						WASHER, #10 (STAINLESS STEEL).....	4

When ordering parts, please specify the model and serial number of the product.

* Indicates a component that is not available as an individual part.

*** Indicates consult Customer Service Department for additional information.

ITEM	PART NO.	1 2 3 4 5	DESCRIPTION	QTY.
125	14390G10		LOCK NUT, #10 - 24	4
126	71424G01		SPACER (DRIVER SIDE)	1
127	71424G02		SPACER (PASSENGER SIDE).....	1
128				
129	16705G1		SCREW, 1/4 - 20 X 1" LG (STAINLESS STEEL).....	4
130	23726G2		SPACER, 1/4"	4
131	00559G7		WASHER, 1/4"	4
132	14390G4		LOCK NUT, 1/4 - 20	4
133				
134				
135				
136	74893G01		FENDER (DRIVER SIDE) (ST 400).....	1
137	74893G02		FENDER (PASSENGER SIDE) (ST 400)	1
138	74893G03		FENDER W/TAIL LIGHT OPENING (DRIVER SIDE)(ST 400).....	1
139	74893G04		FENDER W/TAIL LIGHT OPENING (PASSENGER SIDE)(ST400)	1
140	16816G2		RATCHET FASTENER, 1/4" X 3/4" LG.....	10
141				
142				
143				
144	617867		ROCKER PANEL, DRIVER SIDE (BBB).....	1
145	617870		ROCKER PANEL, PASSENGER SIDE (BBB).....	1
146				
147	14390G4		LOCK NUT, 1/4 - 20	4
148	00642G7		WASHER, 1/4"	8
149	00414G6		BOLT, 1/4 - 20 X 3/4" LG.....	4
150				
151				
152				
153				
154	16816G2		RATCHET FASTENER, 1/4" X 3/4" LG.....	8
155	74890G01		REAR PANEL (ST 400).....	1

BODY

When ordering parts, please specify the model and serial number of the product.

* Indicates a component that is not available as an individual part.

*** Indicates consult Customer Service Department for additional information.

ITEM	PART NO.	1 2 3 4 5	DESCRIPTION	QTY.
156	71055G01		RIVET, 3/16" X 1" LG (ALUMINUM)	4
157				
158	74891G01		SEAT FILLER PANEL (DRIVER SIDE)	1
159	74891G02		SEAT FILLER PANEL (PASSENGER SIDE).....	1
160	10570G10		RIVET, 5/32" X 9/16" LG (STAINLESS STEEL)	6
161	617806		LABEL (BAD BOY BUGGIES).....	2
162				
163	74099G01		LABEL (TILT WARNING).....	2
164	620312		LABEL (E-Z-GO, LARGE)	2
165				
166	620323		LABEL (ST 400)	2
167				
168				
169				
170	11098G6		LOCK NUT, 5/16 - 18.....	2
171	70441G01		SEAT FRAME	1
172	00559G8		WASHER, 5/16".....	2
173	00438G6		BOLT, 5/16 - 18 X 3/4" LG	2
174	70200G01		SCREW, 3/8 - 16 X 1/4" LG.....	2
175	00715G2		BOLT, 5/16 - 18 X 13/16" LG	4
176	70046G02		BATTERY RACK	1
177	00438G6		BOLT, 5/16 - 18 X 3/4" LG	3
178	00565G8		WASHER, 5/16".....	3
179				
180	74348G02		HITCH RECEIVER	1
181	00198G8		BOLT, 5/16 - 18 X 1" LG	1
182	00559G8		WASHER, 5/16".....	1
183	11098G6		LOCK NUT, 5/16 - 18 (STAINLESS STEEL)	1
184	00463G4		BOLT, 7/16 - 14 X 1 1/2" LG	4
185	00922G3		WASHER, 7/16".....	4
186	00734G1		LOCK NUT, 7/16 - 14.....	4

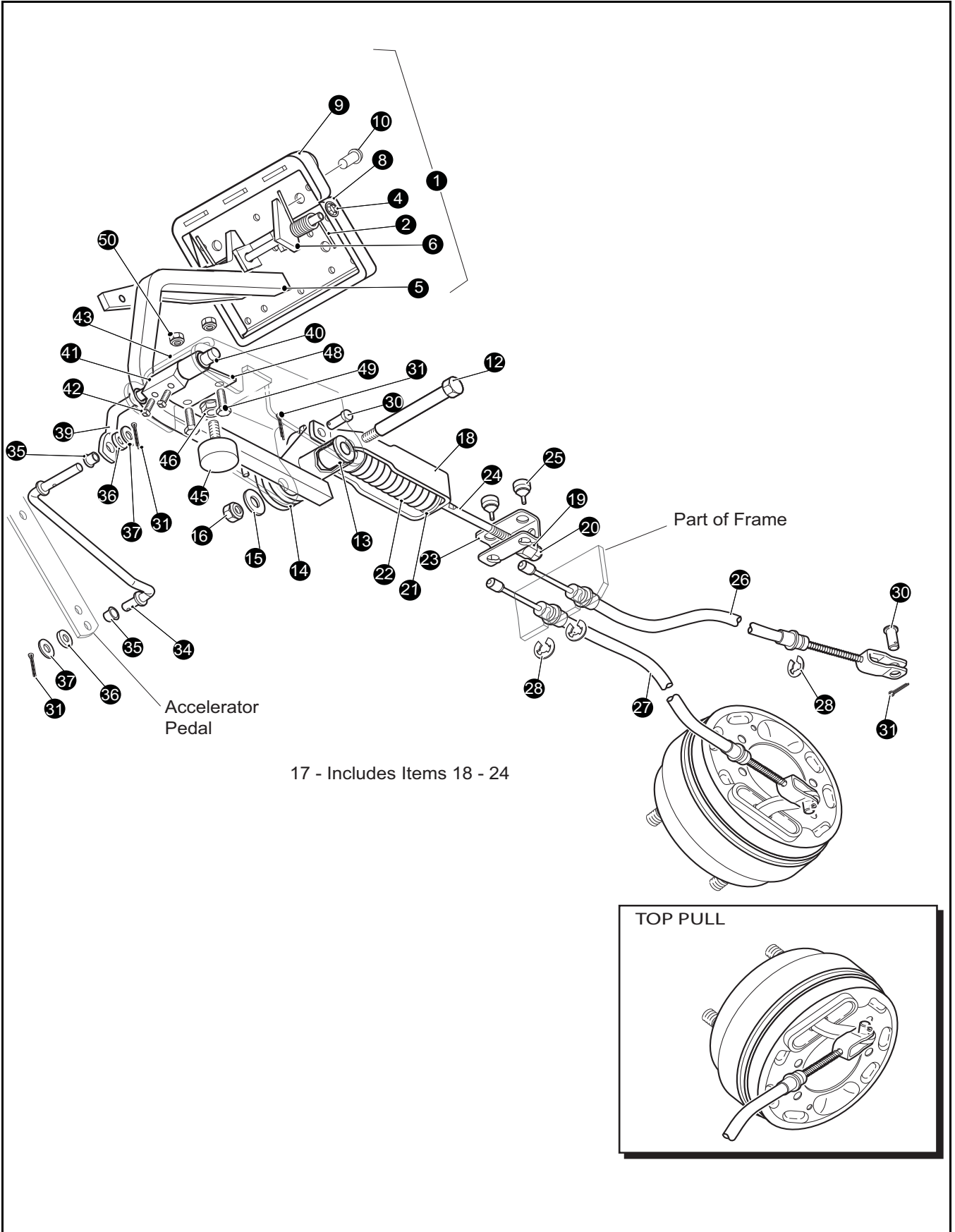
When ordering parts, please specify the model and serial number of the product.

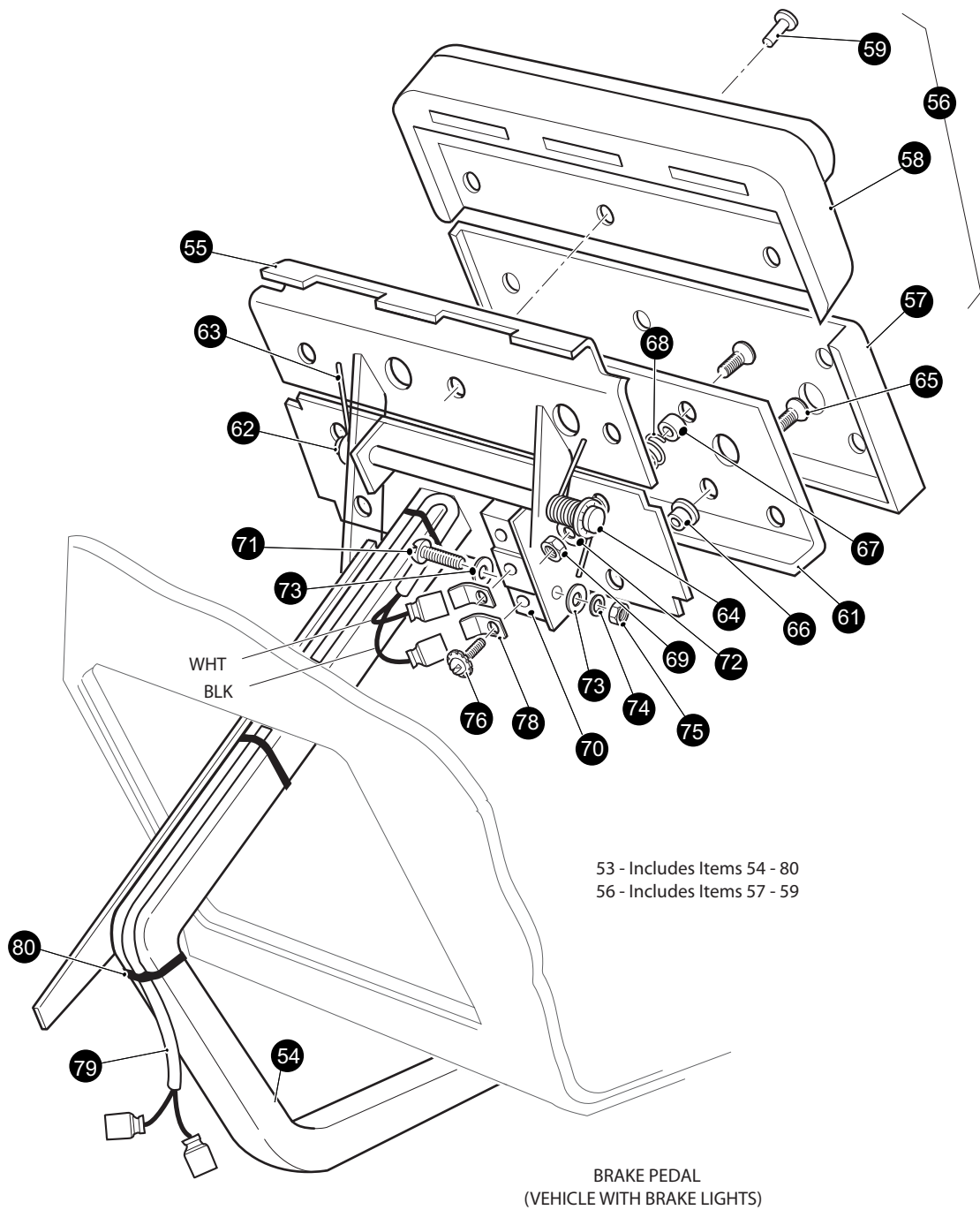
* Indicates a component that is not available as an individual part.

*** Indicates consult Customer Service Department for additional information.

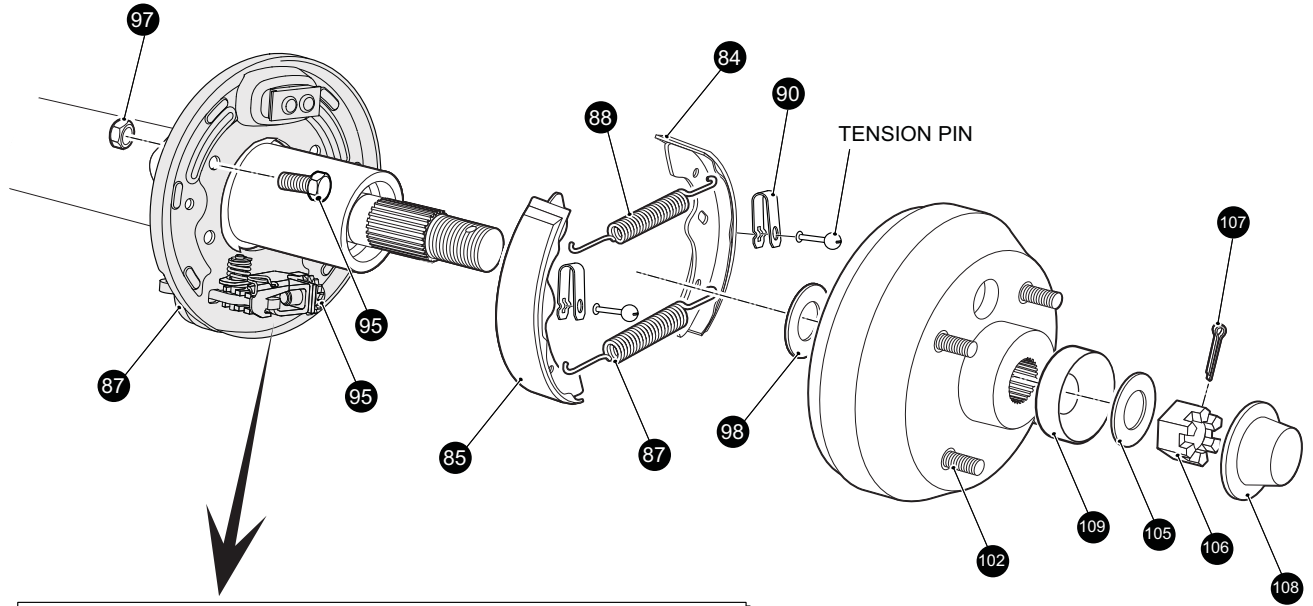
ITEM	PART NO.	1 2 3 4 5	DESCRIPTION	QTY.
187				
188				
189				
190	74492G02		HEAVY DUTY BALL HITCH KIT (INCLUDES ITEMS 196, 202-206)	1
191	74492G04		ANGLE HITCH KIT (INCLUDES ITEMS 197, 202, 203, 207, 208).....	1
192	74492G06		CLEVIS HITCH KIT (INCLUDES ITEMS 198, 202, 203, 207, 208)	1
193	74492G08		DROP ANGLE HITCH KIT (INCLUDES ITEMS 199, 202, 203)	1
194	74492G10		DROP BALL HITCH KIT (INCLUDES ITEMS 200, 202-206).....	1
195	74492G12		DROP CLEVIS HITCH KIT (INCLUDES ITEMS 201, 202, 203, 207, 208).....	1
196	74351G02		HEAVY DUTY HITCH	1
197	74339G02		ANGLE HITCH.....	1
198	74338G02		CLEVIS HITCH	1
199	74489G02		DROP ANGLE HITCH.....	1
200	74491G02		DROP BALL HITCH.....	1
201	74495G02		DROP CLEVIS HITCH.....	1
202	21317G01		CLEVIS PIN, 5/8" X 3" LG.....	1
203	21683G1		COTTER PIN, 15/32" X 2 11/16" LG.....	1
204	31757G1		HITCH BALL, 1 7/8"	1
205	00566G6		LOCK WASHER, 3/4"	1
206	00702G11		NUT, 3/4 - 16.....	1
207	14443G7		CLEVIS PIN, 1/2" X 2 1/2" LG.....	1
208	19314G1		COTTER PIN, 2 1/2" LG	1
209				
210				
211	27731G01		ASH TRAY	1
212	27736G01		GASKET.....	1
213	75108G02		BRACKET	1
214	00100G4		SCREW, #10 - 16 X 1/2" LG	4
215				
216	74365G01		GUN HOLDER (Includes all mounting hardware).....	1
217				

BRAKES - MECHANICAL

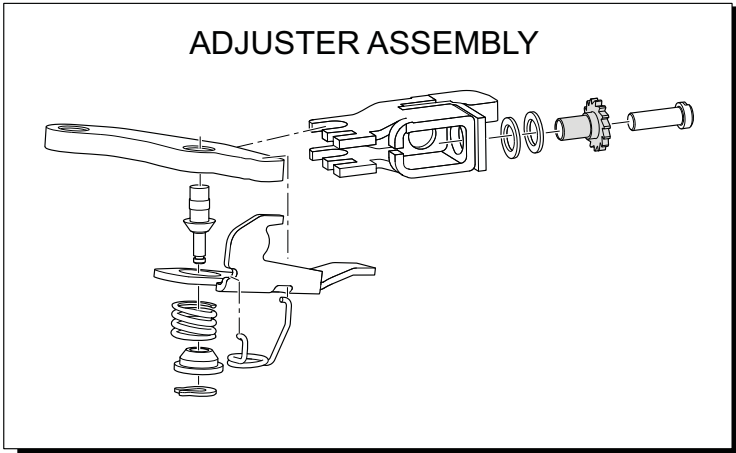




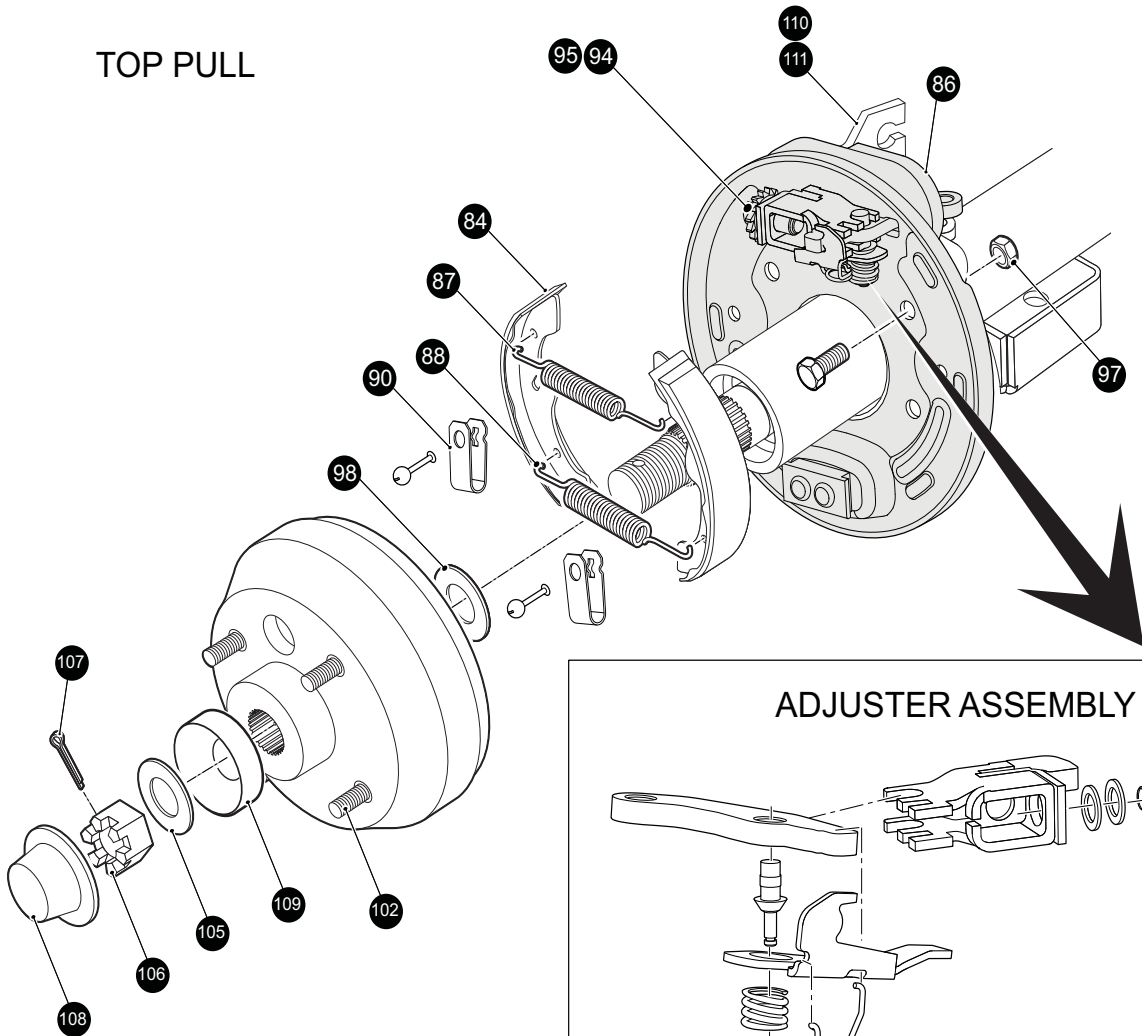
BOTTOM PULL



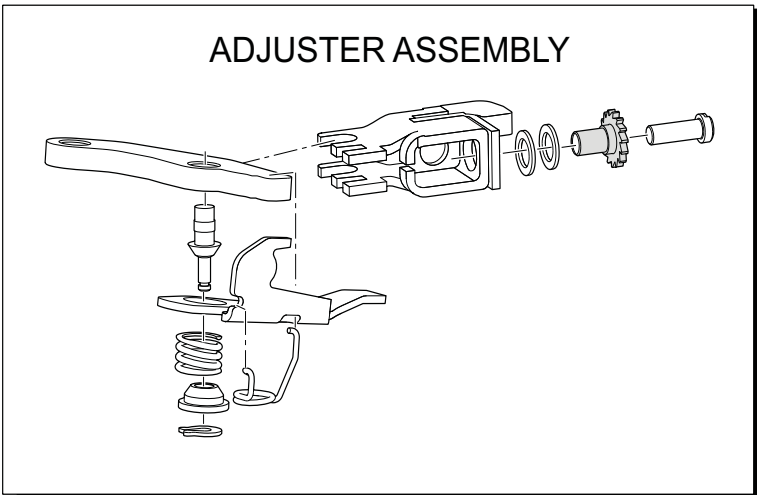
ADJUSTER ASSEMBLY



TOP PULL



ADJUSTER ASSEMBLY



BRAKES - MECHANICAL

THE USE OF NON U.L. PARTS WILL VOID ANY U.L. LISTING.

When ordering parts, please specify the model and serial number of the product.

* Indicates a component that is not available as an individual part.

G** Indicates consult Customer Service Department for additional information.

ITEM	PART NO.	1 2 3 4 5	DESCRIPTION	QTY.
1	70612G02		BRAKE PEDAL ASSEMBLY (WITHOUT BRAKE LIGHTS) (INCLUDES ITEMS 2 - 10).....	1
2	70681G01		TORSION SPRING.....	2
3	70682G01		PIVOT PIN.....	1
4	01071G01		PUSHNUT, 5/16".....	1
5	70259G02		BRAKE PEDAL.....	1
6	70611G02		PARK BRAKE PEDAL.....	1
7				
8	70257G01		SERVICE BRAKE PAD.....	1
9	70256G01		PARK BRAKE PEDAL PAD.....	1
10	16409G01		OVAL RIVET, 3/16" X 3/8" LG.....	9
11				
12	70582G01		SHOULDER BOLT, 3/8 - 16 X 4" LG.....	1
13	70581G01		FLANGED BUSHING.....	2
14	70676G01		TORSION SPRING.....	1
15	00643G1		WASHER, 3/8".....	1
16	11098G5		LOCK NUT, 3/8 - 16.....	1
17	612558		COMPENSATOR ASSEMBLY (INCLUDES ITEMS 18 - 24).....	1
18	27330G01		BRAKE YOKE.....	1
19	00963G01		SPHERICAL NUT, 5/16 - 24.....	1
20	11098G9		LOCK NUT, 5/16 - 24.....	1
21	15121G1		WASHER 5/16.....	1
22	23463G1		COMPRESSION SPRING.....	1
23	28082G01		EQUALIZER BRACKET.....	1
24	612557		BRAKE COMPENSATOR LINK ROAD.....	1
25	28083G01		BRAKE COMPENSATOR BUMPER.....	2
26	624700		BRAKE CABLE (DRIVER SIDE).....	1
27	624698		BRAKE CABLE (PASSENGER SIDE).....	1
28	01111G01		RETAINING RING, 13/32" (STAINLESS STEEL).....	4
29				

BRAKES - MECHANICAL

THE USE OF NON U.L. PARTS WILL VOID ANY U.L. LISTING.

When ordering parts, please specify the model and serial number of the product.

* Indicates a component that is not available as an individual part.

G** Indicates consult Customer Service Department for additional information.

ITEM	PART NO.	1 2 3 4 5	DESCRIPTION	QTY.
30	10386G3		CLEVIS PIN, 5/16" X 1" LG	3
31	10387G3		COTTER PIN, 3/32" X 3/4" LG	5
32	12416G2		NYLON WEDGE LOCK CLAMP (NOT ILLUSTRATED)	AR
33	01038G01		SWAGEFORM SCREW, 1/4 - 20 (NOT ILLUSTRATED)	1
34	70601G01		KICK-OFF LINK.....	1
35	17838G1		NYLON BUSHING.....	2
36	20835G1		TEFLON WASHER, 3/8"	2
37	00559G8		WASHER, 5/16"	2
38				
39	70098G01		KICK-OFF CAM PIVOT	1
40	10097G6		FLANGED BEARING	2
41	70587G01		KICK-OFF CAM.....	1
42	71215G01		SETSCREW, 1/4 - 20 X 1/2" LG.....	2
43	14134G4		SPACER	1
44				
45	70113G01		ADJUSTABLE BUMPER	1
46	11027G1		LOCK NUT, 5/16 - 18	1
47				
48	70080G02		CATCH BRACKET	1
49	00414G6		BOLT, 1/4 - 20 X 3/4" LG	2
50	14390G04		LOCK NUT, 1/4 - 20	2
51				
52				
53	70690G02		BRAKE PEDAL ASSEMBLY (WITH BRAKE LIGHTS) (INCLUDES ITEMS 54 - 80).....	1
54	70686G02		BRAKE PEDAL.....	1
55	70611G02		PARK BRAKE PEDAL	1
56				
57	70257G01		SERVICE BRAKE PAD.....	1
58	70256G01		PARK BRAKE PAD	1

BRAKES - MECHANICAL

THE USE OF NON U.L. PARTS WILL VOID ANY U.L. LISTING.
 When ordering parts, please specify the model and serial number of the product.
 * Indicates a component that is not available as an individual part.
 G** Indicates consult Customer Service Department for additional information.

ITEM	PART NO.	1	2	3	4	5	DESCRIPTION	QTY.
59	16409G1						OVAL RIVET, 3/16" x 3/8" LG	9
60								
61	70258G03						SERVICE BRAKE PEDAL PLATE	1
62	70682G01						PIVOT PIN	1
63	70681G01						TORSION SPRING	2
64	01071G01						PUSHNUT, 5/16"	2
65	00737G8						SCREW, #10 - 24 X 1" LG	4
66	00739G1						RUBBER NUT, #10 - 24	2
67	74535G01						BRAKE PEDAL STANDOFF	2
68	27137G01						CONICAL SPRING	2
69	14390G10						LOCK NUT, #10 - 24	2
70	10606G8						MICRO SWITCH	1
71	00645G2						SCREW, #6 - 32 X 1 1/4" LG	2
72	00559G5						WASHER, #10	2
73	00559G3						WASHER, #6	4
74	00565G3						LOCK WASHER, #6	2
75	00525G5						NUT, #6 - 32	2
76	13514G1						SCREW AND LOCK WASHER, #6	2
77								
78	14628G1						FASTON TAB	2
79	24605G1						WIRE HARNESS (BRAKE LIGHT)	1
80	17618G1						WIRE TIE	2
81								
82	612189						BRAKE ASSEMBLY (DRIVER SIDE) (INCLUDES ITEMS 84 - 88, 90, 95)	1
83	612211						BRAKE ASSEMBLY (PASSENGER SIDE) (INCLUDES ITEMS 84 - 88 & 90,94)	1
84	612412						BRAKE SHOE	2
85	612411						BRAKE SHOE	2
86	612413						DUST COVER	1
87	612415						UPPER SPRING	1

BRAKES - MECHANICAL

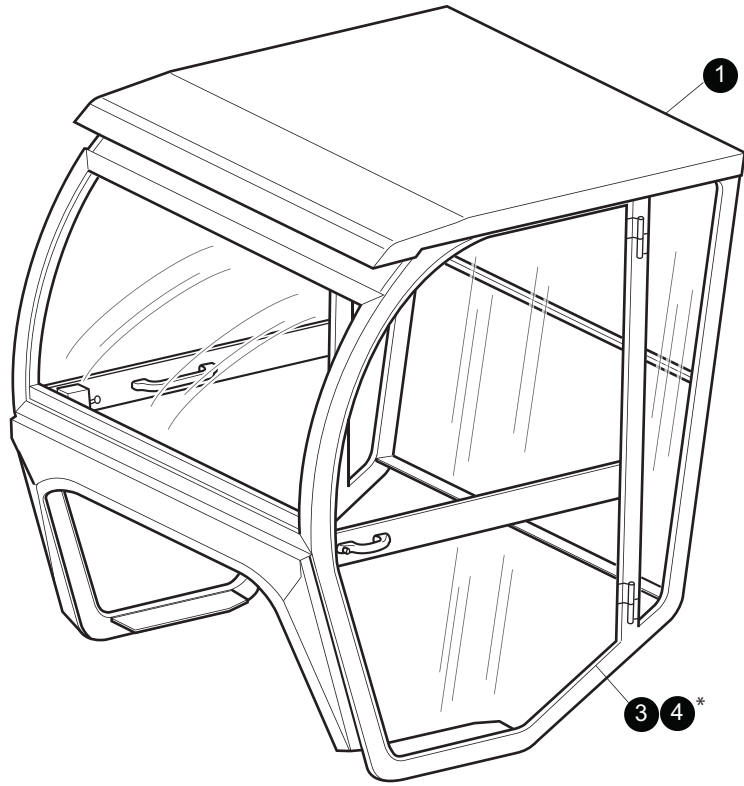
THE USE OF NON U.L. PARTS WILL VOID ANY U.L. LISTING.

When ordering parts, please specify the model and serial number of the product.

* Indicates a component that is not available as an individual part.

G** Indicates consult Customer Service Department for additional information.

ITEM	PART NO.	1 2 3 4 5	DESCRIPTION	QTY.
88	612414		LOWER SPRING	1
89				
90	612416		SHOE CLAMP	2
91				
92				
93				
94	612418		ADJUSTER	1
95	612417		ADJUSTER	1
96	17083G2		BOLT, 5/16 - 24 X 1" LG	8
97	15126G1		LOCK NUT, 5/16 - 24	8
98	21809G1		INNER BRAKE DRUM WASHER, 1 5/16" OD X 1" ID X 1/32"	2
99				
100	21807G1		BRAKE DRUM ASSEMBLY (INCLUDES ITEMS 101 - 102).....	2
101	20947G1		BRAKE DRUM	1
102	19862G2		LUG BOLT, 1/2 - 20 X 1 3/16" LG	4
103				
104				
105	21830G1		WASHER, 1 3/8" O.D. X 21/32"	2
106	612928		SLOTTED NUT, 5/8 -18.....	2
107	10387G1		COTTER PIN, 1/8" X 1 1/2" LG	2
108	74175G01		SPINDLE CAP.....	2
109	607033		SPINDLE CAP ADAPTER.....	2
110	608200		BRAKE CABLE BRACKET (PASSENGER SIDE).....	1
111	608201		BRAKE CABLE BRACKET (DRIVER SIDE)	1



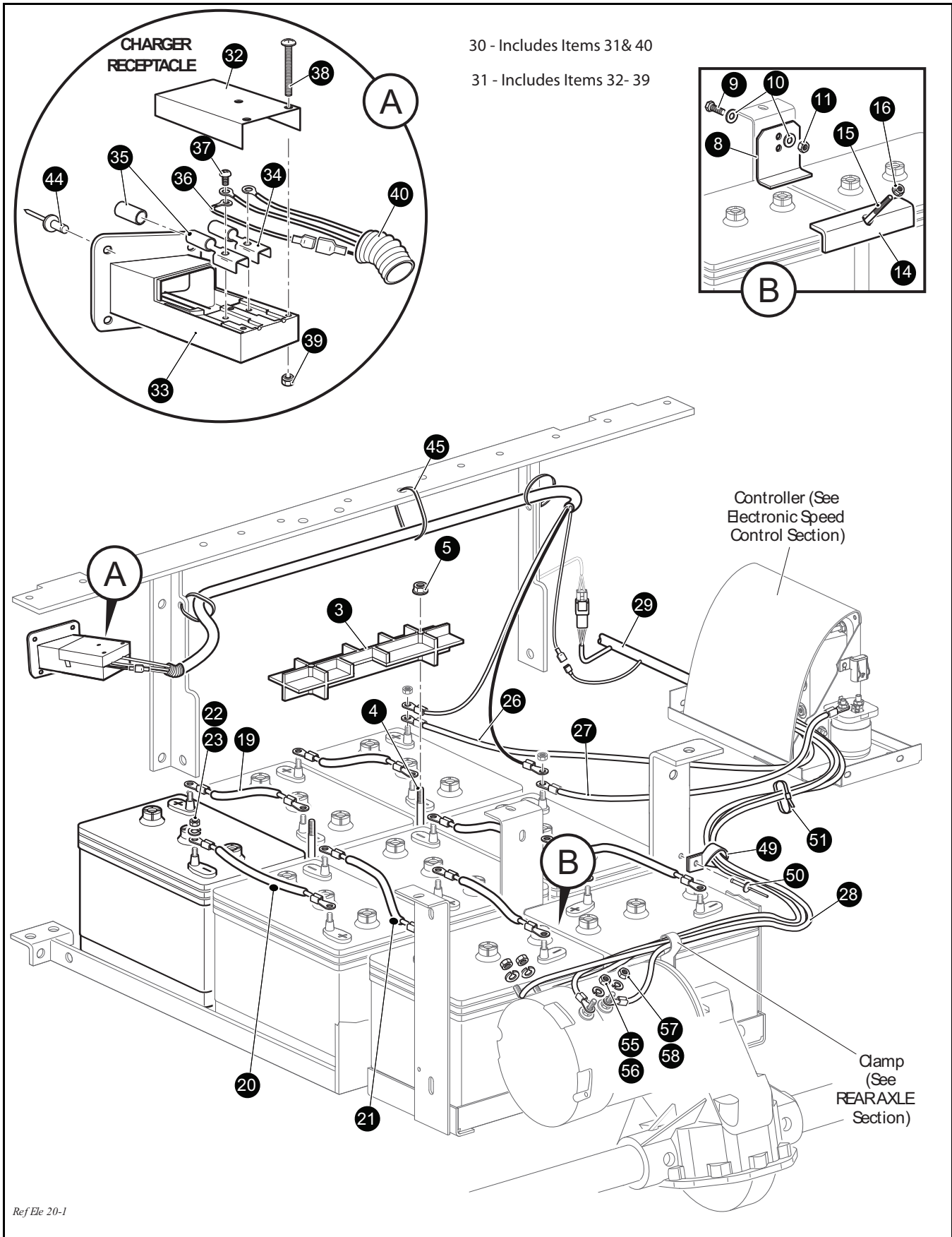
CAB

*Steel Doors Shown

THE USE OF NON U.L. PARTS WILL VOID ANY U.L. LISTING.
 When ordering parts, please specify the model and serial number of the product.
 * Indicates a component that is not available as an individual part.
 G** Indicates consult Customer Service Department for additional information.

ITEM	PART NO.	1 2 3 4 5	DESCRIPTION	QTY.
1	72684G**		STEEL CAB (WITHOUT DOORS) REPLACEMENT PARTS AND ACCESSORIES MAY BE OBTAINED FROM CURTIS CAB, INC. 72684G01 - STEEL CAB (WITHOUT DOORS) TAN 72684G02 - STEEL CAB (WITHOUT DOORS) WHITE 72684G03 - STEEL CAB (WITHOUT DOORS) OTHER	1
2	75855G01		VINYL DOOR KIT.....	1
3	75856G**		STEEL DOOR KIT..... 75856G01 - STEEL DOORS TAN 75856G03 - STEEL DOORS OTHER	1
<p>ForCab replacementparts and accessories, contact Curtis Cab at: Curtis Cab, Inc. 111 Higgins Street, Worcester, Massachusetts, 01606. Tel.: 508-853-2200. Toll free: 800-343-7676. www.curtiscab.com</p>				

ELECTRICAL



Where applicable, THE USE OF NON UL PARTS WILL VOID ANY UL LISTING.

When ordering parts, please specify the model and serial number of the product.

* Indicates a component that is not available as an individual part.

G** Indicates consult Customer Service Department for additional information.

ITEM	PART NO.	1	2	3	4	5	DESCRIPTION	QTY.
1	72824G01						6 VOLT BATTERY	8
2								
3	612867						BATTERY RETAINER	1
4	01101G01						HOLD DOWN BOLT (STAINLESS STEEL).....	2
5	11027G1						LOCK NUT, 5/16 - 18	2
6								
7								
8	73218G02						BATTERY RETAINER ANGLE	1
9	00438G6						BOLT, 5/16 - 18 X 3/4" LG	1
10	00559G8						WASHER, 5/16"	2
11	11098G6						LOCK NUT, 5/16 - 18	1
12								
13								
14	11841G1						BATTERY RETAINER ANGLE INNER.....	1
15	01087G01						HOLD DOWN BOLT (STAINLESS STEEL).....	1
16	11027G1						LOCK NUT, 5/16 - 18	1
17								
18								
19	25971G18						4 GA WIRE (BATTERY INTERCONNECT, BLACK, 6")	2
20	25971G13						4 GA WIRE (BATTERY INTERCONNECT, BLACK, 10 1/2")	1
21	25971G14						4 GA WIRE (BATTERY INTERCONNECT, BLACK, 15")	4
22	00565G8						LOCK WASHER, 5/16"	16
23	00702G2						NUT, 5/16 - 18	16
24								
25								
26	25971G15						4 GA WIRE (BATTERY +, BLACK, 17")	1
27	25971G16						4 GA WIRE (BATTERY -, BLACK, 19")	5
28	74659G01						POWER HARNESS	1
29	74649G01						CONTROL HARNESS	1

ELECTRICAL

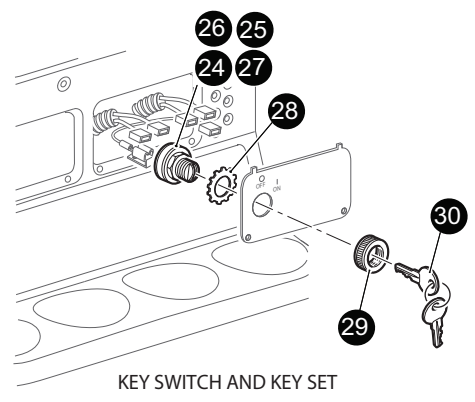
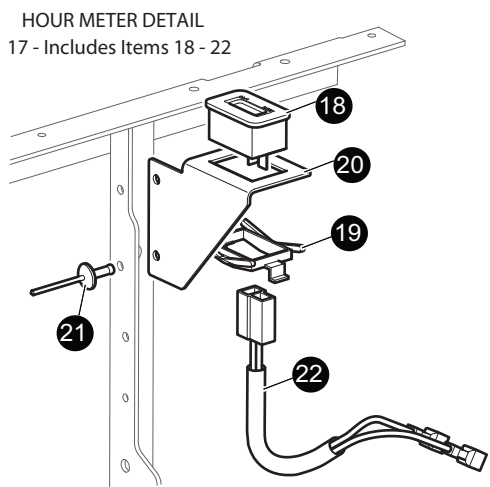
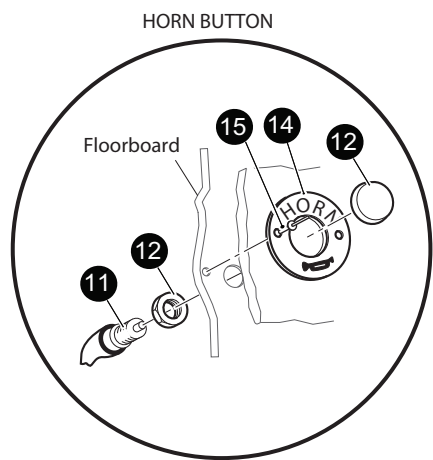
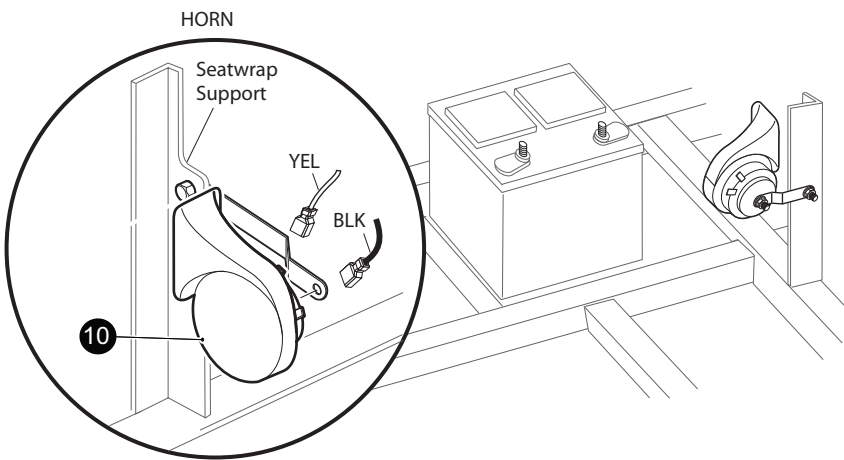
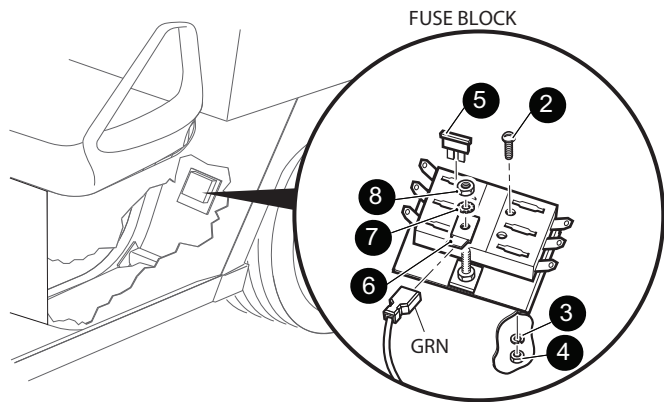
Where applicable, THE USE OF NON UL PARTS WILL VOID ANY UL LISTING.

When ordering parts, please specify the model and serial number of the product.

* Indicates a component that is not available as an individual part.

G** Indicates consult Customer Service Department for additional information.

ITEM	PART NO.	1 2 3 4 5	DESCRIPTION	QTY.
30	609670		CHARGER RECEPTABLE AND HARNESS ASSEMBLY (INCLUDES ITEMS 31- 40).....	1
31	73051G30		CHARGER RECEPTACLE ASSEMBLY (INCLUDES ITEMS 32 - 39)	1
32	73051G21		RECEPTACLE COVER.....	1
33	73051G22		RECEPTACLE BOTTOM	1
34	73051G23		FEMALE CONNECTOR.....	1
35	73051G24		FEMALE CONNECTOR WITH INSULATOR SLEEVE.....	1
36	25978G25		18 GA WIRE (RED 9").....	1
37	73051G08		SCREW, #10 - 32 X 1/2" LG (BRASS)	2
38	73051G09		SCREW, #6 - 32 X 1 3/4" LG (STAINLESS STEEL)	3
39	73051G10		LOCK NUT, #6 - 32	3
40	609654		WIRE HARNESS (CHARGER).....	1
41				
42				
43				
44	14601-G10		RIVET, 3/16" X 1" LG (ALUMINUM).....	4
45	17618-G1		WIRE TIE	3
46				
47				
48				
49	27327-G02		CABLE CLAMP	1
50	10570-G11		RIVET, 3/16" X 3/4" LG (STAINLESS STEEL)	1
51	17618-G1		WIRE TIE	8
52				
53				
54				
55	00993-G01		LOCK WASHER, 5/16" (SILICON BRONZE).....	2
56	28418-G01		NUT, 5/16 - 18 (BRASS).....	2
57	00993-G02		LOCK WASHER, 1/4" (SILICON BRONZE).....	2
58	28418-G02		NUT, 1/4 - 20 (BRASS).....	2



Ref Ele 20-2

Where applicable, THE USE OF NON UL PARTS WILL VOID ANY UL LISTING.

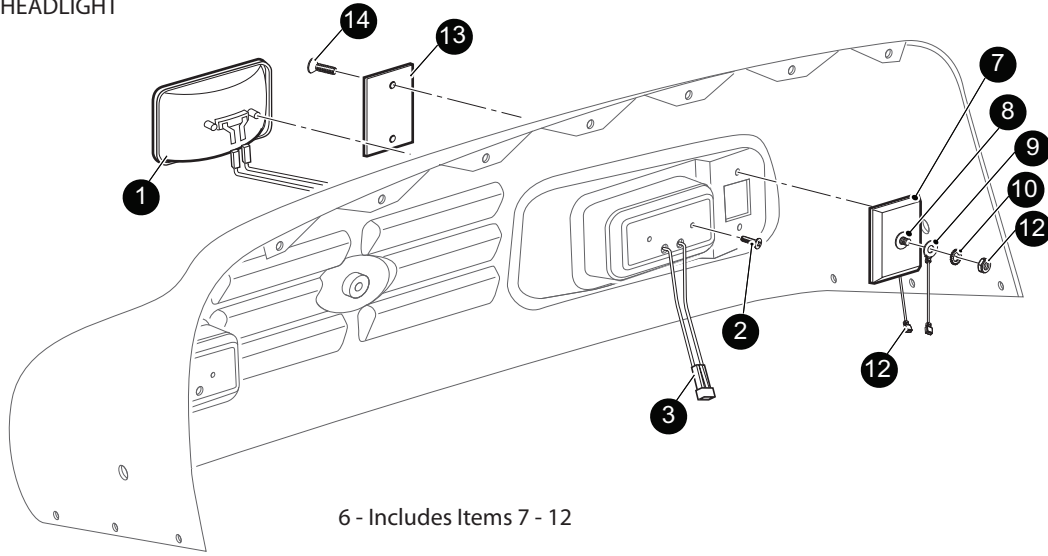
When ordering parts, please specify the model and serial number of the product.

* Indicates a component that is not available as an individual part.

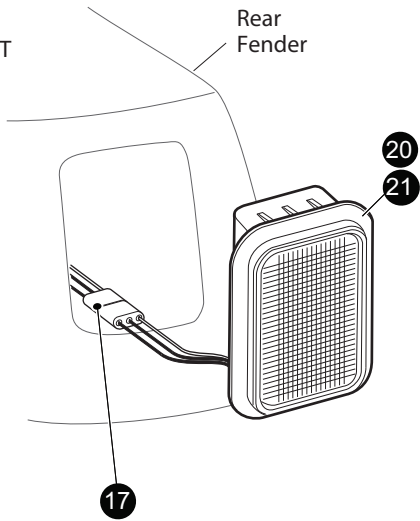
G** Indicates consult Customer Service Department for additional information.

ITEM	PART NO.	1 2 3 4 5	DESCRIPTION	QTY.
1	35211G01		FUSE BLOCK (6 POSITION)	1
2	00379G2		SCREW, #10 - 24 X 1 1/4" LG.....	2
3	00559G5		WASHER, #10.....	2
4	14390G10		LOCK NUT, #10 - 24	2
5	35212G01		FUSE, 15 AMP	AR
6	12914G1		PUSH ON MALE TERMINAL	1
7	00567G5		LOCK WASHER, #10	1
8	00526G4		NUT, #10 - 32	1
9				
10	32860G2		HORN.....	1
11	17318G1		HORN SWITCH.....	1
12	17318G2		HORN SWITCH CAP AND NUT	1
13	27068G01		HORN SWITCH BOOT	1
14	19233G1		HORN SWITCH PLATE.....	1
15	71055G01		RIVET, 3/16" X 1" LG (ALUMINUM).....	2
16				
17	74914G02		HOUR METER KIT (INCLUDES ITEMS 18 - 22).....	1
18	620133		HOUR METER.....	1
19	74696G01		HOUR METER RETAINER CLIP	1
20	74716G02		HOUR METER BRACKET.....	1
21	10570G11		RIVET, 3/16" X 3/4" LG (STAINLESS STEEL).....	2
22	74908G01		WIRE HARNESS (HOUR METER).....	1
23				
24	17421G1		KEY SWITCH KIT (W/O LIGHTS - STANDARD - WITH HARDWARE).....	1
25	33639G02		KEY SWITCH (WITHOUT LIGHTS - NON STANDARD)	1
26	33639G03		KEY SWITCH (WITH LIGHTS - INDIVIDUALLY KEYED).....	1
27	33639G**		KEY SWITCH (WITH LIGHTS)	1
28	00568G6		LOCK WASHER, 3/4".....	1
29	17137G1		FACE NUT, 3/4 - 20.....	1
30	17063G1		KEY (SET).....	1

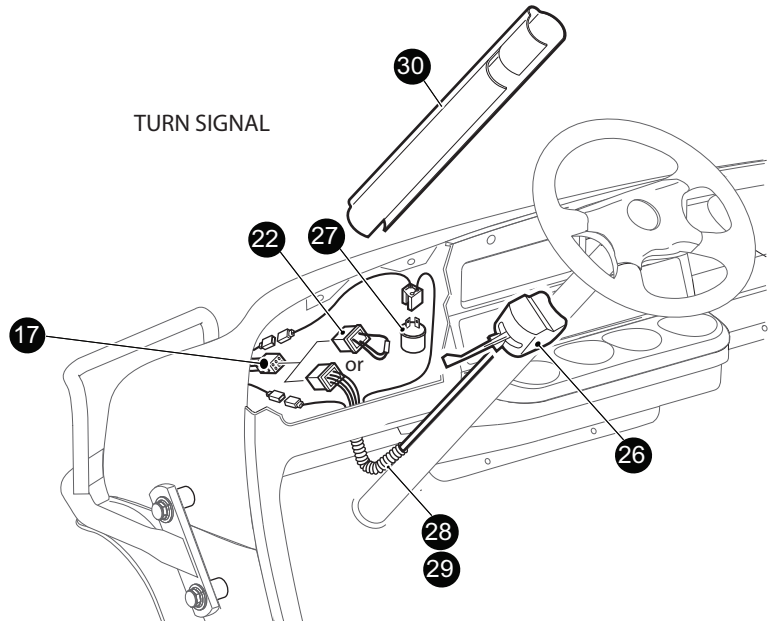
HEADLIGHT



TAILLIGHT



TURN SIGNAL



Ref Ele 20-3

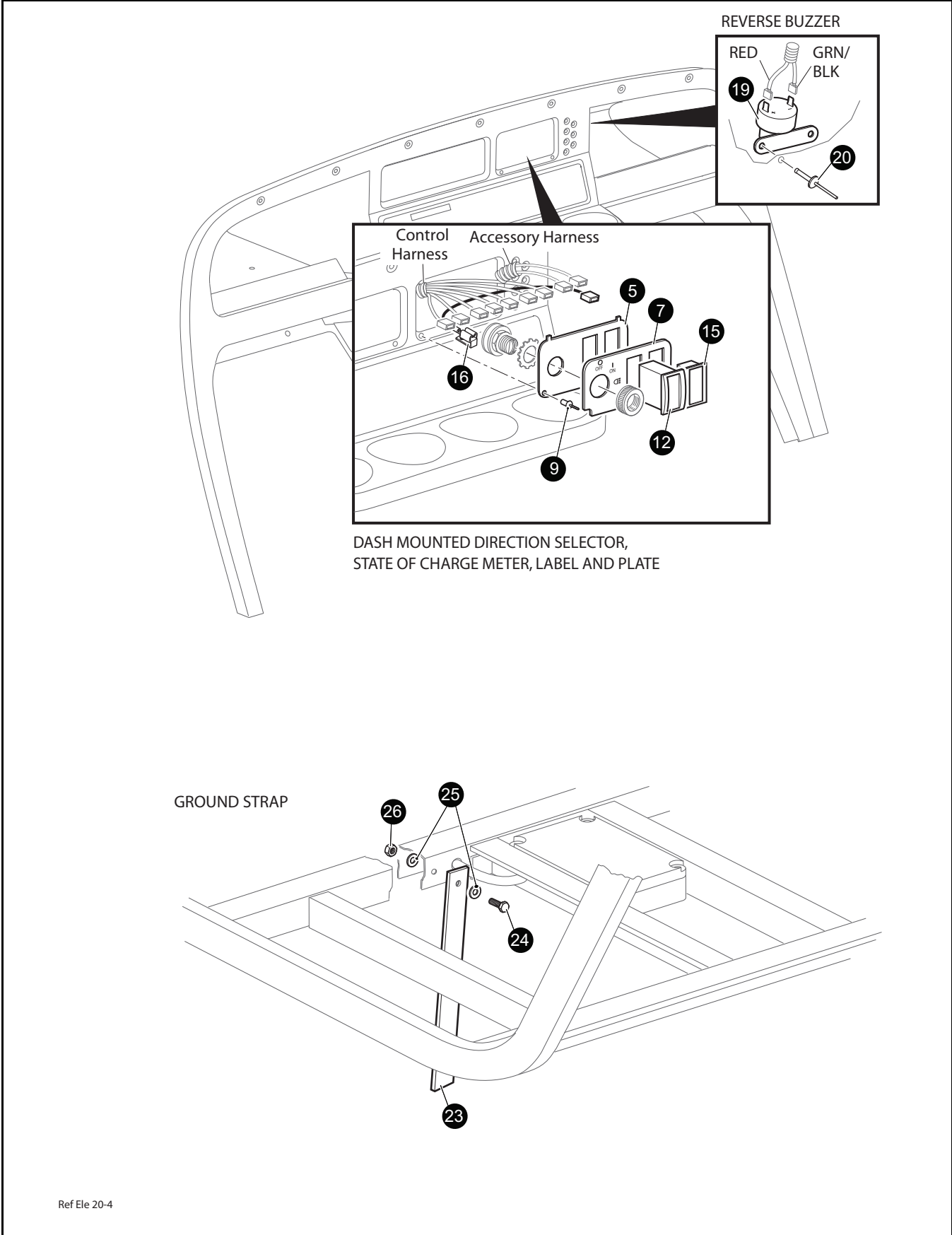
Where applicable, THE USE OF NON UL PARTS WILL VOID ANY UL LISTING.

When ordering parts, please specify the model and serial number of the product.

* Indicates a component that is not available as an individual part.

G** Indicates consult Customer Service Department for additional information.

ITEM	PART NO.	1	2	3	4	5	DESCRIPTION	QTY.
1	22523G1						HEADLIGHT (RECTANGULAR) (INCLUDES ITEM 2)	2
2	00906G6						SCREW, #10 - 16 X 1" LG	2
3	74337G01						JUMPER WIRE (HEADLIGHT)	2
4								
5								
6	20570G3						TURN SIGNAL LIGHT (INCLUDES ITEMS 7 - 12)	2
7	20574G3						TURN SIGNAL LIGHT	1
8	00660G7						WASHER, 1/4" (STAINLESS STEEL).....	1
9	20606G1						WIRE.....	1
10	00567G7						LOCK WASHER, 1/4"	1
11	00532G1						NUT, 1/4 - 20.....	1
12	18995G1						PUSH-ON MALE TERMINAL	1
13	20574G5						LENS, AMBER	1
14	00118G5						SCREW, #6 - 18 X 5/8" LG.....	2
15								
16								
17	74651G01						WIRE HARNESS (ACCESSORY).....	1
18								
19								
20	32739G2						TAILLIGHT (WITH SEALED CONNECTORS)	2
21	21759G1						TAILLIGHT BULB	AR
22	75711G01						TAILLIGHT JUMPER PLUG (FOR VEHICLE W/OUT TURN SGL)	1
23								
24								
25	75107G02						TURN SIGNAL KIT (INCLUDES ITEMS 26 - 30).....	1
26	17867G1						TURN SIGNAL (WITH MOUNTING HARDWARE).....	1
27	21640G1						TURN SIGNAL FLASHER.....	1
28	32307G3						FLEX LOOM, 3/8" X 8" LG.....	1
29	17618G1						WIRE TIE	2
30	20965G3						STEERING COLUMN COVER	1



Ref Ele 20-4

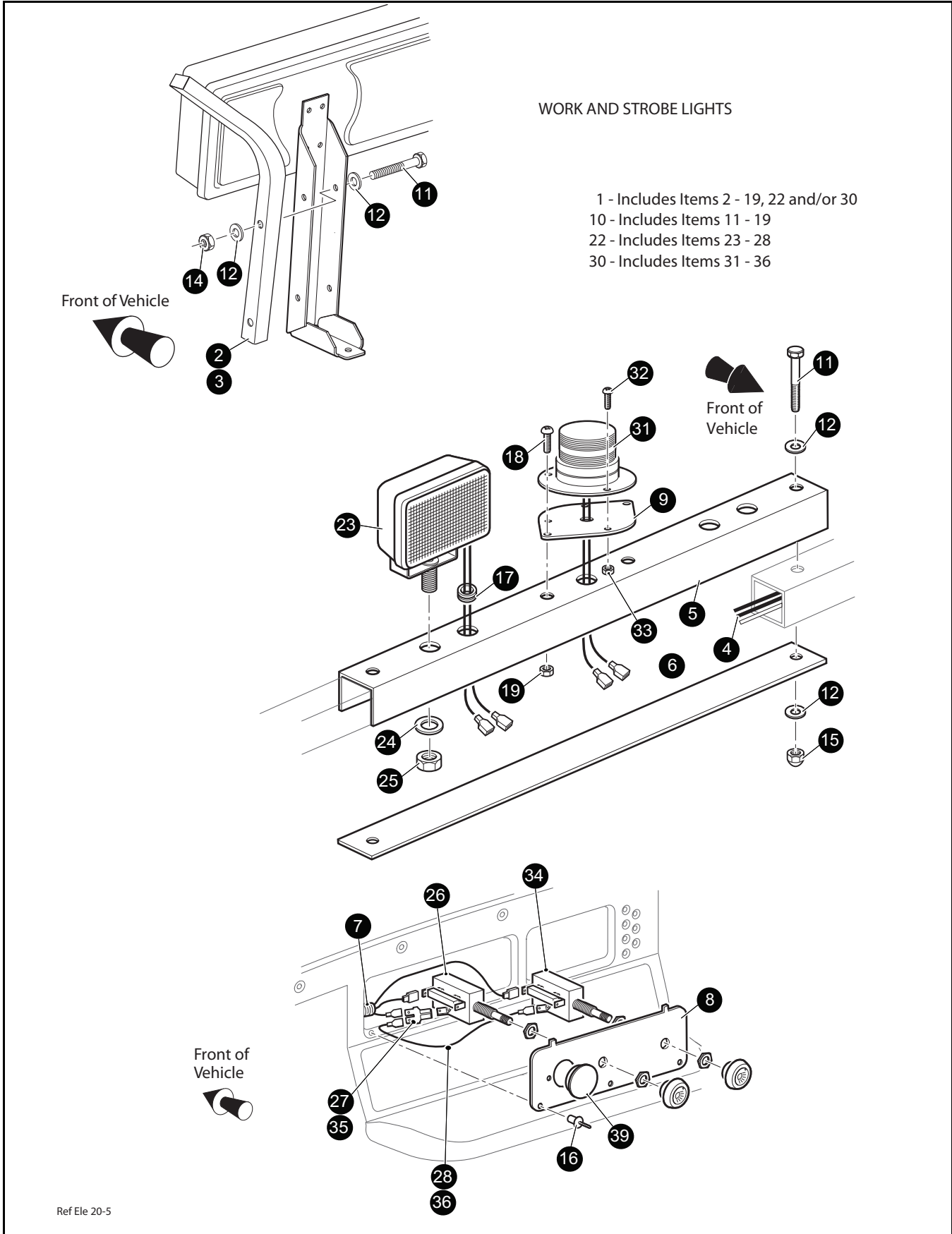
Where applicable, THE USE OF NON UL PARTS WILL VOID ANY UL LISTING.

When ordering parts, please specify the model and serial number of the product.

* Indicates a component that is not available as an individual part.

G** Indicates consult Customer Service Department for additional information.

ITEM	PART NO.	1	2	3	4	5	DESCRIPTION	QTY.
1								
2								
3								
4								
5	73030G06						PLATE (KEY SWITCH, DIRECTION SELECTOR, CHARGE METER)	1
6								
7	74322G01						LABEL (KEY SWITCH WITH LIGHTS, DIRECTION SELECTOR, CHARGE METER)	1
8								
9	33623G02						DRIVE RIVET, 3/16" X 3/8" LG	2
10								
11								
12	74323G01						DIRECTION SELECTOR SWITCH (DASH MOUNTED).....	1
13								
14								
15	33636G05						STATE OF CHARGE METER (VERTICAL)	1
16	25978G74						18 GA WIRE (RED 6").....	1
17								
18								
19	73290G02						REVERSE WARNING BUZZER (CONTINUOUS TONE)	1
20	01041G01						RIVET, 1/8" X 13/16" LG	2
21								
22								
23	35213G02						GROUND STRAP, 16" (EE ONLY).....	1
24	00426G8						BOLT, 3/8 - 16 X 1" LG	1
25	00560G1						WASHER, 3/8"	2
26	11098G4						LOCK NUT, 3/8 - 16	1



Where applicable, THE USE OF NON UL PARTS WILL VOID ANY UL LISTING.

When ordering parts, please specify the model and serial number of the product.

* Indicates a component that is not available as an individual part.

G** Indicates consult Customer Service Department for additional information.

ITEM	PART NO.	1 2 3 4 5	DESCRIPTION	QTY.
1	71323-G**		WORK LIGHT BAR WITH LIGHTS AND/OR STROBE (INCLUDES ITEMS 2 - 19, 22 AND/OR 30).....	1
2	75838G03		STRUT (DRIVER SIDE).....	1
3	75838G04		STRUT (PASSENGER SIDE)	1
4	75346G01		WIRE HARNESS (WORK LIGHT)	1
5	71294G02		BRACE.....	1
6	71293G02		COVER PLATE	1
7	75430G01		SWITCH HARNESS	1
8	73522G**		CONSOLE INSERT PLATE	1
9	33201G03		STROBE LIGHT MOUNT (USED ONLY WITH STROBE LIGHT)	1
10	75365G01		HARDWARE KIT (INCLUDES ITEMS 11 - 19)	1
11	00685G7		BOLT, 5/16 - 18 X 1 3/4" LG	6
12	00660G8		WASHER, 5/16".....	12
13	15121G1		WASHER, 3/8" X 1 1/4".....	2
14	01109G01		LOCK NUT, 5/16 - 18	4
15	00918G3		ACORN NUT, 5/16 - 18	2
16	33623G02		DRIVE RIVET, 3/16" X 3/8" LG.....	3
17	20367G1		GROMMET.....	2
18	16705G3		SCREW, 1/4 - 20 X 3/4" LG.....	2
19	14390G4		LOCK NUT, 1/4 - 20	2
20				
21				
22	20383G2		WORK LIGHT KIT (INCLUDES ITEMS 23 - 28).....	1
23	20209G2		WORK LIGHT (RECTANGULAR)	2
24	00566G3		LOCK WASHER, 1/2".....	2
25	00533G1		NUT, 1/2 - 13	2
26	17317G1		LIGHT SWITCH.....	1
27	17902G1		TAB ADAPTER.....	1
28	20053G1		16 GA WIRE (RED 5 3/8").....	1
29				

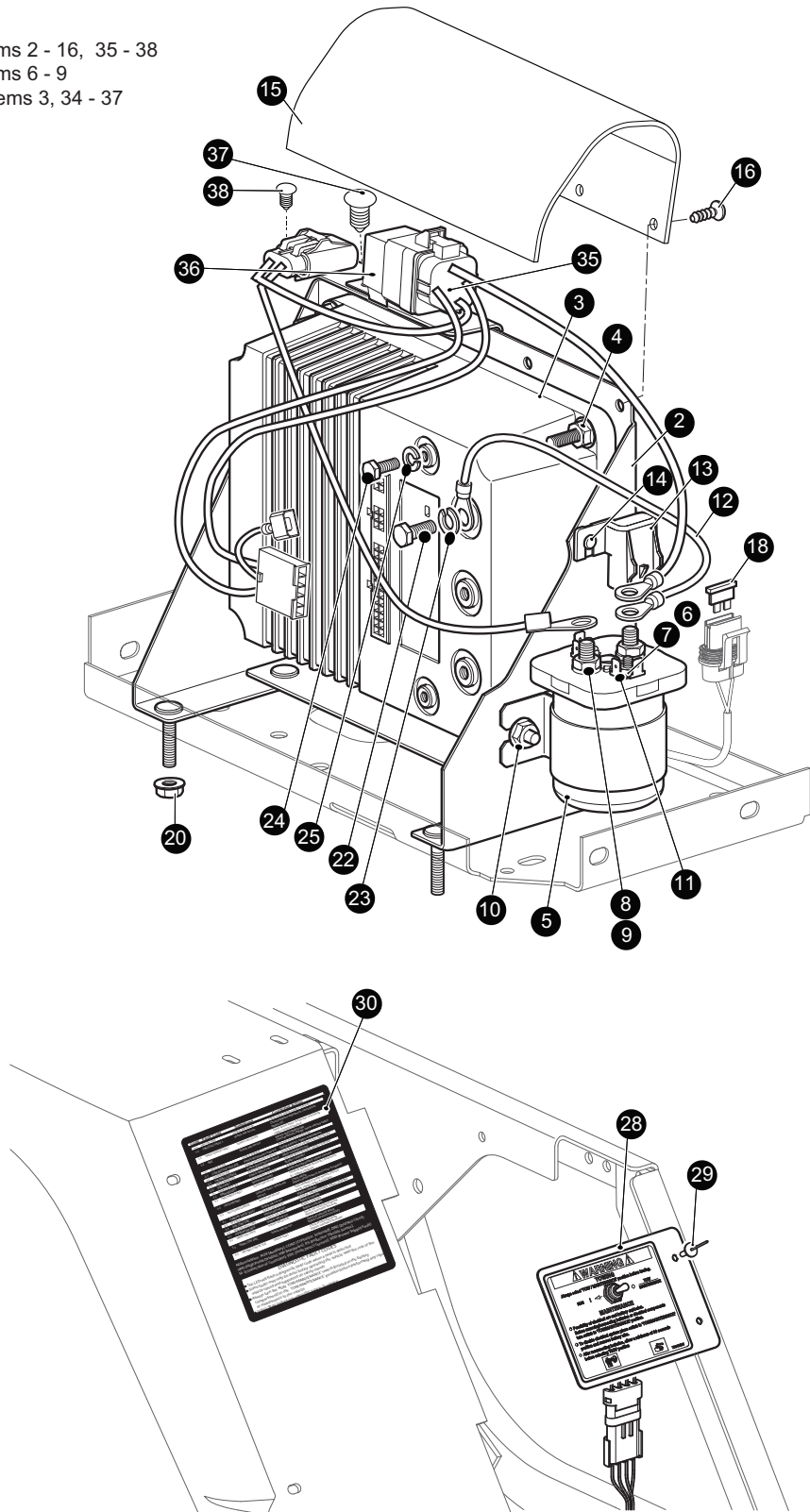
ELECTRICAL

Where applicable, THE USE OF NON UL PARTS WILL VOID ANY UL LISTING.
 When ordering parts, please specify the model and serial number of the product.
 * Indicates a component that is not available as an individual part.
 G** Indicates consult Customer Service Department for additional information.

ITEM	PART NO.	1	2	3	4	5	DESCRIPTION	QTY.
30	20385G3						STROBE LIGHT KIT (INCLUDES ITEMS 31 - 36)	1
31	20394G4						STROBE LIGHT	1
32	00379G4						SCREW, #10 - 24 x 1/2" LG	3
33	14390G10						LOCK NUT, #10 - 24	3
34	17317G1						LIGHT SWITCH.....	1
35	17902G1						TAB ADAPTER.....	1
36	20053G1						16 GA WIRE (RED 5 3/8").....	1
37								
38								
39	20271G10						HOLE PLUG.....	1

ELECTRONIC SPEED CONTORL - PDS

- 1 - Includes Items 2 - 16, 35 - 38
- 5 - Includes Items 6 - 9
- 33 - Includes Items 3, 34 - 37



ELECTRONIC SPEED CONTORL - PDS

Where applicable, THE USE OF NON UL PARTS WILL VOID ANY UL LISTING.

When ordering parts, please specify the model and serial number of the product.

* Indicates a component that is not available as an individual part.

G** Indicates consult Customer Service Department for additional information.

ITEM	PART NO.	1	2	3	4	5	DESCRIPTION	QTY.
1	73348-G04						ELECTRONIC SPEED CONTROL ASSEMBLY (INCLUDES ITEMS 2 - 16, 31 - 34)	1
2	73351-G01						CONTROLLER MOUNT	1
3	611173						ELECTRONIC SPEED CONTROLLER	1
4	11027-G2						LOCK NUT, 1/4 - 20	4
5	73231-G01						SOLENOID (INCLUDES ITEMS 6 - 9).....	1
6	*						LOCK WASHER, #10	2
7	*						NUT, #10 - 32	2
8	*						LOCK WASHER, 5/16"	2
9	*						JAM NUT, 5/16 - 24	2
10	11027-G2						LOCK NUT, 1/4 - 20	2
11	73446-G01						FASTON TAB, 90°	4
12	25971-G17						4 GA WIRE (BLACK 9").....	1
13	73499-G01						IN-LINE FUSE COVER	1
14	15058-G1						RIVET, 3/16" X 7/16" LG (ALUMINUM)	1
15	73523-G01						COVER	1
16	16816-G1						RATCHET FASTENER, 1/4" X 9/16" LG	4
17								
18	35212-G05						FUSE, 7.5 AMP	1
19								
20	11027-G2						LOCK NUT, 1/4 - 20	4
21								
22	73296-G01						BOLT, 8MM X 16MM LG.....	3
23	00993-G01						LOCK WASHER, 5/16" (SILICON BRONZE).....	3
24	73346-G01						BOLT, 6MM X 1 X 12MM LG	2
25	00993-G02						LOCK WASHER, 1/4" (SILICON BRONZE).....	2
26								
27								
28	611153						TOW- SWITCH ASSEMBLY	1
29	71055-G01						RIVET, 3/16" X 1" LG (ALUMINUM).....	2

ELECTRONIC SPEED CONTORL - PDS

Where applicable, THE USE OF NON UL PARTS WILL VOID ANY UL LISTING.

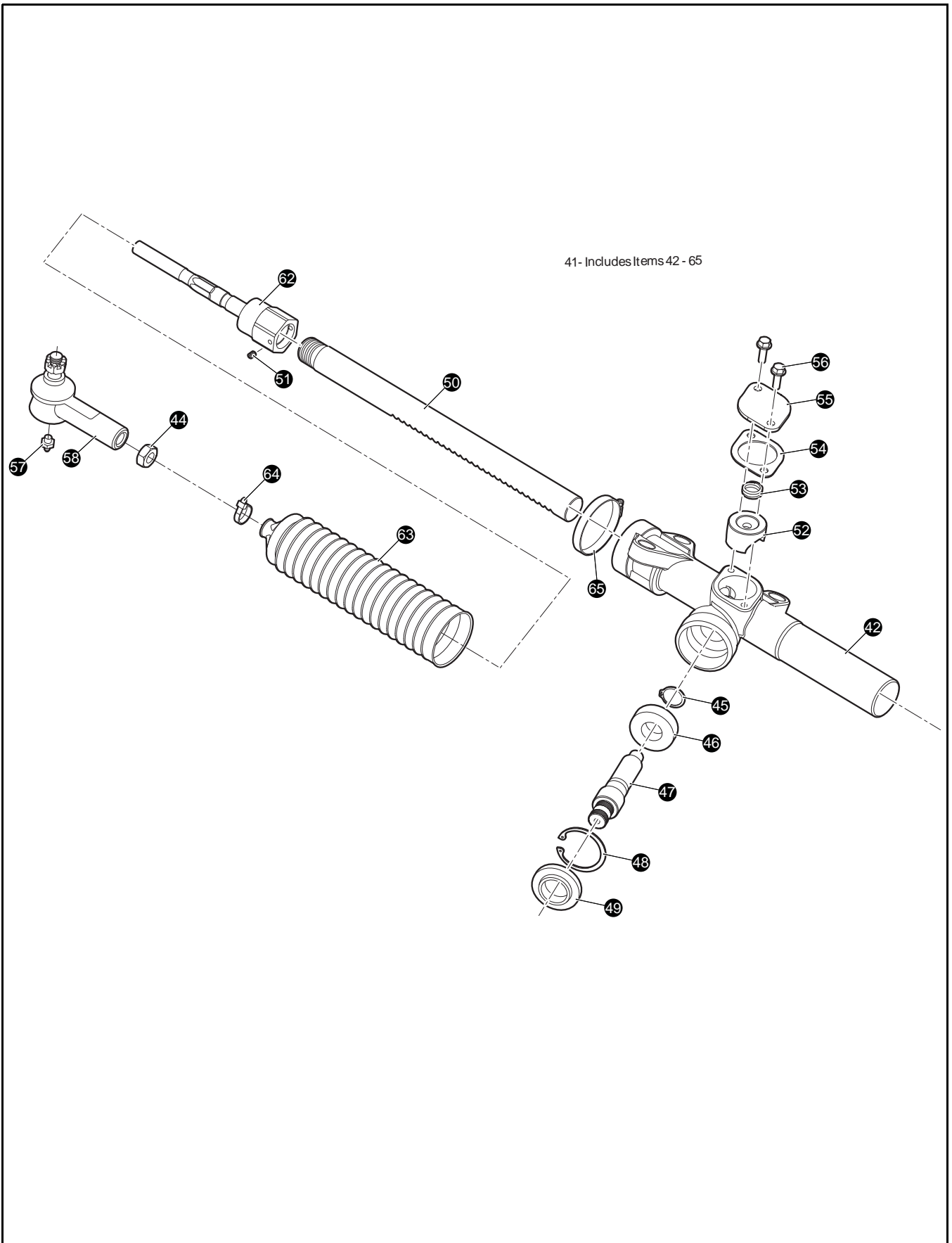
When ordering parts, please specify the model and serial number of the product.

* Indicates a component that is not available as an individual part.

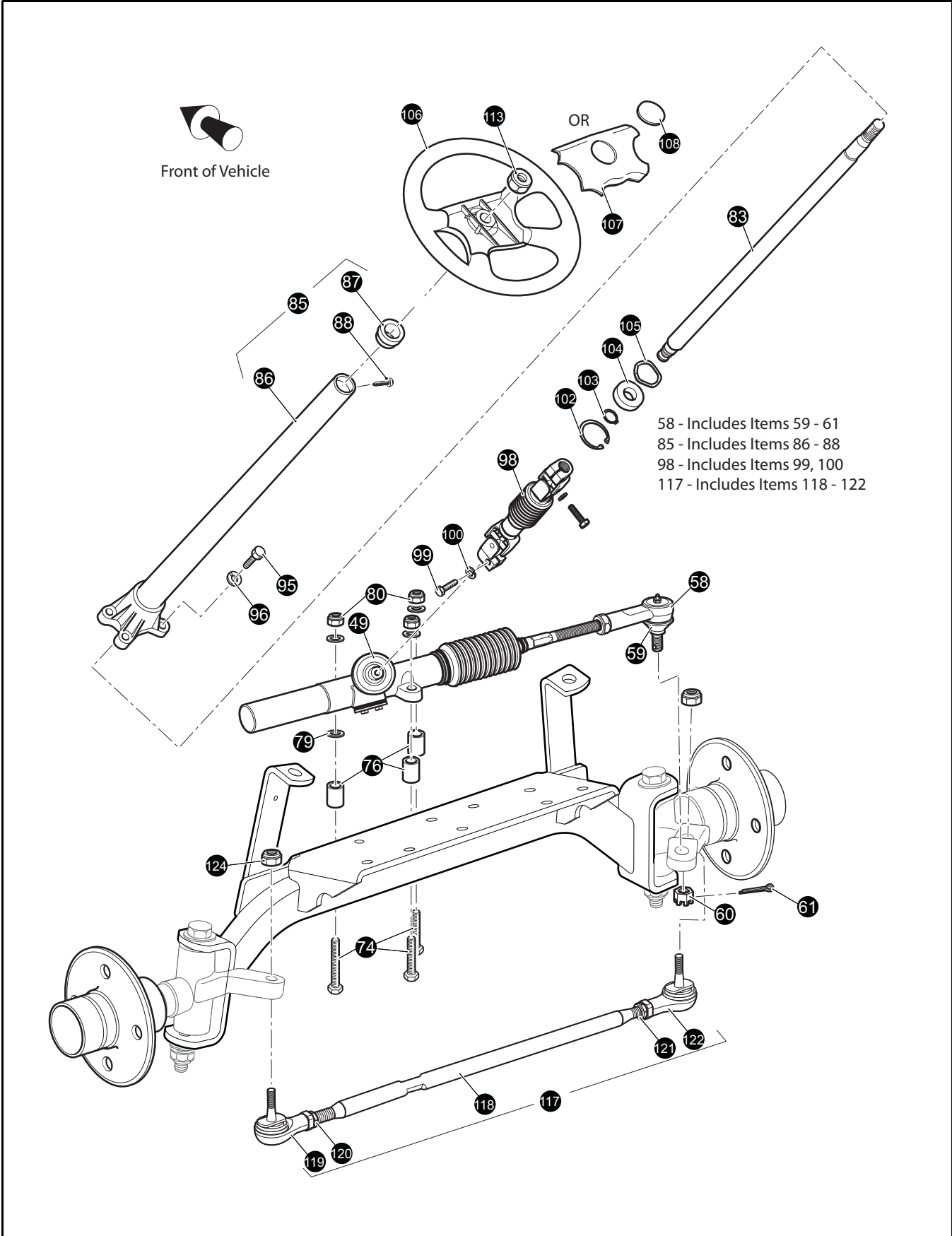
G** Indicates consult Customer Service Department for additional information.

ITEM	PART NO.	1 2 3 4 5	DESCRIPTION	QTY.
30	73398-G01		DIAGNOSTIC LABEL (FAULT CODE)	1
31				
32				
33	615551		SPEED CONTROLLER SERVICE KIT (includes items 3, 34 - 37)	
34	17618G1		NYLON WIRE TIE (not shown).....	2
35	608931		WALKAWAY RELAY HARNESS ASSEMBLY (inclueds item 36)	1
36	604110		RELAY	1
37	16816-G5		RIVET, 0.18 X 0.55	1
38	16816-G2		RIVET, 0.25 X 0.88	1

FRONT SUSPENSION/STEERING



FRONT SUSPENSION/STEERING



FRONT SUSPENSION/STEERING

THE USE OF NON U.L. PARTS WILL VOID ANY U.L. LISTING.

When ordering parts, please specify the model and serial number of the product.

* Indicates a component that is not available as an individual part.

G** Indicates consult Customer Service Department for additional information.

ITEM	PART NO.	1 2 3 4 5	DESCRIPTION	QTY.
1	606989		FRONT AXLE	1
2				
3	70930G02		SPINDLE AND HUB ASSEMBLY, 4 LUG (PASSENGER SIDE) (INCLUDES ITEMS 4 - 13).....	1
4	70802G01		SPINDLE ASSEMBLY (PASSENGER SIDE)	1
5	70648G01		FLANGED BEARING.....	1
6	70749G01		BEARING.....	1
7	25146G1		GREASE SEAL.....	1
8	11750G2		ROLLER BEARING AND RACE ASSEMBLY.....	2
9	74332G01		WHEEL HUB	1
10	34117G02		BOLT, 1/2 - 20 X 2"	4
11	12093G1		SLOTTED NUT, 1 - 14	1
12	00798G8		COTTER PIN, 5/32" X 1 3/4" LG	1
13	51141G1		RACE BEARING.....	2
14				
15				
16	70931G02		SPINDLE AND HUB ASSEMBLY, 4 LUG (DRIVER SIDE) (INCLUDES ITEMS 5 - 13 & 17)	1
17	70803G01		SPINDLE ASSEMBLY (DRIVER SIDE)	1
18	00407G6		BOLT, 1/2 - 13 X 6" LG	2
19	00560G3		WASHER, 1/2"	4
20	70745G01		KING PIN TUBE	2
21	70754G01		THRUST WASHER (STAINLESS STEEL).....	2
22	14390G6		LOCK NUT, 1/2 - 13	2
23				
24				
25	76419G01		SHOCK ABSORBER.....	2
26	70509G01		SHOCK ABSORBER BOOT	2
27	31539G1		NYLON CLAMP.....	4
28	10435G1		SHOCK ABSORBER WASHER.....	8
29	10194G1		RUBBER SHOCK ABSORBER BUSHING	8

FRONT SUSPENSION/STEERING

THE USE OF NON U.L. PARTS WILL VOID ANY U.L. LISTING.
 When ordering parts, please specify the model and serial number of the product.
 * Indicates a component that is not available as an individual part.
 G** Indicates consult Customer Service Department for additional information.

ITEM	PART NO.	1	2	3	4	5	DESCRIPTION	QTY.
30	00532G6						NUT, 3/8 - 24	4
31	10044G01						VINYL CAP	2
32								
33								
34	70990G03						FRONT CANT LEAF SPRING	2
35	70163G03						SPRING PLATE	4
36								
37	00734G1						LOCK NUT, 7/16 - 14	12
38	00463G6						BOLT, 7/16 - 14 X 1 5/8" LG	12
39								
40								
41	70964G01						RACK AND PINION UNIT (COMPLETE) (INCLUDES ITEMS 42 - 65)	1
42	70965G01						STEERING RACK COVER & BEARING	1
43								
44	*						JAM NUT, 1/2 - 20.....	1
45	70750G01						RETAINING RING (EXTERNAL)	1
46	15112G1						BALL BEARING	1
47	70603G01						PINION.....	1
48	70751G01						RETAINING RING (INTERNAL)	1
49	70638G01						SEAL PINION	1
50	70604G01						RACK STEERING.....	1
51	01053G01						SCREW, 10- 32.....	1
52	70590G01						RACK LOADER	1
53	70666G01						SPRING COMPRESSION	1
54	70645G01						GASKET RACK LOADER.....	1
55	70591G01						COVER RACK LOADER	1
56	71102G01						SCREW, 1/4 - 20.....	2
57	10389G3						GREASE FITTING, STRAIGHT	1
58	70695G01						RACK BALL JOINT (INCLUDES ITEMS 59 - 61)	1
59	50641G1						RUBBER BOOT	1

FRONT SUSPENSION/STEERING

THE USE OF NON U.L. PARTS WILL VOID ANY U.L. LISTING.

When ordering parts, please specify the model and serial number of the product.

* Indicates a component that is not available as an individual part.

G** Indicates consult Customer Service Department for additional information.

ITEM	PART NO.	1 2 3 4 5	DESCRIPTION	QTY.
60	50209G2		SLOTTED NUT, 7/16 - 20.....	1
61	10387G2		COTTER PIN, 3/32" X 3/4" LG	1
62	74694G01		ROD END (INNER).....	1
63	70961G01		RACK BOOT	1
64	12416G2		NYLON CLAMP	1
65	11391G8		WIRE TIE	1
66				
67				
68				
69				
70				
71				
72				
73				
74	00464G6		BOLT, 7/16 - 14 X 2 3/4" LG	3
75				
76	70667G02		SPACER.....	3
77				
78				
79	00560G2		FLAT WASHER, 1/2"	6
80	00734G1		LOCK NUT, 7/16 - 14	3
81				
82				
83	70607G01		STEERING SHAFT	1
84				
85	70758G05		STEERING COLUMN KIT (INCLUDES ITEMS 86 - 88)	1
86	70610G03		STEERING COLUMN	1
87	28569G01		STEERING COLUMN BUSHING.....	1
88	01022G01		SCREW, #6 - 20 X 5/16" LG	1
89	00734G1		LOCK NUT, 7/16 - 14	4

FRONT SUSPENSION/STEERING

THE USE OF NON U.L. PARTS WILL VOID ANY U.L. LISTING.
 When ordering parts, please specify the model and serial number of the product.
 * Indicates a component that is not available as an individual part.
 G** Indicates consult Customer Service Department for additional information.

ITEM	PART NO.	1	2	3	4	5	DESCRIPTION	QTY.
90	15058G1						RIVET	2
91	605642						STEERING RACK COVER	1
92	604559						WELDMENT, WINCH RECEIVER	1
93	604572						PL, WINCH RECEIVER RETAINER.....	1
94	00462G8						SCREW, HEXAGON HEAD 7/16 - 14	4
95	01006G01						BOLT, 3/8 - 16 X 1 1/4" LG WITH PATCHLOCK	4
96	00879G1						LOCK WASHER, 3/8"	4
97								
98	70580G01						INTERMEDIATE SHAFT (INCLUDES ITEMS 99, 100).....	1
99	01055G01						BOLT, M8 X 1 1/4" LG	2
100	00565G8						LOCK WASHER, 5/16"	2
101								
102	70751G01						RETAINING RING (INTERNAL)	1
103	70888G01						RETAINING RING (EXTERNAL).....	1
104	15112G1						BALL BEARING	1
105	70887G01						WAVE WASHER.....	1
106	602980						STEERING WHEEL	1
107	71147G01						STEERING WHEEL COVER	1
108	605435						LABEL (E-Z-GO)	1
109								
110								
111								
112								
113	14390G2						LOCK NUT, 5/8 - 18	1
114								
115								
116								
117	70876G02						TIE ROD ASSEMBLY (INCLUDES ITEMS 118 - 122)	1
118	70897G02						THREADED ROD (24" LG).....	1
119	70902G01						TIE ROD END (LEFT HAND THREADS)	1

FRONT SUSPENSION/STEERING

THE USE OF NON U.L. PARTS WILL VOID ANY U.L. LISTING.

When ordering parts, please specify the model and serial number of the product.

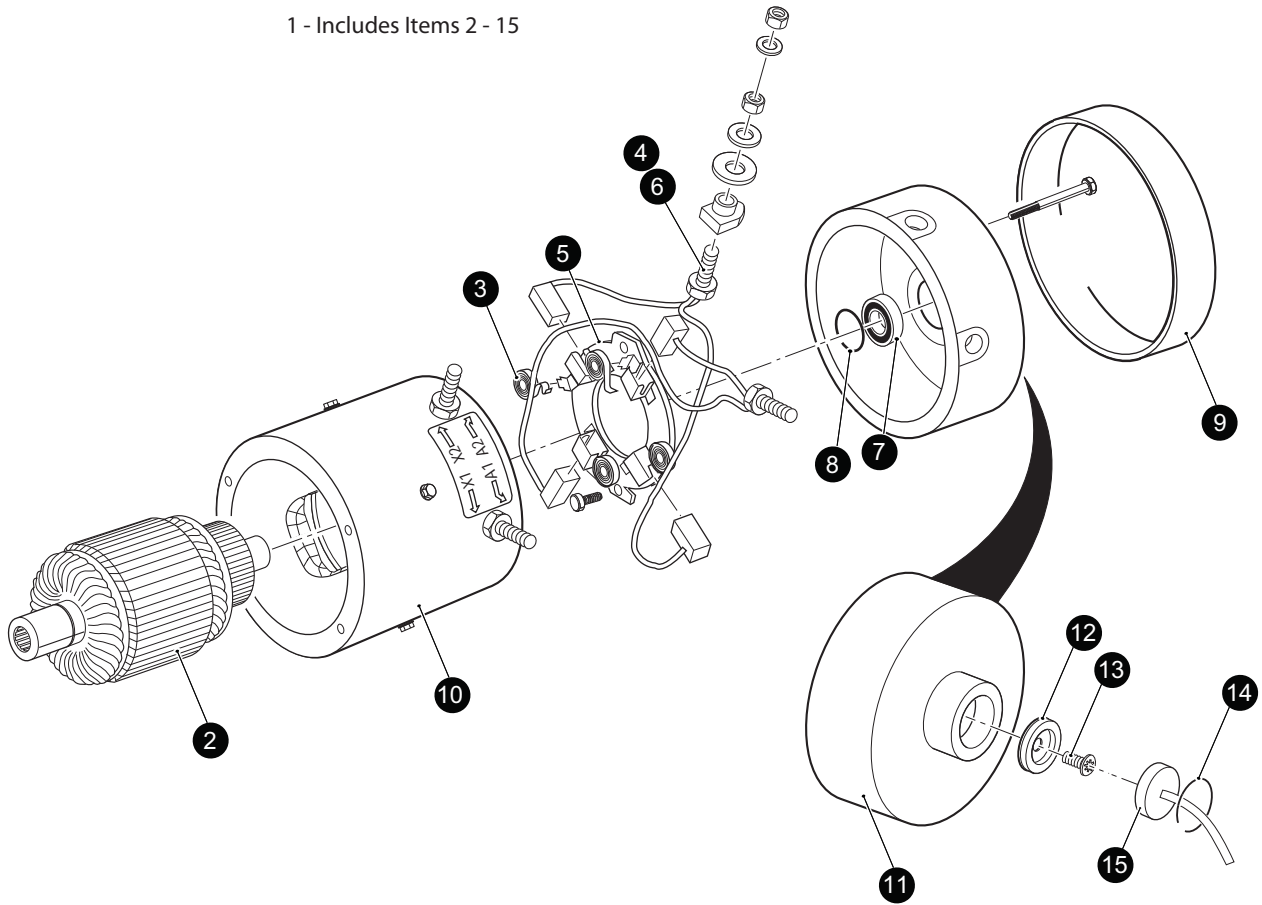
* Indicates a component that is not available as an individual part.

G** Indicates consult Customer Service Department for additional information.

ITEM	PART NO.	1	2	3	4	5	DESCRIPTION	QTY.
120	01069G01						JAM NUT, M12 X 1.25-05 (LEFT HAND THREADS).....	1
121	70902G02						TIE ROD END (RIGHT HAND THREADS).....	1
122	01069G02						JAM NUT, M12 X 1.25-05 (RIGHT HAND THREADS)	1
123								
124	00734G1						LOCK NUT, 7/16 - 14	2

MOTOR

1 - Includes Items 2 - 15



THE USE OF NON U.L. PARTS WILL VOID ANY U.L. LISTING.

When ordering parts, please specify the model and serial number of the product.

* Indicates a component that is not available as an individual part.

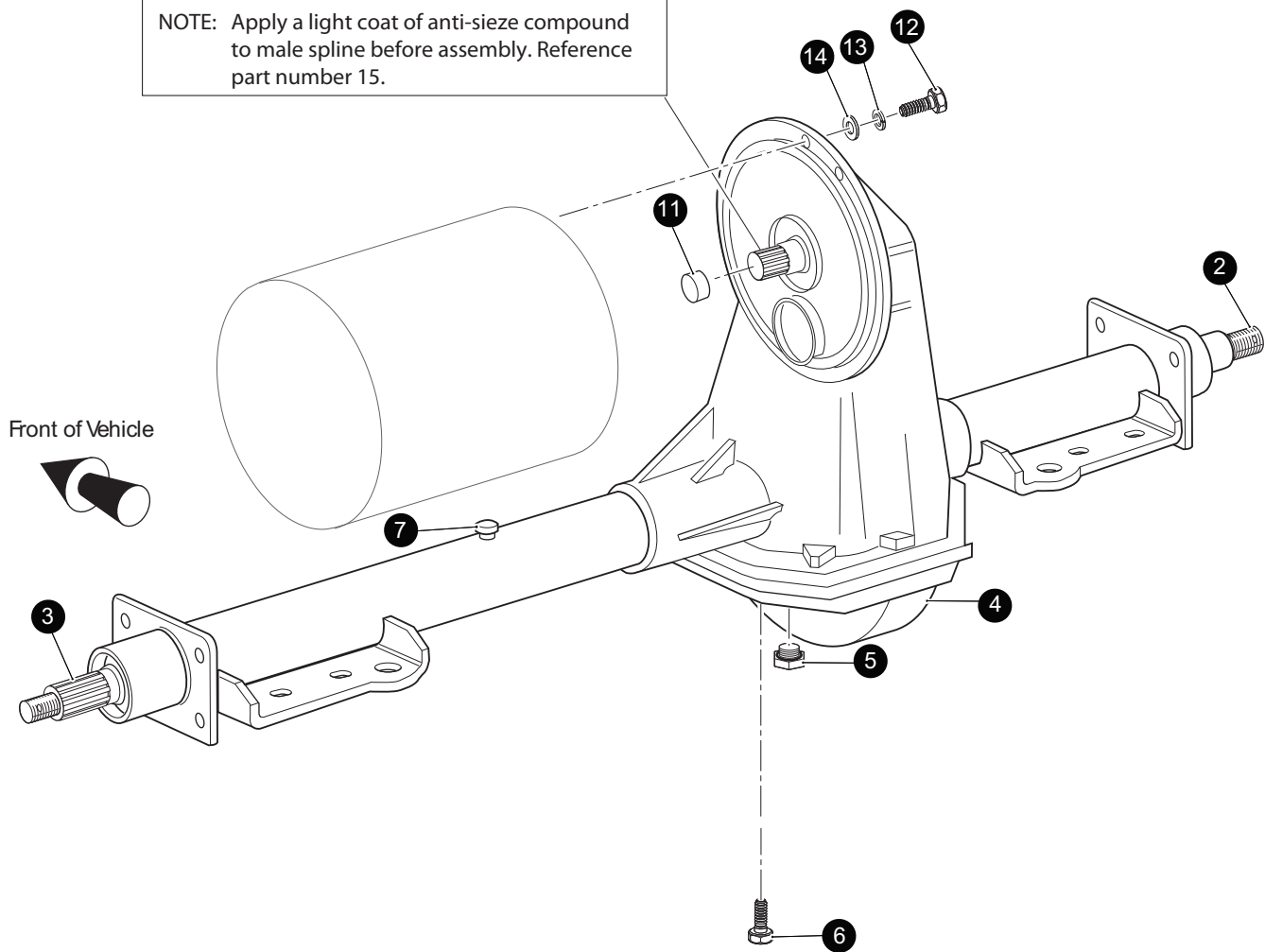
G** Indicates consult Customer Service Department for additional information.

ITEM	PART NO.	1	2	3	4	5	DESCRIPTION	QTY.
1	73291G04						MOTOR (SEPARATELY EXCITED) (PDS) (INCLUDES ITEMS 2 - 15).....	1
2	73120G36						ARMATURE	1
3	73120G38						BRUSH SPRING.....	8
4	73120G39						BRUSH	1
5	73120G40						BRUSH BOX.....	1
6	73120G41						BRUSH REPLACEMENT KIT (INCLUDES HARDWARE)	1
7	73120G07						BEARING	1
8	73120G06						SNAP RING	1
9	73120G43						HEADBAND	1
10	73120G37						FRAME AND FIELD COIL (INCLUDES HARDWARE).....	1
11	73120G42						COVER COMMUTATOR END	1
12	73328G01						MAGNET.....	1
13	01037G02						SCREW, #10 - 32 X 1/2" LG	1
14	73277G01						RETAINING RING.....	1
15	73327G04						SPEED SENSOR.....	1

REAR AXLE

1 - Includes Items 2 - 7

NOTE: Apply a light coat of anti-sieze compound to male spline before assembly. Reference part number 15.



Ref Rax

REAR AXLE

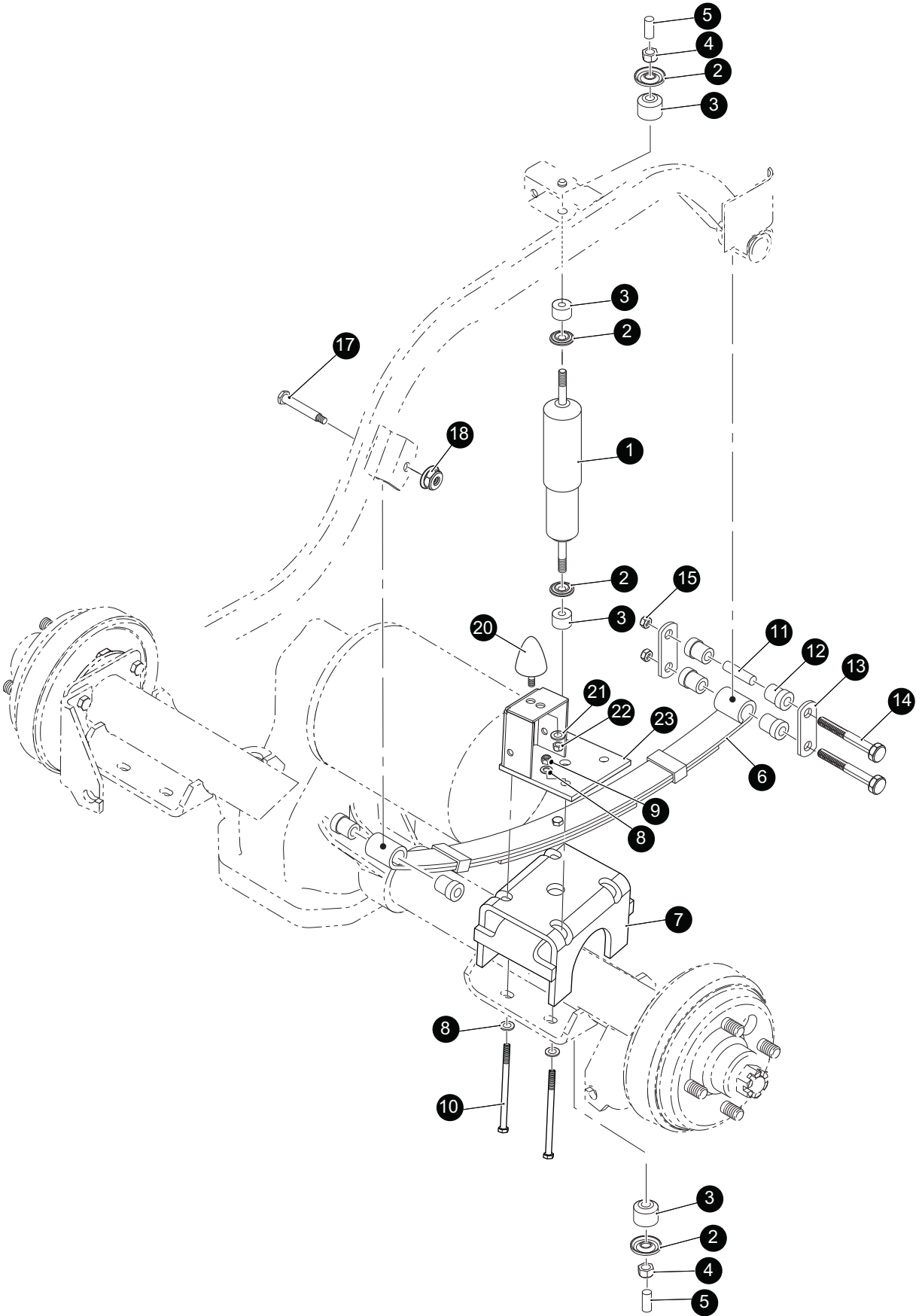
When ordering parts, please specify the model and serial number of the product.

* Indicates a component that is not available as an individual part.

*** Indicates consult Customer Service Department for additional information.

ITEM	PART NO.	1 2 3 4 5	DESCRIPTION	QTY.
1	74612G01		REAR AXLE ASSEMBLY 14.76:1 (INCLUDES ITEMS 2 - 7).....	1
2	20377G12		AXLE SHAFT (PASSENGER SIDE).....	1
3	20377G11		AXLE SHAFT (DRIVER SIDE)	1
4	*		DIFFERENTIAL COVER	1
5	28610G01		FILL PLUG WITH 'O' RING	1
6	15558G1		BOLT, 5/16 - 18 X 3/4" LG	10
7	73050G01		VENT	1
8				
9				
10				
11	24261G1		SPLINE BUMPER.....	1
12	00797G2		BOLT, 1/4 - 20 X 1 1/4" LG.....	3
13	00664G7		LOCK WASHER, 1/4"	3
14	01110G01		FLAT WASHER, 1/4"	3
15	*		ANTI-SIEZE COMPOUND	AR

REAR SUSPENSION



REAR SUSPENSION

When ordering parts, please specify the model and serial number of the product.

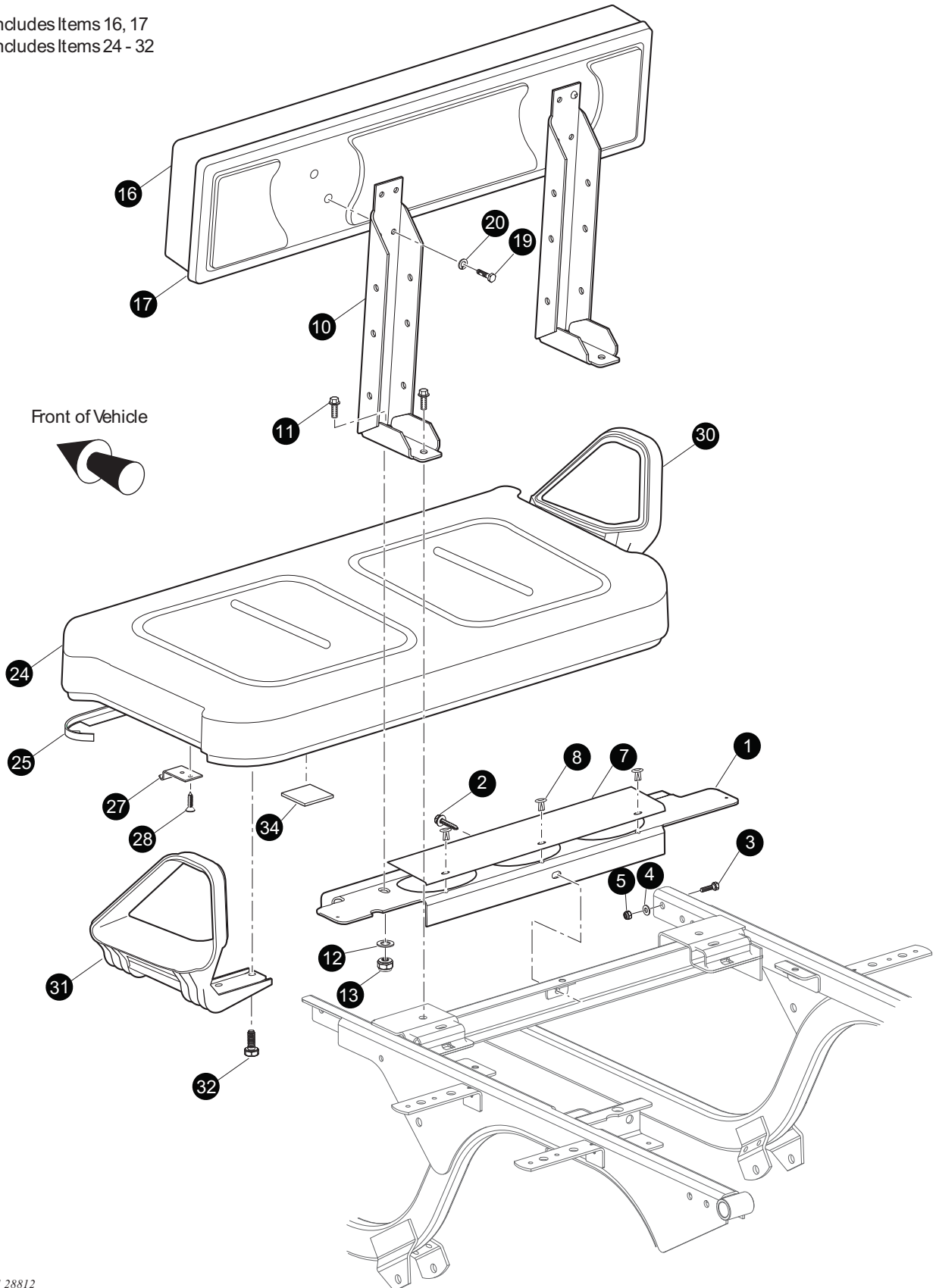
* Indicates a component that is not available as an individual part.

*** Indicates consult Customer Service Department for additional information.

ITEM	PART NO.	1 2 3 4 5	DESCRIPTION	QTY.
1	76418G1		SHOCK ABSORBER	2
2	10435G1		SHOCK ABSORBER WASHER.....	8
3	10194G1		RUBBER SHOCK ABSORBER BUSHING.....	8
4	00532G6		NUT, 3/8 - 24	4
5	10044G01		VINYL CAP	4
6	74207G3		LEAF SPRING	2
7	620740		LIFT BRACKET	2
8	00560G1		WASHER, 3/8"	16
9	11098G5		LOCK NUT, 3/8 - 16	8
10	00430G12		BOLT HEX HEAD, 3/8 - 16	8
11	70289G02		SPACER.....	4
12	70291G01		RUBBER BUSHING.....	12
13	70290G02		SHACKLE PLATE	4
14	00665G9		BOLT, 3/8 - 16 X 3 1/2" LG (STAINLESS STEEL)	4
15	11098G5		LOCK NUT, 3/8 - 16	4
16				
17	14158G1		SHOULDER BOLT, 3/8 - 16 X 3 1/4" LG.	2
18	12262G1		LOCK NUT, 3/8 - 16	2
19				
20	70492G01		RUBER BUMPER	2
21	00968G01		LOCK WASHER, M10.....	2
22	00974G01		NUT, M10 X 1.0.....	2
23	72360G02		MOUNTING PLATE, SHOCK DRIVER SIDE.....	1
24	72360G01		MOUNTING PLATE, SHOCK PASSENGER SIDE (NOT SHOWN)	1

SEATING

15 - Includes Items 16, 17
23 - Includes Items 24 - 32



Ref Sea 4-1 28812

When ordering parts, please specify the model and serial number of the product.

* Indicates a component that is not available as an individual part.

*** Indicates consult Customer Service Department for additional information.

ITEM	PART NO.	1 2 3 4 5	DESCRIPTION	QTY.
1	74971-G01		SEAT BACK SUPPORT	1
2	00715-G2		BOLT, 5/16 - 18 X 13/16" LG.....	1
3	00438-G8		BOLT, 5/16 - 18 X 3/4" LG.....	2
4	00642-G8		WASHER, 5/16"	2
5	11098-G6		LOCK NUT, 5/16 - 18	2
6				
7	71263-G01		ACCESS COVER.....	1
8	18436-G1		DRIVE RIVET.....	3
9				
10	75900-G02		SEAT BACK SUPPORT BRACKET	2
11	01006-G01		BOLT, 3/8 - 16 X 1 1/4" LG.....	4
12	00643-G1		WASHER, 3/8"	2
13	11098-G5		LOCK NUT, 3/8 - 16	2
14				
15	71274-G**		SEAT BACK ASSEMBLY (INCLUDES ITEMS 16, 17)	1
16	18144-G**		VINYL SEAT BACK COVER	1
17	74889-G01		PLASTIC SEAT BACK COVER (BLACK)	1
18				
19	605056		SCREW, HEX HEAD 1/4 - 20 X 1"W/PTCHLOC	4
20	00664-G7		LOCK WASHER, 1/4"	4
21				
22				
23	71611-G**		SEAT BOTTOM ASSEMBLY (INCLUDES ITEMS 24 - 32).....	1
24	71602-G**		VINYL SEAT BOTTOM COVER	1
25	71012-G01		VINYL TRIM (SEAT BOTTOM).....	1
26				
27	71610-G01		SEAT HINGE	2
28	00720-G08		SCREW, #12 - 14 X 1" LG.	6
29				

SEATING

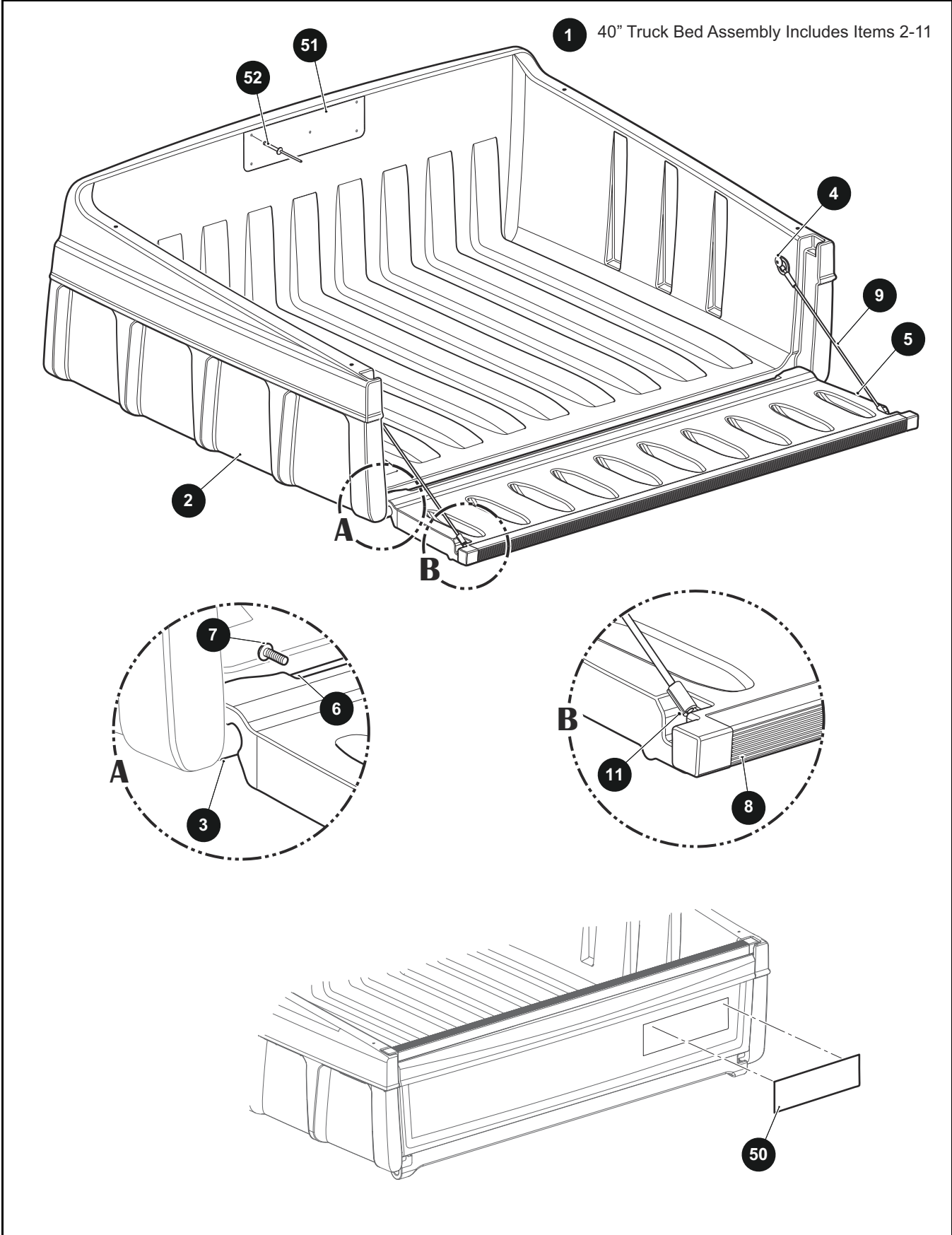
When ordering parts, please specify the model and serial number of the product.

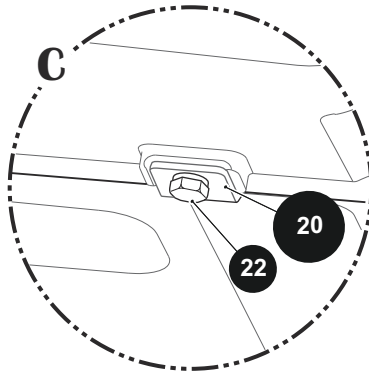
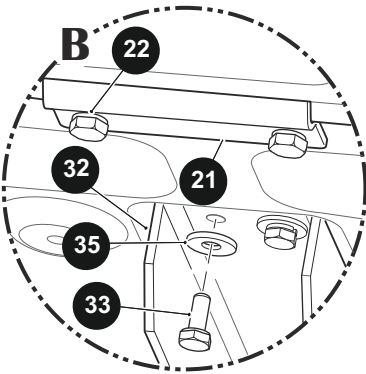
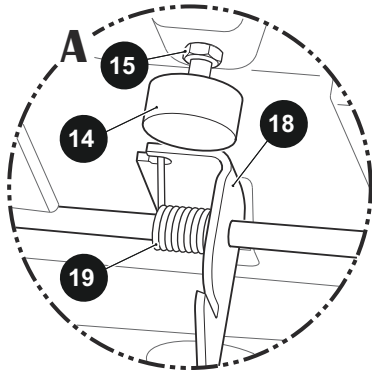
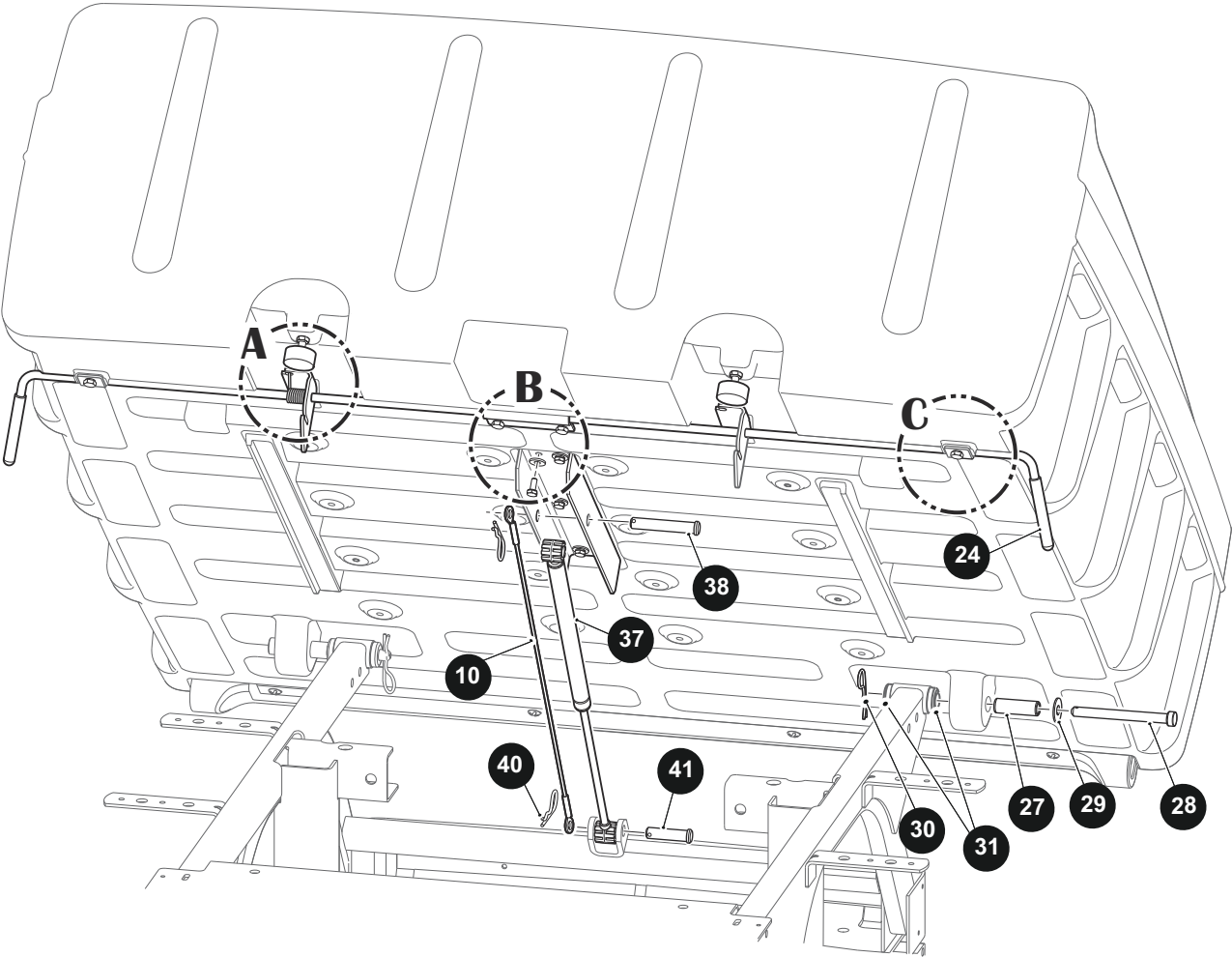
* Indicates a component that is not available as an individual part.

*** Indicates consult Customer Service Department for additional information.

ITEM	PART NO.	1	2	3	4	5	DESCRIPTION	QTY.
30	71701-G01						HIP RESTRAINT (PASSENGER SIDE).....	1
31	71702-G01						HIP RESTRAINT (DRIVER SIDE)	1
32	71204-G01						BOLT, 1/4 - 20 X 7/8" LG.	8
33								
34	17074-G1						BUMPER	2

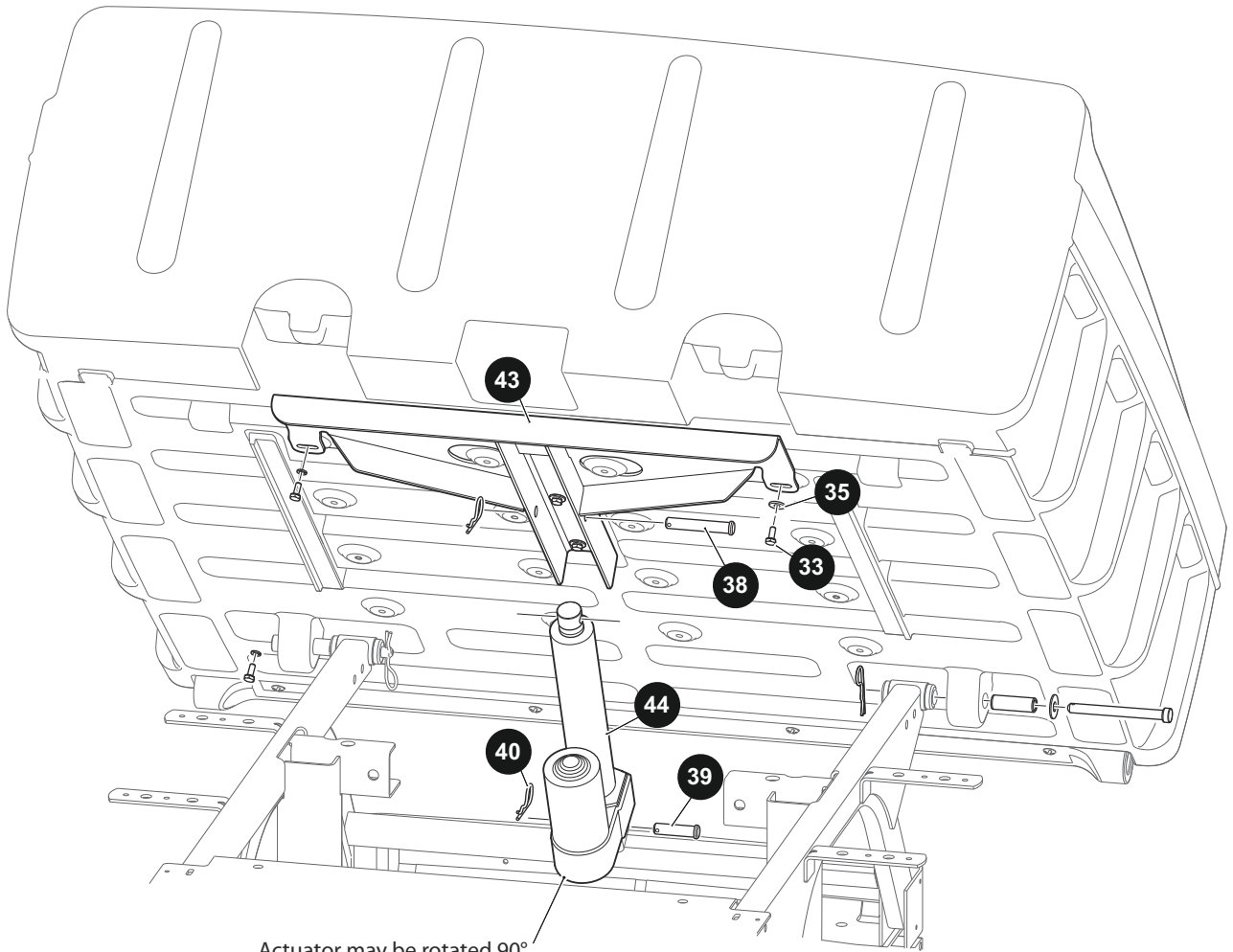
TRUCK BED - PLASTIC





Ref Tbp 21-2

TRUCK BED - PLASTIC



Actuator may be rotated 90°
on some models

Ref Tbp 21-3

TRUCK BED - METAL

When ordering parts, please specify the model and serial number of the product.

* Indicates a component that is not available as an individual part.

*** Indicates consult Customer Service Department for additional information.

ITEM	PART NO.	1 2 3 4 5	DESCRIPTION	QTY.
1	73451G01		BED ASSEMBLY, 40" (INCLUDES ITEMS 2 -11)	1
2	73447G01		PLASTIC BED, 40"	1
3	73454G01		PIVOT SHAFT	2
4	73460G01		SHOULDER BOLT, 1/4 - 20 X 3/4" LG	2
5	73448G01		TAILGATE	1
6	73450G01		BOWED ANGLE	1
7	16705G2		SCREW, 1/4 - 20 X 5/8" LG (STAINLESS STEEL)	4
8	73449G01		EXTRUSION CHANNEL	1
9	73455G01		TAILGATE CABLE	2
10	602904		BED TETHER CABLE ASSEMBLY	1
11	00415G2		SCREW, 1/4 - 20 X 5/8" LG (STAINLESS STEEL)	2
12				
13				
14	70113G01		ADJUSTABLE RUBBER BUMPER	2
15	11027G1		LOCK NUT, 5/16 - 18	2
16				
17				
18	74962G01		BED LATCH	1
19	71538G01		LATCH TORSION SPRING	1
20	71099G02		KEEPER PLATE	2
21	71477G02		RETAINER BRACKET	1
22	01118G01		SCREW, 1/4 - 20 X 5/8" LG	4
23				
24	71704G01		HANDLE GRIP	2
25				
26				
27	71570G01		BUSHING	2
28	71571G01		CLEVIS PIN	2
29	00571G5		WASHER, 1/2"	2
30	21683G1		COTTER PIN	2
31	70291G01		BUSHING	4

TRUCK BED - PLASTIC

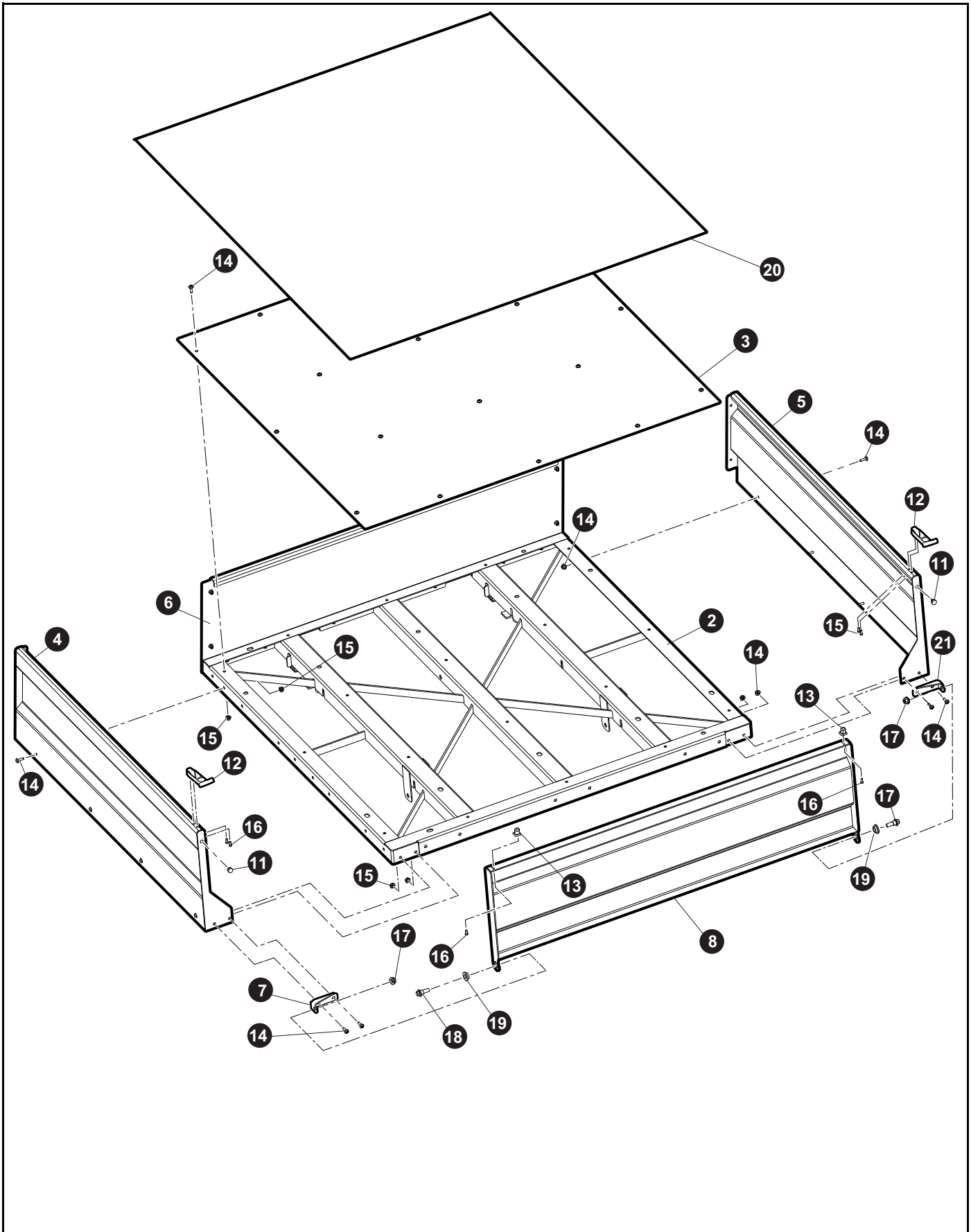
When ordering parts, please specify the model and serial number of the product.

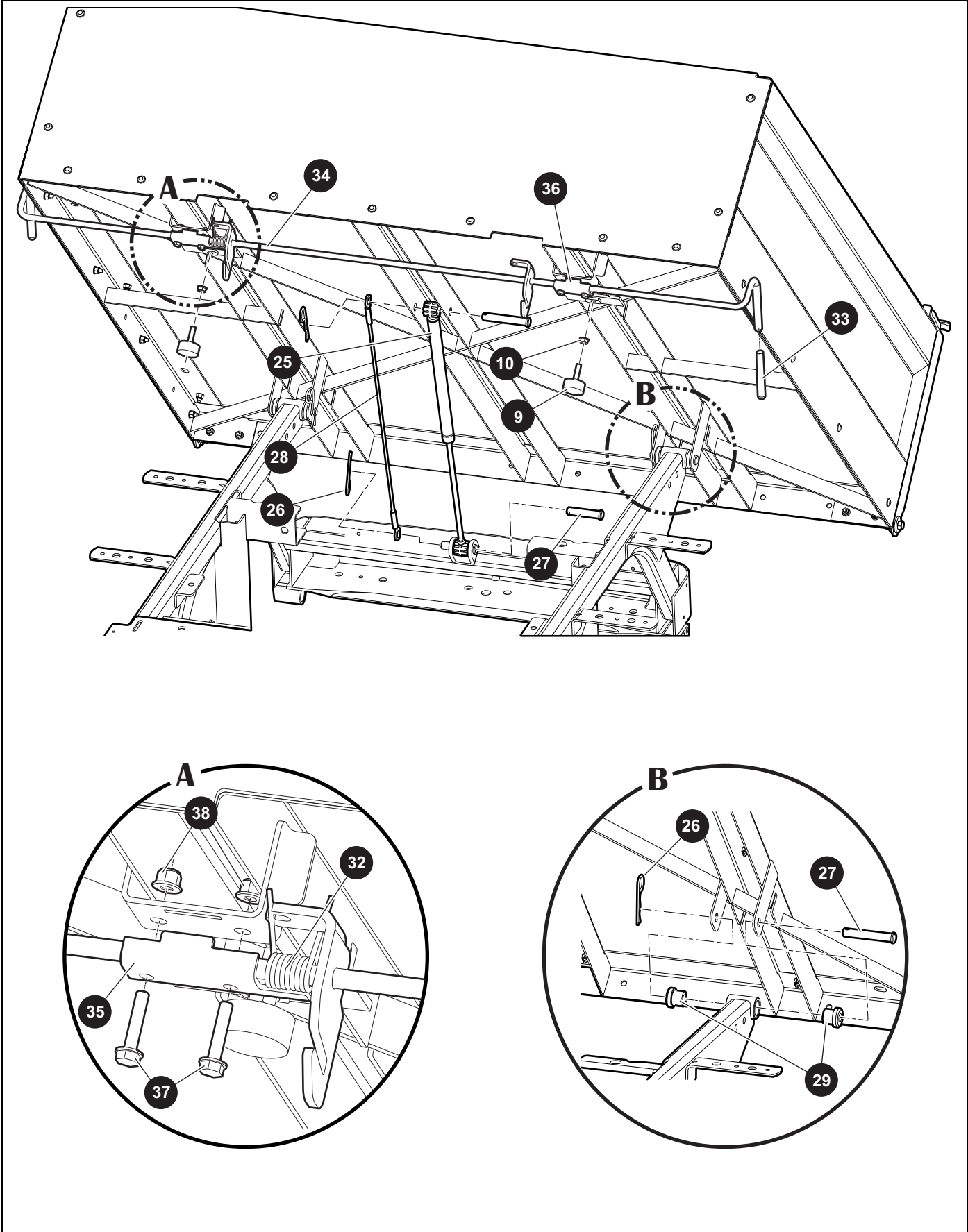
* Indicates a component that is not available as an individual part.

*** Indicates consult Customer Service Department for additional information.

ITEM	PART NO.	1 2 3 4 5	DESCRIPTION	QTY.
32	71569G02		SPRING CHANNEL.....	1
33	01118G01		SCREW, 1/4 - 20 X 5/8" LG.....	6
34				
35	00642G7		WASHER, 1/4".....	6
36				
37	71537G02		GAS SPRING	2
38	14443G10		CLEVIS PIN, 1/2" X 2 27/32" LG	2
39	14443G11		CLEVIS PIN, 1/2" X 1 3/4" LG	1
40	21683G1		COTTER PIN,	2
41	14443G12		CLEVIS PIN, 1/2" X 2 11/50"	1
42				
43	71547G02		OUTRIGGER CHANNEL.....	1
44	27612G02		ELECTRIC ACTUATOR, 12 VOLT, 1500 LBS.....	1
45				
46				
47				
48				
49				
50	606109		SERIAL PLATE.....	1
51	74821G01		LOAD BED DECAL	1
52	71055G01		RIVET	5
53				
54				
55				
56				
57				
58				
59				
60				

TRUCK BED - METAL





TRUCK BED - METAL

When ordering parts, please specify the model and serial number of the product.

* Indicates a component that is not available as an individual part.

*** Indicates consult Customer Service Department for additional information.

ITEM	PART NO.	1 2 3 4 5	DESCRIPTION	QTY.
1	615610		STEEL-ALLUMINIUM BED ASSEMBLY (INCLUDES ITEMS 1 -20)	1
2	614759		BED FRAME WELDMENT	1
3	615599		DECK PLATE STEEL BED	1
4	614799		SIDE PANEL LEFT HAND	1
5	614801		SIDE PANEL RIGHT HAND	1
6	620833		PANEL FRONT	1
7	614785		TAILGATE BRACKET LEFT HAND	1
8	614796		TAILGATE	1
9	70113G01		ADJUSTABLE RUBBER, BUMPER	2
10	11027G1		LOCK NUT FLANGED 5/16 -18	2
11	28083G01		BRAKE COMPENSATOR, BUMPER	2
12	612976		LATCH ASSEMBLY	2
13	612977		LATCH KEEPER	2
14	614781		SCREW M6 X 25	41
15	601476		LOCK NUT M6 - 1	41
16	612957		SCREW 10 - 24 X .500	6
17	606279		NUT M10 - 1.25	2
18	606235		BOLT M10 - 1.25 X 20	2
19	615048		BUSHING	2
20	615611		MAT	1
21	615092		TAILGATE BRACKET RIGHT HAND	1
22				
23				
24				
25	71537G02		GAS SPRING	1
26	21683G1		COTTER PIN	4
27	14443G12		CLEVIS PIN	4
28	602904		CABLE ASSEMBLY	1
29	70291G01		FLANGED BUSHING URETHANE	4
30				
31				

TRUCK BED - METAL

When ordering parts, please specify the model and serial number of the product.

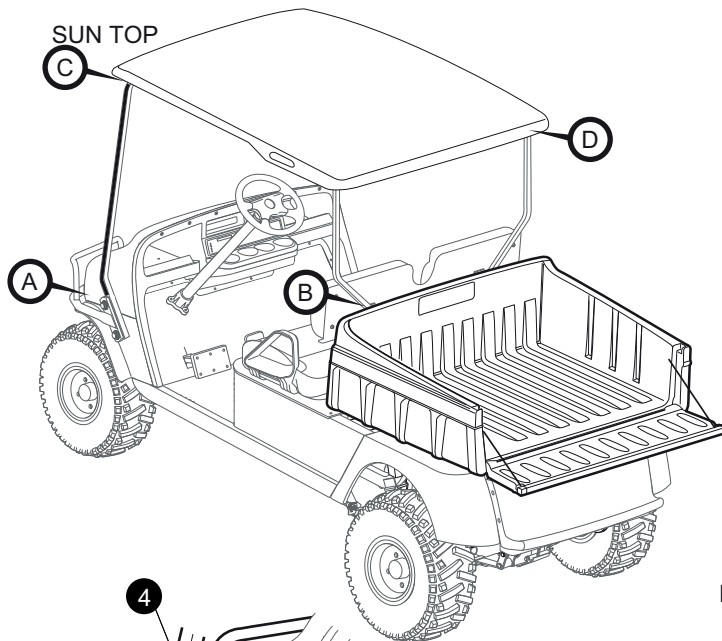
* Indicates a component that is not available as an individual part.

*** Indicates consult Customer Service Department for additional information.

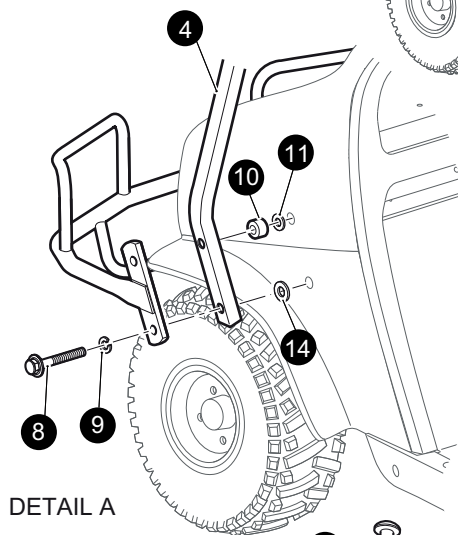
ITEM	PART NO.	1 2 3 4 5	DESCRIPTION	QTY.
32	71538G01		TORSION SPRING, BED LATCH	1
33	71704G01		HANDLE GRIP	2
34	607072		BED LATCH	1
35	614788		LATCH CLAMP RIGHT HAND	1
36	614789		LATCH CLAMP LEFT HAND	1
37	606421		BOLT M6 - 1 X 30	4
38	601476		LOCK NUT M6 - 1	4

WEATHER PROTECTION

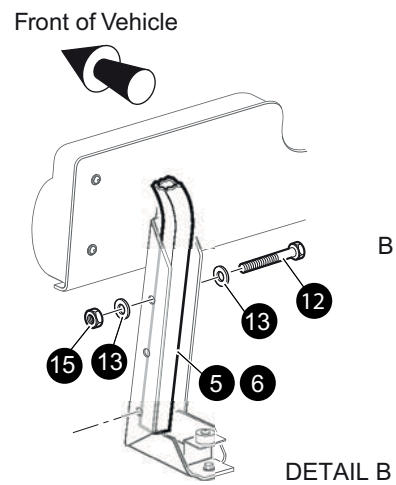
SUN TOP CAP (CAMO)



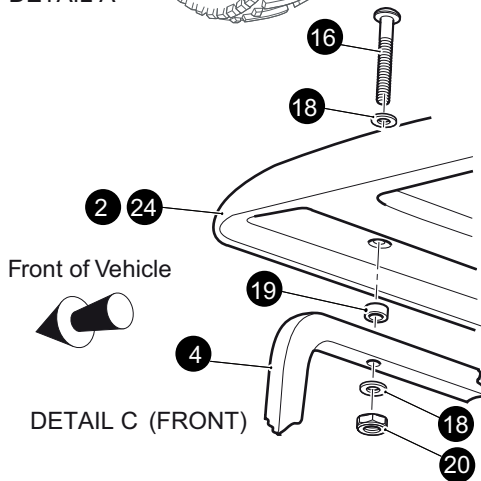
- 1 - Includes Items 2 - 21
- 3 - Includes Items 4 - 21
- 7 - Includes Items 8 - 21



DETAIL A

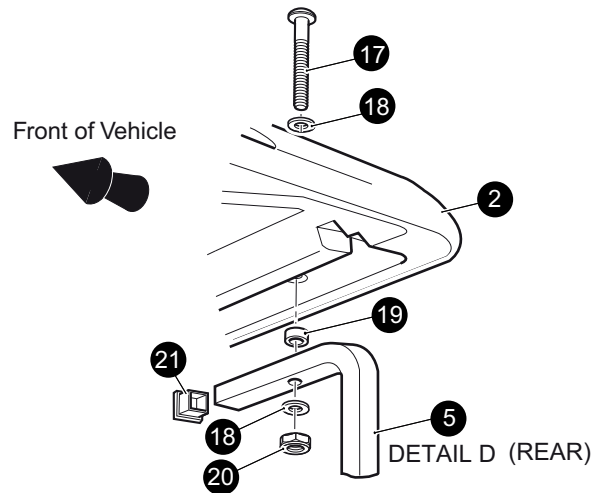


DETAIL B



Front of Vehicle

DETAIL C (FRONT)

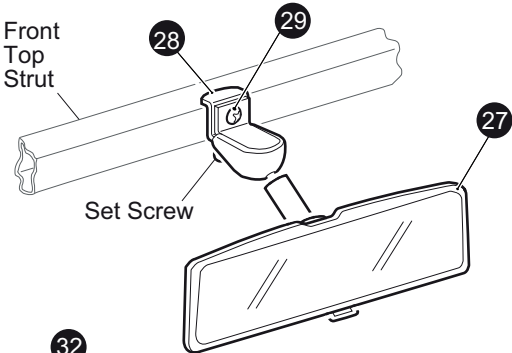


Front of Vehicle

DETAIL D (REAR)

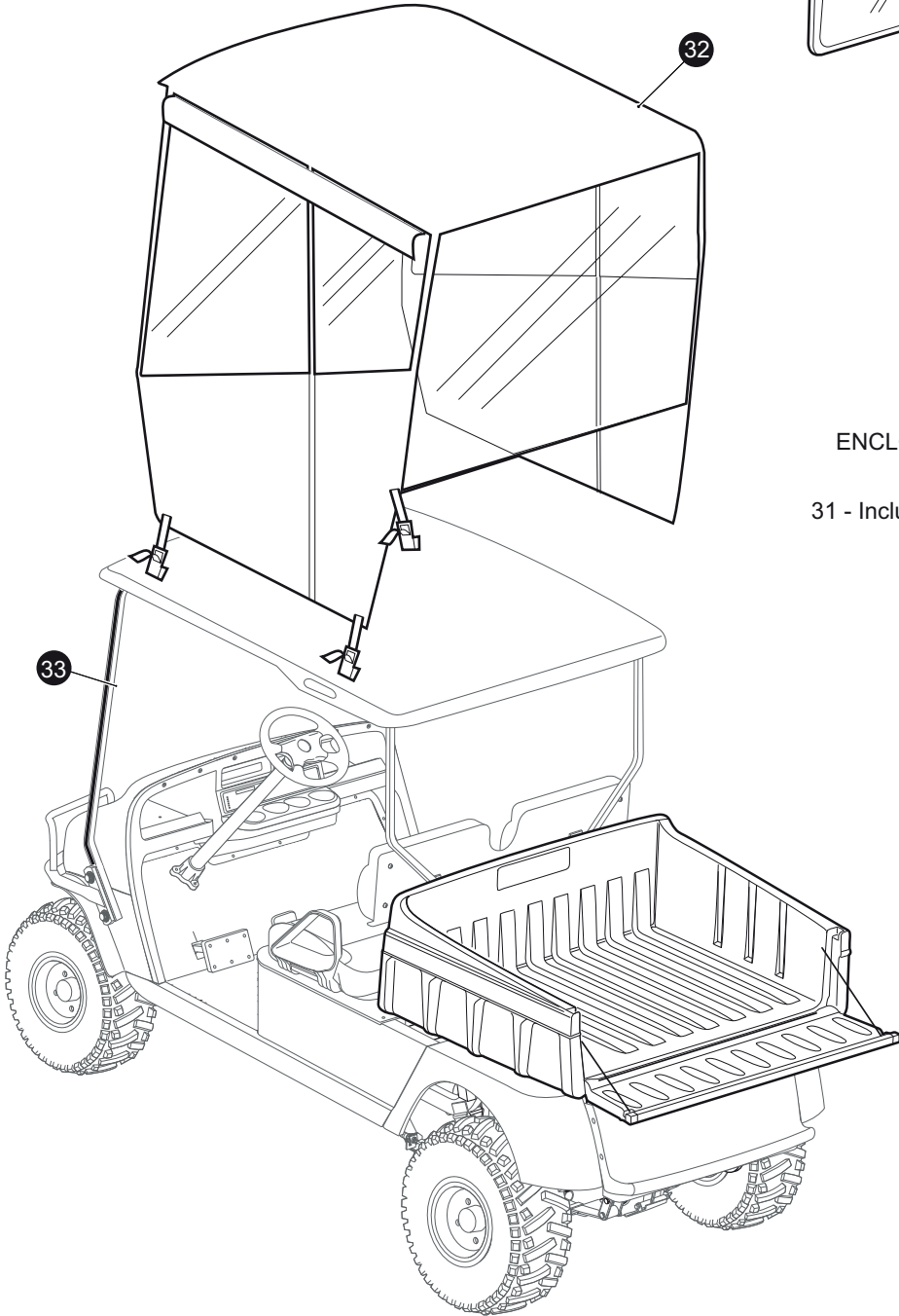
REAR VIEW MIRROR

26 - Includes Items 27 - 29



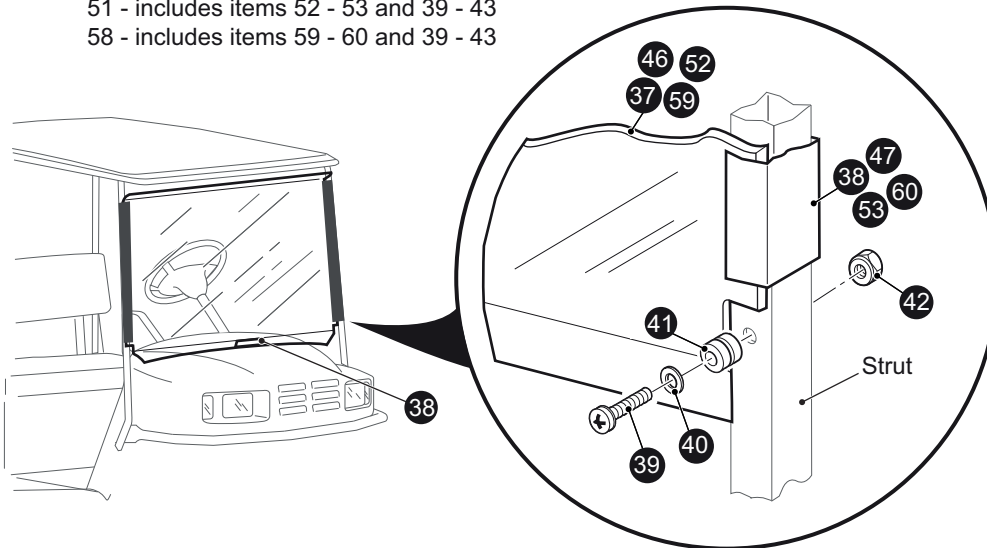
ENCLOSURE

31 - Includes Items 32, 33

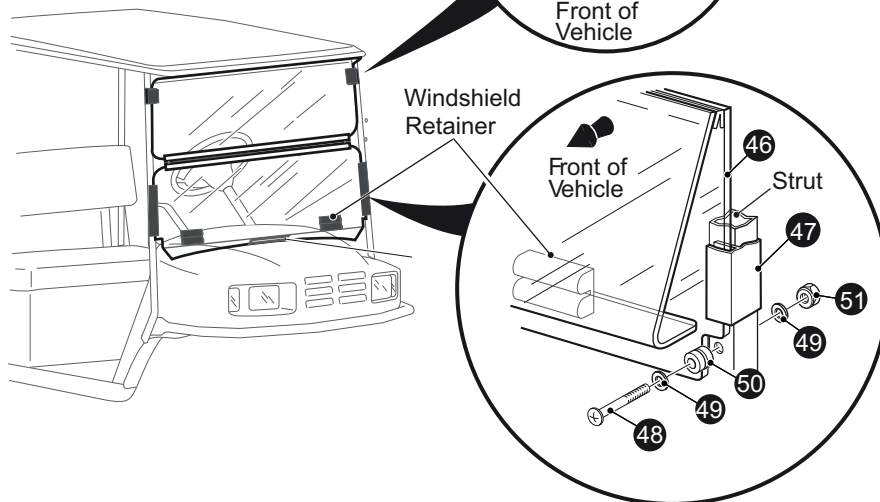
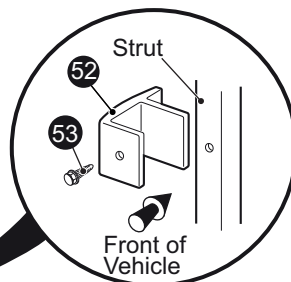


WEATHER PROTECTION

- 36 - includes items 37 - 43
- 45 - includes items 46 - 47 and 39 - 43
- 51 - includes items 52 - 53 and 39 - 43
- 58 - includes items 59 - 60 and 39 - 43



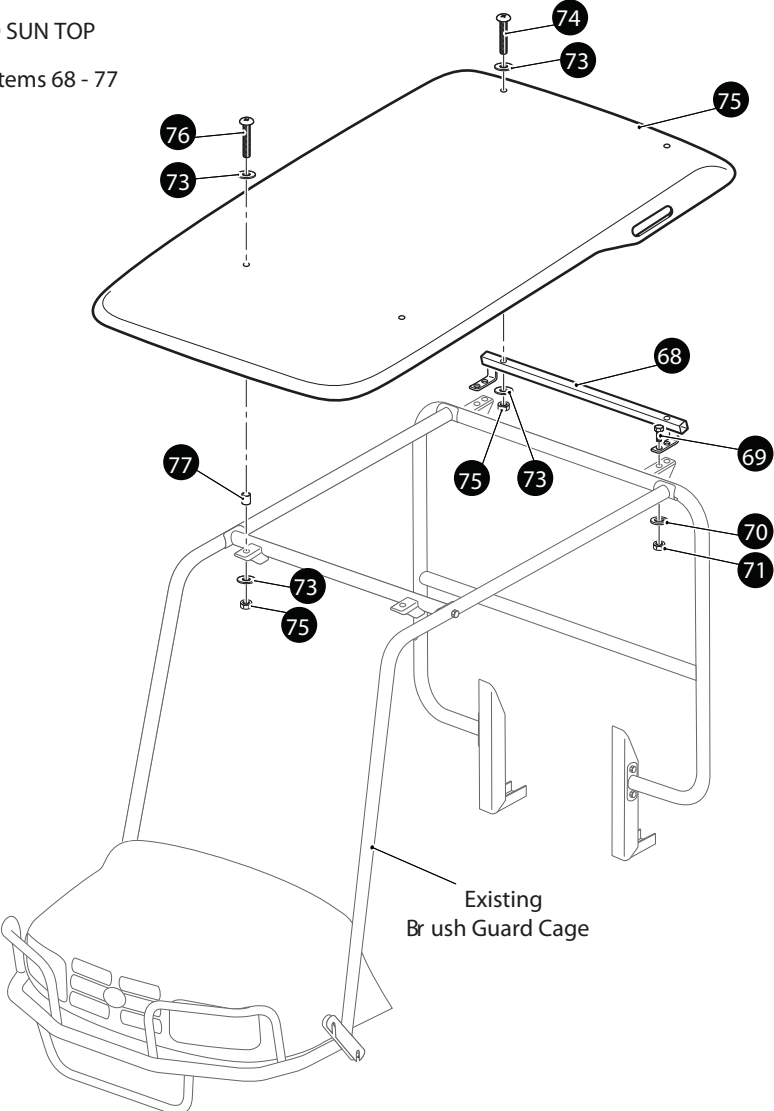
Front of Vehicle



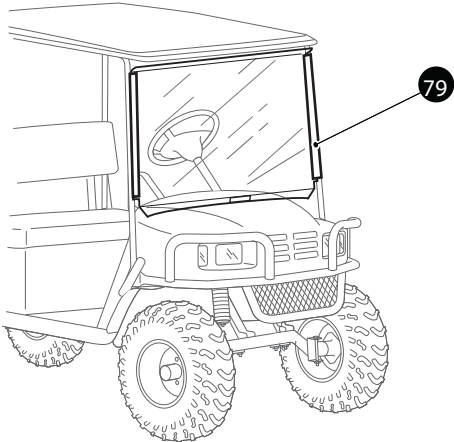
Front of Vehicle



BRUSHGUARD SUN TOP
67 - Includes Items 68 - 77



BRUSHGUARD WINDSHIELD



WEATHER PROTECTION

When ordering parts, please specify the model and serial number of the product.

* Indicates a component that is not available as an individual part.

*** Indicates consult Customer Service Department for additional information.

ITEM	PART NO.	1 2 3 4 5	DESCRIPTION	QTY.
1	75040G**		SUN TOP KIT (INCLUDES ITEMS 2 -21)	1
2	2706G0*		SUN TOP	1
3	75044G06		HARDWARE KIT (INCLUDES ITEMS 4 - 21)	1
4	75045G05		FRONT STRUT	1
5	75838G03		REAR STRUT (DRIVER SIDE)	1
6	7583-G04		REAR STRUT (PASSENGER SIDE).....	1
7	7546-G01		FASTENING HARDWARE KIT (INCLUDES ITEMS 8 - 21)	1
8	00440G2		HEX HEAD BOLT, 5/16 - 18 X 2 1/4" LG	4
9	00905G8		LOCK WASHER, 5/16"	4
10	75048G01		SPACER, 1/2"	2
11	00570G2		FLAT WASHER, 5/16"	6
12	00685G7		HEX HEAD BOLT, 5/16 - 18 X 1 3/4" LG	4
13	01110G03		FLAT WASHER, 5/16"	8
14	00559G08		FLAT WASHER 5/6"	4
15	11099G06		LOCK NUT (PLASTIC).....	4
16	00753G5		MACHINE TRUSS HEAD PHILLIP SCREW, 1/4 - 20 X 2" LG	2
17	00753G6		MACHINE TRUSS HEAD PHILLIP SCREW, 1/4 - 20 X 2 1/4" LG	2
18	01110G01		FLAT WASHER, 1/4"	8
19	75051G01		PLASTIC SPACER.....	4
20	00891G2		LOCK NUT, 1/4 - 20	4
21	19853G1		END CAP, 1"	2
22				
23				
24				
25				
26	19528G2		REAR VIEW MIRROR KIT (INCLUDES ITEMS 27 - 29)	1
27	19496G1		REAR VIEW MIRROR	1
28	19502G2		SUPPORT BRACKET.....	1
29	19527G1		PAN HEAD SCREW, #8 - 32 X 5/8" LG	1
30				
31	75367G**		3 SIDED SOFT ENCLOSURE KIT (INCLUDES ITEMS 32 - 33)	1

WEATHER PROTECTION

When ordering parts, please specify the model and serial number of the product.

* Indicates a component that is not available as an individual part.

*** Indicates consult Customer Service Department for additional information.

ITEM	PART NO.	1 2 3 4 5	DESCRIPTION	QTY.
32	*		ENCLOSURE	1
33	*		VELCRO	AR
34				
35				
36	71966G01		WINDSHIELD KIT (FULL)(REQUIRES SUN TOP KIT) (INCLUDES ITEMS 37- 43).....	1
37	71954G01		WINDSHIELD (FULL) (LEXAN).....	1
38	75528G01		SASH, 26" LG.....	2
39	71956G03		SCREW, 1/4 - 20 X 1 3/4" LG (STAINLESS STEEL)	2
40	71956G04		WASHER, 1/4" (STAINLESS STEEL)	4
41	71956G06		RUBBER GROMMET	2
42	71956G05		LOCK NUT, 1/4 - 20 (STAINLESS STEEL)	2
43	71963G01		SAFETY LABEL (NOT ILLUSTRATED)	1
44				
45	71966G02		WINDSHIELD KIT (FOLD DOWN) (REQUIRES SUN TOP KIT) (INCLUDES ITEMS 46 - 47 AND 39 - 43).....	1
46	623903		FLIP WINDSHIELD (LEXAN)	1
47	75528G02		SASH, 12" LG.....	2
48				
49				
50				
51	71966G03		WINDSHIELD KIT (FULL) (REQUIRES SUN TOP KIT) (INCLUDES ITEMS 52 - 53 AND 39 - 43).....	1
52	71960G01		WINDSHIELD (FULL).....	1
53	75528G01		SASH, 26" LG.....	2
54				
55				
56				
57				
58	71966G04		WINDSHIELD KIT (FOLD DOWN)(REQUIRES SUN TOP KIT) (INCLUDES ITEMS 59 - 60 AND 39 - 43).....	1
59	617544		SPORT WINDSHIELD.....	1
60	75528G02		SASH, 12" LG	2

WEATHER PROTECTION

When ordering parts, please specify the model and serial number of the product.

* Indicates a component that is not available as an individual part.

*** Indicates consult Customer Service Department for additional information.

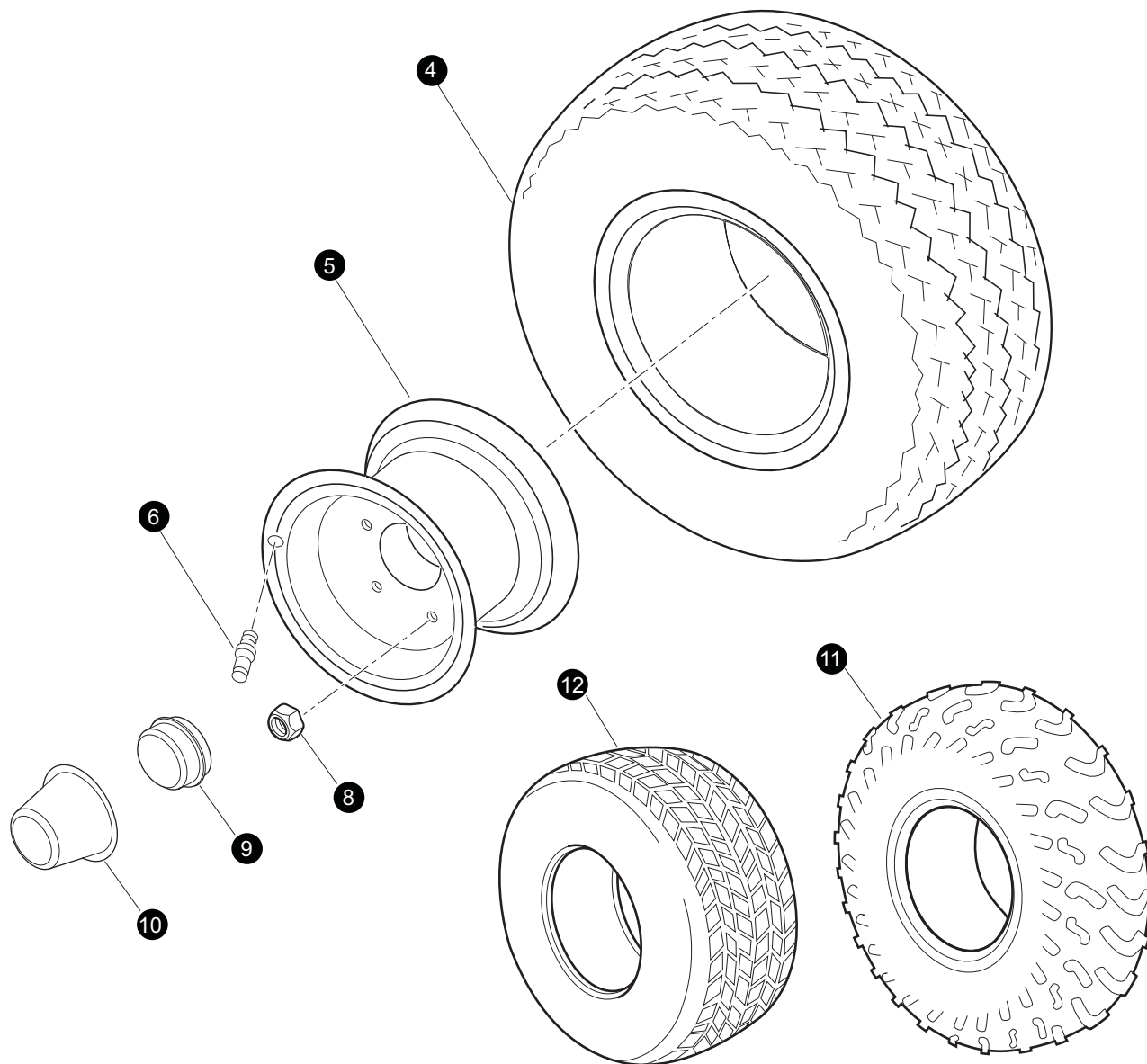
ITEM	PART NO.	1	2	3	4	5	DESCRIPTION	QTY.
61								
62								
63								
64								
65								
66								
67	74496G04						SUN TOP KIT (WITH BRUSH GUARD) (INCLUDES ITEMS 68 - 77)	1
68	74466G03						MOUNTING BRACKET.....	1
69	00270G5						HEX HEAD BOLT, 5/16 - 18 X 5/8" LG	4
70	00565G8						LOCK WASHER, 5/16"	4
71	00532G3						HEX NUT, 5/16 - 18.....	4
72	74497G01						SUN TOP	1
73	00559G7						FLAT WASHER, 1/4"	8
74	00753G6						MACHINE TRUSS HEAD PHILIP SCREW, 1/4 - 20 X 2 1/4" LG	2
75	00891G2						LOCK NUT, 1/4 - 20 (STAINLESS STEEL).....	4
76	00753G7						MACHINE TRUSS HEAD PHILIP SCREW, 1/4 - 20 X 2 1/2" LG	2
77	74469G01						SPACER.....	2
78								
79	74542G01						WINDSHIELD KIT (WITH BRUSH GUARD) (Replacement Parts available from Eagle Parts, 706-790-6687)	1

WHEELS AND TIRES

1 - Includes Items 4, 5, 6

2 - Includes Items 4, 5, 6

(Style of tire may differ from tire shown)



WHEELS AND TIRES

When ordering parts, please specify the model and serial number of the product.

* Indicates a component that is not available as an individual part.

*** Indicates consult Customer Service Department for additional information.

ITEM	PART NO.	1 2 3 4 5	DESCRIPTION	QTY.
1	28630-G04		TIRE & WHEEL ASSEMBLY (DRIVER SIDE) (INCLUDES ITEM 4, 5, 6)	1
2	28630-G05		TIRE & WHEEL ASSEMBLY (PASSENGER SIDE) (INCLUDES ITEM 4, 5, 6)	1
3				
4	28630-G01		TIRE, 22 X 9 - 10	1
5	15172-G02		WHEEL RIM (4 LUG)	1
6	11657-G1		VALVE STEM.....	1
7				
8	14723-G1		LUG NUT, 1/2-20.....	A/R
9	12091-G2		SPINDLE CAP	1
10	74175-G1		DUST CAP	1
11	605624		TIRE, 20 X 10 - 10 TURF SAVER (OPTIONAL)	1
12	607253		TIRE, 22 X 11 - 10 TERRA TRAC (OPTIONAL)	1

SPECIALTY PRODUCTS

SPECIALTY PRODUCTS

SPECIALTY PRODUCTS

SPECIAL TOOLS	PART NO.
BATTERY MAINTENANCE KIT	25587-G01
SEAL INSTALLATION TOOL (REAR AXLE SHAFT SEAL)	18739-G1
BATTERY SET DISCHARGER, 36 VOLT, 75 AMP	28251-G01
CURRENT INDICATOR	16489-G2
DIGITAL MULTI-METER	27481-G01
CRIMPING TOOL	27765-G01
SLIDE HAMMER (AXLE/HUB REMOVAL)	15947-G1
SLIDE HAMMER (AXLE REMOVAL ONLY)	18753-G1

TOUCH UP PAINT	PART NO.
PEN 3 OUNCE (89 ML) - HUNTER GREEN	28432-G02
PEN 3 OUNCE (89 ML) - CHAMPAGNE BEIGE	28432-G01
PEN 3 OUNCE (89 ML) - WHITE	28432-G05
PEN 3 OUNCE (89 ML) - INDUSTRIAL YELLOW	28432-G03
PEN 3 OUNCE (89 ML) - ORANGE	28432-G04
PEN 3 OUNCE (89 ML) - STEEL BLUE PEARL	28432-G**
PEN 3 OUNCE (89 ML) - CAMOUFLAGE PAINT (THREE PENS)	75831-G01
AEROSOL 12 OUNCE (360 ML) - HUNTER GREEN	28140-G09
AEROSOL 12 OUNCE (360 ML) - CHAMPAGNE BEIGE	28140-G15
AEROSOL 12 OUNCE (360 ML) - WHITE	28140-G03
AEROSOL 12 OUNCE (360 ML) - INDUSTRIAL YELLOW	28140-G14
AEROSOL 12 OUNCE (360 ML) - ORANGE	28140-G13
AEROSOL 12 OUNCE (360 ML) - STEEL BLUE PEARL	28140-G**

MAINTENANCE PRODUCTS	PART NO.
FORMULA 40 VINYL-COAT [®] - WHITE	28166-G01
PLEXUS [®] CLEANER, 7 OUNCE (210 ML) (FOR WINDSHIELDS)	28433-G01
PLEXUS [®] CLEANER, 13 OUNCE (380 ML) (FOR WINDSHIELDS)	28433-G02
BATTERY PROTECTOR, 14 OUNCE (410 ML) SPRAY	75500-G01
WHITE LITHIUM GREASE, 14 OUNCE (410 ML) SPRAY	75502-G01
PENETRANT/LUBRICANT, 15 OUNCE (440 ML) SPRAY	75503-G01
MULTI-PURPOSE CLEANER & DEGREASER, 14 OUNCE (410 ML) SPRAY	75504-G01
MULTI-PURPOSE HAND CLEANER, 32 OUNCE (950 ML) LIQUID	75505-G01

SPECIALTY PRODUCTS

BATTERY CLEANER, 32 OUNCE (950 ML) WITH TRIGGER SPRAYER	75506-G01
BIO-DEGRADABLE CLEANER, 32 OUNCE (950 ML) WITH TRIGGER SPRAYER	75507-G01
MULTI-PURPOSE VALUE PACK.....	75508-G01
• BATTERY PROTECTOR, 4 OUNCE (120 ML) SPRAY	
• PENETRANT/LUBRICANT, 4 OUNCE (120 ML) SPRAY	
• WHITE LITHIUM GREASE, 4 OUNCE (120 ML) SPRAY	
• CARBURETOR & CHOKE CLEANER, 4 OUNCE (120 ML) SPRAY	

OPTIONS/ACCESSORIES

OPTIONS/ACCESSORIES

ITEM	KIT NO.	COMMENTS
ACCESSORIES LISTING		
	KIT NO.	
ASHTRAY KIT	75109-G04	See BODY
BALL HITCH KIT	74492-G01	See BODY
CLEVIS HITCH KIT	74492-G05	See BODY
DEFROSTER/COOLING FAN	74248-G01	See CAB
DOOR SET	75856-G0*	See CAB
DOOR SET (VINYL)	75855-G01	See CAB
ELECTRIC DUMP KIT	74658-G05	See TRUCKBED
GLOVE BOX DOOR	75456-G0*	See BODY
HOUR METER KIT	74914-G02	See ELECTRICAL SYSTEM
INSIDE MIRROR	27924-G01	See WEATHER PROTECTION
INSTRUMENT/SWITCH PANEL	74250-G01	See CAB
REAR VIEW MIRROR KIT	19528-G2	See WEATHER PROTECTION
SOFT ENCLOSURE	75367-G**	See WEATHER PROTECTION
STEEL CAB, W/O DOORS	72684-G0*	See CAB
STROBE LIGHT	74245-G01	See CAB
SUN TOP KIT	75040-G**	See WEATHER PROTECTION
TURN SIGNAL KIT	606933	See ELECTRICAL SYSTEM
WINDSHIELDS	71966-G0*	See WEATHER PROTECTION
WINDSHIELD WIPER	74244-G01	See CAB
WORK LIGHTS	74247-G01	See CAB
WORK LIGHT BAR WITH LIGHTS	71323-G04	See ELECTRICAL SYSTEM
WORK LIGHT BAR WITH STROBE	71323-G05	See ELECTRICAL SYSTEM
WORK LIGHT BAR WITH LIGHTS AND STROBE	71323-G06	See ELECTRICAL SYSTEM



A Textron Company

E-Z-GO Division of Textron Inc.,
1451 Marvin Griffin Road, Augusta, Georgia 30906 - 3852 USA

TO CONTACT US...

North America:

**Technical Assistance & Warranty
Service Parts**

Phone: 1-800-774-3946, FAX: 1-800-448-8124

Phone: 1-888-GET-E-Z-GO (1-888-438-3946), FAX: 1-800-752-6175

International:

Phone: 001-706-798-4311, FAX: 001-706-771-4609

ISO 9001
ISO 14001

BUREAU VERITAS
Certification



Copyrighted Material
This manual may not be reproduced in whole or
in part without the express permission of
E-Z-GO Division of Textron Inc.
Technical Communications Department