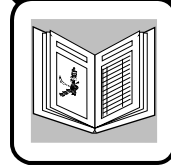


611856



A Textron Company



SERVICE PARTS MANUAL



GASOLINE POWERED PERSONNEL CARRIERS

ISSUED JANUARY 2009

REVISED MARCH 2012

SERVICE PARTS MANUAL

GASOLINE POWERED PERSONNEL CARRIERS AND GOLF CARS

ST SHUTTLE 4

ST SHUTTLE 6

STARTING MODEL YEAR 2009

DISCLAIMER: The E-Z-GO Division of Textron Inc. reserves the right to incorporate engineering and design changes to products in this Manual, without obligation to include these changes on units leased/sold previously.

The information contained in this Manual may be revised periodically by the E-Z-GO Division, and therefore is subject to change without notice.

The E-Z-GO Division **DISCLAIMS LIABILITY FOR ERRORS IN THIS MANUAL**, and the E-Z-GO Division **SPECIFICALLY DISCLAIMS LIABILITY FOR INCIDENTAL AND CONSEQUENTIAL DAMAGES** resulting from the use of the information and materials in this Manual.

CUSTOMER SERVICE DEPARTMENT IN USA PHONE: 1-800-241-5855 FAX: 1-800-448-8124

OUTSIDE USA PHONE: 001-706-798-4311, FAX: 001-706-771-4609

E-Z-GO DIVISION OF TEXTRON, INC., MARVIN GRIFFIN RD., AUGUSTA, GEORGIA USA 30906

NOTES

To obtain a copy of the limited warranty applicable to the vehicle, call or write a local Distributor, authorized Branch or the Warranty Department with vehicle serial number and manufacturer code.

The use of non Original Equipment Manufacturer (OEM) parts may void the warranty.

Overfilling of batteries may void the warranty.

BATTERY PROLONGED STORAGE

All batteries will self discharge over time. The rate of self discharge varies depending on the ambient temperature and the age and condition of the batteries.

A fully charged battery will not freeze in winter temperatures unless the temperature falls below -75° F (-60° C).

As with all electric vehicles, the batteries must be checked and recharged as required or at a minimum of 30 day intervals.

TABLE OF CONTENTS

SECTION	Page No.
HOW TO USE THE SERVICE PARTS MANUAL	V
ACCELERATOR	A-1
• Pedal Cover	
• Pedal Box Assembly	
• Accelerator Pedal Assembly	
AIR FILTER	B-1
• Air Cleaner Element	
• Air Filter Housing	
• Air Cleaner Hose	
BODY	C-1
• Front Bumper	
• Front Splash Shield	
• Cowl	
• Instrument Panel	
• Rocker Panels	
• Rear Body	
• Seat Support	
BRAKES - MECHANICAL	D-1
• Brake Pedal Pad	
• Brake Pedal	
• Brake Cable	
• Brake Drum Assembly	
CARBURETOR	E-1
• Carburetor	
• Main Jet	
• Choke Cable	
CLUTCH	F-1
• Drive Clutch	
• Driven Clutch	
DIRECTION SELECTOR	G-1
• Push/Pull Shifter Cable	
• Compression Spring	
• Neutral Lock Bracket	
ELECTRICAL SYSTEM	H-1
• Main Harness	
• Battery	
• Hour Meter	
• Ground Cable	
• Turn Signal	
• Headlight	
• Key Switch	
• Tail Lights	
ENGINE AND MUFFLER	J-1
• Engine	
• Muffler	
• Oil Dip Stick	
• Oil Filter	

TABLE OF CONTENTS

SECTION	Page No.
ENGINE MOUNTING	K-1
• Engine Pan Mount	
• Front Engine Mount	
FRONT SUSPENSION AND STEERING	L-1
• Strut	
• Spindle	
• Steering Box	
• Steering Column	
• Steering Wheel	
FUEL SYSTEM	M-1
• Fuel Tank	
• Pulse Line	
REAR AXLE	N-1
• Axle Shaft	
• Axle Tube	
• Oil Check Plug	
REAR SUSPENSION	P-1
• Shocks	
• Leaf Spring	
• Shackles	
SEATING -	Q-1
• Seat Bottom	
• Seat Back	
• Hip Restraints	
• Seat Back Support	
• Seat Bottom, Rear Facing Seat	
STARTER / GENERATOR	R-1
• Starter	
• Starter Belt	
• Starter Tensioner	
CARGO BED	S-1
• WOOD STAKE	
• PLASTIC BED	
WEATHER PROTECTION	T-1
• Sun Top	
• Windshield	
WHEELS AND TIRES	U-1
• Tire & Wheel Assembly	
• Lug Nuts	
SPECIALTY PRODUCT	APPENDIX A-1
OPTIONS/ACCESSORIES	APPENDIX B-1

HOW TO USE THE SERVICE PARTS MANUAL

This manual is divided into several sections:

GENERAL INFORMATION

- TABLE OF CONTENTS
- HOW TO USE THE SERVICE PARTS MANUAL

ILLUSTRATED PARTS BREAKDOWN

- Contains illustrations and parts lists for all systems of the vehicle.

USE OF THE MANUAL

To use this manual, consult the TABLE OF CONTENTS (page iii) to locate the information or illustration required.

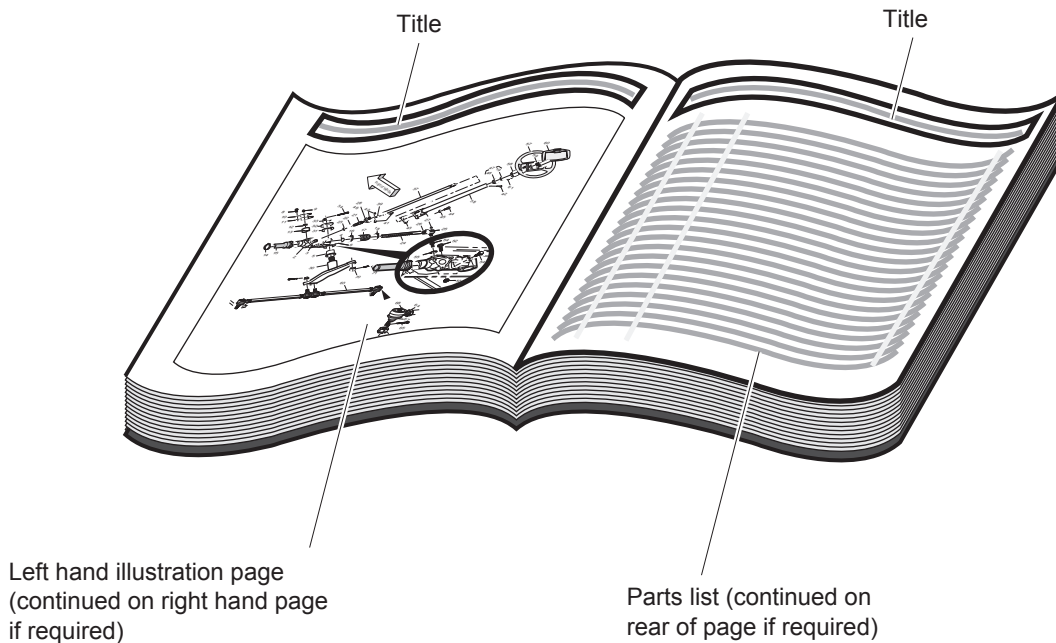
Introduction of some revisions varies due to supply of components; therefore, it is possible that various combinations of components may be found that are not directly reflected by each illustration. Consult the illustration that best suits your situation. Locate the serial number. It is important that the serial number of your vehicle and its model number be supplied to Service Parts when ordering any replacement components.

SERIAL NUMBER LOCATION

Three serial number and manufacture date code labels are on the vehicle. One is placed on the steering column, the second is located on the frame member under the front splash shield on the driver side and the third is located on the passenger side frame rail at the rear of the vehicle.

In order to obtain correct components for the vehicle, the manufacture date code, serial number and vehicle model must be provided when ordering service parts.

HOW TO USE THE SERVICE PARTS MANUAL



1. WHEN THE PART NUMBER IS NOT KNOWN

- Determine the function and application of the part required. Turn to the TABLE OF CONTENTS and select the most appropriate component description.
- Turn to the page number indicated and locate the part description in the parts list. Read the full accompanying description for specific information regarding the part that was not shown in the index.
- From the parts list, obtain the item number assigned to it and confirm that the part selected is correct by verifying it with the pictorial representation on the illustrated page.

Should an asterisk (*) appear in the part number column on the parts list page, read upwards until a part number is found. The part number is the lowest assembly sold by Service Parts. The asterisk (*) indicates that the part depicted is not available for purchase.

NOTE: Descriptions are indented under the assembly that they are used on. That assembly is, in turn listed under the assembly that it is used on. This process is repeated until the highest final assembly is reached.

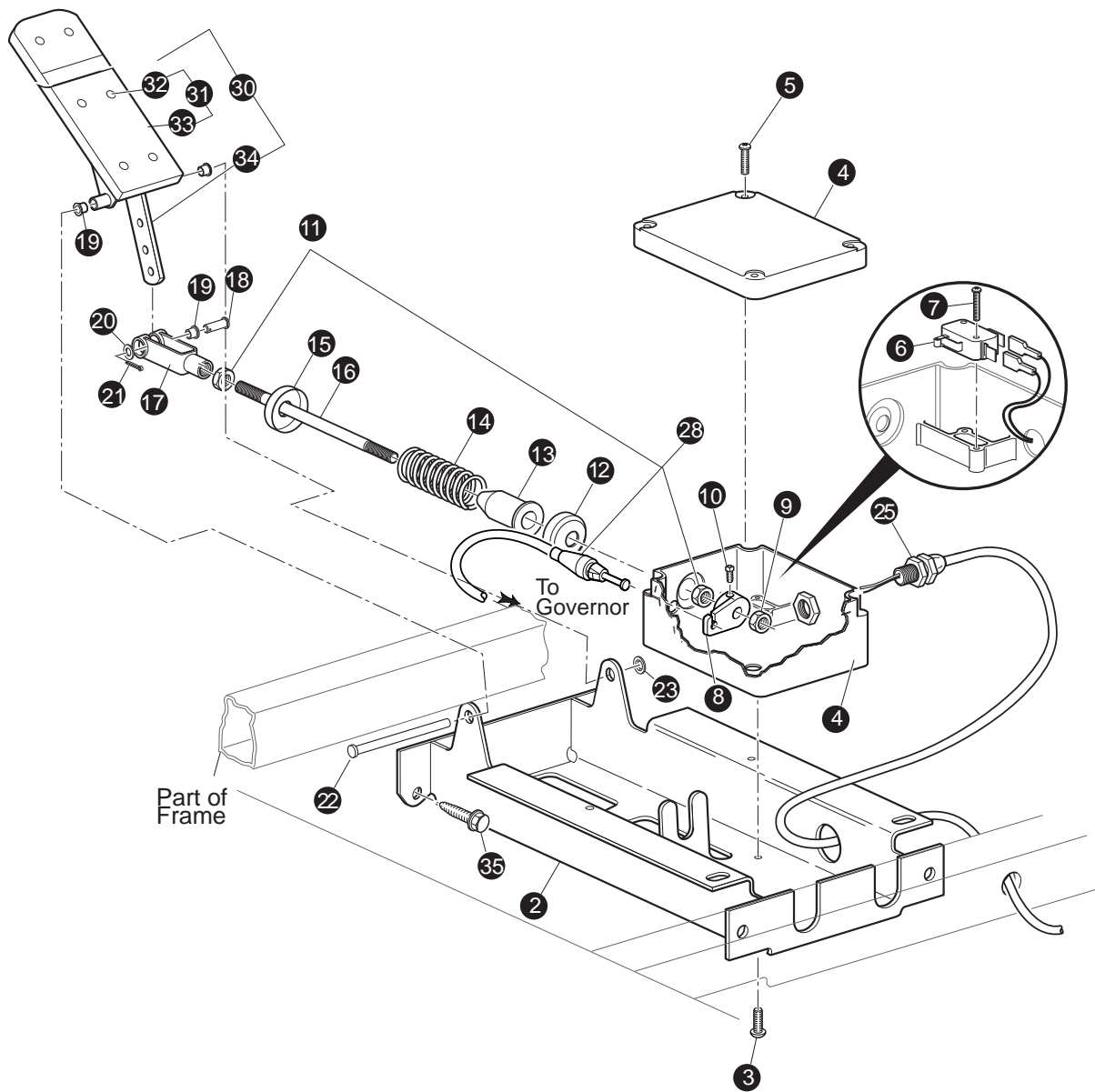
To facilitate the maintenance and repair of the vehicle, a Technician's Repair and Service Manual is available from the Service Parts Department.

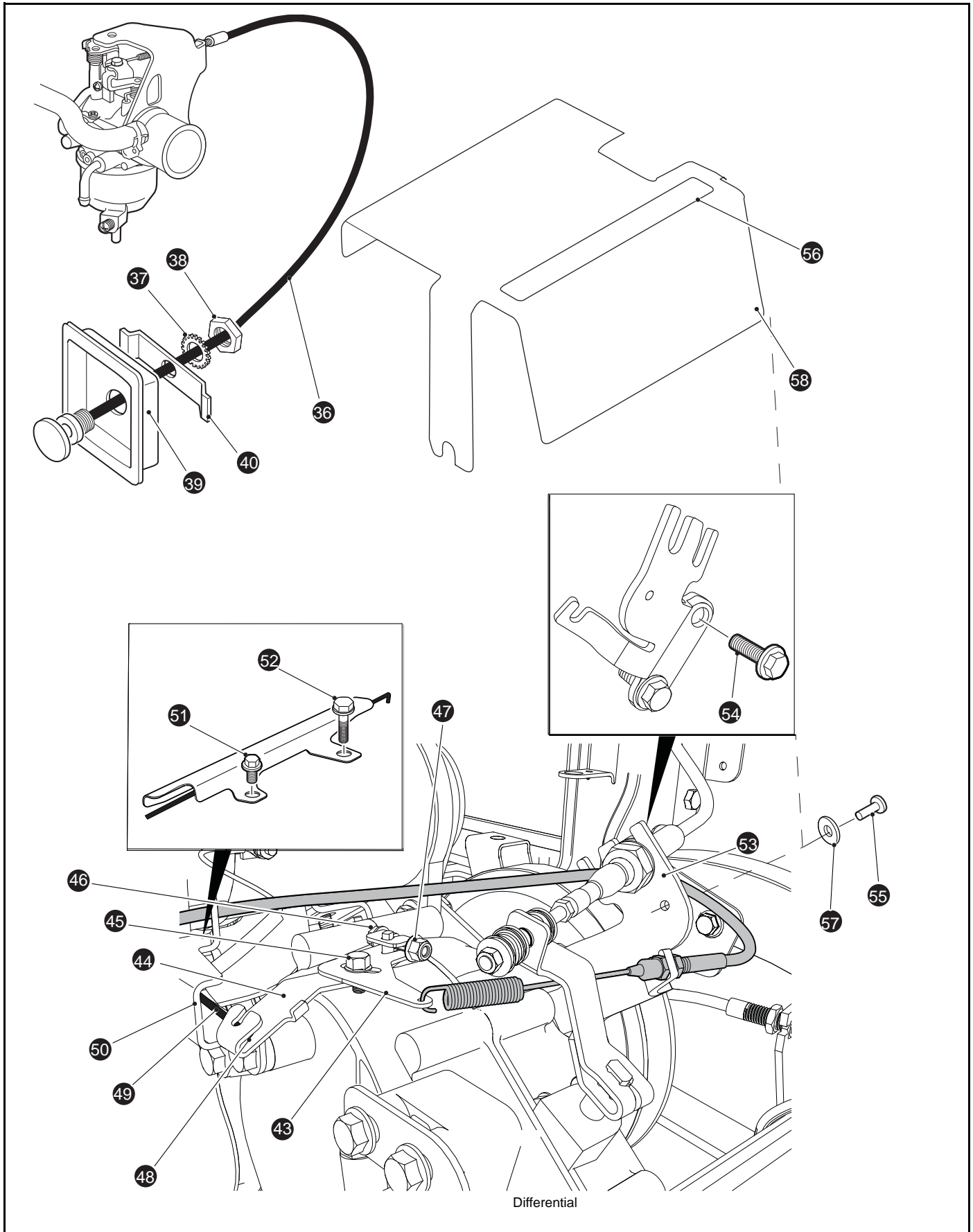
ILLUSTRATED PARTS BREAKDOWN

ILLUSTRATED PARTS BREAKDOWN

ACCELERATOR AND CHOKE

1 - Includes Items 3 - 34





ACCELERATOR AND CHOKE

When ordering parts, please specify the model and serial number of the product.

* Indicates a component that is not available as an individual part.

*** Indicates consult Customer Service Department for additional information.

ITEM	PART NO.	1	2	3	4	5	DESCRIPTION	QTY.
1	606992						PEDAL BOX ASSEMBLY (INCLUDES ITEMS 2 - 34	1
2	70116G02						ACCELERATOR PEDAL BRACKET	1
3	01051G01						SCREW, #8 - 16 X 1/2" LG	4
4	25853G03						PEDAL BOX AND COVER	1
5	00684G6						SCREW, #8 - 32 X 3/4" LG (STAINLESS STEEL)	2
6	25861G01						MICRO SWITCH	1
7	01050G01						SCREW, #4 - 20 X 5/8" LG	2
8	72716G01						MICRO SWITCH CAM	1
9	15126G1						LOCK NUT, 5/16 - 24	1
10	00487G3						SETSCREW, 1/4 - 20 X 3/8" LG	1
11	00532G4						NUT, 5/16 - 24	2
12	17677G1						SPRING RETAINER	1
13	17979G1						ACCELERATOR ROD BUSHING	1
14	73046G01						COMPRESSION SPRING	1
15	17677G2						SPRING RETAINER	1
16	72072G01						ACCELERATOR ROD	1
17	10385G4						CLEVIS YOKE (ADJUSTABLE)	1
18	10386G3						CLEVIS PIN, 5/16" X 13/16" LG	1
19	17838G1						NYLON BUSHING	3
20	17255G1						TEFLON WASHER, 5/16"	1
21	10387G3						COTTER PIN, 3/32" X 3/4" LG	1
22	74432G01						PEDAL PIVOT PIN	1
23	12064G6						PUSH NUT, 9/32"	1
24	12730G1						WHEEL BEARING GREASE (NOT ILLUSTRATED)	A/R
25	72201G04						WIRE HARNESS (PEDAL BOX)	1
26								
27								
28	608618						ACCELERATOR CABLE	1
29								
30	25799G03						ACCELERATOR PEDAL ASSEMBLY (INCLUDES ITEMS 31- 33)	1
31	27844G01						ACCELERATOR PEDAL PAD KIT (INCLUDES ITEMS 32- 33)	1

ACCELERATOR AND CHOKE

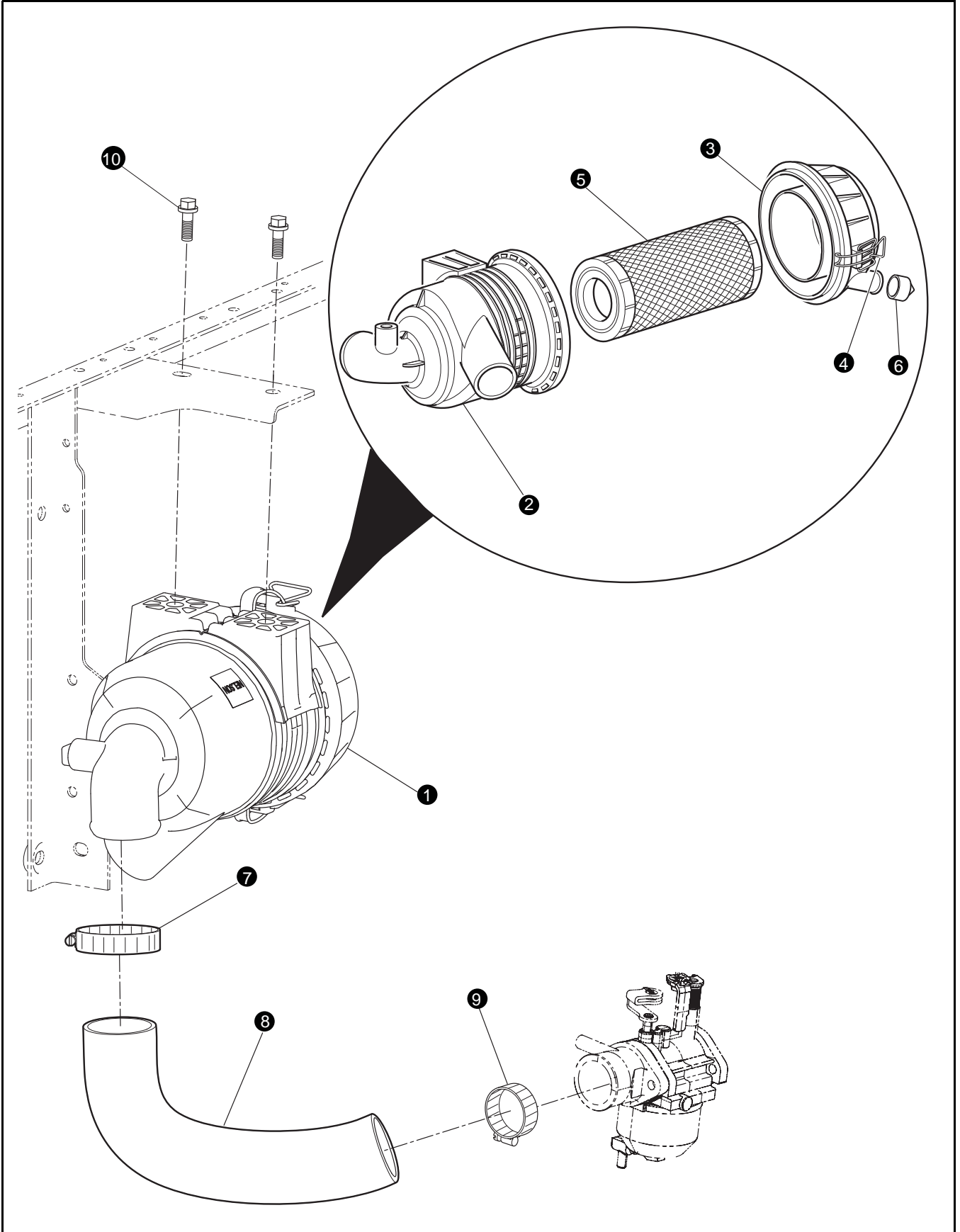
When ordering parts, please specify the model and serial number of the product.

* Indicates a component that is not available as an individual part.

*** Indicates consult Customer Service Department for additional information.

ITEM	PART NO.	1 2 3 4 5	DESCRIPTION	QTY.
32	16409G1		OVAL RIVET, 3/16" X 7/16" LG	6
33	27512-G01		ACCELERATOR PEDAL PAD	1
34	*		ACCELERATOR PEDAL	
35	00715G2		BOLT, 5/16 -18 X 4/5" LG.....	4
36	605795		CHOKE CABLE ASSY (TS - 4, TS - 6).....	1
37	00568G4		LOCK WASHER, 9/16"	1
38	00545G4		JAM NUT, 9/16 - 18.....	1
39	72154G01		CHOKE CABLE ADAPTER.....	1
40	72155G02		RETAINER	1
41				
42				
43	606083		UPPER GOVERNOR BRACKET.....	1
44	606005		LOWER GOVERNOR BRACKET	1
45	606265		BOLT, M6 - 1 X 12.....	1
46	606421		BOLT, M6 - 1 X 30.....	1
47	450452		NUT, M6 - 1.0.....	1
48	606283		GOVERNOR LEVER BUSHING	1
49	606284		GOVERNOR ROD	1
50	603890		GOVERNOR ROD GUARD	1
51	606264		BOLT, M6 - 1 X 20.....	1
52	606262		BOLT, M8 - 1.25 X 16.....	1
53	606074		GOVERNOR CABLE / DIRECTION SELECTOR BRACKET	1
54	606256		BOLT, M10 - 1.25 X 16.....	2
55	14601G11		RIVET.....	1
56	608527		GOVERNOR WARNING DECAL.....	1
57	00915G1		WASHER	1
58	606199		GOVERNOR COVER	1
59	17618G1		NYLON CLAMP	2

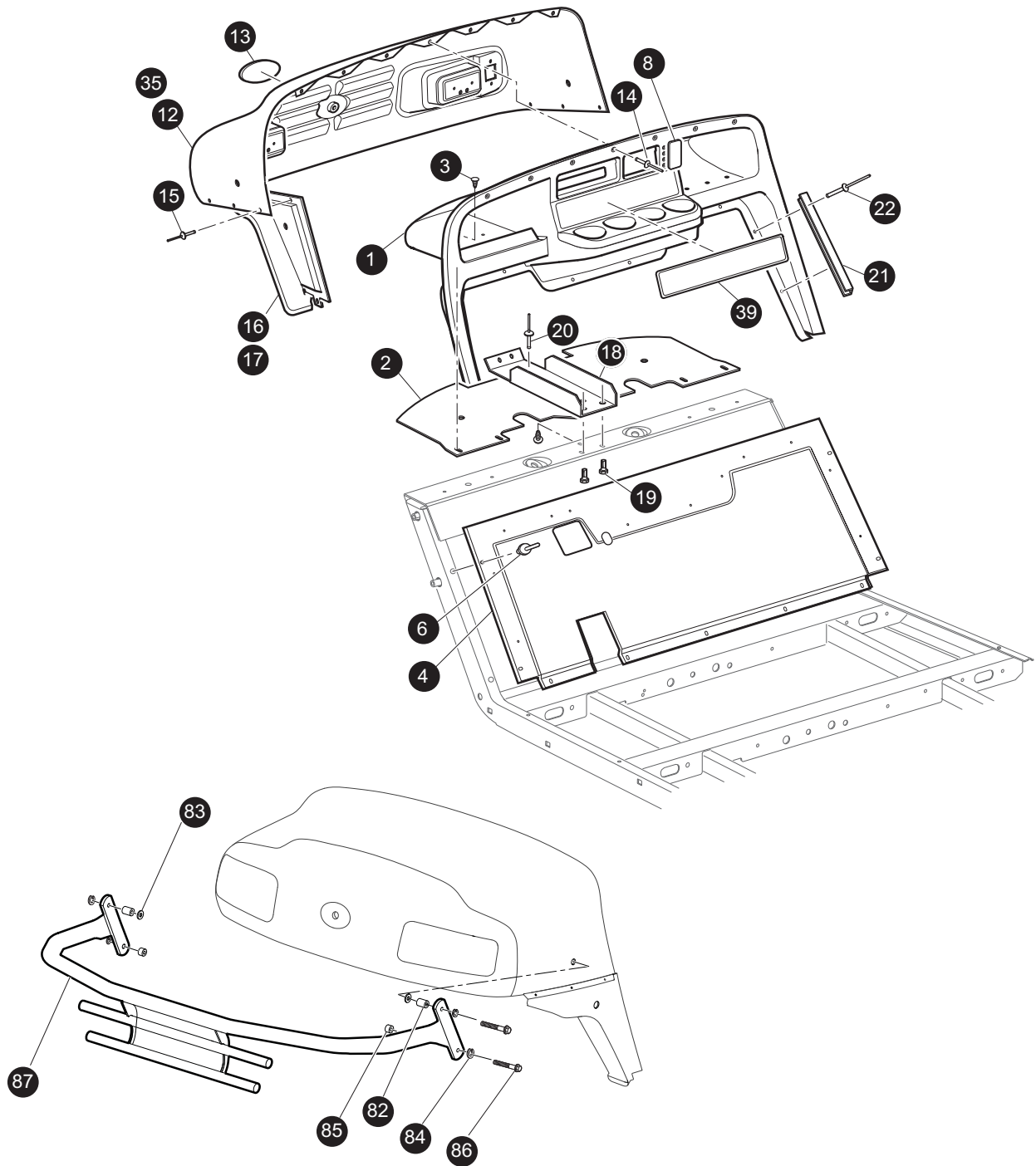
AIR FILTER



THE USE OF NON U.L. PARTS WILL VOID ANY U.L. LISTING.
 When ordering parts, please specify the model and serial number of the product.
 * Indicates a component that is not available as an individual part.
 G** Indicates consult Customer Service Department for additional information.

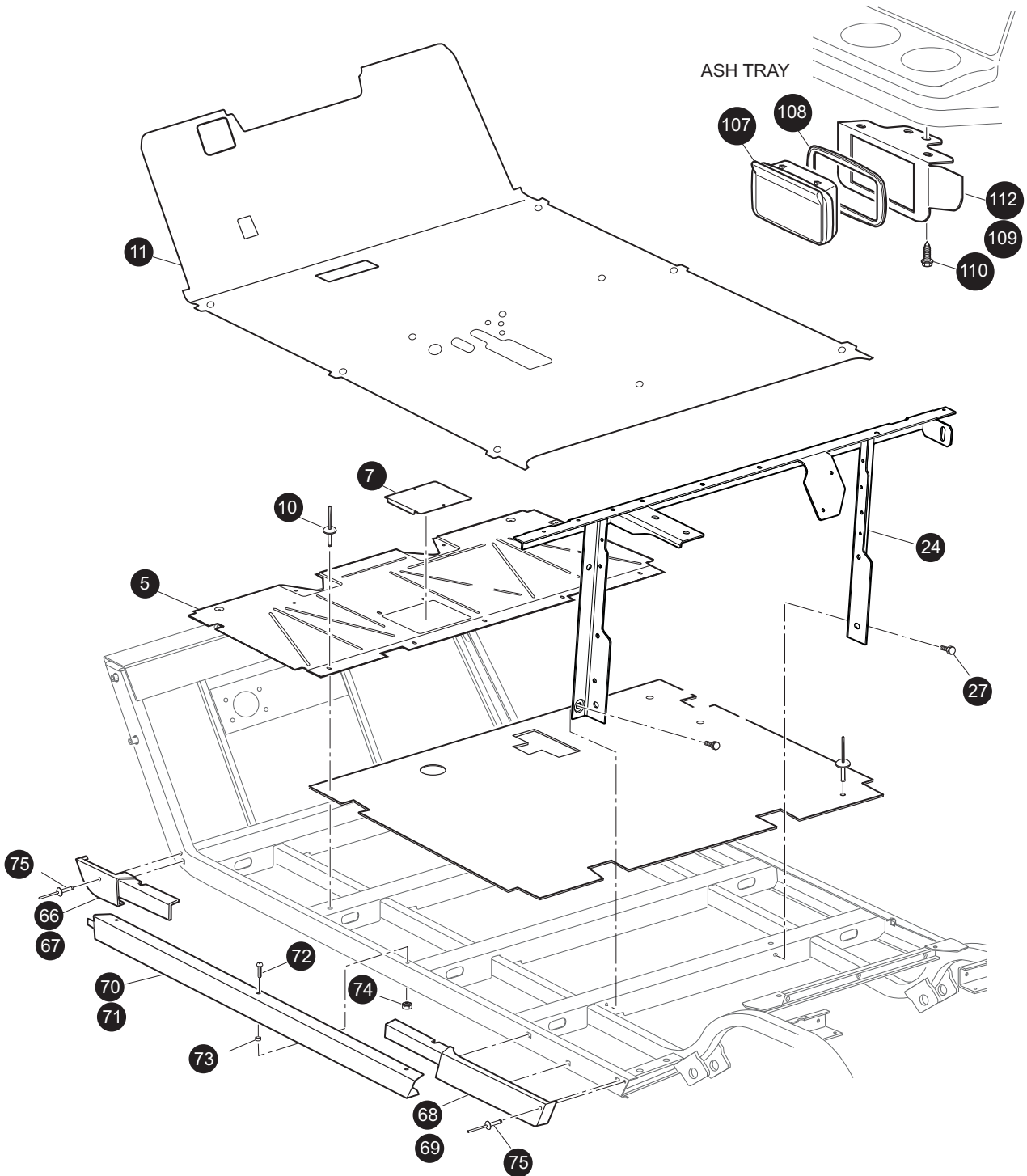
ITEM	PART NO.	1 2 3 4 5	DESCRIPTION	QTY.
1	606952		AIR CLEANER (INCLUDES ITEMS 2 - 6).....	1
2	607269		BODY & BRACKET ASSEMBLY	1
3	72599G01		AIR CLEANER COVER	1
4	72604G01		AIR CLEANER CLIP	2
5	28463G01		AIR FILTER	1
6	28462G01		VALVE DUST EJECTOR	1
7	11391G7		HOSE CLAMP	1
8	607950		HOSE	1
9	11391G1		HOSE CLAMP	1
10	25532G1		BOLT AND WASHER, M8 X 1.25 X 18 MM	2

BODY



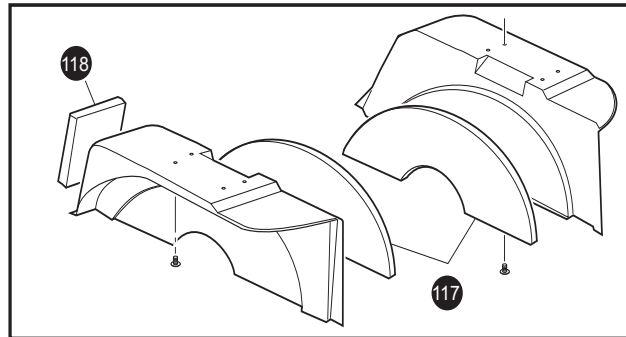
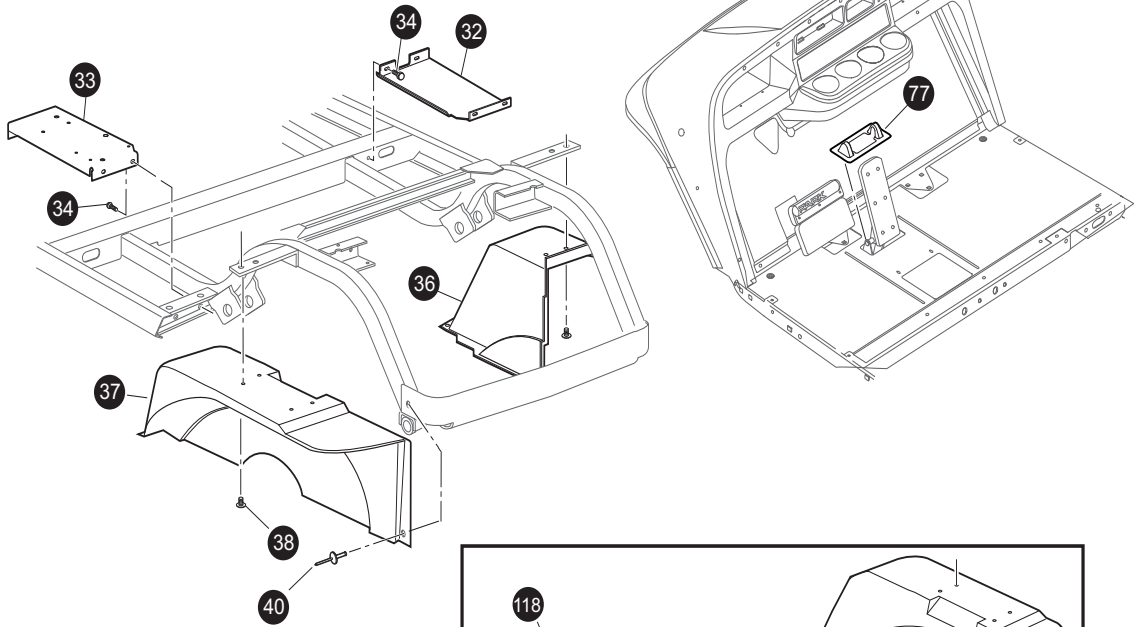
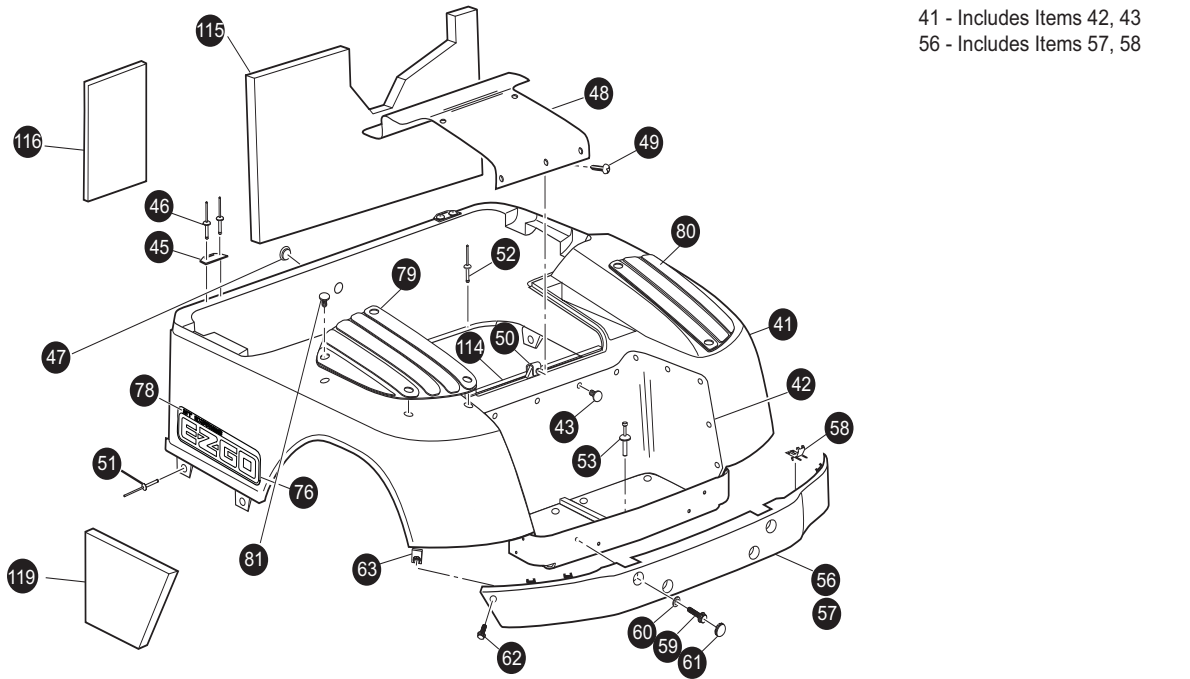
106 - Includes Items 107 - 110

111 - Includes Items 107 - 108, 110, 112

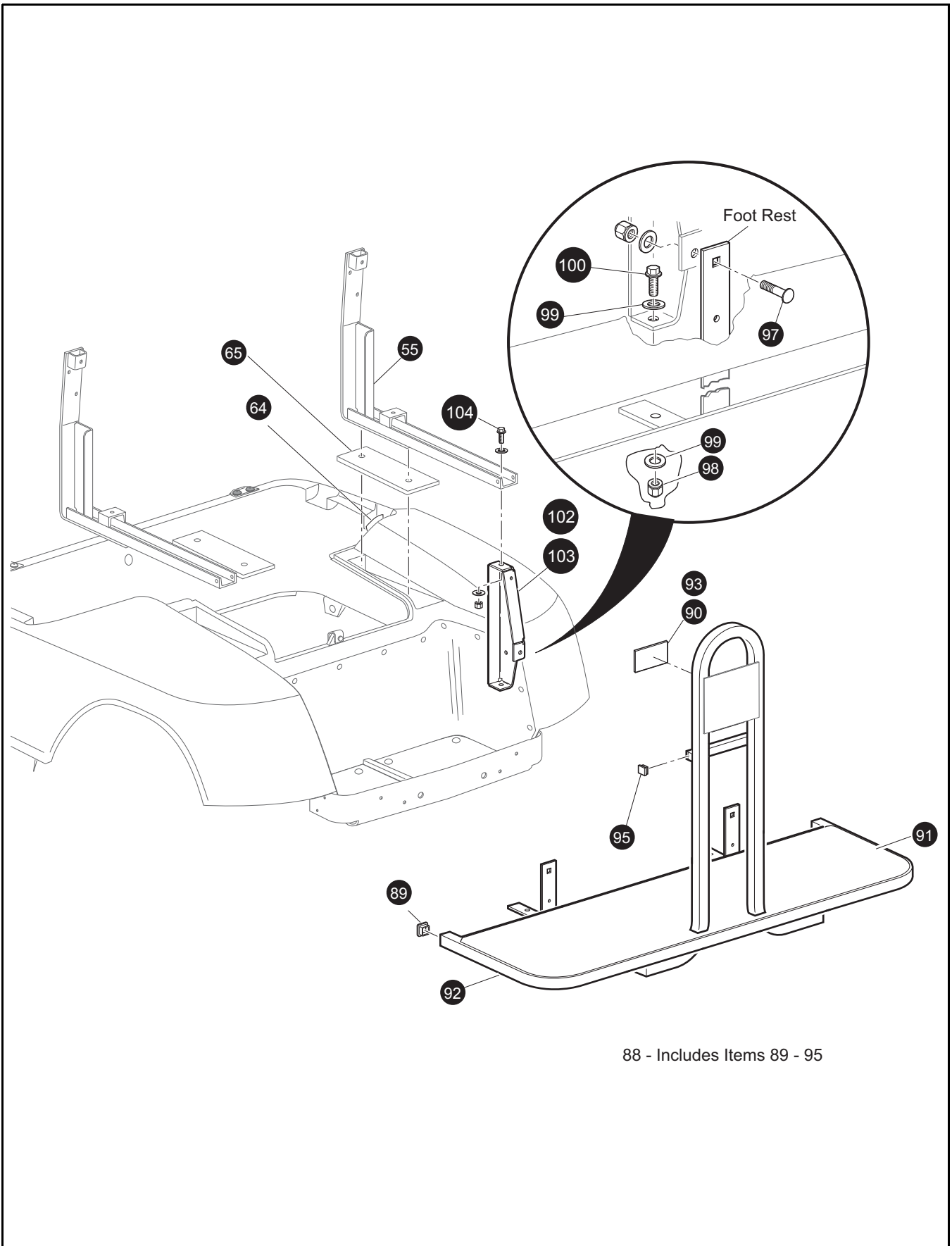


Ref Bod 7-2

BODY



Ref Bod 7-3



88 - Includes Items 89 - 95

BODY

THE USE OF NON U.L. PARTS WILL VOID ANY U.L. LISTING.

When ordering parts, please specify the model and serial number of the product.

* Indicates a component that is not available as an individual part.

G** Indicates consult Customer Service Department for additional information.

ITEM	PART NO.	1 2 3 4 5	DESCRIPTION	QTY.
1	71151G03		INSTRUMENT PANEL ASSEMBLY	1
2	71413G01		SPLASH PANEL.....	1
3	16816G2		RATCHET FASTENER, 1/4" X 3/4" LG	5
4	70662G01		UPPER FLOORPAN.....	1
5	70451G01		LOWER FLOORPAN.....	1
6	14601G11		RIVET, 3/16" X 9/16" LG (ALUMINUM).....	16
7	70452G01		ACCESS COVER.....	1
8	35968G01		LABEL (TEE HOLDER COVER).....	1
9	70823G01		REAR FLOORPAN	1
10	10570G10		RIVET, 5/32" X 9/16" LG (STAINLESS STEEL)	5
11	70995G02		FLOORMAT W/HORN HOLES.....	1
12	606534G0xx		COWL.....	1
13	74183G01		NAMEPLATE (E-Z-GO) (OVAL)	1
14	71055G01		RIVET, 3/16" X 1" LG	7
15	71055G01		RIVET, 3/16" X 1" LG	6
16	71338G01		FENDER FLARE (DRIVER SIDE).....	1
17	71338G02		FENDER FLARE (PASSENGER SIDE)	1
18	71101G02		COWL SUPPORT BRACKET	1
19	71102G02		SELF TAPPING SCREW, 1/4 - 20 X 1/2" LG	3
20	71055G01		RIVET, 3/16" X 1 1/8" LG	1
21	71115G01		VINYL TRIM	2
22	71055G01		RIVET, 3/16" X 1" LG	10
23	00571G2		WASHER, 5/16 (WITHOUT SUN TOP).....	2
24	605694		SEAT FRAME.....	1
25				
26	00715G2		BOLT, 5/16 - 18 X 13/16" LG	2
27				
28				
29				
30				

THE USE OF NON U.L. PARTS WILL VOID ANY U.L. LISTING.
 When ordering parts, please specify the model and serial number of the product.
 * Indicates a component that is not available as an individual part.
 G** Indicates consult Customer Service Department for additional information.

ITEM	PART NO.	1 2 3 4 5	DESCRIPTION	QTY.
31				
32	70244G03		SPLASH PAN (PASSENGER SIDE)	1
33	70244G03		SPLASH PAN (DRIVER SIDE).....	1
34	00715G2		BOLT, 5/16 - 18 X 13/16" LG	8
35	71090GXX		COWL.....	1
36	608124		FENDER LINER (PASSENGER SIDE)	1
37	608125		FENDER LINER (DRIVER SIDE).....	1
38	16816-G2		RATCHET FASTENER, 1/4" X 3/4" LG	8
39	601781		CONSOL PICTOGRAM LABEL	1
40	14601G17		RIVET	2
41	71912G**		REAR BODY ASSEMBLY (W/OUT TAILLIGHTS) (INCLUDES ITEMS 42, 43)..	1
42	71318G01		BAGWELL LINER	1
43	16816G1		RATCHET FASTENER, 1/4" X 9/16" LG	20
44				
45	71609G01		HINGE PLATE	2
46	10570G11		RIVET, 3/16" X 3/4" LG (STAINLESS STEEL)	4
47	71316G01		PLUG.....	1
48	71320G01		ACCESS PANEL	1
49	01107G01		SCREW, #8 X 5/8" LG	5
50	71364G02		'J' CLIP	1
51	10570G12		RIVET, 1/4" X 9/16" LG (ALUMINUM).....	4
52	10570G10		RIVET, 5/32" X 9/16" LG (STAINLESS STEEL)	6
53	18436G1		PLASTIC DRIVE RIVET, 1/4" X 9/16" LG	2
54				
55	74111G01		SEAT SUPPORT	2
56	71451G02		REAR BUMPER ASSEMBLY (INCLUDES ITEMS 69 & 70).....	1
57	*		REAR BUMPER.....	1
58	*		STAY	1
59	71398G01		BOLT, 1/4 - 20 X 1 1/4" LG	4
60	00571G2		WASHER, 5/16"	4

BODY

THE USE OF NON U.L. PARTS WILL VOID ANY U.L. LISTING.

When ordering parts, please specify the model and serial number of the product.

* Indicates a component that is not available as an individual part.

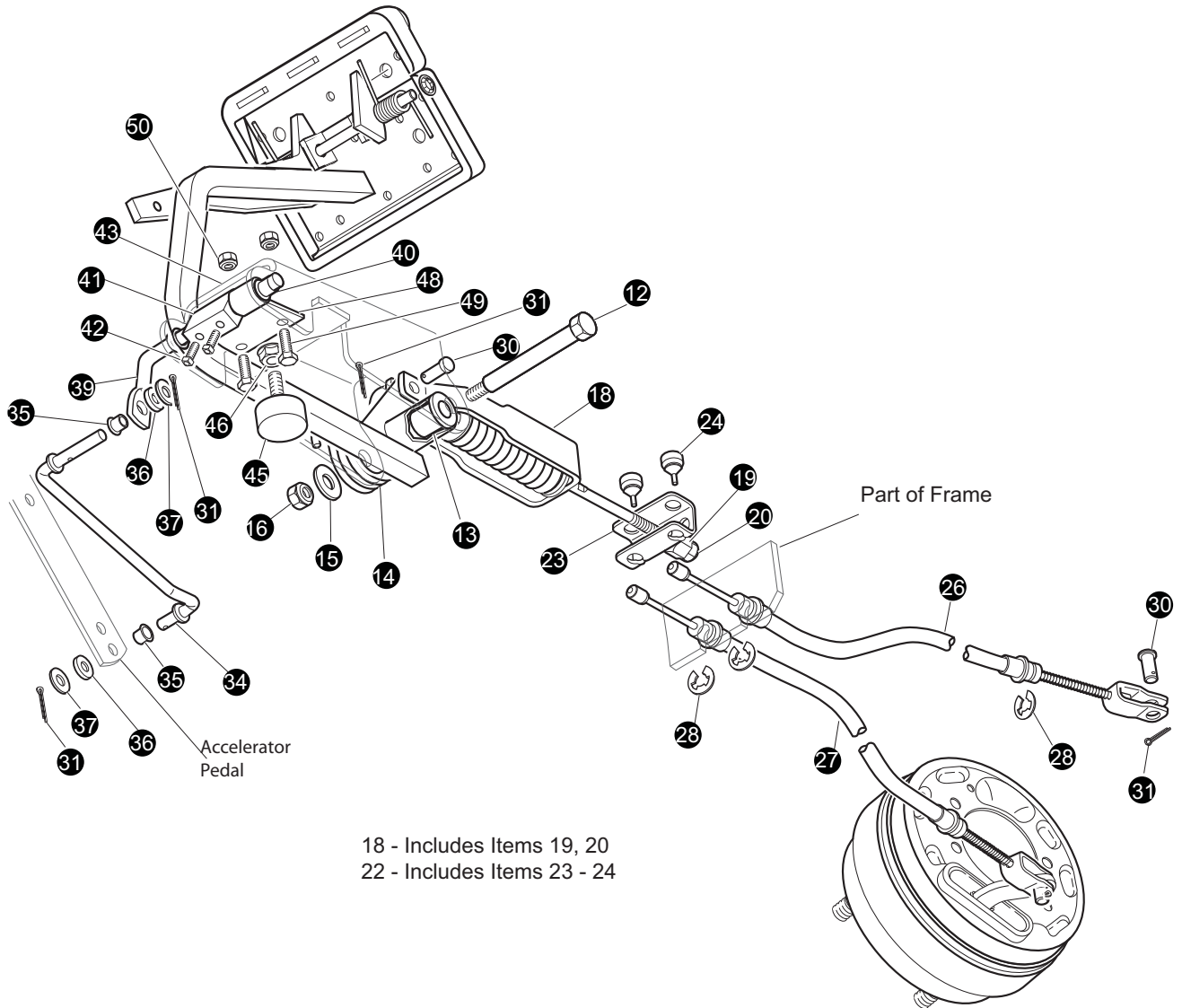
G** Indicates consult Customer Service Department for additional information.

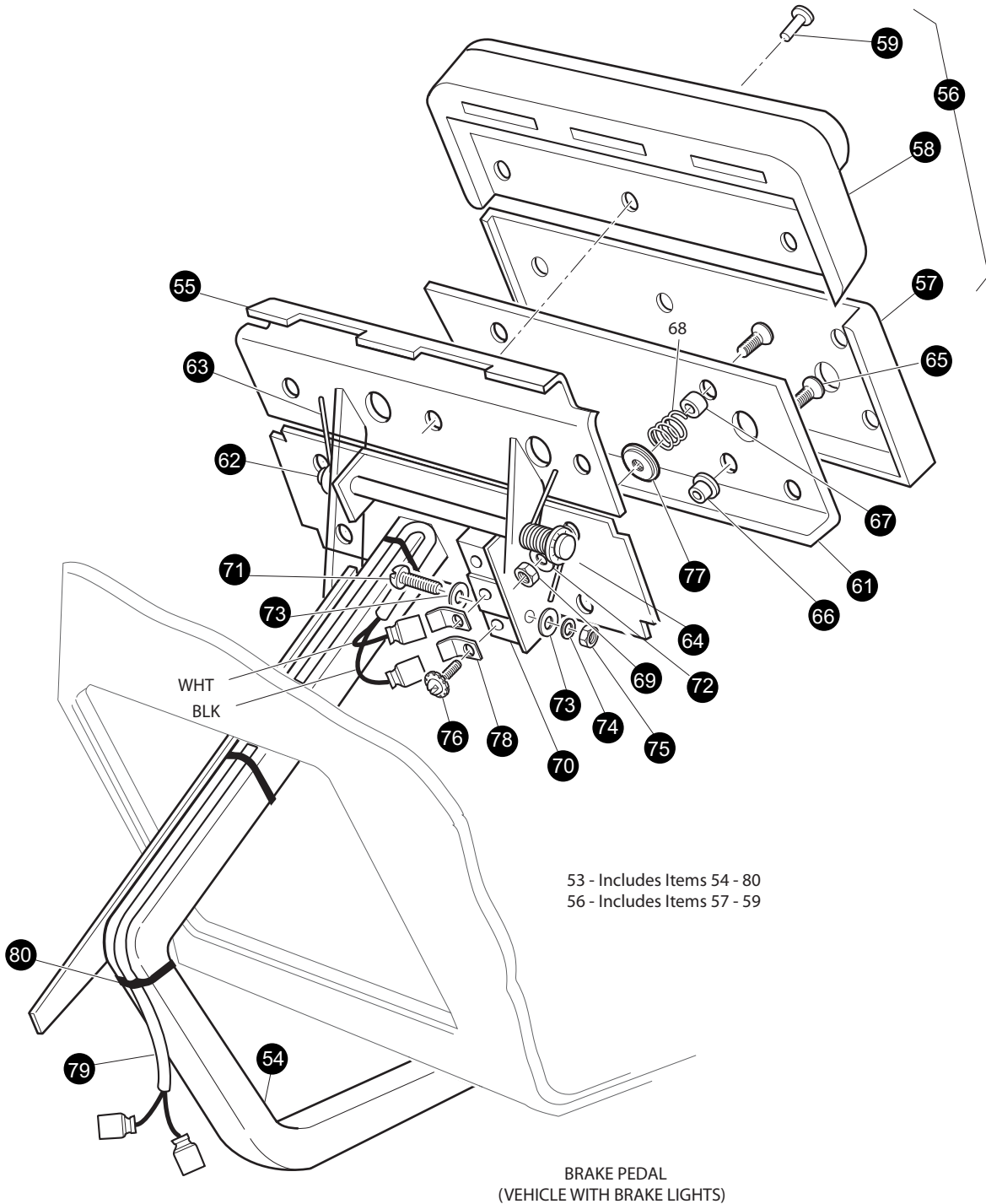
ITEM	PART NO.	1 2 3 4 5	DESCRIPTION	QTY.
61	71455G01		BUMPER PLUG	4
62	71102G03		BOLT, 1/4 - 20 x 11/16" LG	2
63	71554G01		J-TYPE NUT RETAINER, 1/4 - 20.....	2
64	74093G01		LABEL (WARNING).....	1
65	70364G01		SPACER.....	2
66	71642G01		ROCKER PANEL (FRONT, DRIVER SIDE)	1
67	71642G02		ROCKER PANEL (FRONT, PASSENGER SIDE).....	1
68	71643G01		ROCKER PANEL (REAR, DRIVER SIDE)	1
69	71643G02		ROCKER PANEL (REAR, PASSENGER SIDE).....	1
70	71641G01		SILL PLATE (PASSENGER SIDE).....	1
71	71641G02		SILL PLATE (DRIVER SIDE).....	1
72	16705G1		SCREW, 1/4 - 20 X 1" LG (STAINLESS STEEL)	6
73	23726G4		SPACER, 5/16".....	6
74	14390G4		LOCK NUT, 1/4 - 20	6
75	15058G6		RIVET, 3/16" X 15/16" LG (ALUMINUM).....	4
76	620312		E-Z-GO LOGO LARGE LABEL	2
77	70135G01		PEDAL PIVOT COVER	1
78	608431		LABEL (ST EXPRESS)	2
79	75126G01		FENDER SCUFFGUARD (DRIVER SIDE)	1
80	75126G02		FENDER SCUFFGUARD (PASSENGER SIDE).....	1
81	16816G2		RATCHET FASTENER, 1/4" x 3/4 " LG.....	8
82	75048G04		SPACER, 1".....	2
83	00570G2		WASHER, 5/16.....	2
84	00905G8		LOCK WASHER.....	4
85	75048G01		SPACER.....	2
86	01035G02		BOLT 5/16 - 18 X 2.50.....	4
87	604659		BRUSH GUARD.....	1
88	70361G03		FOOTREST ASSEMBLY (INCLUDES 89 - 95).....	1
89	19853G1		END CAP, 1"	2
90	71929G01		LABEL (WARNING)	1

THE USE OF NON U.L. PARTS WILL VOID ANY U.L. LISTING.
 When ordering parts, please specify the model and serial number of the product.
 * Indicates a component that is not available as an individual part.
 G** Indicates consult Customer Service Department for additional information.

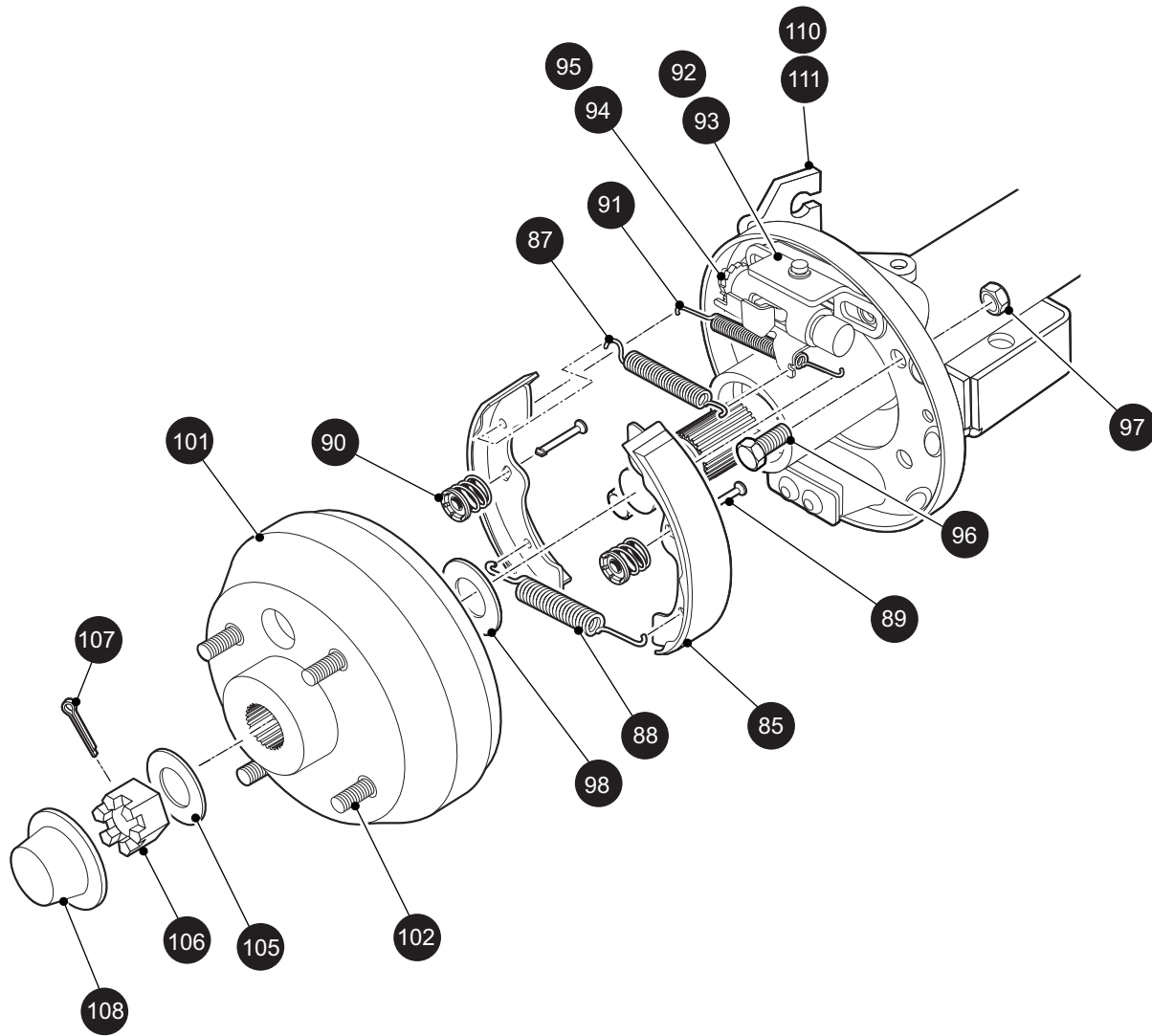
ITEM	PART NO.	1 2 3 4 5	DESCRIPTION	QTY.
91	70362G01		FLOORMAT	1
92	70633G01		FOOTREST	1
93	610631		LABEL (WARNING) (CLAYS CAR).....	1
94				
95	19859G1		END CAP, 3/4	2
96				
97	00769G2		CARRIAGE BO-LT, 3/8 - 16 X 1 1/4" LG	2
98	11098G5		LOCK NUT, 3/8 - 16	6
99	00560G1		WASHER, 3/8"	14
100	00427G4		BOLT, 3/8 - 16 X 1 - 3/4.....	2
101				
102	74126G01		VERTICAL FRAME SUPPORT (PASSENGER SIDE)	1
103	74126G02		VERTICAL FRAME SUPPORT (DRIVER SIDE).....	1
104	00426G8		BOLT, 3/8 - 16 X 1" LG	2
105				
106	75109G02		ASH TRAY KIT (INCLUDES ITEMS 107 - 110).....	1
107	27731G01		ASH TRAY	1
108	27736G01		GASKET	1
109	75108G02		BRACKET	1
110	00100G4		SCREW, #10 - 16 x 1/2" LG.....	4
111	75109G01		ASH TRAY KIT (INCLUDES ITEMS (107-108, 110,112)	1
112	75108G02		BRACKET (E-COAT)	1
113				
114	22744G1		BAGWELL NOISE SUPPRESSOR.....	1
115	606248		SEAT WRAP FOAM	1
116	72549G01		SEATWRAP NOISE SUPPRESSOR	1
117	72548G01		FENDER NOISE SUPPRESSOR	2
118	72551G01		FENDER NOISE SUPPRESSOR (DRIVER SIDE, FRONT).....	1
119	72552G01		SEATWRAP NOISE SUPPRESSOR (DRIVER SIDE, SIDE).....	1

BRAKES - MECHANICAL





BRAKES - MECHANICAL



- 82 - Includes Items 84 - 92, 94, 95
- 83 - Includes Items 84 - 91, 93 - 95
- 84 - Includes Items 85
- 86 - Includes Items 87 - 91
- 92 - Includes Items 94, 95
- 93 - Includes Items 94, 95
- 100 - Includes Items 101, 102

BRAKES - MECHANICAL

THE USE OF NON U.L. PARTS WILL VOID ANY U.L. LISTING.
 When ordering parts, please specify the model and serial number of the product.
 * Indicates a component that is not available as an individual part.
 G** Indicates consult Customer Service Department for additional information.

ITEM	PART NO.	1 2 3 4 5	DESCRIPTION	QTY.
1				
2				
3				
4				
5				
6				
7				
8				
9				
10				
11				
12	70582G01		SHOULDER BOLT, 3/8 - 16 X 4" LG (STAINLESS STEEL).....	1
13	70581G01		FLANGED BUSHING	2
14	70676G01		TORSION SPRING	1
15	00643G1		WASHER, 3/8"	1
16	11098G5		LOCK NUT, 3/8 - 16	1
17				
18	70272G04		COMPENSATOR ASSEMBLY (INCLUDES ITEMS 19, 20).....	1
19	00963G01		SPHERICAL NUT, 5/16 - 24	1
20	11098G9		LOCK NUT, 5/16 - 24	1
21				
22	70969G06		EQUALIZER AND BRAKE CABLE ASSEMBLY (INCLUDES ITEMS 23-24).....	1
23	28082G01		EQUALIZER BRACKET	1
24	28083G01		BRAKE COMPENSATOR BUMPER.....	2
25				
26	70968G08		BRAKE CABLE 58.31"	1
27	70968G09		BRAKE CABLE 68.00"	1
28	01111G01		RETAINING RING, 13/32" (STAINLESS STEEL).....	4
29				
30	10386G3		CLEVIS PIN, 5/16" X 13/16" LG	3

BRAKES - MECHANICAL

THE USE OF NON U.L. PARTS WILL VOID ANY U.L. LISTING.

When ordering parts, please specify the model and serial number of the product.

* Indicates a component that is not available as an individual part.

G** Indicates consult Customer Service Department for additional information.

ITEM	PART NO.	1 2 3 4 5	DESCRIPTION	QTY.
31	10387G3		COTTER PIN, 3/32" X 3/4" LG	5
32				
33				
34	70601G01		KICK-OFF LINK.....	1
35	17838G1		NYLON BUSHING.....	2
36	20835G1		TEFLON WASHER, 3/8"	2
37	00559G8		WASHER, 5/16"	2
38				
39	70098G01		KICK-OFF CAM PIVOT.....	1
40	10097G6		FLANGED BEARING	2
41	70587G01		KICK-OFF CAM.....	1
42	71215G01		SETSCREW, 1/4 - 20 X 1/2" LG.....	2
43	14134G4		SPACER.....	1
44				
45	70113G01		ADJUSTABLE BUMPER	1
46	11027G1		LOCK NUT, 5/16 - 18	1
47				
48	70080G02		CATCH BRACKET	1
49	00414G6		BOLT, 1/4 - 20 X 3/4" LG	2
50	14390G4		LOCK NUT, 1/4 - 20 (STAINLESS STEEL)	2
51				
52				
53	70690G02		BRAKE PEDAL ASSEMBLY (WITH BRAKE LIGHTS) (INCLUDES ITEMS 54 - 80).....	1
54	*		BRAKE PEDAL.....	1
55	70611G02		PARK BRAKE PEDAL	1
56	70274G01		BRAKE/PARK BRAKE PEDAL PAD KIT (INCLUDES ITEMS 57 - 59).....	1
57	*		SERVICE BRAKE PAD	1
58	*		PARK BRAKE PAD.....	1
59	16409G1		OVAL RIVET, 3/16" x 7/16" LG.....	9

BRAKES - MECHANICAL

THE USE OF NON U.L. PARTS WILL VOID ANY U.L. LISTING.

When ordering parts, please specify the model and serial number of the product.

* Indicates a component that is not available as an individual part.

G** Indicates consult Customer Service Department for additional information.

ITEM	PART NO.	1	2	3	4	5	DESCRIPTION	QTY.
60								
61	70258G03						BRAKE PEDAL PLATE	1
62	70682G01						PIVOT PIN	1
63	70681G01						TORSION SPRING	2
64	01071G01						PUSHNUT, 5/16"	1
65	00737G8						SCREW, #10 - 24 X 7/8" LG	4
66	00739G1						RUBBER NUT, #10 - 24	2
67	74535G01						BRAKE PEDAL STANDOFF	2
68	27137G01						CONICAL SPRING	2
69	14390G10						LOCK NUT, #10 - 24	2
70	10606G8						MICRO SWITCH	1
71	00645-G2						BOLT, #6 - 32 X 1 1/4" LG	2
72	00559G5						WASHER, #10	2
73	00559G3						WASHER, #6	4
74	00565G3						LOCK WASHER, #6	2
75	00525G5						NUT, #6 - 32	2
76	13514G1						SCREW AND LOCK WASHER, #6	2
77	00642-G8						WASHER - 5/16"	2
78	14628G1						FASTON TAB	2
79	24605G1						WIRE HARNESS (BRAKE LIGHT)	1
80	17618G1						WIRE TIE	4
81								
82	70998G01						BRAKE ASSEMBLY (DRIVER SIDE) (INCLUDES ITEMS 84 - 92, 94, 95)	1
83	70998G02						BRAKE ASSEMBLY (PASSENGER SIDE) (INCLUDES ITEMS 84 - 91, 93 - 95)	1
84	70794G01						BRAKE SHOE KIT (INCLUDES ITEM 85)	2
85	*						BRAKE SHOE	2
86	27944G01						BRAKE SPRING KIT (INCLUDES ITEMS 87 - 91)	2
87	*						UPPER SPRING	1
88	*						LOWER SPRING	1

BRAKES - MECHANICAL

THE USE OF NON U.L. PARTS WILL VOID ANY U.L. LISTING.

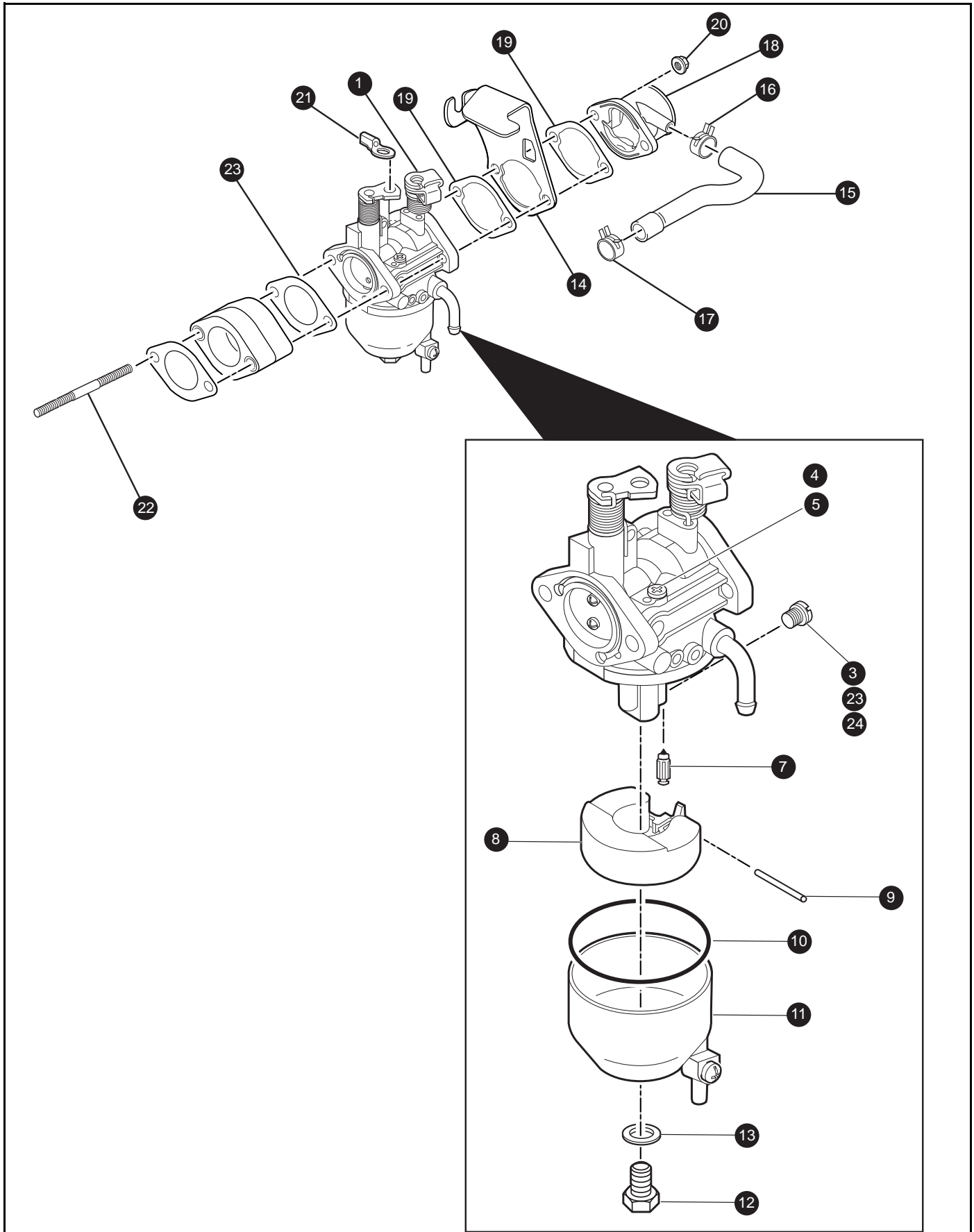
When ordering parts, please specify the model and serial number of the product.

* Indicates a component that is not available as an individual part.

G** Indicates consult Customer Service Department for additional information.

ITEM	PART NO.	1	2	3	4	5	DESCRIPTION	QTY.
89	*						PIN	2
90	*						CUP AND SPRING	2
91	*						ADJUSTER SPRING.....	1
92	72582G01						BRAKE ADJUSTER KIT (DRIVER SIDE) (INCLUDES ITEMS 94, 95)	1
93	72582G02						BRAKE ADJUSTER KIT (PASSENGER SIDE) (INCL. ITEMS 94, 95).....	1
94	*						ADJUSTER	1
95	*						TEFLON WASHER.....	2
96	17083G2						BOLT, 5/16 - 24 X 1" LG	8
97	15126G1						LOCK NUT, 5/16 - 24	8
98	21809G1						INNER BRAKE DRUM WASHER, 1 5/16" OD X 1" ID X 1/32"	2
99								
100	21807G2						BRAKE DRUM ASSEMBLY (INCLUDES ITEMS 101 - 102).....	2
101	*						BRAKE DRUM.....	1
102	19862G2						LUG BOLT, 1/2 - 20 X 1 3/16" LG	4
103								
104								
105	606945						OUTER BRAKE DRUM WASHER	2
106	606403						SLOTTED NUT, M22 X 1.5	2
107	10387G1						COTTER PIN, 1/8" X 1 1/2" LG.....	2
108	74175G01						SPINDLE CAP.....	2
109								
110	608200						BRAKE CABLE BRACKET (PASSENGER SIDE).....	1
111	608201						BRAKE CABLE BRACKET (DRIVER SIDE)	1

CARBURETOR



When ordering parts, please specify the model and serial number of the product.

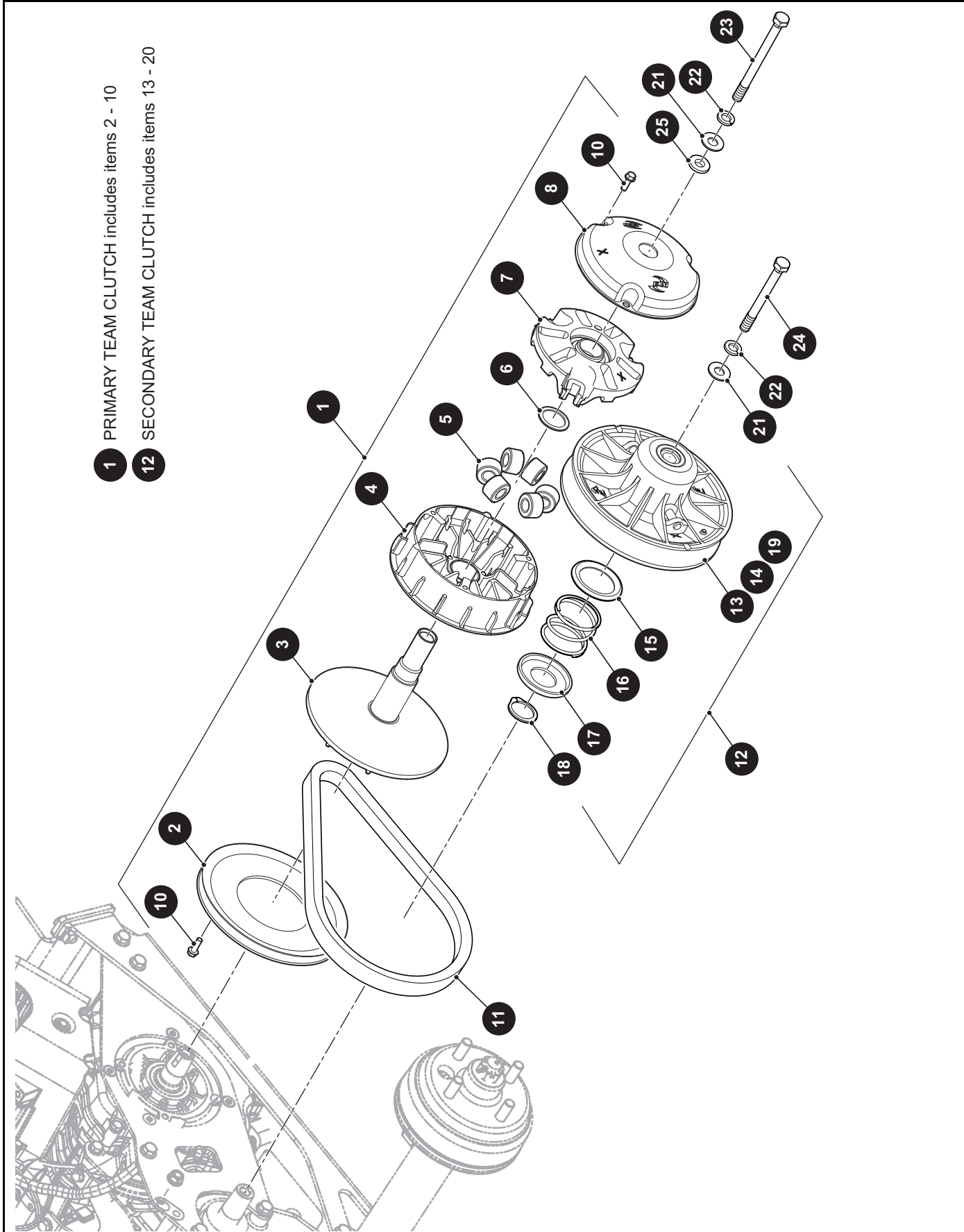
* Indicates a component that is not available as an individual part.

*** Indicates consult Customer Service Department for additional information.

ITEM	PART NO.	1 2 3 4 5	DESCRIPTION	QTY.
1	607955		CARBURETOR (INCLUDES ITEMS 3 - 22)	1
2				
3	607956		MAIN JET (#106).....	1
4	607957		PILOT JET (#52)	1
5	603585		PLUG.....	1
6				
7	603586		NEEDLE VALVE	1
8	603587		FLOAT	1
9	603588		FLOAT PIN	1
10	603589		FLOAT BOWL GASKET	1
11	603590		FLOAT CHAMBER	1
12	603592		BOWL SCREW.....	1
13	603591		BOWL GASKET	1
14	603583		CHOKE BRACKET.....	1
15	603598		BREATHER TUBE.....	1
16	603596		CLAMP, INTAKE TUBE	1
17	603597		CLAMP CYLINDER HEAD TUBE	1
18	603594		INTAKE TUBE	1
19	603593		CHOKE GASKET	2
20	603595		NUT, M6 X 1.0	2
21	608023		THROTTLE ROD ATTACHMENT BUSHING	1
22	603584		STUD BOLT.....	2
23	607684		MAIN JET (#102) (FOR ELEVATIONS OF 6000 FT - 10000 FT)	1
24	607983		MAIN JET (#104) (FOR ELEVATIONS OF 3000 FT - 6000 FT)	1

CLUTCH

- 1 PRIMARY TEAM CLUTCH includes items 2 - 10
- 12 SECONDARY TEAM CLUTCH includes items 13 - 20



When ordering parts, please specify the model and serial number of the product.

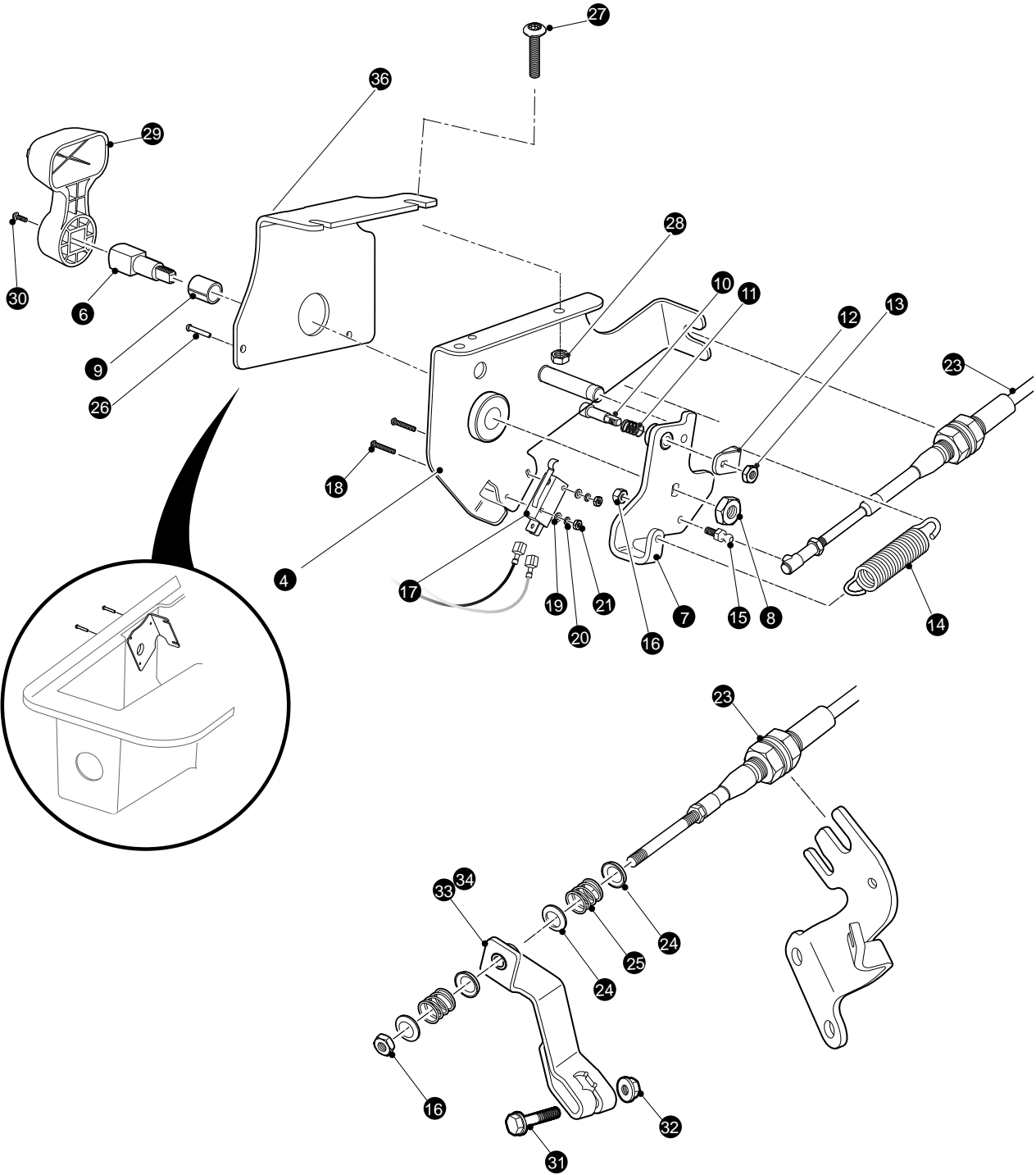
* Indicates a component that is not available as an individual part.

*** Indicates consult Customer Service Department for additional information.

ITEM	PART NO.	1 2 3 4 5	DESCRIPTION	QTY.
1	623948		PRIMARY TEAM CLUTCH (Includes items 2 - 10).....	1
2	619333		PRIMARY STARTER PULLY, 195 - SVC.....	1
3	619334		STATIONARY ASSEMBLY	1
4	619335		MOVEABLE PRIMARY ASSEMBLY	1
5	624112		SHIFT ROLLER ASSEMBLY.....	6
6	619337		SHIM, 39.5 X 31.75	1
7	619338		PRIMARY SPIDER ASSEMBLY	1
8	619339		PRIMARY DUST COVER ASSEMBLY.....	1
9				
10	619332		BOLT, 1/4 - 20 X.75	7
11	618630		DRIVE BELT	1
12	623949		SECONDARY TEAM CLUTCH (Includes items 13 - 20)	1
13	*		SECONDARY STATIONARY, 9.5.....	1
14	*		MOVEABLE SECONDARY, 9.5.....	1
15	619327		INNER RETAINER SPRING.....	1
16	624111		COMPRESSION SPRING, 2.70 OD.....	1
17	619329		OUTER SPRING RETAINER	1
18	619330		RETAINER RING.....	1
19	619331		THRUST WASHER, 1.530 x 1.830 x 1.....	1
20				
21	606239		CONICAL WASHER, M12	2
22	00566G3		SPRING TYPE LOCK WASHER	2
23	606245		HEX BOLT, M12 - 1.25 X 160	1
24	606243		HEX BOLT, M12 - 1.25 X 120	1
25	606230		CLUTCH WASHER.....	1

DIRECTION SELECTOR

- 1 - includes Items (16, 23 - 26, 33 - 34)
- 2 - includes Items (4 - 21)



DIRECTION SELECTOR

Where applicable, THE USE OF NON UL PARTS WILL VOID ANY UL LISTING.

When ordering parts, please specify the model and serial number of the product.

* Indicates a component that is not available as an individual part.

G** Indicates consult Customer Service Department for additional information.

ITEM	PART NO.	1 2 3 4 5	DESCRIPTION	QTY.
1	608184		DIRECTION SELECTOR CABLE ASSEMBLY (INCLUDES ITEMS 16, 23-26, 33-34)	1
2	605999		DIRECTION SELECTOR ASSEMBLY (INCLUDES ITEMS 4, 6, 7-21, 23-33) ...	1
3				
4	603627		DIRECTION SELECTOR BRACKET WITH BUSHING (INCLUDES ITEM 9)	1
5				
6	606266		DIRECTION SELECTOR SHAFT	1
7	603700		DIRECTION SELECTOR CAM	1
8	14390G1		LOCK NUT, 3/8 - 24	1
9	*		BUSHING	1
10	72724G01		NEUTRAL LOCK PIN	1
11	72733G01		COMPRESSION SPRING, 3/8" X 5/8" LG	1
12	72729G01		NEUTRAL LOCK BRACKET	1
13	00734G2		LOCK NUT, 1/4 - 28	1
14	28574G01		EXTENSION SPRING	1
15	72732G01		BALL STUD, 1/4"	1
16	00734G5		LOCK NUT, #10 - 32	1
17	72736G01		MICRO SWITCH	1
18	01062G01		SCREW, #4 - 40 X 1" LG	2
19	00559G1		WASHER, #4	2
20	00565G1		LOCK WASHER, #4	2
21	00526G2		NUT, #4 - 40	2
22				
23	605809		PUSH / PULL SHIFTER CABLE	1
24	25727G01		CUP WASHER, 1/4"	4
25	72735G01		COMPRESSION SPRING, 19/32" X 1" LG	2
26	71055G01		RIVET	3
27	70227G01		SCREW, 1/4 - 20 X 7/8" LG	2
28	11027G2		LOCK NUT, 1/4 - 20	2
29	71205G01		DIRECTION SELECTOR HANDLE	1

DIRECTION SELECTOR

Where applicable, THE USE OF NON UL PARTS WILL VOID ANY UL LISTING.

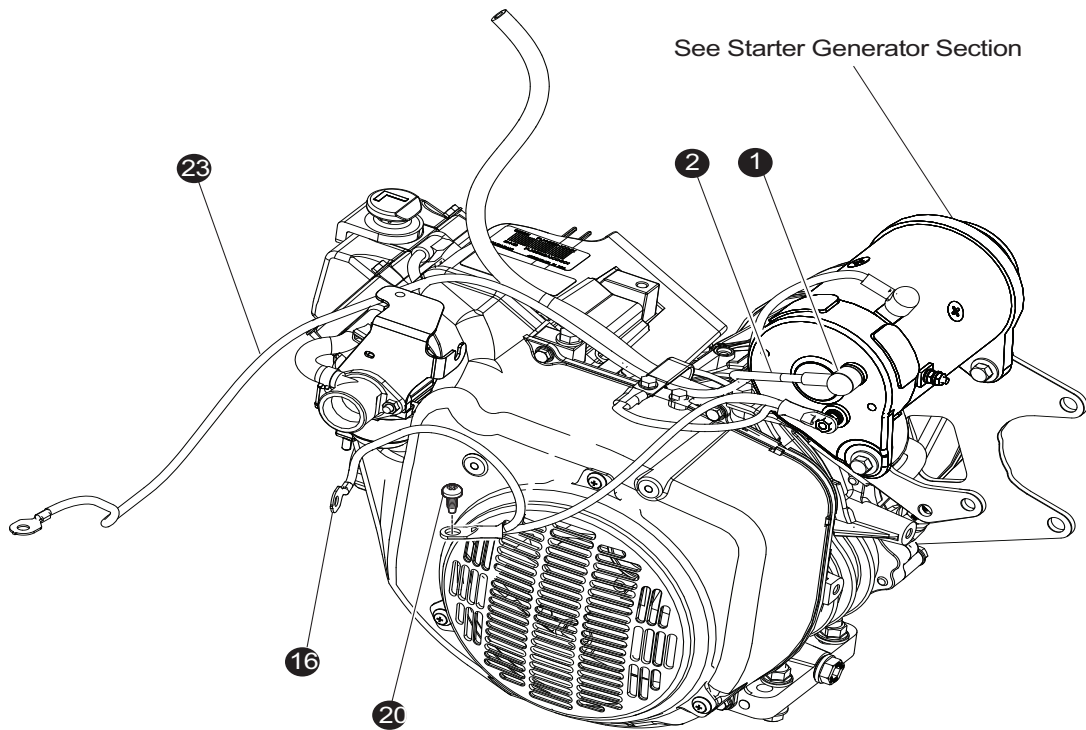
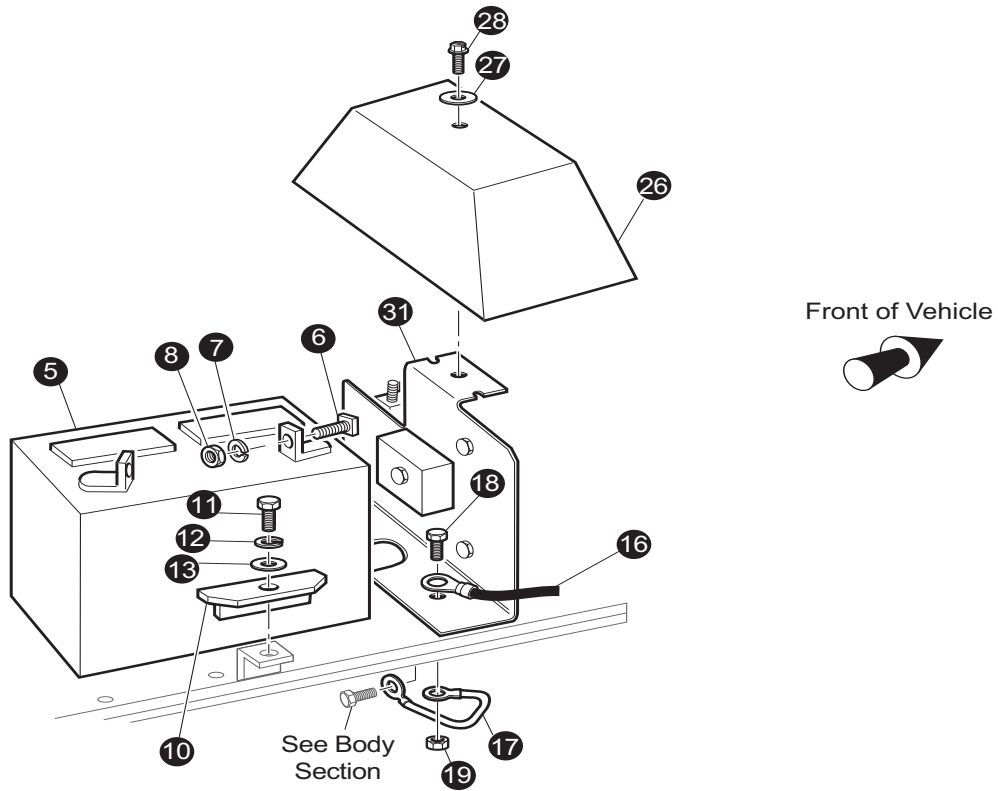
When ordering parts, please specify the model and serial number of the product.

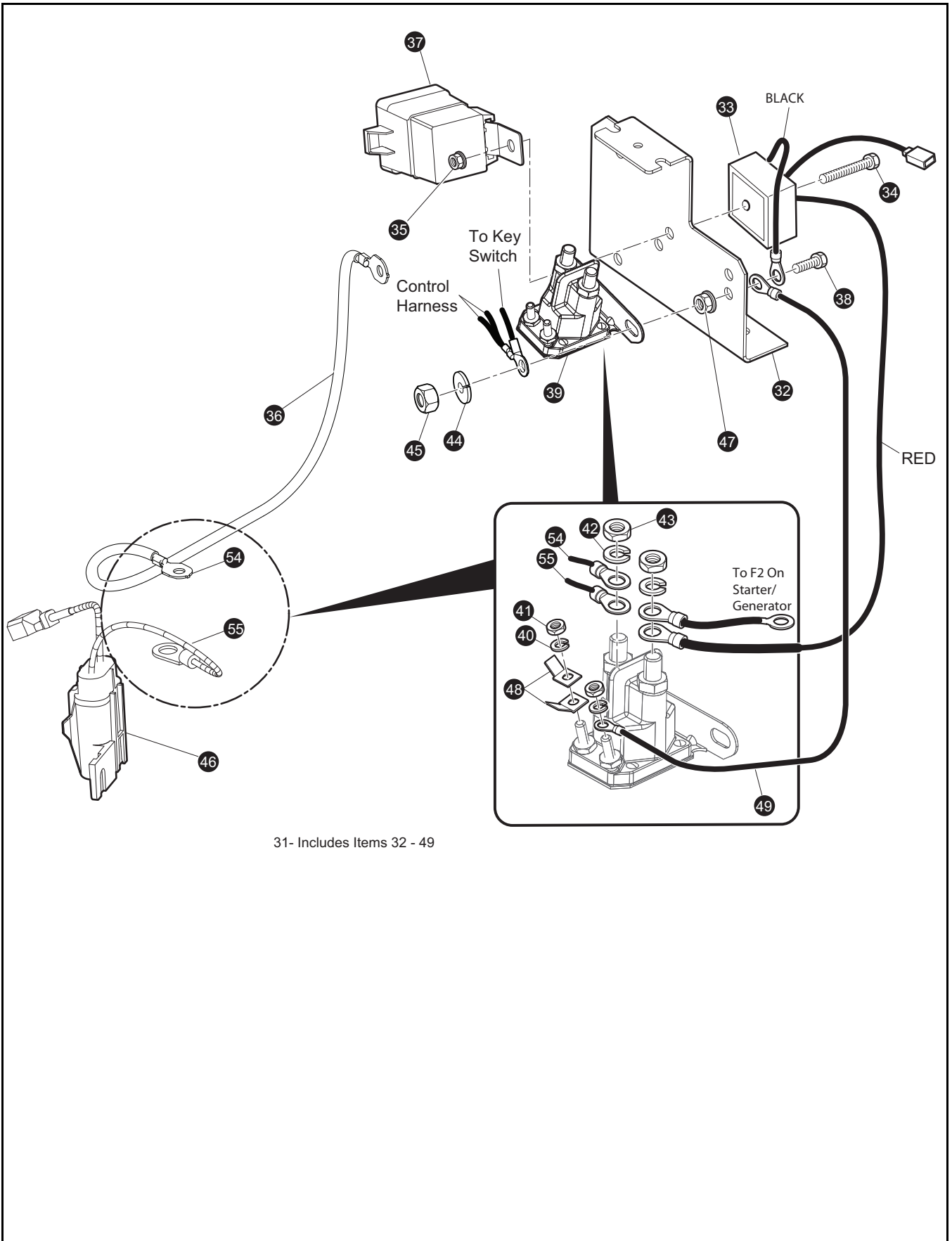
* Indicates a component that is not available as an individual part.

G** Indicates consult Customer Service Department for additional information.

ITEM	PART NO.	1 2 3 4 5	DESCRIPTION	QTY.
30	00740G4		SCREW, #10 - 32 X 1/2" LG (STAINLESS STEEL)	1
31	606421		BOLT, M6 - 1.00 X 30	1
32	450452		NUT, M6 - 1.00	1
33	606014		BRACKET	1
34	*		BUSHING, FLIP LOK, 0.25	1
35				
36	605869		MOUNTING BRACKET	1

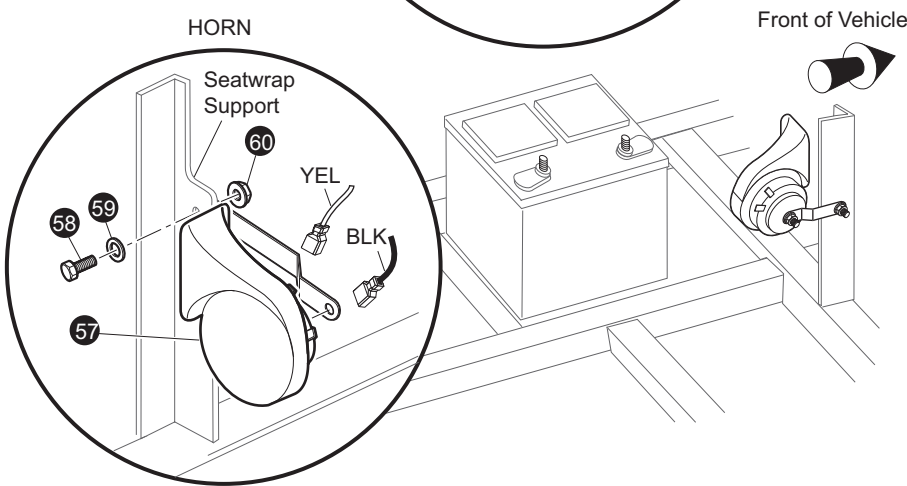
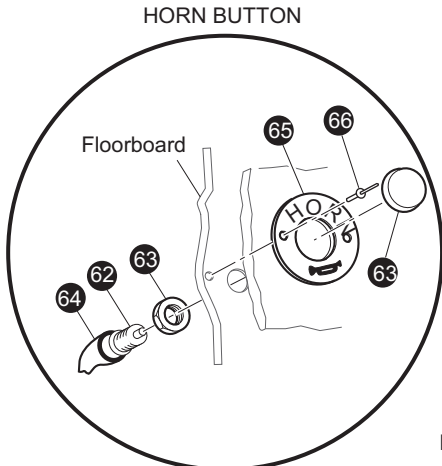
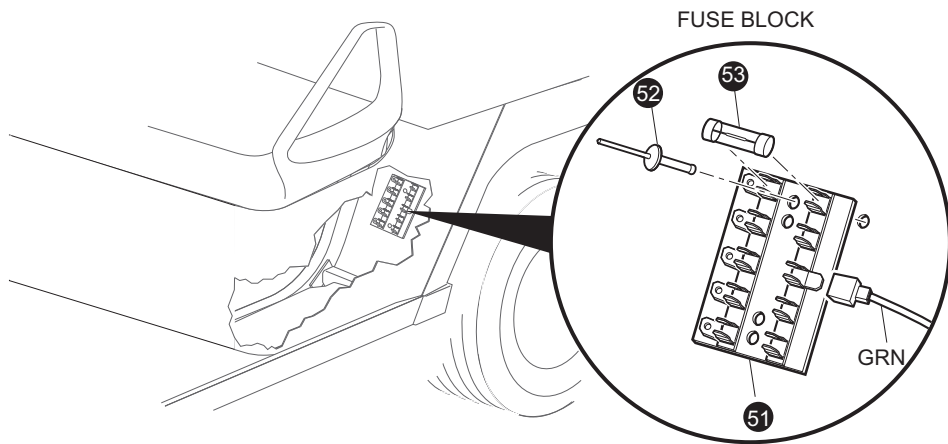
ELECTRICAL SYSTEM

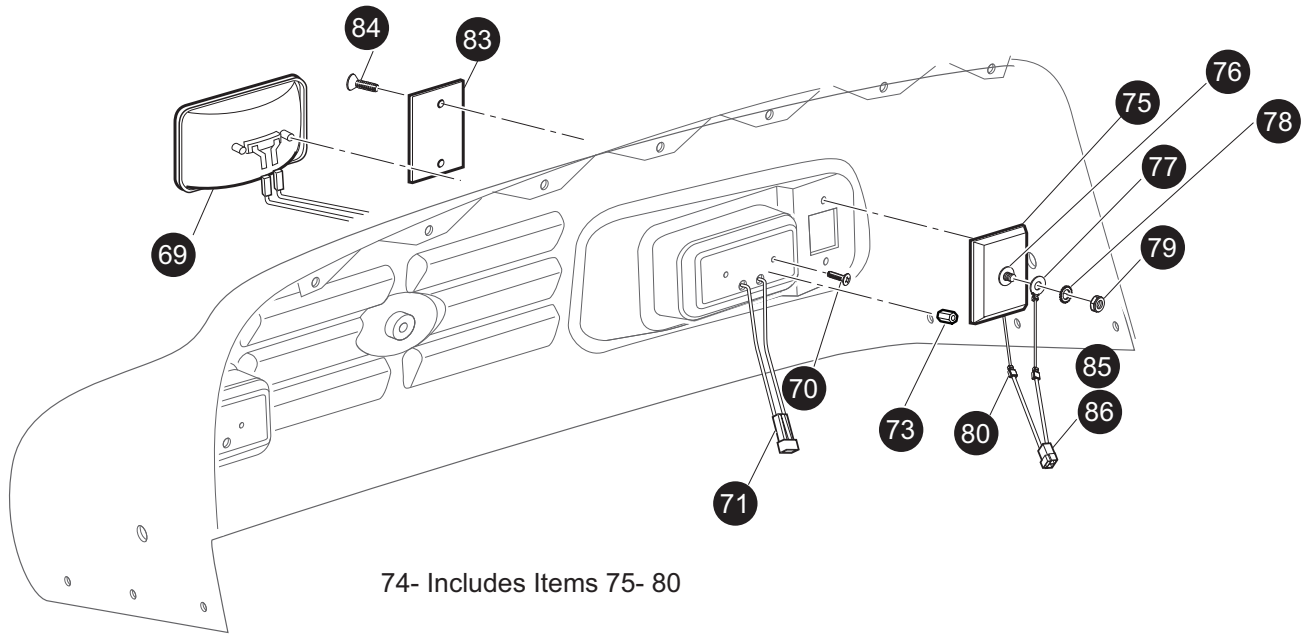




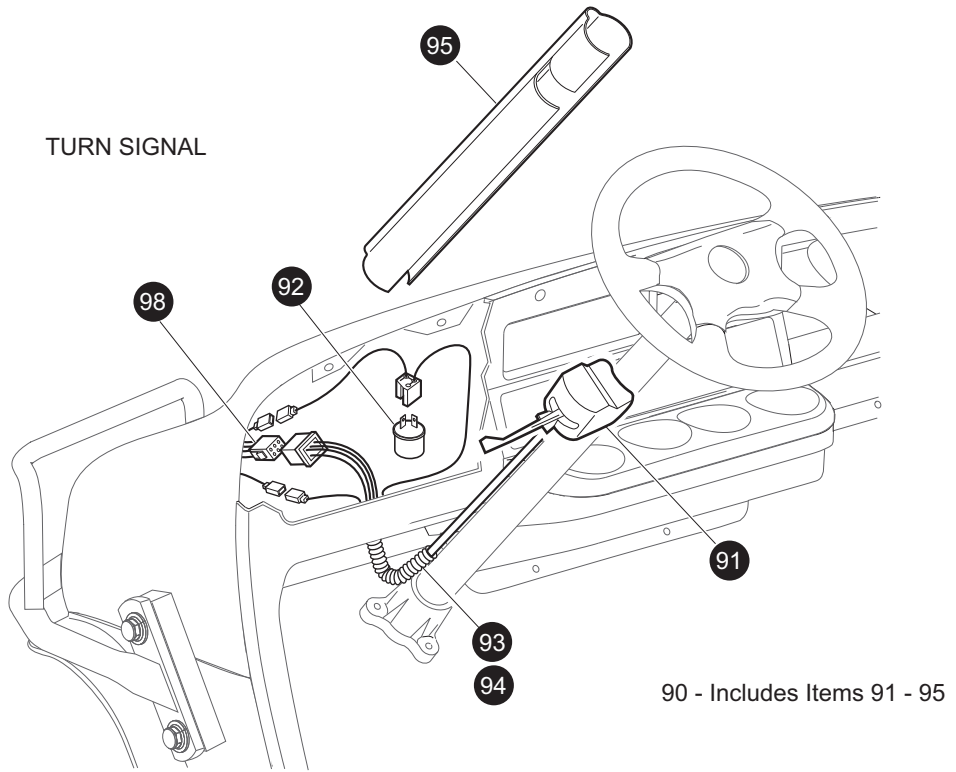
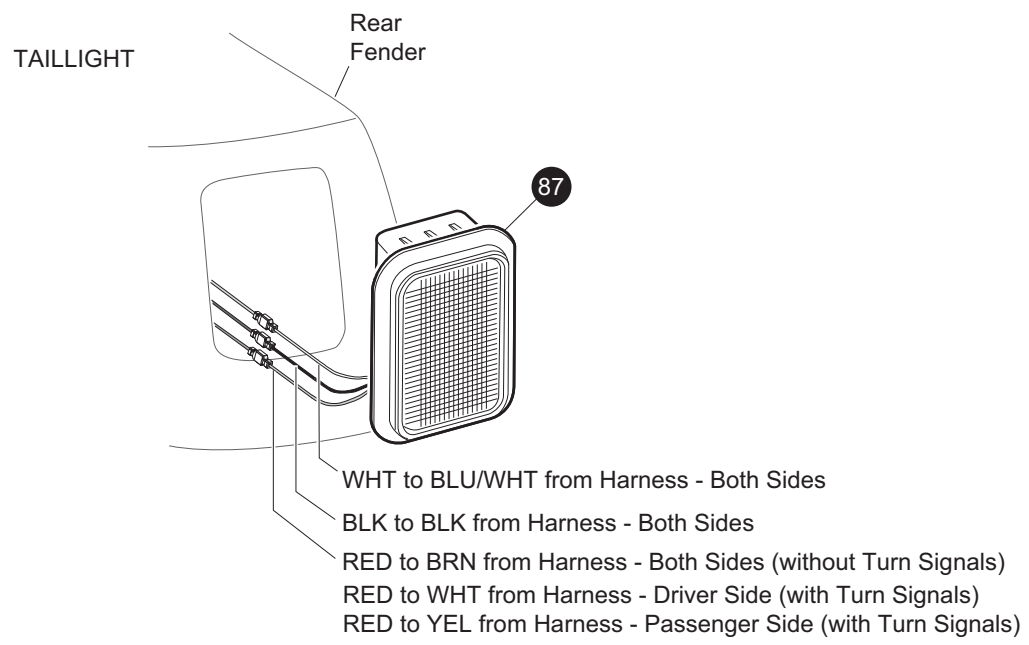
31- Includes Items 32 - 49

ELECTRICAL SYSTEM

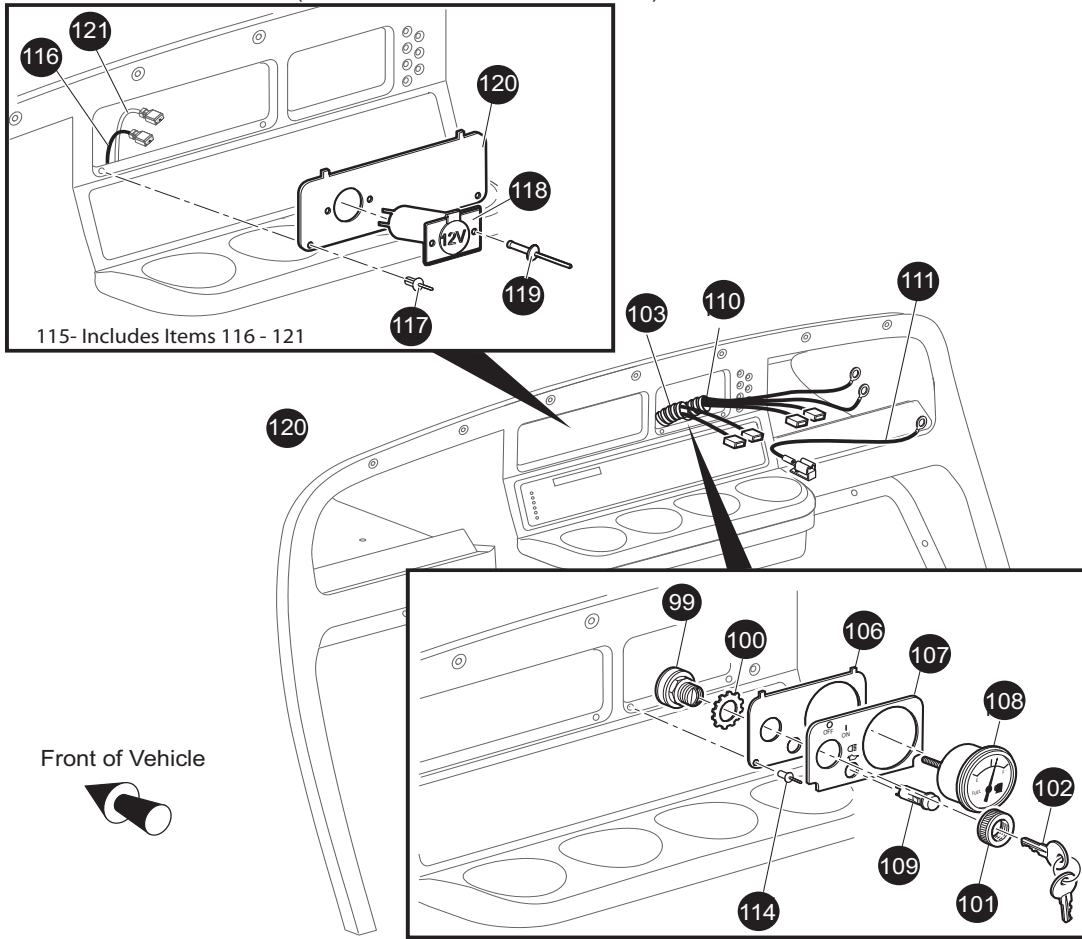




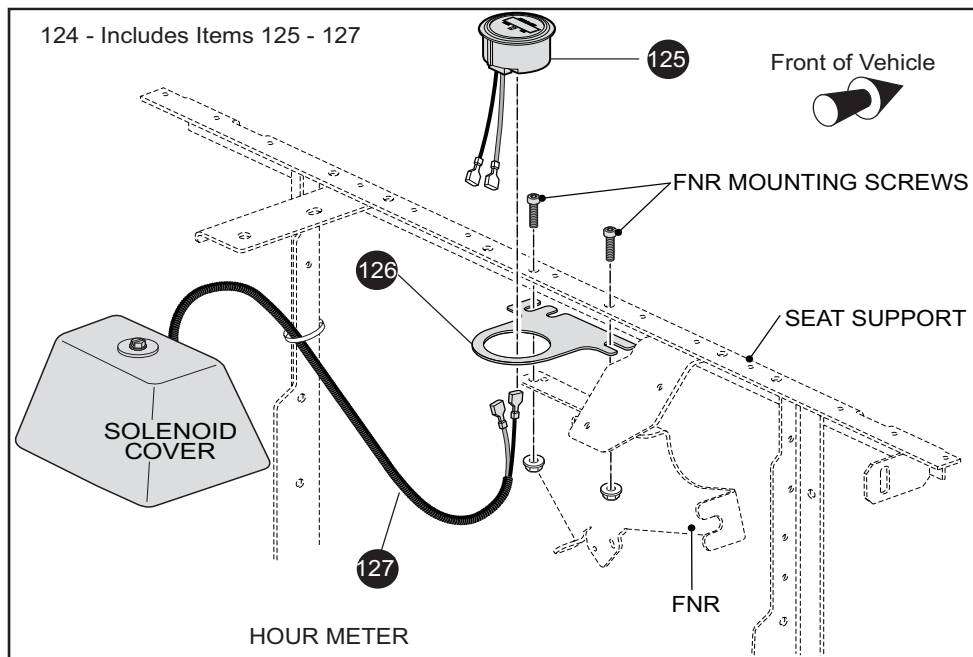
ELECTRICAL SYSTEM



CONSOLE INSERT PLATE (WITH POWER OUTLET SHOWN)



KEY SWITCH, INDICATOR LIGHT(S), AND FUEL GAUGE



ELECTRICAL SYSTEM

THE USE OF NON UL PARTS WILL VOID ANY UL LISTING.

When ordering parts, please specify the model and serial number of the product.

* Indicates a component that is not available as an individual part.

G** Indicates consult Customer Service Department for additional information.

ITEM	PART NO.	1 2 3 4 5	DESCRIPTION	QTY.
1	607053		6 GA WIRE (BLACK 6", F1 - A2).....	1
2	25682G01		TERMINAL COVER	3
3				
4				
5	24775G*		BATTERY, 12V	1
6	*		BOLT, 5/16 - 18 X 1 1/4" LG.....	2
7	*		LOCK WASHER, 5/16" (SILICON BRONZE)	2
8	*		NUT, 5/16 - 18 (SILICON BRONZE).....	2
9				
10	72101G02		BATTERY HOLD DOWN.....	1
11	00438G6		BOLT, 5/16 - 18 X 3/4" LG	3
12	00565G8		LOCK WASHER, 5/16".....	1
13	00571G2		WASHER, 5/16" (STAINLESS STEEL)	1
14				
15				
16	27044G03		GROUND CABLE.....	1
17	25976G19		14 GA WIRE (BLACK 6")	1
18	00438G6		BOLT, 5/16 - 18 X 3/4" LG	2
19	11027G1		LOCK NUT, 5/16 - 18	2
20	26676G01		FLANGED BOLT	1
21				
22				
23	607103		6 GA WIRE (42" LONG).....	1
24	605777		WIRE HARNESS (CONTROL).....	1
25	17618G1		WIRE TIE (NOT ILLUSTRATED)	AR
26	73049G01		COVER FNR	1
27	16469G1		WASHER, 1/4"	1
28	00114G6		SCREW, 1/4 - 14 X 3/4" LG.....	1
29				
30				

ELECTRICAL SYSTEM

THE USE OF NON UL PARTS WILL VOID ANY UL LISTING.
 When ordering parts, please specify the model and serial number of the product.
 * Indicates a component that is not available as an individual part.
 G** Indicates consult Customer Service Department for additional information.

ITEM	PART NO.	1 2 3 4 5	DESCRIPTION	QTY.
31	605563		ELECTRICAL PLATE ASSEMBLY (INCLUDES ITEMS 32 - 49)	1
32	73057G01		BRACKET	1
33	27739G01		VOLTAGE REGULATOR	1
34	00415G4		BOLT, 1/4 - 20 X 1 1/4" LG.....	1
35	11027G2		LOCK NUT, 1/4 - 20	1
36	25972G33		WIRE ASSEMBLY 6 GA	1
37	603282		RELAY	1
38	00661G8		BOLT, 1/4 - 20 X 1" LG.....	1
39	612813		SOLENOID	1
40	*		LOCK WASHER, #10	2
41	*		NUT, #10 - 32	2
42	*		LOCK WASHER, 5/16"	2
43	*		NUT, 5/16 - 24	2
44	00664G7		LOCK WASHER - SS - .255/.263.....	1
45	00532G1		NUT, 1/4 - 20	1
46	600418G01		FUSE HOLDER ASSEMBLY	1
47	11027G2		LOCK NUT, 1/4 - 20	1
48	73446G01		FASTON TAB, 90°	2
49	25978G56		18 GA WIRE (BLACK 5 3/4").....	1
50				
51	22674G1		FUSE BLOCK.....	1
52	01041G01		RIVET, 1/8" X 13/16" LG	2
53	18392G1		15 AMP FUSE	3
54	25972G33		#6 GA WIRE ASSEMBLY	1
55	20216G1		16 GA WIRE (RED).....	1
56				
57	32860G1		HORN.....	1
58	00414G5		BOLT, 1/4 - 20 x 5/8" LG.....	1
59	00559G7		WASHER, 1/4" (STAINLESS STEEL)	1
60	14390G4		LOCK NUT, 1/4 - 20	1

ELECTRICAL SYSTEM

THE USE OF NON UL PARTS WILL VOID ANY UL LISTING.

When ordering parts, please specify the model and serial number of the product.

* Indicates a component that is not available as an individual part.

G** Indicates consult Customer Service Department for additional information.

ITEM	PART NO.	1 2 3 4 5	DESCRIPTION	QTY.
61				
62	17318G1		HORN SWITCH.....	1
63	17318G2		HORN SWITCH CAP AND NUT	1
64	27068G01		HORN SWITCH BOOT	1
65	19233G1		HORN SWITCH LABEL	1
66	71055G01		RIVET, 3/16" X 1" LG (ALUMINUM)	2
67				
68				
69	22523G01		HEADLIGHT (INCLUDES ITEM 70).....	2
70	00906G6		SCREW, #10 - 16 X 1" LG	4
71	74337G01		JUMPER WIRE (HEADLIGHT)	2
72				
73	605953		SPACER.....	4
74	20570G3		TURN SIGNAL LIGHT ASSEMBLY (INCLUDES ITEMS 75 - 80).....	2
75	20574G3		TURN SIGNAL LIGHT	1
76	00660G7		WASHER, 1/4" (STAINLESS STEEL).....	1
77	20606G1		WIRE ASSEMBLY	1
78	00567G7		LOCK WASHER, 1/4"	1
79	00532G1		NUT, 1/4 - 20.....	1
80	18995G1		PUSH-ON TERMINAL (MALE).....	1
81				
82				
83	20574G4		LENS, AMBER	1
84	00118G5		SCREW, #6 - 18 X 5/8" LG.....	4
85	74056G01		TURN SIGNAL JUMPER, RED/BLACK (PASSENGER SIDE)	1
86	74056G02		TURN SIGNAL JUMPER, GREEN/BLACK (DRIVER SIDE)	1
87	32739G2		TAILLIGHT ASSEMBLY (COMPLETE)	2
88				
89				
90	606887		TURN SIGNAL KIT (INCLUDES ITEMS 91 - 95).....	1

ELECTRICAL SYSTEM

THE USE OF NON UL PARTS WILL VOID ANY UL LISTING.

When ordering parts, please specify the model and serial number of the product.

* Indicates a component that is not available as an individual part.

G** Indicates consult Customer Service Department for additional information.

ITEM	PART NO.	1	2	3	4	5	DESCRIPTION	QTY.
91	17867G1						TURN SIGNAL (WITH MOUNTING HARDWARE) (INCLUDES ITEM 106).	1
92	21640G1						TURN SIGNAL FLASHER.....	1
93	32307G3						FLEX LOOM, 3/8 X 8" LG.....	1
94	17618G1						WIRE TIE.....	2
95	20965G3						STEERING COLUMN COVER.....	1
96								
97								
98	606046						WIRE HARNESS (ACCESSORY).....	1
99	33639G01						IGNITION SWITCH (WITH LIGHTS).....	1
100	00568G6						LOCK WASHER, 3/4".....	1
101	17137G1						FACE NUT, 3/4 - 20.....	1
102	17063G1						IGNITION KEY.....	1
103	605866						WIRE HARNESS (KEY SWITCH).....	1
104								
105								
106	73030G04						PLATE (FUEL GAUGE AND OIL LIGHT).....	1
107	71127G01						LABEL (OIL LIGHT AND FUEL GAUGE WITH HEADLIGHTS).....	1
108	21553G1						FUEL GAUGE.....	1
109	23474G1						INDICATOR LIGHT.....	1
110	74311G01						HARNESS (OIL LIGHT/FUEL GAUGE).....	1
111	25978G122						18 GA WIRE (RED 6").....	1
112								
113								
114	33623G02						DRIVE RIVET, 3/16" X 3/8" LG.....	2
115	612143						POWER OUTLET 12V (INCLUDES ITEMS 116 - 121).....	1
116	612107						WIRE HARNESS, POWER OUTLET 12V.....	1
117	33623G02						RIVET, BLACK PLATIC.....	3
118	71078G01						OUTLET, POWER 12V.....	1
119	14601G10						RIVET, ALUMINIUM 5/32.....	2
120	73522G03						CONSOLE PLATE (E-COAT).....	1

ELECTRICAL SYSTEM

THE USE OF NON UL PARTS WILL VOID ANY UL LISTING.

When ordering parts, please specify the model and serial number of the product.

* Indicates a component that is not available as an individual part.

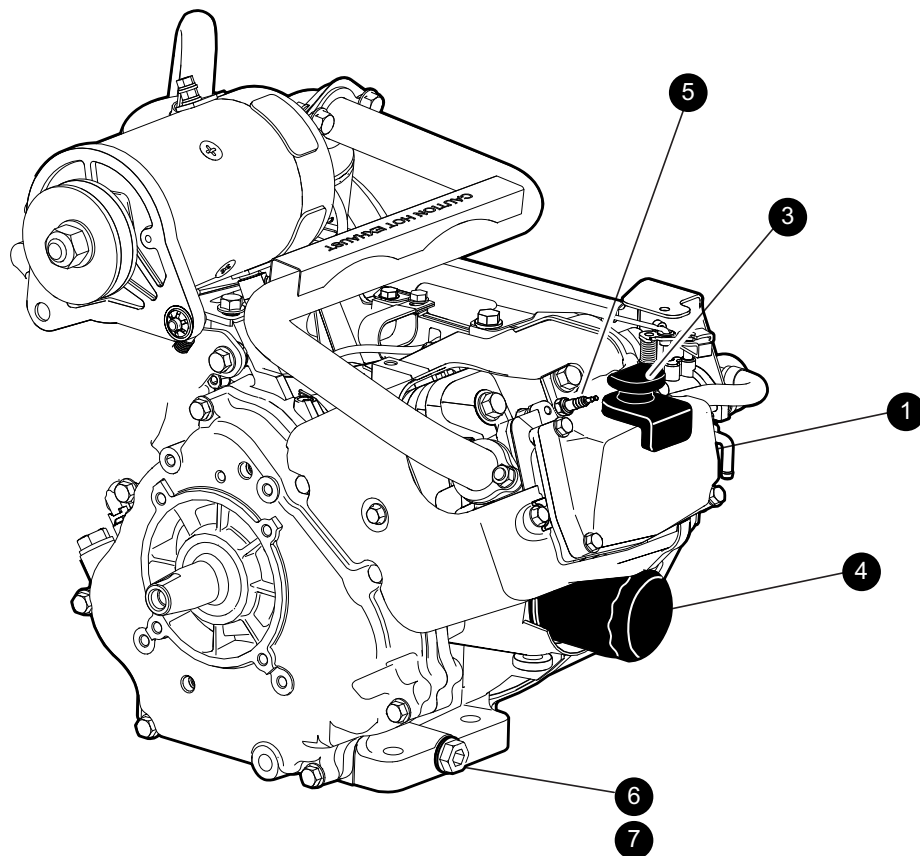
G** Indicates consult Customer Service Department for additional information.

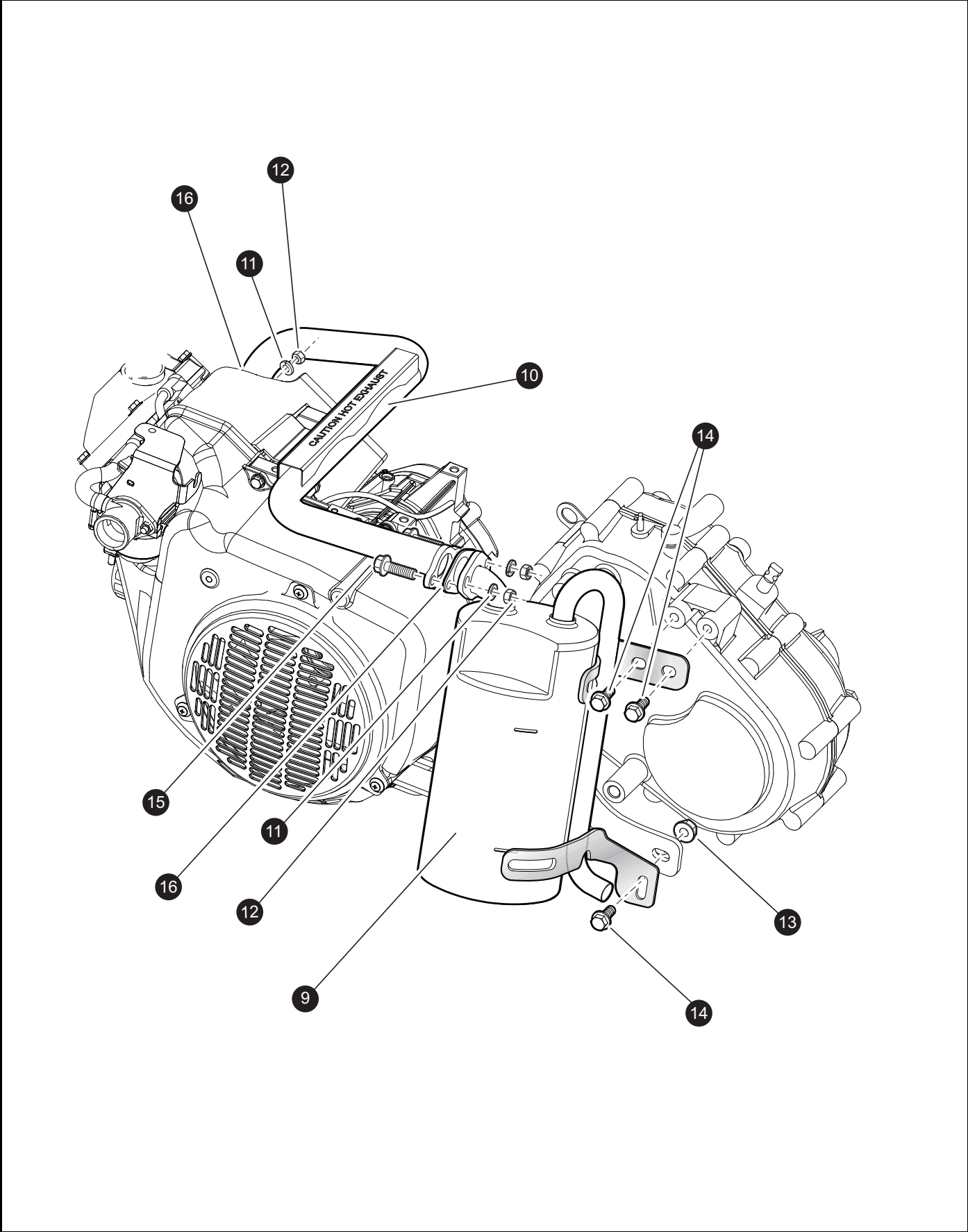
ITEM	PART NO.	1 2 3 4 5	DESCRIPTION	QTY.
121	35212G01		FUSE, AUTOMTIVE ATC TYPE, 15A	1
122				
123				
124	607285		HOUR METER KIT (INCLUDES ITEMS 125 - 127).....	1
125	617074		HOUR METER.....	1
126	603721		HOUR METER BRACKET.....	1
127	606254		WIRE HARNESS (HOUR METER).....	1
128	31539G1		NYLON CLAMP 15.5" (NOT ILLUSTRATED)	AR
129	73290G03		CONT TONE POTTED BUZZER (NOT SHOWN).....	1

Notes:

A large grid of graph paper, consisting of 20 columns and 30 rows of small squares, intended for taking notes.

ENGINE AND MUFFLER





ENGINE AND MUFFLER

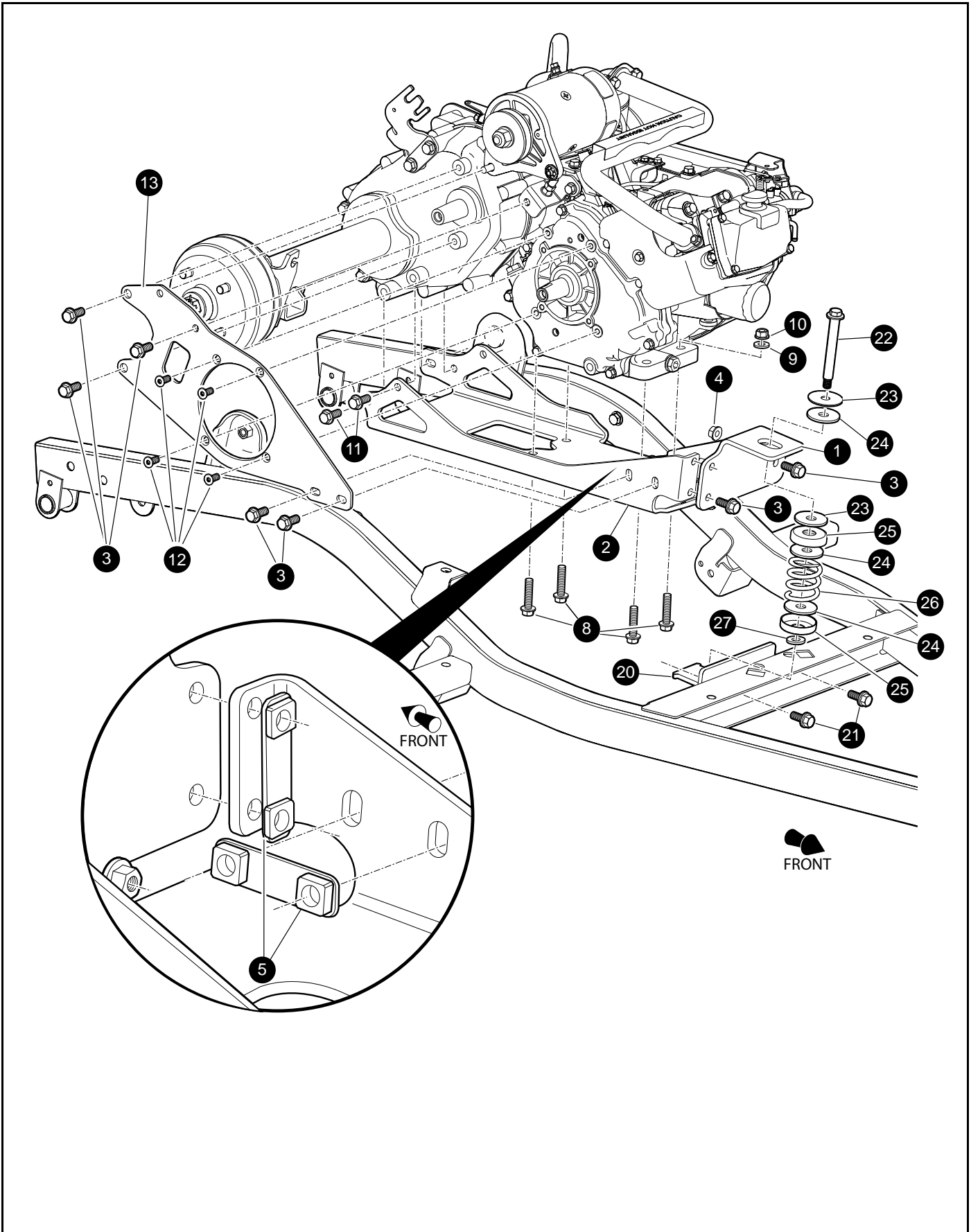
When ordering parts, please specify the model and serial number of the product.

* Indicates a component that is not available as an individual part.

*** Indicates consult Customer Service Department for additional information.

ITEM	PART NO.	1 2 3 4 5	DESCRIPTION	QTY.
1	607154		ENGINE, GAS, 13HP, NON-GOLF	1
2				
3	606391		DIP STICK	1
4	607454		OIL FILTER	1
5	607462		SPARK PLUG (BPR2ES)	1
6	603557		OIL DRAIN PLUG	1
7	603562		'O' RING, 16MM	1
8				
9	612266		MUFFLER	1
10	606982		EXHAUST PIPE	1
11	606272		WASHER, 8MM	4
12	606267		NUT, M8 X 1.25	4
13	606279		NUT, M10 - 1.25	1
14	606256		BOLT, M10 - 1.25 X 25	3
15	602330		BOLT, M8 - 1.25 X 30	2
16	603599		EXHAUST GASKET	2

ENGINE MOUNTING



ENGINE MOUNTING

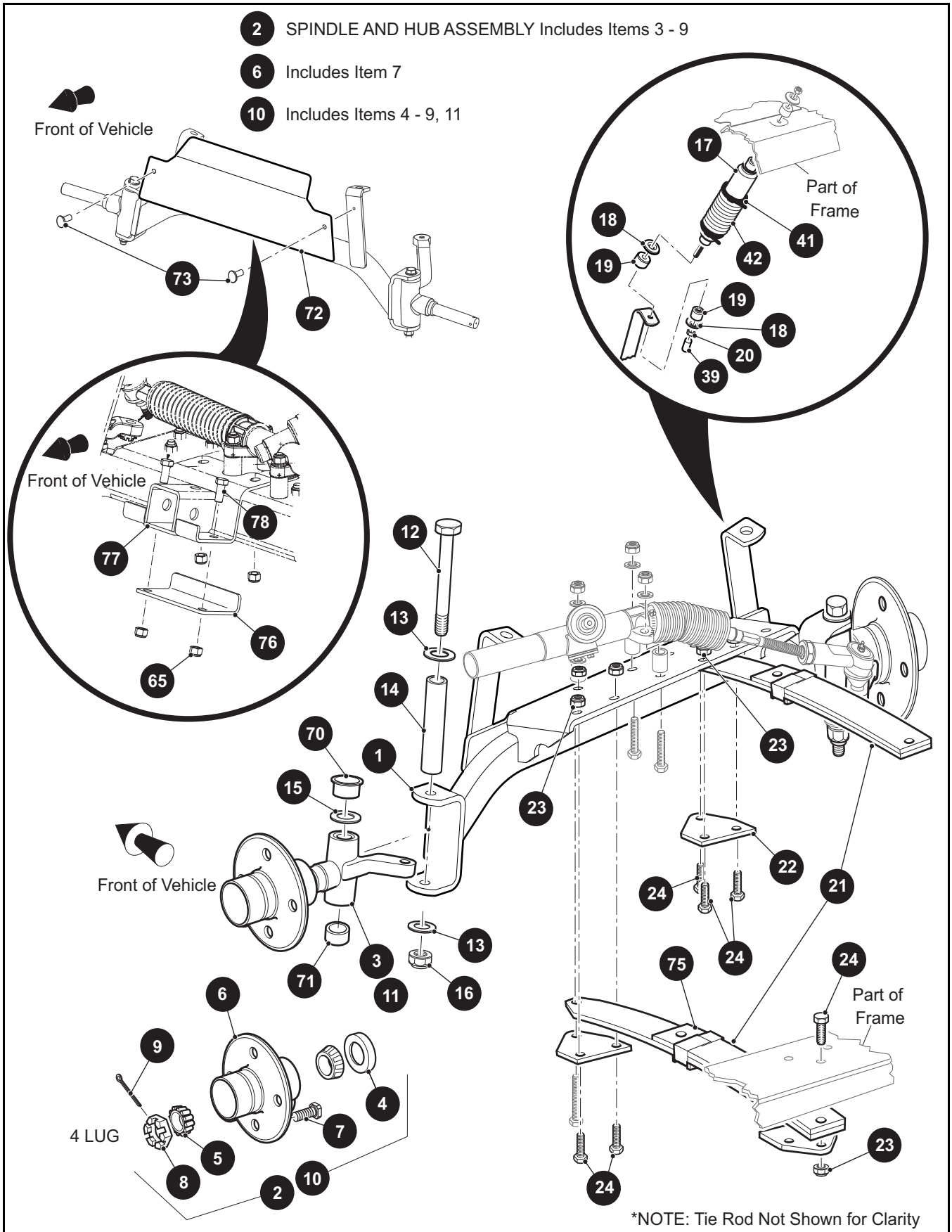
When ordering parts, please specify the model and serial number of the product.

* Indicates a component that is not available as an individual part.

*** Indicates consult Customer Service Department for additional information.

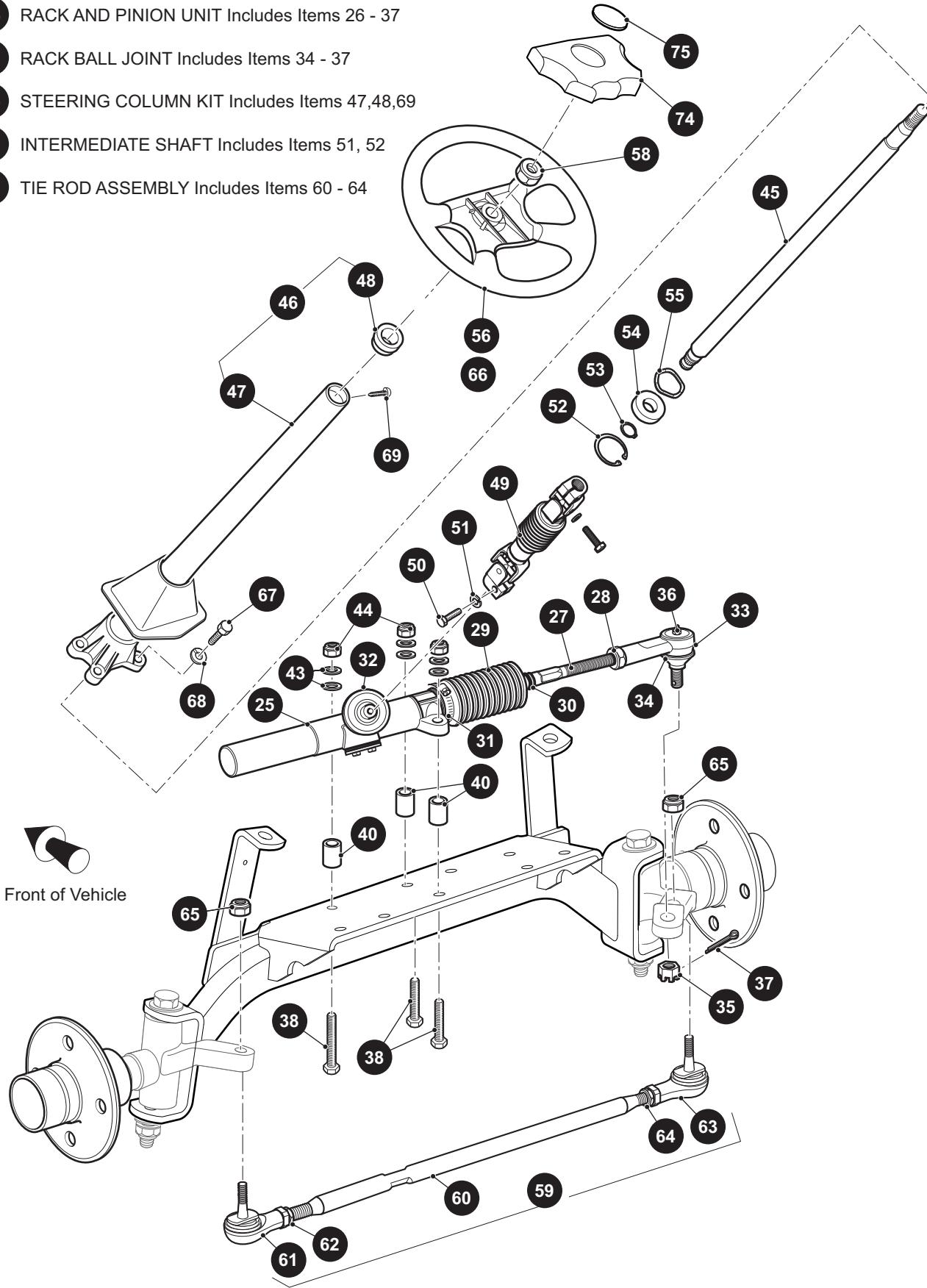
ITEM	PART NO.	1 2 3 4 5	DESCRIPTION	QTY.
1	606007		FRONT ENGINE MOUNT	1
2	603101		ENGINE PAN MOUNT	1
3	606256		BOLT, M10 - 1.25 X 25.....	10
4	606279		NUT, M10 - 1.25.....	1
5	606096		NUT PLATE.....	2
6				
7				
8	606259		BOLT,	4
9	603823		FLAT WASHER, M10 X 22 - 2.5	4
10	606279		NUT, M10 - 1.25.....	4
11	608020		BOLT, M10 - 1.25 X 34.....	4
12	606246		FLAT HEAD SCREW, T40	4
13	602146		DIFFERENTIAL PLATE	1
14				
15				
16				
17				
18				
19				
20	603683		ISO MOUNT.....	1
21	603799		BOLT, M10 -1.0 X 25.....	2
22	607299		BOLT, M10 - 1.5	1
23	607297		RUBBER WASHER	2
24	607298		DELTRIN WASHER	3
25	24939G2		CAP ADAPTER.....	2
26	606166		COMPRESSION SPRING	1
27	604066		WASHER, M10 - 10.5 X 30.....	1

FRONT SUSPENSION/STEERING



FRONT SUSPENSION/STEERING

- 25** RACK AND PINION UNIT Includes Items 26 - 37
- 33** RACK BALL JOINT Includes Items 34 - 37
- 46** STEERING COLUMN KIT Includes Items 47,48,69
- 49** INTERMEDIATE SHAFT Includes Items 51, 52
- 59** TIE ROD ASSEMBLY Includes Items 60 - 64



FRONT SUSPENSION/STEERING

Where applicable, THE USE OF NON UL PARTS WILL VOID ANY UL LISTING.

When ordering parts, please specify the model and serial number of the product.

* Indicates a component that is not available as an individual part.

G** Indicates consult Customer Service Department for additional information.

ITEM	PART NO.	1 2 3 4 5	DESCRIPTION	QTY.
1	606989		FRONT AXLE	1
2	70930-G01		SPINDLE AND HUB ASSEMBLY, 4 LUG (PASSENGER SIDE) (INCLUDES ITEMS 3 - 9).....	1
3	70802-G01		SPINDLE ASSEMBLY (PASSENGER SIDE).....	1
4	25146-G1		GREASE SEAL.....	1
5	11750-G2		ROLLER BEARING AND RACE ASSEMBLY.....	2
6	35886-G01		WHEEL HUB ASSEMBLY WITH RACES, 4 LUG (INCLUDES ITEM 7)	1
7	19862-G1		LUG BOLT, 1/2 - 20 X 1 7/32" LG.....	4
8	12093-G1		HEX SLOTTED NUT, 17/32.....	1
9	00798-G8		COTTER PIN, 5/32" X 1 3/4" LG	1
10	70931-G01		SPINDLE AND HUB ASSEMBLY, 4 LUG (DRIVER SIDE) (INCLUDES ITEMS 4 - 9, 11).....	1
11	70803-G01		SPINDLE ASSEMBLY (DRIVER SIDE)	1
12	00407-G6		HEX HEAD BOLT, 1/2 - 13 X 6" LG.....	2
13	00560-G3		FLAT WASHER, 3/8"	4
14	70745-G01		KING PIN TUBE	2
15	70754-G01		THRUST WASHER, 1" (STAINLESS STEEL).....	2
16	14390-G6		LOCK NUT, 1/2 - 13	2
17	76419-G01		SHOCK ABSORBER.....	2
18	10435-G1		SHOCK AWASHER.....	8
19	10194-G1		RUBBER BUSHING	8
20	00532-G6		HEX NUT, 1/4 - 20.....	4
21	70664-G03		LEAF SPRING (HEAVY DUTY)	2
22	70163-G03		SPRING PLATE	4
23	00734-G1		LOCK NUT, 7/16 - 14	12
24	00463-G11		HEX HEAD BOLT, 7/16 - 14 X 1 1/2" LG.....	12
25	70964-G01		RACK AND PINION UNIT (COMPLETE) (INCLUDES ITEMS 26 - 37)	1
26	*		STEERING BOX INSTALLATION TAG.....	1
27	70694-G01		RACK EXTENSION	1
28	*		JAM NUT, 1/2 - 20.....	1
29	70961-G01		RACK BOOT.....	1

FRONT SUSPENSION/STEERING

Where applicable, THE USE OF NON UL PARTS WILL VOID ANY UL LISTING.

When ordering parts, please specify the model and serial number of the product.

* Indicates a component that is not available as an individual part.

G** Indicates consult Customer Service Department for additional information.

ITEM	PART NO.	1 2 3 4 5	DESCRIPTION	QTY.
30	12416-G2		WIRE TIE	1
31	11391-G8		CLAMP, 1 13/16 - 2 3/8"	1
32	70638-G01		PINION SEAL	1
33	70695-G01		RACK BALL JOINT (INCLUDES ITEMS 34 -37)	1
34	50641-G1		RUBBER BOOT	1
35	50209-G2		HEX SLOTTED NUT, 7/16 - 20	1
36	10387-G2		GREASE FITTING, STRAIGHT	1
37	10389-G3		COTTER PIN, 3/32" X 1" LG	1
38	00464-G6		HEX HEAD BOLT, 7/16 - 14 X 2 3/4" LG	3
39	10044G01		VINYL CAP	2
40	70667-G02		SPACER	3
41	31539G1		NYLON CLAMP	4
42	70509G01		SHOCK ABSORBER BOOT	2
43	00560-G2		FLAT WASHER, 7/16"	6
44	00734-G1		LOCK NUT, 7/16 - 14	3
45	70607-G01		STEERING SHAFT	1
46	70758-G05		STEERING COLUMN KIT (INCLUDES ITEMS 47,48 & 69)	1
47	70610-G03		STEERING COLUMN	1
48	28569-G01		STEERING COLUMN BUSHING	1
49	70580-G01		INTERMEDIATE SHAFT (INCLUDES ITEMS 50, 51)	1
50	01055-G01		HEX BOLT, M8 X 1.25 - 05	1
51	00565-G8		LOCK WASHER, 5/16"	1
52	70751-G01		RETAINING RING (INTERNAL)	1
53	70888-G01		RETAINING RING (EXTERNAL)	1
54	15112-G1		BALL BEARING	1
55	70887-G01		WAVE WASHER	1
56	602980		STEERING WHEEL PREMIUM (OPTIONAL)	1
57				
58	14390-G2		LOCK NUT, 5/8 - 18	1
59	70876-G02		TIE ROD ASSEMBLY (INCLUDES ITEMS 60 - 64)	1

FRONT SUSPENSION/STEERING

Where applicable, THE USE OF NON UL PARTS WILL VOID ANY UL LISTING.

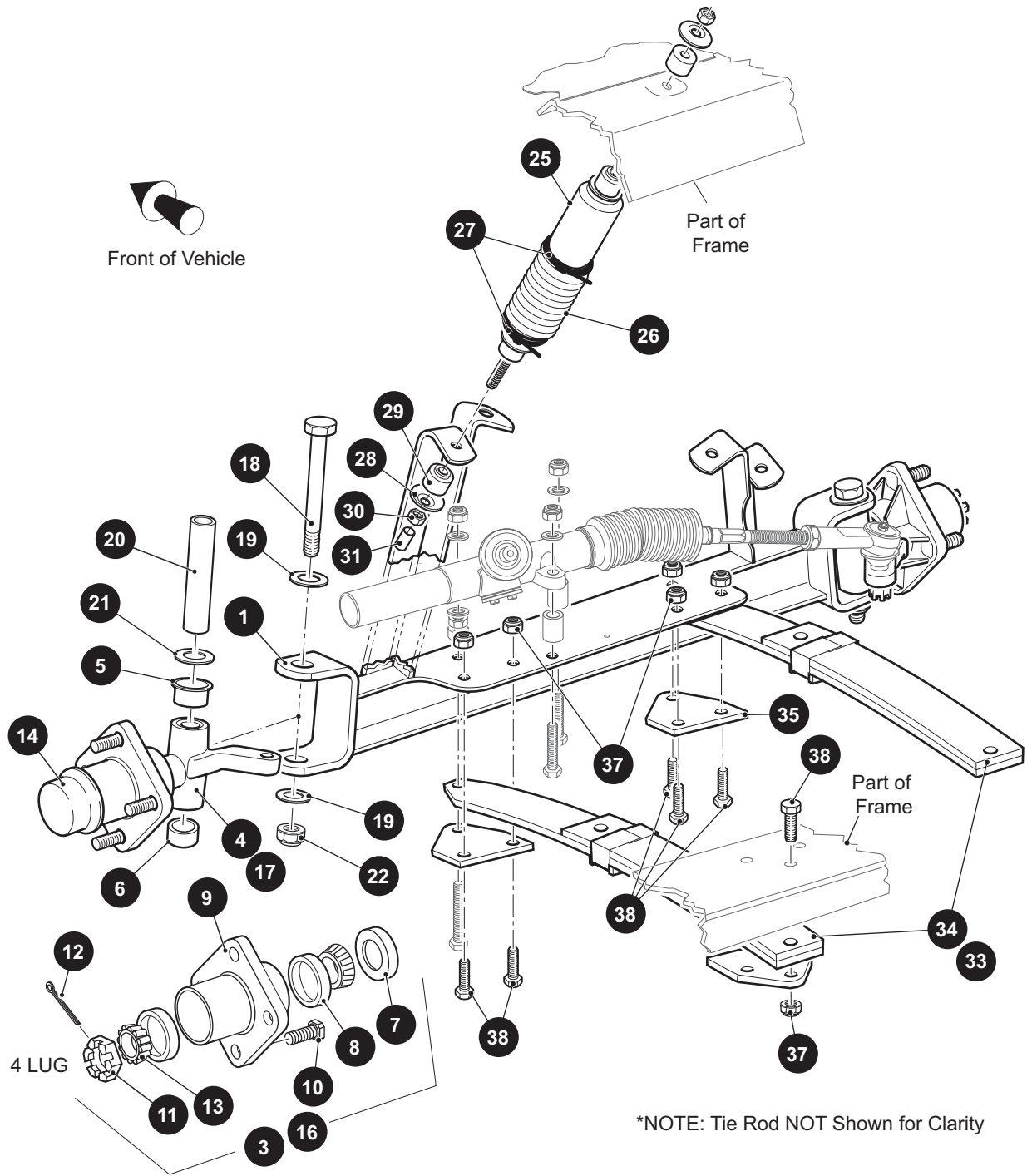
When ordering parts, please specify the model and serial number of the product.

* Indicates a component that is not available as an individual part.

G** Indicates consult Customer Service Department for additional information.

ITEM	PART NO.	1	2	3	4	5	DESCRIPTION	QTY.
60	70897-G02						THREADED ROD (24" LG).....	1
61	70902-G01						TIE ROD END (LEFT HAND THREADS)	1
62	01069-G01						JAM NUT, M12 X 1.25 - 05 (LEFT HAND THREADS).....	1
63	70902-G02						TIE ROD END (RIGHT HAND THREADS).....	1
64	01069-G02						JAM NUT, M12 X 1.25 - 05 (RIGHT HAND THREADS)	1
65	00734-G1						LOCK NUT, 7/16 - 14	2
66	602979						STEERING WHEEL	1
67	01006-G01						HEX WAHSER HEAD BOLT, 3/8 - 16 x 1 1/4" LG.....	4
68	00879 -G1						LOCK WASHER, 3/8".....	4
69	01022-G01						HEX HEAD SCREW #6 - 20 x 5/16" LG.....	1
70	70648-G01						FLANGED BEARING	1
71	70749-G01						BEARING	1
72	605642						STEERING RACK COVER	1
73	15058-G1						RIVET	2
74	71147-G01						STEERING WHEEL COVER	1
75	70990-G03						SPRING FRONT CANT LEAF	2
76	604572						PL, WINCH RECEIVER RETAINER.....	4
77	604559						WELDMENT, WINCH RECEIVER.....	3
78	00462-G8						HEX HEAD SCREW, 7/16 - 14.....	4
79	605435						STEERING WHEEL DECAL	1

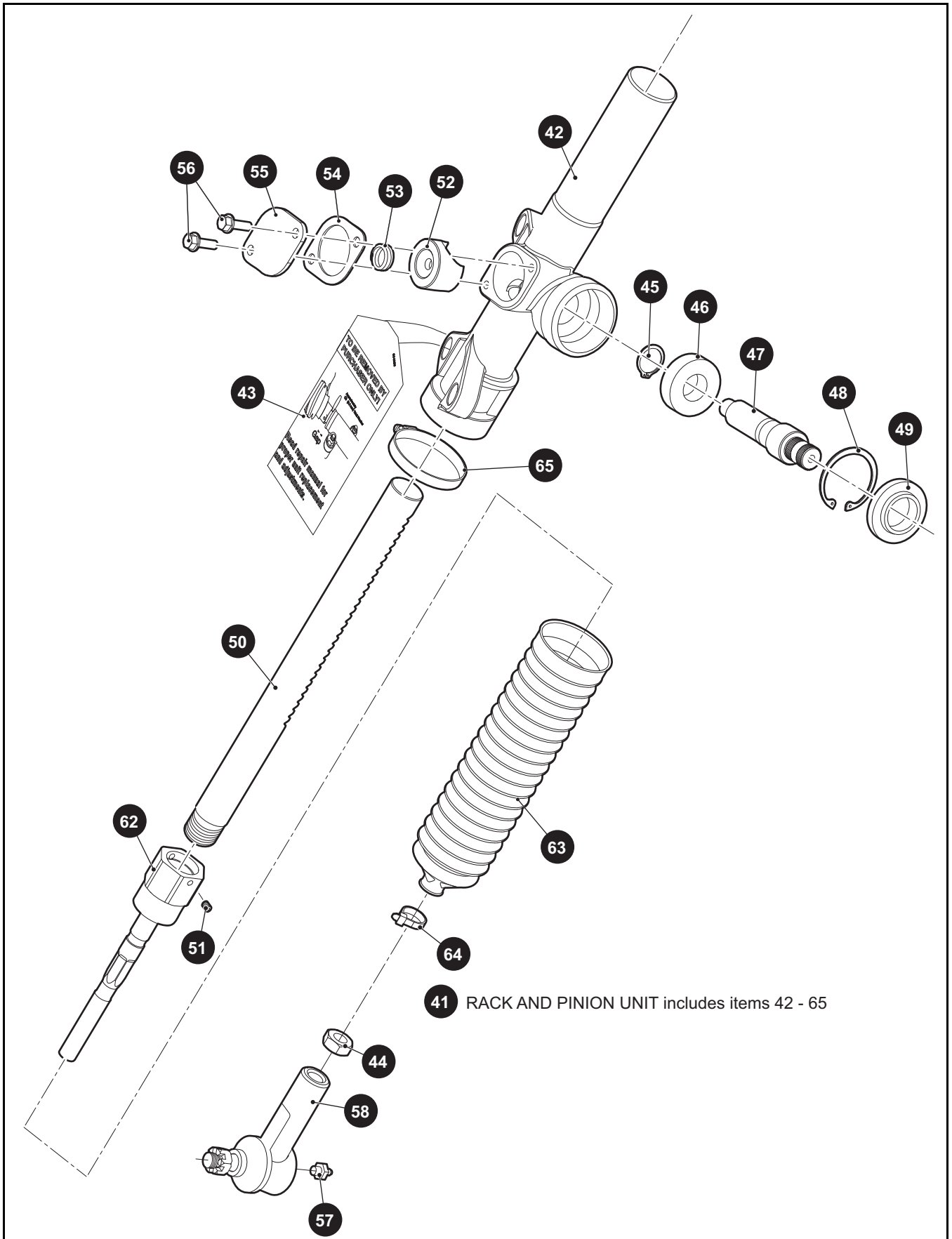
FRONT SUSPENSION/STEERING EXPRESS II



3 PASSENGER SIDE SPINDLE AND HUB ASSEMBLY includes items 4 - 13

16 DRIVER SIDE SPINDLE AND HUB ASSEMBLY includes items 5 - 13, 17

FRONT SUSPENSION/STEERING EXPRESS II



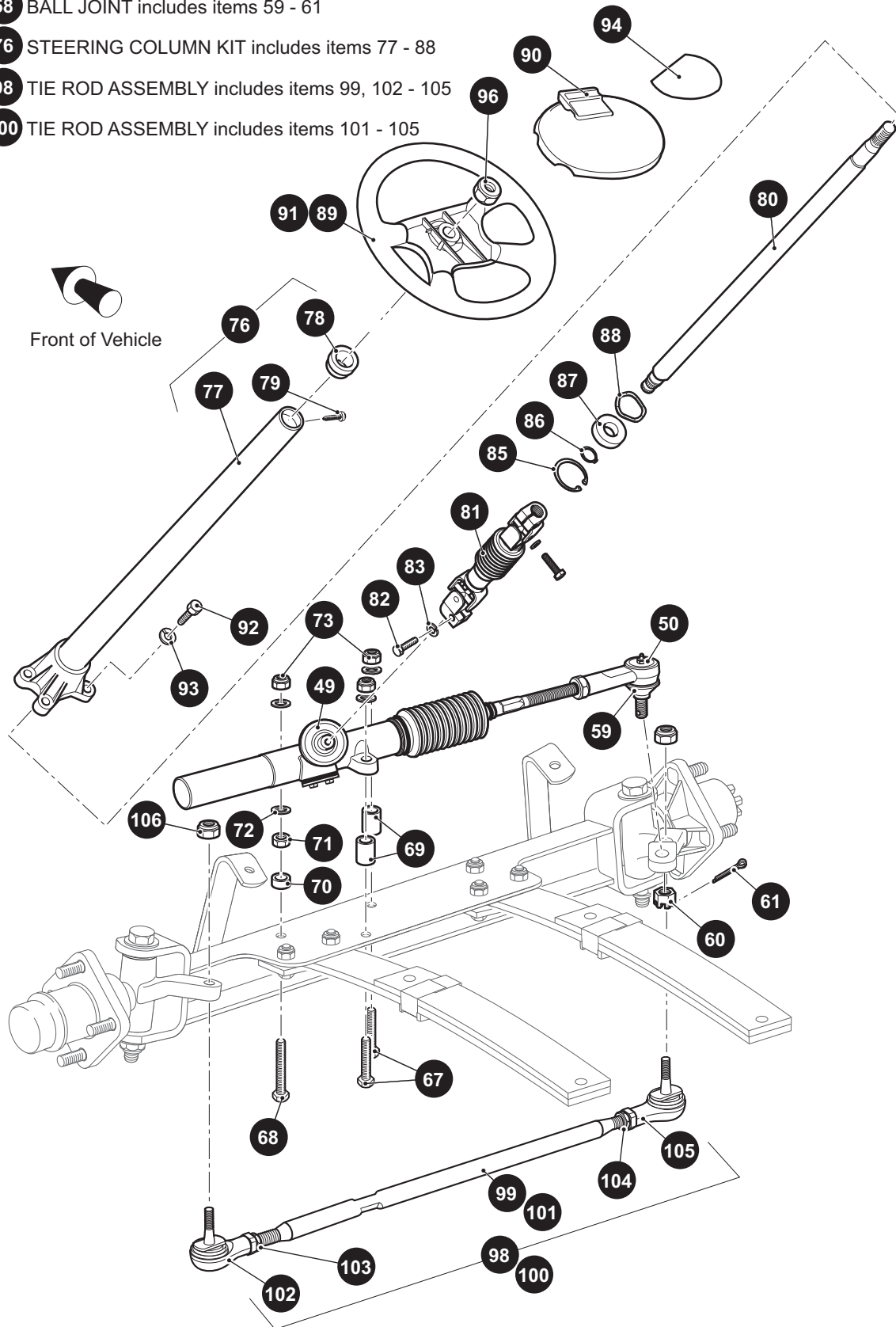
FRONT SUSPENSION/STEERING EXPRESS II

58 BALL JOINT includes items 59 - 61

76 STEERING COLUMN KIT includes items 77 - 88

98 TIE ROD ASSEMBLY includes items 99, 102 - 105

100 TIE ROD ASSEMBLY includes items 101 - 105



FRONT SUSPENSION/STEERING EXPRESS II

Where applicable, THE USE OF NON UL PARTS WILL VOID ANY UL LISTING.

When ordering parts, please specify the model and serial number of the product.

* Indicates a component that is not available as an individual part.

G** Indicates consult Customer Service Department for additional information.

ITEM	PART NO.	1 2 3 4 5	DESCRIPTION	QTY.
1	602512		FRONT AXLE	1
2				
3	70942G03		SPINDLE AND HUB ASSEMBLY, 4 LUG (PASSENGER SIDE) (INCLUDES ITEMS 4 - 13).....	1
4	70940G02		SPINDLE ASSEMBLY (PASSENGER SIDE).....	1
5	70648G01		BEARING.....	1
6	70749G01		BEARING, DP4	1
7	25146G1		GREASE SEAL.....	1
8	51141G1		RACE BEARING.....	2
9	70589G01		WHEEL HUB ASSEMBLY WITH RACES, 4 LUG	1
10	19862G1		LUG BOLT, 1/2 - 20 X 1 7/32" LG	4
11	12093G1		SLOTTED NUT, 1 - 14	1
12	00798G8		COTTER PIN, 5/32" X 1 3/4" LG	1
13	11750G2		ROLLER BEARING	2
14	12091G2		SPINDLE CAP	2
15				
16	70673G03		SPINDLE AND HUB ASSEMBLY, 4 LUG (DRIVER SIDE) (INCLUDES ITEMS 5 - 13 & 17)	1
17	70742G02		SPINDLE ASSEMBLY (DRIVER SIDE)	1
18	00407G6		HEX HEAD BOLT, 1/2 - 13 X 16" LG.....	2
19	00560G3		FLAT WASHER, 1/2".....	4
20	70745G01		KING PIN TUBE	2
21	70754G01		THRUST WASHER (STAINLESS STEEL).....	2
22	14390G6		LOCK NUT, 1/2 - 13	2
23				
24				
25	76419G01		SHOCK ABSORBER.....	2
26	70509G01		SHOCK ABSORBER BOOT	2
27	31539G1		NYLON CLAMP.....	4
28	10435G1		SHOCK ABSORBER WASHER.....	8
29	10194G1		SHOCK ABSORBER RUBBER BUSHING	8

FRONT SUSPENSION/STEERING EXPRESS II

Where applicable, THE USE OF NON UL PARTS WILL VOID ANY UL LISTING.

When ordering parts, please specify the model and serial number of the product.

* Indicates a component that is not available as an individual part.

G** Indicates consult Customer Service Department for additional information.

ITEM	PART NO.	1 2 3 4 5	DESCRIPTION	QTY.
30	00532G6		NUT, 3/8 - 24	4
31	10044G01		VINYL CAP	2
32				
33	70664G03		LEAF SPRING (HEAVY DUTY)	2
34	70989G03		LEAF SPRING (HEAVY DUTY) (SEE PART NUMBER ON SPRING).....	2
35	70163G03		SPRING PLATE	4
36				
37	00734G1		LOCK NUT, 7/16 - 14	11
38	00463G11		HEX HEAD BOLT, 7/16 -14"	11
39				
40				
41	74605G01		RACK AND PINION UNIT (COMPLETE) (INCLUDES ITEMS 42 - 65)	1
42	70965G01		STEERING RACK COVER & BEARING	1
43	*		STEERING BOX INSTALLATION TAG	1
44	*		JAM NUT, 1/2 - 20.....	1
45	70750G01		RETAINING RING (EXTERNAL)	1
46	15112G1		BALL BEARING	1
47	70603G01		PINION.....	1
48	70751G01		RETAINING RING (INTERNAL)	1
49	70638G01		PINION SEAL	1
50	70604G01		STEERING RACK.....	1
51	01053G01		SET SCREW. 1# 10-32	1
52	70590G01		LOADER RACK	1
53	70666G01		COMPRESSION SPRING	1
54	70645G01		RACK LOADER GASKET.....	1
55	70591G01		RACK LOADER COVER	1
56	71102G01		HEX CAP SCREW 1/4 - 20.....	2
57	10389G3		STRAIGHT GREASE FITTING.....	1
58	70695G01		BALL JOINT RACK (INCLUDES ITEMS 59 - 61).....	1
59	50641G1		RUBBER BOOT	1

FRONT SUSPENSION/STEERING EXPRESS II

Where applicable, THE USE OF NON UL PARTS WILL VOID ANY UL LISTING.

When ordering parts, please specify the model and serial number of the product.

* Indicates a component that is not available as an individual part.

G** Indicates consult Customer Service Department for additional information.

ITEM	PART NO.	1 2 3 4 5	DESCRIPTION	QTY.
60	50209G2		SLOTTED NUT, 7/16 - 20.....	1
61	10387G2		COTTER PIN, 3/32" X 1" LG	1
62	74602G01		ROD END (INNER).....	1
63	70961G01		BOOT RACK.....	1
64	12416G2		WIRE TIE	1
65	11391G8		WIRE TIE	1
66				
67	00464G6		HEX HEAD BOLT, 7/16 - 14 X 2 3/4" LG.....	2
68	01068G01		HEX HEAD BOLT, 7/16 - 14 X 3 1/2" LG.....	1
69	70667G02		SPACER	2
70	70667G03		SPACER (SHORT)	1
71	00532G6		HEX NUT, 1/4 - 20.....	1
72	00560G2		FLAT WASHER, 7/16"	7
73	00734G1		LOCK NUT, 7/16 - 14	3
74				
75				
76	70758G05		STEERING COLUMN KIT (INCLUDES ITEMS 77 - 88)	1
77	70610G03		STEERING COLUMN	1
78	28569G01		STEERING COLUMN BUSHING.....	1
79	01022G01		HEX WASHER HEAD SCREW, #6 - 20 X 5/16" LG	1
80	70607G01		STEERING SHAFT.....	1
81	70580G01		INTERMEDIATE SHAFT.....	1
82	01055G01		CAP SCREW, M8 X 1 1/4" LG	2
83	00565G8		LOCK WASHER, 5/16"	1
84				
85	70751G01		RETAINING RING (INTERNAL)	1
86	70888G01		RETAINING RING (EXTERNAL)	1
87	15112G1		BALL BEARING	1
88	70887G01		WAVE WASHER	1
89	602980		STEERING WHEEL PREMIUM (OPTIONAL).....	1

FRONT SUSPENSION/STEERING EXPRESS II

Where applicable, THE USE OF NON UL PARTS WILL VOID ANY UL LISTING.

When ordering parts, please specify the model and serial number of the product.

* Indicates a component that is not available as an individual part.

G** Indicates consult Customer Service Department for additional information.

ITEM	PART NO.	1 2 3 4 5	DESCRIPTION	QTY.
90	607925		SCORECARD HOLDER	1
91	602979		STEERING WHEEL	1
92	01006G01		HEX HEAD BOLT, 3/8 - 16 X 1 1/4" LG WITH PATCHLOCK	4
93	00879G1		LOCK WASHER, 3/8"	4
94	608529		DECAL, WARNING STEERING WHEEL	1
95				
96	14390G2		LOCK NUT, 5/8 - 18	1
97				
98	70876G02		TIE ROD ASSEMBLY (INCLUDES ITEMS 99, 102 - 105)	1
99	70897G02		THREADED ROD	1
100	70604G01		TIE ROD ASSEMBLY (INCLUDES ITEMS 101 - 105)	1
101	74603G01		THREADED ROD (24" LG)	1
102	70902G01		TIE ROD END (LEFT HAND THREADS)	1
103	01069G01		JAM NUT, M12 X 1.25-05 (LEFT HAND THREADS)	1
104	70902G02		TIE ROD END (RIGHT HAND THREADS)	1
105	01069G02		JAM NUT, M12 X 1.25-05 (RIGHT HAND THREADS)	1
106	00734G1		LOCK NUT, 7/16 - 14	2

FUEL SYSTEM

When ordering parts, please specify the model and serial number of the product.

* Indicates a component that is not available as an individual part.

*** Indicates consult Customer Service Department for additional information.

ITEM	PART NO.	1 2 3 4 5	DESCRIPTION	QTY.
1	620181		CARB FUEL TANK ASSEMBLY (Use with sending unit) (Includes items 4 - 14)	1
2				
3				
4	70988G01		SIPHON TUBE GROMMET	1
5	18287G3		SIPHON TUBE ASSEMBLY	1
6	606068		ROLLOVER VALVE GROMMET	1
7	617886		EPA FUEL TANK LABEL	1
8	606067		ROLLOVER VALVE	1
9	617885		FUEL TANK CAP (RATCHET).....	1
10	607479		CARB FUEL TANK, FLUOR (W/SWITCH) (Includes item 11).....	1
11	618669		FUEL TANK, W/ SENDER UNIT	1
12	72229G01		FUEL TANK ADAPTER	1
13	72230G01		FLAT HEAD MACHINE SCREW	2
14	20048G2		FUEL LEVEL SENDER	1
15	607546		LOW PRESSURE FUEL HOSE, 3/16 I.D. X 3/8 O.D. X 17.00 LONG (CARB)	1
16	606966		LOW PRESSURE FUEL HOSE, 3/16 I.D. X 3/8 O.D. X 34.00 LONG (CARB)	1
17				
18	32372G6		BLACK TRIM, 6.25 LONG	1
19	17618G1		NYLON CLAMP	2
20				
21				
22	00438G8		HEX HEAD BOLT, 5/16 - 18 X 1	1
23	00559G8		FLAT WASHER, 5/16	4
24	11098G6		LOCK NUT, 5/16 - 18	3
25	70483G01		SPACER BOLT, 5/16 - 18.....	1
26	615346		HOSE REDUCER-ID 1/4 X 3/16	1
27	611181		FUEL SHUT-OFF VALVE.....	1
28	18292G1		HOSE CLAMP,.50 DIAMETER	7
29	615350		FUEL SYSTEM HOSE 2.00"	3
30	72084G01		FUEL LINE FILTER.....	1
31	606969		FUEL SYSTEM HOSE,.25 I.D. X.50 O.D. X 8.00 LONG	1

FUEL SYSTEM

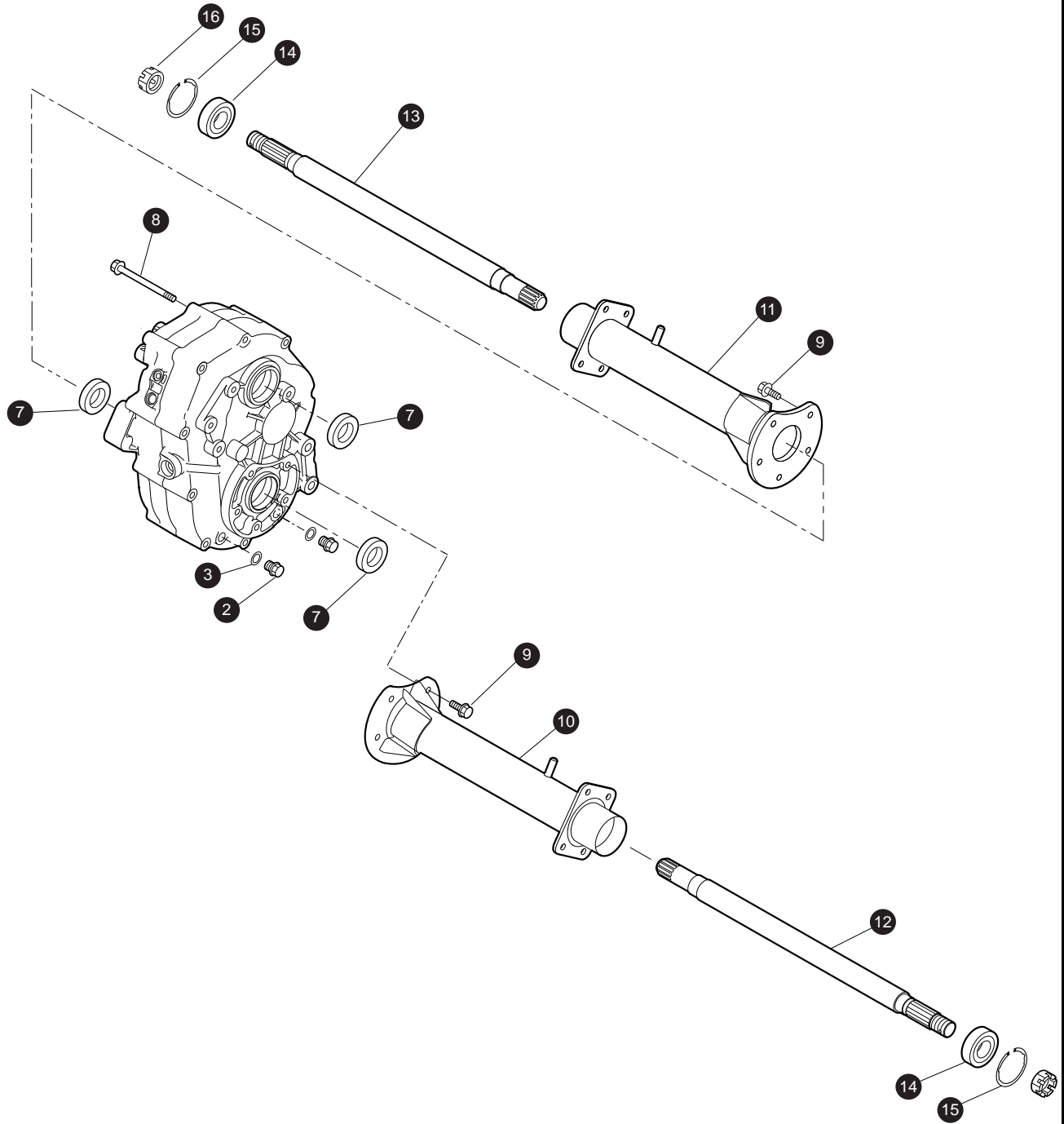
When ordering parts, please specify the model and serial number of the product.

* Indicates a component that is not available as an individual part.

*** Indicates consult Customer Service Department for additional information.

ITEM	PART NO.	1	2	3	4	5	DESCRIPTION	QTY.
32								
33								
34	11391G4						HOSE CLAMP, .25 - .63 DIA	2
35	604597						CARB FUEL SYSTEM HOSE,.25 I.D. X.50 O.D. X 26.00 LONG	1
36								
37	602061						FUEL PUMP	1
38	00114G6						HEX WASHER HEAD SLOTTED TAPPING SCREW, 1/4 - 14 X .75.....	2
39								
40	606310						CARBON CANISTER MOUNTING BRACKET (CARB ONLY).....	1
41	10570G11						RIVET, 3/16 DIA X .70 (CARB ONLY)	2
42								
43								
44	606071						CARBON CANISTER (CARB ONLY)	1

REAR AXLE



REAR AXLE

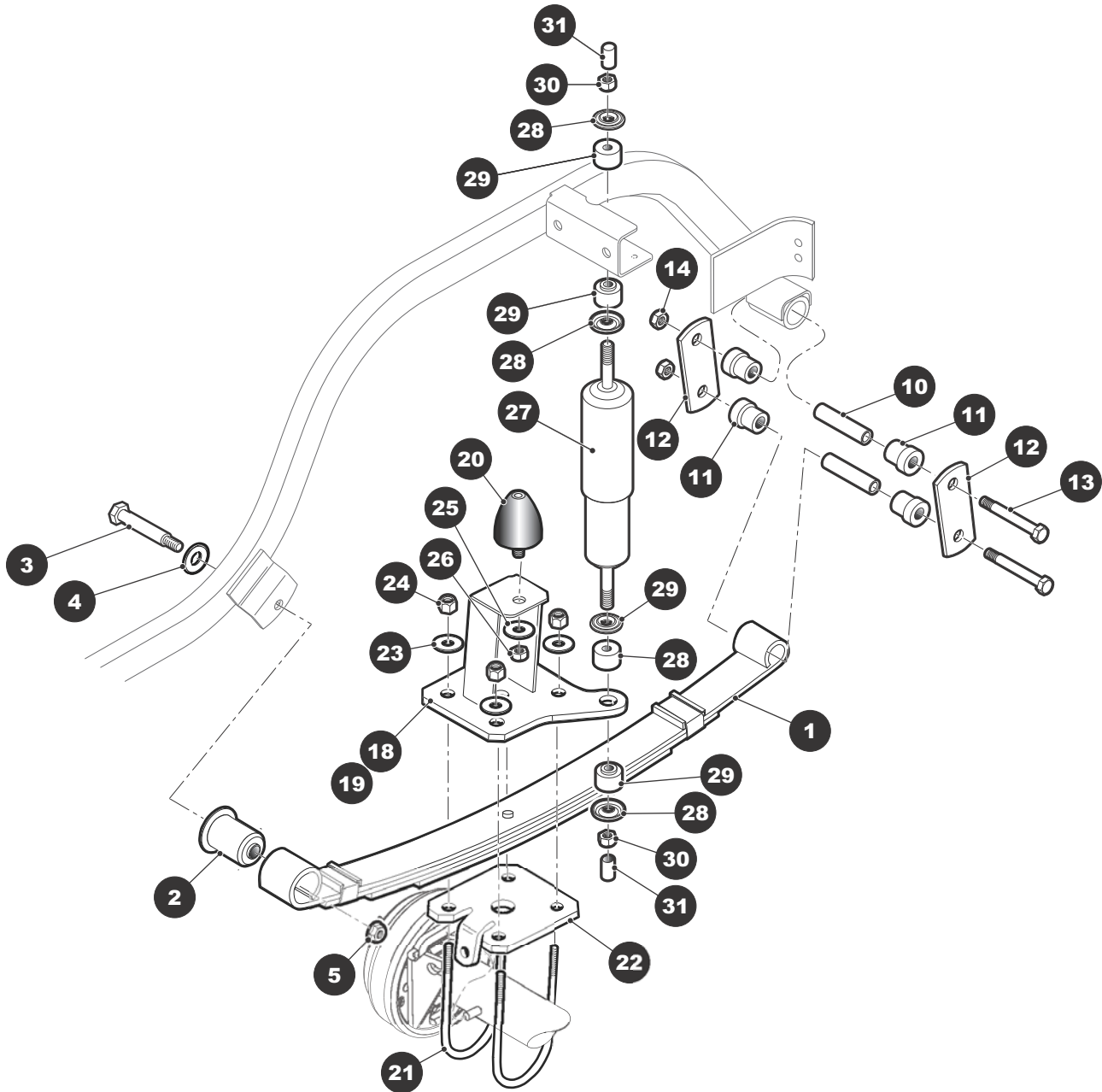
When ordering parts, please specify the model and serial number of the product.

* Indicates a component that is not available as an individual part.

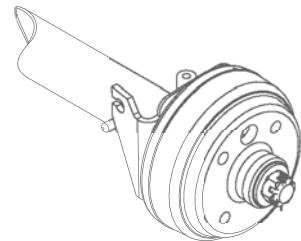
*** Indicates consult Customer Service Department for additional information.

ITEM	PART NO.	1 2 3 4 5	DESCRIPTION	QTY.
1	605891		REAR AXLE	1
2	26770G01		OIL DRAIN PLUG	2
3	26771G01		GASKET	2
4				
5				
6				
7	72259G01		OIL SEAL 28 X 47 X 9	3
8	26823G01		FLANGE BOLT M8 X 1.25 X 100	10
9	72260G01		FLANGE BOLT M10 X 1.5 X 23	10
10	607940		AXLE TUBE (PASSENGER SIDE)	1
11	607939		AXLE TUBE (DRIVER SIDE)	1
12	607988		AXLE SHAFT (PASSENGER SIDE)	1
13	607987		AXLE SHAFT (DRIVER SIDE)	1
14	26811G01		BALL BEARING	2
15	26814G01		SNAP RING	2
16	606403		SLOTTED NUT	2

REAR SUSPENSION



Front of the Vehicle



REAR SUSPENSION

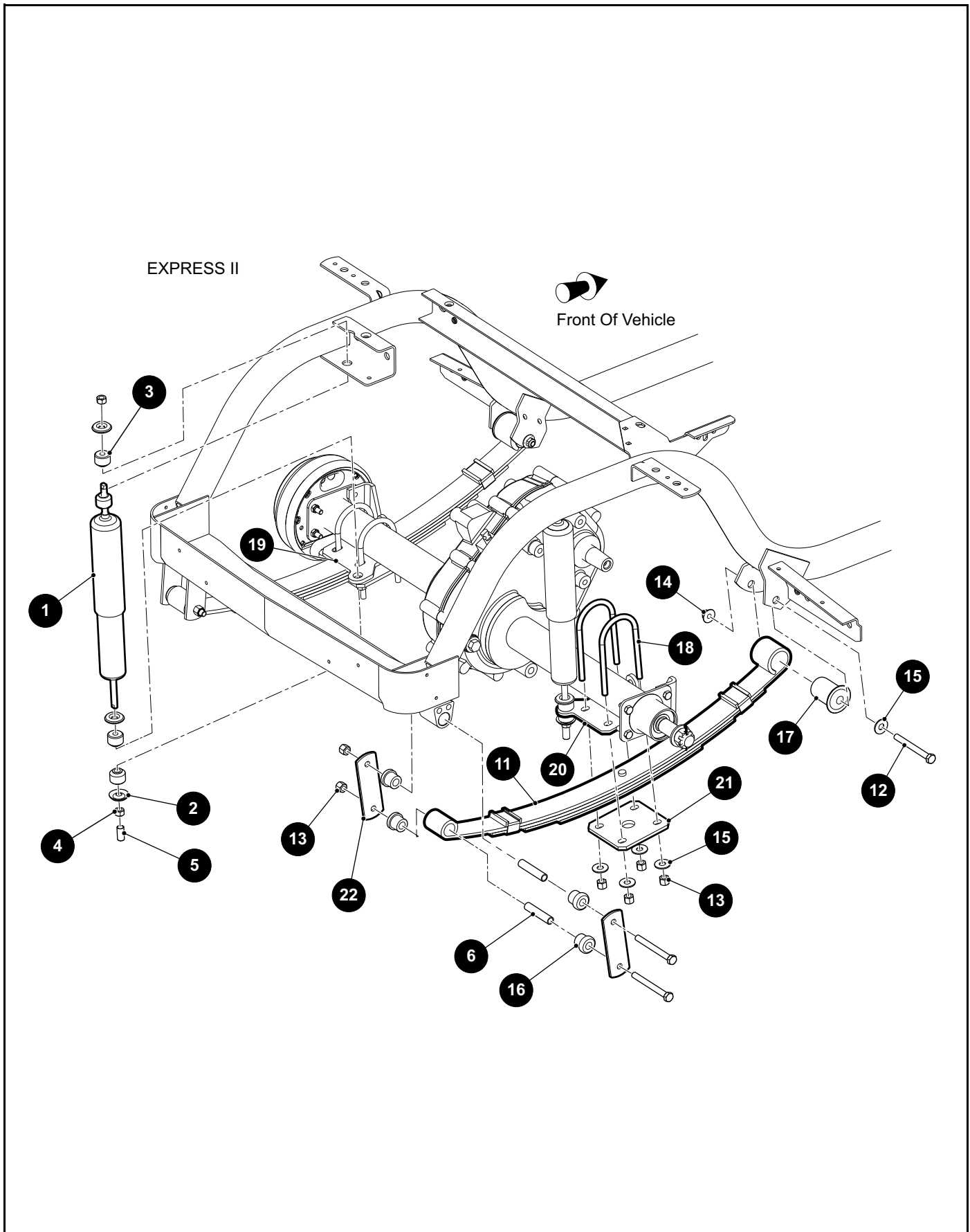
When ordering parts, please specify the model and serial number of the product.

* Indicates a component that is not available as an individual part.

*** Indicates consult Customer Service Department for additional information.

ITEM	PART NO.	1 2 3 4 5	DESCRIPTION	QTY.
1	605722		HEAVY DUTY LEAF SPRING.....	2
2	605445		LEAF SPRING BUSHING, FRONT	2
3	00665G9		HEX HEAD BOLT, SS 3/8 - 16 X 3.5 LG.....	2
4	00643G1		FLAT WASHER, .411 I.D. X 1.00 O.D. X .06	2
5	12262G1		FLANGED LOCK NUT, 3/8 - 16	2
6				
7				
8				
9				
10	70289G02		SPLIT STEEL SPACER	4
11	70291G01		FLANGED URETHANE BUSHING	8
12	70290G02		SHACKLE PLATE	4
13	00665G9		HEX HEAD BOLT, SS 3/8 - 16 X 3.5 LG.....	4
14	11098G5		LOCK NUT, 3/8 - 16	4
15				
16				
17				
18	606090		SPRING PLATE, DRIVER SIDE	1
19	606091		SPRING PLATE, PASSENGER SIDE.....	1
20	70492G01		RUBBER BUMPER.....	2
21	32195G3		U-BOLT	4
22	605955		REAR SUSPENSION PLATE	2
23	00643G1		FLAT WASHER, .411 I.D. X 1.00 O.D. X .06	8
24	11098G5		LOCK NUT, 3/8 - 16	8
25	00968G01		LOCK WASHER, M10.....	2
26	00974G01		HEX NUT, M10.....	2
27	70248G01		SHOCK ABSORBER	2
28	10435G1		SHOCK ABSORBER WASHER.....	8
29	10194G1		RUBBER SHOCK BUSHING	8
30	00532G6		HEX NUT, 3/8 - 24.....	4
31	10044G01		VINYL CAP	4

REAR SUSPENSION - EXPRESS II



REAR SUSPENSION - EXPRESS II

When ordering parts, please specify the model and serial number of the product.

* Indicates a component that is not available as an individual part.

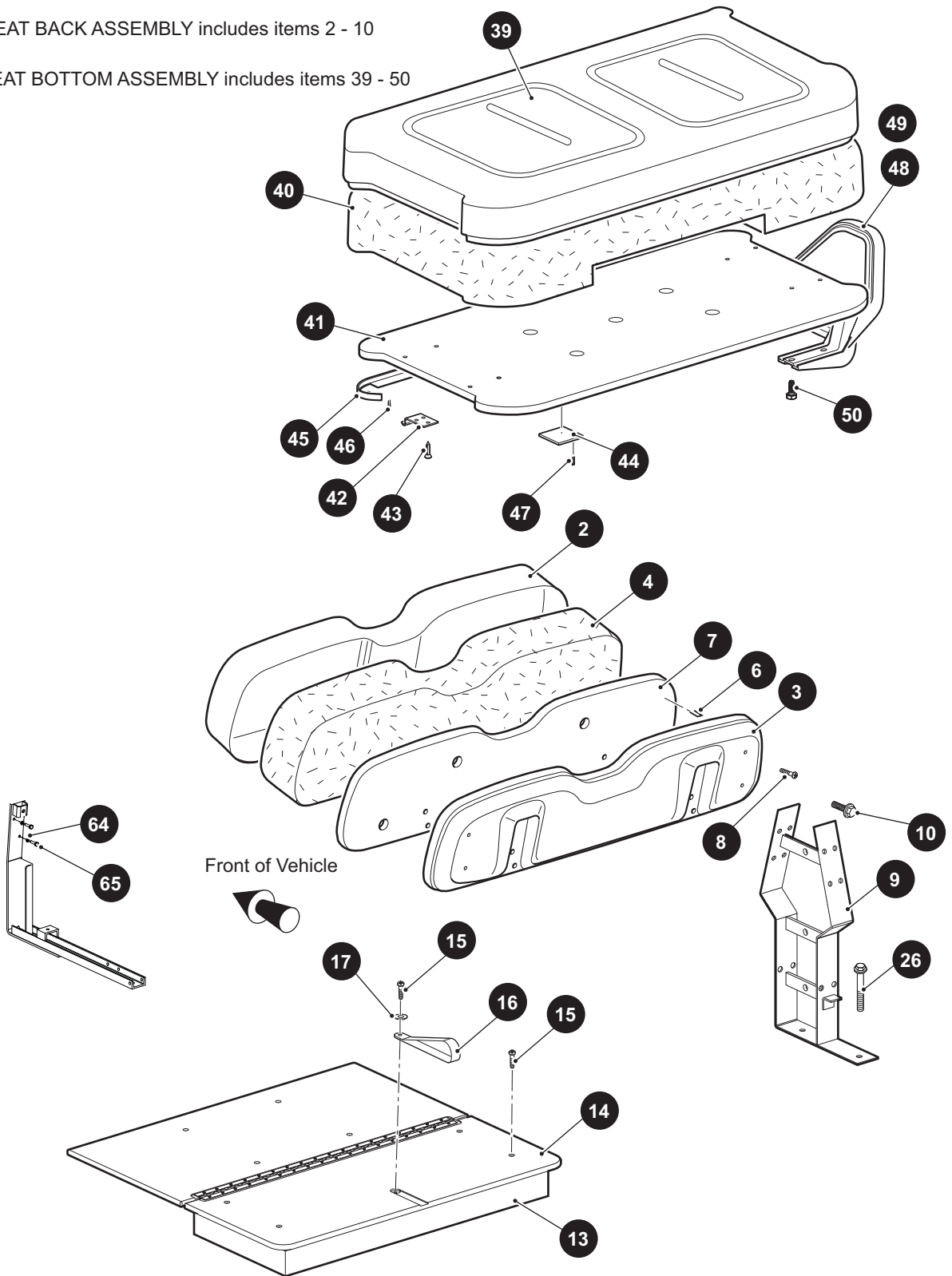
*** Indicates consult Customer Service Department for additional information.

ITEM	PART NO.	1 2 3 4 5	DESCRIPTION	QTY.
1	70248G01		SHOCK ABSORBER	2
2	10435G1		SHOCK ABSORBER WASHER.....	8
3	10194G1		SHOCK ABSORBER BUSHING	8
4	00532G6		HEXAGONAL NUT, 1/4" - 20	4
5	10044G01		VINYL CAP	2
6	70289G02		STEEL SPACER	4
7				
8				
9				
10				
11	605722		HEAVY DUTY LEAF SPRING.....	2
12	00665G9		HEX HEAD BOLT, 3/8" - 16 X 1	6
13	11098G5		LOCK NUT, 3/8"	12
14	12262G1		FLANGED LOCK NUT, 3/8" - 16.....	2
15	00643G1		FLAT WASHER, 3/8" TO 1"	10
16	70291G01		FLANGED URETHANE BUSHING	8
17	605445		LEAF SPRING BUSHING, FRONT	2
18	32195G3		U-BOLT	4
19	605938		AXLE BRACKET DRIVER SIDE	1
20	605958		AXLE BRACKET PASSENGER SIDE	1
21	605956		REAR SUSPENSION PLATE	2
22	604961		SHACKLE PLATE	4

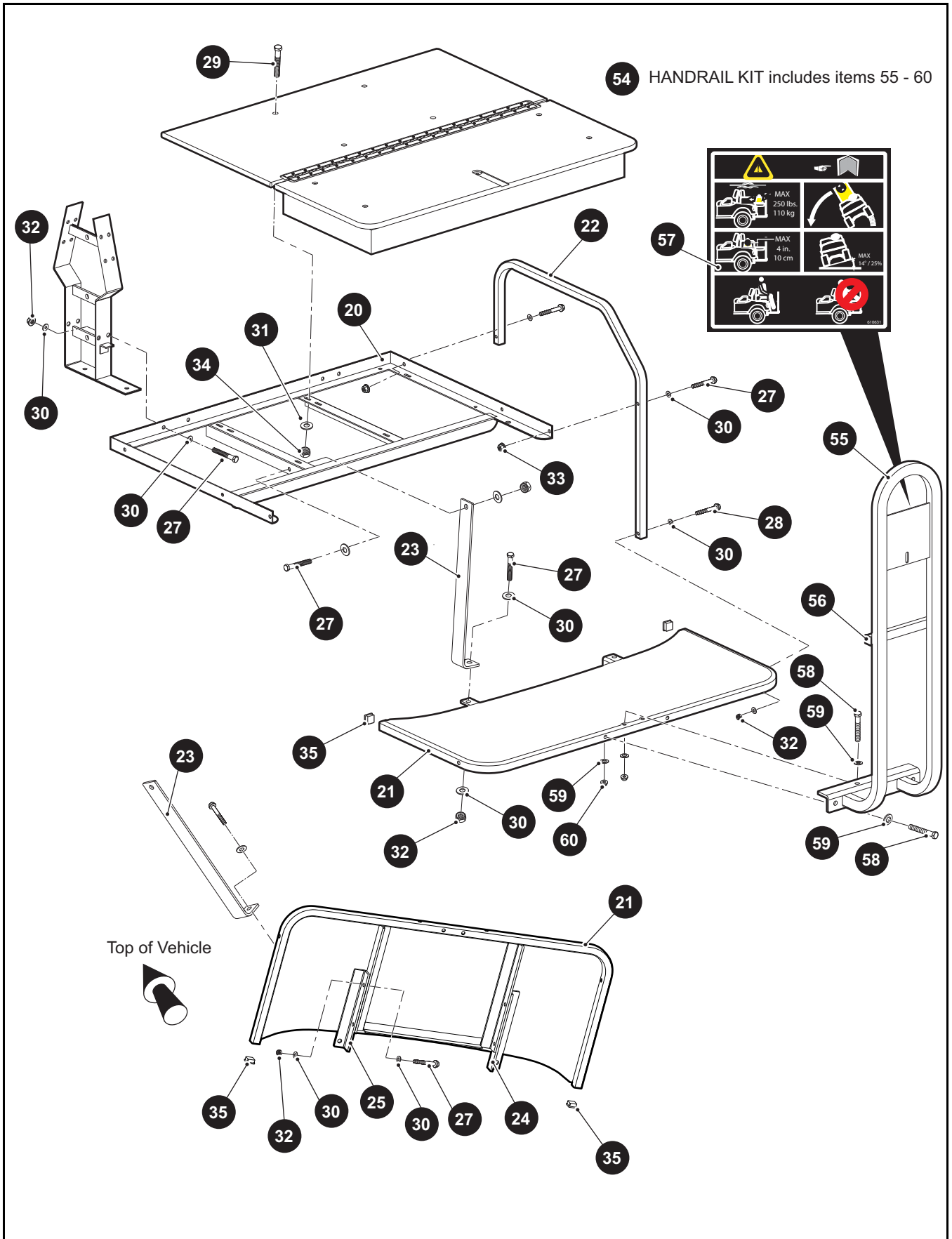
SEATING

1 SEAT BACK ASSEMBLY includes items 2 - 10

38 SEAT BOTTOM ASSEMBLY includes items 39 - 50



12 FLIP FLOP SEAT BOTTOM ASSEMBLY includes items 13 - 17



SEATING

THE USE OF NON U.L. PARTS WILL VOID ANY U.L. LISTING.

When ordering parts, please specify the model and serial number of the product.

* Indicates a component that is not available as an individual part.

G** Indicates consult Customer Service Department for additional information.

ITEM	PART NO.	1	2	3	4	5	DESCRIPTION	QTY.
1	***	SEAT BACK ASSEMBLY (INCLUDES ITEMS 2 - 10).....					1	
		606828	RED/BLACK					
		71751G03	OYSTER					
		71751G04	TAN					
		71751G07	BLACK					
		604908	WHITE/BLUE					
		604907	WHITE/RED					
2	***	VINYL SEAT BACK COVER.....					1	
		71753G03	OYSTER					
		71753G04	TAN					
		71753G07	BLACK					
		604916G0103	WHITE/RED					
		604916G0102	WHITE/BLUE					
		604916G0304	RED/BLACK					
3	71752G01	SEAT BACK REAR COVER					1	
4	71754G01	FOAM PADDING					1	
5								
6	23222G01	FLAT STAPLE, 3/8" X 3/8"					95	
7	76414G01	SEAT BACK (WOOD).....					1	
8	01107G01	PAN HEAD SCREW, #8 X .63" LG					4	
9	615730	SEAT BACK SUPPORT.....					2	
10	71204G01	SCREW, 1/4 - 20 X 1" LG					8	
11								
12	***	FLIP FLOP SEAT BOTTOM ASSEMBLY (INCLUDES ITEMS 13 - 17)					1	
		621027	TAN					
		621026	OYSTER					
		621031	WHITE/BLUE					
		621036	BLACK					
		621032	WHITE/RED					
		621033	RED/BLACK					
13	***	VINYL FLIP FLOP SEAT BOTTOM COVER					1	
		615646	OYSTER					
		615647	TAN					
		615648	BLACK					
		611126	WHITE/RED					
		611125	WHITE/BLUE					
		611135	RED/BLACK					
14	617137	DECK BOARD ASSEMBLY					1	
15	16705G1	STAINLESS SCREW, 1/4 - 20 X 1" LG					5	

THE USE OF NON U.L. PARTS WILL VOID ANY U.L. LISTING.
 When ordering parts, please specify the model and serial number of the product.
 * Indicates a component that is not available as an individual part.
 G** Indicates consult Customer Service Department for additional information.

ITEM	PART NO.	1 2 3 4 5	DESCRIPTION	QTY.
16	617402		SEAT STRAP.....	1
17	00559G7		FLAT WASHER, 1/4"	1
18				
19				
20	615712		SEAT FRAME WELDMENT	1
21	615714		FOOTREST WELDMENT	1
22	615729		ARMREST, REAR SEAT	2
23	615713		SEAT FRAME SUPPORT	2
24	615728		FOOTREST BRACKET, PASSENGER SIDE.....	1
25	615727		FOOTREST BRACKET, DRIVER SIDE	1
26	01006G01		HEX HEAD SCREW, 3/8 X 1.25	4
27	00427G4		HEX HEAD SCREW, 3/8 - 16 X 1.5	16
28	00429G2		HEX HEAD SCREW, 3/8 - 16 X 3.25	2
29	16705G9		SCREW SS, 1/4 - 20 X 1.25.....	4
30	614221		FLAT WASHER, 318	32
31	01110G01		FLAT WASHER, 1/4	4
32	11098G5		PLASTIC LOCK NUT, 3/8 - 16	14
33	11027G5		FLANGED LOCK NUT, 3/8 - 16	4
34	14390G4		PLASTIC LOCK NUT, 1/4 - 20	4
35	19853G1		SQUARE CAP TUBE, 1"	2
36				
37				
38	***		SEAT BOTTOM ASSEMBLY (INCLUDES ITEMS 39 - 50)..... 71611G07 TAN 71611G05 OYSTER 71611G35 RED ON BLACK 71611G17 BLACK 608714 WHITE/RED 71611G36 WHITE/BLUE	1
39	***		VINYL SEAT BOTTOM COVER 71602G03 OYSTER 71602G04 TAN 71602G06 BLACK 604912G0102 WHITE/BLUE	1

SEATING

THE USE OF NON U.L. PARTS WILL VOID ANY U.L. LISTING.

When ordering parts, please specify the model and serial number of the product.

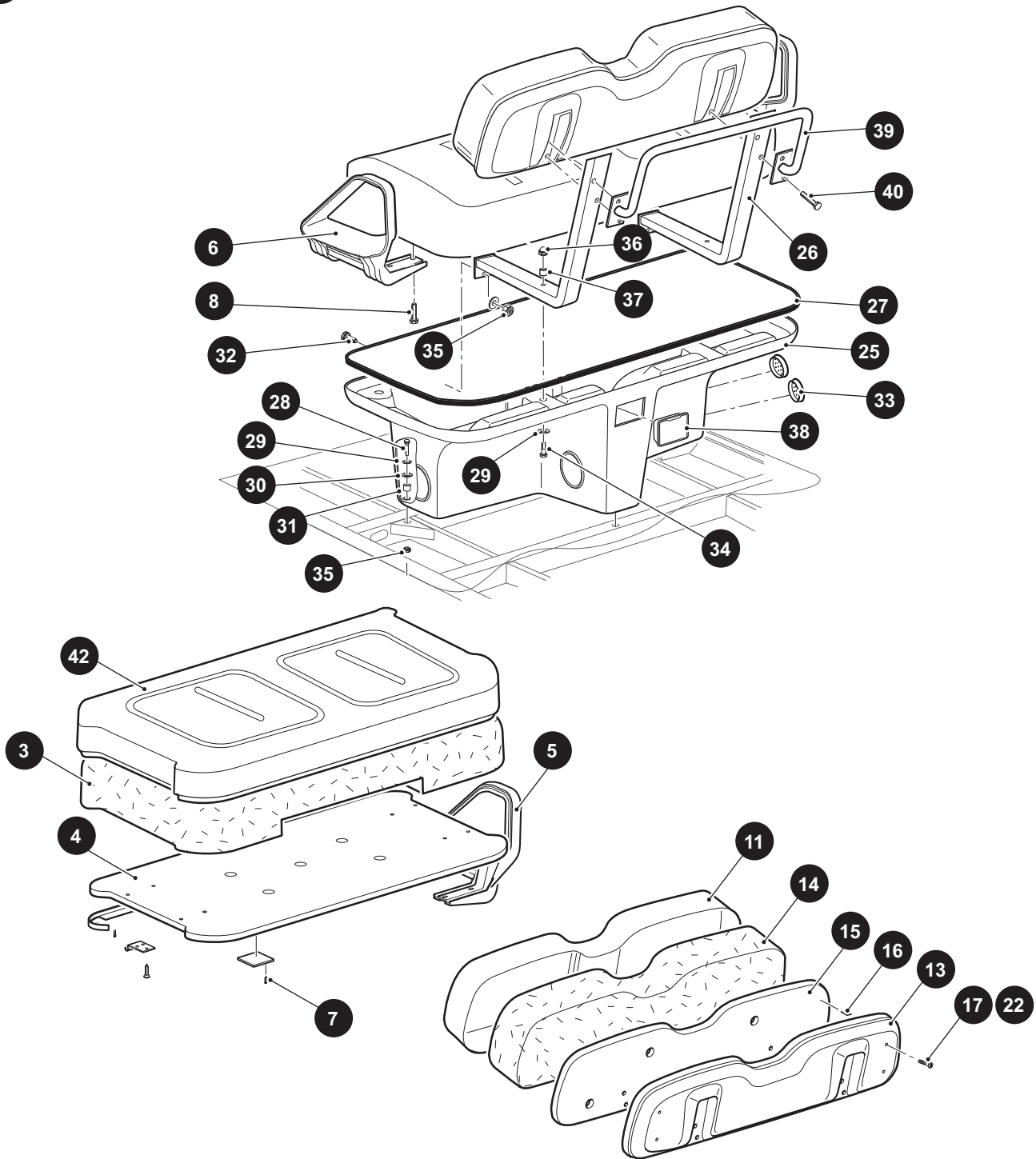
* Indicates a component that is not available as an individual part.

G** Indicates consult Customer Service Department for additional information.

ITEM	PART NO.	1	2	3	4	5	DESCRIPTION	QTY.
							604912G0304 RED/BLACK 604912G0103 WHITE/RED	
40	71603G02						FOAM PADDING (SEAT BOTTOM).....	1
41	76411G01						SEAT BOTTOM (WOOD).....	1
42	71610G01						SEAT HINGE	2
43	00720G08						SCREW, #12 - 14 X 1" LG (STAINLESS STEEL).....	6
44	17074G1						RUBBER PAD	2
45	71012G01						VINYL TRIM (SEAT BOTTOM).....	1
46	23222G1						FLAT STAPLE, 3/8" x 3/8".....	110
47	23223G1						FLAT STAPLE, 3/8" x 3/8".....	36
48	71702G01						HIP RESTRAINT (DRIVER SIDE)	1
49	71701G01						HIP RESTRAINT (PASSENGER SIDE).....	1
50	71204G01						BOLT, 1/4 - 20 X 1" LG (STAINLESS STEEL)	8
51								
52								
53								
54	617901						HANDRAIL KIT, FLIP-FLOP SEAT (INCLUDES ITEMS 55 - 60).....	1
55	615721						FOOTREST HANDLE WELDMENT	1
56	19859G1						SQUARE CAP TUBE, 3/4"	2
57	610631						WARNING DECAL.....	1
58	00427G8						HEX HEAD SCREW, 3/8 - 16 X 2.0.....	4
59	614221						FLAT WASHER, 3/8.....	8
60	11098G5						PLASTIC LOCK NUT, 3/8 - 16.....	4
61								
62								
63								
64	00664G7						LOCK WASHER, 1/4.....	4
65	00661G8						SCREW, 1/4 - 20 X 1.....	4

1 Seat Bottom Assembly Includes Items 2 - 8

24 Seat Back Assembly Includes Items 25 - 38



10 Seat Back Assembly Includes Items 11 - 17, 20

SEATING

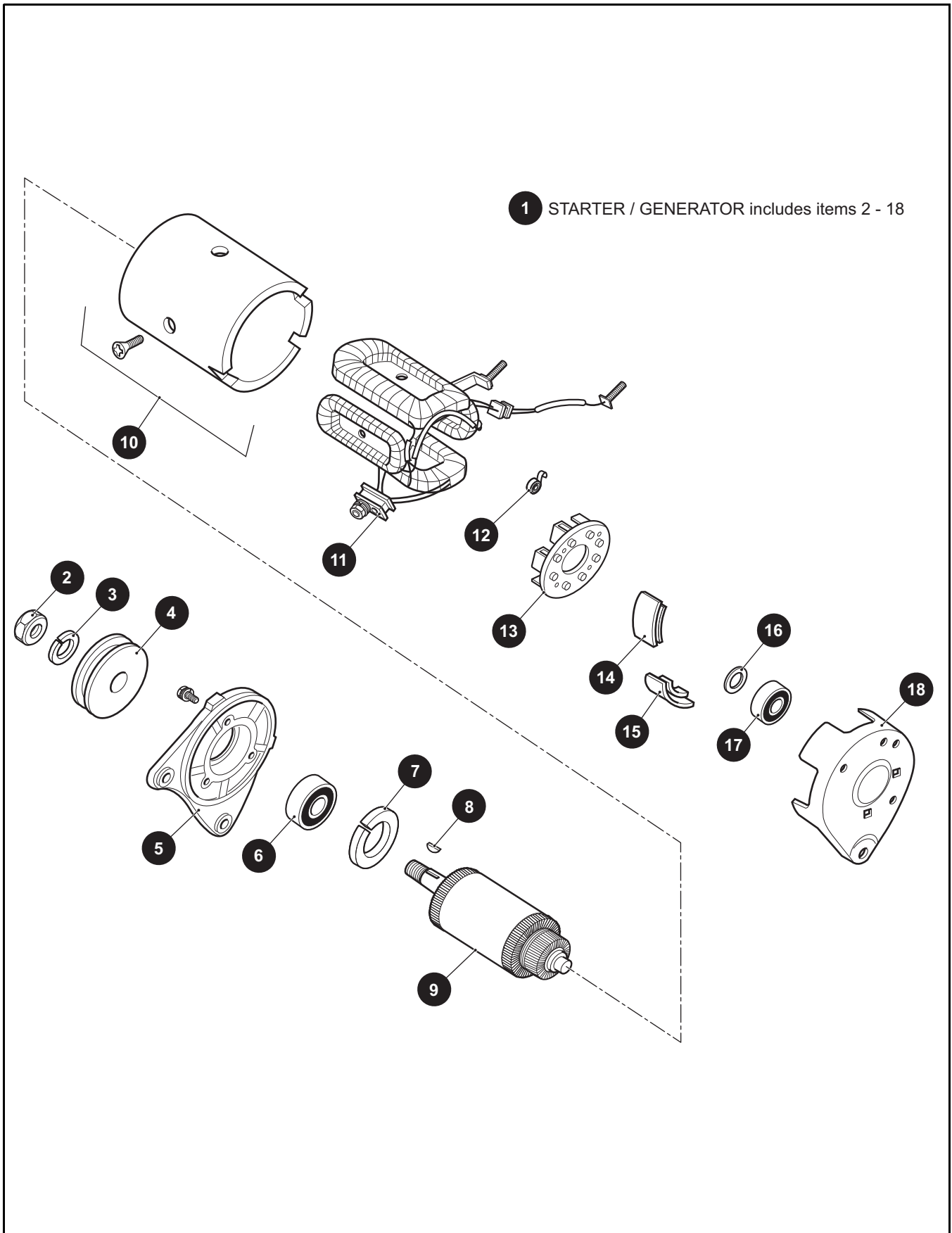
THE USE OF NON U.L. PARTS WILL VOID ANY U.L. LISTING.
 When ordering parts, please specify the model and serial number of the product.
 * Indicates a component that is not available as an individual part.
 G** Indicates consult Customer Service Department for additional information.

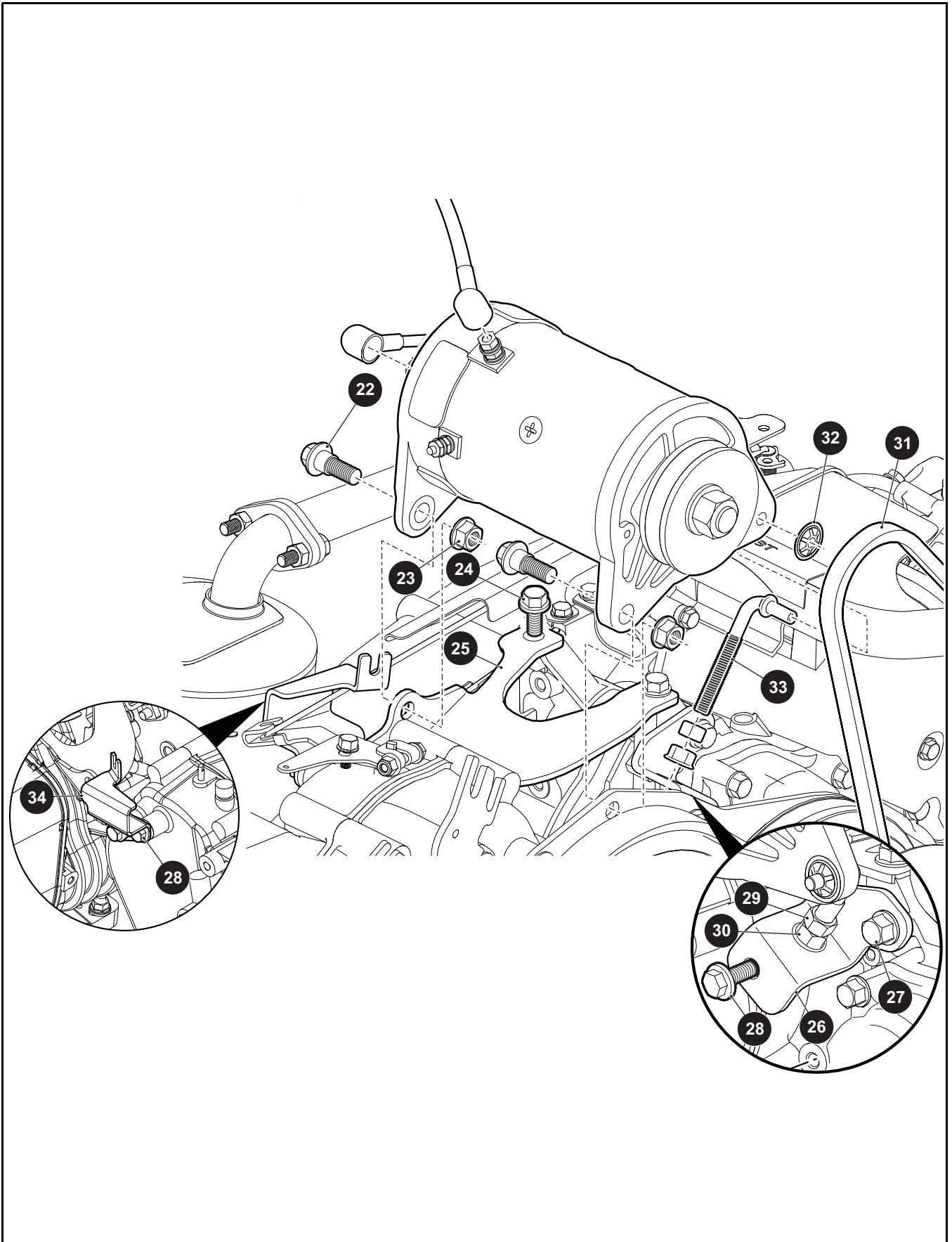
ITEM	PART NO.	1	2	3	4	5	DESCRIPTION	QTY.	
1	***	SEAT BOTTOM ASSEMBLY (INCLUDES ITEMS 2 - 8)							1
		71888G07					BLACK		
		71888G13					RED/BLACK		
		71888G14					WHITE/BLUE		
		71888G04					TAN		
		71888G01					OYSTER		
		608707					WHITE/RED		
2	***	VINYL SEAT BOTTOM COVER)							1
		71624G07					BLACK		
		604912G0304					RED/BLACK		
		604912G0102					WHITE/BLUE		
		71624G04					TAN		
		71624G03					WHITE/BLUE		
		604912G0103					WHITE/RED		
3	71625G01	SEAT BOTTOM FOAM PADDING							1
4	76416G01	PLYWOOD BASE ASSEMBLY							1
5	71701G01	HIP RESTRAINT, PASSENGER SIDE							1
6	71702G01	HIP RESTRAINT, DRIVER SIDE							1
7	23222G1	STAPLE, 3/8" x 3/8"							110
8	71204G01	SCREW, 1/4 - 20 X 1" LG							8
9									
10	***	SEAT BACK ASSEMBLY (INCLUDES ITEMS 11 - 17, 20).....							1
		71757G07					BLACK		
		71751G04					TAN		
		71751G03					OYSTER		
		606828					RED/BLACK		
		604908					WHITE/BLUE		
		604907					WHITE/RED		
11	***	VINYL SEAT BACK COVER							1
		71753G07					BLACK		
		71753G04					TAN		
		71753G03					OYSTER		
		604916G0304					RED/BLACK		
		604916G0102					WHITE/BLUE		
		604916G0103					WHITE/RED		
12									
13	71752G01	PLASTIC SEAT BACK REAR COVER							1
14	71754G01	SEAT BACK, FOAM PADDING.....							1
15	76414G01	WOOD BASE ASSEMBLY.....							1

THE USE OF NON U.L. PARTS WILL VOID ANY U.L. LISTING.
 When ordering parts, please specify the model and serial number of the product.
 * Indicates a component that is not available as an individual part.
 G** Indicates consult Customer Service Department for additional information.

ITEM	PART NO.	1	2	3	4	5	DESCRIPTION	QTY.
16	23222G1						STAPLE, 3/8" x 3/8"	95
17	01107G01						PAN HEAD SCREW, #8 X .63" LG	4
18								
19								
20	607535						PAN HEAD SCREW, #8 X .88" LG	4
21								
22								
23								
24	620216G0**						SEAT POD ASSEMBLY (INCLUDES ITEMS 25 - 38).....	1
25	70836G0**						SEAT POD	1
26	71868G01						SEAT BACK SUPPORT WELDMENT	2
27	32805G6						BLACK TRIM	1
28	00439G8						SCREW, 5/16 - 18 X 2	3
29	00675G1						FLAT WASHER.....	5
30	71883G01						RUBBER WASHER	3
31	23726G9						SPACER	3
32	00976G06						SCREW, 5/16 - 18 X.75	2
33	71599G01						VENT PLUG.....	4
34	00427G8						SCREW, 3/8 - 16 X 2	2
35	11098G6						LOCK NUT.....	5
36	15717G5						NUT, 3/8 - 16.....	2
37	23726G4						SPACER	2
38	27731G01						ASHTRAY, FLUSH MOUNTED PLASTIC.....	1
39	71632G01						HANDGRIP WELDMENT	1
40	71204G02						SCREW, 1/4 - 20 X 1" LG.....	4

STARTER / GENERATOR





STARTER / GENERATOR

THE USE OF NON U.L. PARTS WILL VOID ANY U.L. LISTING.

When ordering parts, please specify the model and serial number of the product.

* Indicates a component that is not available as an individual part.

G** Indicates consult Customer Service Department for additional information.

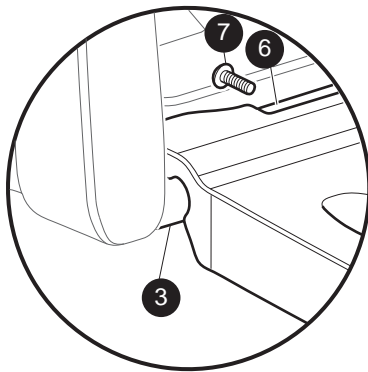
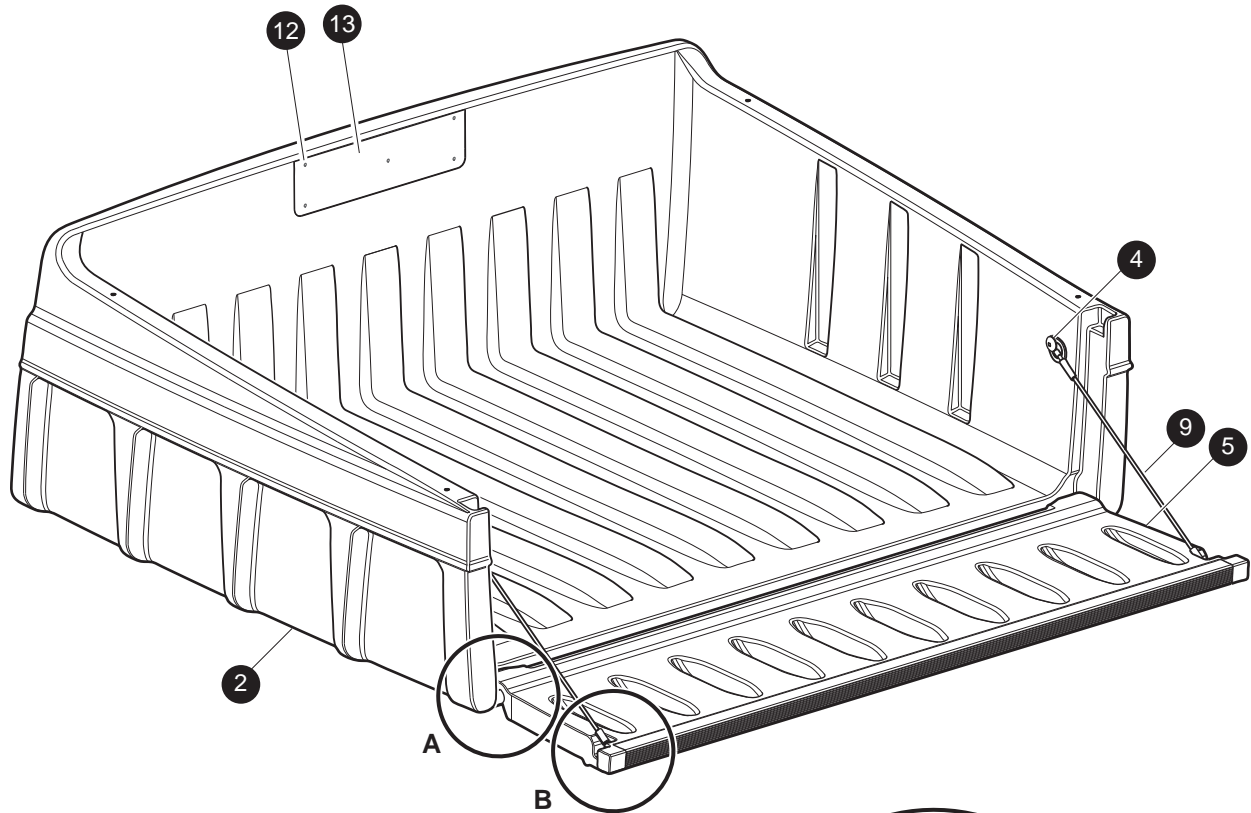
ITEM	PART NO.	1 2 3 4 5	DESCRIPTION	QTY.
1	617120		STARTER / GENERATOR (INCLUDES 2 - 18).....	1
2	612029		NUT.....	1
3	612030		LOCKWASHER	1
4	617172		PULLEY	1
5	612032		FRONT COVER.....	1
6	612033		BEARING.....	1
7	612034		RETAINING RING.....	1
8	612035		KEY.....	1
9	612036		ARMATURE ASSEMBLY	1
10	612037		FRAME & FIELD ASSEMBLY.....	1
11	612038		BRUSH LEAD & TERMINAL PKG.....	1
12	612039		BRUSH SPRING.....	1
13	612040		BRUSH BOX ASSEMBLY.....	1
14	612041		BRUSH 1 COVER.....	2
15	612042		BRUSH 2 COVER.....	2
16	612043		WAVY WASHER	1
17	612044		BEARING.....	1
18	612045		REAR COVER	1
19				
20				
21				
22	606235		BOLT, HXFL SHLDR - M10 - 1.25 X 20.....	2
23	606279		NUT, M10 - 1.25	2
24	606261		BOLT, M8 - 1.25 X 20	3
25	602141		STARTER / GENERATOR BRACKET.....	1
26	602145		TENSIONER BRACKET	1
27	606261		BOLT, M8 - 1.25 X 20	1
28	606256		BOLT, M10 - 1.25 X 25	9
29	606255		NUT, M10 - 1.25	1
30	606274		NUT, M10 - 1.25	1

STARTER / GENERATOR

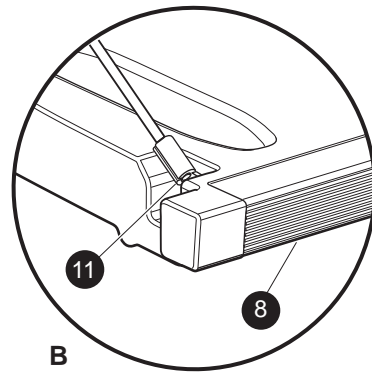
THE USE OF NON U.L. PARTS WILL VOID ANY U.L. LISTING.
 When ordering parts, please specify the model and serial number of the product.
 * Indicates a component that is not available as an individual part.
 G** Indicates consult Customer Service Department for additional information.

ITEM	PART NO.	1 2 3 4 5	DESCRIPTION	QTY.
31	16548G1		STARTER / GENERATOR BELT	1
32	12064G6		PUSH NUT, 5/16"	1
33	625705		TENSIONER BOLT	1
34	603884		CABLE GUIDE BRACKET	1

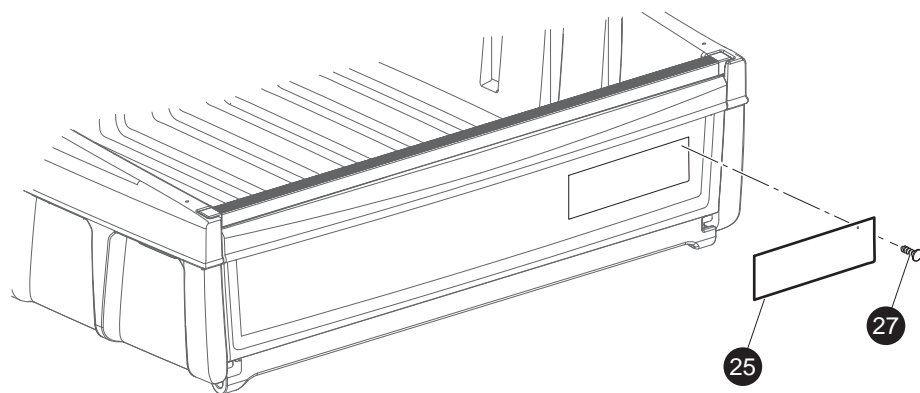
CARGO BED

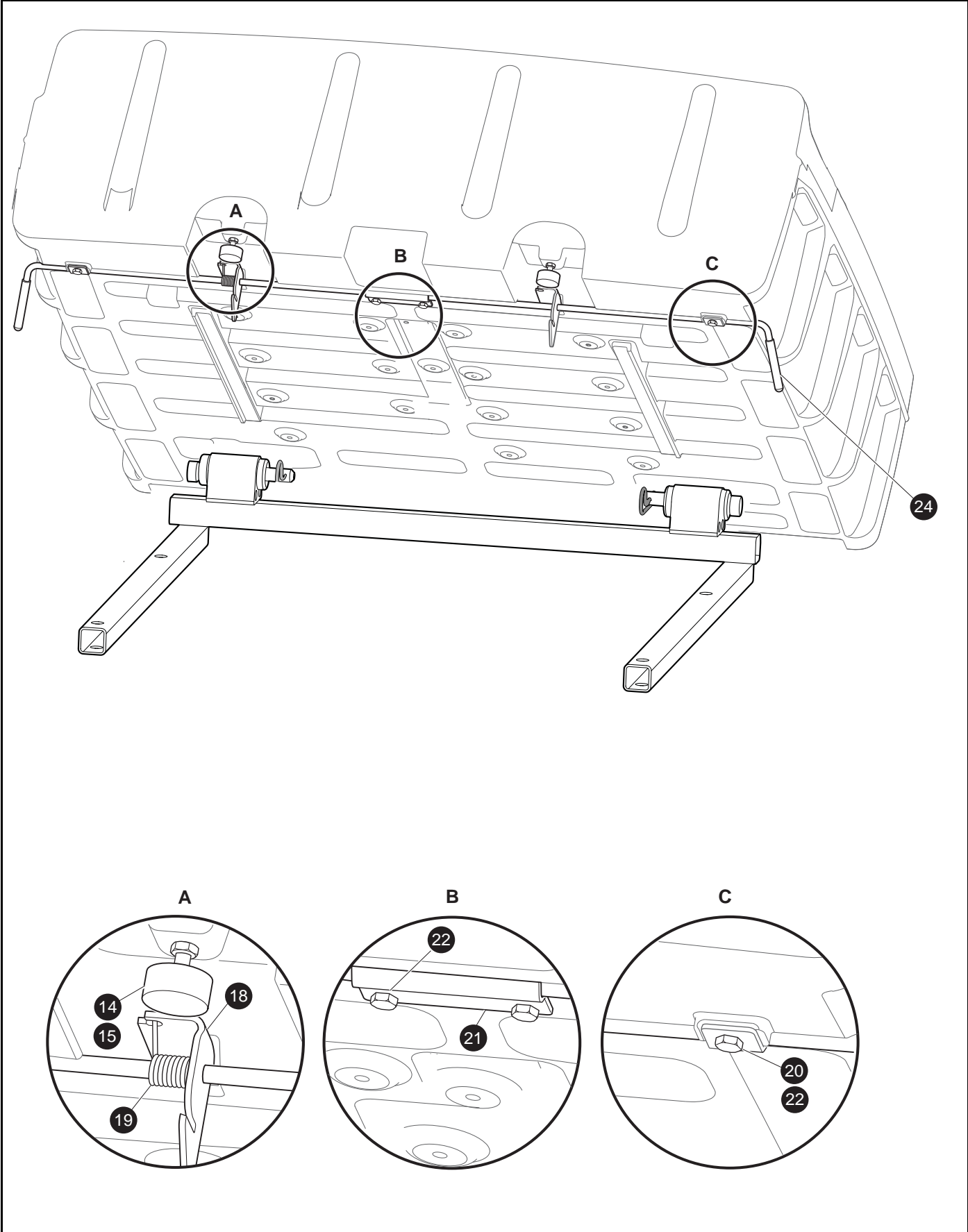


A

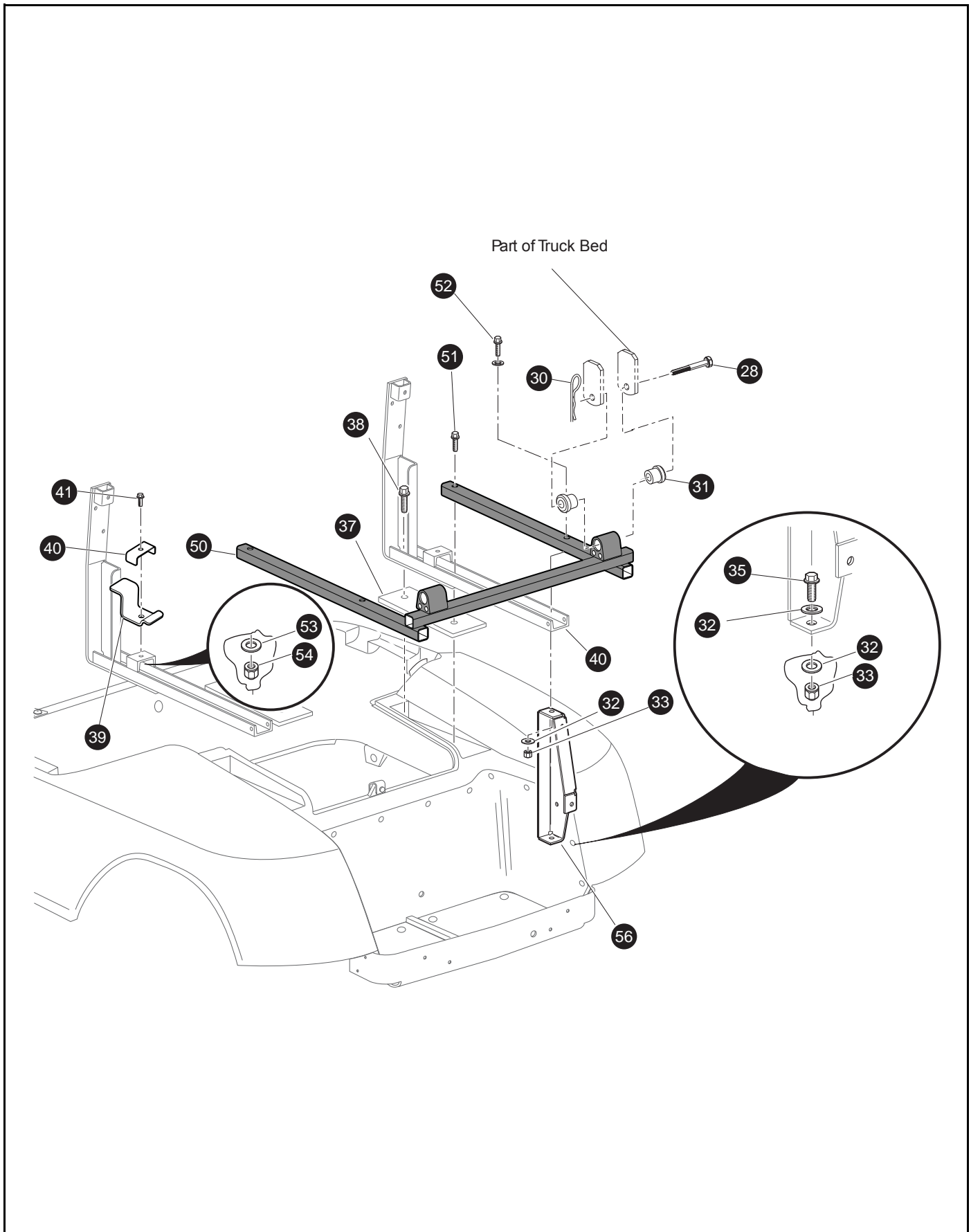


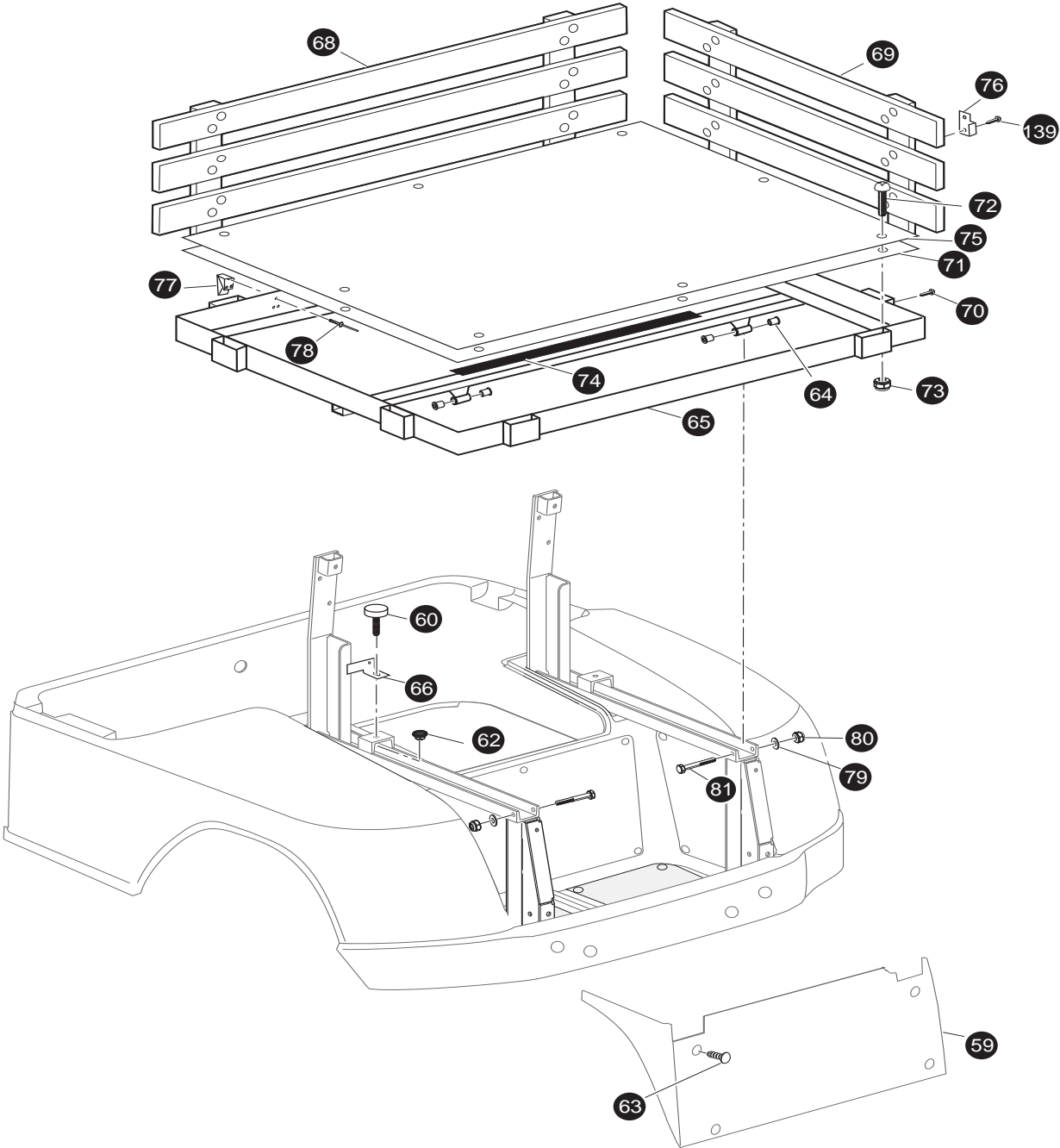
B





CARGO BED





CARGO BED

When ordering parts, please specify the model and serial number of the product.

* Indicates a component that is not available as an individual part.

*** Indicates consult Customer Service Department for additional information.

ITEM	PART NO.	1 2 3 4 5	DESCRIPTION	QTY.
1	72647G01		BED ASSEMBLY (INCLUDES ITEMS 2 -11).....	1
2	72648G01		PLASTIC BED, 36"	1
3	73454G01		PIVOT SHAFT.....	2
4	73460G01		SHOULDER BOLT, 1/4 - 20 X 3/4" LG.....	2
5	72649G01		TAILGATE	1
6	73450G01		BOWED ANGLE	1
7	16705G2		SCREW, 1/4 - 20 X 5/8" LG (STAINLESS STEEL).....	4
8	73449G01		EXTRUSION CHANNEL.....	1
9	73455G02		TAILGATE CABLE	1
10				
11	00415G2		SCREW, 1/4 - 20 X 1 1/4" LG	2
12	74821G01		LOAD BED DECAL	1
13	71055G01		RIVET	5
14	70113G01		ADJUSTABLE RUBBER BUMPER	2
15	11027G1		LOCK NUT, 5/16 - 18.....	2
16				
17				
18	74962G01		BED LATCH.....	1
19	71538G01		LATCH TORSION SPRING	1
20	71099G02		KEEPER PLATE	2
21	71477G02		RETAINER BRACKET.....	1
22	01118G01		SCREW, 1/4 - 20 X 5/8" LG.....	4
23				
24	71704G01		HANDLE GRIP	2
25			
26			E-Z-GO LABEL.....	1
27				
28	71571G01		CLEVIS PIN.....	2
29				
30	21683G1		COTTER PIN.....	2
31	70291G01		BUSHING	4

When ordering parts, please specify the model and serial number of the product.

* Indicates a component that is not available as an individual part.

*** Indicates consult Customer Service Department for additional information.

ITEM	PART NO.	1 2 3 4 5	DESCRIPTION	QTY.
32	00560G01		FLAT WASHER	8
33	11098G5		LOCK NUT	4
34				
35	00427G4		SCREW 38/ - 16.....	2
36				
37	70364G01		SPACER.....	2
38	01006G02		SCREW.....	2
39	606167		FRONT BED SUPPORT	2
40	607093		BED SUPPORT BRACKET	2
41	00439G1		SCREW 5/16 - 18.....	2
42				
43				
44				
45	74111G01		SEAT SUPPORT.....	2
46				
47				
48				
49				
50	606112		BED FRAME	1
51	01075G01		SCREW.....	2
52	00427G8		SCREW, 5/8 - 16"	2
53	00559G8		FLAT WASHER	2
54	11098G6		LOCK NUT	2
55				
56	74126G02		REAR SUPPORT FRAME (PASSENGER SIDE)	1
57				
58				
59	74149G01		PANEL.....	1
60	70113G01		ADJUSTABLE RUBBER BUMPER.....	2
61				
62	11027G1		LOCK NUT, 5/16 - 18.....	4

CARGO BED

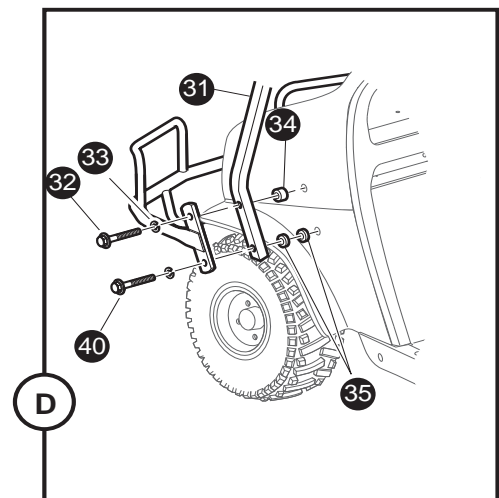
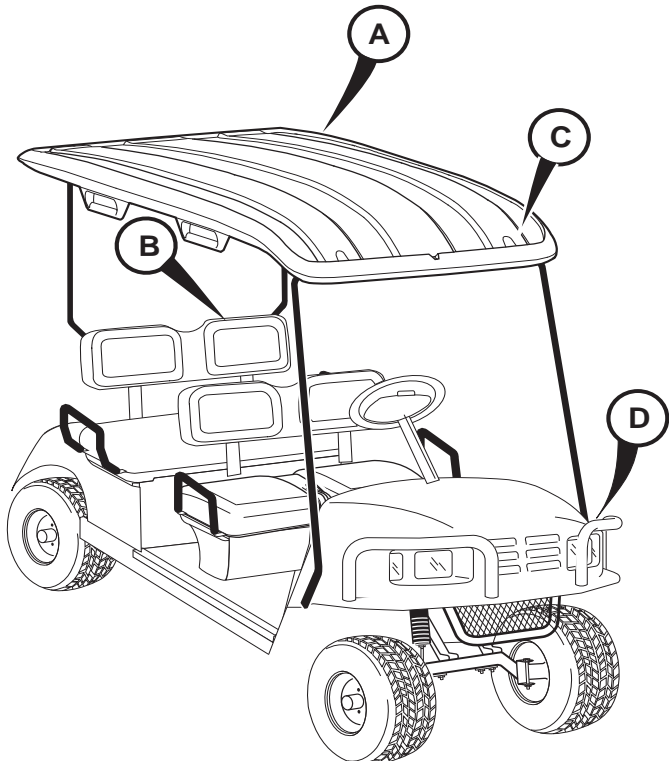
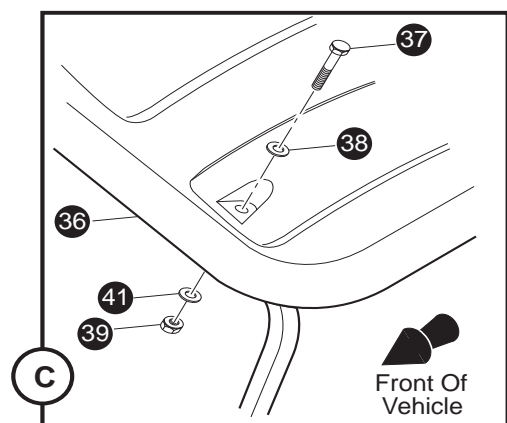
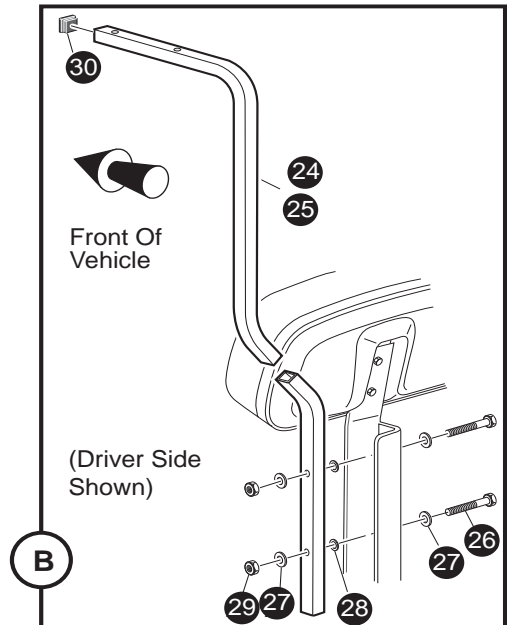
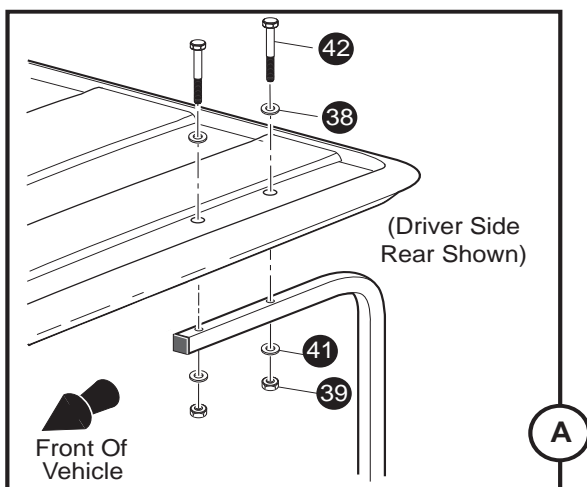
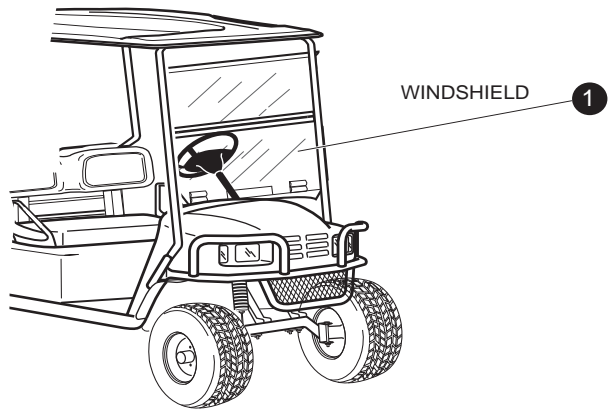
When ordering parts, please specify the model and serial number of the product.

* Indicates a component that is not available as an individual part.

*** Indicates consult Customer Service Department for additional information.

ITEM	PART NO.	1	2	3	4	5	DESCRIPTION	QTY.
63	16816G2						RIVET	4
64	17838G1						NYLON BUSHING	4
65	74080G01						CARGO DECK	1
66	72914G01						HOLD DOWN BRACKET	1
67								
68	34280G02						FRONT/REAR CARGO RACK	2
69	34280G01						SIDE CARGO RACK	2
70	00666G6						SCREW, #10 - 12 X 3/4" LG (STAINLESS STEEL)	10
71	74082G01						STEEL DECK	1
72	16705G3						SCREW, 1/4 - 20 X 3/4" LG (STAINLESS STEEL)	8
73	14390G4						LOCK NUT, 1/4 - 20.....	8
74	23052G1						NOISE SUPPRESSOR	1
75	74097G01						CARGO BED MAT.....	1
76	74079G02						TAILGATE RETAINER BRACKET	2
77	72913G01						LATCH	1
78	00100G6						RIVET, 5/32" X 9/16" LG (STAINLESS STEEL)	2
79	00559G8						WASHER, 5/16".....	2
80	11098G6						LOCK NUT, 5/16 - 18 (STAINLESS STEEL)	2
81	00440G4						BOLT, 5/16 - 18 X 2 1/2" LG	2

WEATHER PROTECTION



WEATHER PROTECTION

THE USE OF NON U.L. PARTS WILL VOID ANY U.L. LISTING.
 When ordering parts, please specify the model and serial number of the product.
 * Indicates a component that is not available as an individual part.
 G** Indicates consult Customer Service Department for additional information.

ITEM	PART NO.	1 2 3 4 5	DESCRIPTION	QTY.
1	607255		WINDSHIELD KIT	1
2				
3				
4				
5				
6				
7				
8				
9				
10				
11				
12				
13	607305		SUN TOP KIT (INCLUDES ITEMS 24 - 42)	1
14				
15				
16				
17				
18				
19				
20				
21				
22				
23	608138		SUN TOP KIT (INCLUDES ITEMS 24 -42)	1
24	75487G02		REAR SUPPORT (DRIVER SIDE)	1
25	75487G01		REAR SUPPORT (PASSENGER SIDE).....	1
26	00665G5		BOLT, 3/8 - 16 X 1 3/4" LG (STAINLESS STEEL)	4
27	00679G1		WASHER, 3/8" (STAINLESS STEEL).....	8
28	00771G5		NYLON WASHER, 3/8".....	4
29	00891G5		LOCK NUT, 3/8 - 16.....	4
30	19853-G1		END CAP, 1"	2

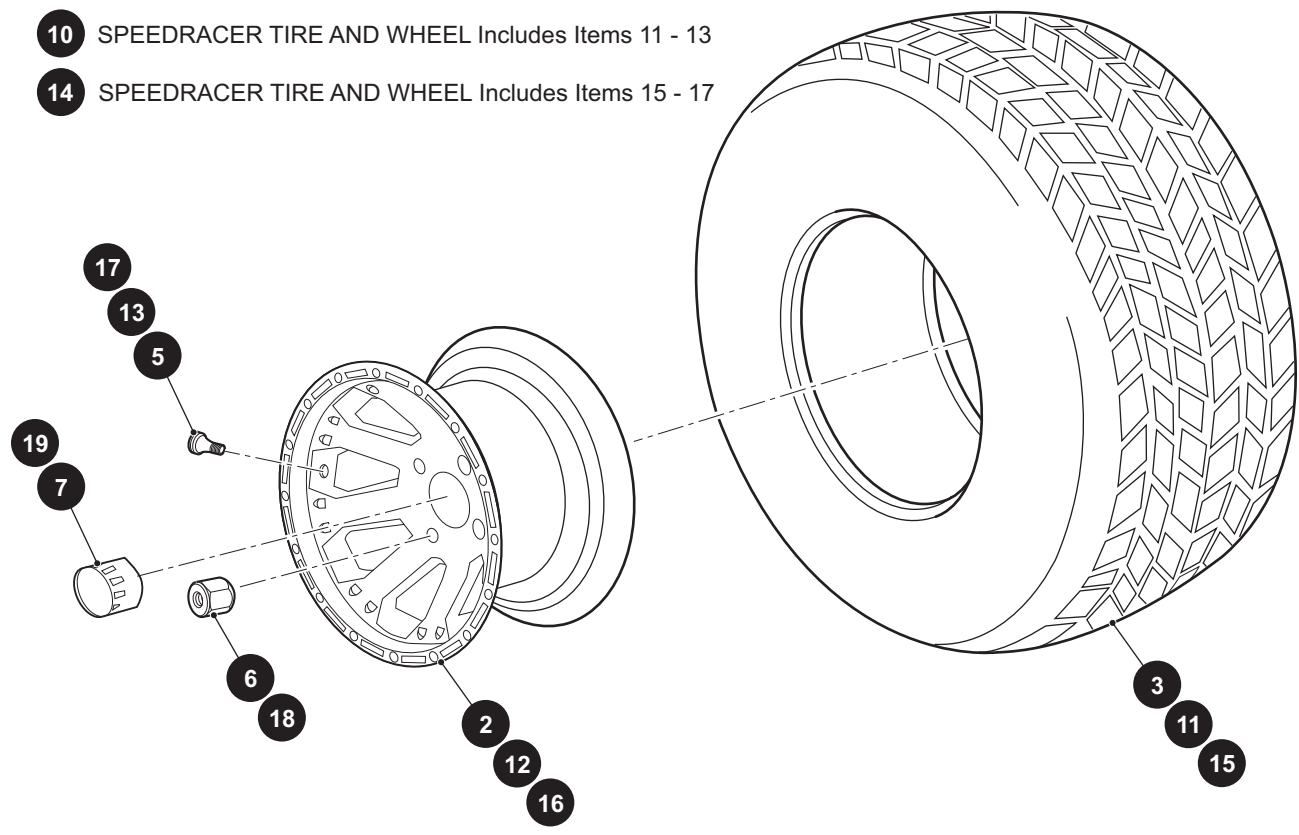
WEATHER PROTECTION

THE USE OF NON U.L. PARTS WILL VOID ANY U.L. LISTING.
 When ordering parts, please specify the model and serial number of the product.
 * Indicates a component that is not available as an individual part.
 G** Indicates consult Customer Service Department for additional information.

ITEM	PART NO.	1 2 3 4 5	DESCRIPTION	QTY.
31	75488G01		FRONT SUPPORT	1
32	01035G02		BOLT, 5/16 - 18 X 2 1/2" LG.....	2
33	00905G8		LOCK WASHER, 5/16"	4
34	75048G01		SPACER, 1/2"	2
35	00879G1		LOCK WASHER, 3/8"	4
36	74374G01		SUN TOP	1
37	00685G10		SCREW,.....	2
38	00907G2		WASHER, 5/16"	6
39	11098G6		LOCK NUT, 5/16 - 18	6
40	00440G2		BOLT, 5/16 - 18 X 2 1/4" LG.....	2
41	00660G8		WASHER, 5/16"	6
42	00685G11		BOLT, 5/16 - 18 X 3 1/4" LG.....	4

WHEELS AND TIRES

- 1 TERRA TRAC TIRE AND WHEEL ASSEMBLY Includes Items 2 - 5
- 10 SPEEDRACER TIRE AND WHEEL Includes Items 11 - 13
- 14 SPEEDRACER TIRE AND WHEEL Includes Items 15 - 17



(Style of tire may differ from tire shown)

WHEELS AND TIRES

Where applicable, THE USE OF NON UL PARTS WILL VOID ANY UL LISTING.
 When ordering parts, please specify the model and serial number of the product.
 * Indicates a component that is not available as an individual part.
 G** Indicates consult Customer Service Department for additional information.

ITEM	PART NO.	1 2 3 4 5	DESCRIPTION	QTY.
1	607252		TERRA TRAC TIRE AND WHEEL ASSEMBLY	AR
2	606149		WHEEL, 12" DIAMOND FINISH	1
3	606142		TERRA TRAC TIRE 23 x 10.5 x 12	1
4				
5	604915		VALVE STEM.....	1
6	606925		LUG NUT.....	AR
7	606835		CENTER CAP	1
8				
9				
10	606240		SPEEDRACER TIRE AND WHEEL, 10X7, DRIVER SIDE (INCLUDES 11-13) (MUST USE ITEM 18 LUG NUTS & ITEM 19 WHEEL CAP, ORDER SEPARATELY)	2
11	606139		SPEED RACER, 10X7 DRIVER SIDE.....	1
12	606152		WHEEL, 10" DIAMOND FINISHED WHEEL	1
13	604915		VALVE STEM, CHROME	1
14	606179		SPEEDRACER TIRE AND WHEEL, 10X7, PASSENGER SIDE (INCLUDES 15-17) (MUST USE ITEM 18 LUG NUTS & ITEM 19 WHEEL CAP, ORDER SEPARATELY).....	2
15	606139		SPEED RACER, 10X7 DRIVER SIDE.....	1
16	606152		WHEEL, 10 " DIAMOND FINISHED WHEEL	1
17	604915		VALVE STEM, CHROME	1
18	606925		DIAMOND LUG NUTS	4
19	608910		DIAMOND WHEEL CAP	1

SPECIALTY PRODUCTS

SPECIALTY PRODUCTS

SPECIAL TOOLS	PART NO.
HIGH RESISTANCE SPARK PLUG WIRE SET	26733G02
CLUTCH PULLER (DRIVE)	19779G2
FLYWHEEL PULLER	27111G01
CURRENT INDICATOR	16489G2
DIGITAL MULTI-METER	27481G01
TUBELESS TIRE REPAIR KIT	606009
TIRE PLUGGER REFIL PACK (50/BOX)	606831

TOUCH UP PAINT	PART NO.
PEN 3 OUNCE (89 ML) - HUNTER GREEN	28432G02
PEN 3 OUNCE (89 ML) - CHAMPAGNE BEIGE	28432G01
PEN 3 OUNCE (89 ML) - WHITE	28432G05
PEN 3 OUNCE (89 ML) - INDUSTRIAL YELLOW	28432G03
PEN 3 OUNCE (89 ML) - ORANGE	28432G04
PEN 3 OUNCE (89 ML) - STEEL BLUE PEARL	28432G24
PEN 3 OUNCE (89 ML) - OLIVE GREEN	28432G**
PEN 3 OUNCE (89 ML) - CAMOUFLAGE PAINT (THREE PENS)	75831G01
AEROSOL 12 OUNCE (360 ML) - HUNTER GREEN	28140G09
AEROSOL 12 OUNCE (360 ML) - CHAMPAGNE BEIGE	28140G15
AEROSOL 12 OUNCE (360 ML) - INDUSTRIAL YELLOW	28140G14

MAINTENANCE PRODUCTS	PART NO.
PLEXUS® CLEANER, 13 OUNCE (380 ML) (FOR WINDSHIELDS)	28433G02
BATTERY PROTECTOR, 14 OUNCE (410 ML) SPRAY	27619G02
E-Z-GO ALLSURFACE CLEANER	606311
E-Z-GO FIBERGLASS/PLASTIC RESTORER	606313
WIND SHIELD AND PLASTIC PROTECTOR	606314
64 OZ HAND CLEANER	607636
4 OZ HAND CLEANER	607637

OPTIONS/ACCESSORIES

OPTIONS/ACCESSORIES

ITEM	KIT NO.	SECTION
ASHTRAY KIT	75109G01	See BODY
ASHTRAY KIT	75109G02	See BODY
BALL HITCH KIT	74492G02	See BODY
HOUR METER KIT	607285	See ELECTRICAL SYSTEM
REAR VIEW MIRROR KIT	19528G2	See WEATHER PROTECTION
SOFT ENCLOSURE	75367G0*	See WEATHER PROTECTION
SUN TOP KIT	607581	See WEATHER PROTECTION
SUN TOP KIT	607305	See WEATHER PROTECTION
TURN SIGNAL KIT	75107G02	See ELECTRICAL SYSTEM
GOLD SPOKE WHEEL COVERS	19241G*	See WHEELS AND TIRES
SILVER SPOKE WHEEL COVERS	19241G*	See WHEELS AND TIRES
WINDSHIELD (FULL)	607255	See WEATHER PROTECTION
FRONT SHIELD WITH WINCH RECIEVER MOUNT	605676	See STEERING SECTION
WOOD STAKE BED RED/BLK	608279	See CARGO BED
PLASTIC BED, RED/BLK	608280	See CARGO BED
CONV CARRIER WHITE/BLUE	608281	See SEATING
WOODSIDE BED WHITE/BLUE	608282	
PLASTIC BED WHITE/BLUE	608283	



A Textron Company

E-Z-GO Division Of Textron, Inc.,
1451 Marvin Griffin Road, Augusta, Georgia USA 30906-3852

TO CONTACT US

North America:

Technical Assistance & Warranty Phone: 1-800-774-3946, FAX: 1-800-448-8124
Service Parts Phone: 1-888-GET-EZGO (1-888-438-3946), FAX: 1-800-752-6175

International:

Phone: 001-706-798-4311, FAX: 001-706-771-4609

Certified ISO 9001 / ISO 14001 by



Copyrighted Material
This manual may not be reproduced in whole or
in part without the express permission of
E-Z-GO Division of Textron, Inc.
Technical Communications Department