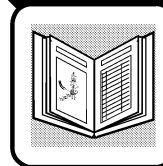
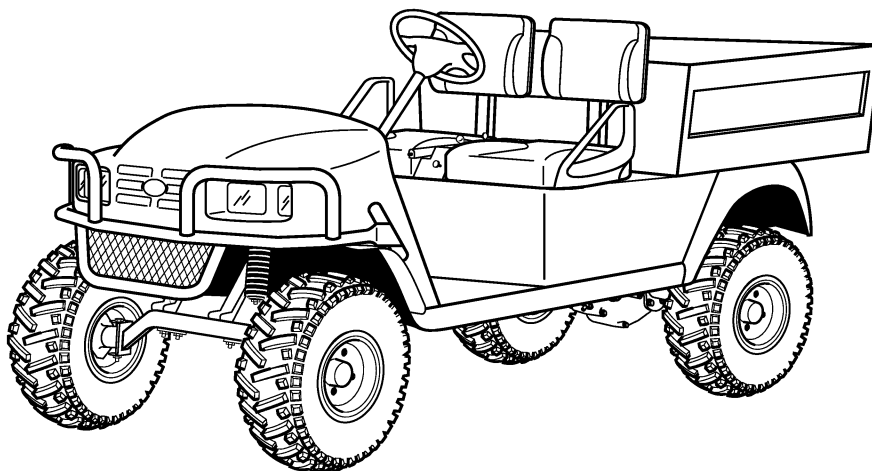


28579-G01



SERVICE PARTS MANUAL



ST 480 GASOLINE POWERED UTILITY VEHICLE

STARTING MODEL YEAR: 2001

REVISED: 7/2001

SERVICE PARTS MANUAL

GASOLINE POWERED UTILITY VEHICLE

VEHICLE

ST 480

Textron Golf, Turf & Specialty Products reserves the right to make design changes without obligation to make these changes on units previously sold and the information contained in this manual is subject to change without notice.

Textron Golf, Turf & Specialty Products is not liable for errors in this manual or for incidental or consequential damages that result from the use of the material in this manual.

CUSTOMER SERVICE DEPARTMENT IN USA PHONE: 1-800-241-5855 FAX: 1-800-448-8124

OUTSIDE USA PHONE: 010-1-706-798-4311, FAX: 010-1-706-771-4609

TEXTRON GOLF, TURF & SPECIALTY PRODUCTS, P.O.BOX 388, AUGUSTA, GEORGIA USA 30903-0388

NOTES

To obtain a copy of the limited warranty applicable to the vehicle, call or write a local Distributor, an authorized Branch or the Warranty Department with vehicle serial number and manufacturer code.

The use of non Original Equipment Manufacturer (OEM) approved parts may void the warranty.

Tampering with or adjusting the governor to permit vehicle to operate at above factory specifications will void the vehicle warranty.

When servicing engines, all adjustments and replacement components must be per original vehicle specifications in order to maintain Federal and State emission certification.

BATTERY PROLONGED STORAGE

All batteries will self discharge over time. The rate of self discharge varies depending on the ambient temperature and the age and condition of the batteries.

A fully charged battery will not freeze in winter temperatures unless the temperature falls below -75° F (-60° C).

GENERAL INDEX

SECTION	Page No.
How to use the Service Parts Manual	v
ACCELERATOR	
• Accelerator Pedal, Accelerator Box	A-1
• Choke, Governor, and Throttle Linkage	A-2
AIR FILTER	
• Remote Air Components, Pre-Cleaner, Air Cleaner Cartridge	B-1
BODY	
• Front Cowl, Instrument Panel, Glove Box Door, Floor Panel, Bumper	C-1
• Floormat, Seat Wrap, Side Panels, Rocker Panels, Rear Fenders, Rear Panel.....	C-2
• Differential Lock Trim Plate, Console Decals, Ashtray, Ball Hitch Receiver.....	C-3
BRAKES	
• Brake Pedal, Pedal Pad, Linkages, Master Cylinder, Flexible Brake Hose	D-1
• Brake Lines, Wheel Cylinder, Brake Shoes, Brake Drum	D-2
• Park Brake (Early Production): Lever, Center Console, Decal, Parking Brake Cables.....	D-7
• Park Brake (Late Production): Lever, Center Console, Decal, Parking Brake Cables	D-11
CLUTCHES	
• Drive Clutch, Driven Clutch, Drive Belt	E-1
DIRECTION SELECTOR	
• Direction Selector, Reverse Warning Buzzer	F-1
• Shifter Control Cables, Pivot Arm, Shifter Cable Bracket	F-2
ELECTRICAL SYSTEM	
• Battery, Control Harness, Ground Cable.....	G-1
• Electrical Plate Assembly, Voltage Regulator, Solenoid.....	G-2
• Horn, Fuse Block.....	G-3
• Ignition Switch/Plate, 12 Volt Power Outlet	G-4
• Headlight, Turn Signal, Taillight.....	G-5
• Hour Meter	G-6
ENGINE	
• Carburetor, Engine, Ignition Control Module, Muffler, Exhaust Pipe, Spark Plugs, Oil Filter	H-1
FRONT SUSPENSION	
• Front Axle, Hub and Spindle, Leaf Springs, Shock Absorber	J-1

GENERAL INDEX

FUEL SYSTEM

- Fuel Tank, Fuel Gauge Sender, Fuel Line, Fuel Cap, Fuel Filter, Fuel Pump K-1

REAR AXLE

- Rear Axle, Differential Lock, Skid Plate L-1

REAR SUSPENSION

- Leaf Springs, Shock Absorbers M-1

SEATING

- Seat Bottom, Hip Restraint, Seat Back, Seat Back Support..... N-1

STARTER/GENERATOR

- Terminal Assembly, Brush Holder Assembly, Pulley P-1
- Starter/Generator Belt, Mounting Brackets P-2

STEERING

- Steering Box, Steering Shaft/Column/Wheel, Tie Rod Q-1

TRUCKBED

- 40" Bed R-1
- Electric Circuit Breaker, Toggle Switch, Actuator R-2
- Bed Liner, Tool Box R-3

WEATHER PROTECTION

- Sun Top S-1
- Top Mounted Rear View Mirror, 3-Sided Soft Enclosure S-2
- Windshields S-3

WHEELS AND TIRES

- Tire, Wheel Rim, Valve Stems, Hubcaps T-1

WINCH

- Mounting U-1
- Solenoids, Electrical Wiring U-2
- Winch Components U-3

SPECIALTY PRODUCTS Appendix A

- Special Tools
- Performance Products
- Paint
- Engine Oil

ACCESSORIES Appendix B

HOW TO USE THE SERVICE PARTS MANUAL

This manual is divided into several sections:

- GENERAL INFORMATION
- ILLUSTRATED PARTS BREAKDOWN
- APPENDIX

The first section, GENERAL INFORMATION, contains the following information:

- WARRANTY INFORMATION
- GENERAL INDEX
- HOW TO USE THE SERVICE PARTS MANUAL

The second section, ILLUSTRATED PARTS BREAKDOWN, contains illustrations and parts lists for all systems of your vehicle.

The third section, APPENDIX, contains a listing of specialty products and accessories.

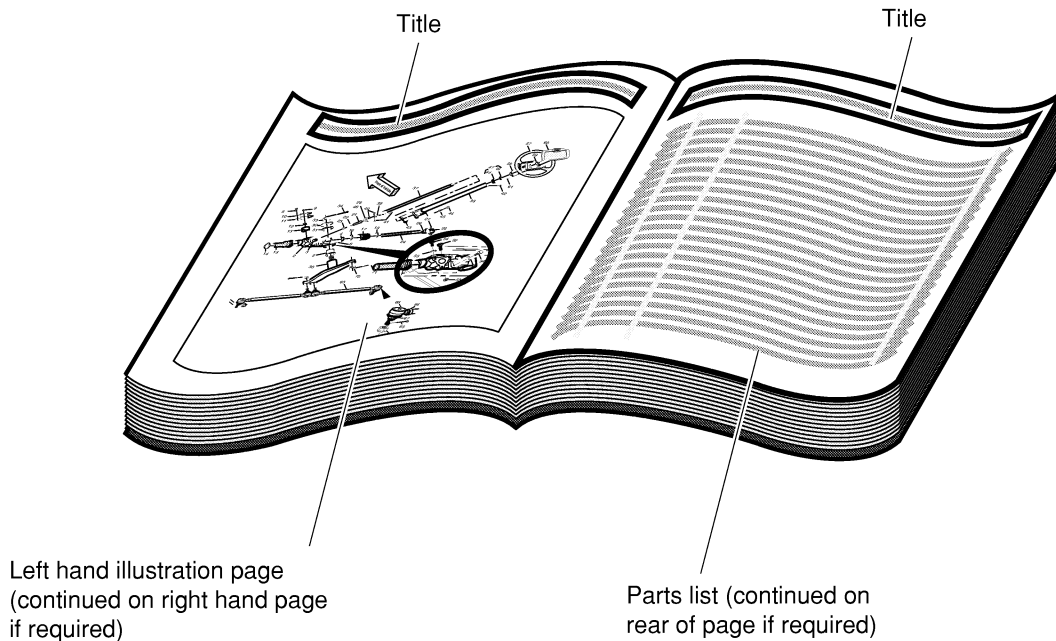
USE OF THE MANUAL

To use this manual, consult the GENERAL INDEX to locate the information or illustration required.

Introduction of some revisions varies due to supply of components; therefore, it is possible that various combinations of components may be found that are not directly reflected by each illustration. Consult the illustration that best suits your situation and then contact the Service Parts Department. It is important that the serial number of your vehicle and its model number be supplied to Service Parts when ordering any replacement components.

Locate the serial number plate (see BODY located in the Illustrated Parts Breakdown section of this manual for its location) and note the complete number shown on the plate.

HOW TO USE THE SERVICE PARTS MANUAL



1. WHEN THE PART NUMBER IS NOT KNOWN

- Determine the function and application of the part required. Turn to the General Index and select the most appropriate title.
- Turn to the page number indicated and locate the desired part on the illustration.
- From the illustration, obtain the item number assigned to the desired part. Refer to the accompanying description for specific information regarding the part.

2. IF YOU KNOW THE PART NUMBER

- Locate the part number or description in the appropriate column on the parts list page.

NOTE: It is suggested that you confirm that the part selected is correct by verifying it with the pictorial representation on the illustrated page.

Should an asterisk (*) appear in the part number column on the parts list page, read upwards until a part number is found. The part number is the lowest assembly sold by Service Parts and the asterisk (*) indicates that the part depicted is not available for purchase.

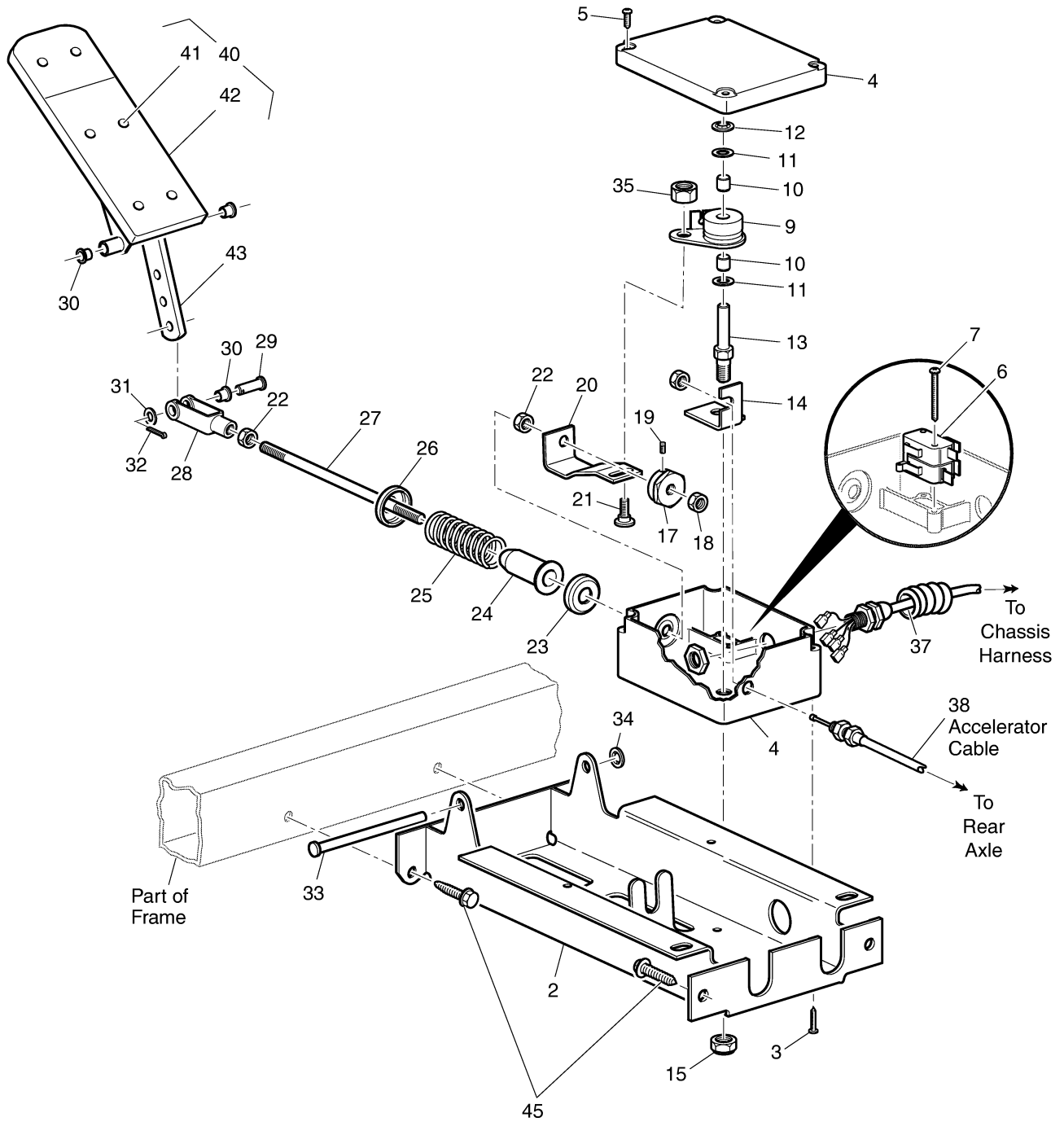
NOTE: Descriptions are indented under the assembly that they are used on. That assembly is, in turn listed under the assembly that it is used on. This process is repeated until the highest final assembly is reached.

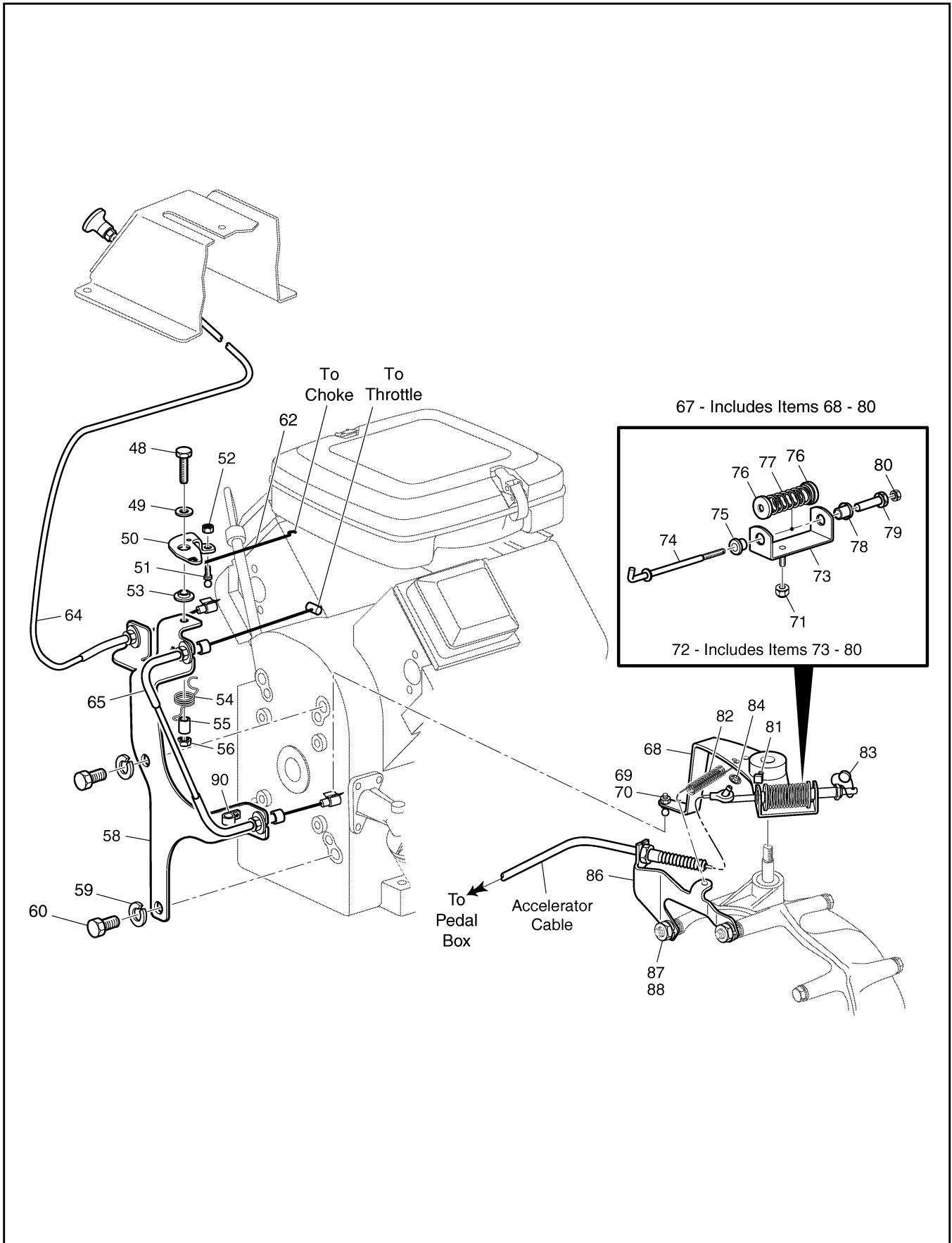
To facilitate the maintenance and repair of the vehicle, a Technician's Repair and Service Manual is available from the Service Parts Department.

ILLUSTRATED PARTS BREAKDOWN

ILLUSTRATED PARTS BREAKDOWN

1 - Includes Items 2 - 43
39 - Includes Items 40 - 43





When ordering parts, please specify the model and serial number of the product.

* Indicates a component that is not available as an individual part.

G** Indicates consult Customer Service Department for additional information.

ITEM	PART NO.	1	2	3	4	5	DESCRIPTION	QTY.	
1	72062-G05	PEDAL BOX ASSEMBLY (INCLUDES ITEMS 2 - 43)							1
2	70116-G01	ACCELERATOR PEDAL BRACKET							1
3	01052-G01	SCREW, #6 - 19 X 5/8" LG.....							4
4	25853-G02	PEDAL BOX AND COVER.....							1
5	00684-G6	SCREW, #8 - 32 X 3/4" LG.....							4
6	75652-G01	MICRO SWITCH							1
7	01050-G02	SCREW, #4 - 20 X 1 1/8" LG.....							2
8									
9	72066-G01	CONTROL ARM.....							1
10	23860-G1	BEARING							2
11	24621-G1	NYLON WASHER, 5/16"							2
12	12064-G1	PUSH NUT, 5/16"							1
13	25768-G01	PIVOT ROD.....							1
14	72199-G01	PIVOT BRACKET.....							1
15	14390-G1	LOCK NUT, 3/8 - 24.....							1
16									
17	72198-G03	MICRO SWITCH CAM							1
18	00550-G4	LOCK NUT, 5/16 - 24.....							1
19	00487-G3	SETSCREW, 1/4 - 20 X 3/8" LG.....							1
20	72074-G01	CONTROL ARM LINK.....							1
21	72225-G01	SHOULDER BOLT, #10 - 24 X 11/16" LG							1
22	00532-G4	LOCK NUT, 5/16 - 24.....							2
23	17677-G1	SPRING RETAINER.....							1
24	17979-G1	ACCELERATOR ROD BUSHING							1
25	73046-G01	COMPRESSION SPRING.....							1
26	17677-G2	SPRING RETAINER.....							1
27	72072-G01	ACCELERATOR ROD.....							1
28	10385-G4	CLEVIS YOKE (ADJUSTABLE)							1
29	10386-G3	CLEVIS PIN, 5/16" X 1" LG.....							1
30	17838-G1	NYLON BUSHING.....							3

When ordering parts, please specify the model and serial number of the product.

* Indicates a component that is not available as an individual part.

G** Indicates consult Customer Service Department for additional information.

ITEM	PART NO.	1	2	3	4	5	DESCRIPTION	QTY.
31	17255-G1						TEFLON WASHER, 5/16"	1
32	10387-G3						COTTER PIN, 3/32" X 3/4" LG.....	1
33	70134-G01						PEDAL PIVOT PIN.....	1
34	00986-G01						PUSH NUT, 9/32"	1
35	14390-G10						LOCK NUT, #10 - 24.....	1
36								
37	35679-G02						WIRE HARNESS (PEDAL BOX).....	1
38	75639-G01						ACCELERATOR CABLE	1
39	25799-G01						ACCELERATOR PEDAL ASSEMBLY (INCLUDES ITEMS 40 - 43)	1
40	27844-G01						ACCELERATOR PEDAL PAD KIT (INCLUDES ITEMS 41 - 42)	1
41	15766-G1						OVAL RIVET, 3/16" X 3/8" LG.....	6
42	27512-G01						ACCELERATOR PEDAL PAD.....	1
43	*						ACCELERATOR PEDAL.....	1
44								
45	00715-G2						BOLT, 5/16 - 18 X 13/16" LG.....	4
46								
47								
48	00415-G2						BOLT, 1/4 - 20 X 1 1/4" LG.....	1
49	00559-G7						WASHER, 1/4"	1
50	75679-G01						CHOKE PIVOT LEVER.....	1
51	15944-G1						BALL JOINT	1
52	00734-G5						LOCK NUT, #10 - 32	1
53	75677-G01						BUSHING.....	1
54	23577-G1						TORSION SPRING	1
55	23726-G7						SPACER.....	1
56	14390-G4						LOCK NUT, 1/4 - 20	1
57								
58	75651-G01						CHOKE AND GOVERNOR CABLE BRACKET	1
59	00566-G2						LOCK WASHER, 7/16".....	2
60	00462-G7						BOLT, 7/16 - 14 X 7/8" LG.....	2

When ordering parts, please specify the model and serial number of the product.
 * Indicates a component that is not available as an individual part.
 G** Indicates consult Customer Service Department for additional information.

ITEM	PART NO.	1 2 3 4 5	DESCRIPTION	QTY.
61				
62	75650-G01		CHOKE LINK	1
63				
64	75712-G01		CHOKE CABLE.....	1
65	75675-G01		GOVERNOR CABLE.....	1
66				
67	75682-G01		GOVERNOR BELLCRANK ASSEMBLY (INCLUDES ITEMS 68 - 80)	1
68	75681-G01		GOVERNOR BELLCRANK	1
69	15944-G1		BALL JOINT	1
70	00734-G5		LOCK NUT, #10 - 32.....	1
71	14390-G4		LOCK NUT, 1/4 - 20.....	1
72	22751-G2		GOVERNOR BRACKET ASSEMBLY (INCLUDES ITEMS 73 - 80).....	1
73	22752-G1		GOVERNOR BRACKET	1
74	25274-G1		GOVERNOR ROD	1
75	22754-G1		BUSHING	1
76	25661-G01		CUP WASHER	2
77	23578-G1		COMPRESSION SPRING.....	1
78	22754-G2		BUSHING	1
79	23859-G1		GOVERNOR ADJUSTER	1
80	00526-G4		NUT, #10 - 32	1
81	00491-G4		SETSCREW, 1/4 - 20 X 1/2" LG	2
82	25738-G01		SPRING	1
83	25286-G1		SAFETY SEAL, 3/8"	1
84	12064-G3		PUSH NUT, 3/16"	1
85				
86	25653-G01		ACCELERATOR CABLE BRACKET	1
87	26826-G01		LOCK WASHER, 8 MM.....	2
88	26827-G01		NUT, M8 X 1.25 MM.....	2
89				
90	75832-G01		WIRE AND TUBE RETAINER, 3/8" CAPACITY	1

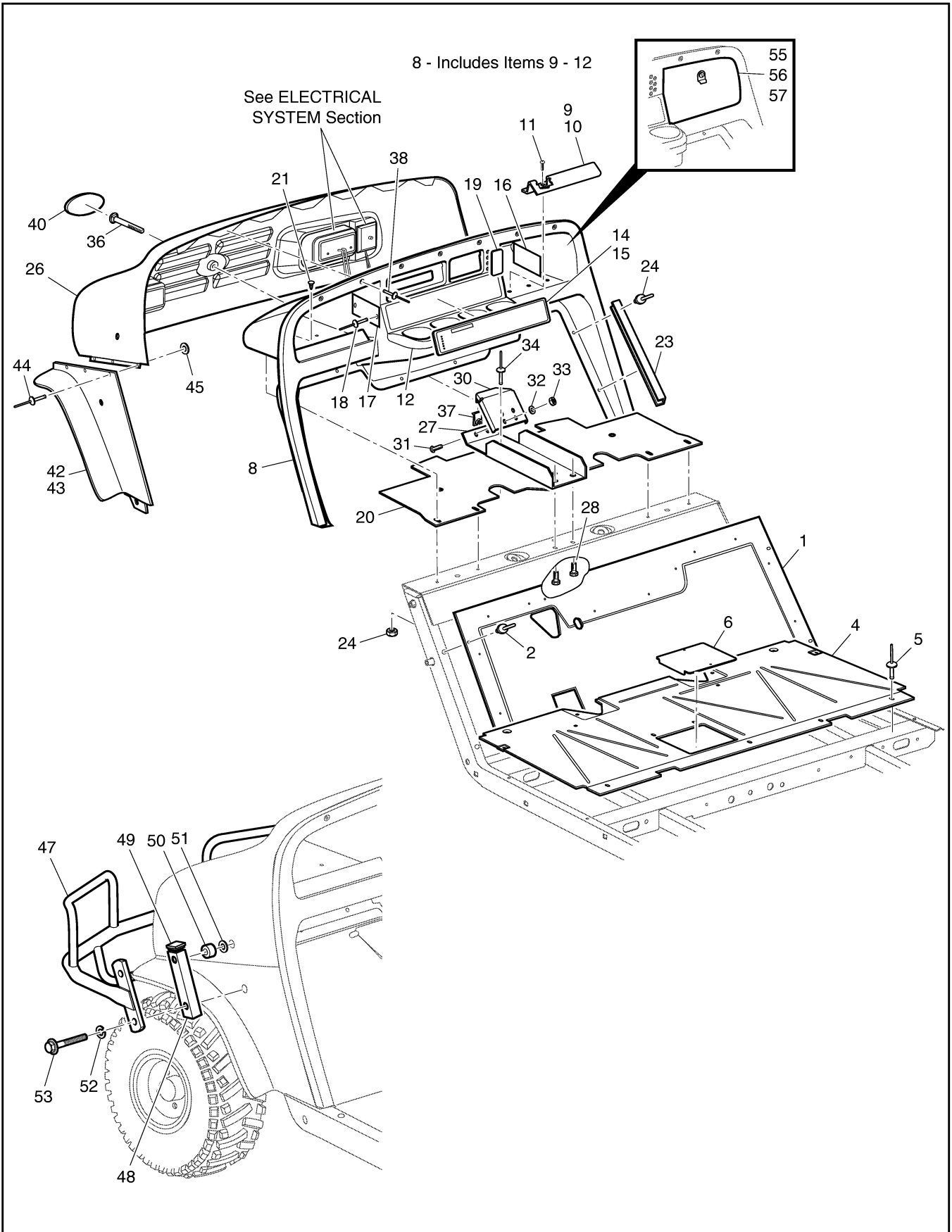
When ordering parts, please specify the model and serial number of the product.

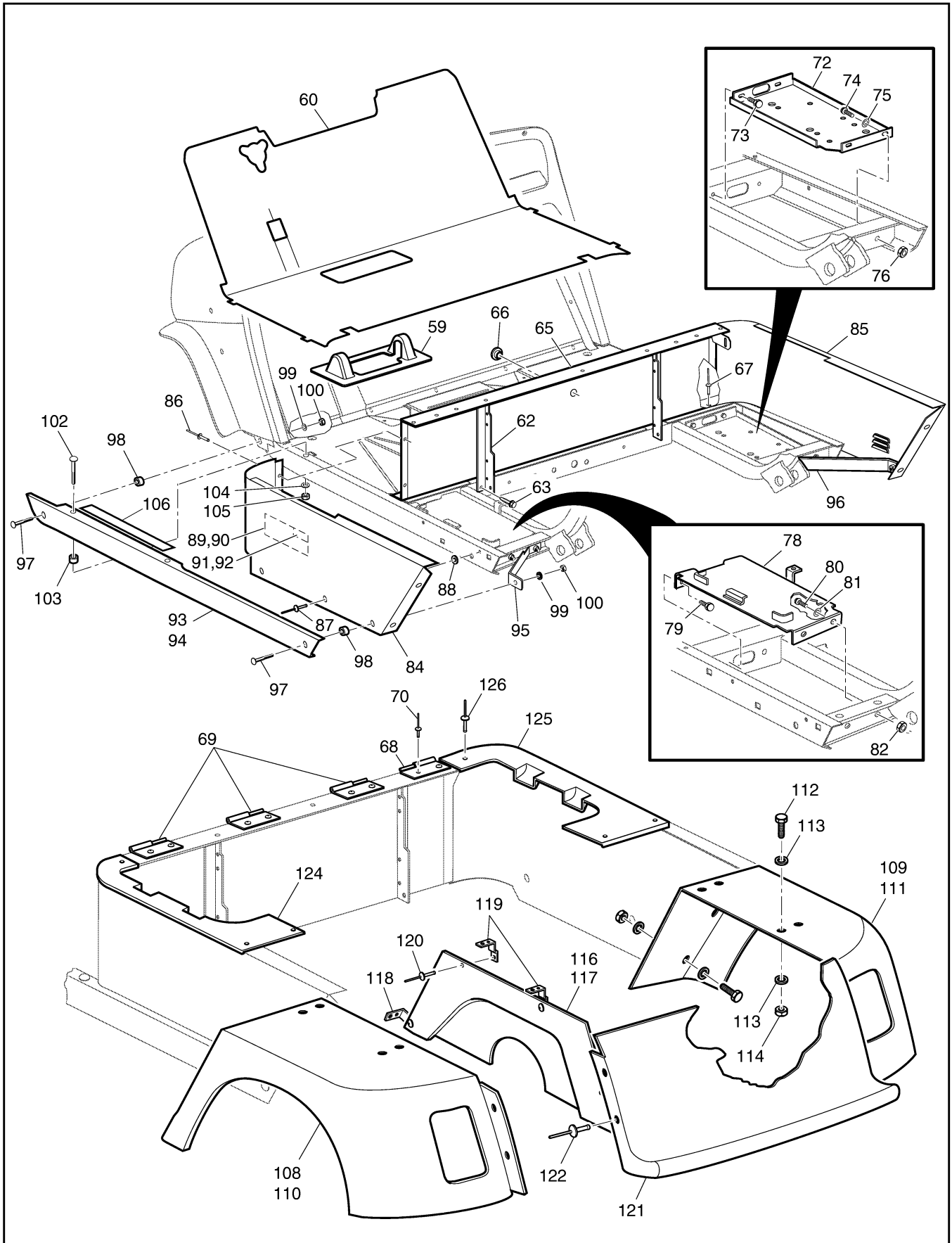
* Indicates a component that is not available as an individual part.

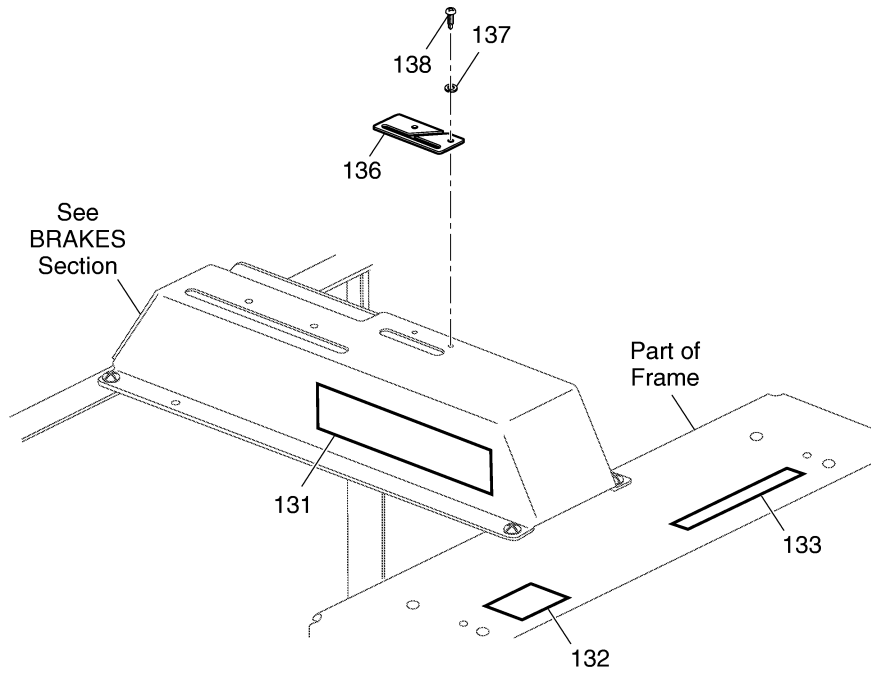
G** Indicates consult Customer Service Department for additional information.

Part numbers without the "-G" suffix are Briggs and Stratton® part numbers.

ITEM	PART NO.	1 2 3 4 5	DESCRIPTION	QTY.
1	72416-G01		INLET ADAPTER	1
2	72415-G01		GASKET	1
3	71055-G01		RIVET, 3/16" X 3/8" LG	4
4	11391-G2		CLAMP, 2"	1
5	72527-G01		HOSE	1
6	11391-G5		CLAMP, 3/4"	1
7				
8				
9	5050		PRE-CLEANER AND AIR CLEANER CARTRIDGE (INCLUDES ITEMS 10, 11)	1
10	272490		PRE-CLEANER	1
11	394018		AIR CLEANER CARTRIDGE	1

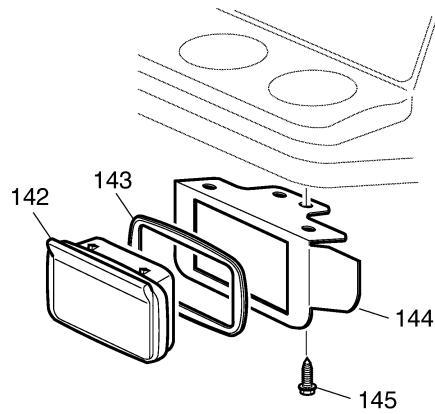




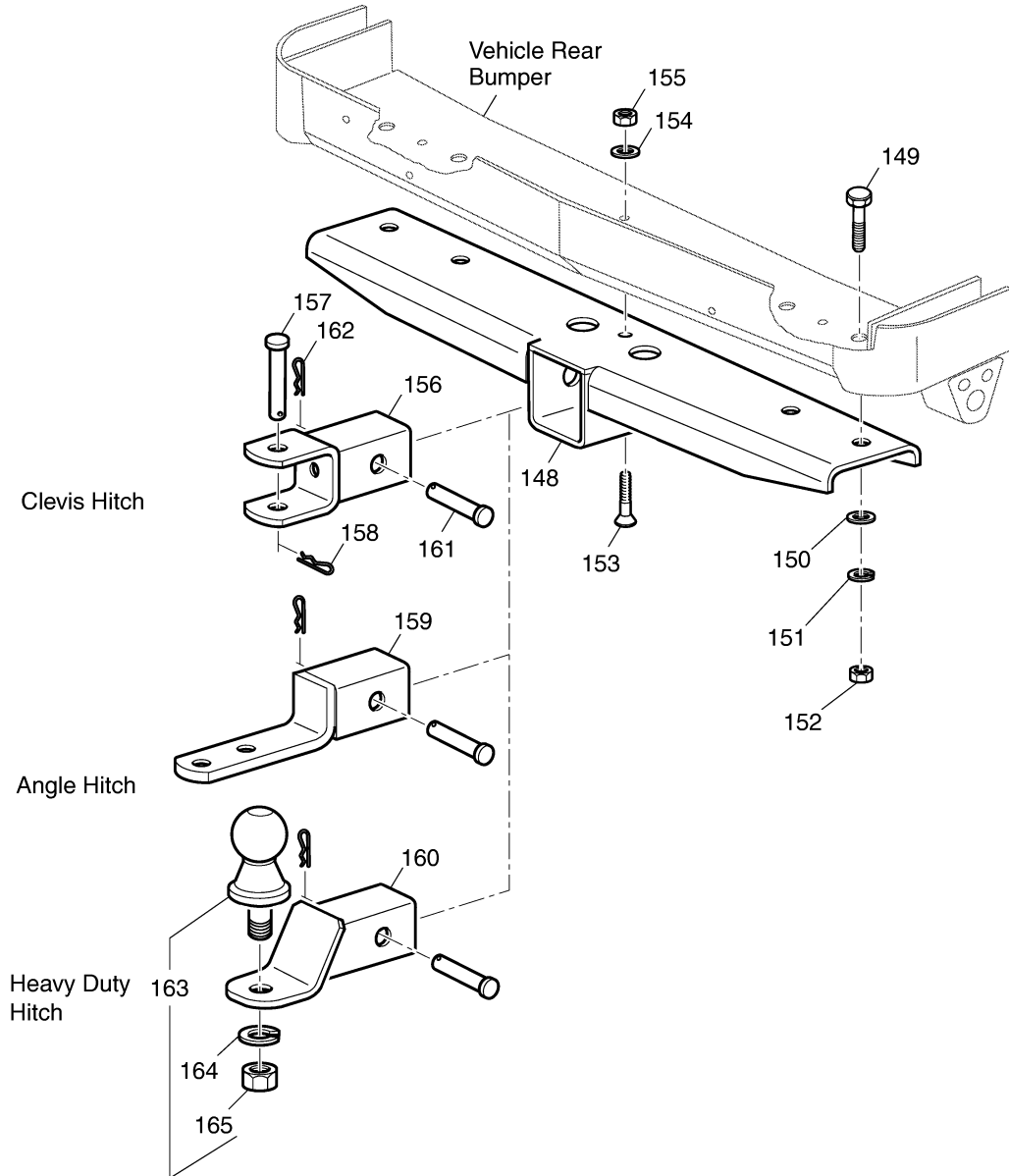


ASH TRAY

141 - Includes Items 142 - 145



HITCHES



When ordering parts, please specify the model and serial number of the product.
 * Indicates a component that is not available as an individual part.
 G** Indicates consult Customer Service Department for additional information.

ITEM	PART NO.	1 2 3 4 5	DESCRIPTION	QTY.
1	71510-G01		UPPER FLOORPAN	1
2	14601-G11		RIVET, 3/16" X 9/16" LG	9
3				
4	70451-G01		LOWER FLOORPAN.....	1
5	14601-G11		RIVET, 3/16" X 9/16" LG	7
6	70452-G01		ACCESS COVER.....	1
7				
8	71151-G03		INSTRUMENT PANEL ASSEMBLY (INCLUDES ITEMS 9 - 12)	1
9	71153-G01		DEFLECTOR (PASSENGER SIDE)	1
10	71154-G01		DEFLECTOR (DRIVER SIDE)	1
11	00614-G5		SCREW, #8 - 18 X 5/8" LG.....	6
12	71158-G01		INSTRUMENT PANEL INSERT (FOUR CUP)	1
13				
14	71177-G05		LABEL (SAFETY).....	1
15	35345-G01		LABEL (SAFETY - CE).....	1
16	*		SERIAL NUMBER PLATE.....	1
17	*		CAPACITY PLATE	1
18	01041-G01		RIVET, 5/32" X 3/4" LG	4
19	35968-G01		DECAL (TEE HOLDER COVER)	1
20	71413-G02		SPLASH PANEL.....	1
21	16816-G2		RATCHET FASTENER, 1/4" X 3/4" LG.....	4
22				
23	71115-G01		VINYL TRIM	2
24	71055-G01		RIVET, 3/16" X 1" LG	10
25				
26	71219-G**		COWL	1
27	71101-G01		COWL SUPPORT BRACKET	1
28	71102-G02		SELF TAPPING SCREW, 1/4 - 20 X 1/2" LG.....	3
29				
30	71462-G01		COWL SUPPORT BRACE.....	1

When ordering parts, please specify the model and serial number of the product.

* Indicates a component that is not available as an individual part.

G** Indicates consult Customer Service Department for additional information.

ITEM	PART NO.	1 2 3 4 5	DESCRIPTION	QTY.
31	00740-G4		SCREW, #10 - 32 X 1/2" LG	2
32	00559-G5		WASHER, #10.....	2
33	00921-G8		LOCK NUT, #10 - 32	2
34	71055-G02		RIVET, 3/16" X 1 1/8" LG	1
35				
36	16705-G9		SCREW, 1/4 - 20 X 1 1/4" LG	1
37	14776-G1		'J' NUT	1
38	71055-G01		RIVET, 3/16" X 1" LG	7
39				
40	35945-G01		NAMEPLATE (WORKHORSE) (OVAL).....	1
41				
42	71214-G01		FENDER FLARE (DRIVER SIDE).....	1
43	71214-G02		FENDER FLARE (PASSENGER SIDE)	1
44	71045-G01		RIVET, 5/32" X 3/4" LG	6
45	00559-G4		WASHER, #8.....	6
46				
47	74265-G01		BUMPER.....	1
48	74037-G01		SPACER TUBE	2
49	19859-G1		END CAP, 3/4"	2
50	75048-G01		SPACER, 1/2"	2
51	00570-G2		WASHER, 5/16"	6
52	00905-G8		LOCK WASHER, 5/16".....	4
53	01035-G02		BOLT, 5/16 - 18 X 2 1/2" LG.....	4
54				
55	75459-G01		GLOVE BOX DOORS (PAIR).....	1
56	75459-G02		GLOVE BOX DOOR (DRIVER SIDE)	1
57	75459-G03		GLOVE BOX DOOR (PASSENGER SIDE).....	1
58				
59	70135-G01		PEDAL PIVOT COVER.....	1
60	70048-G06		FLOORMAT.....	1

When ordering parts, please specify the model and serial number of the product.
 * Indicates a component that is not available as an individual part.
 G** Indicates consult Customer Service Department for additional information.

ITEM	PART NO.	1 2 3 4 5	DESCRIPTION	QTY.
61				
62	70440-G02		SEAT FRAME.....	1
63	00715-G2		SELF TAPPING SCREW, 5/16 - 18 X 13/16" LG.....	2
64				
65	75636-G**		SEAT SUPPORT PANEL	1
66	20271-G9		HOLE PLUG, 1"	1
67	10570-G10		RIVET, 5/32" X 9/16" LG	5
68	75728-G01		LOOSE JOINT HINGE, MALE HALF (LH PIN)	1
69	75728-G02		LOOSE JOINT HINGE, MALE HALF (RH PIN).....	3
70	10570-G11		RIVET, 3/16" X 3/4" LG	8
71				
72	70244-G02		SPLASH PANEL.....	1
73	00715-G2		BOLT, 5/16 - 18 X 13/16" LG.....	2
74	00438-G8		BOLT, 5/16 - 18 X 1" LG.....	2
75	00559-G8		WASHER, 5/16"	2
76	11098-G6		LOCK NUT, 5/16 - 18	2
77				
78	70245-G01		BATTERY TRAY.....	1
79	00715-G2		BOLT, 5/16 - 18 X 13/16" LG.....	2
80	00438-G8		BOLT, 5/16 - 18 X 1" LG.....	2
81	00571-G2		WASHER, 5/16"	2
82	11098-G6		LOCK NUT, 5/16 - 18	2
83				
84	71674-G**		SIDE PANEL (DRIVER SIDE)	1
85	71674-G**		SIDE PANEL (PASSENGER SIDE)	1
86	10570-G10		RIVET, 5/32" X 9/16" LG	4
87	10570-G12		RIVET, 1/4" X 1/2" LG	4
88	16469-G7		WASHER, 1/4"	4
89	35062-G01		DECAL (WORKHORSE).....	2
90	74341-G01		DECAL (WORKHORSE), CAMO VERSION.....	2

When ordering parts, please specify the model and serial number of the product.
 * Indicates a component that is not available as an individual part.
 G** Indicates consult Customer Service Department for additional information.

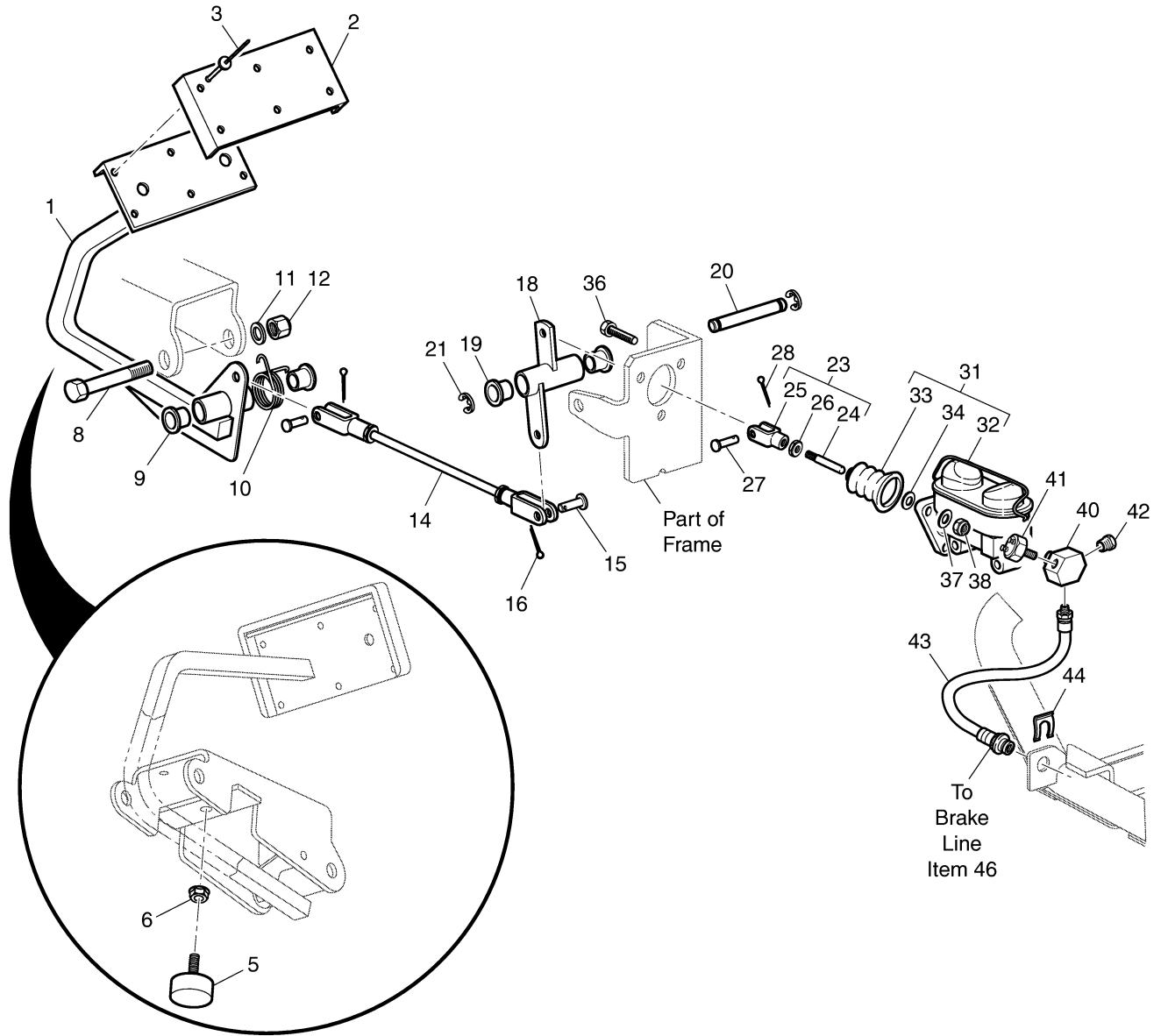
ITEM	PART NO.	1 2 3 4 5	DESCRIPTION	QTY.
91	35430-G23		DECAL (ST 480)	2
92	74343-G03		DECAL (ST 480), CAMO VERSION	2
93	71439-G01		ROCKER PANEL (DRIVER SIDE)	1
94	71439-G02		ROCKER PANEL (PASSENGER SIDE)	1
95	71440-G01		BRACE (DRIVER SIDE).....	1
96	71440-G02		BRACE (PASSENGER SIDE)	1
97	00789-G2		SCREW, #10 - 24 X 1 1/4" LG	4
98	19247-G3		SPACER, 9/32"	4
99	00660-G5		WASHER, #10.....	4
100	11098-G7		LOCK NUT, #10 - 24	4
101				
102	16705-G1		SCREW, 1/4 - 20 X 1" LG	4
103	23726-G2		SPACER, 1/4"	4
104	00559-G7		WASHER, 1/4"	4
105	14390-G4		LOCK NUT, 1/4 - 20	4
106	71764-G01		SILL PLATE TREAD.....	2
107				
108	71586-G01		FENDER (DRIVER SIDE)	1
109	71586-G02		FENDER (PASSENGER SIDE).....	1
110	71586-G03		FENDER WITH TAILLIGHT (DRIVER SIDE)	1
111	71586-G04		FENDER WITH TAILLIGHT (PASSENGER SIDE)	1
112	00414-G7		BOLT, 1/4 - 20 X 7/8" LG.....	12
113	00559-G7		WASHER, 1/4"	24
114	14390-G4		LOCK NUT, 1/4 - 20	12
115				
116	75661-G01		INNER FENDER (PASSENGER SIDE)	1
117	75661-G02		INNER FENDER (DRIVER SIDE)	1
118	71374-G01		BRACKET	2
119	74441-G01		BRACKET	4
120	15058-G1		RIVET, 3/16" X 7/16" LG (ALUMINUM).....	8

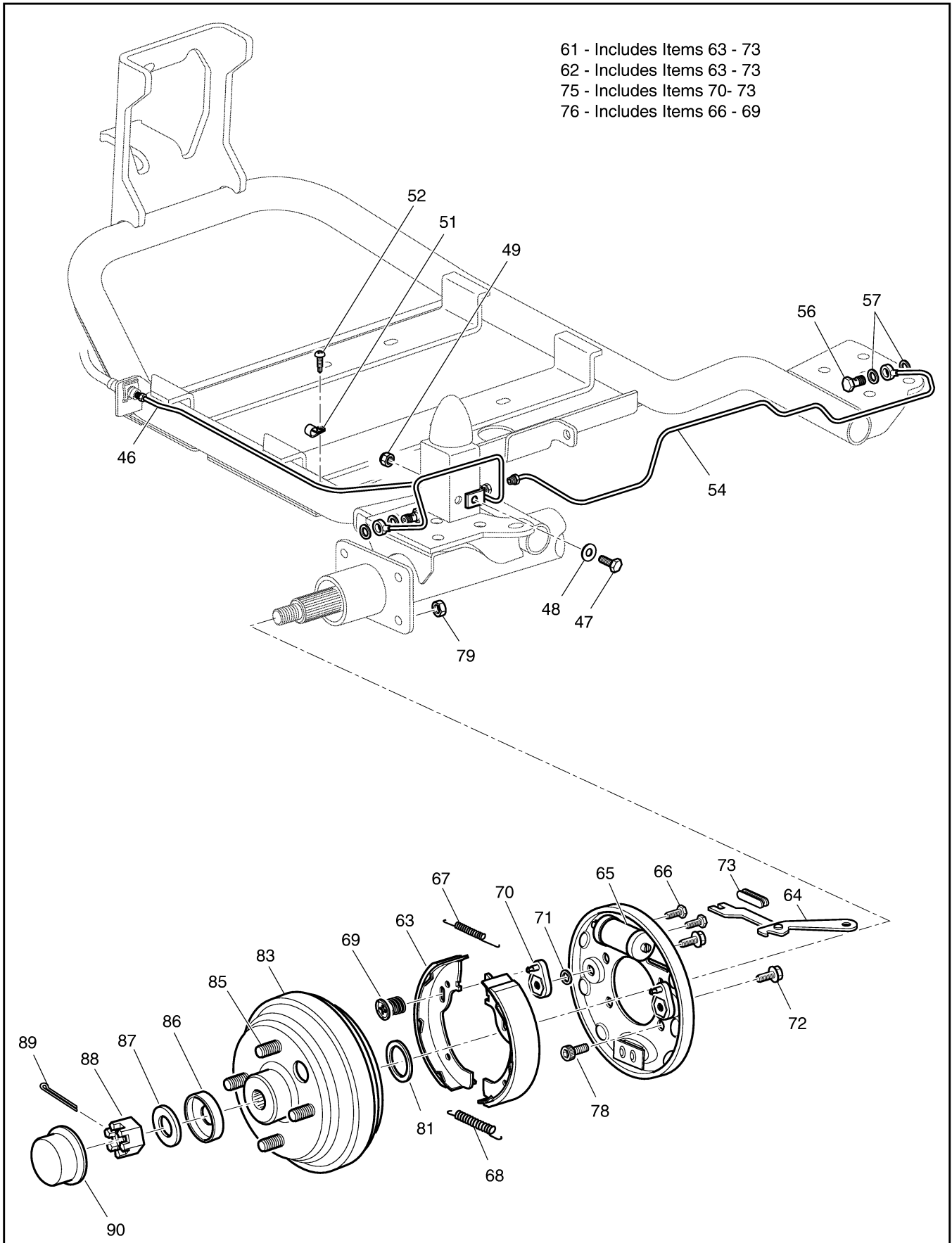
When ordering parts, please specify the model and serial number of the product.
 * Indicates a component that is not available as an individual part.
 G** Indicates consult Customer Service Department for additional information.

ITEM	PART NO.	1 2 3 4 5	DESCRIPTION	QTY.
121	71587-G01		REAR PANEL.....	1
122	71055-G01		RIVET, 3/16" X 1" LG	4
123				
124	71588-G03		SEAT FILLER PANEL (DRIVER SIDE)	1
125	71588-G04		SEAT FILLER PANEL (PASSENGER SIDE).....	1
126	10570-G10		RIVET, 5/32" X 9/16" LG	6
127				
128				
129				
130				
131	74093-G01		LABEL (WARNING)	2
132	75696-G01		LABEL (HOT EXHAUST)	1
133	24880-G1		LABEL (GOVERNOR WARNING)	1
134				
135				
136	75697-G01		DIFFERENTIAL LOCK TRIM PLATE	1
137	00565-G4		LOCK WASHER, #8.....	2
138	18464-G1		SCREW, #8 - 18 X 7/8" LG	2
139				
140				
141	75109-G02		ASH TRAY KIT (INCLUDES ITEMS 142 - 145)	1
142	27731-G01		ASH TRAY	1
143	27736-G01		GASKET	1
144	75108-G01		BRACKET.....	1
145	00100-G4		SCREW, #10 - 16 X 1/2" LG.....	4
146				
147				
148	74348-G01		BALL HITCH RECEIVER	1
149	00463-G4		BOLT, 7/16 - 14 X 1 1/2" LG.....	4
150	00922-G3		WASHER, 7/16"	4

When ordering parts, please specify the model and serial number of the product.
 * Indicates a component that is not available as an individual part.
 G** Indicates consult Customer Service Department for additional information.

ITEM	PART NO.	1 2 3 4 5	DESCRIPTION	QTY.
151	000566-G2		LOCK WASHER, 7/16".....	4
152	00734-G1		LOCK NUT, 7/16 - 14	4
153	00198-G8		SCREW, 5/16 - 18 X 1" LG	1
154	00569-G2		WASHER, 5/16"	1
155	11098-G6		LOCK NUT, 5/16 - 18	1
156	74338-G01		CLEVIS HITCH	1
157	14443-G7		CLEVIS PIN, 1/2" X 2 1/2" LG.....	1
158	19314-G1		COTTER PIN, 2 1/2" LG	1
159	74339-G01		ANGLE HITCH.....	1
160	74351-G01		HEAVY DUTY HITCH.....	1
161	21317-G01		CLEVIS PIN, 5/8" X 3" LG.....	1
162	21683-G1		COTTER PIN, 15/32" X 2 11/16" LG	1
163	31757-G1		BALL, 1 7/8" (INCLUDES ITEMS 164 - 165)	1
164	00566-G6		LOCK WASHER, 3/4"	1
165	00702-G11		NUT, 3/4 - 16	1





BRAKES**Gasoline Vehicle**

When ordering parts, please specify the model and serial number of the product.

* Indicates a component that is not available as an individual part.

G** Indicates consult Customer Service Department for additional information.

ITEM	PART NO.	1 2 3 4 5	DESCRIPTION	QTY.
1	75605-G01		BRAKE PEDAL	1
2	70257-G01		BRAKE PEDAL PAD	1
3	14269-G1		RIVET, 3/16" X 1/2" LG	6
4				
5	70113-G01		ADJUSTABLE BUMPER	1
6	11027-G1		LOCK NUT, 5/16 - 18	1
7				
8	70582-G01		SHOULDER BOLT, 3/8 - 16 X 4" LG	1
9	70581-G01		FLANGED BUSHING	2
10	70676-G01		TORSION SPRING	1
11	00643-G1		WASHER, 3/8"	1
12	11098-G5		LOCK NUT, 3/8 - 16	1
13				
14	34124-G02		LINKAGE ROD	1
15	10386-G3		CLEVIS PIN, 5/16" X 13/16" LG	2
16	10387-G3		COTTER PIN, 3/32" X 3/4" LG	2
17				
18	75607-G01		BELL CRANK	1
19	70581-G01		FLANGED BUSHING	2
20	70410-G02		SHAFT, 5 1/2" LG	1
21	12305-G1		RETAINING RING	2
22				
23	30298-G2		PUSH ROD ASSEMBLY (INCLUDES ITEMS 24 - 26)	1
24	30293-G2		PUSH ROD, 3 1/8" LG	1
25	21508-G1		CLEVIS YOKE	1
26	00544-G6		JAM NUT, 3/8 - 24	1
27	14443-G3		CLEVIS PIN, 5/16" X 1" LG	1
28	10387-G3		COTTER PIN, 3/32" X 3/4" LG	1
29				
30				

When ordering parts, please specify the model and serial number of the product.
 * Indicates a component that is not available as an individual part.
 G** Indicates consult Customer Service Department for additional information.

ITEM	PART NO.	1 2 3 4 5	DESCRIPTION	QTY.
31	70643-G02		MASTER CYLINDER KIT (INCLUDES ITEMS 32 - 34).....	1
32	*		MASTER CYLINDER	1
33	32768-G1		MASTER CYLINDER BOOT	1
34	00675-G1		WASHER, 3/8".....	1
35				
36	00427-G4		BOLT, 3/8 - 16 X 1 1/2" LG	3
37	00560-G1		WASHER, 3/8"	3
38	11098-G5		LOCK NUT, 3/8 - 16	3
39				
40	26469-G01		BRANCH TEE (MALE).....	1
41	21510-G1		BRAKE LIGHT SWITCH	1
42	21503-G1		PLUG	1
43	75621-G01		FLEXIBLE BRAKE HOSE	1
44	11456-G1		CLIP	1
45				
46	75644-G01		PRIMARY BRAKE LINE.....	1
47	00438-G6		BOLT, 5/16 - 18 X 3/4" LG	1
48	00559-G8		WASHER, 5/16"	1
49	11098-G6		LOCK NUT, 5/16 - 18	1
50				
51	11845-G5		CLAMP, 3/8"	1
52	00106-G6		SCREW, #12 - 24 X 3/4" LG	1
53				
54	75645-G01		SECONDARY BRAKE LINE	1
55				
56	75683-G01		BANJO BOLT	2
57	75684-G01		COPPER GASKET	4
58				
59				
60				

BRAKES**Gasoline Vehicle**

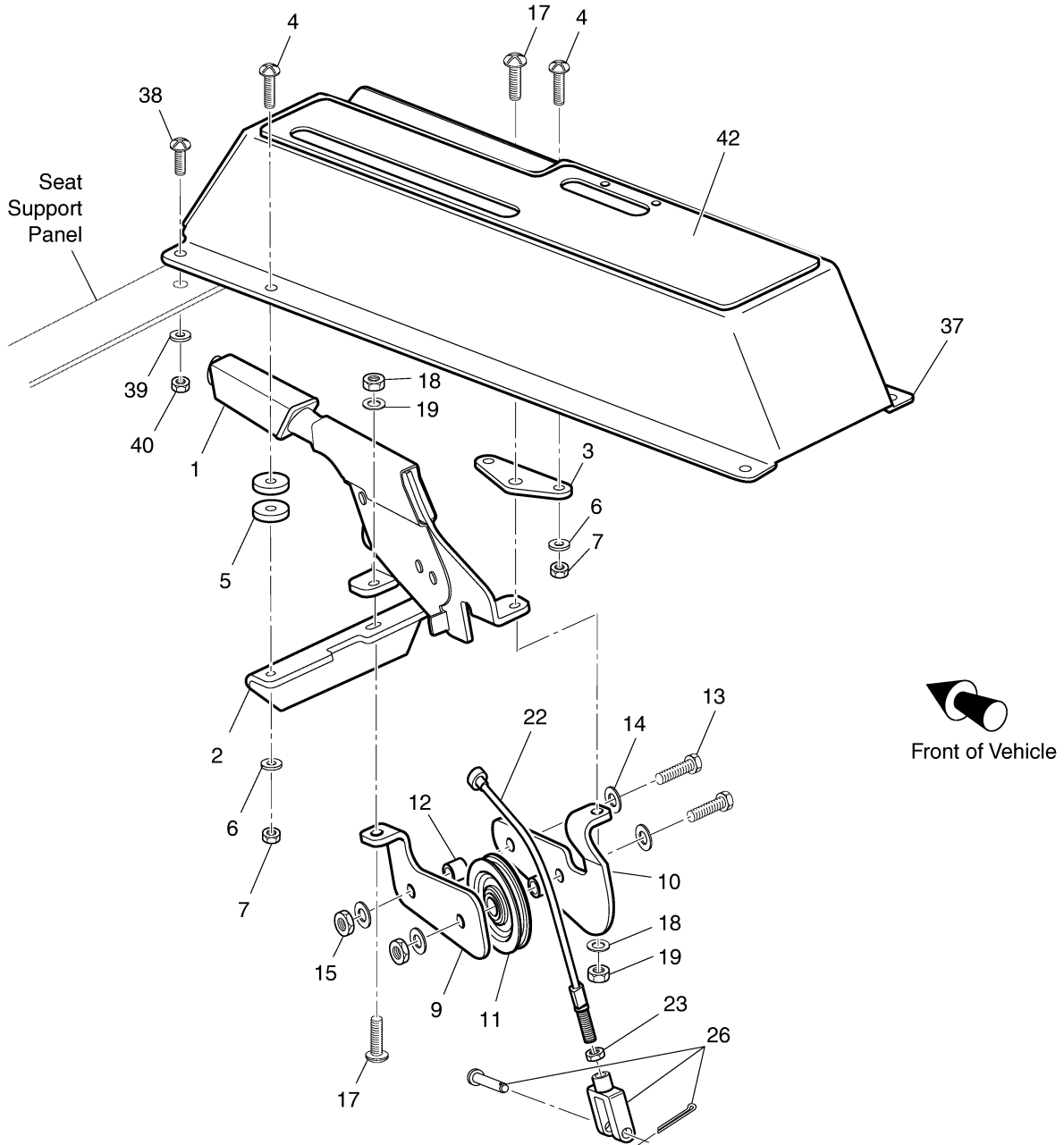
When ordering parts, please specify the model and serial number of the product.

* Indicates a component that is not available as an individual part.

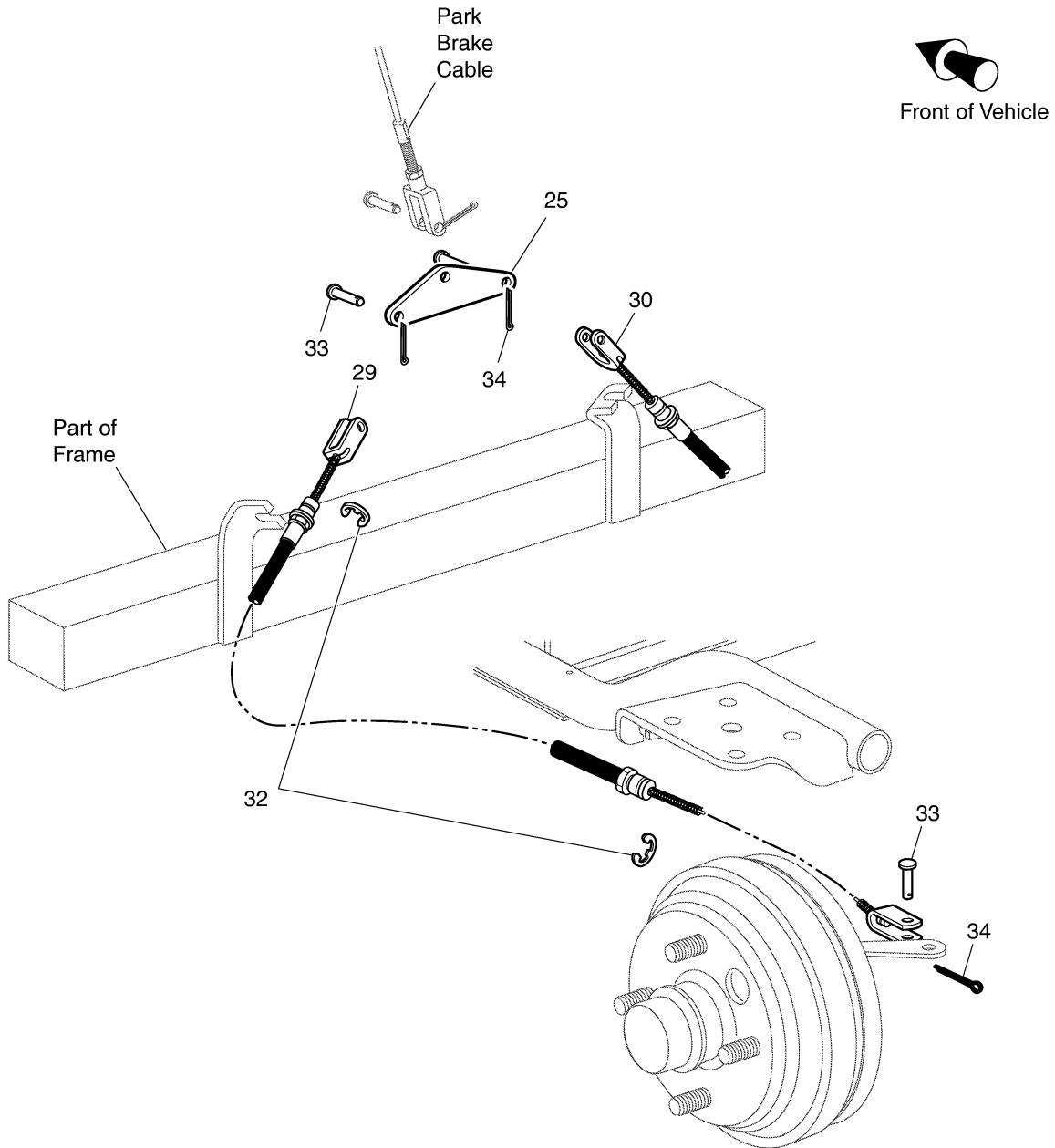
G** Indicates consult Customer Service Department for additional information.

ITEM	PART NO.	1 2 3 4 5	DESCRIPTION	QTY.
61	75685-G01		BRAKE ASSEMBLY (DRIVER SIDE) (INCLUDES ITEMS 63 - 73).....	1
62	75685-G02		BRAKE ASSEMBLY (PASSENGER SIDE) (INCLUDES ITEMS 63 - 73)	1
63	75830-G01		BRAKE SHOE	2
64	75829-G01		PARK BRAKE WHEEL LEVER	1
65	75828-G01		WHEEL CYLINDER.....	1
66	*		WHEEL CYLINDER BOLT	2
67	*		UPPER RETURN SPRING	1
68	*		LOWER RETURN SPRING.....	1
69	*		CUP AND SPRING.....	2
70	*		ADJUSTER.....	2
71	*		WASHER.....	2
72	*		BOLT, 1/4 - 28 X 1/2" LG	2
73	*		DUST COVER.....	1
74				
75	75826-G01		ADJUSTER KIT (INCLUDES ITEMS 70 - 73).....	1
76	75827-G01		HARDWARE KIT (INCLUDES ITEMS 66 - 69)	1
77				
78	75701-G01		BOLT, 5/16 - 24 X 3/4" LG	8
79	15126-G1		LOCK NUT, 5/16 - 24	8
80				
81	21809-G1		INNER BRAKE DRUM WASHER	2
82				
83	75573-G01		BRAKE DRUM ASSEMBLY (INCLUDES ITEMS 84 - 85)	2
84	*		BRAKE DRUM.....	1
85	19862-G2		LUG BOLT, 1/2 - 20 X 1 23/32" LG	4
86	24939-G2		SPINDLE CAP ADAPTER.....	2
87	75586-G01		OUTER BRAKE DRUM WASHER	2
88	00518-G8		SLOTTED NUT, 3/4 - 16.....	2
89	10387-G1		COTTER PIN, 1/8" X 1 1/2" LG.....	2
90	12091-G2		SPINDLE CAP	2

PARK BRAKE - Used Before Serial # 1417729 Gasoline Vehicle



Gasoline Vehicle PARK BRAKE - Used Before Serial # 1417729



PARK BRAKE - Used Before Serial # 1417729 Gasoline Vehicle

When ordering parts, please specify the model and serial number of the product.

* Indicates a component that is not available as an individual part.

G** Indicates consult Customer Service Department for additional information.

ITEM	PART NO.	1	2	3	4	5	DESCRIPTION	QTY.
1	75593-G01						PARKING BRAKE	1
2	75594-G01						SUPPORT BRACKET	1
3	75759-G01						SUPPORT PLATE.....	1
4	16705-G1						SCREW, 1/4 - 20 X 1" LG	4
5	75760-G01						WASHER, .273" I.D. X 1" O.D. X 5/32" THICK	4
6	00559-G7						WASHER, 1/4"	4
7	14390-G4						LOCK NUT, 1/4 - 20	4
8								
9	75641-G01						PULLEY MOUNT BRACKET (DRIVER SIDE).....	1
10	75642-G01						PULLEY MOUNT BRACKET (PASSENGER SIDE)	1
11	75628-G01						PULLEY, 2 1/2" DIA.....	1
12	23726-G10						SPACER, 17/32" LG.....	2
13	00439-G4						BOLT, 5/16 - 18 X 1 1/2" LG.....	2
14	00559-G8						WASHER, 5/16"	4
15	11098-G6						LOCK NUT, 5/16 - 18	2
16								
17	00976-G8						SCREW, 5/16 - 18 X 1" LG	2
18	00559-G8						WASHER, 5/16"	2
19	11098-G6						LOCK NUT, 5/16 - 18	2
20								
21								
22	75580-G01						PARKING BRAKE CABLE	1
23	00544-G2						JAM NUT, 1/4 - 28.....	1
24								
25	75616-G01						EQUALIZER.....	1
26	21512-G1						CLEVIS, YOKE AND PINS.....	1
27								
28								
29	75595-G01						BRAKE CABLE (DRIVER SIDE).....	1
30	75595-G02						BRAKE CABLE (PASSENGER SIDE)	1

Gasoline Vehicle PARK BRAKE - Used Before Serial # 1417729

When ordering parts, please specify the model and serial number of the product.

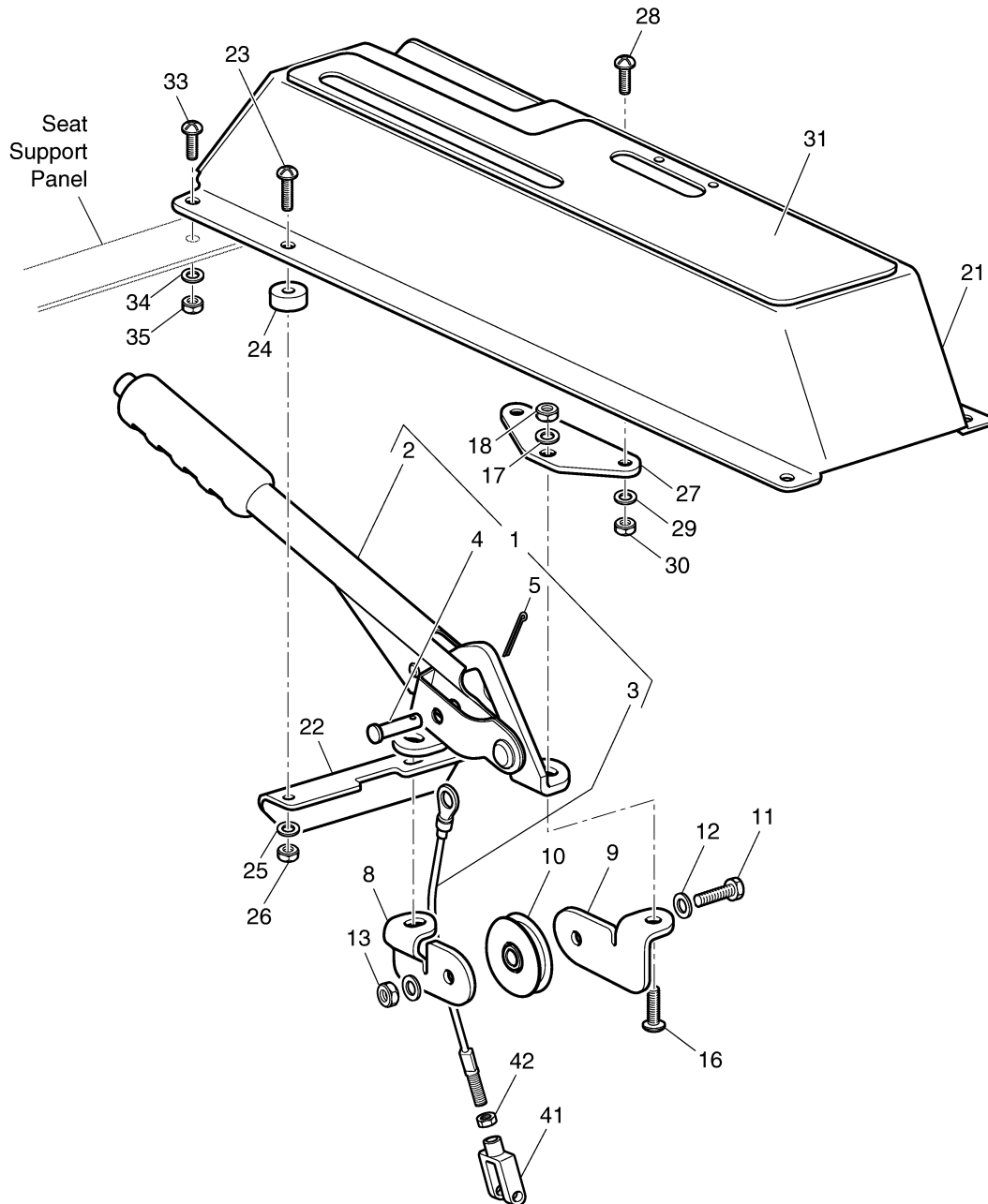
* Indicates a component that is not available as an individual part.

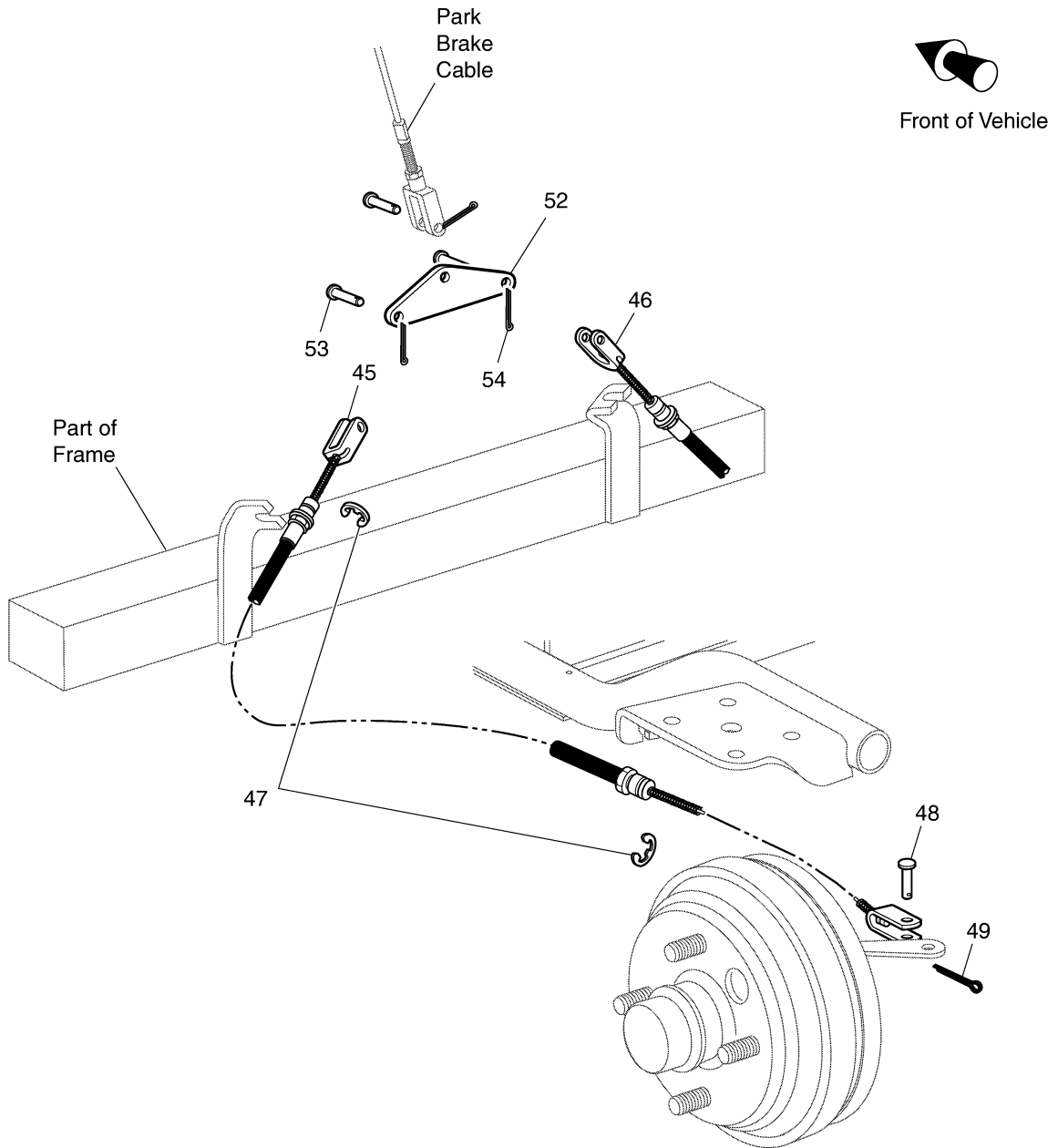
G** Indicates consult Customer Service Department for additional information.

ITEM	PART NO.	1	2	3	4	5	DESCRIPTION	QTY.
31								
32	12305-G1						RETAINING RING	4
33	10386-G3						CLEVIS PIN, 5/16" X 13/16" LG.....	4
34	10387-G3						COTTER PIN, 3/32" X 3/4" LG.....	4
35								
36								
37	75592-G01						CENTER CONSOLE	1
38	16705-G3						SCREW, 1/4 - 20 X 3/4" LG	4
39	00559-G7						WASHER, 1/4"	4
40	14390-G4						LOCK NUT, 1/4 - 20	4
41								
42	75694-G01						DECAL (CENTER CONSOLE).....	1



Front of Vehicle





When ordering parts, please specify the model and serial number of the product.

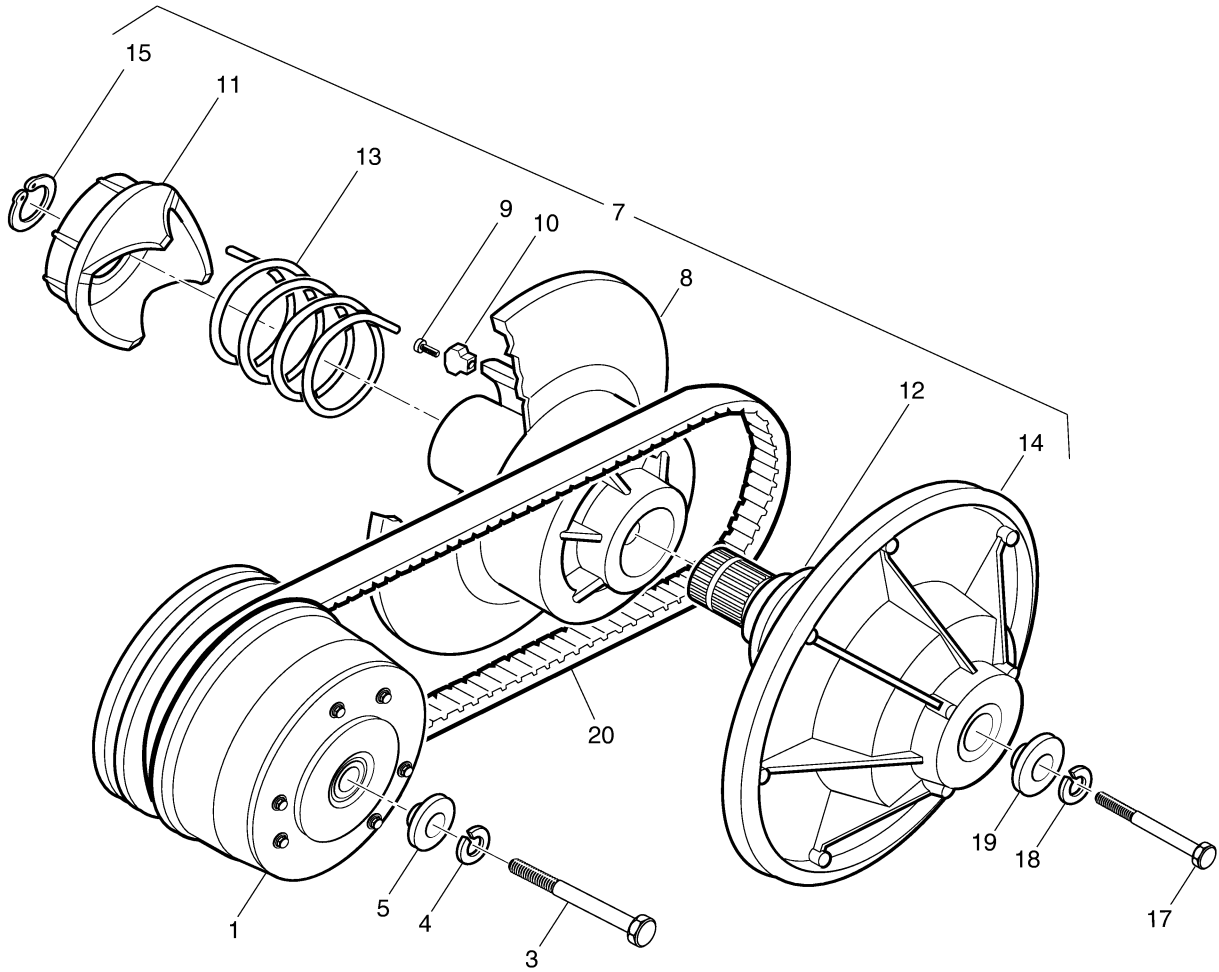
* Indicates a component that is not available as an individual part.

G** Indicates consult Customer Service Department for additional information.

ITEM	PART NO.	1 2 3 4 5	DESCRIPTION	QTY.
1	75791-G01		PARKING BRAKE LEVER ASSEMBLY (INCLUDES ITEMS 2 - 5)	1
2	75790-G01		PARKING BRAKE LEVER.....	1
3	75764-G01		PARKING BRAKE CABLE.....	1
4	17651-G1		CLEVIS PIN, 3/8" X 1 1/4" LG.....	1
5	10387-G2		COTTER PIN, 3/32" X 1" LG.....	1
6				
7				
8	75769-G01		PULLEY MOUNT BRACKET (DRIVER SIDE).....	1
9	75768-G01		PULLEY MOUNT BRACKET (PASSENGER SIDE)	1
10	75789-G01		PULLEY, 2" DIA.....	1
11	00439-G4		BOLT, 5/16 - 18 X 1 1/2" LG.....	1
12	00559-G8		WASHER, 5/16"	2
13	11098-G6		LOCK NUT, 5/16 - 18	1
14				
15				
16	00976-G8		SCREW, 5/16 - 18 X 1" LG	2
17	00559-G8		WASHER, 5/16"	2
18	11098-G6		LOCK NUT, 5/16 - 18	2
19				
20				
21	75767-G01		CENTER CONSOLE.....	1
22	75594-G01		SUPPORT BRACKET	1
23	16705-G1		SCREW, 1/4 - 20 X 1" LG	2
24	23726-G12		SPACER.....	2
25	00559-G7		WASHER, 1/4"	2
26	14390-G4		LOCK NUT, 1/4 - 20	2
27	75773-G01		SUPPORT PLATE.....	1
28	16705-G3		SCREW, 1/4 - 20 X 3/4" LG	2
29	00559-G7		WASHER, 1/4"	2
30	14390-G4		LOCK NUT, 1/4 - 20	2

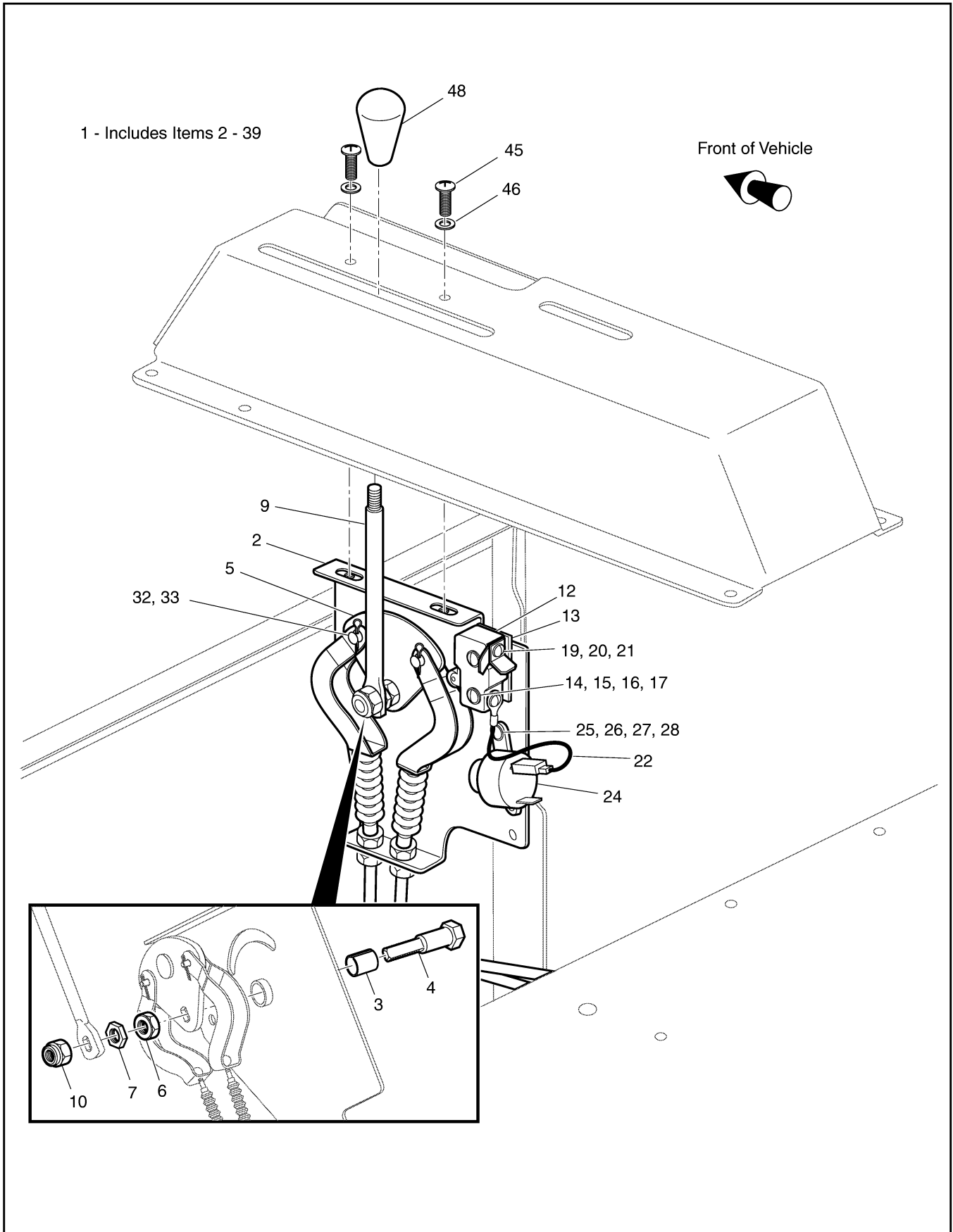
When ordering parts, please specify the model and serial number of the product.
 * Indicates a component that is not available as an individual part.
 G** Indicates consult Customer Service Department for additional information.

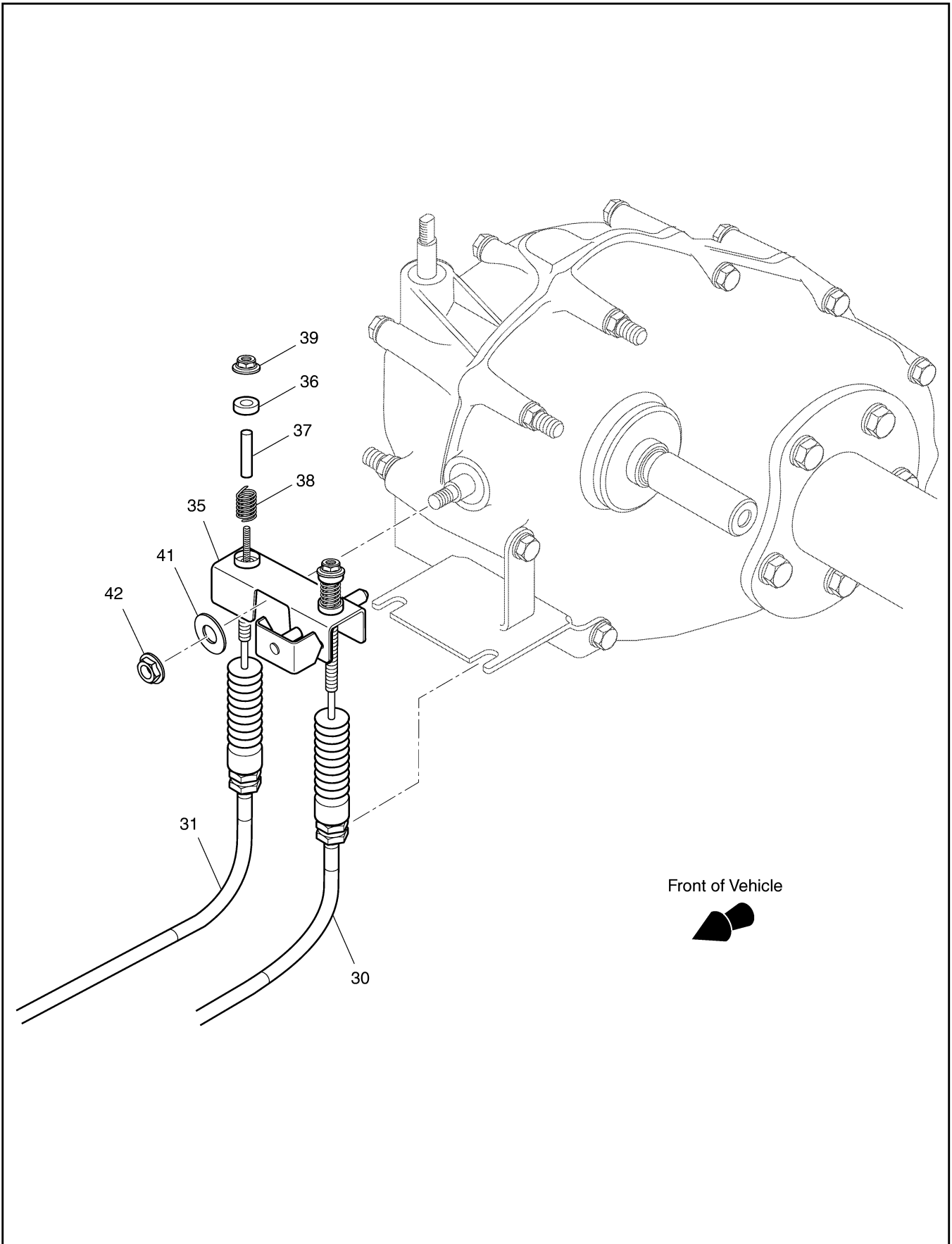
ITEM	PART NO.	1 2 3 4 5	DESCRIPTION	QTY.
31	75788-G01		DECAL (CENTER CONSOLE).....	1
32				
33	16705-G3		SCREW, 1/4 - 20 X 3/4" LG	4
34	00559-G7		WASHER, 1/4"	4
35	14390-G4		LOCK NUT, 1/4 - 20	4
36				
37				
38				
39				
40				
41	10385-G4		CLEVIS YOKE	1
42	00544-G4		JAM NUT, 5/16-24	1
43				
44				
45	75595-G01		PARKING BRAKE CABLE (DRIVER SIDE)	1
46	75595-G02		PARKING BRAKE CABLE (PASSENGER SIDE)	1
47	12305-G1		RETAINING RING	4
48	10386-G3		CLEVIS PIN, 5/16" X 13/16" LG.....	2
49	10387-G3		COTTER PIN, 3/32" X 3/4" LG.....	2
50				
51				
52	75766-G01		EQUALIZER.....	1
53	10386-G3		CLEVIS PIN, 5/16" X 13/16" LG.....	3
54	10387-G3		COTTER PIN, 3/32" X 3/4" LG.....	3



When ordering parts, please specify the model and serial number of the product.
 * Indicates a component that is not available as an individual part.
 G** Indicates consult Customer Service Department for additional information.

ITEM	PART NO.	1 2 3 4 5	DESCRIPTION	QTY.
1	26952-G03		DRIVE CLUTCH	1
2				
3	00473-G9		BOLT, 7/16 - 20 X 6 1/2" LG	1
4	00566-G2		LOCK WASHER, 7/16"	1
5	25757-G1		PILOT WASHER	1
6				
7	26301-G02		DRIVEN CLUTCH ASSEMBLY (INCLUDES ITEMS 8 - 15)	1
8	*		MOVABLE SHEAVE (INCLUDES ITEMS 9 -10)	1
9	00979-G01		SCREW, #10 - 24 X 7/8" LG	3
10	26479-G01		RAMP BUTTON	3
11	*		CAM.....	1
12	24600-G1		SPACER	1
13	26304-G01		COMPRESSION SPRING	1
14	*		SHEAVE AND POST	1
15	27270-G01		HEAVY DUTY RETAINING RING.....	1
16				
17	00441-G8		BOLT, 5/16 - 18 X 4" LG.....	1
18	00565-G8		LOCK WASHER, 5/16"	4
19	25756-G1		RETAINING WASHER	1
20	75691-G01		DRIVE BELT	1





DIRECTION SELECTOR**Gasoline Vehicle**

When ordering parts, please specify the model and serial number of the product.

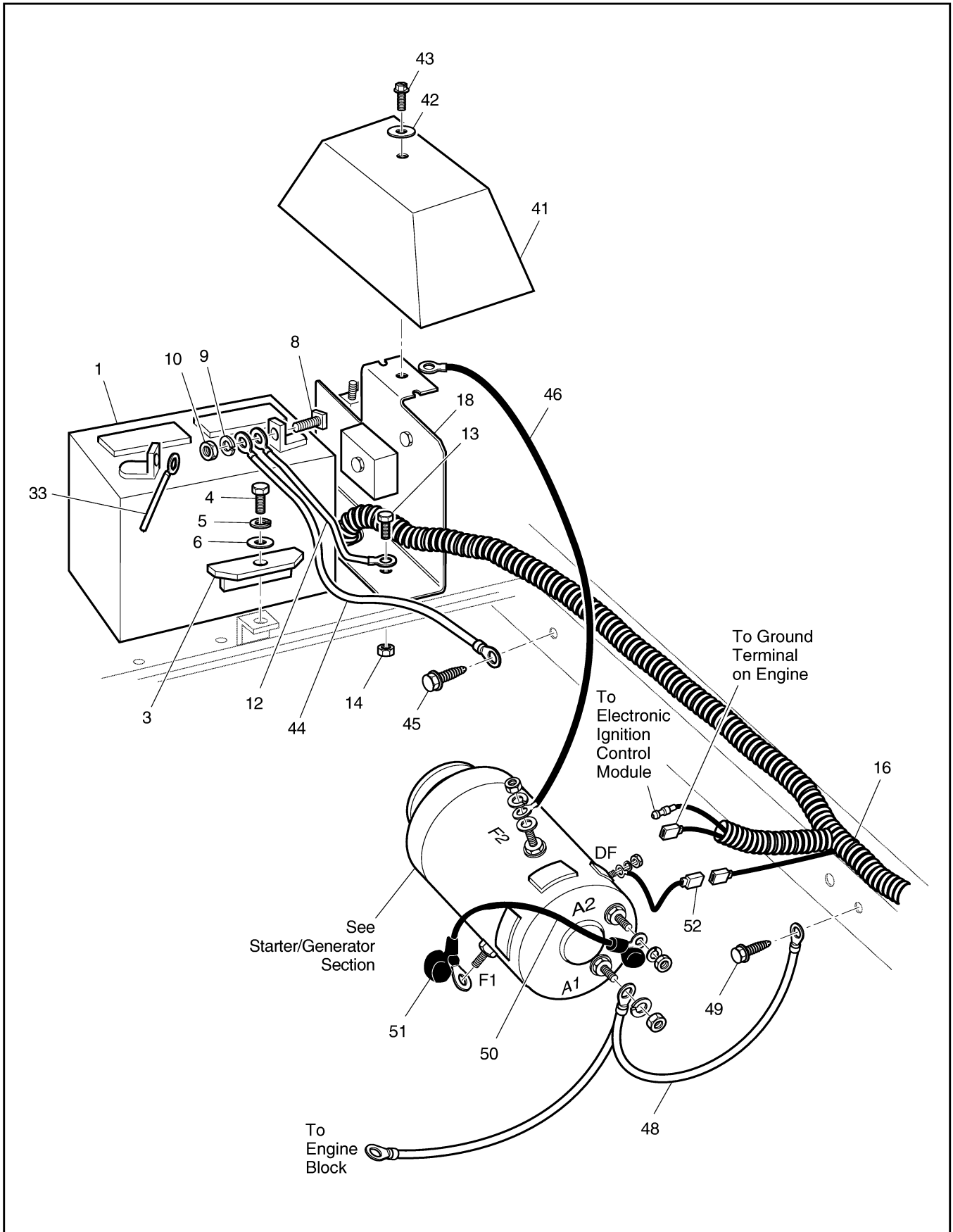
* Indicates a component that is not available as an individual part.

G** Indicates consult Customer Service Department for additional information.

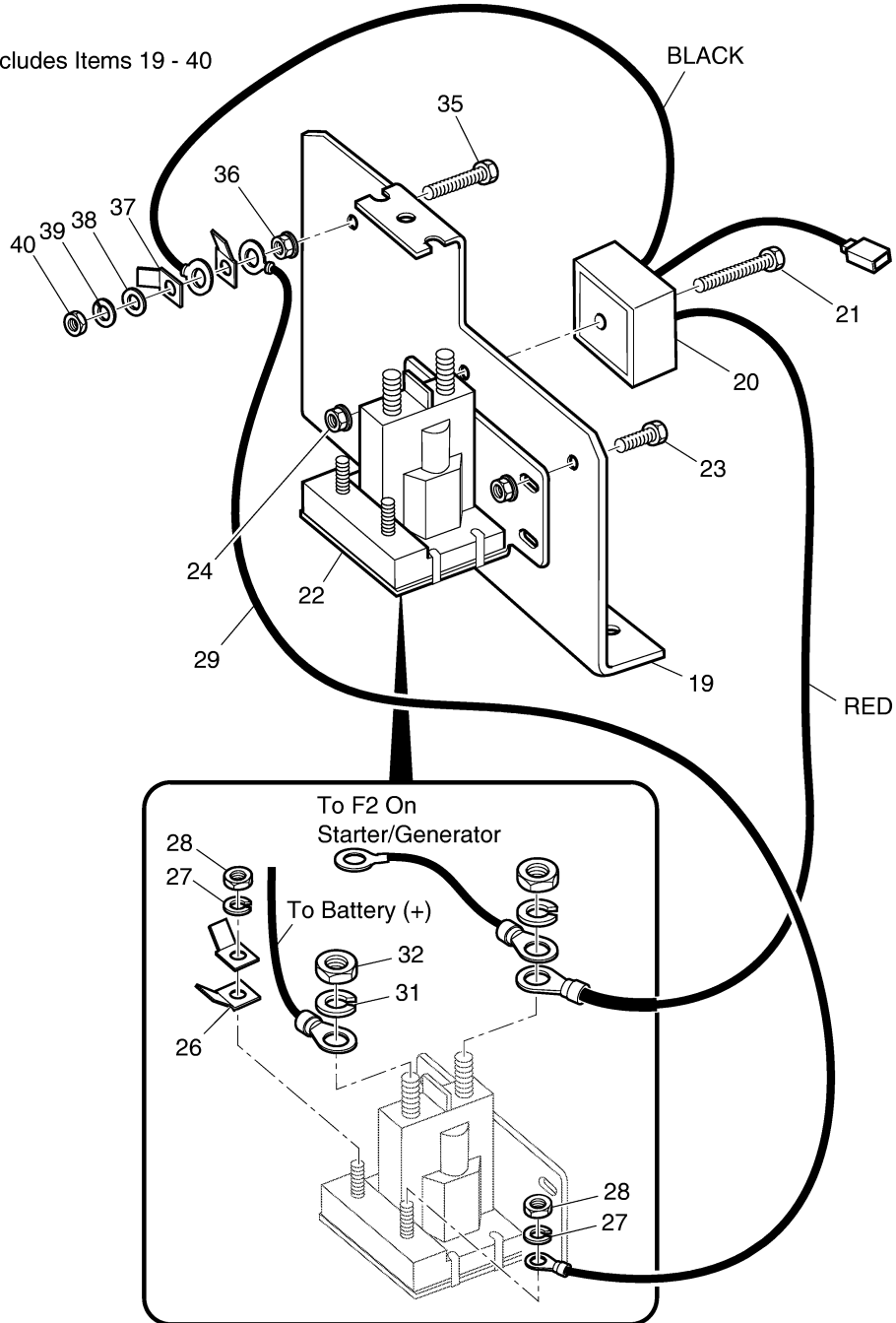
ITEM	PART NO.	1 2 3 4 5	DESCRIPTION	QTY.
1	75598-G01		DIRECTION SELECTOR ASSEMBLY (INCLUDES ITEMS 2 - 39)	
2	25684-G02		DIRECTION SELECTOR BRACKET	1
3	25664-G1		BUSHING	1
4	34170-G01		DIRECTION SELECTOR SHAFT	1
5	25745-G01		DIRECTION SELECTOR CAM	1
6	00532-G6		NUT, 3/8 - 24	1
7	00544-G6		JAM NUT, 3/8 - 24	1
8				
9	34168-G01		DIRECTION SELECTOR ROD	1
10	14390-G1		LOCK NUT, 3/8 - 24.....	1
11				
12	10606-G1		MICRO SWITCH	1
13	27151-G01		SPACER.....	1
14	00645-G2		SCREW, #6 - 32 X 1 1/4" LG.....	2
15	00559-G3		WASHER, #6.....	2
16	00565-G3		LOCK WASHER, #6	2
17	00525-G5		NUT, #6 - 32	2
18				
19	14628-G1		FASTON TAB	1
20	*		SCREW AND WASHER ASSEMBLY	2
21	00567-G3		LOCK WASHER, #6	2
22	25978-G234		18 GA WIRE (RED 6").....	1
23				
24	73290-G03		REVERSE WARNING BUZZER.....	1
25	00138-G5		SCREW, #6 - 32 X 5/8" LG.....	2
26	00559-G3		WASHER, #6.....	2
27	00565-G3		LOCK WASHER, #6	2
28	00525-G5		NUT, #6 - 32	2
29				
30	75758-G01		SHIFTER CONTROL CABLE (DRIVER SIDE).....	1

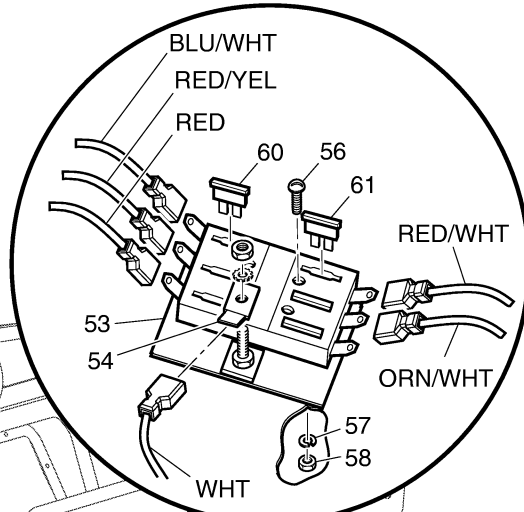
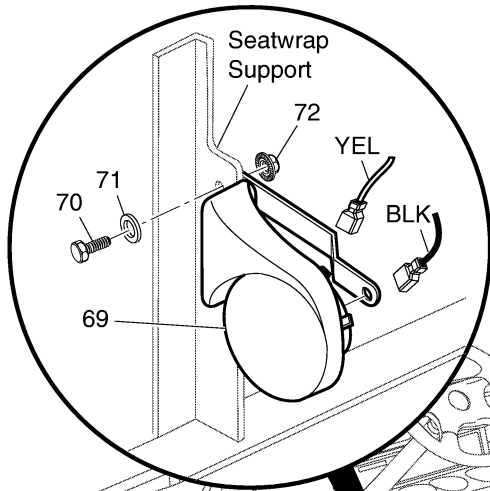
When ordering parts, please specify the model and serial number of the product.
 * Indicates a component that is not available as an individual part.
 G** Indicates consult Customer Service Department for additional information.

ITEM	PART NO.	1	2	3	4	5	DESCRIPTION	QTY.
31	75758-G02						SHIFTER CONTROL CABLE (PASSENGER SIDE)	1
32	23176-G1						CLEVIS PIN, 5/16" X 3/8" LG	2
33	10387-G8						COTTER PIN, 1/16" X 3/4" LG	2
34								
35	72619-G01						PIVOT ARM.....	1
36	25727-G01						CUP WASHER	4
37	23726-G5						SPACER	2
38	27764-G01						COMPRESSION SPRING	2
39	11098-G07						LOCK NUT, #10 - 24.....	2
40								
41	00559-G8						WASHER, 5/16"	1
42	26830-G01						LOCK NUT, M8 X 1.25 MM	1
43								
44								
45	16705-G3						SCREW, 1/4 - 20 X 3/4" LG	2
46	00664-G7						LOCK WASHER, 1/4".....	2
47								
48	11989-G1						KNOB	1

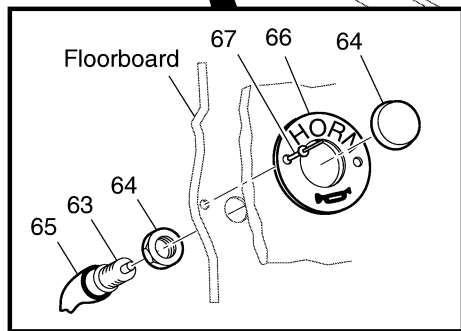


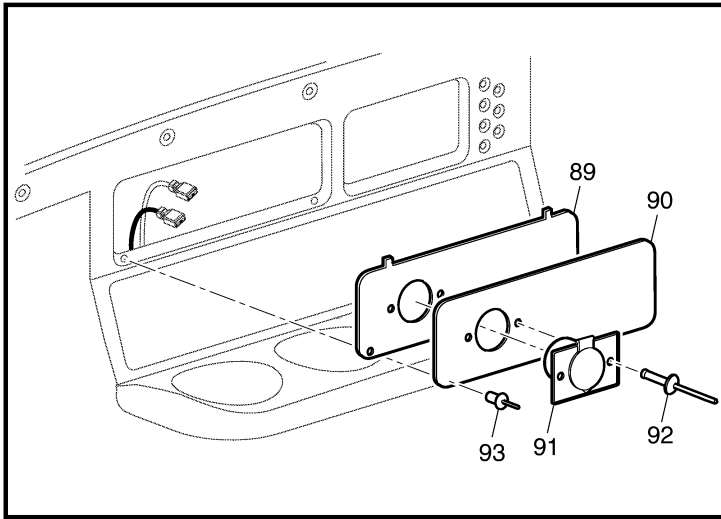
18 - Includes Items 19 - 40



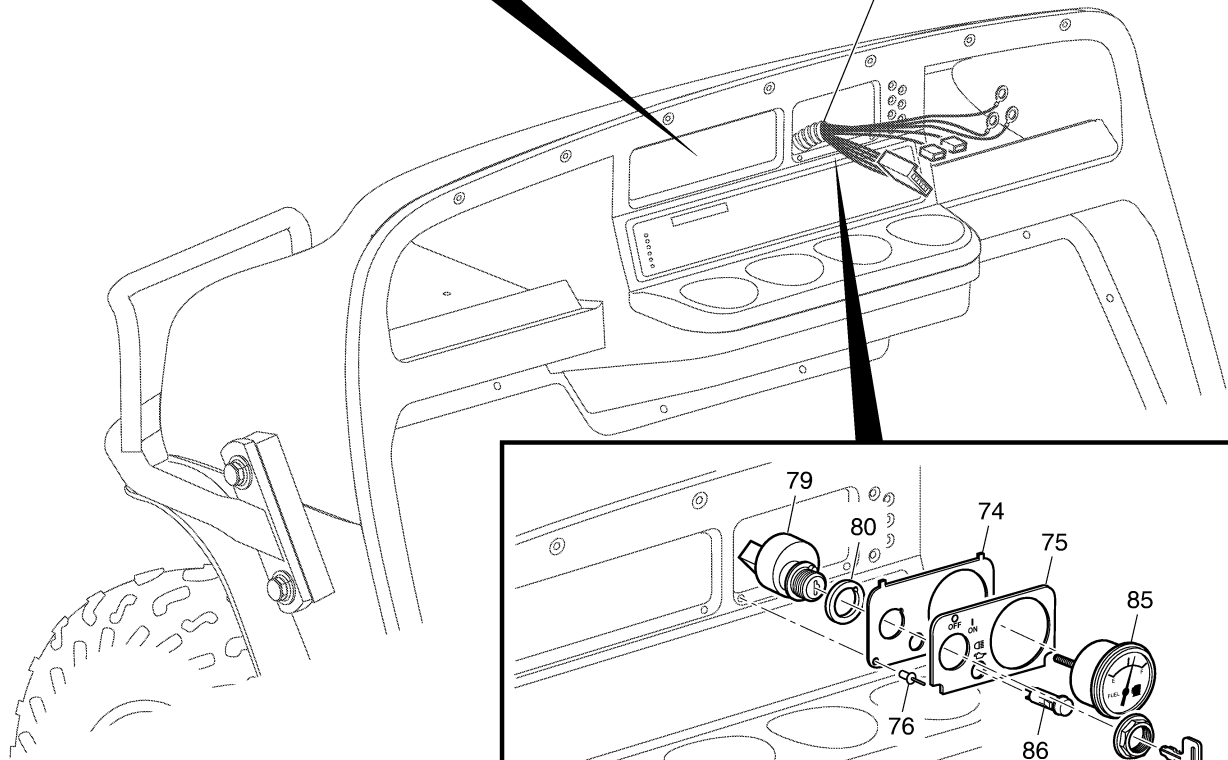


NOTE: Truck Bed and Driver Seat Not Shown For Clarity

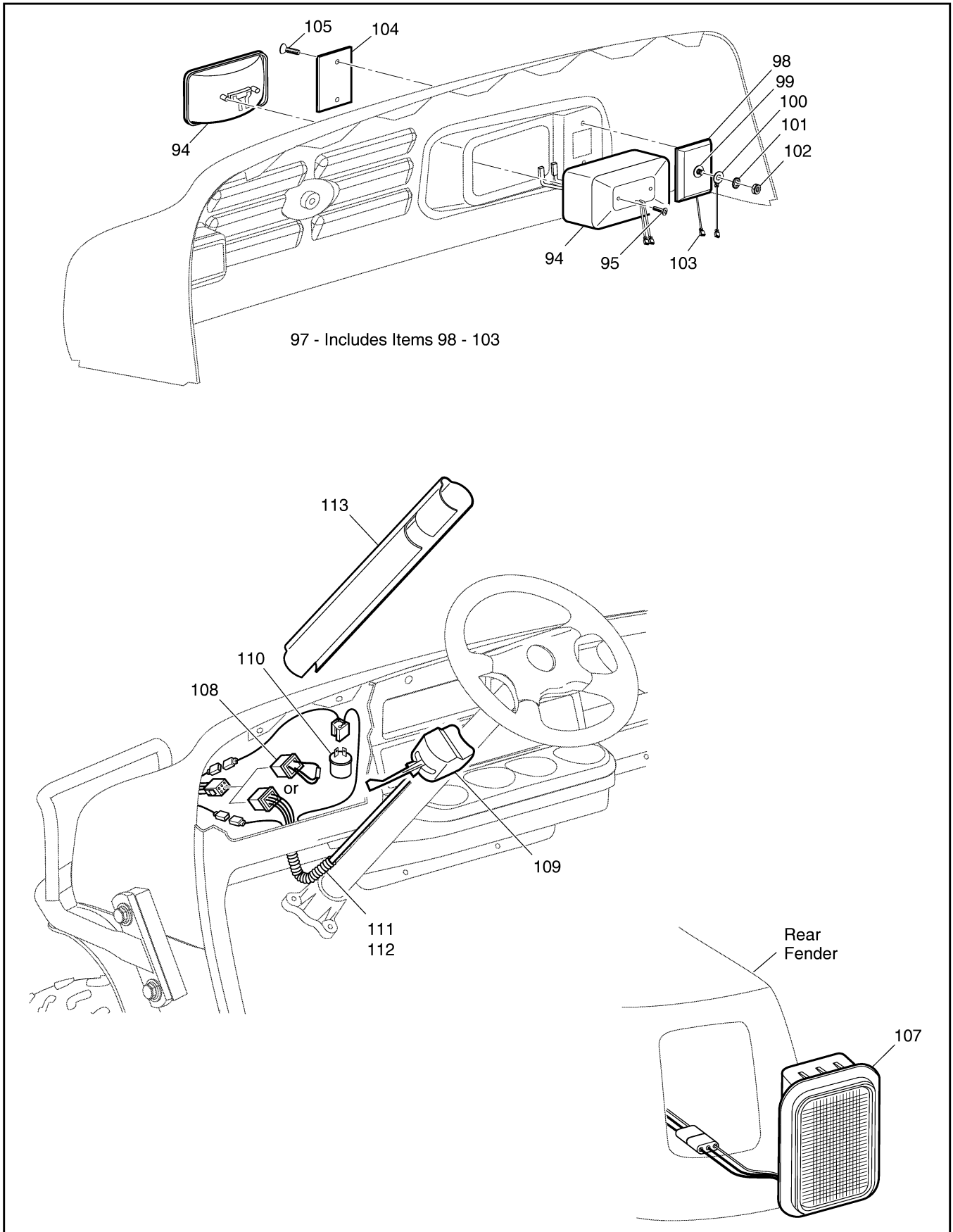




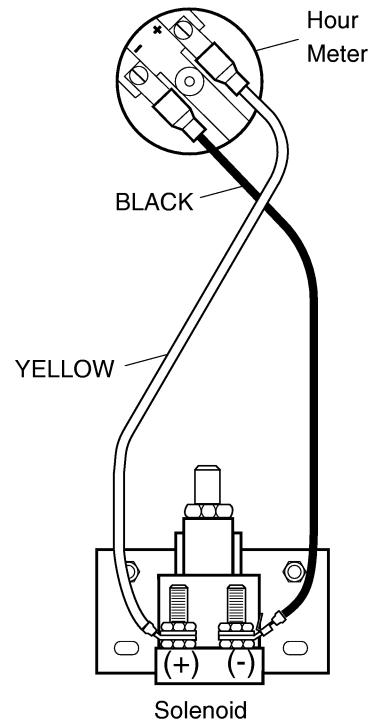
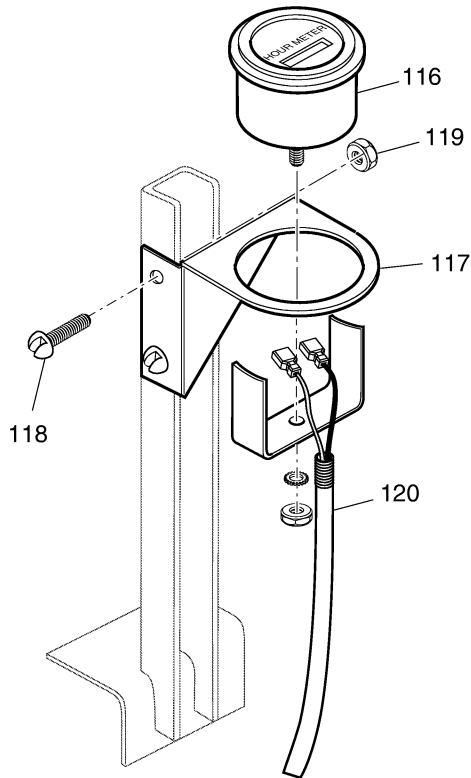
Wire Harness (Chassis)



Part of Ignition Switch 82



115 - Includes Items 116 - 120



ELECTRICAL SYSTEM**Gasoline Vehicle**

When ordering parts, please specify the model and serial number of the product.

* Indicates a component that is not available as an individual part.

G** Indicates consult Customer Service Department for additional information.

ITEM	PART NO.	1 2 3 4 5	DESCRIPTION	QTY.
1	24775-G*		BATTERY, 12V	1
2				
3	72101-G01		BATTERY HOLD DOWN.....	1
4	00438-G6		BOLT, 5/16 - 18 X 3/4" LG.....	1
5	00565-G8		LOCK WASHER, 5/16".....	1
6	00571-G2		WASHER, 5/16"	1
7				
8	00962-G1		BOLT, 5/16 - 18 X 1 1/4" LG.....	2
9	00993-G01		LOCK WASHER, 5/16" (SILICON BRONZE).....	2
10	00994-G01		NUT, 5/16 - 18 (SILICON BRONZE)	2
11				
12	28519-G01		BATTERY GROUND CABLE	1
13	00438-G6		SCREW, 5/16 - 18 X 3/4" LG	2
14	11027-G1		LOCK NUT, 5/16 - 18	2
15				
16	75802-G01		WIRE HARNESS (CHASSIS)	1
17				
18	75638-G01		ELECTRICAL PLATE ASSEMBLY (INCLUDES ITEMS 19 - 40)	1
19	73057-G01		BRACKET.....	1
20	27739-G01		VOLTAGE REGULATOR.....	1
21	00415-G2		SCREW, 1/4 - 20 X 1 1/4" LG.....	1
22	27153-G01		SOLENOID	1
23	00414-G5		SCREW, 1/4 - 20 X 5/8" LG.....	1
24	11027-G2		LOCK NUT, 1/4 - 20.....	2
25				
26	12914-G1		FASTON TAB	2
27	00565-G5		LOCK WASHER, #10	2
28	00526-G4		NUT, #10 - 32	2
29	25978-G56		18 GA WIRE (BLACK 5 3/4") (SOL - GND).....	1
30				

When ordering parts, please specify the model and serial number of the product.

* Indicates a component that is not available as an individual part.

G** Indicates consult Customer Service Department for additional information.

ITEM	PART NO.	1	2	3	4	5	DESCRIPTION	QTY.
31	00565-G8						LOCK WASHER, 5/16".....	2
32	00544-G4						NUT, 5/16 - 24	2
33	25972-G33						6 GA WIRE (BLACK 24") (B+ - SOL)	1
34								
35	00414-G8						SCREW, 1/4 - 20 X 1" LG.....	1
36	11027-G2						LOCK NUT, 1/4 - 20.....	1
37	12914-G2						FASTON TAB	2
38	00650-G7						WASHER, 1/4".....	1
39	00565-G7						LOCK WASHER, 1/4".....	1
40	00532-G1						NUT, 1/4 - 20	1
41	73049-G01						COVER	1
42	16469-G1						WASHER, 1/4"	1
43	00114-G6						SCREW, 1/4 - 14 X 3/4" LG	1
44	11894-G1						6 GA WIRE (BLACK 15") (B- - GND)	1
45	00715-G2						BOLT, 5/16 - 18 X 13/16" LG.....	1
46	25972-G129						6 GA WIRE (BLACK 31") (F2 - SOL)	1
47	17618-G1						WIRE TIE	AR
48	28520-G01						GROUND CABLE	1
49	00965-G01						SCREW, 1/4 - 20 X 3/4" LG	1
50	25887-G01						6 GA WIRE (BLACK 6") (F1 - A2)	1
51	25682-G1						TERMINAL COVER	3
52	25977-G90						16 GA WIRE (GREEN 12") (DF - CHASSIS HARNESS).....	1
53	35211-G01						FUSE BLOCK	1
54	12914-G1						FASTON TAB	1
55								
56	00379-G2						SCREW, #10 - 24 X 1 1/4" LG	2
57	00559-G5						WASHER, #10.....	2
58	14390-G10						LOCK NUT, #10 - 24	2
59								
60	35212-G01						FUSE, 15 AMP	4

ELECTRICAL SYSTEM**Gasoline Vehicle**

When ordering parts, please specify the model and serial number of the product.

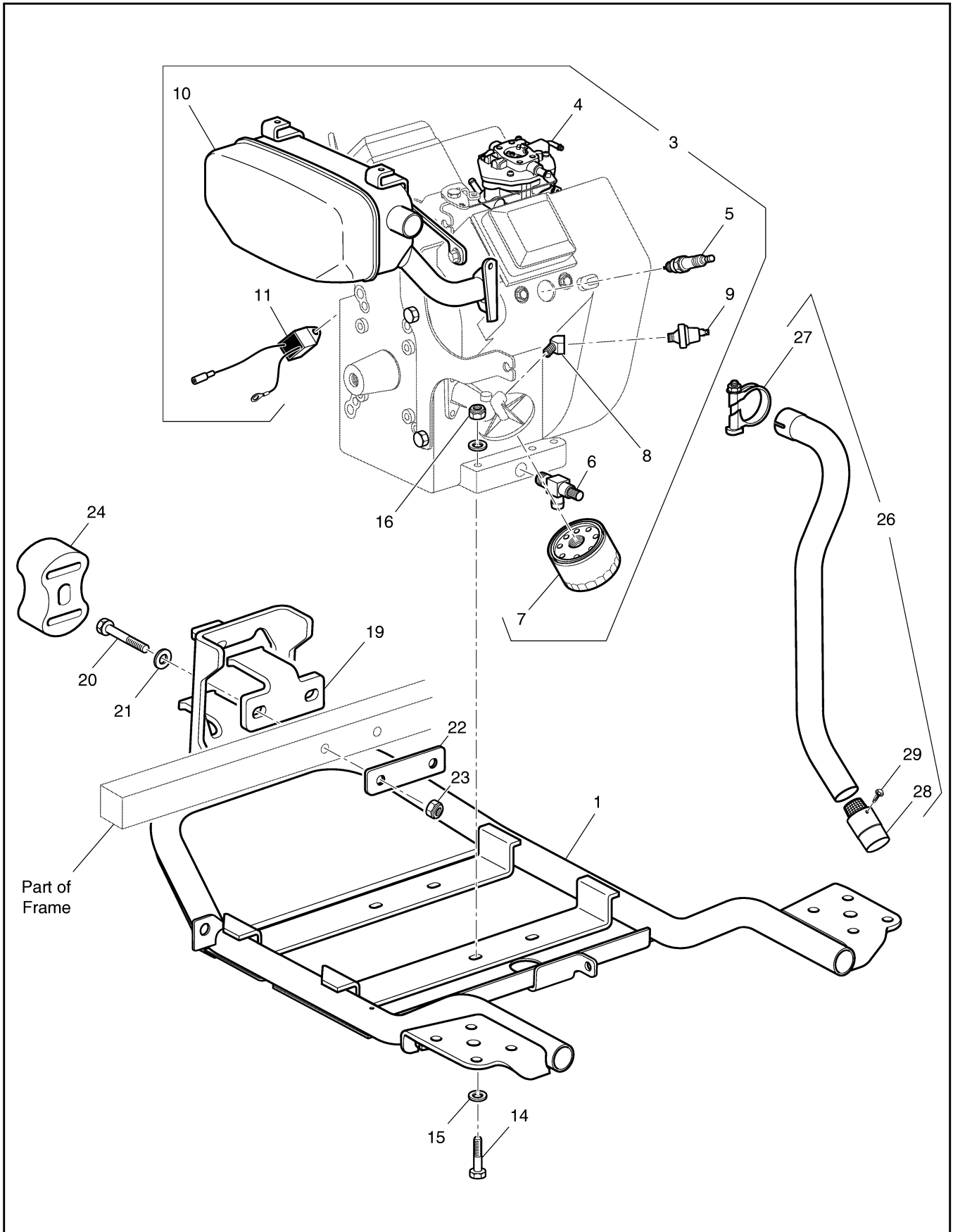
* Indicates a component that is not available as an individual part.

G** Indicates consult Customer Service Department for additional information.

ITEM	PART NO.	1 2 3 4 5	DESCRIPTION	QTY.
61	35212-G05		FUSE, 7.5 AMP	1
62				
63	17318-G1		HORN SWITCH.....	1
64	17318-G2		HORN SWITCH CAP AND NUT	1
65	27068-G01		HORN SWITCH BOOT	1
66	19233-G1		HORN SWITCH LABEL	1
67	71055-G01		RIVET, 5/32" X 3/8" GRIP (STAINLESS STEEL)	2
68				
69	32860-G1		HORN.....	1
70	00414-G5		BOLT, 1/4 - 20 X 5/8" LG.....	1
71	00559-G8		WASHER, 5/16"	1
72	00891-G2		LOCK NUT, 1/4 - 20	1
73				
74	73030-G07		PLATE (FUEL GAUGE AND OIL LIGHT).....	1
75	75808-G01		DECAL (FUEL GAUGE AND LOW OIL WITH LIGHTS)	1
76	33623-G02		RIVET, 3/16" X 3/8" LG	2
77				
78				
79	75809-G01		IGNITION SWITCH AND KEY (INDIVIDUALLY KEYED)	1
80	75811-G01		IGNITION SWITCH SPACER.....	1
81				
82	75818-G**		IGNITION KEY (ORDER BY 4 DIGIT NUMBER ON KEY)	1
83				
84				
85	21553-G1		FUEL GAUGE	1
86	23474-G1		INDICATOR LIGHT	1
87				
88	71080-G04		POWER OUTLET PLATE (INCLUDES ITEMS 89 - 92).....	1
89	71077-G01		CONSOLE PLATE	1
90	75735-G01		DECAL (ST 480).....	1

When ordering parts, please specify the model and serial number of the product.
 * Indicates a component that is not available as an individual part.
 G** Indicates consult Customer Service Department for additional information.

ITEM	PART NO.	1 2 3 4 5	DESCRIPTION	QTY.
91	71078-G01		POWER OUTLET (12 VOLT)	1
92	14601-G10		RIVET, 5/32" X 7/16" LG.....	3
93	33623-G01		DRIVE RIVET, 3/16" X 3/8" LG	3
94	20209-G3		HEADLIGHT (RECTANGULAR) (INCLUDES ITEM 95)	2
95	00906-G6		SCREW, #10 - 16 X 1" LG.....	2
96				
97	20570-G3		TURN SIGNAL LIGHT (INCLUDES ITEMS 98 - 103).....	2
98	20574-G3		TURN SIGNAL LIGHT.....	1
99	00660-G7		WASHER, 1/4".....	1
100	20606-G1		WIRE	1
101	00567-G7		LOCK WASHER, 1/4".....	1
102	00532-G1		NUT, 1/4 - 20	1
103	18995-G1		PUSH-ON MALE TERMINAL.....	1
104	20574-G5		LENS, AMBER	1
105	00118-G5		SCREW, #6 - 18 X 5/8" LG	2
106				
107	32739-G3		TAILLIGHT (WITH SEALED CONNECTORS)	2
108	75711-G01		TAILLIGHT JUMPER PLUG (FOR VEHICLE WITHOUT TURN SIGNAL)	1
109	17867-G1		TURN SIGNAL (WITH MOUNTING HARDWARE) (INCLUDES ITEM 110)	1
110	21640-G1		TURN SIGNAL FLASHER.....	1
111	32307-G3		FLEX LOOM, 3/8" X 8" LG	1
112	17618-G1		WIRE TIE	2
113	20965-G3		STEERING COLUMN COVER.....	1
114				
115	75114-G02		HOUR METER KIT (INCLUDES ITEMS 116 - 120)	1
116	21573-G1		HOUR METER ASSEMBLY	1
117	74019-G01		HOUR METER BRACKET	1
118	00150-G4		SCREW, #10 - 24 X 1/2" LG.....	2
119	11098-G7		LOCK NUT, #10 - 24.....	2
120	75117-G01		WIRE HARNESS (HOUR METER)	1



When ordering parts, please specify the model and serial number of the product.

* Indicates a component that is not available as an individual part.

G** Indicates consult Customer Service Department for additional information.

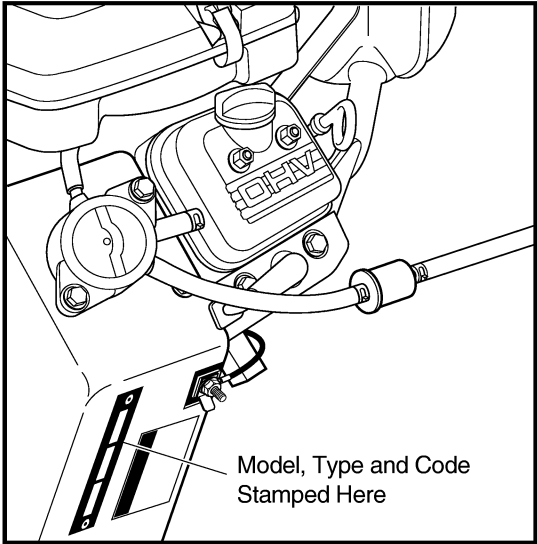
Part numbers without the "-G" suffix are Briggs and Stratton® part numbers.

ITEM	PART NO.	1 2 3 4 5	DESCRIPTION	QTY.
1	75843-G01		SUBFRAME	1
2				
3	75643-G01		ENGINE, 480cc (INCLUDES ITEMS 4 - 11)	1
4	808979		CARBURETOR	1
5	491055		SPARK PLUG (RC12YC)	2
6	75814-G01		OIL DRAIN VALVE	1
7	492932		OIL FILTER.....	1
8	75649-G01		45° ELBOW, 1/8 NPT X 1/8 NPT.....	1
9	690233		OIL PRESSURE SWITCH.....	1
10	691562		MUFFLER.....	1
11	75810-G01		ELECTRONIC IGNITION CONTROL MODULE	1

For internal engine replacement parts, see an Authorized Briggs & Stratton® Dealer. To locate the nearest dealer, see the dealer locator map at the web site www.briggsandstratton.com or in the "Yellow Pages™" directory under "Engines, Gasoline", "Gasoline Engines", "Lawn Mowers" or similar category.

The following information, located on the fan housing, must be provided when requesting information or ordering replacement parts:

Model:
 Type:
 Code:



ENGINE

Gasoline Vehicle

When ordering parts, please specify the model and serial number of the product.

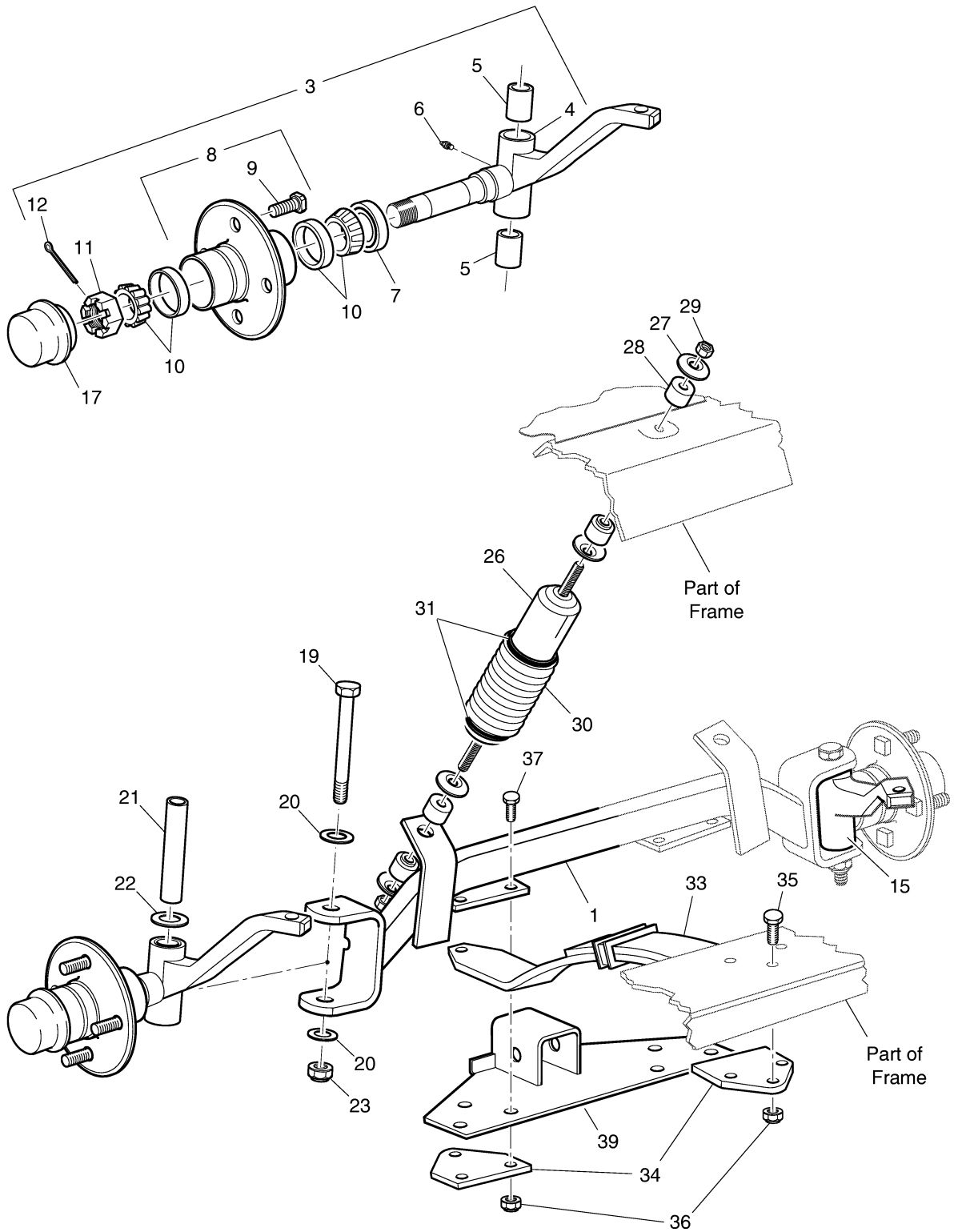
* Indicates a component that is not available as an individual part.

G** Indicates consult Customer Service Department for additional information.

Part numbers without the "-G" suffix are Briggs and Stratton® part numbers.

ITEM	PART NO.	1	2	3	4	5	DESCRIPTION	QTY.
12								
13								
14	00439-G8						BOLT, 5/16 - 18 X 2" LG.....	4
15	00559-G8						WASHER, 5/16"	8
16	11098-G6						LOCK NUT, 5/16 - 18	4
17								
18								
19	75569-G01						FRONT ENGINE MOUNTING BRACKET.....	1
20	00429-G4						BOLT, 3/8 - 16 X 3 1/2" LG.....	2
21	00560-G1						WASHER, 3/8"	2
22	75714-G01						PLATE WASHER	1
23	11098-G5						LOCK NUT, 3/8 - 16	2
24	75568-G01						ISOLATOR	1
25								
26	75745-G01						EXHAUST PIPE (INCLUDES ITEMS 27 - 29)	1
27	75745-G02						CLAMP	1
28	*						SPARK ARRESTOR.....	1
29	01022-G01						SCREW, #6 - 20 X 5/16" LG.....	1

14 - Includes Items 5 - 12 and 15



When ordering parts, please specify the model and serial number of the product.
 * Indicates a component that is not available as an individual part.
 G** Indicates consult Customer Service Department for additional information.

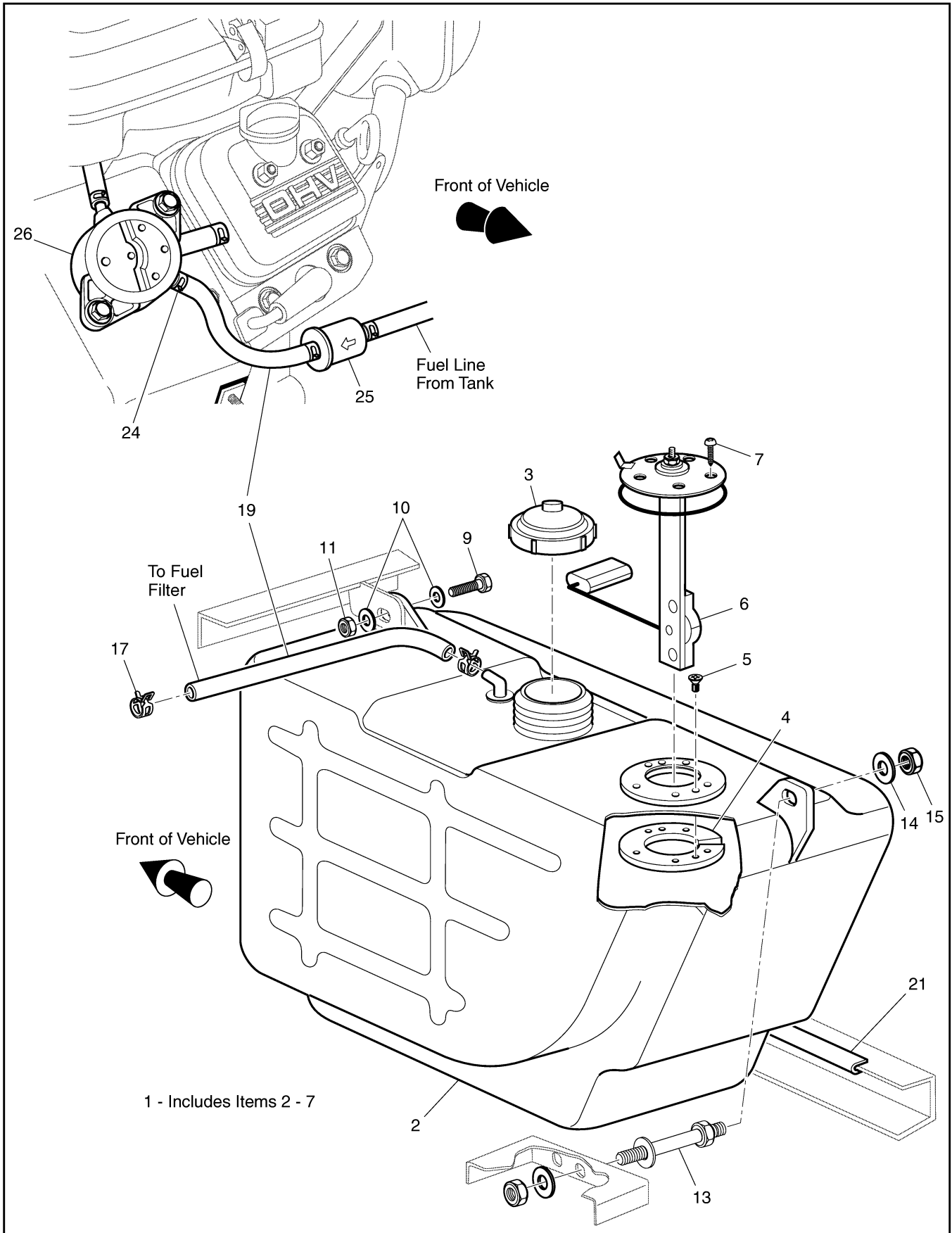
ITEM	PART NO.	1 2 3 4 5	DESCRIPTION	QTY.
1	70515-G01		FRONT AXLE.....	1
2				
3	70535-G03		SPINDLE ASSEMBLY (DRIVER SIDE) (INCLUDES ITEMS 4 - 12).....	1
4	*		SPINDLE (DRIVER SIDE)	1
5	16623-G1		BEARING.....	2
6	10389-G3		GREASE FITTING, STRAIGHT.....	1
7	25146-G1		GREASE SEAL.....	1
8	35886-G01		WHEEL HUB ASSEMBLY WITH RACES (INCLUDES ITEMS 9)	1
9	19862-G1		LUG BOLT, 1/2 - 20 X 1 7/32" LG	4
10	50892-G1		BEARING AND RACE ASSEMBLY (COMPLETE).....	2
11	12093-G1		SLOTTED NUT, 1 - 14.....	1
12	00798-G8		COTTER PIN, 5/32" X 1 3/4" LG	1
13				
14	70534-G03		SPINDLE ASSEMBLY (PASSENGER SIDE) (INCL ITEMS 5 - 12, 15)	1
15	*		SPINDLE (PASSENGER SIDE)	1
16				
17	12091-G2		SPINDLE CAP	2
18				
19	01040-G01		BOLT, 1/2 - 13 X 5" LG.....	2
20	00571-G5		WASHER, 1/2"	4
21	70328-G01		KING PIN TUBE.....	2
22	16982-G1		THRUST WASHER, 7/8"	2
23	14390-G6		LOCK NUT, 1/2 - 13	2
24				
25				
26	70630-G01		SHOCK ABSORBER	2
27	10435-G1		SHOCK ABSORBER WASHER.....	8
28	10194-G1		RUBBER SHOCK ABSORBER BUSHING	8
29	00532-G6		NUT, 3/8 - 24	4
30	70509-G01		SHOCK ABSORBER BOOT	2

FRONT SUSPENSION

Gasoline Vehicle

When ordering parts, please specify the model and serial number of the product.
 * Indicates a component that is not available as an individual part.
 G** Indicates consult Customer Service Department for additional information.

ITEM	PART NO.	1 2 3 4 5	DESCRIPTION	QTY.
31	31539-G1		WIRE TIE	4
32				
33	70422-G01		LEAF SPRING (HEAVY DUTY)	2
34	70163-G02		SPRING PLATE	4
35	00463-G6		BOLT, 7/16 - 14 X 1 3/4" LG	6
36	00734-G1		LOCK NUT, 7/16 - 14	12
37	00463-G6		BOLT, 7/16 - 14 X 1 3/4" LG	6
38				
39	74255-G01		WINCH RECEIVER.....	1



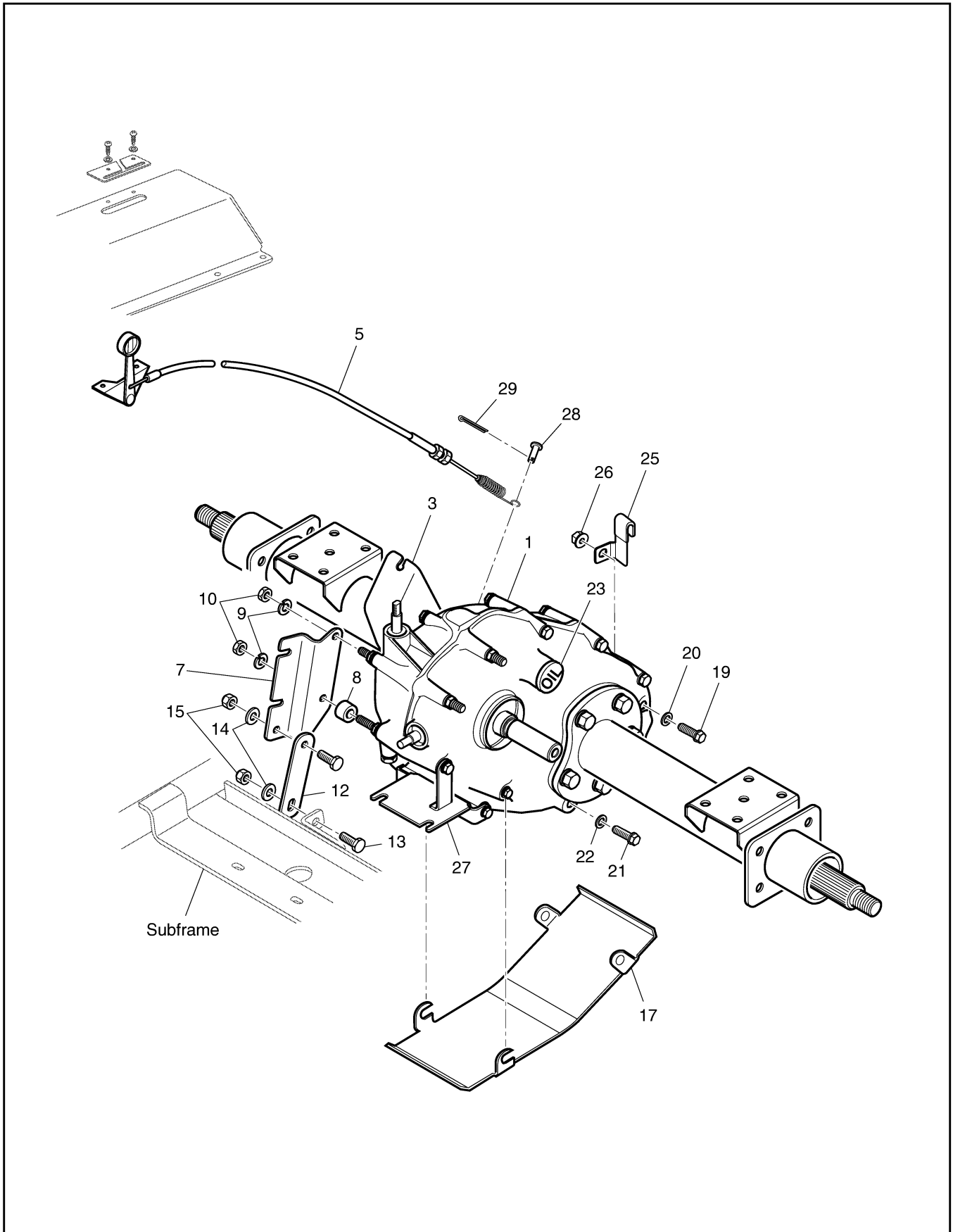
When ordering parts, please specify the model and serial number of the product.

* Indicates a component that is not available as an individual part.

G** Indicates consult Customer Service Department for additional information.

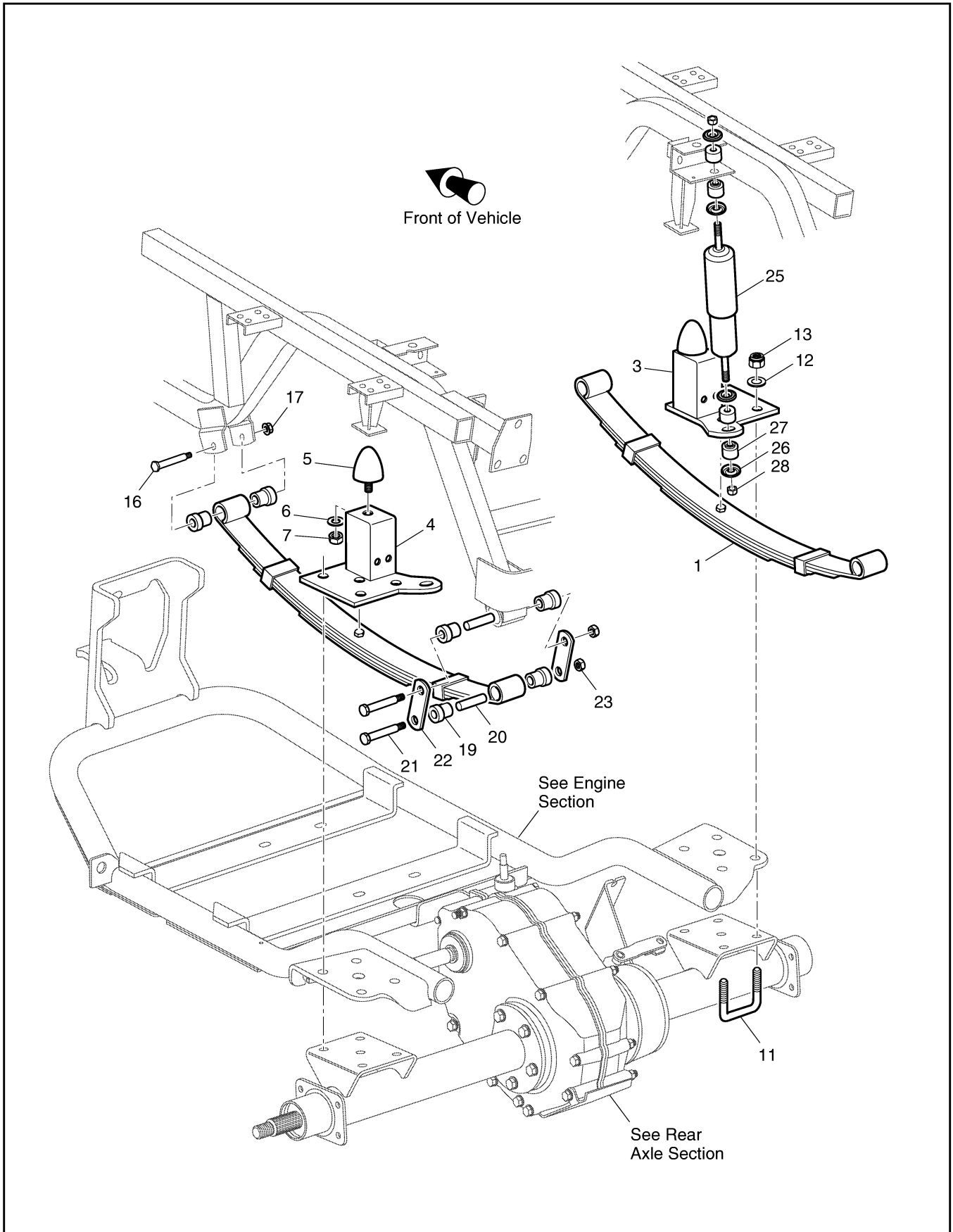
Part numbers without the "-G" suffix are Briggs and Stratton® part numbers.

ITEM	PART NO.	1 2 3 4 5	DESCRIPTION	QTY.
1	72231-G01		FUEL TANK ASSEMBLY (INCLUDES ITEMS 2 - 7)	1
2	72092-G02		FUEL TANK	1
3	72282-G01		FUEL TANK CAP	1
4	72229-G01		FUEL LEVEL SENDER ADAPTER	1
5	72230-G01		SCREW, #6 - 32 X 1/2" LG.....	2
6	20048-G2		FUEL LEVEL SENDER	1
7	72232-G01		SCREW, #10 - 32 X 3/4"	5
8				
9	00438-G8		BOLT, 5/16 - 18 X 1" LG.....	1
10	00559-G8		WASHER, 5/16"	2
11	11098-G6		LOCK NUT, 5/16 - 18	1
12				
13	70483-G01		SPACER.....	1
14	00559-G8		WASHER, 5/16"	2
15	11098-G6		LOCK NUT, 5/16 - 18	2
16				
17	18292-G1		CLAMP	2
18				
19	27183-G01		TUBING, 1/4" I.D. X 1/2" O.D. (BULK, 1 FT. INCREMENTS)	AR
20				
21	22280-G1		VINYL TRIM, (BULK)	AR
22				
23				
24	18292-G1		CLAMP	6
25	493629		FUEL FILTER	1
26	808656		FUEL PUMP	1



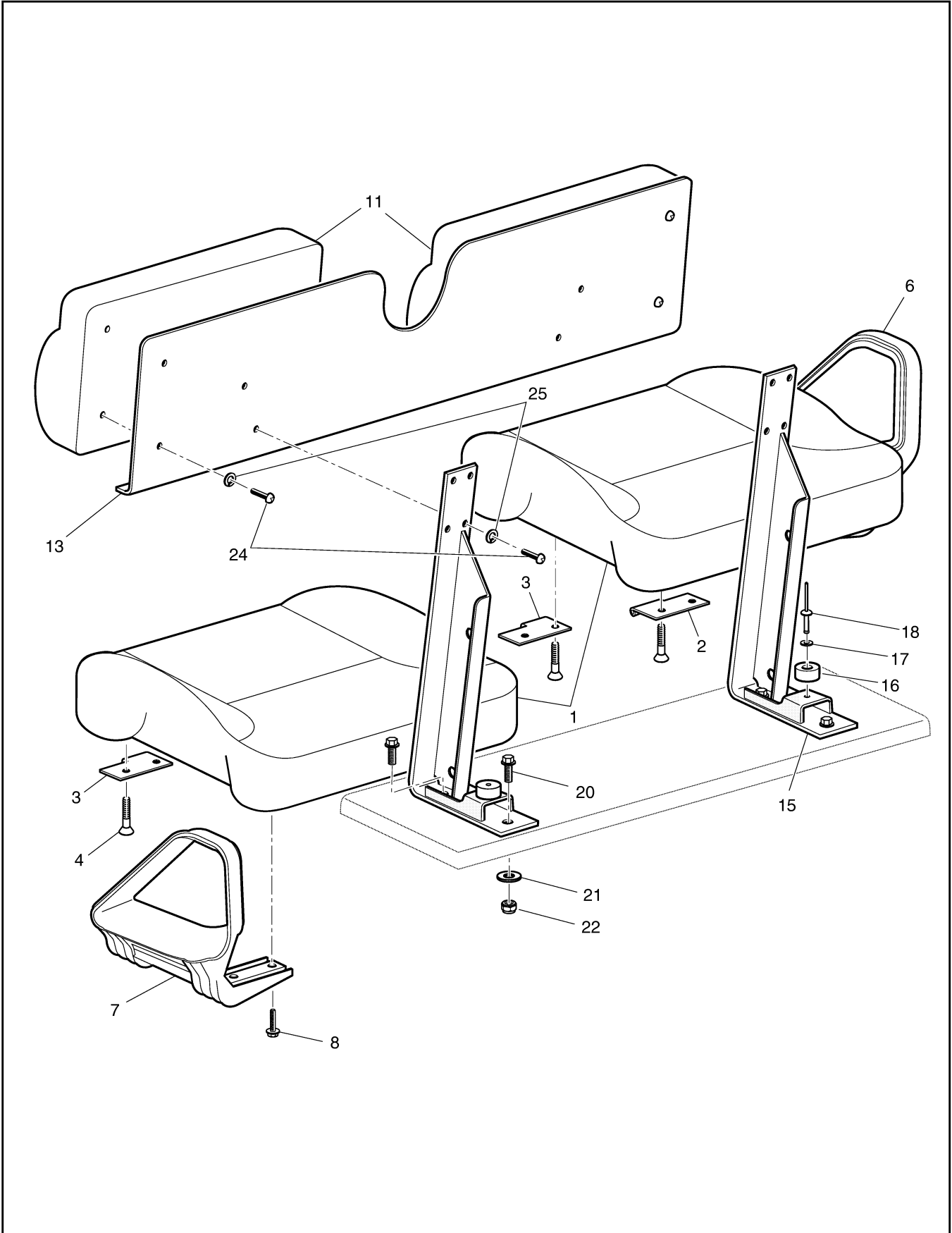
When ordering parts, please specify the model and serial number of the product.
 * Indicates a component that is not available as an individual part.
 G** Indicates consult Customer Service Department for additional information.

ITEM	PART NO.	1 2 3 4 5	DESCRIPTION	QTY.
1	75576-G01		REAR AXLE (For Service Parts outside warranty period, contact the Service Parts Department).....	1
2				
3	75620-G01		DIFFERENTIAL LOCK CABLE BRACKET	1
4				
5	75653-G01		DIFFERENTIAL LOCK CABLE (INCLUDES HARDWARE).....	1
6				
7	75678-G01		BRACKET	1
8	75048-G01		SPACER, 1/2"	1
9	26826-G01		LOCK WASHER, 8 MM.....	2
10	26827-G01		NUT, M8 X 1.25 MM.....	2
11				
12	75596-G01		DIFFERENTIAL LINK.....	1
13	00426-G8		BOLT, 3/8 - 16 X 1" LG.....	2
14	00560-G1		WASHER, 3/8"	2
15	11098-G5		LOCK NUT, 3/8 - 16	2
16				
17	72349-G01		DIFFERENTIAL SKID PLATE	1
18				
19	26768-G01		OIL CHECK PLUG	1
20	26769-G01		GASKET, 8 MM	1
21	26770-G01		OIL DRAIN PLUG	1
22	26771-G01		GASKET, 14 MM	1
23	26772-G01		OIL FILLER PLUG	1
24				
25	75813-G01		CLAMP.....	1
26	26830-G01		LOCK NUT, M8 X 1.25 MM	1
27	26815-G01		SHIFTER CABLE BRACKET	1
28	10386-G3		CLEVIS PIN, 5/16" X 13/16" LG.....	1
29	10387-G3		COTTER PIN, 3/32" X 3/4" LG.....	1



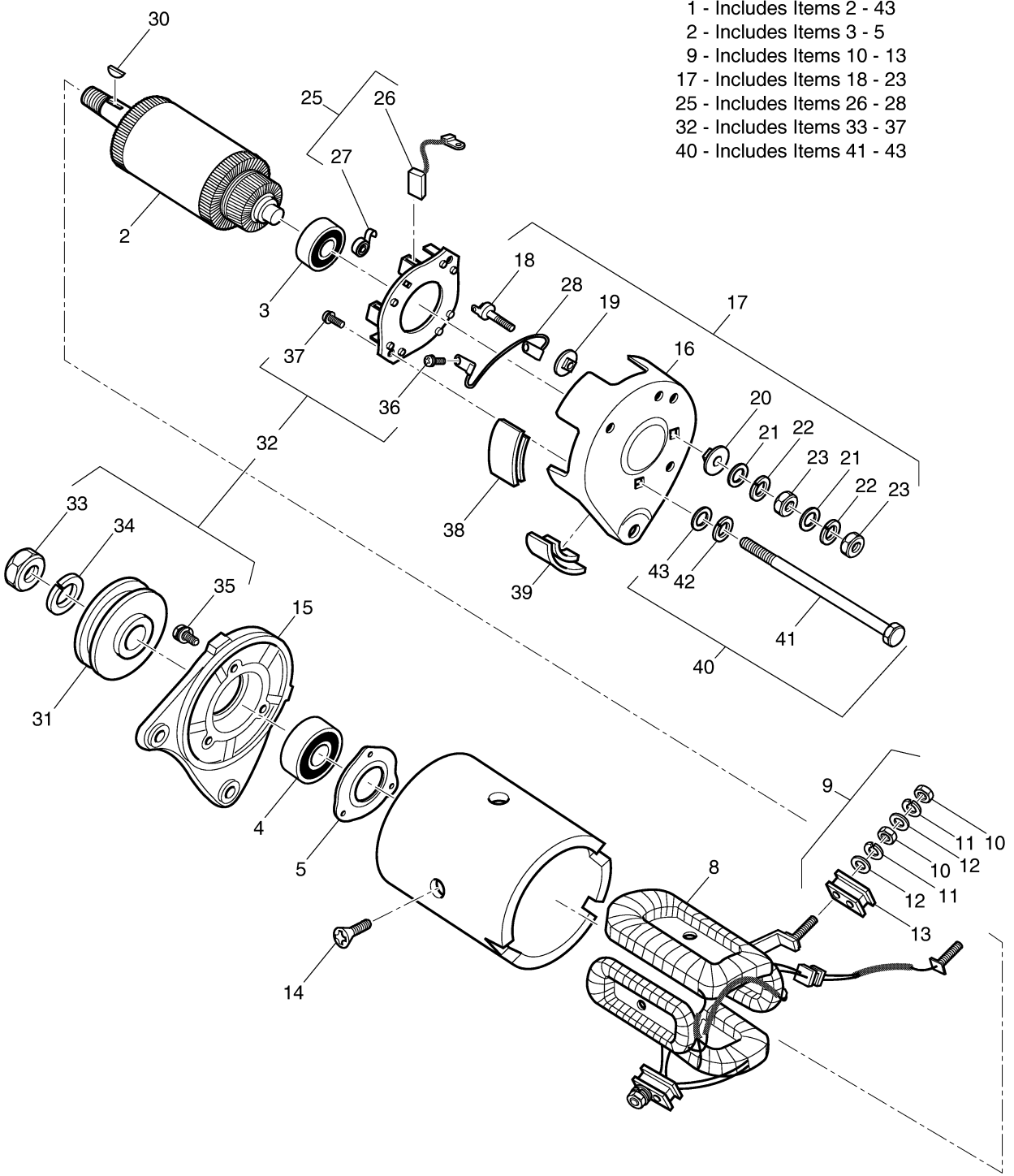
When ordering parts, please specify the model and serial number of the product.
 * Indicates a component that is not available as an individual part.
 G** Indicates consult Customer Service Department for additional information.

ITEM	PART NO.	1 2 3 4 5	DESCRIPTION	QTY.
1	75721-G01		HEAVY DUTY LEAF SPRING.....	2
2				
3	75565-G02		SHOCK/STOP MOUNT (PASSENGER SIDE).....	1
4	75565-G01		SHOCK/STOP MOUNT (DRIVER SIDE)	1
5	70492-G01		RUBBER BUMPER.....	2
6	00968-G01		LOCK WASHER, 10 MM.....	2
7	00974-G01		NUT, M10 X 1.5	2
8				
9				
10				
11	72618-G01		"U" BOLT, 3/8 - 16	4
12	00560-G1		WASHER, 3/8"	8
13	11098-G5		LOCK NUT, 3/8 - 16	8
14				
15				
16	14158-G1		SHOULDER BOLT, 3/8 - 16 X 3 1/4" LG.....	2
17	12262-G1		LOCK NUT, 3/8 - 16	2
18				
19	70291-G01		RUBBER BUSHING.....	12
20	70289-G02		SPACER.....	4
21	00429-G4		BOLT, 3/8 - 16 X 3 1/2" LG.....	4
22	70290-G01		SHACKLE PLATE	4
23	11098-G5		LOCK NUT, 3/8 - 16	4
24				
25	70324-G01		SHOCK ABSORBER	2
26	10435-G1		SHOCK ABSORBER WASHER.....	8
27	10194-G1		RUBBER SHOCK ABSORBER BUSHING.....	8
28	00532-G6		NUT, 3/8 - 24	4

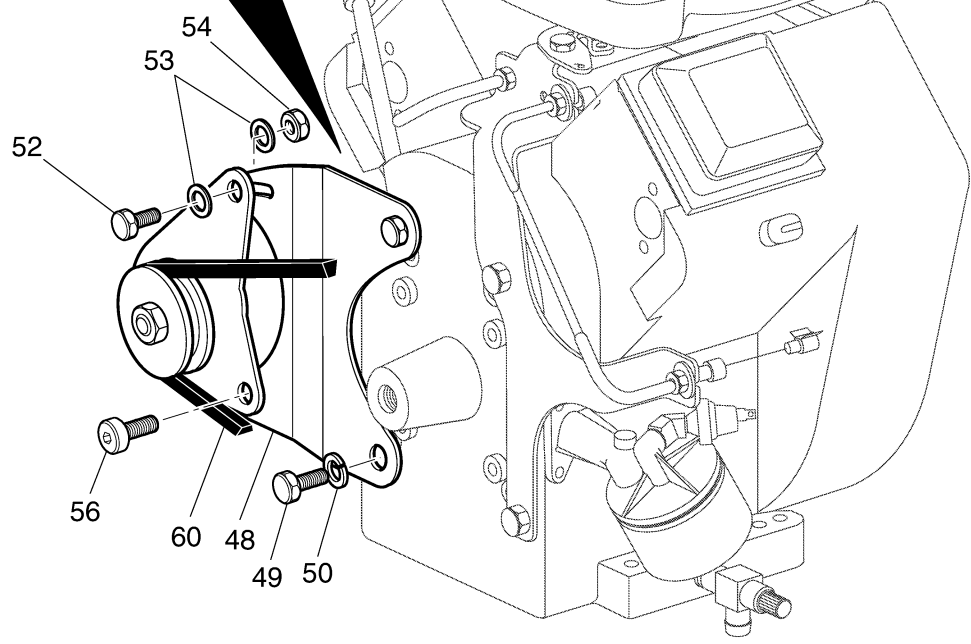
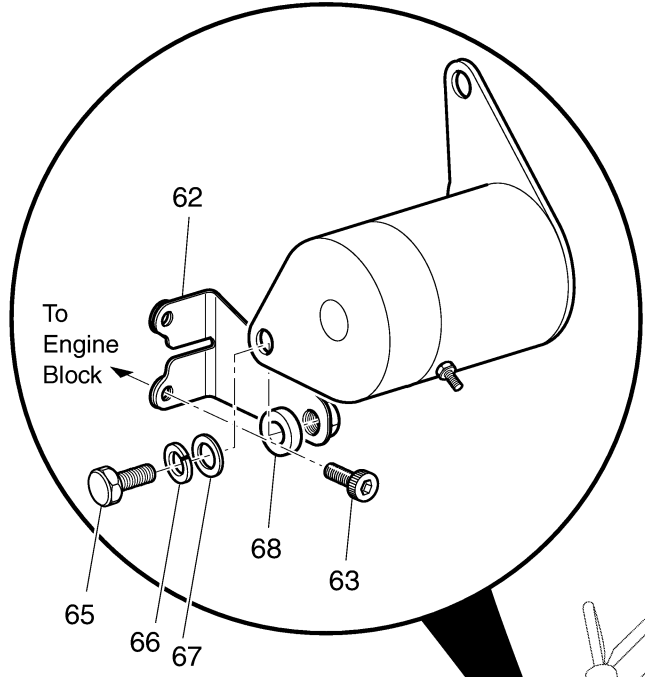


When ordering parts, please specify the model and serial number of the product.
 * Indicates a component that is not available as an individual part.
 G** Indicates consult Customer Service Department for additional information.

ITEM	PART NO.	1 2 3 4 5	DESCRIPTION	QTY.
1	75582-G**		SEAT BOTTOM CUSHION	2
2	75729-G01		LOOSE JOINT HINGE, FEMALE HALF (LH PIN).....	1
3	75729-G02		LOOSE JOINT HINGE, FEMALE HALF (RH PIN).....	3
4	16705-G1		SCREW, 1/4 - 20 X 1" LG	8
5				
6	71701-G01		HIP RESTRAINT (PASSENGER SIDE).....	1
7	71702-G01		HIP RESTRAINT (DRIVER SIDE).....	1
8	71204-G01		BOLT, 1/4 - 20 X 7/8" LG.....	8
9				
10				
11	75583-G**		SEAT BACK CUSHION.....	2
12				
13	75618-G01		SEAT BACK PLATE	1
14				
15	71436-G01		SEAT BACK SUPPORT BRACKET	2
16	13728-G1		BUMPER.....	2
17	00559-G5		WASHER, #10.....	2
18	14601-G1		RIVET, 3/16" X 13/16" LG	2
19				
20	01006-G01		BOLT, 3/8 - 16 X 1 1/4" LG.....	4
21	00560-G1		WASHER, 3/8"	4
22	11098-G5		LOCK NUT, 3/8 - 16	4
23				
24	16705-G4		SCREW, 1/4 - 20 X 1 1/2" LG	8
25	00565-G7		LOCK WASHER, 1/4".....	8



REAR VIEW



STARTER / GENERATOR**Gasoline Vehicle**

THE USE OF NON U.L. PARTS WILL VOID ANY U.L. LISTING.

When ordering parts, please specify the model and serial number of the product.

* Indicates a component that is not available as an individual part.

G** Indicates consult Customer Service Department for additional information.

ITEM	PART NO.	1	2	3	4	5	DESCRIPTION	QTY.
1	27065-G01						STARTER / GENERATOR (INCLUDES ITEMS 2 - 43).....	1
2	26870-G01						ARMATURE (INCLUDES ITEMS 3 - 5).....	1
3	26871-G01						REAR BALL BEARING	1
4	26872-G01						FRONT BALL BEARING	1
5	26873-G01						BEARING HOLDER	1
6								
7								
8	26875-G01						FIELD COIL	1
9	26876-G01						INSULATING BRUSH ASSEMBLY ('F') (INCLUDES ITEMS 10 - 13).....	2
10	*						NUT	2
11	*						LOCK WASHER.....	2
12	*						WASHER.....	2
13	*						INSULATOR	1
14	26877-G01						POLE CORE SETSCREW	4
15	26878-G01						FRONT COVER	1
16	27879-G01						REAR COVER.....	1
17	26880-G01						TERMINAL ASSEMBLY ('A') (INCLUDES ITEMS 18 - 23)	2
18	*						TERMINAL	2
19	*						INSULATOR	2
20	*						INSULATOR	2
21	*						WASHER.....	4
22	*						LOCK WASHER.....	4
23	*						NUT	4
24								
25	26881-G01						BRUSH HOLDER ASSEMBLY (INCLUDES ITEMS 26 - 28)	1
26	26658-G01						BRUSH.....	4
27	26882-G01						BRUSH SPRING.....	4
28	26883-G01						BRUSH CONNECTOR.....	2
29								
30	26884-G01						KEY	1

THE USE OF NON U.L. PARTS WILL VOID ANY U.L. LISTING.
 When ordering parts, please specify the model and serial number of the product.
 * Indicates a component that is not available as an individual part.
 G** Indicates consult Customer Service Department for additional information.

ITEM	PART NO.	1	2	3	4	5	DESCRIPTION	QTY.
31	26885-G01						PULLEY.....	1
32	26886-G01						PULLEY HARDWARE KIT (INCLUDES ITEMS 33 - 37).....	1
33	*						NUT.....	1
34	*						LOCK WASHER.....	1
35	*						SCREW.....	3
36	*						SCREW.....	4
37	*						SCREW.....	2
38	26887-G01						BRUSH 1 COVER.....	3
39	26888-G01						BRUSH 2 COVER.....	2
40	26889-G01						BOLT AND WASHER ASSEMBLY (INCLUDES ITEMS 41 - 43).....	2
41	*						BOLT.....	2
42	*						LOCK WASHER.....	2
43	*						WASHER.....	2
44								
45								
46								
47								
48	75705-G01						FRONT STARTER BRACKET.....	1
49	00462-G7						BOLT, 7/16 - 14 X 7/8" LG.....	2
50	00566-G2						LOCK WASHER, 7/16".....	2
51								
52	00439-G2						BOLT, 5/16 - 18 X 1 1/4" LG.....	1
53	00559-G8						WASHER, 5/16".....	2
54	11098-G6						LOCK NUT, 5/16 - 18.....	1
55								
56	75792-G01						BOLT, 1/2 - 13 X 1 1/2" LG WITH THREAD LOCK.....	1
57								
58								
59								
60	75690-G1						STARTER/GENERATOR BELT.....	1

STARTER / GENERATOR**Gasoline Vehicle**

THE USE OF NON U.L. PARTS WILL VOID ANY U.L. LISTING.

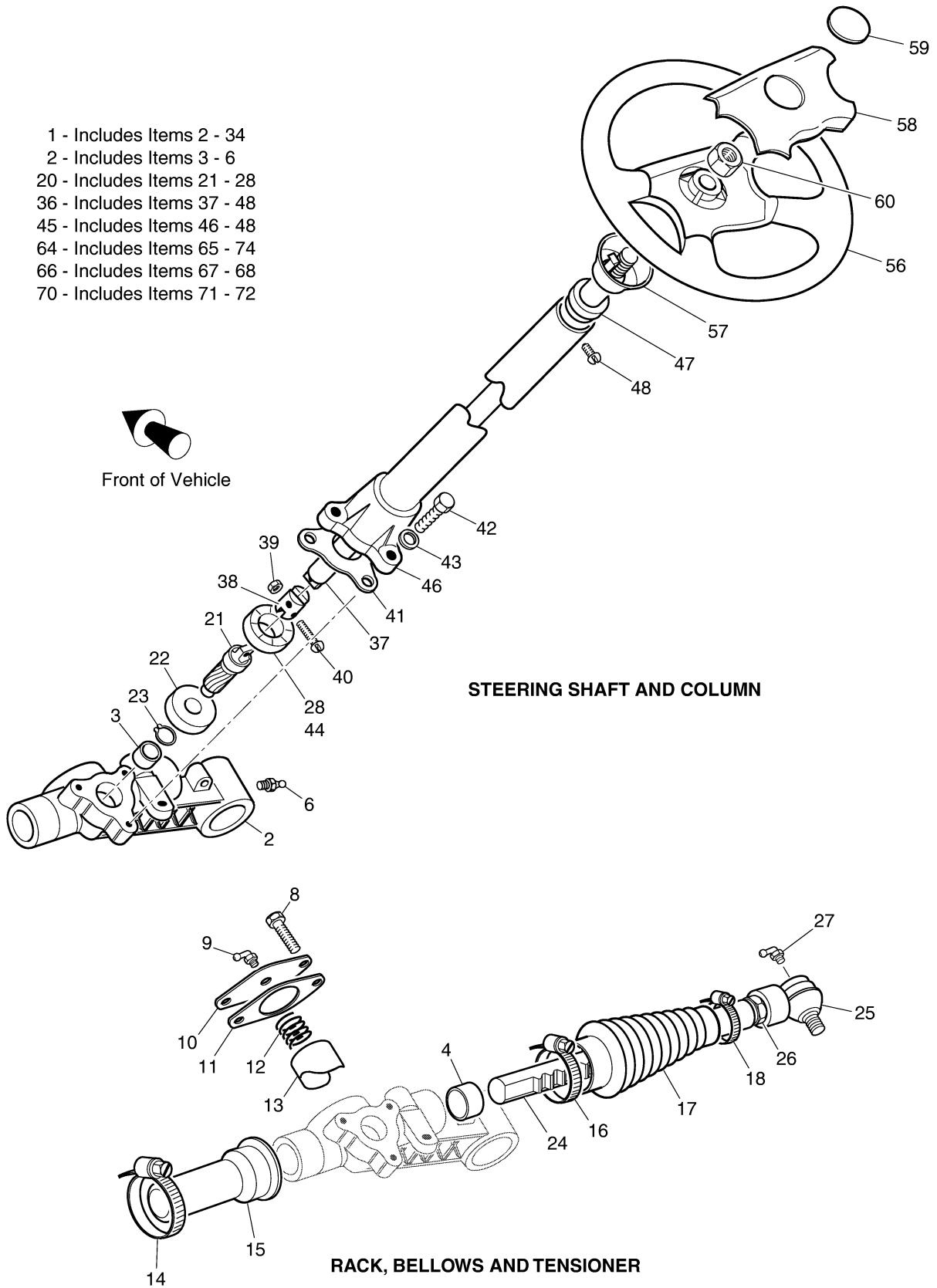
When ordering parts, please specify the model and serial number of the product.

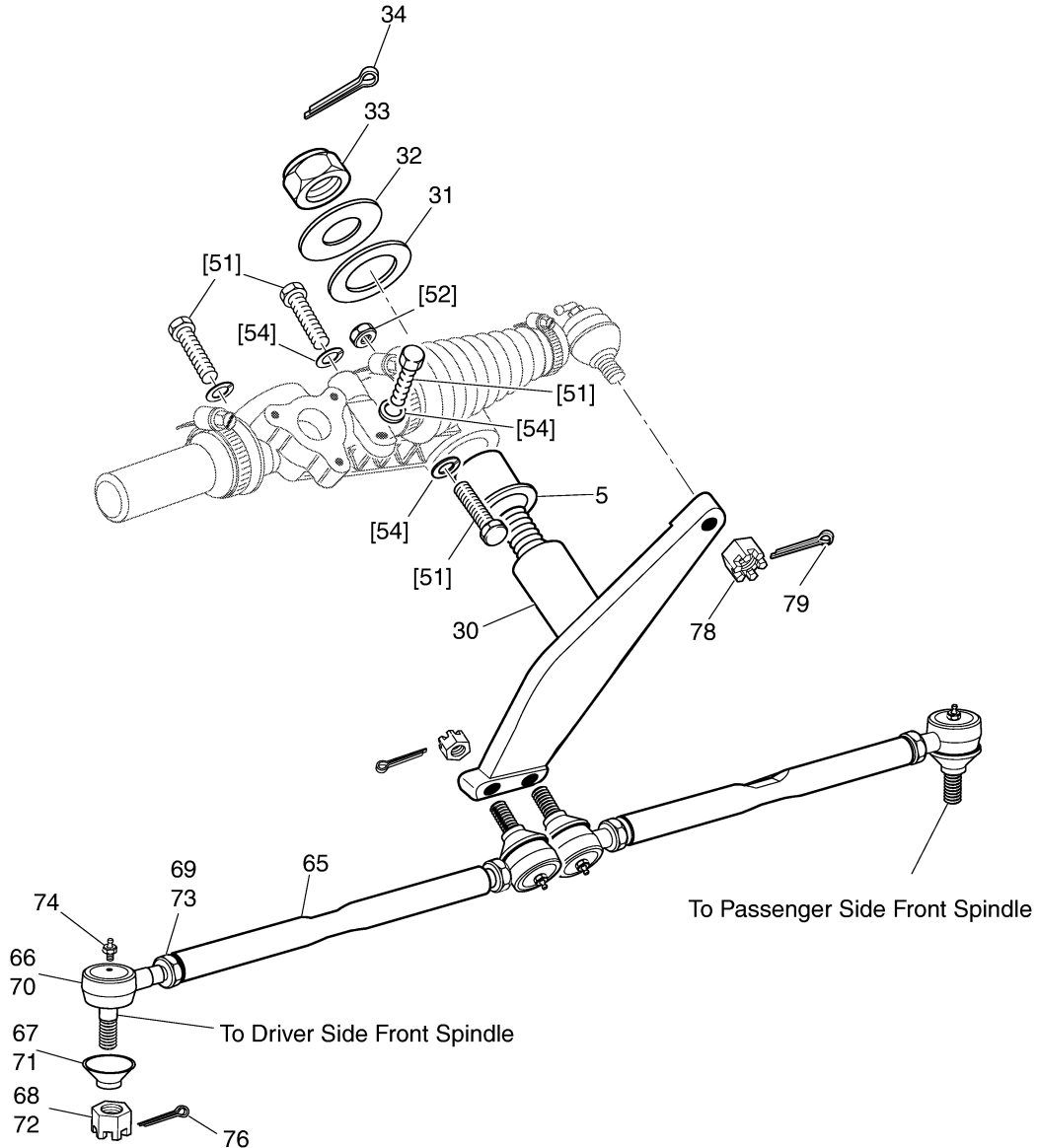
* Indicates a component that is not available as an individual part.

G** Indicates consult Customer Service Department for additional information.

ITEM	PART NO.	1 2 3 4 5	DESCRIPTION	QTY.
61				
62	75706-G01		REAR STARTER BRACKET	1
63	75746-G01		BOLT, M8 - 1.25 X 20MM	2
64				
65	00631-G2		BOLT, 1/2 - 13 X 2 1/4" LG	1
66	00566-G3		LOCK WASHER, 1/2"	1
67	00560-G3		WASHER, 1/2"	1
68	75562-G01		SPACER.....	1

- 1 - Includes Items 2 - 34
- 2 - Includes Items 3 - 6
- 20 - Includes Items 21 - 28
- 36 - Includes Items 37 - 48
- 45 - Includes Items 46 - 48
- 64 - Includes Items 65 - 74
- 66 - Includes Items 67 - 68
- 70 - Includes Items 71 - 72





IDLER, TIE RODS AND MOUNTING

#'s within [] is hardware to mount steering housing to vehicle frame

When ordering parts, please specify the model and serial number of the product.
 * Indicates a component that is not available as an individual part.
 G** Indicates consult Customer Service Department for additional information.

ITEM	PART NO.	1	2	3	4	5	DESCRIPTION	QTY.
1	70723-G02						STEERING BOX ASSEMBLY (COMPLETE) (INCLUDES ITEMS 2 - 34)	1
2	75364-G01						STEERING HOUSING (INCLUDES ITEMS 3 - 6).....	1
3	*						SLEEVE BEARING	1
4	*						SLEEVE BEARING	1
5	*						FLANGED BEARING	1
6	10389-G3						GREASE FITTING, STRAIGHT	1
7								
8	00426-G6						BOLT, 3/8 - 16 X 3/4" LG	2
9	18456-G1						GREASE FITTING, 90°	1
10	70177-G01						RACK GUIDE COVER	1
11	70225-G01						GASKET	1
12	70178-G01						COMPRESSION SPRING	1
13	70179-G01						RACK GUIDE	1
14	11391-G1						HOSE CLAMP, 1 1/4"	1
15	70041-G01						RACK COVER.....	1
16	11391-G1						HOSE CLAMP, 1 1/4"	1
17	70183-G01						BELLOWS	1
18	11391-G5						HOSE CLAMP, 3/4"	1
19								
20	70724-G01						STEERING GEAR KIT (INCLUDES ITEMS 21 - 28).....	1
21	70717-G01						GEAR PINION.....	1
22	15112-G1						BALL BEARING	1
23	70190-G01						EXTERNAL RETAINING RING	1
24	70718-G01						STEERING RACK	1
25	70192-G01						RACK BALL END	1
26	00532-G8						NUT, 7/16 - 20	1
27	18456-G1						GREASE FITTING, 90°	1
28	70466-G01						RETAINER	1
29								
30	70184-G01						IDLER	1

When ordering parts, please specify the model and serial number of the product.

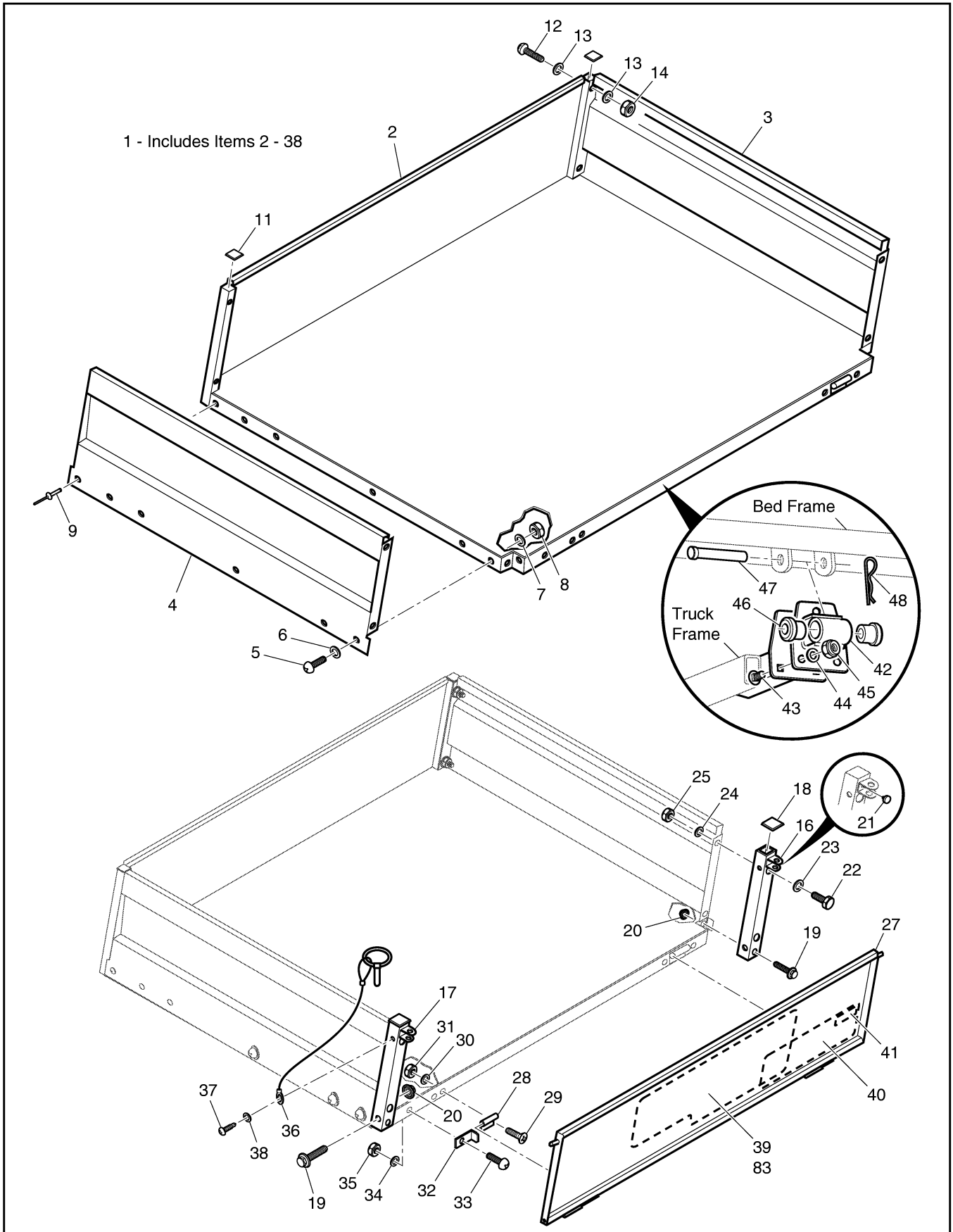
* Indicates a component that is not available as an individual part.

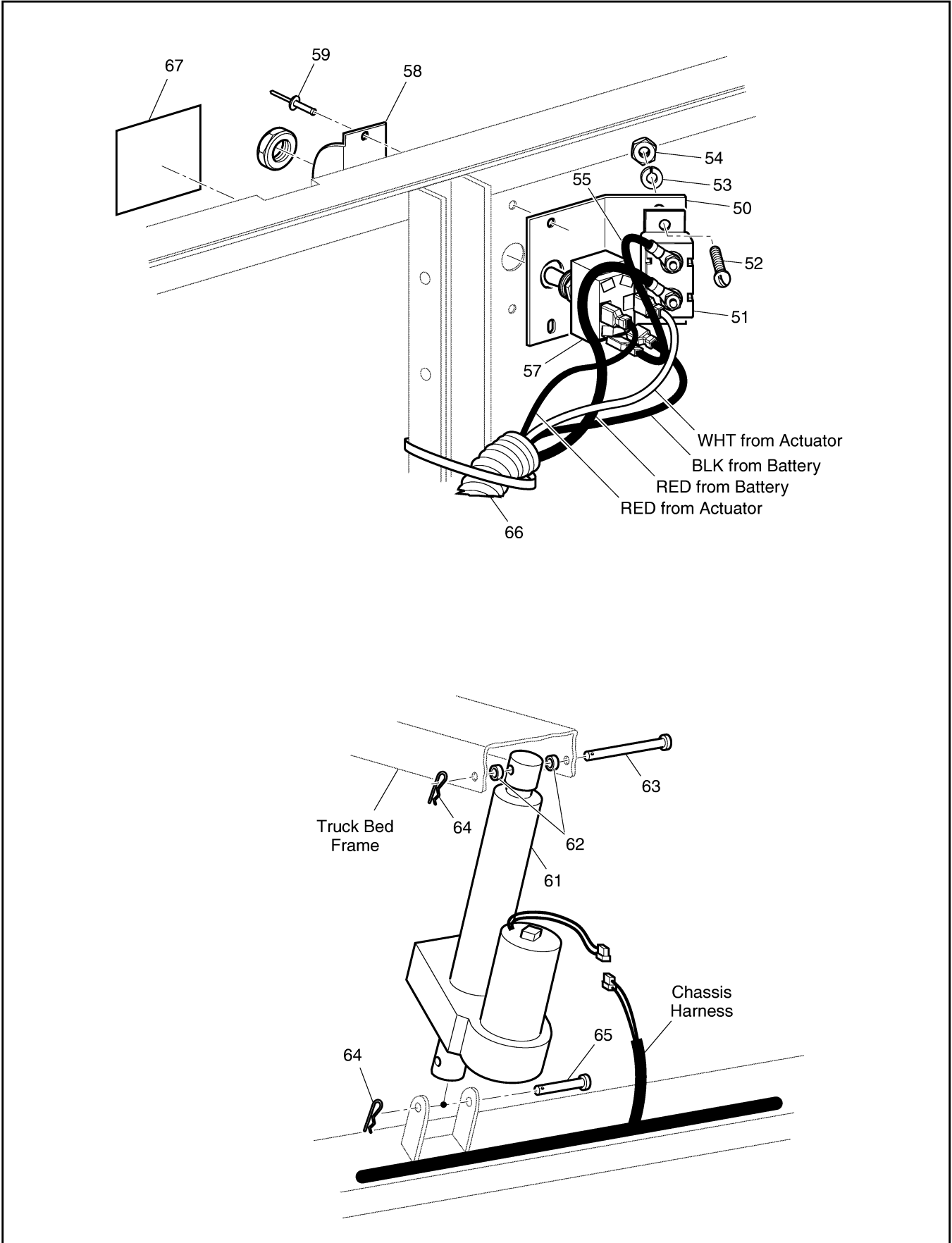
G** Indicates consult Customer Service Department for additional information.

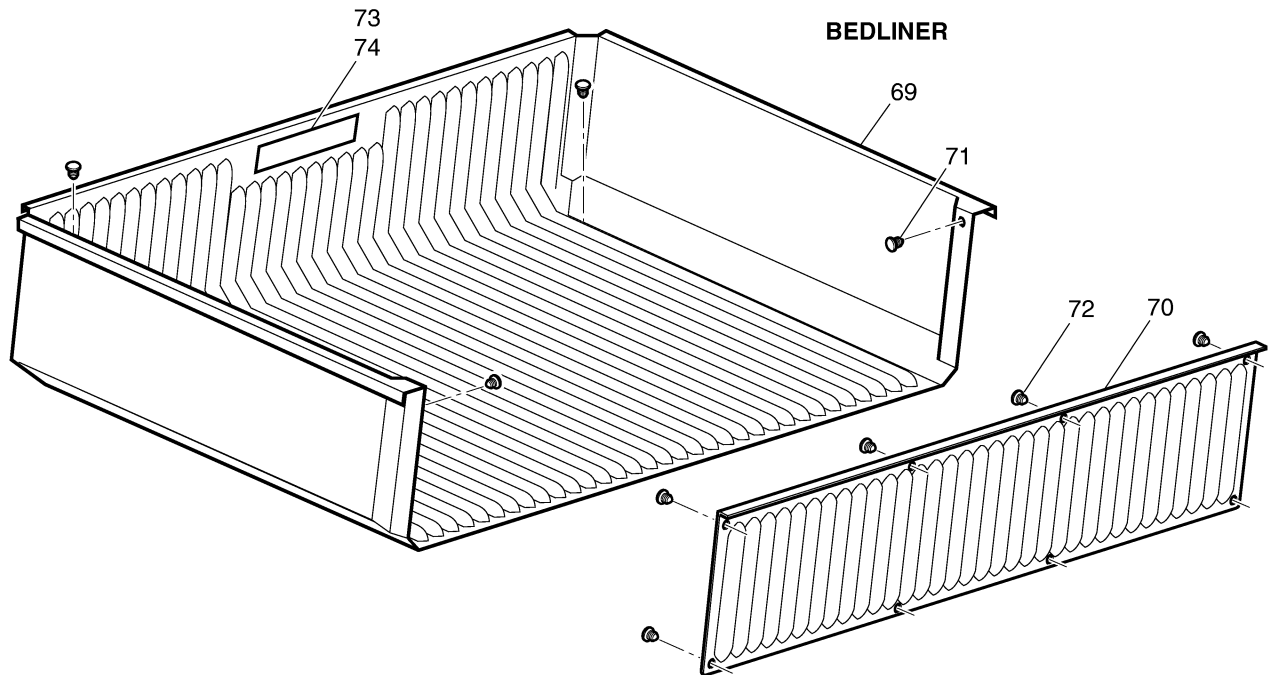
ITEM	PART NO.	1 2 3 4 5	DESCRIPTION	QTY.
31	70216-G01		THRUST WASHER, 1 1/2"	1
32	70195-G01		THRUST WASHER, 7/8"	1
33	00734-G6		LOCK NUT, 7/8 - 9.....	1
34	00798-G8		COTTER PIN, 5/32" X 1 3/4" LG	1
35				
36	70360-G01		STEERING SHAFT/COLUMN KIT (INCLUDES ITEMS 37 - 48)	1
37	14322-G6		STEERING SHAFT.....	1
38	70558-G01		COUPLING.....	1
39	00550-G1		LOCK NUT, 1/4 - 20.....	2
40	70227-G01		BOLT, 1/4 - 20 X 7/8" LG	2
41	70223-G01		GASKET	1
42	00876-G22		BOLT, 3/8 - 16 X 1 1/4" LG WITH PATCHLOCK	3
43	00878-G1		LOCK WASHER, 3/8".....	3
44	70466-G01		RETAINER.....	1
45	28633-G01		STEERING COLUMN KIT (INCLUDES ITEMS 46 - 48)	1
46	*		STEERING COLUMN	1
47	28569-G01		STEERING COLUMN BUSHING	1
48	01022-G01		SCREW, #6 - 20 X 5/16" LG	1
49				
50				
51	00470-G4		BOLT, 7/16 - 20 X 2 1/2" LG.....	1
52	00734-G3		LOCK NUT, 7/16 - 20	1
53	01033-G01		BOLT, 7/16 - 14 X 1 1/4" LG WITH PATCHLOCK	2
54	00566-G2		LOCK WASHER, 7/16".....	3
55				
56	71146-G01		STEERING WHEEL	1
57	71949-G01		HUB.....	1
58	71147-G01		COVER	1
59	71047-G01		DECAL	1
60	14390-G2		LOCK NUT, 5/8 - 18	1

When ordering parts, please specify the model and serial number of the product.
 * Indicates a component that is not available as an individual part.
 G** Indicates consult Customer Service Department for additional information.

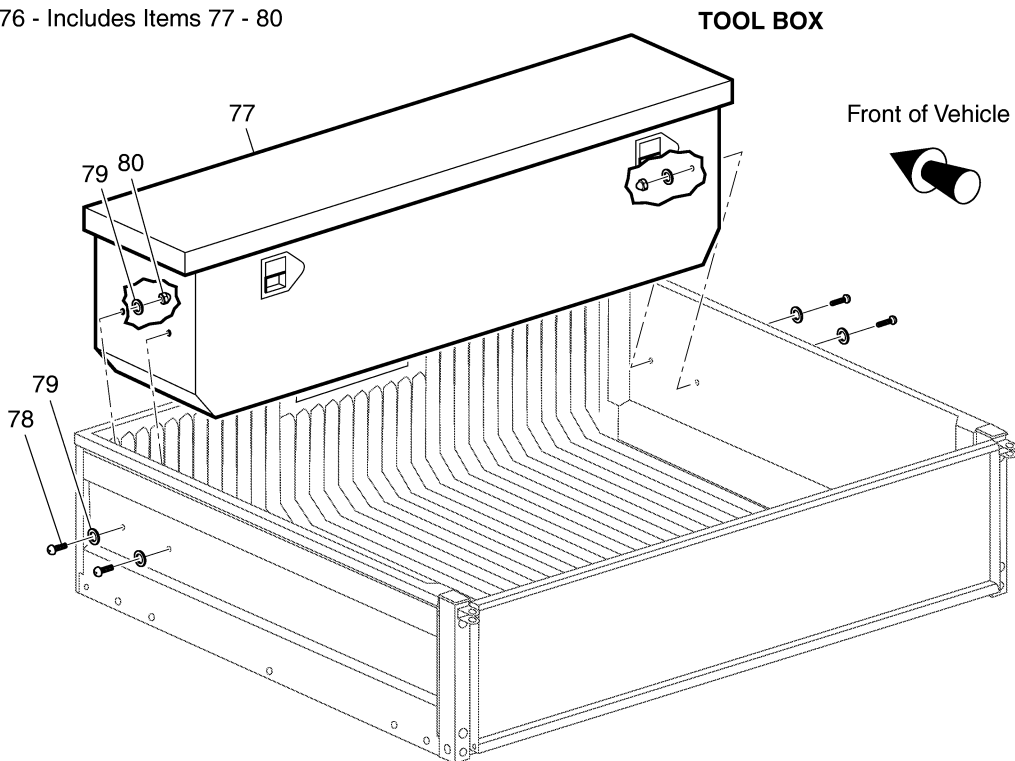
ITEM	PART NO.	1	2	3	4	5	DESCRIPTION	QTY.
61								
62								
63								
64	75069-G01						TIE ROD ASSEMBLY (INCLUDES ITEMS 65 - 74).....	2
65	70583-G05						THREADED TUBE WITH FLAT	1
66	27205-G01						TIE ROD END (LEFT HAND THREAD) (INCLUDES ITEMS 67 - 68).....	1
67	50641-G1						RUBBER BOOT	1
68	50209-G2						SLOTTED NUT, 7/16 - 20.....	1
69	18434-G3						JAM NUT, 9/16 - 18 (LEFT HAND THREAD)	1
70	27205-G02						TIE ROD END (RIGHT HAND THREAD) (INCLUDES ITEMS 71 - 72).....	1
71	50641-G1						RUBBER BOOT	1
72	50209-G2						SLOTTED NUT, 7/16 - 20.....	1
73	18434-G4						JAM NUT, 9/16 - 18 (RIGHT HAND THREAD).....	1
74	10389-G3						GREASE FITTING, STRAIGHT	2
75								
76	10387-G2						COTTER PIN, 3/32" X 1" LG.....	4
77								
78	50209-G2						SLOTTED NUT, 7/16 - 20.....	1
79	10387-G2						COTTER PIN, 3/32" X 1" LG.....	1







76 - Includes Items 77 - 80



When ordering parts, please specify the model and serial number of the product.

* Indicates a component that is not available as an individual part.

G** Indicates consult Customer Service Department for additional information.

ITEM	PART NO.	1	2	3	4	5	DESCRIPTION	QTY.
1	71711-G**						TRUCK BED ASSEMBLY (40") (INCLUDES ITEMS 2 - 38).....	1
2	71719-G01						BED FRAME.....	1
3	71714-G**						SIDE PANEL (PASSENGER SIDE).....	1
4	71714-G**						SIDE PANEL (DRIVER SIDE)	1
5	16705-G3						SCREW, 1/4 - 20 X 3/4" LG.....	10
6	00915-G1						BONDED WASHER, 1/4"	10
7	00559-G7						WASHER, 1/4".....	10
8	14390-G4						LOCK NUT, 1/4 - 20.....	10
9	14601-G8						RIVET, 3/8" X 7/16" LG (ALUMINUM)	2
10								
11	71717-G01						END CAP, 1".....	2
12	16705-G6						SCREW, 1/4 - 20 X 1 3/4" LG.....	4
13	00915-G1						BONDED WASHER, 1/4"	8
14	14390-G4						LOCK NUT, 1/4 - 20.....	4
15								
16	71837-G01						POST (PASSENGER SIDE).....	1
17	71837-G02						POST (DRIVER SIDE)	1
18	71718-G01						END CAP, 1 1/2".....	2
19	13437-G8						LOCK SCREW, 3/8 - 16 X 2" LG.....	4
20	11027-G5						LOCK NUT, 3/8 - 16.....	4
21	71838-G01						BUMPER	2
22	16705-G3						SCREW, 1/4 - 20 X 3/4" LG.....	4
23	00915-G1						BONDED WASHER, 1/4"	4
24	00559-G7						WASHER, 1/4".....	4
25	14390-G4						LOCK NUT, 1/4 - 20.....	4
26								
27	71732-G**						TAILGATE.....	1
28	27666-G01						HINGE	2
29	01002-G08						SCREW, 1/4 - 20 X 1" LG.....	4
30	00559-G7						WASHER, 1/4".....	4

TRUCK BED

Gasoline Vehicle

When ordering parts, please specify the model and serial number of the product.

* Indicates a component that is not available as an individual part.

G** Indicates consult Customer Service Department for additional information.

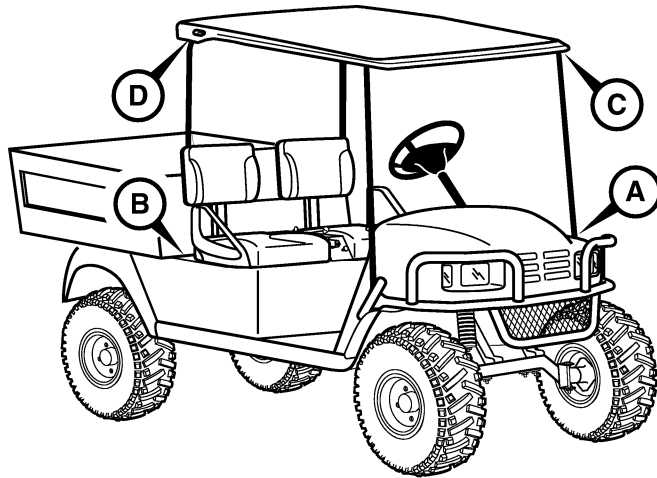
ITEM	PART NO.	1 2 3 4 5	DESCRIPTION	QTY.
31	14390-G4		LOCK NUT, 1/4 - 20.....	4
32	71748-G01		TAILGATE KEEPER	1
33	16705-G3		SCREW, 1/4 - 20 X 3/4" LG.....	1
34	00559-G7		WASHER, 1/4".....	1
35	14390-G4		LOCK NUT, 1/4 - 20.....	1
36	71083-G01		TAILGATE CABLE	2
37	00106-G6		SELF-THREADING SCREW, #12 - 24 X 3/4" LG	2
38	00915-G1		BONDED WASHER, 1/4"	2
39	71901-G01		DECAL (E-Z-GO)	1
40	74341-G01		DECAL (WORKHORSE), CAMO VERSION.....	1
41	74343-G03		DECAL (ST 480), BROWN.....	2
42	70396-G01		BED PIVOT	2
43	00764-G2		CARRIAGE BOLT, 5/16 - 18 X 1" LG	6
44	00559-G8		WASHER, 5/16"	6
45	11098-G6		LOCK NUT, 5/16 - 18	6
46	70291-G01		FLANGED BUSHING	4
47	21682-G1		CLEVIS PIN, 1/2" X 2 7/8" LG.....	2
48	21683-G1		COTTER PIN, 15/32" X 2 11/16" LG	2
49				
50	74165-G01		CIRCUIT BREAKER MOUNTING BRACKET	1
51	21320-G3		CIRCUIT BREAKER, 30 AMP, 12V.....	1
52	00150-G4		SCREW, #10 - 24 X 1/2" LG	2
53	00565-G5		LOCK WASHER, #10.....	2
54	00526-G3		NUT, #10 - 24	2
55	25976-G14		14 GA WIRE (RED 5")	1
56				
57	27680-G01		TOGGLE SWITCH	1
58	27447-G01		TOGGLE GUARD	1
59	10570-G9		RIVET, 1/8" X 11/32" LG.....	2
60				

When ordering parts, please specify the model and serial number of the product.

* Indicates a component that is not available as an individual part.

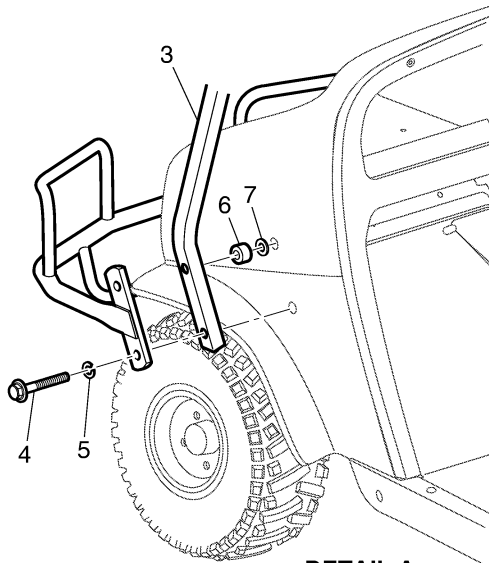
G** Indicates consult Customer Service Department for additional information.

ITEM	PART NO.	1 2 3 4 5	DESCRIPTION	QTY.
61	27612-G02		ELECTRIC ACTUATOR, 12V.....	1
62	27613-G01		SPACER.....	2
63	14443-G10		CLEVIS PIN, 1/2" X 3" LG.....	1
64	21683-G1		COTTER PIN, 15/32" X 2 11/16" LG.....	2
65	14443-G11		CLEVIS PIN, 1/2" X 1 7/8" LG.....	1
66	XXXXX-GXX		CHASSIS HARNESS (SEE ELECTRICAL SECTION).....	1
67	71489-G01		LABEL (READ INSTRUCTIONS).....	1
68				
69	74234-G01		BED LINER, 40".....	1
70	74235-G01		TAILGATE LINER.....	1
71	18436-G1		RIVET, 1/4" X 3/4" LG.....	4
72	14601-G10		RIVET, 5/32" X 7/16" LG.....	8
73	71517-G01		LABEL (BED CAPACITY 500 LB).....	1
74	71519-G01		LABEL (BED CAPACITY 226 KG) (CE MODELS).....	1
75				
76	75454-G02		ALUMINUM TOOL BOX KIT (INCLUDES ITEMS 77 - 80).....	1
77	75493-G01		ALUMINUM TOOL BOX.....	1
78	16705-G3		SCREW, 1/4 - 20 X 3/4" LG.....	4
79	00915-G1		BONDED WASHER, 1/4".....	8
80	00903-G1		ACORN NUT, 1/4 - 20.....	4
81				
82				
83	35978-G01		DECAL (WORKHORSE).....	1

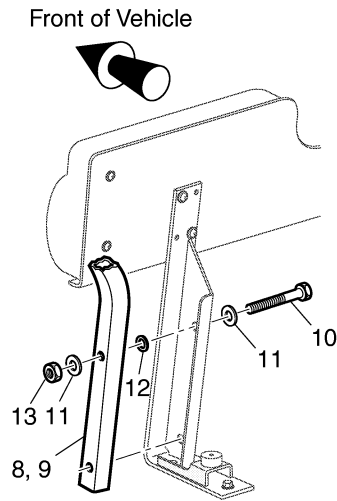


SUN TOP

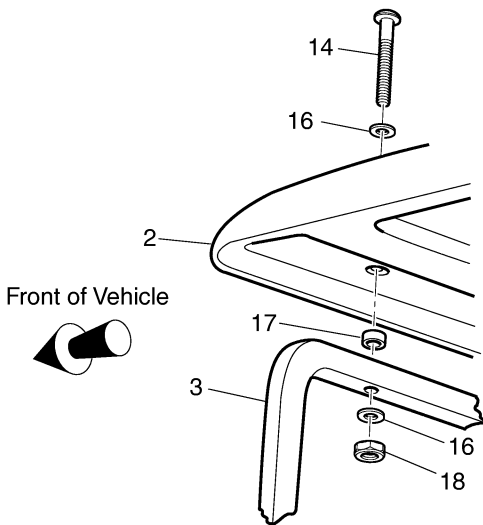
1 - Includes Items 2 - 19



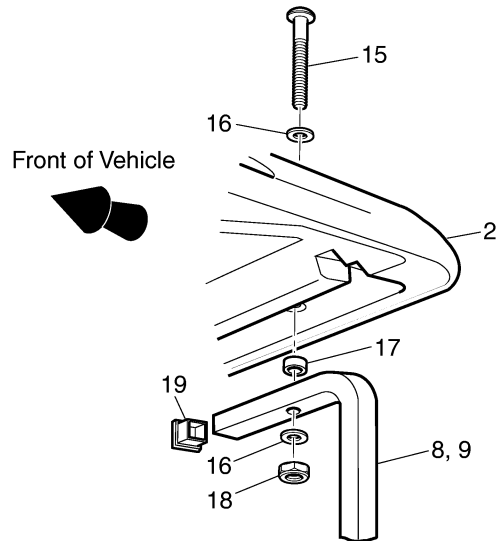
DETAIL A



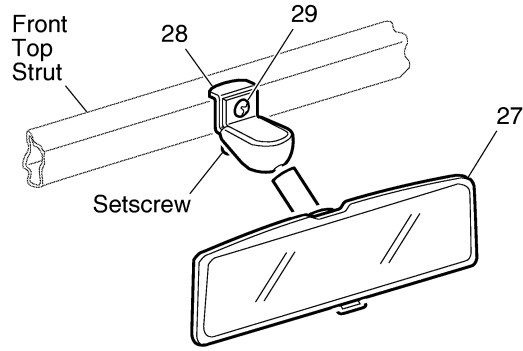
DETAIL B



**DETAIL C
(FRONT)**

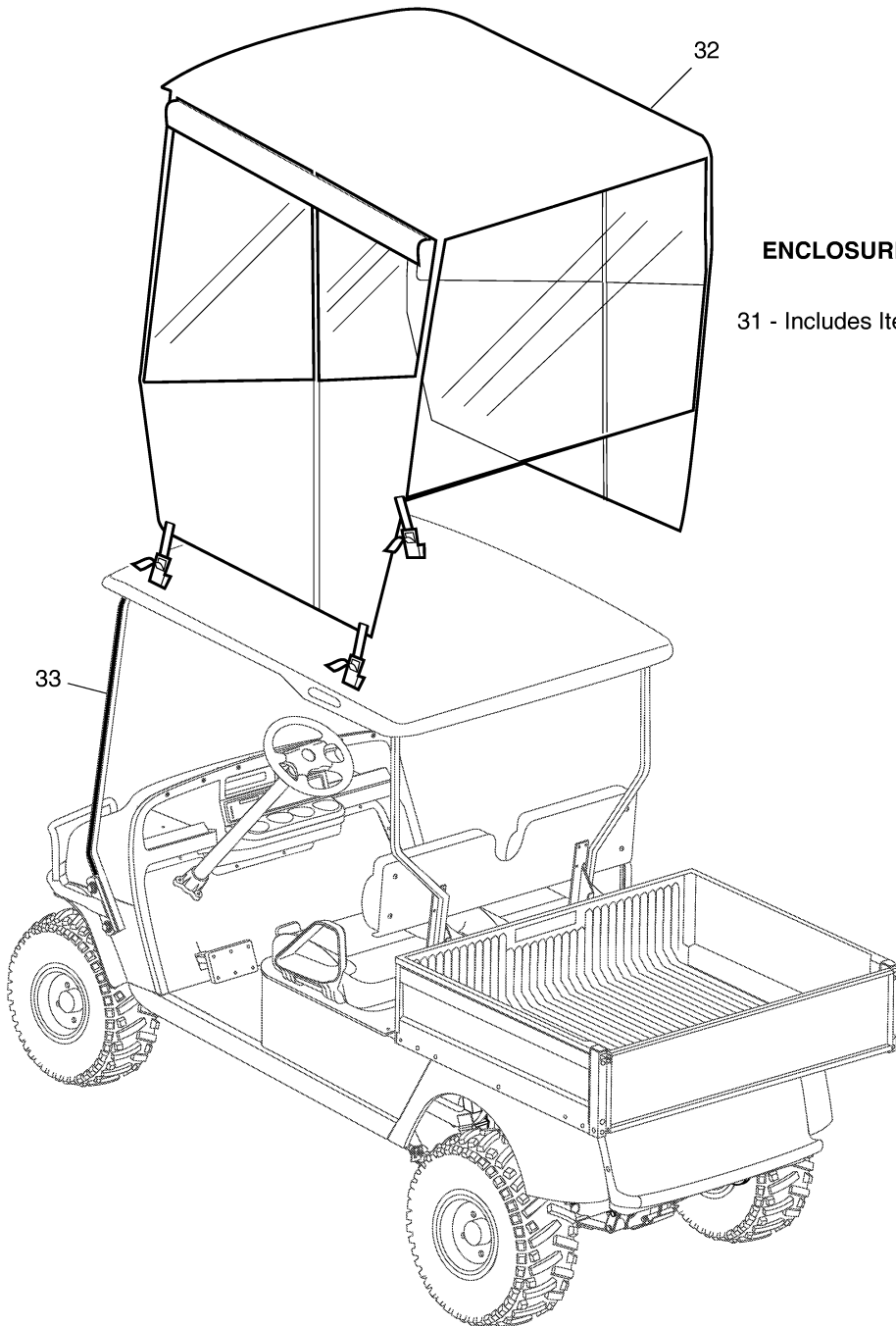


**DETAIL D
(REAR)**



REAR VIEW MIRROR

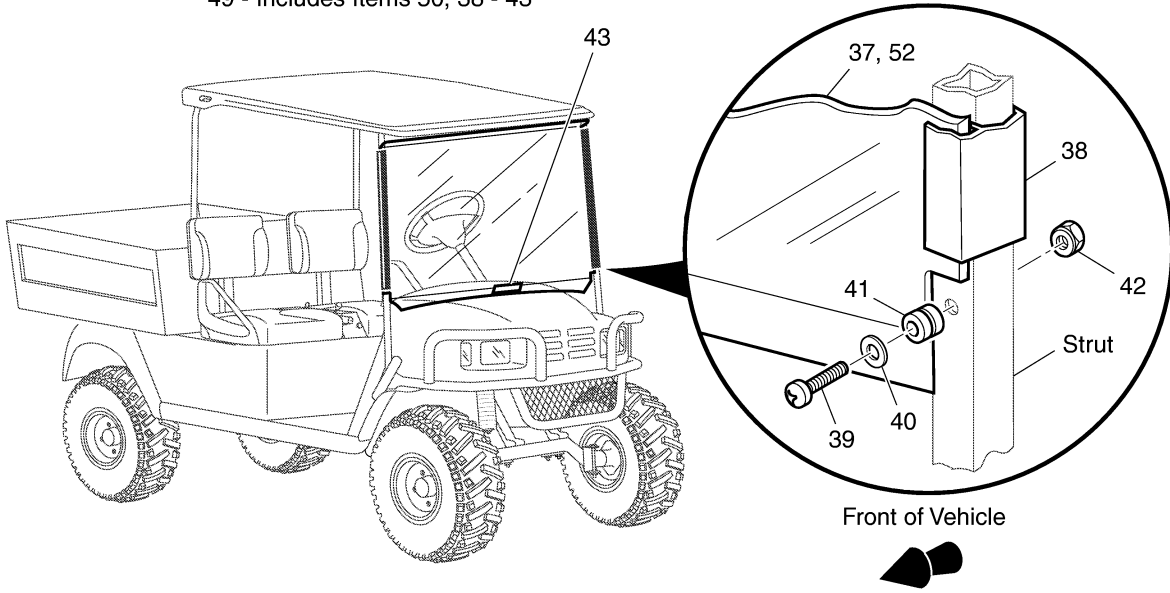
26 - Includes Items 27 - 29



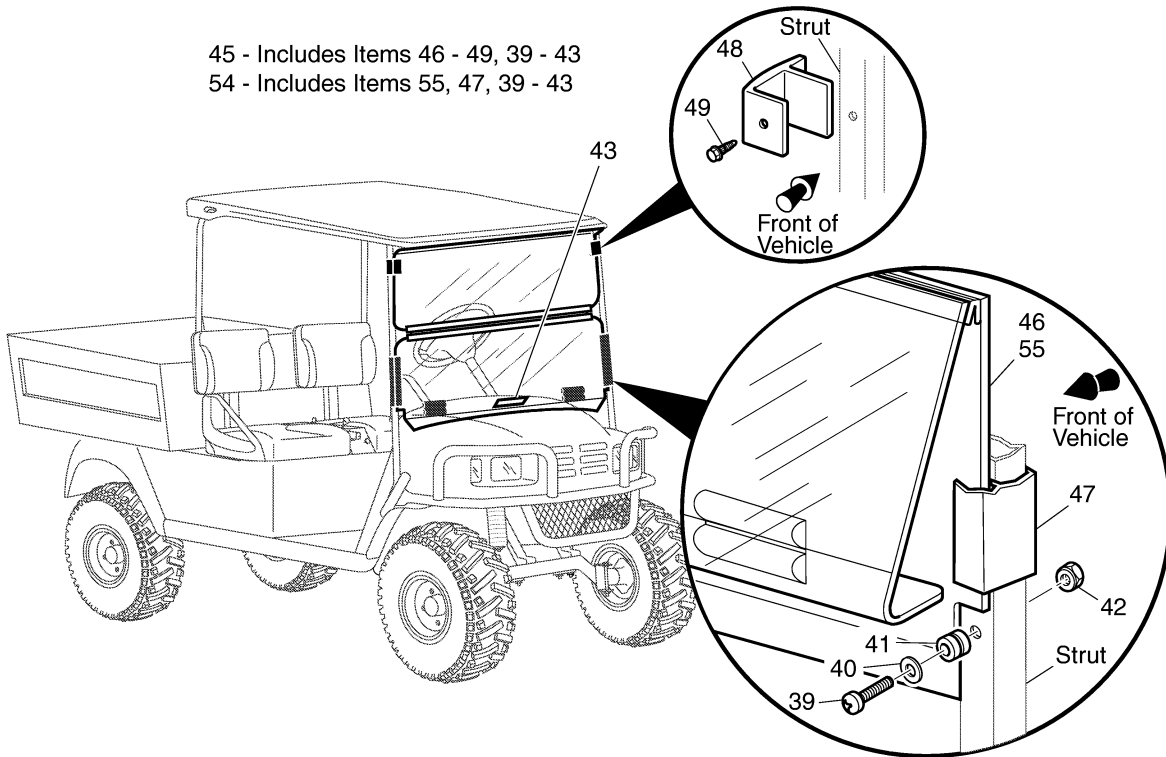
ENCLOSURE

31 - Includes Items 32, 33

36 - Includes Items 37 - 43
49 - Includes Items 50, 38 - 43



45 - Includes Items 46 - 49, 39 - 43
54 - Includes Items 55, 47, 39 - 43



When ordering parts, please specify the model and serial number of the product.

* Indicates a component that is not available as an individual part.

G** Indicates consult Customer Service Department for additional information.

ITEM	PART NO.	1 2 3 4 5	DESCRIPTION	QTY.
1	75040-G05		SUN TOP KIT (INCLUDES ITEMS 2 -19)	1
2	27069-G07		SUN TOP.....	1
3	75045-G01		FRONT STRUT	1
4	01035-G01		BOLT, 5/16 - 18 X 2 1/4" LG	4
5	00905-G8		LOCK WASHER, 5/16".....	4
6	75048-G01		SPACER, 1/2".....	2
7	00570-G2		WASHER, 5/16".....	6
8	75838-G01		REAR STRUT (DRIVER SIDE)	1
9	75838-G02		REAR STRUT (PASSENGER SIDE).....	1
10	00439-G6		BOLT, 5/16 - 18 X 1 3/4" LG	4
11	00571-G2		WASHER, 5/16".....	8
12	17255-G1		TEFLON WASHER, 3/8" X 5/8".....	4
13	11098-G6		LOCK NUT, 5/16 - 18.....	4
14	00753-G5		BOLT, 1/4 - 20 X 2" LG (STAINLESS STEEL).....	2
15	00753-G6		BOLT, 1/4 - 20 X 2 1/4" LG (STAINLESS STEEL).....	2
16	00559-G7		WASHER, 1/4".....	8
17	75051-G01		PLASTIC SPACER.....	4
18	00891-G2		LOCK NUT, 1/4 - 20.....	4
19	19853-G1		END CAP, 1".....	2
20				
21				
22				
23				
24				
25				
26	19528G2		REAR VIEW MIRROR KIT (INCLUDES ITEMS 27 - 29)	1
27	19496-G1		REAR VIEW MIRROR.....	1
28	19502-G2		SUPPORT BRACKET	1
29	19527-G1		SELF TAPPING SCREW, #8 - 32 X 5/8" LG (STAINLESS STEEL).....	1
30				

WEATHER PROTECTION

Gasoline Vehicle

Replacement parts for the windshield may be obtained from Eagle Parts, Inc. 1811 Wilkinson Rd. Augusta, GA 30904. Telephone (706) 729-9911 or FAX (706) 729-9955

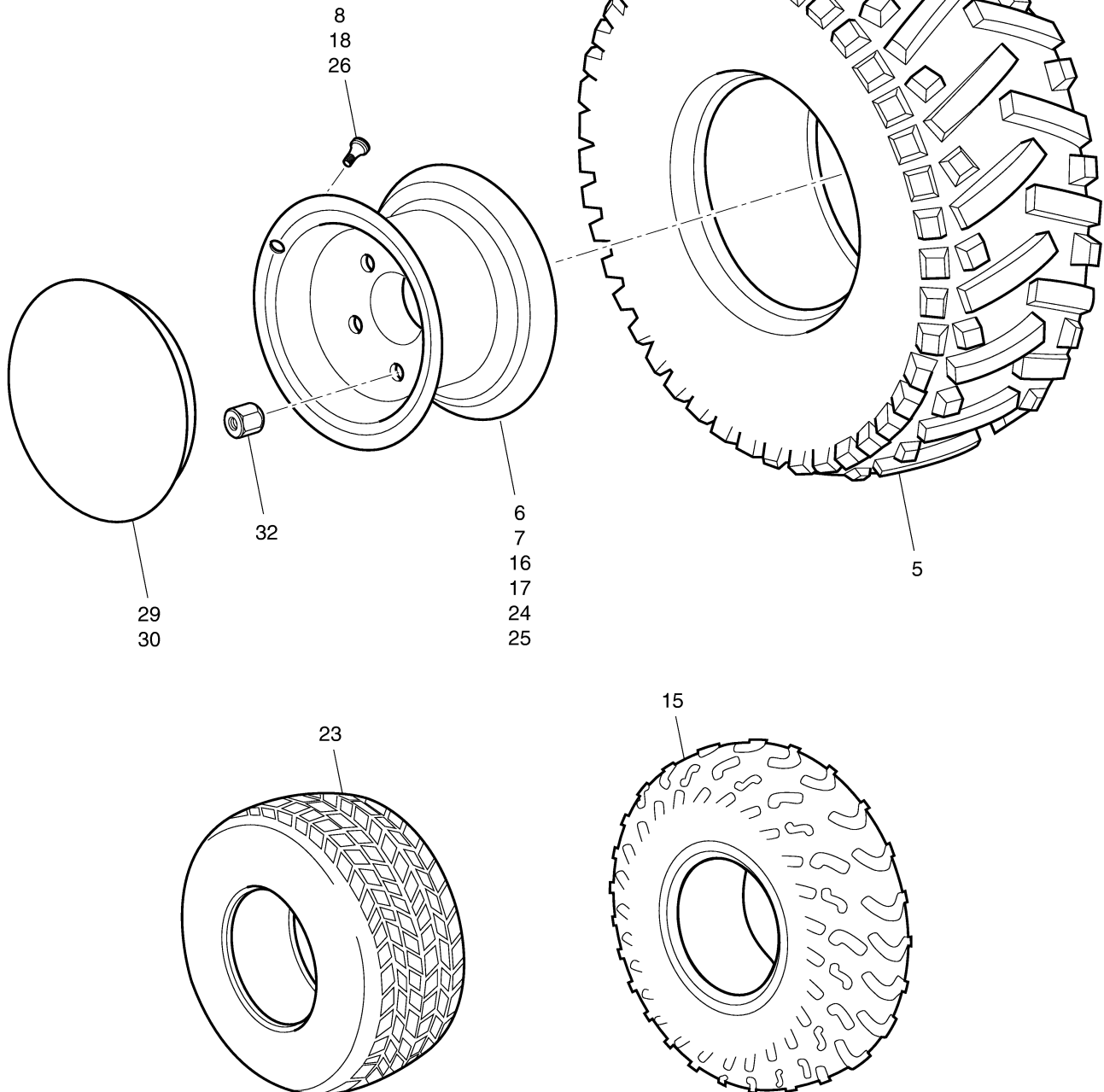
* Indicates a component that is not available as an individual part.

G** Indicates consult Customer Service Department for additional information.

ITEM	PART NO.	1 2 3 4 5	DESCRIPTION	QTY.
31	75367-G**		3 SIDED SOFT ENCLOSURE KIT (INCLUDES ITEMS 32 - 33)	1
32	*		ENCLOSURE	1
33	*		VELCRO	AR
34				
35				
36	71966-G01		WINDSHIELD KIT (FULL) (INCLUDES ITEMS 37 - 43) (REQUIRES SUN TOP KIT)	1
37	71954-G01		WINDSHIELD (FULL) (LEXAN).....	1
38	EGWHC12		SASH, 26" LG.....	2
39	EGWHS12		BOLT, 1/4 - 20 X 1 3/4" LG (STAINLESS STEEL).....	2
40	EGWHW12		WASHER, 1/4" (STAINLESS STEEL)	4
41	EGWHG13		RUBBER GROMMET	2
42	EGWHN12		LOCK NUT, 1/4 - 20 (STAINLESS STEEL)	2
43	EGWHL14		SAFETY LABEL	1
44				
45	71966-G02		WINDSHIELD KIT (SPLIT) (INCLUDES ITEMS 46 - 49, 39 - 43) (REQUIRES SUN TOP KIT)	1
46	71955-G01		WINDSHIELD (SPLIT) (LEXAN)	1
47	EGWHC10		SASH, 12" LG.....	2
48	137-010		TOP GRIP, 3/4" X 2"	2
49	136-008		TOP GRIP FASTENER	2
50				
51	71966-G03		WINDSHIELD KIT (FULL) (INCLUDES ITEMS 52, 38 - 43) (REQUIRES SUN TOP KIT)	1
52	71954-G01		WINDSHIELD (FULL) (ACRYLIC).....	1
53				
54	71966-G04		WINDSHIELD KIT (SPLIT) (INCLUDES ITEMS 55, 47, 39 - 43) (REQUIRES SUN TOP KIT)	1
55	71954-G01		WINDSHIELD (SPLIT) (ACRYLIC).....	1

- 1 - Includes Items 5, 6, 8
- 2 - Includes Items 5, 6, 8
- 3 - Includes Items 5, 7, 8
- 4 - Includes Items 5, 7, 8
- 11 - Includes Items 15, 16, 18
- 12 - Includes Items 15, 16, 18
- 13 - Includes Items 15, 17, 18
- 14 - Includes Items 15, 17, 18
- 21 - Includes Items 23, 24, 26
- 22 - Includes Items 23, 25, 26

(Style of tire may differ from tire shown)



When ordering parts, please specify the model and serial number of the product.
 * Indicates a component that is not available as an individual part.
 G** Indicates consult Customer Service Department for additional information.

ITEM	PART NO.	1 2 3 4 5	DESCRIPTION	QTY.
1	28630-G06		SILVER WHEEL AND STRYKER® 1 TIRE ASSEMBLY (DRIVER SIDE) (INCLUDES ITEMS 5, 6, 8)	AR
2	28630-G07		SILVER WHEEL AND STRYKER® 1 TIRE ASSEMBLY (PASSENGER SIDE) (INCLUDES ITEMS 5, 6, 8).....	AR
3	28630-G04		BLACK WHEEL AND STRYKER® 1 TIRE ASSEMBLY (DRIVER SIDE) (INCLUDES ITEMS 5, 7, 8)	AR
4	28630-G05		BLACK WHEEL AND STRYKER® 1 TIRE ASSEMBLY (PASSENGER SIDE) (INCLUDES ITEMS 5, 7, 8).....	AR
5	28630-G01		TIRE, 22 X 9 - 10 STRYKER® 1	1
6	15172-G03		WHEEL RIM, SILVER (4 LUG).....	1
7	15172-G02		WHEEL RIM, BLACK (4 LUG).....	1
8	11657-G1		VALVE STEM	1
9				
10				
11	28513-G07		SILVER WHEEL AND WORK MATE® TIRE ASSEMBLY (DRIVER SIDE) (INCLUDES ITEMS 5, 6, 8)	AR
12	28513-G06		SILVER WHEEL AND WORK MATE® TIRE ASSEMBLY (PASSENGER SIDE) (INCLUDES ITEMS 5, 6, 8).....	AR
13	28513-G05		BLACK WHEEL AND WORK MATE® TIRE ASSEMBLY (DRIVER SIDE) (INCLUDES ITEMS 5, 7, 8)	AR
14	28513-G04		BLACK WHEEL AND WORK MATE® TIRE ASSEMBLY (PASSENGER SIDE) (INCLUDES ITEMS 5, 7, 8).....	AR
15	28513-G03		TIRE, 21 X 9 - 10 WORK MATE®	1
16	15172-G03		WHEEL RIM, SILVER (4 LUG).....	1
17	15172-G02		WHEEL RIM, BLACK (4 LUG).....	1
18	11657-G1		VALVE STEM	1
19				
20				
21	28442-G04		SILVER WHEEL AND TURF SAVER® TIRE ASSEMBLY (INCLUDES ITEMS 13, 14, 16).....	AR
22	28442-G03		BLACK WHEEL AND TURF SAVER® TIRE ASSEMBLY (ITEMS 13, 15, 16)....	AR
23	28442-G02		TIRE, 20 X 10 - 10 TURF SAVER®	1
24	15172-G03		WHEEL RIM, SILVER (4 LUG).....	1

WHEELS AND TIRES

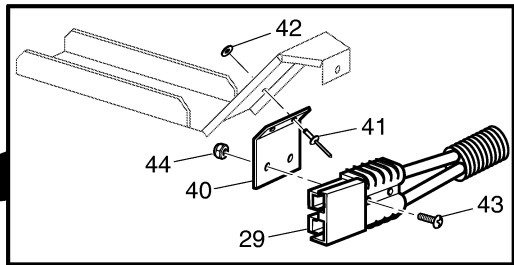
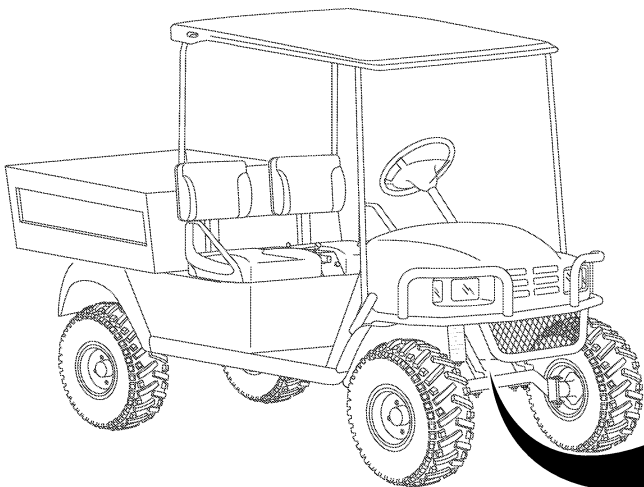
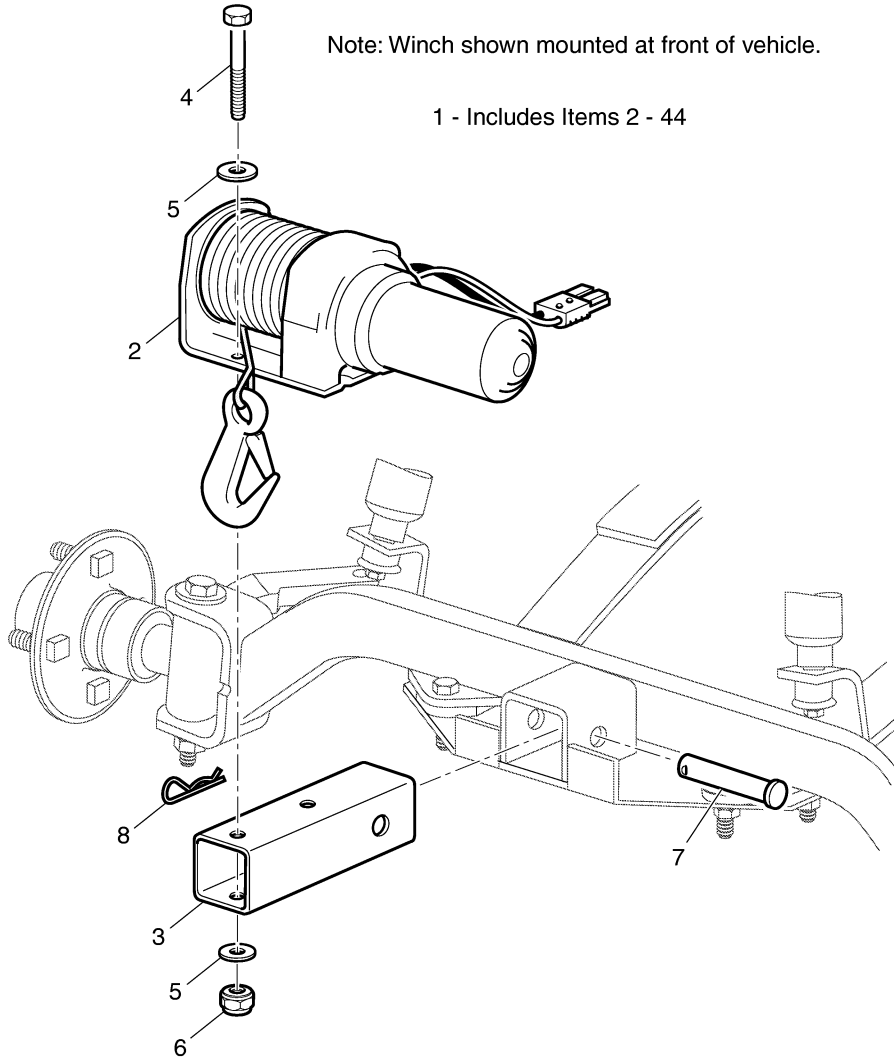
Gasoline Vehicle

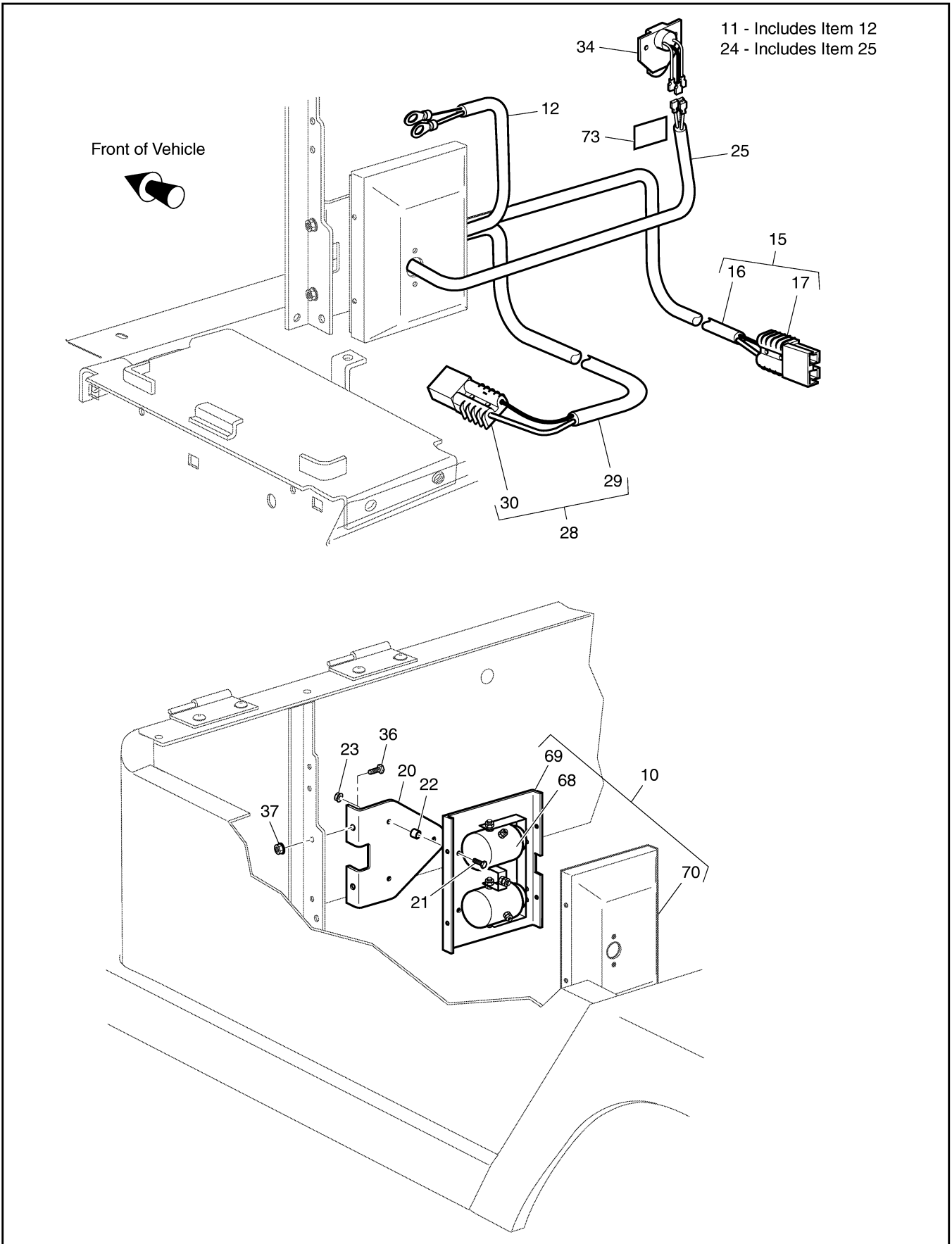
When ordering parts, please specify the model and serial number of the product.
* Indicates a component that is not available as an individual part.
G** Indicates consult Customer Service Department for additional information.

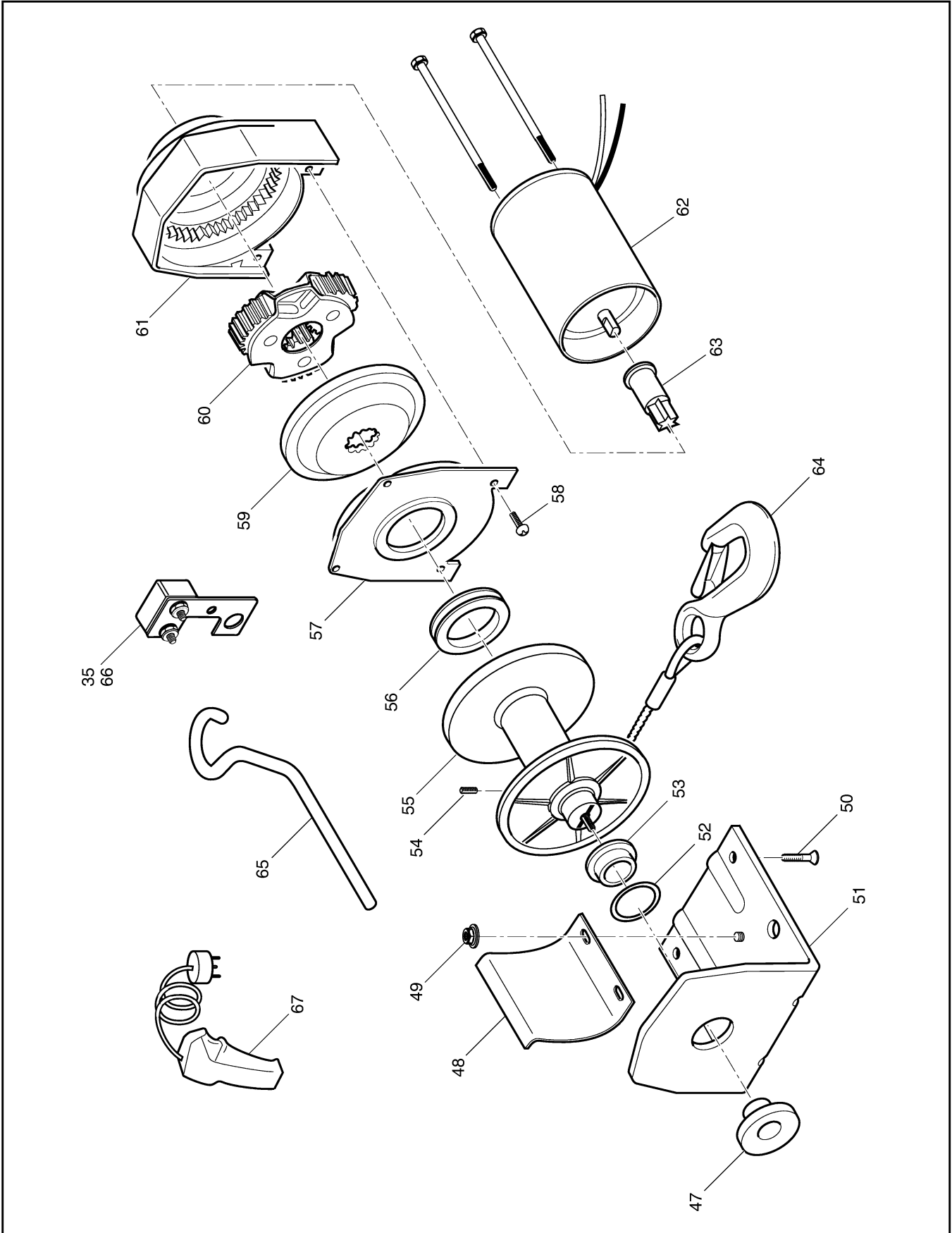
ITEM	PART NO.	1 2 3 4 5	DESCRIPTION	QTY.
25	15172-G02		WHEEL RIM, BLACK (4 LUG).....	1
26	11657-G1		VALVE STEM	1
27				
28				
29	75692-G01		10" CHROME HUBCAP (OPTIONAL).....	AR
30	75692-G02		10" BLACK HUBCAP (OPTIONAL).....	AR
31				
32	14723-G1		LUG NUT, 1/2 -20.....	AR

Note: Winch shown mounted at front of vehicle.

1 - Includes Items 2 - 44







When ordering parts, please specify the model and serial number of the product.

* Indicates a component that is not available as an individual part.

G** Indicates consult Customer Service Department for additional information.

ITEM	PART NO.	1 2 3 4 5	DESCRIPTION	QTY.
1	74259-G04		WINCH KIT (INCLUDES ITEMS 2 - 44)	1
2	74299-G01		WINCH ASSEMBLY, T1500	1
3	74271-G01		WINCH MOUNTING TUBE	1
4	00440-G6		BOLT, 5/16 - 18 X 2 3/4" LG	2
5	00571-G2		WASHER, 5/16".....	4
6	00891-G3		LOCK NUT, 5/16 - 18.....	2
7	21317-G01		CLEVIS PIN, 5/8" x 3" LG.....	1
8	21683-G1		COTTER PIN, 15/32" x 2 11/16" LG.....	1
9	74286-G03		REMOTE SOLENOID (INCLUDES ITEMS 10 - 35).....	1
10	74256-G02		SOLENOID KIT	1
11	74327-G01		WIRE HARNESS (SOLENOID - BATTERY) (INCLUDES 12).....	1
12	18833-G1		FLEX LOOM, 20" (BULK).....	1
13				
14				
15	74328-G01		WIRE HARNESS (SOLENOID - REAR) (INCLUDES 16, 17).....	1
16	18833-G1		FLEX LOOM, 29" (BULK).....	1
17	73235-G01		CONNECTOR.....	1
18				
19				
20	74326-G01		MOUNTING BRACKET.....	1
21	00414-G6		BOLT, 1/4 - 20 X 3/4" LG	3
22	23726-G1		SPACER, 1/4".....	3
23	14390-G4		LOCK NUT, 1/4 - 20	3
24	74298-G01		WIRE HARNESS (SOLENOID - RECEPTACLE) (INCLUDES 25)	1
25	20436-G1		FLEX LOOM, 4" (BULK).....	1
26				
27				
28	74291-G01		WIRE HARNESS (SOLENOID - FRONT) (INCLUDES 29, 30)	1
29	18833-G1		FLEX LOOM, 84" (BULK).....	1
30	73235-G01		CONNECTOR	1

When ordering parts, please specify the model and serial number of the product.
 * Indicates a component that is not available as an individual part.
 G** Indicates consult Customer Service Department for additional information.

ITEM	PART NO.	1	2	3	4	5	DESCRIPTION	QTY.
31								
32								
33								
34	74285-G01						RECEPTACLE WITH LEADS (GREEN, WHITE, BLACK)	1
35	*						CIRCUIT BREAKER WITH BRACKET	1
36	00414-G5						BOLT, 1/4 - 20 X 5/8" LG	2
37	14390-G4						LOCK NUT, 1/4 - 20.....	2
38								
39								
40	74289-G01						CONNECTOR MOUNT PLATE	1
41	14601-G5						RIVET, 3/16" X 13/32" LG (STAINLESS STEEL)	2
42	00559-G4						WASHER, #8.....	2
43	00156-G8						SCREW, #10 - 32 X 1" LG.....	2
44	00526-G4						NUT, #10 - 32	2
45								
46							<p>The following items are replacement components for the winch. For service or replacement parts, contact Superwinch, Inc., Winch Drive, Putnam, CT 06260 Phone: (860) 928-7787, FAX: (860) 928-1143</p> <p>Always provide the following information when requesting information or ordering replacement parts:</p> <p>Winch Part Number: T1500 Serial Number: (found on housing) Part Number and Description</p>	
47	87-10490						KNOB ASSEMBLY, T-SERIES F/W.....	1
48	87-22381						TENSION PLATE	1
49	87-23149-05						NUT, HEX, FLANGED, M5 X 0.8.....	2
50	89-22291-01						SCREW, ST HEX SKY FH, M6 X 1 X 20.....	2
51	87-22394						BASEPLATE ASSEMBLY, T-SERIES.....	1
52	AS REQ'D						WASHER, .020" OR .030" THICK	A/R
53	87-10466						BUSHING, T-SERIES.....	1

When ordering parts, please specify the model and serial number of the product.
 * Indicates a component that is not available as an individual part.
 G** Indicates consult Customer Service Department for additional information.

ITEM	PART NO.	1	2	3	4	5	DESCRIPTION	QTY.
54	87-23309-01						SET SCREW, M5 X 0.8 X 6.....	1
55	87-22397						DRUM ASSEMBLY.....	1
56	87-10470						DRUM SUPPORT BUSHING.....	1
57	87-33257						DRUM SUPPORT PLATE.....	1
58	87-23030-10						SCREW, ST PAN HEAD, M4 X 0.7 X 10.....	4
59	87-33251						ROTATOR GEAR, T-SERIES.....	1
60	87-22380						CARRIER ASSEMBLY, T-SERIES.....	1
61	87-22396						STATIONARY GEAR HOUSING ASSEMBLY, T-SERIES.....	1
62	87-33249						MOTOR, 12 VOLT.....	1
63	87-22401						MOTOR PINION GEAR.....	1
64	1535A						WIRE ROPE AND HOOK ASSEMBLY, 5/32" X 25 FEET.....	1
65	89-32300						HANSAVER BAR.....	1
66	90-22873-03						CIRCUIT BREAKER ASSEMBLY, 12 VOLT, T-SERIES.....	1
67	90-22117						REMOTE CONTROL ASSEMBLY.....	1
68	92-20172						SOLENOID, 12 VOLT.....	2
69	90-32070						SOLENOID BACK PLATE.....	1
70	90-31079						SOLENOID COVER.....	1
71								
72								
73	71489-G01						LABEL (READ INSTRUCTIONS).....	1

SPECIALTY PRODUCTS

SPECIALTY PRODUCTS

SPECIALTY PRODUCTS

SPECIAL TOOLS	Part No.
DRIVE CLUTCH PULLER.....	19779-G2
FLYWHEEL PULLER.....	27111-G01
CAM PULLER.....	27851-G01
TACHOMETER.....	72526-G01
FEELER GAUGE.....	72525-G01
COMPRESSION TESTER	72524-G01
ENGINE REBUILD MANUAL	27615-G01
REAR AXLE REBUILD MANUAL.....	27660-G01
CURRENT INDICATOR.....	16489-G1
DIGITAL MULTI-METER.....	27481-G01
CRIMPING TOOL.....	27765-G01
SLIDE HAMMER (AXLE/HUB REMOVAL).....	15947-G1
SLIDE HAMMER (AXLE REMOVAL ONLY).....	18753-G1

PERFORMANCE PRODUCTS

BATTERY PROTECTOR, 14 OZ (410ml) AEROSOL	75500-G01
CARBURETOR & CHOKE CLEANER, 15 OZ (440ml) AEROSOL.....	75501-G01
WHITE LITHIUM GREASE, 14 OZ (410ml) AEROSOL	75502-G01
PENETRANT/LUBRICANT, 15 OZ (440ml) AEROSOL	75503-G01
MULTI-PURPOSE CLEANER & DEGREASER, 14 OZ (410ml) AEROSOL.....	75504-G01
MULTI-PURPOSE HAND CLEANER, 32 OZ (950ml) LIQUID	75505-G01
BATTERY CLEANER, 32 OZ (950ml) W/TRIGGER SPRAYER	75506-G01
BIODEGRADABLE CLEANER, 32 OZ (950ml) W/TRIGGER SPRAYER.....	75507-G01
MULTI-PURPOSE VALUE PACK	75508-G01
•BATTERY PROTECTOR, 4 OZ (120ml) AEROSOL	
•PENETRANT/LUBRICANT, 4 OZ (120ml) AEROSOL	
•WHITE LITHIUM GREASE, 4 OZ (120ml) AEROSOL	
•CARBURETOR & CHOKE CLEANER, 4 OZ (120ml) AEROSOL	

PAINT

HUNTER GREEN - TOUCH-UP PEN	28432-G02
HUNTER GREEN - 12 OZ (360ml) AEROSOL	28140-G09
CAMOUFLAGE PAINT - THREE TOUCH-UP PENS	75831-G01

ENGINE OIL

4-CYCLE ENGINE OIL, 10W-30, 5 GALLON (19 liters).....	25730-G03
4-CYCLE ENGINE OIL, 10W-30, 12 QUART CASE	25730-G04
4-CYCLE ENGINE OIL, 10W-30, QUART (950ml) BOTTLE.....	25730-G06

ACCESSORIES

ACCESSORIES LIST

ACCESSORIES

ACCESSORIES LISTING	KIT NO.	LOCATION IN MANUAL
ASHTRAY KIT.....	75109-G02	See BODY
BALL HITCH RECEIVER.....	74270-G0*	See BODY
GLOVE BOX DOOR	75456-G0*	See BODY
HOUR METER KIT	75114-G02	See ELECTRICAL SYSTEM
REAR VIEW MIRROR KIT (REQUIRES SUN TOP KIT).....	19528-G2	See WEATHER PROTECTION
SOFT ENCLOSURE (3 SIDED).....	75367-G0*	See WEATHER PROTECTION
SUN TOP KIT	75040-G05	See WEATHER PROTECTION
WINCH.....	74259-G04	See WINCH
WINDSHIELD KIT (REQUIRES SUN TOP KIT).....	71966-G0*	See WEATHER PROTECTION
SPLIT WINDSHIELD KIT (REQUIRES SUN TOP KIT).....	71966-G0*	See WEATHER PROTECTION
ALUMINUM TOOLBOX	75454-G02	See TRUCK BED



Textron Golf, Turf & Specialty Products
P.O. Box 388 Augusta, Georgia 30903-0388 USA
Inside USA Phone: 1-800-241-5855, FAX: 1-800-448-8124
Outside USA Phone: 010-1-706-798-4311, FAX: 010-1-706-771-4609

Copyrighted Material
This manual may not be reproduced in whole or
in part without the express permission of
E-Z-GO Division of Textron Inc.
Technical Communications Department