



CUSHMAN®
LET'S WORK!

Stock chaser Service Parts Manual

ELECTRIC POWERED INDUSTRIAL VEHICLE



630824-L

ISSUED JANUARY 2013

REVISED MARCH 2018

SERVICE PARTS MANUAL

ELECTRIC POWERED INDUSTRIAL VEHICLE

STOCK CHASER - 36V

STARTING MODEL YEAR 2013

DISCLAIMER: The E-Z-GO Division of Textron Inc. (E-Z-GO) reserves the right to incorporate engineering and design changes to products in this Manual, without obligation to include these changes on units leased/sold previously.

The information contained in this Manual may be revised periodically E-Z-GO, and therefore is subject to change without notice.

E-Z-GO DISCLAIMS LIABILITY FOR ERRORS IN THIS MANUAL, and E-Z-GO SPECIFICALLY DISCLAIMS LIABILITY FOR INCIDENTAL AND CONSEQUENTIAL DAMAGES RESULTING FROM THE USE OF THE INFORMATION AND MATERIALS IN THIS MANUAL.

TO CONTACT US

NORTH AMERICA:

TECHNICAL ASSISTANCE & WARRANTY PHONE: 1-800-774-3946, FAX: 1-800-448-8124

SERVICE PARTS PHONE: 1-888-GET-EZGO (1-888-438-3946), FAX: 1-800-752-6175

INTERNATIONAL: PHONE: 001-706-798-4311, FAX: 001-706-771-4609

E-Z-GO DIVISION OF TEXTRON INC., 1451 MARVIN GRIFFIN RD., AUGUSTA, GEORGIA USA 30906-3852

GENERAL INFORMATION

To obtain a copy of the limited warranty applicable to the vehicle, call or write a local Distributor, authorized Branch or the Warranty Department with vehicle serial number and manufacturer code.

The use of non Original Equipment Manufacturer (OEM) parts may void the warranty.

Overfilling of batteries may void the warranty.

BATTERY PROLONGED STORAGE

All batteries will self discharge over time. The rate of self discharge varies depending on the ambient temperature and the age and condition of the batteries.

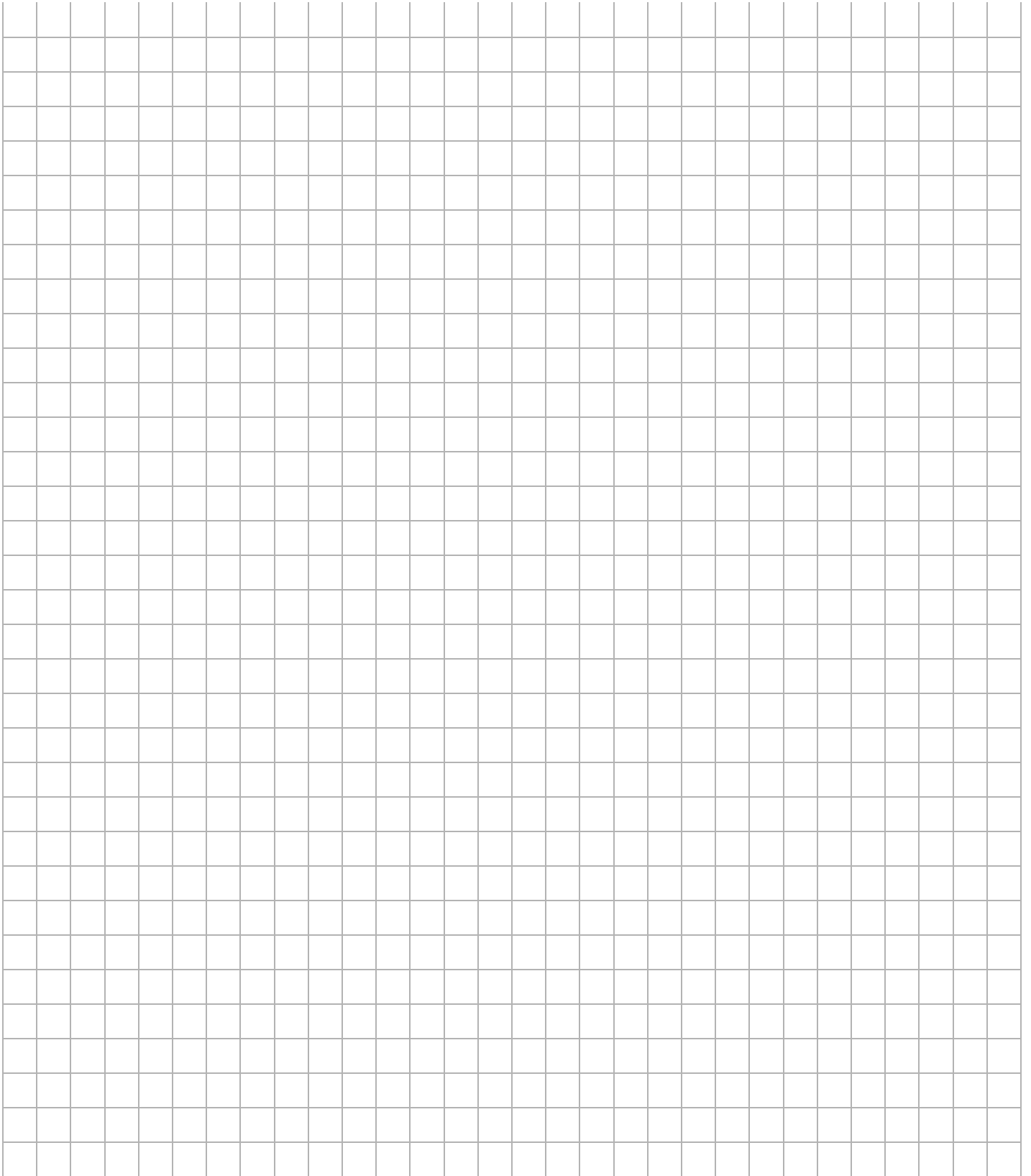
A fully charged battery will not freeze in winter temperatures unless the temperature falls below -75° F (-60° C).

As with all electric vehicles, the batteries must be checked and recharged as required or at a minimum of 30 day intervals.

TABLE OF CONTENTS

SECTION	Page No.
HOW TO USE THE SERVICE PARTS MANUAL	v
ACCELERATOR	A-1
BATTERY CHARGER - ON BOARD	B-1
BATTERY CHARGER - PORTABLE	B-3
BODY	C-1
BRAKES	D-1
DIRECTION SELECTOR	E-1
ELECTRICAL SYSTEM	F-1
ELECTRONIC SPEED CONTROL	G-1
FRONT FORK AND STEERING	H-1
MOTOR	J-1
REAR AXLE	K-1
WHEELS AND TIRES	L-1

NOTES



HOW TO USE THE SERVICE PARTS MANUAL

This manual is divided into several sections:

- GENERAL INFORMATION
- ILLUSTRATED PARTS BREAKDOWN
- APPENDIX

The first section, GENERAL INFORMATION, contains the following information:

- WARRANTY INFORMATION
- GENERAL INDEX
- HOW TO USE THE SERVICE PARTS MANUAL

The second section, ILLUSTRATED PARTS BREAKDOWN, contains illustrations and parts lists for all systems of your vehicle.

The third section, APPENDIX, contains a listing of specialty products and accessories.

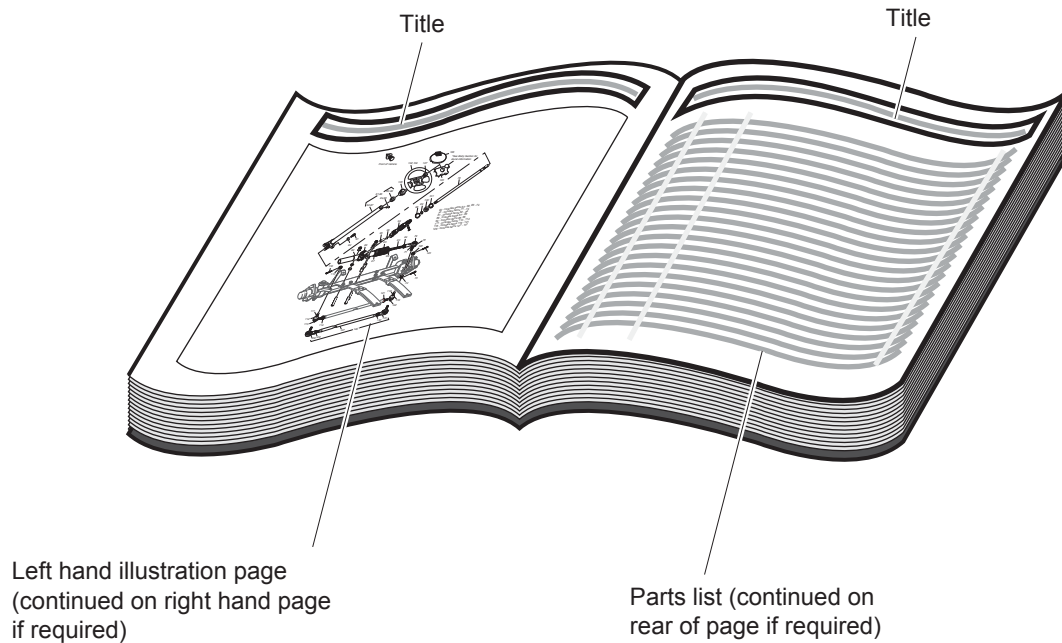
USE OF THE MANUAL

To use this manual, consult the GENERAL INDEX to locate the information or illustration required.

Introduction of some revisions varies due to supply of components; therefore, it is possible that various combinations of components may be found that are not directly reflected by each illustration. Consult the illustration that best suits your situation and then contact the Service Parts Department. It is important that the serial number of your vehicle and its model number be supplied to Service Parts when ordering any replacement components.

Locate the serial number plate (see BODY located in the Illustrated Parts Breakdown section of this manual for its location) and note the complete number shown on the plate.

HOW TO USE THE SERVICE PARTS MANUAL



1. WHEN THE PART NUMBER IS NOT KNOWN

- Determine the function and application of the part required. Turn to the General Index and select the most appropriate title.
- Turn to the page number indicated and locate the desired part on the illustration.
- From the illustration, obtain the item number as signed to the desired part. Refer to the accompanying description for specific information regarding the part.

2. IF YOU KNOW THE PART NUMBER

- Locate the part number or description in the appropriate column on the parts list page.

NOTE: It is suggested that you confirm that the part selected is correct by verifying it with the pictorial representation on the illustrated page.

Should an asterisk (*) appear in the part number column on the parts list page, read upwards until a part number is found. The part number is the lowest assembly sold by Service Parts and the asterisk (*) indicates that the part depicted is not available for purchase.

NOTE: Descriptions are indented under the assembly that they are used on. That assembly is, in turn listed under the assembly that it is used on. This process is repeated until the highest final assembly is reached.

To facilitate the maintenance and repair of the vehicle, a Technician's Repair and Service Manual is available from the Service Parts Department.

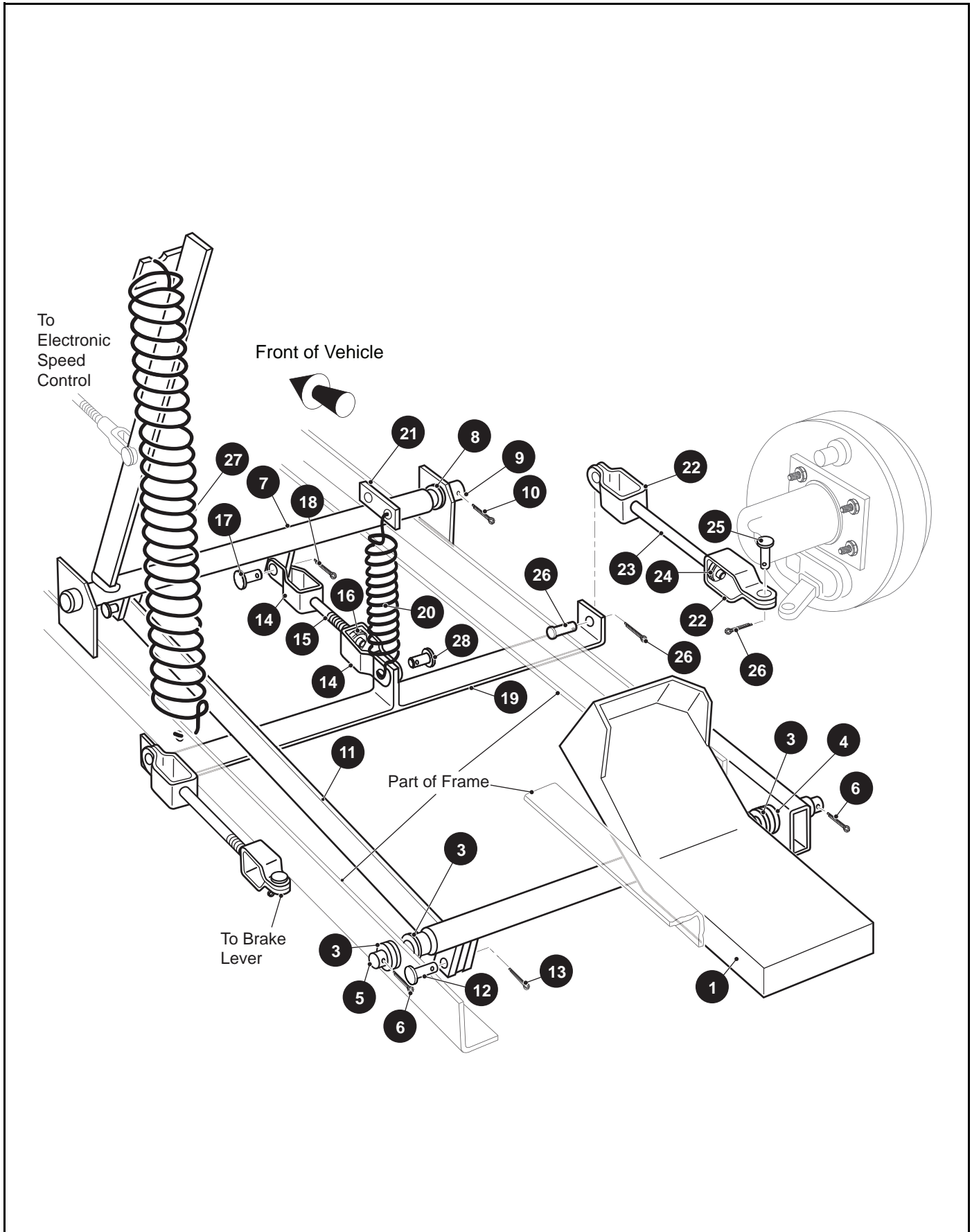
HOW TO USE THE SERVICE PARTS MANUAL

3. COLOR CODE FOR BODY COMPONENTS

The last two digits of the part number for the body part will denote the color code, locate the part number for the cowl, rear body, seat pod, side panel or seat wrap then locate your color in the list below, replace the last ** or XX with the two digit color code.

<u>CODE #</u>	<u>DESCRIPTION</u>
28009G12	CARDINAL RED
28009G13	FROST BEIGE
28009G14	ARCTIC WHITE
28009G15	CLASSIC GREY
28009G16	GLENWOOD GREEN
28009G17	MIST BLUE
28010G12	REGATTA BLUE
28010G13	TURQUOISE BLUE
28010G14	HUNTER GREEN
28010G15	TEAL GREEN
28010G16	BURGUNDAY RED
28010G17	DESERT TAN
28010G18	ORANGE
28010G19	SAFETY YELLOW
28010G20	BLACK
28011G11	NSC

ACCELERATOR



ACCELERATOR

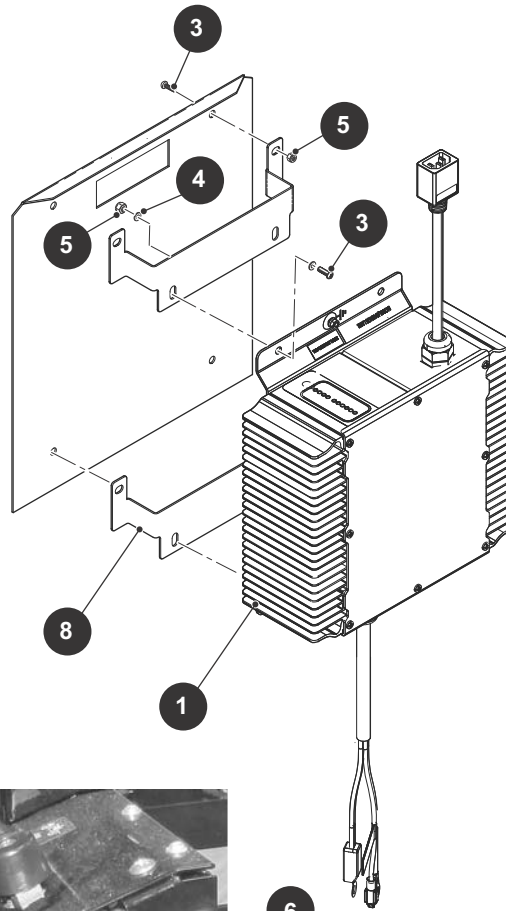
When ordering parts, please specify the model and serial number of the product.

* Indicates a component that is not available as an individual part.

*** Indicates consult Customer Service Department for additional information.

ITEM	PART NO.	1 2 3 4 5	DESCRIPTION	QTY.
1	32277G1		CONTROL PEDAL WELDMENT	1
2				
3	70581G01		BUSHING.....	3
4	00771G2		NYLON WASHER, 1/2".....	1
5	30772G4		PIVOT SHAFT, 1/2" DIA. X 17" LG	1
6	10387G1		COTTER PIN, .125" X 1.5"	2
7	32279G1		CONTROL ARM	1
8	70581G01		BUSHING.....	2
9	30772G3		PIVOT SHAFT, 1/2" DIA. X 16" LG	1
10	10387G1		COTTER PIN, .125" X 1.5" LG	1
11	30783G1		CONTROL LINK	1
12	14443G3		CLEVIS PIN, 5/16" X 1" LG	2
13	10387G2		COTTER PIN, 3/32" X 1" LG	2
14	30182G1		CLEVIS YOKE	2
15	00272G4		HEX HEAD BOLT, 5/16" - 18 X 2 1/2" LG.....	1
16	11098G6		LOCK NUT, 5/16" - 18 (SS)	1
17	10386G3		CLEVIS PIN, 5/16" X 15/16" LG	1
18	10387G2		COTTER PIN, 3/32" X 1" LG	1
19	30779G1		BRAKE EQUALIZER	1
20	35428G01		BRAKE EXTENSION SPRING	1
21	31855G1		SPRING LINK.....	1
22	30182G1		CLEVIS YOKE	4
23	00441G8		HEX HEAD BOLT, 5/16" - 18 X 4" LG	2
24	11098G6		LOCK NUT, 5/16" - 18 (SS)	2
25	10386G3		CLEVIS PIN, 5/16" X 15/16" LG	4
26	10387G2		COTTER PIN, 3/32" X 1" LG	4
27	30177G1		EXTENSION SPRING	1
28	0076G1		CLEVIS PIN, 5/16" X 1 1/4" LG	1

BATTERY CHARGER - ON BOARD



BATTERY CHARGER - ON BOARD

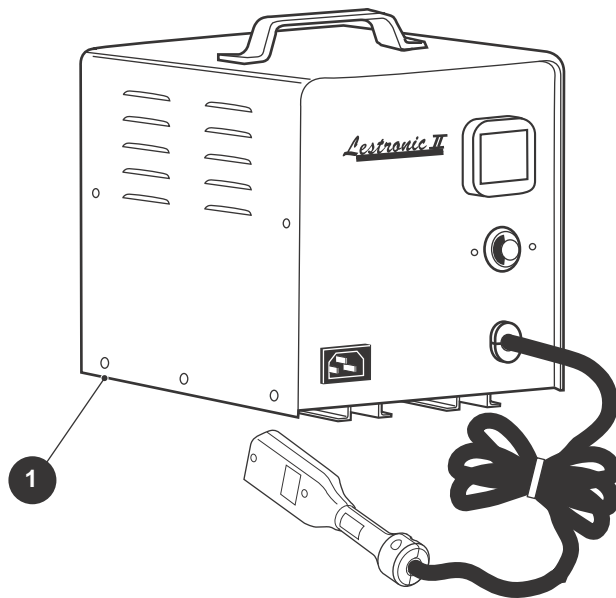
When ordering parts, please specify the model and serial number of the product.

* Indicates a component that is not available as an individual part.

*** Indicates consult Customer Service Department for additional information.

ITEM	PART NO.	1 2 3 4 5	DESCRIPTION	QTY.
1	628089		BATTERY CHARGER, DELTA-Q, 24 V	1
2	17618G1		NYLON CLAMP (NOT ILLUSTRATED)	4
3	16705G2		PAN HEAD SCREW (SS), 1/4" - 20 X 5/8" LG	8
4	00642G7		FLAT WASHER, #4 - 5/16"	8
5	14390G4		LOCK NUT, 1/4" - 20.....	8
6	630553		STRAIN RELIEF BUSHING.....	1
7	630736		AC CHARGER CORD, 3M/10FT	1
8	630404		OFFSET BRACKET.....	2

BATTERY CHARGER - PORTABLE



BATTERY CHARGER - PORTABLE

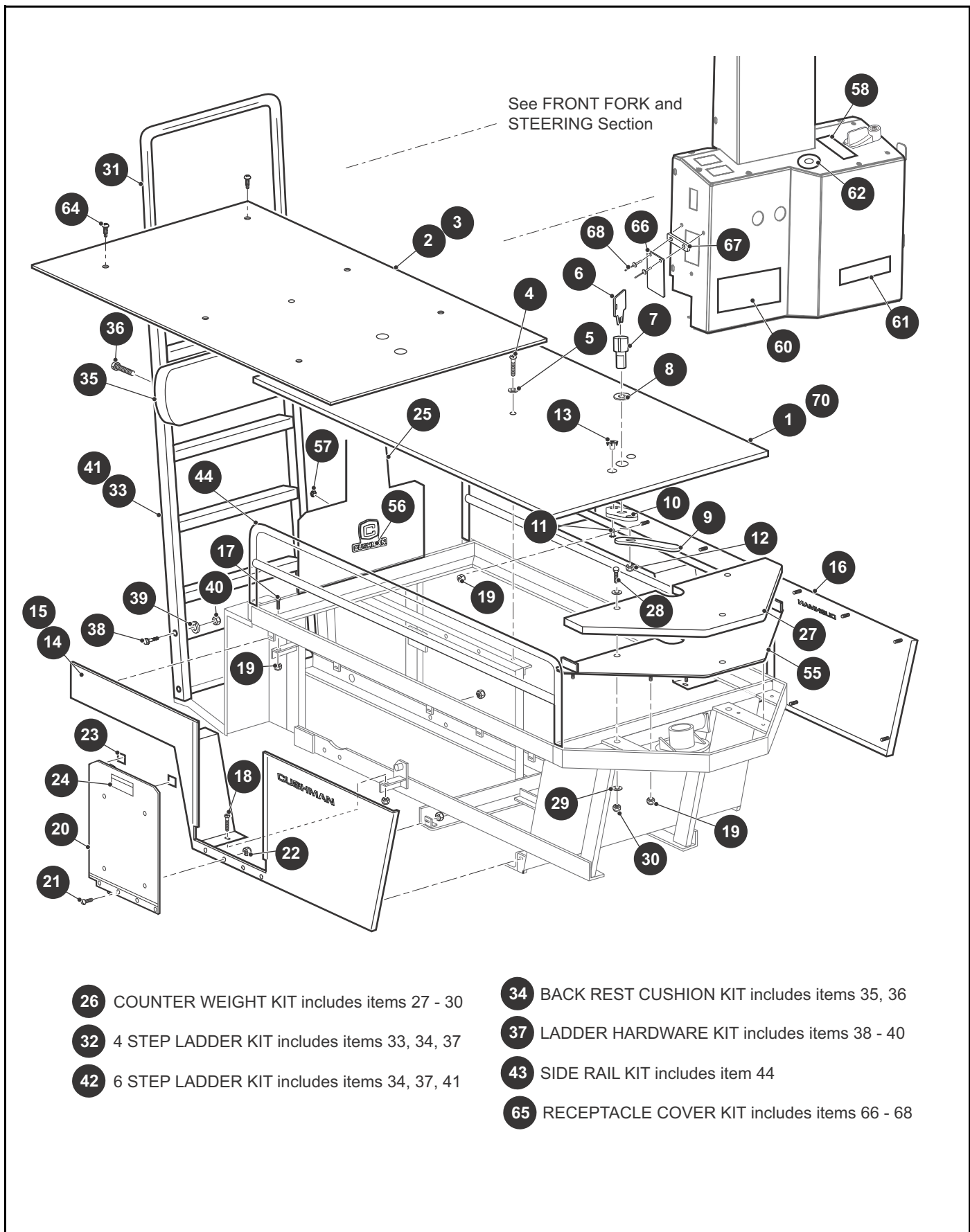
When ordering parts, please specify the model and serial number of the product.

* Indicates a component that is not available as an individual part.

*** Indicates consult Customer Service Department for additional information.

ITEM	PART NO.	1 2 3 4 5 DESCRIPTION	QTY.
1	602712	PORTABLE BATTERY CHARGER, LESTER, 24 V	1

BODY



26 COUNTER WEIGHT KIT includes items 27 - 30

32 4 STEP LADDER KIT includes items 33, 34, 37

42 6 STEP LADDER KIT includes items 34, 37, 41

34 BACK REST CUSHION KIT includes items 35, 36

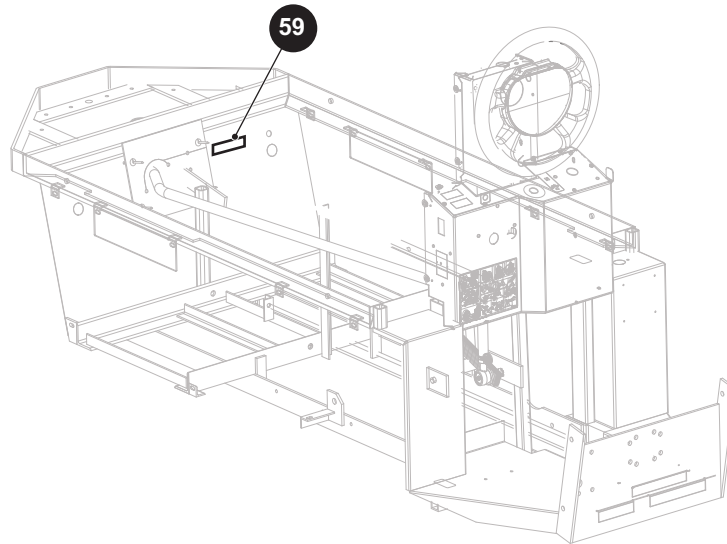
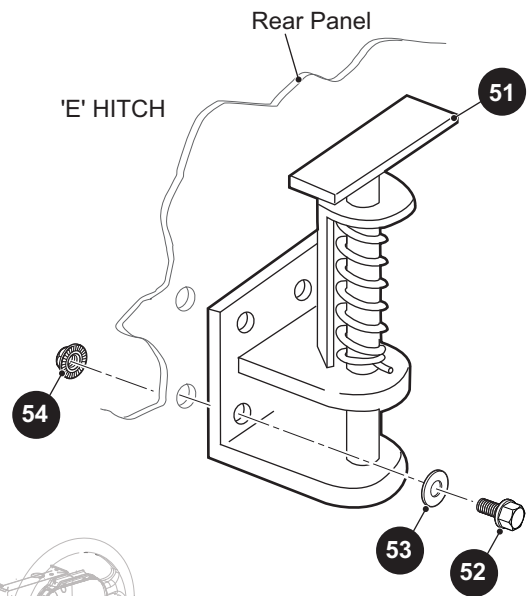
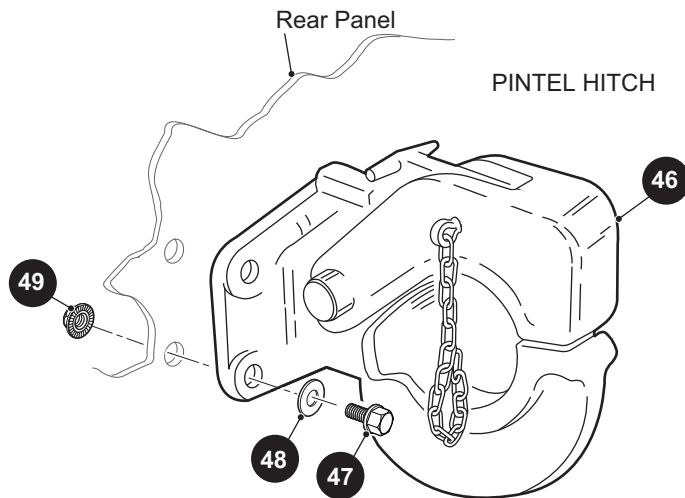
37 LADDER HARDWARE KIT includes items 38 - 40

43 SIDE RAIL KIT includes item 44

65 RECEPTACLE COVER KIT includes items 66 - 68

45 PINTEL HITCH KIT includes items 46 - 49

50 'E' HITCH KIT includes items 51 - 54



BODY

When ordering parts, please specify the model and serial number of the product.

* Indicates a component that is not available as an individual part.

*** Indicates consult Customer Service Department for additional information.

ITEM	PART NO.	1 2 3 4 5	DESCRIPTION	QTY.
1	656575		DECK BOARD (FOR VEHICLES MANUFACTURED AFTER MARCH 19, 2017)	1
2	628117		LOAD DECK (GALVANIZED STEEL).....	1
3	628123		LOAD DECK (SS)	1
4	00753G3		TRUSS HEAD PHILLIPS SCREW (SS), 1/4" - 20 X 1/2" LG	1
5	00559G8		FLAT WASHER, 5/6"	1
6	601841		EE LATCH KEY	1
7	35244G01		LATCH PIN.....	1
8	34434G01		BELLEVILLE WASHER.....	1
9	34433G01		LATCH.....	1
10	34431G01		LATCH PLATE.....	1
11	16705G2		TRUSS HEAD PHILLIPS SCREW (SS), 1/4" - 20 X 5/8" LG	2
12	14390G1		LOCK NUT, 3/8" - 24	1
13	11782G2		TEE NUT, 1/4" -20.....	2
14	629267G01		BODY PANEL, RH SIDE (EQUIPPED WITH ON BOARD CHARGER).....	1
15	629267G02		BODY PANEL, RH SIDE (EQUIPPED WITH PORTABLE CHARGER)	1
16	629401		BODY PANEL, LH SIDE.....	1
17	00414G6		HEX HEAD BOLT, 1/4" - 20 X 3/4" LG	2
18	16705G4		TRUSS HEAD PHILLIPS SCREW (SS), 1/4" - 20 X 1/2" LG	2
19	11027G2		LOCK NUT, 1/4" - 20	22
20	629353G01		CHARGER MOUNT DOOR ASSEMBLY.....	1
21	16705G2		TRUSS HEAD PHILLIPS SCREW (SS), 1/4" - 20 X 5/8" LG	4
22	14390G4		LOCK NUT, 1/4" - 20	4
23	22524G1		FOAM TAPE (CUT TO 1" LG)	1
24	22280G1		BLACK TRIM (CUT TO 3 1/2" LG)	1
25	628504		CONTROL PANEL, BACK.....	1
26	630786G02		COUNTER WEIGHT KIT (INCLUDES ITEMS 27 - 30)	1
27	630533		COUNTER WEIGHT	1
28	00464G6		HEX HEAD BOLT, 7/16" - 14 X 2.75" LG.....	3
29	816446		FLAT WASHER, 0.44".....	6
30	00734G1		LOCK NUT, 7/16" - 14.....	3
31	30931G1		BACKREST FRAME	1

When ordering parts, please specify the model and serial number of the product.

* Indicates a component that is not available as an individual part.

*** Indicates consult Customer Service Department for additional information.

ITEM	PART NO.	1 2 3 4 5	DESCRIPTION	QTY.
32	630787G01		4 STEP LADDER KIT (INCLUDES ITEMS 33, 34, 37)	
33	628955G01		4 STEP LADDER.....	1
34	33214G02		BACK REST CUSHION KIT (INCLUDES ITEMS 35, 36)	1
35	30917G2		BACK REST CUSHION	1
36	00126G6		SLOTTED ROUND HEAD SCREW, #12 - 11 X 3/4" LG	3
37	33667G01		HARDWARE KIT (STEP LADDER) (INCLUDES ITEMS 38 - 40)	1
38	00288G8		HEX HEAD BOLT, 7/16" - 14 X 1" LG	4
39	00566G2		LOCK WASHER, 7/16"	4
40	00532G7		HEX NUT, 7/16" - 14	4
41	628955G02		6 STEP LADDER.....	1
42	630787G02		6 STEP LADDER KIT (INCLUDE S ITEMS 34, 37, 41)	1
43	31157G1		SIDE RAIL KIT (INCLUDES ITEMS 37).....	1
44	31158G2		SIDE RAILS.....	2
45	32980G04		PINTEL HITCH KIT (INCLUDES ITEMS 46 - 49)	1
46	30817G1		PINTEL HITCH	1
47	00427G4		HEX HEAD BOLT, 3/8" - 16 X 1 1/2" LG	4
48	00560G1		FLAT WASHER, 3/8"	8
49	11098G5		LOCK NUT, 3/8" - 16	4
50	33732G04		'E' HITCH KIT (INCLUDES ITEMS 51 - 54)	1
51	33731G01		'E' HITCH.....	1
52	00427G6		HEX HEAD BOLT, 3/8" - 16 X 1 3/4" LG	4
53	00560G1		FLAT WASHER, 3/8"	8
54	11098G5		LOCK NUT, 3/8" - 16	4
55	631994		FRONT TRAY	1
56	624539		CUSHAMAN EMBLEM	1
57	71597G01		SELF THREADING NUT, 5 X 10 X 15 MM	3
58	629696		LABEL (DIRECTION SELECTOR)	1
59	608818		LABEL (NEGATIVE GROUND).....	1
60	35491G01		LABEL (CONSOLE INSTRUCTIONS).....	1
61	25775G01		LABEL (CHARGER WARNING)	1
62	630044		RING LABEL (OFF/ON).....	1

BODY

When ordering parts, please specify the model and serial number of the product.

* Indicates a component that is not available as an individual part.

*** Indicates consult Customer Service Department for additional information.

ITEM	PART NO.	1 2 3 4 5	DESCRIPTION	QTY.
63	35216G01		DECAL (EE) (NOT ILLUSTRATED)	2
64	00130G5		ROUND HEAD PHILLIPS SCREW, #10 - 13 x 5/8" LG	6
65	631974		RECEPTACLE COVER KIT, UL (INCLUDES ITEMS 66 - 68)	1
66	631945		RECEPTACLE COVER	1
67	631953		RECEPATACLE COVER PLATE	1
68	71055G01		RIVET, 3/16"	2
69				
70	627947		DECK BOARD (FOR VEHICLES MANUFACTURED BEFORE MARCH 19, 2017)	1

BRAKES

When ordering parts, please specify the model and serial number of the product.

* Indicates a component that is not available as an individual part.

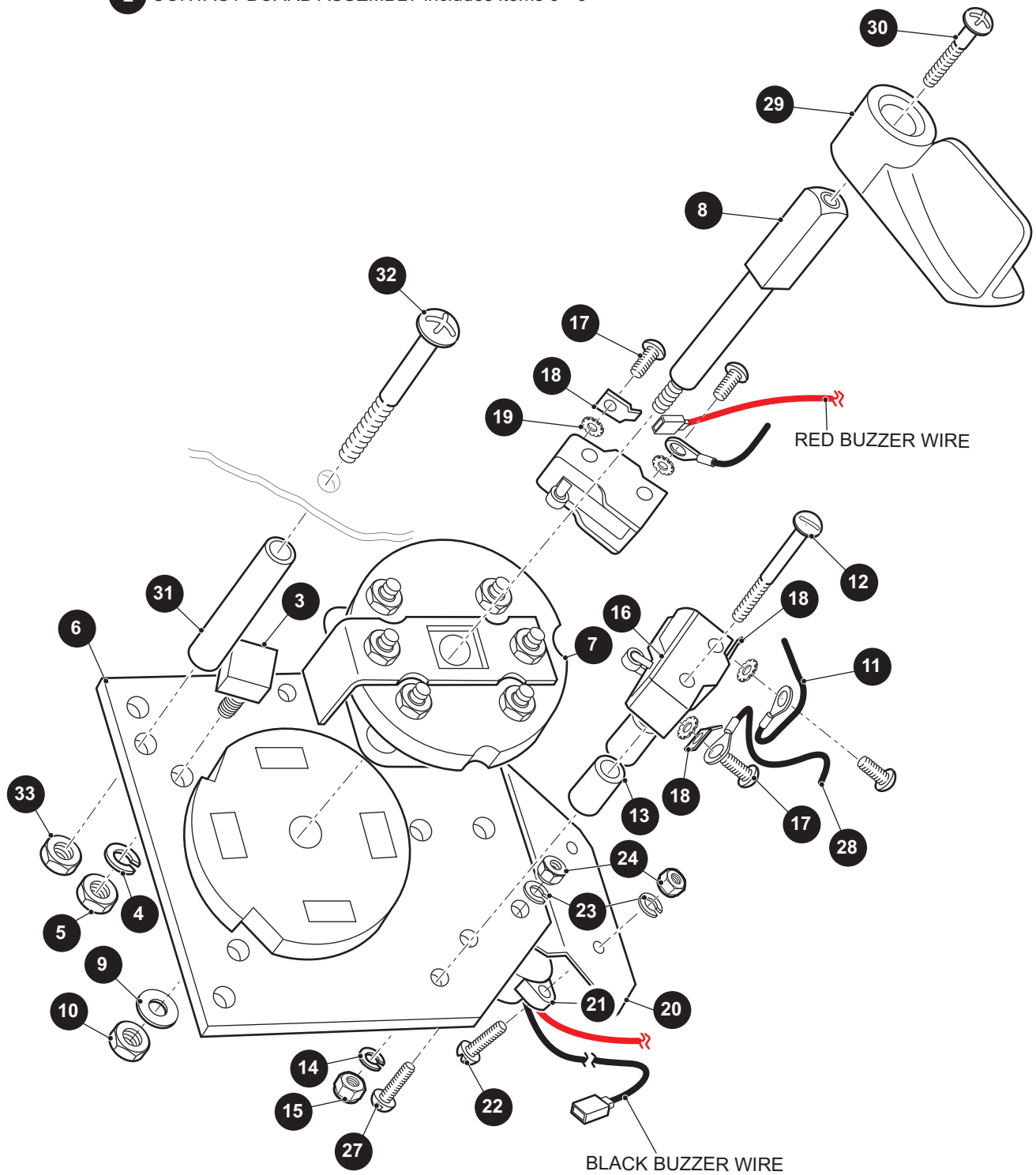
*** Indicates consult Customer Service Department for additional information.

ITEM	PART NO.	1 2 3 4 5	DESCRIPTION	QTY.
1	20938G1		BRAKE ASSEMBLY, LH (INCLUDES ITEMS 3, 5 - 22)	1
2	20938G2		BRAKE ASSEMBLY, RH (INCLUDES ITEMS 4 - 22)	1
3	22519G1		BACKING PLATE, LH.....	1
4	22518G1		BACKING PLATE, RH.....	1
5	22516G1		ADJUSTER ASSEMBLY (INCLUDES ITEM 6)	1
6	22520G1		ADJUSTER BODY (INCLUDES ITEMS 7 - 8).....	1
7	17287G1		ADJUSTER BOLT.....	1
8	17289G1		PISTON ANCHOR	2
9	00664G7		LOCK WASHER, 1/4" (SS).....	2
10	13632G1		HEX NUT, 6MM	2
11	17294G1		ADJUSTING BOLT CAP	1
12	22512G1		ACTUATING LEVER	1
13	22513G1		LEVER PIN.....	1
14	22514G1		'U' CLIP.....	1
15	22515G1		SLIDING BLOCK.....	1
16	22511G1		DUST COVER	1
17	17292G1		TENSION PIN	2
18	17291G1		SPRING CLAMP	2
19	23398G1		BRAKE SHOE SET (INCLUDES ITEM 20)	1
20	23355G1		BRAKE SHOE	2
21				
22	17290G1		BRAKE SPRING	2
23	17083G1		HEX HEAD BOLT, 5/16" - 24 X 3/4" LG	8
24	15126G1		LOCK NUT, 5/16" - 24.....	8
25	19186G2		BRAKE DRUM AND HUB ASSEMBLY	2
26	15485G1		WHEEL RIM WASHER, 13/16".....	2
27	15487G1		FLAT WASHER, 1 3/8" O.D. X 21/32"	2
28	612928		CASTELLATED NUT, 5/8" - 18	2
29	10387G1		COTTER PIN, 1/8" X 1 1/2" LG	2

DIRECTION SELECTOR

1 DIRECTION SELECTOR ASSEMBLY includes items 2 - 28

2 CONTACT BOARD ASSEMBLY includes items 3 - 6



DIRECTION SELECTOR

When ordering parts, please specify the model and serial number of the product.

* Indicates a component that is not available as an individual part.

*** Indicates consult Customer Service Department for additional information.

ITEM	PART NO.	1 2 3 4 5	DESCRIPTION	QTY.
1	628950		DIRECTION SELECTOR ASSEMBLY (INCLUDES ITEMS 2 - 28)	1
2	14651G1		CONTACT BOARD ASSEMBLY (INCLUDES ITEMS 3 - 6)	1
3	24940G1		STOP	2
4	00664G7		LOCK WASHER (SS), 1/4"	2
5	00414G6		HEX NUT, 1/4" - 20	2
6	*		BOARD AND CONTACT	1
7	633746		SWITCH CAM	1
8	19470G1		SHAFT	1
9	00560G1		FLAT WASHER, 3/8"	1
10	14390G1		LOCK NUT, 3/8" - 24	1
11	20757G1		18 GA RED WIRE, 7 3/4"	1
12	00645G6		PAN HEAD PHILLIPS SCREW, #6 - 32 X 1 3/4" LG	4
13	12806G1		SPACER, 0.144 I.D. X 0.50" O.D. X 0.62" LG	4
14	00565G3		LOCK WASHER, #6	4
15	00525G5		HEX NUT, #6 - 32	4
16	10606G2		MICRO SWITCH (HEAVY DUTY)	2
17	13514G1		ROUND HEAD SCREW (BRASS), #6 - 32 X 7/32" LG	4
18	14628G1		FASTON TAB, 5/16" X 5/16"	3
19	00567G3		LOCK WASHER, #6	4
20	32043G1		BUZZER BRACKET	1
21	17940G1		REVERSE WARNING BUZZER	1
22	00138G4		ROUND HEAD SCREW, #6 - 32 X 1/2" LG	2
23	00565G3		LOCK WASHER, #6	4
24	00525G5		HEX NUT, #6 - 32	4
25	00544G3		JAM NUT, 5/16" - 18 (NOT ILLUSTRATED)	4
26	00565G8		LOCK WASHER, 5/16" (NOT ILLUSTRATED)	4
27	00645G5		PHILLIPS PAN HEAD SCREW, #6 - 32 X 5/8" LG	2
28	628908		WIRE ASSEMBLY, 10" (WHITE/RED)	1
29	19886G1		DIRECTION SELECTOR HANDLE	1
30	00740G4		PHILLIPS TRUSS HEAD SCREW (SS), #10 - 32 X 1/2" LG	1
31	30318G2		SPACER, 0.328" I.D. X 0.54" O.D. X 1.75" LG	3

DIRECTION SELECTOR

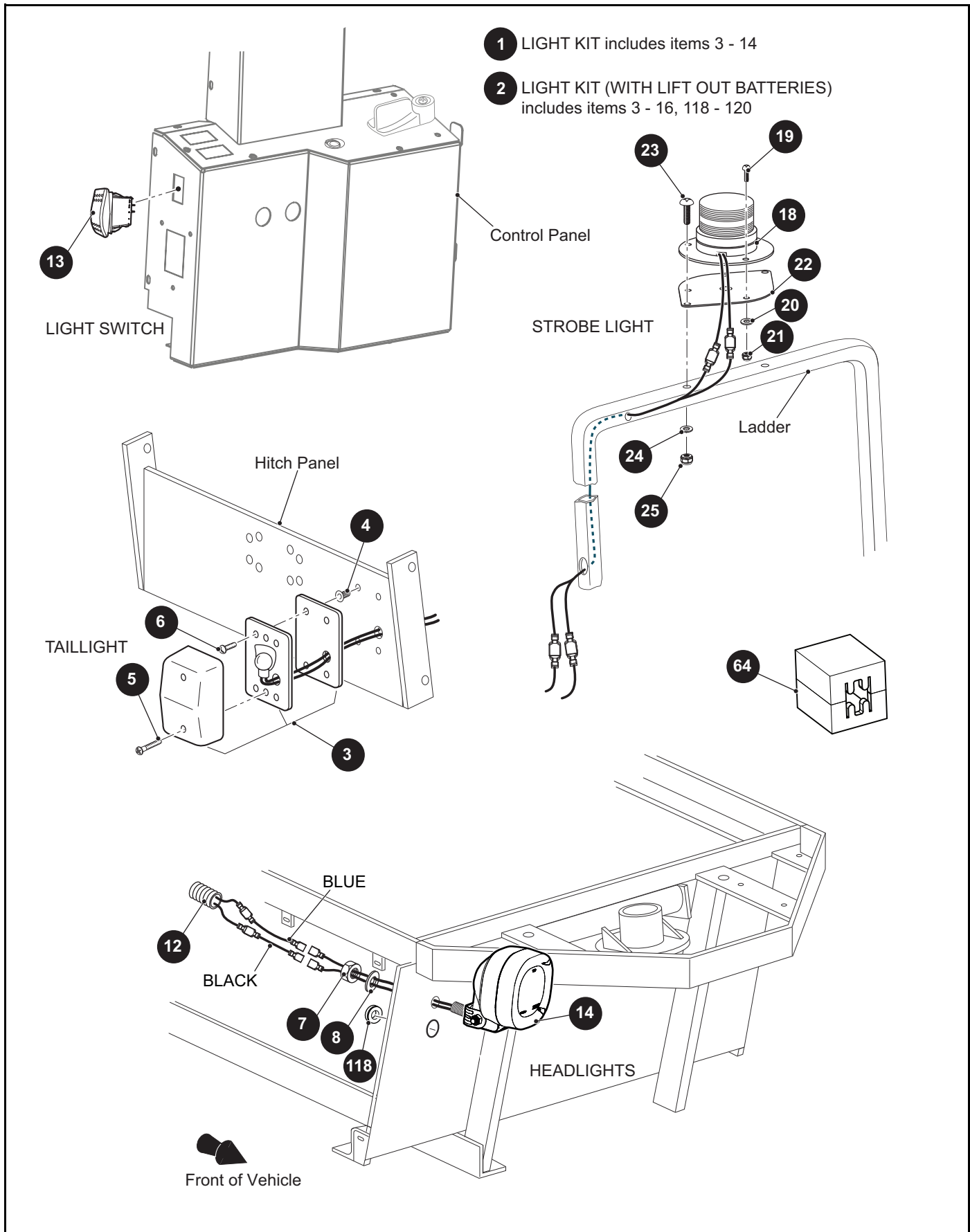
When ordering parts, please specify the model and serial number of the product.

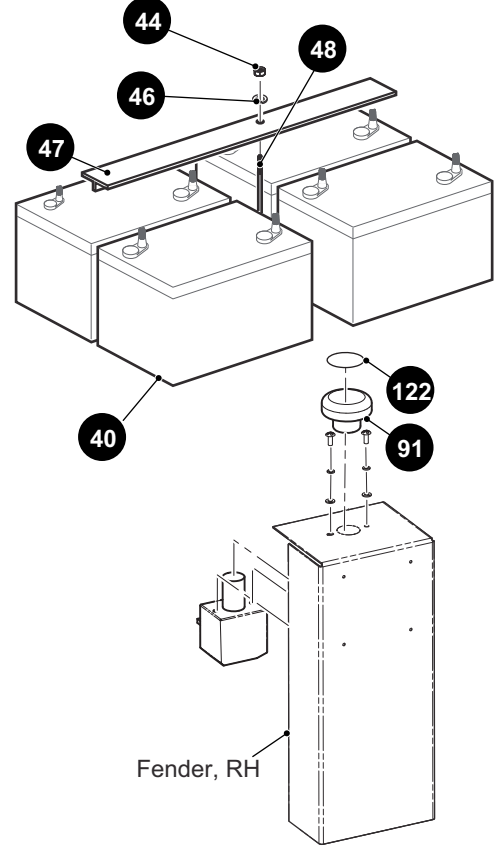
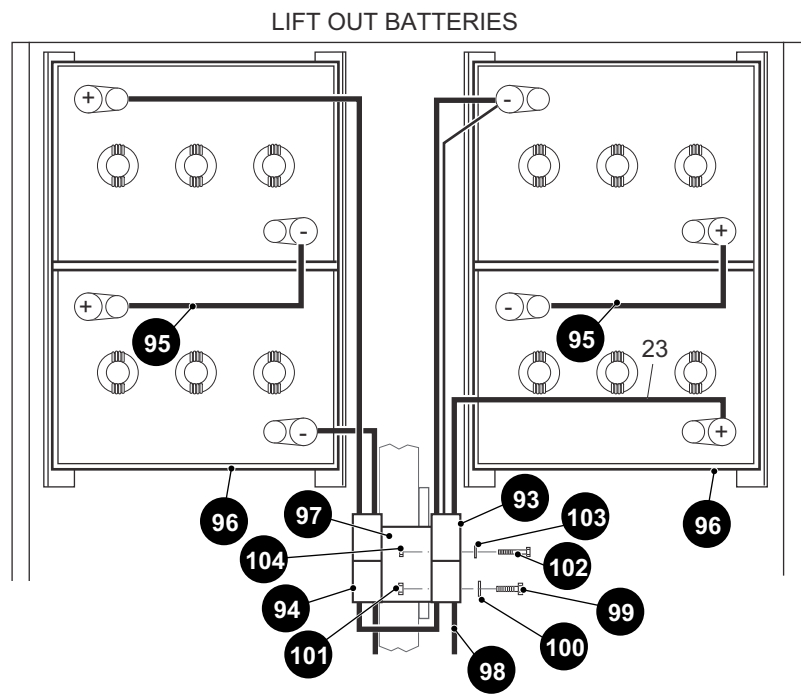
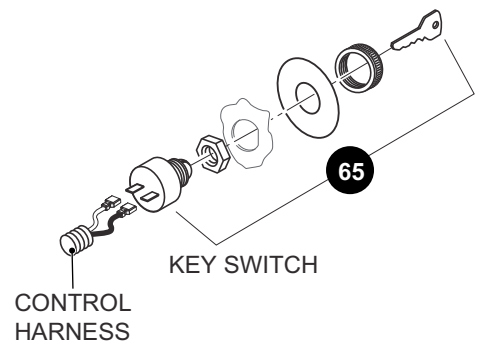
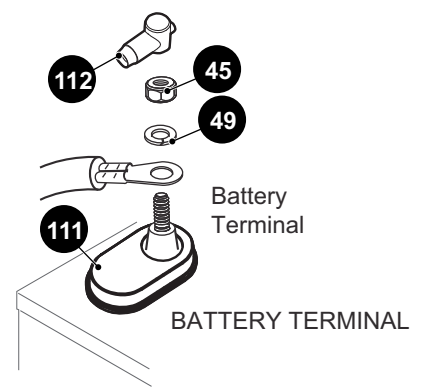
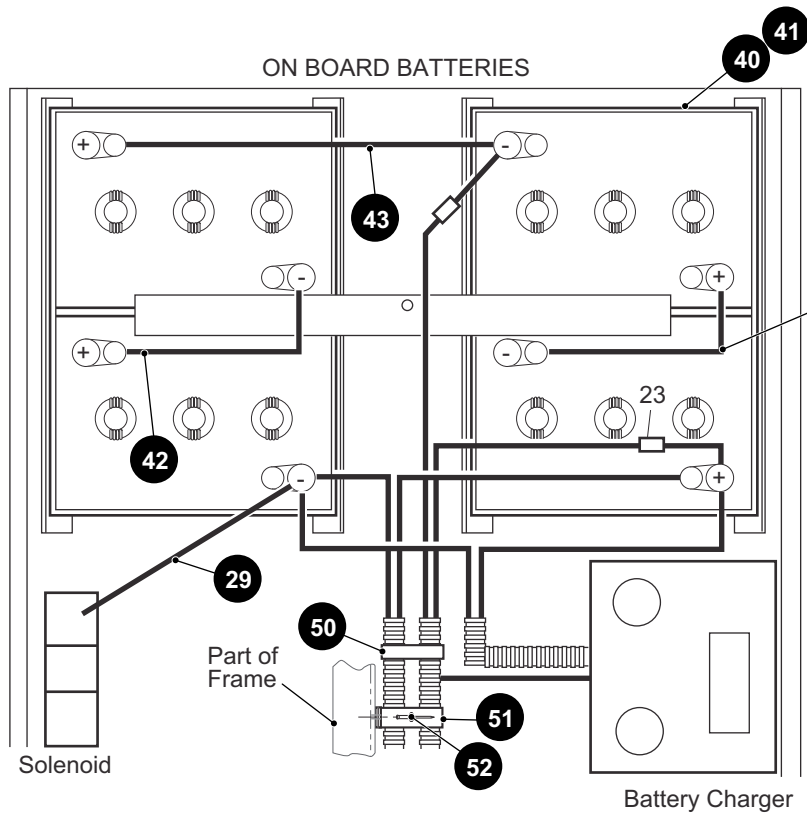
* Indicates a component that is not available as an individual part.

*** Indicates consult Customer Service Department for additional information.

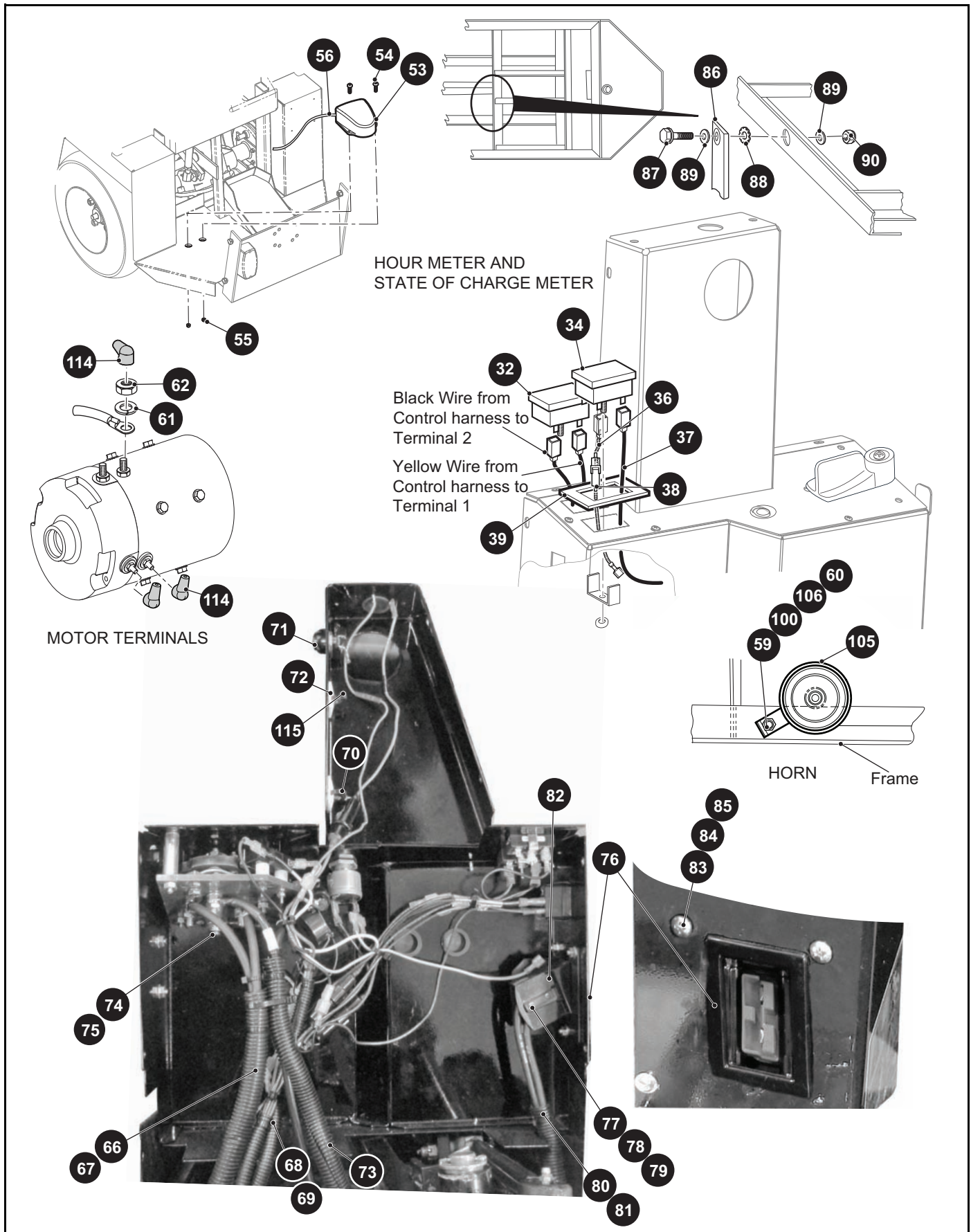
ITEM	PART NO.	1 2 3 4 5	DESCRIPTION	QTY.
32	00753G7		PHILLIPS TRUSS HEAD SCREW (SS), 1/4" - 20 X 2 1/2" LG.....	3
33	00550G1		LOCK NUT, 1/4" - 20	3

ELECTRICAL SYSTEM





ELECTRICAL SYSTEM



ELECTRICAL SYSTEM

When ordering parts, please specify the model and serial number of the product.

* Indicates a component that is not available as an individual part.

*** Indicates consult Customer Service Department for additional information.

ITEM	PART NO.	1 2 3 4 5	DESCRIPTION	QTY.
1	630825		LIGHT KIT (INCLUDES ITEMS 3 - 14)	1
2	630826		LIGHT KIT WITH LIFT OUT BATTERIES (INCLUDES ITEMS 3 - 16, 118 - 120)	1
3	22288G1		TAILLIGHT ASSEMBLY	1
4	00739G1		WELL NUT, #10 - 24.....	4
5	00513G4		PHILLIPS PAN HEAD SCREW, #8 X 1.5" LG	2
6	00180G6		FLAT HEAD SCREW, #10 - 24 x 3/4" LG	4
7	00533G1		HEX NUT, 1/2" - 13.....	2
8	00566G3		SPRING LOCK WASHER, 1/2"	2
9				
10				
11	17618G1		WIRE TIE (NOT ILLUSTRATED)	12
12	629448		WIRE HARNESS (LIGHTS)	1
13	618789		LIGHT SWITCH ASSEMBLY (2 POSITION)	1
14	629122		HEAD LIGHT ASSEMBLY	2
15	17902G1		TAB ADAPTOR (NOT ILLUSTRATED).....	1
16	629344		WIRE HARNESS (LIGHTS) WITH LIFT OUT (NOT ILLUSTRATED)	1
17	630832		STROBE LIGHT KIT (INCLUDES ITEMS 18 - 31)	1
18	25617G01		STROBE LIGHT ASSEMBLY	1
19	00740G4		PHILLIPS HEAD SCREW, #10 - 32 X 1/2" LG.....	3
20	00594G5		LOCK WASHER, #10	3
21	00672G4		HEX NUT (SS), #10 - 32	3
22	33201G01		STROBE MOUNTING BRACKET	1
23	00753G7		PHILLIP HEAD SCREW (SS), 1/4" - 20 X 2 1/2" LG.....	2
24	01110G01		FLAT WASHER (SS), 1/4"	2
25	14390G4		LOCK NUT (SS), 1/4" - 20.....	2
26	17902G1		TAB ADAPTER (NOT ILLUSTRATED).....	1
27	25615G01		16 GA WIRE (RED, 41") (NOT ILLUSTRATED).....	1
28	25616G01		16 GA WIRE (GRAY, 83") (NOT ILLUSTRATED).....	1
29	629528		FUSE HARNESS (NOT ILLUSTRATED)	1
30	33203G01		16 GA WIRE (GRAY, 48") (NOT ILLUSTRATED).....	1
31	17618G1		WIRE TIE (NOT ILLUSTRATED)	9

ELECTRICAL SYSTEM

When ordering parts, please specify the model and serial number of the product.

* Indicates a component that is not available as an individual part.

*** Indicates consult Customer Service Department for additional information.

ITEM	PART NO.	1 2 3 4 5	DESCRIPTION	QTY.
32	33633G01		HOUR METER (18 - 60 VDC)	1
33	629379G02		STATE OF CHARGE METER KIT (INCLUDES ITEMS 34 - 39)	1
34	33636G02		STATE OF CHARGE METER, 24 V	1
35	17902G1		TAB ADAPTER (NOT ILLUSTRATED)	1
36	630332		18 GA WIRE (RED/WHITE)	1
37	628947		18 GA WIRE (GREEN)	1
38	629381		SOC FUSE HARNESS	1
39	28178G01		PLATE STIFFNER	1
40	72824G01		BATTERY, 6 V	4
41				
42	628890		6 GA WIRE (BLACK, 8 3/4").....	2
43	628876		6 GA WIRE (BLACK, 18 1/4").....	1
44	00532G3		HEX NUT, 5/16" - 18.....	1
45	00702G2		HEX NUT, 5/16" - 18.....	8
46	00642G8		FLAT WASHER, 5/16"	1
47	31387G1		BATTERY HOLD DOWN	1
48	30429G2		'J' BOLT	1
49	00565G8		LOCK WASHER (SILICON BRONZE), 5/16"	8
50	17618G1		WIRE TIE	10
51	31430G1		INSULATED CABLE CLAMP	3
52	14601G5		RIVET (SS), 3/8"	3
53	627280		FOOT SWITCH	1
54	800299		PHILLIPS PAN HEAD SCREW, #10 - 24 X 1 YS.....	2
55	14390G10		LOCK NUT, #10 - 24	2
56	614671		FOOT SWITCH HARNESS	1
57	11845G3		INSULATED CABLE CLAMP, 3/4" (NOT ILLUSTRATED)	1
58	00772G4		HEX HEAD BOLT, 8 - 18 X 1/2" LG (NOT ILLUSTRATED)	1
59	00661G8		HEX HEAD BOLT (SS), 1/4" - 20 X 1" LG.....	1
60	11027G2		LOCK NUT, 1/4" - 20	1
61	00993G01		LOCK WASHER (SILICON BRONZE), 5/16"	4
62	28418G01		HEX NUT (BRASS), 5/16" - 18.....	4

ELECTRICAL SYSTEM

When ordering parts, please specify the model and serial number of the product.

* Indicates a component that is not available as an individual part.

*** Indicates consult Customer Service Department for additional information.

ITEM	PART NO.	1 2 3 4 5	DESCRIPTION	QTY.
63	628914		POWER HARNESS, 27.5" (NOT ILLUSTRATED).....	1
64	620904		SPLIT CABLE	2
65	18602G1		KEY SWITCH.....	1
66	630246		POWER HARNESS, 53".....	1
67	628920		POWER HARNESS, 3 PIN CONNECTOR, 51".....	1
68	630245		CONTROL HARNESS	1
69	629489		CONTROL HARNESS	1
70	17618G1		NYLON CLAMP	3
71	624131		HORN SWITCH	1
72	20058G1		MOUNTING BASE.....	2
73	628952		POWER HARNESS, 35".....	1
74	00565G8		LOCK WASHER, 5/16"	4
75	00532G3		HEX NUT, 5/16" - 18	4
76	18724G1		RECEPTACLE HOLDER	1
77	00645G2		PAN HEAD SCREW, #6 - 32 X 1 1/4" LG.....	2
78	00559G3		FLAT WASHER, #6.....	2
79	14390G9		LOCK NUT, #6 - 32	2
80	629695G01		CONNECTOR HARNESS ASSEMBLY, 57".....	1
81	629695G02		CONNECTOR HARNESS ASSEMBLY, 35".....	1
82	32415G1		RECEPTACLE MOUNT WELDMENT.....	1
83	00379G4		PHILLIP PAN HEAD SCREW, #10 - 24 X 1/2" LG.....	3
84	00526G3		HEX NUT, #10 - 24	3
85	00660G5		FLAT WASHER (SS), #10.....	3
86	35213G02		CONDUCTIVE GROUND STRAP	1
87	00463G11		HEX HEAD BOLT, 7/16" - 14 X 1 5/8" LG.....	1
88	00568G4		LOCK WASHER, 9/16"	1
89	00560G2		FLAT WASHER, 7/16".....	2
90	00734G1		LOCK NUT, 7/16" - 14.....	1
91	627286		E - STOP BUTTON	1
92	628077		CHARGER 'Y' CONNECTOR ASSEMBLY (NOT ILLUSTRATED)	1
93	630152		CHARGER CONNECTOR (LIFT OUT BATTERY) (RH).....	1

ELECTRICAL SYSTEM

When ordering parts, please specify the model and serial number of the product.

* Indicates a component that is not available as an individual part.

*** Indicates consult Customer Service Department for additional information.

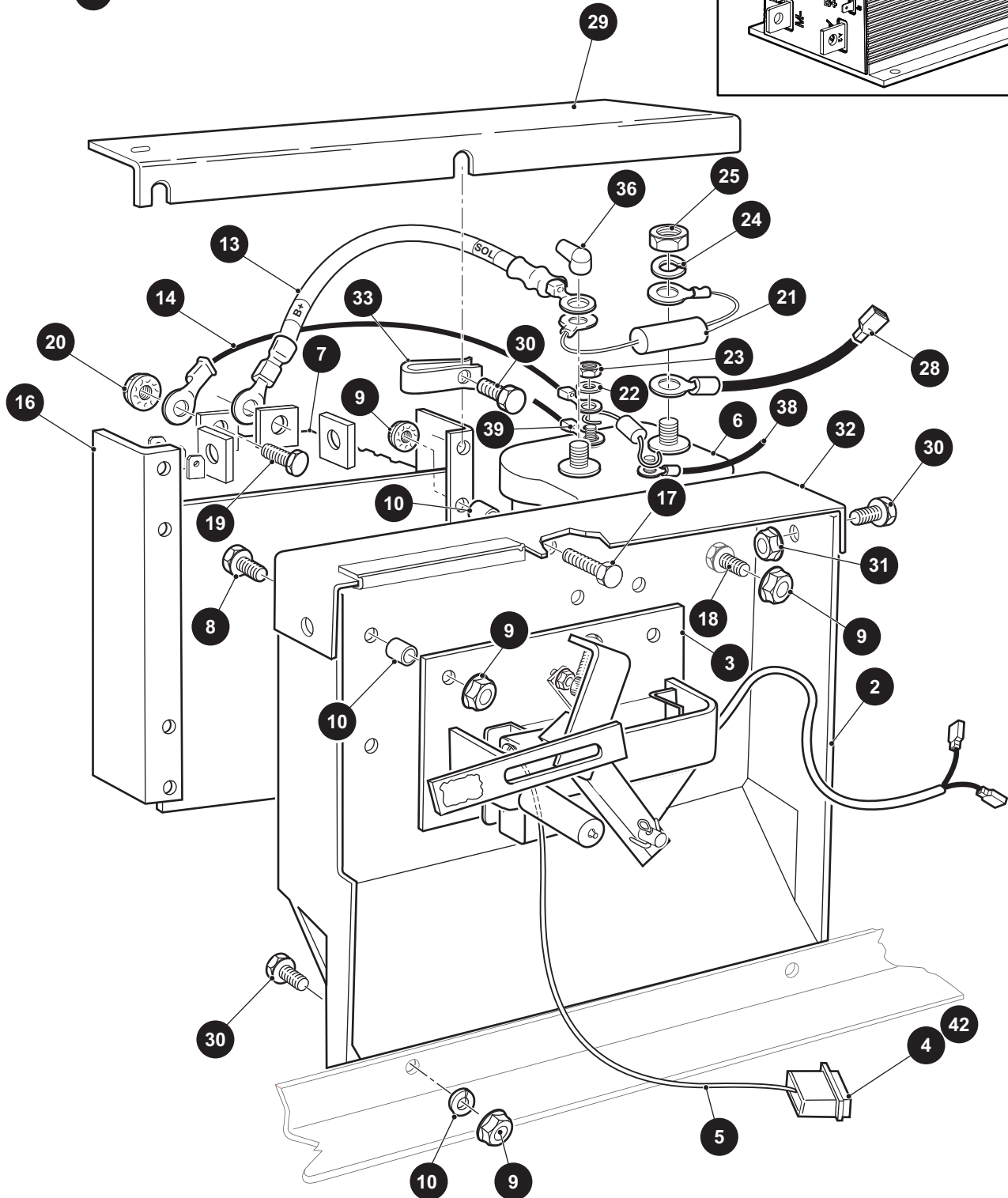
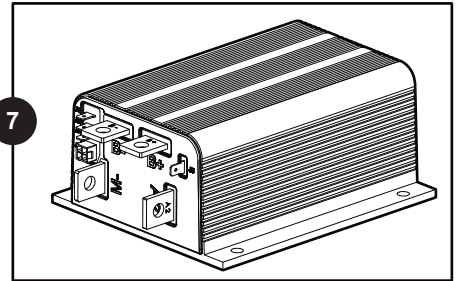
ITEM	PART NO.	1 2 3 4 5	DESCRIPTION	QTY.
94	628910		CHARGER CONNECTOR (LIFT OUT BATTERY) (LH).....	1
95	628925		6 GA WIRE (RED, 12").....	2
96	32555G1		BATTERY TRAY ASSEMBLY (LIFT OUT BATTERY).....	2
97	32561G1		BATTERY CONNECTOR BRACKET (LIFT OUT BATTERY).....	1
98	629670		POWER HARNESS	1
99	00415G4		HEX HEAD BOLT, 1/4" - 20 X 1 1/2" LG	6
100	00559G7		FLAT WASHER, 1/4"	5
101	14390G4		HEX NUT, 1/4" - 20.....	6
102	00438G6		HEX HEAD BOLT, 5/16" - 18 X 3/4" LG	2
103	00565G8		LOCK WASHER, 5/16".....	2
104	00532G3		HEX NUT, 5/16" - 18.....	2
105	629676		HORN WITH BRACKET.....	1
106	16469G2		FENDER WASHER	2
107				
108				
109				
110	628721		4 GA WIRE, (E - STOP) (RED, 44") (NOT ILLUSTRATED).....	1
111	631156		TERMINIAL PROTECTOR.....	7
112	840177		TERMINAL BOOT	7
113				
114	844328		TERMINAL BOOT	4
115	11845G5		CABLE CLIP, INSULATED	2
116				
117				
118	810446		GROMMET, I.D 1", O.D 1.3"	2
119	628946		8 GA WIRE, (JUMPER WIRE) (NOT ILLUSTRATED).....	1
120	11845G5		CABLE CLIP (WITH LIFT OUT) (NOT ILLUSTRATED).....	2
121	631993		WEIGHT LABEL (LIFT OUT TRAY) (NOT ILLUSTRATED)	2
122	630042		LABEL (E - STOP).....	1

ELECTRONIC SPEED CONTROL

1 SPEED CONTROL ASSEMBLY includes items 2 - 28, 41

3 POTENTIOMETER SUPPORT includes items 4, 5

41 POTENTIOMETER SUPPORT includes item 42



ELECTRONIC SPEED CONTROL

When ordering parts, please specify the model and serial number of the product.

* Indicates a component that is not available as an individual part.

*** Indicates consult Customer Service Department for additional information.

ITEM	PART NO.	1 2 3 4 5	DESCRIPTION	QTY.
1	32568G1		SPEED CONTROLLER ASSEMBLY (INCLUDES ITEMS 2 - 28, 41)	1
2	32558G1		SPEED CONTROL BRACKET	1
3	32636G1		POTENTIOMETER SUPPORT (INCLUDES ITEMS 4, 5).....	1
4	24002G1		FOUR PIN CONNECTOR (FEMALE).....	1
5	32630G1		16 GA WIRE (WHITE/RED, 22 3/4")	1
6	629086G05		SOLENOID WITH DIODE (24V)	1
7	635863		SPEED CONTROLLER.....	1
8	00414G6		HEX HEAD BOLT, 1/4" - 20 X 3/4" LG	3
9	11027G2		LOCK NUT, 1/4" - 20	9
10	23726G4		SPACER, 1/4".....	4
11				
12				
13	25972G83		6 GA WIRE (BLACK, 6 3/4")	1
14	32627G1		16 GA WIRE (BLACK, 18")	1
15				
16	32620G1		ANGLE SHIELD	2
17	00414G7		HEX HEAD BOLT, 1/4" - 20 X 7/8" LG	4
18	00414G4		HEX HEAD BOLT, 1/4" - 20 X 1/2" LG	2
19	00438G6		HEX HEAD BOLT, 5/16" - 18 X 5/8" LG	4
20	11027G1		LOCK NUT, 5/16" - 18	4
21	21764G1		RESISTOR ASSEMBLY	1
22	00565G5		LOCK WASHER, #10	2
23	00526G4		HEX NUT, #10 - 32.....	2
24	00565G8		LOCK WASHER, 5/16".....	2
25	00532G3		JAM NUT, 5/16" - 24.....	2
26				
27	25949G01		VARISTOR MOV ASSEMBLY (NOT ILLUSTRATED).....	1
28	25977G85		16 GA WIRE (BLUE, 23").....	1
29	631618		SPEED CONTROL COVER	1
30	00661G8		HEX HEAD BOLT (SS), 1/4" - 20 X 1" LG	5
31	11027G2		LOCK NUT, 1/4" - 20.....	2

ELECTRONIC SPEED CONTROL

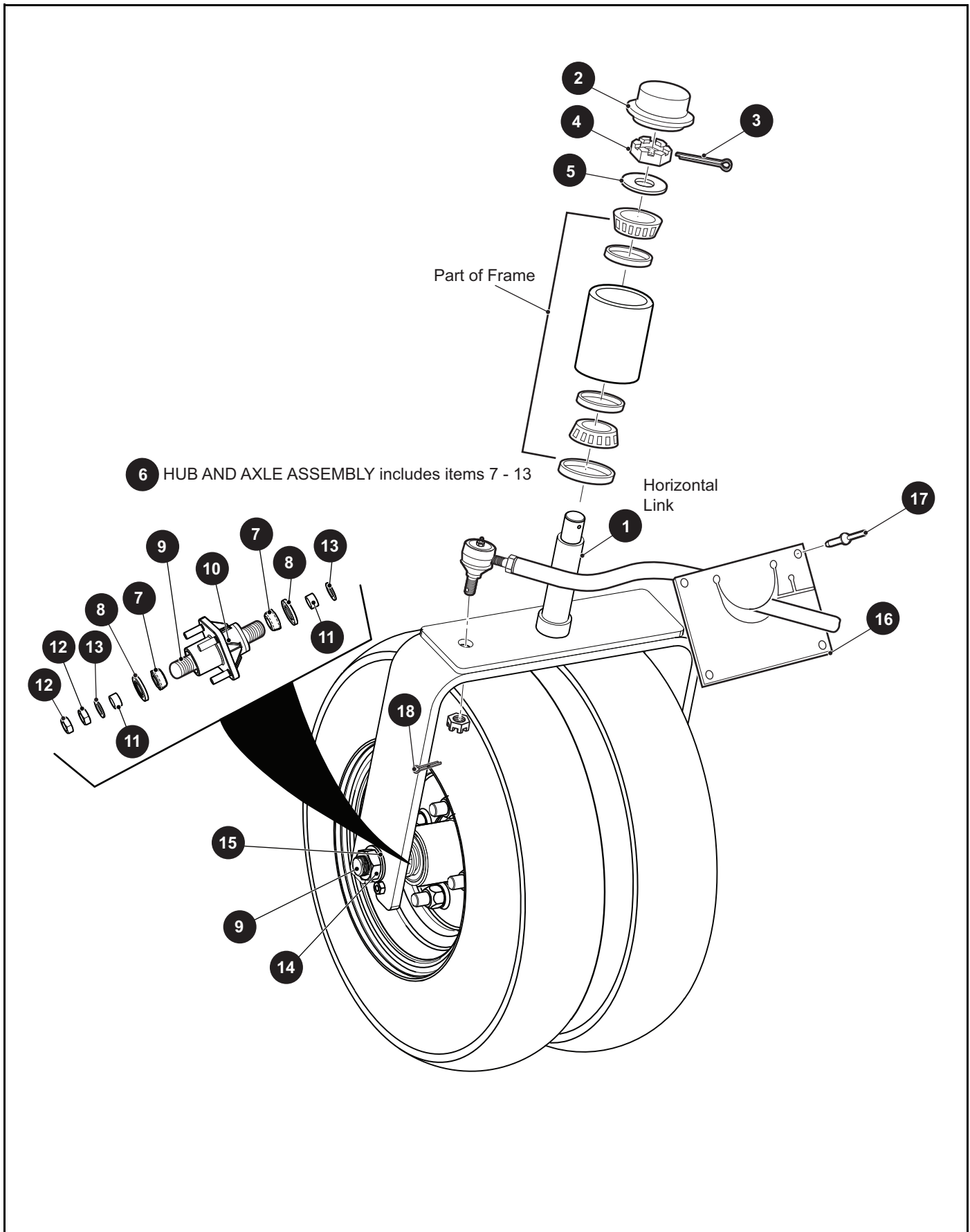
When ordering parts, please specify the model and serial number of the product.

* Indicates a component that is not available as an individual part.

*** Indicates consult Customer Service Department for additional information.

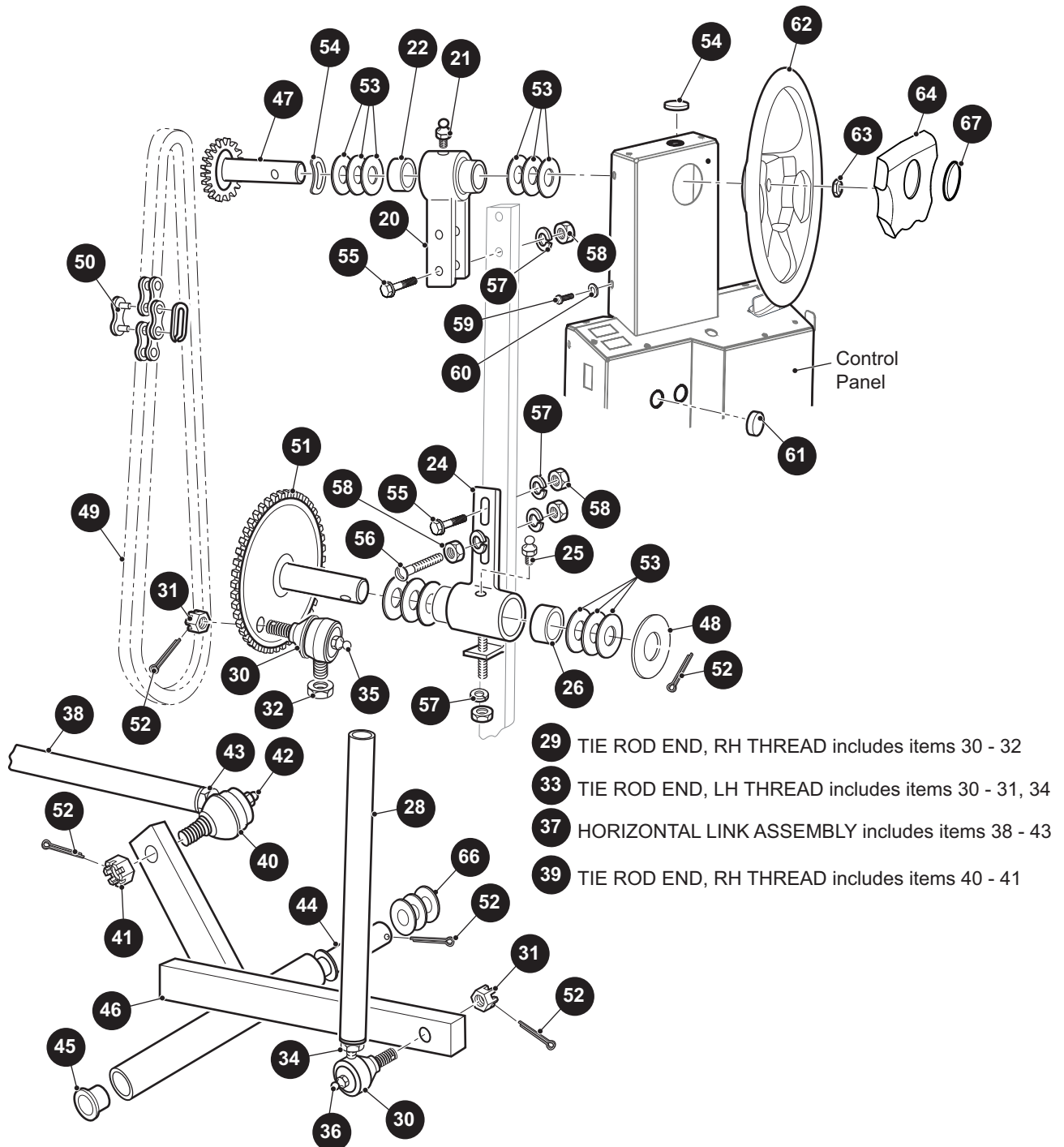
ITEM	PART NO.	1 2 3 4 5	DESCRIPTION	QTY.
32	32618G1		LINKAGE SHIELD	1
33	00709G1		'U' NUT, 1/4" - 20	2
34				
35	630975		SPEED CONTROL HARNESS ASSEMBLY (NOT ILLUSTRATED)	1
36	844328		TERMINAL BOOT	4
37	73290G01		BUZZER INTERMITTENT (NOT ILLUSTRATED).....	1
38	629787		18 GA WIRE (RED).....	1
39	629789		18 GA WIRE (BLACK).....	1
40	629381		STATE OF CHARGE FUSE HARNESS (NOT ILLUSTRATED).....	1
41	633136		POTENTIOMETER SUPPORT (INCLUDES ITEM 42)	1
42	630975		SPEED CONTROL WIRE HARNESS.....	1

FRONT FORK AND STEERING



FRONT FORK AND STEERING

- 19 UPPER FIXED HUB ASSEMBLY includes items 20 - 22
- 23 LOWER SLIDING HUB ASSEMBLY includes items 24 - 26
- 27 VERTICAL LINK ASSEMBLY includes items 28 - 36



FRONT FORK AND STEERING

When ordering parts, please specify the model and serial number of the product.

* Indicates a component that is not available as an individual part.

*** Indicates consult Customer Service Department for additional information.

ITEM	PART NO.	1 2 3 4 5	DESCRIPTION	QTY.
1	630850		FRONT FORK.....	1
2	30146G1		DUST CAP	1
3	10387G1		COTTER PIN, .125" X 1.5".....	1
4	00518G8		CASTELLATED NUT, 3/4" - 16.....	1
5	21830G1		BRAKE DRUM WASHER, 1.5" O.D.....	1
6	630852		HUB AND AXLE ASSEMBLY (INCLUDES ITEMS 7 - 13).....	1
7	385174		ROLLER BEARING (COMPLETE)	4
8	19471G1		GREASE SEAL.....	4
9	630851		FRONT AXLE	1
10	19888G1		HUB ASSEMBLY	2
11	11655G2		AXLE SPACER, 1.00" O.D.....	5
12	00667G8		JAM NUT (SS), 3/4" - 16	4
13	00560G6		FLAT WASHER, 3/4"	4
14	00667G8		JAM NUT (SS), 3/4" - 16	2
15	00560G6		FLAT WASHER, 3/4"	4
16	30878G1		STEERING SPLASH SHIELD.....	1
17	14269G1		RIVET, 3/16" X 1/2" LG	4
18	10387G1		COTTER PIN, 0.125" X 1.25 LG	1
19	31922G1		UPPER FIXED HUB ASSEMBLY (INCLUDES ITEMS 20 - 22)	1
20	30866G1		UPPER HUB (FIXED).....	1
21	10389G3		GREASE FITTING, STRAIGHT	1
22	30154G1		BUSHING, 1.00" O.D X 0.62" LG.....	2
23	31921G1		LOWER SLIDING HUB ASSEMBLY (INCLUDES ITEMS 24 - 26)	1
24	30869G1		LOWER SLIDING HUB.....	1
25	18456G1		GREASE FITTING, 90°	1
26	30154G1		BUSHING, 1.00" O.D X 0.62" LG	2
27	30420G1		VERTICAL LINK ASSEMBLY (INCLUDES ITEMS 28 - 36).....	1
28	30873G1		VERTICAL LINK	1
29	27205G02		TIE ROD END, RH THREAD (INCLUDES ITEMS 30 - 32).....	1
30	50641G1		RUBBER BOOT, 0.7" LG	2
31	50209G2		CASTELLATED NUT, 7/16" - 20	2

FRONT FORK AND STEERING

When ordering parts, please specify the model and serial number of the product.

* Indicates a component that is not available as an individual part.

*** Indicates consult Customer Service Department for additional information.

ITEM	PART NO.	1 2 3 4 5	DESCRIPTION	QTY.
32	18434G4		JAM NUT, 9/16" - 18 (RIGHT HAND THREAD).....	1
33	27205G01		TIE ROD END, LH THREAD (INCLUDES ITEMS 30 - 31, 34)	1
34	18434G3		JAM NUT, 9/16" - 18 (LEFT HAND THREAD).....	1
35	10389G3		GREASE FITTING, STRAIGHT.....	1
36	18456G1		GREASE FITTING, 90°	1
37	630982		HORIZONTAL LINKAGE ASSEMBLY (INCLUDES ITEMS 38 - 43).....	1
38	630981		HORIZONTAL LINK.....	1
39	27205G02		TIE ROD END, RH THREAD (INCLUDES ITEMS 40 - 41)	1
40	50641G1		RUBBER BOOT.....	2
41	50209G2		CASTELLATED NUT, 7/16" - 20.....	2
42	10389G3		GREASE FITTING, STRAIGHT.....	1
43	18434G4		JAM NUT, 9/16" - 18 (RIGHT HAND THREAD)	1
44	30772G2		PIVOT SHAFT, 8"	1
45	70581G01		BUSHING, 1" LG.....	2
46	30874G1		BELL CRANK.....	1
47	71897G01		UPPER SPROCKET AND SHAFT	1
48	00571G8		FLAT WASHER, 3/4"	1
49	30870G1		ROLLER CHAIN	1
50	30871G1		MASTER LINK (39 LINKS)	1
51	30861G1		LOWER SPROCKET AND SHAFT.....	1
52	10387G1		COTTER PIN, 1/8" X 1 1/4" LG	6
53	15485G1		THRUST WASHER, 3/4"	12
54	00731G1		SPRING WASHER, 1.1" O.D.....	1
55	00439G8		HEX HEAD BOLT, 5/16" - 18 X 2" LG	3
56	00743G1		FLAT HEAD SLOTTED SCREW, 5/16" - 18 X 3.5" LG.....	1
57	00565G8		LOCK WASHER, 5/16"	6
58	00532G3		HEX NUT, 5/16" - 18	6
59	00614G4		PHILLIPS PAN HEAD SCREW, #8 - 18 X 1/2" LG	11
60	308090		FLAT WASHER, 0.25"	11
61	34507G01		HOLE PLUG, 1.00"	3
62	71948G01		STEERING WHEEL.....	1

FRONT FORK AND STEERING

When ordering parts, please specify the model and serial number of the product.

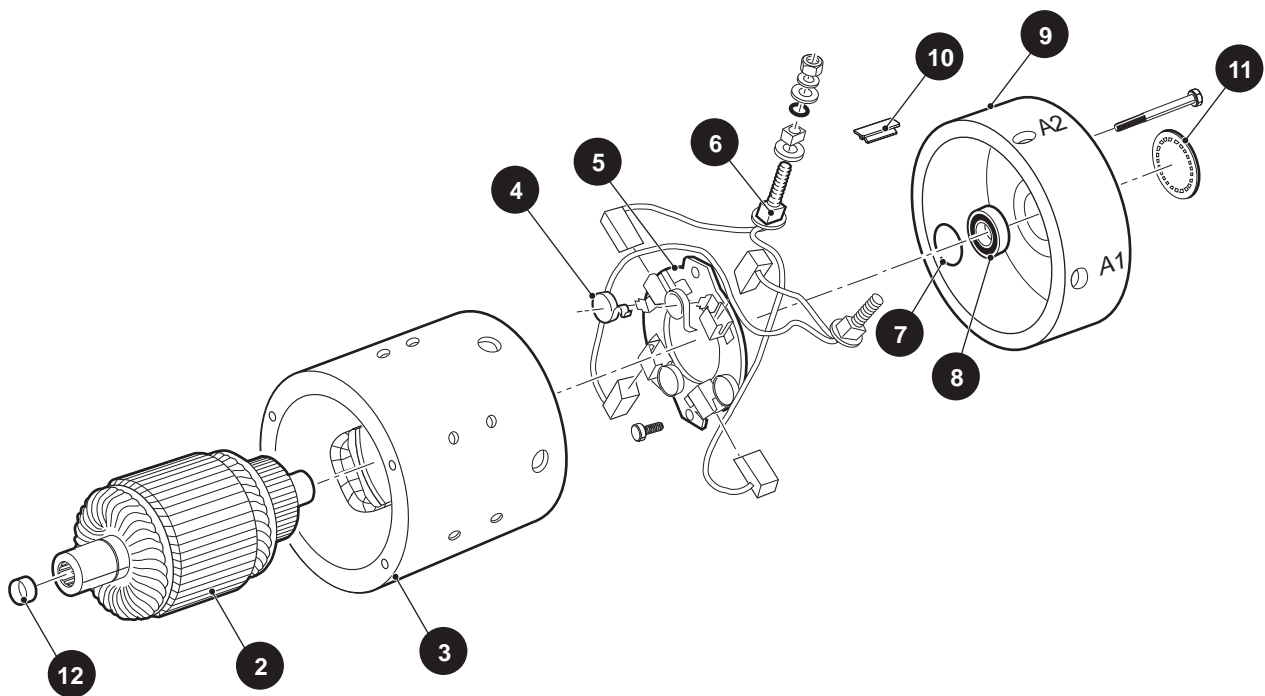
* Indicates a component that is not available as an individual part.

*** Indicates consult Customer Service Department for additional information.

ITEM	PART NO.	1 2 3 4 5	DESCRIPTION	QTY.
63	14390G2		LOCK NUT, 5/8" - 18	1
64	71147G01		STEERING WHEEL COVER	1
65				
66	00771G2		FLAT WASHER, 1.00" O.D.....	3
67	618086		STEERING WHEEL DECAL	1

MOTOR

1 MOTOR, FLEET SPEED, NON VENTED includes items 2 - 11



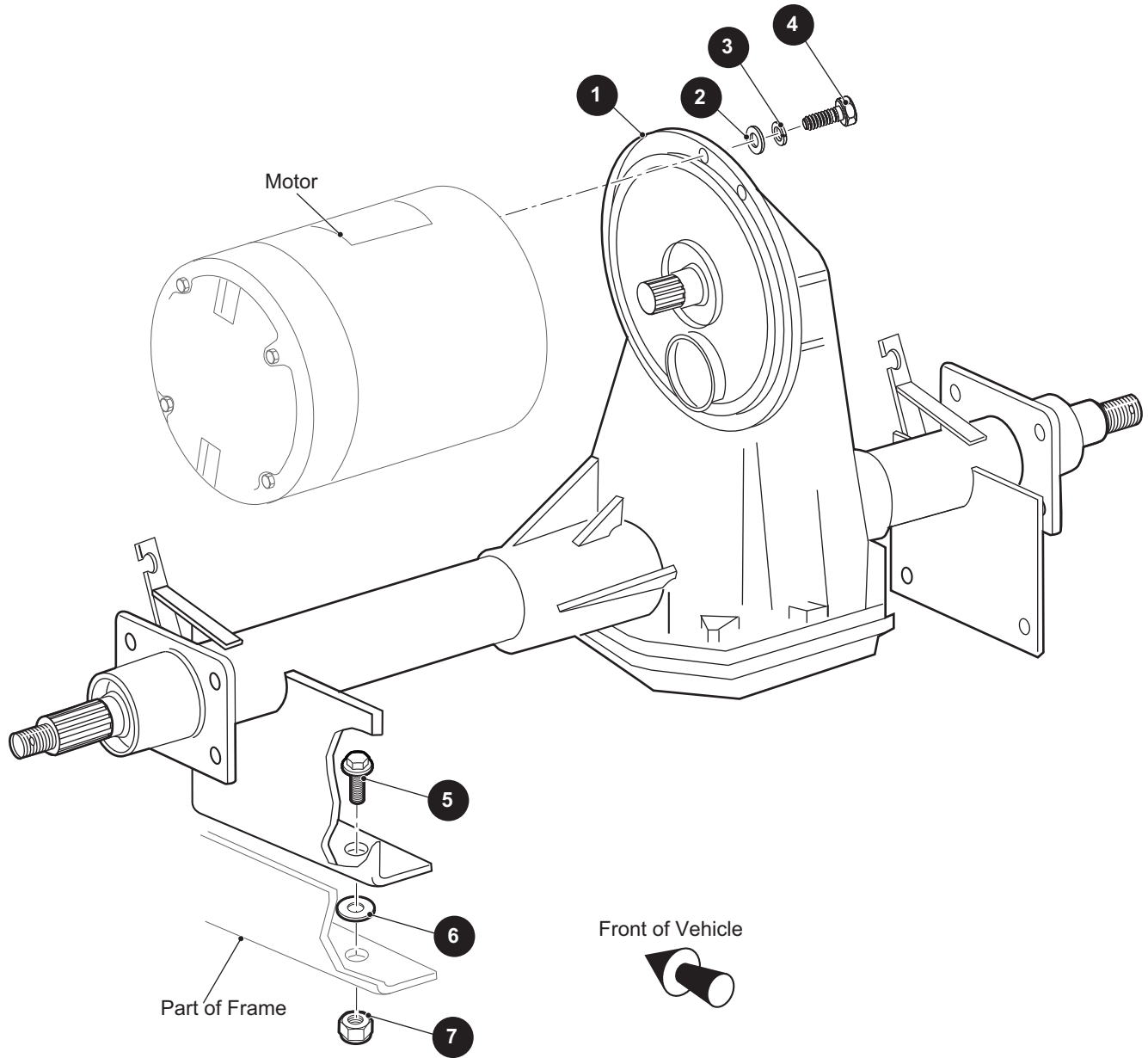
When ordering parts, please specify the model and serial number of the product.

* Indicates a component that is not available as an individual part.

*** Indicates consult Customer Service Department for additional information.

ITEM	PART NO.	1 2 3 4 5	DESCRIPTION	QTY.
1	73445G01		MOTOR, FLEET SPEED, NON-VENTED (INCLUDES ITEMS 2 - 11).....	1
2	73120G01		ARMATURE.....	1
3	73120G29		FRAME AND FIELD COIL (INCLUDES HARDWARE)	1
4	73120G03		BRUSH SPRING	4
5	625884		BRUSH BOX ASSEMBLY	1
6	73120G25		BRUSH REPLACEMENT KIT (INCLUDES HARDWARE).....	1
7	73120G06		SNAP RING.....	1
8	73120G07		BEARING	1
9	73120G08		COVER COMMUTATOR END	1
10	625885		COVER.....	1
11	73120G16		CAP	1
12	24261G1		BUMPER SPLINE.....	1

REAR AXLE



REAR AXLE

When ordering parts, please specify the model and serial number of the product.

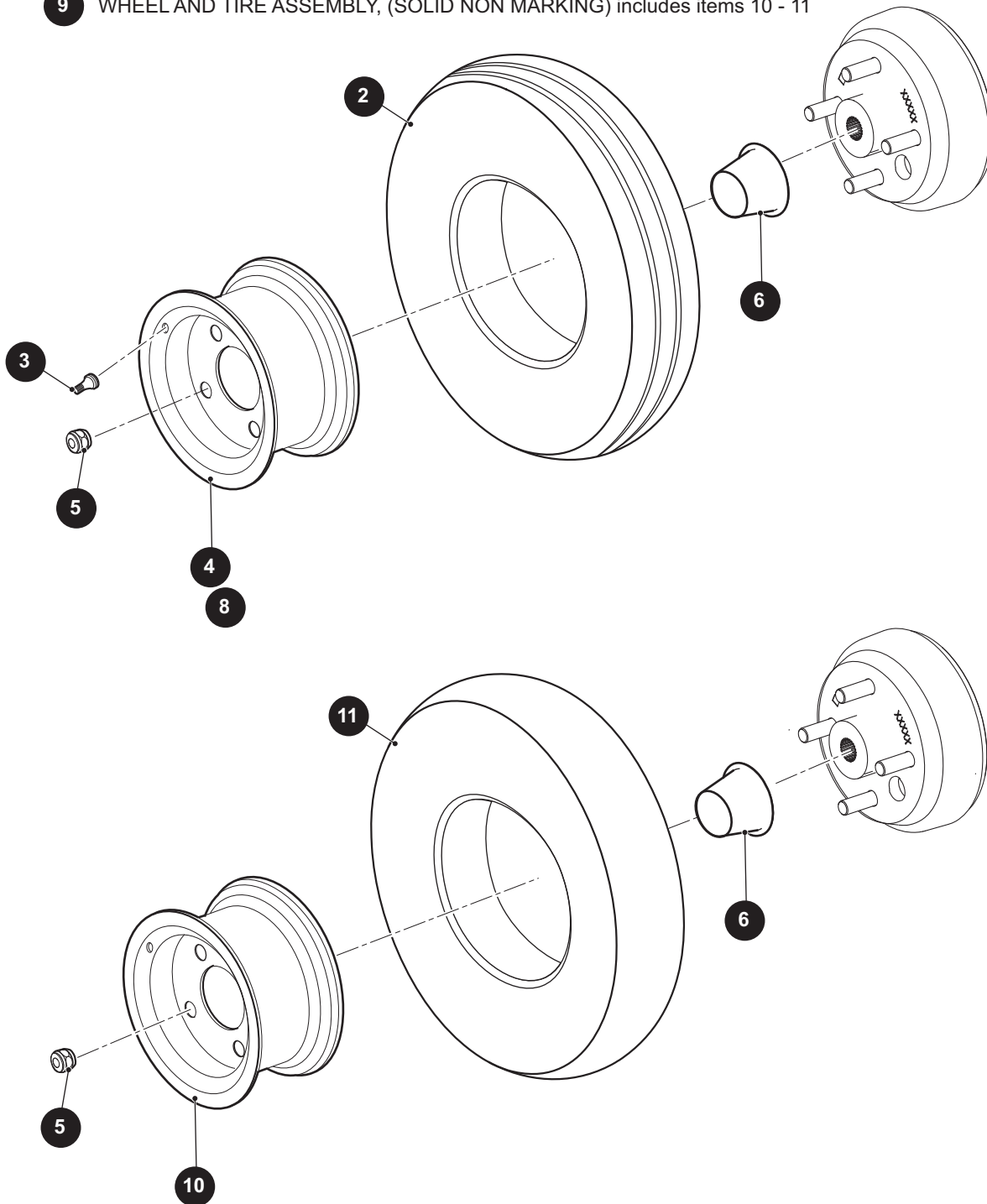
* Indicates a component that is not available as an individual part.

*** Indicates consult Customer Service Department for additional information.

ITEM	PART NO.	1 2 3 4 5	DESCRIPTION	QTY.
1	36014G01		REAR AXLE ASSEMBLY	1
2	00559G7		FLAT WASHER, 1/4" (SS)	3
3	00664G7		LOCK WASHER, 1/4" (SS)	3
4	00797G2		HEX HEAD BOLT, 1/4" - 20 X 1 1/4" LG	3
5	00427G2		HEX HEAD BOLT, 3/8" - 16 X 1 1/4" LG	4
6	00643G1		FLAT WASHER, 3/8"	4
7	11098G5		HEX NUT, 3/8" - 16	4
8	25353G1		SCUFF GUARD (NOT ILLUSTRATED)	1

WHEELS AND TIRES

- 1 WHEEL AND TIRE ASSEMBLY includes items 2 - 4
- 7 WHEEL AND TIRE ASSEMBLY includes items 2 - 3, 8
- 9 WHEEL AND TIRE ASSEMBLY, (SOLID NON MARKING) includes items 10 - 11



WHEELS AND TIRES

When ordering parts, please specify the model and serial number of the product.

* Indicates a component that is not available as an individual part.

*** Indicates consult Customer Service Department for additional information.

ITEM	PART NO.	1 2 3 4 5	DESCRIPTION	QTY.
1	600424		TIRE AND WHEEL ASSEMBLY, BLACK (INCLUDES ITEMS 2 - 4).....	1
2	602494		TIRE, 4.80 - 8	1
3	11657G1		VALVE STEM	1
4	33678G02		BLACK WHEEL RIM, 4 LUG	1
5	14723G1		LUG NUT, 1/2 - 20	4
6	74175G01		DUST CAP (REAR)	2
7	619265		TIRE AND WHEEL ASSEMBLY, SILVER (INCLUDES ITEMS 2 - 3, 8).....	1
8	33678G03		SILVER WHEEL RIM, 4 LUG	1
9	665639		TIRE AND WHEEL ASSEMBLY, (SOLID NON MARKING) (INCLUDES ITEMS 10 - 11).....	1
10	*		WHEEL.....	1
11	*		TIRE	1



CUSHMAN®
LET'S WORK!



E-Z-GO Division of Textron Inc.,
1451 Marvin Griffin Road, Augusta, Georgia 30906 - 3852 USA

TO CONTACT US...

North America:

Technical Assistance & Warranty

Phone: 1-800-774-3946, FAX: 1-800-448-8124

Service Parts

Phone: 1-888-GET-E-Z-GO (1-888-438-3946), FAX: 1-800-752-6175

International:

Phone: 001-706-798-4311, FAX: 001-706-771-4609

Service Parts Manuals, as well as Repair and Service Manuals
are available from a local Distributor, an authorized Branch,
Genuine E-Z-GO Parts & Accessories Department or at www.shopezgo.com.

Copyrighted Material
This manual may not be reproduced in whole or
in part without the express permission of
E-Z-GO Division of Textron Inc.
Technical Communications Department