



A Textron Company

Gasoline Service Parts Manual



625475-BC

ISSUED SEPTEMBER 2011

REVISED MARCH 2018

SERVICE PARTS MANUAL

GASOLINE POWERED UTILITY VEHICLE

TERRAIN 250

TERRAIN 500

TERRAIN 1000

STARTING MODEL YEAR 2012

DISCLAIMER: The E-Z-GO Division of Textron Inc. (E-Z-GO) reserves the right to incorporate engineering and design changes to products in this Manual, without obligation to include these changes on units leased/sold previously.

The information contained in this Manual may be revised periodically E-Z-GO, and therefore is subject to change without notice.

E-Z-GO DISCLAIMS LIABILITY FOR ERRORS IN THIS MANUAL, and E-Z-GO SPECIFICALLY DISCLAIMS LIABILITY FOR INCIDENTAL AND CONSEQUENTIAL DAMAGES RESULTING FROM THE USE OF THE INFORMATION AND MATERIALS IN THIS MANUAL.

TO CONTACT US

NORTH AMERICA:

TECHNICAL ASSISTANCE & WARRANTY PHONE: 1-800-774-3946, FAX: 1-800-448-8124

SERVICE PARTS PHONE: 1-888-GET-EZGO (1-888-438-3946), FAX: 1-800-752-6175

INTERNATIONAL: PHONE: 001-706-798-4311, FAX: 001-706-771-4609

E-Z-GO DIVISION OF TEXTRON INC., 1451 MARVIN GRIFFIN RD., AUGUSTA, GEORGIA USA 30906-3852

GENERAL INFORMATION

To obtain a copy of the limited warranty applicable to the vehicle, call or write a local Distributor, authorized Branch or the Warranty Department with vehicle serial number and manufacturer code.

The use of non Original Equipment Manufacturer (OEM) parts may void the warranty.

Overfilling of batteries may void the warranty.

BATTERY PROLONGED STORAGE

All batteries will self discharge over time. The rate of self discharge varies depending on the ambient temperature and the age and condition of the batteries.

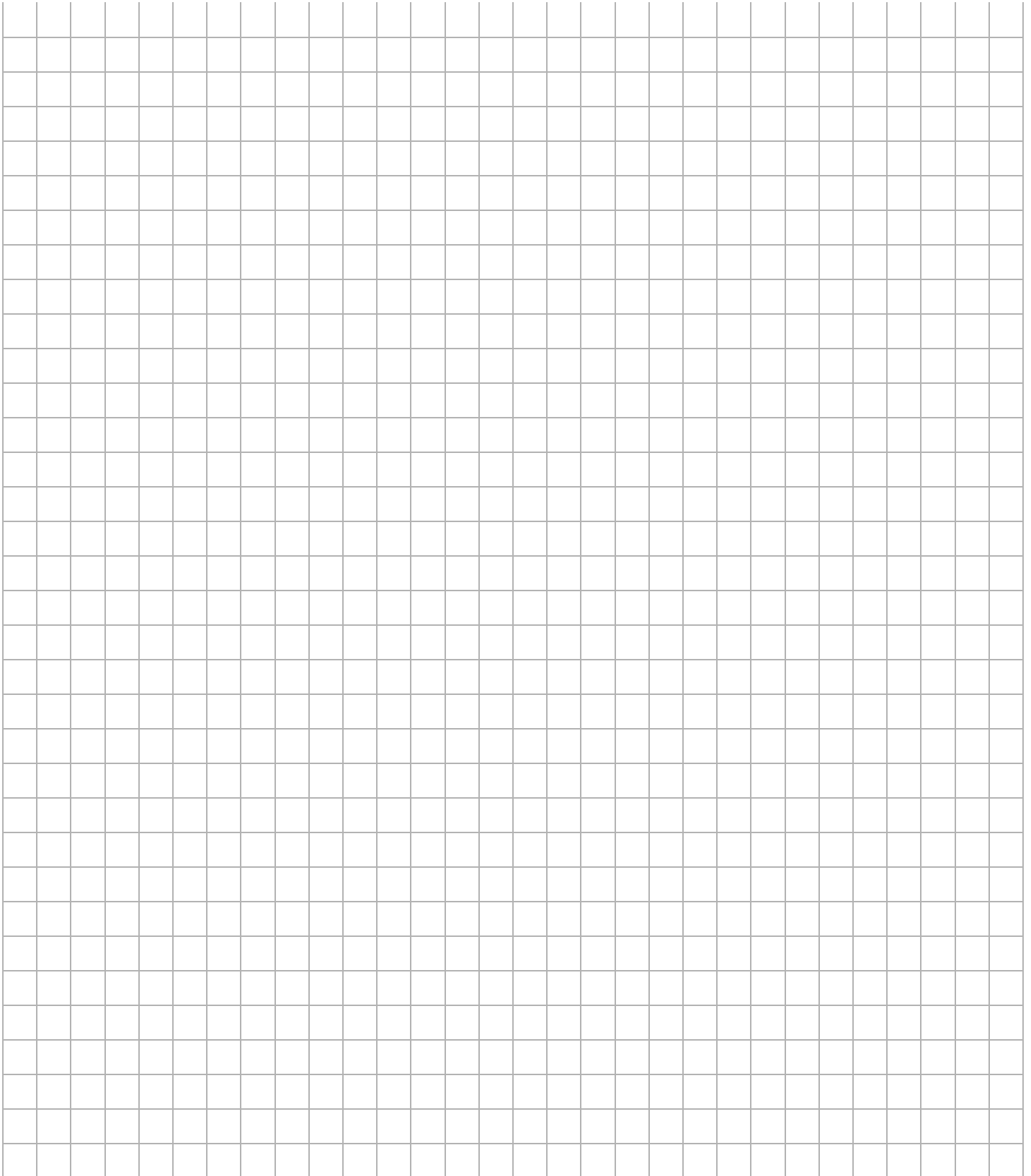
A fully charged battery will not freeze in winter temperatures unless the temperature falls below -75°F (-60°C).

As with all electric vehicles, the batteries must be checked and recharged as required or at a minimum of 30 day intervals.

TABLE OF CONTENTS

SECTION	Page No.
HOW TO USE THE SERVICE PARTS MANUAL	v
ACCELERATOR	A-1
AIR FILTER	B-1
BODY	C-1
BRAKES - MECHANICAL	D-1
CAB	E-1
CARBURETOR	F-1
CLUTCH	G-1
DIRECTION SELECTOR	H-1
ELECTRICAL SYSTEM	J-1
ENGINE AND MUFFLER	K-1
ENGINE MOUNTING	L-1
FRONT SUSPENSION AND STEERING (TERRAIN 250)	M-1
FRONT SUSPENSION AND STEERING (TERRAIN 500 & 1000)	M-9
FUEL SYSTEM	N-1
REAR AXLE	P-1
REAR SUSPENSION (TERRAIN 250)	Q-1
REAR SUSPENSION (TERRAIN 500 & 1000)	Q-5
ROPS	R-1
SEATING	S-1
STARTER / GENERATOR	T-1
TRUCK BED - METAL	U-1
TRUCK BED - PLASTIC	U-7
WEATHER PROTECTION	V-1
WHEELS AND TIRES	W-1

NOTES



HOW TO USE THE SERVICE PARTS MANUAL

This manual is divided into several sections:

- GENERAL INFORMATION
- ILLUSTRATED PARTS BREAKDOWN
- APPENDIX

The first section, GENERAL INFORMATION, contains the following information:

- WARRANTY INFORMATION
- GENERAL INDEX
- HOW TO USE THE SERVICE PARTS MANUAL

The second section, ILLUSTRATED PARTS BREAKDOWN, contains illustrations and parts lists for all systems of your vehicle.

The third section, APPENDIX, contains a listing of specialty products and accessories.

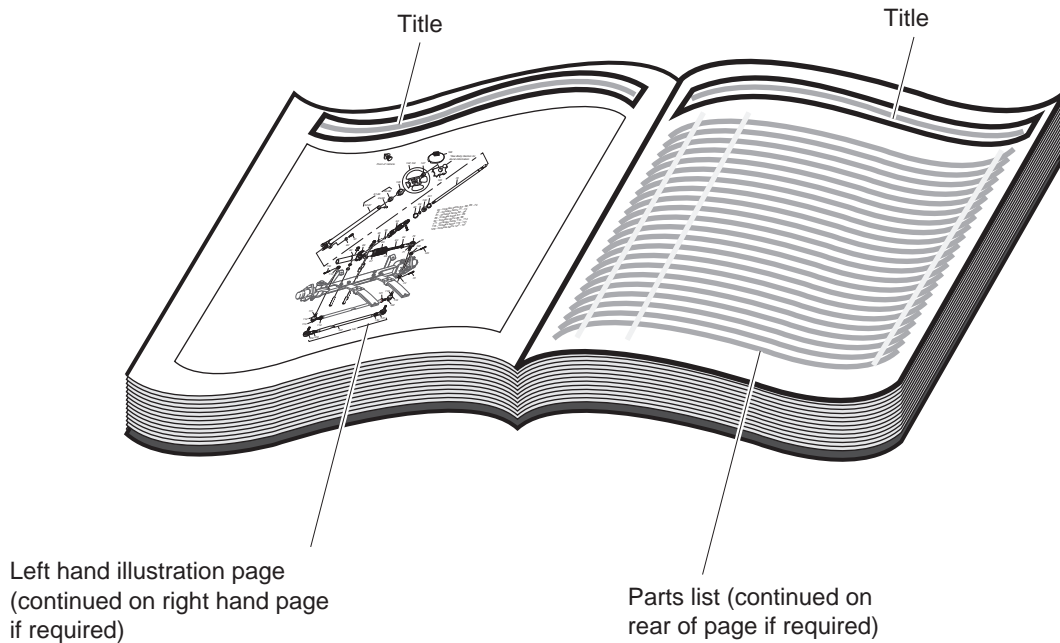
USE OF THE MANUAL

To use this manual, consult the GENERAL INDEX to locate the information or illustration required.

Introduction of some revisions varies due to supply of components; therefore, it is possible that various combinations of components may be found that are not directly reflected by each illustration. Consult the illustration that best suits your situation and then contact the Service Parts Department. It is important that the serial number of your vehicle and its model number be supplied to Service Parts when ordering any replacement components.

Locate the serial number plate (see BODY located in the Illustrated Parts Breakdown section of this manual for its location) and note the complete number shown on the plate.

HOW TO USE THE SERVICE PARTS MANUAL



1. WHEN THE PART NUMBER IS NOT KNOWN

- Determine the function and application of the part required. Turn to the General Index and select the most appropriate title.
- Turn to the page number indicated and locate the desired part on the illustration.
- From the illustration, obtain the item number assigned to the desired part. Refer to the accompanying description for specific information regarding the part.

2. IF YOU KNOW THE PART NUMBER

- Locate the part number or description in the appropriate column on the parts list page.

NOTE: It is suggested that you confirm that the part selected is correct by verifying it with the pictorial representation on the illustrated page.

Should an asterisk (*) appear in the part number column on the parts list page, read upwards until a part number is found. The part number is the lowest assembly sold by Service Parts and the asterisk (*) indicates that the part depicted is not available for purchase.

NOTE: Descriptions are indented under the assembly that they are used on. That assembly is, in turn listed under the assembly that it is used on. This process is repeated until the highest final assembly is reached.

To facilitate the maintenance and repair of the vehicle, a Technician's Repair and Service Manual is available from the Service Parts Department.

HOW TO USE THE SERVICE PARTS MANUAL

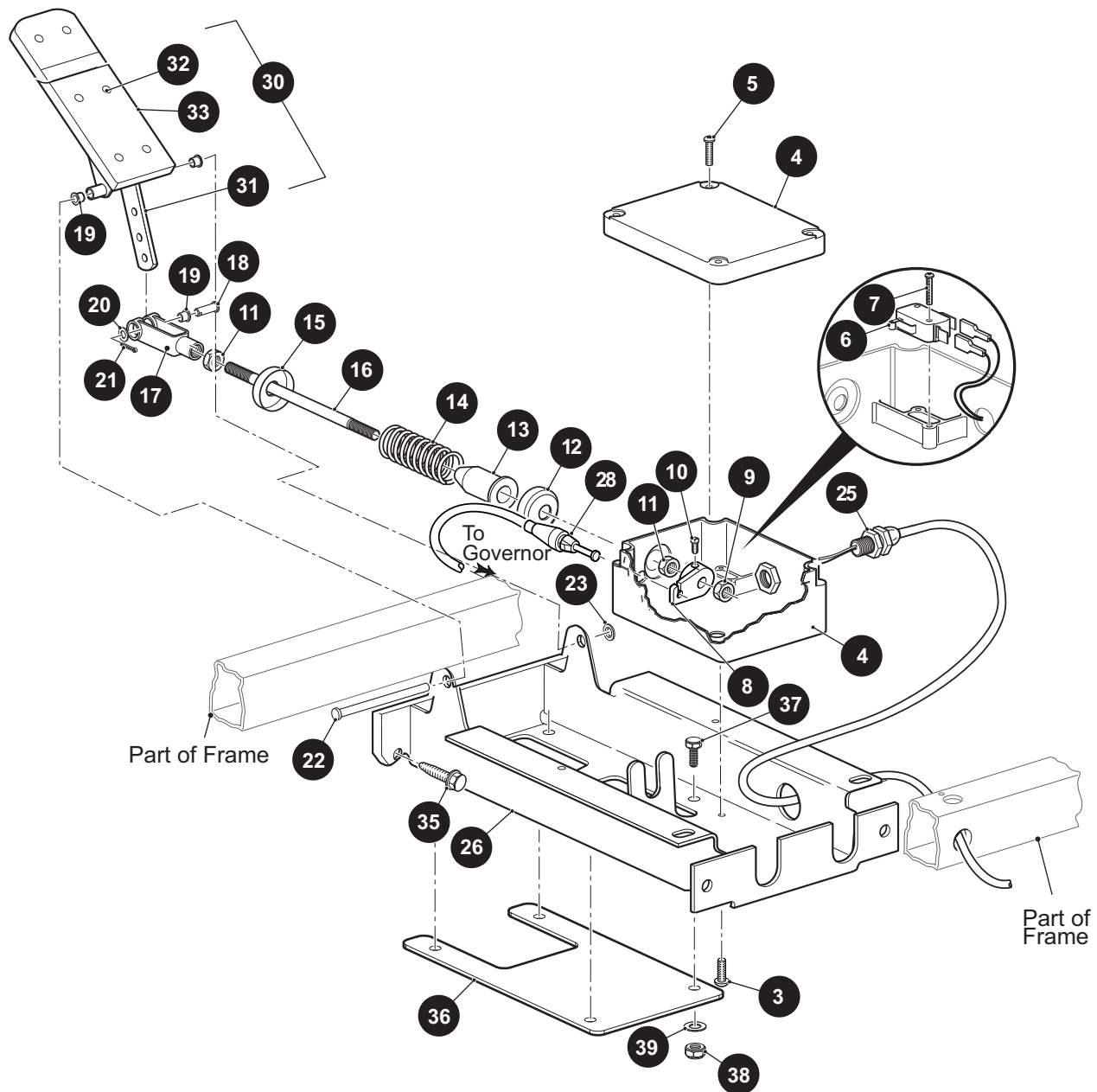
3. COLOR CODE FOR BODY COMPONENTS

The last two digits of the part number for the body part will denote the color code, locate the part number for the cowl, rear body, seat pod, side panel or seat wrap then locate your color in the list below, replace the last ** or XX with the two digit color code.

<u>CODE #</u>	<u>DESCRIPTION</u>	<u>CODE #</u>	<u>DESCRIPTION</u>
01	NO PAINT	53	MOSSY OAK NEW BREAK UP - DIPPED
02	SPECIAL COLOR	54	MOSSY OAK OBSESSION - DIPPED
05	JACOBSEN ORANGE	55	REALTREE ADVANTAGE MAX 4 - DIPPED
06	LIGHT GOLD PEARL	56	REALTREE HARDWOOD BROWN - DIPPED
07	SILVER PEARL METALIC	57	REALTREE AP HOT PINK - DIPPED
11	BLACK	58	BLACK / SILVER MARBLE - DIPPED
12	EMERALD GREEN PEARL	59	RED / SILVER MARBLE - DIPPED
13	CLOUD GRAY	60	HOT PINK / SILVER MARBLE - DIPPED
14	VIPER BLUE METALLIC	61	REALTREE AP
19	PATRIOT BLUE PEARL	62	REALTREE MAX 4
20	INFERNO RED METALLIC	63	MOSSY OAK BREAKUP
23	ADVANTAGE CLASSIC CAMO	64	MOSSY OAK TREESTAND
24	NATURAL	65	REALTREE APG
25	VIVID NEW HOLLAND BLUE	66	REALTREE MAX 1
26	STEEL BLUE PEARL	67	REALTREE AP PINK
27	BRIGHT SILVER METALLIC	68	REALTREE AP - DIPPED
29	PRIMER ONLY		
30	HD ADVANTAGE CAMO		
31	METALLIC CHARCOAL		
32	LIGHT ALMOND PEARL		
33	TIMBERLINE GREEN		
34	DEEP MOLTEN RED		
35	SAFETY YELLOW		
36	IVORY		
37	FOREST GREEN		
38	BRIGHT WHITE		
39	FLAME RED		
40	BLACK		
41	ELECTRIC BLUE		
42	PLATINUM		
43	BURGUNDY		
44	ALMOND		
45	BLACK		
46	FLAME RED		
47	BURLINGTON GREEN		
48	BLACK		
49	FLAME RED		
50	RECON GREEN		
51	SUNBURST ORANGE		
52	BRITISH RACING GREEN		

ACCELERATOR

- 1 PEDAL BOX ASSEMBLY (250 & 500 Only) includes items 28, 30 - 33
- 2 PEDAL BOX ASSEMBLY (1000 Only) includes items 3 - 27, 29 - 33
- 30 ACCELERATOR PEDAL ASSEMBLY includes items 31 - 33

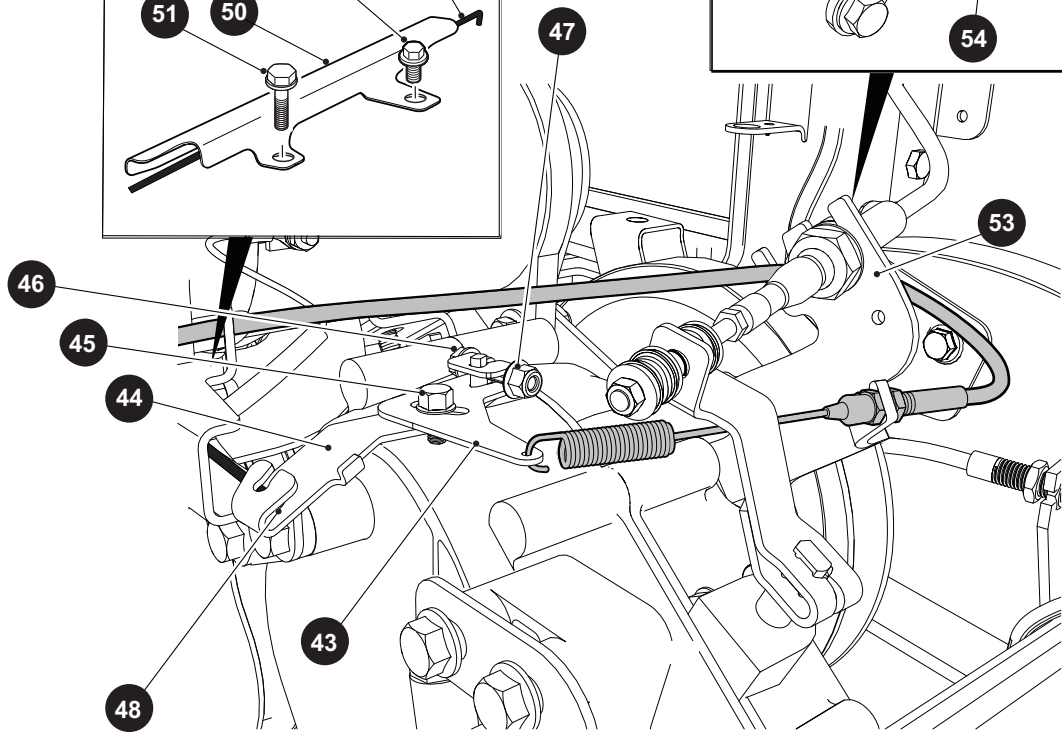
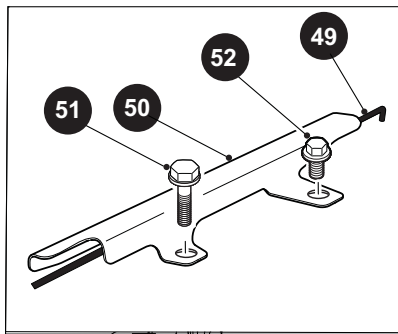
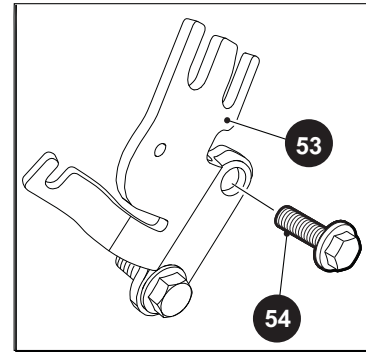
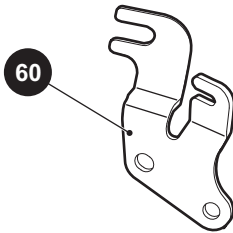


WARNING

DO NOT TAMPER WITH OR ATTEMPT TO CHANGE THE ADJUSTMENT OF THE GOVERNOR. GOVERNOR TAMPERING CAN RESULT IN SERIOUS PERSONAL INJURY AND WILL VOID THE VEHICLE WARRANTY.

56

FOR VEHICLES MANUFACTURED FROM APRIL 2014



Differential

ACCELERATOR

When ordering parts, please specify the model and serial number of the product.

* Indicates a component that is not available as an individual part.

*** Indicates consult Customer Service Department for additional information.

ITEM	PART NO.	1 2 3 4 5	DESCRIPTION	QTY.
1	606990		PEDAL BOX ASSEMBLY (TERRAIN 250 & 500 ONLY) (INCLUDES ITEMS 3 - 28, 30 - 33).....	1
2	606991		PEDAL BOX ASSEMBLY (TERRAIN 1000 ONLY) (INCLUDES ITEMS 3 - 27, 29 - 33).....	1
3	01051G01		PAN HEAD PHILLIPS SCREW, #8 - 16 X 1/2" LG	4
4	25853G03		PEDAL BOX AND COVER.....	1
5	00684G6		TRUSS HEAD PHILLIPS SCREW, #8 - 32 X 3/4" LG	2
6	25861G01		MICRO SWITCH	1
7	01050G01		PAN HEAD TORX SCREW, #4 - 20 X 5/8" LG	2
8	72716G01		MICRO SWITCH CAM.....	1
9	15126G1		LOCK NUT, 5/16" - 24.....	1
10	00487G3		SOCKET HEAD SCREW, 1/4 - 20 X 3/8" LG.....	1
11	00532G4		HEX NUT, 5/16" - 24	2
12	17677G1		SPRING RETAINER	1
13	17979G1		ACCELERATOR ROD BUSHING	1
14	73046G01		COMPRESSION SPRING	1
15	17677G2		SPRING RETAINER	1
16	72072G01		ACCELERATOR ROD	1
17	10385G4		CLEVIS YOKE (ADJUSTABLE)	1
18	10386G3		CLEVIS PIN, 5/16" X 13/16"	1
19	17838G1		NYLON BUSHING	3
20	17255G1		TEFLON WASHER, 5/16"	1
21	10387G3		COTTER PIN, 3/32" X 3/4"	1
22	74432G01		PEDAL PIVOT PIN.....	1
23	12064G6		PUSH NUT, 9/32"	1
24				
25	72201G04		WIRE HARNESS (PEDAL BOX).....	1
26	652241G03		ACCELERATOR PEDAL BRACKET	1
27				
28	608608		ACCELERATOR CABLE (TERRAIN 250 & 500 ONLY)	1
29	608614		ACCELERATOR CABLE (TERRAIN 1000 ONLY)	1
30	25799G03		ACCELERATOR PEDAL ASSEMBLY (INCLUDES ITEMS 31 - 33)	1

ACCELERATOR

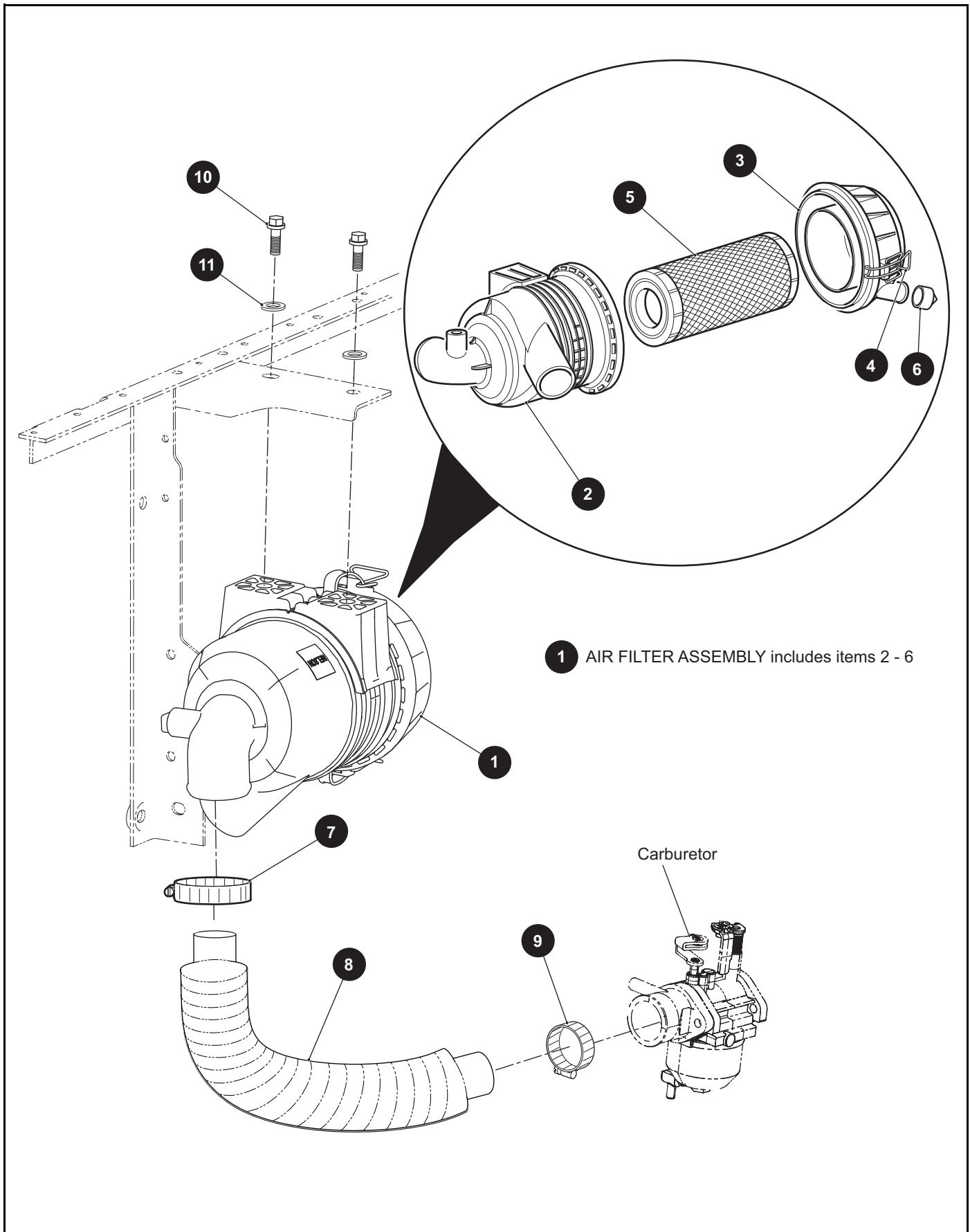
When ordering parts, please specify the model and serial number of the product.

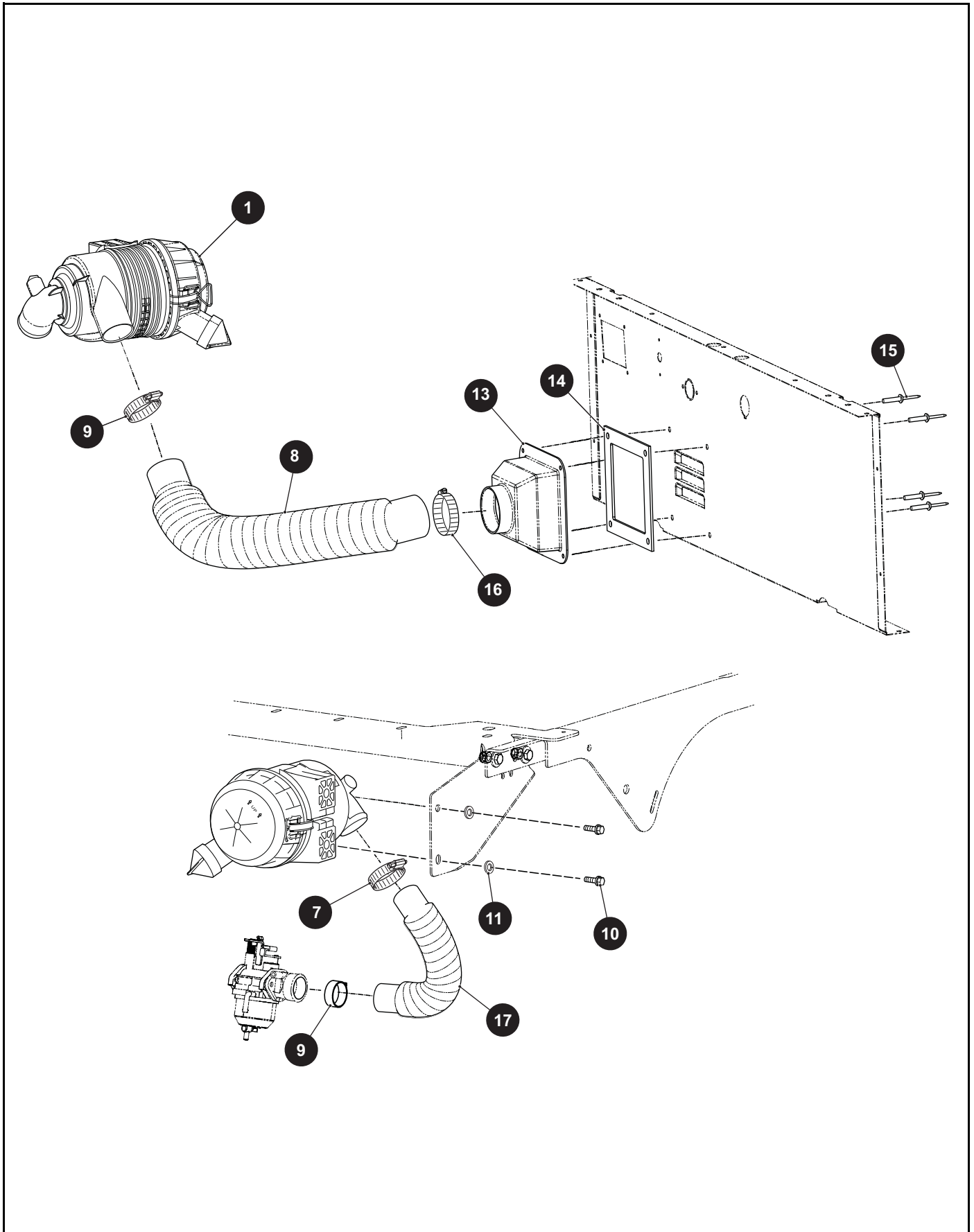
* Indicates a component that is not available as an individual part.

*** Indicates consult Customer Service Department for additional information.

ITEM	PART NO.	1 2 3 4 5	DESCRIPTION	QTY.
31	652824		ACCELERATOR PEDAL	1
32	16409G1		OVAL RIVET, 3/16" X 7/16" LG	6
33	27512G01		ACCELERATOR PEDAL PAD.....	1
34				
35	00715G2		TRUSS HEAD SCREW, 5/16" -18 X .8" LG.....	4
36	652780G03		BACKING PLATE (TERRAIN 500 & 1000 ONLY).....	1
37	00414G6		HEX HEAD BOLT, 1/4" - 20 X 3/4" LG (TERRAIN 500 & 1000 ONLY)	4
38	00654G2		LOCK NUT (SS) , 1/4" - 20 (TERRAIN 500 & 1000 ONLY)	4
39	01110G01		FLAT WASHER, 1/4" (TERRAIN 500 & 1000 ONLY).....	4
40				
41				
42				
43	606083		UPPER GOVERNOR BRACKET.....	1
44	606005		LOWER GOVERNOR BRACKET	1
45	606265		HEX HEAD BOLT, M6 - 1 X 12MM LG.....	1
46	606421		HEX HEAD BOLT, M6 - 1 X 30MM LG.....	1
47	450452		HEX NUT, M6 - 1.00.....	1
48	606283		GOVERNOR LEVER BUSHING	1
49	606284		GOVERNOR ROD	1
50	603890		GOVERNOR ROD GUARD	1
51	606264		HEX HEAD BOLT, M6 - 1 X 20MM LG.....	1
52	606262		HEX HEAD BOLT, M8 - 1.25 X 16MM LG.....	1
53	606074		BRACKET - FNR TO TRANSAXLE	1
54	606256		HEX HEAD BOLT, M10 - 1.5 X 25MM LG.....	2
55				
56	608527		GOVERNOR WARNING DECAL.....	1
57				
58				
59	17618G1		NYLON CLAMP	2
60	632936		GOVERNOR CABLE / DIRECTION SELECTOR BRACKET (FOR VEHICLES MANUFACTURED FROM APRIL 2014).....	1

AIR FILTER





AIR FILTER

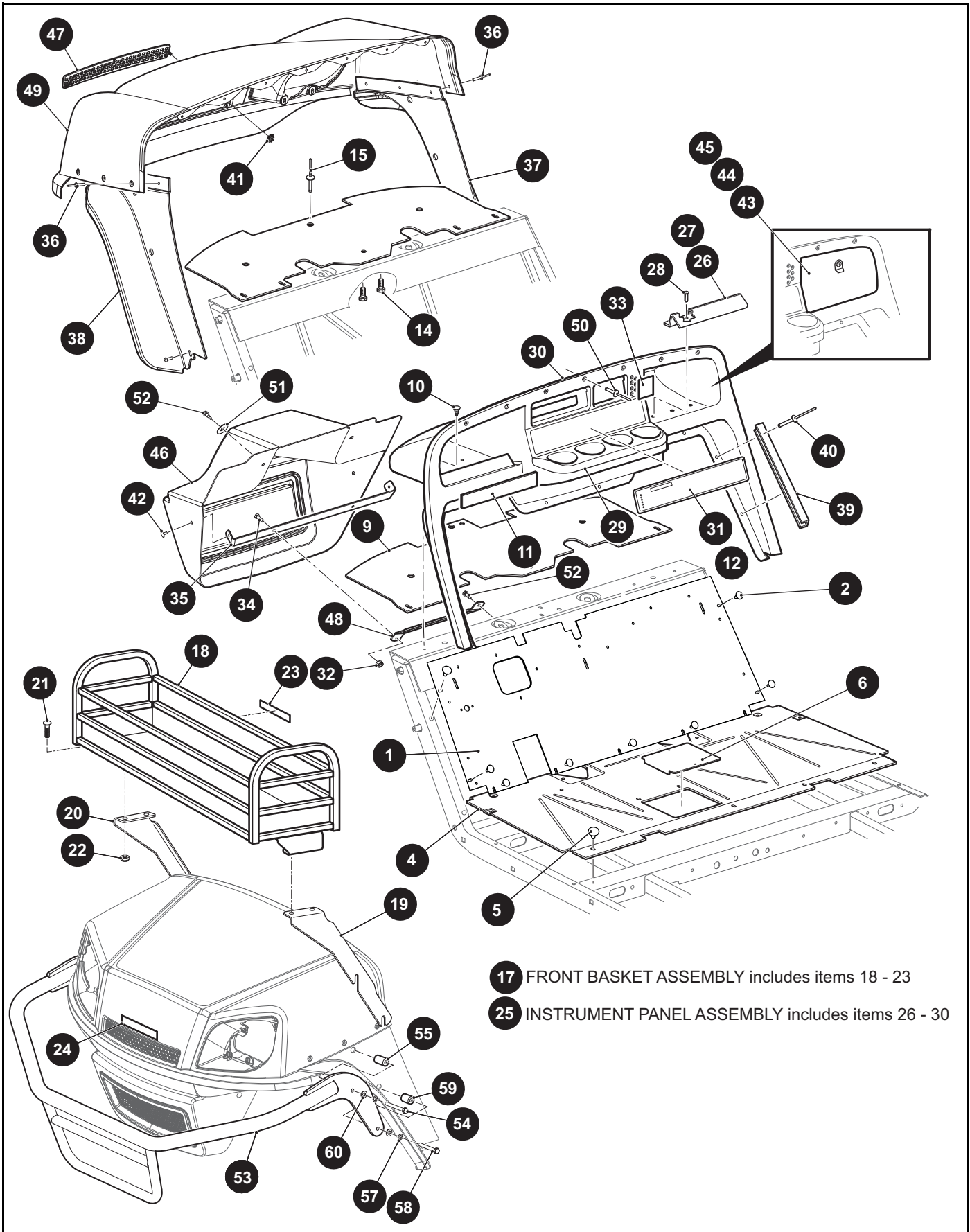
When ordering parts, please specify the model and serial number of the product.

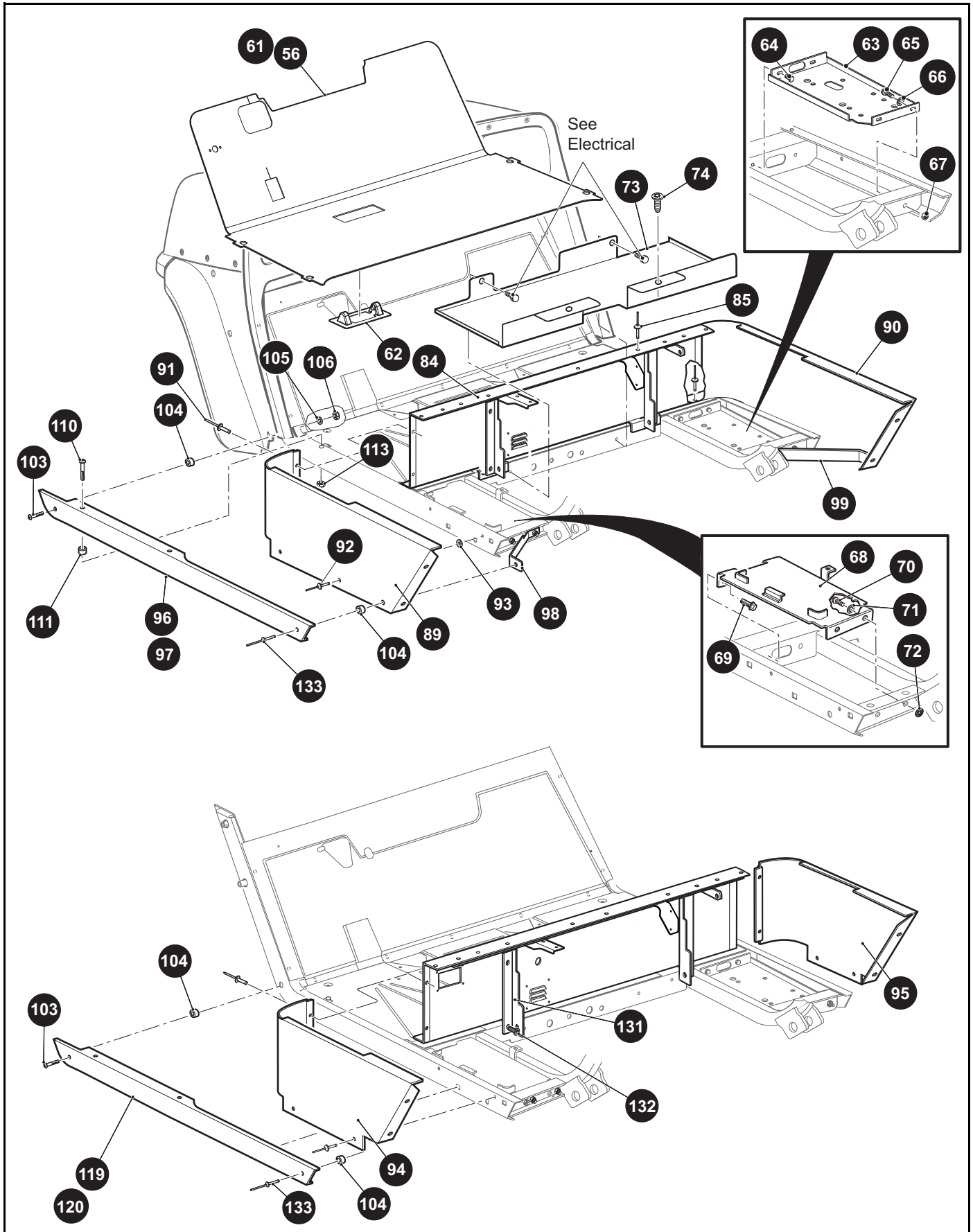
* Indicates a component that is not available as an individual part.

*** Indicates consult Customer Service Department for additional information.

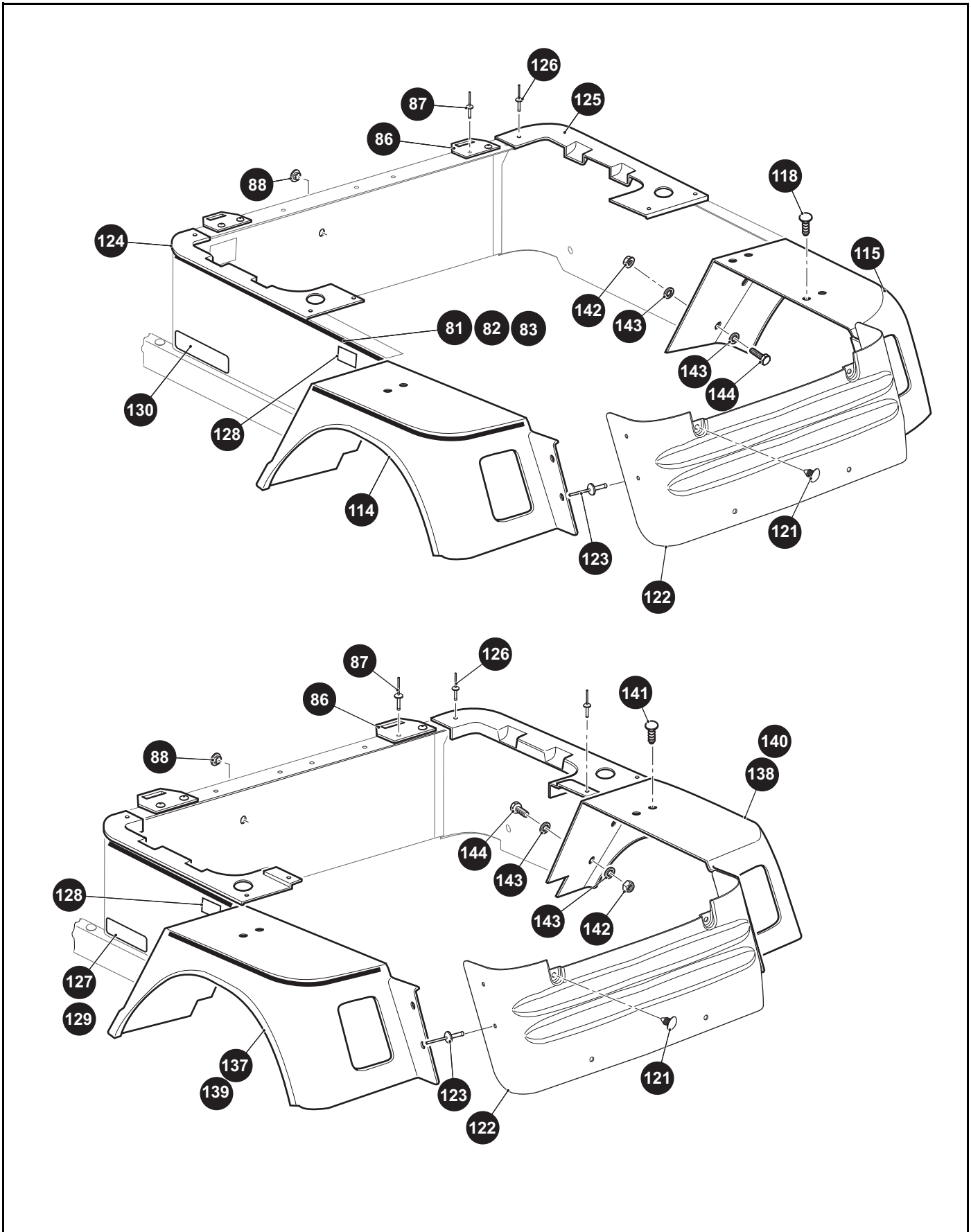
ITEM	PART NO.	1 2 3 4 5	DESCRIPTION	QTY.
1	658941		AIR CLEANER (Includes items 2 - 6)	1
2	659139		AIR CLEANER BODY	1
3	658957		AIR CLEANER COVER	1
4	72604G01		AIR CLEANER CLIP	2
5	28463G01		AIR FILTER	1
6	28462G01		DUST EJECTOR VALVE	1
7	11391G7		HOSE CLAMP, 1.56 - 2.50 DIA (TERRAIN 250 & 500 Only)	1
8	601910		HOSE, 14" LONG	1
9	11391G1		HOSE CLAMP 1.31 - 2.25 DIA	3
10	606261		BOLT, M8 X 1.25 X 20 MM	4
11	606272		LOCK WASHER, 8 MM	4
12				
13	72416G01		INTAKE ASSEMBLY, REMOTE AIR (TERRAIN 1000 Only).....	1
14	72415G01		GASKET, REMOTE AIR INTAKE (TERRAIN 1000 Only).....	1
15	71055G01		RIVET, 3/16 X .38 (TERRAIN 1000 Only)	4
16	11391G2		CLAMP, HOSE, 2.06 - 3.00 DIA (TERRAIN 1000 Only).....	1
17	72637G03		AIR INTAKE HOSE, 16" LONG (TERRAIN 1000 Only).....	1

BODY



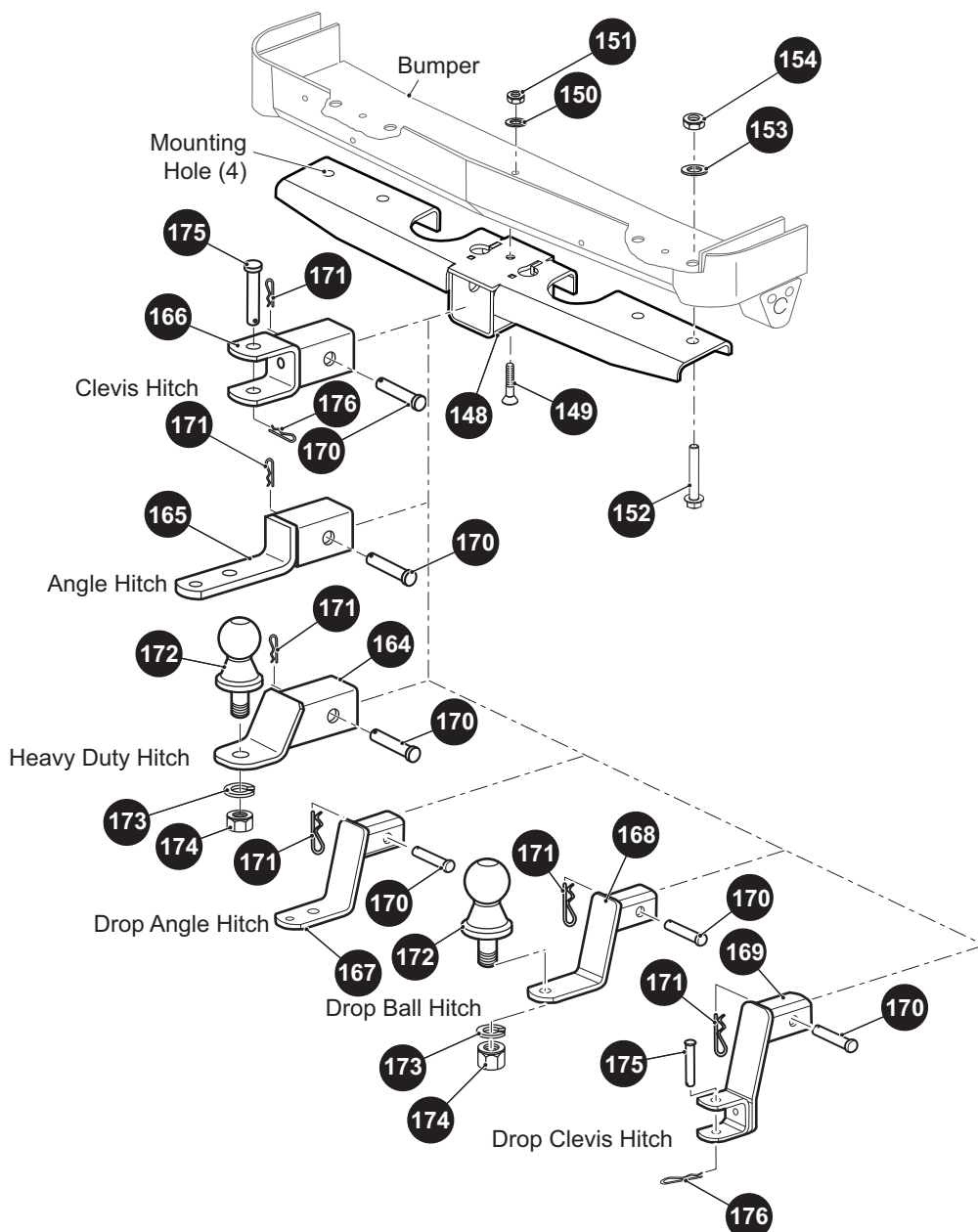


BODY

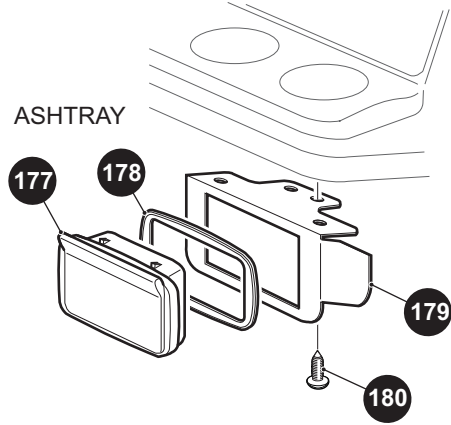


HITCHES

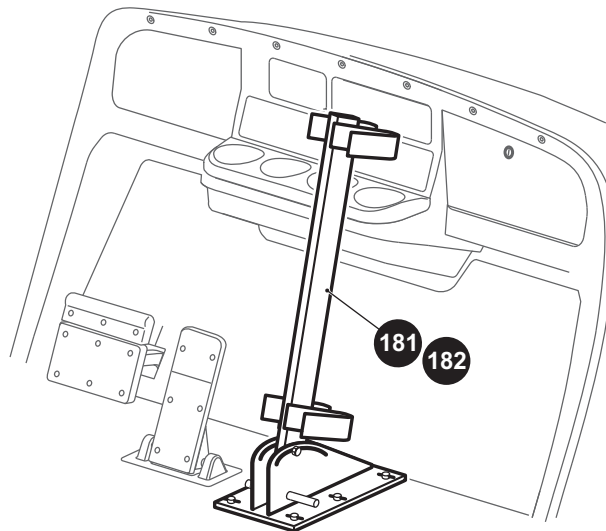
- 158** HEAVY DUTY HITCH KIT includes items 164, 170 - 172
- 159** ANGLE HITCH KIT INCLUDES includes items 165, 170, 171
- 160** CLEVIS HITCH KIT INCLUDES includes items 166, 170, 171, 175, 176
- 161** DROP ANGLE HITCH KIT INCLUDES includes items 167, 170, 171
- 162** DROP BALL HITCH KIT INCLUDES includes items 168, 170 - 172
- 163** DROP CLEVIS HITCH KIT includes items 169, 170, 171, 175, 176



ASHTRAY



FLOOR MOUNT
GUN HOLDER



When ordering parts, please specify the model and serial number of the product.

* Indicates a component that is not available as an individual part.

*** Indicates consult Customer Service Department for additional information.

ITEM	PART NO.	1 2 3 4 5	DESCRIPTION	QTY.
1	637534		UPPER FLOORPAN	1
2	14601G11		RIVET (ALUMINUM), 3/16" X 9/16" LG	9
3				
4	70451G01		LOWER FLOORPAN	1
5	14601G11		RIVET (ALUMINUM), 3/16" X 9/16" LG	7
6	70452G01		ACCESS COVER.....	1
7				
8				
9	71413G01		SPLASH PANEL.....	1
10	16816G2		RATCHET FASTENER, 1/4" X 3/4" LG.....	4
11	74443G01		LABEL (ANTI-ROLLBACK)	1
12	625743		SAFETY AND OPERATION LABEL, CE.....	1
13				
14	71102G02		SELF TAPPING SCREW, 1/4" - 20 X 1/2" LG	3
15	71055G01		RIVET (ALUMINUM), 3/16" X 1 1/8" LG	1
16				
17	74521G02		FRONT BASKET ASSEMBLY (INCLUDES ITEMS 18 - 23).....	1
18	74523G01		FRONT BASKET	1
19	74522G01		BASKET MOUNTING BRACKET (DRIVER SIDE).....	1
20	74522G02		BASKET MOUNTING BRACKET (PASSENGER SIDE)	1
21	00769G2		CARRIAGE BOLT (SS), 3/8" - 16 X 1.25" LG.....	4
22	11098G5		LOCK NUT, 3/8" - 16	4
23	71931G01		LABEL, FRONT BASKET (WARNING)	1
24	619206		DECAL, E-Z-GO COWL.....	1
25	71151G01		INSTRUMENT PANEL ASSEMBLY (INCLUDES ITEMS 26 - 30).....	1
26	71153G01		DEFLECTOR (PASSENGER SIDE)	1
27	71154G01		DEFLECTOR (DRIVER SIDE).....	1
28	00614G5		PAN HEAD SCREW, #8 - 18 X 5/8" LG.....	4
29	71158G01		INSTRUMENT PANEL INSERT (FOUR CUP)	1
30	71152G01		INSTRUMENT PANEL.....	1
31	601781		LABEL (SAFETY).....	1

BODY

When ordering parts, please specify the model and serial number of the product.

* Indicates a component that is not available as an individual part.

*** Indicates consult Customer Service Department for additional information.

ITEM	PART NO.	1 2 3 4 5	DESCRIPTION	QTY.
32	14390G4		PLASTIC INSERT LOCK NUT, 1/4" - 20	2
33	35968G01		LABEL (T-HOLDER COVER)	1
34	00414G6		HEX HEAD BOLT, 1/4" -20 X 3/4" LG.....	2
35	618653		FASCIA BRACKET	1
36	71055G01		RIVET (ALUMINUM), 3/16" X 1" LG.....	6
37	613274		FENDER FLARE (PASSENGER SIDE)	1
38	614378		FENDER FLARE (DRIVER SIDE).....	1
39	71115G01		VINYL TRIM.....	2
40	71055G01		RIVET (ALUMINUM), 3/16" X 1" LG.....	10
41	71597G01		SELF THREADING NUT, 5MM X 10MM X 15MM.....	2
42	15058G1		ALUMINUM RIVET, .87"	2
43	75459G01		GLOVE BOX DOORS (BOTH SIDES) (TERRAIN 500 & 1000 ONLY)	1
44	75459G02		GLOVE BOX DOOR (DRIVER SIDE) (TERRAIN 500 & 1000 ONLY)	1
45	75459G03		GLOVE BOX DOOR (PASSENGER SIDE) (TERRAIN 500 & 1000 ONLY)....	1
46	613273		FRONT FASCIA.....	1
47	617643		COWL GRILL COVER	1
48	70725G02		FRONT SHIELD BRACE	2
49	613036G**		COWL (See COLOR CODE in HOW TO USE Section of Manual)	1
50	71055G01		RIVET (ALUMINUM), 3/16" X 1" LG.....	7
51	16469G1		FENDER WASHER, 9/32"	2
52	01038G01		SWAGEFORM SCREW, 1/4" - 20 X .7" LG.....	4
53	617620		BRUSHGUARD	1
54	00440G6		HEX HEAD BOLT, 5/16" - 18 X 2 3/4" LG.....	2
55	75048G02		SPACER, .328 X 1.31.....	2
56	70663G06		FLOORMAT WITH HORN HOLES, DIAMOND PLATE (TERRAIN 500 AND 1000 ONLY)	1
57	00565G8		LOCK WASHER, 5/16"	4
58	00440G2		HEX HEAD BOLT, 5/16" - 18" X 2 1/4" LG	4
59	75048G04		SPACER, .328" X .75"	2
60	00559G8		FLAT WASHER, 5/16"	4
61	70663G07		FLOORMAT, DIAMOND PLATE (TERRAIN 250 ONLY)	1
62	70135G01		PEDAL PIVOT COVER	1

When ordering parts, please specify the model and serial number of the product.

* Indicates a component that is not available as an individual part.

*** Indicates consult Customer Service Department for additional information.

ITEM	PART NO.	1 2 3 4 5	DESCRIPTION	QTY.
63	70244G05		SPLASH PANEL.....	1
64	00715G2		HEX HEAD BOLT, 5/16" - 18 X 4/5" LG	4
65	00438G8		HEX HEAD BOLT, 5/16" - 18 X 1" LG	2
66	00559G8		FLAT WASHER, 5/16".....	2
67	11098G6		LOCK NUT (SS), 5/16" - 18	2
68	652441G03		BATTERY TRAY.....	1
69	00715G2		HEX HEAD BOLT, 5/16" - 18 X 4/5" LG	AR
70	00438G6		HEX HEAD BOLT, 5/16" - 18 X 3/4" LG	3
71	00571G2		FLAT WASHER, 5/16".....	1
72	00565G8		LOCK WASHER, 5/16"	1
73	70629G01		SPLASH PANEL.....	1
74	00106G6		SELF THREADING SCREW, #12 - 24 X 3/4" LG	2
75				
76				
77				
78				
79				
80				
81				
82				
83				
84	609143G**		SEAT WRAP WITH LOUVERS (TERRAIN 250 ONLY) (See COLOR CODE in HOW TO USE Section).....	1
85	10570G10		RIVET (SS), 5/32" X 9/16" LG.....	8
86	71609G01		SEAT HINGE PLATE.....	2
87	10570G11		RIVET (SS), 3/16" X 3/4" LG.....	4
88	20271G02		HOLE PLUG (TERRAIN 500 & 1000 ONLY)	1
89	609168G1**		SIDE PANEL (DRIVER SIDE) (TERRAIN 1000 ONLY) (See COLOR CODE in HOW TO USE Section).....	1
90	609168G2**		SIDE PANEL (PASSENGER SIDE) (TERRAIN 1000 ONLY) (See COLOR CODE in HOW TO USE Section).....	1
91	10570G10		RIVET (SS), 5/32" X 9/16" LG.....	4

BODY

When ordering parts, please specify the model and serial number of the product.

* Indicates a component that is not available as an individual part.

*** Indicates consult Customer Service Department for additional information.

ITEM	PART NO.	1 2 3 4 5	DESCRIPTION	QTY.
92	10570G12		RIVET (ALUMINUM), 1/4" X 9/16" LG.....	4
93	16469G1		FENDER WASHER, 1/4".....	4
94	609047G1**		SIDE PANEL (DRIVER) (TERRAIN 250 & 500 Only) (See COLOR CODE in HOW TO USE Section)	1
95	609047G2**		SIDE PANEL (PASSENGER) (TERRAIN 250 & 500 ONLY) (See COLOR CODE in HOW TO USE Section)	1
96	618886		ROCKER PANEL (DRIVER SIDE) (TERRAIN 1000 ONLY).....	1
97	618885		ROCKER PANEL (PASSENGER SIDE) (TERRAIN 1000 ONLY)	1
98	71440G03		BRACE (DRIVER SIDE) (TERRAIN 1000 ONLY)	1
99	71440G04		BRACE (PASSENGER SIDE) (TERRAIN 1000 ONLY).....	1
100				
101				
102				
103	00789G2		PHILLIPS HEAD SCREW, #10 - 24 X 1 1/4" LG	2
104	23726G4		SPACER, 1/4"	4
105	00660G5		FLAT WASHER (SS), #10	2
106	14390G10		LOCK NUT, #10 - 24.....	2
107				
108				
109				
110	16705G1		PHILLIPS TRUSS HEAD SCREW (SS), 1/4" - 20 X 1" LG	4
111	23726G4		SPACER, 1/4"	4
112				
113	14390G4		LOCK NUT, 1/4" - 20	4
114	74893G01		FENDER (DRIVER SIDE) (TERRAIN 1000 ONLY).....	1
115	74893G02		FENDER (PASSENGER SIDE) (TERRAIN 1000 ONLY)	1
116				
117				
118	16816G2		RATCHET FASTENER, 1/4" X 3/4" LG	10
119	618358		ROCKER PANEL, DRIVER SIDE (TERRAIN 250 & 500 ONLY).....	1
120	618359		ROCKER PANEL, PASSENGER SIDE (TERRAIN 250 & 500 ONLY)	1
121	16816G2		RATCHET FASTENER, 1/4" X 3/4" LG	8

When ordering parts, please specify the model and serial number of the product.

* Indicates a component that is not available as an individual part.

*** Indicates consult Customer Service Department for additional information.

ITEM	PART NO.	1 2 3 4 5	DESCRIPTION	QTY.
122	74890G01		REAR PANEL.....	1
123	71055G01		RIVET (ALUMINUM), 3/16" X 1" LG	4
124	74891G01		SEAT FILLER PANEL (DRIVER SIDE) (TERRAIN 500 & 1000 ONLY)	1
125	74891G02		SEAT FILLER PANEL (PASSENGER SIDE) (TERRAIN 500 & 1000 ONLY) .	1
126	10570G10		RIVET (SS), 5/32" X 9/16" LG.....	6
127	619180		DECAL, E-Z-GO LOGO (TERRAIN 500)	2
128	74099G01		LABEL (TILT WARNING)	2
129	619178		DECAL, E-Z-GO LOGO (TERRAIN 250)	2
130	619181		DECAL, E-Z-GO LOGO (TERRAIN 1000)	2
131	605694		SEAT FRAME	1
132	00715G2		HEX HEAD BOLT, 5/16" - 18 X 4/5" LG	2
133	15058G6		RIVET (ALUMINUM), 3/16" X 15/16" LG	2
134				
135				
136				
137	74892G01		FENDER (DRIVER SIDE) (TERRAIN 250, 500 and 1000).....	1
138	74892G02		FENDER (PASSENGER SIDE) (TERRAIN 250, 500 and 1000)	1
139	74892G03		FENDER WITH TAILLIGHT (DRIVER SIDE) (TERRAIN 250 & 500 ONLY)...	1
140	74892G04		FENDER WITH TAILLIGHT (PASSENGER SIDE) (TERRAIN 250 & 500 ONLY)	1
141	16816G2		RATCHET FASTENER, 1/4" X 3/4" LG	10
142	14390G4		LOCK NUT, 1/4" - 20	4
143	00642G7		FLAT WASHER, 1/4"	8
144	00414G6		HEX HEAD BOLT, 1/4" - 20 X 3/4" LG	4
145				
146				
147				
148	647080		HITCH RECEIVER.....	1
149	00198G8		FLAT HEAD SLOTTED SCREW, 5/16" - 18 X 3/4" LG	1
150	00571G2		FLAT WASHER, 5/16".....	1
151	11098G6		LOCK NUT (SS), 5/16" - 18	1

BODY

When ordering parts, please specify the model and serial number of the product.

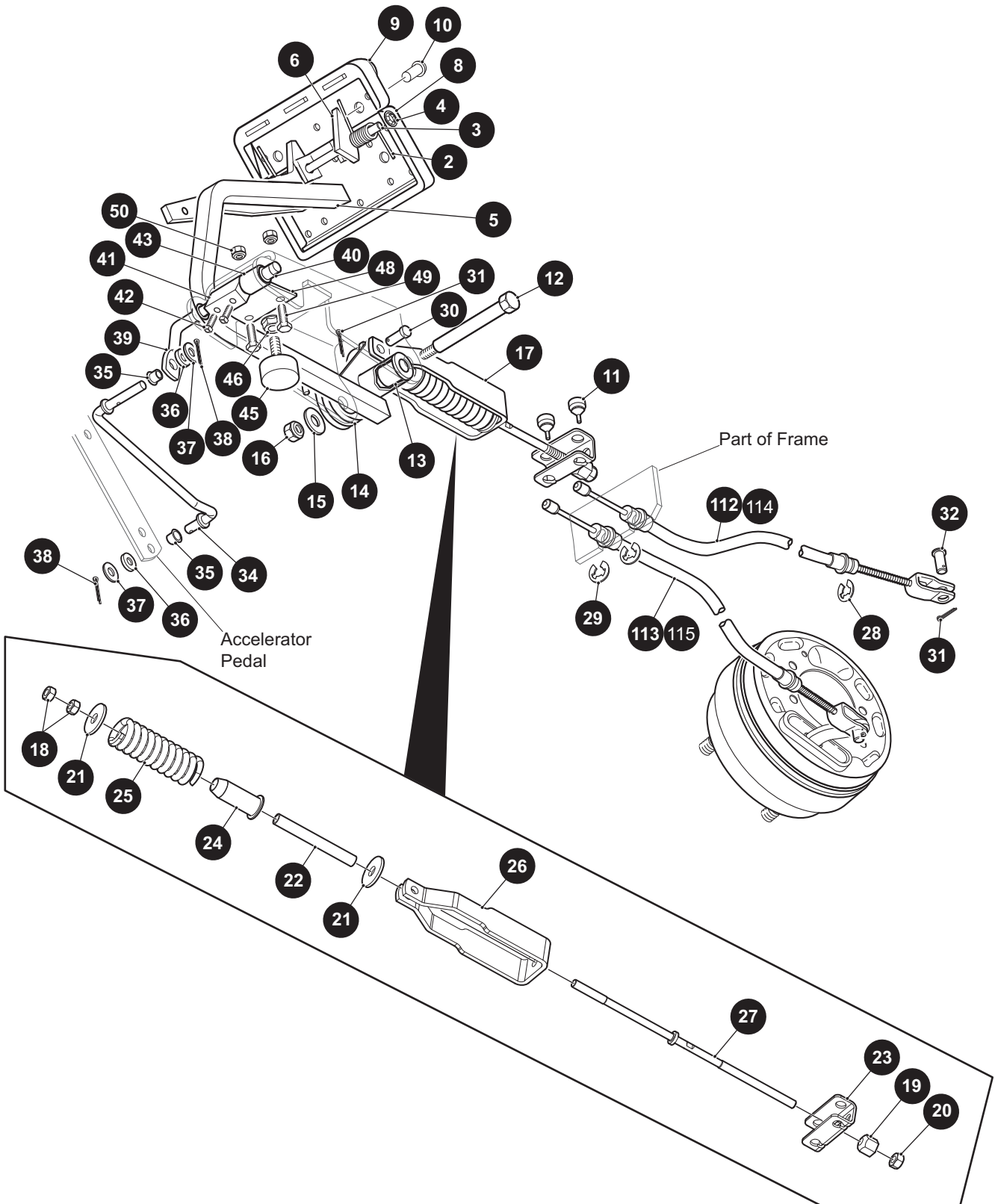
* Indicates a component that is not available as an individual part.

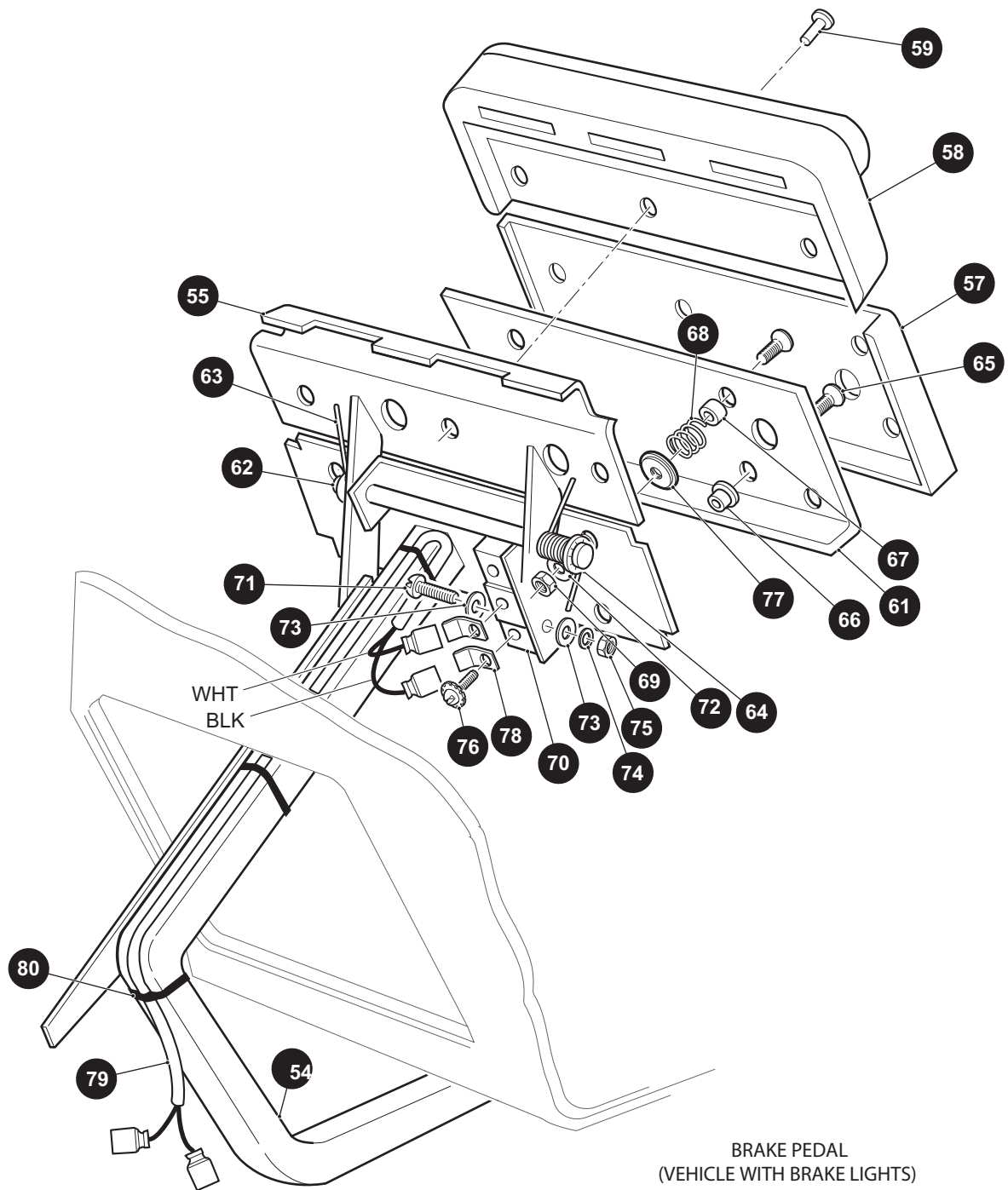
*** Indicates consult Customer Service Department for additional information.

ITEM	PART NO.	1 2 3 4 5	DESCRIPTION	QTY.
152	00463G4		HEX HEAD BOLT, 7/16" - 14 X 1 1/2" LG.....	4
153	00922G3		FLAT WASHER, 7/16"	4
154	00734G1		LOCK NUT, 7/16" - 14"	4
155				
156				
157				
158	646789		HEAVY DUTY BALL HITCH KIT (INCLUDES ITEMS 164, 170 - 172)	1
159	646790		ANGLE HITCH KIT (INCLUDES ITEMS 165, 170, 171)	1
160	646791		CLEVIS HITCH KIT (INCLUDES ITEMS 166, 170, 171, 175, 176).....	1
161	646792		DROP ANGLE HITCH KIT (INCLUDES ITEMS 167, 170, 171)	1
162	646793		DROP BALL HITCH KIT (INCLUDES ITEMS 168, 170 - 172)	1
163	646794		DROP CLEVIS HITCH KIT (INCLUDES ITEMS 169, 170, 171, 175, 176)	1
164	646730		HEAVY DUTY HITCH.....	1
165	646729		ANGLE HITCH.....	1
166	646727		CLEVIS HITCH	1
167	646731		DROP ANGLE HITCH.....	1
168	646743		DROP BALL HITCH	1
169	646744		DROP CLEVIS HITCH	1
170	21317G1		CLEVIS PIN, 5/8" X 3" LG.....	1
171	21683G1		COTTER PIN, 15/32" X 2 11/16" LG.....	1
172	31757G1		HITCH BALL WITH HARDWARE, 1 7/8" (INCLUDES ITEMS 173-174) ..	1
173	00566G6		LOCK WASHER, 3/4"	1
174	00702G2		HEX NUT, 5/16" - 18.....	1
175	14443G10		CLEVIS PIN, 1/2" X 3" LG.....	1
176	19314G1		COTTER PIN, 2 1/2" LG	1
177	27731G01		ASH TRAY	1
178	27736G01		GASKET	1
179	75108G02		BRACKET.....	1
180	00106G6		PAN HEAD PHILLIPS SCREW, #12 - 14 X .75" LG.....	4
181	74533G01		SWIVEL GUN HOLDER WITHBASE PLATE (TERRAIN 500 & 1000 ONLY) .	1
182	74365G01		GUN HOLDER REMOVABLE FLOOR MOUNT (TERRAIN 500 & 1000 ONLY)	1

BRAKES

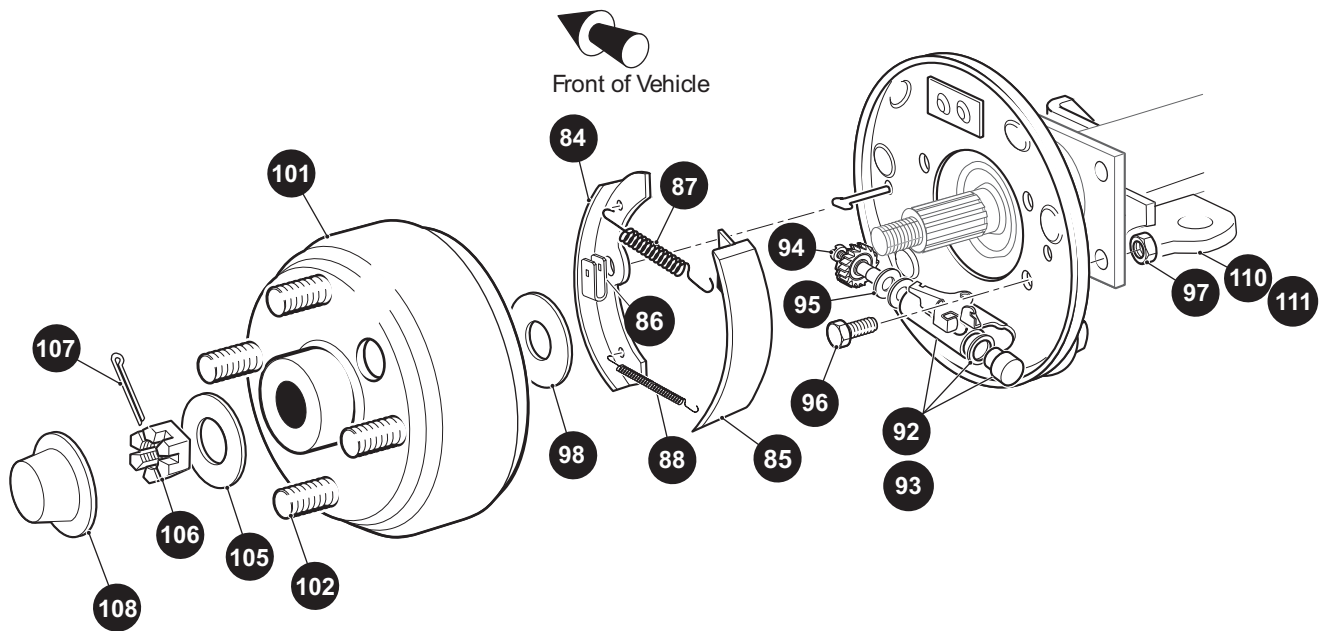
1 BRAKE PEDAL ASSEMBLY (W/O BRAKE LIGHTS) includes items 2 - 10





53 BRAKE PEDAL ASSEMBLY (WITH BRAKE LIGHTS) includes items 54 - 80

BRAKES



82 BRAKE ASSEMBLY (DRIVER SIDE) includes items 84 - 92

83 BRAKE ASSEMBLY (PASSENGER SIDE) includes items 84, 91 - 93

BRAKES

When ordering parts, please specify the model and serial number of the product.

* Indicates a component that is not available as an individual part.

*** Indicates consult Customer Service Department for additional information.

ITEM	PART NO.	1 2 3 4 5	DESCRIPTION	QTY.
1	70612G02		BRAKE PEDAL ASSEMBLY (WITHOUT BRAKE LIGHTS) (INCLUDES ITEMS 2 - 10)	1
2	70681G01		TORSION SPRING.....	2
3	70682G01		PIVOT PIN.....	1
4	658825		PUSHNUT, 5/16"	1
5	652251G03		BRAKE PEDAL.....	1
6	652253G03		PARK BRAKE PEDAL	1
7				
8	70257G01		SERVICE BRAKE PAD.....	1
9	70256G01		PARK BRAKE PEDAL PAD	1
10	16409G1		OVAL RIVET, 3/16" X 3/8" LG	9
11	28083G01		BRAKE COMPENSATOR BUMPER.....	2
12	70582G01		SHOULDER BOLT, 3/8 - 16 X 4" LG.....	1
13	70581G01		FLANGED BUSHING.....	2
14	70676G01		TORSION SPRING	1
15	00643G1		FLAT WASHER, 3/8"	1
16	11098G5		LOCK NUT, 3/8 - 16	1
17	612558		COMPENSATOR ASSEMBLY (INCLUDES ITEMS 18 - 27).....	1
18	00532G4		LOCK NUT, 5/16 - 24.....	2
19	00963G01		SPHERICAL NUT, 5/16 - 24	1
20	11098G9		LOCK NUT, 5/16 - 24.....	1
21	15121G1		FLAT WASHER, 5/16	2
22	23061G2		TUBE	1
23	28082G01		EQUALIZER BRACKET	1
24	17979G1		ACCELERATOR ROD BUSHING.....	1
25	23463G1		COMPRESSION SPRING	1
26	652256		BRAKE YOKE	1
27	612557		LINK ROD.....	1
28				
29	01111G01		RETAINING RING, S.S.	4
30	10386G3		CLEVIS PIN, 5/16" X 1" LG.....	3

BRAKES

When ordering parts, please specify the model and serial number of the product.

* Indicates a component that is not available as an individual part.

*** Indicates consult Customer Service Department for additional information.

ITEM	PART NO.	1 2 3 4 5	DESCRIPTION	QTY.
31	10387G3		COTTER PIN, 3/32" X 3/4" LG	3
32	14443G2		CLEVIS PIN, 5/16" X 3/4" LG	2
33				
34	70601G01		KICK-OFF LINK.....	1
35	17838G1		NYLON BUSHING.....	2
36	20835G1		TEFLON WASHER, 3/8"	2
37	00559G8		FLAT WASHER, 5/16"	2
38	10387G3		COTTER PIN, 3/32" X 3/4" LG	2
39	70098G01		KICK-OFF CAM PIVOT	1
40	10097G6		FLANGED BEARING	2
41	70587G01		KICK-OFF CAM.....	1
42	71215G01		SETSCREW, 1/4 - 20 X 1/2" LG.....	2
43	14134G4		SPACER	1
44				
45	70113G01		ADJUSTABLE BUMPER	1
46	11027G1		LOCK NUT, 5/16 - 18.....	1
47				
48	70080G02		CATCH BRACKET.....	1
49	00414G6		BOLT, 1/4 - 20 X 3/4" LG	2
50	14390G4		LOCK NUT, 1/4 - 20.....	2
51	12416G2		NYLON WEDGE LOCK CLAMP (NOT ILLUSTRATED)	AR
52				
53	70690G02		BRAKE PEDAL ASSEMBLY (WITH BRAKE LIGHTS) (INCLUDES ITEMS 54 - 80) (TERRAIN 500 & 1000 Only).....	1
54	652791G03		BRAKE PEDAL	1
55	652253G03		PARK BRAKE PEDAL.....	1
56				
57	70257G01		SERVICE BRAKE PAD	1
58	70256G01		PARK BRAKE PAD	1
59	16409G1		OVAL RIVET, 3/16" x 3/8" LG.....	9
60				
61	652820		BRAKE PEDAL PLATE	1

When ordering parts, please specify the model and serial number of the product.

* Indicates a component that is not available as an individual part.

*** Indicates consult Customer Service Department for additional information.

ITEM	PART NO.	1 2 3 4 5	DESCRIPTION	QTY.
62	70682G01		PIVOT PIN.....	1
63	70681G01		TORSION SPRING.....	2
64	658825		PUSHNUT, 5/16"	1
65	00737G8		SCREW, #10 - 24 X 1" LG.....	4
66	00739G1		RUBBER NUT, #10 - 24	2
67	652355		BRAKE PEDAL SPACER	2
68	27137G01		CONICAL SPRING.....	2
69	14390G10		LOCK NUT, #10 - 24.....	2
70	10606G8		MICRO SWITCH	1
71	00645G2		SCREW, #6 - 32 X 1 1/4" LG.....	2
72	00559G5		FLAT WASHER, #10	2
73	00559G3		FLAT WASHER, #6	4
74	00565G3		LOCK WASHER, #6	2
75	00525G5		NUT, #6 - 32	2
76	13514G1		SCREW AND LOCK WASHER, #6	2
77	00642G8		FLAT WASHER - 5/16"	2
78	14628G1		FASTON TAB.....	2
79	24605G1		WIRE HARNESS (BRAKE LIGHT).....	1
80	17618G1		WIRE TIE.....	2
81				
82	612189		BRAKE ASSEMBLY (DRIVER SIDE) (INCLUDES ITEMS 84 - 92).....	1
83	612211		BRAKE ASSEMBLY (PASSENGER SIDE) (INCL. ITEMS 84 - 91, 93)	1
84	*		BRAKE SHOE (LEADING)	2
85	*		BRAKE SHOE (TRAILING)	2
86	*		SHOE CLAMP	2
87	*		UPPER SPRING	1
88	*		LOWER SPRING.....	1
89				
90				
91				
92	612417		BRAKE ADJUSTER KIT (DRIVER SIDE).....	1

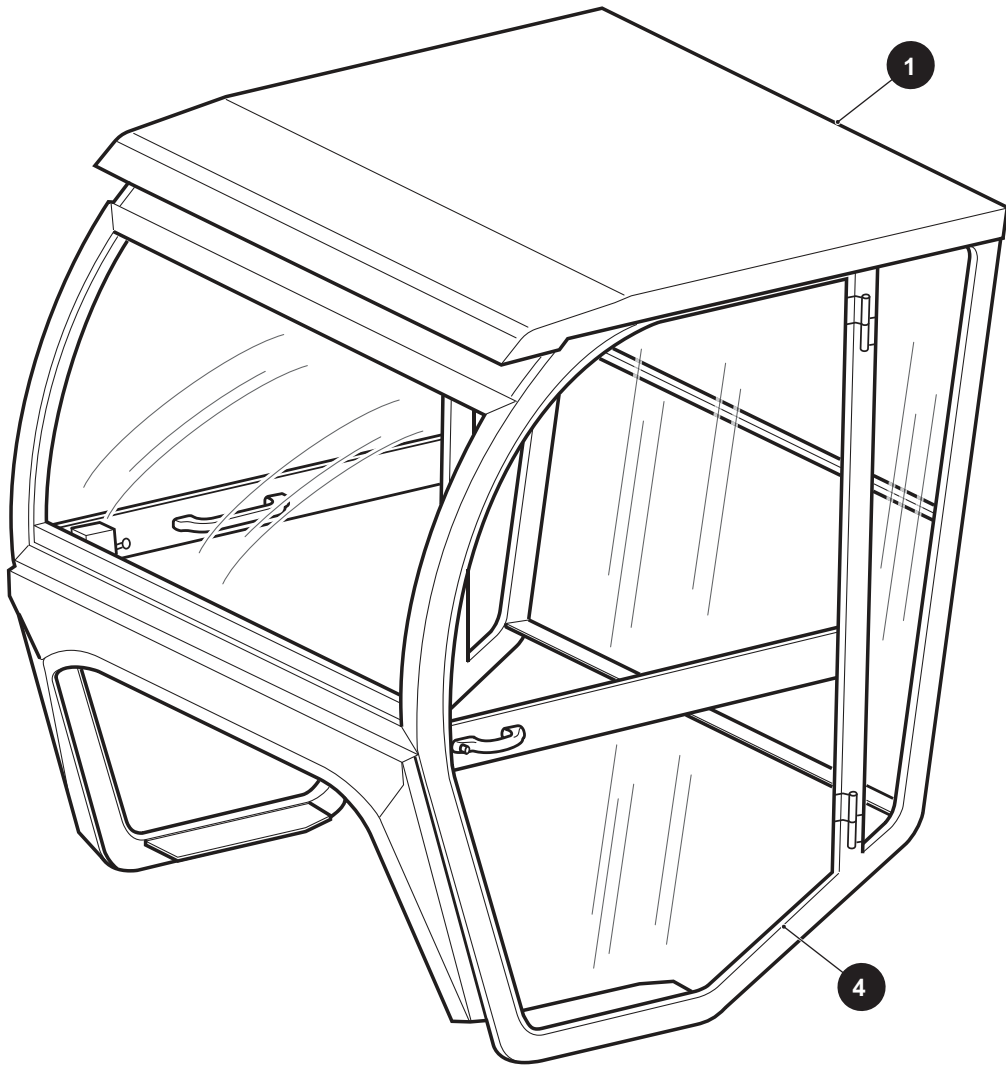
BRAKES

When ordering parts, please specify the model and serial number of the product.

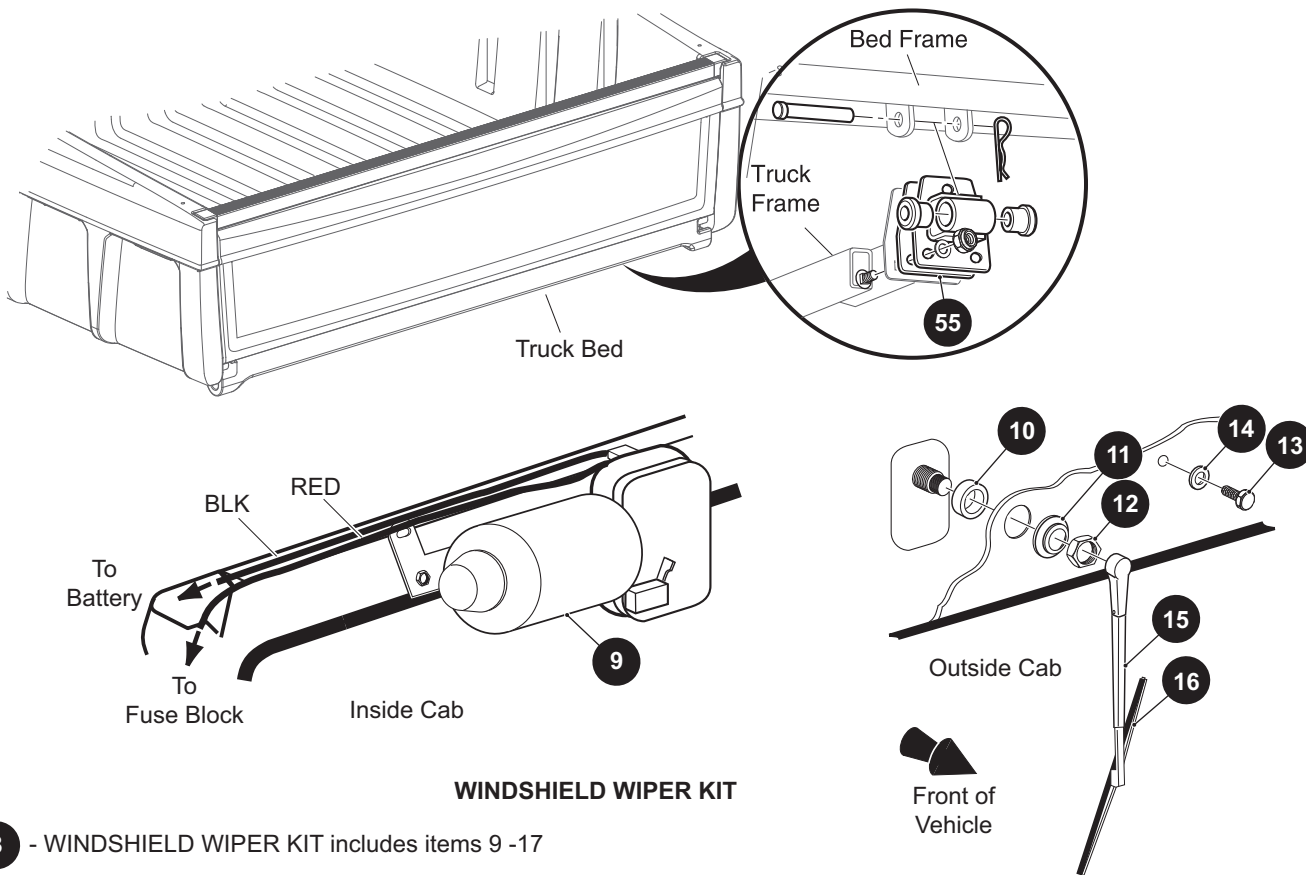
* Indicates a component that is not available as an individual part.

*** Indicates consult Customer Service Department for additional information.

ITEM	PART NO.	1	2	3	4	5	DESCRIPTION	QTY.
93	72582G02						BRAKE ADJUSTER KIT (PASSENGER SIDE).....	1
94								
95								
96	17083G2						BOLT, 5/16 - 24 X 1" LG	8
97	15126G1						LOCK NUT, 5/16 - 24.....	8
98	21809G1						INNER BRAKE DRUM WASHER, 1 5/16" OD X 1" ID X 1/32"	2
99								
100	21807G2						BRAKE DRUM ASSEMBLY (INCLUDES ITEMS 101 - 102).....	2
101	*						BRAKE DRUM	1
102	19862G1						LUG BOLT, 1/2 - 20 X 1 - 7/32	4
103								
104								
105	606945						OUTER BRAKE DRUM WASHER	2
106	606403						SLOTTED NUT, 3/4 - 16.....	2
107	10387G1						COTTER PIN, 1/8" X 1 1/2" LG	2
108	74175G01						DUST CAP.....	2
109								
110	652248						BRAKE CABLE BRACKET (PASSENGER SIDE).....	1
111	652249						BRAKE CABLE BRACKET (DRIVER SIDE)	1
112	624690						BRAKE CABLE (DRIVER SIDE) (FOR TERRAIN 250 TS2 & 500 TS2)	1
113	624703						BRAKE CABLE (PASSENGER SIDE) (FOR TERRAIN 250 TS2 & 500 TS2)	1
114	624697						BRAKE CABLE (DRIVER SIDE) (FOR TERRAIN 1000 TS2).....	1
115	624698						BRAKE CABLE (PASSENGER SIDE) (FOR TERRAIN 1000 TS2)	1

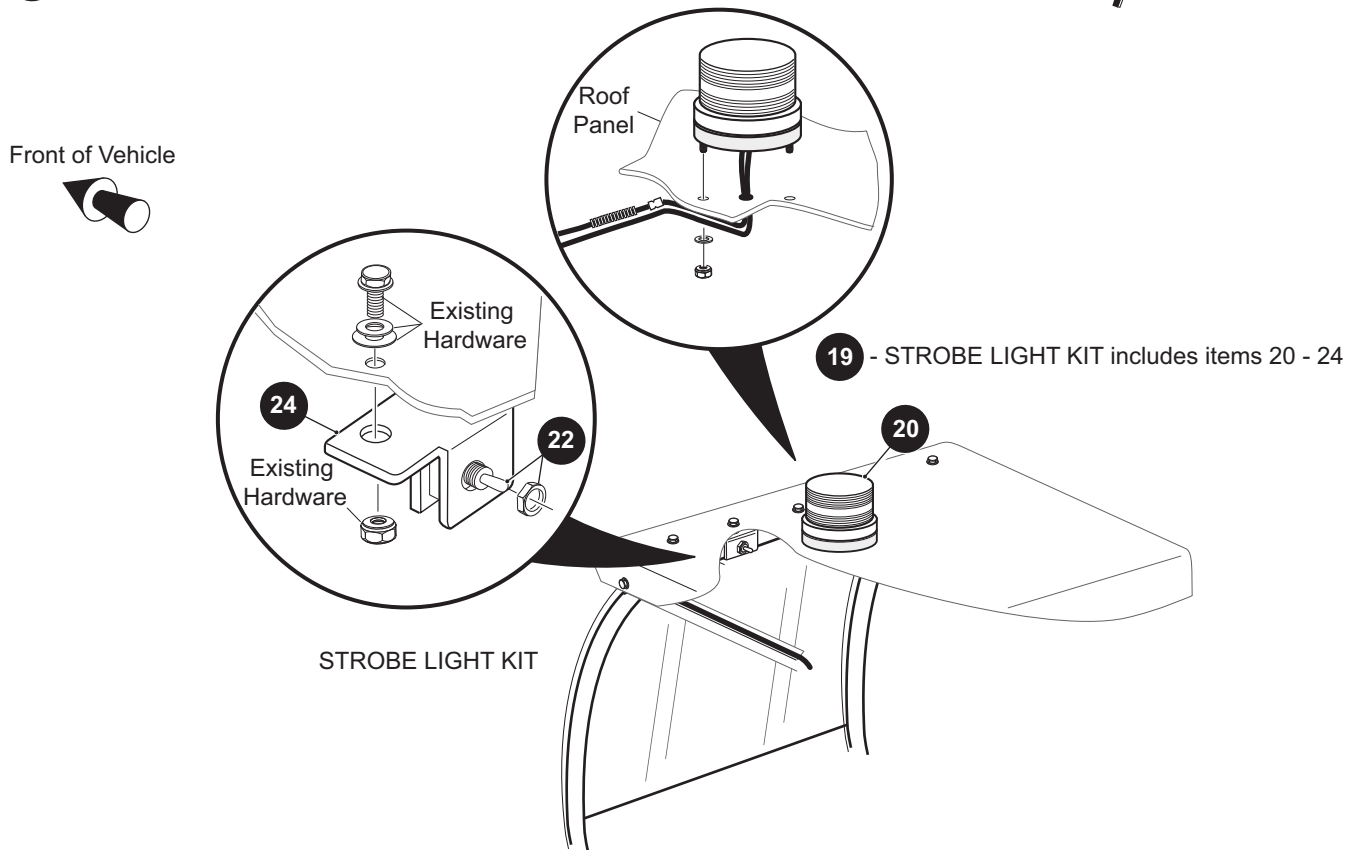


Steel Doors Shown



WINDSHIELD WIPER KIT

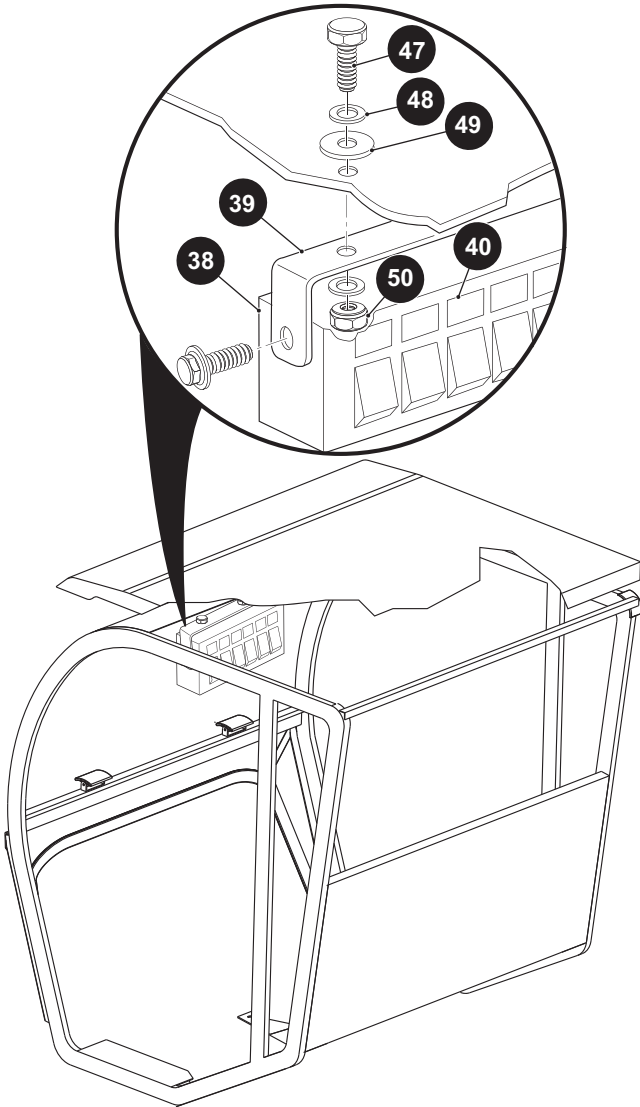
8 - WINDSHIELD WIPER KIT includes items 9 - 17



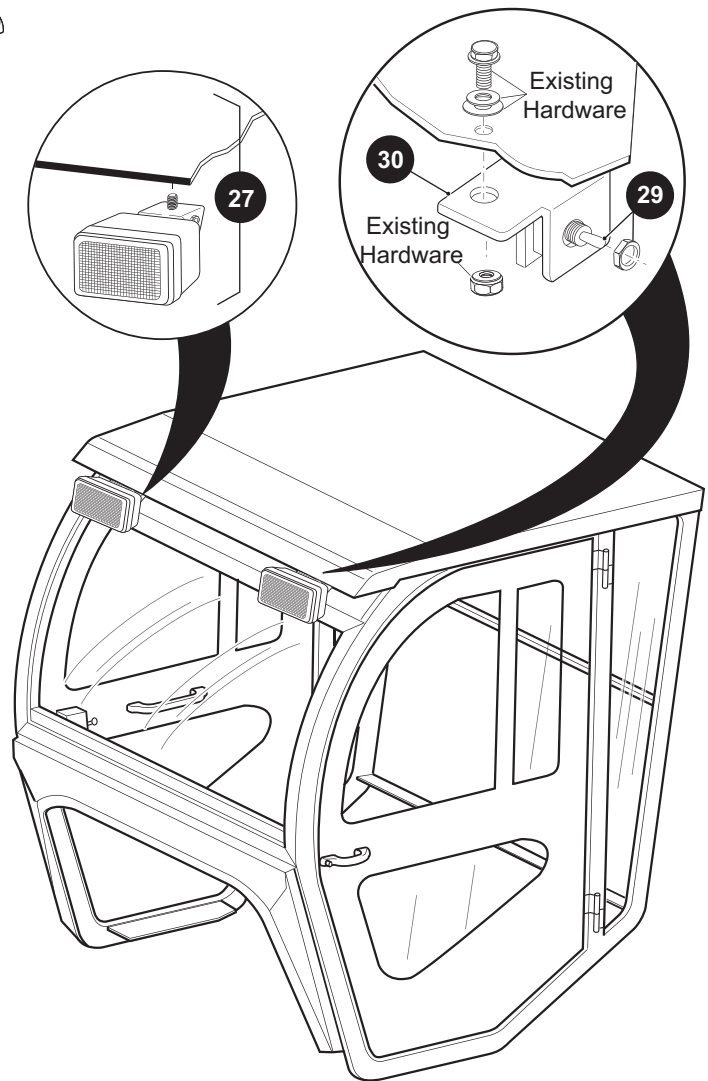
19 - STROBE LIGHT KIT includes items 20 - 24

STROBE LIGHT KIT

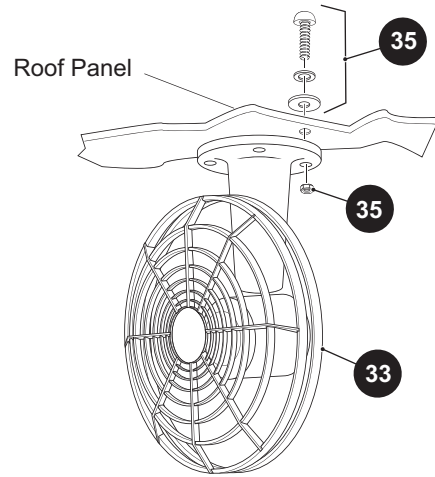
37 SWITCH PANEL KIT includes items 38 - 52



26 WORK LIGHT KIT includes items 27 - 30



32 DEFROSTER / COOLING FAN KIT includes items 33 - 35



When ordering parts, please specify the model and serial number of the product.

* Indicates a component that is not available as an individual part.

*** Indicates consult Customer Service Department for additional information.

ITEM	PART NO.	1 2 3 4 5	DESCRIPTION	QTY.
1	72684G**		STEEL CAB (WITHOUT DOORS) REPACEMENT PARTS AND ACCESSORIES MAY BE OBTAINED FROM CURTIS CAB, INC.)	1
2				
3				
4	75856G**		STEEL DOOR KIT	1
5				
6				
7				
8	74244G01		WINDSHIELD WIPER KIT (INCLUDES ITEMS 9 -17)	1
9	9PWM85		WIPER MOTOR (INCLUDES ITEMS 10 - 14).....	1
10	*		SPACER.....	1
11	*		SHAFT COVER (SEAL)	1
12	*		NUT	1
13	*		BOLT	1
14	*		WASHER	1
15	9PWA		WIPER ARM.....	1
16	9PWB		WINDSHIELD WIPER BLADE	1
17	9E003		ELECTRICAL HARDWARE KIT (NOT ILLUSTRATED).....	1
18				
19	74245G01		STROBE LIGHT KIT (INCLUDES ITEMS 20 - 24)	1
20	9PSLRL		STROBE LENS	1
21	9E001		ELECTRICAL HARDWARE KIT (NOT ILLUSTRATED).....	1
22	9E002		TOGGLE SWITCH.....	1
23	9PSLRB		REPLACEMENT BULB (NOT ILLUSTRATED)	1
24	9PB001		BRACKET.....	1
25				
26	74247G01		WORK LIGHT KIT (INCLUDES ITEMS 27 - 30)	1
27	9LW1A		WORK LIGHT (INCLUDES HARDWARE)	2
28	9E001		ELECTRICAL HARDWARE KIT (NOT ILLUSTRATED).....	1
29	9E002		TOGGLE SWITCH.....	1
30	9PB001		BRACKET.....	1

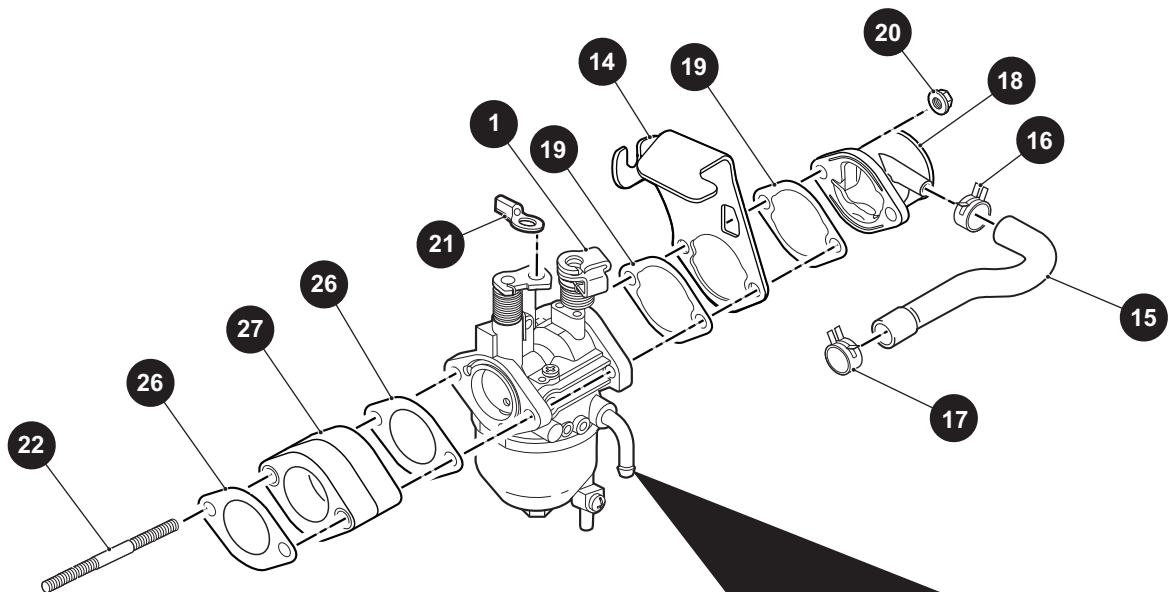
When ordering parts, please specify the model and serial number of the product.

* Indicates a component that is not available as an individual part.

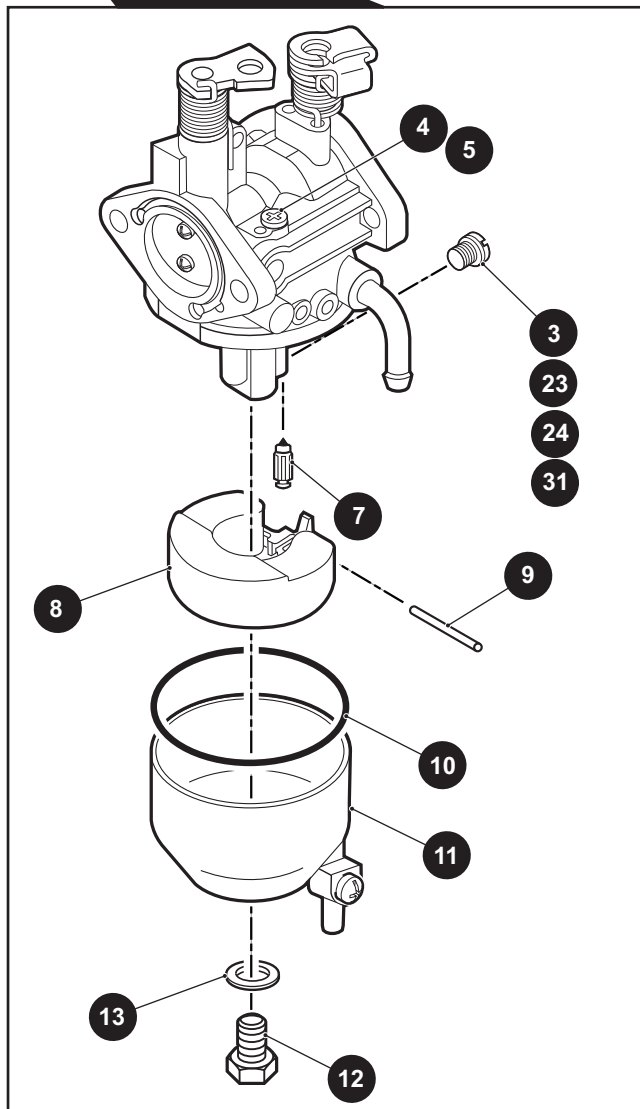
*** Indicates consult Customer Service Department for additional information.

ITEM	PART NO.	1	2	3	4	5	DESCRIPTION	QTY.
31								
32	74248G01						DEFROSTER / COOLING FAN KIT (INCLUDES ITEMS 33 - 35)	1
33	9PDF						FAN	1
34	9E001						ELECTRICAL HARDWARE KIT (NOT ILLUSTRATED)	1
35	9PFHK						HARDWARE KIT.....	1
36								
37	74250G01						SWITCH PANEL KIT (INCLUDES ITEMS 38 - 52)	1
38	9PSF1001						SWITCH PANEL	1
39	9PSF1002						MOUNTING BRACKET AND HARDWARE	1
40	9PSF1003						ADHESIVE LABELS	1
41	9PSF1004						3 AMP FUSE (NOT ILLUSTRATED).....	2
42	9PSF1005						5 AMP FUSE (NOT ILLUSTRATED).....	3
43	9PSF1006						7.5 AMP FUSE (NOT ILLUSTRATED).....	1
44	9PSF1007						FLEX LOOM, 5/8" X 10 FT LG (NOT ILLUSTRATED).....	1
45	9PSF1008						4-WAY BASE TIE (NOT ILLUSTRATED).....	6
46	9PSF1009						WIRE TIE (NOT ILLUSTRATED).....	14
47	9PSF1010						BOLT, 1/4 - 20 X 7/8" LG.....	2
48	9PSF1011						WASHER, 1/4"	4
49	9PSF1012						NYLON WASHER, 1/4".....	2
50	9PSF1013						LOCK NUT, 1/4 - 20	2
51	9PSF1014						10 GA WIRE (RED 8") (NOT ILLUSTRATED)	1
52	9PSF1015						10 GA WIRE (BLACK 8") (NOT ILLUSTRATED).....	1
53								
54								
55	6E03T						BED SPACER.....	2

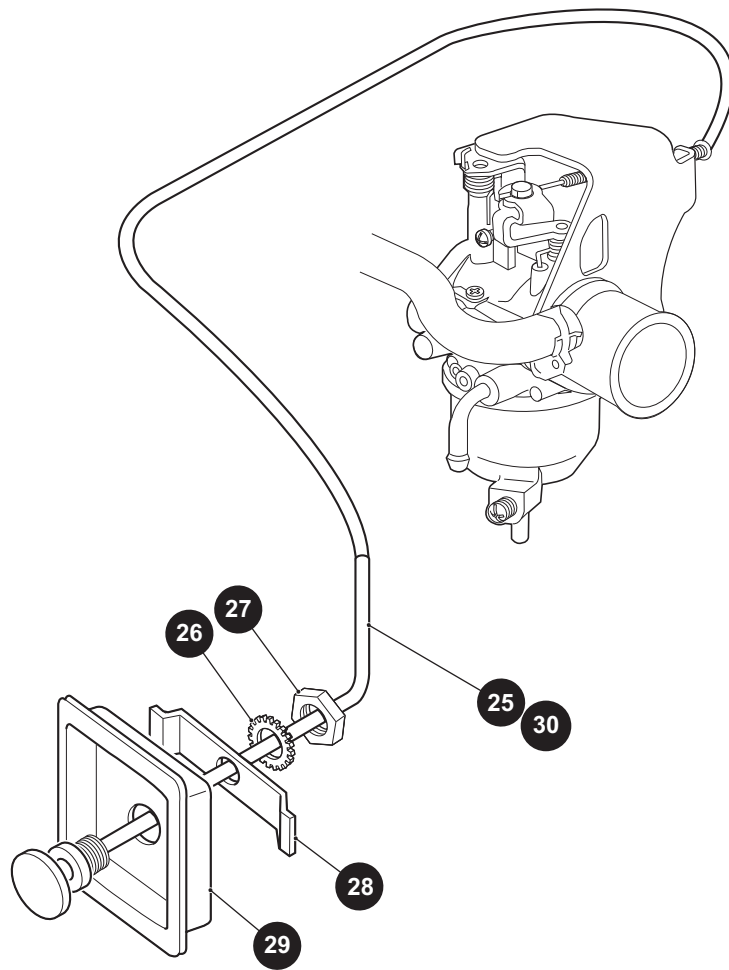
CARBURETOR AND CHOKE



1 CARBURETOR ASSEMBLY includes items 3 - 22



CARBURETOR AND CHOKE



CARBURETOR AND CHOKE

When ordering parts, please specify the model and serial number of the product.

* Indicates a component that is not available as an individual part.

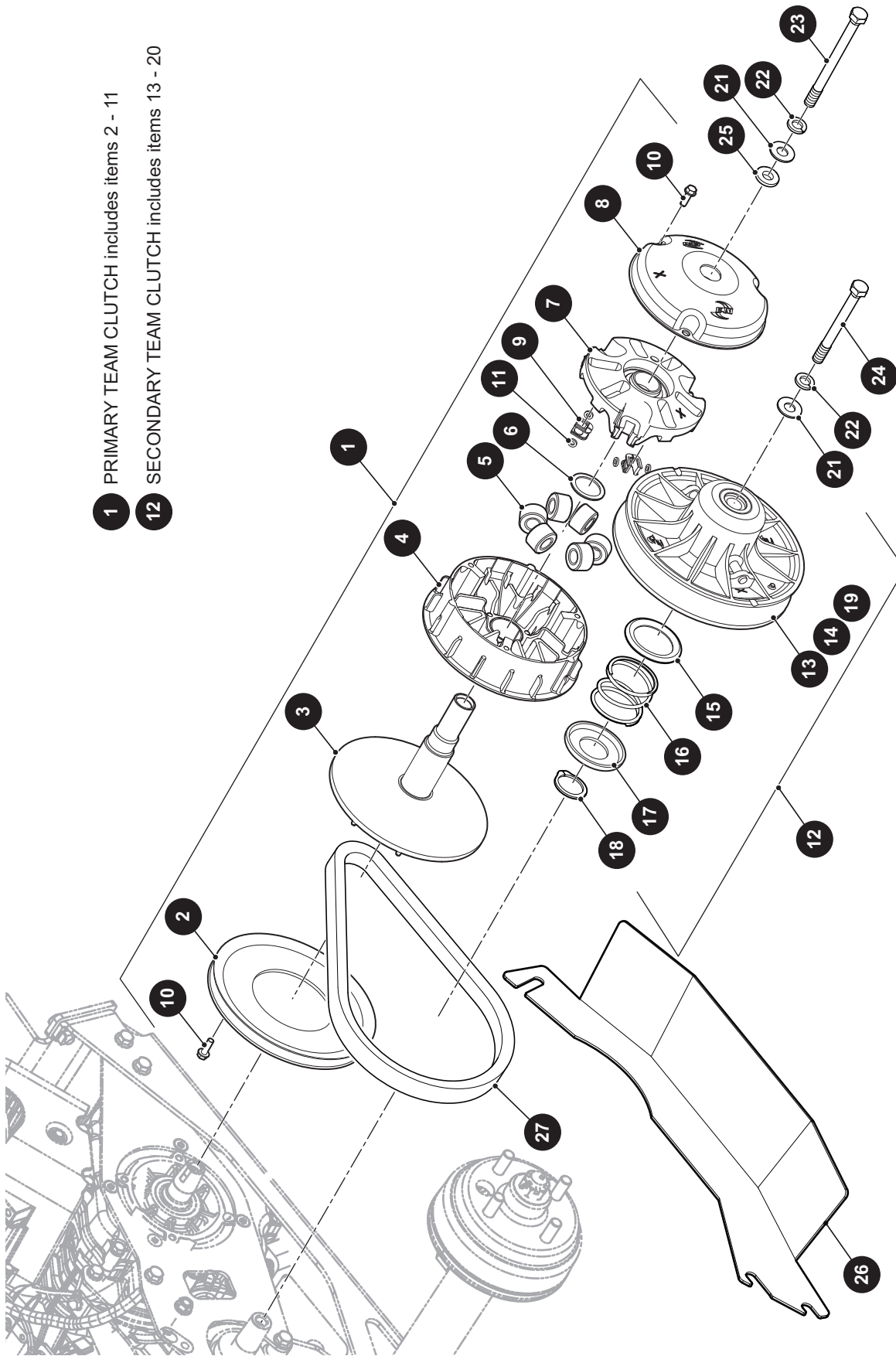
*** Indicates consult Customer Service Department for additional information.

ITEM	PART NO.	1 2 3 4 5	DESCRIPTION	QTY.
1	607955		CARBURETOR (INCLUDES ITEMS 3 - 22).....	1
2				
3	607956		MAIN JET (#106)	1
4	607957		PILOT JET (#52)	1
5	603585		PLUG	1
6				
7	603586		NEEDLE VALVE.....	1
8	603587		FLOAT.....	1
9	603588		FLOAT PIN.....	1
10	603589		FLOAT BOWL GASKET.....	1
11	603590		FLOAT CHAMBER.....	1
12	603592		BOWL SCREW	1
13	603591		BOWL GASKET	1
14	603583		CHOKE BRACKET	1
15	603598		BREATHER TUBE	1
16	603596		CLAMP, INTAKE TUBE.....	1
17	603597		CLAMP CYLINDER HEAD TUBE	1
18	603594		INTAKE TUBE	1
19	603593		CHOKE GASKET.....	2
20	603595		HEX NUT, M6 X 1.0	2
21	608023		THROTTLE ROD ATTACHMENT BUSHING.....	1
22	603584		STUD BOLT	2
23	607684		MAIN JET (#102) (FOR ELEVATIONS OF 6000 FT - 10000 FT).....	1
24	607683		MAIN JET (#104) (FOR ELEVATIONS OF 3000 FT - 6000 FT).....	1
25	605868		CHOKE CABLE (SWB)	1
26	00568G4		LOCK WASHER, 9/16"	1
27	00545G4		JAM NUT, 9/16" - 18.....	1
28	72155G02		RETAINER.....	1
29	72154G01		CHOKE CABLE ADAPTER.....	1
30	605793		CHOKE CABLE (MWB).....	1
31	606389		HIGH ALTITUDE JET (TERRAIN 500 & 1000 ONLY).....	1

CLUTCH

1 PRIMARY TEAM CLUTCH includes items 2 - 11

12 SECONDARY TEAM CLUTCH includes items 13 - 20



When ordering parts, please specify the model and serial number of the product.

* Indicates a component that is not available as an individual part.

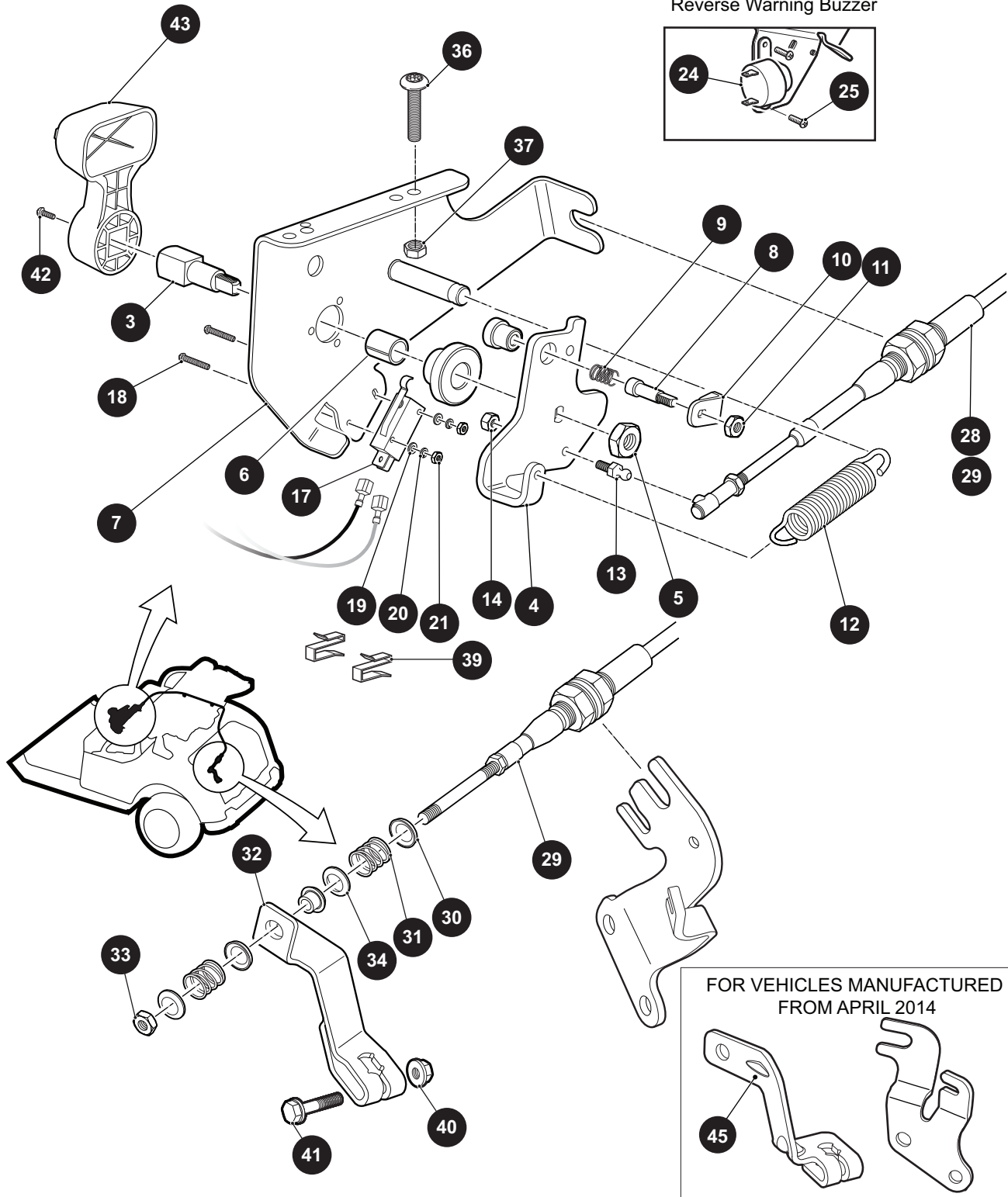
*** Indicates consult Customer Service Department for additional information.

ITEM	PART NO.	1 2 3 4 5	DESCRIPTION	QTY.
1	644301		PRIMARY TEAM CLUTCH (INCLUDES ITEMS 2 - 11).....	1
2	619333		PRIMARY STARTER PULLY, 195 - SVC.....	1
3	619334		STATIONARY ASSEMBLY	1
4	619335		MOVEABLE PRIMARY ASSEMBLY	1
5	624112		SHIFT ROLLER ASSEMBLY.....	6
6	619337		SHIM, 39 5MM X 31 75MM	1
7	644303		PRIMARY SPIDER ASSEMBLY	1
8	619339		PRIMARY DUST COVER ASSEMBLY.....	1
9	644305		BUTTON, TORQUE PRIMARY	6
10	619332		HEX WASHER HEAD BOLT, 1/4" - 20 X 3/4" LG	7
11	644306		PLUG, TORQUE PRIMARY	6
12	623949		SECONDARY TEAM CLUTCH (INCLUDES ITEMS 13 - 20).....	1
13	*		SECONDARY STATIONARY, 9.5.....	1
14	*		MOVEABLE SECONDARY, 9.5.....	1
15	619327		INNER RETAINER SPRING.....	1
16	624111		COMPRESSION SPRING, 2.70" O.D.....	1
17	619329		OUTER SPRING RETAINER	1
18	619330		RETAINER RING.....	1
19	619331		THRUST WASHER, 1 53" X 1 83" X 1"	1
20				
21	606239		CONICAL WASHER, M12	2
22	00566G3		LOCK WASHER (SPRING TYPE), 3/8".....	2
23	606245		HEX HEAD BOLT, M12 - 1 25 X 160MM LG.....	1
24	606243		HEX HEAD BOLT, M12 - 1 25 X 120MM LG.....	1
25	606230		CLUTCH WASHER, 27 5MM O.D. X 13 06MM I.D.	1
26	605950		CLUTCH BELT SHIELD (TERRAIN 500 & 1000 ONLY).....	1
27	618630		DRIVE BELT	1

DIRECTION SELECTOR

1 DIRECTION SELECTOR ASSEMBLY (250 & 500 Only) includes items 3 - 28, 30 - 34

2 DIRECTION SELECTOR ASSEMBLY (1000 Only) includes items 3 - 27, 29 - 34



DIRECTION SELECTOR

When ordering parts, please specify the model and serial number of the product.

* Indicates a component that is not available as an individual part.

*** Indicates consult Customer Service Department for additional information.

ITEM	PART NO.	1 2 3 4 5	DESCRIPTION	QTY.
1	603416		DIRECTION SELECTOR ASSEMBLY (Includes Items 3 - 28, 30 - 34)..... (TERRAIN 250 & 500 Only)	1
2	606173		DIRECTION SELECTOR ASSEMBLY (Includes Items 3 - 27, 29 - 34) (TERRAIN 1000 Only).....	1
3	70233G01		DIRECTION SELECTOR SHAFT	1
4	603700		DIRECTION SELECTOR CAM.....	1
5	14390G1		LOCK NUT, 3/8 - 24.....	1
6	25664G2		BUSHING	1
7	606077		DIRECTION SELECTOR BRACKET.....	1
8	72724G01		NEUTRAL LOCK PIN	1
9	72733G01		COMPRESSION SPRING, 3/8" X 5/8" LG	1
10	72729G01		NEUTRAL LOCK LATCH.....	1
11	00734G2		LOCK NUT, 1/4 - 28.....	1
12	28574G01		EXTENSION SPRING	1
13	72732G01		BALL STUD, 1/4"	1
14	00734G5		LOCK NUT, #10 - 32.....	1
15				
16				
17	72736G01		MICRO SWITCH	1
18	01062G01		SCREW, #4 - 40 X 1" LG	2
19	00559G1		FLAT WASHER, #4	2
20	00565G1		LOCK WASHER, #4	2
21	00526G2		HEX NUT, #4 - 40	2
22				
23				
24	73290G03		REVERSE WARNING BUZZER.....	1
25	01063G01		SCREW, #6 - 32 X 3/8" LG.....	2
26	25978G345		18 GA WIRE (RED 7").....	1
27				
28	603615		PUSH / PULL CABLE	1
29	605807		PUSH / PULL CABLE	1
30	25727G01		CUP WASHER, 1/4"	4

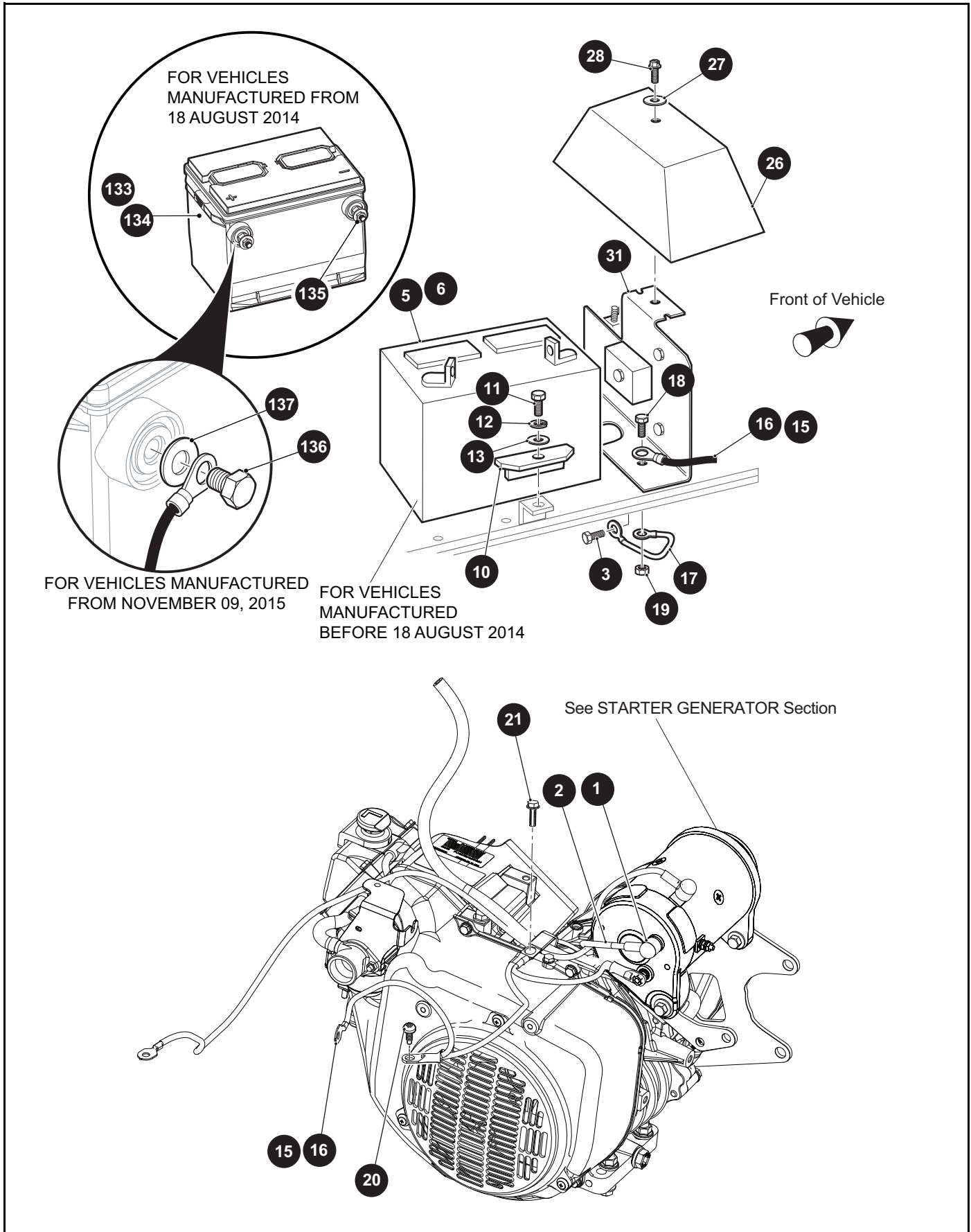
DIRECTION SELECTOR

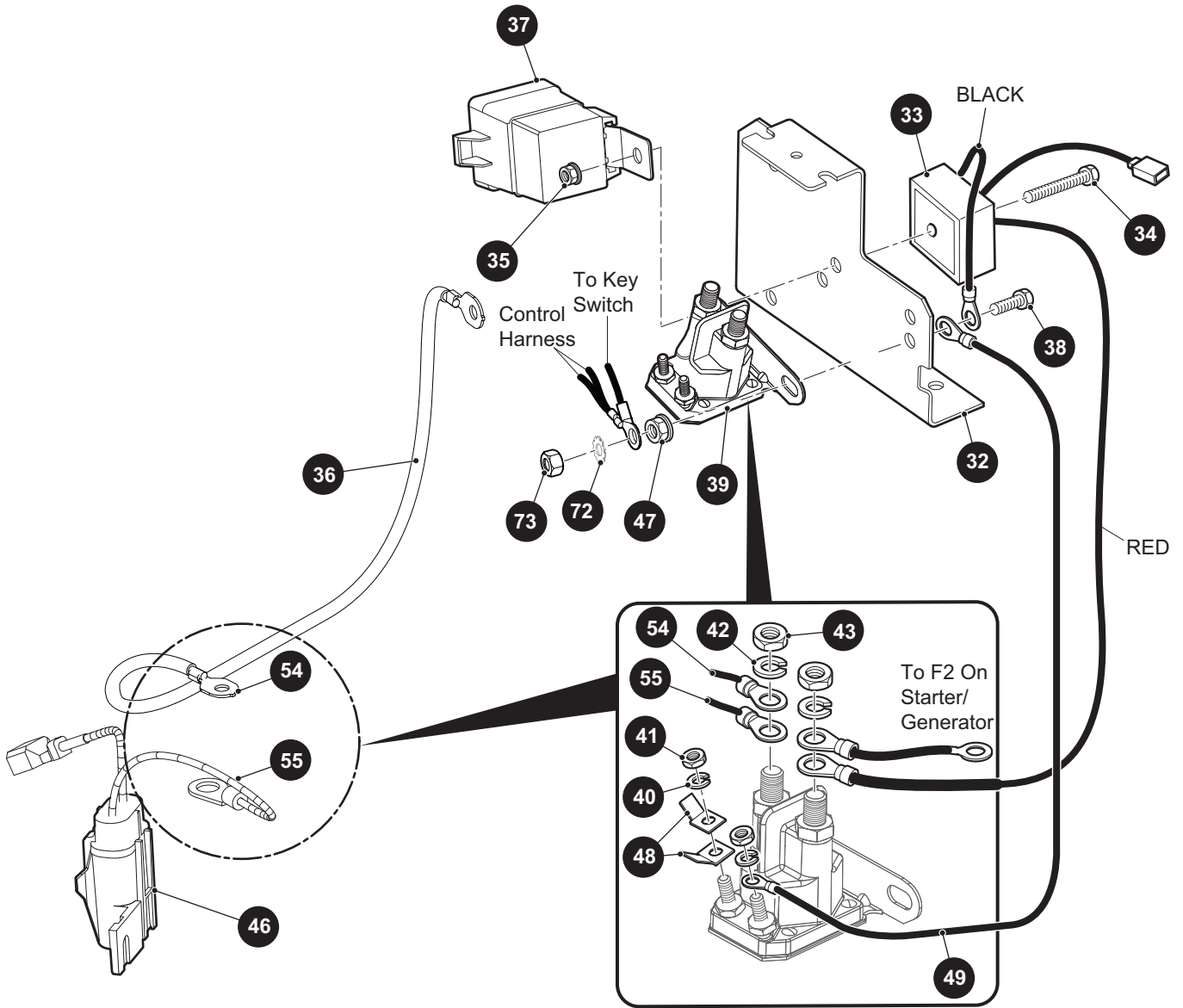
When ordering parts, please specify the model and serial number of the product.

* Indicates a component that is not available as an individual part.

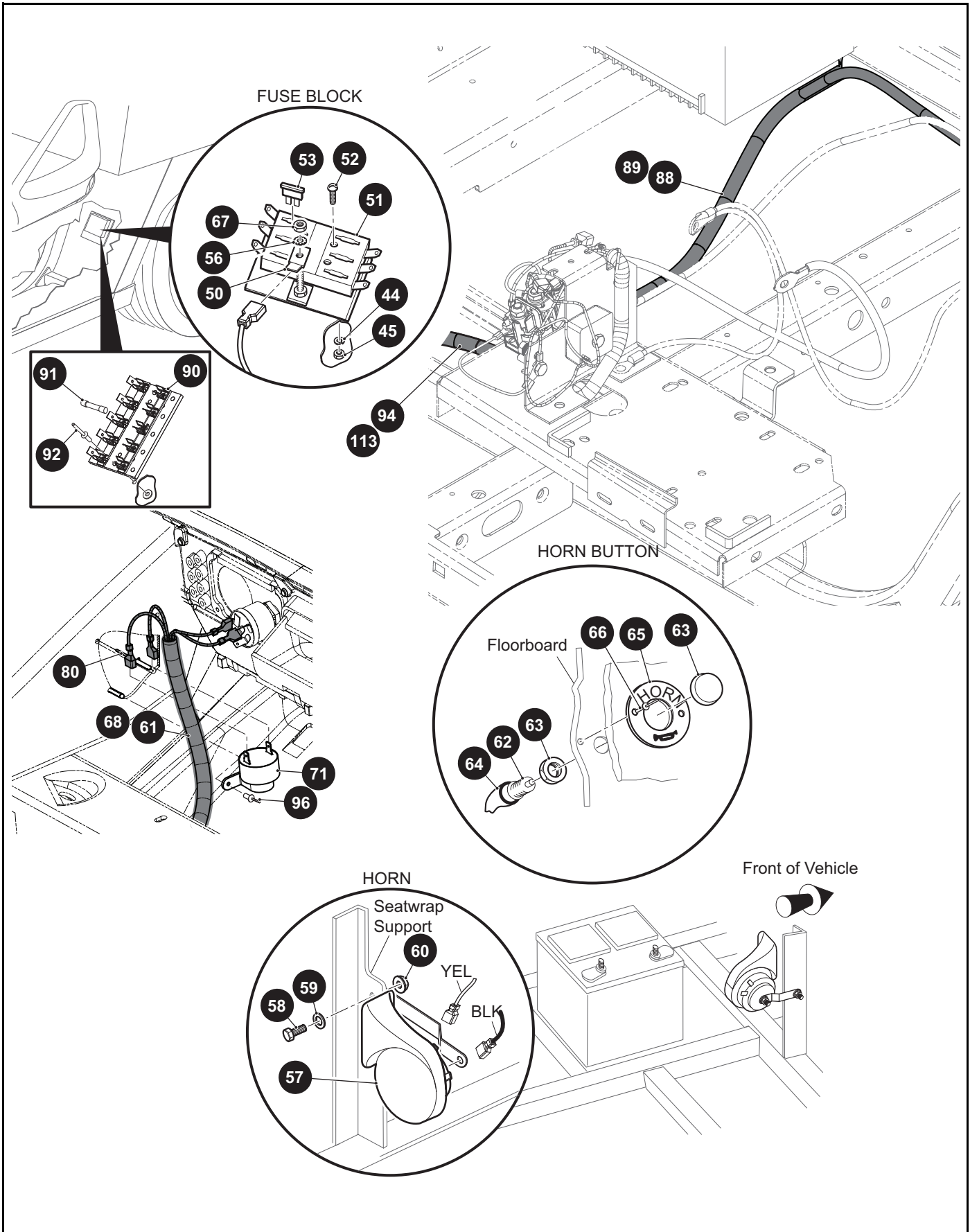
*** Indicates consult Customer Service Department for additional information.

ITEM	PART NO.	1	2	3	4	5	DESCRIPTION	QTY.
31	72735G01						COMPRESSION SPRING, 19/32" X 1" LG	2
32	74455G01						SHIFTER ARM WITH BUSHING	1
33	00734G5						LOCK NUT, #10 - 32	1
34	22754G4						BUSHING, FLIP LOK, .250	1
35								
36	70227G01						SCREW, 1/4 - 20 X 7/8" LG.....	2
37	11027G2						LOCK NUT, 1/4 - 20.....	2
38								
39	01072G01						CABLE CLIP.....	2
40	450452						HEX CUSH NUT, M6	1
41	606421						HEX BOLT, M6-1 X 30.....	1
42	00740G4						SCREW, #10 - 32 X 1/2" LG (STAINLESS STEEL)	1
43	71205G01						DIRECTION SELECTOR HANDLE	1
44								
45	632891						DIRECTION SELECTOR PIVOT BRACKET (FOR VEHICLES MANUFACTURED FROM APRIL 2014).....	1

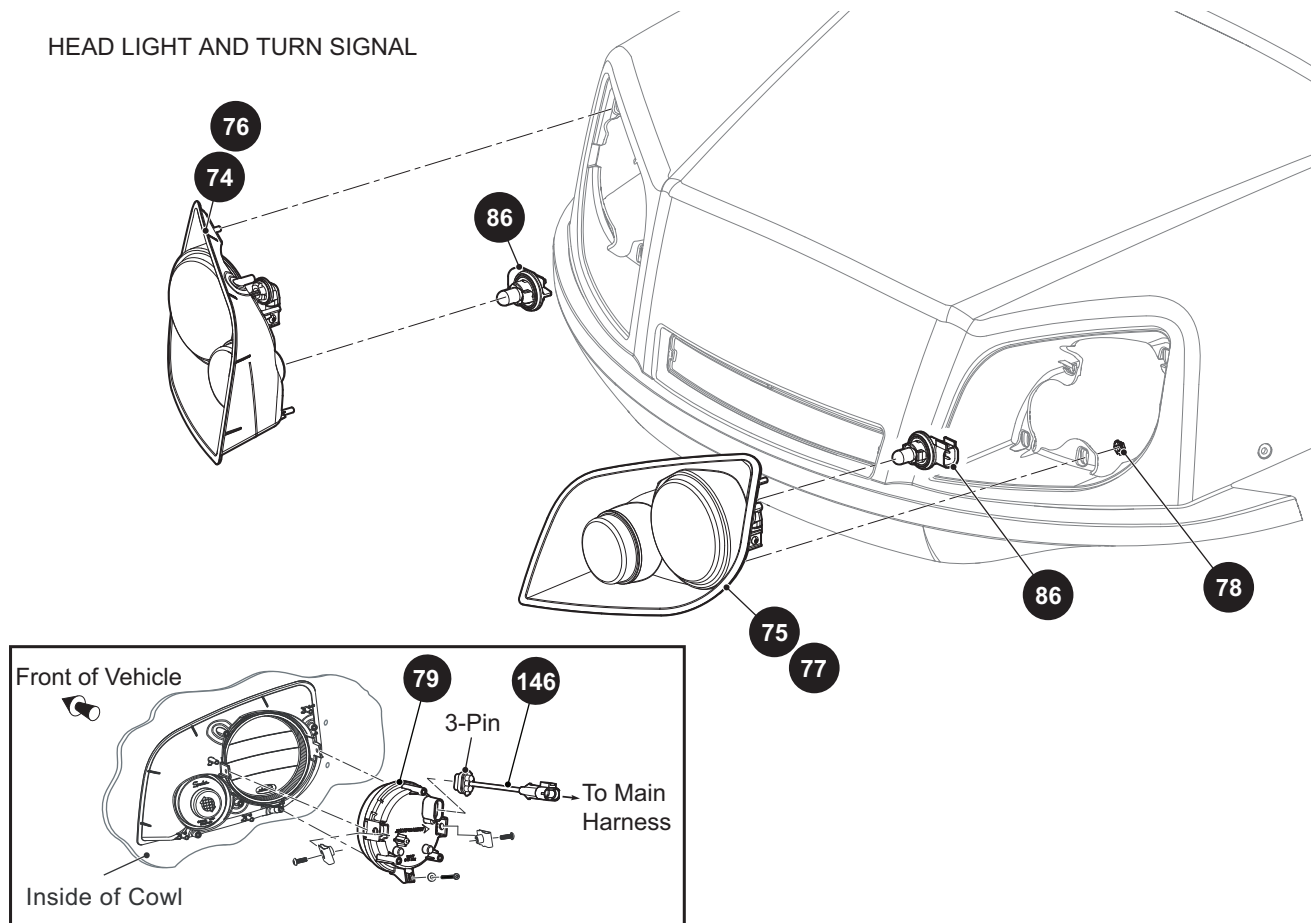




31 ELECTRICAL PLATE ASSEMBLY includes items 32 - 43 and 46 - 49

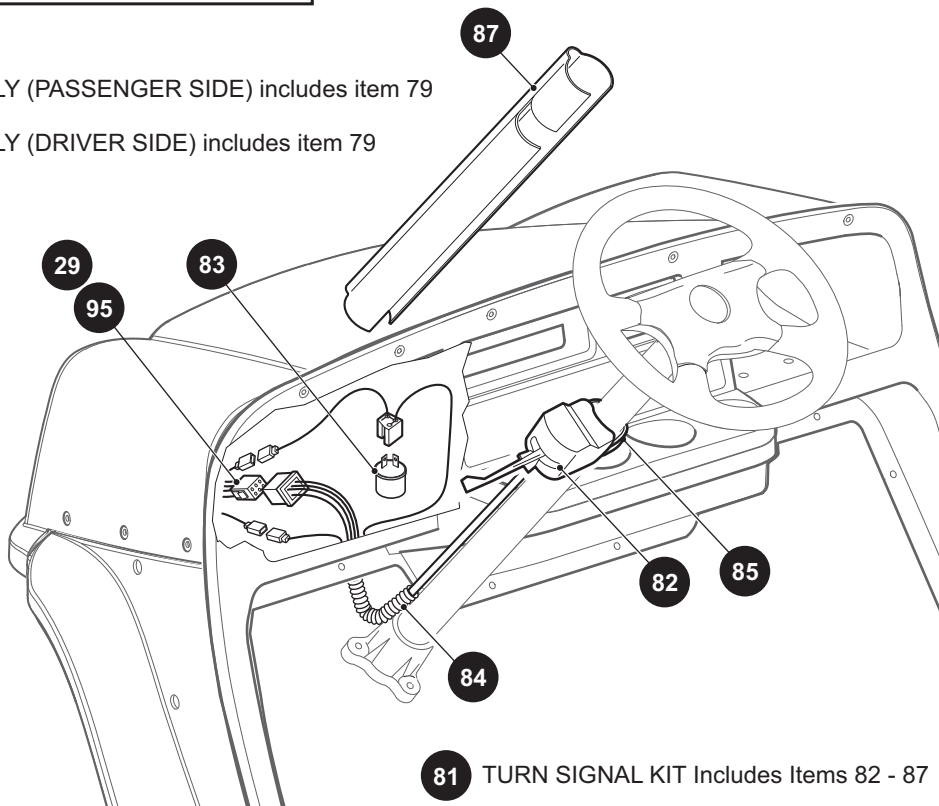


HEAD LIGHT AND TURN SIGNAL

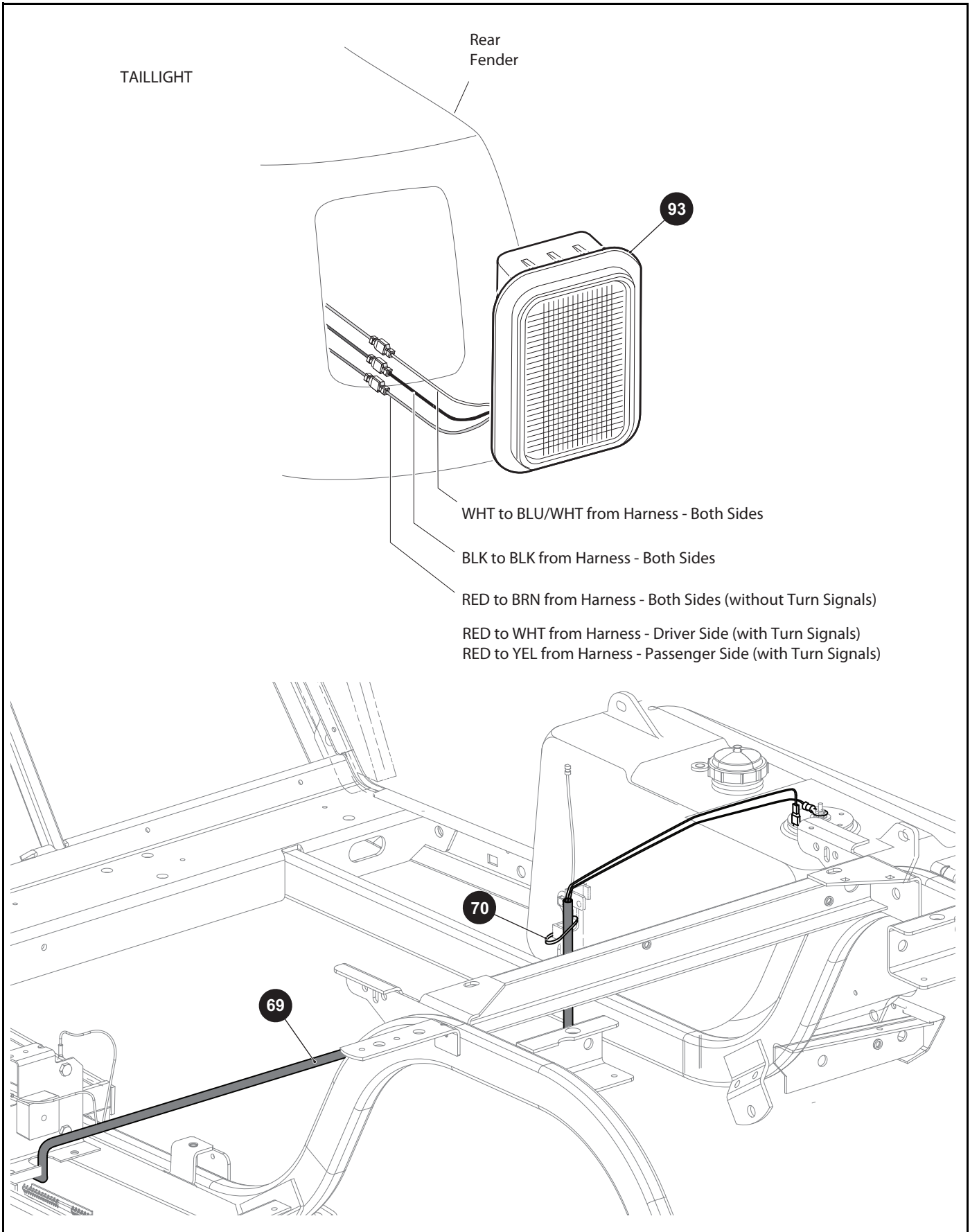


76 LED HEADLIGHT ASSEMBLY (PASSENGER SIDE) includes item 79

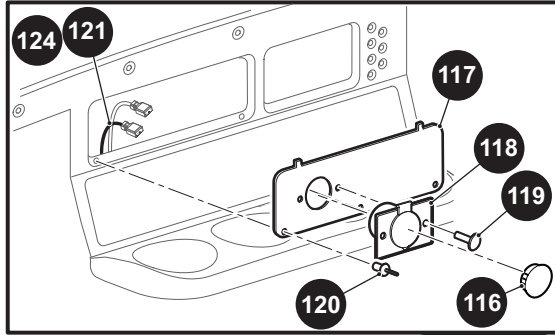
77 LED HEADLIGHT ASSEMBLY (DRIVER SIDE) includes item 79



81 TURN SIGNAL KIT Includes Items 82 - 87

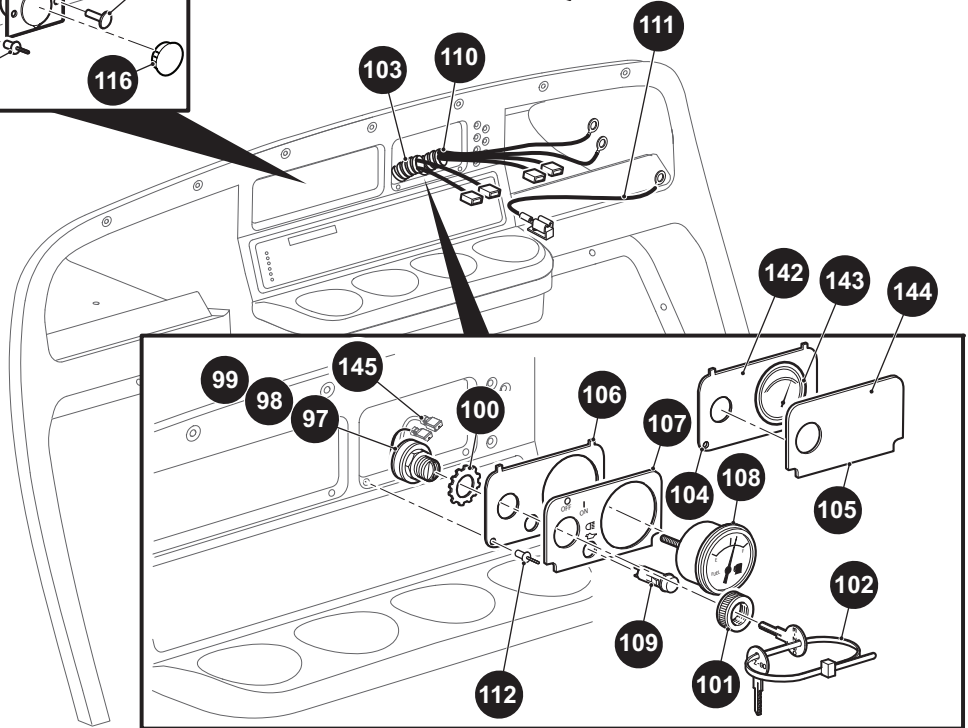
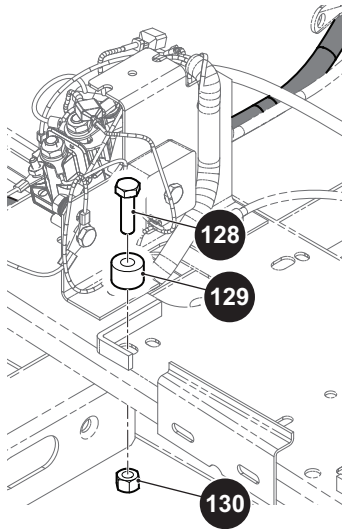
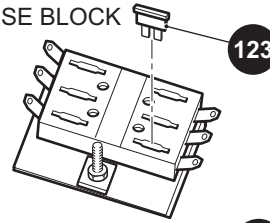


CONSOLE INSERT PLATE (WITH POWER OUTLET)



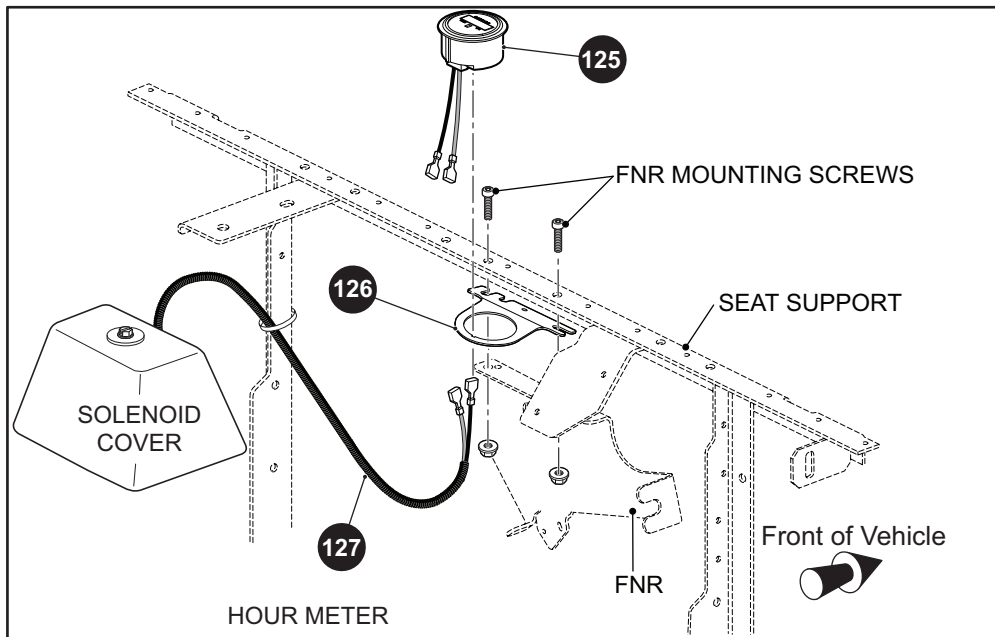
115 CONSOLE PLATE W/ PLUG includes items 116 - 117

FUSE BLOCK



KEY SWITCH, INDICATOR LIGHT(S), AND FUEL GAUGE

Front of Vehicle



Front of Vehicle



ELECTRICAL

When ordering parts, please specify the model and serial number of the product.

* Indicates a component that is not available as an individual part.

*** Indicates consult Customer Service Department for additional information.

ITEM	PART NO.	1 2 3 4 5	DESCRIPTION	QTY.
1	607053		6 GA WIRE (BLACK 6", F1 - A2)	1
2	25682G1		TERMINAL COVER.....	3
3	00715G2		HEX WASHER HEAD BOLT, 5/16" - 18 X .875" LG	4
4				
5	24775G1		BATTERY, 12V DEKA (FOR VEHICLES MANUFACTURED BEFORE 18 AUGUST 2014)	1
6	600497		BATTERY, 12V, HD (FOR VEHICLES MANUFACTURED BEFORE 18 AUGUST 2014)	1
7				
8				
9				
10	645191		BATTERY HOLD DOWN	1
11	00438G6		HEX BOLT, 5/16 - 18 X 3/4" LG	3
12	00565G8		LOCK WASHER, 5/16"	1
13	00571G2		FLAT WASHER (SS), 5/16"	1
14				
15	645191		GROUND CABLE (FOR VEHICLES MANUFACTURED FROM NOVEMBER 09, 2015).....	1
16	27044G03		GROUND CABLE.....	1
17	25976G19		14 GA WIRE (BLACK 6").....	1
18	00438G6		HEX HEAD BOLT, 5/16" - 18 X 3/4" LG.....	2
19	11027G1		LOCK NUT, 5/16" - 18	2
20	26676G01		FLANGED BOLT, M6 X 1.0 X 23 MM	1
21	606264		HEX FLANGE BOLT, M6 -1 X 20 MM LG.....	1
22				
23				
24	605821		WIRE HARNESS (CONTROL).....	1
25	17618G1		WIRE TIE (NOT ILLUSTRATED).....	AR
26	73049G01		COVER FNR	1
27	16469G1		FENDER WASHER, 1/4"	1
28	00114G6		HEX WASHER HEAD BOLT, 1/4" - 14 X 3/4" LG	1
29	645193		WIRE HARNESS, LONG (ACCESSORY) (FOR VEHICLES MANUFACTURED FROM NOVEMBER 09, 2015).....	1

When ordering parts, please specify the model and serial number of the product.

* Indicates a component that is not available as an individual part.

*** Indicates consult Customer Service Department for additional information.

ITEM	PART NO.	1 2 3 4 5	DESCRIPTION	QTY.
30				
31	605563		ELECTRICAL PLATE ASSEMBLY (INCLUDES ITEMS 32 - 43, 46 - 49)	1
32	73057G02		BRACKET	1
33	27739G01		VOLTAGE REGULATOR	1
34	303459		HEX HEAD BOLT, 1/4" - 20 X 1 1/2" LG	1
35	11027G2		LOCK NUT, 1/4" - 20	1
36	645190		WIRE ASSEMBLY, 6 AWG	1
37	603282		RELAY	1
38	00661G8		HEX HEAD BOLT (SS), 1/4" - 20 X 1" LG	1
39	612813		SOLENOID	1
40	*		LOCK WASHER, #10	2
41	*		NUT, #10 - 32	2
42	*		LOCK WASHER, 5/16"	2
43	*		NUT, 5/16" - 24	2
44	00559G5		LOCK WASHER, # 10	2
45	14390G10		LOCKNUT, #10-24	2
46	600418G01		FUSE HOLDER ASSEMBLY	1
47	11027G2		LOCK NUT, 1/4" - 20	1
48	73446G01		FASTON TAB, 90°	2
49	25978G56		18 GA WIRE (BLACK 5 3/4")	1
50	12914G01		PUSH ON MALE TERMINAL	1
51	35211G01		FUSE BLOCK	1
52	00379G2		RIVET, 1/8" X 13/16" LG	2
53	35212G01		15 AMP FUSE (TERRAIN 500 & 1000 ONLY)	3
54	645190		WIRE ASSEMBLY, 6 AWG	1
55	20216G1		16 GA WIRE (RED)	1
56	00567G5		LOCK WASHER, #10	1
57	32860G1		HORN	1
58	00414G5		HEX HEAD BOLT, 1/4" - 20 X 5/8" LG	1
59	00559G7		FLAT WASHER (SS), 1/4"	1
60	14390G4		LOCK NUT, 1/4" - 20	1

ELECTRICAL

When ordering parts, please specify the model and serial number of the product.

* Indicates a component that is not available as an individual part.

*** Indicates consult Customer Service Department for additional information.

ITEM	PART NO.	1 2 3 4 5	DESCRIPTION	QTY.
61	605639		KEY SWITCH WIRING HARNESS (TERRAIN 250 & 500 ONLY)	1
62	17318G1		HORN SWITCH.....	1
63	17318G2		HORN SWITCH CAP AND NUT.....	1
64	27068G01		HORN SWITCH BOOT.....	1
65	19233G1		HORN SWITCH LABEL.....	1
66	71055G01		RIVET, 3/16" X 1" LG (ALUMINUM)	2
67	00526G4		HEX NUT, #10-32.....	1
68	605830		KEY SWITCH WIRING HARNESS, (TERRAIN 1000 ONLY).....	1
69	606285		FUEL GAUGE, INDICATOR HARNESS (TERRAIN 1000 ONLY)	1
70	17618G1		NYLON CLAMP (TERRAIN 1000 ONLY)	2
71	73290G03		BUZZER	1
72	00567G7		LOCK WASHER (EXTERNAL TOOTH TYPE), 1/4".....	1
73	00532G1		HEX NUT , 1/4" - 20	1
74	614497		HEADLIGHT W/O TURN SIGNAL (PASSENGER SIDE).....	1
75	614501		HEADLIGHT W/O TURN SIGNAL (DRIVER SIDE)	1
76	659008		LED HEADLIGHT ASSEMBLY (PASSENGER SIDE) (INCLUDES ITEM 79) .	1
77	659009		LED HEADLIGHT ASSEMBLY (DRIVER SIDE) (INCLUDES ITEM 79).....	1
78	71597G01		SELF THREADING NUT, 5X 10 X 15 MM.....	8
79	651411G03		LED HEADLIGHT.....	1
80	01041G01		BULBEX RIVET, 5/32" DIA.....	2
81	622712		TURN SIGNAL KIT (INCLUDES ITEMS 82 - 87)	1
82	611810		TURN SIGNAL SWITCH (INCLUDES ITEM 83).....	1
83	21640G1		TURN SIGNAL FLASHER	1
84	32307G3		FLEX LOOM, 3/8"	1
85	17618G1		CLAMP.....	2
86	619102		TURN SIGNAL BULB.....	2
87	20965G3		STEERING COLUMN COVER	1
88	605560		CONTROL HARNESS (TERRAIN 250 & 500 ONLY).....	1
89	605821		CONTROL HARNESS (TERRAIN 1000 ONLY).....	1
90	22674G1		FUSE BLOCK.....	1
91	18392G1		15 AMP FUSE	3

When ordering parts, please specify the model and serial number of the product.

* Indicates a component that is not available as an individual part.

*** Indicates consult Customer Service Department for additional information.

ITEM	PART NO.	1 2 3 4 5	DESCRIPTION	QTY.
92	01041G01		BULBEX RIVET, 5/32"	2
93	32739G2		TAILLIGHT ASSEMBLY (TERRAIN 250 AND 500 ONLY)	2
94	619153		TRUCK WIRE ACCESSORY HARNESS (TERRAIN 1000 ONLY).....	1
95	606045		WIRE HARNESS (ACCESSORY)	1
96	01041G01		BULBEX RIVET, 5/32" DIA.....	2
97	33639G01		IGNITION SWITCH (WITH LIGHTS)	1
98	33639G02		IGNITION SWITCH (WITH LIGHTS, GROUP KEY) (TERRAIN 500 & 1000 ONLY)	1
99	33639G03		IGNITION SWITCH (WITH LIGHTS, INDIVIDUALLY KEYED) (TERRAIN 500 & 1000 ONLY)	1
100	00568G6		LOCK WASHER, 3/4"	1
101	17137G1		FACE NUT, 3/4" - 20	1
102	17618G1		NYLON CLAMP	1
103	605830		WIRE HARNESS (KEY SWITCH).....	1
104	601015		STD CONSOLE PLATE INSERT (TERRAIN 250 ONLY)	1
105	71181G01		STD CONSOLE PLATE DECAL (TERRAIN 250 ONLY).....	1
106	73030G04		PLATE (FUEL GAUGE AND OIL LIGHT) (TERRAIN 500 & 1000 ONLY).....	1
107	71131G01		LABEL (OIL LIGHT AND FUEL GAUGE WITH HEADLIGHTS) (TERRAIN 500 & 1000 ONLY)	1
108	21553G1		FUEL GAUGE (TERRAIN 500 & 1000 ONLY)	1
109	23474G1		INDICATOR LIGHT (TERRAIN 500 & 1000 ONLY)	1
110	74311G01		HARNESS (OIL LIGHT/FUEL GAUGE)	1
111	25978G122		18 GA WIRE (RED 6") (TERRAIN 500 & 1000 ONLY)	1
112	33623G02		DRIVE RIVET, 3/16" X 3/8" LG	2
113	645195		TRUCK WIRE ACCESSORY HARNESS (TERRAIN 1000 ONLY) (FOR VEHICLES MANUFACTURED FROM NOVEMBER 09, 2015)	1
114	74693G01		CONSOLE PLATE W/ POWER OUTLET (TERRAIN 500 & 1000 ONLY) (INCLUDES ITEMS 117 - 119).....	1
115	74693G02		CONSOLE PLATE W/ PLUG (TERRAIN 250 ONLY) (INCLUDES ITEMS 116 - 117).....	1
116	20271G10		HOLE PLUG	1
117	73522G03		CONSOLE INSERT PLATE	1
118	71078G01		12V POWER OUTLET.....	1

ELECTRICAL

When ordering parts, please specify the model and serial number of the product.

* Indicates a component that is not available as an individual part.

*** Indicates consult Customer Service Department for additional information.

ITEM	PART NO.	1	2	3	4	5	DESCRIPTION	QTY.
119	14601G10						ALUMINUM RIVET, 5/32"	2
120	33623G02						DRIVE RIVET, 3/16" X 3/8" LG	3
121	71081G01						WIRE HARNESS (TERRAIN 500 & 1000 ONLY).....	1
122	17618G1						WIRE TIE (TERRAIN 500 & 1000 ONLY) (NOT ILLUSTRATED)	5
123	35212G01						15 AMP FUSE (TERRAIN 500 & 1000 ONLY)	1
124	645194						WIRE HARNESS (TERRAIN 500 & 1000 ONLY) (FOR VEHICLES MANUFACTURED FROM NOVEMBER 09, 2015).....	1
125	617074						HOUR METER	1
126	635649						HOUR METER BRACKET	1
127	606254						WIRE HARNESS (HOUR METER)	1
128	00439G1						HEX HEAD BOLT, 5/16" X 18 X 1 1/8" LG	1
129	75048G01						SPACER, .328" X .75" X.50" LG.....	1
130	11098G6						LOCK NUT, 5/16" - 18	1
131	610428						BATTERY BOLT EXTENDER (NOT ILLUSTRATED).....	2
132								
133	637484						BATTERY, 12V (FOR VEHICLES MANUFACTURED FROM 18 AUGUST 2014).....	1
134	638433						BATTERY, 12V HD (FOR VEHICLES MANUFACTURED FROM 18 AUGUST 2014).....	1
135	610428						BATTERY BOLT EXTENDER (FOR VEHICLES MANUFACTURED FROM 18 AUGUST 2014).....	2
136	651336						BATTERY BOLT (FOR VEHICLES MANUFACTURED FROM NOVEMBER 09, 2015).....	2
137	614221						FLAT WASHER, 3/8" (FOR VEHICLES MANUFACTURED FROM NOVEMBER 09, 2015).....	2
138	645195						WIRE HARNESS (HEADLIGHT) (NOT ILLUSTRATED) (FOR VEHICLES MANUFACTURED FROM NOVEMBER 09, 2015).....	1
139	645199						#10GA WIRE ASSEMBLY, (WHITE) (NOT ILLUSTRATED) (FOR VEHICLES MANUFACTURED FROM NOVEMBER 09, 2015).....	1
140	645198						#16GA WIRE ASSEMBLY, (BLACK) (NOT ILLUSTRATED) (FOR VEHICLES MANUFACTURED FROM NOVEMBER 09, 2015).....	1
141								
142	73030G14						CONSOLE INSERT PLATE (FOR VEHICLES MANUFACTURED FROM NOVEMBER 09, 2015).....	1

When ordering parts, please specify the model and serial number of the product.

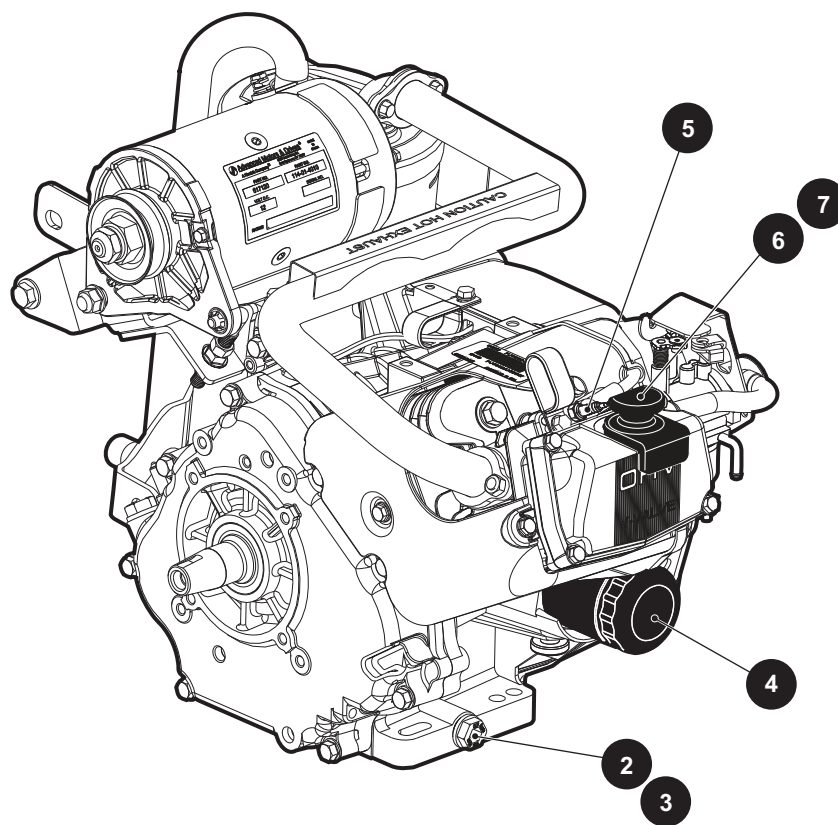
* Indicates a component that is not available as an individual part.

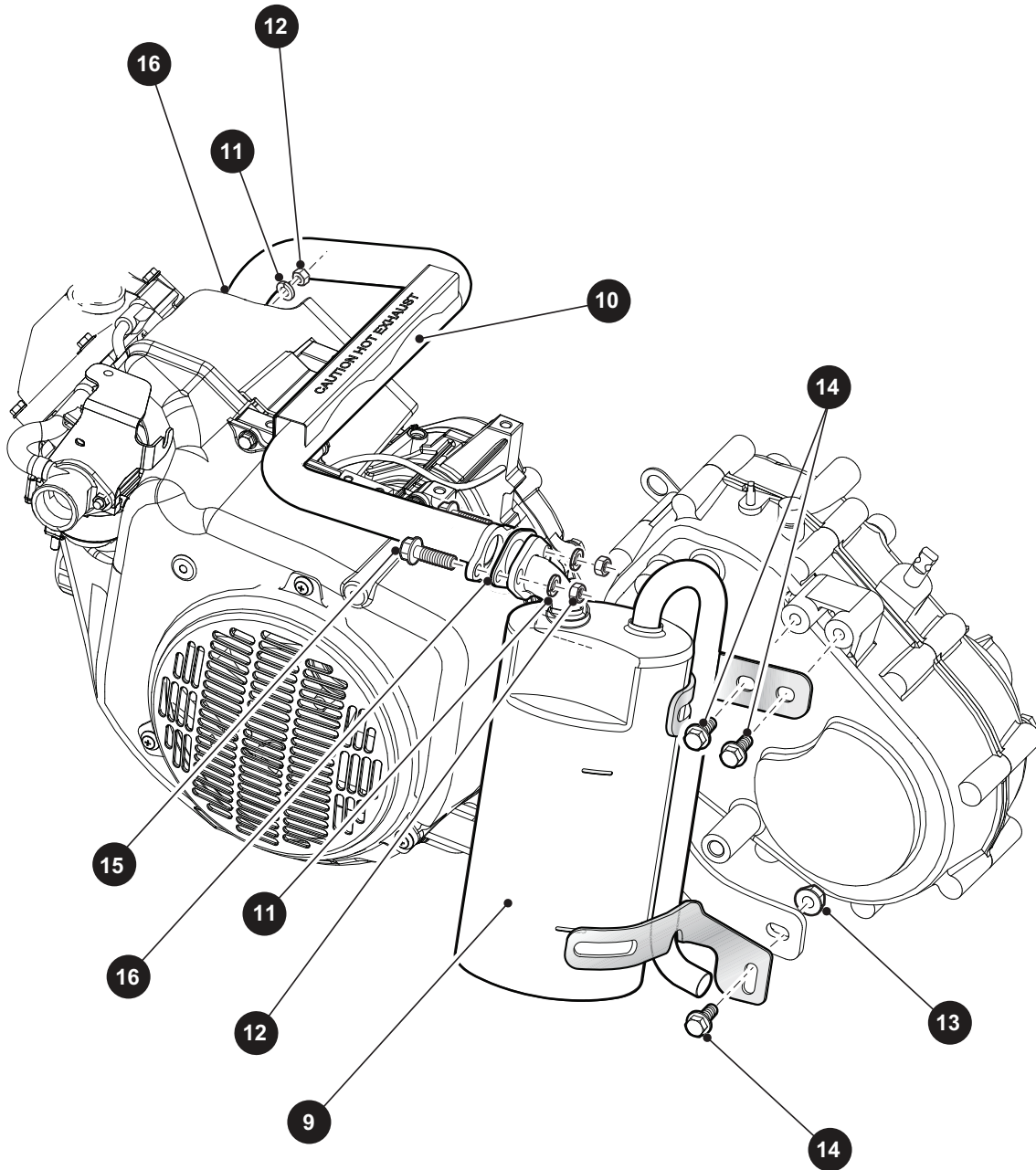
*** Indicates consult Customer Service Department for additional information.

ITEM	PART NO.	1 2 3 4 5	DESCRIPTION	QTY.
143	648247		GAUGE (FUEL LEVEL) (FOR VEHICLES MANUFACTURED FROM NOVEMBER 09, 2015)	1
144	648855		CONSOLE LABEL (FOR VEHICLES MANUFACTURED FROM NOVEMBER 09, 2015)	1
145	648002		WIRE HARNESS (FUEL GAUGE) (FOR VEHICLES MANUFACTURED FROM NOVEMBER 09, 2015)	1
146	654465		JUMPER HARNESS, LED HEADLIGHT	2

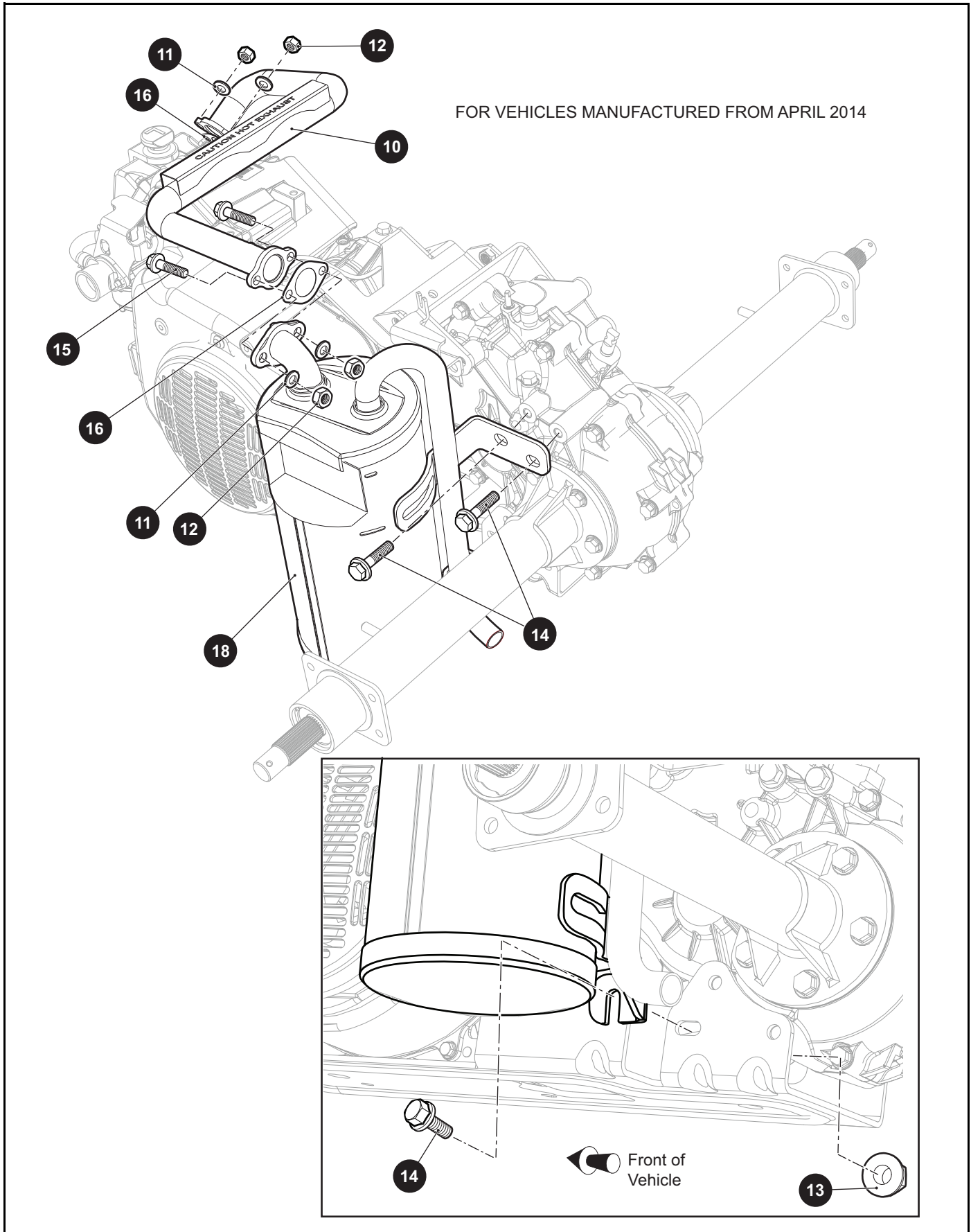
ENGINE AND MUFFLER

1 ENGINE, GAS, 13HP includes items 2 - 5





ENGINE AND MUFFLER



ENGINE AND MUFFLER

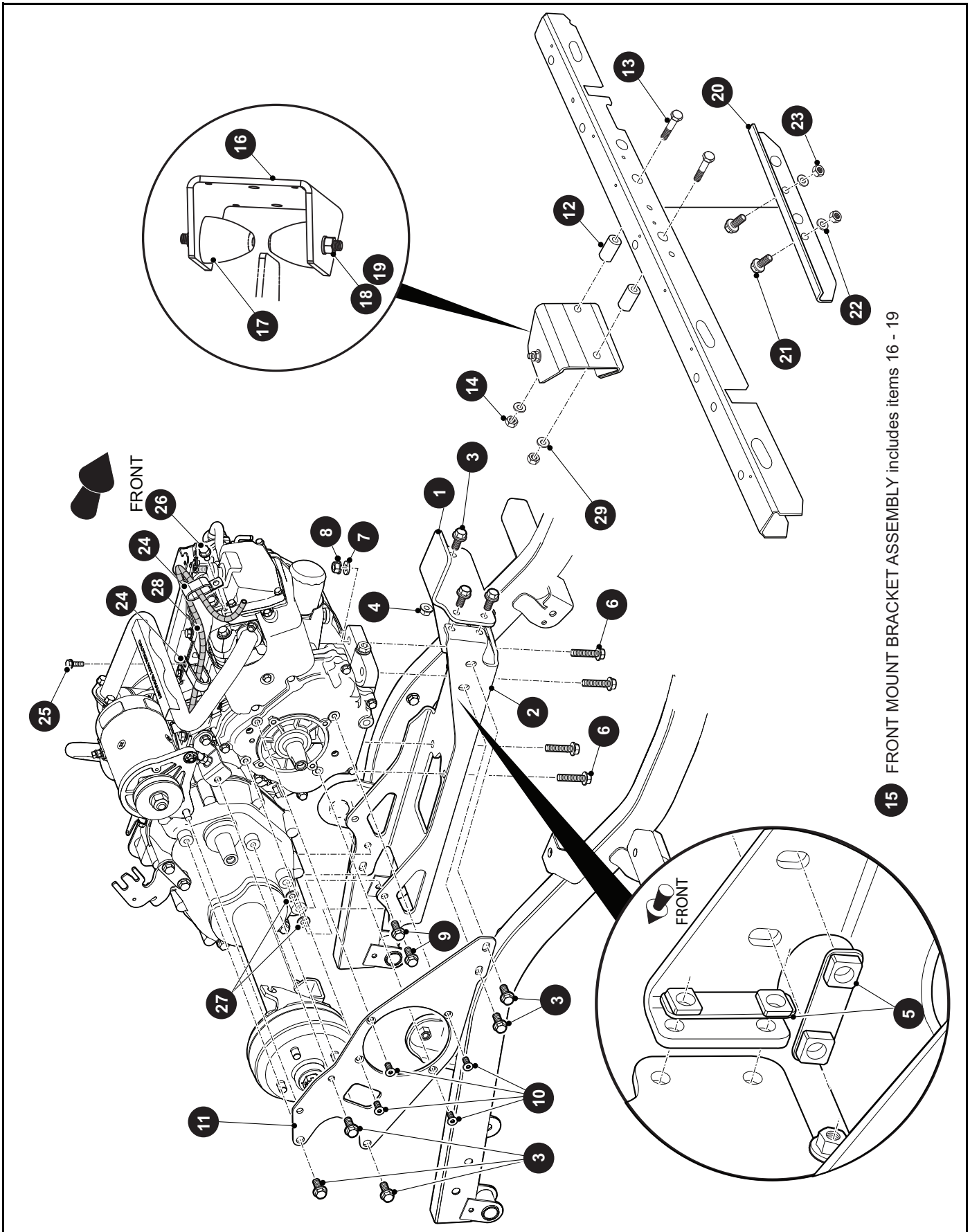
When ordering parts, please specify the model and serial number of the product.

* Indicates a component that is not available as an individual part.

*** Indicates consult Customer Service Department for additional information.

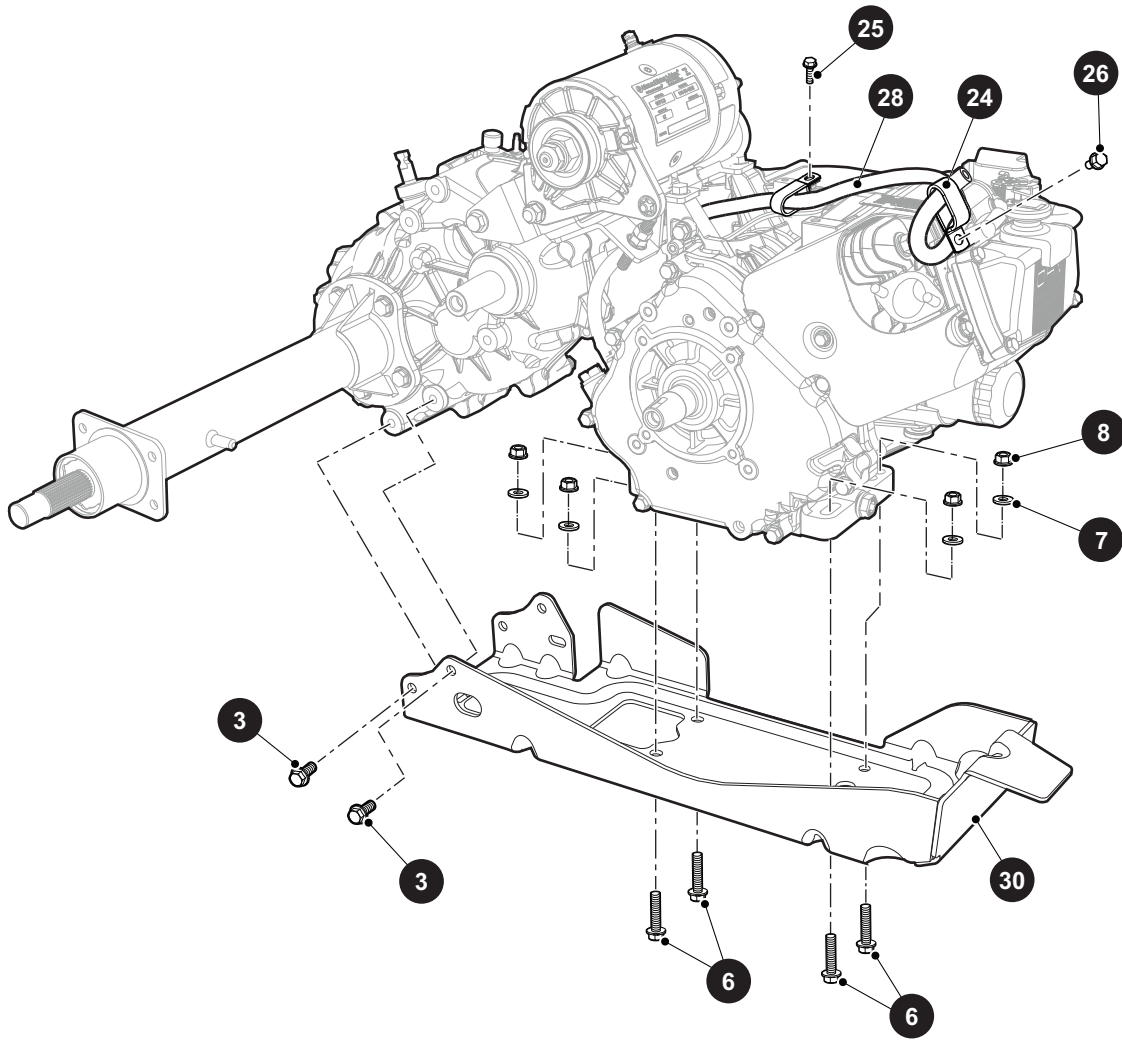
ITEM	PART NO.	1 2 3 4 5	DESCRIPTION	QTY.
1	633740		ENGINE, GAS, 13HP, NON-GOLF (INCLUDES ITEMS 2 - 5)	1
2	603557		OIL DRAIN PLUG	1
3	603599		EXHAUST GASKET	2
4	607454		OIL FILTER	1
5	607462		SPARK PLUG (BPR2ES)	1
6	606390		DIP STICK, LOW (TERRAIN 250 Only).....	1
7	606391		DIP STICK, HIGH (TERRAIN 500 & 1000 Only).....	1
8				
9	612266		MUFFLER	1
10	606982		EXHAUST PIPE	1
11	606272		LOCK WASHER, 8MM.....	4
12	606267		HEX NUT, M8 X 1.25	4
13	606279		HEX NUT, M10 - 1.25.....	1
14	606256		HEX HEAD BOLT, M10 - 1.25 X 25MM LG.....	3
15	602330		HEX HEAD BOLT, M8 - 1.25 X 30MM LG.....	2
16	603599		EXHAUST GASKET.....	2
17				
18	630970		MUFFLER (FOR VEHICLES MANUFACTURED FROM APRIL 2014)	1

ENGINE MOUNTING



15 FRONT MOUNT BRACKET ASSEMBLY includes items 16 - 19

FOR VEHICLES MANUFACTURED FROM APRIL 2014



ENGINE MOUNTING

When ordering parts, please specify the model and serial number of the product.

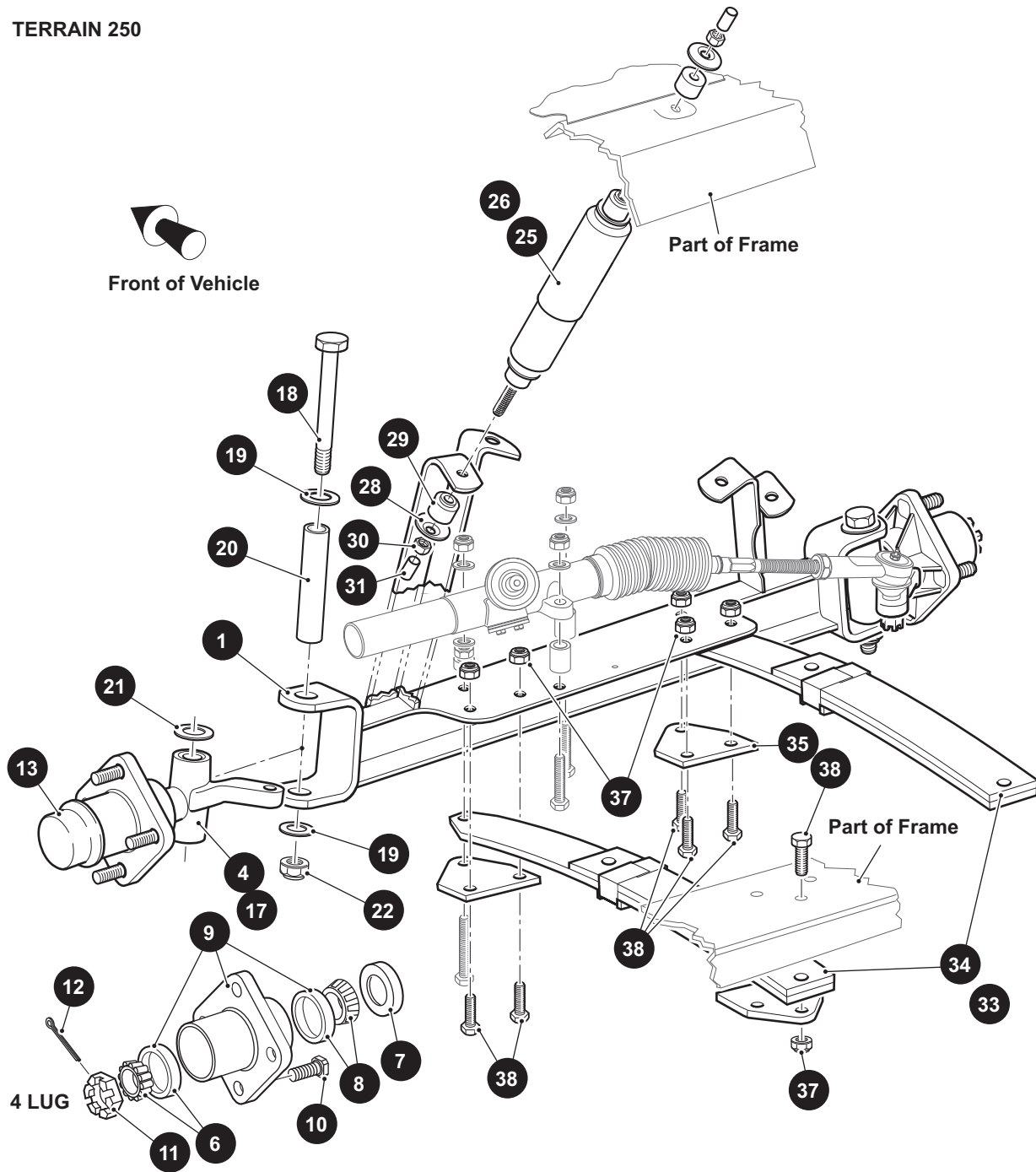
* Indicates a component that is not available as an individual part.

*** Indicates consult Customer Service Department for additional information.

ITEM	PART NO.	1 2 3 4 5	DESCRIPTION	QTY.
1	606007		FRONT ENGINE MOUNT	1
2	603101		ENGINE PAN MOUNT.....	1
3	606256		BOLT, M10 - 1.25 X 25	8
4	606279		NUT, M10 - 1.25	1
5	606096		NUT PLATE	2
6	606259		BOLT, M10 - 1.25 X 45	4
7	603823		FLAT WASHER, M10 X 22 - 2.5.....	4
8	606279		NUT, M10 - 1.25	4
9	608020		BOLT, M10 - 1.25 X 34	4
10	606246		FLAT HEAD SCREW, M6-1 X 12	4
11	602146		DIFFERENTIAL PLATE	1
12	72016G01		TUBE SPACER	2
13	00428G8		HEX HEAD 3/8 - 16, UNC X 2.75.....	2
14	11098G5		PLASTIC INSERT LOCK NUT, 3/8-16.....	2
15	627627		FRONT MOUNT BRACKET ASSEMBLY (INCLUDES ITEMS 16 - 19).....	1
16	625345		FRONT MOUNT BRACKET.....	1
17	605757		RUBBER BUMPER.....	2
18	00974G01		HEX - NUT, M10 X 1.5	2
19	608654		SPLIT LOCK WASHER, 10MM.....	2
20	652247		CROSSMEMBER BRACE.....	1
21	00438G7		SCREW, CAP HEX HEAD 5/16 - 18 UNC.....	2
22	00559G8		FLAT WASHER, 5/16	2
23	01109G01		PLASTIC INSERT LOCK NUT, 5/16-18 UNC.....	2
24	606962		TUBE CLAMP, DBL - 0.72	2
25	606264		HEX BOLT, M6 - 1 X 20	1
26	606265		HEX BOLT, M6 - 1 X 12	1
27	00560G2		B TYPE NARROW FLAT WASHER, 7/16	2
28	27184G12		TUBE, (FUEL SYSTEM).....	1
29	00643G1		FLAT WASHER, 3/8 X 1.0 X .063.....	2
30	630776		ENGINE PAN (FOR VEHICLES MANUFACTURED FROM APRIL 2014)	1

FRONT SUSPENSION/STEERING

TERRAIN 250



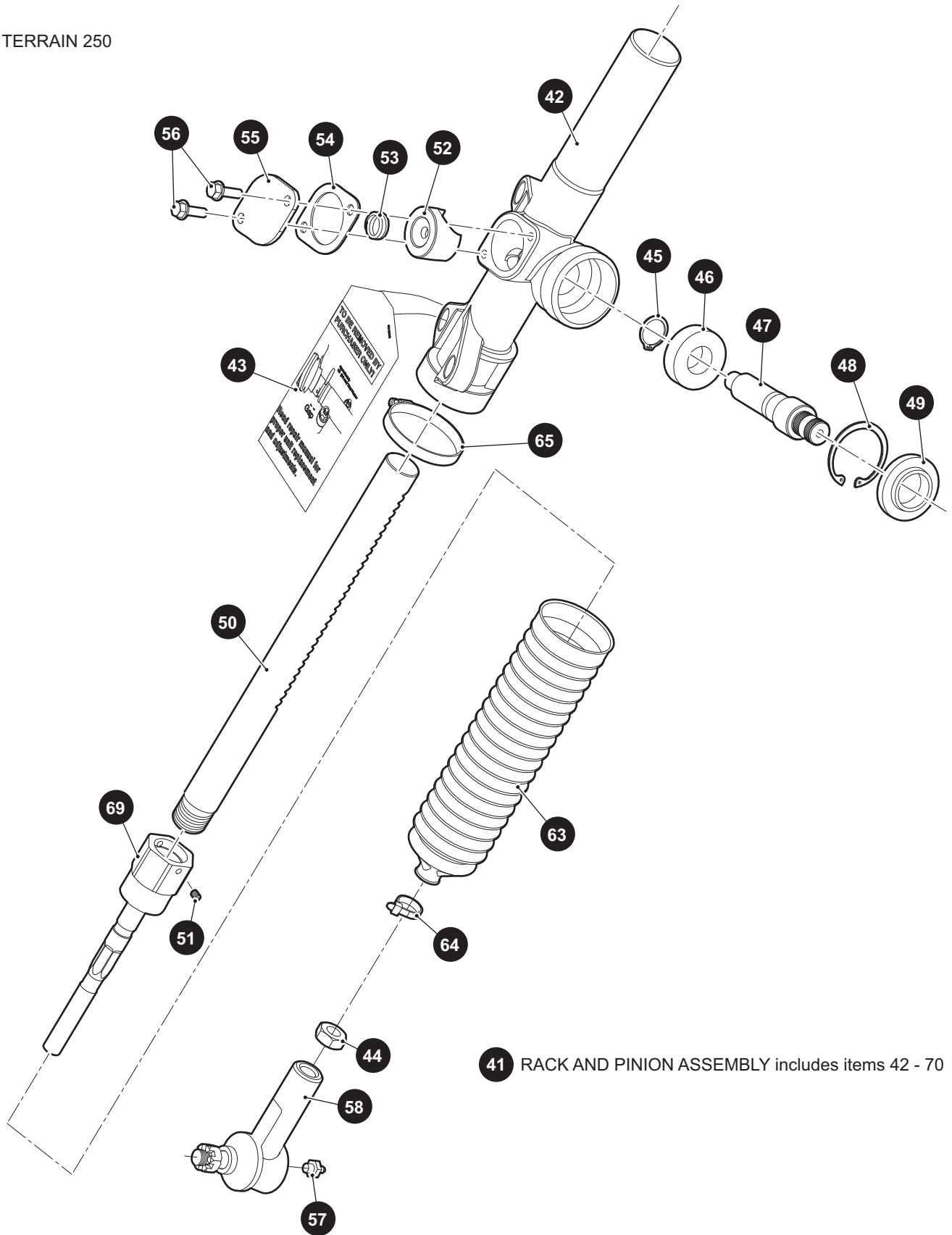
3 PASSENGER SIDE SPINDLE AND HUB ASSEMBLY includes items 4 - 13

9 WHEEL HUB ASSEMBLY includes item 10

16 DRIVER SIDE SPINDLE AND HUB ASSEMBLY includes items 7 - 13, 17

FRONT SUSPENSION/STEERING

TERRAIN 250



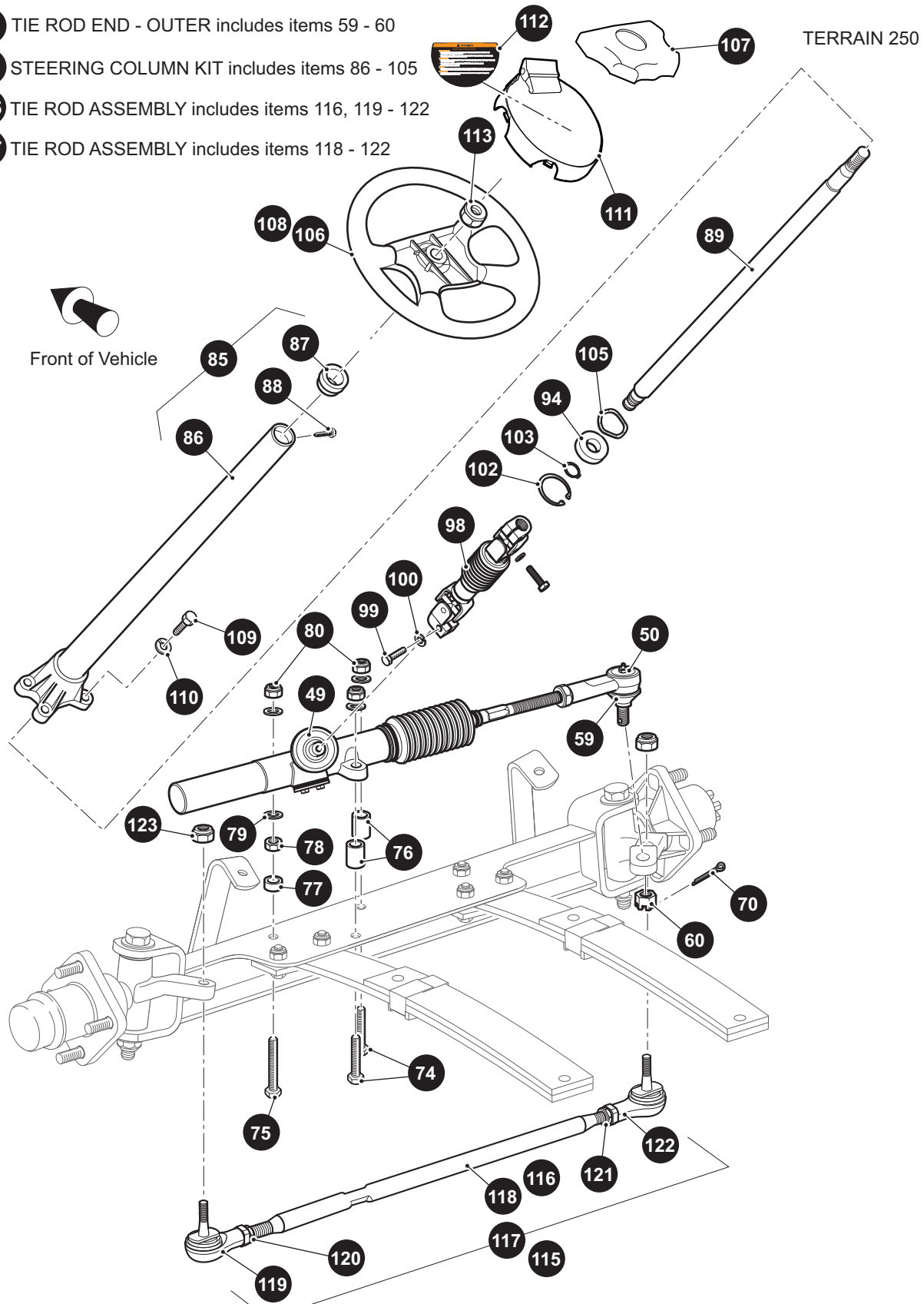
FRONT SUSPENSION/STEERING

58 TIE ROD END - OUTER includes items 59 - 60

85 STEERING COLUMN KIT includes items 86 - 105

115 TIE ROD ASSEMBLY includes items 116, 119 - 122

117 TIE ROD ASSEMBLY includes items 118 - 122



FRONT SUSPENSION/STEERING

When ordering parts, please specify the model and serial number of the product.

* Indicates a component that is not available as an individual part.

*** Indicates consult Customer Service Department for additional information.

ITEM	PART NO.	1 2 3 4 5	DESCRIPTION	QTY.
1	602512		FRONT AXLE.....	1
2				
3	70942G03		SPINDLE AND HUB ASSEMBLY, 4 LUG (PASSENGER SIDE) (INCLUDES ITEMS 4 - 13)	1
4	70940G02		SPINDLE ASSEMBLY (PASSENGER SIDE) (INCLUDES ITEMS 5, 6)...	1
5	70648G01		BEARING	1
6	70749G01		BEARING, DP4	1
7	25146G1		GREASE SEAL.....	1
8	50892G1		ROLLER BEARING AND RACE ASSEMBLY.....	2
9	70589G1		WHEEL HUB ASSEMBLY WITH RACES, 4 LUG (INCLUDES ITEM 10)	1
10	19862G1		LUG BOLT, 1/2" - 20 X 1 7/32" LG	4
11	12093G1		SLOTTED NUT, 1" - 14.....	1
12	00798G8		COTTER PIN, 5/32" X 1 3/4" LG	1
13	12091G2		SPINDLE CAP.....	2
14				
15				
16	70673G03		SPINDLE AND HUB ASSEMBLY, 4 LUG (DRIVER SIDE) (INCLUDES ITEMS 7 - 13, 17)	1
17	70742G02		SPINDLE ASSEMBLY (DRIVER SIDE) (INCLUDES ITEMS 5 - 6)	1
18	00407G6		HEX HEAD BOLT, 1/2" - 13 X 6" LG	2
19	00560G3		FLAT WASHER, 1/2"	4
20	70745G01		KING PIN TUBE	2
21	70754G01		THRUST WASHER (SS).....	2
22	14390G6		LOCK NUT, 1/2" - 13.....	2
23				
24				
25	76419G01		SHOCK ABSORBER.....	2
26	70509G01		SHOCK ABSORBER BOOT	2
27				
28	10435G1		SHOCK ABSORBER WASHER.....	8
29	10194G1		RUBBER SHOCK ABSORBER BUSHING	8
30	00532G6		HEX NUT, 3/8" - 24	4

FRONT SUSPENSION/STEERING

When ordering parts, please specify the model and serial number of the product.

* Indicates a component that is not available as an individual part.

*** Indicates consult Customer Service Department for additional information.

ITEM	PART NO.	1 2 3 4 5	DESCRIPTION	QTY.
31	10044G01		VINYL CAP	4
32				
33				
34	70989G03		LEAF SPRING (HEAVY DUTY) (SEE PART NUMBER ON SPRING)	2
35	652258		SPRING PLATE	4
36				
37	00734G1		LOCK NUT, 7/16" - 14	11
38	00463G11		HEX HEAD BOLT, 7/16" - 14 X 1 3/4" LG	11
39				
40				
41	74605G01		RACK AND PINION UNIT (COMPLETE) (INCLUDES ITEMS 42 - 65).....	1
42	70965G01		STEERING RACK COVER & BEARING	1
43	*		STEERING BOX INSTALLATION TAG	1
44	*		JAM NUT, 1/2" - 20	1
45	70750G01		RETAINING RING (EXTERNAL)	1
46	15112G1		BALL BEARING	1
47	70603G01		PINION.....	1
48	70751G01		RETAINING RING (INTERNAL).....	1
49	70638G01		SEAL PINION.....	1
50	70604G01		RACK STEERING.....	1
51	*		SET SCREW, #10 - 32 X 1/4" LG	1
52	70590G01		RACK LOADER	1
53	70666G01		SPRING COMPRESSION	1
54	70645G01		GASKET (RACK LOADER)	1
55	652259		COVER (RACK LOADER)	1
56	71102G01		CAP SCREW, 1/4" - 20 X 3/4"	2
57	10389G3		GREASE FITTING, STRAIGHT	1
58	70695G01		TIE ROD END - OUTER (INCLUDES ITEMS 59 - 60)	1
59	*		GROMMET - TIE ROD END.....	1
60	*		SLOTTED NUT, 7/16" - 20.....	1
61				

FRONT SUSPENSION/STEERING

When ordering parts, please specify the model and serial number of the product.

* Indicates a component that is not available as an individual part.

*** Indicates consult Customer Service Department for additional information.

ITEM	PART NO.	1 2 3 4 5	DESCRIPTION	QTY.
62				
63	70961G01		RACK BOOT	1
64	12416G2		WIRE TIE.....	1
65	11391G8		WIRE TIE.....	1
66				
67				
68				
69	74602G01		ROD END (INNER)	1
70	10387G2		COTTER PIN, 3/32" X 1" LG.....	1
71				
72				
73				
74	00464G8		HEX HEAD BOLT, 7/16" - 14 X 2 3/4" LG	2
75	01068G01		HEX HEAD BOLT, 7/16" - 14 X 3 1/2" LG	1
76	70667G02		SPACER, 1.21" LG	2
77	70667G04		SPACER (SHORT), 0.69" LG.....	1
78	00532G7		HEX NUT, 7/16" - 14	1
79	00560G2		FLAT WASHER, 7/16".....	7
80	00734G1		LOCK NUT, 7/16 - 14	3
81				
82				
83				
84				
85	70758G05		STEERING COLUMN KIT (INCLUDES ITEMS 86 - 105).....	1
86	70610G03		STEERING COLUMN.....	1
87	28569G01		STEERING COLUMN BUSHING	1
88	01022G01		HEX WASHER HEAD SCREW, #6 - 20 X 5/16" LG.....	1
89	70607G01		STEERING SHAFT.....	1
90				
91				
92				

FRONT SUSPENSION/STEERING

When ordering parts, please specify the model and serial number of the product.

* Indicates a component that is not available as an individual part.

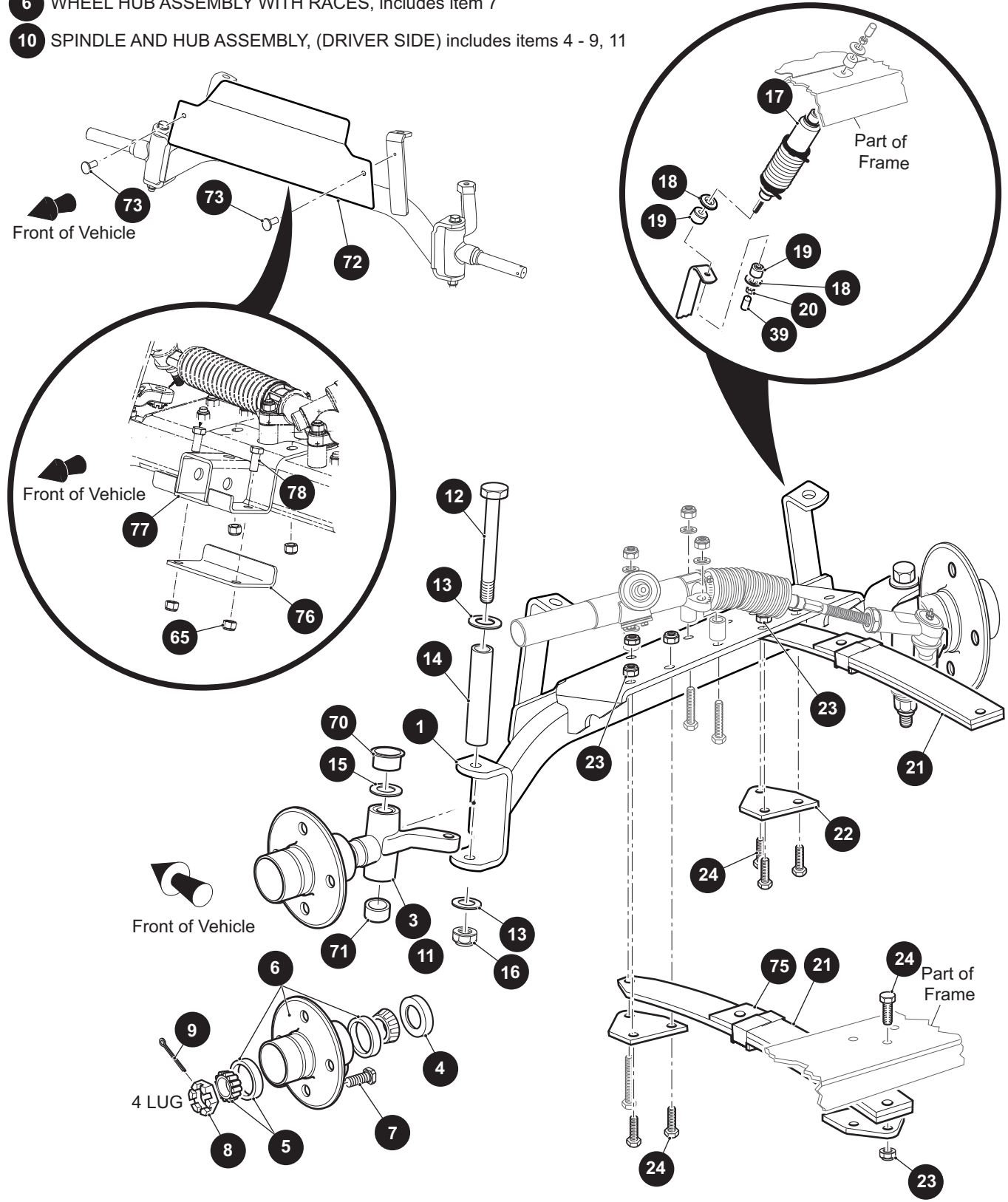
*** Indicates consult Customer Service Department for additional information.

ITEM	PART NO.	1	2	3	4	5	DESCRIPTION	QTY.
93								
94	15112G1						BALL BEARING	1
95								
96								
97								
98	70580G01						INTERMEDIATE SHAFT	1
99	01055G01						HEX HEAD BOLT, M8 X 1.25 - 6G.....	2
100	00565G8						LOCK WASHER, 5/16"	2
101								
102	70751G01						RETAINING RING (INTERNAL).....	1
103	70888G01						RETAINING RING (EXTERNAL)	1
104								
105	70887G01						WAVE WASHER	1
106	602980						STEERING WHEEL PREMIUM.....	1
107	71147G01						STEERING WHEEL COVER.....	1
108	602979						STEERING WHEEL.....	1
109	01006G01						HEX WASHER HEAD BOLT, 3/8" - 16 X 1 1/4" LG WITH PATCHLOCK	4
110	00879G1						LOCK WASHER, 3/8"	4
111	607925						CLIPBOARD.....	1
112	608529						STEERING WHEEL LABEL	1
113	14390G2						LOCK NUT, 5/8" - 18	1
114								
115	74604G01						TIE ROD ASSEMBLY (INCLUDES ITEMS 116, 119 - 122).....	1
116	74603G01						THREADED ROD	1
117	70604G01						TIE ROD ASSEMBLY (INCLUDES ITEMS 118 - 122).....	1
118	74603G01						THREADED ROD (24" LG).....	1
119	70902G01						TIE ROD END (LEFT HAND THREADS)	1
120	01069G01						JAM NUT, M12 X 1.25-05 (LEFT HAND THREADS).....	1
121	70902G02						TIE ROD END (RIGHT HAND THREADS).....	1
122	01069G02						JAM NUT, M12 X 1.25-05 (RIGHT HAND THREADS)	1
123	00734G1						LOCK NUT, 7/16" - 14	2

FRONT SUSPENSION/STEERING

- 2** SPINDLE AND HUB ASSEMBLY, (PASSENGER SIDE) includes items 3 - 9
- 6** WHEEL HUB ASSEMBLY WITH RACES, includes item 7
- 10** SPINDLE AND HUB ASSEMBLY, (DRIVER SIDE) includes items 4 - 9, 11

TERRAIN 500 & 1000



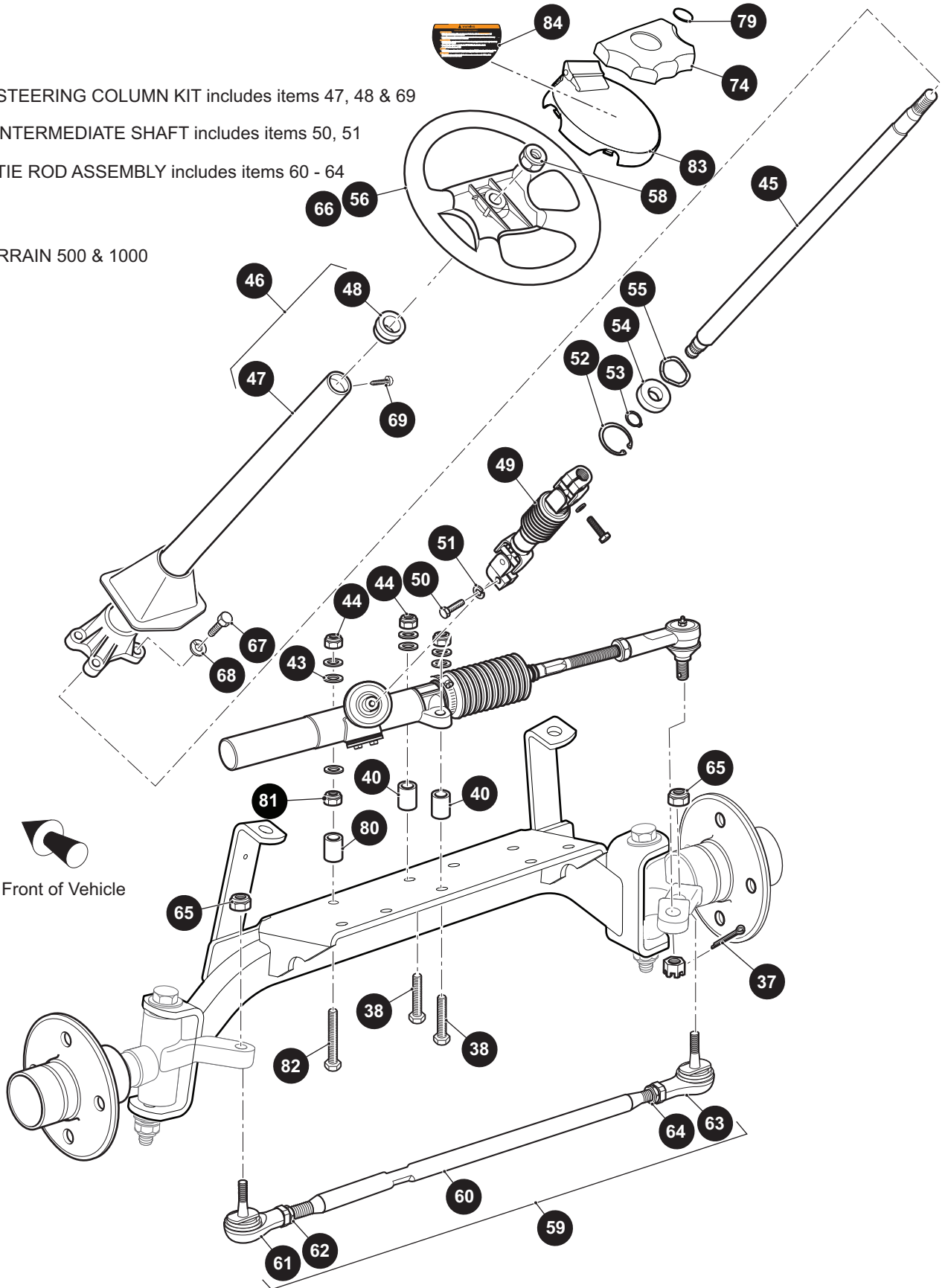
FRONT SUSPENSION/STEERING

46 STEERING COLUMN KIT includes items 47, 48 & 69

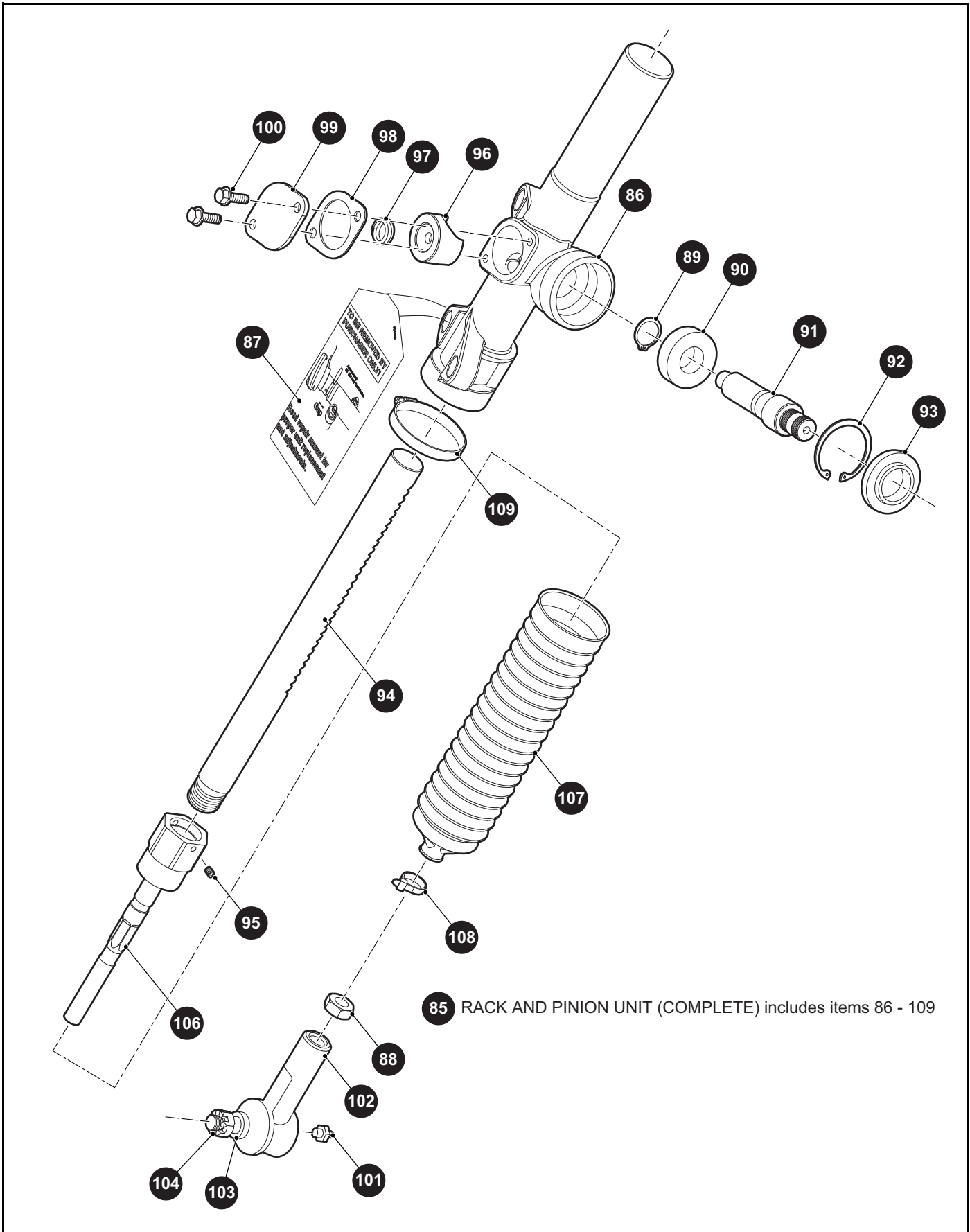
49 INTERMEDIATE SHAFT includes items 50, 51

59 TIE ROD ASSEMBLY includes items 60 - 64

TERRAIN 500 & 1000



FRONT SUSPENSION/STEERING



FRONT SUSPENSION/STEERING

When ordering parts, please specify the model and serial number of the product.

* Indicates a component that is not available as an individual part.

*** Indicates consult Customer Service Department for additional information.

ITEM	PART NO.	1 2 3 4 5	DESCRIPTION	QTY.
1	652823		FRONT AXLE.....	1
2	70930G01		SPINDLE AND HUB ASSEMBLY, 4 LUG (PASSENGER SIDE) (INCLUDES ITEMS 3 - 9)	1
3	70802G01		SPINDLE ASSEMBLY (PASSENGER SIDE)	1
4	25146G1		GREASE SEAL.....	1
5	11750G2		ROLLER BEARING AND RACE ASSEMBLY	2
6	35886G01		WHEEL HUB ASSEMBLY WITH RACES, 4 LUG (INCLUDES ITEM 7) ..	1
7	19862G1		LUG BOLT, 1/2" - 20 X 1 3/16" LG	4
8	12093G1		CASTELLATED NUT, 1" - 14.....	1
9	00798G8		COTTER PIN, 5/32" X 1 3/4" LG	1
10	70931G01		SPINDLE AND HUB ASSEMBLY, 4 LUG (DRIVER SIDE) (INCLUDES ITEMS 4 - 9, 11).....	1
11	70803G01		SPINDLE ASSEMBLY (DRIVER SIDE)	1
12	00407G6		HEX HEAD BOLT, 1/2 - 13 X 6" LG	2
13	00560G3		FLAT WASHER, 1/2"	4
14	70745G01		KING PIN TUBE	2
15	70754G01		THRUST WASHER, 1" (SS)	2
16	14390G6		LOCK NUT, 1/2 - 13	2
17	76419G01		SHOCK ABSORBER.....	2
18	10435G1		SHOCK ABSORBER WASHER	8
19	10194G1		RUBBER BUSHING.....	8
20	00532G6		HEX NUT, 3/8" - 24	4
21	70664G03		LEAF SPRING (HEAVY DUTY)	2
22	652258		SPRING PLATE	4
23	00734G1		LOCK NUT, 7/16" - 14.....	11
24	00463G11		BOLT, 7/16 - 14 X 1 3/4" LG.....	11
25				
26				
27				
28				
29				
30				

FRONT SUSPENSION/STEERING

When ordering parts, please specify the model and serial number of the product.

* Indicates a component that is not available as an individual part.

*** Indicates consult Customer Service Department for additional information.

ITEM	PART NO.	1	2	3	4	5	DESCRIPTION	QTY.
31								
32								
33								
34								
35								
36								
37	10387G2						COTTER PIN, 3/32" X 1" LG	1
38	00464G8						HEX HEAD BOLT, 7/16 - 14 X 2 3/4" LG	2
39	10044G01						VINYL CAP	4
40	70667G02						SPACER, O.D 1" X I.D .46" X 1.2" LG.....	2
41								
42								
43	00560G2						FLAT WASHER, 7/16"	7
44	00734G1						LOCK NUT, 7/16" - 14	3
45	70607G01						STEERING SHAFT	1
46	70758G05						STEERING COLUMN KIT (INCLUDES ITEMS 47,48, 69)	1
47	70610G03						STEERING COLUMN	1
48	28569G01						STEERING COLUMN BUSHING.....	1
49	70580G01						INTERMEDIATE SHAFT (INCLUDES ITEMS 50, 51).....	1
50	01055G01						METRIC BOLT, M8 X 1.25 - 05	1
51	00565G8						LOCK WASHER, 5/16"	1
52	70751G01						RETAINING RING (INTERNAL)	1
53	70888G01						RETAINING RING (EXTERNAL).....	1
54	15112G1						BALL BEARING.....	1
55	70887G01						WAVE WASHER.....	1
56	602980						STEERING WHEEL PREMIUM (OPTIONAL).....	1
57								
58	14390G2						LOCK NUT, 5/8 - 18.....	1
59	70876G02						TIE ROD ASSEMBLY (INCLUDES ITEMS 60 - 64)	1
60	70897G02						THREADED ROD (24" LG).....	1
61	70902G01						TIE ROD END (LEFT HAND THREADS)	1

FRONT SUSPENSION/STEERING

When ordering parts, please specify the model and serial number of the product.

* Indicates a component that is not available as an individual part.

*** Indicates consult Customer Service Department for additional information.

ITEM	PART NO.	1 2 3 4 5	DESCRIPTION	QTY.
62	01069G01		JAM NUT, M12 X 1.25 - 05 (LEFT HAND THREADS)	1
63	70902G02		TIE ROD END (RIGHT HAND THREADS).....	1
64	01069G02		JAM NUT, M12 X 1.25 - 05 (RIGHT HAND THREADS).....	1
65	00734G1		LOCK NUT, 7/16" - 14.....	6
66	602979		STEERING WHEEL.....	1
67	01006G01		HEX WASHER HEAD BOLT, 3/8" - 16 x 1 1/4" LG	4
68	00879G1		LOCK WASHER, 3/8"	4
69	01022G01		HEX WASHER HEAD BOLT #6 - 20 x 5/16" LG.....	1
70	70648G01		FLANGED BEARING.....	1
71	70749G01		BEARING.....	1
72	605642		STEERING RACK COVER (TERRAIN 250 ONLY)	1
73	15058G1		BLACK ALUMINUM RIVET, 3/16" X 7/16" X 5/8" (TERRAIN 250 ONLY).....	2
74	71147G01		STEERING WHEEL COVER	1
75	70990G03		CANTILEVER LEAF SPRING.....	2
76	604572		WINCH RECEIVER RETAINER PLATE	4
77	604559		WINCH RECEIVER.....	3
78	00462G8		HEX SCREW, 7/16 - 14 X 1" LG.....	4
79	605435		STEERING WHEEL DECAL	1
80	70667G04		SPACER, O.D 1" X I.D .46" X .69" LG	1
81	00532G7		HEX NUT, 7/16" - 14	1
82	01068G01		HEX HEAD BOLT, 7/16" - 14 X 3.5"LG	1
83	607925		CLIPBOARD	1
84	608529		STEERING WHEEL LABEL.....	1
85	70964G01		RACK AND PINION UNIT (COMPLETE) (INCLUDES ITEMS 86 - 109)	1
86	70965G01		STEERING RACK COVER & BEARING.....	1
87	*		STEERING BOX INSTALLATION TAG.....	1
88	*		JAM NUT, 1/2" - 20.....	1
89	70750G01		RETAINING RING (EXTERNAL).....	1
90	15112G1		BALL BEARING.....	1
91	70603G01		PINION	1
92	70751G01		RETAINING RING (INTERNAL)	1

FRONT SUSPENSION/STEERING

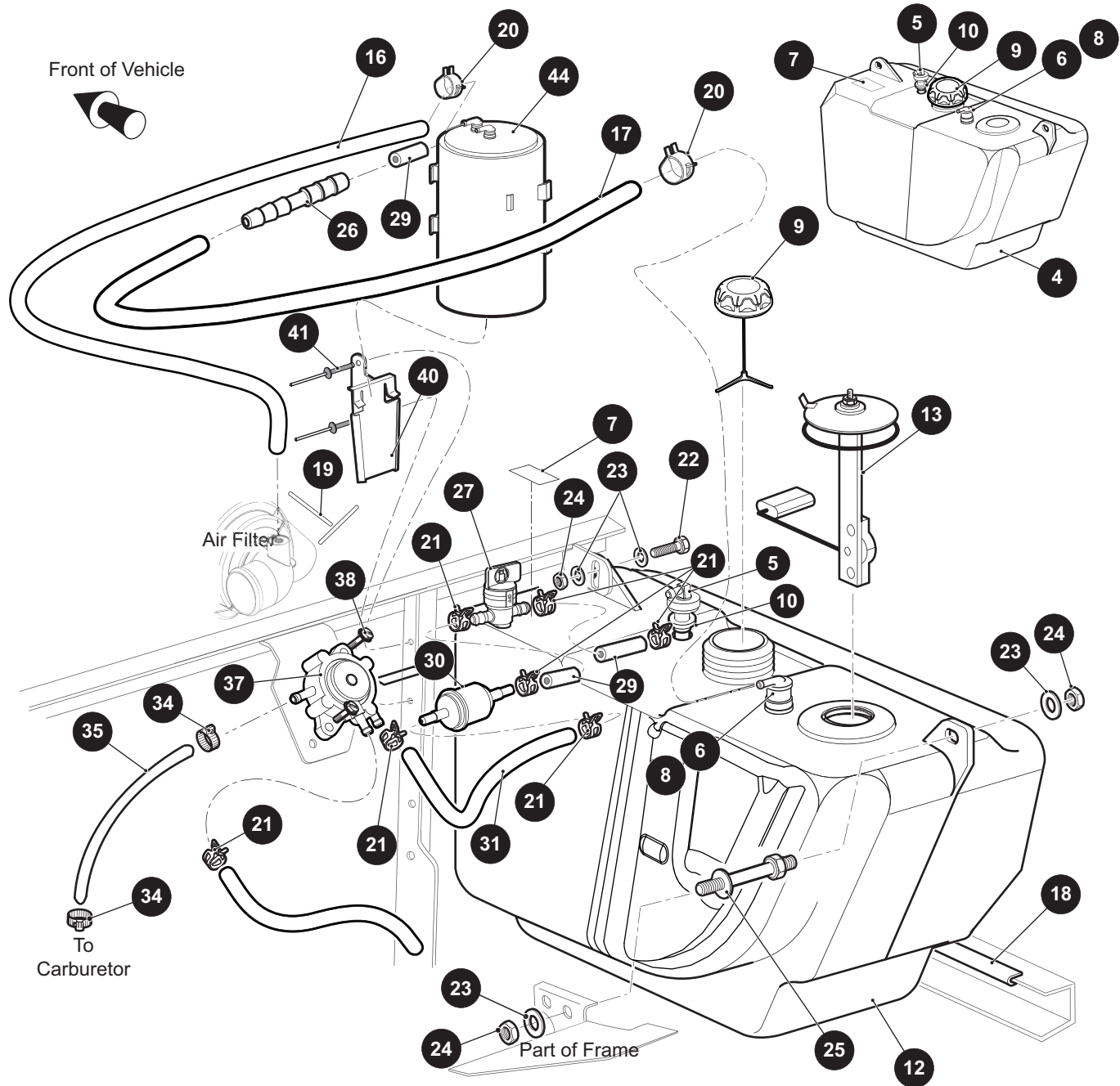
When ordering parts, please specify the model and serial number of the product.

* Indicates a component that is not available as an individual part.

*** Indicates consult Customer Service Department for additional information.

ITEM	PART NO.	1	2	3	4	5	DESCRIPTION	QTY.
93	70638G01						SEAL PINION.....	1
94	70604G01						RACK STEERING.....	1
95	*						SET SCREW, #10 - 32 X .25" LG	1
96	70590G01						RACK LOADER	1
97	70666G01						SPRING COMPRESSION	1
98	70645G01						GASKET (RACK LOADER)	1
99	652259						COVER (RACK LOADER)	1
100	71102G01						HEX WASHER HEAD SCREW, 1/4" - 20 X 3/4" LG.....	2
101	10389G3						GREASE FITTING, STRAIGHT	1
102	70695G01						TIE ROD END - OUTER	1
103	*						GROMMET - TIE ROD END	1
104	*						SLOTTED NUT, 7/16" - 20	1
105								
106	74694G01						ROD END (INNER).....	1
107	70961G01						BELLOWS, RACK COVER.....	1
108	12416G2						WEDGE CLAMP (NYLON), 11.8" LG.....	1
109	11391G8						CLAMP (SS), 1.81" DIA	1

FUEL SYSTEM



- 1 CARB FUEL TANK ASSEMBLY (WITHOUT SWITCH) includes items 3 - 10
- 2 CARB FUEL TANK ASSEMBLY (WITH SWITCH) includes items 5 - 13
- 3 FLUOR FUEL TANK (WITHOUT SENDER UNIT) includes item 4

EARLY PRODUCTION VEHICLES

FUEL SYSTEM

When ordering parts, please specify the model and serial number of the product.

* Indicates a component that is not available as an individual part.

*** Indicates consult Customer Service Department for additional information.

ITEM	PART NO.	1 2 3 4 5	DESCRIPTION	QTY.
1	645033		CARB FUEL TANK ASSEMBLY (WITHOUT SWITCH) (INCLUDES ITEMS 3 - 10) (TERRAIN 250 ONLY).....	1
2	645034		CARB FUEL TANK ASSEMBLY (WITH SWITCH) (INCLUDES ITEMS 5 - 13) (TERRAIN 500 & 1000 ONLY)	1
3	*		FLUOR FUEL TANK (WITHOUT SENDER UNIT) (INCLUDES ITEM 4) .	1
4	*		FUEL TANK (WITHOUT SENDER UNIT)	1
5	18287G3		SIPHON TUBE ASSEMBLY	1
6	606068		ROLLOVER VALVE GROMMET	1
7	625826		EPA FUEL TANK LABEL	1
8	606067		ROLLOVER VALVE	1
9	633423		FUEL TANK CAP (RATCHET).....	1
10	70988G01		SIPHON TUBE GROMMET.....	1
11				
12	*		NON FLUOR FUEL TANK (WITH SENDER UNIT)	1
13	633024G02		PRESS FIT FUEL SENDER	1
14				
15				
16	606966		LOW PRESSURE FUEL HOSE (CARB), 3/16" I.D X 3/8 O.D X 34" LG	1
17	607546		LOW PRESSURE FUEL HOSE (CARB), 3/16" I.D X 3/8 O.D X 17" LG	1
18	32372G6		BLACK TRIM, 6.25" LONG	1
19	17618G1		NYLON CLAMP	2
20	606963		TUBING CLAMP, 3/16" I.D.....	2
21	18292G1		HOSE CLAMP, .50 DIA.....	7
22	00438G8		HEX HEAD BOLT, 5/16" - 18 X 1" LG	1
23	00559G8		FLAT WASHER, 5/16"	4
24	11098G6		LOCK NUT, 5/16" - 18.....	3
25	70483G01		SPACER, 5/16" - 18	1
26	615346		HOSE REDUCER, 1/4" I.D X 3/16".....	1
27	611181		FUEL SHUT-OFF VALVE	1
28				
29	615350		FUEL SYSTEM HOSE, 2" LG	3

FUEL SYSTEM

When ordering parts, please specify the model and serial number of the product.

* Indicates a component that is not available as an individual part.

*** Indicates consult Customer Service Department for additional information.

ITEM	PART NO.	1 2 3 4 5	DESCRIPTION	QTY.
30	72084G01		FUEL LINE FILTER	1
31	606969		FUEL SYSTEM HOSE, .25 I.D X .50 O.D X 8" LG.....	1
32				
33				
34	11391G4		HOSE CLAMP, .25 - .63 DIA	2
35	604597		CARB FUEL SYSTEM HOSE, .25 I.D X .50 O.D X 26" LG.....	1
36				
37	602061		FUEL PUMP	1
38	00114G6		HEX WASHER HEAD SLOTTED TAPPING SCREW, 1/4" - 14 X .75" LG	2
39				
40	606310		CARBON CANISTER MOUNTING BRACKET	1
41	10570G11		RIVET, 3/16" DIA X .70.....	2
42				
43				
44	606071		CARBON CANISTER	1

FUEL SYSTEM

When ordering parts, please specify the model and serial number of the product.

* Indicates a component that is not available as an individual part.

*** Indicates consult Customer Service Department for additional information.

ITEM	PART NO.	1 2 3 4 5	DESCRIPTION	QTY.
1	649515		FUEL LINE ASSEMBLY (INCLUDES ITEMS 2 - 8)	1
2	649570		HOSE, .312" I.D. X .562" O.D. X 9" LG	1
3	615350		HOSE, 2" LG	1
4	649873		CLAMP, 1/2" O.D.	2
5	611181		SHUT-OFF VALVE.....	1
6	72084G01		FUEL FILTER	1
7	649874		CLAMP, 9/16" O.D.	2
8	649577		CONNECTOR, 5/16" I.D.	1
9	18292G1		CLAMP, 1/2" O.D.	3
10				
11	606071		CARBON CANISTER.....	1
12	606310		CANISTER BRACKET	1
13	10570G11		RIVET (SS), 3/16" X .70"	2
14				
15	602061		FUEL PUMP.....	1
16	00114G6		HEX WASHER HEAD BOLT, 1/4" - 10 X 3/4" LG	2
17				
18	27184G14		FUEL SYSTEM TUBE.....	1
19	18292G1		CLAMP, 1/2" O.D.	2
20	606966		HOSE, 3/16" I.D. X 34" LG.....	1
21	606963		CLAMP, 3/16" I.D.	2
22				
23	604597		FUEL HOSE, 26" LG.....	1
24	18292G1		CLAMP, 1/2" O.D.	1
25				
26	17618G1		NYLON CLAMP, 7" LG (NOT ILLUSTRATED).....	2
27	32372G6		VINYL TRIM, 6.25" LG	1
28				
29	615350		FUEL HOSE, 2" LG.....	1
30				
31	00438G8		HEX HEAD BOLT, 5/16" - 18 X 5/8" LG	1

FUEL SYSTEM

When ordering parts, please specify the model and serial number of the product.

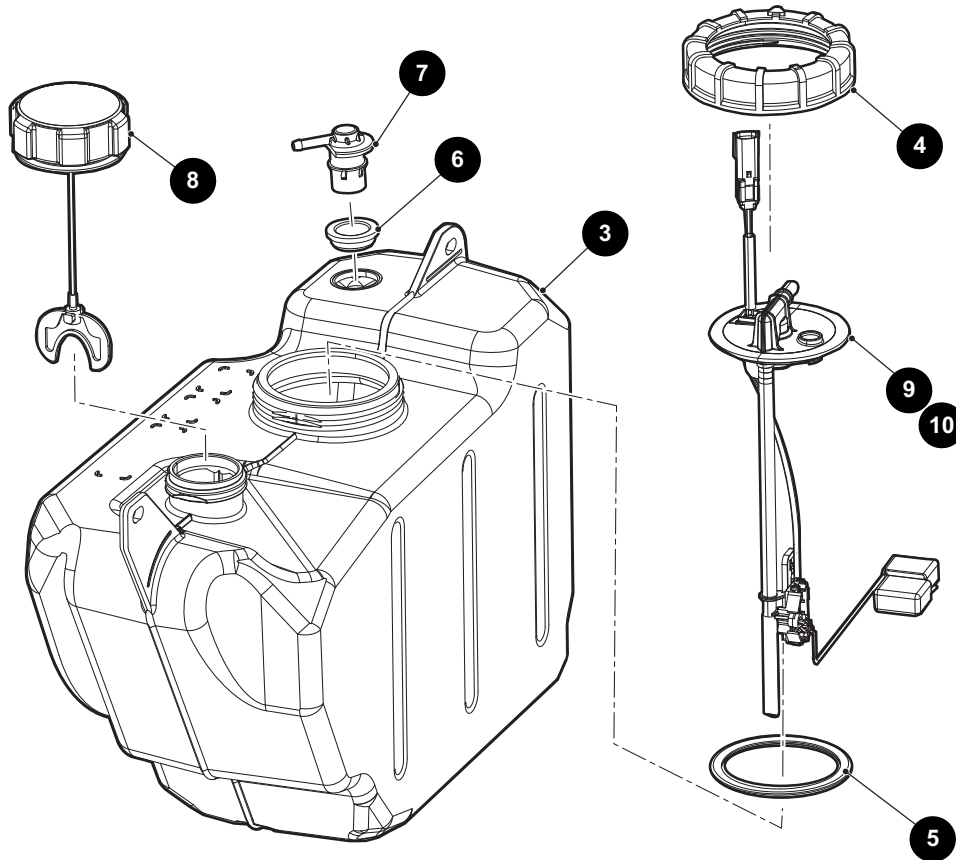
* Indicates a component that is not available as an individual part.

*** Indicates consult Customer Service Department for additional information.

ITEM	PART NO.	1 2 3 4 5	DESCRIPTION	QTY.
32	70483G01		SPACER	1
33	00559G8		FLAT WASHER, 5/16"	4
34	11098G6		LOCK NUT, 5/16" - 18	3

FUEL SYSTEM

- 1** FUEL TANK ASSEMBLY (WITH SENDER UNIT)
includes items 3 - 9
- 2** FUEL TANK ASSEMBLY (WITHOUT SENDER UNIT)
includes items 3 - 8, 10



LATE PRODUCTION VEHICLES

FUEL SYSTEM

When ordering parts, please specify the model and serial number of the product.

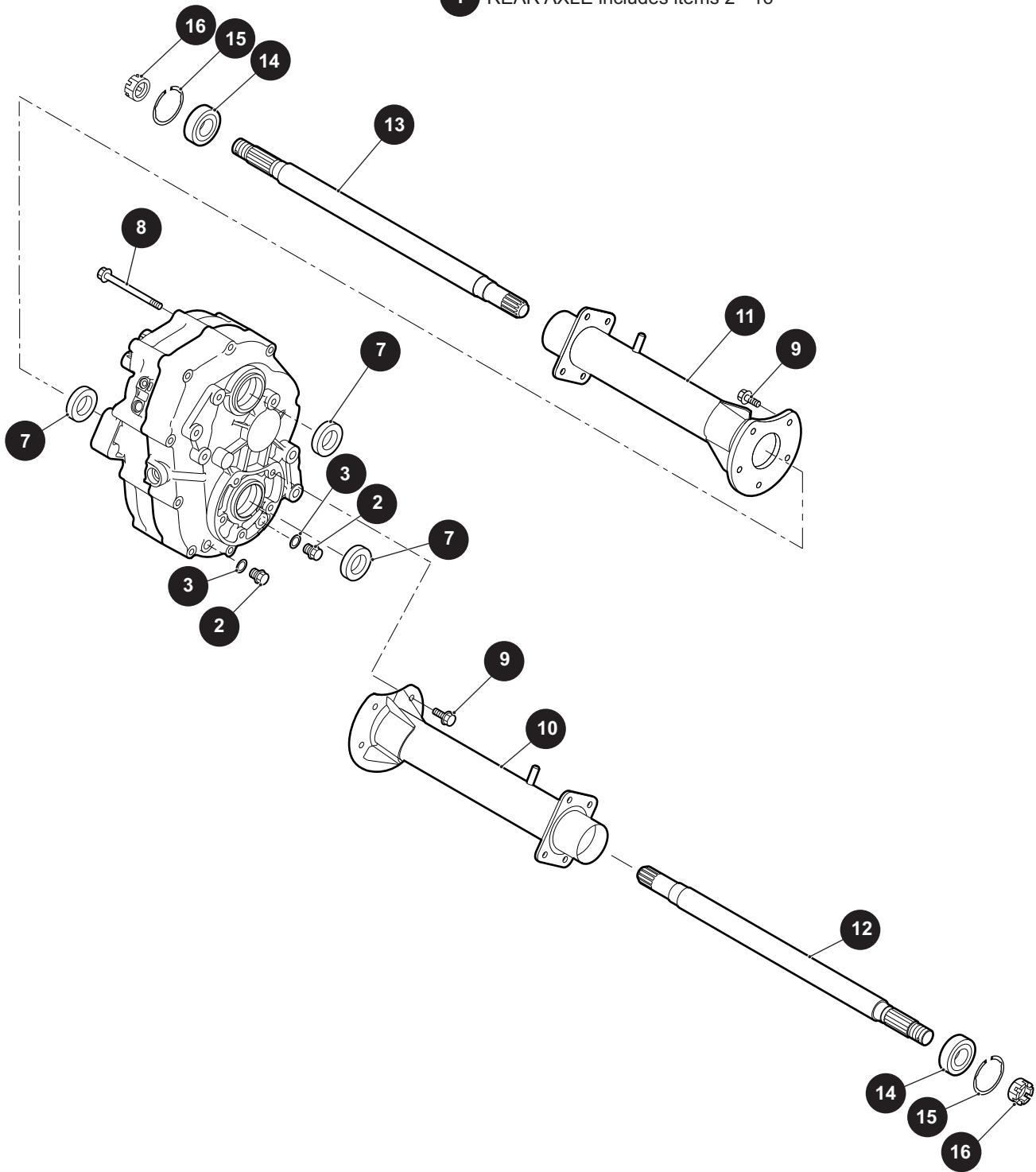
* Indicates a component that is not available as an individual part.

*** Indicates consult Customer Service Department for additional information.

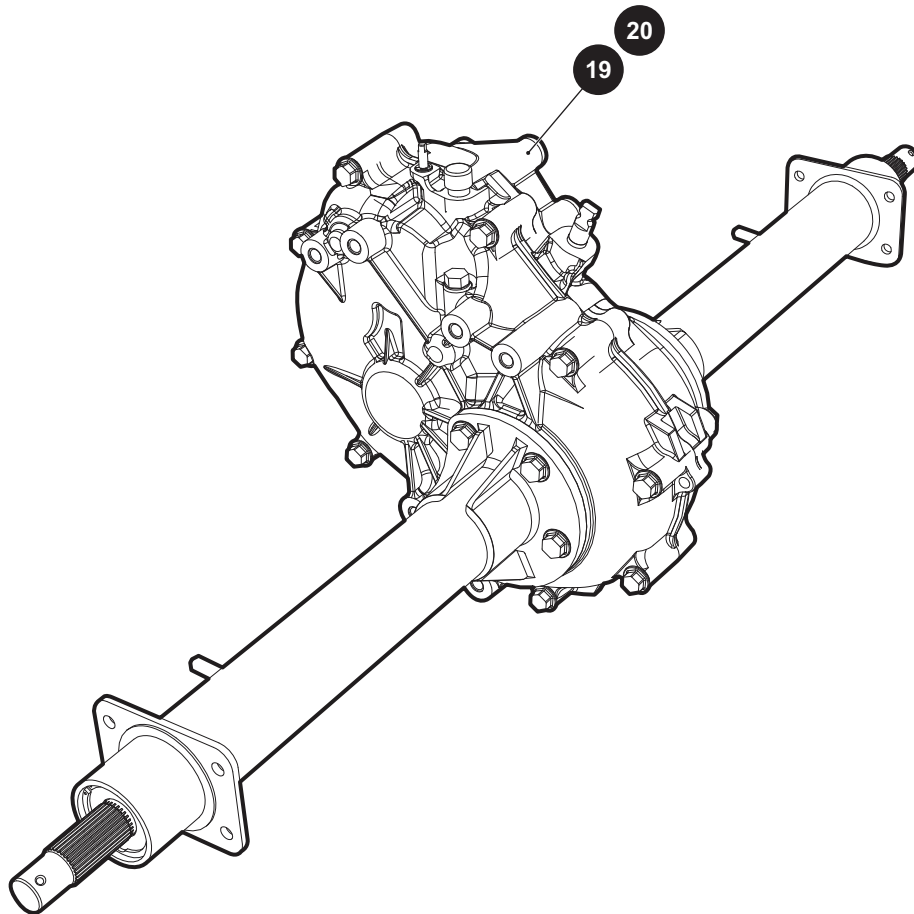
ITEM	PART NO.	1 2 3 4 5	DESCRIPTION	QTY.
1	656139		FUEL TANK ASSEMBLY (WITH SENDER UNIT) (INCLUDES ITEMS 3 - 9)	1
2	656138		FUEL TANK ASSEMBLY (WITHOUT SENDER UNIT) (INCLUDES ITEMS 3 - 8, 10)	1
3	646306		FUEL TANK	1
4	646837		CAP	1
5	646838		SEAL.....	1
6	647810		GROMMET	1
7	647809		ROLLOVER VALVE	1
8	635688		FUEL CAP	1
9	656144		FUEL PICKUP WITH SENDER ASSEMBLY	1
10	656135		FUEL PICKUP WITHOUT SENDER ASSEMBLY	1

REAR AXLE

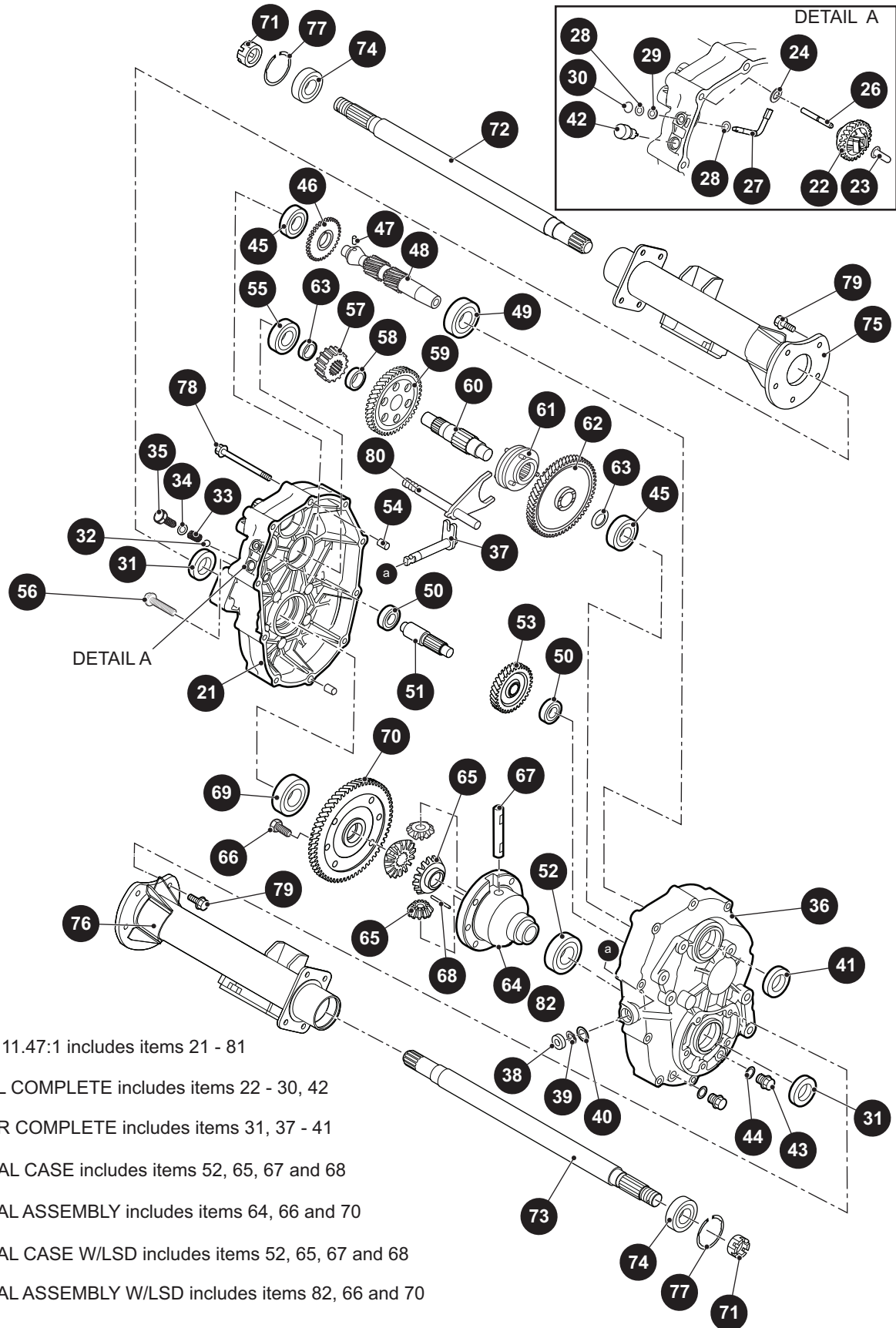
1 REAR AXLE includes items 2 - 16



FOR VEHICLES MANUFACTURED FROM APRIL 2014



REAR AXLE



- 19 REAR AXLE, 11.47:1 includes items 21 - 81
- 21 AXLE CASE L COMPLETE includes items 22 - 30, 42
- 36 AXLE CASE R COMPLETE includes items 31, 37 - 41
- 64 DIFFERENTIAL CASE includes items 52, 65, 67 and 68
- 81 DIFFERENTIAL ASSEMBLY includes items 64, 66 and 70
- 82 DIFFERENTIAL CASE W/LSD includes items 52, 65, 67 and 68
- 83 DIFFERENTIAL ASSEMBLY W/LSD includes items 82, 66 and 70
- 20 REAR AXLE W/LSD, 11.47:1 includes items 21 - 63, 65 - 80, 82 - 83

REAR AXLE

When ordering parts, please specify the model and serial number of the product.

* Indicates a component that is not available as an individual part.

*** Indicates consult Customer Service Department for additional information.

ITEM	PART NO.	1 2 3 4 5	DESCRIPTION	QTY.
1	627891		REAR AXLE (INCLUDES ITEMS 2 - 16)	1
2	26770G01		OIL DRAIN PLUG	2
3	26771G01		GASKET, 14MM	2
4				
5				
6				
7	72259G01		OIL SEAL 28 X 47 X 9MM	3
8	26823G01		FLANGED HEX HEAD BOLT M8 X 1.25 X 100 LG.....	10
9	72260G01		FLANGED HEX HEAD BOLT M10 X 1.5 X 23 LG.....	10
10	607940		AXLE TUBE (PASSENGER SIDE).....	1
11	607939		AXLE TUBE (DRIVER SIDE).....	1
12	607946		AXLE SHAFT (PASSENGER SIDE).....	1
13	607945		AXLE SHAFT (DRIVER SIDE)	1
14	26811G01		BALL BEARING	2
15	26814G01		SNAP RING, 52MM.....	2
16	606403		SLOTTED HEX NUT, M22 X 1.5	2
17				
18				
19	670468		REAR AXLE, 11.47:1 (INCLUDES ITEMS 21 - 81) (FOR VEHICLES MANUFACTURED FROM APRIL 2014).....	1
20	670470		REAR AXLE W/LSD, 11.47:1 (INCLUDES ITEMS 21 - 63, 65 - 80, 82 - 83) (FOR VEHICLES MANUFACTURED FROM APRIL 2014).....	1
21	639859		AXLE CASE L COMPLETE (INCLUDES ITEMS 22 - 30, 42)	1
22	665887		GOVERNOR GEAR	1
23	639689		GOVERNOR SLEEVE	1
24	607904		FLAT WASHER	1
25				
26	639698		GOVERNOR GEAR SHAFT	1
27	639707		GOVERNOR SHAFT	1
28	639736		FLAT WASHER, 6MM	2
29	607911		OIL SEAL, 6 x 10 x 2.5MM.....	1
30	607913		RETAINING RING E5	1

REAR AXLE

When ordering parts, please specify the model and serial number of the product.

* Indicates a component that is not available as an individual part.

*** Indicates consult Customer Service Department for additional information.

ITEM	PART NO.	1	2	3	4	5	DESCRIPTION	QTY.
31	639738						OIL SEAL, 24 x 40 x 9MM	2
32	26818G01						STEEL BALL	1
33	26819G01						SPRING	1
34	26831G01						GASKET, 10	1
35	26820G01						FLANGED HEX HEAD BOLT, M10 x 1.25 x 12MM LG.....	1
36	639865						AXLE CASE R COMPLETE (INCLUDES ITEMS 31, 37 - 41)	1
37	639746						SELECT SHAFT	1
38	607915						OIL SEAL, 13 x 22 x 5MM	1
39	607916						SNAP RING, 13MM	1
40	607917						SPACER, 13 x 1MM	1
41	640093						OIL SEAL, 28 x 47 x 9MM	1
42	607919						AIR BREATHER	1
43	639747						OIL DRAIN PLUG	2
44	639748						GASKET, 14MM.....	2
45	26785G01						BALL BEARING (6204).....	2
46	665888						GOVERNOR GEAR, 34.....	1
47	607920						PIN, 6 x 12L	1
48	639750						INPUT SHAFT.....	1
49	607922						BALL BEARING (62/28).....	1
50	639868						BALL BEARING (TMB202)	2
51	639755						COUNTER SHAFT.....	1
52	640744						BALL BEARING (6006).....	1
53	639758						GEAR, 34.....	1
54	639869						KNOCK PIPE	2
55	639760						BALL BEARING (6304).....	2
56	639768						FLANGED HEX HEAD BOLT, M8 - 1.25 X 40MM LG.....	1
57	639769						GEAR, 17	1
58	28689G01						COLLAR, 24 x 7.5MM.....	1
59	639771						GEAR, 52.....	1
60	670697						CENTER SHAFT.....	1
61	639774						CLUTCH PIN.....	1

REAR AXLE

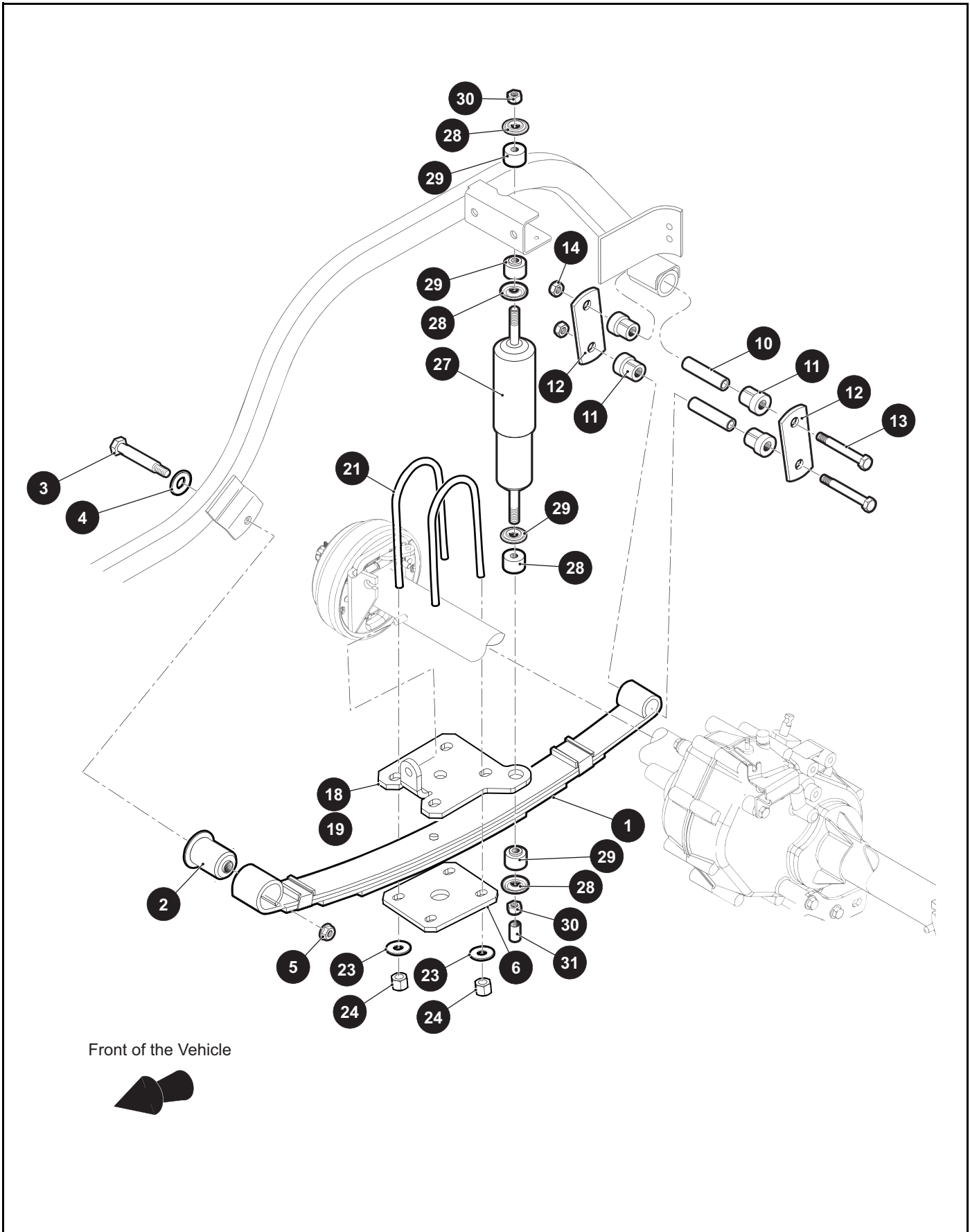
When ordering parts, please specify the model and serial number of the product.

* Indicates a component that is not available as an individual part.

*** Indicates consult Customer Service Department for additional information.

ITEM	PART NO.	1	2	3	4	5	DESCRIPTION	QTY.
62	670696						GEAR, 61	1
63	639797						SPACER, 20 x 2MM	2
64	639872						DIFFERENTIAL CASE (INCLUDES ITEMS 52, 65, 67 AND 68)	1
65	639800						DIFFERENTIAL PAIR GEAR	1
66	26808G01						HEX HEAD BOLT, M10 x 1.25 x 26MM LG	6
67	28723G01						DIFFERENTIAL SHAFT	1
68	28697G01						SPRING PIN, 4 x 40L	1
69	639801						BALL BEARING (6007)	1
70	640739						GEAR, 60 COMPLETE (INCLUDES ITEM 69)	1
71	607938						CASTLED NUT, M22 - 1.5	2
72	639876						AXLE SHAFT L COMPLETE (INCLUDES ITEM 74)	1
73	639881						AXLE SHAFT R COMPLETE (INCLUDES ITEM 74)	1
74	639836						BALL BEARING (6205DD)	2
75	607939						AXLE CASE L COMPLETE	1
76	607940						AXLE CASE R COMPLETE	1
77	26814G01						SNAP RING, 52MM	2
78	639839						FLANGED HEX HEAD BOLT, M8 x 1.25 x 60MM LG	9
79	639840						FLANGED HEX HEAD BOLT, M10 x 1.25 x 25MM LG	10
80	639844						SHIFT SHAFT COMPLETE	1
81	639847						DIFFERENTIAL ASSEMBLY (INCLUDES ITEMS 64, 66 AND 70)	1
82	640098						DIFFERENTIAL CASE W/LSD (INCLUDES ITEMS 52, 65, 67 AND 68)	1
83	639847						DIFFERENTIAL ASSEMBLY W/LSD (INCLUDES ITEMS 82, 66 AND 70)	1

REAR SUSPENSION (TERRAIN 250)



REAR SUSPENSION (TERRAIN 250)

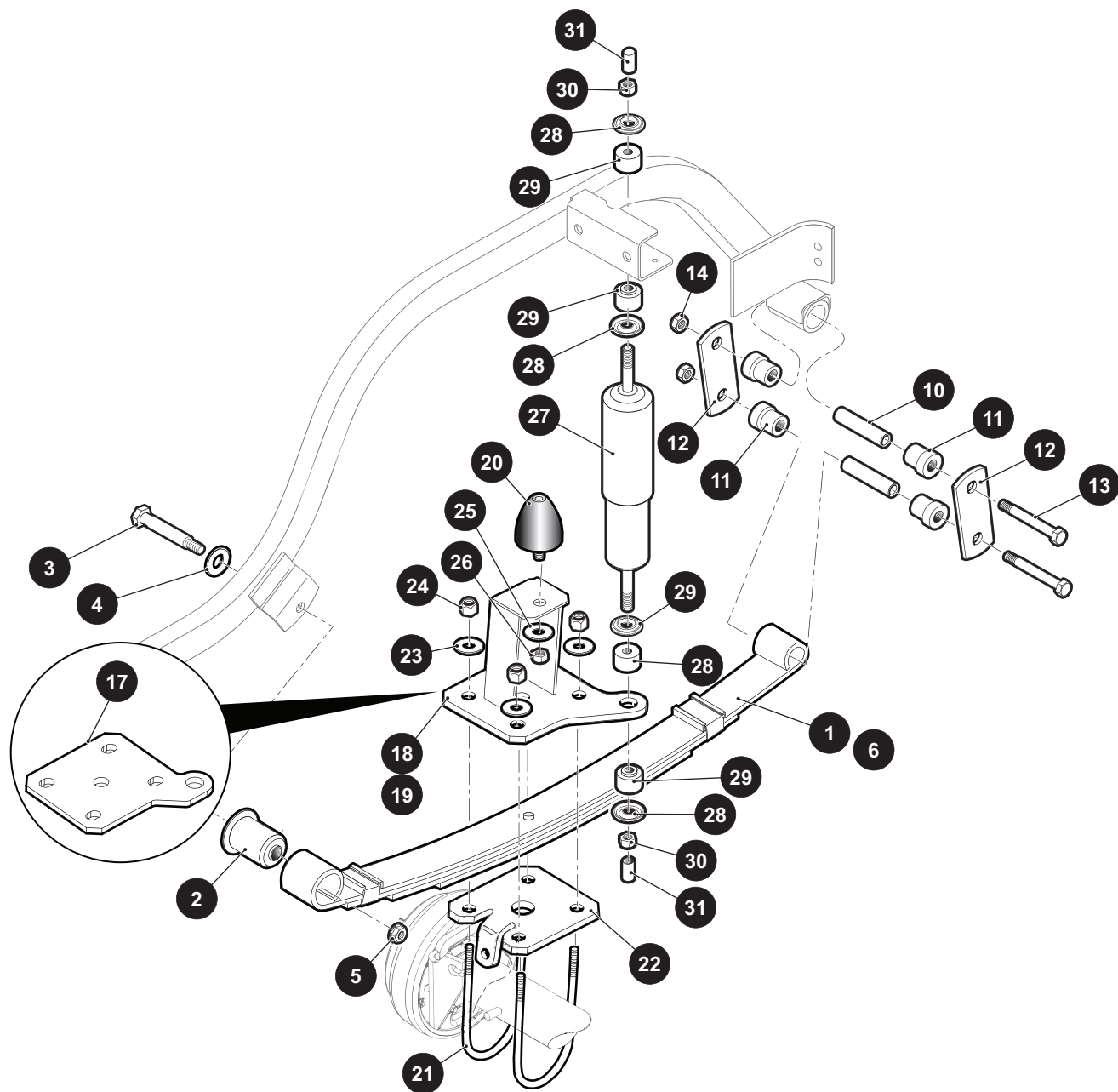
When ordering parts, please specify the model and serial number of the product.

* Indicates a component that is not available as an individual part.

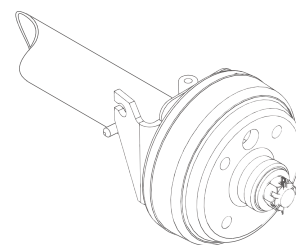
*** Indicates consult Customer Service Department for additional information.

ITEM	PART NO.	1 2 3 4 5	DESCRIPTION	QTY.
1	605722		HEAVY DUTY LEAF SPRING.....	2
2	605445		LEAF SPRING BUSHING, FRONT.....	2
3	00665G9		HEX HEAD BOLT (SS), 3/8" - 16 X 3.5 LG.....	2
4	00643G1		FLAT WASHER, .411 I.D. X 1.00 O.D. X .06.....	2
5	12262G1		FLANGED LOCK NUT, 3/8" - 16.....	2
6	652246		REAR SUSPENSION PLATE.....	2
7				
8				
9				
10	70289G02		SPLIT STEEL SPACER.....	4
11	624030		FLANGED BUSHING.....	8
12	604961		SHACKLE PLATE.....	4
13	00665G9		HEX HEAD BOLT (SS), 3/8" - 16 X 3.5 LG.....	4
14	11098G5		LOCK NUT, 3/8" - 16.....	4
15				
16				
17				
18	605958		AXLE BRACKET, DRIVER SIDE.....	1
19	605938		AXLE BRACKET, PASSENGER SIDE.....	1
20				
21	32195G3		U-BOLT, 3/8" - 16 X 5" X 2.875" X 2".....	4
22				
23	00643G1		FLAT WASHER, .411 I.D. X 1.00 O.D. X .06.....	8
24	11098G5		LOCK NUT, 3/8" - 16.....	8
25				
26				
27	642085		SHOCK ABSORBER.....	2
28	10435G1		SHOCK ABSORBER WASHER.....	8
29	10194G1		RUBBER SHOCK BUSHING.....	8
30	00532G6		HEX NUT, 3/8" - 24.....	4
31	10044G01		VINYL CAP.....	2

REAR SUSPENSION (TERRAIN 500 & 1000)



Front of the Vehicle



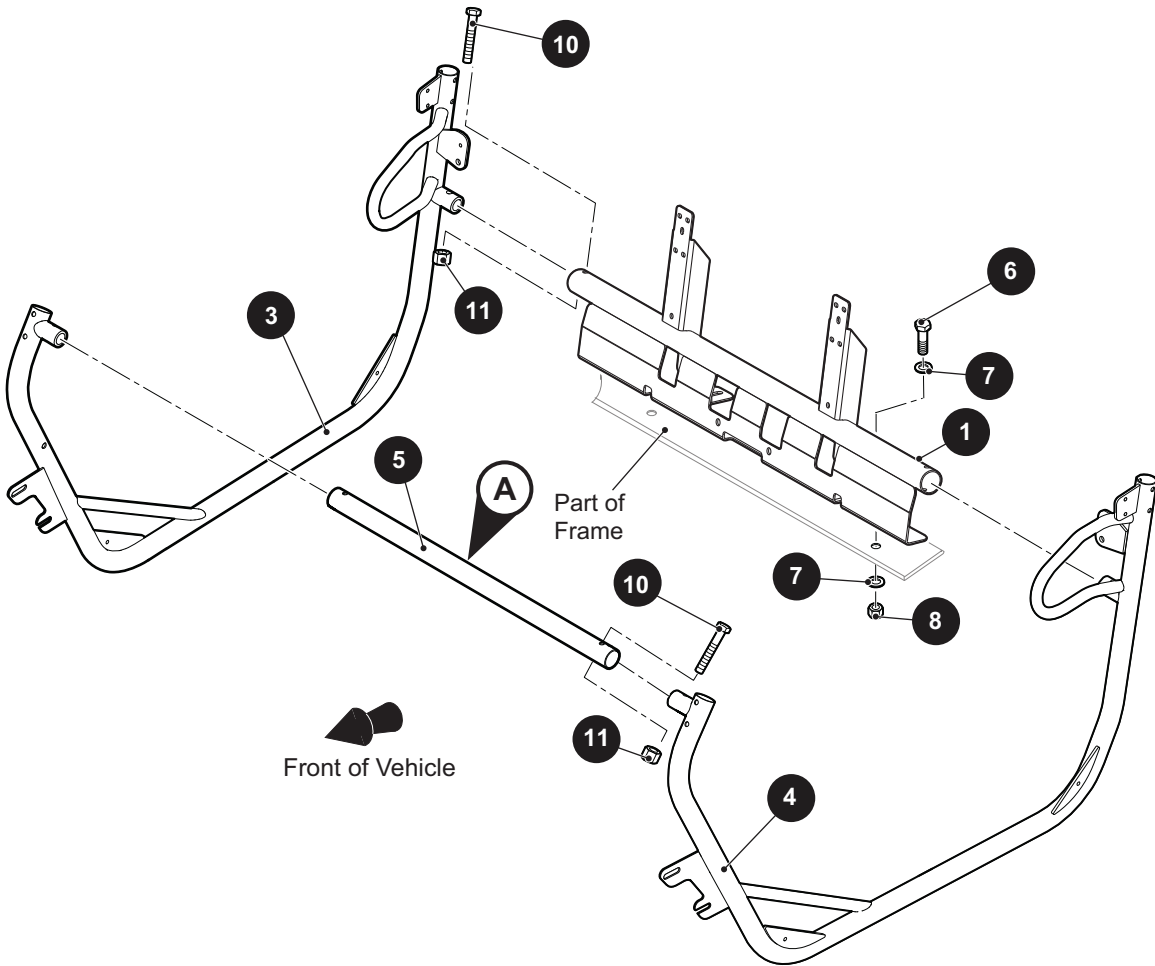
REAR SUSPENSION (TERRAIN 500 & 1000)

When ordering parts, please specify the model and serial number of the product.

* Indicates a component that is not available as an individual part.

*** Indicates consult Customer Service Department for additional information.

ITEM	PART NO.	1 2 3 4 5	DESCRIPTION	QTY.
1	605722		HEAVY DUTY LEAF SPRING (TERRAIN 1000 ONLY)	2
2	605445		LEAF SPRING BUSHING, FRONT.....	2
3	00665G9		HEX HEAD BOLT (SS), 3/8" - 16 X 3.5 LG.....	2
4	00643G1		FLAT WASHER, .411 I.D. X 1.00 O.D. X .06	2
5	12262G1		FLANGED LOCK NUT, 3/8" - 16.....	2
6	605721		HEAVY DUTY LEAF SPRING (TERRAIN 500 ONLY)	2
7				
8				
9				
10	70289G02		SPLIT STEEL SPACER	4
11	624030		FLANGED BUSHING.....	8
12	652245		SHACKLE PLATE	4
13	00665G9		HEX HEAD BOLT (SS), 3/8" - 16 X 3.5 LG.....	4
14	11098G5		LOCK NUT, 3/8" - 16.....	4
15				
16				
17	605977		REAR SUSPENSION PLATE (TERRAIN 500 ONLY).....	2
18	652629G103		SPRING PLATE, DRIVER SIDE (TERRAIN 1000 ONLY)	1
19	652629G203		SPRING PLATE, PASSENGER SIDE (TERRAIN 1000 ONLY)	1
20	70492G01		RUBBER BUMPER (TERRAIN 1000 ONLY)	2
21	32195G3		U-BOLT, 3/8" - 16 X 5" X 2.875" X 2"	4
22	652580		REAR SUSPENSION PLATE	2
23	00643G1		FLAT WASHER, .411 I.D. X 1.00 O.D. X .06	8
24	11098G5		LOCK NUT, 3/8" - 16.....	8
25	608654		SPLIT LOCK WASHER, M10 (TERRAIN 1000 ONLY)	2
26	00974G01		HEX NUT, M10 (TERRAIN 1000 ONLY)	2
27	642085		SHOCK ABSORBER.....	2
28	10435G1		SHOCK ABSORBER WASHER.....	8
29	10194G1		RUBBER SHOCK BUSHING	8
30	00532G6		HEX NUT, 3/8" - 24	4
31	10044G01		VINYL CAP.....	2



A

13

This ROPS was tested in accordance with the requirements of ISO 3471 per ANSI/ROHVA 1

CUSHMAN

EZGO

A Textron Company 642582

Textron Specialized Vehicles
1451 Marvin Griffin Rd
Augusta, GA 30906
USA

Test GVW: 700 kgs (1545 lbs)
Vehicle Models:
Hauler 900 and 1200 G, E, XG, XE
Hauler Pro, Pro X, 4X4
E-Z-GO Terrain 250 and 1000 G, E
E-Z-GO Terrain 1500 G

WARNING

The protection offered by this ROPS will be impaired if it has been subjected to any modification or structural damage. This ROPS must be replaced after a rollover.

When ordering parts, please specify the model and serial number of the product.

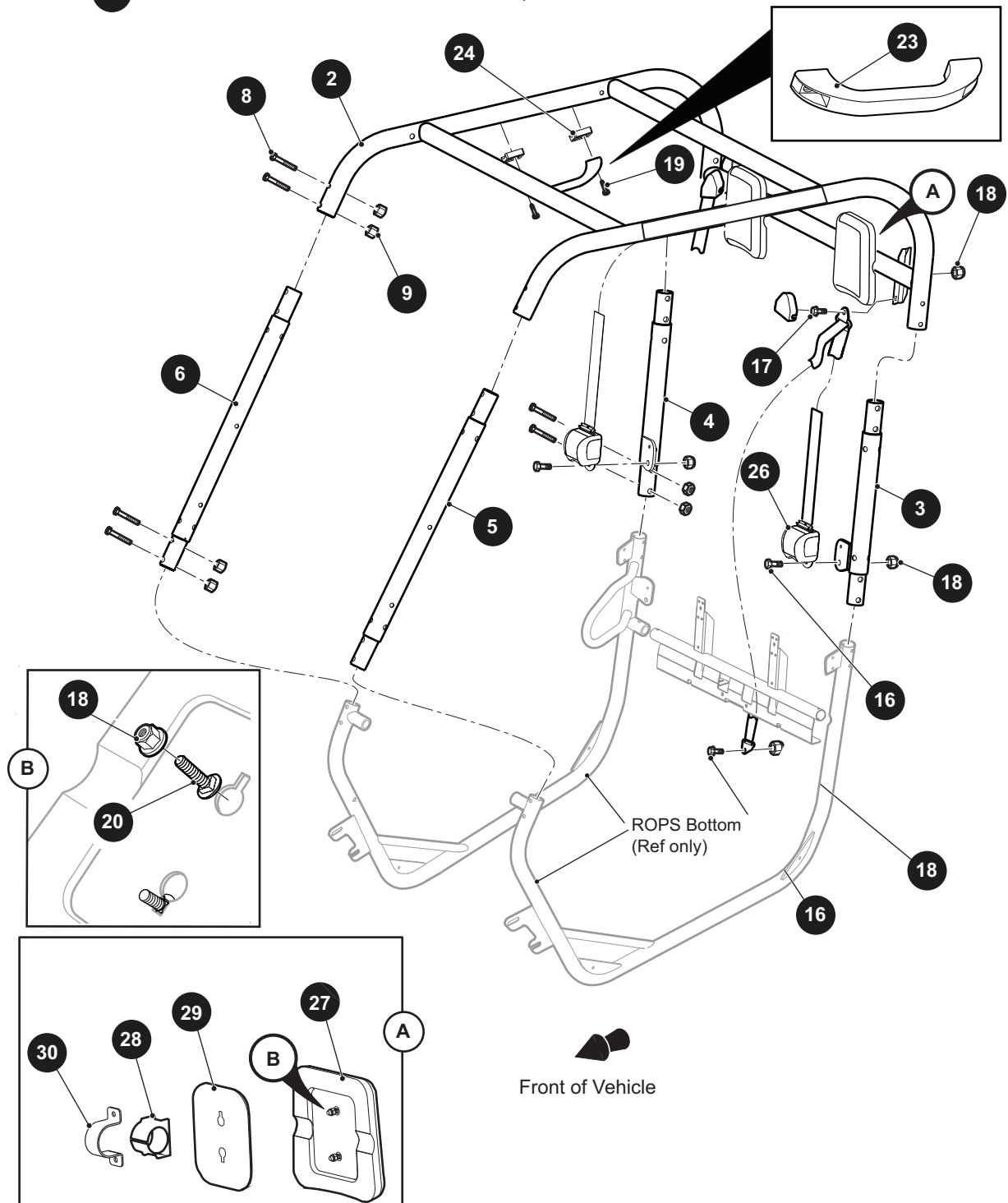
* Indicates a component that is not available as an individual part.

*** Indicates consult Customer Service Department for additional information.

ITEM	PART NO.	1 2 3 4 5	DESCRIPTION	QTY.
1	640293		ROPS SEAT SUPPORT.....	1
2				
3	640183		ROPS BOTTOM (PASSENGER SIDE).....	1
4	640182		ROPS BOTTOM (DRIVER SIDE)	1
5	629023		FRONT CROSSBAR TUBE	1
6	00427G2		HEX HEAD BOLT, 3/8" - 16 X 1 1/4" LG	4
7	00571G2		FLAT WASHER, 5/16"	8
8	11098G5		LOCK NUT, 3/8" - 16	4
9				
10	630642		HEX HEAD BOLT, 3/8" - 16 X 2 1/2" LG	4
11	630643		LOCK NUT, 3/8" - 16	4
12				
13	642582		ROPS CERTIFICATION DECAL.....	1

ROPS

- 1 ROPS UPPER KIT includes items 2 - 7
- 7 ROPS UPPER HARDWARE KIT includes items 8 - 9
- 15 ROPS ACCESSORY HARDWARE KIT includes items 16 - 20
- 22 ROPS ACCESSORY KIT includes items 15, 23 - 30



When ordering parts, please specify the model and serial number of the product.

* Indicates a component that is not available as an individual part.

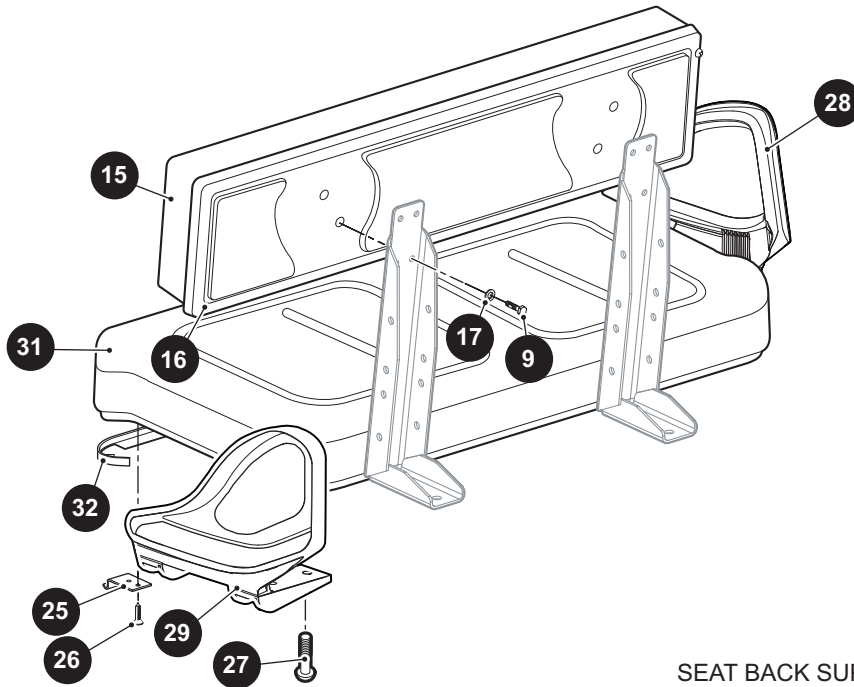
*** Indicates consult Customer Service Department for additional information.

ITEM	PART NO.	1 2 3 4 5	DESCRIPTION	QTY.
1	631578		ROPS UPPER KIT (INCLUDES ITEMS 2 - 7)	1
2	631576		ROPS TOP WELDMENT.....	1
3	629080		CONNECTOR REAR (DRIVER SIDE)	1
4	629079		CONNECTOR REAR (PASSENGER SIDE).....	1
5	629082		CONNECTOR FRONT (DRIVER SIDE).....	1
6	629081		CONNECTOR FRONT (PASSENGER SIDE)	1
7	629328		ROPS UPPER HARDWARE KIT (INCLUDES ITEMS 8 - 9).....	1
8	630642		HEX HEAD BOLT, 3/8" - 16 X 2 1/2" LG	16
9	630643		LOCK NUT, 3/8" - 16.....	16
10				
11				
12				
13				
14				
15	640434		ROPS ACCESSORY HARDWARE KIT (INCLUDES ITEMS 16 - 20)	1
16	610753		HEX HEAD BOLT, 7/16" - 20 X 1" LG	4
17	609569		HEX HEAD BOLT, 7/16" - 20 X 3/4" LG	4
18	00734G3		LOCK NUT, 7/16" - 20.....	8
19	612255		PAN HEAD TORX SCREW, 12 - 14 X 1" LG	2
20	630763		CARRIAGE BOLT (SS), 1/4" - 20 X .75" LG	4
21				
22	640436		ROPS ACCESSORIES KIT (INCLUDES ITEMS 15, 23 - 30).....	1
23	611774		GRAB HANDLE	1
24	612254		GRAB HANDLE MOUNT.....	2
25	629454		SIDE DOOR NET (PAIR) (NOT ILLUSTRATED).....	1
26	649134		SEAT BELT RETRACTOR.....	2
27	628577		HEADREST	2
28	629642		CLAMP GUARD	2
29	629666		HEADREST PLATE	2
30	627786		CLAMP	2

SEATING

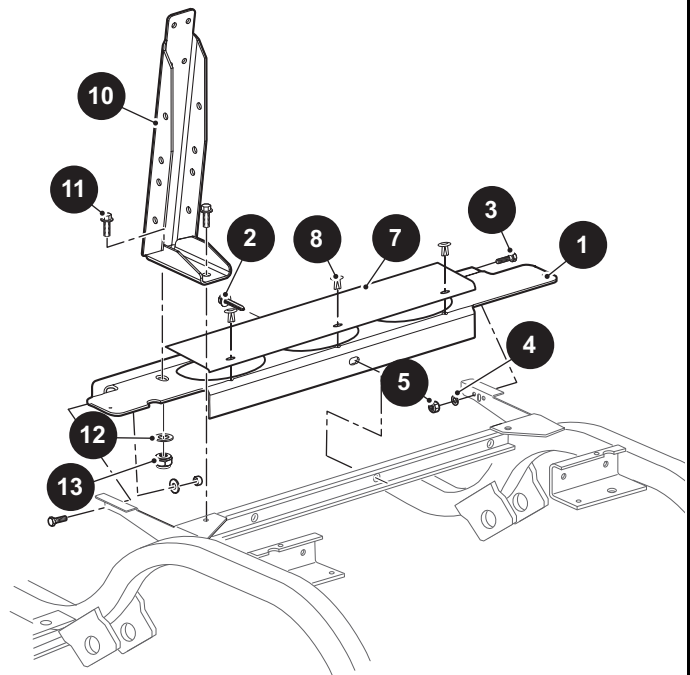
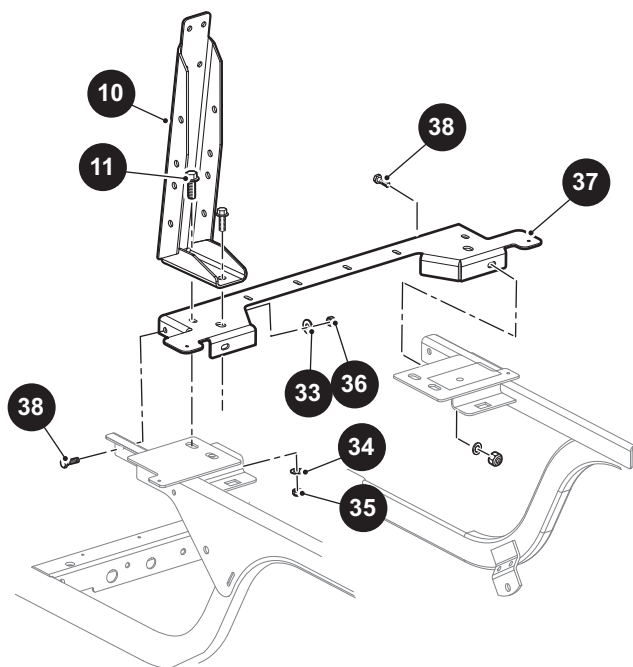
14 SEAT BACK ASSEMBLY includes items 15 - 16

18 SEAT BOTTOM ASSEMBLY includes items 19 - 32



SEAT BACK SUPPORT (TERRAIN 1000)

SEAT BACK SUPPORT (TERRAIN 250 & 500)



When ordering parts, please specify the model and serial number of the product.

* Indicates a component that is not available as an individual part.

*** Indicates consult Customer Service Department for additional information.

ITEM	PART NO.	1 2 3 4 5	DESCRIPTION	QTY.
1	71262G04		SEAT BACK SUPPORT (TERRAIN 250 & 500 Only)	1
2	00715G2		FLANGED HEX HEAD SCREW, 5/16 - 18 X 13/16" LG (TERRAIN 250 & 500 Only)	1
3	00438G8		HEX HEAD CAP SCREW, 5/16 - 18 X 3/4" LG (TERRAIN 250 & 500 Only)	2
4	00642G8		WASHER, 5/16" (TERRAIN 250 & 500 Only)	2
5	11098G6		LOCK NUT, 5/16 - 18 (TERRAIN 250 & 500 Only)	2
6				
7	71263G01		ACCESS COVER (TERRAIN 250 & 500 Only).....	1
8	18436G1		DRIVE RIVET (TERRAIN 250 & 500 Only).....	3
9	605056		HEX SCREW W/PTCHLOC, 1/4 - 20 X 1"	4
10	652243G03		SEAT BACK SUPPORT BRACKET	2
11	00427G2		HEX HEAD CAP SCREW, 3/8 - 16 X 1 1/4" LG.....	4
12	00560G1		FLAT WASHER, 3/8" (TERRAIN 250 & 500 Only).....	2
13	11098G5		LOCK NUT, 3/8 - 16 (TERRAIN 250 & 500 Only)	2
14	71274G**		SEAT BACK ASSEMBLY (INCLUDES ITEMS 15 - 16)..... 71274G01 WHITE 71274G02 BLACK 71274G03 TAN 71274G04 GRAY 71274G05 OYSTER 71274G07 BROWN	
15	18144G*		BACK REST COVER..... 18144G2 WHITE 18144G3 BLACK 18144G4 TAN 18144G5 GRAY 18144G6 OYSTER 18144G8 BROWN	1
16	74889G01		SEAT BACK COVER	1
17	00664G7		LOCK WASHER (SS), 1/4"	4
18	629269G**		SEAT BOTTOM ASSEMBLY (INCLUDES ITEMS 19 - 32)	1
			629269G0105 WHITE 629269G0104 GRAY 629269G0101 OYSTER 629269G0103 TAN 629269G0107 BROWN 629269G0106 BLACK	
19	71602G**		VINYL SEAT BOTTOM	1

SEATING

When ordering parts, please specify the model and serial number of the product.

* Indicates a component that is not available as an individual part.

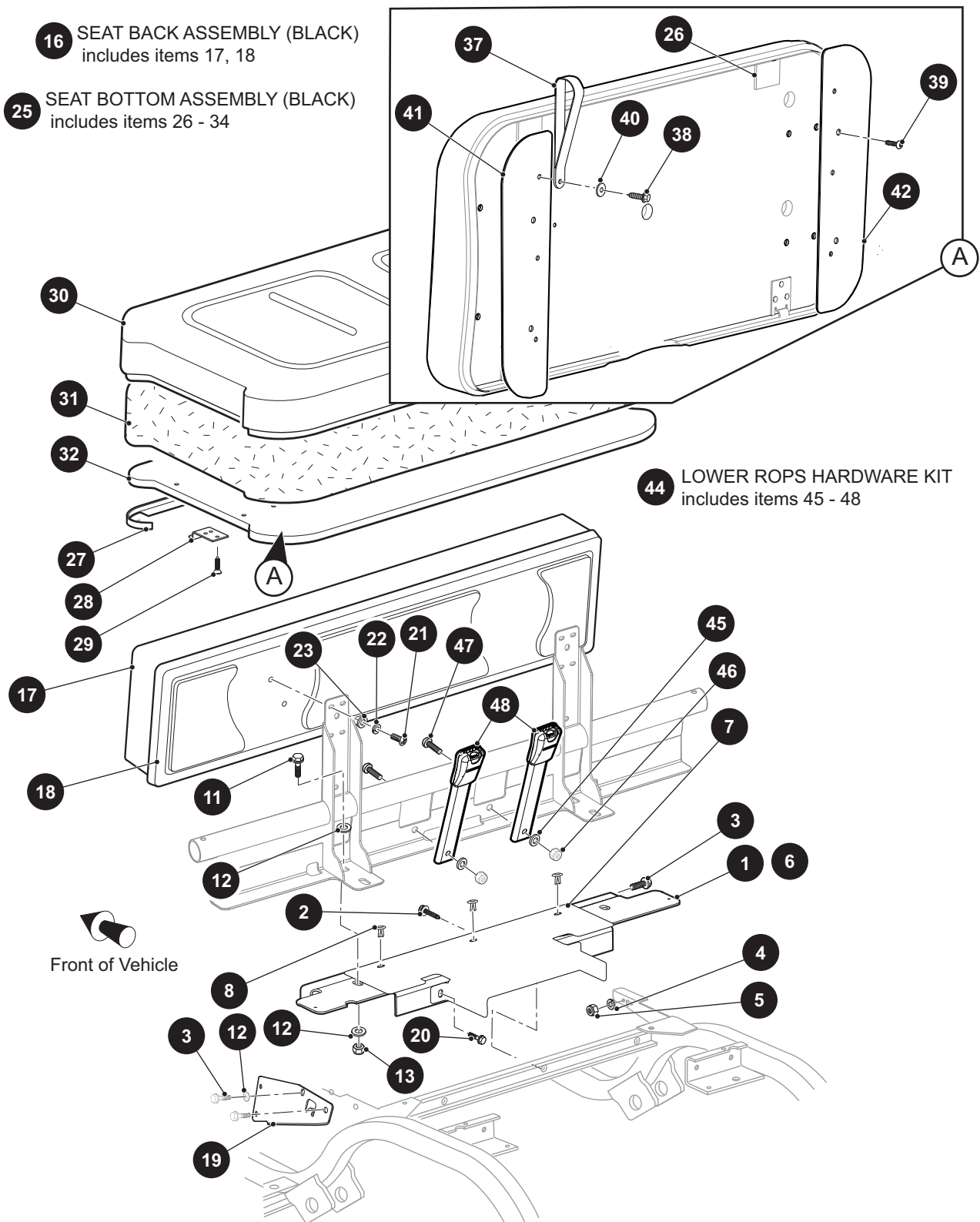
*** Indicates consult Customer Service Department for additional information.

ITEM	PART NO.	1	2	3	4	5	DESCRIPTION	QTY.
20							71602G01 WHITE	
21							71602G02 GRAY	
22							71602G03 OYSTER	
23							71602G04 TAN	
24							71602G07 BROWN	
							71602G06 BLACK	
25	71610G01						SEAT HINGE.....	2
26	00720G08						FLAT HEAD PHILLIPS SCREW, #12 - 14 X 1" LG.	6
27	615417						BUTTON HEAD TORX BOLT, M10 - 1.5 X 25MM LG	1
28	617644						HIP RESTRAINT (PASSENGER SIDE).....	1
29	617645						HIP RESTRAINT (DRIVER SIDE)	1
30								
31								
32	71012G01						VINYL TRIM (SEAT BOTTOM)	1
33	00571G2						FLAT WASHER, 5/16 (TERRAIN 1000 Only)	5
34	11098G6						LOCK NUT, 5/16 - 18 (TERRAIN 1000 Only)	5
35	00560G1						WASHER, 3/8" (TERRAIN 1000 Only)	4
36	11098G5						LOCK NUT, 3/8 - 16 (TERRAIN 1000 Only)	4
37	609567						SEAT BACK SUPPORT BRACKET (TERRAIN 1000 Only)	1
38	00438G8						HEX HEAD CAP SCREW, 5/16 - 18 X 3/4" LG (TERRAIN 1000 Only)	5

SEATING

16 SEAT BACK ASSEMBLY (BLACK)
includes items 17, 18

25 SEAT BOTTOM ASSEMBLY (BLACK)
includes items 26 - 34



When ordering parts, please specify the model and serial number of the product.

* Indicates a component that is not available as an individual part.

*** Indicates consult Customer Service Department for additional information.

ITEM	PART NO.	1 2 3 4 5	DESCRIPTION	QTY.
1	609567		SEAT BACK SUPPORT (TERRAIN 1000 only)	1
2	00715G2		FLANGED HEX HEAD BOLT, 5/16" - 18 X .8" LG	1
3	00438G8		HEX HEAD BOLT, 5/16" - 18 X 1" LG	5
4	00642G8		LOCK WASHER, 5/16"	2
5	11098G6		LOCK NUT, 5/16" - 18.....	2
6	71262G03		SEAT BACK SUPPORT (TERRAIN 250 Only)	
7	609575		CLOSEOUT BED COVER (TERRAIN 1000 Only).....	1
8	18436G1		DRIVE RIVET.....	3
9				
10				
11	00427G2		FLANGED HEX HEAD BOLT, 3/8" - 16 X 1 1/4" LG	4
12	00571G2		FLAT WASHER, 5/16"	14
13	11098G5		LOCK NUT, 3/8" - 16.....	4
14				
15				
16	71274G02		SEAT BACK ASSEMBLY (BLACK) (INCLUDES ITEMS 17, 18).....	1
17	18144G3		VINYL COVER.....	1
18	74889G01		SEAT BACK COVER (PLASTIC)	1
19	634703		AIR CLEANER BRACKET (TERRAIN 1000 only)	1
20	00114G6		HEX HEAD WASHER BOLT, 1/4 - 10 X 3/4" LG.....	2
21	16705G1		HEX HEAD BOLT (WITH PATCH LOCK), 1/4" - 20 X 1" LG.....	4
22	01110G01		FLAT WASHER (SS), 1/4".....	4
23	00664G7		LOCK WASHER (SS), 1/4"	4
24				
25	629269G1306		SEAT BOTTOM ASSEMBLY (BLACK) (INCLUDES ITEMS 26 - 34).....	1
26	17074G1		SOILING SLAB (NOT ILLUSTRATED).....	2
27	71012G01		VINYL TRIM (SEAT BOTTOM).....	1
28	71610G01		SEAT HINGE	1
29	00720G08		FLAT HEAD PHILLIPS SCREW, #12 - 14 X 1" LG.....	3
30	615169		VINYL SEAT BOTTOM COVER (BLACK).....	1
31	605503		SEAT BOTTOM PADDING (FOAM)	1

SEATING

When ordering parts, please specify the model and serial number of the product.

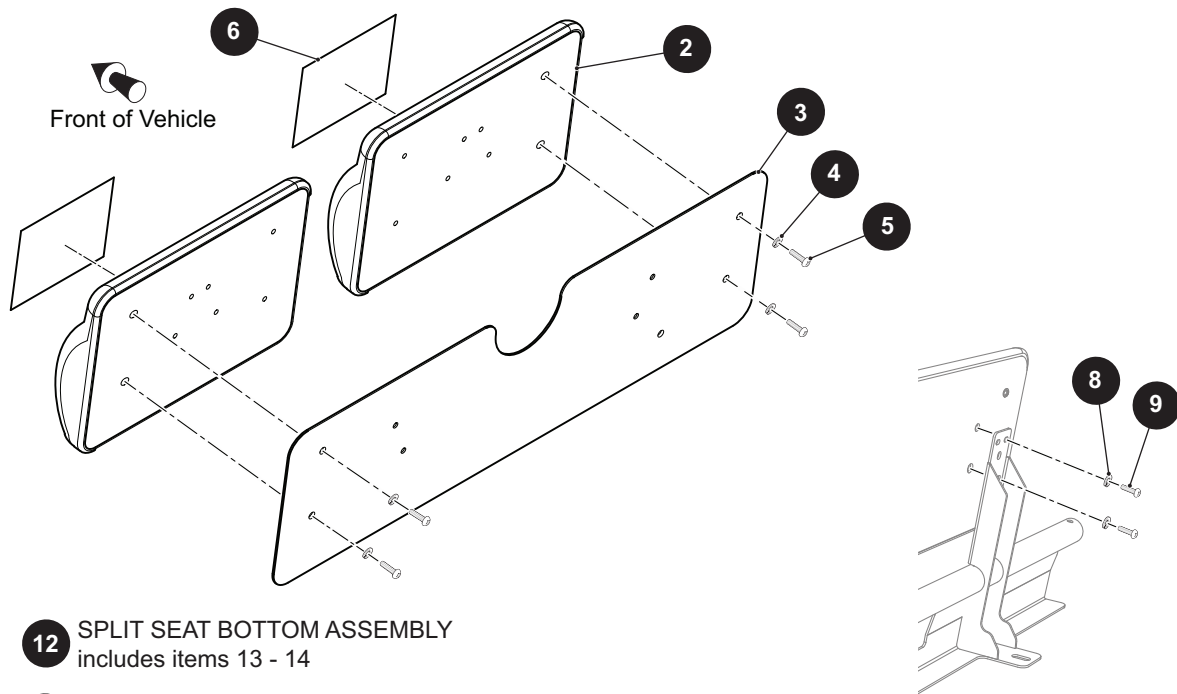
* Indicates a component that is not available as an individual part.

*** Indicates consult Customer Service Department for additional information.

ITEM	PART NO.	1	2	3	4	5	DESCRIPTION	QTY.
32	645492						SEAT BOTTOM.....	1
33	23222G1						FLAT STAPLE, 3/8" (NOT ILLUSTRATED).....	AR
34	23223G1						FLAT STAPLE (NOT ILLUSTRATED)	AR
35								
36								
37	617402						SEAT STRAP.....	1
38	71398G01						FLANGED HEX HEAD SCREW, 1/4" - 20 X 1 1/4" LG	1
39	615417						BUTTON HEAD TORX BOLT, M10 - 1.5 X 25MM LG	4
40	16469G1						FENDER WASHER, 1/4"	1
41	640674G01						SEAT SIDE COVER (DRIVER SIDE).....	1
42	640674G02						SEAT SIDE COVER (PASSENGER SIDE)	1
43								
44	642823						LOWER ROPS HARDWARE KIT (INCLUDES ITEMS 45 - 48)	1
45	00560G3						FLAT WASHER, 1/2"	2
46	00734G3						LOCK NUT, 7/16" - 20.....	2
47	635630						BUTTON HEAD TORX BOLT, 7/16" - 20 x 1 1/4" LG	2
48	631973						BUCKLE AND BRACKET ASSEMBLY.....	2

SEATING - TERRAIN 1000

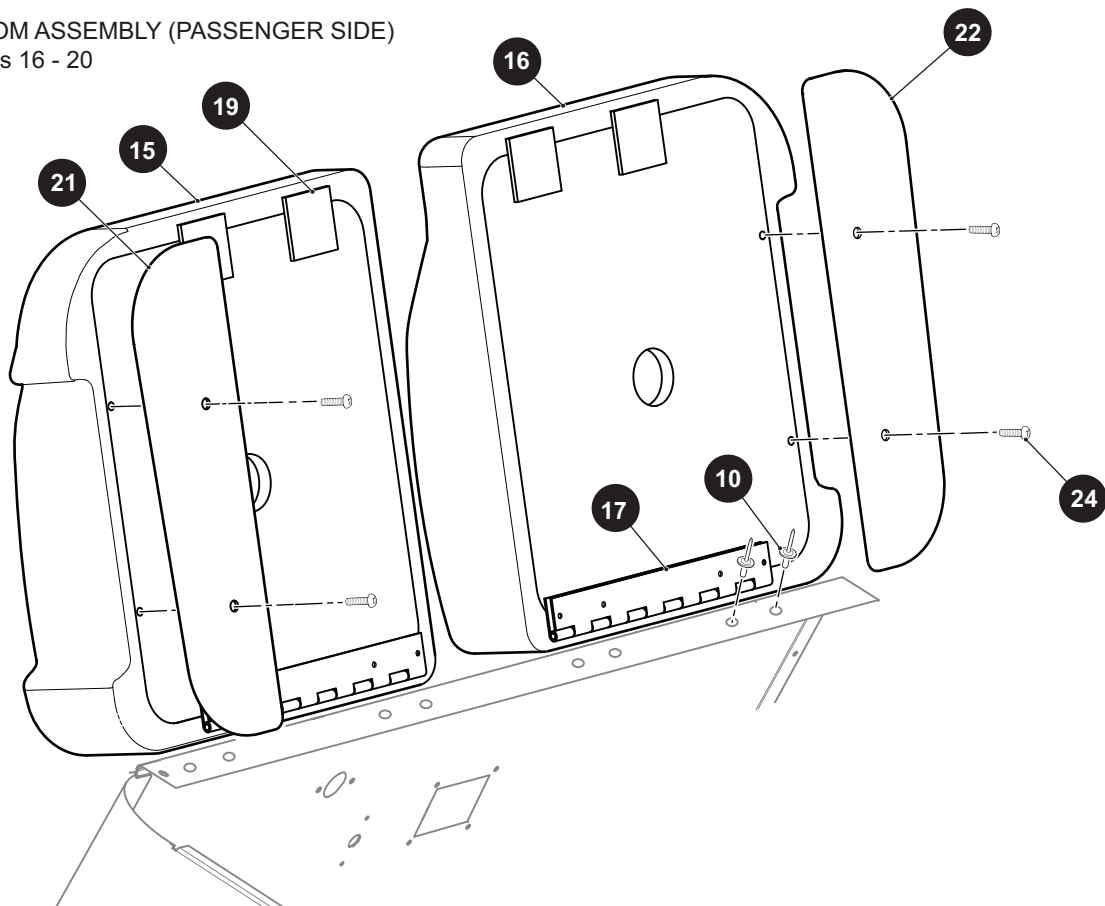
- 1** SEAT BACK ASSEMBLY includes items 2 - 6



- 12** SPLIT SEAT BOTTOM ASSEMBLY includes items 13 - 14

- 13** SEAT BOTTOM ASSEMBLY (DRIVER SIDE) includes items 15, 17 - 20

- 14** SEAT BOTTOM ASSEMBLY (PASSENGER SIDE) includes items 16 - 20



SEATING - TERRAIN 1000

When ordering parts, please specify the model and serial number of the product.

* Indicates a component that is not available as an individual part.

*** Indicates consult Customer Service Department for additional information.

ITEM	PART NO.	1 2 3 4 5	DESCRIPTION	QTY.
1	626618G05		SEAT BACK ASSEMBLY (INCLUDES ITEMS 2 - 6).....	1
2	75840G**		SEAT BACK CUSHION	2
3	626607		SEAT BACK PLATE.....	1
4	00664G7		LOCK WASHER (SS), 1/4".....	4
5	16705G3		TRUSS HEAD PHILLIPS SCREW (SS), 1/4" - 20 X 3/4" LG	4
6	27336G01		WARINING DECAL.....	2
7				
8	00664G7		LOCK WASHER (SS), 1/4"	4
9	16705G1		TRUSS HEAD PHILLIPS SCREW (SS), 1/4" - 20 X 1" LG.....	4
10	10570G11		RIVET, 3/16" X .70"	8
11				
12	642838		SPLIT SEAT BOTTOM ASSEMBLY (INCLUDES ITEMS 13 - 14)	1
13	628111G05		SEAT BOTTOM ASSEMBLY (DRIVER SIDE) (INCLUDES ITEMS 15, 17 - 20).....	1
14	628112G05		SEAT BOTTOM ASSEMBLY (PASSENGER SIDE) (INCLUDES ITEMS 16 - 20).....	1
15	75833G**		SEAT BOTTOM (DRIVER SIDE)	1
16	75834G**		SEAT BOTTOM (PASSENGER SIDE).....	1
17	75847G01		SEAT HINGE	1
18	16705G1		TRUSS HEAD PHILLIPS SCREW (SS), 1/4" - 20 X 1" LG.....	3
19	17074G1		SOILING SLAB	2
20	23223G1		STAPLE (NOT ILLUSTRATED).....	8
21	640674G01		SEAT SIDE COVER (DRIVER SIDE)	1
22	640674G02		SEAT SIDE COVER (PASSENGER SIDE).....	1
23				
24	615417		BUTTON HEAD TORX BOLT, M10 - 1.5 X 25MM LG	4

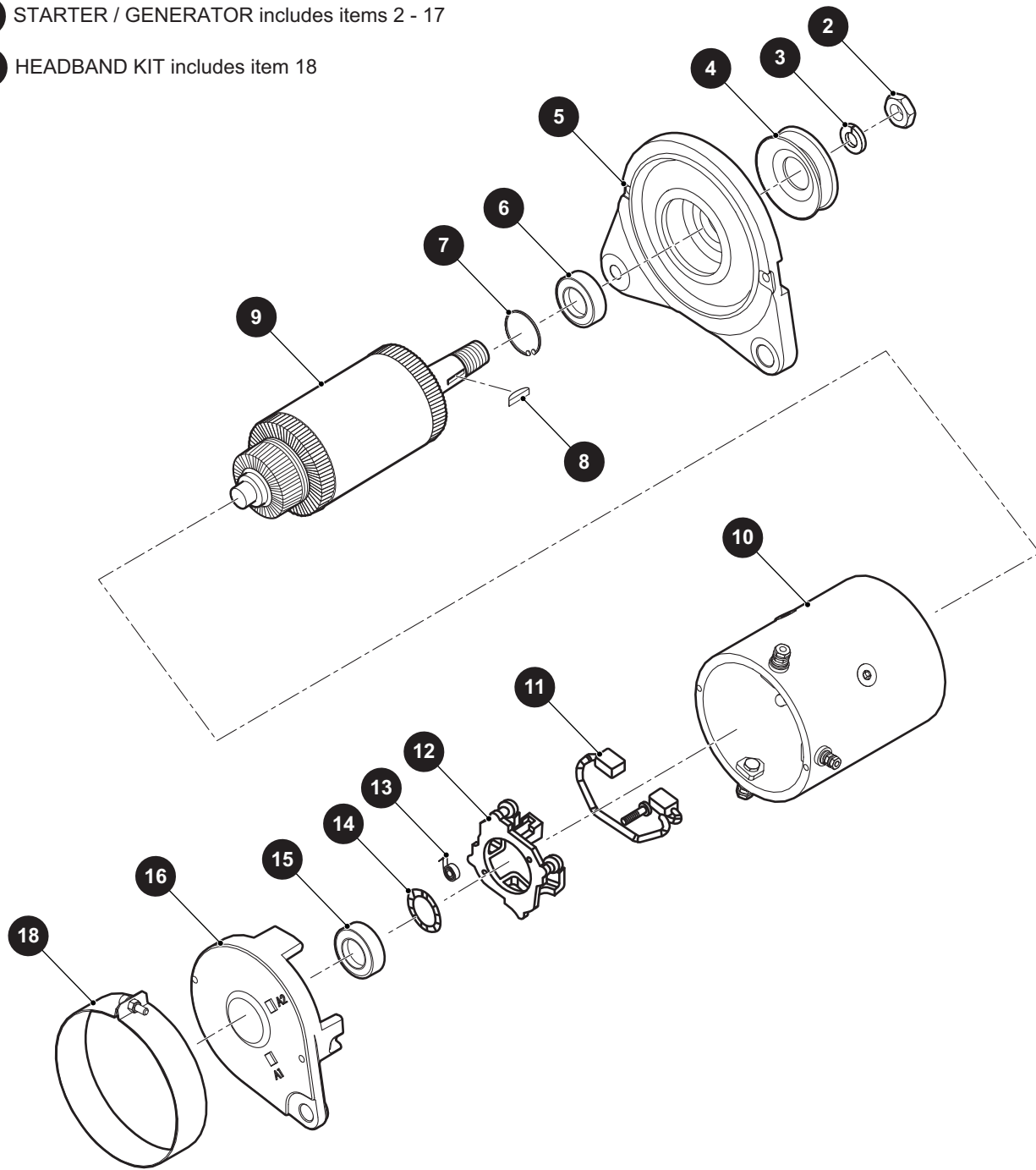
Notes:

Large grid area for notes.

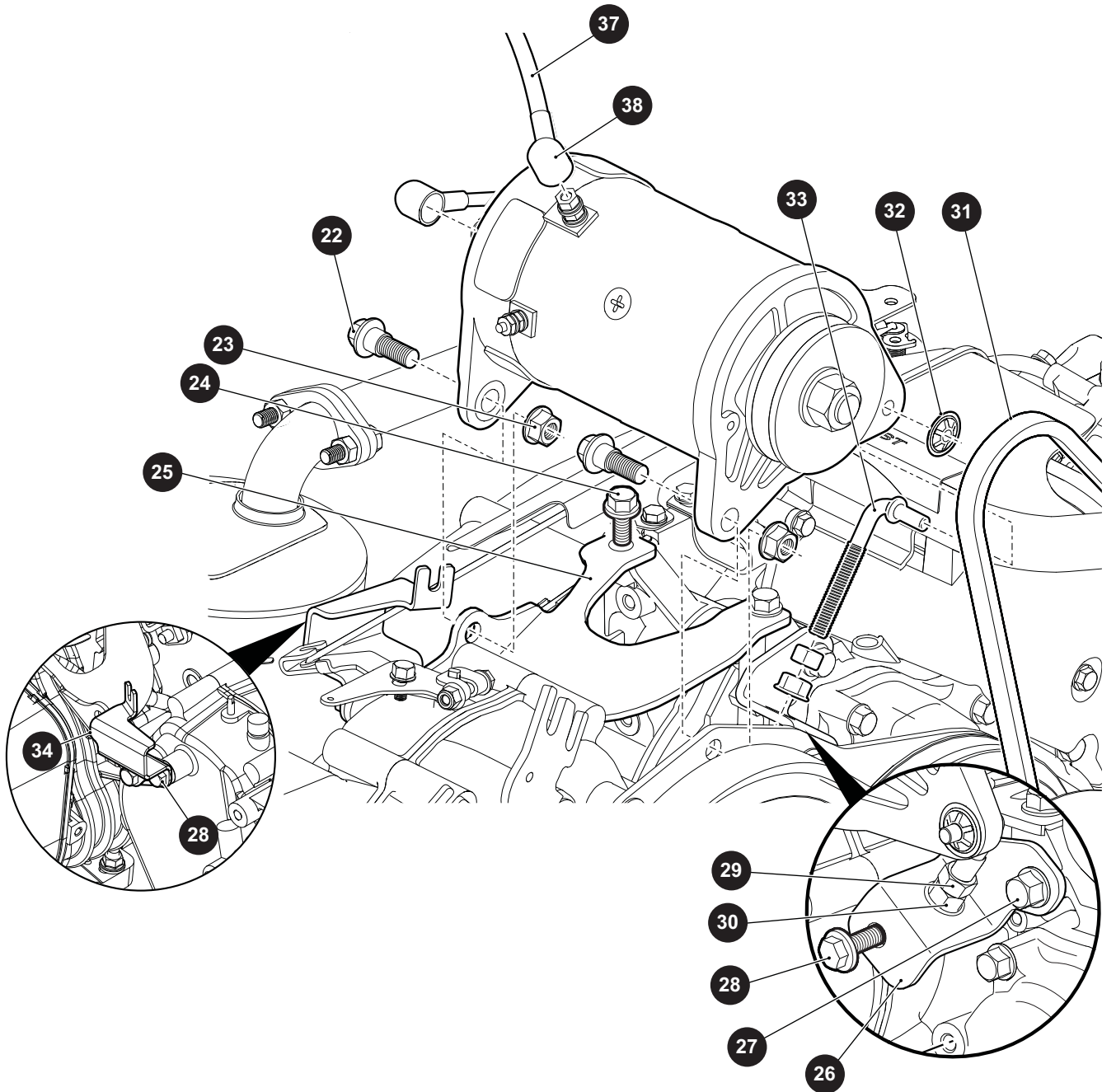
STARTER / GENERATOR

1 STARTER / GENERATOR includes items 2 - 17

17 HEADBAND KIT includes item 18

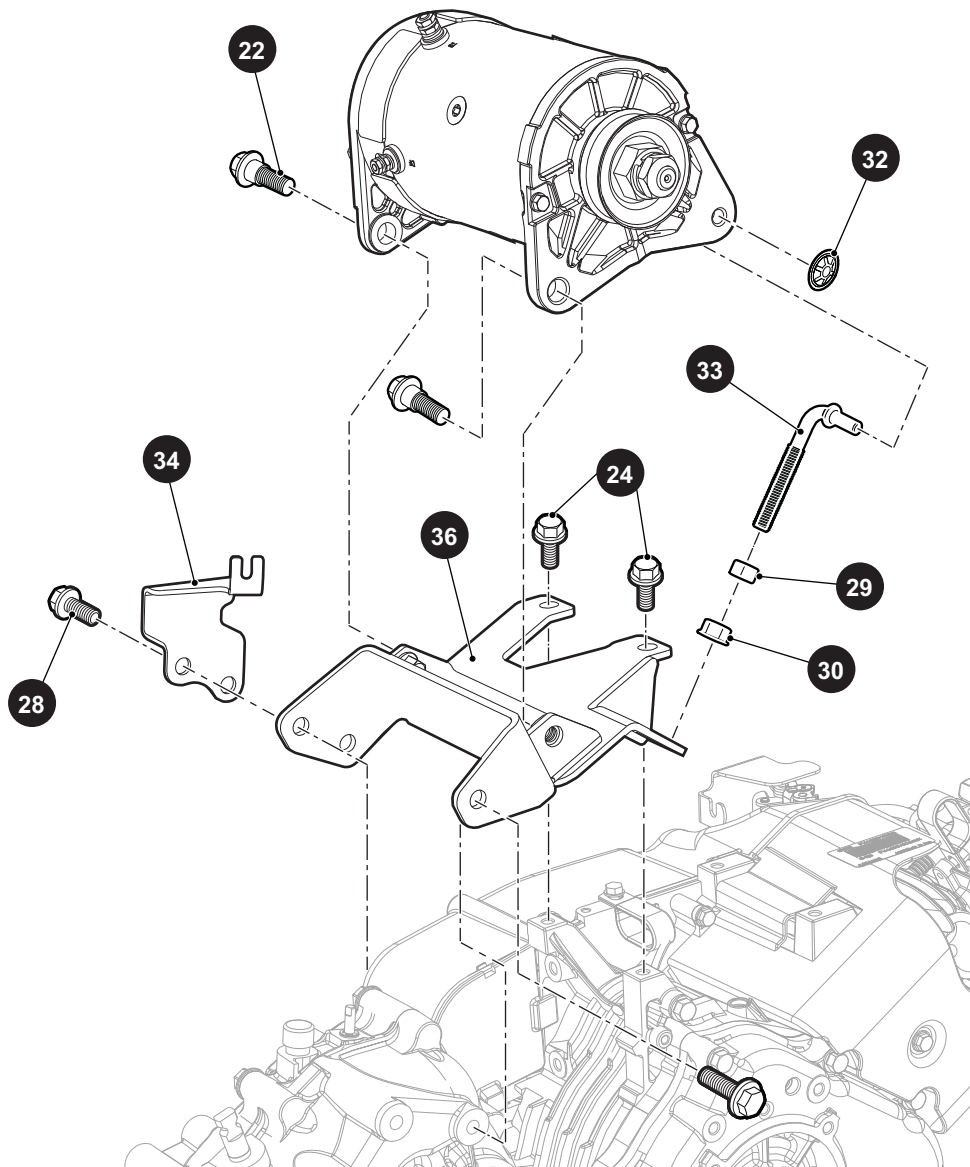


STARTER / GENERATOR



STARTER / GENERATOR

FOR VEHICLES MANUFACTURED FROM APRIL 2014



STARTER / GENERATOR

When ordering parts, please specify the model and serial number of the product.

* Indicates a component that is not available as an individual part.

*** Indicates consult Customer Service Department for additional information.

ITEM	PART NO.	1 2 3 4 5	DESCRIPTION	QTY.
1	660379		STARTER / GENERATOR (INCLUDES ITEMS 2 - 17)	1
2	612029		HEX NUT	1
3	612030		LOCK WASHER	1
4	625716		PULLEY, 2.5" O.D.	1
5	654715		DRIVE END HEAD	1
6	612033		BEARING	1
7	612034		RETAINING RING	1
8	612035		WOODRUFF KEY	1
9	612036		ARMATURE ASSEMBLY	1
10	654716		FRAME AND FIELD ASSEMBLY	1
11	612038		BRUSH LEAD AND TERMINAL PACKAGE	1
12	654717		BRUSH BOX ASSEMBLY	1
13	656659		BRUSH SPRING	4
14	612043		WAVY WASHER	1
15	612044		BEARING	1
16	612045		COMMUTATOR END HEAD	1
17	658172		HEADBAND KIT (INCLUDES ITEM 18)	1
18	654718		HEADBAND	1
19				
20				
21				
22	606235		HEX BOLT, M10 - 1.25 X 20	2
23	606279		HEX NUT, M10 - 1.25	2
24	606261		HEX BOLT, M8 - 1.25 X 20	3
25	602141		STARTER / GENERATOR BRACKET	1
26	602145		TENSIONER BRACKET	1
27	606261		HEX BOLT, M8 - 1.25 X 20	1
28	606256		HEX BOLT, M10 - 1.25 X 25	9
29	606255		HEX JAM NUT, M10 - 1.25	1
30	606274		HEX FLANGE NUT, M10 - 1.25	1
31	630587		STARTER / GENERATOR BELT	1

STARTER / GENERATOR

When ordering parts, please specify the model and serial number of the product.

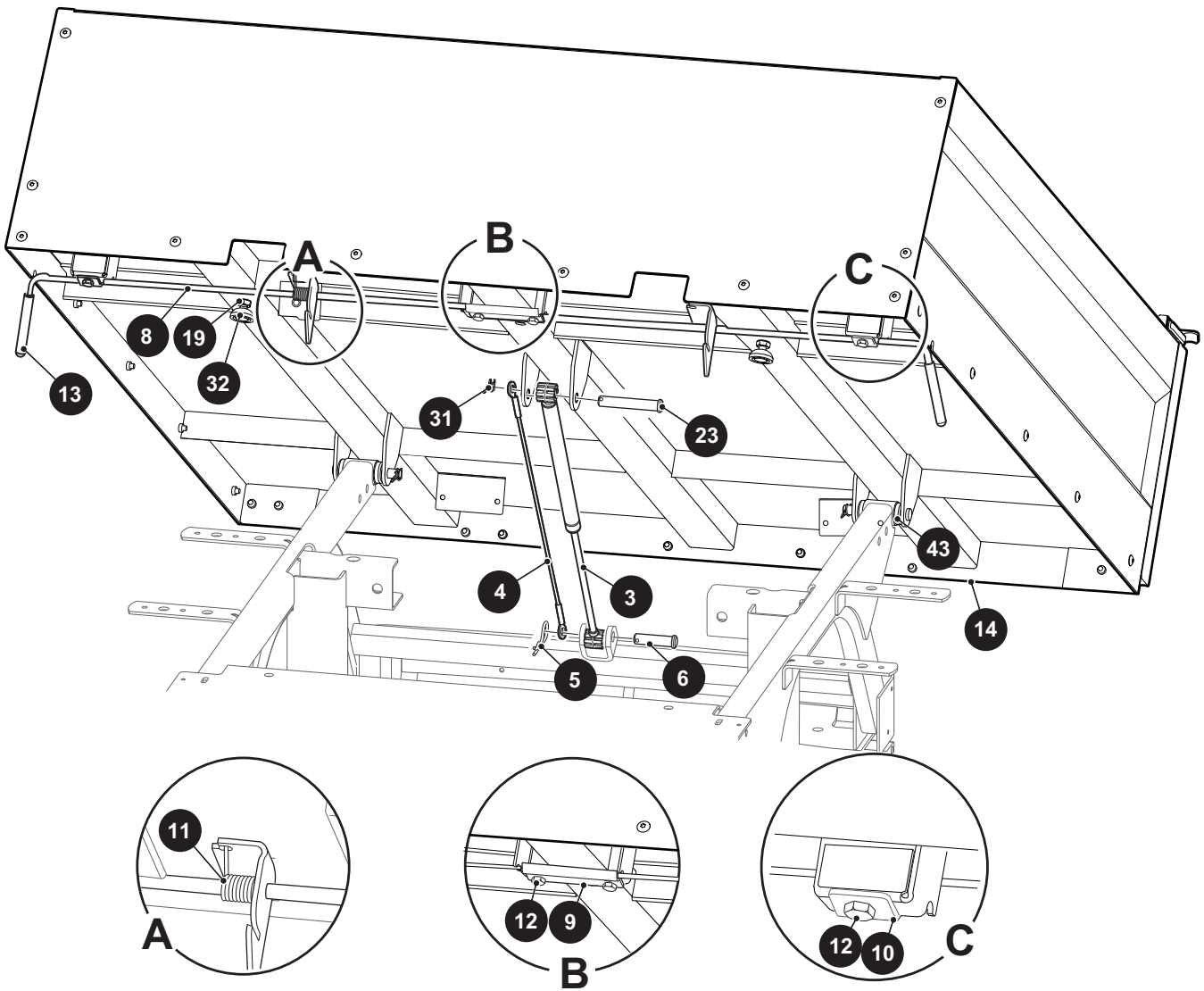
* Indicates a component that is not available as an individual part.

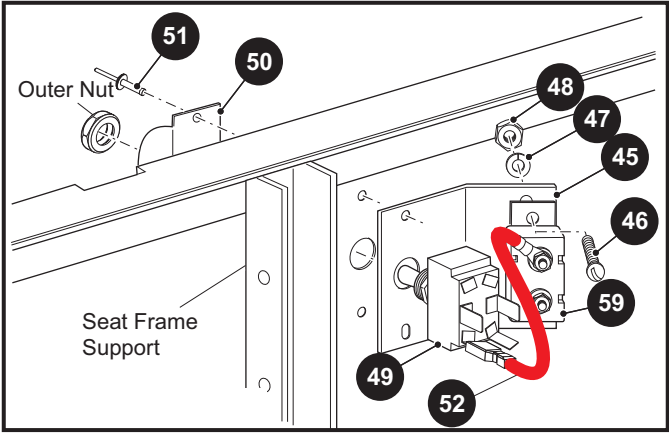
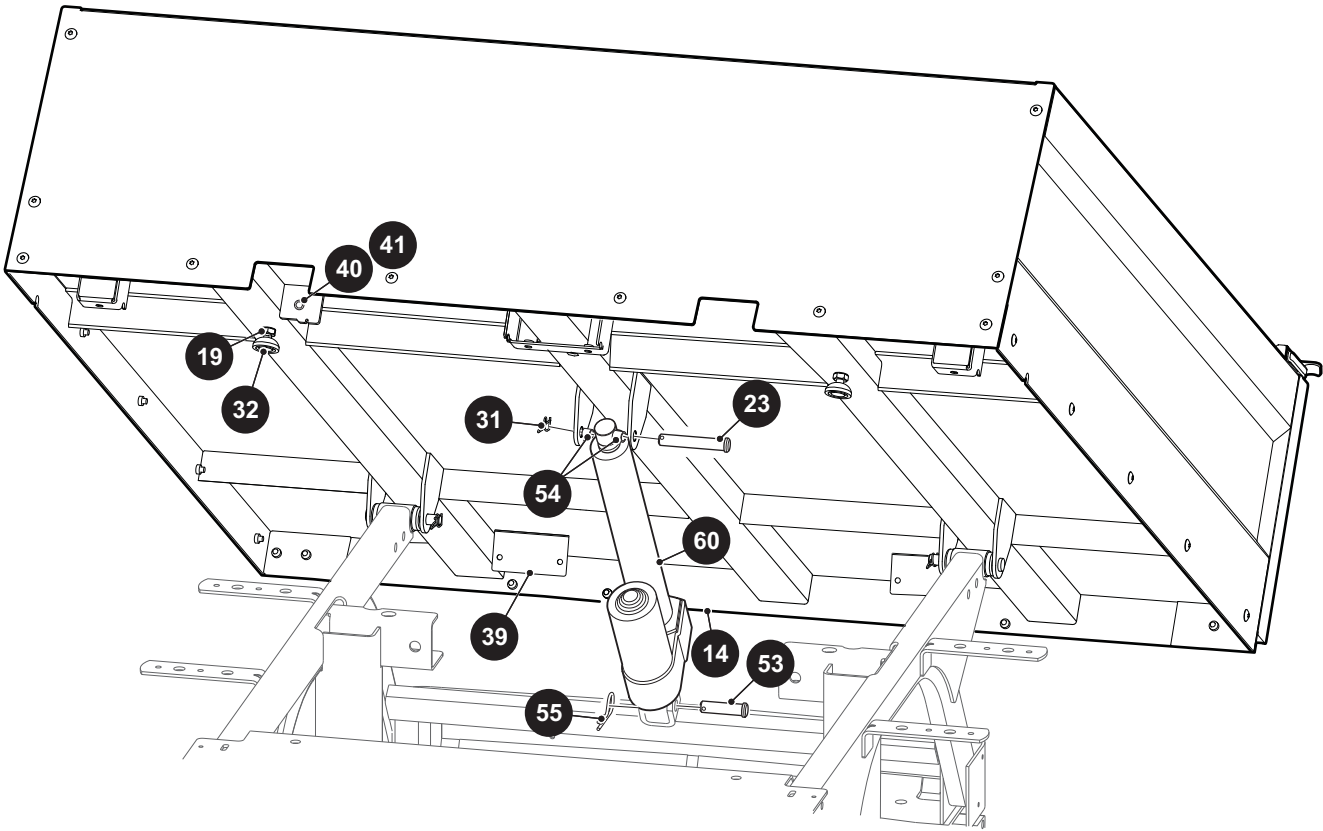
*** Indicates consult Customer Service Department for additional information.

ITEM	PART NO.	1 2 3 4 5	DESCRIPTION	QTY.
32	12064G6		PUSH NUT, 5/16"	1
33	629763		TENSIONER BOLT.....	1
34	603884		CABLE GUIDE BRACKET	1
35				
36	631972		STARTER / GENERATOR SUPPORT BRACKET (FOR VEHICLES MANUFACTURED FROM APRIL 2014)	1
37	607103		WIRE ASSEMBLY, 6 AWG, 42" LG	1
38	25682G01		RUBBER BOOT	3

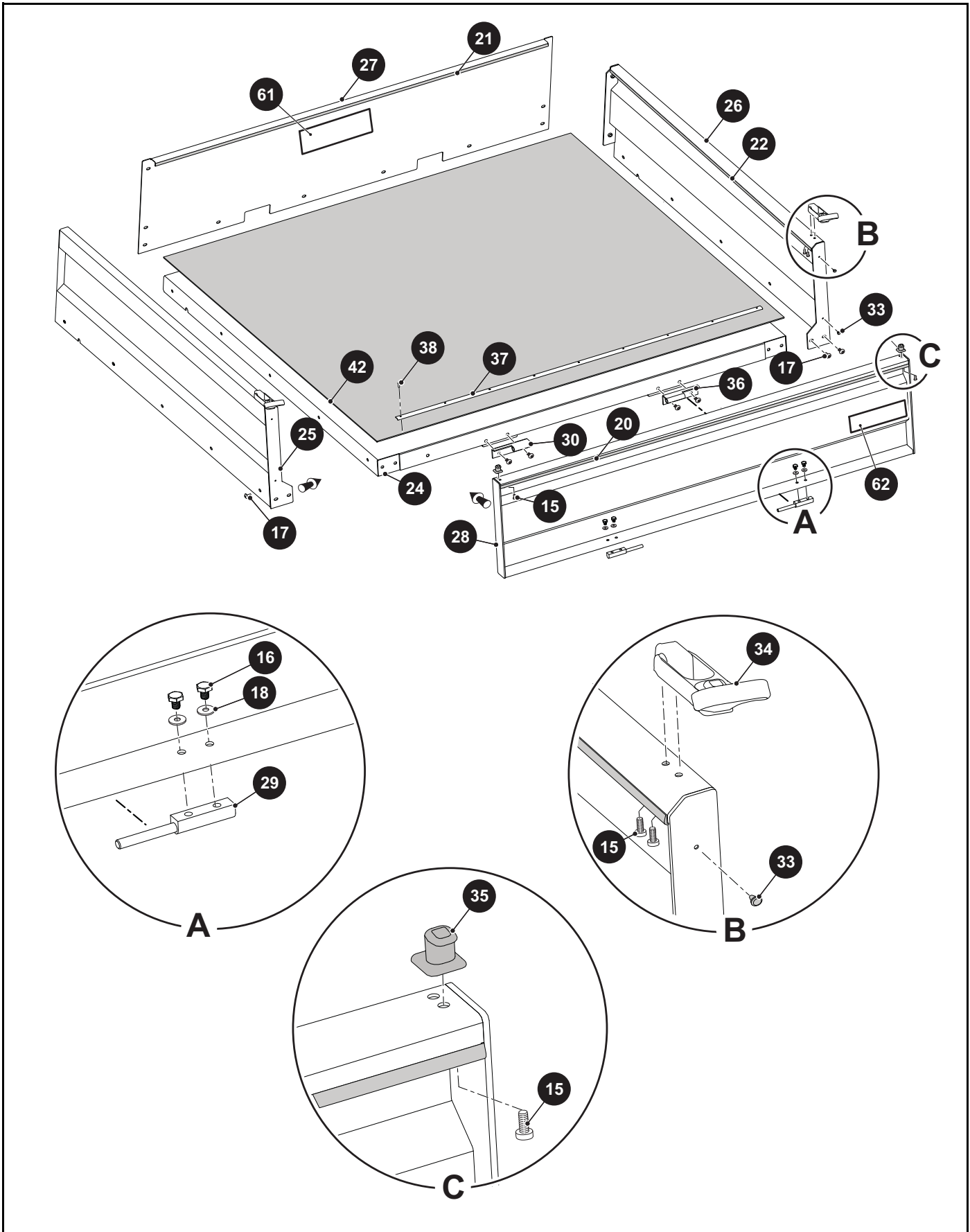
TRUCK BED - METAL

- 1 ALUMINUM BED, ELECTRIC LIFT includes items 14, 43 - 60
- 2 ALUMINUM BED, MANUAL LIFT includes items 3 - 6, 14, 43
- 14 ALUMINUM BED, LARGE includes items 15 - 42





TRUCK BED - METAL



TRUCK BED - METAL

When ordering parts, please specify the model and serial number of the product.

* Indicates a component that is not available as an individual part.

*** Indicates consult Customer Service Department for additional information.

ITEM	PART NO.	1 2 3 4 5	DESCRIPTION	QTY.
1	620482		ALUMINUM BED, ELECTRIC LIFT (INCLUDES ITEMS 14, 43 - 60)	1
2	620481		ALUMINUM BED, MANUAL LIFT (INCLUDES ITEMS 3 - 6, 14, 43).....	1
3	71537G02		GAS SPRING	1
4	602904		TETHER CABLE ASSEMBLY.....	1
5	21683G1		COTTER PIN.....	1
6	14443G12		CLEVIS PIN, 1/2" X 2.22"	1
7				
8	74962G01		LATCH BED	1
9	652440G03		LATCH RETAINER BRACKET	1
10	652442G03		LATCH KEEPER PLATE	2
11	71538G01		LATCH TORSION SPRING.....	1
12	01118G01		HEX HEAD CAP SCREW, 1/4" - 20 X .62" LG.....	4
13	71704G01		HANDLE GRIP	2
14	612612		ALUMINUM BED, LARGE (INCLUDES ITEMS 15 - 42)	1
15	612957		PAN HEAD SCREW, M5 X 15.9MM LG.....	6
16	*		HEX HEAD BOLT, 1/4" - 20 X .375" LG	4
17	612959		TORX SCREW, 1/4" - 20 X 1/2" LG.....	28
18	*		FLAT WASHER, 1/4"	4
19	*		HEX NUT, 3/8" -16	2
20	*		EDGE PROTECTOR	1
21	*		EDGE PROTECTOR	1
22	*		EDGE PROTECTOR	2
23	612965		CLEVIS PIN	3
24	*		BED BOTTOM	1
25	*		SIDE PANEL (DRIVER SIDE).....	1
26	*		SIDE PANEL (PASSENGER SIDE)	1
27	*		FRONT PANEL	1
28	612970		TAILGATE	1
29	612971		PIVOT PIN	2
30	612972		TAILGATE HINGE (DRIVER SIDE).....	1
31	612973		RUE PIVOT RING.....	3

TRUCK BED - METAL

When ordering parts, please specify the model and serial number of the product.

* Indicates a component that is not available as an individual part.

*** Indicates consult Customer Service Department for additional information.

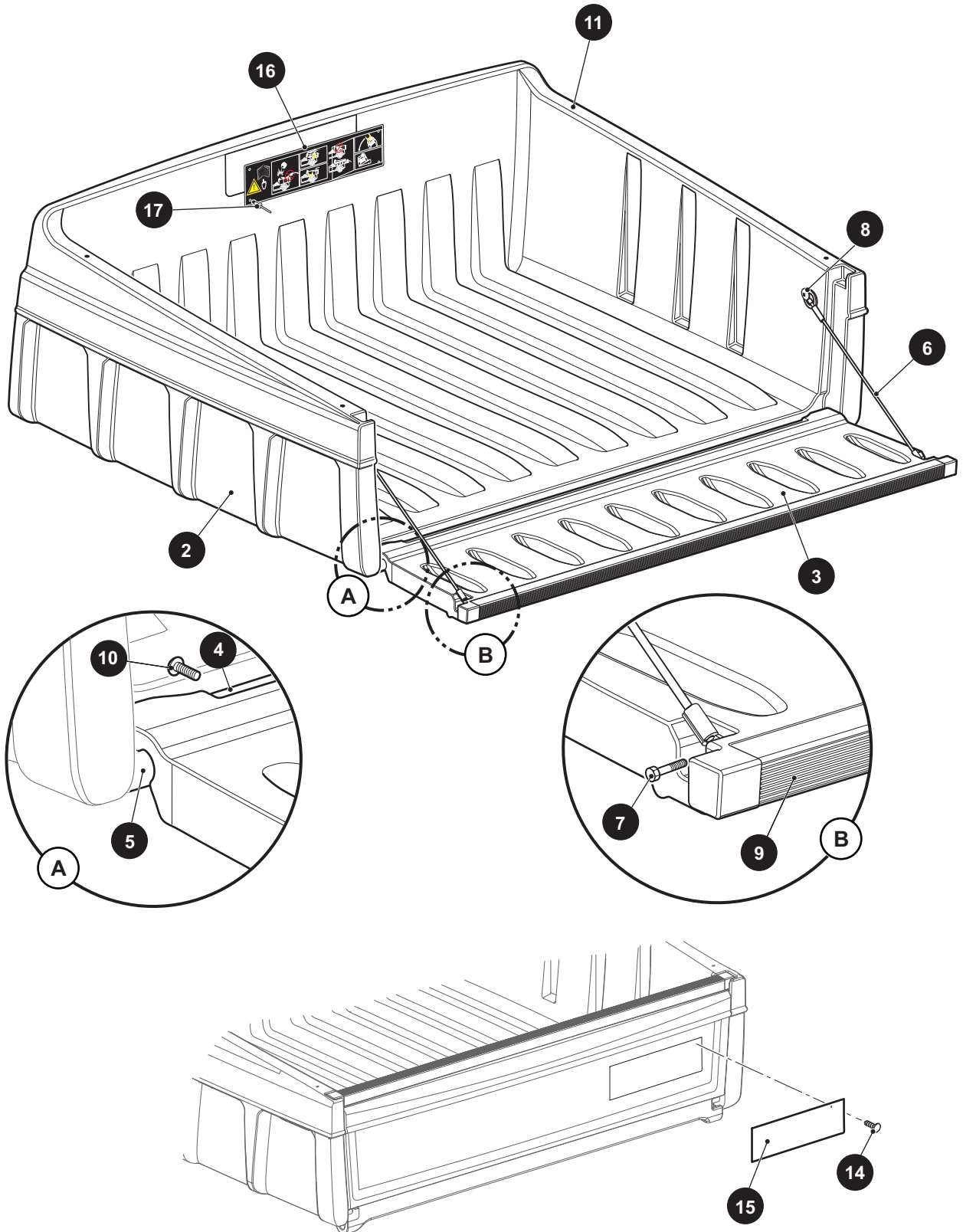
ITEM	PART NO.	1	2	3	4	5	DESCRIPTION	QTY.
32	612974						LEVELING PAD	2
33	*						BUMPER INSERT (RUBBER)	4
34	612976						DRAW LATCH ASSEMBLY	2
35	612977						DRAW LATCH KEEPER.....	2
36	612978						TAILGATE HINGE (PASSENGER SIDE)	1
37	614440						MAT RETAINER	1
38	*						RIVET	9
39	*						HINGE SUPPORT	2
40	*						NUT	2
41	*						BOLT.....	1
42	*						RUBBER MAT	1
43	624030						FLANGED BUSHING.....	4
44	17618G1						NYLON CLAMP (NOT ILLUSTRATED)	8
45	74165G02						CIRCUIT BREAKER MOUNTING BRACKET	1
46	00150G4						ROUND HEAD SLOTTED SCREW, #10 - 24 X 1/2" LG.....	2
47	00565G5						LOCK WASHER, #10.....	2
48	00526G3						HEX NUT, #10 - 24.....	2
49	27680G01						TOGGLE SWITCH	1
50	27447G01						TOGGLE GUARD ASSEMBLY	1
51	10570G9						RIVET (ALUMINUM), 1/8" X 11/32" LG.....	2
52	25976G14						14 GA WIRE (RED 5")	1
53	14443G11						CLEVIS PIN, 1/2" X 1 3/4" LG.....	1
54	27613G01						SPACER.....	2
55	21683G1						COTTER PIN, 15/32" X 2 13/16" LG.....	1
56	651950						DUMP HARNESS (48V) (NOT ILLUSTRATED)	1
57	11845G3						INSULATED CABLE CLAMP, 11/16" (NOT ILLUSTRATED))	2
58	00532G3						HEX NUT, 5/16" - 18 (NOT ILLUSTRATED)	2
59	21320G3						CIRCUIT BREAKER (30 AMP 12V)	1
60	27612G02						ELECTRIC ACTUATOR, 12V.....	1
61	35980G02						BED LOAD DECAL, 500 LBS (TERRAIN 1000 ONLY)	1
62	606405						E-Z-GO NAMEPLATE	1

Notes:

A large rectangular grid area for taking notes, consisting of 35 columns and 25 rows of small squares.

TRUCK BED - PLASTIC

1 36" PLASTIC BED ASSEMBLY includes items 2 - 11



TRUCK BED - PLASTIC

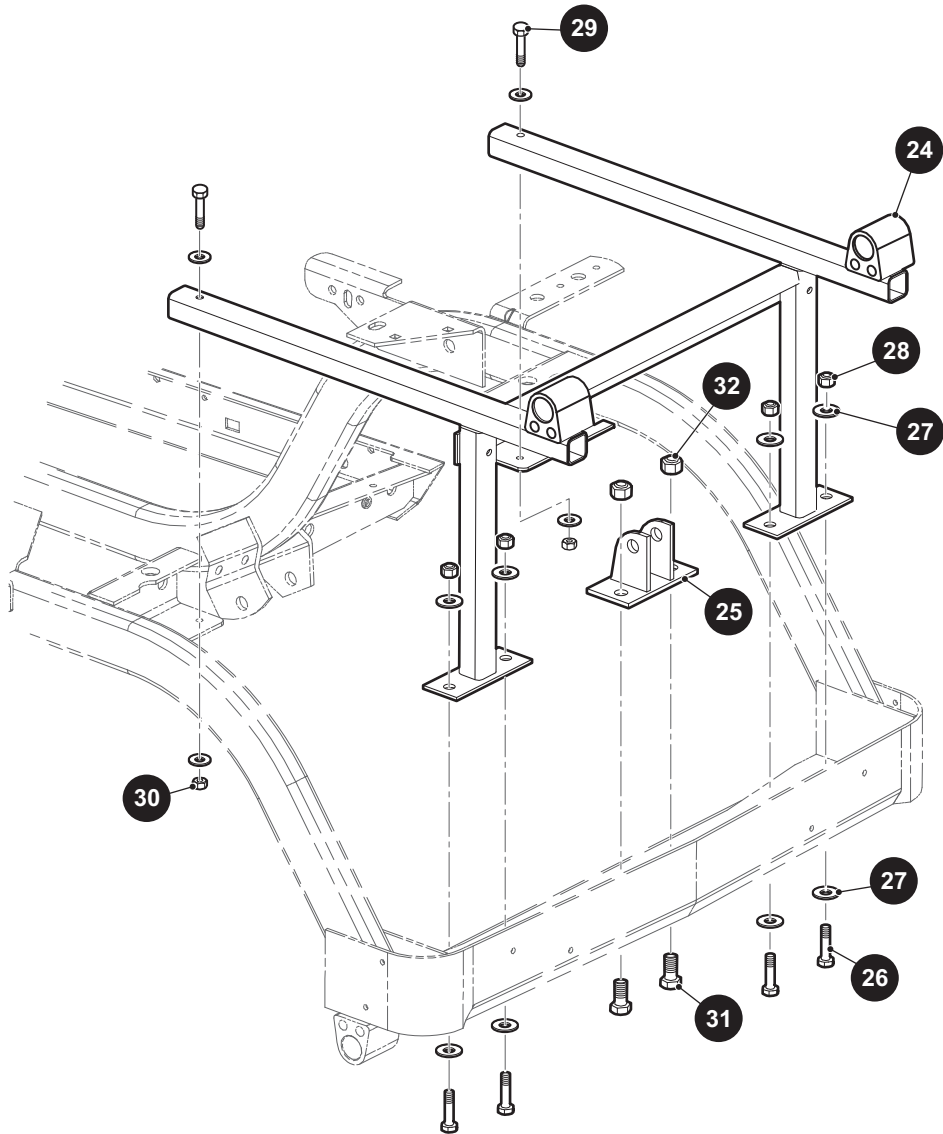
When ordering parts, please specify the model and serial number of the product.

* Indicates a component that is not available as an individual part.

*** Indicates consult Customer Service Department for additional information.

ITEM	PART NO.	1 2 3 4 5	DESCRIPTION	QTY.
1	72647G01		36" PLASTIC TRUCK BED ASSEMBLY (INCLUDES ITEMS 2 - 11).....	1
2	72648G01		36" PLASTIC BED	1
3	72649G01		36" PLASTIC TAILGATE.....	1
4	73450G01		BOWED ANGLE	1
5	73454G01		PIVOT SHAFT	2
6	73455G02		TAILGATE CABLE ASSEMBLY	2
7	00415G2		HEX HEAD BOLT, 1/4" - 20 X 1 1/4" LG.....	2
8	73460G01		SHOULDER BOLT, 1/4" - 20 X 3/4" LG	2
9	73449G01		TAILGATE CAP	1
10	16705G2		PAN HEAD PHILLIPS SCREW, 1/4" - 2 X 5/8" LG.....	4
11	16816G5		RACHET FASTENER.....	4
12				
13				
14	16812G2		RATCHET FASTENER	2
15	600821		LABEL EZGO.....	2
16	74821G05		BED CAPACITY LABEL (250 LB)	1
17	71055G01		RIVET (ALUMINUM), 3/16".....	5
18				
19				
20				
21				
22				
23				

TRUCK BED - PLASTIC



TRUCK BED - PLASTIC

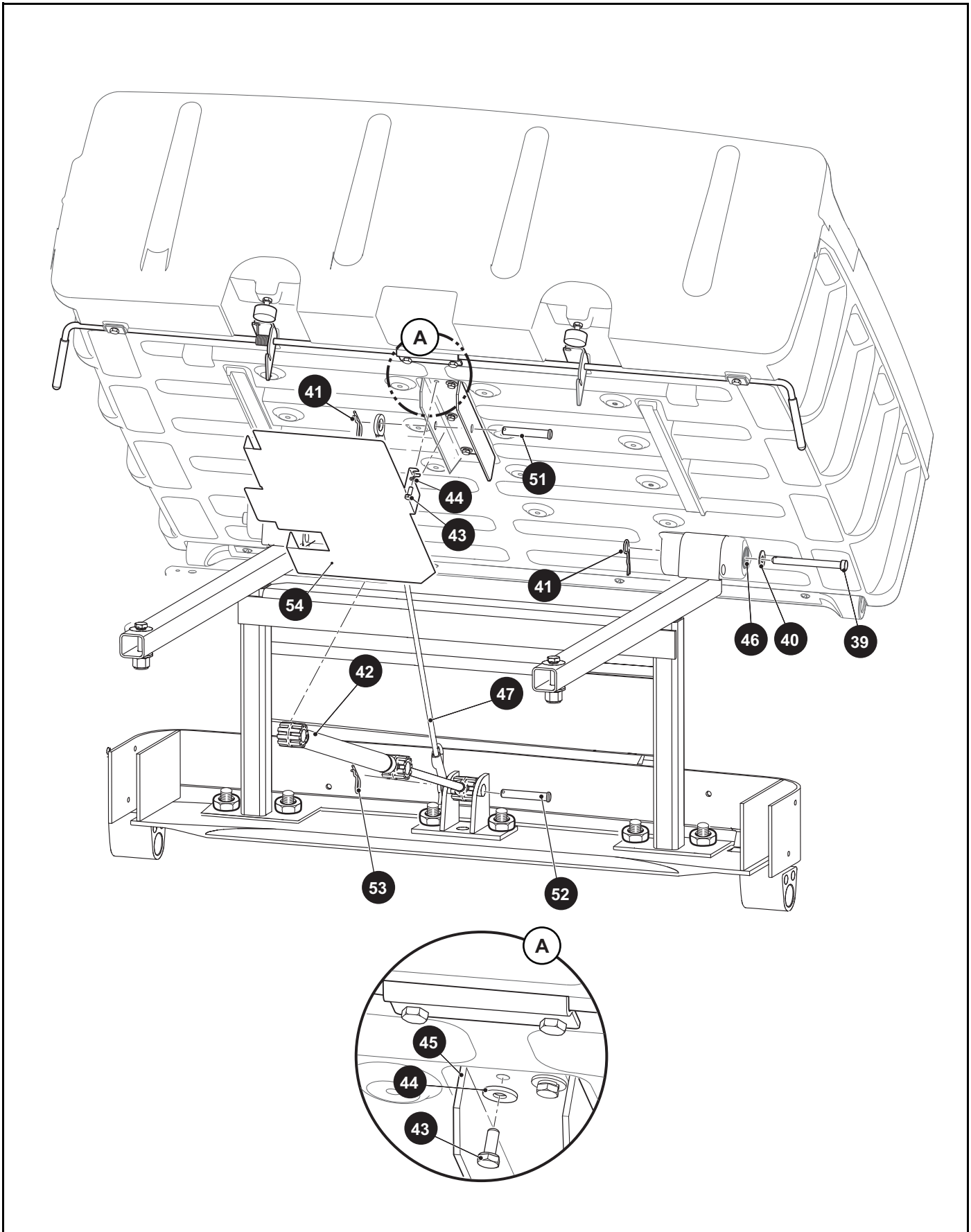
When ordering parts, please specify the model and serial number of the product.

* Indicates a component that is not available as an individual part.

*** Indicates consult Customer Service Department for additional information.

ITEM	PART NO.	1 2 3 4 5	DESCRIPTION	QTY.
24	76423G01		TRUCK BED FRAME.....	1
25	71283G02		ELECTRIC LIFT BRACKET	1
26	00439G2		HEX HEAD BOLT, 5/16" - 18 X 1 1/4" LG	4
27	00642G8		FLAT WASHER, 5/16"	8
28	11098G6		LOCK NUT, 5/16"- 18.....	2
29	00415G6		HEX HEAD BOLT, 1/4" - 20 X 1 3/4" LG	2
30	14390G4		LOCK NUT, 1/4" - 20.....	2
31	00462G7		HEX HEAD BOLT, 7/16" - 14 X .875" LG	2
32	00734G1		LOCK NUT, 7/16" - 14.....	2
33				
34				
35				
36				
37				
38				

TRUCK BED - PLASTIC



TRUCK BED - PLASTIC

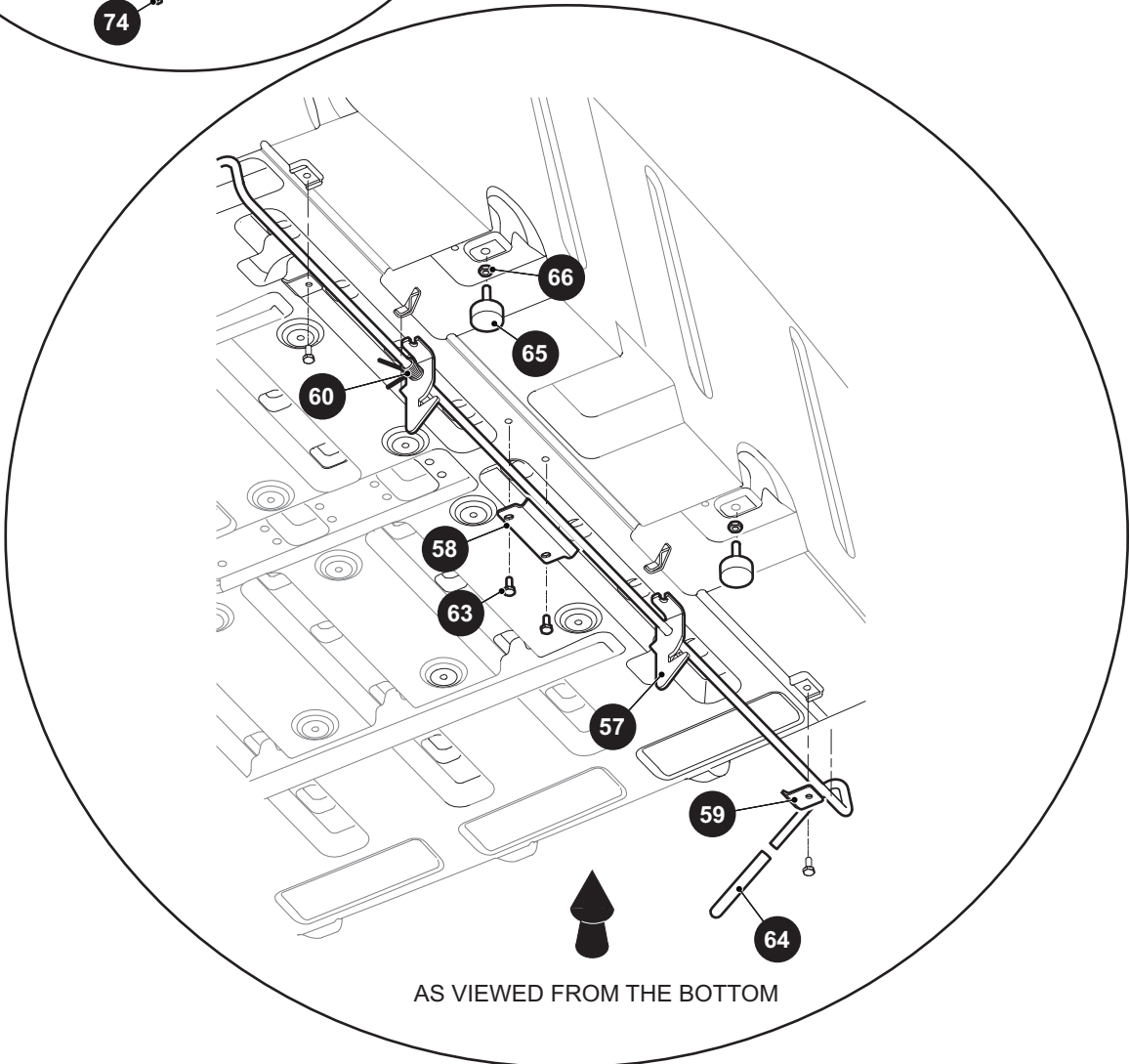
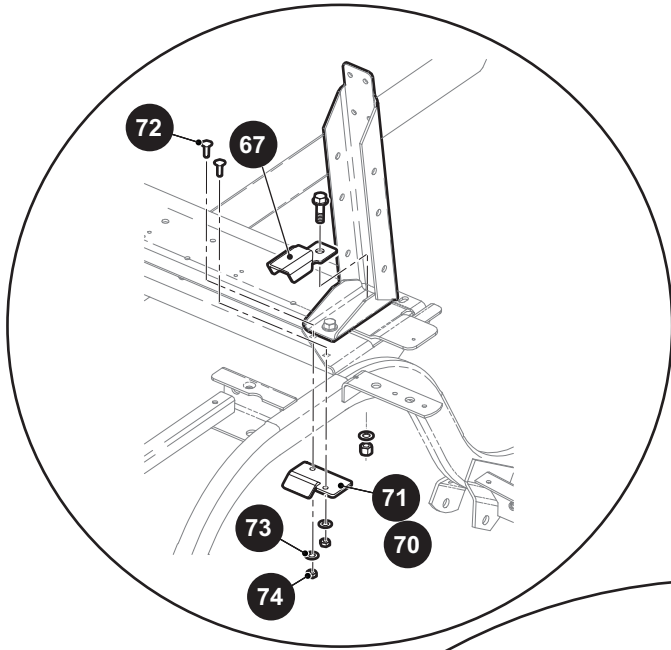
When ordering parts, please specify the model and serial number of the product.

* Indicates a component that is not available as an individual part.

*** Indicates consult Customer Service Department for additional information.

ITEM	PART NO.	1 2 3 4 5	DESCRIPTION	QTY.
39	71571G01		CLEVIS PIN, .50" X 5.25"	2
40	00571G5		FLAT WASHER, 5/16"	2
41	21683G1		COTTER PIN, 15/32" X 2 13/16"	2
42	71537G02		GAS SPRING	1
43	01118G01		HEX HEAD BOLT WITH PATCHLOCK, 1/4" - 20 X .62" LG	8
44	00642G7		FLAT WASHER, 1/4"	8
45	71569G02		GAS SPRING CHANNEL	1
46	624030		FLANGED BUSHING	4
47	602904		CABLE ASSEMBLY	1
48				
49				
50				
51	14443G10		CLEVIS PIN, .50 X 3"	1
52	14443G12		CLEVIS PIN, 1/2" X 1 3/4"	1
53	21683G1		HAIR CLIP	1
54	72339G02		HEAT SHIELD	1
55				
56				

TRUCK BED - PLASTIC



TRUCK BED - PLASTIC

When ordering parts, please specify the model and serial number of the product.

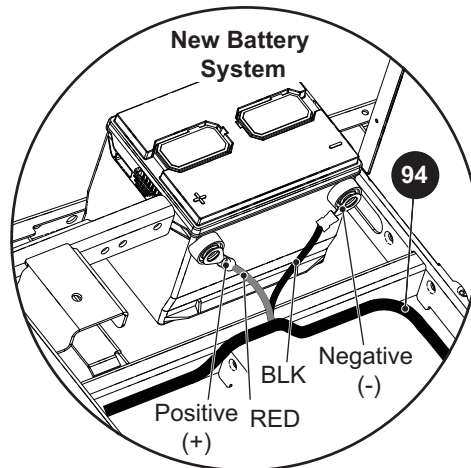
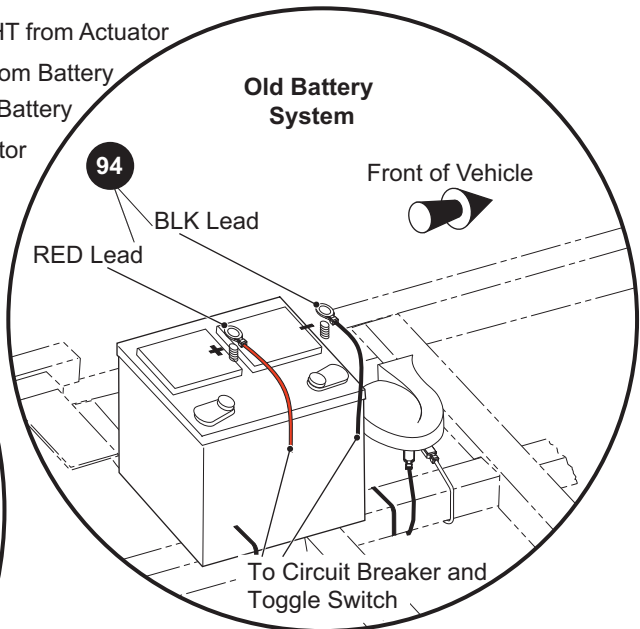
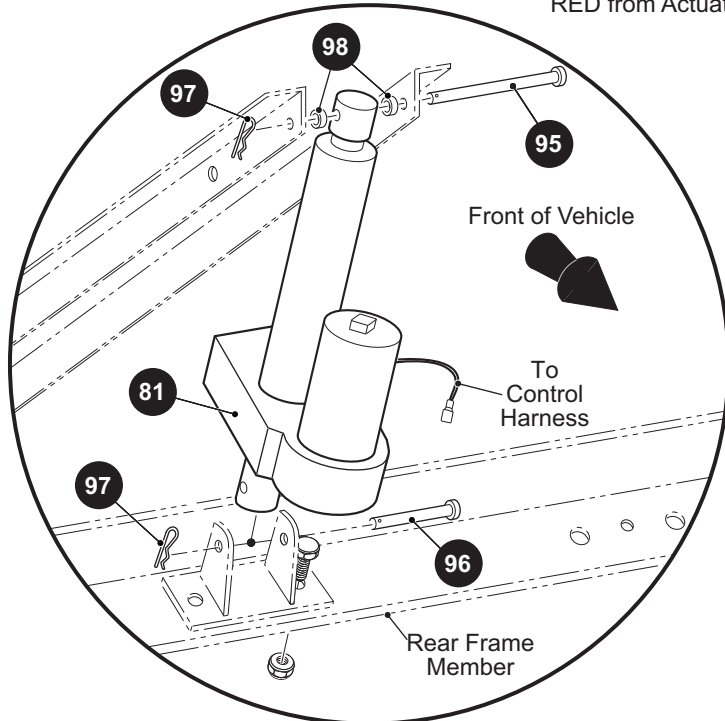
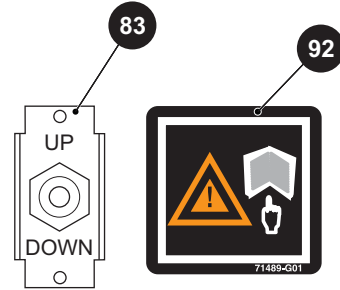
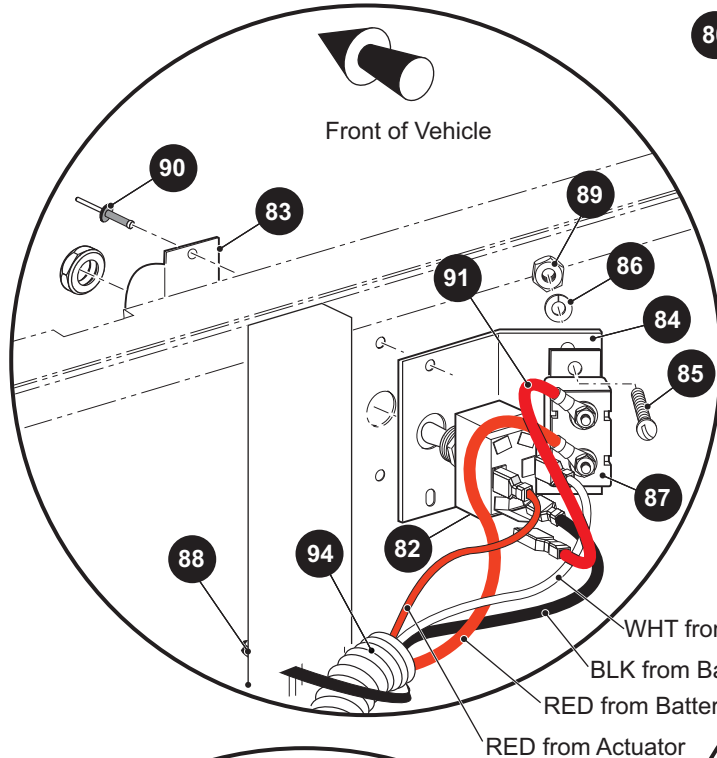
* Indicates a component that is not available as an individual part.

*** Indicates consult Customer Service Department for additional information.

ITEM	PART NO.	1 2 3 4 5	DESCRIPTION	QTY.
57	74962G01		BED LATCH WELDMENT.....	1
58	652440G03		BRACKET	1
59	652442G03		LATCH PLATE	2
60	71538G01		TORSION SPRING	1
61				
62				
63	01118G01		HEX HEAD CAP SCREW, 1/4" - 2 X 5/8" LG	4
64	71704G01		HANDLE GRIP.....	2
65	70113G01		ADJUSTABLE BUMPER.....	2
66	11027G1		LOCK NUT, 5/16" - 18.....	2
67	652444G03		BUMPER BRACKET.....	2
68				
69				
70	602977		LATCH PLATE (DRIVER SIDE).....	1
71	602978		LATCH PLATE (PASSENGER SIDE).....	1
72	01014G03		CARRIAGE BOLT, 1/4" - 20 X .75" LG.....	4
73	00559G7		FLAT WASHER, 1/4".....	4
74	14390G4		LOCK NUT, 1/4" - 20.....	4
75				
76				
77				
78				
79				

TRUCK BED - PLASTIC

80 ELECTRIC DUMP KIT includes items 81 - 98



TRUCK BED - PLASTIC

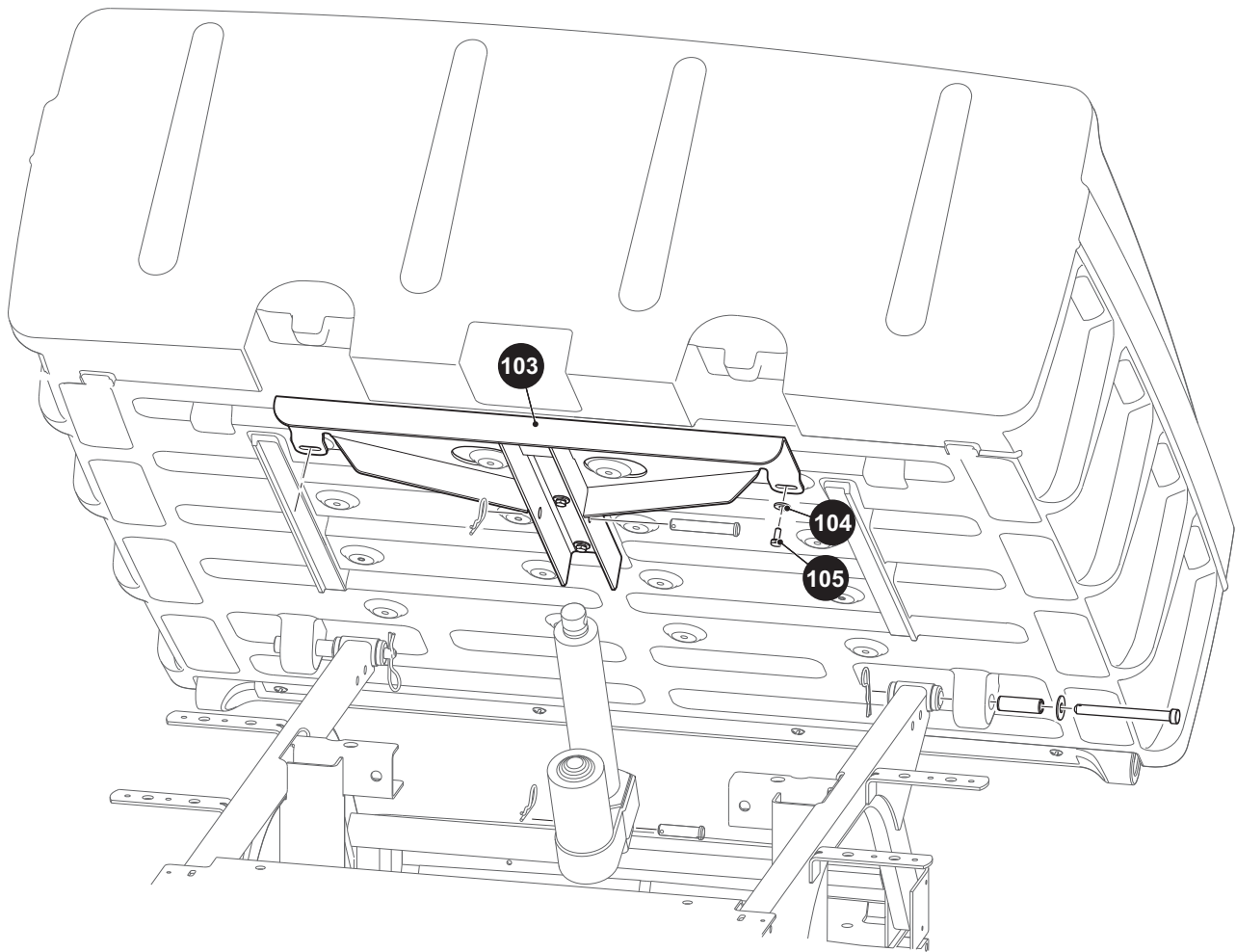
When ordering parts, please specify the model and serial number of the product.

* Indicates a component that is not available as an individual part.

*** Indicates consult Customer Service Department for additional information.

ITEM	PART NO.	1 2 3 4 5	DESCRIPTION	QTY.
80	74164G04		ELECTRIC DUMP KIT (INCLUDES ITEMS 81 - 98)	1
81	27612G02		ELECTRIC ACTUATOR	1
82	27680G01		TOGGLE SWITCH.....	1
83	27447G01		TOGGLE GUARD.....	1
84	74165G02		CIRCUIT BREAKER MOUNTING BRACKET	1
85	00150G4		ROUND HEAD SLOTTED SCREW, #10 - 24 X 3/8" LG	2
86	00565G5		LOCK WASHER, #10	2
87	21320G3		CIRCUIT BREAKER 15A, 24V	1
88	17618G1		WIRE TIE.....	8
89	00526G3		HEX NUT, #8 - 32	2
90	10570G9		RIVET (ALUMINUM), 1/8" X 11/32"	2
91	25976G14		14 GA WIRE ASSEMBLY (RED 5")	1
92	71489G01		READ INSTRUCTIONS DECAL.....	1
93				
94	651950		WIRE HARNESS, ELECTRIC DUMP.....	1
95	14443G10		CLEVIS PIN, .50" X 3"	1
96	14443G11		CLEVIS PIN, .50" X 1.92"	1
97	21683G1		COTTER PIN, 15/32" X 2 13/16"	2
98	27613G01		SPACER, .75" O.D. X .50" I.D.	2
99				
100				
101				
102				

TRUCK BED - PLASTIC



TRUCK BED - PLASTIC

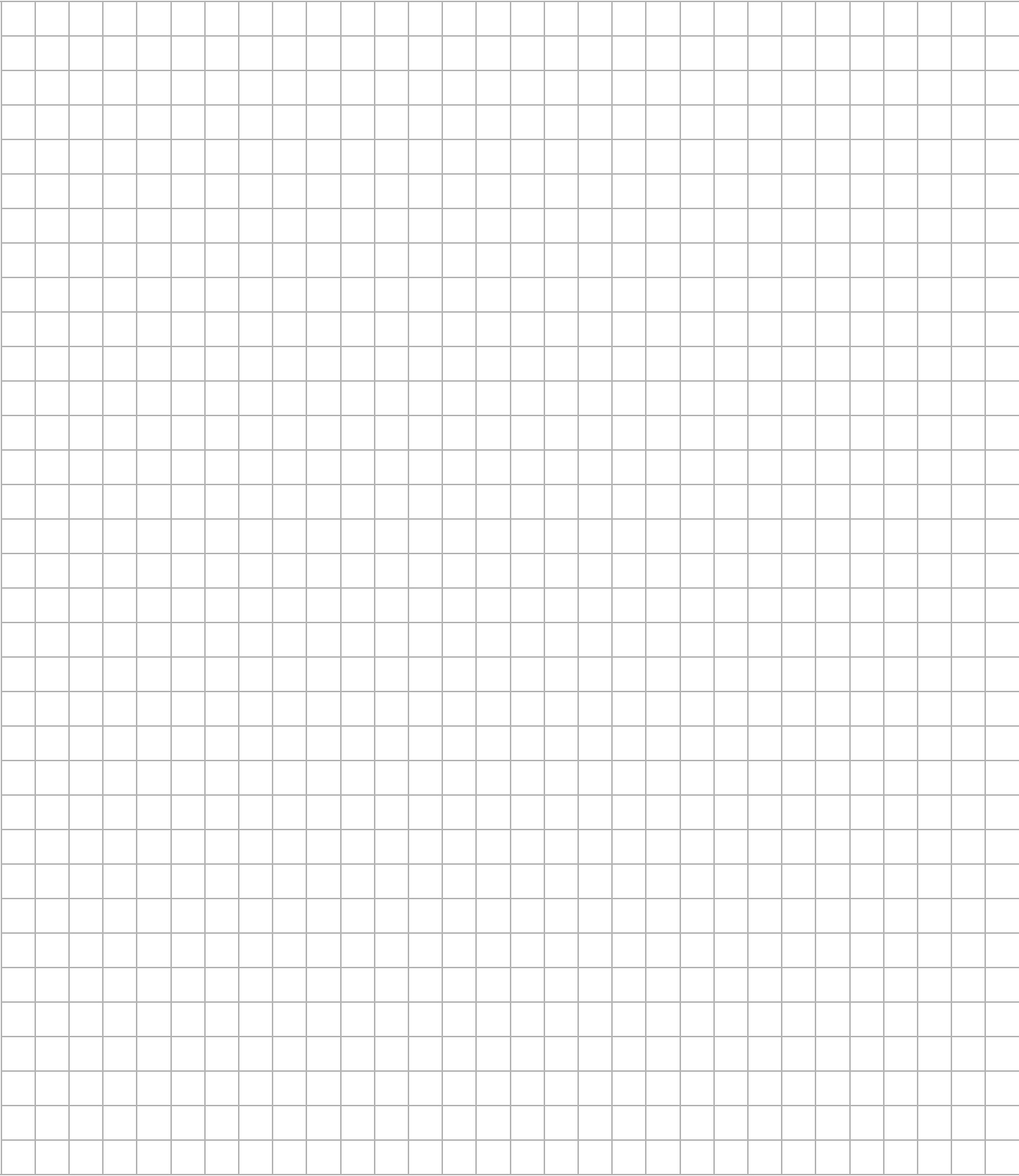
When ordering parts, please specify the model and serial number of the product.

* Indicates a component that is not available as an individual part.

*** Indicates consult Customer Service Department for additional information.

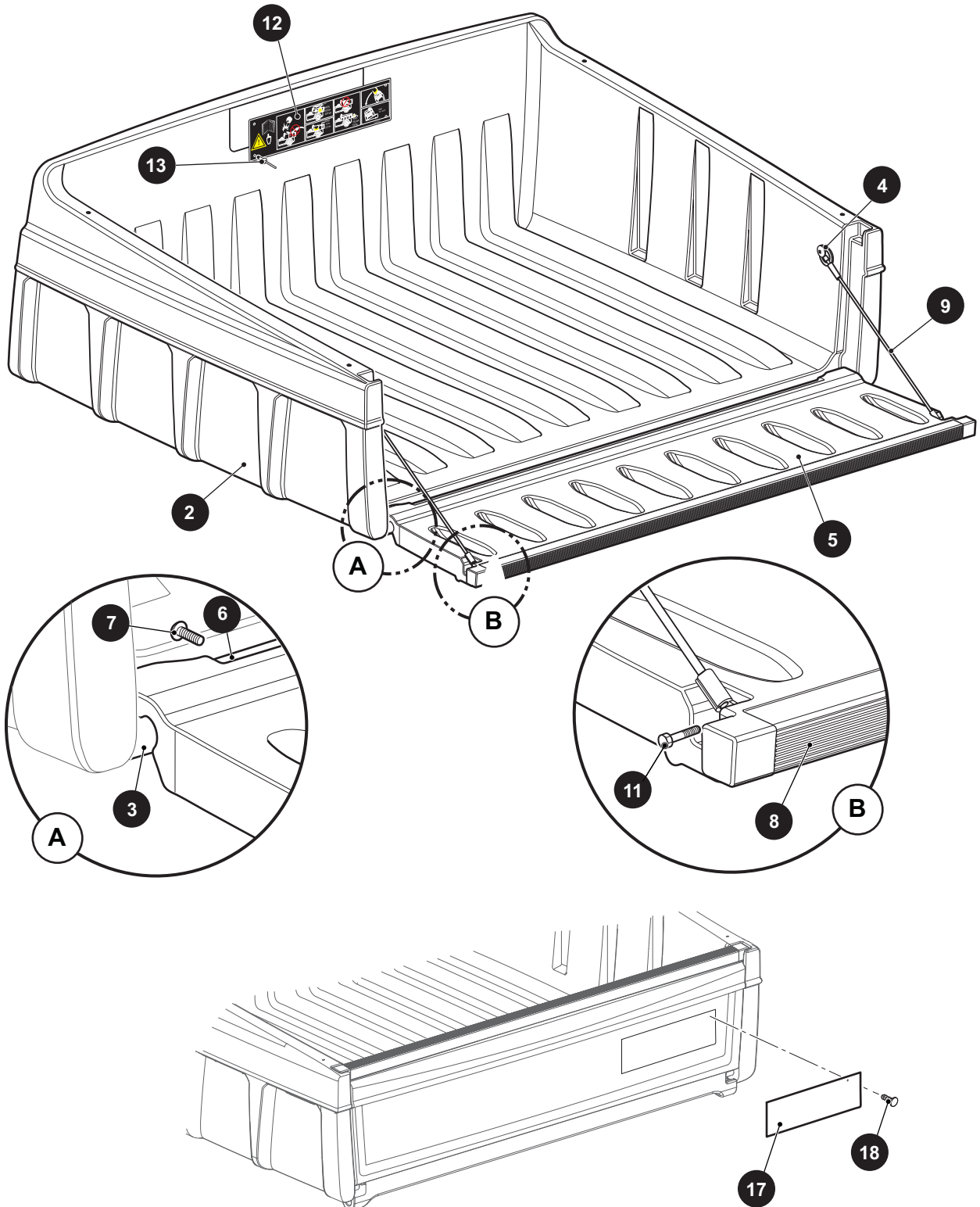
ITEM	PART NO.	1 2 3 4 5	DESCRIPTION	QTY.
103	71547G02		OUTRIGGER CHANNEL	1
104	00642G7		FLAT WASHER, #4 - 5/16".....	8
105	01118G01		HEX HEAD BOLT, 1/4" - 20 X .62" LG	8
106				
107				
108				
109				
110				
111				

Notes:



TRUCK BED - PLASTIC

1 40" PLASTIC BED ASSEMBLY includes items 2 - 11



TRUCK BED - PLASTIC

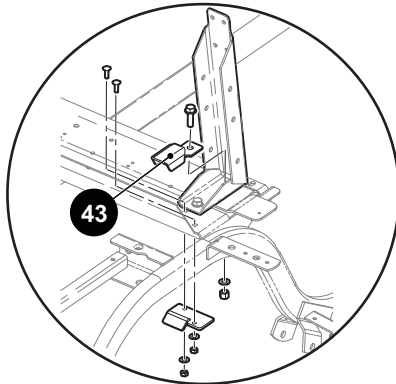
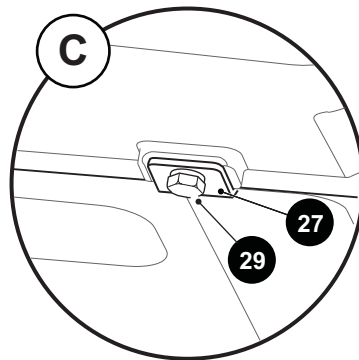
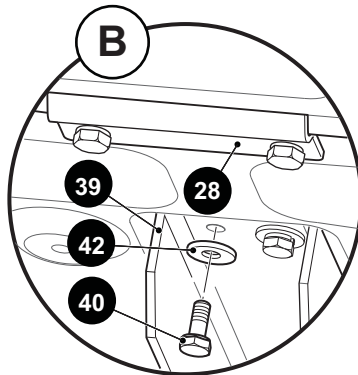
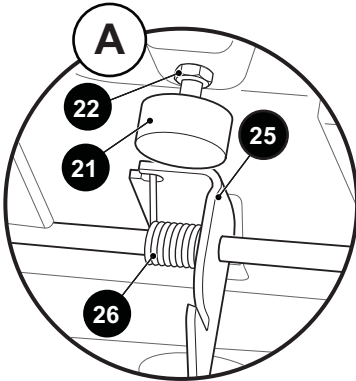
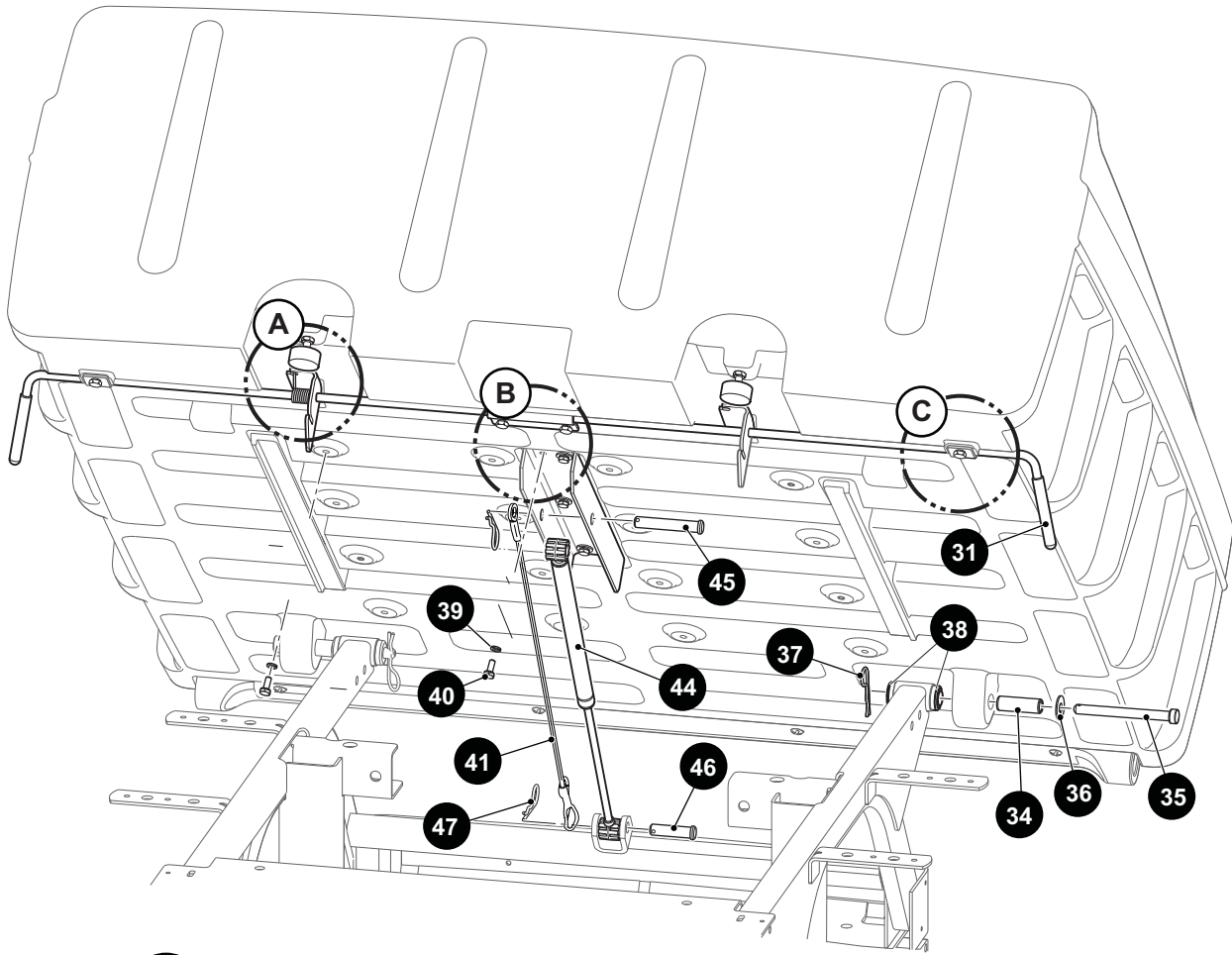
When ordering parts, please specify the model and serial number of the product.

* Indicates a component that is not available as an individual part.

*** Indicates consult Customer Service Department for additional information.

ITEM	PART NO.	1 2 3 4 5	DESCRIPTION	QTY.
1	73451G01		BED ASSEMBLY, 40" (INCLUDES ITEMS 2 -11)	1
2	*		PLASTIC BED, 40"	1
3	73454G01		PIVOT SHAFT	2
4	73460G01		SHOULDER BOLT, 1/4" - 20 X 3/4" LG	2
5	73455G01		TAILGATE CABLE	1
6	73450G01		BOWED ANGLE	1
7	16705G2		PAN HEAD SCREW (SS), 1/4" - 20 X 5/8" LG	4
8	73449G01		TAILGATE CAP	1
9	16818G5		RATCHET FASTENER	4
10				
11	00415G2		HEX HEAD CAP SCREW, 1/4" - 20 X 1 1/4" LG	2
12	74821G01		BED CAPACITY LABEL	1
13	71055G01		RIVET (ALUMINUM), 3/16" X 1"	5
14				
15				
16				
17	606405		LABEL EZGO	1
18	16816G2		RATCHET FASTNER	4
19				
20				

TRUCK BED - PLASTIC



TRUCK BED - PLASTIC

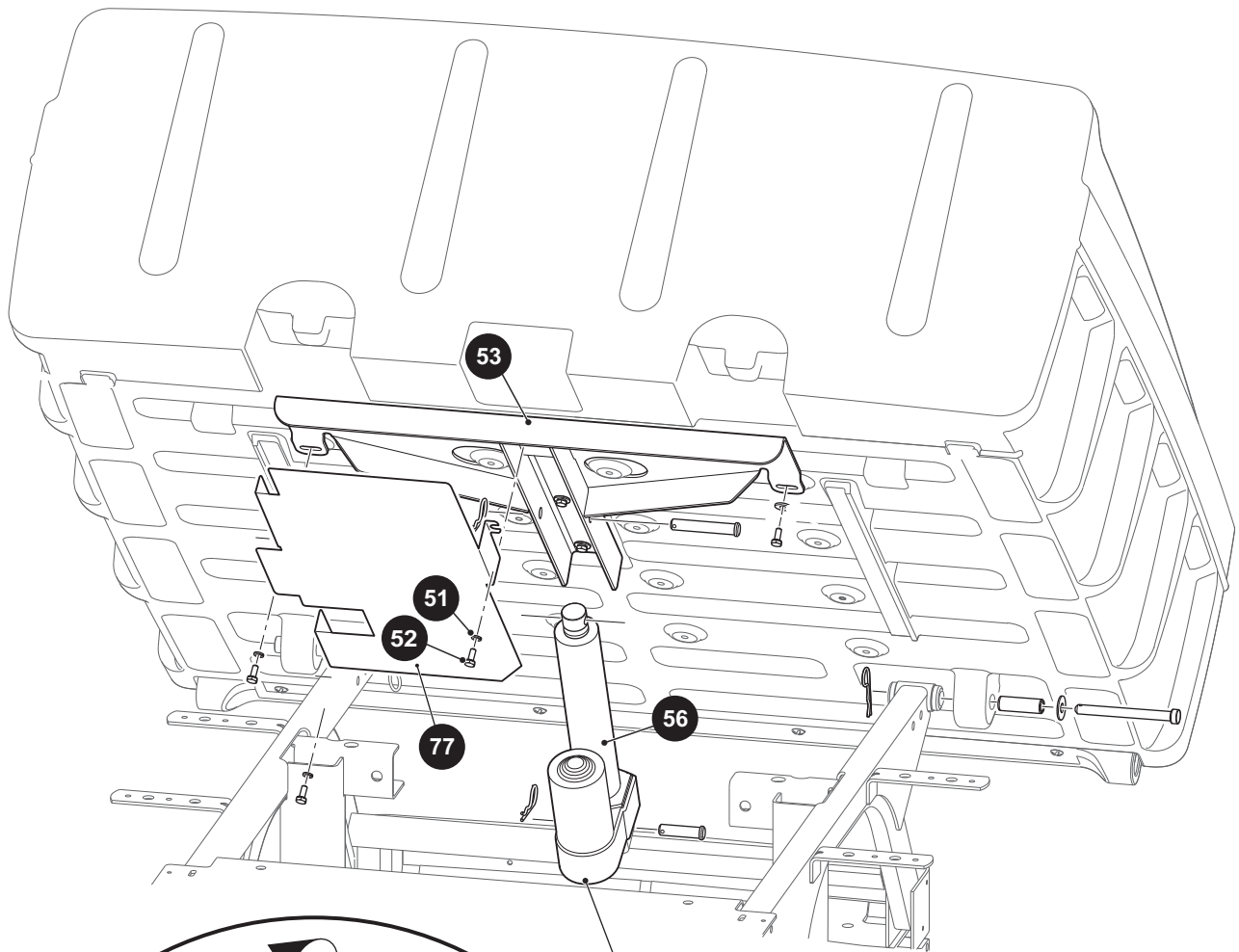
When ordering parts, please specify the model and serial number of the product.

* Indicates a component that is not available as an individual part.

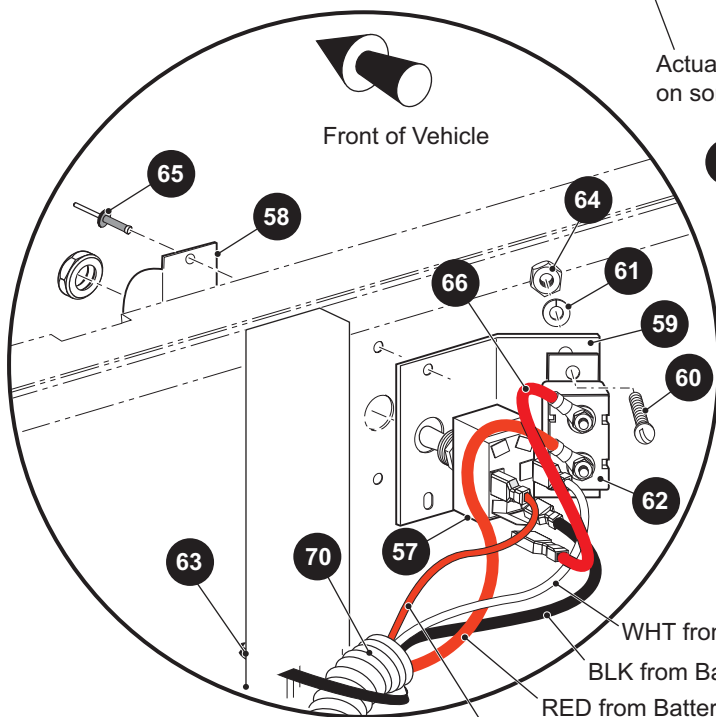
*** Indicates consult Customer Service Department for additional information.

ITEM	PART NO.	1 2 3 4 5	DESCRIPTION	QTY.
21	70113G01		ADJUSTABLE RUBBER BUMPER.....	2
22	11027G1		LOCK NUT, 5/16" - 18.....	2
23				
24				
25	74962G01		BED LATCH.....	1
26	71538G01		LATCH TORSION SPRING.....	1
27	652442G03		LATCH PLATE.....	2
28	652440G03		RETAINER BRACKET.....	1
29	01118G01		HEX HEAD CAP SCREW, 1/4" - 20 X 5/8" LG.....	4
30				
31	71704G01		HANDLE GRIP.....	2
32				
33				
34	71570G01		BUSHING.....	2
35	71571G01		CLEVIS PIN, .50" X 5.25".....	2
36	00571G5		FLAT WASHER, 5/16".....	2
37	21683G1		HAIR CLIP.....	2
38	624030		FLANGED BUSHING.....	4
39	71569G02		SPRING CHANNEL.....	1
40	01118G01		HEX HEAD CAP SCREW, 1/4" - 20 X 5/8" LG.....	8
41	602904		BED TETHER CABLE.....	1
42	00642G7		FLAT WASHER, 1/4".....	8
43	652444G03		BRACKET, BUMPER.....	2
44	71537G02		GAS SPRING.....	2
45	14443G10		CLEVIS PIN, 1/2" X 2 - 27/32".....	1
46	14443G12		CLEVIS PIN, 1/2" X 1 3/4".....	1
47	21683G1		HAIR CLIP.....	2
48				
49				
50				

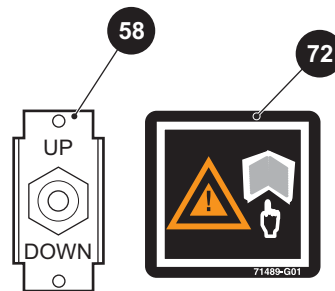
TRUCK BED - PLASTIC



Actuator may be rotated 90° on some models



55 ELECTRIC DUMP KIT includes items 56 - 66



WHT from Actuator
 BLK from Battery
 RED from Battery
 RED from Actuator

TRUCK BED - PLASTIC

When ordering parts, please specify the model and serial number of the product.

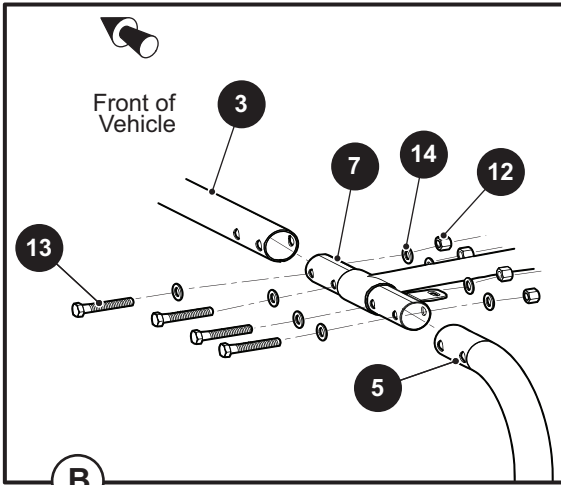
* Indicates a component that is not available as an individual part.

*** Indicates consult Customer Service Department for additional information.

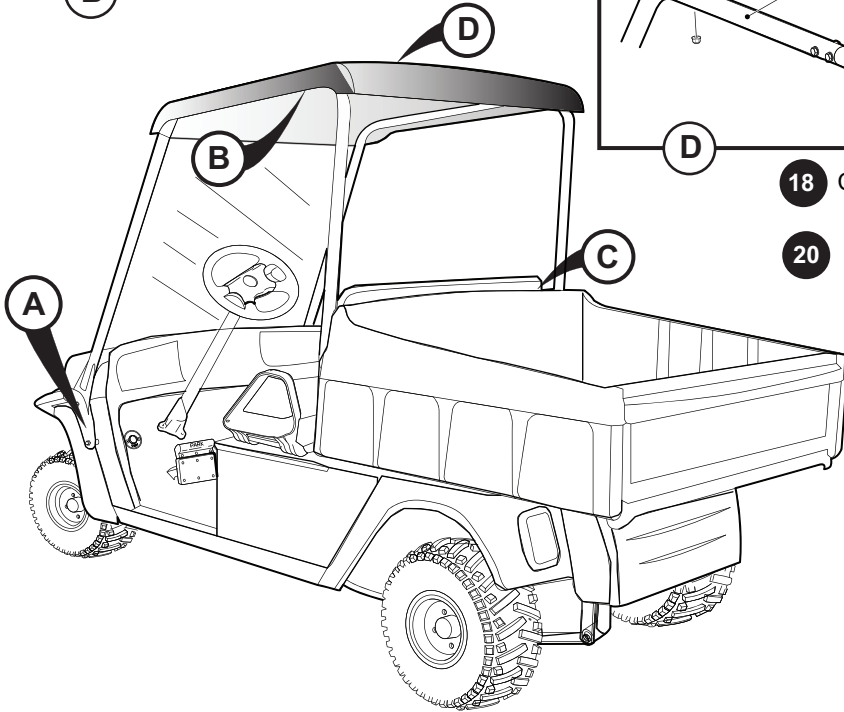
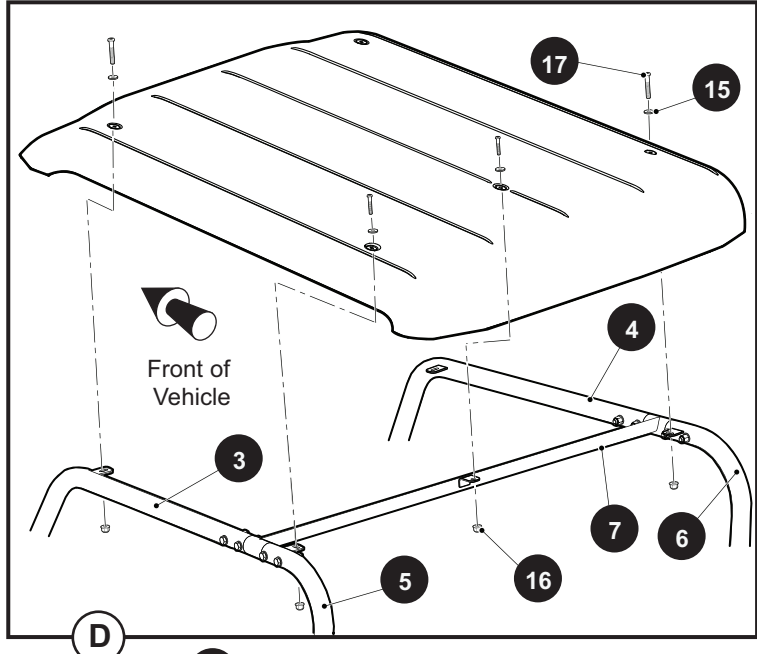
ITEM	PART NO.	1 2 3 4 5	DESCRIPTION	QTY.
51	00642G7		FLAT WASHER, 1/4"	8
52	01118G01		HEX HEAD CAP SCREW, 1/4" - 20 X 5/8" LG	8
53	71547G02		OUTRIGGER CHANNEL	1
54				
55	74164G01		ELECTRIC DUMP KIT (INCLUDES ITEMS 56 - 66)	1
56	27612G02		ELECTRIC ACTUATOR, 12V, 1500 LBS.....	1
57	27680G01		TOGGLE SWITCH.....	1
58	27447G01		TOGGLE GUARD.....	1
59	74165G02		CIRCUIT BREAKER MOUNTING BRACKET	1
60	00150G4		ROUND HEAD SLOTTED SCREW, #10 - 24 X 3/8" LG	2
61	00565G5		LOCK WASHER, #10	2
62	21320G4		CIRCUIT BREAKER, 15A, 24V	1
63	17618G1		WIRE TIE.....	8
64	00526G3		HEX NUT, #10 - 24	2
65	10570G9		RIVET, 5/32" X .55"	2
66	25976G14		14 GA WIRE (RED 5")	1
67				
68				
69	27613G01		SPACER, .75 O.D. X .50 I.D. (NOT ILLUSTRATED)	2
70	651950		DUMP HARNESS	1
71				
72	71489G01		DECAL	1
73				
74				
75				
76				
77	72339G02		PLASTIC BED HEAT SHIELD (GASOLINE VEHICLES ONLY)	1

WEATHER PROTECTION

2 CANOPY STRUTS KIT includes items 3 - 8

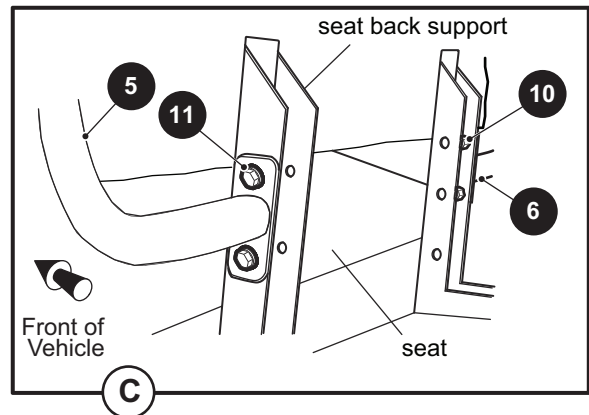
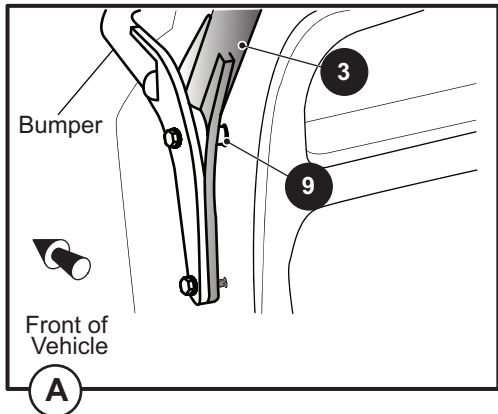
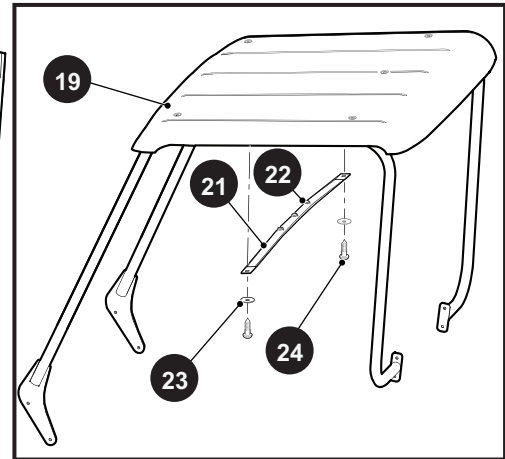


8 HARDWARE KIT includes items 9 - 17



18 CANOPY ASSEMBLY, REINFORCED (BLACK) includes items 19 - 24

20 REINFORCEMENT BAR ASSEMBLY includes items 21 - 22

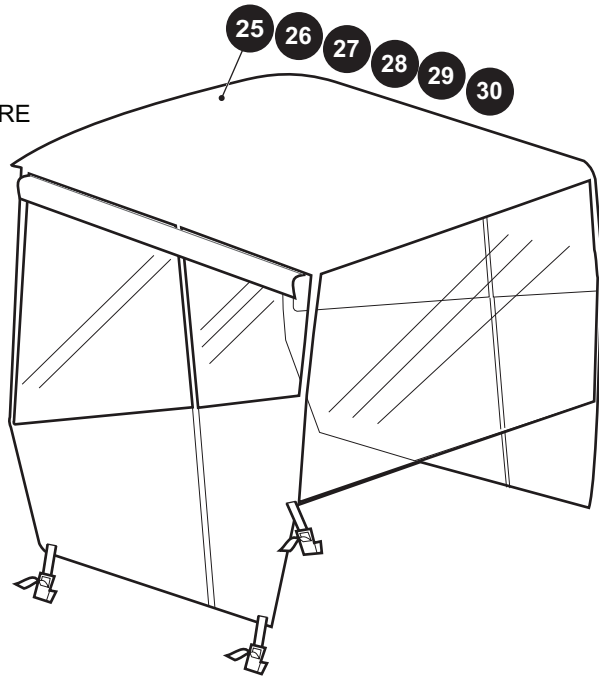


WEATHER PROTECTION

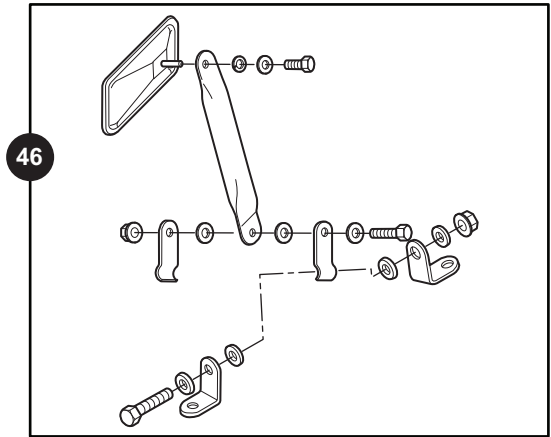
32 FULL WINDSHIELD KIT includes items 33 - 38

41 SPLIT WINDSHIELD KIT includes items 34 - 37, 42, 43

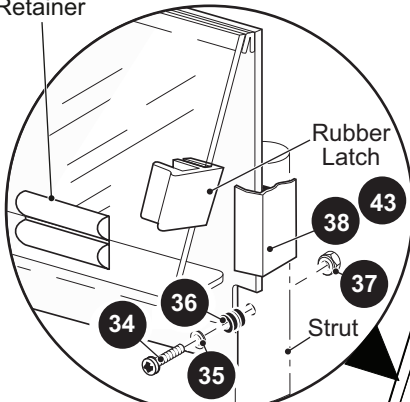
ENCLOSURE



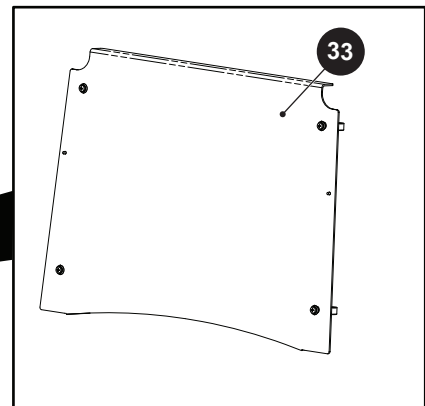
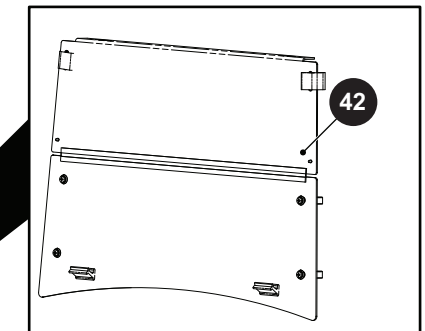
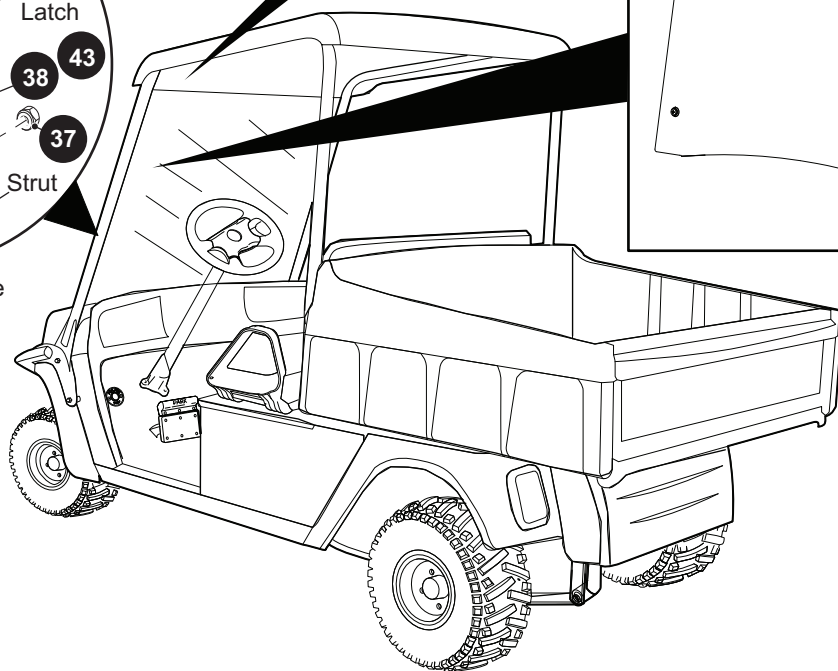
REAR VIEW MIRROR



Windshield Retainer

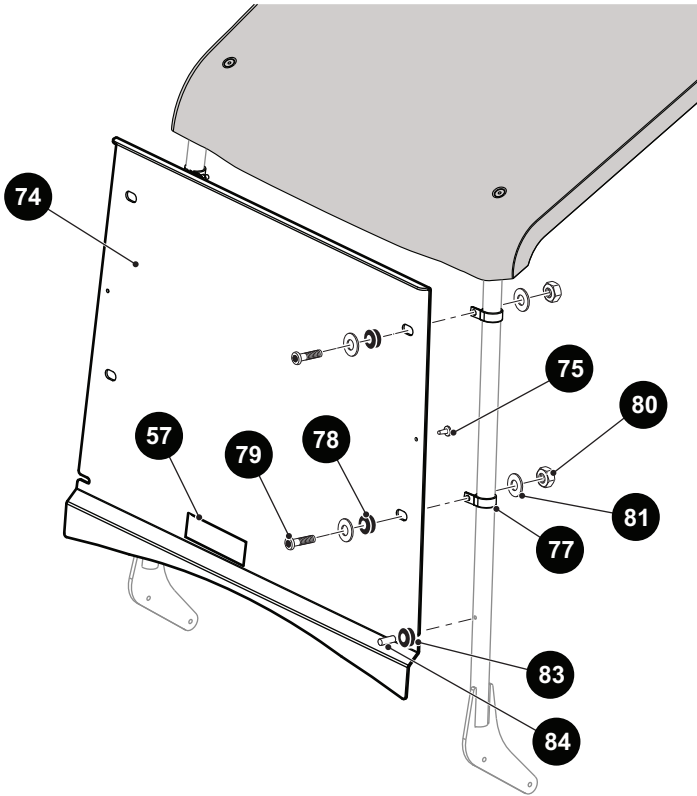


Front of Vehicle

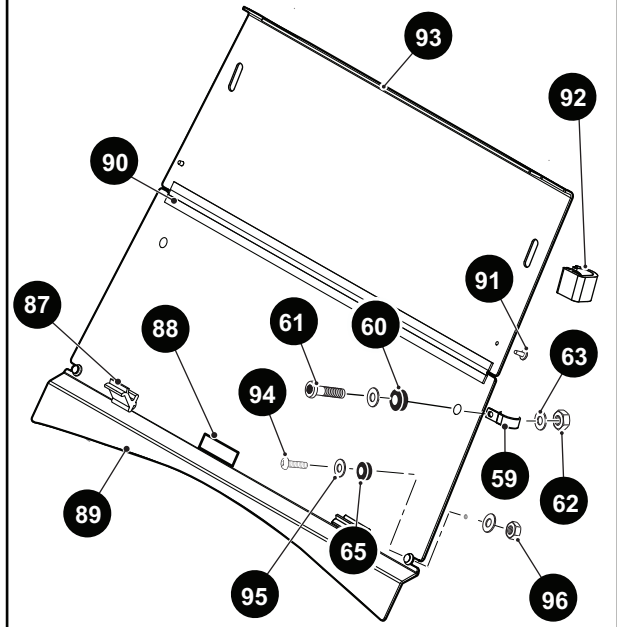


WEATHER PROTECTION

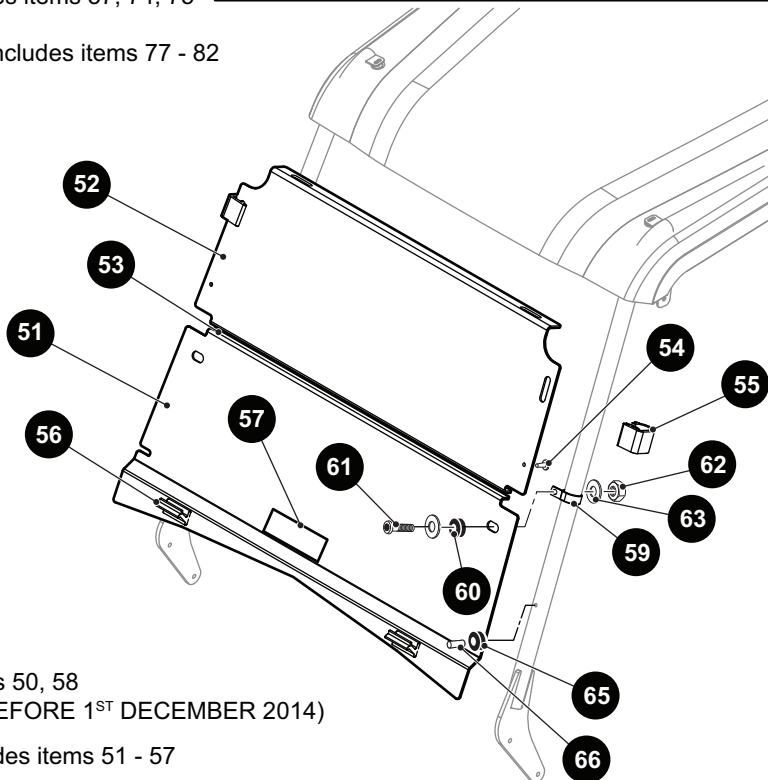
FOR VEHICLES MANUFACTURED FROM
1ST DECEMBER 2014



- 85** SPLIT WINDSHIELD, KIT CLIP ON
(INCLUDES ITEMS 86, 58)
- 86** SPLIT WINDSHIELD ASSEMBLY
(INCLUDES ITEMS 87 - 96)



- 72** FULL WINDSHIELD KIT includes items 73, 76
- 73** FULL WINDSHIELD ASSEMBLY includes items 57, 74, 75
- 76** FULL WINDSHIELD HARDWARE KIT includes items 77 - 82



- 49** SPLIT WINDSHIELD KIT includes items 50, 58
(FOR VEHICLES MANUFACTURED BEFORE 1ST DECEMBER 2014)
- 50** SPLIT WINDSHIELD ASSEMBLY includes items 51 - 57
- 58** SPLIT WINDSHIELD HARDWARE KIT includes items 59 - 64, 94 - 96

WEATHER PROTECTION

When ordering parts, please specify the model and serial number of the product.

* Indicates a component that is not available as an individual part.

*** Indicates consult Customer Service Department for additional information.

ITEM	PART NO.	1 2 3 4 5	DESCRIPTION	QTY.
1				
2	638362		CANOPY STRUTS KIT (INCLUDES ITEMS 3 - 8)	1
3	638092G01		CANOPY SUPPORT (DRIVER SIDE FRONT)	1
4	638092G02		CANOPY SUPPORT (PASSENGER SIDE FRONT)	1
5	626084		CANOPY SUPPORT (DRIVER SIDE REAR)	1
6	626085		CANOPY SUPPORT (PASSENGER SIDE REAR)	1
7	617641		CANOPY SUPPORT (CROSS TUBE)	1
8	624119		HARDWARE KIT (INCLUDES ITEMS 9 - 17)	1
9	619586		SPACER, 3/4"	2
10	11098G6		LOCK NUT, 5/16" - 18	4
11	00438G7		HEX HEAD BOLT, 5/16" - 18 X 7/8" LG	4
12	11098G5		LOCK NUT, 3/8" - 16	8
13	00428G2		HEX HEAD BOLT, 3/8" - 16 X 2 1/4" LG	8
14	00560G1		FLAT WASHER, 3/8"	16
15	00915G1		FLAT WASHER, 1/4"	5
16	601476		LOCK NUT, M6 - 1	5
17	*		TORX BOLT, M6 - 1 X 40MM LG	5
18	651139		CANOPY ASSEMBLY, REINFORCED (BLACK) (INCLUDES ITEMS 19 - 24)	1
19	639044		CANOPY (BLACK)	1
20	651138		REINFORCEMENT BAR ASSEMBLY (INCLUDES ITEMS 21 - 22)	1
21	639438		REINFORCEMENT BAR	1
22	820951		BUMPER	3
23	00559G4		FLAT WASHER, O.D .45" X I.D .19"	2
24	608290		PHILLIPS HEAD SELF TAPPING SCREW, #10 - 16 X .72" LG	2
25	624829		TOP ENCLOSURE (BLACK)	1
26	624830		TOP ENCLOSURE (GRAY)	1
27	624831		TOP ENCLOSURE (GREEN)	1
28	624832		TOP ENCLOSURE (WHITE)	1
29	624833		TOP ENCLOSURE (TAN)	1
30	*		VELCRO	AR

WEATHER PROTECTION

When ordering parts, please specify the model and serial number of the product.

* Indicates a component that is not available as an individual part.

*** Indicates consult Customer Service Department for additional information.

ITEM	PART NO.	1 2 3 4 5	DESCRIPTION	QTY.
31				
32	71966G03		FULL WINDSHIELD KIT (INCLUDES ITEMS 33 - 38)	1
33	71960G01		FULL WINDSHIELD	1
34	*		HEX HEAD BOLT, 1/4" - 20 X 1 3/4" LG	2
35	*		FLAT WASHER (SS), 1/4"	4
36	*		RUBBER GROMMET	2
37	*		LOCK NUT (SS), 1/4" - 20	2
38	615662		SASH, 26" LG	2
39				
40				
41	71966G04		SPLIT WINDSHIELD KIT (INCLUDES ITEMS 34 - 37, 42, 43).....	1
42	617544		SPORT WINDSHIELD	1
43	615661		SASH, 12" LG	2
44				
45				
46	27924G01		MIRROR ASSEMBLY	1
47				
48				
49	625932		SPLIT WINDSHIELD KIT, CLIP - ON (INCLUDES ITEMS 50, 58) (FOR VEHICLES MANUFACTURED BEFORE 1ST DECEMBER 2014)	1
50	*		SPLIT WINDSHIELD ASSEMBLY (INCLUDES ITEMS 51 - 57).....	1
51	*		WINDSHIELD LOWER.....	1
52	*		WINDSHIELD UPPER.....	1
53	*		HINGE	1
54	*		GROMMET	2
55	*		UPPER LATCH.....	2
56	*		LOWER LATCH.....	2
57	*		WARNING DECAL.....	1
58	625928		HARDWARE KIT, SPLIT WINDSHIELD (INCLUDES ITEMS 59 - 64, 94 - 96)	1
59	*		TUBE CLAMP, 1.5" DIA.....	2
60	*		FASTENER GROMMET	2

WEATHER PROTECTION

When ordering parts, please specify the model and serial number of the product.

* Indicates a component that is not available as an individual part.

*** Indicates consult Customer Service Department for additional information.

ITEM	PART NO.	1	2	3	4	5	DESCRIPTION	QTY.
61	*						PAN HEAD BOLT, 3/8" - 16 X 1 1/2" LG	2
62	*						LOCK NUT, 3/8" - 16	2
63	306981						FLAT WASHER, 3/8"	4
64	*						GROMMET ASSEMBLY, 1/4" (INCLUDES ITEMS 65, 66)	2
65	*						GROMMET, 1/4"	1
66	*						SLEEVE, 1/4"	1
67								
68								
69								
70								
71								
72	625931						FULL WINDSHIELD KIT, CLIP - ON (INCLUDES ITEMS 73, 76).....	1
73	*						FULL WINDSHIELD ASSEMBLY (INCLUDES ITEMS 57, 74, 75)	1
74	*						FULL WINDSHIELD	1
75	*						GROMMET	2
76	*						HARDWARE KIT, FULL WINDSHIELD (INCLUDES ITEMS 77 - 82).....	1
77	*						TUBE CLAMP, 1.5" DIA.....	4
78	*						FASTENER GROMMET	4
79	*						PAN HEAD BOLT, 3/8" - 16 X 1 1/2" LG	4
80	*						LOCK NUT, 3/8" - 16	4
81	*						FLAT WASHER, 3/8"	8
82	*						GROMMET ASSEMBLY, 1/4" (INCLUDES ITEMS 83, 84)	2
83	*						GROMMET, 1/4"	1
84	*						SLEEVE, 1/4"	1
85	638372						SPLIT WINDSHIELD KIT, CLIP ON (INCLUDES ITEMS 86, 58) (FOR VEHICLES MANUFACTURED FROM 1ST DECEMBER 2014)	1
86	638120						SPLIT WINDSHIELD ASSEMBLY (INCLUDES ITEMS 87 - 96)	1
87	603201						LOWER WINDSHIELD LATCH	2
88	71963G01						DECAL	1
89	638054						LOWER SPLIT WINDSHIELD	1
90	638070						HINGE	1

WEATHER PROTECTION

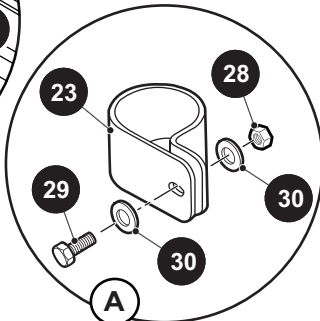
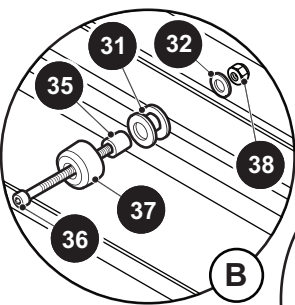
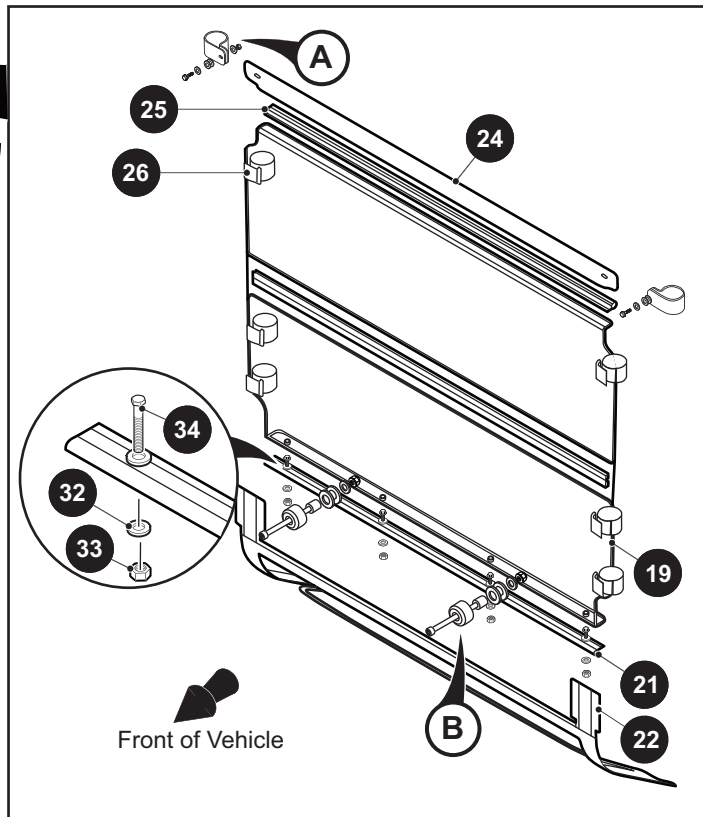
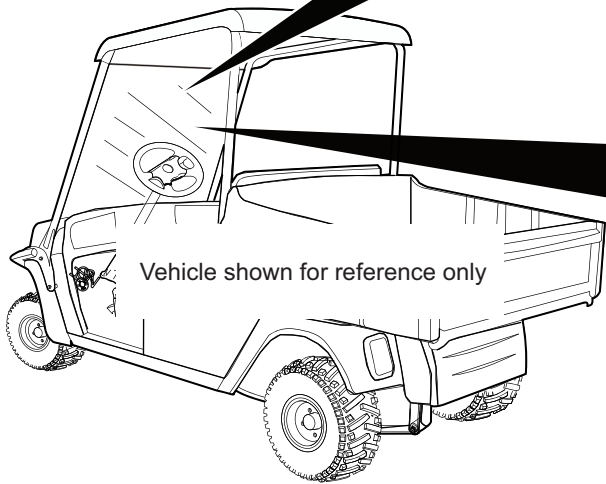
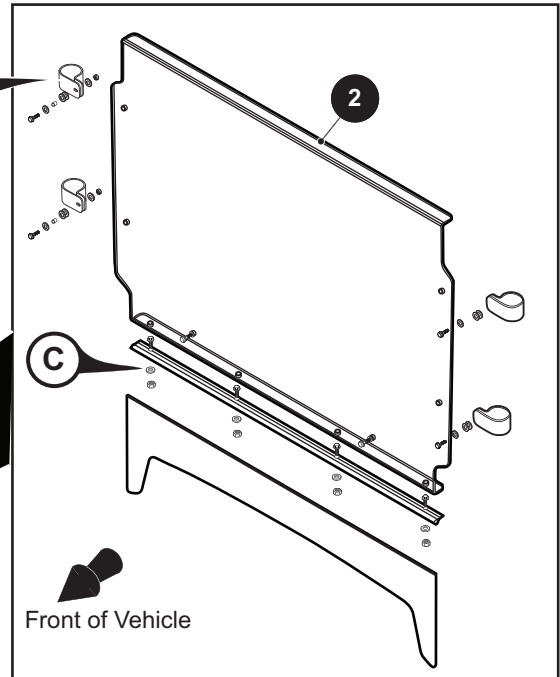
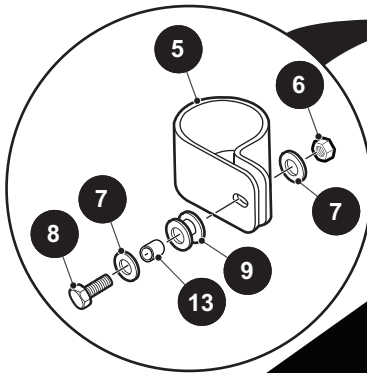
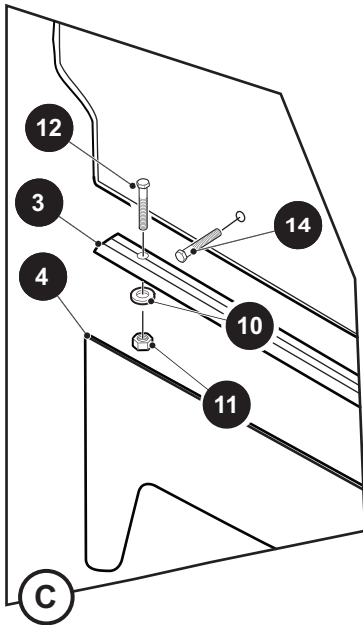
When ordering parts, please specify the model and serial number of the product.

* Indicates a component that is not available as an individual part.

*** Indicates consult Customer Service Department for additional information.

ITEM	PART NO.	1	2	3	4	5	DESCRIPTION	QTY.
91	604115						GROMMET	2
92	619621						UPPER WINDSHIELD LATCH	2
93	638053						UPPER SPLIT WINDSHIELD.....	1
94	00753G7						TRUSS HEAD PHILLIPS SCREW, 1/4" - 20 X 2.5" LG	2
95	00650G7						FLAT WASHER, 1/4"	4
96	00550G1						HEX NUT, 1/4" - 20.....	2

WEATHER PROTECTION



1 WINDSHIELD KIT (FULL) includes items 2 - 14

18 WINDSHIELD KIT (SPLIT) includes items 19 - 38

WEATHER PROTECTION

When ordering parts, please specify the model and serial number of the product.

* Indicates a component that is not available as an individual part.

*** Indicates consult Customer Service Department for additional information.

ITEM	PART NO.	1 2 3 4 5	DESCRIPTION	QTY.
1	627079		WINDSHIELD KIT (FULL) (INCLUDES ITEMS 2 - 14)	1
2	*		WINDSHIELD	1
3	*		AWNING MOLDING (ALUMINUM).....	1
4	*		TEXTILE SKIRT PLACEHOLDER.....	1
5	*		PLASTIC CLAMP	4
6	*		HEX NUT.....	6
7	*		FLAT WASHER	12
8	*		HEX HEAD BOLT	4
9	*		WINDSHIELD GROMMET	6
10	*		FLAT WASHER	8
11	*		HEX NUT.....	4
12	*		HEX HEAD BOLT	4
13	*		CRUSH SLEEVE	6
14	*		HEX HEAD BOLT	2
15				
16				
17				
18	627080		WINDSHIELD KIT (SPLIT) (INCLUDES ITEMS 19 - 38).....	1
19	*		WINDSHIELD	1
20				
21	*		AWNING MOLDING (ALUMINUM).....	1
22	*		TEXTILE SKIN PLACEHOLDER.....	1
23	*		PLASTIC CLAMP	2
24	*		UPPER METAL SEAL.....	1
25	*		UNIGRIP.....	1
26	*		TEXTILE STRAP	6
27				
28	*		HEX NUT.....	2
29	*		HEX HEAD BOLT	2
30	*		FLAT WASHER	4
31	*		GROMMET	2

WEATHER PROTECTION

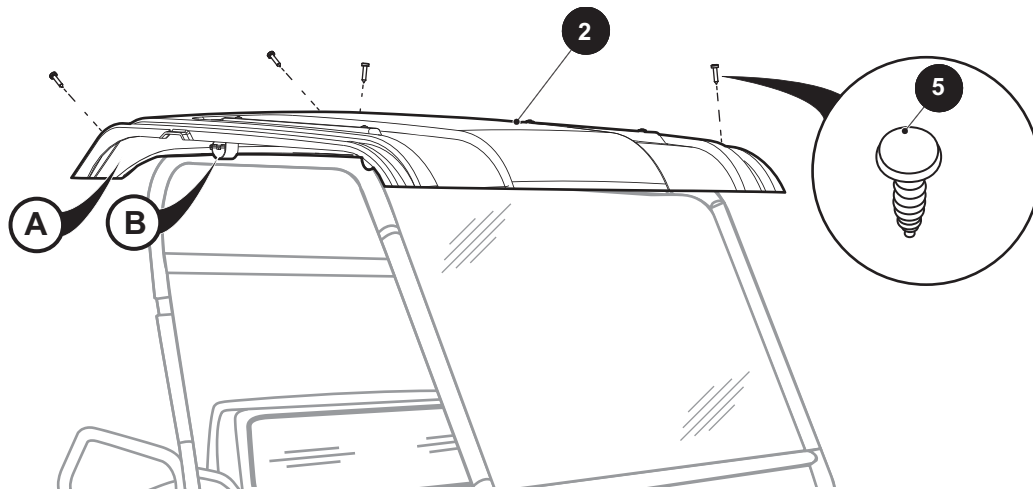
When ordering parts, please specify the model and serial number of the product.

* Indicates a component that is not available as an individual part.

*** Indicates consult Customer Service Department for additional information.

ITEM	PART NO.	1	2	3	4	5	DESCRIPTION	QTY.
32	*						FLAT WASHER	10
33	*						HEX NUT	4
34	*						HEX HEAD BOLT.....	4
35	*						CRUSH SLEEVE	2
36	*						HEX HEAD BOLT.....	2
37	*						BUMPER.....	2
38	*						HEX NUT	2

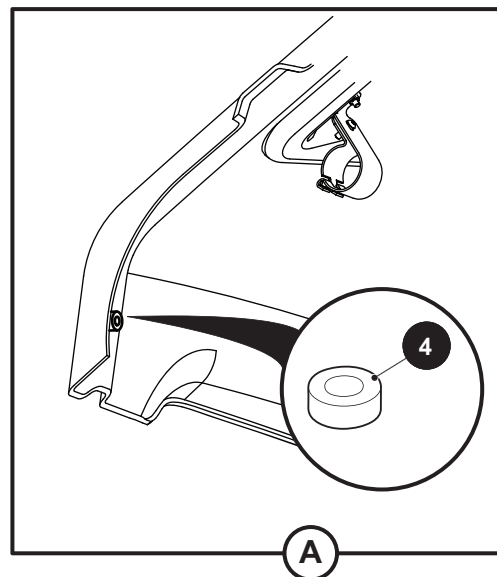
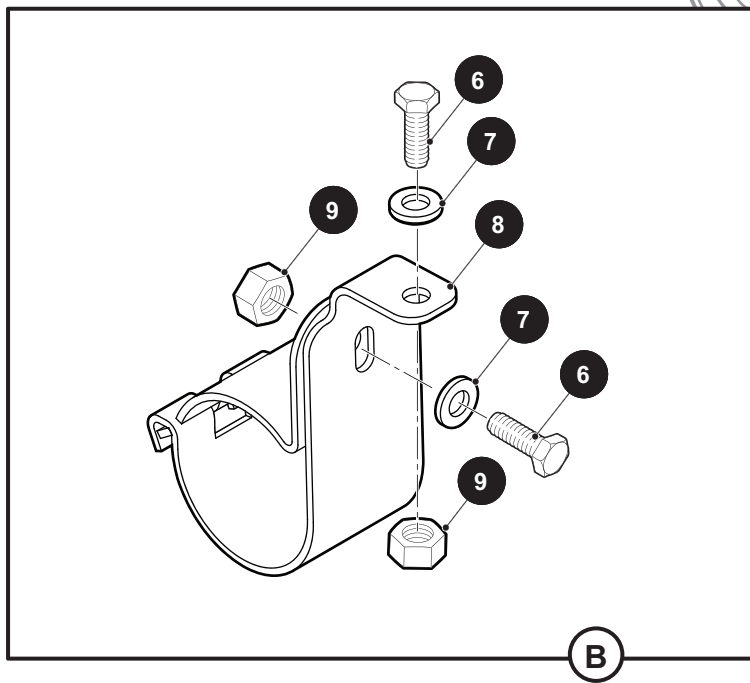
WEATHER PROTECTION



Vehicle shown for reference only

1 TOP CANOPY KIT includes items 2, 3

3 HARDWARE KIT includes items 4 - 9



WEATHER PROTECTION

When ordering parts, please specify the model and serial number of the product.

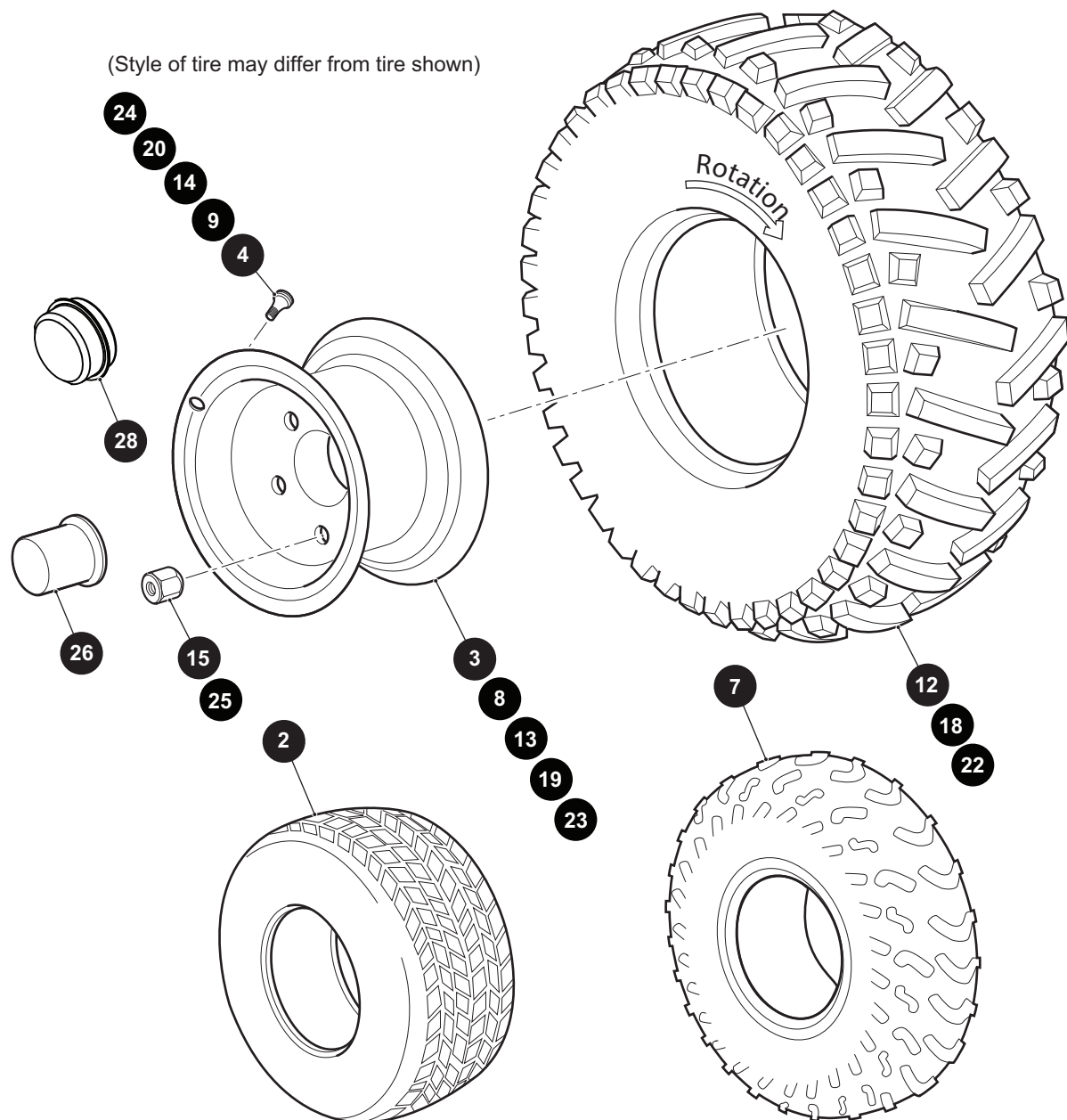
* Indicates a component that is not available as an individual part.

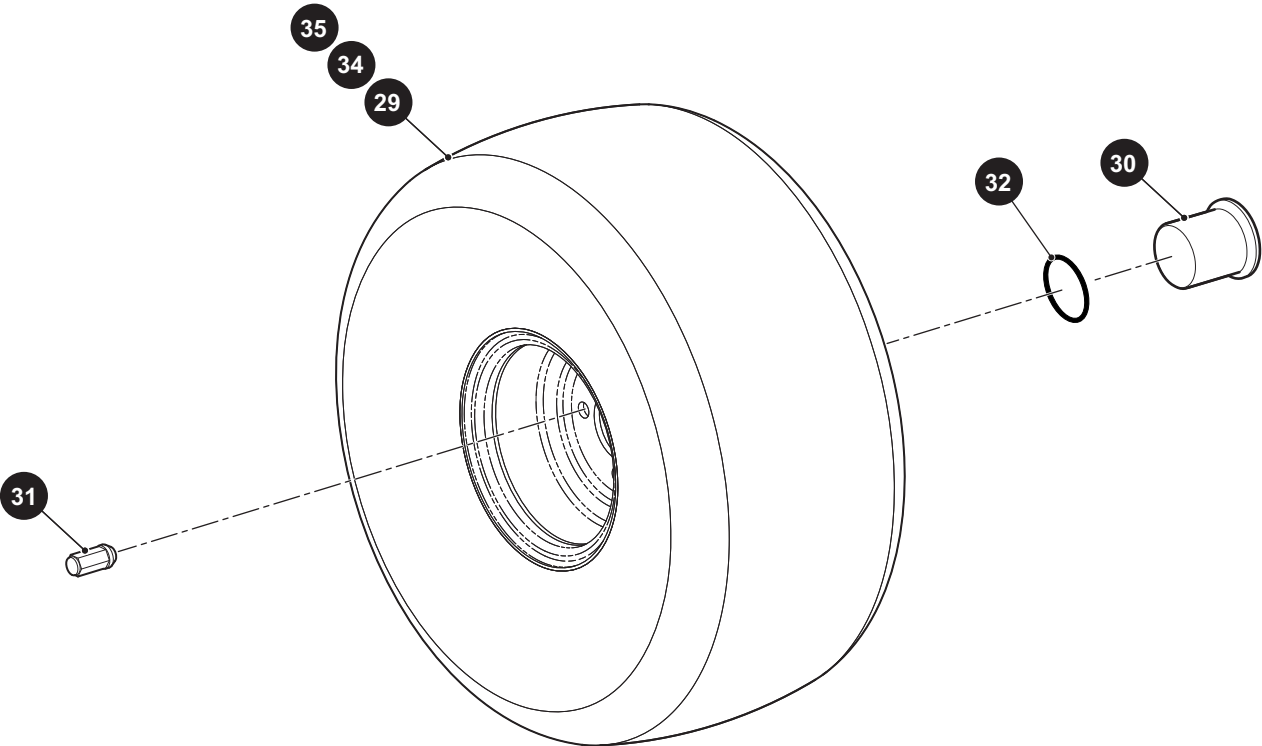
*** Indicates consult Customer Service Department for additional information.

ITEM	PART NO.	1 2 3 4 5	DESCRIPTION	QTY.
1	628584		TOP CANOPY KIT (INCLUDES ITEMS 2, 3).....	1
2	627077		TOP CANOPY	1
3	628585		HARDWARE KIT (INCLUDES ITEMS 4 - 9)	1
4	*		RUBBER SPACER.....	4
5	*		CHRISTMAS TREE PUSH RIVET	4
6	*		HEX HEAD BOLT, M6 - 1 X 20MM LG	8
7	*		FLAT WASHER, 1/4"	8
8	*		CLAMP (2 PIECE).....	4
9	*		HEX NUT, M6 - 1.....	8

WHEELS AND TIRES

- 1 WHEEL AND TIRE ASSY, TURF SAVER includes items 2 - 4
- 5 WHEEL AND TIRE ASSY (DRIVER SIDE) includes items 7 - 9
- 6 WHEEL AND TIRE ASSY (PASSENGER SIDE) includes items 7 - 9
- 10 WHEEL AND TIRE ASSY (DRIVER SIDE) includes items 12 - 14
- 11 WHEEL AND TIRE ASSY (PASSENGER SIDE) includes items 12 - 14
- 17 SPEEDRACER TIRE & WHEEL, 10X7, (DRIVER SIDE) includes items 18 - 20
- 21 SPEEDRACER TIRE AND WHEEL, 10X7, (PASSENGER SIDE) includes items 22 - 24





WHEELS AND TIRES

When ordering parts, please specify the model and serial number of the product.

* Indicates a component that is not available as an individual part.

*** Indicates consult Customer Service Department for additional information.

ITEM	PART NO.	1 2 3 4 5	DESCRIPTION	QTY.
1	28442G03		WHEEL AND TIRE ASSY, TURF SAVER (INCLUDES ITEMS 2 - 4) (FOR VEHICLES MANUFACTURED UNTIL 14OCT2016)	1
2	28442G02		TIRE, 20 X 10 - 10 TURF SAVER	1
3	15172G02		WHEEL RIM (BLACK, 4 LUG)	1
4	11657G1		VALVE STEM	1
5	74842G03		WHEEL AND TIRE ASSY (DRIVER SIDE) (INCLUDES ITEMS 7 - 9)	1
6	74842G04		WHEEL AND TIRE ASSY (PASSENGER SIDE) (INCLUDES ITEMS 7 - 9) ...	1
7	74842G05		TIRE, 21 X 11 - 10 TRAIL WOLF	1
8	1015239014		WHEEL RIM (BLACK, 4 LUG)	1
9	012007		VALVE STEM	1
10	28630G04		WHEEL AND TIRE ASSY (DRIVER SIDE) (INCLUDES ITEMS 12 - 14)	1
11	28630G05		WHEEL AND TIRE ASSY (PASSENGER SIDE) (INCLUDES ITEMS 12 - 14)	1
12	28630G01		TIRE, 22 X 9 - 10 STRYKER	1
13	15172G02		WHEEL RIM (BLACK, 4 LUG)	1
14	11657G1		VALVE STEM	1
15	14723G1		LUG NUT, 1/2" - 20	A/R
16				
17	606240		SPEEDRACER TIRE & WHEEL, 10X7 (DRIVER SIDE) (INCLUDES ITEMS 18 - 20)	2
18	606139		SPEED RACER, 10X7 (DRIVER SIDE)	1
19	606152		WHEEL, 10" DIAMOND FINISHED WHEEL	1
20	604915		VALVE STEM, CHROME	1
21	606179		SPEEDRACER TIRE AND WHEEL, 10X7 (PASSENGER SIDE) (INCLUDES ITEMS 22 - 24)	2
22	606139		SPEED RACER, 10X7 (DRIVER SIDE)	1
23	606152		WHEEL, 10 " DIAMOND FINISHED	1
24	604915		VALVE STEM (CHROME)	1
25	605310		CHROME LUG NUTS, 1/2" - 20	4
26	608910		DIAMOND WHEEL CAP	1
27				
28	12091G2		SPINDLE CAP	2
29	608914		10 " TERA TRAC (FRONT/REAR)	2

WHEELS AND TIRES

When ordering parts, please specify the model and serial number of the product.

* Indicates a component that is not available as an individual part.

*** Indicates consult Customer Service Department for additional information.

ITEM	PART NO.	1 2 3 4 5	DESCRIPTION	QTY.
30	601353		WHEEL CAP	4
31	605310		CHROME LUG NUT (FRONT/REAR).....	8
32	650164		O-RING	4
33				
34	604930		PATHFINDER TIRE (FRONT/REAR) (DRIVER SIDE)	1
35	605228		PATHFINDER TIRE (FRONT/REAR) (PASSENGER SIDE).....	1



A Textron Company

E-Z-GO Division of Textron Inc.,
1451 Marvin Griffin Road, Augusta, Georgia 30906 - 3852 USA

TO CONTACT US...

North America:

Technical Assistance & Warranty Phone: 1-800-774-3946, FAX: 1-800-448-8124

Service Parts Phone: 1-888-GET-E-Z-GO (1-888-438-3946), FAX: 1-800-752-6175

International: Phone: 001-706-798-4311, FAX: 001-706-771-4609

Service Parts Manuals, as well as Repair and Service Manuals
are available from a local Distributor, an authorized Branch,
Genuine E-Z-GO Parts & Accessories Department or at www.shopezgo.com.

Copyrighted Material
This manual may not be reproduced in whole or
in part without the express permission of
E-Z-GO Division of Textron Inc.
Technical Communications Department