



CUSHMAN®

LET'S WORK.®

Service Parts Manual

ELECTRIC POWERED UTILITY VEHICLE



630812-Y

ISSUED OCTOBER 2012

REVISED MARCH 2018

SERVICE PARTS MANUAL

ELECTRIC POWERED UTILITY VEHICLE

TITAN XD 2 PASS

TITAN XD 4 PASS

STARTING MODEL YEAR 2013

DISCLAIMER: The E-Z-GO Division of Textron Inc. (E-Z-GO) reserves the right to incorporate engineering and design changes to products in this Manual, without obligation to include these changes on units leased/sold previously.

The information contained in this Manual may be revised periodically E-Z-GO, and therefore is subject to change without notice.

E-Z-GO DISCLAIMS LIABILITY FOR ERRORS IN THIS MANUAL, and E-Z-GO SPECIFICALLY DISCLAIMS LIABILITY FOR INCIDENTAL AND CONSEQUENTIAL DAMAGES RESULTING FROM THE USE OF THE INFORMATION AND MATERIALS IN THIS MANUAL.

TO CONTACT US

NORTH AMERICA:

TECHNICAL ASSISTANCE & WARRANTY PHONE: 1-800-774-3946, FAX: 1-800-448-8124

SERVICE PARTS PHONE: 1-888-GET-EZGO (1-888-438-3946), FAX: 1-800-752-6175

INTERNATIONAL: PHONE: 001-706-798-4311, FAX: 001-706-771-4609

E-Z-GO DIVISION OF TEXTRON INC., 1451 MARVIN GRIFFIN RD., AUGUSTA, GEORGIA USA 30906-3852

GENERAL INFORMATION

To obtain a copy of the limited warranty applicable to the vehicle, call or write a local Distributor, authorized Branch or the Warranty Department with vehicle serial number and manufacturer code.

The use of non Original Equipment Manufacturer (OEM) parts may void the warranty.

Overfilling of batteries may void the warranty.

BATTERY PROLONGED STORAGE

All batteries will self discharge over time. The rate of self discharge varies depending on the ambient temperature and the age and condition of the batteries.

A fully charged battery will not freeze in winter temperatures unless the temperature falls below -75° F (-60° C).

As with all electric vehicles, the batteries must be checked and recharged as required or at a minimum of 30 day intervals.

TABLE OF CONTENTS

| SECTION | Page No. |
|---|-----------------|
| HOW TO USE THE SERVICE PARTS MANUAL | Vii |
| ACCELERATOR | A - 1 |
| BATTERY CHARGER | B - 1 |
| BODY | C |
| BODY - 2 PASSENGER | C - 1 |
| BODY - 4 PASSENGER | C - 9 |
| BODY - ACCESSORIES | C - 15 |
| BRAKES | D |
| BRAKES - PARK BRAKE | D - 1 |
| BRAKES - HYDRAULIC BRAKE | D - 5 |
| BRAKES - FRONT BRAKE | D - 7 |
| BRAKES - REAR BRAKE | D - 11 |
| BRAKES - MASTER CYLINDER | D - 13 |
| ELECTRICAL SYSTEM | F - 1 |
| ELECTRONIC SPEED CONTROL | G - 1 |
| FRONT SUSPENSION | H - 1 |
| MOTOR | J - 1 |
| REAR AXLE | K - 1 |
| REAR SUSPENSION | L - 1 |
| SEATING | M - 1 |
| STEERING | N - 1 |
| WEATHER PROTECTION | P - 1 |
| WHEELS AND TIRES | Q - 1 |

HOW TO USE THE SERVICE PARTS MANUAL

This manual is divided into several sections:

GENERAL INFORMATION

- TABLE OF CONTENTS
- HOW TO USE THE SERVICE PARTS MANUAL

ILLUSTRATED PARTS BREAKDOWN

- Contains illustrations and parts lists for all systems of the vehicle

APPENDIX

- Contains a listing of specialty products and options/accessories

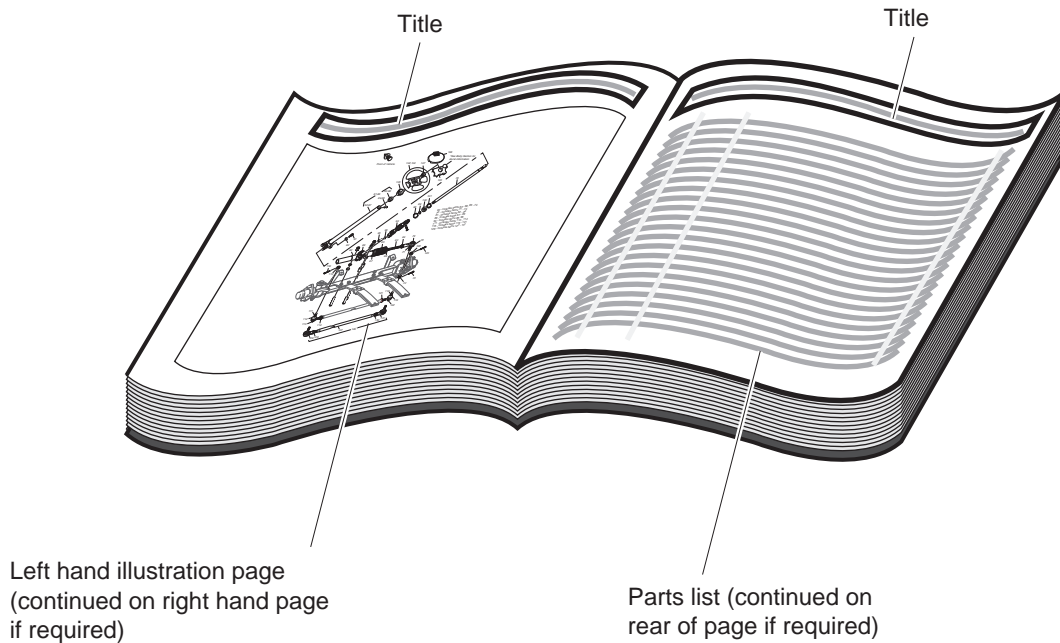
USE OF THE MANUAL

To use this manual, consult the TABLE OF CONTENTS to locate the information or illustration required.

Introduction of some revisions varies due to supply of components; therefore, it is possible that various combinations of components may be found that are not directly reflected by each illustration. Consult the illustration that best suits your situation and then contact the Service Parts Department. It is important that the serial number of your vehicle and its model number be supplied to Service Parts when ordering any replacement components.

Locate the serial number plate (see BODY located in the Illustrated Parts Breakdown section of this manual for its location) and note the complete number shown on the plate.

HOW TO USE THE SERVICE PARTS MANUAL



1. WHEN THE PART NUMBER IS NOT KNOWN

- Determine the function and application of the part required. Turn to the General Index and select the most appropriate title.
- Turn to the page number indicated and locate the desired part on the illustration.
- From the illustration, obtain the item number assigned to the desired part. Refer to the accompanying description for specific information regarding the part.

2. IF YOU KNOW THE PART NUMBER

- Locate the part number or description in the appropriate column on the parts list page.

NOTE: It is suggested that you confirm that the part selected is correct by verifying it with the pictorial representation on the illustrated page.

Should an asterisk (*) appear in the part number column on the parts list page, read upwards until a part number is found. The part number is the lowest assembly sold by Service Parts and the asterisk (*) indicates that the part depicted is not available for purchase.

NOTE: Descriptions are indented under the assembly that they are used on. That assembly is, in turn listed under the assembly that it is used on. This process is repeated until the highest final assembly is reached.

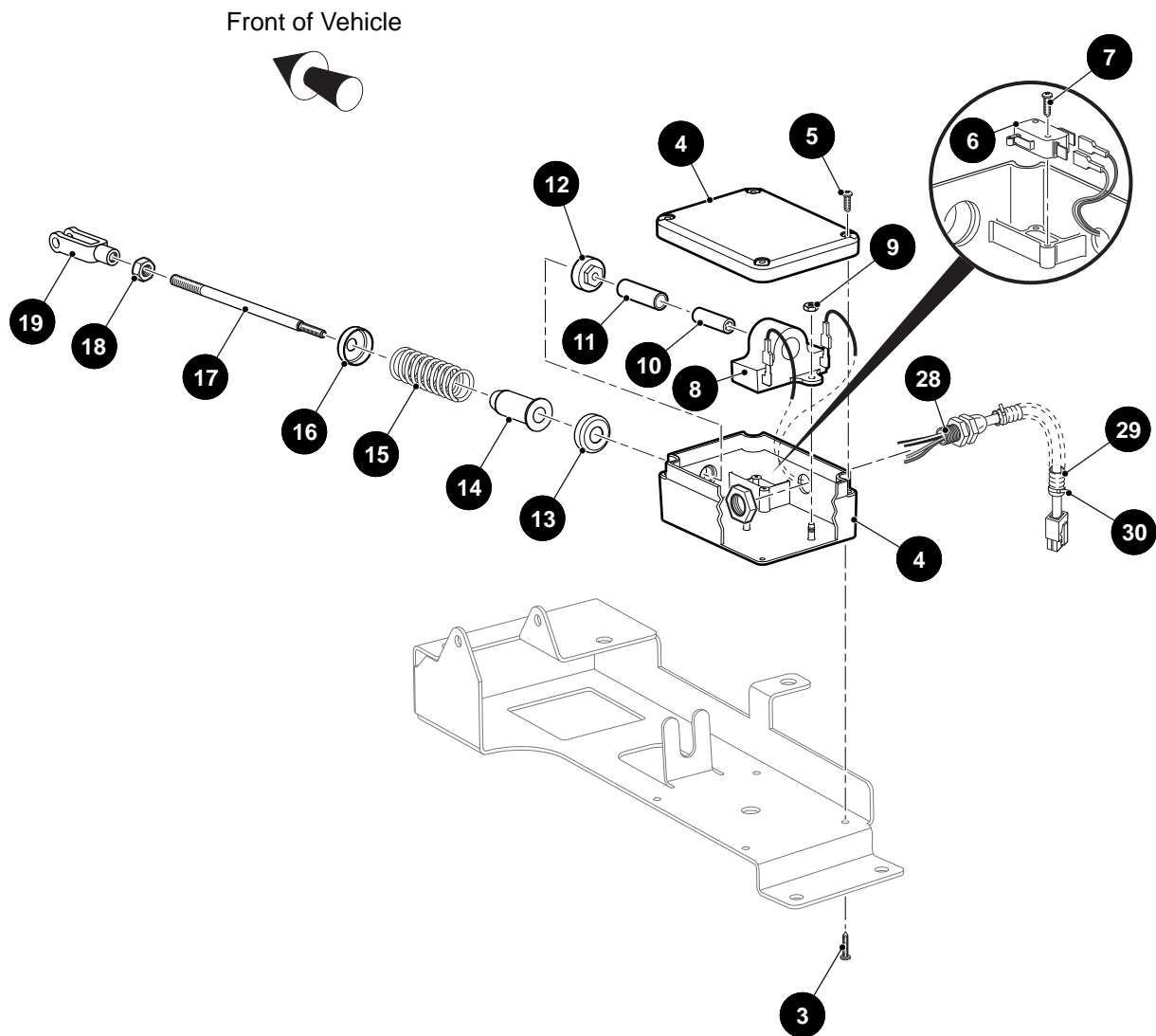
To facilitate the maintenance and repair of the vehicle, a Technician's Repair and Service Manual is available from the Service Parts Department.

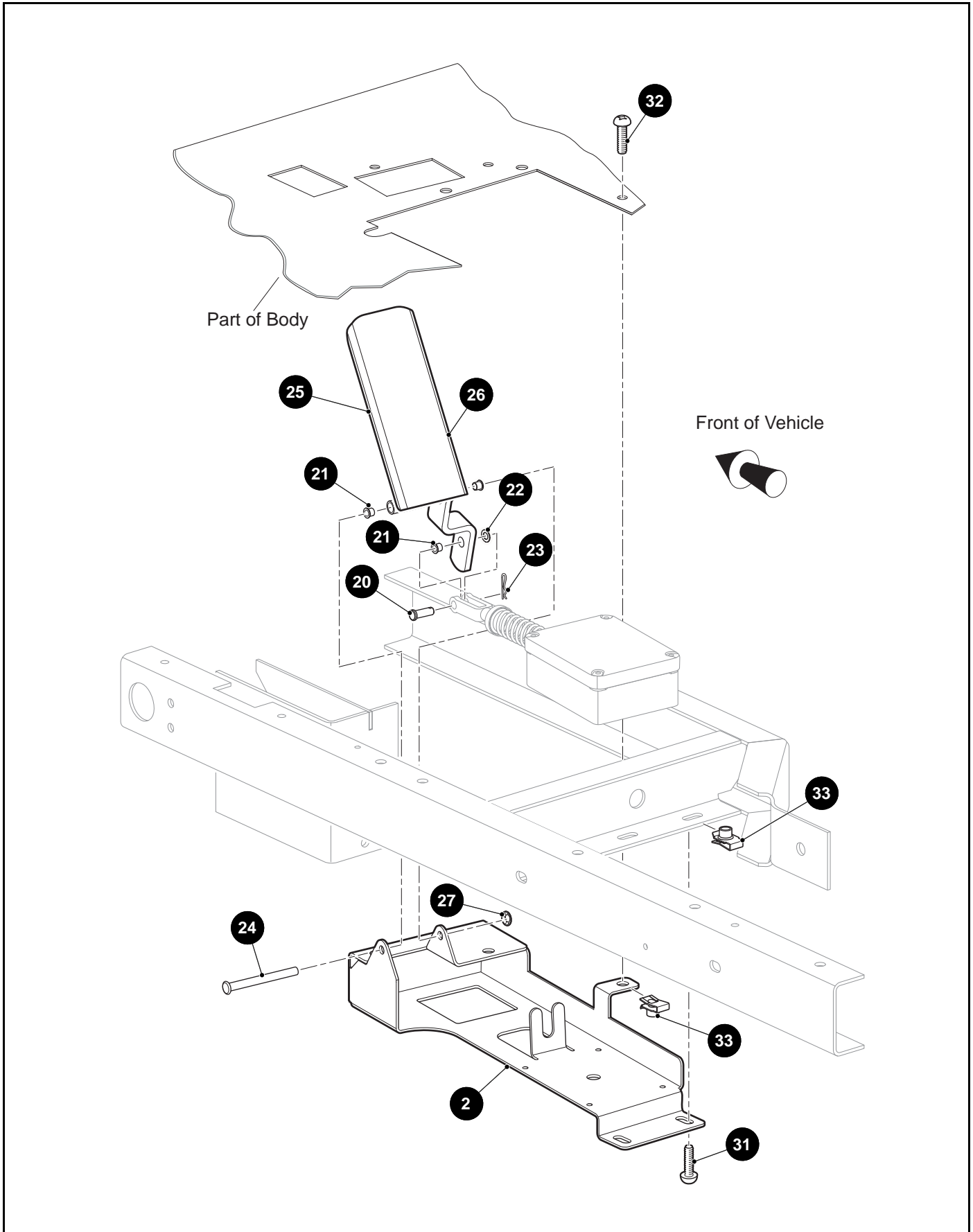
NOTES

A large grid of graph paper for taking notes, consisting of 20 columns and 30 rows of small squares.

ACCELERATOR

- 1** PEDAL BOX ASSEMBLY includes items 2 - 30
- 25** ACCELERATOR PEDAL ASSEMBLY includes item 26





ACCELERATOR

When ordering parts, please specify the model and serial number of the product.

* Indicates a component that is not available as an individual part.

*** Indicates consult Customer Service Department for additional information.

| ITEM | PART NO. | 1 2 3 4 5 | DESCRIPTION | QTY. |
|------|----------|-----------|--|------|
| 1 | 600476 | | PEDAL BOX ASSEMBLY (INCLUDES ITEMS 2 - 30) | 1 |
| 2 | 601091 | | PEDAL BOX BRACKET..... | 1 |
| 3 | 01051G01 | | PHILLIPS PAN HEAD SCREW, #8 - 16" X 1/2" LG..... | 4 |
| 4 | 25853G01 | | PEDAL BOX AND COVER..... | 1 |
| 5 | 00684G6 | | PHILLIPS TRUSS HEAD SCREW, #8 - 32 X 3/4" LG (STAINLESS STEEL)..... | 2 |
| 6 | 25861G01 | | MICRO SWITCH..... | 1 |
| 7 | 01050G01 | | TORX HEAD SCREW, #4 - 20 X 5/8" LG..... | 2 |
| 8 | 25854G01 | | INDUCTIVE THROTTLE SENSOR..... | 1 |
| 9 | 00983G01 | | SELF THREADING NUT, 3/16"..... | 2 |
| 10 | 28443G01 | | PLUNGER..... | 1 |
| 11 | 25857G01 | | PLUNGER SLEEVE..... | 1 |
| 12 | 28444G01 | | PLUNGER CAM..... | 1 |
| 13 | 17677G1 | | SPRING RETAINER, 1/2"..... | 1 |
| 14 | 17979G1 | | ACCELERATOR ROD BUSHING..... | 1 |
| 15 | 73046G01 | | COMPRESSION SPRING..... | 1 |
| 16 | 17677G2 | | SPRING RETAINER, 3/8"..... | 1 |
| 17 | 73332G01 | | ACCELERATOR ROD..... | 1 |
| 18 | 00532G4 | | LOCK NUT, 5/16" - 24..... | 1 |
| 19 | 10385G4 | | CLEVIS YOKE (ADJUSTABLE)..... | 1 |
| 20 | 10386G3 | | CLEVIS PIN, 5/16" X 1" LG..... | 1 |
| 21 | 17838G1 | | NYLON BUSHING..... | 3 |
| 22 | 17255G1 | | TEFLON WASHER, 5/16"..... | 1 |
| 23 | 01076G01 | | HAIR PIN COTTER..... | 1 |
| 24 | 601093 | | PEDAL PIVOT PIN..... | 1 |
| 25 | 601150 | | ACCELERATOR PEDAL ASSEMBLY (INCLUDES ITEM 26)..... | 1 |
| 26 | 601153 | | PEDAL PAD..... | 1 |
| 27 | 12064G6 | | PUSH NUT, 9/32"..... | 1 |
| 28 | 35679G01 | | WIRE HARNESS (PEDAL BOX)..... | 1 |
| 29 | 17313G1 | | FLEX LOOM (BULK)..... | AR |
| 30 | 17618G1 | | WIRE TIE..... | 2 |
| 31 | 13437G3 | | HEX HEAD FLANGE BOLT, 5/16" - 18 X 1" LG..... | 2 |

ACCELERATOR

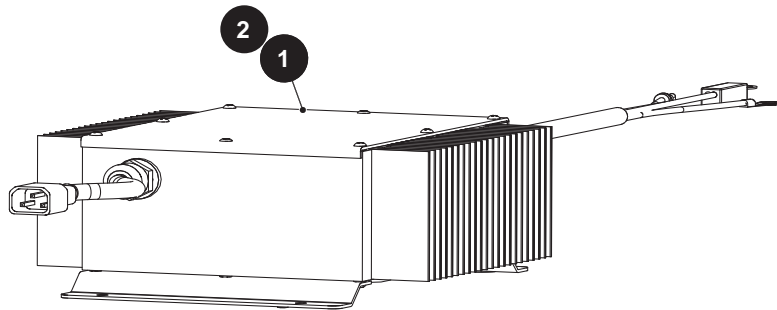
When ordering parts, please specify the model and serial number of the product.

* Indicates a component that is not available as an individual part.

*** Indicates consult Customer Service Department for additional information.

| ITEM | PART NO. | 1 2 3 4 5 | DESCRIPTION | QTY. |
|------|----------|-----------|---|------|
| 32 | 71056G01 | | TRUSS HEAD BOLT, 5/16" - 18 X 5/8" LG | 3 |
| 33 | 01024G1 | | U - NUT, 5/16" - 18..... | 5 |

BATTERY CHARGER



BATTERY CHARGER

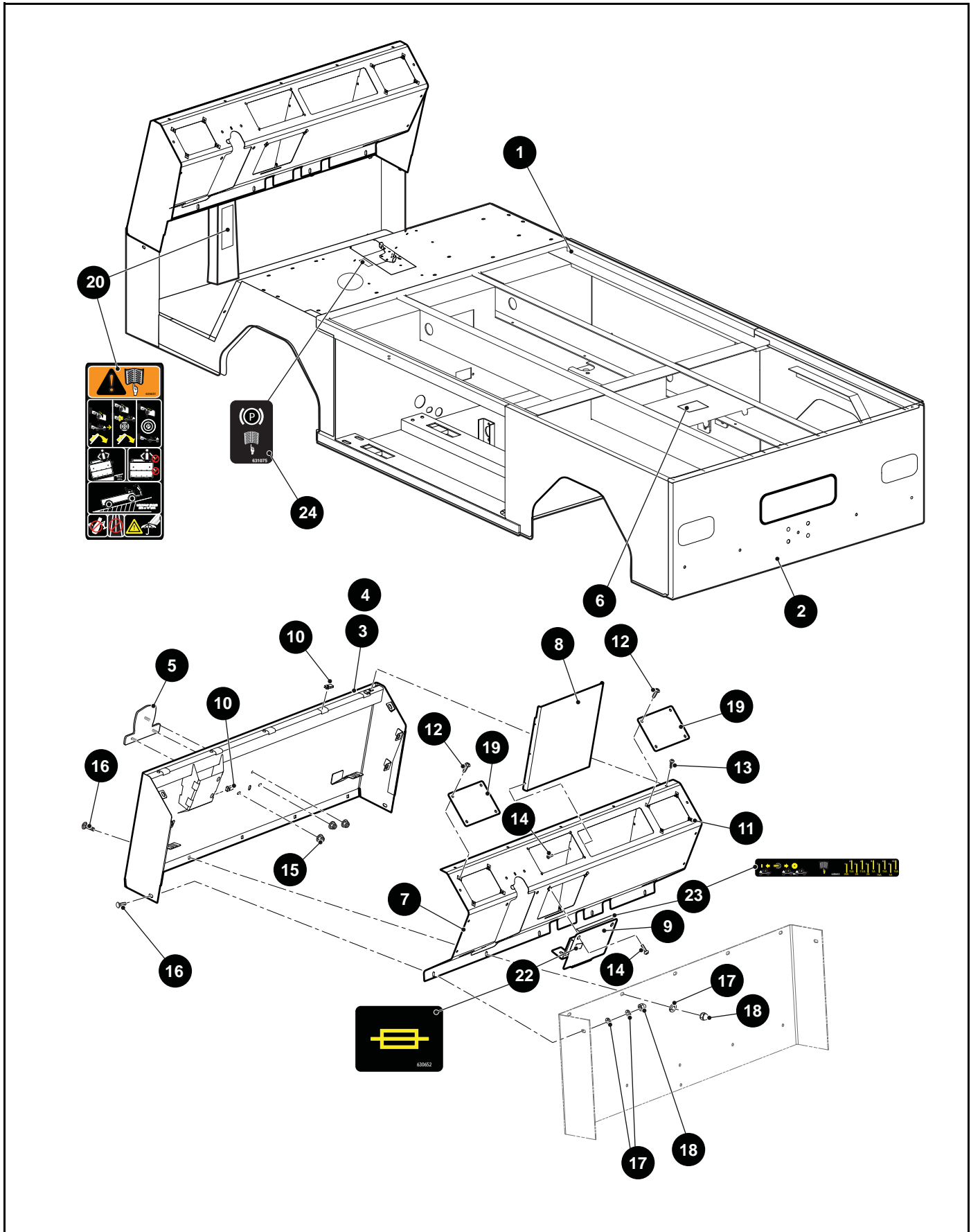
When ordering parts, please specify the model and serial number of the product.

* Indicates a component that is not available as an individual part.

*** Indicates consult Customer Service Department for additional information.

| ITEM | PART NO. | 1 2 3 4 5 | DESCRIPTION | QTY. |
|------|----------|-----------|---|------|
| 1 | 624206 | | 48V DELTA-Q BATTERY CHARGER | 1 |
| 2 | 628101 | | 48V DELTA-Q BATTERY CHARGER (FOR GEL BATTERIES) | 1 |

BODY - 2 PASSENGER



BODY - 2 PASSENGER

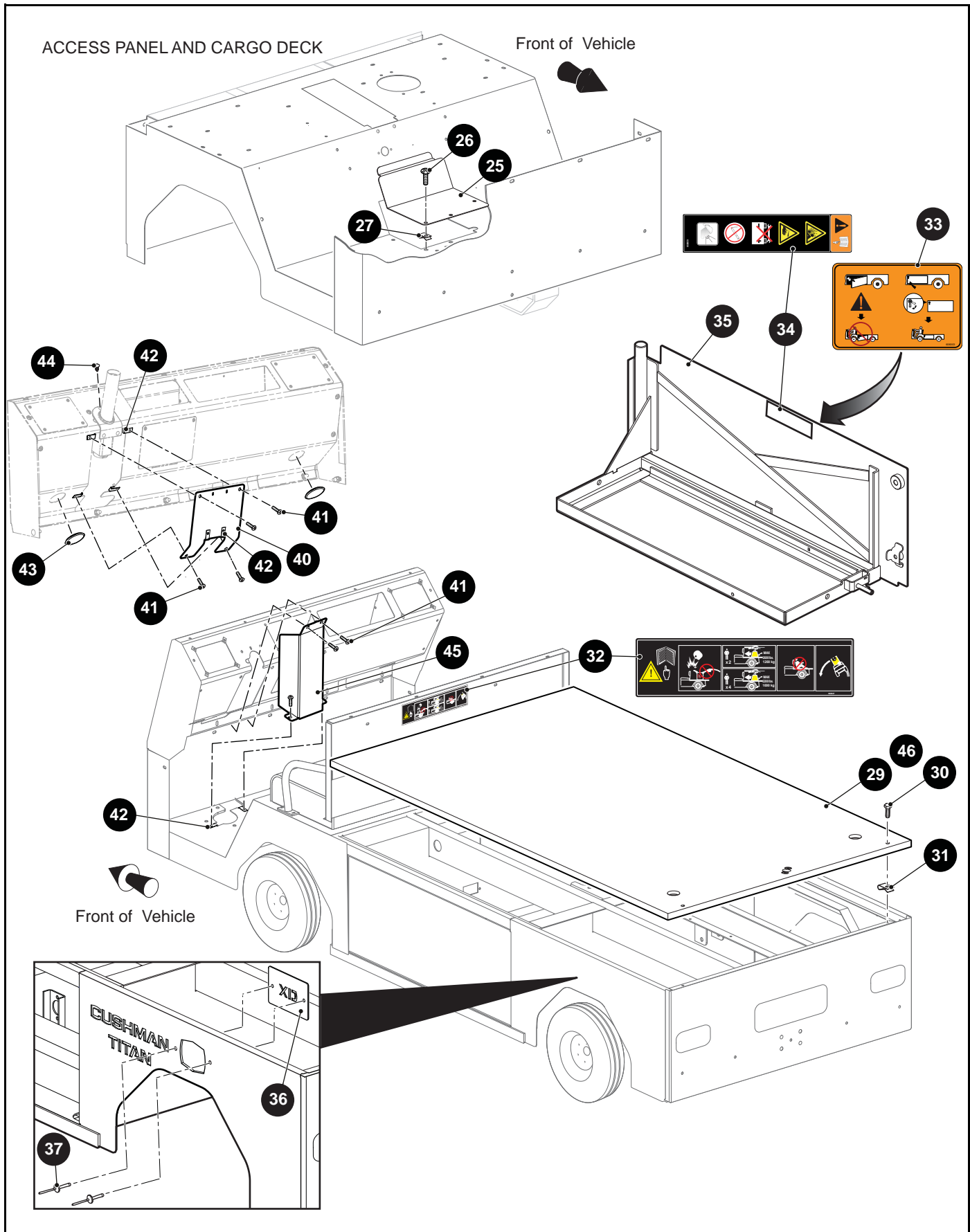
When ordering parts, please specify the model and serial number of the product.

* Indicates a component that is not available as an individual part.

*** Indicates consult Customer Service Department for additional information.

| ITEM | PART NO. | 1 2 3 4 5 | DESCRIPTION | QTY. |
|------|----------|-----------|---|------|
| 1 | XXXXXX | | BODY FRAME WELDMENT (SELECT COLOR)..... 652583 SAFETY YELLOW 652584 FOREST GREEN 652585 FLAME RED 652587 ARCTIC WHITE | 1 |
| 2 | 628749 | | REAR BODY PANEL | 1 |
| 3 | XXXXXX | | COWL..... 628447 SAFETY YELLOW 628448 FOREST GREEN 628449 ARCTIC WHITE 628450 FLAME RED | 1 |
| 4 | XXXXXX | | COWL WITHOUT HEADLIGHT..... 628872 SAFETY YELLOW 628873 FOREST GREEN 628874 ARCTIC WHITE 628875 FLAME RED | 1 |
| 5 | 624539 | | CUSHMAN NAME PLATE | 1 |
| 6 | 73398G01 | | FAULT CODE DECAL..... | 1 |
| 7 | 624204 | | DASH PANEL..... | 1 |
| 8 | 628167 | | DASH POCKET PLATE | 1 |
| 9 | 623861 | | FUSE BLOCK PANEL..... | 11 |
| 10 | 800279 | | U - TYPE NUT, 1/4" - 20 | 15 |
| 11 | 635982 | | SPEED NUT, #8..... | 10 |
| 12 | 01051G01 | | PAN HEAD PHILLIPS SCREW, #8 - 16 X 1/2" LG | 10 |
| 13 | 16705G2 | | TRUSS HEAD PHILLIPS SCREW, 1/4" - 20 X 5/8" LG..... | 13 |
| 14 | 00614G4 | | PAN HEAD PHILLIPS SCREW, #8 - 18, 1/2" LG..... | 6 |
| 15 | 71597G01 | | SELF THREADING NUT, 3/16"..... | 3 |
| 16 | 800557 | | CARRIAGE BOLT, 5/16" - 18 X 3/4" LG | 7 |
| 17 | 00565G8 | | LOCK WASHER, 5/16" | 9 |
| 18 | 00520G3 | | ACORN NUT, 3/8" - 18 | 7 |
| 19 | 628852 | | SWITCH PLATE..... | 2 |
| 20 | 630651 | | INSTRUCTION DECAL | 1 |
| 21 | | | | |
| 22 | 630652 | | FUSE DOOR DECAL..... | 1 |
| 23 | 630653 | | RUN/TOW FUSE DECAL | 1 |
| 24 | 631075 | | PARK BRAKE DECAL | 1 |

BODY - 2 PASSENGER



BODY - 2 PASSENGER

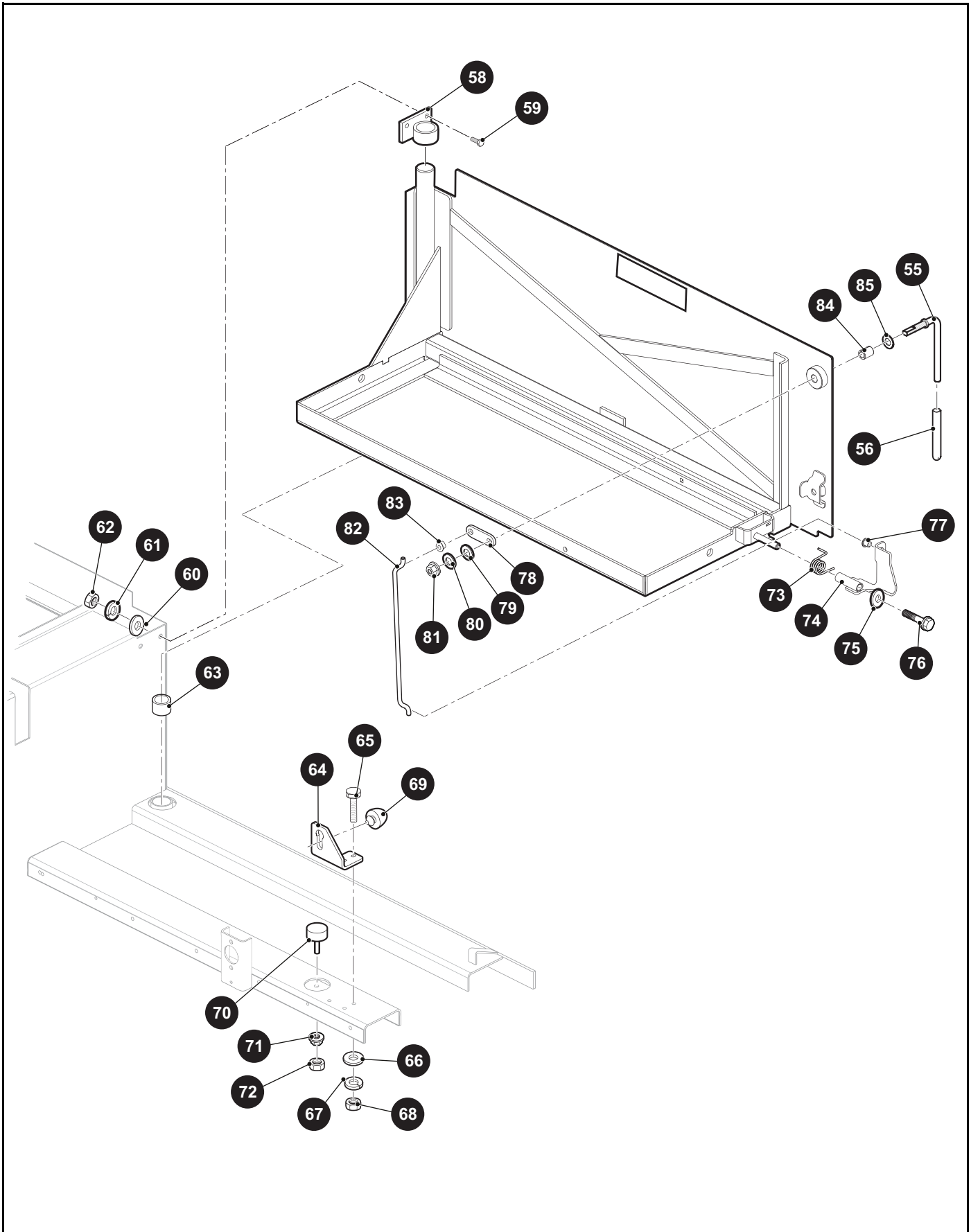
When ordering parts, please specify the model and serial number of the product.

* Indicates a component that is not available as an individual part.

*** Indicates consult Customer Service Department for additional information.

| ITEM | PART NO. | 1 2 3 4 5 | DESCRIPTION | QTY. |
|------|-----------|-----------|---|------|
| 25 | XXXXXX | | ACCESS COVER 613042 BLACK | 1 |
| 26 | 71056G01 | | TRUSS HEAD BOLT, 5/16" - 18 X 5/8" LG | 3 |
| 27 | 01024G01 | | 'J' NUT, 5/16" - 18 | 3 |
| 28 | 600945 | | IGNITION SWITCH DECAL (NOT ILLUSTRATED)..... | 1 |
| 29 | 656572 | | CARGO DECK (FOR VEHICLES MANUFACTURED AFTER MARCH 19, 2017) | 1 |
| 30 | 800017 | | PAN HEAD PHILLIPS SCREW, 1/4" - 20 X 1" LG | 2 |
| 31 | 800279 | | U - TYPE NUT, 1/4" - 20 | 2 |
| 32 | 600947 | | LOAD BED DECAL..... | 1 |
| 33 | 606003 | | SWING OUT BATTERY TRAY LABEL..... | 1 |
| 34 | 630650 | | BATTERY VENTILATION DECAL..... | 1 |
| 35 | XXXXXX | | SWING OUT BATTERY TRAY 620458 BLACK | 1 |
| 36 | 632386G01 | | CUSHMAN TITAN XD PLATE..... | 2 |
| 37 | 71055G01 | | RIVET, 3/16" | 4 |
| 38 | | | | |
| 39 | | | | |
| 40 | 630558 | | STEERING COLUMN ACCESS COVER..... | 1 |
| 41 | 16705G3 | | TRUSS HEAD PHILLIPS SCREW (SS), 1/4 - 20 X 3/4" LG..... | 8 |
| 42 | 14776G1 | | 'J' TYPE RETAINER NUT, 1/4" - 20 | 8 |
| 43 | 625026 | | PLUG, 2 - 7/16" | 2 |
| 44 | 16816G5 | | RATCHET RIVET, .187" X .55" | 3 |
| 45 | 623717 | | STEERING COLUMN COVER | 1 |
| 46 | 829337 | | CARGO DECK (FOR VEHICLES MANUFACTURED BEFORE MARCH 19, 2017) | 1 |
| 47 | | | | |
| 48 | | | | |
| 49 | | | | |
| 50 | | | | |
| 51 | | | | |
| 52 | | | | |

BODY - 2 PASSENGER



BODY - 2 PASSENGER

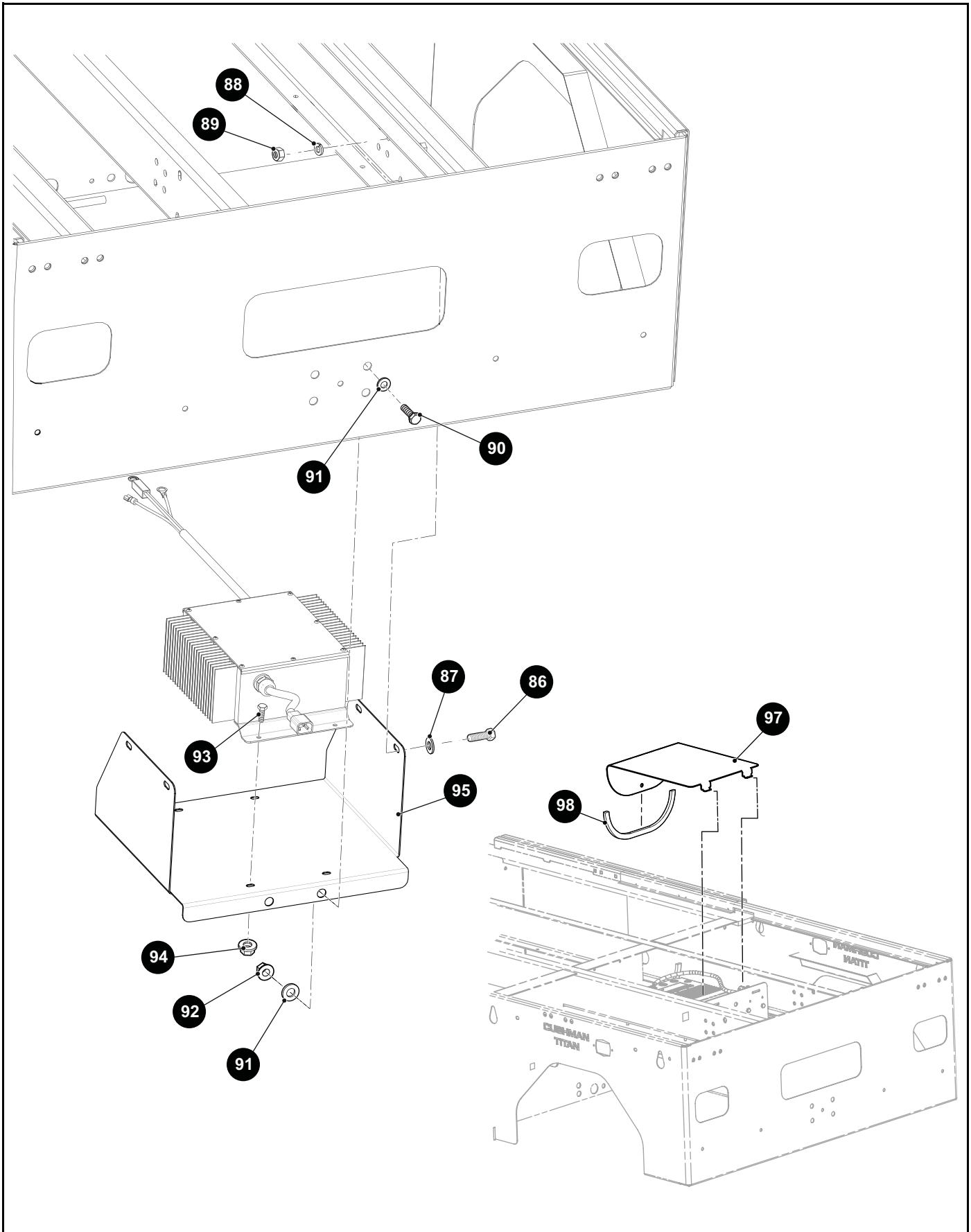
When ordering parts, please specify the model and serial number of the product.

* Indicates a component that is not available as an individual part.

*** Indicates consult Customer Service Department for additional information.

| ITEM | PART NO. | 1 2 3 4 5 | DESCRIPTION | QTY. |
|------|----------|-----------|--|------|
| 53 | | | | |
| 54 | | | | |
| 55 | 604999 | | LATCH HANDLE..... | 1 |
| 56 | 71704G01 | | HANDLE GRIP..... | 1 |
| 57 | | | | |
| 58 | 604737 | | UPPER PIVOT ASSEMBLY (INCLUDES BEARING)..... | 1 |
| 59 | 306416 | | HEX HEAD BOLT, 5/16" - 18 X 1" LG..... | 2 |
| 60 | 103867 | | FLAT WASHER, 5/16"..... | 2 |
| 61 | 306325 | | LOCK WASHER, 5/16"..... | 2 |
| 62 | 306932 | | HEX NUT, 5/16" - 18..... | 2 |
| 63 | 633700 | | PIVOT BEARING..... | 1 |
| 64 | 604644 | | STOP BRACKET..... | 1 |
| 65 | 00661G8 | | HEX HEAD BOLT, 1/4" - 20 X 1" LG..... | 3 |
| 66 | 308090 | | FLAT WASHER, 1/4"..... | 3 |
| 67 | 306396 | | LOCK WASHER, 1/4"..... | 3 |
| 68 | 306375 | | HEX NUT, 1/4" - 20..... | 3 |
| 69 | 813850 | | TRAVEL LIMITING BUMPER..... | 1 |
| 70 | 70113G01 | | ADJUSTABLE BUMPER..... | 1 |
| 71 | 11027G1 | | FLANGED LOCK NUT, 5/16" - 18..... | 1 |
| 72 | 00544G1 | | JAM NUT, 5/16" - 18..... | 1 |
| 73 | 604228 | | LATCH SPRING..... | 1 |
| 74 | 604993 | | LATCH..... | 1 |
| 75 | 00559G6 | | FLAT WASHER, #12..... | 1 |
| 76 | 00713G1 | | HEX HEAD FLANGE BOLT, #12 - 24 X 1/2" LG..... | 1 |
| 77 | 22754G4 | | FLIP - LOCK BUSHING..... | 1 |
| 78 | 605001 | | BELL CRANK LATCH..... | 1 |
| 79 | 00560G2 | | FLAT WASHER, 7/16"..... | 1 |
| 80 | 34434G01 | | BELLEVILLE WASHER, .750" O.D X .380" I.D. | 1 |
| 81 | 11098G5 | | FLANGED LOCK NUT, 3/8" - 16..... | 1 |
| 82 | 605000 | | LATCH LINKAGE ROD..... | 1 |
| 83 | 22754G04 | | FLIP - LOCK BUSHING..... | 1 |

BODY - 2 PASSENGER



BODY - 2 PASSENGER

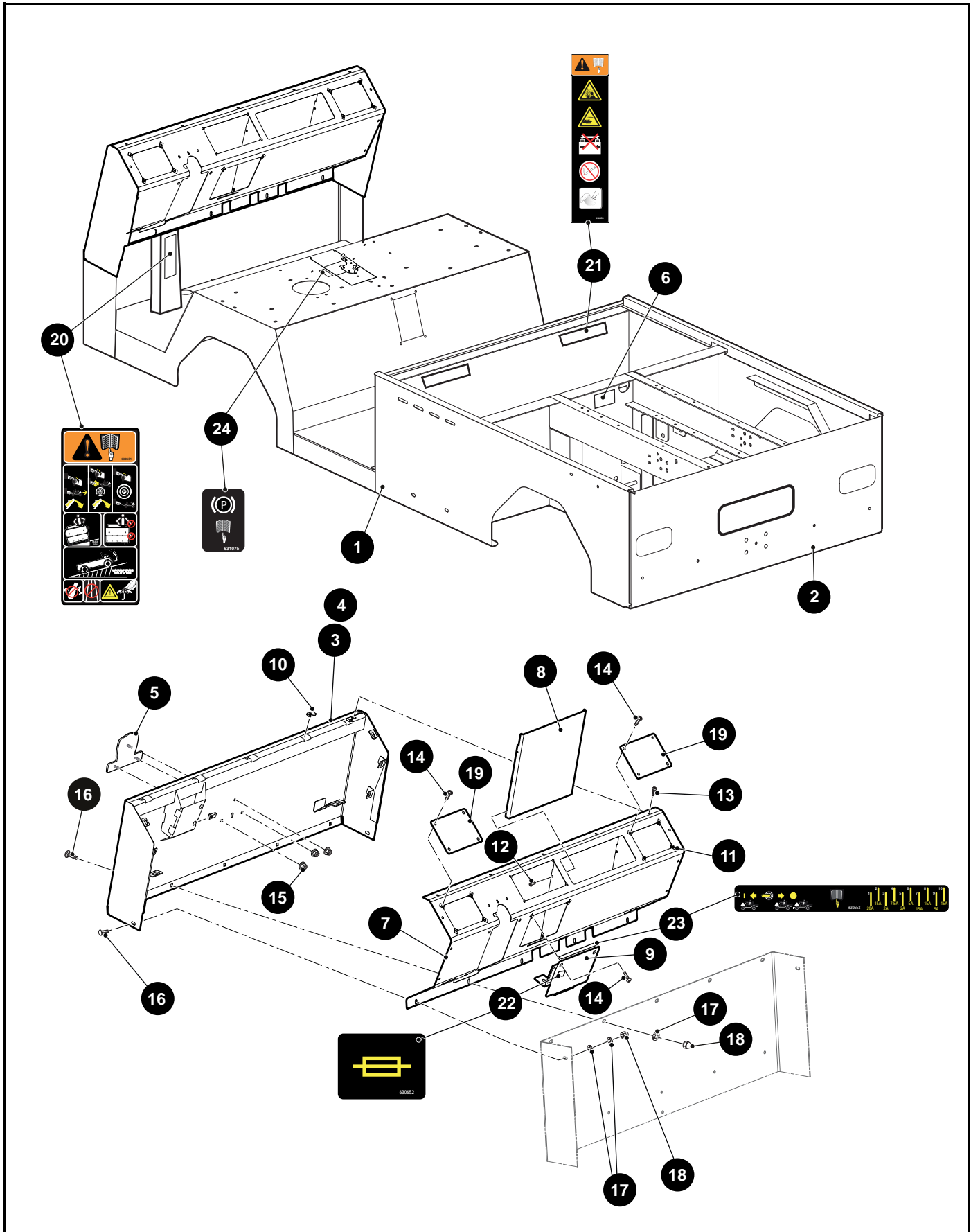
When ordering parts, please specify the model and serial number of the product.

* Indicates a component that is not available as an individual part.

*** Indicates consult Customer Service Department for additional information.

| ITEM | PART NO. | 1 2 3 4 5 | DESCRIPTION | QTY. |
|------|----------|-----------|---|------|
| 84 | 605863 | | PIVOT TUBE BUSHING | 1 |
| 85 | 00560G2 | | FLAT WASHER, 7/16" | 1 |
| 86 | 00438G6 | | HEX HEAD BOLT, 5/16" - 18 X 3/4" LG | 4 |
| 87 | 00559G8 | | FLAT WASHER, 5/16" | 4 |
| 88 | 306325 | | LOCK WASHER, 5/16" | 4 |
| 89 | 00532G3 | | HEX NUT, 5/16" - 18 | 4 |
| 90 | 800385 | | HEX HEAD FLANGE BOLT, 3/8" - 16 X 3/4" LG | 2 |
| 91 | 00922G2 | | FLAT WASHER, 3/8" | 4 |
| 92 | 800698 | | CROWN LOCK FLANGE NUT, 3/8" - 16 | 2 |
| 93 | 00414G4 | | HEX HEAD BOLT, 1/4" - 20 X 1/2" LG | 4 |
| 94 | 11027G2 | | FLANGE LOCK NUT, 1/4" - 20 | 4 |
| 95 | 602017 | | CHARGER BRACKET | 1 |
| 96 | | | | |
| 97 | 600276 | | CONTROLLER/SOLENOID MOUNT COVER | 1 |
| 98 | 22280G1 | | TRIM Q, 14.5" LG | 1 |

BODY - 4 PASSENGER



BODY - 4 PASSENGER

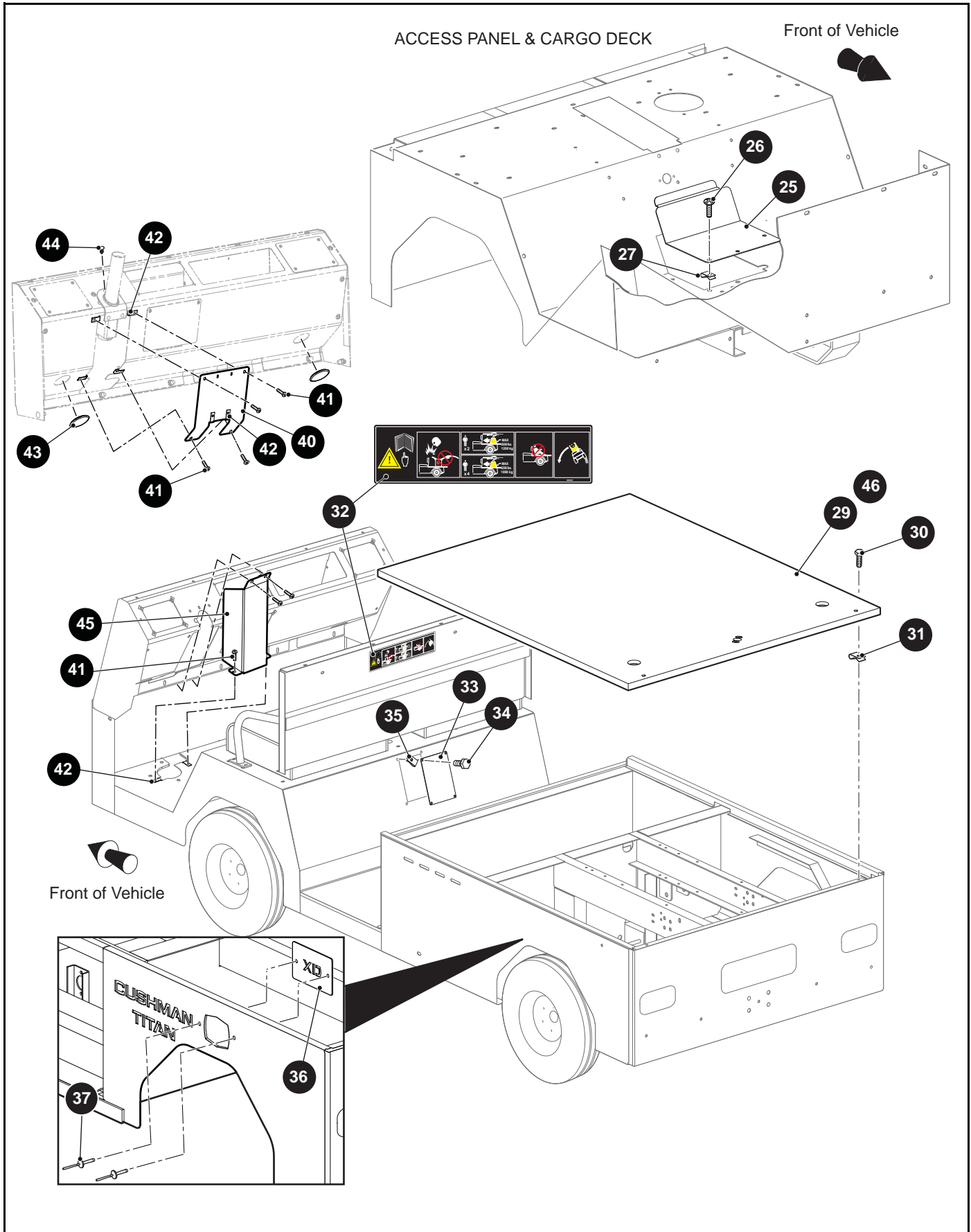
When ordering parts, please specify the model and serial number of the product.

* Indicates a component that is not available as an individual part.

*** Indicates consult Customer Service Department for additional information.

| ITEM | PART NO. | 1 2 3 4 5 | DESCRIPTION | QTY. |
|------|----------|-----------|--|------|
| 1 | XXXXXX | | BODY FRAME WELDMENT (4 PASSENGER) (SELECT COLOR) 652564 SAFETY YELLOW 652566 FOREST GREEN 652567 ARCTIC WHITE 652570 FLAME RED | 1 |
| 2 | 600405 | | REAR BODY PANEL | 1 |
| 3 | XXXXXX | | COWL 628447 SAFETY YELLOW 628448 FOREST GREEN 628449 ARCTIC WHITE 628450 FLAME RED | 1 |
| 4 | XXXXXX | | COWL WITHOUT HEAD LIGHT 628872 SAFETY YELLOW 628873 FOREST GREEN 628874 ARCTIC WHITE 628875 FLAME RED | 1 |
| 5 | 624539 | | CUSHMAN NAME PLATE | 1 |
| 6 | 73398G01 | | FAULT CODE DECAL..... | 1 |
| 7 | 624204 | | DASH PANEL WELDMENT | 1 |
| 8 | 628167 | | POCKET PLATE DASH | 1 |
| 9 | 623861 | | FUSE BLOCK PANEL..... | 11 |
| 10 | 800279 | | SPEED NUT, 1/4" - 20, (U-TYPE)..... | 17 |
| 11 | 635982 | | SPEED NUT, #8..... | 10 |
| 12 | 00614G4 | | PAN HEAD PHILLIPS SCREW, #8 - 18 X 1/2" LG | 6 |
| 13 | 16705G2 | | PAN HEAD SCREW, 1/4" - 20 X 5/8" LG..... | 13 |
| 14 | 00614G4 | | PAN HEAD PHILLIPS SCREW, #8 - 18 X 1/2" LG | 16 |
| 15 | 71597G01 | | SELF THREADING NUT, 5 X 10 X 15MM | 3 |
| 16 | 800557 | | CARRIAGE BOLT, 5/16" - 18 X 3/4" LG | 7 |
| 17 | 00565G8 | | LOCK WASHER, 5/16" | 9 |
| 18 | 00520G3 | | ACORN NUT, 3/8" - 16 | 7 |
| 19 | 628852 | | SWITCH PLATE..... | 2 |
| 20 | 630651 | | INSTRUCTION DECAL | 1 |
| 21 | 630650 | | BATTERY VENTILATION DECAL..... | 2 |
| 22 | 630652 | | FUSE DOOR DECAL..... | 1 |
| 23 | 630653 | | RUN/TOW FUSE DECAL | 1 |
| 24 | 631075 | | PARK BRAKE DECAL | 1 |

BODY - 4 PASSENGER



BODY - 4 PASSENGER

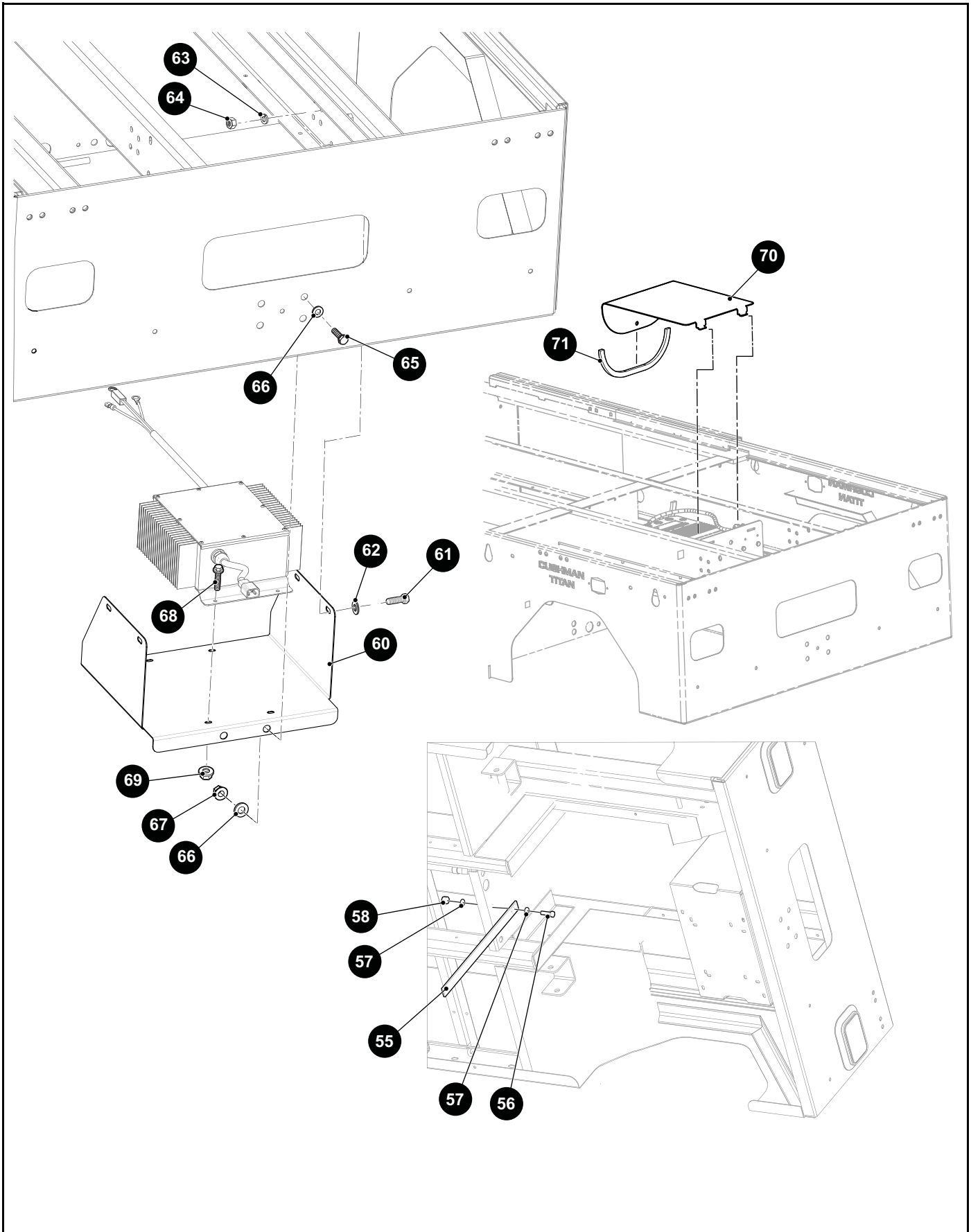
When ordering parts, please specify the model and serial number of the product.

* Indicates a component that is not available as an individual part.

*** Indicates consult Customer Service Department for additional information.

| ITEM | PART NO. | 1 2 3 4 5 | DESCRIPTION | QTY. |
|------|-----------|-----------|---|------|
| 25 | XXXXXX | | ACCESS COVER 613042 BLACK | 1 |
| 26 | 71056G01 | | TRUSS HEAD BOLT, 5/16" - 18 X 5/8" LG | 3 |
| 27 | 01024G01 | | 'J' NUT, 5/16" - 18 | 3 |
| 28 | 600945 | | IGNITION SWITCH DECAL (NOT ILLUSTRATED)..... | 1 |
| 29 | 656571 | | DECK WOOD (REAR) (FOR VEHICLES MANUFACTURED AFTER MARCH 19, 2017) | 1 |
| 30 | 800017 | | PAN HEAD PHILLIPS SCREW, 1/4" - 20 X 1" LG | 2 |
| 31 | 800279 | | 'U' NUT, 1/4" - 20 | 2 |
| 32 | 600947 | | LOAD BED DECAL..... | 1 |
| 33 | 613046 | | PARK BRAKE ACCESS COVER..... | 1 |
| 34 | 306419 | | HEX HEAD BOLT, 1/4" - 20 X 1/2" LG | 4 |
| 35 | 800279 | | 'U' NUT, 1/4" - 20 | 4 |
| 36 | 632386G01 | | CUSHMAN TITAN XD LOGO | 1 |
| 37 | 71055G01 | | RIVET, 3/16" | 1 |
| 38 | | | | |
| 39 | | | | |
| 40 | 630558 | | STEERING COLUMN ACCESS COVER..... | 1 |
| 41 | 16705G3 | | TRUSS HEAD PHILLIPS SCREW (SS), 1/4" - 20 X 3/4" LG | 8 |
| 42 | 14776G1 | | 'J' TYPE RETAINER NUT, 1/4" - 20 | 8 |
| 43 | 625026 | | PLUG, 2 - 7/16" | 2 |
| 44 | 16816G5 | | RATCHET RIVET, .187" X .55" | 3 |
| 45 | 623717 | | STEERING COLUMN COVER | 1 |
| 46 | 837630 | | DECK WOOD (REAR) (FOR VEHICLES MANUFACTURED BEFORE MARCH 19, 2017) | 1 |
| 47 | | | | |
| 48 | | | | |
| 49 | | | | |
| 50 | | | | |
| 51 | | | | |
| 52 | | | | |
| 53 | | | | |

BODY - 4 PASSENGER



BODY - 4 PASSENGER

When ordering parts, please specify the model and serial number of the product.

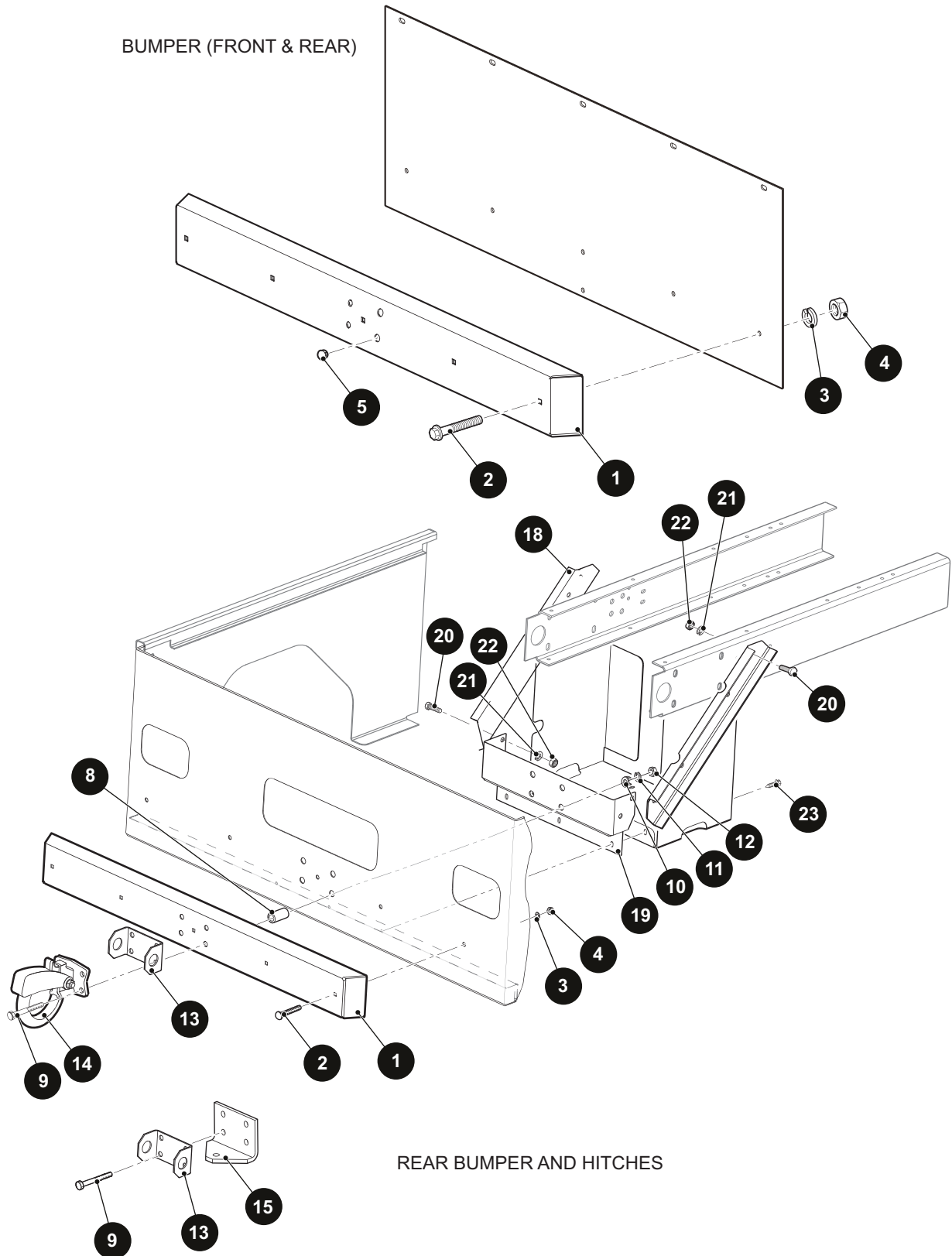
* Indicates a component that is not available as an individual part.

*** Indicates consult Customer Service Department for additional information.

| ITEM | PART NO. | 1 2 3 4 5 | DESCRIPTION | QTY. |
|------|----------|-----------|---|------|
| 54 | | | | |
| 55 | 35213G02 | | CONDUCTIVE GROUND STRAP | 1 |
| 56 | 00427G2 | | HEX HEAD BOLT, 3/8" - 16 X 1 1/4" LG | 1 |
| 57 | 00560G1 | | FLAT WASHER, 3/8" | 2 |
| 58 | 11098G4 | | LOCK NUT, 3/8" - 16 | 1 |
| 59 | | | | |
| 60 | 602017 | | CHARGER BRACKET | 1 |
| 61 | 00438G6 | | HEX HEAD BOLT, 5/16" - 18 X 3/4" LG | 4 |
| 62 | 00559G8 | | FLAT WASHER, 5/16" | 4 |
| 63 | 306325 | | LOCK WASHER, 5/16" | 4 |
| 64 | 00532G3 | | HEX NUT, 5/16" - 18 | 4 |
| 65 | 800385 | | HEX HEAD FLANGE BOLT, 3/8" - 16 X 3/4" LG | 2 |
| 66 | 00922G2 | | FLAT WASHER, 3/8" | 4 |
| 67 | 800698 | | CROWN LOCK FLANGE NUT, 3/8" - 16 | 2 |
| 68 | 00414G4 | | HEX HEAD BOLT, 1/4" - 20 X 1/2" LG | 4 |
| 69 | 11027G2 | | FLANGE LOCK NUT, 1/4" - 20 | 4 |
| 70 | 600276 | | CONTROLLER/SOLENOID MOUNT COVER | 1 |
| 71 | 22280G1 | | TRIM Q, 14.5" LG | 1 |

BODY - ACCESSORIES

BUMPER (FRONT & REAR)



REAR BUMPER AND HITCHES

BODY - ACCESSORIES

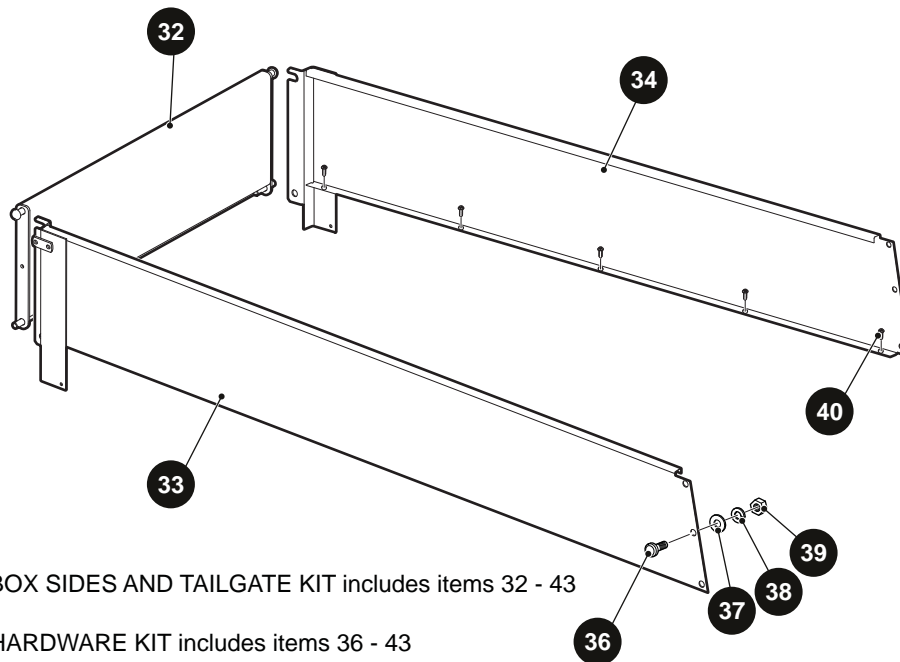
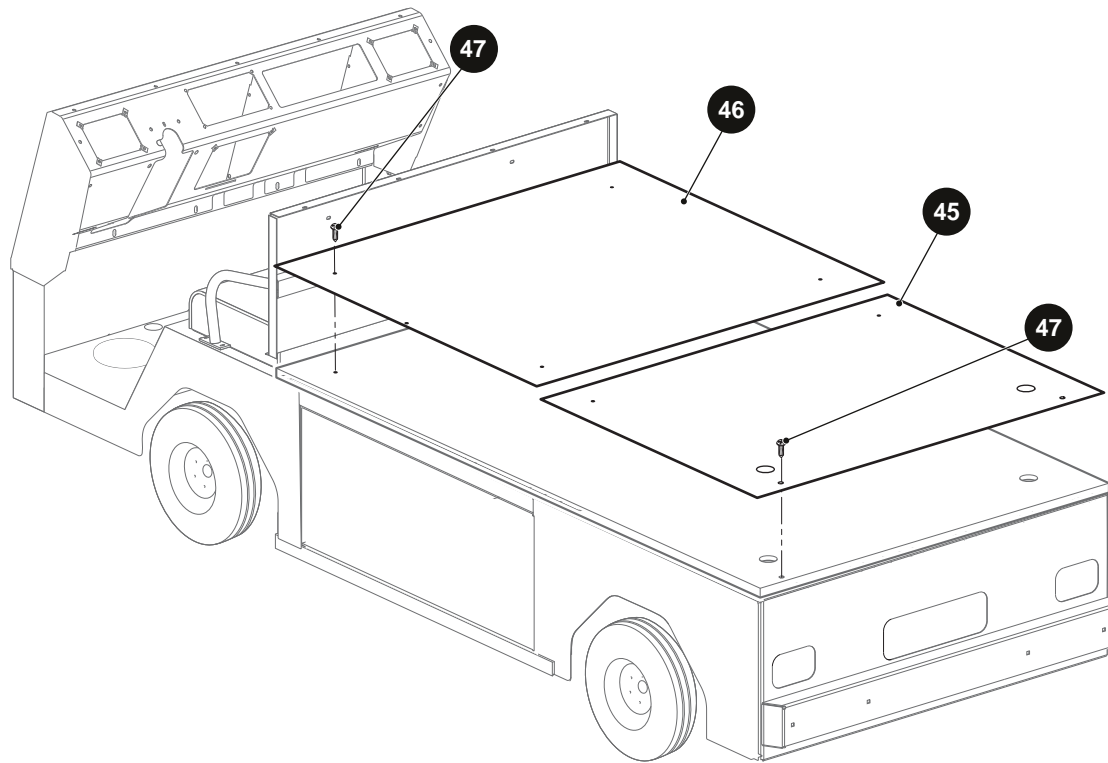
When ordering parts, please specify the model and serial number of the product.

* Indicates a component that is not available as an individual part.

*** Indicates consult Customer Service Department for additional information.

| ITEM | PART NO. | 1 2 3 4 5 | DESCRIPTION | QTY. |
|------|-----------|-----------|--|------|
| 1 | 886325 | | BUMPER..... | 1 |
| 2 | 800352 | | CARRIAGE BOLT, 5/16" - 18 X 3" LG | 5 |
| 3 | 306325 | | LOCK WASHER, 5/16" | 5 |
| 4 | 306932 | | HEX NUT, 5/16" - 18 | 5 |
| 5 | 602328 | | PLASTIC PLUG | 4 |
| 6 | | | | |
| 7 | | | | |
| 8 | 830023 | | SPACER, 1" O.D X 1 29/32" LG | 4 |
| 9 | 00405G8 | | HEX HEAD BOLT, 1/2" - 13 X 4" LG..... | 4 |
| 10 | 30809G1 | | FLAT WASHER, 1/2"..... | 4 |
| 11 | 120166 | | LOCK WASHER, 1/2" | 4 |
| 12 | 308332 | | HEX NUT, 1/2" - 13 | 4 |
| 13 | 828197G01 | | SAFETY CHAIN BRACKET..... | 1 |
| 14 | 825153 | | PINTLE HITCH | 1 |
| 15 | 822829 | | CLEVIS HITCH | 1 |
| 16 | | | | |
| 17 | | | | |
| 18 | 829648 | | HITCH BRACE..... | 2 |
| 19 | 602164 | | HITCH MOUNTING BRACKET | 1 |
| 20 | 306414 | | HEX HEAD BOLT, 3/8" - 16 X 1" LG..... | 8 |
| 21 | 120177 | | LOCK WASHER, 3/8" | 8 |
| 22 | 306562 | | HEX NUT, 3/8" - 16 | 8 |
| 23 | 00114G6 | | FLANGE HEAD BOLT, 1/4" - 14 X 3/4" LG..... | 3 |
| 24 | | | | |
| 25 | | | | |
| 26 | | | | |
| 27 | | | | |
| 28 | | | | |
| 29 | | | | |
| 30 | | | | |

BODY - ACCESSORIES



31 BOX SIDES AND TAILGATE KIT includes items 32 - 43

35 HARDWARE KIT includes items 36 - 43

BODY - ACCESSORIES

When ordering parts, please specify the model and serial number of the product.

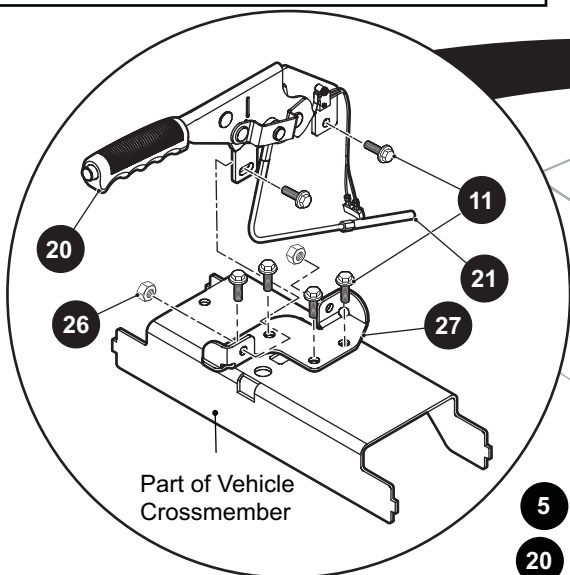
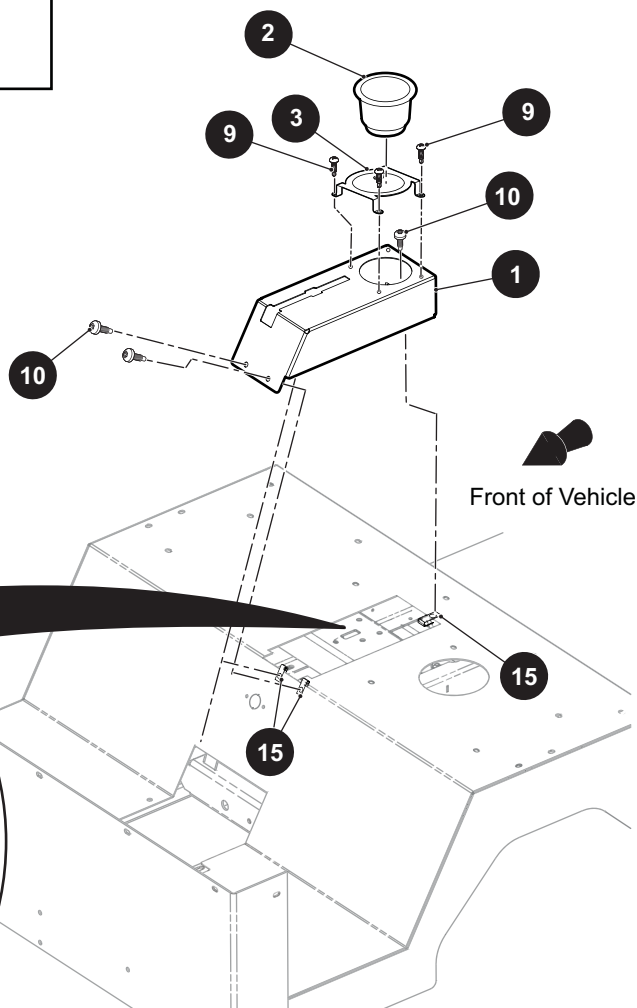
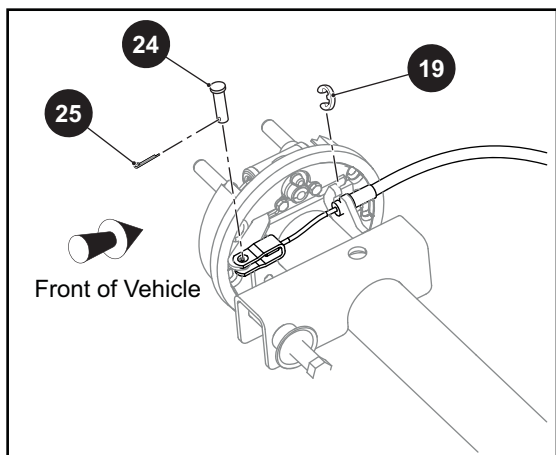
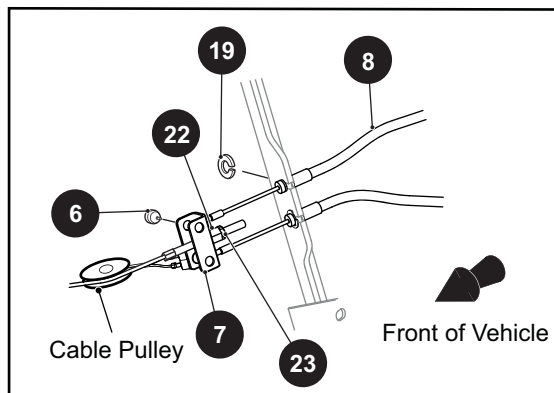
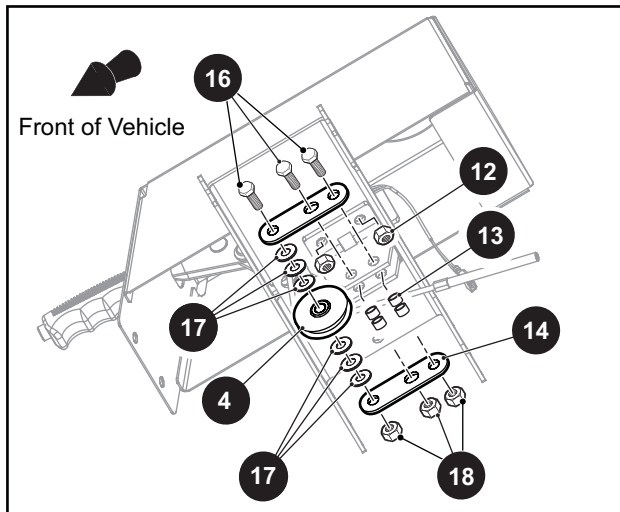
* Indicates a component that is not available as an individual part.

*** Indicates consult Customer Service Department for additional information.

| ITEM | PART NO. | 1 2 3 4 5 | DESCRIPTION | QTY. |
|------|-----------|-----------|---|------|
| 31 | 886467GXX | | BOX SIDES AND TAILGATE KIT (INCLUDES ITEM 32 - 43) 886467G01 SAFETY YELLOW 886467G02 ARCTIC WHITE 886467G03 FOREST GREEN 886467G04 FLAMES RED | 1 |
| 32 | 88XXXXX | | TAILGATE 886653G01 SAFETY YELLOW 886653G02 ARCTIC WHITE 886653G03 FOREST GREEN 886653G04 FLAMED RED | 1 |
| 33 | 88XXXXX | | PASSENGER SIDE PANEL..... 886654G01 SAFETY YELLOW 886654G02 ARCTIC WHITE 886654G03 FOREST GREEN 886654G04 FLAMED RED | 1 |
| 34 | 88XXXXX | | DRIVER SIDE PANEL 886655G01 SAFETY YELLOW 886655G02 ARCTIC WHITE 886655G03 FOREST GREEN 886655G04 FLAMED RED | 1 |
| 35 | 886740GXX | | HARDWARE KIT (INCLUDES ITEMS 36 - 43) | 1 |
| 36 | 800026 | | ROUND HEAD PHILLIPS SCREW, 1/4" - 20 X 3/4" LG..... | 14 |
| 37 | 308090 | | FLAT WASHER, 1/4" | 14 |
| 38 | 306396 | | LOCK WASHER, 1/4" | 14 |
| 39 | 306375 | | HEX NUT, 1/4" - 20..... | 14 |
| 40 | 112050 | | TAPPING SCREW, 1/4" - 20 X 5/8" LG | 10 |
| 41 | 808222 | | CONNECTOR LINK (NOT ILLUSTRATED)..... | 2 |
| 42 | 820434 | | TAILGATE CHAIN (NOT ILLUSTRATED)..... | 2 |
| 43 | 809978 | | CHAIN COVER (NOT ILLUSTRATED)..... | 2 |
| 44 | | | | |
| 45 | 829993 | | REAR DECK PLATE | 1 |
| 46 | 829863 | | FRONT DECK PLATE | 1 |
| 47 | 00130G5 | | ROUND HEAD PHILLIPS SCREW, #10 - 13 X .62" LG | 8 |

BRAKES - PARK BRAKE

FOR VEHICLES MANUFACTURED BEFORE 14 JUNE 2017



5 EQUALIZER & BRAKE CABLE ASSEMBLY includes items 6 - 8

20 BRAKE LEVER ASSEMBLY includes item 21

BRAKES - PARK BRAKE

When ordering parts, please specify the model and serial number of the product.

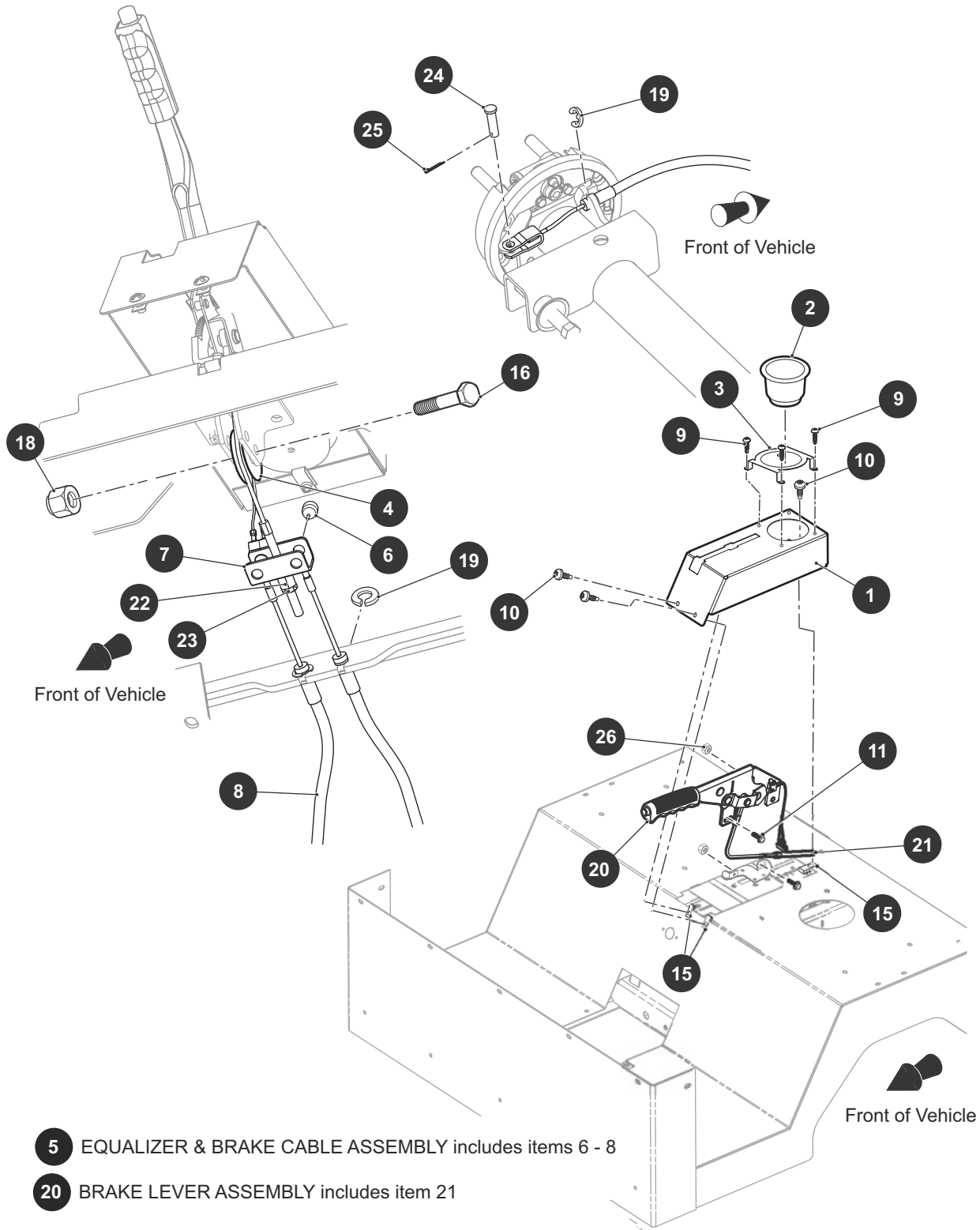
* Indicates a component that is not available as an individual part.

*** Indicates consult Customer Service Department for additional information.

| ITEM | PART NO. | 1 2 3 4 5 | DESCRIPTION | QTY. |
|------|----------|-----------|---|------|
| 1 | 652432 | | PARK BRAKE CONSOLE..... | 1 |
| 2 | 651221 | | CUP HOLDER | 1 |
| 3 | 651922 | | CUP HOLDER BRACKET | 1 |
| 4 | 75789G01 | | BRAKE CABLE PULLEY | 1 |
| 5 | 656402 | | EQUALIZER & BRAKE CABLE ASSEMBLY (INCLUDES ITEMS 6 - 8) | 1 |
| 6 | 28083G01 | | BRAKE COMPENSATOR BUMPER | 2 |
| 7 | 28082G01 | | EQUALIZER BRACKET | 1 |
| 8 | 627529 | | PARK BRAKE CABLE | 2 |
| 9 | 00106G6 | | PAN HEAD PHILLIPS SELF TAPPING SCREW, #12 - 14 X .75" LG..... | 4 |
| 10 | 16705G3 | | TRUSS HEAD PHILLIPS SCREW, 1/4" - 20 X 3/4" LG | 3 |
| 11 | 13437G3 | | HEX HEAD FLANGE BOLT, 5/16" - 18 X 1" LG | 6 |
| 12 | 800290 | | CENTRAL LOCK HEX NUT, 5/16" - 18..... | 4 |
| 13 | 23726G2 | | SPACER | 4 |
| 14 | 652479 | | PULLEY BRACKET | 2 |
| 15 | 14776G1 | | 'J' TYPE RETAINER NUT, 1/4" - 20..... | 3 |
| 16 | 00427G4 | | HEX HEAD BOLT, 3/8" - 16 X 1 1/2" LG | 3 |
| 17 | 00560G1 | | FLAT WASHER, 3/8" (TYPE B) | 6 |
| 18 | 00891G5 | | LOCK NUT, 3/8" - 16..... | 3 |
| 19 | 01111G01 | | RETAINING RING, 13/32" | 4 |
| 20 | 652544 | | BRAKE LEVER ASSEMBLY I(INCLUDES ITEM 21)..... | 1 |
| 21 | 652546 | | BRAKE CABLE | 1 |
| 22 | 629486 | | SPHERICAL HEX NUT, 5/16" - 24..... | 1 |
| 23 | 00544G4 | | HEX JAM NUT, 5/16" - 24..... | 1 |
| 24 | 10386G3 | | CLEVIS PIN, 5/16" X 13/16" | 2 |
| 25 | 10387G3 | | COTTER PIN, 3/32" X 3/4" | 2 |
| 26 | 800290 | | CENTRAL LOCK HEX NUT, 5/16" - 18..... | 2 |
| 27 | 652486 | | BRAKE BRACKET ASSEMBLY | 1 |

BRAKES - PARK BRAKE

FOR VEHICLES MANUFACTURED AFTER 14 JUNE 2017



BRAKES - PARK BRAKE

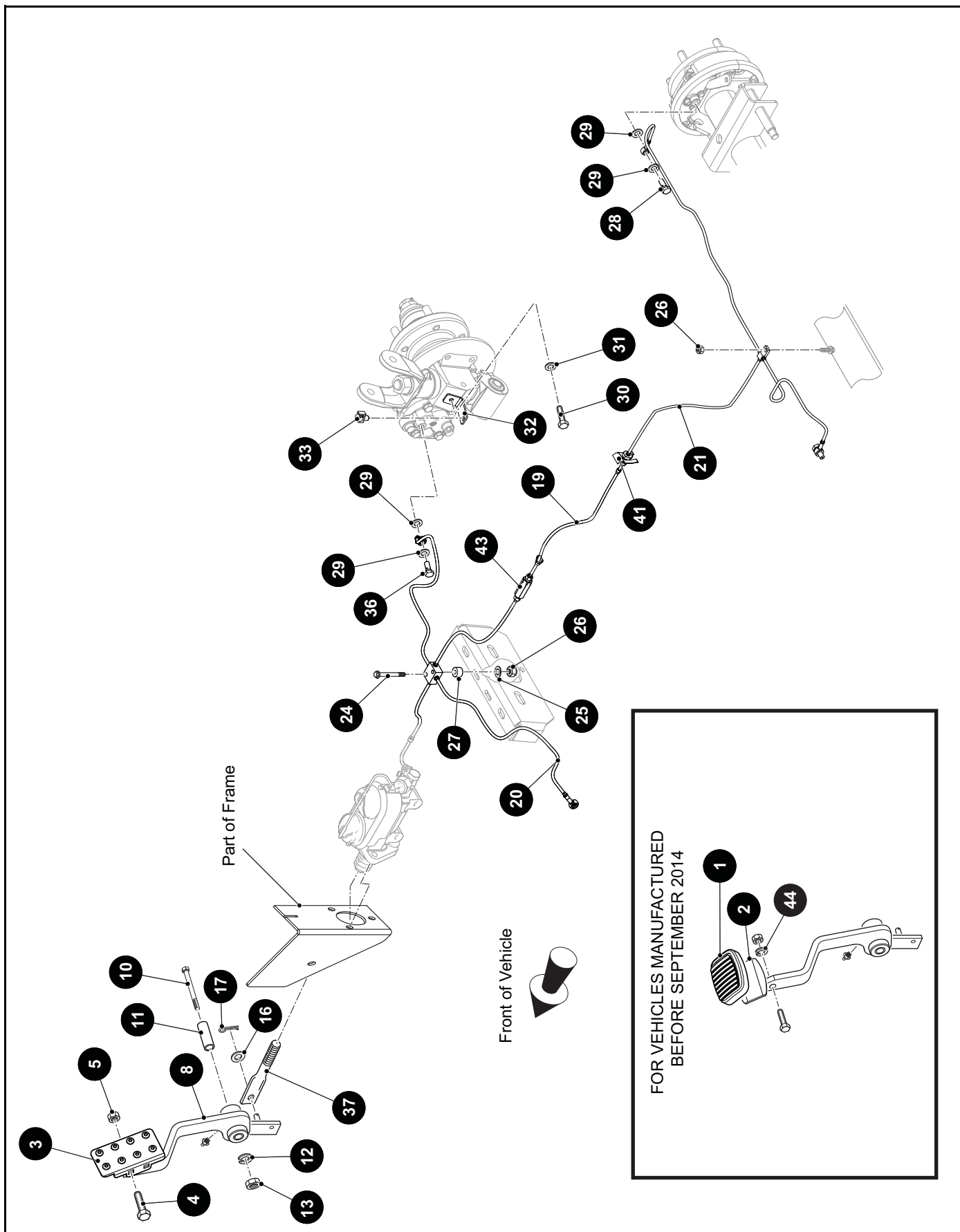
When ordering parts, please specify the model and serial number of the product.

* Indicates a component that is not available as an individual part.

*** Indicates consult Customer Service Department for additional information.

| ITEM | PART NO. | 1 2 3 4 5 | DESCRIPTION | QTY. |
|------|----------|-----------|---|------|
| 1 | 652432 | | PARK BRAKE CONSOLE..... | 1 |
| 2 | 651221 | | CUP HOLDER | 1 |
| 3 | 651922 | | CUP HOLDER BRACKET | 1 |
| 4 | 75789G01 | | BRAKE CABLE PULLEY | 1 |
| 5 | 656402 | | EQUALIZER & BRAKE CABLE ASSEMBLY (INCLUDES ITEMS 6 - 8) | 1 |
| 6 | 28083G01 | | BRAKE COMPENSATOR BUMPER | 2 |
| 7 | 28082G01 | | EQUALIZER BRACKET | 1 |
| 8 | 627529 | | PARK BRAKE CABLE | 2 |
| 9 | 00106G6 | | PAN HEAD PHILLIPS SELF TAPPING SCREW, #12 - 14 X .75" LG..... | 4 |
| 10 | 16705G3 | | TRUSS HEAD PHILLIPS SCREW, 1/4" - 20 X 3/4" LG | 3 |
| 11 | 13437G3 | | HEX HEAD FLANGE BOLT, 5/16" - 18 X 1" LG | 2 |
| 12 | | | | |
| 13 | | | | |
| 14 | | | | |
| 15 | 14776G1 | | 'J' TYPE RETAINER NUT, 1/4" - 20..... | 3 |
| 16 | 00427G4 | | HEX HEAD BOLT, 3/8" - 16 X 1 1/2" LG | 1 |
| 17 | | | | |
| 18 | 11098G5 | | LOCK NUT, 3/8" - 16..... | 1 |
| 19 | 01111G01 | | RETAINING RING, 13/32" | 4 |
| 20 | 652544 | | BRAKE LEVER ASSEMBLY (INCLUDES ITEM 21)..... | 1 |
| 21 | 652546 | | BRAKE CABLE | 1 |
| 22 | 629486 | | SPHERICAL HEX NUT, 5/16" - 24..... | 1 |
| 23 | 00544G4 | | HEX JAM NUT, 5/16" - 24..... | 1 |
| 24 | 10386G3 | | CLEVIS PIN, 5/16" X 13/16" | 2 |
| 25 | 10387G3 | | COTTER PIN, 3/32" X 3/4" | 2 |
| 26 | 800290 | | CENTRAL LOCK HEX NUT, 5/16" - 18..... | 2 |

BRAKES - HYDRAULIC BRAKE



BRAKES - HYDRAULIC BRAKE

When ordering parts, please specify the model and serial number of the product.

* Indicates a component that is not available as an individual part.

*** Indicates consult Customer Service Department for additional information.

| ITEM | PART NO. | 1 2 3 4 5 | DESCRIPTION | QTY. |
|------|----------|-----------|---|------|
| 1 | 810152 | | PEDAL PAD (FOR VEHICLES MANUFACTURED BEFORE SEPTEMBER 2014) | 1 |
| 2 | 875212 | | PEDAL (FOR VEHICLES MANUFACTURED BEFORE SEPTEMBER 2014) | 1 |
| 3 | 840419 | | SPEED CONTROL PEDAL..... (FOR VEHICLES MANUFACTURED FROM SEPTEMBER 2014) | 1 |
| 4 | 800557 | | C BOLT, 5/16" - 18 X .75" LG..... | 1 |
| 5 | 00891G3 | | LOCK NUT, 5/16" - 18..... | 1 |
| 6 | | | | |
| 7 | | | | |
| 8 | 601097 | | BRAKE PEDAL LEVER | 1 |
| 9 | | | | |
| 10 | 01068G01 | | HEX HEAD BOLT, 7/16" - 14 X 3 1/2" LG..... | 1 |
| 11 | 837612 | | BUSHING, .45" I.D X .62" O.D X 1.81" LG | 1 |
| 12 | 303269 | | SPRING LOCK WASHER, 7/16" | 1 |
| 13 | 304364 | | HEX NUT, 7/16" - 14 | 1 |
| 14 | | | | |
| 15 | | | | |
| 16 | 103867 | | FLAT WASHER, 5/16"..... | 1 |
| 17 | 306328 | | COTTER PIN, .9" X .75" | 1 |
| 18 | | | | |
| 19 | 632700 | | MID HYDRAULIC BRAKE LINE | 1 |
| 20 | 632707 | | FRONT HYDRAULIC BRAKE LINE..... | 1 |
| 21 | 630363 | | REAR HYDRAULIC BRAKE LINE..... | 1 |
| 22 | | | | |
| 23 | 320107 | | TIE STRAP - ROPE (NOT ILLUSTRATED)..... | 1 |
| 24 | 306832 | | HEX HEAD BOLT, 1/4" - 20 X 2" LG..... | 1 |
| 25 | 00559G7 | | FLAT WASHER, 1/4"..... | 1 |
| 26 | 14390G4 | | LOCK NUT, 1/4" - 20..... | 2 |
| 27 | 75048G01 | | SPACER, .75" O.D X .32" I.D X .5" LG | 1 |
| 28 | 75683G01 | | BANJO BOLT, 3/8" - 24 X 1.11" LG..... | 2 |
| 29 | 75684G01 | | COPPER GASKET | 8 |

BRAKES - HYDRAULIC BRAKE

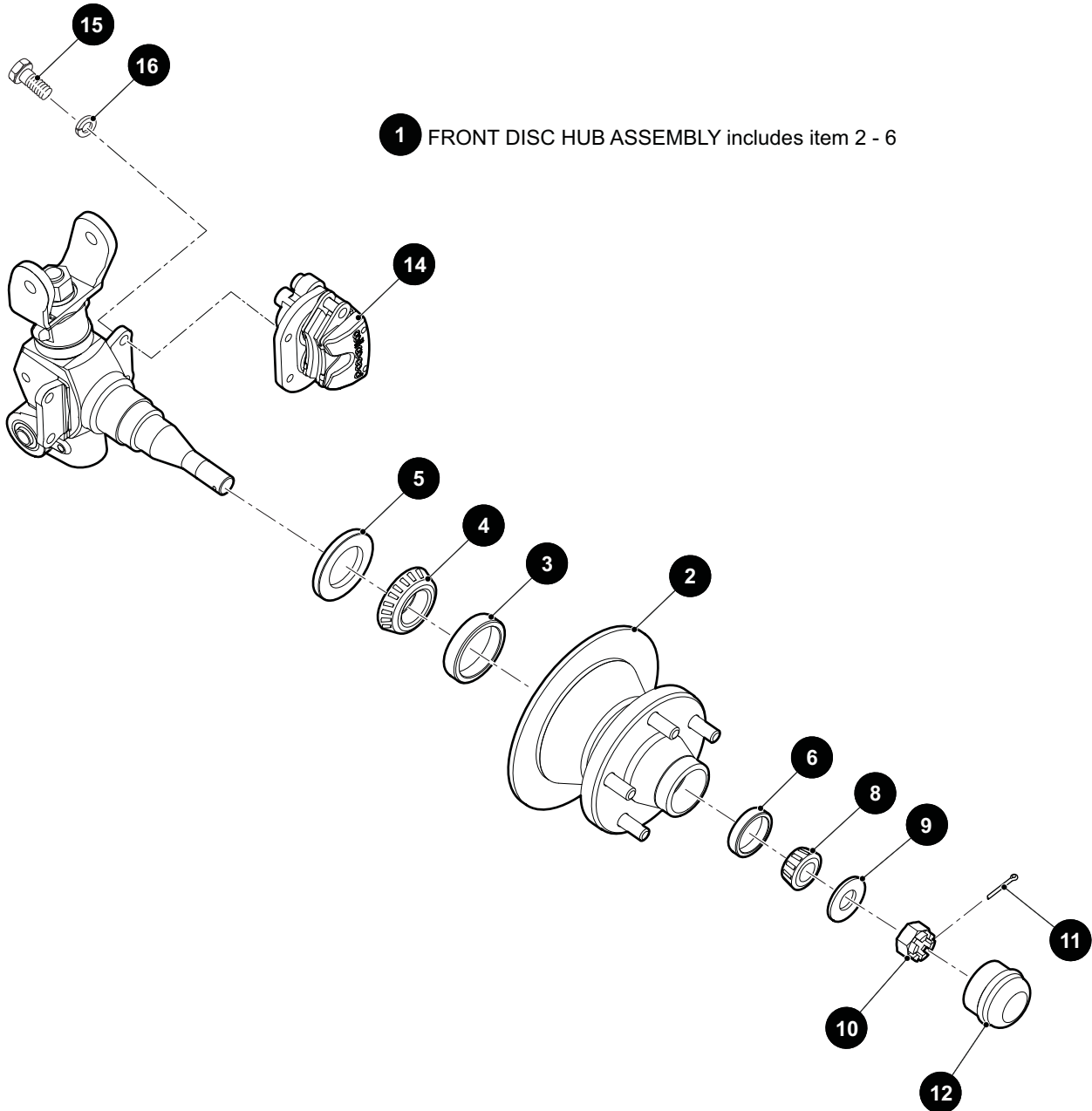
When ordering parts, please specify the model and serial number of the product.

* Indicates a component that is not available as an individual part.

*** Indicates consult Customer Service Department for additional information.

| ITEM | PART NO. | 1 2 3 4 5 | DESCRIPTION | QTY. |
|------|----------|-----------|--|------|
| 30 | 00414G5 | | HEX HEAD BOLT, 1/4" - 20 X 5/8" LG | 2 |
| 31 | 00664G7 | | LOCK WASHER, 1/4" | 2 |
| 32 | 630358 | | BRACKET, HYDRALIC BREAK LINE RETAINER..... | 2 |
| 33 | 74875G01 | | WIRE RETAINER | 2 |
| 34 | | | | |
| 35 | | | | |
| 36 | 616459 | | BANJO BOLT, M10 - 1 X 20MM LG | 2 |
| 37 | 829158 | | CONTROL ROD | 1 |
| 38 | | | | |
| 39 | | | | |
| 40 | 21504G1 | | BRAKE FLUID (NOT ILLUSTRATED)..... | AR |
| 41 | 809137 | | BRAKE TUBE CLIP..... | 1 |
| 42 | 320107 | | TIE STRAP - ROPE (NOT ILLUSTRATED) | 1 |
| 43 | 631273 | | RESIDUAL PRESSURE VALVE..... | 1 |

BRAKES - FRONT BRAKE



BRAKES - FRONT BRAKE

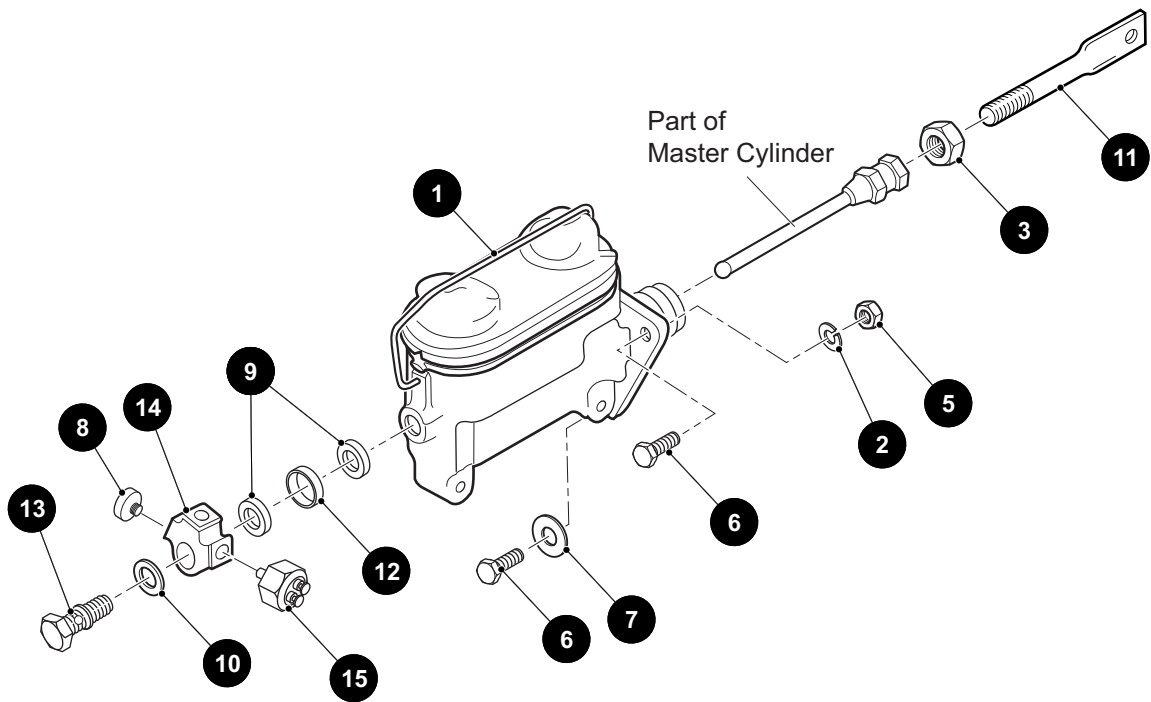
When ordering parts, please specify the model and serial number of the product.

* Indicates a component that is not available as an individual part.

*** Indicates consult Customer Service Department for additional information.

| ITEM | PART NO. | 1 2 3 4 5 | DESCRIPTION | QTY. |
|------|----------|-----------|---|------|
| 1 | 624368 | | FRONT DISC HUB ASSEMBLY (INCLUDES ITEMS 2 - 6)..... | 1 |
| 2 | 624262 | | HUB & ROTOR DISC BRAKE..... | 1 |
| 3 | 548135 | | CUP BEARING..... | 1 |
| 4 | 548136 | | TAPERED ROLLER BEARING, 1.38" ID..... | 1 |
| 5 | 829256 | | SEAL..... | 1 |
| 6 | 11752G1 | | BEARING RACE..... | 1 |
| 7 | | | | |
| 8 | 385174 | | CONE BEARING..... | 2 |
| 9 | 103960 | | FLAT WASHER, 3/4"..... | 2 |
| 10 | 2702247 | | HEX CASTLE NUT, 3/4" - 16..... | 2 |
| 11 | 304636 | | COTTER PIN, 1/8" X 1 1/8" LG..... | 2 |
| 12 | 817250 | | GREASE CAP..... | 2 |
| 13 | | | | |
| 14 | 629681 | | CALIPER..... | 2 |
| 15 | 00426G6 | | HEX HEAD BOLT, 3/8" - 16 X 3/4" LG..... | 4 |
| 16 | 120177 | | LOCK WASHER, 3/8"..... | 4 |

BRAKES - MASTER CYLINDER



BRAKES - MASTER CYLINDER

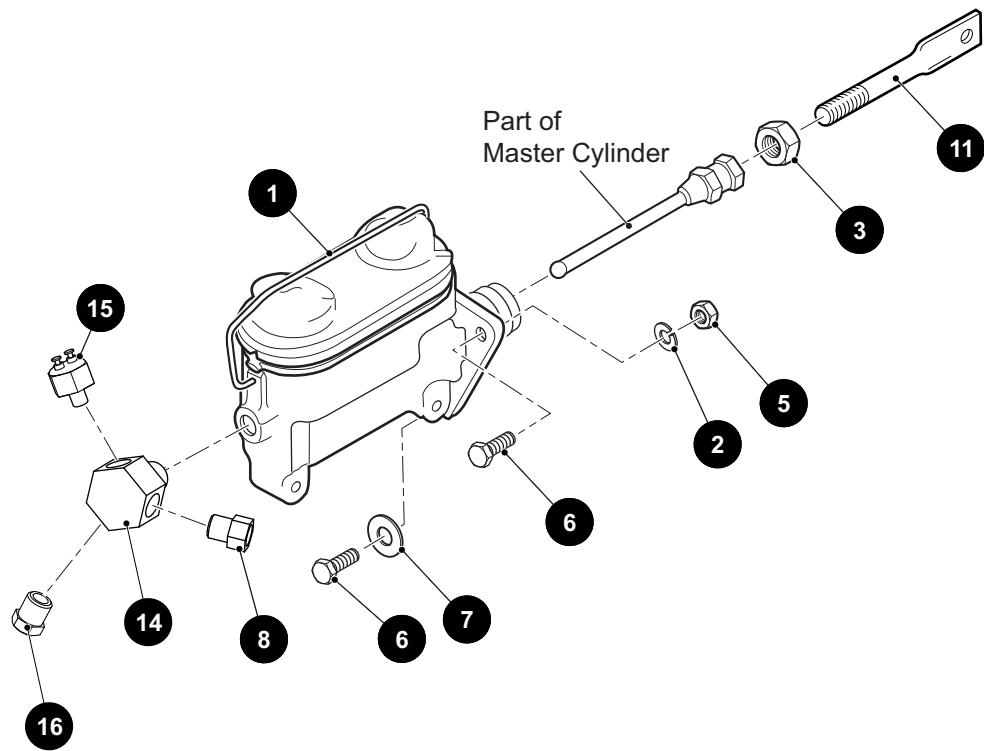
When ordering parts, please specify the model and serial number of the product.

* Indicates a component that is not available as an individual part.

*** Indicates consult Customer Service Department for additional information.

| ITEM | PART NO. | 1 2 3 4 5 | DESCRIPTION | QTY. |
|------|----------|-----------|--|------|
| 1 | 631193 | | MASTER CYLINDER..... | 1 |
| 2 | 120177 | | LOCK WASHER, 3/8" | 3 |
| 3 | 2702100 | | HEX NUT, 7/16" - 20 | 1 |
| 4 | | | | |
| 5 | 306562 | | HEX NUT, 3/8" - 16 | 3 |
| 6 | 306835 | | HEX HEAD BOLT, 3/8" - 16 X 1 1/4" LG | 3 |
| 7 | 603620 | | FLAT WASHER, 3/8" | 1 |
| 8 | 809423 | | PLUG, 1/8" - 27 | 1 |
| 9 | 810443 | | FLAT WASHER, 3/8" | 2 |
| 10 | 810444 | | OUTER SEALING WASHER, 3/8" | 1 |
| 11 | 829158 | | BRAKE ROD..... | 1 |
| 12 | 829844 | | BUSHING..... | 1 |
| 13 | 839140 | | MASTER CYLINDER BOLT, 1/2" - 20 X 1.406" | 1 |
| 14 | 830817 | | BRASS MANIFOLD | 1 |
| 15 | 21510G1 | | STOPLIGHT SWITCH | 1 |

BRAKES - MASTER CYLINDER



BRAKES - MASTER CYLINDER

When ordering parts, please specify the model and serial number of the product.

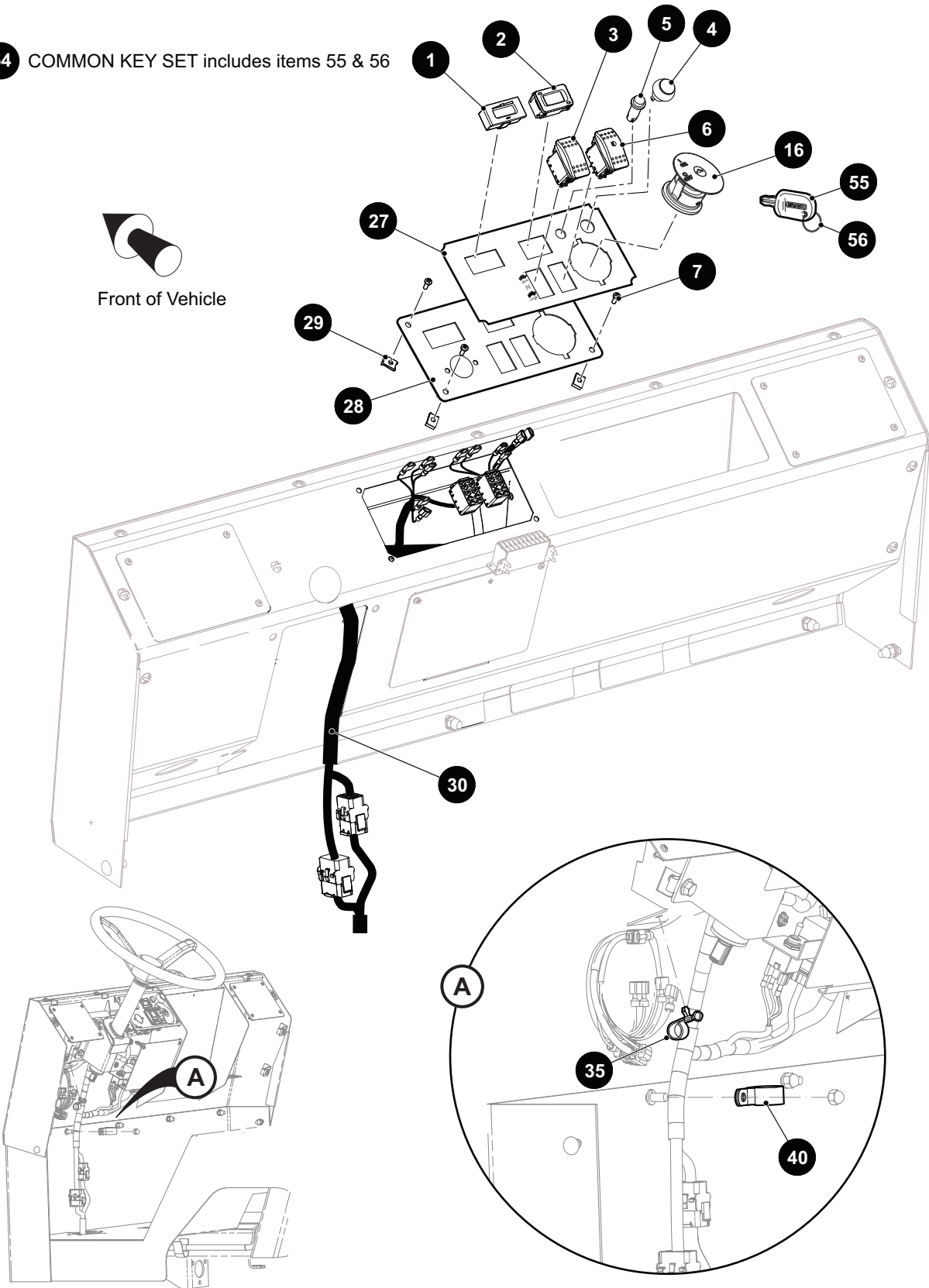
* Indicates a component that is not available as an individual part.

*** Indicates consult Customer Service Department for additional information.

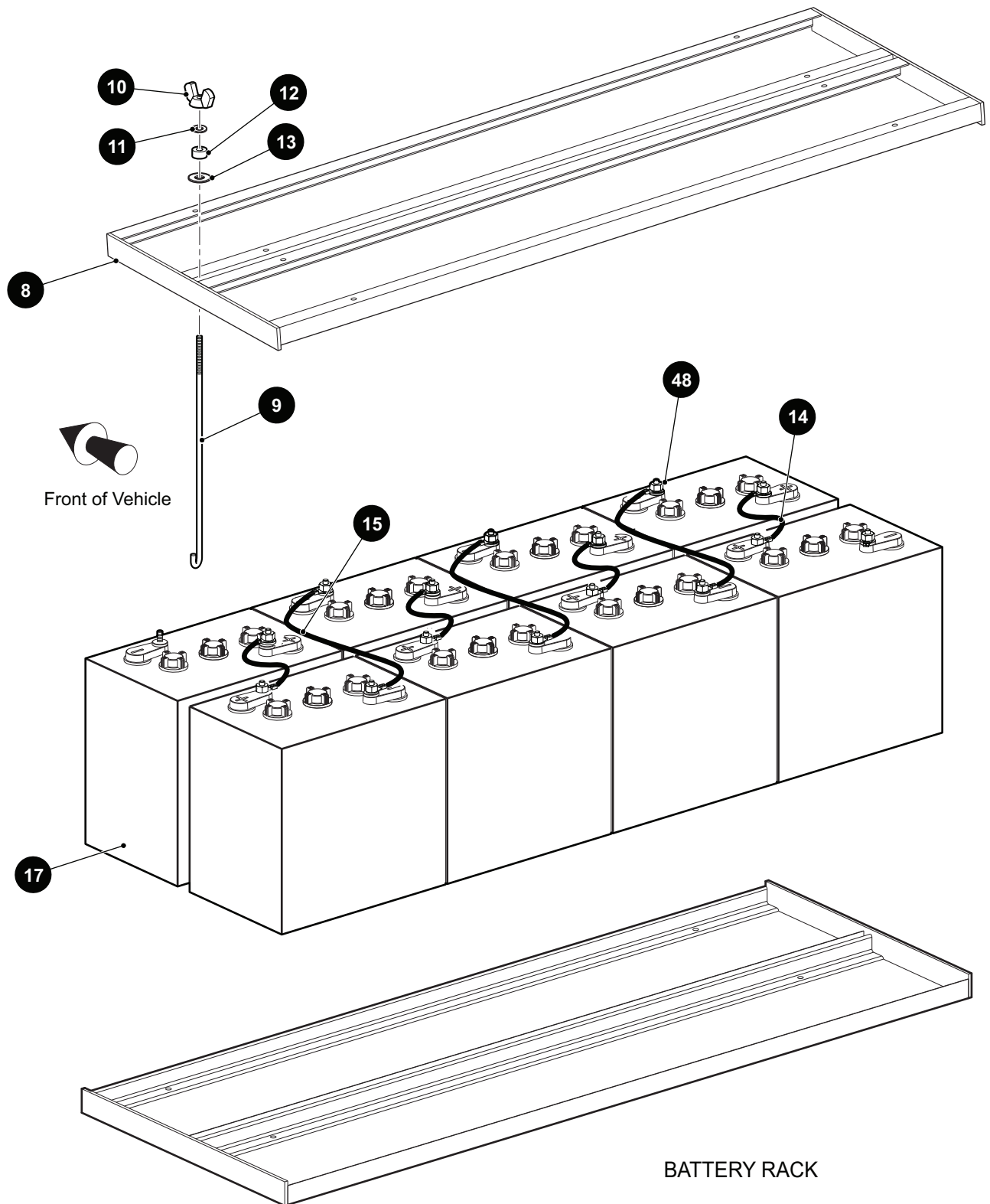
| ITEM | PART NO. | 1 2 3 4 5 | DESCRIPTION | QTY. |
|------|----------|-----------|---|------|
| 1 | 631193 | | MASTER CYLINDER..... | 1 |
| 2 | 120177 | | LOCK WASHER, 3/8" | 3 |
| 3 | 00532G8 | | HEX NUT, 1/4" - 20 | 1 |
| 4 | | | | |
| 5 | 306562 | | HEX NUT, 3/8" - 16 | 3 |
| 6 | 306835 | | HEX HEAD BOLT, 3/8" - 16 X 1 1/4" LG..... | 3 |
| 7 | 603620 | | FLAT WASHER, 3/8" | 1 |
| 8 | 33724G01 | | INVERTED FLARE FITTING | 1 |
| 9 | | | | |
| 10 | | | | |
| 11 | 829158 | | BRAKE ROD..... | 1 |
| 12 | | | | |
| 13 | | | | |
| 14 | 26469G01 | | MALE BRANCH TEE | 1 |
| 15 | 21510G1 | | STOPLIGHT SWITCH | 1 |
| 16 | 21503G1 | | PIPE PLUG | 1 |
| 17 | 22283G1 | | TEFLON TAPE, 6" (NOT ILLUSTRATED) | 1 |

ELECTRICAL SYSTEM

54 COMMON KEY SET includes items 55 & 56

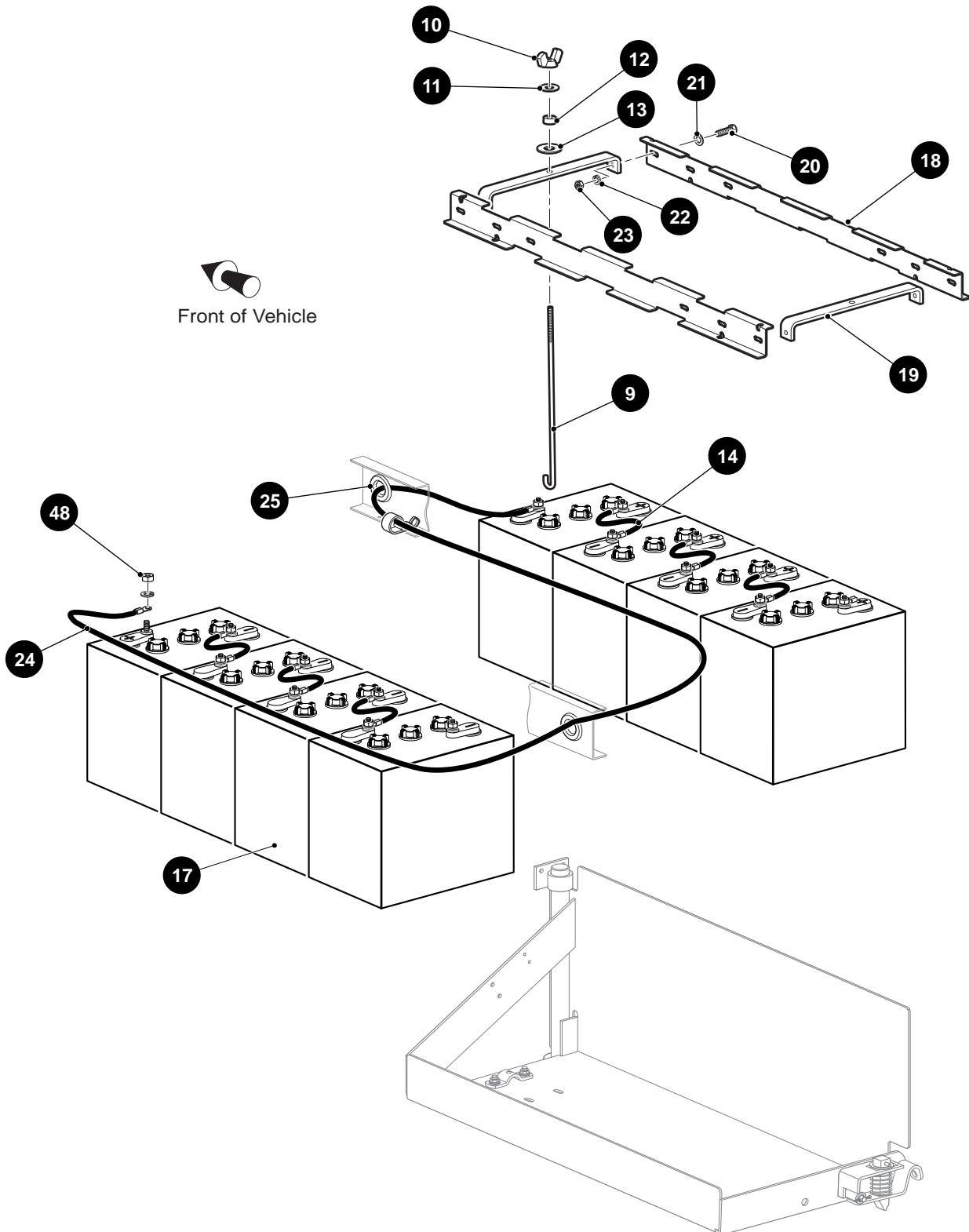


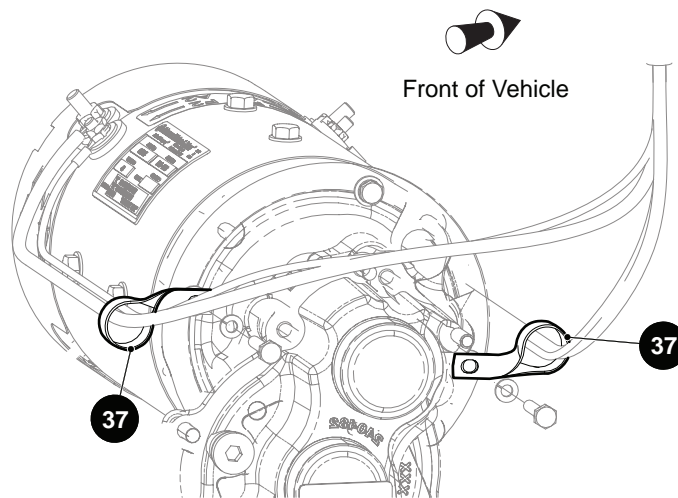
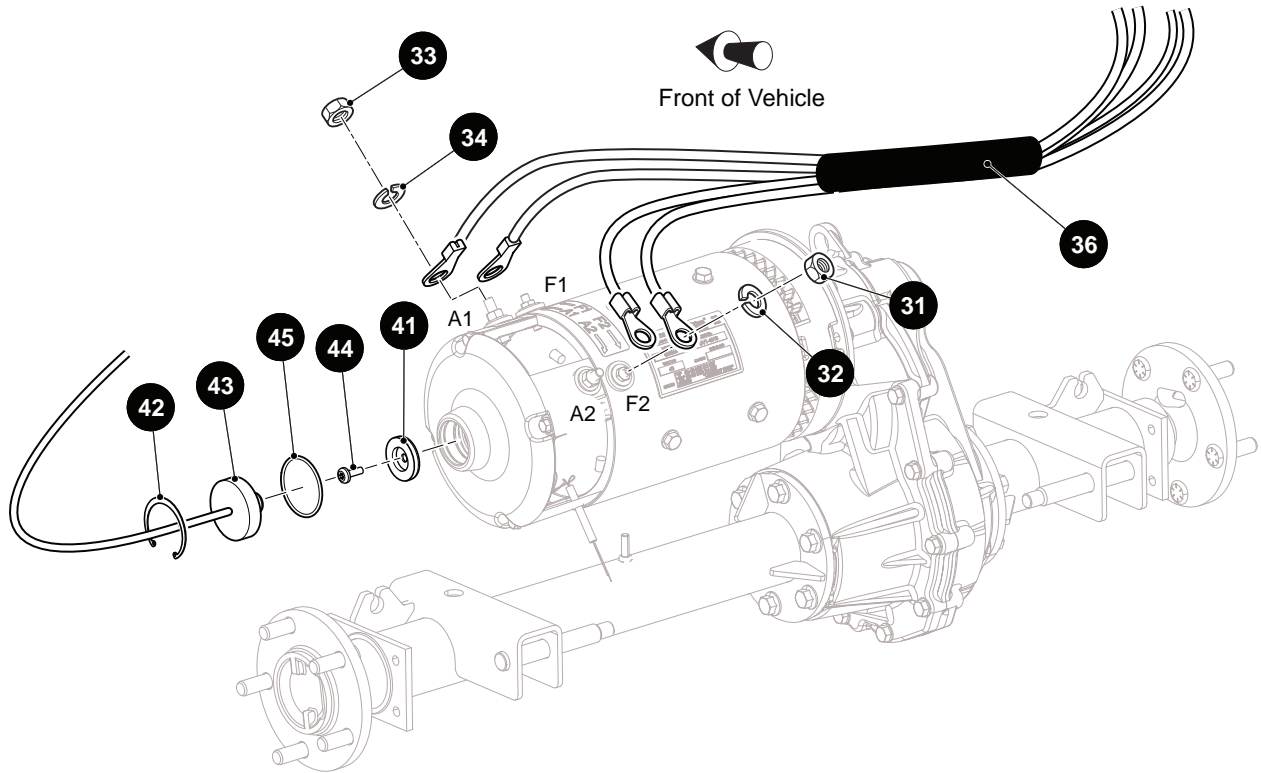
4 PASSENGER BATTERY HOLD DOWN AND BATTERY CONNECTIONS



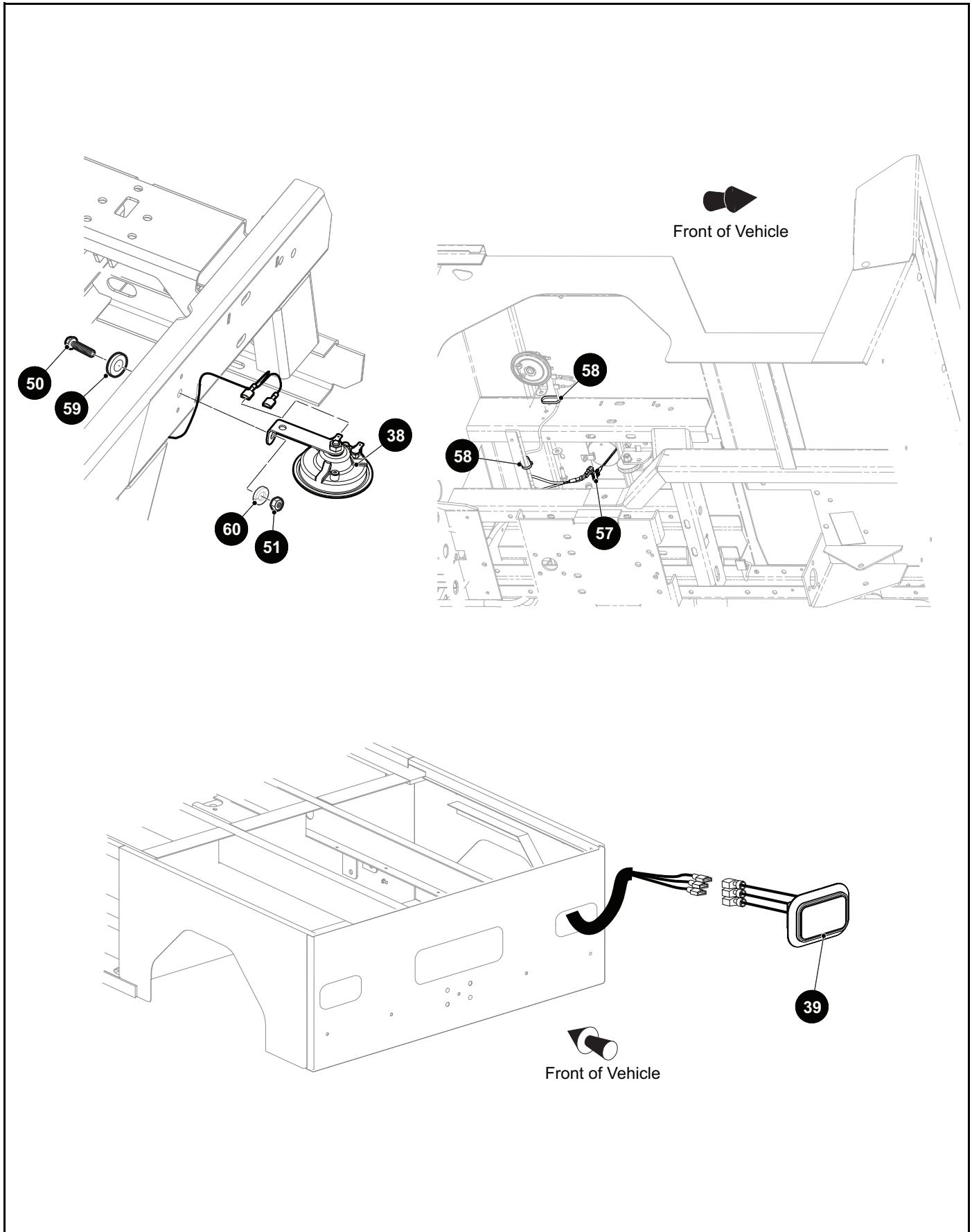
ELECTRICAL SYSTEM

FOR VEHICLES MANUFACTURED BEFORE 19JAN2014
2 PASSENGER BATTERY HOLD DOWN AND BATTERY CONNECTIONS





ELECTRICAL SYSTEM



ELECTRICAL SYSTEM

When ordering parts, please specify the model and serial number of the product.

* Indicates a component that is not available as an individual part.

*** Indicates consult Customer Service Department for additional information.

| ITEM | PART NO. | 1 2 3 4 5 | DESCRIPTION | QTY. |
|------|----------|-----------|--|------|
| 1 | 33636G03 | | STATE OF CHARGE METER, 48V | 1 |
| 2 | 620133 | | HOUR METER..... | 1 |
| 3 | 629341 | | DIRECTION SELECTOR..... | 1 |
| 4 | 624131 | | HORN BUTTON..... | 1 |
| 5 | 23474G1 | | FUEL LIGHT | 1 |
| 6 | 618789 | | HEADLIGHT SWITCH (2 POSITION)..... | 1 |
| 7 | 18464G1 | | SELF TAPPING SCREW, #8 - 7/8 X 1" LG..... | 4 |
| 8 | 612633 | | BATTERY FRAME | 1 |
| 9 | 604197 | | BATTERY HOOK, 5/16" - 18 X 10.79" LG | 4 |
| 10 | 800315 | | WING NUT, 5/16" - 18..... | 2 |
| 11 | 103867 | | FLAT WASHER, 5/16"..... | 2 |
| 12 | 818303 | | RUBBER SPACER | 2 |
| 13 | 809152 | | FLAT WASHER, 5/16"..... | 2 |
| 14 | 25971G13 | | #4 AWG WIRE, 10.5" LG | 4 |
| 15 | 25971G14 | | #4 AWG WIRE, 15" LG | 3 |
| 16 | 611284 | | IGNITION SWITCH..... | 1 |
| 17 | *** | | BATTERY | 8 |
| 18 | 2703801 | | BATTERY HOLD DOWN | 4 |
| 19 | 829835 | | BATTERY HOLD DOWN END..... | 4 |
| 20 | 308090 | | FLAT WASHER, 1/4"..... | 8 |
| 21 | 00414G7 | | HEX HEAD BOLT, 1/4" - 20 X 7/8" LG | 8 |
| 22 | 306396 | | LOCK WASHER, 1/4" | 8 |
| 23 | 306375 | | HEX NUT, 1/4" - 20 | 8 |
| 24 | 600553 | | #4 WIRE ASSEMBLY..... | 1 |
| 25 | 829997 | | RUBBER GROMMET | 2 |
| 26 | | | | |
| 27 | 633996 | | DASH BOARD DECAL | 1 |
| 28 | 633954 | | INSTRUMENT PANEL..... | 1 |
| 29 | 635982 | | SPEED NUT, #8..... | 4 |
| 30 | 626266 | | FRONT HARNESS | 1 |

ELECTRICAL SYSTEM

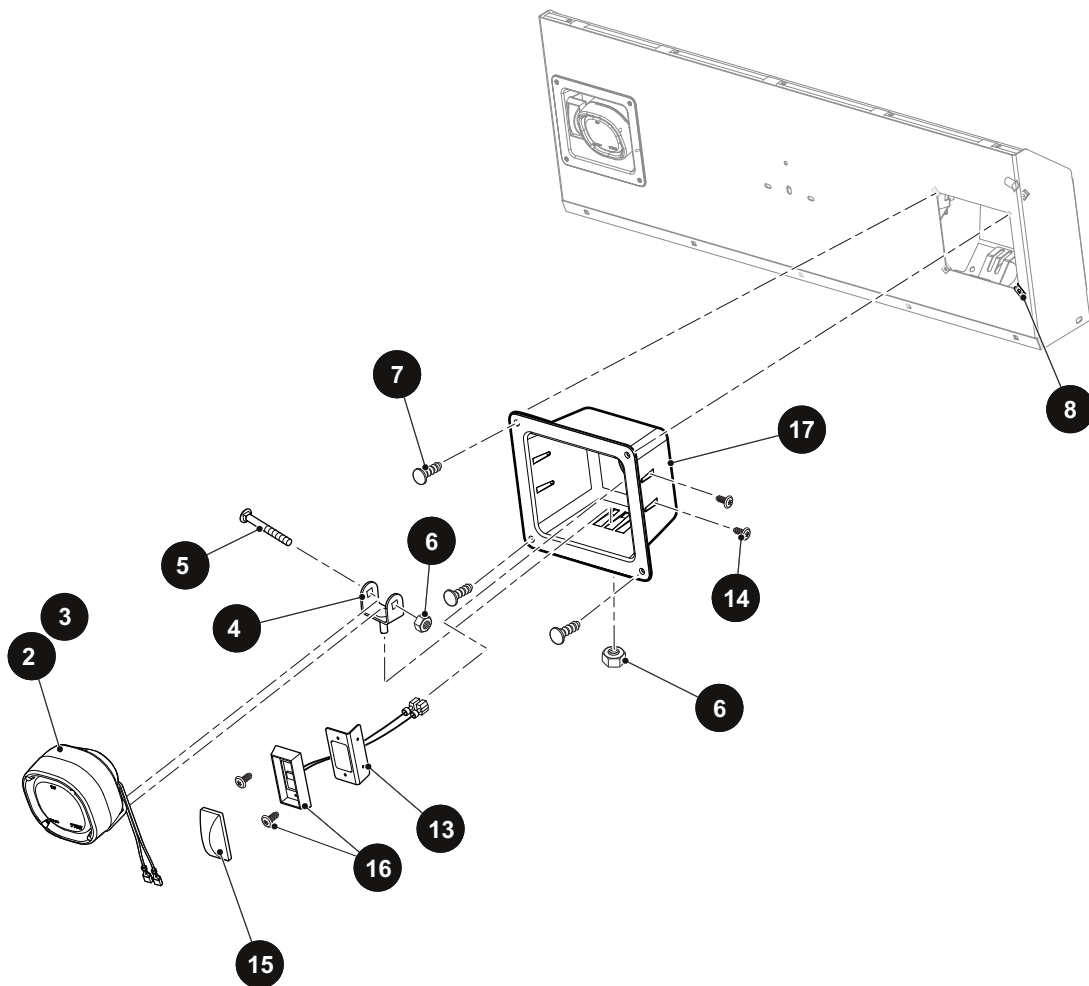
When ordering parts, please specify the model and serial number of the product.

* Indicates a component that is not available as an individual part.

*** Indicates consult Customer Service Department for additional information.

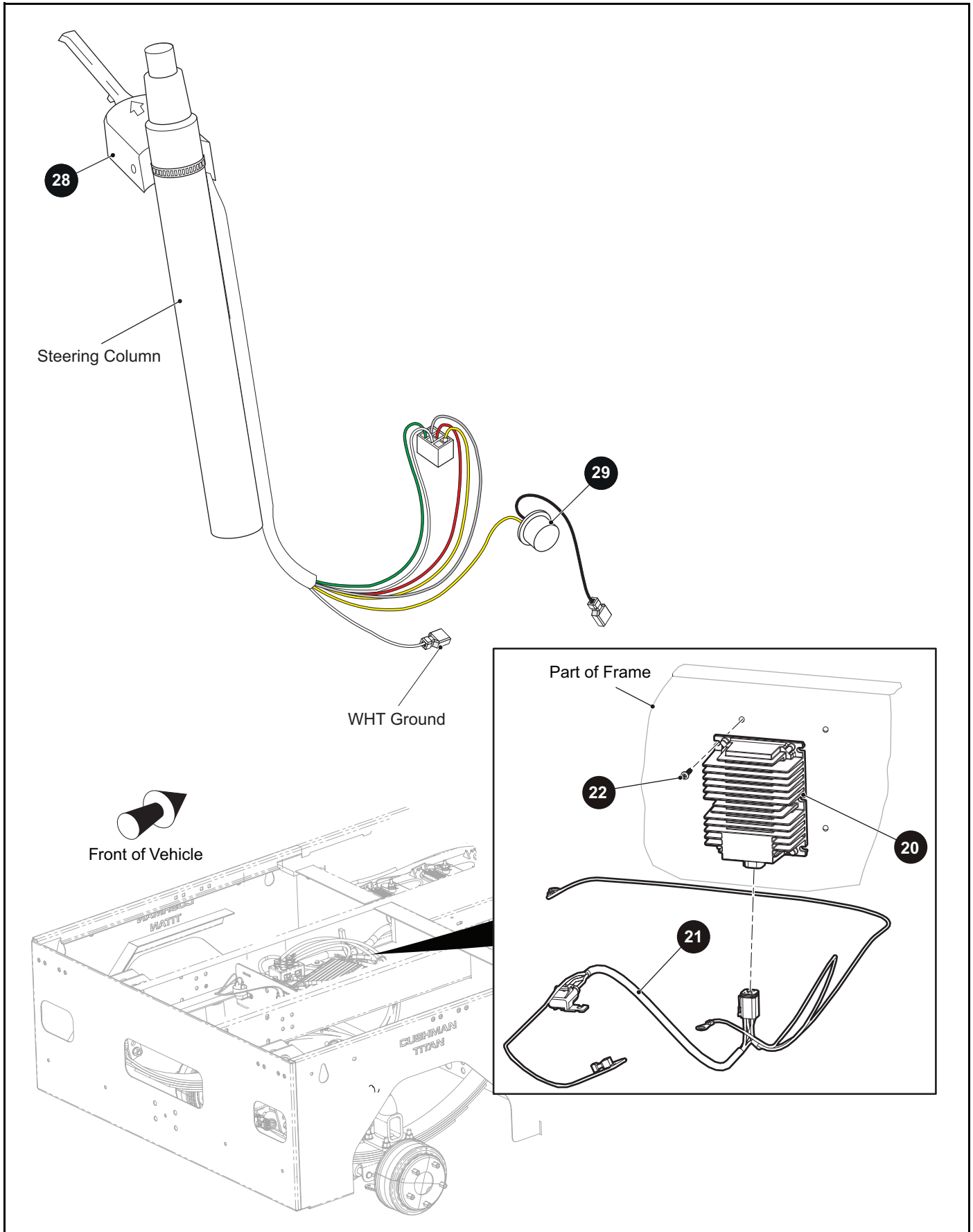
| ITEM | PART NO. | 1 2 3 4 5 | DESCRIPTION | QTY. |
|------|-----------|-----------|---|------|
| 31 | 28418G02 | | HEX NUT, 1/4" - 20..... | 2 |
| 32 | 00993G02 | | LOCK WASHER, 1/4"..... | 2 |
| 33 | 28418G01 | | HEX NUT, 5/16" - 18..... | 2 |
| 34 | 00993G01 | | LOCK WASHER, 5/16"..... | 2 |
| 35 | 73864G02 | | HARNES CLAMP, 3/4"..... | 1 |
| 36 | 632519 | | POWER HARNES | 1 |
| 37 | 27327G02 | | TWISTED CLAMP..... | 2 |
| 38 | 629676 | | HORN WITH BRACKET..... | 1 |
| 39 | 627547 | | LED TAILLIGHT..... | 2 |
| 40 | 630761 | | LOOP CLAMP..... | 1 |
| 41 | 73328G01 | | SPEED SENSOR MAGNET..... | 1 |
| 42 | 73277G01 | | RETAINING RING..... | 1 |
| 43 | 600784 | | SPEED SENSOR..... | 1 |
| 44 | 01037G02 | | TORX PAN HEAD SCREW, #10 - 32 X 1/2" LG..... | 1 |
| 45 | 624109 | | O - RING..... | 1 |
| 46 | 626688 | | REAR HARNES (NOT ILLUSTRATED)..... | 1 |
| 47 | 630974 | | BATTERY FILL SYSTEM (NOT ILLUSTRATED)..... | 1 |
| 48 | 00702G2 | | HEX NUT, 5/16" - 18..... | 16 |
| 49 | 75711G01 | | JUMPER PLUG (NOT ILLUSTRATED)..... | 1 |
| 50 | 00438G8 | | HEX HEAD BOLT, 5/16" - 18 X 1" LG..... | 1 |
| 51 | 00532G3 | | HEX NUT, 5/16" - 18..... | 1 |
| 52 | 16816G2 | | RATCHET RIVET, .187" X .887" (NOT ILLUSTRATED)..... | 1 |
| 53 | 18464G1 | | SELF TAPPING SCREW, #8 - 7/8 X 1" LG (NOT ILLUSTRATED)..... | 2 |
| 54 | 611282 | | COMMON KEY SET (INCLUDES ITEMS 55 - 56)..... | 1 |
| 55 | 612956 | | COMMON KEY..... | 2 |
| 56 | 607011 | | KEY RING..... | 1 |
| 57 | 650304G01 | | TOGGLE SWITCH..... | 1 |
| 58 | 17618G1 | | NYLON CLAMP..... | 4 |
| 59 | 00642G8 | | FLAT WASHER, 5/16"..... | 1 |
| 60 | 00664G8 | | LOCK WASHER (SS), 5/16"..... | 1 |
| 61 | 22280G1 | | TRIM (BLACK) (NOT ILLUSTRATED)..... | A/R |

ELECTRICAL SYSTEM



11 BEZEL ASSEMBLY (PASSENGER SIDE) includes items 13 - 17

12 BEZEL ASSEMBLY (DRIVER SIDE) includes items 13 - 17



ELECTRICAL SYSTEM

When ordering parts, please specify the model and serial number of the product.

* Indicates a component that is not available as an individual part.

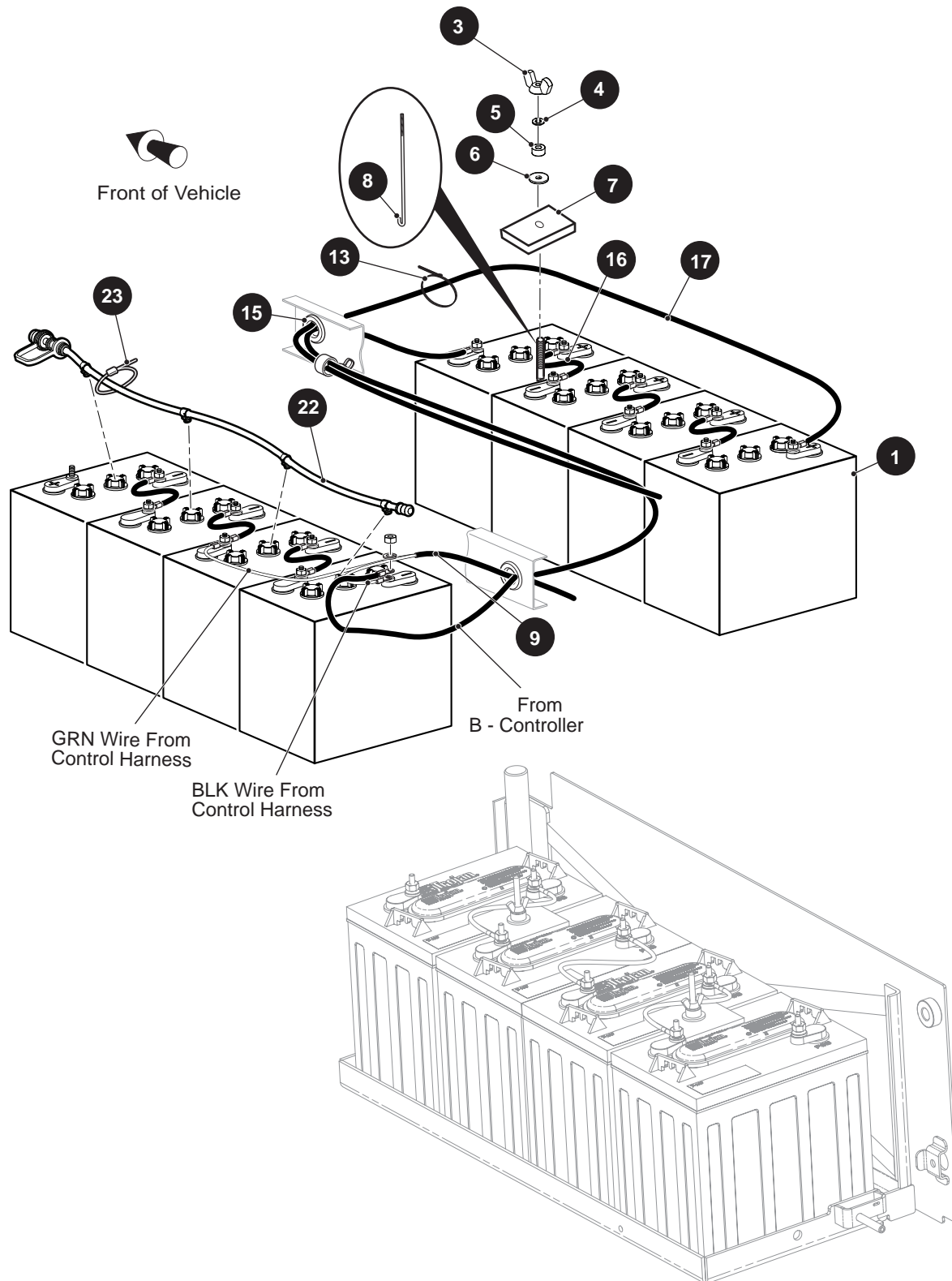
*** Indicates consult Customer Service Department for additional information.

| ITEM | PART NO. | 1 2 3 4 5 | DESCRIPTION | QTY. |
|------|-----------|-----------|---|------|
| 1 | | | | |
| 2 | 624546 | | HALOGEN HEADLIGHT | 2 |
| 3 | 624549 | | LED HEADLIGHT | 2 |
| 4 | 627702 | | HEADLIGHT BRACKET WELDMENT | 2 |
| 5 | 00440G2 | | HEX HEAD CAP SCREW, 5/16" - 18 X 2 1/4" LG..... | 2 |
| 6 | 11098G6 | | LOCK NUT, 5/16" - 18 | 4 |
| 7 | 71425G01 | | PHILLIPS TAPPING SCREW, #8 - 18 X 3/4" LG | 8 |
| 8 | 635982 | | SPEED NUT, #8 | 8 |
| 9 | | | | |
| 10 | | | | |
| 11 | 632393G01 | | BEZEL ASSEMBLY (PASSENGER SIDE) (INCLUDES ITEMS 13 - 17)..... | 1 |
| 12 | 632393G02 | | BEZEL ASSEMBLY (DRIVER SIDE) (INCLUDES ITEMS 13 - 17) | 1 |
| 13 | 623947 | | TURN SIGNAL BRACKET | 1 |
| 14 | 00614G4 | | PAN HEAD PHILLIPS SCREW, #8 - 18 X 1/2" LG | 2 |
| 15 | 19180G2 | | SIGNAL LAMP, YELLOW..... | 1 |
| 16 | 18927G1 | | ADAPTER MOUNT..... | 1 |
| 17 | 631003 | | BEZEL..... | 1 |
| 18 | | | | |
| 19 | | | | |
| 20 | 632185 | | DC - DC CONVERTER, 36V - 48V | 1 |
| 21 | 605888 | | DC - DC CONVERTER HARNESS..... | 1 |
| 22 | 632372 | | TAPPING SCREW, #10 - 32 X 3/4" LG | 4 |
| 23 | | | | |
| 24 | | | | |
| 25 | 31539G1 | | NYLON CLAMP (NOT ILLUSTRATED)..... | 1 |
| 26 | | | | |
| 27 | | | | |
| 28 | 17867G1 | | TURN SIGNAL SWITCH ASSEMBLY | 1 |
| 29 | 21640G1 | | TURN SIGNAL FLASHER..... | 1 |

ELECTRICAL SYSTEM

FOR VEHICLES MANUFACTURED AFTER 19JAN2014

2 PASSENGER BATTERY HOLD DOWN AND BATTERY CONNECTIONS



ELECTRICAL SYSTEM

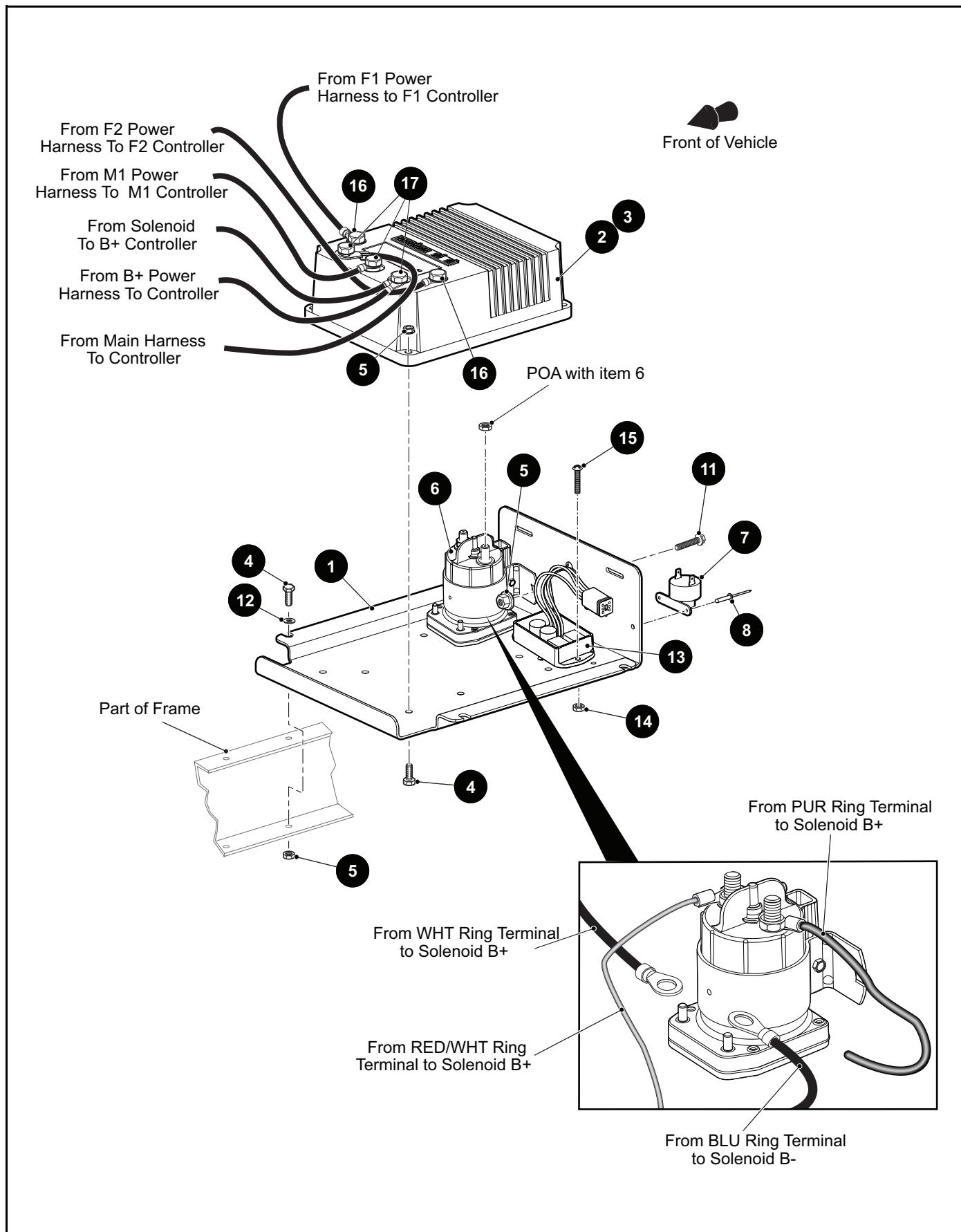
When ordering parts, please specify the model and serial number of the product.

* Indicates a component that is not available as an individual part.

*** Indicates consult Customer Service Department for additional information.

| ITEM | PART NO. | 1 2 3 4 5 | DESCRIPTION | QTY. |
|------|----------|-----------|---|------|
| 1 | *** | | BATTERY | 8 |
| 2 | | | | |
| 3 | 800315 | | WING NUT, 5/16" - 18..... | 4 |
| 4 | 103867 | | FLAT WASHER, 5/16"..... | 4 |
| 5 | 818303 | | SPACER, .344" I.D. X .750" O.D. | 4 |
| 6 | 809152 | | FLAT WASHER..... | 4 |
| 7 | 840695 | | BATTERY HOLD DOWN PLATE | 4 |
| 8 | 806954 | | J - BOLT, 5/16" - 18 X 12 1/2" LG | 4 |
| 9 | 600552 | | #4 WIRE ASSEMBLY, 117" LG | 1 |
| 10 | | | | |
| 11 | | | | |
| 12 | | | | |
| 13 | 17618G1 | | NYLON CLAMP | 2 |
| 14 | | | | |
| 15 | 829997 | | RUBBER GROMMET | 3 |
| 16 | 25971G13 | | #4 WIRE ASSEMBLY, 10" LG | 6 |
| 17 | 600553 | | #4 WIRE ASSEMBLY, 126" LG | 1 |
| 18 | | | | |
| 19 | | | | |
| 20 | | | | |
| 21 | | | | |
| 22 | 630974 | | BATTERY FILL SYSTEM (HYDROLINK) | 2 |
| 23 | 615352 | | POLYPROPYLENE CLAMP | 4 |

ELECTRONIC SPEED CONTROL



ELECTRONIC SPEED CONTROL

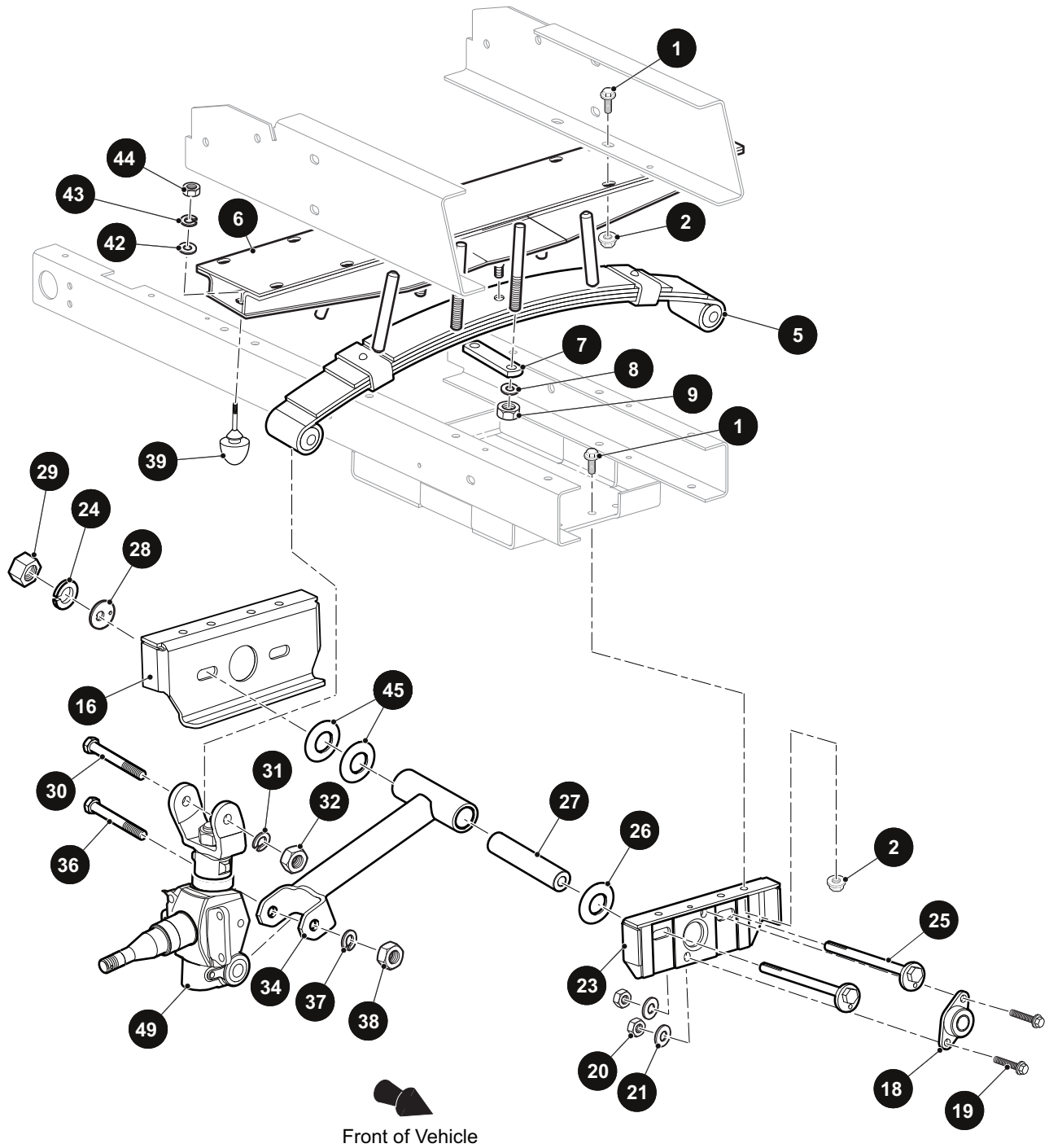
When ordering parts, please specify the model and serial number of the product.

* Indicates a component that is not available as an individual part.

*** Indicates consult Customer Service Department for additional information.

| ITEM | PART NO. | 1 2 3 4 5 | DESCRIPTION | QTY. |
|------|----------|-----------|---|------|
| 1 | 618262 | | CONTROLLER PLATE | 1 |
| 2 | 628105 | | CONTROLLER, 48V (TYPE E)..... | 1 |
| 3 | 628106 | | CONTROLLER, 48V (TYPE EE) | 1 |
| 4 | 00414G7 | | HEX HEAD BOLT, 1/4" - 20 X 7/8" LG | 8 |
| 5 | 11027G2 | | LOCK NUT, 1/4" - 20..... | 10 |
| 6 | 621330 | | SOLENOID | 1 |
| 7 | 73290G02 | | INTERMITTENT BUZZER | 1 |
| 8 | 01041G01 | | RIVET (BULBEX), 5/32" | 2 |
| 9 | | | | |
| 10 | | | | |
| 11 | 00414G5 | | HEX HEAD BOLT, 1/4" - 20 X 5/8" LG | 2 |
| 12 | 16469G1 | | FENDER WASHER, 1/4" | 4 |
| 13 | 629535 | | RELAY (SRO LATCH)..... | 1 |
| 14 | 14390G10 | | LOCK NUT, #10 - 24 | 2 |
| 15 | 00379G4 | | PAN HEAD PHILLIPS SCREW, #10 - 24 X 1/2" LG | 2 |
| 16 | 73876G01 | | HEX HEAD BOLT, M6 X 1 X 12MM LG | 2 |
| 17 | 73296G01 | | HEX HEAD BOLT, M8 X 1.25 X 16MM LG | 3 |

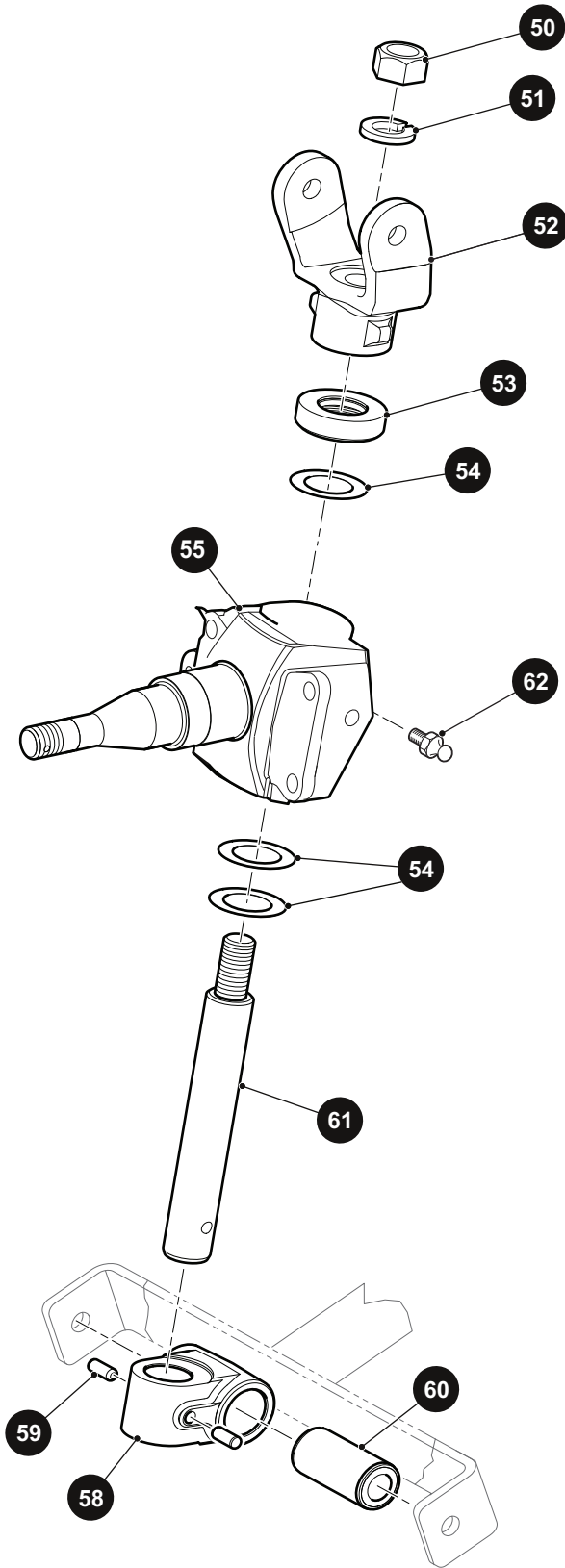
FRONT SUSPENSION



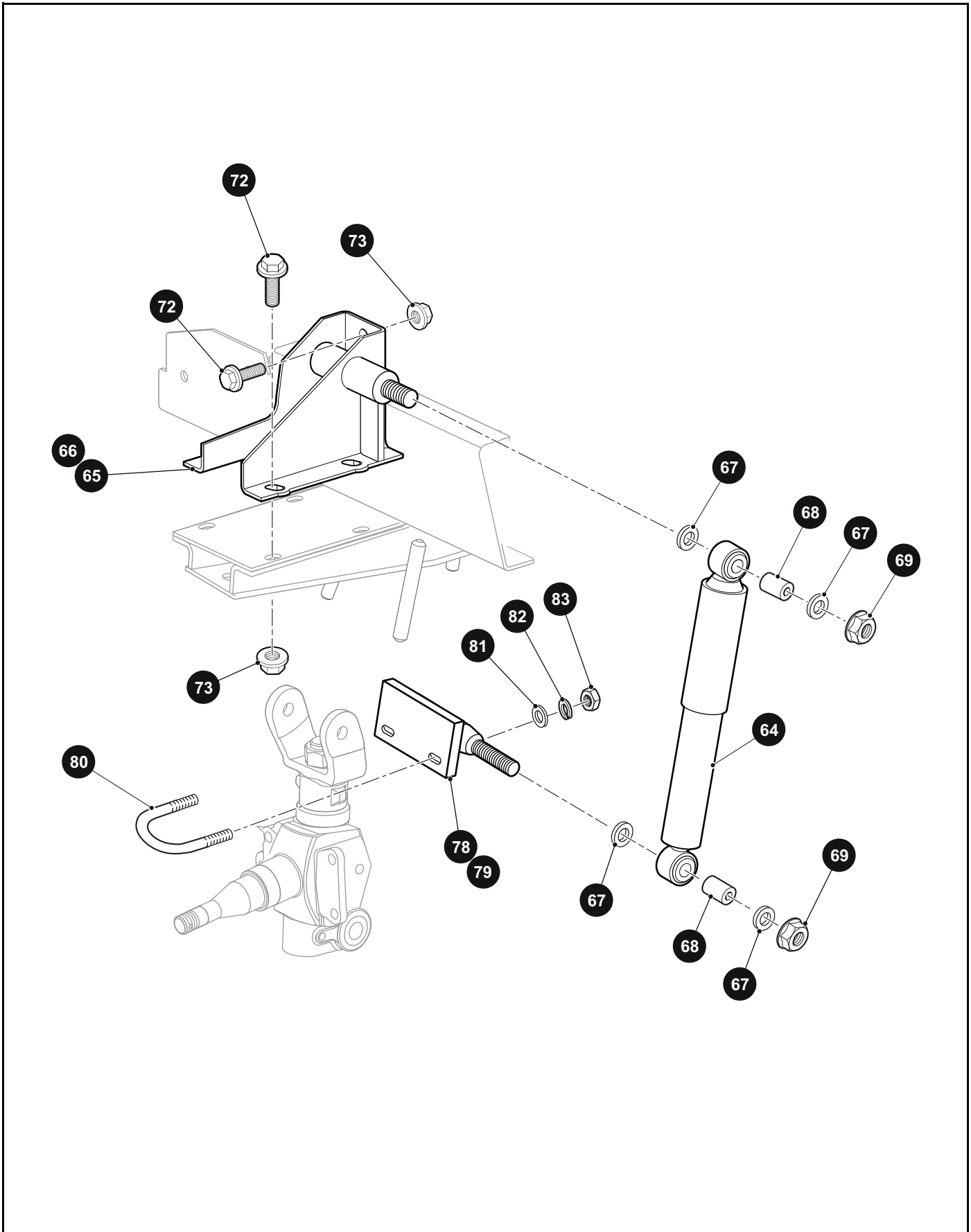
FRONT SUSPENSION

49 KING PIN AND SPINDLE ASSEMBLY includes items 50 - 62

57 KING PIN ASSEMBLY includes items 58 - 61



FRONT SUSPENSION



FRONT SUSPENSION

When ordering parts, please specify the model and serial number of the product.

* Indicates a component that is not available as an individual part.

*** Indicates consult Customer Service Department for additional information.

| ITEM | PART NO. | 1 2 3 4 5 | DESCRIPTION | QTY. |
|------|----------|-----------|---|------|
| 1 | 635450 | | HEX HEAD FLANGED BOLT, 3/8" - 16 X 1 1/4" LG..... | 10 |
| 2 | 635451 | | HEX FLANGED NUT, 3/8" - 16..... | 10 |
| 3 | | | | |
| 4 | | | | |
| 5 | 886234 | | LEAF SPRING AND BUSHING..... | 1 |
| 6 | 888203 | | SPRING MOUNT..... | 1 |
| 7 | 830012 | | SHACKLE PLATE..... | 2 |
| 8 | 306982 | | FLAT WASHER, 7/16"..... | 4 |
| 9 | 800294 | | LOCK NUT, 7/16" - 14..... | 4 |
| 10 | | | | |
| 11 | | | | |
| 12 | | | | |
| 13 | | | | |
| 14 | | | | |
| 15 | | | | |
| 16 | 632551 | | LOWER ARM REAR BRACKET..... | 1 |
| 17 | | | | |
| 18 | 625696 | | FLANGE BEARING, 3/4"..... | 1 |
| 19 | 306835 | | HEX HEAD BOLT, 5/16" - 16 X 1 1/4" LG..... | 2 |
| 20 | 11098G5 | | LOCK NUT, 3/8" - 16..... | 2 |
| 21 | 306981 | | FLAT WASHER, 3/8"..... | 2 |
| 22 | | | | |
| 23 | 627647 | | LOWER ARM FRONT BRACKET..... | 1 |
| 24 | 120166 | | LOCK WASHER, 1/2"..... | 2 |
| 25 | 888322 | | LOWER ARM BOLT, 1/2" - 13..... | 2 |
| 26 | 833105 | | CONICAL WASHER, 1.125"..... | 2 |
| 27 | 832998 | | BUSHING, 1.117 O.D. X .502 I.D. X 5.405" LG..... | 2 |
| 28 | 830477 | | LOWER ARM WASHER, 1/2"..... | 2 |
| 29 | 308332 | | HEX NUT, 1/2" - 13..... | 2 |
| 30 | 00406G4 | | HEX HEAD BOLT, 1/2" - 13 X 4 1/2" LG..... | 2 |
| 31 | 120166 | | LOCK WASHER, 1/2"..... | 2 |

FRONT SUSPENSION

When ordering parts, please specify the model and serial number of the product.

* Indicates a component that is not available as an individual part.

*** Indicates consult Customer Service Department for additional information.

| ITEM | PART NO. | 1 2 3 4 5 | DESCRIPTION | QTY. |
|------|----------|-----------|---|------|
| 32 | 308332 | | HEX NUT, 1/2" - 13..... | 2 |
| 33 | | | | |
| 34 | 629686 | | LOWER ARM AND BUSHING ASSEMBLY | 2 |
| 35 | | | | |
| 36 | 00406G4 | | HEX HEAD BOLT, 1/2" - 13 X 4 1/2" LG | 2 |
| 37 | 120166 | | LOCK WASHER, 1/2"..... | 2 |
| 38 | 308332 | | HEX NUT, 1/2" - 13..... | 2 |
| 39 | 70492G01 | | RUBBER BUMPER | 2 |
| 40 | | | | |
| 41 | | | | |
| 42 | 604066 | | FLAT WASHER, M10 | 2 |
| 43 | 608654 | | SPLIT LOCK WASHER, M10..... | 2 |
| 44 | 00974G01 | | HEX NUT, M10 - 1.5..... | 2 |
| 45 | 632538 | | SPACER, 1.7" O.D. X 1.2" I.D. X .075" | 4 |
| 46 | | | | |
| 47 | | | | |
| 48 | | | | |
| 49 | 629652 | | KING PIN AND SPINDLE ASSEMBLY (INCLUDES ITEMS 50 - 62)..... | 2 |
| 50 | 311745 | | HEX NUT, 3/4" - 16 | 1 |
| 51 | 312272 | | LOCK WASHER, 3/4" | 1 |
| 52 | 630498 | | RETAINER SPRING AND KING PIN..... | 1 |
| 53 | 817891 | | BEARING..... | 1 |
| 54 | 827648 | | SHIM, .010" THICK..... | 3 |
| 55 | 629651 | | SPINDLE..... | 1 |
| 56 | | | | |
| 57 | 629621 | | KING PIN ASSEMBLY (INCLUDES ITEMS 58 - 61) | 1 |
| 58 | 629537 | | KING PIN SUPPORT | 1 |
| 59 | 829318 | | PIN | 2 |
| 60 | 829229 | | BUSHING, 1.255" O.D. X .564" I.D. X 2.75" LG..... | 1 |
| 61 | 630270 | | KING PIN | 1 |
| 62 | 2702168 | | GREASE FITTING, 1/4" - 28..... | 1 |

FRONT SUSPENSION

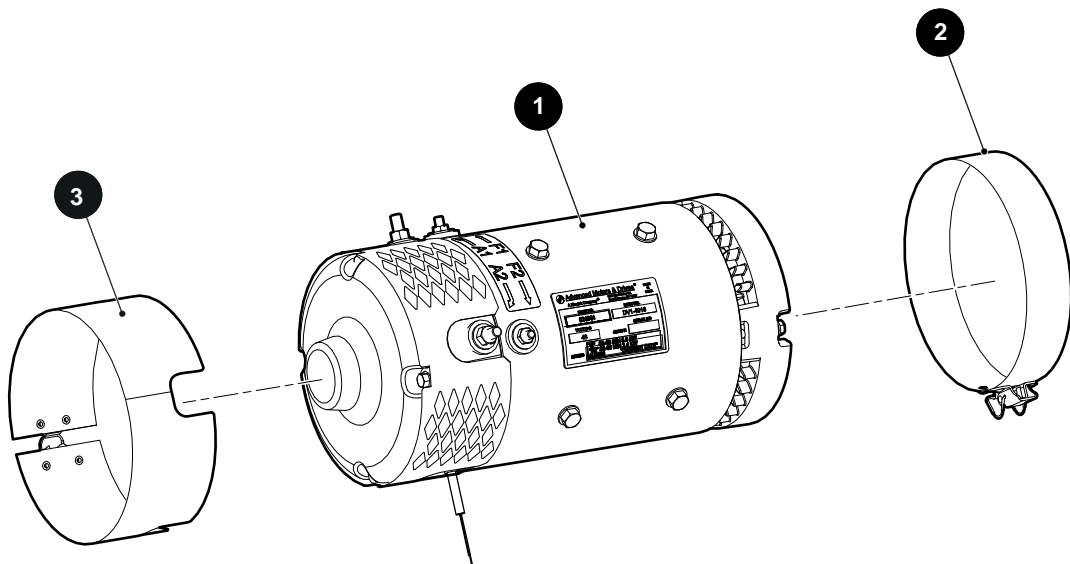
When ordering parts, please specify the model and serial number of the product.

* Indicates a component that is not available as an individual part.

*** Indicates consult Customer Service Department for additional information.

| ITEM | PART NO. | 1 2 3 4 5 | DESCRIPTION | QTY. |
|------|-----------|-----------|---|------|
| 63 | | | | |
| 64 | 807332 | | REAR SHOCK ABSORBER | 2 |
| 65 | 888200G01 | | SPRING PERCH BRACKET (PASSENGER SIDE)..... | 1 |
| 66 | 888201G01 | | SPRING PERCH BRACKET (DRIVER SIDE) | 1 |
| 67 | 825500 | | CUPPED WASHER, .45" | 8 |
| 68 | 823621 | | BUSHING, 19/32" O.D. X 15/32" I.D. X 1 3/16" LG | 4 |
| 69 | 800294 | | LOCK NUT, 7/16" - 14..... | 4 |
| 70 | | | | |
| 71 | | | | |
| 72 | 635450 | | HEX HEAD FLANGED BOLT, 3/8" - 16 X 1 1/4" LG | 10 |
| 73 | 635451 | | HEX FLANGED NUT, 3/8" - 16 | 10 |
| 74 | | | | |
| 75 | | | | |
| 76 | | | | |
| 77 | | | | |
| 78 | 886458G01 | | SHOCK MOUNT STUD (PASSENGER SIDE) | 1 |
| 79 | 886459G01 | | SHOCK MOUNT STUD (DRIVER SIDE)..... | 1 |
| 80 | 829756 | | U - BOLT, 3/8" - 16 | 2 |
| 81 | 306981 | | FLAT WASHER, 3/8" | 4 |
| 82 | 120177 | | LOCK WASHER, 3/8" | 4 |
| 83 | 306562 | | HEX NUT, 3/8" - 16 | 4 |

MOTOR



When ordering parts, please specify the model and serial number of the product.

* Indicates a component that is not available as an individual part.

*** Indicates consult Customer Service Department for additional information.

| ITEM | PART NO. | 1 2 3 4 5 | DESCRIPTION | QTY. |
|------|----------|-----------|----------------------------|------|
| 1 | 624644 | | MOTOR 48V | 1 |
| 2 | 630415 | | HEADBAND SEAL, SMALL | 1 |
| 3 | 630416 | | HEADBAND SEAL, LARGE..... | 1 |

REAR AXLE

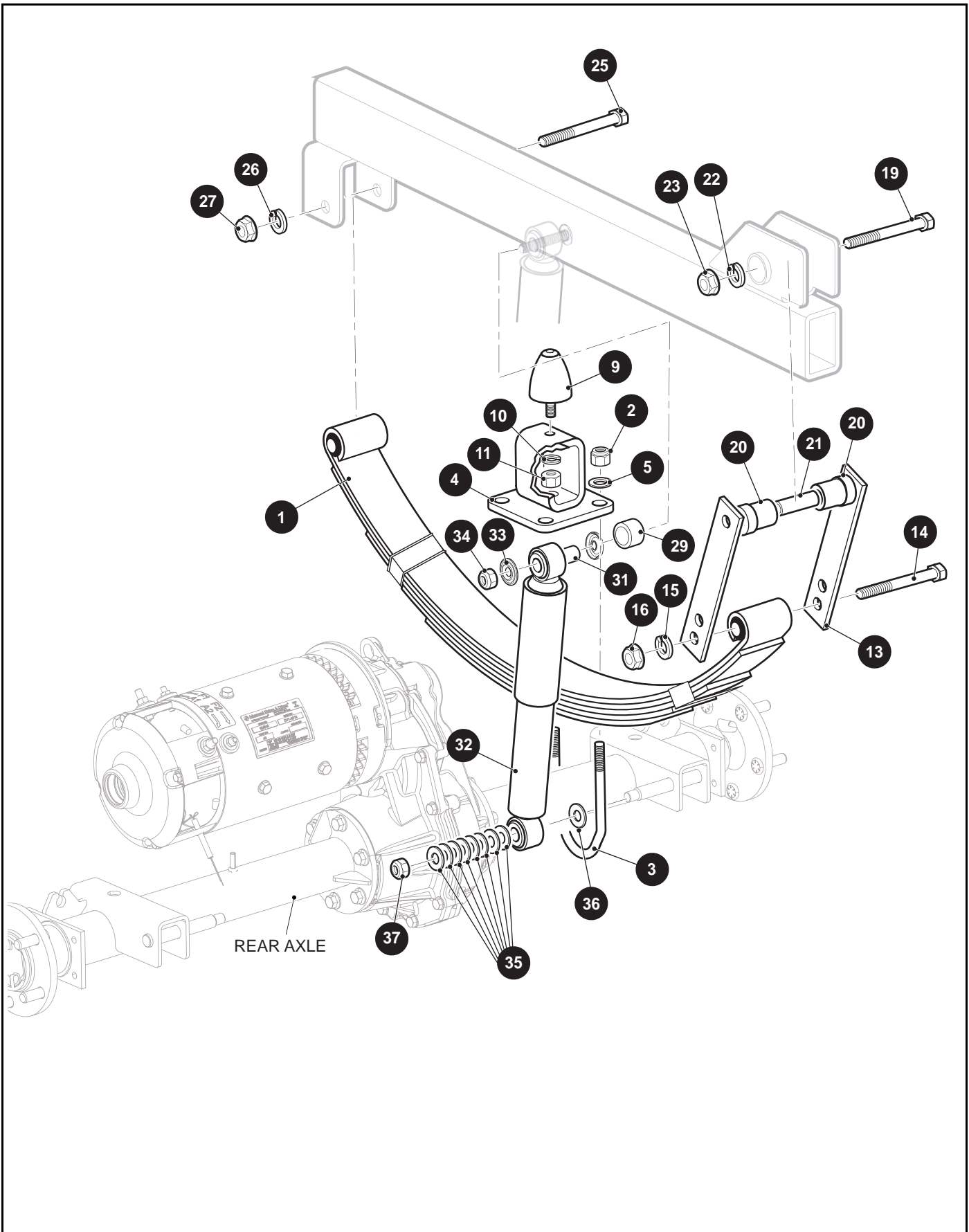
When ordering parts, please specify the model and serial number of the product.

* Indicates a component that is not available as an individual part.

*** Indicates consult Customer Service Department for additional information.

| ITEM | PART NO. | 1 2 3 4 5 | DESCRIPTION | QTY. |
|------|----------|-----------|---|------|
| 1 | 625895 | | AXLE ASSEMBLY, 14.9:1 (INCULDES ITEMS 2 - 15) | 1 |
| 2 | *** | | AXLE HOUSING | 1 |
| 3 | *** | | AXLE SHAFT..... | 1 |
| 4 | *** | | RETAINING RING | 2 |
| 5 | *** | | BALL BEARING..... | 4 |
| 6 | *** | | SPACER, 3/8" X 1.5" O.D..... | 2 |
| 7 | *** | | RETAINNG RING | 2 |
| 8 | *** | | BRAKE, PASSENGER SIDE..... | 1 |
| 9 | *** | | WELDMENT | 1 |
| 10 | *** | | WELDMENT | 1 |
| 11 | *** | | BOLT, 3/8" - 16 X 1"..... | 12 |
| 12 | *** | | BRAKE, DRIVER SIDE | 1 |
| 13 | *** | | AXLE SHAFT..... | 1 |
| 14 | *** | | LOCK NUT, 5/16" - 24 | 8 |
| 15 | *** | | BOLT, 5/16" - 24 X 3/4" LG..... | 8 |
| 16 | 627849 | | AXLE ASSEMBLY, 17:1 (INCLUDES ITEMS 2 - 15) | 1 |
| 17 | 631700 | | AXLE VENT TUBE..... | 1 |

REAR SUSPENSION



REAR SUSPENSION

When ordering parts, please specify the model and serial number of the product.

* Indicates a component that is not available as an individual part.

*** Indicates consult Customer Service Department for additional information.

| ITEM | PART NO. | 1 2 3 4 5 | DESCRIPTION | QTY. |
|------|----------|-----------|--|------|
| 1 | 887004 | | LEAF SPRING ASSEMBLY | 2 |
| 2 | 548061 | | LOCK NUT, 7/16" - 20..... | 8 |
| 3 | 829044 | | U - BOLT, 7/16" - 20 X 5 1/2" LG | 4 |
| 4 | 600182 | | STOP PLATE | 2 |
| 5 | 306982 | | FLAT WASHER, 7/16" | 8 |
| 6 | | | | |
| 7 | | | | |
| 8 | | | | |
| 9 | 70492G01 | | RUBBER BUMPER..... | 2 |
| 10 | 608654 | | LOCK WASHER, M10 | 2 |
| 11 | 00974G01 | | HEX NUT, M10 X 1.5 | 2 |
| 12 | | | | |
| 13 | 829230 | | SHACKLE PLATE | 4 |
| 14 | 00406G4 | | HEX HEAD BOLT, 1/2" - 13 X 4" LG | 2 |
| 15 | 120166 | | LOCK WASHER, 1/2" | 2 |
| 16 | 308332 | | HEX NUT, 1/2" - 13 | 2 |
| 17 | | | | |
| 18 | | | | |
| 19 | 00406G4 | | HEX HEAD BOLT, 1/2" - 13 X 4 1/2" LG | 2 |
| 20 | 829142 | | FLANGED BUSHING..... | 4 |
| 21 | 829258 | | BUSHING..... | 2 |
| 22 | 120166 | | LOCK WASHER, 1/2" | 2 |
| 23 | 308332 | | HEX NUT, 1/2" - 13 | 2 |
| 24 | | | | |
| 25 | 00406G4 | | HEX HEAD BOLT, 1/2" - 13 X 4" LG | 2 |
| 26 | 120166 | | LOCK WASHER, 1/2" | 2 |
| 27 | 308332 | | HEX NUT, 1/2" - 13 | 2 |
| 28 | | | | |
| 29 | 70667G04 | | SPACER, 0.69" | 2 |
| 30 | | | | |
| 31 | 823621 | | BUSHING, 1 3/16" | 2 |

REAR SUSPENSION

When ordering parts, please specify the model and serial number of the product.

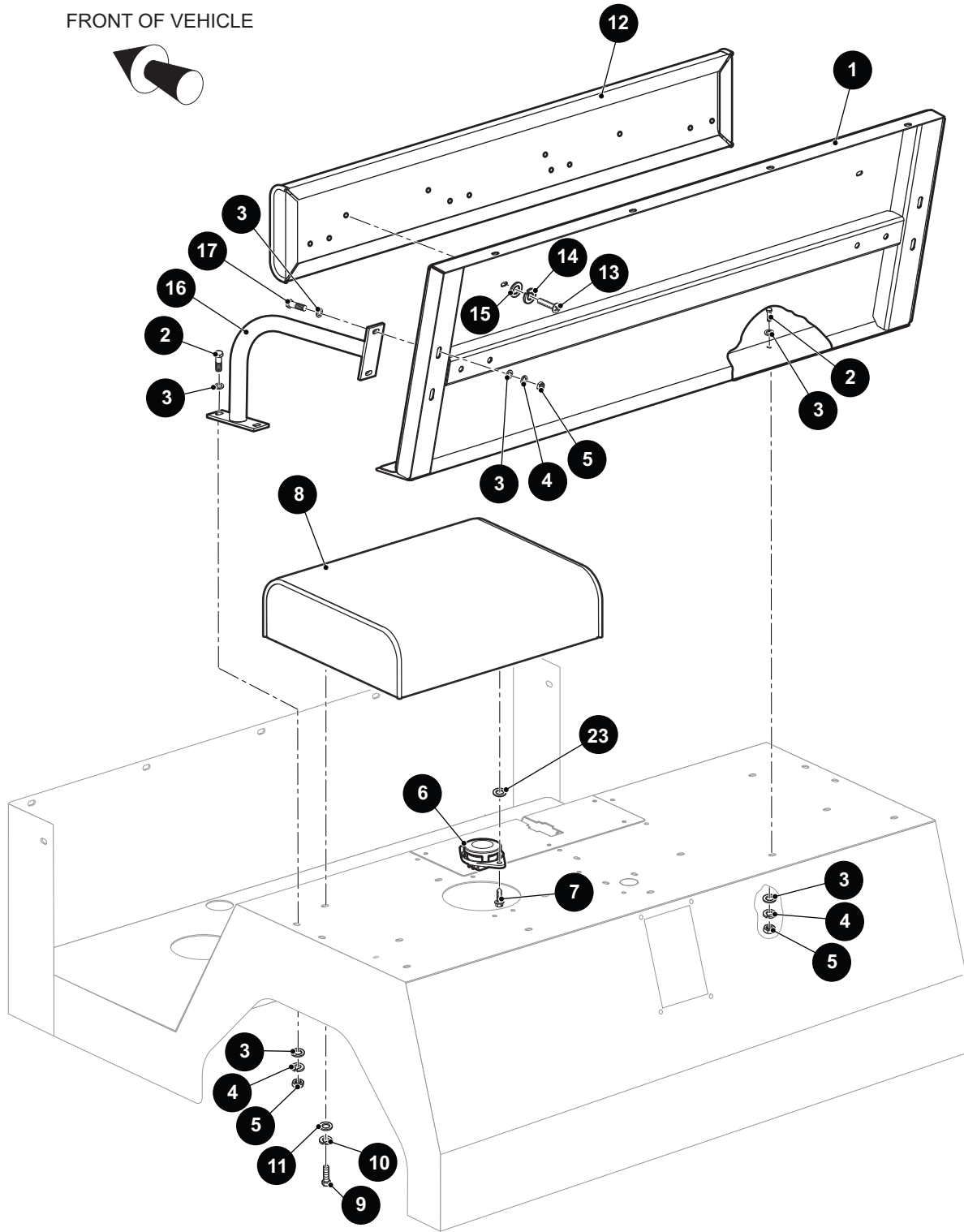
* Indicates a component that is not available as an individual part.

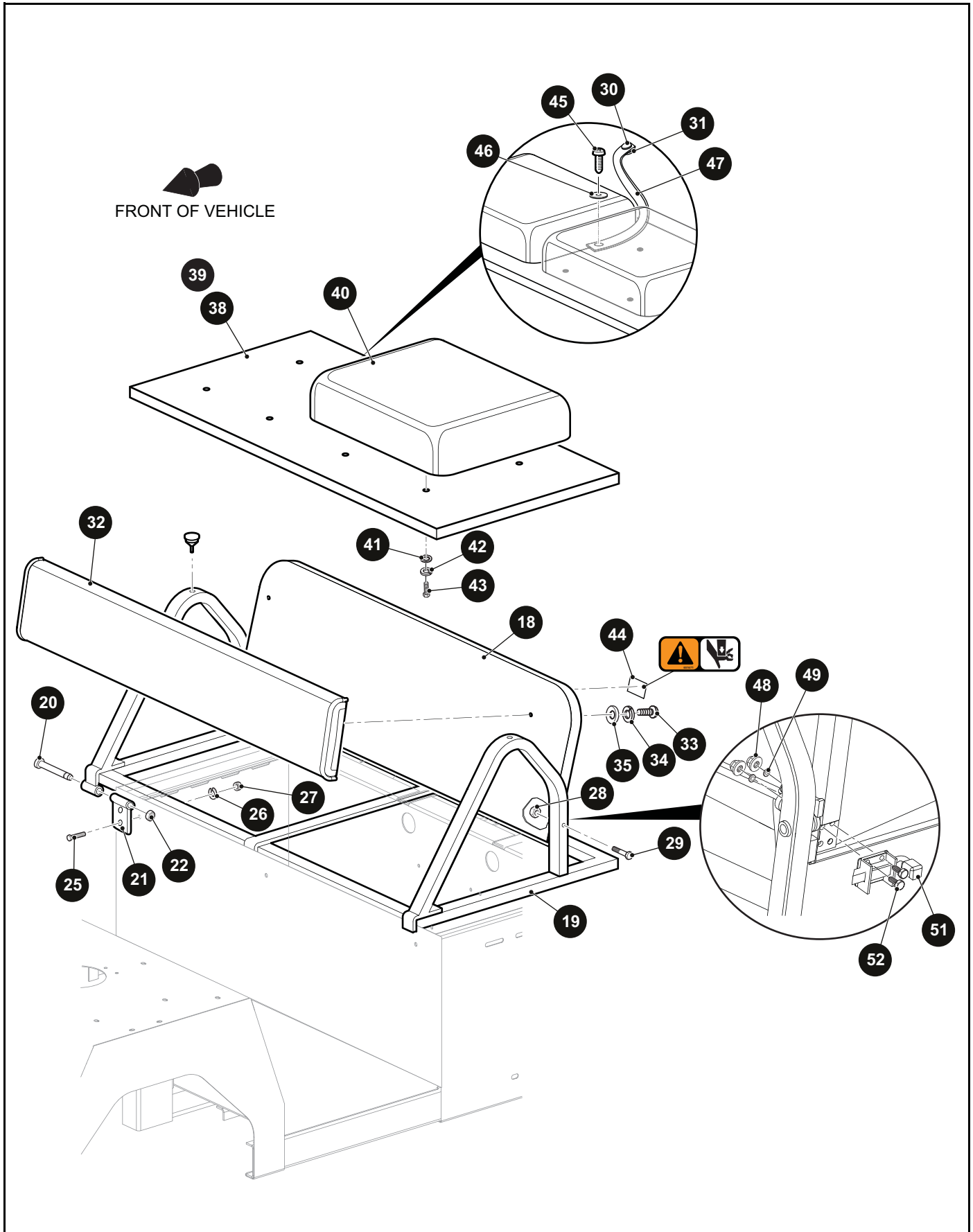
*** Indicates consult Customer Service Department for additional information.

| ITEM | PART NO. | 1 2 3 4 5 | DESCRIPTION | QTY. |
|------|----------|-----------|-----------------------------|------|
| 32 | 807335 | | SHOCK ABSORBER..... | 2 |
| 33 | 825500 | | CUPPED WASHER, 0.453" | 4 |
| 34 | 800294 | | LOCK NUT, 7/16" - 14 | 2 |
| 35 | 00643G03 | | FLAT WASHER, 1/2" | 2 |
| 36 | 00560G5 | | FLAT WASHER, 5/8" | 16 |
| 37 | 00551G1 | | LOCK NUT, 5/8" | 2 |

SEATING

FRONT OF VEHICLE





SEATING

When ordering parts, please specify the model and serial number of the product.

* Indicates a component that is not available as an individual part.

*** Indicates consult Customer Service Department for additional information.

| ITEM | PART NO. | 1 2 3 4 5 | DESCRIPTION | QTY. |
|------|----------|-----------|--|------|
| 1 | XXXXXX | | BACKREST PANEL 620466 BLACK | 1 |
| 2 | 302288 | | HEX HEAD BOLT, 1/4" - 20 X 1" LG | 9 |
| 3 | 308090 | | FLAT WASHER, 1/4" | 28 |
| 4 | 306396 | | LOCK WASHER, 1/4"..... | 13 |
| 5 | 306375 | | JAM NUT, 1/4" - 20..... | 13 |
| 6 | 15813501 | | SEAT SWITCH | 1 |
| 7 | 00114G6 | | HEX HEAD FLANGE BOLT, 1/4" - 14 X 3/4" LG | 2 |
| 8 | 886221 | | SEAT BOTTOM..... | 2 |
| 9 | 302288 | | HEX HEAD BOLT, 1/4" - 20 X 1" LG | 6 |
| 10 | 306396 | | LOCK WASHER, 1/4"..... | 6 |
| 11 | 308090 | | FLAT WASHER, 1/4" | 6 |
| 12 | 888464 | | BLACK BACKREST | 1 |
| 13 | 800026 | | PHILLIPS PAN HEAD SCREW, 1/4" - 20 X 3/4" LG | 2 |
| 14 | 306396 | | LOCK WASHER, 1/4"..... | 2 |
| 15 | 308090 | | FLAT WASHER, 1/4" | 2 |
| 16 | XXXXXX | | HIP RESTRAINT 620462 BLACK | 2 |
| 17 | 306832 | | HEX HEAD BOLT, 1/4" - 20 X 2" LG | 4 |
| 18 | XXXXXX | | SEAT BACK 633858 BLACK | 1 |
| 19 | XXXXXX | | SEAT FRAME 630509 BLACK | 1 |
| 20 | 70582G01 | | SHOULDER BOLT, 3/18" - 16 X 3.4" LG | 3 |
| 21 | XXXXXX | | SEAT BRACKET 620501 BLACK | 3 |
| 22 | 800698 | | LOCK NUT, 3/8" -16..... | 3 |
| 23 | 01110G01 | | FLAT WASHER, 1/4" | 2 |
| 24 | | | | |
| 25 | 306416 | | HEX HEAD BOLT, 5/16" - 18 X 1" LG | 6 |
| 26 | 306325 | | LOCK WASHER, 5/16"..... | 6 |
| 27 | 306932 | | JAM NUT, 5/16" - 18..... | 6 |
| 28 | 800290 | | LOCK NUT, 5/16" - 18..... | 2 |

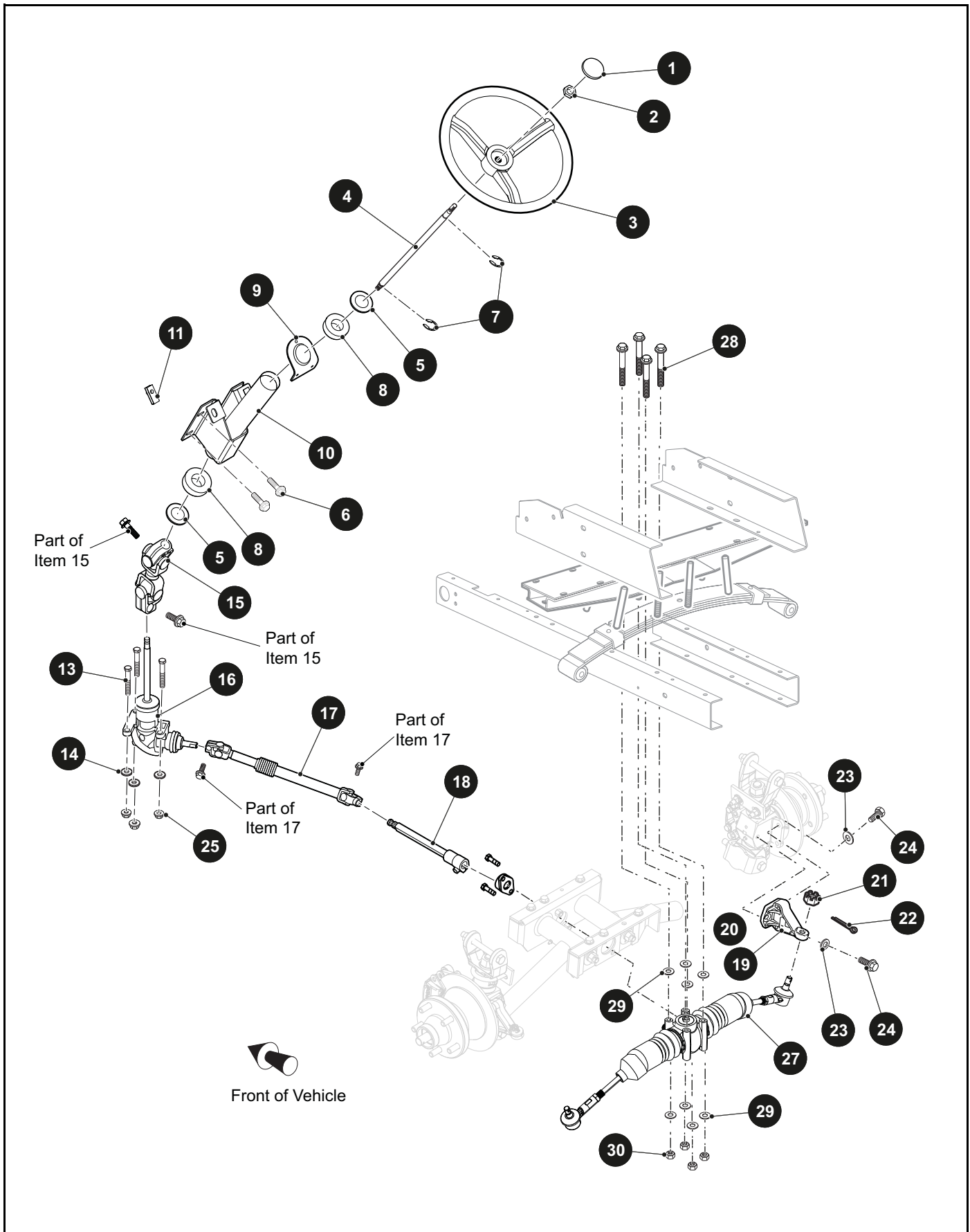
When ordering parts, please specify the model and serial number of the product.

* Indicates a component that is not available as an individual part.

*** Indicates consult Customer Service Department for additional information.

| ITEM | PART NO. | 1 2 3 4 5 | DESCRIPTION | QTY. |
|------|----------|-----------|--|------|
| 29 | 548958 | | HEX HEAD BOLT, 5/16" - 18 X 3 1/2" LG | 2 |
| 30 | 800390 | | RIVET, .125 X .390" | 1 |
| 31 | 809381 | | STUD | 1 |
| 32 | 888464 | | BLACK BACKREST | 1 |
| 33 | 800026 | | PAN HEAD PHILLIPS SCREW, 1/4" - 20 X 3/4" LG | 2 |
| 34 | 306396 | | LOCK WASHER, 1/4" | 2 |
| 35 | 308090 | | FLAT WASHER, 1/4" | 2 |
| 36 | 820951 | | RUBBER BUMPER..... | 2 |
| 37 | | | | |
| 38 | 837631 | | SEAT DECK BOARD (FOR VEHICLES MANUFACTURED BEFORE MARCH 19, 2017)..... | 1 |
| 39 | 656570 | | SEAT DECK BOARD (FOR VEHICLES MANUFACTURED AFTER MARCH 19, 2017) | 1 |
| 40 | 886221 | | SEAT BOTTOM..... | 2 |
| 41 | 308090 | | FLAT WASHER, 1/4"..... | 8 |
| 42 | 306396 | | LOCK WASHER, 1/4" | 8 |
| 43 | 306832 | | HEX HEAD BOLT, 1/4" - 20 X 2" LG | 8 |
| 44 | 651671 | | WARNING LABEL, PINCH POINT | 2 |
| 45 | 800296 | | PAN HEAD PHILLIPS SCREW, #10 - 24 X 3/4" LG | 1 |
| 46 | 00559G5 | | FLAT WASHER, #10 | 1 |
| 47 | 891305 | | STRAP | 1 |
| 48 | 632236 | | ACORN NUT, #8 - 32 | 4 |
| 49 | 00565G4 | | LOCK WASHER, #8 | 4 |
| 50 | | | | |
| 51 | 629530 | | LATCH SLIDER | 1 |
| 52 | 800178 | | PAN HEAD PHILLIPS SCREW, #8 - 32 X 1/2" LG | 4 |

STEERING



STEERING

When ordering parts, please specify the model and serial number of the product.

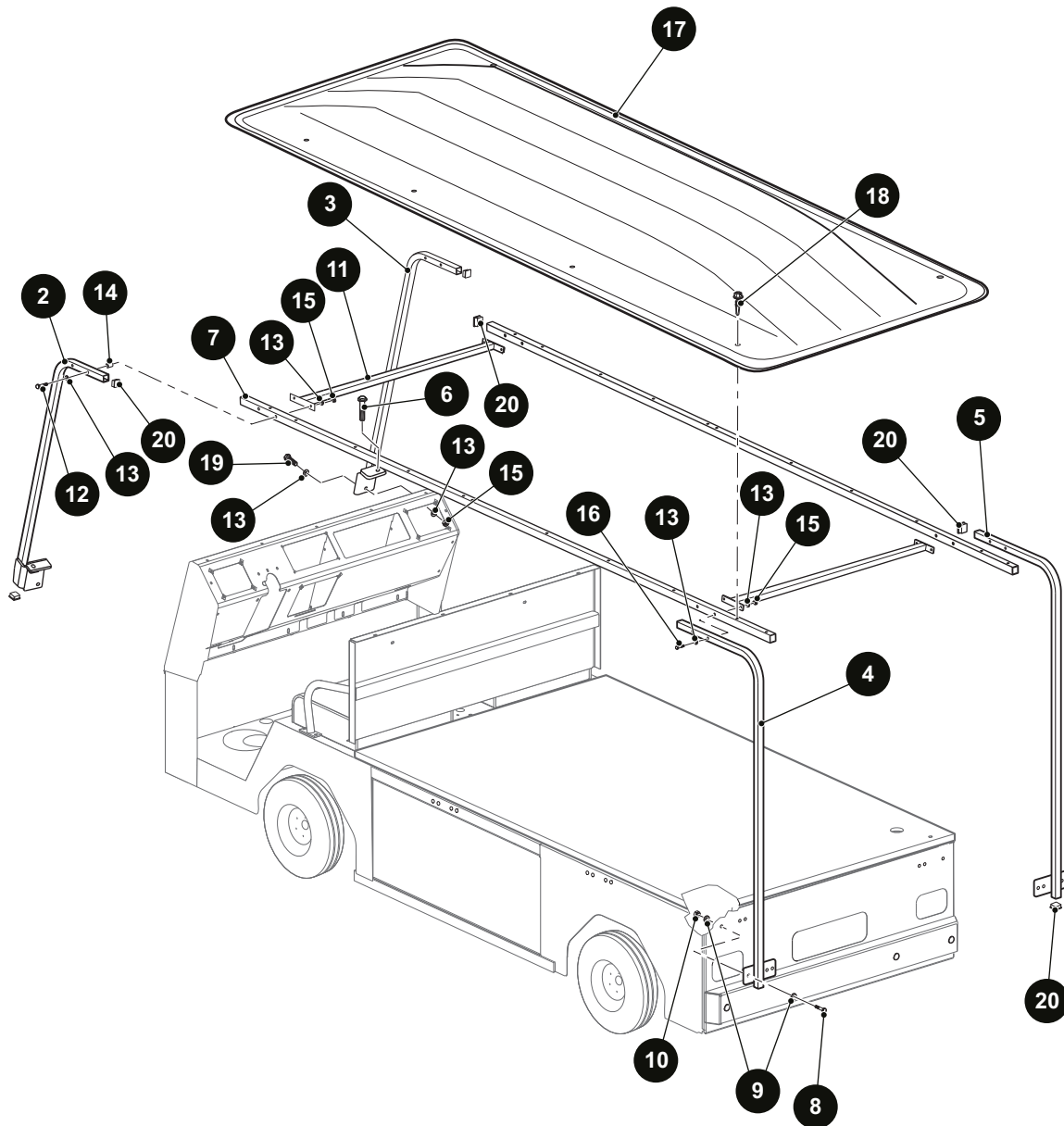
* Indicates a component that is not available as an individual part.

*** Indicates consult Customer Service Department for additional information.

| ITEM | PART NO. | 1 2 3 4 5 | DESCRIPTION | QTY. |
|------|----------|-----------|---|------|
| 1 | 628565 | | STEERING WHEEL COVER | 1 |
| 2 | 628928 | | HEX NUT, M16 X 2 | 1 |
| 3 | 628523 | | STEERING WHEEL, 15" | 1 |
| 4 | 628498 | | STEERING WHEEL SHAFT | 1 |
| 5 | 15485G1 | | FLAT WASHER, 20MM..... | 2 |
| 6 | 13437G9 | | FLANGED LOCK SCREW (SERRATED), .75" LG | 4 |
| 7 | 628510 | | E- CLIP, .625 GROOVE DIAMETER | 2 |
| 8 | 647153 | | STEERING COLUMN BUSHING..... | 2 |
| 9 | 624231 | | STEERING COLUMN BEZEL..... | 1 |
| 10 | 666373 | | STEERING COLUMN WELDMENT | 1 |
| 11 | 800279 | | SPEED NUT (U-TYPE), 1/4" - 20 | 2 |
| 12 | | | | |
| 13 | 00427G4 | | HEX HEAD BOLT, 3/8" - 16 X 1.50" LG | 3 |
| 14 | 00560G1 | | FLAT WASHER, 3/8" | 3 |
| 15 | 627780 | | DOUBLE U-JOINT | 1 |
| 16 | 623381 | | STEERING GEAR BOX..... | 1 |
| 17 | 624497 | | INTERMEDIATE SHAFT ASSEMBLY | 1 |
| 18 | 632500 | | PINION EXTENDER | 1 |
| 19 | 629557 | | STEERING ARM (DRIVER SIDE) | 1 |
| 20 | 629595 | | STEERING ARM (PASSENGER SIDE) | 1 |
| 21 | 608005 | | CASTLE NUT, M12 - 1.25..... | 2 |
| 22 | 10387G2 | | COTTER PIN, .094" X 1.00" | 2 |
| 23 | 120177 | | LOCK WASHER, 3/8" | 6 |
| 24 | 306414 | | HEX HEAD FLANGE BOLT, 3/8" - 16 X 1" LG | 6 |
| 25 | 11098G5 | | LOCK NUT, 3/8" - 16..... | 3 |
| 26 | | | | |
| 27 | 625659 | | STEERING RACK AND PINION ASSEMBLY | 1 |
| 28 | 630064 | | HEX HEAD BOLT, 5/16" - 18 X 3 3/4" LG | 4 |
| 29 | 00642G8 | | FLAT WASHER, 5/16"..... | 8 |
| 30 | 800290 | | HEX NUT, 5/16" - 18 | 4 |

WEATHER PROTECTION

1 LONG CANOPY KIT includes items 2 - 20



WEATHER PROTECTION

When ordering parts, please specify the model and serial number of the product.

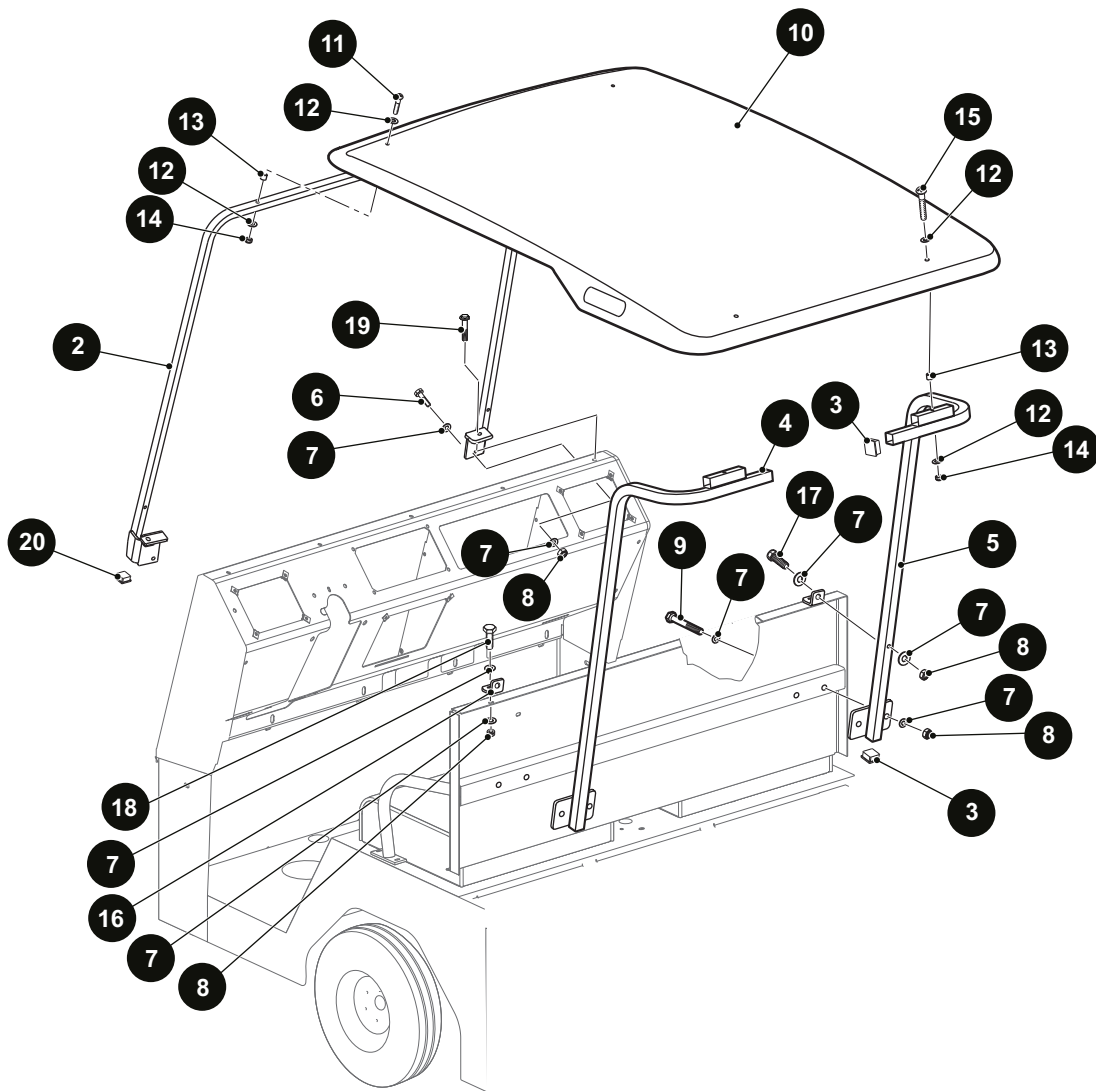
* Indicates a component that is not available as an individual part.

*** Indicates consult Customer Service Department for additional information.

| ITEM | PART NO. | 1 2 3 4 5 | DESCRIPTION | QTY. |
|------|----------|-----------|--|------|
| 1 | 631139 | | LONG CANOPY KIT (INCLUDES ITEMS 2 - 20) | 1 |
| 2 | 631174 | | FRONT STRUT (DRIVER SIDE) | 1 |
| 3 | 631173 | | FRONT STRUT (PASSENGER SIDE) | 1 |
| 4 | 602377 | | REAR STRUT (DRIVER SIDE) | 1 |
| 5 | 602378 | | REAR STRUT (PASSENGER SIDE)..... | 1 |
| 6 | 16705G1 | | TRUSS HEAD PHILLIPS SCREW (SS), 1/4" - 20 X 1" LG | 2 |
| 7 | 602321 | | TOP RAIL | 2 |
| 8 | 00426G8 | | HEX HEAD BOLT, 3/8" - 16 X 1" LG | 6 |
| 9 | 00571G2 | | FLAT WASHER, 5/16" | 12 |
| 10 | 11098G5 | | LOCK NUT, 3/8" - 16 | 6 |
| 11 | 602363 | | STIFFENER BAR ASSEMBLY | 2 |
| 12 | 00441G8 | | HEX HEAD BOLT, 5/16" - 18 X 4" LG | 4 |
| 13 | 00559G8 | | FLAT WASHER, 5/16" | 20 |
| 14 | 75048G04 | | SPACER, 3/4" O D X 1" LG | 4 |
| 15 | 11098G6 | | LOCK NUT, 5/16" - 18 | 10 |
| 16 | 306823 | | HEX HEAD BOLT, 5/16" - 18 X 2 3/4" LG | 4 |
| 17 | 75530G01 | | SUN TOP, 120" LG | 1 |
| 18 | 602662 | | HEX HEAD SELF DRILLING SCREW WITH SEAL, #12 - 14 X 3/4" LG ... | 8 |
| 19 | 00438G8 | | HEX HEAD BOLT, 5/16" - 18 X 1" LG | 2 |
| 20 | 19853G1 | | END CAP, 1" SQ | 12 |

WEATHER PROTECTION

1 SHORT CANOPY KIT includes items 2 - 20



WEATHER PROTECTION

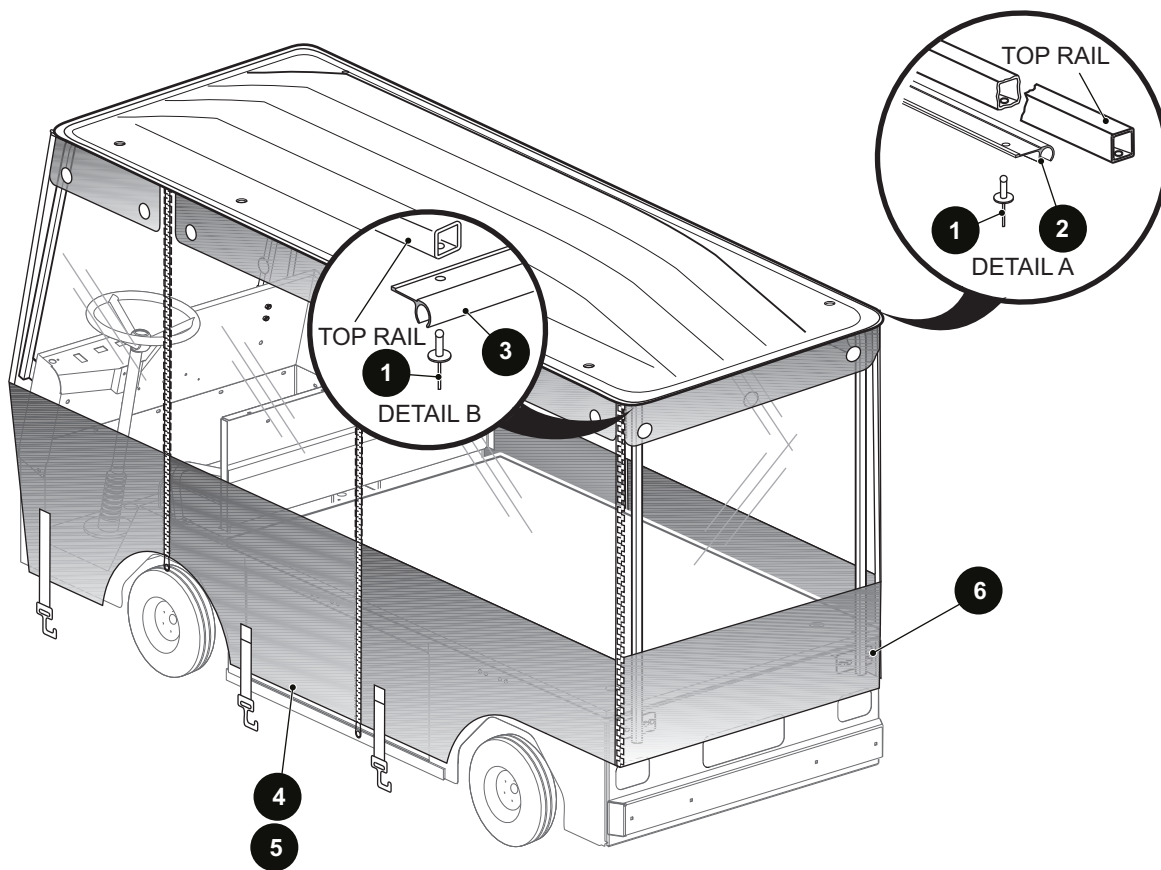
When ordering parts, please specify the model and serial number of the product.

* Indicates a component that is not available as an individual part.

*** Indicates consult Customer Service Department for additional information.

| ITEM | PART NO. | 1 2 3 4 5 | DESCRIPTION | QTY. |
|------|----------|-----------|---|------|
| 1 | 631138 | | SHORT CANOPY KIT (INCLUDES ITEMS 2 - 20) | 1 |
| 2 | 631171 | | FRONT STRUT | 1 |
| 3 | 19853G1 | | END CAP, 1" SQ | 4 |
| 4 | 602284 | | REAR STRUT (DRIVER SIDE) | 1 |
| 5 | 602285 | | REAR STRUT (PASSENGER SIDE)..... | 1 |
| 6 | 00438G8 | | HEX HEAD BOLT, 5/16" - 18 X 1" LG | 2 |
| 7 | 00559G8 | | FLAT WASHER, 5/16" | 20 |
| 8 | 11098G6 | | LOCK NUT, 5/16" - 18 | 10 |
| 9 | 00440G2 | | HEX HEAD BOLT, 5/16" - 18 X 2 1/4" LG | 4 |
| 10 | 27069G01 | | SUN TOP, 58" LG | 1 |
| 11 | 00753G5 | | TRUSS HEAD PHILLIPS SCREW (SS), 1/4" - 20 X 2" LG | 2 |
| 12 | 01110G01 | | FLAT WASHER, 1/4" | 8 |
| 13 | 75051G01 | | SPACER, 1/2" LG | 4 |
| 14 | 14390G4 | | LOCK NUT, 1/4" - 20 | 4 |
| 15 | 00774G3 | | TRUSS HEAD PHILLIPS SCREW (SS), 1/4" - 20 X 3 1/4" LG | 2 |
| 16 | 602675 | | ANGLE BRACKET | 2 |
| 17 | 00439G6 | | HEX HEAD BOLT, 5/16" - 18 X 1 3/4" LG | 2 |
| 18 | 00952G6 | | HEX HEAD BOLT, 5/16" - 18 X 3/4" LG | 2 |
| 19 | 16705G1 | | TRUSS HEAD PHILLIPS SCREW, 1/4" - 20 X 1" LG | 2 |
| 20 | 19859G1 | | END CAP, 3/4" SQ | 2 |

WEATHER PROTECTION



WEATHER PROTECTION

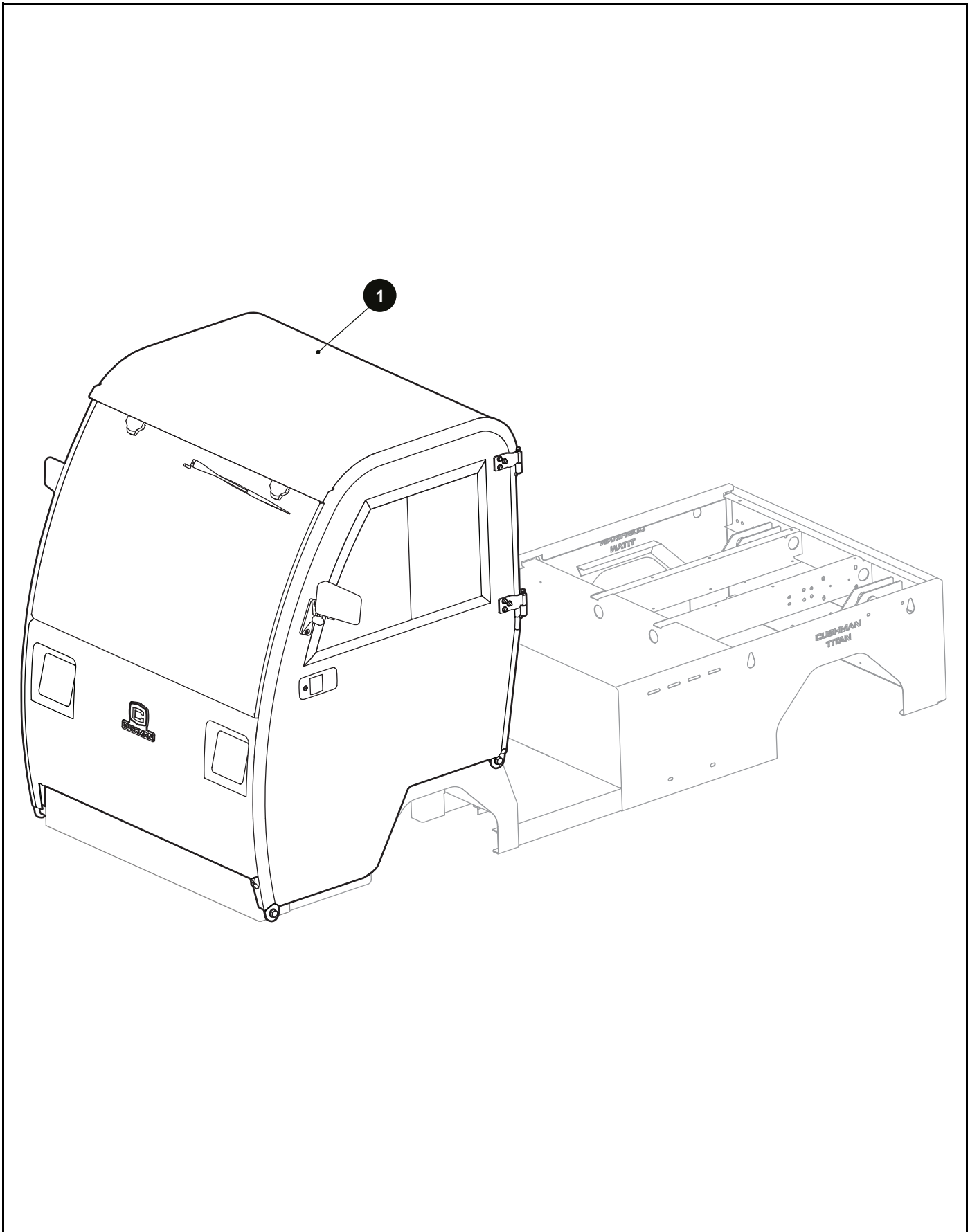
When ordering parts, please specify the model and serial number of the product.

* Indicates a component that is not available as an individual part.

*** Indicates consult Customer Service Department for additional information.

| ITEM | PART NO. | 1 2 3 4 5 | DESCRIPTION | QTY. |
|------|----------|-----------|-------------------------------------|------|
| 1 | 548247 | | RIVET, .188" DIA X .44" LG | 22 |
| 2 | 602443 | | EXTRUSION (LONG) | 4 |
| 3 | 602444 | | EXTRUSION (SHORT) | 1 |
| 4 | 602899 | | SIDE CURTAIN (DRIVER SIDE) | 1 |
| 5 | 602441 | | SIDE CURTAIN (PASSENGER SIDE) | 1 |
| 6 | 602753 | | REAR CURTAIN | 1 |

WEATHER PROTECTION



WEATHER PROTECTION

When ordering parts, please specify the model and serial number of the product.

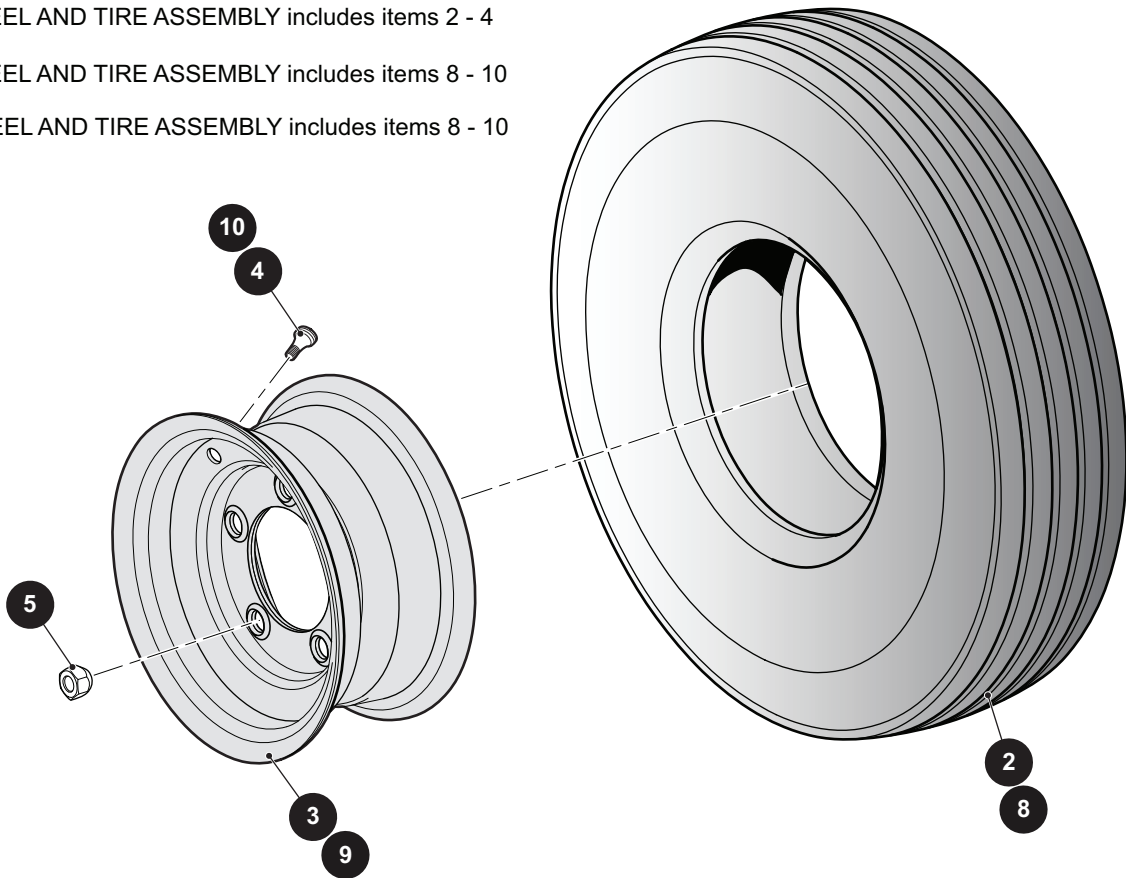
* Indicates a component that is not available as an individual part.

*** Indicates consult Customer Service Department for additional information.

| ITEM | PART NO. | 1 2 3 4 5 DESCRIPTION | QTY. |
|------|----------|--|------|
| 1 | 651795 | CAB..... REPLACEMENT PARTS AND ACCESSORIES MAY BE OBTAINED FROM DFK AMERICA, INC. 2215 W. CURTISS STREET, DOWNERS GROVE, L 60515, U.S.A. PHONE: +1 630 324 6793 E-MAIL: INFO@DFKCABS.COM WWW.DFKCABS.COM | 1 |

WHEELS AND TIRES

- 1 WHEEL AND TIRE ASSEMBLY includes items 2 - 4
- 6 WHEEL AND TIRE ASSEMBLY includes items 8 - 10
- 7 WHEEL AND TIRE ASSEMBLY includes items 8 - 10



(Style of tire may differ from tire shown)

WHEELS AND TIRES

When ordering parts, please specify the model and serial number of the product.

* Indicates a component that is not available as an individual part.

*** Indicates consult Customer Service Department for additional information.

| ITEM | PART NO. | 1 2 3 4 5 | DESCRIPTION | QTY. |
|------|----------|-----------|--|------|
| 1 | 887023 | | WHEEL AND TIRE ASSEMBLY (INCLUDES ITEMS 2 - 4) | 4 |
| 2 | *** | | TIRE, 5.70 - 8 | 1 |
| 3 | 829146 | | WHEEL RIM | 1 |
| 4 | 886735 | | VALVE STEM | 1 |
| 5 | 14723G1 | | LUG NUT, 1/2" - 20 | 20 |
| 6 | 640612 | | WHEEL AND TIRE ASSEMBL, 5 X 8 NON-MARKING (INCLUDES ITEMS 8 - 10) | 4 |
| 7 | 640611 | | WHEEL AND TIRE ASSEMBLY, 5 X 8 SOLID (INCLUDES ITEMS 8 - 10) | 4 |
| 8 | *** | | TIRE | 1 |
| 9 | *** | | WHEEL RIM | 1 |
| 10 | *** | | VALVE STEM | 1 |



CUSHMAN®
LET'S WORK!

E-Z-GO Division of Textron Inc.,
1451 Marvin Griffin Road, Augusta, Georgia 30906 - 3852 USA

TO CONTACT US...

North America:

Technical Assistance & Warranty Phone: 1-800-774-3946, FAX: 1-800-448-8124

Service Parts Phone: 1-888-GET-E-Z-GO (1-888-438-3946), FAX: 1-800-752-6175

International: Phone: 001-706-798-4311, FAX: 001-706-771-4609

Service Parts Manuals, as well as Repair and Service Manuals
are available from a local Distributor, an authorized Branch,
Genuine E-Z-GO Parts & Accessories Department or at www.shopezgo.com.

Copyrighted Material
This manual may not be reproduced in whole or
in part without the express permission of
E-Z-GO Division of Textron Inc.
Technical Communications Department