

SERVICE PARTS MANUAL

TRACKER



OFF ROADTM

TRACKER OX 400

Issued 08-19

699672-C
Revised 09-19

SERVICE PARTS MANUAL

GASOLINE EFI POWERED VEHICLE

TRACKER OX 400

STARTING MODEL YEAR 2020

Never modify the vehicle in any way that will alter the weight distribution of the vehicle, decrease its stability or increase the speed beyond the factory specifications. Such modifications can cause serious personal injury or death. The manufacturer prohibits and disclaims responsibility for any such modifications or any other alteration which would adversely affect the safety of the vehicle.

The manufacturer reserves the right to incorporate engineering and design changes to products in this manual, without obligation to include these changes on units sold previously.

The information contained in this manual may be revised periodically by the manufacturer, and therefore is subject to change without notice.

The manufacturer **DISCLAIMS LIABILITY FOR ERRORS IN THIS MANUAL**, and **SPECIFICALLY DISCLAIMS LIABILITY FOR INCIDENTAL AND CONSEQUENTIAL DAMAGES** resulting from the use of the information and materials in this manual.

These are the original instructions as defined by 2006/42/EC.

MANUFACTURER INFORMATION

Textron Specialized Vehicles, Inc.

1451 Marvin Griffin Road

Augusta, Georgia, USA 30906-3852

Dealer: 800-296-4804

Consumer: 877-394-6727

www.trackeroffroad.com

GENERAL INFORMATION

To obtain a copy of the limited warranty applicable to the vehicle, call or write a local Distributor, authorized Branch or the Warranty Department with vehicle serial number and manufacturer code.

The use of non Original Equipment Manufacturer (OEM) approved parts may void the warranty.

Tampering with or adjusting the governor to permit vehicle to operate at above factory specifications will void the vehicle warranty.

When servicing engines, all adjustments and replacement components must be per original vehicle specifications in order to maintain the United States of America Federal and State emission certification applicable at the time of manufacture.

BATTERY PROLONGED STORAGE

All batteries will self discharge over time. The rate of self discharge varies depending on the ambient temperature and the age and condition of the batteries.

A fully charged battery will not freeze in winter temperatures unless the temperature falls below -75° F (-60° C).

BATTERY DISPOSAL

Lead-acid batteries are recyclable. Return whole scrap batteries to distributor, manufacturer or lead smelter for recycling. For neutralized spills, place residue in acid-resistant containers with absorbent material, sand or earth and dispose of in accordance with local, state and federal regulations for acid and lead compounds. Contact local and/or state environmental officials regarding disposal information.

TABLE OF CONTENTS

SECTION	Page No.
HOW TO USE THE SERVICE PARTS MANUAL	V
ACCELERATOR	A - 1
AIR FILTER	B - 1
BODY	C - 1
BRAKES	D - 1
CLUTCH	E - 1
DIRECTION SELECTOR	F - 1
ELECTRICAL	G - 1
ENGINE AND MUFFLER	H - 1
ENGINE MOUNTING	J - 1
FRONT SUSPENSION AND STEERING	K - 1
FUEL SYSTEM	L - 1
REAR AXLE	M - 1
REAR SUSPENSION	N - 1
SEATING	P - 1
STARTER/GENERATOR	R - 1
TRUCK BED	S - 1
WEATHER PROTECTION	T - 1
WHEELS AND TIRES	U - 1
DECALS AND LABELS	V - 1

HOW TO USE THE SERVICE PARTS MANUAL

This manual is divided into several sections:

- GENERAL INFORMATION
- ILLUSTRATED PARTS BREAKDOWN

The first section, GENERAL INFORMATION, contains the following information:

- WARRANTY INFORMATION
- TABLE OF CONTENT
- HOW TO USE THE SERVICE PARTS MANUAL

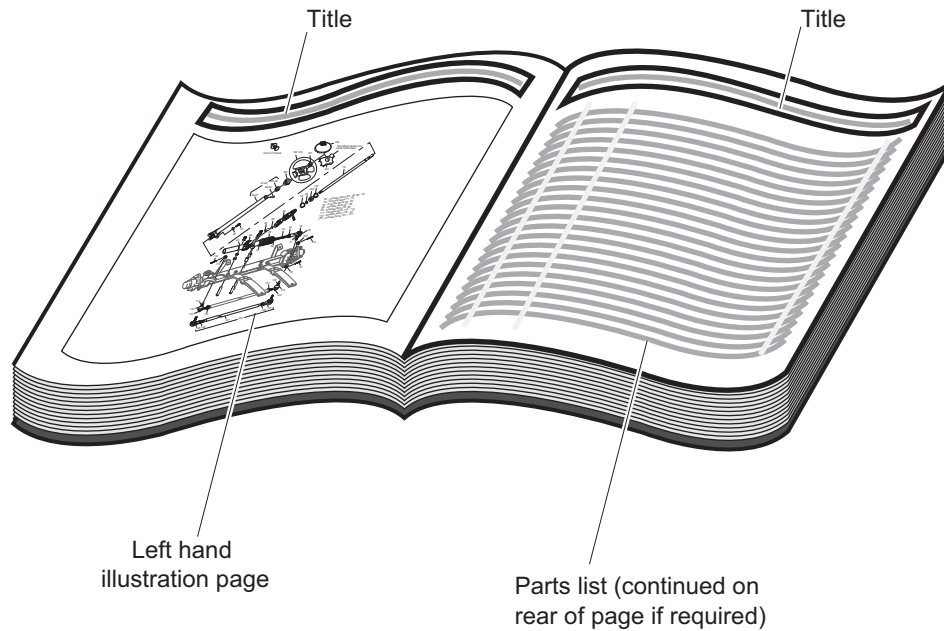
The second section, ILLUSTRATED PARTS BREAKDOWN, contains illustrations and parts lists for all systems of your vehicle.

USE OF THE MANUAL

To use this manual, consult the TABLE OF CONTENTS to locate the information or illustration required.

Introduction of some revisions varies due to supply of components; therefore, it is possible that various combinations of components may be found that are not directly reflected by each illustration. Consult the illustration that best suits your situation and then contact the Service Parts Department. It is important that the serial number or VIN of your vehicle and the model name be supplied to Service Parts when ordering any replacement components.

HOW TO USE THE SERVICE PARTS MANUAL



1. WHEN THE PART NUMBER IS NOT KNOWN

- Determine the function and application of the part required. Turn to the Table of Content and select the most appropriate title.
- Turn to the page number indicated and locate the desired part on the illustration.
- From the illustration, obtain the item number assigned to the desired part. Refer to the accompanying description for specific information regarding the part.

2. IF YOU KNOW THE PART NUMBER

- Locate the part number or description in the appropriate column on the parts list page.

NOTE: It is suggested that you confirm that the part selected is correct by verifying it with the pictorial representation on the illustrated page.

Should an asterisk (*) appear in the part number column on the parts list page, read upwards until a part number is found. The part number is the lowest assembly sold by Service Parts and the asterisk (*) indicates that the part depicted is not available for purchase.

NOTE: Descriptions are indented under the assembly that they are used on. That assembly is, in turn listed under the assembly that it is used on. This process is repeated until the highest final assembly is reached.

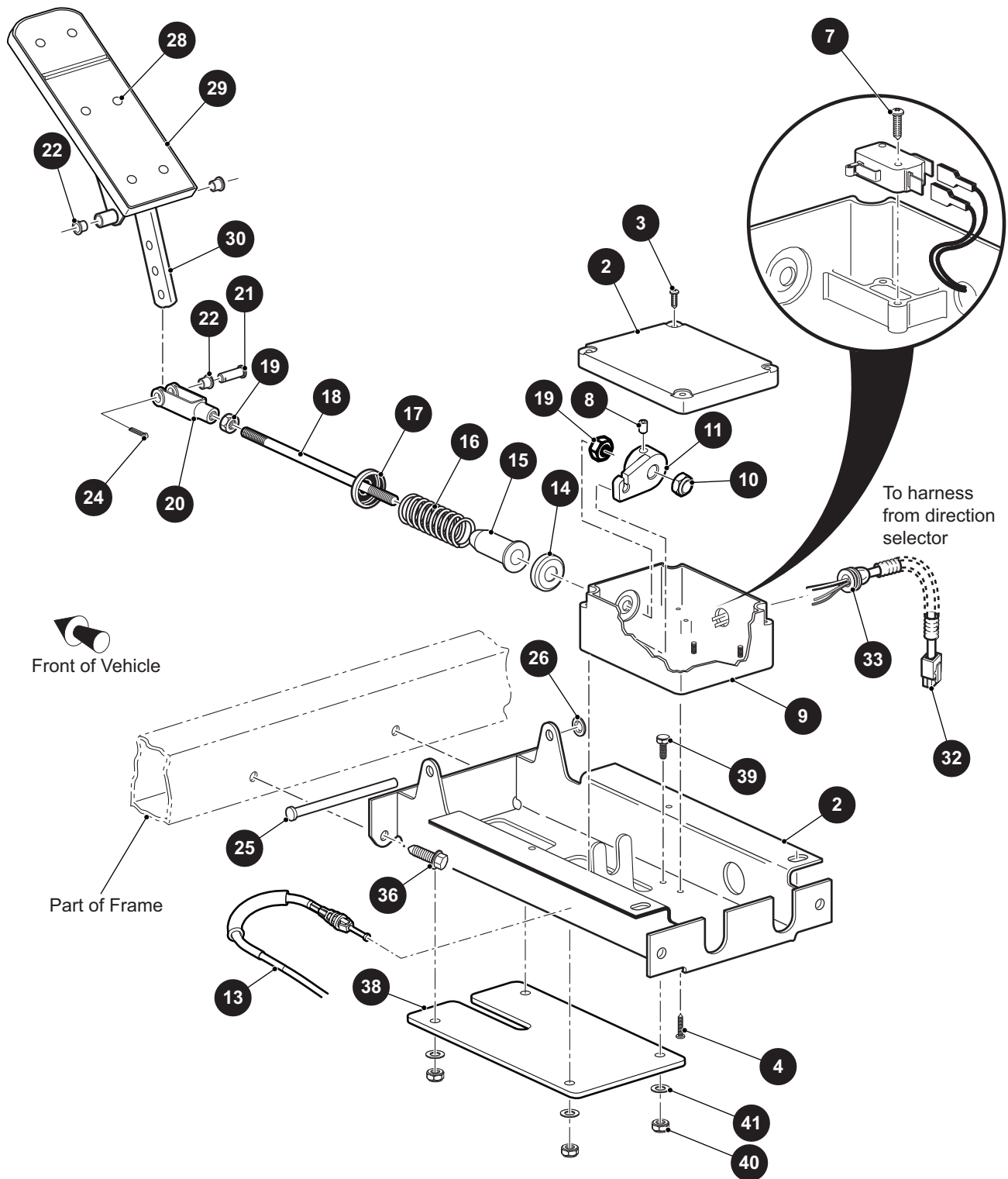
To facilitate the maintenance and repair of the vehicle, a Repair and Service Manual is available from the Service Parts Department.

3. COLOR CODE FOR BODY COMPONENTS

The last two digits of the part number for the body part will denote the color code, locate the part number for the cowl, rear body, seat pod, side panel or seat wrap then locate your color in the list below, replace the last ** or xx with the two digit color code.

<u>CODE #</u>	<u>DESCRIPTION</u>
11	BLACK
37	FOREST GREEN
39	FLAME RED

ACCELERATOR



Front of Vehicle

Part of Frame

To harness from direction selector

1 Pedal Box Assembly includes items 2 - 33

27 Accelerator Pedal Assembly includes items 28 - 30

THE USE OF NON U.L. PARTS WILL VOID ANY U.L. LISTING.

When ordering parts, please specify the model and serial number of the product.

* Indicates a component that is not available as an individual part.

*** Indicates consult Customer Service Department for additional information.

ITEM	PART NO.	1 2 3 4 5	DESCRIPTION	QTY.
1	660448		Pedal Box Assembly (Includes Items 2 - 33).....	1
2	652241G03		Accelerator Pedal Bracket	1
3	00684G6		Truss Head Phillips Screw (SS), #8 - 32 x 3/4" Lg	2
4	01051G01		Pan Head Phillips Screw, #8 - 10 x 1/2" Lg	4
5				
6				
7	01050G02		Pan Head Torx Screw, #4 - 20 x 5/8" Lg	2
8	00487G3		Set Screw, 1/4" - 20 x 3/8" Lg	1
9	25853G03		Pedal Box and Cover.....	1
10	15126G1		Lock Nut, 5/6" - 24	1
11	72716G01		Micro Switch Cam.....	1
12				
13	608614		Accelerator Cable	1
14	17677G1		Spring Retainer.....	1
15	17979G1		Bushing, .75" x 2" Lg	1
16	73046G01		Compression Spring	1
17	17677G2		Spring Retainer, 3/8".....	1
18	72072G01		Accelerator Rod	1
19	00532G4		Hex Nut, 5/16" - 24	2
20	10385G4		Clevis Yoke (Adjustable).....	1
21	10386G3		Clevis Pin, 5/16" x 13/16" Lg	1
22	17838G1		Nylon Bushing, .37" x .31" Lg	3
23				
24	10387G3		Cotter Pin, 3/32" x 3/4" Lg	1
25	74432G01		Pedal Pivot Pin	1
26	12064G6		Push Nut, 5/16".....	1
27	25799G03		Accelerator Pedal Assembly (Includes Items 28 - 30).....	1
28	16409G1		Oval Rivet, 3/16" x 7/16" Lg	6
29	27512G01		Accelerator Pedal Pad	1
30	652824		Accelerator Pedal.....	1
31				

ACCELERATOR

THE USE OF NON U.L. PARTS WILL VOID ANY U.L. LISTING.

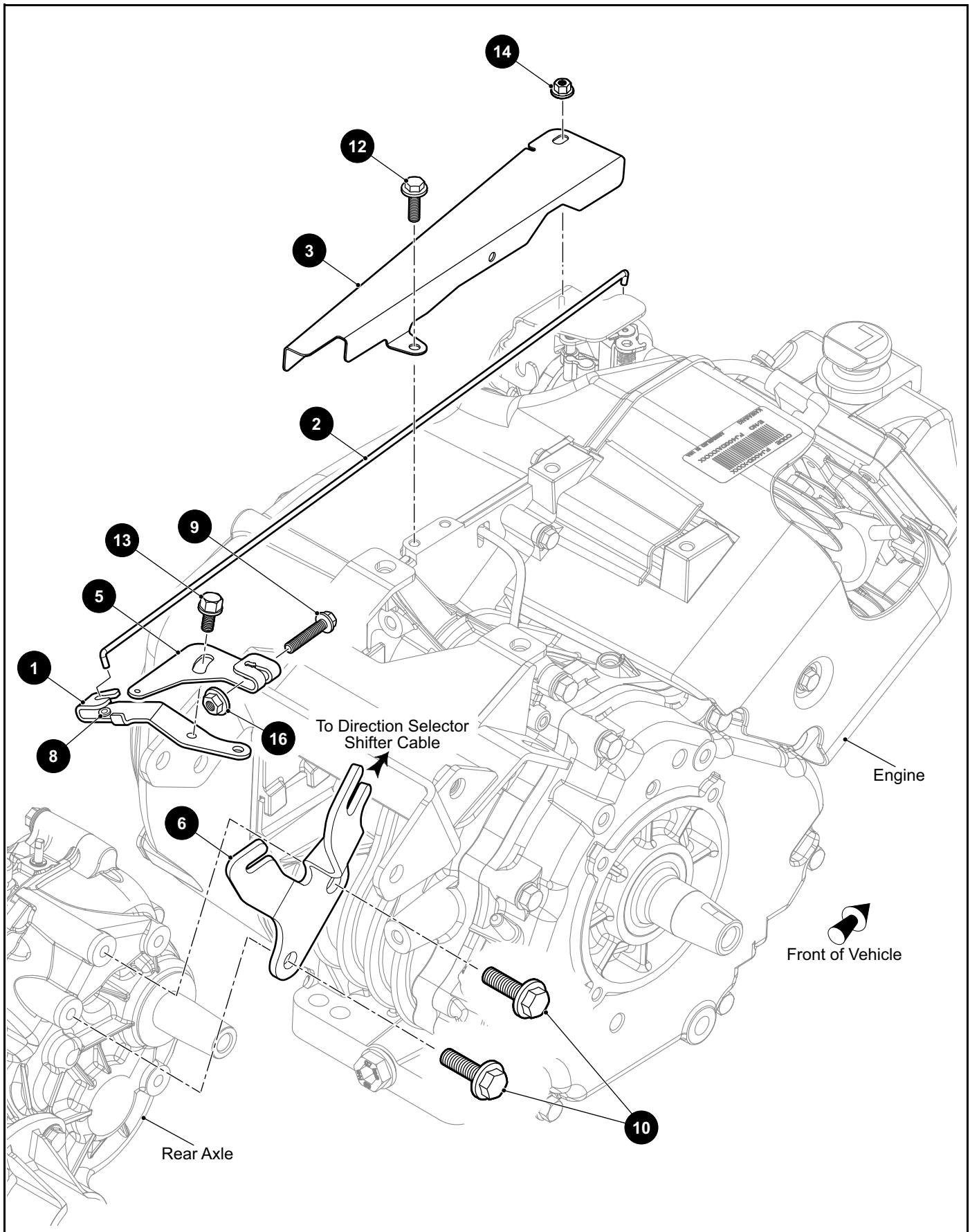
When ordering parts, please specify the model and serial number of the product.

* Indicates a component that is not available as an individual part.

*** Indicates consult Customer Service Department for additional information.

ITEM	PART NO.	1	2	3	4	5	DESCRIPTION	QTY.
32	658940						Pedal Harness.....	1
33	654645						Grommet (Rubber).....	1
34								
35	17618G1						Nylon Clamp, 7" Lg (Not Illustrated).....	3
36	00715G2						Hex Washer Head Bolt, 5/16" - 18 x .8" Lg.....	4
37								
38	652780G03						Pedal Guard	1
39	00414G6						Hex Head Bolt, 1/4" - 20 x 3/4" Lg, Grade 5.....	4
40	00654G2						Lock Nut (SS), 1/4" - 20.....	4
41	01110G01						Flat Washer (SS), 1/4"	4

ACCELERATOR



THE USE OF NON U.L. PARTS WILL VOID ANY U.L. LISTING.

When ordering parts, please specify the model and serial number of the product.

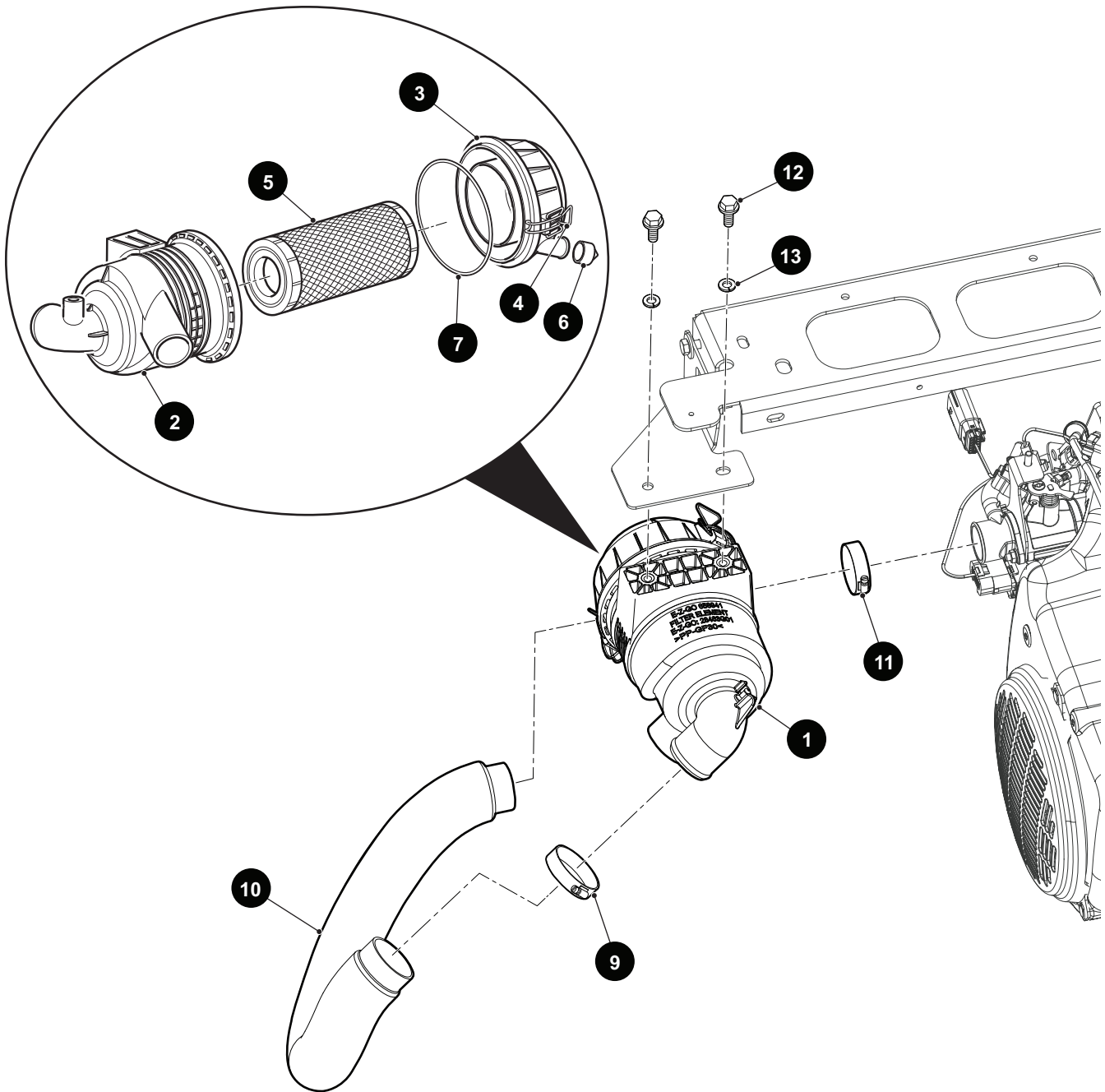
* Indicates a component that is not available as an individual part.

*** Indicates consult Customer Service Department for additional information.

ITEM	PART NO.	1 2 3 4 5	DESCRIPTION	QTY.
1	606005		Governor Bracket (Lower).....	1
2	606284		Governor Link Rod	1
3	660005		Governor Rod Guard.....	1
4				
5	606083		Governor Bracket (Upper).....	1
6	632936		Governor Cable / Direction Selector Bracket	1
7				
8	606283		Governor Lever Bushing	1
9	606421		Flanged Hex Head Bolt, M6 - 1 x 30mm Lg, Grade 8.8	1
10	606256		Flanged Hex Head Bolt, M10 - 1.25 x 25mm Lg, Grade 8.8	2
11				
12	606264		Flanged Hex Head Bolt, M6 - 1 x 20mm Lg, Grade 8.8	1
13	73876G01		Flanged Hex Head Bolt, M6 - 1 x 12mm Lg, Grade 8.8	1
14	601476		Lock Nut, M6 - 1	1
15				
16	450452		Flanged Hex Nut, M6 - 1	1

AIR FILTER

1 Air Cleaner Assembly includes items 2 - 7



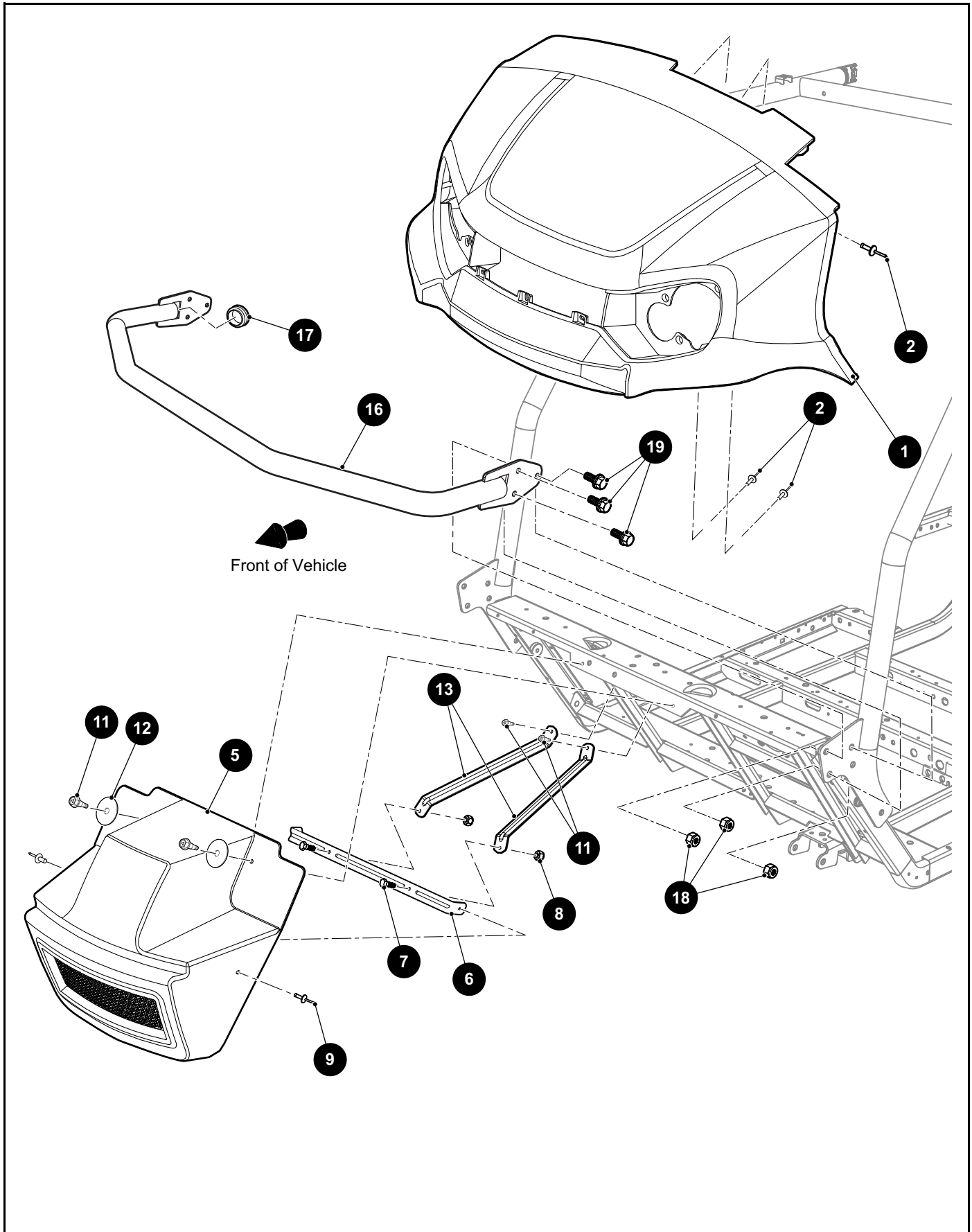
THE USE OF NON U.L. PARTS WILL VOID ANY U.L. LISTING.

When ordering parts, please specify the model and serial number of the product.

* Indicates a component that is not available as an individual part.

*** Indicates consult Customer Service Department for additional information.

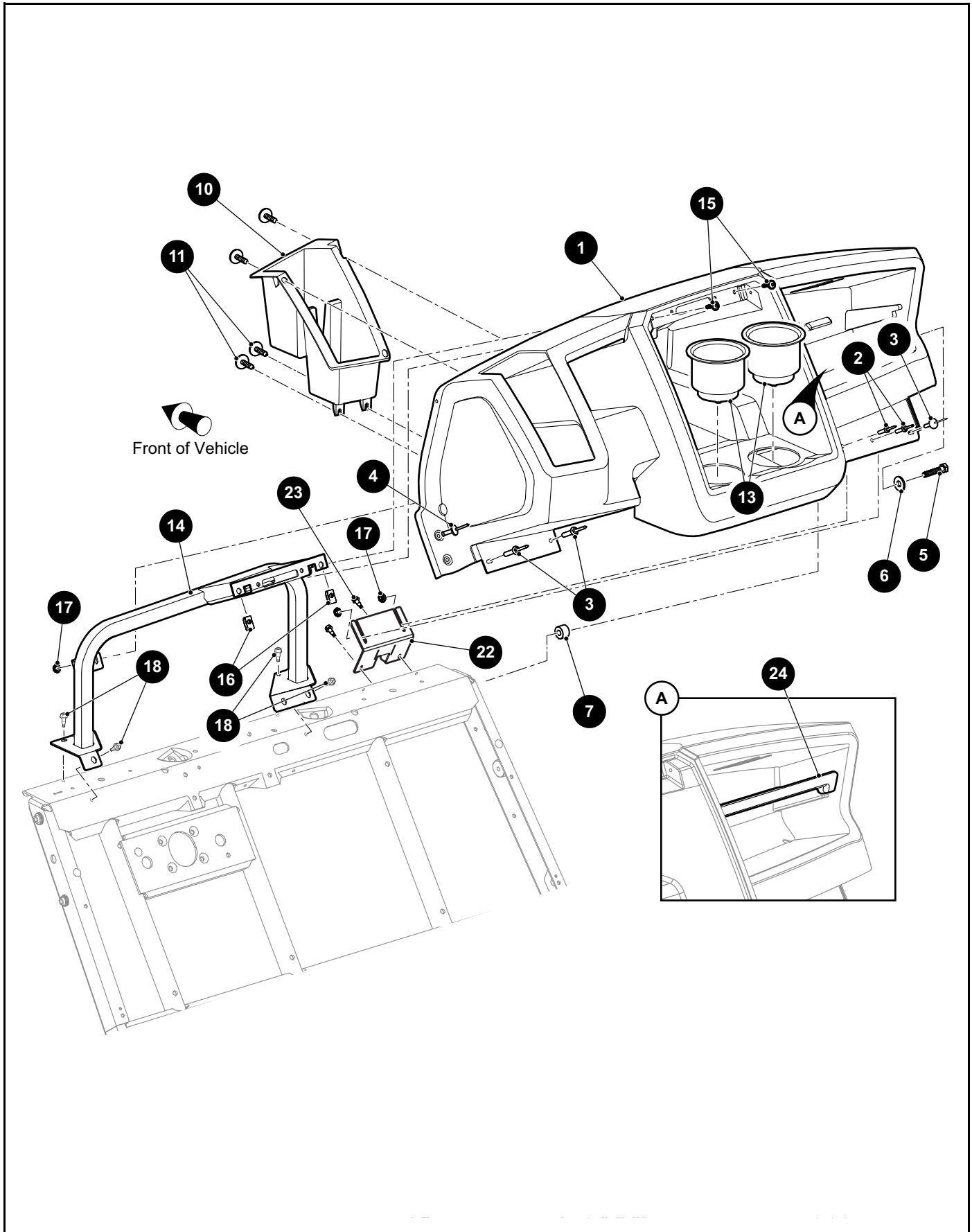
ITEM	PART NO.	1 2 3 4 5	DESCRIPTION	QTY.
1	688989		Air Cleaner Assembly (Includes Items 2 - 7)	1
2	689988		Air Cleaner.....	1
3	691746		Air Cleaner Cover	1
4	72604G01		Air Cleaner Clip	2
5	28463G01		Air Filter	1
6	28462G01		Dust Ejector Valve	1
7	689987		Air Cleaner Seal	1
8				
9	11391G7		Hose Clamp, 1.56" - 2.50" Dia	1
10	601910		Air Filter Hose, 14" Lg	1
11	11391G5		Hose Clamp, 1.31" - 2.25" Dia	1
12	606261		Flanged Hex Head Bolt, M8 - 1.25 x 20mm Lg	2
13	606272		Lock Washer, 8mm	2



THE USE OF NON U.L. PARTS WILL VOID ANY U.L. LISTING.
 When ordering parts, please specify the model and serial number of the product.
 * Indicates a component that is not available as an individual part.
 *** Indicates consult Customer Service Department for additional information.

ITEM	PART NO.	1 2 3 4 5	DESCRIPTION	QTY.
1	648566G00XX		Cowl (See COLOR CODE in HOW TO USE Section)	1
2	71055G02		Aluminum Rivet, 3/16" x 1.18" Lg	4
3				
4				
5	613273		Front Fascia	1
6	654275		Mounting Bracket	1
7	00414G6		Hex Head Bolt, 1/4" - 20 x 3/4" Lg, Grade 5	2
8	14390G4		Lock Nut, 1/4" - 20	2
9	15058G1		Rivet (Aluminum), 3/16" x .45" Lg	2
10				
11	01038G01		Hex Washer Head Swageform Screw, 1/4" - 20 x .70" Lg	4
12	16469G1		Fender Washer	2
13	654276		Front Fascia Mounting Brace	1
14				
15				
16	699734		Brush Guard	1
17	630762		Tube Plug	2
18	600525		Flanged Hex Lock Nut, M10 - 1.5	6
19	603799		Flanged Hex Head Bolt, M8 - 1.25 x 25mm Lg	6

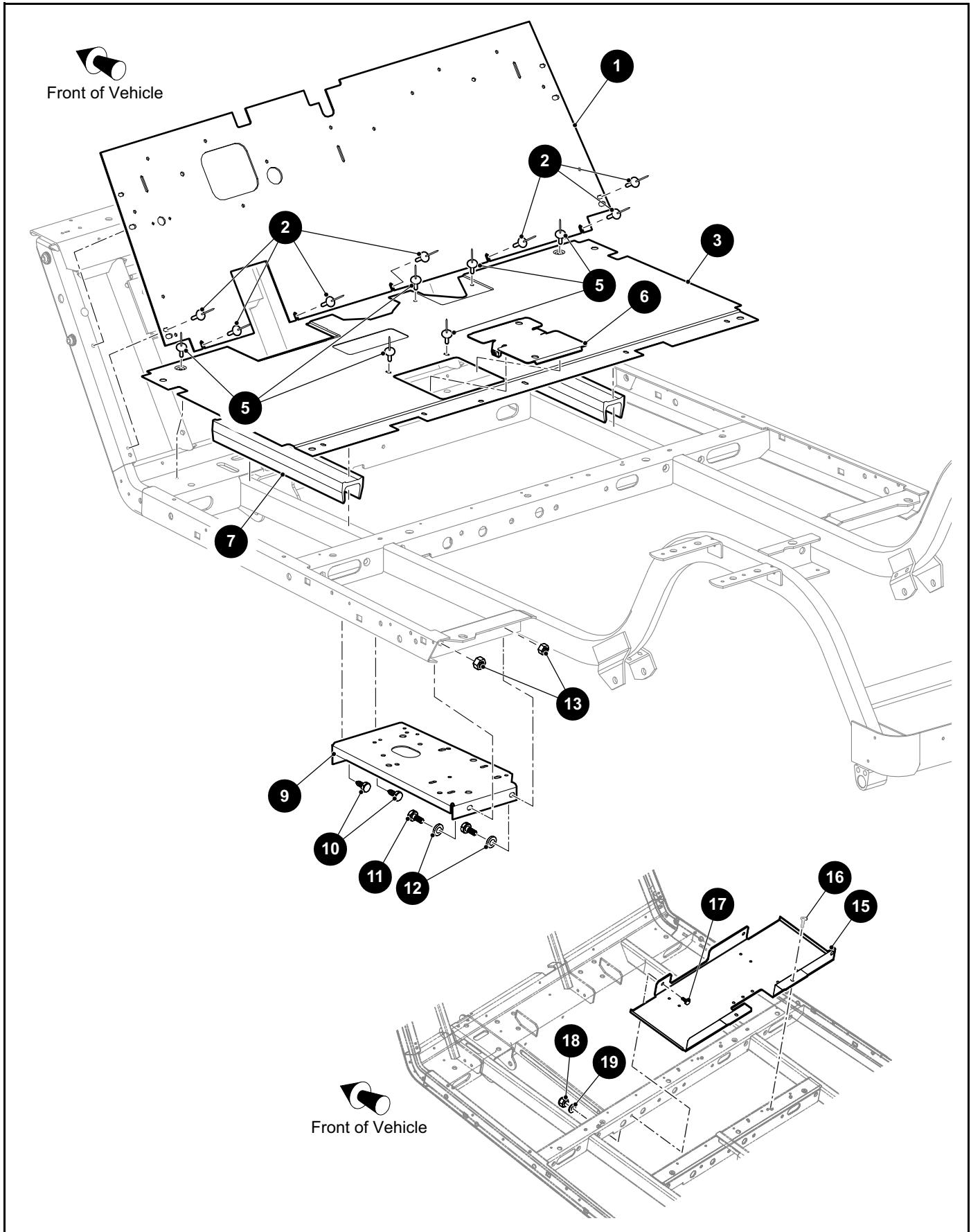
BODY



THE USE OF NON U.L. PARTS WILL VOID ANY U.L. LISTING.
 When ordering parts, please specify the model and serial number of the product.
 * Indicates a component that is not available as an individual part.
 *** Indicates consult Customer Service Department for additional information.

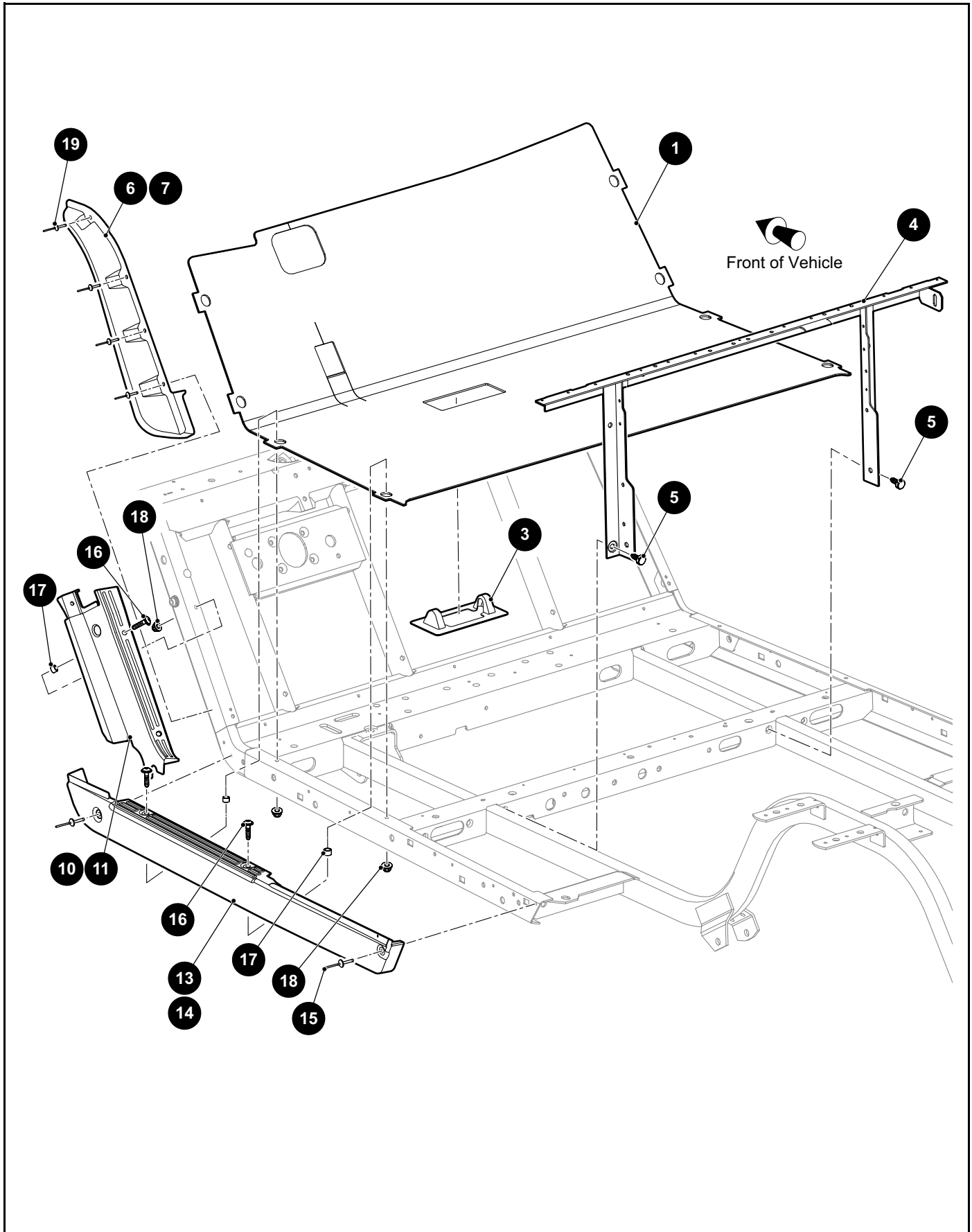
ITEM	PART NO.	1 2 3 4 5	DESCRIPTION	QTY.
1	648568		Instrument Panel	1
2	71055G01		Aluminum Rivet, 3/16" x 1 1/8" Lg	2
3	14601G11		Aluminum Rivet, 3/16" x 9/16" Lg	3
4	71055G01		Aluminum Rivet, 3/16" x 1.18" Lg	2
5	651011		Hex Head Bolt, 5/16" - 18 x 1.5" Lg, Grade 5	2
6	634808		Flat Washer, 5/16"	2
7	75048G01		Spacer, .328" x .75" x .5"	2
8				
9				
10	648562		Cup Holder (Driver Side)	1
11	613373		Pan Head Tapping Screw (with Washer), M4.8 - 1.6 x 22mm Lg	4
12				
13	650913		Single Center Cup Holder	2
14	666298		Instrument Panel Support	1
15	645323		Pan Washer Head Torx Screw, M6 - 1 x 23.4mm Lg	2
16	602409		Barrel Clip, M6 - 1	2
17	71597G01		Self Threading Nut, 5mm x 10mm x 15mm	3
18	01038G01		Hex Washer Head Swageform Screw, 1/4" - 20 x .70" Lg	4
19				
20				
21				
22	666244		Instrument Panel Support Bracket (Passenger Side)	1
23	01038G01		Hex Washer Head Swageform Screw, 1/4" - 20 x .70" Lg	2
24	648561		Tray Panel (Passenger Side).....	1

BODY



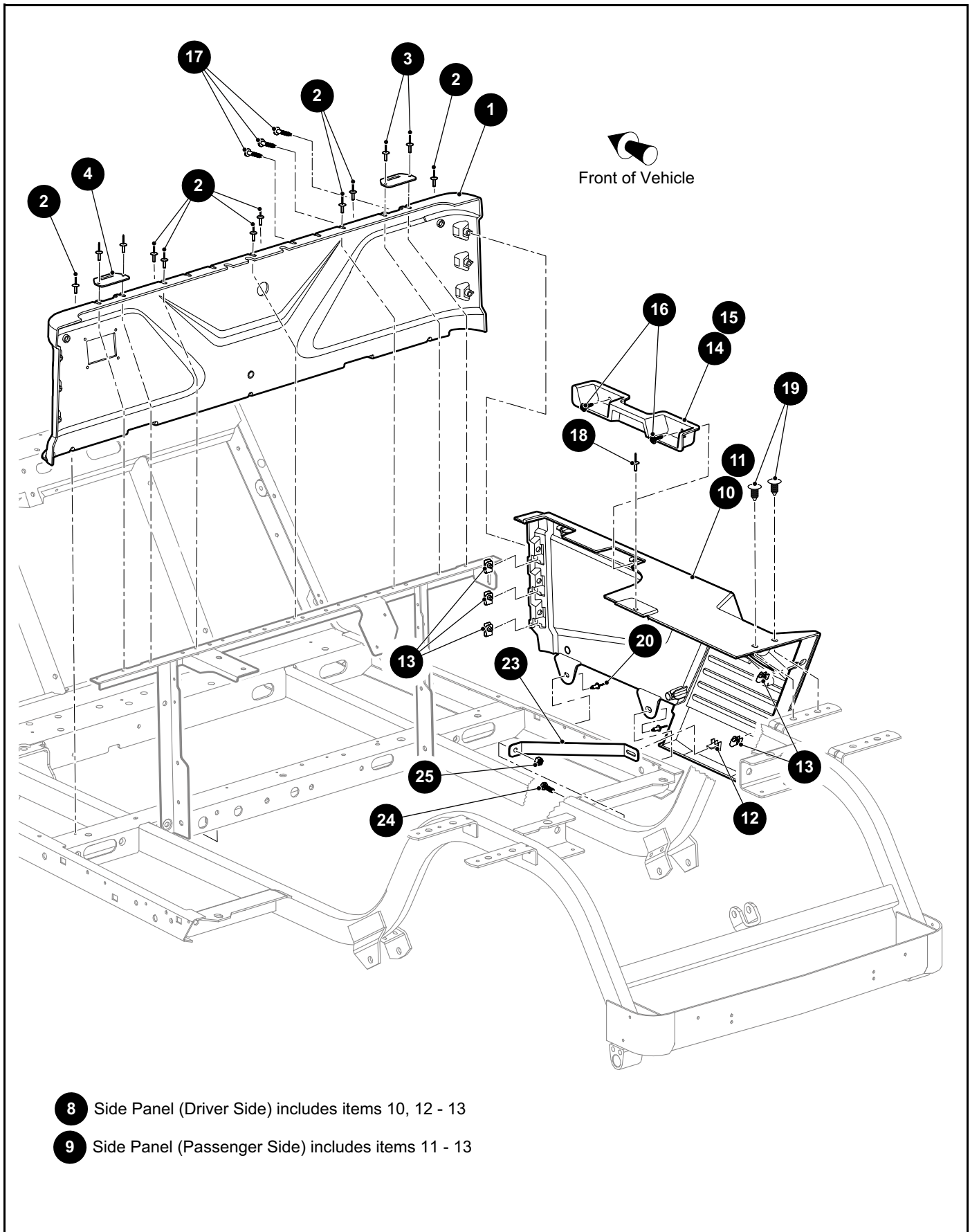
THE USE OF NON U.L. PARTS WILL VOID ANY U.L. LISTING.
 When ordering parts, please specify the model and serial number of the product.
 * Indicates a component that is not available as an individual part.
 *** Indicates consult Customer Service Department for additional information.

ITEM	PART NO.	1 2 3 4 5	DESCRIPTION	QTY.
1	641260		Upper Floor Panel	1
2	14601G11		Rivet (Aluminum), 3/16" x .575" Lg	7
3	664052G02		Floor Mat (Lower)	1
4				
5	14601G11		Rivet (Aluminum), 3/16" x .575" Lg	6
6	665025		Access Cover (Micro Switch)	1
7	664735		Floorboard Spacer	2
8				
9	70244G05		Splash Pan	1
10	00715G2		Hex Washer Head Bolt, 5/16" - 18 x .8" Lg	2
11	00438G8		Hex Head Bolt, 5/16" - 18 x 1" Lg, Grade 5	2
12	00559G8		Flat Washer, 5/16"	2
13	11098G6		Lock Nut, 5/16" - 18	2
14				
15	70629G01		Mid-Frame Splash Pan	1
16	00106G6		Pan Head Phillips Self Tapping Screw, #12 - 24 x 3/4" Lg.....	2
17	00438G7		Hex Head Bolt, 5/16" - 18 x 7/8" Lg, Grade 5	2
18	01109G01		Lock Nut, 5/16" - 18	2
19	01110G03		Flat Washer, 5/16"	2



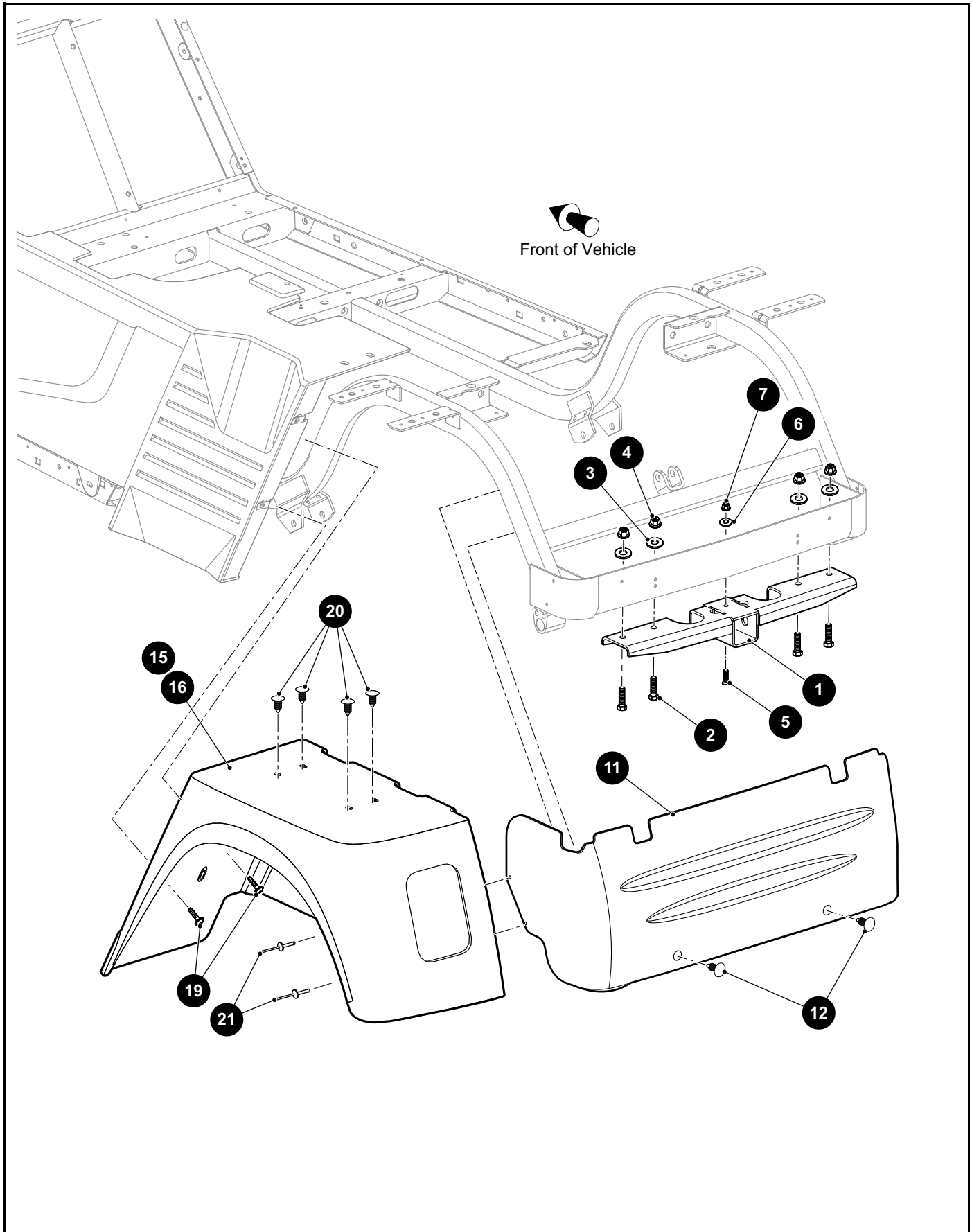
THE USE OF NON U.L. PARTS WILL VOID ANY U.L. LISTING.
 When ordering parts, please specify the model and serial number of the product.
 * Indicates a component that is not available as an individual part.
 *** Indicates consult Customer Service Department for additional information.

ITEM	PART NO.	1 2 3 4 5	DESCRIPTION	QTY.
1	651764G01		Upper Floor Mat (Standard)	1
2				
3	70135G01		Pedal Pivot Cover	1
4	659143		Seat Frame	1
5	00715G2		Hex Washer Head Bolt, 5/16" - 18 x .8" Lg	2
6	674546G01		Large Front Fender Flare (Driver Side)	1
7	674546G02		Large Front Fender Flare (Passenger Side)	1
8				
9				
10	655917G03		Upper Rocker Panel with Fender Flare Mounting Holes (Driver Side)	1
11	655917G04		Upper Rocker Panel with Fender Flare Mounting Holes (Passenger Side)	1
12				
13	615239		Rocker Panel (Driver Side)	1
14	617333		Rocker Panel (Passenger Side)	1
15	15058G6		Rivet (Aluminum), 3/16" x .95" Lg	2
16	645323		Pan Washer Head Torx Screw, M6 - 1 x 23.4mm Lg	4
17	23726G4		Spacer, .5" O.D. x .38" I.D. x .325" Lg	4
18	601476		Flanged Lock Nut, M6 - 1	4
19	71055G01		Rivet (Aluminum), 3/16" x .38" Lg	4



THE USE OF NON U.L. PARTS WILL VOID ANY U.L. LISTING.
 When ordering parts, please specify the model and serial number of the product.
 * Indicates a component that is not available as an individual part.
 *** Indicates consult Customer Service Department for additional information.

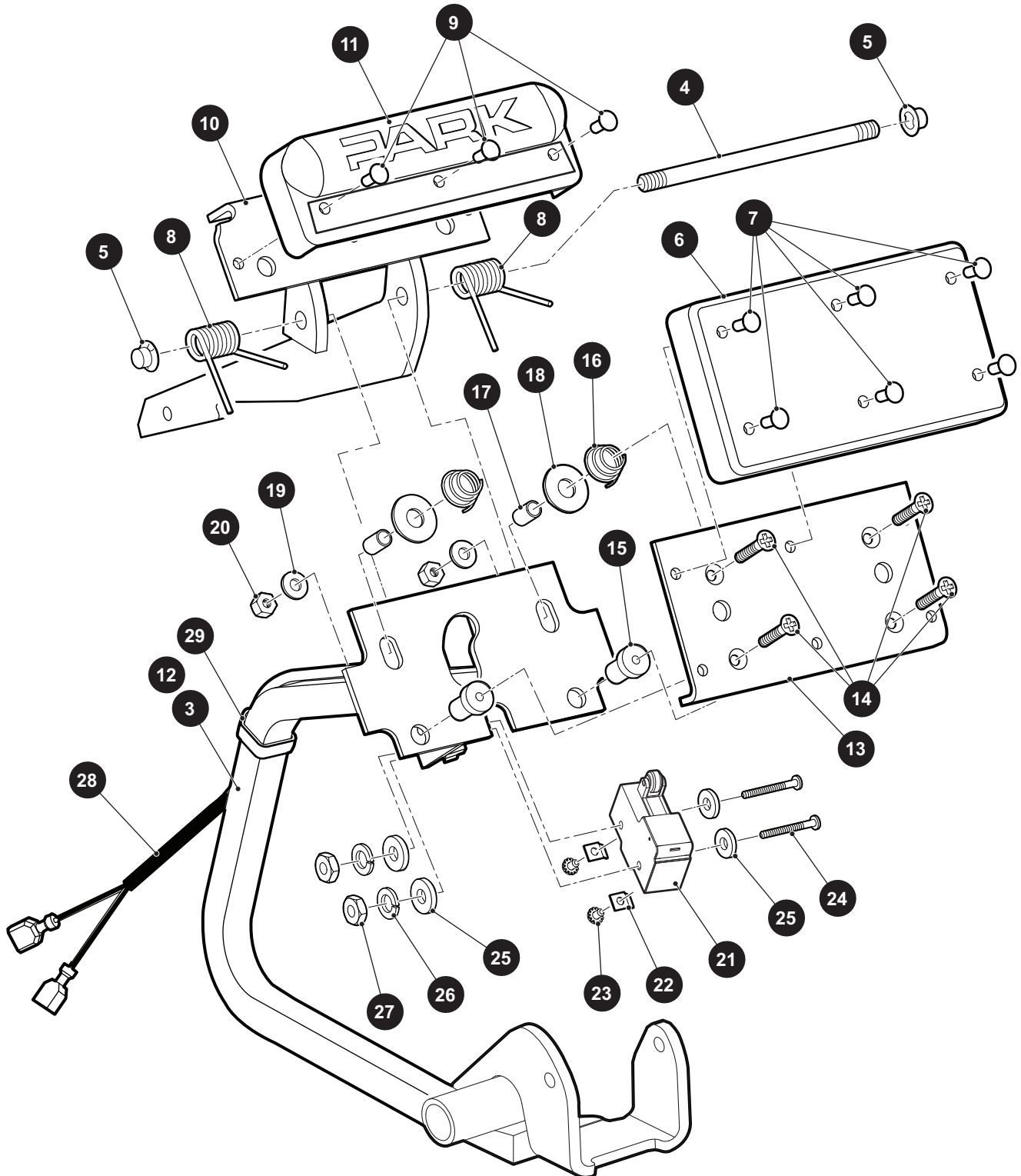
ITEM	PART NO.	1 2 3 4 5	DESCRIPTION	QTY.
1	649251G09		Seat Wrap	1
2	10570G10		Rivet (SS), 5/32" x .55" Lg	8
3	10570G11		Rivet (SS), 3/16" x .7" Lg	2
4	71609G01		Seat Hinge Plate	1
5				
6				
7				
8	652716G01		Side Panel (Driver Side) (Includes Items 10, 12 - 13).....	1
9	652716G02		Side Panel (Passenger Side) (Includes Items 11 - 13)	1
10	649388G01		Side Panel (Driver Side)	1
11	649388G02		Side Panel (Passenger Side)	1
12	602184		Trim Clip	1
13	602409		Barrel Clip, M6 - 1	5
14	649657G01		Hip Restraint Closeout (Driver Side).....	1
15	649657G02		Hip Restraint Closeout (Passenger Side)	1
16	613373		Pan Head Tapping Screw, M4.5 - 1.6 x 22mm Lg	2
17	634161		Flanged Button Head Torx Bolt, M6 - 1 x 30mm Lg	6
18	14601G11		Aluminum Rivet, 5/32" x .55" Lg	1
19	16816G2		Ratchet Rivet, .25" x .887"	2
20	10570G12		Rivet (Aluminum), 1/4" x .625"	2
21				
22				
23	655654		Side Panel Mount Bracket	1
24	00438G8		Hex Head Bolt, 5/16" - 18 x 1" Lg, Grade 5	1
25	11098G6		Lock Nut, 5/16"	1



THE USE OF NON U.L. PARTS WILL VOID ANY U.L. LISTING.
 When ordering parts, please specify the model and serial number of the product.
 * Indicates a component that is not available as an individual part.
 *** Indicates consult Customer Service Department for additional information.

ITEM	PART NO.	1 2 3 4 5	DESCRIPTION	QTY.
1	647080		Hitch Receiver	1
2	00463G4		Hex Head Bolt, 7/16" - 14 x 1 1/2" Lg, Grade 5	4
3	00922G3		Flat Washer, 7/16"	4
4	00734G1		Lock Nut, 7/16" - 14	4
5	00198G8		Flat Head Machine Screw, 5/16" - 18 x 1" Lg, Grade 2.....	1
6	00571G2		Flat Washer, 5/16"	1
7	11098G6		Lock Nut, 5/16" - 18	1
8				
9				
10				
11	74890G01		Rear Valance Panel	1
12	16816G2		Ratchet Rivet, .25" x .887"	2
13				
14				
15	74892G03		Rear Fender with Opening for Taillight (Driver Side)	1
16	74892G04		Rear Fender with Opening for Taillight (Passenger Side)	1
17				
18				
19	612635		Pan Washer Head Torx Screw, M6 - 1 x 20mm Lg	2
20	16816G2		Ratchet Rivet, .25" x .887"	4
21	71055G01		Rivet (Aluminum), 3/16" x 1 1/8" Lg	2

1 Brake Pedal Assembly (With Light) (2 Wheel Brakes) includes items 3 - 29



BRAKES

THE USE OF NON U.L. PARTS WILL VOID ANY U.L. LISTING.

When ordering parts, please specify the model and serial number of the product.

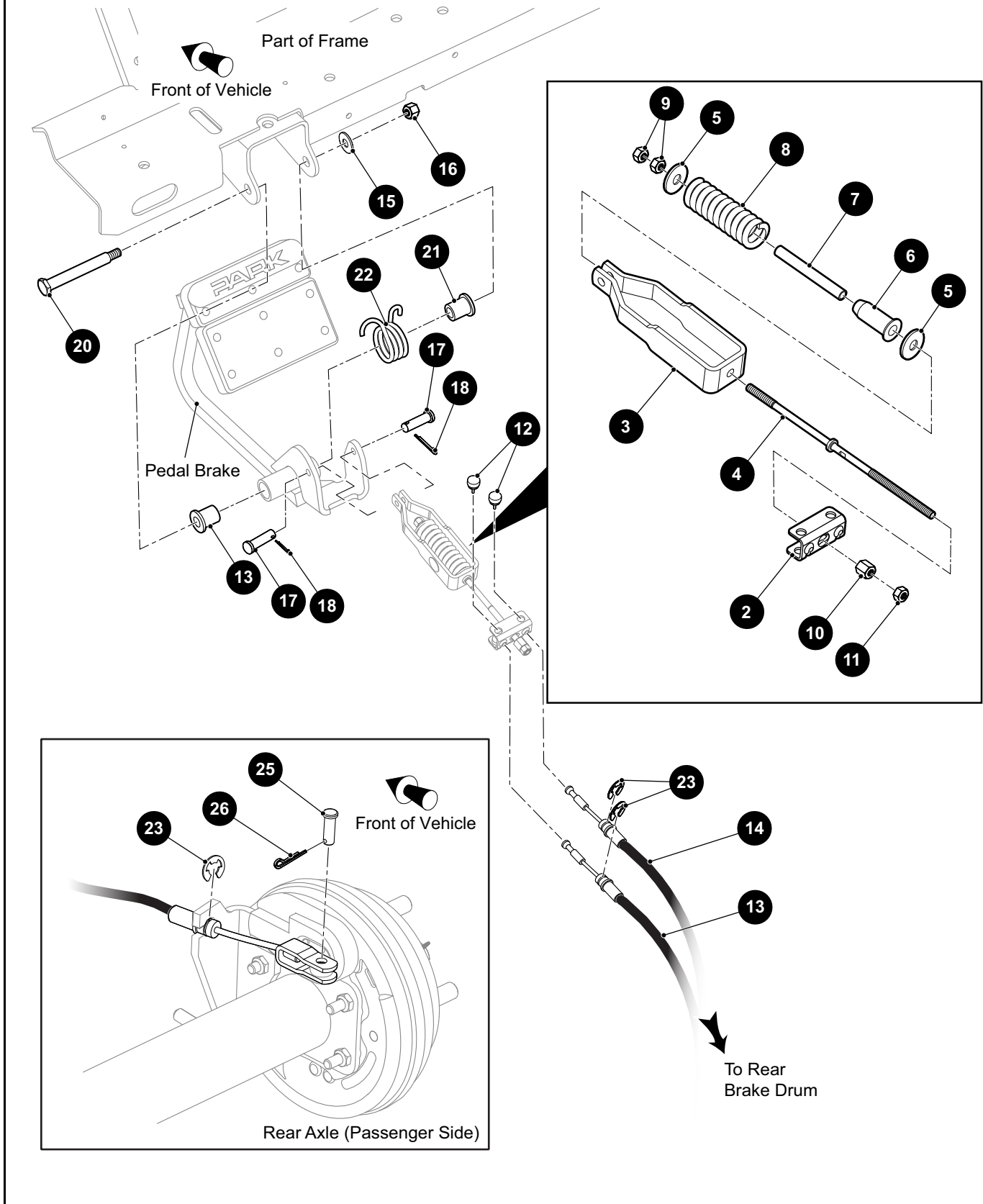
* Indicates a component that is not available as an individual part.

*** Indicates consult Customer Service Department for additional information.

ITEM	PART NO.	1 2 3 4 5	DESCRIPTION	QTY.
1	70690G02		Brake Pedal Assembly (with Light) (2 Wheel Drum Brakes) (Includes Items 3 - 29)	1
2				
3	651207G0103		Brake Pedal (with Lights).....	1
4	70682G01		Pivot Pin, .314" Dia x 5.25" Lg	1
5	658825		Push Nut, 5/16"	2
6	70257G01		Brake Pad	1
7	16409G1		Oval Rivet, .375" x .468" Lg	6
8	70681G01		Torsion Spring	2
9	16409G1		Oval Rivet, .375" x .468" Lg	3
10	652253G03		Park Brake Pedal Weldment	1
11	70256G01		Park Brake Pad	1
12	652791G03		Brake Pedal (with Lights).....	1
13	652820		Brake Pedal Plate	1
14	00737G8		Flat Head Phillips Screw, #10 - 24 x .875" Lg, Grade 5.....	4
15	00739G1		Well Nut (Rubber), #10 - 24.....	2
16	27137G01		Conical Spring	2
17	652355		Brake Pedal Spacer	2
18	00642G8		Flat Washer, 5/16"	2
19	00559G5		Flat Washer, #10	2
20	14390G10		Lock Nut, #10 - 24	2
21	10606G8		Micro Switch	1
22	14628G1		Faston Tab	2
23	13514G1		Pan Head Phillips Screw with Internal Tooth Lock Washer, #6 - 32 x .22" Lg	2
24	00645G2		Pan Head Phillips Screw, #6 - 32 x 1.25" Lg	2
25	00559G3		Flat Washer, #6	4
26	00565G3		Lock Washer, #6	2
27	00525G5		Lock Nut, #6 - 32	2
28	24605G1		Wire Harness (Brake Light)	1
29	17618G1		Nylon Clamp, 7" Lg	2

BRAKES

1 Compensator Assembly (2 Wheel Drum Brakes) includes items 2 - 14



THE USE OF NON U.L. PARTS WILL VOID ANY U.L. LISTING.

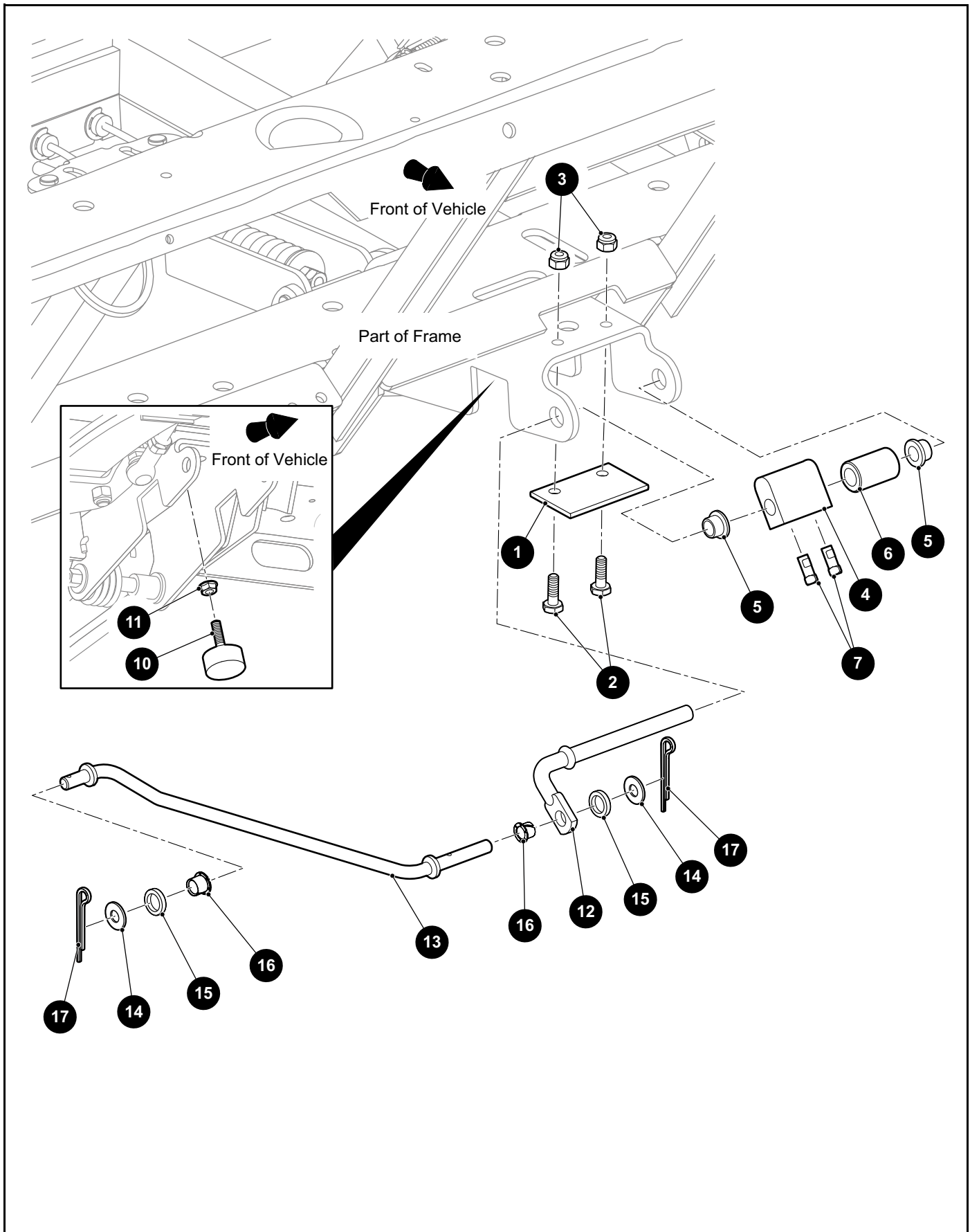
When ordering parts, please specify the model and serial number of the product.

* Indicates a component that is not available as an individual part.

*** Indicates consult Customer Service Department for additional information.

ITEM	PART NO.	1 2 3 4 5	DESCRIPTION	QTY.
1	654666		Compensator Assembly (2 Wheel Drum Brakes) (Includes Items 2 - 14)	1
2	28082G01		Brake Drum Equalizer	1
3	652256		Brake Drum Yoke	1
4	612557		Compensator Link Rod, 10.5" Lg	1
5	15121G1		Flat Washer, 3/8"	2
6	17979G1		Bushing, .464" I.D. x 1" O.D. x 2" Lg	1
7	23061G2		Tube, .315" I.D. x .44" O.D. x 3.66" Lg	1
8	23463G1		Compression Spring, 1.28" Dia x 4.06" Lg	1
9	00532G4		Hex Nut, 5/16" - 24	2
10	629486		Spherical Hex Nut, 5/16" - 24	1
11	11098G9		Hex Lock Nut, 5/16" - 24	1
12	28083G01		Compensator Bumper, .56" Dia	2
13	624697		Brake Cable, 48.06" Lg	1
14	624698		Brake Cable, 57.81" Lg	1
15	00643G1		Flat Washer, 3/8"	1
16	11098G5		Lock Nut, 3/8" - 16	1
17	10386G3		Clevis Pin, .313" x .84" Lg	2
18	10387G3		Cotter Pin, .094" x .75"	2
19				
20	70582G01		Shoulder Bolt, .495 Dia x 3/8" - 16 Thread x 3.406" Lg	1
21	70581G01		Bushing (Acetal), .51" I.D. x .795" O.D. x .75" Lg	2
22	70676G01		Torsion Spring 1.34" Dia	1
23	01111G01		Retaining Ring, .8" O.D. x .39" I.D. x .42" Lg	4
24				
25	10386G3		Clevis Pin, .313" x .84" Lg	2
26	10387G3		Cotter Pin, .094" x .75"	2
27				
28	12416G2		Wedge Clamp (Nylon), 11.8" Lg (Not Illustrated)	5

BRAKES



THE USE OF NON U.L. PARTS WILL VOID ANY U.L. LISTING.

When ordering parts, please specify the model and serial number of the product.

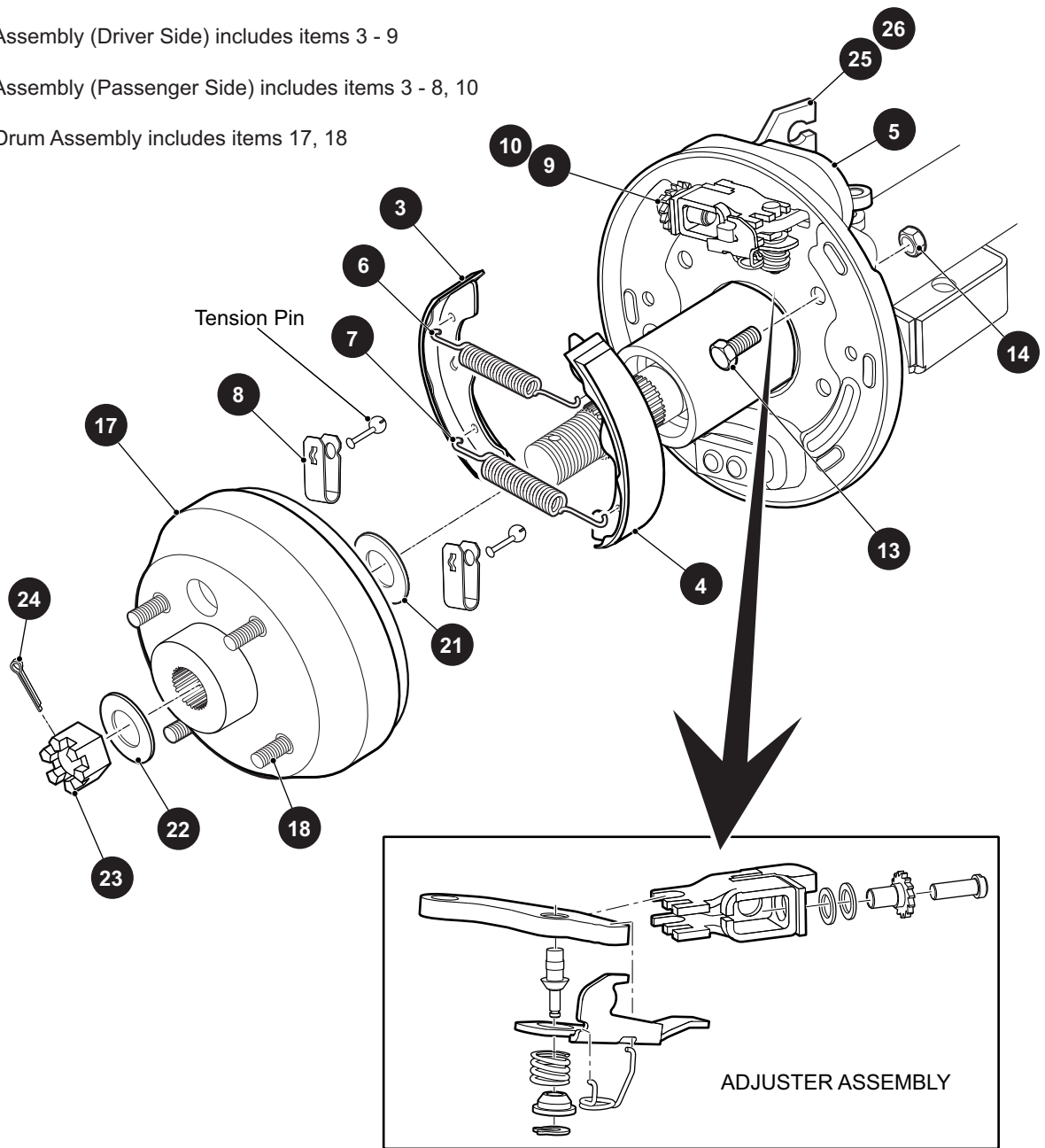
* Indicates a component that is not available as an individual part.

*** Indicates consult Customer Service Department for additional information.

ITEM	PART NO.	1 2 3 4 5	DESCRIPTION	QTY.
1	70080G02		Hill Brake Catch Bracket	1
2	00414G6		Hex Head Bolt, 1/4" - 20 x .75" Lg, Grade 5	2
3	14390G4		Lock Nut, 1/4" - 20	2
4	70587G01		Park Brake Cam	1
5	10097G6		Flanged Bearing .502 O.D. x .378 I.D. x .380 Lg	2
6	14134G4		Spacer, .76" O.D. x .405" I.D. x 1.25" Lg	1
7	71215G01		Square Head Set Screw with Patch Lock, 1/4" - 20 x .5" Lg	2
8				
9				
10	70113G01		Adjustable Rubber Bumper	1
11	11027G1		Flanged Lock Nut, 5/16" - 18	1
12	70098G01		Kick-off Cam Pivot	1
13	70601G01		Kick-off Linkage Rod	1
14	00559G8		Flat Washer, 1/4" - 20	2
15	20835G1		Flat Washer, .62" O.D. x .39" I.D. x .135" Lg	2
16	17838G1		Flanged Nyliner Bushing, .374" O.D. x .313" I.D. x .312" Lg	2
17	10387G3		Cotter Pin, .094" x .75"	2

REAR MECHANICAL BRAKES

- 1 Brake Assembly (Driver Side) includes items 3 - 9
- 2 Brake Assembly (Passenger Side) includes items 3 - 8, 10
- 16 Brake Drum Assembly includes items 17, 18



BRAKES

THE USE OF NON U.L. PARTS WILL VOID ANY U.L. LISTING.

When ordering parts, please specify the model and serial number of the product.

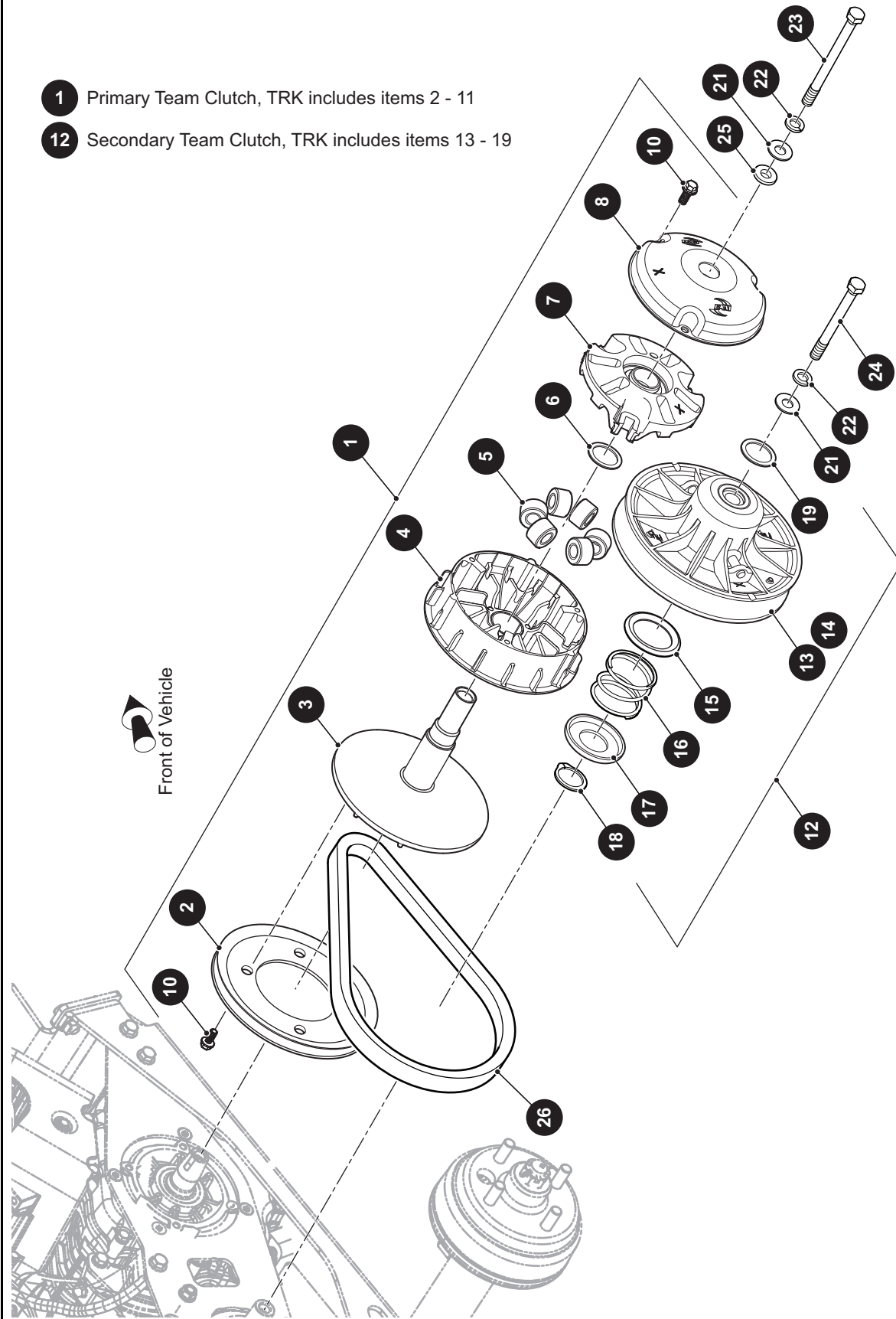
* Indicates a component that is not available as an individual part.

*** Indicates consult Customer Service Department for additional information.

ITEM	PART NO.	1 2 3 4 5	DESCRIPTION	QTY.
1	612211		Brake Assembly (Driver Side) (Includes Items 3 - 9)	1
2	612189		Brake Assembly (Passenger Side) (Includes Items 3 - 8, 10).....	1
3	612411		Brake Shoe, Leading	1
4	612412		Brake Shoe, Trailing	1
5	612413		Dust Cover.....	1
6	612415		Brake Spring, Top	1
7	612414		Brake Spring, Bottom	1
8	612416		Shoe Clamp.....	2
9	612418		Gear Adjuster (Driver Side)	1
10	612417		Gear Adjuster (Passenger Side).....	1
11				
12				
13	17083G2		Hex Head Bolt, 5/16" - 24 x 1" Lg, Grade 8	8
14	15126G1		Lock Nut, 5/16" - 24	8
15				
16	21807G2		Brake Drum Assembly (Includes Items 17, 18).....	2
17	20947G1		Brake Drum	1
18	19862G2		Lug Bolt, 1/2" - 20 x 1 3/16" Lg.....	4
19				
20				
21	21809G1		Wheel Rim Washer (Inner), 1.31" O.D. x .85" I.D.	2
22	606945		Brake Drum Washer, 1.75" O.D. x .89" I.D.....	2
23	613172		Castellated Hex Nut, 3/4" - 16.....	2
24	10387G1		Cotter Pin, .125" x 1.50" Lg	2
25	652248		Brake Cable Bracket (Passenger Side)	1
26	652249		Brake Cable Bracket (Driver Side).....	1

CLUTCH

- 1 Primary Team Clutch, TRK includes items 2 - 11
- 12 Secondary Team Clutch, TRK includes items 13 - 19



THE USE OF NON U.L. PARTS WILL VOID ANY U.L. LISTING.

When ordering parts, please specify the model and serial number of the product.

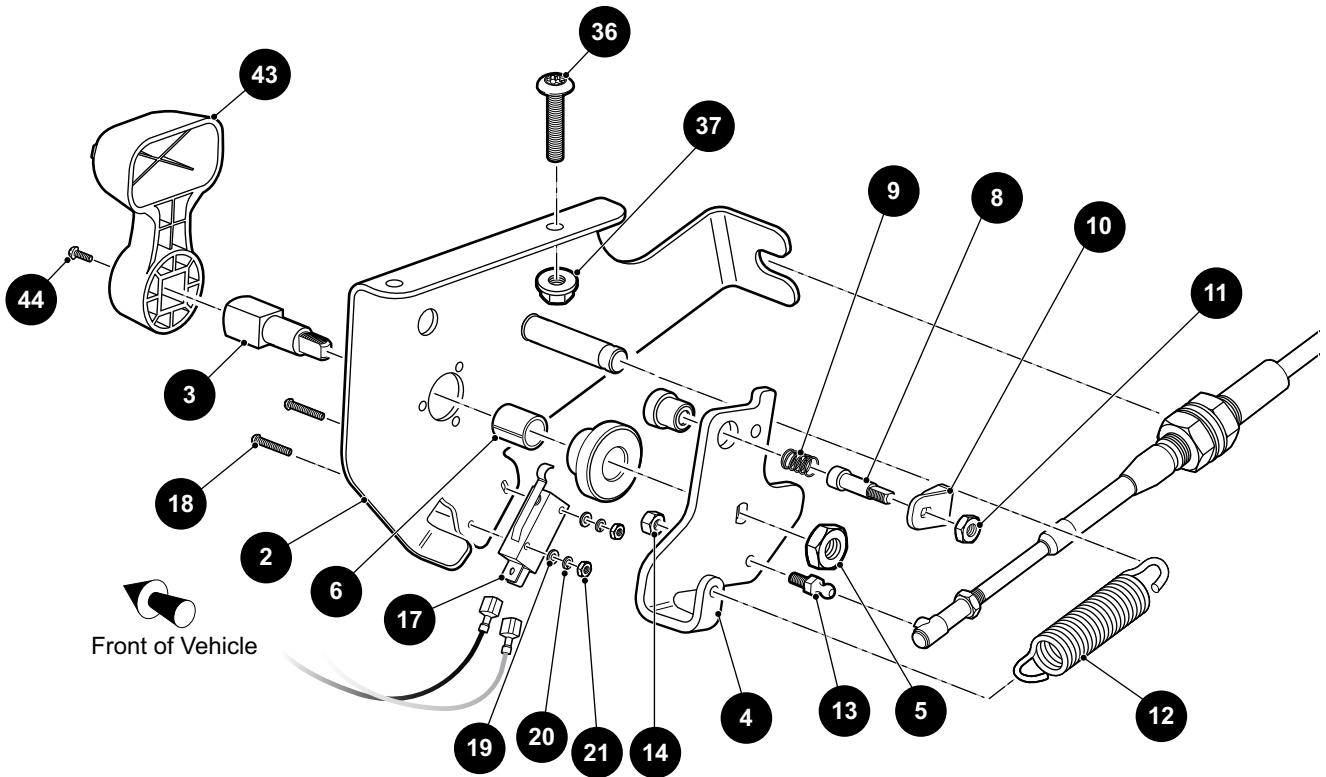
* Indicates a component that is not available as an individual part.

*** Indicates consult Customer Service Department for additional information.

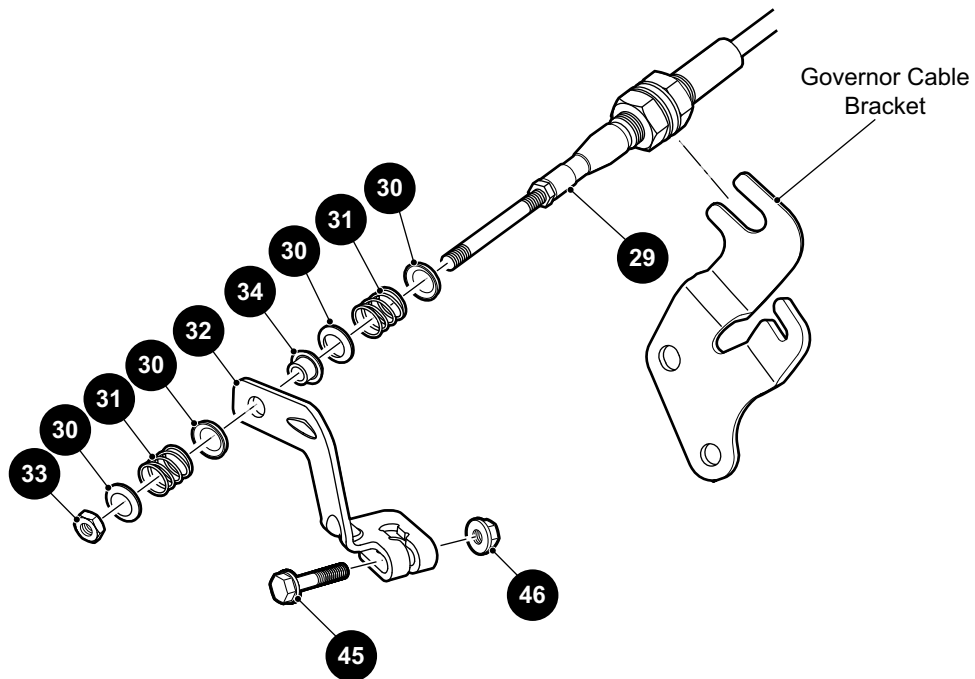
ITEM	PART NO.	1 2 3 4 5	DESCRIPTION	QTY.
1	672688		Primary Team Clutch, TRK (Includes Items 2 - 11)	1
2	619333		Primary Starter Pulley.....	1
3	619334		Stationary Assembly	1
4	619335		Moveable Primary Assembly	1
5	624112		Shift Roller Assembly.....	6
6	619337		Shim, 39.5mm x 31.75mm	1
7	644303		Primary Spider Assembly	1
8	619339		Primary Dust Cover Assembly.....	1
9	644305		Button, Torque Primary (Not Illustrated)	1
10	619332		Hex Washer Head Bolt, 1/4" - 20 x 3/4" Lg.....	7
11	644306		Plug, Torque Button (Not Illustrated).....	6
12	623949		Secondary Team Clutch, TRK (Includes Items 13 - 19)	1
13	*		Secondary Stationary Clutch	1
14	*		Moveable Secondary Clutch.....	1
15	619327		Inner Retainer Spring	1
16	624111		Compression Spring	1
17	619329		Outer Spring Retainer.....	1
18	619330		Retainer Ring.....	1
19	619331		Thrust Washer, 1.530" x 1.830" x 1"	1
20				
21	606239		Conical Washer, M12	2
22	00566G3		Lock Washer (Spring Type), 3/8".....	2
23	606245		Hex Head Bolt, M12 - 1.25 x 160mm Lg, Grade 8.8	1
24	606243		Hex Head Bolt, M12 - 1.25 x 120mm Lg, Grade 8.8	1
25	606230		Clutch Washer, 27.5 O.D x 13.06 I.D.	1
26	618630		Drive Belt.....	1

DIRECTION SELECTOR

1 Direction Selector Assembly includes items 2 - 34



Front of Vehicle



Governor Cable Bracket

DIRECTION SELECTOR

THE USE OF NON U.L. PARTS WILL VOID ANY U.L. LISTING.

When ordering parts, please specify the model and serial number of the product.

* Indicates a component that is not available as an individual part.

*** Indicates consult Customer Service Department for additional information.

ITEM	PART NO.	1 2 3 4 5	DESCRIPTION	QTY.
1	606173		Direction Selector Assembly (Includes Items 2 - 34).....	1
2	606077		Direction Selector Bracket	1
3	70233G01		Direction Selector Shaft.....	1
4	603700		Direction Selector Cam.....	1
5	14390G1		Lock Nut, 3/8" - 24	1
6	25664G2		Bushing, 1/2" x .750" Lg	1
7				
8	72724G01		Neutral Lock Pin	1
9	72733G01		Compression Spring	1
10	72729G01		Neutral Lock Latch.....	1
11	00734G2		Lock Nut, 1/4" - 28	1
12	28574G01		Extension Spring	1
13	72732G01		Ball Stud, #10 - 32	1
14	00734G5		Lock Nut, #10 - 32	1
15				
16				
17	72736G01		Micro Switch	1
18	01062G01		Round Head Screw, #4 - 40 x 1" Lg	2
19	00559G1		Flat Washer, #4.....	2
20	00565G1		Lock Washer, #4	2
21	00526G2		Hex Nut, #4 - 40	2
22				
23				
24				
25				
26				
27				
28				
29	605807		Shifter Cable	1
30	25727G01		Cup Washer, 1/4".....	4
31	72735G01		Compression Spring.....	2

DIRECTION SELECTOR

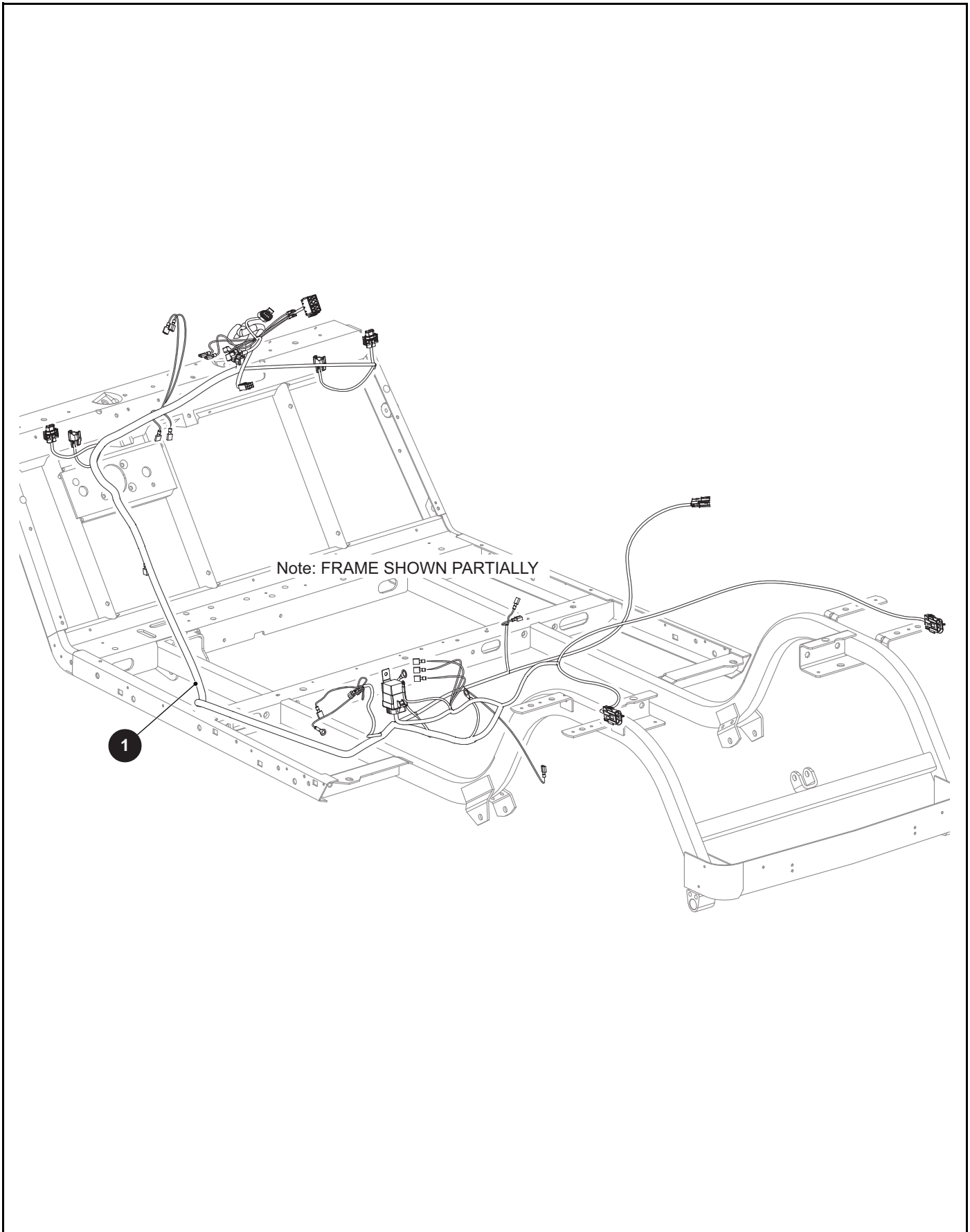
THE USE OF NON U.L. PARTS WILL VOID ANY U.L. LISTING.

When ordering parts, please specify the model and serial number of the product.

* Indicates a component that is not available as an individual part.

*** Indicates consult Customer Service Department for additional information.

ITEM	PART NO.	1	2	3	4	5	DESCRIPTION	QTY.
32	632891						Pivot Bracket.....	1
33	00734G5						Lock Nut, #10 - 32.....	1
34	22754G4						Bushing (Flip Lok), .250".....	1
35								
36	70227G01						Socket Head Bolt, 1/4" - 20 x 7/8" Lg, Grade 8.....	2
37	11027G2						Lock Nut, 1/4" - 20.....	2
38	31539G1						Nylon Clamp, 15.5" Lg (Not Illustrated).....	2
39								
40								
41								
42								
43	71205G01						Direction Selector Handle.....	1
44	01037G02						Truss Head Phillips Screw, #10 - 32 x 1/2" Lg.....	1
45	606421						Flanged Hex Head Bolt, M6 - 1 x 30mm Lg, Grade 8.8.....	1
46	450452						Hex Nut, M6 - 1.....	1



THE USE OF NON U.L. PARTS WILL VOID ANY U.L. LISTING.

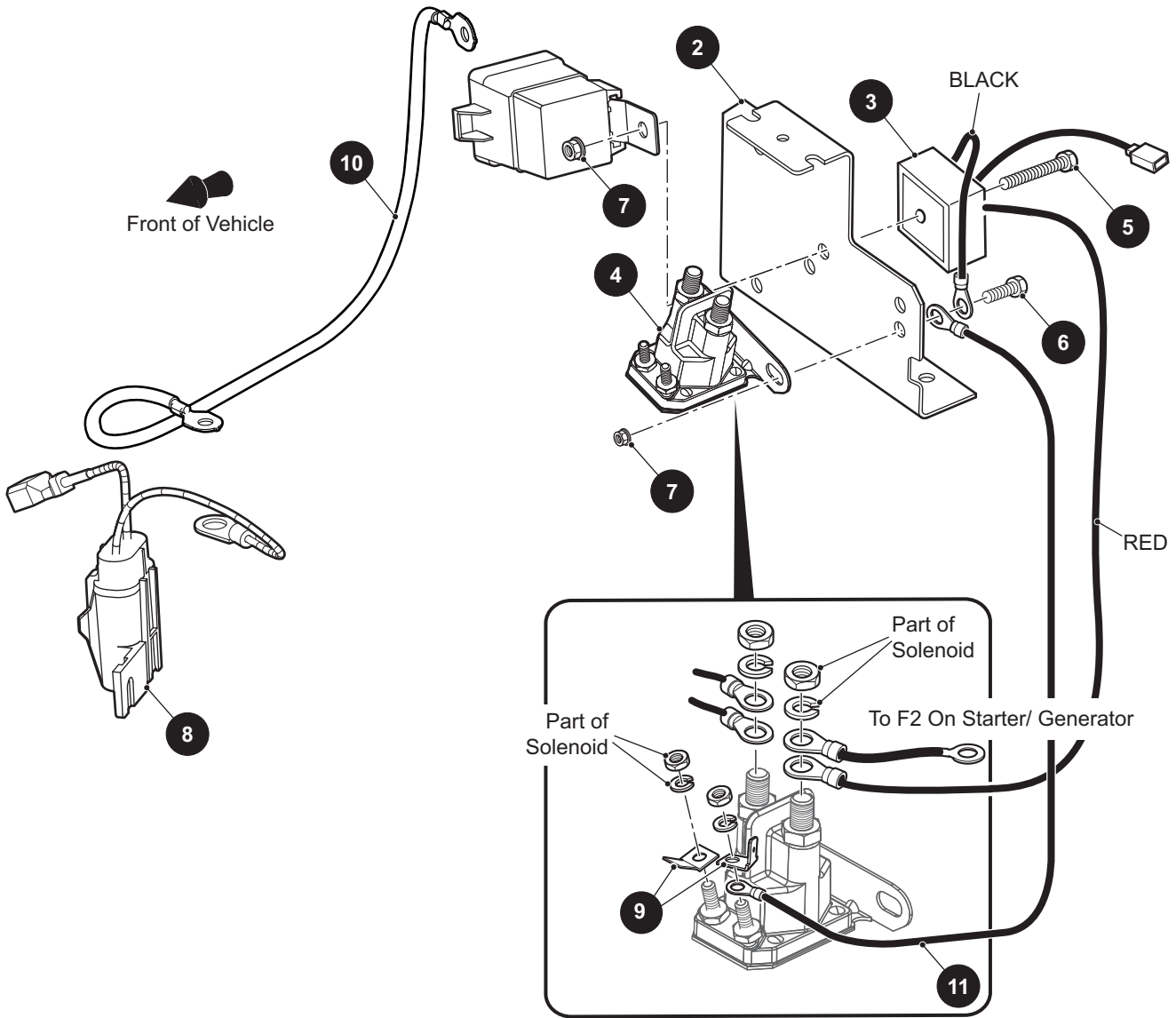
When ordering parts, please specify the model and serial number of the product.

* Indicates a component that is not available as an individual part.

*** Indicates consult Customer Service Department for additional information.

ITEM	PART NO.	1 2 3 4 5 DESCRIPTION	QTY.
1	694869	Main Harness	1
2			
3	31539G1	Nylon Clamp, 15.5" (Not Illustrated).....	2

1 Electrical Plate Assembly includes items 2 - 11



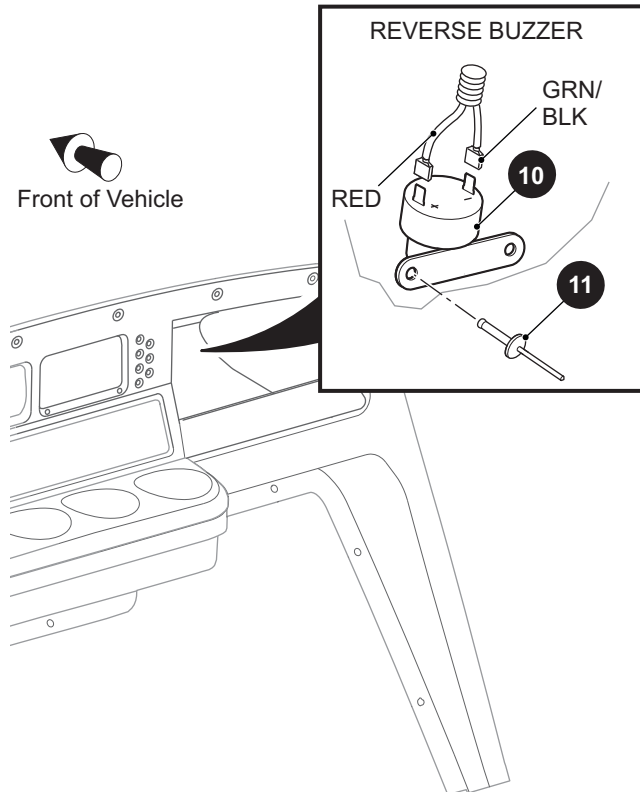
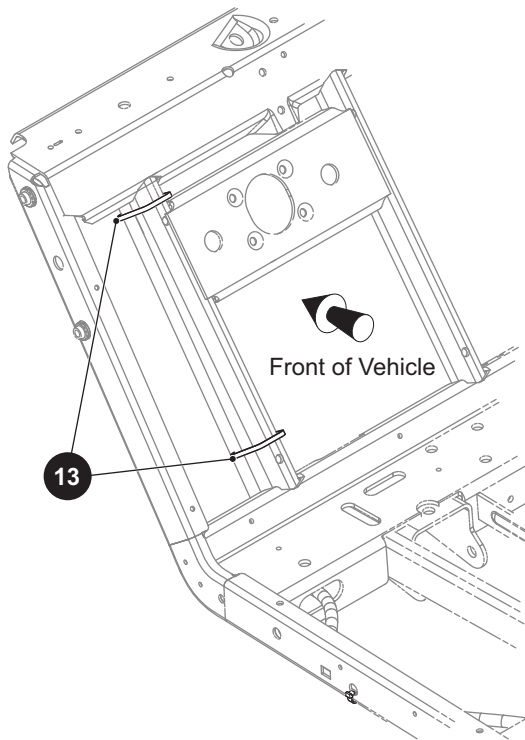
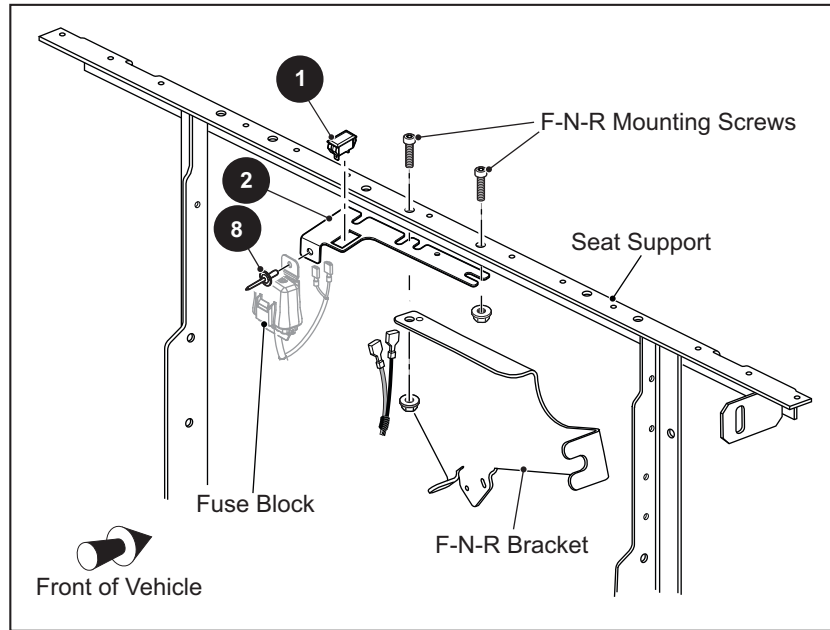
THE USE OF NON U.L. PARTS WILL VOID ANY U.L. LISTING.

When ordering parts, please specify the model and serial number of the product.

* Indicates a component that is not available as an individual part.

*** Indicates consult Customer Service Department for additional information.

ITEM	PART NO.	1 2 3 4 5	DESCRIPTION	QTY.
1	660446		Electrical Plate Assembly (Includes Items 2 - 11)	1
2	73057G02		Bracket	1
3	27739G01		Voltage Regulator	1
4	663716		Solenoid.....	1
5	303459		Hex Head Bolt, 1/4" - 20 x 1 1/2" Lg, Grade 5.....	1
6	00661G8		Hex Head Bolt (SS), 1/4" - 20 x 1" Lg.....	1
7	11027G2		Flanged Lock Nut, 1/4" - 20.....	2
8	658683		Electrical Plate Harness	1
9	73446G01		Faston Tab, 90°.....	2
10	645190		#6 GA Wire Assembly.....	1
11	25978G56		#18 GA Wire Assembly (Black).....	1



THE USE OF NON U.L. PARTS WILL VOID ANY U.L. LISTING.

When ordering parts, please specify the model and serial number of the product.

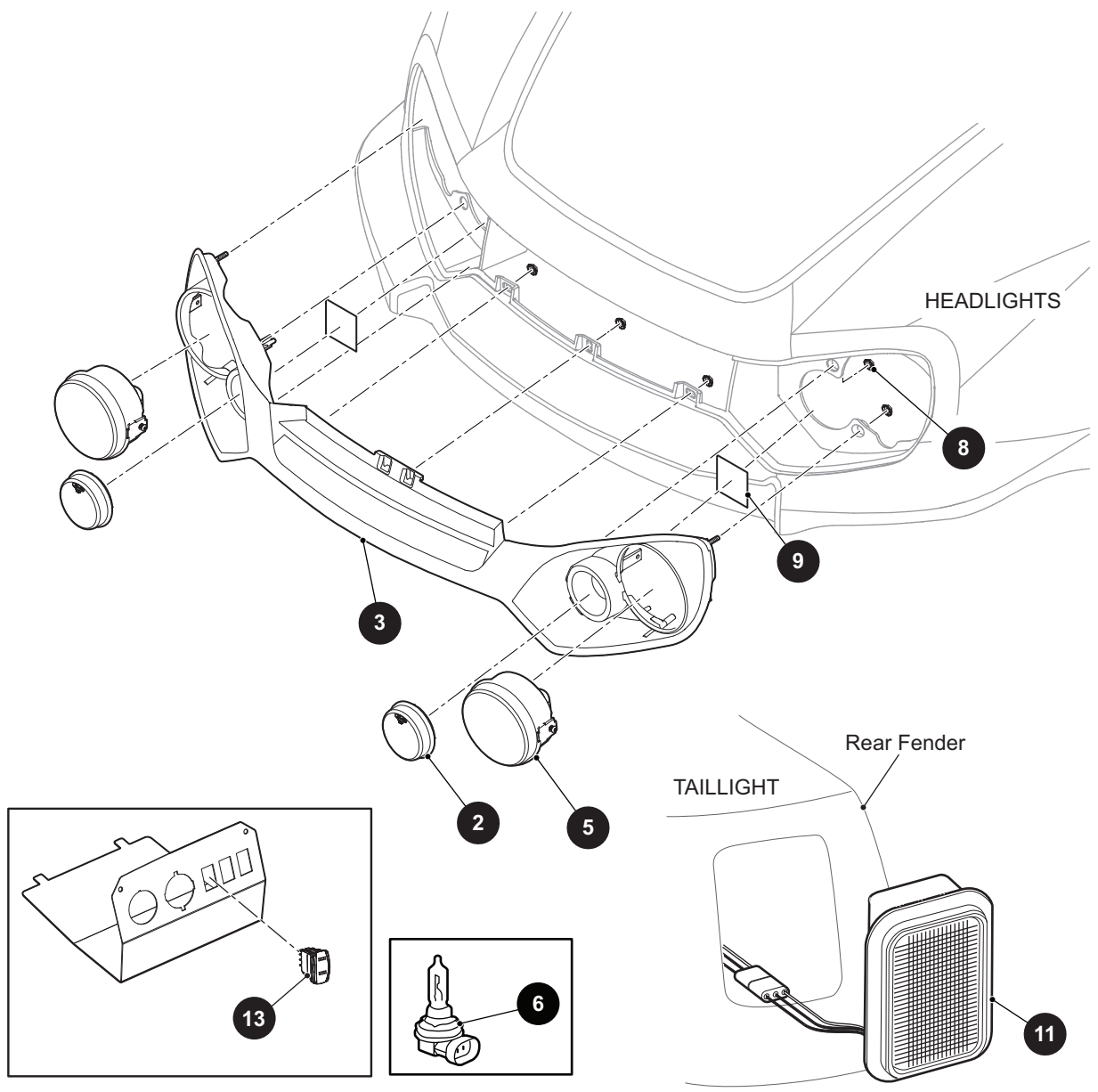
* Indicates a component that is not available as an individual part.

*** Indicates consult Customer Service Department for additional information.

ITEM	PART NO.	1 2 3 4 5	DESCRIPTION	QTY.
1	659101		Malfunction Indicator Light	1
2	659085		Fuse Bracket.....	1
3				
4				
5				
6				
7				
8	71055G01		Rivet, 3/16" Dia.	1
9				
10	73290G03		Buzzer	1
11	01041G01		Rivet, 5/32"	2
12				
13	31539G1		Nylon Clamp, 15.5" Lg	5

1 Front Grille Assembly with Lights includes items 2 - 5

5 Headlight includes item 6



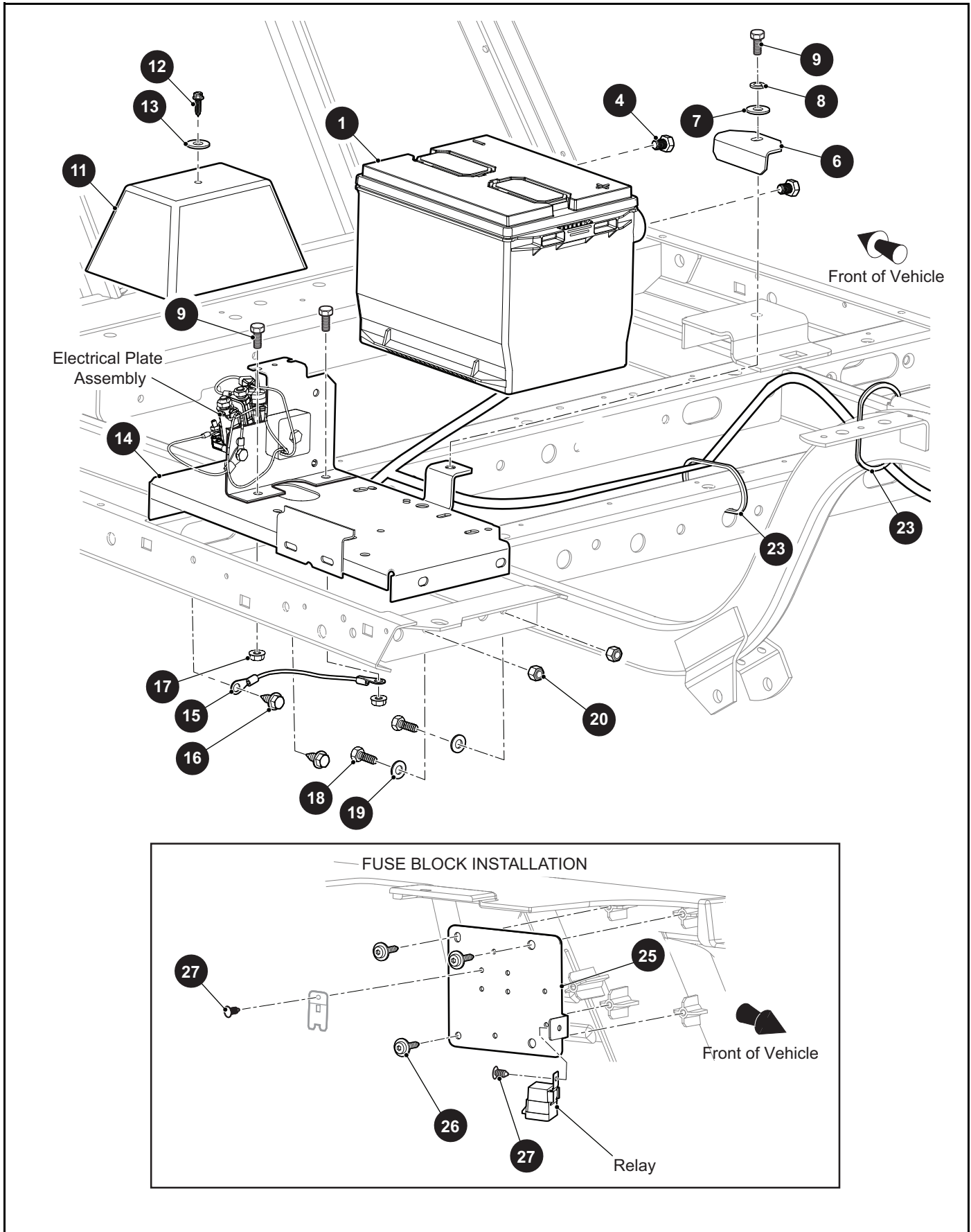
THE USE OF NON U.L. PARTS WILL VOID ANY U.L. LISTING.

When ordering parts, please specify the model and serial number of the product.

* Indicates a component that is not available as an individual part.

*** Indicates consult Customer Service Department for additional information.

ITEM	PART NO.	1 2 3 4 5	DESCRIPTION	QTY.
1	651698G01		Front Grille Assembly with Lights (Includes Items 2 - 5)	1
2	651437		Lens Cover	2
3	648564		Front Grille.....	1
4				
5	651411G01		Headlight (Includes Item 6).....	2
6	619100		Headlight Bulb.....	1
7				
8	71597G01		Self Threading Nut, 5 x 10 x 15mm.....	9
9	71781G02		Vinyl Tape (For Vehicles without Turn Signal Lights)	2
10				
11	664421G03		Taillight Assembly.....	1
12				
13	651897G02		Headlight Switch, 2 - Position	1



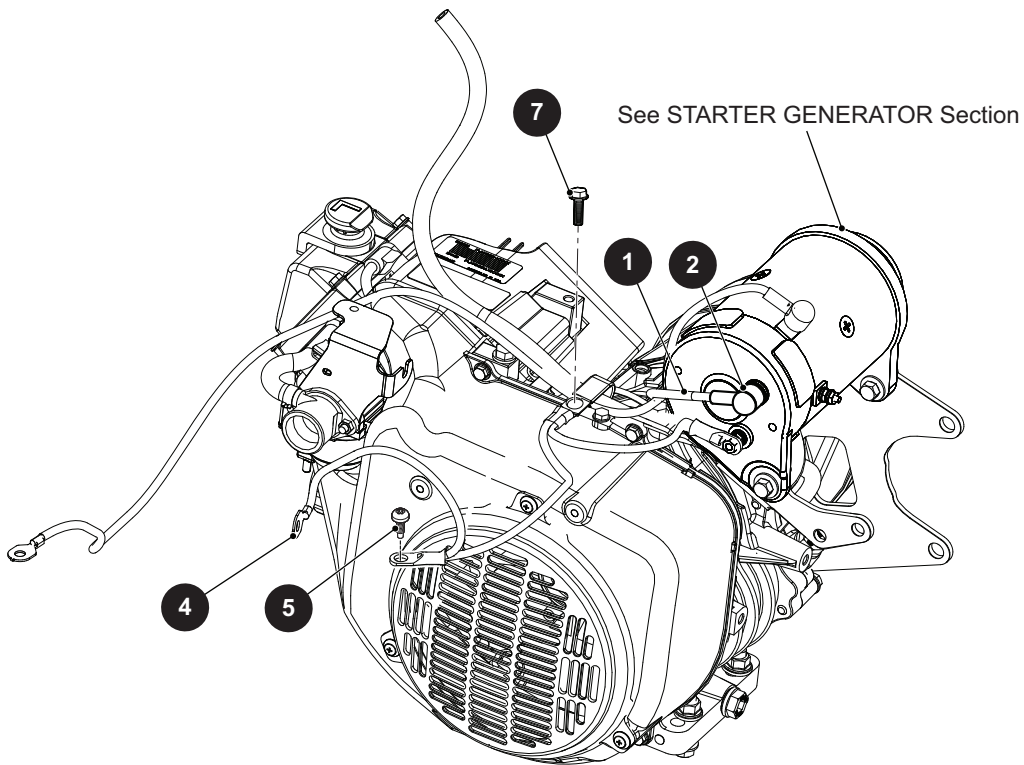
THE USE OF NON U.L. PARTS WILL VOID ANY U.L. LISTING.

When ordering parts, please specify the model and serial number of the product.

* Indicates a component that is not available as an individual part.

*** Indicates consult Customer Service Department for additional information.

ITEM	PART NO.	1 2 3 4 5	DESCRIPTION	QTY.
1	638433		Battery, 12V, HD.....	1
2				
3				
4	640488		Battery Bolt.....	2
5				
6	72101G02		Battery Hold Down	1
7	00571G2		Flat Washer (SS), 5/16"	1
8	00565G8		Lock Washer, 5/16"	1
9	00438G6		Hex Head Bolt, 5/16" - 18 x 3/4" Lg, Grade 5	3
10				
11	73049G01		Direction Selector Cover	1
12	00114G6		Hex Washer Head Slotted Tapping Screw, 1/4" - 14 x 3/4" Lg.....	1
13	16469G1		Fender Washer, 1/4"	1
14	652441G03		Battery Tray.....	1
15	25976G19		#14 GA Wire (Black), 6" Lg	1
16	00715G2		Hex Washer Head Bolt, 5/16" - 18 x .8" Lg	2
17	11027G1		Lock Nut, 5/16" - 18	2
18	00438G8		Hex Head Bolt, 5/16" - 18 x 1" Lg, Grade 5	2
19	00559G8		Flat Washer, 5/16"	2
20	11098G6		Lock Nut, 5/16" - 18	2
21				
22				
23	31539G1		Nylon Clamp, 15.5" Lg	2
24				
25	649890		Fuse Block Mounting Plate	1
26	613373		Pan Head Tapping Screw with Washer, M4.8 - 1.6 x 22mm Lg	3
27	16816G2		Ratchet Rivet, .25" x .887"	2



THE USE OF NON U.L. PARTS WILL VOID ANY U.L. LISTING.

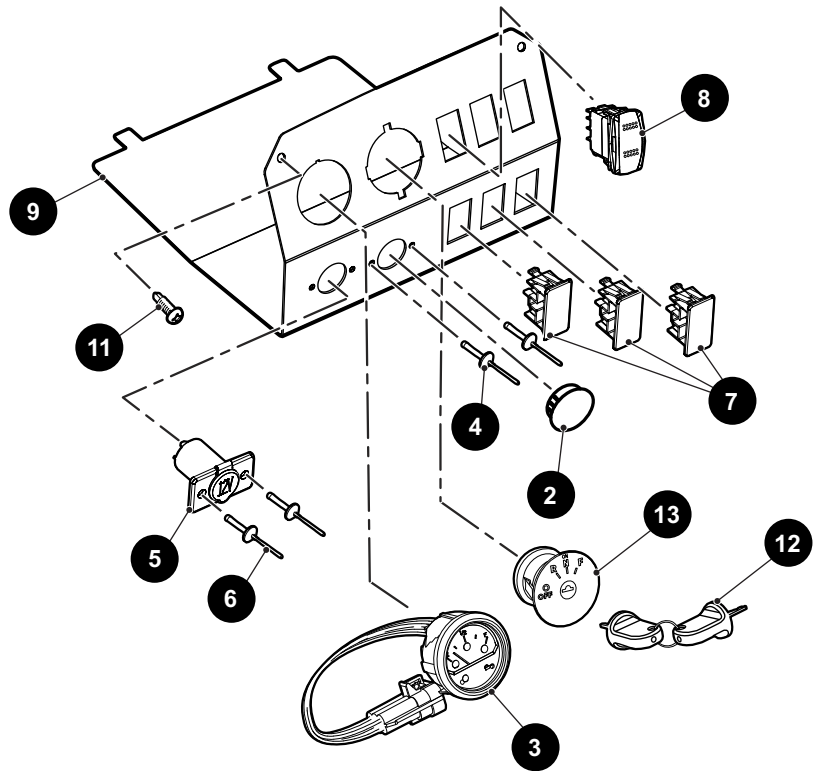
When ordering parts, please specify the model and serial number of the product.

* Indicates a component that is not available as an individual part.

*** Indicates consult Customer Service Department for additional information.

ITEM	PART NO.	1 2 3 4 5	DESCRIPTION	QTY.
1	656339G01		#6 GA Wire, 55" Lg	1
2	25682G01		Terminal Cover	3
3				
4	645191		Ground Cable.....	1
5	26676G01		Flanged Bolt, M6 - 1 x 23mm Lg.....	1
6				
7	606264		Flanged Hex Head Bolt, M6 - 1 x 20mm Lg, Grade 8.8.....	1

1 Gauge Plate Assembly, 12V includes items 2 - 9



THE USE OF NON U.L. PARTS WILL VOID ANY U.L. LISTING.

When ordering parts, please specify the model and serial number of the product.

* Indicates a component that is not available as an individual part.

*** Indicates consult Customer Service Department for additional information.

ITEM	PART NO.	1 2 3 4 5	DESCRIPTION	QTY.
1	666085G11		Gauge Plate Assembly, 12V (Includes Items 2 - 9).....	1
2	20271G3		Hole Plug	1
3	612314		State of Charge Fuel Meter	1
4	33623G02		Rivet	2
5	71078G01		12V Power Outlet	1
6	71055G01		Rivet, 3/16" Dia.....	2
7	627035		Panel Plug	3
8	651897G01		Horn Switch, 2 - Position	1
9	652987G04		Gauge Plate with 12V, USB.....	1
10				
11	649803		Pan Head Torx Screw, M6 x 2.65 - 25mm Lg.....	2
12	611282		Common Key Set.....	1
13	611284		Key Switch	1
14	602184		Trim Clip (Not Illustrated)	2

ENGINE AND MUFFLER

THE USE OF NON U.L. PARTS WILL VOID ANY U.L. LISTING.

When ordering parts, please specify the model and serial number of the product.

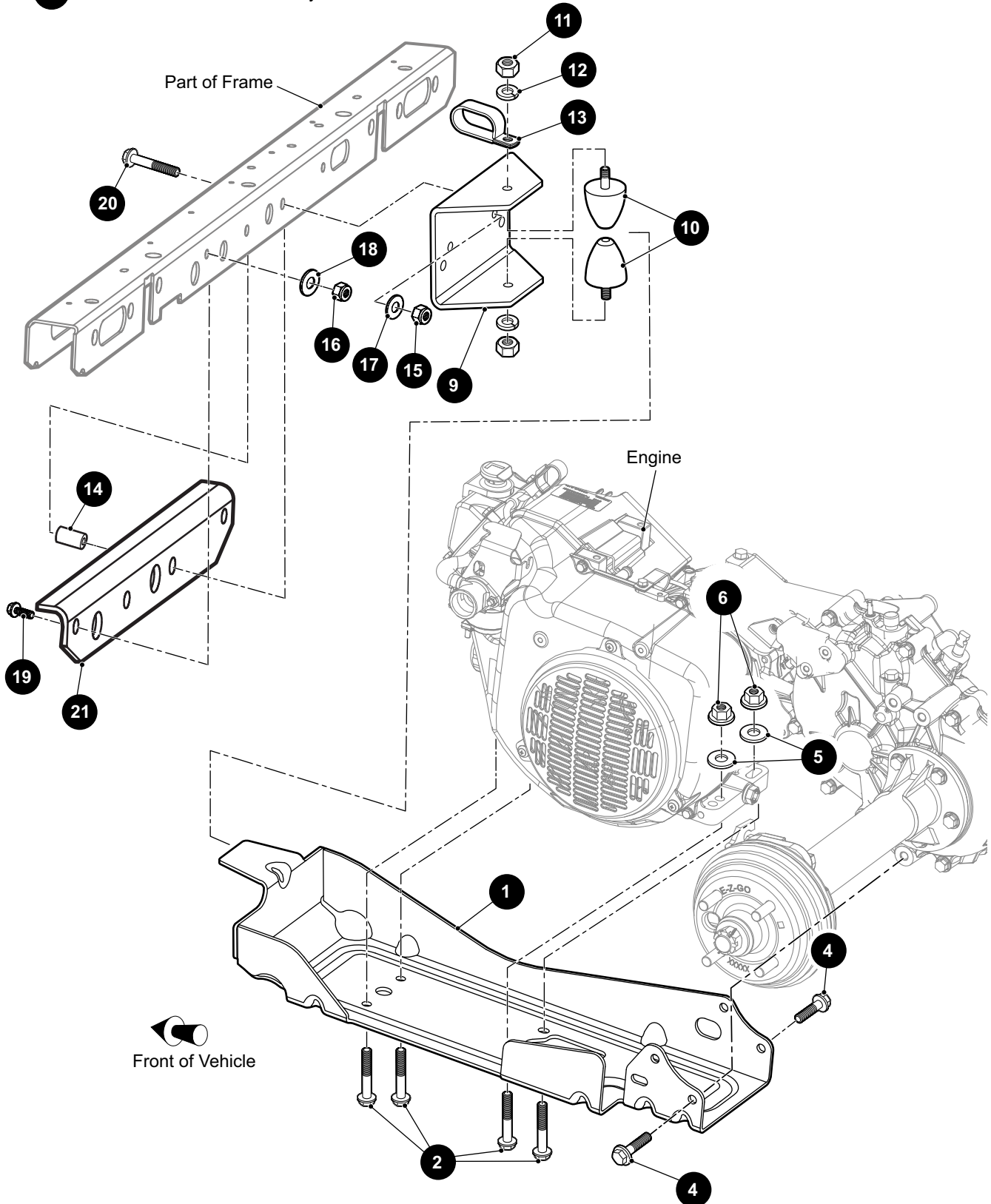
* Indicates a component that is not available as an individual part.

*** Indicates consult Customer Service Department for additional information.

ITEM	PART NO.	1 2 3 4 5	DESCRIPTION	QTY.
1	658237		Engine, Gas, 13HP (Includes Items 2 - 5).....	1
2	603562		'O' Ring, 16mm	1
3	607454		Oil Filter	1
4	607462		Spark Plug	1
5	603557		Oil Drain Plug	1
6	606391		Dip Stick.....	1
7	695386		Muffler	1
8	657450		Exhaust Pipe	1
9	606272		Split Washer, 8mm	4
10	606267		Jam Nut, M8 - 1.25.....	4
11	606279		Flanged Nut, M10 - 1.25	1
12	606256		Flanged Hex Head Bolt, M10 - 1.25 x 25mm Lg, Grade 8.8.....	3
13	602330		Flanged Hex Head Bolt, M8 - 1.25 x 30mm Lg, Grade 8.8.....	2
14	603599		Exhaust Gasket.....	2
15	657449		Oxygen Sensor	1

ENGINE MOUNTING

8 Front Mount Bracket Assembly includes items 9 - 13



ENGINE MOUNTING

THE USE OF NON U.L. PARTS WILL VOID ANY U.L. LISTING.

When ordering parts, please specify the model and serial number of the product.

* Indicates a component that is not available as an individual part.

*** Indicates consult Customer Service Department for additional information.

ITEM	PART NO.	1 2 3 4 5	DESCRIPTION	QTY.
1	630776		Engine Pan	1
2	606259		Flanged Hex Head Bolt, M10 - 1.25 x 45mm Lg, Grade 8.8	4
3				
4	606256		Flanged Hex Head Bolt, M10 - 1.25 x 25mm Lg, Grade 8.8	4
5	603823		Flat Washer, M10	4
6	606279		Flanged Hex Nut, M10 - 1.25	4
7				
8	662794		Front Mount Bracket Assembly (includes Items 9 - 13).....	1
9	625345		Front Mount Bracket	1
10	605757		Rubber Bumper	2
11	00974G01		Hex Nut, M10 - 1.5	2
12	608654		Lock Washer (Split), 10mm	2
13	692754		Tube Clamp (Wide), 1"	1
14	72016G01		Tube Spacer.....	1
15	11098G5		Lock Nut, 3/8" - 16	1
16	01109G01		Lock Nut, 5/16" - 18	1
17	00643G1		Flat Washer, 3/8"	1
18	00559G8		Flat Washer, 5/16"	1
19	00438G7		Hex Head Bolt, 5/16" - 18 x 7/8" Lg, Grade 5	1
20	00428G8		Hex Head Bolt, 3/8" - 16 x 2.75" Lg	1
21	652247		Crossmember Brace	1

FRONT SUSPENSION AND STEERING

THE USE OF NON U.L. PARTS WILL VOID ANY U.L. LISTING.

When ordering parts, please specify the model and serial number of the product.

* Indicates a component that is not available as an individual part.

*** Indicates consult Customer Service Department for additional information.

ITEM	PART NO.	1 2 3 4 5	DESCRIPTION	QTY.
1	633795		Front Axle	1
2				
3	70930G01		Spindle and Hub Assembly, 4 Lug (Passenger Side) (Includes Items 4 - 13)..	1
4	70802G01		Spindle Assembly	1
5	632925		Flanged Bushing, O.D 35mm x I.D 25mm	1
6	632926		Bearing, O.D 28mm	1
7	25146G1		Grease Seal.....	1
8	11750G2		Roller Bearing and Race Assembly	2
9	35886G01		Wheel Hub	1
10				
11	12093G1		Slotted Nut, #1 - 14.....	1
12	00798G8		Cotter Pin, 5/32" x 1 3/4" Lg	1
13	12091G2		Spindle Cap	1
14	70754G01		Thrust Washer (SS), 1.3"	1
15				
16	70931G01		Spindle and Hub Assembly, 4 Lug (Driver Side) (Includes Items 5 - 13, 17) ...	1
17	70803G01		Spindle Assembly	1
18				
19	00560G3		Flat Washer, 1/2"	2
20	70745G01		King Pin Tube, 4.36" Lg	1
21	00407G6		Hex Head Bolt, 1/2" - 13 x 6" Lg, Grade 5	1
22	14390G6		Lock Nut, 1/2" - 13	1
23	652258		Spring Plate.....	2
24	00734G1		Lock Nut, 7/16" - 14	6
25	650940		Hex Head Bolt, 7/16" - 14 x 2" Lg	6
26	10435G1		Shock Absorber Washer	4
27	658891		Spring Plate (Upper)	2
28				
29	70990G03		Leaf Spring.....	2
30				
31	10194G1		Rubber Shock Absorber Bushing.....	4

FRONT SUSPENSION AND STEERING

THE USE OF NON U.L. PARTS WILL VOID ANY U.L. LISTING.

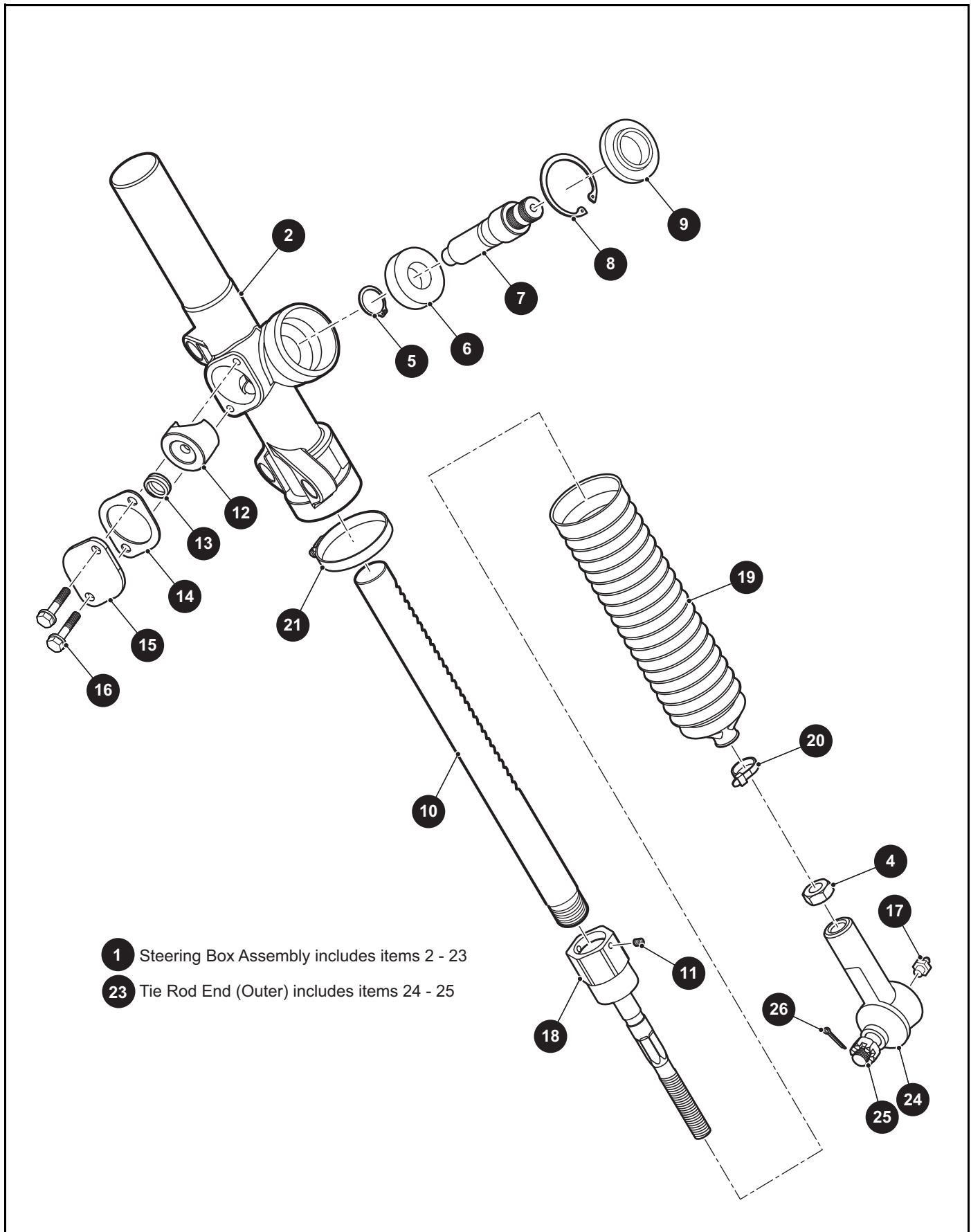
When ordering parts, please specify the model and serial number of the product.

* Indicates a component that is not available as an individual part.

*** Indicates consult Customer Service Department for additional information.

ITEM	PART NO.	1 2 3 4 5	DESCRIPTION	QTY.
32	00532G6		Hex Nut, 1/4" - 20	2
33	76419G01		Shock Absorber	2
34	10044G01		Vinyl Cap	2

FRONT SUSPENSION AND STEERING



FRONT SUSPENSION AND STEERING

THE USE OF NON U.L. PARTS WILL VOID ANY U.L. LISTING.

When ordering parts, please specify the model and serial number of the product.

* Indicates a component that is not available as an individual part.

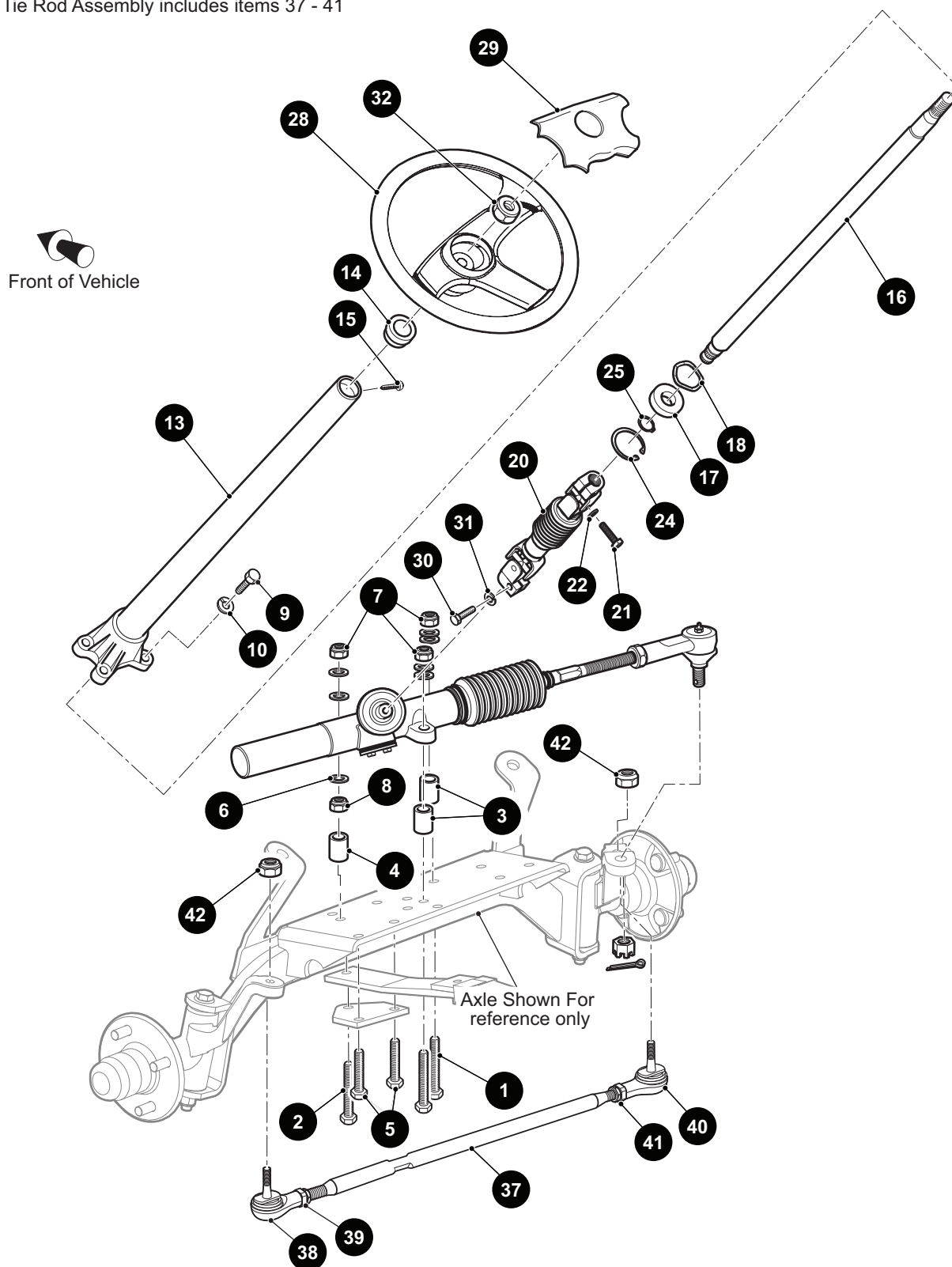
*** Indicates consult Customer Service Department for additional information.

ITEM	PART NO.	1 2 3 4 5	DESCRIPTION	QTY.
1	70964G01		Steering Box Assembly (Includes Items 2 - 23)	1
2	70965G01		Steering Rack Cover and Bearing	1
3				
4	*		Jam Nut, 1/2" - 20	1
5	70750G01		Retaining Ring (External)	1
6	15112G1		Ball Bearing, O.D 1.65" x I.D .78"	1
7	70603G01		Pinion	1
8	70751G01		Retaining Ring (Internal).....	1
9	70638G01		Seal (Pinion)	1
10	70604G01		Steering Rack	1
11	*		Set Screw, #10 - 32 x .25" Lg	1
12	70590G01		Rack Loader	1
13	70666G01		Compression Spring	1
14	70645G01		Gasket (Rack Loader Cover).....	1
15	652259		Cover (Rack Loader)	1
16	71102G01		Hex Washer Head Bolt, 1/4" - 20 x 11/16" Lg.....	2
17	10389G3		Grease Fitting (Straight)	1
18	74694G01		Rod End (Inner)	1
19	70961G01		Rack Boot	1
20	12416G2		Nylon Clamp, 10" Lg.....	1
21	11391G8		Hose Clamp, 1.81".....	1
22				
23	70695G01		Tie Rod End (Outer) (Includes Items 24 - 25).....	1
24	50641G1		Grommet	1
25	50209G2		Hex Slotted Nut, 7/16" - 20	1
26	10387G2		Cotter Pin, 3/32" x 1"	1

FRONT SUSPENSION AND STEERING

12 Steering Column Assembly includes items 13 - 25

36 Tie Rod Assembly includes items 37 - 41



FRONT SUSPENSION AND STEERING

THE USE OF NON U.L. PARTS WILL VOID ANY U.L. LISTING.

When ordering parts, please specify the model and serial number of the product.

* Indicates a component that is not available as an individual part.

*** Indicates consult Customer Service Department for additional information.

ITEM	PART NO.	1 2 3 4 5	DESCRIPTION	QTY.
1	00464G6		Hex Head Bolt, 7/16" - 14 x 2 3/4" Lg, Grade 5	2
2	01068G01		Hex Head Bolt, 7/16" - 14 x 3.5" Lg, Grade 5	1
3	70667G02		Spacer, O.D, 1" x I.D .46" x 1.2" Lg	2
4	70667G04		Spacer, O.D 1" x I.D .46" x .69" Lg	1
5	00463G11		Hex Head Bolt, 7/16" - 14 x 1 1/2" Lg, Grade 5	5
6	00560G2		Flat Washer, 7/16"	7
7	00734G1		Lock Nut, 7/16" - 14	3
8	00532G7		Hex Nut, 1/4" - 20.....	1
9	01006G01		Hex Washer Head Bolt, 3/8" - 16 x 1 1/4" Lg	4
10	00879G1		Lock Washer, 3/8"	4
11				
12	70758G05		Steering Column Assembly (Includes Items 13 - 25)	1
13	70610G03		Steering Column	1
14	28569G01		Steering Column Bushing	1
15	01022G01		Hex Washer Head Bolt, #6 - 20 x 5/16" Lg	1
16	70607G01		Steering Shaft	1
17	15112G1		Ball Bearing, O.D 1.65" x I.D .78"	1
18	70887G01		Wave Washer	1
19				
20	70580G01		Intermediate Shaft	1
21	01055G01		Hex Head Bolt, M8 - 1.25 x 1.18" Lg, Grade 5	1
22	00565G8		Lock Washer, 5/16"	2
23				
24	70751G01		Retaining Ring (Internal).....	1
25	70888G01		Retaining Ring (External)	1
26				
27				
28	602980		Steering Wheel.....	1
29	7747G01		Steering Wheel Cover	1
30	01055G01		Hex Head Bolt, M8 - 1.25 x 1.18" Lg, Grade 5.....	1
31	00565G8		Lock Washer, 5/16"	1

FRONT SUSPENSION AND STEERING

THE USE OF NON U.L. PARTS WILL VOID ANY U.L. LISTING.

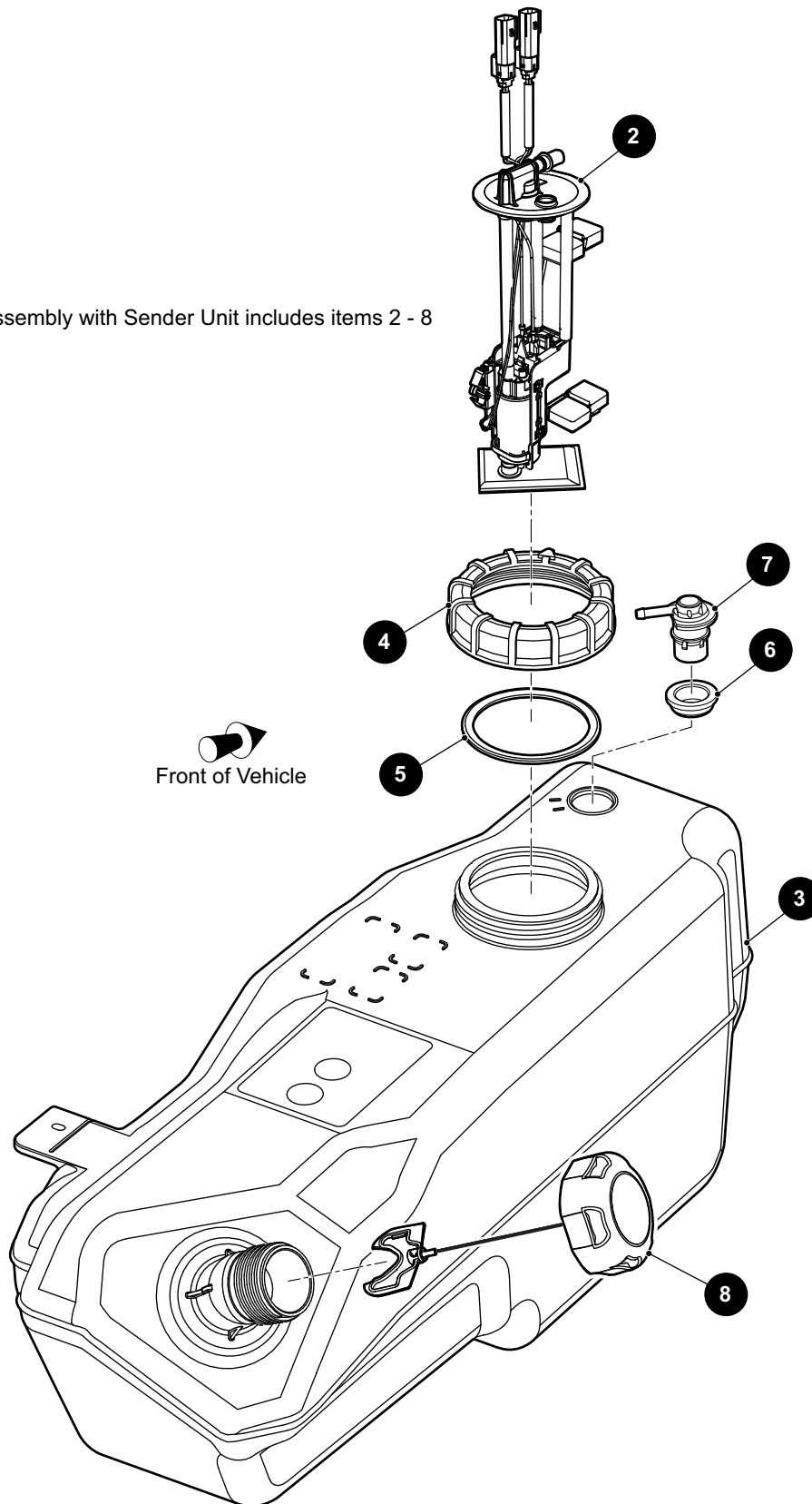
When ordering parts, please specify the model and serial number of the product.

* Indicates a component that is not available as an individual part.

*** Indicates consult Customer Service Department for additional information.

ITEM	PART NO.	1 2 3 4 5	DESCRIPTION	QTY.
32	14390G2		Lock Nut, 5/8" - 18	1
33				
34				
35				
36	70876G02		Tie Rod Assembly, 26.44" Lg (Includes Items 37 - 41)	1
37	70897G02		Threaded Rod, 24" Lg	1
38	70902G01		Tie Rod End (Left Hand Threads)	1
39	01069G01		Jam Nut, M12 x 1.25 - 05 (Left Hand Threads)	1
40	70902G02		Tie Rod End (Right Hand Threads)	1
41	01069G02		Jam Nut, M12 x 1.25 - 05 (Right Hand Threads)	1
42	00734G1		Lock Nut, 7/16" - 14	2

1 Fuel Tank Assembly with Sender Unit includes items 2 - 8

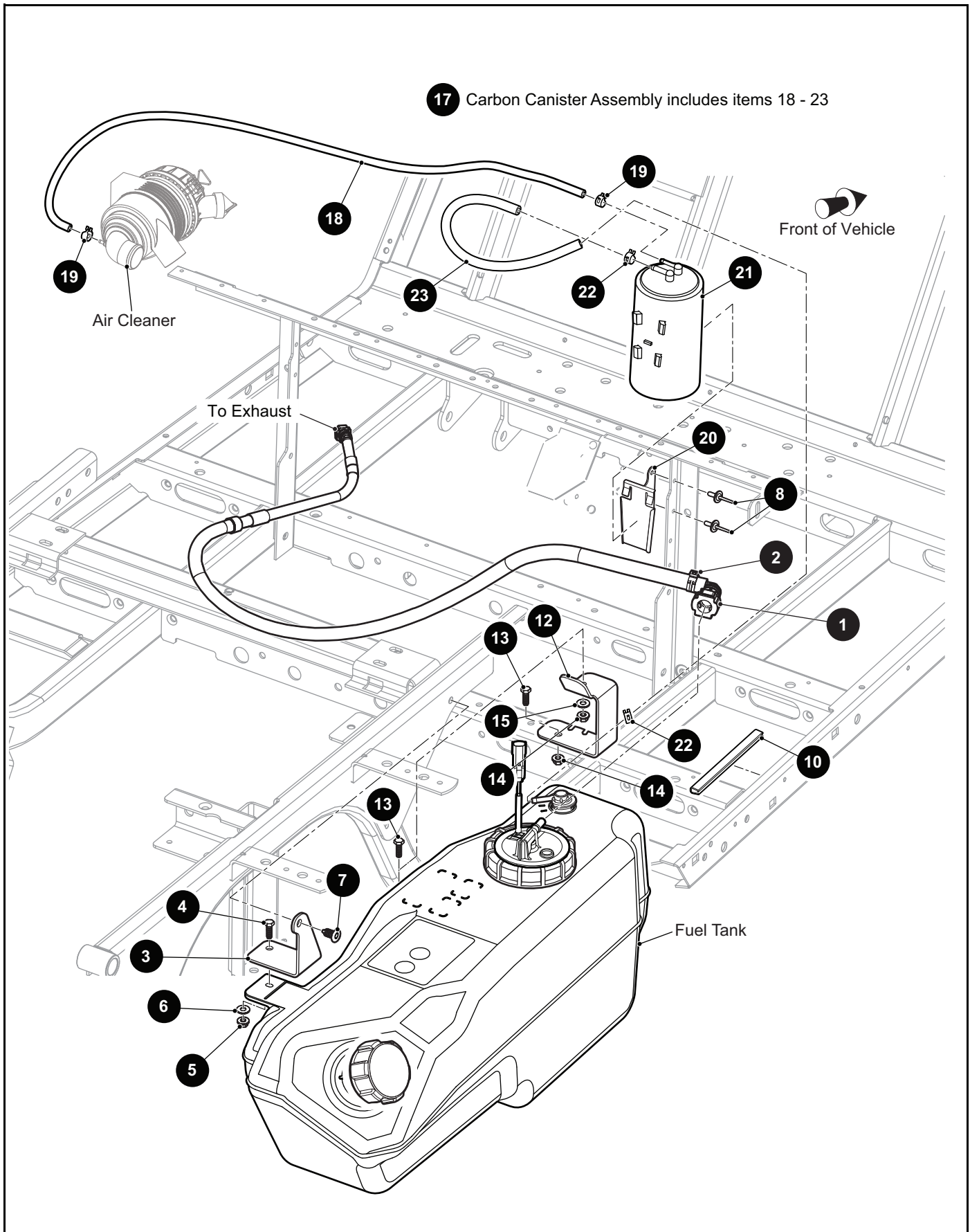


FUEL SYSTEM

THE USE OF NON U.L. PARTS WILL VOID ANY U.L. LISTING.
 When ordering parts, please specify the model and serial number of the product.
 * Indicates a component that is not available as an individual part.
 *** Indicates consult Customer Service Department for additional information.

ITEM	PART NO.	1 2 3 4 5	DESCRIPTION	QTY.
1	659100		Fuel Tank Assembly with Sender Unit (Includes Items 2 - 8)	1
2	659328		Fuel Pickup with Sender Assembly	1
3	650264		Fuel Tank	1
4	646837		Fuel Pump Lid	1
5	646838		Seal	1
6	647810		Rollover Valve Grommet.....	1
7	647809		Rollover Valve.....	1
8	670898		Fuel Cap	1

FUEL SYSTEM



FUEL SYSTEM

THE USE OF NON U.L. PARTS WILL VOID ANY U.L. LISTING.

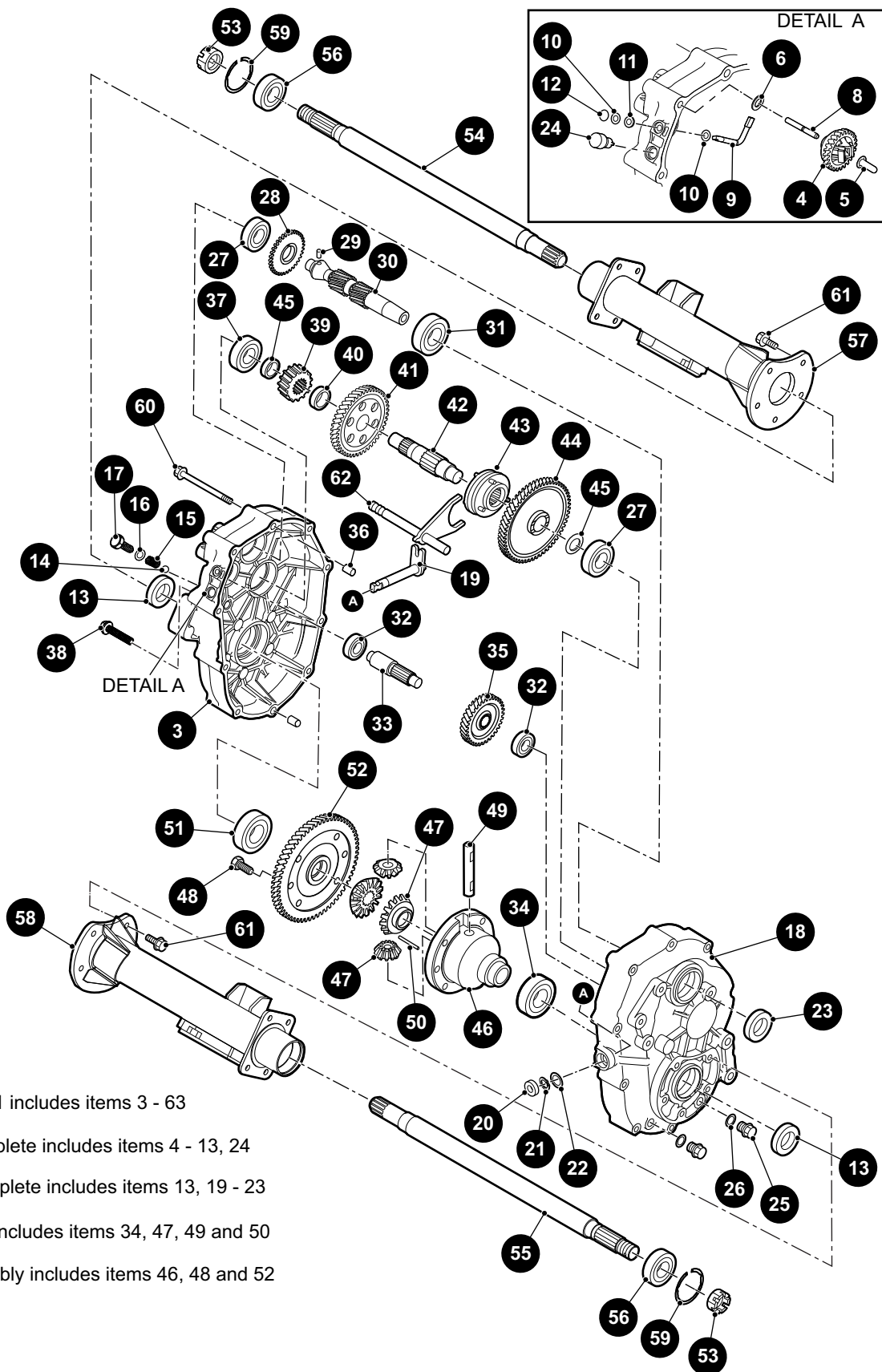
When ordering parts, please specify the model and serial number of the product.

* Indicates a component that is not available as an individual part.

*** Indicates consult Customer Service Department for additional information.

ITEM	PART NO.	1 2 3 4 5	DESCRIPTION	QTY.
1	666351		Fuel Hose Assembly	1
2	664747		Tube Clamp, .5"	2
3	650268		Upper Bracket	1
4	00414G7		Hex Head Bolt, 1/4" - 20 x 7/8" Lg, Grade 8	1
5	14390G4		Lock Nut, 1/4" - 20	1
6	01110G01		Flat Washer (SS), 1/4"	1
7	70200G01		Truss Head Torx Screw, 3/8" - 16 x 3/4" Lg.....	1
8	10570G11		Rivet, 3/16" Dia x .70"	2
9				
10	32372G6		Vinyl Trim, 6.25" Lg	1
11				
12	650275		Lower Bracket	1
13	00414G7		Hex Head Bolt, 1/4" - 20 x 7/8" Lg, Grade 8	2
14	14390G4		Lock Nut, 1/4" - 20	2
15	01110G01		Flat Washer (SS), 1/4"	1
16				
17	667869		Carbon Canister Assembly (Includes Items 18 - 23).....	1
18	692913		Hose, 3/16" I.D. x 50" Lg	1
19	606963		Clamp, 3/16" I.D	2
20	606310		Canister Bracket	1
21	606071		Carbon Canister	1
22	18292G1		Clamp, 1/2" O.D.....	2
23	27184G14		Fuel System Tube.....	1

REAR AXLE



- 1 Rear Axle, 11.47:1 includes items 3 - 63
- 3 Axle Case L Complete includes items 4 - 13, 24
- 18 Axle Case R Complete includes items 13, 19 - 23
- 46 Differential Case includes items 34, 47, 49 and 50
- 63 Differential Assembly includes items 46, 48 and 52

THE USE OF NON U.L. PARTS WILL VOID ANY U.L. LISTING.

When ordering parts, please specify the model and serial number of the product.

* Indicates a component that is not available as an individual part.

*** Indicates consult Customer Service Department for additional information.

ITEM	PART NO.	1 2 3 4 5	DESCRIPTION	QTY.
1	670468		Rear Axle, 11.47:1 (Includes Items 3 - 63)	1
2				
3	639859		Axle Case L Complete (Includes Items 4 - 13, 24)	1
4	665887		Governor Gear	1
5	639689		Governor Sleeve	1
6	607904		Flat Washer	2
7	607905		Thrust Bearing.....	1
8	639698		Governor Gear Shaft.....	1
9	639707		Governor Shaft.....	1
10	639736		Flat Washer, 6mm	2
11	607911		Oil Seal, 6 x 10 x 2.5mm	1
12	607913		Retaining Ring, E5	1
13	639738		Oil Seal, 24 x 40 x 9mm	2
14	26818G01		Steel Ball	1
15	26819G01		Spring	1
16	26831G01		Gasket, 10	1
17	26820G01		Flanged Hex Head Bolt, M10 - 1.25 x 12mm Lg	1
18	639865		Axle Case R Complete (Includes Items 13, 19 - 23)	1
19	639746		Select Shaft.....	1
20	607915		Oil Seal, 13 x 22 x 5mm	1
21	607916		Snap Ring, 13mm	1
22	607917		Spacer, 13 x 1mm	1
23	640093		Oil Seal, 28 x 47 x 9mm	1
24	607919		Air Breather	1
25	639747		Oil Drain Plug	2
26	639748		Gasket, 14mm	2
27	26785G01		Ball Bearing (6204).....	2
28	665888		Governor Gear,34	1
29	607920		Pin, 6 x 12l.....	1
30	639750		Input Shaft	1
31	607922		Ball Bearing (62/28).....	1

REAR AXLE

THE USE OF NON U.L. PARTS WILL VOID ANY U.L. LISTING.

When ordering parts, please specify the model and serial number of the product.

* Indicates a component that is not available as an individual part.

*** Indicates consult Customer Service Department for additional information.

ITEM	PART NO.	1	2	3	4	5	DESCRIPTION	QTY.
32	639868						Ball Bearing (TMB202).....	2
33	639755						Counter Shaft.....	1
34	640744						Ball Bearing (6006)	1
35	639758						Gear,34	1
36	639869						Knock Pipe	2
37	639760						Ball Bearing (6304)	2
38	639768						Flanged Hex Head Bolt, M8 - 1.25 x 40mm Lg.....	1
39	639769						Gear, 17	1
40	28689G01						Collar, 24 x 7.5mm	1
41	639771						Gear, 52	1
42	670697						Center Shaft.....	1
43	639774						Clutch Pin.....	1
44	670696						Gear, 61	1
45	639797						Spacer, 20 x 2mm	2
46	639872						Differential Case (Includes Items 34, 47, 49 and 50).....	1
47	639800						Differential Pair Gear.....	1
48	26808G01						Hex Head Bolt, M10 - 1.25 x 26mm Lg	6
49	28723G01						Differential Shaft.....	1
50	28697G01						Spring Pin, 4 x 40l.....	1
51	639801						Ball Bearing (6007)	1
52	640739						Gear, 60 Complete (Includes Item 51).....	1
53	607938						Castle Nut, M22 - 1.5	2
54	639876						Axle Shaft L Complete (Includes Item 56).....	1
55	639881						Axle Shaft R Complete (Includes Item 56)	1
56	639836						Ball Bearing (6205DD).....	2
57	607939						Axle Case L Complete	1
58	607940						Axle Case R Complete.....	1
59	26814G01						Snap Ring, 52mm	2
60	639839						Flanged Hex Head Bolt, M8 - 1.25 x 60mm Lg.....	9
61	639840						Flanged Hex Head Bolt, M10 - 1.25 x 25mm Lg.....	10
62	639844						Shift Shaft Complete	1

THE USE OF NON U.L. PARTS WILL VOID ANY U.L. LISTING.

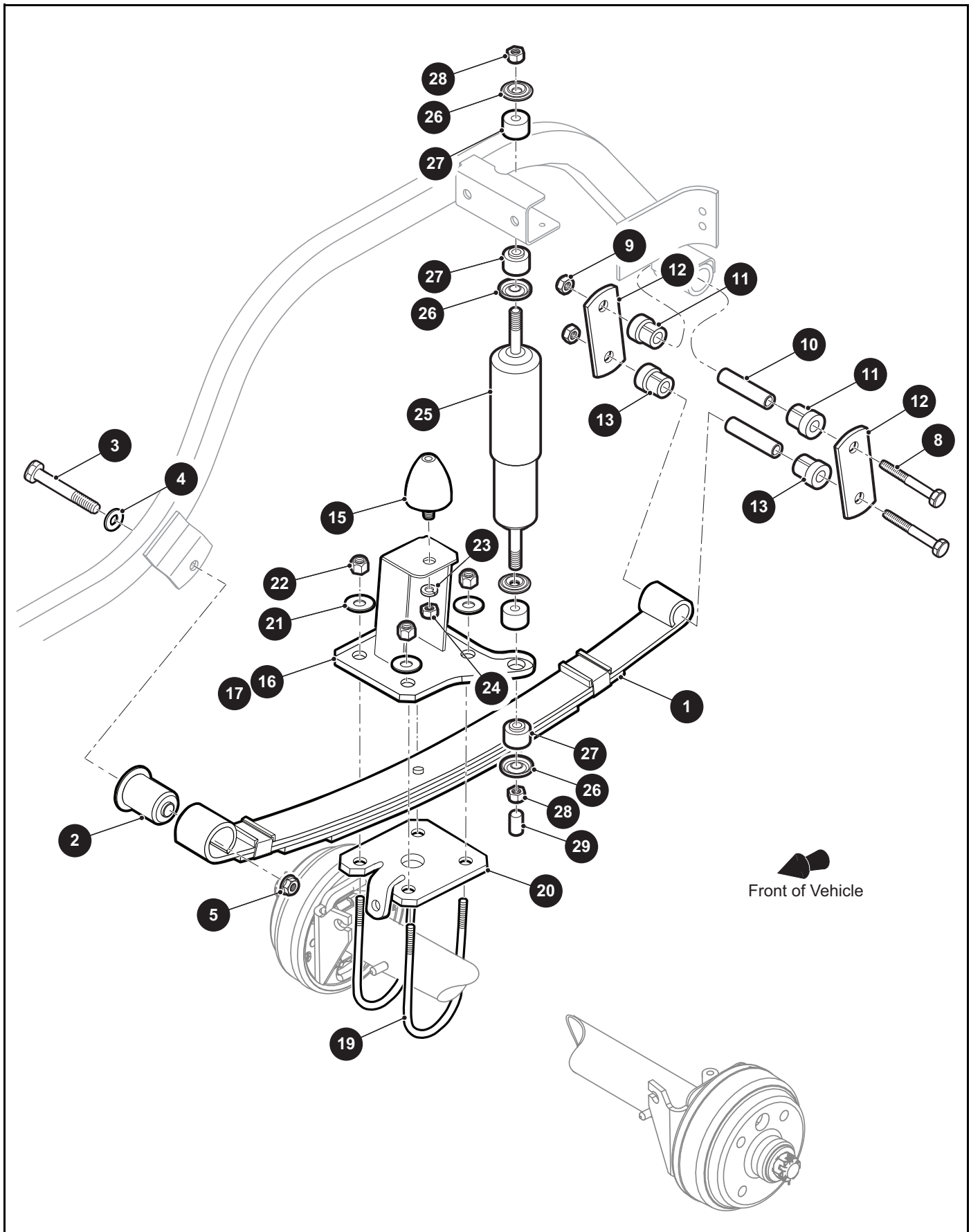
When ordering parts, please specify the model and serial number of the product.

* Indicates a component that is not available as an individual part.

*** Indicates consult Customer Service Department for additional information.

ITEM	PART NO.	1 2 3 4 5 DESCRIPTION	QTY.
63	639847	Differential Assembly (Includes Items 46, 48 and 52).....	1

REAR SUSPENSION



REAR SUSPENSION

THE USE OF NON U.L. PARTS WILL VOID ANY U.L. LISTING.

When ordering parts, please specify the model and serial number of the product.

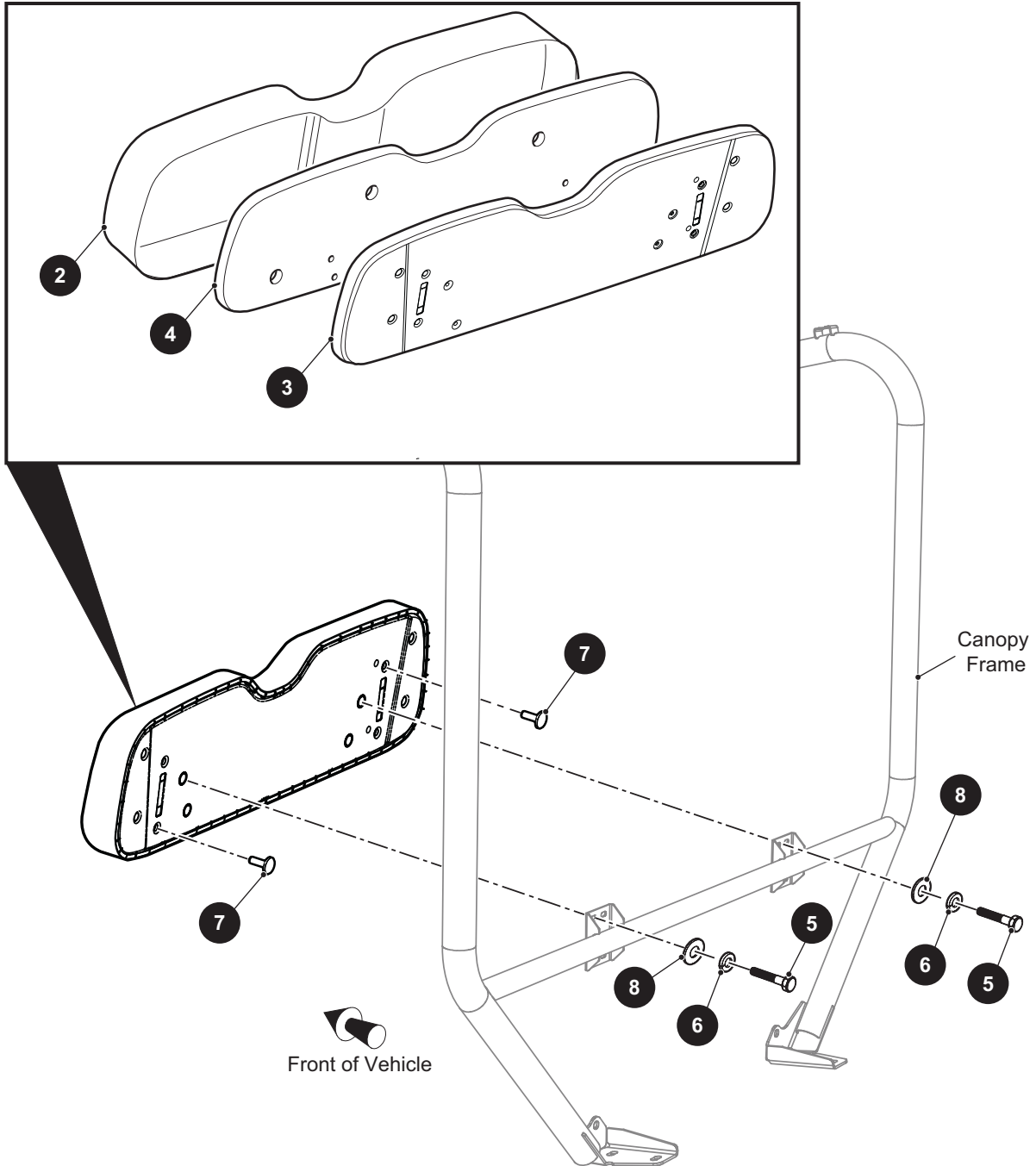
* Indicates a component that is not available as an individual part.

*** Indicates consult Customer Service Department for additional information.

ITEM	PART NO.	1 2 3 4 5	DESCRIPTION	QTY.
1	605722		Leaf Spring.....	1
2	605445		Leaf Spring Bushing (Front).....	1
3	00665G9		Hex Head Bolt (SS), 3/8" - 16 x 3.5" Lg.....	1
4	00643G1		Flat Washer, 3/8".....	1
5	12262G1		Flanged Lock Nut, 3/8" - 16.....	1
6				
7				
8	00665G9		Hex Head Bolt (SS), 3/8" - 16 x 3.5" Lg.....	2
9	11098G5		Lock Nut, 3/8" - 16.....	2
10	70289G02		Split Spacer (Steel), I.D .376" x O.D 1" x 1" Lg.....	2
11	624030		Flanged Bushing.....	2
12	652252G03		Shackle Plate.....	2
13	624030		Flanged Bushing.....	2
14				
15	70492G01		Rubber Bumper.....	1
16	652629G103		Spring Plate (Driver Side).....	1
17	652629G203		Spring Plate (Passenger Side).....	1
18				
19	32195G3		U-bolt, 3/8" - 16 x 5" Lg.....	2
20	652580		Rear Suspension Plate.....	1
21	00643G1		Flat Washer, 3/8".....	4
22	11098G5		Lock Nut, 3/8" - 16.....	4
23	608654		Split Lock Washer, M10.....	1
24	00974G01		Hex Nut, M10.....	1
25	642085		Shock Absorber.....	2
26	10435G1		Shock Absorber Washer, 1.25" O.D x .406" I.D.....	4
27	10194G1		Rubber Bushing.....	4
28	00532G6		Hex Nut, 3/8" - 24.....	2
29	10044G01		Vinyl Cap.....	1

SEATING

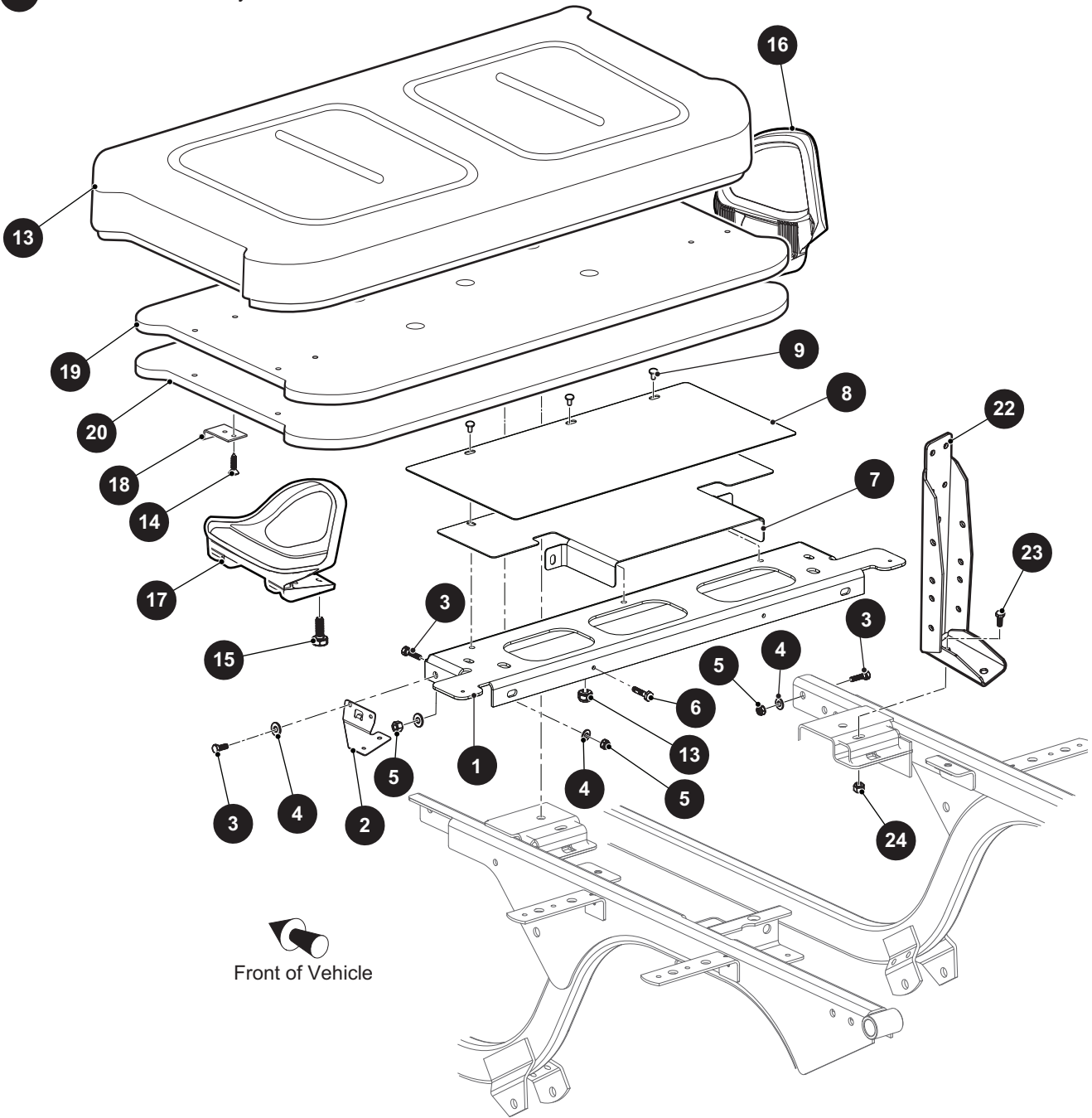
1 Seat Back Assembly includes items 2 - 4



THE USE OF NON U.L. PARTS WILL VOID ANY U.L. LISTING.
 When ordering parts, please specify the model and serial number of the product.
 * Indicates a component that is not available as an individual part.
 *** Indicates consult Customer Service Department for additional information.

ITEM	PART NO.	1 2 3 4 5	DESCRIPTION	QTY.
1	641897G0006		Seat Back Assembly (Black) (Includes Items 2 - 4)	1
2	644820G06		Vinyl Seat Back Cover (Black).....	1
3	605529		Seat Back Cover.....	1
4	644268		Seat Back Hip Base.....	1
5	605056		Hex Head Bolt (SS), 1/4" - 20 x 1" Lg	4
6	00664G7		Lock Washer, 1/4"	4
7	617533		Push Rivet.....	4
8	00793G2		Flat Washer (SS), 1/4"	4

12 Seat Bottom Assembly includes items 13 - 21



THE USE OF NON U.L. PARTS WILL VOID ANY U.L. LISTING.

When ordering parts, please specify the model and serial number of the product.

* Indicates a component that is not available as an individual part.

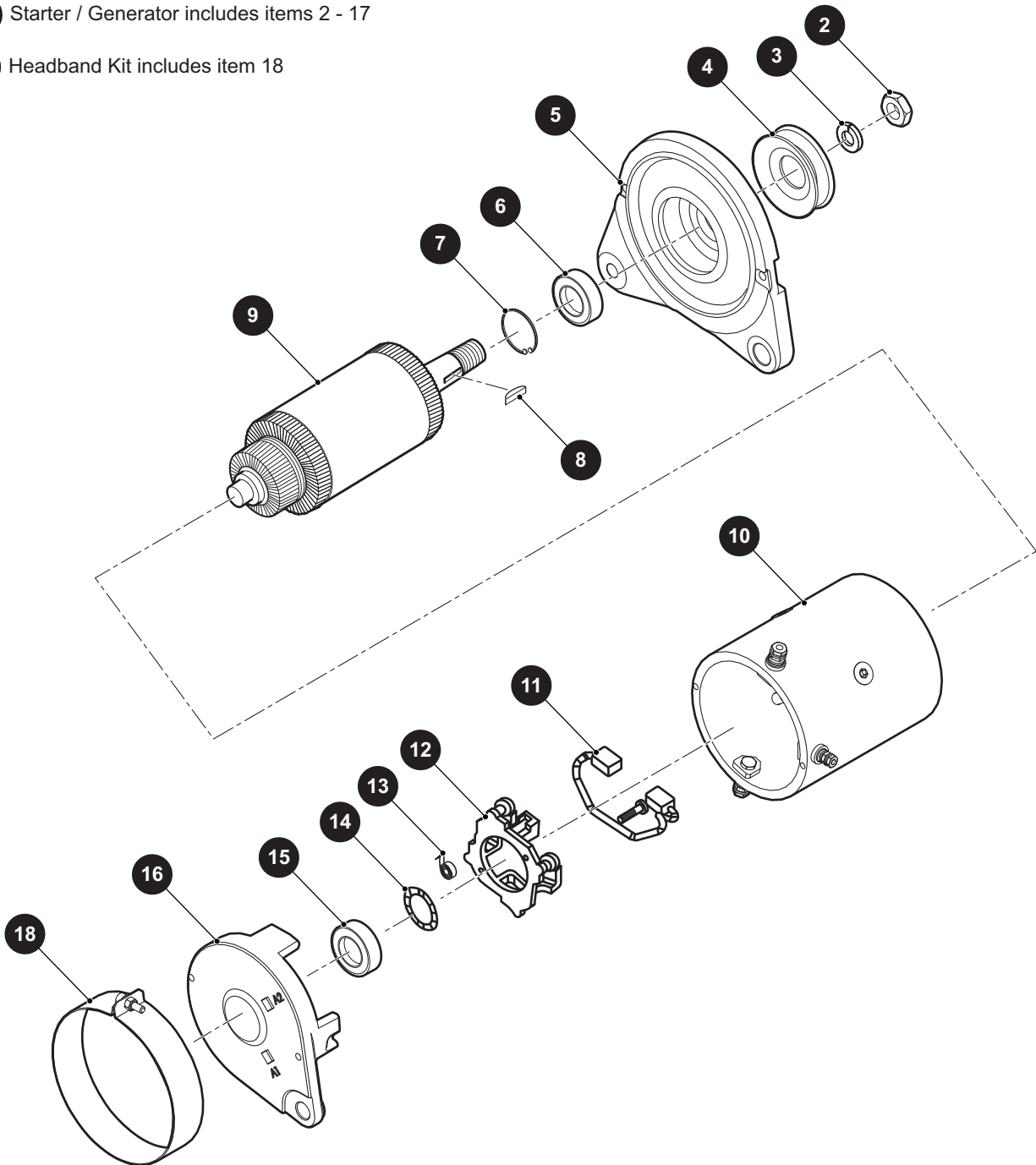
*** Indicates consult Customer Service Department for additional information.

ITEM	PART NO.	1 2 3 4 5	DESCRIPTION	QTY.
1	609567		Seat Back Support	1
2	660290		Air Cleaner Bracket	1
3	00438G8		Hex Head Bolt, 5/16" - 18 x 1" Lg, Grade 5	5
4	00571G2		Lock Washer, 5/16"	6
5	11098G6		Lock Nut, 5/16" - 18	5
6	00114G6		Hex Washer Head Tapping Screw, 1/4" - 14 x 3/4" Lg	2
7	609575		Access Cover	1
8	657165		Frame Closeout Cover	1
9	18436G1		Rivet, 1/4" x .75" Lg.....	3
10				
11				
12	629269G1506		Seat Bottom Assembly (Black) (Includes Items 13 - 21)	1
13	644819G06		Viny Seat Bottom Cover (Black)	1
14	00720G08		Flat Head Phillips Tapping Screw, #12 - 14 x 1" Lg	6
15	615417		Button Head Torx Bolt, M10 - 1.5 x 25mm Lg.....	8
16	617644		Hip Restraint (Passenger Side)	1
17	617645		Hip Restraint (Driver Side).....	1
18	71610G01		Seat Hinge	2
19	644351		Seat Bottom Wood Assembly	1
20	602551		Seat Bottom Cover	1
21	16816G2		Ratchet Rivet, .25 x .887 (Not Illustrated).....	4
22	652243G03		Seat Back Support Bracket	2
23	00427G2		Hex Head Bolt, 3/8" - 16 x 1.25" Lg, Grade 5	4
24	11098G5		Lock Nut, 3/8" - 16	4

STARTER AND GENERATOR

1 Starter / Generator includes items 2 - 17

17 Headband Kit includes item 18



STARTER AND GENERATOR

THE USE OF NON U.L. PARTS WILL VOID ANY U.L. LISTING.

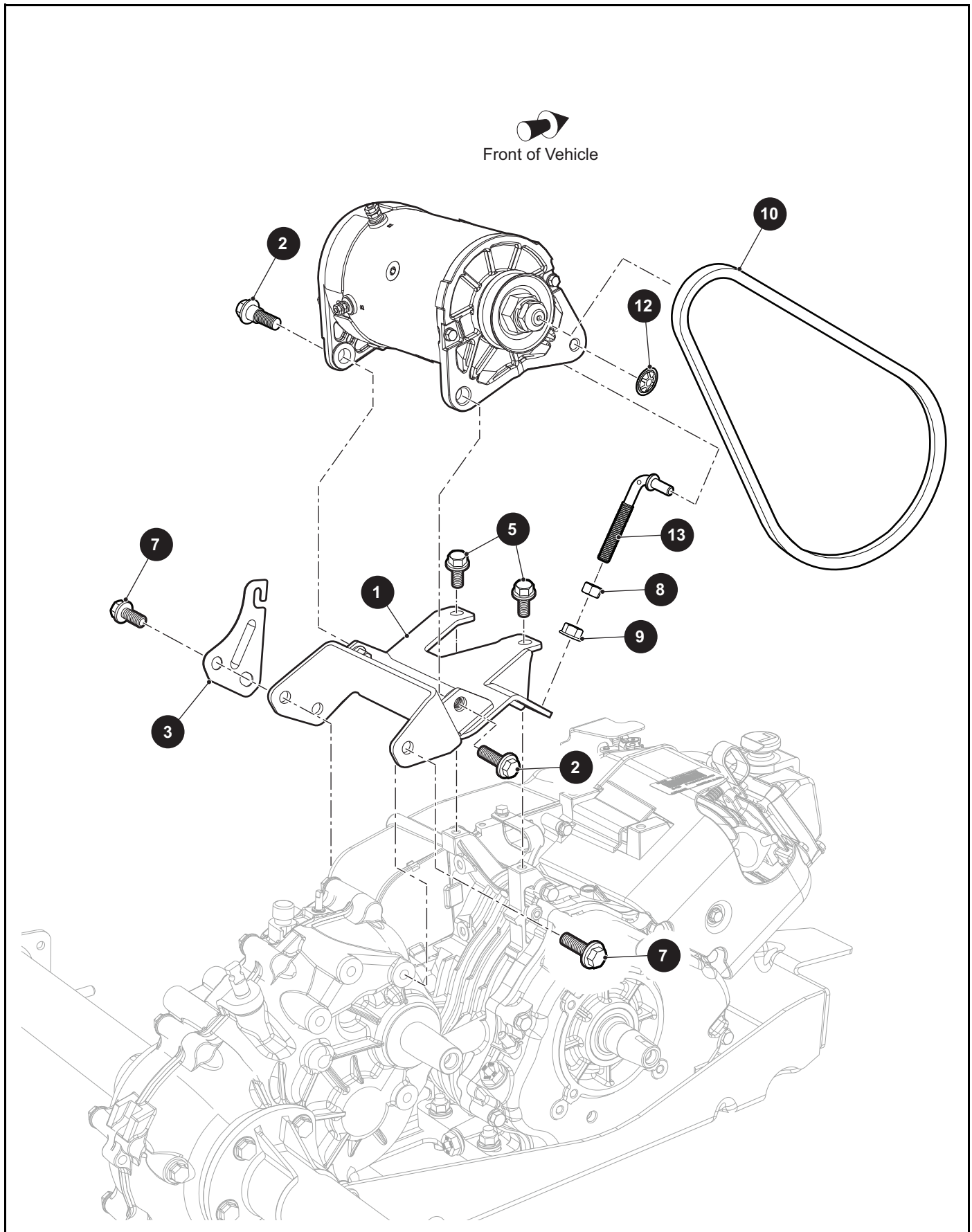
When ordering parts, please specify the model and serial number of the product.

* Indicates a component that is not available as an individual part.

*** Indicates consult Customer Service Department for additional information.

ITEM	PART NO.	1 2 3 4 5	DESCRIPTION	QTY.
1	660379		Starter / Generator (includes items 2 - 17).....	1
2	612029		Hex Nut.....	1
3	612030		Lock Washer.....	1
4	625716		Pulley, 2.5" O.D.	1
5	654715		Drive End Head	1
6	612033		Bearing	1
7	612034		Retaining Ring	1
8	612035		Woodruff Key	1
9	612036		Armature Assembly	1
10	654716		Frame and Field Assembly	1
11	612038		Brush Lead and Terminal Package.....	1
12	654717		Brush Box Assembly.....	1
13	656659		Brush Spring	4
14	612043		Wavy Washer	1
15	612044		Bearing	1
16	612045		Commutator End Head.....	1
17	658172		Headband Kit (Includes Item 18).....	1
18	654718		Headband.....	1

STARTER AND GENERATOR



STARTER AND GENERATOR

THE USE OF NON U.L. PARTS WILL VOID ANY U.L. LISTING.

When ordering parts, please specify the model and serial number of the product.

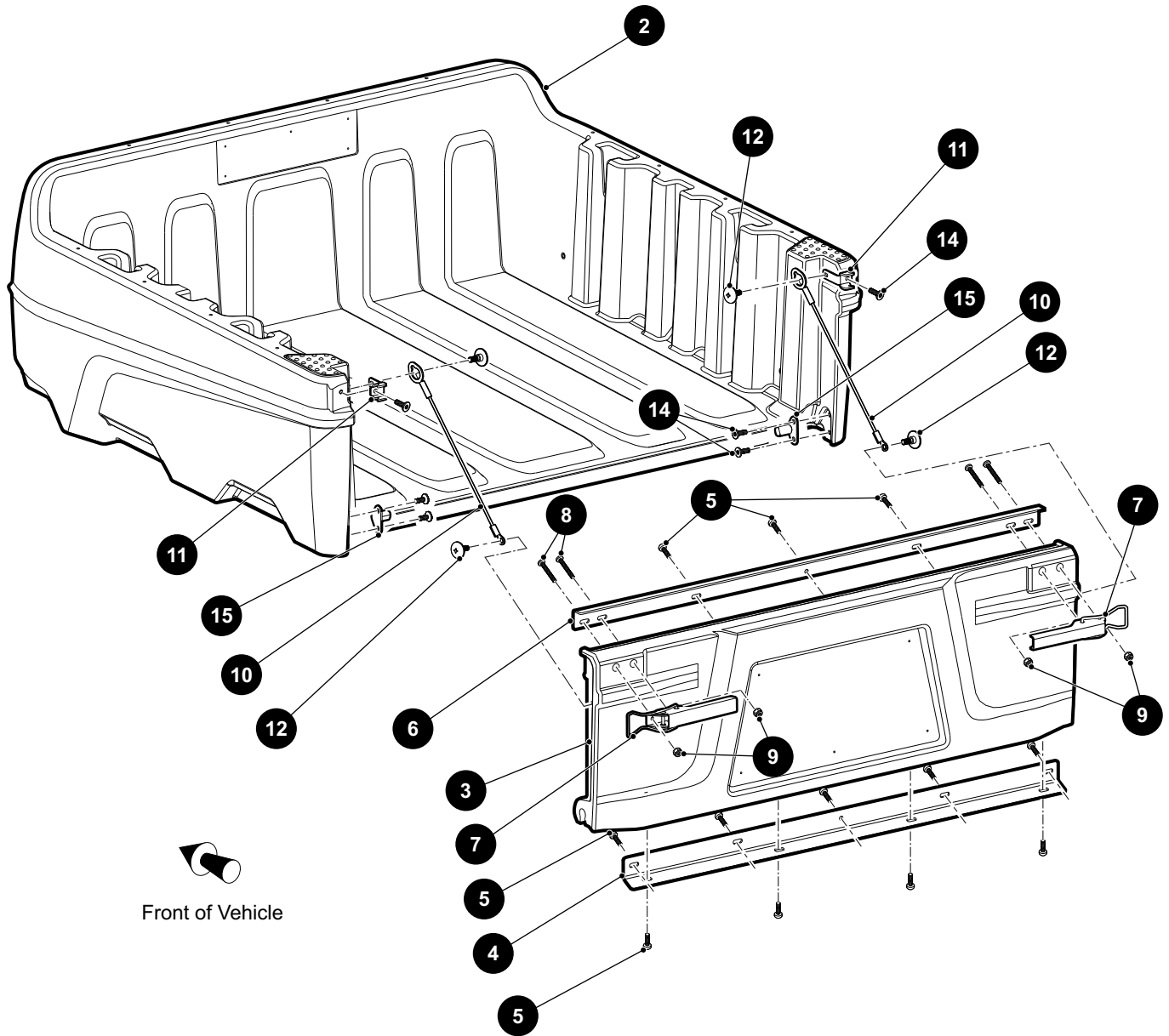
* Indicates a component that is not available as an individual part.

*** Indicates consult Customer Service Department for additional information.

ITEM	PART NO.	1 2 3 4 5	DESCRIPTION	QTY.
1	631972		Starter/Generator Support Bracket	1
2	606235		Flanged Hex Head Bolt, M10 - 1.25 x 20mm Lg	2
3	660001		Accelerator Cable Guide Bracket.....	1
4				
5	606261		Flanged Hex Head Bolt, M8 - 1.25 x 20mm Lg, Grade 8.8.....	2
6				
7	606256		Flanged Hex Head Bolt, M10 - 1.25 x 25mm Lg, Grade 8.8.....	3
8	606255		Hex Jam Nut, M10 - 1.25	1
9	606274		Flanged Hex Nut, M10 - 1.25	1
10	630587		Starter/generator Belt.....	1
11				
12	12064G6		Push Nut, 5/16"	1
13	629763		Tensioner Bolt	1

PLASTIC TRUCK BED

1 TRUCK BED ASSEMBLY, 40" includes items 2 - 15



THE USE OF NON U.L. PARTS WILL VOID ANY U.L. LISTING.

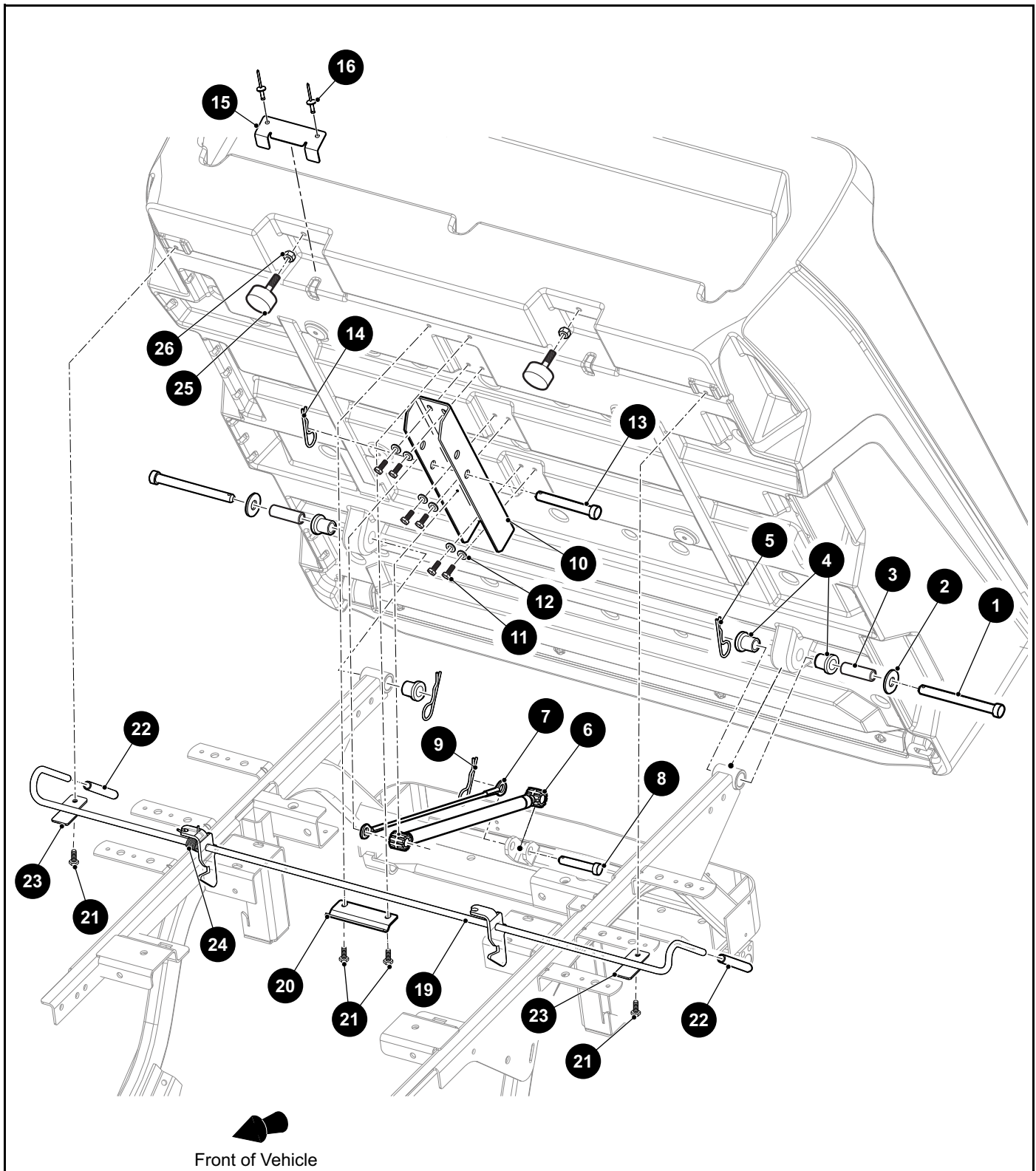
When ordering parts, please specify the model and serial number of the product.

* Indicates a component that is not available as an individual part.

*** Indicates consult Customer Service Department for additional information.

ITEM	PART NO.	1 2 3 4 5	DESCRIPTION	QTY.
1	699808		Truck Bed Assembly, 40" (Plastic) (Includes Items 2 - 15).....	1
2	649871		Bed, 40"	1
3	699804		Tailgate, 40"	1
4	651108		Lower Stiffener	1
5	663506		Pan Head Phillips Screw, 1/4" - 20 x 5/8" Lg	12
6	651107		Upper Stiffener	1
7	663143		Tailgate Latch	2
8	663718		Pan Head Phillips Head Screw, 1/4" - 20 x 3" Lg	4
9	663527		Lock Nut, 1/4" - 20	4
10	651635		Tailgate Cable Assembly	2
11	651110		Tailgate Bracket	2
12	73460G01		Shoulder Bolt, .875" Dia x 3/4" Lg	4
13				
14	663506		Pan Head Phillips Screw, 1/4" - 20 x 5/8" Lg	6
15	651109		Pivot Pin	2

TRUCK BED



18 Truck Bed Latch Assembly includes items 19 - 26

THE USE OF NON U.L. PARTS WILL VOID ANY U.L. LISTING.

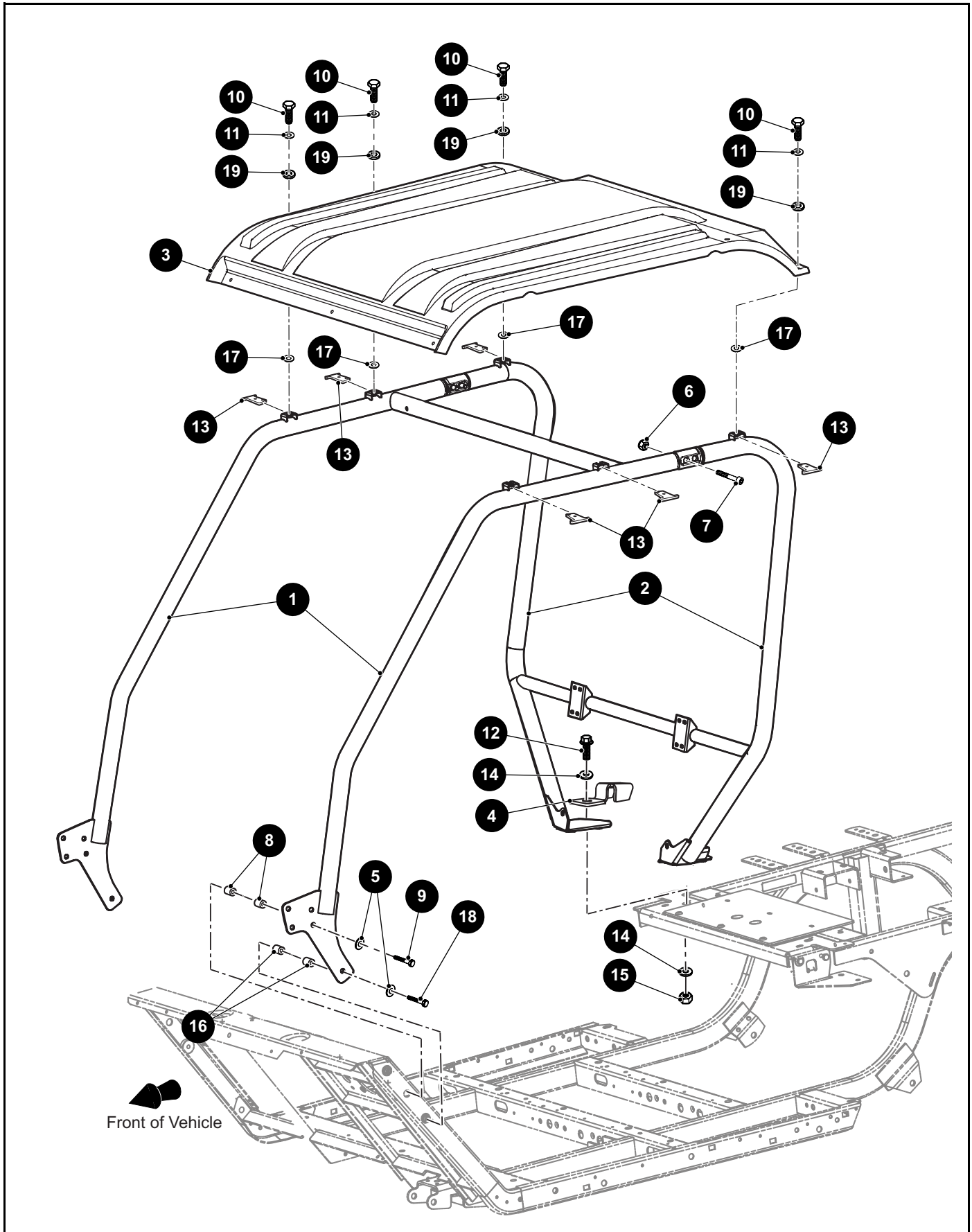
When ordering parts, please specify the model and serial number of the product.

* Indicates a component that is not available as an individual part.

*** Indicates consult Customer Service Department for additional information.

ITEM	PART NO.	1 2 3 4 5	DESCRIPTION	QTY.
1	71571G01		Clevis Pin, .5" Dia x 5.25" Lg	2
2	00571G5		Flat Washer, 1/2"	2
3	71570G01		Bushing (Acetal), 2.3" Lg	2
4	624030		Flanged Bushing, .93" Lg	4
5	21683G1		Cotter Pin, .320" x 2.969"	2
6	71537G02		Gas Spring	1
7	602904		Bed Tether Cable Assembly	1
8	14443G12		Clevis Pin, .5" Dia x 2.22" Lg	1
9	21683G1		Cotter Pin, .320" x 2.969"	1
10	71569G02		Gas Spring Channel	1
11	01118G01		Hex Head Bolt with Patch Lock, 1/4" - 20 x .62" Lg	6
12	00642G7		Flat Washer, 1/4"	6
13	14443G10		Clevis Pin, .5" Dia x 3" Lg	1
14	21683G1		Cotter Pin, .320" x 2.969"	1
15	658171		Latch Bed Plate	1
16	71055G01		Rivet (Aluminium), 3/16" x .985" Lg	2
17				
18	651708		Truck Bed Latch Assembly (Includes Items 19 - 26)	1
19	647965		Latch	1
20	652440G03		Latch Retainer Bracket	1
21	01118G01		Hex Head Bolt with Patch Lock, 1/4" - 20 x .62" Lg	4
22	71704G01		Handle Grip	2
23	657267		Retainer Bracket	2
24	71538G01		Torsion Spring	1
25	70113G01		Adjustable Rubber Bumper	2
26	11027G1		Lock Nut, 5/16" - 18	2

WEATHER PROTECTION



WEATHER PROTECTION

THE USE OF NON U.L. PARTS WILL VOID ANY U.L. LISTING.

When ordering parts, please specify the model and serial number of the product.

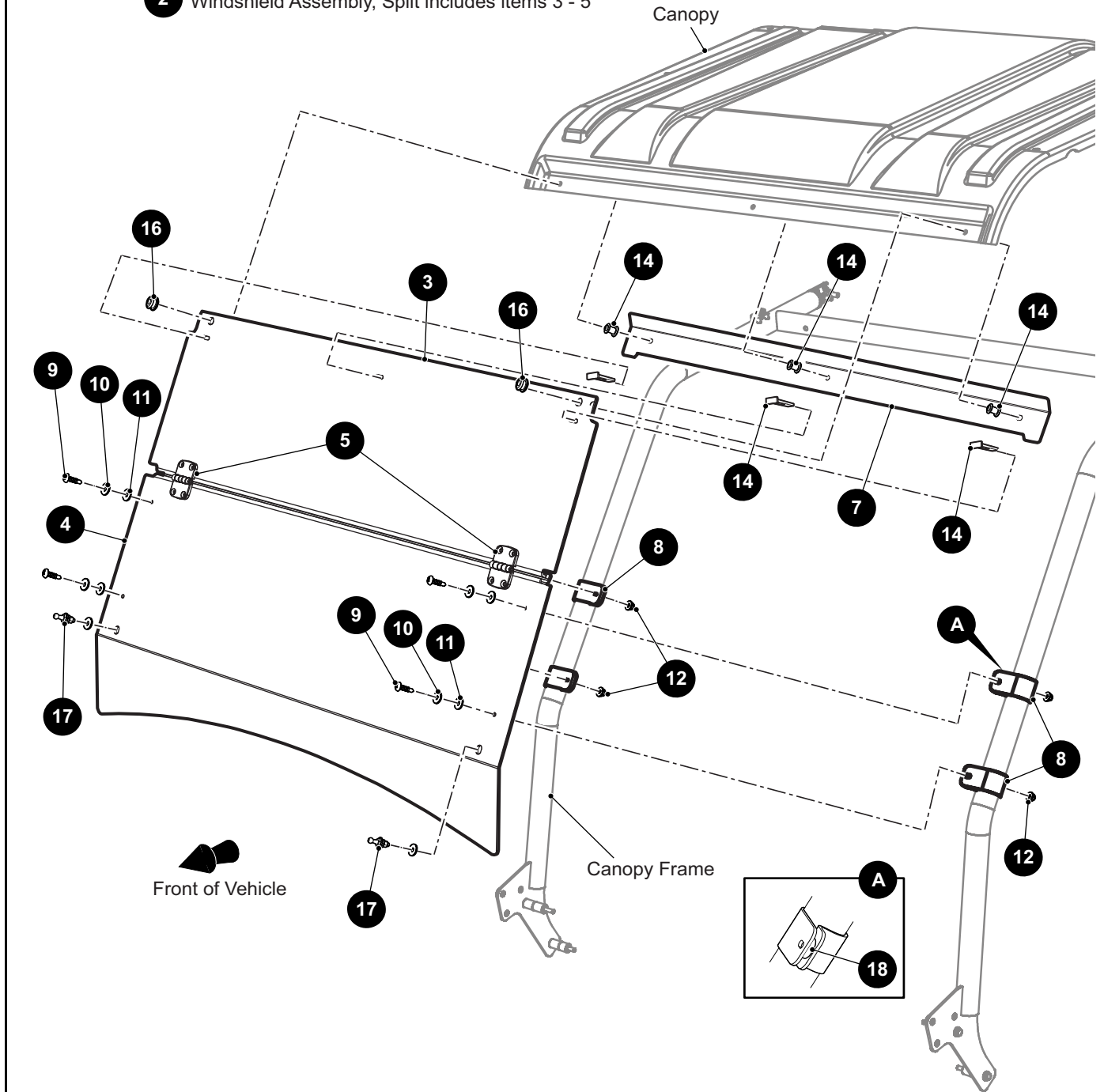
* Indicates a component that is not available as an individual part.

*** Indicates consult Customer Service Department for additional information.

ITEM	PART NO.	1 2 3 4 5	DESCRIPTION	QTY.
1	699820		Front Canopy Frame	1
2	699818		Rear Canopy Frame.....	1
3	681131		Canopy.....	1
4	652444G03		Bumper Bracket	2
5	00559G8		Flat Washer, 5/16".....	4
6	616675		Lock Nut, M10 - 1.5.....	4
7	630449		Socket Head Bolt, M10 - 1.50 x 45mm Lg, Grade 12.9	4
8	75048G04		Spacer, .328" x .75" x 1"	6
9	00441G2		Hex Head Bolt, 5/16" - 18 x 3 1/4" Lg	2
10	601326		Button Head Torx Bolt, M6 - 1 x 20mm Lg, Grade 8.8	6
11	608747		Flat Washer, M6 - 1.5.....	6
12	00427G2		Hex Head Bolt, 3/8" - 16 x 1 1/4" Lg, Grade 5	4
13	10004491		Canopy Bracket.....	6
14	00560G1		Flat Washer, 3/8".....	8
15	11098G5		Lock Nut, 3/8" - 16	4
16	619586		Spacer.....	4
17	10000646		Rubber Flat Washer, M6 x 1.5	6
18	00440G6		Hex Head Bolt, 5/16" - 18 x 2 3/4" Lg, Grade 5	2
19	10004644		Rubber Flat Washer, .812" O.D. x .355" I.D.....	6
20			Items 21 - 25 Not Shown	
21	10001080		Rear View Mirror Kit	1
22	PF11712		Rear View Mirror	1
23	10002444		Torx Bolt, M4 - .7 x 16mm Lg	4
24	10002657		Flat Washer, M4	4
25	602053		Lock Nut, M4 - .7.....	4

WEATHER PROTECTION

- 1 Split Windshield Kit includes items 2 - 19
- 2 Windshield Assembly, Split includes items 3 - 5



WEATHER PROTECTION

THE USE OF NON U.L. PARTS WILL VOID ANY U.L. LISTING.

When ordering parts, please specify the model and serial number of the product.

* Indicates a component that is not available as an individual part.

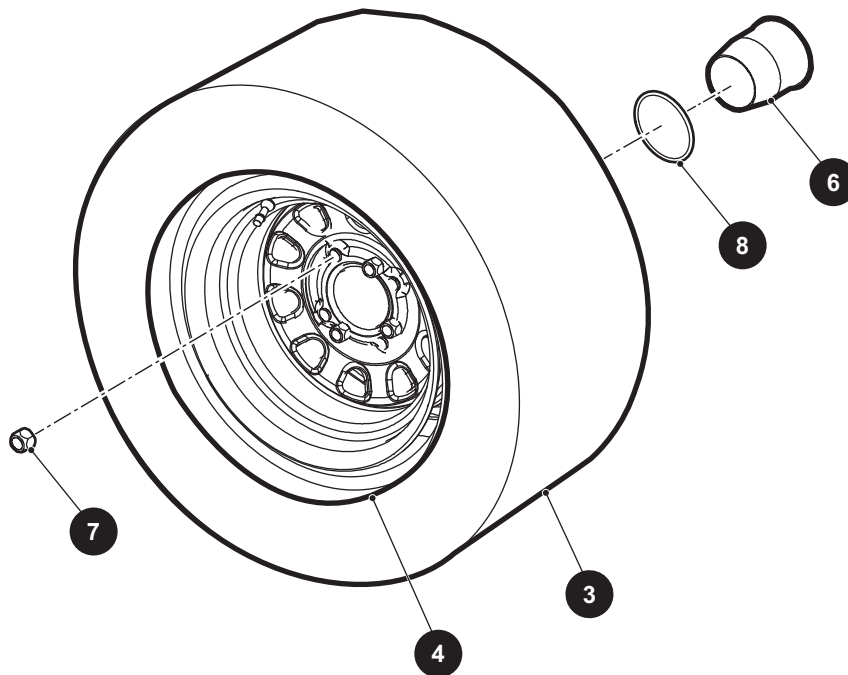
*** Indicates consult Customer Service Department for additional information.

ITEM	PART NO.	1	2	3	4	5	DESCRIPTION	QTY.
1	699872						Split Windshield Kit (Includes Items 2 - 19).....	1
2	10000627						Windshield Assembly, Split (Includes Items 3 - 5)	1
3	10000105						Upper Windshield.....	1
4	10000106						Lower Windshield.....	1
5	670309						Hinge.....	2
6								
7	682911						Canopy Support.....	1
8	646017						P-Clamp.....	4
9	634161						Flanged Button Head Torx Bolt, M6 - 1 x 30mm Lg.....	4
10	608747						Flat Washer, M6 x 1.5.....	4
11	10000646						Flat Washer (Rubber), M6 x 1.5	9
12	601476						Lock Nut, M6 - 1	4
13								
14	670248						Latch.....	3
15								
16	670249						Grommet (Rubber)	2
17	670251						Lower Pin.....	2
18	10002227						Spacer, .810" x .415" x .25"	4
19	640577						Rubber Pad (Not Illustrated).....	3

WHEELS AND TIRES

- 1 Wheel and Tire Assembly, Left Side, Desert Eagle includes items 3 - 4
- 2 Wheel and Tire Assembly, Right Side, Desert Eagle includes items 3 - 4

(Style of tire may differ from tire shown)



WHEELS AND TIRES

THE USE OF NON U.L. PARTS WILL VOID ANY U.L. LISTING.

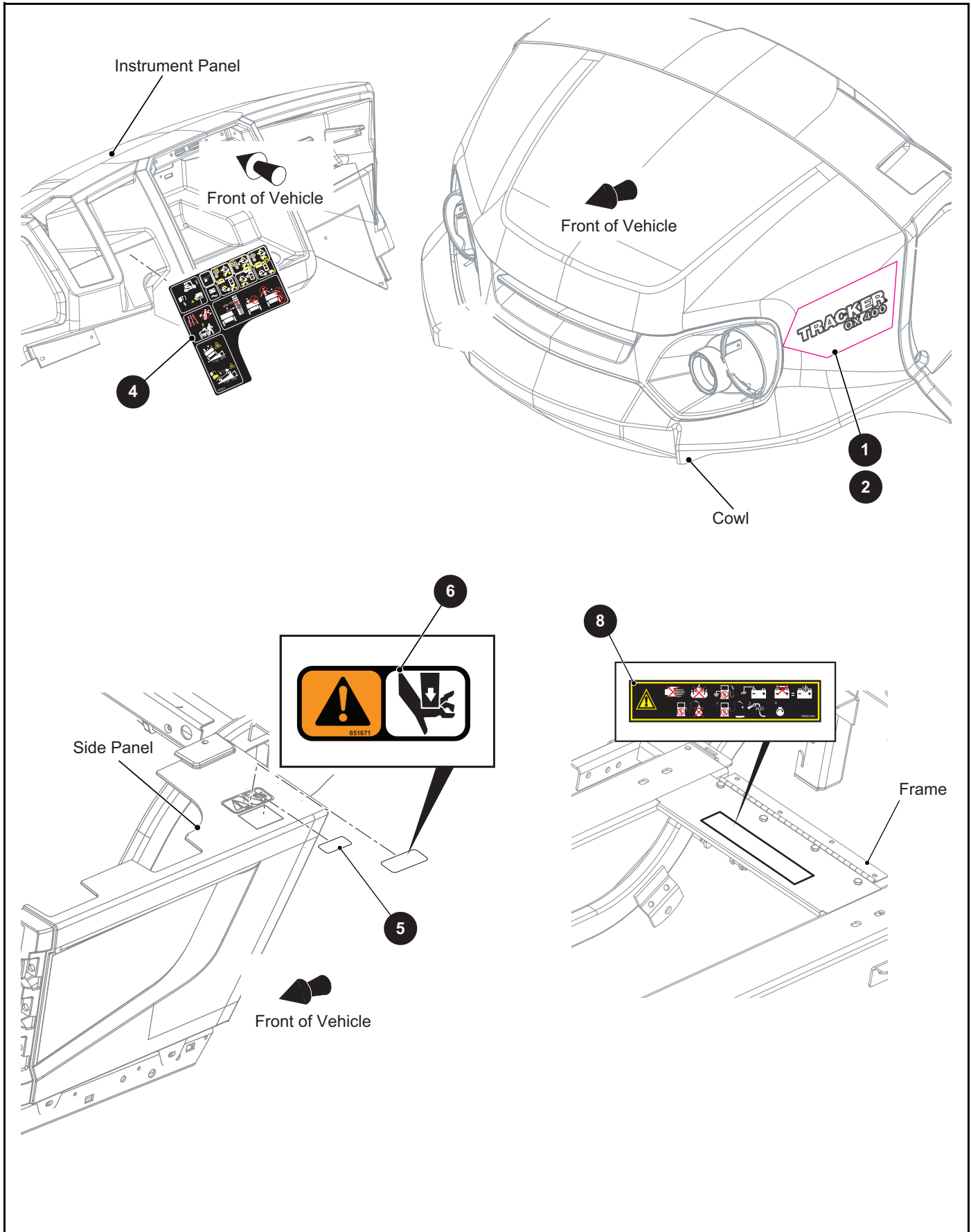
When ordering parts, specify the model and serial number of the product.

* Indicates a component that is not available as an individual part.

*** Indicates consult Customer Service Department for additional information.

ITEM	PART NO.	1 2 3 4 5	DESCRIPTION	QTY.
1	699797		Wheel and Tire Assembly, Left Side, Desert Eagle (Includes Items 3 - 4)	1
2	699796		Wheel and Tire Assembly, Right Side, Desert Eagle (Includes Items 3 - 4).....	1
3	653602G01		Tire, 23 x 10 - 12.....	1
4	631041		Wheel, 12 x 7.....	1
5				
6	630268		Center Cap.....	1
7	14723G1		Lug Nut, 1/2" - 20	4
8	650164		O-Ring.....	1

DECALS AND LABELS

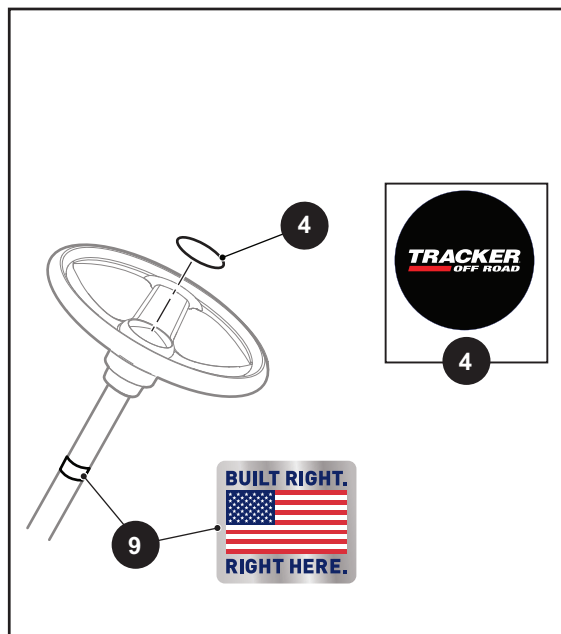
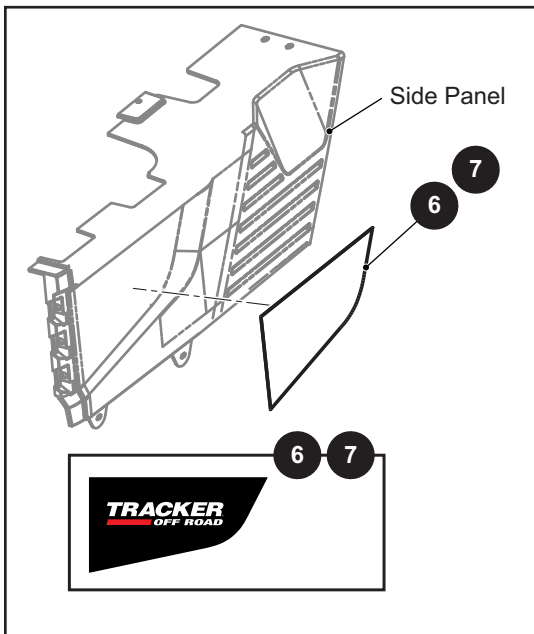
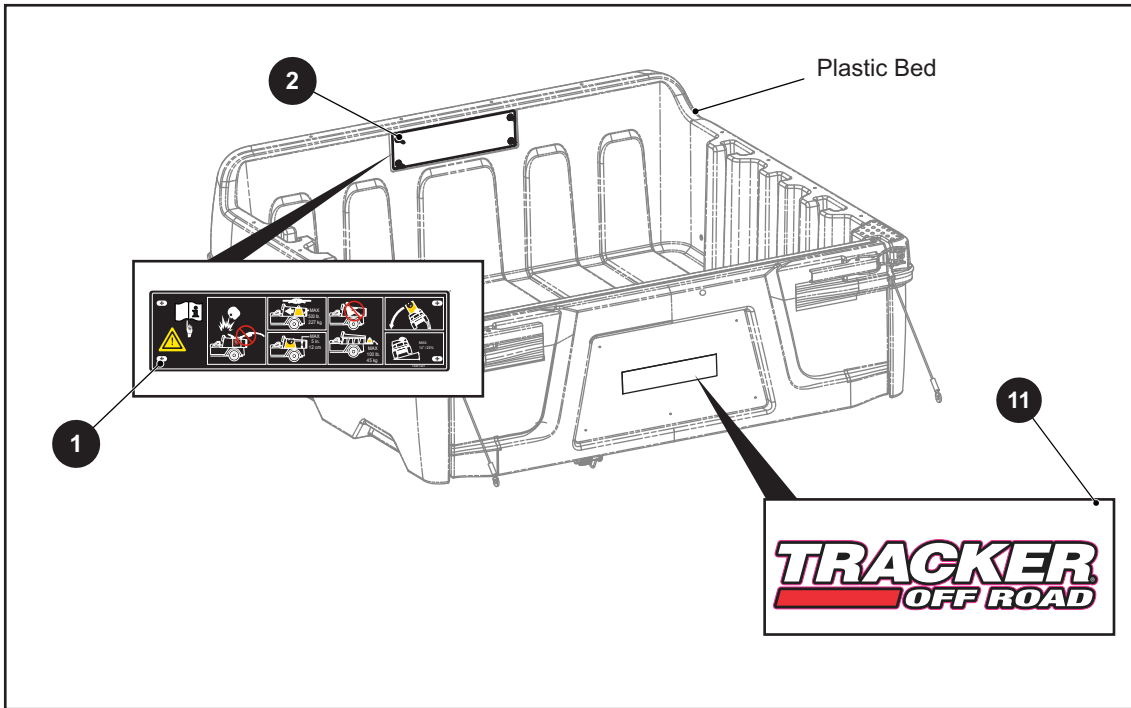


DECALS AND LABELS

THE USE OF NON U.L. PARTS WILL VOID ANY U.L. LISTING.
 When ordering parts, please specify the model and serial number of the product.
 * Indicates a component that is not available as an individual part.
 *** Indicates consult Customer Service Department for additional information.

ITEM	PART NO.	1 2 3 4 5	DESCRIPTION	QTY.
1	699787G02		Cowl Decal (Passenger Side)	1
2	699787G01		Cowl Decal (Driver Side).....	1
3				
4	699801		Operating Instruction Label	1
5	74099G01		Bed Latch Warning Decal	1
6	651671		Pinch Warning Label	1
7				
8	74093G01		Engine Warning Label.....	1

DECALS AND LABELS



DECALS AND LABELS

THE USE OF NON U.L. PARTS WILL VOID ANY U.L. LISTING.
 When ordering parts, please specify the model and serial number of the product.
 * Indicates a component that is not available as an individual part.
 *** Indicates consult Customer Service Department for additional information.

ITEM	PART NO.	1 2 3 4 5	DESCRIPTION	QTY.
1	74821G01		Load Bed Label (Plastic) (800lbs)	1
2	71055G01		Rivet (Aluminum), 3/16" x .985" Lg	4
3				
4	695284		Steering Wheel Decal	1
5				
6	692808G111		Side Panel Decal (Driver Side)	1
7	692808G211		Side Panel Decal (Passenger Side).....	1
8				
9	685698		MADE IN USA Decal.....	1
10				
11	7411-166		Tracker Off Road Decal.....	1



MANUFACTURER INFORMATION

Textron Specialized Vehicles, Inc.
1451 Marvin Griffin Road.
Augusta, Georgia, USA 30906-3852

Dealer: 800-296-4804
Consumer: 877-394-6727

Owner's Guides and Repair Manuals are available
from the manufacturer.

Copyrighted Material
This manual may not be reproduced in whole
or in part without the express permission of
the manufacturer.